

2014



WIPER BLADES

WISCHBLÄTTER

RUITENWISSERS

BALAIS D'ESSUIE-GLACE

TORKARBLAD

ESCOBILLAS
LIMPIAPARABRISAS

ESCOVAS LIMPIA VIDROS

SPAZZOLE
TERGICRISTALLO

ЩЕТКИ
СТЕКЛОЧИСТИТЕЛЯ

WYCIERACZKI

ΥΑΛΟΚΑΘΑΡΙΣΤΗΡΕΣ

SILECEK SÜPÜRGELERİ

ПҮҮНКИЈÄНСҮЛАТ



SCAN QR-CODE
AND DOWNLOAD
THE CATALOGUE



valeo added 

OPTIBLADE® TRUCKS

www.valeoservice.com



valeo added  Automotive technology, naturally 

Discover the new cardboard packaging...
**attractive Truck
 Featured!**

Benefits:

1. Brand visibility on top of the pack
2. Clear key applications list with main vehicles
3. Immediate identification of the market thanks to the Truck image
4. Visibility of the range name
5. Fast product type identification
6. Focus on product benefits
7. Emphasizing the European production as a guarantee of product quality
8. Clear and detailed fitting instructions



Made of steel for the pro

optiBLADE® Trucks

Range benefits



Durable
rubber
Coating

DURABILITY

Durable rubber coating:
rubber blades ensure an efficient
and long-lasting wipe whatever
the weather conditions.



Full
Metal

ROBUSTNESS

100% metal blade:
robust wiping performance
guaranteed for Truck vehicles.

QUALITY

European production:
the blades have been designed,
manufactured and tested
by Valeo engineers
in its own factory.



DESIGNED &
MANUFACTURED
IN EUROPE

Made of steel for the pro

optiBLADE® Trucks

The range

Total of 8 part numbers: a single X1 range

3 Part numbers with washer ramp to cover specific applications

Easy to stock: a short range

Blade length: from 500mm to 700mm

High coverage: 86% of European Truck parc*



Valeo	X1 X2	mm/"			Main applications:
628 500	X1	500 / 20"		A	MAN M 2000 L (04/96>10/05), MERCEDES-BENZ Unimog U5000, RENAULT TRUCKS Trafic (04/89>03/01)
628 550	X1	550 / 22"		A	DAF XF 510 (03/13>), FIAT Ducato (05/94>06/06), FORD Transit (01/86>02/00)
628 600	X1	600 / 24"		T7, T11	MAN F 2000 (10/94>), MERCEDES-BENZ Unimog U20, VOLKSWAGEN Transporter T5 (11/03>)
628 601	X1	600 / 24"	Washer ramp mounted on blade	M10	IVECO Daily City (11/00>), RENAULT TRUCKS Master 3 (11/99>03/10), VOLVO FL (12/06>)
628 650	X1	650 / 26"		T7, T8, T11	IVECO Stralis (02/08>), MERCEDES-BENZ Atego (04/98>), VOLVO FM / FMX (02/06>)
628 651	X1	650 / 26"	Washer ramp mounted on blade	M10	RENAULT TRUCKS D, C (2013>), Kerax (01/06>), Premium (01/06>), VOLVO FE (12/06>)
628 700	X1	700 / 28"		T7, T8	MERCEDES-BENZ Actros MP2/MP3 (01/97>2013), RENAULT TRUCKS Magnum (03/97>2013), SCANIA P,R,T (04>08/05)
628 701	X1	700 / 28"	Washer ramp mounted on blade	T7	MERCEDES-BENZ Actros MP4 (10/11>), SCANIA Serie P,R,T (09/05>), VOLVO FH / FH 16 (03/13>)

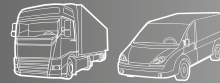
*Truck/LCV vehicles equipped in O.E. with standard blades lengths between 500 mm and 700 mm.
Countries considered: Germany, France, Italy, Spain, UK, Poland, Turkey, Netherlands.

Made of steel for the pro

Summary

1

REF. *optiBLADE*®



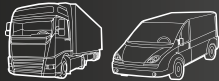
> P 03

2

SYMBOLS AND ABBREVIATIONS

> P 04

3



REF. *optiBLADE*® > P 05

4

CROSS IAM



REF. *optiBLADE*® > P 13

5

ADAPTORS AND FITTING INSTRUCTIONS

> P 14

	x1 x2				For	
--	----------	--	--	--	-----	--

optiBLADE® Trucks						
628500	x1	500/20	9x3 9x4	A	FIAT MAN MERCEDES-BENZ MERCEDES-BENZ RENAULT TRUCKS (R.V.I.)	DUCATO (05/81>04/94) CLA (2012>) UNIMOG U5000 ZETROS 1833A / 2733A TRAFIC (04/89>03/01)
628550	x1	550/22	9x4	A	DAF FIAT FORD PEUGEOT VOLKSWAGEN	XF (03/13>) DUCATO (05/94>06/06) TRANSIT (01/86>02/00) PARTNER 1/ -Origin (06/96>) TRANSPORTER T4 (09/90>12/03)
628600	x1	600/24	12x4 9x4	T7 T11	DAF MAN MERCEDES-BENZ MERCEDES-BENZ VOLKSWAGEN	CF 65, CF 75, CF 85 (03/98>2013) F 2000 (10/94>) SPRINTER 208D ... 412D (05/95>05/06) 🚐 UNIMOG U20 TRANSPORTER T5 (11/03>) 🚐
628601	x1	600/24 	9x4	M10	DAF IVECO RENAULT TRUCKS (R.V.I.) RENAULT TRUCKS (R.V.I.) RENAULT TRUCKS (R.V.I.)	LF (2013>) DAILY Daily City (11/00>) MASCOTT (11/99>03/10) MASTER (11/99>03/10) MIDLUM (01/01>2013)
628650	x1	650/26	12x4 9x4	T7 T8 T11	IVECO IVECO MERCEDES-BENZ MERCEDES-BENZ VOLVO	STRALIS (02/08>) TRAKKER Hi-LAND (01/13>) ATEGO (04/98>) AXOR 2528...2543 (09/01>2012) FM / FMX (02/06>)
628651	x1	650/26 	9x4	M10	RENAULT TRUCKS (R.V.I.) RENAULT TRUCKS (R.V.I.) RENAULT TRUCKS (R.V.I.) RENAULT TRUCKS (R.V.I.) VOLVO	C (PREMIUM) C : 250 350 CH (2013>) D WIDE (PREMIUM) (2013>) KERAX (01/06>) 🚐 PREMIUM / Premium Lander / Premium Distribution (01/06>2013) 🚐 FE (12/06>) 🚐
628700	x1	700/28	12x4 9x4	T7 T8	MAN MERCEDES-BENZ MERCEDES-BENZ RENAULT TRUCKS (R.V.I.) SCANIA	TGX, TGS (2008>) ACTROS MP2/ MP3 (01/97>2013) UNIMOG U400 / U500 MAGNUM / AE 380---520 (03/97>2013) T Series T 380...580 (2004>08/05)
628701	x1	700/28 	12x4	T7	MERCEDES-BENZ MERCEDES-BENZ SCANIA SCANIA VOLVO	ACTROS MP4 (10/11>) ANTOS (09/12>) G Series G 400 / 480 (2008>) P (09/05>) FH (03/13>)



D	Baujahr
GB	Dates
F	Date
NL	Data
E	Fecha
P	Data
I	Data
PL	Data
RU	Даты
TU	Uygulama tarihi
GR	Ημερομηνία διάθεσης
S	Årsmodell
DK	Årgang
FIN	Päivämäärä



D	Fahrerseite
GB	Driver Side
F	Côté conducteur
NL	Bestuurder
E	Lado conductor
P	Lado condutor
I	Lato guida
PL	Strona kierowcy
RU	Сторона водителя
TU	Sürücü tarafı
GR	Κάθισμα οδηγού
S	Förarsida
DK	Førerside
FIN	Kuskin puoli



D	Beifahrerseite
GB	Passenger Side
F	Côté passager
NL	Passagier
E	Lado pasajero
P	Lado passageiro
I	Lato passeggero
PL	Strona pasażera
RU	Сторона пассажира
TU	Yolcu tarafı
GR	Κάθισμα συνοδηγού
S	Passagerarsida
DK	Passagerside
FIN	Matkustajan puoli



D	Nur für Linkslenker
GB	For Left Hand Drive only
F	Conduite à gauche uniquement
NL	Voor linksgestuurde alleen
E	Únicamente para conducción a izquierda
P	Para conducir a esquerda unicamente
I	Guida a sinistra
PL	Wyłącznie dla ruchu lewostronnego
RU	только для леворульных машин
TU	Sadece soldan direksiyonlu araçlar için
GR	Για Αριστεροτίμονο μόνο



D	Nur für Rechtslenker
GB	For Right Hand Drive only
F	Conduite à droite uniquement
NL	Rechtsgestuurd voertuig
E	Únicamente para conducción a derechas
P	Para conducir a direita unicamente
I	Guida a destra
PL	Tylko ruch lewostronny
RU	Только для авто с правым расположением руля
TU	Yalnızca sağdan direksiyonlu araçlar için
GR	Τιμόνι στη δεξιά μεριά
S	Endast för högerstyrd
DK	Kun Højrestyrede
FIN	Vain oikean puoleiselle liikenteelle



D	Adapter
GB	Adaptor
F	Adaptateur
NL	Adapter
E	Adaptador
P	Adaptador
I	Adattatore
PL	Adaptor
RU	Адаптер
TU	Adaptör
GR	Αντάπτορες
S	Adapter
DK	Adaptor
FIN	Adaptteri



D	Aufgesetzte Waschdüsen
GB	Washer ramp mounted on blade
F	Rampe d'arrosage montée
NL	Sproeigalerij gemonteerd op wisserblad
E	Rampa surtidora incorporada
P	Sistema de rega montado
I	Distributore per lavavetro incorporato
PL	Z zamontowanym spryskiwaczem
RU	щётка с форсункой омывателя
TU	Su püskürtücülere kol üzerinde
GR	Σύστημα πλύσης ενσωματωμένο στον υαλοκαθαριστήρα
S	Spolarmunstick
DK	Tuulilasin pesuneste
FIN	Sprinklerdyse, -bro monteret



D	Mit Verbindungsschlauch
GB	With connection
F	Avec Raccord
NL	Met verbinding
E	Con racor
P	Com conexao
I	Con raccordo
PL	z łącznikiem
RU	С соединителем
TU	Bağlantılı
GR	με σύνδεση



D	Kurzes Fahrerhaus
GB	Cab over Engine
F	Modèle à cabine avancée
NL	Frontgestuurde cabine
E	Modelo de cabina avanzada
P	Modelo de cabina avançada
I	Modello a cabina avanzata
PL	Model z kabiną nad silnikiem
RU	Моторный отсек под кабиной
TU	Burunsuz kasa (Kabin motor üzerinde)
GR	οντέλο με καμπίνα πίσω από τον κινητήρα



D	Haubenfahrzeug
GB	Cab behind Engine
F	Modèle à moteur avancé
NL	Torpedo cabine
E	Modelo de cabina con motor avanzado
P	Modelo de cabina com motor avançado
I	Modello a motore avanzato
PL	Model z kabiną za silnikiem
RU	Моторный отсек перед кабиной
TU	Burunlu kasa (Kabin motor arkasında)
GR	Μοντέλο με καμπίνα επάνω στον κινητήρα



D	Untere Scheibe
GB	Lower Windscreen
F	Vitre basse, Pare-Brise inférieur
NL	Onderste voorruit
E	Parabrisas inferior
P	Pára - brisas inferior
I	Parabrezza inferiore
PL	Szyba przednia dolna
RU	нижняя зона ветрового стекла
TU	Alt ön cam
GR	Κάτω παρμπρίζ



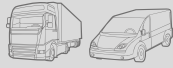
D	Obere Scheibe
GB	Upper Windscreen
F	Vitre haute, Pare-Brise supérieur
NL	Bovenste voorruit
E	Parabrisas superior
P	Pára - brisas superior
I	Parabrezza superiore
PL	Szyba przednia górna
RU	верхняя зона ветрового стекла
TU	Üst ön cam
GR	Άνω παρμπρίζ

For



ASTRA									
ASTRA HD9	(base Iveco Stralis)		2012 →	628650	T7	628650	T7		
AUWÄRTER									
SUPER SPRINTER MB 416 / MB616				628600	T11	628550	A		
AUWÄRTER (NEOPLAN)									
CITYLINER	N116 ...	▲	02/86 →	628550	A	628550	A		
AVIA									
1000, 1250, 1601, 1602, 2000				628500	A	628500	A		
3601, 3602, 5601, 5603				628500	A	628500	A		
F260, F275				628500	A	628500	A		
BEDFORD									
TK SERIE			01/78 →	628500	A	628500	A		
BOVA									
MB 0614				628600	T11	628600	T11		
CITROËN									
BERLINGO	1/ -First		06/96 →	628550	A	628550	A		
C25			12/81 → 02/94	628500	A	628500	A		
C32			12/81 → 02/94	628500	A	628500	A		
C35			11/73 → 12/91	628500	A	628500	A		
DISPACH		🚗	10/95 → 12/06	628650	T11	628500	A		
JUMPER			02/94 → 06/06	628550	A	628550	A		
JUMPY			10/95 → 12/06	628650	T11	628500	A		
RELAY		🚗	02/94 → 06/06	628550	A	628550	A		
DAF									
CF	CF 65, CF 75, CF85		03/98 → 2013	628600	T11	628600	T11		
F 45-101	F 95		06/91 → 02/97	628550	A	628550	A		
F 45-97	F 65		01/93 → 1998	628600	T11	628600	T11		
F 45-98	F 75		01/92 → 1998	628600	T11	628600	T11		
F 45-99	F 85		01/92 → 1998	628600	T11	628600	T11		
F 500-F 3602	F 1600 ... F 3600		01/73 → 1992	628500	A	628500	A		
LF	LF 45	☞	04/01 → 2013	628601	M10	628601	M10		
	LF 55	☞	04/01 → 2013	628601	M10	628601	M10		
	LF (Euro 6)	☞	2013 →	628601	M10	628601	M10		
XF	XF 95		03/97 →	628550	A	628550	A		
	XF 105		03/06 →	628550	A	628550	A		
	XF 510 (Euro 6)		03/13 →	628550	A	628550	A		
EBRO									
F 260-F 350	F 260 ... F 350		04/85 →	628500	A	628500	A		
F 260-F 351	JX		01/86 →	628500	A	628500	A		
F 260-F 352	L 35, L 60, L 80		01/80 →	628500	A	628500	A		
F 260-F 353	M 100, M 125		01/80 →	628500	A	628500	A		
TRADE			01/86 →	628500	A	628500	A		
EICHER									
SCHLEPPER			01/76 →	628500	A	628500	A		
ERF									
B-CP	B		01/75 →	628550	A	628550	A		
	C		01/75 →	628550	A	628550	A		
ECX	ECX			628600	T11	628600	T11		

For



ERF (.../...)

E-M	E	01/86 →	628500	A	628500	A
	EC 11, 12, 41		628600	T11	628600	T11
	M	01/75 →	628550	A	628550	A

FAHR

M 750, M 900, M 922	01/74 →	628500	A	628500	A
M 1002, M 1102, M 1202	→ 01/76	628500	A	628500	A
M 1300, M 1302, M 1600	01/72 →	628500	A	628500	A

FAUN

K 17, K 34 NATO	01/75 →	628500	A	628500	A
L 70, L 240 (8X8)	01/75 →	628500	A	628500	A

FENDT

F 275 GT	01/76 →	628500	A	628500	A
-----------------	---------	--------	---	--------	---

FIAT

242	01/80 → 01/82	628500	A	628500	A
DUCATO	05/81 → 04/94	628500	A	628500	A
	05/94 → 06/06	628550	A	628550	A
SCUDO	10/95 → 12/06	628650	T11	628500	A
TALENTO	01/89 → 1994	628500	A	628500	A

FORD

SERIE A	01/78 → 01/83	628500	A	628500	A	
TOURNEO	10/94 → 02/00	628550	A	628550	A	
	Connect	01/03 → 12/13	628550	A	628500	A
TRANSIT		01/86 → 02/00	628550	A	628550	A
		03/00 → 08/09	628700	T8	628600	T11
	Connect	01/03 → 12/13	628550	A	628500	A

GINAF

C	C 2120 N, ...	2008 →	628650	T7	628650	T7
M	M 3132, 3333, 4243, 4443		628600	T11	628600	T11
X	X 2221, 3232, 3329, 3331, 3335, 4241, 4243, 4343, 4345, 4446, 5250, 5350, 5450		628600	T11	628600	T11

IHC

NUTZFAHRZEUGE	01/81 →	628500	A	628500	A
----------------------	---------	--------	---	--------	---

ISUZU

NKR	01/97 →	628500	A	628500	A
NPR	01/97 →	628500	A	628500	A

IVECO

79-90	90 M, 320 M	→ 12/78	628500	A	628500	A
100-120	109.14 Zeta	09/88 →	628500	A	628500	A
	120 D	01/69 → 12/74	628500	A	628500	A
130	130 M	→ 12/78	628500	A	628500	A
	135 D	01/69 → 12/75	628500	A	628500	A
160	160 D	01/69 → 12/74	628500	A	628500	A
	160 M	→ 12/78	628500	A	628500	A
170	170 D	01/69 → 12/74	628500	A	628500	A
180	180 D, 186 D	10/69 → 12/70	628500	A	628500	A
210	210	10/69 → 12/70	628500	A	628500	A
240	242	01/80 → 01/82	628500	A	628500	A
280	280	01/81 →	628500	A	628500	A
300	315		628500	A	628500	A
320	320 M	→ 12/78	628500	A	628500	A

For



IVECO (.../...)									
ASTRA	HD9		2012 →	628650	T11	628650	T11		
DAILY	Daily City	☞	11/00 →	628601	M10	628601	M10		
DUCATO			05/91 → 04/94	628500	A	628500	A		
			05/94 →	628550	A	628550	A		
EURO	EuroCargo (R1)		01/92 → 12/07	628650	T7	628650	T7		
	EuroCargo (R2)		01/08 →	628650	T11	628650	T11		
	EuroFire			628650	T7	628650	T7		
	EuroStar		01/94 → 2002	628650	T7	628650	T7		
	EuroTech		01/92 → 2000	628650	T7	628650	T7		
	EuroTrakker		01/94 → 12/06	628650	T7	628650	T7		
POWERSTAR	Powerstar			628650	T7	628650	T7		
STRALIS			→ 2007	628650	T7	628650	T7		
			02/08 →	628650	T11	628650	T11		
	Hi-WAY / Hi-ROAD		01/13 →	628650	T11	628650	T11		
TALENTO			01/89 →	628500	A	628500	A		
TRAKKER			→ 2007	628650	T7	628650	T7		
			02/08 →	628650	T11	628650	T11		
	Hi-LAND		01/13 →	628650	T11	628650	T11		

JONCKHEERE									
PRO-CITY	(Renault Master)	☞	2004 →	628601	M10	628601	M10		

KÄSSBOHRER-SETRA									
FLEXMOBIL			→ 01/85	628500	A	628500	A		
S 9-S 14	S 9, S 14		01/67 →	628500	A	628500	A		
S 80- S 150	S 80		10/67 → 08/77	628500	A	628500	A		
	S 150		01/67 →	628500	A	628500	A		
S 110-S 150	S 110, S 120, S 130, S 150		10/67 → 08/77	628500	A	628500	A		
S 400	S 416	▲	2001 →	628600	T11	628600	T11		
	S 431 DT	▲	2001 →	628700	T8	628700	T8		

LEYLAND DAF									
LDV	Convoy		09/96 →	628500	A	628500	A		
	Maxus		2007 →	628500	A	628500	A		

MACK									
E9-500				628500	A	628500	A		
MS 200, M 300 (MIDLINER)			11/79 →	628500	A	628500	A		

MAN									
5-38	5.12 ... 38.320 F		07/72 → 12/85	628500	A	628500	A		
	5.125 ... 38.320 U		07/72 → 12/85	628500	A	628500	A		
7-48	7.126 ... 48.700 DH	☛	11/79 → 03/86	628500	A	628500	A		
17-32	17.240 ... 32.321	☛	08/82 → 1988	628500	A	628500	A		
11	11 UE 230		11/72 → 12/75	628500	A	628500	A		
12	12 UE 230		11/72 → 12/75	628500	A	628500	A		
A-B	AK 14, AK 16, S 16		01/68 →	628500	A	628500	A		
	BS 12L, BS 19K		01/68 →	628500	A	628500	A		
CLA			2012 →	628500	A	628500	A		
E 2000	FE 600A, FE 460A			628600	T7	628600	T7		
F 2000	F 2000 (19.343 ... 48.463)		10/94 →	628600	T7	628600	T7		
F 90	F 90 (19.242 ... 48.462)		01/86 → 09/94	628600	T7	628600	T7		
G 90	G 90 (4.70 ... 9.136)		11/79 → 12/94	628500	A	628500	A		
L 2000	L 2000 (8.103 ... 10.223)		01/94 →	628500	A	628500	A		
L-K	L 09, L 14, L 19, K 22		01/68 →	628500	A	628500	A		
M	M 90 (12.152 ... 18.232)		01/86 → 12/96	628600	T7	628600	T7		

For



MAN (.../...)

M 2000	M 2000 L (cabin L, 12 to 19 tons)		04/96 → 10/05	628500	A	628500	A
	M 2000 M (cabin F, 12 to 19 tons)		04/96 → 10/05	628600	T7	628600	T7
TG	TG 18.310			628700	T7	628700	T7
	TG 18.313 FLC		09/00 →	628700	T7	628700	T7
	TG 18.313 FLS		09/00 →	628700	T7	628700	T7
	TG 18.363 FLS		09/00 →	628700	T7	628700	T7
	TG 18.410 FLC / FLT		09/00 →	628700	T7	628700	T7
	TG 18.413 FLS / FLLS/ N / FLT / FLC		09/00 →	628700	T7	628700	T7
	TG 18.480			628700	T7	628700	T7
	TG 18.513 FLS		09/00 →	628700	T7	628700	T7
	TG 26.360			628700	T7	628700	T7
	TG 26.410 FNLC		09/00 →	628700	T7	628700	T7
	TG 26.412 FVLRT / FNLC		09/00 →	628700	T7	628700	T7
	TG 26.460 FNLG		09/00 →	628700	T7	628700	T7
	TG 26.463 FNLL-WB / FNLC / FNLLC		09/00 →	628700	T7	628700	T7
	TG 26.530			628700	T7	628700	T7
	TG 32.413 FFDK			628700	T7	628700	T7
	TG 35.360			628700	T7	628700	T7
	TG 41.480			628700	T7	628700	T7
	TGA 18... / TGA 40....		09/04 →	628700	T7	628700	T7
	TGL (Design cabin C / L / LX)		05/05 →	628700	T7	628700	T7
	TGM (Design cabin C / L / LX)		11/05 →	628700	T7	628700	T7
TGS (Design cabin M / L / LX)		2008 →	628700	T7	628700	T7	
TGX / V8 (Design cabin XL / XLX / XXL)		2008 →	628700	T7	628700	T7	

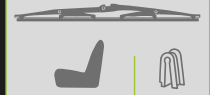
MAZDA

LT 35				628500	A	628500	A
--------------	--	--	--	---------------	---	---------------	---

MERCEDES-BENZ

ACTROS	MP2/ MP3		01/97 → 2013	628700	T8	628700	T8
	MP4		10/11 →	628701	T7	628701	T7
ANTOS			09/12 →	628701	T7	628701	T7
ATEGO			04/98 →	628650	T8	628650	T8
AXOR	1828...1843		09/01 → 2012	628650	T8	628650	T8
	2528...2543		09/01 → 2012	628650	T8	628650	T8
CITYLINER	1220 / L - 1224 / L		→ 1997	628650	T7	628650	T7
	1320 / L		→ 1997	628650	T7	628650	T7
	1520 / L - 1524 / L		→ 1997	628650	T7	628650	T7
CITYLINER ECOPOWER	812 - 814 / L - 817 / L / S		→ 1997	628650	T7	628650	T7
	914 R - 917 R		→ 1997	628650	T7	628650	T7
	1114 - 1117 / L		→ 1997	628650	T7	628650	T7
	1120 LS		→ 1997	628650	T7	628650	T7
	1217 / L		→ 1997	628650	T7	628650	T7
	1317 / L - 1324 LS		→ 1997	628650	T7	628650	T7
	1517		→ 1997	628650	T7	628650	T7
					628650	T7	628650
ECONIC	1828		09/00 →	628600	T7	628600	T7
	2628		09/00 →	628600	T7	628600	T7
L	L, LA, LAK, LAS, LK, LS		01/70 →	628500	A	628500	A
	LK 709 ... 1524		01/93 →	628600	T11	628600	T11
	LN2 709 ... 1324		06/84 → 01/93	628600	T7	628600	T7
	LP, LPS, LPK, LPL, LPLS		01/70 →	628500	A	628500	A
MB	MB 90, 100, 120, 140, 160, 180		12/80 → 12/90	628500	A	628500	A
	MB 100 D		01/91 → 12/90	628500	A	628500	A
	MB 800 T		→ 12/90	628500	A	628500	A
	MB Trac 700, 800, 900		01/81 → 12/90	628500	A	628500	A
	MB Trac 1000, 1100, 1300, 1500, 1550		02/76 → 12/90	628500	A	628500	A

For



MERCEDES-BENZ (.../...)

NG	NG90 1222 ... 3233 MK	01/89 → 1997	628650	T7	628650	T7	
	NG90 1729 ... 4850 SK	01/89 → 1997	628650	T7	628650	T7	
O 301	O 301 (LN2)	01/85 → 05/86	628600	T7	628600	T7	
		06/86 → 1987	628600	T11	628600	T11	
O 305- O350	O 309, O 309D	01/69 → 1989	628500	A	628500	A	
O 412	O 412D	05/95 → 05/06	628600	T11	628550	A	
O 600	O 609/611/614	07/87 →	628600	T11	628600	T11	
POWERLINER	1820 B	→ 1997	628650	T7	628650	T7	
	1824 B / BL / L / R / RL	→ 1997	628650	T7	628650	T7	
	1827 B / BL / E / EL / L / LS / LSE / LSR / R / RL / S / SE / SR	→ 1997	628650	T7	628650	T7	
	1831 B / BL / E / EL / L / LSE / LSR / R / RL / SE / SR	→ 1997	628650	T7	628650	T7	
	1834 B / BL / E / EL / L / LSE / LSR / R / RL / SE / SF / SR	→ 1997	628650	T7	628650	T7	
	1853 S	→ 1997	628650	T7	628650	T7	
	2024 / L	→ 1997	628650	T7	628650	T7	
	2031 AS / LSB / LSE / LSV / S / SB / SE	→ 1997	628650	T7	628650	T7	
	2034 LSB / LSE / S / SB / SE	→ 1997	628650	T7	628650	T7	
	2038 E / EL / L / LSE / LSV / S / SE	→ 1997	628650	T7	628650	T7	
	2039 / E / EL / L / LS / LSE / S / SE /	→ 1997	628650	T7	628650	T7	
	2044 / E / EL / L / LS / LSE / S / SE	→ 1997	628650	T7	628650	T7	
	2050 E / EL / L / LSE / S / SE	→ 1997	628650	T7	628650	T7	
	2053 / E / EL / L / LS / LSE / S / SE /	→ 1997	628650	T7	628650	T7	
	2534 L / BL	→ 1997	628650	T7	628650	T7	
	2538 DN / LS	→ 1997	628650	T7	628650	T7	
	2539 DN / L / LS	→ 1997	628650	T7	628650	T7	
	2544 DN / L	→ 1997	628650	T7	628650	T7	
	3538	→ 1997	628650	T7	628650	T7	
	2550	→ 1997	628650	T7	628650	T7	
	2631 AK / K / N	→ 1997	628650	T7	628650	T7	
	2638 AK / K / S	→ 1997	628650	T7	628650	T7	
	2639 / S	→ 1997	628650	T7	628650	T7	
	2644 S / SG / SP	→ 1997	628650	T7	628650	T7	
	2650 S / SP / SG	→ 1997	628650	T7	628650	T7	
	2653 S / SG / SP	→ 1997	628650	T7	628650	T7	
	3234 K	→ 1997	628650	T7	628650	T7	
	3350 S / 3550 S	→ 1997	628650	T7	628650	T7	
	3353 S	→ 1997	628650	T7	628650	T7	
	4038 K	→ 1997	628650	T7	628650	T7	
	SPRINTER	208D ... 412D	05/95 → 05/06	628600	T11	628550	A
	T	T1: 207D ... 410D	01/77 → 04/95	628500	A	628500	A
T1: 507D ... 709D		→ 02/84	628500	A	628500	A	
T2: 507D ... 817D		03/84 → 05/86 06/86 →	628600 628600	T7 T11	628600 628600	T7 T11	
UNIMOG	U20		628600	T7	628600	T7	
	U 84, 100, 110	12/76 → 05/89	628500	A	628500	A	
	U 90, 100 L, 110, 110 L, 140, 140 L	07/92 →	628500	A	628500	A	
	U 120, 425	02/76 →	628500	A	628500	A	
	U400 / U500		628700	T7	628700	T7	
	U 1000, 1200 2450 L, T, L/38	02/76 →	628500	A	628500	A	
	U 1650		628500	A	628500	A	
	U5000		628500	A	628500	A	
VARIO	UX 100	09/96 →	628650	T7	628650	T7	
ZETROS	1833A / 2733A	09/96 →	628600	T11	628600	T11	
			628500	A	628500	A	

For



MITSUBISHI							
FUSO/CANTER	3C11/ 3C13/ 3C15/ 5C15/ 6C15/ 6C18 / 7C15/ 7C18		2003 → 2011	628550	A	628550	A
	3C11/ 3C13/ 3C15/ 5C15/ 6C15/ 6C18 / 7C15/ 7C18		2012 →	628500	A	628500	A
	3S11/ 3S13 / 5S13		1997 → 2011	628500	A	628500	A
L 200			10/96 → 02/06	628500	A	628500	A

NISSAN							
ATLEON			2000 →	628600	T11	628550	A
CABSTAR			2008 →	628500	A	628500	A
ECO-T	100		09/96 →	628500	A	628500	A
	135		09/96 →	628500	A	628500	A
	160			628500	A	628500	A
	200			628500	A	628500	A
INTERSTAR		☞	02/02 → 09/11	628601	M10	628601	M10
KUBISTAR			11/03 →	628500	A	628500	A
L 35				628500	A	628500	A
VANETTE			09/86 → 05/95	628500	A	628500	A
	Cargo		06/95 →	628600	T11	628600	T11
TRADE			01/86 → 2000	628500	A	628500	A

OMNIBUS							
SUNRISE	(Iveco Daily)	☞	2006 →	628601	M10	628601	M10
SUNSET	(Sprinter)			628600	T11	628550	A
	Sunset X / Sunset XL (Iveco Daily)	☞	2006 →	628601	M10	628601	M10

OPEL							
MOVANO		☞	11/99 → 04/10	628601	M10	628601	M10

PEGASO							
1080-1186	1080, 1083, 1086, 1135, 1145		02/81 → 01/86	628500	A	628500	A
	1080, 1083, 1086, 1135, 1145		02/87 →	628500	A	628500	A
	1180, 1181, 1183, 1184, 1186		01/87 →	628500	A	628500	A
1190-2135	1190, 1231, 2080, 2081, 2082		01/87 →	628500	A	628500	A
1226-2331	1234R, 2217, 2323, 2331		01/85 →	628500	A	628500	A
2180-2190	2180, 2181, 2182, 2189, 2190		01/87 →	628500	A	628500	A
3080-3189	3080, 3180, 3181, 3188, 3189		01/87 →	628500	A	628500	A
	Serie 260		01/90 →	628500	A	628500	A
	Serie Mider		01/91 →	628500	A	628500	A
	Serie Obras		01/91 →	628500	A	628500	A
	Tecno 1223, 1231, 1234, 1331		09/88 →	628500	A	628500	A
	Tecno 2323, 2331		09/88 →	628500	A	628500	A

PEUGEOT							
BOXER			02/94 → 06/06	628550	A	628550	A
EXPERT			10/95 → 12/06	628650	T11	628500	A
J 5			01/82 → 02/94	628500	A	628500	A
PARTNER	1/ -Origin		06/96 →	628550	A	628550	A

RENAULT TRUCKS (R.V.I.)							
C	C 210 ... C 340		01/75 → 05/87	628500	A	628500	A
	CS, MS (Mack)		01/86 →	628500	A	628500	A
C (PREMIUM)	C : 250 350 CH	☞	2013 →	628651	M10	628651	M10
D (MAXITY)	D : 3,5 7,5T (CAB 2 m)		2013 →	628500	A	628500	A
D (MIDLUM)	D : 10 18T (CAB 2,1 m)	☞	2013 →	628601	M10	628601	M10
D WIDE (PREMIUM)	D Wide : 18 26T (CAB 2,3 m)	☞	2013 →	628651	M10	628651	M10
J	J, JN, JK, JP, JR, JK		01/75 → 05/87	628500	A	628500	A
	J		06/87 →	628600	T11	628600	T11
KANGOO	Kangoo / Kangoo express		07/01 →	628500	A	628500	A

For



RENAULT TRUCKS (R.V.I.) (.../...)

KANGOO 2	Kangoo 2 / Express / Compact		01/08 →	628550	A	628550	A
KERAX			01/97 → 12/05	628651	M10	628651	M10
				01/06 →	628651	M10	628651
MAGNUM / AE	380---520		03/97 → 2013	628700	T7	628700	T7
MASCOTT			11/99 → 03/10	628601	M10	628601	M10
MASTER			11/99 → 03/10	628601	M10	628601	M10
MAXITY			2008 → 2013	628500	A	628500	A
MIDLUM			01/01 → 2013	628601	M10	628601	M10
PREMIUM	Premium / Premium Lander / Premium Distribution		05/96 → 12/05	628651	M10	628651	M10
				01/06 → 2013	628651	M10	628651
R	R (Major)		01/81 →	628500	A	628500	A
S	S 90 ... S 220		01/75 → 05/87	628500	A	628500	A
	SM 10, SM 12, SM 13		06/75 →	628500	A	628500	A
	SM 170 ... SM 340		→ 01/79	628500	A	628500	A
T	CBH-Serie 280		04/86 → 05/87	628500	A	628500	A
TRAFFIC			04/89 → 03/01	628500	A	628500	A

SCANIA

80	Series 81 (LB)		01/75 → 01/81	628500	A	628500	A
	Series 85 L, 85 LB, 85 LS, 85 LBS, 85 LBT, 85 Super		01/69 → 01/75	628500	A	628500	A
	Series 86 L, 86 LB, 86 LS, 86 LBS		01/75 → 01/81	628500	A	628500	A
94	Series 94 C, 94 D, 94 G, 94 L		10/95 →	628700	T7	628700	T7
110	Series 111 L, 111 LB, 111 LS, 111 LT, 111 LBS, 111 LBT, 111 Super		01/75 → 01/81	628500	A	628500	A
114	Series 114 C, 114 G, 114 L		10/95 →	628700	T7	628700	T7
124	Series 124 C, 124 G, 124 L		10/95 →	628700	T7	628700	T7
140	Series 140 L, 140 LB, 140 LS, 140 LT, 140 LBS, 140 LBT, 140 Super		01/77 → 01/81	628500	A	628500	A
	Series 142 L, 142 LB, 142 LS, 142 LT, 142 LBS, 142 LBT, 142 Super		01/75 → 01/81	628500	A	628500	A
	Series 144 C, 144 G, 144 L		10/95 →	628700	T7	628700	T7
	Series 146 KT, 146 LB, 146 LT		01/76 → 01/81	628500	A	628500	A
164	Series 164 C, 164 G, 164 L		05/00 →	628700	T7	628700	T7
G	Series G 400 / 480		2008 →	628701	T7	628701	T7
P	Series P 230...420		2004 → 08/05	628700	T7	628700	T7
	Series P 230...420 (P, R, T) 270/280/310		09/05 →	628701	T7	628701	T7
R	Series R 380...580		2004 → 08/05	628700	T7	628700	T7
	Series R 230...620 (P, R, T) 420/440/730		09/05 →	628701	T7	628701	T7
T	Series T 380...580		2004 → 08/05	628700	T7	628700	T7
	Series T 230... (P, R, T)		09/05 →	628701	T7	628701	T7

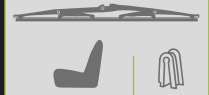
SEDDON-ATKINSON

200, 300, 400 SERIES			→ 01/75	628550	A	628550	A
-----------------------------	--	--	---------	---------------	---	---------------	---

STEYR

790			04/76 → 01/79	628500	A	628500	A
1290 > 1490 K.O.S			06/72 → 02/79	628500	A	628500	A
1291 > 1491			04/78 → 12/87	628500	A	628500	A
13 S14, 17 S14, 18, 21, 23			04/86 →	628500	A	628500	A
18 S36, 19 S36, 19 S42, 33 S42			01/94 →	628500	A	628500	A
1890 F.O			04/75 → 04/81	628500	A	628500	A
1891 280, 310, 320, 330			02/82 → 12/87	628500	A	628500	A
19 S24, 40 S37			01/87 →	628500	A	628500	A
28 S36				628500	A	628500	A
2891 260, 280, 330			10/83 → 12/87	628500	A	628500	A
320, 360, 390			01/87 →	628500	A	628500	A
35 S36				628500	A	628500	A
591, 691			01/84 → 04/86	628500	A	628500	A
791.145, 170, 195, 210			11/78 → 02/86	628500	A	628500	A

For



STEYR (.../...)

8 S14, 18			04/89 →	628500	A	628500	A
891.170			11/78 → 02/86	628500	A	628500	A
9 S14, 18, 21 À 12 S14, 18, 21			04/86 →	628500	A	628500	A

TERBERG

FM1350				628650	T7	628650	T7
FM1450				628650	T7	628650	T7
FM1850				628650	T7	628650	T7
FM1950				628650	T7	628650	T7
FM2000				628650	T7	628650	T7
FM2850				628650	T7	628650	T7
FM3000				628650	T7	628650	T7

VAN HOOL

TX	TX 17 Acron	▲		628550	A	628550	A
	TX 17 Astronef	▲		628550	A	628550	A

V D L

KUSTERS	Mid Euro XL (Mercedes Sprinter 208D ...)		05/95 → 05/06	628600	T11	628550	A
MINI BUS	(Mercedes 308)		→ 05/06	628600	T11	628550	A
PROCITY				628550	A	628550	A

VAUXHALL

MOVANO		⊞	11/99 → 04/10	628601	M10	628601	M10
---------------	--	---	---------------	---------------	-----	---------------	-----

VOLKSWAGEN

BULLY			→ 12/83	628500	A	628500	A
CARAVELLE, CALIFORNIA			09/90 →	628550	A	628550	A
CITY-BUS			01/92 →	628600	T11	628600	T11
CONSTELLATION	24.280			628600	T11	628600	T11
	26.390			628600	T11	628600	T11
LT	28 ... LT 50		04/75 → 08/96	628500	A	628500	A
			09/96 → 06/06	628600	T11	628500	A
MULTIVAN			09/90 → 2003	628550	A	628550	A
TRANSPORTER	T4		09/90 → 12/03	628550	A	628550	A
	T5		11/03 →	628600	T11	628550	A

VOLVO

FE	FE	⊞	12/06 →	628651	M10	628651	M10
FH	FH / FH 16		02/06 →	628650	T7	628650	T7
	FH / FH 16 (Euro 6)	⊞	03/13 →	628701	T7	628701	T7
	FH 10		11/93 → 01/06	628650	T7	628650	T7
	FH 12		11/93 → 01/06	628650	T7	628650	T7
	FH 16		11/93 → 01/06	628650	T7	628650	T7
FL	FL	⊞	12/06 →	628601	M10	628601	M10
	FL 7		10/95 → 1998	628700	T7	628700	T7
	FL 12		10/95 → 1997	628700	T7	628700	T7
FM	FM 7		06/98 → 12/01	628650	T7	628650	T7
	FM 9		12/01 → 2003	628650	T7	628650	T7
	FM 10		06/98 → 12/01	628650	T7	628650	T7
	FM 12		06/98 → 01/06	628650	T7	628650	T7
	FM / FMX		02/06 →	628650	T7	628650	T7
NH	NH 12		09/00 →	628650	T11	628650	T11

CROSS
IAM



CROSS
IAM

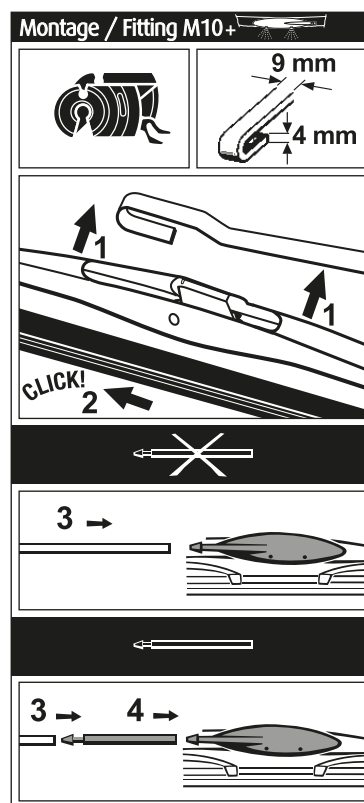
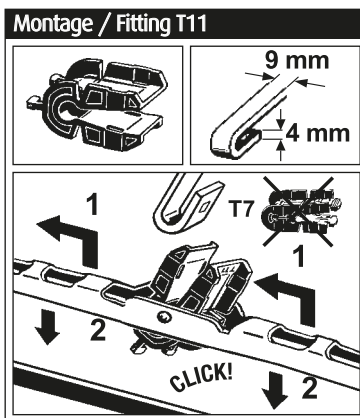
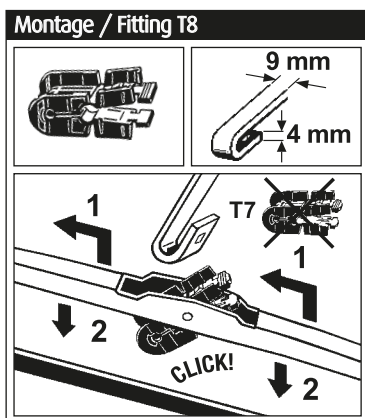
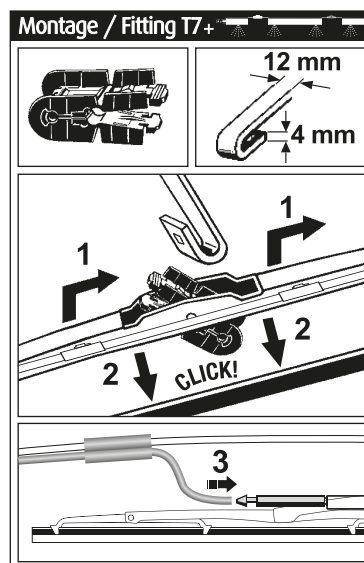
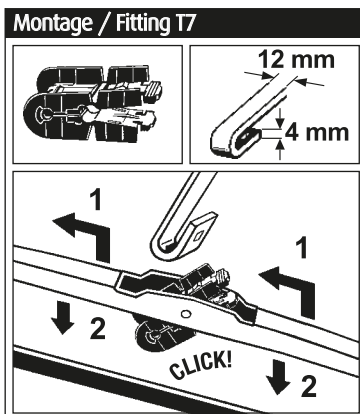
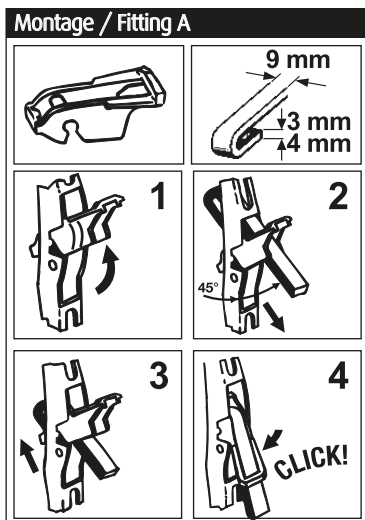


CROSS
IAM



BOSCH		FEDERAL MOGUL		HELLA	
3397004080 (N74)	628651	RD55H	628550	9XW 184 107-201 (WT20)	628500
3397011238 (N71)	628701	RD60H	628600	9XW 184 107-221 (WT22)	628550
3397011310 (N66)	628651	RD65H	628650	9XW 184 107-241 (WT24)	628600
3397018150 (N53)	628500	RD70H	628700	9XW 184 107-261 (WT26)	628650
3397018170 (N70)	628700	T51001	628500	9XW 184 107-281 (WT28)	628700
3397018173 (N73)	628700	T55001	628550		
3397018963 (N65)	628650	T55H01	628550		
3397018965 (N55)	628550	T60001	628600		
3397018966 (N63)	628600	T60H01	628600		
3397118309 (609)	628601	T60H03	628601		
		T65H01	628650		
		T65H05	628651		
		T70H01	628700		
		T70H03	628651		
		T70H05	628701		
		T70H07	628700		
DOGA					
P50.1	628500				
P56	628550				
P56.1	628550				
P60	628600				
P60.2	628601				
P65.1	628650				
P65.2	628650+628651				
P70.2	628700+628701				

ADAPTORS AND FITTING INSTRUCTIONS



Every effort has been made to ensure that the information contained in this catalogue is correct at the time of printing, but no warranty or representation is given or made as to the accuracy of such information and Valeo Service UK Ltd does not accept any liability whatsoever for any inaccuracies.

Valeo Service UK Ltd reserves the right to alter specifications and/or the final construction of products without notice.

Product references referred to in this catalogue may not be available in all countries.

All orders for products are only accepted subject to the terms and conditions of Valeo Service UK Ltd.

Photographs and drawings are not binding on Valeo Service UK Ltd. The copyright in this publication belongs to Valeo Service UK Ltd exclusively. No part of this publication may be reproduced by any means without the prior authorisation of Valeo Service UK Ltd.

L'affectation et la préconisation des produits figurant dans nos catalogues prennent en compte l'état du parc automobile au jour de leur parution.

La responsabilité de Valeo Service ne saurait être engagée en cas de modification, substitution ou suppression des affectations ou préconisations qui pourraient intervenir notamment à l'initiative des constructeurs de véhicules.

Les caractéristiques techniques de nos produits sont susceptibles d'évoluer à tout moment pour tenir compte des améliorations techniques et technologiques.

Certaines références peuvent ne pas être disponibles dans tous les pays.

Les commandes sont régies par les conditions générales de vente de Valeo Service.

Photos et dessins non contractuels. La reproduction de tout ou partie de cette publication est interdite sans l'autorisation expresse et écrite de Valeo Service.

La aplicación de los productos sobre vehículos y las especificaciones de los productos que figuran en nuestros catálogos se refieren a la situación del parque de automóviles en la fecha de puesta en circulación de los productos.

Valeo Service España SA no asume ninguna responsabilidad en caso de modificación, sustitución o supresión de dichas aplicaciones y/o especificaciones que pudieran producirse por iniciativa de los fabricantes de automóviles.

Las características técnicas de nuestros productos son susceptibles de evolucionar en cualquier momento para incorporar las mejoras técnicas y tecnológicas que se desarrollen.

Las referencias de productos mencionadas en este catalogo puede que no estén disponibles en todos los países.

Los pedidos se regiran por las condiciones generales de venta de Valeo Service España SA.

Las fotografías y dibujos que aparecen en nuestros catálogos son meramente indicativas, por lo que no siempre coinciden exactamente con la apariencia externa de nuestros productos. Se prohíbe la reproducción de todo o parte de esta publicación sin la autorización expresa y escrita de Valeo Service España SA.

As prescrições e recomendações relativas ao uso ou utilidade dos produtos constantes de nossos catálogos levam em consideração o estado do parque automotivo à época do lançamento desses produtos.

A Valeo Sistemas Automotivos Ltda (Valeo Cibié Service) não será responsável por quaisquer modificações, substituições ou supressões incidentes sobre as prescrições e recomendações relativas ao uso ou utilidade de nossos produtos, que sejam decorrentes de ações dos construtores de veículos.

As características técnicas de nossos produtos são suscetíveis de alteração a qualquer momento para que sejam incorporadas melhorias técnicas e/ou tecnológicas.

Certas referências podem não estar disponíveis em todos os países.

Os pedidos feitos pelos clientes são regidos pelas condições gerais de venda da Valeo Sistemas Automotivos Ltda (Valeo Cibié Service).

Fotos e desenhos não contratuais. A reprodução do todo ou de parte desta publicação é proibida sem a autorização expressa e por escrito da Valeo Sistemas Automotivos Ltda (Valeo Cibié Service).

Le applicazioni e le specifiche dei prodotti che figurano nei nostri cataloghi si riferiscono alla situazione del parco circolante al momento della pubblicazione.

Valeo Service Italia S.p.A. declina qualsiasi responsabilità in caso di modifica, sostituzione o soppressione di applicazioni o specifiche eventualmente apportate, senza preavviso, da parte dei Costruttori.

Le caratteristiche tecniche dei nostri prodotti sono suscettibili di modifiche in qualsiasi momento, per apportare migliorie tecniche e tecnologiche.

Alcuni riferimenti presenti in questo catalogo non sono disponibili in tutti i paesi.

Gli ordini sono regolamentati dalle condizioni generali di vendita di Valeo Service Italia S.p.A.

Le Foto ed i disegni che appaiono nel catalogo sono puramente indicativi. E' vietata la riproduzione della totalità o di una parte della presente pubblicazione senza un'esplicita autorizzazione scritta da parte di Valeo Service Italia S.p.A..

De ter zake van de producten in onze catalogi aangegeven bestemmingen en gedane aanbevelingen zijn gebaseerd op het wagenpark ten tijde van publicatie.

Valeo Service Benelux B.V. sluit elke aansprakelijkheid uit met betrekking tot wijziging, vervanging of annulering van de bestemmingen of aanbevelingen, die met name op initiatief van de autofabrikanten kunnen worden doorgevoerd.

De technische eigenschappen van onze producten kunnen te allen tijde evolueren teneinde rekening te houden met technische en technologische verbeteringen.

Bepaalde artikelen kunnen in bepaalde landen niet beschikbaar zijn.

Orders zijn onderworpen aan de algemene verkoopvoorwaarden van Valeo Service Benelux B.V.

Foto's en tekeningen zijn niet bindend.

De gehele of gedeeltelijke verveelvoudiging van deze uitgave zonder uitdrukkelijke voorafgaande schriftelijke toestemming van Valeo Service Benelux B.V. is verboden.

Die Verwendungsempfehlungen zu den in diesem Katalog aufgeführten Produkten beziehen sich auf den zum Zeitpunkt des Erscheinens dieses Katalogs existierenden Fahrzeugbestand.

Valeo Service Deutschland GmbH übernimmt keine Haftung für Änderungen, Ersetzungen oder Streichungen der Fahrzeuganwendung oder -Empfehlungen, die besonders auf Initiative der Fahrzeughersteller auftreten können.

Die technischen Eigenschaften unserer Produkte unterliegen ständiger Entwicklung, um technischen und technologischen Verbesserungen Rechnung zu tragen.

Die Fotos oder Zeichnungen in diesem Katalog dienen ausschliesslich der Veranschaulichung unserer Produkte. Rechtliche Ansprüche können daraus nicht abgeleitet werden.

Einige Produktreferenzen sind nicht in allen Ländern verfügbar.

Lieferungen unterliegen den Allgemeinen Verkaufsbedingungen von Valeo Service Deutschland GmbH.

Die Vervielfältigung dieses Katalogs oder Teilen davon ohne die schriftliche Erlaubnis von Valeo Service Deutschland GmbH ist nicht zulässig.

Przeznaczenie i zalecenia dotyczące produktów figurujących w naszych katalogach biorą pod uwagę stan parku samochodowego w dniu ich wprowadzenia na rynek.

Firma «Valeo Service Eastern Europe Sp. z o.o.» nie może ponosić odpowiedzialności w przypadku zmiany, zastąpienia lub usunięcia wskazówek dotyczących przeznaczenia produktu i zaleceń, które mogą wystąpić z inicjatywy producentów samochodów.

Dane techniczne naszych produktów mogą być w każdej chwili zmienione w celu uwzględnienia

ulepszeń technicznych i technologicznych.

Niektóre modele mogą być niedostępne w niektórych krajach.

Zamówienia podlegają ogólnym warunkom umów «Valeo Service Eastern Europe Sp. z o.o.».

Wykorzystywanie w całości lub w części zdjęć i rysunków zamieszczonych w naszych katalogach wymaga pisemnej zgody «Valeo Service Eastern Europe Sp. z o.o.».

Učinili jsme všechny kroky nezbytné k tomu, aby informace v tomto dokumentu byly přesné ke dni jeho tisku. Valeo Service Export nezodpovídá za případné neúplné či chybné informace zde uvedené.

Valeo Service Export si vyhrazuje právo úpravy specifikace a / nebo konečné formy výrobku bez předchozího upozornění.

A VALEO teljes tudásával arra törekszik, hogy a katalógusban szereplő adatok műszaki tartalma teljesen korrekt legyen, ezért a VALEO SERVICE EXPORT nem vállal garanciát azok helyességéért, pontatlanságáért és nem terheli felelősség az esetleges hibákból eredő károkért.

A VALEO SERVICE EXPORT fenntartja a jogot a termékváltoztatásokra mellékelt termékinformáció nélkül.

A katalógusban szereplő cikkszámok között előfordulhatnak olyanok is, melyek nem minden országban kerülnek forgalomba.

Katalógová čísla obsažená v tomto katalogu nemusi být dostupná k prodeji na všech trzích. Konečné objednávání výrobků se řídí obchodními podmínkami Valeo Service Export.

Fotografie a technické nákresy nezávisí na Valeo Service Export. Copyright je exkluzivně Valeo Service Export. Žádná část tohoto katalogu nesmí být kopírována bez autorizace Valeo Service Export.

Minden termék rendelés a VALEO SERVICE EXPORT szerződéses kondíciói alapján érvényes.

A katalógusban szereplő fényképek és rajzok nem a VALEO SERVICE EXPORT készítményei. A szerzői jogok a VALEO SERVICE EXPORT kizárólagos tulajdonát képezik.

A kiadvány részét nem képező reprodukciókhoz nem szükséges a VALEO SERVICE EXPORT engedélye.

Назначение и рекомендации по эксплуатации продукции, содержащиеся в наших каталогах, указываются с учетом состояния автомобильного парка на день ее появления.

Компания «Valeo Service Eastern Europe Sp.зo.o» не несет ответственности в случае внесения изменений в рекомендации по эксплуатации продукции или их устранения, произошедших, в частности, по инициативе производителей автомобилей.

Технические характеристики нашей продукции могут претерпевать изменения в любой момент, с учетом усовершенствования технических и технологических процессов.

Некоторые виды продукции могут не иметься в наличии в отдельных странах.

Заказы осуществляются согласно общим правилам торговли, применяемым в компании «Valeo Service Eastern Europe Sp.зo.o».

Фотографии и изображения продукции могут не в полной мере соответствовать оригиналам. Воспроизведение всей или части настоящей публикации запрещено без специального письменного согласия компании «Valeo Service Eastern Europe Sp.зo.o».

Katalóglarımızda yer alan ürünlerin kullanım ve tanımları, otomobil parkının yaygın tarihindeki durumuna göredir.

Valeo Otomotiv Dağıtım AS, özellikle araç, üreticilerinin inisiyatifli sonucu yapılan değişiklik, ikame veya kaldırılmaldan sorumlu tutulamaz.

Ürünlerimizizin teknik özellikleri, teknik ve teknolojik gelişmelere paralel olarak geliştirilebilir.

Bazı referanslar bazı ülkelerde bulunmayabilir.

Siparişler, Valeo Otomotiv Dağıtım AS'un genel satış koşullarına uygun olarak ödenir.

Fotoğraf ve resimler akdi değildir. İşbu yayının Valeo Otomotiv Dağıtım AS'un önceden verilmiş yazılı izni olmaksızın kimsen veya tamamen çoğaltılması yasaktır.

Ο κατάλογος έχει συσταθεί λαμβάνοντας υπόψη τη σύσταση του στίλου αυτοκινήτων την ημέρα, της κυκλοφορίας του.

Η Valeo δε φέρει ευθύνη σε περίπτωση τροποποίησης, αλλαγής ή αντικατάστασης κάποιου αντ/κου που περιέχεται στο κατάλογο, εξαιτίας πρωτοβουλίας του κατασκευαστή του οχήματος.

Τα τεχνικά χαρακτηριστικά των προϊόντων ενδέχεται να διαφοροποιηθούν ανά νόσα στιγμή λίγο τεχνολογικών εξελίξεων.

Μερικοί κωδικοί αντ/κων μπορεί να μην είναι διαθέσιμοι σε κάποιες χώρες.

Οι παραγγελίες υνίκενται στους γενικούς ή πρους κωλήσεων της Valeo.

Οι φωτογραφίες και τα σχέδια δεν είναι δεσμευτικά. Η αναπαραγωγή ολήκληρου ή τμήματος αυτού του καταλόγου αναγορεύεται να γίνει χωρίς τη ρητή και γραπτή άδεια της Valeo Service.

EUROPE

FRANCE

VALEO SERVICE FRANCE
70, RUE PLEYEL
93285 SAINT-DENIS CEDEX - FRANCE
TEL.: (+33) 1 49 45 32 32
FAX: (+33) 1 49 45 37 36
S.A.S. au capital de 12 900 000 €
RCS Bobigny B 306 486 408

SPAIN, PORTUGAL

VALEO SERVICE ESPAÑA, S.A.
CALLE RIO ALMANZORA, N°5
AREA EMPRESARIAL ANDALUCIA C.L.A.
28906 GETAFE (MADRID) - ESPAÑA
TEL.: (+34) 91 495 85 00
FAX: (+34) 91 495 86 99
TEL. ATENCIÓN TÉCNICA:
902 011 799
TEL. ATENCIÓN AL CLIENTE:
900 122 657

Valeo Service España Sociedad Anónima
inscrita en el Registro Mercantil de Madrid,
Tomo 972 - Libro 941 de la sección 8ª,
Folio 25 - Hoja 65435 - Inscripción 1ª NIF. A28772978

ITALY

VALEO SERVICE ITALIA SPA (V.S. ADRIATIC)
VIA ASTI 89
10026 SANTENA (TO) - ITALIA
TEL.: (+39) 011 94 95 1
FAX: (+39) 011 94 95 280
TEL. LINEA TECNICA : 800 805 046
N. iscrizione al Tribunale di Torino 2009/88 reg. soc.
C.C.I.A.A. 715107 - Capitale sociale € 2.600.000

UNITED KINGDOM

VALEO SERVICE UK LTD
HEMING ROAD - WASHFORD
REDDITCH - WORCS B98 ODZ - ENGLAND
TEL.: (+44) 1527 838 300
FAX: (+44) 1527 523 732
Registration Number: 956685

GERMANY

VALEO SERVICE DEUTSCHLAND GMBH
BRANDENBURGER STRASSE 46
40880 RATINGEN - DEUTSCHLAND
TEL.: (+49) 21 02 865 0
FAX: (+49) 21 02 865 142
Handelsregister Ratingen - HRB 3340

BENELUX

VALEO SERVICE BENELUX B.V.
HEIBLOEMWEG 1
5704 BS HELMOND - THE NETHERLANDS
TEL. BELGIUM (NL): (+32) 2 366 99 17
TEL. BELGIUM (FR): (+32) 2 355 14 46
TEL. NETHERLANDS: (+31) 492 580 894
FAX BELGIUM: (+32) 2 366 04 47
FAX NETHERLANDS: (+31) 492 580 828
K.v.K. Eindhoven 33113859

POLAND, LITHUANIA, LATVIA, ESTONIA, MOLDAVIA, BELARUS, UKRAINE

VALEO SERVICE EASTERN EUROPE Sp z o.o.
WOŁOSKA 9A
02-583 WARSAW POLSKA
TEL.: (+48) 22 543 43 00
FAX: (+48) 22 543 43 05
Valeo Service Eastern Europe Sp. z o.o.; NIP 521-11-44-572
VAT UE PL5211144572 - REGON 011909673
Wysokość kapitału zakładowego: 4 637 000 PLN - KRS
56793 Sąd Rejonowy dla m. St. Warszawy w Warszawie,
XIII Wydział Gospodarczy KRS

RUSSIA

VALEO SERVICE CO LTD
107140, MOSCOW
RUSAKOVSKAYA ST. 13,
3RD FLOOR, OFFICE 6
TEL.: (+7) 495 981-06-96
FAX: (+7) 495 787-59-92

SWITZERLAND, AUSTRIA, SWEDEN, FINLAND, NORWAY, DENMARK, ICELAND, EASTERN EUROPE

VALEO SERVICE EXPORT
70, RUE PLEYEL
93285 SAINT-DENIS CEDEX - FRANCE
TEL.: (+33) 1 49 45 32 32
FAX: (+33) 1 49 45 36 59
S.A.S. au capital de 12 900 000 €
RCS Bobigny B 306 486 408

LIAISON OFFICE IN AUSTRIA
MÜHLGASSE 7
2380 PERCHTOLDSDORF - AUSTRIA
TEL.: (+43) 1 480 42 46
FAX: (+43) 1 480 42 34

LIAISON OFFICE IN CZECH REPUBLIC
DEDINSKA 29
16101 PRAGUE 6 - CZECH REPUBLIC
TEL.: (+420) 220 102 277
FAX: (+420) 220 102 278

LIAISON OFFICE IN HUNGARY
ROZSAKVARC UTCA 8
1188 BUDAPEST- HUNGARY
TEL.: (+36) 30 50 51 888
FAX: (+43) 1 480 42 34

LIAISON OFFICE IN SWEDEN
REGUS / VALEO
MASTER SAMUELSGATAN 60, 8TR
SE - 111 21 STOCKHOLM - SWEDEN
TEL.: (+46) 8 50 51 65 50

SOUTH AMERICA

LATIN AMERICA (except Mexico)

VALEO CIBIÉ SERVICE LTDA
RUA SADAÉ TAKAGI, 2000
BAIRRO COOPERATIVA
09852-070 - SÃO BERNARDO DO CAMPO
SÃO PAULO - BRASIL
TEL.: (+55) 11 43 93 33 54
FAX: (+55) 11 43 93 33 55
C.N.P.J.: 57.010.662/0008-36
Inscrição Estadual : 635.331.124.114

VALEO SERVICE ARGENTINA
RUA SADAÉ TAKAGI, 2000
BAIRRO COOPERATIVA
09852-070 - SÃO BERNARDO DO CAMPO
SÃO PAULO - BRASIL+
TEL.: (+55) 11 43 93 33 54
FAX: (+55) 11 43 93 33 55
C.N.P.J.: 57.010.662/0008-36
Inscrição Estadual : 635.331.124.114

MEXICO

LIAISON OFFICE IN MEXICO
MONTECITO 38, PISO 14 OFICINA 38.
TORRE WORLD TRADE CENTER
COLONIA NÁPOLES | 03810 | MÉXICO, D.F.
TEL.: +52 (55) 90001588

ASIA, MIDDLE EAST, AUSTRALIA, NEW-ZEALAND

VALEO SERVICE EXPORT
70, RUE PLEYEL
93285 SAINT-DENIS CEDEX - FRANCE
TEL.: (+33) 1 49 45 32 32
FAX: (+33) 1 49 45 36 59

CHINA

**VALEO AUTO PART TRADING
(SHANGHAI) CO., LTD**
201, BUILDING B, IBC TOWER (NEW
INTERNATIONAL BUSINESS CENTER)
391 GUI PING ROAD, SHANGHAI 200233, CHINA
TEL: (+86) 21 5175 2618
MP: (+86) 21 5175 2628

法雷奥汽车零部件贸易(上海)有限公司
地址: 上海市徐汇区桂平路391号新漕河泾国际商务中心B座201
电话: (+86) 21 5175 2618
传真: (+86) 21 5175 2628


**TURKEY, IRAN, IRAQ, SYRIA, LEBANON,
JORDAN, SAUDI ARABIA, UNITED ARABE
EMIRATES, KUWAIT, BAHRAIN, QATAR,
OMAN, YEMEN, EGYPT**

VALEO OTOMOTIV DAĞITIM A.Ş.
AYDINEVLER SANAYI CADDESİ
CENTRUM IS MERKEZİ N°3
KAT: 3, DAIRE N°302-303 KÜÇÜKYALI - MALTEPE
34854 İSTANBUL - TURKEY
TEL.: (+90) 216 518 75 75
FAX.: (+90) 216 519 93 14

AFRICA, DOM-TOM

VALEO SERVICE EXPORT
70, RUE PLEYEL
93285 SAINT-DENIS CEDEX - FRANCE
TEL.: (+33) 1 49 45 32 32
FAX: (+33) 1 49 45 36 59
S.A.S. au capital de 12 900 000 €
RCS Bobigny B 306 486 408

LIAISON OFFICE IN TUNISIA
CENTRE D'AFFAIRES REGUS
IMMEUBLE CARTHAGE RUE DU LAC DE CONSTANCE
1053 TUNIS - TUNISIA
TEL.: (216) 71 965 002
FAX: (216) 71 965 137
MOB: (216)98 34 91 38



A quick look
into Valeo's
commercial vehicle
multi-specialist
DNA

Made of steel for the pro

valeo added 

www.valeoservice.com

Valeo Service
70, rue Pleyel - 93285 Saint-Denis Cedex - France
Tél. : +33 (0)1 49 45 32 32

Valeo
Service