

2015

COMPRESSOR

压缩机



www.valeoservice.com



WANT TO KNOW MORE?

valeo added

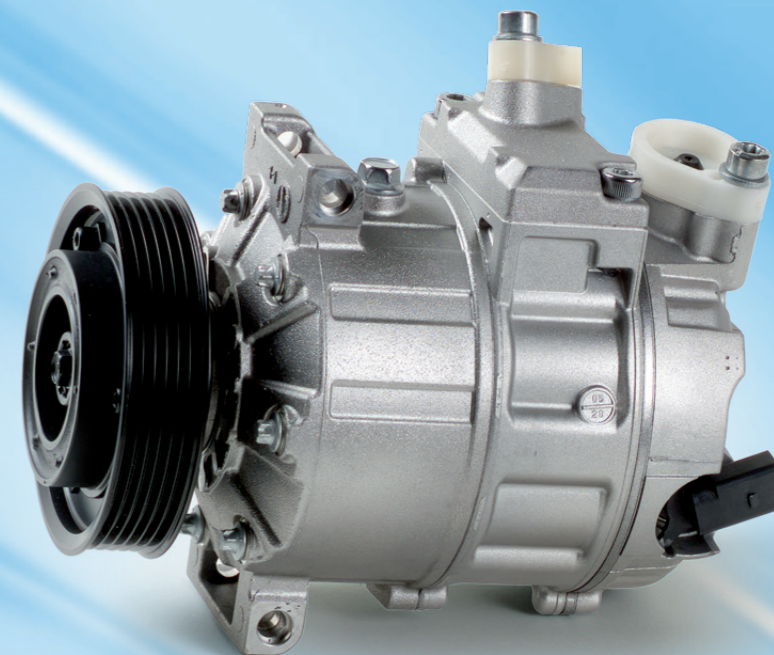
Automotive technology, naturally





## The Compressor, a market to be conquered with Valeo!

和法雷奥一起来征服压缩机市场吧!



### Key OE supplier, **Valeo** offers you:

- ✓ The guarantee of O.E. or matching quality
- ✓ 100 % of compressors delivered to the Independent Aftermarket are tested and validated for performance and noise
- ✓ A clear and precise catalogue to identify the reference according to the vehicle application
- ✓ Products on TecDoc® and web catalogue
- ✓ A partnership with a key supplier of A/C systems; you benefit from promotion and communication tools to drive sales  
Services: stock recommendation, Valeo Service training, logistic services

### 主要原厂供应商

### **Valeo** 提供您:

- ✓ 原厂或相同质量的保证
- ✓ 100%提供给独立售后市场的压缩机都经过了性能和噪音的测试
- ✓ 清晰和精确的目录, 可以通过车型应用来找到产品编号
- ✓ 在TecDoc®和在线目录上可以查找产品
- ✓ 空调系统元件的主要供应商合作伙伴  
您将受益于: 使用推广和交流的工具来推动销售  
增值服务: 法雷奥售后服务培训, 物流服务等



# The Compressor

## 压缩机

EN

### Central element of the A/C loop

The compressor is the driving element of the refrigerated loop since it ensures the circulation of the refrigerant in the A/C loop

It is also used to :

- > Raise the pressure of the fluid which will also increase its temperature
- > Pump the refrigerant, at low-pressure gaseous state, from the outlet of the evaporator, towards the condenser at high-pressure and in a warm gaseous state

It has to be lubricated to avoid damage.

**Valeo advice: it is recommended to put the A/C system on at least 15 minutes a week throughout the year, so that the compressor is correctly lubricated.**

### Good practices recommended to prevent the compressor breakage

**Every 2 years:**

- > Service and refill as necessary, check for damage and wear in the system and that temperatures are sufficient
- > Check the pressures and filters to control the temperatures of the A/C circuit,

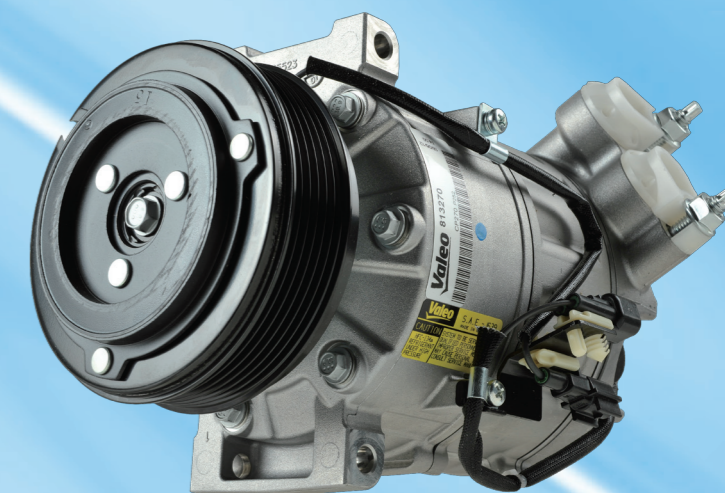
**Every 3 years:**

- > Replacement of the receiver dryer

**When replacing the compressor,**

we recommend replacing the expansion valve ① , the joints, the receiver dryer ② , and to change the oil ③ (cleaning of the circuit - with the flushing kit) and to inject the tracer dye ④ for detection of leaks.

*All these products are included in Valeo's range*



CN

### 空调制冷系统的核心部件

压缩机是制冷系统中的驱动部件，因为它确保了液态制冷剂在空调系统中的循环。

它还用于：

- > 提高液体制冷剂的压力，这样也同时增加了它的温度
- > 从蒸发器的出口抽出低压气态的制冷剂，以高压温热的气态形式打入冷凝器。

必须对压缩机进行润滑以防止损坏。

**法雷奥推荐：空调系统，每周至少打开15分钟，使压缩机得到正确的润滑。**

### 推荐正确的保养方法

**每2年：**

- > 保养和冷却液的补充是必要的。检查系统内部是否有损坏和磨损以及温度是足够的。
- > 检查压力和滤清器，来控制空调系统的温度。

**每3年：**

- > 更换干燥瓶

**当更换压缩机时，**

我们建议同时更换膨胀阀 ① ，关节，干燥瓶 ② ，更换冷冻机油 ③ ，（使用冲洗套装清洁回路）然后注入示踪染料 ④ 用于检测泄漏。

*所有这些产品法雷奥均有提供。*





EN

## When should you replace the compressor

When the A/C loop fails to produce cold air, one of the main causes can be the compressor.

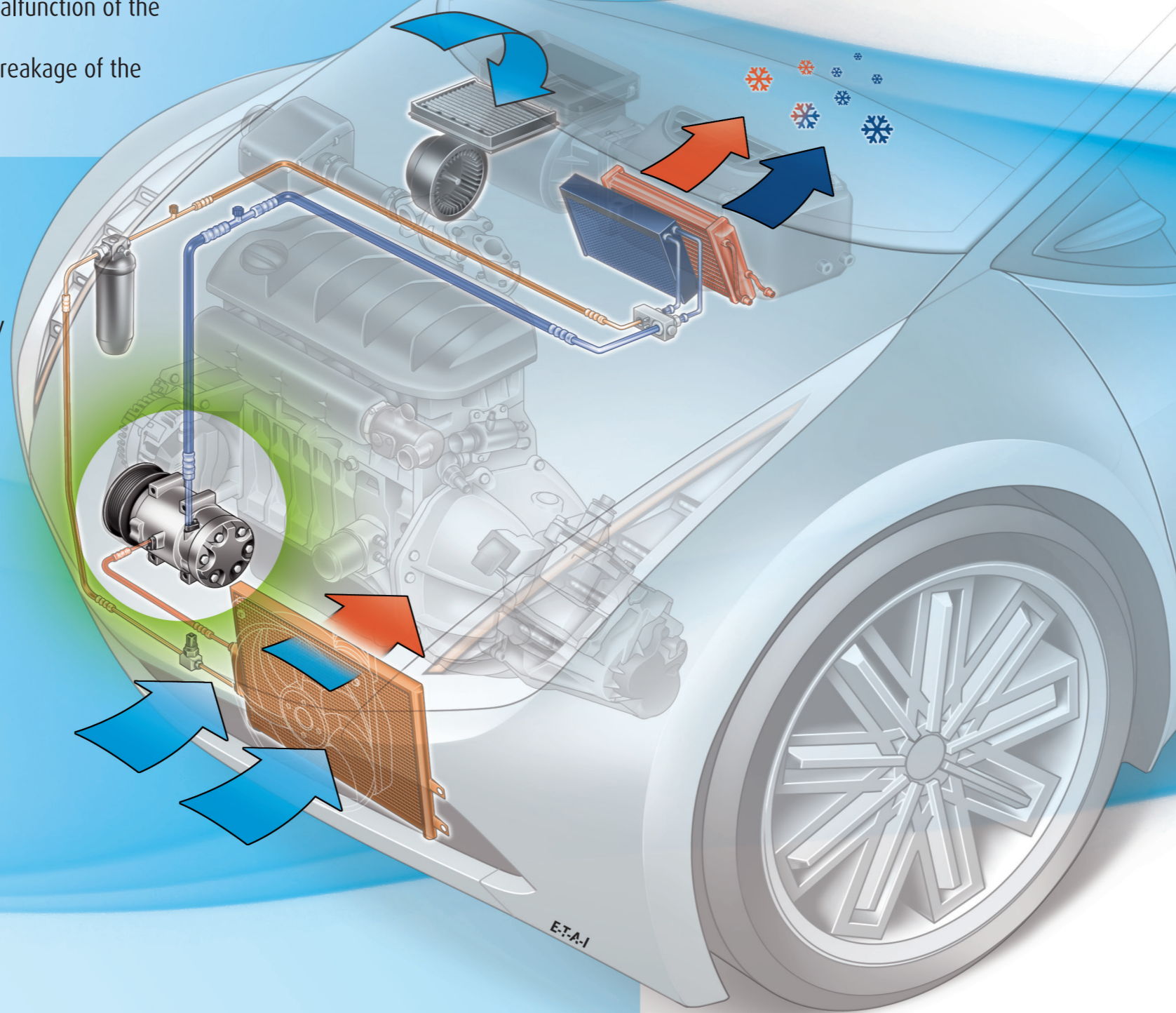
The compressor must be replaced after: shock, tightening, breakage

When we change a part of the A/C loop, it is the whole system which is affected:

- > A lack of refrigerant or oil generates a malfunction of the A/C circuit and can lead to a breakdown.
- > A sealed receiver dryer can lead to the breakage of the compressor.

## A diagnostic tool ClimTest+ V2

Developed for the AC system, it allows you to check all the components are functioning correctly and allows you to check the system refrigerant level is at the OEM recommended quantity in only 10 minutes



CN

## 何时更换压缩机?

当空调系统无法产生冷气，主要原因之一可能是压缩机。当发生震动，紧缩或者破损之后，必须更换压缩机。

当我们改变了空调系统的一部分，整个系统被影响了：

- > 制冷剂或者冷冻机油的缺失会引起空调系统的故障，从而导致系统崩溃。
- > 密封的干燥瓶可能会导致压缩机的破损。

## 诊断工具 ClimTest+ V2

专为空调系统研发，它可以让你仅用10分钟检测出所有元件是否运行正常，并且让你检测系统的制冷水平是否达到了原厂质量



# Why choose Valeo? 为什么选择法雷奥?

**EN** For its quality as a Tier 1 OEM supplier, Valeo supplies compressors for VW PQ35, Peugeot (107 and C1), Volvo (C30, S40 and V50), Nissan (Sunny, Teana and Qashqai).

**To ensure the original performance and so guarantee comfort and safety to your customers, choose the Valeo quality.**

**Valeo quality is the insurance:**

- > For the satisfaction of the customer: the quality of the product guarantees a long-lasting repair.
- > An effective mounting: saving of time, and limiting the risks of mistake.

**CN** 作为一级原厂供应商，法雷奥为VW PQ35，标致(107和C1)，沃尔沃(C30, S40和V50)，尼桑(阳光，天籁和逍客)等配套。法雷奥产品质量稳定。

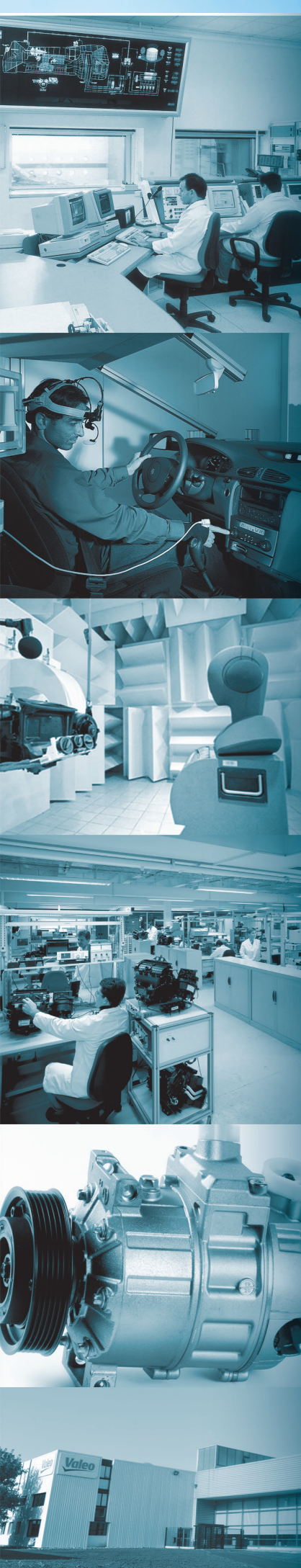
**选择法雷奥产品来确保原厂性能，保证客户驾乘舒适性和安全性。**

**法雷奥质量保证:**

- > 客户的满意度：产品的质量确保长效修复
- > 有效安装：节省时间，并且限制了错误的风险

❄️ Valeo manufactures a range of compressor technologies:  
法雷奥拥有一系列的压缩机技术:

Technology/serie 技术	Applications 应用	Advantages 优势
 <ul style="list-style-type: none"> <li>• Vane-rotary</li> <li>• 旋叶式压缩机</li> </ul> <p><b>DKV</b></p>	<ul style="list-style-type: none"> <li>• Passenger Cars</li> <li>• 乘用车</li> </ul>	<ul style="list-style-type: none"> <li>• Compact</li> <li>• 结构紧凑</li> </ul>
 <ul style="list-style-type: none"> <li>• with fixed displacement swash-plate</li> <li>• 定排量活塞式压缩机</li> </ul> <p><b>DKS</b></p>	<ul style="list-style-type: none"> <li>• Passenger Cars and TRUCK</li> <li>• 乘用车和卡车</li> </ul>	<ul style="list-style-type: none"> <li>• Durability</li> <li>• 耐久性</li> </ul>
 <ul style="list-style-type: none"> <li>• With variable displacement swash-plate</li> <li>• 变排量活塞式压缩机</li> </ul> <p><b>DCS</b></p>	<ul style="list-style-type: none"> <li>• Passenger Cars</li> <li>• 乘用车</li> </ul>	<ul style="list-style-type: none"> <li>• Control of the cylinder capacity</li> <li>• 气缸容量可控</li> </ul>
 <ul style="list-style-type: none"> <li>• TM</li> <li>• 商用型压缩机</li> </ul> <p><b>TM</b></p>	<ul style="list-style-type: none"> <li>• TRUCK, Agricultural and refrigerated</li> <li>• 卡车，农用车和冷藏车</li> </ul>	<ul style="list-style-type: none"> <li>• Universal</li> <li>• 通用型</li> </ul>







With strong R&D capability, Valeo continuously develops new compressors in OE and IAM business.

The new compressors in 2015 as below, pls contact Valeo sales if purchase demand:

依托强大的研发力量，法雷奥持续在原装配业务和售后维修后市场推出新的空压机产品。

2015年的新压缩机如下，如有购买需求请联系法雷奥销售人员：

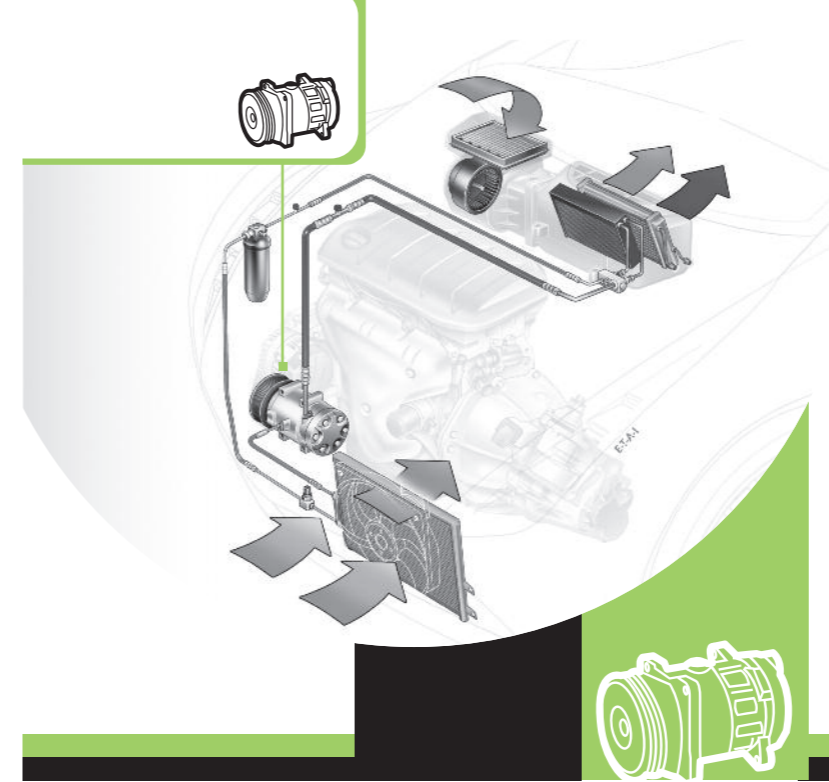


VS PN	车型应用		装配型号 Fitting Type
815191	一汽奔腾 B70	2006	5DA0-61450-I
815192	奇瑞瑞虎 5	2013	PT21-8103010
815196	北京奔驰 M271, C200 1.8T, C260 2.5L, E200 1.8T, E260CGI 1.8T	2008	A0032304211
815197	北京奔驰 M271, C180K, C200K增压款	2013	A0022308311
815198	北京奔驰 M272, C300 3.0L, E300 3.0L	2011	A0022308511



			TECH		
	<b>Valeo NEW</b>	815191	安装类型	法兰	
			Type 皮带轮类型	6PK	
		Z0018767B	mm 皮带轮直径	134	
				12V	
	压缩机类型	DKS17DS	Type 冷冻油型号	PAG100	
		Qty 冷冻油量(cc)	120		
	<b>Valeo NEW</b>	815192	安装类型	法兰	
			Type 皮带轮类型	6PK	
		Z0019526A	mm 皮带轮直径	110	
				12V	
	压缩机类型	DCS17IC	Type 冷冻油型号	PAG100	
		Qty 冷冻油量(cc)	150		
	<b>Valeo NEW</b>	815196	安装类型	法兰	
			Type 皮带轮类型	6PK	
		A0032304211	mm 皮带轮直径	110.22	
				释放扭矩(Nm): 102+/-10%	
	压缩机类型	DCS17E	Type 冷冻油型号	PAG100	
		Qty 冷冻油量(cc)	120		
	<b>Valeo NEW</b>	815197	安装类型	法兰	
			Type 皮带轮类型	7PK	
		A0022308311	mm 皮带轮直径	120.22	
				释放扭矩(Nm): 102+/-10%	
	压缩机类型	DCS17E	Type 冷冻油型号	PAG100	
		Qty 冷冻油量(cc)	120		
	<b>Valeo NEW</b>	815198	安装类型	法兰	
			Type 皮带轮类型	6PK	
		A0022308511	mm 皮带轮直径	110.22	
				释放扭矩(Nm): 102+/-10%	
	压缩机类型	DCS17E	Type 冷冻油型号	PAG100	
		Qty 冷冻油量(cc)	120		





**COMPRESSOR**

**压缩机**

**EN Function**

The compressor is at the center of the system, it is directly fixed to the engine block, driven by the belt. It allows the circulation of the fluid in the A/C loop. It ensures the compression of the refrigerant between the outlet of the evaporator and the inlet of the condenser.

**Replacement**

The compressor must be replaced after a crash.

**Typical problems with compressors:**

- Lack / excess or not appropriate choice of refrigerant oils
- Improper circuit cleaning (procedure: vacuum, flushing, materials and components quality,...)
- Internal corrosion due to the presence of humidity in the circuit
- Circuit blocked (filter drier clogged and expansion valve blocked)
- Electrical problems in the clutch

**Repair recommendations**

- Choose the right compressor, according to the car manufacturers
- Before removing the compressor, indicate the direction of movement of the V belt
- Perform leak checks before and after replacing the compressor
- The A/C loop must be cleaned appropriately before installing the new compressor
- Ensure a good vacuum, when charging the refrigerant gas
- The filter drier / accumulator and expansion valve / orifice tube must be replaced together.
- Choose the compatible refrigerant oils (quality and viscosity).
- Use the new seals and o’rings when replacing any components in the A/C Loop

**CN 功能**

压缩机是空调系统的中心，它被直接固定在发动机缸体，由皮带驱动。它允许制冷剂在空调系统中的循环，并且它保证了蒸发器的出口与冷凝器的入口之间的制冷剂的压缩。

**更换**

车辆发生碰撞之后必须更换压缩机

**压缩机典型问题**

- 缺少/过量或者不正确的制冷剂的选择
- 错误的管道清洗
- 由于在回路中存在湿气而造成内部腐蚀
- 回路闭塞（过滤器干燥剂闭塞，膨胀阀闭塞）
- 压缩机内离合器的电气问题

**修理推荐**

- 根据汽车制造商来选择正确的压缩机。
- 拆除压缩机之前，标明V型皮带的运动方向。
- 在更换压缩机之前和之后进行泄漏检查。
- 在安装新的压缩机之前，必须适当的清洗空调回路。
- 注入制冷剂前保持真空。
- 干燥过滤，蓄电池，膨胀阀和管子要同时更换。
- 选择正确的冷冻油。
- 更换空调组件时，选择正确的密封和O型圈。





车型索引  
Car Model List



1

车型  
Car Models



18

件号对照表  
Part Number Cross List



49



Vehicle  
车型

P

Petrol  
汽油



Type  
冷冻油型号



Date of vehicle  
车型年款



Fuel Type  
燃油类型



Qty  
冷冻油量 (cc)



Engine  
发动机



OE PN  
原厂号



Type  
皮带轮类型



Compressor Type  
压缩机类型



Pulley  
皮带轮



mm  
皮带轮直径



Images  
照片



Voltage  
伏特

D

Diesel  
柴油



Oil  
冷冻油



<b>奥迪 / AUDI</b>	
A3 / A3	1
A4 CABRIOLET / A3 CABRIOLET	1
A4 / A4 (8E2, B6)	1
TT / TT (8J3)	1
TT / TT (8N3)	1
<b>雪铁龙 / CITROËN</b>	
赛纳毕加索 / XSARA PICASSO (N68)	1
<b>一汽大众 / FAW</b>	
宝来 / BORA	2
新宝来 / BORA	2
开迪 / CADDY	2
捷达 / JETTA	2
新宝来 / BORA	2
朗逸 / LAVIDA	2
迈腾 / MAGOTAN (B6)	2
迈腾 / MAGOTAN (B7L)	2
途安 / TOURAN	2
速腾 / SAGITAR	3
高尔夫 / GOLF	3
<b>一汽马自达 / FAW MAZDA</b>	
6睿翼 / 6 RUIYI	3
<b>菲亚特 / FIAT</b>	
朋多 / PUNTO (188)	3
<b>日立 / HITACHI</b>	
KENKI CRANE PZ-X	3
健机 / KENKI	3
<b>英菲尼迪 / INFINITI</b>	
G37 / G37 COUPE	3
<b>五十铃 / ISUZU</b>	
720	4
MTB	4
NKR55 / 66 / 69 / 77 - LHD	4
NPR, NQR	4
NPR, NQR (EUROPE) - LHD	4
TRF	4
<b>小松 / KOMATSU</b>	
PC200	4
<b>梅赛德斯-奔驰 / MERCEDES-BENZ</b>	
A级 / A-CLASS (W168)	4
CLK/ CLK (209)	4
C级 / C-CLASS (204)	4
E级 / E-CLASS (W212)	4
S级 / S-CLASS (W220)	4

<b>三菱 / MITSUBISHI</b>	
FREECA	5
FUSO	5
GALANT VI (EA)	5
L 200 / L200 (K74T)	5
L200 (K7_T, K6_T)	5
L200 (KB_T, KA_T)	5
L200 / TRITON / STRADA	5
新帕杰罗 / NATIA / PAJ SPORT	5
新帕杰罗 / PAJERO SPORT II (KG_, KH_)	5
STRADA	5
<b>东风日产 / NISSAN DONGFENG</b>	
天籁 / TEANA	5
新天籁 / NEW TEANAS	5
奇骏 / X-TRAIL	6
轩逸 / SYLPHY (B17)	6
逍客 / QASHQAI	6
<b>进口日产 / NISSAN IMPORT</b>	
350Z / 350 Z (Z33)	6
CEFIRO	6
CEDRIC	6
ELGRAND 2002	6
F91	6
FRONTIER D22	6
GT-R / GT-R (R35)	6
KING CAB	6
NAVARA (D22)	6
NP300	7
PATROL GR II WAGON (Y61)	7
SAFARI	7
SAFARI PICKUP (TY61)	7
SAFARI, PATROL	7
SENTRA B14	7
赛瑞纳 / SERENA (C23M)	7
阳光 / SUNNY NEO	7
天籁 / TEANA	7
天籁 II / TEANA II (J32)	7
TERRANO	7
U8	7
URVAN	7
URVAN BUS (E25)	8
奇骏 / X-TRAIL	8
奇骏 / X-TRAIL (T31)	8
楼兰 / MURANO (Z51)	8
赛瑞纳 / SERENA	8

<b>欧宝 / OPEL</b>	
欧米茄 / OMEGA B (25_, 26_, 27_)	8
<b>标致 / PEUGEOT</b>	
407 / 407 (6D_)	8
<b>宝腾 / PROTON</b>	
EXORA	8
WIRA	8
<b>雷诺 / RENAULT</b>	
塔利斯曼 / TALISMAN	9
纬度 / LATITUDE (L70_)	9
<b>西雅特 / SEAT</b>	
里昂 II / LEON II	9
<b>上海大众斯柯达 / SKODA (SVW)</b>	
明锐 / OCTAVIA	9
<b>进口斯柯达 / SKODA IMPORT</b>	
明锐 / OCTAVIA	9
昊锐 II / SUPERB II	10
<b>铃木 / SUZUKI</b>	
GRAND VITARA I (FT, GT)	10
<b>丰田 / TOYOTA</b>	
TIGER	10
<b>进口大众 / VOLKSWAGEN</b>	
帕萨特 / PASSAT	10
帕萨特 CC / PASSAT CC	11
途安 / TOURAN	11
高尔夫 V / GOLF V	12
高尔夫 PLUS / GOLF PLUS	12
高尔夫 VI / GOLF VI	13
EOS / EOS	13
捷达 / JETTA	13
尚酷 / SCIROCCO	13
途观 / TIGUAN	13
开迪 / CADDY	14

<b>沃尔沃 / VOLVO</b>	
C30 / C30	14
S40 / S40	14
V50 / V50	14
S60 / S60	15
V60 / V60	15
V70 / V70	15
S70 / S70, V70 / V70	16
S80	16
S80 II / S80 II (AS)	16
XC70 / XC70	16
XC90 / XC90	16
C70 I 敞篷 / C70 I CONVERTIBLE	16
福克斯 II 三厢 / FOCUS II SALOON (DA_)	16





				OE	Valeo	
<b>奥迪 / AUDI</b>						
<b>A3 / A3</b>						
1.4 TFSi	E	CAXC	2009-2007	1K0820803N	<b>699357</b>	DCS17E
1.4 TFSi 125 16V	E	CAXC 07/08	2007-2008	1K0820803N	<b>699357</b>	DCS17E
1.6 i	E	BGU, BSE, BSF	2005-2003	1K0820803L	<b>699357</b>	DCS17E
1.6 i 102	E	BSE, BSF, CCSA	2007-2008 2005-2010	1K0820803N	<b>699357</b>	DCS17E
1.6 FSI	E	BAG, BLF, BLP	2008-2003	1K0820803N	<b>699357</b>	DCS17E
1.9 Tdi	D	LS/F, BXE	2007-2008	1K0820803N	<b>699357</b>	DCS17E
1.9 TDi	D	BKC, BLS, BXE	2001-2004	1K0820803Q	<b>699357</b>	DCS17E
2.0 FSI 16V	E	AXW, AXX, BLR, BLX, BLY, BMB, BVY, BVZ, BWA	2005-2003	1K0820803N	<b>699357</b>	DCS17E
2.0 TDi 16V	D	AZV, BKD, BMM, BMN, BUY	2011-2004	1K0820803N	<b>699357</b>	DCS17E
2.0 TDi 16V	D	CBAA/F, CBAB/F, CBBB/F	2007-2008 2005-2010	1K0820803N	<b>699357</b>	DCS17E
3.2 i V6 24V	E	BDB, BMJ	2007-2003	1K0820803Q	<b>699357</b>	DCS17E
3.2 i V6 24V	E	BDB, BMJ, BUB	2013-2003	1K0820803Q	<b>699357</b>	DCS17E
<b>A3 CABRIOLET / A3 CABRIOLET</b>						
1.8 TFSi 160 16V	E	BZB	2004-2008	1K0820803N	<b>699357</b>	DCS17E
1.9 TDi 105	D	BLS/F	04/08-10/09	1K0820803N	<b>699357</b>	DCS17E
2.0 TFSi 200 16V	E	CAWB	2004-2008	1K0820803N	<b>699357</b>	DCS17E
2.0 Tdi 16V	D	CBAA/F, CBAB/F	2004-2008 2005-2010	1K0820803N	<b>699357</b>	DCS17E
<b>A4 / A4(8E2, B6)</b>						
2.0	E	ALT	2000.11-	8E0260805BF	<b>813150</b>	6SEU14C
<b>TT / TT(8J3)</b>						
2.0 TFSi	E	CESA	2010.5-	1J0820803A/1J0820803K/ 1J0820805/7M3820803	<b>716669</b>	DCS171C
2.0 TFSi quattro	E	CDLB	2008.5-	1J0820803A/1J0820803K/ 1J0820805/7M3820803	<b>716669</b>	DCS171C
<b>TT / TT(8N3)</b>						
1.8 T quattro	E	BAM	1998.10-2006.6	1J0820803A/1J0820803K/ 1J0820805/7M3820803	<b>716669</b>	DCS171C
<b>雪铁龙 / CITROËN</b>						
<b>赛纳毕加索 / XSARA PICASSO (N68)</b>						
1.8 16V	E	6FZ (EW7J4)	2000.2-	6453EN	<b>699216</b>	SD6V12



				OE	Valeo	
<b>一汽大众 / FAW</b>						
<b>宝来 / BORA</b>						
1.6L	E	BJH	2002.5-2006.9	1J0820803A/1J0820803K/ 1J0820805/7M3820803	<b>716669</b>	DCS171C
1.8L	E	BAF	2001.12-2006.12	1J0820803A/1J0820803K/ 1J0820805/7M3820803	<b>716669</b>	DCS171C
1.9 TDI	D	ATD	2004.3-2006.12	1J0820803A/1J0820803K/ 1J0820805/7M3820803	<b>716669</b>	DCS171C
<b>新宝来 / BORA</b>						
1.4TDI	E	CFB	2010.6-	1J0820803A/1J0820803K/ 1J0820805/7M3820803	<b>716669</b>	DCS171C
1.6L	E	BWH	2008.11-	1J0820803A/1J0820803K/ 1J0820805/7M3820803	<b>716669</b>	DCS171C
2.0L	E	CEN	2008.11-2010.12	1J0820803A/1J0820803K/ 1J0820805/7M3820803	<b>716669</b>	DCS171C
<b>开迪 / CADDY</b>						
1.6L	E	BRY	2005.3-2007.12		<b>716651</b>	
2.0L	E		2005.3-2007.12		<b>716651</b>	
<b>捷达 / JETTA</b>						
1.9L	D	ALH	1998.8-2000.4	1J0820803A/1J0820803K/ 1J0820805/7M3820803	<b>716669</b>	DCS171C
<b>朗逸 / LAVIDA</b>						
1.4TSI	E	CFB	2012.9-	1J0820803A/1J0820803K/ 1J0820805/7M3820803	<b>716669</b>	DCS171C
1.6L	E	CDE	2008.4-2012.8	1J0820803A/1J0820803K/ 1J0820805/7M3820803	<b>716669</b>	DCS171C
2.0L	E	CEN	2008.4-2012.8	1J0820803A/1J0820803K/ 1J0820805/7M3820803	<b>716669</b>	DCS171C
<b>迈腾 / MAGOTAN (B6)</b>						
1.4 TSI	E	CFB	2010.1-2011.7		<b>716651</b>	
1.8 TSI	E	BYJ	2007.6-2011.7		<b>716651</b>	
2.0 TSi	E		2008.4-2011.7		<b>716651</b>	
2.0L	E	BJZ	2007.6-2008.4		<b>716651</b>	
<b>迈腾 / MAGOTAN (B7L)</b>						
1.4 TSI	E	CFB	2011.7-		<b>716651</b>	
1.8 TSI	E		2011.7-		<b>716651</b>	
2.0 TSI	E		2011.7-		<b>716651</b>	
3.0 FSI V6	E	CNGA	2011.12-		<b>716651</b>	
<b>途安 / TOURAN</b>						
1.4 TSI	E	CFB	2010.12-		<b>716651</b>	
1.8 Turbo	E	BPL	2005.5-2008.1		<b>716651</b>	
2.0L	E		2004.11-2008.1		<b>716651</b>	





<b>一汽大众 / FAW</b>						
<b>速腾 / SAGITAR</b>						
1.6L	E	BWH	2006.2-		<b>716651</b>	
1.8 TSI	E	BYJ	2008.7-		<b>716651</b>	
1.8 TURBO	E	BPL	2006.4-2008.4		<b>716651</b>	
2.0L	E	BJZ	2006.4-2009.6		<b>716651</b>	
<b>高尔夫 / GOLF</b>						
1.6L	E	BFD; BJH	2003.8-2005.1	1J0820803A/1J0820803K/ 1J0820805/7M3820803	<b>716669</b>	DCS171C
1.8L	E	BAF	2003.7-2009.7	1J0820803A/1J0820803K/ 1J0820805/7M3820803	<b>716669</b>	DCS171C
1.9 TDi	D	AGR	2001.5-	1J0820803A/1J0820803K/ 1J0820805/7M3820803	<b>716669</b>	DCS171C
2.0L	E	APK	2003.8-2005.12	1J0820803A/1J0820803K/ 1J0820805/7M3820803	<b>716669</b>	DCS171C
<b>Besturn B50 / 奔腾 B50</b>						
	E			FA0161450A; FA0161450	<b>716682</b>	
<b>一汽马自达 / FAW MAZDA</b>						
<b>6 睿翼 / 6 RUIYI</b>						
2.0L	E		2009.10-	GV7D61450	<b>716678</b>	DKS17DS
2.5L	E		2009.10-	GV7D61450	<b>716678</b>	DKS17DS
<b>菲亚特 / FIAT</b>						
<b>朋多 / PUNTO (188)</b>						
1.2 60 (188.030, .050, .130, .150, .230, .250)	E	188 A4.000	1999.9-	46782669	<b>813171</b>	SCSB06C
<b>日立 / HITACHI</b>						
<b>KENKI CRANE PZ-X</b>						
				4713 660	<b>815034</b>	DKS17CH
<b>健机 / KENKI</b>						
				442 5700	<b>815031</b>	DKS15CH
<b>英菲尼迪 / INFINITI</b>						
<b>G37 / G37 COUPE</b>						
3.7L	E	VQ37VHR	2007.06	92600JK21B	<b>716690</b>	DCS17EC



<b>五十铃 / ISUZU</b>						
<b>720</b>						
				898214 3210	<b>815026</b>	DKS15DS
<b>MTB</b>						
				APM	<b>815163</b>	DKS15CH
				APM	<b>815164</b>	DKS17CH
<b>NKR55/66/69/77 - LHD</b>						
			2003-	89732 04031	<b>815030</b>	DKS15DS
<b>NPR, NQR</b>						
				898000 9881	<b>815050</b>	DKS15D
<b>NPR, NQR (EUROPE) - LHD</b>						
			2009-	898000 9881	<b>815029</b>	DKS15DS
<b>TRF</b>						
				897910 8264	<b>815037</b>	DKS17CH
					<b>815038</b>	DKS17D
<b>小松 / KOMATSU</b>						
<b>PC200</b>						
					<b>815011</b>	DKS17D
<b>梅赛德斯 - 奔驰 / MERCEDES-BENZ</b>						
<b>A 级 / A-CLASS (W168)</b>						
A 190 (168.032, 168.132)	E	M 166.990	2001.3-	0002305911	<b>699300</b>	6SEU12C
<b>CLK/ CLK(209)</b>						
CLK200,CLK200i	E	271,94,271942	2002.3-	0012305511	<b>813137</b>	DCS17E
<b>C 级 / C-CLASS (204)</b>						
C180,C200	E	271950, 271952	2005-2007	0022303311	<b>813137</b>	DCS17E
C180,C200	E	271950, 271952	2005-2007	0022304911	<b>813137</b>	DCS17E
C180,C200	E	271950,271952	2007.5-	0012305511	<b>813137</b>	DCS17E
<b>E 级 / E-CLASS (W212)</b>						
E 260 L CGI	E	M 271.860	2009.7-	0022304511	<b>813258</b>	DCS17
<b>S 级 / S-CLASS (W220)</b>						
S 280 (220.063, 220.163)	E	M 112.922	2003.10-	0002309011	<b>813157</b>	DCS17E





三菱 / MITSUBISHI					
<b>FREECA</b>					
				7813A014	815176 DKS15CH
<b>FUSO</b>					
					815015 DKS17CH
<b>GALANT VI(EA)</b>					
2.0L	E	4G63	1996.9-2014.10	MR460436M	815051 DKS15CH
<b>L 200 / L200(K74T)</b>					
2.5TD 4WD	D	4D56T	2001.9-2007.12	MR190619 MR190619V	815000 DKS15CH
<b>L200 (K7_T, K6_T)</b>					
2.8TD	D	4M40-T	2003.4-2006.6	MN123625	815022 DKS17D
<b>L200 (KB_T, KA_T)</b>					
2.4i	E	4G64	2005.11-	MN123627	815024 DKS17CH
2.5DiD [RWD] (KA4T)				MN123626	815023 DKS17DS
<b>L200 /TRITON/STRADA</b>					
				MR218898	815042 DKS17CH
<b>新帕杰罗 / NATIVA/ PAJ SPORT</b>					
2.5L	D	KG4W		7813A172	815151 DKS17CH
<b>新帕杰罗 / PAJERO SPORT II (KG_, KH_)</b>					
3.5L Flex	E	6G74	2009.11-	MN123624	815021 DKS15DS
<b>STRADA</b>					
				MR 283206	815001 DKS15CH
<b>东风日产 / NISSAN DONGFENG</b>					
<b>天籁 / TEANA</b>					
2.0L	E	MR20DE	2008.2-2013.12	92600JN30B	716681 DKS17D
2.5L	E			92600JP00C	716680
3.5L	E			92600JP00C	716680
<b>新天籁 / NEW TEANA</b>					
2.0L	E			926003TU0C	716888
2.5L	E			926003TA1C	716887



东风日产 / NISSAN DONGFENG					
<b>奇骏 / X-TRAIL</b>					
2.0L		M9R	2008.11-	926001DA0A	716687 DCS17IC
2.0L	E	MR20DE	2008.2-	92600ET02A	716670 DCS17IC
2.5L	E	QR25DE	2008.11-	926001GZ0A	716689 DCS17EC
2.5L	E	QR25DE	2007.9-	92600ET82A	716671 DCS17IC
<b>轩逸 / SYLPHY (B17)</b>					
1.8L	E	MRA8DE	2012.6-	926003RS2A	716889 VCS14EC
1.8L	E	MRA8DE	2012.11-	926003RS2B	716890 VCS14IC
<b>逍客 / QASHQAI</b>					
2.0L	E	MR20DE	2008.2-	92600ET02A	716670 DCS17IC
<b>进口日产 / NISSAN IMPORT</b>					
<b>350Z / 350 Z (Z33)</b>					
3.5L	E	VQ35HR	2002.12-2008.10	92600EV00A	716694 DCS17IC
<b>CEFIRO</b>					
				92600 4Y000	815045 DKS15CH
<b>CEDRIC</b>					
				92600 VS000	815032 DKS17CH
<b>ELGRAND 2002</b>					
				92600 VG302	815043 DKS17CH
<b>F91</b>					
					815041 DKS17CH
<b>FRONTIER (D22)</b>					
				92600 2TB0A	815165 DKS17CH
<b>GT-R / GT-R (R35)</b>					
3.8T	E	VR38DETT	2008.12	92600JF00B	716692 DCS17EC
3.8T	E	VR38DETT	2008.12	92600JF01A	716693 DCS17EC
<b>KING CAB (D22)</b>					
2.4 i, 2.4 i 4WD	E	KA24DE, KA24E-1	2002-1998 2003-2003	92600VK200	813108 DKS17CH
<b>NAVARA (D22)</b>					
2.4L	E	KA24DE	1997.9-2004.9	92600 VK200	813108 DKS17CH
3.0TD 4WD	D	ZD30DDT	2001.11-2005.4	92600 VK110	813110 DKS17CH
3.0TD 4WD	D	ZD30DDT	2001.11-2005.4	92600 VB800	815008 DKS17CH





进口日产 / NISSAN IMPORT						
<b>NP300</b>						
2.5 dCi	D	YD25DDTi	2008.4-	92600 VL30A	<b>815013</b>	DKS15CH
<b>PATROL GR II WAGON (Y61)</b>						
4.5i	E	TB45E	1997.6-	92600 VB005	<b>815007</b>	DKS17D
<b>SAFARI</b>						
				92600 VS40B	<b>815019</b>	DKS15DS
<b>SAFARI PICKUP (TY61)</b>						
4.2D	D	TD42	1999.9-2011.8	92600 1Y400	<b>815009</b>	DKS17CH
<b>SAFARI,PATROL</b>						
3.0D				92600 VB800	<b>815039</b>	DKS17CH
<b>SENTRA (B14)</b>						
					<b>815044</b>	DKS13CH
<b>SERENA (C23M)</b>						
1.6L 16V	E	GA16DE	1993.2-2001.2	92600 CX000	<b>815010</b>	DKS15CH
<b>阳光 / SUNNY NEO</b>						
				92600 8M110	<b>815048</b>	DKS13CH
<b>天籁 / TEANA</b>						
2.0L	E	MR20DE	2008.10-	92600 9W60B	<b>716675</b>	DKS17DS
2.3L			2004-	92600 9W10B	<b>716676</b>	DKS17DS
3.5L	E	VQ35DE	2003.10-2008.6	92600 9W50B	<b>716677</b>	DKS17D
<b>天籁 II / TEANA II (J32)</b>						
2.5L	E	VQ25DE	2008.7-	92600 9TA01	<b>815025</b>	DKS17DS
<b>TERRANO</b>						
					<b>815002</b>	DKS15CH
<b>U8</b>						
	D			27630 Z5510	<b>815027</b>	DKS15DS
<b>URVAN</b>						
					<b>815040</b>	DKS17D
<b>URVAN BUS</b>						
3.0L				92600 VX100	<b>815014</b>	DKS17CH



进口日产 / NISSAN IMPORT						
<b>URVAN BUS (E25)</b>						
2.4L	E	KA24DE	2001.5-	92600 VW100	<b>815005</b>	DKS17CH
2.5L	E	QR25DE	2001.7-	92600 VZ00B	<b>815017</b>	DKS17CH
3.0D RWD	D	ZD30DD	2000.10-	92600 VW200	<b>815006</b>	DKS15DS
3.0TDi	D	ZD30DDTi	2001.7-2010.11	92600 VZ20B	<b>815018</b>	DKS17D
<b>奇骏 / X-TRAIL</b>						
				92600 200B	<b>815049</b>	DKS17CH
	D			27629 30762	<b>815052</b>	DKS15CH
2.0DCI	D		2007-	926001DE0B	<b>716688</b>	DCS17EC
<b>奇骏 / X-TRAIL(T31)</b>						
2.5L	E	QR25DE	2007.9-	92600JG300	<b>716686</b>	DCS17EC
2.5L	E	QR25DE	2007.9-	926001GZ0A	<b>716689</b>	DCS17EC
2.5L	E	QR25DE	2007.9-	92600EN22C	<b>716685</b>	DCS17EC
<b>楼兰 / MURANO (Z51)</b>						
3.5L	E	VQ35HR	2008.5-2010.12	926001CA1A	<b>716695</b>	DCS17EC
<b>赛瑞纳 / SERENA</b>						
2.0L		MR20DE	2010-	926001VA0D	<b>716756</b>	DCS17EC
2.0L		MR20DE	2010-	926001VA1D	<b>815185</b>	DCS17EC
<b>欧宝 / OPEL</b>						
<b>欧米茄 / OMEGA B (25_, 26_, 27_)</b>						
2.2 16V	E	Y 22 XE	1999.9-	1854145	<b>699077</b>	V5
<b>标致 / PEUGEOT</b>						
<b>407 / 407(6D_)</b>						
2.0	E	RFN (EW10J4)	2004.5-	6453PQ	<b>699349</b>	SD7C16
<b>宝腾 / PROTON</b>						
<b>EXORA</b>						
					<b>815174</b>	DKS17DS
<b>WIRA</b>						
				JK447200 0226	<b>815033</b>	DKS17CH





雷诺 / RENAULT		塔利斯曼 / TALISMAN					
2.5L		2013-	926003748R	<b>716758</b>	DCS17IC		
3.5L		2013-	926003748R	<b>716758</b>	DCS17IC		
3.5L		2013-	0002309111	<b>813195</b>	7SEU17C		
纬度 / LATITUDE (L70_)		2.0 16V (L70B)	E M4R 746	2011.2-	8200835879	<b>813264</b>	DCS17
2.0 16V (L70B)	E	M4R 746	2011.2-	926003748R	<b>716758</b>	DCS17IC	
2.5 DCI	D		2011.5-	926003748R	<b>716758</b>	DCS17IC	
西雅特 / SEAT		里昂 II / LEON II					
1.4i 86 16V	E	BXW	2006.6-2006.11	1K0820803N	<b>699357</b>	DCS17E	
1.6i	E	BGU,BSE,BSF	2005.7-	1K0820803N	<b>699357</b>	DCS17E	
2.0FSI 16V,2.0 TFSI 16V	E	BLR,BLY,BVY,BVZ,BWA	2005.7-	1K0820803N	<b>699357</b>	DCS17E	
上海大众斯柯达 / SKODA (SVW)		明锐 / OCTAVIA					
1.4 TSi	E	CFB	2010.4-		<b>716651</b>		
1.6L	E	CDF	2007.6-2010.4		<b>716651</b>		
1.8 TSi	E	BYJ	2007.6-2010.4		<b>716651</b>		
2.0L	E	BXX,CGZ	2007.6-		<b>716651</b>		
2.0 TSi	E	CGM	2010.4-		<b>716651</b>		
进口斯柯达 / SKODA IMPORT		明锐 / OCTAVIA					
1.4 i 16V	E	BCA	2005-2004	1K0820803G	<b>699357</b>	DCS17E	
1.6 i	E	BGU, BSE, BSF	2005-2004	1K0820803N	<b>699357</b>	DCS17E	
1.6 FSI 16V	E	BLF	2005-2004	1K0820803P	<b>699357</b>	DCS17E	
1.8 TFSi 16V	E	BZB	2006-2007	1K0820803P	<b>699357</b>	DCS17E	
1.9 TDi	D	BJB, BKC, BLS, BXE	2005-2004	1K0820803Q	<b>699357</b>	DCS17E	
2.0 FSI 16V, 2.0 TFSI	E	BLR, BLX, BLY, BVX, BVY, BVZ, BWA	2011-2005	1K0820803N	<b>699357</b>	DCS17E	
2.0 TDi 16V	D	AZV, BKD, BMM/F, BMN	2005-2004	1K0820803Q	<b>699357</b>	DCS17E	



进口斯柯达 / SKODA IMPORT		吴锐 II / SUPERB II				
1.4 TFSi 16V	E	CAXC	2004-2008	1K0820803P	<b>699357</b>	DCS17E
1.8 TFSi 16V	E	BZB, CDAA	2004-2008	1K0820803P	<b>699357</b>	DCS17E
1.9 TDi	D	BLS, BXE	2004-2008	1K0820803P	<b>699357</b>	DCS17E
2.0 TDi,2.0 TDi 16V	D	BMP, CBBB/F	2004-2008 2005-2010	1K0820803P	<b>699357 D</b>	CS17E
铃木 / SUZUKI		GRAND VITARA I (FT, GT)				
2.7L	E	H27A	2003.9-2006.8	95200 54JA0	<b>815028</b>	DKS17DS
丰田 / TOYOTA		TIGER				
				JK447200 0226	<b>815033</b>	DKS17CH
进口大众 /VOLKSWAGEN		帕萨特 / PASSAT				
1.4 FSi 16V,1.4 TFSi 16V	E	CAXA	2005-2007	1K0820803P	<b>699357</b>	DCS17E
1.6 i	E	BSE, BSF	2003-2005	1K0820803N	<b>699357</b>	DCS17E
1.6 FSI 16V	E	BLF	2003-2005	1K0820803P	<b>699357</b>	DCS17E
1.8 FSi 16V	E	BZB	2005-2007	1K0820803N	<b>699357</b>	DCS17E
1.9 TDi	D	BKC, BLS, BLS/F, BXE	2003-2005	1K0820803N	<b>699357</b>	DCS17E
2.0 i 16V, 2.0 TFSI	E	AXX, BPY, BWA	2003-2005	1K0820803N	<b>699357</b>	DCS17E
2.0 FSI 16V	E	BLR, BLY, BVX, BVY, BVZ	2003-2005	1K0820803N	<b>699357</b>	DCS17E
2.0 TFSI 16V	E	CAW	2011-2007	1K0820859F	<b>699357</b>	PXE16
2.0 TDi	D	BKP, BMA/P/R, BUZ, BVD/E	2003-2005	1K0820803S	<b>699357</b>	PXE16
2.0 TDi,2.0 TDi 16V	D	BKP, BMA, BMP, BMR, BUZ, BVD, BVE, BWV	2003-2005	1K0820803Q	<b>699357</b>	DCS17E
3.2 FSi V6 24V	E	AXZ	2003-2005	1K0820803Q	<b>699357</b>	DCS17E
3.2 FSi V6 24V	E	AXZ	2003-2005	1K0820803S	<b>699357</b>	XE16
3.6 FSi V6 24V	E	BWS	2004-2007	1K0820803N	<b>699357</b>	DCS17E





--	--	--	--	--	--

进口大众 /VOLKSWAGEN

帕萨特 / PASSAT

3.6 FSI V6 24V	E	BLV	2009-2005	1K0820803S	699357	PXE16
3.6 FSI V6 24V	E	BLV	2009-2005	1K0820803Q	699357	DCS17E

帕萨特 / PASSAT CC

1.8 TFSI 16V	E	BZB	2005-2008	1K0820803N	699357	DCS17E
2.0 TFSI 16V	E	CAWB	2005-2008 2005-2010	1K0820803N	699357	DCS17E
2.0 TDI,2.0 TDI 16V	D	CBAA/F, CBAB/F, CBBB/F	2005-2008 2011-2010	1K0820803N	699357	DCS17E
3.6 FSI V6 24V	E	BWS 05/08	2005-2010	1K0820803N	699357	DCS17E

途安 / TOURAN (2003-2006)

1.4 TSi 16V	E	BMV	2002-2006 2011-2006	1K0820859M	699357	DCS17E
1.6 i	E	BGU	2007-2003 2005-2005	1K0820803N	699357	DCS17E
1.6 i	E	BGU, BSE, BSF	2007-2003 2011-2006	1K0820859M	699357	DCS17E
1.6 FSI 16V	E	BAG, BLF, BLP	2002-2003	1K0820803P	699357	DCS17E
1.6 FSI 16V	E	BAG, BLF, BLP	2002-2003	1K0820859M	699357	DCS17E
1.9 TDI	D	AVQ, BKC, BRU	2002-2003	1K0820803Q	699357	DCS17E
1.9 TDi	D	AVQ, BKC, BLS, BRU, BXE, BXF, BXJ	2002-2003	1K0820803Q	699357	DCS17E
1.9 TDi	D	AVQ, BKC, BLS, BRU, BXE, BXF, BXJ	2002-2003	1K0820859M	699357	DCS17E
2.0 i	F	BSX	2002-2006 2011-2006	1K0820859M	699857	DCS17E
2.0 FSI 16V	E	AXW, BLR, BLX, BLY	2010-2003	1K0820803N	699357	DCS17E
2.0 FSI 16V	E	AXW, BLR, BLX, BLY, BVY, BVZ	2010-2003	1K0820859M	699357	DCS17E
2.0 TDI 16V	D	AZV, BKD, BMM, BMN	2002-2003	1K0820803Q	699357	DCS17E
2.0 TDi,2.0 TDi 16V	D	AZV, BKD, BMM/F, BMN	2002-2003	1K0820859M	699357	DCS17E
2.0 TDi,2.0 TDi 16V	D	AZV, BKD, BMM/F, BMN	2002-2003	1K0820803Q	699357	DCS17E



--	--	--	--	--	--

进口大众 /VOLKSWAGEN

途安 / TOURAN (2006-)

1.4 TSi	E	BLG, BMV	2011-2006	1K0820859M	699357	DCS17E
1.6 i	E	BSE, BSF	2011-2006	1K0820859D	699357	DCS17E
1.6 i	E	BSE, BSF	2011-2006	1K0820859M	699357	DCS17E
1.6 FSi	E	BLF	2011-2006	1K0820859M	699357	DCS17E
1.9 TDi	D	BLS, BXE, BXF, BXJ	2011-2006	1K0820803S	699357	PXE16
1.9 TDi	D	BLS, BXE, BXF, BXJ	2011-2006	1K0820803Q	699357	DCS17E
1.9 TDi	D	BLS, BLS/F, BXE, BXF, BXJ	2011-2006	1K0820859M	699357	DCS17E
2.0 TDi	D	AZV, BKD, BMM, BMN	2011-2006	1K0820803S	699357	PXE16
2.0 TDi	D	AZV, BKD, BMM/F, BMN	2011-2006	1K0820803Q	699357	DCS17E
2.0 TDi	D	AZV, BKD, BMM/F, BMN	2011-2006	1K0820859M	699357	DCS17E
2.0 i	F	BSX	2011-2006	1K0820859M	699357	DCS17E
2.0 FSi	E	BVY, BVZ	2011-2006 2001-2007	1K0820859M	699357	DCS17E

高尔夫 V / GOLF V

1.4 FSI/TSI 16V, 1.4 i 16V	E	BCA, BKG, BLN	2010-2003	5K0820803B	699357	DCS17E
1.6 i	E	BGU, BSE, BSF	2001-2004	5K0820803B	699357	DCS17E
1.6 FSI 16V	E	BAG, BLF, BLP	2010-2003	5K0820803B	699357	DCS17E
1.9 TDI	D	BJB, BKC, BLS, BLS/F, BRU, BXE, BXF	2010-2003	5K0820803B	699357	DCS17E
2.0 FSI 16V, 2.0 i 16V, 2.0 TFSI	E	AXW, AXX, BLR, BLX, BLY, BVY, BVZ	2010-2003	5K0820803B	699357	DCS17E
2.0 SDI, 2.0 TDI, 2.0 TDI 16V	D	AZV, BDK, BKD, BMM/F, BMN, BVB	2010-2003	5K0820803B	699357	DCS17E
3.2 i V6 R32	E	BUB	2008-2005	5K0820803B	699357	DCS17E

高尔夫 PLUS / GOLF PLUS

1.4 FSI/TSi 16V, 1.4 i 16V	E	BCA, BLG, BLN, BMV, BUD, CAVD, CAXA	2001-2005	1K0820803P	699357	DCS17E
1.6 i	E	BSE, BSF, CCSA	2005-2005	1K0820803N	699357	DCS17E
1.6 FSI 16V	E	BLF	2001-2005	1K0820859M	699357	DCS17E
1.9 TDi	D	BKC, BLS, BLS/F, BRU, BXE, BXF	2001-2005	1K0820859M	699357	DCS17E
2.0 FSI 16V	E	BLR, BLY, BVY, BVZ	2011-2005	1K0820803N	699357	DCS17E
2.0 TDi 16V	D	AZV, BEE, BKD, BMM, BVB	2001-2005	1K0820803Q	699357	DCS17E





进口大众 /VOLKSWAGEN						
<b>高尔夫 PLUS / GOLF PLUS</b>						
2.0 TDi,2.0 TDi 16V	D	AZV, BEE, BKD, BMM/F, BVV	2001-2005	1K0820803Q	<b>699357</b>	DCS17E
<b>高尔夫 VI / GOLF VI</b>						
2.0 TDi 16V	D	CBAA/F, CBAB/F, CBDC/F	2011-2008	1K0820803P	<b>699357</b>	DCS17E
<b>EOS / EOS</b>						
1.6 FSi 16V	E	BLF	2005-2006	1K0820803N	<b>699357</b>	DCS17E
2.0 FSi 16V, 2.0 TFSi 16V	E	BVY, BVZ, BWA	2005-2006	1K0820803N	<b>699357</b>	DCS17E
2.0 TDi 16V	D	BMM/F	2005-2006	1K0820859M	<b>699357</b>	DCS17E
3.2 iV6 24V	E	BUB	2005-2006	1K0820803P	<b>699357</b>	DCS17E
3.2 iV6 24V	E	BUB	2005-2006	1K0820803N	<b>699357</b>	DCS17E
<b>捷达 / JETTA</b>						
1.4 TSi 16V	E	BLG, BMY, CAXA	2007-2006	1K0820803P	<b>699357</b>	DCS17E
1.6 TD	D	RA, SB	2008-1988 2010-1991	357820803C		SD709
1.6 i	E	BSE, BSF	2008-2005	1K0820803N	<b>699357</b>	DCS17E
1.6 FSi 16V	E	BLF	2009-2005	1K0820859M	<b>699357</b>	DCS17E
1.9 TDi	D	BKC, BLS	2008-2005	1K0820803S	<b>699357</b>	PXE16
1.9 TDi	D	BKC, BLS, BXE	2008-2005	1K0820803Q	<b>699357</b>	DCS17E
2.0 FSi 16V, 2.0 TFSi 16V	E	BLR, BLY, BVY, BVZ, BWA	2008-2005	1K0820803N	<b>699357</b>	DCS17E
2.0 TDi 16V	D	AZV, BKD, BMM	2008-2005	1K0820803S	<b>699357</b>	PXE16
2.0 TDi,2.0 TDi 16V	D	AZV, BKD, BMM/F	2008-2005	1K0820803Q	<b>699357</b>	DCS17E
2.0 TDi,2.0 TDi 16V	D	AZV, BKD, BMM/F, BMN, CBDB/F	2008-2005	1K0820803P	<b>699357</b>	CS17E
<b>尚酷 / SCIROCCO</b>						
1.4 TSi 16V	E	CAVD	2008-2008	1K0820803N	<b>699357</b>	DCS17E
2.0 TFSi 16V	E	CAWB	2008-2008	1K0820803N	<b>699357</b>	DCS17E
<b>途观 / TIGUAN</b>						
1.4 TSi 16V	E	BWK	2011-2007	1K0820803N	<b>699357</b>	DCS17E
2.0 TSi 16V	E	CAWA, CAWB	2011-2007	1K0820859M	<b>699357</b>	DCS17E
2.0 TDi 16V	D	CBA/F, CBB/F	2011-2007	1K0820803S	<b>699357</b>	PXE16
2.0 TDi 16V	D	CBA/F, CBB/F	2011-2007	1K0820859F	<b>699357</b>	



进口大众 /VOLKSWAGEN						
<b>途观 / TIGUAN</b>						
2.0 TDi 16V	D	CBAA/F, CBAB/F, CBBA/F, CBBB/F	2011-2007	1K0820859M	<b>699357</b>	DCS17E
<b>开迪 / CADDY</b>						
1.4 i 16V	E	BCA	2002-2004	1K0820803P	<b>699357</b>	DCS17E
1.4 i 16V	E	BCA, BUD	2002-2004	1K0820859M	<b>699357</b>	DCS17E
1.6 i	E	BGU, BSE, BSF	2004-2004	1K0820859M	<b>699357</b>	DCS17E
1.6 i	E	BGU, BSE, BSF	2004-2004	1K0820803N	<b>699357</b>	DCS17E
1.9 TDi	D	BJB, BLS, BSU 0	2002-2004	1K0820859M	<b>699357</b>	DCS17E
1.9 TDi	D	BJB, BLS, BSU	2002-2004	1K0820803Q	<b>699357</b>	DCS17E
1.9 TDi	D	BJB, BLS, BSU	2002-2004	1K0820859M	<b>699357</b>	DCS17E
2.0 i CNG	F	BSX	2004-2006	1K0820859M	<b>699357</b>	DCS17E
2.0 SDI	D	BDJ, BST	2002-2004	1K0820803Q	<b>699357</b>	DCS17E
2.0 SDi	D	BDJ, BST	2002-2004	1K0820803Q	<b>699357</b>	DCS17E
2.0 SDi	D	BDJ, BST	2002-2004	1K0820859M	<b>699357</b>	DCS17E
<b>沃尔沃 / VOLVO</b>						
<b>C30 / C30</b>						
1.6D Turbo 16V	D	D4164T	2006.10-2010.4	36000570	<b>813323</b>	DKS15D
2.0D Turbo 16V	D	D4204T	2006.10-2010.3	36000570	<b>813323</b>	DKS15D
2.4i 20V	E	B5244S4	2006.10-	36000570	<b>813323</b>	DKS15D
2.4i 20V	E	B5254T3, B5254T7	2006.10-2011.1	36000570	<b>813323</b>	DKS15D
2.4TDI 20V	D	D5244T8, D5244T9	2006.10-2010.12	36000570	<b>813323</b>	DKS15D
<b>S40 / S40</b>						
2.4 i 20V	E	B5244S4, B5244S5	2003-2004 2004-2010	8602925	<b>813323</b>	DKS15D
2.5 i 20V	E	B5254T3	2003-2004 2004-2007	8602925	<b>813323</b>	DKS15D
<b>V50 / V50</b>						
1.6 i 16V	E	B4164S3	2001-2005 2004-2007	8602925	<b>813323</b>	DKS15D
1.8 i Flexifuel 16V	F	B4184S8	2005-2006 2010-2009	8602925	<b>813323</b>	DKS15D
2.0 i 16V	E	B4204S3	2002-2006 2001-2011	8602925	<b>813323</b>	DKS15D
2.4 i 20V	E	B5244S4, B5244S5	03/04-04/10	8602925	<b>813323</b>	DKS15D

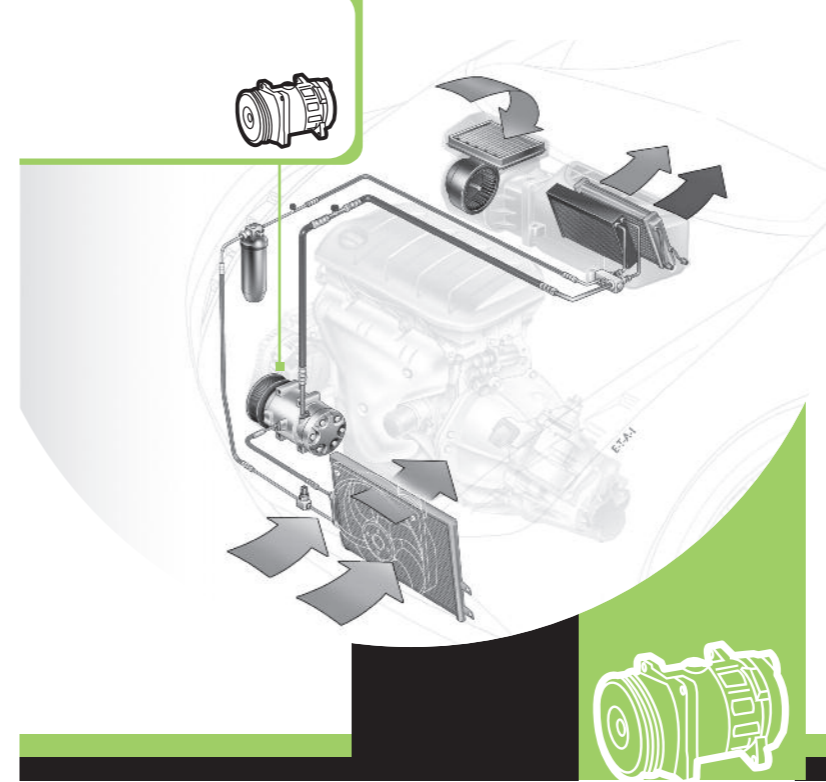


VOLVO		VOLVO		VOLVO		VOLVO		VOLVO	
<b>沃尔沃 / VOLVO</b>									
<b>V50 / V50</b>									
2.4 D5 20V	D	D5244T8, D5244T9	2002-2006 2004-2010	8602925	<b>813323</b>	DKS15D			
2.5 i 20V	E	B5254T3	03/04-12/05	8602925	<b>813323</b>	DKS15D			
<b>S60 / S60</b>									
2.0 i Turbo 20V	E	B5204T5	2008-2000	8602359	<b>699264</b>	DKS17D			
2.3 i Turbo 20V	E	B5234T3	2008-2000		<b>699264</b>	DKS17D			
2.3 i Turbo 20V	E	B5234T7-E2	2008-2000		<b>699264</b>	DKS17D			
2.3L T5	E	B5234T3, B5234T7	2000.11-2011.4	3130 8259	<b>699264</b>	DKS17DS			
<b>沃尔沃 / VOLVO</b>									
<b>S60 / S60</b>									
2.4 i 20V, 2.4 i Turbo 20V	E	B5244S, B5244S2, B5244T3	2008-2000		<b>699264</b>	DKS17D			
2.4 D 20V	D	D5244T, D5244T2	06/01-2003-2005	8602359	<b>699264</b>	DKS17D			
2.5Ti 250 20V	E	B5254T5	2010.4-	36001373	<b>813140</b>	DCS17			
2.5TDI	E	D5252T	2001.10-	8602278	<b>699264</b>	DKS17D			
2.8i	E	B6284T	1998.6-	8602278	<b>699264</b>	DKS17D			
<b>V60 / V60</b>									
2.5 Ti 250 20V	E	B5254T5	2004-2010	36001373	<b>813140</b>	DCS17			
<b>V70 / V70</b>									
2.0 i Turbo 20V	E	B5204T5	2001-2000	8602278	<b>699264</b>	DKS17D			
2.3 i 20V	E	B5234T3-E2	2001-2000 2003-2005	8602278	<b>699264</b>	DKS17D			
2.4 i 20V	E	B5244T5	01/07-04/07	36002425	<b>813140</b>	DCS17			
2.4 TDi 20V	D	D5244T4, D5244T5	2003-2007 2004-2009	36002425	<b>813140</b>	DCS17			
2.4 i 20V	E	B5244S, B5244S2, B5244T3	2001-2000	8602278	<b>699264</b>	DKS17D			
2.4 i 20V	G	B5244SG	2001-2001	8602359	<b>699264</b>	DKS17D			
2.5 i 20V	E	B5254T6	2003-2007	36002425	<b>813140</b>	DCS17			
2.5 T 20V	E	B5254T4	2001-2003	8602278	<b>699264</b>	DKS17D			
2.5 TDI	D	D5252T	2001-2000	8602278	<b>699264</b>	DKS17D			



VOLVO		VOLVO		VOLVO		VOLVO		VOLVO	
<b>沃尔沃 / VOLVO</b>									
<b>S70 / S70, V70 / V70</b>									
				506012 1270A	<b>815016</b>	DKS17D			
<b>S80 / S80</b>									
2.0 i, 2.0 i Turbo	E	B5204T3, B5204T4, B5204T5	2006-1998	8602359	<b>699264</b>	DKS17D			
2.4 i	E	B5244S, B5244S2	2006-1998	8602359	<b>699264</b>	DKS17D			
2.4 D, 2.4 D5	D	D5244T, D5244T2	2010-2001	8602359	<b>699264</b>	DKS17D			
2.4 TDi 20V	D	D5244T4, D5244T5	2001-2007	36002425	<b>813140</b>	DCS17			
2.5 T 20V	E	B5254T6	2001-2007	36002425	<b>813140</b>	DCS17			
2.5 TDi	D	D5252T	2010-2001	8602278	<b>699264</b>	DKS17D			
2.8 i	E	B6284T	2006-1998	8602278	<b>699264</b>	DKS17D			
2.9 i, 3.0 i	E	B6294S2, B6294T, B6304S3	2006-1998	8602359	<b>699264</b>	DKS17D			
<b>S80 II / S80 II (AS)</b>									
3.2	E	B 6324 S	2008.3-	36002424	<b>813271</b>	DCS17			
<b>XC70 / XC 70</b>									
2.4 i Turbo 20V	E	B5244T4	2001-2007 2003-2007	36002425	<b>813140</b>	DCS17			
2.4 TDi 20V	D	D5244T4	2001-2007 2003-2007	36002425	<b>813140</b>	DCS17			
2.4 TDi 20V	D	D5244T4, D5244T5	2003-2007	36002425	<b>813140</b>	DCS17			
2.5 T 20V	E	B5254T2	2001-2000	8602278	699264	DKS17D			
<b>XC90 / XC90</b>									
3.0 T6	E	B 6294 T	2002.10-	36002422	<b>813142</b>	DCS 17			
4.4 V8	E	B 8444 S	2005.1-	36002423	<b>813141</b>	DCS17			
	E				<b>813142</b>				
<b>C7 I 敞篷 / C7 I CONVERTIBLE</b>									
2.3L T-5	E	B5234T3	1998.3-2005.10	3066 5342	<b>815003</b>	DKS15CH			
2.3L T-5	E	B5234T3	1998.3-2005.10	3066 5343	<b>815004</b>	DKS15CH			
<b>C70 II</b>									
2.4L	E	B 5244 S4	2006.3-2012	3600 1118	<b>815047</b>	DKS15D			
<b>福克斯 II 三厢 / FOCUS II SALOON (DA_)</b>									
1.8 Flexifuel	E	Q7DA	2005.12-	3076 1390	<b>813323</b>	DKS15DS			





**TECH. COD**

**技术参数**

		TECH	
	<b>Valeo NEW</b> <b>699077</b>	安装类型 法兰 - V	
		Type 皮带轮类型 PV-6	
		mm 皮带轮直径 125	
		12 V	
	压缩机类型 V5	Type 冷冻油型号 PAG125	
	Qty 冷冻油量 (cc) 250		
	<b>Valeo NEW</b> <b>699216</b>	安装类型 法兰 - V	
		Type 皮带轮类型 PV-6	
		mm 皮带轮直径 121	
		12 V	
	压缩机类型 SD6V12	Type 冷冻油型号 PAG46	
	Qty 冷冻油量 (cc) 135		
	<b>Valeo NEW</b> <b>699264</b>	安装类型	
		Type 皮带轮类型 PV-6	
		mm 皮带轮直径 123	
		12 V	
	压缩机类型 DKS17D	Type 冷冻油型号 PAG46	
	Qty 冷冻油量 (cc) 180		
Picture not available 暂时没有图片	<b>Valeo NEW</b> <b>699264</b>	安装类型 O 型圈	
		Type 皮带轮类型 法兰 -V-6PK	
		mm 皮带轮直径 119	
		12V	
	压缩机类型 DKS17DS	Type 冷冻油型号 PAG 46	
	Qty 冷冻油量 (cc) 130		
	<b>Valeo NEW</b> <b>699300</b>	安装类型 垂直	
		Type 皮带轮类型 PV-5	
		mm 皮带轮直径 100	
		12 V	
	压缩机类型 6SEU12C	Type 冷冻油型号 PAG46	
	Qty 冷冻油量 (cc) 100		

		TECH	
	<b>Valeo NEW</b> <b>699349</b>	安装类型	
		Type 皮带轮类型 PV-6	
		mm 皮带轮直径 119	
		12 V	
	压缩机类型 SD7C16	Type 冷冻油型号 PAG46	
	Qty 冷冻油量 (cc) 135		
	<b>Valeo NEW</b> <b>699357</b>	安装类型	
		Type 皮带轮类型 PV-6	
		mm 皮带轮直径 110	
		12 V	
	压缩机类型 DCS17E	Type 冷冻油型号 PAG46	
	Qty 冷冻油量 (cc) 120		
Picture not available 暂时没有图片	<b>Valeo NEW</b> <b>716651</b>	安装类型	
		Type 皮带轮类型	
		mm 皮带轮直径	
	压缩机类型	Type 冷冻油型号	
	Qty 冷冻油量 (cc)		
Picture not available 暂时没有图片	<b>Valeo NEW</b> <b>716669</b>	安装类型 垂直	
		Type 皮带轮类型 6PK	
		mm 皮带轮直径 128	
		12V	
	压缩机类型 DCS17IC	Type 冷冻油型号 100PG	
	Qty 冷冻油量 (cc) 150		
	<b>Valeo NEW</b> <b>716670</b>	安装类型 垂直	
		Type 皮带轮类型 6PK	
		mm 皮带轮直径 115	
		12V	
	压缩机类型 DCS17IC	Type 冷冻油型号 100PG	
	Qty 冷冻油量 (cc) 150		



		TECH		
	<b>Valeo NEW</b> <b>716671</b>	安装类型	垂直	
		92600ET82A	Type 皮带轮类型 6PK	
		mm 皮带轮直径 125	12V	
	压缩机类型	DCS17IC	Type 冷冻油型号 100PG	
		Qty 冷冻油量 (cc) 150		

	<b>Valeo NEW</b> <b>716675</b>	安装类型	0 型圈	
		92600 9W60B	Type 皮带轮类型 法兰 -V-6PK	
		mm 皮带轮直径 135	12V	
	压缩机类型	DKS17DS	Type 冷冻油型号 PAG 46	
		Qty 冷冻油量 (cc) 150		

	<b>Valeo NEW</b> <b>716676</b>	安装类型	0 型圈	
		92600 9W10B	Type 皮带轮类型 法兰 -V-6PK	
		mm 皮带轮直径 135	12V	
	压缩机类型	DKS17D	Type 冷冻油型号 PAG 46	
		Qty 冷冻油量 (cc) 150		

	<b>Valeo NEW</b> <b>716677</b>	安装类型	0 型圈	
		92600 9W50B	Type 皮带轮类型 法兰 -V	
		mm 皮带轮直径 124	12V	
	压缩机类型	DKS17D	Type 冷冻油型号 PAG 46	
		Qty 冷冻油量 (cc) 150		

	<b>Valeo NEW</b> <b>716678</b>	安装类型	垂直	
		GV7D61450	Type 皮带轮类型 6PK	
		mm 皮带轮直径 134	12V	
	压缩机类型	DKS17DS	Type 冷冻油型号 100PG	
		Qty 冷冻油量 (cc) 120		

		TECH		
	<b>Valeo NEW</b> <b>716680</b>	安装类型	垂直	
		92600JP00C	Type 皮带轮类型 7PK	
		mm 皮带轮直径 115	12V	
	压缩机类型	DKS17D	Type 冷冻油型号 100PG	
		Qty 冷冻油量 (cc) 150		

	<b>Valeo NEW</b> <b>716681</b>	安装类型	垂直	
		92600JN30B	Type 皮带轮类型 6PK	
		mm 皮带轮直径 115	12V	
	压缩机类型	DKS17D	Type 冷冻油型号 100PG	
		Qty 冷冻油量 (cc) 150		

	<b>Valeo NEW</b> <b>716682</b>	安装类型	垂直	
		FA0161450A FA0161450	Type 皮带轮类型 6PK	
		mm 皮带轮直径 128	12V	
	压缩机类型	DCS17IC	Type 冷冻油型号 100PG	
		Qty 冷冻油量 (cc) 150		

	<b>Valeo NEW</b> <b>716685</b>	安装类型	垂直	
		92600EN22C	Type 皮带轮类型 6PK	
		mm 皮带轮直径 115	12V	
	压缩机类型	DCS17EC	Type 冷冻油型号 100PG	
		Qty 冷冻油量 (cc) 150		

	<b>Valeo NEW</b> <b>716686</b>	安装类型	垂直	
		92600JG300	Type 皮带轮类型 6PK	
		mm 皮带轮直径 125	12V	
	压缩机类型	DCS17EC	Type 冷冻油型号 100PG	
		Qty 冷冻油量 (cc) 150		

				TECH			
	<b>Valeo NEW</b>	<b>716687</b>	安装类型	垂直			
			Type 皮带轮类型	7PK			
		926001DA0A	mm 皮带轮直径	115			
			⚡	12V			
	压缩机类型	DCS17IC	Type 冷冻油型号	100PG			
		Qty 冷冻油量 (cc)	150			<b>i+</b>	

Picture not available 暂时没有图片	<b>Valeo NEW</b>	<b>716688</b>	安装类型	垂直			
			Type 皮带轮类型	7PK			
		926001DE0B	mm 皮带轮直径	115			
			⚡	12V			
	压缩机类型	DCS17EC	Type 冷冻油型号	100PG			
		Qty 冷冻油量 (cc)	150			<b>i+</b>	

	<b>Valeo NEW</b>	<b>716689</b>	安装类型	垂直			
			Type 皮带轮类型	6PK			
		926001GZ0A	mm 皮带轮直径	115			
			⚡	12V			
	压缩机类型	DCS17EC	Type 冷冻油型号	100PG			
		Qty 冷冻油量 (cc)	280			<b>i+</b>	

	<b>Valeo NEW</b>	<b>716690</b>	安装类型	垂直			
			Type 皮带轮类型	7PK			
		92600JK21B	mm 皮带轮直径	115			
			⚡	12V			
	压缩机类型	DCS17EC	Type 冷冻油型号	100PG			
		Qty 冷冻油量 (cc)	150			<b>i+</b>	

	<b>Valeo NEW</b>	<b>716691</b>	安装类型	垂直			
			Type 皮带轮类型	7PK			
			mm 皮带轮直径	115			
			⚡	12V			
	压缩机类型	DCS17EC	Type 冷冻油型号	100PG			
		Qty 冷冻油量 (cc)	150			<b>i+</b>	

				TECH			
	<b>Valeo NEW</b>	<b>716692</b>	安装类型	垂直			
			Type 皮带轮类型	7PK			
		92600JF00B	mm 皮带轮直径	115			
			⚡	12V			
	压缩机类型	DCS17EC	Type 冷冻油型号	100PG			
		Qty 冷冻油量 (cc)	150			<b>i+</b>	

	<b>Valeo NEW</b>	<b>716693</b>	安装类型	垂直			
			Type 皮带轮类型	7PK			
		92600JF01A	mm 皮带轮直径	115			
			⚡	12V			
	压缩机类型	DCS17EC	Type 冷冻油型号	100PG			
		Qty 冷冻油量 (cc)	150			<b>i+</b>	

Picture not available 暂时没有图片	<b>Valeo NEW</b>	<b>716694</b>	安装类型	垂直			
			Type 皮带轮类型	7PK			
		92600EV00A	mm 皮带轮直径	115			
			⚡	12V			
	压缩机类型	DCS17IC	Type 冷冻油型号	100PG			
		Qty 冷冻油量 (cc)	150			<b>i+</b>	

Picture not available 暂时没有图片	<b>Valeo NEW</b>	<b>716695</b>	安装类型	垂直			
			Type 皮带轮类型	6PK			
		926001CA1A	mm 皮带轮直径	125			
			⚡	12V			
	压缩机类型	DCS17EC	Type 冷冻油型号	100PG			
		Qty 冷冻油量 (cc)	150			<b>i+</b>	

	<b>Valeo NEW</b>	<b>716697</b>	安装类型	垂直			
			Type 皮带轮类型	7PK			
		8200848916A	mm 皮带轮直径	115			
			⚡	12V			
	压缩机类型	DCS17IC	Type 冷冻油型号	100PG			
		Qty 冷冻油量 (cc)	120			<b>i+</b>	



		TECH	
	<b>Valeo NEW</b> <b>716756</b>	安装类型 垂直	
	926001VA0D	Type 皮带轮类型 7PK mm 皮带轮直径 115 ⚡ 12V	
	压缩机类型 DCS17EC	Type 冷冻油型号 100PG Qty 冷冻油量 (cc) 310	
	<b>Valeo NEW</b> <b>716757</b>	安装类型 垂直	
	8200835879C	Type 皮带轮类型 6PK mm 皮带轮直径 115 ⚡ 12V	
	压缩机类型 DCS17IC	Type 冷冻油型号 100PG Qty 冷冻油量 (cc) 120	
	<b>Valeo NEW</b> <b>716758</b>	安装类型 垂直	
	926003748R	Type 皮带轮类型 7PK mm 皮带轮直径 115 ⚡ 12V	
	压缩机类型 DCS17IC	Type 冷冻油型号 100PG Qty 冷冻油量 (cc) 120	
	<b>Valeo NEW</b> <b>716887</b>	安装类型 垂直	
	926003TA1C	Type 皮带轮类型 6PK mm 皮带轮直径 115 ⚡ 12V	
	压缩机类型 VCS14EC	Type 冷冻油型号 100PG Qty 冷冻油量 (cc) 120	
	<b>Valeo NEW</b> <b>716888</b>	安装类型 垂直	
	926003TU0C	Type 皮带轮类型 6PK mm 皮带轮直径 115 ⚡ 12V	
	压缩机类型 VCS14EC	Type 冷冻油型号 100PG Qty 冷冻油量 (cc) 120	

		TECH	
	<b>Valeo NEW</b> <b>716889</b>	安装类型 垂直	
	926003RS2A	Type 皮带轮类型 6PK mm 皮带轮直径 115 ⚡ 12V	
	压缩机类型 VCS14EC	Type 冷冻油型号 100PG Qty 冷冻油量 (cc) 120	
	<b>Valeo NEW</b> <b>716890</b>	安装类型 垂直	
	926003RS2B	Type 皮带轮类型 6PK mm 皮带轮直径 115 ⚡ 12V	
	压缩机类型 VCS14IC	Type 冷冻油型号 100PG Qty 冷冻油量 (cc) 100	
	<b>Valeo NEW</b> <b>716893</b>	安装类型 垂直	
	5DA061450B	Type 皮带轮类型 6PK mm 皮带轮直径 134 ⚡ 12V	
	压缩机类型 DKS17DS	Type 冷冻油型号 100PG Qty 冷冻油量 (cc) 120	
	<b>Valeo NEW</b> <b>813108</b>	安装类型 0 型圈 V	
	92600VK200	Type 皮带轮类型 A S mm 皮带轮直径 135 ⚡ 12 V	
	压缩机类型 DKS17CH	Type 冷冻油型号 PAG46 Qty 冷冻油量 (cc) 200	
<p>Picture not available</p> <p>暂时没有图片</p>	<b>Valeo NEW</b> <b>813108</b>	安装类型 0 型圈	
	92600 VK200	Type 皮带轮类型 A-S mm 皮带轮直径 135 ⚡ 12V	
	压缩机类型 DKS17CH	Type 冷冻油型号 PAG 46 Qty 冷冻油量 (cc) 200	

		TECH	
	<b>Valeo NEW</b> <b>813110</b>	安装类型 0 型圈	
	92600 VK110	Type 皮带轮类型 法兰 -V-7PK	
	压缩机类型 DKS17CH	mm 皮带轮直径 135	
		Qty 冷冻油量 (cc) 200	

	<b>Valeo NEW</b> <b>813137</b>	安装类型	
	0012305511	Type 皮带轮类型	
	压缩机类型 DCS17E	mm 皮带轮直径	
		Qty 冷冻油量 (cc)	

	<b>Valeo NEW</b> <b>813140</b>	安装类型	
	36001373	Type 皮带轮类型 PV-3	
	压缩机类型 DCS17	mm 皮带轮直径 114	
		Qty 冷冻油量 (cc) 150	

Picture not available 暂时没有图片	<b>Valeo NEW</b> <b>813141</b>	安装类型	
	36002423	Type 皮带轮类型	
	压缩机类型 DCS17	mm 皮带轮直径	
		Qty 冷冻油量 (cc)	

	<b>Valeo NEW</b> <b>813142</b>	安装类型	
	36002422	Type 皮带轮类型	
	压缩机类型 DCS 17	mm 皮带轮直径	
		Qty 冷冻油量 (cc)	

		TECH	
	<b>Valeo NEW</b> <b>813150</b>	安装类型	
	8E0260805BF	Type 皮带轮类型 PV-6	
	压缩机类型 6SEU14C	mm 皮带轮直径 100	
		Qty 冷冻油量 (cc) 130	

	<b>Valeo NEW</b> <b>813157</b>	安装类型	
	0002309011	Type 皮带轮类型 PV-6	
	压缩机类型 DCS17E	mm 皮带轮直径 114.4	
		Qty 冷冻油量 (cc) 120	

	<b>Valeo NEW</b> <b>813171</b>	安装类型	
	46782669	Type 皮带轮类型 PV-4	
	压缩机类型 SCSB06C	mm 皮带轮直径 93	
		Qty 冷冻油量 (cc) 50	

	<b>Valeo NEW</b> <b>813195</b>	安装类型	
	0002309111	Type 皮带轮类型 PV-6	
	压缩机类型 7SEU17C	mm 皮带轮直径 100	
		Qty 冷冻油量 (cc) 180	

	<b>Valeo NEW</b> <b>813258</b>	安装类型	
	0022304511	Type 皮带轮类型 PV-6	
	压缩机类型 DCS17	mm 皮带轮直径 114	
		Qty 冷冻油量 (cc) 120	



		TECH	
	<b>Valeo NEW</b> <b>813264</b>	安装类型	
		Type 皮带轮类型 PV-6	
	8200835879	mm 皮带轮直径 119	
		12 V	
	压缩机类型 DCS17	Type 冷冻油型号 PAG46	
	Qty 冷冻油量 (cc) 120		<b>i+</b>

	<b>Valeo NEW</b> <b>813271</b>	安装类型	
		Type 皮带轮类型 PV-6	
	36002424	mm 皮带轮直径 134	
		12 V	
	压缩机类型 DCS17	Type 冷冻油型号 PAG46	
	Qty 冷冻油量 (cc) 150		<b>i+</b>

	<b>Valeo NEW</b> <b>813323</b>	安装类型	
		Type 皮带轮类型 PV-5	
	36000570	mm 皮带轮直径 125	
		12 V	
	压缩机类型 DKS15D	Type 冷冻油型号 PAG46	
	Qty 冷冻油量 (cc) 200		<b>i+</b>

Picture not available 暂时没有图片	<b>Valeo NEW</b> <b>813323</b>	安装类型	0 型圈
		Type 皮带轮类型 法兰 -V	
	30761390	mm 皮带轮直径 125	
		12V	
	压缩机类型 DKS15DS	Type 冷冻油型号 PAG 46	
	Qty 冷冻油量 (cc) 200		<b>i+</b>

	<b>Valeo NEW</b> <b>815000</b>	安装类型	0 型圈
		Type 皮带轮类型 A-S	
	MR190619/ MR190619V	mm 皮带轮直径 125	
		12V	
	压缩机类型 DKS15CH	Type 冷冻油型号 PAG 46	
	Qty 冷冻油量 (cc) 180		<b>i+</b>

		TECH	
	<b>Valeo NEW</b> <b>815001</b>	安装类型	0 型圈
		Type 皮带轮类型 A-S	
	MR 283206	mm 皮带轮直径 135	
		12V	
	压缩机类型 DKS15CH	Type 冷冻油型号 PAG 46	
	Qty 冷冻油量 (cc) 180		<b>i+</b>

	<b>Valeo NEW</b> <b>815002</b>	安装类型	0 型圈
		Type 皮带轮类型 A-S	
		mm 皮带轮直径 135	
		12V	
	压缩机类型 DKS15CH	Type 冷冻油型号 PAG 46	
	Qty 冷冻油量 (cc) 200		<b>i+</b>

	<b>Valeo NEW</b> <b>815003</b>	安装类型	0 型圈
		Type 皮带轮类型 法兰 -V-6PK	
	30665342	mm 皮带轮直径 125	
		12V	
	压缩机类型 DKS15CH	Type 冷冻油型号 PAG 46	
	Qty 冷冻油量 (cc) 200		<b>i+</b>

	<b>Valeo NEW</b> <b>815004</b>	安装类型	0 型圈
		Type 皮带轮类型 法兰 -V-6PK	
	30665343	mm 皮带轮直径 119	
		12V	
	压缩机类型 DKS15CH	Type 冷冻油型号 PAG 46	
	Qty 冷冻油量 (cc) 180		<b>i+</b>

	<b>Valeo NEW</b> <b>815005</b>	安装类型	0 型圈
		Type 皮带轮类型 法兰 -V-4PK	
	92600 VW100	mm 皮带轮直径 125	
		12V	
	压缩机类型 DKS17CH	Type 冷冻油型号 PAG 46	
	Qty 冷冻油量 (cc) 200		<b>i+</b>

				TECH			
	<b>Valeo NEW</b>	<b>815006</b>	安装类型	0 型圈			
			Type 皮带轮类型	法兰 -V-7PK			
		92600 VW200	mm 皮带轮直径	135			
			⚡	12V			
	压缩机类型	DKS17CH	Type 冷冻油型号	PAG 46			
		Qty 冷冻油量 (cc)	200				

	<b>Valeo NEW</b>	<b>815007</b>	安装类型	0 型圈			
			Type 皮带轮类型	A-S			
		92600 VB005	mm 皮带轮直径	135			
			⚡	12V			
	压缩机类型	DKS17CH	Type 冷冻油型号	PAG 46			
		Qty 冷冻油量 (cc)	300				

	<b>Valeo NEW</b>	<b>815008</b>	安装类型	0 型圈			
			Type 皮带轮类型	法兰 -V-7PK			
		92600 VB800	mm 皮带轮直径	135			
			⚡	12V			
	压缩机类型	DKS17CH	Type 冷冻油型号	PAG 46			
		Qty 冷冻油量 (cc)	300				

	<b>Valeo NEW</b>	<b>815009</b>	安装类型	0 型圈			
			Type 皮带轮类型	A-Type Belt			
		92600 IY400	mm 皮带轮直径	135			
			⚡	12V			
	压缩机类型	DKS17CH	Type 冷冻油型号	PAG 46			
		Qty 冷冻油量 (cc)	200				

	<b>Valeo NEW</b>	<b>815010</b>	安装类型	0 型圈			
			Type 皮带轮类型	法兰 -V			
		92600-CX000	mm 皮带轮直径	135			
			⚡	12V			
	压缩机类型	DKS17CH	Type 冷冻油型号	PAG 46			
		Qty 冷冻油量 (cc)	200				

				TECH			
	<b>Valeo NEW</b>	<b>815011</b>	安装类型	0 型圈			
			Type 皮带轮类型	A-S			
			mm 皮带轮直径	137			
			⚡	24V			
	压缩机类型	DKS15CH	Type 冷冻油型号	PAG 46			
		Qty 冷冻油量 (cc)	200				

Picture not available 暂时没有图片	<b>Valeo NEW</b>	<b>815012</b>	安装类型	0 型圈			
			Type 皮带轮类型	A-S			
		92600 VL20A	mm 皮带轮直径	135			
			⚡	12V			
	压缩机类型	DKS17CH	Type 冷冻油型号	PAG 46			
		Qty 冷冻油量 (cc)	200				

	<b>Valeo NEW</b>	<b>815013</b>	安装类型	0 型圈			
			Type 皮带轮类型	A-S			
		92600 VL30A	mm 皮带轮直径	135			
			⚡	12V			
	压缩机类型	DKS17CH	Type 冷冻油型号	PAG 46			
		Qty 冷冻油量 (cc)	200				

	<b>Valeo NEW</b>	<b>815014</b>	安装类型	0 型圈			
			Type 皮带轮类型	法兰 -V-7PK			
		92600 VX100	mm 皮带轮直径	125			
			⚡	12V			
	压缩机类型	DKS17CH	Type 冷冻油型号	PAG 46			
		Qty 冷冻油量 (cc)	200				

	<b>Valeo NEW</b>	<b>815015</b>	安装类型	0 型圈			
			Type 皮带轮类型	A-S			
			mm 皮带轮直径	135			
			⚡	24V			
	压缩机类型	DKS17CH	Type 冷冻油型号	PAG 46			
		Qty 冷冻油量 (cc)	210				



		TECH	
	<b>Valeo NEW</b> <b>815016</b>	安装类型 0 型圈	
		Type 皮带轮类型 A-W	
	506012-1270A	mm 皮带轮直径 135	
	压缩机类型 DKS15CH	Type 冷冻油型号 PAG 46 Qty 冷冻油量 (cc) 150	

	<b>Valeo NEW</b> <b>815017</b>	安装类型 0 型圈	
		Type 皮带轮类型 法兰 -V-7PK	
	92600 VZ00B	mm 皮带轮直径 125	
	压缩机类型 DKS17D	Type 冷冻油型号 PAG 46 Qty 冷冻油量 (cc) 200	

	<b>Valeo NEW</b> <b>815018</b>	安装类型 0 型圈	
		Type 皮带轮类型 法兰 -V-7PK	
	92600 VZ20B	mm 皮带轮直径 125	
	压缩机类型 DKS17D	Type 冷冻油型号 PAG 46 Qty 冷冻油量 (cc) 200	

	<b>Valeo NEW</b> <b>815019</b>	安装类型 0 型圈	
		Type 皮带轮类型 法兰 -V-7PK	
	92600 VS40B	mm 皮带轮直径 125	
	压缩机类型 DKS17CH	Type 冷冻油型号 PAG 46 Qty 冷冻油量 (cc) 300	

	<b>Valeo NEW</b> <b>815021</b>	安装类型 0 型圈	
		Type 皮带轮类型 法兰 -V-7PK	
	MN123624	mm 皮带轮直径 119	
	压缩机类型 DKS15D	Type 冷冻油型号 PAG 46 Qty 冷冻油量 (cc) 120	

		TECH	
	<b>Valeo NEW</b> <b>815022</b>	安装类型 0 型圈	
		Type 皮带轮类型 A-S	
	MN123625	mm 皮带轮直径 125	
	压缩机类型 DKS15D	Type 冷冻油型号 PAG 46 Qty 冷冻油量 (cc) 120	

Picture not available 暂时没有图片	<b>Valeo NEW</b> <b>815023</b>	安装类型 0 型圈	
		Type 皮带轮类型 A-S	
	MN123626	mm 皮带轮直径 125	
	压缩机类型 DKS15DS	Type 冷冻油型号 PAG 46 Qty 冷冻油量 (cc) 120	

	<b>Valeo NEW</b> <b>815024</b>	安装类型 0 型圈	
		Type 皮带轮类型 法兰 -V-4PK	
	MN123627	mm 皮带轮直径 119	
	压缩机类型 DKS15D	Type 冷冻油型号 PAG 46 Qty 冷冻油量 (cc) 120	

	<b>Valeo NEW</b> <b>815025</b>	安装类型 0 型圈	
		Type 皮带轮类型 法兰 -V-6PK	
	92600 9TA01	mm 皮带轮直径 135	
	压缩机类型 DKS17DS	Type 冷冻油型号 PAG 46 Qty 冷冻油量 (cc) 150	

	<b>Valeo NEW</b> <b>815026</b>	安装类型 0 型圈	
		Type 皮带轮类型 A-S	
	898214 3210	mm 皮带轮直径 135	
	压缩机类型 DKS-15D	Type 冷冻油型号 PAG 46 Qty 冷冻油量 (cc) 150	

		TECH	
	<b>Valeo NEW</b> <b>815027</b>	安装类型 O 型圈	
		Type 皮带轮类型 B-S	
	27630-Z5510	mm 皮带轮直径 137	
		24V	
	压缩机类型 DKS-15CH	Type 冷冻油型号 PAG 46	
	Qty 冷冻油量 (cc) 180		

	<b>Valeo NEW</b> <b>815028</b>	安装类型 O 型圈	
		Type 皮带轮类型 法兰 -V	
	95200 54JA0	mm 皮带轮直径 119	
		12V	
	压缩机类型 DKS17DS	Type 冷冻油型号 PAG 46	
	Qty 冷冻油量 (cc) 200		

	<b>Valeo NEW</b> <b>815029</b>	安装类型 O 型圈	
		Type 皮带轮类型 A-S	
	898000 9881 (898214 3210)	mm 皮带轮直径 125	
		24V	
	压缩机类型 DKS15DS	Type 冷冻油型号 PAG 46	
	Qty 冷冻油量 (cc) 150		

	<b>Valeo NEW</b> <b>815030</b>	安装类型 O 型圈	
		Type 皮带轮类型 A-S	
	8973204031	mm 皮带轮直径 135	
		24V	
	压缩机类型 DKS15DS	Type 冷冻油型号 PAG 46	
	Qty 冷冻油量 (cc) 180		

	<b>Valeo NEW</b> <b>815031</b>	安装类型 O 型圈	
		Type 皮带轮类型 B-S	
	4425700	mm 皮带轮直径 137	
		24V	
	压缩机类型 DKS-15CH	Type 冷冻油型号 PAG 46	
	Qty 冷冻油量 (cc) 210		

		TECH	
	<b>Valeo NEW</b> <b>815032</b>	安装类型 O 型圈	
		Type 皮带轮类型 法兰 -V-4PK	
		mm 皮带轮直径 139	
		12V	
	压缩机类型 DKS-17CH	Type 冷冻油型号 PAG 46	
	Qty 冷冻油量 (cc) 200		

	<b>Valeo NEW</b> <b>815033</b>	安装类型 O 型圈	
		Type 皮带轮类型 N/A	
	JK447200-0226	mm 皮带轮直径 N/A	
		12V	
	压缩机类型 DKS17DS	Type 冷冻油型号 PAG 46	
	Qty 冷冻油量 (cc) 200		

	<b>Valeo NEW</b> <b>815034</b>	安装类型 O 型圈	
		Type 皮带轮类型 B-S	
	4713660	mm 皮带轮直径 137	
		24V	
	压缩机类型 DKS15DS	Type 冷冻油型号 PAG 46	
	Qty 冷冻油量 (cc) 200		

	<b>Valeo NEW</b> <b>815037</b>	安装类型 O 型圈	
		Type 皮带轮类型 A-W	
	897910 8264	mm 皮带轮直径 135	
		12V	
	压缩机类型 DKS15CH	Type 冷冻油型号 PAG 46	
	Qty 冷冻油量 (cc) 150		

	<b>Valeo NEW</b> <b>815038</b>	安装类型 O 型圈	
		Type 皮带轮类型 A-W	
		mm 皮带轮直径 135	
		12V	
	压缩机类型 DKS15CH	Type 冷冻油型号 PAG 46	
	Qty 冷冻油量 (cc) 180		



		TECH		
	<b>Valeo NEW</b> <b>815039</b>	安装类型 0 型圈		
		92600 VB800-M		Type 皮带轮类型 法兰 -V
	压缩机类型 DKS15CH	Type 冷冻油型号 PAG 46		mm 皮带轮直径 135
		Qty 冷冻油量 (cc) 150		12V
	<b>Valeo NEW</b> <b>815040</b>	安装类型 0 型圈		
				Type 皮带轮类型 法兰 -V-7PK
	压缩机类型 DKS17CH	Type 冷冻油型号 PAG 46		mm 皮带轮直径 135
		Qty 冷冻油量 (cc) 200		12V
	<b>Valeo NEW</b> <b>815041</b>	安装类型 0 型圈		
				Type 皮带轮类型 法兰 -V-7PK
	压缩机类型 DKS17D	Type 冷冻油型号 PAG 46		mm 皮带轮直径 125
		Qty 冷冻油量 (cc) 150		12V
	<b>Valeo NEW</b> <b>815042</b>	安装类型 0 型圈		
		MR218898		Type 皮带轮类型 法兰 -V-4PK
	压缩机类型 DKS15CH	Type 冷冻油型号 PAG 46		mm 皮带轮直径 119
		Qty 冷冻油量 (cc) 180		12V
	<b>Valeo NEW</b> <b>815043</b>	安装类型 0 型圈		
		92600 VG302		Type 皮带轮类型 法兰 -V-4PK
	压缩机类型 DKS-17CH	Type 冷冻油型号 PAG 46		mm 皮带轮直径 139
		Qty 冷冻油量 (cc) 200		12V

		TECH		
	<b>Valeo NEW</b> <b>815044</b>	安装类型 0 型圈		
				Type 皮带轮类型 法兰 -V
	压缩机类型 DKS-13CH	Type 冷冻油型号 PAG 46		mm 皮带轮直径 139
		Qty 冷冻油量 (cc) 150		12V
	<b>Valeo NEW</b> <b>815045</b>	安装类型 0 型圈		
		92600 4Y000		Type 皮带轮类型 法兰 -V
	压缩机类型 DKS-15CH	Type 冷冻油型号 PAG 46		mm 皮带轮直径 129
		Qty 冷冻油量 (cc) 180		12V
	<b>Valeo NEW</b> <b>815047</b>	安装类型 0 型圈		
		6001118		Type 皮带轮类型 双 5pk/5pk
	压缩机类型 DKS-15D	Type 冷冻油型号 PAG 46		mm 皮带轮直径 118/125
		Qty 冷冻油量 (cc) 200		12V
	<b>Valeo NEW</b> <b>815048</b>	安装类型 0 型圈		
		92600 8M110		Type 皮带轮类型 法兰 -V
	压缩机类型 DKS-13CH	Type 冷冻油型号 PAG 46		mm 皮带轮直径 139
		Qty 冷冻油量 (cc) 180		12V
	<b>Valeo NEW</b> <b>815049</b>	安装类型 0 型圈		
		92600 20B		Type 皮带轮类型 法兰 -V
	压缩机类型 DKS-17CH	Type 冷冻油型号 PAG 46		mm 皮带轮直径 129
		Qty 冷冻油量 (cc) 180		12V

		TECH		
	<b>Valeo NEW</b>	<b>815050</b>	安装类型 0 型圈	
			Type 皮带轮类型 A-S	
		898000 9881	mm 皮带轮直径 125	
			⚡ 24V	
	压缩机类型	DKS-15D	Type 冷冻油型号 PAG 46	
		Qty 冷冻油量 (cc) 150	<b>i+</b>	

	<b>Valeo NEW</b>	<b>815051</b>	安装类型 0 型圈	
			Type 皮带轮类型 法兰 -V	
		MR460436M	mm 皮带轮直径 129	
			⚡ 12V	
	压缩机类型	DKS-15CH	Type 冷冻油型号 PAG 46	
		Qty 冷冻油量 (cc) 180	<b>i+</b>	

	<b>Valeo NEW</b>	<b>815052</b>	安装类型 0 型圈	
			Type 皮带轮类型 B-S	
		27629 30762	mm 皮带轮直径 137	
			⚡ 24V	
	压缩机类型	DKS-15CH	Type 冷冻油型号 PAG 46	
		Qty 冷冻油量 (cc) 180	<b>i+</b>	

Picture not available 暂时没有图片	<b>Valeo NEW</b>	<b>815053</b>	安装类型 0 型圈	
			Type 皮带轮类型 法兰 -V-4PK	
			mm 皮带轮直径 139	
			⚡ 12V	
	压缩机类型	DKS-15CH	Type 冷冻油型号 PAG 46	
		Qty 冷冻油量 (cc) 100	<b>i+</b>	

Picture not available 暂时没有图片	<b>Valeo NEW</b>	<b>815054</b>	安装类型 0 型圈	
			Type 皮带轮类型 法兰 -V	
		55111412AF	mm 皮带轮直径 123	
			⚡ 12V	
	压缩机类型	DKS-17DS	Type 冷冻油型号 PAG 46	
		Qty 冷冻油量 (cc) 120	<b>i+</b>	

		TECH		
Picture not available 暂时没有图片	<b>Valeo NEW</b>	<b>815055</b>	安装类型 0 型圈	
			Type 皮带轮类型 法兰 -V	
			mm 皮带轮直径 139	
			⚡ 12V	
	压缩机类型	DKS-17CH	Type 冷冻油型号 PAG 46	
		Qty 冷冻油量 (cc) 200	<b>i+</b>	

	<b>Valeo NEW</b>	<b>815151</b>	安装类型 0 型圈	
			Type 皮带轮类型 A-S	
		7813A172	mm 皮带轮直径 125	
			⚡ 12V	
	压缩机类型	DKS-17D	Type 冷冻油型号 PAG 46	
		Qty 冷冻油量 (cc) 100	<b>i+</b>	

	<b>Valeo NEW</b>	<b>815162</b>	安装类型 0 型圈	
			Type 皮带轮类型 A-S	
			mm 皮带轮直径 135	
			⚡ 12V	
	压缩机类型	DKS-15CH	Type 冷冻油型号 PAG 46	
		Qty 冷冻油量 (cc) 200	<b>i+</b>	

	<b>Valeo NEW</b>	<b>815163</b>	安装类型 0 型圈	
			Type 皮带轮类型 A-S	
			mm 皮带轮直径 135	
			⚡ 12V	
	压缩机类型	DKS-15CH	Type 冷冻油型号 PAG 46	
		Qty 冷冻油量 (cc) 200	<b>i+</b>	

	<b>Valeo NEW</b>	<b>815164</b>	安装类型 0 型圈	
			Type 皮带轮类型 A-S	
			mm 皮带轮直径 135	
			⚡ 12V	
	压缩机类型	DKS-17CH	Type 冷冻油型号 PAG 46	
		Qty 冷冻油量 (cc) 200	<b>i+</b>	



		TECH	
	<b>Valeo NEW</b> <b>815165</b>	安装类型 0 型圈	
		Type 皮带轮类型 A-S	
		mm 皮带轮直径 135	
		12V	
	压缩机类型 DKS-17CH	Type 冷冻油型号 PAG 46 Qty 冷冻油量 (cc) 200	
	<b>Valeo NEW</b> <b>815168</b>	安装类型 0 型圈	
		Type 皮带轮类型 法兰 -V	
		mm 皮带轮直径 135	
		12V	
	压缩机类型 DKS-15CH	Type 冷冻油型号 PAG 46 Qty 冷冻油量 (cc) 200	
	<b>Valeo NEW</b> <b>815172</b>	安装类型 0 型圈	
		Type 皮带轮类型 A-S	
		mm 皮带轮直径 135	
		12V	
	压缩机类型 DKS-17CH	Type 冷冻油型号 PAG 46 Qty 冷冻油量 (cc) 200	
	<b>Valeo NEW</b> <b>815174</b>	安装类型 圈状减震	
		Type 皮带轮类型 法兰 -V 6 槽	
		mm 皮带轮直径 119	
		12V	
	压缩机类型 DKS-17DS	Type 冷冻油型号 PAG 46 Qty 冷冻油量 (cc) 200	
	<b>Valeo NEW</b> <b>815175</b>	安装类型 0 型圈	
		Type 皮带轮类型 A-S	
		mm 皮带轮直径 135	
		24V	
	压缩机类型 DKS-15D	Type 冷冻油型号 PAG 46 Qty 冷冻油量 (cc) 150	

		TECH	
	<b>Valeo NEW</b> <b>815176</b>	安装类型 0 型圈	
		Type 皮带轮类型 法兰 -V 4 槽	
		mm 皮带轮直径 119	
		12V	
	压缩机类型 DKS-17D	Type 冷冻油型号 PAG 46 Qty 冷冻油量 (cc) 200	
	<b>Valeo NEW</b> <b>815185</b>	安装类型 垂直	
		Type 皮带轮类型 6PK	
		mm 皮带轮直径 115	
		12V	
	压缩机类型 DCS17EC	Type 冷冻油型号 100PG Qty 冷冻油量 (cc) 310	

**UNIVERSAL**

通用型压缩机



**Valeo**





		TECH	
	<b>Valeo new</b> 815989	安装类型 0 型圈	Type 冷冻油型号 PAG 46
		Type 皮带轮类型	Qty 冷冻油量 (cc)
	压缩机类型	mm 皮带轮直径 135	
	类型 DKS15CH	12V	
	技术号 Z0016261A	装配定位 垂直	
	安装类型 直接	装配类型	
电驱类型 环形弹簧	安装尺寸 15.45/18.25 x 11		

	<b>Valeo new</b> 815991	安装类型 0 型圈	Type 冷冻油型号 PAG 46
		Type 皮带轮类型	Qty 冷冻油量 (cc)
	压缩机类型	mm 皮带轮直径 135	
	类型 DKS15CH	12V	
	技术号 T965175A	装配定位 垂直	
	安装类型 耳式	装配类型	
电驱类型 环形弹簧	安装尺寸 3/4 x 16,7/8 x 14		

	<b>Valeo new</b> 815992	安装类型 0 型圈	Type 冷冻油型号 PAG 46
		Type 皮带轮类型	Qty 冷冻油量 (cc)
	压缩机类型	mm 皮带轮直径 135	
	类型 DKS15CH	24V	
	技术号 T965189A	装配定位 垂直	
	安装类型 耳式	装配类型	
电驱类型 环形弹簧	安装尺寸 3/4 x 16,7/8 x 14		

	<b>Valeo new</b> 815993	安装类型 0 型圈	Type 冷冻油型号 PAG 46
		Type 皮带轮类型	Qty 冷冻油量 (cc)
	压缩机类型	mm 皮带轮直径 135	
	类型 DKS15CH	12V	
	技术号 T965190A	装配定位 垂直	
	安装类型 耳式	装配类型	
电驱类型 环形弹簧	安装尺寸 3/4 x 16,7/8 x 14		

	<b>Valeo new</b> 815990	安装类型 0 型圈	Type 冷冻油型号 PAG 46
		Type 皮带轮类型	Qty 冷冻油量 (cc)
	压缩机类型	mm 皮带轮直径 137	
	类型 DKS15CH	12V	
	技术号 Z0016525A	装配定位 垂直	
	安装类型 直接	装配类型	
电驱类型 环形弹簧	安装尺寸 15.45/18.25 x 11		

		TECH	
	<b>Valeo new</b> 815994	安装类型 0 型圈	Type 冷冻油型号 PAG 46
		Type 皮带轮类型	Qty 冷冻油量 (cc)
	压缩机类型	mm 皮带轮直径 135	
	类型 DKS15CH	24V	
	技术号 Z0018077A	装配定位 垂直	
	安装类型 耳式	装配类型	
电驱类型 环形弹簧	安装尺寸 3/4 x 16,7/8 x 14		


	<b>Valeo new</b> 815152	安装类型 0 型圈	Type 冷冻油型号 PAG 46
		Type 皮带轮类型	Qty 冷冻油量 (cc)
	压缩机类型	mm 皮带轮直径 135	
	类型 DKS15CH	12V	
	技术号 Z0013892A	装配定位	
	安装类型	装配类型	
电驱类型	安装尺寸		

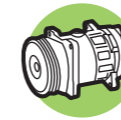
	<b>Valeo new</b> 815153	安装类型 0 型圈	Type 冷冻油型号 PAG 46
		Type 皮带轮类型	Qty 冷冻油量 (cc)
	压缩机类型	mm 皮带轮直径 135	
	类型 DKS15CH	24V	
	技术号 Z0016508A	装配定位	
	安装类型	装配类型	
电驱类型	安装尺寸		

Picture not available 暂时没有图片	<b>Valeo new</b> 815177	安装类型 0 型圈	Type 冷冻油型号 PAG 46
		Type 皮带轮类型	Qty 冷冻油量 (cc)
	压缩机类型	mm 皮带轮直径 135	
	类型 DKS15CH	12V	
	技术号 T71986AA	装配定位 垂直	
	安装类型 耳式	装配类型	
电驱类型 环形弹簧	安装尺寸 3/4 x 16,7/8 x 14		




	OE	Valeo NEW
一汽大众 / FAW		<b>716651</b>
	1J0820803A	<b>716669</b>
	1J0820803K	<b>716669</b>
	1J0820805	<b>716669</b>
	7M3820803	<b>716669</b>
进口大众 / VOLKSWAGEN	1K0820803N	<b>699357</b>
一汽马自达 / FAW MAZDA	GV7D61450	<b>716678</b>
三菱 / MITSUBISHI	7813A014 (Car app. X106A 4G6)	<b>815176</b>
		<b>815015</b>
	MR460436M	<b>815051</b>
	MR190619	<b>815000</b>
	MR190619V	<b>815000</b>
	MN123625	<b>815022</b>
	MN123627	<b>815024</b>
	MN123626	<b>815023</b>
	MR218898	<b>815042</b>
	7813A172	<b>815151</b>
	MN123624	<b>815021</b>
	MR 283206	<b>815001</b>
上海大众斯柯达 / SKODA (SVW)		<b>716651</b>
进口斯柯达 / SKODA IMPORT	1K0820803N	<b>699357</b>
东风日产 / NISSAN DONGFENG	92600JN30B	<b>716681</b>
	926001DA0A	<b>716687</b>
	92600ET02A	<b>716670</b>
	926001GZ0A	<b>716689</b>
	92600ET82A	<b>716671</b>
	926003RS2A	<b>716889</b>
	926003RS2B	<b>716890</b>
进口日产 / NISSAN IMPORT	92600EV00A	<b>716694</b>
	92600 4Y000	<b>815045</b>
	92600 VS000	<b>815032</b>
	92600 VG302	<b>815043</b>
		<b>815041</b>
	92600 2TB0A	<b>815165</b>
	92600JF00B	<b>716692</b>
	92600JF01A	<b>716693</b>
	92600VK200	<b>813108</b>
	92600 VK200	<b>813108</b>

	OE	Valeo NEW
进口日产 / NISSAN IMPORT	92600 VK110	<b>813110</b>
	92600 VB800	<b>815008</b>
	92600 VL30A	<b>815013</b>
	92600 VB005	<b>815007</b>
	92600 VS40B	<b>815019</b>
	92600 1Y400	<b>815009</b>
	92600 VB800	<b>815039</b>
		<b>815044</b>
	92600 CX000	<b>815010</b>
	92600 8M110	<b>815048</b>
	92600 9W50B	<b>716677</b>
	92600 9W60B	<b>716675</b>
	92600 9W10B	<b>716676</b>
	92600 9TA01	<b>815025</b>
		<b>815002</b>
	27630 Z5510	<b>815027</b>
		<b>815040</b>
	92600 VX100	<b>815014</b>
	92600 VW100	<b>815005</b>
	92600 VW200	<b>815006</b>
	92600 VZ00B	<b>815017</b>
	92600 VZ20B	<b>815018</b>
	92600 200B	<b>815049</b>
	27629 30762	<b>815052</b>
	926001DE0B	<b>716688</b>
	92600JG300	<b>716686</b>
	926001GZ0A	<b>716689</b>
	92600EN22C	<b>716685</b>
	926001CA1A	<b>716695</b>
	926001VA0D	<b>716756</b>
	926001VA1D	<b>815185</b>
丰田 / TOYOTA	JK447200 0226	<b>815033</b>
五十铃 / ISUZU	898214 3210	<b>815026</b>
	APM	<b>815163</b>
	APM	<b>815164</b>
	89732 04031	<b>815030</b>
	898000 9881	<b>815050</b>
	898000 9881	<b>815029</b>



	OE	Valeo NEW
五十铃 / ISUZU	897910 8264	<b>815037</b>
		<b>815038</b>
奥迪 / AUDI	1K0820803N	<b>699357</b>
	8E0260805BF	<b>813150</b>
	1J0820803A	<b>716669</b>
	1J0820803K	<b>716669</b>
	1J0820805	<b>716669</b>
奥迪 / AUDI	7M3820803	<b>716669</b>
宝腾 / PROTON		<b>815174</b>
	JK447200 0226	<b>815033</b>
小松 / KOMATSU		<b>815011</b>
日立 / HITACHI	4713 660	<b>815034</b>
	442 5700	<b>815031</b>
标致 / PEUGEOT	6453PQ	<b>699349</b>
梅赛德斯-奔驰 / MERCEDES-BENZ	0002305911	<b>699300</b>
	0012305511	<b>813137</b>
	0022304511	<b>813258</b>
	0002309011	<b>813157</b>
欧宝 / OPEL	1854145	<b>699077</b>
沃尔沃 / VOLVO	36000570	<b>813323</b>
	36001373	<b>813140</b>
	8602278	<b>699264</b>
	36002424	<b>813271</b>
	36002422	<b>813142</b>
	36002423	<b>813141</b>
	3066 5342	<b>815003</b>
	3066 5343	<b>815004</b>
	3600 1118	<b>815047</b>
	3076 1390	<b>813323</b>
	3130 8259	<b>699264</b>
	506012 1270A	<b>815016</b>
英菲尼迪 / INFINITI	92600JK21B	<b>716690</b>
菲亚特 / FIAT	46782669	<b>813171</b>
西雅特 / SEAT	1K0820803N	<b>699357</b>
铃木 / SUZUKI	95200 54JA0	<b>815028</b>
雪铁龙 / CITROËN	6453EN	<b>699216</b>
雷诺 / RENAULT	926003748R	<b>716758</b>
	0002309111	<b>813195</b>

	OE	Valeo NEW
雷诺 / RENAULT	8200835879	<b>813264</b>

*Every effort has been made to ensure that the information contained in this catalogue is correct at the time of printing, but no warranty or representation is given or made as to the accuracy of such information and Valeo Service does not accept any liability whatsoever for any inaccuracies.*

*Valeo Service reserves the right to alter specifications and/or the final construction of products without notice.*

*Product references referred to in this catalogue may not be available in all countries.*

*All orders for products are only accepted subject to the terms and conditions of Valeo Service.*

*Photographs and drawings are not binding on Valeo Service. The copyright in this publication belongs to Valeo Service exclusively. No part of this publication may be reproduced by any means without the prior authorisation of Valeo Service.*

我们尽一切努力确保本产品目录中所包含的信息在印刷时是正确的，但对于这些信息的准确性我们不提供陈述和担保，并且法雷奥销售公司不承担任何由于不准确信息所造成的赔偿责任。

法雷奥销售公司有权更改规格和/或产品的最终构造，恕不另行通知。

本目录中提到的产品件号不一定在所有国家适用。

法雷奥销售公司只接受遵守法雷奥销售公司条款和条件的产品订单。

照片和图纸对法雷奥销售公司不具有约束力。本目录的版权属于法雷奥销售公司。未经法雷奥销售公司事先授权，不得对本出版物的任何部分以任何方式进行复制。

## CHINA

### **VALEO AUTO PARTS TRADING (SHANGHAI) CO., LTD.**

33RD FLOOR, BUILDING B, IBC TOWER, 391 GUI PING ROAD,  
CAOHEJING HI-TECH PARK, XUHUI DISTRICT,  
SHANGHAI 200233, CHINA

TEL. : (86) 21 5175-2618

FAX : (86) 21 5175-2619

### **法雷奥汽车零部件贸易(上海)有限公司**

上海市徐汇区漕河泾开发区桂平路391号

新漕河泾国际商务中心B座33楼

电话: (+86) 21 51752618

传真: (+86) 21 51752619





Valeo, your  
A/C Multi-specialist\*

法雷奥, 您的  
空调系统专家



valeo added

Automotive technology, naturally

**Valeo**