

Since 1952

Se Habla Español

# ALCO<sup>®</sup>

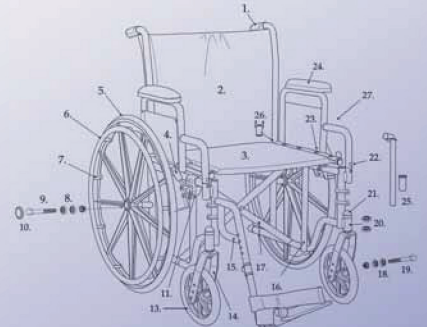
Sales & Service Co.

Catalog EP1  
Equipment & Parts  
Sourcebook  
2013-2014

**Table of  
Contents  
Page 3**



# EQUIPMENT and PARTS



Phone:  
800-323-4282

[www.alcosales.com](http://www.alcosales.com)

Fax:  
800-950-1167



Check out our ONLINE Catalogs!

Available with page-by-page viewing!



# New at ALCO<sup>®</sup>

ALCO Classic Wheelchairs  
**Pages 6-14**

Wheelchair Cushion & Back  
**Pages 32, 36**

Translock  
**Page 38**

SilkScreening  
**Page 38**

Wheelchair Brakes  
**Page 92**

Reconditioned Hospital Beds  
**Page 123**

Bariatric Beds  
**Page 125**

Hill-Rom Mattresses & Covers  
**Page 130**

Stryker & Hill-Rom Mattress Cross Reference  
**Page 132**

ALCOAire12™ Floatation Mattress  
**Page 133**

Pressure Relief Mattresses  
**Page 138**

Behavioral Health Mattress  
**Page 139**

Pelvic Exam Wedge  
**Page 150**

Fall Out Pads  
**Page 151**

Big Button Telephones  
**Page 153**

Wall Mounts  
**Pages 154-155**

Hill-Rom 870 Bed Parts  
**Page 160**

Hill-Rom Bed Sheets & Pillow Cases  
**Page 161**

VersaCare & CareAssist Bed Controls  
**Page 169**

Stryker GoBed  
**Pages 182-185**

Stryker LD304 Birthing Bed  
**Pages 186-189**

Drive Medical Beds  
**Pages 193-197**

Joerns UltraCare XT Bed  
**Pages 200-202**

Reconditioned Stretchers  
**Page 223**

Stretcher Pads  
**Page 225**

Stryker OB/GYN 1061 Stretcher  
**Pages 232-235**



Jeron Nurse Call  
**Page 265**

Rauland Nurse Call Repair  
**Page 267**

West-Com Nurse Call  
**Page 270**

Glow-in-the-Dark Pull Cords  
**Page 274**

Lumex Recliners  
**Page 287**

Winco Stretcher Parts  
**Pages 308-319**

Commodes  
**Pages 356, 347- 348**

Bariatric Commodes  
**Pages 350-351**

Anti-Ligature & Security Accessories  
**Pages 368-369**

Drive Medical Lifts  
**Pages 385-387**

I.V. Poles (Made in U.S.A)  
**Pages 410-411**

Welch Allyn Wall Systems  
**Page 425**

Blood Pressure Monitors  
**Pages 456-457**

Littmann Stethoscopes  
**Page 458**

Stools  
**Page 485**

MRI Transport Equipment  
**Page 495**

Lakeside & Harloff Medical Carts  
**Pages 507-509**

Lakeside Stainless Steel Carts  
**Page 517**

ErgoSmart Prep Station  
**Page 520**

Storage Carts  
**Page 522**

Tablet & Laptop Computer Carts  
**Pages 528-529**

Bariatric Furniture  
**Page 557**

Physical Therapy  
**Pages 563-568**

Vinyl Strip Systems  
**Page 615**

Foldable Dolly Cart  
**Page 617**

WeatherTech™ Tech Floor  
**Page 618**

WeatherTech™ Car Accessories  
**Page 619**

# Table of Contents

<b>Wheelchairs</b> 5-38	<b>Wheelchair Parts</b> 39-120	<b>Beds</b> 121-156	
	<b>Bed Parts</b> 157-220	<b>Stretchers &amp; Parts</b> 221-236	<b>Nurse Call</b> 237-276
<b>Recliners</b> 277-288	<b>Recliner Parts</b> 289-336	<b>Patient Care</b> 337-422	
	<b>Diagnostic</b> 423-462	<b>Respiratory</b> 463-476	<b>OR/ER</b> 477-502
<b>Carts</b> 503-530	<b>PVC</b> 531-554	<b>Furniture</b> 555-562	
	<b>Physical Therapy</b> 563-568	<b>Housekeeping</b> 569-590	<b>Maintenance</b> 591-620
<b>Wall Protection &amp; Signs</b> 621-638	<b>Repair Services</b> 639-642	<b>Casters &amp; Wheels</b> 643-733	

# ALCO Healthcare Partners (partial Listing)



*ALCO Sales and Service Co. is a contracted supplier to Group Purchasing Organizations, Regional Healthcare Supply Chains and Integrated Delivery Networks.*

## ALCO Catalogs — FREE For The Asking

**Call 800-323-4282 • Fax 800-950-1167 • [www.alcosales.com](http://www.alcosales.com)**











**Full Line Catalogs**

- Replacement Parts
- Healthcare Equipment
- Casters & Wheels

- Diagnostic Equipment
- Audio Visual, TV & VCR Mounts
- Bed Parts
- Medical Furniture
- Housekeeping & Laundry

- Material Handling
- PVC Healthcare Equipment
- Wheelchair Accessories & Parts
- Bariatric Equipment



*Visit our new website [www.alcosales.com](http://www.alcosales.com) Check out our variety of VIRTUAL CATALOGS available for page-by-page viewing!*

### TERMS AND CONDITIONS

**RETURN OF MERCHANDISE**

Written approval with RA number must be obtained from ALCO Sales & Service Co. for all returned merchandise. Where authorization is granted, a restock charge plus freight may apply. No returns on custom-made items unless due to factory error. 30 day limit on returns.

**ALCO MINIMUM ORDER & TERMS POLICY**

Terms: 20 day net. ALCO has a \$20.00 minimum order. We will add a \$4.00 small order charge to process any order under \$20.00.

**PRODUCT WARRANTIES**

Alco Sales & Service Co. gives no express warranties on any merchandise in our catalogs. However, most items are covered by a vendor or manufacturer's warranty that warrants against defects or faulty workmanship. When applicable, we will pass on all available manufacturer warranties.

**SHIPPING/DELIVERY TIMES**

We make every effort to expedite your order the same day. Postage or shipping and handling will be added to your order unless you request some other arrangement. F.O.B. Shipping Point.

**SPECIFICATIONS AND PRICES**

Specifications and PRICES SUBJECT TO CHANGE WITHOUT NOTIFICATION • PRICES BASED ON U.S. CURRENCY — PLUS FREIGHT F.O.B. Shipping Point.

**DUN & BRADSTREET**

Dun & Bradstreet #05-108-2337 • Federal ID #36-2768224  
 Illinois Resale Tax #0254-0721  
 S.I.C. Code 50 47 • FDA Reg 9010072 • GS-07F-0483V

# Wheelchairs



Phone: 800-323-4282  
Fax: 800-950-1167

**ALCO**  
Sales & Service Co.

info@alcosales.com  
www.alcosales.com

# Comfort Classic™ Full Reclining Folding Solid Seat Wheelchairs

Up To  
700 lb.  
Capacity

**Anti-Theft**



**Institutional Heavy-Duty Solid Seat**



Recliner is Infinitely Adjustable from 90° Angle to Full 180° Recline

Great for Rehab & Patient Transfer



AL-57597BL

**Barrel Tested at 1,200 lbs!**

- ✓ All the features of the Comfort Classic Wheelchair shown on Page xx plus the following:
- ✓ Full 180° recline
- ✓ Back extension with removable headrest
- ✓ Rear anti-tipper standard

**Bariatric Heavy-Duty Institutional Folding Solid Padded Seat**

## SPECIFICATIONS, PRICING & PART NUMBERS:

Description	Width Between Arms	Weight Capacity	Footrest (Includes Heel Loops)			Legrest		
			ALCO Part No.	List Price	Wholesale Price	ALCO Part No.	List Price	Wholesale Price
20" Removable Full Arm	21"	500 lbs.	AL-57488BL	\$1,740	\$870	AL-57594BL	\$1,800	\$900
20" Removable Desk Arm			AL-57489BL			AL-57595BL		
22" Removable Full Arm	23"	700 lbs.	AL-57590BL	\$2,038	\$1019	AL-57596BL	\$2,098	\$1049
22" Removable Desk Arm			AL-57591BL			AL-57597BL		
24" Removable Full Arm	25"	700 lbs.	AL-57592BL	\$2,252	\$1126	AL-57598BL	\$2,312	\$1156
24" Removable Desk Arm			AL-57593BL			AL-57599BL		

PRICES AND SPECIFICATIONS SUBJECT TO CHANGE WITHOUT NOTIFICATION—PRICES BASED ON U.S. CURRENCY—PLUS FREIGHT



5-1/2" x 2" Front Caster Wheel  
(lowers seat 2" on 22-24" models only)  
AL-64691 \$29.95 Ea



Desk or Full Length Armrests



Comes standard with removable headrest



**STANDARD**

**Front Caster Wheel - Hard Tread**  
Pushes 50% easier  
For 20" Wide Chairs  
8" x 1" • 5/16" Bearing • 1-13/16" Hub



**STANDARD**

**Front Caster Wheel - Hard Tread**  
Pushes 50% easier  
For 22" - 24" Wide Chairs  
8" x 2" • 5/16" Bearing • 2-5/16" Hub

**Collar Locks**



- ✓ Does not restrict front rigging swing-away movement
  - ✓ Makes legrest non-removable
- AL-2231 \$2.95 Each

**Up To  
700 lb.  
Capacity**

# Comfort Classic™ Folding Solid Seat Wheelchairs



**Flip Back Arms are Locking  
and Non-Removable**



**Institutional Heavy-Duty Folding Solid Seat**

**Padded 2-1/2" Thick Seat**

**AL-70013BL**



**Anti-Theft**

- ✓ Much more comfortable for patients restricted to a wheelchair for long periods of time and great for Rehabilitation/Therapy patients
- ✓ No need to buy expensive seat cushions
- ✓ Much easier to transfer patients from wheelchair to bed
- ✓ Double embossed and reinforced premium flame retardant upholstery; padded armrests
- ✓ Sturdy, one piece 24" composite rear wheels and chrome hand rims
- ✓ 8" x 1" or 8" x 2" easy roll hard treat front wheels roll 50% easier
- ✓ 20" chairs have single X-brace, 22" and 24" chairs have double X-brace for added reinforcement and additional weight capacity

- ✓ Dual rear wheel positioning for hemi adjustability
- ✓ Sealed precision bearings for ease of mobility
- ✓ Outlasts hammock seats 5 to 1
- ✓ Folding seat aids in preventing theft
- ✓ Extended Warranty: Limited Lifetime on Frames and Crossbraces; 5 year on Components
- ✓ Blue upholstery standard
- ✓ Burgundy (BU) and Black (BK) available for upcharge\* (See chart below)

**Barrel Tested  
at 1,200 lbs!**

**SPECIFICATIONS, PRICING & PART NUMBERS:**

Description	Width Between Arms	Weight Capacity	Footrest (Includes Heel Loops)			Legrest		
			ALCO Part No.	List Price	Wholesale Price	ALCO Part No.	List Price	Wholesale Price
20" Flip Back Desk Arm	21"	500 lbs.	AL-70000BL	\$1,398	\$699	AL-70001BL	\$1,458	\$729
20" Flip Back Full Arm			AL-70002BL			AL-70003BL		
20" Removable Desk Arm			AL-70004BL			AL-70005BL		
20" Removable Full Arm			AL-70006BL			AL-70007BL		
22" Flip Back Desk Arm	23"	700 lbs.	AL-70008BL	\$1,698	\$849	AL-70009BL	\$1,758	\$879
22" Flip Back Full Arm			AL-70010BL			AL-70011BL		
22" Removable Desk Arm			AL-70012BL			AL-70013BL		
22" Removable Full Arm			AL-70014BL			AL-70015BL		
24" Flip Back Desk Arm	25"	700 lbs.	AL-70016BL	\$1,898	\$949	AL-70017BL	\$1,958	\$979
24" Flip Back Full Arm			AL-70018BL			AL-70019BL		
24" Removable Desk Arm			AL-70020BL			AL-70021BL		
24" Removable Full Arm			AL-70022BL			AL-70023BL		

**PRICES AND SPECIFICATIONS SUBJECT TO CHANGE WITHOUT NOTIFICATION—PRICES BASED ON U.S. CURRENCY—PLUS FREIGHT**

*Burgundy and Black Color Options			
Description	Burgundy Part No.	Black Part No.	Price Each
20" w/ Full Length Arms	AL-70024BU	AL-70024BK	\$159.00
22" w/ Full Length Arms	AL-70025BU	AL-70025BK	
24" w/ Full Length Arms	AL-70026BU	AL-70026BK	
20" w/ Desk Length Arms	AL-70027BU	AL-70027BK	
22" w/ Desk Length Arms	AL-70028BU	AL-70028BK	
24" w/ Desk Length Arms	AL-70029BU	AL-70029BK	
<b>Upholstery kits are available for new chair purchase</b>			

**Upholstery Kits Include: Seat, Back, Armrests & Calf Pads**

DIMENSIONS:				
Chair Width	Width (Handrim to Handrim)	Depth (Front To Back)	Height (Floor to Top of Back Cane)	Weight
20"	29"	31.0"	39.0"	60 lb
22"	31"	36.5"	39.0"	75 lb
24"	33"	37.0"	39.0"	75 lb

EP2

# Classic™ 500 Wheelchair 24" Width x 18" Depth

**Super Extra  
 Heavy-Duty**

**Great For All Bariatric Applications**

**500 lb.  
 Capacity**



**AL-70033BK-DL**

**Frame**

- ✓ Reinforced frame includes gusseted sides, caster journals and dual cross braces
- ✓ Seat height adjustable with rust and chip resistant quadruple chrome plating process
- ✓ Seat to floor height: 17-1/2" hemi or 19-1/2" standard
- ✓ Sealed precision bearings on wheels, casters and journals
- ✓ Detachable dual wheeled Anti-Tippers (chair will not tip backwards) optional: AL-78441 \$15.95 Pair
- ✓ 8" x 2" heavy-duty front wheels wont fall in elevator slots and pushes 50% easier than other chairs
- ✓ 24" x 1" heavy-duty urethane rear wheel with composite handrim includes 5/8" (15mm) axle bolt
- ✓ Push to lock brake
- ✓ Metal skirt guards
- ✓ Overall width: 32"

**Upholstery**

- ✓ Fire retardant, double embossed, Black, heavy-duty, vinyl upholstery
- ✓ Padded arm and calf pads are standard
- ✓ 18" seat depth: 17-1/2" back height
- ✓ Threaded seat screw inserts minimize stripping from upholstery changes
- ✓ Chart pocket on back (Stenciling Available)
- ✓ Blue upholstery available: CALL for details

**Legrests**

- ✓ Ratchet bar to lock legrests securely in place
- ✓ Tool-free adjustable, shiny aluminum footplate with push button lock to prevent twisting
- ✓ Tool Kit



**AL-70033BK-DF**



**AL-70033BK-FF**



**AL-70033BK-FL**

**Extended Warranty**

Frame & Crossbraces: Limited Lifetime  
 Components: 5 Years

**Features:**



Double Bar Vertical Reinforcements



Caster Journal Gussets



Additional Seat Gusset



Anti-Tippers Optional  
 AL-78441 \$15.95 Pair



Optional Nut & Bolt Footplate Lock



Desk or Full Length Armrests

Description	Width Between Arms	Weight Capacity	Footrest (Includes Heel Loops)			Legrest		
			ALCO Part No.	List Price	Wholesale Price	ALCO Part No.	List Price	Wholesale Price
24" Removable Desk Arm 24" Removable Full Arm	24 <sup>3</sup> / <sub>4</sub> "	500 lbs.	AL-70033BK-DF	\$658	\$329	AL-70033BK-DL	\$678	\$339
			AL-70033BK-FF			AL-70033BK-FL		

**Accessories**

Anti-Fold Device	<b>AL-885</b>	<b>\$22.95</b>
Overhead Anti-Theft Device	<b>AL-63827</b>	<b>\$54.95</b>
I.V. Pole (fixed height)	<b>AL-72293</b>	<b>\$79.95</b>
Oxygen Holder (fixed height)	<b>AL-72294</b>	<b>\$29.95</b>
Oxygen/I.V. Combo	<b>AL-72292</b>	<b>\$99.95</b>
Push Bar 22" - 24"	<b>AL-76488</b>	<b>\$29.95</b>
Collar Locks	<b>AL-2231</b>	<b>\$2.95</b>



Pushbar **AL-76488**



I.V./O2 Combo **AL-72292**



- ✓ Does not restrict front rigging swing-away movement
  - ✓ Makes legrest non-removable
- Collar Locks **AL-2231**



**Super Extra Heavy-Duty**

# Classic™ 500 Wheelchair 22" Width x 18" Depth



### Frame

- ✓ Reinforced frame includes gusseted sides, caster journals and dual cross braces
- ✓ Seat height adjustable with rust and chip resistant quadruple chrome plating process
- ✓ Seat to floor height: 17-1/2" hemi or 19-1/2" standard
- ✓ Sealed precision bearings on wheels, casters and journals
- ✓ Detachable dual wheeled Anti-Tippers (chair will not tip backwards) optional: AL-78441 \$15.95 Pair
- ✓ 8" x 2" x heavy-duty front wheels wont fall in elevator slots and pushes 50% easier than other chairs
- ✓ 24" x 1" heavy-duty urethane rear wheel with composite handrim includes 5/8" (15mm) axle bolt
- ✓ Push to lock brake
- ✓ Metal skirt guards
- ✓ Overall width: 30"

### Upholstery

- ✓ Fire retardant, double embossed, Black, heavy-duty, vinyl upholstery
- ✓ Padded arm and calf pads are standard
- ✓ 18" seat depth: 17-1/2" back height
- ✓ Threaded seat screw inserts minimize stripping from upholstery changes
- ✓ Chart pocket on back (Stenciling Available)
- ✓ Blue upholstery available: CALL for details

### Legrests

- ✓ Ratchet bar to lock legrests securely in place
- ✓ Tool-free adjustable, shiny aluminum footplate with push button lock to prevent twisting
- ✓ Tool Kit

**Great For All Bariatric Applications**



**AL-70032BK-DL**



**AL-70032BK-DF**



**AL-70032BK-FF**



**AL-70032BK-FL**

### Extended Warranty

Frame & Crossbraces: Limited Lifetime  
Components: 5 Years

### Features:



Double Bar Vertical Reinforcements



Caster Journal Gussets



Additional Seat Gusset



Anti-Tippers Optional AL-78441 \$15.95 Pair



Optional Nut & Bolt Footplate Lock



Desk or Full Length Armrests

Description	Width Between Arms	Weight Capacity	Footrest (Includes Heel Loops)			Legrest		
			ALCO Part No.	List Price	Wholesale Price	ALCO Part No.	List Price	Wholesale Price
22" Removable Desk Arm	22¾"	500 lbs.	AL-70032BK-DF	\$638	\$319	AL-70032BK-DL	\$658	\$329
22" Removable Full Arm			AL-70032BK-FF			AL-70032BK-FL		

### Accessories

Anti-Fold Device	AL-885	\$22.95
Overhead Anti-Theft Device	AL-63827	\$54.95
I.V. Pole (fixed height)	AL-72293	\$79.95
Oxygen Holder (fixed height)	AL-72294	\$29.95
Oxygen/I.V. Combo	AL-72292	\$99.95
Push Bar 22" - 24"	AL-76488	\$29.95
Collar Locks	AL-2231	\$2.95

Additional Accessories Available. See Pages xx



EP2

# Classic™ 500 Wheelchair 20" Width x 18" Depth

**Super Extra  
Heavy-Duty**

**Great For All Bariatric Applications**



**AL-70031BK-DL**

**500 lb.  
Capacity**

**Frame**

- ✓ Reinforced frame includes gusseted sides, caster journals and dual cross braces
- ✓ Seat height adjustable with rust and chip resistant quadruple chrome plating process
- ✓ Seat to floor height: 17-1/2" hemi or 19-1/2" standard
- ✓ Sealed precision bearings on wheels, casters and journals
- ✓ Detachable dual wheeled Anti-Tippers (chair will not tip backwards) optional: AL-78441 \$15.95 Pair
- ✓ 8" x 2" heavy-duty front wheels wont fall in elevator slots and pushes 50% easier than other chairs
- ✓ 24" x 1" heavy-duty urethane rear wheel with composite handrim includes 5/8" (15mm) axle bolt
- ✓ Push to lock brake
- ✓ Metal skirt guards
- ✓ Overall width: 28"

**Upholstery**

- ✓ Fire retardant, double embossed, Black, heavy-duty, vinyl upholstery
- ✓ Padded arm and calf pads are standard
- ✓ 18" seat depth: 17-1/2" back height
- ✓ Threaded seat screw inserts minimize stripping from upholstery changes
- ✓ Chart pocket on back (Stenciling Available)
- ✓ Blue upholstery available: CALL for details

**Legrests**

- ✓ Ratchet bar to lock legrests securely in place
- ✓ Tool-free adjustable, shiny aluminum footplate with push button lock to prevent twisting
- ✓ Tool Kit

**Extended Warranty**

Frame & Crossbraces: Limited Lifetime  
Components: 5 Years



**AL-70031BK-DF**



**AL-70031BK-FF**



**AL-70031BK-FL**

**Features:**



Double Bar Vertical Reinforcements



Caster Journal Gussets



Additional Seat Gusset



Anti-Tippers Optional AL-78441 \$15.95 Pair



Optional Nut & Bolt Footplate Lock



Desk or Full Length Armrests

Description	Width Between Arms	Weight Capacity	Footrest (Includes Heel Loops)			Legrest		
			ALCO Part No.	List Price	Wholesale Price	ALCO Part No.	List Price	Wholesale Price
20" Removable Desk Arm 20" Removable Full Arm	20 <sup>3</sup> / <sub>4</sub> "	500 lbs.	AL-70031BK-DF	\$618	\$309	AL-70031BK-DL	\$638	\$319
			AL-70031BK-FF			AL-70031BK-FL		

**Accessories**

Anti-Fold Device	AL-885	\$22.95
Overhead Anti-Theft Device	AL-63827	\$54.95
I.V. Pole (fixed height)	AL-72293	\$79.95
Oxygen Holder (fixed height)	AL-72294	\$29.95
Oxygen/I.V. Combo	AL-72292	\$99.95
Push Bar 18" - 20"	AL-76487	\$29.95
Collar Locks	AL-2231	\$2.95



10

Additional Accessories Available. See Pages xx

# Classic™ 300 Flip-Back Arm 18" & 20" Width x 16" Depth



## Frame

- ✓ Seat height adjustable with rust and chip resistant chrome and Black powder coating
- ✓ Single crossbar design with double crossbrace link
- ✓ Seat to floor height: 17-1/2" hemi or 19-1/2" standard
- ✓ Sealed precision bearings on wheels, casters and journals
- ✓ Detachable dual wheeled Anti-Tippers standard at no charge (chair will not tip backwards)
- ✓ 8" x 1" Front wheels
- ✓ 24" x 1" Urethane rear wheel with composite handrims includes 7/16" (11mm) axle bolt
- ✓ Push to lock brake
- ✓ Adjustable height back
- ✓ Super-saver, non-removable, locking, flip-back arms with rear-frame lock allowing for easy lateral transfers
- ✓ Composite skirt guards
- ✓ Overall width:  
20" - 27-1/2"  
18" - 25-1/2"

## Upholstery

- ✓ Fire retardant double embossed heavy-duty Black nylon upholstery
- ✓ Padded vinyl arm and calf pads are standard
- ✓ 16" seat depth: 16" Back height
- ✓ Threaded seat screw inserts minimize stripping from upholstery changes
- ✓ Chart pocket on back

## Legrest

- ✓ Steel ratchet bar to lock legrests securely in place
- ✓ Tool-free adjustable, shiny aluminum footplate with push button lock to prevent twisting
- ✓ Tool Kit

### Extended Warranty

Frame & Crossbraces: Limited Lifetime  
Components: 5 Years

## Black Nylon Upholstery



Description	Width Between Arms	Weight Capacity	Footrest (Includes Heel Loops)			Legrest		
			ALCO Part No.	List Price	Wholesale Price	ALCO Part No.	List Price	Wholesale Price
18" Flip Back Desk Arm	18"	300 lbs.	AL-70035BK-DF	\$538	\$269	AL-70035BK-DL	\$558	\$279
20" Flip Back Desk Arm	20"		AL-70036BK-DF	\$558	\$279	AL-70036BK-DL	\$578	\$289

## Accessories

Anti-Fold Device	AL-885	\$22.95
Overhead Anti-Theft Device*	AL-63827	\$54.95
Push Bar 18" - 20"	AL-76487	\$29.95
Anti-Fold/Anti-Theft Bar	AL-67460	\$21.95
Collar Locks	AL-2231	\$2.95

\*Requires additional screw hole before attaching

Additional Accessories Available. See Pages xx



Phone 800-323-4282 • 630-655-1900  
FAX 800-950-1167 • 630-655-1990

E-mail: info@alcosales.com  
Website: www.alcosales.com

# Classic™ 300 Removable Arm 18" & 20" Width x 16" Depth



**300 lb.  
Capacity**

**AL-70038BK-DL**

**Frame**

- ✓ Seat height Adjustable with rust and chip resistant quadruple chrome plating process
- ✓ Reinforced frame includes double bar reinforcement
- ✓ Single crossbar design
- ✓ Seat to floor height: 17-1/2" hemi or 19-1/2" standard
- ✓ Sealed precision bearings on wheels, casters and journals
- ✓ Detachable dual wheeled Anti-Tippers (chair will not tip backwards) optional: AL-78441 \$15.95 Pair
- ✓ 8" x 1" Front wheels
- ✓ 24" x 1" Urethane rear wheel with composite handrims includes 7/16" (11mm) axle bolt
- ✓ Push to lock brake
- ✓ Metal skirt guards
- ✓ Overall Width:  
18" - 26"  
20" - 28"

**Upholstery**

- ✓ Fire retardant double embossed, Black, heavy-duty, vinyl upholstery
- ✓ Padded vinyl arm and calf pads are standard
- ✓ 16" seat depth: 19" Back height
- ✓ Threaded seat screw inserts minimize stripping from upholstery changes
- ✓ Chart pocket on back (Stenciling available)
- ✓ Blue Upholstery available—CALL for details

**Legrest**

- ✓ Steel ratchet bar to lock legrests securely in place
- ✓ Tool-free adjustable, shiny aluminum footplate with push button lock to prevent twisting
- ✓ Tool Kit

**Extended Warranty**

Frame & Crossbraces: Limited Lifetime  
Components: 5 Years



**AL-70038BK-DF**



**AL-70038BK-FL**



**AL-70038BK-FF**

**Features:**



Double Bar Vertical Reinforcements



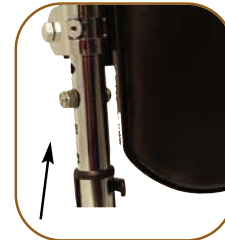
Anti-Tippers Optional AL-78441 \$15.95 Pair



Full Length Armrests



Desk Length Armrests



Optional Nut & Bolt Footplate Lock

Description	Width Between Arms	Weight Capacity	Footrest (Includes Heel Loops)			Legrest		
			ALCO Part No.	List Price	Wholesale Price	ALCO Part No.	List Price	Wholesale Price
18" Removable Desk Arm	18½"	300 lbs.	AL-70037BK-DF	\$478	\$239	AL-70037BK-DL	\$498	\$249
18" Removable Full Arm			AL-70037BK-FF			AL-70037BK-FL		
20" Removable Desk Arm	20½"	300 lbs.	AL-70038BK-DF	\$498	\$249	AL-70038BK-DL	\$518	\$259
20" Removable Full Arm			AL-70038BK-FF			AL-70038BK-FL		

**Accessories**

Anti-Fold Device	AL-885	\$22.95
Overhead Anti-Theft Device	AL-63827	\$54.95
I.V. Pole (fixed height)	AL-72293	\$79.95
Oxygen Holder (fixed height)	AL-72294	\$29.95
Oxygen/I.V. Combo	AL-72292	\$99.95
Push Bar 18" - 20"	AL-76487	\$29.95
Collar Locks	AL-2231	\$2.95



# Classic™ 300E Removable Arm 18" & 20" Width x 16" Depth



**Black Nylon Upholstery**

### Frame

- ✓ Rust and chip resistant Black Silver Vein powder coating
- ✓ Single crossbar design
- ✓ Seat to floor height: 19-1/2" standard
- ✓ Sealed precision bearings on wheels, casters and journals
- ✓ Detachable dual wheeled Anti-Tippers (chair will not tip backwards) optional: AL-78443 \$15.95 Pair
- ✓ 8" x 1" Front wheels
- ✓ 24" x 1" Urethane rear wheel with composite handrims
- ✓ Push to lock brake
- ✓ Metal skirt guards
- ✓ Overall Width:
  - 18" - 26"
  - 20" - 28"

### Upholstery

- ✓ Fire retardant double embossed, Black, nylon upholstery
- ✓ Padded vinyl arm and calf pads are standard
- ✓ 16" seat depth: 19" Back height
- ✓ Threaded seat screw inserts minimize stripping from upholstery changes
- ✓ Chart pocket on back

### Legrest

- ✓ Steel ratchet bar to lock legrests securely in place
- ✓ Tool-free adjustable black footplate with push button lock to prevent twisting
- ✓ Tool Kit

## Great For Long Term Care Facilities



AL-70040BK-DL

**Extended Warranty**  
 Frame & Crossbraces: Limited Lifetime  
 Components: 5 Years



AL-70040BK-FL



AL-70040BK-FF



AL-70040BK-DF

### Features:



Anti-Tippers Optional  
AL-78443 \$15.95 Pair



Full Length Armrests



Desk Length Armrests



Optional Nut & Bolt  
Footplate Lock



Optional Footrests

EP2

Description	Width Between Arms	Weight Capacity	Footrest (Includes Heel Loops)			Legrest		
			ALCO Part No.	List Price	Wholesale Price	ALCO Part No.	List Price	Wholesale Price
18" Removable Desk Arm	18½"	300 lbs.	AL-70039BK-DF	\$338	\$169	AL-70039BK-DL	\$358	\$179
18" Removable Full Arm			AL-70039BK-FF			AL-70039BK-FL		
20" Removable Desk Arm	20½"	300 lbs.	AL-70040BK-DF	\$358	\$179	AL-70040BK-DL	\$378	\$189
20" Removable Full Arm			AL-70040BK-FF			AL-70040BK-FL		

### Accessories

Anti-Fold Device	AL-885	\$22.95
Overhead Anti-Theft Device	AL-63827	\$54.95
I.V. Pole (fixed height)	AL-72293	\$79.95
Oxygen Holder (fixed height)	AL-72294	\$29.95
Oxygen/I.V. Combo	AL-72292	\$99.95
Push Bar 18" - 20"	AL-76487	\$29.95
Collar Locks	AL-2231	\$2.95

Additional Accessories Available. See Pages xx





# Classic™ 300 Recliner 20" Width x 17" Depth

### Frame

- ✓ Infinite position recline goes from 90° to 140° with quick adjustable handles
- ✓ Detachable Anti-tippers (no wheels)
- ✓ 24" x 1" urethane rear wheel with composite handrims includes 7/16" (11mm) axle bolt
- ✓ 8" x 1" front wheels
- ✓ Metal skirt guards
- ✓ Spreader bar
- ✓ Rust and chip resistant quadruple chrome plating process
- ✓ Overall width: 28-1/2"
- ✓ Desk arm only with long support for recline position
- ✓ Front caster journals include extra gusset

### Upholstery

- ✓ Full back and head support is provided by 19" high back and 11-1/2" removable headrest
- ✓ Fire retardant, double embossed, Black, heavy-duty, vinyl upholstery
- ✓ Padded arm and calf pads are standard
- ✓ 17" seat depth: 21" back height
- ✓ Threaded seat screw inserts minimize stripping from upholstery changes
- ✓ Blue upholstery available: CALL for details
- ✓ Stenciling available

### Legrests

- ✓ Steel ratchet bar to lock legrests securely in place
- ✓ Tool-free, shiny aluminum footplate with push button lock to prevent twisting
- ✓ Tool Kit

Description	Width Between Arms	Weight Capacity	Legrest		
			ALCO Part No.	List Price	Wholesale Price
20" Removable Desk Arm	20½"	300 lbs.	AL-70034BK-DL	\$718	\$359

### Accessories

Collar Locks **AL-2231** **\$2.95**



# Classic™ 300 Transport Chair 20" Width x 16" Depth

### Frame

- ✓ Rust & chip resistant quadruple chrome plating process
- ✓ 8" x 1" front and rear wheels
- ✓ Frame is light weight and durable
- ✓ Back folds down for easy storage and transport
- ✓ Weight: with Legrest 28 lbs / with Footrest 24 lbs
- ✓ Push to lock brake
- ✓ Overall width: 22"
- ✓ Front caster journals include extra gusset

### Upholstery

- ✓ Seat belt for safety
- ✓ Black Nylon upholstery, fire retardant
- ✓ Vinyl armpads
- ✓ 15-1/2" seat depth: 18-3/4" back height

### Front Riggings

- ✓ Legrest: Adjustable, tool-free, aluminum footplate
- ✓ Footrests: Aluminum footplate and heel loop

### Extended Warranty

Frame & Crossbraces: Limited Lifetime  
Components: 5 Years

### Accessories

Collar Locks **AL-2231** **\$2.95**  
Overhead Anti-Theft Device **AL-63827** **\$54.95**



AL-70041BK-F

AL-70041BK-L

Description	Between Arms	Width Weight Capacity	Footrest (Includes Heel Loops)			Legrest		
			ALCO Part No.	List Price	Wholesale Price	ALCO Part No.	List Price	Wholesale Price
20" Chair	17½"	300 lbs.	AL-70041BK-F	\$318	\$159	AL-70041BK-L	\$338	\$169

# Invacare Economy & Tracer EX2 Wheelchairs



## Black Nylon Upholstery



**250 lb. Capacity**

### Invacare Veranda Wheelchair

- ✓ Seat Width: 18"
- ✓ Seat Depth: 16"
- ✓ Seat to floor height: 19-1/2"
- ✓ Padded Black Nylon Upholstery
- ✓ Stylish Powder Coated Frame

Fixed Arm with Footrests	<b>AL-70741</b>	<b>\$159.00</b>
Fixed Arm with Legrests	<b>AL-70742</b>	<b>\$169.00</b>
Removable Desk Arm with Footrests	<b>AL-70743</b>	<b>\$169.00</b>
Removable Desk Arm with Legrests	<b>AL-70744</b>	<b>\$179.00</b>

AL-70743

**Need Accessories?  
See Pages 23-38**



### Tracer EX2

- ✓ Durable, low maintenance, triple chrome-plated frame
- ✓ Dual axle positions
- ✓ 14-gauge crossbraces
- ✓ Urethane rear tires mounted on "no flex" wheels
- ✓ Dual-sealed precision bearings
- ✓ Flame retardant, dual embossed Midnight Blue upholstery
- ✓ Seat to floor height: 17-1/2"-19-1/2"

### 18" Wide Seat - 250 lb capacity

Fixed Arm With Fixed Footrest	<b>AL-59203</b>	<b>\$159.00</b>
Fixed Arm W/O Front Rigging	<b>AL-59200</b>	<b>\$169.00</b>
Removable Desk Arm W/O Front Rigging	<b>AL-59201</b>	<b>\$159.00</b>
Removable Full Arm W/O Front Rigging	<b>AL-59202</b>	<b>\$159.00</b>

### 20" Wide Seat - 250 lb capacity

Removable Desk Arm W/O Front Rigging	<b>AL-59204</b>	<b>\$159.00</b>
Removable Full Arm W/O Front Rigging	<b>AL-59205</b>	<b>\$159.00</b>

### Front Riggings

Footrest (Pair)	<b>AL-59206</b>	<b>\$49.00 Pr</b>
Legrest, Black Calf Pad (Pair)	<b>AL-73578-U67</b>	<b>\$99.00 Pr</b>
Legrest, Midnight Blue Calf Pad (Pair)	<b>AL-59207-550</b>	<b>\$99.00 Pr</b>



**Up To 250 lb. Capacity**

AL-59201 With AL-59206 Footrests

Note: Cushion not included.

EP1



# Invacare Tracer SX5 Wheelchairs & Recliner



**Up To  
300 lb.  
Capacity**

AL-58110 With  
AL-59206 Footrests

Note: Cushion not included

### Tracer SX5

- ✓ Durable, low maintenance, triple chrome-plated frame
- ✓ Dual axle positions
- ✓ 14-gauge crossbraces
- ✓ Urethane rear tires mounted on "no flex" wheels
- ✓ Flip-back padded armrests
- ✓ Dual-sealed precision bearings
- ✓ Flame retardant, dual embossed upholstery
- ✓ Specify color when ordering
- ✓ Seat to floor height: 17-1/2"-19-1/2"

### 18" Wide Seat - 250 lb capacity

Flip-back full arm w/o front rigging	<b>AL-58109</b>	<b>\$219.00</b>
Flip-back desk arm w/o front rigging	<b>AL-58110</b>	<b>\$219.00</b>

### 20" Wide Seat - 300 lb capacity

Flip-back full arm w/o front rigging	<b>AL-58111</b>	<b>\$229.00</b>
Flip-back desk arm w/o front rigging	<b>AL-58112</b>	<b>\$229.00</b>

### 22" Wide Seat - 300 lb capacity

Flip-back full arm w/o front rigging	<b>AL-58113</b>	<b>\$279.00</b>
Flip-back desk arm w/o front rigging	<b>AL-58114</b>	<b>\$279.00</b>

### Front Riggings

Footrest (Pair)	<b>AL-59206</b>	<b>\$49.00 Pr</b>
Legrest, Black Calf Pad (Pair)	<b>AL-73578-U67</b>	<b>\$99.00 Pr</b>
Legrest, Midnight Blue Calf Pad (Pair)	<b>AL-59207-550</b>	<b>\$99.00 Pr</b>
Legrest, Ruby Calf Pad (Pair)	<b>AL-59207-86</b>	<b>\$99.00 Pr</b>

### 3 Color Choices

Midnight Blue

Ruby

Black

**Need Accessories?  
See Pages 23-38**



**Up To  
300 lb.  
Capacity**

AL-62274 With  
AL-73578-467 Legrests

### Tracer SX5 Recliner

- ✓ Dynamic range recline from 100 - 168 degrees
- ✓ Durable, low maintenance, triple chrome-plated frame
- ✓ Urethane rear tires mounted on "no flex" wheels
- ✓ Dual-sealed precision bearings
- ✓ Flame retardant, dual embossed upholstery
- ✓ Flip back padded armrests
- ✓ Seat to floor height: 17-1/2"-19-1/2"

### 18" Wide Seat - 250 lb capacity

Removable Full Arm W/O Front Rigging	<b>AL-62273</b>	<b>\$419.00</b>
Removable Desk Arm W/O Front Rigging	<b>AL-62274</b>	<b>\$419.00</b>

### 20" Wide Seat - 300 lb capacity

Removable Full Arm W/O Front Rigging	<b>AL-62275</b>	<b>\$419.00</b>
Removable Desk Arm W/O Front Rigging	<b>AL-62276</b>	<b>\$419.00</b>

### 22" Wide Seat - 300 lb capacity

Removable Full Arm W/O Front Rigging	<b>AL-62277</b>	<b>\$469.00</b>
Removable Desk Arm W/O Front Rigging	<b>AL-62278</b>	<b>\$469.00</b>

### Front Riggings

Footrest (Pair)	<b>AL-59206</b>	<b>\$49.00 Pr</b>
Legrest, Black Calf Pad (Pair)	<b>AL-73578-U67</b>	<b>\$99.00 Pr</b>
Legrest, Midnight Blue Calf Pad (Pair)	<b>AL-59207-550</b>	<b>\$99.00 Pr</b>
Legrest, Ruby Calf Pad (Pair)	<b>AL-59207-86</b>	<b>\$99.00 Pr</b>



# Invacare Tracer IV & Topaz Wheelchairs



## 350 lb Capacity



**AL-49602 with AL-49619 Footrests**

Note: Cushion not included

### Tracer IV

- ✓ Durable, low maintenance, triple chrome-plated frame
- ✓ Reinforced frame includes gusseted sides, caster journals and dual crossbraces
- ✓ Urethane rear tires mounted on "no flex" wheels
- ✓ Dual-sealed precision bearings
- ✓ Flame retardant, dual embossed vinyl upholstery
- ✓ Seat to floor height: 17-1/2"-19-1/2"

### 18" Wide Seat - 350 lb Capacity

Removable Desk Arm w/o Front Rigging	<b>AL-62280</b>	<b>\$309.00</b>
Removable Full Arm w/o Front Rigging	<b>AL-62281</b>	<b>\$309.00</b>

### 20" Wide Seat - 350 lb Capacity

Removable Desk Arm w/o Front Rigging	<b>AL-49601</b>	<b>\$309.00</b>
Removable Full Arm w/o Front Rigging	<b>AL-49602</b>	<b>\$309.00</b>

### 22" Wide Seat - 350 lb Capacity

Removable Desk Arm w/o Front Rigging	<b>AL-49599</b>	<b>\$309.00</b>
Removable Full Arm w/o Front Rigging	<b>AL-49600</b>	<b>\$309.00</b>

### 24" Wide Seat - 350 lb Capacity

Removable Desk Arm w/o Front Rigging	<b>AL-49597</b>	<b>\$309.00</b>
Removable Full Arm w/o Front Rigging	<b>AL-49598</b>	<b>\$309.00</b>

### 18" Wide Seat - 450 lb Capacity

Removable Desk Arm w/o Front Rigging	<b>AL-62280HD</b>	<b>\$419.00</b>
Removable Full Arm w/o Front Rigging	<b>AL-62281HD</b>	<b>\$419.00</b>

### 20" Wide Seat - 450 lb Capacity

Removable Desk Arm w/o Front Rigging	<b>AL-49601HD</b>	<b>\$419.00</b>
Removable Full Arm w/o Front Rigging	<b>AL-49602HD</b>	<b>\$419.00</b>

### 22" Wide Seat - 450 lb Capacity

Removable Desk Arm w/o Front Rigging	<b>AL-49599HD</b>	<b>\$419.00</b>
Removable Full Arm w/o Front Rigging	<b>AL-49600HD</b>	<b>\$419.00</b>

### 24" Wide Seat - 450 lb Capacity

Removable Desk Arm w/o Front Rigging	<b>AL-49597HD</b>	<b>\$419.00</b>
Removable Full Arm w/o Front Rigging	<b>AL-49598HD</b>	<b>\$419.00</b>

### Front Riggings

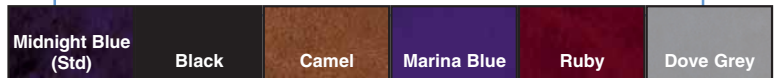
Footrest (Pair)	<b>AL-49619</b>	<b>\$59.00 Pr.</b>
Legrest, Black Calf Pad (Pair)	<b>AL-49621-67</b>	<b>\$99.00 Pr.</b>
Legrest, Midnight Blue Calf Pad (Pair)	<b>AL-49621-550</b>	<b>\$99.00 Pr.</b>
Legrest, Marina Blue Calf Pad (Pair)	<b>AL-49621-60</b>	<b>\$99.00 Pr.</b>
Legrest, Dove Grey Calf Pad (Pair)	<b>AL-49621-75</b>	<b>\$99.00 Pr.</b>
Legrest, Ruby Calf Pad (Pair)	<b>AL-49621-86</b>	<b>\$99.00 Pr.</b>
Legrest, Camel Calf Pad (Pair)	<b>AL-49621-88</b>	<b>\$99.00 Pr.</b>

## 450 lb Capacity



**AL-49602HD with AL-49619 Footrests**

### 6 Upholstery Colors



## 700 lb or 1000 lb Capacity



**AL-62299 With AL-58138-U67 Legrests**

### 9000 Topaz

- ✓ Durable, low maintenance, triple chrome-plated frame
- ✓ Reinforced frame includes gusseted sides, caster journals and dual crossbraces
- ✓ Heavy-duty front riggings
- ✓ Dual-sealed precision bearings
- ✓ Flame retardant, dual embossed, triple liner upholstery (Midnight Blue or Black)
- ✓ Dual axle positions
- ✓ Seat to floor height: 17-1/2"-19-1/2"

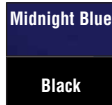
### Wet Black Frame

### Silver Vein Frame

	Wet Black Frame		Silver Vein Frame	
<b>20" Wide Seat w/o Front Rigging</b>				
Removable Full Length Arm	<b>AL-62282</b>	<b>\$1039.00</b>	<b>AL-62294</b>	<b>\$1039.00</b>
Removable Desk Length Arm	<b>AL-62283</b>	<b>\$1039.00</b>	<b>AL-62295</b>	<b>\$1039.00</b>
<b>22" Wide Seat w/o Front Rigging</b>				
Removable Full Length Arm	<b>AL-62284</b>	<b>\$1039.00</b>	<b>AL-62296</b>	<b>\$1039.00</b>
Removable Desk Length Arm	<b>AL-62285</b>	<b>\$1039.00</b>	<b>AL-62297</b>	<b>\$1039.00</b>
<b>24" Wide Seat w/o Front Rigging</b>				
Removable Full Length Arm	<b>AL-62286</b>	<b>\$1039.00</b>	<b>AL-62298</b>	<b>\$1039.00</b>
Removable Desk Length Arm	<b>AL-62287</b>	<b>\$1039.00</b>	<b>AL-62299</b>	<b>\$1039.00</b>
<b>26" Wide Seat w/o Front Rigging</b>				
Removable Full Length Arm	<b>AL-62288</b>	<b>\$1039.00</b>	<b>AL-62300</b>	<b>\$1039.00</b>
Removable Desk Length Arm	<b>AL-62289</b>	<b>\$1039.00</b>	<b>AL-62301</b>	<b>\$1039.00</b>
<b>28" Wide Seat w/o Front Rigging</b>				
Removable Full Length Arm	<b>AL-62290</b>	<b>\$1039.00</b>	<b>AL-62302</b>	<b>\$1039.00</b>
Removable Desk Length Arm	<b>AL-62291</b>	<b>\$1039.00</b>	<b>AL-62303</b>	<b>\$1039.00</b>
<b>30" Wide Seat w/o Front Rigging</b>				
Removable Full Length Arm	<b>AL-62292</b>	<b>\$1039.00</b>	<b>AL-62304</b>	<b>\$1139.00</b>
Removable Desk Length Arm	<b>AL-62293</b>	<b>\$1039.00</b>	<b>AL-62305</b>	<b>\$1039.00</b>

### Front Riggings

Footrest (Pair)	<b>AL-58137</b>	<b>\$99.00 Pr.</b>
Legrest, Black Calf Pad (Pair)	<b>AL-58138-U67</b>	<b>\$209.00 Pr.</b>
Legrest, Midnight Blue Calf Pad (Pair)	<b>AL-58138-U550</b>	<b>\$209.00 Pr.</b>



### 2 Color Choices

1000 lb Capacity Available in 28" and 30" Width Only  
Add HD After Part Number and Call For Price

# Everest & Jennings® E&J Traveler® Wheelchairs



**18" — 250 lb. capacity**  
**20" — 300 lb. Capacity**

### Traveler®

- ✓ Sturdy, one piece 24" composite rear wheels, with integrated handrims
- ✓ Sealed precision bearings on rear wheels for ease of propulsion
- ✓ Chrome steel frame
- ✓ Dual rear axle positioning: seat to floor height 17-3/4"-19-3/4"

Adult 18" Fixed Back—250 lb. capacity	Blue (Std)	Price Ea
Adult Fixed Full Arm with Swinging Footrest	<b>AL-43094BL</b>	<b>\$269.00</b>
Adult Fixed Full Arm with Swinging Legrest	<b>AL-43095BL</b>	<b>\$289.00</b>
Adult Removable Desk Arms with Swinging Footrest	<b>AL-43096BL</b>	<b>\$289.00</b>
Adult Removable Desk Arms with Swinging Legrest	<b>AL-43097BL</b>	<b>\$289.00</b>
Adult Removable Full Arms with Swinging Footrest	<b>AL-43098BL</b>	<b>\$289.00</b>
Adult Removable Full Arms with Swinging Legrest	<b>AL-43099BL</b>	<b>\$289.00</b>

20" Extra Wide Seat Fixed Back—300 lb. capacity		
Removable Desk Arms w/Swinging Footrest	<b>AL-49435BL</b>	<b>\$289.00</b>
Removable Desk Arms w/Swinging Legrest	<b>AL-49436BL</b>	<b>\$289.00</b>
Removable Full Arms w/Swinging Footrest	<b>AL-49437BL</b>	<b>\$289.00</b>
Removable Full Arms w/Swinging Legrest	<b>AL-49438BL</b>	<b>\$289.00</b>

**Need Accessories?**  
**See Pages 23-38**



**Now Available in Grey, Orange and Burgundy.**  
**Call for Details**

### Traveler HD®

- ✓ Embossed black leatherette upholstery with double inner lining for durability
- ✓ Hammer tone paint provides a long lasting and durable finish
- ✓ Reinforced frame at all critical load-bearing points
- ✓ "Tool Free" adjustable front rigging
- ✓ Chart pocket standard on back upholstery
- ✓ Seat to floor height: 17-3/4"-19-3/4"
- ✓ Durable aluminum black footplates
- ✓ 24" x 1" black plastic wheels with black handrims and non-marking polyurethane tires

20" Extra Wide Seat Fixed Back—500 lb. capacity	Black (Std)	Price Ea.
Removable Desk Arms w/Swinging Footrest	<b>AL-52328BK</b>	<b>\$309.00</b>
Removable Desk Arms w/Swinging Legrest	<b>AL-52329BK</b>	<b>\$329.00</b>
Removable Full Arms w/Swinging Footrest	<b>AL-52330BK</b>	<b>\$309.00</b>
Removable Full Arms w/Swinging Legrest	<b>AL-52331BK</b>	<b>\$329.00</b>

22" Extra Wide Seat Fixed Back—500 lb. capacity		
Removable Desk Arms w/Swinging Footrest	<b>AL-52332BK</b>	<b>\$319.00</b>
Removable Desk Arms w/Swinging Legrest	<b>AL-52333BK</b>	<b>\$329.00</b>
Removable Full Arms w/Swinging Footrest	<b>AL-52334BK</b>	<b>\$319.00</b>
Removable Full Arms w/Swinging Legrest	<b>AL-52335BK</b>	<b>\$329.00</b>

24" Extra Wide Seat Fixed Back—500 lb. capacity		
Removable Desk Arms w/Swinging Footrest	<b>AL-52336BK</b>	<b>\$329.00</b>
Removable Desk Arms w/Swinging Legrest	<b>AL-52337BK</b>	<b>\$339.00</b>
Removable Full Arms w/Swinging Footrest	<b>AL-52338BK</b>	<b>\$329.00</b>
Removable Full Arms w/Swinging Legrest	<b>AL-52339BK</b>	<b>\$339.00</b>

# E&J Traveler SE®, Bariatric Wheelchair & Recliner



## Traveler SE®

- ✓ Black vinyl upholstery
- ✓ Chart pocket on back
- ✓ Hammer tone paint provides a long lasting and durable finish
- ✓ Industry compatible front rigging
- ✓ 250 lb. weight capacity
- ✓ "Tool Free" adjustable front rigging
- ✓ Seat to floor height: 17-3/4"-19-3/4"

Description	ALCO Part No.	Price Each
Traveler SE®, 18 x 16", Fixed Full Arm, Swingaway Footrest	AL-72464	\$179.00
Traveler SE®, 18 x 16", Fixed Full Arm, Elevating Legrest	AL-72465	\$189.00
Traveler SE®, 18 x 16", Removable Desk Arm, Swingaway Footrest	AL-72466	\$189.00
Traveler SE®, 18 x 16", Removable Desk Arm, Elevating Legrest	AL-72467	\$199.00
Traveler SE®, 18 x 16", Removable Full Arm, Swingaway Footrest	AL-71731	\$189.00
Traveler SE®, 18 x 16", Removable Full Arm, Elevating Legrest	AL-71732	\$199.00
Traveler SE®, 20 x 16", Removable Desk Arm, Swingaway Footrest	AL-72475	\$199.00
Traveler SE®, 20 x 16", Removable Desk Arm, Elevating Legrest	AL-72476	\$209.00
Traveler SE®, 20 x 16", Removable Full Arm, Swingaway Footrest	AL-71733	\$199.00
Traveler SE®, 20 x 16", Removable Full Arm, Elevating Legrest	AL-71734	\$209.00

Now Available in Grey, Orange and Burgundy  
Call for Details

## Paramount XD Wheelchairs

- ✓ 19-1/2" Seat Depth
- ✓ Reinforced welds and gussets on frame
- ✓ Black reinforced vinyl upholstery
- ✓ Maximum weight capacity 650 lbs
- ✓ 8" x 2" Solid casters
- ✓ 24" Solid rear wheels
- ✓ Seat to floor height: 18-1/2"-20-1/2"

### 26" Wide Seat

Removable Desk Arm w/Footrest	AL-69349	\$899.00
Removable Desk Arm w/Legrest	AL-69350	\$929.00

### 30" Wide Seat

Removable Desk Arm w/Footrest	AL-69351	\$1139.00
Removable Desk Arm w/Legrest	AL-69352	\$1169.00



## Traveler Recliner

The same built-in quality as the standard Traveler with the addition of a full reclining back with smooth, unlimited adjustments and easy finger-trigger hinge and cable mechanism. The Traveler Recliner comes with a higher back and removable headrest for full support and rear axles mounted further back for added stability. Seat to floor height 17-3/4"-19-3/4". 17" seat depth.

### 18" Wide Seat — Traveler Full Reclining High Back—250 lb. Capacity

Removable Desk Arms w/Swinging Legrest	AL-43121BL	\$519.00
Removable Full Arms w/Swinging Legrest	AL-43123BL	\$529.00

### 20" Wide Seat — Traveler Full Reclining High Back—350 lb. Capacity

Removable Desk Arms w/Swinging Legrest	AL-49899BL	\$529.00
Removable Full Arms w/Swinging Legrest	AL-49901BL	\$529.00

## Bariatric Wheelchairs



**800 lb.  
Capacity**

**AL-61455 With  
AL-63934 Legrests**

### ALCO 800 Lb Capacity Wheelchair

- ✓ Steel, spoke wheels are strong and maintenance free
- ✓ Carbon steel frame with TRIPLE coated chrome for an attractive, chip-proof, maintainable finish
- ✓ Reinforced steel gussets at all weight bearing points
- ✓ Durable reinforced black nylon upholstery
- ✓ Chrome frame
- ✓ Extra large, padded armrests provide comfort and support
- ✓ Precision sealed wheel bearings in front and rear
- ✓ Extra large heavy-duty, aluminum footplates
- ✓ Heavy-duty, flat free 8" front casters are adjustable in 3 positions
- ✓ Extra heavy-duty front forks
- ✓ Reinforced side frame, caster journals and dual cross bars
- ✓ Seat to floor height: 17"-19"

### 26" Wide Seat w/o Front Riggings

Removable Desk Arms	<b>AL-61453</b>	<b>\$899.00</b>
Removable Full Arms	<b>AL-66038</b>	<b>\$899.00</b>

### 28" Wide Seat w/o Front Riggings

Removable Desk Arms	<b>AL-61455</b>	<b>\$999.00</b>
Removable Full Arms	<b>AL-66039</b>	<b>\$999.00</b>

### 30" Wide Seat w/o Front Riggings

Removable Desk Arms	<b>AL-65564</b>	<b>\$1099.00</b>
Removable Full Arms	<b>AL-65565</b>	<b>\$1099.00</b>

### Front Riggings (Sold in Pairs)

Footrests	<b>AL-63933</b>	<b>\$149.00 Pr.</b>
Legrests	<b>AL-63934</b>	<b>\$169.00 Pr.</b>



**850 lb.  
Capacity**

**AL-58123**

### ALCO 850 Lb Capacity Wheelchairs

- ✓ 20" seat depth
- ✓ 8" x 2" semi-pneumatic casters
- ✓ Seat to floor height: 15"-18"
- ✓ Double square cross braces
- ✓ Height adjustable back (16", 17" or 18" from seat to top of back)
- ✓ Pushbar across back
- ✓ 24" metal MAG rear wheels with steel handrims
- ✓ Black reinforced nylon upholstery
- ✓ Seat to floor height: 16", 17", 18"

Description	ALCO Part No.	Price Each
-------------	---------------	------------

### 32" Wide Seat

Removable full arm w/ footrest	<b>AL-58123</b>	<b>\$2295.00</b>
Removable full arm w/ legrest	<b>AL-58124</b>	<b>\$2395.00</b>

### 34" Wide Seat

Removable full arm w/ footrest	<b>AL-67741</b>	<b>\$2295.00</b>
Removable full arm w/ legrest	<b>AL-67742</b>	<b>\$2395.00</b>

## MRI Wheelchairs



### ALCO 20" Wide MRI Wheelchair

- ✓ 20" Width
- ✓ 350 lbs. capacity
- ✓ Swing back arms
- ✓ Footrests

**AL-77667 \$2095.00**



### ALCO 26" Wide MRI Wheelchair

- ✓ Seat width: 26"
- ✓ Seat depth: 20"
- ✓ Back height: Adj. 16.5"- 18.5"
- ✓ Seat to floor height: 18"
- ✓ Footrests
- ✓ Rear anti-tippers included
- ✓ Full length removable arms

650 lbs. capacity  
**AL-77668-650 \$3095.00**

850 lbs. capacity  
**AL-77668-850 \$3395.00**

Additional MRI Transport Chairs on Page 495

# Bariatric Wheelchairs

**BUY 11 GET 1 FREE!**

**BUY 11  
Get One  
FREE**

24" Removable desk arm footrest	AL-72866	\$989.00
24" Removable desk arm legrest	AL-72867	\$1039.00
26" Removable desk arm footrest	AL-52432	\$1189.00
26" Removable desk arm legrest	AL-52433	\$1239.00
26" Removable full arm footrest	AL-52434	\$1189.00
26" Removable full arm legrest	AL-52435	\$1239.00
28" Removable desk arm footrest	AL-52436	\$1309.00
28" Removable desk arm legrest	AL-52437	\$1369.00
28" Removable full arm footrest	AL-52438	\$1309.00
28" Removable full arm legrest	AL-52439	\$1369.00
30" Removable desk arm footrest	AL-58327	\$1849.00
30" Removable desk arm legrest	AL-58328	\$1939.00
30" Removable full arm footrest	AL-58329	\$1849.00
30" Removable full arm legrest	AL-58330	\$1939.00
32" Removable desk arm footrest	AL-72799	\$1839.00
32" Removable desk arm legrest	AL-72800	\$1929.00
32" Removable full arm footrest	AL-72801	\$1839.00
32" Removable full arm legrest	AL-72802	\$1929.00

**Up To  
680 lb.  
Capacity**



AL-72799



**850 lb.  
Capacity**

AL-58123

### Bariatric Wheelchairs

- ✓ 20" seat depth
- ✓ 8" x 2" semi-pneumatic casters
- ✓ Folding frame construction for portability
- ✓ Seat to floor height: 15"-18"
- ✓ Exclusive double square cross braces for rugged durability
- ✓ Height adjustable back for a custom fit
- ✓ Ships common carrier
- ✓ Black only

Description	700 lb. Capacity		850 lb. Capacity	
	ALCO Part No.	Price Each	ALCO Part No.	Price Each
<b>26" Wide Seat</b>				
Removable full arm w/ footrest	AL-49495	\$1509.00	AL-67739	Call
Removable full arm w/ legrest	AL-49496	\$1609.00	AL-67740	Call
<b>28" Wide Seat</b>				
Removable full arm w/ footrest	AL-49497	\$1509.00	AL-58119	Call
Removable full arm w/ legrest	AL-49498	\$1609.00	AL-58120	Call
<b>30" Wide Seat</b>				
Removable full arm w/ footrest	AL-49499	\$1509.00	AL-58121	Call
Removable full arm w/ legrest	AL-49500	\$1609.00	AL-58122	Call
<b>32" Wide Seat</b>				
Removable full arm w/ footrest	AL-67735	\$1509.00	AL-58123	Call
Removable full arm w/ legrest	AL-67736	\$1609.00	AL-58124	Call
<b>34" Wide Seat</b>				
Removable full arm w/ footrest	AL-67737	\$1509.00	AL-67741	Call
Removable full arm w/ legrest	AL-67738	\$1609.00	AL-67742	Call

EP1



**700 lb.  
Capacity**

AL-49498

**Lifetime Warranty On  
Frame & Cross Braces**

**MADE IN THE  
USA**

**▼ LOW PRICES GUARANTEED! ▼  
WE WILL NOT BE UNDERSOLD!**

# Bariatric Transport Chairs & Specialty Wheelchairs

**BUY 11 GET 1 FREE!**



### Heavy Duty Bariatric Steel Transport Chair

- ✓ Dual, reinforced steel cross braces
- ✓ Supports individuals up to 450 lbs
- ✓ Reinforced steel frame provides added support
- ✓ Heavy-duty, nylon reinforced upholstery with a back carry pouch
- ✓ Removable, reversible desk length arms
- ✓ Adjustable leg support
- ✓ 12" flat free rear wheels
- ✓ Seat to floor height: 20-1/2"

20" Seat Width, Swingaway Footrests (Blue)	<b>AL-65552-B</b>	<b>\$279.00</b>
20" Seat Width, Swingaway Footrests (Red)	<b>AL-65552-R</b>	<b>\$279.00</b>
22" Seat Width, Swingaway Footrests (Blue)	<b>AL-65553-B</b>	<b>\$289.00</b>
22" Seat Width, Swingaway Footrests (Red)	<b>AL-65553-R</b>	<b>\$289.00</b>

### Accessories

Legrest w/Black Vinyl Calf Pad and Chrome Metal Footplate (Pair)	<b>AL-61015</b>	<b>\$89.00</b>	<b>Pr.</b>
Legrest w/Black Vinyl Calf Pad and Plastic Footplate (Pair)	<b>AL-65464</b>	<b>\$69.00</b>	<b>Pr.</b>



### Fixed Arm Wheelchair

- ✓ Powder coated silver vein steel frame
- ✓ Padded armrests
- ✓ Embossed vinyl upholstery is durable, lightweight, attractive and easy to clean
- ✓ Urethane tires mounted on composite wheel provides durability and low maintenance
- ✓ Comes with push to lock brakes
- ✓ 8" front casters, adjustable in 3 positions
- ✓ Carry pocket on backrest provides additional convenience
- ✓ Comes with swing-away footrests or elevating legrests with tool free adjustable length front riggings
- ✓ Plastic footplates
- ✓ Silver Vein Frame
- ✓ Black Upholstery
- ✓ Seat to floor height: 17-1/2"-19-1/2"

16" Fixed Arm, Swing-away footrest	<b>AL-66166</b>	<b>\$169.00</b>
16" Fixed Arm, Elevating legrest	<b>AL-66167</b>	<b>\$179.00</b>
16" Removable Desk Arm, Swing-away footrest	<b>AL-66168</b>	<b>\$179.00</b>
16" Removable Desk Arm, Elevating legrest	<b>AL-66169</b>	<b>\$189.00</b>
18" Fixed Arm, Swing-away footrest	<b>AL-65458</b>	<b>\$169.00</b>
18" Fixed Arm, Swing-away legrest	<b>AL-65459</b>	<b>\$189.00</b>
18" Removable Desk Arm, Swing-away footrest	<b>AL-66170</b>	<b>\$179.00</b>
18" Removable Desk Arm, Swing-away legrest	<b>AL-65460</b>	<b>\$199.00</b>
20" Removable Desk Arm, Swing-away footrest	<b>AL-65461</b>	<b>\$189.00</b>
20" Removable Desk Arm, Swing-away legrest	<b>AL-65462</b>	<b>\$209.00</b>



### ALCO Deluxe Flip Back Non-Removable Arm Wheelchair

- ✓ Comes standard with "flip up" rear anti-tippers with wheels
- ✓ Flip-back arms are non-removable and allow for easy transfer
- ✓ Composite wheels with aluminum hand rims
- ✓ Standard dual axle provides easy transition of seat height

#### Pediatric (seat to floor height 13-1/2"-15-1/2")

12" Flip Back Desk Arm w/Swing-away Footrest	<b>AL-75411</b>	<b>\$339.00</b>
12" Flip Back Desk Arm w/Elevating Legrest	<b>AL-75412</b>	<b>\$359.00</b>
14" Flip Back Desk Arm w/Swing-away Footrest	<b>AL-75413</b>	<b>\$339.00</b>
14" Flip Back Desk Arm w/Elevating Legrest	<b>AL-75414</b>	<b>\$359.00</b>

#### Adult (seat to floor height 17-1/2"-19-1/2")

16" Flip Back Desk Arm w/Swing-away Footrest	<b>AL-75430</b>	<b>\$299.00</b>
16" Flip Back Desk Arm w/Elevating Legrest	<b>AL-75431</b>	<b>\$319.00</b>
18" Flip Back Desk Arm w/Swing-away Footrest	<b>AL-75432</b>	<b>\$299.00</b>
18" Flip Back Desk Arm w/Elevating Legrest	<b>AL-75433</b>	<b>\$319.00</b>
18" Flip Back Full Arm w/Swing-away Footrest	<b>AL-75569</b>	<b>\$299.00</b>
18" Flip Back Full Arm w/Elevating Legrest	<b>AL-75570</b>	<b>\$319.00</b>
20" Flip Back Desk Arm w/Swing-away Footrest	<b>AL-75434</b>	<b>\$309.00</b>
20" Flip Back Desk Arm w/Elevating Legrest	<b>AL-75435</b>	<b>\$319.00</b>
20" Flip Back Full Arm w/Swing-away Footrest	<b>AL-75571</b>	<b>\$309.00</b>
20" Flip Back Full Arm w/Elevating Legrest	<b>AL-75572</b>	<b>\$319.00</b>

Flip Back Arms are Non-Removable

# Seat Belts

**BUY 11 GET 1 FREE!**

### Seat Belts (with hole & grommet to mount to back screw)

With Velcro, Grey, 48" Long, 2" Webbing	<b>AL-45311</b>	<b>\$14.95</b>
With Velcro, Black, 48" Long, 2" Webbing	<b>AL-45312</b>	<b>\$14.95</b>
With Velcro, Grey, 60" Long, 2" Webbing	<b>AL-45313</b>	<b>\$14.95</b>
With Velcro, Black, 60" Long, 2" Webbing	<b>AL-45314</b>	<b>\$14.95</b>
With Airline Buckle, Grey, 48" Long, 2" Webbing	<b>AL-45315</b>	<b>\$22.95</b>
With Airline Buckle, Black, 48" Long, 2" Webbing	<b>AL-45316</b>	<b>\$22.95</b>
With Airline Buckle, Grey, 60" Long, 2" Webbing	<b>AL-45317</b>	<b>\$22.95</b>
With Airline Buckle, Black, 60" Long, 2" Webbing	<b>AL-45318</b>	<b>\$22.95</b>
With Airline Buckle, Black, 72" Long, 2" Webbing	<b>AL-319XL</b>	<b>\$22.95</b>
With Buckle & Pad, Grey, 48" Long, 2" Webbing	<b>AL-45319</b>	<b>\$34.95</b>
With Buckle & Pad, Black, 48" Long, 2" Webbing	<b>AL-45320</b>	<b>\$34.95</b>
With Buckle & Pad, Grey, 60" Long, 2" Webbing	<b>AL-45321</b>	<b>\$34.95</b>
With Buckle & Pad, Black, 60" Long, 2" Webbing	<b>AL-45322</b>	<b>\$34.95</b>



### Seat Belts (with hole & grommet to mount to back screw)

With Push Button Buckle, Grey 48" Long, 2" Webbing	<b>AL-45323</b>	<b>\$23.95</b>
With Push Button Buckle, Black, 48" Long, 2" Webbing	<b>AL-45324</b>	<b>\$23.95</b>
With Push Button Buckle, Grey 60" Long, 2" Webbing	<b>AL-45325</b>	<b>\$23.95</b>
With Push Button Buckle, Black, 60" Long, 2" Webbing	<b>AL-45326</b>	<b>\$23.95</b>
With Push Button Buckle, Black, 1-1/2" Web, 38" Long, Pediatric	<b>AL-45327</b>	<b>\$23.95</b>
With Push Button Buckle, Black, 1-1/2" Web, 48" Long	<b>AL-45328</b>	<b>\$23.95</b>

### Axle Mounts

Axle Mount, Black, w/Velcro	<b>AL-45329</b>	<b>\$22.95</b>
Axle Mount, Black, w/Airline Buckle	<b>AL-45330</b>	<b>\$39.95</b>
Axle Mount, Black, w/Push Button Buckle	<b>AL-45331</b>	<b>\$39.95</b>



### Resident-Release Soft Belts

- ✔ Promotes proper seating and positioning
- ✔ Provide wheelchair safety
- ✔ Universal sized
- ✔ Completely launderable

Description	ALCO Part No.	Price Each
Velcro®	<b>AL-76359</b>	<b>\$18.00</b>
Velcro® with Red Loop	<b>AL-76360</b>	<b>\$19.00</b>
Side-Release Buckle	<b>AL-76361</b>	<b>\$19.00</b>
Resident-Friendly Buckle	<b>AL-76362</b>	<b>\$22.00</b>



**54" Push Button Auto Type Belt Buckle**  
**AL-320 \$20.95**



### Resident-Release Nylon Belts

- ✔ Promotes proper seating and positioning
- ✔ Complete size adjustable
- ✔ Easily secures to wheelchair

Description	Size	ALCO Part No.	Price Each
Side-Release Buckle	42" L x 2" W	<b>AL-76363</b>	<b>\$14.00</b>
Side-Release Buckle	54" L x 2" W	<b>AL-76364</b>	<b>\$21.00</b>
Resident-Friendly Buckle	42" L x 2" W	<b>AL-76365</b>	<b>\$20.00</b>
Velcro®	37" L x 2" W	<b>AL-76366</b>	<b>\$16.00</b>
Velcro®	60" L x 2" W	<b>AL-76367</b>	<b>\$21.00</b>
Velcro® with Red Loop	37" L x 2" W	<b>AL-76368</b>	<b>\$18.00</b>



**Black Pinch Buckle**  
2" x 48" **AL-326 \$19.95**  
2" x 60" **AL-326A \$19.95**




**Velcro catch w/loop to fasten around frame**  
**AL-322 \$19.95**

# I.V. & O2 Holders

## BUY 11 GET 1 FREE!

**MADE IN THE USA**



**Hook**  
AL-59813  
\$19.00

**Attaching Clamp**  
AL-74694  
\$3.95

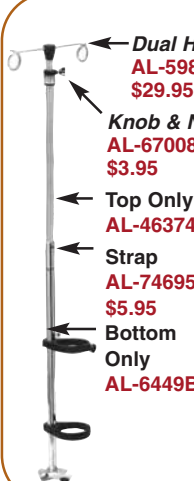
**Knob & Nut**  
AL-67008  
\$3.95

**Stainless Steel IV/O2**

- Telescoping
- One hook
- Accommodates I.V. infusion instruments and/or "D" or "E" cylinders
- Fits 7/8" or 1" tubing

AL-48694      \$69.95

**MADE IN THE USA**



**Dual Hook**  
AL-59814  
\$29.95

**Knob & Nut**  
AL-67008  
\$3.95

**Top Only**  
AL-46374

**Strap**  
AL-74695  
\$5.95

**Bottom Only**  
AL-6449B

**Stainless Steel IV/O2**

- Telescoping
- Two hook
- Accommodates I.V. infusion instruments and/or "D" or "E" cylinders
- Fits 7/8" or 1" tubing

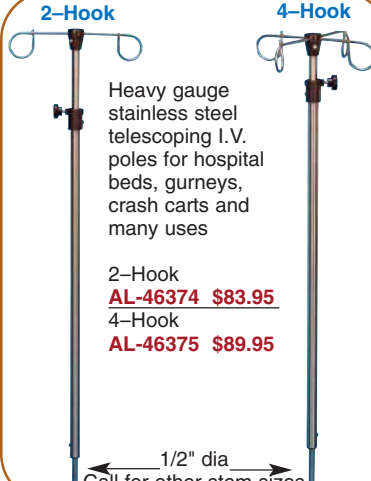
Complete Unit  
AL-6449      \$119.95

Top I.V. pole only (2 hooks)  
AL-46374      \$83.95

Top I.V. pole only (4 hooks)  
AL-46375      \$89.95

Bottom O2 holder only  
AL-6449B      \$79.95

**2-Hook**      **4-Hook**



Heavy gauge stainless steel telescoping I.V. poles for hospital beds, gurneys, crash carts and many uses

2-Hook  
AL-46374      \$83.95

4-Hook  
AL-46375      \$89.95

1/2" dia  
Call for other stem sizes



**Chrome I.V./O2**

- Telescoping
- Two hook
- Accommodates I.V. infusion instrument and/or "E" cylinder; 60" Max height
- Fits 7/8" tubing

AL-50674      \$109.95



**Chrome I.V./O2**

- Telescoping
- Two hook
- Accommodates "D" or "E" cylinders
- Fits 7/8" or 1" tubing

AL-56373      \$59.95

**Anti-Theft**

**MADE IN THE USA**



**Great For Infusion Pumps!**

**Fixed Height Safety I.V./O2 Holder**

- Accommodates I.V. Infusion Instruments and/or "D" or "E" Size Cylinders
- I.V. hooks are pointed away from I.V. pole to prevent I.V. bag from falling on patients
- 66-1/2" Fixed Height
- Fits 7/8" or 1" tubing
- Adjustable Bracket
- Anti-Theft

I.V./O2 Holder      AL-72292      \$99.95

I.V. only      AL-72293      \$79.95

Wheelchair Cylinder only      AL-72294      \$29.95





# I.V. & O2 Holders

## BUY 11 GET 1 FREE!

### I.V. Holders



AL-466

AL-56370

AL-50679

AL-74812

### O2 Holders



AL-62271

AL-56372

AL-50231

AL-50231C

AL-50231K

AL-6511

AL-71360

*Universal Mount, Left or Right*

Fig	Description	Fits	ALCO Part No.	Price Each
1	Chrome I.V.; Telescoping; Two hook; 60" maximum height	7/8" tubing	AL-466	\$85.95
2	Chrome I.V.; Telescoping; Two hook	7/8" or 1" tubing	AL-56370	\$49.95
3	Versa-Pole® Portable I.V. Pole Adjusts 14"-24"	7/8" or 1" tubing	AL-50679	\$189.00
	Versa-Pole® Portable I.V. Pole Adjusts 22-1/2"-36"	7/8" or 1" tubing	AL-50679A	\$299.00
4	Chrome I.V.; Telescoping; Two hook	7/8" or 1" tubing	AL-74812	\$39.95
5	Chrome O2; Accommodates "D" or "E" Cylinders; Fits single axle chairs only	7/8" or 1" tubing	AL-56372	\$49.00
	Chrome O2; Accommodates "D" or "E" Cylinders; Fits dual axle chairs	7/8" or 1" tubing	AL-62271	\$69.95
6	Painted Green O2; Accommodates "D" or "E" cylinders; 3" vertical adjustment	7/8" or 1" tubing	AL-50231	\$79.95
	Chrome O2; Accommodates "D" or "E" cylinders; 3" vertical adjustment	7/8" or 1" tubing	AL-50231C	\$89.95
	Painted Black O2; Accommodates "D" or "E" cylinders	7/8" or 1" tubing	AL-50231K	\$99.95
7	Chrome O2; Accommodates "E" cylinder	7/8" or 1" tubing	AL-6511	\$39.95
8	Chrome O2; Accommodates "D" or "E" cylinders; <b>LEFT OR RIGHT SIDE MOUNT</b>	7/8" or 1" tubing	AL-71360	\$66.95

# Anti-Rollback & Safety Brakes

**BUY 11 GET 1 FREE!**



## Wheelchair Anti-Rollback Device

As the user begins to stand, a pair of brake arms instantly grab the tires to prevent the chair from rolling back and away. The greater the rearward force exerted on the chair, the greater the holding power. Each unit includes an easy to install kit to compensate for the added weight of heavy seat cushions. Both models fit most full and hemi height chairs. Single or dual axle. Sling seat required.

Will not work on Quickie/Breezy wheelchairs.

Shown with optional integrated chair exit alarm

Description	ALCO Part No.	Price Each
Fits Chairs 16"-20"	<b>AL-60603</b>	<b>\$169.00</b>
Fits Chairs 16"-20" w/integrated Alarm	<b>AL-60604</b>	<b>\$239.00</b>
Fits Chairs 22"-24"	<b>AL-60605</b>	<b>\$169.00</b>
Fits Chairs 22"-24" w/integrated Alarm	<b>AL-60606</b>	<b>\$239.00</b>
Fits Invacare EX2 Only	<b>AL-71438</b>	<b>\$139.00</b>

Retrofit your existing Anti-Rollback device by purchasing the kits below. For example, purchase an AL-64614 to change from a 22"-24" model to a 16"-20" model.

16"-20" Retrofit Kit	<b>AL-64614</b>	<b>\$29.00</b>
22"-24" Retrofit Kit	<b>AL-64615</b>	<b>\$29.00</b>

## Economy Anti-Rollback Braking System

- ✔ Provides anti-rollback automatically, regardless of weight
- ✔ Not affected by pressure relief or gel cushions which can defeat weight activated brakes
- ✔ Rearward movement requires constant pressure on brake levers
- ✔ Releasing pressure automatically engages anti-rollback function

**Low Cost Solutions  
To Wheelchair  
Slippage**



Description	Fits	ALCO Part No.	Price Pair
<b>Sold in Pairs</b>			
Detachable Arms	E&J, Tuffcare, Theradyne, Lumex, Hoyer	<b>AL-60607</b>	<b>\$99.00</b>
Fixed Arms	E&J, Tuffcare, Theradyne, Lumex, Hoyer	<b>AL-60608</b>	<b>\$99.00</b>
Flat Bar Mount	E&J, Theradyne	<b>AL-60609</b>	<b>\$99.00</b>
Fixed Arms	Invacare, Evermed, Medline	<b>AL-60610</b>	<b>\$99.00</b>
Detachable Arms	Invacare, Evermed, Medline	<b>AL-60611</b>	<b>\$99.00</b>

Pr.  
Pr.  
Pr.  
Pr.  
Pr.



## Wheelchair Speed Restrictor

- ✔ Pair of resistance plates applies drag to the larger rear wheels
- ✔ Resistance is field adjustable

**AL-72304 \$90.00**

**We Accept**



# Anti-Tippers

**BUY 11 GET 1 FREE!**



### Adjustable Height Front Anti-Tippers

- ✔ Fits 3/4", 7/8" or 1" tubing
- ✔ 5 height adjustments

**AL-72307 \$72.00 Pair**



### Adjustable Height Rear Anti-Tippers

- ✔ Fits 3/4", 7/8" or 1" tubing
- ✔ 2" easy gliding wheels

**AL-64620 \$49.95 Pair**

### Front Anti-Tippers




Fig	Fits	ALCO Part No.	Price Pair
1	7/8" Front Assembly for Invacare 1000, 1000E, 4000, D200 & Most Standard Chairs	AL-45392	\$79.95 Pr.
N/S	1" Front Assembly for Invacare 2000 & 9000 (not shown)	AL-45393	\$79.95 Pr.
2	Most Brands, Front (left & right) (Pair)	AL-66048	\$74.95 Pr.

### Rear Anti-Tippers



Fig	Description	Fits	ALCO Part No.	Price Pair
	<b>Sold in Pairs</b>			
1	Clamps over 7/8" tubing; adj length (includes wheels and plugs)	E&J Metro (5-1/2" - 7" from top of steptube to floor)	AL-50954	\$54.95 Pr.
2	Clamps over 1" tubing; adj length (includes wheels and plugs)	1" tubing chairs (5-1/2" - 7" from top of steptube to floor)	AL-50952	\$54.95 Pr.
3	Clamps over 7/8" tubing (includes wheels and plugs)	Low steptubes (3" from top of steptube to floor)	AL-50950	\$49.95 Pr.
4	Button locks over 7/8" tubing (includes wheels and plugs)	Low steptubes (3" from top of steptube to floor)	AL-50945	\$49.95 Pr.
5	Button locks inside 1" tubing; adj length (wheels only)	Inva 9000, XT, SL (with 8" casters)	AL-50946	\$59.95 Pr.
6	Button locks inside 7/8" tubing (wheels only)	Inva 900, 1000, 2000LT, EX/MG (with "S" frames), IV	AL-45390	\$49.95 Pr.
7	Button locks inside 1" tubing (wheels only)	Inva 2000/9000 (single axle), 2000/9000 XT Recliners (with 24" wheels), 4000. E&J Premier II	AL-45391	\$59.95 Pr.
8	Button locks over 7/8" tubing (plugs only)	E&J STD chairs & others w/low steptubes (3-1/2" from top of steptube to floor)	AL-628	\$59.95 Pr.
9	Button locks over 7/8" tubing (wheels only)	E&J STD chairs & others w/low steptubes (3-1/2" from top of steptube to floor)	AL-629	\$49.95 Pr.
10	Button locks inside 7/8" tubing, adj. length, w/wheels	Tracer: Titan/SX/DLX (w/8" Caster)	AL-72797	\$79.95 Pr.
	Button locks inside 7/8" tubing, adj. length, w/wheels	Tracer: Titan/SX/DLX (w/6" Caster). All EX/MG (w/"box" frame)	AL-72798	\$79.95 Pr.
N/S	Anti-Tip Assembly	Inva SX Recliner (Each)	AL-63898	\$44.95 Ea. <b>27</b>



# Alarms

**BUY 11 GET 1 FREE!**

Great For Alzheimer and Dementia  
Wander Away Prevention



MADE IN THE USA

### StandDown Wheelchair All-In-One Sensor Pad

- Complete One Piece System
- "Patient Proof Tampering"
- Waterproof – quick wipe down
- Pad size is 15" x 18"
- No tangled wires, control boxes or batteries to replace

AL-71867 \$92.00



Shown with Basic Monitor— Sold Separately

### Buckle Seatbelt w/Basic Monitor (Sold Separately)

- Alarm sounds when buckle is released providing early warning that resident is at risk
- Large red button is easy to release
- Mounts to most wheelchairs using existing upholstery screws
- Aids with positioning

Buckle Seat Belt  
AL-73250 \$23.95 Each  
Basic Monitor w/Cushion Protector  
AL-71428 \$36.95



### Velcro Seatbelt w/Basic Monitor (Sold Separately)

- Alarm sounds when buckle is released providing early warning that resident is at risk
- Large red strap is easy for residents with limited finger dexterity to release
- Mounts to most wheelchairs using existing upholstery screws
- Aids with positioning

Velcro Seat Belt AL-73251 \$22.95 Each  
Basic Monitor w/Cushion Protector AL-71428 \$36.95



### Proximity Sensor Pad & Alarm

- Works on air mattresses
- Cuts to smaller size
- Bend, fold, crease—it still works!
- Works under shoulders in bed
- Works on back of wheelchair seat for early warning
- Proximity sensor measures 32-9/16"L x 6"W

Complete Proximity System (TR2 Alarm, Cable, Connector & Sensor) AL-75425 \$169.00 Each  
Proximity Sensor (Each) AL-75426 \$59.00 Each  
Proximity Sensor (10 Pack) AL-75427 \$369.00 Pk/10



**E-Z Release Seatbelt** This seatbelt is ideal for your less active patients. The alarm sounds as soon as the patient disengages the fastening buckle, alerting staff of a patient about to wander or fall.

E-Z Release Belt w/Alarm AL-66356 \$66.00 Ea.



### BreakAway Lap Cushion with Alarm

As patient rises, a magnetic strap releases on one side of the lap cushion, activating alarm. Gives warning of wandering patient. Alarm unit features on/off switch, two sound levels, and a low-battery warning light. Includes one 9V battery.

Lap Cushion w/Alarm, 16"-18"W AL-66245 \$139.00 Ea.  
Replacement Cushion AL-66296 \$69.00 Ea.

**Note: If the resident is unable to remove a device without assistance, it is considered to be a restraint under OBRA guidelines.**

# Alarms

**BUY 11 GET 1 FREE!**



### Basic Monitor

- ✓ Off/Lo/Hi Switch
- ✓ Strain Relief protects monitor and sensor pod from damage

### Advanced Monitor

- ✓ Same as above with 0-2 second alarm delay
- ✓ Optional AC adaptor
- ✓ Reset button
- ✓ Alarm controls located inside battery compartment to comply with JCAJU standards
- ✓ Nurse call compatible
- ✓ Floor Sensor and Velcro/Buckle seat belt (page 28) compatible

### String Monitor

- ✓ Indestructible Stainless clip
- ✓ Hinged battery compartment
- ✓ Floor Sensor

### Chair/Bed/Floor Sensor Pads

- ✓ Universal—works with most brands of fall monitors
- ✓ Oversized to reduce false alarms
- ✓ 1 year pads now moisture resistant
- ✓ Floor Sensor measures 22" x 39"



String Monitor w/Cushion Protector

### Monitors

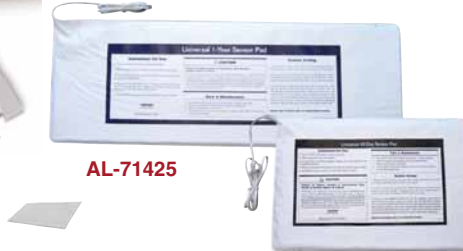
Basic Monitor w/Cushion Protector	<b>AL-71428</b>	<b>\$39.95</b>
Advanced Monitor w/Cushion Protector	<b>AL-71429</b>	<b>\$49.95</b>
String Monitor w/Cushion Protector	<b>AL-71430</b>	<b>\$19.95</b>

### Sensor Pads

45 Day Bed Pad	<b>AL-71424</b>	<b>\$22.95</b>
1 Year Bed Pad	<b>AL-71425</b>	<b>\$39.95</b>
45 Day Chair Pad	<b>AL-71426</b>	<b>\$17.95</b>
1 Year Chair Pad	<b>AL-71427</b>	<b>\$31.95</b>
Floor Sensor	<b>AL-78402</b>	<b>\$79.00</b>

### Accessories

Magnetic Assembly 5 Pack	<b>AL-71431</b>	<b>\$28.95</b>
AC Adaptor	<b>AL-71432</b>	<b>\$17.95</b>
Bed Bracket	<b>AL-71433</b>	<b>\$7.95</b>



AL-71425

AL-71426



AL-71433

**Ask About Our FREE Monitor Program!**

**ALCO Economical Wheelchair/Bed Alarm**

- ✓ Self-contained clip or hook and loop fastener
- ✓ Adjustable 18" to 36" activation cord
- ✓ Convenient on/off switch
- ✓ 9 volt battery (not provided)
- ✓ Two settings: soft (85 dB) or Loud (100dB)

**AL-56887 \$12.00**

**Magnetic Pull Cord Alarm**

- ✓ Cord Adjusts from 28" to 58"
- ✓ Requires two AAA batteries (included)

Magnetic Pull Cord Alarm	<b>AL-65546</b>	<b>\$27.00 Ea.</b>
Replacement Magnetic Pull Cord 3/Pk	<b>AL-66243</b>	<b>\$26.00 3/Pk</b>
Replacement Mounting Holster with Strap 24/Pk	<b>AL-66250</b>	<b>\$19.95 2/Pk</b>

We Accept



# Wheelchair Anti-Theft & Gel Front Rigging Accessories

**BUY 11 GET 1 FREE!**



**ALCO Ergonomic Push Bar**

- ✓ One-hand operation
- ✓ 18 gauge black powder coated steel
- ✓ Includes set screw for Anti-theft
- ✓ Patent pending

Fits 18"-20"	<b>AL-76487</b>	<b>\$29.95</b>
Fits 22"-24"	<b>AL-76488</b>	<b>\$29.95</b>



Anti-Theft  
Supplied knobs can make unit non-removable

**ALCO Heavy-Duty Pushbar**

- ✓ One-hand operation
- ✓ Safely secured with two easy-to-turn adjusting knobs
- ✓ Patent pending

18"-20"	<b>AL-69303</b>	<b>\$79.95</b>
22"-24"	<b>AL-69304</b>	<b>\$79.95</b>
26"-28"	<b>AL-70703</b>	<b>\$79.95</b>
30"-32"	<b>AL-70704</b>	<b>\$79.95</b>

**Anti-Theft Post**






**Anti-Fold Bar • Anti Theft**

Fits wheelchair with cross bar bolt

18"-20" wide	<b>AL-45657</b>	<b>\$39.00</b>
22"-24" wide	<b>AL-45657A</b>	<b>\$39.00</b>



**Anti-Fold/Anti-Theft Bar**

Clamps between rear uprights just below seat

<b>AL-885</b>	<b>\$22.95</b>	fits 7/8" tubing and adjusts from 14" to 24"
<b>AL-67460</b>	<b>\$21.95</b>	fits 7/8" tubing and adjusts from 14" to 24"—includes center clamp
<b>AL-885A</b>	<b>\$24.95</b>	fits 1" tubing and adjusts from 16" to 24"

**Anti-Theft Post**

- ✓ Color: Red
- ✓ Clamps onto Back Post
- ✓ Fits Most 7/8" Tubing Wheelchairs


**AL-72313 \$59.95**



**Gel Knee Protector Buttons**  
**AL-66886 \$45.95 Pr.**



**Gel Footrest Wraps**  
**AL-66885 \$31.95 Pr.**



**Adjustable Anti Theft Hoop**

16"-24"	<b>AL-63827</b>	<b>\$54.95</b>
18"-24" with I.V. Hooks	<b>AL-65527</b>	<b>\$89.95</b>

**Non-Adjustable Anti Theft Hoop**

16"-18"	<b>AL-25101</b>	<b>\$44.95</b>
16"-18" with I.V. Holder	<b>AL-25101A</b>	<b>\$54.95</b>



**Gel Calf Pad**

- ✓ Provides support across the full width of chair
- ✓ Additional third strap on top keeps panel in desired position
- ✓ Easy to install with Velcro

**AL-66889 \$57.95 Each**

# Wheelchair Accessories

**BUY 11 GET 1 FREE!**

## Wheelchair to I.V. Pole Clamping System



MADE IN THE USA



### Quick Release Pin

- ✓ 9 adjustable locking positions and 240 degree adjustable radius
- ✓ Accepts Standard I.V. Pole diameters between 3/4" to 1-1/4"
- ✓ Easy to install, use and adjust – attaches to either handle
- ✓ Decreases wrist, arm and back strain

- ✓ "Anchor" attaches to either handle
- ✓ Quick Release Pin (once anchors have been installed, arm can be removed as needed)

Wheelchair System	AL-72503	\$159.00
Replacement Button (attaches to end of threaded knob)	AL-74340	\$9.00
Wheelchair System w/Quick Release Pin	AL-77277	\$189.00

## Oxygen Tank Stand-Off Brackets



- ✓ Pair of heavy gage chrome plated steel brackets
- ✓ Moves a typical oxygen cylinder pouch away from contact with the wheelchair seat back

AL-72720 \$34.95 Pair

26-1/2" x 7-1/2" x 4-1/2"



### Single Oxygen (wheelchair)

Fits "D" & "E" cylinders  
Black AL-58019 \$20.95

17-1/2" x 16-1/2" x 3-1/2"



### Wheelchair Back Carry-On (Buckles)

Black AL-45646B \$26.95

Fits 16"-24" Width Chairs



### Black Polyester Mesh Chart Bag

allows for contents of bag to be easily viewed, preventing abrasions from sharp objects. No silkscreening available.

AL-66047 \$39.95

## Custom Silk Screening Available—See Page 38



Fits 16"-24" Width Chairs



### Vinyl Chart Bag

Specify color (see page 44)  
AL-314 \$29.95

Economy Chart Bag, Black only, Laminated, Knitted Polyester HD Fabric  
AL-314E-A3 \$29.95

# Gel & Foam Wheelchair Cushions

**BUY 11 GET 1 FREE!**

**Up To  
250 lb.  
Capacity**

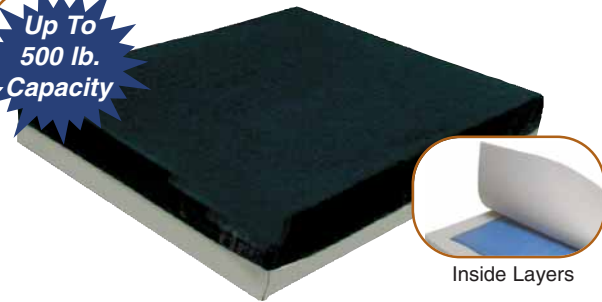


### Gel-Pro Elite® Wheelchair Cushion

- ✓ Top made of low shear nylon and bottom made of waterproof vinyl which reduces heat and moisture build-up
- ✓ Fluid and stain resistant, anti-microbial and fire retardant
- ✓ High-density foam shell surrounds uniquely styled gel bladder

W x D x H		
1" x 17" x 2-1/2	<b>AL-57989</b>	<b>\$53.00</b>
16" x 16" x 2-1/2	<b>AL-57990</b>	<b>\$49.00</b>
18" x 16" x 2-1/2	<b>AL-57991</b>	<b>\$56.00</b>
20" x 16" x 2-1/2	<b>AL-57992</b>	<b>\$69.00</b>
22" x 16" x 2-1/2	<b>AL-57993</b>	<b>\$99.00</b>
24" x 16" x 2-1/2	<b>AL-57994</b>	<b>\$112.00</b>
18" x 18" x 2-1/2	<b>AL-57995</b>	<b>\$80.00</b>
20" x 18" x 2-1/2	<b>AL-57996</b>	<b>\$89.00</b>
22" x 18" x 2-1/2	<b>AL-57997</b>	<b>\$112.00</b>
24" x 18" x 2-1/2	<b>AL-57998</b>	<b>\$129.00</b>

**Up To  
500 lb.  
Capacity**



Inside Layers

### Wheelchair Cushion w/Gel Bladder

- ✓ Viscous Gel provides optimized pressure reduction, support and comfort
- ✓ Fire Retardant polyurethane foam shell
- ✓ Removable and replaceable cover has water resistant "Top" and "Non-Slip" vinyl base

W x D x H	Capacity		
18" x 16" x 2"	250 lb	<b>AL-67298</b>	<b>\$39.00</b>
16" x 16" x 3"	275 lb	<b>AL-74848</b>	<b>\$39.00</b>
18" x 16" x 3"	275 lb	<b>AL-74849</b>	<b>\$39.00</b>
20" x 16" x 3"	275 lb	<b>AL-74850</b>	<b>\$42.00</b>
22" x 18" x 3"	500 lb	<b>AL-74851</b>	<b>\$79.00</b>
24" x 18" x 3"	500 lb	<b>AL-74852</b>	<b>\$82.00</b>

**250 lb.  
Capacity**



### Foam Wheelchair Cushion

- ✓ A unique construction of High Resilient (HR) molded foam provides optimum stabilization, position, pressure reduction and seating posture
- ✓ Stretch polyester knit cover is removable, washable and flame retardant
- ✓ Cover has a "Non-Slip" bottom for comfort and safety

W x D x H		
18" x 16" x 1.75"	<b>AL-74908</b>	<b>\$39.00 Each</b>
20" x 18" x 1.75"	<b>AL-74909</b>	<b>\$49.00 Each</b>

**Up To  
400 lb.  
Capacity**

**MADE IN THE  
USA**



Curve Cushion



Gel Cushion

### Cushions

- ✓ Fluid proof exterior
- ✓ Mild anti-thrust shelf promotes postural stability and forward migration
- ✓ Medial thigh separator promotes postural alignment
- ✓ High density, molded foam increases surface area reducing potential high-pressure areas
- ✓ Non-skid bottom and hook/loop connection

**New!**

Dimensions	Weight Capacity	Curve		2" Gel		3" Gel	
		ALCO	Price	ALCO	Price	ALCO	Price
16" x 16"	250 lb.	<b>AL-78341-16</b>	<b>\$59.00</b>	<b>AL-78367-16</b>	<b>\$59.00</b>	<b>AL-78372-16</b>	<b>\$69.00</b>
16" x 18"	250 lb.	<b>AL-78341-18</b>	<b>\$59.00</b>	<b>AL-78367-18</b>	<b>\$59.00</b>	<b>AL-78372-18</b>	<b>\$69.00</b>
18" x 16"	300 lb.	<b>AL-78342-16</b>	<b>\$59.00</b>	<b>AL-78368-16</b>	<b>\$59.00</b>	<b>AL-78373-16</b>	<b>\$69.00</b>
18" x 18"	300 lb.	<b>AL-78342-18</b>	<b>\$59.00</b>	<b>AL-78368-18</b>	<b>\$59.00</b>	<b>AL-78373-18</b>	<b>\$69.00</b>
20" x 16"	350 lb.	<b>AL-78343-16</b>	<b>\$59.00</b>	<b>AL-78369-16</b>	<b>\$59.00</b>	<b>AL-78374-16</b>	<b>\$69.00</b>
20" x 18"	350 lb.	<b>AL-78343-18</b>	<b>\$59.00</b>	<b>AL-78369-18</b>	<b>\$59.00</b>	<b>AL-78374-18</b>	<b>\$69.00</b>
22" x 16"	400 lb.	<b>AL-78344-16</b>	<b>\$109.00</b>	<b>AL-78370-16</b>	<b>\$109.00</b>	<b>AL-78375-16</b>	<b>\$119.00</b>
22" x 18"	400 lb.	<b>AL-78344-18</b>	<b>\$109.00</b>	<b>AL-78370-18</b>	<b>\$109.00</b>	<b>AL-78375-18</b>	<b>\$119.00</b>
24" x 16"	400 lb.	<b>AL-78345-16</b>	<b>\$109.00</b>	<b>AL-78371-16</b>	<b>\$109.00</b>	<b>AL-78376-16</b>	<b>\$119.00</b>
24" x 18"	400 lb.	<b>AL-78345-18</b>	<b>\$109.00</b>	<b>AL-78371-18</b>	<b>\$109.00</b>	<b>AL-78376-18</b>	<b>\$119.00</b>



# RoHo Cushions



**BUY 11 GET 1 FREE!**



**ROHO® HIGH PROFILE®** 4" Cushion comes complete with hand inflation pump, repair kit and operating instructions. It's constructed from flame resistant neoprene rubber and can be easily cleaned with soap and water, or can be steam autoclaved. Weighs approximately 3-1/2 lbs. 24 Month Limited Warranty.

Chair Size Width x Depth	ALCO Part No.	Price Each
Fits 15"-16" Widths & 15"-16" Depths	<b>AL-50240</b>	<b>\$299.00</b>
Fits 15"-16" Widths & 16"-17" Depths	<b>AL-50241</b>	<b>\$299.00</b>
Fits 16"-17" Widths & 15"-16" Depths	<b>AL-50242</b>	<b>\$299.00</b>
Fits 16"-17" Widths & 16"-17" Depths	<b>AL-50243</b>	<b>\$299.00</b>
Fits 16"-17" Widths & 18"-19" Depths	<b>AL-50244</b>	<b>\$299.00</b>
Fits 18"-19" Widths & 16"-17" Depths	<b>AL-50245</b>	<b>\$299.00</b>
Fits 18"-19" Widths & 18"-19" Depths	<b>AL-50246</b>	<b>\$299.00</b>



**ROHO® AIRLITE®** It combines the benefits of a sealed air support pad with a durable contoured foam base. It is protected by a fluid resistant, breathable cover made from nylon, spandex and polyurethane film. Features a non-skid neoprene rubber bottom and weighs only 2-1/2 pounds. 24 Month Limited Warranty.

Chair size Width x Depth x Thick	ALCO Part No.	Price Each
Fits 18"W x 16"D x 2-1/2T	<b>AL-50265</b>	<b>\$139.00</b>
Fits 18"W x 18"D x 2-1/2T	<b>AL-50266</b>	<b>\$139.00</b>
Fits 20"W x 18"D x 2-1/2T	<b>AL-50267</b>	<b>\$149.00</b>



**ROHO® MOSAIC® Cushion**

- ✓ Made of 3" polyvinyl interconnected air cells that are easy to inflate and adjust
- ✓ 250 lb weight limit
- ✓ 12 Month Limited Warranty

Size	ALCO Part No.	Price Each
16" x 16"	<b>AL-69269</b>	<b>\$69.00</b>
18" x 16"	<b>AL-69270</b>	<b>\$69.00</b>



**ROHO® QUADTRO SELECT® Cushion**

- ✓ Stability is enhanced by locking the air into place in each of the four quadrants through the simple use of the ISOFLO Memory Control, minimizing side to side or front to back motion
- ✓ Open position: You can adjust the user's posture to the desired sitting position
- ✓ Closed position: You can maintain the desired sitting posture for maximum function
- ✓ Call for more available sizes and custom sizes
- ✓ 36 Month Limited Warranty

Size	ALCO Part No.	Price Each
16" x 16"	<b>AL-69263</b>	<b>\$299.00</b>
18" x 16"	<b>AL-69264</b>	<b>\$299.00</b>
20" x 16"	<b>AL-69265</b>	<b>\$299.00</b>
20" x 18"	<b>AL-69266</b>	<b>\$299.00</b>
22" x 18"	<b>AL-69267</b>	<b>\$339.00</b>
24" x 18"	<b>AL-69268</b>	<b>\$379.00</b>

**▼ LOW PRICES GUARANTEED! ▼**  
**WE WILL NOT BE UNDERSOLD!**

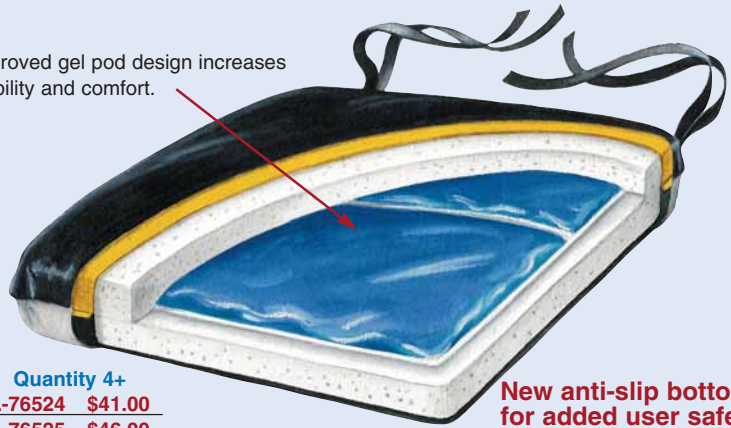


## ECONO-GEL PAD

### For pressure relief at a budget price

- ✓ Gel-filled pod between foam layers provides pressure-relieving flotation.
- ✓ High-density foam layers on top and bottom increase comfort and stability.
- ✓ Fluid-proof vinyl cover protects against incontinence. Wipes clean for easy care.
- ✓ Available polyester outer cover reduces skin shear. Two-tone fabric serves as a reminder to reposition patient. Removes for laundering.
- ✓ Safety ties keep the cushion in place.
- ✓ Guaranteed for one full year.

Improved gel pod design increases stability and comfort.



New anti-slip bottom for added user safety

		Quantity 1-3		Quantity 4+	
Vinyl w/Polyester	16" x 16" x 2"	AL-62360	\$42.00	AL-76524	\$41.00
Vinyl w/Polyester	18" x 16" x 2"	AL-62361	\$47.00	AL-76525	\$46.00
Vinyl Only	16" x 16" x 2"	AL-62362	\$35.00	AL-76526	\$34.00
Vinyl Only	18" x 16" x 2"	AL-62363	\$39.00	AL-76527	\$38.00

## FOAM WHEELCHAIR CUSHIONS



New anti-slip bottom for added user safety

### Comfort and quality at sensible prices

- ✓ High-density foam provides comfort and reduces pressure.
- ✓ Fluid-proof vinyl cover protects cushion against incontinence and wipes clean for easy care. Two-color surfaces act as reminders to reposition user.
- ✓ Safety ties keep cushion securely in place.
- ✓ Available nylon cover is liquid-proof. Wipes clean or removes for laundering.
- ✓ Extra-high E-Z Rise models enable post-hip surgery and arthritic patients to stand easily and sit comfortably with legs straighter.
- ✓ Guaranteed for one full year.

		Quantity 1-3		Quantity 4+	
Nylon Cover	18" x 16" x 2"	AL-76412	\$38.00	AL-76528	\$37.00
Vinyl Cover	18" x 16" x 2"	AL-76413	\$33.00	AL-76529	\$32.00
Nylon Cover	18" x 16" x 3"	AL-76414	\$42.00	AL-76530	\$41.00
Vinyl Cover	18" x 16" x 3"	AL-76415	\$34.00	AL-76531	\$38.00

### E-Z Rise models

		Quantity 1-3		Quantity 4+	
Nylon Cover	18" x 16" x 4"	AL-76416	\$48.00	AL-76532	\$47.00
Vinyl Cover	18" x 16" x 4"	AL-76417	\$45.00	AL-76533	\$44.00
Vinyl Cover	18" x 16" x 6"	AL-76418	\$46.00	AL-76534	\$45.00

## BARIATRIC GEL-FOAM PAD



New anti-slip bottom for added user safety

### Bariatric Gel-Foam Pad Double-chamber construction relieves pressure for heavy patients

- ✓ Water-based gel relieves pressure and cools to reduce skin-damaging perspiration.
- ✓ High-density foam prevents bottoming-out.
- ✓ Stable design promotes sitting comfort.
- ✓ Low-shear cover reduces friction –removes for easy laundering.
- ✓ Incontinent-proof vinyl covers wipe clean for easy care.
- ✓ Safety strap secures cushion to wheelchair.
- ✓ Non-slip bottom on outer covers provides extra safety.
- ✓ Guaranteed for one full year.

### E-Z Rise models

		Quantity 1-3		Quantity 4+					
20" x 18" x 3"	AL-61249	\$120.00	AL-76535	\$120.00	26" x 18" x 3"	AL-66793	\$161.00	AL-76538	\$160.00
22" x 18" x 3"	AL-61250	\$132.00	AL-76536	\$132.00	28" x 18" x 3"	AL-66794	\$173.00	AL-76539	\$172.00
24" x 18" x 3"	AL-61251	\$149.00	AL-76537	\$149.00	30" x 20" x 3"	AL-66795	\$175.00	AL-76540	\$174.00

## GEL-FOAM PAD

### Two-chamber design for maximum pressure relief

- ✓ Water-based gel lowers interface pressure and cools to eliminate perspiration.
- ✓ High-density foam prevents bottoming-out while increasing comfort and stability.
- ✓ Incontinent-proof vinyl cover prevents urine from entering cushion. Wipes clean.
- ✓ Low-Shear outer cover reduces skin-damaging friction. Removes for laundering.
- ✓ Safety strap secures cushion to wheelchair.
- ✓ Special 18-month replacement guarantee.

Gel-Foam	16" x 16" x 2-1/2"	AL-62364	\$68.00
Gel-Foam Pad	18" x 16" x 2-1/2"	AL-62365	\$76.00
Gel-Foam Pad	20" x 16" x 2-1/2"	AL-62366	\$82.00



*New anti-slip bottom for added user safety*

## CONFORM CUSHION

### Temperature-sensitive foam molds to user for uniform pressure relief

- ✓ Visco-elastic foam molds to user's dimensions.
- ✓ High and low spots are eliminated to maximize pressure relief.
- ✓ Leg troughs promote thigh alignment and postural symmetry.
- ✓ Raised front controls sliding.
- ✓ Safety strap keeps cushion in place.
- ✓ Low-Shear II cover prevents skin-damaging friction.
- ✓ Special 18-month replacement guarantee.

ConForm Cushion w/Low Shear II	18" x 16" x 2-1/4"	AL-62377	\$99.00
--------------------------------	--------------------	----------	---------



*New anti-slip bottom for added user safety*

## VISCO-FOAM CUSHION

### Top layer responds to body temperature

- ✓ Temperature-sensitive visco-elastic surface molds to user to relieve pressure.
- ✓ Middle layer of high-density foam adds comfort and prevents bottoming out.
- ✓ Firm foundation controls sling-seat hammocking and distributes weight.
- ✓ Fluid-proof Low-Shear II cover prevents skin-damaging friction and shear.
- ✓ Safety strap keeps cushion securely in place.
- ✓ Guaranteed for one full year.



Temperature-sensitive foam surface molds to user to decrease pressure and increase comfort.

16" x 16" x 3"	AL-76423	\$74.00
18" x 16" x 3"	AL-76424	\$77.00



*New anti-slip bottom for added user safety*

# Positioners

**BUY 11 GET 1 FREE!**



### Lap Top Cushion

- ✓ Polyfoam padded
- ✓ Covered in durable, wipe-clean vinyl

### For 16"-18"W Full-Arm Wheelchairs

4" Thick, w/Cutouts	<b>AL-62388</b>	<b>\$31.00</b>
2-1/2" Thick, w/Cutouts	<b>AL-62389</b>	<b>\$31.00</b>

### For Desk-Arm Wheelchairs

4" Thick	<b>AL-62395</b>	<b>\$31.00</b>
2-1/2" Thick	<b>AL-62396</b>	<b>\$31.00</b>



### Wheelchair Armrest Cushion

- ✓ Foam-padded and covered in nylon
- ✓ Velcro® fasteners for easy application

16" Full-Arm (Pair)	<b>AL-69326</b>	<b>\$34.00 Pair</b>
11" Half-Arm (Pair)	<b>AL-69327</b>	<b>\$30.00 Pair</b>



### Snug Support

- ✓ Fills the gap between resident and armrest
- ✓ Effective for promoting proper sitting posture
- ✓ Foam padded for resident comfort
- ✓ Covered in durable, wipe-clean nylon

16"L x 6"H (Front) x 15"H x 1.5" Thick	<b>AL-74420</b>	<b>\$26.00 Each</b>
16"L x 6"H (Front) x 15"H x 1.5" Thick	<b>AL-74421</b>	<b>\$41.00 2 Pack</b>



### Head Positioner

- ✓ Designed to prevent hyperextension of the neck
- ✓ Attaches to all extended-back wheelchairs, geri-chairs, and recliners
- ✓ Cushioned with resilient foam
- ✓ Cover wipes clean for easy care

<b>AL-62409</b>	<b>\$34.00</b>
-----------------	----------------



### Wheelchair Leg Pad

- ✓ New E-Z clip buckles and straps simplify attachment
- ✓ Prevents resident's feet from slipping off footrests
- ✓ Foam-padded, rigid-backed leg pad
- ✓ Serves as a leg pad when footrests are in a up position
- ✓ Covered in durable, wipe-clean vinyl

16" - 18"W	<b>AL-62378</b>	<b>\$38.00</b>
18" - 20"W	<b>AL-62379</b>	<b>\$39.00</b>
20" - 24"W	<b>AL-74422</b>	<b>\$45.00</b>



### Lateral Lumbar Support

- ✓ Comfortable gel packs control lateral leaning or provide lumbar support
- ✓ Position two gel packs vertically to reduce left/right leaning
- ✓ Position one gel pad horizontally to provide lumbar support
- ✓ Firm back support distributes pressure caused by backrest hammocking
- ✓ Gel packs and backrest are covered in wipe-clean vinyl
- ✓ Secures to any 16-inch or 18-inch wheelchair, geri-chair or kitchen chair

Description	Size	ALCO Part No.	Price Each
Lateral Support w/Vinyl Cover (w/2 Gel Pad)	Fits 16" - 18" Wheelchairs	<b>AL-76357</b>	<b>\$59.00</b>
Optional Lower Shear II Cover	Fits 16" - 18" Wheelchairs	<b>AL-76358</b>	<b>\$29.00</b>

**MADE IN THE USA**



### Adjustable Tension Strapping Back

- ✓ Strapping system can accommodate for kyphosis and provide lumbar support
- ✓ Fluid proof fabric is multi-dimensional stretch and help alleviate pressure on bony prominences
- ✓ 1" pressure relieving foam provides a more comfortable back support than a standard sling back
- ✓ Back securely installs directly over wheelchair canes
- ✓ Steel D-ring provides superior strength and durability

**New!**

Height	Wheelchair Size	Weight Capacity	ALCO Part No.	Price Each
16"	16"-21"	250 lb.	<b>AL-78346-16</b>	<b>\$219.00</b>
16"	22"-26"	350 lbs.	<b>AL-78346-22</b>	<b>\$269.00</b>

# Lap Trays

**BUY 11 GET 1 FREE!**



AL-72312



AL-72310

### Lap Trays

Lap Board, Half, Padded, Upholstered, Fixed Bracket, Right Side

**AL-72310 \$85.00**

Lap Board, Half, Padded, Upholstered, Flip-Up Bracket, Left Side

**AL-72311 \$89.00**

Lap Board, Half, Padded, Upholstered, Flip-Up Bracket, Right Side

**AL-72312 \$89.00**



### SofTop Wheelchair Lap Tray

- ✓ Covered in durable, wipe-clean vinyl
- ✓ Easy-open Velcro® closures

16"-18" Wheelchair	<b>AL-62386</b>	<b>\$65.00</b>
20"-22" Wheelchair	<b>AL-62387</b>	<b>\$69.00</b>
Bariatric SofTop		
24"-28" Wheelchairs	<b>AL-67801</b>	<b>\$107.00</b>



**Stenciling Available**

Wheelchair Storage Bag			
Length	Color	ALCO Part No	Price Each
14.5" W x 23.5" L	Black	<b>AL-77684S</b>	<b>\$19.95</b>
20.5" W x 23.5" L	Black	<b>AL-77684L</b>	<b>\$25.95</b>



Lambswool Covers			
Description	Fig. No.	ALCO Part No.	Price Each
Seat, 18 x 16	C	<b>AL-45339</b>	<b>\$29.95</b>
Back, 18 x 18	D	<b>AL-45341</b>	<b>\$29.95</b>
Full Length Arm (Pair)	E	<b>AL-45343</b>	<b>\$19.95 Pr.</b>
Desk Length Arm (Pair)	E	<b>AL-45344</b>	<b>\$19.95 Pr.</b>
Footplate (Pair)	F	<b>AL-45347</b>	<b>\$19.95 Pr.</b>
Legrest Panel (Pair)	G	<b>AL-45348</b>	<b>\$29.95 Pr.</b>

EP1

# Transfer Boards & I.D. System

### Transfer and Glider Systems

#### 40" Transfer System

- ✓ 40" Length x 12" Width
- ✓ 1" Base Thickness
- ✓ 1/2" Seat Thickness

**AL-69429 \$239.00**



AL-69429

#### 32" Glider System

- ✓ 32" Length x 10" Width
- ✓ 5/8" Base Thickness
- ✓ 3/8" Seat Thickness

**AL-69431 \$239.00**



AL-69431

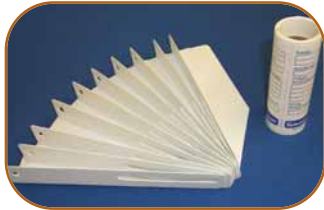
#### 27.5" Transfer System

- ✓ 27.5" Length x 12" Width
- ✓ 1" Base Thickness
- ✓ 1/2" Seat Thickness

**AL-69430 \$229.00**



AL-69430



### Wheelchair I.D. System

- ✓ Labels record all pertinent information
- ✓ Removable vinyl label on easy to install flexible bracket
- ✓ Package includes 10 brackets and a roll of 50 labels

**AL-72350 \$21.95 Pack**

# Translock™ System



Translock™



## Translock™ System

- ✓ The only system designed for wheelchair stability and safety
- ✓ Durable, lightweight and easy-to-use
- ✓ The Translock™ can be combined with the Wheelchair Attachment to remain intact with the chair, and simply engaged for connection to companion attachments (Toilet Attachment, Bed Attachment or Wall Attachment)

- ✓ The wheelchair is simply rolled up to the Translock™ and automatically docked to the transfer object
- ✓ Translock™ device is made of anti-microbial resin
- ✓ Translock™ device attaches to any manual wheelchair

Translock™	<b>AL-77731</b>	<b>\$159.95</b>
Bed Attachment	<b>AL-77732</b>	<b>\$119.95</b>
Toilet Attachment	<b>AL-77733</b>	<b>\$139.95</b>
Wheelchair Attachment	<b>AL-77734</b>	<b>\$89.95</b>
Flat Attachment	<b>AL-77746</b>	<b>\$59.95</b>

To Transfer to	You will need
Bed	Translock™ and bed attachment
Standing Position	Translock™ and flat attachment
Toilet	Translock™, toilet attachment and wheelchair attachment



Flat Attachment



Wheelchair Attachment



Bed Attachment



Toilet Attachment



# Custom Silkscreening



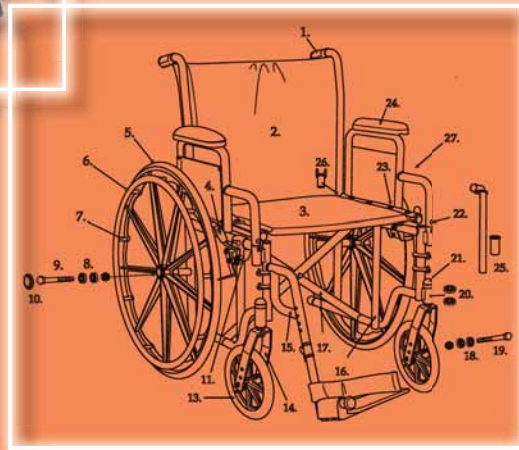
ALCO now offers silkscreening and embroidery on the following products:

- ★ Upholstered Backs—Vinyl or Nylon
- ★ Chart Pockets—Vinyl or Mesh

**CALL FOR YOUR CUSTOMIZED QUOTE**



# Wheelchair Parts



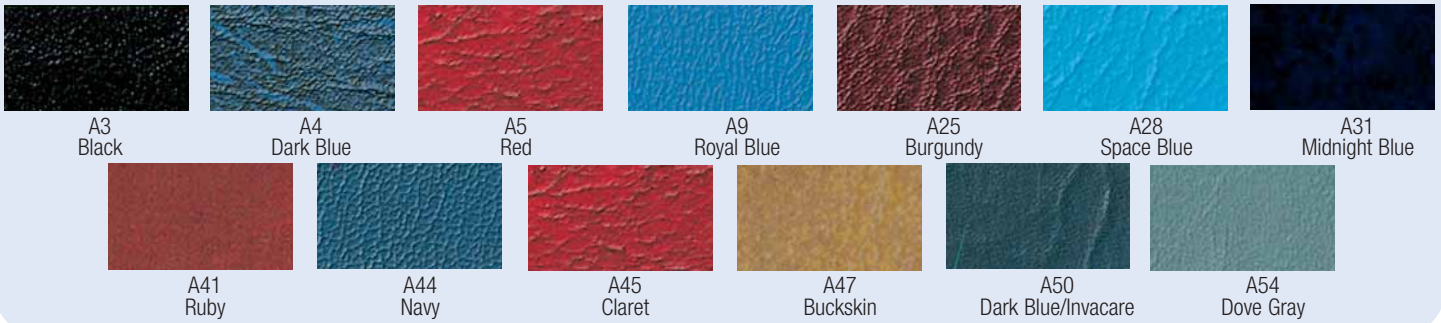
Phone: 800-323-4282  
Fax: 800-950-1167

**ALCO**  
Sales & Service Co.

info@alcosales.com  
www.alcosales.com

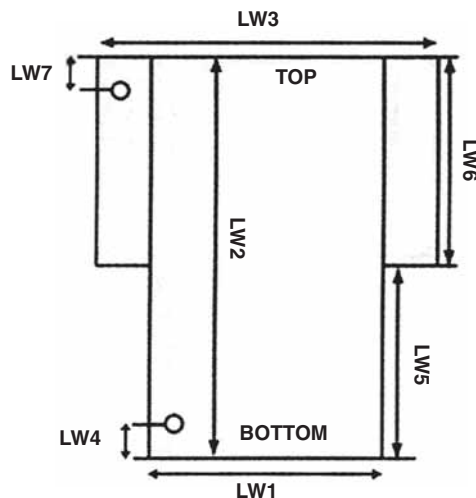
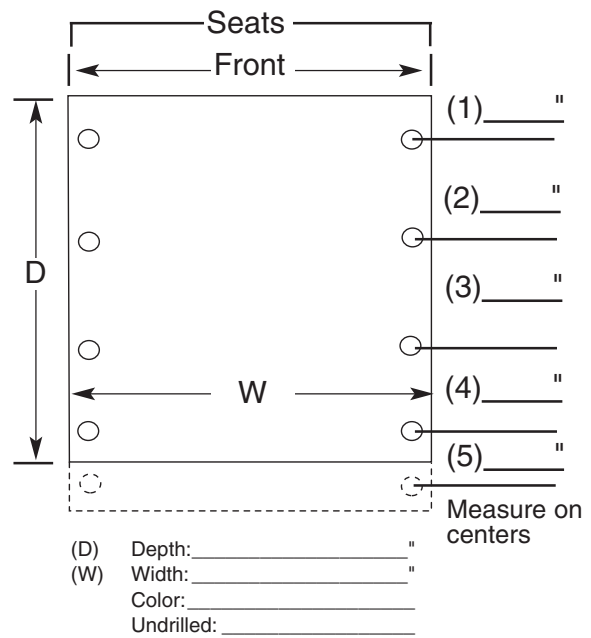
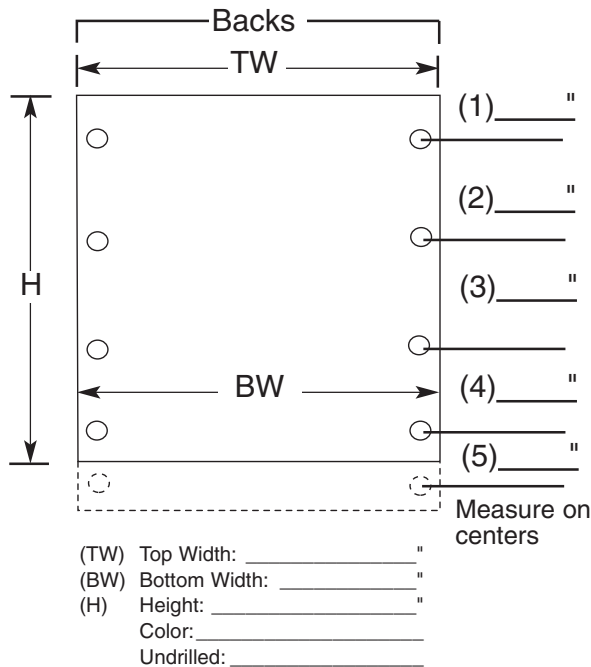
# Wheelchair Upholstery Colors & Sizing Charts

## ALCO Wheelchair Upholstery Color Choices



## Custom Upholstery

Please have the following information ready when you call: width and height of seat and back, position of screw holes center to center.  
**Specify Embossed or Flat.** Undrilled upholstery also available which allows you to drill your own holes. All custom upholstery is non-returnable.



- Overall bottom width (LW1)  
 (LW1) Overall bottom width: \_\_\_\_\_"  
 (LW2) Overall height: \_\_\_\_\_"  
 (LW3) Overall top width: \_\_\_\_\_"  
 (LW4) Bottom edge to center of bottom hole: \_\_\_\_\_"  
 (LW5) Bottom edge to bottom of sleeve: \_\_\_\_\_"  
 (LW6) Bottom sleeve length: \_\_\_\_\_"  
 (LW7) Center of top hole to top edge: \_\_\_\_\_"



# Economy Wheelchair Upholstery Black Vinyl Only



Armpads



Calf Pads



Seat



Back



Undrilled

Universal Armpads						
Description	Mounting Holes	Fits	EACH		PAIR	
			ALCO Part No.	Price Each	ALCO Part No.	Price Pair
Padded, full length, vinyl with black base	8	Universal, fits all 13-7/8" long	AL-135BK-A3	\$5.95	AL-66054BK-A3	\$9.95
Padded, desk length, vinyl with black base	4	Universal, fits all 10-1/8" long	AL-145BK-A3	\$5.95	AL-66055BK-A3	\$9.95

Universal Calf Pads						
Type	Mounting Holes	Fits	EACH		PAIR	
			ALCO Part No.	Price Each	ALCO Part No.	Price Pair
Padded with black base	Universal 2" vertical + 1-1/2"	Universal	AL-422UBK-A3	\$13.95	AL-66068BK-A3	\$21.95

Upholstery Kits — Includes seat & back with FREE armpads!								
Description	18" Wide Embossed ALCO Part No.	Price Per Kit	18" Wide Flat ALCO Part No.	Price Per Kit	20" Wide Embossed ALCO Part No.	Price Per Kit	20" Wide Flat ALCO Part No.	Price Per Kit
<b>Fits E&amp;J</b>								
Plastic, full length	AL-01-A3	\$37.95	AL-05-A3	\$30.95	AL-17-A3	\$43.95	AL-21-A3	\$39.95
Plastic, desk length	AL-02-A3	\$37.95	AL-06-A3	\$30.95	AL-18-A3	\$43.95	AL-22-A3	\$39.95
Padded, full length	AL-03-A3	\$37.95	AL-07-A3	\$30.95	AL-19-A3	\$43.95	AL-23-A3	\$39.95
Padded, desk length	AL-04-A3	\$37.95	AL-08-A3	\$30.95	AL-20-A3	\$43.95	AL-24-A3	\$39.95
<b>Fits Invacare</b>								
Plastic, full length	AL-09-A3	\$37.95	AL-13-A3	\$30.95	AL-25-A3	\$43.95	AL-29-A3	\$39.95
Plastic, desk length	AL-10-A3	\$37.95	AL-14-A3	\$30.95	AL-26-A3	\$43.95	AL-30-A3	\$39.95
Padded, full length	AL-11-A3	\$37.95	AL-15-A3	\$30.95	AL-27-A3	\$43.95	AL-31-A3	\$39.95
Padded, desk length	AL-12-A3	\$37.95	AL-16-A3	\$30.95	AL-28-A3	\$43.95	AL-32-A3	\$39.95

## Back & Seat Upholstery

Upper Width	Lower Width	Height/Depth	Screw Holes	*	Screw Separation Center to Center	ALCO Part No.	Price Each	ALCO Part No.	Price Each	ALCO Part No.	Price Each
<b>E&amp;J Backs</b>						<b>Embossed</b>		<b>Flat</b>		<b>Undrilled</b>	
18-5/8"	18"	18-1/2"	8	1"	5-1/2, 5-1/2, 5-1/2"	AL-794-A3	\$22.95	AL-794F-A3	\$16.95	763NH-A3	\$44.95
16-5/8"	16"	18-1/2"	8	1"	5-1/2, 5-1/2, 5-1/2"	AL-792-A3	\$22.95	AL-792F-A3	\$16.95	N/A	N/A
20-5/8"	20"	18-1/2"	8	1"	5-1/2, 5-1/2, 5-1/2"	AL-795-A3	\$30.95	AL-795F-A3	\$23.95	765NH-A3	\$44.95
22-5/8"	22"	18-1/2"	8	1"	5-1/2, 5-1/2, 5-1/2"	AL-796-A3	\$34.95	AL-796F-A3	\$29.95	766NH-A3	\$44.95
24-5/8"	24"	18-1/2"	8	1"	5-1/2, 5-1/2, 5-1/2"	AL-797-A3	\$39.95	AL-797F-A3	\$33.95	767NH-A3	\$44.95
<b>E&amp;J Seats</b>											
18"		16"	8	2"	4, 4, 4"	AL-827-A3	\$22.95	AL-827F-A3	\$16.95	N/A	N/A
16"		16"	8	2"	4, 4, 4"	AL-825-A3	\$22.95	AL-825F-A3	\$16.95	N/A	N/A
20"		16"	8	2"	4, 4, 4"	AL-828-A3	\$30.95	AL-828F-A3	\$23.95	N/A	N/A
22"		16"	8	2"	4, 4, 4"	AL-829-A3	\$34.95	AL-829F-A3	\$29.95	N/A	N/A
24"		16"	8	2"	4, 4, 4"	AL-830-A3	\$39.95	AL-830F-A3	\$33.95	N/A	N/A
<b>Invacare Straight Backs</b>											
18"	18"	18"	8	1"	5-3/8, 5, 4-5/8"	AL-763-A3	\$22.95	AL-763F-A3	\$16.95	AL-763NH-A3	\$22.95
16"	16"	18"	8	1"	5-3/8, 5, 4-5/8"	AL-761-A3	\$22.95	AL-761F-A3	\$16.95	N/A	N/A
20"	20"	18"	8	1"	5-3/8, 5, 4-5/8"	AL-765-A3	\$30.95	AL-765F-A3	\$23.95	AL-765NH-A3	\$30.95
22"	22"	18"	8	1"	5-3/8, 5, 4-5/8"	AL-766-A3	\$34.95	AL-766F-A3	\$29.95	AL-766NH-A3	\$34.95
24"	24"	18"	8	1"	5-3/8, 5, 4-5/8"	AL-767-A3	\$39.95	AL-767F-A3	\$33.95	AL-767NH-A3	\$39.95
<b>Invacare Flared Backs</b>											
20"	18"	18"	8	1"	5-3/8, 5, 4-5/8"	AL-768-A3	\$24.95	AL-768F-A3	\$18.95	AL-768NH-A3	\$24.95
24"	22"	18"	8	1"	5-3/8, 5, 4-5/8"	AL-768X-A3	\$42.95	AL-768XF-A3	\$33.95	AL-768XNH-A3	\$42.95
<b>Invacare Semi-Flared Backs</b>											
19"	18"	18"	8	1"	5-3/8, 5, 4-5/8"	AL-769-A3	\$24.95	AL-769F-A3	\$23.95	AL-769NH-A3	\$24.95
<b>Invacare Seats (Hammock)</b>											
18"		16"	8	2"	3-5/8, 3-5/8, 4-3/4"	AL-779-A3	\$22.95	AL-779F-A3	\$16.95	AL-779NH-A3	\$22.95
16"		16"	8	2"	3-5/8, 3-5/8, 4-3/4"	AL-778-A3	\$22.95	AL-778F-A3	\$16.95	N/A	N/A
20"		16"	8	2"	3-5/8, 3-5/8, 4-3/4"	AL-781-A3	\$30.95	AL-781F-A3	\$23.95	AL-781NH-A3	\$30.95
22"		16"	8	2"	3-5/8, 3-5/8, 4-3/4"	AL-782-A3	\$34.95	AL-782F-A3	\$29.95	AL-782NH-A3	\$34.95
24"		16"	8	2"	3-5/8, 3-5/8, 4-3/4"	AL-783-A3	\$39.95	AL-783F-A3	\$33.95	AL-783NH-A3	\$39.95

\* Distance of 1st hole from top of back or front of seat



# Invacare Wheelchair Upholstery



**BUY 11 GET 1 FREE!**

ALCO Wheelchair upholstery meets or exceeds the following regulation on flame retardancy: [California Fire Tech Bulletin #117](#), [Boston Fire Code](#), [NY Port of Authority](#), [Federal Regulations #5874](#) and [FMVSS #302](#).

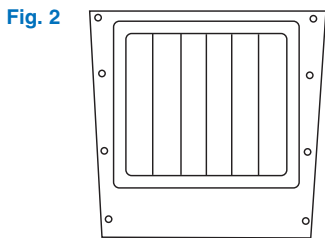


**Straight Back  
AL-763**

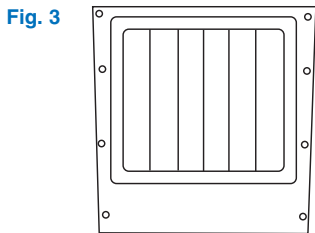
All upholstery is lined with a non-tear liner and has 38" Flame Retardant foam padding for comfort and longer life. Heat sealed to prevent bacteria growth. Surface of upholstery is normally embossed, but is available in flat style also. Mounting hardware (two metal strips, matching screws and finishing washers) is included in package. **Stocked upholstery can be shipped same day as ordered.**

Colors shown on Page 41

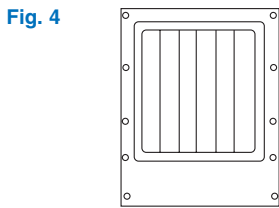
For Invacare, Probasics, Drive, Colson, Futuro, Medline, Rolls, Metal Matic, Mobilaid, Will Ross, Sunmark, Old/New Theradyne, ALCO Supreme, ALCO Royale, ALCO Custom & Classic, Evermed



**Standard and  
X-wide Flared Back  
AL-768**



**Semi-Flared Back**



**Recliner Back**



**Hammock Seat  
AL-779**

Embossed Style					Total Screw Holes	Distance of 1st Hole from Top of Back or Front of Seat	Screw separation Center to center	ALCO Part No.	Price Each
Fig.	Upholstery	Upper Width	Lower Width	Height/Depth					
<b>STRAIGHT BACK — EMBOSSED, RIBBED</b>									
1	Std. Adult	18"	18"	18"	8	1"	5-3/8,5,4-5/8"	AL-763	\$32.95
	Slide On	18"	18"	18"	None	1"	5-3/8,5,4-5/8"	AL-45464	\$41.95
	Narrow	16"	16"	18"	8	1"	5-3/8,5,4-5/8"	AL-761	\$32.95
	Slide On	16"	16"	18"	None	1"	5-3/8,5,4-5/8"	AL-45463	\$41.95
	Extra	20"	20"	18"	8	1"	5-3/8,5,4-5/8"	AL-765	\$41.95
	Wide	22"	22"	18"	8	1"	5-3/8,5,4-5/8"	AL-766	\$51.95
	Back	24"	24"	18"	8	1"	5-3/8,5,4-5/8"	AL-767	\$59.95
<b>FLARED BACK — EMBOSSED, RIBBED</b>									
2	Std. Adult	20"	18"	18"	8	1"	5-3/8,5,4-5/8"	AL-768	\$41.95
	X-Wide	24"	22"	18"	8	1"	5-3/8,5,4-5/8"	AL-768X	\$51.95
<b>SEMI-FLARED BACK — EMBOSSED, RIBBED</b>									
3	Semi-flair	19"	18"	18"	8	1"	5-3/8,5,4-5/8"	AL-769	\$41.95
<b>RECLINING BACK — RIBBED-EMBOSSED</b>									
4	Recliner	18"	18"	23"	10	1"	5-1/4,5-1/2,5,4-1/2"	AL-773	\$69.95
	Back	18"	18"	20"	10	1"	5-3/8,5,4-5/8,2-1/4"	AL-773A	\$69.95
<b>SEATS (HAMMOCK) — EMBOSSED, RIBBED</b>									
5	Std. Adult	18"		16"	8	2"	3-5/8,3-5/8,4-3/4"	AL-779	\$32.95
	Narrow	16"		16"	8	2"	3-5/8,3-5/8,4-3/4"	AL-778	\$32.95
	Extra	20"		16"	8	2"	3-5/8,3-5/8,4-3/4"	AL-781	\$40.95
	Wide	22"		16"	8	2"	3-5/8,3-5/8,4-3/4"	AL-782	\$51.95
	Seat	24"		16"	8	2"	3-5/8,3-5/8,4-3/4"	AL-783	\$51.95
N/S Solid Seat Custom Dimensions (see AL-786F Below)									
<b>STRAIGHT BACK — FLAT STYLE</b>									
1	Std. Adult	18"	18"	18"	8	1"	5-3/8,5,4-5/8"	AL-763F	\$23.95
	Narrow	16"	16"	18"	8	1"	5-3/8,5,4-5/8"	AL-761F	\$23.95
	Extra	20"	20"	18"	8	1"	5-3/8,5,4-5/8"	AL-765F	\$32.95
	Wide	22"	22"	18"	8	1"	5-3/8,5,4-5/8"	AL-766F	\$43.95
	Back	24"	24"	18"	8	1"	5-3/8,5,4-5/8"	AL-767F	\$49.95
<b>FLARED BACK — FLAT STYLE</b>									
2	Std. Adult	20"	18"	18"	8	1"	5-3/8,5,4-5/8"	AL-768F	\$32.95
	X-Wide	24"	22"	18"	8	1"	5-3/8,5,4-5/8"	AL-768XF	\$49.95
<b>SEMI-FLARED BACK — FLAT STYLE</b>									
3	Semi-flair	19"	18"	18"	8	1"	5-3/8,5,4-5/8"	AL-769F	\$32.95
<b>RECLINING BACK — FLAT STYLE</b>									
4	Recliner	18"	18"	23"	10	1"	5-1/4,5-1/2,5,4-1/2"	AL-773F	\$59.95
	Back	18"	18"	20"	10	1"	5-3/8,5,4-5/8,2-1/4"	AL-773AF	\$59.95
<b>SEATS — FLAT STYLE</b>									
5	Std. Adult	18"		16"	8	2"	3-5/8,3-5/8,4-3/4"	AL-779F	\$23.95
	Narrow	16"		16"	8	2"	3-5/8,3-5/8,4-3/4"	AL-778F	\$23.95
	Extra	20"		16"	8	2"	3-5/8,3-5/8,4-3/4"	AL-781F	\$32.95
	Wide	22"		16"	8	2"	3-5/8,3-5/8,4-3/4"	AL-782F	\$43.95
	Seat	24"		16"	8	2"	3-5/8,3-5/8,4-3/4"	AL-783F	\$49.95
N/S Solid Seat* Custom Dimensions* <b>AL-786F Call</b>									

\*MUST Send Sample

# Invacare Universal Wheelchair Upholstery Kit



**BUY 11 GET 1 FREE!**

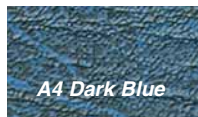


**Includes Seat & Back with FREE Armpads—FIRE RATED**



ALCO Wheelchair upholstery meets or exceeds the following regulation on flame retardancy: **California Fire Tech Bulletin #117, Boston Fire Code, NY Port of Authority, Federal Regulations #5874 and FMVSS #302.**

All upholstery is lined with a non-tear liner and has flame retardant 3/8" foam padding for comfort and longer life. Heat sealed to prevent bacteria growth.



**Kit for Invacare (Rolls) Old Theradyne, Colson,**  
 Probasics, Futuro, Drive, Medline, Evermed, Metal Matic, Mobilaid, Will Ross, Sunmark, ALCO: Supreme, Royale, Classic & Custom

**18" & 20" Wide (16" Depth) Embossed Ribbed Upholstery Kits**

Description	18" Kit		20" Kit	
	ALCO Part No.	Price Per Kit	ALCO Part No.	Price Per Kit
Embossed Ribbed, Standard Adult, Upholstery Kit, with two FREE Universal deluxe heavy duty plastic grey full armpads	AL-09	\$62.95	AL-25	\$77.95
Embossed Ribbed, Standard Adult, Upholstery Kit, with two FREE Grey Universal desk plastic armpads	AL-10	\$62.95	AL-26	\$77.95
Embossed Ribbed, Standard Adult, Upholstery Kit, with two FREE Universal upholstered padded full length armpads—Shown Above	AL-11	\$78.95	AL-27	\$92.95
Embossed Ribbed, Standard Adult, Upholstery Kit, with two FREE Universal upholstered padded desk length armpads	AL-12	\$78.95	AL-28	\$92.95

**18" & 20" (16" Depth) Wide Flat Upholstery Kits**

Description	18" Kit		20" Kit	
	ALCO Part No.	Price Per Kit	ALCO Part No.	Price Per Kit
Flat, Standard Adult, Upholstery Kit, with two FREE Universal deluxe heavy duty plastic grey full armpads	AL-13	\$46.95	AL-29	\$62.95
Flat, Standard Adult, Upholstery Kit, with two FREE Grey Universal desk plastic armpads	AL-14	\$46.95	AL-30	\$62.95
Flat, Standard Adult, Upholstery Kit, with two FREE Universal upholstered padded full length armpads	AL-15	\$62.95	AL-31	\$78.95
Flat, Standard Adult, Upholstery Kit, with two FREE Universal upholstered padded desk length armpads	AL-16	\$62.95	AL-32	\$78.95

\*Color Black is Economy. See Page 41

EP1

# Everest & Jennings Wheelchair Upholstery

Everest & Jennings®

**BUY 11 GET 1 FREE!**

MADE IN THE USA



ALCO Wheelchair upholstery meets or exceeds the following regulation on flame retardancy: California Fire Tech Bulletin #117, Boston Fire Code, NY Port of Authority, Federal Regulations #5874 and FMVSS #302.

All upholstery is lined with a non-tear liner and has Flame Retardant 3/8" foam padding for comfort and longer life. Heat sealed to prevent bacteria growth. Surface of upholstery is normally embossed, but is available in flat style also. Mounting hardware (two metal strips, matching screws and finishing washers) is included in package.

**Stocked upholstery can be shipped same day as ordered.**

Colors shown on Page 40

Fig 1



Straight Back  
AL-794

Fig 2



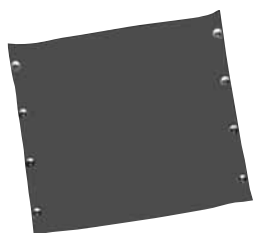
Hammock Seat  
AL-827

Fig 3



Flat Back  
AL-794F

Fig 4



Flat Seat  
AL-827F

Fits Everest & Jennings, New Theradyne, Merit, Hollywood Convertible, ALCO Imperial, Tomac, Tuffcare, Smith & Davis, Gemini, Lazer, Some Imports (Hoyer), Lumex, Tuffcare

Embossed Style						Distance of 1st Hole from Top of Back or Front of Seat	Screw separation Center to center	ALCO Part No.	Price Each
Fig.	Upholstery	Upper Width	Lower Width	Height/Depth	Total Screw Holes				
<b>BACKS — EMBOSSED, RIBBED</b>									
1	Std. Adult	18-5/8"	18"	18-1/2"	8	1"	5-1/2,5-1/2,5-1/2"	AL-794	\$32.95
	Narrow	16-5/8"	16"	18-1/2"	8	1"	5-1/2,5-1/2,5-1/2"	AL-792	\$32.95
	Extra	20-5/8"	20"	18-1/2"	8	1"	5-1/2,5-1/2,5-1/2"	AL-795	\$41.95
	Wide	22-5/8"	22"	18-1/2"	8	1"	5-1/2,5-1/2,5-1/2"	AL-796	\$51.95
	Back	24-5/8"	24"	18-1/2"	8	1"	5-1/2,5-1/2,5-1/2"	AL-797	\$51.95
	Full Rec	18-3/4"	18"	24"	10	1"	5-1/2,5-1/2,5-1/2,5-1/2"	AL-812	\$49.95
<b>SEATS — EMBOSSED, RIBBED</b>									
2	Std. Adult	18"		16"	8	2"	4,4,4"	AL-827	\$32.95
	Narrow	16"		16"	8	2"	4,4,4"	AL-825	\$32.95
	Extra	20"		16"	8	2"	4,4,4"	AL-828	\$40.95
	Wide	22"		16"	8	2"	4,4,4"	AL-829	\$51.95
	Seat	24"		16"	8	2"	4,4,4"	AL-830	\$51.95
<b>BACKS — FLAT STYLE</b>									
3	Std. Adult	18-5/8"	18"	18-1/2"	8	1"	5-1/2,5-1/2,5-1/2"	AL-794F	\$23.95
	Narrow	16-5/8"	16"	18-1/2"	8	1"	5-1/2,5-1/2,5-1/2"	AL-792F	\$23.95
	Extra	20-5/8"	20"	18-1/2"	8	1"	5-1/2,5-1/2,5-1/2"	AL-795F	\$33.95
	Wide	22-5/8"	22"	18-1/2"	8	1"	5-1/2,5-1/2,5-1/2"	AL-796F	\$43.95
	Back	24-5/8"	24"	18-1/2"	8	1"	5-1/2,5-1/2,5-1/2"	AL-797F	\$49.95
	Full Rec	18-3/4"	18"	24"	10	1"	5-1/2,5-1/2,5-1/2,5-1/2"	AL-812F	\$37.95
<b>SEATS — FLAT STYLE</b>									
4	Std. Adult	18"		16"	8	2"	4,4,4"	AL-827F	\$23.95
	Narrow	16"		16"	8	2"	4,4,4"	AL-825F	\$23.95
	Extra	20"		16"	8	2"	4,4,4"	AL-828F	\$32.95
	Wide	22"		16"	8	2"	4,4,4"	AL-829F	\$43.95
	Seat	24"		16"	8	2"	4,4,4"	AL-830F	\$49.95

Traveler XD Replacement Upholstery Reinforced Double Embossing w/Top Cap			
Backs (5 Holes Per Side)		Seats (5 & 6 Holes Per Side)—3/8" screw separation	
20" Wide (5-Hole)	AL-54812 \$62.95	20" Wide (5-Hole)	AL-54816 \$62.95
22" Wide (5-Hole)	AL-54813 \$72.95	22" Wide (5-Hole)	AL-54817 \$72.95
24" Wide (5-Hole)	AL-54814 \$72.95	24" Wide (6-Hole)	AL-54818 \$72.95

Specify color: Burgundy (A25), Black (A3) or Dark Blue (A4)

**Specify colors. See ALCO Color Chart—Page 8**

# E&J Universal Wheelchair Upholstery Kit



**BUY 11 GET 1 FREE!**

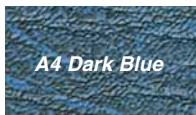


**Includes Seat & Back with FREE Armpads—FIRE RATED**



ALCO Wheelchair upholstery meets or exceeds the following regulation on flame retardancy: **California Fire Tech Bulletin #117, Boston Fire Code, NY Port of Authority, Federal Regulations #5874 and FMVSS #302.**

All upholstery is lined with a non-tear liner and has flame retardant 3/8" foam padding for comfort and longer life. Heat sealed to prevent bacteria growth.



**Kit for Everest & Jennings, New Theradyne, Merit, Hollywood Convertible, ALCO Imperial, Tomac, Tuffcare, Smith & Davis, Gemini, Lazer, Some Imports, Hoyer, Lumex**

## 18" & 20" (16" Depth) Wide Embossed Ribbed Upholstery Kits

Description	18" Kit		20" Kit	
	ALCO Part No.	Price Per Kit	ALCO Part No.	Price Per Kit
Embossed Ribbed, Standard Adult, Upholstery Kit, with two FREE Universal deluxe heavy duty plastic grey full armpads	AL-01	\$62.95	AL-17	\$77.95
Embossed Ribbed, Standard Adult, Upholstery Kit, with two FREE Grey Universal desk plastic armpads	AL-02	\$62.95	AL-18	\$77.95
Embossed Ribbed, Standard Adult, Upholstery Kit, with two FREE Universal upholstered padded full length armpads—Shown Above	AL-03	\$78.95	AL-19	\$92.95
Embossed Ribbed, Standard Adult, Upholstery Kit, with two FREE Universal upholstered padded desk length armpads	AL-04	\$78.95	AL-20	\$92.95

## 18" & 20" (16" Depth) Wide Flat Upholstery Kits

Description	18" Kit		20" Kit	
	ALCO Part No.	Price Per Kit	ALCO Part No.	Price Per Kit
Flat, Standard Adult, Upholstery Kit, with two FREE Universal deluxe heavy duty plastic grey full armpads	AL-05	\$46.95	AL-21	\$62.95
Flat, Standard Adult, Upholstery Kit, with two FREE Grey Universal desk plastic armpads	AL-06	\$46.95	AL-22	\$62.95
Flat, Standard Adult, Upholstery Kit, with two FREE Universal upholstered padded full length armpads	AL-07	\$62.95	AL-23	\$78.95
Flat, Standard Adult, Upholstery Kit, with two FREE Universal upholstered padded desk length armpads	AL-08	\$62.95	AL-24	\$78.95

\*Color Black is Economy. See Page 41



# Undrilled Upholstery



## Universal Upholstery (no holes)

Takes the guesswork out of knowing your chair's hole spacing

Undrilled Seats	Black	Dark Blue	Price	Built-In Back Pocket		Price
	ALCO	ALCO		Black	Dark Blue	
	Part No.	Part No.	Each	ALCO	ALCO	Each
24" W x 16" D	AL-783NH-A3	AL-783NH-A4	\$54.95	N/A	N/A	N/A
24" W x 18" D	AL-67413NH-A3	AL-67413NH-A4	\$54.95	N/A	N/A	N/A
22" W x 16" D	AL-782NH-A3	AL-782NH-A4	\$53.95	N/A	N/A	N/A
22" W x 18" D	AL-67412NH-A3	AL-67412NH-A4	\$53.95	N/A	N/A	N/A
20" W x 16" D	AL-781NH-A3	AL-781NH-A4	\$44.95	N/A	N/A	N/A
20" W x 18" D	AL-67411NH-A3	AL-67411NH-A4	\$44.95	N/A	N/A	N/A
18" W x 16" D	AL-779NH-A3	AL-779NH-A4	\$44.95	N/A	N/A	N/A
18" W x 18" D	AL-75436NH-A3	AL-75436NH-A4	\$44.95	N/A	N/A	N/A
<b>Undrilled Backs</b>						
24" W x 18" H	AL-767NH-A3	AL-767NH-A4	\$53.95	AL-767NHBP-A3	AL-767NHBP-A4	\$69.95
22" W x 18" H	AL-766NH-A3	AL-766NH-A4	\$53.95	AL-766NHBP-A3	AL-766NHBP-A4	\$69.95
20" W x 18" H	AL-765NH-A3	AL-765NH-A4	\$44.95	AL-765NHBP-A3	AL-765NHBP-A4	\$61.95
18" W x 18" H	AL-763NH-A3	AL-763NH-A4	\$44.95	AL-763NHBP-A3	AL-763NHBP-A4	\$61.95
<b>Undrilled Flared Backs</b>						
18" LW x 19" UW x 18" H*	AL-769NH-A3	AL-769NH-A4	\$44.95	AL-769NHBP-A3	AL-769NHBP-A4	\$61.95
18" LW x 20" UW x 18" H*	AL-768NH-A3	AL-768NH-A4	\$44.95	AL-768NHBP-A3	AL-768NHBP-A4	\$61.95
22" LW x 24" UW x 18" H*	AL-768XNH-A3	AL-768XNH-A4	\$54.95	AL-768XNHBP-A3	AL-768XNHBP-A4	\$69.95
24" LW x 26" UW x 18" H	AL-75429NH-A3	AL-75429NH-A4	\$54.95	AL-75429NHBP-A3	AL-75429NHBP-A4	\$69.95

\*Note: LW is Lower Width; UW is Upper Width; H is Height

## Medline Upholstery (Includes Back Pocket)

Black Nylon Upholstery		
Description	ALCO Part No.	Price Each
20" Wide Back w/screws, Black, Nylon (OEM)	AL-64754	\$33.95
20" Wide Back w/screws, Black, Nylon	AL-72515	\$27.95
22" Wide Back w/screws, Black, Nylon (OEM)	AL-64755	\$34.95
22" Wide Back w/screws, Black, Nylon	AL-72516	\$28.95
20" Wide Seat w/screws, Black, Nylon (OEM)	AL-64758	\$33.95
20" Wide Seat w/screws, Black, Nylon	AL-72517	\$27.95
22" Wide Seat w/screws, Black, Nylon (OEM)	AL-64759	\$34.95
22" Wide Seat w/screws, Black, Nylon	AL-72518	\$28.95

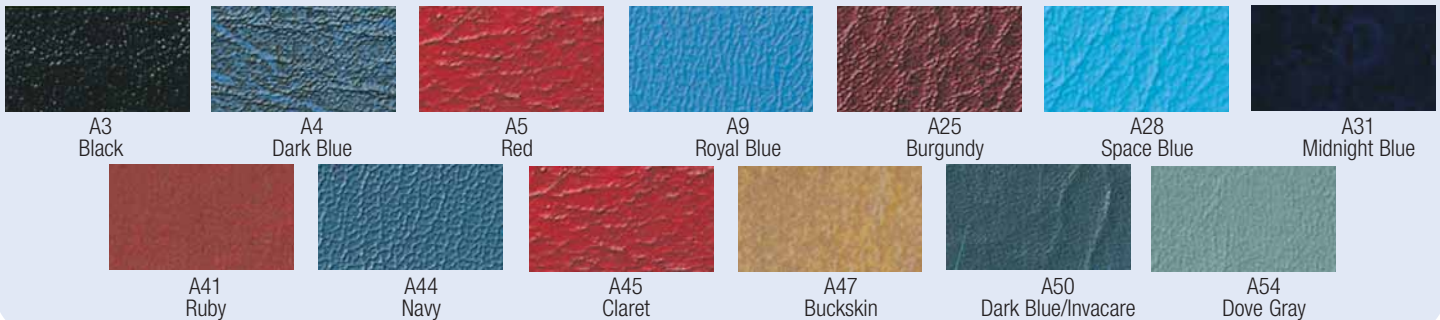
Vinyl Upholstery				
Description	Navy		Black	
	ALCO Part No.	Price Each	ALCO Part No.	Price Each
20" Wide Back w/screws	AL-74538-A44	\$36.95	AL-74538-A3	\$36.95
22" Wide Back w/screws	AL-74539-A44	\$39.95	AL-74539-A3	\$39.95
24" Wide Back w/screws	AL-74540-A44	\$39.95	AL-74540-A3	\$39.95
20" Wide Seat w/screws	AL-64830-A44	\$39.95	AL-64830-A3	\$39.95
22" Wide Seat w/screws	AL-64831-A44	\$49.95	AL-64831-A3	\$49.95
24" Wide Seat w/screws	AL-64832-A44	\$49.95	AL-64832-A3	\$49.95

Seat Spacing: 2", 3-5/8", 3-5/8", 4-3/4", 3-3/8", 5/8"  
 Back Spacing: 1", 5-3/8", 5", 4-5/8" (2" Flare)  
 20" Back Spacing = 20" Bottom x 22" Top  
 22" Back Spacing = 22" Bottom x 24" Top  
 24" Back Spacing = 24" Bottom x 26" Top



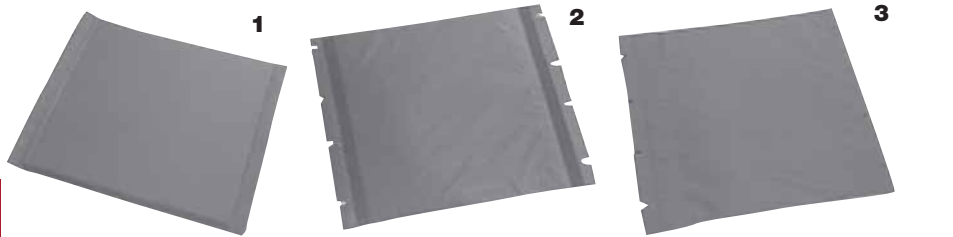
EP1

## ALCO Wheelchair Upholstery Color Choices



# Ultralight Seats & Backs

**BUY 11 GET 1 FREE!**



<b>E&amp;J SEAT UPHOLSTERY, PREMIER II &amp; METRO</b> Description	<b>ALCO</b> Part No.	<b>Price</b> Each
E&J Seat Uph. 16 X 16, Premier II (Hole Spacing: 2*4*4*4*2) Velcro Adjusts On 1 Side	AL-58591*	\$39.95
E&J Seat Uph. 18 X 16, Premier II (fig #1)	AL-58592*	\$39.95
E&J Seat Uph. 16 X 16, Padded, Metro (Hole Spacing: 2*4*4*4*2) Velcro Adjusts On Both Sides	AL-58593*	\$39.95
E&J Seat Uph. 18 X 16, Padded, Metro	AL-58594*	\$39.95
<b>INVACARE SEAT UPHOLSTERY, 9000 SERIES &amp; PATRIOT</b>		
Inva Seat Uph. 16 X 16, 9000 Series & Patriot (Hole Spacing: 1*4-1/2*3-3/4*4-3/4*2)	AL-50765**	\$39.95
Inva Seat Uph. 18 X 16, 9000 Series & Patriot (fig #2)	AL-50764**	\$39.95
Inva Seat Uph. 16 X 16, 9000 Series & Patriot, Padded, No Velcro	AL-58597**	\$39.95
Inva Seat Uph. 18 X 16, 9000 Series & Patriot, Padded, No Velcro (fig #3)	AL-58598**	\$39.95

\*Note: E&J Premier II & Metro Upholstery Come Standard Black.  
 \*\*Note: Invacare 9000 & Patriot Upholstery Come Standard Black Nylon.  
 \*\*Note: Invacare 9000 & Patriot Upholstery All Have The Adjusting Velcro On 1 Side. However, You Now Have A Choice Of Velcro On Top For A Cushion Or Padding In The Seat With No Velcro On Top.

<b>QUICKIE SEAT UPHOLSTERY</b> Description	<b>ALCO</b> Part No.	<b>Price</b> Each
Quickie Seat Uph. 16 X 16, Velcro (Hole Spacing: 1*1*3-1/4*3-1/4*3-1/4*1)	AL-58599	\$39.95
Quickie Seat Uph. 18 X 16, Velcro (fig #4)	AL-58600	\$39.95
Quickie Seat Uph. 16 X 16, Padded, No Velcro	AL-58602	\$39.95
Quickie Seat Uph. 18 X 16, Padded, No Velcro (fig #5)	AL-58603	\$39.95
<b>BREEZY SEAT UPHOLSTERY</b>		
Breezy Seat Uph. 16 X 16, Velcro (Hole Spacing: 1-1/4*4-1/2*4-1/2*4-1/2*1-1/4)	AL-58604	\$39.95
Breezy Seat Uph. 18 X 16, Velcro (fig #6)	AL-58605	\$39.95
Breezy Seat Uph. 16 X 16, Padded, No Velcro	AL-58606	\$39.95
Breezy Seat Uph. 18 X 16, Padded, No Velcro	AL-58607	\$39.95

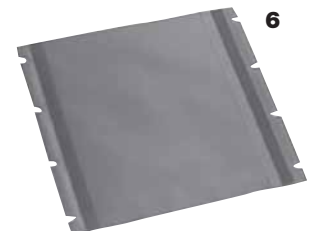
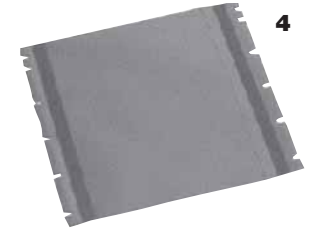
Note: Quickie Seats Actually Measure 7/8" Narrower Than Listed. For Example, A 16 X 16 Seat Actually Measures 15-1/8" Wide. Breezy Seats Actually Measure 5/8" Narrower Than Listed.  
 A 16 X 16 Seat Actually Measures 15-3/8" Wide.

Note: Quickie And Breezy Seats Come Standard In Black. They Have Velcro To Adjust The Tension Of The Seats, With Velcro On Top To Keep A Cushion In Place. However, We Now Carry Quickie And Breezy Seats That Come Padded So No Cushion Is Needed. There Is Still Velcro For Tension Adjustment, But No Velcro On Top.

<b>E&amp;J BACK UPHOLSTERY, PREMIER II &amp; METRO</b> Description	<b>ALCO</b> Part No.	<b>Price</b> Each
E&J Back Uph. 16 X 17, Premier II, 3-Hole	AL-58608*	\$39.95
E&J Back Uph. 18 X 17, Premier II, 3-Hole (fig #7)	AL-58609*	\$39.95
E&J Back Uph. 16 X 18, Premier II, 5-Hole (Hole Spacing: 3/4*3-3/4*4*3-1/2*5-1/2*3/4)	AL-58610*	\$39.95
E&J Back Uph. 18 X 18, Premier II, 5-Hole	AL-58611*	\$39.95
E&J Back Uph. 16 X 19-1/2, Padded, Metro	AL-58612*	\$39.95
E&J Back Uph. 18 X 19-1/2, Padded, Metro	AL-58613*	\$39.95
<b>INVACARE BACK UPHOLSTERY, 9000 &amp; PATRIOT</b>		
Inva Back Uph. 16 X 20, 9000 Series & Patriot	AL-50763**	\$44.95
Inva Back Uph. 18 X 20, 9000 Series & Patriot (fig #8)	AL-50762**	\$44.95

\*Note: Premier II And Metro Backs Come In Black.  
 \*\*Note: Invacare 9000 And Patriot Upholstery Come Standard In Black Nylon.

<b>QUICKIE BACK UPHOLSTERY</b> Description	<b>ALCO</b> Part No.	<b>Price</b> Each
Quickie Back Uph. 16 X 14, Small	AL-58616	\$49.95
Quickie Back Uph. 16 X 17, Medium	AL-58617	\$49.95
Quickie Back Uph. 16 X 21, Tall	AL-58618	\$49.95
Quickie Back Uph. 18 X 14, Small	AL-58619	\$49.95
Quickie Back Uph. 18 X 17, Medium (fig #9)	AL-58620	\$49.95
Quickie Back Uph. 18 X 21, Tall	AL-58621	\$49.95
<b>BREEZY BACK UPHOLSTERY</b>		
Breezy Back Uph. 16 X 17, Small	AL-58622	\$49.95
Breezy Back Uph. 16 X 19, Medium	AL-58623	\$49.95
Breezy Back Uph. 18 X 17, Small	AL-58624	\$49.95
Breezy Back Uph. 18 X 19, Medium (fig #10)	AL-58625	\$49.95



# Sunrise Medical, E&J, Tuffcare & Guardian Quick Reference Upholstery Guide



**BUY 11 GET 1 FREE!**

		Model / Dimensions	UPH Type	Description	ALCO Part No.	Price Each	
<b>Sunrise Medical</b>	<b>Breezy 100/150</b>	<b>Sunrise Medical</b>					
		16"W x 18-1/2"H Bolt-On	Back	Black, Flat, Padded, Hole Spacing from top = 3/4",5",5",2-3/4"	AL-64783	\$28.95	
		18"W x 18-1/2"H Bolt-On	Back	Black, Flat, Padded, Hole Spacing from top = 3/4",5",5",2-3/4"	AL-64784	\$28.95	
		20"W x 18-1/2"H Bolt-On	Back	Black, Flat, Padded, Hole Spacing from top = 3/4",5",5",2-3/4"	AL-64785	\$28.95	
		16"W x 16"D Bolt-On	Seat	Black, Flat, Padded, Hole Spacing from top = 2",3-5/8",3-5/8",4-3/4",2"	AL-64786	\$28.95	
		18"W x 16"D Bolt-On	Seat	Black, Flat, Padded, Hole Spacing from top = 2",3-5/8",3-5/8",4-3/4",2"	AL-64787	\$28.95	
		20"W x 16"D Bolt-On	Seat	Black, Flat, Padded, Hole Spacing from top = 2",3-5/8",3-5/8",4-3/4",2"	AL-64788	\$30.95	
<b>Everest &amp; Jennings</b>	<b>Vista</b>	<b>Everest &amp; Jennings</b>					
		16"W x 18"H	Back	Embossed-#04 blue is standard	AL-792	\$32.95	
		18"W x 18"H	Back	Embossed-#04 blue is standard	AL-794	\$32.95	
		16"W x 16"D	Seat	Embossed-#04 blue is standard	AL-825	\$32.95	
	<b>Traveler</b>	18"W x 16"D	Seat	Embossed-#04 blue is standard	AL-827	\$32.95	
		16"W x 18"H	Back	Embossed-#04 blue is standard	AL-792	\$32.95	
		18"W x 18"H	Back	Embossed-#04 blue is standard	AL-794	\$32.95	
		16"W x 16"D	Seat	Embossed-#04 blue is standard	AL-825	\$32.95	
	<b>Traveler XD</b>	18"W x 16"D	Seat	Embossed-#04 blue is standard	AL-827	\$32.95	
		20"W with Top Cap	Back	Embossed, Hole Spacing From Top=1", 1", 4-1/2", 4", 5-1/2", 2-1/4"	AL-54812*	\$62.95	
		22"W with Top Cap	Back	Embossed, Hole Spacing From Top=1", 1", 4-1/2", 4", 5-1/2", 2-1/4"	AL-54813*	\$72.95	
		24"W with Top Cap	Back	Embossed, Hole Spacing From Top=1", 1", 4-1/2", 4", 5-1/2", 2-1/4"	AL-54814*	\$72.95	
	<b>Tuffcare</b>	20"W with Top Cap	Seat	Embossed, Hole Spacing From Front=2", 3-3/8", 3-3/8", 3-3/8", 3-3/8", 1-3/4"	AL-54816*	\$62.95	
		22"W with Top Cap	Seat	Embossed, Hole Spacing From Front=2", 3-3/8", 3-3/8", 3-3/8", 3-3/8", 1-3/4"	AL-54817*	\$72.95	
24"W with Top Cap		Seat	Embossed, Hole Spacing From Front=1", 3-3/8", 3-3/8", 3-3/8", 3-3/8", 1", 1-3/4"	AL-54818*	\$72.95		
<i>*Colors available: A25 Burgundy, A4 Dk Blue, A3 Black, A16 Nutmeg Brown</i>							
<b>Tuffcare</b>	<b>247/257/ 267/277</b>	16" W X 18" H with Flare	Back	Embossed Spacing from Top= 1", 5-1/2", 5-1/2", 5-1/2", 3/4"	AL-792	\$32.95	
		18" W X 18" H with Flare	Back	Embossed Spacing from Top= 1", 5-1/2", 5-1/2", 5-1/2", 3/4"	AL-794	\$32.95	
		20" W X 18" H with Flare	Back	Embossed Spacing from Top= 1", 5-1/2", 5-1/2", 5-1/2", 3/4"	AL-795	\$41.95	
		16" W x 16" D	Seat	Embossed Spacing from front= 2", 4", 4", 2	AL-825	\$32.95	
		18" W x 16" D	Seat	Embossed Spacing from front= 2", 4", 4", 2	AL-827	\$32.95	
		20" W x 16" D	Seat	Embossed Spacing from front= 2", 4", 4", 2	AL-828	\$40.95	
	<b>667/677</b>	16" W X 18" H with Flare	Back	Black Packcloth, Spacing from Top= 1", 5-1/2", 5-1/2", 5-1/2", 3/4" Top 17" wide, bottom 16" wide	AL-64804-A80	Call	
		18" W X 18" H with Flare	Back	Black Packcloth, Spacing from Top= 1", 5-1/2", 5-1/2", 5-1/2", 3/4" Top 19" wide, bottom 18" wide	AL-64805-A80	Call	
		20" W X 18" H with Flare	Back	Black Packcloth, Spacing from Top= 1", 5-1/2", 5-1/2", 5-1/2", 3/4" Top 21" wide, bottom 20" wide	AL-64806-A80	Call	
		16" W x 16" D	Seat	Black Packcloth, Spacing from front= 2", 4", 4", 2	AL-64807-A80	Call	
		18" W x 16" D	Seat	Black Packcloth, Spacing from front= 2", 4", 4", 2	AL-64808-A80	Call	
		20" W x 16" D	Seat	Black Packcloth, Spacing from front= 2", 4", 4", 2	AL-64809-A80	Call	
		<b>Guardian 2000 &amp; 2000HD</b>					
		<b>Guardian</b>	<b>Seat &amp; Back Upholstery</b>	18"	Set	Includes Seat and Back	AL-65835
18"	Back			Back Only	AL-65835B	\$27.95	
18"	Seat			Seat Only	AL-65835S	\$29.95	
20"	Set			Includes Seat and Back	AL-65836	\$56.95	
20"	Back			Back Only	AL-65836B	\$27.95	
20"	Seat			Seat Only	AL-65836S	\$29.95	
22"	Set			Includes Seat and Back	AL-65837	\$59.95	
22"	Back			Back Only	AL-65837B	\$29.95	
22"	Seat			Seat Only	AL-65837S	\$31.95	
24"	Set			Includes Seat and Back	AL-65838	\$59.95	
24"	Back			Back Only	AL-65838B	\$29.95	
24"	Seat			Seat Only	AL-65838S	\$31.95	

EPI



# Invacare & Gendron Quick Reference Upholstery Guide

	Model / Dimensions	UPH Type	Description	ALCO Part No.	Price Each
	<b>Invacare</b>				
<b>1000 &amp; E1000</b>	16" W x 18"H Bolt-On with flare	Back	Embossed, Hole Spacing from top = 1",5-3/8",5",4-5/8",2"	AL-761	\$32.95
	18" W x 18"H Bolt-On with flare	Back	Embossed, Hole Spacing from top = 1",5-3/8",5",4-5/8",2"	AL-769	\$41.95
	16" W x 16"D	Seat	Embossed, Hole Spacing from top = 2",3-5/8",3-5/8",4-3/4",2"	AL-778	\$32.95
	18" W x 16"D	Seat	Embossed, Hole Spacing from top = 2",3-5/8",3-5/8",4-3/4",2"	AL-779	\$32.95
<b>9000SL</b>	16"W x 17"H Bolt-On	Back	Black Nylon, Padded (Chairs prior to 7/12/99 MUST PROVIDE SAMPLE)	AL-64810	\$24.95
	16"W x 19"H Bolt-On	Back	Black Nylon, Padded (Chairs prior to 7/12/99 MUST PROVIDE SAMPLE)	AL-64811	\$24.95
	18"W x 17"H Bolt-On	Back	Black Nylon, Padded (Chairs prior to 7/12/99 MUST PROVIDE SAMPLE)	AL-64812	\$24.95
	18"W x 19"H Bolt-On	Back	Black Nylon, Padded (Chairs prior to 7/12/99 MUST PROVIDE SAMPLE)	AL-64813	\$24.95
<b>9000 XDT &amp; XT</b>	16"W x 20"H Slide-on	Back	Black Nylon, Padded, Adjustable Height, T-shaped, Wrap-around	AL-64814	\$26.95
	18"W x 20"H Slide-on	Back	Black Nylon, Padded, Adjustable Height, T-shaped, Wrap-around	AL-64815	\$26.95
	20"W x 20"H Slide-on	Back	Black Nylon, Padded, Adjustable Height, T-shaped, Wrap-around	AL-64816	\$32.95
	22"W x 20"H Slide-on	Back	Black Nylon, Padded, Adjustable Height, T-shaped, Wrap-around	AL-64817	\$45.95
<b>9000 SLXDTXT</b>	16"W x 16"D w/o padding	Seat	Black Nylon, Padded, Round Screw holes	AL-64818	\$24.95
	16"W x 16"D w/ padding	Seat	Black Nylon, Padded, Round Screw holes	AL-64819	\$24.95
	16"W x 18"D w/o padding	Seat	Black Nylon, Padded, Round Screw holes	AL-64820	\$26.95
	18"W x 16"D w/o padding	Seat	Black Nylon, Padded, Round Screw holes	AL-64799	\$24.95
	18"W x 18"D w/o padding	Seat	Black Nylon, Padded, Round Screw holes	AL-64823	\$36.95
	18"W x 18"D w/ padding	Seat	Black Nylon, Padded, Round Screw holes	AL-64824	\$24.95
	20"W x 16"D w/o padding	Seat	Black Nylon, Padded, Round Screw holes	AL-64825	\$28.95
	20"W x 16"D w/ padding	Seat	Black Nylon, Padded, Round Screw holes	AL-64826	\$28.95
	20"W x 18"D w/o padding	Seat	Black Nylon, Padded, Round Screw holes	AL-64827	\$36.95
	20"W x 18"D w/ padding	Seat	Black Nylon, Padded, Round Screw holes	AL-64828	\$28.95
<b>Tracer IV</b>	20"W x 18"H Bolt-On with Flare	Back	(Chairs before 10/1/01) Embossed, Hole Spacing from top = 1",5-3/8",5",4-5/8",2"	AL-768	\$41.95
	22"W x 18"H Bolt-On with Flare	Back	(Chairs before 10/1/01) Embossed, Hole Spacing from top = 1",5-3/8",5",4-5/8",2"	AL-64829	\$49.95
	24"W x 18"H Bolt-On with Flare	Back	(Chairs before 10/1/01) Embossed, Hole Spacing from top = 1",5-3/8",5",4-5/8",2"	AL-768X	\$51.95
	20"W x 18"H Bolt-On	Back	(Chairs after 10/1/01) Embossed, Hole Spacing from top = 1",5-3/8",5",4-5/8",2"	AL-765	\$41.95
	22"W x 18"H Bolt-On	Back	(Chairs after 10/1/01) Embossed, Hole Spacing from top = 1",5-3/8",5",4-5/8",2"	AL-766	\$51.95
	24"W x 18"H Bolt-On	Back	(Chairs after 10/1/01 ) Embossed, Hole Spacing from top = 1",5-3/8",5",4-5/8",2"	AL-767	\$59.95
	20"W x 18"D Bolt-On	Seat	Emb, Hole Spacing from Front = 2",3-5/8", 3-5/8",4-3/4",3-3/8",5/8" (prior to 10/01/03)	AL-64830	\$39.95
	22"W x 18"D Bolt-On	Seat	Emb, Hole Spacing from Front = 2",3-5/8", 3-5/8",4-3/4",3-3/8",5/8" (prior to 10/01/03)	AL-64831	\$49.95
	24"W x 18"D Bolt-On	Seat	Emb, Hole Spacing from Front = 2",3-5/8", 3-5/8",4-3/4",3-3/8",5/8" (prior to 10/01/03)	AL-64832	\$32.95
	20"W x 18"D Bolt-On	Seat	Emb, Hole Spacing from Front = 1",3-1/8", 3-5/8",3-5/8",4-3/4",1-3/4" (after 10/01/03)	AL-67411	\$39.95
	22"W x 18"D Bolt-On	Seat	Emb, Hole Spacing from Front = 1",3-1/8", 3-5/8",3-5/8",4-3/4",1-3/4" (after 10/01/03)	AL-67412	\$49.95
	24"W x 18"D Bolt-On	Seat	Emb, Hole Spacing from Front = 1",3-1/8", 3-5/8",3-5/8",4-3/4",1-3/4" (after 10/01/03)	AL-67413	\$49.95
<b>Tracer DLX</b>	16"W x 18"H Bolt-On	Back	Embossed, Hole Spacing from Top = 1",5-3/8",5",4-5/8",2"	AL-761	\$32.95
	18"W x 18"H Bolt-On	Back	Embossed, Hole Spacing from Top = 1",5-3/8",5",4-5/8",2"	AL-763	\$32.95
	20"W x 18"H Bolt-On	Back	Embossed, Hole Spacing from Top = 1",5-3/8",5",4-5/8",2"	AL-765	\$41.95
	16"W x 16"D Bolt-On	Seat	Embossed, Hole Spacing from Front = 2",3-5/8", 3-5/8",4-3/4",2"	AL-778	\$32.95
	18"W x 16"D Bolt-On	Seat	Embossed, Hole Spacing from Front = 2",3-5/8", 3-5/8",4-3/4",2"	AL-779	\$32.95
	20"W x 16"D Bolt-On	Seat	Embossed, Hole Spacing from Front = 2",3-5/8", 3-5/8",4-3/4",2"	AL-781	\$40.95
<b>Tracer EX</b>	16"W x 18"H Bolt-On	Back	Embossed, Hole Spacing from Top = 1", 5-3/8", 5", 4-5/8", 2"	AL-761	\$32.95
	18"W x 18"H Bolt-On with Flare	Back	(If made before 3/99) Embossed, Hole Spacing from Top = 1", 5-3/8", 5", 4-5/8", 2"	AL-769	\$41.95
	18"W x 18"H Bolt-On	Back	(If made after 2/99) Embossed, Hole Spacing from Top = 1", 5-3/8", 5", 4-5/8", 2"	AL-763	\$32.95
	20"W x 18"H Bolt-On with Flare	Back	(If made before 3/99) Embossed, Hole Spacing from Top = 1", 5-3/8", 5", 4-5/8", 2"	AL-768	\$41.95
	20"W x 18"H Bolt-On	Back	(If made after 2/99) Embossed, Hole Spacing from Top = 1", 5-3/8", 5", 4-5/8", 2"	AL-765	\$41.95
	16"W x 16"D	Seat	Embossed, Hole Spacing from Front = 2",3-5/8", 3-5/8",4-3/4",2"	AL-778	\$32.95
	18"W x 16"D	Seat	Embossed, Hole Spacing from Front = 2",3-5/8", 3-5/8",4-3/4",2"	AL-779	\$32.95
20"W x 16"D	Seat	Embossed, Hole Spacing from Front = 2",3-5/8", 3-5/8",4-3/4",2"	AL-781	\$40.95	
<b>Tracer SX</b>	16"W x 18"H Bolt-On	Back	Embossed, Hole Spacing from Top = 1",5-3/8",5",4-5/8",2"	AL-761	\$32.95
	18"W x 18"H Bolt-On	Back	Embossed, Hole Spacing from Top = 1",5-3/8",5",4-5/8",2"	AL-763	\$32.95
	20"W x 18"H Bolt-On	Back	Embossed, Hole Spacing from Top = 1",5-3/8",5",4-5/8",2"	AL-765	\$41.95
	22"W x 18"H Bolt-On	Back	Embossed, Hole Spacing from Top = 1",5-3/8",5",4-5/8",2"	AL-766	\$51.95
	16"W x 16"D	Seat	Embossed, Hole Spacing from Front = 2",3-5/8", 3-5/8",4-3/4",2"	AL-778	\$32.95
	18"W x 16"D	Seat	Embossed, Hole Spacing from Front = 2",3-5/8", 3-5/8",4-3/4",2"	AL-779	\$32.95
	20"W x 16"D	Seat	Embossed, Hole Spacing from Front = 2",3-5/8", 3-5/8",4-3/4",2"	AL-781	\$40.95
	22"W x 16"D	Seat	Embossed, Hole Spacing from Front = 2",3-5/8", 3-5/8",4-3/4",2"	AL-782	\$51.95
<b>Gendron</b>	18"W x 17"H	Back	Embossed, Hole Spacing from Top = 1",3-3/4",3-3/4",3-3/4",3-3/4"	AL-836	\$49.95
	20"W x 17"H	Back	Embossed, Hole Spacing from Top = 1",3-3/4",3-3/4",3-3/4",3-3/4"	AL-841	\$51.95
	18"W x 16"H	Seat	Embossed, Hole Spacing from Front = 2-1/4",3-1/2",3-1/2",3-1/2",2-1/2"	AL-852	\$51.95

**▼ LOW PRICES GUARANTEED! ▼**  
**WE WILL NOT BE UNDERSOLD!**

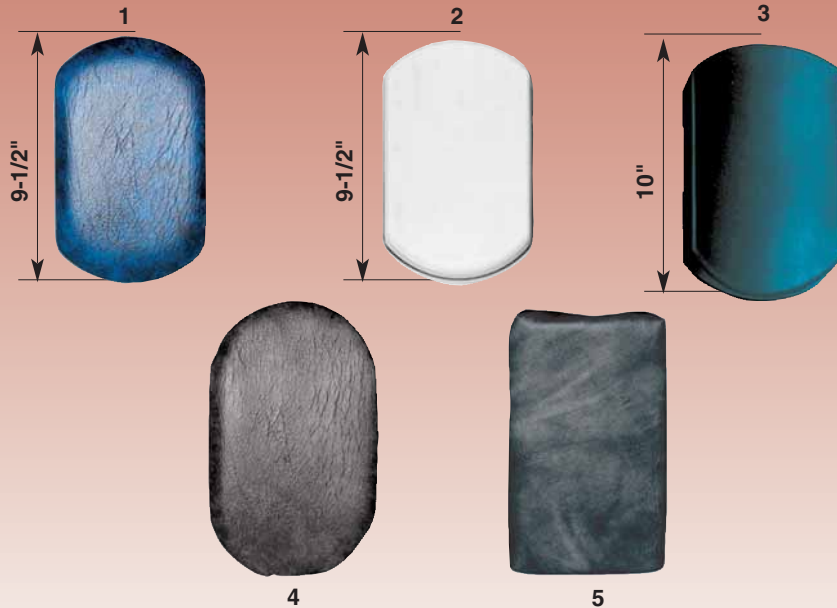


EP-1

# Wheelchair Calf Pads & Hardware

**BUY 11 GET 1 FREE!**

Specify colors For Padded Calf Pads. See ALCO Color Chart—Page 40



**Calf Pad Cover**

- ✓ Protects against tears and abrasion
  - ✓ Velcro® straps secure to all wheelchair calf pads
  - ✓ Wipes clean for easy care
- AL-72354 \$79.00 Pr.**

Fig.	Mounting Holes	Fits	Type	EACH		PAIR	
				ALCO Part No.	Price Each	ALCO Part No.	Price Pair
1	Universal 2" Vertical + 1-1/2"	E&J, New Theradyne, Colson, Invacare, Drive, Lumex, Tuffcare, Evermed & Hoyer, Medline, AccessPoint E&J Black Base standard	Padded	AL-422UBK	\$13.95	AL-66068BK	\$21.95
	1-1/2" Hole Spacing Only	Invacare, Evermed, Drive, AccessPoint (Black Base & Pad)	Padded	AL-67236	\$2.95	AL-67237	\$4.95
2	Universal 2" Vertical + 1-1/2"	E&J, New Theradyne, Colson, Invacare, Drive, Lumex, Tuffcare, Hoyer, Medline & Evermed, AccessPoint Grey (GY), Black (BK) & Brown (BR)	Plastic*	AL-423U	\$11.95	AL-66069	\$21.95
3	4" Vertical	Gendron (Black only)	Vinyl	AL-424P-183	\$29.95	AL-66070-183	\$57.95
4	Cover Only	Colson, Invacare, Rolls (Black only)	Vinyl	AL-429-A3	\$5.95	AL-66071-A3	\$10.95
5	Cover Only	Theradyne, ALCO Custom and Royale (Black only)	Vinyl	AL-428-A3	\$21.00	AL-66072-A3	\$39.95

\*For optional colors indicate color code after ALCO Part No. Example: AL-423U-BK for Black.

## Upholstery Armrest & Calf Pad Hardware

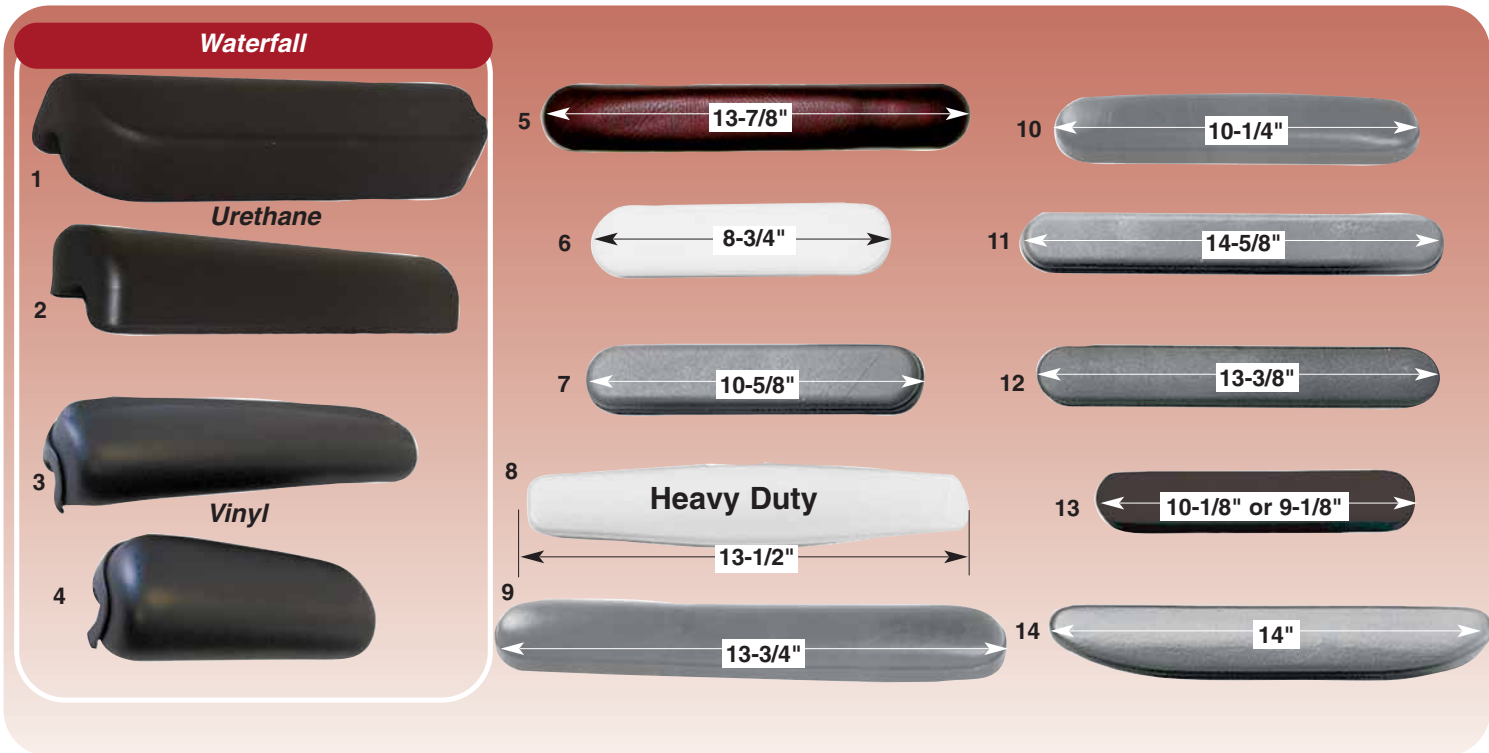


Fig.	Description	EACH		PKG OF 50	
		ALCO Part No.	Price Each	ALCO Part No.	Price Pkg 50
1A	Back screw w/washer #10x7/8 (flat end)	AL-45493	\$0.39	AL-50932	\$17.95
1B	Back screw w/washer #10x7/8 (pointed end) Black	AL-66663	\$1.95	N/A	N/A
	Back screw w/washer #10x7/8 (flat end) Black	AL-67487	\$1.95	N/A	N/A
2	Seat screw w/washer 10-32x1-3/8	AL-45494	\$0.39	AL-58508	\$17.95
3	Nut w/elastic stop 10-32	AL-45495	\$0.39	AL-58509	\$17.95
4	E&J Sectional back screw 10-32x7/8	AL-45496	\$0.39	AL-58510	\$17.95
5	Plastic armrest screw 10-32x1-3/8	AL-45497	\$0.39	AL-58511	\$17.95
6	S.S. Chair Seat screw 8-32x3/4	AL-45498	\$0.39	AL-58512	\$17.95
7	Carry strap screw 10-32x1-5/8	AL-45499	\$0.39	AL-58513	\$17.95
8	#10 finishing washer	AL-45500	\$0.39	AL-50931	\$17.95
9	#8 stainless steel washer	AL-45501	\$0.39	AL-58514	\$17.95
10	E&J Calf pad screw 1/4-20x1/2"	AL-45502	\$0.44	AL-58515	\$18.95
11	Invacare Calf pad screw 10-32x3/4"	AL-45503	\$0.44	AL-58516	\$18.95
12	Padded armrest screw 10-32x1-1/4"	AL-45504	\$0.39	AL-50933	\$17.95



# Wheelchair Armpads

**BUY 11 GET 1 FREE!**



For optional colors indicate color code after ALCO Part No. Example: AL-131GY for Grey.

Specify colors For Padded Armpads. See ALCO Color Chart—Page 40

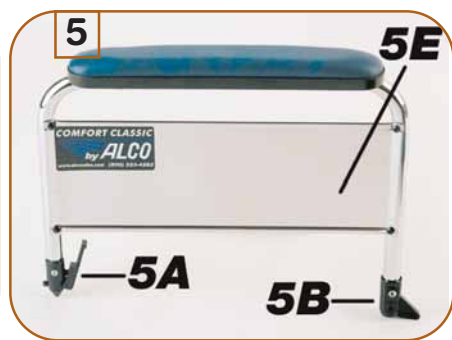
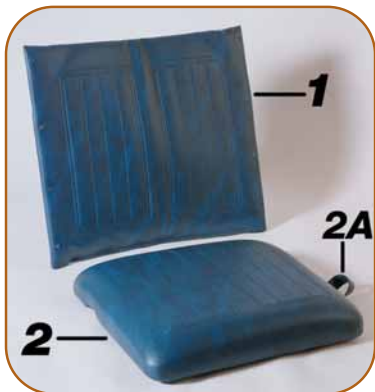
Fig.	Type	Length	No. Holes	Color/Hole Spaces Center to Center	Fits	EACH		PAIR	
						ALCO Part No.	Price Each	ALCO Part No.	Price Pair
1	Padded	Desk	2	5-1/2", Black Urethane, Waterfall	Invacare	AL-65038	\$33.95	N/A	N/A
2	Padded	Full	2	10", Black Urethane, Waterfall	Invacare	AL-65039	\$33.95	N/A	N/A
3	Padded	Full	8	13-1/4", Black Vinyl, Waterfall	Fits Universal	AL-72309	\$25.95	N/A	N/A
4	Padded	Desk	6	9", Black Vinyl, Waterfall	Fits Universal	AL-72308	\$23.95	N/A	N/A
5	Padded	Full	8	4,4-7/16,5-1/2,6, 7,7-7/8,8-7/16,8-15/16,9,10" Vinyl, Black Base, Color: A3 Black	Universal Fits All 13-7/8" Long	AL-135BK-A3	\$5.95	AL-66054BK-A3	\$9.95
	Padded	Full	8	4,4-7/16,5-1/2,6, 7,7-7/8,8-7/16,8-15/16,9,10" Vinyl, Black Base, Color: A4 Dark Blue	Universal Fits All 13-7/8" Long	AL-135BK-A4	\$5.95	AL-66054BK-A4	\$9.95
	Padded	Full	8	4,4-7/16,5-1/2,6, 7,7-7/8,8-7/16,8-15/16,9,10" Vinyl, Black Base (colors other than A3&A4)	Universal Fits All 13-7/8" Long	AL-135BK	\$11.95	AL-66054BK	\$19.95
	Padded	Full	8	Black Nylon, Black Base	Universal Fits All 13-7/8" Long	AL-135BK-A43	\$8.95	AL-66054BK-A43	\$16.95
6	Plastic 2 Piece	Desk	4	Grey (GY) std, Beige(BE), Brown (BR), Black (BK) or Blue (BL), 3-5/16", 5-1/2"	Universal, E&J,Invacare, Colson, More (Add Color Code)	AL-143	\$6.95	AL-66060	\$10.95
7	Plastic 1 Piece	Desk	2	3-5/16" Grey (GY) std, or Black (BK)	E&J, Tuffcare	AL-141	\$6.95	AL-66058	\$10.95
8	Plastic	Full	6	6,7,8-15/16,10" Heavy Duty Off White	Universal Fits All but Gendron	AL-129A	\$5.95	AL-66051A	\$9.95
9	Urethane	Full	8	4,4-7/16,5-1/2,6, 7,7-7/8,8-7/16,8-15/16,9,10" Heavy Duty Black (BK)	Universal, fits all	AL-50756	\$9.95	AL-66067	\$18.95
10	Urethane	Desk	4	3-15/16", 5-1/2" Heavy Duty Black (BK)	Universal, fits all	AL-50755	\$9.95	AL-66066	\$18.95
11	Plastic 1 Piece	Full	2	8-15/16" Grey (GY) std or Black (BK)	E&J, Theradyne, Tuffcare	AL-131	\$6.95	AL-66057	\$10.95
12	Plastic 2 Piece	Full	4	10" 8-15/16" Grey (GY) std, Beige (BE), Black (BK), Brown (BR) or Blue (BL)	Invacare, Colson, Universal, E&J, Theradyne & More	AL-133	\$6.95	AL-66059	\$10.95
13	Padded	Desk	4	3-5/16,5-1/2" Vinyl, Black Base, Color: A3 Black	Universal Fits All 10-1/8" Long	AL-145BK-A3	\$5.95	AL-66055BK-A3	\$9.95
	Padded	Desk	4	3-5/16,5-1/2" Vinyl, Black Base, Color: A4 Dark Blue	Universal Fits All 10-1/8" Long	AL-145BK-A4	\$5.95	AL-66055BK-A4	\$9.95
	Padded	Desk	4	3-5/16,5-1/2" Vinyl, Black Base (colors other than A3&A4)	Universal/Length Varies*	AL-145BK	\$11.95	AL-66055BK	\$19.95
	Padded	Desk	4	3-5/16,5-1/2" Vinyl, Black Base, Color Black	Universal Fits All 9-1/8" Long	AL-78029	\$11.95	AL-78030	\$19.95
	Padded	Desk	4	3-5/16,5-1/2" Black Nylon, Black Base	Universal Fits All 9-1/8" Long	AL-145BK-A43	\$8.95	AL-66055BK-A43	\$16.95
	Padded	Desk	4	3-5/16", 5-1/2" Vinyl, Black Base, Color: A3 Black	Fits Quickie 10-1/4" Long	AL-145EBK-A3	\$7.95	AL-66056BK-A3	\$13.95
14	Plastic	Full	6	6,7,8-15/16,10" Reg. Duty Grey	Universal Fits All but Gendron	AL-129B	\$5.95	AL-66051B	\$9.95

\*9-1/8" Length—Midnight Blue (A31), Dark Blue (A50).

\*10-1/8" Length—Burgundy (A25), Space Blue (A28), Ruby (A41), Navy (A44), Claret (A45), Buckskin (A47), Red (A5), Dove Grey (A54), Royal Blue (A9)

# ALCO Comfort Classic Folding Solid Seat Wheelchair Parts Breakdown for 20" 22" & 24"

**BUY 11 GET 1 FREE!**



EPI

## Upholstery

Fig.	Description	ALCO Part No.	Price Each
1	<b>Back Upholstery—Blue (Std)</b>		
	20" Wide*	AL-70050	\$59.95
	22" Wide*	AL-70051	\$65.95
	24" Wide*	AL-70052	\$65.95
	Replacement Screw and Washer (Black)	AL-66663	\$1.95
2	<b>Solid Seat—Blue (Std)</b>		
	20" Wide x 16" Deep*	AL-70053	\$89.95
	22" Wide x 18" Deep*	AL-70054	\$92.95
	24" Wide x 18" Deep*	AL-70055	\$92.95
2A	Replacement Carry Strap*	AL-78401	\$4.95
3	<b>Calfpads—Blue (Std)</b>		
	Padded Calfpads (Black Base)*	AL-70056	\$14.95
4	<b>Armpads—Blue (Std)</b>		
	Desk Length Padded (Black Base)*	AL-70057	\$9.95
	Full Length Padded (Black Base)*	AL-70058	\$9.95

\*Upholstery Available in Blue (BL), Black (BK) or Burgundy (BU)

## Upholstery Kits Include: Seat, Back, Armpads & Calf Pads

Description	Burgundy Part No.	Blue Part No.	Black Part No.	Price Each
20" w/ Full Length Arms	AL-70024BU	AL-70024BL	AL-70024BK	\$159.00
22" w/ Full Length Arms	AL-70025BU	AL-70025BL	AL-70025BK	
24" w/ Full Length Arms	AL-70026BU	AL-70026BL	AL-70026BK	
20" w/ Desk Length Arms	AL-70027BU	AL-70027BL	AL-70027BK	
22" w/ Desk Length Arms	AL-70028BU	AL-70028BL	AL-70028BK	
24" w/ Desk Length Arms	AL-70029BU	AL-70029BL	AL-70029BK	

## Arms and Arm Parts

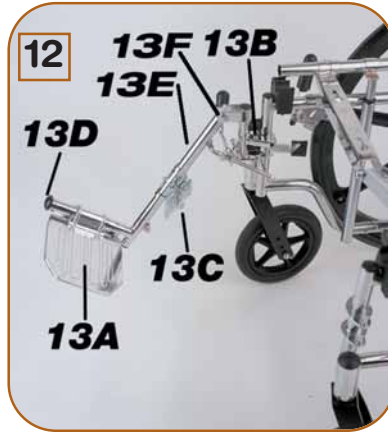
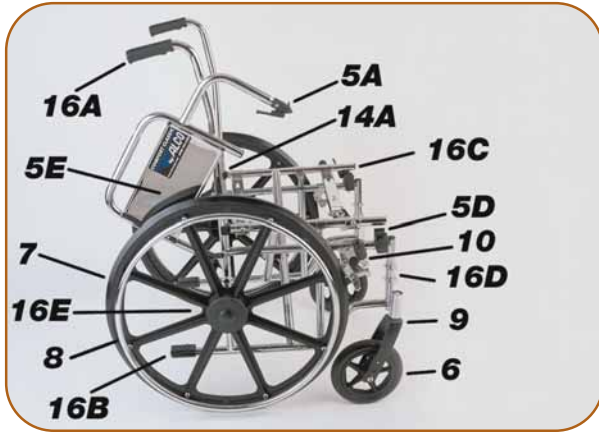
Fig.	Description	ALCO Part No.	Price Each
5	<b>Armrest Assembly*</b>		
	Right, Desk Arm (Removable) Fits 20" - 24"	AL-70059	\$44.95
	Right, Full Arm (Removable) Fits 20" - 24"	AL-70060	\$44.95
	Right, Desk Arm (Flip-Back) Fits 20"	AL-70061	\$59.95
	Right, Full Arm (Flip-Back) Fits 20"	AL-70062	\$59.95
	Right, Desk Arm (Flip-Back) Fits 22" & 24"	AL-70063	\$59.95
	Right, Full Arm (Flip-Back) Fits 22" & 24"	AL-70064	\$59.95
	Left, Desk Arm (Removable) Fits 20" - 24"	AL-70065	\$44.95
	Left, Full Arm (Removable) Fits 20" - 24"	AL-70066	\$44.95
	Left, Desk Arm (Flip-Back) Fits 20"	AL-70067	\$59.95
	Left, Full Arm (Flip-Back) Fits 20"	AL-70068	\$59.95
	Left, Desk Arm (Flip-Back) Fits 22" & 24"	AL-70069	\$59.95
	Left, Full Arm (Flip-Back) Fits 22" & 24"	AL-70070	\$59.95
	<b>Arm Assembly Parts</b>		
5A	Armrest Male Socket for Flip-Back Arms-Left	AL-70071L	\$12.95
	Armrest Male Socket for Flip-Back Arms-Right	AL-70071R	\$12.95
5B	Flip-back Attachment Bracket	AL-70072	\$9.95
5C	Spring-Button Lock Mechanism	AL-70073	\$6.95
5D	H-Blocks / Arm Female Sockets Left	AL-70074L	\$15.95
	H-Blocks / Arm Female Sockets Right	AL-70074R	\$15.95
5E	Side Panel, Desk Length. Fits Removable Desk 20-24" and Flip Back Desk Arms 20-24"	AL-70075	\$18.95
	Side Panel, Full Length. Fits Removable Full (20-24") and Flip Back Full Arm (20")	AL-70076	\$18.95
	Side Panel, Full Length. Fits Flip Back Full Arms (22-24")	AL-70030	\$18.95

\*Armrest Upholstery Available in Blue (BL), Black (BK) or Burgundy (BU)

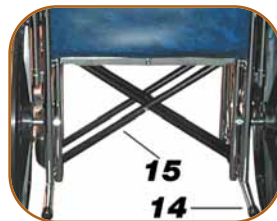
**When Ordering Replacements Specify Left or Right As You Are Sitting In Chair**

# ALCO Comfort Classic Folding Solid Seat Wheelchair Parts Breakdown for 20" 22" & 24"

**BUY 11 GET 1 FREE!**



Single X-Brace  
20" Wide



Double X-Brace  
22" to 24" Wide



EP1

Fig.	Description	ALCO Part No.	Price Each
6	<b>Wheels &amp; Wheel Parts</b>		
	<b>Front Caster Wheels—Soft</b>		
	8" x 1" for 20" Wide	AL-70077	\$10.00
	8" x 2" for 22" & 24" Wide	AL-70078	\$14.00
7	<b>Front Caster Wheels—Hard</b>		
	8" x 1" for 20" Wide	AL-65562	\$14.00
	8" x 2" for 22" & 24" Wide	AL-65563	\$34.00
7	<b>Rear Wheels w/Handrim &amp; Bearings</b>		
	20" Wide	AL-70079	\$89.00
7	22" & 24" Wide	AL-70080	\$99.00
	8	<b>Handrim</b>	
Chrome Handrim with Attaching Hardware		AL-70081C	\$19.95
N/S	<b>Axles</b>		
	Front Caster Axle for 20" Wide	AL-70082	\$14.95
	Front Caster Axle for 22" & 24" Wide	AL-70083	\$14.95
	20" Wide Rear Axle	AL-66957	\$7.95
	22" & 24" Wide Rear Axle	AL-67050	\$7.95
	<b>Replacement Bearing</b>		
9	<b>Forks</b>		
	20" Wide	AL-70090-14	\$39.95
	22" & 24" Wide	AL-70091	\$49.95
	<b>Wheel Locks</b>		
10	Push-To-Lock, Flip-Back and Removable Arm Chairs, Left	AL-45575	\$13.95
	Push-To-Lock, Flip-Back and Removable Arm Chairs, Right	AL-45574	\$13.95
	Wheel Locks, Set	AL-76050	\$25.95
	Wheel Lock Rubber Tips (Black)	AL-70094	\$3.95
11	<b>Footrests, Legrests &amp; Parts</b>		
	<b>Footrest Assembly</b>	AL-70043	\$39.95

Fig.	Description	ALCO Part No.	Price Each	
12	<b>Elevating Legrest Assembly</b>			
	Legrest, Right	AL-70097	\$69.95	
	Legrest, Left	AL-70098	\$69.95	
12	Legrest, Pair	AL-64694	\$99.95	
	13A	<b>Front Rigging Parts</b>		
		Chrome Footplate	AL-64218	\$19.95
13A	Tension Springs for Footplate	AL-2292	\$1.95	
	Heel Loops w/ Attaching Hardware (Pair)	AL-316	\$10.95	
13B	Ratchet "L" Bar Only (with teeth) Left	AL-71866L	\$7.95	
	Ratchet "L" Bar Only (with teeth) Right	AL-71866R	\$7.95	
13B	Camlock Clip, Legrest, Right (w/o Spring)	AL-70101	\$8.95	
	Camlock Clip, Legrest, Left (w/o Spring)	AL-70102	\$8.95	
13B	Camlock Clip, Footrest, Right	AL-67066	\$8.95	
	Camlock Clip, Footrest, Left	AL-67067	\$8.95	
13C	Legrest Panel Hardware	AL-443	\$18.95	
13D	Footplate Bumper (Black)	AL-70104	\$3.95	
13E	Ratchet Handle Tip (Black)	AL-70105	\$6.95	
13F	Pivot Bolt	AL-77170	\$4.95	
14	<b>Frames</b>			
	20" Wide Side Frame, Left	AL-70106	Call	
	20" Wide Side Frame, Right	AL-70107	Call	
	22"-24" Wide Side Frame, Left	AL-70108	Call	
14A	22"-24" Wide Side Frame, Right	AL-70109	Call	
	Seat Rail Guides	AL-76194	\$6.95	
14A	Telescoping Tubes - 20" Wide	AL-67044	\$9.95	
	Telescoping Tube - 22" - 24" Wide	AL-67070	\$11.95	
15	<b>Crossbraces</b>			
	20" Wide (Pair)	AL-70113	\$79.00	
	22" Wide (Pair)	AL-70114	\$79.00	
15	24" Wide (Pair)	AL-70115	\$89.00	
	16A	<b>Tips, Grips &amp; Miscellaneous Parts</b>		
		Hand Grips	AL-70116	\$7.95
16B	Tippling Sleeves for Back Canes			
	20" Wide Only	AL-70117	\$4.95	
16C	Rear End Cap For Back Cane			
	22" - 24" Wide	AL-1742B	\$1.95	
16C	Seat Rail Tube Plugs			
16C	20", 22" & 24" Wide	AL-231B	\$0.95	
16D	Stem (Dust) Caps	AL-70120	\$4.95	
16E	Hub Cap Fits 22" & 24"	AL-70121	\$4.95	

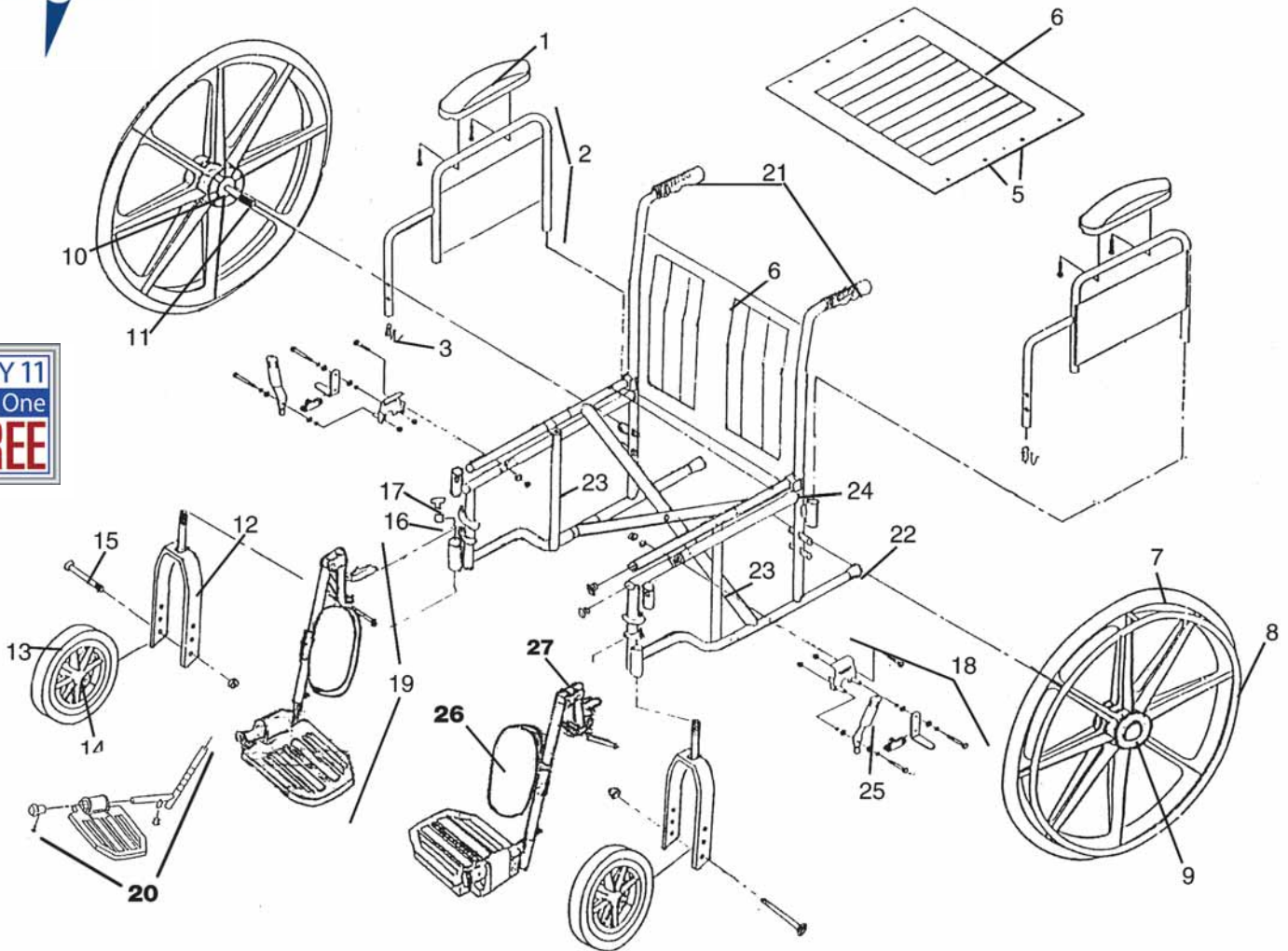
Pr.

Pr.  
Pr.

# Excel K3 with Removable Arms and Footrests/Legrests



**BUY 11 GET 1 FREE!**



**When Ordering, Specify Left (L) or Right (R)—Sitting in Chair**

Fig.	Description	ALCO Part No.	Price Each
1	Armpad, Nylon, Black, Desk Length	AL-145BK-A3	\$5.95
	Armpad, Nylon, Black, Full Length	AL-135BK-A3	\$5.95
2	Armrest, Desk Length (Pair)	AL-64740	\$79.95
	Armrest, Full Length (Pair)	AL-64741	\$79.95
3	Armlock Assembly	AL-610	\$4.95
5	Seat & Back Upholstery Hardware	AL-64712	\$13.95
6	Seat and Back Nylon, Black, 18" (OEM)	AL-64777	\$79.95
	Seat and Back Nylon, Black, 18"	AL-72512	\$69.95
7	Wheel Assembly w/ Bearing & Handrim	AL-64760	\$59.95
8	Handrim w/ Screws, Composite	AL-64729	\$28.95
9	Wheel Hubcap	AL-70121	\$4.95
10	Wheel Bearing <sup>1</sup> (Pair)	AL-64732	\$16.95
	Wheel Bearing <sup>2</sup> (Pair)	AL-54878	\$6.95
11	Axle for Rear Wheel Removable Arms	AL-64743	\$14.95
	Fork Standard Height, Chrome	AL-64715	\$29.95
12	Fork Hemi Height Adjustable, Black (Pr.)	AL-64735	\$26.95
	Caster 8", w/ Bearings	AL-66153	\$16.95
13	Bearings for Front Caster	AL-45587	\$4.95
15	Axle & Hardware for Front Caster	AL-2237	\$2.95

Fig.	Description	ALCO Part No.	Price Each
16	Stem Bearing for Front Caster	AL-54873	\$4.95
17	Dust Cap	AL-70120	\$4.95
18	Wheel Lock (Pair)	AL-65861	\$29.95
<b>Aluminum Footplate</b>			
19	Footrest, Left, Hemi Spacing (1-3/8") <sup>5</sup>	AL-114B-L	\$39.95
	Footrest, Right, Hemi Spacing (1-3/8") <sup>5</sup>	AL-114B-R	\$39.95
19	Footrest, Pair, Hemi Spacing (1-3/8") <sup>5</sup>	AL-64424	\$69.95
	Footrest, Left, Adult Spacing (3-1/8") <sup>4</sup>	AL-114A-L	\$39.95
19	Footrest, Right, Adult Spacing (3-1/8") <sup>4</sup>	AL-114A-R	\$39.95
	Footrest, Pair, Adult Spacing (3-1/8") <sup>4</sup>	AL-64421	\$69.95
19	Legrest, Left, Hemi Spacing (1-3/8") <sup>5</sup>	AL-420HL	\$69.50
	Legrest, Right, Hemi Spacing (1-3/8") <sup>5</sup>	AL-420HR	\$69.50
19	Legrest, Pair, Hemi Spacing (1-3/8") <sup>5</sup>	AL-64414	\$119.00
	Legrest, Left, Adult Spacing (3-1/8") <sup>4</sup>	AL-420L	\$69.50
19	Legrest, Right, Adult Spacing (3-1/8") <sup>4</sup>	AL-420R	\$69.50
	Legrest, Pair, Adult Spacing (3-1/8") <sup>4</sup>	AL-64412	\$119.00
20	Footplate Assembly Aluminum (Pair)	AL-64721	\$39.95
21	Handgrip	AL-70116	\$7.95
22	Tube End Cap	AL-1742B	\$1.95
23	Slide Tube	AL-64745	\$16.95
24	Seat Guides	AL-76194	\$4.95
25	Black Rubber Tip	AL-70094	\$3.95
26	Calf Pad, Black	AL-422UBK-A3	\$13.95
27	Pivot Bolt	AL-77170	\$4.95

1 For Excel wheelchairs, serial # equal or lower than A0006  
 2 For Excel wheelchairs, serial #s From A007 through A0107  
 3 For Excel wheelchairs, serial # equal or greater than A0108  
 4 For Excel chairs with serial #s A95 through A98, 3-1/4" pin spacing  
 5 For Excel chairs with serial #s A99, A00, A01, A02, 1.5" pin spacing

# Excel K4 with Swing-Back Arms & Footrests/Legrests

**BUY 11 GET 1 FREE!**



When Ordering, Specify Left (L) or Right (R) Sitting in Chair

BUY 11  
Get One  
FREE

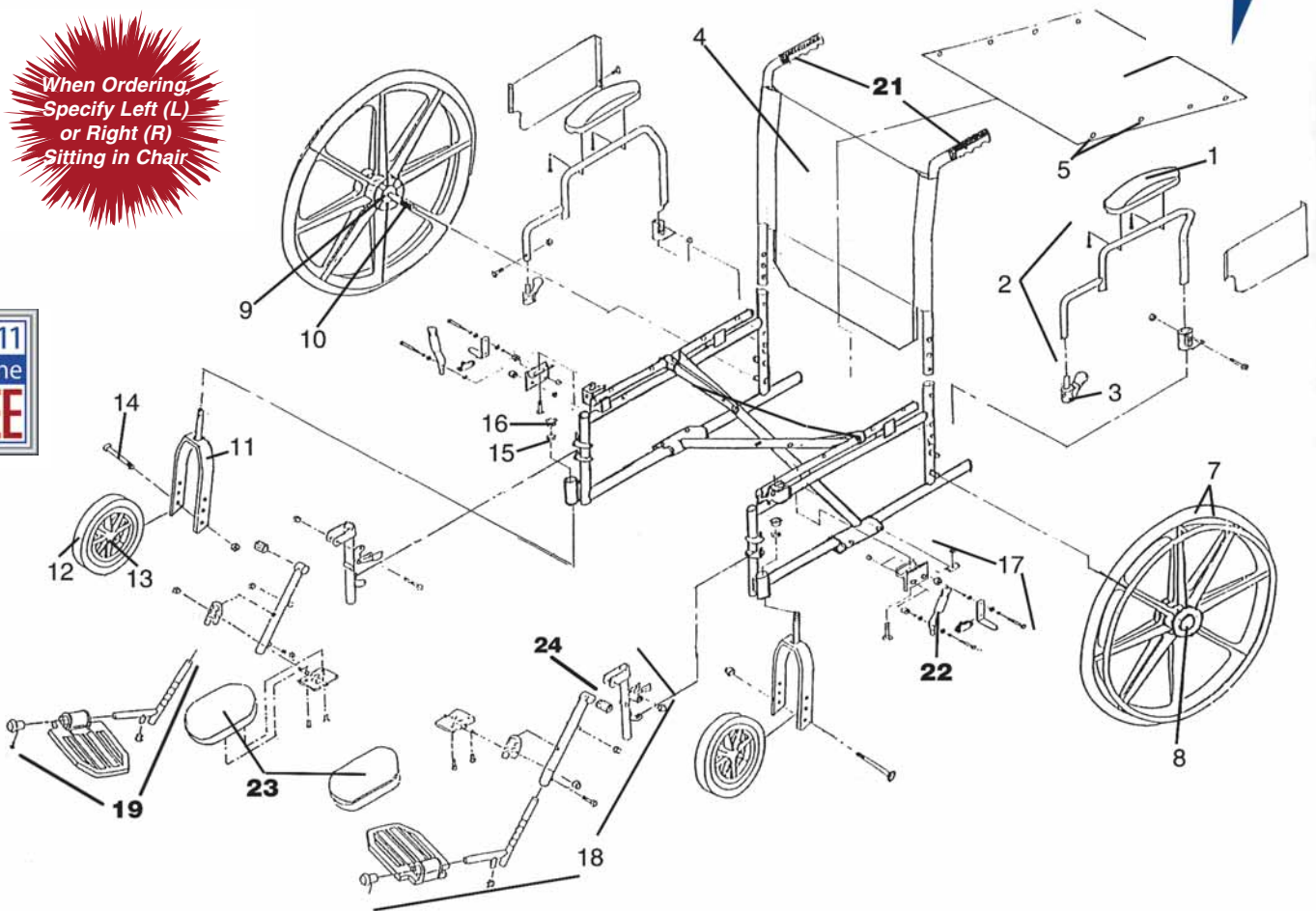


Fig.	Description	ALCO Part No.	Price Each
1	Armpad, Black, Desk Length	AL-145BK-A3	\$5.95
	Armpad, Black, Full Length	AL-135BK-A3	\$5.95
2	Armrest w/ Black Pad, Desk Length, Swing Back (Pair)	AL-64747	\$79.95
	Armrest w/ Black Pad, Full Length, Swing Back (Pair)	AL-64748	\$89.95
2	Armrest w/ Black Pad, Height Adj Desk Length, Swing Back (Pair)	AL-64749	\$79.95
	Armrest w/ Black Pad, Height Adj Full Length, Swing Back (Pair)	AL-64750	\$89.95
	Armlock Assembly	AL-64751	\$44.95
4	Back and Seat w/ Screws, Black, 18" Wide, Nylon	AL-64752	\$79.95
	Back w/ Screws, Black, 20" Wide, Nylon	AL-64754	\$33.95
	Back w/ Screws, Black, 22" Wide, Nylon	AL-64755	\$34.95
5	Screws and Washers, Seat Upholstery	AL-64712	\$13.95
6	Seat w/ Screws, 20" Wide, Nylon	AL-64758	\$33.95
6	Seat w/ Screws, 22" Wide, Nylon	AL-64759	\$34.95
7	Wheel Assembly w/ Bearing & Handrim	AL-64760	\$59.95
8	Wheel Hubcap	AL-70121	\$4.95
9	Wheel Bearing <sup>1</sup> (Pair)	AL-64732	\$16.95
	Wheel Bearing <sup>2</sup>	AL-54878	\$6.95

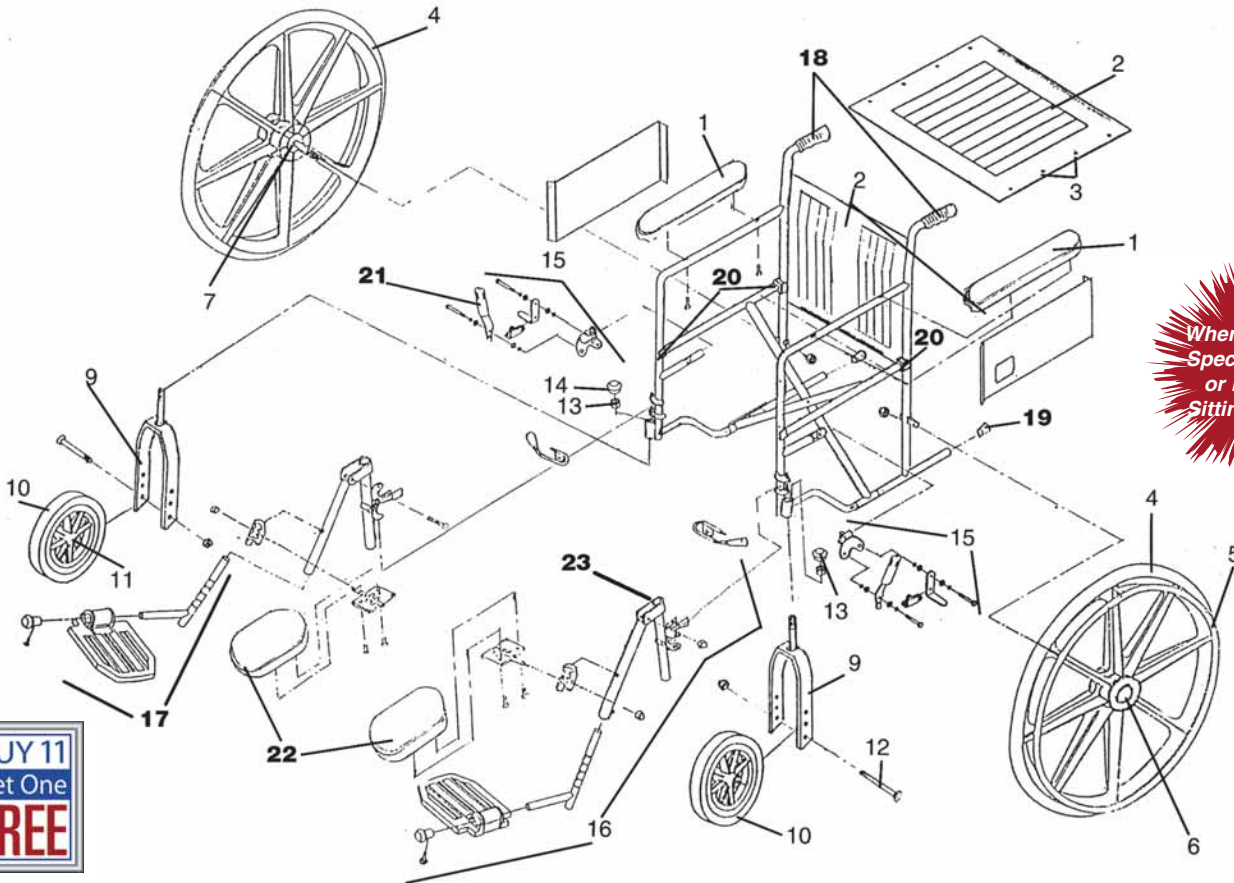
Fig.	Description	ALCO Part No.	Price Each
10	Axle for Rear Wheel	AL-64743	\$14.95
11	Fork Hemi Height Adjustable, Black	AL-64735	\$26.95
12	Caster 8", w/ Bearings	AL-66153	\$16.95
13	Bearings for Front Caster	AL-45587	\$4.95
14	Axle & Hardware for Front Caster	AL-2237	\$2.95
15	Stem Bearing for Front Caster	AL-54873	\$4.95
16	Dust Cap	AL-70120	\$4.95
17	Wheel Lock (Pull to Lock) <sup>4</sup> (Pair)	AL-64761	\$59.95
	<b>Aluminum Footplate</b>		
18	Footrest, Left, Hemi Spacing (1-3/8")	AL-114B-L	\$39.95
	Footrest, Right, Hemi Spacing (1-3/8")	AL-114B-R	\$39.95
	Footrest, Pair, Hemi Spacing (1-3/8")	AL-64424	\$69.95
18	Legrest, Left, Hemi Spacing (1-3/8")	AL-420HL	\$69.50
	Legrest, Right, Hemi Spacing (1-3/8")	AL-420HR	\$69.50
	Legrest, Pair, Hemi Spacing (1-3/8")	AL-64414	\$119.00
	<b>Plastic Footplate</b>		
19	Footrest, Left, Hemi Spacing (1-3/8")	AL-45716	\$29.95
	Footrest, Right, Hemi Spacing (1-3/8")	AL-45714	\$29.95
	Footrest, Pair, Hemi Spacing (1-3/8")	AL-64423	\$49.00
19	Legrest, Left, Hemi Spacing (1-3/8")	AL-56478HL	\$39.95
	Legrest, Right, Hemi Spacing (1-3/8")	AL-56478HR	\$39.95
	Legrest, Pair, Hemi Spacing (1-3/8")	AL-64415	\$69.95
21	Handgrip	AL-70116	\$7.95
22	Black Rubber Tip	AL-70094	\$3.95
23	Calif Pad, Black	AL-422UBK-A3	\$13.95
24	Pivot Bolt	AL-77170	\$4.95

1 For Excel wheelchairs, serial # equal or lower than A0006  
 2 For Excel wheelchairs, serial #s From A007 through A0107  
 3 For Excel wheelchairs, serial #equal or greater than A01U  
 4 For chairs with vertical bolt to secure wheel lock



# Excel Standard with Permanent Full-Length Arms & Footrests/Legrests

**BUY 11 GET 1 FREE!**



When Ordering, Specify Left (L) or Right (R) Sitting in Chair

BUY 11  
Get One  
FREE

Fig.	Description	ALCO Part No.	Price Each
1	Armpad, Black, Full Length	AL-135BK-A3	\$5.95
2	18" Back Only, Black (OEM)	AL-64726	\$59.95
	18" Back Only, Black	AL-72513	\$28.95
	18" Seat Only, Black (OEM)	AL-64727	\$49.95
	18" Seat Only, Black	AL-72514	\$28.95
3	Set, Seat & Back Upholstery Hardware	AL-64712	\$13.95
4	Rear Wheel w/ Bearing (No Handrim)	AL-64728	\$81.95
5	Handrim w/ Screws, Chrome	AL-64729	\$28.95
	Handrim w/ Screws, Composite	AL-64730	\$42.95
6	Rear Wheel Hubcap	AL-70121	\$4.95
7	Rear Wheel Bearing <sup>1</sup> (Pair)	AL-64732	\$16.95
	Rear Wheel Bearing <sup>2</sup>	AL-54878	\$6.95
9	Fork Std Height, Chrome	AL-64715	\$29.95
	Fork Hemi Height Adj, Black	AL-64735	\$26.95
10	Front Caster 8", w/ Bearings	AL-66153	\$16.95
11	Bearings for Front Caster	AL-45587	\$4.95
12	Axle & Hardware for Front Caster	AL-2237	\$2.95
13	Stem Bearings for Front Caster	AL-54873	\$4.95
14	Dust Cap	AL-70120	\$4.95

Pr.

- 1 For Excel wheelchairs, serial # equal or lower than A0006
- 2 For Excel wheelchairs, Serial #s From A007 through A0107
- 3 For Excel wheelchairs, serial # equal or greater than A0108
- 4 For wheelchairs with serial #s lower than A007, circular attachment
- 5 For wheelchairs with serial #s A007 and up, horizontal bolt
- 6 For Excel chairs with serial #s A95 through A98, 3-1/4" pin spacing
- 7 For Excel chairs with serial #s A99, A00, A01, A02, 1.5" pin spacing

Fig.	Description	ALCO Part No.	Price Each
15	Wheel Lock Assembly (Pull to Lock) <sup>4</sup> (Pr)	AL-64739	\$61.95
	Wheel Lock Assembly (Pull to Lock) <sup>5</sup> (Pr)	AL-64736	\$61.95
<b>Aluminum Footplate</b>			
16	Footrest, Left, Hemi Spacing (1-3/8") <sup>7</sup>	AL-114B-L	\$39.95
	Footrest, Right, Hemi Spacing (1-3/8") <sup>7</sup>	AL-114B-R	\$39.95
	Footrest, <b>Pair</b> , Hemi Spacing (1-3/8") <sup>7</sup>	AL-64424	\$69.95
	Footrest, Left, Adult Spacing (3-1/8") <sup>6</sup>	AL-114A-L	\$39.95
	Footrest, Right, Adult Spacing (3-1/8") <sup>6</sup>	AL-114A-R	\$39.95
	Footrest, <b>Pair</b> , Adult Spacing (3-1/8") <sup>6</sup>	AL-64421	\$69.95
	Legrest, Left, Hemi Spacing (1-3/8") <sup>7</sup>	AL-420HL	\$69.50
	Legrest, Right, Hemi Spacing (1-3/8") <sup>7</sup>	AL-420HR	\$69.50
	Legrest, <b>Pair</b> , Hemi Spacing (1-3/8") <sup>7</sup>	AL-64414	\$119.00
	Legrest, Left, Adult Spacing (3-1/8") <sup>6</sup>	AL-420L	\$69.50
Legrest, Right, Adult Spacing (3-1/8") <sup>6</sup>	AL-420R	\$69.50	
Legrest, <b>Pair</b> , Adult Spacing (3-1/8") <sup>6</sup>	AL-64412	\$119.00	
<b>Plastic Footplate</b>			
17	Footrest, Left, Hemi Spacing (1-3/8") <sup>7</sup>	AL-45716	\$29.95
	Footrest, Right, Hemi Spacing (1-3/8") <sup>7</sup>	AL-45714	\$29.95
	Footrest, <b>Pair</b> , Hemi Spacing (1-3/8") <sup>7</sup>	AL-64423	\$49.00
	Legrest, Left, Hemi Spacing (1-3/8") <sup>7</sup>	AL-56478HL	\$39.95
	Legrest, Right, Hemi Spacing (1-3/8") <sup>7</sup>	AL-56478HR	\$39.95
	Legrest, <b>Pair</b> , Hemi Spacing (1-3/8") <sup>7</sup>	AL-64415	\$69.95
	Footplate Assembly Aluminum ( <b>Pair</b> )	AL-64721	\$39.95
	Handgrip	AL-70116	\$7.95
	Tube End Cap for Rear Frame	AL-1742B	\$1.95
	Seat Guides Front & Rear	AL-76194	\$4.95
20	Black Rubber Tip	AL-70094	\$3.95
21	Calf Pad, Black	AL-422UBK-A3	\$13.95
22	Pivot Bolt	AL-77170	\$4.95

Pr.

Pr.

Pr.

Pr.

Pr.

Pr.

Pr.

Pr.

Pr.

Pr.



# Excel Standard with Removable Arms & Footrests/Legrests



**BUY 11 GET 1 FREE!**

When Ordering, Specify Left (L) or Right (R) Sitting in Chair

BUY 11  
Get One  
FREE

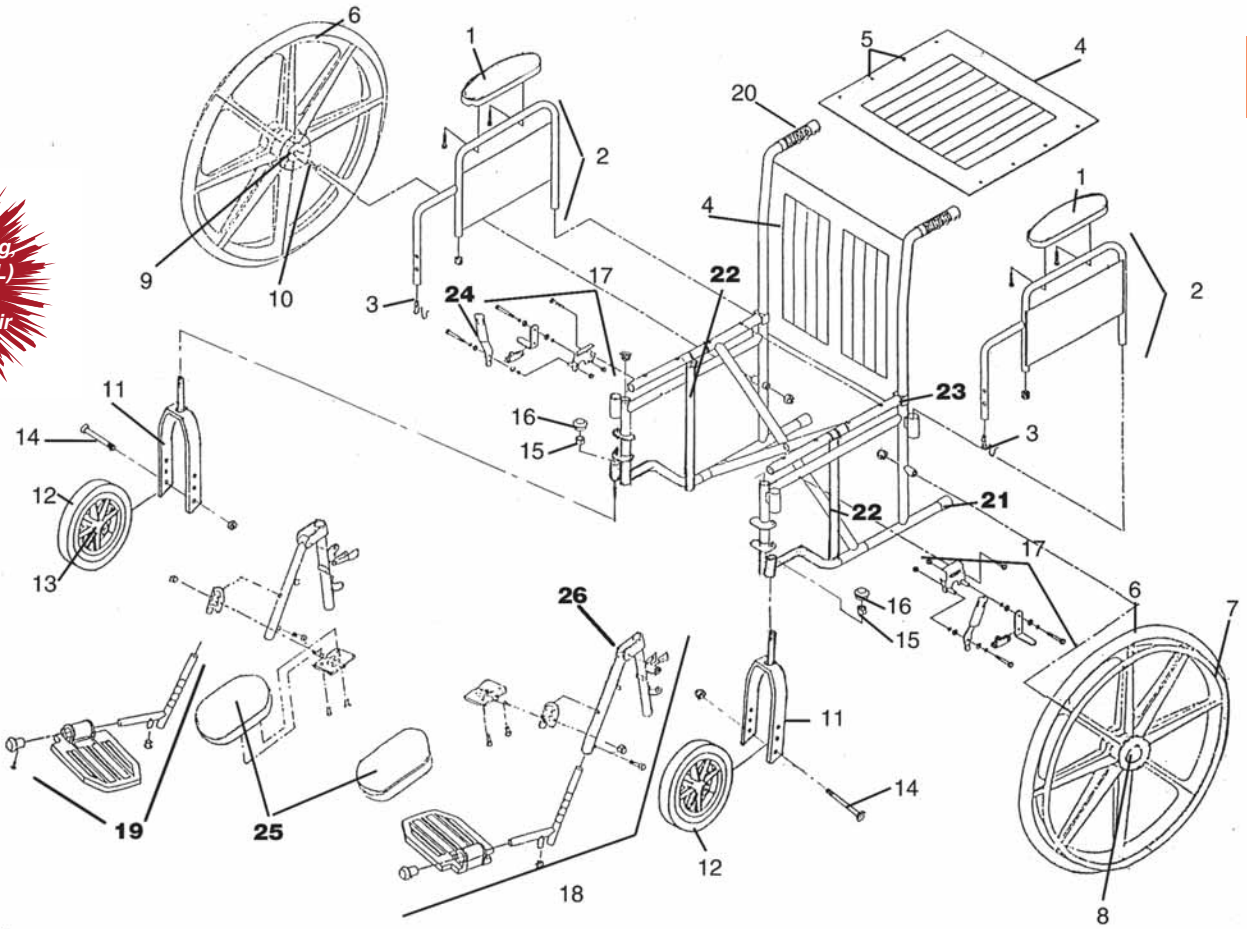


Fig.	Description	ALCO Part No.	Price Each
1	Armpad, Black, Desk Length	AL-145BK-A3	\$5.95
	Armpad, Black, Full Length	AL-135BK-A3	\$5.95
2	Desk Length Arm, Removable (Pair)	AL-64740	\$79.95
	Full Length Arm, Removable (Pair)	AL-64741	\$79.95
3	Armlock Pin	AL-610	\$4.95
4	18" Back Only, Black (OEM)	AL-64726	\$59.95
	18" Back Only, Black	AL-72513	\$28.95
	18" Seat Only, Black (OEM)	AL-64727	\$49.95
	18" Seat Only, Black	AL-72514	\$28.95
5	Screws and Washers for Seat & Back Upholstery	AL-64712	\$13.95
6	Rear Wheel w/ Bearing (No Handrim)	AL-64728	\$81.95
7	Handrim w/ Screws, Chrome	AL-64729	\$28.95
	Handrim w/ Screws, Composite	AL-64730	\$42.95
8	Rear Wheel Hubcap	AL-70121	\$4.95
9	Rear Wheel Bearing <sup>1</sup> (Pair)	AL-64732	\$16.95
9A	Rear Wheel Bearing <sup>2</sup>	AL-54878	\$6.95
10	Axle for Rear Wheel Removable Arms	AL-64743	\$14.95
11	Fork Standard Height, Chrome	AL-64715	\$29.95
	Fork Hemi Height Adjustable, Black	AL-64735	\$26.95
12	Caster 8", w/ Bearings	AL-66153	\$16.95
13	Bearings for Front Caster	AL-45587	\$4.95
14	Axle & Hardware for Front Caster	AL-2237	\$2.95
15	Stem Bearings for Front Caster	AL-54873	\$4.95
16	Dust Cap	AL-70120	\$4.95
17	Wheel Lock Assembly (Pair)	AL-65861	\$29.95

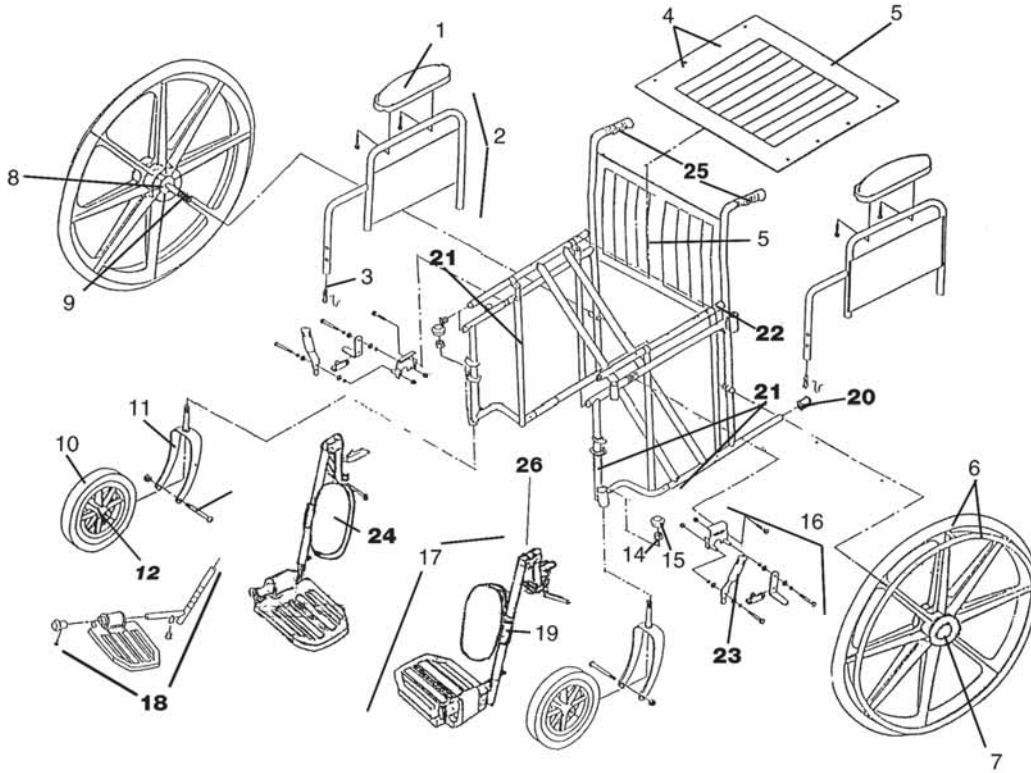
Fig.	Description	ALCO Part No.	Price Each
	<b>Aluminum Footplate</b>		
	Footrest, Left, Hemi Spacing (1-3/8") <sup>5</sup>	AL-114B-L	\$39.95
	Footrest, Right, Hemi Spacing (1-3/8") <sup>5</sup>	AL-114B-R	\$39.95
	Footrest, <b>Pair</b> , Hemi Spacing (1-3/8") <sup>5</sup>	AL-64424	\$69.95
	Footrest, Left, Adult Spacing (3-1/8") <sup>4</sup>	AL-114A-L	\$39.95
	Footrest, Right, Adult Spacing (3-1/8") <sup>4</sup>	AL-114A-R	\$39.95
	Footrest, <b>Pair</b> , Adult Spacing (3-1/8") <sup>4</sup>	AL-64421	\$69.95
	Legrest, Left, Hemi Spacing (1-3/8") <sup>5</sup>	AL-420HL	\$69.50
18	Legrest, Right, Hemi Spacing (1-3/8") <sup>5</sup>	AL-420HR	\$69.50
	Legrest, <b>Pair</b> , Hemi Spacing (1-3/8") <sup>5</sup>	AL-64414	\$119.00
	Legrest, Left, Adult Spacing (3-1/8") <sup>4</sup>	AL-420L	\$69.50
	Legrest, Right, Adult Spacing (3-1/8") <sup>4</sup>	AL-420R	\$69.50
	Legrest, <b>Pair</b> , Adult Spacing (3-1/8") <sup>4</sup>	AL-64412	\$119.00
	<b>Plastic Footplate</b>		
	Footrest, Left, Hemi Spacing (1-3/8") <sup>5</sup>	AL-45716	\$29.95
	Footrest, Right, Hemi Spacing (1-3/8") <sup>5</sup>	AL-45714	\$29.95
	Footrest, <b>Pair</b> , Hemi Spacing (1-3/8") <sup>5</sup>	AL-64423	\$49.00
	Legrest, Left, Hemi Spacing (1-3/8") <sup>5</sup>	AL-56478HL	\$39.95
	Legrest, Right, Hemi Spacing (1-3/8") <sup>5</sup>	AL-56478HR	\$39.95
	Legrest, <b>Pair</b> , Hemi Spacing (1-3/8") <sup>5</sup>	AL-64415	\$69.95
19	Footplate Assembly Aluminum ( <b>Pair</b> )	AL-64721	\$39.95
20	Handgrip	AL-70116	\$7.95
21	Tube End Cap for Rear Frame	AL-1742B	\$1.95
22	Slide Tube	AL-64745	\$16.95
23	Seat Guides, Removable Arm	AL-76194	\$4.95
24	Black Rubber Tip	AL-70094	\$3.95
25	Calf Pad, Black	AL-422UBK-A3	\$13.95
26	Pivot Bolt	AL-77170	\$4.95

1 For Excel wheelchairs, serial # equal or lower than A0006  
 2 For Excel wheelchairs, serial #s From A007 through A0107  
 3 For Excel wheelchairs, serial # equal or greater than A0108  
 4 For Excel chairs with serial #s A95 through A98, 3-1/4" pin spacing  
 5 For Excel chairs with serial #s A99, A00, A01, A02, 1.5" pin spacing



# Excel X-Wide with Removable Arms & Footrests/Legrests

**BUY 11 GET 1 FREE!**



**When Ordering, Specify Left (L) or Right (R)—Sitting in Chair**

Fig.	Description	ALCO Part No.	Price Each	
1	Armpad, Black, Desk Length	AL-145BK-A3	\$5.95	Pr.
	Armpad, Black, Full Length	AL-135BK-A3	\$5.95	
2	Armrest, Black, Desk Length, Removable (Pair)	AL-64740	\$79.95	
	Armrest, Black, Full Length, Removable (Pair)	AL-64741	\$79.95	
3	Armlock Pin	AL-610	\$4.95	
4	Seat & Back Upholstery Hardware	AL-64712	\$13.95	
6	Wheel Assembly w/ Bearing & Handrim	AL-64767	\$79.95	
7	Wheel Hubcap	AL-70121	\$4.95	
8	Wheel Bearing* (Pair)	AL-70089	\$7.95	
9	Axle & Nut for Rear Wheel	AL-64768	\$14.95	
10	Front Caster w/ Bearings	AL-64769	\$29.95	
11	Fork	AL-64770	\$29.95	
12	Bearings for Front Caster (Pair)	AL-64771	\$19.95	
14	Stem Bearing for Front Caster	AL-54873	\$4.95	
15	Dust Cap	AL-70120	\$4.95	
16	Wheel Lock (Pair)	AL-65861	\$29.95	

1 For Excel chairs with serial #s A95 through A98, 3-1/4" pin spacing  
 2 For Excel chairs with serial te A99, A00, A01, A02, 1.5" pin spacing  
 \* For Wheelchairs with serial # starting w/A58, please contact customer service

Fig.	Description	ALCO Part No.	Price Each		
<b>Aluminum Footplate</b>					
17	Footrest, Left, Hemi Spacing (1-3/8") <sup>2</sup>	AL-114B-L	\$39.95	Pr.	
	Footrest, Right, Hemi Spacing (1-3/8") <sup>2</sup>	AL-114B-R	\$39.95		
	Footrest, Pair, Hemi Spacing (1-3/8") <sup>2</sup>	AL-64424	\$69.95		
	Footrest, Left, Adult Spacing (3-1/8") <sup>1</sup>	AL-114A-L	\$39.95		
	Footrest, Right, Adult Spacing (3-1/8") <sup>1</sup>	AL-114A-R	\$39.95		
	Footrest, Pair, Adult Spacing (3-1/8") <sup>1</sup>	AL-64421	\$69.95		
	Legrest, Left, Hemi Spacing (1-3/8") <sup>2</sup>	AL-420HL	\$69.50		
	Legrest, Right, Hemi Spacing (1-3/8") <sup>2</sup>	AL-420HR	\$69.50		
	Legrest, Pair, Hemi Spacing (1-3/8") <sup>2</sup>	AL-64414	\$119.00		
	Legrest, Left, Adult Spacing (3-1/8") <sup>1</sup>	AL-420L	\$69.50		
	Legrest, Right, Adult Spacing (3-1/8") <sup>1</sup>	AL-420R	\$69.50		
	Legrest, Pair, Adult Spacing (3-1/8") <sup>1</sup>	AL-64412	\$119.00		
	Footplate Assembly Aluminum	AL-64721	\$39.95		
	18	Leg Pad Mounting Kit	AL-45552		\$22.95
	19	Leg Pad, Black	AL-422UBK-A3		\$13.95
	20	Tube End Cap	AL-1742B		\$1.95
21	Slide Tube	AL-64772	\$15.95		
22	Seat Guides	AL-76194	\$4.95		
23	Black Rubber Tip	AL-70094	\$3.95		
24	Calf Pad, Black	AL-422UBK-A3	\$13.95		
25	Handgrip, Black	AL-70116	\$7.95		
26	Pivot Bolt	AL-77170	\$4.95		

EP1

### Black Nylon Upholstery

Fig.	Description	ALCO Part No.	Price Each
5	20" Wide Back w/screws, Black, Nylon (OEM)	AL-64754	\$33.95
	20" Wide Back w/screws, Black, Nylon	AL-72515	\$27.95
	22" Wide Back w/screws, Black, Nylon (OEM)	AL-64755	\$34.95
	22" Wide Back w/screws, Black, Nylon	AL-72516	\$28.95
	20" Wide Seat w/screws, Black, Nylon (OEM)	AL-64758	\$33.95
	20" Wide Seat w/screws, Black, Nylon	AL-72517	\$27.95
	22" Wide Seat w/screws, Black, Nylon (OEM)	AL-64759	\$34.95
	22" Wide Seat w/screws, Black, Nylon	AL-72518	\$28.95

### Vinyl Upholstery

Description	Navy		Black	
	ALCO Part No.	Price Each	ALCO Part No.	Price Each
20" Wide Back w/screws	AL-74538-A44	\$36.95	AL-74538-A3	\$36.95
22" Wide Back w/screws	AL-74539-A44	\$39.95	AL-74539-A3	\$39.95
24" Wide Back w/screws	AL-74540-A44	\$39.95	AL-74540-A3	\$39.95
20" Wide Seat w/screws	AL-64830-A44	\$39.95	AL-64830-A3	\$39.95
22" Wide Seat w/screws	AL-64831-A44	\$49.95	AL-64831-A3	\$49.95
24" Wide Seat w/screws	AL-64832-A44	\$49.95	AL-64832-A3	\$49.95

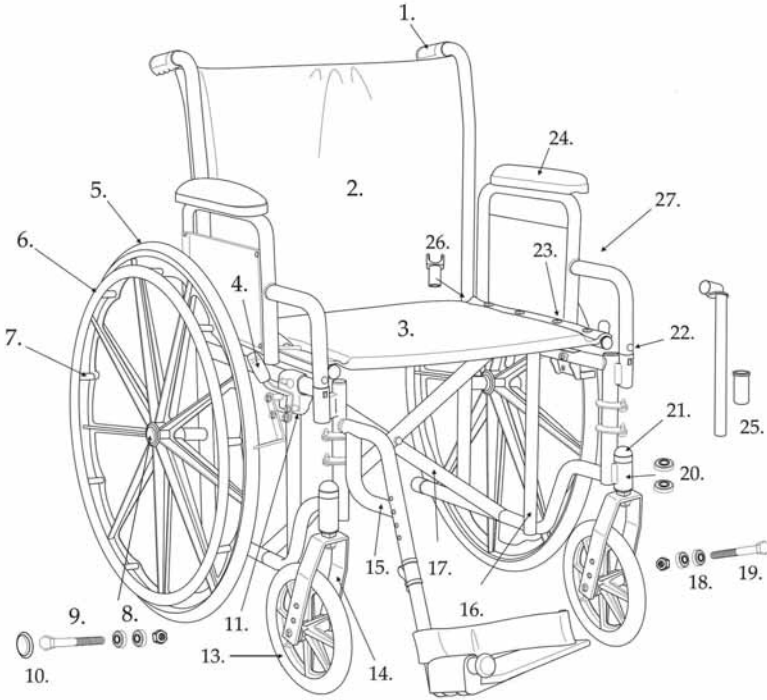
Seat Spacing: 2", 3-5/8", 3-5/8", 4-3/4", 3-3/8", 5/8"  
 Back Spacing: 1", 5-3/8", 5", 4-5/8" (2" Flare)  
 20" Back Spacing = 20" Bottom x 22" Top  
 22" Back Spacing = 22" Bottom x 24" Top  
 24" Back Spacing = 24" Bottom x 26" Top



# Chrome Sport & Silver Sport II



**BUY 11 GET 1 FREE!**



**Legrest**

**AL-65464 \$69.00 Pr.**

**Footrest**

Chrome Sport	Silver Sport II
Chrome Footplate <b>AL-61014 \$59.95 Pr.</b>	Black Plastic Footplate <b>AL-65463 \$39.95 Pr.</b>
	<b>AL-77167 \$39.00 Pr.</b>

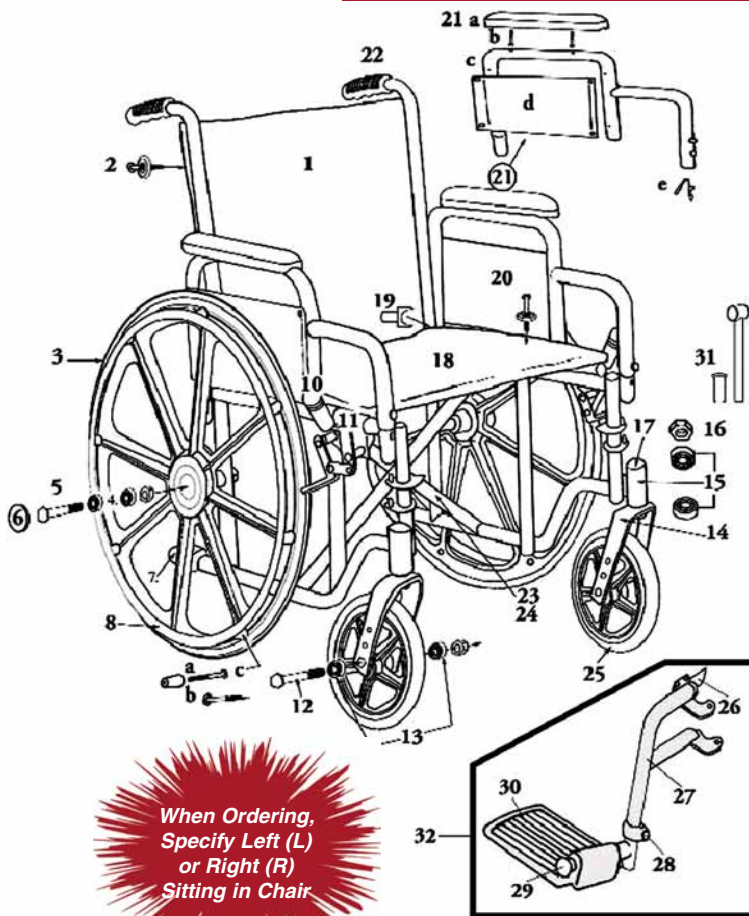
EP-1

Fig.	Description	ALCO Part No.	Price Each
1	Handgrip	<b>AL-70116</b>	<b>\$7.95</b>
2	Back Upholstery – 16"	<b>AL-74093</b>	<b>\$33.95</b>
	Back Upholstery – 18"	<b>AL-74094</b>	<b>\$33.95</b>
	Back Upholstery – 20"	<b>AL-74099</b>	<b>\$33.95</b>
3	Seat Upholstery – 16"	<b>AL-74103</b>	<b>\$20.95</b>
	Seat Upholstery – 18"	<b>AL-74104</b>	<b>\$20.95</b>
	Seat Upholstery – 20"	<b>AL-74105</b>	<b>\$29.95</b>
4	Brake Tip	<b>AL-74106</b>	<b>\$14.95</b>
N/S	Brake Tip Sleeve (Silver Sport II)	<b>AL-74107</b>	<b>\$14.95</b>
5	24" Wheel Assy	<b>AL-74108</b>	<b>\$38.95</b>
6	Handrim	<b>AL-74114</b>	<b>\$29.95</b>
7	Handrim Screws	<b>AL-74115</b>	<b>\$14.95</b>
8	Wheel Bearings	<b>AL-74116</b>	<b>\$14.95</b>
9	Rear Axle Bolt (Detach. Arm)	<b>AL-74117</b>	<b>\$14.95</b>
N/S	Rear Axle Bolt (Fixed Arm)	<b>AL-74153</b>	<b>\$14.95</b>
	Rear Axle Bolt (fixed arm) (Silver Sport II)	<b>AL-74118</b>	<b>\$14.95</b>
10	Hub Cap	<b>AL-74119</b>	<b>\$14.95</b>
11	Brake Assy, Fixed Arm – Right	<b>AL-74146R</b>	<b>\$11.95</b>
	Brake Assy, Fixed Arm – Left	<b>AL-74146L</b>	<b>\$11.95</b>
	Brake Assy, Detach. Arm – Right	<b>AL-74147R</b>	<b>\$11.95</b>
	Brake Assy, Detach. Arm – Left	<b>AL-74147L</b>	<b>\$11.95</b>
	Brake Assy – Right (Silver Sport II)	<b>AL-74124R</b>	<b>\$20.95</b>
	Brake Assy – Left (Silver Sport II)	<b>AL-74124L</b>	<b>\$20.95</b>
13	Axle Cap (Silver Sport II)	<b>AL-74125</b>	<b>\$14.95</b>
	Caster	<b>AL-74148</b>	<b>\$18.95</b>
	Caster (Silver Sport II)	<b>AL-74126</b>	<b>\$14.95</b>
14	Fork	<b>AL-74149</b>	<b>\$14.95</b>
	Fork (Silver Sport II)	<b>AL-74128</b>	<b>\$14.95</b>
15	Footrest, Swing Away	<b>AL-61014</b>	<b>\$59.95</b>
16	Side Frame, Detach. Arm – Right	<b>AL-74151R</b>	<b>CALL</b>
	Side Frame, Detach. Arm – Left	<b>AL-74151L</b>	<b>CALL</b>
	Side Frame, Fixed Arm – Right	<b>AL-74152R</b>	<b>CALL</b>
	Side Frame, Fixed Arm – Left	<b>AL-74152L</b>	<b>CALL</b>
	Side Frame; Detach. Arm – R (Silver Sport II)	<b>AL-74129R</b>	<b>CALL</b>
	Side Frame; Detach. Arm – L (Silver Sport II)	<b>AL-74129L</b>	<b>CALL</b>

Fig.	Description	ALCO Part No.	Price Each
N/S	Side Frame; Fixed Arm – R (Silver Sport II)	<b>AL-74130R</b>	<b>CALL</b>
	Side Frame; Fixed Arm – L (Silver Sport II)	<b>AL-74130L</b>	<b>CALL</b>
17	Cross Frame – 16"	<b>AL-74154</b>	<b>CALL</b>
	Cross Frame – 18"	<b>AL-74155</b>	<b>CALL</b>
	Cross Frame – 20"	<b>AL-74156</b>	<b>CALL</b>
	Cross Frame – 16" (Silver Sport II)	<b>AL-74131</b>	<b>CALL</b>
	Cross Frame – 18" (Silver Sport II)	<b>AL-74132</b>	<b>CALL</b>
	Cross Frame – 20" (Silver Sport II)	<b>AL-74133</b>	<b>CALL</b>
18	Caster Bearings	<b>AL-67057</b>	<b>\$7.95</b>
	Caster Bearings (Silver Sport II)	<b>AL-74134</b>	<b>\$14.95</b>
19	Front Axle Bolt	<b>AL-74158</b>	<b>\$14.95</b>
	Front Axle Bolt (Silver Sport II)	<b>AL-74135</b>	<b>\$14.95</b>
20	Fork Stem Bearings	<b>AL-74159</b>	<b>\$14.95</b>
	Fork Stem Bearings (Silver Sport II)	<b>AL-74136</b>	<b>\$3.95</b>
N/S	Fork Stem Bearings for Serial 3J (Flange) (Silver Sport II)	<b>AL-74165</b>	<b>\$14.95</b>
	Fork Stem Bearings for Serial 3J (Non-flange) (Silver Sport II)	<b>AL-74137</b>	<b>\$14.95</b>
	Fork Stem Cap	<b>AL-74138</b>	<b>\$14.95</b>
N/S	Fork Stem Cap for Serial 3J (Silver Sport II)	<b>AL-74140</b>	<b>\$14.95</b>
22	Arm Release Button	<b>AL-74139</b>	<b>\$14.95</b>
23	Upholstery Screw (Back)	<b>AL-74141</b>	<b>\$14.95</b>
	Upholstery Screw (Seat)	<b>AL-74142</b>	<b>\$14.95</b>
24	Desk Armpad	<b>AL-145BK-A3</b>	<b>\$5.95</b>
	Desk Arm – Right (Silver Sport II)	<b>AL-74143R</b>	<b>\$21.95</b>
	Desk Arm – Left (Silver Sport II)	<b>AL-74143L</b>	<b>\$21.95</b>
	Full Arm – Right (Silver Sport II)	<b>AL-74144R</b>	<b>\$32.95</b>
	Full Arm – Left (Silver Sport II)	<b>AL-74144L</b>	<b>\$32.95</b>
N/S	Full Pad	<b>AL-135BK-A3</b>	<b>\$5.95</b>
25	Slide Tube & Bushing	<b>AL-74145</b>	<b>\$14.95</b>
	Seat Guide, Fixed Arm	<b>AL-74160</b>	<b>\$14.95</b>
26	Seat Guide (Silver Sport II)	<b>AL-76194</b>	<b>\$4.95</b>
	Seat Guide, Detach. Arm	<b>AL-74161</b>	<b>\$15.95</b>
27	Left Arm Assy., Desk	<b>AL-74162L</b>	<b>\$21.95</b>
	Right Arm Assy., Desk	<b>AL-74162R</b>	<b>\$21.95</b>
	Left Arm Assy., Full	<b>AL-74163L</b>	<b>\$22.95</b>
	Right Arm Assy., Full	<b>AL-74163R</b>	<b>\$22.95</b>

**BUY 11 GET 1 FREE!**

**BUY 11  
Get One  
FREE**



**When Ordering,  
Specify Left (L)  
or Right (R)  
Sitting in Chair**

**Footrest**

Chrome Footplate  
**AL-61014 \$59.95 Pr.**  
Black Plastic Footplate  
**AL-65463 \$39.95 Pr.**

**Legrest**

**AL-61015 \$89.00 Pr.**

Fig.	Description	ALCO Part No.	Price Each
1	Back Upholstery 18" (Black Only)	<b>AL-67013</b>	<b>\$31.95</b>
	Back Upholstery 20" (Black Only)	<b>AL-67014</b>	<b>\$24.95</b>
	Back Upholstery 22" (Black Only)	<b>AL-67015</b>	<b>\$28.95</b>
	Back Upholstery 24" (Black Only)	<b>AL-67016</b>	<b>\$25.95</b>
2	Back Upholstery Screw	<b>AL-66663</b>	<b>\$1.95</b>
3	Rear 24" Wheel W/Blk Handrail	<b>AL-77724</b>	<b>\$79.95</b>
	Rear 24" Wheel W/Alum Handrail	<b>AL-66955</b>	<b>\$89.00</b>
	Rear 24" Wheel W/Chrome Handrail	<b>AL-70080</b>	<b>\$99.00</b>
4	Rear Wheel Bearing	<b>AL-66959</b>	<b>\$5.95</b>
5	Rear Axle Bolt	<b>AL-66957</b>	<b>\$7.95</b>
6	Rear Wheel Hub Cap	<b>AL-66956</b>	<b>\$8.95</b>
7	Tipping Sleeve	<b>AL-67018</b>	<b>\$11.95</b>
8	Handrail, Black	<b>AL-70081B</b>	<b>\$36.95</b>
	Handrail, Aluminum	<b>AL-70081A</b>	<b>\$16.95</b>
	Handrail, Chrome	<b>AL-70081C</b>	<b>\$19.95</b>
9	(A) Black Plastic Handrim Screws & Spacers—8 Pk	<b>AL-66964</b>	<b>\$10.95</b>
	(B) Chrome Handrim Screws & Spacers—8 Pk	<b>AL-67019</b>	<b>\$15.95</b>
10	Rubber Brake Tip	<b>AL-70094</b>	<b>\$3.95</b>
11	Brake, Push To Lock, Right	<b>AL-45574</b>	<b>\$13.95</b>
	Brake, Push To Lock, Left	<b>AL-45575</b>	<b>\$13.95</b>
12	Front Axle Bolt	<b>AL-70083</b>	<b>\$14.95</b>
13	Front Caster Bearings	<b>AL-66977</b>	<b>\$8.95</b>
14	Front Caster Fork	<b>AL-74743</b>	<b>\$29.95</b>
15	Fork Stem Bearing	<b>AL-54873</b>	<b>\$4.95</b>
16	Fork Stem Lock Nut	<b>AL-66981</b>	<b>\$2.95</b>
17	Fork Stem Bearing Cap	<b>AL-70120</b>	<b>\$4.95</b>

Fig.	Description	ALCO Part No.	Price Each
18	Seat Upholstery 18" (Black Only)	<b>AL-67023</b>	<b>\$20.95</b>
	Seat Upholstery 20" (Black Only)	<b>AL-67024</b>	<b>\$24.95</b>
	Seat Upholstery 22" (Black Only)	<b>AL-67025</b>	<b>\$29.95</b>
	Seat Upholstery 24" (Black Only)	<b>AL-67026</b>	<b>\$40.95</b>
	Seat Rail Guide	<b>AL-76194</b>	<b>\$14.95</b>
20	Seat Upholstery Screw	<b>AL-67028</b>	<b>\$1.95</b>
21	Arm Rest Panel, Black	<b>AL-67035</b>	<b>\$4.95</b>
	Full Arm Assembly, Left	<b>AL-70066</b>	<b>\$44.95</b>
	Full Arm Assembly, Right	<b>AL-70060</b>	<b>\$44.95</b>
	Desk Arm Assembly, Left	<b>AL-70065</b>	<b>\$44.95</b>
	Desk Arm Assembly, Right	<b>AL-70059</b>	<b>\$44.95</b>
	Armrest Assembly, Armpad Desk, Black	<b>AL-145BK-A3</b>	<b>\$5.95</b>
	Armrest Assembly, Armpad Full, Black	<b>AL-135BK-A3</b>	<b>\$5.95</b>
	Armrest Panel, Chrome	<b>AL-67034</b>	<b>\$18.95</b>
	Armpad Screws	<b>AL-45504</b>	<b>\$0.39</b>
	Arm Release Button	<b>AL-66999</b>	<b>\$8.95</b>
22	Handgrip	<b>AL-70116</b>	<b>\$7.95</b>
23	Crossframe 18"	<b>AL-67037</b>	<b>Call</b>
	Crossframe 20"	<b>AL-67038</b>	<b>Call</b>
	Crossframe 22"	<b>AL-67039</b>	<b>Call</b>
	Crossframe 24"	<b>AL-67040</b>	<b>Call</b>
24	Crossframe Hinge Bolt	<b>AL-66971</b>	<b>\$3.95</b>
25	Front Caster	<b>AL-70077</b>	<b>\$10.00</b>
26	Footrest Release Latch, Left	<b>AL-70102</b>	<b>\$8.95</b>
	Footrest Release Latch, Right	<b>AL-70101</b>	<b>\$8.95</b>
27	Footrest Hanger, Right	<b>AL-67041</b>	<b>\$19.95</b>
	Footrest Hanger, Left	<b>AL-67042</b>	<b>\$19.95</b>
28	Footrest Adjustment Bolt	<b>AL-67007</b>	<b>\$2.95</b>
29	Footrest Bumper	<b>AL-70104</b>	<b>\$3.95</b>
30	Footplate	<b>AL-67043</b>	<b>\$19.95</b>
31	Telescoping Slide Tube	<b>AL-67044</b>	<b>\$9.95</b>
32	Complete Footrest, Black Plastic Footplate	<b>AL-65463</b>	<b>\$39.95</b>
	Complete Footrest, Chrome Footplate	<b>AL-61014</b>	<b>\$59.95</b>

# Sentra Recliner by Drive



**BUY 11 GET 1 FREE!**

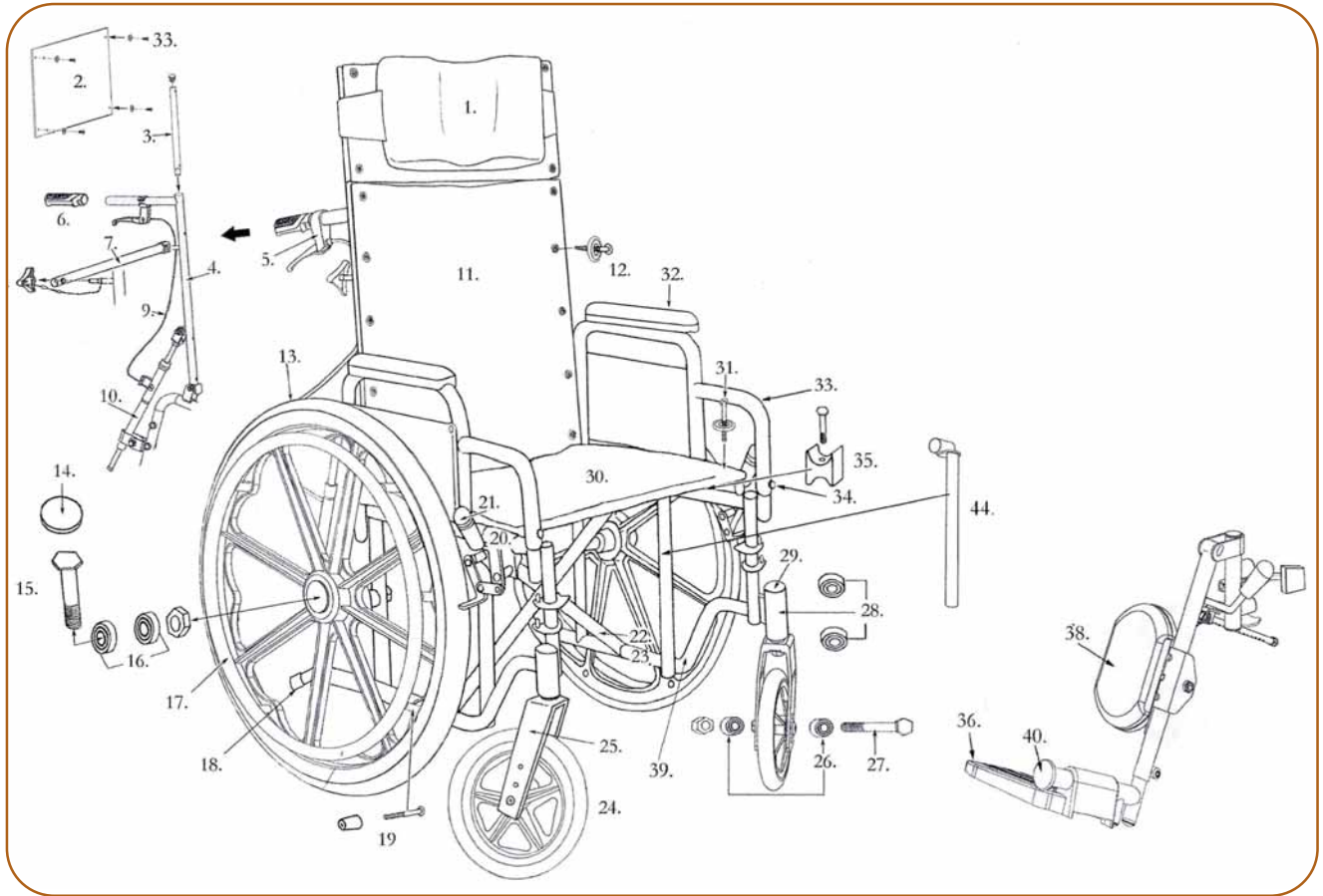
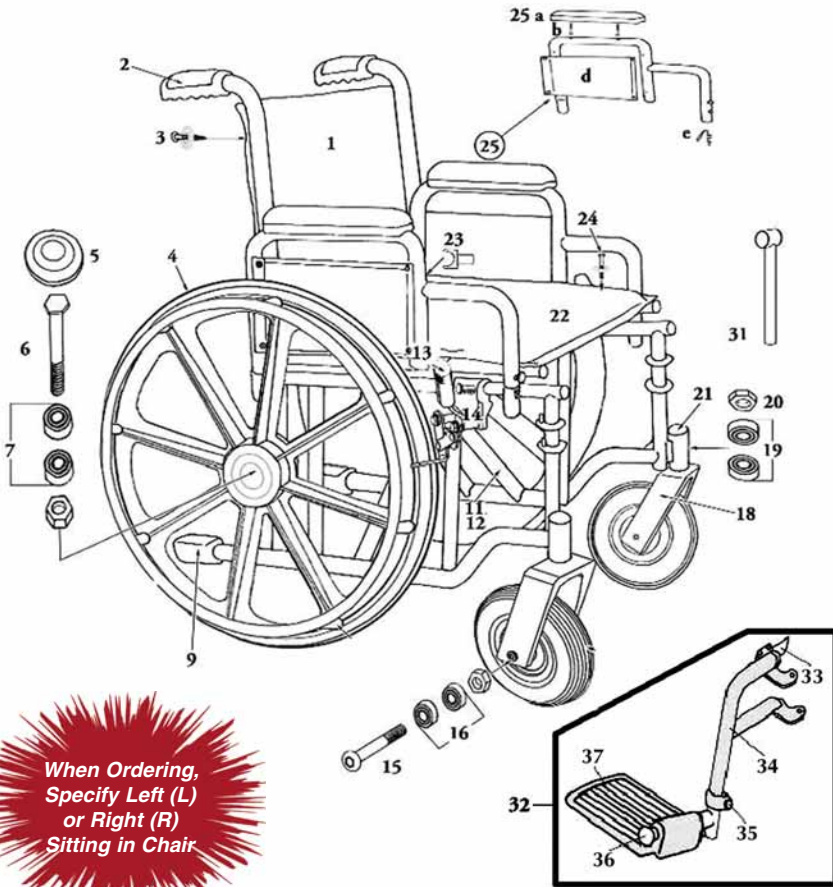


Fig	Description	ALCO Part No.	Price Each	Fig	Description	ALCO Part No.	Price Each	Fig	Description	ALCO Part No.	Price Each
1	Headrest Pillow 14"-20"	AL-77446-14	\$14.95	12	Back Upholstery Screws	AL-66663	\$1.95	31	Seat Upholstery Screws and Washer	AL-67028	\$1.95
	Headrest Pillow 22"	AL-77446-22	\$24.95	13	Rear Wheel/Black Handrim	AL-77724	\$79.95	32	Desk Arm Pad	AL-145BK-A3	\$5.95
2	Headrest Assembly 14" w/o Pillow	AL-77447-14	\$21.95		Rear Wheel/ Chrome Handrim	AL-70079	\$89.00		Full Arm Pad	AL-135BK-A3	\$5.95
	Headrest Assembly 16" w/o Pillow	AL-77447-16	\$21.95		Rear Wheel/ Aluminum Handrim	AL-66955	\$89.00	33	Desk Arm Assembly, Left	AL-77661DL	\$49.95
	Headrest Assembly 18" w/o Pillow	AL-77447-18	\$24.95	14	Hub Cap	AL-66956	\$8.95		Desk Arm Assembly, Right	AL-77661DR	\$49.95
	Headrest Assembly 20" w/o Pillow	AL-77447-20	\$57.95	15	Rear Axle	AL-66961	\$9.95		Full Arm Assembly, Left	AL-77661FL	\$49.95
	Headrest Assembly 22" w/o Pillow	AL-77447-22	\$52.95	16	Rear Wheel Bearing	AL-66959	\$5.95		Full Arm Assembly, Right	AL-77661FR	\$49.95
	Headrest Upholstery only 14"	AL-77454-14	\$21.95	17	Chrome Handrim	AL-70081C	\$19.95	34	Arm Release Button	AL-66999	\$8.95
	Headrest Upholstery only 16"	AL-77454-16	\$14.95		Aluminum Handrim	AL-70081A	\$16.95	35	Seat Saddle	AL-77663	\$14.95
	Headrest Upholstery only 18"	AL-77454-18	\$14.95		Black Handrim	AL-70081B	\$36.95	36	Footplate	AL-64218	\$19.95
	Headrest Upholstery only 20"	AL-77454-20	\$14.95	18	Anti-Tippers w/o Wheels	AL-74808	\$19.95	37	Footrest Bumper	AL-70104	\$3.95
	Headrest Upholstery only 22"	AL-77454-22	\$14.95	19	Handrim Screws with Rivnuts	AL-66964	\$10.95	38	Calf Pad Black-Vinyl	AL-77670	\$14.95
3	Headrest Post	AL-77716	\$14.95		Handrim Screws w/o Rivnuts	AL-67019	\$10.95	39	Side Frame, Right	AL-77665R	Call
4	Backrest Cane	AL-67017	\$45.95	20	Brake, Right	AL-77658R	\$14.95		Side Frame, Left	AL-77665L	Call
5	Recline Release Lever Rt*	AL-77717R	\$14.95		Brake, Left	AL-77658L	\$14.95	40	Slide Tube	AL-77664	\$18.95
	Recline Release Lever Lt*	AL-77717L	\$14.95	21	Brake Tip	AL-70094	\$3.95		<i>*Does Not Include Cable</i>		
6	Handgrip	AL-77455	\$6.95	22	Cross Frame 14"	AL-77659-14	Call		To make Hemi change to:		
7	Spreader Bar 14"	AL-77486-14	\$14.95		Cross Frame 16"	AL-77659-16	Call	NS	Forks	AL-77666	\$44.95
	Spreader Bar 16"	AL-77486-16	\$14.95		Cross Frame 18"	AL-77659-18	Call	NS	6" Caster	AL-64691	\$29.95
	Spreader Bar 18"	AL-77486-18	\$14.95		Cross Frame 20"	AL-77659-20	Call				
	Spreader Bar 20"	AL-77486-20	\$14.95		Cross Frame 22"	AL-77659-22	Call				
	Spreader Bar 22"	AL-77486-22	\$21.95	23	Cross Frame Bolt	AL-66971	\$3.95				
8	Knob	AL-66963	\$19.50	24	Caster	AL-77672	\$22.95				
9	Cable	AL-66962	\$36.50	25	Fork 14"-20"	AL-70090-14	\$39.95				
10	Reclining Cylinder Rt	AL-75843	\$59.95		Fork 22"	AL-70090-22	\$49.95				
	Reclining Cylinder Lt	AL-75844	\$59.95	26	Caster Bearing	AL-66977	\$8.95				
11	Back Upholstery 14"	AL-77487-14	\$28.95	27	Front Axle	AL-70082	\$14.95				
	Back Upholstery 16"	AL-77487-16	\$45.63	28	Fork Stem Bearing	AL-54873	\$4.95				
	Back Upholstery 18"	AL-77487-18	\$45.63	29	Dust Cap	AL-70120	\$4.95				
	Back Upholstery 20"	AL-77487-20	\$45.63	30	Seat Upholstery 14"	AL-77660-14	\$26.95				
	Back Upholstery 22"	AL-77487-22	\$35.10		Seat Upholstery 16"	AL-77660-16	\$24.95				
					Seat Upholstery 18"	AL-77660-18	\$22.95				
					Seat Upholstery 20"	AL-77660-20	\$38.61				
					Seat Upholstery 22"	AL-77660-22	\$37.80				

EP-1



**When Ordering,  
Specify Left (L)  
or Right (R)  
Sitting in Chair**

**Footrest**

Chrome Footplate  
**AL-61014 \$59.95 Pr.**  
Black Plastic Footplate  
**AL-65463 \$39.95 Pr.**

**Legrest**

Complete Legrest  
**AL-61015 \$89.00 Pr.**

**Armrests**

Desk Armrest, right	<b>AL-70059</b>	<b>\$44.95</b>
Desk Armrest, left	<b>AL-70065</b>	<b>\$44.95</b>
Full Armrest, right	<b>AL-70061</b>	<b>\$44.95</b>
Full Armrest, left	<b>AL-70066</b>	<b>\$44.95</b>

Fig.	Description	ALCO Part No.	Price Each
1	(A) Back Upholstery 20" (Black Only)	<b>AL-67045</b>	<b>\$29.95</b>
	(B) Back Upholstery 22" (Black Only)	<b>AL-67046</b>	<b>\$35.95</b>
	(C) Back Upholstery 24" (Black Only)	<b>AL-67047</b>	<b>\$29.95</b>
	(C) Back Upholstery 24" (Black Only)	<b>AL-67047</b>	<b>\$29.95</b>
2	Handgrip, Black	<b>AL-70116</b>	<b>\$7.95</b>
3	Back Upholstery Screw	<b>AL-66663</b>	<b>\$1.95</b>
4	Rear Wheel Assembly	<b>AL-70080</b>	<b>\$99.00</b>
5	Hub Cap	<b>AL-67049</b>	<b>\$6.95</b>
6	Rear Axle Bolt	<b>AL-67050</b>	<b>\$7.95</b>
7	Rear Wheel Bearing	<b>AL-70089</b>	<b>\$7.95</b>
9	Tipping Sleeve	<b>AL-67018</b>	<b>\$11.95</b>
11	(A) Cross Brace 20"	<b>AL-67053</b>	<b>Call</b>
	(B) Cross Brace 22"	<b>AL-67054</b>	<b>Call</b>
	(C) Cross Brace 24"	<b>AL-67055</b>	<b>Call</b>
12	Cross Brace Hinge Bolt	<b>AL-66971</b>	<b>\$3.95</b>
13	Rubber Tip	<b>AL-70094</b>	<b>\$3.95</b>
14	(A) Push To Lock Brake, Right	<b>AL-45574</b>	<b>\$13.95</b>
	(B) Push To Lock Brake, Left	<b>AL-45575</b>	<b>\$13.95</b>
15	Front Axle Bolt	<b>AL-70083</b>	<b>\$14.95</b>
16	Caster Bearing Set	<b>AL-67057</b>	<b>\$7.95</b>
18	Front Caster Fork	<b>AL-70091</b>	<b>\$49.95</b>
19	Fork Stem Bearing Set	<b>AL-54873</b>	<b>\$4.95</b>
20	Fork Stem Bearing Lock Nut	<b>AL-67061</b>	<b>\$2.95</b>
21	Fork Stem Dust Cap	<b>AL-70120</b>	<b>\$4.95</b>

Fig.	Description	ALCO Part No.	Price Each
22	(A) Seat Upholstery 24" (Black Only)	<b>AL-67062</b>	<b>\$30.95</b>
	(B) Seat Upholstery 22" (Black Only)	<b>AL-67063</b>	<b>\$25.95</b>
	(C) Seat Upholstery 20" (Black Only)	<b>AL-67064</b>	<b>\$25.95</b>
23	Seat Rail Guide	<b>AL-76914</b>	<b>\$4.95</b>
24	Seat Upholstery Screw	<b>AL-67065</b>	<b>\$3.95</b>
25	(A) Desk Armpad	<b>AL-145BK-A3</b>	<b>\$5.95</b>
	(A) Full Armpad	<b>AL-135BK-A3</b>	<b>\$5.95</b>
	(B) Armpad Bolts	<b>AL-45504</b>	<b>\$0.39</b>
	(D) Arm Rest Side Panel	<b>AL-67034</b>	<b>\$18.95</b>
	(E) Arm Release Button	<b>AL-66999</b>	<b>\$8.95</b>
26	Footrest Release Latch, Right	<b>AL-67066</b>	<b>\$8.95</b>
	Footrest Release Latch, Left	<b>AL-67067</b>	<b>\$8.95</b>
27	Footrest Hanger, Right	<b>AL-67041</b>	<b>\$19.95</b>
	Footrest Hanger, Left	<b>AL-67042</b>	<b>\$19.95</b>
28	Footrest Adjustment Bolt	<b>AL-67007</b>	<b>\$2.95</b>
29	Footrest Bumper	<b>AL-70104</b>	<b>\$3.95</b>
30	Footplate	<b>AL-64218</b>	<b>\$19.95</b>
31	Telescoping Slide Tube	<b>AL-67070</b>	<b>\$11.95</b>
32	Complete Footrest, Black Plastic Footplate	<b>AL-65463</b>	<b>\$39.95</b>
	Complete Footrest, Chrome Footplate	<b>AL-61014</b>	<b>\$59.95</b>
33	Footrest Release Latch, Left	<b>AL-70102</b>	<b>\$8.95</b>
	Footrest Release Latch, Right	<b>AL-70101</b>	<b>\$8.95</b>
34	Footrest Hanger, Right	<b>AL-67041</b>	<b>\$19.95</b>
	Footrest Hanger, Left	<b>AL-67042</b>	<b>\$19.95</b>
35	Footrest Adjustment Bolt	<b>AL-67007</b>	<b>\$2.95</b>
36	Footrest Bumper	<b>AL-70104</b>	<b>\$3.95</b>
37	Footplate	<b>AL-67043</b>	<b>\$19.95</b>

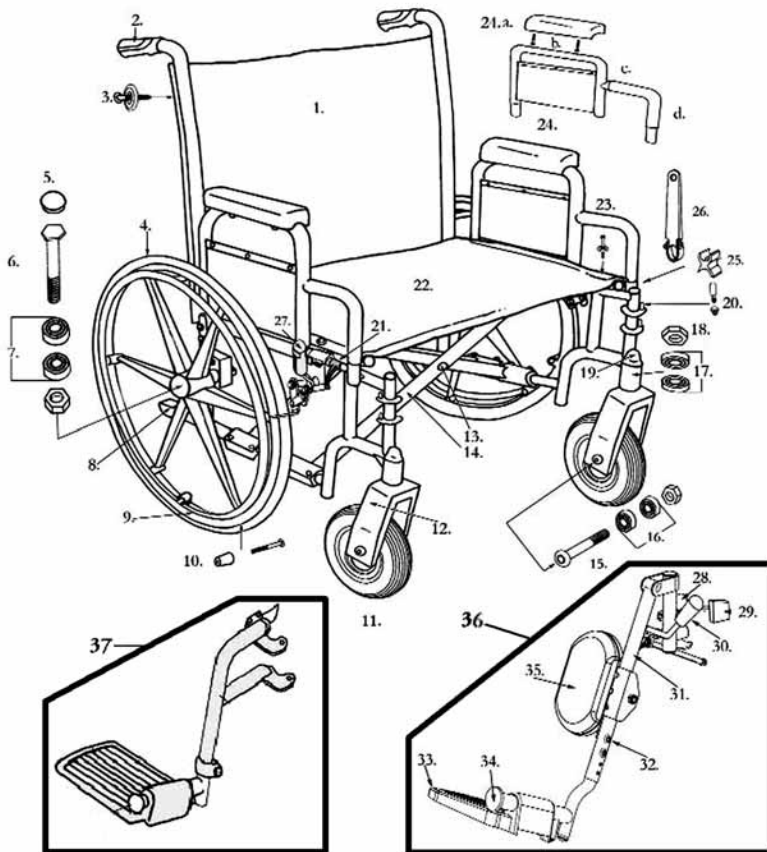
Pr.

**BUY 11**  
Get One  
**FREE**

# Sentra Heavy Duty, Extra Wide

**drive**  
MEDICAL SEATING & MANUFACTURING

**BUY 11 GET 1 FREE!**



**Footrest**

**AL-63933 \$149.00 Pr.**

**Legrest**

**AL-63934 \$169.00 Pr.**

**Armrests**

Desk Armrest, right	<b>AL-77723DR</b>	<b>\$49.95</b>
Desk Armrest, left	<b>AL-77723DL</b>	<b>\$49.95</b>
Full Armrest, right	<b>AL-77723FR</b>	<b>\$49.95</b>
Full Armrest, left	<b>AL-77723FL</b>	<b>\$49.95</b>

Fig.	Description	ALCO Part No.	Price Each
1	26" Back Upholstery (Black Only)	<b>AL-67071</b>	<b>\$33.95</b>
	28" Back Upholstery (Black Only)	<b>AL-67072</b>	<b>\$35.95</b>
	30" Back Upholstery (Black Only)	<b>AL-67073</b>	<b>\$36.95</b>
2	Handgrip	<b>AL-70116</b>	<b>\$7.95</b>
3	Upholstery Screw	<b>AL-67075</b>	<b>\$1.95</b>
4	Wheel Assembly	<b>AL-505M</b>	<b>\$99.00</b>
5	Rear Bearing Hub Cap	<b>AL-67077</b>	<b>\$4.95</b>
6	Rear Axle Bolt & Nut	<b>AL-67050</b>	<b>\$7.95</b>
7	Rear Wheel Bearing	<b>AL-67079</b>	<b>\$6.95</b>
8	Tipping Sleeve	<b>AL-67018</b>	<b>\$11.95</b>
9	Handrail, Chrome	<b>AL-67080</b>	<b>\$14.95</b>
10	Handrail Screw & Spacer	<b>AL-67081</b>	<b>\$11.95</b>
11	Caster & Fork	<b>AL-67082</b>	<b>\$32.95</b>
	Caster Only	<b>AL-67083</b>	<b>\$24.95</b>
12	Fork Only	<b>AL-67084</b>	<b>\$37.95</b>
13	Crossframe Hinge Bolt	<b>AL-66971</b>	<b>\$3.95</b>
14	Crossframe 26"	<b>AL-67085</b>	<b>Call</b>
	Crossframe 28"	<b>AL-67086</b>	<b>Call</b>
	Crossframe 30"	<b>AL-67087</b>	<b>Call</b>
15	Front Axle Bolt & Nut	<b>AL-70083</b>	<b>\$14.95</b>
16	Front Caster Bearings	<b>AL-67088</b>	<b>\$5.95</b>
17	Fork Stem Bearings	<b>AL-67089</b>	<b>\$5.95</b>
18	Lock Nut For Fork	<b>AL-67090</b>	<b>\$2.95</b>
19	Dust Cap For Fork	<b>AL-67091</b>	<b>\$4.95</b>
20	Hangtag Pin21.	<b>AL-67092</b>	<b>\$2.95</b>
	Arm Release Lever	<b>AL-67093</b>	<b>\$10.95</b>

Fig.	Description	ALCO Part No.	Price Each
22	Seat Upholstery 26" (Black Only)	<b>AL-67094</b>	<b>\$36.95</b>
	Seat Upholstery 28" (Black Only)	<b>AL-67095</b>	<b>\$26.95</b>
	Seat Upholstery 30" (Black Only)	<b>AL-67096</b>	<b>\$36.95</b>
23	Upholstery Screw	<b>AL-67075</b>	<b>\$1.95</b>
	(A) Armpad, Desk Length (Black Only)	<b>AL-67098</b>	<b>\$16.95</b>
	(B) Armpad Bolts	<b>AL-67099</b>	<b>\$4.95</b>
	(C) Armrest Frame	<b>AL-67100</b>	<b>\$25.95</b>
24	(D) Armpad, Foam	<b>AL-67101</b>	<b>\$6.95</b>
	Seat Rail Saddle	<b>AL-67102</b>	<b>\$6.95</b>
	Crossframe Assist 26"	<b>AL-67103</b>	<b>\$8.95</b>
26	Crossframe Assist 28"	<b>AL-67104</b>	<b>\$9.95</b>
	Crossframe Assist 30"	<b>AL-67105</b>	<b>\$9.95</b>
	Brake Assembly, Right	<b>AL-67106</b>	<b>\$19.95</b>
27	Brake Assembly, Left	<b>AL-67107</b>	<b>\$19.95</b>
	Rubber Brake Tip	<b>AL-70094</b>	<b>\$3.95</b>
28	Frame Bumper	<b>AL-67108</b>	<b>\$2.95</b>
29	Release Latch (Right) Or (Left)	<b>AL-67109</b>	<b>\$6.95</b>
30	Elevated Legrest Adjustment Lever (Right) Or (Left)	<b>AL-67110</b>	<b>\$14.95</b>
	Elevated Legrest Hanger Arm (Right) Or (Left)	<b>AL-67111</b>	<b>\$22.95</b>
32	Elevated Legrest Height Adj. Bolt	<b>AL-67112</b>	<b>\$6.95</b>
33	Footplate Extra Wide	<b>AL-67113</b>	<b>\$47.95</b>
	Footplate Standard	<b>AL-64218</b>	<b>\$19.95</b>
34	Footrest Bumper	<b>AL-70104</b>	<b>\$3.95</b>
35	Calif Pad, Nylon, Black	<b>AL-67114</b>	<b>\$28.95</b>
36	Complete Legrest (Pair)	<b>AL-63934</b>	<b>\$169.00 Pr.</b>
37	Complete Footrest (Pair)	<b>AL-63933</b>	<b>\$149.00 Pr.</b>

**When Ordering, Specify Left (L) or Right (R) Sitting in Chair**

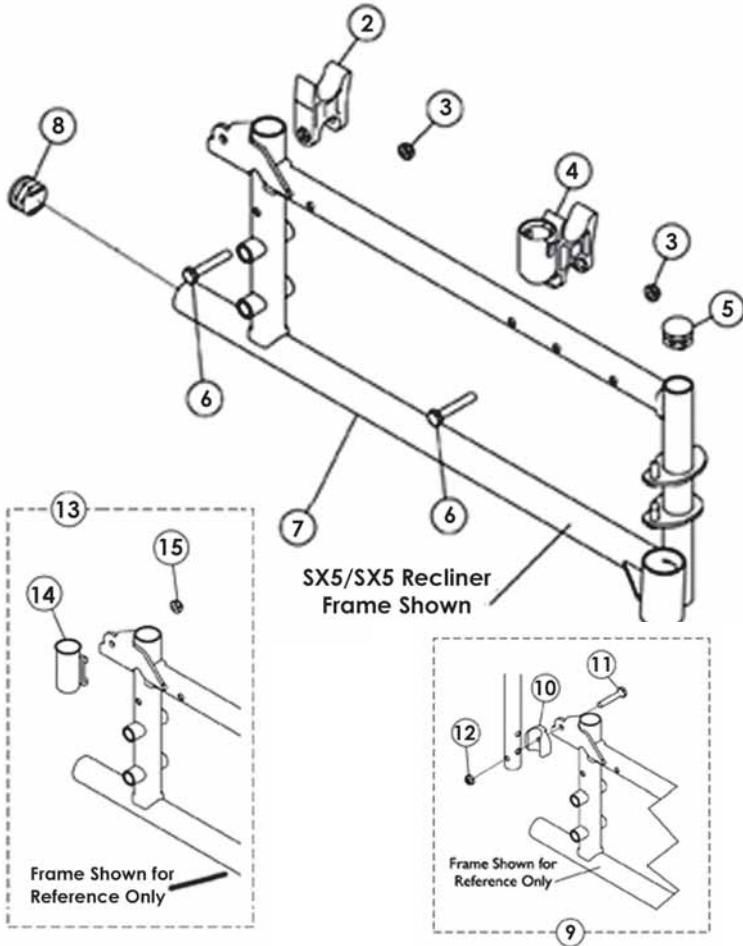
EP-1



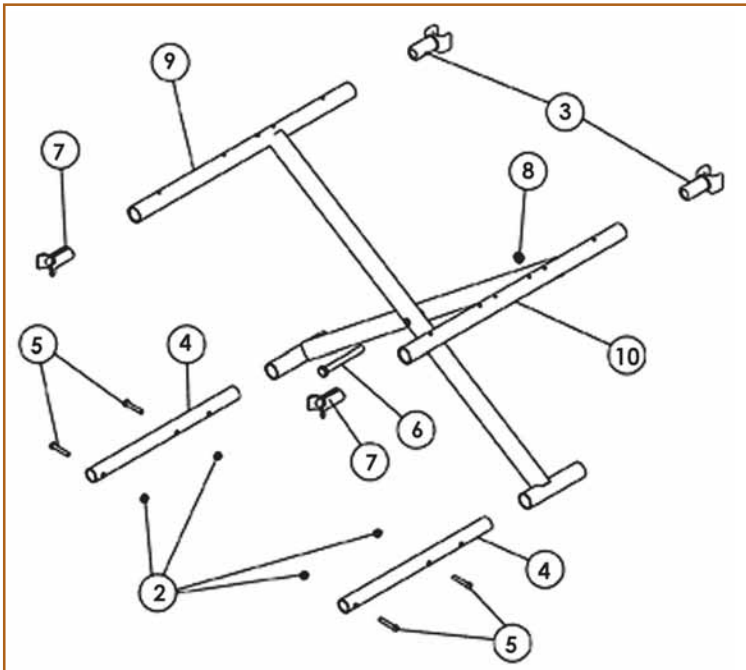
# EX2, SX5 Wheelchair & SX5 Recliner by Invacare



**BUY 11 GET 1 FREE!**



Frames & Hardware (SX5 & SX5 Recliner)			
Item No.	Description	ALCO Part No.	Price Each
2	H block, Black	AL-64618	\$1.95
3,15	Locknut	AL-53240	\$7.95
4	H block with socket cup	AL-64617	\$1.95
5	Plug Button, Black 7/8"	AL-231B	\$0.95
6	Screw, Hex Head Cap	AL-64633	\$8.95
7	Chrome Frame - Right	AL-64553	Call
	Chrome Frame - Left	AL-64554	Call
8	Plug Button, 1", Black, Plastic	AL-58533B	\$0.95
9	Flip back rear arm hardware kit	AL-64556	\$6.95
10	Spacer, Arm	AL-64557	\$6.95
11	Screw, Hex Head Cap	AL-64558	\$8.95
12	Locknut	AL-64559	\$1.95
13	Reclining back rear arm hardware kit	AL-64560	\$16.95
14	Chrome socket arm cup—Right	AL-64561	\$7.95
	Chrome socket arm cup—Left	AL-64562	\$7.95
N/S	Stem Bearing	AL-263	\$3.95



Crossbrace & Hardware -Fixed Front Frame (EX2)			
Item No.	Description	ALCO Part No.	Price Each
2	Locknut	AL-59860	\$7.95
3	Seat guide, Black	AL-50839	\$9.95
4	Tube, Insert	AL-64565	\$6.95
5	Screw, Phillips Pan Head	AL-64566	\$8.95
6	Screw, Hex Head Cap	AL-45874	\$6.95
7	Seat guide, Black	AL-189	\$7.95
8	Nut, low cap	AL-64569	\$8.95
9	Crossbrace Assembly, Black, 18", Left	AL-64570	Call
	Crossbrace Assembly, Black, 20", Left	AL-64572	Call
10	Crossbrace Assembly, Black, 18", Right	AL-64571	Call
	Crossbrace Assembly, Black, 20", Right	AL-64573	Call

**When Ordering, Specify Left (L) or Right (R)—Sitting in Chair**



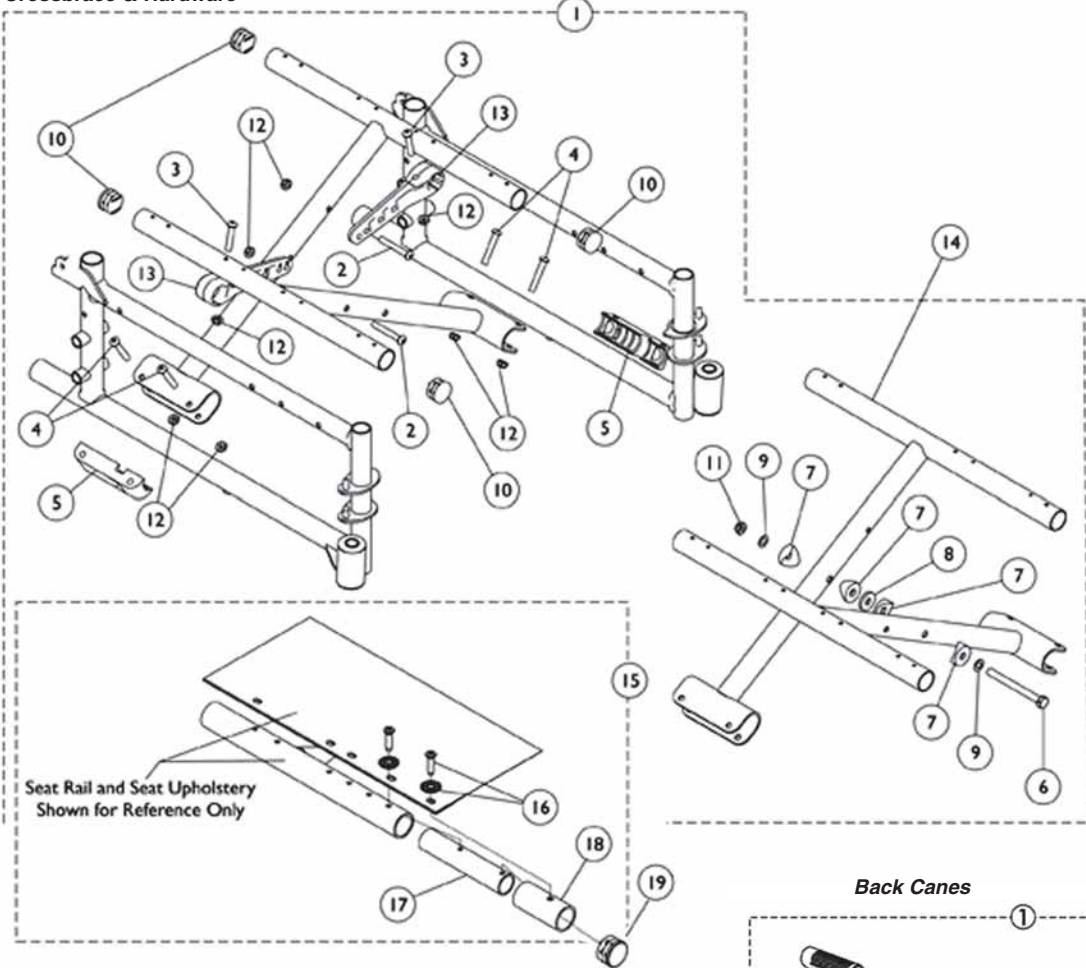


# EX2 & SX5 Wheelchair by Invacare

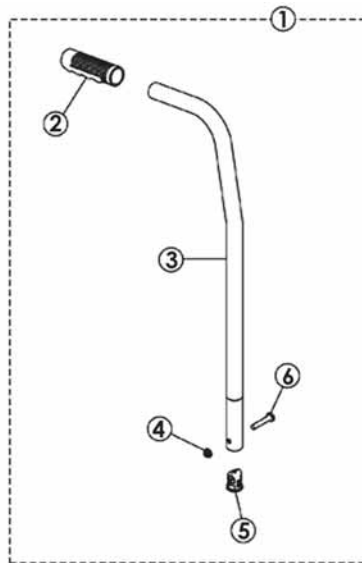


**BUY 11 GET 1 FREE!**

## Crossbrace & Hardware



## Back Canes



### Crossbrace & Hardware -Swingaway Frames (EX2 & SX5)

Item No.	Description	ALCO Part No.	Price Each
1	Hardware, Crossbrace, (14-15"W) Hemi	AL-64574	Call
	Hardware, Crossbrace (16-18"W)	AL-64575	Call
	Hardware, Crossbrace (20-22"W)	AL-64576	Call
2	Screw, Socket Button Head	AL-64577	\$8.95
3	Screw, Socket Button Head	AL-64578	\$8.95
4	Screw, Button Head Cap	AL-64579	\$8.95
5	Clamp, Saddle	AL-64624	\$8.95
6	Screw, Hex Head Cap	AL-64581	\$8.95
7	Spacer, Coved	AL-64582	\$8.95
8	Washer, Nylon	AL-64583	\$8.95
9	Washer	AL-64584	\$8.95
10,19	Plug button (1"), Black	AL-58533B	\$0.95
11	Nut, low cap	AL-64586	\$8.95
12	Locknut	AL-53240	\$8.95
13	Pivot Link (14-15"W) Hemi	AL-64588	\$8.95
	Pivot Link (16-18"W)	AL-64589	\$8.95
	Pivot Link (20-22"W)	AL-64590	\$8.95
14	Crossbrace Assembly, Black,18"	AL-64591	Call
	Crossbrace Assembly, Black,20"	AL-64592	Call
	Crossbrace Assembly, Black,22"	AL-64593	Call
15	2 seat extension kit (Pair)	AL-64594	\$33.95
16	Screw, Phillips Head Oval w/washer	AL-64595	\$8.95
17	Tube, Insert	AL-64596	\$8.95
18	Spacer	AL-64597	\$8.95
N/S	Stem Bearing	AL-263	\$3.95

### Back Canes (SX5 Only)

Item No.	Description	ALCO Part No.	Price Each
1	16" Back Cane w/grip and attaching hdwe	AL-64598	Call
	18" Back Cane w/grip and attaching hdwe	AL-64599	Call
2	Hand grip	AL-370B	\$1.95
3	Chrome Cane, Rear, 18" high	AL-64601	Call
	Chrome Cane, Rear, 16" high	AL-64602	Call
4	Locknut	AL-64603	\$8.95
5	Insert	AL-64604	\$8.95
6	Screw, Hex Head Cap	AL-64605	\$8.95



# EX2 & SX5 Wheelchair by Invacare

**BUY 11 GET 1 FREE!**

Forks & Hardware (EX2 & SX5)			
Item No.	Description	ALCO Part No.	Price Each
1	Cap, Head tube, Black	AL-1740B	\$1.95
2	Locknut	AL-64657	\$7.95
3	Washer, Nylon	AL-65258	\$7.95
4	Fork, Black (Fixed Front Frame)	AL-64294	\$24.95
5	Fork, Black (Swingaway Frame)	AL-65260	\$25.95
6	Fork, Black Assembly, Aluminum	AL-64293	\$45.95
7	Fork & Stem, Aluminum, Black	AL-64660	\$59.95
	Fork, Black, Aluminum (for 6" x 2" & 8" Casters)	AL-50929	\$39.95
N/S	Stem Bearing	AL-263	\$3.95

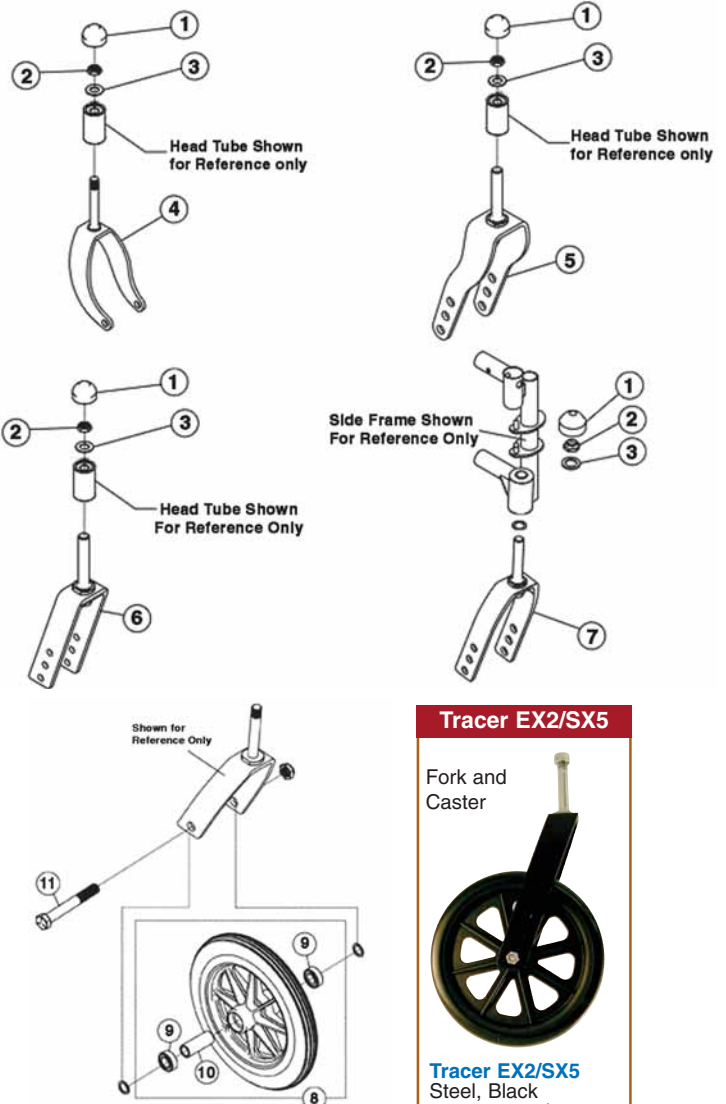
8" Front Casters (EX2 & SX5)			
Item No.	Description	ALCO Part No.	Price Each
8	Wheel Complete (Black)	AL-45619	\$29.95
9	Bearing	AL-259F	\$3.95
10	Bearing Spacer	AL-45521	\$3.95
11	Axle w/ Locknut	AL-1406	\$3.95

24" Rear Wheels (EX2 & SX5)			
Description	ALCO Part No.	Price Each	
Complete Wheel (bearing and handrim)	AL-2719MB	\$79.00	
Hub Cap, Black	AL-45558	\$2.95	
Axle w/ Locknut	AL-58542	\$4.95	
Replacement Tire	AL-50165	\$23.95	
Bearings	AL-267	\$3.95	
Handrim	AL-25014	\$34.95	

Brakes (EX2 & SX5)			
Description	ALCO Part No.	Price Each	
Push to Lock - Left	AL-45575	\$13.95	
Push to Lock - Right	AL-45574	\$13.95	
Tip	AL-45566	\$1.95	

Front Riggings (EX2 & SX5)			
Description	ALCO Part No.	Price Each	
Complete Legrest - Left	AL-420HL	\$69.50	
Complete Legrest - Right	AL-420HR	\$69.50	
Complete Set	AL-64414	\$119.00	
Complete Footrest - Left	AL-114B-L	\$39.95	
Complete Footrest - Right	AL-114B-R	\$39.95	
Complete Set	AL-64424	\$69.95	

Upholstery			
Description	ALCO Part No.	Price Each	
Seat (Specify Color)	AL-779	\$32.95	
Back (Specify Color)	AL-763	\$32.95	
Calfpads (Black Base) (Specify Color)	AL-422UBK	\$13.95	
Armpads - Desk length (Black Base) (Specify Color)	AL-145BK	\$11.95	
Armpads - Full length (Black Base) (Specify Color)	AL-135BK	\$11.95	



Arms (EX2 & SX5)			
Armrests Complete	ALCO Part No.	Price Each	
Desk Armrest Complete - Left (EX2)	AL-64653	\$74.95	
Desk Armrest Complete - Right (EX2)	AL-64654	\$74.95	
Full Armrest Complete - Left (EX2)	AL-64655	\$74.95	
Full Armrest Complete - Right (EX2)	AL-64656	\$74.95	
Desk Armrest Complete - Left (SX5)	AL-64610	\$74.95	
Desk Armrest Complete - Right (SX5)	AL-64611	\$74.95	
Full Armrest Complete - Left (SX5)	AL-64612	\$87.95	
Full Armrest Complete - Right (SX5)	AL-64613	\$87.95	

Clothing Guards (EX2 & SX5)			
Clothing Guards	ALCO Part No.	Price Each	
Clothing Guard, Desk Length, Left	AL-64645	\$22.95	
Clothing Guard, Desk Length, Right	AL-64646	\$22.95	
Clothing Guard, Full Length, Left	AL-64648	\$22.95	
Clothing Guard, Full Length, Right	AL-64649	\$22.95	

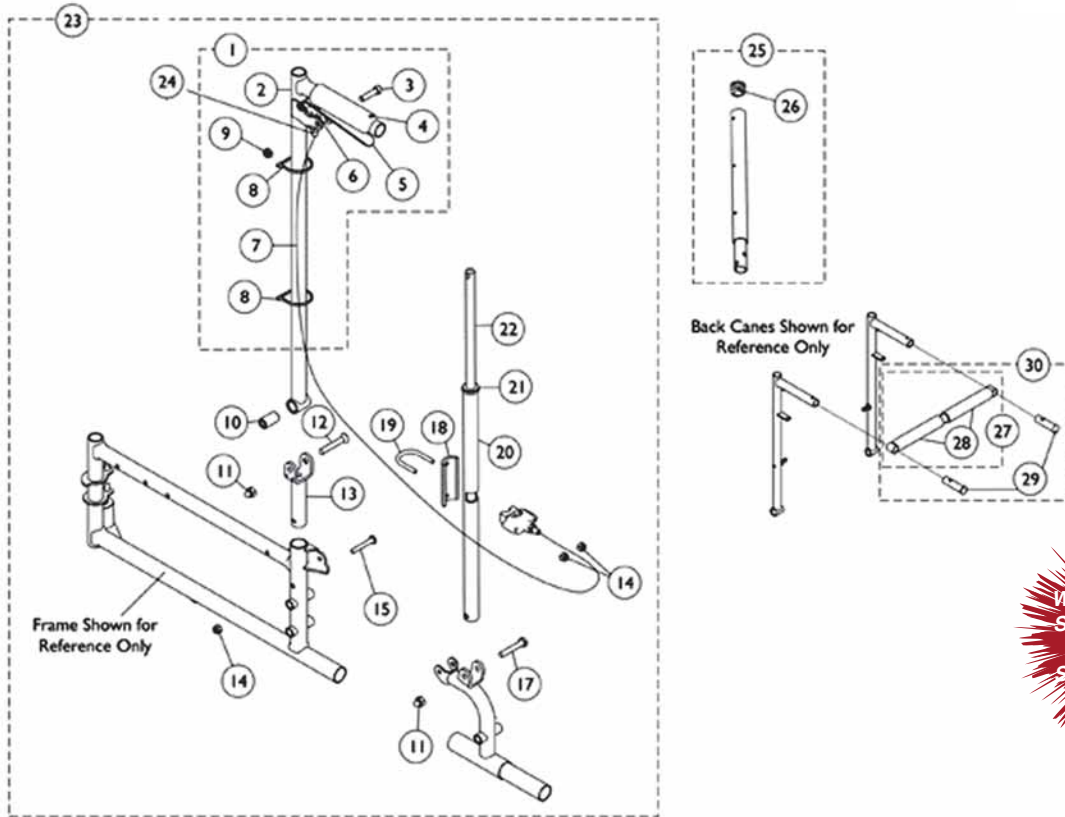
**When Ordering, Specify Left (L) or Right (R)—Sitting in Chair**



# SX5 Recliner by Invacare



**BUY 11 GET 1 FREE!**



**When Ordering, Specify Left (L) or Right (R) Sitting in Chair**

### Recliner Back (SX5 Recliner)

Item No.	Description	ALCO Part No.	Price Each	Item No.	Description	ALCO Part No.	Price Each
1	Chrome Rear Cane Tube Assembly, Left	AL-65262	\$54.95	24	Nut, Swivel	AL-65281	\$8.95
	Chrome Rear Cane Tube Assembly, Right	AL-65263	\$54.95	25	Tube, Headrest Extension with Plug Buttons	AL-65282	\$16.95
2	Back Tube, Chrome	AL-65264	\$19.95	26	Plug Button, Black (3/4")	AL-2295B	\$0.95
3	Screw, Socket Head Cap	AL-45828	\$6.95	27	Chrome Bar Spreader with Grips, 14"	AL-65283	Call
4	Grip, Foam, (Black) 5"	AL-65265	\$8.95		Chrome Bar Spreader with Grips, 16"	AL-65284	Call
5	Lever Brake Release, Black	AL-45827	\$8.95		Chrome Bar Spreader with Grips, 18"	AL-65285	Call
6	Spring Fastener Grip	AL-65266	\$7.95		Chrome Bar Spreader with Grips, 20"	AL-65286	Call
7	Housing with Cable Assembly	AL-65267	\$29.95		Chrome Bar Spreader with Grips, 22"	AL-65287	Call
8	Tie Wrap (5-5/8"L)	AL-45839	\$6.95	28	Grip, Foam (Black) 5" for 14" Wide Chairs	AL-65288	\$9.95
9,14	Locknut	AL-52837	\$7.95		Grip, Foam Tubular (Black) for 16"-22" Wide Chairs	AL-65289	\$11.95
10	Bushing, Pivot	AL-65268	\$7.95	29	Lock Handle	AL-65290	\$7.95
11	Nut, Cap	AL-65269	\$6.95	30	Chrome Bar Spreader with Locking Pins, 14"	AL-65291	Call
12	Screw Socket Flathead	AL-65270	\$6.95		Chrome Bar Spreader with Locking Pins, 16"	AL-65292	Call
13	U-Bracket, Chrome	AL-65271	\$10.95		Chrome Bar Spreader with Locking Pins, 18"	AL-65293	Call
15	Screw, Hex Head Cap	AL-65272	\$6.95		Chrome Bar Spreader with Locking Pins, 20"	AL-65294	Call
17	Screw, Hex Head Cap	AL-65275	\$8.95		Chrome Bar Spreader with Locking Pins, 22"	AL-65295	Call
18	Plate Support	AL-45840	\$6.95				
19	U-Bolt	AL-45841	\$6.95				
20	Locking Tube, Chrome	AL-65276	\$29.95				
21	Spacer Tube	AL-65277	\$7.95				
22	Locking Rod	AL-65278	\$23.95				
23	Recliner Back Assembly, Left*	AL-65279	Call				
	Recliner Back Assembly, Right*	AL-65280	Call				

\*Specify Model and/or Serial Number

### Conventional Fixed Height Arm Assembly (SX5 Recliner)

Description	ALCO Part No.	Price Each
Desk Armrest Complete, Left	AL-65296	\$64.95
Desk Armrest Complete, Right	AL-65297	\$64.95
Full Armrest Complete, Left	AL-65298	\$84.95
Full Armrest Complete, Right	AL-65299	\$84.95

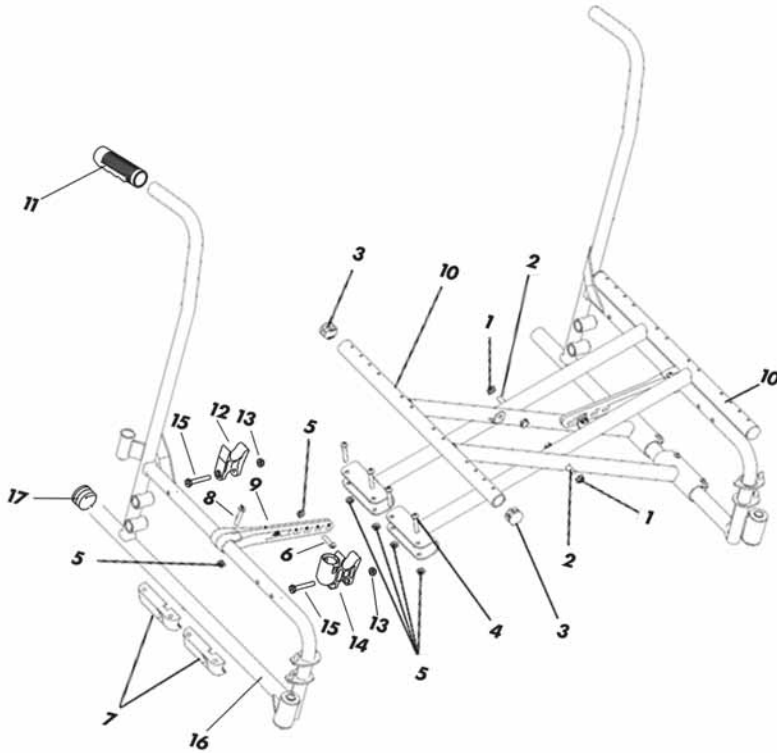


# Tracer IV (After 10/1/03) by Invacare

**BUY 11 GET 1 FREE!**



NOTE: For serial numbers beginning with 03J and later (03J, 03K, 03L, 04A, etc.)  
For serial numbers 03I and earlier (03I, 03H, 03G, etc.) please call.

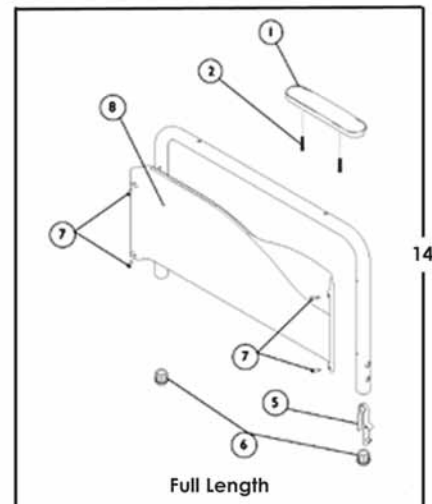
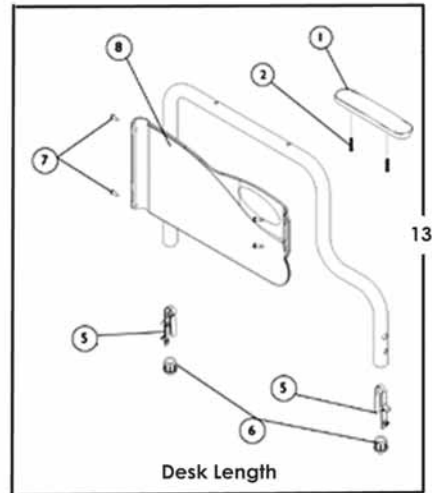


Crossbraces, Frame & Hardware			
Item No.	Description	ALCO Part No.	Price Each
1	Locknut	AL-2209	\$6.95
2	Screw, Hex Head Cap	AL-45874	\$6.95
3	Plug Button, Black (7/8")	AL-231B	\$0.95
4	Screw, Button Head Cap	AL-64622	\$8.95
5,13	Locknut	AL-53240	\$8.95
6	Screw, Socket Button Head	AL-64623	\$6.95
7	Clamp, Saddle	AL-64624	\$7.95
8	Screw, Button Head Socket	AL-64625	\$8.95
9	Link, Pivot (18-24"W), Black	AL-64626	\$8.95
10	Crossbrace, (18") Black	AL-64627	Call
	Crossbrace, (20") Black	AL-64628	Call
	Crossbrace, (22") Black	AL-64629	Call
	Crossbrace, (24") Black	AL-64630	Call
N/S	Hardware, X-Brace 18-24"	AL-64631	\$79.95
11	Hand Grip	AL-370B	\$1.95
12	H-Block	AL-64618	\$1.95
14	H Block w/ Socket Cup	AL-64617	\$1.95
15	Screw, Hex Head Cap	AL-64633	\$8.95
16	Frame Side, Left	AL-64634	Call
	Frame Side, Right	AL-64635	Call
17	Plug Button, 1	AL-58533B	\$0.95
N/S	Anti-Rattle	AL-64637	\$6.95
N/S	Hardware, Frame Side	AL-64638	\$48.95

### Conventional Fixed Height Armrest & Hardware

Item No.	Description	ALCO Part No.	Price Each
1	Armpad, Full Length	AL-135BK*	\$11.95
	Armpad, Desk Length	AL-145BK*	\$11.95
2	Package, Screw Phillips Head	AL-45504	\$0.39
5	Spring Button	AL-64642	\$7.95
6	Plug, Arm Tube 3/4	AL-64643	\$7.95
7	Screw, Self Tapping	AL-64644	\$7.95
8	Clothing Guard, Desk Length, Left	AL-64645	\$22.95
	Clothing Guard, Desk Length, Right	AL-64646	\$22.95
	Clothing Guard, Full Length, Left	AL-64648	\$22.95
	Clothing Guard, Full Length, Right	AL-64649	\$22.95
13	Armrest, Desk Length, Left (Includes Black Pad)	AL-64653	\$74.95
	Armrest, Desk Length, Right (Includes Black Pad)	AL-64654	\$74.95
14	Armrest, Full Length, Left (Includes Black Pad)	AL-64655	\$74.95
	Armrest, Full Length, Right (Includes Black Pad)	AL-64656	\$74.95

\*Specify color. See Page 40 for color choices.



EP1

**When Ordering, Specify Left (L) or Right (R)—Sitting in Chair**

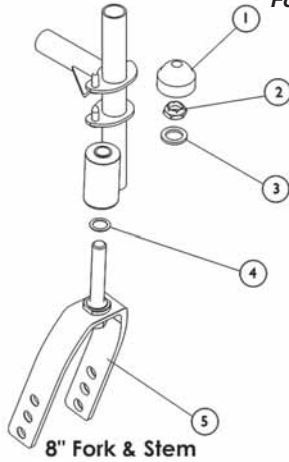


# Tracer IV (After 10/01/03) by Invacare



## BUY 11 GET 1 FREE!

NOTE: For serial numbers beginning with 03J and later (03J, 03K, 03L, 04A, etc.)  
For serial numbers 03I and earlier (03I, 03H, 03G, etc.) please call



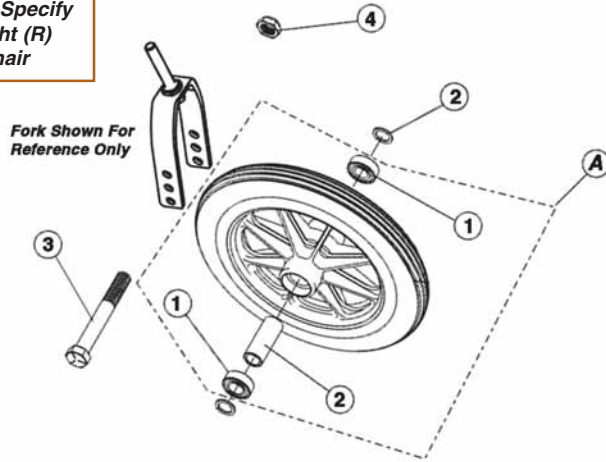
8" Fork & Stem

When Ordering, Specify  
Left (L) or Right (R)  
Sitting in Chair

Forks and Hardware			
Item No.	Description	ALCO Part No.	Price Each
1	Cap, Head Tube (Black)	AL-1740B	\$1.95
2	Locknut	AL-64657	\$7.95
3	Washer, Nylon	AL-65258	\$7.95
4	Washer, Steel	AL-64659	\$6.95
5	Fork & Stem, Aluminum, Black	AL-64660	\$59.95
	Bearing, Flange (1/2")	AL-263	\$3.95
	Hardware, Fork (Includes items 1-4)	AL-64662	\$8.95

Casters & Hardware			
Item No.	Description	ALCO Part No.	Price Each
A	Complete Composite Urethane Caster	AL-64679	\$40.95
1	Bearing	AL-2098	\$9.95
2	Hub Spacer	AL-50837	\$7.95
3	Front Axle	AL-1406	\$3.95
4	Locknut, Axle	AL-64680	\$1.95

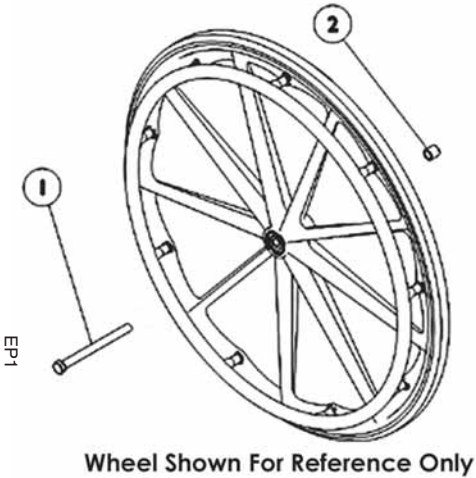
Fork Shown For Reference Only



**Tracer IV**

Fork and Caster

**Tracer IV**  
Aluminum, Black  
AL-72956 \$51.95



Wheel Shown For Reference Only

Rear Wheels & Hardware			
Item No.	Description	ALCO Part No.	Price Each
	Complete Composite Corded Urethane Rear Wheel	AL-2718MB	\$89.95
	Tire	AL-50156A	\$19.95
	Bearing	AL-2228	\$4.95
	Bearing Spacer	AL-64674	\$9.95
1	Axle	AL-2856	\$7.95
2	Spacer	AL-64675	\$8.95
N/S	Locknut	AL-64676	\$4.95
	Rear Wheel Hardware	AL-64677	\$12.95
	Handrim, Chrome	AL-25014	\$34.95
	Handrim Attaching Hardware Kit	AL-64678	\$29.95
	Hub Cap	AL-45558	\$2.95

Front Riggings		
Description	ALCO Part No.	Price Each
Complete Legrest, Left	AL-420HL*	\$69.50
Complete Legrest, Right	AL-420HR*	\$69.50
Complete (Pair)	AL-64414*	\$119.00 Pr.
Complete Footrest, Left	AL-114B-L	\$39.95
Complete Footrest, Right	AL-114B-R	\$39.95
Complete (Pair)	AL-64424	\$69.95 Pr.

Wheel Lock			
Item No.	Description	ALCO Part No.	Price Each
1	Wheel Lock, Push to Lock, Left	AL-64663	\$49.95
	Wheel Lock, Push to Lock, Right	AL-64664	\$49.95
	Wheel Lock, Pull to Lock, Left	AL-64665	\$49.95
	Wheel Lock, Pull To Lock, Right	AL-64666	\$49.95
2	Tip, Wheel Lock Handle	AL-64667	\$8.95
3	Nut, Hex Flanged	AL-64668	\$6.95
4	Bolt, Carriage	AL-64669	\$6.95
	Handle, Wheel Lock Extensions, 8"	AL-45585	\$9.95

Upholstery—Before 10/1/03		
Description	ALCO Part No.	Price Each
Seat – 20" Wide	AL-64830*	\$39.95
Seat – 22" Wide	AL-64831*	\$49.95
Seat – 24" Wide	AL-64832*	\$49.95
Back – 20" Wide	AL-765*	\$41.95
Back – 22" Wide	AL-766*	\$51.95
Back – 24" Wide	AL-767*	\$59.95
Calf Pads	AL-422UBK*	\$13.95
Armpads	AL-145BK*	\$11.95
Armpads	AL-135BK*	\$11.95

Upholstery—After 10/1/03		
Description	ALCO Part No.	Price Each
Seat – 20" Wide	AL-67411*	\$39.95
Seat – 22" Wide	AL-67412*	\$49.95
Seat – 24" Wide	AL-67413*	\$49.95

\*Specify color. See Page 40 for color choices.

\*Specify color. See Page 40 for color choices.

# 9000 Topaz by Invacare

**BUY 11 GET 1 FREE!**

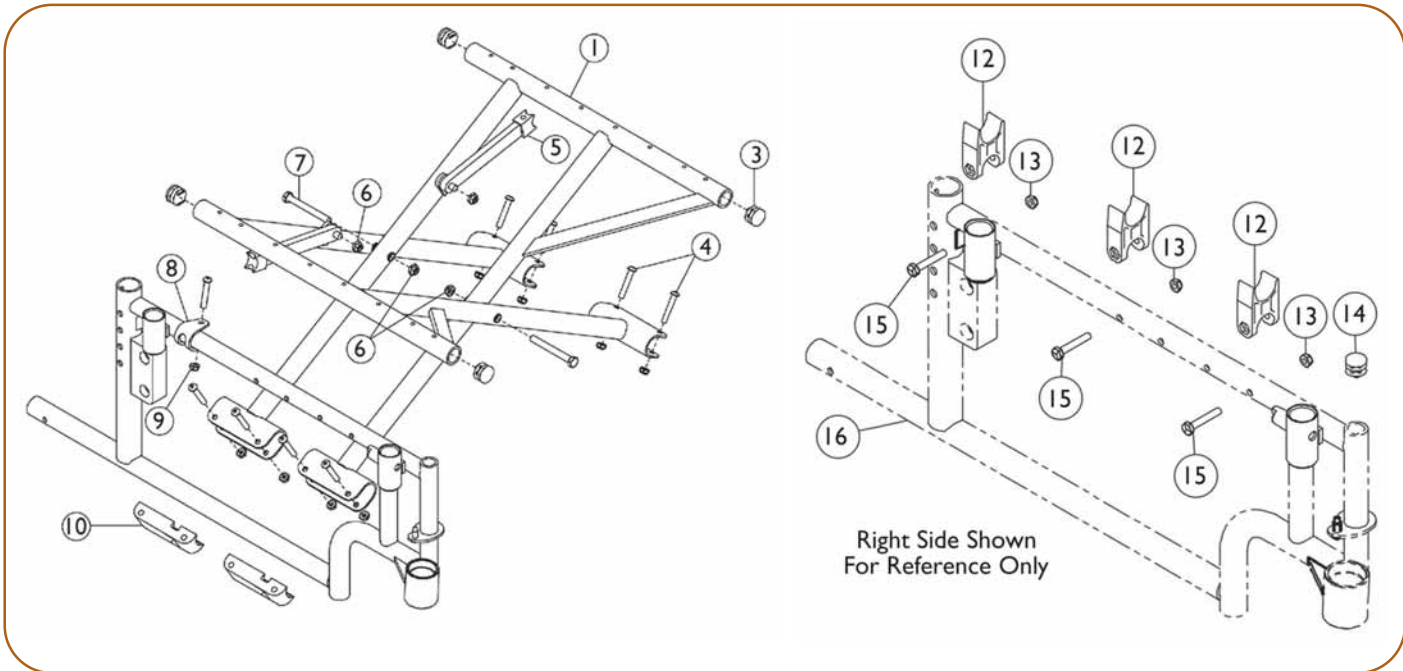


Fig.	Description	ALCO Part No.	Price Each
1	Crossbrace without Hardware, 20", Left (for 18" chair depth)	AL-64998	Call
	Crossbrace without Hardware, 20", Right (for 18" chair depth)	AL-64999	Call
	Crossbrace without Hardware, 22", Left (for 18" chair depth)	AL-65000	Call
	Crossbrace without Hardware, 22", Right (for 18" chair depth)	AL-65001	Call
	Crossbrace without Hardware, 24", Left (for 18" chair depth)	AL-65002	Call
	Crossbrace without Hardware, 24", Right (for 18" chair depth)	AL-65003	Call
	Crossbrace without Hardware, 26", Left (for 18" chair depth)	AL-65004	Call
	Crossbrace without Hardware, 26", Right (for 18" chair depth)	AL-65005	Call
	Crossbrace without Hardware, 28", Left (for 18" chair depth)	AL-65006	Call
	Crossbrace without Hardware, 28", Right (for 18" chair depth)	AL-65007	Call
	Crossbrace without Hardware, 30", Left (for 18" chair depth)	AL-65008	Call
Crossbrace without Hardware, 30", Right (for 18" chair depth)	AL-65009	Call	
3	Plug Button, Black (7/8")	AL-231B	\$0.95
4	Screw, Button Head Cap	AL-65010	\$8.95
5	Link (Black), 20" Wide	AL-65011	\$59.95
	Link (Black), 22" Wide	AL-65012	\$59.95
	Link (Black), 24" Wide	AL-65013	\$59.95
	Link (Black), 26" Wide	AL-65014	\$59.95
	Link (Black), 28" Wide	AL-65015	\$59.95
	Link (Black), 30" Wide	AL-65016	\$59.95
6	Locknut	AL-2209	\$6.95
7	Screw, Hex Head Cap	AL-45874	\$6.95
8	Bracket, Pivot, Black	AL-65017	\$7.95
9, 13	Locknut	AL-53240	\$7.95
10	Clamp, Saddle	AL-65018	\$7.95
12	H-Block	AL-64619	\$1.95
14	Plug Button, Black	AL-2295B	\$0.95
15	Screw, Hex Head Cap	AL-64633	\$8.95
16	Frame w/ Bearings, Rivet & Lock Handles, Left	AL-65020	Call
	Frame w/ Bearings, Rivet & Lock Handles, Right	AL-65021	Call
	Frame w/ Bearings, Rivet & Lock Handles, Left	AL-65022	Call
	Frame w/ Bearings, Rivet & Lock Handles, Right	AL-65023	Call

EP1

**When Ordering, Specify Left (L) or Right (R)—Sitting in Chair**



# 9000 Topaz by Invacare



**BUY 11 GET 1 FREE!**

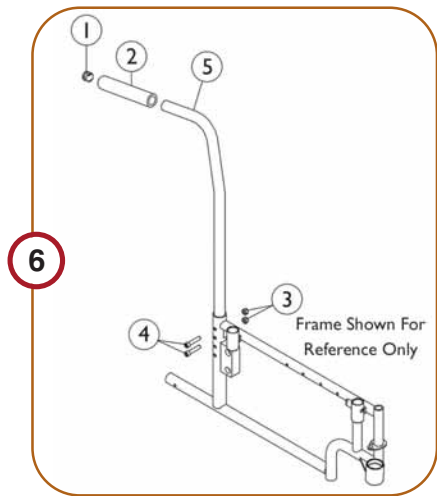
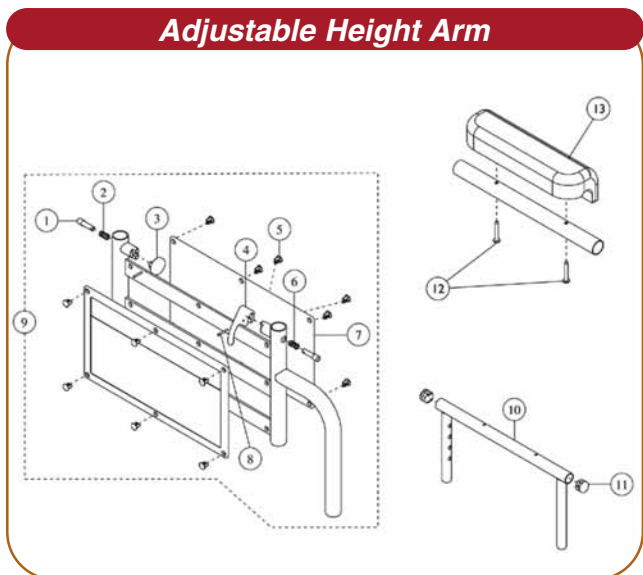
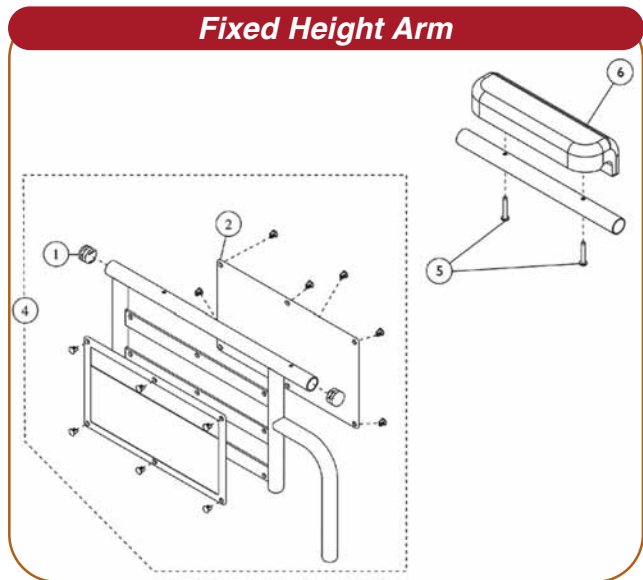


Fig.	Description	ALCO Part No.	Price Each
<b>Back Canes &amp; Hardware (9000 Topaz)</b>			
1	Plug Button, Black	AL-231B	\$0.95
2	Grip, Foam Tubular (Black)	AL-65025	\$15.95
3	Locknut	AL-65026	\$7.95
4	Screw, Socket Head Cap	AL-45828	\$6.95
5	Back Cane (Black)	AL-65027	Call
6	Hardware, Back Cane	AL-72382	\$39.95

Fig.	Description	ALCO Part No.	Price Each
<b>Fixed Height Arms (9000 Topaz)</b>			
1	Plug Button, Black	AL-231B	\$0.95
2	Guard, Clothing (2 per side)	AL-65028	\$27.95
4	Armrest Base Assembly, Full Length, Chrome <sup>1</sup> (specify left or right)	AL-65030	\$89.95
	Armrest Base Assembly, Full Length, Color <sup>1</sup> (specify left or right)	AL-65031	\$89.95
	Armrest Base Assembly, Desk Length, Chrome <sup>1</sup> (specify left or right)	AL-65032	\$89.95
	Armrest Base Assembly, Desk Length, Color <sup>1</sup> (specify left or right)	AL-65033	\$89.95
5	Hardware, Armpad (Pair)	AL-65034	\$7.95
6	Armpad, Desk Length, Urethane Waterfall w/ Screws, Black	AL-65038	\$33.95
	Armpad, Full Length, Urethane Waterfall w/ Screws, Black	AL-65039	\$33.95
<b>Adjustable Height Arms (9000 Topaz)</b>			
1	Locking Pin	AL-939	\$4.95
2	Spring	AL-65040	\$6.95
3	Lock, Handle Knob (After 10/21/00)	AL-65041	\$4.95
4	Kit, Lock Handle w/ Rivets	AL-65042	\$12.95
6	Pin Roll	AL-65044	\$32.95
7	Guard, Clothing (2 per side)	AL-65028	\$27.95
8	Rivet, Tubular	AL-65046	\$6.95
9	Armrest Base Assembly, Chrome, Left (Includes Items 1-8)	AL-65047	\$99.95
	Armrest Base Assembly, Chrome, Right (Includes Items 1-8)	AL-65048	\$99.95
	Armrest Base Assembly, Left <sup>1</sup> (Includes Items 1-8)	AL-65049	\$99.95
	Armrest Base Assembly, Right <sup>1</sup> (Includes Items 1-8)	AL-65050	\$99.95
10	Armrest, Adjustable Top w/ Plug Buttons (Chrome), Full Length	AL-65051	\$41.95
	Armrest, Adjustable Top w/ Plug Buttons (Chrome), Desk Length	AL-65052	\$41.95
	Armrest, Adjustable Top w/ Plug Buttons, Full Length <sup>1</sup>	AL-65053	\$42.95
	Armrest, Adjustable Top w/ Plug Buttons, Desk Length <sup>1</sup>	AL-65054	\$41.95
11	Plug Button, Black	AL-231B	\$0.95
12	Hardware, Armpad (Pair)	AL-65034	\$7.95
13	Armpad, Desk Length, Urethane Waterfall w/ Screws, Black	AL-65038	\$33.95
	Armpad, Full Length, Urethane Waterfall w/ Screws, Black	AL-65039	\$33.95



<sup>1</sup> Specify Frame Color: Silver Vein or Wet Black

**When Ordering, Specify Left (L) or Right (R)—Sitting in Chair**

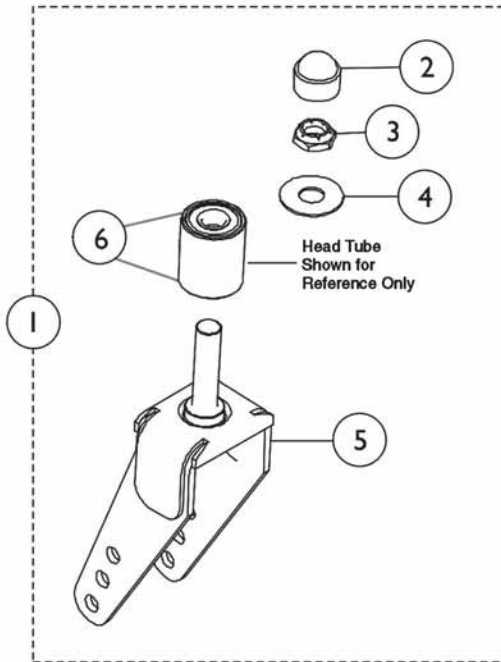


Fig.	Description	ALCO Part No.	Price Each
<b>Forks &amp; Hardware (9000 Topaz)</b>			
1	Fork Assembly, 6" (Includes Items 2-5)	<b>AL-65065</b>	<b>\$64.95</b>
	Fork Assembly, 8" (Includes Items 2-5)	<b>AL-65066</b>	<b>\$54.95</b>
2	Headtube Cap, Black	<b>AL-65067</b>	<b>\$7.95</b>
3	Locknut	<b>AL-64676</b>	<b>\$4.95</b>
4	Washer	<b>AL-65068</b>	<b>\$6.95</b>
5	Fork (Black Only), 6"	<b>AL-65069</b>	<b>\$42.95</b>
	Fork (Black Only), 8"	<b>AL-65070</b>	<b>\$42.95</b>
6	Bearing (5/8")	<b>AL-2228</b>	<b>\$4.95</b>

Fig.	Description	ALCO Part No.	Price Each
<b>Front Casters &amp; Hardware (9000 Topaz)</b>			
7	Wheel Assembly, Composite Semi-Pneumatic (8" x 1-3/4"), 1 Piece	<b>AL-45629</b>	<b>\$39.95</b>
8	Bearing	<b>AL-259F</b>	<b>\$3.95</b>
9	Bearing Spacer	<b>AL-50837</b>	<b>\$7.95</b>
10	Axle Washer	<b>AL-65071</b>	<b>\$8.95</b>
11	Front Axle with Locknut	<b>AL-1406</b>	<b>\$3.95</b>

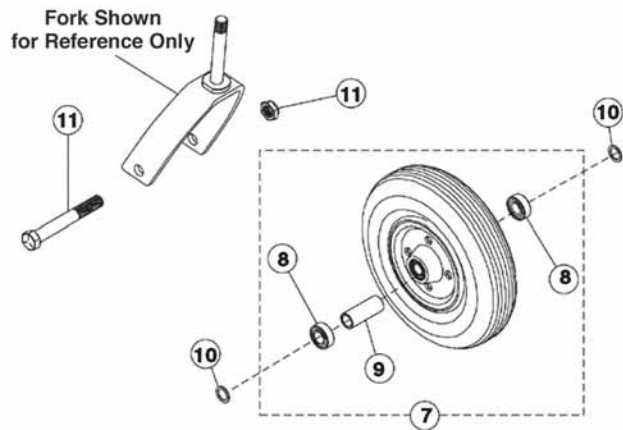
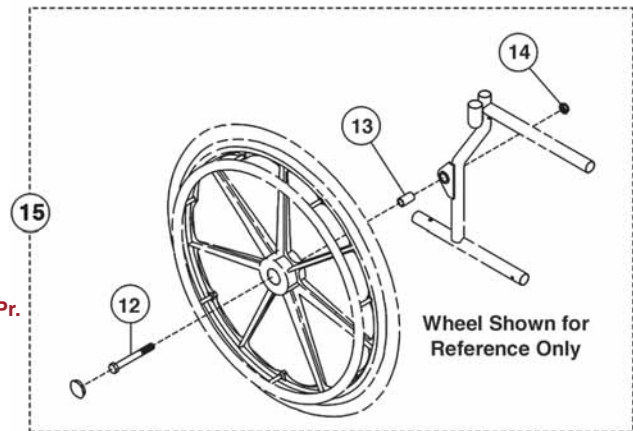


Fig.	Description	ALCO Part No.	Price Each
<b>Rear Wheel &amp; Hardware (9000 Topaz)</b>			
N/S	Hardware Kit, 24" Rear Wheel (Includes Items 2-4)	<b>AL-65072</b>	<b>\$12.95</b>
	Hardware, 20" Pneumatic Flat Free Tire (Includes Items 2-4)	<b>AL-65073</b>	<b>\$6.95</b>
12	Screw, Hex Head for 24" Wheel	<b>AL-65074</b>	<b>\$6.95</b>
	Bolt, Axle for 20" Wheel	<b>AL-65075</b>	<b>\$6.95</b>
13	Spacer	<b>AL-65076</b>	<b>\$7.95</b>
14	Locknut	<b>AL-65077</b>	<b>\$8.95</b>
15	Rear Wheel, Heavy Duty Spoke Solid Rubber (24") (Pair)	<b>AL-65453</b>	<b>\$319.95</b>
	Rear Wheel, Heavy Duty Composite Pneumatic w/ Flat Free Insert (20")	<b>AL-65454</b>	<b>\$239.95</b>
<b>Wheel Lock, Chrome Chairs (before 9/1/05)</b>			
16	Wheel Lock Assembly, Adult (Push To Lock), Left	<b>AL-45575</b>	<b>\$13.95</b>
	Wheel Lock Assembly, Adult (Push To Lock), Right	<b>AL-45574</b>	<b>\$13.95</b>
	Brake Tip	<b>AL-45566</b>	<b>\$1.95</b>
<b>Wheel Lock, Disk Style (between 8/15/03-8/31/05)</b>			
17	Wheel Lock, Push To Lock, Left	<b>AL-64663</b>	<b>\$49.95</b>
	Wheel Lock, Push To Lock, Right	<b>AL-64664</b>	<b>\$49.95</b>
	Brake Tip	<b>AL-64667</b>	<b>\$8.95</b>
<b>Wheel Lock, Clamp-On (after 9/1/05)</b>			
18	Wheel Lock, Push To Lock, Left	<b>AL-77655</b>	<b>\$49.95</b>
	Wheel Lock, Push To Lock, Right	<b>AL-77656</b>	<b>\$49.95</b>
	Brake Tip	<b>AL-45566</b>	<b>\$1.95</b>



AL-45574

AL-64663

AL-77655

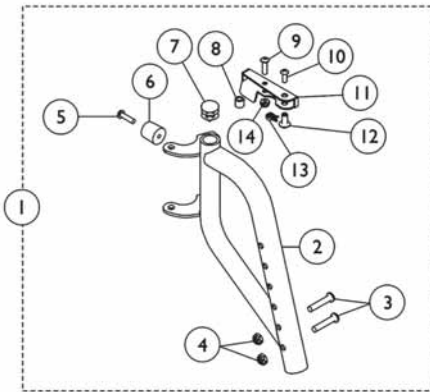
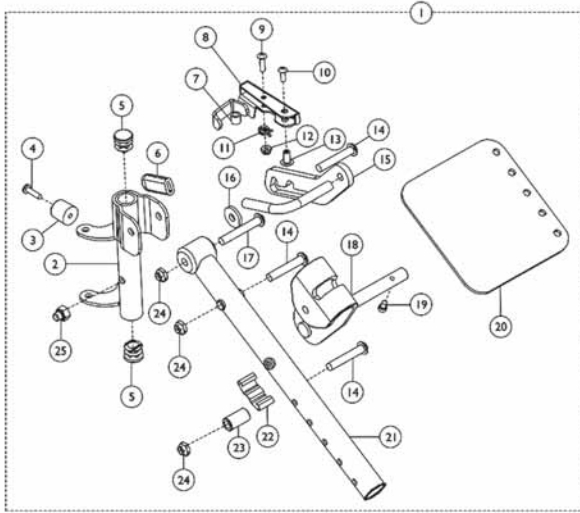




# 9000 Topaz by Invacare



**BUY 11 GET 1 FREE!**

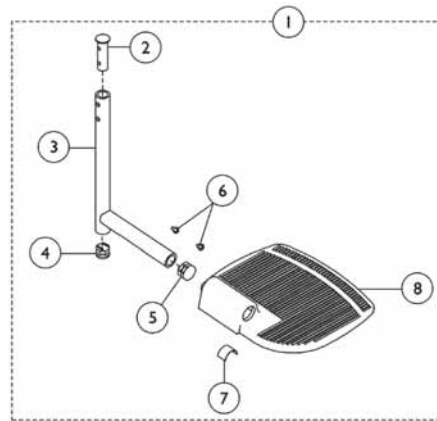


Footrest, Upper Support —TZ343A (9000 Topaz)			
Fig.	Description	ALCO Part No	Price Each
	Legrest Complete—Color Black	AL-58138-U67	\$209.00
	Legrest Complete—Color Blue	AL-58138-U550	\$209.00
1	Upper Support, Left (Includes Items 2-25)	AL-65081	\$189.95
	Upper Support, Right (Includes Items 2-25)	AL-65082	\$189.95
2	Support Bracket, Left	AL-65083	\$82.95
	Support Bracket, Right	AL-65084	\$82.95
3	Bumper	AL-58587	\$7.95
4	Screw, Phillips Pan Head Tap	AL-58588	\$6.95
5	Plug Button, Black (3/4")	AL-2295B	\$0.95
6	Tip, Black, Plastic	AL-373B	\$1.45
7	Bushing	AL-65086	\$6.95
8	Handle, Release, Left, Chrome	AL-65087	\$12.95
	Handle, Release, Right, Chrome	AL-65088	\$11.95
9	Screw, Phillips Pan Head	AL-65089	\$7.95
10	Screw, Phillips Head	AL-65090	\$7.95
11	Spring, Release, Left	AL-45692	\$7.95
	Spring, Release, Right	AL-45691	\$7.95
12	Locknut	AL-59860	\$7.95
13	Rivnut	AL-65091	\$7.95
14	Screw Truss Head	AL-65092	\$6.95
15	Lockplate, Left	AL-65093	\$28.95
	Lockplate, Right	AL-65094	\$28.95
16	Washer, Nylon	AL-65095	\$8.95
17	Screw Socket Button Head	AL-65096	\$7.95
18	Bracket, Calf Pad Mounting, Black	AL-65097	\$32.95
19	Screw Socket Button Head	AL-65098	\$7.95
20	Plate, Calf Pad Mounting	AL-65099	\$28.95
21	Elevating Support Tube, Left, Chrome	AL-65100	\$42.95
	Elevating Support Tube, Right, Chrome	AL-65101	\$42.95
22	Spring, Leaf	AL-976A	\$5.95
23	Bushing	AL-65102	\$6.95
24	Locknut	AL-2209	\$6.95
25	Nut, Cap	AL-65103	\$4.95
N/S	Calf Pad, Left or Right (specify color)	AL-422UBK	\$13.95
N/S	Calf Pad, Hardware	AL-65123	\$7.95

## Footrest, Upper Support —TZ33A (9000 Topaz)

Fig.	Description	ALCO Part No.	Price Each
	Footrest Complete (Silver Vein or Black)	AL-58137	\$99.00
1	Upper Support Assembly (Chrome), Left (Includes Items 2-14)	AL-65104	\$67.95
	Upper Support Assembly (Chrome), Right (Includes Items 2-14)	AL-65105	\$67.95
2	Footrest Support Tube (Chrome), Left	AL-65106	\$46.95
	Footrest Support Tube (Chrome), Right	AL-65107	\$46.95
3	Screw, Button Head Socket	AL-65108	\$7.95
4	Locknut	AL-53240	\$8.95
5	Screw Phillips Pan Head Tap	AL-58588	\$8.95
6	Bumper	AL-58587	\$7.95
7	Plug Button, Black (3/4")	AL-2295B	\$0.95
8	Bushing	AL-65086	\$6.95
9	Screw Phillips Pan Head for Chrome Frame Finishes	AL-65089	\$7.95
10	Screw Phillips Head for Chrome Frame Finishes	AL-65090	\$7.95
11	Handle, Release (Chrome), Left	AL-65110	\$6.95
	Handle, Release (Chrome), Right	AL-65111	\$8.95
	Handle, Release (Black), Left	AL-65112	\$10.95
	Handle, Release (Black), Right	AL-65113	\$10.95
12	Rivnut for Chrome Frame Finishes	AL-65091	\$7.95
13	Spring, Release (Chrome), Left	AL-45692	\$7.95
	Spring, Release (Chrome), Right	AL-45691	\$7.95
14	Locknut for Chrome Frame Finishes	AL-59860	\$7.95

Pr.



## Pivot Slide Tube w/Footplate —TZ33A & TZ34A (9000 Topaz)

Fig.	Description	ALCO Part No.	Price Each
1	Pivot Slide Tube w/ Footplate Assembly, Left (Chrome) (Includes Items 2-8)	AL-65114	\$109.95
	Pivot Slide Tube w/ Footplate Assembly, Right (Chrome) (Includes Items 2-8)	AL-65115	\$109.95
2	Insert, Support, Legrest	AL-65116	\$6.95
3	Pivot Slide Tube (Black Only)	AL-65117	\$25.95
	Pivot Slide Tube (Chrome)	AL-65118	\$25.95
4	Plug Button, Black (3/4")	AL-2295B	\$0.95
5	Plug Button, Black (7/8")	AL-231B	\$0.95
6	Screw, Phillips Pan Head	AL-2196	\$6.95
7	Spring, Leaf	AL-65119	\$10.95
8	Footplate Extra Large, Left, Aluminum	AL-65120	\$59.95
	Footplate Extra Large, Right, Aluminum	AL-65121	\$59.95

EP-1

**When Ordering, Specify Left (L) or Right (R)—Sitting in Chair**

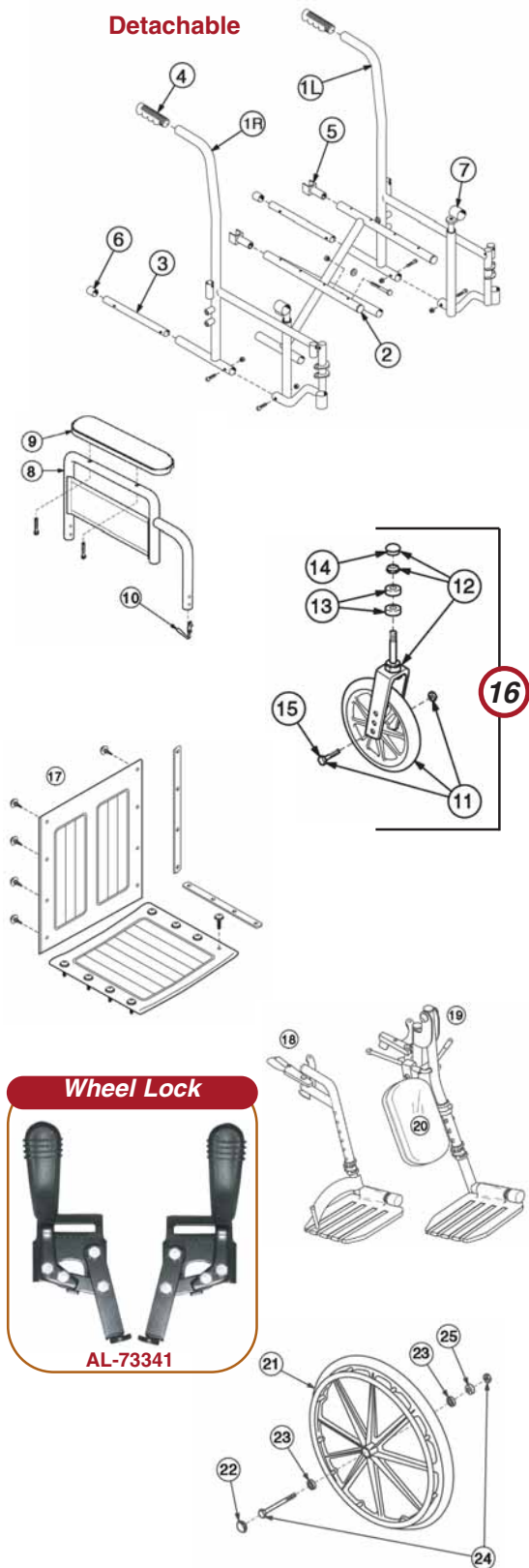


Fig	Description	ALCO Part No.	Price Each	
<b>Sideframe</b>				
1R	Sideframe, Fixed Arm, Right	AL-73312	CALL	
1L	Sideframe, Fixed Arm, Left	AL-73313	CALL	
1R	Sideframe, Detach. Arm, Right	AL-73317	CALL	
1L	Sideframe, Detach. Arm, Left	AL-73318	CALL	
2	16"W Crossbrace, (Pair)	AL-73314	CALL	Pr.
	18"W Crossbrace, (Pair)	AL-73315	CALL	Pr.
	20"W Crossbrace, (Pair)	AL-73319	CALL	Pr.
3	Bottom Inner Rail Kit	AL-73316	\$9.95	
4	Grip, Black	AL-370B	\$1.95	
5	Seat Rail Guide, Black	AL-184B	\$1.95	
6	Tipping Sleeve	AL-1741B	\$1.95	
7	Seat Slide (Pack of 2)	AL-73320	\$19.95	Pk/2
<b>Arm, Detachable</b>				
8	Desk Length Fixed, No Armpad, (Pair)	AL-73321	\$49.95	Pr.
	Full Length Fixed, No Armpad, (Pair)	AL-73322	\$49.95	Pr.
9	Armpad, Desk Length	AL-145BK-A3	\$5.95	
	Armpad, Full Length	AL-135BK-A3	\$5.95	
10	Spring Lock	AL-610	\$4.95	
<b>Caster</b>				
11	Caster Wheel, Axle & Nut (8"x1")	AL-73323	\$19.95	
12	Caster Fork, Stem Nut & Dust Cap	AL-73324	\$19.95	
13	Caster Stem Bearing	AL-252	\$4.95	
14	Caster Dust Cap	AL-70120	\$4.95	
15	Caster Axle & Nut	AL-2237	\$2.95	
16	Complete Caster (fork & wheel) 8"x1" rubber tire	AL-73325	\$39.95	
<b>Upholstery</b>				
17	16"W Back Upholstery, Black	AL-73326	\$39.95	
17	18"W Back Upholstery, Black	AL-73327	\$39.95	
17	20"W Back Upholstery, Black	AL-73328	\$39.95	
17	16"W x 16"D Seat Upholstery, Black	AL-73329	\$39.95	
17	18"W x 16"D Seat Upholstery, Black	AL-73330	\$39.95	
17	20"W x 16"D Seat Upholstery, Black	AL-73331	\$39.95	
<b>Front Rigging, Detachable</b>				
18	Footrest, (Pair)	AL-73332	\$59.95	Pr.
19	Elevating Legrest, (Pair)	AL-73333	\$89.95	Pr.
20	Calf Pad, Black	AL-422UBK-A3	\$13.95	
<b>Rear Wheel</b>				
21	Rear Wheel w/Handrim, 24" x 1" Rubber Tire	AL-73334	\$59.95	
22	Hub Cap (Pack of 10)	AL-73335	\$9.95	Pk/10
23	Wheel Bearing	AL-59705A	\$7.95	
24	Rear Axle & Nut for Fixed-Arm Sideframe	AL-73336	\$19.95	
	Rear Axle & Nut for Detach-Arm Sideframe	AL-73337	\$19.95	
25	Spacer (Pack of 10)	AL-73338	\$9.95	Pk/10
<b>Accessories for Traveler® SE</b>				
N/S	Wheel Lock for Fixed-Arm, Push to Lock, (Pair)	AL-73339	\$19.95	Pr.
	Wheel Lock for Fixed-Arm, Pull to Lock, (Pair)	AL-73340	\$19.95	Pr.
	Wheel Lock for Detach. Arm, Push to Lock, (Pair)	AL-73341	\$19.95	Pr.
	Wheel Lock for Detach. Arm, Pull to Lock, (Pair)	AL-73342	\$19.95	Pr.
	Rubber Tip, Wheel Lock (Pack of 10)	AL-73343	\$9.95	Pk/10

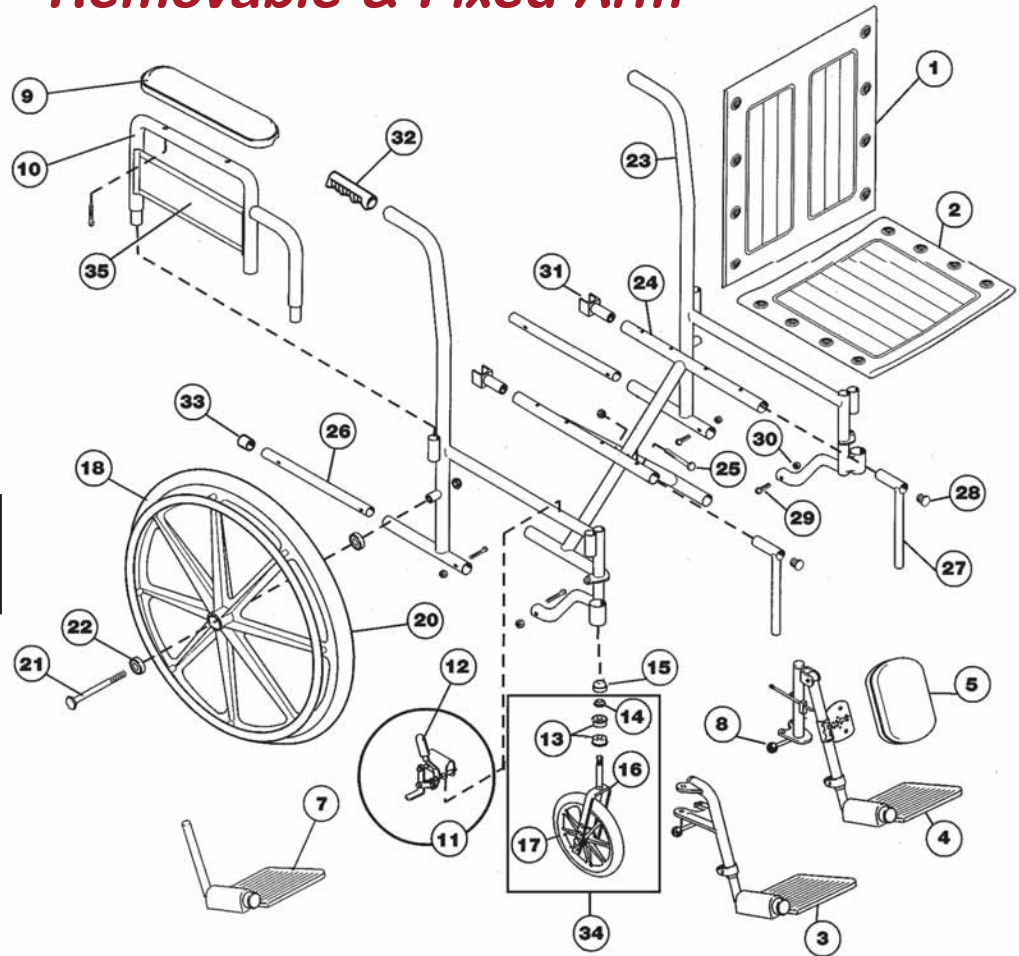
EP1





# E&J Vista Wheelchair— Removable & Fixed Arm

Everest & Jennings®



Note: Frames and crossbars require serial number and/or model number to reorder.

When Ordering, Specify Left (L) or Right (R) Sitting in Chair

Fig.	Description	ALCO Part No.	Price Each
1	Standard Back, 16"W	AL-792*	\$32.95
	Standard Back, 18"W	AL-794*	\$32.95
2	Standard Seat, 16"W	AL-825*	\$32.95
	Standard Seat, 18"W	AL-827*	\$32.95
3	Footrest Assembly, RT	AL-104R	\$34.95
	Footrest Assembly, LF	AL-104L	\$34.95
	Footrest Assembly (Pair)	AL-64426	\$59.00
	Footrest Assy w/Heel Loop (Pair)	AL-58073	\$89.95
4	Legrest Assembly, RT	AL-408SR*	\$59.00
	Legrest Assembly, LF	AL-408SL*	\$59.00
	Legrest Assembly (Pair)	AL-64417*	\$114.95
5	Legrest Panel - Black Base	AL-422UBK*	\$13.95
	Release, Left	AL-461L	\$5.95
8	Release, Right	AL-461R	\$5.95
	Full Length, Black Base	AL-135BK*	\$11.95
9	Desk Length, Black Base	AL-145BK*	\$11.95
	Full Length, Plastic Grey (GY) or Black (BK)	AL-131	\$6.95
	Desk Length, Plastic Grey (GY) or Black (BK)	AL-141	\$6.95
	Detach Fixed Height Arm Assy		
10	Desk Length, RT	AL-980R*	\$39.95
	Desk Length, LF	AL-980L*	\$39.95
	Full Length, RT	AL-978R*	\$39.95
	Full Length, LT	AL-978L*	\$39.95
11	Wheel Lock, Push to Lock RT	AL-347R	\$12.95
	Wheel Lock, Push to Lock LF	AL-347L	\$12.95
12	Rubber Tip, Wheel Lock	AL-376B	\$1.45
13	Caster Stem Bearing	AL-261	\$2.99
14	Nut, 1/2"	AL-1374	\$0.95
	Caster Stem Cap, Black	AL-247B	\$1.95
15	Caster Stem Cap, Grey	AL-247	\$1.95
	Fork, Chrome, 8" Casters Only	AL-2279	\$16.95
16	Fork, Black, 8" Casters Only	AL-2279B	\$19.95
	Caster Wheels 8" x1", Solid (Std) Black	AL-305MB	\$16.95
17	Caster Wheels 8" x1", Solid (Std) Grey	AL-305M	\$16.95

Pr.  
Pr.

Fig.	Description	ALCO Part No.	Price Each
18	Wheel Blk (Intregal Handrim)	AL-58655	\$99.00
20	Tire (snap on) Flat Base 24"	AL-50156A	\$19.95
21	Axle 7/16" x 5-1/4" w/Locknut	AL-689	\$2.95
22	Bearing for 24" wheel	AL-264	\$3.95
22	Bearing 5/8 for Integral Handrim	AL-59705	\$9.95
22	Bearing 7/16 for Integral Handrim	AL-59705A	\$7.95
NS	Hub Cap for 24" wheels, Grey	AL-241	\$2.95
	Hub Cap for 24" wheels, Black	AL-241B	\$2.95
23	Sideframe, Fixed Arm, RT	AL-58487	Call
	Sideframe, Fixed Arm, LF	AL-58488	Call
	Sideframe, Detachable Arm, RT	AL-58489	Call
	Sideframe, Detachable Arm, LF	AL-58490	Call
	Sideframe, Fixed-Fixed, RT	AL-58491	Call
	Sideframe, Fixed-Fixed, LF	AL-58492	Call
24	Crossbrace, RT, 16"	AL-58493	Call
	Crossbrace, RT, 18"	AL-58494	Call
	Crossbrace, LF, 16"	AL-58495	Call
	Crossbrace, LF, 18"	AL-58496	Call
25	Crossbrace Bolt w/Nut	AL-45910	\$4.95
26	Bottom Inner Rail Kit**	AL-45911	\$28.95
27	Slide 16" W & 18" W (VISTA) (Pair)	AL-49966	\$20.95
	Slide 16" W & 18" W (VISTA II) (Pair)	AL-75389	\$20.95
	Slide 16" W & 18" W (VISTA IC) (Pair)	AL-75390	\$20.95
28	Plug	AL-231B	\$0.95
31	SeatRail Guide, Fixed Arm, White	AL-182	\$1.95
	SeatRail Guide, Fixed Arm, Black	AL-182B	\$1.95
	SeatRail Guide, Detachable Arm, White	AL-184	\$1.95
31	SeatRail Guide, Detachable Arm, Black	AL-184B	\$1.95
	Grip, Black	AL-370B	\$1.95
32	Grip, Grey	AL-370	\$1.95
33	Sleeve, Black	AL-1741B	\$1.95
	Sleeve, Grey	AL-1741	\$1.95
34	Complete 8" Grey Caster Assembly	AL-126M	\$34.95
	Complete 8" Black Caster Assembly	AL-126MB	\$34.95
35	Arm Panel, Fixed Arm	AL-152	\$16.95
	Arm Panel, Detachable Full Arm	AL-158	\$16.95
	Arm Panel Detachable Desk Arm	AL-155	\$16.95

Pr.  
Pr.

\*Specify color. See Page 40 for color choices.

\*\*Includes Inner Rail (2), Screw and Nut (4 ea) and Self-Lube Sleeve (2)



**BUY 11 GET 1 FREE!**

Note: Frames and crossbars require serial number and/or model number to reorder.

Right or Left Position Assumes You're Sitting In The Chair

See Page 40 for Upholstery Colors

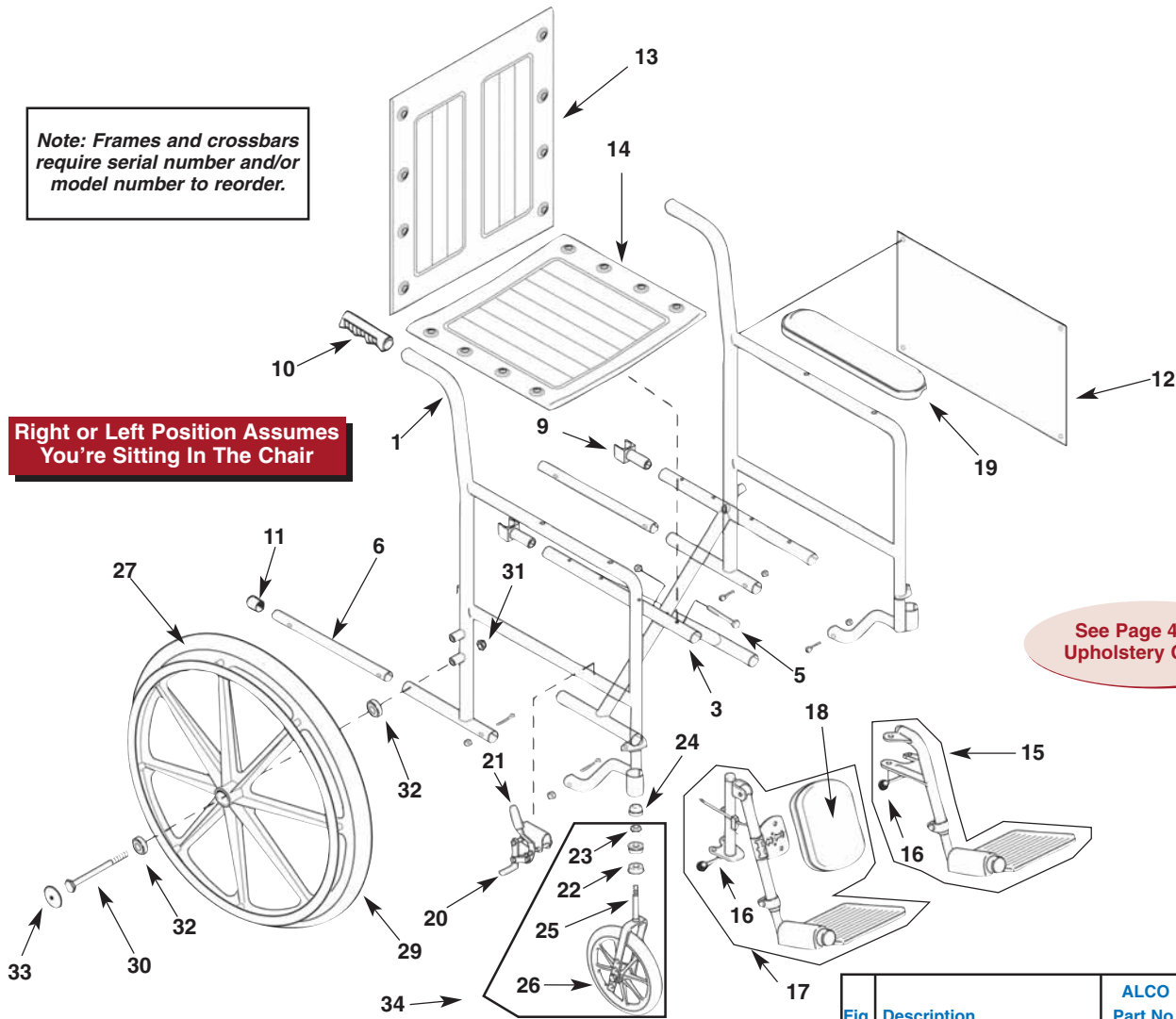


Fig	Description	ALCO Part No.	Price Each
1	Sideframe, 16" & 18"W (Pair)	AL-65980	Call
3	Crossbrace, 16"W (Pair)	AL-65981	Call
3	Crossbrace, 18"W (Pair)	AL-65982	Call
3	Crossbrace, 20"W (Pair)	AL-65983	Call
5	Crossbrace Bolt	AL-44910E	\$0.90
5	Locknut	AL-2278	\$0.90
6	Bottom Inner Rail Kit**	AL-45911	\$28.95
9	Seat Rail Guide, White	AL-182	\$1.95
9	Seat Rail Guide, Black	AL-182B	\$1.95
11	Sleeve, Black	AL-1741B	\$1.95
11	Sleeve, Grey	AL-1741	\$1.95
10	Grip, Black	AL-370B	\$1.95
10	Grip, Grey	AL-370	\$1.95
12	Side Panel, Fixed Arm	AL-152	\$16.95
13	Narrow Back 16"W	AL-792*	\$32.95
13	Standard Back 18"W	AL-794*	\$32.95
13	Wide Back 20"W	AL-795*	\$41.95
13	Wide Back 22"W	AL-796*	\$51.95

Fig	Description	ALCO Part No.	Price Each
14	Narrow Seat 16"W	AL-825*	\$22.95
14	Standard Seat 18"W	AL-827*	\$22.95
14	Wide Seat 20"W	AL-828*	\$30.95
14	Wide Seat 22"W	AL-829*	\$34.95
15	Footrest Assembly, RT	AL-104R	\$34.95
15	Footrest Assembly, LF	AL-104L	\$34.95
15	Footrest Assy w/Heel Loop (Pair)	AL-64426	\$59.00
16	Release Assembly, Left	AL-461L	\$5.95
16	Release Assembly, Right	AL-461R	\$5.95
17	Legrest Assembly, RT	AL-408SR*	\$59.00
17	Legrest Assembly, LF	AL-408SL*	\$59.00
17	Legrest Assembly, (Pair)	AL-64417*	\$114.95
18	Legrest Panel, Black Base	AL-422UBK*	\$13.95
19	Ampad, Uph., Full Length with Black Base	AL-135BK*	\$11.95
20	Wheel Lock, Push to Lock	AL-349R	\$12.95
20	Fixed Arm, RT	AL-349R	\$12.95
20	Fixed Arm, LF	AL-349L	\$12.95

Fig	Description	ALCO Part No.	Price Each
21	Rubber Tip, Wheel Lock Grey	AL-380	\$1.95
22	Caster Stem Bearing	AL-261	\$2.99
22	Caster Stem Bearing New Style, No Flange	AL-252	\$4.95
23	Nut, 1/2"	AL-1374	\$0.95
24	Caster Stem Cap, Black	AL-247B	\$1.95
24	Caster Stem Cap, Grey	AL-247	\$1.95
24	Caster Stem Cap, New Style, fits inside tube	AL-70120	\$4.95
25	Fork, Chrome, 8" Casters Only	AL-2279	\$16.95
25	Fork, Black, 8" Casters Only	AL-2279B	\$19.95
26	Caster Wheels 8" x 1", Solid (Std) Black Hub	AL-305MB	\$16.95
26	Grey Hub	AL-305M	\$16.95
27	Wheel Blk (integral handrim)	AL-58655	\$99.00
29	Tire (snap on) Flat Base 24"	AL-50156A	\$19.95
30	Axle with Locknut	AL-686	\$2.95
32	Bearing for 24" wheel, 7/16"	AL-264	\$3.95
32	Bearing 5/8" for Integral Rim	AL-59705	\$9.95
32	Bearing 7/16" for Integral Rim	AL-59705A	\$7.95
33	Hub Cap for 24" wheel, Grey	AL-241	\$2.95
33	Hub Cap for 24" wheel, Blk	AL-241B	\$2.95
34	8" Grey, Caster Assy Comp.	AL-126M	\$34.95
34	8" Black, Caster Assy Comp.	AL-126MB	\$34.95

\*Specify color. See Page 40 for color choices.

\*\*Includes inner rail (2), screw and nut (4) and self-lube sleeves (2)

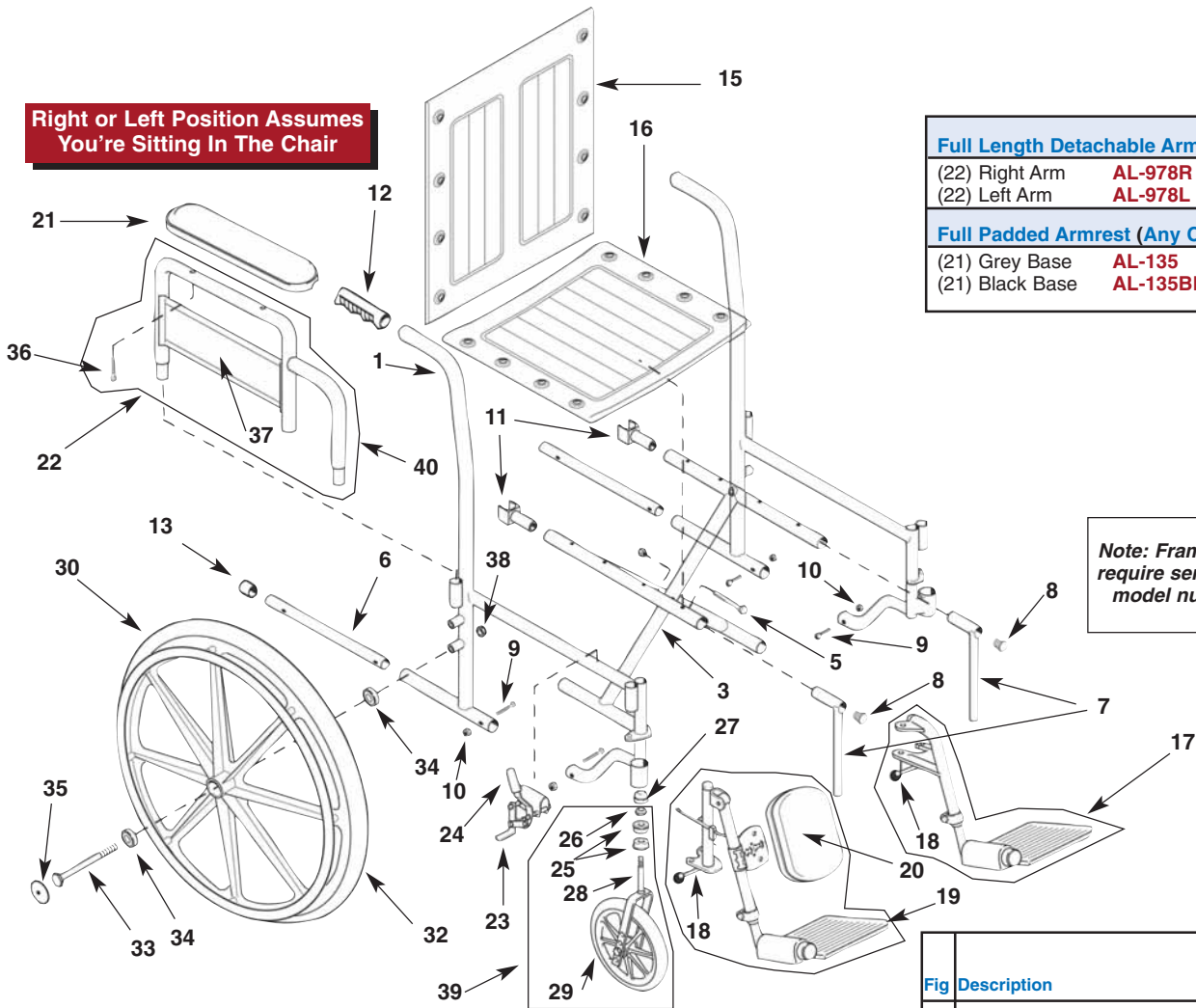


# E&J New Traveler—Removable Arm

**BUY 11 GET 1 FREE!**

Everest & Jennings®

Right or Left Position Assumes You're Sitting In The Chair



Full Length Detachable Arm		
(22) Right Arm	AL-978R	\$39.95
(22) Left Arm	AL-978L	\$39.95
Full Padded Armrest (Any Color)		
(21) Grey Base	AL-135	\$5.95
(21) Black Base	AL-135BK	\$5.95

Note: Frames and crossbars require serial number and/or model number to reorder.

Fig	Description	ALCO Part No.	Price Each
1	Sideframe, 16" & 18"W (Pair)	AL-65984	Call
	Crossbrace, 16"W (Pair)	AL-65981	Call
3	Crossbrace, 18"W (Pair)	AL-65982	Call
	Crossbrace, 20"W (Pair)	AL-65983	Call
5	Crossbrace Bolt w/Nut	AL-45910	\$4.95
6	Bottom Inner Rail Kit**	AL-45911	\$28.95
7	Slide 16"W & 18"W (Pair)	AL-49966	\$20.95
	Slide 20"W, 22"W & 24"W (Telescoping) (Pair)	AL-49967	\$17.00
8	Plug	AL-231B	\$0.95
9	Screw	AL-1070	\$0.95
10	Nut	AL-1071	\$0.95
	Seat Rail Guide, White	AL-184	\$1.95
	Seat Rail Guide, Black	AL-184B	\$1.95
12	Grip, Black	AL-370B	\$1.95
	Grip, Grey	AL-370	\$1.95
13	Sleeve, Black	AL-1741B	\$1.95
	Sleeve, Grey	AL-1741	\$1.95
	Narrow Back 16"W	AL-792*	\$32.95
	Standard Back 18"W	AL-794*	\$32.95
	Wide Back 20"W	AL-795*	\$41.95
15	Wide Back 22"W	AL-796*	\$51.95
	Narrow Seat 16"W	AL-825*	\$32.95
	Standard Seat 18"W	AL-827*	\$32.95
	Wide Seat 20"W	AL-828*	\$40.95
	Wide Seat 22"W	AL-829*	\$51.95

Fig	Description	ALCO Part No.	Price Each
	Footrest Assembly, RT	AL-104R	\$34.95
	Footrest Assembly, LF	AL-104L	\$34.95
17	Footrest Assembly (Pair)	AL-64426	\$59.00
	Footrest Assy w/Heel Loop, (Pair)	AL-58073	\$89.95
18	Release Assembly, Left	AL-461L	\$5.95
	Release Assembly, Right	AL-461R	\$5.95
19	Legrest Assembly, RT	AL-408SR*	\$59.00
	Legrest Assembly, LF	AL-408SL*	\$59.00
	Legrest Assembly (Pair)	AL-64417*	\$114.95
20	Legrest Panel, Black Base	AL-422UBK*	\$13.95
	Armpad, Upholstery		
21	Full Length, Black Base	AL-135BK*	\$11.95
	Desk Length, Black Base	AL-145BK*	\$11.95
	Detach Fixed Height Arm Assembly		
22	Desk Length, RT	AL-980R*	\$39.95
	Desk Length, LF	AL-980L*	\$39.95
	Full Length, RT	AL-978R*	\$39.95
	Full Length, LF	AL-978L*	\$39.95
	Wheel Lock, Push to Lock RT	AL-347R	\$12.95
23	Wheel Lock, Push to Lock LF	AL-347L	\$12.95

Fig	Description	ALCO Part No.	Price Each
24	Rubber Tip, Wheel Lock	AL-380	\$1.95
	Caster Stem Bearing	AL-261	\$2.99
25	Caster Stem Bearing, New Style, No Flange	AL-70723	\$5.95
26	Nut, 1/2"	AL-1374	\$0.95
	Caster Stem Cap, Black	AL-247B	\$1.95
27	Caster Stem Cap, Grey	AL-247	\$1.95
	Caster Stem Cap, New Style fits inside tube	AL-70120	\$4.95
	Fork, Chrome, 8" Casters Only	AL-2279	\$16.95
28	Fork, Black, 8" Casters Only	AL-2279B	\$19.95
	Caster Wheels 8" x1", Solid (Std) Black	AL-305MB	\$16.95
29	Grey	AL-305M	\$16.95
	Wheel Blk (integral handrim)	AL-58655	\$99.00
32	Tire (snap on) Flat Base 24"	AL-50156A	\$19.95
33	Axle w/Locknut	AL-689	\$2.95
	Bearing for 24" wheel	AL-264	\$3.95
34	Bearing 5/8 for Integral Rim	AL-59705	\$9.95
	Bearing 7/16 for Integral Rim	AL-59705A	\$7.95
35	Hub Cap for 24" wheels, Grey	AL-241	\$2.95
	Hub Cap for 24" wheels, Black	AL-241B	\$2.95
36	Padded Arm Screw	AL-45504	\$0.39
	Side Panel Det. Desk Length	AL-155	\$16.95
37	Side Panel Det. Full Length	AL-158	\$16.95
38	Nut 7/16	AL-1400	\$0.90
39	8" Grey Caster Assy Complete	AL-126M	\$34.95
	8" Black Caster Assy Complete	AL-126MB	\$34.95
40	Spring Lock	AL-45728	\$3.95

\*Specify color. See Page 40 for color choices.

\*\*Includes inner rail (2), screw and nut (4) and self-lube sleeves (2)

# E&J Traveler XD—Removable Arm

Everest & Jennings®

**BUY 11 GET 1 FREE!**

**BUY 11  
Get One  
FREE**

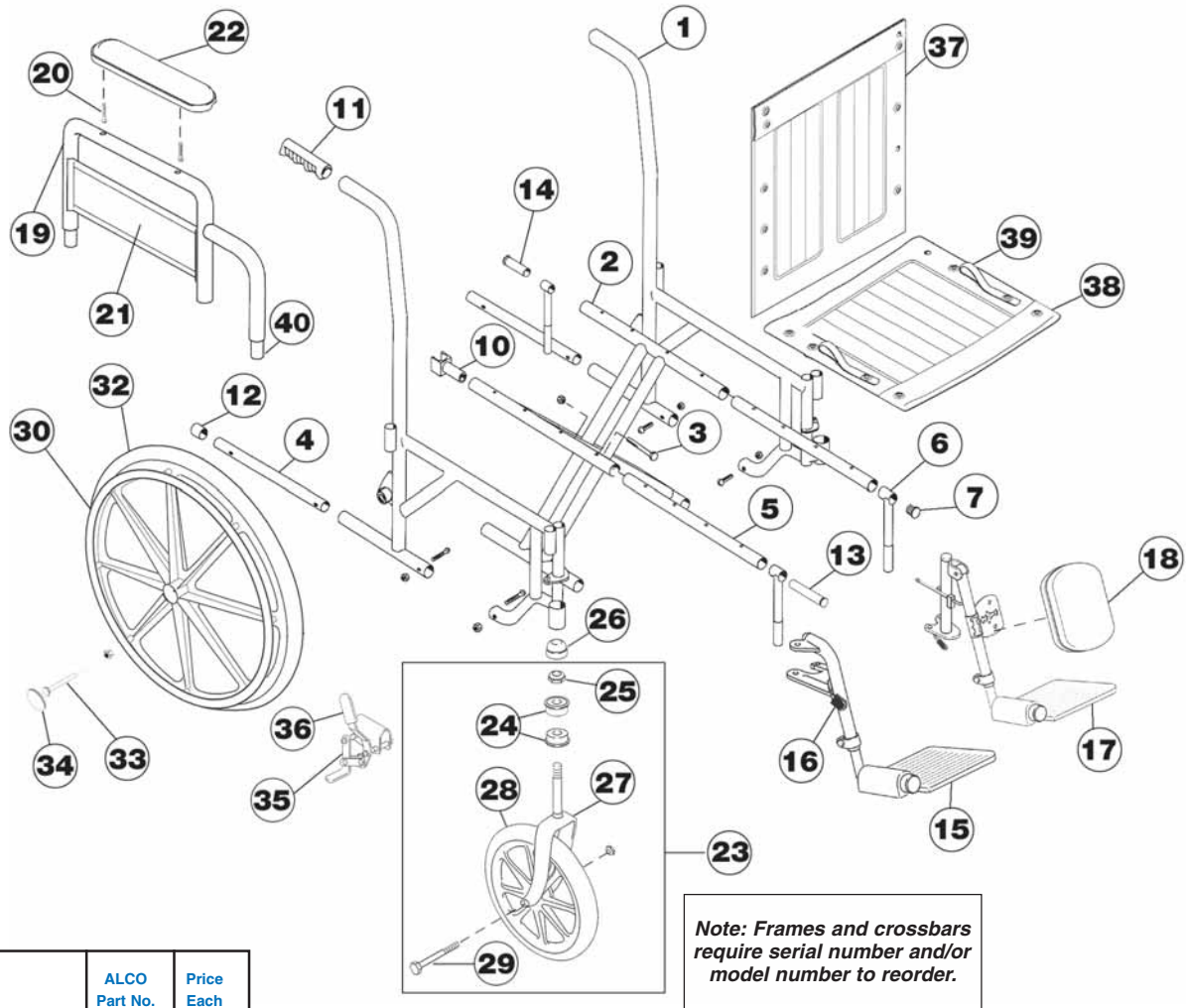


Fig.	Description	ALCO Part No.	Price Each
1	Sideframe, 24" Wide (Pair)	AL-65986	Call
	Crossbrace, 20" Wide (Pair)	AL-65987	Call
2	Crossbrace, 22" Wide (Pair)	AL-65988	Call
	Crossbrace, 24" Wide (Pair)	AL-65989	Call
3	Crossbrace Bolt w/Nut	AL-45910	\$4.95
4	Bottom Inner Rail Kit*	AL-45911	\$28.95
5	Front Inner Top Rail, 20"W & 22"W**	AL-45918	\$23.95
6	Slide, Telescoping 20, 22, and 24"W** (Pair)	AL-49967	\$17.00
7	Plug (Grey)	AL-231	\$0.95
	Plug (Black)	AL-231B	\$0.95
10	Seat Rail Guide, 20"W & 22"W	AL-184B	\$1.95
11	Grip, Black	AL-370B	\$1.95
12	Sleeve	AL-1741B	\$1.95
13	Front Inner Top Rail, 24"W** (Pair)	AL-58485	\$23.95
14	Rear Inner Top Rail, 24"W** (Pair)	AL-58486	\$23.95
15	Footrest Assembly, RT	AL-104R	\$34.95
	Footrest Assembly, LF	AL-104L	\$34.95
	Footrest Assembly (Pair)	AL-64426	\$59.00
	Footrest Assy w/Heel Loop (Pair)	AL-58073	\$89.95
16	Release Assembly Left (includes hardware kit)	AL-461L	\$5.95
	Release Assembly Right (includes hardware kit)	AL-461R	\$5.95

Fig.	Description	ALCO Part No.	Price Each
17	Legrest Assembly, RT	AL-408SR	\$59.00
	Legrest Assembly, LF	AL-408SL	\$59.00
	Legrest Assembly (Pair)	AL-64417	\$114.95
18	Legrest Panel, Black Base	AL-422UBK	\$13.95
	Detach Fixed Height Arm Assy		
19	Desk Length, RT	AL-980R	\$39.95
	Desk Length, LF	AL-980L	\$39.95
	Full Length, RT	AL-978R	\$39.95
	Full Length, LF	AL-978L	\$39.95
20	Padded Arm Screw	AL-45504	\$0.39
21	Side Panel Det. Desk Length	AL-155	\$16.95
	Side Panel Det. Full Length	AL-158	\$16.95
	Armpad, Upholstery		
22	Full Length, Black Base	AL-135BK	\$11.95
	Desk Length, Black Base	AL-145BK	\$11.95
23	Complete Assembly (Grey)	AL-126M	\$34.95
	Complete Assembly (Black)	AL-126MB	\$34.95
24	Caster Stem Bearing	AL-261	\$2.99
	Caster Stem Bearing, New Style, No Flange	AL-252	\$4.95
25	Nut, 1/2-20	AL-1374	\$0.95
	Caster Stem Dust Cap, Black	AL-247B	\$1.95
26	Caster Stem Dust Cap, New Style, fits inside tube	AL-70120	\$4.95

Fig.	Description	ALCO Part No.	Price Each
27	Steel Fork	AL-2279	\$16.95
	Steel Fork, Black	AL-2279B	\$19.95
28	Caster Wheels 8" x 1", Solid Black	AL-305MB	\$16.95
29	Axle with Locknut	AL-2237	\$2.95
30	Wheel BLK (Integral Handrim)	AL-58655	\$99.00
32	Tire (snap on) Flat Base 24"	AL-50156A	\$19.95
33	Axle 5/8" x 5"	AL-696	\$5.95
N/S	Bearing for 24" wheel	AL-264	\$3.95
N/S	Bearing 5/8 for Integral Handrim	AL-59705	\$9.95
N/S	Bearing 7/16 for Integral Handrim	AL-59705A	\$7.95
34	Hub Cap for 24" wheels Black	AL-241B	\$2.95
35	Wheel Lock, Push to Lock RT	AL-347R	\$12.95
	Wheel Lock, Push to Lock LF	AL-347L	\$12.95
36	Rubber Tip, Wheel Lock, Black	AL-376B	\$1.45
	20"W Back Upholstery	AL-54812	\$62.95
	22"W Back Upholstery	AL-54813	\$72.95
	24"W Back Upholstery	AL-54814	\$72.95
	20"W Seat Upholstery	AL-54816	\$62.95
38	22"W Seat Upholstery	AL-54817	\$72.95
	24"W Seat Upholstery (6-Hole)	AL-54818	\$72.95
39	Carrying Strap (specify color)	AL-2883	\$5.95
40	Spring Lock	AL-45728	\$6.95

\*Includes Inner Rail (2), Screw and Nut (4 ea) and Self-Lube Sleeve (2)

\*\*Sold in pairs (includes plug fig #7)

**When Ordering, Specify Left (L) or Right (R)—Sitting in Chair**



# Traveler® HD

Everest & Jennings®

**BUY 11 GET 1 FREE!**

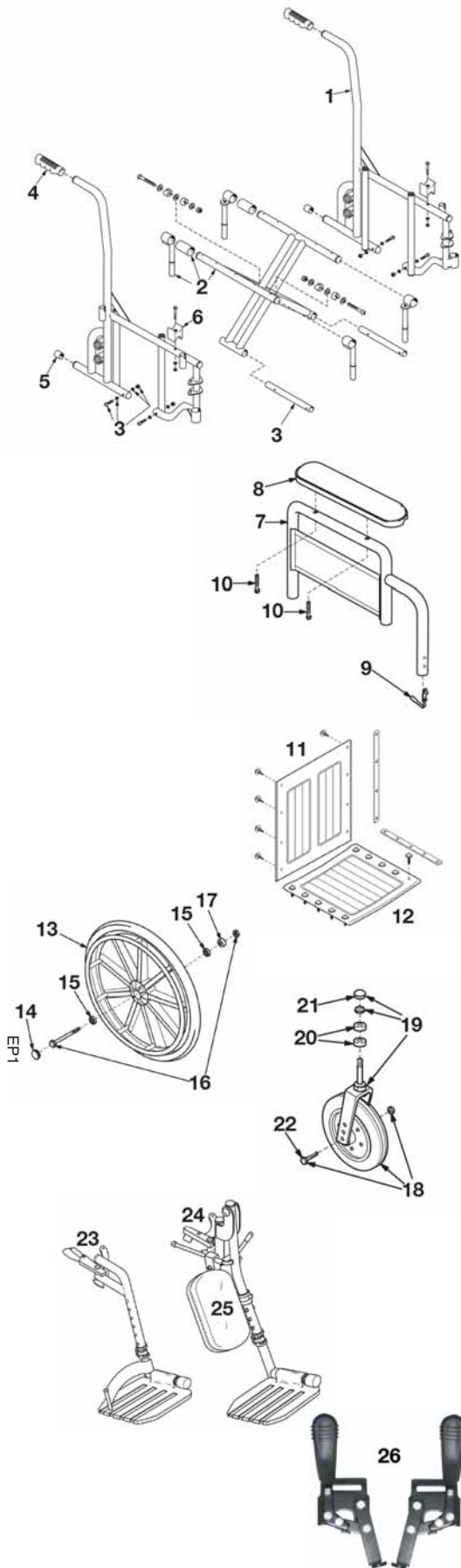


Fig	Description	ALCO Part No.	Price Each
<b>Sideframe &amp; Crossbrace</b>			
1	Sideframe, Right	AL-73344	Call
	Sideframe, Left	AL-73345	Call
2	20"W Crossbrace, (Pair) (Includes slides, center bolt and nut)	AL-73346	Call
	22"W Crossbrace, (Pair) (Includes slides, center bolt and nut)	AL-73347	Call
	24"W Crossbrace, (Pair) (Includes slides, center bolt and nut)	AL-73348	Call
3	Bottom Inner Rail Kit (Includes bottom inner rail (Pair) screw & nut (4 ) and sleeve (Pair)	AL-73349	\$9.95
4	Grip	AL-370B	\$1.95
5	Tipping Sleeve	AL-1741B	\$1.95
6	Seat Rail Cradle, Screw, Washer and Nut (Pair)	AL-73350	\$9.95
<b>Detach, Fixed Height Arm Assembly</b>			
7	Desk Length, RT	AL-980R	\$39.95
	Desk Length, LF	AL-980L	\$39.95
	Full Length, RT	AL-978R	\$39.95
	Full Length, LF	AL-978L	\$39.95
	Side Panel, Det. Desk Length	AL-155	\$16.95
	Side Panel, Det. Full Length	AL-158	\$16.95
<b>Armpad, Upholstery</b>			
8	Full Length, Black Base	AL-135BK	\$11.95
	Desk Length, Black Base	AL-145BK	\$11.95
9	Spring Lock	AL-610	\$4.95
10	Padded Arm Screw	AL-45504	\$0.39
<b>Upholstery</b>			
11	20"W Black Back Upholstery w/ chart holder	AL-73351	\$39.95
	22"W Black Back Upholstery w/ chart holder	AL-73352	\$39.95
	24"W Black Back Upholstery w/ chart holder	AL-73353	\$39.95
12	20"W x 18"D Black Seat Upholstery	AL-73354	\$39.95
	22"W x 18"D Black Seat Upholstery	AL-73355	\$39.95
	24"W x 18"D Black Seat Upholstery	AL-73356	\$39.95
<b>Rear Wheel</b>			
13	Rear Wheel w/ Handrim, 24" x 1", Poly Tire (Includes hub cap & bearing)	AL-73357	\$59.95
14	Hub Cap	AL-241B	\$2.95
15	Wheel Bearing	AL-59705	\$9.95
16	Rear Axle & Nut	AL-696	\$5.95
17	Spacer (Pack of10)	AL-73358	\$9.95
<b>Caster</b>			
18	Caster Wheel, Axle & Nut, 8" x 2"	AL-73359	\$29.95
19	Caster Fork	AL-73324	\$19.95
20	Caster Stem Bearing	AL-252	\$4.95
21	Caster Dust Cap	AL-70120	\$4.95
22	Caster Axle & Nut	AL-2237	\$2.95
	Complete Caster (includes figures 1, 2 and 5)	AL-73360	\$35.95
23	Footrest, All Widths (Pair)	AL-77735	\$59.00
24	Elevating Legrest, All Widths (Pair)	AL-77736	\$89.00
25	Calf Pad, Black	AL-422UBK-A3	\$13.95
<b>Accessories</b>			
26	Wheel Lock, Detach., Pair, Includes Rubber Tips; Push to Lock	AL-73341	\$19.95
	Wheel Lock, Detach., Pair, Includes Rubber Tips; Pull to Lock	AL-73342	\$19.95
	Rubber Tips, Wheel Lock (Pack of10)	AL-73343	\$9.95

Pr.

Pr.

Pr.

Pr.

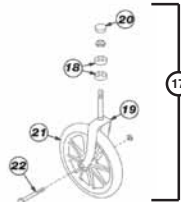
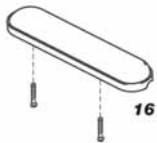
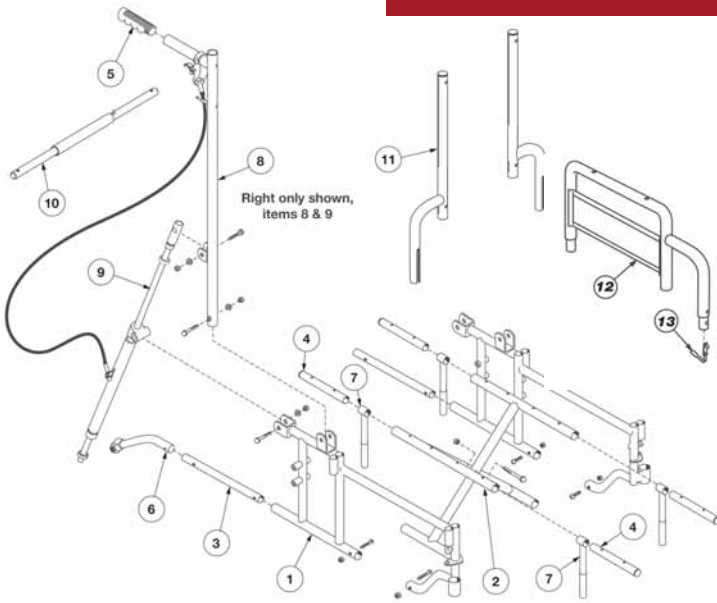
Pr.

Pk/10

Pr.

Pr.

Pk/10



Color	Desk Length	Full Length
BLUE	AL-145BK-A4 \$5.95	AL-135BK-A4 \$5.95
BLACK	AL-145BK-A3 \$5.95	AL-135BK-A3 \$5.95
BURGUNDY	AL-145BK-A25 \$11.95	AL-135BK-A25 \$11.95

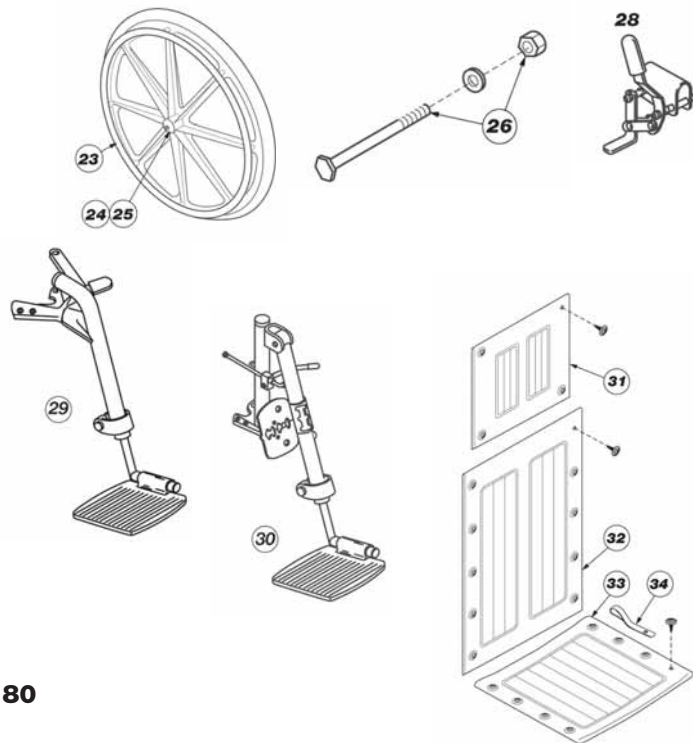


Fig	Description	ALCO Part No.	Price Each	
1	Sideframe (Pair)	AL-68380	Call	Pr
2	Crossbrace -16" W (Pair)	AL-68381	Call	Pr
	Crossbrace -18" W (Pair)	AL-68382	Call	Pr
	Crossbrace -20" W (Pair)	AL-68383	Call	Pr
3	Bottom inner rail kit (includes inner rail (2) screw and nut (4) and sleeve (2))	AL-45911	\$28.95	
4	Inner seat rail with plug (Pair)	AL-68384	\$21.95	Pr
5	Grip	AL-370B	\$1.95	
6	Anti-tipper (Pair)	AL-629	\$49.95	Pr
7	Seat slide kit 16" and 18" W Front	AL-49966	\$20.95	
	Seat slide kit 16" and 18" W Rear	AL-68385	\$20.95	
	Seat slide kit 20" W (Pair) 2 pairs required per chair	AL-49967	\$17.00	Pr
8	Backpost with shaft and trigger (Pair) includes mounting hardware	AL-2520	\$144.00	Pr
9	Mech-lock (Pair) includes mounting hardware	AL-65369	\$199.95	Pr
10	Spreader bar - 18" W	AL-464	\$19.95	
	Spreader bar - 20" W	AL-2546	\$19.95	
11	Headrest post (Pair)	AL-68921	\$39.95	Pr
12	Left Arm Removable, Desk length	AL-980L	\$39.95	
	Right Arm Removable, Desk length	AL-980R	\$39.95	
	Left Arm Removable, Full length	AL-978L	\$39.95	
	Right Arm Removable, Full length	AL-978R	\$39.95	
13	Spring lock	AL-45728	\$6.95	
15	Spring lock, upper, Pack of 10	AL-68386	\$18.95	PK
17	Caster, complete, 8" x 1" tire	AL-45926	\$46.95	
18	Caster stem bearing with flange	AL-252	\$4.95	
18	Caster stem bearing without flange	AL-261	\$2.99	
19	Caster fork, steel, with stem nut	AL-68742	\$19.95	
20	Dust cap, new style	AL-70120	\$4.95	
20	Dust cap, old style	AL-247B	\$1.95	
21	8" x 1" solid caster wheel	AL-66153	\$16.95	
22	Axle bolt and nut	AL-2237	\$2.95	
23	24" x 1" wheel w/7/16" bearing	AL-58655	\$99.00	
23	24" x 1" wheel w/5/8" bed ring	AL-58656	\$99.00	
24	Hubcap for 1" tire wheel, black	AL-241B	\$2.95	
25	Bearing for 1" tire wheel	AL-59705A	\$7.95	
26	Axle and nut for 1" tire wheel (pack of 10)	AL-68388	\$10.95	PK
28	Push to lock wheel lock, left	AL-347L	\$12.95	
	Push to lock wheel lock, right	AL-347R	\$12.95	
28	Rubber tip, wheel lock	AL-380	\$1.95	
	Footrest Left	AL-104L	\$34.95	
29	Footrest Right	AL-104R	\$34.95	
30	Elevating legrest, Left	AL-408SL	\$59.00	
	Elevating legrest, Right	AL-408SR	\$59.00	
	Elevating legrest, (Pair)	AL-64417	\$114.95	Pr
30	Legrest Panel BLUE	AL-422UBK-A4	\$13.95	
	Legrest Panel BLACK	AL-422UBK-A3	\$13.95	
	Legrest Panel BURGUNDY	AL-422UBK-A25	\$13.95	
31	Headrest Upholstery BLUE	AL-68390BL	\$35.95	
	Headrest Upholstery BLACK	AL-68390BK	\$35.95	
	Headrest Upholstery BURGUNDY	AL-68390BG	\$35.95	
32	Back Upholstery BLUE	AL-812-A4	\$49.95	
	Back Upholstery BLACK	AL-812-A3	\$49.95	
	Back Upholstery BURGUNDY	AL-812-A25	\$49.95	
33	Seat Upholstery BLUE	AL-827-A4	\$32.95	
	Seat Upholstery BLACK	AL-827-A3	\$22.95	
33	Seat Upholstery BURGUNDY	AL-827-A25	\$32.95	
34	Handle Upholstery BLUE	AL-2883-A4	Call	
	Handle Upholstery BLACK	AL-2883-A3	Call	
34	Handle Upholstery BURGUNDY	AL-2883-A25	Call	





# Paramount™

## BUY 11 GET 1 FREE!

Everest & Jennings®

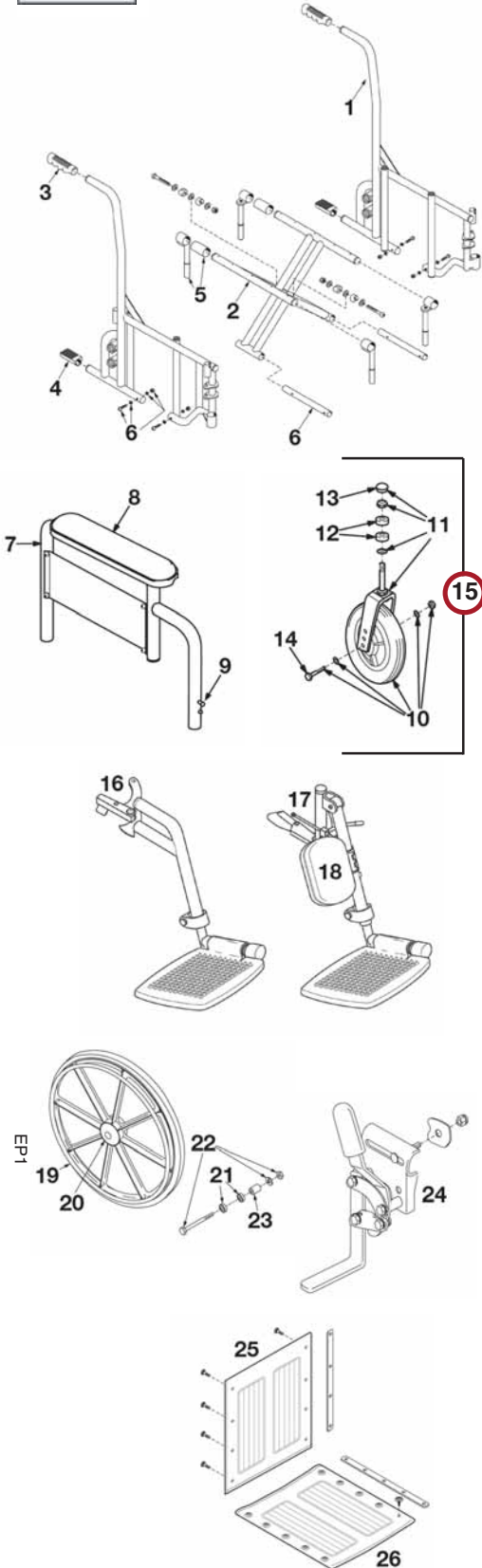
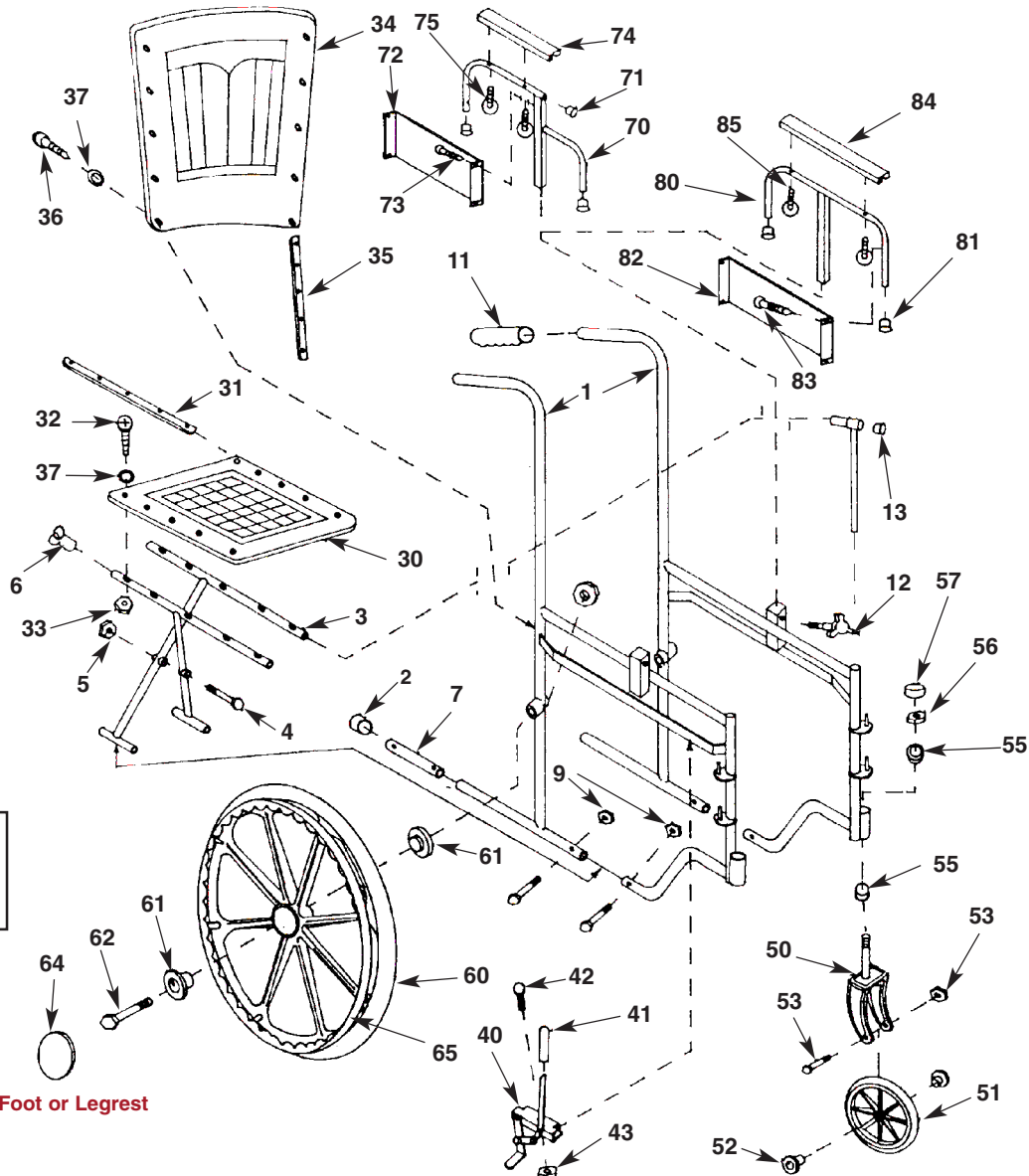


Fig	Description	ALCO Part No.	Price Each
1	<b>Sideframe &amp; Crossbrace</b> Sideframe, Right	AL-73290	Call
	Sideframe, Left	AL-73291	Call
2	Crossbrace, 22"W x 18"D - (Pair) plugs & crossbrace assembly hardware	AL-73292	Call
	Crossbrace, 24"W x 18"D - (Pair) Includes plugs & crossbrace assembly hardware	AL-73293	Call
3	Black Handle Grip, 7/8"	AL-370B	\$1.95
4	Tipping Sleeve	AL-1742B	\$1.95
5	Slide (includes 2 slides w/bushings & 2 spacers) 22"W	AL-73294	\$39.95
	Slide (includes 2 slides w/bushings & 2 spacers) 24"W	AL-73295	\$39.95
6	Inner bottom rail (includes 2 rails w/mounting hardware)	AL-73296	\$29.95
7	<b>Arm</b> Arm, Detachable Fixed Height Desk-Length - (Pair) (Includes left & right arm w/side panel, spring lock and black leatherette Armpad)	AL-73297	\$49.95
	8	Armpad, Desk-Length	AL-145BK-A3
9	Spring Lock	AL-610	\$4.95
10	<b>Caster</b> Caster wheel, axle and nut (includes washers and axle bearings)	AL-73298	\$39.95
	Caster fork, stem nut, dust cap and washer	AL-73299	\$29.95
	Caster stem bring	AL-252	\$4.95
	Caster dust cap (Pack of 10)	AL-73300	\$19.95
	Caster axle and nut (Pack of 10)	AL-73301	\$19.95
	15	Caster, complete (fork and wheel); includes black steel fork and black plastic wheel with 8" x 1-3/4" semi-pneumatic tire	AL-73302
16	<b>Footrest</b> Footrest, swingaway and detachable - (Pair)	AL-73303	\$59.95
	17	<b>Elevating Legrest</b> Elevating legrest, swingaway and detachable - (Pair)	AL-73304
18		Calf Pad, Black	AL-422UBK-A3
19	Replacement elevating legrest footplate with extension - (Pair)	AL-73305	\$19.95
	19	<b>Rear Wheel</b> 24" black composite, with 1" black solid rubber tire and chrome handrim (includes hub cap & wheel brings)	AL-70080
20		Hub cap	AL-70121
21	Wheel bearing	AL-70089	\$7.95
22	Axle, nut and washer	AL-696	\$5.95
23	Spacer (Pack of 10)	AL-73306	\$9.95
24	<b>Wheel Lock</b> Wheel lock, push to lock - (Pair) (includes rubber tips)	AL-73307	\$39.95
	25	<b>Back &amp; Seat Upholstery</b> Back upholstery, black leatherette, with built-in chart holder, 22"W; includes mounting strips and hardware	AL-73308
Back upholstery, black leatherette, with built-in chart holder, 24"W; includes mounting strips and hardware		AL-73309	\$59.95
26	Seat upholstery, black leatherette, 22"W x 18"D (includes mounting strips and hardware)	AL-73310	\$59.95
	Seat upholstery, black leatherette, 24"W x 18"D (includes mounting strips and hardware)	AL-73311	\$59.95



# Gendron Wheel Chair — Removable & Fixed Arm



**When Ordering,  
Specify Left (L)  
or Right (R)  
Sitting in Chair**

**Note: Frames and crossbars  
require serial number and/or  
model number to reorder.**

**For Gendron Hook-On Foot or Legrest  
See Pages 107-108**

82

Fig.	Description	ALCO Part No.	Price Each
1	<b>Frame Assembly</b>		
	Side Frame, Right or Left Removable	AL-46035	Call
	Side Frame, Right or Left Fixed Arm	AL-46012	Call
2	Rubber Cap, Grey	AL-1742G	\$1.95
	Rubber Cap, Black	AL-1742B	\$1.95
3	X-Brace, Right or Left For 18" Wide	AL-46013	Call
	For 16" Wide	AL-46014	Call
4	Hex Head Bolt	AL-46015	Call
5	Lock Nut	AL-45808	\$1.95
6	Seat Guide, Plastic	AL-184	\$1.95
7	Insert Tube	AL-46018	Call
9	Lock Nut	AL-46026	\$1.95
11	Rubber Hand Grip, Grey	AL-370	\$1.95
	Rubber Hand Grip, Black	AL-370B	\$1.95
12	Armrest Lock Knob	AL-46037	\$3.95
13	Tube Closure	AL-231B	\$0.95
30	<b>Upholstery</b>		
	Seat w/Liner & Hardware	AL-852*	\$51.95
	Seat Strap, 5-hole	AL-46022	\$4.95
32	Seat Screw, Oval Head	AL-45494	\$0.39

\*Specify color. See Page 40 for color choices.

Fig.	Description	ALCO Part No.	Price Each
33	Lock Nut	AL-45495	\$0.39
34	Back w/Liner & Hardware	AL-836*	\$49.95
35	Back Strap, 5-hole	AL-46023	Call
36	Back Screw, Sheet Metal	AL-45493	\$0.39
37	Eyelet	AL-45501	\$0.39
40	<b>Brake Assembly New Type</b>		
	Toggle Brake Assembly, Rt	AL-46024R	\$26.95
	Toggle Brake Assembly, Lft	AL-46024L	\$26.95
41	Rubber Brake Grip, Grey	AL-377	\$1.45
42	Rubber Brake Grip, Black	AL-377B	\$1.45
43	Carriage Bolt	AL-46025	\$1.95
43	Lock Nut	AL-46026	\$1.95
8" Caster Assembly	<b>8" Caster Assembly</b>		
	Complete Caster Assy. w/Fork, Wheel w/Bearings, Axle Bolt and Nut	AL-46027	Call
	50	Caster Fork with Stem	AL-45984
51	8" Caster Wheel	AL-2116B	\$16.95
52	Wheel Bearing	AL-259F	\$3.95
53	Axle Bolt with Lock Nut	AL-1406	\$3.95
55	Bearing, Caster Stem	AL-261	\$2.99
56	Lock Nut	AL-42407	\$4.95
57	Cap, Caster	AL-46028	\$1.95

Fig.	Description	ALCO Part No.	Price Each
60	24" Wheel Assembly Wheel Assy. w/Hand Rim and Bearings	AL-18P	Call
61	Bearing, 1/2" Axle	AL-268	\$3.95
62	Bolt w/Lock Nut, 1/2" Axle	AL-693	\$6.95
63	Lock Nut	AL-1374	\$0.95
64	Hub Cap	AL-46029	\$1.95
65	Handrim	AL-47731	\$19.95
70	<b>Removable Desk Arm</b>		
	Complete, Left or Right	AL-46039	Call
	71	Tube Closure	AL-46041
72	Skirt Guard	AL-46042	Call
73	Sheet Metal Screw	AL-46021	Call
74	Desk Armrest, Black only	AL-2254-183	\$29.95
75	Pan Head Screw	AL-45504	\$0.39
Removable Full Arm	<b>Removable Full Arm</b>		
	Complete, Left or Right	AL-46043	\$99.00
	80	Full Arm Assy. L or R	AL-46044
81	Tube Closure	AL-46041	Call
82	Skirt Guard, Removable	AL-46045	Call
82	Skirt Guard, Fixed Arm	AL-152	\$16.95
83	Screw, Sheet Metal	AL-46021	Call
84	Full Armpad, Black only	AL-2253-183	\$29.95
85	Pan Head Screw	AL-45504	\$0.39



# Gendron 6700 Series Wheelchair

**BUY 11 GET 1 FREE!**



### Upholstery

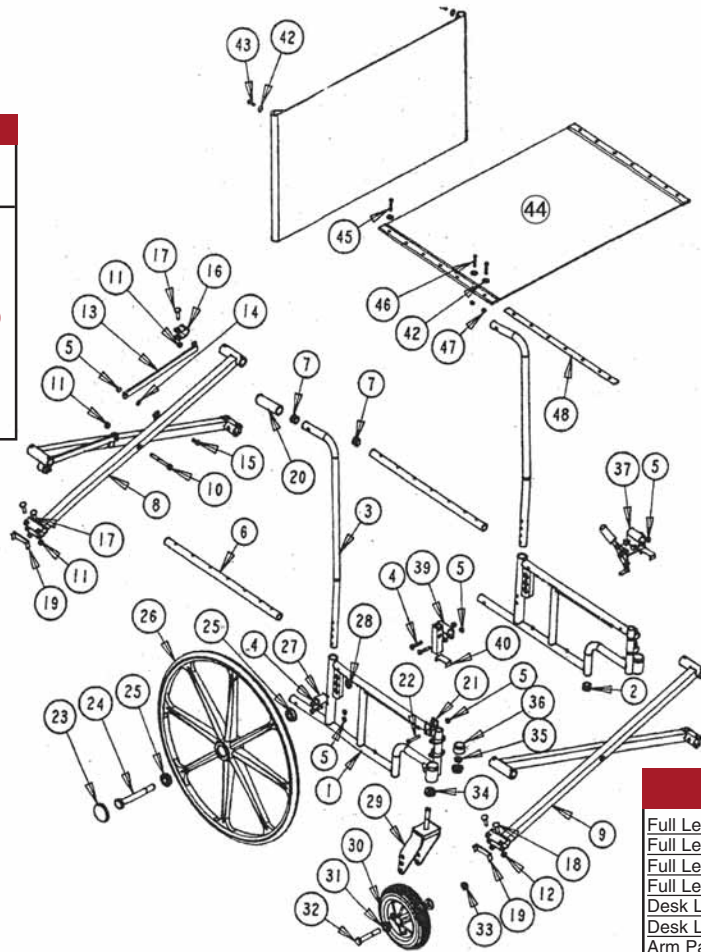
Size	Seat Part No.	Back Part No.	Price Each
20"	AL-77222-20	AL-77223-20	<b>\$89.00</b>
22"	AL-77222-22	AL-77223-22	
24"	AL-77222-24	AL-77223-24	
26"	AL-77222-26	AL-77223-26	
28"	AL-77222-28	AL-77223-28	
30"	AL-77222-30	AL-77223-30	
32"	AL-77222-32	AL-77223-32	
34"	AL-77222-34	AL-77223-34	

### Footrest

Up to 600 lb. capacity	AL-66160	<b>\$119.95</b>
Over 600 lb. capacity	AL-77163	<b>\$169.95</b>

### Legrest

Up to 600 lb. capacity	AL-77164	<b>\$219.95</b>
Over 600 lb. capacity	AL-77165	<b>\$299.95</b>



Note: Frames and crossbars require serial number and/or model number to reorder.

### Armrests

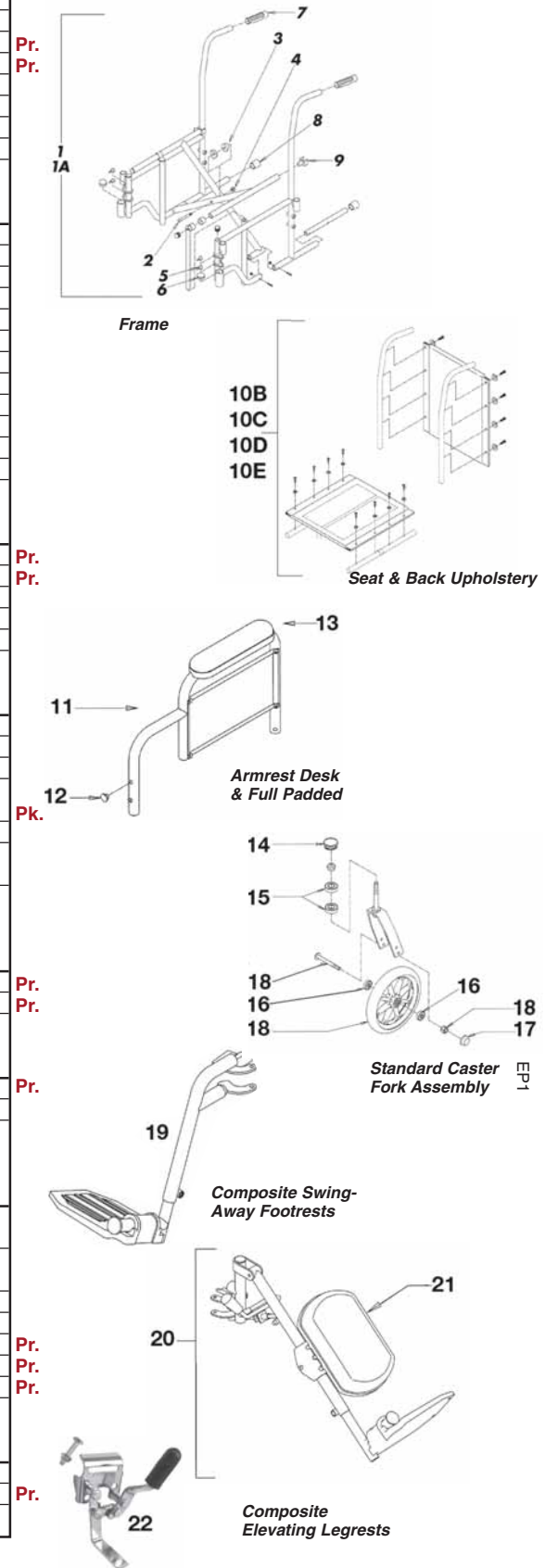
Full Length Adj. Height, left	AL-77219L	<b>\$71.00</b>
Full Length Adj. Height, right	AL-77219R	<b>\$71.00</b>
Full Length Fixed Height, left	AL-77220L	<b>\$87.00</b>
Full Length Fixed Height, right	AL-77220R	<b>\$87.00</b>
Desk Length Fixed Height, left	AL-77221L	<b>\$82.00</b>
Desk Length Fixed Height, right	AL-77221R	<b>\$82.00</b>
Arm Pads, Full	AL-135BK-A3	<b>\$5.95</b>
Arm Pads, Desk	AL-145BK-A3	<b>\$5.95</b>

Fig.	Description	ALCO Part No.	Price Each
1	Side Frame, Right	AL-73476R	Call
	Side Frame, Left	AL-73476L	Call
2	End Cap	AL-73477	Call
3	Pusher	AL-73478	Call
4	Screw	AL-45796	<b>\$1.95</b>
5	Nut, Lock 1/4 - 20	AL-74188	Call
6	Seat Tube - 18"	AL-73479	Call
	Seat Tube - 20"	AL-73480	Call
	Seat Tube - 22"	AL-73481	Call
7	End Cap	AL-73482	Call
8	X-Brace, Rear - 20" to 32"	AL-73483	Call
9	X-Brace, Front - 20" to 32"	AL-73490	Call
10	Screw, HHC 5/16-18 x 3	AL-73497	Call
11	Nut, Lock 5/16-18	AL-42360	Call
13	Support Strap - 20"	AL-73498	Call
	Support Strap - 22"	AL-73499	Call
	Support Strap - 24"	AL-73500	Call
	Support Strap - 26"	AL-73501	Call
	Support Strap - 28"	AL-73502	Call
	Support Strap - 30"	AL-73503	Call
	Support Strap - 32"	AL-73504	Call
14	Washer, Nylon	AL-47771	Call
15	Screw, HHC 1/4-20 x 1"	AL-73505	Call
16	"U" Bracket	AL-73506	Call
17	Bolt, Carr. 5/16-18 x 1-1/2	AL-73507	Call
19	X-Brace Pivot Spacer	AL-73508	Call
20	Grip, Foam	AL-73509	<b>\$2.95</b>

Fig.	Description	ALCO Part No.	Price Each
21	Block, Seat Support	AL-73510	Call
22	Screw, PPH 1/4-20 x 1-3/4	AL-73511	Call
23	Cap, Hub 5/8 Axle	AL-58647	<b>\$1.95</b>
24	Screw, HHC 5/8-18 x 5-1/2	AL-73512	<b>\$4.95</b>
25	Bearing 5/8	AL-269	<b>\$3.95</b>
26	Wheel, 24" w/ Handrim & Bearings	AL-19P	<b>\$59.00</b>
N/S	Handrim	AL-47731	<b>\$19.95</b>
27	Spacer, Wheel	AL-73513	Call
28	Nut, Lock 5/8-18	AL-45993	Call
N/S	Complete Caster Assy. w/Fork, 8" Wheel w/Bearings, Axle Bolt & Nut	AL-73514	Call
29	Fork Hvy. Duty Adjustable	AL-74189	Call
30	Wheel 8 x 2" w/Bearings	AL-74190	<b>\$33.95</b>
31	Bearing, Wheel	AL-74191	<b>\$7.95</b>
32	Screw, HHC 7/16-20 x 3-1/2	AL-74192	<b>\$1.95</b>
33	Nut, Lock 7/16-20	AL-74193	<b>\$1.95</b>
34	Bearing, Caster Stem	AL-74194	<b>\$4.95</b>
35	Nut, Lock 1/2-20	AL-42407	<b>\$4.95</b>
36	Cap, Bearing	AL-46028	<b>\$1.95</b>
37	Brake, Left	AL-73515L	<b>\$39.95</b>
	Brake, Right	AL-73515R	<b>\$39.95</b>
	Brake, Pair	AL-77169	<b>\$76.95</b>
42	Eyelet	AL-58644	Call
43	Screw, POHSM #10 x 7/8	AL-73517	Call
44	Seat w/Liner (Black)	AL-73518	Call
45	Screw, POHSM #10-24 x 1.406	AL-73519	Call
46	Screw, POHSM #10-24 x 1.315	AL-73520	Call
47	Nut, Lock #10-24 Thin	AL-73521	Call



Frame-Includes Crossbraces (2000 & 2000HD)		
Fig.	Description	ALCO Part No. Price Each
1	18" 2k Frame Assembly (Removable Armrests)	AL-65822 Call
	20" 2k Frame Assembly (Removable Armrests)	AL-65823 Call
	22" 2k Hd Frame Assembly (Removable Armrests)	AL-65833 Call
	24" 2k Hd Frame Assembly (Removable Armrests)	AL-65834 Call
1A	18" 2k Frame Assembly (Fixed Armrests)	AL-65824 Call
2,3,4	1 Crossbolt Plus Spacers (Pair)	AL-65827 \$1.95
5	Tinnerman Nuts (Pair)	AL-50934 \$6.50
6	Dust Caps	AL-70120 \$4.95
7	Back Hand Grips	AL-370B \$1.95
8	Stepper Tube Caps	AL-1742B \$1.95
9	Seat Rail Guide (2000 model only)	AL-184B \$1.95
Seat & Back Upholstery (2000 & 2000HD)		
Fig.	Description	ALCO Part No. Price Each
10B	18" Set (includes seat and back)	AL-65835 \$56.95
	18" Back Only	AL-65835B \$27.95
	18" Seat Only	AL-65835S \$29.95
10C	20" Set (includes seat and back)	AL-65836 \$56.95
	20" Back Only	AL-65836B \$27.95
	20" Seat Only	AL-65836S \$29.95
10D	22" Set (includes seat and back)	AL-65837 \$59.95
	22" Back Only	AL-65837B \$29.95
	22" Seat Only	AL-65837S \$31.95
10E	24" Set (includes seat and back)	AL-65838 \$59.95
	24" Back Only	AL-65838B \$29.95
	24" Seat Only	AL-65838S \$31.95
Armrest Desk & Full Padded (2000 & 2000HD)		
Fig.	Description	ALCO Part No. Price Each
11	Complete Desk Armrest Padded (Pair)	AL-65841 \$59.95
N/S	Complete Full Armrest Padded (Pair)	AL-65842 \$59.95
12	Release Arm Button	AL-65843 \$1.95
13	Universal Desk Armpad	AL-145BK-A3 \$5.95
N/S	Universal Full Armpad	AL-135BK-A3 \$5.95
Standard Caster Fork Assembly (2000 & 2000HD)		
Fig.	Description	ALCO Part No. Price Each
14	Dust Caps	AL-70120 \$4.95
15	Cast Journal Bear & Stem Kit (4 bearings, 2 spacers)	AL-65844 \$19.95
16	Caster Bearings & Stem Kit (4 bearings, 2 spacers)	AL-65845 \$19.95
17	Caster Tire Bolt Cap (Pack of 20)	AL-65847 \$29.95
	Complete Caster Assembly Excluding Housing Cap	AL-65848 \$39.95
18	Complete Caster Assembly, Excluding Housing Cap (2000HD)	AL-65849 \$42.95
Composite Swingaway Footrests (With & Without Heel Loops)		
Fig.	Description	ALCO Part No. Price Each
19	Composite Footrests (Pair)	AL-65850 \$59.95
N/S	Composite Footrest W/Heel Loop (Pair)	AL-65851 \$69.95
Composite Elevating Legrest		
Fig.	Description	ALCO Part No. Price Each
20	Elevating Legrests (Pair)	AL-65852 \$89.95
21	Universal Padded Calf Pad	AL-422UBK-A3 \$13.95
ADDITIONAL PARTS NOT SHOWN		
8 Spoke Mag Wheel (2000 & 2000HD)		
Fig.	Description	ALCO Part No. Price Each
N/S	1x24" Rear Wheel Assembly, Comp Rim, Black Tire (1000, 2000)	AL-65853 \$89.95
	1x24" Rear Wheel Assembly, Chrome Rim, Black Tire (2000HD)	AL-65854 \$99.95
N/S	Axle Bearings (1000, 2000)	AL-54878 \$6.95
	Axle Bearings (2000HD)	AL-54873 \$4.95
	1 (Pair) Axle And Nut (1000, 2000)	AL-65857 \$26.95
	1 (Pair) Axle And Nut (2000HD)	AL-65858 \$32.95
	1 (Pair) Of Axle Dust Caps (1000, 2000, 2000HD)	AL-70121 \$4.95
Wheel Lock		
Fig.	Description	ALCO Part No. Price Each
22	Wheel Lock (Fixed Arm) (2000HD) (20000)	AL-2263L/R \$13.95
	Wheel Lock (Removable Arm) (Pair)	AL-65861 \$29.95
	Brake Handle (1000, 2000, 2000HD)	AL-70094 \$3.95

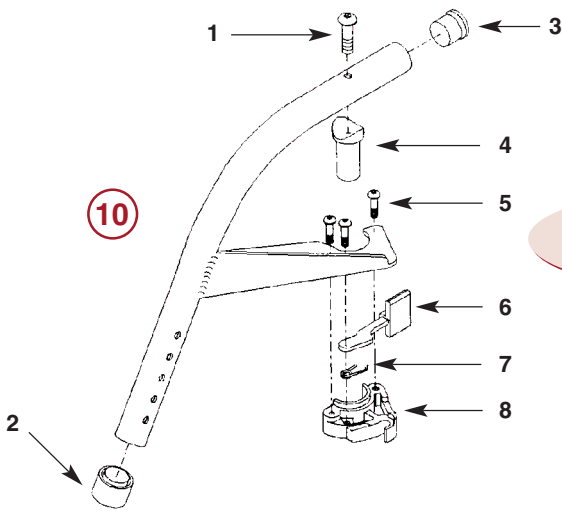


# Quickie Parts

## Breezy 60° Swing-Away Aluminum Hanger & Footplate



**BUY 11 GET 1 FREE!**



**Call For Parts Not Shown**

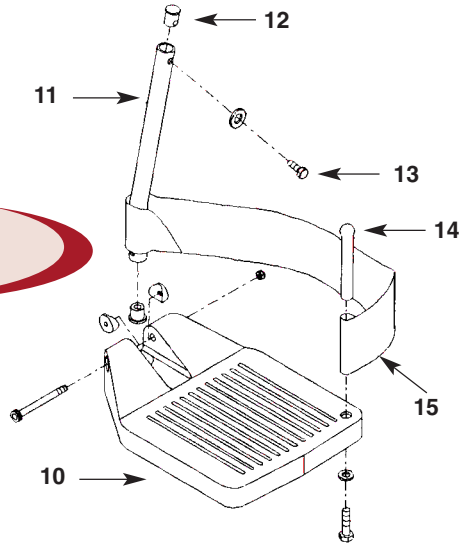


Fig	Swing-Away Hanger Description	ALCO Part No.	Price Each
1	5/16-18 x 2 BH C/S	AL-47584	\$1.95
2	Bushing, Tube End 1" Thin	AL-47587	\$1.95
3	1" Insert Plug .083	AL-47588	\$1.95
4	Pivot Saddle, Plastic	AL-47589	\$3.95
	Pivot Saddle, W/BH C/S	AL-47590	\$9.95
5	10-24 x .725 BH SOC	AL-47591	\$1.95
6	S/A Latch Lever	AL-47592	\$7.95
7	S/A Spring Right	AL-47593	\$2.95
	S/A Spring Left	AL-47594	\$2.95
8	S/A Latch Lever Block Right	AL-47595	\$8.95
	S/A Latch Lever Block Left	AL-47596	\$8.95
9	S/A Hanger		
	Regular Right (spec color)	AL-47597	\$99.95
	Regular Left (spec color)	AL-47598	\$99.95

Fig	Footplate Description	ALCO Part No.	Price Each
10	Composite Footplate 18" & 16"	AL-47618	\$39.95
11	CMPST Ft Pit Ext Tube Only - Short	AL-47619	\$15.95
	CMPST Ft Pit Ext Tube Only - Med	AL-47620	\$15.95
12	Retaining Plug	AL-47621	\$4.95
13	1/4-20 x 1 Hex C/S	AL-47622	\$2.95
14	Heel Loop Peg	AL-47623	\$2.95
	Heel Loop 14"-20" Composite Hemi	AL-47624	\$13.95
15	Heel Loop, 14"-20" Composite	AL-47625	\$13.95
	Heel Loop 14"-20" Composite (Pair)	AL-47626	\$21.95

Pr.

## Breezy Armrest (Effective serial #BZ-200000)

Fig	Breezy Armrest Description	ALCO Part No.	Price Each
17	Armpad Std 10-1/4"	AL-145EBK-A3	\$7.95
18	Right Armrest Tube	N/A	N/A
	Left Armrest Tube	N/A	N/A
19	10-32 x 1-1/4 Oval HD MCH SCW	AL-45504	\$0.39
21	650L x 6 Coil Spring	AL-47604	\$1.95
22	1/4 AN Washer Flat	AL-47605	\$2.95
23	1/4-28 Nylock Nut	AL-47606	\$1.95
24	Arm Receiver	AL-47607	\$10.95
25	1/4-28 x 1-3/4 Hex C/S	N/A	N/A
26	Rivet Pop AD64ABS	AL-47609	\$1.95
27	Armrest Dome Plug	AL-47610	\$4.95
28	1/4-28 Nylock Nut Thin	AL-47611	\$1.95
29	Arm Latch Lever	AL-47612	\$3.95
30	Armrest Panel Right New	AL-47613	\$24.95
	Armrest Panel Left New	AL-47614	\$24.95
31	Armrest Pivot Bracket	AL-47615	\$8.95
32	Pivot Armrest Assy Right	AL-47616	\$99.95
	Pivot Armrest Assy Left	AL-47617	\$99.95

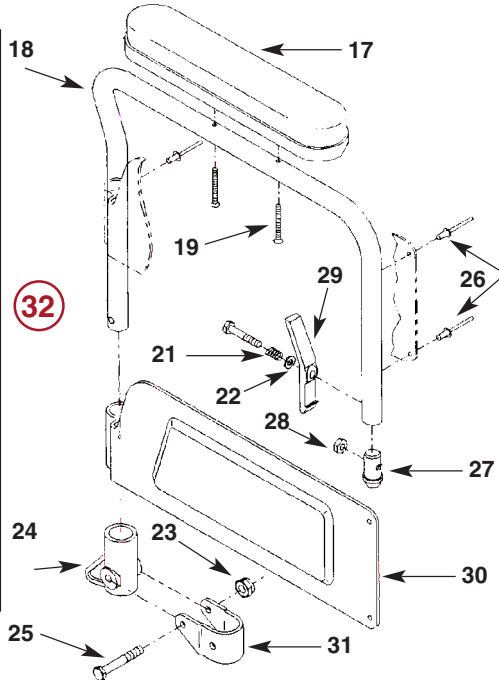


Fig. 1 Caster Cap, Plastic  
AL-46325 \$2.95

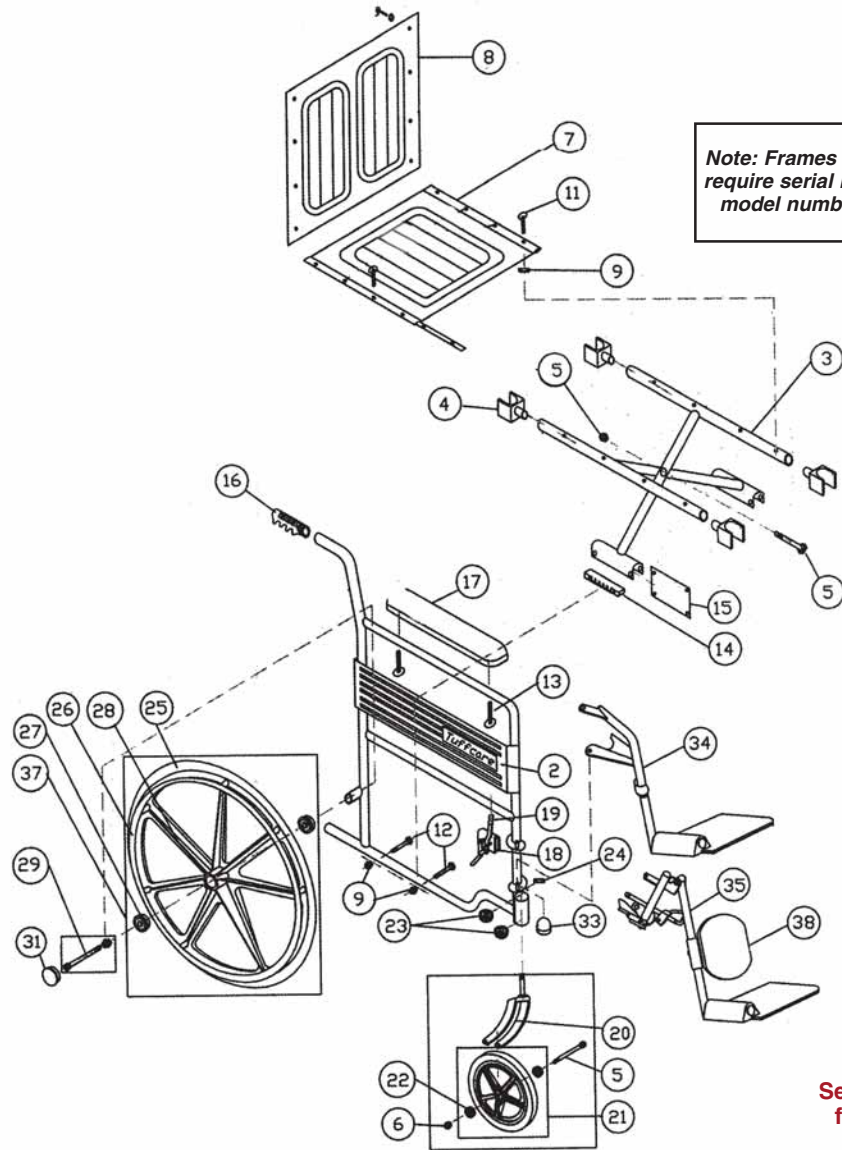
Fig. 2 1-1/8 x 1/2 Bearing  
AL-252 \$4.95

Fig. 3 Anti-Flutter Bushing  
AL-47583 \$2.95

6x1-1/4, 3-Spoke, Wheel  
AL-64204 \$29.95

EP1

**BUY 11 GET 1 FREE!**



See Color Chart Page 40 for Upholstery Colors

Fig.	Description	ALCO Part No.	Price Each
2	Plastic Side Panel, Black	AL-59212	\$9.95
	Stainless Steel Side Panel	AL-152E	\$16.95
4	Seat Guide, White	AL-182	\$1.95
	Seat Guide, Black	AL-182B	\$1.95
5	Axle Bolt w/Locknut	AL-2237	\$2.95
7	Seat (specify color)	AL-827*	\$32.95
8	Back (specify color)	AL-794*	\$32.95
9	Lock Nut	AL-45495	\$0.39
12	Seat Screw with Washer	AL-45494	\$0.39
13	Screw	AL-45497	\$0.39
14	Nylon Plug In U-Shape	AL-59216	\$4.95
15	Sheet Washer	AL-59217	\$1.95
16	Hand Grip, Grey	AL-370	\$1.95
	Hand Grip, Black	AL-370B	\$1.95
17	Armpad Full Length Plastic, Grey	AL-131-GY	\$6.95
	Armpad Full Length Plastic, Black	AL-131-BK	\$6.95
	Armpad Full Black Base (spec color)	AL-135BK*	\$11.95
18	Wheel Lock, Left	AL-349L	\$12.95
	Wheel Lock, Right	AL-349R	\$12.95

Fig.	Description	ALCO Part No.	Price Each
19	Brake Tip, Grey	AL-377	\$1.45
	Brake Tip, Black	AL-377B	\$1.45
20	Caster Fork	AL-2279	\$16.95
21	8" X 1" Wheel, Grey	AL-305M	\$16.95
	8" X 1" Wheel, Black	AL-305MB	\$16.95
22	Axle Bearing	AL-2970	\$2.99
23	Stem Bearing	AL-261	\$2.99
24	Lock Nut	AL-1374	\$0.95
25	24" X 1" Snap-On Tire	AL-59218	\$14.95
26	Handrim	AL-59219	\$24.95
27	Rear Wheel Bearing	AL-264	\$3.95
29	Bolt with Locknut	AL-688	\$7.95
31	Hub Cap, Grey, Plastic	AL-241	\$2.95
	Hub Cap, Black, Plastic	AL-241B	\$2.95
33	Dust Cap, Grey	AL-247	\$1.95
	Dust Cap, Black	AL-247B	\$1.95
34	Footrest, Left	AL-104L	\$34.95
	Footrest, Right	AL-104R	\$34.95
35	Legrest, Left	AL-408SL*	\$59.00
	Legrest, Right	AL-408SR*	\$59.00
37	24" X 1" Wheel	AL-59220	\$69.95
38	Calf Pad (specify color)	AL-422UBK*	\$13.95

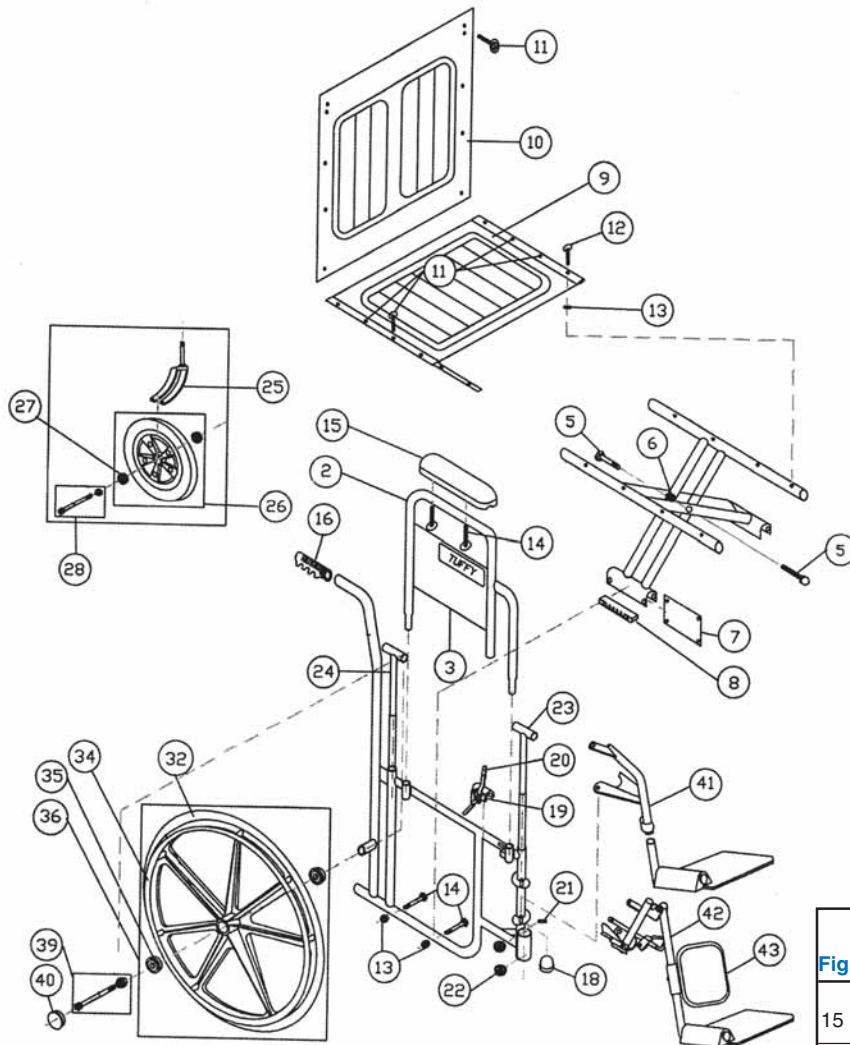
\*Specify color. See Page 40 for color choices.



# TuffCare Model 377 Removable Arm **TuffCare**

HIGHER STANDARD FOR HEALTH CARE™

**BUY 11 GET 1 FREE!**



**Note: Frames and crossbars require serial number and/or model number to reorder.**

**See Color Chart Page 40 for Upholstery Colors**

Fig.	Description	ALCO Part No.	Price Each
	Detachable Desk Arms, Left	<b>AL-980L*</b>	<b>\$39.95</b>
	Detachable Desk Arms, Right	<b>AL-980R*</b>	<b>\$39.95</b>
2	Detachable Full Arm, Left	<b>AL-978L*</b>	<b>\$39.95</b>
	Detachable Full Arm, Right	<b>AL-978R*</b>	<b>\$39.95</b>
3	Stainless Steel Desk Side Panels	<b>AL-59223</b>	<b>\$13.95</b>
5	Axle Bolt w/Locknut	<b>AL-2237</b>	<b>\$2.95</b>
7	Plastic Sheet Washer	<b>AL-59217</b>	<b>\$1.95</b>
8	Nylon Plug, U-Shape	<b>AL-59216</b>	<b>\$4.95</b>
9	Seat 18" (specify color)	<b>AL-827*</b>	<b>\$32.95</b>
	Seat 20" (specify color)	<b>AL-828*</b>	<b>\$40.95</b>
	Seat 22" (specify color)	<b>AL-829*</b>	<b>\$51.95</b>
	Seat 24" (specify color)	<b>AL-830*</b>	<b>\$51.95</b>
10	Back 18" (specify color)	<b>AL-794*</b>	<b>\$32.95</b>
	Back 20" (specify color)	<b>AL-795*</b>	<b>\$41.95</b>
	Back 22" (specify color)	<b>AL-796*</b>	<b>\$51.95</b>
	Back 24" (specify color)	<b>AL-797*</b>	<b>\$51.95</b>
11	Upholstery Screw	<b>AL-45493</b>	<b>\$0.39</b>
12	Seat Upholstery Bolt	<b>AL-45494</b>	<b>\$0.39</b>
13	Seat Upholstery Lock Nut	<b>AL-45495</b>	<b>\$0.39</b>
14	Armpad Screw	<b>AL-45504</b>	<b>\$0.39</b>

Fig.	Description	ALCO Part No.	Price Each
15	Armpad Desk, Black Base	<b>AL-145BK*</b>	<b>\$5.95</b>
	Armpad Full, Black Base	<b>AL-135BK*</b>	<b>\$5.95</b>
16	Hand Grip, Grey	<b>AL-370</b>	<b>\$1.95</b>
	Hand Grip, Black	<b>AL-370B</b>	<b>\$1.95</b>
18	Dust Cap	<b>AL-59232</b>	<b>\$1.95</b>
19	Wheel Lock, Left	<b>AL-347L</b>	<b>\$12.95</b>
	Wheel Lock, Right	<b>AL-347R</b>	<b>\$12.95</b>
20	Brake Tip, Grey	<b>AL-377</b>	<b>\$1.45</b>
	Brake Tip, Black	<b>AL-377B</b>	<b>\$1.45</b>
21	Lock Nut	<b>AL-1374</b>	<b>\$0.95</b>
22	Stem Bearing	<b>AL-261</b>	<b>\$2.99</b>
23	Seat Guides For 18", 20" Front/Rear (22" Front)	<b>AL-59233</b>	<b>\$13.95</b>
24	Seat Guide For 24" Front	<b>AL-59235</b>	<b>\$15.95</b>
	Seat Guide For 24" Rear	<b>AL-59236</b>	<b>\$15.95</b>
25	Caster Fork	<b>AL-1399A</b>	<b>\$23.95</b>
26	8x1 Caster, Black	<b>AL-52322</b>	<b>\$29.00</b>
27	Bearing	<b>AL-259F</b>	<b>\$3.95</b>
28	Bolt & Nut	<b>AL-1406</b>	<b>\$3.95</b>
32	24" X 1 3/8" Snap-On Tire	<b>AL-59237</b>	<b>\$29.95</b>
34	Handrim	<b>AL-59238</b>	<b>\$24.95</b>
35	Bearing	<b>AL-266</b>	<b>\$4.95</b>
36	24" Rear Wheel	<b>AL-59239</b>	<b>\$19.95</b>
39	Axle And Lock Nut	<b>AL-58548</b>	<b>\$7.95</b>
40	Hub Cap, Grey	<b>AL-241</b>	<b>\$2.95</b>
	Hub Cap, Black	<b>AL-241B</b>	<b>\$2.95</b>
41	Footrest, Right	<b>AL-104R</b>	<b>\$34.95</b>
	Footrest, Left	<b>AL-104L</b>	<b>\$34.95</b>
42	Legrest, Right	<b>AL-408SR*</b>	<b>\$59.00</b>
	Legrest, Left	<b>AL-408SL*</b>	<b>\$59.00</b>
43	Calf Pad (specify Color)	<b>AL-422UBK</b>	<b>\$13.95</b>

\*Specify color. See Page 40 for color choices.

# Seat Guides, Tips and Grips

Fig.	Description	To Fit	ALCO Part No.	Price Each
<b>Seat Rail Guides</b>				
1	Metal – Detached Arm	7/8" Tube – All Brands	AL-2250	\$5.95
2	Plastic, White – Detached Arm	7/8" Tube – All Brands	AL-184	\$1.95
3	Plastic, White – Fixed Arm	7/8" Tube – All Brands	AL-182	\$1.95
4	Plastic, Black, Fixed Arm	7/8" Tube – All Brands	AL-182B	\$1.95
	Plastic, Black, Detached Arm	7/8" Tube – All Brands	AL-184B	\$1.95
5	Coated Steel	Invacare	AL-189	\$7.95
6	Plastic, Black	Invacare EX2	AL-50839	\$9.95
7	Coated Steel	Gendron	AL-46017	\$3.95
8	Plastic, Black	Medline, Drive	AL-76194	\$4.95
<b>Tipping Lever Sleeves</b>				
9	Black Rubber Sleeve	7/8" Tube – All Brands	AL-1741B	\$1.95
10	Grey Rubber Sleeve	7/8" Tube – All Brands	AL-1741	\$1.95
<b>Plastic Caps</b>				
11	Plastic Tube End, 7/8", Black	7/8" Tube – All Brands	AL-1742B	\$1.95
12	Plastic Tube End, 7/8", Grey	7/8" Tube – All Brands	AL-1742G	\$1.95
	Plastic Tube End, 7/8", Beige	7/8" Tube – All Brands	AL-1742	\$1.95



Fig.	Description	To Fit	ALCO Part No.	Price Each
<b>Rubber Tips</b>				
14	9/16"x 7/64", Flat Handle, Black	Inva	AL-45566	\$1.95
15	Handle Ratchet, Grey	Inva	AL-373	\$1.45
	Handle Ratchet, Black (before 5/94)	Inva	AL-373B	\$1.45
15A	Handle Ratchet, Black (after 5/94)	Inva	AL-58576	\$1.45
16	Handle Ratchet, Plastic, Black	E&J	AL-372	\$0.95
17	1/2" Flat Handle, Black	E&J	AL-376B	\$1.45
18	5/8" Flat Handle, Black	E&J	AL-377B	\$1.45
19	5/8" Dia. Handle, Black	Inva Wheel Lock Ext. - Round	AL-2307B	\$1.45
20	1/2" Flat Handle, Grey	E&J	AL-376	\$1.45
21	5/8" Flat Handle, Grey	E&J	AL-377	\$1.45
22	9/16"x 7/64", Flat Handle, Grey	Inva, Colson, Medline	AL-375	\$1.95
23	5/8" Dia. Handle, Grey	Wheel Lock Ext. Round	AL-2307	\$1.45
24	5/8" Dia Handle, Black	Gend/Theradyne	AL-379	\$2.95
25	9/16" Dia Round Handle, Black	E&J	AL-380	\$1.95
26	3/4" Dia, Flat Handle, Black	Inva	AL-374	\$6.95
27	Yellow - Slotted (12 PK)	Inva	AL-71084	\$28.95
	Yellow - Rounded (12 PK)	E&J	AL-71085	\$28.95
28	9/16"x 3/16", Flat Handle, Black	Medline, Drive	AL-70094	\$3.95

12 PK  
12 PK



Fig.	Description	To Fit	ALCO Part No.	Price Each
<b>Hand Grips &amp; Foot Grips</b>				
28	Foam Hand Grip, Black, 5-1/2"x .705"	Motion Design	AL-45563	\$2.95
	Foam Hand Grip, Black, 5-1/2" x .840"	Motion Design	AL-45564	\$2.95
29	Handle Grip, Black	7/8" Tube, All Brands	AL-370B	\$1.95
30	Handle Grip, Grey	7/8" Tube	AL-370	\$1.95
31	Handle Grip, Black	Medline, Drive	AL-70116	\$7.95
32	Foam Foot Grip, Black, 12-1/2" x .705"	Motion Design	AL-45565	\$1.95
N/S	Handle Grip, Black	7/8" Tube - All	AL-50941	\$2.95

## Rubber Tip & Grip Kits—Available in Grey or Black



### Each E&J Kit includes

- ✓ 2 Tipping lever sleeves
- ✓ 2 Hand grips 7/8"
- ✓ 2 Dome dust caps
- ✓ 2 Hub caps (black kit caps are Chrome)
- ✓ 2 Wheel lock tips 5/8"
- ✓ 2 Wheel lock tips 1/2"
- ✓ 2 Bumpers 7/8"

E&J Grey Kit **AL-2826** **\$9.95**  
E&J Black Kit **AL-2827** **\$9.95**



### Each Invacare Kit includes

- ✓ 4 Tube end caps 7/8"
- ✓ 2 Hand grips 7/8"
- ✓ 2 Dome dust caps
- ✓ 2 Plastic Hub caps
- ✓ 2 Wheel lock tips 9/16"

Invacare Grey Kit **AL-2828** **\$9.95**  
Invacare Black Kit **AL-2829** **\$9.95**



# Bumpers, Caps & Plug Buttons



**BUY 11 GET 1 FREE!**

## Rubber Bumpers & Dust Caps



Fig.	Description	To Fit	ALCO Part No.	Price Each
<b>Rubber Bumpers</b>				
1	7/8", Black	All 7/8" Tube – Footplate Ext.	<b>AL-228B</b>	<b>\$1.95</b>
2	7/8", Grey	All 7/8" Tube – Footplate Ext.	<b>AL-228</b>	<b>\$1.95</b>
3	3/4", Black	Gendron Footrest	<b>AL-2388</b>	<b>\$1.95</b>
<b>Caster Stem Dust Caps</b>				
4	Plastic, Black	Drive	<b>AL-70120</b>	<b>\$4.95</b>
5	Plastic, Grey	E&J	<b>AL-247</b>	<b>\$1.95</b>
6	Plastic, Grey	Inva	<b>AL-1740</b>	<b>\$1.95</b>
7	Plastic, Black	E&J	<b>AL-247B</b>	<b>\$1.95</b>
8	Plastic, Black	Inva	<b>AL-1740B</b>	<b>\$1.95</b>
9	Roller Bumper (Pair)	Front	<b>AL-246</b>	<b>\$15.95</b>

Pr.

## Hub Caps

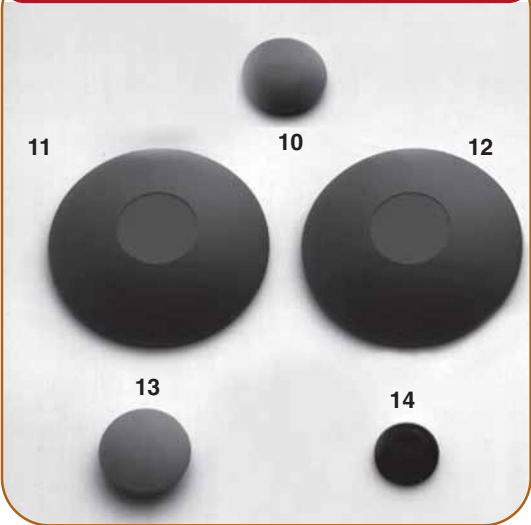


Fig.	Description	To Fit	ALCO Part No.	Price Each
<b>Hub Caps</b>				
10	Plastic, Grey	E&J 24" Wheel	<b>AL-241</b>	<b>\$2.95</b>
	Plastic, Black	E&J 24" Wheel	<b>AL-241B</b>	<b>\$2.95</b>
11	Plastic, Grey, Skyway Flush Mount Snap	Skyway Flush Mount Hub	<b>AL-2289</b>	<b>\$3.95</b>
	Cap, Hub, Plastic, Black, Skyway Flush Mount Snap	Skyway Flush Mount Hub	<b>AL-2289B</b>	<b>\$3.95</b>
12	Plastic, Grey, ALCO Hub	Skyway Twist Lock Hub	<b>AL-2289T</b>	<b>\$3.95</b>
	Cap, Hub, Plastic, Black, ALCO Hub	Skyway Twist Lock Hub	<b>AL-2289BT</b>	<b>\$3.95</b>
13	Plastic, Grey	Inva	<b>AL-242</b>	<b>\$3.95</b>
	Plastic, Black	Inva	<b>AL-242B</b>	<b>\$3.95</b>
	Plastic, Black	Medline Drive	<b>AL-70121</b>	<b>\$4.95</b>
14	Black, with Washer	Inva 2000	<b>AL-45558</b>	<b>\$2.95</b>
N/S	Hubcap Black, fits 5/8" Axle	Gendron	<b>AL-58647</b>	<b>\$1.95</b>
	Hubcap Black, fits 1/2" Axle	Gendron	<b>AL-46029</b>	<b>\$1.95</b>

## Tube End Caps

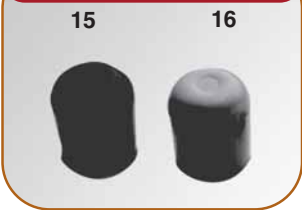
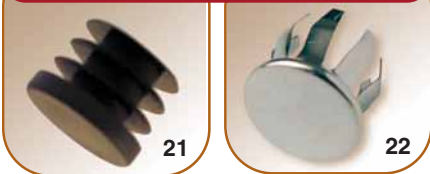


Fig.	Description	To Fit	ALCO Part No.	Price Each
<b>Tube End Caps</b>				
15	7/8" Plastic, Beige	7/8" Tube - All Brands	<b>AL-1742</b>	<b>\$1.95</b>
	7/8" Plastic, Black	7/8" Tube - All Brands	<b>AL-1742B</b>	<b>\$1.95</b>
	7/8" Plastic, Grey	7/8" Tube - All Brands	<b>AL-1742G</b>	<b>\$1.95</b>
<b>Plug Buttons</b>				
21	3/4" Plastic, Black	3/4" Tube - All Brands	<b>AL-2295B</b>	<b>\$0.95</b>
	3/4" Plastic, Grey	3/4" Tube - All Brands	<b>AL-2295</b>	<b>\$0.95</b>
	7/8" Plastic, Black	7/8" Tube - All Brands	<b>AL-231B</b>	<b>\$0.95</b>
	7/8" Plastic, Grey	7/8" Tube - All Brands	<b>AL-231</b>	<b>\$0.95</b>
	1" Plastic, Black	1" Tube - All Brands	<b>AL-58533B</b>	<b>\$0.95</b>
	1" Plastic, Grey	1" Tube - All Brands	<b>AL-58533</b>	<b>\$0.95</b>
22	Chrome Pronged Tip	3/4" Tube	<b>AL-243</b>	<b>\$1.25</b>
	Chrome Pronged Tip	7/8"	<b>AL-244</b>	<b>\$1.25</b>
	Chrome Pronged Tip	1"	<b>AL-245</b>	<b>\$1.25</b>

## Plug Buttons



## ALCO Wheelchair "Problem Solver" Kit

- ✓ Most commonly needed wheelchair parts
  - ✓ Large assortment of parts, including bearings, tips and grips, plug buttons and hardware
  - ✓ Parts are easy to identify
- AL-2825 \$295.00**



# Wheel Locks

**BUY 11 GET 1 FREE!**

Fig	Description	To Fit	EACH		PAIR	
			ALCO Part No.	Price Each	ALCO Part No.	Price Pair
1	R.H., Push To Lock	E&J Det. Arms, 7/8" Tubing	AL-347R	\$12.95	AL-76042	\$23.95
	L.H., Push To Lock		AL-347L	\$12.95		
2	R.H., Push To Lock	E&J Fixed/Wrap Around Arms, 7/8" Tubing	AL-349R	\$12.95	AL-76043	\$23.95
	L.H., Push To Lock		AL-349L	\$12.95		
3	R.H., Push To Lock	E&J Flat Stock Bar Mount	AL-344R	\$12.95	AL-76044	\$23.95
	L.H., Push To Lock	E&J Flat Stock Bar Mount	AL-344L	\$12.95		
4	R.H., Push To Lock Clamp-On	Fixed Arm Models w/Bar Mount	AL-1709R	\$17.95	AL-76045	\$33.95
	L.H., Push To Lock Clamp-On		AL-1709L	\$17.95		
5	R.H., Push To Lock Clamp-On Style	Inva. Det. Arm Model D200, 400,700,900, (Before 3/1/86)	AL-367R	\$29.95	AL-76047	\$57.95
	L.H., Push To Lock Clamp-On Style	Inva. Det. Arm Model D200, 400,700,900, (Before 3/1/86)	AL-367L	\$29.95		
6	R.H., Push To Lock Clamp-On Style	Inva. Fixed Arm Model D200, 400,700,900, (Before 3/1/86)	AL-358R	\$29.95	AL-76048	\$57.95
	L.H., Push To Lock Clamp-On Style	Inva. Fixed Arm Model D200, 400,700,900, (Before 3/1/86)	AL-358L	\$29.95		
7	R.H., Push To Lock Bolt-On Style, 7/8" Tubing	Inva, Conventional Fixed Arm Models 4000, E1000,1000, World Chair, Tracer: LX, Plus, EX, MG, Transport	AL-2263R	\$13.95	AL-76049	\$25.95
	L.H., Push To Lock Bolt-On Style, 7/8" Tubing	Inva, Conventional Fixed Arm Models 4000, E1000,1000, World Chair, Tracer: LX, Plus, EX, MG, Transport	AL-2263L	\$13.95		
	R.H., Push To Lock Bolt-On Style, 7/8" Tubing	Inva. Conventional Det. Arm Models 4000 (Before 1990), E1000,1000, World Chair, Tracer: IV, SX, Titan, EX, DLX MG, Transport, LT, LX, LX Recliner, Plus, Drive Medical	AL-45574	\$13.95	AL-76050	\$25.95
	L.H., Push To Lock Bolt-On Style, 7/8" Tubing	Inva. Conventional Det. Arm Models 4000 (Before 1990), E1000,1000, World Chair, Tracer: IV, SX, Titan, EX, DLX MG, Transport, LT, LX, LX Recliner, Plus, Drive Medical	AL-45575	\$13.95		
	R.H., Push To Lock Bolt-On Style, 7/8" Tubing	Inva. Conventional, Det, Arms On: 9000, 9SL, 9XT, 9XDT, 2000 (After 7/92), 4000 (After '89)	AL-45580	\$29.95	AL-76051	\$57.95
	L.H., Push To Lock Bolt-On Style, 7/8" Tubing	Inva. Conventional, Det, Arms On: 9000, 9SL, 9XT, 9XDT, 2000 (After 7/92), 4000 (After '89)	AL-45581	\$29.95		
	R.H., Pull To Lock (Hemi) Bolt-On Style, 7/8" Tubing	Inva. Hemi Conventional, Det. Arms On: All 9000 Ridelite, 9SL, 9XT, 9XDT, 2000 (After 7/92)	AL-64305	\$29.95	AL-76052	\$57.95
	L.H., Pull To Lock (Hemi) Bolt-On Style, 7/8" Tubing	Inva. Hemi Conventional, Det. Arms On: All 9000 Ridelite, 9SL, 9XT, 9XDT, 2000 (After 7/92)	AL-64306	\$29.95		
	Assy, Wheel Lock, Push to Lock, Bolt on Style, 7/8" Tubing	Medline, Sunrise Medical Removable Arm	AL-67107	\$19.95	AL-65861	\$29.95
	Brake, Left	Drive Heavy Duty Extra Wide	AL-67106	\$19.95	AL-76053	\$37.95
Brake, Right	AL-64663		\$49.95			
8	Wheel Lock, Push to Lock, Left	Invacare, Tracer IV (After 10/01/03)	AL-64664	\$49.95	AL-76054	\$77.95
	Wheel Lock, Push to Lock, Right		AL-64665	\$49.95		
	Wheel Lock, Pull to Lock, Left	E&J Traveler SE & HD	AL-64666	\$49.95	AL-76055	\$77.95
	Wheel Lock, Pull to Lock, Right		AL-73341	\$19.95		
	Wheel Lock, Push to Lock	AL-73342	\$19.95			



EP1

**When Ordering, Specify Left (L) or Right (R)—Sitting in Chair**

# Wheel Locks & Wheel Lock Extensions



**BUY 11 GET 1 FREE!**



Fig	Description	To Fit	EACH		PAIR	
			ALCO Part No.	Price Each	ALCO Part No.	Price Pair
9	R.H., Push to Lock (w/o tip)	Gendron	AL-353R	\$29.95	AL-76056	\$57.95
	L.H., Push to Lock (w/o tip)		AL-353L	\$29.95		
	Black Plastic Tip	AL-353L/R	AL-379	\$2.95	NA	NA
10	R.H., Push to Lock	Gendron	AL-46024R	\$26.95	AL-76057	\$51.95
	L.H., Push to Lock		AL-46024L	\$26.95		
11	L.H. Brake	Gendron 6700 Series	AL-73515L	\$39.95	AL-77169	\$76.95
	R.H. Brake		AL-73515R	\$39.95		
12	Assy, Wheel Lock, R.H., Push To Lock Bolt-On Style, 7/8" Tubing	Inva. Space-Saver Det. Arms 2000, Patriot SL, 9000, 9000XT/XDT, SL/JYMNI	AL-45576	\$39.95	AL-76058	\$77.95
	Assy, Wheel Lock, L.H., Push To Lock Bolt-On Style, 7/8" Tubing		AL-45577	\$39.95		
13	Assy, Wheel Lock, R.H., Pull To Lock Bolt-On Style, 7/8" Tubing	Inva. Space-Saver Det. Arms 2000, Patriot SL, 9000, 9000XT/XDT, SL/JYMNI	AL-49974	\$39.95	AL-76059	\$77.95
	Assy, Wheel Lock, L.H., Pull To Lock Bolt-On Style, 7/8" Tubing		AL-49975	\$39.95		
14	Assy, Wheel Lock, R.H., Push To Lock	Ti Sport, Quickie, P2 and Other 1" Tubing Chairs	AL-45578	\$36.95	AL-76060	\$77.95
	Assy, Wheel Lock, L.H., Push To Lock		AL-45579	\$36.95		

Fig	Description	To Fit	ALCO Part No.	Price Each
	<b>Wheel Lock Extensions (All Sold As Pairs)</b>			
15	Wheel Lock Extension, 6" Steel, Grey Tip, Crimped Style (Pair)	Invacare & Others	AL-45582	\$9.95
16	Wheel Lock Extension, 8", Steel, Grey Tip, Crimped Style (Pair)	Invacare & Others	AL-45583	\$9.95
17	Wheel Lock Extension, 6", Steel, Black Tip, Crimped Style (Pair)	Invacare & Others	AL-45584	\$9.95
18	Wheel Lock Extension, 8", Steel, Black Tip, Crimped Style (Pair)	Invacare & Others	AL-45585	\$9.95
19	Wheel Lock Extension, 8", Steel, Grey Tip, Crimped Style (Pair)	E&J & Others	AL-64307	\$16.95
20	Wheel Lock Extension, 11-1/2", Steel, Grey Tip, Crimped Style (Pair)	E&J & Others	AL-363	\$9.95
	Wheel Lock Extension, 8", Aluminum, Grey Tip, Crimped Style (Pair)		AL-58566	\$16.95
21	Wheel Lock Extension, 8", Black Anodized, Crimped Style (Pair)	E&J & Others	AL-64308	\$16.95
22	Wheel Lock Extension, 11-1/2", Black Anodized, Crimped Style (Pair)	E&J & Others	AL-64309	\$16.95
23	Wheel Lock Extension, 7", Brake Tip Style (Pair)	E&J & Others	AL-58567	\$21.95
24	Handle, 58" x 6", Black Cushion Tip (Pair)	ALL	AL-2242	\$59.00
25	High Visibility Yellow Knob 9" Extension	All	AL-71081	\$34.95
	High Visibility Yellow Knob 8" Extension	All	AL-71082	\$34.95
	High Visibility Yellow Knob 6" Extension	All	AL-71083	\$34.95
	Replacement Tips-Yellow Slotted	Invacare	AL-71084	\$28.95
	Replacement Tips-Yellow Rounded	E&J	AL-71085	\$28.95
26	Wheel Lock Extension, 6", Black Anodized, W/Bungee Cord, Crimped Style (Pair)	AL-45578 & AL-45579	AL-45582A	\$15.95



EP-1

**When Ordering, Specify Left (L) or Right (R)—Sitting in Chair**


# Invacare Specialty Brakes

**BUY 11 GET 1 FREE!**




**Pull to Lock, Hemi 9000**  
Fits Jymni, 9000SL, 9000XT, 9000XDT, 9000XT Recliner, Patriot and Patriot SL

Right Hand	<b>AL-78314R</b>	<b>\$45.95</b>
Left Hand	<b>AL-78314L</b>	<b>\$45.95</b>
Pair	<b>AL-78336</b>	<b>\$89.95</b>




**Pull to Lock, Hemi**  
Fits 9000 Topaz, Tracer, Tracer IV (Before 10/1/03), Tracer Transport, Tracer LX & LX Recliner, Tracer Plus, Tracer LT, Tracer DLX., Tracer EX, Invacare MG, Tracer SX, Tracer SX Recliner, Tracer, Titan (After 1/98) and Careguard

Right Hand	<b>AL-78315R</b>	<b>\$45.95</b>
Left Hand	<b>AL-78315L</b>	<b>\$45.95</b>
Pair	<b>AL-78335</b>	<b>\$89.95</b>



**Pull to Lock, Patient Operated, w/o Hardware**  
Fits 900 Recliner

Right Hand	<b>AL-78316R</b>	<b>\$45.95</b>
Left Hand	<b>AL-78316L</b>	<b>\$45.95</b>
Pair	<b>AL-78334</b>	<b>\$89.95</b>




**Push to Lock, Wheel Lock Assembly**  
Fits 9000 Jymni and Patriot

Right Hand	<b>AL-78317R</b>	<b>\$45.95</b>
Left Hand	<b>AL-78317L</b>	<b>\$45.95</b>
Pair	<b>AL-78333</b>	<b>\$89.95</b>



**Push to Lock, Adult Brake**  
Fits 9000 Jymni, 9000SL, 9000XT, 9000XDT, 9000XT Recliner, Compass SPT, Compass SPT Limited, Patriot and Patriot SL

Right Hand	<b>AL-78318R</b>	<b>\$45.95</b>
Left Hand	<b>AL-78318L</b>	<b>\$45.95</b>
Pair	<b>AL-78332</b>	<b>\$89.95</b>



**Wheel Lock, High Mount, Push to Lock**  
Fits A-4 Wheelchair, A-4/ A-4 Titanium and A-6

Right Hand	<b>AL-78319R</b>	<b>\$47.95</b>
Left Hand	<b>AL-78319L</b>	<b>\$47.95</b>
Pair	<b>AL-78331</b>	<b>\$93.95</b>




**Wheel Lock**  
Fits 9000SL, 9000XT, 9000XTD and 9000XT Recliner

Right Hand	<b>AL-78320R</b>	<b>\$45.95</b>
Left Hand	<b>AL-78320L</b>	<b>\$45.95</b>
Pair	<b>AL-78328</b>	<b>\$89.95</b>



**Wheel Lock**  
Fits 9000SL, 9000XT, 9000XTD and 9000XT Recliner

Right Hand	<b>AL-78321R</b>	<b>\$45.95</b>
Left Hand	<b>AL-78321L</b>	<b>\$45.95</b>
Pair	<b>AL-78329</b>	<b>\$89.95</b>



**Wheel Lock Assembly, with Hardware**  
Fits Pro, Pro-T, Super Pro and Super Pro-T

Right Hand	<b>AL-78322R</b>	<b>\$45.95</b>
Left Hand	<b>AL-78322L</b>	<b>\$45.95</b>
Pair	<b>AL-78330</b>	<b>\$89.95</b>




**Wheel Lock Assembly**  
Fits A-4/ a-4 Titanium, Allegro (Before 8/2/04), Compass XE, Allegro (After 8/1/04), MVP (Before 10/16/01), Xtra (Before 9/1/04), Jr Style W/C, MCP/ MVP Jr (After 10/15/01), Xtra (After 8/31/04), Patriot, Pro Series, Pro-T and Super Pro

Right Hand	<b>AL-78324R</b>	<b>\$45.95</b>
Left Hand	<b>AL-78324L</b>	<b>\$45.95</b>
Pair	<b>AL-78337</b>	<b>\$89.95</b>



**Wheel Lock Assembly, without Attaching Hardware, Chrome**  
Fits 9000 Jymni

Right Hand	<b>AL-78325R</b>	<b>\$45.95</b>
Left Hand	<b>AL-78325L</b>	<b>\$45.95</b>
Pair	<b>AL-78338</b>	<b>\$89.95</b>




**Wheel Lock**  
Fits A-4 W/C, A-6, MVP (Before 10/16/01), Xtra (Before 9/1/04), Jr Style W/C, MVP/ MVP Jr (After 10/15/01), Xtra (After 8/31/04), Pro, Pro-T, Super Pro, Super Pro-T, ProSPIN, X4 Heavy-Duty

Right Hand	<b>AL-78326R</b>	<b>\$44.95</b>
Left Hand	<b>AL-78326L</b>	<b>\$44.95</b>
Pair	<b>AL-78339</b>	<b>\$87.95</b>



**Wheel Lock Assembly**  
Fits A-4 W/C, A-6, Comet, Rocket, MVP (Before 10/16/01), Xtra (Before 9/1/04), Jr Style W/C, Pro, Pro-T, Super Pro, Super Pro-T, Spyder

Right Hand	<b>AL-78327R</b>	<b>\$68.95</b>
Left Hand	<b>AL-78327L</b>	<b>\$68.95</b>
Pair	<b>AL-78340</b>	<b>\$135.95</b>



**Kit, Hardware, Wheel Lock**  
Fits 9000SL, 9000XT, 9000XTD and 9000XT Recliner

<b>AL-78323</b>	<b>\$13.95</b>
-----------------	----------------

# 8" Wheelchair Caster Assemblies

**BUY 11 GET 1 FREE!**



Fig	Description	ALCO Part No.	Price Each
1	Locknut, (7/16-20)	AL-1400	\$0.90
2	Radial Celcon bearing	AL-2098	\$9.95
3	Top sleeve	AL-2101	\$5.95
4	Sleeve bottom	AL-2106	\$10.95
N/S	Precision bearing	AL-2228	\$4.95
N/S	Bearing, Wheel	AL-259F	\$3.95
N/S	Axle w/nut, 7/16" - 20"x3-1/4"	AL-1406	\$3.95
5	8" Fork	AL-45525	\$24.95
6	Wheel, Grey Hub	AL-2116	\$16.95
	Wheel, Black Hub	AL-2116B	\$16.95
A	Comp. Caster Assy, Grey	AL-124M	\$61.95
	Comp. Caster Assy, Black	AL-124MB	\$61.95
Kit	Bearing/Sleeve Assy includes fig #1-5	AL-2141	\$23.95

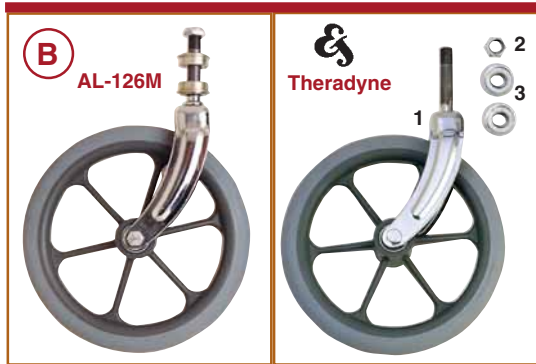


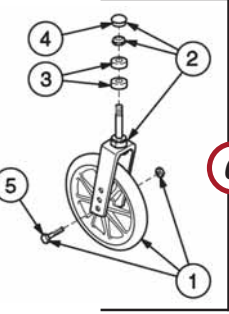
Fig	Description	ALCO Part No.	Price Each
1	8" Fork 5/16" wheel axle, Chrome	AL-2279	\$16.95
	8" Fork 5/16" wheel axle, Black	AL-2279B	\$19.95
2	Nut	AL-1374	\$0.95
3	Stem Bearing	AL-261	\$2.99
4	Wheel Grey Hub	AL-305M	\$16.95
	Wheel Black Hub	AL-305MB	\$16.95
5	Axle with Locknut	AL-2237	\$2.95
B	Complete Caster Assembly, Grey	AL-126M	\$34.95
	Complete Caster Assembly, Black	AL-126MB	\$34.95

**Tracer I.V. & Tracer EX2/SX5**



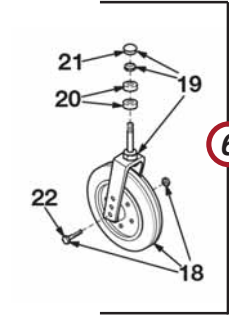
<b>Tracer I.V.</b> Aluminum, Black	<b>AL-72956</b>	<b>\$51.95</b>
<b>Tracer EX2/SX5</b> Steel, Black	<b>AL-72957</b>	<b>\$51.95</b>

**E&J Traveler SE**



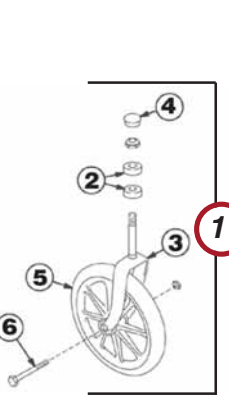
1	Caster Wheel, Axle & Nut (8"x1")	<b>AL-73323</b>	<b>\$19.95</b>
2	Caster Fork, Stem Nut & Dust Cap	<b>AL-73324</b>	<b>\$19.95</b>
3	Caster Stem Bearing	<b>AL-252</b>	<b>\$4.95</b>
4	Caster Dust Cap	<b>AL-70120</b>	<b>\$4.95</b>
5	Caster Axle & Nut	<b>AL-2237</b>	<b>\$2.95</b>
6	Complete Caster (fork & wheel) 8"x1" rubber tire	<b>AL-73325</b>	<b>\$39.95</b>

**E&J Traveler HD**



1	Caster Wheel, Axle & Nut, 8" x 2"	<b>AL-73359</b>	<b>\$29.95</b>
2	Caster Fork, Stem Nut & Dust Cap	<b>AL-73324</b>	<b>\$19.95</b>
3	Caster Stem Bearing	<b>AL-252</b>	<b>\$4.95</b>
4	Caster Dust Cap	<b>AL-70120</b>	<b>\$4.95</b>
5	Caster Axle & Nut	<b>AL-2237</b>	<b>\$2.95</b>
6	Complete Caster (fork & wheel) 8" x 2" urethane tire	<b>AL-73360</b>	<b>\$35.95</b>

**E&J Traveler Recliner**



1	Caster, complete, 8" x 1" tire	<b>AL-45926</b>	<b>\$46.95</b>
2	Caster stem bearing with flange	<b>AL-252</b>	<b>\$4.95</b>
	Caster stem bearing without flange	<b>AL-261</b>	<b>\$2.99</b>
3	Caster fork, steel, with stem nut	<b>AL-68742</b>	<b>\$19.95</b>
4	Dust cap, new style	<b>AL-70120</b>	<b>\$4.95</b>
	Dust cap, old style	<b>AL-247B</b>	<b>\$1.95</b>
	8" x 1" solid caster wheel	<b>AL-66153</b>	<b>\$16.95</b>
	8" x 1 3/4" pneumatic caster wheel	<b>AL-45621</b>	<b>\$49.95</b>
	8" x 1 3/4" semi-pneumatic caster wheel	<b>AL-66153</b>	<b>\$16.95</b>
6	Axle bolt and nut	<b>AL-2237</b>	<b>\$2.95</b>

EP1

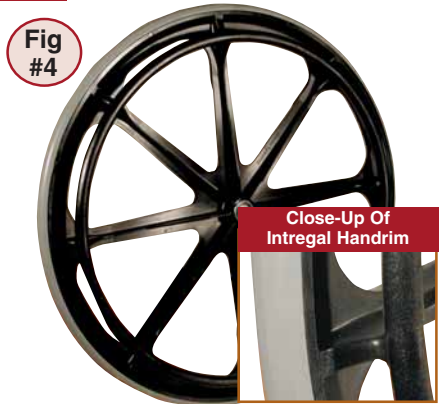
Phone 800-323-4282 • 630-655-1900  
FAX 800-950-1167 • 630-655-1990

E-mail: [info@alcosales.com](mailto:info@alcosales.com)  
Website: [www.alcosales.com](http://www.alcosales.com)



# Rear Wheels

**BUY 11 GET 1 FREE!**



Close-Up Of  
Integral Handrim



ALCO

ALCO

Everest & Jennings®

<b>FIG. #1</b>	<b>Description: 24" Black Plastic Wheel with Handrim and Urethane Tire</b>											
	Weight Capacity: 250 lbs.											
	<b>Complete Wheel</b>					<b>Replacement Parts</b>						
	<b>Bearing Size</b>	<b>ALCO Part No.</b>	<b>Price</b>	<b>Bearing</b>	<b>Price</b>	<b>Tire</b>	<b>Price</b>	<b>Handrim</b>	<b>Price</b>	<b>Hubcap</b>	<b>Price</b>	
	7/16" Bearing	AL-2719MB	\$79.00	AL-2228A	\$4.95	AL-50156A	\$19.95	AL-25014	\$34.95	AL-45558	\$2.95	
	5/8" Bearing	AL-2718MB	\$89.95	AL-2228	\$4.95							
<b>FIG. #2</b>	<b>Description: 22" and 24" Nylon Composite Wheel with Handrim and Urethane Tire</b>											
	Weight Capacity: 650 lbs.											
	<b>Grey Wheel</b>											
	<b>Complete Wheel</b>					<b>Replacement Parts</b>						
		<b>Bearing Size</b>	<b>ALCO Part No.</b>	<b>Price</b>	<b>Bearing</b>	<b>Price</b>	<b>Tire</b>	<b>Price</b>	<b>Handrim</b>	<b>Price</b>	<b>Hubcap</b>	<b>Price</b>
		7/16" Bearings 24"	AL-2722	\$79.00	AL-264	\$3.95	AL-50165	\$23.95	AL-63915*	\$39.95	AL-2289BT	\$3.95
		5/8" Bearings 24"	AL-2722A	\$85.00	AL-266	\$4.95						
		7/16" 22"	AL-2722B	\$109.00	AL-264	\$3.95	AL-50162	\$19.95	AL-65371	\$49.95	AL-2289T	\$3.95
		5/8" 22"	AL-2722AB	\$109.00	AL-266	\$4.95						
		*Hardware Sold Separately. AL-76033 \$19.95										
	<b>Black Wheel</b>											
	<b>Complete Wheel</b>					<b>Replacement Parts</b>						
	<b>Bearing Size</b>	<b>ALCO Part No.</b>	<b>Price</b>	<b>Bearing</b>	<b>Price</b>	<b>Tire</b>	<b>Price</b>	<b>Handrim</b>	<b>Price</b>	<b>Hubcap</b>	<b>Price</b>	
	7/16" Bearings 24"	AL-2722BK	\$79.00	AL-264	\$3.95	AL-50165	\$23.95	AL-63915*	\$39.95	AL-2289BT	\$3.95	
	5/8" Bearings 24"	AL-2722ABK	\$85.00	AL-266	\$4.95							
	7/16" 22"	AL-2722BBK	\$109.00	AL-264	\$3.95	AL-50162	\$19.95	AL-65372	\$49.95	AL-2289BT	\$3.95	
	5/8" 22"	AL-2722ABK	\$109.00	AL-266	\$4.95							
	*Hardware Sold Separately. AL-76033 \$19.95											
<b>FIG. #3</b>	<b>Description: 24" Plastic Wheel with Handrim and Pneumatic Tire</b>											
	FLAT FREE TUBE INSERTS AVAILABLE—Add "F" to ALCO Part No. and \$40 to price											
	Weight Capacity: 220 lbs.											
	<b>Grey Wheel</b>											
		<b>Complete Wheel</b>					<b>Replacement Parts</b>					
	<b>Bearing Size</b>	<b>ALCO Part No.</b>	<b>Price</b>	<b>Bearing</b>	<b>Price</b>	<b>Tire</b>	<b>Price</b>	<b>Handrim</b>	<b>Price</b>	<b>Hubcap</b>	<b>Price</b>	
	7/16" Bearing	N/A	N/A	AL-264	\$3.95	N/A	N/A	AL-65373	\$59.95	AL-2289T	\$3.95	
	5/8" Bearing			AL-266	\$4.95							
	<b>Black Wheel</b>											
	<b>Complete Wheel</b>					<b>Replacement Parts</b>						
	<b>Bearing Size</b>	<b>ALCO Part No.</b>	<b>Price</b>	<b>Bearing</b>	<b>Price</b>	<b>Tire</b>	<b>Price</b>	<b>Handrim</b>	<b>Price</b>	<b>Hubcap</b>	<b>Price</b>	
	7/16" Bearing	AL-58657	\$109.00	AL-264	\$3.95	N/A	N/A	AL-65373	\$59.95	AL-2289BT	\$3.95	
	5/8" Bearing	AL-58658	\$109.00	AL-266	\$4.95							
<b>FIG. #4</b>	<b>Description: 24 X 1 Molded Black Wheel w/Integral Handrim and Solid Rubber Tire</b>											
	Fits Vista, Traveler & Traveler XD											
	Weight Capacity: 7/16" Bearing 250 lbs. & 5/8" Bearing 350 lbs.											
	<b>Complete Wheel</b>					<b>Replacement Parts</b>						
	<b>Bearing Size</b>	<b>ALCO Part No.</b>	<b>Price</b>	<b>Bearing</b>	<b>Price</b>	<b>Tire</b>	<b>Price</b>	<b>Handrim</b>	<b>Price</b>	<b>Hubcap</b>	<b>Price</b>	
	7/16" Bearing	AL-58655	\$99.00	AL-59705A	\$7.95	AL-50156A	\$19.95	N/A	N/A	AL-64842	\$1.95	
	5/8" Bearing	AL-58656	\$99.00	AL-59705	\$9.95							

EP1

# Rear Wheels

**BUY 11 GET 1 FREE!**



Fig #5



Fig #6



300 lb Capacity



Fig #7

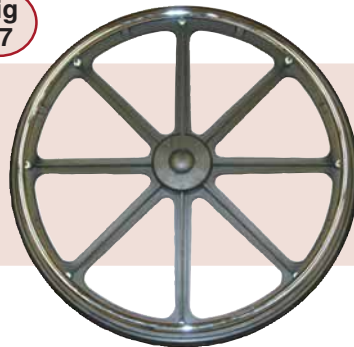


Fig #8



2,000 lb Capacity

<b>FIG. #5</b>	<b>Description: 24" Black Plastic Wheel with Handrim and Molded Solid Rubber Tire</b>										
	Weight Capacity: 700 lbs										
	<b>Complete Wheel</b>					<b>Replacement Parts</b>					
	<b>Bearing Size</b>	<b>ALCO Part No.</b>	<b>Price</b>	<b>Bearing</b>	<b>Price</b>	<b>Tire</b>	<b>Price</b>	<b>Handrim</b>	<b>Price</b>	<b>Hubcap</b>	<b>Price</b>
7/16" Bearing	AL-17P*	Call	AL-267	\$3.95							
1/2" Bearing	AL-18P*	Call	AL-268	\$3.95	N/A	N/A	N/A	N/A	AL-58647	\$1.95	
5/8" Bearing	AL-19P*	Call	AL-269	\$3.95							
*Must provide model number when ordering											
<b>FIG. #6</b>	<b>Description: 24" Black Plastic Wheel with Handrim and Urethane Snap-On Tire</b>										
	Weight Capacity: 300 LBS.										
	<b>Complete Wheel</b>					<b>Replacement Parts</b>					
	<b>Bearing Size</b>	<b>ALCO Part No.</b>	<b>Price</b>	<b>Bearing</b>	<b>Price</b>	<b>Tire</b>	<b>Price</b>	<b>Handrim</b>	<b>Price</b>	<b>Hubcap</b>	<b>Price</b>
7/16" Bearing	AL-58659	\$59.00	AL-2228A	\$4.95	AL-50156A	\$19.95	N/A	N/A	N/A	N/A	
<b>FIG. #7</b>	<b>Description: 24" Black Plastic Wheel with Chrome Handrim and Solid Rubber Tire</b>										
	Weight Capacity: 350 lbs										
	<b>Complete Wheel</b>					<b>Replacement Parts</b>					
	<b>Bearing Size</b>	<b>ALCO Part No.</b>	<b>Price</b>	<b>Bearing</b>	<b>Price</b>	<b>Tire</b>	<b>Price</b>	<b>Handrim</b>	<b>Price</b>	<b>Hubcap</b>	<b>Price</b>
12mm Bearing	AL-70079	\$89.00	AL-54878	\$6.95	AL-50165	\$23.95	AL-70081C	\$19.95	AL-70121	\$4.95	
15mm Bearing	AL-70080	\$99.00	AL-70089	\$7.95							
<b>FIG. #8</b>	<b>Description: 24" Metal Alloy Black Die Cast MAG Wheel with Handrim and Solid Rubber Tire</b>										
	Weight Capacity: 2,000 lbs										
	<b>Complete Wheel</b>					<b>Replacement Parts</b>					
	<b>Bearing Size</b>	<b>ALCO Part No.</b>	<b>Price</b>	<b>Bearing</b>	<b>Price</b>	<b>Tire</b>	<b>Price</b>	<b>Handrim</b>	<b>Price</b>	<b>Hubcap</b>	<b>Price</b>
1/2" Bearing	AL-503M	\$99.00	AL-45590	\$4.95							
7/16" Bearing	AL-504M	\$99.00	AL-2228A	\$4.95	AL-76480	\$39.95	AL-578	\$19.95	N/A	N/A	
5/8" Bearing	AL-505M	\$99.00	AL-2228	\$4.95							



EP1



# Front Wheels

**BUY 11 GET 1 FREE!**



**Soft Tread**

1



**Hard Tread Pushes 50% Easier**

2



3



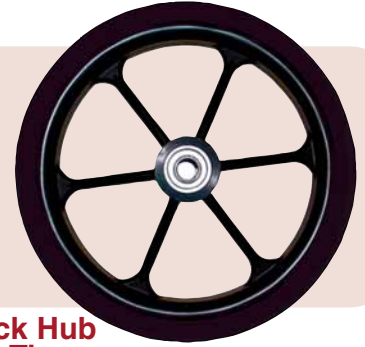
**Heavy Duty**

4



**Grey Hub & Tire**

5



**Black Hub & Tire**

6

1

**Front Caster Wheels—Hard Tread**

When used, chairs push 50% easier  
8" x 1" • 5/16" Bearing • 1-13/16" Hub  
**AL-65562 \$14.00**

**Front Caster Wheels—Soft Tread**

8" x 1" • 5/16" Bearing • 1-13/16" Hub  
with Softer Wheel  
**AL-70077 \$10.00**

2

**Front Caster Wheels—Hard**

When used, chairs push 50% easier  
8" x 2" • 5/16" Bearing • 2-5/16" Hub  
**AL-65563 \$34.00**

8" x 2" • 5/16" Bearing • 2-5/16" Hub  
with Softer Wheel  
**AL-70078 \$14.00**

3

**Universal 8" MAG, soft semi-pneumatic wheel**

(1" and 1-1/4" wide, 2-7/16 hub width). Extra wide tire will not fall in elevator slot. Made of grey soft Super-Tuff Material. Outlasts rubber tires 7 to 1. **Black Hub/Grey Tire**

1" Wide, 5/16" ID Bearing  
**AL-57309 \$22.95**

1" Wide, 7/16" ID Bearing  
**AL-57310 \$22.95**

1-1/4" Wide, 5/16" ID Bearing  
**AL-50171 \$23.95**

1-1/4" Wide, 7/16" ID Bearing  
**AL-50137 \$23.95**

4

**Universal 8" MAG, soft solid wheel**

(2" and 1-3/4" wide, 2-1/2 hub width). Extra Wide Tires will not fall in elevator slot. Made of soft Super-Tuff Material. Outlasts rubber tires 7 to 1.

**Black Hub/Grey Tire**

(2" wide) 5/16" ID Bearing. Fits E&J, Lumex, Tuffcare, Hoyer, New Theradyne & more. **AL-52321 \$29.00**

(2" wide) 7/16" ID Bearing. Fits Colson, Rolls, Invacare, Gendron, Old Theradyne & more. **AL-52322 \$29.00**

(1-3/4" wide) 5/16" ID Bearing. Fits E&J, Lumex, Tuffcare, Hoyer, New Theradyne & more. **AL-56480 \$29.00**

(1-3/4" wide) 7/16" ID Bearing. Fits Colson, Rolls, Invacare, Gendron, Old Theradyne & more. **AL-56481 \$29.00**

5

**Universal 8" MAG type molded wheel (2-1/2 Hub Width)**

Made of "super-tuff" material. Out wears rubber tires 7 to 1

**Grey Hub, Grey Tire**

7/16" ID Bearing **AL-2116 \$16.95**  
5/16" ID Bearing **AL-305M \$16.95**

**Grey Hub, Black Tire**

7/16" ID Bearing **AL-2116B \$16.95**  
5/16" ID Bearing **AL-305MB \$16.95**

6

**Universal 8" MAG type molded wheel (2-1/2 Hub Width)**

Made of "super-tuff" material. Out wears rubber tires 7 to 1

**Black Hub, Black Tire**

7/16" ID Bearing **AL-66152 \$16.95**  
5/16" ID Bearing **AL-66153 \$16.95**

**We Accept**





# Front Wheels

## BUY 11 GET 1 FREE!

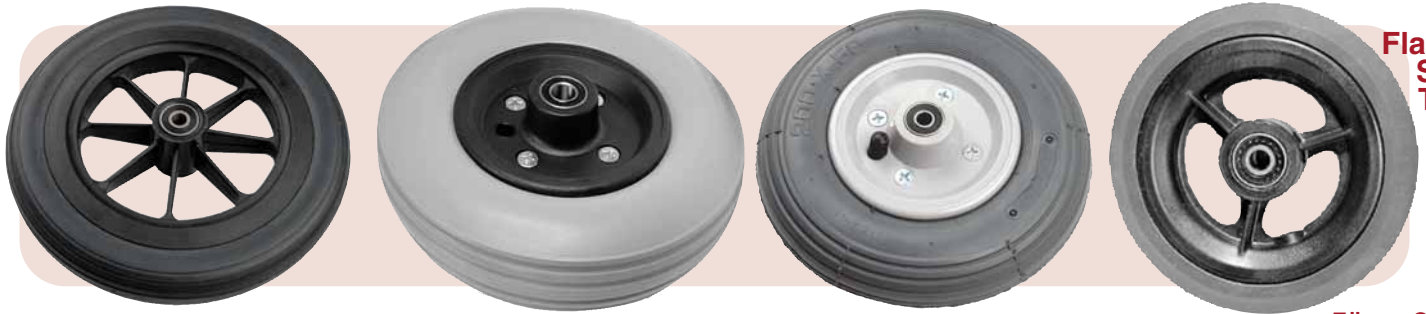


7

8

9

10



11

12

13

14

Flat Free  
Soft  
Tire

5" or 6"

7

**8x1, 5-Spoke, Black Plastic**  
Solid Lt. Grey Tire, Premium  
Grade (Tire Cannot Be Replaced)  
Bearing ID 5/16  
Hub Width 2-1/2"  
Fits Most Chairs With 5/16 Axles  
**AL-45613 \$29.95**

8

**8x1, 8-Spoke, Black Plastic**  
Lt. Grey Solid Tire  
(Tire Cannot Be Replaced)  
Bearing ID 5/16  
Hub Width 2-3/8"  
Fits E&J Std  
**AL-45615 \$12.95**

10

**8x1-1/4, Custom Caster**  
5-Spoke, Grey Plastic,  
Bearing ID **Specify** 5/16 or 7/16  
Hub Width **Specify** 1-3/4" or 2-3/8"  
Fits Most Chairs  
**AL-45621 \$49.95**

13

**8x2, Grey 2-Pc. Plastic-Treated**  
Large Pneumatic Tire  
Bearing ID 5/16  
Hub Width 2-1/2"  
Fits E&J  
**AL-45631 \$29.95**

EP-1

7

**8x1, 5-Spoke, Grey Plastic**  
Solid Lt. Grey Tire, Premium  
Grade (Tire Cannot Be Replaced)  
Bearing ID 5/16  
Hub Width 2-5/16"  
Fits E&J, Quickie  
**AL-45618 \$29.95**

8

**8x1, 8-Spoke, Grey Plastic**  
Lt. Grey Solid Tire  
Bearing ID 5/16  
Hub Width 2-3/8"  
Fits E&J Std  
**AL-45615A \$12.95**

11

**8x1-1/4, 8-Spoke, Black Plastic**  
Black Urethane Tire, With Round  
Ribbed Tread  
Bearing ID 5/16  
Hub Width 1-1/2"  
Fits Most Ultralight Wheelchairs  
**AL-45625 \$39.95**

14

**8x2, Black 2-Pc. Plastic-Treated**  
Pneumatic Tire  
Bearing ID 7/16  
Hub Width 2-1/2"  
Fits Invacare & Others  
**AL-45632 \$39.95**

9

**8x1, 5-Spoke, Grey Plastic**  
Lt. Grey Tire Premium Grade  
Bearing ID 7/16  
Hub Width 2-3/8"  
Fits Invacare & Others  
**AL-45614 \$29.95**

12

**8x1, 8-Spoke, Black Plastic**  
Black Urethane Tire.Round  
Smooth Tread  
Bearing ID 5/16  
Hub Width 1-1/2"  
Fits Most Ultralight Wheelchairs  
**AL-45616 \$29.95**

14

**5x1, 3-Spoke Black Plastic,  
Black Urethane Pyramid Tire**  
Fits Quickie & Most Ultralight  
Wheelchairs  
5/16 Bearing ID.  
Hub width 1"  
**AL-64203 \$26.95**

**8x1, 8-Spoke, Black Plastic**  
Smooth Black Tire  
Bearing ID 7/16  
Hub Width 2-3/8"  
Fits Invacare & Other  
**AL-45619 \$29.95**

12

**8x2, Black 2-Pc. Plastic**  
Lt. Grey Urethane Tire W/  
Ribbed Tread (Invacare Calls It 8x1-3/4")  
Bearing ID 7/16  
Hub Width 2-7/16"  
Fits Invacare & Other Power Chairs  
**AL-45629 \$39.95**

14

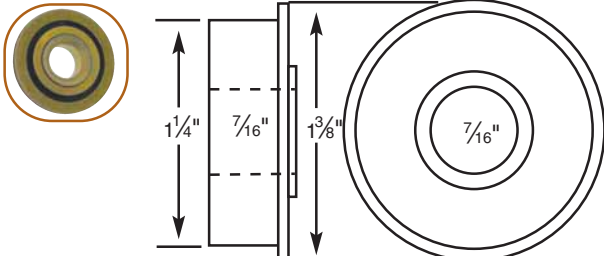
**6x1-1/4, 3-Spoke, Black Plastic,  
Black Urethane Tire**  
(Includes Spacers To Fit Forks Up  
To 1-3/4 wide)  
Fits Quickie, E&J, Invacare,  
Others  
5/16 Bearing ID.  
Hub width 1"  
**AL-64204 \$29.95**

**8x1, 8-Spoke, Black Plastic**  
Smooth Grey Tire  
Bearing ID 7/16  
Hub Width 2-3/8"  
Fits Invacare and others  
**AL-56369 \$29.95**

# 24" Rear Wheel Bearings

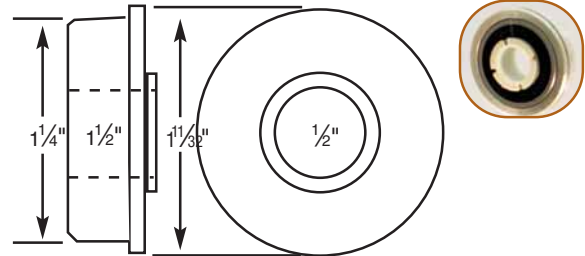
**BUY 11 GET 1 FREE!**

Theradyne



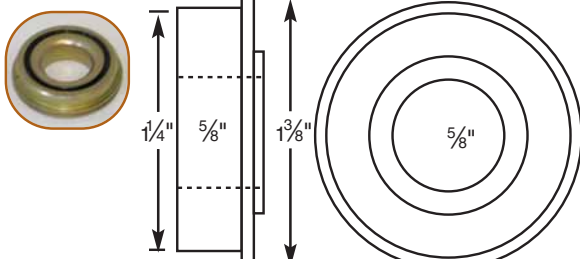
AL-264 \$3.95 Each

Theradyne



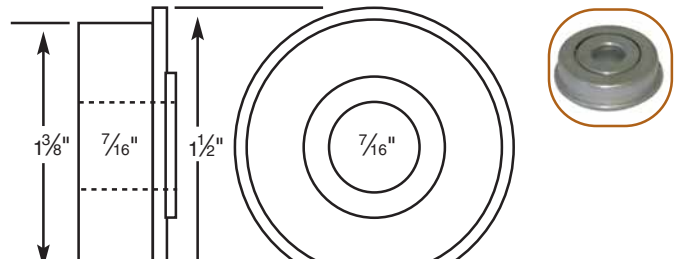
AL-265 \$6.95 Each

E & J



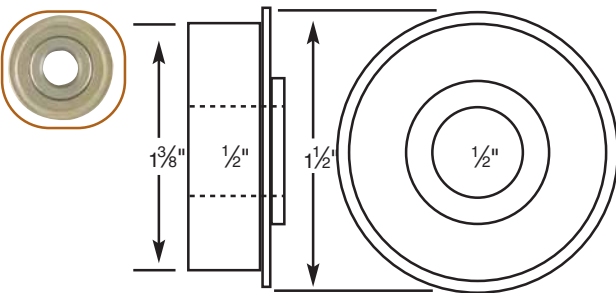
AL-266 \$4.95 Each

Colson, Rolls, Invacare, Theradyne



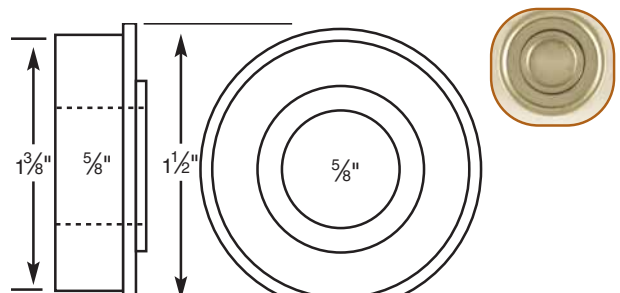
AL-267 \$3.95 Each

Colson, Rolls, Invacare, Theradyne



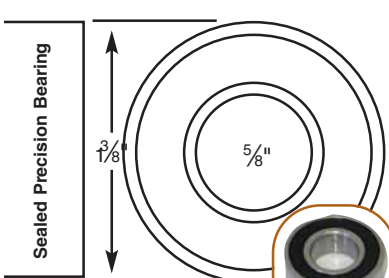
AL-268 \$3.95 Each

Colson, Rolls, Invacare, Theradyne



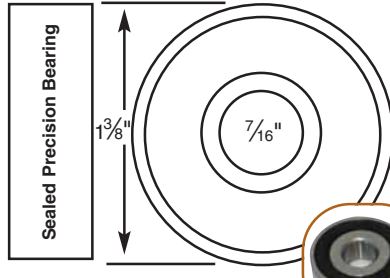
AL-269 \$3.95 Each

Rolls, Invacare and Theradyne



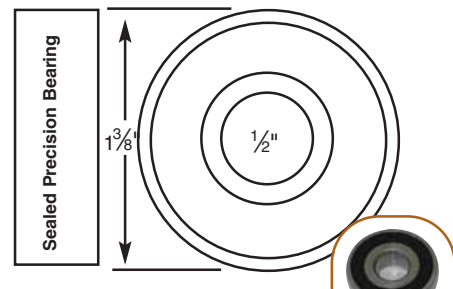
AL-2228 \$4.95 Each

Rolls, Invacare and Theradyne



AL-2228A \$4.95 Each

Invacare



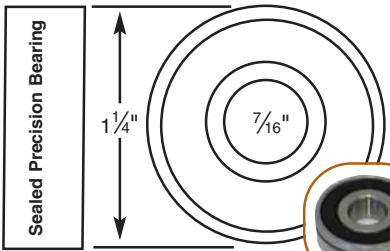
AL-45590 \$4.95 Each

Colson, Rolls, Invacare



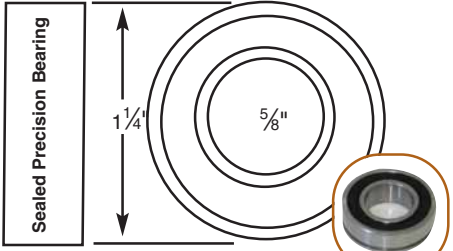
AL-276 \$3.95 Each

E & J Integral Handrim



AL-59705A \$7.95 Each

E & J Integral Handrim



AL-59705 \$9.95 Each

# 8" Front Wheel Bearings

**BUY 11 GET 1 FREE!**



<b>American</b>  <b>AL-257 \$4.95 Each</b>	<b>E &amp; J</b>  <b>AL-258 \$3.95 Each</b>	<b>Colson, Rolls, Invacare, Old Theradyne &amp; Gendron</b>  <b>AL-259F \$3.95 Each</b>
--	---	---

<b>Colson, Rolls, Invacare, Theradyne</b>  <b>AL-262 \$3.95 Each</b>	<b>E &amp; J</b>  <b>AL-271 \$2.95 Each</b>
--	---

<b>E &amp; J, New Theradyne</b>  <b>AL-2970 \$2.99 Each</b>	<b>Invacare/Medline</b>  <b>AL-45587 \$4.95 Each</b>	<b>Metric for Import</b>  <b>AL-51002 \$7.95 Each</b>
---	--	---

## Specialty

<b>E &amp; J - 1 Arm Drive Units</b>  <b>AL-255 \$6.95 Each</b>	<b>Stryker 8" Wheel Bearing</b>  <b>AL-2234 \$5.95 Each</b>
---	---

**Cones for Colson, Rolls, Invacare**

 <b>AL-282 \$4.95 Each</b>
-------------------------------

**All Bearings Are Shown Approximate Size**

EP1



# Front Caster Stem Bearings

**BUY 11 GET 1 FREE!**

<p><b>American</b></p> <p><b>AL-254 \$4.95 Each</b></p>	<p><b>Colson, Rolls, Invacare</b></p> <p><b>AL-256 \$3.95 Each</b></p>	<p><b>E &amp; J</b></p> <p><b>AL-260 \$6.95 Each</b></p>	
<p><b>E &amp; J</b></p> <p><b>AL-261 \$2.99 Each</b></p>		<p><b>Colson</b></p> <p><b>AL-263 \$3.95 Each</b></p>	
<p><b>Colson, Rolls, Invacare</b></p> <p><b>AL-275 \$2.95 Each</b></p>	<p><b>Rolls, Invacare</b></p> <p><b>AL-289 \$2.95 Each</b></p>		
<p><b>Theradyne and New E&amp;J</b></p> <p><b>AL-252 \$4.95 Each</b></p>			<p><b>ALCO Spray Grease For Casters and Wheels</b>          For use on all types of bearings and gears. Sprays on in liquid form and sets up as a permanent grease in 20 minutes. Grease is impervious to water and temperatures up to 400 degrees F. Includes nozzle straw to help you grease those hard-to-reach places. Better than silicone and WD-40® because it doesn't dry up. Environmentally safe!</p> <p><b>AL-2014 \$7.95 Each per 14 oz. can</b>  <b>AL-66073 \$69.95 Case (12 per case)</b></p>

EP1

# Wheel & Caster Bearings

**BUY 11 GET 1 FREE!**



Fig.	Description	To Fit	ALCO Part No.	Price Each
1	Kit, Bearing Caster Stem	All Old Inva Models except 700 & 900 Series	AL-2141	\$23.95
2	Kit, Bearing, Caster Stem (Plastic)	Invacare	AL-2227	\$29.95
3	Kit, Bearing Assy., Fork Stem	Invacare 700 & 900 Series	AL-2140	\$29.95
4	O-Ring, Rubber Anti-Flutter (Pk of 4)	1/2" Fork Stems	AL-58541	\$2.95
5	Kit, 4 Bearings, 2 Spacers	Guardian, Hoyer	AL-65845	\$19.95
6	Front Fork Stem Bearing 20", 22" and 24"	Medline Excel, Drive	AL-54873	\$4.95
7	Rear Wheel Bearing <sup>1</sup> 12mm ID x 37mm OD Rear Wheel Bearings (Pair) <sup>2</sup> 12mm ID x 32mm OD	Medline Excel Medline	AL-54878 AL-64732	\$6.95 \$16.95
8A	Front Caster Bearings (Raised Raceway)	Drive, Medline	AL-66977	\$8.95
8B	Front Caster Bearings (Flat Raceway)	Drive, Medline	AL-45587	\$4.95
9	22" and 24" Wide Rear Wheel Bearings	Drive, Medline, Excel X-Wide	AL-70089	\$7.95
10	Radial Celcon Bearings	Invacare	AL-2098	\$9.95
11	Stem Bearing Axle (Sun HHG) New Style	E&J, Quickie	AL-252	\$4.95
12	Front Caster Bearings for Extra Wide	Medline	AL-64771	\$19.95

Pk.  
Pr.  
Pr.

<sup>1</sup>Serial numbers A007-A0107  
<sup>2</sup>Serial numbers equal or lower than A0006

## ALCO Bearing Kits

- ALCO Regular Bearing Kit** contains 40 Bearings:  
4 ea. AL-259F, AL-260, AL-261, AL-262, AL-263, AL-267, AL-268, AL-269, AL-264, AL-271, AL-2234 (Plastic Box Included)  
Regular Bearing Kit **AL-2235 \$149.00**
- ALCO Deluxe Bearing Kit** contains 56 Bearings:  
In addition to above, 4 ea. AL-275, AL-276, AL-2228, AL-2228A. (Plastic Box Included)  
Deluxe Bearing Kit **AL-2235A \$249.00**
- ALCO Supreme Bearing Kit** contains 80 Bearings: In addition to two kits above, 4 ea. AL-259F, AL-261, AL-263, AL-269, AL-264, AL-271. (Plastic Box Included)  
Supreme Bearing Kit **AL-2235B \$299.00**
- Universal Bearing Kit** for Invacare & E&J Wheelchairs **AL-58535 \$179.00**
- Invacare Bearing Kit** **AL-58536 \$129.00**
- E&J Bearing Kit** **AL-58537 \$69.00**
- Axle/Bearing Sizer Tool** (for measuring ID/OD) **AL-58538 \$1.00**



Bearing Size Tool Sold Separately **AL-58538**  
See bearing pages 98-100 for descriptions

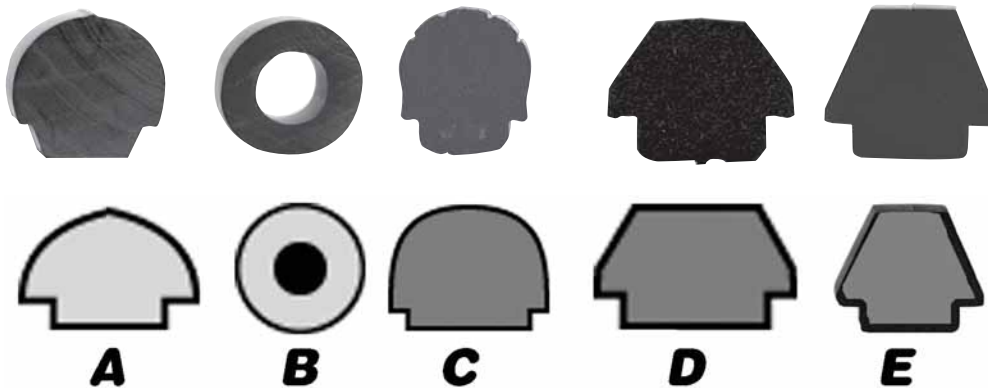


EP1



# Replacement Snap-on Solid Tires

**BUY 11 GET 1 FREE!**



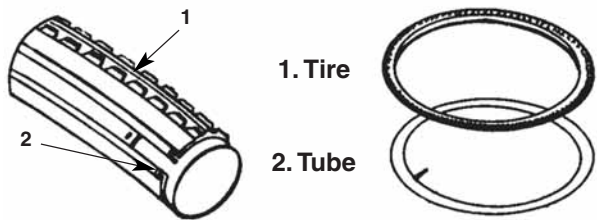
## Grey Rubber Replacement Wheelchair Snap-on Tires

Description	Fits	Fig.	ALCO Part No.	Price Each
8 x 1" Tire, Solid, Lt Grey Rubber, Round Shape, Smooth Tread	8 x 1" Casters w/Flat Channels	A	<b>AL-50146</b>	<b>\$9.95</b>
22 x 1" Snap-On, Lt Grey	22 x 1" Mag and Spoke Wheel with Square Channel	D	<b>AL-50147</b>	<b>\$19.95</b>
24 x 1" Tires, Solid, Lt Grey Rubber, Round Base, Smooth Tread	24 x 1 MAG Wheel	B	<b>AL-50151</b>	<b>\$20.95</b>

## Dark Grey Urethane Replacement Wheelchair Snap-on Tires

Description	Fits	Fig.	ALCO Part No.	Price Each
8 x 1" Snap-On Tire, Pyramid Style	Invacare Mag	E	<b>AL-50157</b>	<b>\$19.95</b>
8 x 1" Tire, Solid, Black Polyurethane, Round Shape, Smooth Tread	Most 8 x 1" Casters Except E&J	C	<b>AL-50158</b>	<b>\$14.95</b>
24 x 1-1/4" Tire, Solid, Black Polyurethane, Full Profile, Slight Tread	Most 24 x 1-3/8" Wheels w/Valve Hole	C	<b>AL-50160</b>	<b>\$23.95</b>
22 x 1-1/4" Tire, Solid, Black Polyurethane, Full Profile, Slight Tread	Most 22 x 1-3/8" (501mm) Wheels w/Valve Hole (Except E&J)	C	<b>AL-50161</b>	<b>\$23.95</b>
24 x 1" Tire, Urethane, Black, Low Profile, Smooth Tread	Most 24 x 1" Wheel Rims w/o Valve Hole	D	<b>AL-50165</b>	<b>\$23.95</b>
24 x 1" Tire, Solid, Dark Grey Polyurethane, Low Profile, Pyramid Shape, Smooth Tread	Invacare 24" 9-Spoke Mag Wheel	D	<b>AL-50156A</b>	<b>\$19.95</b>

## Air-Pneumatic Tire Inner Tubes, Caps & Valves



Airfree Tubes					
Size	ALCO Part No.	Price Each	Size	ALCO Part No.	Price Each
20" x 2.125"	<b>AL-2875</b>	<b>\$39.95</b>	24" x 1-3/8"	<b>AL-2878</b>	<b>\$22.95</b>
24" x 1-1/4"	<b>AL-2878</b>	<b>\$22.95</b>	24" x 1.75"	<b>AL-2879</b>	<b>\$23.95</b>
8" x 1-1/4"	<b>AL-50139</b>	<b>\$14.95</b>	22" x 1-3/8"	<b>AL-50141</b>	<b>\$20.95</b>
8" x 1-3/4"	<b>AL-50140</b>	<b>\$17.95</b>			
Polyurethane Airfree Snap-On Tire			24" x 1-3/8"	<b>AL-58661</b>	<b>\$19.95</b>

Fig.	Size	Color	ALCO Part No.	Price Each
1	8" x 1-1/4"	Grey	<b>AL-551</b>	<b>\$13.95</b>
	8" x 1-3/4"	Grey	<b>AL-551A</b>	<b>\$13.95</b>
	20" x 1-3/8"	Grey	<b>AL-552</b>	<b>\$19.95</b>
	22 x 1-3/8"	Grey	<b>AL-50138</b>	<b>\$19.95</b>
	24 x 1.25	Grey	<b>AL-555</b>	<b>\$19.95</b>
	24 x 1.375-S.R.	Grey	<b>AL-556</b>	<b>\$19.95</b>
	24" x 1-3/8"	Grey	<b>AL-557</b>	<b>\$19.95</b>
	24" x 1-3/4"	Grey	<b>AL-558</b>	<b>\$19.95</b>
	24 x 1.75	Grey	<b>AL-560</b>	<b>\$19.95</b>
	2	8" x 1-1/4"	Black	<b>AL-563</b>
8" x 1-3/4"		Black	<b>AL-563A</b>	<b>\$11.95</b>
20" x 1-3/8"		Black	<b>AL-564</b>	<b>\$9.95</b>
20 x 2.15		Black	<b>AL-565</b>	<b>\$9.95</b>
22" x 1-3/8"		Black	<b>AL-50144</b>	<b>\$9.95</b>
24 x 1.25 or 1-3/8"		Black	<b>AL-566</b>	<b>\$15.95</b>
24 x 1.75 or 1-3/4"		Black	<b>AL-567</b>	<b>\$15.95</b>



**Presta Valve Adapters**  
Converts to Schrader  
**AL-50939 \$2.49 Ea**

**Plastic Valve Cap**  
**AL-50938 \$0.39 Ea**

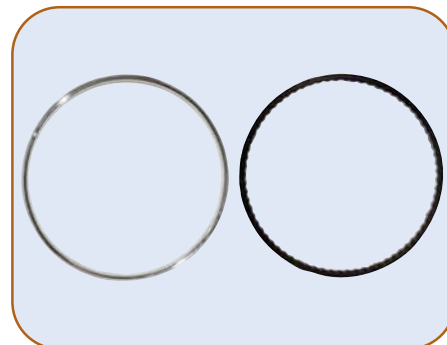
# Wheel Maintenance Parts

**BUY 11 GET 1 FREE!**



## Handrims

Dist From Center of Mounting Hole to Center	Outside Diameter (Inch)	Inside Diameter (Inch)	ALCO Part No.	Price Each
20-1/8"	20-3/4"	19-3/8"	<b>AL-578</b>	<b>\$19.95</b>
20-3/4"	21-3/8"	20-1/8"	<b>AL-2840</b>	<b>\$49.95</b>
Invacare (Spoke 24" Wheel) 4 rivets			<b>AL-2840</b>	<b>\$49.95</b>
Invacare Plastic Composite Wheel 6 rivets			<b>AL-25014</b>	<b>\$34.95</b>
Theradyne Plastic Composite 24" Wheel			<b>AL-578</b>	<b>\$19.95</b>
Invacare 9 Spoke Black Composite			<b>AL-50928</b>	<b>\$39.95</b>
Gendron Plastic			<b>AL-47731</b>	<b>\$19.95</b>
Invacare 7 Spoke Black Composite			<b>AL-58570</b>	<b>\$39.95</b>
Invacare 7 Spoke Black Anodized			<b>AL-58571</b>	<b>\$39.95</b>



Other Spacers Available On Page 104

## Handrim Spacers and Screws

Fig.	Description for Handrim Spacers & Screws	Fits	ALCO Part No.	Price Each
18	7/16" Long Spacer	Invacare	<b>AL-45534</b>	<b>\$1.35</b>
19	3/4" Long Spacer	Std Wheel All Brands	<b>AL-586A</b>	<b>\$1.25</b>
20	3/4" Long Spacer Grey Skyway	Skyway Handrim	<b>AL-45535</b>	<b>\$0.95</b>
21	3/4" Long Spacer Black Skyway	Skyway Handrim	<b>AL-45536</b>	<b>\$0.95</b>
22	11/16" Long Spacer	Inva	<b>AL-45537</b>	<b>\$0.69</b>
23	1 x 21/64" Spacer	Inva Handrim	<b>AL-45539</b>	<b>\$0.95</b>
24	1-1/4" Long Spacer	Std Wheel All Brands	<b>AL-45538</b>	<b>\$0.79</b>
25	Handrim Screw	Skyway	<b>AL-45541</b>	<b>\$0.95</b>
26	10 x 1-1/4" Handrim Screw	Std Wheel All Brands	<b>AL-1376A</b>	<b>\$0.50</b>
	1-1/2" Long Handrim Screw	All Brands	<b>AL-1376</b>	<b>\$0.50</b>
	10-32 x 1-3/4 Machine Screw	Inva Handrim	<b>AL-45540</b>	<b>\$1.50</b>
	Handrim Screw (Pack of 10)	Inva 7 & 9 Rivnut Composite	<b>AL-58572</b>	<b>\$2.95</b>

Pk.

## Spoke Protectors



FRONT VIEW

BACK VIEW

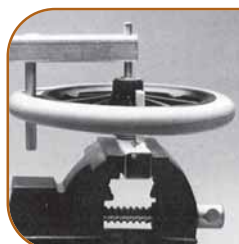
Description	Specifications	ALCO Part No.	Price Each
-------------	----------------	---------------	------------

### Spoke Protectors (Velcro Straps Included For Attachment)

Black Plastic (Pair)	Most 24 X 1-3/8" Spoked Wheels w/Welded-Tab Handrim Attachment	<b>AL-64301</b>	<b>\$61.95 Pr.</b>
Black Plastic (Pair)	Most 26 X 1-3/8" Spoked Wheels w/Welded-Tab Handrim Attachment	<b>AL-64302</b>	<b>\$61.95 Pr.</b>

Description	Specifications	Part No.	Price
-------------	----------------	----------	-------

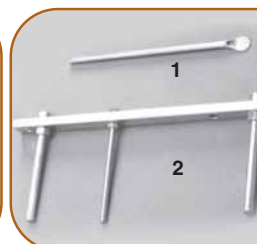
Spokes			
.080 Gauge Spokes w/Nipples	10-3/16" Long, Set Of 40 24x1-1/4", 24x1-3/8" Wheels	<b>AL-64299</b>	<b>\$9.95</b>
.080 Gauge Spokes w/Nipples	11-1/4" Long, Set Of 40 26x1-3/8", Wheels	<b>AL-64300</b>	<b>\$9.95</b>



**EZ Tire Mounting Machine**  
Easy-to-use tire mounting machine for use with 8" through 24" solid tires.  
**AL-25103 \$89.95**



**Heavy Duty Deluxe Tire Mounting Machine**  
Snap on tire tool works on wheels and casters 8" through 26".  
**AL-50723 \$179.00**



**1) Tube Mounting Tool**  
**AL-25105 \$11.95**  
**2) Solid Tire Installation Tool**  
Mounts in vice  
Used to install most 8", 20", 22" and 24" Snap-On Solid Tires  
**AL-25104 \$21.95**



# Axle Accessories

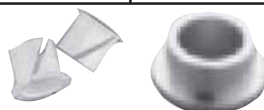
**BUY 11 GET 1 FREE!**



Axle and Nut Assemblies			
Description	Fits	ALCO Part No	Price Each
5/16"x2-1/2" Axle Assy w/Nut & Spacer	Inva 6" Caster & Quickie	AL-58565A	\$1.95
5/16"x3" Axle Assy w/Nut	E&J Casters	AL-2237	\$2.95
7/16"x3-1/8" Axle Assy w/Nut (flat end)	Inva Casters	AL-1406	\$3.95
7/16"x4" Axle Assy w/Nut, Wide head	Wheels w/Recessed Bearings	AL-686	\$2.95
7/16"x4-1/2" Axle Assy w/Nut, Wide head	Wheels w/Recessed Bearings	AL-688	\$7.95
7/16"x4-1/2" Axle Assy w/Nut, Thin head	Wheels w/Flush Bearings	AL-58542	\$4.95
7/16"x4-3/4" Axle Assy w/Nut, Wide head	Wheels w/Recessed Bearings	AL-58543	\$1.95
7/16"x5" Axle Assy w/Nut, Wide head	Wheels w/Recessed Bearings	AL-689	\$2.95
7/16"x5" Axle Assy w/Nut, Thin head	Wheels w/Flush Bearings	AL-58544	\$6.95
7/16"x5-1/4" Axle Assy w/Nut, Thin head	Wheels w/Flush Bearings	AL-58545	\$5.95
7/16"x5-1/2" Axle Assy w/Nut, Wide head	Wheels w/Recessed Bearings	AL-58546	\$6.95
1/2"x5" Axle Assy w/Nut, Wide head	Wheels w/Recessed Bearings	AL-693	\$6.95
1/2"x5-1/2" Axle Assy w/Nut, Wide head	Wheels w/Recessed Bearings	AL-58547	\$6.95
5/8"x5" Axle Assy w/Nut, Wide head	Wheels w/Recessed Bearings	AL-696	\$5.95
5/8"x5-1/2" Axle Assy w/Nut, Wide head	Wheels w/Recessed Bearings	AL-58548	\$7.95
5/8"x6" Axle Assy w/Nut, Wide head	Wheels w/Recessed Bearings	AL-58549	\$7.95



Axle Spacers			
Description	Fits	ALCO Part No	Price Pack of 4
<b>Sold In Packs of 4</b>			
5/16" I.D. x 1/16" Long Spacer	E&J & Other 5/16" Axles	AL-58550	\$1.95
5/16" I.D. x 3/16" Long Spacer	Inva & 6" Caster	AL-45516	\$3.95
5/16" I.D. x 3/8" Long Spacer	5/16" Axles	AL-58551	\$3.95
7/16" I.D. x 1/16" Long Axle Spacer	7/16" Axles	AL-45518	\$2.95
7/16" I.D. x 1/4" Long Axle Spacer	7/16" Axles	AL-58553	\$11.95
7/16" I.D. x 1/2" Long Axle Spacer	7/16" Axles	AL-25009	\$6.95
7/16" I.D. x 3/4" Long Axle Spacer	7/16" Axles	AL-58554	\$11.95
7/16" I.D. x 7/8" Long Axle Spacer	7/16" Axles	AL-45519	\$3.95
7/16" I.D. x 1" Long Axle Spacer	7/16" Axles	AL-58554A	\$11.95
7/16" I.D. x 9/16" O.D. x 1.61 Long Axle Spacer	7/16" Axles	AL-45521	\$3.95
1/2" I.D. x 1/16" Long Axle Spacer	1/2" Axles	AL-58555	\$1.95
1/2" I.D. x 1/4" Long Axle Spacer	1/2" Axles	AL-58556	\$15.95
1/2" I.D. x 1/2" Long Axle Spacer	1/2" Axles	AL-58557	\$11.95
1/2" I.D. x 3/4" Long Axle Spacer	1/2" Axles	AL-58558	\$3.95
5/8" I.D. x 1/16" Long Axle Spacer	5/8" Axles	AL-58560	\$1.95
5/8" I.D. x 1/4" Long Axle Spacer	5/8" Axles	AL-58561	\$11.95
5/8" I.D. x 1/2" Long Axle Spacer	5/8" Axles	AL-58562	\$11.95
5/8" I.D. x 3/4" Long Axle Spacer	5/8" Axles	AL-58563	\$11.95



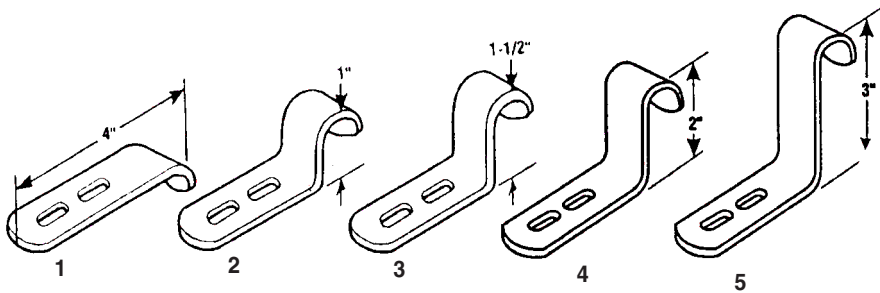
Other Spacers Available On Page 103

Axle Conversion Sleeve & Reducer			
Description	Fits	ALCO Part No	Price Per Pack
7/16 to 5/16 I.D. Axle Conversion Sleeve (Pack of 2)	Most Wheels	AL-45524	\$19.95/Pk 2
1/2" O.D. to 7/16" I.D. Flanged Nylon Reducer (Pack of 4)	Caster Wheels	AL-58565	\$6.95/Pk 4

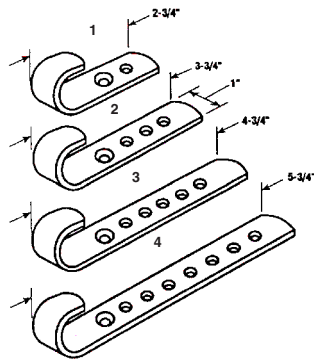


# Seating Hardware

**BUY 11 GET 1 FREE!**

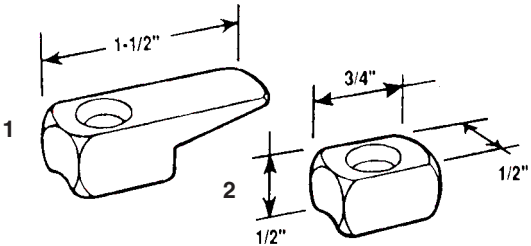
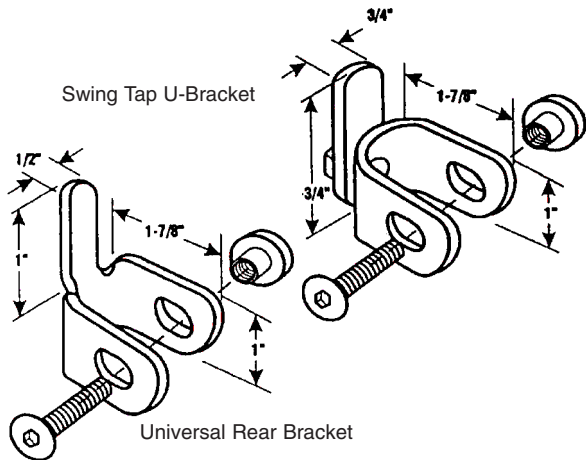
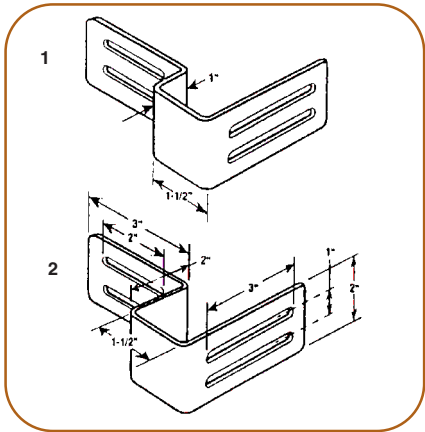


Drop Hooks			
Fig	Description	ALCO Part No.	Price Each
1	0" Drop Long Black	AL-46908	\$4.95
2	1" Drop 7/8" Diameter Black	AL-46910	\$4.95
	1" Drop 1" Diameter Black	AL-46912	\$4.95
3	1-1/2" Drop 7/8" Diameter Black	AL-46914	\$5.95
	1-1/2" Drop 1" Diameter Black	AL-46916	\$5.95
4	2" Drop 7/8" Diameter Black	AL-46918	\$5.95
	2" Drop 1" Diameter Black	AL-46920	\$5.95
5	3" Drop 7/8" Diameter Black	AL-46922	\$6.95
	3" Drop 1" Diameter Black	AL-46924	\$6.95



Adjustment Hooks			
Fig	Description	ALCO Part No.	Price Each
1	2-Hole 7/8" Diameter Black	AL-46885	\$5.95
	2-Hole 1" Diameter Black	AL-46887	\$5.95
2	4-Hole 7/8" Diameter Black	AL-46889	\$6.95
	4-Hole 1" Diameter Black	AL-46891	\$6.95
3	6-Hole 7/8" Diameter Black	AL-46893	\$6.95
	6-Hole 1" Diameter Black	AL-46895	\$6.95
4	8-Hole 7/8" Diameter Black	AL-46897	\$7.95
	8-Hole 1" Diameter Black	AL-46899	\$7.95

Lateral Brackets — Inner Mount			
Fig	Description	ALCO Part No.	Price Each
1	2" Wide, 1" Inner	AL-46934	\$24.95
2	2" Wide, 2" Inner	AL-46935	\$24.95



Frame Attachment Hardware		
Description	ALCO Part No.	Price Each
Swing Tap U-Bracket 7/8" Diameter	AL-46937	\$22.95
Swing Tap U-Bracket 1" Diameter	AL-46938	\$18.95
Universal Rear Bracket 7/8" Diameter	AL-46940	\$12.95
Universal Rear Bracket 1" Diameter	AL-46941	\$8.95

Seatlock & Seatblock			
Fig	Description	ALCO Part No.	Price Each
1	Seatlock	AL-46942	\$7.95
2	Seatblock	AL-46943	\$3.95

EP-1



# Invacare Legrests

**BUY 11 GET 1 FREE!**



When Ordering, Specify Left (L) or Right (R) — Sitting in Chair



**FIG #1**



**AL-449**  
Adaptor

**FIG #2**



**FIG #2**

**AL-6105**



Fig #1 Swinging, Elevating Adult Camlock Legrest 3-1/8" Spacing Fits Invacare, Medline, Drive (Medical Depot) & Evermed Description	ALCO Part No.	Price Each
Deluxe (Padded or Plastic), Left	<b>AL-420L*</b>	<b>\$69.50</b>
Deluxe (Padded or Plastic), Right	<b>AL-420R*</b>	<b>\$69.50</b>
Deluxe (Padded or Plastic), (Pair)	<b>AL-64412*</b>	<b>\$119.00</b>
Adaptor to convert from Camlock to Hook-on, Left	<b>AL-449L</b>	<b>\$14.95</b>
Adaptor to convert from Camlock to Hook-on, Right	<b>AL-449R</b>	<b>\$14.95</b>
Economy (Black Plastic Calf Pad), Left	<b>AL-56479L</b>	<b>\$49.50</b>
Economy (Black Plastic Calf Pad), Right	<b>AL-56479R</b>	<b>\$49.50</b>
Economy (Black Plastic Calf Pad), (Pair)	<b>AL-64413</b>	<b>\$79.00</b>

Pr.

Pr.

Fig #2 Swinging, Elevating Hemi Camlock Legrest 1-3/8" Spacing Fits Invacare, Medline, Drive (Medical Depot), ALCO Classic, Access Point & Evermed Description	ALCO Part No.	Price Each
Deluxe (Padded or Plastic), Left	<b>AL-420HL*</b>	<b>\$69.50</b>
Deluxe (Padded or Plastic), Right	<b>AL-420HR*</b>	<b>\$69.50</b>
Deluxe (Padded or Plastic), (Pair)	<b>AL-64414*</b>	<b>\$119.00</b>
Economy (Black PADDED Vinyl Calf Pad Chrome Footplate), (Pair)	<b>AL-70044</b>	<b>\$69.00</b>
Economy (Black PADDED Vinyl Calf Pad Plastic Footplate), (Pair)	<b>AL-65464</b>	<b>\$69.00</b>
Economy (Black PADDED Nylon Calf Pad Plastic Footplate), (Pair)	<b>AL-75423</b>	<b>\$69.00</b>
Economy (Black PLASTIC Calf Pad), Left	<b>AL-56478HL</b>	<b>\$39.95</b>
Economy (Black PLASTIC Calf Pad), Right	<b>AL-56478HR</b>	<b>\$39.95</b>
Economy (Black PLASTIC Calf Pad), (Pair)	<b>AL-64415</b>	<b>\$69.95</b>

Pr.

Pr.

Pr.

Pr.

Pr.

Invacare Smartleg Articulating Legrests Fits: Invacare, EX2, SX5, 9000XT Recliner, 9000SL, 9000XDT, Tracer IV Description	ALCO Part No.	Price Pair
Composite Footplate (Pair)	<b>AL-66074*</b>	<b>\$199.95</b>
Aluminum Footplate (Pair)	<b>AL-66075*</b>	<b>\$199.95</b>

Pr.

Pr.

**Complete Ratchet Assembly Kit Pair**  
Fits Invacare, Colson, Rolls and more  
**AL-49969 \$23.95 Pair**

**Padded Calf Pad**

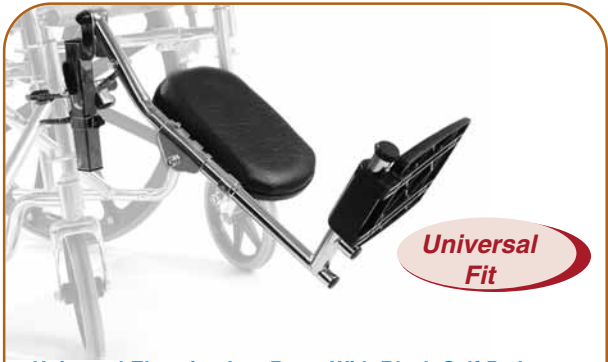
← 9-1/2" →

**Padded/Black Base**  
**AL-422UBK (specify color)**

**Plastic Calf Pad**

← 9-1/2" →

**Plastic**  
**AL-423U (specify color)**



**Universal Fit**

**Universal Elevating Leg Rests With Black Calf Pad**  
 ✓ Fits most pin-style leg rest mounts with pin spacing from 1-1/2" to 3-1/4" & with pins of either 1/4" or 3/4" diameter  
 ✓ Does not fit Sunrise "Breezy" or "Quickie"

**AL-71088**

**\$139.00 Pr.**

**Replacement Leg Rest Mounting Pin Kit**

Are broken legrest mounting pins a problem in your facility?

We have a solution...

**Replacement Legrest Mounting Pin Kit**  
 ✓ Fits all 5/16" Pins  
**AL-76038 \$37.95**

# E&J, Guardian & Gendron Legrests



**BUY 11 GET 1 FREE!**

When Ordering, Specify Left (L) or Right (R) — Sitting in Chair

Everest & Jennings®

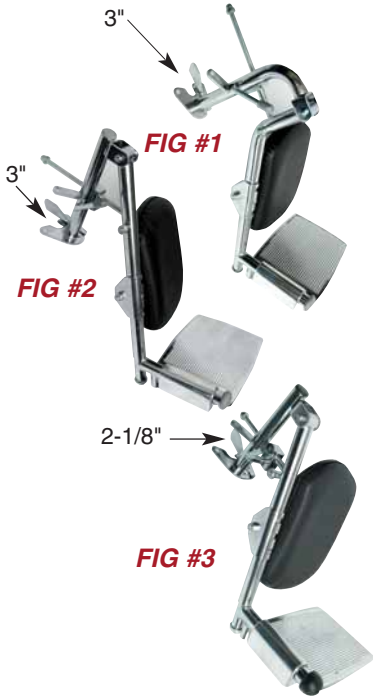


FIG #1 Swinging, Elevating, High Top Adult Camlock Legrest 3" Spacing Fits E&J, Theradyne, Tuffcare, Old Hoyer, Merits, Lumex & More Description	ALCO Part No.	Price Each
Deluxe (Padded), Left	AL-408L*	\$79.00
Deluxe (Padded), Right	AL-408R*	\$79.00
Deluxe (Padded) (Pair)	AL-64416*	\$139.00 Pr.
FIG #2 Swinging, Elevating, Low Top Adult Camlock Legrest 3" Spacing Fits E&J, Theradyne, Tuffcare, Old Hoyer, Merits, Lumex & More Description	ALCO Part No.	Price Each
Deluxe (Padded), Left	AL-408SL*	\$59.00
Deluxe (Padded), Right	AL-408SR*	\$59.00
Deluxe (Padded) (Pair)	AL-64417*	\$114.95 Pr.
FIG #3 Swinging, Elevating, Hemi Camlock Legrest 2-1/8" Spacing Fits E&J, Theradyne, Tuffcare, Old Hoyer, Merits, Lumex & More Description	ALCO Part No.	Price Each
Deluxe (Padded), Left	AL-408SHL*	\$89.00
Deluxe (Padded), Right	AL-408SHR*	\$89.00
Deluxe (Padded) (Pair)	AL-64419*	\$159.00 Pr.

\*Specify Padded (AL-422U grey base; AL-422UBK black base) calf pad and color (See Page 40). No additional charge

**E&J Ratchet Assembly**  
(fits Left or Right)  
AL-433 \$12.95

**Guardian Easy Care Legrests**  
Elevating Legrest with Black Calf Pad and Plastic Footplate (Pair)  
AL-65852 \$89.95 Pr.

9-1/2"

**Padded/Black Base**  
AL-422UBK (specify color)

## Gendron Legrests



Swinging, Elevating Adult Camlock Legrests with Quad Release, Pair (Fig #3)		
Fig #1 Description	ALCO Part No.	Price Pair
Black Calf Pad, 3-1/8 Spacing (Pair)	AL-64689-183	\$199.00

Elevating Adult Hook-On Legrests, Pair (Fig #4)		
Fig #2 Description	ALCO Part No.	Price Pair
Black Calf Pad (Pair)	AL-64690-183	\$189.00



**Gendron Ratchet Assembly**  
Left AL-437L \$25.95  
Right AL-437R \$25.95

See Page 83 for Gendron 6700 Series Legrest/Footrest

EP1

# Footrests

**BUY 11 GET 1 FREE!**

**When Ordering, Specify Left (L) or Right (R) — Sitting in Chair**



Swinging Cam Lock w/Heel Loops & Black Metal Footplate (Adult 3-1/8" Pin Spacing)

Right	AL-114A-R	\$39.95 Ea
Left	AL-114A-L	\$39.95 Ea
PAIR	AL-64421	\$69.95 Pr

Swinging Cam Lock & Black Plastic Footplate (Adult 3-1/8" Pin Spacing)

Right	AL-114E-R	\$29.95 Ea
Left	AL-114E-L	\$29.95 Ea
PAIR	AL-64422	\$49.00 Pr

Hook on Adapter

Left	AL-449L	\$14.95
Right	AL-449R	\$14.95

Fits Invacare, Medline, Evermed, ALCO Classic

**Swinging Cam Lock**



1-3/8" Pin Spacing

Chrome Metal Footplate

AL-70043 \$39.95 Pr

Black Plastic Footplate

AL-65463 \$39.95 Pr



Swinging Cam Lock w/Heel Loops & Metal Black Footplate (1-3/8" Pin Spacing)

Right	AL-114B-R	\$39.95 Ea
Left	AL-114B-L	\$39.95 Ea
PAIR	AL-64424	\$69.95 pair

Composite Footplate With Heel Loops

Right	AL-45714	\$29.95 Ea
Left	AL-45716	\$29.95 Ea
PAIR	AL-64423	\$49.00 Pr

Fits Everest & Jennings, Tuffcare, Hoyer, Lumex, New Theradyne and More

**Swinging Cam Lock**



Footrests  
AL-65850 \$59.95 Pr  
Footrest  
W/Heel Loop  
AL-65851 \$69.95 Pr

**Swinging Cam Lock**



E&J Adult (3" spacing)

Adult, Narrow Adult

Rt	AL-104A-R	\$29.95 Ea
Lt	AL-104A-L	\$29.95 Ea
PAIR	AL-64425	\$49.00 Pr



Plastic Footrest

**Swinging Cam Lock**



E&J Adult & Narrow (3" Spacing)

Rt	AL-104R	\$34.95 Ea
Lt	AL-104L	\$34.95 Ea
PAIR	AL-64426	\$59.00 Pair

Hemi 2-1/8" Spacing

Rt	AL-104H-R	\$41.95 Ea
Lt	AL-104H-L	\$41.95 Ea
PAIR	AL-64427	\$69.00 Pr



Aluminum Footrest

**Swinging Cam Lock**



AL-66160 \$119.95 Pr



**Swinging w/Hook On Adp**



AL-66158 \$139.95 Pr



**Hook On**



AL-66159 \$129.95 Pr



Fits Gendron & More



**Swing-Away Foot Support**

- ✓ Cushioned side and back panels control foot positioning
- ✓ Covered in durable, wipe-clean nylon
- ✓ Easy installation
- ✓ Available for standard-size and bariatric wheelchairs

Fits 16" – 18"W Wheelchairs	AL-62412	\$79.00 Pair (Right & Left)
Fits 22" – 30"W Wheelchairs	AL-74423	\$119.00 Pair (Right & Left)

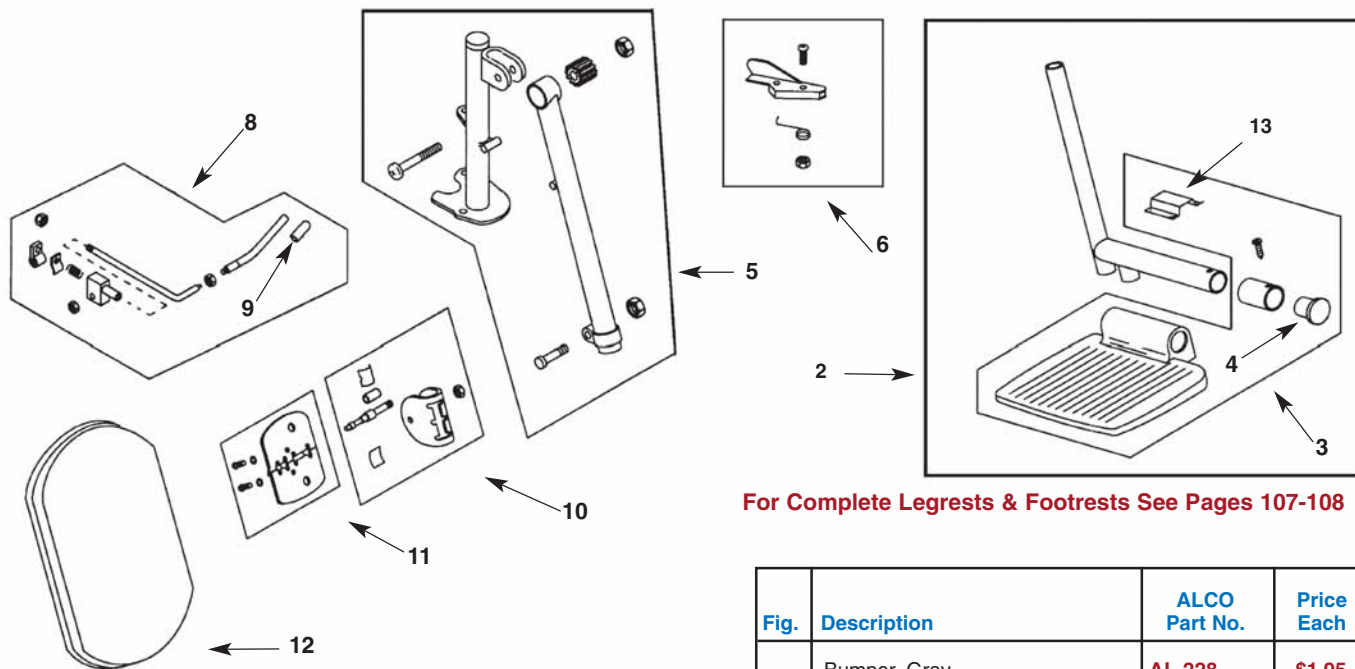


# E&J Front Rigging Parts

Everest & Jennings®

**BUY 11 GET 1 FREE!**

## Legrest



For Complete Legrests & Footrests See Pages 107-108

Fig.	Description	ALCO Part No.	Price Each
2	<b>Metal Footplate w/Extension</b> Adult Right & Left ( <b>Pair</b> )	<b>AL-65657</b>	<b>\$49.95 Pr</b>
3	Plastic Adult Footplate Only, Black	<b>AL-56642</b>	<b>\$14.95</b>
3	Metal Adult Footplate Only	<b>AL-1699</b>	<b>\$14.95</b>

Fig.	Description	ALCO Part No.	Price Each
4	Bumper, Gray	<b>AL-228</b>	<b>\$1.95</b>
4	Bumper, Black	<b>AL-228B</b>	<b>\$1.95</b>
5	<b>Legrest Bracket Assembly</b> (includes items 6, 8, 10, 11)		
5	Right	<b>N/A</b>	<b>N/A</b>
5	Left	<b>N/A</b>	<b>N/A</b>
6	Cam Lock, Right	<b>AL-461R</b>	<b>\$5.95</b>
6	Cam Lock, Left	<b>AL-461L</b>	<b>\$5.95</b>
8	Adjustment Rod Assembly	<b>AL-433</b>	<b>\$12.95</b>
9	Rubber Tip, Black	<b>AL-372</b>	<b>\$0.95</b>
10	3-Position Hinge	<b>AL-443</b>	<b>\$18.95</b>
11	Hinge Plate	<b>AL-452</b>	<b>\$3.95</b>
12	Legrest Panel, Black Base	<b>AL-422UBK*</b>	<b>\$13.95</b>
13	Footplate Spring	<b>AL-439</b>	<b>\$1.95</b>

\*Specify color. See Page 40.

## Footrest

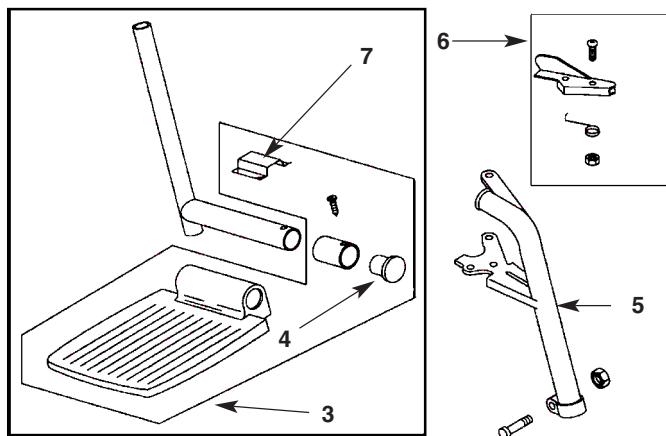


Fig.	Description	ALCO Part No.	Price Each
3	Plastic Adult Footplate Only, Black	<b>AL-56642</b>	<b>\$14.95</b>
3	Metal Adult Footplate Only	<b>AL-1699</b>	<b>\$14.95</b>
4	Bumper, Grey	<b>AL-228</b>	<b>\$1.95</b>
4	Bumper, Black	<b>AL-228B</b>	<b>\$1.95</b>
5	<b>Footrest Bracket (includes item 6)</b>		
5	Right	<b>AL-2812R</b>	<b>\$23.95</b>
5	Left	<b>AL-2812L</b>	<b>\$23.95</b>
6	Cam Lock, Right	<b>AL-461R</b>	<b>\$5.95</b>
6	Cam Lock, Left	<b>AL-461L</b>	<b>\$5.95</b>
7	Footplate Spring	<b>AL-439</b>	<b>\$1.95</b>

**When Ordering, Specify Left (L) or Right (R)—Sitting in Chair**

# Invacare Adult & Hemi Front Rigging Parts—Old Style

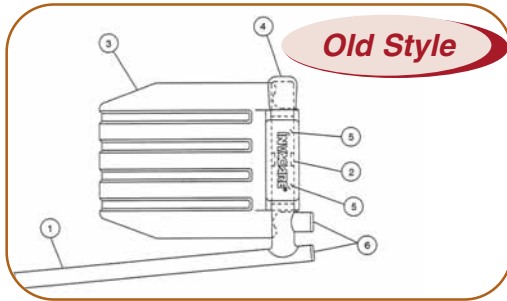


Fig.	Pivot Slide Tube with Footplate Description	ALCO Part No.	Price Each
2	Spring	AL-441	\$1.95
3	Footplate (Right/Left) Black Composite	AL-1697C	\$14.95
3	Footplate (Right/Left) Aluminum Black Coated	AL-1705	\$14.95
4	Tube End Cap, Black	AL-1742B	\$1.95
5	Screw, Self Tap	AL-2196	\$6.95
6	Plug Button (3/4") Black	AL-2295B	\$0.95

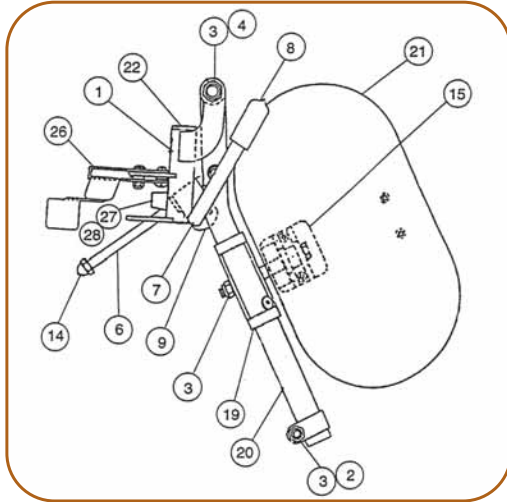
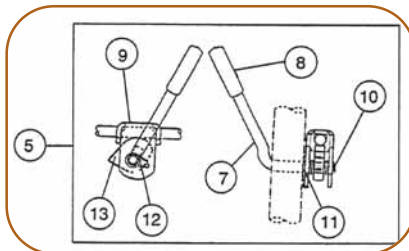


Fig.	Legrest Support Assembly Description	ALCO Part No.	Price Each
1	Adult Support w/Release, 3-1/8" Spacing	AL-2199A-R	\$59.95
	Adult Support w/Release, 3-1/8" Spacing	AL-2199A-L	\$59.95
	Hemi Support w/Release, 1-3/8" Spacing	AL-64865	\$59.95
	Hemi Support w/Release, 1-3/8" Spacing	AL-64864	\$59.95
2	Screw, Lug	AL-1109	\$7.95
3	Locknut	AL-1109A	\$0.95
4	Screw, Truss Head	AL-58573	\$7.95
5	Ratchet Bar Kit (inc item #6-14) (Pair)	AL-49969	\$23.95
6	Ratchet Bar	AL-431	\$5.95
7	Ratchet Handle	AL-58575	\$7.95
8	Plastic Tip, Black (after 5/94)	AL-58576	\$1.45
8	Plastic Tip, Black (before 5/94)	AL-373B	\$1.45
9	Release Bracket	AL-58578	\$7.95
10	Snap Ring (after 5/94)	AL-58579	\$7.95
10	Roll Pin (before 5/94)	AL-58580	\$6.95
11	Nylon Washer	AL-58581	\$7.95
12	Release Spring	AL-58582	\$7.95
13	Legrest Cam	AL-58583	\$7.95
14	Acorn Nut	AL-58584	\$1.95
15	Legrest Pad Plate	AL-457	\$4.95
19	Bracket, Universal Kit	AL-45552	\$22.95
20	Elevating Support Tube, Right	AL-58585	\$49.95
20	Elevating Support Tube, Left	AL-58586	\$49.95
21	Legrest Pad, Black Base (specify color)	AL-422UBK	\$13.95
22	Plug Button (7/8"), Black	AL-231B	\$0.95
26	Release Handle, Right	AL-991R	\$16.95
26	Release Handle, Left	AL-991L	\$16.95
27	Bumper	AL-58587	\$7.95
28	Pan Head Screw	AL-58588	\$6.95



**BUY 11  
Get One  
FREE**

For Complete Legrests & Footrests See Pages 106-108

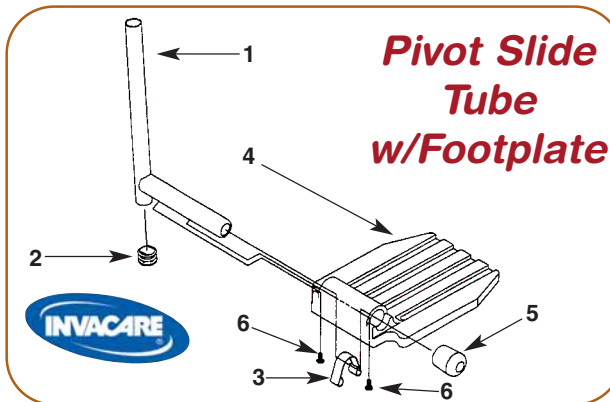


Fig.	Pivot Slide Tube w/Footplate Description	ALCO Part No.	Price Each
1	Pivot slide tube w/plug button	AL-53142	\$25.95
2	Plug button 3/4", Black	AL-2295B	\$0.95
3	Spring	AL-441	\$1.95
4	Footplate (Right/Left) Composite	AL-1697C	\$14.95
5	Tube end cap, Black	AL-1742B	\$1.95
6	Screw, self tap	AL-2196	\$6.95

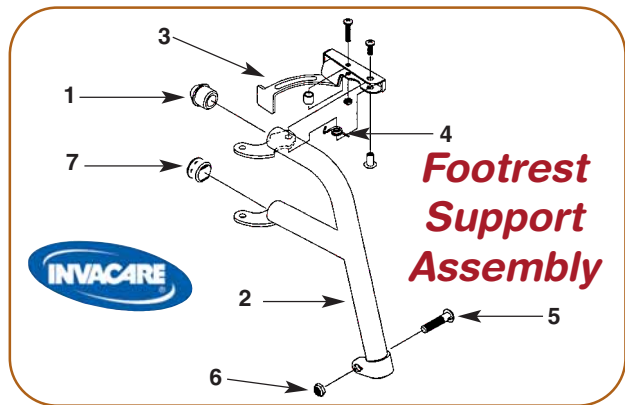
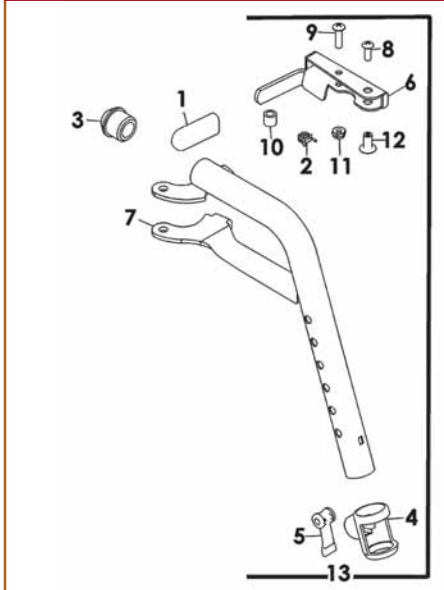


Fig.	Footrest Support Assembly Description	ALCO Part No.	Price Each
1	Anti-Rattle plug, Black	AL-53143	\$7.95
	Footrest support only, adult right	AL-53144	\$49.95
2	Footrest support only, adult left	AL-53145	\$41.95
3	Release handle, right	AL-991R	\$16.95
	Release handle, left	AL-991L	\$16.95
4	Release handle spring, right	AL-45691	\$7.95
	Release handle spring, left	AL-45692	\$7.95
5	Screw, lug	AL-1109	\$7.95
6	Locknut	AL-1109A	\$0.95
7	Plug button (7/8"), Black, (adult support only)	AL-231B	\$0.95

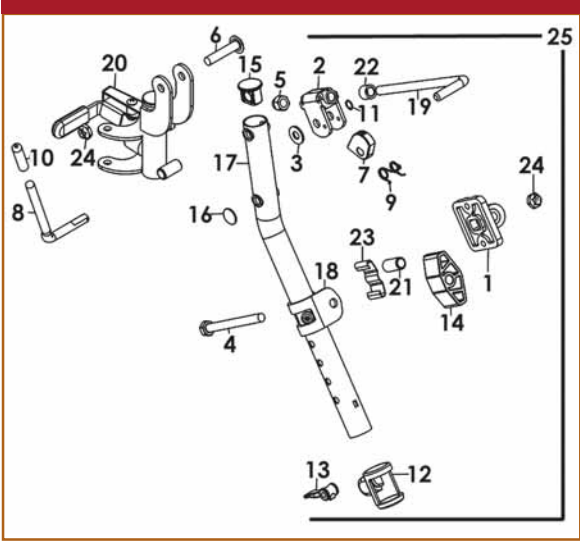
# Invacare Front Rigging Parts—New Style

**BUY 11 GET 1 FREE!**

**Front Rigging Footrest Support Assembly (New Style)**



**Front Rigging Legrest Support Assembly (New Style)**



**Front Rigging—Pivot Slide Tube with Footplate (New Style)**

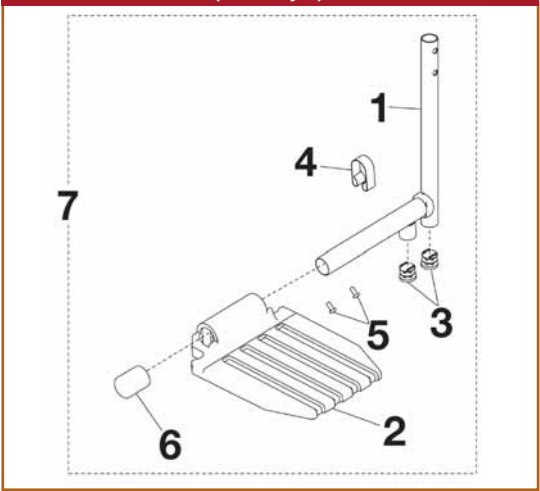


Fig	Description	ALCO Part No.	Price Each
<b>Front Rigging Footrest Support Assembly (New Style)</b>			
1	Tip, Black	AL-373B	\$1.45
2	Spring Release, Left	AL-45692	\$8.95
	Spring Release, Right	AL-45691	\$8.95
3	Plug, Anti-Rattle	AL-53143	\$7.95
4	Housing, Cam	AL-64843	\$7.95
5	Lever, Cam	AL-64844	\$7.95
6	Handle, Release, Left	AL-64845	\$9.95
	Handle, Release, Right	AL-64846	\$9.95
7	Chrome Footrest Support Tube, Left	AL-64847	\$44.95
	Chrome Footrest Support Tube, Right	AL-64848	\$44.95
8	Screw, Phillips Head	AL-64849	\$7.95
9	Screw, Phillips Pan Head	AL-64850	\$7.95
10	Bushing	AL-64851	\$6.95
11	Locknut	AL-59860	\$7.95
12	Rivnut	AL-65091	\$7.95
13	Support Assembly, Left	AL-64853	\$79.95
	Support Assembly, Right	AL-64854	\$79.95
<b>Front Rigging Legrest Support Assembly (New Style)</b>			
1	Plate, Legrest Pad	AL-457	\$4.95
2	Bracket, Release	AL-58578	\$7.95
3	Washer, Nylon	AL-58581	\$7.95
4	Screw, Hex Head	AL-64855	\$7.95
5	Acorn Nut	AL-58584	\$1.95
6	Screw, Truss Head	AL-58573	\$7.95
7	Cam, Legrest	AL-58583	\$7.95
8	Handle, Release	AL-58575	\$7.95
9	Spring, Release	AL-58582	\$7.95
10	Tip	AL-58576	\$7.95
11	Snap Ring	AL-58579	\$7.95
12	Housing, Cam	AL-64843	\$7.95
13	Lever, Cam	AL-64844	\$7.95
14	Spacer	AL-64858	\$7.95
15	Plug Button, Black (7/8")	AL-64859	\$7.95
16	Nut, Push Dome	AL-64860	\$7.95
17	Chrome Legrest Support Tube, Left	AL-64861	\$44.95
	Chrome Legrest Support Tube, Right	AL-64862	\$44.95
18	Bracket, Calf Pad	AL-64863	\$15.95
19	Bar, Ratchet w/o Locknut	AL-431	\$5.95
	Locknut	AL-1493	\$0.95
20	Chrome Legrest Upper Support, Left	AL-64864	\$59.95
	Chrome Legrest Upper Support, Right	AL-64865	\$59.95
	Black Legrest Support Tube, Left	AL-64866	\$69.95
	Black Legrest Support Tube, Right	AL-64867	\$69.95
21	Bushing, Pivot	AL-45551	\$1.95
22	Spacer	AL-2503	\$7.95
23	Spring	AL-976A	\$5.95
24	Nut, Low Cap	AL-64868	\$7.95
25	Chrome Legrest Support Assembly, Left	AL-64869	\$79.95
	Chrome Legrest Support Assembly, Right	AL-64870	\$79.95
<b>Front Rigging - Pivot Slide Tube with Footplate (New Style)</b>			
1	Pivot/Slide Tube with Plug Button (Aluminum)	AL-64871	\$24.95
2	Footplate, Aluminum, Medium (7-3/4"W x 6"L)	AL-1705	\$14.95
	Footplate, Composite, Black (6"W x 7-53/64"L)	AL-1697C	\$14.95
3	Plug Button, Black (5/8")	AL-64872	\$7.95
	Plug Button, Black (3/4")	AL-2295B	\$0.95
4	Spring	AL-441	\$1.95
5	Screw, Phillips Pan Head	AL-2196	\$6.95
6	Cap, Tube End	AL-1742B	\$1.95
7	Pivot/Slide Tube & Aluminum Footplate Assembly, Left	AL-64877	\$69.95
	Pivot/Slide Tube & Aluminum Footplate Assembly, Right	AL-64878	\$69.95
	Pivot/Slide Tube w/Composite Footplate, Left	AL-64879	\$69.95
	Pivot/Slide Tube w/Composite Footplate, Right	AL-64880	\$69.95

**When Ordering, Specify Left (L) or Right (R)—Sitting in Chair**

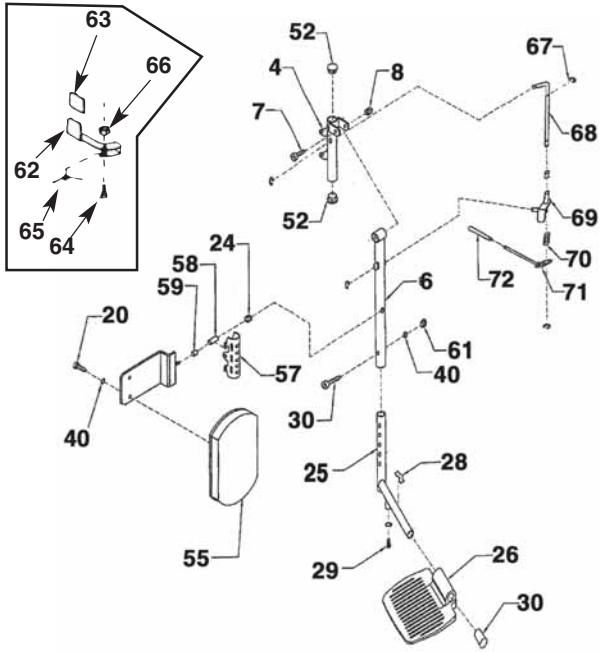
EP1



# Gendron Front Rigging Parts

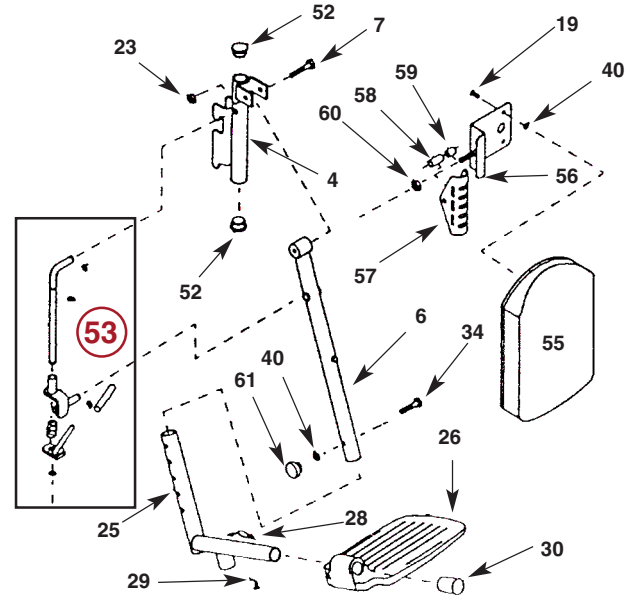
**BUY 11 GET 1 FREE!**

## Elevating Legrest — New Style Model #27



Elevating Legrest (New Style) Complete Black Only  
**AL-73528-183 \$299.00 Pair**

## Hook-on Elevating Legrest New Style—Model #221



Hook-On Elevating Legrest (New Style) Complete Black Only  
**AL-64690-183 \$189.00 Pair**

Fig	Description	ALCO Part No.	Price Each
4	Elevating Hook-On Front, Right or Left	AL-2363	\$26.95
6	Elevating Tube Assembly	AL-2365	\$26.95
7	Bolt, Hex Head	AL-45796	\$1.95
8	Nut, Self Locking	AL-46026	\$1.95
19	Screw, Round Head	AL-2378	\$1.95
25	Extension Tube	AL-74429	\$19.95
26	Foot Plate, Aluminum	AL-1703	\$12.95
28	Spring, Hinge	AL-440	\$1.95
29	Screw, Sheet Metal	AL-2387	Call
30	Cap, White Plastic	AL-2388	\$1.95
36	Tube Closure	N/A	N/A
40	Washer, Lock	AL-45797	\$1.95
52	Black Plastic Cap	AL-45800	\$1.95
53	Ratchet Assembly, Left	AL-437L	\$25.95
	Ratchet Assembly, Right	AL-437R	\$25.95
55	Vinyl Leg Rest, Black Only	AL-424P-183	\$29.95
56	Swivel Plate Assembly	N/A	N/A
57	Swivel Bracket	AL-45807	\$12.95

Fig	Description	ALCO Part No.	Price Each
58	Tube Spacer	AL-45806	Call
59	Tube Spacer	AL-45805	Call
60	Lock Nut	AL-45808	\$1.95
61	Black Plastic Knob	AL-45798	\$3.95
62	Lever Handle, R or L	AL-45790	\$6.95
63	Lever Grip, Vinyl	AL-45791	\$1.95
64	Bolt, Socket Head, Shoulder	AL-45792	\$2.95
65	Spring, Torsion, Left	AL-45793L	\$3.95
	Spring, Torsion, Right	AL-45793R	\$3.95
66	Nut, Lock	AL-45794	\$1.95
67	Ring, Retaining	AL-46051	Call
68	Rod, Adjusting	AL-68377	Call
69	Release Clip, Left	AL-68378L	Call
	Release Clip, Right	AL-68378R	Call
70	Spring	AL-2371	Call
71	Release Lever, Left	AL-68376L	Call
	Release Lever, Right	AL-68376R	Call
72	Grip, Grey	AL-68379	Call

EP1

**When Ordering, Specify Left (L) or Right (R)—Sitting in Chair**





# Gendron Front Rigging Parts



**BUY 11 GET 1 FREE!**

**Swing Away Footrest With Quad Release Complete (All Below)—Model #33**

**AL-66160 \$119.95 Pair**

Fig.	Description	ALCO Part No.	Price Each
1	Swing-Away Front, R or L	AL-45788	\$30.00
2	Tube Closure, Plastic	AL-45789	\$1.95
3	Lever Handle, R or L	AL-45790	\$6.95
4	Lever Grip, Vinyl	AL-45791	\$1.95
5	Bolt, Socket Head, Shoulder	AL-45792	\$2.95
6	Spring, Torsion, left	AL-45793L	\$3.95
	Spring, Torsion, Right	AL-45793R	\$3.95
7	Nut, Lock	AL-45794	\$1.95
8	Foot Plate, Extension Tube	AL-74430	\$9.95
9	Foot Plate, Aluminum	AL-1703	\$12.95
10	Spring, Hinge	AL-440	\$1.95
11	Cap, Plastic	AL-2388	\$1.95
12	Bolt, Hex Head	AL-45796	\$1.95
13	Washer, Lock	AL-45797	\$1.95
14	Knob, Black Plastic	AL-45798	\$3.95

Fig.	Description	ALCO Part No.	Price Each
1	Swing-Away Front, R or L	AL-45799	\$19.95
2	Lever Handle, R or L	AL-45790	\$6.95
3	Lever Grip, Vinyl	AL-45791	\$1.95
4	Bolt, Socket Head, Shoulder	AL-45792	\$2.95
5	Spring, Torsion, Left	AL-45793L	\$3.95
	Spring, Torsion, Right	AL-45793R	\$3.95
6	Cap, Black Plastic	AL-45800	\$1.95
7	Nut, Lock	AL-45794	\$1.95
8	Elevating Tube Assy.	AL-2365	\$26.95
10	Lever Grip, Vinyl	AL-2373	N/A
15	Bolt, Hex Head	AL-45796	\$1.95
16	Nut, Lock	AL-46026	\$1.95
18	Leg Rest, Vinyl Black Only	AL-424P-183	\$29.95
19	Swivel Plate Assy.	AL-45803	N/A
20	Screw	AL-2378	\$1.95
21	Tube Spacer	AL-45805	Call
22	Tube Spacer	AL-45806	Call
23	Swivel Bracket	AL-45807	\$12.95
24	Nut, Lock	AL-45808	\$1.95
25	Foot Plate, Extension Tube	AL-74429	\$19.95
26	Foot Plate, Aluminum	AL-1703	\$12.95
27	Spring, Hinge	AL-440	\$1.95
28	Screw, Sheet Metal	AL-45809	Call
29	Cap, Plastic	AL-2388	\$1.95
30	Bolt, Hex Head	AL-45796	\$1.95
31	Washer, Lock	AL-45797	\$1.95
32	Knob, Black Plastic	AL-45798	\$3.95

**Elevating Swing Away Legrest With Quad Release Complete (All Below) Black Only—Model #35**

**Complete Ratchet Kit**  
**AL-437R \$25.95**  
**AL-437L \$25.95**

**AL-64689-183 \$199.00 Pair**

EP1

**When Ordering, Specify Left (L) or Right (R)—Sitting in Chair**



# Front Rigging Parts

**BUY 11 GET 1 FREE!**

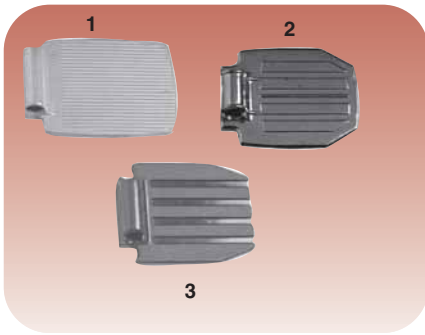


Fig.	Description of Footplates	To Fit	ALCO Part No.	Price Each
1	Adult, Alum. 6"L x 7-1/2" W	E&J	<b>AL-1699</b>	<b>\$14.95</b>
	Narrow Adult, Alum 6"L x 6-1/2"W	E&J	<b>AL-45505</b>	<b>\$14.95</b>
	Adult, Aluminum with Heel Loop	E&J	<b>AL-56641</b>	<b>\$19.95</b>
2	AdultNarrow, Alum, Black coated 6"Lx7"W	Colson, Inva	<b>AL-1705</b>	<b>\$14.95</b>
	AdultNarrow, Chrome, 6"Lx7"W	Inva, Drive, Medline	<b>AL-64218</b>	<b>\$19.95</b>
3	AdultNarrow, Composite Blk 6"Lx7"W	Inva	<b>AL-1697C</b>	<b>\$14.95</b>
	Adult, Composite Black	E&J	<b>AL-56642</b>	<b>\$14.95</b>
NS	Footplate, XL, BK, RH, 8.5"Lx7-3/4"W	Inva	<b>AL-58517</b>	<b>\$59.95</b>
	Footplate, XL, BK, LH, 8.5"Lx7-3/4"W	Inva	<b>AL-58518</b>	<b>\$59.95</b>
	Adult	Gendron	<b>AL-1703</b>	<b>\$12.95</b>

Fig.	Description of Footrest Hanger or Pin Lock	To Fit	ALCO Part No.	Price Each
4	Footrest assembly, R.H. (Camlock)	E&J	<b>AL-2812R</b>	<b>\$23.95</b>
	Footrest assembly, L.H. (Camlock)	E&J	<b>AL-2812L</b>	<b>\$23.95</b>
5	Footrest assembly, R.H. (Camlock)	Inva	<b>AL-45508</b>	<b>\$24.95</b>
	Footrest assembly, L.H. (Camlock)	Inva	<b>AL-45509</b>	<b>\$24.95</b>
	Footrest assembly, R.H. (Camlock)	Inva Hemi	<b>AL-58519</b>	<b>\$39.95</b>
	Footrest assembly, L.H. (Camlock)	Inva Hemi	<b>AL-58520</b>	<b>\$39.95</b>



Fig.	Description of Legrest Bracket wCam Lock Action	To Fit	ALCO Part No.	Price Each
6	Legrest. R.H. straight hanger	E&J	<b>AL-2808S-R</b>	<b>\$23.95</b>
	Legrest. L.H. straight hanger	E&J	<b>AL-2808S-L</b>	<b>\$23.95</b>
7	Legrest Assembly, R.H.	Inva	<b>AL-2199A-R</b>	<b>\$59.95</b>
	Legrest Assembly, L.H.	Inva	<b>AL-2199A-L</b>	<b>\$59.95</b>
	Legrest Assembly, R.H.	Inva Hemi	<b>AL-64865</b>	<b>\$59.95</b>
	Legrest Assembly, L.H.	Inva Hemi	<b>AL-64864</b>	<b>\$59.95</b>

**When Ordering, Specify Left (L) or Right (R)—Sitting in Chair**

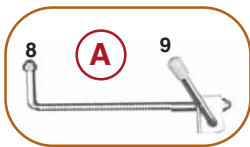


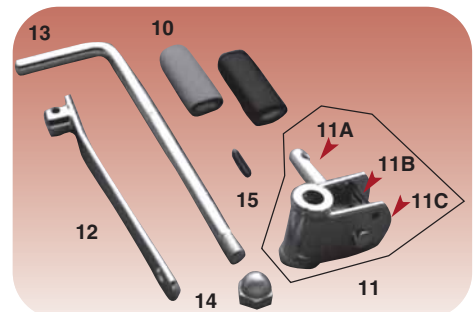
Fig.	Ratchet Assembly	To Fit	ALCO Part No.	Price Each
A	Kit fits Left or Right	E&J Elev. Legrest	<b>AL-433</b>	<b>\$12.95</b>

Fig.	Ratchet Assembly Hardware	To Fit	ALCO Part No.	Price Each
8	Tip, Handle Ratchet, Plastic, Black	E&J	<b>AL-372</b>	<b>\$0.95</b>
9	Nut, Dome, 5/16 – 18	E&J	<b>AL-45514</b>	<b>\$0.95</b>

Fig.	Description of Ratchet Kit Complete	To Fit	ALCO Part No.	Price Pair
B	<b>Sold in Pairs</b> Ratchet Assembly, Complete	Rolls, Inva, Colson	<b>AL-49969</b>	<b>\$23.95</b>



Fig.	Description of Ratchet Assembly Hardware	To Fit	ALCO Part No.	Price Each
10	Rubber Tip, Handle Ratchet, Grey	Inva, Colson	<b>AL-373</b>	<b>\$1.45</b>
	Rubber Tip, Handle Ratchet, Black	Inva, Colson	<b>AL-373B</b>	<b>\$1.45</b>
11	Ratchet Assy., R.H.	Inva, Colson	<b>AL-430R</b>	<b>\$14.95</b>
	Ratchet Assy., L.H.	Inva, Colson	<b>AL-430L</b>	<b>\$14.95</b>
11A	Ratchet Pin	Inva, Colson	<b>N/A</b>	<b>N/A</b>
11B	Ratchet Cam	Inva, Colson	<b>N/A</b>	<b>N/A</b>
11C	Ratchet Spring	Inva, Colson	<b>N/A</b>	<b>N/A</b>
12	Handle, Ratchet	Inva, Colson	<b>N/A</b>	<b>N/A</b>
13	Bar, Ratchet	Inva, Colson	<b>AL-431</b>	<b>\$5.95</b>
14	Nut, Dome, 1/4-28	Inva, Colson	<b>AL-1493</b>	<b>\$0.95</b>
15	Pin, Roll	Inva, Colson	<b>AL-1494</b>	<b>\$0.65</b>



# Front Rigging Parts

**BUY 11 GET 1 FREE!**



Fig.	Description of Hardware: Legrest, Footrest & Footplate	To Fit	ALCO Part No.	Price Each
1	Assy. Clip, Camlock, R.H.	E&J	<b>AL-461R</b>	<b>\$5.95</b>
	Assy., Clip, Camlock, L.H.	E&J	<b>AL-461L</b>	<b>\$5.95</b>
1A	Spring, Camlock <b>Pack of 10 (5 Pairs)</b>	E&J	<b>AL-58523</b>	<b>\$8.95</b>

Pk.



**Camlock Clip Assembly, R.H.**, for Invacare Legrest or Footrest, Hemi & Standard  
**AL-991R \$16.95 Ea.**  
**Camlock Clip Assembly, L.H.**, for Invacare Legrest or Footrest, Hemi & Standard  
**AL-991L \$16.95 Ea.**  
**Spring, Camlock, Pack of 10 (5 pairs)**  
**AL-58524 \$10.95 Pk.**

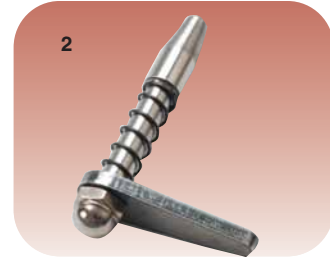


Fig.	Description of Hardware: Legrest, Footrest & Footplate	To Fit	ALCO Part No.	Price Each
2	Kit, Pin, Lock	E&J	<b>AL-460</b>	<b>\$10.95</b>

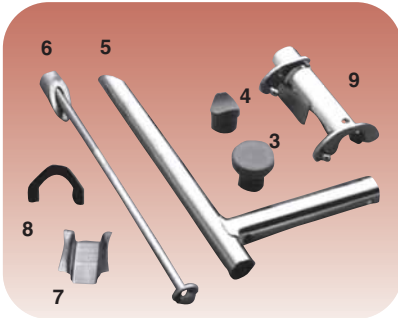


Fig.	Description of Hardware: Legrest, Footrest & Footplate	To Fit	ALCO Part No.	Price Each
3	7/8" Rubber Bumper, Grey	All 7/8" Tube-Footplate Ext.	<b>AL-228</b>	<b>\$1.95</b>
	7/8" Rubber Bumper, Black	All 7/8" Tube	<b>AL-228B</b>	<b>\$1.95</b>
4	7/8" Rubber Bumper, Grey	E&J Footrest	<b>AL-226</b>	<b>\$1.95</b>
5	Tube, Extension, Footrest	All 7/8" Tube	<b>AL-45545</b>	<b>\$12.95</b>
6	Assy., Drawbolt, Wedge & Term, Washer Assy., Adult/Narrow Adult	All 7/8" Tube	<b>AL-2244</b>	<b>\$4.95</b>
7	Spring, Tension, Footplate	All 7/8" Tube, E&J Type	<b>AL-439</b>	<b>\$1.95</b>
8	Spring Tension, Footplate	Inva Type	<b>AL-441</b>	<b>\$1.95</b>
9	Saddle, Legrest, R.H.	Inva Series 200, 400	<b>AL-449R</b>	<b>\$14.95</b>
	Saddle, Legrest, L.H.	Inva Series 200, 400	<b>AL-449L</b>	<b>\$14.95</b>

Fig.	Description of Hardware: Legrest Panel Hardware	To Fit	ALCO Part No.	Price Each
A	Complete Fold-up Assembly Includes: spindle, hinge, spacer, spring, nut and plate	E&J	<b>AL-443</b>	<b>\$18.95</b>
10	Plate, Hinge - Legrest Panel	E&J	<b>AL-452</b>	<b>\$3.95</b>
11	Spindle, Hinge Plate	E&J	<b>AL-45548</b>	<b>\$5.95</b>
12	Spring, Hinge Plate	E&J	<b>AL-2291</b>	<b>\$1.95</b>
13	Spring, Panel Plate	E&J	<b>AL-2292</b>	<b>\$1.95</b>
14	Nut, Lock, 5/16"	E&J	<b>AL-1629</b>	<b>\$0.95</b>
15	Assy., Hinge Body	E&J	<b>N/A</b>	<b>N/A</b>
16	Spacer, Hinge	E&J and Inva	<b>AL-45551</b>	<b>\$1.95</b>

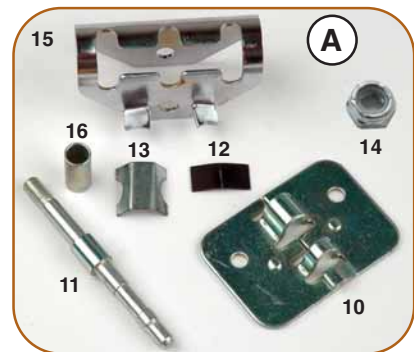


Fig.	Description of Hardware: Legrest Panel Hardware	To Fit	ALCO Part No.	Price Each
B	Legpad Mounting Kit Hardware Includes: Pad Plate, Pivot Bushing, Lock Nut, Bolt Clamp, Spring, Bracket. R.H. and L.H.	Rolls, Inva	<b>AL-45552</b>	<b>\$22.95</b>
17	Plate, Legpad Mounting, Plastic	Inva	<b>AL-457</b>	<b>\$4.95</b>



Spacer for Invacare New Style Legrest  
**AL-64858 \$7.95**


EP1

# Front Rigging "L" Tubes, Hardware & Legrest Locks

**BUY 11 GET 1 FREE!**

 <p><b>Heel Loops</b> Standard, Black 2" <b>AL-316 \$10.95 ea</b> Crush Proof Rubber, Black <b>AL-45309 \$39.95 Pr</b></p>	 <p><b>AL-74810</b> <b>\$14.95 pair</b></p>	<p><b>Toe Loops</b> Black Webbing <b>AL-45310</b> <b>\$18.95 pair</b> Light Brown <b>AL-315</b> <b>\$18.95 pair</b></p>	<p><b>E &amp; J &amp; Lumex</b></p>  <p><b>AL-995L \$24.95</b> <b>AL-995R \$24.95</b></p>
<p><b>For Footrest Or Legrest</b></p> <p>Fits Invacare, Theradyne &amp; Colson <b>AL-1690L \$19.95</b> <b>AL-1690R \$19.95</b></p> 	<p><b>Gendron</b></p> <p><b>For Legrest</b></p> <p>Extension Tube <b>AL-74429 \$19.95</b> Footplate <b>AL-1703 \$12.95</b> Spring <b>AL-440 \$1.95</b> Cap <b>AL-2388 \$1.95</b></p>		<p><b>For Footrest</b></p> <p>Extension Tube <b>AL-74430 \$9.95</b> Footplate <b>AL-1703 \$12.95</b> Spring <b>AL-440 \$1.95</b> Cap <b>AL-2388 \$1.95</b></p> 

**E&J Draw Bolt**



**Adult Draw Bolt AL-2244 \$4.95 Ea.**



**Foot Plate Friction Control Spring**




Fig.	Description	ALCO Part No.	Price Each
1	Square Foot Plate Spring	<b>AL-439</b>	<b>\$1.95</b>
2	Kicked Foot Plate Spring, Gend	<b>AL-440</b>	<b>\$1.95</b>
3	Looped Foot Plate Spring	<b>AL-441</b>	<b>\$1.95</b>

**Fold-Up Assembly Springs**




Fig.	Description	ALCO Part No.	Price Each
4	E & J Fold Up Assembly Spring	<b>AL-2291</b>	<b>\$1.95</b>
5	E & J Fold Up Assembly Spring	<b>AL-2292</b>	<b>\$1.95</b>
6	Invacare Fold Up Assembly Spring	<b>AL-976A</b>	<b>\$5.95</b>

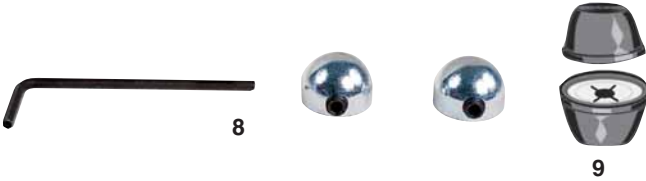


Fig.	Description	To Fit	ALCO Part No.	Price Each
8	Legrest Locks (Pair) Includes Allen Wrench	Most Standard Wheelchairs	<b>AL-50934</b>	<b>\$6.50</b>
	Legrest Locks (25 Pairs) Includes Allen Wrench	Most Standard Wheelchairs	<b>AL-50935</b>	<b>\$140.50</b>
9	Tinnerman Nut, 1/4", (Pack of 10)	Invacare	<b>AL-50936</b>	<b>\$4.95</b>
	Tinnerman Nut, 5/16", (Pack of 10)	E&J	<b>AL-50937</b>	<b>\$4.95</b>

**Swinging Legrest Locks (Anti Theft)**

ALCO Collar locks to assure legrest stays on wheelchairs (lock does not restrict swing away movement).



Fits Colson, Invacare, E&J, Theradyne, Gendron, Medline, Drive & Evermed 5/16" Hole  
**AL-2231 \$2.95**

Fits some E&J 3/8" Hole  
**AL-2230 \$4.95**  
Fits some Invacare 1/4" Hole  
**AL-51825 \$2.95**

**ALCO Collar Lock Wrench**

For the AL-2231 lock **AL-2238 \$1.50 Each**  
For the AL-2230 lock **AL-2239 \$1.50 Each**

EP1

**When Ordering, Specify Left (L) or Right (R)—Sitting in Chair**



# Fork & Arm Parts

**BUY 11 GET 1 FREE!**



Forks								
Fig.	Description	Stem Dia. (In)	Stem Length (In)	Prong Width (In)	To Fit	ALCO Part No.	Price Each	
1	8" Caster Fork, Chrome	7/16 & 5/8	2-3/4	2-1/2	Inva, 200,D200 400, 4000 (B4 1990)	AL-45525	\$24.95	
2	8" Caster Fork, Chrome	1/2	2-5/8	2-1/2	Inva 1000, 100E, 2000, 4000 (after 1989), Tracer, Tracer Plus/ LX/ LX Hemi, LX Semi-Recliner/IV (Before 2/7/00)	AL-1399A	\$23.95	
	8" Caster Fork, Black	1/2	2-3/4	2-1/2	Inva,Tracer MG/MG/EX/IV EX2 (with Fixed Front Frame)	AL-64294	\$24.95	
3	8" Caster Fork, Chrome	1/2	2-1/2	2-1/2	Most E&J Chairs	AL-2279	\$16.95	
4	8" Caster Fork, Black	1/2	2-5/8	2-1/2	Inva, 9000XT/XT Recliner,SL, Tracer SX/DLX/Titan SX5, Patriot (after 6/23/99)/SL)	AL-50929	\$39.95	
5	6" Caster Fork, Black	7/16	2-3/4	1-1/2	Inva Transport 9000 (Single & Hemi/Dual Axle Position)	AL-45531	\$39.95	
	6" Caster Fork, Black	1/2	2-3/4	1-1/2	Inva 9000 XT/SL, Tracer EX/EX2/DLX/SX5SX	AL-64293	\$45.95	
6	8" Caster Fork, Black Aluminum	1/2	2-1/2	2	Lightweight Chairs with 5/16" Axles	AL-58590	\$59.95	
7	8" Caster Fork, Chrome	1/2	2-1/2	2-1/4	E&J	AL-72314	\$59.95	
8	8" Caster Fork, Chrome	7/16	5/8	2-1/2	Invacare	AL-72315	\$59.95	

## Tension Springs, Arm Sockets and Release Handles



**AL-45728**  
\$3.95 Ea.



**AL-607**  
\$1.95 Ea.



**AL-609**  
\$1.95 Ea.



**AL-610**  
\$4.95 Ea.



**AL-24995** \$7.95 Ea.



**AL-24996** \$6.95 Ea.



**AL-24997** \$6.95 Ea.



**AL-2252** \$7.95 Ea.



1



2



3

Fig.	Description	To Fit	ALCO Part No.	Price Each
1	H-Block w/Socket Cup	Invacare 9000 (XT, SL, XT Recliner) &Tracer (EX2, SX5, SX5, Recl, MX)	AL-64617	\$1.95
2	H-Block, Black	Invacare 9000SL, Tracer (MX, MG, DLX, SX, SX Recl) EX, EX2, Titan, SX5, SX5 Recl)	AL-64618	\$1.95
3	H-Block, Black	Invacare 9000 (XT, XT Recliner, Topaz, Jynmi) Patriot, Patriot SL, Titan (before '98)	AL-64619	\$1.95

EP1



# Arm Assembly Side Panels

**BUY 11 GET 1 FREE!**



Fig #8



Fig #9



Fig #10



Fig #11



Fig #12



Fig #13

Fig	Description	To Fit	ALCO Part No.	Price Each
8	Composite, Clothing Guard, Full Length, R.H.	Tracer IV, EX2 & SX5	AL-64649	\$22.95
	Composite, Clothing Guard, Full Length, L.H.	Tracer IV, EX2 & SX5	AL-64648	\$22.95
9	Composite, Clothing Guard, Desk Length, R.H.	Tracer IV, EX2 & SX5	AL-64646	\$22.95
	Composite, Clothing Guard, Desk Length, L.H.	Tracer IV, EX2 & SX5	AL-64645	\$22.95
10	Metal, Fixed Arm, Full Length	E&J & Tuffcare 16" Seat Depth	AL-152E	\$16.95
	Metal, Fixed Arm, Full Length	Invacare 1000, 1000E, World Chair, Tracers, E&J, Vista & Traveler, Gendron	AL-152	\$16.95
	Metal, Detachable Arm, Full Length, Silver Vein	Invacare 1000, 1000E, World Chair, Tracers & E&J, Vista & Traveler	AL-158	\$16.95
11	Metal, Detachable Arm, Desk Length, Silver Vein	Invacare 1000, 1000E, World Chair, Tracers & E&J, Vista & Traveler	AL-155	\$16.95
12	Composite, Desk Length, R.H.	Invacare 2000, 9000, 9000XT/SL/ XDT Space Saver	AL-50128	\$25.95
	Composite, Desk Length, L.H.	Invacare 2000, 9000, 9000XT/SL/ XDT Space Saver	AL-50129	\$25.95
13	Invacare Clothing Guard	9000 Topaz	AL-65028	\$27.95
	Invacare Clothing Guard, Adjustable Height	Tracer LX	AL-58036	\$22.95
NS	Metal, Detachable Arm, Desk Length	Invacare 2000	AL-45857	\$17.95
	Metal, Detachable Arm, Full Length	Invacare 2000	AL-45858	\$17.95
	Tuffcare #AZVBK Clothing Guard, Black Plastic	Tuffcare 247/867	AL-59212	\$9.95
	Drive Chrome Panel	Drive Sentra EC and HD	AL-67034	\$18.95

EP1

**When Ordering, Specify Left (L) or Right (R)—Sitting in Chair**

# Arm Assemblies

## BUY 11 GET 1 FREE!



Fig #1



Fig #2



Fig #3



Fig #4



Fig #5



Fig #6



Fig #7



Fig #7A



Fig #8



Fig #8B



Fig #9



Fig #10



Fig #11



Fig #12



Fig #13



Fig #14

Fig	Description	To Fit	ALCO Part No.	Price Each
1	Detachable, Full Length, R.H., w/Armpad, Specify Color	E&J	AL-978R	\$39.95
	Detachable, Full Length, L.H., w/Armpad, Specify Color	E&J	AL-978L	\$39.95
2	Detachable, Desk Length, R.H., w/Armpad, Specify Color	E&J	AL-980R	\$39.95
	Detachable, Desk Length, L.H., w/Armpad, Specify Color	E&J	AL-980L	\$39.95
3	Detachable, Full Length, R.H., Black Plastic Armpads	Invacare 1000, 1000E, Tracers	AL-979R	\$39.90
	Detachable, Full Length, L.H., Black Plastic Armpads	Invacare 1000, 1000E, Tracers	AL-979L	\$39.90
4	Detachable, Desk Length, R.H., Black Plastic Armpads	Invacare 1000, 1000E, Tracers	AL-981R	\$39.90
	Detachable, Desk Length, L.H., Black Plastic Armpads	Invacare 1000, 1000E, Tracers	AL-981L	\$39.90
5	Detachable, Full Length, R.H., Black Padded Armpads	Invacare 2000 & 9000 Space Saver	AL-45861	\$79.90
	Detachable, Full Length, L.H., Black Padded Armpads	Invacare 2000 & 9000 Space Saver	AL-45862	\$79.90
6	Detachable, Desk Length, R.H., Black Padded Armpads	Invacare 2000 & 9000 Space Saver	AL-45859	\$79.90
	Detachable, Desk Length, L.H., Black Padded Armpads	Invacare 2000 & 9000 Space Saver	AL-45860	\$79.90
7	Adjustable Height, Desk Length, R.H.	Invacare 2000 & 9000 Space Saver	AL-65558	\$79.95
	Adjustable Height, Desk Length, L.H.	Invacare 2000 & 9000 Space Saver	AL-65559	\$79.95
7A	Adjustable Height, Full Length, R.H.	Invacare 2000 & 9000 Space Saver	AL-65560	\$79.95
	Adjustable Height, Full Length, L.H.	Invacare 2000 & 9000 Space Saver	AL-65561	\$79.95
8	Detachable, Full Length, R.H., No Armpad	Invacare 9000 XT/XDT Space Saver	AL-64295	\$69.95
	Detachable, Full Length, L.H., No Armpad	Invacare 9000 XT/XDT Space Saver	AL-64296	\$69.95
8B	Detachable, Desk Length, R.H., No Armpad	Invacare 9000 XT/XDT Space Saver	AL-64297	\$69.95
	Detachable, Desk Length, L.H., No Armpad	Invacare 9000 XT/XDT Space Saver	AL-64298	\$69.95
9	Detachable, Full Length, R.H., Black Padded Armpad	Invacare EX2, Tracer IV	AL-64656	\$74.95
	Detachable, Full Length, L.H., Black Padded Armpad	Invacare EX2, Tracer IV	AL-64655	\$74.95
10	Detachable, Desk Length, R.H., Black Padded Armrest	Invacare EX2, Tracer IV	AL-64654	\$74.95
	Detachable, Desk Length, L.H., Black Padded Armrest	Invacare EX2, Tracer IV	AL-64653	\$74.95
11	Detachable, Full Length, R.H., Black Padded Armpad	Invacare SX5	AL-64613	\$87.95
	Detachable, Full Length, L.H., Black Padded Armpad	Invacare SX5	AL-64612	\$87.95
12	Detachable, Desk Length, R.H., Black Padded Armpad	Invacare SX5	AL-64611	\$74.95
	Detachable, Desk Length, L.H., Black Padded Armpad	Invacare SX5	AL-64610	\$74.95
13	Full Length Arm, Removable Assembly (Pair)	Medline Excel, Standard, ExtraWide	AL-64741	\$99.95
14	Desk Length Arm, Removable Assembly (Pair)	Medline Excel, Standard, ExtraWide	AL-64740	\$99.95

When Ordering, Specify Left (L) or Right (R)—Sitting in Chair

# MRI Wheelchair Replacement Parts & Accessories

**BUY 11 GET 1 FREE!**



AL-73280



AL-73282

**MR Conditional Wheelchair Parts**

- ✓ Defined by the ASTM International as an item that has demonstrated no known hazards in a specified MR environment
- ✓ Parts have been tested and approved to be used up to and including a 3-Tesla Magnet

Description	ALCO Part No.	Price Each
Rear Anti-tippers w/rubber tips	AL-73265	\$65.00
Anti-theft bar for 18-22" WC	AL-73266	\$179.00
Anti-theft bar for 24-26" WC	AL-73267	\$219.00
8" Front fork for 18-24" WC	AL-73268	\$79.00
8" Front fork for 26" WC	AL-73269	\$83.00
8" Front fork assembly, hard rubber wheel, wheel bearings, axle and fork nut for 18-24" WC	AL-73270	\$209.00
8" Front fork assembly, pneumatic wheel, wheel bearings, axle and fork nut for 26" WC	AL-73271	\$209.00
8" Front caster w/bearings, for 18-24" WC	AL-73272	\$84.00
8" Front caster w/bearings, Pneumatic, for 26" WC	AL-73273	\$101.00
Rear Mag Wheel Assembly, no bearings for 18-24" WC	AL-73274	\$459.00
Rear Mag Wheel Assembly, no bearings for 26" WC	AL-73275	\$459.00
Left side brake (if sitting in chair)	AL-73276	\$59.00
Right side brake (if sitting in chair)	AL-73277	\$59.00
Footrest for 18-24" WC, Left	AL-73278L	\$135.00
Footrest for 18-24" WC, Right	AL-73278R	\$135.00
Footrest for 26" WC, Left	AL-73279L	\$305.00
Footrest for 26" WC, Right	AL-73279R	\$305.00
Padded Elevating Legrest for 18-24" WC	AL-73280	\$429.00
Padded Elevating Legrest for 26" WC	AL-73281	\$429.00
I.V. Pole, adjustable height, 2 hooks, stainless-steel construction	AL-64369	\$165.00
O2 Tank Holder/I.V. Pole, universal mount, adjustable height, holds E-sized tank	AL-73262	Call
18" Seat Upholstery w/inserts & hardware complete	AL-74323	Call
18" Back Upholstery w/inserts & hardware complete	AL-74327	Call
26" Back Upholstery w/inserts & hardware complete	AL-74330	Call



AL-73266



AL-73265



AL-73276



AL-73270



AL-73272



AL-73274



AL-73278R

EP1

**Revolving Repair Stand with Floor Stand**  
AL-573A \$329.00



# Beds



Phone: 800-323-4282  
Fax: 800-950-1167

**ALCO**<sup>®</sup>  
Sales & Service Co.

info@alcosales.com  
www.alcosales.com

# Reconditioned Long Term Care Beds

**BUY 11 GET 1 FREE!**

**A**



**Hill-Rom LTC (refurbished)**

The Hill-Rom LTC is specifically designed for long term care setting. The bed is mobile at any height with individual locking casters, and includes split rails with imbedded controls.

**Features:** 18" low to 30" high, 35" x 80" sleep surface, 500 lb weight capacity, new head and footboards; "Avalon" headboard and footboard are standard. Other styles are available as an upgrade. See page 164.

**B**



**Hill-Rom 835 (refurbished)**

The Hill-Rom 835 comes special with head, knee, and hi-low elevation along with cardiac chair and Trendelenberg positions. The dual side central brake & steer system makes the bed very easy to mobilize and is also easy for staff to see that the bed is locked.

**Features:** 18" low to 30" high, 35" x 80" sleep surface, 500 lb weight capacity, automatic contour, new head and footboards; "Avalon" headboard and footboard are standard. Other styles are available as an upgrade. See page 164

**C**



**Hill-Rom 835 Upgrade (refurbished)**

The Hill-Rom 835 Upgrade is designed to last in the acute care setting. Plastic siderails and head and footboards are designed for easy sanitation and contain side rail inserts to prevent patient entrapment injury.

**Features:** 18" low to 30" high, 35" x 80" sleep surface, 500 lb weight capacity, Trendelenberg positions, automatic contour, new head and footboards. Plastic headboard and footboard are standard. Shown with custom white laminate insert.

**D**



**MC Rexx Low Bed (new)**

The Rexx Low Bed is a full function low bed perfect for any healthcare facility. At a very affordable price it provides hi-low, head and knee functions, automatic contour, and comes with many options to suit your needs.

**Features:** 7-7/8" low to 24" high, 35" x 80" sleep surface, 450 lb weight capacity, automatic contour, pendant hand control, new head and footboards, half-length head rails

**Standard Finish Options**



Fig	Description	Natural Maple	Natural Oak	Wild Cherry	Cherry	English Oak	Walnut	White	Price
A	Hill-Rom LTC	AL-75038	AL-75039	AL-75040	AL-75041	AL-75042	AL-75043	N/A	CALL
B	Hill-Rom 835	AL-75044	AL-75045	AL-75046	AL-75047	AL-75048	AL-75049	N/A	CALL
C	Hill-Rom 835 Upgrade	AL-75050	AL-75051	AL-75052	AL-75053	AL-75054	AL-75055	AL-75384	CALL
D	MC Rexx Low Bed	AL-75056	AL-75057	AL-75058	AL-75059	AL-75060	AL-75061	N/A	CALL

# Reconditioned Hospital Beds

**BUY 11 GET 1 FREE!**



Hill-Rom 850 Centra



Hill-Rom Advance



Hill-Rom P1600



Hill-Rom TotalCare



Stryker Secure II



Hill-Rom 894 Century



Hill-Rom P3601

## Reconditioning Process:

1. All frames are visually inspected for bent or broken parts (any bent/broken parts are repaired/replaced so that operating features function properly)
2. Frames are completely disassembled
3. Frames are cleaned. All stickers and/or decals are removed, if necessary
4. Frames, arm rails and pans (if applicable) are sanded completely in a separate room
5. Frames and parts are then cleaned again to remove any dust or dirt
6. Frames, arm rails and pans are painted in a professional paint booth. They are baked dry and then left to dry for 24 hours
7. Frames are then reassembled to include the following NEW parts, if necessary
  - ✓ OEM Casters
  - ✓ Plastic wheel covers and arm rail plastics
  - ✓ Head/footboards with your choice of inserts in each, when applicable
  - ✓ Labels and/or decals
  - ✓ Motor capacitors and couplers are replaced
8. Circuit boards are tested and repaired with 1 year replacement warranty
9. A final inspection of the products operating features are rechecked and electrical safety tested to ensure the product is performing to manufacturer's standards
10. Products are shipped wrapped in protective plastic; Blanket wrapped and can be positioned in custom stands for stability. Head/footboards are shipped unattached to the frames

## Hospital Beds

Manufacturer	Model No.	ALCO Part No.	Price Each
Hill-Rom	840 Century Series	AL-77574	Call
Hill-Rom	8400	AL-77577	Call
Hill-Rom	842 Century Series	AL-77578	Call
Hill-Rom	850 Centra Series	AL-77579	Call
Hill-Rom	852 Centra Series	AL-77580	Call
Hill-Rom	8500	AL-77581	Call
Hill-Rom	1105 Advance Series	AL-77582	Call
Hill-Rom	1115 Advance series	AL-77583	Call
Hill-Rom	1060 Centra Series	AL-77584	Call
Hill-Rom	1130 Advance Series	AL-77585	Call
Hill-Rom	1135 Advance Series	AL-77586	Call
Hill-Rom	1155 Advance Series	AL-77587	Call
Hill-Rom	1165 Advance Series	AL-77588	Call
Hill-Rom	1145 Advance Series	AL-77589	Call
Hill-Rom	P1600 Advanta w/Scale	AL-77590	Call
Hill-Rom	P1600 Advanta w/o Scale	AL-77591	Call
Stryker	Psychiatric Bed w/o End Drawers	AL-77592	Call
Stryker	3000 MPS	AL-77593	Call
Stryker	3002 Secure II Ex	AL-77594	Call
Stryker	3002 Secure II	AL-77595	Call
Stryker	3002 Secure II Zoom	AL-77596	Call
Stryker	3000 Secure	AL-77597	Call

## I.C.U. Beds

Manufacturer	Model No.	ALCO Part No.	Price Each
Hill-Rom	P1900 Total Care (No air/scale)	AL-77598	Call
Hill-Rom	P1900 Total Care (With air/scale)	AL-77599	Call
Hill-Rom	894 Century CC Series	AL-77600	Call
Hill-Rom	896 Century CC Series	AL-77601	Call
Stryker	2020 Renaissance Series	AL-77602	Call
Stryker	2030 Epic II	AL-77603	Call

## Birthing Beds

Manufacturer	Model No.	ALCO Part No.	Price Each
Hill-Rom	P3601 Affinity II	AL-77604	Call
Hill-Rom	P3700 Affinity III	AL-77605	Call
Hill-Rom	Affinity I.V. (U-Cut)	AL-77606	Call
Hill-Rom	Affinity I.V. (V-Cut)	AL-77607	Call
Stryker	4700 Adel	AL-77608	Call

### Elite Riser

- ✓ High-Low function from 7.5" to 28" (600 lb. capacity)
- ✓ High-Low function from 9.5" to 30" (800 lb. capacity)
- ✓ Bed goes straight up and straight down
- ✓ Swivel braking casters at all four corners
- ✓ Bed rolls and locks at any height
- ✓ Rectangular rib steel deck sleep surface provides a smooth safe surface, long linen life, excellent mattress aeration, and ease of cleaning
- ✓ Entrapment compliant with properly sized mattress
- ✓ Easy to maintain, faster and quieter
- ✓ Head/Footboards sold separately (see accessories below)

### 600 lb Capacity

76" Elite Riser (35" Wide)	<b>AL-75664</b>	<b>\$1279.00</b>
80" Elite Riser (35" Wide)	<b>AL-75665</b>	<b>\$1279.00</b>
84" Elite Riser (35" Wide)	<b>AL-75666</b>	<b>\$1329.00</b>
80" Elite Riser (39" Wide)	<b>AL-75667</b>	<b>\$1449.00</b>
84" Elite Riser (39" Wide)	<b>AL-75668</b>	<b>\$1499.00</b>

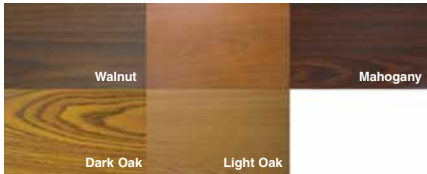
### 800 lb Capacity

80"/84" (42" Wide) Convertible Bariatric Elite Riser (Includes Side Rails & Beige Head/Foot Boards)	<b>AL-75669</b>	<b>\$3749.00</b>
---	-----------------	------------------

### Accessories

Mattress, 80 x 42	<b>AL-78435</b>	<b>\$509.00</b>
Mattress, 84 x 42	<b>AL-78436</b>	<b>\$509.00</b>
Assist Bar (Beige)	<b>AL-75682</b>	<b>\$89.00</b>
Side Rails (15" height) (Set)	<b>AL-75683</b>	<b>\$189.00</b> Set
Head/foot boards*	<b>AL-74091</b>	<b>\$89.00</b>
Head/foot boards for 39"	<b>AL-75685</b>	<b>\$139.00</b>
Lock Out Handset	<b>AL-71115</b>	<b>\$139.00</b>
Sub acute l/o handset	<b>AL-71116</b>	<b>\$169.00</b>
Safety Lock	<b>AL-75689</b>	<b>\$89.00</b>

\* Must specify color: Light Oak (LOK), Dark Oak (EOK), Walnut (WAL), Wild Cherry (WCH) or Mahogany (MAH)



**AL-58190**

### Heavy Duty Bariatric Electric Bed

- ✓ Welded rectangle steel tubing construction for maximum stability
- ✓ Two-piece, split frame design is easy to use, set up and operate
- ✓ Heavy Duty 6" swivel locking casters provide increased security
- ✓ Trendelenberg reverse trend position can be easily achieved
- ✓ UL approved electronic system provides quiet and smooth operation
- ✓ Lifetime structure warranty
- ✓ Foam mattress and half rails included with 800 and 1000 lb models

42" width, 600 lb capacity bed with Foam Mattress and Half or Full Rail  
**AL-58117** **\$2279.00**

48" width, 800 lb capacity bed with 1/2 rail & mattress  
**AL-58189** **\$5249.00**

54" width, 1000 lb capacity bed with 1/2 rail & mattress  
**AL-58190** **\$5349.00**

60" width, 1000 lb capacity bed with 1/2 rail & mattress  
**AL-58191** **\$5489.00**

# Bariatric Beds

**BUY 11 GET 1 FREE!**



**700 lb.  
Capacity**



**ALCO Classic Bariatric Hospital Bed**

- ✓ 35" x 80"
- ✓ Rises from 9.5" to 30"
- ✓ Hi Impact, Quick release head and foot boards
- ✓ Hi Impact Side Rails—Hospital Bed Meets IEC Standard 60601-2-52
- ✓ Back lit handset and under bed lighting
- ✓ Nurse panel w/ head angle indicator, bed height and T/RT angle—digital indicator
- ✓ CPR Quick Release head deck
- ✓ Drainage Hooks on both sides (2)
- ✓ Central locking system
- ✓ Hospital Grade Casters
- ✓ Patient Bed Exit Alarm and Nurse Call
- ✓ 4 year warranty on electronics
- ✓ Lifetime warranty on frame

Bed without scale	<b>AL-78365</b>	<b>\$4999.00</b>
Bed with scale	<b>AL-78366</b>	<b>\$6399.00</b>



**500 lb.  
Capacity**



**ALCO Classic LTC Bed**

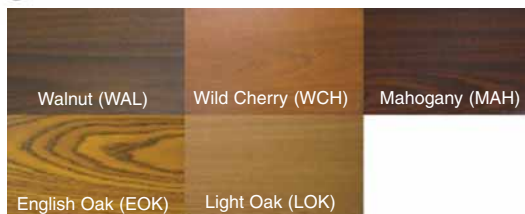
- ✓ Rises from 8.5" to 25"
- ✓ 4 DC Motors that provide elevation, head and foot adjustment
- ✓ Sturdy flat vented deck providing a solid sleep surface and mattress ventilation
- ✓ 35" wide x 80" long
- ✓ Locking casters
- ✓ Staff controls available—Call
- ✓ 3 year warranty on electronics
- ✓ 10 year warranty on frame

With High Impact Quick Release Head and Footboards—Specify Color  
**AL-78090 \$1119.00**

With High Impact Quick Release Head and Footboards with Battery Backup—Specify Color  
**AL-78091 \$1169.00**

**Optional Features:**

Soft touch side rails—head, Beige	<b>AL-78092</b>	<b>\$189.00</b>
Soft touch side rails—foot, Beige	<b>AL-78347</b>	<b>\$259.00</b>
Assist bar, Beige	<b>AL-75682</b>	<b>\$89.00</b>





# Carroll Beds by Invacare



**BUY 11 GET 1 FREE!**



**450 lb. Capacity**

AL-70489 with AL-70501 Kendall Headboard and Footboard Shown

### Invacare Long Term Care Electric Low Bed

- ✓ Easy to use hand control
- ✓ Adjustable mattress deck
- ✓ Height range of 9-7/8" to 20-1/4"
- ✓ Adjustable corner mattress keepers

#### Bed Features

- ✓ Sleep surface dimension: 35" x 80"
- ✓ Overall dimensions w/bed ends: 36" x 84"
- ✓ Recommended mattress thickness: 6"
- ✓ Casters: 6"
- ✓ Includes Maxi-Lock system

80" Pan Deck	<b>AL-70489</b>	<b>\$919.00</b>
80" Grid Deck	<b>AL-70490</b>	<b>\$779.00</b>

#### High Pressure Laminate Bed Ends

Kendall Design	<b>AL-70501</b>	<b>\$89.00</b>
Amherst Design	<b>AL-70502</b>	<b>\$89.00</b>

#### Side Rails

Assist Bar	<b>AL-70494</b>	<b>\$159.00</b>
Assist Rail	<b>AL-70495</b>	<b>\$179.00</b>

### 80" Grid Deck Bed

- ✓ Easy to use hand control
- ✓ Adjustable mattress deck
- ✓ Height range of 13-1/2" to 27"
- ✓ Adjustable corner mattress keepers

#### Bed Features

- ✓ Sleep surface dimension: 80"
- ✓ Overall length: 82"
- ✓ Bed width: 35"
- ✓ Bed width w/bed ends: 36"
- ✓ Recommended mattress thickness: 6"
- ✓ Recommended mattress size: 36" x 80"
- ✓ Caster diameter: 3" solid rubber
- ✓ Includes Maxi-Lock system

Full Electric	<b>AL-70491</b>	<b>\$729.00</b>
Manual Crank	<b>AL-70492</b>	<b>\$519.00</b>



**450 lb. Capacity**

### Invacare Long Term Bed Accessories

Perforated Pan Bed Deck (for AL-70491, AL-70492)	<b>AL-70493</b>	<b>\$149.00</b>
Assist Bar Side Rail for DLX Beds	<b>AL-70494</b>	<b>\$159.00</b>
Assist Side Rail, 3-Position	<b>AL-70495</b>	<b>\$179.00</b>
1/4 Length Epoxy-Taupe Side Rail	<b>AL-70496</b>	<b>\$169.00</b>
1/2 Head Rail, Epoxy-Taupe	<b>AL-70497</b>	<b>\$179.00</b>
1/2 Foot Rail, Epoxy-Taupe	<b>AL-70498</b>	<b>\$179.00</b>
3/4 Length Epoxy-Taupe Side Rail	<b>AL-70499</b>	<b>\$209.00</b>
Full Length Epoxy-Taupe Side Rail	<b>AL-70500</b>	<b>\$249.00</b>

### High Pressure Laminate Bed Ends

Kendall Design	<b>AL-70501</b>	<b>\$89.00</b>
Amherst Design	<b>AL-70502</b>	<b>\$89.00</b>



**AL-70501**  
Kendall

**AL-70502**  
Amherst

### Specify Color



**Mattresses on Pages 133-139**

**Need Bumper Pads See Page 146-147**

**450 lb.  
Capacity**



*Note: Bed shown with center crown head and footboards—Sold Separately*



**The Liberty Bed™**

- ✓ Strong supportive grid deck is superior in frame design and offers a "no-sag" mattress support surface
- ✓ 9.9" to 24.4" range of motion
- ✓ Wall Saver—Standard
- ✓ Mattress retainer is standard
- ✓ Change Bed from 76" to 80" using adjustable brackets—no extension kit needed
- ✓ Optional liberty lock w/one step red/green pedal and central locking system (locks all 4 casters)

Bed with Grid Deck	<b>AL-75555</b>	<b>Call</b>
Bed with Grid Deck and Liberty Lock	<b>AL-75556</b>	<b>\$1069.00</b>

**Accessories**

Half Length Assist Device Head End	<b>AL-75557</b>	<b>\$139.00</b>
Half Length Assist Device Foot End	<b>AL-75558</b>	<b>\$139.00</b>
Assist Bar (1 Each)	<b>AL-75559</b>	<b>\$119.00</b>
Brake Conversion Kit (Includes brake, 2 casters, flipper brackets & hardware)	<b>AL-75560</b>	<b>\$109.00</b>
Board Mounted IV Sockets	<b>AL-75561</b>	<b>\$12.95</b>
Economy Lock Out Box	<b>AL-75562</b>	<b>\$99.00</b>
Rectangular Solar Oak Head and Foot Boards	<b>AL-75563</b>	<b>\$89.00</b>
Rectangular Medium Oak Head and Foot Boards	<b>AL-75564</b>	<b>\$89.00</b>
Rectangular Walnut Head and Foot Boards	<b>AL-75565</b>	<b>\$89.00</b>
Center Crown Windsor Mahogany Head and Foot Boards	<b>AL-75566</b>	<b>\$89.00</b>
Center Crown Wild Cherry Head and Foot Boards	<b>AL-75567</b>	<b>\$89.00</b>

**Zenith9000APS (Advanced Positioning System) with Slide-W-I-D-E  
Expandable/Retractable Deck**

**New!**

- ✓ Bed adjusts from 76" to 80" length
- ✓ Bed has expanding and retracting deck (35"-42")
- ✓ Height range: 7" to 30"
- ✓ Embedded staff control in footboard
- ✓ Full and Reverse Trendelenburg positioning from 0 to 14 Degrees
- ✓ Multiple positioning such as lounge chair, cardiac chair and recliner style functions
- ✓ Auto CPR
- ✓ Intuitive two-pedal locking system
- ✓ Bed provides 360° mobility at ANY height

76"/80" adjustable length, intuitive two-pedal locking system, expandable/ retractable deck, 7" to 30" Height range, EMBEDDED STAFF CONTROL

<b>AL-78405</b>	<b>\$2179.00</b>
Same as AL-78405 above but includes backlit handset and underbed light	<b>AL-78406</b> <b>\$2249.00</b>
Same as AL-78406 above but includes onboard battery pack	<b>AL-78407</b> <b>\$2309.00</b>

**600 lb.  
Capacity**

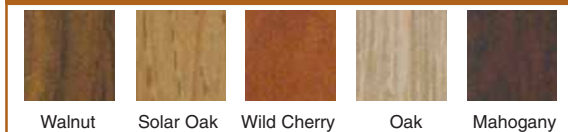


*Note: Bed shown with center crown head and footboards — Sold Separately*

**Headboards/Footboards**

Description	Width	ALCO		Each Price	Width	ALCO	
		Part No.	Price			Part No.	Price
Rectangular Solar Oak	35"	<b>AL-78427SA</b>	<b>\$199.00</b>		42"	<b>AL-78429SA</b>	<b>\$229.00</b>
Rectangular Oak	35"	<b>AL-78427AB</b>	<b>\$199.00</b>		42"	<b>AL-78429AB</b>	<b>\$229.00</b>
Rectangular Walnut	35"	<b>AL-78427WA</b>	<b>\$199.00</b>		42"	<b>AL-78429WA</b>	<b>\$229.00</b>
Center Crown Mahogany	35"	<b>AL-78428MA</b>	<b>\$199.00</b>		42"	<b>AL-78430MA</b>	<b>\$229.00</b>
Center Crown Wild Cherry	35"	<b>AL-78428WC</b>	<b>\$199.00</b>		42"	<b>AL-78430WC</b>	<b>\$229.00</b>

**Specify Color**





# Economy Beds & PVC Low Beds

**BUY 11 GET 1 FREE!**



### Manual, Full Electric or Full Electric Low Bed

- ✓ Separate bed height and head and foot section adjustment
- ✓ 80" x 36" spring deck surface
- ✓ Durable, powder coated epoxy frame finish
- ✓ Bed rests on stabilizing legs in lowest position
- ✓ Equipped with locking casters
- ✓ Sturdy, attractive head and foot boards, sold separately
- ✓ Custom Head and Footboard available—Call
- ✓ Full Electric Low Bed has a height adjustable sleep surface from 9.5" to 20"

Manual LTC Bed	<b>AL-74825</b>	<b>\$479.00 Each</b>
Full Electric LTC Bed	<b>AL-74826</b>	<b>\$759.00 Each</b>
Full Electric LTC Low Bed	<b>AL-74838</b>	<b>\$839.00 Each</b>
Head & Foot Boards (Sold Separately)	<b>AL-74827</b>	<b>\$104.95 Each</b>



### Full Electric Bariatric Bed

- ✓ Heavy duty all steel construction frame ensures strength and patient safety
- ✓ Larger sleep surface than conventional bed
- ✓ Split pan design
- ✓ Hand control (included) provides for multiple bed positioning for patients
- ✓ Emergency manual crank included

42"W Bed (600 lb Capacity)	<b>AL-74823</b>	<b>\$1369.00</b>
42"W Bed w/Foam Mattress & 1 Pair of "T" Rails (600 lb Capacity)	<b>AL-66506</b>	<b>\$1995.00</b>
48"W Bed (750 lb Capacity)	<b>AL-74824</b>	<b>\$3099.00</b>
48"W Bed w/Foam Mattress & 1 Pair of "T" Rails (750 lb Capacity)	<b>AL-66507</b>	<b>\$3969.00</b>
54"W Bed (1000 lb Capacity)	<b>AL-65534</b>	<b>\$3789.00</b>
54"W Bed w/Foam Mattress & 1 Pair of "T" Rails (1000 lb Capacity)	<b>AL-65535</b>	<b>\$4479.00</b>



### Restraint-Free Low Bed

Shown with headboard, footboard and casters (casters not included). 6-inches from floor to top of frame deck. Mattress and bedding not included.

81" L x 39" W, 250 lb. capacity  
5" from floor  
**AL-50358 \$209.00**

85" L x 39" W, 250 lb. capacity  
5" from floor  
**AL-50359 \$209.00**

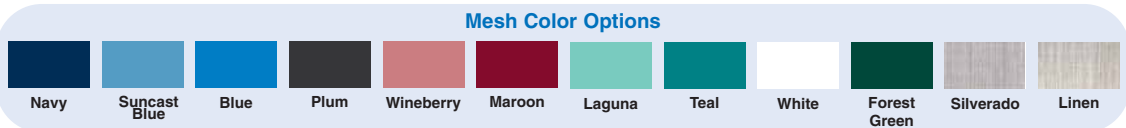
### Options

Headboard/Footboard	<b>AL-50360</b>	<b>\$49.00</b>
Elevating Headrest	<b>AL-50362</b>	<b>\$79.00</b>
Wheel Kit Elevates bed 6" from floor	<b>AL-50361</b>	<b>\$34.00</b>



Tray  
**AL-50362T \$99.00**

EP1





# Economy Rollaway Beds & Cribs

**BUY 11 GET 1 FREE!**



### Economy Rollaway Bed

- ✓ Automatic leg opening system
- ✓ Strong, firm poly-deck support platform
- ✓ 2-8" wheels, 2-2" swivel casters
- ✓ Meets Federal Flammability Standards
- ✓ Center pillow storage when folded
- ✓ 75" length
- ✓ 48" H x 16-5/16" D (folded)

### With 4" Poly-Foam Mattress

29" Width	<b>AL-62802</b>	<b>\$289.00</b>
38" Width	<b>AL-62803</b>	<b>\$319.00</b>
47" Width	<b>AL-62804</b>	<b>\$349.00</b>

### With 5" Innerspring Mattress

29" Width	<b>AL-62805</b>	<b>\$329.00</b>
38" Width	<b>AL-62806</b>	<b>\$349.00</b>
47" Width	<b>AL-62807</b>	<b>\$399.00</b>

### Heavy-Duty Rollaway Bed

Same as Economy Bed except:

- ✓ Additional center springs to support critical body weight areas
- ✓ 2-8" rigid wheels, 2-5" swivel casters
- ✓ 48"H x 12" D (folded)

### With 4" Poly-Foam Mattress with Wet-proof Cover

39" Width	<b>AL-62808</b>	<b>\$449.00</b>
-----------	-----------------	-----------------

### With 5" Innerspring Mattress

48" Width	<b>AL-62810</b>	<b>\$429.00</b>
-----------	-----------------	-----------------



AL-67986

### Rover Stretcher Crib-Fixed Height Model

- ✓ Perfect for pediatric department—when working level variation is not necessary
  - ✓ All other features and accessories are the same as the original
- AL-67987 Call**

### Rover Stretcher Crib-Hydraulic Height Adjustable

- ✓ Perfect size for most pediatric patients from infant to 3 years
- ✓ All 4 sides drop quickly and easily below mattress level for complete patient access
- ✓ Full 26" crib-height side rails
- ✓ Each side raises and lowers independently

**AL-67986 Call**

### Accessories

Easy Access Rover Crib Top	<b>AL-67988</b>	<b>Call</b>
O2 Tank Holder	<b>AL-67989</b>	<b>Call</b>
Storage Basket	<b>AL-67990</b>	<b>Call</b>
IV Pole (detachable)	<b>AL-67991</b>	<b>Call</b>
IV Pole (permanent/folding)	<b>AL-67992</b>	<b>Call</b>
Comfort Mattress	<b>AL-67993</b>	<b>Call</b>
Lectrolite Comfort Mattress	<b>AL-67994</b>	<b>Call</b>
Fitted Sheets-per dozen	<b>AL-67995</b>	<b>Call</b>
Bumper Pads	<b>AL-67996</b>	<b>Call</b>

**Call For Bumper Pads and Other Options**

### PediCraft - Pedi-Crib Bed

- ✓ 27" High Side Rails
- ✓ Space between vertical tubes is less than 2-3/8"
- ✓ Optional head elevation feature operates by hand crank to 30° angle
- ✓ Meets ECRI recommendations and Consumer Product Safety Commission Regulations



Description	ALCO Part No.	Price
35 x 60 Pediatric Crib	<b>AL-70690</b>	<b>\$3299.00</b>
35 x 60 Pediatric Crib w/Head Elevation	<b>AL-70691</b>	<b>\$4129.00</b>
35 x 76 Crib Bed	<b>AL-70692</b>	<b>\$3359.00</b>
35 x 76 Crib Bed w/Head Elevation	<b>AL-70693</b>	<b>\$4339.00</b>
35 x 60 Soft Vinyl Top	<b>AL-70694</b>	<b>\$1019.00</b>
35 x 76 Soft Vinyl Top	<b>AL-70695</b>	<b>\$1039.00</b>
I.V. Pole and bracket	<b>AL-70696</b>	<b>\$279.00</b>
Storage Bin	<b>AL-70697</b>	<b>\$279.00</b>
35 x 60 x 8 Bumper Pads	<b>AL-70698</b>	<b>\$139.00</b>
35 x 76 x 8 Bumper Pads	<b>AL-70699</b>	<b>\$149.00</b>
35 x 76 x 14 Bumper Pads	<b>AL-70700</b>	<b>\$189.00</b>
35 x 60 Fitted Sheets	<b>AL-70701</b>	<b>\$299.00</b>
35 x 76 Fitted Sheets	<b>AL-70702</b>	<b>\$309.00</b>
35 x 60 Fitted Mattress	<b>AL-71435</b>	<b>\$309.00</b>
35 x 76 Fitted Mattress	<b>AL-71436</b>	<b>\$339.00</b>



EP1

**We Accept**



# Hill-Rom Mattresses & Covers

## TOTAL CARE



<b>Total Care Mattress Complete (Hill-Rom #P1915EF9)</b>	<b>AL-78057</b>	<b>\$1999.00</b>
<b>Total Care Mattress</b>		
Urethane Top Cover – Sealed Top/Sewn Bottom Mattress	<b>AL-74220</b>	<b>\$839.00</b>
<b>Total Care Replacement Covers Air or Foam</b>		
Sonic Top Sewn Bottom Cover Set with Waterfall Flap	<b>AL-71702</b>	<b>\$199.00</b>
RF (Radio Frequency) Sealed Top and Bottom Cover Set	<b>AL-74221</b>	<b>\$289.00</b>
<b>Total Care Air &amp; Foam Replacement Cover Kits (Kit includes cover, moisture vapor barrier &amp; topper foam)</b>		
Sonic Top Sewn Bottom Cover Kit with Waterfall Flap	<b>AL-74222</b>	<b>\$329.00</b>
RF (Radio Frequency) Sealed Top & Bottom Cover Kit	<b>AL-74223</b>	<b>\$369.00</b>
<b>Total Care Replacement Parts</b>		
Fire Barrier Air/Foam	<b>AL-74224</b>	<b>\$69.00</b>
Magnet (1/4" x 1-1/2" x 8") Hill-Rom #SA4589	<b>AL-74225</b>	<b>\$10.00</b>
Total Care Topper Foam	<b>AL-74226</b>	<b>\$129.00</b>
Total Care Moisture Vapor Barrier	<b>AL-74227</b>	<b>\$29.00</b>

## TOTAL CARE SPORT



### Total Care Sport

- ✓ Bi-Directional stretch fabric with BravoSilver Technology
- ✓ Reinforced seams at high stress locations
- ✓ Fully sealed cover

Replacement Cover Mattress only for Classic TotalCare Sport (P1915ED5 with 14 hoses). NOT for TotalCare Sport (P1916EA4 with 16 hoses)

**AL-77038 \$489.00**

Replacement Cover Refresher Kit only for Classic TotalCare Sport (P1915ED5 with 14 hoses). Kit includes cover, shear liner, fire barrier and topper foam

**AL-77039 \$539.00**

## VERSA CARE



		<b>ALCO Part No.</b>	<b>Price Each</b>
<b>Versa Care Mattress Component Parts</b>			
Topper Foam		<b>AL-74228</b>	<b>\$69.00</b>
Foam Mattress Cover		<b>AL-74229</b>	<b>\$179.00</b>
Air Mattress Cover		<b>AL-74230</b>	<b>\$189.00</b>
	<b>Hill-Rom Part No.</b>	<b>ALCO Part No.</b>	<b>Price Each</b>
<b>Versa Care Cover Kits</b>			
Foam Mattress Cover Kit - Cal117 (Kit includes cover, viscoelastic topper foam, shear liner)	H11516	<b>AL-78058</b>	<b>\$259.00</b>
Foam Mattress Cover Kit - Cal129 (Kit includes cover, viscoelastic topper foam, shear liner, and fire barrier)	H11517	<b>AL-78059</b>	<b>\$299.00</b>
Air Mattress Cover Kit - Cal117 (Kit includes cover, viscoelastic topper foam, shear liner)	H11518	<b>AL-78060</b>	<b>\$269.00</b>
Air Mattress Cover Kit - Cal129 (Kit includes cover, viscoelastic topper foam, shear liner, and fire barrier)	H11519	<b>AL-78061</b>	<b>\$309.00</b>
Versa Care Air Mat Cover W/ARS Zipper	33291	<b>AL-78062</b>	<b>\$199.00</b>
Versa Care Foam Mattress Cover Silver	H11154S	<b>AL-78063</b>	<b>\$229.00</b>
Versa Care Air Mattress Cover Silver	H11155S	<b>AL-78064</b>	<b>\$209.00</b>



# Dynamic Air® & Zone Air Mattresses & Covers Fits Hill-Rom Beds



## ZONE AIR



Zone Air Surface Complete (Hill-Rom #P141OEB04) **AL-78052** \$1899.00  
Zone Air Compressor (Hill-Rom #64095) **AL-78053** \$279.00

Dimension	Hill-Rom Number	Urethane Cover Kits*		Urethane Cover Only	
		ALCO Part No.	Price Each	ALCO Part No.	Price Each
6 x 32 x 79	<b>P1414</b>	<b>AL-65224</b>	<b>\$309.00</b>	<b>AL-65228</b>	<b>\$189.00</b>
6 x 35 x 80	<b>P1416</b>	<b>AL-65225</b>	<b>\$319.00</b>	<b>AL-65229</b>	<b>\$189.00</b>
6 x 35 x 84 (Tube at Foot)	<b>P1410</b>	<b>AL-65226</b>	<b>\$299.00</b>	<b>AL-65230</b>	<b>\$189.00</b>
6 x 35 x 84 (Tube at Middle)	<b>P1412</b>	<b>AL-65227</b>	<b>\$329.00</b>	<b>AL-65231</b>	<b>\$189.00</b>

\*Complete Kit includes Cover, Moisture Vapor Barrier and Topper Foam



**AL-78053**

## DYNAMIC AIR



Dynamic Air Surface Complete (Hill-Rom #P923) **AL-78054** \$1899.00

Dimension	Hill-Rom Number	Air® Mattress Replacement Covers		Mattress Cover Kits					
		ALCO Part No.	Price Each	Nylon Top Cover ALCO Part No.	Price Each	Urethane Top Cover ALCO Part No.	Price Each		
6 x 32 x 79	<b>914</b>	<b>AL-65218</b>	<b>\$89.00</b>	<b>AL-65221</b>	<b>\$139.00</b>	<b>AL-65212</b>	<b>\$199.00</b>	<b>AL-65215</b>	<b>\$239.00</b>
6 x 35 x 80	<b>938</b>	<b>AL-65219</b>	<b>\$89.00</b>	<b>AL-65222</b>	<b>\$139.00</b>	<b>AL-65213</b>	<b>\$209.00</b>	<b>AL-65216</b>	<b>\$249.00</b>
6 x 35 x 83	<b>923</b>	<b>AL-65220</b>	<b>\$89.00</b>	<b>AL-65223</b>	<b>\$159.00</b>	<b>AL-65214</b>	<b>\$209.00</b>	<b>AL-65217</b>	<b>\$249.00</b>

Two piece assembly, including sealed urethane-rubber cover and liner base with 2 udders for air tubes.  
Magnet (1/4" x 1-1/2" x 8) Hill-Rom #SA4589 **AL-74225** \$10.00



**MADE IN THE USA**

**SAVE up to 60% off original manufacturers pricing**

### A - Top Cover

- ✓ Polyurethane-coated stretches in both directions
- ✓ RF Welded seams
- ✓ Non-allergenic and anti-microbial protection
- ✓ Full 360° zipper with waterfall flap

### B - Bottom Cover

- ✓ Durable abrasion-resistant, tri-laminate
- ✓ Herculex II vinyl fabric
- ✓ Non-allergenic
- ✓ Anti-microbial protection
- ✓ Vented coverlet prevents moisture buildup the latest RF welded sealed seam technology in use to make all bottom-cover seams completely fluid-proof

### C - Moisture Vapor Barrier

- ✓ Surgical Grade polyurethane film
- ✓ Prevents moisture build-up

## Dynamic Air Mattress Replacement Bladders

Dimensions	ALCO Part No.	Price Each
32" X 79" Replacement Bladder	<b>AL-72996</b>	<b>\$219.00</b>
35" X 84" Replacement Bladder	<b>AL-72997</b>	<b>\$229.00</b>

**NOTE: Two (2) bladders per bed. Sold by the each.**

## C-Matt™ Zone Air Replacement Bladders

Dimensions	ALCO Part No.	Price Each
32" X 79" Primary Bladder	<b>AL-72998</b>	<b>\$219.00</b>
32" X 79" Heel Bladder	<b>AL-72999</b>	<b>\$49.00</b>
35" X 80" Primary Bladder	<b>AL-73000</b>	<b>\$179.00</b>
35" X 80" Heel Bladder	<b>AL-73001</b>	<b>\$89.00</b>
35" X 84" Primary Bladder	<b>AL-73002</b>	<b>\$179.00</b>
35" X 84" Heel Bladder	<b>AL-73003</b>	<b>\$69.00</b>

**NOTE: Two (2) primary bladders for each bed & one (1) heel bladder each bed. Applicable for tube in middle or tube at foot. Sold by the each.**

## Air Mattress Replacement Parts

	ALCO Part No.	Price Each	ALCO Part No.	Price Each
<b>Dynamic Mattress</b>				
		<b>80"</b>		<b>84"</b>
Fire Barrier	<b>AL-65204</b>	<b>\$62.00</b>	<b>AL-65206</b>	<b>\$62.00</b>
Moisture Vapor Barrier	<b>AL-65208</b>	<b>\$21.00</b>	<b>AL-65210</b>	<b>\$21.00</b>
Top Foam	<b>AL-70646</b>	<b>\$89.00</b>	<b>AL-70647</b>	<b>\$99.00</b>
Bottom Foam	<b>AL-70648</b>	<b>\$69.00</b>	<b>AL-70649</b>	<b>\$69.00</b>
<b>Zone Mattress</b>				
		<b>80"</b>		<b>84"</b>
Top Foam	<b>AL-70650</b>	<b>\$139.00</b>	<b>AL-70651</b>	<b>\$149.00</b>
Bottom Foam	<b>AL-70652</b>	<b>\$149.00</b>	NA	NA
Tube Middle Bottom Foam	NA	NA	<b>AL-70653</b>	<b>\$149.00</b>
Tube Foot Bottom Foam	NA	NA	<b>AL-70654</b>	<b>\$149.00</b>

# Stryker & Hill-Rom Mattress Cross Reference

**BUY 11 GET 1 FREE!**



Hill-Rom Replacement Mattresses			
Hill-Rom Part No.	Description (L x W x H)	ALCO Part No.	Price Each
P50A4	Mattress 80" X 35" X 6" Foam Patient (NP50)	AL-78104	\$209.00
P50A5	Mattress 84" X 35" X 6" Foam Patient (NP50)	AL-78105	\$229.00
P50A7PSYCH	NP50 Wound Surface	AL-65194	\$169.00
P100A4S	Mattress 80" X 35" X 6" Foam Patient Silver (NP100)	AL-78106	\$439.00
P100A5	Mattress 84" X 35.5" X 6" Foam Patient (NP100)	AL-65142	\$389.00
P100A5S	Mattress 84" X 35.5" X 6" Foam Patient Silver (NP100)	AL-78107	\$439.00
P100A8	Mattress 80" X 35" X 6" Foam Patient CareAssist (NP100)	AL-65140	\$379.00
P100A8S	Mattress 80" X 35" X 6" Foam Patient CareAssist Silver (NP100)	AL-78108	\$439.00
P100A9	Mattress TotalCare Foam Surface Replacement	AL-78109	\$869.00
P200A4	Mattress 80" X 35.5" Flat Deck System Patient NP200	AL-65140	\$379.00
P200A4S	Mattress 80" X 35.5" Flat Deck System Patient NP200	AL-65140	\$379.00
P200A5	Mattress 84" X 35.5" Flat Deck System Patient NP200	AL-65142	\$389.00
P200A5S	Mattress 84" X 35.5" Flat Deck System Patient NP200	AL-65142	\$389.00
P200A7	Mattress 84" X 35" X 7" Patient Stimulite	AL-65142	\$389.00
P200A7S	Mattress 84" X 35" X 7" Patient Stimulite	AL-65142	\$389.00
P200A8	Mattress System Patient NP200 ES CareAssist	AL-65142	\$389.00
P200A8S	Mattress System Patient NP200 ES SL CareAssist	AL-65142	\$389.00

Stryker Replacement Mattresses			
Stryker Part No.	Description (W x H)	ALCO Part No.	Price Each
2700400005	REM 1000 35" x 84" (Standard)	AL-78110	\$239.00
2700400010	REM 1000 35" x 80" (Special)	AL-78111	\$229.00
2700400015	REM 1000 35" x 76" (Special)	AL-78112	\$229.00
2700500005	REM 2000 35" x 84" (Standard)	AL-65178	\$299.00
2700500010	REM 2000 35" x 84" (Standard)	AL-65178	\$299.00
2700500015	REM 2000 35" x 80" (Special)	AL-65176	\$289.00
2700500020	REM 2000 35" x 84" (Standard)	AL-65178	\$299.00
2700500025	REM 2000 35" x 84" (Standard)	AL-65178	\$299.00
2700500030	REM 2000 36.25" x 84" (Special)	AL-65178	\$299.00
2700600005	REM 3000 35" x 84" (Standard)	AL-65142	\$389.00
2700600010	REM 3000 35" x 80" (Special)	AL-65140	\$379.00
2700600015	REM 3000 35" x 84" (Standard)	AL-65142	\$389.00
2800100003	Isoflex 35"x84" Blue Dartex Cover with FB	AL-65154	\$139.00
2800100010	Isoflex 35"x84" Nylon Cover with FB	AL-78113	\$79.00
2800100999	Isoflex Mattress, 35"x80"	AL-65140	\$379.00
2800100999	Isoflex Mattress, 35"x84"	AL-65142	\$389.00

Replacement Covers		
GOOD - C-Matt Basic - Nylon Top/Vinyl Bottom		
Description (H x W x L)	ALCO Part No.	Price Each
6" x 35.5" x 76" Cover	AL-78098	\$79.00
6" x 35.5" x 80" Cover	AL-78099	\$79.00
6" x 35.5" x 84" Cover	AL-78100	\$79.00
BETTER- C-Matt Comfort Ultima - Urethane Top/Vinyl Bottom Cover (sewn)		
6" x 35.5" x 76" Cover	AL-78101	\$79.00
6" x 35.5" x 80" Cover	AL-78102	\$79.00
6" x 35.5" x 84" Cover	AL-78103	\$79.00
BEST - C-Matt Prevention - urethane top/vinyl bottom (fully RF welded)		
6" x 32" x 79" Cover	AL-65150	\$139.00
6" x 35.5" x 80" Cover	AL-65152	\$139.00
6" x 35.5" x 84" Cover	AL-65154	\$139.00



**Heel-Float** suspends the heel over air cavity for zero pressure

- ✓ Water-based gel insert relieves ankle pressure
- ✓ Soft, brushed fabric cover reduces skin shear and wicks away moisture
- ✓ Velcro® strips are sewn to fabric bands to prevent skin abrasion
- ✓ Reusable, launderable, and guaranteed for six months

Small	AL-63817	\$41.00
Medium	AL-62433	\$45.00
Large	AL-63818	\$53.00

# AlcoAire12™ Adaptive Floatation Mattress



**BUY 11 GET 1 FREE!**

**600 lb. Capacity**



- AlcoAire12™**
- ✓ Cover fabric and foam core are antimicrobial
  - ✓ Anti-bottoming construction prevents hammocking
  - ✓ Firm side rails reduce entrapment and fall risks
  - ✓ Breathable cover keeps surface dry
  - ✓ Channeled foam designs allow air flow at surface
  - ✓ Four-way stretch cover option reduces friction
  - ✓ Sloped heel zone reduces pressure at a vulnerable site



**ShearTek**—Revolutionary ShearTek™ design protects against shear along the full length of the body. The entire top layer is uniquely sculpted foam, with a sloped memory foam heel section.



**Anatomically Zoned**—A second option is the anatomically zoned, sculpted high resiliency foam top layer, with a memory foam heel section that's also sloped for pressure reduction.

**Hill-Rom VERSACARE & CAREASSIST (with stepped decks) Version Available**

**Reduces Need for Rental Beds and Specialty Overlays**

Overall Height	Top Layer Height	Top Layer Foam Style	Cover Top Fabric	Side Rail	ALCO Part No.	Price Each
6"	1.5"	Anatomically Zoned Sculpting	Breathable 4 Way Stretch Polyester	Full Perimeter	<b>AL-78085B</b>	<b>\$979.00</b>
6"	1.5"	Anatomically Zoned Sculpting	Infection Control Ultra Low MVT Butyl Coated Nylon	Full Perimeter	<b>AL-78085A</b>	<b>\$979.00</b>
7"	2.5"	ShearTek Sculpting	Breathable 4 Way Stretch Polyester	Full Perimeter	<b>AL-78086B</b>	<b>\$1029.00</b>
7"	2.5"	ShearTek Sculpting	Infection Control Ultra Low MVT Butyl Coated Nylon	Full Perimeter	<b>AL-78086A</b>	<b>\$1029.00</b>
6"	1.5"	Anatomically Zoned Sculpting	Breathable 4 Way Stretch Polyester	Raised Side with Exit	<b>AL-78087B</b>	<b>\$1009.00</b>
6"	1.5"	Anatomically Zoned Sculpting	Infection Control Ultra Low MVT Butyl Coated Nylon	Raised Side with Exit	<b>AL-78087A</b>	<b>\$1009.00</b>
7"	2.5"	ShearTek Sculpting	Breathable 4 Way Stretch Polyester	Raised Side with Exit	<b>AL-78088B</b>	<b>\$1069.00</b>
7"	2.5"	ShearTek Sculpting	Infection Control Ultra Low MVT Butyl Coated Nylon	Raised Side with Exit	<b>AL-78088A</b>	<b>\$1069.00</b>
		Optional Premium Alternating Pressure Pump	<b>AL-78089P</b>	<b>\$509.00</b>		
		Optional Standard Alternating Pressure Pump	<b>AL-78089S</b>	<b>\$279.00</b>		

## Air Pumps & Mattresses

EP1



**AL-57965**



**AL-57967**

**Air-Pro Series® Pumps**

- ✓ 110V, 60Hz electrical, UL and SA listed
- ✓ Cycle time 5 minutes, air output 5 liters
- ✓ 6 month warranty

Description	Size Inches (L x W x H)	Cord Length	ALCO Part No.	Price Each
Pump w/AL-57969	9 x 4 x 3.5	6 ft.	<b>AL-57964</b>	<b>\$112.00</b>
Deluxe Pump w/AL-57969	10 x 5 x 4	12 ft.	<b>AL-57966</b>	<b>\$144.00</b>
Deluxe Pump for use with heavier patients				
Pump Only	9 x 4 x 3.5	6 ft.	<b>AL-57965</b>	<b>\$104.00</b>
Deluxe Pump Only	10 x 5 x 4	12 ft.	<b>AL-57967</b>	<b>\$120.00</b>

**Air-Pro Series® Mattress**

- ✓ Made of medical grade PVC material with Anti-Microbial, fire-retardant treatments
- ✓ Bubble style design with more touch points for effective weight distribution
- ✓ 6 month warranty

Size Inches	End Flaps	Ventilated	ALCO Part No.	Price Each
35x79x2.5	No	No	<b>AL-57968</b>	<b>\$29.00</b>
35x79x2.5	Yes	No	<b>AL-57969</b>	<b>\$32.00</b>
35x79x2.5	Yes	36 Lasered Holes	<b>AL-57970</b>	<b>\$44.00</b>
35x79x3.75	Yes	36 Lasered Holes	<b>AL-57971</b>	<b>\$105.00</b>

# ALCO Pressure Redistribution Mattresses



## Pressure Redistribution Mattresses

- ✓ Anatomically optimized sculpted surface
- ✓ 5 zones of surface sculpting for enhanced envelopment and shear reduction
- ✓ Multi-layered progressive support
- ✓ Firm side rails for reduced entrapment risk



### ALCO EasyRest

300 lb Capacity

**GOOD**

#### ALCO EasyRest

- ✓ 2 layers of progressive support
- ✓ Low friction, durable coated oxford nylon top cover (optional stretch cover)
- ✓ Sturdy vinyl bottom cover



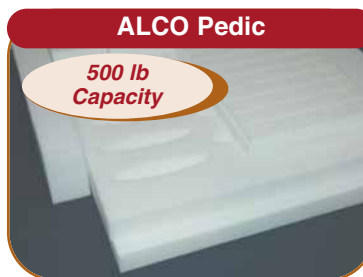
### ALCO Comfort Plus

400 lb Capacity

**BETTER**

#### ALCO Comfort Plus

- ✓ 3 layers of progressive support
- ✓ Die cut center layer for enhanced comfort
- ✓ Sculpted Viscoelastic foam heel zone for maximum reduction of interface pressure
- ✓ Low friction, durable coated oxford nylon top cover (optional stretch cover)
- ✓ Sturdy vinyl bottom cover



### ALCO Pedic

500 lb Capacity

**BEST**

#### ALCO Pedic

- ✓ 3 layers of progressive support
- ✓ 2 styles of die cut in the center layer for enhanced comfort
- ✓ Sculpted Viscoelastic foam heel and head zones for maximum reduction of interface pressure
- ✓ Stretch cover for superior envelopment
- ✓ Optional anti-slip bottom cover

Description	ALCO EasyRest		ALCO Comfort Plus		ALCO Pedic	
	ALCO Part No.	Price Each	ALCO Part No.	Price Each	ALCO Part No.	Price Each
35 x 76 x 6	AL-73844	\$249.00	AL-73856	\$275.00	AL-73868	\$339.00
35 x 76 x 6 w/ optional stretch cover	AL-73845	\$265.00	AL-73857	\$289.00	NA	NA
35 x 76 x 6 w/ optional raised edge	AL-73846	\$275.00	AL-73858	\$299.00	AL-73870	\$365.00
35 x 76 x 6 w/ optional stretch cover & raised edge	AL-73847	\$289.00	AL-73859	\$315.00	NA	NA
35 x 76 x 6 w/ optional anti-slip bottom	NA	NA	NA	NA	AL-73869	\$359.00
35 x 76 x 6 w/ opt. anti-slip bottom & raised edge	NA	NA	NA	NA	AL-73871	\$389.00
35 x 80 x 6	AL-73848	\$249.00	AL-73860	\$275.00	AL-73872	\$339.00
35 x 80 x 6 w/ optional stretch cover	AL-73849	\$265.00	AL-73861	\$289.00	NA	NA
35 x 80 x 6 w/ optional raised edge	AL-73850	\$275.00	AL-73862	\$299.00	AL-73874	\$365.00
35 x 80 x 6 w/ optional stretch cover & raised edge	AL-73851	\$289.00	AL-73863	\$315.00	NA	NA
35 x 80 x 6 w/ optional anti-slip bottom	NA	NA	NA	NA	AL-73873	\$359.00
35 x 80 x 6 w/ opt. anti-slip bottom & raised edge	NA	NA	NA	NA	AL-73875	\$389.00
35 x 84 x 6	AL-73852	\$249.00	AL-73864	\$275.00	AL-73876	\$339.00
35 x 84 x 6 w/ optional stretch cover	AL-73853	\$265.00	AL-73865	\$289.00	NA	NA
35 x 84 x 6 w/ optional raised edge	AL-73854	\$275.00	AL-73866	\$299.00	AL-73878	\$365.00
35 x 84 x 6 w/ optional stretch cover & raised edge	AL-73855	\$289.00	AL-73867	\$315.00	NA	NA
35 x 84 x 6 w/ optional anti-slip bottom	NA	NA	NA	NA	AL-73877	\$359.00
35 x 84 x 6 w/ opt. anti-slip bottom & raised edge	NA	NA	NA	NA	AL-73879	\$389.00

**LATEX Free**

**MADE IN THE USA**

# Medical Foam & Innerspring Mattress



**BUY 11 GET 1 FREE!**



**FREE Shipping Anywhere In Continental U.S.**

Tri-Gard Outside

### Tri-Gard Mattress

- ✓ Offers great protection against decubitus ulcers
- ✓ Heel and elbow zone that prevents skin breakdown
- ✓ Waterproof nylon cover
- ✓ Can be rotated head to foot for maximum life
- ✓ Meets new federal 1633 specification for bedding products
- ✓ Also meets CA. 603, 129 and BFD X11 flame resistant mattress requirements

6" x 36" x 75"	<b>AL-68048</b>	<b>\$149.00</b>
6" x 36" x 80"	<b>AL-68049</b>	<b>\$149.00</b>
6" x 36" x 84"	<b>AL-68050</b>	<b>\$149.00</b>

### H CPR Innerspring Mattress

- ✓ 7 zoned anatomically designed topper over a pressure reducing innerspring
- ✓ One sided innerspring to reduce over all costs but maintain pressure reduction and performance
- ✓ Meets new federal 1633 specification for bedding products
- ✓ Also meets CA. 603, 129 and BFD X11 flame resistant mattress requirements

6" x 36" x 75"	<b>AL-68051</b>	<b>\$149.00</b>
6" x 36" x 80"	<b>AL-68052</b>	<b>\$149.00</b>
6" x 36" x 84"	<b>AL-68053</b>	<b>\$149.00</b>



Tri-Gard Inside

Innerspring

Tri-Gard Inside

## Healthcare Pillows

**Sold In Case Quantities Of 12 Only**



**AL-76064**



EP1

### Healthcare Pillows

- ✓ SigmaFill™ hypoallergenic down alternative filling
- ✓ Loft comparable to 600+ fill power down
- ✓ Double stitch construction

### SigmaFill™ HealthCARE™

- ✓ 70 denier urethane coated blue nylon ticking
- ✓ Moisture resistant, wipe clean
- ✓ Cal 117 Fire Retardant
- ✓ Anti-bacterial and anti-fungal

**AL-73920 \$11.00 Each**

### SigmaFill™ Healthcare Omega™

- ✓ Total body pillow that contours to body for extra comfort
- ✓ 70 denier urethane coated blue nylon ticking
- ✓ Zippered white cotton case and nylon storage bag

**AL-73918 \$72.00 Each**

EP1

### Reusable Pillows

- ✓ Fluid resistant and fluid proof covers easily wipe clean for extended pillow use
- ✓ 100% recycled fiberfill is environmentally responsible

### Disposable Pillows

- ✓ Fresh and clean for each patient use helps to minimize cross-contamination
- ✓ Soft and breathable for optimal comfort
- ✓ 100% recycled fiberfill is environmentally responsible
- ✓ Individually shrink-wrapped

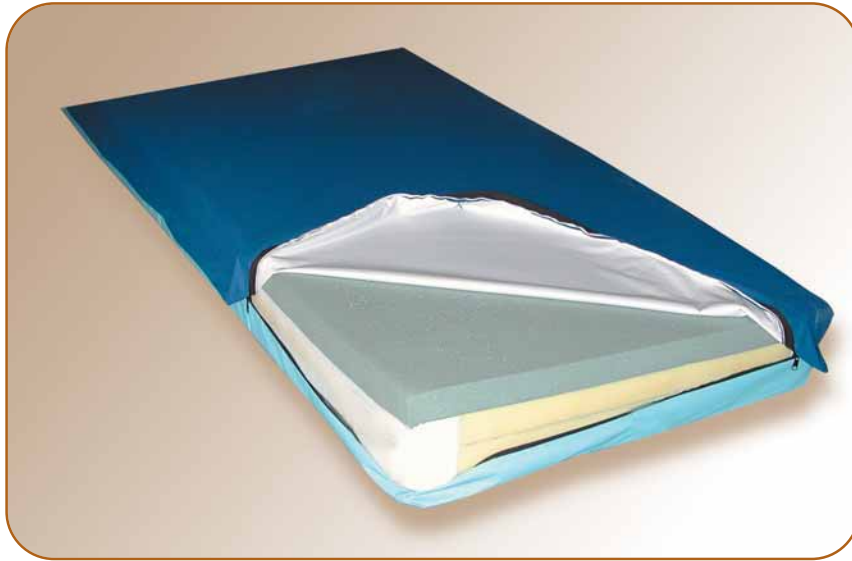
Description	Weight (ounces)	ALCO Part No.	Price Each
Blue Reusable Pillow (21 x 27)	21	<b>AL-76064</b>	<b>\$6.95</b>
White Disposable Pillow (17 x 22)	17	<b>AL-76065</b>	<b>\$3.95</b>
White Disposable Pillow (21 x 27)	13	<b>AL-76066</b>	<b>\$2.95</b>
White Disposable Pillow (17 x 22)	11	<b>AL-76067</b>	<b>\$2.95</b>
White Disposable Pillow (19 x 24)	14	<b>AL-76068</b>	<b>\$3.95</b>

**We Accept**





# Clamshell Mattresses—Fits All Hill-Rom Beds



### Clamshell Mattress

- ✓ Top surface of 4-way stretch recovery and vinyl bottom
- ✓ Clamshell concealed zipper cover
- ✓ High resilient ultra-soft topper
- ✓ Built-in side support rails
- ✓ 5-zone, die-cut core to lower interface pressure at bony prominences
- ✓ 5-year warranty

Dimensions	ALCO Part No.	Price Each
6" x 35" x 75"	AL-62010	\$269.00
6" x 35" x 80"	AL-62011	\$279.00
6" x 35" x 84"	AL-62012	\$289.00

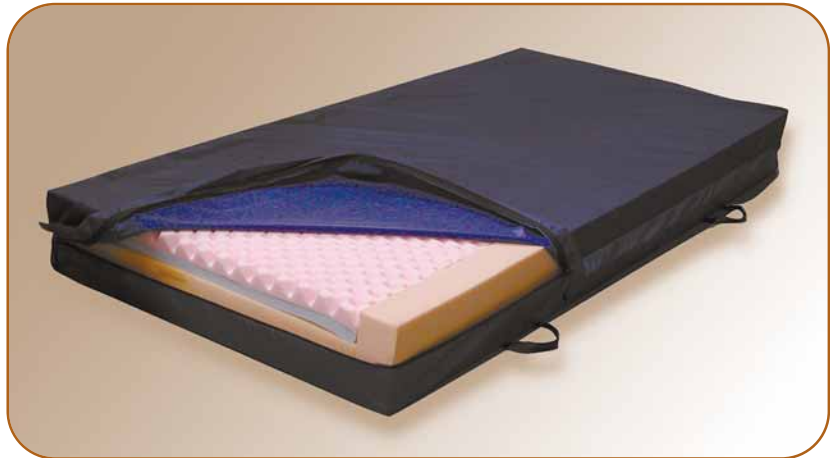
Fits Hill-Rom Beds

**Certified To Meet  
New Fire Code  
16 CFR 1633**

### Clamshell Mattress with Waffle Insert

- ✓ Top surface of Soflux MVT with nylon bottom
- ✓ Multi-layer design core with removable insert
- ✓ Great pressure reduction
- ✓ Rotated head or foot for extended life
- ✓ Replaceable insert is waffled to create air-flow and reduce heat and pressure
- ✓ 5-year warranty

Dimensions	ALCO Part No.	Price Each
7" x 35" x 75"	AL-62593	\$279.00
7" x 35" x 80"	AL-62594	\$289.00
7" x 35" x 84"	AL-62595	\$299.00
Replacement Waffle Insert (Specify Width)	AL-62596	\$89.00



## Mattress Covers

Replacement covers feature clam shell design with concealed zipper protecting flap. All covers feature an 8-1/2 oz. blue vinyl bottom with center seam design to eliminate fluid penetration. All covers are fluid proof and meet Cal.117

Dimensions	Blue 4-Way Stretch	Blue MVT Soflux	Blue 200 Denier Nylon
6 x 32 x 78	AL-62013 \$149.00	AL-62023 \$109.00	AL-62033 \$99.00
6 x 35 x 75	AL-62014 \$149.00	AL-62024 \$109.00	AL-62034 \$99.00
6 x 35 x 78	AL-62015 \$149.00	AL-62025 \$109.00	AL-62035 \$99.00
6 x 35 x 80	AL-62016 \$149.00	AL-62026 \$109.00	AL-62036 \$99.00
6 x 35 x 84	AL-62017 \$149.00	AL-62027 \$109.00	AL-62037 \$99.00
7 x 32 x 78	AL-62018 \$159.00	AL-62028 \$109.00	AL-62038 \$99.00
7 x 35 x 75	AL-62019 \$159.00	AL-62029 \$109.00	AL-62039 \$99.00
7 x 35 x 78	AL-62020 \$159.00	AL-62030 \$109.00	AL-62040 \$99.00
7 x 35 x 80	AL-62021 \$159.00	AL-62031 \$109.00	AL-62041 \$99.00
7 x 35 x 84	AL-62022 \$159.00	AL-62032 \$109.00	AL-62042 \$99.00

### Mattress Protector Bags

Fits up to 36"W x 84"L Mattress  
Clear  
AL-69262 \$7.95 Each

### Mattress Protector Cover



- ✓ Durable vinyl protection
  - ✓ Zippered
  - ✓ 77" x 34" x 5" to fit beds 80" x 36" x 6"
- AL-43041 \$12.95 Each

We Accept

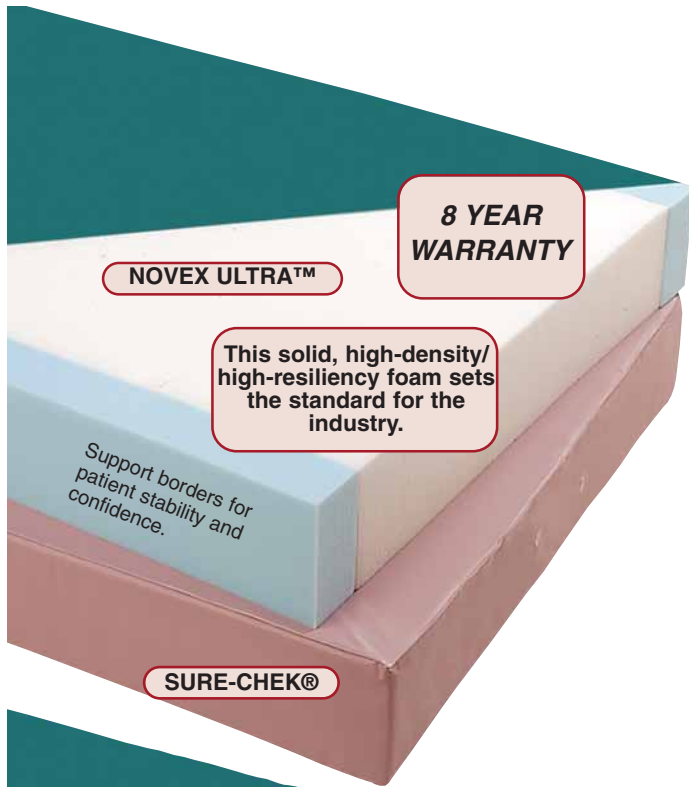




# Pressure Reduction Mattresses



**BUY 11 GET 1 FREE!**



## Easy Comfort™ Pressure Reduction Mattresses

The Easy Comfort pressure reduction mattresses have proven effective in the prevention of pressure ulcers. Its Ultracell™ high resiliency foam is super soft for optimum interface pressure reduction. Our uniquely designed borders give added support for patient comfort and stability.

The high density of the Ultracell™ high resiliency foam gives outstanding orthopedic support, while its super soft design maximizes patient comfort.

### Easy Comfort II with NOVELX ULTRA™ nylon cover. Color Navy "Our Best Seller!"

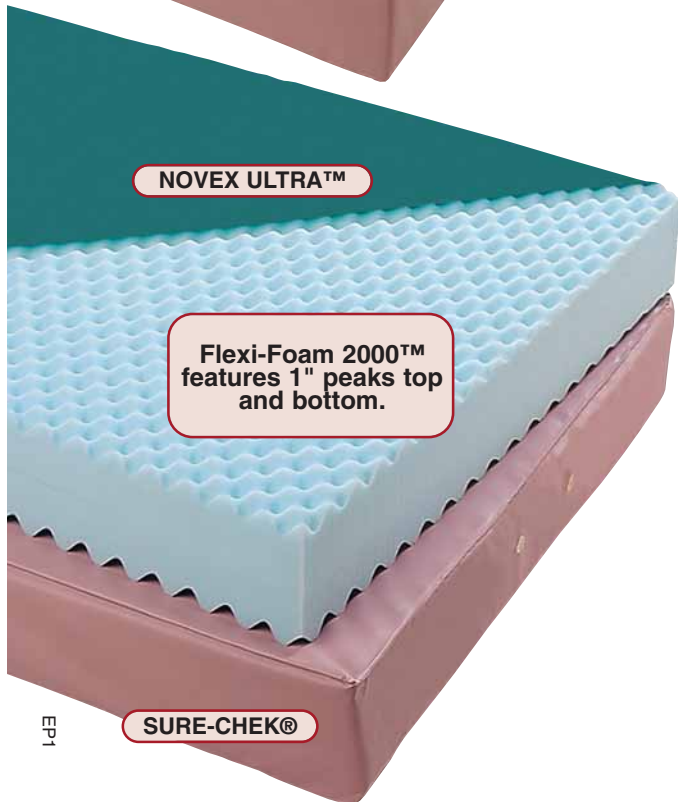
Dimensions	ALCO Part No.	Price Each
6" x 35" x 75"	AL-50468	\$229.00
6" x 35" x 80"	AL-50469	\$239.00
6" x 35" x 84"	AL-50470	\$249.00

**8 Year Full Warranty**

### Easy Comfort I with Sure-Chek Comfort® vinyl ticking Color Navy

6" x 35" x 75"	AL-50471	\$229.00
6" x 35" x 80"	AL-50472	\$239.00
6" x 35" x 84"	AL-50473	\$249.00

**2 Year Full Warranty**



## Comfort Ease II™ Convoluted Cut Foam Mattress

The convoluted foam core is designed to conform to each patient's bony prominences while the Novex Ultra nylon and Sure-Chek® Comfort® vinyl tickings allow the foam to respond to your patient's every movement. The two-sided design extends the life of the mattress and reduces the need for costly overlays.

### Comfort EASE II with NOVELX ULTRA™ nylon cover Color: Navy

Dimensions	ALCO Part No.	Price Each
6" x 35" x 75"	AL-50462	\$209.00
6" x 35" x 80"	AL-50463	\$219.00
6" x 35" x 84"	AL-50464	\$219.00

**5 Year Full Warranty**

### Comfort EASE I with Sure-Chek Comfort® vinyl ticking. Color: Navy

6" x 35" x 75"	AL-50465	\$239.00
6" x 35" x 80"	AL-50466	\$249.00
6" x 35" x 84"	AL-50467	\$249.00

**2 Year Full Warranty**

### Extender Mattress Sections

- ✓ Core is Fire-retardant high-density polyurethane foam
- ✓ Conforms to California Technical Bulletin #117 for fire retardancy
- ✓ Dimensions: 12"x35"x6"

AL-44892 \$43.00



### Pressure Foot Blocks

- ✓ Core is Fire-retardant high-density polyurethane foam
- ✓ Conforms to California Technical Bulletin #117 for fire retardancy

30"x12"x12"  
AL-44893 \$67.00  
30"x12"x8"  
AL-44894 \$67.00





# Pressure Relief Mattresses

**BUY 11 GET 1 FREE!**



### Rest-Q™ and Rest-QSE™

1. Vapor Proof, Shear Reducing Top Cover
  2. Highly Resilient Top Cushion conforms to body contour and boney prominences
  - 3/5. Upper torso, hip and shoulder support
  6. Firm Base Layer ensures heavier patients remain supported w/o bottoming out
  7. Heel Suspension System supports the lower leg along the horizon of the mattress while allowing sensitive heels to float, virtually suspended
  8. Ultra Firm Perimeter Support facilitates safer, more secure transfers and prevents edge-of-bed collapse and side rail entrapment (Optional)
- ✓ The Rest-Q SE has raised perimeter edges that are designed to gently direct the patient away from the edges of the bed

Size	ALCO Part No	Price Each
36" x 80" x 6.5"	AL-78043-80	\$449.00
36" x 84" x 6.5"	AL-78043-84	\$449.00



Low Airloss Mattress

Rest-Q™ Mattress



### Rest-Q GS™ and Rest-Q GSP™ (Bariatric)

1. Vapor Proof, Shear Reducing Top Cover
2. Highly Resilient Top Cushion conforms to body contour and bony prominences
3. Dual layer design enhances the comfort and pressure redistribution across the entire mattress for light/heavier framed patients
4. Two zones of highly resilient, highly supportive material beneath the top layers to support back, shoulders & hips. Supports body weight, off-loading the more pressure sensitive areas along the spine. When side-lying, the trochanter will rest bridged over this soft strip
5. Soft strip of HR foam absorbs most pressure sensitive points along the spine and sacral area
6. Firm Base Layer ensures the heaviest of patients remain supported with cushioning material w/o bottoming out
7. Heels rest into the dual-density top foam of the Descending Diamond Heel Suspension System. The boney prominences of the heels are absorbed, while the lower legs are supported along the horizon of the mattress.
8. Ultra Firm Perimeter Support facilitates safer, more secure transfers and prevents edge-of-bed collapse and side rail entrapment (Optional)

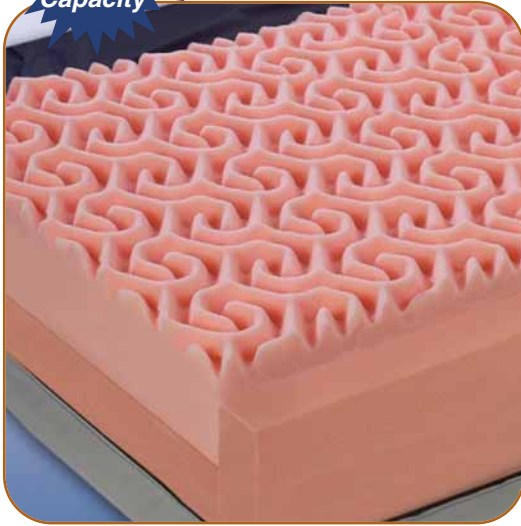
Size	Rest-Q GS™ 500 lb. Capacity		Size	Rest-Q GSP™ 800 lb. Capacity	
	ALCO Part No	Price Each		ALCO Part No	Price Each
36" x 80" x 7"	AL-78044-80	\$579.00	36" x 80" x 8"	AL-78045-80	\$649.00
35" x 84" x 7"	AL-78044-84	\$579.00	35" x 84" x 8"	AL-78045-84	\$649.00

EPI

# Bariatric Mattresses

**BUY 11 GET 1 FREE!**

Up To  
900 lb.  
Capacity



Economy Bariatric Foam Mattresses (not shown)			
600lbs	42"W x 80"L x 7"H	<b>AL-68022</b>	<b>\$409.00</b>
1000lbs	54"W x 80"L x 7"H	<b>AL-68031</b>	<b>\$709.00</b>

## Bariatric Mattresses

- ✓ Multi layer foam design for maximum patient comfort
- ✓ Top polyurethane coated fabric provides omni-directional stretch
- ✓ Non-allergenic and anti-microbial protection
- ✓ Resists abrasions and liquid absorption—bottom vinyl abrasion resistant
- ✓ Meets California Technical Bulletin 117 and 16 CFR 32

Size	Weight Cap. (lbs)	ALCO Part No.	Price Each
7" x 39" x 80"	500	<b>AL-74196</b>	<b>\$469.00</b>
7" x 39" x 84"	500	<b>AL-74197</b>	<b>\$469.00</b>
7" x 42" x 80"	500	<b>AL-74198</b>	<b>\$499.00</b>
7" x 42" x 74"	500	<b>AL-74199</b>	<b>\$519.00</b>
7" x 48" x 80"	500	<b>AL-74200</b>	<b>\$549.00</b>
7" x 48" x 84"	500	<b>AL-74201</b>	<b>\$549.00</b>
7" x 54" x 80"	500	<b>AL-74202</b>	<b>\$559.00</b>
7" x 54" x 84"	500	<b>AL-74203</b>	<b>\$569.00</b>
7" x 39" x 80"	900	<b>AL-74204</b>	<b>\$589.00</b>
7" x 39" x 84"	900	<b>AL-74205</b>	<b>\$609.00</b>
7" x 42" x 80"	900	<b>AL-74206</b>	<b>\$619.00</b>
7" x 42" x 84"	900	<b>AL-74207</b>	<b>\$629.00</b>
7" x 48" x 80"	900	<b>AL-74208</b>	<b>\$679.00</b>
7" x 48" x 84"	900	<b>AL-74209</b>	<b>\$699.00</b>
7" x 54" x 80"	900	<b>AL-74210</b>	<b>\$729.00</b>
7" x 54" x 84"	900	<b>AL-74211</b>	<b>\$749.00</b>

## Bariatric Mattress Covers

Size	ALCO Part No.	Price Each
7" x 39" x 80"	<b>AL-74212</b>	<b>\$129.00</b>
7" x 39" x 84"	<b>AL-74213</b>	<b>\$129.00</b>
7" x 42" x 80"	<b>AL-74214</b>	<b>\$129.00</b>
7" x 42" x 84"	<b>AL-74215</b>	<b>\$139.00</b>
7" x 48" x 80"	<b>AL-74216</b>	<b>\$139.00</b>
7" x 48" x 84"	<b>AL-74217</b>	<b>\$149.00</b>
7" x 54" x 80"	<b>AL-74218</b>	<b>\$159.00</b>
7" x 54" x 84"	<b>AL-74219</b>	<b>\$159.00</b>

## Bariatric Gentle Giant™ Pressure Reduction Sleep Surface

- ✓ Provides necessary weight-range engineered support
- ✓ Stratos Top Cover: waterproof and can be easily wiped clean or replaced
- ✓ Reduces shear forces and prevents Moisture Vapor Transmission
- ✓ Highly Resilient Layer: Conforms to subtle boney prominences creating a perfect blend of pressure redistribution and bariatric patient comfort
- ✓ Supportive Edging of Engineered Polymer: Ensures reinforced stability when patient is sitting bedside. Helps mattress bend and flex with bed

Size	ALCO Part No	Price Each
35" x 80" x 7"	<b>AL-78047-80</b>	<b>\$639.00</b>
35" x 84" x 7"	<b>AL-78047-84</b>	<b>\$639.00</b>
42" x 80" x 8"	<b>AL-78048-80</b>	<b>\$729.00</b>
42" x 84" x 8"	<b>AL-78048-84</b>	<b>\$729.00</b>
48" x 80" x 8"	<b>AL-78049-80</b>	<b>\$839.00</b>
48" x 84" x 8"	<b>AL-78049-84</b>	<b>\$839.00</b>
54" x 84" x 8"	<b>AL-78050</b>	<b>\$879.00</b>



# Behavioral Health Mattress

**New!**

350 lb.  
Capacity



## Closed System

- ✓ Meets Behavioral Health unit safety requirements
- ✓ Comfortable, dual layered core, enhanced fire barrier protection and sealed cover construction
- ✓ No zippers, No handles, No access
- ✓ Waterproof, antibacterial Nylon top cover
- ✓ Soft top, firm foundation
- ✓ Ultra Firm Perimeter Support facilitates safer transfers and prevents edge of bed collapse and side rail entrapment

Size	ALCO Part No	Price Each
35" x 76" x 6-1/2"	<b>AL-78046-76</b>	<b>\$309.00</b>
35" x 80" x 6-1/2"	<b>AL-78046-80</b>	<b>\$309.00</b>
35" x 84" x 6-1/2"	<b>AL-78046-84</b>	<b>\$309.00</b>



# Winged Mattresses & Overlays

**BUY 11 GET 1 FREE!**

## Easy Comfort R2

The high-density rails are designed to help contain patients within the mattress, while allowing staff to transfer the patient through side portals. The Ultracell™ high resiliency foam core provides the pressure reduction that assures reliable performance. It features a rip-stop zippered top and the HerculexII® vinyl bottom. Cover: NOVEX™ MONET BLUE



AL-52380

Easy Comfort R2 Mattress Color: Monet Blue		
Dimensions	ALCO Part No.	Price Each
6" x 35" x 75"	AL-52380	\$349.00
6" x 35" x 80"	AL-52381	\$349.00
6" x 35" x 84"	AL-52382	\$359.00

Novex Ultra DPC™ Cover ONLY Color: Green		
Dimensions	ALCO Part No.	Price Each
6" x 35" x 75"	AL-52383	\$179.00
6" x 35" x 80"	AL-52384	\$189.00
6" x 35" x 84"	AL-52385	\$189.00

5 Year Full Warranty

2 Year Full Warranty



AL-52383

## Medical Mattress Novex Mattress Overlay Pads

Made from medium density polyurethane convoluted foam that is specially treated to be antimicrobial and flame retardant. Our patented Novex nylon top and vinyl bottom cover easily wipes clean and greatly extends the life of the product. Color: Navy Blue

Dimensions	ALCO Part No.	Price Each
2" x 35" x 74"	AL-49532	\$85.00
2" x 35" x 80"	AL-49533	\$95.00
3" x 35" x 74"	AL-49534	\$99.00
3" x 35" x 80"	AL-49535	\$105.00
4" x 35" x 74"	AL-49536	\$109.00
4" x 35" x 80"	AL-49537	\$115.00



EP1



## ROHO® PRODIGY Mattress Overlay®

- ✓ Non-powered mattress overlay for individuals who are at risk for breakdown and/or have Stage I or Stage II ischemic ulcers
- ✓ Zoned. Three sections each 27" x 35"
- ✓ Air cells adjust to the shape and contour of the body
- ✓ Durable polyvinyl material
- ✓ 300 lb weight limit

AL-69279 \$299.00



# Overlays

**BUY 11 GET 1 FREE!**

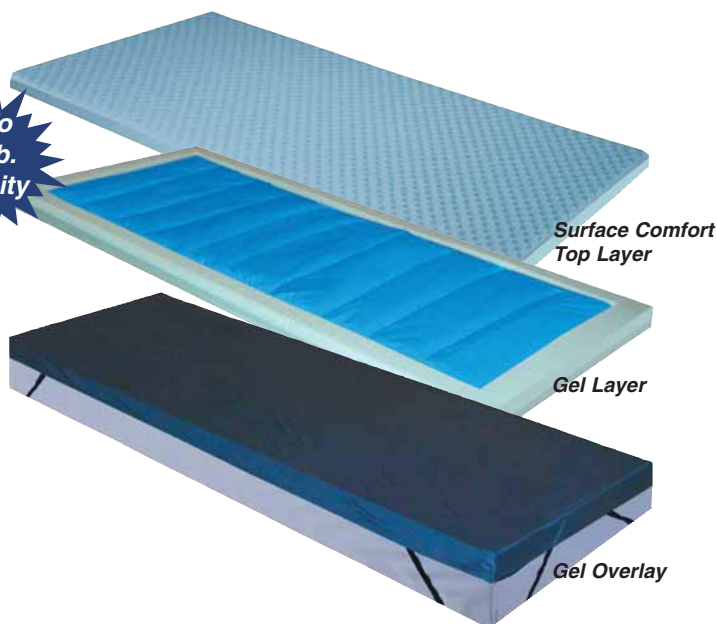


### Comfi-topper™

- ✓ 2" thick high density foam covered w/ soft staph-cheek vinyl
- ✓ Eliminates uncomfortable gaps and ridges caused by perineal cutouts and hinges on LDR mattresses

Fits 30.5"-32"W x 74"-76" Long	<b>AL-72880</b>	<b>\$249.00</b>
Fits 32.5"-34"W x 74"-76" Long	<b>AL-72881</b>	<b>\$249.00</b>
Fits 34"-36"W x 76"-80" Long	<b>AL-72882</b>	<b>\$249.00</b>
31.5" tapered to 33.5"W x 75" Long (Fits ADEL LD-500BBM)	<b>AL-72883</b>	<b>\$249.00</b>
34"W x 77" L (Fits Hill-Rom Affinity I, II & III w/ rounded foot end)	<b>AL-72884</b>	<b>\$299.00</b>

**Up To  
500 lb.  
Capacity**



### Premium Guard Gel/Foam Overlay

- ✓ Ideal combination of 3 gel bladders, high density foam shell and support base
- ✓ Optimal prevention, treatment and management of pressure ulcers
- ✓ One piece construction requires no assembly
- ✓ 4 Elastic corner straps secures overlay to mattress
- ✓ Urethane coated nylon cover is, water resistant and vapor permeable
- ✓ Vinyl base is stain resistant and waterproof
- ✓ Bladders contain an aqueous non-toxic gel
- ✓ Designated head and foot sections

Gel Overlay (76"L x 34"W x 3.5"H, 275 lb. Cap.)

**AL-74900** **\$159.00 Each**

Bariatric Gel Overlay (76"L x 42"W x 3.5"H, 500 lb. Cap.)

**AL-74901** **\$409.00 Each**

EP1



### Premium Guard Static Air Mattress Overlay

- ✓ Unique construction allows for efficient air flow throughout mattress for use in the treatment and prevention of pressure sores
- ✓ Easy to clean with mild detergent
- ✓ Emergency air release valve deflates mattress quickly and safely
- ✓ Air flow holes reduce heat and fluid build up
- ✓ Adjustable bed straps prevent mattress from moving
- ✓ Two adapters for easy filling and air removal

Mattress Overlay **AL-44907** **\$29.00 Each**

Manual Pump **AL-49451** **\$19.00**

Electric Pump for Premium Guard Air Mattress **AL-49451A** **\$79.00**

Phone 800-323-4282 • 630-655-1900  
FAX 800-950-1167 • 630-655-1990

E-mail: [info@alcosales.com](mailto:info@alcosales.com)  
Website: [www.alcosales.com](http://www.alcosales.com)

# Birthing Bed Mattresses & Linens

**BUY 11 GET 1 FREE!**

## Birthing Bed Replacement Mattresses and Covers Compliant with Flammability Standards

- ✓ Meets California Technical Bulletin CAL 117
- ✓ Optional Blaze Blocker™ flame barrier meets California Technical Bulletin CAL 129
- ✓ Meets requirements for Fire Code 1633
- ✓ Omni-directional stretch, polyurethane coated Dartex fabric
- ✓ Anti-microbial protection that prevents growth of mildew and fungus
- ✓ A vented cover that permits condensation to escape



V-Cut and C-Cut versions available



Description	ALCO Part No.	Price Each
-------------	---------------	------------

### Birthing Mattresses (Hill-Rom Part #)

Affinity C-Cut Mattress w/Cal-117FR (P3611)	AL-68430	\$449.00
Affinity C-Cut Mattress w/Cal-129FR (P3611)	AL-68431	\$519.00
Affinity V-Cut Mattress w/Cal-117FR (P3610)	AL-68446	\$439.00
Affinity V-Cut Mattress w/Cal-129FR (P3610)	AL-68447	\$509.00

### Straight Air Set (Hill-Rom Part #)

Straight Air Set—No bladders w/Cal-117FR (P3614)	AL-69119	\$799.00
Straight Air Set—No bladders w/Cal-129FR (P3614)	AL-69120	\$879.00
V-Air Set—No bladders w/Cal-117FR (P3615)	AL-69121	\$619.00
V-Air Set—No bladders w/Cal-129FR (P3615)	AL-69122	\$629.00
Straight Foot Only w/Cal-117FR (P3611 or P3614)	AL-69123	\$159.00
Straight Foot Only w/Cal-129FR (P3611 or P3614)	AL-69124	\$189.00
V-Foot Only w/Cal-117FR (P3610 or P3615)	AL-69125	\$169.00
V-Foot Only w/Cal-129FR (P3610 or P3615)	AL-69126	\$199.00

Description	ALCO Part No.	Price Each
-------------	---------------	------------

### C-Cut Foam Seat and Back Section Birthing Bed Replacement Mattress

CAL 117	AL-70655	\$319.00
CAL 129	AL-70656	\$359.00

### V-Cut Foam Seat and Back Section Birthing Bed Replacement Mattress

CAL 117	AL-70657	\$309.00
CAL 129	AL-70658	\$349.00

### Slip Covers

Straight Foam Seat and Back Cover	AL-70659	\$149.00
V Foam Seat and Back Cover	AL-70660	\$149.00
Straight Air Seat and Back Cover	AL-70661	\$149.00
V Air Seat and Back Cover	AL-70662	\$149.00
V Air Seat Back Birthing Bed Slip Cover	AL-70663	\$109.00
C Air Seat Back Birthing Bed Slip Cover	AL-70664	\$109.00
V Foam Seat Back Birthing Bed Slip Cover	AL-70665	\$109.00
C Foam Seat Back Birthing Bed Slip Cover	AL-70666	\$109.00
V Cut Foot Birthing Bed Slip Cover	AL-70667	\$79.00
C Cut Foot Birthing Bed Slip Cover	AL-70668	\$89.00

**New!**

### Hill-Rom Linens

Description	Hill-Rom Part No.	ALCO Part No.	Price Per Set
Affinity IV "V shaped" Mattress Sheet, for 5" thick mattress	HLS3700	AL-78154	\$49.00
Affinity IV "U shaped" Mattress Sheet, for 5" thick mattress	HLS3710	AL-78177	\$49.00
Affinity III Model 370 "V shaped" Mattress Sheet, for 2" thick mattress	HLS3610	AL-78155	\$49.00
Affinity III Model 370 "U shaped" Mattress Sheet, for 2" thick mattress	HLS3611	AL-78178	\$49.00
Affinity A Model 360 "U shaped" Mattress Sheet	HLS4586	AL-78156	\$49.00
Affinity B Model 360 "V shaped" Mattress Sheet	HLS4585	AL-78157	\$49.00
Genesis A Models 350 & 355 "V shaped" Mattress Sheet, LDRP	HLS7895	AL-78158	\$49.00
Genesis B Models 650 & 800 "V shaped" Mattress Sheet, LDRP	HLS7842	AL-78159	\$49.00
Genesis C Model 355 "U shaped" Mattress Sheet, LDRP	HLS4487	AL-78160	\$49.00
Genesis D Model 355 "U shaped" Mattress Sheet, LDR	HLS4486	AL-78161	\$49.00
Genesis E Models 350 & 355 "V shaped" Mattress Sheet, LDR	HLS4489	AL-78162	\$49.00
Genesis F Models 650 & 800 "V shaped" Mattress Sheet, LDR	HLS4490	AL-78163	\$49.00
Pillow Case, 31-1/2" x 20"	HLS7847	AL-78164	\$12.00
Flat Sheet, 98" x 60"	HLS7846	AL-78165	\$25.00

\*LDRP: Labor, Delivery, Recovery, Postpartum

\*LDR: Labor, Delivery, Recovery

### Hill-Rom



### Stryker Linens


### Stryker

Description	Stryker Part No.	ALCO Part No.	Price Per Set
Adel 4700 mattress	NA	AL-78431	\$49.00
LD 304 mattress	NA	AL-78432	\$49.00



# Trapeze & Patient Transfer

**BUY 11 GET 1 FREE!**

**1000 lb. Capacity**

**Free Standing Trapeze with Base**

- ✓ 650 lb./1000 lb. weight capacity
- ✓ Designed to assist larger individuals in changing positions while in bed and aid in transferring in and out of bed
- ✓ Easy to assemble tool free design
- ✓ Lightweight design for easy delivery
- ✓ Chain is adjustable from edge of headboard to the end of boom by sliding to desired position

650 lb Weight Capacity	<b>AL-65501</b>	<b>\$999.00</b>
1000 lb Weight Capacity	<b>AL-66431</b>	<b>\$1495.00</b>




**AL-74760**

**250 lb. Capacity**

**Trapeze Bar & Base**

- ✓ Silver Vein Finish
- ✓ Mounts easily to metal frame headboards and fits most major manufacturers
- ✓ Heavy gauge two piece square steel tubing provides maximum support
- ✓ Easy to install without tools
- ✓ Easy to adjust height, length and horizontal position
- ✓ Can be shipped UPS

Trapeze Bar, Triangle, Chains & Clamps	<b>AL-74760</b>	<b>\$119.00 1/Cs</b>
Bar Only	<b>AL-74761</b>	<b>\$119.00 1/Cs</b>
Clamp for Trapeze	<b>AL-74762</b>	<b>\$11.95 1/Cs</b>
Chain & Triangle Set	<b>AL-74763</b>	<b>\$16.95 1 Set/Cs</b>
Trapeze Base	<b>AL-74764</b>	<b>\$89.00 Each</b>

**AL-74764**

**Headboard Mountable Bariatric Trapeze (not shown)**

- ✓ Fits most manufacturers
- ✓ 600 lbs. weight capacity

**AL-65502    \$959.00**

EP1



**Super-Slings – Patient Transfer**

- ✓ Facilitate patient transfer, lifting and positioning while reducing exposure to back injury
- ✓ Double-layer nylon construction for strength and durability
- ✓ Two-inch-wide nylon webbing for patient safety
- ✓ Friction-reducing bottoms that ease positioning and transfer
- ✓ Reinforced stitching at handles



**4-Handle Super-Sling—250 lb. Cap.**

- ✓ Designed for use by two caregivers
- ✓ 36" x 40"    **AL-67797    \$59.00**

**8-Handle Super-Sling—500 lb. Cap.**

- ✓ Designed for use by four caregivers
- ✓ 46" x 46"    **AL-67798    \$79.00**

**12-Handle Super-Sling—500 lb. Cap.**

- ✓ Designed for use by six caregivers
- ✓ Full body length
- ✓ 36" x 72"    **AL-67799    \$99.00**



**"No-Lift" Bariatric Booster**

- ✓ The "No-Lift" Booster (black) eases back strain by making the patient easier to move toward the headboard
- ✓ Position the patient on top of tube just as you would with a draw sheet and grab the reinforced edges of the top tube layer and slide it upward
- ✓ 46"W x 46"L

**AL-66253    Call**

# Half Bed Rails

**BUY 11 GET 1 FREE!**



**Universal  
Fits All Flat Bed Frames**



**Safety Assist Bar**

- ✓ 24" height with round tubular construction
- ✓ Interior bar has multiple grip handles
- ✓ Easy to install bolt-on design for any flat metal surface
- ✓ Meets all entrapment guidelines

**AL-62899 \$89.00 Ea.**



**Reduced Gap Bed Rail**

- ✓ 1" chrome plated construction
- ✓ Dual flat channel crossbraces secured with wing nut assembly

**AL-45053 \$99.00 Set**



**Double AbleRise™ Bed Rails**

- ✓ Permits installation on both sides of the bed, up to queen size

**AL-58148 \$199.95 Set**

**Deluxe Adjustable and Non-Adjustable Height Half Rail**

- ✓ 1" heavy duty chrome plated steel
- ✓ Universal mounting brackets fits bed equipped with link springs.
- ✓ Rail length 30"
- ✓ Three adjustable heights above spring deck: 14-1/2", 18-1/2" or 22-1/2"
- ✓ Height position will compensate for the thickest mattress overlays

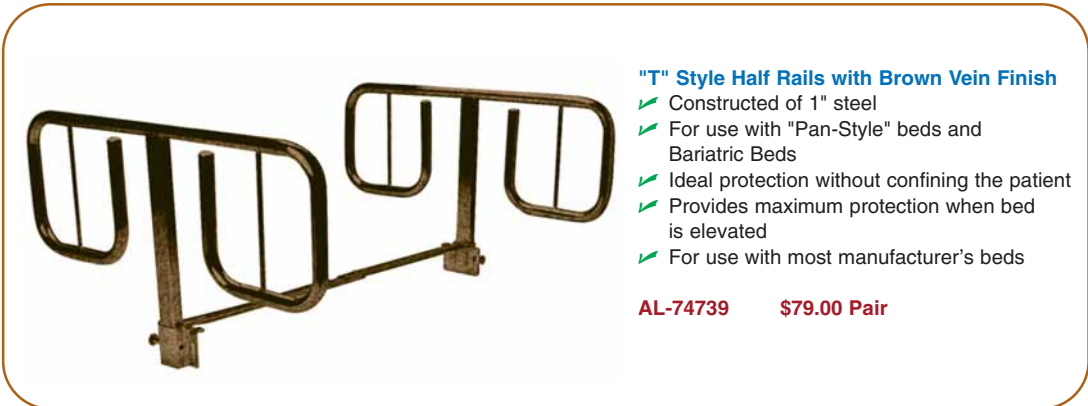


Adjustable Set with Crossbar	<b>AL-45174</b>	<b>\$139.00</b>
Crossbar only (includes 2 crossbars and hardware)	<b>AL-53060</b>	<b>\$89.00</b>
Non-Adjustable With Crossbar	<b>AL-70763</b>	<b>\$129.00 Set</b>
Non-Adjustable Without Crossbar	<b>AL-45173</b>	<b>\$119.00 Set</b>



**AL-45174**

**Easy, one hand operation to lower rail**



**"T" Style Half Rails with Brown Vein Finish**

- ✓ Constructed of 1" steel
- ✓ For use with "Pan-Style" beds and Bariatric Beds
- ✓ Ideal protection without confining the patient
- ✓ Provides maximum protection when bed is elevated
- ✓ For use with most manufacturer's beds

**AL-74739 \$79.00 Pair**


**For Replacement Bumper Pads See Pages 146-147**




# Full & Half Bed Rails & Crossbars

**BUY 11 GET 1 FREE!**

For Replacement  
Bumper Pads  
See Pages 146-147



1" O.D. Side Rail  
**AL-27076**



7/8" O.D. Side Rail  
**AL-27070**

**7/8" and 1" Universal Telescoping Bed Rails**

- ✔ Fits all woven spring hospital-style beds
- ✔ Comes with spring-loaded crossbars
- ✔ Tool-free installation

7/8" Complete Set (Chrome)	<b>AL-27070</b>	<b>\$79.00 Set</b>
1" Complete Set (Chrome)	<b>AL-27076</b>	<b>\$139.00 Set</b>
1" Complete Set (Brown Vein)	<b>AL-74737</b>	<b>\$79.00 Set</b>
1" Cross Bar Only (Chrome)	<b>AL-27077</b>	<b>\$79.00 Set</b>

**Replacement Crossbar For Both 7/8" and 1" O.D. Rails**




**AL-46140**


**Universal Crossbars (Pair)**

- ✔ Fits 7/8" to 1"
- ✔ Brown vein finish

**\$49.95 Pair**




← Extends 36"-42" →



**Half Length 1" Bed Rail, Tool Free Adjustable Width with Brown Vein Finish**

- ✔ Tool free width adjustment allows the rail to be adjusted in 2" increments from 36" to 42"
- ✔ Fits most beds with steel frame
- ✔ Not for use with "Pan-Style" bed surfaces


Half Length Bed Rail	<b>AL-74742</b>	<b>\$89.00 Pair</b>
Replacement Clamp	<b>AL-65508</b>	<b>\$19.95 Pair</b>



**Half Length 1" Bed Rail, No-Gap Style**

- ✔ Fits most beds with steel frame
- ✔ Not for use with "Pan-Style" bed surface

Brown Vein	<b>AL-49414C</b>	<b>\$79.95 Pair</b>
Chrome	<b>AL-49414</b>	<b>\$69.95 Pair</b>
Beige	<b>AL-49414A</b>	<b>\$69.95 Pair</b>
Replacement Clamp	<b>AL-65508</b>	<b>\$19.95 Pair</b>




1000 lb. Capacity

**Halo Safety Ring**

- ✔ Permanent locking mechanism
- ✔ Turnbuckle style mounting bracket to fit most beds
- ✔ Circular design with a vertical mounting bar to eliminate entrapment and allow for exit point for neck, head and chest
- ✔ Meets and exceeds FDA and Hospital Bed Safety Workgroup (HBSW) alternative dimensional and assessment guidelines

Single Mount	<b>AL-71504</b>	<b>\$279.00</b>
Double Mount	<b>AL-71505</b>	<b>\$399.00</b>
Carroll Hi/Low	<b>AL-71506</b>	<b>\$229.00</b>
Joerns Ultra-Care	<b>AL-71681</b>	<b>\$229.00</b>





# Siderail Bumper Pads

## Vinyl Side Rail Bumper Pads

- ✓ Side rail bumpers attach to top of bed rails with Velcro®-style tabs allowing bumper to be flipped over the side when rail is lowered and up again when rail is raised
- ✓ Fire-retardant Polyurethane foam core
- ✓ Alcocard covers are fluid repellent, stain resistant, flame retardant and easily wipe clean
- ✓ Color: White

Size (WxLxT)	ALCO Part No.	Price Per Pair
14"x36"x1"	<b>AL-48600</b>	<b>\$42.00 Pair</b>
14"x48"x1"	<b>AL-48601</b>	<b>\$45.00 Pair</b>
14"x60"x1"	<b>AL-48602</b>	<b>\$56.00 Pair</b>
14"x68"x1"	<b>AL-48603</b>	<b>\$54.00 Pair</b>
14"x72"x1"	<b>AL-58230</b>	<b>\$99.95 Pair</b>
14"x72"x1" w/window	<b>AL-58231</b>	<b>\$179.95 Pair</b>
11"x30"x2"	<b>AL-40920*</b>	<b>\$50.00 Pair</b>
11"x30"x1"	<b>AL-40920A*</b>	<b>\$42.00 Pair</b>

\*for Hill-Rom Beds



## Gap Guard

- ✓ Wedge shape fills gaps up to three inches
- ✓ Works when side rails are raised or lowered
- ✓ Covered in incontinence-proof, wipe-clean nylon

70" Full-Length Side Rail	<b>AL-62419</b>	<b>\$55.00 Ea</b>
35" Half-Length Side Rail/ Headboard & Footboard	<b>AL-62420</b>	<b>\$64.00 Pr</b>



**Thru-View Vinyl Bed Rail Pads** reduces resident's feelings of isolation. Makes monitoring resident easier. 1"-thick foam padding protects against bed-rail related injury. 15"-high pads fit well below rail and mattress for added protection. Velcro® closures fasten pads securely to bed rails. Covered in durable, reinforced, wipe-clean vinyl. Non-allergenic, mildew resistant, and bacteriostatic.

60"L	<b>AL-62417</b>	<b>\$84.00 Pair</b>
72"L	<b>AL-62418</b>	<b>\$99.00 Pair</b>



## Gap Protectors

This padded protector fills the gap between split side rails while allowing access to built-in patient controls. Constructed of sturdy 1/4" plywood and covered in thick vinyl, the gap protector attaches with quick-release buckles. Wipes clean with liquid disinfectant. Meets CA#117 flame retardancy standard. Dimensions: 34"L x 12"H x 3/4" Thick  
**AL-62613 \$99.00 Pair**

## Novex Side Rail Bumper Pads

Our Novex™ covers and foam are fluid proof, antimicrobial, flame retardant and easily wipe clean.

Dimensions	ALCO Part No.	Price Per Pair
1" x 14" x 36"	<b>AL-50438</b>	<b>\$46.00 Pair</b>
1" x 14" x 48"	<b>AL-50439</b>	<b>\$51.00 Pair</b>
1" x 14" x 60"	<b>AL-50440</b>	<b>\$56.00 Pair</b>
1" x 14" x 68"	<b>AL-50441</b>	<b>\$59.00 Pair</b>



**Split Siderail Protectors** deters bed exit to protect from siderail entrapment. Split siderails protector features soft padding and helps deter patient attempts to exit bed between half side rails. May also be used as a seizure pad. Quickly secures to most half rails with hook and loop attachment straps. Vinyl cover wipes clean with liquid disinfectant. Meets CA#117 flame retardancy standard. Dimensions: 35"L x 16-1/2"H  
**AL-62615 \$69.00 Pair**

**AL-76968 \$89.00 Pair**

(For Newer Encapsulated Siderail Designs)



**Deluxe Vinyl Half Siderail Cover**  
Dimensions: 40"L x 16"H x 1"D.

**AL-62617 \$129.00 Pair**



## Side Rail Wedges Features Four Uses In One Product

May be used singly to cover or close the gap between half side rails. Zip two together to provide full 70" length protection of double half rails, three quarter or full side rails. Provides protection on all sides including head and footboards. When placed on top of the mattress the wedge helps position patients at a subtle side angle to help relieve pressure on the back.

Meets CA #117 flame retardancy standards.

35"L x 17"H x 2"D	<b>AL-58234</b>	<b>\$129.95 Pair</b>
30"L x 17"H x 2"D	<b>AL-76969</b>	<b>\$129.95 Pair</b>

# Siderail Bumper Pads for Hill-Rom & Stryker Beds

**BUY 11 GET 1 FREE!**



Description	Form Fitting Seizure Pads		Horseshoe Wedges		Padded Side Rail Covers	
	ALCO Part No.	Price Each	ALCO Part No.	Price Each	ALCO Part No.	Price Each
<b>HILL-ROM</b>						
Advanta™ (16xx Series) Beds w/ HBSW Rails	AL-67615 (Set of 4)	\$489.00	AL-76970	\$149.00	NA	NA
Advanta™ (16xx Series) Beds w/ 1st Gen. Rails	AL-67616 (Set of 4)	\$509.00	AL-76970	\$149.00	NA	NA
Advance® (11xx Series) Beds w/ 2nd Gen. Rails	AL-67616 (Set of 4)	\$509.00	AL-76970	\$149.00	NA	NA
Advance® (11xx Series) Beds w/ 1st Gen. Rails	NA	NA	AL-76971	\$179.00	AL-74320 (Pair)	\$139.00
VersaCare® (3200 Series) Beds	AL-67622 (Set of 4)	\$599.00	AL-76970	\$149.00	NA	NA
Affinity® II (3601 Series) Maternity Beds	AL-67617 (Pair)	\$299.00	AL-76970	\$149.00	NA	NA
Affinity® III and IV (3700 Series) Maternity Beds	AL-67618 (Pair)	\$299.00	AL-76970	\$149.00	NA	NA
Totalcare™ (1900 Series) Beds	AL-67621 (Set of 4)	\$539.00	AL-76971	\$179.00	NA	NA
CareAssist® Med/Surg (P1170 Series & Advanta II) Beds	AL-67619 (Set of 4)	\$589.00	AL-76971	\$179.00	NA	NA
Century Plus w/ HBSW Side Rails	AL-67615 (Set of 4)	\$489.00	AL-76970	\$149.00	NA	NA
Centra 850/852 Beds	NA	NA	AL-76970	\$149.00	AL-74320 (Pair)	\$139.00
Century 840/842 and Century 835/837 Beds	NA	NA	AL-76970	\$149.00	AL-74320 (Pair)	\$139.00
Resident® LTC	AL-67623 (2 pads)	\$179.00	AL-76970	\$149.00	NA	NA
Hill-Rom® Low Bed/Carroll® w/ Assist Arms	AL-67620 (Set of 2)	\$229.00	NA	NA	NA	NA
<b>STRYKER</b>						
Stryker® Go II Bed w/Rectangular Siderails	AL-67626 (4 pieces)	\$619.00	NA	NA	NA	NA
MPS	AL-67624	\$529.00	AL-76970	\$149.00	NA	NA
Secure® I and II w/ Rounded Side Rails	AL-67624 (4 pieces)	\$529.00	AL-76970	\$149.00	NA	NA
Secure® II w/ Rectangular Side Rails	AL-67625 (4 pieces)	\$529.00	AL-76970	\$149.00	NA	NA
In-Touch Critical Care Beds	AL-75670 (4 pieces)	\$619.00	NA	NA	NA	NA
S3™ Beds	AL-75671 (4 pieces)	\$469.00	AL-76970	\$149.00	NA	NA

**LOW PRICES GUARANTEED!**  
**WE WILL NOT BE UNDERSOLD!**

EP1

# Overbed Tables



### Economy Overbed Table

- ✓ Spring loaded height adjustment
- ✓ Dual wheel nylon casters
- ✓ Height 28" to 45"
- ✓ Base 15-1/2" x 26-1/2"
- ✓ Top 15" x 30"

Grey Laminate with durable grey epoxy finish on base  
**AL-52367 \$139.00**  
 Walnut grain Laminate with chrome base  
**AL-52368 \$89.00**



Shown in Fusion Maple with Black Edge  
**AL-67733**

### Executive II Split-Top Overbed Tables

- ✓ Pneumatic lift mechanism provides infinite height adjustment between 29-1/2" and 44-1/2"
- ✓ Wide 28" opening allows easy access for most wheelchairs
- ✓ Dual ergonomic cup holders and handles
- ✓ 100 lb capacity
- ✓ 10 laminates and 5 edge colors to choose from

H style base	<b>AL-67732</b>	<b>\$639.00</b>
U style base (Shown)	<b>AL-67733</b>	<b>\$669.00</b>

**500 lb.  
Capacity**



### Automatic Overbed Table

- ✓ Fingertip pressure adjusts table height throughout a full 17-inch range from 28" - 45" high
- ✓ Standard top color is 3/4" thick and is in walnut color

Table with H-Base	<b>AL-45039</b>	<b>\$109.00</b>
Table with U-Base	<b>AL-45040</b>	<b>\$109.00</b>
Vanity With Double Mirror	<b>AL-45179</b>	<b>\$49.00</b>
Vanity Without Mirror	<b>AL-45180</b>	<b>\$49.00</b>



### Bariatric Overbed Table

- ✓ Added steel reinforcements for added strength
- ✓ 18" x 40" top reaches beyond the middle of Bariatric beds
- ✓ Extra wide 35" inside clearance to allow use with most Bariatric chairs
- ✓ Height adjustment range between 30-1/2" to 45-1/2" with a strong positive lock in 1" increments

**AL-67734 \$539.00**



### Automatic Low Overbed Table

- ✓ Designed for use with fixed height low beds
- ✓ 15" x 30" walnut top that can be raised with the slightest upward pressure and lowers with a touch of the convenient trip lever

H-Base  
**AL-58324 \$119.00**  
 U-Base  
**AL-58325 \$119.00**



### Automatic Overbed Table

- ✓ Chrome plated column and "U" base positive height features adjustment locks for 15 positions from 30-45"
- ✓ 18" x 32" walnut top

Overbed Table	<b>AL-45181</b>	<b>\$219.00</b>
Overbed Table with Vanity Tray	<b>AL-75694</b>	<b>\$279.00</b>

**See Replacement Parts Pages 216-217**

# Bed Exit Monitors & Alarms

**BUY 11 GET 1 FREE!**



## Basic Monitor

- ✓ Off/Lo/Hi Switch
- ✓ Strain Relief protects monitor and sensor pod from damage

## Advanced Monitor

- ✓ Same as above with 0-2 second alarm delay
- ✓ Optional AC adaptor
- ✓ Reset button
- ✓ Alarm controls located inside battery compartment to comply with JCAJU standards
- ✓ Nurse call compatible
- ✓ Floor Sensor and Velcro/Buckle seat belt (page 148) compatible

## String Monitor

- ✓ Indestructible Stainless clip
- ✓ Hinged battery compartment
- ✓ Floor Sensor

## Chair/Bed/Floor Sensor Pads

- ✓ Universal—works with most brands of fall monitors
- ✓ Oversized to reduce false alarms
- ✓ 1 year pads now moisture resistant
- ✓ Floor Sensor measures 22" x 39"



String Monitor w/Cushion Protector

## Monitors

Basic Monitor w/Cushion Protector	AL-71428	\$39.95
Advanced Monitor w/Cushion Protector	AL-71429	\$49.95
String Monitor w/Cushion Protector	AL-71430	\$19.95

## Sensor Pads

45 Day Bed Pad	AL-71424	\$22.95
1 Year Bed Pad	AL-71425	\$39.95
45 Day Chair Pad	AL-71426	\$17.95
1 Year Chair Pad	AL-71427	\$31.95
Floor Sensor	AL-78402	\$79.00

## Accessories

Magnetic Assembly 5 Pack	AL-71431	\$28.95
AC Adaptor	AL-71432	\$17.95
Bed Bracket	AL-71433	\$7.95



**Ask About Our FREE Monitor Program!**



## Bed Exit Monitor

Reverse Polarity Testing (RPT) • Auto or manual reset • Variable alarm delay • Warble tone alarm w/volume control • Microprocessor controlled • Hanging bracket and strap • Interfaces with nurse call system • One button operation • UL 1069 listed for nurse call accessory equipment • 2 year warranty  
**Specifications:** Size: 4" x 5" x 1.5" steel closure, Weight: 3 lb.  
**Audible alarm:** Max 95dBa at 2 feet  
**Power Supply:** 12 Volt DC .5A, UL 544, 6' power cable  
**Nurse Call Cable:** 15' nurse call cable, 1/4" phone plug

AL-49864 \$349.00



1 Year Warranty

AL-58201

## Bed Exit Pad

Isotopic Fusion Process (IFP) • Vinyl covered for durability and moisture protection • Can be used under some air or foam mattress overlays • UL listed for use with the AL-49864 Bed Exit Monitor

**Specification:** Size: 36" x 5" x .25", Weight: 7.2 oz., Pre-attached 8' cable

AL-58201 \$119.00



90 Day Warranty

AL-61978

## Bed Exit Pad

Ultra-thin for comfort • Can be used under some air or foam mattress overlays

**Specifications:** Size: 36" x 3.5" x 1/64", Weight: 3.1 oz., Pre-attached 8' cable

AL-61978 \$69.00



6 Month Warranty

AL-50731

## Bed Exit Pad

Isotopic Fusion Process (IFP) • Vinyl covered for durability and moisture protection • Can be used under some air or foam mattress overlays • UL listed for use with the M-1000 Bed Exit Monitor

**Specifications:** Size: 36" x 5" x .25", Weight: 7.2 oz., Pre-attached 8' cable

AL-50731 \$69.00



30 Day Warranty

AL-49868

## Bed Exit Pad

Ultra-thin for comfort • Can be used under some air or foam mattress overlays

**Specifications:** Size: 36" x 3.5" x 1/64", Weight: 3.1 oz., Pre-attached 8' cable

AL-49868 \$39.00

EP-1



# Bed Accessories

**BUY 11 GET 1 FREE!**



AL-67760



AL-58233

### Fallout Pads

- ✓ Non-skid bottom
- ✓ Bacteriostatic vinyl Navy covering
- ✓ Wipes clean with liquid disinfectant

Floor Cushion (Flat) 72"L x 24"W x 1-1/2"H

**AL-67760 \$79.00 Ea**

Floor Cushion (Tri-Fold) 23"L x 26"W x 6"H

**AL-58233 \$119.00 Ea**



### Headboard/Wall Bumper Pad

- ✓ Attaches to Headboard with Velcro (supplied)
- ✓ 34" x 3.5" x 6"

**AL-75735 \$43.00**



### Headboard Cushion

- ✓ Attaches to Headboard with Velcro (supplied)
- ✓ Dimensions: 11"L x 7-1/2"H x 5"D

**AL-68520 \$18.95**



### Pelvic Exam Wedge

- ✓ 6" high
- ✓ Medical grade foam with a cutout for a speculum
- ✓ Covered in anti-microbial, heavy duty vinyl
- ✓ Improves patients' comfort
- ✓ Fluid, tear and stain resistant

**AL-77355 \$169.00**



### Wall Holder for AL-77355

**AL-77171 \$49.95**



### Wall Guard—Bed Locator

**4 Ft. Bed Locator**  
**AL-16792 \$69.00**

Please Specify Color.  
See Page 623



**Adjustable Blanket Support**  
**AL-43044 \$24.00**

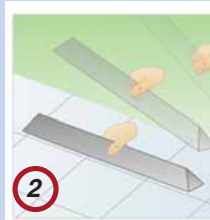


### Bed/Stretcher Stopper

- ✓ Floor mounted bed/stretcher stopping device
- ✓ Industrial strength vinyl resistant to high impact loads
- ✓ 39"L x 3"W
- ✓ Adhesive back allows stopper to be removed and reused

12"L x 3"W **AL-74039-12 \$59.95**

39"L x 3"W **AL-74039-39 \$134.95**



**BUY 11  
Get One  
FREE**

# Bed Accessories

**BUY 11 GET 1 FREE!**

## I.V. & O<sub>2</sub> Holders



### Heavy Duty Folding I.V. Top Pole

- ✓ Attaches to beds, stretchers, gurneys, armchairs, tables, etc. Slow-descending stainless telescoping pole
- ✓ Ball and socket rotating mounting system allows user to position at any angle
- ✓ 2-hook top

24" fully extended; 14" compressed  
**AL-50679 \$189.00**  
 36" fully extended; 22" compressed  
**AL-50679A \$299.00**



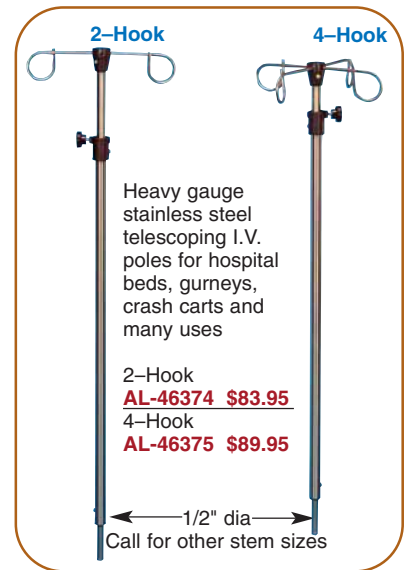
### Small Cylinder Holder

For Stretchers and Hospital Beds holds a single D- or E-sized cylinder  
**AL-50673 \$99.00**



### Chrome Cylinder Holder

✓ 1E-Sized Cylinder Capacity  
 ✓ 5"D x 20"H, 5 lbs  
 ✓ Fits Hill-Rom and Stryker  
 Without Stand **AL-73211 \$99.00**  
 With Stand **AL-73212 \$109.00**



**New!**



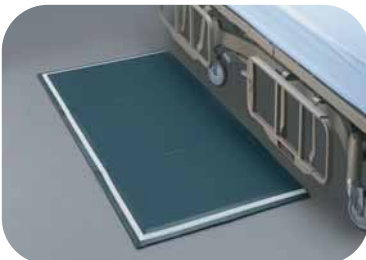
**AL-67759**

### Fallout Pads

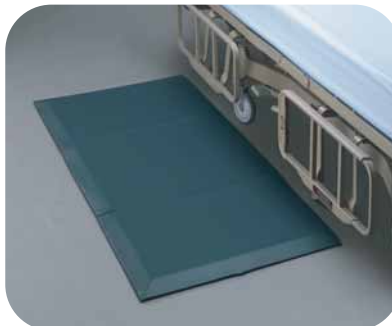
- ✓ Helps reduce impact forces by up to 85%
- ✓ Wipe clean vinyl cover
- ✓ Non-skid bottom
- ✓ AL-77023 and AL-77024—added hard plastic on the beveled edge to help floor cushion lay flat and minimize the curling
- ✓ Yellow handle can be hung behind doors and is easier to carry
- ✓ Meets CA #117, Section E Flame Retardancy Standards



**AL-77020**



Style	Dimensions	ALCO Part No.	Price Each
Standard	67"L x 26"W x 1"H	<b>AL-77019</b>	<b>\$149.00</b>
Two-Tone	67"L x 26"W x 1"H	<b>AL-67759</b>	<b>\$149.00</b>
Beveled	70"L x 38"W x 1"H	<b>AL-77020</b>	<b>\$69.00</b>
Beveled, Wide	70"L x 44"W x 1"H	<b>AL-77021</b>	<b>\$209.00</b>
Beveled, Narrow	70"L x 29"W x 1"H	<b>AL-77022</b>	<b>\$159.00</b>
Beveled Premium	70"L x 38"W x 1"H	<b>AL-77023</b>	<b>\$209.00</b>
Beveled Glow	70"L x 38"W x 1"H	<b>AL-77024</b>	<b>\$219.00</b>



**AL-77023**



**AL-77022**

# Bedside Telephones

**BUY 11 GET 1 FREE!**



**Bedside Phone**

- ✓ Full volume rotary control w/Volume Boost
- ✓ Extra Heavy, Non-Slip Base
- ✓ "No Wear" keys
- ✓ Low Pitch, Dual Tone Ringer with 3 levels of control
- ✓ Easy Access Dataport
- ✓ Flash Button
- ✓ FCC, UL and ETL approved
- ✓ Super Bright Ring/Message Waiting Indicator
- ✓ CLEARING AID™ circuitry

**AL-62248 \$32.95**



**Single-Line, Single-Use Telephone**

- ✓ One-Piece Design
- ✓ Reduces cross contamination risks
- ✓ Saves cleaning and repair costs
- ✓ Lighted On/Off Talk Switch
- ✓ Lighted Dial Pad
- ✓ Volume Control Key
- ✓ Flash Key
- ✓ Visual Ring Indicator
- ✓ OFF/HI/LO Ringer Volume Switch
- ✓ Desk or Bed rail Mountable
- ✓ ADA-Compliant Volume Control
- ✓ Available in White

**AL-62256 \$13.95**



**Economy Telephone**

- ✓ Front pushbutton hook switch
- ✓ Full volume control
- ✓ Bedrail clip included


**AL-66144 \$12.95**



**Bedside Phone**

- ✓ Volume boost button
- ✓ Clearing voice intensifier
- ✓ Flashing ringer indicator light
- ✓ Dual tone IC ringer
- ✓ Gravity Hook On/Off Switch
- ✓ FCC, UL and ETL approved
- ✓ 18 foot line

**AL-51382 \$16.95**



**Bed Side Phone**

- ✓ Volume Boost Button
- ✓ E-Z Push Button on/off
- ✓ Patented Bedrail Clip
- ✓ Visual Ring Indicator Light
- ✓ Never Rub-Off Extra Large Keypad
- ✓ Thumbwheel Volume Control
- ✓ Dual-Tone (high-low) Adjustable Ringer
- ✓ Full Modular 18' Line Cord
- ✓ FCC, UL and ETL approved

**AL-51379 \$16.95**

*Patented Bedrail Mounting Clip Included*



**Traditional Deskset Phone**

- ✓ Volume control on handset
- ✓ New! Volume boost feature
- ✓ Large ringer/message indicator light
- ✓ Ringer adjustor
- ✓ Dual IC ringer
- ✓ Data port jack
- ✓ Handset cord 9' coiled; line cord 20' straight

**AL-51377 \$28.95**

EPI



**Bedrail Phone**

- ✓ Full Rotary volume control
- ✓ Braille markings on controls
- ✓ Reset button found in handset
- ✓ Large piezo ringer, with dynamic speaker
- ✓ Hi-low ringer volume control
- ✓ Lighted ring indicator on base of telephone
- ✓ 7' coiled handset cord, 12 foot line cord
- ✓ FCC, UL and ETL approved and hearing aid compatible
- ✓ Can be used on most square topped side rails such as, Hill-Rom™, Amedco™, Simmons™, Joerns™, etc

<b>AL-51378</b>	<b>\$37.95</b>
Fits Hill-Rom Round Top Siderails	
<b>AL-64546</b>	<b>\$37.95</b>
Fits Stryker Round Top Siderails	
<b>AL-64547</b>	<b>\$37.95</b>




**Bedside Phone**

- ✓ Single-Line single-use Telephone
- ✓ Slim Line Design
- ✓ Big-Button Lighted Dialpad
- ✓ Data Port
- ✓ HI/LO ringer volume switch
- ✓ ADA-Compliant Volume Control

Phone	<b>AL-62254</b>	<b>\$11.95</b>
Phone with Visual Ring Indicator	<b>AL-62255</b>	<b>\$20.95</b>
Hospital Bedrail Holder (fits most Hill-Rom Models)	<b>AL-62257</b>	<b>\$8.95</b>



**AL-62257**



# Big Button & Bedside Phones

**BUY 11  
Get One  
FREE**

**BUY 11 GET 1 FREE!**



**Big Button Phone**

- ✓ Speakerphone
- ✓ Braille keypad
- ✓ Oversized, raised buttons
- ✓ 13 number memory
- ✓ Adjustable Headset and ringer volume
- ✓ Visual ring indicator
- ✓ Hearing aid compatible
- ✓ Wall or desk mount

Big Button Phone  
**AL-77250 \$28.95**  
 With Caller ID  
**AL-77251 \$38.95**

**AL-77251** **AL-77250**



**AL-77252**



**Photo Key Amplified Phone**


- ✓ Amplification up to 40dB
- ✓ 10 large photo ID buttons
- ✓ 911 emergency speed dial button
- ✓ Buttons can be used for photo or normal numeric dialing mode
- ✓ Extra bright white visual ring indicator
- ✓ Redial
- ✓ Wall mountable
- ✓ Hearing aid compatible

**AL-77254 \$52.95**



**AL-77255 \$56.95**

- ✓ Clarity Power technology
- ✓ Amplification up to 18dB
- ✓ 9 programmable one-touch photo memory buttons
- ✓ Bright visual ring flasher
- ✓ 75dB adjustable ringer
- ✓ Illuminated emergency button
- ✓ Extra large, high contrast buttons
- ✓ 3.5mm neck loop jack
- ✓ Hearing aid compatible



**AL-77253**

**Future Call Amplified Big Button Phone**

- ✓ 13 number memory
- ✓ Speakerphone with LED indicator & volume control
- ✓ Visual ring indicator
- ✓ 40dB handset volume
- ✓ Hold/Flash/Redial
- ✓ Tone/Pulse dialing
- ✓ Adjustable ringer volume
- ✓ Raised keys with braille
- ✓ Desk or wall use
- ✓ Power failure protection
- ✓ Hearing aid compatible


Big Button Phone **AL-77252 \$42.95**  
 With Caller ID **AL-77253 \$49.95**



**Bedside Phone**

- ✓ Lighted ring/message light indicator
- ✓ Volume boost button
- ✓ Extra low pitch dual tone IC ringer
- ✓ Full range rotary volume control
- ✓ Data port jack
- ✓ Lighted keypad
- ✓ FCC, UL & ETL approved

**AL-51376 \$19.95**



**Bedside Phone**

- ✓ Clearing Aid Voice Intensifier
- ✓ Large Ring Indicator Light
- ✓ Oversized Keys
- ✓ Ring "Norm-Hi" Switch
- ✓ Reset Key on Handset
- ✓ Dual Tone IC Ringer
- ✓ Extra Long Fully Modular
- ✓ FCC, UL and ETL approved

**AL-62247 \$13.95**

**New!**

# Wall Mounts

**BUY 11 GET 1 FREE!**

## Antimicrobial



Universal Tilt Wall Mount for 22" - 40" Flat Panel Displays  
 Black **AL-78074B \$49.00**  
 White **AL-78074W \$49.00**




Universal Tilt Wall Mount for 23" - 46" Flat Panel Displays  
 Black **AL-78075B \$99.00**  
 White **AL-78075W \$99.00**




Universal Tilt Wall Mount for 32" - 56" Flat Panel Displays  
 Black **AL-78076B \$109.00**  
 White **AL-78076W \$109.00**



Universal Tilt Wall Mount for 37" - 63" Flat Panel Displays  
 Black **AL-78077B \$127.00**  
 White **AL-78077W \$127.00**



Universal Tilt Wall Mount for 42" - 71" Flat Panel Displays  
 Black **AL-78078B \$147.00**  
 White **AL-78078W \$147.00**



Universal Tilt Wall Mount for 61" - 102" Flat Panel Displays  
 Black **AL-78079B \$181.00**  
 White **AL-78079W \$181.00**



Universal Articulating Wall Arm for 26" - 46" Flat Panel Displays  
 Black **AL-78080B \$163.00**  
 White **AL-78080W \$163.00**



Universal Articulating Wall Arm for 37" - 71" Flat Panel Displays  
 Black **AL-78082B \$519.00**  
 White **AL-78082W \$519.00**

EP1



**BUY 11 GET 1 FREE!**

**Antimicrobial**

Universal Ceiling Mount for 32" - 71" Flat Panel Displays  
 Black **AL-78065B** **\$331.00**  
 White **AL-78065W** **\$331.00**

Universal Flat Wall Mount for 10" - 20" Flat Panel Displays  
 Black **AL-78066B** **\$26.00**  
 White **AL-78066W** **\$26.00**

Universal Flat Wall Mount for 22" - 40" Flat Panel Displays  
 Black **AL-78067B** **\$43.00**  
 White **AL-78067W** **\$43.00**

Universal Flat Wall Mount for 23" - 46" Flat Panel Displays  
 Black **AL-78068B** **\$53.00**  
 White **AL-78068W** **\$53.00**

Universal Flat Wall Mount for 32" - 56" Flat Panel Displays  
 Black **AL-78069B** **\$77.00**  
 White **AL-78069W** **\$77.00**

Universal Flat Wall Mount for 37" - 63" Flat Panel Displays  
 Black **AL-78070B** **\$93.00**  
 White **AL-78070W** **\$93.00**

Universal Flat Wall Mount for 42" - 71" Flat Panel Displays  
 Black **AL-78071B** **\$129.00**  
 White **AL-78071W** **\$129.00**

Universal Flat Wall Mount for 61" - 102" Flat Panel Displays  
 Black **AL-78072B** **\$181.00**  
 White **AL-78072W** **\$181.00**

Universal Tilt Wall Mount for 10" - 24" Flat Panel Displays  
 Black **AL-78073B** **\$29.00**  
 White **AL-78073W** **\$29.00**

EP1

**BUY 11  
Get One  
FREE**

# TV Remotes & Headphones

**BUY 11 GET 1 FREE!**



**Clean Remote®**

- ✓ Spill proof, easy wipe non-porous surface makes it simple to clean and disinfect
- ✓ No codes needed
- ✓ Scientifically tested to carry 99% less bacteria
- ✓ Hidden battery compartment with attached door
- ✓ Works with over 250 brands of TV's
- ✓ Requires 2 AAA batteries (not included)

Standard Button	<b>AL-71862</b>	<b>\$12.95 Ea</b>
Big Button	<b>AL-77166</b>	<b>\$12.95 Ea</b>

## WHICH REMOTE DO YOU WANT TO TOUCH?





**Spill Proof**  
Easy wipe non-porous surface makes it simple to clean and disinfect.

Clinically tested to have 99% less germs than all other remotes tested.

**CLEAN REMOTE**  
Universal TV Remote



**Standard Universal Remote**

- ✓ Preset for most GE, LG, Magnavox, Panasonic, Philips, Quasar, RCA, Vizio and Zenith TVs
- ✓ Can be reprogrammed to work with most brands of TV
- ✓ Screw-on back to prevent loss of batteries
- ✓ Works with over 250 brands


**AL-75631     \$6.95 Each**



**Universal Big Button Remote**

- ✓ Controls most brands of TVs, DVD and DBS Cable
- ✓ Super thin design
- ✓ Large translucent rubber buttons for easier use
- ✓ Robust IR code library to support the newest devices


**AL-73119     \$15.95 Each**



**Universal Remotes**

- ✓ Palm-sized
- ✓ Controls most brands of TV, DVD or VCR and cable box
- ✓ Code saver/code search
- ✓ Sleep timer
- ✓ Easy-to-use channel and volume keys


**AL-73118     \$7.95 Each**



**Ergonomic Earbud**

- ✓ Designed to fit comfortably in the ear and allows direct sound waves to enter the ear canal

**AL-68522     \$1.95 Each**



**Stereophonic Headphones**

- ✓ Large 30mm speakers, which rotate 90 degrees for flat storage
- ✓ Replaceable ear pads and 6-ft cord

**AL-68526     \$4.95 Each**



**Monaural Dual-Wire Earbuds**

- ✓ 6-ft cord and replaceable ear pads

**AL-68521     \$1.95 Each**

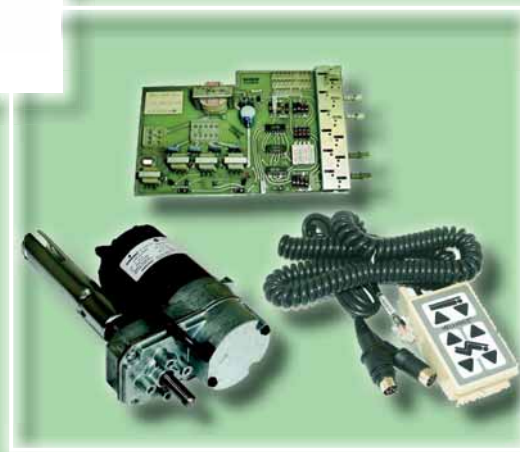
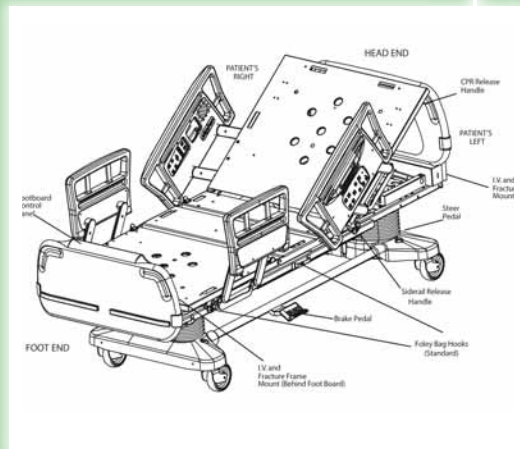


**Monaural Headphones**

- ✓ Most economical headphone with stainless steel headband
- ✓ 6-ft cord, 27mm speakers with replaceable ear pads and a 3.5mm plug

**AL-68524     \$2.95 Each**

# Bed Parts



Phone: 800-323-4282  
Fax: 800-950-1167

**ALCO**  
Sales & Service Co.

info@alcosales.com  
www.alcosales.com



# Hill-Rom Replacement Parts by Model

**BUY 11 GET 1 FREE!**

## Hill-Rom 720

Description (Hill-Rom Part No.)	ALCO Part No.	Price Each
<b>Casters</b>		
5" Swivel (SA1358)	AL-18509MM	\$29.95
5" Total Lock Brake (SA1219)	AL-18541MM	\$42.95
5" Directional Lock Brake & Steer (SA1220)	AL-18526MM	\$45.95
<b>Circuit Boards</b>		
Main Control Board—NEW (PCB) (27704SRCN)	AL-68770	\$319.00
<b>**Note** Exchange and Repair Program available. Add E for Exchange or R for Repair. Example: AL-68770E.</b>		
<b>Motors</b>		
Knee Motor Assembly (SA1249)	AL-62782	\$449.00
Head Motor Assembly (SA1254)	AL-62777	\$449.00
Hi-Lo Motor Assembly (29479)	AL-62775	\$449.00
<b>Head and Foot Boards</b>		
Woodgrain High Pressure Laminate - Headboard (4039HD)	AL-49831	\$99.00
Woodgrain High Pressure Laminate - Footboard (4041FB)	AL-49832	\$89.00
High Impact Plastic - Headboard	See Page 165	
High Impact Plastic - Footboard	See Page 165	
<b>Side Rails</b>		
See Page 172		
<b>Bed Cables</b>		
See Page 212		
<b>Bed Controls</b>		
See Pages 214-215		



## Hill-Rom 820

Description (Hill-Rom Part No.)	ALCO Part No.	Price Each
<b>Casters</b>		
5" Swivel (SA1358)	AL-18509MM	\$29.95
5" Total Lock Brake (SA1219)	AL-18541MM	\$42.95
5" Directional Lock Brake & Steer (SA1220)	AL-18526MM	\$45.95
<b>Circuit Boards</b>		
4 Pin Connector Printed Circuit Board (SA1691/109-12287)	AL-68781	\$419.00
9 Pin Connector Printed Circuit Board (SA1691/109-12297)	AL-68777	\$349.00
<b>**Note** Exchange and Repair Program available. Add E for Exchange or R for Repair. Example: AL-68781E.</b>		
<b>Motors</b>		
Knee Motor Assembly-4 pin (SA1249)	AL-62779	\$449.00
Head Motor Assembly-9 pin (26794)	AL-62778	\$449.00
Knee Motor Assembly-4 pin (26164)	AL-62776	\$449.00
Head Motor Assembly-4 pin (26163)	AL-62774	\$449.00
Hi-Lo Motor Assembly-4 pin (29479)	AL-62775	\$449.00
<b>Head and Foot Boards</b>		
Woodgrain High Pressure Laminate - Headboard (4039HD)	AL-49829	\$99.00
Woodgrain High Pressure Laminate - Footboard (4039FB)	AL-49830	\$79.00
High Impact Plastic - Headboard	See Page 165	
High Impact Plastic - Footboard	See Page 165	
<b>Side Rails</b>		
See Page 172		
<b>Bed Cables</b>		
See Page 212		
<b>Bed Controls</b>		
See Pages 214-215		



EP1

**SAVE up to 60% off original manufacturers pricing**

# Hill-Rom Replacement Parts by Model



**BUY 11 GET 1 FREE!**

## Hill-Rom 835/837

Description (Hill-Rom Part No.)	ALCO Part No.	Price Each
<b>Casters</b>		
5" Swivel (SA1358)	AL-18509MM	\$29.95
5" Central, Total Lock Brake (SA1360)	AL-18559H	\$79.95
5" Central, Directional Lock Brake & Steer (SA1359)	AL-18553H	\$89.95
5" Total Lock Brake (SA1219)	AL-18541MM	\$42.95
5" Directional Lock Brake & Steer (SA1220)	AL-18526MM	\$45.95
<b>Circuit Boards</b>		
Main Control Board—NEW (PCB) (35379)	AL-68786	\$299.00
Main Control Board—NEW (PCB) (45695)	AL-68788	\$379.00
<b>**Note** Exchange and Repair Program available. Add E for Exchange or R for Repair. Example: AL-68786E.</b>		
<b>Motors</b>		
Head, Knee Motor, New Style (32920)	AL-62772	\$499.00
Knee Motor Assembly, Old Style (2945901)	AL-62771	\$449.00
Hi-Lo Motor Assembly, Old Style (39951S)	AL-62769	\$399.00
<b>Head and Foot Boards</b>		
Woodgrain High Pressure Laminate - Headboard (4039HD)	AL-49825	\$99.00
Woodgrain High Pressure Laminate - Footboard (4041FB)	AL-49826	\$89.00
High Impact Plastic - Headboard	See Page 165	
High Impact Plastic - Footboard	See Page 165	
<b>Side Rails</b>		
See Page 172		
<b>Bed Cables</b>		
See Page 212		
<b>Bed Controls</b>		
See Pages 214-215		



## Hill-Rom 840

Description (Hill-Rom Part No.)	ALCO Part No.	Price Each
<b>Casters</b>		
5" Swivel (SA1358)	AL-18509MM	\$29.95
5" Central, Total Lock Brake (SA1360)	AL-18559H	\$79.95
5" Central, Directional Lock Brake & Steer (SA1359)	AL-18553H	\$89.95
<b>Circuit Boards</b>		
Main Control Board—NEW (31723S)	AL-68811	\$339.00
<b>**Note** Exchange and Repair Program available. Add E for Exchange or R for Repair. Example: AL-68811E.</b>		
<b>Motors</b>		
Knee Motor Assembly (29423S)	AL-62765	\$349.00
Head Motor Assembly (29425RFB) Refurbished	AL-62763	\$249.00
Hi-Lo Motor Assembly (29424S)	AL-62764	\$420.00
<b>Head and Foot Boards</b>		
Woodgrain High Pressure Laminate - Headboard Bolt-on (8840H)	AL-49827	\$99.00
Woodgrain High Pressure Laminate - Headboard Slide-on (P4000HA)	AL-49837	\$99.00
Woodgrain High Pressure Laminate - Footboard Bolt-on (P840FS)	AL-49828	\$89.00
Woodgrain High Pressure Laminate - Footboard Slide-on (P4001FA)	AL-49838	\$89.00
High Impact Plastic - Headboard	See Page 165	
High Impact Plastic - Footboard	See Page 165	
<b>Side Rails</b>		
See Page 172		
<b>Bed Cables</b>		
See Page 212		
<b>Bed Controls</b>		
See Page 214-215		





# Hill-Rom Replacement Parts by Model

**BUY 11 GET 1 FREE!**

## Hill-Rom 850/852

Description (Hill-Rom Part No.)	ALCO Part No.	Price Each
<b>Casters</b>		
5" Swivel (SA1358)	AL-18509MM	\$29.95
5" Central, Total Lock Brake (SA1360)	AL-18559H	\$79.95
5" Central, Directional Lock Brake & Steer (SA1359)	AL-18553H	\$89.95
<b>Circuit Boards</b>		
Main Control Board—NEW (PCB) (SA1632)	AL-68792	\$409.00
<b>**Note** Exchange and Repair Program available. Add E for Exchange or R for Repair. Example: AL-68792E.</b>		
<b>Motors</b>		
Knee Motor Assembly (34341S)	AL-62762	\$349.00
Head Motor Assembly (34340S)	AL-62760	\$349.00
Hi-Lo Motor Assembly (34342S)	AL-62761	\$349.00
<b>Head and Foot Boards</b>		
Light Head/Foot Board	AL-58528L	\$209.00 set
Dark Head/Foot Board	AL-58528D	\$209.00 set
<b>**Note** Specify insert color: Light Oak, Medium Oak or Dark Walnut.</b>		
Side Rails	See Page 172	
Bed Cables	See Page 212	



## Hill-Rom 8400/8500

Description (Hill-Rom Part No.)	ALCO Part No.	Price Each
<b>Casters</b>		
5" Swivel (FLS) (43840)	AL-40994MM	\$49.95
5" Central, Directional Lock Brake & Steer (FLS) (43838)	AL-50737HN	\$99.95
5" Central, Total Lock Brake (FLS) (43839)	AL-50740HN	\$89.95
<b>Motors</b>		
Please Call		
<b>Circuit Boards</b>		
Circuit Board-3 Connector—NEW (4578910)	AL-68815	\$379.00
Circuit Board-3 Connector—NEW (4578910)	AL-68816	\$379.00
Circuit Board-4 Connector—NEW (SA1632)	AL-68817	\$499.00
Circuit Board-3 Connector (45701)	AL-68813	\$459.00
<b>**Note** Exchange and Repair Program available. Add E for Exchange or R for Repair. Example: AL-68815E.</b>		
<b>Head and Foot Boards</b>		
Taupe Head/Foot Board	AL-69156L	\$319.00
Light Neutral Head/Foot Board	AL-69156D	\$319.00
<b>**Note** Specify insert color: Light Oak, Medium Oak or Dark Walnut.</b>		
Side Rails	See Page 172	
Bed Cables	See Page 212	



## Hill-Rom 870

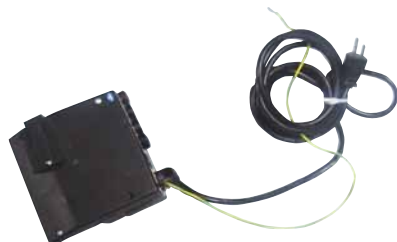


AL-78031

AL-78032

AL-78033

AL-78035



AL-78034

### Hill-Rom 870 Parts

Description	Hill-Rom Part No.	ALCO Part No.	Price Each
Head Motor	60081	AL-78031	\$279.00
Foot Motor	60082	AL-78032	\$279.00
Hi-Lo Motor	6185601	AL-78033	\$299.00
Control Box	6185602	AL-78034	\$199.00
Nurse Control Box	49801	AL-78035	\$169.00



# Hill-Rom Replacement Parts by Model

**BUY 11 GET 1 FREE!**

Save  
Up To  
60%!

## Hill-Rom Century CC

CCU-880-886

Description (Hill-Rom Part No.)

ALCO  
Part No.

Price  
Each

### Casters

8" Central, Directional Lock Brake & Steer (SA1484)	AL-18568L	\$119.95
8" Central, Total Lock/Swivel Brake ( SA1483)	AL-18576L	\$118.95

### Circuit Boards

Main Control Board—NEW (36275V)	AL-68870	\$299.00
Main Control Board—NEW (36275V)	AL-68871	\$539.00
Air Mattress Board—NEW (38208)	AL-68876	\$469.00
Air Mattress Board—NEW (45904)	AL-68878	\$499.00
Air Mattress Board—NEW (46752-01S)	AL-68874	\$499.00

**\*\*Note\*\* Exchange and Repair Program available. Add E for Exchange or R for Repair. Example: AL-68870E.**

### Motors

Pump & Motor (Old Style) (SA1635)	AL-68749	\$899.00 set
-----------------------------------	----------	--------------

### Head and Foot Boards

Light Head/Foot Board (4100FC)	AL-62046L	\$479.00 set
Dark Head/Foot Board (4100FC)	AL-62046D	\$479.00 set

**\*\*Note\*\* Specify insert color: Light Oak, Medium Oak or Dark Walnut.**

**Side Rails** See Page 172

**Bed Cables** See Page 212



## Hill-Rom Advance 1000/2000

Description (Hill-Rom Part No.)

ALCO  
Part No.

Price  
Each

### Casters (Advance 1000/2000)

5" Swivel (FLS) (43840)	AL-40994MM	\$49.95
5" Central, Directional Lock Brake & Steer (43838)	AL-50737HN	\$99.95
5" Central, Total Lock Brake (FLS) ( 43839)	AL-50740HN	\$89.95

### Casters (Advance 1000)

5" Swivel (SA1358)	AL-18509MM	\$29.95
5" Central, Directional Lock Brake & Steer (SA1359)	AL-18553H	\$89.95
5" Central, Total Lock Brake (SA1360)	AL-18559H	\$79.95

### Circuit Boards

High Voltage Power Board—NEW (4282201)	AL-68837	\$299.00
High Voltage Power Board—NEW (4282202)	AL-68838	\$299.00
Logic Control Board—NEW (4415801)	AL-68843	\$499.00
Logic Control Board—NEW (4415804)	AL-68846	\$499.00
Logic Control Board—NEW (4415802)	AL-68844	\$353.00
Logic Control Board—NEW (4415803)	AL-68845	\$499.00
Mattress Board—NEW (38208)	AL-68876	\$469.00
Air System Board—NEW (44047)	AL-68877	\$499.00
Air System Board—NEW (4476001)	AL-68880	\$469.00

**\*\*Note\*\* Exchange and Repair Program available. Add E for Exchange or R for Repair. Example: AL-68837E.**

### Motors

Head Motor Assembly	AL-62760	\$349.00
---------------------	----------	----------

**Head and Foot Boards**

See Page 164-165

**Side Rails**

See Page 172

**Bed Cables**

See Page 212

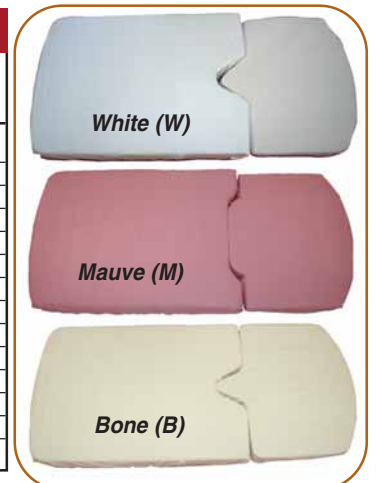


1000/2000

EP-1

## Hill-Rom Linens—Sheets, Pillow Cases, Flat Sheets

Description	Hill-Rom Part No.	ALCO Part No.	Price Per Set
Affinity IV "V shaped" Mattress Sheet, for 5" thick mattress	HLS3700	AL-78154	\$49.00
Affinity IV "U shaped" Mattress Sheet, for 5" thick mattress	HLS3710	AL-78177	\$49.00
Affinity III Model 370 "V shaped" Mattress Sheet, for 2" thick mattress	HLS3610	AL-78155	\$49.00
Affinity III Model 370 "U shaped" Mattress Sheet, for 2" thick mattress	HLS3611	AL-78178	\$49.00
Affinity A Model 360 "U shaped" Mattress Sheet	HLS4586	AL-78156	\$49.00
Affinity B Model 360 "U shaped" Mattress Sheet	HLS4585	AL-78157	\$49.00
Genesis A Models 350 & 355 "V shaped" Mattress Sheet, LDRP	HLS7895	AL-78158	\$49.00
Genesis B Models 650 & 800 "V shaped" Mattress Sheet, LDRP	HLS7842	AL-78159	\$49.00
Genesis C Model 355 "U shaped" Mattress Sheet, LDRP	HLS4487	AL-78160	\$49.00
Genesis D Model 355 "U shaped" Mattress Sheet, LDR	HLS4486	AL-78161	\$49.00
Genesis E Models 350 & 355 "V shaped" Mattress Sheet, LDR	HLS4489	AL-78162	\$49.00
Genesis F Models 650 & 800 "V shaped" Mattress Sheet, LDR	HLS4490	AL-78163	\$49.00
Pillow Case, 31-1/2" x 20"	HLS7847	AL-78164	\$12.00
Flat Sheet, 98" x 60"	HLS7846	AL-78165	\$25.00



\*LDRP: Labor, Delivery, Recovery, Postpartum

\*LDR: Labor, Delivery, Recovery

# Hill-Rom Replacement Parts by Model

<b>Versa Care Repair</b>	<b>ALCO</b>	<b>Repair</b>
<b>Description (Hill-Rom Part No.)</b>	<b>Part No.</b>	<b>Price</b>
Scale/Air Pod unit (72295)	<b>AL-68732</b>	<b>Call</b>
Head SR controls (72284P)	<b>AL-68733</b>	<b>Call</b>
Power supply assembly (72289P)	<b>AL-68734</b>	<b>Call</b>
Power supply board (70786S)	<b>AL-68735</b>	<b>Call</b>
Logic control board (72270P)	<b>AL-68736</b>	<b>Call</b>
Motor control board (72273P)	<b>AL-68737</b>	<b>Call</b>
Caregiver control board (72282P)	<b>AL-68738</b>	<b>Call</b>
Sidecomm board (72298-1)	<b>AL-68739</b>	<b>Call</b>
Air control assembly (72295P)	<b>AL-68740</b>	<b>Call</b>
Intellidrive PACM PC board (72302)	<b>AL-68741</b>	<b>Call</b>

<b>Versa Care Parts</b>	<b>ALCO</b>	<b>Price</b>
<b>Description (Hill-Rom Part No.)</b>	<b>Part No.</b>	<b>Each</b>
Cover, Rt Head Caster Assembly (71039)	<b>AL-71537</b>	<b>\$12.50</b>
Slide, Hi/Low Lift (69777)	<b>AL-71538</b>	<b>\$9.40</b>
Hi/Low Motor (6997203)	<b>AL-71539</b>	<b>\$429.00</b>
Head Section Motor (6997201)	<b>AL-71540</b>	<b>\$349.00</b>
Caster Cover Foot End (69580)	<b>AL-71541</b>	<b>\$27.50</b>
Nightlight Assembly (7042501)	<b>AL-71542</b>	<b>\$33.95</b>
Foot Control Assembly RH (127887)	<b>AL-71543</b>	<b>\$239.00</b>
Foot Control Assembly LH (144933)	<b>AL-71544</b>	<b>\$259.00</b>
Cover Head (71007)	<b>AL-71545</b>	<b>\$68.50</b>
Cover Foot Rh (7100602)	<b>AL-71546</b>	<b>\$7.80</b>
Cover Foot LH (7100601)	<b>AL-71547</b>	<b>\$7.80</b>
Capacitor (69726)	<b>AL-71548</b>	<b>\$89.95</b>

<b>Versa Care Parts</b>	<b>ALCO</b>	<b>Price</b>
<b>Description (Hill-Rom Part No.)</b>	<b>Part No.</b>	<b>Each</b>
Motor Foot Extension (7000203)	<b>AL-71549</b>	<b>\$219.00</b>
Compressor (69934)	<b>AL-71550</b>	<b>\$269.00</b>
PPM Sensor Head (7074901)	<b>AL-71551</b>	<b>\$139.00</b>
PPM Sensor Seat (7074902)	<b>AL-71552</b>	<b>\$129.00</b>
Sensor Strip Head End (71051)	<b>AL-71553</b>	<b>\$139.00</b>
Scale Aire Pd Unit (72295)	<b>AL-71554</b>	<b>\$359.00</b>
Head Sr Controls (72284)	<b>AL-68733</b>	<b>Call</b>
Power Supply Board (72289)	<b>AL-71556</b>	<b>\$269.00</b>
Logic Control Board (72270)	<b>AL-71557</b>	<b>\$269.00</b>
Motor Control Board (72273)	<b>AL-71558</b>	<b>\$399.00</b>
Battery, 12 volt (4840501)	<b>AL-68475</b>	<b>\$29.95</b>



## Affinity Birthing Bed

<b>Description</b>	<b>Hill-Rom Part No.</b>	<b>ALCO Part No.</b>	<b>Price Each</b>
Foam Grips-Individual NEW 5" Handle Grip Foam 10" Trend Foam 25" Labor Grip Foam Tube	42588 42573 43022	<b>AL-68411</b> <b>AL-68412</b> <b>AL-68413</b>	<b>Call</b> <b>Call</b> <b>Call</b>
Affinity I & II Snap-on Calf Support Pads-Leather NEW	41097	<b>AL-68414</b>	<b>\$169.00 Each</b>
Affinity III Slip-on Calf Support Pads-Leather NEW	67247	<b>AL-68415</b>	<b>\$79.00 Each</b>
Calf Supports Complete Assembly Reconditioned w/ NEW Pads	47601S	<b>AL-68416</b>	<b>\$539.00 Each</b>
Affinity I, II, III Calf support plastic only	4126048	<b>AL-68417</b>	<b>\$239.00/Set of 2</b>
Foot Supports Reconditioned Left Right	46211LH 46211RH	<b>AL-68418</b> <b>AL-68419</b>	<b>\$509.00</b> <b>\$509.00</b>
Affinity Crank Handle	41106S	<b>AL-68421</b>	<b>\$79.00</b>
Placenta Basins Lt. Neutral	4677233	<b>AL-68422</b>	<b>\$89.00</b>
Affinity Mattresses Air Non-Air		<b>See Page 142</b> <b>See Page 142</b>	
Battery, 12 Volt	4840501	<b>AL-68475</b>	<b>\$29.95</b>

Head & Footboards Available  
See Pages 165

Circuit Boards Available  
See Pages 166-169

Motors Available  
See Page 170

# Hill-Rom Replacement Parts by Model



## Total Care

Description (Hill-Rom Part No.)	ALCO Part No.	Purchase Price	Exchange Price	Repair Price
Right caregiver PC board (4735701)	AL-68718	N/A	\$369.00	\$319.00
Left caregiver PC board (4736001)	AL-68719	N/A	\$369.00	\$319.00
Graphical Caregiver Interface (GCI) (4714711)	AL-68720	N/A	\$539.00	\$479.00
TFSCM PC board (6623601P)	AL-68721	Call	N/A	N/A
Pulmonary PC board (64762)	AL-68722	Call	N/A	N/A
Left Head Cable (6305901)	AL-69127	Call	N/A	N/A
Right Head Cable (6305902)	AL-69128	Call	N/A	N/A
Right cable assembly (SA1734) (Long)	AL-68723	Call	N/A	N/A
Left cable assembly (SA1735) (Short)	AL-68724	Call	N/A	N/A
Air Pump/Blower 120V (49309)	AL-67351	\$799.00	\$529.00	\$499.00
Air foot module (49368)	AL-68725	Call	N/A	N/A
Thigh air bladder assembly (64544)	AL-68726	Call	N/A	N/A
Torso air bladder assembly (64543)	AL-68727	Call	N/A	N/A
Ticking assembly-Short Stay	AL-68728	Call	N/A	N/A
Ticking assembly-Treatment (14012801)	AL-68729	Call	N/A	N/A
Treatment surface (P1915)	AL-68730	Call	N/A	N/A
Short Stay "Foam" Cover (MTCCSS)	AL-68459	\$509.00	N/A	N/A
Treatment Torso Module-TTM (143196)	AL-69129	Call	N/A	N/A
Pulmonary Base Module-PBM (142133)	AL-69130	Call	N/A	N/A
Low Airloss Module (P1966A)	AL-69131	Call	N/A	N/A
Percussion & Vibration Module (P1934E100)	AL-69132	Call	N/A	N/A
Rotation Module (P1938E201)	AL-69133	Call	N/A	N/A
Treatment Foot Module-TFM (146288)	AL-69134	Call	N/A	N/A
New Style Manifold w/o Foot Pump (6543020)	AL-69135	Call	N/A	N/A
Manifold w/ Foot Pump (Exchange) (6543021RCN)	AL-69136E	N/A	Call	N/A
Old Style Manifold w/ Foot Pump (Exchange) (SA1737RCN)	AL-69137E	N/A	Call	N/A
Top & Bottom Mattress Cover Set—Urethane Top (P1915EE9 - Air; P1915EC8 - Foam)	AL-71702	\$199.00	N/A	N/A



Total Care

## New Style Total Care Parts

Description (Hill-Rom Part No.)	ALCO Part No.	Purchase Price	Exchange Price
Hydraulic Power Unit-120VAC (Exchange) (65430-21)	AL-69138E	N/A	Call
Hydraulic Power Unit-230VAC (Exchange) (65430-31)	AL-69139E	N/A	Call
Foot Articulation Cylinder (65430-12)	AL-69140	Call	N/A
Knee Cylinder (65430-13)	AL-69141	Call	N/A
Head Cylinder (65430-14)	AL-69142	Call	N/A
Head Hi-Lo Cylinder (65430-15)	AL-69143	Call	N/A
Foot Hi-Lo Cylinder (65430-16)	AL-69144	Call	N/A

## Old Style Total Care Parts

Description (Hill-Rom Part No.)	ALCO Part No.	Purchase Price	Exchange Price
Hydraulic Power Unit-120VAC (49181-21)	AL-69145	Call	N/A
Hydraulic Power Unit-230VAC (49181-31)	AL-69146	Call	N/A
Foot Articulation Cylinder (49181-12)	AL-69147	Call	N/A
Knee Cylinder (49181-13)	AL-69148	Call	N/A
Head Cylinder (49181-14)	AL-69149	Call	N/A
Head Hi-Lo Cylinder (49181-15)	AL-69150	Call	N/A
Foot Hi-Lo Cylinder (49181-16)	AL-69151	Call	N/A

**Versa Care & Total Care Mattresses Available**  
See Pages 130

See Page 168-69 for Circuit Boards

Total Care Parts Description	ALCO Part No.	Price Each
Hi-Low motor (6997203)	AL-71539	\$429.00
Night Lite Assembly (7042501)	AL-71542	\$33.95
Circuit board only for GCI assembly (127739S)	AL-71560	\$269.00
Hydraulic Fluid, Quart (46199S)	AL-71561	\$14.95
Pedal—left hand (4725001PC)	AL-71562	\$15.95
Pedal—right hand (4725002PC)	AL-71563	\$15.95
PCB nurse call (4742001P)	AL-71564	\$51.95
PCB assembly—right hand (4839204P)	AL-71565	\$79.95
Insulation blower Assembly side wall (64448)	AL-71566	\$13.95
Bladder connector (64531)	AL-71567	\$5.95
Side rail assembly (68873)	AL-71568	\$37.95
Damper compression (47323)	AL-71569	\$46.95
Bushing (64427)	AL-71570	\$5.95
Limit switch (3071301)	AL-71571	\$10.95
Left hand transport handle (471430301S)	AL-71572	\$94.95
Right hand transport handle (471430302S)	AL-71573	\$89.95
Top & Bottom Mattress Cover Set—Urethane Top (P1915EE9 - Air; P1915EC8 - Foam)	AL-71702	\$199.00
Battery, 12 volt (4840501)	AL-68475	\$29.95
5" Steer Lock (short stem caster) (6390602)	AL-57602HS	\$129.95
5" Total Lock (short stem caster) (6390601)	AL-57605HS	\$129.95
Stepper Motor P1900 (66290S)	AL-74915	\$129.00

## Super Soft Wall Protection



Replacement Hill-Rom roller bed bumper kit includes: grey non-marking wheel, axle, bearing and lock nut (bracket not included). Lifetime warranty. Never needs replacing.  
Bumper Kit  
AL-50127 \$12.95 Each  
Bracket only  
AL-61809 \$19.95 Each



Description	ALCO Part No.	Price Each
Roller Bumper Set- 850 Reconditioned (2 per set)	AL-63085	\$34.95
Hill-Rom Part #SA1435		
Roller Bumper Set-Advance Reconditioned (2 per set)	AL-68766	\$40.00
Hill-Rom Part #SA1437		



# Hill-Rom Replacement Head/Footboards


**BUY 11 GET 1 FREE!**

<p><b>Total Care Headboard</b></p>  <p>AL-76936 \$179.00</p>	<p><b>Advanta Headboard</b></p>  <p>AL-76938 \$299.00</p>	<p><b>Advance Headboard</b></p>  <p>AL-76937 \$289.00</p>
<p><b>Total Care Footboard</b></p>  <p>AL-76963 \$289.00</p>	<p><b>Advanta Footboard</b></p>  <p>AL-76965 \$299.00</p>	<p><b>Advance Footboard</b></p>  <p>AL-76967 \$319.00</p>

## Headboards & Footboards For Long Term Care Beds

<p><b>Avalon</b></p>  <p>High pressure laminate with t-mold edge and high density particle board core</p>	<p><b>Mayfair</b></p>  <p>High pressure laminate with hardwood trim</p>	<p><b>Newport</b></p>  <p>Hardwood with veneer surfaces</p>	<p><b>Bristol</b></p>  <p>High pressure laminate with hardwood trim</p>
---	--	---	--

**Standard Finish Options**

		
Natural Maple	Natural Oak	Wild Cherry
		
Cherry	English Oak	Walnut

Replacement Only Price—Prices are per pair							
Description	Natural Maple	Natural Oak	Wild Cherry	Cherry	English Oak	Walnut	Replacement Only Price
Avalon	AL-75062	AL-75063	AL-75064	AL-75065	AL-75066	AL-75067	CALL
Mayfair	AL-75068	AL-75069	AL-75070	AL-75071	AL-75072	AL-75073	CALL
Newport	AL-75074	AL-75075	AL-75076	AL-75077	AL-75078	AL-75079	CALL
Bristol	AL-75080	AL-75081	AL-75082	AL-75083	AL-75084	AL-75085	CALL

# Hill-Rom Replacement Head/Footboards



**BUY 11 GET 1 FREE!**

## High Impact Head/Footboards



840/850



Critical Care



Total Care (Headboard - New Style)

### Features

- ✓ Virtually indestructible
- ✓ Quickly installed on beds while still in patient rooms
- ✓ Mounting bracket included
- ✓ Molded high impact plastic on both sides will not scratch or chip
- ✓ 5 Year Warranty
- ✓ Two end colors: Light or Dark

### Fits

#### Hill-Rom model

420/422/425/426
720/722/820/822/835/837/Century +
840
850/852
8400/8500
1050/1052/1060/1062
892/894/895/896 (Critical Care)
Total Care (Headboard - New Style)
(Footboard - Includes Shelf)

### Light Color ALCO

#### Part No.

AL-69154L
AL-69155L
AL-58527L
AL-58528L
AL-69156L
AL-69157L
AL-62046L
AL-69158L

### Dark Color ALCO

#### Part No.

AL-69154D
AL-69155D
AL-58527D
AL-58528D
AL-69156D
AL-69157D
N/A
N/A

### Price Per Set

\$389.00
\$269.00
\$209.00
\$209.00
\$319.00
\$319.00
\$479.00
\$649.00

### Color Choices



Advanced head/footboards available. Please call.

Century 830 Series Hill-Rom Head Board



AL-49825 \$99.00

Century 830 Series Hill-Rom Foot Board



AL-49826 \$89.00

820 Series Hill-Rom Head Board



AL-49829 \$99.00

820 Series Hill-Rom Foot Board



AL-49830 \$79.00

840 Series Hill-Rom Head Board



AL-49827 (bolt-on) \$99.00  
AL-49837 (slide-on) \$99.00

840 Series Hill-Rom Foot Board



AL-49828 (bolt-on) \$89.00  
AL-49838 (slide-on) \$89.00

720 Series Hill-Rom Head Board



AL-49831 \$99.00

720 Series Hill-Rom Foot Board



AL-49832 \$89.00

EP1

Description	Type	Dimensions	Hill-Rom Part No.	ALCO Part No.	Price Each
Foot Board	Bolt-on	16" x 36"	P840FS	AL-49828	\$89.00
Foot Board	Slide-on	16" x 36"	P4001FA	AL-49838	\$89.00
Head Board	Bolt-on	20" x 36"	8840H	AL-49827	\$99.00
Head Board	Slide-on	20" x 36"	P4000HA	AL-49837	\$99.00
Head Board		20" x 36"	4039HD	AL-49825	\$99.00
Foot Board		16" x 36"	4041FB	AL-49826	\$89.00
Head Board		20" x 36"	4039HD	AL-49831	\$99.00
Foot Board		16" x 36"	4041FB	AL-49832	\$89.00
Head Board		20" x 36"	4039HD	AL-49829	\$99.00
Foot Board		16" x 36"	4039FB	AL-49830	\$79.00

### Color Choices



### Replacement Hill-Rom Mounting Bracket

Fits Model Series 820, 835, 840 and 850  
AL-59898 \$12.95 Each



7/8" rubberized vinyl "T" molding can be ordered separately.  
AL-49833 \$49.00  
50 foot roll (Dark Brown)

Please Specify 4 or 6 Hole Mounting Bracket When Ordering.

Color Choices  
Dark Walnut  
Medium Oak  
Light Oak  
Cherry (Not Shown)

# Hill-Rom Circuit Boards



Hill-Rom Bed Model	Description (Hill-Rom Part No.)	New/Reconditioned		Exchange		Repair	
		ALCO Part No.	Price Each	ALCO Part No.	Price Each	ALCO Part No.	Price Each
715	Circuit Board (27694)	AL-68769	\$299.00	AL-68769E	\$199.00	AL-68769R	\$99.00
720	Circuit Board (27704SRNC)	AL-68770	\$319.00	AL-68770E	\$116.00	AL-68770R	\$69.00
720	Circuit Board (27847/27704SRCN)	AL-68771	\$299.00	AL-68771E	\$116.00	AL-68771R	\$89.00
720	PC Board NEW (PC720UNIV)	AL-68772	\$299.00	N/A	N/A	N/A	N/A
820	Circuit Board (26088/SA1691)	AL-68773	\$349.00	AL-68773E	\$209.00	AL-68773R	\$139.00
820	Circuit Board (26771)	AL-68774	\$349.00	AL-68774E	\$209.00	AL-68774R	\$109.00
820	Circuit Board (31127/SA1691)	AL-68775	\$349.00	AL-68775E	\$209.00	AL-68775R	\$109.00
820	Circuit Board (10812287)	AL-68776	\$349.00	AL-68776E	\$209.00	AL-68776R	\$109.00
820	Circuit Board (10912297)	AL-68777	\$349.00	AL-68777E	\$209.00	AL-68777R	\$139.00
820	Circuit Board (36712287)	AL-68778	\$349.00	AL-68778E	\$209.00	AL-68778R	\$139.00
820	Circuit Board (4869803S)	AL-68779	\$259.00	AL-68779E	\$209.00	AL-68779R	\$139.00
820	Circuit Board (SA1251/SA1691)	AL-68780	\$349.00	AL-68780E	\$209.00	AL-68780R	\$139.00
820	Circuit Board (SA1691)	AL-68781	\$419.00	AL-68781E	\$209.00	AL-68781R	\$139.00
820	PC Board NEW (PC820UNIV)	AL-68782	\$299.00	N/A	N/A	N/A	N/A
Century +	PC Board DC-5 Button (30829)	N/A	N/A	N/A	N/A	AL-68783R	\$259.00
Century +	PC Board DC-5 Button (6317001P)	AL-68784	\$329.00	AL-68784E	\$399.00	AL-68784R	\$179.00
835	PC Board 3 Button (32642/4569502S)	AL-68785	\$299.00	AL-68785E	\$159.00	AL-68785R	\$96.00
835	PC Board 3 Button (35379/4569502S)	AL-68786	\$299.00	AL-68786E	\$159.00	AL-68786R	\$96.00
835	PC Board 3 Button (36859/4569502S)	AL-68787	\$299.00	AL-68787E	\$159.00	AL-68787R	\$96.00
835	PC Board 3 Button (4569502S)	AL-68788	\$379.00	AL-68788E	\$239.00	AL-68788R	\$139.00
835	PC Board 3 Button (SA1279/4569502S)	AL-68789	\$299.00	AL-68789E	\$159.00	AL-68789R	\$139.00
835	PC Board NEW (PC835UNIV)						
	**Does not include cover	AL-68790	\$299.00	N/A	N/A	N/A	N/A
850/852	Control Board (SA1278/SA1632)	AL-68791	\$339.00	AL-68791E	\$199.00	AL-68791R	\$136.00
850/852	Control Board (SA1632)	AL-68792	\$409.00	AL-68792E	\$319.00	AL-68792R	\$136.00
850/852	850 Main Control PC Board NEW (PC850UNIV)			N/A	N/A	N/A	N/A
850/852	Bed Exit Board (34279/SA1598-33)	AL-68794	\$499.00	AL-68794E	\$199.00	AL-68794R	\$299.00
850/852	Bed Exit Board (37035)	AL-68795	\$499.00	AL-68795E	\$199.00	AL-68795R	\$299.00
850/852	LED PC Board (34453/42886)	AL-68796	\$109.00	AL-68796E	\$49.00	AL-68796R	\$59.00
850/852	LED PC Board (37348/42886)	AL-68797	\$89.00	AL-68797E	\$49.00	AL-68797R	\$59.00
850/852	LED PC Board (42886)	AL-68798	\$89.00	AL-68798E	\$49.00	AL-68798R	\$59.00
850/852	LED PC Board NEW (PC850LED)	AL-68799	\$129.00	N/A	N/A	N/A	N/A
850/852	Nurse Control Panel Assembly (34339RFB)	AL-68800	\$499.00	N/A	N/A	N/A	N/A
870	Control Box (6185602)	N/A	N/A	N/A	N/A	AL-68801R	\$149.00
871	Osprey 871 Control Box (6313102)	N/A	N/A	N/A	N/A	AL-68802R	\$299.00
Advance	ASIC (381725) 3 Motor Version	AL-68803	Call	N/A	N/A	AL-68803R	\$149.00
Advance	ASIC NEW (PCADVASIC)	AL-68804	\$499.00	N/A	N/A	N/A	N/A
Advance	1140 Night Light PC (402170148)	AL-68805	\$439.00	AL-68805E	\$419.00	AL-68805R	\$179.00
Advance	1130 Night Light PC (402170248)	AL-68806	\$339.00	AL-68806E	\$269.00	AL-68806R	\$179.00
8200/8350	PC Board 5 Button (4569501V)	AL-68807	\$499.00	AL-68807E	\$359.00	AL-68807R	\$139.00
8200/8350	PC Board 5 Button NEW (PC5BUTTON)	AL-68808	\$519.00	AL-68808E	\$99.00	N/A	N/A
840	PC Board Old-Style (20254)	AL-68809	\$339.00	AL-68809E	\$199.00	AL-68809R	\$136.00
840	PC Board New-Style (31723)	AL-68810	\$339.00	AL-68810E	\$199.00	AL-68810R	\$136.00
840	PC Board New-Style (31723-2)	AL-68811	\$339.00	AL-68811E	\$199.00	AL-68811R	\$136.00
840	PC Board NEW (PC840UNIV)	AL-68812	\$299.00	N/A	N/A	N/A	N/A
8400	Circuit Board (4570101)	AL-68813	\$459.00	AL-68813E	\$319.00	AL-68813R	\$139.00
8500	Control Board 3 Connector (4578910)	AL-68815	\$379.00	AL-68815E	\$359.00	AL-68815R	\$136.00
8500	Control Board 3 Connector (4578910)	AL-68816	\$379.00	AL-68816E	\$239.00	AL-68816R	\$136.00
8500	Control Board 4 Connector (4578901)	AL-68817	\$499.00	AL-68817E	\$359.00	AL-68817R	\$136.00
8500	Control Board 4 Connector (4578911)	AL-68818	\$499.00	AL-68818E	\$359.00	AL-68818R	\$136.00
8500	Control Board 3 & 4 Connector NEW (PC8500UNIV)			N/A	N/A	N/A	N/A
8400	8400 Night Light Board (4578201)	N/A	N/A	AL-68820E	\$269.00	AL-68820R	\$179.00
8400/8500	Night Light w/ Scale NEW Advance (4320001P)	AL-68821	\$214.00	AL-68821E	\$199.00	AL-68821R	\$179.00
850/852/8500	Night Light Board (33577/3357733)	AL-68822	\$299.00	AL-68822E	\$149.00	AL-68822R	\$179.00
850/852	Lock Out Switch Board (34451/34339RFB)	AL-68823	\$249.00	AL-68823E	\$119.00	AL-68823R	\$139.00
850/852	Control Board (34276/SA1632)	AL-68824	\$339.00	AL-68824E	\$199.00	AL-68824R	\$136.00
850/852	Control Board (35111/35111S)	AL-68825	\$339.00	AL-68825E	\$199.00	AL-68825R	\$136.00
850/852	Control Board (36819/SA1632)	AL-68826	\$339.00	AL-68826E	\$199.00	AL-68826R	\$136.00
Advance	Analog (39369-01) & Micro Board (39506-01)	AL-68827	\$799.00	AL-68827E	Call	AL-68827R	\$599.00
Advance	Analog Board (39369-01)	AL-68828	N/A	AL-68828E	\$199.00	AL-68828R	\$299.00
Advance	NEW Analog PC Board	AL-68829	\$599.00	AL-68829E	\$409.00	AL-68829R	\$499.00
Advance	F Version Scale Micro Board (61205)	AL-68831	\$299.00	AL-68831E	\$209.00	AL-68831R	\$249.00
Advance	Scale Display Assembly (39452/3945201V)	AL-68832	\$519.00	AL-68832E	\$369.00	AL-68832R	\$179.00





# Hill-Rom Circuit Boards

Hill-Rom Bed Model	Description (Hill-Rom Part No.)	New/Reconditioned		Exchange		Repair	
		ALCO Part No.	Price Each	ALCO Part No.	Price Each	ALCO Part No.	Price Each
Advance	Scale Display Overlay (40208)	AL-68833	\$299.00	N/A	N/A	N/A	N/A
Advance	Night Light w/ Scale (43200-01)	AL-68834	\$319.00	AL-68834E	\$199.00	AL-68834R	\$200.00
Advance	Load Cell (E Version and Prior) (39619)	AL-68835	\$729.00	N/A	N/A	N/A	N/A
Advance	Load Cell (F Version only) (39619-01)	AL-68836	\$719.00	N/A	N/A	N/A	N/A
Advance/Centra	High Voltage Power Board (42822-01S)	AL-68837	\$299.00	AL-68837E	\$219.00	AL-68837R	\$139.00
Advance/Centra	High Voltage Power Board (42822-02S)	AL-68838	\$299.00	AL-68838E	\$219.00	AL-68838R	\$139.00
Advance/Centra	High Voltage Power Board (220 Version) (42822-03/4282203V)	N/A	N/A	AL-68839E	\$540.00	AL-68839R	\$179.00
Advance/Centra	High Voltage Power Board NEW for 42822-01, 42822-02	AL-68840	\$359.00	N/A	N/A	N/A	N/A
Advance/Centra	High Voltage Power Board NEW for 42822-03	AL-68841	\$509.00	N/A	N/A	N/A	N/A
Advance/Centra	Logic (Double Stack) Board (43204-02)	AL-68842	\$649.00	AL-68842E	\$359.00	AL-68842R	\$139.00
Advance/Centra	Logic Control Board (44158-01)	AL-68843	\$499.00	N/A	N/A	AL-68843R	\$139.00
Advance/Centra	Logic Control Board (44158-02/4415805S)	AL-68844	\$353.00	N/A	N/A	AL-68844R	\$139.00
Advance/Centra	Logic Control Board (44158-03)	AL-68845	\$499.00	N/A	N/A	AL-68845R	\$139.00
Advance/Centra	Logic Control Board (44158-04S)	AL-68846	\$499.00	N/A	N/A	AL-68846R	\$139.00
Advance/Centra	Logic Control Board (44158-05)	AL-68847	\$359.00	N/A	N/A	AL-68847R	\$139.00
Advance/Centra	Logic Control Board (44158-05)	AL-68848	\$359.00	N/A	N/A	AL-68848R	\$139.00
Advance/Centra	Logic Control Board (44158-06)	AL-68849	\$499.00	AL-68849E	\$359.00	AL-68849R	\$139.00
Advance/Centra	Logic Control Board (44158-06S)	AL-68850	\$499.00	AL-68850E	\$359.00	AL-68850R	\$139.00
Advance/Centra	Logic Control Board (New Style w/ small white connectors) (61410-02S)	AL-68851	\$419.00	AL-68851E	\$359.00	AL-68851R	\$139.00
Advance/Centra	Universal Advance Logic Control Board NEW	AL-68852	Call	N/A	N/A	N/A	N/A
Advance/Centra	Advance/Centra Bed Exit (44482-01P)	AL-68853	\$179.00	AL-68853E	\$109.00	AL-68853R	\$129.00
Advanta	Analog Board (49751)	N/A	N/A	N/A	N/A	AL-68854R	\$209.00
Advanta	Scale Micro Board (63217)	N/A	N/A	N/A	N/A	AL-68855R	\$249.00
Advanta	Logic Control Board (63285P)	AL-68856	\$549.00	AL-68856E	\$279.00	AL-68856R	\$339.00
Advanta	Air Control Board (44760-06)	N/A	N/A	N/A	N/A	AL-68857R	\$249.00
Advanta	Power Supply Board (63349-01P)	AL-68858	\$439.00	AL-68858E	\$219.00	AL-68858R	\$299.00
Affinity	Control Board (SA1534)	AL-68859	\$619.00	AL-68859E	\$499.00	AL-68859R	\$299.00
Affinity	Control Board (40483)	AL-68860	\$799.00	AL-68860E	\$499.00	AL-68860R	\$299.00
Affinity	Control Board (40483-01)	AL-68861	\$799.00	AL-68861E	\$499.00	AL-68861R	\$299.00
Affinity	Mattress Air Board (41188-01)	AL-68862	\$236.00	AL-68862E	\$199.00	AL-68862R	\$199.00
Affinity	Digital Board (SA1533)	AL-68863	\$722.00	AL-68863E	\$599.00	AL-68863R	\$199.00
Affinity	Affinity 3 Control Board (65345/68121P)	AL-68864	\$522.00	AL-68864E	\$439.00	AL-68864R	\$199.00
Affinity	Affinity 3 Control Board (68121)	AL-68865	\$522.00	AL-68865E	\$439.00	AL-68865R	\$399.00
Critical Care	Nurse Control Lock-out NEW	AL-68866	\$119.00	N/A	N/A	N/A	N/A
Critical Care	CC 894/896 Old Style Scale (36055RCN)	AL-68867	\$1999.00	AL-68867E	\$969.00	AL-68867R	\$1199.00
Critical Care	CC 894/896 New Style Scale (42929)	AL-68868	\$1999.00	AL-68868E	\$969.00	AL-68868R	\$1199.00
Critical Care	CC 894/896 New Style Scale (48357RCN)	AL-68869	\$1999.00	AL-68869E	\$969.00	AL-68869R	\$1199.00
Critical Care	CC 892/894/895/896 Control Board (35831/36275V)	AL-68870	\$299.00	AL-68870E	\$159.00	AL-68870R	\$139.00
Critical Care	CC 892/894/895/896 Control Board (36275/36275V)	AL-68871	\$539.00	AL-68871E	\$199.00	AL-68871R	\$139.00
Critical Care	CC 892/894/895/896 Main Control PC Board NEW	AL-68872	\$349.00	N/A	N/A	N/A	N/A
Critical Care	Critical Care Load Beam (44800)	AL-68873	\$499.00	N/A	N/A	N/A	N/A
Dynamic	Air Mattress Board (46752/4675201S)	AL-68874	\$499.00	AL-68874E	\$299.00	AL-68874R	\$369.00
Dynamic	Air Mattress Board (46752-01S)	AL-68875	\$499.00	AL-68875E	\$299.00	AL-68875R	\$369.00
Dynamic	Air Mattress Board (38208)	AL-68876	\$469.00	AL-68876E	\$299.00	AL-68876R	\$369.00
Dynamic	Air Mattress Board (44047/44047N)	AL-68877	\$499.00	AL-68877E	\$299.00	AL-68877R	\$369.00
Dynamic	Air Mattress Board (45904)	AL-68878	\$499.00	AL-68878E	\$299.00	AL-68878R	\$369.00
Dynamic	Air Mattress Board Universal NEW	AL-68879	\$549.00	N/A	N/A	N/A	N/A
Zone Air	Air Control Board (44760-01)	AL-68880	\$469.00	AL-68880E	\$369.00	AL-68880R	\$219.00
Zone Air	Air Control Board (44760-02P)	AL-68881	\$449.00	AL-68881E	\$179.00	AL-68881R	\$219.00
Zone Air	Air Control Board (44760-03)	N/A	N/A	N/A	N/A	AL-68882R	\$219.00
Zone Air	Air Control PC Up Grade Version (44760-04/44760-045)	AL-68883	\$589.00	AL-68883E	\$369.00	AL-68883R	\$219.00
Zone Air	Air Control Board (4350200039)	N/A	N/A	N/A	N/A	AL-68884R	\$219.00
Zone Air	Zone Air Power (44719-01)	N/A	N/A	AL-68885E	\$535.00	AL-68885R	\$199.00
Zone Air	Zone Air Power (44719-02)	N/A	N/A	AL-68886E	\$309.00	AL-68886R	\$199.00
Zone Air	Zone Air Power (44719-03)	N/A	N/A	AL-68887E	\$249.00	AL-68887R	\$199.00
Zone Air	Zone Air Power (44719-04)	N/A	N/A	AL-68888E	\$440.00	AL-68888R	\$149.00
Zone Air	Zone Air Power Sensor PC (44740P)	AL-68889	\$449.00	AL-68889E	\$209.00	AL-68889R	\$249.00
Communication	J-Box PC only (45588-02/45588-02P)	AL-68890	\$159.00	N/A	N/A	AL-68890R	\$89.00
Communication	J-Box Assembly (38939/44647S)	AL-68891	\$159.00	N/A	N/A	AL-68891R	\$89.00

EP-1

**We Repair Versacare Circuit Boards—Call for details!**

# Hill-Rom Circuit Boards

Hill-Rom Bed Model	Description (Hill-Rom Part No.)	New/Reconditioned		Exchange		Repair	
		ALCO Part No.	Price Each	ALCO Part No.	Price Each	ALCO Part No.	Price Each
835/840/850 Advance 3-motor	Bed Exit Strip 4-pin-Reconditioned (SA1481/34400)	AL-68892	\$189.00	N/A	N/A	N/A	N/A
8400/8500/1050/ 1060 Advance 4-motor Advance	Advance Bed Exit Strip 4-pin, Reconditioned (SA148101) Advance Bed Exit Strip 6-pin (New Style), Reconditioned (SA148102)	AL-68893	\$299.00	N/A	N/A	N/A	N/A
Nite Lite PC Nite Lite PC	Nite Lite PC (3961301S) Nite Lite PC (3961302/3961302V)	AL-68895	\$353.00	AL-68895E	\$269.00	AL-68895R	\$179.00
Total Care Total Care	PCB Assy RH Caregiver (SA1732) PCB Assy LH Caregiver (SA1733)	AL-68896	\$399.00	AL-68896E	\$239.00	AL-68896R	\$159.00
Total Care Centra	Nurse Lockout Assy (35650)	AL-68897	\$419.00	AL-68897E	\$399.00	AL-68897R	\$319.00
Advance 1000/ 2000	Scale/Analog Board Set (SA1750)	AL-68898	\$399.00	AL-68898E	\$399.00	AL-68898R	\$319.00
Advance 2000 Advance 2000	Nurse Flex Circuit (4047201) Nurse Flex Circuit (4047202)	N/A	N/A	N/A	N/A	AL-69007R	\$209.00
Advance 2000 Advance 2000	Nurse Flex Circuit (4047203) Nurse Flex Circuit (4047204)	AL-69008	\$339.00	AL-69008E	\$529.00	AL-69008R	\$519.00
Advance 2000 Advance 2000	Nurse Flex Circuit (4047203) Nurse Flex Circuit (4047204)	N/A	N/A	N/A	N/A	AL-69009R	\$589.00
Advance 2000 Advance 1000	Bed Exit Board (SA15981) ZoneAire S.S. Member Interface "F" Version (62738/6273801)	N/A	N/A	N/A	N/A	AL-69010R	\$449.00
Advance 1000 Advance 1000	ZoneAire S.S. Member Interface "F" Version (6273802)	N/A	N/A	N/A	N/A	AL-69011R	\$529.00
Advance 1000/ ZoneAire	Surface Control Module (4567901)	AL-69014	\$379.00	AL-69014E	\$269.00	AL-69014R	\$219.00
Advance 1000 Advance 1000	Display Board (49584) Display Board (3235501)	AL-69015	\$379.00	AL-69015E	\$409.00	AL-69015R	\$219.00
Advance 1000 Advance 1000	Night Light Assembly 4320002 (P) Test Port Assembly (60256)	N/A	N/A	N/A	N/A	AL-69016R	\$909.00
Advance 1000 Advance 1000	Junction Box (4558801P) Junction Box (4558802P)	AL-69017	\$249.00	AL-69017E	\$189.00	AL-69017R	\$159.00
Advance 1000 Advance 1000	Nurse Flex Circuit (43154-01) Nurse Flex Circuit (43154-02)	AL-69018	\$489.00	AL-69018E	\$449.00	AL-69018R	\$369.00
Advance 1000 Advance 1000	Nurse Flex Circuit (43154-03) Nurse Flex Circuit (43154-04)	N/A	N/A	AL-69019E	\$209.00	AL-69019R	\$149.00
Advance 1000 Advance 1000	Patient Control Assembly LH (44635-01) Patient Control Assembly RH (44635-02)	N/A	N/A	N/A	N/A	AL-69020R	\$79.00
Advance 1000 Advance 1000	Patient Control Assembly LH (44635-03) Patient Control Assembly RH (44635-04)	N/A	N/A	N/A	N/A	AL-69021R	\$119.00
Advance 1000 Advance 1000	Patient Control Assembly LH (44635-04) Patient Control Assembly LH (44635-05)	N/A	N/A	N/A	N/A	AL-69022R	\$139.00
Advance 1000 Advance 1000	Patient Control Assembly LH (44635-06) Patient Control Assembly RH (44635-07)	N/A	N/A	N/A	N/A	AL-69023R	\$409.00
Advance 1000 Advance 1000	Patient Control Assembly LH (44635-07) Patient Control Assembly RH (44635-08)	N/A	N/A	N/A	N/A	AL-69024R	\$349.00
Advance 1000 Advance 1000	Patient Control Assembly LH (44635-09) Patient Control Assembly RH (44635-10)	N/A	N/A	N/A	N/A	AL-69025R	\$589.00
Advance 1000 Advance 1000	Patient Control Assembly LH (44635-10) Patient Control Assembly LH (44635-11)	N/A	N/A	N/A	N/A	AL-69026R	\$409.00
Advance 1000 ZoneAire	Patient Control Assembly RH (44635-12) Air Pump Assembly (46918)	N/A	N/A	N/A	N/A	AL-69027R	\$289.00
ZoneAire Century +	Caregiver Pendant (48358) Caregiver Pendant (4350300007)	N/A	N/A	AL-69038E	\$449.00	AL-69038R	\$399.00
Century + Advanta	Night Light Assembly Ret (4578202) Logic Board 6328501 (P)	N/A	N/A	N/A	N/A	AL-69039R	\$309.00
Advanta Advanta	Power Board (6334901P) Scale Display 63344 (P)	AL-69042	\$465.00	AL-69042E	\$449.00	AL-69042R	\$409.00
Advanta Advanta	Inner Patient Board 6720301 (P) Foot Circuit Board (63280)	AL-69043	\$439.00	AL-69043E	\$449.00	AL-69043R	\$329.00
Advanta Advanta	Scale Bed Exit 6321702 (P) FIB 63352 (P)	N/A	N/A	AL-69044E	\$303.00	AL-69044R	\$269.00
Advanta Affinity/Affinity II	ZoneAire SWT (63276) Bed Drive and Rectifier Assembly (40843-01)	N/A	N/A	N/A	N/A	AL-69045R	\$249.00
Affinity/Affinity II Affinity/Affinity II	Digital Board (46985-01) LH Side Rail Board 40840-01 (S)	AL-69050	\$529.00	AL-69050E	\$189.00	AL-69050R	\$159.00
Affinity/Affinity II 8500	RH Side Rail Board (40837-01) Night Light Assembly (3357733)	N/A	N/A	AL-69051E	\$189.00	AL-69051R	\$159.00
TotalCare TotalCare	Graphical Caregiver Interface (4714711) Power Control Module (PCM) (4704101P)	N/A	N/A	N/A	N/A	AL-69052R	\$219.00
TotalCare TotalCare	Power Control Module (PCM) (130066) TFSCM (Air Module) (63392S)	N/A	N/A	N/A	N/A	AL-69053R	\$129.00
TotalCare TotalCare	TSCM (Air Module) (63393S) Left Caregiver PC Board (4736001)	AL-69057	\$699.00	AL-69057E	\$799.00	AL-69057R	\$699.00
TotalCare TotalCare	Right Caregiver PC Board (4735701) Scale 4703801 (P)	AL-69058	\$479.00	AL-69058E	\$539.00	AL-69058R	\$449.00
TotalCare TotalCare	Weigh Frame Junction Board (4699401) Weigh Frame Junction Board 6548701 (P)	N/A	N/A	AL-68719E	\$369.00	AL-68719R	\$319.00
TotalCare TotalCare	Blower Motor (49309)	N/A	N/A	AL-68718E	\$369.00	AL-68718R	\$319.00
		N/A	N/A	N/A	N/A	AL-69059R	\$319.00
		N/A	N/A	N/A	N/A	AL-69060R	\$209.00
		N/A	N/A	N/A	N/A	AL-69061R	\$209.00
		AL-67351	\$799.00	AL-67351E	\$529.00	AL-67351R	\$499.00

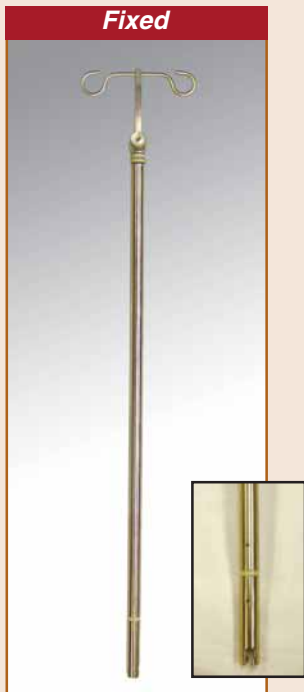


# Hill-Rom Circuit Boards

Hill-Rom Bed Model	Description (Hill-Rom Part No.)	Repair		Exchange	
		ALCO Part No.	Price Each	ALCO Part No.	Price Each
Total Care SpO2RT P1900D	Graphical Caregiver Interface (4714711S, 4714711SR99)	AL-71713R	\$479.00	AL-71713E	\$539.00
	Power Control Module (4704101P)	AL-69055R	\$349.00	AL-69055E	\$409.00
	Power Control Module (130066)	AL-71714R	\$349.00	AL-71714E	\$409.00
	UCM Left (4736001)	AL-68719R	\$319.00	AL-68719E	\$369.00
	UCM Left (SA1733) (Gasket & PC Board Kit)	AL-71715R	\$369.00	AL-71715E	\$399.00
	UCM Right (4735701)	AL-68718R	\$319.00	AL-68718E	\$369.00
	UCM Right (SA1732) (Gasket & PC Board Kit)	AL-71716R	\$369.00	AL-71716E	\$399.00
	Pulmonary Base Module (66227, 66726S)	AL-71717R	\$1,209.00	N/A	N/A
	Treatment Foot Module (64760, 66728S)	AL-71718R	\$1,759.00	N/A	N/A
	Treatment Torso Module (65744, 65746, 66729S)	AL-71719R	\$1,409.00	N/A	N/A
	Pulmonary Rotation Module (P1938E100)	AL-71720R	\$11,179.00	N/A	N/A
	Pulmonary Percussion/Vibration Module (P1939E100)	AL-71721R	\$3,929.00	N/A	N/A
	SideCom PC Board (47374, 64077, 6407901P)	AL-71722R	\$379.00	N/A	N/A
	SideCom PC -ENT PC Board (4843601)	AL-71723R	\$109.00	N/A	N/A
	Universal TV J-Box PC Board (6373401)	AL-71724R	\$209.00	N/A	N/A
	Universal TV J-Box PC Board (6493501P)	AL-71725R	\$429.00	N/A	N/A
	Scale (4703801 (P), (132630)	AL-71726R	\$319.00	N/A	N/A
Weigh Frame Junction Board (4699401, 6548701 (P))	AL-71727R	\$209.00	N/A	N/A	
Blower Motor (146143, 49309)	AL-71728R	\$479.00	AL-71728E	\$529.00	

## Hill-Rom I.V. Poles

Fixed



AL-74318 \$89.00  
Hill-Rom #47143015

Folding



AL-74319 \$199.00  
Hill-Rom #P2217



VersaCare Bed Control  
(Part #P3207B01/  
New Part #P3207C01)



CareAssist Bed Control  
(Part #15835703)

Description	Hill-Rom Part No.	ALCO Part No.	Price Each
Replacement Label	6980601	AL-74697	\$16.95
Replacement Cord		AL-74698	\$99.95
Repair (Cord Only)		AL-74699	\$96.95
CareAssist Refurbished Bed Control	15835703	AL-78084	\$149.00

**▼ LOW PRICES GUARANTEED! ▼**  
**WE WILL NOT BE UNDERSOLD!**



# Hill-Rom Reconditioned Motors



**BUY 11 GET 1 FREE!**

Hill-Rom Bed Model	Hill-Rom Part No.	Description	ALCO Part No.	Price Each
715/720/820	SA1254	Head Motor Drive Assembly (9-pin)	AL-62777	\$449.00
715/720/820	29479	Hi-Lo Motor Drive	AL-62775	\$449.00
715/720	27702	Knee Motor Drive	AL-62782	\$449.00
715/720	SA1249	Knee Motor Drive Assembly (4-pin)	AL-62779	\$449.00
820	SA1254/26163	Head Motor 4-Pin	AL-62774	\$449.00
820	SA1249/26164	Knee Motor 4-Pin	AL-62776	\$449.00
820	26794	Head Motor 9-Pin	AL-62778	\$449.00
820	SA1249	Knee Motor Drive Assembly (9-pin)	AL-68940	\$449.00
835	2947401RCN	Head Motor Assembly—Old Style 835	AL-62767	\$449.00
835	39951S/39951	Hi-Lo Drive Assembly—Old Style 835	AL-62769	\$399.00
835	32999S/32999	Hi-Lo Motor—835	AL-62770	\$339.00
835	29459-01RCN	Knee Motor Assembly—Old Style 835	AL-62771	\$449.00
835	SA32920	Head and/or Knee Motor Assembly— New Style 835	AL-62772	\$449.00
840	29425RFB	Head Motor Assembly	AL-62763	\$249.00
840	29424/29424S	Hi-Lo Motor Assembly	AL-62764	\$420.00
840	29423/29423S	Knee Motor Assembly	AL-62765	\$349.00
840	3434001RCN/27924S	Head Motor w/o CPR & Drive Unit Assemblies	AL-71703	\$279.00
850/852/Advance	34340	Head Motor Assembly	AL-62760	\$349.00
850/852/ Advance	34342	Hi-Lo Motor Assembly	AL-62761	\$349.00
850/852/Advance 3 Motor	34341	Knee Motor Assembly	AL-62762	\$349.00
Critical Care	35792A48	Manifold Assembly	AL-68747	\$1599.00
Critical Care	37473	Solenoid Valve-up	AL-68748	\$99.00
Critical Care	SA1635	Motor Pump-Old Style	AL-68749	\$899.00
Critical Care	48867	Knee Cylinder	AL-68750	\$549.00
Critical Care	45972	Head Cylinder	AL-68751	\$399.00
Critical Care	4597001	Hi-Lo Cylinder	AL-68752	\$449.00
Total Care (P1900)	66290S	Stepper Motor	AL-74915	\$129.00
Affinity I, II	46219-01S	Foot motor assembly 115V	AL-68753	\$959.00
Affinity I, II	45907-01S	Head motor assembly 115V	AL-68754	\$1399.00
Affinity I, II	43042	Hi-Lo motor	AL-68755	\$959.00
Advance (4-Motor)	35000S	Knee Motor Assembly	AL-62773	\$489.00
Advance (4-Motor)	43370S	Head Motor Assembly (with Capacitor)	AL-68762	\$349.00
Advance (4-Motor)	43370 & 43370S	Head Motor Assembly (without Capacitor) Repair	AL-76815R	\$159.95
Advance	43369S-HEAD	Head Hi-Lo Motor Assembly Advance 4-Motor	AL-68763	\$379.00
Advance	43369S-FOOT	Foot Hi-Lo Motor Assembly Advance 4-Motor	AL-68764	\$379.00

\*Advance 1000 Series (4-Motor) beds cover models 1104, 1105, 1115, 1135, 1145, 1155, 1165  
\*\*Advance 2000 Series (3-Motor) beds cover models 1110, 1120, 1130, 1140



835 New Style Knee



835 New Style Head



Old Style Knee



4-Pin Connector



Old Style Head and Knee



Old Style Hi-Lo



Hill-Rom Total Care Bed Rebuilt Blower Motor  
**AL-67351 \$529.00**



835 Hi-Lo



Hill-Rom Zone Air Bed Rebuilt Blower Motor  
**AL-67352 \$395.00**



835 New Style Hi-Lo



Close-Up Of Plug








EP1



# Hill-Rom Gas Springs/Dampeners, & Motor Parts







**BUY 11 GET 1 FREE!**

## Gas Springs/Dampeners (New with reconditioned ends)

	Description	Hill-Rom Part No.	ALCO Part No.	Price Each
	Trend, Gas Spring (Affinity)	41450/142320	AL-68392	\$129.00
	Dampener Extension (Affinity Siderail)	40952	AL-68398	\$85.00
	Gas Spring ONLY- for GS44574S (1100N) Right and Left foot assembly (CCU) (1000N)	4597703 39454	AL-68401 AL-68402	\$159.00 \$199.00
	Gas Spring ONLY- for GS35803S(left) and 35802S(right) head assembly (CCU)		AL-68403	\$119.00
	Intermediate Siderail Dampener (Total Care)	47323/67230	AL-68406	\$49.00
	CPR Dampener Head Section (Advance)	43363	AL-77568	\$56.00
	CPR Dampener (Affinity)	41415	AL-77569	\$119.00

	Description	ALCO Part No.	Price Each
	Motor Coupling Center only Hill-Rom Part #29387	AL-62745	\$5.65
	Motor Coupling 3 Pieces Hill-Rom Part #36250	AL-68614	\$14.95

	Description	ALCO Part No.	Price Each
	Old Style Adapter 9 to 4 Pin Hill-Rom Part #340800	AL-68615	\$34.00
	Old Style Adapter 9 to 4 Pin Hill-Rom Part #342500	AL-68616	\$34.00
	Large Capacitor HiLo/720/820/835 Old Style/Head 840/CCU NEW **Uses 2 for 8200/8350 Hill-Rom Part #30148	AL-50638	\$24.95
	Small Capacitor 720/820/835 Old Style/840 HiLo, Knee/850-All motors NEW Hill-Rom Part #30146/30120	AL-50635	\$21.95




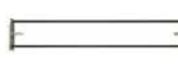

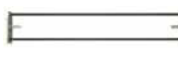

EP1





# Hill-Rom Switches & Siderails

**BUY 11 GET 1 FREE!**

Description	ALCO Part No.	Price Each	Description	ALCO Part No.	Price Each
 Switch Assembly Hill-Rom Part #349325	<b>AL-62784</b>	<b>\$69.00</b>	 Membrane control Switch for 840 Hill-Rom Part #29699	<b>AL-68484</b>	<b>\$18.95</b>
 Single Switch No soldering needed (Hi-Lo) Hill-Rom Part #82W102S	<b>AL-62785</b>	<b>\$26.00</b>	 Slide Rods– Head 33" (Reconditioned) Hill-Rom Part #SLRH	<b>AL-62788</b>	<b>\$23.00</b>
 Single Switch No soldering needed (Head) Hill-Rom Part #82W103S	<b>AL-62786</b>	<b>\$26.00</b>	 Slide Rods– Foot 32.5" (Reconditioned) Hill-Rom Part #SLRF	<b>AL-62789</b>	<b>\$23.00</b>
			 Single Switch No soldering needed (Knee) Hill-Rom Part #82W104S	<b>AL-62787</b>	<b>\$26.00</b>

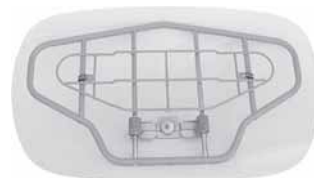
**Additional Bracket Located On Page 174**



**AL-62798**



**AL-62799**



**AL-62800**

**Assist-Mate Insert**

- ✓ Attaches to existing Hill-Rom safety sides
- ✓ Manufactured to custom fit
- ✓ Unit either bolts, screws or clamps to rail
- ✓ **Sold in Pairs!!!**

Model	ALCO Part No.	Price Pair
320	<b>AL-62798</b>	<b>\$69.00</b>
325/380/720/ 820/840/850	<b>AL-62799</b>	<b>\$69.00</b>
301	<b>AL-62800</b>	<b>\$109.00</b>
855 (not shown)	<b>AL-62801</b>	<b>\$99.00</b>



Description	ALCO Part No.	Price Each
Slide Bracket (Reconditioned) <b>Hill-Rom Part #26140</b>	<b>AL-62790</b>	<b>\$13.00</b>
Slide Bracket (Reconditioned) <b>Hill-Rom Part #23485</b>	<b>AL-62791</b>	<b>\$23.00</b>
Foot Rails for Models 720/820/835/840/850 Right Side- Taupe	<b>AL-68492</b>	<b>\$179.00</b>
Foot Rails for Models 720/820/835/840/850 Right Side- Lt. Neutral	<b>AL-68493</b>	<b>\$179.00</b>
Foot Rails for Models 720/820/835/840/850 Left Side- Taupe	<b>AL-68494</b>	<b>\$179.00</b>
Foot Rails for Models 720/820/835/840/850 Left Side- Lt. Neutral	<b>AL-68495</b>	<b>\$179.00</b>
Head Rails– Basic Feature Models 720/820/835/840/850 Right Side Taupe	<b>AL-68496</b>	<b>\$309.00</b>
Head Rails– Basic Feature Models 720/820/835/840/850 Right Side Lt. Neutral	<b>AL-68497</b>	<b>\$309.00</b>
Head Rails– Basic Feature Models 720/820/835/840/850 Left Side Taupe	<b>AL-68498</b>	<b>\$309.00</b>
Head Rails– Basic Feature Models 720/820/835/840/850 Left Side Lt. Neutral	<b>AL-68499</b>	<b>\$309.00</b>
Head Rails Upgradeable– Blanked Out Models 835/840/850 Right Side Taupe	<b>AL-68500</b>	<b>\$349.00</b>
Head Rails Upgradeable– Blanked Out Models 835/840/850 Right Side Lt. Neutral	<b>AL-68501</b>	<b>\$349.00</b>
Head Rails Upgradeable– Blanked Out Models 835/840/850 Left Side Taupe	<b>AL-68502</b>	<b>\$349.00</b>
Head Rails Upgradeable– Blanked Out Models 835/840/850 Left Side Lt. Neutral	<b>AL-68503</b>	<b>\$349.00</b>
Head Rail with TV-Radio, Models 835/840/850 Right Side Taupe	<b>AL-68504</b>	<b>\$429.00</b>
Head Rail with TV-Radio, Models 835/840/850 Right Side Lt. Neutral	<b>AL-68505</b>	<b>\$429.00</b>
Head Rail with TV-Radio, Models 835/840/850	<b>AL-68506</b>	<b>\$429.00</b>
Head Rail with TV-Radio, Models 835/840/850	<b>AL-68507</b>	<b>\$429.00</b>
Head Rail with TV-Radio & Lighting OR Nurse Call– Models 835/840/850 Right Side Taupe	<b>AL-68508</b>	<b>\$509.00</b>
Head Rail with TV-Radio & Lighting OR Nurse Call– Models 835/840/850 Right Side Lt. Neutral	<b>AL-68509</b>	<b>\$509.00</b>
Head Rail with TV-Radio & Lighting OR Nurse Call– Models 835/840/850 Left Side Taupe	<b>AL-68510</b>	<b>\$509.00</b>
Head Rail with TV-Radio & Lighting OR Nurse Call– Models 835/840/850 Left Side Lt. Neutral	<b>AL-68511</b>	<b>\$509.00</b>
Head Rail with TV-Radio/Lighting/Nurse Call– Models 835/840/850 Right Side Taupe	<b>AL-68512</b>	<b>\$589.00</b>
Head Rail with TV-Radio/Lighting/Nurse Call– Models 835/840/850 Right Side Lt. Neutral	<b>AL-68513</b>	<b>\$589.00</b>
Head Rail with TV-Radio/Lighting/Nurse Call– Models 835/840/850 Left Side Taupe	<b>AL-68514</b>	<b>\$589.00</b>
Head Rail with TV-Radio/Lighting/Nurse Call– Models 835/840/850 Left Side Lt. Neutral	<b>AL-68515</b>	<b>\$589.00</b>















EP1

	Light Neutral ALCO Part No.	Taupe ALCO Part No.	Price Each
Century Critical Care Beds Only — 892/894/896			
Head Rail, Parallelogram (New Style) – No Sidecom	<b>AL-59930CC</b>	<b>AL-59931CC</b>	<b>\$369.00</b>
Foot Rail, Parallelogram (New Style)	<b>AL-59932CC</b>	<b>AL-59933CC</b>	<b>\$129.00</b>
Head Rail, Parallelogram (New Style) – Sidecom	<b>AL-59934CC</b>	<b>AL-59935CC</b>	<b>\$439.00</b>

# Hill-Rom Air Connectors-Metal & Plastic



**BUY 11 GET 1 FREE!**

Metal	Plastic	Hill-Rom Part No.	Description	ALCO Part No.	Price Each
		SA4461M SA4461	Male Coupling for Sleep Surface (Metal) Male Coupling for Sleep Surface (Plastic)	AL-63545M AL-63545	\$26.95 \$23.95
		SA4462M SA4462	Female Coupling for Sleep Surface (Metal) Female Coupling for Sleep Surface (Plastic)	AL-63546M AL-63546	\$38.95 \$28.95
		SA4463M SA4463	Male Coupling for Sleep Surface (Metal) Male Coupling for Sleep Surface (Plastic)	AL-63547M AL-63547	\$21.95 \$17.95
		SA4464M SA4464	Female Coupling for Sleep Surface (Metal) Female Coupling for Sleep Surface (Plastic)	AL-63548M AL-63548	\$33.95 \$22.95
		38189M 38189	Male Quick Coupling for Bed Air Unit (Metal) Male Quick Coupling for Bed Air Unit (Plastic)	AL-68429M AL-68429	\$21.95 \$16.95
		39024M 39024	Female Quick Coupling for Bed Air Unit (Metal) Female Quick Coupling for Bed Air Unit (Plastic)	AL-63542M AL-63542	\$38.95 \$29.95
		38187M 38187	Male Quick Coupling for Bed Air Unit (Metal) Male Quick Coupling for Bed Air Unit (Plastic)	AL-63541M AL-63541	\$21.95 \$16.95
		39027M 39027	Female Quick Coupling for Bed Air Unit (Metal) Female Quick Coupling for Bed Air Unit (Plastic)	AL-63543M AL-63543	\$26.95 \$23.95

EP1







\*\*NOTE\*\* All metal air connectors come with a lifetime warranty.












# Hill-Rom Paint, Batteries, Labels & Z-Insert Brackets

**BUY 11 GET 1 FREE!**

Description	ALCO Part No.	Price Each
 Touch-up Paint in Spray Can Lt. Neutral Hill-Rom Part #38827	<b>AL-68473</b>	<b>\$24.95</b>
 Touch-up Paint in Spray Can Taupe Hill-Rom Part #18942	<b>AL-68474</b>	<b>\$24.95</b>
 Touch-up Paint in Spray Can Medical Gray Hill-Rom Part #38587	<b>AL-60469</b>	<b>\$24.95</b>
 12 Volt, 7 Amp Battery Total Care, Versa Care, Affinity III Hill-Rom Part #4840501	<b>AL-68475</b>	<b>\$29.95</b>
 6 Volt Battery CCU No foam pads Hill-Rom Part #SA1465	<b>AL-68476</b>	<b>\$49.00</b>
 Square Felt Pads Hill-Rom Part #22646	<b>AL-68479</b>	<b>\$1.00</b>

Description	ALCO Part No.	Price Each
 Head/Foot Label Left 1.5" x 5.625" Hill-Rom Part #LB035-Left	<b>AL-68647</b>	<b>\$1.00</b>
 Head/Foot Label Right 1.5" x 5.625" Hill-Rom Part #LB035-Right	<b>AL-68648</b>	<b>\$1.00</b>
 Scale Instruction Label New Style 7.5" x 8.5" Hill-Rom Part #43080	<b>AL-68653</b>	<b>\$14.00</b>
 Advance A,B,C Versions Nurse Call + HiLo	<b>AL-68668</b>	<b>\$12.00</b>
 Advance D,E,F Versions Nurse Call + HiLo + Head Left 1.875" x 3.375" Hill-Rom Part #4477203	<b>AL-68671</b>	<b>\$12.00</b>
 Advance D,E,F Versions Nurse Call + HiLo + Head Right 1.875" x 3.375" Hill-Rom Part #4477204	<b>AL-68672</b>	<b>\$12.00</b>
 Bed Side Cabinet Replacement Drawer (18x4x3) Hill-Rom Part #13296S1	<b>AL-68481</b>	<b>\$30.00</b>



**Z-Insert Brackets**

- ✓ Only fit Hill-Rom rotating half length side rails without Side-Com
- ✓ Two halves simply snap together and no tools are required for assembly
- ✓ Inserts comply with FDA's recommended dimensional criteria to reduce the risk of life-threatening entrapments
- ✓ Available in Taupe or Light Neutral

**AL-69112 \$25.95/Pair**

**Additional Brackets Located On Page 172**

**▼ LOW PRICES GUARANTEED! ▼**  
**WE WILL NOT BE UNDERSOLD!**

# Hill-Rom Replacement Bed Parts—Plastic



**BUY 11 GET 1 FREE!**



Bed Model	Hill-Rom Part No.	Description	Color	ALCO Part No.	Price Each
		End Cane - Small			
720/820/835/840/850	19835-33	End Cane: Small, Non-communication	Taupe	<b>AL-62735</b>	<b>\$12.95</b>
720/820/835/840/850	19835-48	End Cane: Small, Non-communication	Lt. Neutral	<b>AL-62736</b>	<b>\$15.95</b>
720/820/835/840/850	20338-33	Left Switch Housing-small, Non-communication	Taupe	<b>AL-62737</b>	<b>\$36.95</b>
720/820/835/840/850	20338-48	Left Switch Housing-small, Non-communication	Lt. Neutral	<b>AL-62738</b>	<b>\$24.95</b>
720/820/835/840/850	19836-33	Right Switch Housing-small, Non-communication	Taupe	<b>AL-69295</b>	<b>\$36.95</b>
720/820/835/840/850	19836-48	Right Switch Housing-small, Non-communication	Lt. Neutral	<b>AL-69109</b>	<b>\$36.95</b>
720/820/835/840/850	32613-33	Top Cane Long, 22.5", non-communication	Taupe	<b>AL-62743</b>	<b>\$25.95</b>
720/820/835/840/850	32613-48	Top Cane Long, 22.5", non-communication	Lt. Neutral	<b>AL-62744</b>	<b>\$25.95</b>
850/852	31653-33	Control Housing: Left	Taupe	<b>AL-68899</b>	<b>Call</b>
Critical Care (892/894/895/896)	3585550PS	Critical Care U-Bumper Reconditioned		<b>AL-68900</b>	<b>Call</b>
Critical Care (892/894/895/896)	36005S	Critical Care Roller Bumper-Reconditioned		<b>AL-68901</b>	<b>Call</b>
Critical Care (892/894/895/896)	35264-33	Switch Housing Left	Taupe	<b>AL-68902</b>	<b>Call</b>
Critical Care (892/894/895/896)	35264-48	Switch Housing Left	Lt. Neutral	<b>AL-68903</b>	<b>Call</b>
Critical Care (892/894/895/896)	35265-33	Switch Housing Right	Taupe	<b>AL-68904</b>	<b>Call</b>
Critical Care (892/894/895/896)	35265-48	Switch Housing Right	Lt. Neutral	<b>AL-68905</b>	<b>Call</b>
	32637-33	Nurse Control Housing	Taupe	<b>AL-68906</b>	<b>Call</b>
	35211-33	Wire Cover CCU	Taupe	<b>AL-68907</b>	<b>Call</b>
	35211-48	Wire Cover CCU	Lt. Neutral	<b>AL-68908</b>	<b>Call</b>
720/820/835/840/850	28305-33	End Cane: Large, communication	Taupe	<b>AL-62746</b>	<b>\$19.95</b>
720/820/835/840/850	28305-48	End Cane: Large, communication	Lt. Neutral	<b>AL-62747</b>	<b>\$19.95</b>
720/820/835/840/850	31652-33	Switch Housing Universal: Large, communication	Taupe	<b>AL-62748</b>	<b>\$44.95</b>
720/820/835/840/850	31652-48	Switch Housing Universal: Large, communication	Lt. Neutral	<b>AL-62749</b>	<b>\$49.95</b>
720/820/835/840/850	32612-33	Top Cane: Short, 18.5" Communication	Taupe	<b>AL-62750</b>	<b>\$18.95</b>
720/820/835/840/850	32612-48	Top Cane: Short, 18.5"	Lt. Neutral	<b>AL-62751</b>	<b>\$16.95</b>
840/850	34454-33	Sidecom Module Blank Non Communication	Taupe	<b>AL-62752</b>	<b>\$15.95</b>
840/850	34454-48	Sidecom Module Blank Non communication	Lt. Neutral	<b>AL-62753</b>	<b>\$15.95</b>
840	20564-33	Facade Nurse Panel	Taupe	<b>AL-62739</b>	<b>\$64.95</b>
840	20564-48	Facade Nurse Panel	Lt. Neutral	<b>AL-62740</b>	<b>\$64.95</b>
850	34506-33	Facade Nurse Panel	Taupe	<b>AL-62754</b>	<b>\$79.95</b>
850	34506-48	Facade Nurse Panel	Lt. Neutral	<b>AL-62755</b>	<b>\$79.95</b>
720/820/835/840/850	19833-33	Wire Cover	Taupe	<b>AL-62733</b>	<b>\$6.50</b>
720/820/835/840/850	19833-48	Wire Cover	Lt. Neutral	<b>AL-62734</b>	<b>\$6.25</b>
720/820/835/837/840/850	31612-33	Top Cane: Short 18.5"	Taupe	<b>AL-68909</b>	<b>Call</b>
720/820/835/837/840/850	31623-48	Top Cane: Long 22.5"	Lt. Neutral	<b>AL-68910</b>	<b>Call</b>
850/1100/1130/1140	31113-33	Leg Cover	Taupe	<b>AL-62741</b>	<b>\$6.95</b>
850/1100/1130/1140	31113-48	Leg Cover	Lt. Neutral	<b>AL-62742</b>	<b>\$6.95</b>
850	34524-33	Nurse Control Panel	Taupe	<b>AL-69110</b>	<b>\$59.95</b>
850	34524-48	Nurse Control Panel	Lt. Neutral	<b>AL-69111</b>	<b>\$59.95</b>
		Cane Bumper		<b>AL-63084</b>	<b>\$79.95</b>
840/850/Advance 2000	34369	Left Hand Steer Pedal (See Below)		<b>AL-69113</b>	<b>\$6.95</b>
840/850/Advance 2000	34371	Right Hand Steer Pedal (See Below)		<b>AL-69114</b>	<b>\$6.95</b>
835	32575	Steer Pedal (See Below)		<b>AL-69115</b>	<b>\$8.95</b>
840/850/Advance 2000	34370	Left Hand Brake Pedal (See Below)		<b>AL-69116</b>	<b>\$6.95</b>
840/850/Advance 2000	34368	Right Hand Brake Pedal (See Below)		<b>AL-69117</b>	<b>\$6.95</b>
835	32576	Brake Pedal (See Below)		<b>AL-69118</b>	<b>\$8.95</b>



**AL-69113**



**AL-69114**



**AL-69115**



**AL-69116**



**AL-69117**



**AL-69118**



# Secure II Bed by Stryker

**BUY 11 GET 1 FREE!**

Call For Pricing



Please Provide Serial # and/or Model # When Ordering

Common Replacement Parts	
<b>Electrical Components</b>	<b>ALCO Part No.</b>
CPU Board	
Footboard Bed Exit Keyboard (3001-508-9000)	AL-74470
Footboard Keyboard (3001-500-028)	AL-74471
Footboard Scale Display (3002-507-900)	AL-74472
Footboard Scale Keyboard (3002-507-910)	AL-74473
Night Light Circuit Board (3002-310-900)	AL-74474
Power Supply (0059-157-000)	AL-74475
Siderail Board, Inside(3001-400-930)	AL-74476
Siderail Board, Outside (3001-400-910)	AL-74477
Siderail Speaker w/Cable (3000-403-831)	AL-74478
<b>Other Components</b>	
Beeper Kit, Bed Exit, High Sounding (3002-700-030)	AL-74479
Beeper Kit, Bed Exit, Low Sounding (3002-700-029)	AL-74480
Capacitor, Fowler (0059-785-000)	AL-74481
Capacitor, Fowler, 230V (3221-300-453)	AL-74482
Capacitor, Gatch (0059-783-000)	AL-74483
Capacitor, Gatch, 230V (0059-153-000)	AL-74484
Capacitor, Lift (0059-786-000)	AL-74485
Capacitor, Lift, 230V (3221-200-243)	AL-74486
6" Caster (3001-200-060)	AL-74487
6" Steer Caster (3001-200-050)	AL-74488
Coil Cord, Lift Power(3001-200-824)	AL-74489
Coil Cord, Lift Sensor (3001-200-815)	AL-74490
Coil Cord, Litter Power (3001-300-844)	AL-74491
Coil Cord, Litter Signal (3001-300-846)	AL-74492
Fowler Brake Kit (3001-300-775)	AL-74493
Head/Footboard "C" Bumper Adhesive (0072-002-071)	AL-74494
Load Cell (3002-307-057)	AL-74495
Motor Coupler Kit, Lift (3000-200-725)	AL-74496
Motor, Fowler w/Clutch (3004-700-106)	AL-74497
Motor, Fowler w/Clutch, Short Bed (3004-700-108)	AL-74498
Motor, Fowler w/Clutch, 230V (3221-300-705)	AL-74499
Motor, Gatch (3003-016-602)	AL-74500
Motor, Gatch, 230V (2026-232-070)	AL-74501
Motor, Lift, Same for Head & Foot End (3003-016-603)	AL-74502
Motor, Lift, 230V; Same for Head & Foot End (3221-200-213)	AL-74503
Paint, Touch-Up, Opal, Bottle w/Brush (7000-001-321)	AL-74504
Paint, Touch-Up, Opal, Spray Can (7000-001-318)	AL-74505
Potentiometer, Foot End (3001-200-2300)	AL-74506
Potentiometer, Head End (3001-200-240)	AL-74507
Power Cord (3002-700-049)	AL-74508
Single Tube of Grease (3000-200-700)	AL-74509
<b>ZOOM® Option Components</b>	
Drive Potentiometer w/Cable (2040-031-804)	AL-74510
Drive Wheel Motor (3002-001-072)	AL-74511
On/Off Switch (0059-191-000)	AL-74512
Transformer (3002-001-010)	AL-74513
ZOOM® AC Crossover Board (2040-031-900)	AL-74514
ZOOM® Display/CPU Board (2040-031-910)	AL-74515
ZOOM® Inverter/Charger Board (3002-001-030)	AL-74516
<b>iBed Awareness Option Components</b>	
CPU Board (3003-407-900)	AL-74517
Foot End Siderail Switch, Left (3004-401-315)	AL-74518
Foot End Siderail Switch, Right (3004-401-415)	AL-74519
Fowler Potentiometer (3001-345-807)	AL-74520
Head End Siderail Switch, Left (3004-402-115)	AL-74521
Head End Siderail Switch, Right (3004-402-215)	AL-74522
LBS Light Indicator, Left (3004-300-225)	AL-74523
LBS Light Indicator, Right (3004-300-230)	AL-74524

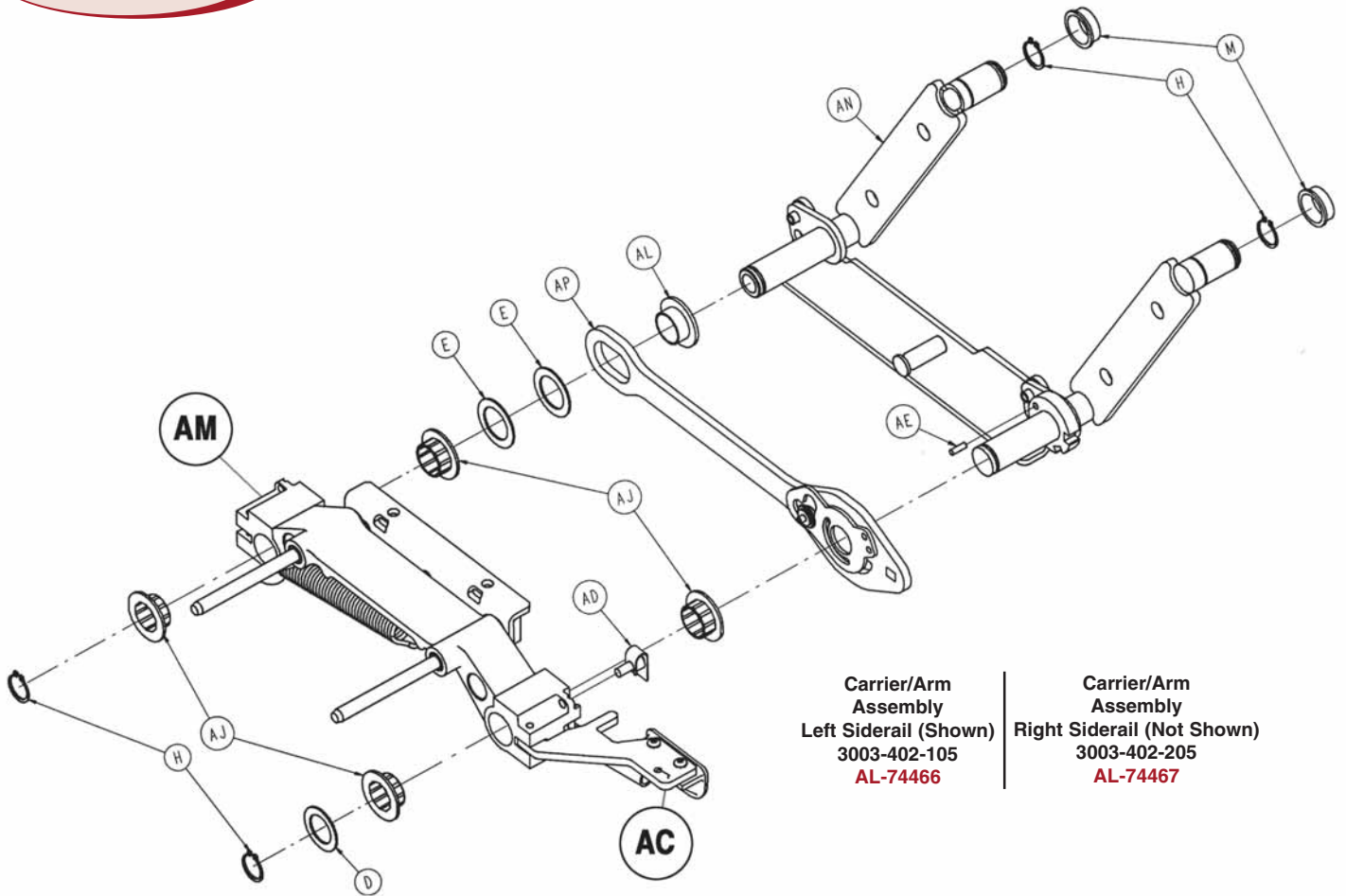
## Head End Siderail Assembly (Page 177)

Fig	Description	ALCO Part No.
	Left Standard Components	AL-74466
	Right Standard Components	AL-74467
	Flex Head Machine Screw (0001-072-000)	AL-74546
	Hex Washer Head Screw (0003-226-000)	AL-74616
	Hex Head Machine Screw (0003-344-000)	AL-74589
D	Shim Washer (0011-343-000)	AL-74590
	Washer (0014-093-000)	AL-74591
E	High-Low Tapping Screw (0023-090-000)	AL-74551
	High-Low Tapping Screw (0023-112-000)	AL-74552
	Retaining Ring (0028-128-000)	AL-74593
H	Release Lever Spring (3000-200-334)	AL-74594
	4" Cable Tie (3000-300-114)	AL-74555
	CPR Conduit Clamp (3000-300-478)	AL-74556
	Outer Bushing (3000-400-513)	AL-74557
M	Panel Spacer (3000-400-523)	AL-74596
	Warning Label (3000-400-556)	AL-74559
	Sleeve Bearing (3000-400-557)	AL-74560
T	Outer Siderail Panel Ass'y (3001-400-035)	AL-74561
	Inner Siderail Panel Ass'y - Left (3001-100-040)	AL-74562L
	Inner Siderail Panel Ass'y - Right (3001-100-045)	AL-74562R
	Support Weldment, Hd. - Left (3003-400-130)	AL-74563L
	Support Weldment, Hd. - Right (3003-400-230)	AL-74563R
U	Mounting Bracket (3001-400-555)	AL-74564
	Siderail Spacer (3001-400-558)	AL-74565
	Glide Rod (3001-400-564)	AL-74566
	Outer Arm Cover (3001-400-619)	AL-74567
AC	Release Lever Ass'y.- Left (3002-400-055)	AL-74568L
	Release Lever Ass'y.- Right (3002-400-065)	AL-74568R
AD	Ball Detent Clip Ass'y.(3002-400-090)	AL-74569
	Bypass Pin (3002-400-505)	AL-74570
AE	Bypass Spacer Bushing (3002-400-509)	AL-74571
	Glide Rod Bumper Pad (3002-400-511)	AL-74572
	Bumper Washer (3002-400-512)	AL-74573
AJ	Pivot Bushing (3002-400-513)	AL-74574
	Foot Rail Tuck Spring (3003-402-517)	AL-74575
AL	Latch Bushing (3002-400-519)	AL-74576
AM	Siderail Carrier (3002-400-528)	AL-74577
AN	Timing Link Ass'y., HE - Left (3003-402-005)	AL-74578L
	Timing Link Ass'y., HE - Right (3003-402-010)	AL-74578R
AP	Latch Ass'y., HE - Left (3003-400-070)	AL-74579L
	Latch Ass'y., HE - Right (3003-400-075)	AL-74579R
	Head Rail - Left or Right Universal	AL-76069
	Inner Arm Cover (5000-020-005)	AL-74581
	Main Outside Cable - Left (3001-400-802)	AL-74582L
	Main Outside Cable - Right (3001-400-801)	AL-74582R
AR	Siderail Cable (3001-400-862)	AL-74583
	Spring Attachment Pin (3003-402-114)	AL-74584
	Left Rail - 8" Shorter Bed (3002-442-106)	AL-74631
	Right Rail - 8" Shorter Bed (3002-442-206)	AL-74632
	Hex Washer Hd. Screw (0003-124-000)	AL-74585
	Keyp Nut (0016-041-000)	AL-74586
	Cable Clamp (0034-022-000)	AL-74587
	Siderail Cable (3001-442-862)	AL-74588



Call For Pricing

# Head End Siderail Assembly **stryker**



Carrier/Arm  
Assembly  
Left Siderail (Shown)  
3003-402-105  
AL-74466

Carrier/Arm  
Assembly  
Right Siderail (Not Shown)  
3003-402-205  
AL-74467

**AR**

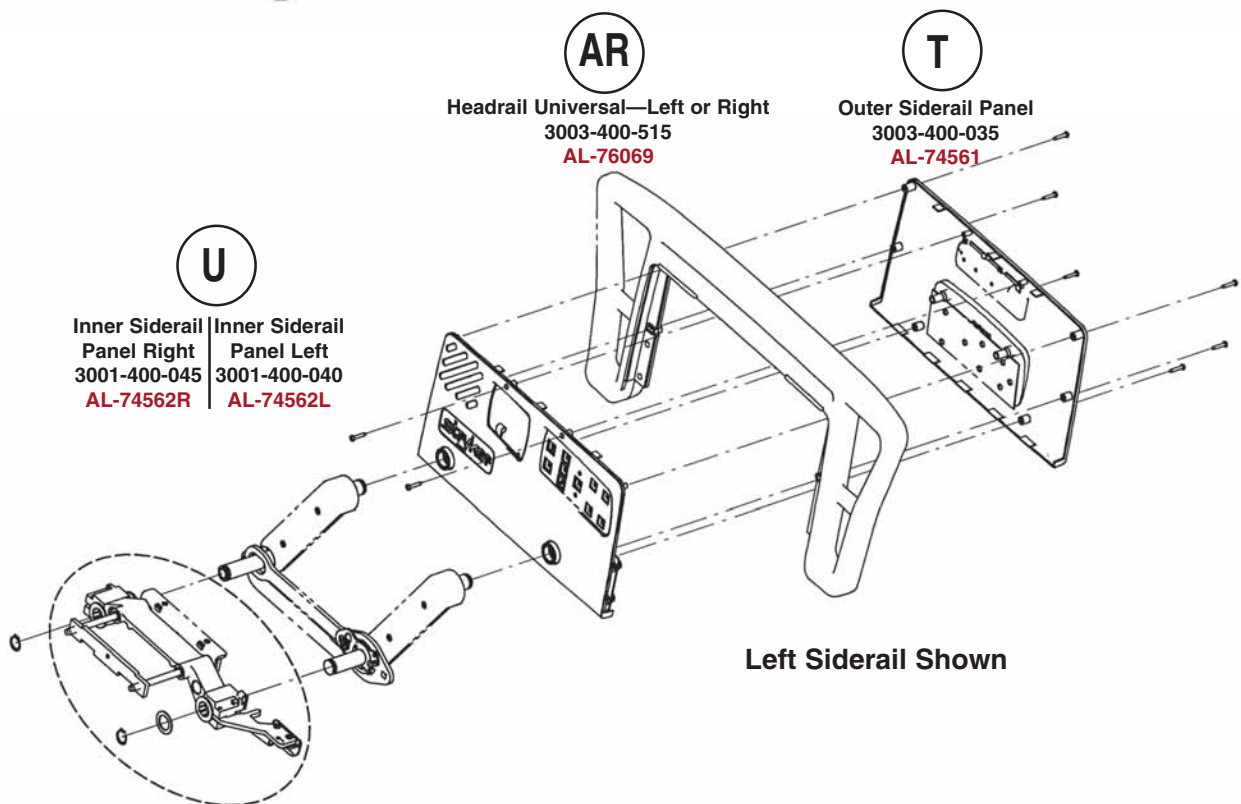
Headrail Universal—Left or Right  
3003-400-515  
AL-76069

**T**

Outer Siderail Panel  
3003-400-035  
AL-74561

**U**

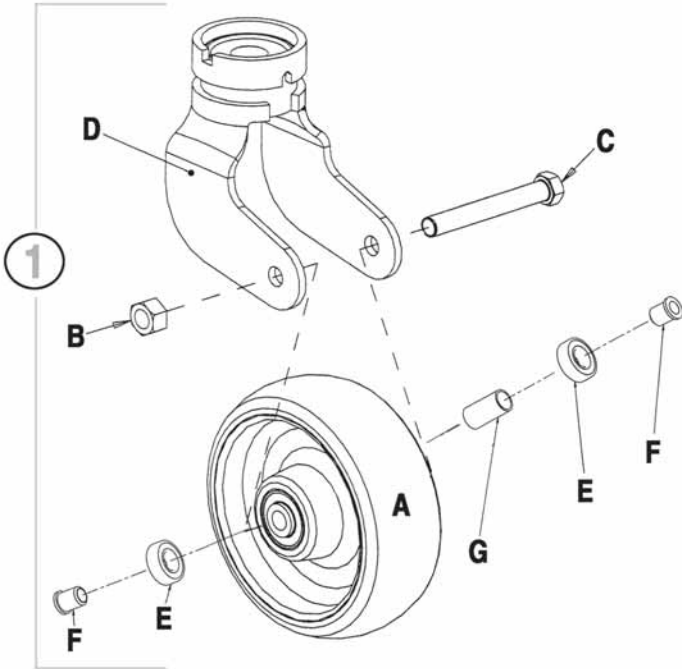
Inner Siderail Panel Right | Inner Siderail Panel Left  
3001-400-045 | 3001-400-040  
AL-74562R | AL-74562L



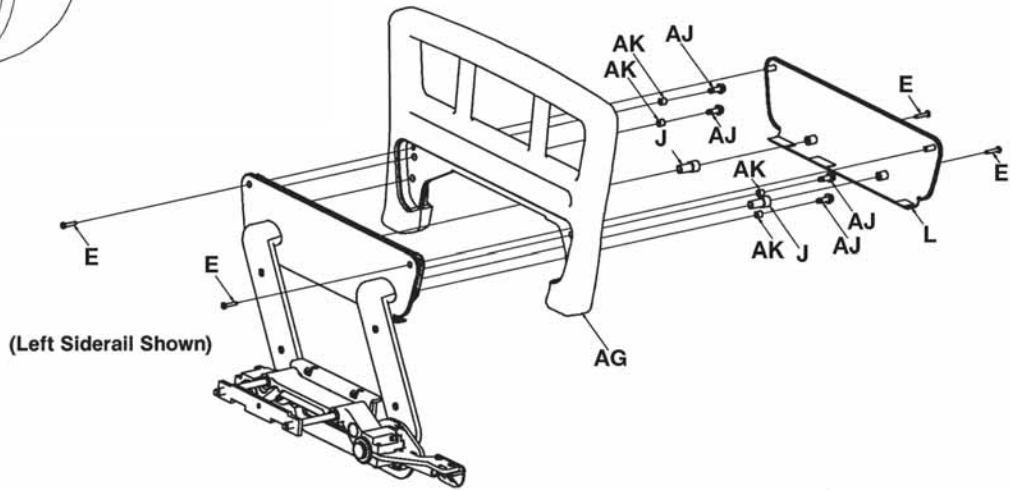
Left Siderail Shown

Please Provide Serial # and/or Model # When Ordering

EP1



6" Steer Caster Assembly			
Fig	Description	Stryker Part No.	ALCO Part No.
1	6" Steer Caster Assembly	3001-200-050	AL-74457
N/S	6" Caster Assembly	3001-200-060	AL-74458
A	6" Wheel	5000-002-010	AL-74460
B	Lock Nut	0016-060-000	AL-74646
C	Hex Head Cap Screw	0003-342-000	AL-74647
D	Steer Caster Horn w/Bearing	3001-200-051	AL-74648
	Caster Horn w/Bearing	3001-200-061	AL-74459
E	Bearing	0081-226-000	AL-74461
F	Bushing	0715-001-255	AL-74462
G	Bearing Spacer	6060-002-046	AL-74463



Please Provide Serial # and/or Model # When Ordering

**Foot End Siderail Assembly (Page 179)**

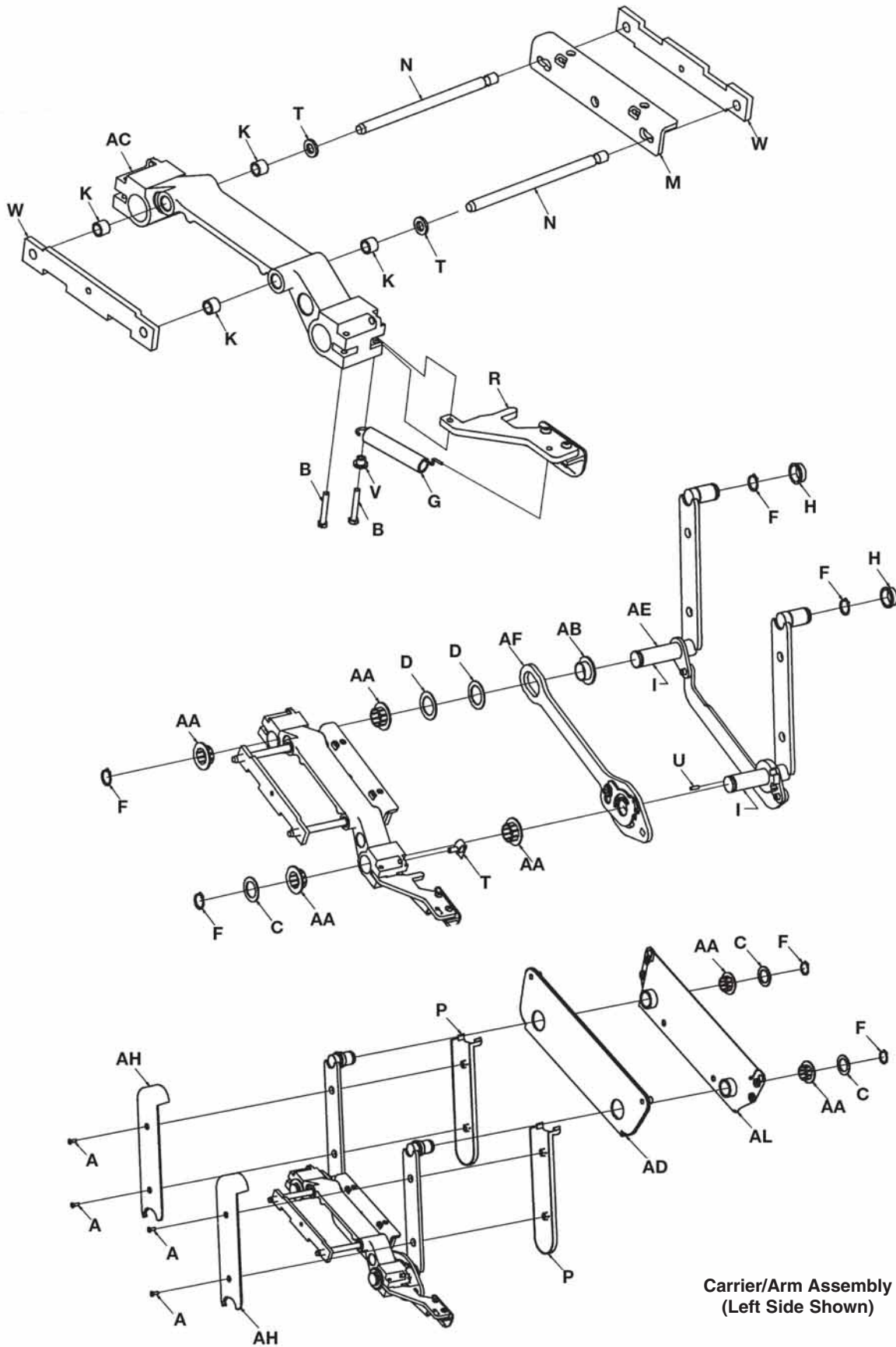
Fig.	Description	ALCO Part No.	Fig.	Description	ALCO Part No.
	Left Common Components (3003-401-300)	AL-74464	T	Ball Dent Clip Ass'y. (3002-400-090)	AL-74569
	Right Common Components (3003-401-400)	AL-74465	U	Bypass Pin (3002-400-505)	AL-74570
A	Flat Head Machine Screw (0001-072-000)	AL-74633	V	Bypass Bushing Spacer (3002-400-509)	AL-74571
B	Hex Hd. Cap Screw (0003-344-000)	AL-74589	W	Glide Rod Bumper Pad (3002-400-511)	AL-74606
C	Shim Washer (0011-343-000)	AL-74590	Y	Washer (3002-400-512)	AL-74607
D	Washer (0014-093-000)	AL-74591	AA	Pivot Bushing (3002-400-513)	AL-74574
E	Pan Hd. Tapping Screw (0023-090-000)	AL-74551	AB	Latch Bushing (3002-400-519)	AL-74576
F	Retaining Ring (0028-128-000)	AL-74593	AC	Carrier, Siderail (3002-400-528)	AL-74610
G	Extension Spring (3000-200-334)	AL-74594	AD	Inner Panel (3003-400-526)	AL-74611
H	Flange Bearing (3000-400-513)	AL-74595	AE	Timing Link Ass'y., FE - Left (3003-401-020)	AL-74612L
J	Panel Spacer (3000-400-523)	AL-74596		Timing Link Ass'y., FE - Right (3003-401-015)	AL-74612R
K	Sleeve Bearing (3000-400-557)	AL-74597	AF	Latch Ass'y., FE - Left (3003-400-085)	AL-74613L
L	Outer Panel (3001-400-527)	AL-74598		Latch Ass'y., FE - Right (3003-400-080)	AL-74613R
M	Mounting Bracket (3001-400-555)	AL-74599	AG	Foot Rail (3003-400-520)	AL-74614
N	Glide Rod (3001-400-564)	AL-74600	AH	Inner Arm Cover (5000-020-005)	AL-74581
P	Outer Arm Cover (3001-400-619)	AL-74567	AJ	Hex Washer Head Screw (0003-226-000)	AL-74616
R	Release Lever Ass'y. - Left (3002-400-055)	AL-74602L	AK	Spacer (3001-400-558)	AL-74565
	Release Lever Ass'y. - Right (3002-400-065)	AL-74602R	AL	Support Plate Weldment (3003-400-580)	AL-74618

Call For Pricing

# Foot End Siderail Assembly

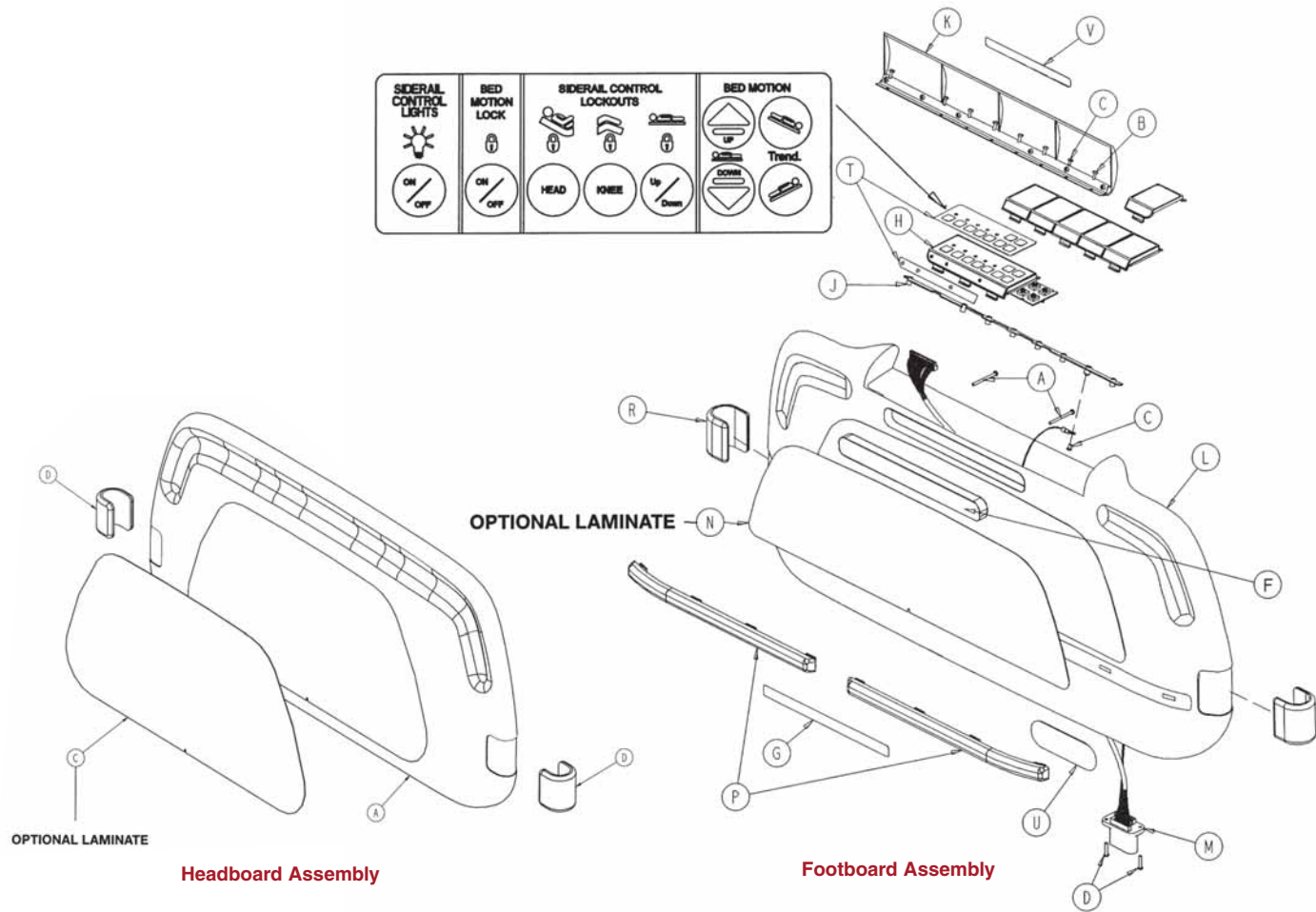
BUY 11 GET 1 FREE!

stryker®



EP1

Carrier/Arm Assembly  
(Left Side Shown)



**Headboard Assembly**

Fig.	Part No. (Stryker Part No.)	ALCO Part No.
A	Clamshell Assembly (3000-060-010)	<b>AL-74649</b>
C	Headboard Laminate	<b>AL-74650</b>
D	C-Bumper (3002-500-007)	<b>AL-74651</b>

**Footboard Assembly**

Fig.	Part No. (Stryker Part No.)	ALCO Part No.
A	Phillips Pan Head Screw (0023-099-000)	<b>AL-74652</b>
B	Pan Head Hi-Lo Tap. Screw (0023-103-000)	<b>AL-74653</b>
C	Pan Head Machine Screw (0050-038-000)	<b>AL-74654</b>
E	Pan Head Machine Screw (0050-039-000)	<b>AL-74655</b>
F	Chart Rack Cover (3000-500-008)	<b>AL-74656</b>
G	Hazard Label (3000-500-029)	<b>AL-74657</b>
H	Std. Control Module Ass'y (3001-500-028)	<b>AL-74658</b>
J	Hinge Plate (3001-500-064)	<b>AL-74659</b>
K	Lid Assembly (3001-500-001)	<b>AL-74660</b>
L	Clamshell Assembly (3001-500-010)	<b>AL-74661</b>
M	Footboard Drawer Cable (3001-500-801)	<b>AL-74662</b>
N	Footboard Laminate	<b>AL-74663</b>
P	Bumper Strip (2025-000-105)	<b>AL-74664</b>
R	C-Bumper (3002-500-007)	<b>AL-74665</b>
T	Standard Module Label (3002-500-024)	<b>AL-74666</b>
U	Secure II Label (3002-500-601)	<b>AL-74667</b>
V	Lid Label (3002-500-025)	<b>AL-74668</b>

**Optional Laminate**  
(Not included with Headboard or Footboard Assembly)

Specify Color: Hard Rock Maple, Fine Oak, Port Maple, Wild Cherry, Cayenne Maple, Honey Maple or Select Cherry

Headboard	<b>AL-74650</b>	<b>Call</b>
Footboard	<b>AL-74663</b>	<b>Call</b>

THE lord is my shepherd; I shall not want.  
 2 He maketh me to lie down in green pastures: he leadeth me beside the still waters.  
 3 He restoreth my soul: he leadeth me in the paths of righteousness for his name's sake.  
 4 Yea, though I walk through the valley of the shadow of death, I will fear no evil: for thou art with me; thy rod and thy staff they comfort me.  
 5 Thou preparest a table' before me in the presence of mine enemies: thou anointest my head with oil; my cup runneth over.  
 6 Surely goodness and mercy shall follow me all the days of my life: and I will dwell in the house of the Lord for ever.  
 Psalm 23

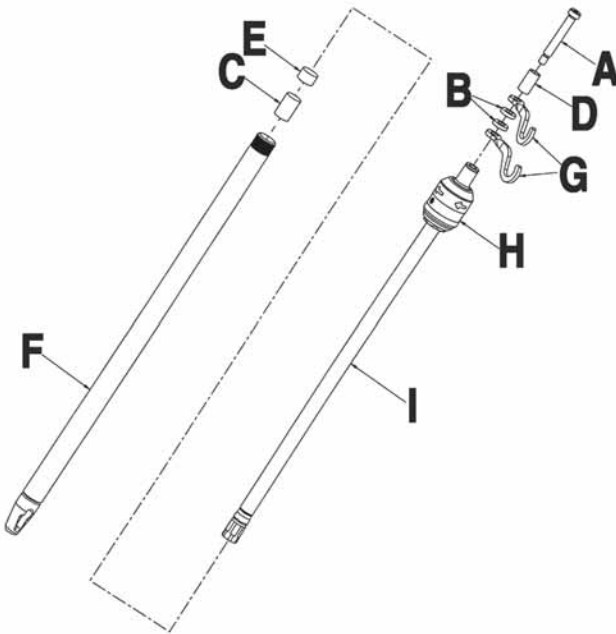
EP1

Call For Pricing

# Secure II Bed by Stryker

**BUY 11 GET 1 FREE!**

**stryker®**



2-Stage I.V. Pole, Left Side - AL-74669  
2-Stage I.V. Pole, Right Side - AL-74670

Fig.	Stryker Part No.	Description	ALCO Part No.
A	0008-031-000	Socket Head Shoulder Screw	AL-74671
B	0052-017-000	Washer	AL-74672
C	0052-310-000	Spacer	AL-74673
D	0926-400-162	Spacer	AL-74674
E	1001-259-013	Dampener	AL-74675
F	1001-259-032	Base Tube Weldment	AL-74676
G	1010-259-016	I.V. Hook	AL-74677
H	0785-035-103	IV. Pole Latch	AL-74678
I	1211-110-029	2nd Stage Assembly	AL-74679

## Stryker Circuit Boards & Motors

Stryker/Adel Bed Model	Description (Stryker Part No.)	ALCO Part No.	Repair Price
2020 Renaissance	Power Board (2020-2-612)	AL-69062R	\$559.00
	Power Board (2020-16-100)	AL-69063R	\$389.00
	Power Board (2020-16-950)	AL-69064R	\$399.00
	Power Board (2020-16-900)	AL-69065R	\$399.00
	Litter Control Board (2020-2-610)	AL-69066R	\$519.00
	Litter Control Board (2020-2-670)	AL-69067R	\$519.00
	Litter Control Board (2020-57-900)	AL-69068R	\$529.00
	Scale CPU (2020-57-511)	AL-69069R	\$679.00
	Scale CPU (2020-57-515)	AL-69070R	\$679.00
	Keyboard (2020-2-615)	AL-71631R	\$359.00
MPS 3000	DMS Power Supply (3000-302-939)	AL-69071R	\$119.00
	Litter CPU (3000-300-941)	AL-69072R	\$699.00
	Scale CPU (3000-307-959)	AL-69073R	\$679.00
	Scale Power Supply (3000-307-953)	AL-69074R	\$89.00
	Scale Menu IFC (3000-507-957)	AL-69075R	\$129.00
	Serial Interface Assy (3000-300-965)	AL-69076R	\$109.00
	Footboard IFC (3000-500-955)	AL-69077R	\$79.00
	Power Junction (3000-300-961)	AL-69078R	\$69.00
Adel 2100 Childbearing Bed	DMS Control Module (2500-900-400)	AL-69079R	\$1269.00
	DMS Control Module (2500-400-123)	AL-69080R	\$1269.00
	Printed Circuit Board (0314-17-00)	AL-69081R	\$919.00
	Printed Circuit Board (0306-58-00)	AL-69082R	\$709.00
	Printed Circuit Board (8803-141-700)	AL-69083R	\$919.00

Stryker/Adel Bed Model	Description (Stryker Part No.)	ALCO Part No.	Repair Price
Secure 3000	Power/Relay Board (3001-300-910)	AL-69084R	\$379.00
	CPU Board (3001-307-930)	AL-71640R	\$559.00
	CPU Board (3001-303-964)	AL-71641R	\$559.00
	CPU Board (3001-303-970)	AL-71642R	\$559.00
	CPU Board (3001-307-940)	AL-71643R	\$559.00
	CPU Board (3001-307-950)	AL-71644R	\$559.00
	CPU Board (3001-307-970)	AL-71645R	\$559.00
	CPU Board (3001-307-971)	AL-71646R	\$559.00
	CPU Board (3001-307-972)	AL-71647R	\$559.00
	CPU Board (3001-307-973)	AL-71649R	\$559.00
	CPU Board (3001-307-940)	AL-71650R	\$559.00
	CPU Board (3001-308-970)	AL-71651R	\$559.00
	CPU Board (3001-307-971)	AL-71652R	\$559.00
	Secure II (3002)	Control Board (3002-407-950)	AL-71636R
CPU Board (3002-010-802)		AL-71653R	\$559.00
CPU Board (3002-307-930)		AL-71654R	\$559.00
CPU Board (3002-307-940)		AL-71655R	\$559.00
CPU Board (3002-307-950)		AL-71656R	\$559.00
CPU Board (3002-307-951)		AL-71657R	\$559.00
CPU Board (3002-307-961)		AL-71658R	\$559.00
CPU Board (3002-307-962)		AL-71659R	\$559.00
CPU Board (3002-700-4)		AL-71660R	\$559.00
CPU Board (3002-700-34)		AL-71661R	\$559.00
Critical Care 2025	CPU Board (2025-700-18)	AL-71632R	\$559.00
	Power/Relay Board (2025-300-930)	AL-71633R	\$379.00
EPIC II (2030)	CPU Board (2030-032-181)	AL-71634R	\$559.00
	CPU Board (2030-700-14)	AL-71635R	\$559.00
	CPU Board (3002-407-950)	AL-71636R	\$559.00
EPIC II ZOOM (2040)	CPU Board (2030-032-181)	AL-71637R	\$559.00
	CPU Board (2030-700-14)	AL-71638R	\$559.00
	CPU Board (3002-407-950)	AL-71639R	\$559.00

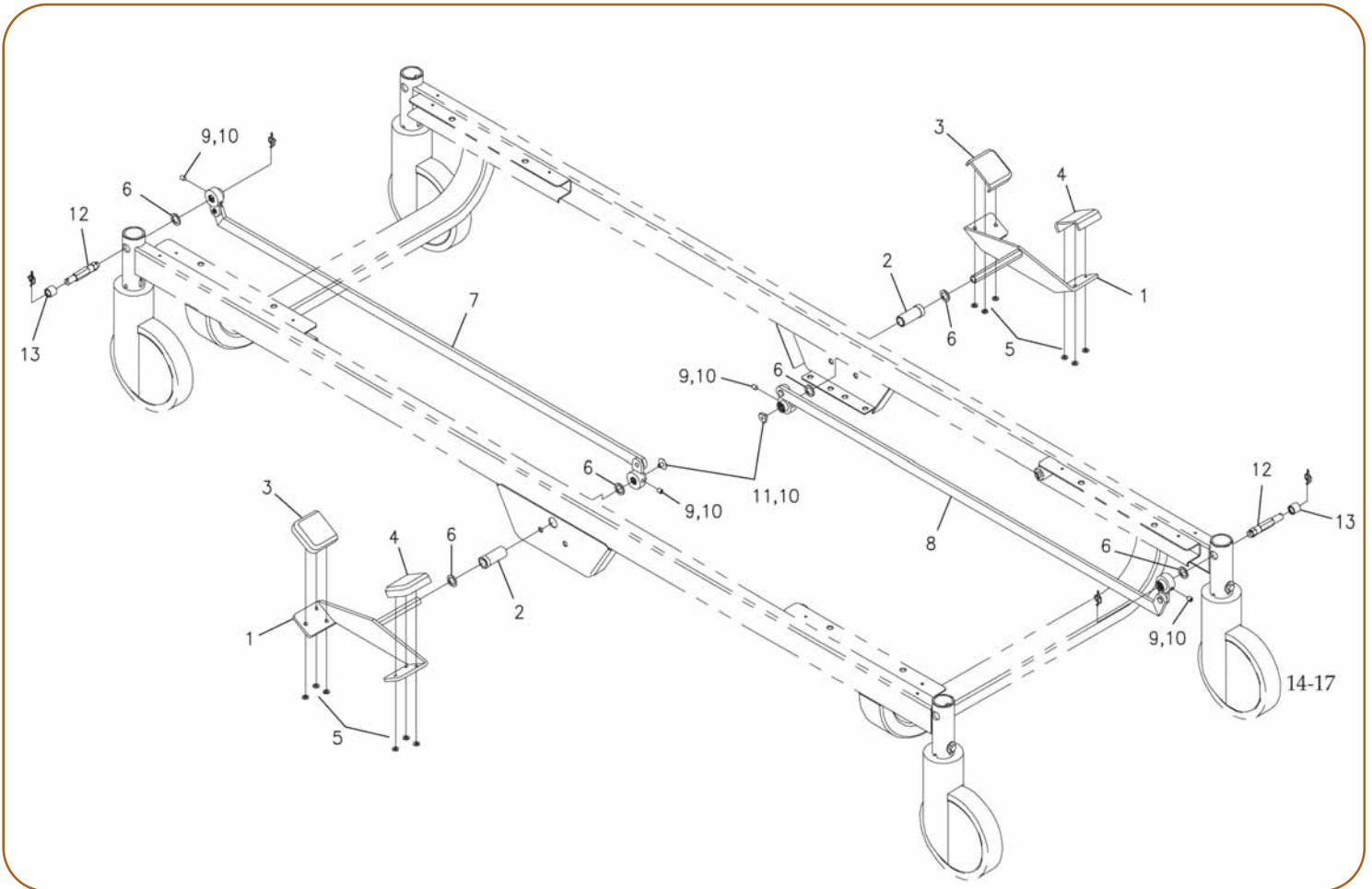
**stryker®**

### NEW MOTORS

Stryker/Bed Model	Description (Stryker Part No.)	ALCO Part No.	Price Each
N/A	Gatch (Foot) Motor 115 Volt, Med-Surge (2025232070)	AL-71704	Call
	Fowler (Head) Motor Kit 115 Volt, Stretcher (2025-700-1)	AL-71705	Call
	Fowler (Head) Motor 115 Volt, Maternity (5000030340)	AL-71706	Call
	Fowler (Head) Actuator 115 Volt, Maternity (2035300472)	AL-71707	Call
	Bed Lift Motor 115 Volt, Maternity (4701-116-003)	AL-71708	\$289.00
	Lift Motor, 115 Volt Med-Surge (3000200213)	AL-74502	Call
	Trendelenburg Motor 115 Volt, Maternity (4701032048)	AL-71710	\$289.00
	Fowler (Head) Motor 115 Volt, Med-Surge (3001300472)	AL-71711	\$289.00
	Foot Lift Motor, Maternity, 115 Volt (4701040035)	AL-71712	\$289.00



Save Up To 60%!



**Caster Locking System**

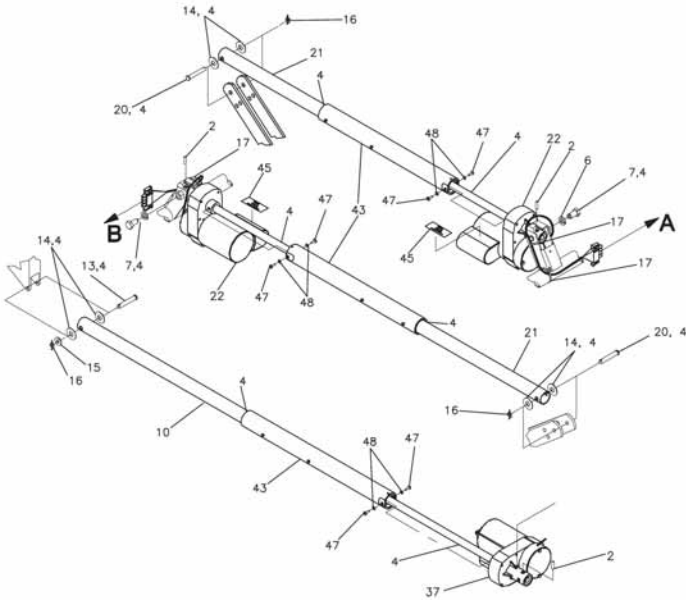
Fig.	Description (Stryker Part No.)	ALCO Part No.
1	S.A. Pedal (17-0349P)	<b>AL-77882</b>
2	Pedal axel (17-0052Z)	<b>AL-77883</b>
3	Green treadle tip (QPN-18028)	<b>AL-77884G</b>
4	Red treadle tip (QPN-18029)	<b>AL-77884R</b>
5	Anchor washer for 3/16 dia. stud (VWOOA06)	<b>AL-77885</b>
6	Nylon washer 0,505" ins. dia. x 3/4" ou (VW10C162402)	<b>AL-77878</b>
7	S.A. Connecting rod (head) (17-0323)	<b>AL-77886H</b>
8	S.A. Connecting rod (foot) (17-0324)	<b>AL-77886F</b>
9	Hex. socket set screw 1/4-28 nf. x 1/4" lg. (VV60A0M08)	<b>AL-77887</b>
10	Threadlocker - medium strength (blue) (M0008)	<b>AL-77888</b>
11	Machine screw truss Phillips 1/4-20 x 3/8" z.p. (VV37A1N12)	<b>AL-77879</b>
12	Locking axle (17-0342Z)	<b>AL-77880</b>
13	Axel bearing (17-0343)	<b>AL-77881</b>
14	Total Lock Caster (RT6IC)	<b>AL-77889</b>
15	Directional Lock Caster (RT6ICSW)	<b>AL-77890</b>
16	Flat washer 5/16" SAE z.p. (VW10A10)	<b>AL-77891</b>
17	Hex. Bolt M8 x 1.25 x 12 mm grade 2, z.p. (VB12A1W81)	<b>AL-77892</b>

Call For Pricing

GOBed by Stryker

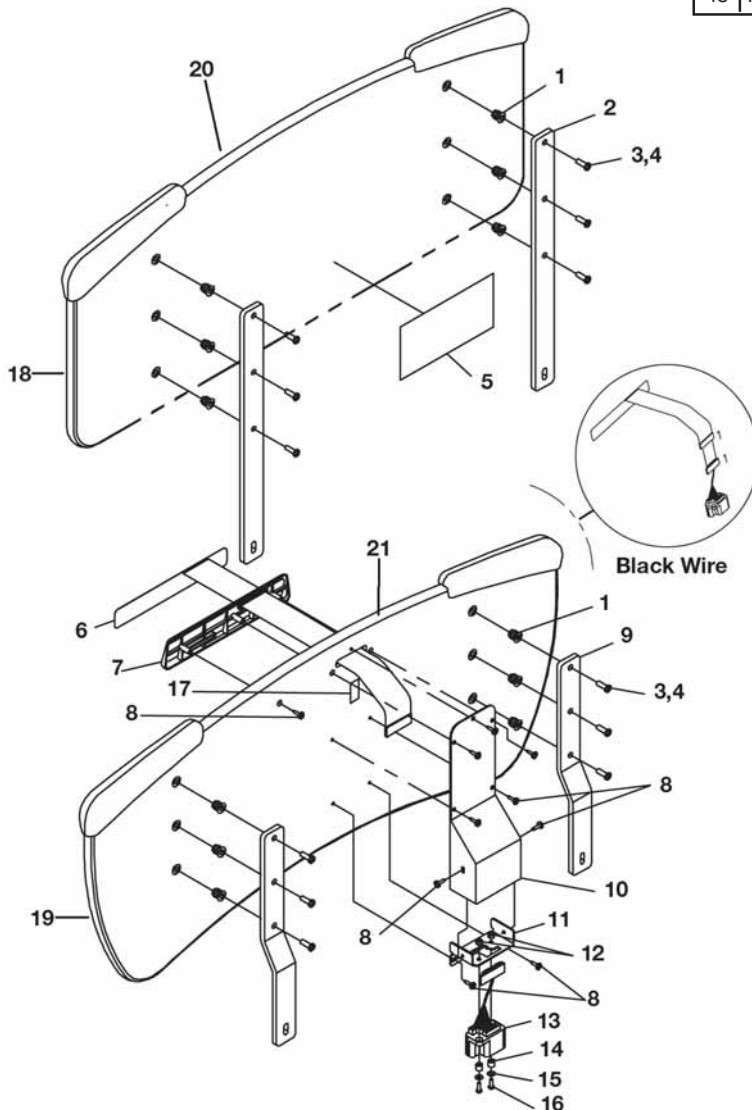
BUY 11 GET 1 FREE!

stryker®



**Electric System**

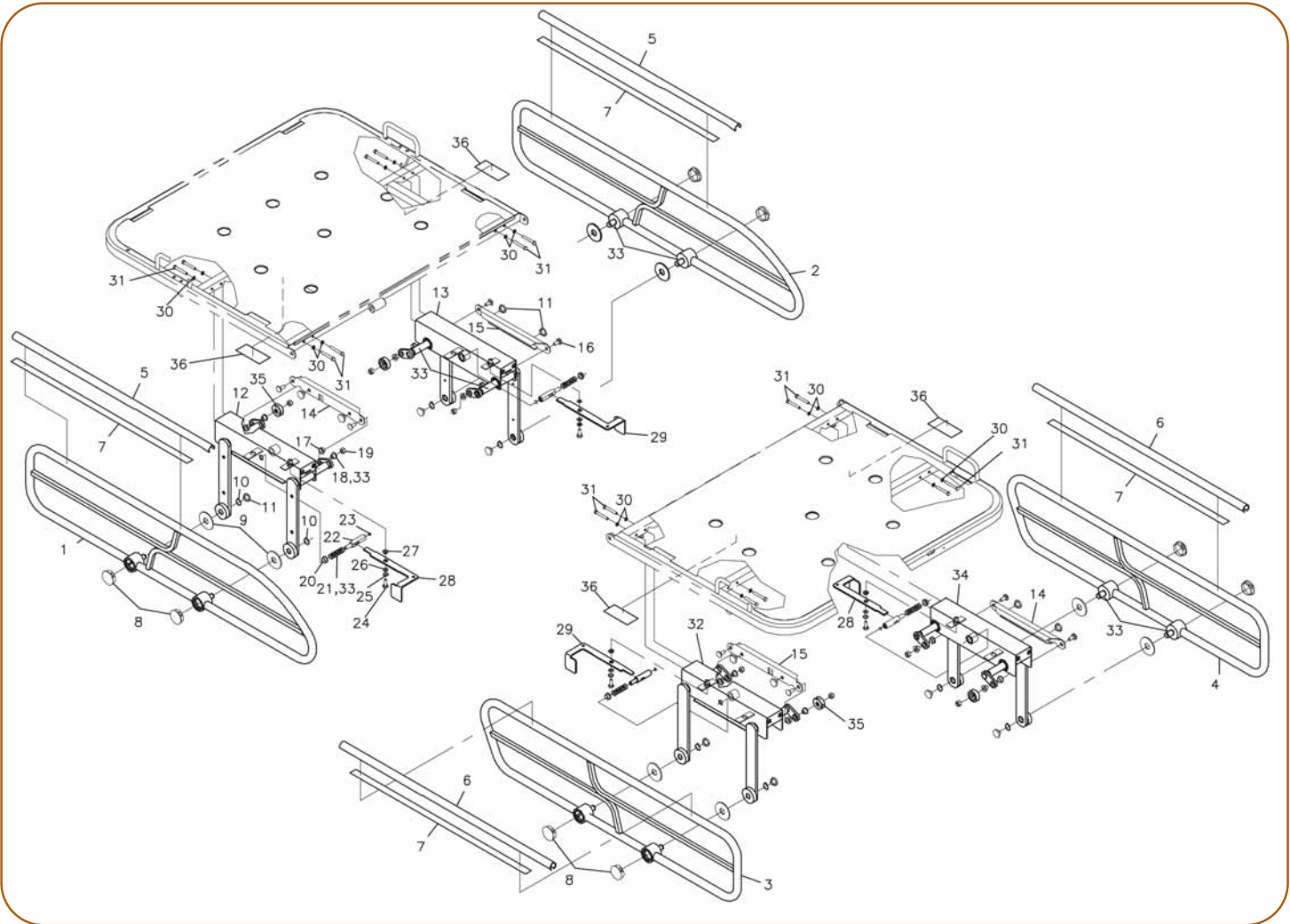
Fig.	Description (Stryker Part No.)	ALCO Part No.
2	Electric Acute Care Bed Parts Spring pin 3/16" dia. x 11/16" (VG10B0622)	AL-77895
4	Petro Canada OG2 grease (M0019)	AL-77896
6	Spring washer 1/2" zp (VW20A16)	AL-77897
7	Actuator bolt (17-0022Z)	AL-77979
10	Actuator tube (head) (17-0448)	AL-77980
13	Clevis Pin 3/8" dia. x 2" z.p. (VG50B1248)	AL-77893
14	Nylon washer 1/2" ins. dia. x 1 1/4" ou (VW10C173602)	AL-77981
15	Nylon washer 0.380" ins. x 5/8"out. x 1/16"th. (VW10C122002)	AL-77982
16	Rue ring cotter dia. 3/8" p.z. (QDF7878)	AL-77983
20	Clevis pin 3/8" dia. x 2-1/4" z.p. (VG50B1250)	AL-77894
21	Actuator tube (hi/low) (17-0446)	AL-77985
22	Hi-Lo Actuator (QDF17-0005)	AL-77986
37	Modified Head Actuator (17-0473)	AL-77987
43	S.A. actuator tube support (17-0410)	AL-77988
45	Motor identification (QE18845-F)	AL-77989
47	Hex. tapping screw #10 x 3/8" B type (VV84A9G12)	AL-77990
48	Flat washer #8 (VW11A9E)	AL-77991



**Head-Footboard Panel**

Fig.	Description (Stryker Part No.)	ALCO Part No.
1	Threaded insert for wood 1/4"-20 UNC x 13mm, pz (QDF7879)	AL-77992
2	Head fixing plate (17-0158P)	AL-77993
3	Machine screw truss Phillips 1/4"-20 x 3/4" z.p. (VV37A1N24)	AL-77994
4	Threadlocker - medium strength (blue) (M0008)	AL-77995
5	Sticker - Headboard installation (QE14376-T)	AL-77996
6	Nurse control membrane (QDF17-0180)	AL-77997
7	Nurse control board (QP17-0127-07)	AL-77998
8	Tapping Screw truss Phillips type A #10 x 1/2" z.p. (VV27A9G16)	AL-77999
9	Foot fixing plate (17-0154P)	AL-78000
10	Support cover (17-0143P)	AL-78001
11	Connector support (17-0144P)	AL-78002
12	Nylon hex. locknut #8-32 z.p. (VE30A1E)	AL-78003
13	Extension cord for membrane (QDF17-0139)	AL-78004
14	Sleeve (VW60C081005)	AL-78005
15	Flat washer #8 (VW11A9E)	AL-78006
16	Machine screw pan Phillips #8-32 x 3/4" z.p. (VV33A1E24)	AL-78007
17	3M adhesive tape #950 x 1" (QDF7826)	AL-78008
18	Head Board (17-015xx)	AL-78009
19	Foot Board (17-0156xx)	AL-78010
20	Head Board PVC Edge (17-0241-xx)	AL-78011
21	Foot Board PVC Edge (17-0242-xx)	AL-78012

EP-1



**Steel Siderails**

Fig.	Description (Stryker Part No.)	ALCO Part No.	Fig.	Description (Stryker Part No.)	ALCO Part No.
1	S.A. Right Head Side Rail (17-0219P)	AL-77910	20	Plunger support (QPN-18762)	AL-77929
2	S.A. Left Head Side Rail (17-0216P)	AL-77911	21	Half-length side rail plunger spring (QRC1317P001)	AL-77930
3	S.A. Right foot side rail (17-0215P)	AL-77912	22	Plunger (17-0365Q)	AL-77931
4	S.A. Left foot side rail (17-0212P)	AL-77913	23	Nylon slide button (QPNH1801)	AL-77932
5	Head Side Rail Protector (17-0220)	AL-77914	24	Hex. bolt 1/4-20 x 1" Gr.5 z.p. "Scotch-Grip" (VB25A1N32)	AL-77933
6	Foot Side Rail Protector (17-0221)	AL-77915	25	1/4" flat washer - 17/64 1d 3/4 O.D. 0.06 depth (VW10A0824)	AL-77934
7	3M adhesive tape #950 x 1" (QDF7826)	AL-77916	26	Bowed spring tension washer dia. 1/2" (VW30A16)	AL-77935
8	Domed cap dp1250 1-1/4" (QDFP1514)	AL-77917	27	Washer (13-0888Z)	AL-77936
9	Nylon washer 1-23/32" O.D. x 5/8" I.D. x 0.05 (VW10C432002)	AL-77918	28	Right latch release (17-0468P)	AL-77937
10	Lock nut 9/16" (exterior) (QDF7859)	AL-77919	29	Left latch release (17-0467P)	AL-77938
11	Protective cap (QP18748-07)	AL-77920	30	Lock washer dia 1/4" . Z.P. (VW20A08)	AL-77939
12	S.A. Siderail mechanism - Head right (20-0055P)	AL-77921	31	Hex. bolt 1/4-20 x 1-1/2" Gr.5 z.p. "Scotch-Grip" (VB25A1N40)	AL-77940
13	S.A. Siderail mechanism - head left (20-0056P)	AL-77922	32	S.A. Siderail mechanism - foot right (20-0089P)	AL-77941
14	Transfer plate (right head) (17-0427Z)	AL-77923	33	Petro Canada OG2 grease (M0019)	AL-77896
15	Transfer plate (left head) (17-0426Z)	AL-77924	34	S.A. Siderail mechanism - foot left (20-0090P)	AL-77943
16	Carriage bolt (short neck) 5/16-18-1" p.z. (VB35A1032)	AL-77925	35	Reinforcement washer (90-1111Z)	AL-77944
17	Transfer plate bushing (QPN-18749)	AL-77926	36	Sticker - Torque min/max (QE71-0540-F)	AL-77945
18	Transfer plate handle (17-0075Z)	AL-77927			
19	Nylon hex. locknut 5/16-18 UNC z.p. (VE30A10)	AL-77928			

EP1

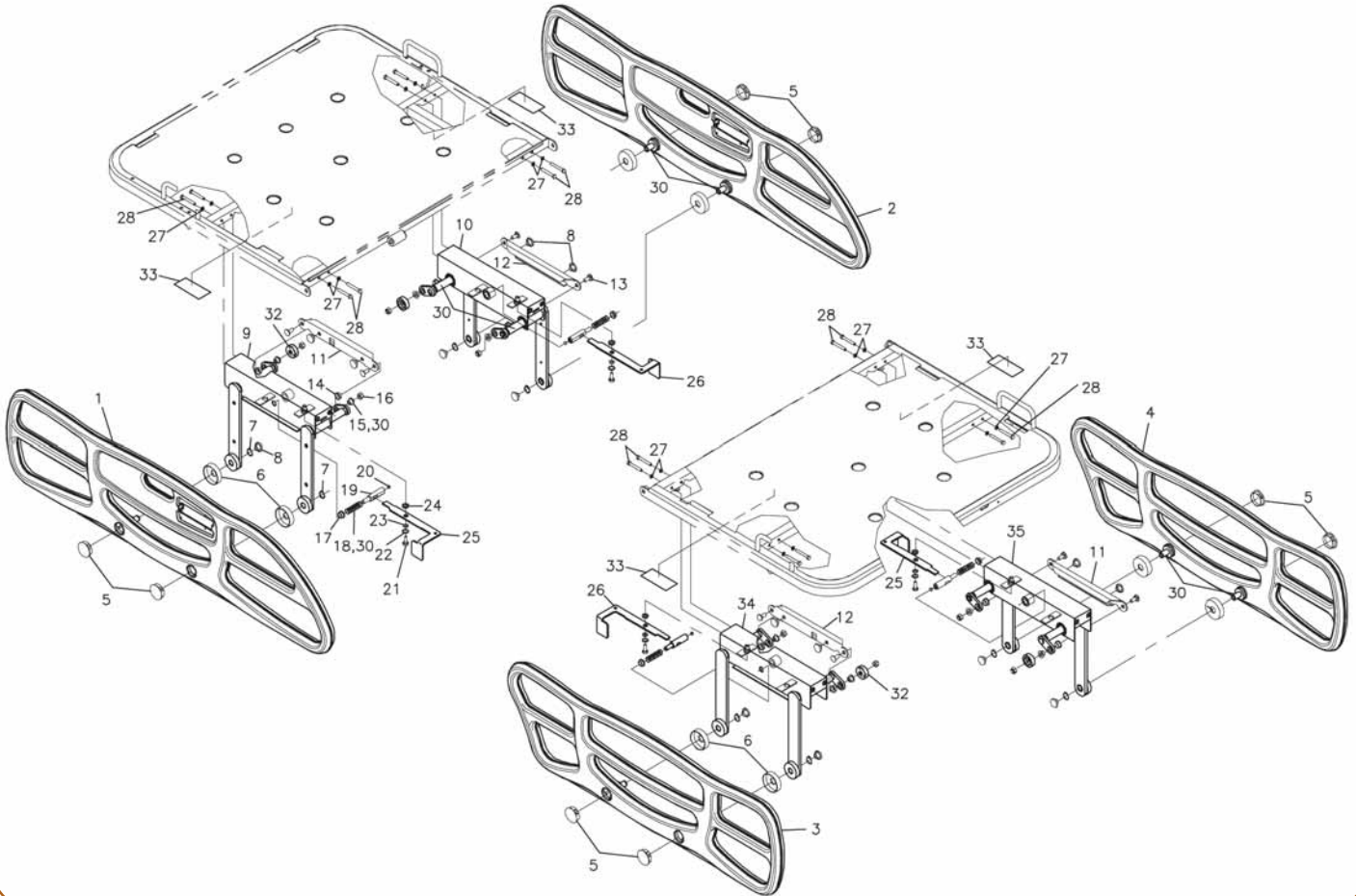


Call For Pricing

**GOBed by Stryker**

**BUY 11 GET 1 FREE!**

**stryker®**



**Plastic Siderails**

Fig.	Description (Stryker Part No.)	ALCO Part No.	Fig.	Description (Stryker Part No.)	ALCO Part No.
1	Right head siderails (17-0360R)	AL-77946	19	Plunger (17-0365Q)	AL-77931
2	Left head siderails (17-0361R)	AL-77947	20	Nylon slide button (QPNH1801)	AL-77932
3	Right foot siderails (17-0362R)	AL-77948	21	Hex. bolt 1/4-20 x 1" Gr.5 z.p. "Scotch-Grip" (VB25A1N32)	AL-77933
4	Left foot siderails (17-0363R)	AL-77949	22	1/4" flat washer - 17/64 1d 3/4 O.D. 0.06 depth (VW10A0824)	AL-77934
5	Shaft plug (QP17-0364-07)	AL-77950	23	Bowed spring tension washer dia. 1/2" (VW30A16)	AL-77935
6	Side rail spacer (17-0353)	AL-77951	24	Washer (13-0888Z)	AL-77936
7	Lock nut 9/16" (exterior) (QDF7859)	AL-77919	25	Right latch release (17-0468P)	AL-77937
8	Protective cap (QP18748-07)	AL-77920	26	Left latch release (17-0467P)	AL-77938
9	S.A. Siderail mechanism - Head right (20-0055P)	AL-77921	27	Lock washer dia 1/4" . Z.P. (VW20A08)	AL-77939
10	S.A. Siderail mechanism - head left (20-0056P)	AL-77922	28	Hex. bolt 1/4-20 x 1-1/2" Gr.5 z.p. "Scotch-Grip" (VB25A1N40)	AL-77940
11	Transfer plate (right head) (17-0427Z)	AL-77923	30	Petro Canada OG2 grease (M0019)	AL-77896
12	Transfer plate (left head) (17-0426Z)	AL-77924	32	Reinforcement washer (90-1111Z)	AL-77944
13	Carriage bolt (short neck) 5/16-18-1" p.z. (VB35A1032)	AL-77925	33	Sticker - Torque min/max (QE71-0540-F)	AL-77945
14	Transfer plate bushing (QPN-18749)	AL-77926	34	S.A. Siderail mechanism - foot right (20-0089P)	AL-77941
15	Transfer plate handle (17-0075Z)	AL-77927	35	S.A. Siderail mechanism - foot left (20-0090P)	AL-77943
16	Nylon hex. locknut 5/16-18 UNC z.p. (VE30A10)	AL-77928			
17	Plunger support (QPN-18762)	AL-77929			
18	Half-length side rail plunger spring (QRC1317P001)	AL-77930			

EP1

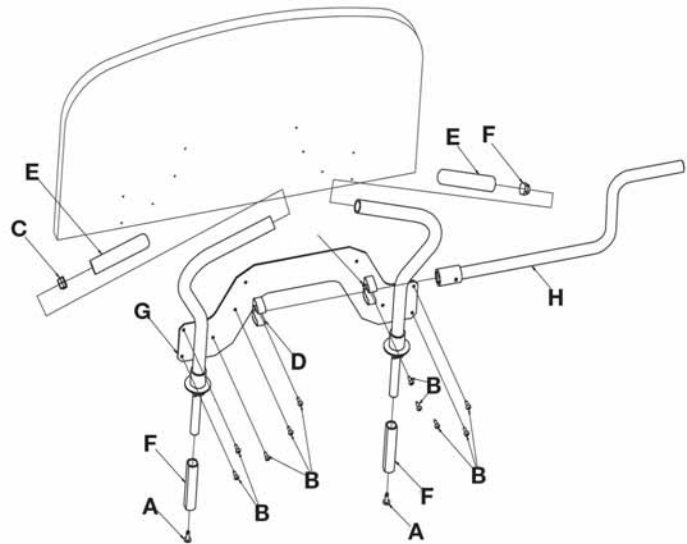
**We Accept**



**BUY 11 GET 1 FREE!**

**Common Replacement Parts**

Description (Stryker Part No.)	ALCO Part No.
Capacitor, Bed Motor/Foot (0059-778-000)	AL-77838
Capacitor, Bed Motor/Foot, 230V (0059-005-000)	AL-77839
Capacitor, Fowler Motor/Skoocher (0059-780-000)	AL-77840
Capacitor, Fowler Motor/Skoocher, 230V (3221-300-453)	AL-74482
Capacitor, Trendelenburg Motor (0059-779-000)	AL-77833
Capacitor, Trendelenburg Motor, 230V (0059-153-000)	AL-74484
Caster Assembly, 8" (3001-200-090)	AL-77811
Caster Assembly, Steer, 8" (3001-200-080)	AL-77810
Caster Molded Wheel, 8" (0715-002-025)	AL-77834
Caster Assembly, 6" (3001-200-060)	AL-74487
Caster Assembly, Steer, 6" (3001-200-050)	AL-74488
Caster Molded Wheel, 6" (5000-002-010)	AL-74460
Circuit Breaker, 10A (0059-196-000)	AL-77845
Communications Tester (3002-045-700)	AL-77846
CPU Board (3002-407-950)	AL-77847
Crank Handle Assembly (4701-036-020)	AL-77848
Fluid Basin, Plastic (4701-036-001)	AL-77849
Fluid Basin Liners (8813-320-000)	AL-77850
I.V. Pole Service Kit, 3-Stage (4701-036-035)	AL-77851
Labor Bar (4701-036-010)	AL-77852
Mattress, Foot (4701-045-005)	AL-77853
Mattress Assy, Head W/Electric Lumbar (4701-048-000)	AL-77854
Mattress Assy, Std, Enhanced Comfort (4701-045-000)	AL-77855
Motor, Bed Lift (4701-032-055)	AL-77856
Motor, Bed Lift, 230V (4712-032-055)	AL-77857
Motor Kit, Foot Lift (4701-040-250)	AL-77858
Motor Kit, Foot Lift, 230V (4701-040-255)	AL-77859
Motor W/Clutch, Fowler and/or Skoocher (4701-035-040)	AL-77860
Motor W/Clutch, Fowler and/or Skoocher, 230V (4712-035-040)	AL-77861
Motor, Trendelenburg (4701-032-095)	AL-77862
Motor, Trendelenburg, 230V (4712-032-095)	AL-77863
Night Light (4701-080-080)	AL-77864
9V Battery (3000-303-871)	AL-77865
Power Board, Foot (4701-080-050)	AL-77866
Paint, Touch-Up, Opal, Bottle W/Brush (7000-001-321)	AL-74504
Paint, Touch-Up, Opal, Spray Can (7000-001-318)	AL-74505
Potentiometer Assembly, Foot/Fowler/Bed (4701-080-025)	AL-77842
Power Cord Assembly, 120V (0039-254-000)	AL-77835
Siderail Lumbar PCB Board, Left (5000-400-930)	AL-77836
Siderail Lumbar PCB Board, Right (5000-400-920)	AL-77837
Siderail Main PCB Board (3001-400-930)	AL-74476
Siderail Outside PCB Board, Left (4701-080-070)	AL-77788
Siderail Outside PCB Board, Right (4701-080-060)	AL-77841
Siderail Smart TV PCB Board, Left (5000-400-930)	AL-77836
Siderail Smart TV PCB Board, Right (5000-400-920)	AL-77837
Siderail Timing Link Assembly, Right (4700-220-004)	AL-77843
Siderail Timing Link Assembly, Left (4700-220-005)	AL-77844



**Wood Head Board Mounting Hardware**

Fig.	Description (Stryker Part No.)	ALCO Part No.
A	Truss Hd. Screw (0007-065-000)	AL-77867
B	Button Head Cap Screw (0004-618-000)	AL-77868
C	Hole Plug (0037-062-000)	AL-77869
D	Crank Handle Clip (0058-065-000)	AL-77870
E	Push Handle End Cap (4700-030-057)	AL-77871
F	Plastic Bushing (4701-030-187)	AL-77872
G	Frame Weldment (4701-030-195)	AL-77873
H	Crank Handle Assembly (4701-036-020)	AL-77848

**Stryker Linens**

**Stryker**

Description	Stryker Part No.	ALCO Part No.	Price Per Set
Adel 4700 mattress	NA	AL-78431	\$49.00
LD 304 mattress	NA	AL-78432	\$49.00

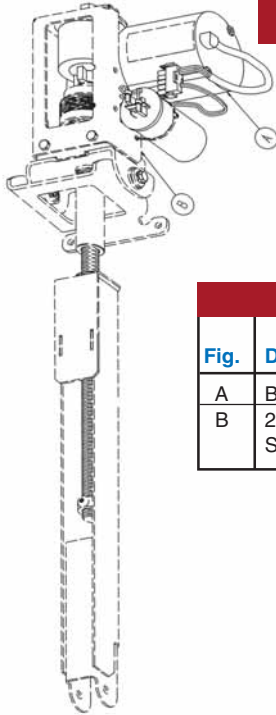


Call For Pricing

# LD304 Birthing Bed by Stryker

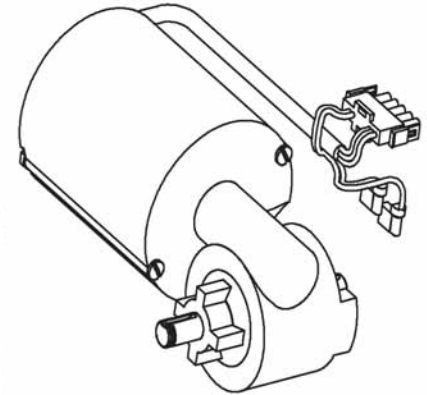


**BUY 11 GET 1 FREE!**



### Bed Lift Motor Assembly

Fig.	Description (Stryker Part No.)	ALCO Part No.
A	Bed Lift Motor (4701-032-047)	AL-77793
B	220V Bed Lift Motor Standard Compotes (4712-032-047)	AL-77794

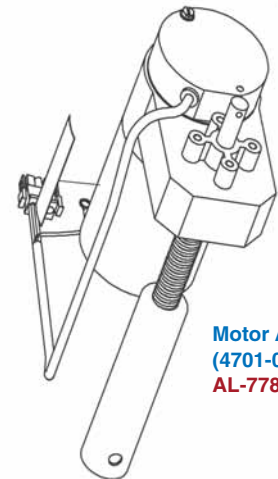


### Fowler Motor with Clutch

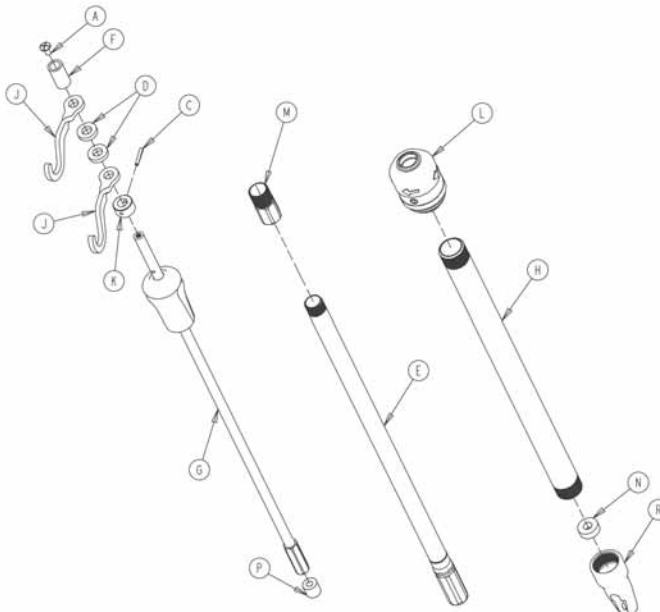
Description (Stryker Part No.)	ALCO Part No.
Fowler Motor (3001-300-472)	AL-77795
Fowler Motor (220V) (3221-300-453)	AL-74482

### 6" and 8" Caster Assembly

Fig.	Description (Stryker Part No.)	ALCO Part No.
A	Step Bolt (0005-042-000)	AL-77809
B	Nylock Hex Nut (0016-035-000)	AL-74342
F	6" Steer Caster Assembly (3001-200-050)	AL-74488
F	8" Steer Caster Assembly (3001-200-080)	AL-77810
F	6" Caster Assembly (3001-200-060)	AL-74487
F	8" Caster Assembly (3001-200-090)	AL-77811
G	6" Caster Cover, Right (4701-001-095)	AL-77812
G	8" Caster Cover, Right (4701-001-077)	AL-77813
H	6" Caster Cover, Left (4701-001-096)	AL-77804
H	8" Caster Cover, Left (4701-001-076)	AL-77818
J	Tabbed Washer (4701-001-094)	AL-77819



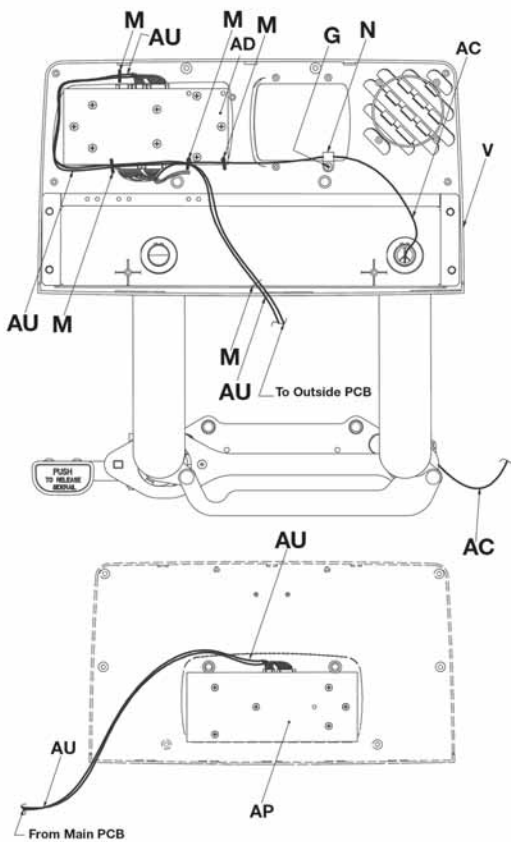
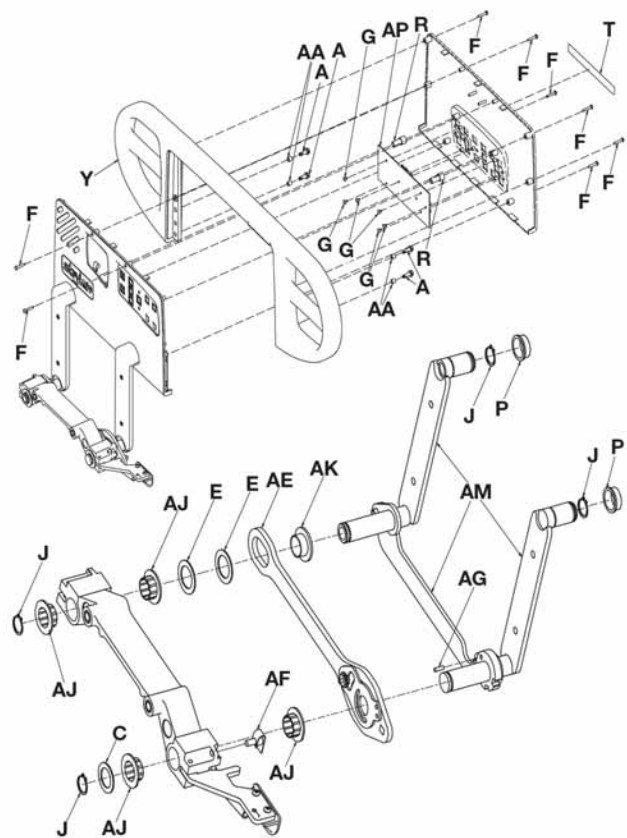
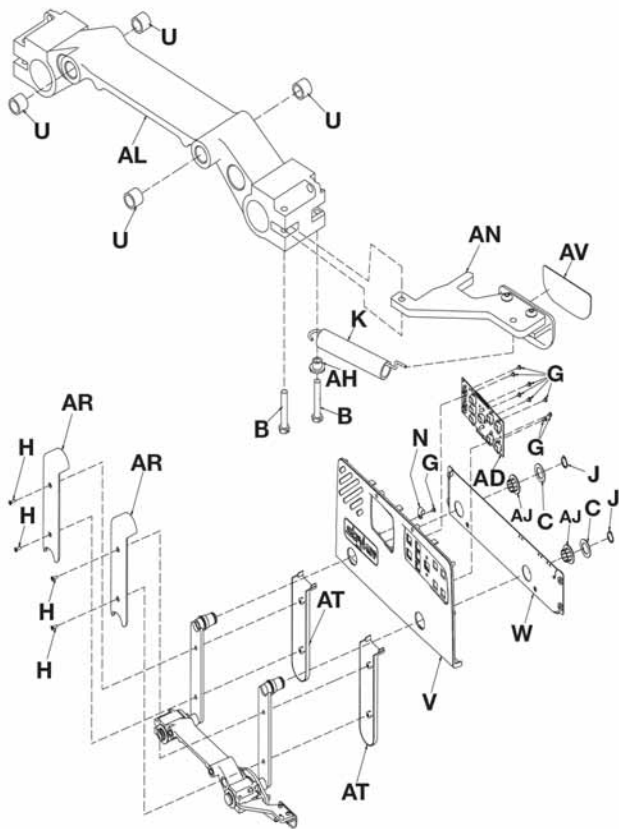
Motor Assembly (4701-032-048)  
AL-77820



### 3-Stage I.V. Pole Assembly

Fig.	Description (Stryker Part No.)	ALCO Part No.
A	Truss Hd. Machine Screw (0007-004-000)	AL-77832
C	Roll Pin (0026-076-000)	AL-77822
D	Spacer (0052-017-000)	AL-74672
E	2nd Stage Assembly (1211-210-031)	AL-77823
F	Spacer (0926-400-162)	AL-74674
G	3rd Stage Assembly (1211-110-032)	AL-77824
H	Base Tube (1001-161-023)	AL-77825
J	I.V. Hook (1010-059-016)	AL-77826
K	Collar (1010-061-014)	AL-77827
L	I.V. Pole Latch (1211-210-026)	AL-77821
M	Threaded Adaptor (1211-110-016)	AL-77828
N	Dampener (1001-359-013)	AL-77829
P	Dampener (1001-359-014)	AL-77830
R	Pivot (1001-359-112)	AL-77831

**BUY 11 GET 1 FREE!**



### Standard Siderail Components, Left

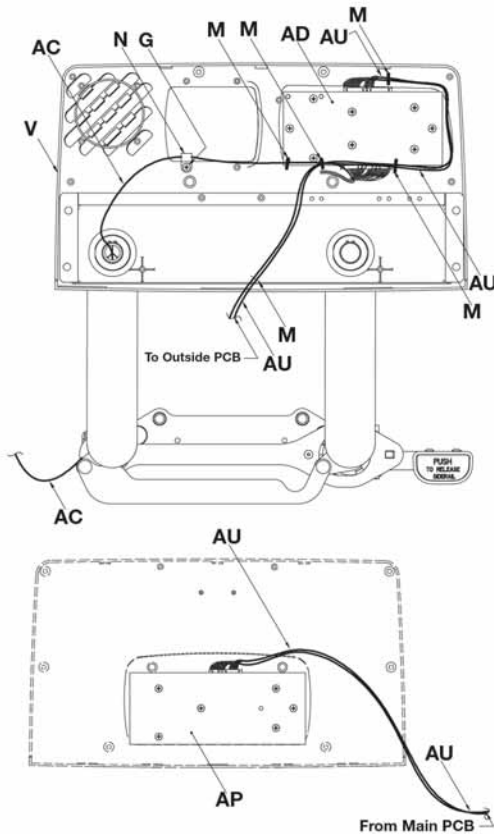
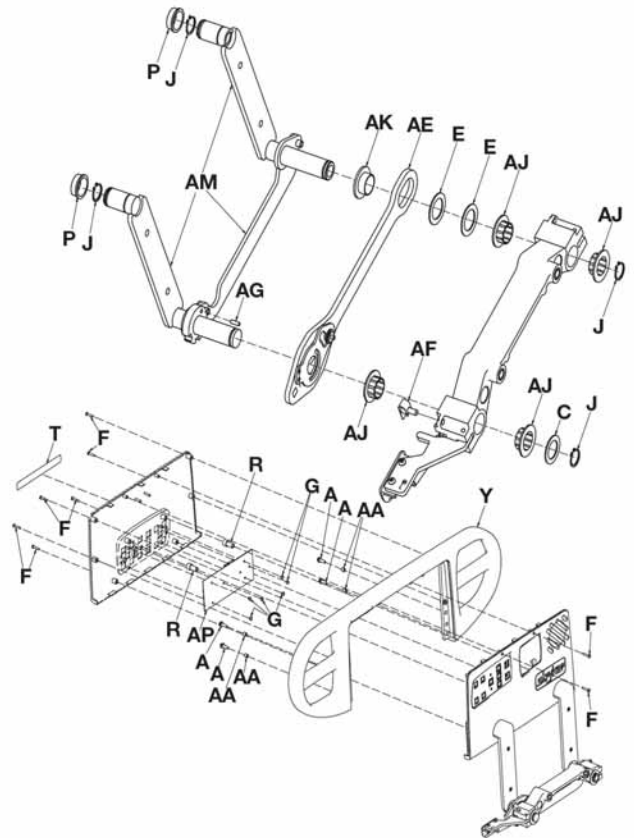
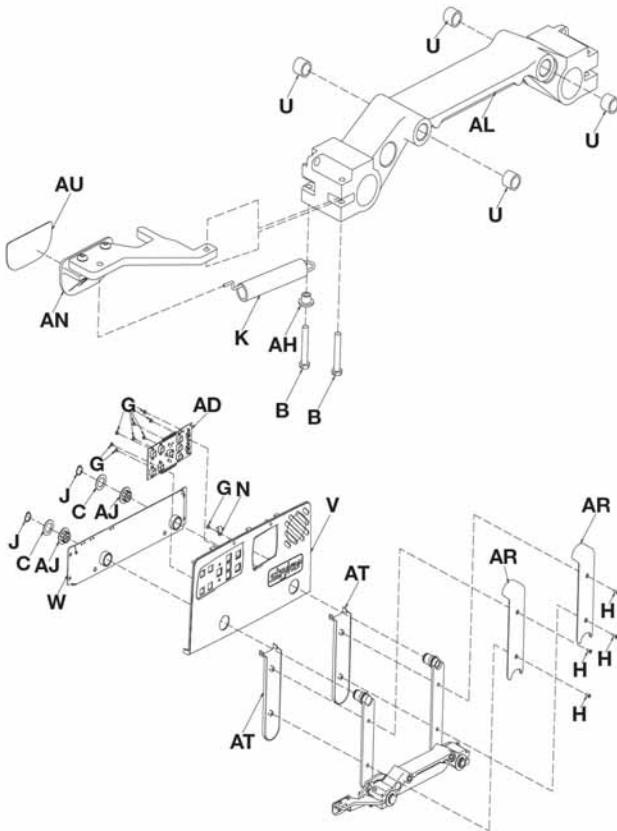
Fig.	Description (Stryker Part No.)	ALCO Part No.
A	Hex Washer Hd. Screw (0003-226-000)	AL-74616
B	Hex Hd. Machine Screw (0003-344-000)	AL-74589
C	Shim Washer (0011-343-000)	AL-74590
E	Washer (0014-093-000)	AL-74591
F	Pan Hd. Tapping Screw (0023-090-000)	AL-74551
G	Pan Hd. Tapping Screw (0023-112-000)	AL-74552
H	Flat Hd. Machine Screw (0001-072-000)	AL-74546
J	Retaining Ring (0028-128-000)	AL-74593
K	Release Lever Spring (3000-200-334)	AL-74594
M	Cable Tie (3000-300-114)	AL-74555
N	CPR Conduit Clamp (3000-300-478)	AL-74556
P	Wear Bushing (3000-400-513)	AL-74557
R	Panel Spacer (3000-400-523)	AL-74596
T	Warning Label (3000-400-556)	AL-54559
U	Sleeve Bearing (3000-400-557)	AL-74560
V	Inner Panel (3001-400-040)	AL-74562L
W	Hd. End, Lt. Support Weldment (3001-400-130)	AL-77786
Y	Head Rail (3001-400-515)	AL-77776
AA	Spacer (3001-400-558)	AL-74565
AB	Outer Panel (4700-020-008)	AL-77785
AC	Cable (4701-080-026)	AL-77790
AE	Latch Assembly, Head, Left (3002-400-070)	AL-77797
AF	Detent Clip Assembly (3002-400-090)	AL-74569
AG	Bypass Pin (3002-400-505)	AL-74570
AH	Bypass Bushing Spacer (3002-400-509)	AL-74571
AJ	Pivot Bushing (3002-400-513)	AL-74574
AK	Latch Bushing (3002-400-519)	AL-74576
AL	Siderail Carrier (3002-400-528)	AL-74577
AM	Timing Link Assembly, Left, Hd. (4700-320-005)	AL-77796
AN	Release Lever Assembly (4700-220-007)	AL-77798
AP	Outside Siderail PCB, Left (4701-080-070)	AL-77788
AR	Inner Arm Cover (5000-020-005)	AL-74581
AT	Outer Arm Cover (3001-400-619)	AL-74567
AU	Main Outside Cable, Left (5000-080-012)	AL-77700
AV	Siderail Release Label (5000-090-016)	AL-77806

Call For Pricing

# LD304 Birthing Bed by Stryker

**stryker**<sup>®</sup>

**BUY 11 GET 1 FREE!**



### Standard Siderail Components, Right

Fig.	Description (Stryker Part No.)	ALCO Part No.
A	Hex Washer Hd. Screw (0003-226-000)	AL-74616
B	Hex Hd. Machine Screw (0003-344-000)	AL-74589
C	Washer (0011-343-000)	AL-74590
E	Washer (0014-093-000)	AL-74591
F	Pan Hd. Tapping Screw (0023-090-000)	AL-74551
G	Pan Hd. Tapping Screw (0023-112-000)	AL-74552
H	Flat Hd. Machine Screw (0001-072-000)	AL-74546
J	Retaining Ring (0028-128-000)	AL-74593
K	Release Lever Spring (3000-200-334)	AL-74594
M	Cable Tie (3000-300-114)	AL-74555
N	CPR Conduit Clamp (3000-300-478)	AL-74556
P	Wear Bushing (3000-400-513)	AL-74557
R	Panel Spacer (3000-400-523)	AL-74596
T	Warning Label (3000-400-556)	AL-74559
U	Sleeve Bearing (3000-400-557)	AL-74560
V	Inner Panel (3001-400-045)	AL-74562R
W	Hd. End, Rt. Support Weldment (3001-400-230)	AL-77874
Y	Head Rail (3001-400-515)	AL-77776
AA	Spacer 4 (3001-400-558)	AL-74565
AB	Outer Panel (4700-020-008)	AL-77785
AC	Cable (4701-080-026)	AL-77790
AE	Latch Assembly, Head, Right (3002-400-075)	AL-77875
AF	Detent Clip Assembly (3002-400-090)	AL-74569
AG	Bypass Pin 1 (3002-400-505)	AL-74570
AH	Bypass Bushing Spacer (3002-400-509)	AL-74571
AJ	Pivot Bushing (3002-400-513)	AL-74574
AK	Latch Bushing (3002-400-519)	AL-74576
AL	Siderail Carrier (3002-400-528)	AL-74577
AM	Timing Link Assembly, Rt., Hd. (4700-320-004)	AL-78417
AN	Release Lever Assembly (4700-220-006)	AL-77876
AP	Outside Siderail PCB, Right (4701-080-060)	AL-77841
AR	Inner Arm Cover (5000-020-005)	AL-74581
AT	Outer Arm Cover (3001-400-619)	AL-74567
AU	Main Outside Cable, Right (5000-080-011)	AL-77877
AV	Siderail Release Label (5000-090-016)	AL-77806

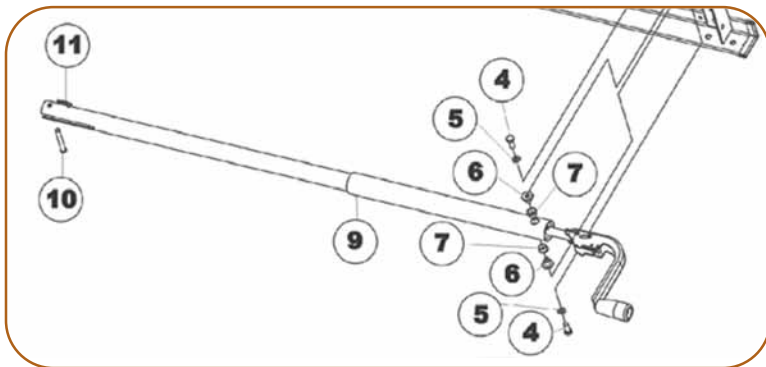
EP-1

# Invacare Continuing Care Group Models 820 DLX, 820-3MDLX & SC900DLX



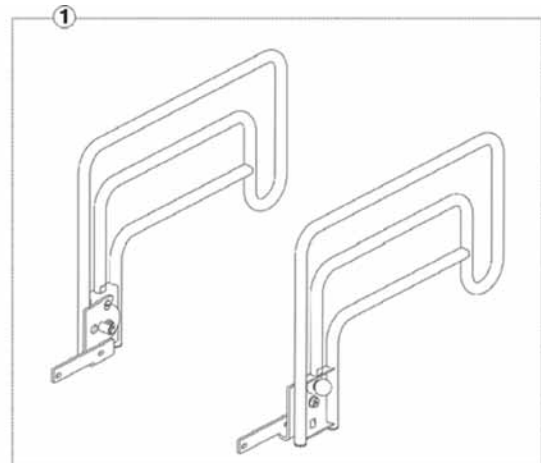
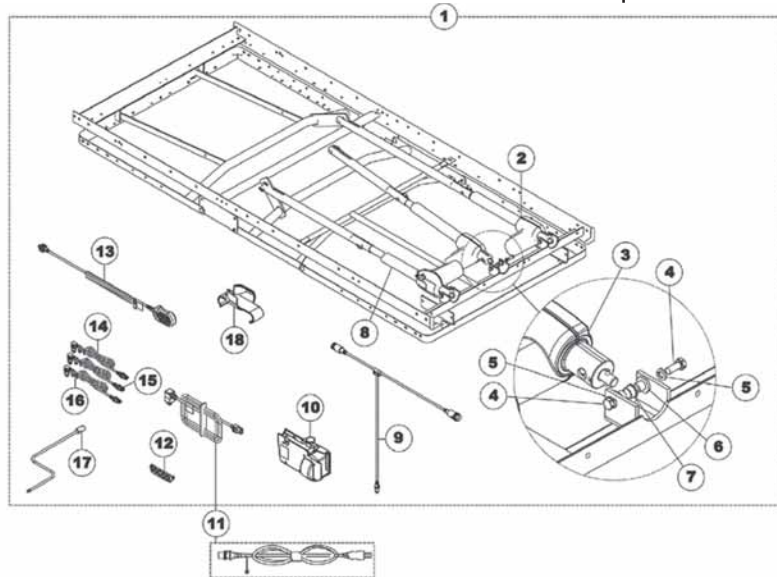
CALL FOR  
PRICING

**BUY 11 GET 1 FREE!**



Manual Pull Tube and Crank Handle - 820DLX		
Fig.	Description	ALCO Part No.
1	Kit Crank and Pull Tubes (items 1-11)	AL-71580
3	Manual Hi-Lo Crank and Pull Tube Assembly	AL-71582
4	Screw, Hex Machine (5/16-18 x 3/4")	AL-71583
5	Washer, Split Lock (5/16")	AL-71584
6	Bushing, Shoulder- Pivot	AL-71585
7	Bushing, Flanged - Nylon	AL-71586
8	Manual Foot Crank & Pull Tube Assembly	AL-71587
9	Cover, Pull Tube (Head/Foot)	AL-71588
10	Pin, Clevis (5/16 x 2-1/8")	AL-71589
11	Pin, Hitch (3/8 x 1-3/16")	AL-71590

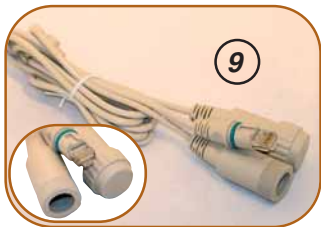
↑ 1,3 & 8



**Assist Rails**  
1 Assist Rails with Hardware AL-71591

## Motors & Components, Full Electric - 820-3MDLX & SC900DLX

Fig.	Description	ALCO Part No.	Price Each
1	Motor & Component Assembly (820-3MDLX)	AL-71592	Call
	Motor & Component Assembly (SC900DLX)	AL-71593	Call
2	Motor/Gear Assembly, Head	AL-71594	Call
3	Motor/Gear Assembly, Hi-Lo (820-3MDLX)	AL-71595	Call
	Motor/Gear Assembly, Hi-Lo (SC900DLX)	AL-71596	Call
4	Screw, Hex Machine (5/16-18 x 3/4")	AL-71597	Call
5	Washer, Split Lock (5/16")	AL-71598	Call
6	Bushing, Shoulder - Pivot	AL-71599	Call
7	Bushing, Flanged - Nylon	AL-71600	Call
8	Motor/Gear Assembly, Foot	AL-71601	Call
9	Cable, "T"	AL-71602	\$17.95
10	Controller/Junction Box, 3-Function	AL-71603	Call
11	Power Cord, 10-1/2' (Hospital Grade) with Angled Pin	AL-71604	Call
	Power Cord, 17' with Straight Pin Connectors	AL-71605	Call
12	Cable Lock	AL-71606	Call
13	Pendant, 3-Function	AL-71607	\$39.95
14	Cable, Motor Hi/Lo - Red O-Ring	AL-71608	Call
15	Cable, Actuator Foot - Yellow O-Ring	AL-71609	Call
16	Cable Actuator Head - Blue O-Ring	AL-71610	Call
17	Crank, Emergency (Taupe)	AL-71611	Call
18	Holster, Pendant	AL-71612	Call
N/S	Cable Tie (3/16" Wide)—Not Shown	AL-71613	Call
	Cable Tie (5/16" Wide)—Not Shown	AL-71614	Call



AL-71602



AL-71607

# Invacare Continuing Care Group Models— 720, 820 & SC900 Series

**CALL FOR  
PRICING**

**BUY 11 GET 1 FREE!**



Fig	Description	ALCO Part No.
1	Foot Gearmotor Assembly	AL-60645
2	Hi-Lo Gearmotor Assembly—after 7/26/99	AL-60647
	Hi-Lo Gearmotor Assembly—SC900	AL-60648
3	Head Gearmotor Assembly	AL-60649
N/S	Emergency Crank	AL-60650
N/S	Tie Cable	AL-60651
9	Danger Decal	AL-60652
10	Caution Label—Oxygen	AL-60653
12	Power Cord, IEC Connector	AL-60654
13	Flanged Nylon Bushing	AL-60642
16	Junction Box	AL-60656
18	Slotted Hex Washer Hd. Screw	AL-60659
19	Steel Spacer	AL-60660
N/S	Hardware Kit	AL-60643

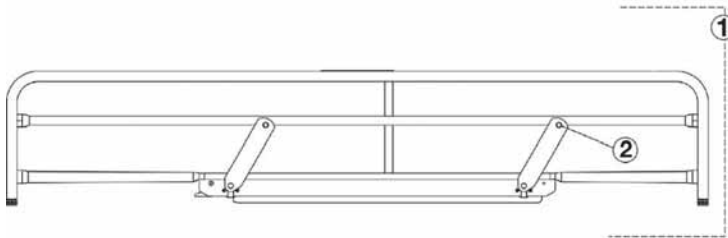
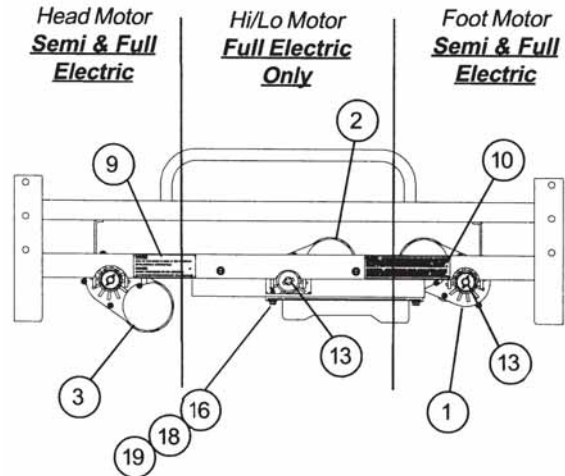
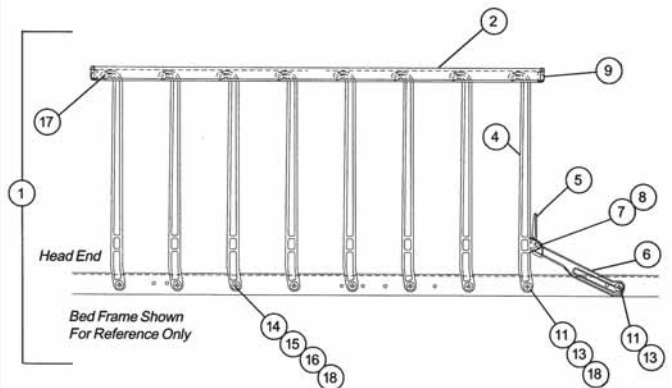


Fig	Description	ALCO Part No.
1	Full Length Side Rail Assembly - Taupe (Pair, includes attaching hardware)	AL-60671
	3/4 Length Side Rail Assembly - Taupe (Pair, includes attaching hardware)	AL-70499
2	Screw, cap head for Full, 3/4, 1/2 (head or foot) & 1/4 side rails	AL-60683
N/S	Mounting Hardware for Full & 3/4 Side Rails	AL-60684

Fig	Description	ALCO Part No.
1	Safety Side <b>8 Bar</b> includes items 2-18— <b>SET</b>	AL-69680
1	Safety Side <b>4 Bar</b> includes items 2-18—Left side	AL-60664
1	Safety Side <b>4 Bar</b> includes items 2-18—Right side	AL-60665
2	Cover and Guard Rail Assembly <b>4 Bar</b>	AL-60666
4	Latch Arm	AL-26914
5	Restraining Side Latch Actuator	AL-26913
6	Restraining Side Latch Arm	AL-26910
7	Latch Pin	AL-26911
8	Retaining Ring	AL-26912
9	Guard Rail Cap	AL-26917
11	Shoulder Truss Hd. Screw	N/A
13	Spacer	AL-26902
14	Nylon Bearing	AL-26903
15	Washer	AL-26904
16	Compressed Rubber Washer	AL-26905
17	Spring Pin	AL-60669
18	Spacer	AL-60670
Hardware Kit, Tamper Resistant Includes: 1 Bit, 18 Nuts, 18 Spacers (not shown)		AL-71331



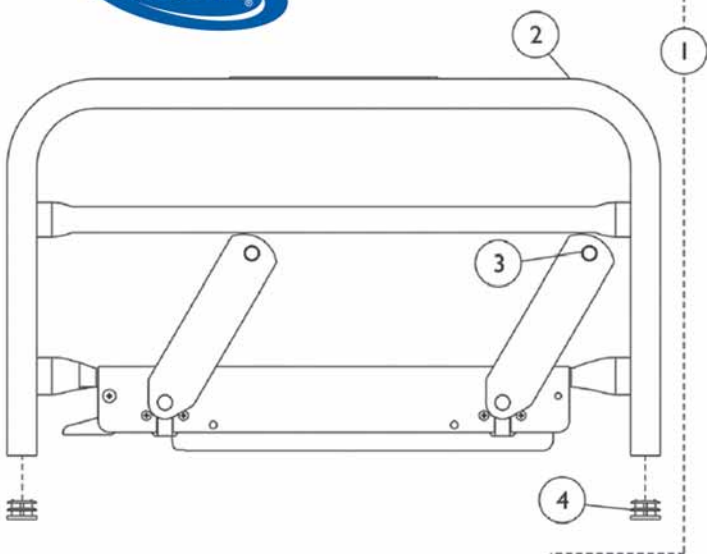
EP-1

# Invacare Continuing Care Group Bed Siderail Parts



**BUY 11 GET 1 FREE!**

**Call For Pricing**



## 1/2 Length Epoxy Rail, Head End

Model IH6815A | Model IH6816A

1	Side Rail Assembly, 1/2 Length (Taupe)*	<b>AL-70497</b>	<b>AL-70498</b>
2	Side Rail, 1/2 Length - Right (Taupe)	<b>AL-71615</b>	<b>AL-71619</b>
	Side Rail, 1/2 Length - Left (Taupe)	<b>AL-71616</b>	<b>AL-71620</b>
3	Screw, Socket Head Cap (#10-32 x 3/8")	<b>AL-60683</b>	<b>AL-60683</b>
4	Plug Button (1')	<b>AL-71617</b>	<b>AL-71621</b>
	Hardware, Rail Mounting—Not Shown	<b>AL-71618</b>	<b>AL-71622</b>

Includes:  
 (1) Crossbar,  
 (2) Pivot Bracket,  
 (4) Locknut (1/4-20), and  
 (4) Screw, Hex Head (1/4-20 x 5/8")

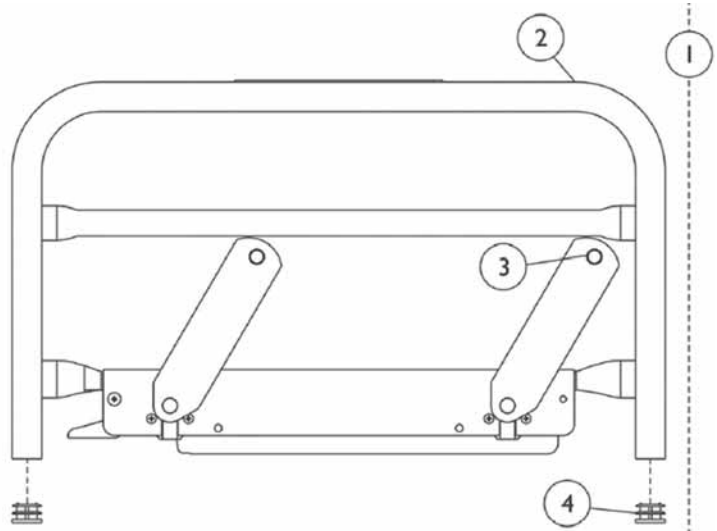
\*NOTE: Includes: Items 2, Instruction Sheet, and Attaching Hardware.

## Model IH6803A – 1/4 Length Epoxy Rail

1	Side Rail Assembly, 1/4 Length (Taupe)*	<b>AL-70496</b>
2	Side Rail, 1/4 Length - Right (Taupe)	<b>AL-71623</b>
	Side Rail, 1/4 Length - Left (Taupe)	<b>AL-71624</b>
3	Screw, Socket Head Cap (#10-32 x 3/8")	<b>AL-60683</b>
4	Plug Button (1')	<b>AL-71625</b>
	Hardware, Rail Mounting—Not Shown	<b>AL-71626</b>

Includes:  
 (1) Crossbar,  
 (2) Pivot Bracket,  
 (4) Locknut (1/4-20), and  
 (4) Screw, Hex Head (1/4-20 x 5/8")

\*NOTE: Includes: Items 2, Instruction Sheet, and Attaching Hardware.



**AL-27017** 1-1/2"

**AL-27018** 5/8"

**AL-27016** 1"

**Siderail Plunger Parts Fit: Joerns, Hard Mfg, Sci-O-Tech, Thill/Omni, Simmons, Invacare, Hunter/Amedco**

Description	ALCO Part No.
Knob & Clip	<b>AL-27016</b>
Plunger Pin	<b>AL-27017</b>
Plunger Spring	<b>AL-27018</b>

## Crossbars & Hardware

Includes two crossbars & hardware  
 Fits AL-45173 & 45174 Half Rails  
**AL-53060 \$79.00 Set**

**192** Socket only  
**AL-27015 \$19.95**

## Pull Button & Pull Ring Assemblies For Geri Chair Trays and Side Rails

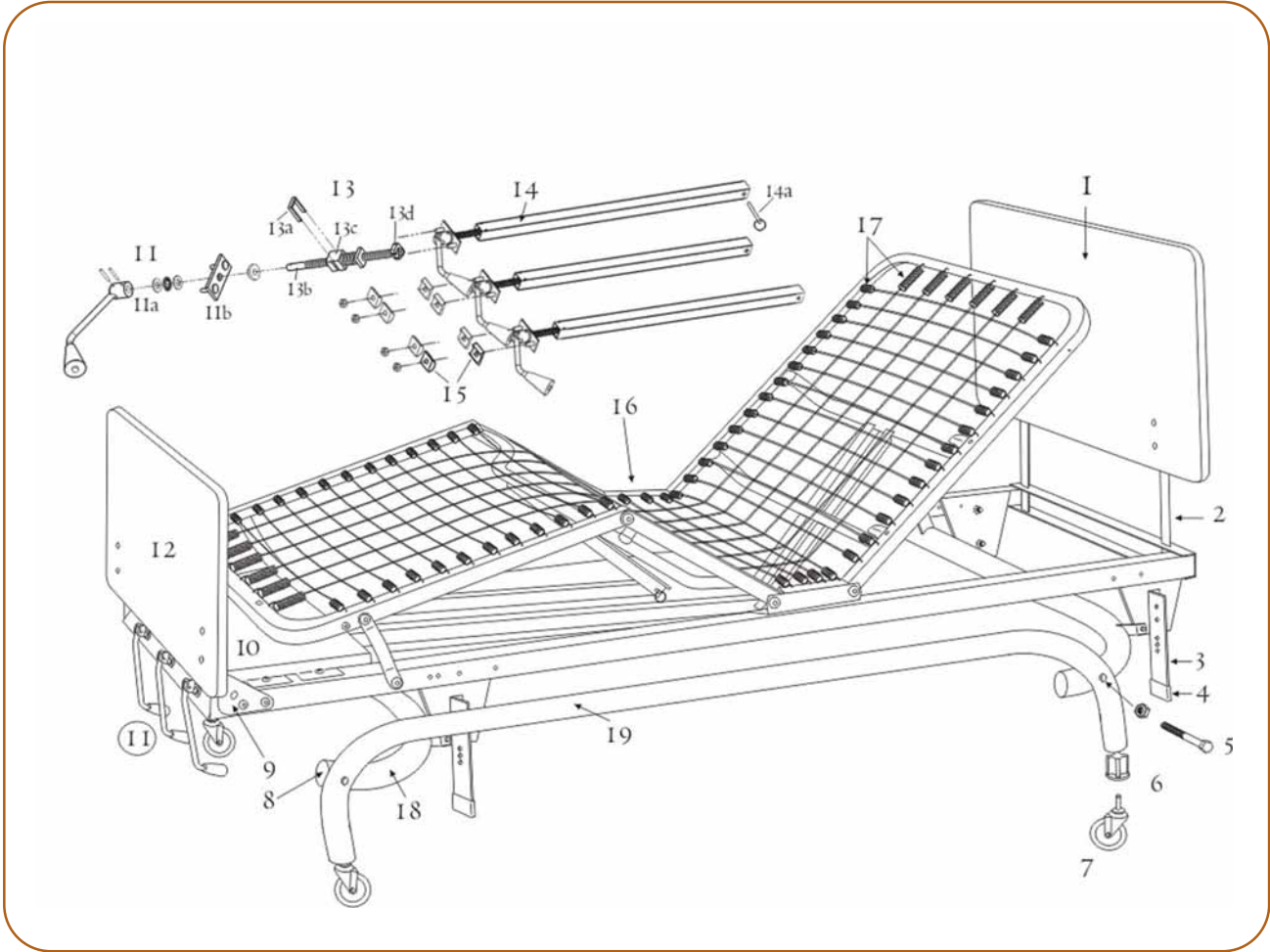
Fig.	Works On	ALCO Part No.	Price Each
1	Lumex	<b>AL-967</b>	<b>\$6.95</b>



# Drive Medical Beds Model 15601SD



**BUY 11 GET 1 FREE!**



EP1

Fig.	Description	ALCO Part No.	Price Each
1	Headboard	AL-76266	\$94.95
NS	Head/Footboard Set	AL-74827	\$104.95
2	Headboard Bracket	AL-76267	\$14.95
3	Leg	AL-76268	\$14.95
4	Leg Cap	AL-76269	\$14.95
5	Pivot Bolt	AL-76270	\$14.95
6	Caster Insert	AL-76271	\$14.95
7	Locking Caster	AL-76272	\$14.95
NS	Non-locking Caster	AL-76273	\$14.95
8	End Cap	AL-76274	\$14.95
9	Foot Board Bracket (Left)	AL-76275	\$14.95
NS	Foot Board Bracket (Right)	AL-76276	\$14.95
10	Motor Cover	AL-76298	\$14.95
11	Handle	AL-76278	\$34.95
NS	Bearing Plate	AL-76279	\$14.95

Fig.	Description	ALCO Part No.	Price Each
12	Footboard	AL-76280	\$92.95
13a	Retainer	AL-76281	\$14.95
13b	Crank Screw Head	AL-76282	\$14.95
NS	Crank Screw Foot	AL-76283	\$14.95
NS	Crank Screw Hi/Low	AL-76284	\$14.95
13c	Main Nut	AL-76285	\$14.95
13d	Stop Clip	AL-76286	\$14.95
14	Torque Tube	AL-76287	\$14.95
14a	Torque Tube Pin	AL-76288	\$14.95
15	Pivot Block Assembly	AL-76289	\$14.95
16	Spring Deck	AL-76290	\$459.95
17a	Top Spring	AL-76291	\$14.95
17b	Side Spring	AL-76292	\$4.95
18	U-lever Frame	AL-76293	\$54.95
19	Flex Leg	AL-76294	\$28.95

Phone 800-323-4282 • 630-655-1900  
FAX 800-950-1167 • 630-655-1990

E-mail: [info@alcosales.com](mailto:info@alcosales.com)  
Website: [www.alcosales.com](http://www.alcosales.com)

# Drive Medical Beds Model 15803SD

**BUY 11 GET 1 FREE!**

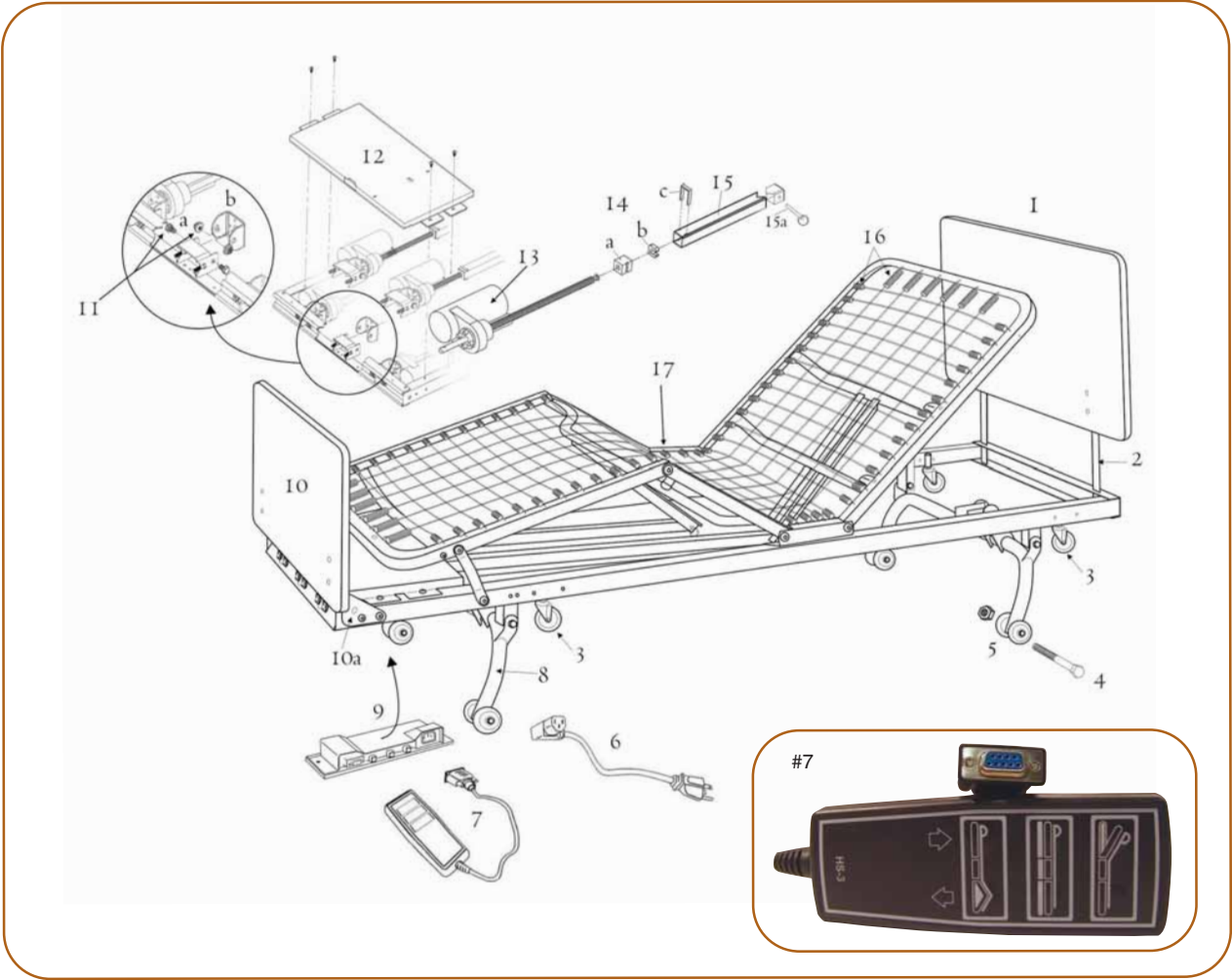


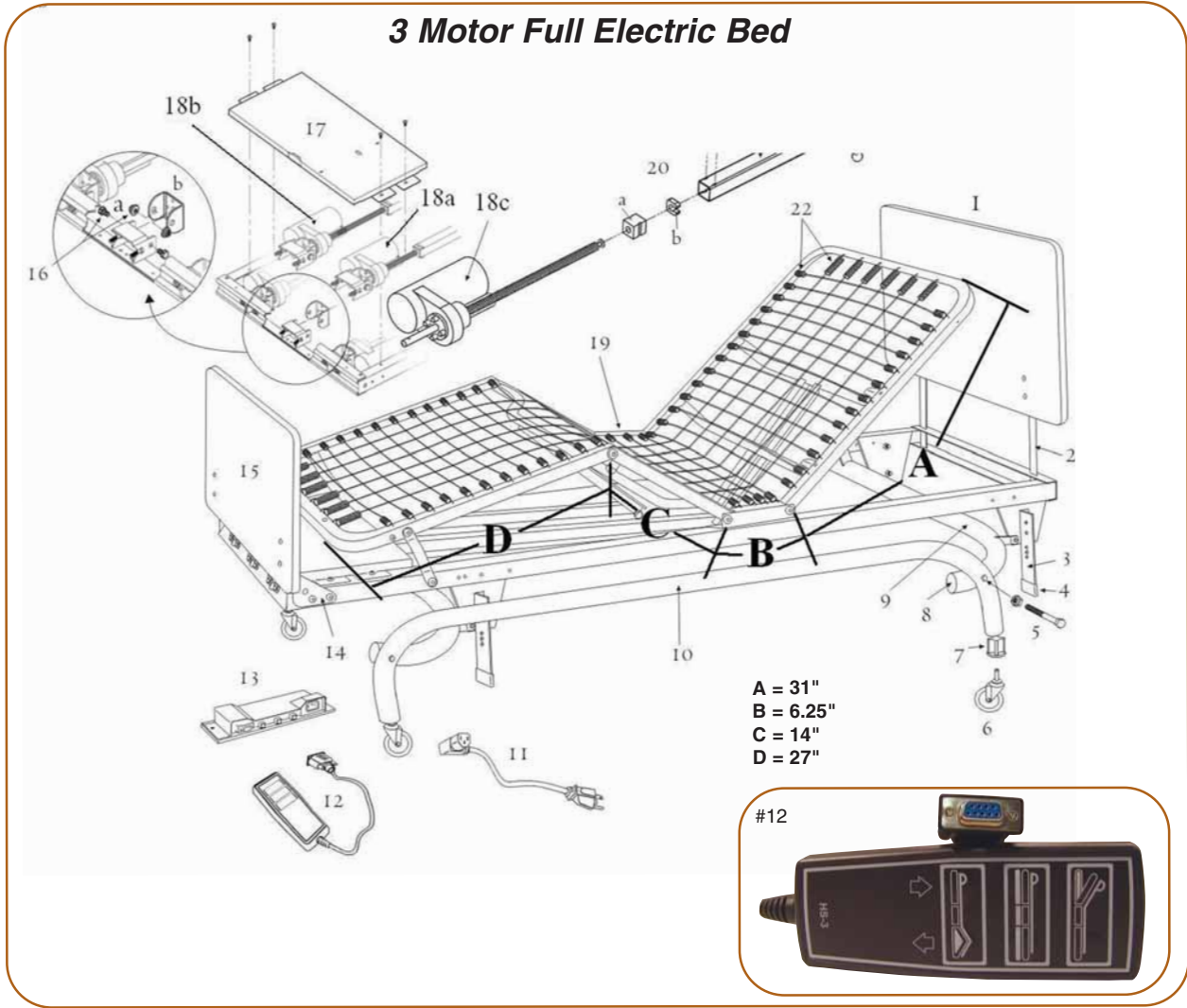
Fig.	Description	ALCO Part No.	Price Each
1	Headboard	AL-76266	\$94.95
NS	Head/Footboard Set	AL-74827	\$104.95
2	Headboard Bracket	AL-76267	\$14.95
3	Caster	AL-76305	\$14.95
4	Axle Bolt	AL-76306	\$14.95
5	2 1/2" Wheel	AL-76307	\$14.95
6	Power Cord	AL-76312	\$30.95
7	Hand Control	AL-76313	\$44.95
8	U-lever Frame	AL-76308	\$40.95
9	Junction Box	AL-76295	\$159.95
10	Footboard	AL-76280	\$92.95
10a	Foot Board Bracket (Right)	AL-76276	\$14.95
NS	Foot Board Bracket (Left)	AL-76275	\$14.95
11a	Mounting Nut/Bolt	AL-76296	\$14.95
11b	Mounting Bracket	AL-76297	\$14.95

Fig.	Description	ALCO Part No.	Price Each
12	Motor Cover	AL-76298	\$14.95
13	Motor (Hi/Low)	AL-76299	\$14.95
NS	Motor (Head)	AL-76300	\$189.95
NS	Motor (Foot)	AL-76301	\$179.95
14a	Main Nut	AL-76285	\$14.95
14b	Stop Clip	AL-76286	\$14.95
14c	Retainer	AL-76281	\$14.95
15	Torque Tube (Head)	AL-76309	\$48.95
NS	Torque Tube (Foot)	AL-76310	\$46.95
NS	Torque Tube (Hi/Low)	AL-76311	\$32.95
15a	Torque Tube Pin	AL-76288	\$14.95
16a	Top Spring	AL-76291	\$14.95
16b	Side Spring	AL-76292	\$4.95
17	Spring Deck	AL-74838	\$839.00

# Drive Medical Beds Model 15801SD



**BUY 11 GET 1 FREE!**



EP-1

Fig.	Description	ALCO Part No.	Price Each
1	Headboard	AL-76266	\$94.95
NS	Head/Footboard Set	AL-74827	\$104.95
2	Headboard Bracket	AL-76267	\$14.95
3	Leg	AL-76268	\$14.95
4	Leg Cap	AL-76269	\$14.95
5	Pivot Bolt	AL-76270	\$14.95
6	Locking Caster	AL-76272	\$14.95
NS	Non-locking Caster	AL-76273	\$14.95
7	Caster Insert	AL-76271	\$14.95
8	End Cap	AL-76274	\$14.95
9	U-lever Frame	AL-76293	\$54.95
10	Flex Leg	AL-76294	\$28.95
11	Power Cord	AL-76312	\$30.95
12	Hand Control	AL-76313	\$44.95
13	Junction Box	AL-76295	\$159.95
14	Foot Board Bracket (Right)	AL-76276	\$14.95
NS	Foot Board Bracket (Left)	AL-76275	\$14.95

Fig.	Description	ALCO Part No.	Price Each
15	Footboard	AL-76280	\$92.95
16	Mounting Nut/Bolt	AL-76296	\$14.95
NS	Mounting Bracket	AL-76297	\$14.95
17	Motor Cover	AL-76298	\$14.95
18a	Motor (Hi/Low)	AL-76299	\$14.95
18b	Motor (Head)	AL-76300	\$189.95
18c	Motor (Foot)	AL-76301	\$179.95
19	Spring Deck	AL-74826	\$759.00
20a	Main Nut	AL-76285	\$14.95
20b	Stop Clip	AL-76286	\$14.95
20c	Retainer	AL-76281	\$14.95
21	Torque Tube (Head)	AL-76302	\$44.95
NS	Torque Tube (Foot)	AL-76303	\$44.95
NS	Torque Tube (Hi/Low)	AL-76304	\$38.95
NS	Torque Tube Pin	AL-76288	\$14.95
22a	Top Spring	AL-76291	\$14.95
22b	Side Spring	AL-76292	\$4.95

# Drive Bariatric Bed Parts Model 15303

**BUY 11 GET 1 FREE!**

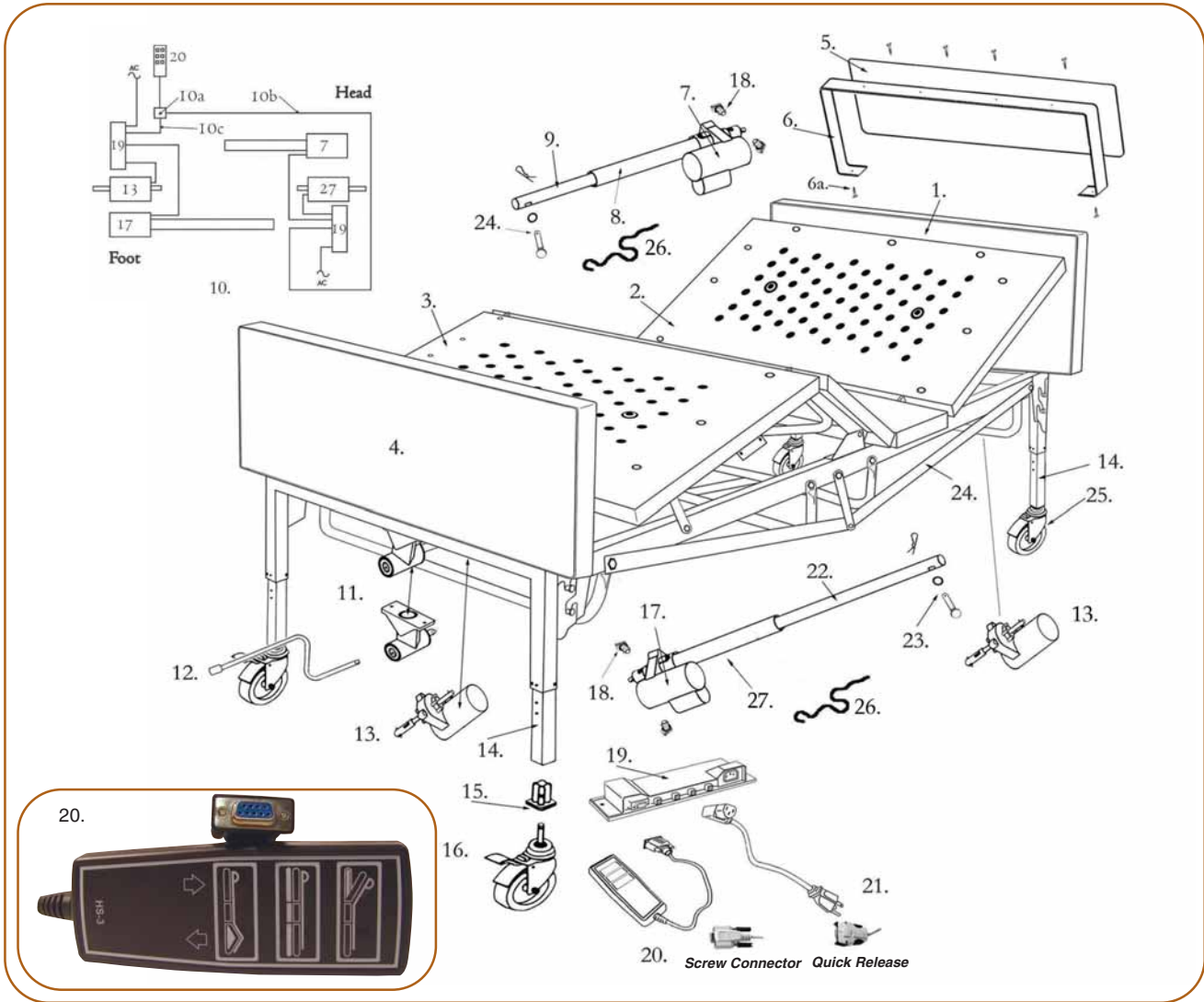


Fig.	Description	ALCO Part No.	Price Each
1	Headboard	AL-77747	\$289.95
2	Headframe—for old 15303	AL-77748A	Call
	Headframe—for new 15303	AL-77748B	Call
3	Footframe—for old 15303	AL-77749A	Call
	Footframe—for new 15303	AL-77749B	Call
4	Footboard	AL-77750	Call
5	a. Headboard panel	AL-77751	\$99.95
	b. Footboard panel	AL-77752	\$99.95
	c. Panel frame screws	AL-77755	\$14.95
6	a. Headboard frame	AL-77753	\$59.95
	b. Footboard frame	AL-77754	\$51.95
7	Head Motor—for old 15303	AL-77756A	\$369.95
	Head Motor—for new 15303	AL-77756B	\$369.95
8	Motor Tube	AL-77757	\$29.95
9	Actuating Tube-Head motor	AL-77758	\$27.95
10	a. Hand Control Junction Box	AL-77759	\$59.95
	b. Hand Control Cord—Head Section	AL-77760H	\$59.95
	c. Hand Control Cord—Foot Section	AL-77760F	\$69.95
11	Head & Foot board gear box	AL-77761	\$29.95
12	Manual Crank	AL-77762	\$17.95

Fig.	Description	ALCO Part No.	Price Each
13	Hi/Low motor—for old 15303	AL-77763A	\$209.95
	Hi/Low motor—for new 15303	AL-77763B	\$369.95
14	Adjustable leg—Head	AL-77764H	\$39.95
	Adjustable leg—Foot	AL-77764F	\$39.95
15	Receptacle for caster	AL-77766	\$14.95
16	Caster with lock	AL-77767	\$14.95
17	Foot motor	AL-77768	\$279.95
18	Quick release spring knob	AL-77769	\$19.95
19	3-Port junction box old 15303 only	AL-76295	\$159.95
	4-Port junction box new 15303 only	AL-77770	\$249.95
20	Screw Hand control	AL-76313	\$44.95
	Quick Release Hand control	AL-77816	\$99.95
21	Power cord	AL-76312	\$30.95
22	Actuating tube, Foot motor	AL-77772	\$40.95
23	Attachment pin & hardware	AL-77773	\$14.95
24	Frame support rail	AL-77774	\$79.95
25	Caster without lock	AL-77775	\$14.95
26	Motor Extension Cord for Hi/Low & Head Motor	AL-77765	\$48.95
27	Foot Motor Tube—for 15303 Old only	AL-77780	\$29.95

# Drive Bariatric Bed Parts Model 15300 & 15302



**BUY 11 GET 1 FREE!**

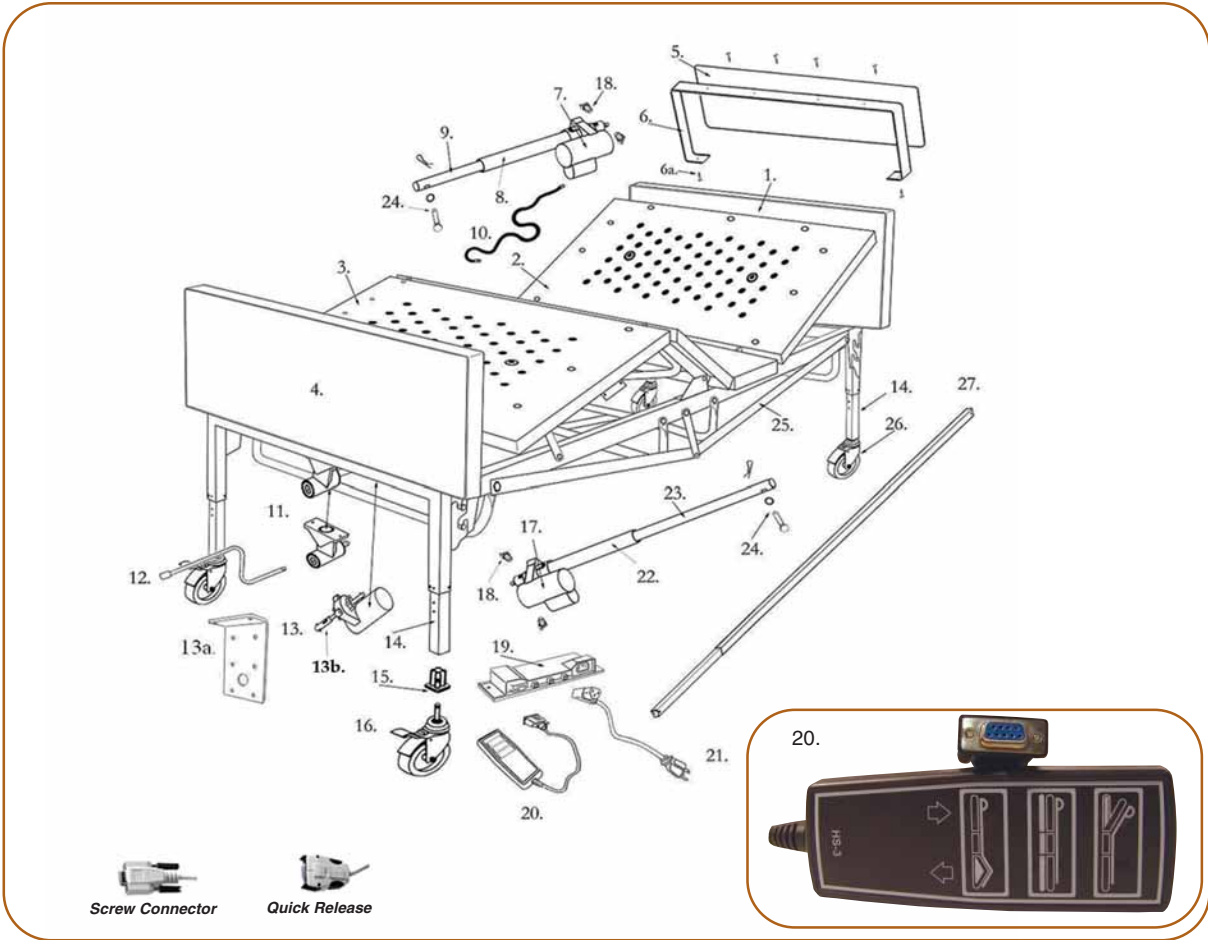


Fig.	Description	ALCO Part No.	Price Each
1	Headboard—for 15300	<b>AL-77694A</b>	<b>\$209.95</b>
	Headboard—for 15302	<b>AL-77694B</b>	<b>\$479.95</b>
2	Headframe—for 15300	<b>AL-77696A</b>	<b>\$579.95</b>
	Headframe—for 15302	<b>AL-77696B</b>	<b>Call</b>
3	Footframe—for 15300	<b>AL-77698A</b>	<b>\$669.95</b>
	Footframe—for 15302	<b>AL-77698B</b>	<b>Call</b>
4	Footboard—for 15300	<b>AL-77700A</b>	<b>\$219.95</b>
	Footboard—for 15302	<b>AL-77700B</b>	<b>\$429.95</b>
5	a. Headboard panel—for 15300	<b>AL-77781A</b>	<b>\$40.95</b>
	Headboard panel—for 15302	<b>AL-77781B</b>	<b>\$79.95</b>
	b. Footboard panel—for 15300	<b>AL-77815A</b>	<b>\$28.95</b>
	Footboard panel—for 15302	<b>AL-77815B</b>	<b>\$79.95</b>
6	a. Headboard frame—for 15300	<b>AL-77782A</b>	<b>\$24.95</b>
	Headboard frame—for 15302	<b>AL-77782B</b>	<b>\$49.95</b>
	b. Footboard frame—for 15300	<b>AL-77783A</b>	<b>\$41.95</b>
	Footboard frame—for 15302	<b>AL-77783B</b>	<b>\$49.95</b>
		<b>AL-77755</b>	<b>\$14.95</b>
7	Head Motor—for 15300	<b>AL-77784</b>	<b>\$189.95</b>
	Head Motor—for 15302	<b>AL-77756B</b>	<b>\$369.95</b>
8	Motor Tube	<b>AL-77757</b>	<b>\$29.95</b>
9	Actuating Tube-Head motor	<b>AL-77758</b>	<b>\$27.95</b>
10	a. Head Motor Ext Cord—for 15300	<b>AL-77787</b>	<b>\$33.95</b>
	b. Hi/Low Motor Ext Cord—for 15302	<b>AL-77765</b>	<b>\$48.95</b>
11	Head board gear box	<b>AL-77761</b>	<b>\$29.95</b>
	Foot board gear box	<b>AL-77789</b>	<b>\$69.95</b>

Fig.	Description	ALCO Part No.	Price Each
12	Manual Crank	<b>AL-77762</b>	<b>\$17.95</b>
13	Hi/Low motor	<b>AL-77763A</b>	<b>\$209.95</b>
	a. Motor Mtg Bracket—for 15300 only	<b>AL-77792</b>	<b>\$14.95</b>
		<b>AL-77771</b>	<b>\$19.95</b>
14	Adjustable leg—Head	<b>AL-77764H</b>	<b>\$39.95</b>
	Adjustable leg—Foot	<b>AL-77764F</b>	<b>\$39.95</b>
15	Receptacle for caster	<b>AL-77766</b>	<b>\$14.95</b>
16	Caster with lock	<b>AL-77767</b>	<b>\$14.95</b>
17	Foot motor	<b>AL-77768</b>	<b>\$279.95</b>
18	Quick release spring knob	<b>AL-77769</b>	<b>\$19.95</b>
		<b>AL-76295</b>	<b>\$159.95</b>
19	Junction box—for 15300 only—Screw conn.		
	Quick release	<b>AL-77800</b>	<b>\$139.95</b>
	4-Port junction box—for 15302 only	<b>AL-77770</b>	<b>\$249.95</b>
	Screw conn. Hand control—for 15300 only	<b>AL-77802</b>	<b>\$99.95</b>
20	Quick release Hand control—for 15300 only	<b>AL-77803</b>	<b>Call</b>
	Screw in plug—for 15302 only	<b>AL-76313</b>	<b>\$44.95</b>
	Quick release Hand control—for 15302 only	<b>AL-77816</b>	<b>\$99.95</b>
	Power cord	<b>AL-76312</b>	<b>\$30.95</b>
22	Foot motor tube	<b>AL-77780</b>	<b>\$29.95</b>
23	Actuating tube, Foot motor	<b>AL-77772</b>	<b>\$40.95</b>
24	Attachment pin & hardware	<b>AL-77773</b>	<b>\$14.95</b>
25	Frame support rail	<b>AL-77774</b>	<b>\$79.95</b>
26	Caster without lock	<b>AL-77775</b>	<b>\$14.95</b>
27	Hi/Low shaft—for 15300 only	<b>AL-77814</b>	<b>\$28.95</b>



# ECHO Bed Parts

## Models BE1180/76 & BD2380/76

**BUY 11 GET 1 FREE!**



1



2



3



Model BE1180/76

4



Model BD2380/76

5



6



7



8



9



10

<b>ELECTRONICS</b>		<b>MODEL BE1180/76</b>		<b>MODEL BD2380/76</b>	
<b>Fig.</b>	<b>Description</b>	<b>ALCO Part No.</b>	<b>Price Each</b>	<b>ALCO Part No.</b>	<b>Price Each</b>
1	Head Actuator (Red Plug), Shaft Size 3'	AL-76972	\$173.95	AL-76975	\$211.95
1	Foot Actuator (Blue Plug), Shaft Size 1'	AL-76973	\$162.95	AL-76976	\$217.95
1	Hi/Lo Actuator (White Plug), Shaft Size 1.5'	AL-76974	\$194.95	AL-76974	\$194.95
2	Junction Box	AL-76977	\$206.95	AL-76977	\$206.95
2	Junction Box *Prior to 11/29/2001	N/A	N/A	AL-76978*	\$200.95
<b>PENDANTS</b>					
3	6-function	AL-76979 <sup>1</sup>	\$55.95	AL-76980 <sup>3</sup>	\$60.95
4,5	6-function	AL-76981 <sup>2</sup>	\$46.95	AL-76982 <sup>4</sup>	\$60.95
5	6-function			AL-76983 <sup>5</sup>	\$61.95
6	Pendant Holster	AL-76984	\$5.95		
7	Pendant Y-cable (old style)	AL-76985 <sup>1</sup>	\$9.95		
8	Pendant Y-cable (new style)	AL-76986 <sup>2</sup>	\$15.95		
8	Pendant Adaptor	AL-77037A	\$10.95		
Note: AL-76986 & AL-77037A Need To Be Purchased Together					
Note <sup>1</sup> Prior to 11/22/07					
Note <sup>2</sup> After 11/22/07					
Note <sup>3</sup> for New Assist Rails w/holster (includes Y cable)					
Note <sup>4</sup> for Full/Partial Rails (includes Y cable)					
Note <sup>5</sup> for Old Square Assist Rails w/holster (May 01- July 02) (includes Y cable)					
<b>CASTERS</b>					
9	Caster	AL-76987	\$7.95	AL-76987	\$7.95
10	Caster w/brake	AL-76988	\$5.95	AL-76988	\$5.95

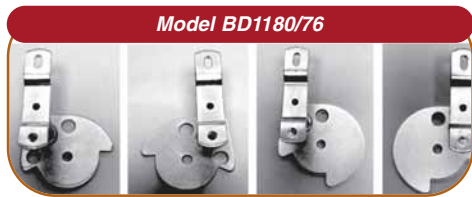
EP1

# ECHO Bed Parts

## Models BD1180/76 & BD2380/76



**BUY 11 GET 1 FREE!**



26

27

28

29

30

31

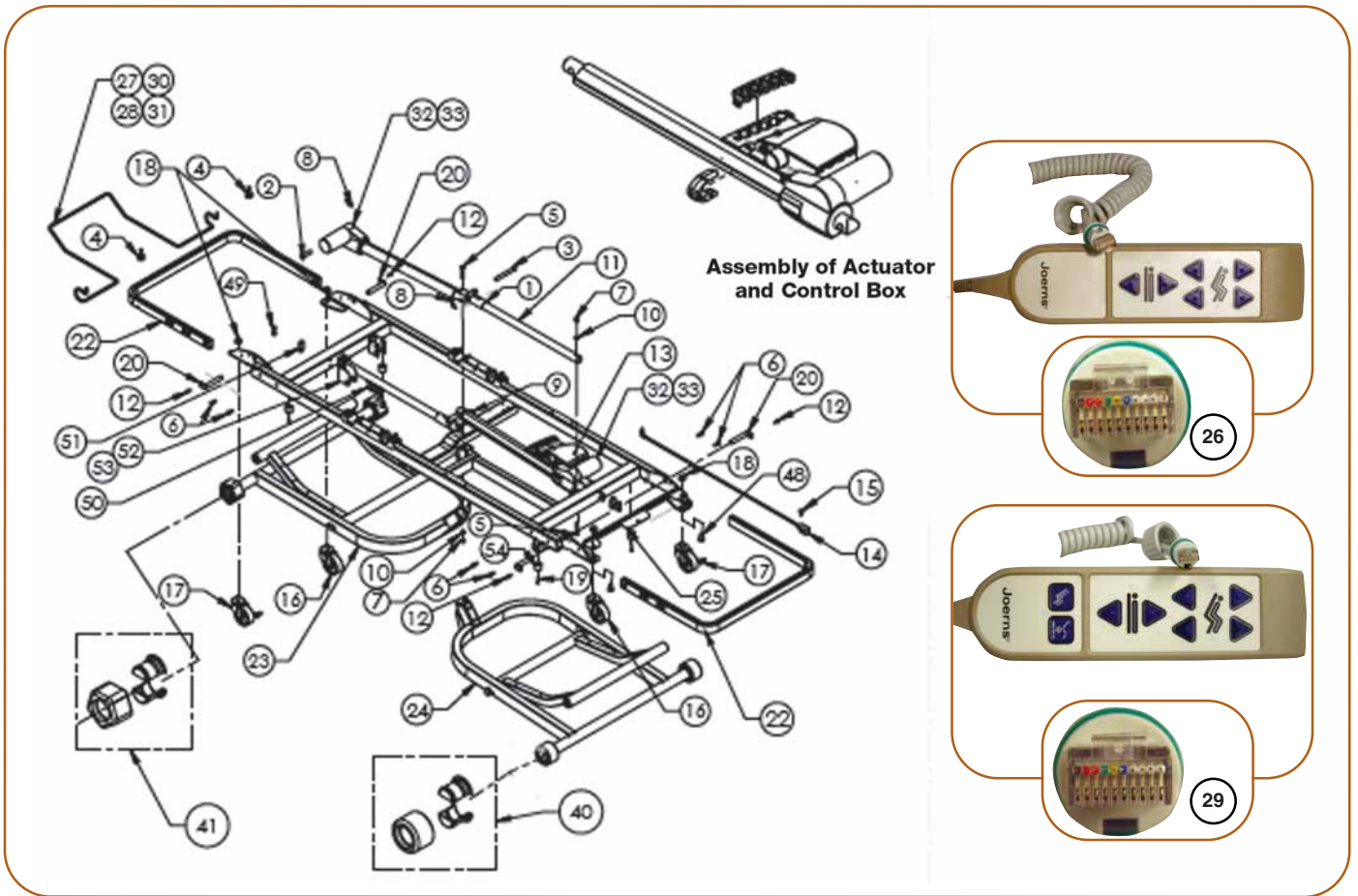
32

33

34

35

<b>GENERAL PARTS</b>					
Fig.	Description	MODEL BD1180/76		MODEL BD2380/76	
		ALCO Part No.	Price Each	ALCO Part No.	Price Each
11	Crank Handle	AL-76989	\$23.95	AL-76989	\$23.95
12	Emergency Crank Handle	AL-76990	\$28.95	AL-76990	\$28.95
13	Head Post	AL-76991	\$7.95	AL-76991	\$7.95
14	Foot Post	AL-76992	\$9.95	AL-76992	\$9.95
15	Head/Footboard Hardware Kit	AL-76993	\$22.95	AL-76993	\$22.95
16	Rubber Bed Foot	AL-76994	\$1.95	AL-76994	\$1.95
17	Plug for under bed foot	AL-76995	\$0.95	AL-76995	\$0.95
18	Head/Foot gatch pin	AL-76996	\$1.95	AL-76996	\$1.95
19	Bow Tie Cotter Pin	AL-76997	\$0.95	AL-76997	\$0.95
20	Mattress Keeper Kit	AL-76998	\$25.95	AL-76998	\$25.95
21	Male Frencher Plate	AL-76999	\$6.95	AL-76999	\$6.95
22	Rubber Bumper	AL-77000	\$1.95		
<b>SIDERAILS</b>					
23	Assist Rail, Pair	AL-77001	\$139.95	AL-77003	\$199.95
25	Assist Rail Mounting Hardware	AL-77005	\$7.95	AL-77005	\$7.95
26,30	Rail Bracket, 3-position, Left	AL-77006	N/A	AL-77010	N/A
27,31	Rail Bracket, 3-position, Right	AL-77007	N/A	AL-77011	N/A
28,32	Rail Bracket, No guard, Left	AL-77008	N/A	AL-77012	N/A
29,33	Rail Bracket, No guard, Right	AL-77009	N/A	AL-77013	N/A
34	Black Ball Knob Assembly	AL-77014	\$9.95	AL-77014	\$9.95
35	Assist Rail Spring (pack of 10)	AL-77015	\$40.95	AL-77015	\$40.95



### Bed Frame

Fig.	Description	ALCO Part No.	Fig.	Description	ALCO Part No.
1	Kit, Replacement Hi/Lo Glide	AL-77904	28	Bumper, Wall, 80" Std	AL-77963-80
2	Pin, Pivot Sleep Surface	AL-77905	29	Pendant, Advanced	AL-77960
3	Pivot Pin, Leg/Actuator	AL-77906	30	Bumper, Wall, 76" Trt	AL-77964-76
4	Assembly, Bumper	AL-77907	31	Bumper, Wall, 80" Trt	AL-77964-80
5	Bolt, Carriage 5/16-18 X 2	AL-60532	32	Kit, Actuator Hi/Low, Standard Speed	AL-77965A
6	Screw, 5/16-18 X 3/4	AL-60531	33	Kit, Actuator, Hi/Low, Fast Speed	AL-77965B
7	Nut, Lock 5/16-18	AL-60533	34	Kit, Power Cord, Class I (Grounded) (Not Shown)	AL-77966A
8	Ring, Rue-22	AL-60498	35	Kit, Power Cord, Class II (Double Insulated) (Not Shown)	AL-77966B
9	Ring, Kick-Out	AL-77908	36**	Kit, Cable, Motor, Head (Not Shown)	AL-77967H
10	Washer, Flat	AL-5172	37**	Kit, Cable, Motor, Foot (Not Shown)	AL-77967F
11	Tube, High-Low Guide	AL-60524	38***	Kit, Cable, Motor, Head (Not Shown)	AL-77968H
12	Screw, 1/4-20x 5/8, Clear Zinc	AL-77909	39***	Kit, Cable, Motor, Foot (Not Shown)	AL-77968F
13	Kit, Control Box	AL-77974	40	Kit, Roller and Hub	AL-60550
14	Cord, Patch, Battery Pack	AL-77952	41	Kit, Pentagon and Hub	AL-77969
15	Fastener, Push-In	AL-77953	42	Wire Asm., Grn/Y, 5" (Not Shown)	AL-60545
16	Caster, 3" & W/O Brake	AL-60537	43	Wire Asm., Grn, 10" (Not Shown)	AL-60546
17	Caster, 3" & W Brake	AL-60538	44	Screw, #10-16 X 1/2 (Not Shown)	AL-60547
18	Nut, Whiz Lock, 1/2-13	AL-77954	45	Washer Split Lock, #10 (Not Shown)	AL-60548
19	Screw, Tphf, 10-24x 1"	AL-77955	46	Washer Ext Tooth, #10 (Not Shown)	AL-60549
20	Pin Stabilizer Pivot	AL-77956	47	Kit, Caster (Not Shown)	AL-77976
21	Manual, User, Ultracare XT (Not Shown)	AL-77957	48	Screw, Hhm, 1/2-13x 3/4"	AL-76826
22	Bracket, Panel	AL-77958	49	Nut, Nylock, 5/16-18	AL-77970
23	Assembly, Leg, Head	AL-77959H	50	Screw, HHM, 5/16-18 X2 3/4"	AL-77971
24	Assembly, Leg, Foot	AL-77959F	51	Plate, Washer	AL-78013
25	Bracket, Staff Control	AL-77961	52	Bracket, Hi-Lo (Ultralock)	AL-77972A
26	Pendant, Standard	AL-77962	53	Bracket, Hi-Lo (Roll In Low)	AL-77972B
27	Bumper, Wall, 76" Std	AL-77963-76	54	Bumper, Stop	AL-77973

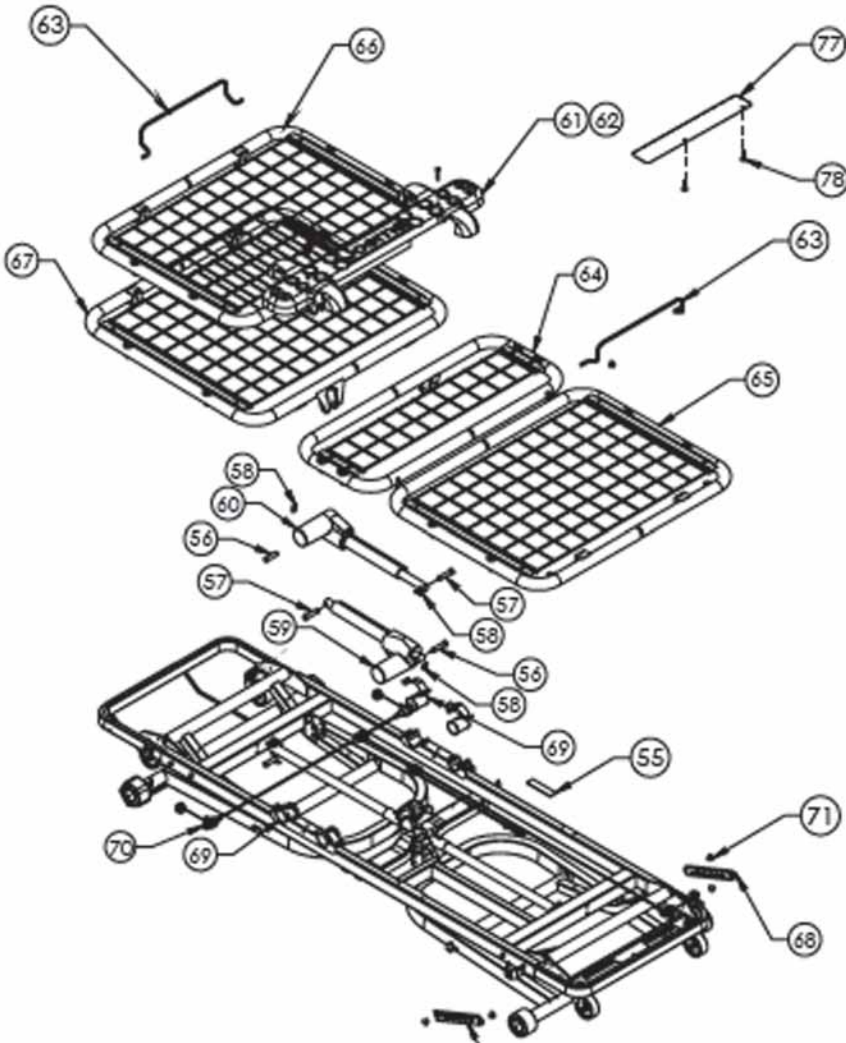
Note: Items marked with a \*\* or \*\*\* See Page 201 for details



Call For Pricing

# Joerns UltraCare XT Bed

**BUY 11 GET 1 FREE!**

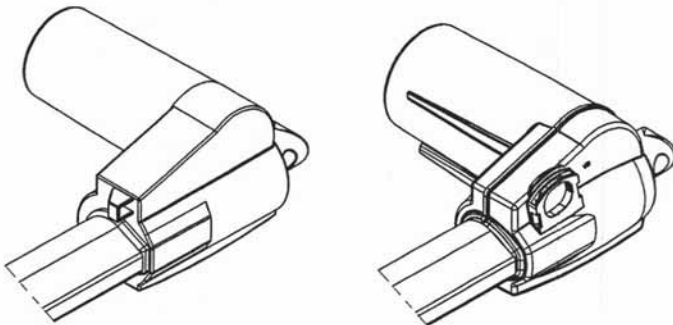


## Mattress Support

Fig.	Description	ALCO Part No.
55	Pad, Stop, Knee/Leg	AL-60561
56	Pin, Actuator Pivot	AL-77801
57	Pin, Clevis, 12mm X 1.628"	AL-77975
58	Ring, Rue-22	AL-60498
59	Kit, Actuator, Back	AL-77898BK
60	Kit, Actuator, Knee	AL-77898K
61	Kit, Seat Pan, Soft Tone	AL-77977A
62	Kit, Seat Pan, Black	AL-77977B
63	Stop, Mattress	AL-77805
64	Weldment, Knee Section	AL-77807
65	Weldment, Foot Section	AL-60560
66	Weldment, Back Section, 76"	AL-60557
67	Weldment, Back Section, 80"	AL-60558
68	Kit, Gatch Replacement	AL-60572
69	Kit, Mattress Deck Bearing	AL-60573
70	Kit, Control Harness	AL-77808
71	Kit, Rivet Replacement	AL-77817
72**	Kit, Cable, Motor, Back (Not Shown)	AL-77978B
73**	Kit, Cable, Motor, Knee (Not Shown)	AL-77978K
74***	Kit, Cable, Motor, Back (Not Shown)	AL-78016B
75***	Kit, Cable, Motor, Knee (Not Shown)	AL-78016K
76	Kit, Nut Cover (Not Shown)	AL-78017
77	Cover, Seat Pan	AL-78018
78	Screw, TPH Plastite, 8-16 X 1/2"	AL-78019

Note: Items marked with a \*\* or \*\*\* See Below for details

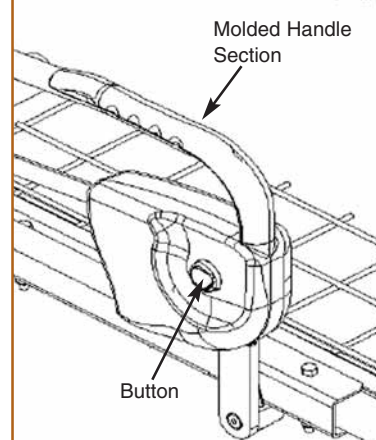
### Actuator Housings



Items Marked With a Double Asterisk (\*\*\*) Are Intended For Use With This Actuator Housing

Items Marked With a Triple Asterisk (\*\*\*) Are Intended For Use With This Actuator Housing

### Assist Device Repair Kit



#### Assist Device Repair Kit

Includes:

- ✓ Foam Cover
- ✓ Button
- ✓ Plastic Cover

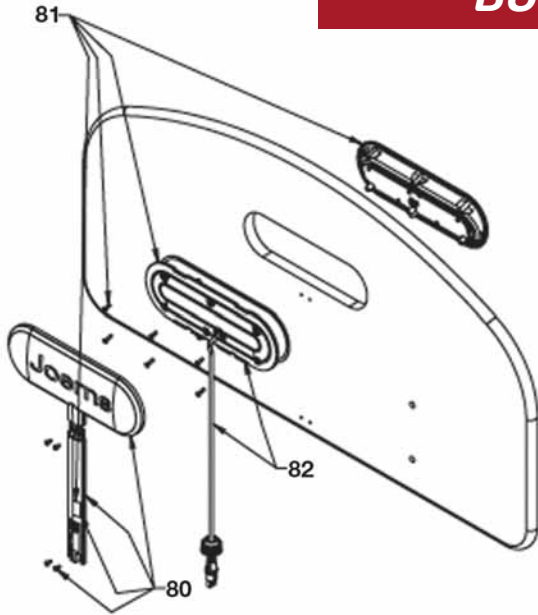
AL-78037

Call

EP1

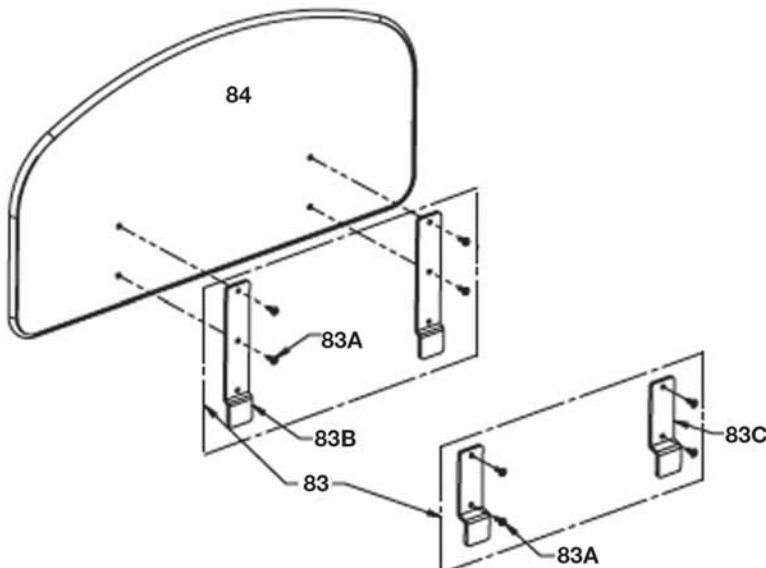
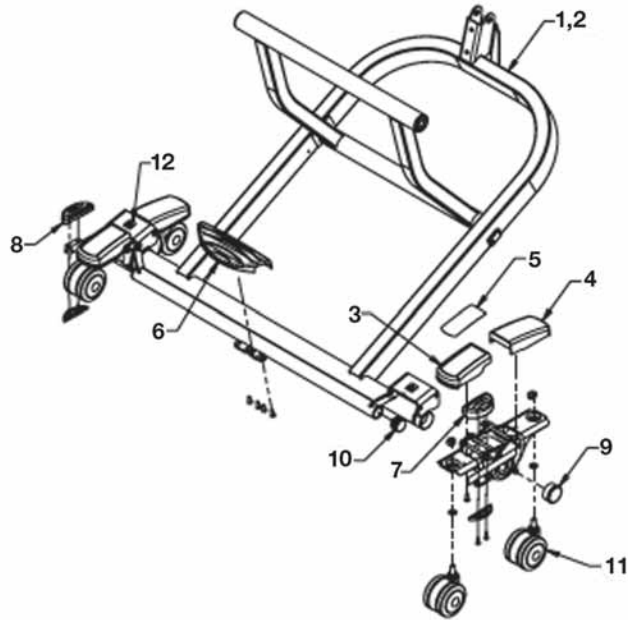
**BUY 11 GET 1 FREE!**

**Call For Pricing**



Staff Controls		
Fig.	Description	ALCO Part No.
80	Kit, Staff Control Covers, Standard, Beige	AL-77902BE
	Kit, Staff Control Covers, Standard, Soft Tone	AL-77902ST
	Kit, Staff Control Covers, Adv/Light, Beige	AL-77901BE
	Kit, Staff Control Covers, Standard, Brown	AL-77902BR
	Kit, Staff Control Covers, Adv/Light, Soft Tone	AL-77901ST
	Kit, Staff Control Covers, Adv/Light, Brown	AL-77901BR
81	Kit, Staff Control, Standard, Beige	AL-77900BE
	Kit, Staff Control, Standard, Soft Tone	AL-77900ST
	Kit, Staff Control, Adv/Light, Beige	AL-77899BE
	Kit, Staff Control, Standard, Brown	AL-77900BR
	Kit, Staff Control, Adv/Light, Soft Tone	AL-77899ST
	Kit, Staff Control, Adv/Light, Brown	AL-77899BR
82	Kit, Staff Control, Cable And Cover	AL-77903

Ultralock System		
Fig.	Description	ALCO Part No.
1	Kit, Leg Assembly W/Ultralock, Head	AL-78020H
2	Kit, Leg Assembly W/Ultralock, Foot	AL-78020F
3	Kit, Ultralock Front Cover	AL-78021F
4	Kit, Ultralock Rear Cover	AL-78021R
5	Kit, Ultralock Front Cover Label	AL-78022
6	Kit, Ultralock Center Pedal	AL-78023C
7	Kit, Ultralock Right Side Pedal	AL-78023R
8	Kit, Ultralock Left Side Pedal	AL-78023L
9	Kit, Tube Cap 1.5"	AL-78024-5
10	Kit, Tube Cap 1.13"	AL-78024-13
11	Kit, Caster Stem Assy	AL-78025
12	Kit, Caution Label	AL-78026



Panel Hardware, Head & Foot Panel		
Fig.	Description	ALCO Part No.
83A	Screw, 1/4-20 x 5/8	AL-78027
83B	Bracket, Panel, Head	AL-78028H
83C	Bracket, Panel, Foot	AL-78028F
84	Panel Replacement	Call

# Joerns Ultracare Bed Frame Components

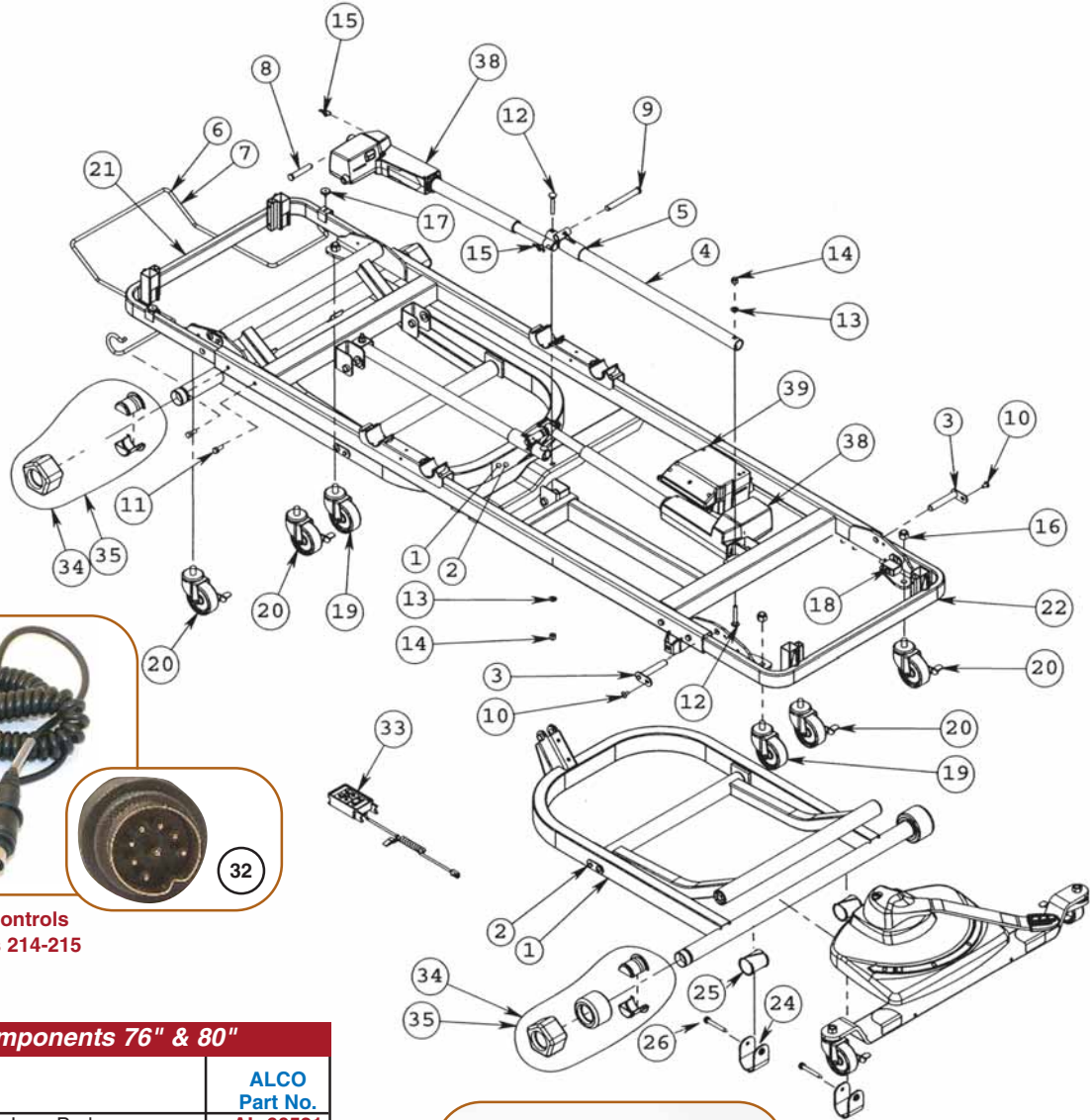
## U770, U790GND U770, U790GND



Call For Pricing

**BUY 11 GET 1 FREE!**

ALCO Refurbishes & Reconditions Joerns Beds. Call For Details!



Additional Bed Controls Located On Pages 214-215



### Frame Components 76" & 80"

Fig	Description	ALCO Part No.
1	Assembly, Hi-Low Leg, Pads	AL-60521
2	Assembly, Hi-Low Leg, Rollers	AL-60522
3	Assembly, Stabilizer Pivot Shaft	AL-60523
4	Tube, Hi-Low Guide, Plated	AL-60524
5	Glide, Hi-Low	AL-60525
6	Wireform, Bumper Used, 80"	AL-60526
7	Wireform, Bumper Used, 76"	AL-60527
8	Pin, Motor Mount, Short	AL-60528
9	Pin, Motor Mount, Long	AL-60529
10	Screw	AL-60530
11	Screw,	AL-60531
12	Bolt, Carriage	AL-60532
13	Washer	AL-5172
14	Nut, Lock	AL-60533
15	Ring, Rue	AL-60498
16	Nut, Nylock	AL-60534
17	Bumper, Button	AL-60535
18	Cord, Patch, Battery Pack	AL-60536
19	Caster, 3" Wheel, 3/4 Stem	AL-60537
20	Caster, 3" W Brake	AL-60538
21	Wld., Head Bracket, Inserting Panel	AL-60539
22	Wld., Foot Bracket, Inserting Panel	AL-60540
24	U-Strap, Leg Tube, Ultraroll	AL-60542
25	Bearing, Sleep Deck	AL-60543
26	Screw, Hex Body Bolt	AL-60544
27	Wire Assy, 18AWG Green/Yellow, 5"	AL-60545
28	Wire Assy, 18AWG Green/Yellow, 10"	AL-60546

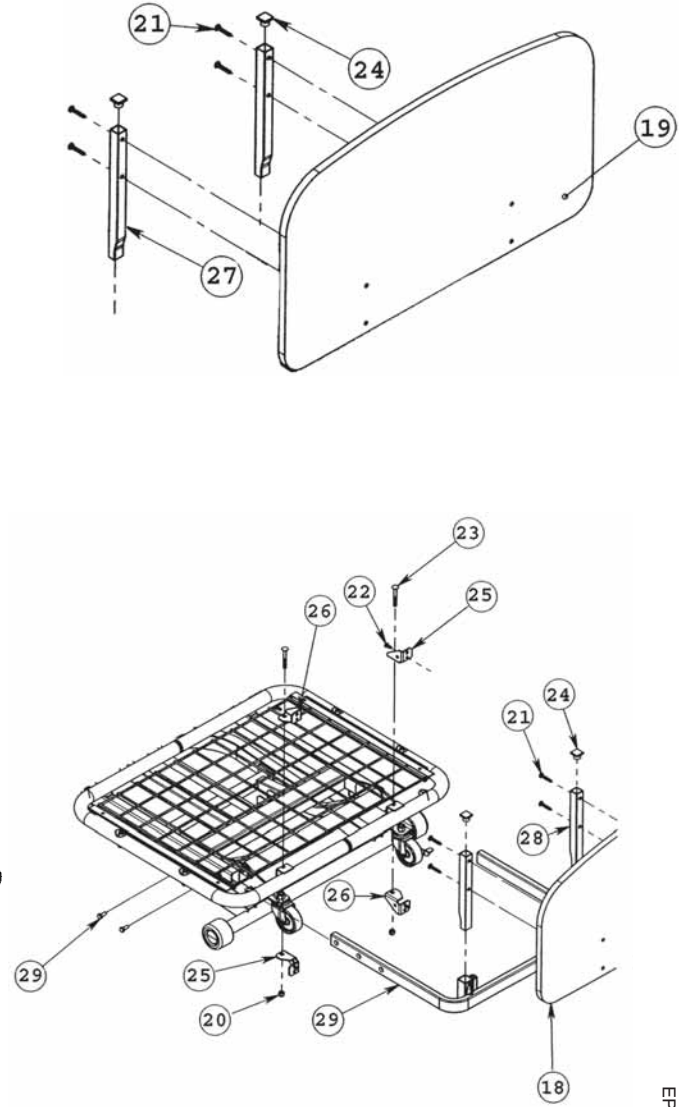
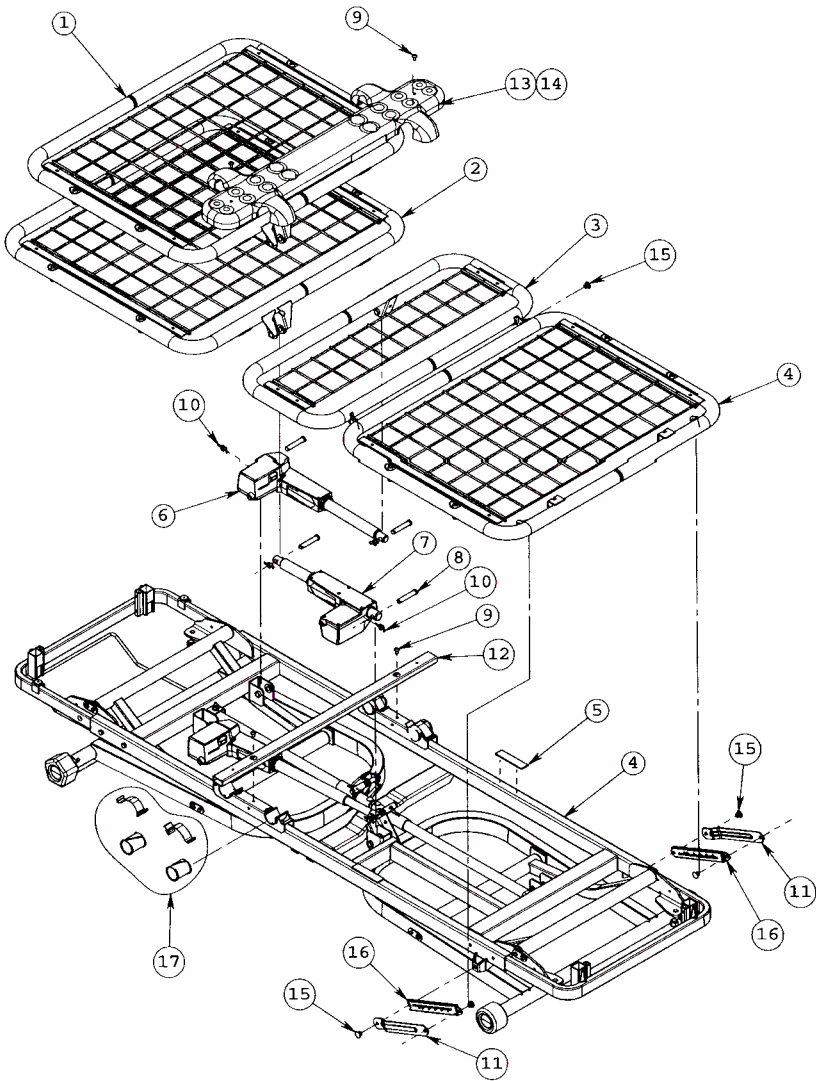
Fig	Description	ALCO Part No.	Price Each
29	Screw, Hwh Tek Scr	AL-60547	Call
30	Washer, Lock	AL-60548	Call
31	Washer, Ex Tooth Lock	AL-60549	Call
32	Kit, Standard Pendant	AL-60509	\$109.95
33	Kit, Staff Control & Patch Cord	AL-60510	\$139.95
34	Kit, Roller-Hub	AL-60550	Call
35	Kit, Foot Pad-Hub	N/A	N/A
36	Kit, Inserting Panel, Head (Not Shown)	N/A	N/A
37	Kit, Inserting Panel, Foot (Not Shown)	AL-60553	Call
38	Kit, Actuators, Matched, High-Low	AL-60554	Call
39	Kit, Control Box, GND	AL-60555	Call
40	Kit, Power Cord, LINAK, GND (Not Shown)	AL-60556	Call

# Joerns Ultracare Sleep Deck Components & Panel Mounting—U770, U770GND, U790, U790GND



**BUY 11 GET 1 FREE!**

**Call For Pricing**



EP1

<b>Sleep Deck Components 76" &amp; 80"</b>		
Fig	Description	ALCO Part No.
1	Welded., U-Bed, 76" Back	AL-60557
2	Welded., U-Bed, 80" Back	AL-60558
3	Welded., U-Bed, Knee Section	AL-60559
4	Welded., U-Bed, Foot Section	AL-60560
5	Pad, Stop, Knee/Leg	AL-60561
6	Actuator, Knee LINAK	AL-60562
7	Actuator, Back, LINAK	AL-60563
8	Pin, Motor Mount, Short	AL-60564
9	Screw	AL-60530
10	Ring, Rue	AL-60498
11	Link, Foot Leveler	AL-60567
12	Tube, Support, Seat	AL-60568
13	Pan, Seat, Black	AL-60569
14	Pan, Seat, Soft Tone	AL-60570
15	Kit, Bushing Rivet Replacement	AL-60571
16	Kit, Foot Leveler, Gatch	AL-60572
17	Kit, Sleep Surface Bearing	AL-60573



<b>Panel Mounting Head &amp; Foot</b>		
Fig	Description	ALCO Part No.
18	Foot Panel (specify model and/or serial #)	AL-60574
19	Head Panel	AL-60575
20	Nut, Lock	AL-60533
21	Screw	AL-60576
22	Screw	AL-60471
23	Bolt, Carriage	AL-60487
24	Cap, Tube	AL-60577
25	Bracket, Deck Mounted Panel, Left	AL-60578
26	Bracket, Deck Mounted Panel, Right	AL-60579
27	Post, Head Panel	AL-60580
28	Post, Foot Panel	AL-60581
29	Kit, Inserting Panel, Foot	AL-60553



# Joerns Easy Care 2004 Model B675

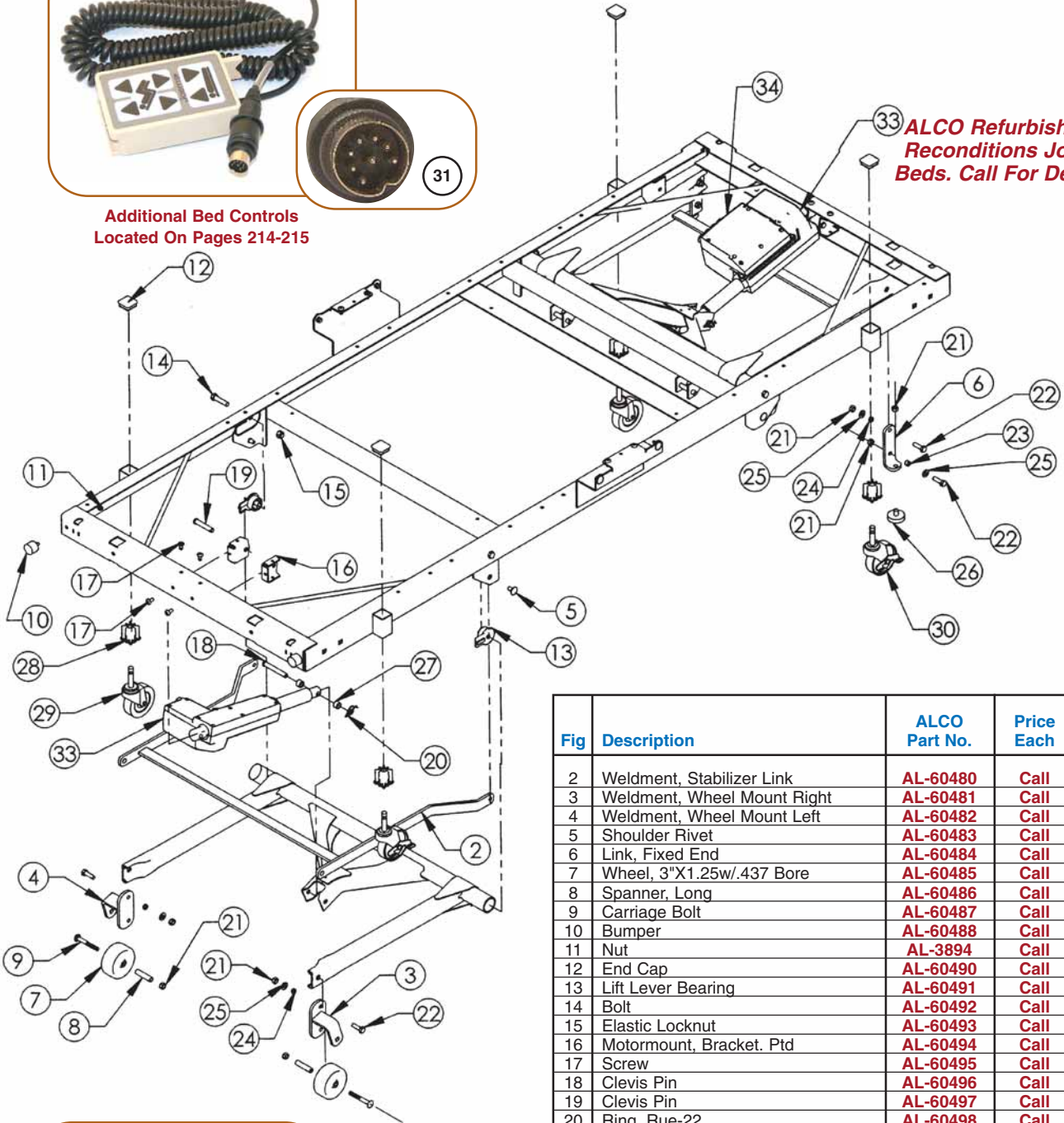
Call For Pricing

**BUY 11 GET 1 FREE!**



Additional Bed Controls  
Located On Pages 214-215

**ALCO Refurbishes & Reconditions Joerns Beds. Call For Details!**



Additional Bed Controls  
Located On Pages 214-215

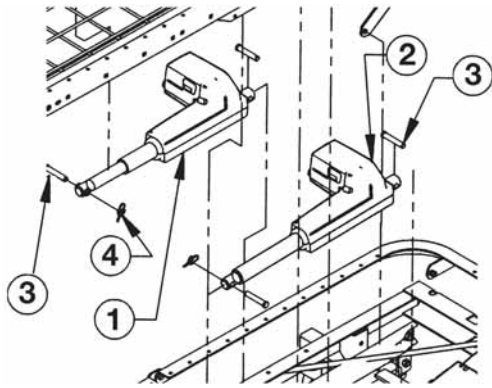
Fig	Description	ALCO Part No.	Price Each
2	Weldment, Stabilizer Link	AL-60480	Call
3	Weldment, Wheel Mount Right	AL-60481	Call
4	Weldment, Wheel Mount Left	AL-60482	Call
5	Shoulder Rivet	AL-60483	Call
6	Link, Fixed End	AL-60484	Call
7	Wheel, 3"X1.25w/.437 Bore	AL-60485	Call
8	Spanner, Long	AL-60486	Call
9	Carriage Bolt	AL-60487	Call
10	Bumper	AL-60488	Call
11	Nut	AL-3894	Call
12	End Cap	AL-60490	Call
13	Lift Lever Bearing	AL-60491	Call
14	Bolt	AL-60492	Call
15	Elastic Locknut	AL-60493	Call
16	Motormount, Bracket. Ptd	AL-60494	Call
17	Screw	AL-60495	Call
18	Clevis Pin	AL-60496	Call
19	Clevis Pin	AL-60497	Call
20	Ring, Rue-22	AL-60498	Call
21	Nut, Torque	AL-60499	Call
22	Hex Bolt	AL-60500	Call
23	Short Spanner	AL-60501	Call
24	Bushing	AL-60502	Call
25	Washer	AL-5172	Call
26	Floor Pad EC2004	AL-60504	Call
27	Plastic Bushing	AL-60505	Call
28	Standard Caster Socket	AL-60506	Call
29	Caster, 3" w/o Brake	AL-60507	Call
30	Caster, 3" with Brake	AL-60508	Call
31	Kit, Standard Pendant	AL-60509	\$109.95
32	Kit, Staff Control & Patch Cord	AL-60510	\$139.95
33	Kit, Actuators, Matched EC2004	AL-60511	Call
34	Kit, Control Box	AL-60512	Call
35	Kit, Power Cord, LINak (Not Shown)	AL-60513	Call

EP1

# Joerns Actuators & Drive Assemblies

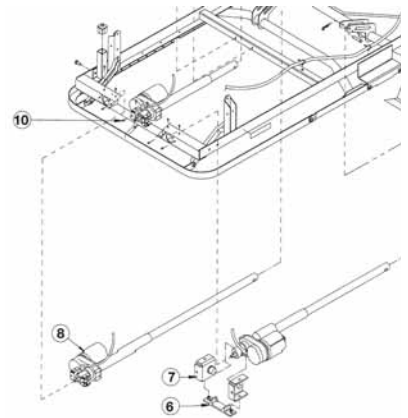
**BUY 11 GET 1 FREE!**

**Call For Pricing**



Joerns Easycare 204 (Model B675)		
Fig	Description	ALCO Part No.
1	Actuator, Knee	AL-60514
2	Actuator, Back	AL-60515
3	Clevis Pin	AL-60497
4	Ring, Rue	AL-60498

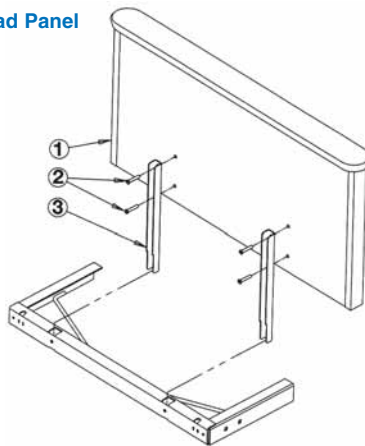
Joerns Easycare 2003 (Model B684 & B684I) Joerns Easycare 2100 (Model B694 & B694I)		
Fig	Description	ALCO Part No.
6	Motor Mount Retainer	AL-60517
7	Motor Mount Assembly	AL-60518
8	Drive Assembly, Knee	AL-60519
10	Screw	AL-60495



## Head & Foot Panels Joerns Easy Care 2000/2004/2100 (Models 684/B684I, 694/B694I, B675)

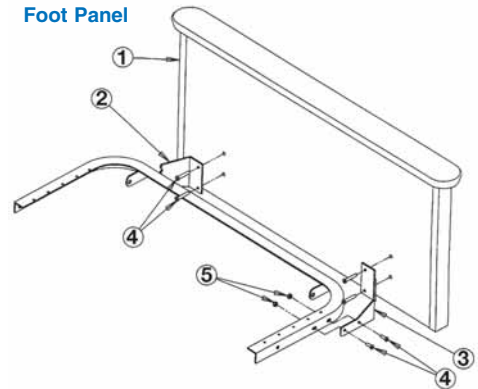
Head Panel		
Fig	Description	ALCO Part No.
1	Head Panel (need serial # and/or Model #)	AL-60472
2	Screw	AL-60471
3	Head Panel Bracket	AL-60470

Head Panel



Foot Panel		
Fig	Description	ALCO Part No.
1	Foot Panel (need serial # and/or Model #)	AL-60475
2	Foot Panel Bracket, RH	AL-60474
3	Foot Panel Bracket, LH	AL-60473
4	Screw	AL-60471
5	Elastic Lock Nut	AL-3882

Foot Panel



## NOA Medical Industries

Elite Riser (35") 1050007/1050008/1050009		
Elite Riser (39") 1050010/1050011		
Elite Riser (42") 1050012/1050013		
T-MOTION Electronics (after 6/2011)		

Elevation Motor	AL-78379	\$159.00
Head/Foot Motor	AL-78380	\$159.00
Control Box	AL-78381	\$189.00
Handset	AL-78382	\$69.00
Handset	AL-78383	\$69.00
Sub Acute/Lock Out	AL-78384	\$85.00
Sub Acute/Lock Out	AL-78385	\$85.00
Y-Cable	AL-78386	\$15.00
Non-Locking Caster	AL-78377	\$13.00
Locking Caster	AL-78378	\$15.00
Head/Foot Boards	AL-74091	\$89.00

Elite Riser (35") 1050007/1050008/1050009		
Elite Riser (39") 1050010/1050011		
Elite Riser (42") 1050012/1050013		
DEWERT Electronics		

Elevation Motor	AL-76063	\$159.00
Head Motor	AL-74084	\$169.00
Foot Motor	AL-76061	\$159.00
Control Box	AL-74109	\$189.00
Handset	AL-74110	\$69.00
Lock Out Handset	AL-74111	\$119.00
Sub Acute/Lock Out	AL-74112	\$139.00
Y-Cable	AL-74113	\$10.00
Non-Locking Caster	AL-74087	\$16.00
Locking Caster	AL-74088	\$19.00
Non-Locking Caster	AL-78377	\$13.00
Locking Caster	AL-78378	\$15.00
Head/Foot Boards	AL-74091	\$89.00

LTC Light-1070001 HHC Electronics		
--------------------------------------	--	--

Elevation Motor	AL-78387	\$159.00
Head Motor	AL-78388	\$159.00
Foot Motor	AL-78389	\$159.00
Control Box	AL-78390	\$219.00
Handset	AL-78391	\$69.00
Sub Acute/Lock Out	AL-78392	\$76.00
Footboard Control Cable	AL-78393	\$15.00
Footboard Control	AL-78394	\$115.00
Non-Locking Caster	AL-78395	\$16.00
Locking Caster	AL-78396	\$18.00
Control Box w/ Battery Backup	AL-78397	\$299.00
High Impact Head/Foot Boards	AL-78398	\$129.00





# NOA Medical Industries



**BUY 11 GET 1 FREE!**



AL-74082



AL-74083



AL-74084



AL-74085



AL-74090



AL-74096



AL-74097



AL-74098



AL-74089



AL-74110



AL-74086

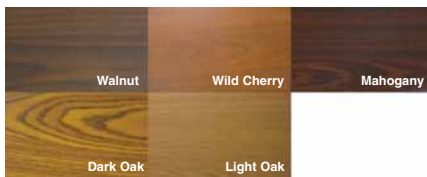


AL-74113



AL-74109

EPI



AL-74091



AL-77035



AL-74095



AL-74087



AL-74088

**AP Riser - 1040000/1040001/1040002**

Elevation Motor	AL-74082	\$179.00
Head Motor	AL-74083	\$179.00
Foot Motor	AL-74084	\$179.00
Control Box	AL-74085	\$229.00
Handset	AL-74086	\$79.00
Non-Locking Caster	AL-74087	\$17.00
Locking Caster	AL-74088	\$19.00
Wheel	AL-74089	\$16.00
Staff Control	AL-74090	\$79.00
Head/Foot Boards	AL-74091	\$101.00
H/F Boards High Impact	AL-77035	\$129.00
Hardware Kit*	AL-77036	\$59.00

\*Must be purchased with AL-77035

**AP Riser - 1040006/1040007/1040008**

Elevation Motor	AL-74082	\$179.00
Head Motor	AL-74083	\$179.00
Foot Motor	AL-74084	\$179.00
Control Box	AL-74095	\$219.00
Handset	AL-74096	\$79.00
Lock Out Handset	AL-74097	\$89.00
Disconnect Cable	AL-74098	\$14.00
Non-Locking Caster	AL-74087	\$17.00
Locking Caster	AL-74088	\$19.00
Wheel	AL-74089	\$16.00
Head/Foot Boards	AL-74091	\$101.00
H/F Boards High Impact	AL-77035	\$129.00
Hardware Kit*	AL-77036	\$59.00

\*Must be purchased with AL-77035

**AP Riser - 1040026/1040027/1040028**

Elevation Motor	AL-74082	\$179.00
Head Motor	AL-74083	\$179.00
Foot Motor	AL-74084	\$179.00
Control Box	AL-74109	\$219.00
Handset	AL-74110	\$79.00
Lock Out Handset	AL-74111	\$129.00
Sub Acute Handset	AL-74112	\$149.00
Y-Cable	AL-74113	\$12.00
Non-Locking Caster	AL-74087	\$17.00
Locking Caster	AL-74088	\$19.00
Wheel	AL-74089	\$16.00
Head/Foot Boards	AL-74091	\$101.00
H/F Boards High Impact	AL-77035	\$129.00
Hardware Kit*	AL-77036	\$59.00

\*Must be purchased with AL-77035

**Bariatric-1080000BEI/1080001BEI**

Elevation Motor - Beds mfg. prior to 5/09	AL-74082	\$179.00
Elevation Motor - Beds mfg. 5/09 & after	AL-74123	\$489.00
Elevated Motor*	AL-76062	\$419.00
Foot Motor*	AL-76061	\$159.00
Head Motor	AL-74083	\$179.00
Foot Motor	AL-74084	\$179.00
Handset	AL-74121	\$79.00
Control Box	AL-74109	\$219.00
Non-Locking Caster	AL-74087	\$17.00
Locking Caster	AL-74088	\$19.00
Wheel	AL-74089	\$16.00
Head/Foot Boards	AL-74127	\$219.00
Y-Cable	AL-74113	\$12.00

\* For Model 1080001BE1

# Gendron Maxi-Rest 4748D & 4748DX Beds

**BUY 11 GET 1 FREE!**

Call For Pricing

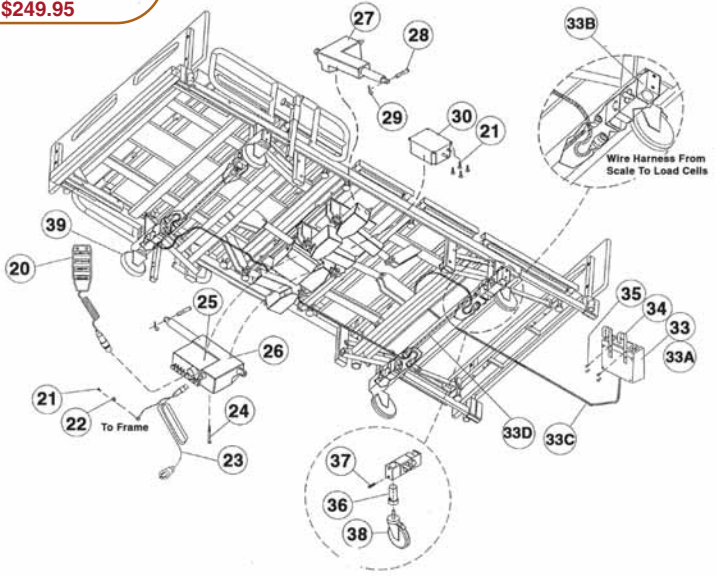
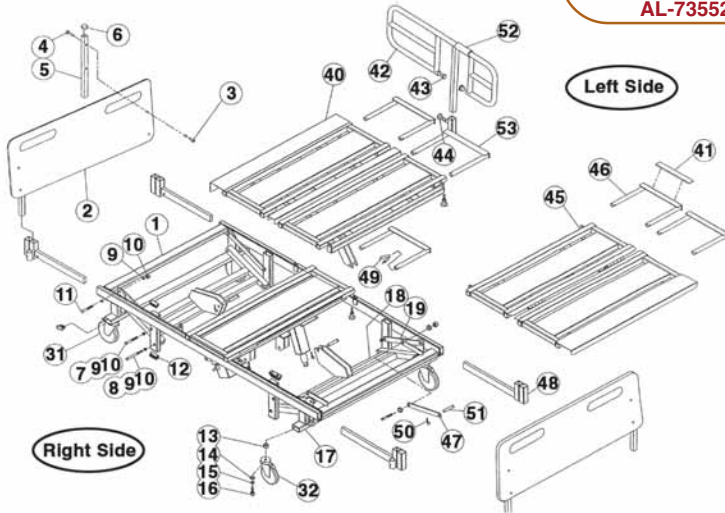


Fig	Description	ALCO Part No.	Price Each
<b>Frame Assembly</b>			
1	Bed Frame	AL-73529	Call
2	Head/Foot Board	AL-73530	Call
3	Nut, Joint Connector	AL-73531	Call
4	Screw, Joint Connector	AL-73532	Call
5	Mount Tube, Head/Foot	AL-73533	Call
6	Cap, Black Plastic 1" Square	AL-73534	Call
7	Screw, HHC 3/8-16 x 2"	AL-73535	Call
8	Screw, HHC 3/8-16 x 3"	AL-73536	Call
9	Bushing, Flanged Bronze	AL-73537	Call
10	Nut, Lock, Elastic Stop, 3/8-16	AL-42352	Call
11	Screw, HHC 3/8-16 x 1-1/4"	AL-73538	Call
12	Cap, Black Plastic 1" x 2"	AL-73539	Call
13	Nut, Lock 1/2-20	AL-42407	\$4.95
14	Washer, Flat	AL-47745	Call
15	Washer, Lock	AL-73540	Call
16	Screw, HHC 1/2-20 x 2-1/2"	AL-73541	Call
17	WLMT, Caster Mount	AL-73542	Call
18	Leg Weldment	AL-73543	Call
19	Leg Link Strap	AL-73544	Call
<b>Power Components</b>			
20	Handset (4748D Three Function)	AL-73545	Call
	Handset (4748DX Five Function)	AL-73546	Call
21	Screw, PPHSM #10 x 3/4"	AL-47755	Call
22	Washer, Star #10 Int. Tooth	AL-73547	Call
23	Power Cord	AL-73548	Call
24	Screw PPH Plastite #8 x 1-1/2"	AL-73549	Call
25	Control Module	AL-73550	Call
26	Actuator, Long 250mm	AL-73551	Call
27	Actuator, Short 150mm	AL-73552	\$249.95
28	Clevis Pin, 3/8 x 2"	AL-73553	Call
29	Hairpin	AL-73554	Call
30	Battery	AL-73555	Call
31	Caster, 5" Steer	AL-74331	Call
32	Caster, 5" Brake Lock	AL-74332	Call

Fig	Description	ALCO Part No.	Price Each
33	<b>Optional Bed Scale</b> Bed Scale Kit (Includes (1) Weight Display, (4) Load Cells, Wiring Harness & (8) Shoulder Bolts)	AL-73556	Call
33A	Weight Display Unit	AL-73557	Call
33B	Load Cells Set of 4	AL-73558	Call
33C	Wire, 84" Scale Connect	AL-73559	Call
33D	Wire, 44" Scale Connect	AL-73560	Call
34	Bracket, Scale Hanger	AL-73561	Call
35	Screw, FHC #6 - 32 x 5/16"	AL-73562	Call
36	Stem, Caster	AL-74333	Call
37	Screw, Set 5/16-18 x 3/8"	AL-73563	Call
38	Caster, Brake Lock	AL-74332	Call
39	Caster, Steer	AL-74331	Call
<b>Backrest, Legrest, Pull Outs &amp; Siderail</b>			
40	Backrest	AL-73565	Call
41	Bumper, Vinyl	AL-73566	Call
42	Siderail	AL-73567	Call
43	Cap, Black Plastic 1" Dia.	AL-73568	Call
44	Release Pin	AL-42412	\$13.95
45	Leg Section	AL-73569	Call
46	Pullout Extension, Left	AL-73570L	Call
	Pullout Extension, Right	AL-73570R	Call
47	Foot Section, Link	AL-73571	Call
48	Footboard Ext., Right	AL-73572R	Call
	Footboard Ext., Left	AL-73572L	Call
49	Button Snap	AL-73573	Call
50	Ring, Rue 1/2"	AL-73574	Call
51	Pin, Clevis 1/2 x 1-1/4"	AL-73575	Call
52	Side Rail Grip	AL-73576	Call
53	Pullout Extension, Right	AL-73577R	\$79.95
	Pullout Extension, Left	AL-73577L	\$79.95



# Amedco/Borg Warner Outsourced Bed Parts



**BUY 11 GET 1 FREE!**

Description	Borg Warner Part No.	ALCO Part No.	Price Each
<b>BED PARTS</b>			
Head & Footboards (See Page 165)			
Caster without brake	0529-0803	AL-18509BE	\$32.95
Caster with brake	0529-0804	AL-18541BE	\$42.95
Motor assembly, high-low (New Price)	0200-2509	AL-52935A	\$599.00
Motor assembly, high-low (Exchange Price)	0200-2509	AL-52935B	\$469.00
High-low wiring assembly (New Price)	0200-2496	AL-52937A	\$229.00
High-low wiring assembly (Exchange Price)	0200-2496	AL-52937B	\$159.00
Bearing block	0400-1344	AL-52939	\$22.95
Motor assembly gatch (New Price)	0200-2513	AL-52940A	\$609.00
Motor assembly gatch (Exchange Price)	0200-2513	AL-52940B	\$439.00
Bearing, thrust, radial	0515-0331	AL-52942	\$31.95
Extension tube, back	0300-0325	AL-52943	\$59.95
Push tube assembly, back (New Price)	0200-1807	AL-52944A	\$329.00
Push tube assembly, back (Exchange Price)	0200-1807	AL-52944B	\$199.00
Extension tube, knee	0300-0326	AL-52945	\$59.95
Pull tube assembly, knee (New Price)	0200-1804	AL-52946A	\$329.00
Pull tube assembly, knee (Exchange Price)	0200-1804	AL-52946B	\$199.00
Control box assembly		AL-52947	\$450.00
Mattress stop	0400-2226	AL-52948	\$30.00
Switch actuator	0400-1699	AL-52949	\$39.95
Circuit board (New Price)		AL-52950A	\$159.00
Circuit board (Exchange Price)		AL-52950B	\$119.00
Control leadwire		AL-52952	\$59.95
<b>PEDAL ASSEMBLY</b>			
Pedal, trendelenberg	0400-1171	AL-52953	\$37.95
Pedal, reverse trendelenberg	0400-1172	AL-52954	\$34.95
Pedal, hi-lo	0400-1173	AL-52955	\$47.95
<b>SAFETY SIDES</b>			
Safety sides, 6 bar — priced per pair	B-25736	AL-52956	\$219.95
Cap	0400-0225	AL-52957	\$9.95
Latch	0400-1858	AL-52958	\$39.95
Retaining ring	0514-0767	AL-52959	\$1.95
Headed pin	0400-2324	AL-52960	\$2.95
Latch actuator	0400-1857	AL-52961	\$19.95
Latch arm	0400-2123	AL-52962	\$33.95
Pivot arm	0400-2268	AL-52963	\$26.95



## Amedco/Borg Warner & Joerns Head/Footboards

Description	Borg Warner Number	Dimensions	ALCO Part No.	Price Each
Head Board	3HOS	24" x 39"	AL-49834	\$99.00
Head Board	3H	18" x 39"	AL-49835	\$89.00
Foot Board	3F	12" x 39"	AL-49836	\$69.00
Side Panel		82-3/4" x 4-3/4"	AL-49945	\$79.00
Side Panel		84" x 6-3/4"	AL-49946	\$99.00
	<b>Joerns Model 670 Number</b>			
Head Board	B67CO*	36" x 14"	AL-52855	\$79.00
Foot Board	B67CO*	36" x 14"	AL-52856	\$79.00

Alpha 1 & 3 series beds and Delta 220 series beds make up 80% of all Borg Warner Amedco Beds in the field today. If you have other than Alpha 1 or 3 series beds or Delta 220 Series beds, take measurements or send in a sample. ALCO Head and Foot boards come with a special rubberized vinyl brown "T" molding that will not chip or crack.

**Standard Colors:** Light Oak, Medium Oak, Walnut & Cherry

ALCO rubberized vinyl "T" molding can be ordered separately  
**AL-49833 \$49.00** for a 50 foot roll (Dark Brown) for beds 7/8" size  
**AL-49947 \$49.00** for 50 foot roll (Dark Brown) for overbed tables 13/16"

\*Note: Joerns Model 670 Electric Bed Head & Foot Boards are universal

## Universal Head/Footboards

- ✓ 45lb industrial grade particleboard
- ✓ .030 high pressure laminate (both sides)
- ✓ Rubberized vinyl "T" molding edges
- ✓ Size: Headboard 20" H x 36" W x 3/4" T  
Footboard 16" H x 36" W x 3/4" T

	Walnut		Medium Oak		Light Oak	
	ALCO Part No.	Price Each	ALCO Part No.	Price Each	ALCO Part No.	Price Each
Headboard	AL-49908H	\$79.00	AL-49909H	\$79.00	AL-49910H	\$79.00
Footboard	AL-49908F	\$79.00	AL-49909F	\$79.00	AL-49910F	\$79.00



# Bed Parts

**BUY 11 GET 1 FREE!**

Call For Pricing

## Crank Handles

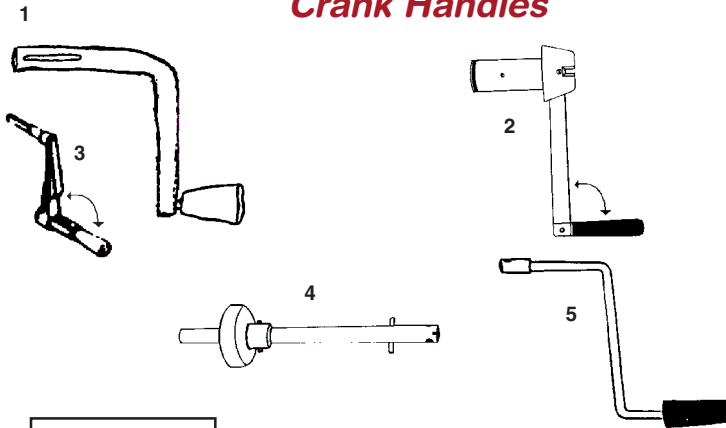
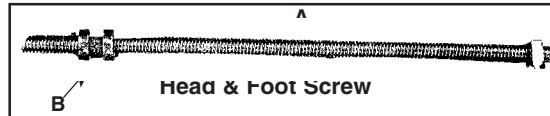
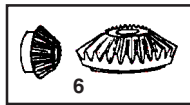


Fig	Description	ALCO Part No.
1	Old Style N/A Use Item 2	N/A
2	Fits Joerns	AL-26603
3	Fits Simmons Vari-Hite	AL-26717
3A	Fits Simmons Multi-Mate	AL-26717A
4	Bearing & Sleeve Assy	AL-26606
5	Fits Interoyal	AL-26605
6	Bevel Gear Set — Black (7/16" ID)	AL-3400S-B



A	Head Screw & Nut	AL-26607
A	Foot Screw & Nut	AL-26608
B	Nut Only Head	AL-26609
B	Nut Only Foot	AL-26610

## Drive Pack and Handle Assembly — Basic American/Thill/Omni

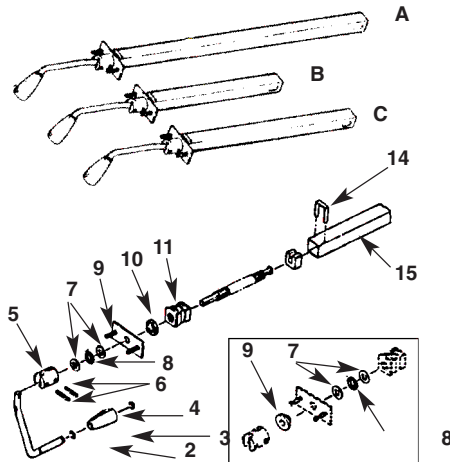


Fig	Description	ALCO Part No.
2	Handle-crank—Includes knob/pin/hub/e-ring	AL-26625
3	Ring-retaining 1/2", "E"	AL-26626
4	Knob-handle	AL-26627
5	Hub-crank	AL-26628
6	Pin-roll 3/16" x 1-1/4" L	AL-26629
7	Race-bearing, .093" thick	AL-26630
8	Bearing-thrust	AL-26631
9	Plate-bearing	AL-26632
10	Bushing-screw	AL-26633
11	Nut-molded, R.H. thread	AL-26634
11	Nut-molded, L.H. thread (head drive)	AL-26635
12	Screw-head drive assembly (L.H. thread)	AL-26636
12	Screw-knee drive assembly (R.H. thread)	AL-26637
12	Screw-hi-lo assembly (R.H. thread)	AL-26638
13	Stop clip-screw	AL-26639
14	Retainer-nut	AL-26640
15	Tube-drive, head	AL-26641
15	Tube-drive, knee	AL-26642
15	Tube-drive, hi-lo	AL-26643
A	Drive pack assembly - head	AL-26644
B	Drive pack assembly - hi-lo	AL-26645
C	Drive pack assembly - knee	AL-26646

EP1

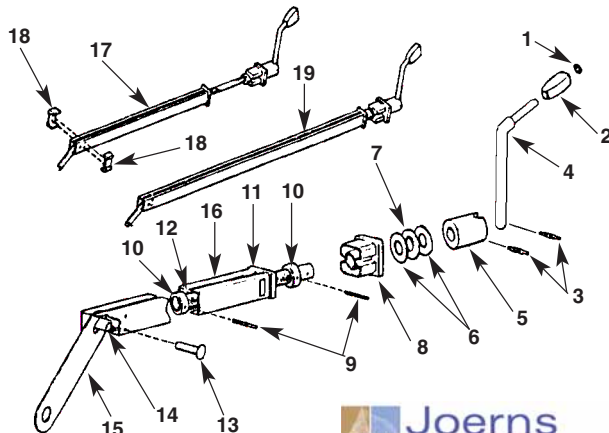


Fig	Description	ALCO Part No.
1	Push Nut	AL-26661
2	Knob	N/A
3	Pin, grooved - 3/16" x 1-1/4"	AL-26663
4	Handle	AL-26664
5	Hub	AL-26665
6	Race (washer)	AL-26666
7	Bearing, thrust	N/A
8	Bearing block	AL-26668
9	Pin, roll 3/16" x 1"	AL-26669
10	Collar, stop	AL-26670
11	Nut	AL-26671
12	Screw	N/A
13	Rivet	AL-26673
14	Bushing	AL-26674
15	Link	N/A
16	Channel	N/A
17	Knee screw pack assembly	N/A
18	Glide	AL-26678
19	Head screw pack assembly	N/A

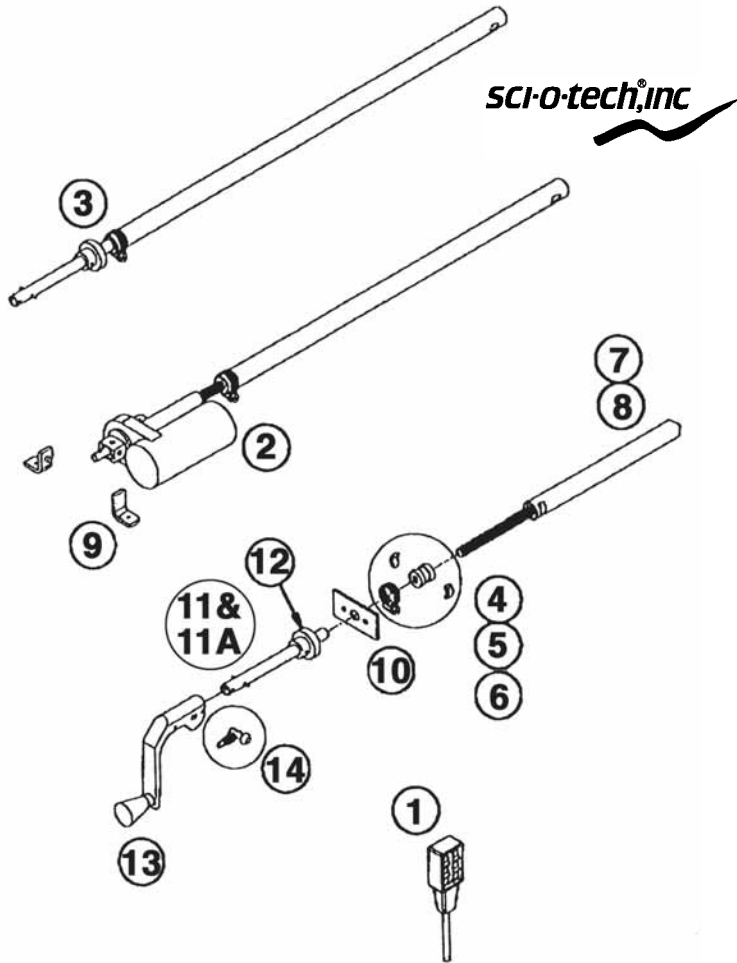
# Bed Parts



Call For Pricing

**BUY 11 GET 1 FREE!**

## Lumex Series 801 & Sci-O-Tech 2000 Series



### Call For Prices

Fig	Description	Model 801	ALCO Part No
1	<b>Bed Controls</b>	●	See Pages 214-215
2	<b>Motor Assemblies</b>		
	Head No Capacitor	●	AL-54832
	Head Power Pack		AL-54833
	Foot No Capacitor	●	AL-54834
	Foot Power Pack		AL-54835
	Hi Lo No Capacitor	●	AL-54836
	Hi Lo Power Pack		AL-54837
3	<b>Manual Assemblies With Bearing</b>		
	Manual Head Act (no crank)	●	AL-54838
	Manual Head Act (w/crank)		AL-54839
	Manual Foot Act (no crank)	●	AL-54840
	Manual Foot Act (w/crank)		AL-54841
	Manual Hi Lo Act (no crank)	●	AL-54842
	Manual Hi Lo Act (w/crank)		AL-54843
<b>801 Components</b>			
4	Head Manual Nut Kit	●	AL-26609
5	Foot Manual Nut Kit	●	AL-26610
6	Manual Hi Lo Nut Kit	●	AL-54847
7	Head Manual Hi Lo Tube	●	AL-54848
8	Foot Electric Hi Lo Tube	●	AL-54849
9	Motor Mounting Brackets	●	AL-54850
10	Bearing Plate	●	AL-54851
11	Bearing & Tube 76"	●	AL-54852
11A	Bearing & Tube 80"	●	AL-26606
12	Bearing Only	●	AL-54854
13	Cast Handle	●	AL-60644
14	Rivet	●	AL-26602A
	Pushcap	●	AL-26602B
	Spring	●	AL-26602C

Junction Box Repair (Joerns, Invacare & Basic American) **AL-67491 \$99.00**

## Junction Boxes (Full Electric Shown)

### New Junction Boxes



Type 1



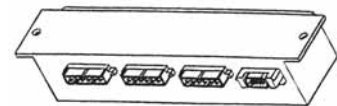
Type 3



Type 2

\*\*Specify Manufacturer: Joerns, Invacare, Basic American, Carroll, Hill-Rom, Kimball and Smith & Davis

Type 1: 4 Button	AL-76794	Call
Type 1: 6 Button	AL-76795	Call
Type 2: 4 Button	AL-76796	Call
Type 2: 6 Button	AL-76797	Call
Type 3: 6 Button	AL-76798	Call



Nursing Home UL 2601-1 (fused), Basic American N.H., Lumex 703-704, S&D Universal, Thill (several models), SSC 6000 (full electric only) Flex, EZLock, Lomax, SurePlus Full Electric **AL-54863**



UL 73, Smith & Davis/Amedco Shaft/Cable, 6 Button, Low Voltage, Semi or Full **AL-54865 \$169.95**

# Hill-Rom Replacement Communication Cables

**BUY 11 GET 1 FREE!**

## Hill-Rom 37 pin to Hill-Rom 37 pin Side Com

Description	ALCO Part No.	Price Each
In-Line 8 ft. cable, Beige	AL-48081	\$33.95
Right Angle, 8 ft. cable, Beige	AL-54647	\$33.95
Station Saver	AL-76034	\$27.95

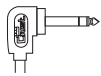
## Hill-Rom Breakaway Communication Cable

In-Line 8 ft. cable, Beige	AL-66796	\$44.95
Right Angle, 8 ft. cable, Beige	AL-66798	\$44.95



### Philips/Sylvania/Granada

1

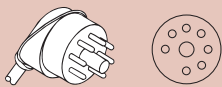


Phone plug

### Executone

2

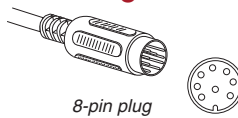
AL-48067 AL-48064



7-pin plug,  
\*center post wired

### RAULAND

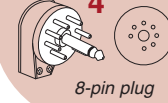
3



8-pin plug

### INTERCALL

4



8-pin plug

### EKTACOM

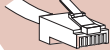
5



8-pin plug

### TEKTONE / WESCOM

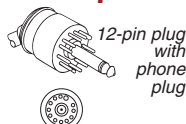
6



8-pin plug

### Rauland

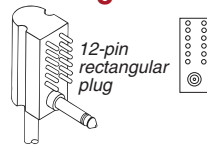
7



12-pin plug  
with phone  
plug

### Dukane

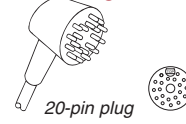
8



12-pin  
rectangular  
plug

### Sylvania

9



20-pin plug

## For Hill-Rom 37 pin to Other Plugs Listed Above

Fig	Description	ALCO Part No.	Price Each
1	2 cond. phone plug w/8 ft. cord, angular	AL-48062	\$49.95
	3 cond. phone plug w/8 ft. cord, angular	AL-48063	\$54.95
2	7 pin Executone (Carecom) w/8 ft. cord	AL-48064	\$59.95
	8 pin Executone (Futura) w/8 ft. cord (center post wired)	AL-48067	\$59.95
3	8 pin Rauland w/8 ft. cord	AL-48065	\$69.95
4	8 pin din Intercall w/8 ft. cord	AL-48066	\$69.95

## For Hill-Rom 37 pin to Other Plugs Listed Above

Fig	Description	ALCO Part No.	Price Each
5	8 pin Ektacom (Fisher-Berkley) w/8 ft. cord	AL-48068	\$64.95
6	8 pin modular phone plug Tektone w/8 ft. cord,	AL-48069	\$64.95
	8 pin modular phone plug Wescom w/8 ft. cord	AL-48070	\$64.95
7	12 pin Rauland w/8 ft. cord	AL-48071	\$69.95
8	12 pin Dukane/Rectangular Plug w/Lights	AL-48072	\$64.95
	12 pin Dukane/Rectangular Plug w/Radio	AL-48072A	\$64.95
9	20 pin Sylvania w/8 ft. cord	AL-48073	\$69.95

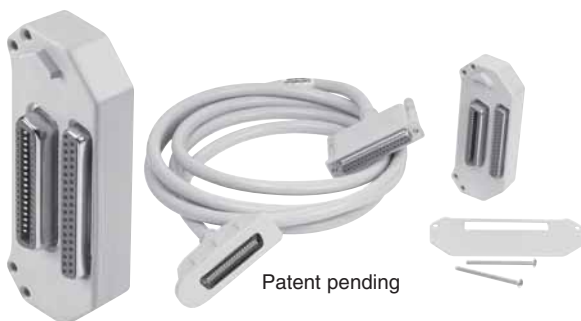
## CableSaver® Communication Bed Cable System for Hill-Rom

### Key Benefits

- ✓ Outlasts OEM heavy-duty 37-pin bed cables 20-to-1
- ✓ Foolproof insertion guide ensures that staff plugs cable in correctly
- ✓ Dual connectors on the adapter provide cross compatibility (allows facility to phase-in CableSaver™ cables over time)
- ✓ 36 (no-pin) connector withstands pulls from any direction

### Description

Description	ALCO Part No.	Price Each
CableSaver™ adapter	AL-66751	\$22.00
CableSaver™ 8 ft. cable, for Hill-Rom® beds	AL-66752	\$39.95
CableSaver™ 8 ft. cable and adapter, for Hill-Rom® beds	AL-66753	\$57.95
CableSaver™ dummy plug	AL-48075	\$13.95
CableSaver™ horizontal mounting kit	AL-66761	\$4.95



Patent pending

# Stryker Replacement Communication Cables

**BUY 11 GET 1 FREE!**



AL-66764

Stryker 37 pin male plugs (each end) wired pin to pin

Description	ALCO Part No.	Price Each
In-Line 8 ft. cable, Beige	AL-66764	\$29.95
Right Angle, 8 ft. cable, Beige	AL-66765	\$29.95



AL-66797

Stryker Breakaway Communication Cable

In-Line 8 ft. cable, Beige	AL-66797	\$44.95
Right Angle, 8 ft. cable, Beige	AL-66799	\$44.95



Patent pending

**CableSaver® Communication Bed Cable System for Stryker**  
Key Benefits

- ✓ Outlasts OEM heavy-duty 37-pin bed cables 20-to-1
- ✓ Foolproof insertion guide ensures that staff plugs cable in correctly
- ✓ Dual connectors on the adapter provide cross compatibility (allows facility to phase-in CableSaver™ cables over time)
- ✓ 36 (no-pin) connector withstands pulls from any direction

Description	ALCO Part No.	Price Each
CableSaver™ adapter	AL-66751	\$22.00
CableSaver™ 8 ft. cable, for Stryker® beds	AL-66756	\$38.95
CableSaver™ 8 ft. cable and adapter, for Stryker® beds	AL-66757	\$59.95
CableSaver™ dummy plug	AL-48075	\$13.95
CableSaver™ horizontal mounting kit	AL-66761	\$4.95

## Dummy Plugs & Adaptors



AL-66822

**Ektacom Type Dummy Plugs**

8-pin dummy plug	AL-66821	\$27.95
15-pin dummy plug	AL-66822	\$15.95



AL-66821



AL-66820

**American Zettler**

Dummy plug for American Zettler type, 6-pin	AL-66819	\$17.95
Dummy plug for American Zettler type, 9-pin Sentinel 400	AL-66820	\$19.95
Dummy plug for American Zettler type, 9-pin Sentinel 500	AL-66820A	\$19.95



AL-66819



AL-66008

**8-pin DIN Type Dummy Plugs for Intercall, Jeron, Rauland and TekTone**

Dummy plug for use with Intercall systems, 8 pin DIN	AL-65996	\$23.95
Dummy plug for use with Jeron (new) systems, 8 pin DIN	AL-66816	\$20.95
Dummy plug for use with Jeron (old) systems, 8 pin DIN	AL-66817	\$8.95
Dummy plug for use with Rauland systems, 8 pin DIN	AL-66008	\$12.95
Dummy plug for use with TekTone systems, 8 pin DIN	AL-66818	\$10.95



**RJ45 8-pin Modular Dummy Plug**  
Dummy plug with 5-inch connecting cord AL-66028 \$15.95



**Hill-Rom Type Dummy Plug**

Dummy plug, 37-pin with 5-inch connecting chain  
AL-48075 \$13.95

# Bed Control Plug Ends

**BUY 11 GET 1 FREE!**

Bed Control Repair  
See Page 640

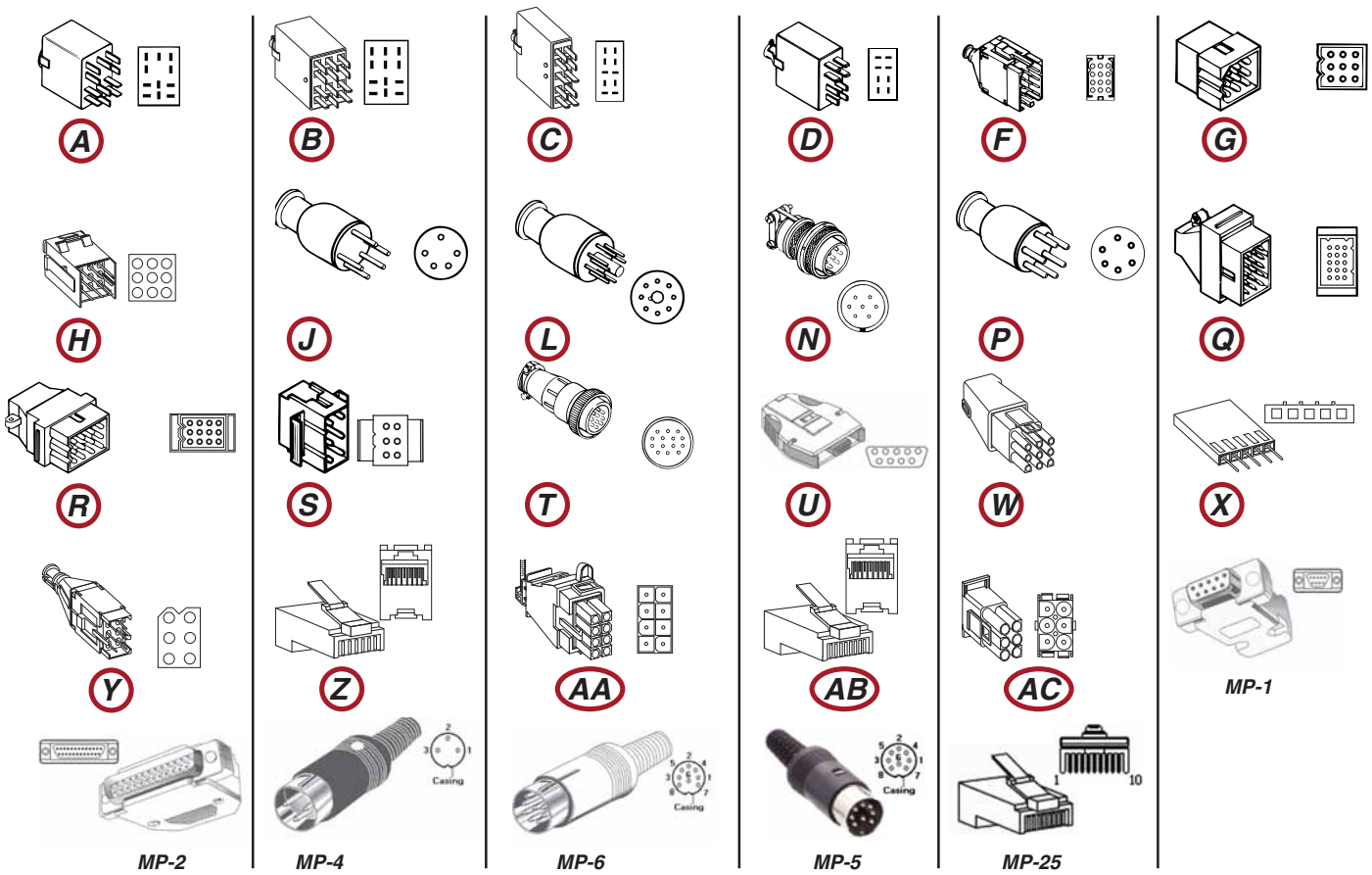


Fig	#Pins	Fits
A	11-pin	HARD, SIMMONS
B	12-pin	HARD, SIMMONS
C	10-pin	BORG-WARNER/AMEDCO, HARD, NELSON
D	8-pin	BORG-WARNER/AMEDCO, SIMMONS
F	12-pin	BORG-WARNER/AMEDCO, FOSTER BROTHERS, HARD, STRYKER & THILL
G	9-pin	CARROM, CELEBRITY-CHOICE
H	9-pin	INVACARE
J	5-pin	CARROM
L	8-pin	FOSTER-BROTHERS, GOODMAN, HARD, INVACARE, JOERNS/SUNRISE, SCI-O-TECH, SMITH & DAVIS
N	7-Pin	
P	5-pin	INVACARE
Q	15-pin	BORG-WARNER/AMEDCO, CARROM, HILL-ROM, JOERNS/SUNRISE, NOA
R	12-pin	BORG-WARNER/AMEDCO, THOMPSON-BLAIR, MED-PRODUCTS (LVCK-II), JOERNS (NURSE CONTROL)
S	6-pin	CARROM, JOERNS/SUNRISE
T	14-pin	BURKE, MAQUET
U	9-pin	ARJO, BASIC AMERICAN, BIG BOYZ, EQUITRON, EVERMED, HARD, HUBBELL, INVACARE, KIMBALL, LUMEX, M.C. HEALTHCARE, NOA, SIMMONS, SIZE-WISE, THILL, THOMASVILLE, TUFFCARE, WHEELCHAIRS OF KANSAS
W	9-pin	HILL-ROM, THOMPSON-BLAIR, MEDLINE, ORTHO-DERM, SHAMPAIGNE
X	5-pin	STRYKER
Y	6-pin	STRYKER
Z	6-pin	INVACARE, SMITH & DAVIS/HUNTCO
AA	8-pin	ADJUSTIMATIC, JOERNS/SUNRISE
AB	8-pin	CAT-HOMECARE, JOERNS/SUNRISE, LUMEX, MEDLINE, SCI-O-TECH, SEARS
AC	6-pin	HARD, SCI-O-TECH
MP-1	9-pin	BASIC AMERICAN, CARROLL, HILL-ROM, KIMBALL/KCI, MEDLINE, INVACARE, MAGNETIC, NOA, TUFFCARE
MP-2	25-pin	ADEL, HILL-ROM
MP-4	3-pin	ARJO, HILL-ROM
MP-6	8-pin HD	DEWERT, HILL-ROM, INVACARE, JOERNS/SUNRISE, LIKO, LINAK, M.C. HEALTHCARE, NOA
MP-5	8-pin	ARJO, BHM MEDICAL, TUFFCARE, VOLKER
MP-25	10-pin	CARROLL, INVACARE, JOERNS, LINAK, M.C. HEALTHCARE



# Bed Controls

**BUY 11 GET 1 FREE!**

- How To Order**
1. Determine Model & Button from page 215
  2. Determine Plug Style from page 214



Replacement Bed Controls			
Model	Function	Part No.	Price
1	6	AL-976C*	\$64.95
	4	AL-974C*	\$63.95
	2	AL-972C*	\$62.95
2	6	AL-48659T*	\$64.95
	4	AL-48660T*	\$63.95
3	6	AL-59420	\$62.95
	4	AL-59419	\$59.95
	Only available with plugs B**, Q, R, U, Z & AB		
4	6	AL-67239	\$62.95
	4	AL-67240	\$61.95
Only available with plugs Q, U, Z, AB & MP1			

**Sealed Bed Controls**

- ✓ Overlay protected sealed metal dome switches
- ✓ Water sealed preventing moisture from penetrating all electrical circuits
- ✓ DURAFLEX™ cable outlasts standard OEM equipment
- ✓ ALCO bed controls are designed for use on low- voltage control circuits only

\*Plugs A, B, J, L & P Add \$10.00 To Price  
 \*\*Applies to 6-Function Control only

**Bellows**  
AL-22250 \$12.95

**Pump**  
AL-22251 \$26.95

**Tubing connector**  
AL-22252 \$13.95

**6-button hand control and 7-ft. Flo-Tube**  
AL-22253 \$169.95

**Flo-Tube Only (7-ft. Length)**  
AL-22254 \$109.95  
 Custom lengths available — CALL!

**Borg Warner/Amedco Bed Control Holder** clips onto head end or side rail of bed. Bed control slips easily into tapered slot in holder. Brown.  
 AL-50761 \$16.95  
 For Use With Model 2 (see above chart)

**Pendant Holders**  
 Fits 7/8"-1" rails AL-68928 \$5.95  
 Fits 1"-1-1/4" rail AL-68929 \$6.95

## Bed Control Repair

ALCO will repair most bed controls. Price includes all parts needed, plug and cord if needed.

AL-48635R \$49.95 Ea.

*Note: We must receive complete unit for repair or you will be charged for all missing parts.*



**90 Day Warranty**

EP1



# AMFAB Overbed Table Parts

**BUY 11 GET 1 FREE!**

## AMFAB Model 1000

Description	ALCO Part No.	Price Each
H-Base - Chrome	AL-66942	\$59.00
Caster Plug	AL-53158	\$4.95
Twin Hood Caster	AL-15010-23	\$2.95
Hex Head Bolt	AL-53147	\$2.95
Bolt Plate	AL-53162	\$4.95
Outer Column - Chrome	AL-53157	\$29.95
Plastic Lock Hold Bracket	AL-53161	\$11.95
Compression Spring	AL-53153	\$4.95
Lock Plate	AL-53160	\$4.95
Trip Rod	AL-53155	\$8.95
Plastic Trip Handle	AL-53165	\$3.95
Hex Nut	AL-53149	\$1.95
Inner Column	AL-66943	\$49.00
Walnut Woodgrain Top	AL-66944	\$39.00
Hex Head Bolt	AL-53148	\$2.95
#1 Phil Pan Head	AL-53152	\$1.95
Plastic Column Slide	AL-53163	\$4.95
Constant Force Spring w/Slide	AL-53154	\$11.95
Phil Pan Head Machine Screw	AL-53151	\$1.95

## AMFAB Models 1005H & 1005U

Description	ALCO Part No.	Price Each
Hex Head Bolt - Zinc	AL-53147	\$2.95
Bolt Plate	AL-53162	\$4.95
Twin Hood Caster	AL-15010-23	\$2.95
H-Base - Chrome	AL-66942	\$59.00
U-Base - Chrome	AL-66946	\$59.00
Caster Plug	AL-53158	\$4.95
Hex Head Bolt	AL-53148	\$2.95
Top Bracket	AL-53159	\$16.95
Walnut Woodgrain Top	AL-26472	\$39.00
Phil PH Screw	AL-53152	\$1.95
Hex Nut	AL-53149	\$1.95
Plastic Trip Handle	AL-53165	\$3.95
Column - Chrome	AL-66945	\$79.00

## AMFAB Models 1010H & 1010U

Description	ALCO Part No.	Price Each
Bolt Plate	AL-53162	\$4.95
3/8-16 x 2" Bolt	AL-53147	\$2.95
40mm Caster	AL-15010-23	\$4.95
H-Base (Chrome)	AL-53164	\$69.00
U-Base (Chrome)	AL-53166	\$69.00
Column Assembly	AL-53167	\$62.00
Release Lever	AL-53165	\$3.95
1/4-20 Nut	AL-53149	\$1.95
Top Bracket	AL-53159	\$16.95
1/4-20 x 2" Bolt	AL-53148	\$2.95
15 x 30 Gunstock Walnut Top	AL-26472	\$39.00
1/4-20 x 3/8 Zinc Screw	AL-75568	\$1.95
Optional Vanity & Mirror	Call	Call

## AMFAB Models 4528H & 4528U

Description	ALCO Part No.	Price Each
U-Base - Chrome	AL-53176	\$109.00
H-Base - Chrome	AL-53176H	\$109.00
Large Caster Plug	AL-53179	\$4.95
Twin Hooded Caster	AL-15010-23	\$2.95
Hex Head Bolt	AL-53147	\$2.95
Zinc Bolt Plate	AL-53162	\$4.95
Column Assembly - Chrome	AL-53175	\$149.00
Hex Head Bolt	AL-53174	\$3.95
Back Plate - Chrome	AL-53171	\$14.95
Trip Lever - Chrome	AL-53169	\$16.00
T-Band Wood Top	AL-53168	\$46.00
Vanity w/Double Mirror, fits 18" & 32" Tops	AL-45179W	Call
8400 Vanity Slide	AL-66939	\$27.95
Top Bracket	AL-53170	\$17.95

## AMFAB Model 4828 Gas Cylinder Model

Description	ALCO Part No.	Price Each
Top (18 x 32, walnut)	AL-53168	\$46.00
Trip lever	AL-53180	\$11.95
Bolt	AL-53174	\$3.95
Column assembly	AL-53183	\$199.00
Base assembly	AL-53184	\$89.00
Casters	AL-15010-23	\$2.95
Bolt plate	AL-53162	\$4.95
Bolt	AL-53147	\$2.95
Caster plug	AL-53179	\$4.95
Hole plug	AL-53185	\$4.95

## Thill/Omni Automatic Overbed Table

Description	ALCO Part No.	Price Each
Top	AL-26472	\$39.00
Trip Handle	AL-26474	\$12.95
Bolt	AL-26475	\$0.60
Nut	AL-26476	\$0.50
Wood Screws	AL-26477	Call
Column Assembly	AL-26478	Call
Base Assembly	AL-26479	Call
Non-Locking Casters	AL-15004-23	\$5.95
End Caps	AL-26481	\$5.95
Bolt	AL-26482	Call
Optional Stainless Trim	AL-26483	Call
Column Retainer	AL-26484	Call

**Remanufactured Overbed Tables Available—See Page 217**





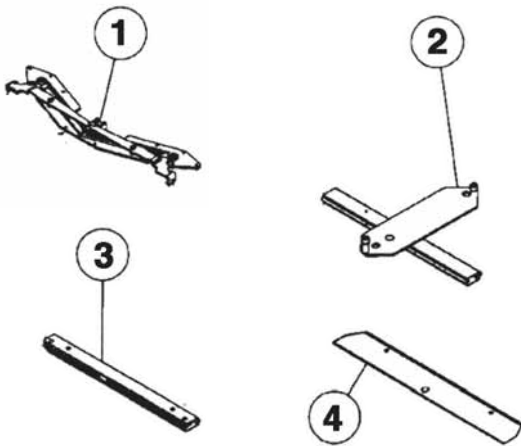
# Hill-Rom OB Table Parts For #630, #631 & #632

**BUY 11 GET 1 FREE!**

Description	Minimum Order Quantity	Color	Hill-Rom Part No.	ALCO Part No.	Price Each
<b>New Style Foam Edge Tops</b>					
Replacement Top, New Style For #631 & #632 PM & PM Jr. With White Foam Edge	NO	Light Oak	605-LO	AL-71520	\$129.00
	NO	Medium Oak	605-MO	AL-71521	\$129.00
	NO	Cherry	605-CH	AL-71522	\$129.00
	50 EA.	Specify Custom Color		CALL	CALL
Replacement Food Service Tray, New Style For #631 & #632 PM & PM Jr. Bearing Slide Installed	NO	Light Oak	SA603-LO	AL-71524	\$119.00
	NO	Medium Oak	SA603-MO	AL-71525	\$119.00
	NO	Cherry	SA603-CH	AL-71526	\$119.00
	50 EA.	Specify Custom Color		CALL	CALL
<b>Old Style T-Mold Edges</b>					
Standard Top Only For #620 & #630 Single Top Overbed Tables, New With Standard T-Molded Edge	NO	Light Oak	600-LO	AL-71528	\$59.00
	NO	Medium Oak	600-MO	AL-71529	\$59.00
	NO	Cherry	600-CH	AL-71530	\$59.00
	NO	Walnut	600-WAL	AL-71531	\$59.00
	CALL	Specify Custom Color		CALL	CALL
Replacement Top, Old Style For #631 & #632 PM & PM Jr. With Standard T-Molded Edge	NO	Light Oak	601-LO	AL-71662	\$79.00
	NO	Medium Oak	601-MO	AL-71663	\$79.00
	NO	Cherry	601-CH	AL-71664	\$79.00
	NO	Walnut	601-WAL	AL-71665	\$79.00
	CALL	Specify Custom Color		CALL	CALL
Replacement Food Service Tray, Old Style For #631 & #632 PM & PM Jr. Bearing Slide Installed With Standard T-Molded Edge	NO	Light Oak	SA602-LO	AL-71666	\$89.00
	NO	Medium Oak	SA602-MO	AL-71667	\$89.00
	NO	Cherry	SA602-CH	AL-71668	\$89.00
	NO	Walnut	SA602-WAL	AL-71669	\$89.00
	CALL	Specify Custom Color		CALL	CALL

**Miscellaneous Overbed Table Parts**

Fig	Description	ALCO Part No.	Price Each
1	Cam Ramp Assembly Mechanism For #631 & #632 PM & PM Jr (42932)	AL-71670	\$39.00
2	Pivot Slide Assembly For #631 & #632 PM Jr. (34794)	AL-69691	\$104.00
3	Top And Tray Slides For #631 & #632 PM & PM Jr (46269)	AL-71673	\$59.00
4	Stainless Steel Plate #631 & #632 PM & PM Jr (34741)	AL-71674	\$49.00



**Hill-Rom**

Twin Wheel Caster And Stem For #630, #631 & #632 PM & PM Jr (4 Req. Per Table) (SA1264)  
**AL-59966 \$16.00 Set of 4 Ea**  
 No Stem Twin Wheel Caster For Newer Style Hill-Rom OB Tables (stem welded in frame)  
**AL-59940 \$3.95 Single Wheel**

**Stryker**

U-Base H-Base  
**1-1/2" Twin-Wheel Caster For Model #3150 U-Base**  
 Stryker #: 3150-001-200  
**AL-76484 \$2.19 Ea**  
**2" Twin-Wheel Caster For Model #3150 H-Base**  
 Stryker #: 3150-052-734  
**AL-76485 \$3.19 Ea**

N/S	Tray & Mirror Assembly Kit Complete For #631 & #632 PM & PM Jr Includes: 2 Mirrors, 4 Roll Pins, 2 Anchor Plates, 2 Mirror Brackets (132600)	AL-71672	\$44.00	
N/S	Dual Wheel Caster And Stem For #630, #631 & #632 PM & PM Jr (4 Req. Per Table) (SA1264)	AL-59966	\$16.00	Set of 4 Ea
N/S	No Stem Twin Wheel Caster For Newer Style Hill-Rom OB Tables (stem welded in frame)	AL-59940	\$3.95	

**Hill-Rom & Borg Warner Remanufactured Overbed Tables**  
 Other overbed table parts available upon request

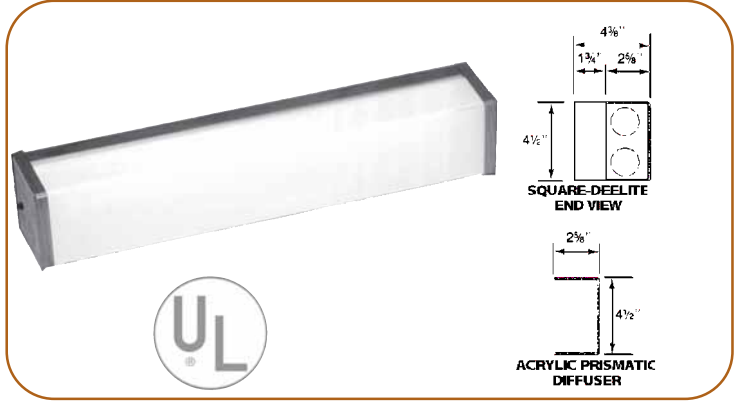
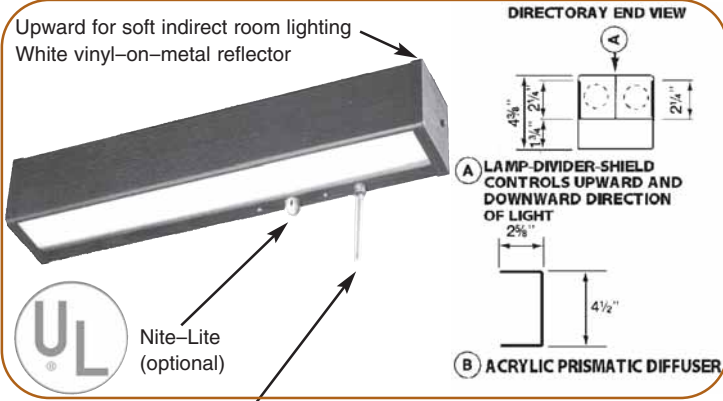


**Remanufactured Overbed Tables**

Hill-Rom Model #622	AL-54868*	Call
Hill-Rom Model #630	AL-54869*	Call
Patient Mate #631	AL-69101	Call
Patient Mate Junior #632	AL-69102	Call
Borg Warner	AL-54870*	Call
Borg Warner (Top Only)	AL-59924*	\$59.00

\*Specify Maple, Oak or Walnut

# Resident Room Lighting



Two-circuit pull chain switch—upward, downward, upward/downward, off (standard)

**FRONT BAFFLE:** White or Walnut grained vinyl-oil metal which slides in place and is secured by end plates.

**FINISH:** White

**HOUSING:** Channel and cover are heavy gauge steel.

**SHIELDING:** Acrylic prismatic diffuser for soft & even glare-free illumination. Easily installed and removed.

**ELECTRICAL:** All units wired with "A" sound rated ballasts, incorporating Class P thermal protection for 120 volt, 60 cycle AC current. Ballasts mounted in direct contact with housing for maximum heat dissipation. Sockets completely wired and mounted.

**LABELS:** UL Listed and I.B.E.W.

**ELECTRICAL:** All units wired with ballasts incorporating Class P thermal protection for 120 volt, 60 cycle AC current. Ballasts mounted in direct contact with housing for maximum heat dissipation. Sockets completely wire and mounted.

**FINISH:** White

**HOUSING:** Entire housing constructed of rigidly die-formed of code gauge steel.

**SHIELDING:** Choice of acrylic prismatic or acrylic opal white diffuser for soft & even glare-free illumination. Easily installed and removed.

**LABELS:** UL Listed and I.B.E.W.

## Electronic Optron Series

Energy Efficient • Quieter • Cooler • 5 Year Warranty • Longer Life

No. of Lamps	Ballast Type	Nominal Length	ALCO Part No.	Price Each
2 – 17W	SSB/T8	24-1/4	AL-59815	\$149.95
2 – 25W	SSB/T8	36-1/4	AL-59817	\$149.95
2 – 32W	SSB/T8	48-1/4	AL-59819	\$149.95
3–25W	SSB/TB	36-1/4	AL-70724	\$149.95
3–32W	SSB/TB	48-1/4	AL-70726	\$149.95
4–25W	SSB/TB	36-1/4	AL-70728	\$159.95
4–32W	SSB/TB	48-1/4	AL-70730	\$159.95

## Electronic Optron Series

Energy Efficient • Quieter • Cooler • 5 Year Warranty • Longer Life

No. of Lamps	Ballast Type	Nominal Length	ALCO Part No.	Price Each
1 – 17W	SSB/T8	24 1/4	AL-59821	\$79.95
1 – 25W	SSB/T8	36 1/4	AL-59823	\$89.95
1 – 32W	SSB/T8	48 1/4	AL-59825	\$89.95
2 – 17W	SSB/T8	24 1/4	AL-59827	\$89.95
2 – 25W	SSB/T8	36 1/4	AL-59829	\$99.95
2 – 32W	SSB/T8	48 1/4	AL-59831	\$99.95

### Accessories

Nite lite socket installed	AL-47231	\$13.95
Grounded convenience outlet installed	AL-47232	\$3.95
Turn knob switch installed	AL-47233	\$4.95
6' SJ3 cord + plug installed (White)	AL-47235	\$8.95
Toggle switch installed	AL-47236	\$5.95
Pull chain switch for nite lite installed	AL-47237	\$6.95

### Accessories

Metal Front diffuser for 15W, 20W, 30W or 40W Oak (AL-WOD), White (AL-WWD)	Call
Grounded convenience outlet installed	AL-47232 \$3.95
Turn knob switch installed	AL-47233 \$4.95
6' SJ3 cord + plug installed (White)	AL-47235 \$8.95
Toggle switch installed	AL-47236 \$5.95

### Replacement Diffusers – Square

Size	White Opal	Clear Prismatic	Price Each
24"	AL-47238	AL-47241	\$19.95
36"	AL-47239	AL-47242	\$24.95
48"	AL-47240	AL-47243	\$24.95

### Replacement Diffusers – Square

Size	White	Clear	Price Each
18"	AL-47244	AL-47245	\$21.95
24"	AL-47238	AL-47241	\$19.95
36"	AL-47239	AL-47242	\$24.95
48"	AL-47240	AL-47243	\$24.95



### Save-A-Switch

- ✔ Fits all bed rails, including low bed rails
- ✔ No more lights broken in the "On" position
- ✔ Can be used over and over again
- ✔ All chains and cords are always at arm's length

Save-A-Switch	AL-68551	\$7.95
48" Extension Chain with Connector	AL-70739	\$4.95
Connector	AL-70740	\$0.65



# Resident Room Lighting



### Bedlights

- ✓ Hospital grade heavy duty steel
- ✓ White powder coat finish
- ✓ Includes a pull chain, F32 T8 lamps (3500K) and electronic ballast



### Under Cabinet Lighting

- ✓ Heavy duty, extruded aluminum housing with molded plastic end caps
- ✓ White powder coat finish
- ✓ Electronic ballast, rocker switch and 3000K lamps are included



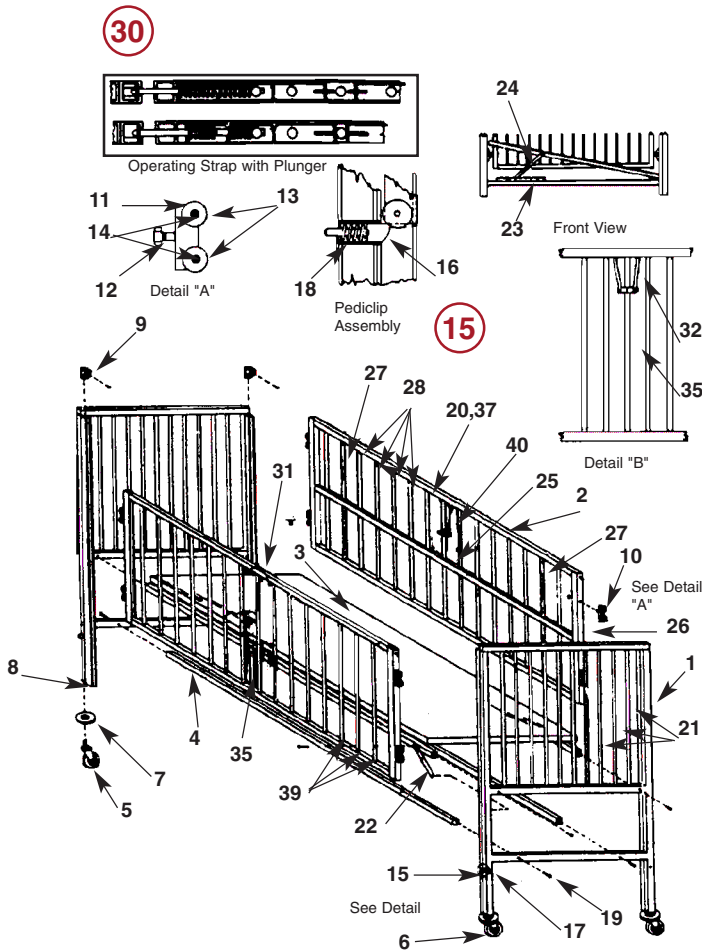
### Night Light

- ✓ Satin stainless steel face plate with asymmetric downward distribution which provides low level illumination
- ✓ Housing is steel with powder coat finish
- ✓ Lamp is not included

**AL-68116      \$199.00**

Description	Dimensions	ALCO Part No.	Price Each
<b>Bedlights</b>			
1 lamp up, 2 down (3/T8-32W)	48" L x 7-1/4" W x 5" H	<b>AL-68071</b>	<b>\$229.00</b>
1 lamp up, 2 down (3/T8-32W) with 4 Position Pull Chain Switch		<b>AL-68071-HDS</b>	<b>\$259.00</b>
1 lamp up, 2 down (3/T8-32W) with F4T5 Fluorescent Nightlight (120v Only)		<b>AL-68071-NL4</b>	<b>\$259.00</b>
2 lamp up, 1 down (3/T8-32W)	48" L x 7-1/4" W x 5" H	<b>AL-68074</b>	<b>\$229.00</b>
2 lamp up, 1 down (3/T8-32W) with 4 Position Pull Chain Switch		<b>AL-68074-HDS</b>	<b>\$259.00</b>
2 lamp up, 1 down (3/T8-32W) for separation with F4T5 Fluorescent Nightlight (120v Only)		<b>AL-68074-NL4</b>	<b>\$259.00</b>
2 lamp up, 2 down (4/T8-32W)	48" L x 7-1/4" W x 5" H	<b>AL-68075</b>	<b>\$229.00</b>
2 lamp up, 2 down (4/T8-32W) with 4 Position Pull Chain Switch		<b>AL-68075-HDS</b>	<b>\$259.00</b>
2 lamp up, 2 down (4/T8-32W) with F4T5 Fluorescent Nightlight (120v Only)		<b>AL-68075-NL4</b>	<b>\$259.00</b>
Bedlight Options:			
<b>Under Cabinet Lights</b>			
1-F8T5	12 5/8"L x 5 3/8"H x 1 1/4"D	<b>AL-68076</b>	<b>\$49.00</b>
1-F13T5	21 5/8"L x 5 3/8"H x 1 1/4"D	<b>AL-68077</b>	<b>\$69.00</b>
2-F8T5	24 7/8"L x 5 3/8"H x 1 1/4"D	<b>AL-68078</b>	<b>\$69.00</b>
1-F8T5, 1-F13T5	33 7/8"L x 5 3/8"H x 1 1/4"D	<b>AL-68079</b>	<b>\$99.00</b>
2-F13T5	42 7/8"L x 5 3/8"H x 1 1/4"D	<b>AL-68080</b>	<b>\$109.00</b>
<b>Under Cabinet Replacement Lenses</b>			
For AL-68074		<b>AL-68081</b>	<b>\$12.00</b>
For AL-68075		<b>AL-68082</b>	<b>\$12.00</b>
For AL-68076		<b>AL-68083</b>	<b>\$12.00</b>
For AL-68077		<b>AL-68084</b>	<b>\$12.00</b>
For AL-68078		<b>AL-68085</b>	<b>\$12.00</b>
<b>Night Lights</b>			
CFT5	5 1/2"H x 6 7/16"W x 3 1/2"D	<b>AL-68116</b>	<b>\$209.00</b>
<b>Night Light Options</b>			
Plaster Frame		<b>Add -PF104 to Part No.</b>	<b>\$19.00</b>





\*Specify right or left by facing end of crib.  
 \*\*Specify size of crib on which part is to be used.  
 ✓ Please Specify Crib Length When Ordering:  
 44", 54", 60", 72" or 80"

Fig	Description	ALCO Part No.
1	End Frame Assembly**	AL-12170
2	Side Frame Assembly, Standard** (Aluminum Top and Bottom Rails and Plastic Handle Guard). Please state with or without transverse aluminum bar	AL-12171
3	Mattress Support Pan and Framing Assy**	AL-12172
4	Bottom Spreaders**	AL-12173
5	Caster, Locking, 3"	AL-18536BA
6	Caster, Non-Locking, 3"	AL-18504BA
7	Caster Wall Bumper	AL-12176
8	Caster Socket	AL-49984
9	Top Catch Assembly, & Screws	AL-12178
10	Roller Assembly	AL-12179
11	Roller Bracket	AL-12180
12	Roller Nut	AL-12181
13	Nylon Roller	AL-12182
14	Roller Axle	AL-12183
15	Pedi-Clip Assembly, (includes Plunger, Knob & Spring)	AL-12184
16	Pedi-Clip Plunger	AL-12185
17	Pedi-Clip Knob	AL-12186
18	Pedi-Clip Spring	AL-12187
19	Hex Head Cap Screw	AL-12188
20	Side Frame Top Rail, Steel**	AL-12189
21	5/8" x 30" Chrome-Plated Steel Tube	AL-12190
22	1/8" x 1" x 7" Corner Brace	AL-12191
23	Notched Angle**	AL-12192
24	Operating Bar	AL-12193
25	1/2" x 1" Alum. Intermediate Transverse Bar**	AL-12194
26	1-1/4" x 1-1/4" x 27" Aluminum Side Frame End Channel	AL-12195
27	5/8" x 27" Chrome-Plated Steel Tube	AL-12196
28	5/8" x 27" Anodized Aluminum Tube	AL-12197
29	5/8" x 26-3/10" Anodized Aluminum Tube	AL-12198
30	Operating Strap & Plunger**	AL-12199
31	Handle Set w/Blocks	AL-12200
32	Handle	AL-12201
35	Handle Guard, Plastic (For Side Without Transverse Bar)	AL-12204
36	Handle Guard, Aluminum, Covering Four Spaces. Please State For Side With or Without Transverse Bar	AL-12205
37	Top Rail for Side, Aluminum**	AL-12206
38	Hardware, Field Assembly, Package	AL-12207
39	Grommets, 5/8"	AL-12208
40	Handle Guard, Plastic, for Bed Side with Intermediate Transverse Bar	AL-12209
41	Side Frame Assembly, Institutional** (Steel Top & Bottom Rails, Intermediate Transverse Bar and aluminum Hand Guard Covering Four Spaces). <i>Please state with or without Transverse Bar</i>	AL-12210
42	Corner Post*	AL-12211
43	Steel Channel	AL-12212

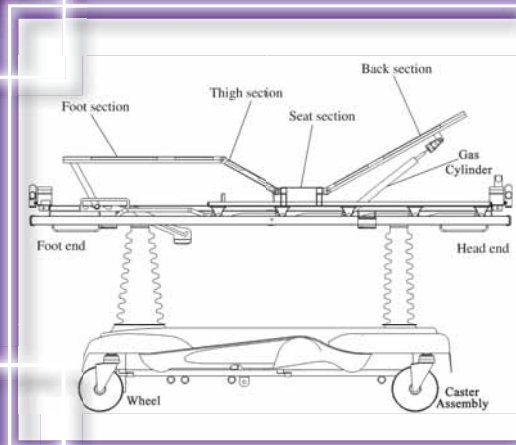


### PediCRAFT - Pedi-Crib Bed

- ✓ 27" High Side Rails
- ✓ Space between vertical tubes is less than 2-3/8"
- ✓ Optional head elevation feature operates by hand crank to 30° angle
- ✓ Meets ECRI recommendations and Consumer Product Safety Commission Regulations

Description	ALCO Part No.	Price
35 x 60 Pediatric Crib	AL-70690	\$3299.00
35 x 60 Pediatric Crib w/Head Elevation	AL-70691	\$4129.00
35 x 76 Crib Bed	AL-70692	\$3359.00
35 x 76 Crib Bed w/Head Elevation	AL-70693	\$4339.00
35 x 60 Soft Vinyl Top	AL-70694	\$1019.00
35 x 76 Soft Vinyl Top	AL-70695	\$1039.00
I.V. Pole and bracket	AL-70696	\$279.00
Storage Bin	AL-70697	\$279.00
35 x 60 x 8 Bumper Pads	AL-70698	\$139.00
35 x 76 x 8 Bumper Pads	AL-70699	\$149.00
35 x 76 x 14 Bumper Pads	AL-70700	\$189.00
35 x 60 Fitted Sheets	AL-70701	\$299.00
35 x 76 Fitted Sheets	AL-70702	\$309.00
35 x 60 Fitted Mattress	AL-71435	\$309.00
35 x 76 Fitted Mattress	AL-71436	\$339.00

# Stretchers & Parts



Phone: 800-323-4282  
Fax: 800-950-1167

**ALCO**<sup>®</sup>  
Sales & Service Co.

info@alcosales.com  
www.alcosales.com

# Stretcher Accessories

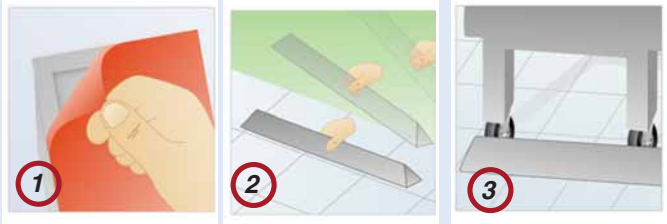
**BUY 11 GET 1 FREE!**



### Bed/Stretcher Stopper

- ✓ Floor mounted bed/stretcher stopping device
- ✓ Industrial strength vinyl resistant to high impact loads
- ✓ 39"L x 3"W or 12"L x 3"W
- ✓ Adhesive back allows stopper to be removed and reused
- ✓ Holds up against moisture and floor chemicals

39"L x 3"W    **AL-74039-39**    **\$134.95**  
 12"L x 3"W    **AL-74039-12**    **\$59.95**



**Heavy Duty Folding I.V. Top Pole**  
 Attaches to hospital beds, stretchers, gurneys, & crash carts equipped w/an accessory port (requires threaded screw set). Stainless steel tubing firmly holds I.V. pumps. Folding stainless steel hook top. 1/2" diameter stem adjusts from 34" to 56". (**AL-51824**)

Universal I.V. Pole for beds and stretchers 1/2" Diameter Stem  
**AL-51824**    **\$199.00**  
 Versapole with Adjustable Mounting Bracket (14" to 24")  
**AL-50679**    **\$189.00**  
 Versapole with Adjustable Mounting Bracket 22-1/2" to 36"  
**AL-50679A**    **\$299.00**

AL-51824



AL-50679

**2-Hook**



**4-Hook**



Heavy gauge stainless steel telescoping I.V. poles for hospital beds, gurneys, crash carts and many uses

2-Hook  
**AL-46374**    **\$83.95**  
 4-Hook  
**AL-46375**    **\$89.95**

← 1/2" dia →  
 Call for other stem sizes



**Chrome Cylinder Holder**  
 ✓ 1E-Sized Cylinder Capacity  
 ✓ 5"D x 20"H, 5 lbs  
 ✓ Fits Hill-Rom and Stryker  
**AL-73211**    **\$99.00**



**Small Cylinder Holder**  
 For Stretchers & Hospital Beds holds a single D- or E-sized cylinder  
**AL-50673**    **\$99.00**



**MADE IN THE USA**

**New!**

### Stretcher to I.V. Pole Clamping System

- ✓ 9 adjustable locking positions and 240 degree adjustable radius
- ✓ Accepts standard I.V. pole diameters between 3/4" to 1-1/4"
- ✓ I.V. pole clamp locks in and releases I.V. Poles easily and quickly by a simple twist of the knob
- ✓ Attaches to any type of round or square bar on most patient transport equipment (from 1" to 2")

**AL-75912**    **\$369.00**

# Reconditioned Stretchers

**BUY 11 GET 1 FREE!**

## Reconditioning Process:

1. All frames are visually inspected for bent or broken parts (any bent/broken parts are repaired/replaced so that operating features function properly)
2. Frames are completely disassembled
3. Frames are cleaned. All stickers and/or decals are removed, if necessary
4. Frames, arm rails and pans (if applicable) are sanded completely in a separate room
5. Frames and parts are then cleaned again to remove any dust or dirt
6. Frames, arm rails and pans are painted in a professional paint booth. They are baked dry and then left to dry for 24 hours
7. Frames are then reassembled to include the following NEW parts, if necessary
  - ✓ OEM Casters
  - ✓ Plastic wheel covers and arm rail plastics
  - ✓ Head/footboards with your choice of inserts in each, when applicable
  - ✓ Labels and/or decals
  - ✓ Motor capacitors and couplers are replaced
8. Circuit boards are tested and repaired with 1 year replacement warranty
9. A final inspection of the products operating features are rechecked and electrical safety tested to ensure the product is performing to manufacturer's standards
10. Products are shipped wrapped in protective plastic; Blanket wrapped and can be positioned in custom stands for stability. Head/footboards are shipped unattached to the frames



Stryker 1020 Trauma



Hill-Rom 8000 TranStar



Hill-Rom-881GPS

Stretchers			
Manufacturer	Model No.	ALCO Part No.	Price Each
Hill-Rom	8000 TranStar Procedural	AL-77609	Call
Hill-Rom	P8000 Procedural (700 lbs.)	AL-77610	Call
Hill-Rom	8050 TranStar OB/GYN	AL-77611	Call
Hill-Rom	P8020 Electric (700 lbs.)	AL-77612	Call
Hill-Rom	881 GPS	AL-77613	Call
Hill-Rom	P8050 OBGYN	AL-77623	Call
Hill-Rom	880 GPS	AL-77624	Call
Hill-Rom	882 GPS	AL-77625	Call
Hill-Rom	883 GPS	AL-77628	Call
Hill-Rom	885 GPS	AL-77629	Call
Hill-Rom	886 GPS	AL-77630	Call
Hill-Rom	8020 TranStar Electric	AL-77615	Call
Hill-Rom	8030 TranStar Fixed	AL-77614	Call
Hill-Rom	8040 TranStar Trauma	AL-77616	Call
Stryker	1210 Renaissance Series	AL-77617	Call
Stryker	1211 Renaissance Series	AL-77618	Call
Stryker	1231 Renaissance Series	AL-77619	Call
Stryker	1509 Advantage Series	AL-77621	Call
Stryker	1510 Advantage Series	AL-77622	Call
Stryker	1731 Renaissance Series	AL-77620	Call
Stryker	1711 Renaissance Series	AL-77631	Call
Stryker	1501 Advantage Series	AL-77632	Call
Stryker	1068 Head & Neck	AL-77633	Call
Stryker	1069 Eye Surgery	AL-77634	Call
Stryker	966 Head and Neck	AL-77635	Call
Stryker	721 Transport	AL-77636	Call
Stryker	1005 M-Series (SM104)	AL-77637	Call
Stryker	1001 Advantage Series	AL-77638	Call
Stryker	660 Atlas	AL-77639	Call
Stryker	1009 Advantage Series	AL-77640	Call
Stryker	1010 Renaissance Series	AL-77641	Call
Stryker	1020 Trauma	AL-77642	Call
Stryker	1025 M-Series (SM304)	AL-77643	Call
Stryker	1060 OBGYN	AL-77644	Call
Stryker	1061 Gynnie	AL-77645	Call
Stryker	721 Transport Big Wheel	AL-77646	Call
Stryker	5050 Stretcher Chair	AL-77647	Call
Stryker	1015 M-Series (SM204)	AL-77648	Call
Savion	ESS707FF Ophthalmic w/Knee Gatch	AL-77649	Call
Savion	MS777 Medi-Cruiser	AL-77650	Call
Savion	HLF574 Hydraulic Electric	AL-77651	Call
Midmark	535	AL-77652	Call
Midmark	540	AL-77653	Call
Midmark	520	AL-77654	Call

EP1



# Stretcher Pads

**BUY 11 GET 1 FREE!**



**Replacement Stretcher Cushion Standard Sizes  
Custom Sizes Available. Please Call!**

HxWxL	Square Corner		Round Corner		Cut Off Corner	
2x24x72"	AL-47170	\$139.00	AL-47182	\$139.00	AL-47195	\$139.00
2x25x72"	AL-47171	\$139.00	AL-47183	\$139.00	AL-47196	\$139.00
2x24x74"	AL-47172	\$139.00	AL-47184	\$139.00	AL-47197	\$139.00
2x25x74"	AL-47173	\$139.00	AL-47185	\$139.00	AL-47198	\$139.00
2x25x76"	AL-47562	\$139.00	AL-47566	\$139.00	AL-47570	\$149.00
3x24x72"	AL-47174	\$149.00	AL-47186	\$149.00	AL-47199	\$149.00
3x25x72"	AL-47175	\$149.00	AL-47187	\$149.00	AL-47200	\$149.00
3x24x74"	AL-47176	\$149.00	AL-47189	\$149.00	AL-47201	\$149.00
3x25x74"	AL-47177	\$149.00	AL-47190	\$149.00	AL-47202	\$149.00
3x25x76"	AL-47563	\$149.00	AL-47567	\$149.00	AL-47571	\$149.00
4x24x72"	AL-47178	\$159.00	AL-47191	\$159.00	AL-47203	\$159.00
4x25x72"	AL-47179	\$159.00	AL-47192	\$159.00	AL-47204	\$159.00
4x24x74"	AL-47180	\$159.00	AL-47193	\$159.00	AL-47205	\$159.00
4x25x74"	AL-47181	\$159.00	AL-47194	\$159.00	AL-47206	\$159.00
4x24x76"	AL-47565	\$159.00	AL-47569	\$159.00	AL-47573	\$159.00
4x25x76"	AL-47564	\$159.00	AL-47568	\$159.00	AL-47572	\$169.00

### Stretcher Pads

Microban "B" is the bacteriostatic agent used exclusively in 'Lectrolite fabrics. Staph-Chek's patented reservoir system ensures continual migration of Microban "B" to the fabric surface. The result is permanent protection against the growth of gram-positive and gram-negative organisms.

'Lectrolite® fabrics minimize the danger of explosions from flammable gases and help eliminate the possibility of electrical interference with sensitive life support equipment in the healthcare environment.

### Black Conductive Standard

- ✓ Electrically Conductive
- ✓ Fluidproof
- ✓ Bacteria Resistant
- ✓ Fire Resistant
- ✓ Stain/Tear Resistant
- ✓ Self-Deodorizing
- ✓ Non-Allergenic
- ✓ Easy to Maintain
- ✓ Economical
- ✓ Comfortable

### Fire Ratings Inside and Out

'Lectrolite® is flame retardant in accordance with the following standards:

- ✓ The California Technical Bulletin #117
- ✓ New York City Board of Standards and Appeals
- ✓ National Fire Protection Association
- ✓ Federal Department of Transportation
- ✓ Cigarette Ignition (16CFR, Part 1632) Class A Barrier
- ✓ National Fire Protection Agency (NFPA 701)
- ✓ California Fire Marshal Registration Fed Std 191-5903

### 'Lectrolite®-Electrically Conductive



UL® — 'Lectrolite® fabrics are U.L. listed for use in inherently hazardous locations. They meet the conductivity requirements of the NFPA, Standard 49, Paragraphs 3-3.6.2.7 and 3-3.6.3.

### 4" Foam Pillow

4' foam pillow features a tapered edge providing a comfortable fit under patients head and neck. Pillow attaches easily to gurney with 1" nylon strap.



- Pillow with 18" strap **AL-50767 \$59.00**
- Pillow with 36" strap **AL-50767A \$69.00**

### Latex Free Stretcher Pads

- ✓ **Basic** pads are medium density and firmness; conventional foam with antimicrobial treatment
- ✓ **Comfort** pads are medium-high density, medium-soft firmness with a high resiliency, antimicrobial treated foam
- ✓ **Pressure Redistribution** pads are high density, soft firmness with a viscoelastic, antimicrobial memory foam
- ✓ X-ray permeable
- ✓ Universal stretcher pads fit most North American stretchers—Hausted, Stryker, Midmark and others
- ✓ Stretcher pads come with 2 rounded and 2 angled (11" cut)
- ✓ All pads are CAL117 Fire Retardant and fluid resistant
- ✓ Black Lectrolite comfort fabric is electrically conductive to dissipate static



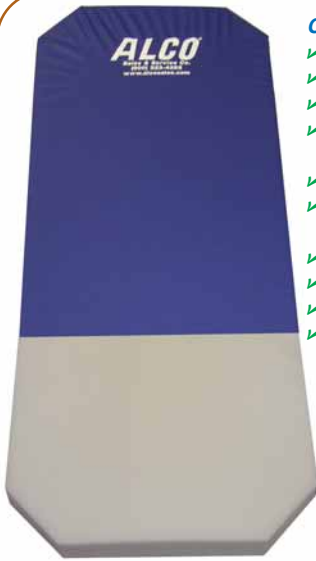
Size	Basic		Comfort		Pressure Redistribution	
4 x 24 x 75	AL-58316	\$189.00	AL-73830	\$209.00	AL-73834	\$259.00
5 x 24 x 77	AL-58317	\$189.00	AL-73831	\$209.00	AL-73835	\$259.00
4 x 27 x 75	AL-58318	\$189.00	AL-73832	\$209.00	AL-73836	\$259.00
4 x 27 x 77	AL-58319	\$189.00	AL-73833	\$209.00	AL-73837	\$259.00
4 x 30 x 76	AL-63027	\$189.00	NA	NA	NA	NA
4 x 31 x 76	NA	NA	AL-73838	\$229.00	NA	NA
4 x 32 x 76	NA	NA	NA	NA	AL-73839	\$309.00



# Stretcher Pads

BUY 11  
Get One  
FREE

**BUY 11 GET 1 FREE!**



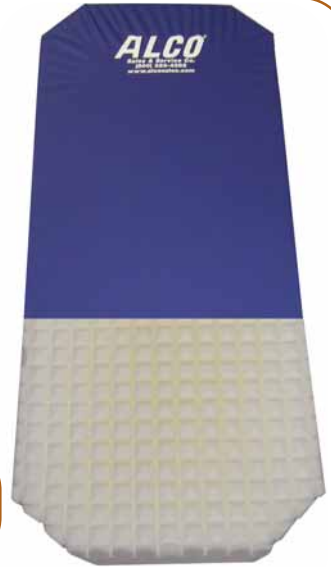
### Comfort Core Foam Stretcher Pads

- ✓ High resiliency foam
- ✓ All 100% virgin polyurethane foam
- ✓ 4-way stretch, polyurethane cover
- ✓ Unique low slip bottom surface provides reverse side grip
- ✓ Velcro sewn to bottom of pad
- ✓ All surface seams welded to reduce fluid intrusion
- ✓ Non-allergic
- ✓ Anti-static
- ✓ Anti-Microbial
- ✓ 8" corners standard



### Sheartek™ Foam Stretcher Pads

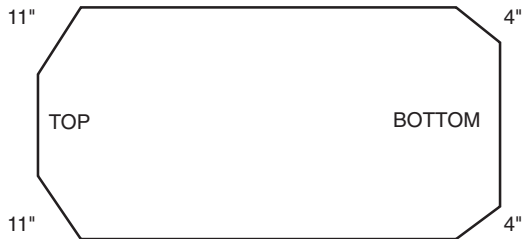
- ✓ Ultimate comfort
- ✓ Top layer is high-density cushioning foam in a softer, body-Molding foam
- ✓ Improves pressure redistribution, dissipates horizontal Friction and increases air movement
- ✓ 4-way stretch, polyurethane cover
- ✓ Unique low slip bottom surface
- ✓ Velcro sewn to bottom of pad
- ✓ All surface seams welded to reduce fabric intrusion
- ✓ Non-allergenic, Anti-Static and Anti-Microbial
- ✓ 8" corners standard



4-Way Stretch Cover								
Dimension	Comfort Core Foam				ShearTek™ Foam			
	4 Square Corners	2 Cut-Off* Corners	4 Cut-Off Corners	Price Each	4 Square Corners	2 Cut-Off* Corners	4 Cut-Off Corners	Price Each
	ALCO Part No.	ALCO Part No.	ALCO Part No.		ALCO Part No.	ALCO Part No.	ALCO Part No.	
4 x 24 x 76	AL-72644	AL-72645	AL-72646	\$229.00	AL-76731	AL-76732	AL-76733	\$249.00
4 x 26 x 76	AL-65233	AL-65237	AL-65241	\$249.00	AL-76734	AL-76735	AL-76736	\$269.00
4 x 29 x 76	AL-65235	AL-65239	AL-65243	\$259.00	AL-76737	AL-76738	AL-76739	\$279.00
4 x 31 x 76	AL-72655	AL-72656	AL-72657	\$269.00	AL-76740	AL-76741	AL-76742	\$289.00
5 x 26 x 76	AL-72647	AL-72648	AL-65244	\$299.00	AL-76743	AL-76744	AL-76745	\$319.00
5 x 29 x 76	AL-72649	AL-72650	AL-72651	\$299.00	AL-76746	AL-76747	AL-76748	\$319.00
5 x 31 x 76	AL-72658	AL-72659	AL-72660	\$329.00	AL-76749	AL-76750	AL-76751	\$349.00
5 x 26 x 75	AL-72661	AL-72662	AL-72663	\$289.00	AL-76752	AL-76753	AL-76754	\$309.00

\*2 Cut-off corners at head end, 2 square corners at foot end

## Stryker Stretcher Pads



Dimension	4-Way Stretch Cover				Lectrolite	
	Comfort Core		Sheartek™		Comfort Care	
4 x 24 x 76	AL-77147	\$229.00	AL-77141	\$249.00	AL-77135	\$159.00
4 x 26 x 76	AL-77148	\$249.00	AL-77142	\$269.00	AL-77136	\$159.00
4 x 30 x 76	AL-77149	\$269.00	AL-77143	\$289.00	AL-77137	\$159.00
5 x 24 x 76	AL-77150	\$279.00	AL-77144	\$299.00	AL-77138	\$199.00
5 x 26 x 76	AL-77151	\$299.00	AL-77145	\$319.00	AL-77139	\$199.00
5 x 30 x 76	AL-77152	\$329.00	AL-77146	\$349.00	AL-77140	\$199.00



### Lectrolite Stretcher Pads with Cut-Off Corners (Head End)

- ✓ Microban "B" is the bacteriostatic agent use in Lectrolite
- ✓ Permanent protection against bacteria growth
- ✓ Black conductive cover
- ✓ Fluidproof
- ✓ Fire Resistant
- ✓ Non-allergic
- ✓ Self deodorizing

4 x 24 x 76	AL-47573	\$159.00
4 x 26 x 76	AL-77128	\$159.00
4 x 29 x 76	AL-77129	\$159.00
4 x 31 x 76	AL-77130	\$199.00
5 x 24 x 72	AL-47203	\$159.00
5 x 26 x 76	AL-77131	\$199.00
5 x 29 x 76	AL-77132	\$199.00
5 x 31 x 76	AL-77133	\$199.00
5 x 26 x 75	AL-77134	\$199.00

EP1

# Stretcher Pads

**BUY 11 GET 1 FREE!**

Head Dimensions  
Stryker #1061-426-025  
4 x 26 x 59-1/2"



Foot Dimensions  
Stryker #1061-426-075  
4 x 26 x 16-1/2"

### Stryker Compatible OB/GYN Stretcher Pad Set

- ✓ Meets California Technical Bulletin CAL 117
- ✓ Includes snaps to attach to litter top
- ✓ 4-way stretcher cover

**AL-74700 \$595.00 Set**

Embedded CPR Boards Available

New!

**Response™ Stretcher Cushion**

- ✓ Shear Reducing Stratos nylon top covers: Most durable barrier against fluid penetration. No cracks, no splits
- ✓ Bottom Cover: Black Lectrolite vinyl, x-ray permeable, no cross-hatching
- ✓ High Resiliency Comfort: Gently absorbs body contours and respond to patient movements (Memory foam)
- ✓ Embedded CPR Boards: Undetected by the patient or x-rays. Responds to patients experiencing cardiac arrest
- ✓ Replaceable covers, heavy duty zippers and meticulous craftsmanship: one of the nation's leading manufacturers of pressure reducing surfaces

Size	ALCO Part No	Price Each
Customized	Call	Call

Standard Cushion

Response Cushion

# Birthing Bed Mattresses

### Birthing Bed Replacement Mattresses and Covers Compliant with Flammability Standards

- ✓ Meets California Technical Bulletin CAL 117
- ✓ Optional Blaze Blocker™ flame barrier meets California Technical Bulletin CAL 129
- ✓ Meets requirements for Fire Code 1633
- ✓ Omni-directional stretch, polyurethane coated Dartex fabric
- ✓ Anti-microbial protection that prevents growth of mildew and fungus
- ✓ A vented cover that permits condensation to escape

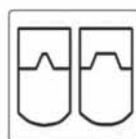
Description	ALCO Part No.	Price Each
<b>Birthing Mattresses (Hill-Rom Part #)</b>		
Affinity C-Cut Mattress w/Cal-117FR (P3611)	AL-68430	\$449.00
Affinity C-Cut Mattress w/Cal-129FR (P3611)	AL-68431	\$519.00
Affinity V-Cut Mattress w/Cal-117FR (P3610)	AL-68446	\$439.00
Affinity V-Cut Mattress w/Cal-129FR (P3610)	AL-68447	\$509.00
<b>Straight Air Set (Hill-Rom Part #)</b>		
Straight Air Set – No bladders w/Cal-117FR (P3614)	AL-69119	\$799.00
Straight Air Set – No bladders w/Cal-129FR (P3614)	AL-69120	\$879.00
V-Air Set – No bladders w/Cal-117FR (P3615)	AL-69121	\$619.00
V-Air Set – No bladders w/Cal-129FR (P3615)	AL-69122	\$629.00
Straight Foot Only w/Cal-117FR (P3611 or P3614)	AL-69123	\$159.00
Straight Foot Only w/Cal-129FR (P3611 or P3614)	AL-69124	\$189.00
V-Foot Only w/Cal-117FR (P3610 or P3615)	AL-69125	\$169.00
V-Foot Only w/Cal-129FR (P3610 or P3615)	AL-69126	\$199.00

Description	ALCO Part No.	Price Each
<b>C-Cut Foam Seat and Back Section Birthing Bed Replacement Mattress</b>		
CAL 117	AL-70655	\$319.00
CAL 129	AL-70656	\$359.00
<b>V-Cut Foam Seat and Back Section Birthing Bed Replacement Mattress</b>		
CAL 117	AL-70657	\$309.00
CAL 129	AL-70658	\$349.00



### Slip Covers

Straight Foam Seat and Back Cover	AL-70659	\$149.00
V Foam Seat and Back Cover	AL-70660	\$149.00
Straight Air Seat and Back Cover	AL-70661	\$149.00
<b>ALCO</b>		
V Air Seat and Back Cover	AL-70662	\$149.00
V Air Seat Back Birthing Bed Slip Cover	AL-70663	\$109.00
C Air Seat Back Birthing Bed Slip Cover	AL-70664	\$109.00
V Foam Seat Back Birthing Bed Slip Cover	AL-70665	\$109.00
C Foam Seat Back Birthing Bed Slip Cover	AL-70666	\$109.00
V Cut Foot Birthing Bed Slip Cover	AL-70667	\$79.00
C Cut Foot Birthing Bed Slip Cover	AL-70668	\$89.00



V-Cut and C-Cut versions available

# Hill-Rom & Stryker Stretcher Hydraulic & Gas Cylinders

**BUY 11 GET 1 FREE!**



	Description	Hill-Rom Part No.	ALCO Part No.	Price Each
	Head Hydraulic Cylinder* (Transtar)	SA1741/65144	AL-68407	\$559.00
	Foot Hydraulic Cylinder* (Transtar)	SA1742/46150	AL-68408	\$509.00
	Head Hydraulic Cylinder* (Surgery) (Transtar)	SA1743/65440	AL-68409	\$509.00
	Foot Hydraulic Cylinder* (Surgery) (Transtar)	SA1744/49615	AL-68410	\$509.00
	Head Panel Gas Spring (Transtar)	46191-01	AL-68394	\$109.00
	Gas Spring (GPS)	36458	AL-68395	\$169.00
		37230	AL-75453	\$139.00
	Gas Spring (GPS 5th wheel)	43306	AL-68399	\$49.00

**Stryker Gas Cylinder for "NEWER" Style Stretchers**  
 Model #: "M" Series  
 Part #: 0360-031-077\*  
**AL-75452 Call**  
**Stryker Dampener For Big Wheel**  
 Model #: "M" Series  
 Part #: 1040-006-209\*  
**AL-75942 Call**  
 \*Note: Works on Stretchers with one cylinder on backrest.

**Constant Descent Jack**

Fig	Description	Stryker Part No.	ALCO Part No.	Price Each
A	Hex Washer Hd. Screw	0023-288-000	AL-74384	Call
B	Constant Descent Jack Ass'y	0753-002-101S	AL-74385	Call

**stryker®**

**Stryker Gas Cylinder for "Older" Style Stretchers**  
 Model #: 10011 Renaissance, 721 Transport, 1010 ER PACU, 1001, 1005  
 Part #: 1010-31-78\*  
**AL-74744 \$96.00**  
 \*Note: Works on stretchers with 2 cylinders on backrest. Either side or middle.

**Jack Assembly**

Fig	Description	ALCO Part No.	Price Each
1	Rel. Rod Stop Sleeve	AL-54324	Call
2	Hex Nut	AL-54383	Call
3	Jack Assembly	AL-54410	Call

**stryker®**

**Midmark Locking Gas Cylinder Fits:**  
 Stretcher Model 530/535  
 Midmark Part #: 016-0240-01  
 Exam Table Model 404-001 thru 014  
 Midmark Part #: 016-0240-00  
**AL-11017 \$159.00**

**Midmark Locking Gas Cylinder Fits:**  
 Stretcher Model 520/525/550/555  
 Midmark Part#: 516-0100-08  
**AL-54558 \$159.00**

HAUSTED®	Part No.	Description	ALCO Part No.	Price
PATIENT HANDLING SYSTEMS, LLC	068207	Foot Hydraulic Cylinder	AL-77575	Call
	068209	Head Hydraulic Cylinder	AL-77576	Call

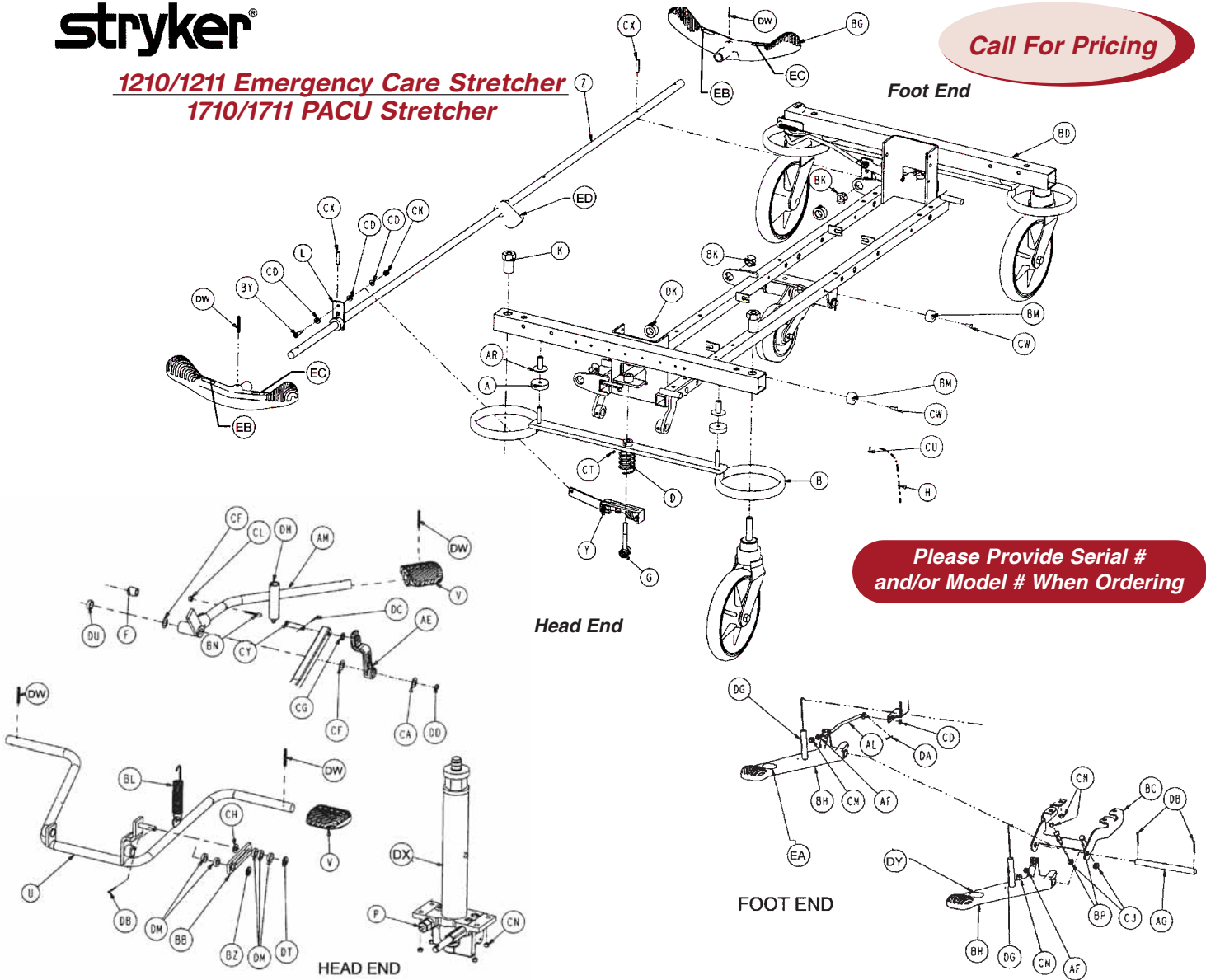
EP-1

# Renaissance Series 3-Sided Control Base Assembly

**stryker**<sup>®</sup>

**1210/1211 Emergency Care Stretcher**  
**1710/1711 PACU Stretcher**

**Call For Pricing**



**Please Provide Serial # and/or Model # When Ordering**

Fig	Description	ALCO Part No.	Fig	Description	ALCO Part No.	Fig	Description	ALCO Part No.
A	Brake Cushion	AL-54308	AM	Pump Pedal Ass'y, Ft. End	Call	CU	Self Tapping Screw	AL-54388
B	Caster Brake Weldment	AL-54309	AR	Brake Bar Bushing	AL-54345	CW	Rivet	AL-54389
D	Compression Spring	AL-54311	BB	Slip Link Assembly	AL-54353	CX	Spring Pin	AL-54390
F	Vinyl Tube	AL-54313	BC	End Rel. Pedal Bracket	AL-54354	CY	Clevis Pin	AL-54391
G	Brake Adjuster Assembly	AL-54314	BD	Base Frame Weldment	AL-54355	DA	Cotter Pin	AL-54392
	Cam Bearing	AL-54315	BG	Butterfly "V" Pedal	AL-54357	DB	Cotter Pin	AL-54393
	Threaded Stud Assembly	AL-54316	BH	Release Pedal, Left Offset	AL-54358	DC	Cotter Pin	AL-54394
	Nylon Washer	AL-54317	BK	Insert	AL-54360	DD	Ext. Retaining Ring	AL-54395
	External Retaining Ring	AL-54318	BL	Spring	AL-54361	DG	Pedal Return Spring	AL-54398
H	Ground Chain	AL-54319	BM	Wear Plate	AL-54362	DH	Pump Return Spring	AL-54399
K	Caster Nut	AL-54320	BN	Eyebolt	AL-54363	DK	Collar	AL-54402
L	Actuator Plate weldment.	AL-54321	BP	Hex Hd. Cap Screw	AL-54364	DM	Spacer	AL-54404
P	Rel. Rod Stop Sleeve	AL-54324	BY	Shoulder Bolt	AL-54369	DT	Washer	AL-54407
U	Pump Pedal Assembly	Call	BZ	Washer	AL-54370	DU	Washer	AL-54408
V	Slip On Pump Pedal	AL-54325	CA	Washer	AL-54371	DW	Groove Pin	AL-54409
Y	Brake Cam Assembly	AL-54326	CD	Washer	AL-54374	DX	Jack Assembly	AL-54410
	Hex Nut	AL-54327	CF	Washer	AL-54376	DY	Label - head down foot end	AL-54411
	Socket HD Shoulder Screw	AL-54328	CG	Washer	AL-54377	EA	Label - foot down foot end	AL-54412
	Brake Connecting Link	AL-54329	CH	Washer	AL-54378	EB	Label Brake (red)	AL-54413
	Brake Cam	AL-54330	CJ	Hex Nut	AL-54379	EC	Label Brake (green)	AL-54414
Z	Brake Bar	AL-54331	CK	Hex Nut	AL-54380	ED	5th Wheel Cam	AL-54505
AE	Pump Idler Link	AL-54336	CL	Nylock Nut	AL-54381			
AF	Release Ball Spacer	AL-54337	CM	Hex Nut	AL-54382			
AG	Release Pedal Pivot Rod	AL-54338	CN	Hex Nut	AL-54383			
AL	Release Rod	AL-54341	CT	Set Screw	AL-54387			

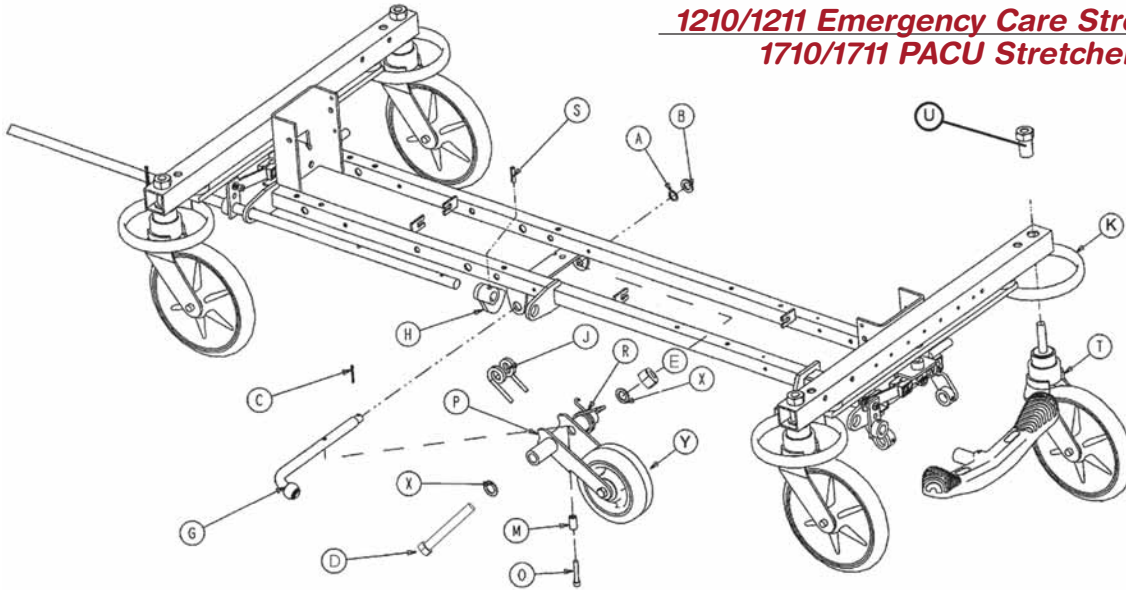
# Renaissance Series Base Assembly



Call For Pricing

**BUY 11 GET 1 FREE!**

**1210/1211 Emergency Care Stretcher  
1710/1711 PACU Stretcher**



**Stryker Gas Cylinder for "Older" Style Stretchers**

**Model #:** 10011 Renaissance, 721 Transport, 1010 ER PACU, 1001, 1005

**Part #:** 1010-31-78\*

**AL-74744      \$96.00**

\*Note: Works on stretchers with 2 cylinders on backrest. Either side or middle.

Fig	Description	ALCO Part No.
A	Nylon Washer	AL-54499
B	Washer	AL-54500
C	Cotter Pin	AL-54501
D	Hex Hd. Cap Screw	AL-54502
E	Nylock Nut	AL-54503
G	Pivot Rod Assembly	AL-54504
H	Cam	AL-54505
J	Torsion Spring	AL-54506
K	Caster Brake Weldment	AL-54507

Fig	Description	ALCO Part No.
M	Spring Spacer	AL-54508
O	Bolt	AL-54509
P	Wheel Arm Assembly	AL-54510
R	Torsion Spring	AL-54511
S	Roll Pin	AL-54512
T	Caster (Swivel Only)	AL-74531
U	Caster Nut	AL-54513
X	Nylon Washer	AL-54514
Y	Fifth Wheel	AL-17370

**Please Provide Serial # and/or Model # When Ordering**

## Optional 2-Stage I.V. Pole Assembly

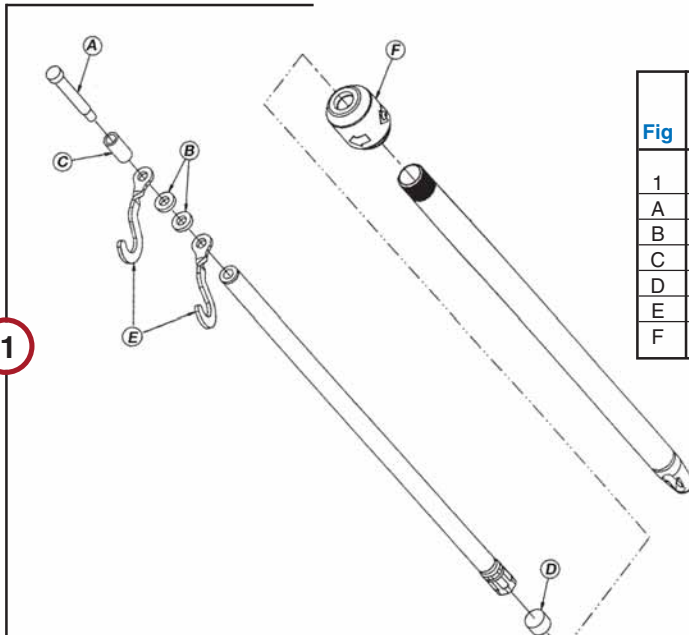


Fig	Description	Stryker Part No.	ALCO Part No.
1	I.V. Pole Assembly – Complete	1211-210-10	AL-74411
A	Soc. Hd. Cap Screw	8-31	AL-74412
B	Washer (2/Pk)	52-17	AL-74413
C	Spacer	926-400-162	AL-74414
D	Dampener	1001-259-13	AL-74416
E	I.V. Hook (2/Pk)	1010-259-16	AL-74418
F	I.V. Pole Latch Assembly	1211-110-26	AL-74419

EP-1

Replacement Pads On  
Pages 224-225



**Stryker Gas Cylinder for "NEWER" Style Stretchers**

Model #: "M" Series

Part #: 0360-031-077\*

**AL-75452 Call**

**Stryker Dampener For Big Wheel**

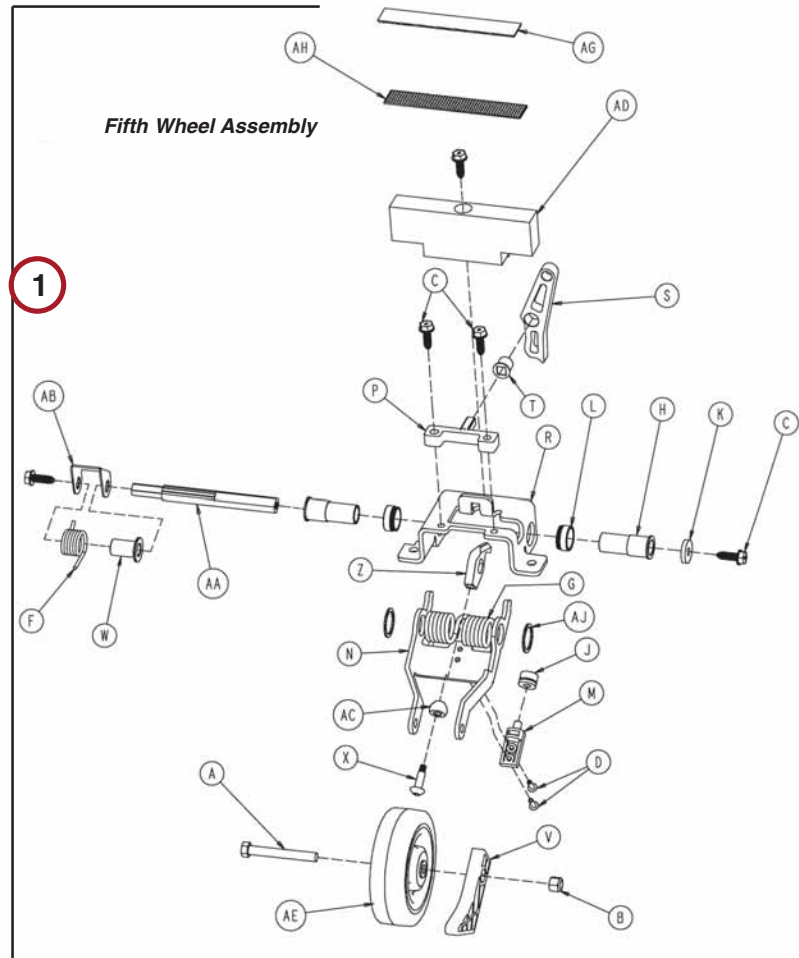
Model #: "M" Series

Part #: 1040-006-209\*

**AL-75942 Call**

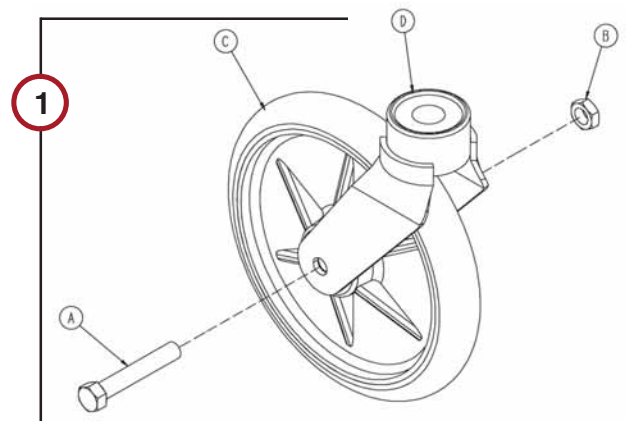
\*Note: Works on Stretchers with one cylinder on backrest.

Fig	Description	Stryker Part No.	ALCO Part No.
1	Fifth Wheel Assembly Complete	0753-006-130	<b>AL-74369</b>
A	Hex Hd. Cap Screw	0003-083-000	<b>AL-74341</b>
B	Nylock Hex Nut	0016-035-000	<b>AL-74342</b>
C	Hex Washer Hd. Screw	0023-288-000	<b>AL-74343</b>
D	Rivet	0025-050-000	<b>AL-74344</b>
F	Torsion Spring	0753-006-074	<b>AL-74345</b>
G	Torsion Spring	0753-006-075	<b>AL-74346</b>
H	Drive Shaft Bearing	0753-006-097	<b>AL-74347</b>
J	Dampener	0753-006-106	<b>AL-74348</b>
K	Thrust Washer	0753-006-108	<b>AL-74349</b>
L	Bearing	0753-006-115	<b>AL-74350</b>
M	Bumper Mounting Pin	0753-006-120	<b>AL-74351</b>
N	Wheel Bracket	0753-006-126	<b>AL-74352</b>
P	Cam Pivot Block	0753-006-133	<b>AL-74353</b>
R	Fifth Wheel Mounting Bracket	0753-006-134	<b>AL-74354</b>
S	Fifth Wheel Cam	0753-006-142	<b>AL-74355</b>
T	Cam Bearing	0753-006-143	<b>AL-74356</b>
V	5th Wheel Ramp	0753-006-149	<b>AL-74357</b>
W	Spring Spacer	0753-006-152	<b>AL-74358</b>
X	Roller Stem	0753-006-153	<b>AL-74359</b>
Z	Drive Pin	0753-006-198	<b>AL-74360</b>
AA	Drive Shaft	0753-006-223	<b>AL-74361</b>
AB	Return Spring Hook	0753-006-227	<b>AL-74362</b>
AC	Roller	0753-006-277	<b>AL-74363</b>
AD	Hood Standoff	0753-010-045	<b>AL-74364</b>
AE	Wheel	1210-001-147	<b>AL-74365</b>
AG	Dual Lock	0753-006-280	<b>AL-74366</b>
AH	Dual Lock	0753-006-281	<b>AL-74367</b>
AJ	Washer	0011-360-000	<b>AL-74368</b>



**Fifth Wheel Assembly**

**8" Caster Assembly**



**Please Provide Serial # and/or Model # When Ordering**

Fig	Description	Stryker Part No.	ALCO Part No.
1	8" Caster Assembly	0753-010-220	<b>AL-74379</b>
A	Hex Hd. Cap Screw	0003-099-000	<b>AL-74380</b>
B	Centerlock Nut	0016-060-000	<b>AL-74646</b>
C	Wheel	0753-003-215	<b>AL-74382</b>
D	Caster Horn w/Bearing	0753-010-021	<b>AL-74383</b>

Siderail Assembly  
(Right Side Shown)

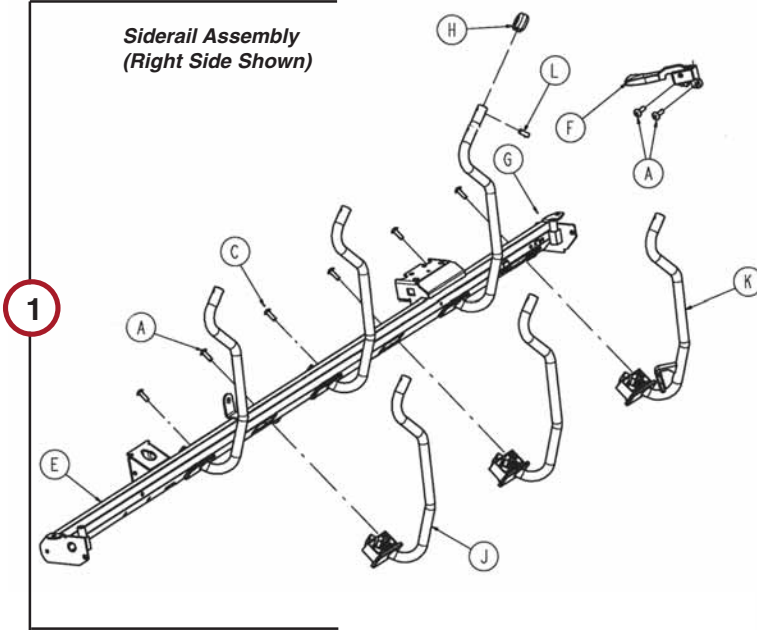
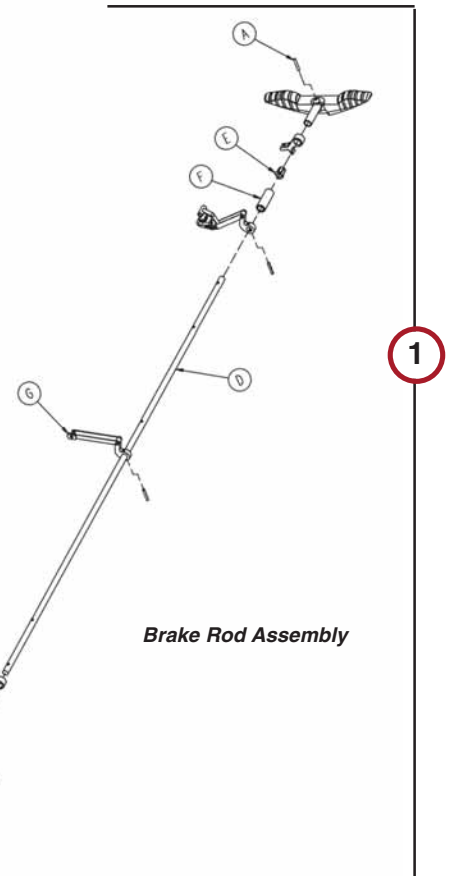


Fig	Description	Stryker Part No.	ALCO Part No.
1	Siderail Assembly, Right – Complete	0785-011-040	AL-74387
N/S	Siderail Assembly, Left – Complete	0785-011-050	AL-74388
A	Truss Hd. Machine Screw	0007-074-000	AL-74389
C	Rivet For Top Rail	0025-182-000	AL-74391
N/S	Tubular Component	0025-183-000	AL-74392
E	Right Tube Weldment	0785-001-012	AL-74393
N/S	Left Tube Weldment	0785-001-011	AL-74394
F	Right Latch Assembly	0785-011-020	AL-74395
N/S	Left Latch Assembly	0785-011-021	AL-74396
G	Right Top Rail Kit*	0785-700-017	AL-74397
N/S	Left Top Rail Kit*	0785-700-016	AL-74398
H	Spindle Plug	0785-011-038	AL-74399
J	Right Spindle	0785-011-041	AL-74400
N/S	Left Spindle	0785-011-051	AL-74401
K	Right Latch Spindle	0785-011-042	AL-74402
N/S	Left Latch Spindle	0785-011-052	AL-74403
L	Spindle Bearing	0785-011-046	AL-74404
N/S	Foley Bag Rack	1211-030-046	AL-74405
N/S	Foley Bag Rack Rivet	0025-079-000	AL-74390

\*Includes Rivet and Tubular Component

Fig	Description	Stryker Part No.	ALCO Part No.
1	Brake Rod Assembly Complete	0753-003-201	AL-74370
A	Slotted Spring Pin	0026-067-000	AL-74371
B	Brake Rod Support	0753-003-004	AL-74372
C	Drive Link Assembly	0753-003-010	AL-74373
D	Brake Rod	0753-003-014	AL-74374
E	Brake Rod Nyliner	0753-003-015	AL-74375
F	Retention Spacer	0753-003-133	AL-74376
G	Drive Link Assembly	0753-006-135	AL-74377
H	Butterfly "V" Pedal	0785-005-156	AL-74378



Brake Rod Assembly

Constant Descent Jacks

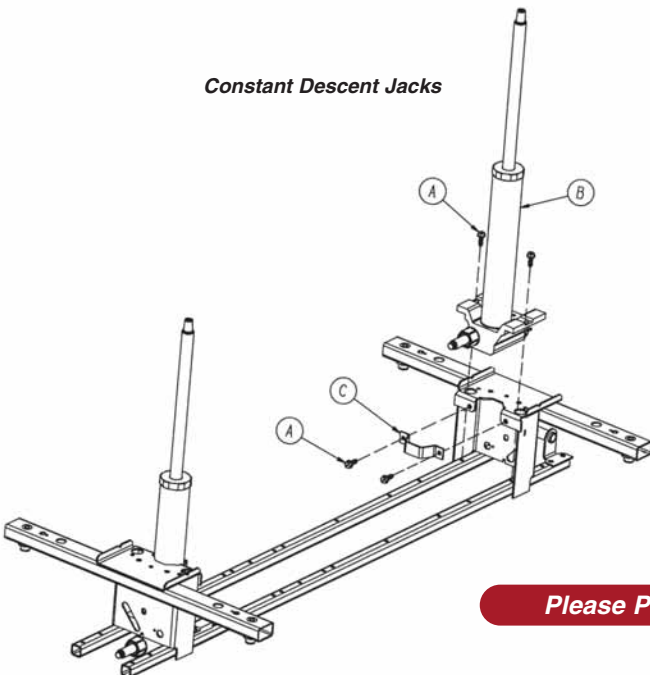


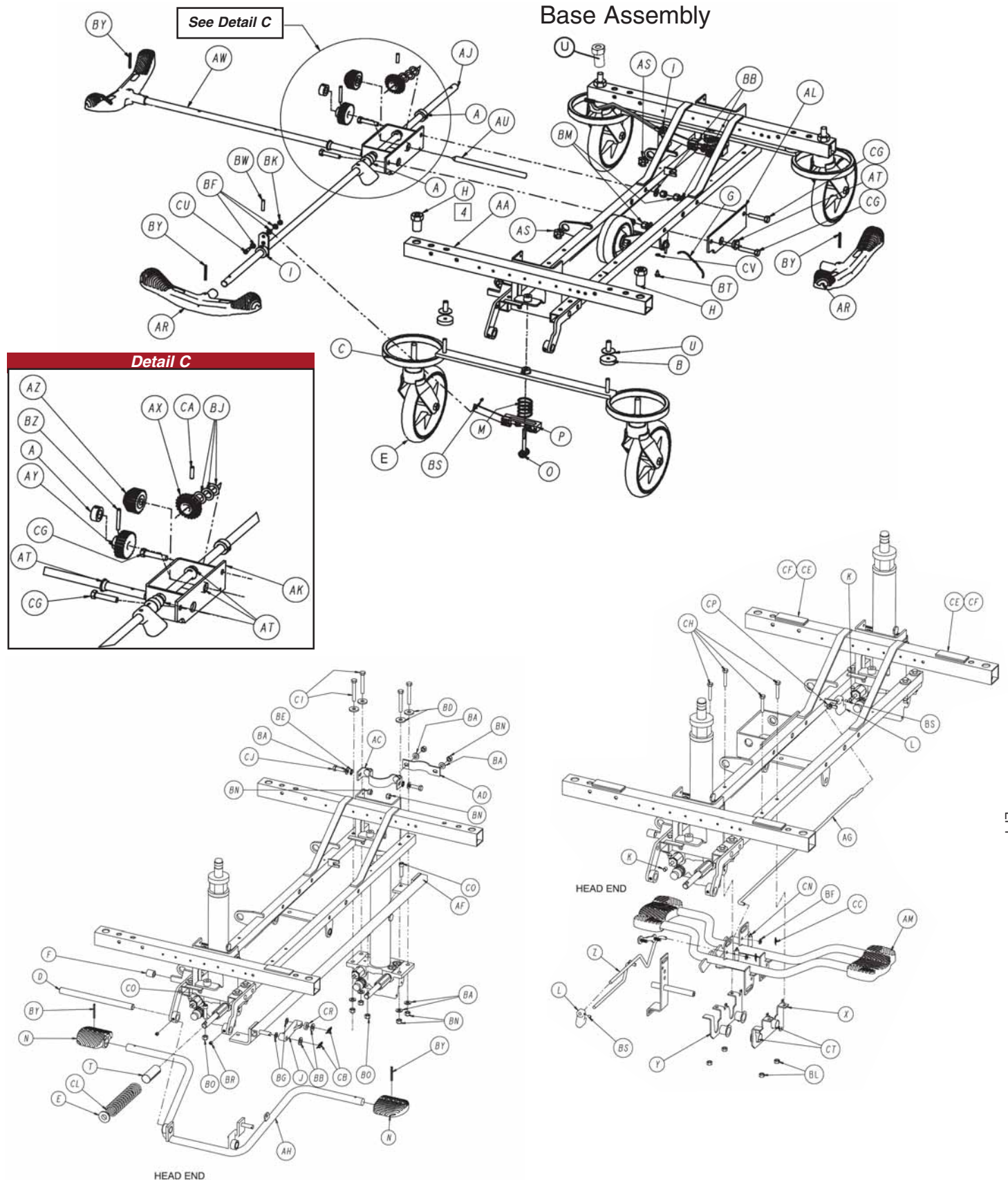
Fig	Description	Stryker Part No.	ALCO Part No.
A	Hex Washer Hd. Screw	0023-288-000	AL-74384
B	Constant Descent Jack Ass'y.	0753-002-101S	AL-74385
C	Reservoir Clamp	0753-010-007	AL-74386

Please Provide Serial # and/or Model # When Ordering

# OB-GYN Stretcher Model 1061 By Stryker

**stryker**<sup>®</sup>

**BUY 11 GET 1 FREE!**





# OB-GYN Stretcher Model 1061 By Stryker

**stryker**<sup>®</sup>

**BUY 11 GET 1 FREE!**

## Base Assembly

Fig.	Description (Stryker Part No.)	ALCO Part No.	Fig.	Description (Stryker Part No.)	ALCO Part No.
A	Collar (42-20)	AL-54402	AY	Spur Gear (1210-301-404)	AL-78208
B	Brake Cushion (715-1-11)	AL-54308	AZ	Combination Gear (1210-301-405)	AL-78209
C	Brake Ring (715-1-61)	AL-54309	BA	Washer (11-3)	AL-54370
D	Pump Pedal Shaft (715-1-92)	AL-54310	BB	Washer (11-4)	AL-54407
E	Collar (715-1-133)	AL-54312	BC	Washer (11-262)	AL-54372
F	Vinyl Tube (715-1-140)	AL-54313	BE	Tooth Lock Washer (13-38)	AL-54373
G	Ground Chain (3001-200-52)	AL-78189	BF	Washer (14-2)	AL-54374
H	Caster Nut (715-1-158)	AL-54320	BG	Washer (14-9)	AL-54377
I	Actuator Plate (715-1-165)	AL-54321	BJ	Washer (14-80)	AL-54514
J	Connecting Link (715-1-214)	AL-78190	BK	Hex Nut (16-115)	AL-78210
K	Release Rod Stop Sleeve (715-1-333)	AL-54324	BL	Hex Nut (16-118)	AL-78211
L	Release Paddle (715-1-346)	AL-78191	BM	Hex Nut (16-35)	AL-42231
M	Spring (715-201-94)	AL-54311	BN	Hex Nut (16-36)	AL-54383
N	Pump Pedal (715-201-126)	AL-54325	BO	Hex Nut (16-48)	AL-54384
O	Brake Adjuster Assembly (715-201-150)	AL-54314	BP	Hex Nut (16-49)	AL-54385
P	Brake Cam Assembly (715-201-213S)	AL-54326	BR	Set Screw (21-22)	AL-54386
T	Spring Holder (763-1-16 S)	AL-54344	BS	Set Screw (21-50)	AL-54387
U	Brake Bar Bushing (946-1-116)	AL-54345	BT	Hex Head Washer Screw (3-364)	AL-78212
X	Left Pedal Pivot (1061-1-114)	AL-54347	BW	Spring Pin (26-13)	AL-54390
Y	Right Pedal Pivot (1061-1-115)	AL-54348	BY	Groove Pin (26-143)	AL-54409
Z	Pull Release Rod, Hd. End (1061-1-139)	AL-78192	BZ	Groove Pin (26-166)	AL-78213
AA	Base Weldment (1061-1-120)	AL-78193	CA	Dowel Pin (26-265)	AL-78214
AC	Jack Support (1061-1-192)	AL-78194	CB	Cotter Pin (27-22)	AL-78215
AD	Jack Support Clamp (1061-1-193)	AL-78195	CC	Cotter Pin (27-20)	AL-78216
AE	Base Hood Assembly	AL-78196	CE	Velcro Loop (29-7)	AL-78217
AF	Pump Conn. Rod Wildmt. (1061-201-27)	AL-78197	CF	Velcro Hook (29-9)	AL-11710
AG	Push Release Rod, Ft. End (1061-201-222)	AL-78198	CG	Hex Hd. Cap Screw (3-45)	AL-78218
AH	Pump Pedal Assembly (1061-201-108)	AL-78199	CH	Hex Bolt (3-355)	AL-78219
AJ	Brake Rod (1061-201-230)	AL-78200	CI	Hex Hd. Cap Screw (3-62)	AL-54366
AK	Gear Box Weldment (1061-301-400)	AL-78201	CJ	Hex Hd. Cap Screw (3-85)	AL-54367
AL	Support Plate (1061-301-412)	AL-78202	CL	Compression Spring (38-246)	AL-78220
AM	Uni-Pedal Assembly	AL-78203	CN	Extension Spring (38-355)	AL-54401
AR	Butterfly "V" Pedal (1210-201-153)	AL-54357	CO	Soc. Hd. Cap Screw (4-146)	AL-54368
AS	Insert (1210-201-251)	AL-54360	CP	Nylon (52-245)	AL-54403
AT	Bushing (1210-201-401)	AL-78204	CR	Spacer (52-284)	AL-54404
AU	Pin (1210-201-407)	AL-78205	CT	Flange Bearing (52-747)	AL-54406
AW	Side Control Brake Rod (1210-201-409)	AL-78206	CU	Shoulder Bolt (8-10)	AL-78221
AX	Miter Gear (1210-301-403)	AL-78207	CV	External Tooth Lock Wshr. (13-18)	AL-78222

## Casters

Fig.	Description (Stryker Part No.)	ALCO Part No.
E	Kit to replace 4 standard caster w/hardware—no caster covers (715-259-400)	AL-78180
	Kit to replace 1 standard caster w/hardware—no caster covers (715-259-100)	AL-78181
	Kit to replace 1 Steer Lock caster w/hardware—no caster covers (715-269-100)	AL-78182
	Kit to replace both caster covers on all four wheels (1010-56-200)	AL-78183
	Steer Lock caster weldment (710-10-50)	AL-78184
	Standard caster horn assembly (715-2-16)	AL-78185
	Wheel only (715-2-25)	AL-78186
	Wheel cover, left (715-1-266)	AL-78187
Wheel cover, right (715-1-265)	AL-78188	



## Fifth Wheel Option

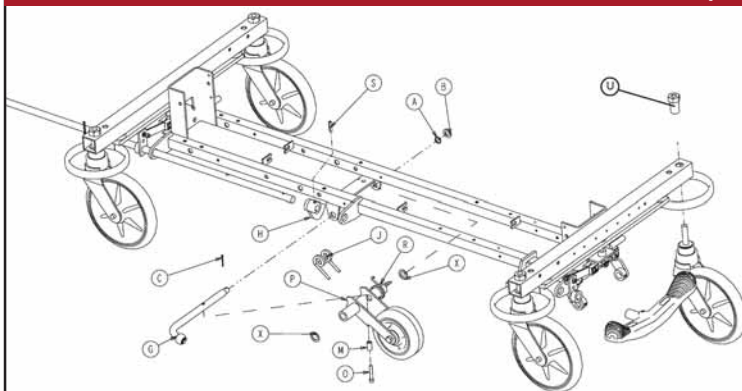


Fig.	Description (Stryker Part No.)	ALCO Part No.
A	Nylon Washer (14-79)	AL-78179
B	Washer (11-13)	AL-11426
C	Cotter Pin (27-16)	AL-54394
G	Pivot Rod Assembly (1210-201-002S)	AL-54504
H	Cam (1210-1-145)	AL-54505
J	Torsion Spring (1210-1-148)	AL-54506
M	Spring Spacer (1210-201-149)	AL-54508
O	Bolt (4-10)	AL-54509
P	Wheel Arm Assembly (715-201-125)	AL-54510
R	Torsion Spring (1210-1-146)	AL-54511
S	Roll Pin (26-35)	AL-54512
U	Caster Nut (715-1-158)	AL-54513
X	Nylon Washer (14-80)	AL-54514

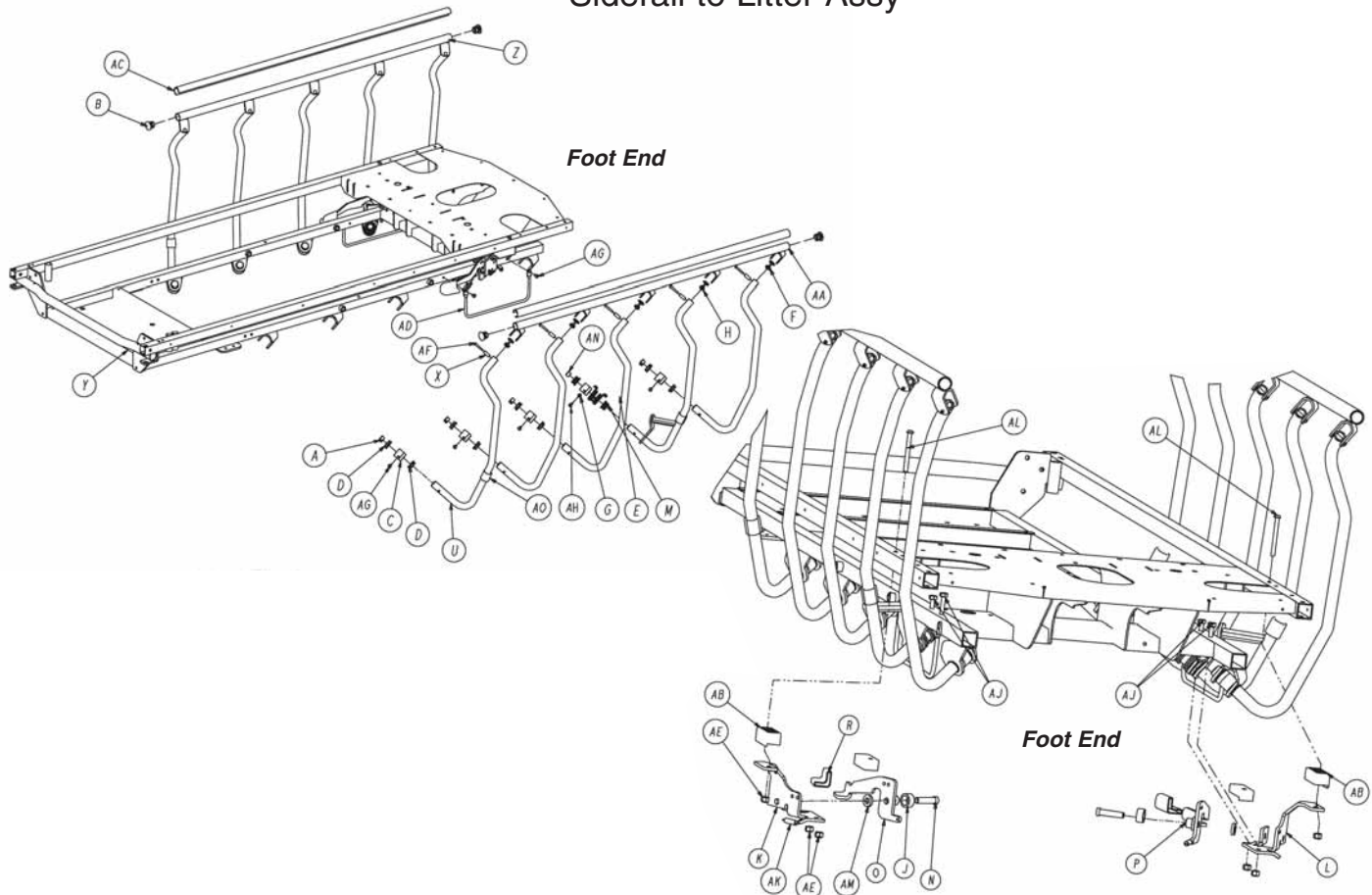
# OB-GYN Stretcher Model 1061 By Stryker



**BUY 11 GET 1 FREE!**

Call For Pricing

## Siderail to Litter Assy



### Siderail to Litter Assembly

Fig.	Description (Stryker Part No.)	ALCO Part No.	Fig.	Description (Stryker Part No.)	ALCO Part No.
A	Dome Plug (37-215)	<b>AL-78223</b>	W	Left Spindle (1001-326-28)	<b>AL-78242</b>
B	End Cap Assembly (1001-226-100)	<b>AL-78224</b>	X	Top Rail Bearing (1010-226-82)	<b>AL-78243</b>
C	Pivot Sleeve (1001-226-15)	<b>AL-78225</b>	Y	Litter Frame Weldment (1061-30-20)	<b>AL-78244</b>
D	Pivot Bearing (1001-226-16)	<b>AL-78226</b>	Z	Top Rail Weldment, Left (1061-226-30)	<b>AL-78245</b>
E	Siderail Spring (1001-226-17)	<b>AL-78227</b>	AA	Top Rail Weldment, Right (1061-226-40)	<b>AL-78246</b>
F	Top Plug Assembly (1001-226-101)	<b>AL-78228</b>	AB	Bracket Spacer (1061-226-50)	<b>AL-78247</b>
G	Spring Spacer (1001-226-20)	<b>AL-78229</b>	AC	Top Rail Cap (1061-226-63)	<b>AL-78248</b>
H	Top Plug Assembly (1001-226-102)	<b>AL-78230</b>	AD	Foley Bag Rack (1211-30-46)	<b>AL-78249</b>
J	Latch Spacer (1001-226-45)	<b>AL-78231</b>	AE	Hex Nut (16-28)	<b>AL-42124</b>
K	Latch Pivot, Right (1001-226-46)	<b>AL-78232</b>	AF	Semi-Tubular Rivet (25-61)	<b>AL-78250</b>
L	Latch Pivot, Left (1001-226-47)	<b>AL-78233</b>	AG	Blind Rivet (25-79)	<b>AL-42169</b>
M	Pivot Bearing (1001-226-116)	<b>AL-78234</b>	AH	Blind Rivet (25-86)	<b>AL-78251</b>
N	Latch Pin (1001-226-142)	<b>AL-78235</b>	AJ	Hex Hd. Cap Screw (3-78)	<b>AL-42217</b>
O	Latch Plate Weldment, Right (1001-226-152)	<b>AL-78236</b>	AK	Extension Spring (38-422)	<b>AL-78252</b>
P	Latch Plate Weldment, Left (1001-226-153)	<b>AL-78237</b>	AL	Torx But. Hd. Cap Screw (4-451)	<b>AL-78253</b>
R	Latch Cover (1001-226-158)	<b>AL-78238</b>	AM	Washer (52-17)	<b>AL-74413</b>
S	Lock Spindle Weldment, Right (1001-326-31)	<b>AL-78239</b>	AN	Hole Plug (59-100)	<b>AL-78254</b>
T	Lock Spindle Weldment, Left (1001-326-33)	<b>AL-78240</b>	AO	Rubber Stop (1001-226-19)	<b>AL-78255</b>
U	Right Spindle (1001-326-27)	<b>AL-78241</b>			

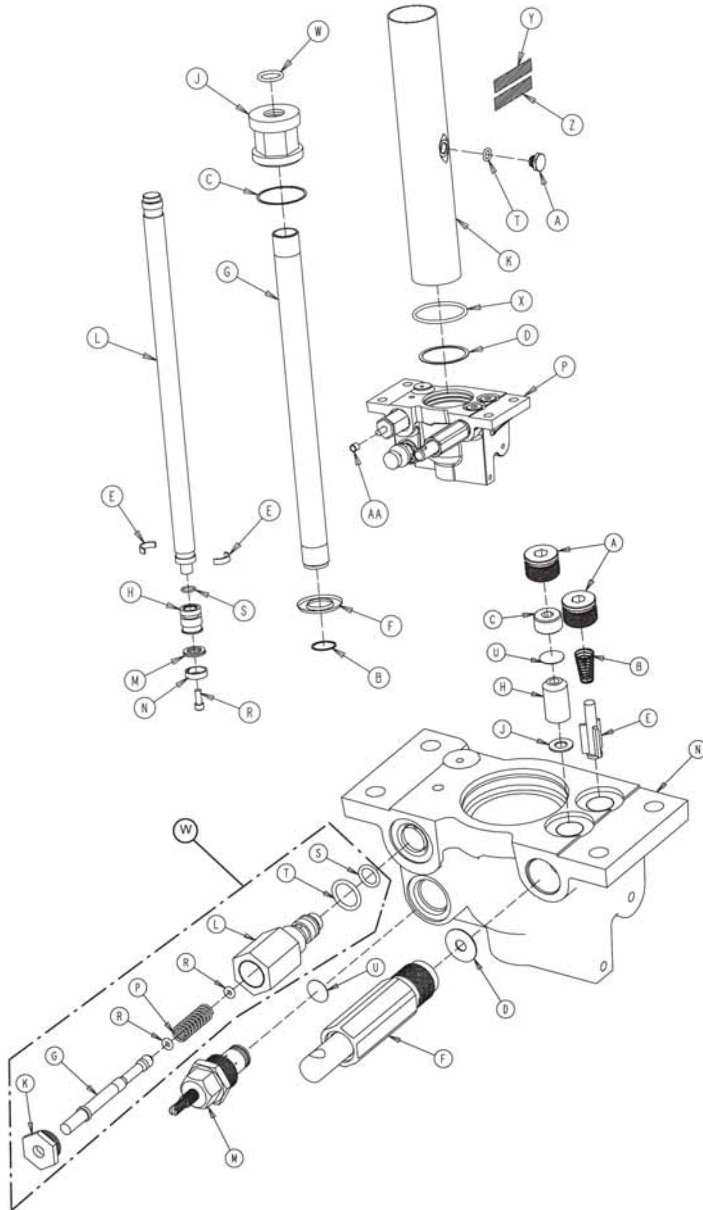
# OB-GYN Stretcher Model 1061 By Stryker

Call For Pricing

**BUY 11 GET 1 FREE!**

**stryker®**

## Constant Flow Jack Assembly



EP1

### Constant Flow Jack Assembly

Fig.	Description (Stryker Part No.)	ALCO Part No.
A	Plug (388-100-38)	AL-78258
B	Actuator Gasket (390-1-238)	AL-78259
C	Gasket (390-1-243)	AL-78260
D	Base Gasket (390-1-244)	AL-78261
E	Retaining Ring (390-2-139)	AL-78262
F	Jack Screen (715-1-320)	AL-78263
G	Actuator Cylinder (715-1-323)	AL-78264
H	Piston End (715-1-331)	AL-78265
J	Jack Cap Assembly (715-1-340)	AL-78266
K	Reservoir (715-1-422)	AL-78267
L	Actuator Rod (715-1-325)	AL-78268
M	Parker Packing (926-20-161)	AL-78269
N	Wear Ring (926-20-162)	AL-78270
P	Jack Base Ass'y (See Below)	AL-78271
R	Hd. Cap Screw (4-14 Soc.)	AL-11422
S	O-Ring (45-14)	AL-78272
T	O-Ring (45-110)	AL-78273
W	O-Ring (45-904)	AL-78274
X	O-Ring (45-978)	AL-78275
Y	Label (1231-70-211)	AL-78276
Z	Serial Number Label (921-1-252)	AL-78278
AA	Rel. Rod Stop Sleeve (715-1-333)	AL-54324

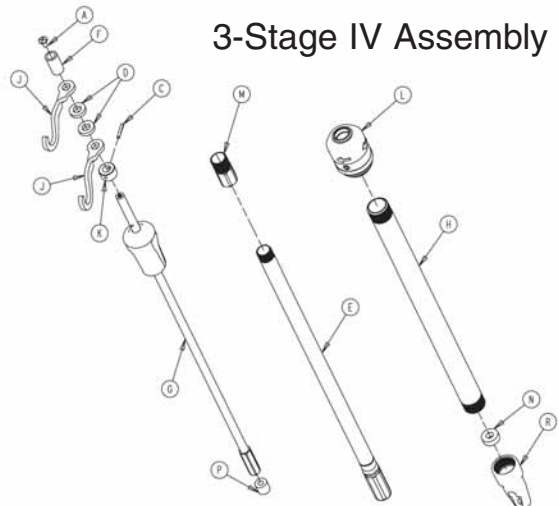
### Constant Flow Jack Base Assembly

Fig.	Description (Stryker Part No.)	ALCO Part No.
A	Base Plug (48-147)	AL-78279
B	Conical Comp. Spring (390-2-134)	AL-78280
C	Valve Plug (715-1-309)	AL-78281
D	Pump Seal (715-1-329)	AL-78282
E	Poppet (715-1-341)	AL-78283
F	Pump Piston Assembly	AL-78284
G	Pin (715-270-1)	AL-78285
H	Check Valve (926-20-153)	AL-78286
J	Seal (926-20-154)	AL-78287
K	Base Plug (1210-170-13)	AL-78288
L	Pin Housing (2025-75-87)	AL-78289
M	Adj. P.C. Valve Cartridge (5050-170-50)	AL-78290
N	Jack Base (5050-370-110)	AL-78291
P	Compression Spring (38-311)	AL-78292
R	O-Ring (45-6)	AL-78293
S	O-Ring (45-966)	AL-78294
T	O-Ring (45-967)	AL-78295
U	Check Valve Screen (715-1-321)	AL-78296
W	Relief Valve Assembly (2025-700-26)	AL-78297

### 3-Stage I.V. Pole Assembly

Fig.	Description (Stryker Part No.)	ALCO Part No.
A	Truss Hd. Machine Screw (7-4)	AL-42289
C	Roll Pin (26-76)	AL-78256
D	Spacer 2 (52-17)	AL-42279
E	2nd Stage Assembly (1211-210-31)	AL-77823
F	Spacer (926-400-162)	AL-74414
G	3rd Stage Assembly (1211-110-32)	AL-77824
H	Base Tube (1001-161-23)	AL-77825
J	I.V. Hook 2 (1010-59-16)	AL-54521
K	Collar (1010-61-14)	AL-78257
L	I.V. Pole Latch (0785-035-103)	AL-74678
M	Threaded Adaptor (1211-110-16)	AL-77828
N	Dampener (1001-359-13)	AL-77829
P	Dampener (1001-359-14)	AL-77830
R	Pivot (1001-359-112)	AL-77831

### 3-Stage IV Assembly





# Stretcher Model 1190-132

**BUY 11 GET 1 FREE!**

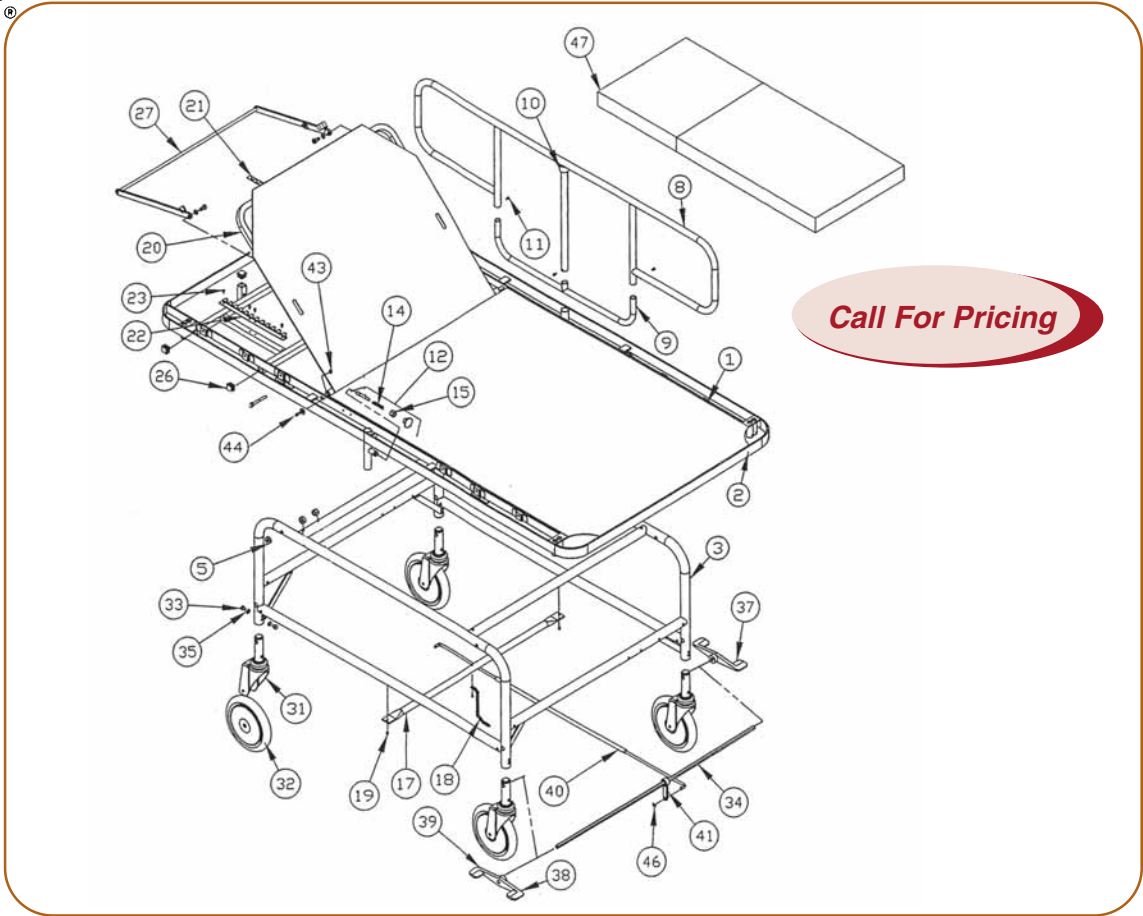


Fig	Description	ALCO Part No.	Price Each
<b>Litter Top &amp; Frame</b>			
1	Assy, Litter Top	AL-73422	Call
2	Bumper, Vinyl	AL-73423	Call
3	Assy, Frame	AL-73424	Call
5	Washer, Nylon, Thin	AL-42471	Call
8	Side Rail, Upper	AL-73426	Call
9	Side Rail, Lower	AL-42375	Call
10	Sleeve, Bumper	AL-42378	Call
11	Screw	AL-42504	Call
12	Assy, Release Pin	AL-42412	\$13.95
14	Spring, Side Rail Release	AL-73427	Call
15	Nut, Side Rail Release	AL-73428	Call
17	Tube, Conductive Cross	AL-73430	Call
18	Chain, Conductive	AL-73431	Call
19	Screw	AL-47755	Call
20	Assy, Fowler	AL-73432	Call
26	Cap, Black Plastic	AL-2406	Call
<b>8" Caster Assembly</b>			
N/S	Complete Steer Caster	AL-74424	Call
30	Fork & Stem	AL-74425	Call
N/S	Complete Locking Caster	AL-74426	Call
31	Fork & Stem	AL-74427	Call
32	8" Caster w/ Bearing	AL-74428	Call
33	Screw	AL-42386	\$1.95
34	Rod, Hex Cross	AL-73435	Call
35	Washer, Star	AL-73436	Call
36	Pedal, Left	AL-42391	\$29.95

Fig	Description	ALCO Part No.	Price Each
37	Pedal, Right	AL-42392	\$29.95
38	Label, Swivel Lock	AL-42394	Call
39	Label, Brake Lock	AL-42395	Call
40	Rod, Connecting	AL-73437	Call
41	Lever, Connecting	AL-73438	Call
44	Washer, Flat	AL-73441	Call
46	Ring, Retaining	AL-46065	Call
47	Pad (see pages 224-225)	*	*
N/S	Assy, Lower Mtg Pump Plate	AL-73444	Call
N/S	Clamp Jack (not shown)	AL-73445	Call
N/S	Nut, Lock 1/4-20	AL-46026	\$1.95
N/S	Screw	AL-42428	Call
N/S	Assy, Upper Pump Mounting	AL-73446	Call
N/S	Screw	AL-73447	Call
N/S	Spring	AL-73451	Call
N/S	Jack, Hydraulic	AL-73452	Call
N/S	Arm, Pump	AL-73453	Call
N/S	Pin, Roll 5/16 x 1-1/4 (n/s)	AL-46030	Call
N/S	Pedal	AL-73454	Call
N/S	Pad	AL-73455	Call
N/S	Pin, Retaining	AL-73456	Call
N/S	Washer, Flat	AL-73457	Call
N/S	Block, Clamp	AL-73458	Call
N/S	Plate, Clamp	AL-73459	Call
N/S	Screw, SHC 1/4-20 x 3"	AL-73460	Call
N/S	Screw, HHC 5/16-18 x 2"	AL-73461	Call
N/S	Nut, Lock 5/16-18	AL-45808	\$1.95

EP1

# Nurse Call



Phone: 800-323-4282  
Fax: 800-950-1167

**ALCO**  
Sales & Service Co.

info@alcosales.com  
www.alcosales.com



# Replacement Pillow Speakers & Cables

**BUY 11 GET 1 FREE!**

## Series 7 Plus

### The Advanced Technology Pillow Speaker

- ✓ Oxygen safe & fluid resistant
- ✓ Available in 3 models: Direct Digital, Basic Digital and Analog



Basic Digital



Direct Digital

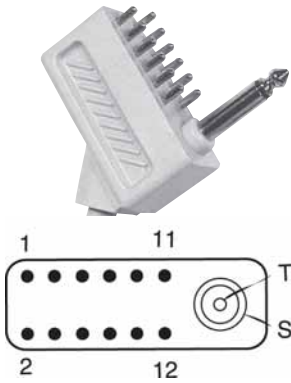


Analog

Save \$\$\$  
Repair Your Old  
Pillow Speaker  
See Page 640

## Dukane Pillow Speakers

### Dukane 12 Pin Pillow Speaker & Cable Replacements



#### Digital Models\* with digital volume (mechanical volume is required for shared TV's)

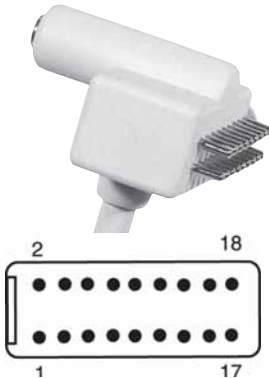
Direct Digital, Nurse, 2 LED's	AL-67124	\$95.00
Direct Digital, Nurse, 2 Lights, 2 LED's	AL-67125	\$99.00
Basic Digital, Nurse, 2 LED's	AL-67126	\$95.00
Basic Digital, Nurse, 2 Lights, 2 LED's	AL-67127	\$99.00
Replacement Duraflex Cable for Series 7	AL-67128	\$39.95

#### Analog Models\* with mechanical volume

TV, Nurse	AL-67129	\$73.00
TV, Nurse, 2 LED's	AL-67130	\$75.00
TV, Nurse, Radio	AL-67131	\$75.00
TV, Nurse, Radio, 2 LED's	AL-67132	\$77.00
TV, Nurse, Room Light, Read Light	AL-67133	\$77.00
TV, Nurse, Room Light, Read Light, 2 LED's	AL-67134	\$79.00
Replacement Duraflex Cable for Series 5	AL-49111	\$39.95
Replacement Duraflex Cable for Series 7	AL-67128	\$39.95

\*Please specify make/model of TV: Zenith, RCA, Phillips or PDI

### Dukane 18 Pin Pillow Speaker & Cable Replacements



#### Digital Models\* with digital volume (mechanical volume is required for shared TV's)

Direct Digital, Nurse, 2 LED's	AL-67136	\$95.00
Direct Digital, Nurse, 2 Lights, 2 LED's	AL-67137	\$99.00
Basic Digital, Nurse, 2 LED's	AL-67138	\$95.00
Basic Digital, Nurse, 2 Lights, 2 LED's	AL-67139	\$99.00
Replacement Duraflex Cable for Series 7	AL-67140	\$45.95

#### Analog Models\* with mechanical volume

TV, Nurse	AL-67141	\$78.00
TV, Nurse, 2 LED's	AL-67142	\$81.00
TV, Nurse, Room Light, Read Light	AL-67143	\$87.00
TV, Nurse, Room Light, Read Light, 2 LED's	AL-67144	\$90.00
Replacement Duraflex Cable for Series 5	AL-67145	\$45.95
Replacement Duraflex Cable for Series 7	AL-67140	\$45.95

\*Please specify make/model of TV: Zenith, RCA, Phillips or PDI



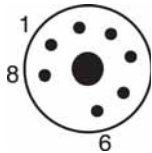
# Replacement Pillow Speakers & Cables



**BUY 11 GET 1 FREE!**

## Executone Pillow Speakers

### Executone 7 Pin Pillow Speaker & Cable Replacements



#### Digital Models\* for CareCom Systems with digital volume

Direct Digital, Nurse	AL-67147	\$77.00
Direct Digital, Nurse, 1 Light	AL-67148	\$81.00
Basic Digital, Nurse	AL-67149	\$77.00
Basic Digital, Nurse, 1 Light	AL-67150	\$81.00
Replacement Duraflex Cable for Series 7	AL-67151	\$27.95

#### Digital Models\* for Futura Systems with digital volume

Direct Digital, Nurse	AL-67152	\$77.00
Direct Digital, Nurse, 1 Light	AL-67153	\$81.00
Basic Digital, Nurse	AL-67154	\$77.00
Basic Digital, Nurse, 1 Light	AL-67155	\$81.00
Replacement Duraflex Cable for Series 7	AL-67151	\$27.95

#### Analog Models

TV, Nurse (CareCom System)	AL-67156	\$59.00
TV, Nurse, Light (CareCom System)	AL-67157	\$60.00
TV, Nurse, Radio (CareCom System)	AL-67158	\$60.00
TV, Nurse (Futura System)	AL-67159	\$59.00
TV, Nurse, Light (Futura System)	AL-67160	\$60.00
TV, Nurse, Radio (Futura System)	AL-67161	\$60.00
Replacement Duraflex Cable for Series 5	AL-67162	\$27.95
Replacement Duraflex Cable for Series 7	AL-67151	\$27.95

\*Please specify make/model of TV: Zenith, RCA, Phillips or PDI

## Fisher Berkeley Pillow Speakers

### Ektacom-Fisher Berkeley 8 Pin Pillow Speaker & Cable Replacements

#### Digital Models\* with digital volume (mechanical volume is required for shared TV's)

Direct Digital, Nurse	AL-67163	\$87.00
Basic Digital, Nurse	AL-67164	\$87.00
Replacement Duraflex Cable for Series 7	AL-67165	\$37.95

#### Analog Models

TV, Nurse	AL-67166	\$71.00
Replacement Duraflex Cable for Series 5	AL-49126	\$37.95
Replacement Duraflex Cable for Series 7	AL-67165	\$37.95

\*Please specify make/model of TV: Zenith, RCA, Phillips or PDI

### Fisher Berkeley 15 Pin Pillow Speaker & Cable Replacements

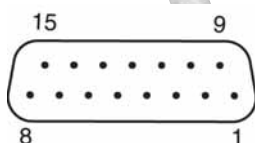
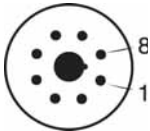
#### Digital Models\* with digital volume (mechanical volume is required for shared TV's)

Direct Digital, Nurse	AL-67169	\$87.00
Direct Digital, Nurse, 2 Lights	AL-67170	\$92.00
Basic Digital, Nurse	AL-67171	\$91.00
Basic Digital, Nurse, 2 Lights	AL-67172	\$92.00
Replacement Duraflex Cable for Series 7	AL-67173	\$45.95

#### Analog Models

TV, Nurse	AL-67174	\$72.00
TV, Nurse, Room Light, Read Light	AL-67175	\$77.00
TV, Nurse, Room Light, Read Light, 2 LED's	AL-67176	\$81.00
Replacement Duraflex Cable for Series 5	AL-67177	\$45.95
Replacement Duraflex Cable for Series 7	AL-67173	\$45.95

\*Please specify make/model of TV: Zenith, RCA, Phillips or PDI



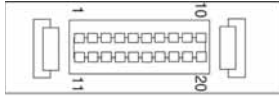
EP-1



# Hill-Rom Pillow Speakers

**BUY 11 GET 1 FREE!**

## Hill-Rom 20 Pin Pillow Speaker & Cable Replacements



### Digital Models\* with digital volume (mechanical volume is required for shared TV's)

Direct Digital, Nurse, 2 LED's	AL-67178	\$99.00
Direct Digital, Nurse, 2 Lights, 2 LED's	AL-67179	\$102.00
Basic Digital, Nurse, 2 LED's	AL-67180	\$99.00
Basic Digital, Nurse, 2 Lights, 2 LED's	AL-67181	\$102.00
Replacement Duraflex Cable for Series 7	AL-67182	\$59.95

### Analog Models

TV, Nurse, 2 LED's	AL-67183	\$89.00
TV, Nurse, Read Light, 2 LED's	AL-67184	\$91.00
TV, Nurse, Room Light, 2 LED's	AL-67185	\$91.00
TV, Nurse, Room Light, Read Light, 2 LED's	AL-67186	\$93.00
Replacement Duraflex Cable for Series 5	AL-67187	\$59.95
Replacement Duraflex Cable for Series 7	AL-67182	\$59.95

\*Please specify make/model of TV: Zenith, RCA, Phillips or PDI

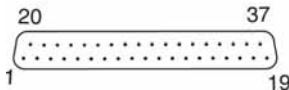
## Hill-Rom 37 Pin Pillow Speaker & Cable Replacements



Inline Plug



90° Plug



### Digital Models\* with digital volume (mechanical volume is required for shared TV's)

Direct Digital, Nurse, 2 LED's	AL-67188	\$95.00
Direct Digital, Nurse, 2 Lights, 2 LED's	AL-67189	\$98.00
Basic Digital, Nurse, 2 LED's	AL-67190	\$95.00
Basic Digital, Nurse, 2 Lights, 2 LED's	AL-67191	\$98.00
Replacement Duraflex Cable for Series 7	AL-67192	\$59.95

### Analog Models

TV, Nurse	AL-67193	\$87.00
TV, Nurse, 2 LED's	AL-67194	\$91.00
TV, Nurse, Radio	AL-67195	\$89.00
TV, Nurse, Radio, 2 LED's	AL-67196	\$91.00
TV, Nurse, Room Light, Read Light	AL-67197	\$91.00
TV, Nurse, Room Light, Read Light, 2 LED's	AL-67198	\$91.00
Replacement Duraflex Cable for Series 5	AL-67199	\$59.95
Replacement Duraflex Cable for Series 7	AL-67192	\$59.95

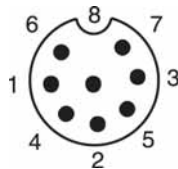
\*Please specify make/model of TV: Zenith, RCA, Phillips or PDI

# Rauland Pillow Speakers

## Rauland 8 Pin Pillow Speaker & Cable Replacements



60° Plug



### Digital Models\* with digital volume (mechanical volume is required for shared TV's)

Direct Digital, Nurse	AL-67200	\$85.00
Direct Digital, Nurse, 2 Lights	AL-67201	\$90.00
Basic Digital, Nurse	AL-67202	\$85.00
Basic Digital, Nurse	AL-67203	\$90.00
Replacement Duraflex Cable for Series 7	AL-67204	\$29.95

### Analog Models

TV, Nurse	AL-67205	\$68.00
TV, Nurse, Room Light	AL-67206	\$70.00
TV, Nurse, Read Light	AL-67207	\$70.00
TV, Nurse, Room Light, Read Light	AL-67208	\$74.00
Replacement Duraflex Cable for Series 5	AL-67209	\$29.95
Replacement Duraflex Cable for Series 7	AL-67204	\$29.95

\*Please specify make/model of TV: Zenith, RCA, Phillips or PDI

## Rauland 11 Pin Pillow Speaker & Cable Replacements

### Digital Models\* with digital volume (mechanical volume is required for shared TV's)

Direct Digital, Nurse	AL-67210	\$88.00
Direct Digital, Nurse, 2 Lights	AL-67211	\$90.00
Basic Digital, Nurse	AL-67212	\$88.00
Basic Digital, Nurse, 2 Lights	AL-67213	\$90.00
Replacement Duraflex Cable for Series 7	AL-67214	\$39.95

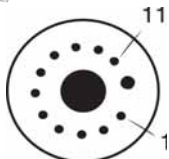
### Analog Models

TV, Nurse	AL-67215	\$71.00
TV, Nurse, Radio	AL-67216	\$72.00
TV, Nurse, Room Light	AL-67217	\$72.00
TV, Nurse, Read Light	AL-67218	\$72.00
TV, Nurse, Room Light, Read Light	AL-67219	\$74.00
Replacement Duraflex Cable for Series 5	AL-49101	\$39.95
Replacement Duraflex Cable for Series 7	AL-67214	\$39.95

\*Please specify make/model of TV: Zenith, RCA, Phillips or PDI



240





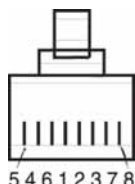
# Pillow Speaker & Accessories



**BUY 11 GET 1 FREE!**

## Simplex/Tektone/Wescom Pillow Speakers

### Simplex/Tektone/Wescom 8 Pin Pillow Speaker & Cable Replacements



#### Digital Models\* with digital volume (mechanical volume is required for shared TV's)

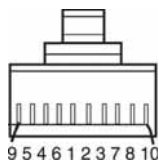
Direct Digital, Nurse	AL-67220	\$82.00
Direct Digital, Nurse, 2 Lights	AL-67221	\$85.00
Basic Digital, Nurse	AL-67222	\$82.00
Basic Digital, Nurse, 2 Lights	AL-67223	\$85.00
Replacement Duraflex Cable for Series 7	AL-67224	\$29.95

#### Analog Models

TV, Nurse	AL-67225	\$66.00
TV, Nurse, Room Light, Read Light	AL-67226	\$73.00
Replacement Duraflex Cable for Series 5	AL-67227	\$29.95
Replacement Duraflex Cable for Series 7	AL-67224	\$29.95

\*Please specify make/model of TV: Zenith, RCA, Phillips or PDI

### Wescom 10 Pin Pillow Speaker & Cable Replacements



#### Digital Models\* with digital volume (mechanical volume is required for shared TV's)

Direct Digital, Nurse	AL-67228	\$85.00
Direct Digital, Nurse, 2 Lights	AL-67229	\$88.00
Basic Digital, Nurse	AL-67230	\$95.00
Basic Digital, Nurse, 2 Lights	AL-67231	\$88.00
Replacement Duraflex Cable for Series 7	AL-67232	\$34.95

#### Analog Models

TV, Nurse	AL-67233	\$68.00
TV, Nurse, Room Light, Read Light	AL-67234	\$75.00
Replacement Duraflex Cable for Series 5	AL-67235	\$34.95
Replacement Duraflex Cable for Series 7	AL-67232	\$34.95

\*Please specify make/model of TV: Zenith, RCA, Phillips or PDI



**Universal Pillow Speaker Holder**  
 ✓ Wall and bed mountable  
 AL-74924 \$17.95 Each



**Universal Pillow Speaker Holder**  
 Wall Mountable  
 AL-66801 \$15.95

## Analog & Digital Pillow Speaker Repair

ALCO will repair most Analog and Digital pillow speakers. Price includes all parts needed, plug and cord if needed.

Analog with four buttons	AL-48653R	\$56.95 Each
Digital with four buttons	AL-67009R	\$81.95 Each

*Note: We must receive complete unit for repair or you will be charged for all missing parts.*



**90 Day Warranty**



# Replacement Pillow Speakers & Cables

**BUY 11 GET 1 FREE!**



Analog Pillow Speaker



Digital Pillow Speaker



Direct Access Pillow Speaker

### Analog Pillow Speakers

- ✓ Large, colorful and easy to use buttons
- ✓ Nurse call function comes standard with Braille
- ✓ Compatible with most healthcare TV's
- ✓ Sealed overlay
- ✓ Safe for use in oxygen-enriched environments
- ✓ Two-year warranty

### Digital Pillow Speakers feature (in addition to those above)\*:

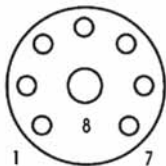
- ✓ Increased functionality & simple to cycle through channels
- ✓ Closed Caption feature standard

### DirectAccess Pillow Speakers feature (in addition to those above)\*:

- ✓ Direct channel access with enhanced keypad
- ✓ Supports up to four auxiliary functions
- ✓ Digital volume control
- ✓ Mute & previous channel keys standard
- ✓ Case is three times as strong

\*Please specify model of TV: Zenith, RCA, Phillips or PDI

## Executone: Care/Com & Futura



### Executone - Care/Com

	Gen III Digital Volume		Gen4 Analog Volume (wheel)		Gen4 Digital Volume	
<b>Direct Access</b>						
Care/Com Nurse, TV, 0-9 Keypad	AL-52876DA	Call	AL-73970	\$101.95	AL-73968	\$96.95
Care/Com Nurse, TV, 0-9 Keypad, 1 Light	AL-52878DA	Call	AL-73971	\$104.95	AL-73969	\$98.95
<b>Digital</b>						
Care/Com Nurse, TV	AL-52876D	\$76.95	AL-73974	\$88.95	AL-73972	\$82.95
Care/Com Nurse, TV, 1 Light	AL-52878D	\$79.95	AL-73975	\$90.95	AL-73973	\$85.95
<b>Analog</b>						
Care/Com Nurse, TV	AL-52876	\$61.95	NA	NA	NA	NA
Care/Com Nurse, TV, 1 Light	AL-52878	\$63.95	NA	NA	NA	NA
Care/Com Nurse, TV, Radio	AL-52877	\$63.95	NA	NA	NA	NA
Futura Nurse, TV	AL-52879	\$61.95	NA	NA	NA	NA
<b>Pillow Speaker Replacement Cables</b>						
Replacement Cable for Gen III Pillow Speaker	AL-52880	\$24.95				
Replacement Cable for Gen4 Pillow Speaker	AL-73976	\$25.95				

Note: Custom pillow speaker functions and cable lengths are available upon request.

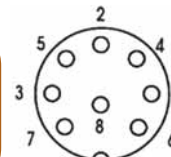
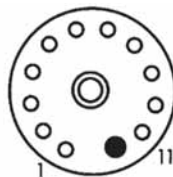


## Rauland-Borg

### Rauland-Borg - Responder® III, 3000

	Fig.	Gen III Digital Volume		Gen4 Analog Volume (wheel)		Gen4 Digital Volume	
<b>Direct Access</b>							
Nurse, TV, 0-9 Keypad	1	AL-52889DA	Call	AL-73979	\$109.95	AL-73977	\$104.95
Nurse, TV, 0-9 Keypad, 2 Lights	1	AL-52892DA	Call	AL-73980	\$114.95	AL-73978	\$108.95
<b>Digital</b>							
Nurse, TV	1	AL-52889D	\$83.95	AL-73983	\$98.95	AL-73981	\$92.95
Nurse, TV, 2 Lights	1	AL-52892D	\$88.95	AL-73984	\$103.95	AL-73982	\$97.95
<b>Analog</b>							
Nurse, TV	2	AL-52889	\$72.95	NA	NA	NA	NA
Nurse, TV, 2 Lights	2	AL-52892	\$77.95	NA	NA	NA	NA
<b>Pillow Speaker Replacement Cables</b>							
Replacement Cable for Gen III Pillow Speaker		AL-52894	\$33.95				
Replacement Cable for Gen4 Pillow Speaker		AL-73985	\$33.95				

Note: Custom pillow speaker functions and cable lengths are available upon request.



Systems: Responder III and 3000

Systems: Responder III, III+, IV, 3000 and 4000

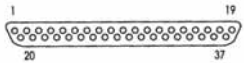
Call For Nurse Call Systems Not Shown

# Replacement Pillow Speakers, Cables & Headphones

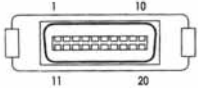
## Universal 37 Pin & Hill-Rom



**BUY 11 GET 1 FREE!**



Systems: D837 and Headwall



System: Composer

### Hill-Rom - DB37, Headwall

#### Direct Access

Nurse, TV, 0-9 Keypad, 1 Light  
Nurse, TV, 0-9 Keypad, 2 Lights

#### Digital

Nurse, TV, 1 Light  
Nurse, TV, 2 Lights

#### Analog

Nurse, TV

Nurse, TV, 1 Light

Nurse, TV, 2 Lights

#### Pillow Speaker Replacement Cables

Replacement Cable for Gen III Pillow Speaker

Replacement Cable for Gen4 Pillow Speaker

Hill-Rom - COMLinX®, COMposer, Navicare®

#### Direct Access

Nurse, TV, 0-9 Keypad  
Nurse, TV, 0-9 Keypad, 2 Lights

#### Digital

Nurse, TV

Nurse, TV, 2 Lights

#### Analog

Nurse, TV

Nurse, TV, 2 Lights

#### Pillow Speaker Replacement Cables

Replacement Cable for Gen III Pillow Speaker

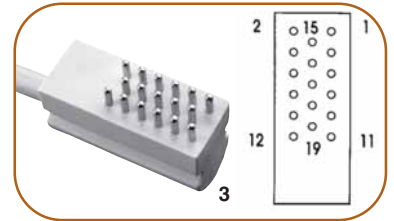
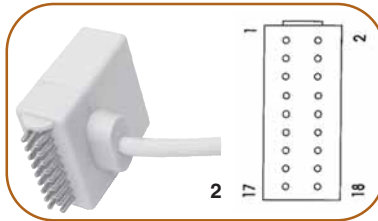
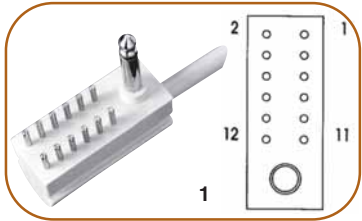
Replacement Cable for Gen4 Pillow Speaker

Hill-Rom - COMLinX®, COMposer, Navicare®

Fig.	Gen III Digital Volume	Gen4 Analog Volume (wheel)	Gen4 Digital Volume
1	AL-52897DA Call	AL-74001 \$116.95	AL-73999 \$110.95
1	AL-52898DA Call	AL-74002 \$118.95	AL-74000 \$113.95
1	AL-52897D \$109.95	AL-74005 \$108.95	AL-74003 \$103.95
1	AL-52898D \$111.95	AL-74006 \$110.95	AL-74004 \$105.95
1	AL-52896 \$91.95	NA	NA
1	AL-52897 \$91.95	NA	NA
1	AL-52898 \$93.95	NA	NA
	AL-52899 \$54.95		
	AL-74007 \$47.95		
2	AL-52900DA Call	AL-73988 \$115.95	AL-73986 \$109.95
2	AL-52902DA Call	AL-73989 \$119.95	AL-73987 \$114.95
2	AL-52900D \$109.95	AL-73992 \$109.95	AL-73990 \$104.95
2	AL-52902D \$113.95	AL-73993 \$114.95	AL-73991 \$108.95
2	AL-52900 \$99.95	NA	NA
2	AL-52902 \$103.95	NA	NA
	AL-52903 \$52.95		
	AL-73998 \$46.95		

Note: Custom pillow speaker functions and cable lengths are available upon request.

## Dukane



Systems: Series 1000, 2020, 2030, Procure 2000, 2070 and 3000

Systems: Procure 2000 and 2070

### Dukane/GE - System 2000, 2010, 2020, 2030

#### Direct Access

Nurse, TV, 0-9 Keypad  
Nurse, TV, 0-9 Keypad, 1 Light

#### Digital

Nurse, TV  
Nurse, TV, 1 Light

#### Analog

Nurse, TV

Nurse, TV, Radio

Nurse, TV, 1 Light

#### Pillow Speaker Replacement Cables

Replacement Cable for Gen III Pillow Speaker

Replacement Cable for Gen4 Pillow Speaker

Dukane/GE - Procure 4000, 6000, System 2070

#### Direct Access

Nurse, TV, 0-9 Keypad  
Nurse, TV, 0-9 Keypad, 1 Light

#### Digital

Nurse, TV  
Nurse, TV, 1 Light (pins 7 & 8)

#### Analog

Nurse, TV

Nurse, TV, 1 Light

#### Pillow Speaker Replacement Cables

Replacement Cable for Gen III Pillow Speaker

Replacement Cable for Gen4 Pillow Speaker

Dukane/GE - Procure 2000, System 2070

#### Direct Access

Nurse, TV, 0-9 Keypad  
Nurse, TV, 0-9 Keypad, 1 Light  
Nurse, TV, 0-9 Keypad, 2 Lights

#### Digital

Nurse, TV  
Nurse, TV, 2 Lights

#### Analog

Nurse, TV

Nurse, TV, 2 Lights

#### Pillow Speaker Replacement Cables

Replacement Cable for Gen III Pillow Speaker

Replacement Cable for Gen4 Pillow Speaker

Dukane/GE - Procure 2000, System 2070

Fig.	Gen III Digital Volume	Gen4 Analog Volume (wheel)	Gen4 Digital Volume
1	AL-52905DA Call	AL-74010 \$109.95	AL-74008 \$104.95
1	AL-52907DA Call	AL-74011 \$111.95	AL-74009 \$106.95
1	AL-52905D \$87.95	AL-74014 \$98.95	AL-74012 \$92.95
1	AL-52907D \$89.95	AL-74015 \$100.95	AL-74013 \$95.95
1	AL-52905 \$76.95	NA	NA
1	AL-52906 \$78.95	NA	NA
1	AL-52907 \$78.95	NA	NA
	AL-52909 \$32.95		
	AL-74016 \$32.95		
2	AL-52910DA Call	AL-74030 \$116.95	AL-74028 \$110.95
2	AL-52912DA Call	AL-74031 \$118.95	AL-74029 \$113.95
2	AL-52910D \$93.95	AL-74034 \$105.95	AL-74032 \$99.95
2	AL-52912D \$95.95	AL-74035 \$107.95	AL-74033 \$101.95
2	AL-52910 \$81.95	NA	NA
2	AL-52912 \$83.95	NA	NA
	AL-52915 \$39.95		
	AL-74036 \$39.95		
3	AL-52916DA Call	AL-74020 \$109.95	AL-74017 \$104.95
3	AL-52918DA Call	AL-74021 \$111.95	AL-74018 \$106.95
3	AL-52919DA Call	AL-74022 \$114.95	AL-74019 \$107.95
3	AL-52916D \$97.95	AL-74025 \$98.95	AL-74023 \$92.95
3	AL-52919D \$101.95	AL-74026 \$103.95	AL-74024 \$97.95
3	AL-52916 \$82.95	NA	NA
3	AL-52919 \$84.95	NA	NA
	AL-52920 \$37.95		
	AL-74027 \$34.95		

Note: Custom pillow speaker functions and cable lengths are available upon request.

EPI





# Nurse Call Cords

**BUY 11 GET 1 FREE!**

Complete Nurse Call Cord Descriptions on Page 245



# Nurse Call Cords

## BUY 11 GET 1 FREE!

Nurse Call Cord Photos on Page 244



Fig.	Description	ALCO Part No.	Price Each
1.	Oxygen Safe Momentary Large Button Call Cords, White <ul style="list-style-type: none"> <li>✓ Winged" shape is easier to grasp</li> <li>✓ Raised button design is easier for geriatric patients</li> </ul>		
	Single Oxygen Safe Call Cord, 7 ft.	AL-59985	\$15.95
	Single Oxygen Safe Call Cord, 10 ft.	AL-59986	\$15.95
	Single Oxygen Safe Call Cord, 12 ft.	AL-59987	\$17.95
	Double Oxygen Safe Call Cord, 7 ft.	AL-59988	\$24.95
	Double Oxygen Safe Call Cord, 10 ft.	AL-59989	\$26.95
	Double Oxygen Safe Call Cord, 12 ft.	AL-59990	\$31.95
	Double Oxygen Safe Call Cord, 15 ft.	AL-71128	\$35.95
1A.	DuraGlo™ Call Cord with 1/4" Phone Plug <ul style="list-style-type: none"> <li>✓ Bright glow requires no power</li> </ul>		
	Single, 7 ft. with 1/4" Phone Plug	AL-67488	\$23.95
	Single, 10 ft. with 1/4" Phone Plug	AL-67489	\$24.95
2.	Momentary Call Cords – Single Button <ul style="list-style-type: none"> <li>✓ 1/4 inch mono phone plug except as noted</li> <li>✓ Heavy duty flame-retardant pendant</li> <li>✓ Premium grade replaceable switch</li> <li>✓ Includes security clip</li> </ul>		
	8 Foot	AL-46707	\$12.95
	10 Foot	AL-46708	\$13.95
	Jeron 8 pin	AL-46713	\$29.95
	Westcom-Simplex Tektone Modular 8 pin phone type	AL-46714	\$27.95
	Hill-Rom 20 pin	AL-59942	\$34.95
	Rauland 8 pin Din (Angular)	AL-59943	\$26.95
	Rauland 8 pin Din (Inline)	AL-59944	\$26.95
3.	Momentary Call Cords – Double Button, Pendant Shaped <ul style="list-style-type: none"> <li>✓ Premium grade replaceable switches</li> <li>✓ Includes security clip</li> </ul>		
	8 foot	AL-46715	\$26.95
	10 foot	AL-46716	\$29.95
	8 foot with In Line Plug	AL-46717	\$19.95
4.	Momentary Call Cords — 3 Year Warranty <ul style="list-style-type: none"> <li>✓ 1/4 inch mono phone plug, includes security clip</li> </ul>		
	Single 10 Foot, Grey	AL-44729	\$39.95
	Single 12 Foot, Grey	AL-44730	\$42.95
	Single 7 Foot Cordset - Locking	AL-7717-C	\$43.95
	Single 10 Foot Cordset - Locking	AL-7717-C10	\$45.95
	Double 7 Foot Cordset - Locking	AL-7717-DC	\$72.95
	Double 10 Foot Cordset - Locking	AL-7717-D10	\$92.95
5.	Sealed Single Nurse Call Cord <ul style="list-style-type: none"> <li>✓ Flared top permits easier grasp</li> <li>✓ Elliptical design fits the hand perfectly</li> <li>✓ Overmold design exceeds 40lb pull test</li> <li>✓ Soft, flexible cable design extends life and flexibility</li> </ul>		
	6', 1/4" Phone Plug	AL-76541	\$10.95
	8', 1/4" Phone Plug	AL-76542	\$10.95
	10', 1/4" Phone Plug	AL-76543	\$12.95
	12', 1/4" Phone Plug	AL-76544	\$18.95
	15', 1/4" Phone Plug	AL-76545	\$21.95

Fig.	Description	ALCO Part No.	Price Each
6.	Momentary Membrane Button Call Cords <ul style="list-style-type: none"> <li>✓ Smooth membrane is easier to sanitize than regular buttons</li> <li>✓ Easy-grip winged design fits comfortably in the hand</li> <li>✓ High-contrast red button with nurse call symbol</li> </ul>		
	Call Cord, single, 8 ft.	AL-76784	\$19.95
	Call Cord, single, 10 ft.	AL-76785	\$21.95
	Call Cord, single, 12 ft.	AL-76786	\$24.95
	Call Cord, double, 10 ft.	AL-76787	\$41.95
	Call Cord, Jeron 8-pin DIN, single, 8 ft.	AL-76788	\$32.95
	Call Cord, Rauland 8-pin DIN, single, 8 ft.	AL-76789	\$32.95
7.	DualCall™ 9900 coiled call cord, single 16 Foot with 1/4" phone plug.	AL-48076	\$29.95
8.	Momentary Coiled Call Cord — Traditional Winged Style. Beige cord stretches in length to 8' or 16'. Features large red button. 1/4" phone plug and cord clip.		
	8 foot cord length	AL-48077	\$29.95
	16 foot cord length	AL-48077A	\$34.95
9.	New Heavy Duty Molded Coiled Call Cord <ul style="list-style-type: none"> <li>✓ 4 foot cord stretches easily to 12 feet</li> <li>✓ Raised push-button</li> <li>✓ Permanent security clip</li> </ul>		
	Single	AL-53552	\$26.95
	Double	AL-53553	\$56.95
10.	Geriatric Call Cords <ul style="list-style-type: none"> <li>✓ Available with most types of plugs</li> <li>✓ Heavy duty pad, includes cord clip</li> <li>✓ Standard length is 8 or 10 feet</li> <li>✓ 1/4 inch phone plug, (standard)</li> </ul>		
	8 Foot	AL-20711-8	\$40.95
	8 Foot Double	AL-20711A	\$99.95
	10 Foot	AL-20711	\$46.95
	10 Foot Double	AL-20711AB	\$99.95
	In-line 1/4 inch phone plug	AL-46721	\$59.95
	Fisher-Berkley 8 pin plug	AL-46723	\$59.95
	Fisher-Berkely 15 Pin	AL-59945	\$59.95
	Hill-Rom 37 Pin	AL-59946	\$69.95
	Hill-Rom 20 Pin	AL-59947	\$89.95
	Rauland 8 Pin	AL-59950	\$59.95
	Jeron 8 Pin	AL-59951	\$59.95
	Tektone-Wescom 8 Pin	AL-59952	\$59.95
11.	E-Z Call <ul style="list-style-type: none"> <li>✓ Sensitive touch plate ensures easy operation</li> <li>✓ 1/4 inch mono phone plug standard</li> </ul>		
	10 foot	AL-46724	\$89.95
	Portable Alarm	AL-74619	\$69.95
11A.	TouchCall™ <ul style="list-style-type: none"> <li>✓ Reliable and Versatile Nurse Call</li> <li>✓ Large, Ultra-Sensitive Touch Plate</li> </ul>		
	TouchCall™, 2-conductor	AL-66808	\$49.95
	TouchCall™ with RJ45 8-pin modular plug	AL-66809	\$59.95

12. **ALCO Bite-or-Puff** is a pressure-operated switch. The pressure required to operate it is very small, and can easily be produced with a gentle squeeze or bite on a bulb connected to the input tube. Connector is a 1/4" Phone Plug and the Air Tube features a Silicon Rubber tubing, 0.1" inside diameter, 4' in length. Includes a one year Warranty on parts and workmanship.

ALCO Bite-or-Puff (includes 25 bulbs)  
**AL-49062 \$89.95**  
 Bite Bulbs measure 3.5" x 0.4" dia and ship in a Sterile Pack.  
**AL-49063 \$14.95/per 5 pack**



# Momentary Call Cords by ALCO

**BUY 11 GET 1 FREE!**



### ALCO Call Cords

- ✓ Available in 8' & 10' lengths
- ✓ Includes security clip to attach pendant end to bed linens
- ✓ 1/4" phone plug works with most brands of nurse call systems
- ✓ Ergonomically designed pendant is easy to grasp
- ✓ Latex-Free

8' Single Call Cord	<b>AL-74100</b>	<b>\$8.95</b>
10' Double Call Cord	<b>AL-74101</b>	<b>\$17.95</b>

**NEW Lower Priced  
ALCO Call Cords!**

**New!**



### ALCO Geriatric Call Cord

- ✓ 8' in length
- ✓ Includes security clip to attach pendant end to bed linens
- ✓ 1/4" phone plug works with most brands of nurse call systems
- ✓ Oversized pad is easily activated by patients with limited finger dexterity
- ✓ Pad can be activated with a hand, fist or elbow
- ✓ Latex-Free

**AL-74102 \$23.95**



Single Length*	ALCO Part No.	Price Each
6 Foot	<b>AL-46816</b>	<b>\$15.95</b>
8 Foot	<b>AL-26290</b>	<b>\$16.95</b>
10 Foot	<b>AL-26291</b>	<b>\$17.95</b>
12 Foot	<b>AL-69335</b>	<b>\$19.95</b>
15 Foot	<b>AL-69336</b>	<b>\$21.95</b>
20 Foot	<b>AL-69337</b>	<b>\$24.95</b>

Double Length*	ALCO Part No.	Price Each
8 Foot	<b>AL-26290D</b>	<b>\$27.95</b>
10 Foot	<b>AL-46817</b>	<b>\$37.95</b>
12 Foot	<b>AL-69338</b>	<b>\$41.95</b>



### Extension Cord

Call Cord Extension Cable  
For 2-Conductor, 1/4" Phone Plug Nurse Call Cord

Length	ALCO Part No.	Price Each
6 Foot	<b>AL-46818</b>	<b>\$21.95</b>
8 Foot	<b>AL-46819</b>	<b>\$22.95</b>
10 Foot	<b>AL-46820</b>	<b>\$26.95</b>



**Coiled Nurse Call Cord**  
Expands from 4 to 14 feet

Single	<b>AL-59978</b>	<b>\$26.95</b>
Double	<b>AL-59979</b>	<b>\$50.95</b>



**EasyGrip Oxygen Safe Call Cord**

- ✓ Contoured rim for control
- ✓ Safe in oxygen-enriched environment
- ✓ Water Resistant
- ✓ High Impact Pendant
- ✓ UL1069 Certified

8 Foot Single Cord	<b>AL-66710</b>	<b>\$18.95</b>
10 Foot Single Cord	<b>AL-66711</b>	<b>\$19.95</b>
12 Foot Single Cord	<b>AL-66712</b>	<b>\$20.95</b>
8 Foot Double Cord	<b>AL-66713</b>	<b>\$33.95</b>
10 Foot Double Cord	<b>AL-66714</b>	<b>\$34.95</b>
12 Foot Double Cord	<b>AL-66715</b>	<b>\$37.95</b>

EP1

# Traditional "Winged Style" Momentary Cordset

**BUY 11 GET 1 FREE!**

## Deluxe "Winged Style" Momentary Cordset



Description	ALCO Part No.	Price Each
Single 8 Ft. Cord	AL-23001	\$21.95
Single 12 Ft. Cord	AL-46775	\$24.95
Double 8 Ft. Cord	AL-23002	\$39.95
Double 12 Ft. Cord	AL-46782	\$46.95

**Additional Plug Configurations (8 ft. lengths):**

Sylvania AL-46776A \$39.95	Rauland Borg/Jeron AL-46779 \$35.95	Fisher-Berkely AL-46778 \$45.95
----------------------------------	---	---------------------------------------



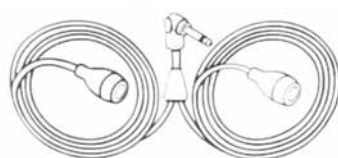
## Economy "Winged Style" Momentary Cordset

Description	ALCO Part No.	Price Each
Single 8 Ft. Cord	AL-59981	\$13.95
Single 10 Ft. Cord	AL-59982	\$14.95
Double 8 Ft. Cord	AL-59983	\$27.95
Double 10 Ft. Cord	AL-59984	\$29.95

## Heavy-Duty Momentary Button Cordset

Single Cordsets				
Cordset Length	Color Options			Price Each
	White	Beige	Grey	
7-foot	AL-23020	AL-23021	AL-23022	\$10.95
10-foot	AL-23026	N/A	N/A	\$11.95
12-foot	AL-23026A	AL-23027B	AL-23028C	\$14.95
15-foot	AL-23020-15	N/A	N/A	\$19.95
20-foot	AL-23020-20	N/A	N/A	\$26.95

Double Cordsets				
Cordset Length	Color Options			Price Each
	White	Beige	Grey	
7-foot	AL-23023	N/A	N/A	\$16.95
10-foot	AL-23029	AL-23030	AL-23031	\$19.95
12-foot	AL-23029D	N/A	N/A	\$21.95
15-foot	AL-23023-15	N/A	N/A	\$29.95
20-foot	AL-23023-20	N/A	N/A	\$36.95



**BUY 11  
Get One  
FREE**

Double Cordset  
**One Year Warranty**

# Presscall™ & Padcall™ with Right Angle Plug or In-line Plug



**BUY 11 GET 1 FREE!**

## Presscall™ with right angle or in-line 1/4" phone plug

This extremely sensitive call device is air activated and compatible with any system using a standard phone plug. Slight pressure from any part of the body activates the nurse call function.

Description	Right Angle Plug			In-Line Plug		
	Grey ALCO Part No.	White ALCO Part No.	Price Each	Grey ALCO Part No.	White ALCO Part No.	Price Each
Single 6-foot non-locking	AL-44742	AL-44742W	\$34.95	AL-49322	AL-49322W	\$39.95
Single 8-foot non-locking	AL-44744	AL-44744W	\$36.95	AL-49323	AL-49323W	\$42.95
Single 10-foot non-locking	AL-44746	AL-44746W	\$39.95	AL-49324	AL-49324W	\$48.95
Double 6-foot non-locking	AL-44743	AL-44743W	\$49.95	AL-49326	AL-49326W	\$67.95
Double 8-foot non-locking	AL-44745	AL-44745W	\$51.95	AL-49327	AL-49327W	\$72.95
Single 6-foot locking	AL-44748	AL-44748W	\$49.95	<b>Suitable for use in Oxygen Environment</b>		
Single 8-foot locking	AL-44750	AL-44750W	\$51.95			
Single 10-foot locking	AL-44752	AL-44752W	\$54.95			
Single 12-foot locking	AL-48581	AL-48581W	\$59.95			
Double 6-foot locking	AL-44749	AL-44749W	\$67.95			
Double 8-foot locking	AL-44751	AL-44751W	\$71.95			
Double 10-foot locking	AL-44753	AL-44753W	\$76.95			
Double 12-foot locking	AL-48582	AL-48582W	\$81.95			
Nurse-TV						
Dual 6-foot non-locking	AL-44754D	AL-44754DW	\$99.95			
Dual 10-foot non-locking	AL-44754E	AL-44754EW	\$104.95			



Note: Standard Presscall™ provides a normally open circuit until used. Presscall™ can be special ordered featuring a normally closed circuit (used with Bunting).

Description	Grey ALCO Part No.	White ALCO Part No.	Price Each
<b>Replacement Hill-Rom Bed Nurse Call</b>			
8-foot non-locking	AL-49338	AL-49338W	\$48.95
10-foot non-locking	AL-49339	AL-49339W	\$49.95
12-foot non-locking	AL-49340	AL-49340W	\$54.95

### Plug Kits

Description	ALCO Part No.	Price Each
Non-locking right angle plug kit	AL-44755	\$27.95
Non-locking in-line plug kit	AL-44756	\$30.95
Locking right angle plug kit	AL-44757	\$29.95

## Padcall™ with right angle or in-line 1/4" phone plug

A large surface area sensitive to the slightest touch makes this an ideal nurse call device for patients who have difficulty using their hands. Device is air activated and compatible with systems which use a standard 1/4" phone plug. Large 3 1/2" circular pad features gripping feet to hold pad in position. Standard tube lengths up to 25 feet. Padcall™ is suitable for use in oxygen environment.

Description	Right Angle Plug			In-Line Plug		
	Grey ALCO Part No.	White ALCO Part No.	Price Each	Grey ALCO Part No.	White ALCO Part No.	Price Each
Single 6-foot non-locking	AL-44758	AL-44758W	\$45.95	AL-49341	AL-49341W	\$48.95
Single 8-foot non-locking	AL-44759	AL-44759W	\$47.95	AL-49342	AL-49342W	\$51.95
Single 10-foot non-locking	AL-44760	AL-44760W	\$50.95	AL-49343	AL-49343W	\$51.95
Single 12-foot non-locking	AL-48583	AL-48583W	\$52.95	AL-49344	AL-49344W	\$53.95
Double 6-foot non-locking	AL-44761	AL-44761W	\$67.95	AL-49345	AL-49345W	\$79.95
Double 8-foot non-locking	AL-44762	AL-44762W	\$71.95	AL-49346	AL-49346W	\$84.95
Double 10-foot non-locking	AL-44763	AL-44763W	\$75.95	AL-49347	AL-49347W	\$88.95
Single 6-foot locking	AL-44764	AL-44764W	\$57.95	<b>Suitable for use in Oxygen Environment</b>		
Single 8-foot locking	AL-44765	AL-44765W	\$59.95			
Single 10-foot locking	AL-44766	AL-44766W	\$61.95			
Single 12-foot locking	AL-48585	AL-48585W	\$63.95			
Double 6-foot locking	AL-44767	AL-44767W	\$79.95			
Double 8-foot locking	AL-44768	AL-44768W	\$83.95			
Double 10-foot locking	AL-44769	AL-44769W	\$87.95			
Double 12-foot locking	AL-48586	AL-48586W	\$92.95			







# Breathcall™ with In-Line Plug & Unicall™ with Right Angle Plug



**BUY 11 GET 1 FREE!**

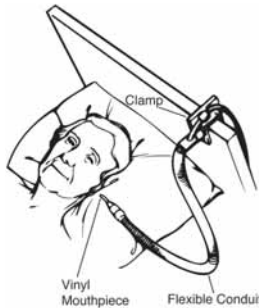


**AL-44770**  
Standard  
Black  
Only

Suitable for use in  
Oxygen Environment

### Breathcall™ with in-line 1/4" phone plug

This all-position flexible conduit nurse call is for patients who are unable to push a button or squeeze a bulb. Clamps to the side rail or headboard of bed. Activated by light puff of air into soft vinyl mouthpiece located near the patient's head. Available in single (nurse call only) or dual (nurse call and TV or radio) design. 9-foot cord can be used with any system having a standard phone jack. Specify existing system type when ordering (extra charge may apply). 12 mouthpieces included. Adapters available for multi-pin locking systems CALL!

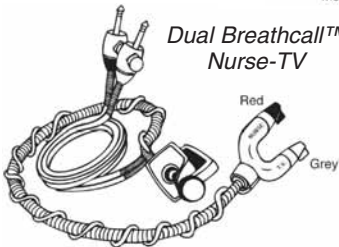


Replacement  
mouthpiece & filters  
for use on either unit  
**AL-44773 Only \$28.95**



**AL-48587**  
White Only

Mini Breathcall™



**AL-44772**

Description	ALCO Part No.	Price Each
Non-locking Mini Breathcall™	<b>AL-48587</b>	<b>\$99.95</b>
Locking Mini Breathcall™	<b>AL-48588</b>	<b>\$107.95</b>
Non-locking Breathcall™ (Standard)	<b>AL-44770</b>	<b>\$129.95</b>
Locking Breathcall™ (Standard)	<b>AL-44771</b>	<b>\$135.95</b>
Dual non-locking Breathcall™	<b>AL-44772</b>	<b>\$191.95</b>
Dual locking Breathcall™	<b>AL-49357</b>	<b>\$209.95</b>
Replacement Mouthpiece and Filters (12 to a pkg.) <i>For use on either unit.</i>	<b>AL-44773</b>	<b>\$33.95</b>
Non-locking in-line plug kit	<b>AL-44756</b>	<b>\$30.95</b>
Locking right angle plug kit	<b>AL-44757</b>	<b>\$29.95</b>
Breathcall™ clamp assembly	<b>AL-44777</b>	<b>\$21.95</b>

PK

### Unicall™ with right angle 1/4" phone plug

Unicall is ideal where a non-electric call cord is desired, but with less sensitivity than a traditional air-bulb device. While similar in shape and appearance to a standard two-conductor nurse call corset, Unicall includes the added benefits of an air activated call device. Safely replaces all two-conductor electrical call cords. UL® listed for use in oxygen-enriched atmosphere, will not conduct static electricity. Recessed button for fewer false alarms. Available in white or grey.

Suitable for use in  
Oxygen Environment



**AL-44780W**



**AL-44787**

### Available In Grey Or White Color

Description	Grey ALCO Part No.	White ALCO Part No.	Price Each
Single 6-foot non-locking	<b>AL-44778</b>	<b>AL-44778W</b>	<b>\$22.95</b>
Single 8-foot non-locking	<b>AL-44780</b>	<b>AL-44780W</b>	<b>\$24.95</b>
Single 10-foot non-locking	<b>AL-44782</b>	<b>AL-44782W</b>	<b>\$27.95</b>
Double 6-foot non-locking	<b>AL-44779</b>	<b>AL-44779W</b>	<b>\$31.95</b>
Double 8-foot non-locking	<b>AL-44781</b>	<b>AL-44781W</b>	<b>\$34.95</b>
Single 6-foot locking	<b>AL-44784</b>	<b>AL-44784W</b>	<b>\$34.95</b>
Single 8-foot locking	<b>AL-44786</b>	<b>AL-44786W</b>	<b>\$37.95</b>
Single 10-foot locking	<b>AL-44788</b>	<b>AL-44788W</b>	<b>\$39.95</b>
Double 6-foot locking	<b>AL-44785</b>	<b>AL-44785W</b>	<b>\$47.95</b>
Double 8-foot locking	<b>AL-44787</b>	<b>AL-44787W</b>	<b>\$51.95</b>



# Call Cord Parts & Hold-A-Callbell™

**BUY 11 GET 1 FREE!**

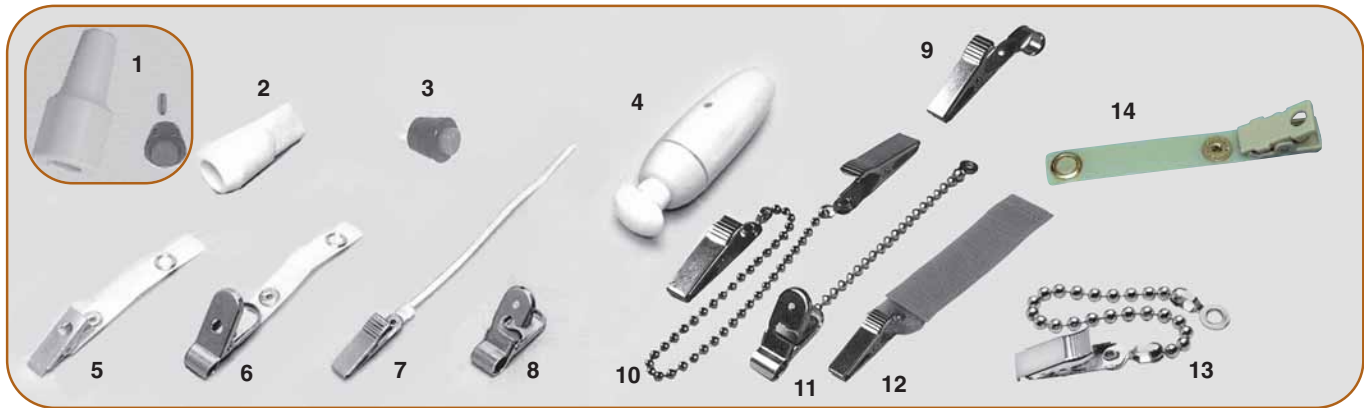


Fig	Description	ALCO Part No.	Price Each
1	Ergonomic Design Replacement Pendant (includes button)	AL-59965	\$6.95
2	Pendant Shell Fits 1/4" dia. cable. 2 holes bored in bottom	AL-46729	\$5.95
3	Momentary Button Switch. Snap fit in pendant #1. Red Button	AL-20706	\$5.95
4	Locking Button Switch. Connects up to 5 contacts. Momentary chime contact	AL-20727	\$30.95
5	Security Clip – Snap On, Small Clip For .250" to .390" dia. cord	AL-46706	\$2.95
6	Security Clip – Snap On, Large Clip For .250" to .390" dia. cord	AL-22057	\$3.95
7	Security Clip with Nylon Tie–Wrap Universal fit	AL-22051	\$1.95
8	Security Clip–Interlock Press-on For .250" to .325" dia. cord. Fits 5 conductor cables	AL-22053	\$2.95
	Security Clip–Interlock Press Fits 2 or 3 conductor cables	AL-22052	\$2.95
9	Bedsheet/Security clip (non-removable)	AL-22054	\$2.95
10	Bedsheet/Security double clip (with 7" chain)	AL-22055	\$4.95
11	Security clip (with beaded chain)	AL-46852	\$6.95
12	Bedsheet/Security clip (with Velcro attachment)	AL-22056	\$5.95
13	Security Clip and 6" Bead Chain, Toothless	AL-74313	\$2.95
14	Plastic Security Clip w/Nylon Snap Attachment	AL-76039	\$3.95

### CallCare Momentary Call Cord Repair Kit (White)



Kit Includes:  
1-Pendant, 1-Switch, 1-Cable Tie,  
2-Lugs

Grey	AL-22007	\$9.95
White	AL-22006	\$9.95
Switch only	AL-66716	\$4.95

### Pushbuttons–Pendant and Button



Replacement For Any Type Of Button For Momentary Contact.

Grey	AL-20703	\$9.95
White	AL-20704	\$9.95
Beige	AL-20704B	\$9.95



Pushbutton without metal ring  
A Momentary Pushbutton For Snap Fit In Part AL-20705.

AL-20706	\$5.95
----------	--------



### Strain Relief

3/8"	AL-22064	\$0.95
1/2"	AL-22065	\$0.60



### Call Cord Holders

Holds most brands of call cords. Mounts on bed or wall with screws.

### Description

Description	ALCO Part No.	Price Each
3/4" Diameter	AL-66804	\$2.95
7/8" Diameter	AL-66805	\$2.95
1" Diameter	AL-66806	\$2.95




### Hold-A-Callbell™

- ✓ Patients have all cords at an arm's length
- ✓ Installation ready
- ✓ No tools required. Installs in seconds
- ✓ Easy to see
- ✓ Fits all standard bed rails (round to square)
- ✓ Can be used over and over (nothing to replace)
- ✓ Durable 100% nylon hook and loop (can be disinfected)
- ✓ Helps prevent against shock hazard. Snaps on cords in seconds with a semi-permanent snap (snap will not open easy once attached)

AL-77018	\$7.95
----------	--------

# Universal Stations

**BUY 11 GET 1 FREE!**

**Line-Voltage Pullcord Station**  
 ✓ Features double pole, single throw DPST call switch suitable for use in 110 volt circuits

Line-Voltage Pullcord Station  
**AL-71108 \$34.95**

Line-Voltage Pullcord Station w/Emergency Letter  
**AL-71109 \$39.95**

**AL-71109**



**Emergency Station Replacement**  
 ✓ For use in emergency, panic or code blue situations  
 ✓ Large red rocker switch can be used as a push-to-call or pullcord type station

Emergency Station Replacement  
**AL-59543 \$90.95**

Rocker Switch, Red Light  
**AL-71110 \$74.95**


**AL-59543**



**Universal Station**  
 ✓ Features rugged 1-piece faceplate of fire-retardant ABS plastic with a clean modern design

Deluxe Pullcord Station, 2-Pole **AL-71096 \$44.95**  
 Deluxe Pullcord Station, 4-Pole **AL-71097 \$69.95**  
 Waterproof Pullcord Station **AL-71098 \$59.95**

**AL-71096** **AL-71098**



**3-Position Pullcord Stations**  
 ✓ Includes maintained, momentary and normally-closed contacts  
 ✓ Lever action switch features momentary buzzer spring that returns to center position  
 ✓ Additional downward pulls on the lever momentarily reactivate the buzzer

Station Mounted On a 2-Gang Plate **AL-71099 \$72.95**  
 Station w/Call-Placed Light Mounted On a 1-Gang Plate **AL-71100 \$72.95**

**AL-71100**



**2-Conductor wire  
1/4" Diameter**

Sold In 100 Ft. Lengths



**Cord with Plug Attached**

## Bulk Call Cord/Wires

	ALCO Part No.	Price Each	ALCO Part No.	Price Each
<b>Description</b>	<b>Grey</b>		<b>White</b>	
2-Conductor wire, 1/4" diameter	<b>AL-22058</b>	<b>\$69.95</b>	<b>AL-22059</b>	<b>\$64.95</b>
3-Conductor wire, 1/4" diameter	<b>N/A</b>	<b>N/A</b>	<b>AL-22061</b>	<b>\$68.95</b>
5-Conductor wire, 5/16" diameter	<b>AL-22062</b>	<b>\$74.95</b>	<b>AL-22063</b>	<b>\$74.95</b>
<b>Description</b>	<b>Single</b>		<b>Double</b>	
12' white cord w/molded 2-cond phone plug	<b>AL-20702</b>	<b>\$18.95</b>	<b>AL-66718</b>	<b>\$25.95</b>
12' grey cord w/molded 2-cond phone plug	<b>AL-20702G</b>	<b>\$18.95</b>	<b>AL-66719</b>	<b>\$27.95</b>
20' white cord w/molded 2-cond phone plug	<b>AL-20712</b>	<b>\$22.95</b>	<b>AL-20713</b>	<b>\$40.25</b>

See Page 276  
For Replacement  
Bulbs



# Auth Nurse Call Replacements

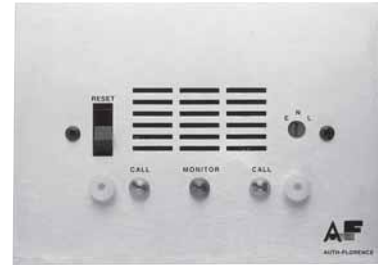
**BUY 11 GET 1 FREE!**



**AL-59438**

### Emergency Pullcord and Push Button Stations

Description	ALCO Part No.	Price Each
Emergency Pullcord & Pushbutton Stations	<b>AL-59438</b>	<b>\$49.95</b>
Emergency pushbutton station	<b>AL-59439</b>	<b>\$49.95</b>



**AL-59444**

### Patient & Staff Stations—OEM

Enables call placement and provides 2-way voice communication between patient and nurses' master station. Allows both emergency and personal attention calls. Status selector (E.N.L.) with common or separate call-placed light is optional. Features aluminum faceplate with 3-gang mounting to subplate. UL Listed.

Description	ALCO Part No.	Price Each
Patient station	<b>AL-59444</b>	<b>\$359.95</b>



**AL-59448**

### Corridor Pilots—OEM

Replacement for Auth equipment to identify the location of patient calls visually. Placement in hallway over patient's door. Wedge shaped plastic lens is available with 1 or 2 lamps. Clear lamp indicates normal call and red lamp indicates emergency call. Lens available, sold separately.

Description	ALCO Part No.	Price Each
Corridor pilot with relay, 1-lamp	<b>AL-59448</b>	<b>\$67.95</b>
Corridor pilot (no relay), 1-lamp	<b>AL-59449</b>	<b>\$34.95</b>
Corridor pilot (no relay), 2-lamps	<b>AL-59450</b>	<b>\$42.95</b>
Lens only	<b>AL-59451</b>	<b>\$13.95</b>
Corridor pilot, 1-lamp—OEM	<b>AL-59452</b>	<b>\$27.95</b>
Corridor pilot, 2-lamp—OEM	<b>AL-59453</b>	<b>\$45.95</b>
Lens only—OEM	<b>AL-59454</b>	<b>\$8.95</b>
Tinnerman Clip	<b>AL-65876</b>	<b>\$1.95</b>



**AL-59445**

### Double Wall Station

Replacement for Auth nurse call station for 1 or 2 patients. Equipped with call-placed light. Must be reset at patient's bed. Must be used with AL-59448 corridor light with relay. (Corridor pilots to the left.)

Description	ALCO Part No.	Price Each
Double wall station	<b>AL-59445</b>	<b>\$55.95</b>
Pushbutton switch w/lamp	<b>AL-65878</b>	<b>\$12.95</b>
Dummy plug	<b>AL-59446</b>	<b>\$2.95</b>
White replacement lens for AL-65878	<b>AL-59447</b>	<b>\$3.95</b>



**AL-59455**

### Patient Stations—OEM and Economy

The standard patient station includes either single or dual call cord receptacles and a combination reset switch/call-placed light mounted to a stainless steel faceplate. Optional normal or emergency call placement capability. UL Listed.

Description	ALCO Part No.	Price Each
Single patient station - OEM	<b>AL-59455</b>	<b>\$99.95</b>
Single patient station - Economy	<b>AL-46838</b>	<b>\$69.95</b>
Dual patient station - OEM	<b>AL-59456</b>	<b>\$109.95</b>
Dual patient station - Economy	<b>AL-46839</b>	<b>\$79.95</b>
Pushbutton switch w/lamp	<b>AL-65878</b>	<b>\$12.95</b>
White replacement lens for AL-65878	<b>AL-59447</b>	<b>\$3.95</b>

**LOW PRICES GUARANTEED!**  
**WE WILL NOT BE UNDERSOLD!**

# Auth Nurse Call Replacements

**BUY 11 GET 1 FREE!**

See Page 276  
For Replacement  
Bulbs




AL-20727



AL-4300-1CA

### Call Cord Repair Parts

Replace parts of your call cords easily with **AL-20727** (momentary buzzer) or **AL-65879** (maintained buzzer). Replacement cords and plugs also available.

Description	ALCO Part No.	Price Each
Locking, momentary buzzer contact	<b>AL-20727</b>	<b>\$30.95</b>
Locking, maintained buzzer contact	<b>AL-65879</b>	<b>\$30.95</b>
Single repair plug	<b>AL-20740S</b>	<b>\$16.95</b>
Double repair plug	<b>AL-20740D</b>	<b>\$17.95</b>

### Locking Button Call Cords

Replacement for Auth locking button call cords, complete with locking button, 7-foot cord and plug. Call must be reset at patient's bedside. Available with single or double, 7, 10 or 12-foot cords.

Description	ALCO Part No.	Price Each
Single call cord, momentary buzzer contact 7 ft., grey	<b>AL-4300-1CA</b>	<b>\$51.95</b>
Single call cord, maintained buzzer contact 7 ft., grey	<b>AL-59457</b>	<b>\$51.95</b>
Double call cord, momentary buzzer contact 7 ft., grey	<b>AL-4300-2CA</b>	<b>\$99.95</b>
Double call cord, maintained buzzer contact 7 ft., grey	<b>AL-59458</b>	<b>\$99.95</b>



AL-59459

### Pullcord Call Station

Replacement for Auth 3-position pullcord call station. Used for placing calls from bathrooms or other areas away from patient's bed. Unit comes complete with 7-foot cord and plastic pendant for easy grasp.

Description	ALCO Part No.	Price Each
Pullcord call station	<b>AL-59459</b>	<b>\$63.95</b>
Knob w/set screw	<b>AL-65880</b>	<b>\$4.95</b>
Knob string and Pendant	<b>AL-50924</b>	<b>\$4.95</b>



AL-59461

### Receptacle/Patient Stations

Replacement for use with Auth locking call systems for 1 or 2 patients. Comes complete with 1-gang stainless steel plate. **Does not include spring loaded alarm pin.**

Description	ALCO Part No.	Price Each
Receptacle/patient station	<b>AL-59460</b>	<b>Call</b>
Receptacle patient station with call placed light	<b>AL-59461</b>	<b>Call</b>



AL-65883

### Emergency Stations

Replacement for Auth equipment for placing calls away from patient's bed. Pushbutton locks call at nurses' station. Call must be reset at station. Complete with 1-gang stainless steel plate.

Description	ALCO Part No.	Price Each
Emergency station	<b>AL-65882</b>	<b>Call</b>
Emergency station with call placed lamp	<b>AL-65883</b>	<b>Call</b>

EP1

# Cornell Nurse Call Replacements

See Page 276  
For Replacement  
Bulbs



**BUY 11 GET 1 FREE!**



**AL-65888**

### Power Supply and Annunciator Parts—OEM

Power Supply is for use with 4000, 6500, 6700 series nurse call stations. Ideal power source for most 24VDC systems. Control Module provides reliable control over all functions of series 4000 Visual nurse call system. Accommodates up to ten AL-59476 duty stations. The AL-65890 Dual Status Tone Board are replacement parts for the 4000 series annunciator panels.

Description	ALCO Part No.	Price Each
Power supply, 24 VDC, 3-Amp	<b>AL-65888</b>	<b>\$521.95</b>
Control module for use with 4000 series annunciators, replaces NC-101 & NC-102	<b>AL-65889</b>	<b>\$921.95</b>
Tone board, dual status	<b>AL-65890</b>	<b>\$304.95</b>



**AL-59469**

### Pullcord Stations

Replacement for Cornell H-711 pullcord station. For use in bathrooms and shower areas where emergency stations are needed. Plastic guide allows pullcord to be used from any angle. 3-position, 5-terminal station.

Description	ALCO Part No.	Price Each
Pullcord, Single Status, On/Off Slide Switch, No Call Placed Light	<b>AL-59473</b>	<b>\$26.95</b>
Pullcord, Dual Status, On/Off Slide Switch, Call Light	<b>AL-59469</b>	<b>\$49.95</b>
Pullcord, Single Status, Momentary On/Off Slide Switch, No Called Placed Light	<b>AL-59474</b>	<b>\$32.95</b>
Pullcord, Dual Status, On/Off Idle Switch, Call Light, Waterproof	<b>AL-70765</b>	<b>\$59.95</b>

### 4000 Series Bedside Stations—OEM and Economy

Bedside stations have 1 or 2 jacks for all Cornell call cords (Cornell #SW-106 & SW-110) or pushbutton (Cornell #SW-100P) to initiate patient call. Accidental removal of call cord plug initiates a call. Red LED indicates call placed; separate button cancels call. Designations are clearly silk-screened on the satin finish stainless steel face plate. May be mounted on standard outlet boxes with 1-gang ring. UL Listed.

Description	ALCO Part No.	Price Each
Single Jack Bedside Station - OEM	<b>AL-59463</b>	<b>\$64.95</b>
Double Jack Bedside Station- OEM	<b>AL-59463A</b>	<b>\$94.95</b>
Double Jack Bedside Station - Economy	<b>AL-22110</b>	<b>\$69.95</b>
Pushbutton Bedside Station- OEM	<b>AL-59464</b>	<b>\$72.95</b>
Double Jack Bedside Station, 2-Gang	<b>AL-59465</b>	<b>\$117.95</b>
Double Jack Bedside Station, 3-Gang	<b>AL-59466</b>	<b>\$124.95</b>
Replacement Jack for Bedside Stations	<b>AL-65886</b>	<b>\$3.95</b>



**AL-59464**



**AL-65884**

### 6500 and 6700 Series Bedside or Staff and Duty Stations —OEM

Provides hands-free 2-way communication with the master panel station. To place a call, simply press the button on a call cord connected to the station. The associated corridor light, calling station red LED call light and master panel light are illuminated. Indicator lights and pulsing tones are activated at all duty, staff and master panels. When the calling station is selected at the master panel, the green bedside LED lights and a pre-announcement tone sounds to indicate that the caller can speak. Stations may be wired for program distribution, although nurse call functions maintain priority. Choice of single or dual jack models. Both use standard 3-gang plates.



**AL-59479**

### Corridor Pilot Lights —OEM

Corridor dome lights signal the exact location where help is needed. Independent lamps provide normal, steady or emergency flashing light. Mounts to a standard 1-gang (for 1-dome) or 4-gang (for 2-dome) electrical box.

Description	ALCO Part No.	Price Each
1-dome cover, white lens	<b>AL-59477</b>	<b>\$13.95</b>
1-dome cover, red lens	<b>AL-59478</b>	<b>\$19.95</b>
1-dome with 1 lamp; white lens	<b>AL-59479</b>	<b>\$31.95</b>
1-dome with 2 lamps; white lens	<b>AL-59480</b>	<b>\$35.95</b>
1-dome with 3 lamps; white lens	<b>AL-59481</b>	<b>\$43.95</b>
1-dome with 1 lamp; red lens	<b>AL-65892</b>	<b>\$38.95</b>
1-dome with 2 lamps; red lens	<b>AL-65893</b>	<b>\$33.95</b>
1-dome with 3 lamps; red lens	<b>AL-65894</b>	<b>\$59.95</b>
1-zone control with white dome; 1 red and 2 white lamps, lamp boot and divider, 1-gang, for NC-101	<b>AL-65897</b>	<b>\$319.95</b>
1-zone control with white dome; 1 red and 2 white lamps, lamp boot and divider, 1-gang, for NC-102	<b>AL-65898</b>	<b>\$229.95</b>

EP1

Description	ALCO Part No.	Price Each
Single Jack Station	<b>AL-65884</b>	<b>\$349.95</b>
Double Jack Station	<b>AL-65885</b>	<b>\$409.95</b>

# Cornell Nurse Call Replacements



**BUY 11 GET 1 FREE!**



**AL-59467**

### Pushbutton Stations – OEM

Emergency stations are satin finish stainless steel with epoxy silk-screened designations. Those equipped with call lights are red LED. Faceplate may be mounted on a standard outlet box with 1-gang ring. Total depth required is 1-3/4".

Description	ALCO Part No.	Price Each
4000 Series, single status, push on/off, call light	AL-59467	\$72.95
4000 Series, dual status, push on/off, mechanical flag	AL-59468	\$82.95
Push on/off, single status, mechanical flag	AL-59472	\$54.95

### Toggle & Pushbutton On/Off Stations – OEM

Emergency stations are satin finish stainless steel with epoxy silk-screened designations. Those equipped with call lights are red LED. Faceplate may be mounted on a standard outlet box with 1-gang ring. Total depth required is 1-3/4". For single status systems.

Description	ALCO Part No.	Price Each
4000 Series, on/off toggle, call light	AL-59470	\$79.95
On/Off mushroom button, call light	AL-59471	\$164.95



**AL-59470**



**AL-59475**

### Dual Status Duty Stations – OEM

4000, 6500 & 6700 series stations have a steady green LED and slow intermittent electronic tone indicate normal calls; flashing red LED and rapid tone indicate emergency. AL-59475 has switch for silencing tone. AL-59476 has adjustable volume control. Satin-finish stainless steel faceplate with silk-screened designations may be flush-mounted on a standard outlet box with 1-gang ring. Minimum depth 1-3/4". UL listed.

Description	ALCO Part No.	Price Each
Duty station w/ buzzer & silence switch; 1 red, 1 green LED; 1-gang	AL-59475	\$204.95
Same as above w/ electronic tone & volume control	AL-59476	\$153.95

### Check-In Station – OEM

Same specifications as bedside stations but equipped with a momentary pushbutton for nurse check-in or for use in housing for elderly patients.

Description	ALCO Part No.	Price Each
Check-in Station	AL-59462	\$62.95



**AL-59462**



EP1

# Couch Nurse Call Replacements

**BUY 11 GET 1 FREE!**



AL-4300-1CC

### Locking Button Call Cords

Replacement for Couch locking button call cords, complete with locking button, 7-foot cord and plug. Available in single or double controls and other lengths.

Description	ALCO Part No.	Price Each
Single Call Cord, Momentary Buzzer Contact 7 Ft., Grey	AL-4300-1CC	\$51.95
Single Call Cord, Maintained Buzzer Contact 7 Ft., Grey	AL-59482	\$51.95
Single Call Cord, Momentary Buzzer Contact 10 Ft., Grey	AL-4300-110C	\$55.95
Double Call Cord, Momentary Buzzer Contact 7 Ft., Grey	AL-4300-2CC	\$99.95
Double Call Cord, Maintained Buzzer Contact 7 Ft., Grey	AL-59483	\$99.95
Locking Button, Momentary Buzzer Contact	AL-20727	\$30.95
Locking Button, Maintained Buzzer Contact	AL-65879	\$30.95
Single Repair Plug, Grey	AL-20741S	\$19.95
Double Repair Plug	AL-20741D	\$20.95



### Pullcord Stations

Replacement for Couch H-711 pullcord station. For use in bathrooms and shower areas where emergency stations are needed. Plastic guide allows pullcord to be used from any angle. 3-position, 5-terminal station.

Description	ALCO Part No.	Price Each
Pullcord Station, W/Call Placed Light	AL-59488	\$72.95
Pullcord Station (Emergency)	AL-59489	\$72.95
String & knob assembly	AL-50924	\$4.95
Knob, black, with set screw	AL-65880	\$4.95

AL-59488



AL-59493

### Corridor Pilot Lights

Replacement for a Couch corridor pilot available with 1 or 2- lamps to indicate status or origin of patient call. Mounted on 1-gang, stainless steel plate with plastic lens. Filters available in many colors.

Description	ALCO Part No.	Price Each
Corridor Light, 1-Lamp	AL-59491	\$34.95
Corridor Light, 2-Lamps	AL-59492	\$43.95
Barrier	AL-65899	\$3.95
Red Filter	AL-65900	\$5.95
Barrier For AL-59494	AL-65899	\$3.95
Buzzer Switch Assembly	AL-65901	\$35.95
Lens Only	AL-65902	\$13.95



AL-59495

### Receptacle Stations

Replacement for Couch single receptacle station with call-placed lamp and reset button. Mounted on 1 or 2-gang, stainless steel plate. Call-placed lamp lights when call has been placed. Staff must reset unit at origin of call. **NOTE: Requires Call Cord With 1/4" Phone Plug**

Description	ALCO Part No.	Price Each
Single Receptacle Station, Requires Call Cord With 1/4" Phone Plug	AL-59495	\$59.95
Dual Receptacle Station, Requires 2 Call Cords With 1/4" Phone Plug	AL-59496	\$79.95
Single Receptacle Station, Requires Call Cord With 1/4" Phone Plug 2-Gang Plate	AL-59497	\$59.95



AL-59499

### Receptacles

Receptacle for use with Couch locking nurse call system. Complete with stainless steel, 1-gang plate. **Note: Does not include spring-loaded alarm pin.**

Description	ALCO Part No.	Price Each
Receptacle	AL-59498	\$56.95
Receptacle With Call Placed Lamp	AL-59499	\$65.95



# Dukane Nurse Call Replacements

**BUY 11 GET 1 FREE!**



**AL-65930** **AL-59502**

**Emergency Stations**

Description	ALCO Part No.	Price Each
Pullcord Station, Dukane Patient Station 9A1180A	<b>AL-65930</b>	<b>\$73.95</b>
Bathroom Pullcord station 9A1405A	<b>AL-59502</b>	<b>\$83.95</b>
Pull knob (10 pack)	<b>AL-50922</b>	<b>\$16.95</b>
Cotton cord, 6 foot	<b>AL-65919</b>	<b>\$6.95</b>
Connector sleeve (10 pack)	<b>AL-65920</b>	<b>\$5.95</b>
Bead chain, 5 inches	<b>AL-65921</b>	<b>\$7.95</b>



**Dukane Lavatory/  
Emergency Station**  
Dukane 9A1405  
**AL-60032** **\$99.95**



**Emergency Pullcord Station**  
Dukane 9A30066  
**AL-65929** **\$159.95**



**Dukane Single Patient Station**  
Dukane 4A2225/9A2245  
**AL-77215** **\$99.95**



**Dukane Staff/Duty Station**  
Dukane 4A2235A  
**AL-77216** **\$169.95**

**See Page 276  
For Replacement  
Bulbs**



**AL-65914**

**Corridor Lights**  
Dukane 18A521-524

Description	ALCO Part No.	Price Each
Corridor Light, 1-lamp	<b>AL-65911</b>	<b>\$29.95</b>
Corridor Light, 2-lamps	<b>AL-65912</b>	<b>\$34.95</b>
Corridor Light, 3-lamps	<b>AL-65913</b>	<b>\$44.95</b>
Corridor Light, 4-lamps	<b>AL-65914</b>	<b>\$59.95</b>
Lens only, White	<b>AL-20726</b>	<b>\$19.95</b>
Barrier only	<b>AL-65915</b>	<b>\$6.95</b>



**AL-59503**

**Patient Stations**  
Dukane 4A1220

Description	ALCO Part No.	Price Each
Patient station	<b>AL-59503</b>	<b>\$99.95</b>
Patient Station, 2-Way Intercom	<b>AL-65925</b>	<b>\$99.95</b>



EP1

# Ektacom®/Fisher-Berkley Nurse Call Replacements

**BUY 11 GET 1 FREE!**



**Ektacom® HVB-10 & HVB-20**  
Single or Dual Station with a Call-Placed Lamp and Reset Button

Single	<b>AL-60035</b>	<b>\$289.95</b>
Dual	<b>AL-60036</b>	<b>\$319.95</b>

**AL-60036**



**Ektacom® HSS-103-C**  
A Pullcord Station with a Call-Placed Lamp  
**AL-46830**      **\$69.95**



**AL-46828**



**AL-46829**

**Receptacle Stations Ektacom® HVB-100B and HVB-201B**  
For use with Ektacom® nurse call systems. Staff must reset unit at origin of call. Call-placed lamp lights for patient assurance. Available with single or dual receptacles. UL Listed.

Description	ALCO Part No.	Price Each
Single Receptacle Station	<b>AL-46828</b>	<b>\$79.95</b>
Double Receptacle Station	<b>AL-46829</b>	<b>\$89.95</b>



**Ektacom® Pullcord Station HSS-103-CC**  
Pullcord station for use in bathrooms and shower areas. Plastic guide allows pullcord to be used from any angle. Mounted on 1-gang stainless steel plate. UL listed.

**AL-65959**      **\$59.95**

**Fisher-Berkley  
Repair Located On  
Page 264**



Keyed at 3 o'clock



Keyed at 9 o'clock

Length	ALCO Part No.	Price Each
8 Foot	<b>AL-46822</b>	<b>\$39.95</b>
15 Foot	<b>AL-46823</b>	<b>\$41.95</b>

Length	ALCO Part No.	Price Each
8 Foot	<b>AL-46825</b>	<b>\$57.95</b>

**ALCO Minimum Order & Terms Policy**

Terms: 20 day net. ALCO has a \$20.00 minimum order. Orders less than \$20.00 we will add a \$3.00 small order charge to process any order under \$20.00 unless it ships prepaid or a credit card is used.

# Ektacom/Fisher-Berkley Nurse Call Replacements

**BUY 11 GET 1 FREE!**

See Page 276  
For Replacement  
Bulbs




**Dual Patient Station HB Series**  
HBB-201B  
AL-65962     \$419.00



**Single Patient Station HB Series**  
HBB-100B  
AL-78414     \$479.00



**Dual Patient two bed indicator HB Series**  
HBB-200B  
AL-78416     \$449.00



**Code Blue Station MMC Series**  
HCB-21 Station Only  
AL-78433     \$139.00  
HCB-21CLK Station with Extra  
Relay Contacts for Timer  
AL-78418     \$239.00



**Push for Emergency Station**  
HTS-101D  
AL-78419     \$129.00



**Bath Emergency Station**  
HSS-21  
AL-78415     \$149.00



**64410-HDL Lens Cover**  
P00046-05  
AL-78425     \$13.00



**Colored Lamp Boot**  
Red AL-78421R     \$2.95  
Amber AL-78421A     \$2.95  
Green AL-78421G     \$2.95



**Red Knob**  
For HSS-1/ HSS-7 with slot  
100024-00  
AL-65960     \$2.95



**HSS-21 Replacement cord**  
B09040-01  
AL-78420     \$13.00


## Engineered Electronics Nurse Call Replacements

EP1



**Patient Stations - Audio/Visual—OEM**  
Original equipment audio-visual bedside stations provides hands free two-way voice communication between patient and nurse station master. Mounts on a 3-gang box.

Dual Patient Station, With Intercom, 3-Gang Box  
AL-65970     \$169.95  
Dual Patient Station, Single Gang Box  
AL-59538     \$75.95



**Emergency Stations—OEM**  
Emergency stations are mounted on 1-gang plates. Units operate on 28VDC.

Pushbutton Station W/LED (Splash Proof)  
AL-59536     \$60.95  
Emergency Pullcord Station w/LED  
AL-59537     \$43.95  
Pull-Chain Station With Call Placed Light, (Splash Proof)  
AL-65966     \$59.95

AL-59536

# Edwards Nurse Call Replacements

See Page 276  
For Replacement  
Bulbs



**BUY 11 GET 1 FREE!**



**AL-59518**

### Receptacle Stations

Edwards 7733 single receptacle station with combination call placed lamp and reset button. Mounted on 1-gang, stainless steel plate. Call-placed lamp lights for patient assurance.

Description	ALCO Part No.	Price Each
Receptacle Station With 1/4" Phone Jack	<b>AL-65945</b>	<b>\$74.95</b>
Double Receptacle Station With 1/4" Phone Jack	<b>AL-59518</b>	<b>\$89.95</b>
Pushbutton Switch With Lamp (OEM)	<b>AL-65878</b>	<b>\$12.95</b>
White Replacement Lens For AL-65878	<b>AL-59447</b>	<b>\$3.95</b>



**AL-65942**

### Pullcord Nurse Stations

Edwards pullcord-type station with call-placed indicator light. A gentle pull on call cord registers call with nurse's station. Indicator lamp lights when call has been placed.

Description	ALCO Part No.	Price Each
Pullcord nurse station (OEM)	<b>AL-65941</b>	<b>\$137.95</b>
Pullcord nurse station Economy	<b>AL-65942</b>	<b>\$64.95</b>
Replacement switch	<b>AL-65943</b>	<b>\$21.95</b>
Lens only	<b>AL-65944</b>	<b>\$6.95</b>



**AL-65948**

### Corridor Dome Pilots—OEM

Edwards corridor dome stations. Wedge shaped dome with 1, 2 or 4-lamps is available. 1-lamp with white bulb; 2-lamps with 1 white and 1 red, 4 lamps with 2 white and 2 red indicating origin or priority of call. Supplied with 2-gang stainless steel plate.

Description	ALCO Part No.	Price Each
Corridor Pilot, 24V, 1-Lamp, White Bulb (OEM)	<b>AL-65947</b>	<b>\$63.95</b>
Corridor Pilot, 24V, 1-Lamp, White Bulb	<b>AL-65948</b>	<b>\$41.95</b>
Corridor Pilot, 120V, 1-Lamp, White Bulb (OEM)	<b>AL-65949</b>	<b>\$67.95</b>
Corridor Pilot, 24V, 2-Lamp, 1 White & 1 Red Bulb	<b>AL-65951</b>	<b>\$50.95</b>
Corridor Pilot, 120V, 2-Lamps, 1 White & 1 Red Bulb, (OEM)	<b>AL-65952</b>	<b>\$86.95</b>
Corridor Pilot, 24V, 3-Lamp, 1 White, 1 Red & 1 Green Bulb	<b>AL-65953</b>	<b>\$57.95</b>
Corridor Pilot, 24V, 4-Lamp, 1 White, 1 Red, 1 Amber & 1 Green	<b>AL-65955</b>	<b>\$65.95</b>
Dome Lens	<b>AL-65902</b>	<b>\$13.95</b>



16-Volt Model

Edwards 6535 Call-For-Assistance Kit. This stand-alone emergency station allows an individual to alert the general area whenever emergency assistance is needed. The horn/strobe device is mounted outside and above the entrance of a room and will signal an audible/visual alarm when cord is pulled from inside the room. Each kit contains a pullcord switch, horn/strobe and transformer.

**AL-46791 \$139.95**

# Edwards Nurse Call Replacements

**BUY 11 GET 1 FREE!**

See Page 276  
For Replacement  
Bulbs



## Locking Button Call Cords—Edwards

Replacement for Edwards locking button call cords, 7-foot grey cord and 5-conductor plug. Must be reset at patient's bedside. Available with single or double controls. Also available with maintained buzzer mechanism to meet state law where required. For use with 7930, 7930L, 7991 and 7992 visual nurse call system stations.

- ✓ Most durable, repairable and easiest call cord to repair
- ✓ Easy to grasp pendant for easy activation
- ✓ Other lengths available—Call for details

### Description

Description	ALCO Part No.	Price Each
Single Locking Call Cord, Momentary Buzzer Contact, 7 Ft.	AL-4300-1CE	\$51.95
Single Locking Call Cord, Momentary Buzzer Contact, 10 Ft.	AL-4300-110E	\$55.95
Single Locking Call Cord, Maintained Buzzer Contact, 7 Ft.	AL-65933	\$52.95
Double Call Cord, Momentary Buzzer Contact, 7 Ft.	AL-4300-2CE	\$89.95
Double Locking Call Cord, Momentary Buzzer Contact, 10 Ft.	AL-4300-210E	\$107.95
Double Call Cord, Maintained Buzzer Contact 7 Ft.	AL-65934	\$95.95



AL-4300-1CE



## Repair Parts for 5-Conductor Locking Button Call Cords—Edwards

Description	ALCO Part No.	Price Each
Single repair plug (OEM)	AL-20744S	\$16.95
Double repair plug (OEM)	AL-20744D	\$16.95
Cord (per foot), grey, 5 conductor	AL-65936	\$3.95

Locking  
Button Repair  
Parts on  
Page 250



## Pushbutton Stations—OEM

Edwards—OEM for use in areas where pushbutton call station is specified. Has call-placed light and comes complete with 1-gang, stainless steel plate. Unit must be reset at origin of call.

AL-65940



## Pushbutton Stations—OEM

Edwards pushbutton station for use with locking button systems. For use in areas where call cord is not required. Small reset button is located below call button; unit must be reset at origin of call. 1-gang, stainless steel plate is included.

AL-65882

Description	ALCO Part No.	Price Each
Pushbutton patient station, with momentary buzzer contact	AL-65939	\$83.95
Emergency pushbutton station, momentary buzzer contact	AL-65882	\$88.95

Description	ALCO Part No.	Price Each
Pushbutton station with momentary buzzer contact and call-placed light	AL-65940	\$127.95
Emergency pushbutton station with momentary buzzer contact and call-placed light	AL-65883	\$141.95

BUY 11  
Get One  
FREE



AL-60033

AL-60034

## Receptacle Stations—OEM

For use with locking nurse call systems. Comes complete with 1-gang, stainless steel plate and receptacle.

Description	ALCO Part No.	Price Each
Receptacle Station (OEM)	AL-60033	\$95.95
Receptacle Station With Call Placed Light (OEM)	AL-60034	\$135.95

We Accept



# Edwards Nurse Call Replacements

See Page 276  
For Replacement  
Bulbs



**BUY 11 GET 1 FREE!**



### Pushbutton/Pullcord Station

Replacement Edwards style pushbutton with large red rocker switch, can be used as a push-to-call or pullcord type station. Includes lighted four pole double throw rocker switch, 2-gang stainless steel plate and all mounting hardware. Rocker available in red only. Stainless steel plate is included.

Description	ALCO Part No.	Price Each
Pullcord station, replacement for model 7931EL	AL-59511	\$144.95
Pullcord/pushbutton station for model 7751	AL-59522	\$145.95

### Pullcord Stations

Replacement for Edwards emergency call station for use in bathrooms on a locking button system. Emergency situation is signaled at central nurses' station when call is placed. Call-placed lamp lights for patient assurance.

Description	ALCO Part No.	Price Each
Pullcord station for Edwards, with call placed light	AL-59510	\$72.95



AL-59510

**Executone Repair  
Located On Page 264**

### Corridor Pilot Lights

Description	ALCO Part No.	Price Each
Corridor pilot, 1-lamp, white bulb	AL-59519	\$51.95
Corridor pilot, 2-lamps, white and green bulbs	AL-59520	\$63.95
Corridor pilot, 2-lamps with sounder	AL-59521	\$157.95
Lens only	AL-65902	\$13.95



AL-59519



AL-59521

**▼ LOW PRICES GUARANTEED! ▼**  
**WE WILL NOT BE UNDERSOLD!**

Phone 800-323-4282 • 630-655-1900  
FAX 800-950-1167 • 630-655-1990

E-mail: [info@alcosales.com](mailto:info@alcosales.com)  
Website: [www.alcosales.com](http://www.alcosales.com)

# Executone Nurse Call Replacements

**BUY 11 GET 1 FREE!**

See Page 276  
For Replacement  
Bulbs 



AL-73957



AL-73967



AL-73956



AL-73958

Replacement stations for Executone offer a low cost alternative to—OEM. All replacement stations are designed for easy installation using existing connectors and offer years of dependable service. Patient stations come with your choice of 8-pin receptacle for use with pillow speakers and call cords, or 1/4" receptacle for use with call cords only.

Replaces Executone	Description	ALCO Part No.	Price Each
3080202	Single patient station with single 1/4" phone jack, for use with call cord only	AL-65972	\$129.95
3080202	Single patient station, 7-pin, for use with pillow speaker or call cord	AL-65973	\$129.95
3080203	Dual patient station with two 1/4" phone jacks, for use with call cord only	AL-65974	\$139.95
3080203	Dual patient station, 7-pin, for use with pillow speaker or call cord	AL-59546	\$139.95
3080201	Single patient station	AL-73967	\$129.95
3080204	Single patient station with Staff Assist, for use with pillow speaker or call cord, 7-pin	AL-65975	\$129.95
3080205	Dual patient station with Staff Assist, for use with call cord only	AL-65974	\$139.95
3080205	Dual patient station with Staff Assist, for use with pillow speaker or call cord, 7-pin	AL-65976	\$139.95
3080501	Staff Station With Pushbutton Nurse Call And Intercom, Cancel	AL-59547	\$139.95
CC40ILS/W43	Staff Station	AL-73951	\$139.95
CC41ILS/W42	Single Patient Station	AL-73952	\$129.95
CC41ILS/W43	Single Patient Station	AL-73953	\$129.95
CC42ILS/W43	Dual Patient Station	AL-73954	\$139.95
CC61ILS/W43	Duty Station	AL-73955	\$139.95
CCDSS/W43	Duty/Staff Station	AL-73956	\$139.95
CCP1S/W43	Single Patient Station	AL-73957	\$129.95
CCP2S/W43	Dual Patient Station	AL-73958	\$139.95
CCPCS/W43	Single Sideguard Patient Station	AL-73959	\$249.95
36130-1	Universal Duty/Staff Station (Off-White)	AL-73960	\$199.95
36130-2	Universal Duty/Staff Station (Grey)	AL-73961	\$199.95
36140-1	Universal Single Patient Station (Off-White)	AL-73962	\$189.95
36140-2	Universal Single Patient Station (Grey)	AL-73963	\$189.95
36150-1	Universal Dual Patient Station (Off-White)	AL-73964	\$199.95
36150-2	Universal Dual Patient Station (Grey)	AL-73965	\$199.95

Dummy Plugs  
Are Located On  
Page 273 



AL-59545



AL-59544

Emergency Stations for CareCom I (CCI), CareCom II (CCII), Futura (HPN) and StatCom (ST)

**Executone Models**

	ALCO Part No.	Price Each
HPNTES, HPNSES, HAV 19ISW41, HAVJ 189IS/W41, (CCI, CCII, HPN, ST) Toilet/ Shower, (4-pole)	AL-59544	\$76.95
HPNCBES, HAV19IS/W41-BL (CCI,CCII,HPN,ST) Code Blue, (4-pole)	AL-59545	\$76.95

We Accept



EPI1

# Executone and Fisher-Berkely Nurse & Patient Station Repair

EXECUTONE REPAIR	ALCO Part No.	Price Each
<b>System: Lifesaver</b>		
Nurse Control Station (33200-4)	AL-59709R	\$769.95
Single Patient Station (33400-1)	AL-59710R	\$249.95
Single Patient Station W/display (33400-2)	AL-59711R	\$299.95
Dual Patient Station (33450-1)	AL-59712R	\$269.95
Dual Patient Station W/display (33450-2)	AL-59713R	\$299.95
Single Side Guard Patient Station (33500-1)	AL-59714R	\$279.95
Single Side Guard Patient W/display (33500-2)	AL-59715R	\$299.95
Dual Side Guard Patient Station (33550-1)	AL-59716R	\$279.95
Dual Side Guard Patient Station W/display (33550-2)	AL-59717R	\$299.95
Duty/Staff Station (33600-2)	AL-59718R	\$279.95
Keyboard (33300-1)	AL-59719R	\$349.95
Remote PCU (33880-1)	AL-59720R	\$129.95
Flush Mount Patient Station (33560-1)	AL-59722R	\$309.95
Dual Entertainment Device (33920-2)	AL-59723R	\$119.95
Entertainment Unit (33920-1)	AL-71361R	\$119.95
NCS Receptacle (33620-1)	AL-59724R	\$119.95



<b>Care-Com IIE</b>		
CCII KSU HCP-42 Main Control Cabinet (36100-1)	AL-59725R	\$579.95
CCII Enhanced Nurse Control Station (36750-1)	AL-59726R	\$559.95
CCII As Card (36320-1)	AL-59727R	\$489.95
CCII Flasher Card (36340-1)	AL-59728R	\$329.95
Single Patient Station (CCP1S/W43)	AL-59729R	\$109.95
Dual Patient Station (CCP2S/W43)	AL-59730R	\$109.95
Duty/Staff Station (CCDSS/W43)	AL-59731R	\$109.95
Dual Patient Station (36150-1)	AL-59732R	\$149.95



<b>Care-Com II</b>		
CCII Nurse Control Station 40 Station (3080101)	AL-59733R	\$379.95
CCII Nurse Control Station 60 Station (3080102)	AL-59734R	\$399.95
CCII Single Pat Station (3080201)	AL-59735R	\$99.95
CCII Dual Patient Station (3080203)	AL-59736R	\$99.95
CCII Dual Side Guard Patient Station (3080215)	AL-59737R	\$119.95
CCII Staff Station (3080501)	AL-59738R	\$99.95

<b>Care-Com I</b>		
CCI Amplifier PCB (AA38236)	AL-59739R	\$229.95
CCI Nurse Control Station 40 Station (CC740AHD)	AL-59741R	\$399.95
CCI Staff Station (CC40ILS/W43)	AL-59742R	\$99.95
CCI Single Patient Station (CC41ILS/W43)	AL-59743R	\$99.95
CCI Dual Patient Station (CC42ILS/W43)	AL-59744R	\$99.95

<b>Futura</b>		
Power Supply (HPNPSM)	AL-59745R	\$429.95
Input Output Card (HPNI/O)	AL-59746R	\$149.95
Audio Link Card (HPNAL2)	AL-59747R	\$149.95
CPU 16 Bit (HPNCPU-16)	AL-59748R	\$199.95
Nurse Control Station (HPNCSD)	AL-59749R	\$499.95
Single Patient Station (HPNP1S/W43)	AL-59750R	\$149.95
Dual Patient Station (HPN2S/W43)	AL-59751R	\$149.95
Coupling Unit (HPNCUS/W43)	AL-59752R	\$169.95



FISHER-BERKELY REPAIR	ALCO Part No.	Price Each
<b>Fisher-Berkely</b>		
Staff Station (HPCS-10)	AL-59900R	\$289.95
Area Control Module (HPCB-0)	AL-59901R	\$199.95
Dual Patient Station (HPCB-20)	AL-59902R	\$259.95
Code Blue Station (HCB-21)	AL-59903R	\$79.95
Bath Emergency Station (HSS-21)	AL-59904R	\$209.00
Single Patient Station w/Sidecom (HPCB-10-COSC)	AL-59905R	\$319.95
Dual Patient Station w/Sidecom (HPCB-20-COSC)	AL-59906R	\$449.95
Single Patient Station (HPCB-10)	AL-59907R	Call
Duty Station (HPCD-10)	AL-59908R	\$119.95
Master Station (HPCM-20)	AL-59909R	\$3159.95
Station Input/Output Board (HPC-CL-SI/O)	AL-59910R	\$1459.95
Power Supply (HQ-1)	AL-59911R	\$1699.95
Power Supply (HQ-1B)	AL-59912R	\$1659.95
Pillow Speaker (HTX-562)	AL-59913R	\$179.95
Staff Presence Station (HPCSP-10D)	AL-59914R	\$99.95
HB System Patient Station (HBB-100B-EN)	AL-59915R	\$129.95
HB System Staff Station (HBB-101B)	AL-59916R	\$109.95
Station Input/Output Board Expander (HPC-CL-SI/O-X)	AL-59917R	\$1199.95
Master Input/Output Board (HPC-CL-MI/O)	AL-59918R	\$939.95
MCC Central Processing Unit (HPC-CL-CPU)	AL-59919R	\$1195.95







# Jeron Nurse Call Replacements



## Jeron Pro-Alert 610/640 Patient Stations—OEM

Description	Jeron Part No.	ALCO Part No.	Price Each
Door Control Station	6103	AL-77176	\$119.95
Patient Station	6121	AL-77177	\$49.95
Patient Station	6123	AL-77178	\$69.95
Patient Station	6124	AL-77179	Call
Patient Station	6125	AL-77180	Call
Staff Emergency Station	6131	AL-77181	\$39.95
Pullcord Patient or Bath Station	6132	AL-77182	\$29.95
Pushbutton Bath Station	6146	AL-77183	\$39.95
Pullcord Shower Station	6158	AL-77184	\$59.95
Nurse Master Cable Extender Block	6169	AL-77185	\$121.95
Terminal Block	6171	AL-77186	Call
Program Keyboard	6264	AL-77187	\$99.95
Dome Light	6405	AL-77188	\$25.95
Dome Light	6402	AL-77189	\$29.95
Dome Light	6403	AL-77190	\$29.95
Staff Station	6412	AL-77191	\$89.95
High-Security Call Station	6413	AL-77192	\$289.95
Visual Duty Station	6417	AL-77193	\$89.95
Callcord Patient Station	6420	AL-77194	\$89.95
Callcord Patient Station	6422	AL-77195	\$89.95
Pullcord Room Station	6421	AL-77196	\$71.95
Audio-Visual Duty Station	6427	AL-77198	\$249.95
Staff Emergency Station	6431	AL-77199	\$34.95
Pullcord Bath Station	6432	AL-77200	\$34.95
Auxiliary Alarm Station	6443	AL-77201	\$22.95
Pushbutton Bath Station	6446	AL-77202	\$33.95
Pullcord Shower Station	6458	AL-77203	\$59.95
Zone Light	6810	AL-77204	\$231.95
P.A. Page Control	6816	AL-77205	\$321.95
Electrical Supervision Station	6818	AL-77206	\$599.95
Dome Light	8801	AL-77207	\$15.95
Dome Light	8802	AL-77208	\$21.95
Dome Light	8803	AL-77209	\$29.95
Dome Light	8805	AL-77210	\$15.95
Wireless Pushbutton Room Station	9741	AL-77211	\$239.95
Wireless Pullcord Room Station	9742	AL-77212	\$229.95
Wireless Pushbutton Common Area Station	9743	AL-77213	\$419.95



AL-77178



AL-77182



ET-7270



AL-77194

## Jeron Corridor Lights—OEM

Jeron provides a wide assortment of visual nurse call system corridor alerts. They all work with either visual or audio/visual systems. All feature 1-gang, stainless steel face plate.



AL-67485

Description	Jeron Part No.	System	ALCO Part No.	Price Each
Corridor Light, 1-Bulb, White, 24V	8805	ALL	AL-65998	\$17.95
Corridor Light, 2-Bulb, White/Red, 24V	8802	EC-210/AV-350/AV-600	AL-65999	\$23.95
Corridor Light, 3-Bulb, White/Red/Green, 24V	8803	EC-210/AV-600	AL-66000	\$33.95
Corridor Light, 1-Bulb, Red, UL Listed	8801	EC-210/AV-600	AL-66001	\$17.95
Lamp, Wedge Base, 28V	—	ALL	AL-53029	\$3.95
Lens, Cover Only	9949-W	ALL	AL-66003	\$4.95
Filter, Red	—	ALL	AL-65900	\$5.95
Filter, Yellow	—	ALL	AL-66004	\$5.95
Filter, Green	—	ALL	AL-66005	\$5.95

## Jeron EC-300 Patient Stations—OEM

Description	Jeron Part No.	ALCO Part No.	Price Each
Pullcord Bed Station With 3 Wire Leads	2310	AL-59560	\$23.95
Pullcord Bath Emergency Station For Dual Status Systems	2331	AL-59561	\$25.95
Pullcord Bath Emergency Station For Dual Status Zoned Systems	2332	AL-59562	\$25.95
Pullcord Bath Emergency Station For Dual Status Zoned Systems With Call Placed Light	2332/23002	AL-65997	\$31.95
Staff Station, With Call Placed Light And Cancel Button	8710	AL-59563	\$69.95
Visual, Single Jack With Call Light And Cancel Button	8721	AL-59564	\$54.95
Visual, Dual Jack With 1 Call Light And Cancel Button	8723	AL-60038	\$69.95
Pullcord Shower Station	2334	AL-77172	\$69.95
Visual Duty Station	8817	AL-77173	\$109.95
Bath/Emergency Station	8846	AL-77174	\$39.95
Night Transfer Switch	8882	AL-77175	\$129.95

## Jeron 620 Patient Stations—OEM

Single Station	6220	AL-74406	\$169.95
Dual Station	6222	AL-74407	\$199.95

## Jeron 680 Patient Stations—OEM

Single Station	6820	AL-74408	\$309.95
Dual Station	6822	AL-74409	\$329.95

EP1



AL-60038



AL-59564



# Faraday & Hill-Rom Nurse Call Replacements

**BUY 11 GET 1 FREE!**

**Universal Dome Lights Are On Page 271**



**AL-59550**



**AL-65940**



**AL-59490**

**Receptacle Stations—5-Contact**  
Replacement for use with Faraday locking nurse call systems. Comes complete with 1-gang, stainless steel plate and receptacle for use with locking call cords.

**Pushbutton Stations**  
Replacement for Faraday push-button station for use in areas away from patient's bedside. Available with call-placed lamp which lights for assurance when patient pushes button.

**Pullcord Stations**  
Replacement for Faraday #162402 toggle switch pullcord station. Designed for use in bathrooms or shower areas. Plastic guide allows 7-foot pullcord to be used from any angle. 3 position, 5 terminal station.

Description	ALCO Part No.	Price Each
5-Contact Receptacle Station With Call-Placed Light	<b>AL-59550</b>	<b>\$63.95</b>
5-Contact Receptacle Station	<b>AL-59551</b>	<b>\$54.95</b>

Description	ALCO Part No.	Price Each
Pushbutton Station With Call-Placed Light	<b>AL-65940</b>	<b>\$127.95</b>
Emergency Pushbutton Station With Momentary Buzzer Contact and Call-Placed Light	<b>AL-65883</b>	<b>\$141.95</b>
Emergency Pushbutton Station	<b>AL-65939</b>	<b>\$83.95</b>
Emergency Pushbutton Station With Momentary Buzzer Contact	<b>AL-65882</b>	<b>\$88.95</b>

Description	ALCO Part No.	Price Each
Pullcord Station	<b>N/A</b>	<b>N/A</b>
String And Knob Assembly	<b>AL-50924</b>	<b>\$4.95</b>
Replacement Knob & Set Screw	<b>AL-65880</b>	<b>\$4.95</b>

## Hill-Rom®



**AL-65991**

### Replacement 37-pin Hill-Rom® Bedside Station

Used for the direct inter-connection of a variety of automatic beds that have nurse call, entertainment, lighting and bed exit controls to a standard Hill-Rom patient station. Unit consists of a 37-pin D-subminiature connector that is prewired with a 8 or 12-foot pigtail for easy connection to the patient station. Includes dummy plug and connecting chain.

Description	ALCO Part No.	Price Each
Bed Connector Receptacle Kit, 8 Ft., 1-Gang	<b>AL-65991</b>	<b>\$69.95</b>
Bed Connector Receptacle Kit, 12 Ft. Leads, 1-Gang	<b>AL-65992</b>	<b>\$79.95</b>
Bed Connector Receptacle Only, 37-Pin	<b>AL-65993</b>	<b>\$8.95</b>
Dummy Plug, 37-Pin With 5-Inch Connecting Chain	<b>AL-48075</b>	<b>\$13.95</b>

EP1

# Rauland-Borg Nurse Call Replacements

**BUY 11 GET 1 FREE!**

**Works with ES300 Series**



Description	ALCO Part No.	Price Each
Single Call Cord & 8-Pin DIN Plug, 7 Ft., White	AL-66006	\$28.95
8-Pin DIN Repair Plug	AL-66007	\$12.95
Dummy Plug For 8-Pin DIN Systems	AL-66008	\$12.95
Station Saver 12-Inch	AL-66009	\$24.95



**Corridor Lights**  
14 volt replacement lamp for Rauland #CL-7582 and #CL-7584. Used in hallways as visual call indication. 1 plastic lens for maximum visibility. Available with 1 or 4 lights: white, green, red and amber. Mounted on 1-gang plastic plate.

Description	Part No.	Each
Corridor Light, 1-Lamp	AL-59578	\$28.95
Corridor Light, 4-Lamps	AL-59579	\$48.95
Lens Only	AL-65902	\$13.95
Barrier (Replacement For Use In AL-65902)	AL-65899	\$3.95



**Bedside Station**  
Replacement station for VBS-1 and VBS-2 Call-A-Nurse System. Lamp lights when call is placed. Station must be reset at bedside.

Single Bedside Station	AL-59576	\$129.95
Double Bedside Station	AL-59577	\$136.95

AL-59576



**Dual Patent Station**  
Rauland-Borg BS-800  
AL-77016 \$149.95



**Pull Cord Station**  
Rauland-Borg PCS-113  
AL-77017 \$129.95



AL-66012

**Patient Stations**

Replacement for #BS-8500 room station used with 1/4" phone plug call cords. Unit must be reset at patient's bedside. White nurse lamp confirms that call is placed.

Description	ALCO Part No.	Price Each
Patient Room Station	AL-66012	\$65.95
Patient Room Station, Pushbutton Style	AL-66013	\$77.95
Reset White Button	AL-66014	\$8.95



AL-59574

**Pullcord Stations**

Replacement for #PCS-7351A nurse call station with call-placed light. White "Nurse" lamp lights when call has been placed; reset at origin of call.

Description	ALCO Part No.	Price Each
Nurse Call Station	AL-59574	\$72.95
Pullcord Station	AL-59575	\$72.95

*Pullcord Replacements Are On Pages 274-275*



**Single Patent Station**  
Rauland-Borg BS-300  
AL-77153 \$159.95



**Rauland BS810 Repair**  
AL-78036 \$130.00

EP1

# SETCO, Picker/Briggs & TekTone Nurse Call Replacements

**BUY 11 GET 1 FREE!**



**AL-66021**

**Bedside Station**

Replacement for SETCO corridor pilot. This 2-lamp pilot signals patient or zone locations. Mounted on standard 2-gang, stainless steel plate. Lens available separately.

Description	ALCO Part No.	Price Each
Lens only	<b>AL-66021</b>	<b>\$21.95</b>



**AL-66023**

**Bedside Station**

Replacement for SETCO visual nurse call station; for use with momentary-pushbutton call cords. Call indicator lamp lights to ensure patient that call has been placed. Unit must be reset at patient's bedside. Reset button is available separately. Complete with 2-gang, stainless steel plate.

Description	ALCO Part No.	Price Each
Reset Button Retrofit Kit, Square Switch And Switch Adapter Plate To Replace 1175 Switch Only	<b>AL-66023</b>	<b>\$55.95</b>



**Picker/Briggs BS8500 Patient Station**

Single patient station with call-placed lamp and reset button

<b>AL-22112</b>	<b>\$59.95</b>
Pullcord Emergency Station with a Call Placed Lamp	
<b>AL-22112A</b>	<b>\$64.95</b>



**AL-59584**

**TekTone® Patient Bedside, Room and Emergency Stations—OEM**

TekTone's new ABS faceplates add a contemporary look to your facility while meeting the new more stringent UL ratings for ESD. If your facility currently utilizes the stations with aluminum faceplates, you can retrofit your facility with these new modern looking stations by replacing the current back box with a standard blackbox. Most stations use solid state circuits and have 2.5" speakers for clear 2-way communications.

Description	ALCO Part No.	Price Each
Single Patient Station With One 1/4" Phone Call Cord, 1 Call-Placed and Privacy Indicators, Cancel Button, 3 Gang	<b>AL-59584</b>	<b>\$109.95</b>
Dual Patient Station With Two 1/4" Phone Call Cords, 1 Call-Placed and Privacy Indicators, Cancel Button, 3 Gang	<b>AL-59585</b>	<b>\$149.95</b>
Single With Pullcord (Instead Of Jack), Plus Call-Placed Light And In-Use Indicators	<b>AL-59590</b>	<b>\$81.95</b>
1/4" Phone Jack	<b>AL-66025</b>	<b>\$1.95</b>

**Staff Station (OEM)**

Description	ALCO Part No.	Price Each
Staff station	<b>AL-66026</b>	<b>\$99.95</b>

**TekTone® Patient Stations—OEM**

The IR319 Single Patient Station Provides reliable two-way communication between patient and nurse, and provides for programmable privacy, paging and patient priority from the master station. Solid state LEDs on the panel indicate the call has been placed and the intercom is in use. If a cord (call cord or pillow speaker) is accidentally removed from its receptacle, the nurse master station registers a non-cancelable "cord out" call. This means the call may only be reset by returning the cord to its receptacle. The IR320 Dual Patient Station has the same specifications and functions, plus an additional independently operating receptacle and a second call-placed indicator.

Description	ALCO Part No.	Price Each
Single Patient Station - 8 Pin Din	<b>AL-66029</b>	<b>\$219.95</b>
Dual Patient Station - 8 Pin Din	<b>AL-66030</b>	<b>\$239.95</b>
Single Patient Station With RJ45 8-Pin Modular Jack	<b>AL-66031</b>	<b>\$329.95</b>
Dual Patient Station With 2 RJ45 8-Pin Modular Jacks	<b>AL-66032</b>	<b>\$349.95</b>



**AL-66030**



# TekTone & Wescom Nurse Call Replacements

**BUY 11 GET 1 FREE!**



**Duty Station—OEM**  
Original equipment duty stations provide indication of incoming call in work areas away from master control station. Normal calls are indicated by a steady light and intermittent tone. Emergency calls show as a flashing light and a repeating tone. May be used with either NC-110N, NC-150 or NC-200N nurse call systems. 1-gang ABS plastic faceplate. UL Listed.

**AL-59580 \$61.95**



**AL-60044**



**AL-60045**

**Patient Room Stations—OEM**

For use with Tektone NC-110N audible/visual nurse call systems. Room stations are economically designed to provide either simple pushbutton or call cord-to-station calling. Both feature call-reset buttons and call-placed indicators. Mounted on a plastic 1-gang panel. UL Listed.

Description	ALCO Part No.	Price Each
Room Call Station With 2-Phone Jacks For 2 Call Cords	<b>AL-60045</b>	<b>\$71.95</b>
Room Call Station With Phone Jack For 1 Call Cord	<b>AL-60044</b>	<b>\$46.95</b>
Room Call Station With Nurse Call Button	<b>AL-66033</b>	<b>\$67.95</b>



**Emergency Call Station—OEM**  
Pullcord Station with Call-Placed Lamp. Tektone emergency station works with either NC-110N, NC-150 or NC-200N nurse call systems. Mounted on a plastic face plate to a 1-gang electrical box or ring. Can be used independently or connected with other call or intercom stations. UL Listed.

**AL-66034 \$29.95**



**AL-59582**



**AL-66037**

**Corridor Dome and Zone Lamps—OEM**

TekTone—OEM corridor lamps and corridor zone lamps provide visual indication of any type call when used with NC-150, NC-110N or NC-200N nurse call systems. Features translucent white plastic cover mounted on heavy-duty plastic plate. Designed for easy bulb replacement and fits standard 2-gang plaster ring. UL Listed

Description	ALCO Part No.	Price Each
1-Lamp Corridor Domelight; 28 VDC; 40 mA	<b>AL-59582</b>	<b>\$19.95</b>
2-Lamp Corridor Zonelight; 28 VDC; 40 mA	<b>AL-59583</b>	<b>\$29.95</b>
Replacement Lens for Corridor Domelight (Case of 10)	<b>AL-66035</b>	<b>\$69.95</b>

**Master Station Replacement Parts—OEM**

Power And Pulsating Control Unit To Signal Emergency Call—Controls NC 110N And NC-200N Master Stations

Description	ALCO Part No.	Price Each
Master Station Replacement	<b>AL-66037</b>	<b>\$269.95</b>

EPI



**Waterproof Replacement for Emergency Pullcord Station**

Features rugged, 1-piece faceplate of fire-retardant ABS plastic with a clean, modern design. 2 or 4-pole switch and call-placed light. Large vertical sliding bar provides actuation directly from station or indirectly from pullcord. Nylon pullcord and pendant are included.

**AL-66036 \$59.95**

# West-Com Nurse Call Replacements

**BUY 11 GET 1 FREE!**

- ✓ Number one-rated Nurse Call System
- ✓ Novus®—running on the number one-rated software platform
- ✓ FocusCare®—designed with input by nurses for nurses


- ✓ Novus® received the highest user experience overall ranking for reliability, service and support, functionality, interfacing and ease of use in independent testing
- ✓ Easy to install, easy to learn, easy to operate—and to service
- ✓ The only nurse call system that is fully backwards compatible



**NV-Dome Model No. 40140013A**

- ✓ Custom Colors: Long-life, low-power RGB LED lamps display yellow, green, red, blue, violet, turquoise, orange (2nd and 3rd positions only), and white (top and 4th positions only.)
- ✓ 4 different light modes: Solid, slow flashing, fast flashing, and scrolling indications
- ✓ Translucent lens
- ✓ Configurable to any type of alarm
- ✓ Compatible with the WestCall® Novus® system

**AL-78408 \$189.00**



**Novus® Visual Indicator Panel Model No. 40143001**

- ✓ 4-gang IP-addressable annunciator panel with on-board processor
- ✓ 32 Room Indicator windows with highly visible LED
- ✓ Mini Dome Light can be programmed to illuminate for any call type
- ✓ Multiple colors and 6 flash rates for LED and Mini Dome Light
- ✓ Compatible with all Novus®, Odyssey w/FocusCare® & Endeavor systems


**AL-78409 \$529.00**



**i-Dome® Model No. 40140004**

- ✓ Can be configured to display patient or room status
- ✓ Can show status from other devices such as beds
- ✓ Entirely stand-alone (not dependent upon a nurse call system)
- ✓ Can be used as a zone light
- ✓ Fully customizable web interface
- ✓ Can interface with the WestCall® Novus® system


**AL-78410 \$139.00**



**Novus® Push/Pull™ Station Model No. 40139514**

- ✓ Color-coded “Assistance” SMART™ switch alerts staff members that a patient needs non-emergency assistance
- ✓ Emergency pull cord alerts caregivers that a patient requires urgent help
- ✓ Highly visible call-assurance LED lets patients know that their calls have been placed
- ✓ Highly visible “CANCEL” SMART™ switch
- ✓ Compatible with WestCall® Novus®, Odyssey and Endeavor systems

**AL-78411 \$109.00**



**One-Gang Full Duplex Audio Patient Station NV-SPS1 Model No. 40135501**

- ✓ Full duplex audio to Nurse Master Station
- ✓ One-gang size for easy installation
- ✓ Supports Manual/Auto Locating with NV-Dome/A
- ✓ Unique call assurance tones with ON/OFF feature (WestCall® Exclusive)
- ✓ Seven configurable call types: Routine, Staff Emergency, Cord Out, Bed Pan, Pain Med, Bed Exit, Bed Out
- ✓ Pillow speaker and/or remote speaker allow two-way audio
- ✓ Compatible with all WestCall® 10-pin pillow speakers
- ✓ Television and room light control capability
- ✓ Compatible with all Novus® systems

**AL-78412 \$229.00**



**NV-iBED Model No. 40139572**

- ✓ NV-iBED includes a license to interface to a Stryker iBED
- ✓ Dual-color LED indicator provides device status, such as standby mode, bed connected or bed disconnected
- ✓ Compatible with WestCall® Novus®, systems

**AL-78413**

# Corridor Pilot Lights

**BUY 11 GET 1 FREE!**



AL-59449



AL-66729

AL-59491



AL-66733

## Corridor Pilot

Triangular white lens. Includes 1 or 2 lamps with stainless steel plate. Mounts on standard 2-gang electrical back box. Also available with large red lettering "FIRE" on side of lens. "FIRE" unit uses **AL-53052** red bulb.

Corridor pilot, 1 lamp-white	<b>AL-59449</b>	<b>\$34.95</b>
Corridor pilot, 1 lamp-red	<b>AL-66725</b>	<b>\$33.95</b>
Corridor pilot, 2 lamps-1 red, 1 white	<b>AL-59450</b>	<b>\$42.95</b>
"FIRE" corridor pilot, 1 lamp-red	<b>AL-66726</b>	<b>\$33.95</b>
Lens only, white	<b>AL-59451</b>	<b>\$13.95</b>
Lens only, "FIRE"	<b>AL-66727</b>	<b>\$13.95</b>
Barrier only	<b>AL-66728</b>	<b>\$2.95</b>
Tinnerman clip	<b>AL-65876</b>	<b>\$1.95</b>

## Basic Corridor Pilot

Basic corridor pilots feature triangular white lens for mounting on any 1-gang back box. Stainless steel plate. Available with 1, 2, 3 or 4 lamps. Replacement red or white lenses available. Bulbs can be replaced without removing the pilot from the wall.

White lens, 1 lamp-white	<b>AL-59491</b>	<b>\$34.95</b>
Red lens, 1 lamp-white	<b>AL-66729</b>	<b>\$26.95</b>
White lens, 2 lamps-1 red, 1 white	<b>AL-59492</b>	<b>\$43.95</b>
Red lens, 2 lamps-both white	<b>AL-66730</b>	<b>\$39.95</b>
White lens, 3 lamps-1 red, 1 green, 1 white	<b>AL-66731</b>	<b>\$39.95</b>
White lens, 4 lamps-1 red, 1 green, 1 amber, 1 white	<b>AL-66732</b>	<b>\$47.95</b>

## Multi-Color, Modular Utility Light

Corridor Pilot Lights come with snap-in lenses for easy bulb replacement. The lights all measure 4-9/16"H x 4-9/16"W and have a depth of 3". Lenses are made of translucent plastic and are mounted on a fog white, flame retardant, ABS plastic panel. With 24 volts, corridor pilot lights mount on a standard 2-gang electrical back box. Bulbs and mounting hardware are included.

Clean modern design allows bulbs to be replaced easily without removing the corridor pilot from the wall. Multi-colored lenses can be arranged in any order. Replacement lenses are available.

4-lamp utility light with white, amber, green & red lenses	<b>AL-66733</b>	<b>\$51.95</b>
4-lamp utility light with white, green, red & blue lenses	<b>AL-66734</b>	<b>\$55.95</b>
Replacement lens only, white	<b>AL-66735</b>	<b>\$8.95</b>
Replacement lens only, amber	<b>AL-66736</b>	<b>\$8.95</b>
Replacement lens only, green	<b>AL-66737</b>	<b>\$8.95</b>
Replacement lens only, red	<b>AL-66738</b>	<b>\$8.95</b>
Replacement lens only, blue	<b>AL-66739</b>	<b>\$8.95</b>



**Parts for Standard Corridor Pilot**

Bulbs can be arranged in any order, so the matching of call and room status devices will be a snap. The multi-colored light filters are reusable making different color arrangements very cost effective. Many bulb and filter options are available.

Lens only, red	<b>AL-66740</b>	<b>\$13.95</b>
Lens only, white	<b>AL-65902</b>	<b>\$13.95</b>
Filter, red	<b>AL-65900</b>	<b>\$5.95</b>
Filter, yellow	<b>AL-66004</b>	<b>\$5.95</b>
Filter, green	<b>AL-66005</b>	<b>\$5.95</b>
Filter, blue	<b>AL-53027</b>	<b>\$5.95</b>
Filter, amber	<b>AL-53028</b>	<b>\$5.95</b>
Barrier	<b>AL-65899</b>	<b>\$3.95</b>



**AL-64202**

**Dome Lights**

Dome lights provide a visual signal for a single room, a group of rooms, or an entire zone. Dome light is visible from any reasonable angle. Mounts on a 1 or 2-gang box.

Dome light, 1-lamp	<b>AL-59432</b>	<b>\$28.95</b>
Dome light, 3-lamps	<b>AL-64202</b>	<b>\$69.95</b>
Dome light, 4-lamps	<b>AL-65967</b>	<b>\$86.95</b>
Dome light, 1-lamp, buzzer	<b>AL-65968</b>	<b>\$48.95</b>
Lens only	<b>AL-65969</b>	<b>\$15.95</b>

**See Page 276 For Additional Replacement Bulbs**



# Nurse Call Adapter Plugs

**BUY 11 GET 1 FREE!**

(All Plugs Include Security Chain and Eyelet For Securing To Wall Plate)

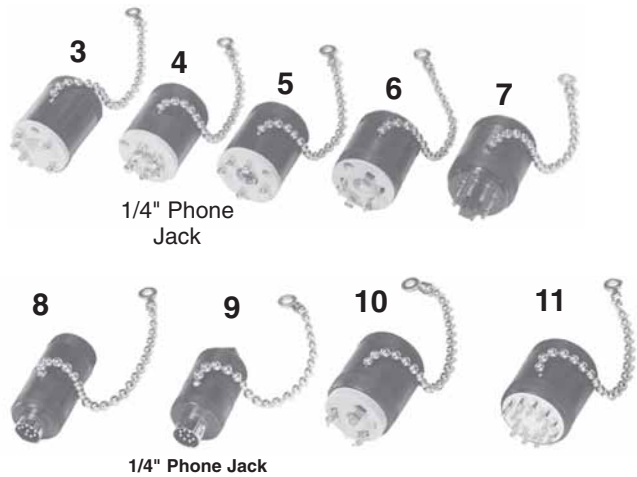
## Single Unit Adapters To Convert From Manufactures Plug To Standard 1/4" Phone Jack



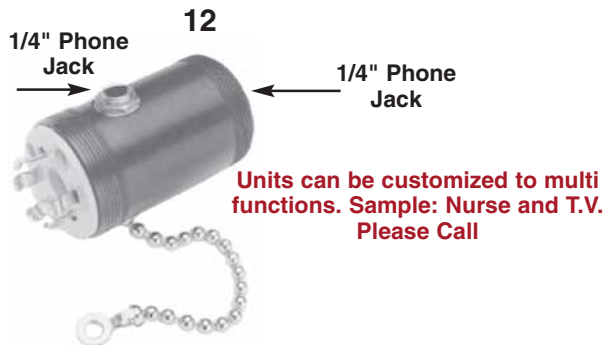
Item	Description	ALCO Part No.	Price Each
1	AT&T Module 8-pin to standard 1/4" Phone Jack	AL-49043	\$29.95
2	Ektacom Fisher-Berkley 15-pin to 1/4" Phone Jack	AL-49045	\$39.95

### For Monitors, BreathCall, Bed Check, PadCall, Etc.

Item	Description	ALCO Part No.	Price Each
3	Auth 5-pin to 1/4" Phone Jack	AL-49046	\$36.95
4	Faraday 5-pin to 1/4" Phone Jack	AL-49047	\$36.95
5	Couch 5-pin to 1/4" Phone Jack	AL-49048	\$36.95
6	Edwards 5-prong to 1/4" Phone Jack	AL-49049	\$36.95
7	Ektacom 8-pin with keyway to 1/4" Phone Jack	AL-49050	\$36.95
8	Jeron 8-pin to 1/4" Phone Jack	AL-49056	\$36.95
9	Raulands 8-pin to 1/4" Phone Jack	AL-49057	\$36.95
10	Edwards 3-prong to 1/4" Phone Jack	AL-49058	\$36.95
11	Sylvania/Phillips 20-pin to 1/4" Phone Jack	AL-49059	\$39.95



## Dual Unit Adapters To Convert From Manufactures Plug To Two Standard 1/4" Phone Jacks



Item	Description	ALCO Part No.	Price Each
12	Edwards 5-Prong	AL-49051	\$39.95
	Couch 5-Pin	AL-49053	\$39.95
	Faraday 5-Pin	AL-49054	\$39.95
	Sylvania/Philip 20-Pin	AL-49055	\$48.95

Phone 800-323-4282 • 630-655-1900  
FAX 800-950-1167 • 630-655-1990

E-mail: [info@alcosales.com](mailto:info@alcosales.com)  
Website: [www.alcosales.com](http://www.alcosales.com)



# Replacement Plugs, Jacks & Sockets

**BUY 11 GET 1 FREE!**




## Replacement Plugs

1	1/4" Phone Plug	AL-22081	\$3.95
2	1/4" Phone Plug 3-Conductor	AL-22082	\$5.95
3	1/4" Right Angle Phone Plug - 2-Conductor	AL-22083	\$3.95
4	1/4" Right Angle Phone Plug - 3-Conductor	AL-22084	\$5.95
5	Y-Adaptor - 1/4" Phone Plug 2-Conductor, Converts Single Cords To Dual	AL-22085	\$14.95



Fig.	Description	ALCO Part No.	Price Each
1	1/4" Phone Jack 2-Conductor Non-Insulated	AL-22087	\$3.95
2	1/4" Phone Jack 2-Conductor Insulated	AL-22089	\$4.95
3	1/4" Phone Jack 3-Conductor Insulated	AL-22089A	\$5.95
4	Octal 8 - Pin Socket	AL-22092	\$19.95
5	Curbell 6 - Pin Socket	AL-22094	\$12.95
6	Universal 8-Pin Octal Plug	AL-22080	\$21.95
7	1/4" Dummy Phone Plug Fits 2 or 3-Conductor Jack, Black	AL-46826	\$2.95
	1/4" Dummy Phone Plug, White	AL-59446	\$2.95
	1/4" Dummy Phone Plug, Red	AL-66813	\$1.95
	1/4" Dummy Phone Plug, White for use with Jeron Systems	AL-66814	\$6.95
NS	1/4" Dummy Phone Plug, Black with 5" White connecting cord to prevent loss	AL-66815	\$2.95
8	1/4" Dummy Phone Plug Fits 2 or 3-Conductor Jack w/6" Bead Chain & Coupling	AL-46826A	\$20.95
8	Dummy Plug Used to eliminate a nurse's signal when a call cord/pillow speaker is disconnected from its patient station	AL-46848	\$6.95
N/S	Dummy Plug with 5" Chain. (not shown)	AL-46849	\$7.95
9	Rauland 11 pin with phone jack includes fail-safe switch & 9 conductor terminal & pigtail	AL-46736	\$29.95
10	Dukane 12 pin rectangular with phone jack. Socket only	AL-46738	\$76.95
11	Replacement Octal Socket 8 pin. Used by Auth, Med-Tek, Ektacom. Mounts with screws Socket only	AL-22092	\$19.95

**NURSE CALL BUTTON**



Nurse Call Button  
AL-46783 \$42.95

Plug-in Pushbutton and Dummy Plug Description	ALCO Part No.	Price Each
Plug-in Pushbutton, RJ45 8-pin Modular Plug	AL-66028	\$21.95
RJ45 Dummy Plug	AL-66027	\$15.95
8-Pin DIN Plug-in (Rauland)	AL-71090	\$21.95
2-Conductor Plug-in Pushbutton	AL-65928	\$16.95



EP1

ALCO sells a complete line of replacement plugs, jacks and sockets. If you don't see what you need here — please, call us!

# Universal Nylon & Glow Pullcords



AL-66832



AL-66831

## Emergency Call Cord and Clip

Dummy plug is inserted into nurse call phone jack. Clip is attached to patient's garment or bed linens. Removal of plug calls nurse.

Emergency call cord and clip, white

AL-66831 \$4.95

Emergency call cord and clip, red

AL-66832 \$4.95

AL-66833



AL-66834

## Cord and Pendant

7-foot nylon cord and plastic pendant. Equipped with size 10 connector to link with size 10-bead chain.

Pendant with black cord AL-66833 \$4.95

Pendant with white cord AL-66834 \$4.95

Pendant with red cord AL-66835 \$4.95

AL-50924



## Cord and Pendant

7-foot white nylon cord with plastic pendant for replacement of worn pullcords.

Cord and pendant, white AL-50924 \$4.95

Cord and pendant, red AL-50925 \$4.95

Bulk cord, white (250 feet) AL-50926 \$21.95

Bulk cord, red (250 feet) AL-50927 \$21.95

## Bead Chain Parts

Description	Chain Size	Quantity	Part No.	Price
Chain (small)	6 (1/8" dia.)	100 feet	AL-66836	\$24.95
Coupling	6	10 pack	AL-66837	\$1.95
Splice/link	6	10 pack	AL-66838	\$1.95
Pendant	6	10 pack	AL-66839	\$2.95
Chain (large)	10 (3/16" dia.)	100 feet	AL-66840	\$31.95
Coupling	10	10 pack	AL-66841	\$1.95
Splice link	10	10 pack	AL-66842	\$1.95
Coupling	10	10 pack	AL-66843	\$5.95
Cord connect/sleeve	10	10 pack	AL-65920	\$5.95
Ring	10	10 pack	AL-66844	\$2.95
Pendant & sleeve	10	10 pack	AL-50922	\$16.95
Pendant & sleeve, red	10	10 pack	AL-50923	\$16.95
Cord (black)	cord	100 feet	AL-66845	\$20.95
Cord (red)	cord	100 feet	AL-66846	\$15.95
Cord (white)	cord	100 feet	AL-66847	\$17.95
Plastic Bead Chain(Pearl)	6	72 feet	AL-71282	\$26.95



## Glow and Standard Pull Cords

- ✓ Smooth, non-toxic surface
- ✓ Easy to clean
- ✓ Stain resistant



### 6' ML Premade Glow Cords

	Green	White	Blue	Price Each
Ball	AL-77674G	AL-77674W	AL-77674B	\$11.95
Knob	AL-77675G	AL-77675W	AL-77675B	\$10.95

### 6' ML Premade Standard Cords

	Green	White	Orange	Red	Price Each
Ball	AL-77676G	AL-77676W	AL-77676A	AL-77676R	\$11.95
Knob	AL-77677G	AL-77677W	AL-77677A	AL-77677R	\$10.95

### 1000' ML Bulk Spools

	Green	White	Blue	Price Each	
Glow	AL-77678G	AL-77678W	AL-77678B	\$609.00	
Standard	AL-77679G	AL-77679W	AL-77679A	AL-77679R	\$559.00

## ML Cord Accessories



274 Crimp Sleeve  
AL-77680 \$0.95



Chain Connector  
6" AL-77681-6 \$0.95  
10" AL-77681-10 \$0.95



Pull Knob-Pendant  
AL-77682 \$0.95



Weighted Ball-Pendant  
AL-77683 \$2.95



# Glow in the Dark, Germ Cleanable & PVC Pull Cords

**BUY 11 GET 1 FREE!**



AL-59755 AL-59756 AL-59753 & AL-59754 AL-67299W AL-67300 AL-67301 AL-67302 AL-67303 AL-67304-5

### Germ Cleanable Pull Cord (1000 FT Roll)

1.0 mm	White	AL-59755	\$599.95
3.0 mm	White	AL-59755-3W	\$599.95
3.0 mm	Red	AL-59755-3R	\$419.95

### Weighted Ball

White		AL-59756	\$4.95
Red		AL-59756R	\$4.95
White (QTY OF 250)		AL-59757W	\$629.95
Red (QTY OF 250)		AL-59757R	\$629.95

### Germ Cleanable Shower/Light Pull Cord

1.0 mm	White	AL-59753	\$6.95
3.0 mm	White	AL-59753-3W	\$6.95
3.0 mm	Red	AL-59753-3R	\$6.95

### Germ Cleanable Toilet/Light Pull Cord

1.0 mm	White	AL-59754	\$4.95
3.0 mm	White	AL-59754-3W	\$4.95
3.0 mm	Red	AL-59754-3R	\$4.95

### Heat Shrink Tubing—2"

White		AL-67299W	\$1.95
Red		AL-67299R	\$1.95

### Ball Chain Connector—Slip On

Style Works on 3mm cord only		AL-67300	\$1.95
------------------------------	--	----------	--------

### Over Bed Light Sheet Clip

		AL-67301	\$1.95
--	--	----------	--------

### Crimp Connector- Sleeve Style

		AL-67302	\$1.95
--	--	----------	--------

### Ball Chain Adapter

		AL-67303	\$1.95
--	--	----------	--------



AL-71289

AL-71290

AL-71291

AL-71292

### Break-Away PVC Pull Cords

- ✓ 6' White Plastic PVC Coated with 2" Breakaway Chain
- ✓ Protects light switches from accidental breakage
- ✓ Easily cleaned and disinfected, stain resistant
- ✓ Odorless and non-toxic
- ✓ Non-conductive
- ✓ Strong and durable

Break-Away PVC Pull Cord w/White Pendant

AL-71289 \$8.95

Break-Away PVC Pull Cord w/Red Pendant

AL-71290 \$8.95

Break-Away PVC Pull Cord w/Metal Clip

AL-71291 \$8.95

Break-Away Pull Cord w/Red Ball

AL-71292 \$8.95

### Break-Away PVC Pull Cords Components

Break-Away Chains (100 Feet)

AL-66836 \$24.95 Ea

Pendant (10 pack) - White

AL-50922 \$16.95 pk

Pendant (10 pack) - Red

AL-50923 \$16.95 pk

Aluminum Ferrells (10 pack)

AL-66837 \$1.95 pk

Chain Connectors (10 pack)

AL-66838 \$1.95 pk

## Reduce your exposure to infectious hazards with CleanCord™ plastic pullcords



AL-66824

AL-66825

Glow In The Dark

### CleanCord™ Plastic Pull Cord

- ✓ High-quality PVC cord relaxes to hang nicely from station and unlike nylon cords wont soak up bodily fluids that can transmit infections
- ✓ Weighted red pendant is easy to see and grasp

Pullcord Assembly, white glow in-the-dark cord, 6ft.,

Red CleanCord pendant AL-76932 \$10.95 Each

CleanCord™, 6 ft. white plastic cord with red pendant AL-66824 \$8.95 Each

CleanCord™, 6 ft. red plastic cord with red pendant AL-66825 \$8.95 Each

CleanCord™, white plastic cord only, 100 ft. roll AL-66826 \$71.95 Roll

CleanCord™, white plastic cord only, 1000 ft. roll AL-66827 \$579.95 Roll

CleanCord™, red plastic cord only, 100 ft. roll AL-66828 \$71.95 Roll

CleanCord™, red plastic cord only, 1000 ft. roll AL-66829 \$579.95 Roll

CleanCord™, red plastic pendants, 15 pack AL-66830 \$49.95 Pack

Beads for CleanCord™, 100 Pk (keeps thin cord

knot from slipping through larger station pulls AL-71281 \$7.95 Pack

### Glow in the Dark

Plastic Pullcord, glow-in-the-dark, 500 ft. roll, white AL-76933 \$359.95 Roll

Plastic Pullcord, glow-in-the-dark, 500 ft. roll, blue AL-76934 \$359.95 Roll

Plastic Pullcord, glow-in-the-dark, 500 ft. roll, green AL-76935 \$359.95 Roll

# Nurse Call & General Purpose Bulbs/Lamps

**BUY 11 GET 1 FREE!**



Bulb Extractor for T-31/4 and S6 lamps Rubber tubing grips bulb to help you unscrew it from the socket  
**AL-53058 \$6.95**

Fig	Type	Volts	Amps	Hrs.	Light Ctr. Length	ALCO Part No.	Price Each
1	T-1-3/4 Midget Grooved	6	.20	1,000	.38	AL-52988	\$2.00
		14	.08	15,000	.38	AL-52989	\$2.00
		28	.04	7,000	.38	AL-52990	\$2.00
2	T-1-3/4 Midget Screw	6	.20	1,000	.515	AL-52991	\$2.00
		14	.08	1,500	.515	AL-52992	\$2.00
		28	.04	4,000	.515	AL-52993	\$2.00
3	T-1-3/4 Midget Flange	6	.20	1,000	.38	AL-52995	\$2.00
		28	.04	4,000	.38	AL-52996	\$2.00
		28	.04	25,000	.38	AL-52997	\$2.00
4	T-1-3/4 Wedge	6.3	.20	20,000	.40	AL-52998	\$2.00
		14	.09	21,500	.40	AL-52999	\$2.00
		14	.08	15,000	.40	AL-53000	\$2.00
		28	.065	5,000	.40	AL-53001	\$2.00
		28	.04	10,000	.40	AL-53002	\$2.00
5	T-1-3/4 Wire Terminal	24	.022	10,000	N/A	AL-53003	\$9.95
		24	.022	10,000	N/A	AL-53004	\$9.95
		28	.04	4,000	.34	AL-53005	\$2.95
		28	.04	7,000	N/A	AL-53006	\$4.95
		28	.04	7,000	N/A	AL-53007	\$4.95
		14	.04	40,000	N/A	AL-53008	\$4.95
		24			N/A	AL-53009	\$12.95
6	T-1-3/4 Bi-Pin	5	.06	25,000	.500	AL-53010	\$3.95
		14	.08	15,000	.500	AL-53011	\$2.00
		28	.04	7,000	.500	AL-53012	\$2.00
		28	.02	7,000	.500	AL-53013	\$3.95
7	T-2 Slide	28	.04	6,000	N/A	AL-53014	\$3.95
8	Call-placed Indicator Assemblies	28		"NURSE"		AL-53015	\$7.95
		14		"NURSE"		AL-53016	\$11.95
		28		"NURSE"		AL-53017	\$8.95
		28		"EMERGENCY"		AL-53018	\$7.95
9	LED	2		RED		AL-53021	\$1.95
		2		YELLOW		AL-53022	\$1.95

Fig	Type	Volts	Amps	Hrs.	Light Ctr. Length	ALCO Part No.	Price Each
10	T-2-1/2 Miniature Bayonets	120	.025	7,500	N/A	AL-53023	\$3.95
					Red filter	AL-53024	\$3.95
					Yellow filter	AL-66004	\$5.95
					Green filter	AL-66005	\$5.95
					Blue filter	AL-53027	\$5.95
					Amber filter	AL-53028	\$5.95
11	T-3-1/4 Wedge	28	.07	1,000	N/A	AL-53029	\$3.95
					Red filter	AL-53024	\$3.95
					Yellow filter	AL-66004	\$5.95
					Green filter	AL-66005	\$5.95
					Blue filter	AL-53027	\$5.95
12	T-3-1/4 Miniature Bayonets	6.3	.15	3,000	.78	AL-53030	\$2.00
		6.3	.15	5,000	.78	AL-53031	\$2.00
		14.4	.10	1,000	.63	AL-53032	\$2.00
		14	.20	3,000	.750	AL-53033	\$2.00
		14	.27	2,000	.56	AL-53034	\$2.95
		14	.27	2,000	.56	AL-53035	\$3.95
		14	.27	2,000	.56	AL-53036	\$7.95
		24	.17	250	N/A	AL-53037	\$2.00
		28	.17	500	.63	AL-53038	\$2.00
		28	.17	500	.63	AL-53039	\$3.95
		28	.17	500	.63	AL-53040	\$3.95
		28	.10	1,000	.63	AL-53041	\$2.00
		28	.10	1,000	.63	AL-53042	\$3.95
		28	.07	1,000	.63	AL-53043	\$2.00
		55	.05	5,000	.625	AL-53044	\$3.95
					Red filter	AL-53024	\$3.95
					Yellow filter	AL-66004	\$5.95
					Green filter	AL-66005	\$5.95
			Blue filter	AL-53027	\$5.95		
			Amber filter	AL-53028	\$5.95		
13	S6 Candelabra Screw	6	6 W	1,500	N/A	AL-53045	\$2.95
		12	6 W	1,500	N/A	AL-53046	\$2.95
		24	6 W	1,500	N/A	AL-53047	\$2.95
		125	6 W	1,500	N/A	AL-53048	\$2.95
		125	6 W	1,500	N/A	AL-53049	\$2.95
		13.5	.57	1,500	.100	AL-53050	\$3.95
14	G6 Candelabra Screw	24	.18	1,000	.937	AL-53051	\$2.00
					Red	AL-53052	\$3.95
					Amber	AL-53053	\$3.95
					Blue	AL-53054	\$3.95
					Green	AL-53055	\$3.95
					Canary Yellow	AL-53056	\$3.95
					Purple	AL-53057	\$3.95

**If You Can't Find Your Part Number Or Product Please Call**

# Recliners



Phone: 800-323-4282  
Fax: 800-950-1167

**ALCO**  
Sales & Service Co.

info@alcosales.com  
www.alcosales.com

# Economy Recliners & Gel Overlay

**BUY 11 GET 1 FREE!**



**AL-65511**

**Up To  
500 lb.  
Capacity**

### 3 Position Recliner

- ✓ Adjustable seat straps provide maximum comfort
- ✓ Self adjusting suspension in the seat prevents bottoming out
- ✓ 5" casters (2 with locks) make it easy to move and secure the recliner
- ✓ Moisture barrier on seat prevents seepage
- ✓ Foam and vinyl meet California Flammability Standard and Boston Fire Department Specs.

	Width Between Arms		
3 Position Recliner, Blueridge (250 lb cap)	20"	<b>AL-65509</b>	<b>\$479.00</b>
3 Position Recliner, Jade (250 lb cap)	20"	<b>AL-65510</b>	<b>\$479.00</b>
3 Position Recliner, Rosewood, (shown) (250 lb cap)	20"	<b>AL-65511</b>	<b>\$479.00</b>
3 Position Recliner—X-Wide Jade (500 lb cap)	24.5"	<b>AL-66432</b>	<b>\$749.00</b>
3 Position Recliner—X-Wide Rosewood (500 lb cap)	24.5"	<b>AL-66433</b>	<b>\$749.00</b>
3 Position Recliner—X-Wide Blueridge (500 lb cap)	24.5"	<b>AL-74887</b>	<b>\$749.00</b>

### Infinite Position Clinical Care Recliner

- ✓ Ideal for use in dialysis, blood collection, respiratory and cardiac care
- ✓ Deep recline and Trendelenburg position can only be attained by an attendant
- ✓ Adjustable seat and back straps provide maximum comfort
- ✓ 5" Casters (2 with locks) make it easy to move and secure recliner
- ✓ Standard release handle for quick back release. Release handle can be operated from either side of the recliner
- ✓ Foam and vinyl meet California Flammability Standard and Boston Fire Department specifications
- ✓ 22" Width between arms

Clinical Care Recliner, Blueridge (shown)	<b>AL-65512</b>	<b>\$639.00</b>
Clinical Care Recliner, Jade	<b>AL-65513</b>	<b>\$639.00</b>
Clinical Care Recliner, Rosewood	<b>AL-65514</b>	<b>\$639.00</b>

**250 lb.  
Capacity**



**AL-65512**

### Available Colors



Rosewood

Blueridge

Jade



**AL-75528**



**AL-75529**

### Geri-Chair Gel Recliner Overlay (Recliner Not Included)

- ✓ Three section overlay is constructed with an aqueous, highly viscous gel that is encapsulated in a high density foam shell
- ✓ The overlay is covered with Vyvex® III stretch cover and a non-skid bottom
- ✓ An adjustable safety strap secures the overlay for added safety
- ✓ Cover is anti-microbial and fire-retardant

18" x 70" x 1.75" (250 lb cap)	<b>AL-75528</b>	<b>\$239.00</b>
19" x 70" x 4" (800 lb cap)	<b>AL-75529</b>	<b>\$319.00</b>

# ALCO Care Recliners



275 lb.  
Capacity

MADE IN THE  
USA



AL-42683-17



## ALCO Lifecare 3-Position Recliner

- ✓ Blow molded tray which is stored on side of chair
- ✓ Neutral color powder coated steel frame
- ✓ 3" dual density seat foam gives exceptional comfort and durability
- ✓ 3" medium density foam in backrest
- ✓ Moisture barrier on seat helps prevent seepage
- ✓ Comfortable padded armrest with wrap-around scuff guards

Seat Height: 20" (51 cm)  
Seat Depth: 20" (51 cm)  
Overall Width: 26" (66 cm)  
Weight: 85 lbs. (39 kg)

Seat Width: 19" (48 cm)  
Overall Height: 46-1/2" (120 cm)  
Back Height: 32" (81 cm)  
Footprint Reclined: 26" W x 63" L

**Options available: AL-49422, AL-42684, AL-42681, AL-56526-A and AL-50197A see page 286**

### With Position Lock & Tray

LifeCare Cliner	<b>AL-42683</b>	<b>\$429.00</b>
LifeCare Cliner w/ TB 133 Fire Rating	<b>AL-42683A</b>	<b>\$499.00</b>

### With Position Lock/No Tray

LifeCare Cliner	<b>AL-66930</b>	<b>\$399.00</b>
LifeCare Cliner w/ TB 133 Fire Rating	<b>AL-66930A</b>	<b>\$469.00</b>

### With Position Lock & Tray

LifeCare Cliner w/Saddle Seat	<b>AL-75672</b>	<b>\$699.00</b>
LifeCare Cliner w/TB 133 Fire Rating & Saddle Seat	<b>AL-75673</b>	<b>\$769.00</b>

### With Position Lock/No Tray

LifeCare Cliner w/Saddle Seat	<b>AL-75674</b>	<b>\$659.00</b>
LifeCare Cliner w/TB 133 Fire Rating & Saddle Seat	<b>AL-75675</b>	<b>\$729.00</b>

275 lb.  
Capacity



## Cozy Comfort Premier Recliner

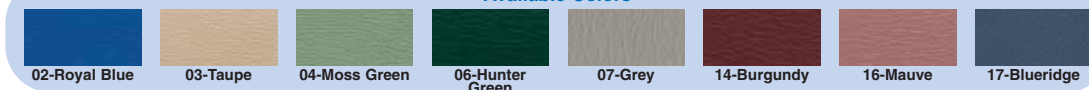
- ✓ Urethane Arms
- ✓ Multiple Side Table Options
- ✓ Webbed elastic suspension seat
- ✓ Available in Royal Blue, Taupe, Moss Green, Grey, Burgundy, Blueridge, Mauve and Hunter Green

Seat Height: 20.5" (52.07 cm)  
Seat Depth: 19.5" (49.53 cm)  
Overall Width: 30" (76.20 cm)

Seat Width: 22" (55.88 cm)  
Overall Height: 47" (119.38 cm)

Cozy Comfort Premier Recliner	<b>AL-78399</b>	<b>\$1039.00</b>
Cozy Comfort Premier Recliner w/TB-133	<b>AL-78400</b>	<b>\$1109.00</b>

### Available Colors



EP1

# ALCO Care Recliners

**BUY 11  
Get One  
FREE**



**300 lb.  
Capacity**

**AL-42691**



### Caremor Cliner

- ✓ Gas spring provides simple acting position lock, activated by attendant or user
- ✓ Infinite position recliner; shift body weight for effortless positioning from full recline to upright
- ✓ Comfort foundation built on self-adjusting elastic webbing suspension system that will not flatten or bottom out
- ✓ Low seat height and tucked-back legrest allow foot movement in upright position
- ✓ Contoured back frame has integral lumbar support
- ✓ Wide armrest slopes down to give forearm correct support in recline and semi-recline position
- ✓ Wrap-around scuff guards are included on armrests
- ✓ Separate back and seat/legrest cushions can be removed easily for cleaning or replacement

Seat Height: 20-1/2" (52 cm)      Seat Width: 20" (50.8 cm)  
 Seat Depth: 18" (46 cm)      Overall Height: 47" (119.4 cm)  
 Overall Width: 26-1/4" (66.7 cm)      Back Height: 30-1/2" (77.5 cm)  
 Weight: 79 lbs. (35.8 kg)      Footprint reclined: 26" W x 62" L

**Options available: AL-56526-A, AL-50197A, AL-49422 and AL-42681, SEE PAGE 286**

### With Position Lock & Tray

Caremor Cliner	<b>AL-42691</b>	<b>\$609.00</b>
Caremor Cliner w/ TB 133 Fire Rating	<b>AL-42691A</b>	<b>\$679.00</b>

### With Position Lock / No Tray

Caremor Cliner	<b>AL-60740</b>	<b>\$589.00</b>
Caremor Cliner w/ TB 133 Fire Rating	<b>AL-60740A</b>	<b>\$659.00</b>

**MADE IN THE  
USA**

### Drop Arm Convalescent Recliner

- ✓ Left and right arm drop to aid in transfers
- ✓ Seat has self adjusting elastic webbing suspension system that won't flatten or bottom out
- ✓ 3 positions: upright, legrest/footrest elevated and deep recline
- ✓ Fully enclosed side panel
- ✓ Blow molded tray which is stored on the side of the chair
- ✓ 5" casters (2 fixed, 2 swivel with total lock)
- ✓ Wide armrest slopes down to give forearm correct support in recline and semi-recline position, wrap-around scuff guards
- ✓ Moisture barrier on seat board helps prevent seepage
- ✓ 3" medium density polyurethane foam in back
- ✓ Built-in headrest

Seat Height: 19-1/2" (49.5 cm)      Seat Width: 19" (48 cm)  
 Seat Depth: 19-1/2" (49.5 cm)      Overall Height: 45" (114 cm)  
 Overall Width: 26-1/2" (67 cm)      Back Height: 33" (81 cm)  
 Weight: 93 lbs. (42 kg)      Footprint reclined: 26 1/2" W x 65" L

**Options available: AL-50197A, AL-42684 and AL-56526, SEE PAGE 286**

### With Position Lock & Tray

Drop Arm Convalescent	<b>AL-60741</b>	<b>\$759.00</b>
Drop Arm Convalescent w/ TB 133 Fire Rating	<b>AL-60741A</b>	<b>\$829.00</b>

### With Position Lock / No Tray

Drop Arm Convalescent	<b>AL-66928</b>	<b>\$729.00</b>
Drop Arm Convalescent w/ TB 133 Fire Rating	<b>AL-66928A</b>	<b>\$799.00</b>

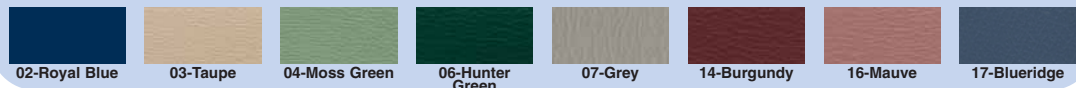
**275 lb.  
Capacity**

**AL-66928**



EP1

### Available Colors





# ALCO Care Recliners

**BUY 11 GET 1 FREE!**



## Convalescent 3-Position Recliner

- ✓ Seat has self adjusting elastic webbing suspension system that won't flatten or bottom out
- ✓ Fully enclosed side panel
- ✓ Blow molded tray which is stored on the side of the chair
- ✓ 5" casters (2 fixed, 2 swivel with total lock)
- ✓ Wide armrest slopes down to give forearm correct support in recline and semi-recline position, wrap-around scuff guards
- ✓ Moisture barrier on seat board helps prevent seepage
- ✓ 3" medium density polyurethane foam in back
- ✓ Built-in headrest

Seat Height: 19-1/2" (49.5 cm)    Seat Width: 19" (48 cm)  
 Seat Depth: 19-1/2" (49.5 cm)    Overall Height: 45" (114 cm)  
 Overall Width: 26-1/2" (67 cm)    Back Height: 33" (81 cm)  
 Weight: 93 lbs. (42 kg)    Footprint reclined: 26-1/2" W x 65" L

**Options available: AL-50197A, AL-56526-A and AL-42684, SEE PAGE 286**

### With Position Lock & Tray

Convalescent Recliner	<b>AL-42685</b>	<b>\$539.00</b>
Convalescent Recliner w/ TB 133 Fire Rating	<b>AL-42685A</b>	<b>\$609.00</b>

### With Position Lock/No Tray

Convalescent Recliner	<b>AL-66929</b>	<b>\$499.00</b>
Convalescent Recliner w/ TB 133 Fire Rating	<b>AL-66929A</b>	<b>\$579.00</b>

### With Position Lock & Tray

Convalescent Recliner w/Saddle Seat	<b>AL-75676</b>	<b>\$779.00</b>
Convalescent Recliner w/TB 133 Fire Rating & Saddle Seat	<b>AL-75677</b>	<b>\$849.00</b>

### With Position Lock/No Tray

Convalescent Recliner w/Saddle Seat	<b>AL-75678</b>	<b>\$729.00</b>
Convalescent Recliner w/TB 133 Fire Rating & Saddle Seat	<b>AL-75679</b>	<b>\$799.00</b>



**275 lb. Capacity**

**AL-42685-06**



Now With Saddle Seat Option

**AL-75678-02**

**MADE IN THE USA**

**LOW PRICES GUARANTEED!**  
**WE WILL NOT BE UNDERSOLD!**



**450 lb. Capacity**

**BARIATRIC**

**AL-56574-17**



Now With Saddle Seat Option

**AL-75680-17**

## XL Convalescent Recliner

- ✓ Wide armrests have extra cushioning
- ✓ Adjustable elastic back straps and lumbar support
- ✓ Oversized footrest gives tall patients optional foot support
- ✓ Two heavy-duty 5" swivel total lock casters in rear, two rigid casters in front
- ✓ Comfortable and resilient elastic seat base resists moisture
- ✓ Welded steel frame is neutral color powder coating
- ✓ Dual blow molded fold down side trays
- ✓ Built-in headrest

Seat Height: 23" (57 cm)    Seat Width: 25" (64 cm)  
 Seat Depth: 19-1/2" (49.5 cm)    Overall Height: 49" (125 cm)  
 Overall Width: 35" (89 cm)    Back Height: 31-1/2" (80 cm)  
 Weight: 112 lbs. (50 kg)    Footprint reclined: 52" W x 62" L  
**Option available: AL-56526-A only, SEE PAGE 286**

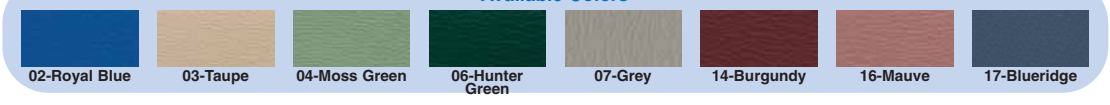
### With Position Lock & Tray

3 Position Recliner	<b>AL-56574</b>	<b>\$1029.00</b>
3 Position Recliner w/ TB 133 Fire Rating	<b>AL-56574A</b>	<b>\$1099.00</b>

### With Position Lock & Tray

3 Position Recliner w/Saddle Seat	<b>AL-75680</b>	<b>\$1339.00</b>
3 Position Recliner w/ TB 133 Fire Rating and Saddle Seat	<b>AL-75681</b>	<b>\$1409.00</b>

### Available Colors



EP1

# ALCO Bariatric Chairs & Comfort Care Recliners

**BUY 11 GET 1 FREE!**



**275 lb. Capacity**

**Premier LifeCare Recliner**

- ✓ Fully upholstered sides with form and function
- ✓ Durable and comfortably contoured urethane arms protect the upholstered finish while providing a sleek and modern style
- ✓ Features LiquiCell™ seating that reduces fatigue and relieves pressure over longer periods of seating
- ✓ 3 position lockbar
- ✓ "No Pinch" safety zone
- ✓ Seat measures: 20.5"H x 19.5"W x 20"D

LifeCare Recliner	<b>AL-75700</b>	<b>\$759.00</b>
LifeCare Recliner w/TB-133 Fire Rating	<b>AL-75700A</b>	<b>\$829.00</b>







**275 lb. Capacity**

**AL-75701**

**Premier Care Recliner**

- ✓ Fully upholstered sides that add style, form and function
- ✓ Durable and comfortably contoured urethane arms protect the upholstered finish while providing a sleek and modern style
- ✓ Features LiquiCell™ seating that reduces fatigue and relieves pressure over longer periods of seating
- ✓ 3 position lockbar
- ✓ Seat measures: 20.5"H x 19.5"W x 20"D

Premier Care Recliner	<b>AL-75701</b>	<b>\$1039.00</b>
Premier Care Recliner w/TB-133 Fire Rating	<b>AL-75701A</b>	<b>\$1109.00</b>





**Options Available, See Page 286**



# ALCO Clinical Recliners



### ALCO Elite Care Cliner

- ✓ Use in dialysis, blood collection, oncology, respirator, critical care and cardiac
- ✓ Three heat levels and 4 massage settings
- ✓ Adjustable elastic bands on back frame provide exceptional comfort
- ✓ Standard Trendelenberg release on back with handle accessible from either side of the chair
- ✓ Standard right side non-porous beveled and blow molded side tray

- ✓ High impact nylon total lock casters; directional lock in rear
- ✓ 10 colors for Elite Care Cliner: 33-Eucalyptus, 37-Navy, 41-Briar, 42-Rosebud, 43-Evergreen, 44-Nightshade, 60-Pyrite, 61-Gypsum, 62-Ice Blue, and 63-Cypress
- ✓ 14 colors for Dual Swing Arm Elite Care Cliner: 02-Royal Blue, 03-Taupe, 04-Moss Green, 06-Hunter Green, 07-Grey, 14-Burgundy, 16-Mauve, 17-Blueridge, 33-Eucalyptus, 37-Navy, 60-Pyrite, 61-Gypsum, 62-Ice Blue, and 63-Cypress

Seat Height: 21" (53.3 cm)  
 Seat Depth: 20" (50.8 cm)  
 Overall Width: 33" (84 cm)  
 Weight: 100 lbs. (45 kg)

Seat Width: 22" (55.8 cm)  
 Overall Height: 48-1/2" (123 cm)  
 Back Height: 32-1/2" (83 cm)

Options Available, See Page 286

### XL Elite Care Cliner-450 lb capacity

XL Elite Care Cliner	AL-67720	\$1669.00
XL Elite Care Cliner w/ TB 133 Fire Rating	AL-67720A	\$1759.00
XL Elite Care Cliner w/ Heat	AL-70745	\$2279.00
XL Elite Care Cliner w/ Heat & Massage Settings	AL-67721	\$2509.00
XL Elite Care Cliner w/ Heat & TB 133 Fire Rating	AL-70746	\$2369.00
XL Elite Care Cliner w/ Heat & Massage Settings & TB 133 Fire Rating	AL-67721A	\$2599.00

### ALCO Elite Care Cliner—275 lb. Capacity

Elite Care Cliner	AL-66722	\$1379.00
Elite Care Cliner w/ TB 133 Fire Rating	AL-66722A	\$1469.00
Elite Care Cliner w/ Heat & Massage Settings	AL-66937	\$2219.00
Elite Care Cliner w/ Heat	AL-70749	\$1989.00
Elite Care Cliner w/ Heat & Massage Settings and TB 133 Fire Rating	AL-66937A	\$2309.00
Elite Care Cliner w/ Heat & TB 133 Fire Rating	AL-70750	\$2079.00

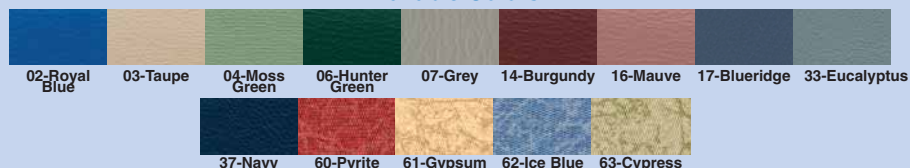
### XL Dual Swing Arm Elite Care Cliner-450 lb capacity

XL Dual Swing Arm Elite Care Cliner	AL-67722	\$1709.00
XL Dual Swing Arm Elite Care Cliner w/ TB 133 Fire Rating	AL-67722A	\$1809.00
XL Dual Swing Arm Elite Care Cliner w/ Heat & Massage Settings	AL-67723	\$2549.00
XL Dual Swing Arm Elite Care Cliner w/ Heat	AL-70747	\$2319.00
XL Dual Swing Arm Elite Care Cliner w/ Heat & Massage Settings & TB 133 Fire Rating	AL-67723A	\$2649.00
XL Dual Swing Arm Elite Care Cliner w/ Heat & TB 133 Fire Rating	AL-70748	\$2409.00

### Dual Swing Arm Elite Care Cliner—275 lb. Capacity

Dual Swing Arm Elite Care Cliner	AL-66721	\$1429.00
Dual Swing Arm Elite Care Cliner with TB 133 Fire Rating	AL-66721A	\$1519.00
Dual Swing Arm Elite Care Cliner with Heat	AL-70751	\$2029.00
Dual Swing Arm Elite Care Cliner with Heat & Massage Settings	AL-66938	\$2269.00
Dual Swing Arm Elite Care Cliner with Heat & TB 133 Fire Rating	AL-70752	\$2129.00
Dual Swing Arm Elite Care Cliner w/Heat & Massage Settings & TB 133 Fire Rating	AL-66938A	\$2359.00

### Available Colors





# ALCO Clinical Recliners



## BARIATRIC

AL-60742

Up To  
450 lb.  
Capacity



## BARIATRIC

AL-60743

Chair can even be rolled with arm down!

Up To  
450 lb.  
Capacity

BUY 11  
Get One  
FREE

- Use in dialysis, blood collection, oncology, respirator, critical care and cardiac
- 3 positions with infinitely adjustable back
- Four heavy-duty 5" casters with positive locking swivel and wheel brakes
- Elastic seat base and adjustable elastic back straps provide the ultimate in comfort

- Deep recline and Trendelenberg position can only be attained by attendant
- Standard release handle feature for quick back release, spans entire width of back, can be operated from either side of chair
- Welded powder coated steel frame has a 5 year warranty
- Blow molded side tables with recess for cup

### Standard Care Cliner

Options available: see Page 286

#### Standard Care Cliner - 275 lb. Weight Capacity

Seat Height: 21" (53 cm)      Seat Width: 21" (53 cm)  
 Seat Depth: 20" (51 cm)      Overall Height: 49" (124.5 cm)  
 Overall Width: 31" (79 cm)      Back Height: 31-1/2" (80 cm)  
 Weight: 101 lbs. (46 kg)

Standard Care Cliner w/Nylon Casters	AL-60742	\$1019.00
Standard Care Cliner w/Nylon Casters and TB 133 Fire Rating	AL-60742A	\$1089.00
Standard Care Cliner w/ Heat	AL-70753	\$1629.00
Standard Care Cliner w/ Steel Casters	AL-42680	\$949.00
Standard Care Cliner w/ Heat & TB 133 Fire Rating	AL-70754	\$1699.00
Standard Care Cliner w/ Steel Casters and TB 133 Fire Rating	AL-42680A	\$1019.00
Standard Care Cliner w/ Heat & Massage	AL-66933	\$1859.00
Standard Care Cliner w/ Heat & Massage and TB 133 Fire Rating	AL-66933A	\$1929.00

#### XL Care Cliner - 450 lb. Weight Capacity

Seat Height: 21" (53 cm)      Seat Width: 25" (63.5 cm)  
 Seat Depth: 20" (51 cm)      Overall Height: 49" (124.5 cm)  
 Overall Width: 35" (89 cm)      Back Height: 31-1/2" (80 cm)  
 Weight: 111 lbs. (50 kg)

XL Care Cliner w/Nylon Casters	AL-60744	\$1299.00
XL Care Cliner w/Nylon Casters and TB 133 Fire Rating	AL-60744A	\$1369.00
XL Care Cliner w/ Steel Casters	AL-42680W	\$1239.00
XL Care Cliner w/ Heat	AL-70755	\$1909.00
XL Care Cliner w/ Steel Casters and TB 133 Fire Rating	AL-42680WA	\$1309.00
XL Care Cliner w/ Heat & Massage	AL-66934	\$2139.00
XL Care Cliner w/ Heat & TB 133 Fire Rating	AL-70756	\$1979.00
XL Care Cliner w/ Heat & Massage and TB 133 Fire Rating	AL-66934A	\$2209.00

### Dual Drop Arm Care Cliner

Options available: see Page 286

#### Dual Drop Arm Care Cliner- 275 lb. Weight Capacity

Seat Height: 21" (53 cm)      Seat Width: 21" (53 cm)  
 Seat Depth: 20" (51 cm)      Overall Height: 49" (124.5 cm)  
 Overall Width: 31" (79 cm)      Back Height: 31-1/2" (80 cm)  
 Weight: 105 lbs. (48 kg)

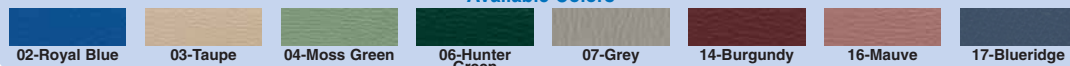
Dual Drop Arm Care Cliner w/ Nylon Casters	AL-60743	\$1239.00
Dual Drop Arm Care Cliner w/ Nylon Casters and TB 133 Fire Rating	AL-60743A	\$1309.00
Dual Drop Arm Care Cliner w/ Heat	AL-70757	\$1849.00
Dual Drop Arm Care Cliner w/ Steel Casters	AL-56528	\$1179.00
Dual Drop Arm Care Cliner w/ Steel Casters and TB 133 Fire Rating	AL-56528A	\$1249.00
Dual Drop Arm Care Cliner w/ Heat and Massage	AL-66935	\$2079.00
Dual Drop Arm Care Cliner w/ Heat and TB 133 Fire Rating	AL-70758	\$1919.00
Dual Drop Arm Care Cliner w/ Heat & TB 133 Fire Rating	AL-66935A	\$2149.00

#### XL Drop Arm Care Cliner - 450 lb. Weight Capacity

Seat Height: 21" (53 cm)      Seat Width: 25" (63.5 cm)  
 Seat Depth: 20" (51 cm)      Overall Height: 49" (124.5 cm)  
 Overall Width: 35" (89 cm)      Back Height: 31-1/2" (80 cm)  
 Weight: 116 lbs. (53kg)

XL Drop Arm Care Cliner w/ Nylon Casters	AL-60746	\$1559.00
XL Drop Arm Care Cliner w/ Nylon Casters and TB 133 Fire Rating	AL-60746A	\$1629.00
XL Drop Arm Care Cliner w/ Steel Casters	AL-60745	\$1509.00
XL Drop Arm Care Cliner w/ Heat	AL-70759	\$2169.00
XL Drop Arm Care Cliner w/ Steel Casters and TB 133 Fire Rating	AL-60745A	\$1579.00
XL Drop Arm Care Cliner w/ Heat & Massage	AL-66936	\$2399.00
XL Drop Arm Care Cliner w/ Heat and TB 133 Fire Rating	AL-70760	\$2239.00
XL Drop Arm Care Cliner w/ Heat & Massage and TB 133 Fire Rating	AL-66936A	\$2469.00

### Available Colors



**BUY 11  
Get One  
FREE**

# Stretcher & Bariatric Power Lift Recliners



**BUY 11 GET 1 FREE!**



**1000 lb.  
Capacity**

### Bariatric Lateral Patient Transfer Stretcher

Standard features include central locking 6" twin wheel casters, removable HD battery pack, charger, I.V. pole, oxygen cylinder holder, safety belt and rear storage bin.

- ✓ Converts from chair to stretcher
- ✓ Flip up footrest
- ✓ Independent legrest
- ✓ Power vertical lift

**AL-72901      Call**



### Stretcher and Chair in One

- ✓ Adjustable legrest
- ✓ Both arms lower for easy transfer
- ✓ Chair back can be locked into any position from upright to transfer
- ✓ Leg and footrest work in tandem with the chair back
- ✓ Powder coated high strength welded steel frame
- ✓ Convenient height push handle for easy maneuvering of the chair
- ✓ Both arms have three adjustments levels and can be lowered independently of each other
- ✓ 5" heavy duty all steel total lock casters lock chair securely into place
- ✓ Articulating leg rest works independent of seat and back

Seat Height: 22" (55.9 cm)      Seat Width: 21" (53.3 cm)  
 Seat Depth: 21" (53.3 cm)      Overall Height: 56" (142.3 cm)  
 Overall Width: 27-1/4" (69.2 cm)      Back Height: 33" (83.8 cm)  
 Weight: 114 lbs. (51.7 kg)

**No other options available for Transfer Cliner**

Transfer Cliner with Total Lock Caster      **AL-60747      Call**  
 Transfer Cliner with Total Lock Caster  
 and TB 133 Fire Rating      **AL-60747A      Call**



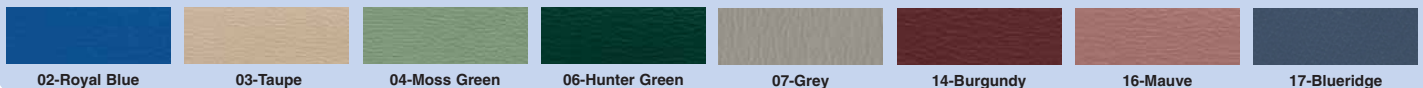
**400 lb.  
Capacity**

**AL-60747**



**Shown in  
Stretcher Position at  
24" Height**

### Available Colors



# ALCO Recliner Accessories

**BUY 11 GET 1 FREE!**



### Contoured Headrest

Specify color when ordering. Locate part number on page for specific color availability.

**AL-42681 \$39.00**



### Pivot Table

- ✓ Installs toward the front of the recliner on the right side
- ✓ For models 540, 557, 590, 670, 690, 691, 694, 695, 698 and 699

**AL-75758 \$49.00**



### Side Cushion

- ✓ Prevents the lateral displacement of the patient's body
- ✓ Provides additional comfort
- ✓ Specify color when ordering

**AL-75757 \$39.00**



### Torso Support

Specify color when ordering. Locate part number on page for specific color availability.

**AL-50197A \$79.00**



### Arm Rest Covers

- ✓ Protects the upholstered arms of your chair
- ✓ Vinyl material
- ✓ Specify color when ordering

**AL-75755 \$29.00**



### Chair Headrest Cover

- ✓ Helps to protect the vinyl on the chair back from hair oil, dyes, etc.
- ✓ Easy to install, remove & care for vinyl material
- ✓ Specify color when ordering

**AL-75756 \$29.00**



### Lateral Support

Specify color when ordering. Locate part number on page for specific color availability.

**AL-42684 \$49.00**



### Flip-Up Footrest

**AL-49422 \$89.00**



### Versa Table

- ✓ Installed on the side of the chair where it adds only 3" to the overall width of the chair when not in use
- ✓ Table can swing up and swivel into place over the patients lap
- ✓ For models 540, 557, 590, 670, 690, 691, 694, 695, 698 and 699

**AL-75759 \$349.00**



### I.V. Pole

<b>AL-56526</b>	<b>\$79.00</b>
<b>AL-56526-A</b>	<b>\$79.00</b>
<b>AL-66932</b>	<b>\$79.00</b>
<b>AL-56526-B</b>	<b>\$79.00</b>

## Recliner Options

**NOTE: ACCESSORIES VARY FOR EACH RECLINER!!!**

Refer to recliner description to find the options or accessories available for each WINCO recliner!

**BUY 11  
Get One  
FREE**

# Lumex Recliners

**LUMEX®**  
A Graham-Field Brand

**290 lb. Capacity**



**Multi-Position Recliner**

- ✓ Pop-out side panels
- ✓ Three total locking and one directional locking casters
- ✓ Gas cylinder for quick trendelenburg
- ✓ Softer seat and back package for improved comfort
- ✓ Heat and massage option available
- ✓ Fire Rated California 133

**AL-42665 \$1249.00**

**450 lb. Capacity**



**Clinical Care Recliner**

- ✓ 24" seat width
- ✓ Dual gas cylinders for quick trendelenburg
- ✓ Three total locking and one directional locking casters
- ✓ Heat and massage option available
- ✓ Fire Rated California 133

**AL-50200 \$1569.00**  
Optional I.V. pole  
**AL-50199 \$59.00**

**250 lb. Capacity**



**Three-Position Recliner**

- ✓ Flex-O-Lator, ergonomically designed seat helps prevent bottoming out
- ✓ Swing away blow molded table
- ✓ 2-4" rear swivel casters with locks and 4" fixed front wheels
- ✓ Fire Rated California 133

**AL-42661 \$569.00**

**400 lb. Capacity**



**Extra-Wide Infinite Position Preferred Care Recliner**

- ✓ 24" width
- ✓ Directional wheel lock on right rear caster
- ✓ Back can be locked in any position
- ✓ Extra-wide padded arm pads
- ✓ Standard anti-tippers
- ✓ Quick release upholstery allows for easy cleaning
- ✓ CAL133 Fire-Rated

**Blue Ridge AL-77721-427 \$1239.00**  
**Jade AL-77721-857 \$1239.00**  
**Rosewood AL-77721-863 \$1239.00**

**700 lb. Capacity**



**Powered Bariatric Recliner**

- ✓ 25.5" width between arms
- ✓ 38" overall width
- ✓ Trendelenburg
- ✓ Equipped with rechargeable battery pack
- ✓ Legrest and backrest raise and lower independently
- ✓ TB133 Fire-Rated

**Blue Ridge AL-77722-427 Call**  
**Jade AL-77722-857 Call**  
**Rosewood AL-77722-863 Call**

**Deluxe Clinical Care Recliner**

- ✓ Patent pending recliner mechanism enables the patient to position the back infinitely from TV position to full recline
- ✓ Wall saver armrest caps
- ✓ Trendelenburg position can be actuated from either side of recliner by a convenient foot pedal
- ✓ "Pop-Out" side panels
- ✓ Left and right rear top locking and right rear directional top locking casters
- ✓ Heat and massage option available
- ✓ Fire Rated California 133

Care Cliner **AL-67311 \$1459.00**  
Care Cliner with Drop Arm **AL-67310 \$1529.00**

Lumex Upholstery Colors		
(863) Rose Wood	(427) Blueridge	(9212) Blue Jade

**350 lb. Capacity**



**AL-67310**



**AL-67311**



# Invacare Recliners

**BUY 11 GET 1 FREE!**



### Deluxe Three-Position Recliner

- ✓ Three easy-to-attain positions: sitting, elevated leg or full recline
- ✓ Blow-molded table can either slide on and off or can be locked in one of five positions
- ✓ Ergonomically designed seat and back and articulating headrest maximize individual comfort requirements
- ✓ Zinc plated caster horns for improved rust resistance
- ✓ Special woven padding on back and seat reduces the risk of "bottoming out"
- ✓ Fire retardant foam and glue. Meets California 117 standard and Boston Fire Department specification
- ✓ Two rear swivel, locking casters
- ✓ Dimensions: overall: 32"W x 39"D x 47"H
- ✓ Seat Depth: 19.5"
- ✓ Seat Width: 22.75"
- ✓ Seat to Floor Height: 21"

28" Width - 250 lb capacity  
**AL-45435C \$609.00**  
 32" Width - 400 lb capacity  
**AL-70549 \$849.00**



- For Use In:**
- ✓ Dialysis
  - ✓ Blood collection
  - ✓ Same day surgery
  - ✓ EEG/EKG
  - ✓ Extended care
  - ✓ Oncology
  - ✓ Outpatient clinic
  - ✓ Emergency room
  - ✓ Maternity
  - ✓ Respiratory

### Clinical Recliner

- ✓ Softer seat and back package for improved patient comfort
- ✓ Gas cylinder for quick trendelenburg and improved lift
- ✓ Multiple positions-fully upright to fully reclined
- ✓ Four swivel casters with rear brakes
- ✓ Fire retardant foam and glue. Meets California 117 standard and Boston Fire Department specification
- ✓ Dimensions: overall: 31"W x 36"D x 50"H
- ✓ Seat Depth: 19.5"
- ✓ Seat Width: 21"
- ✓ Seat to Floor Height: 22"

**AL-45436C \$759.00**

3 Upholstery Colors		
#60 Rosewood	#68 Jade	#61 Blueridge

### Traditional Three Position Recliner

- ✓ Three easy-to-maintain positions: sitting, elevated leg or full recline
- ✓ Blow-molded table can either slide on and off or can be locked in one of five positions
- ✓ Contoured seat back and articulating headrest maximize individual comfort requirements
- ✓ Zinc plated caster horns for improved rust resistance
- ✓ Special cross-weave in the foam back and seat cushions reduces the risk of "bottoming out"
- ✓ Fire retardant foam and glue. Meets California 117 standard and Boston Fire Department specification
- ✓ Two rear swivel locking casters
- ✓ Dimensions: overall: 25"W x 40"D x 47"H
- ✓ Seat Depth: 19.5"
- ✓ Seat Width: 25"
- ✓ Seat to Floor Height: 21.5"

**AL-58326 \$519.00**

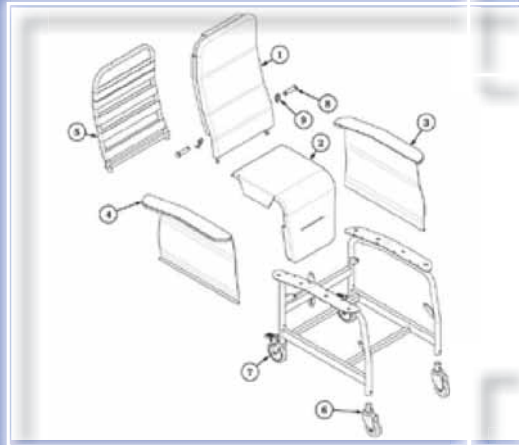


### ALCO Payment Policy

Credit Card or check in advance if not approved account. Prepay and we add shipping to invoice.



# Recliner Parts



Phone: 800-323-4282  
Fax: 800-950-1167

**ALCO**  
Sales & Service Co.

info@alcosales.com  
www.alcosales.com

# Broda Replacement Parts

**BUY 11 GET 1 FREE!**



AL-76553



AL-76554



AL-76555



AL-76556



AL-76557



AL-76558



AL-76559



AL-76560



AL-76561



AL-76562



AL-76566



AL-76569



AL-76570



AL-76571



AL-76582



AL-76584



AL-76583



AL-76585



AL-76586



AL-76587



AL-76588



AL-76589

AVAILABLE COLORS



Blackberry

Burgundy

Charcoal

Sapphire



# Broda Replacement Parts



**BUY 11 GET 1 FREE!**

## Padding

Description	Works On Models	ALCO Part No.	Price Each
Extended Shoulder Bolster (pair, specify color)	Elites, Basics, Midline, Pedals	AL-76553	\$206.00
Short Wing Cover (pair, specify color)	Elites, Basics, Midline, Pedals	AL-76554	\$100.00
Long Wing Cover (pair, specify color)	Elites, Basics, Midline, Pedals	AL-76555	\$129.00
Full Extended Footpad (specify color)	Elites, Basics, Midline	AL-76556	\$270.00
Padded Thigh Belt 4" wide for 18" or 20" chair	Elites, Basics, Midline, Pedals	AL-76557	\$80.00
HSP Cushion Package (Cushions only, non factory installed)	Elites, Basics, Midline	AL-76558	\$439.00

## Replacement Cushions

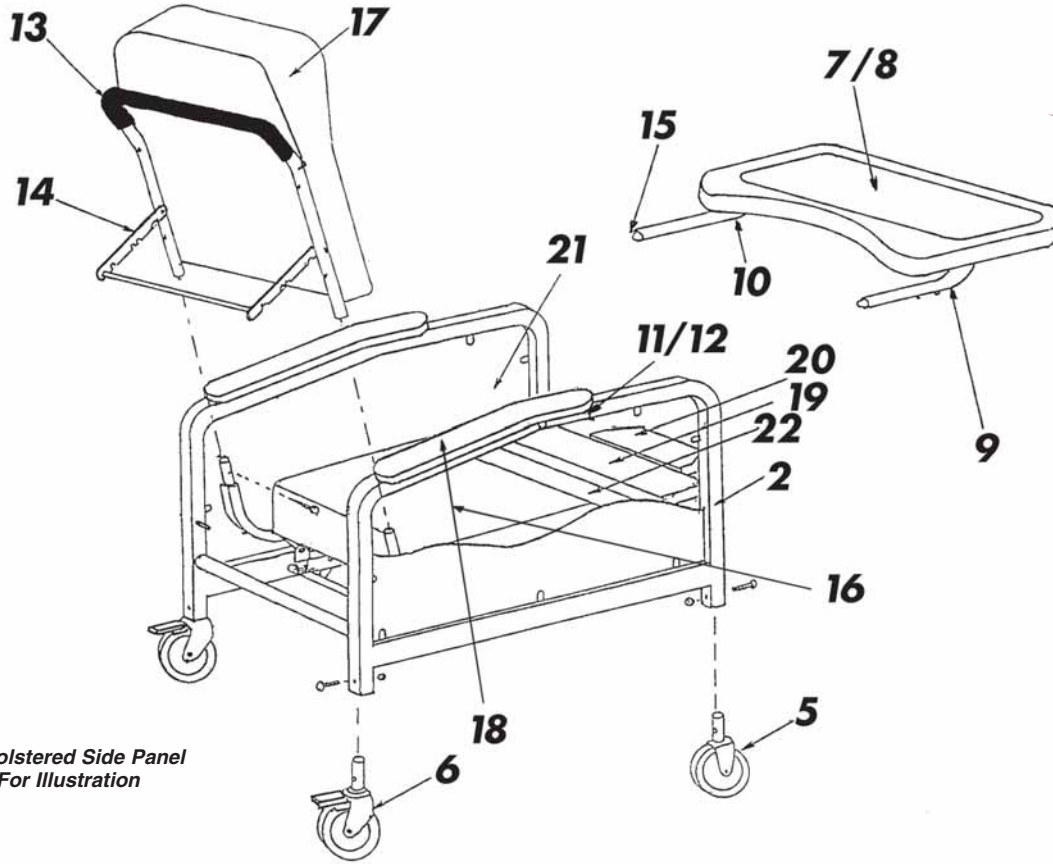
Description	Works On Models	ALCO Part No.	Price Each
Standard Neck rest (Specify color)	Elites, Basics, Midline, Pedals, Gliders	AL-76559	\$37.00
Standard Shoulder Bolster (specify color)	Elites, Basics, Midline, Pedals	AL-76560	\$100.00
Seat Pad 17" x 17" x 1" with removable terry cloth cover (specify grey or white)	Elites, Basics, Midline, Pedals	AL-76561	\$59.00
Seat Pad 17" x 17" x 1" with removable vinyl cover (specify color)	Elites, Basics, Midline, Pedals	AL-76562	\$73.00
Extra Seat Pad Cover		AL-76563	\$28.00
Extra Seat Pad Cover (Grey)		AL-76564	\$28.00
Extra Seat Pad Cover (Vinyl)		AL-76565	\$42.00
Back Pad 17" x 30" x 5/8" (Terry Cloth Cover)	Elites, Basics, Midline, Pedals	AL-76566	\$65.00
Back Pad 17" x 30" x 5/8" (Vinyl Cloth Cover)	Elites, Basics, Midline, Pedals	AL-78404	\$82.00
Padded Thigh Belt 4" wide for 22" or 24" width chair		AL-76567	\$82.00
Padded Thigh Belt 4" wide for 26" or 28" width chair	Elites, Basics, Midline, Pedals	AL-76568	\$84.00
Padded Neoprene Thigh Belt 4" wide for 18" or 20" chair	Elites, Basics, Midline, Pedals	AL-76569	\$80.00

## Replacement Parts

Description	Works On Models	ALCO Part No.	Price Each
Armrest (each)	All	AL-76570	\$26.00
Gas Spring 270N	Tilt only on 785* and 48	AL-76571	\$110.00
Gas Spring 300N	Standard (Legrest and Recline on Elite, Midline, Basics and Tilt on Basics)	AL-76572	\$110.00
Gas Spring 800N	587	AL-76573	\$110.00
Stainless Gas Spring 300N	B385	AL-76574	\$110.00
Stainless Gas Spring 600N	B385	AL-76575	\$110.00
Stainless Gas Spring 800N	B385	AL-76576	\$110.00
Gas Spring 800N PAB 9	Tilt only on 785's built after 9-16-11	AL-77037	\$110.00
Stainless Gas Spring 270N	385CS and B385	AL-76577	\$110.00
Stainless Gas Spring 300N	385CS and B385	AL-76578	\$110.00
Gas Spring Lock 600N	Pedal rocker	AL-76579	\$110.00
Remote Cable release assembly for PAB 32" (cable, handle, actuator)		AL-76580-32	\$46.00
Remote Cable release assembly for PAB 48" (cable, handle, actuator)		AL-76580-48	\$46.00
Remote Cable release assembly for PAB 56" (cable, handle, actuator)		AL-76580-56	\$46.00
Double Cable release assembly for PAB 32" (2 x cable, handle, actuator).		AL-76581-32	\$70.00
Double Cable release assembly for PAB 48" (2 x cable, handle, actuator).		AL-76581-48	\$70.00
Double Cable release assembly for PAB 56" (2 x cable, handle, actuator).		AL-76581-56	\$70.00
Cable and Handle only for PAB assembly 32"		AL-76582-32	\$28.00
Cable and Handle only for PAB assembly 48"		AL-76582-48	\$28.00
Cable and Handle only for PAB assembly 56"		AL-76582-56	\$28.00
Double Cable and Handle only for PAB 32" (2 x cable, handle, actuator).		AL-76583-32	\$53.00
Double Cable and Handle only for PAB 48" (2 x cable, handle, actuator).		AL-76583-48	\$53.00
Double Cable and Handle only for PAB 56" (2 x cable, handle, actuator).		AL-76583-56	\$53.00
Actuator only for PAB release assembly		AL-76584	\$24.00
5" Total Lock Caster	Standard, Elites, Midline, Basics and Pedals	AL-76585	\$42.00
6" Directional Locking Rear Caster	Elite	AL-76586	\$135.00
5" Fixed Locking Caster	Pedal, Pedal Rocker	AL-76587	\$56.00
5" directional Locking Caster with sleeve	MID, Basic	AL-76588	\$56.00
5" Directional Locking Stainless Steel Caster	385CS	AL-76589	\$89.00
5" Total Lock Stainless Steel Caster	385CS	AL-76590	\$74.00

\*Used on all models prior to 9-16-11

**BUY 11 GET 1 FREE!**



**When Ordering, Specify Left (L) or Right (R) Sitting in Chair**

Note: Upholstered Side Panel Cut Away For Illustration



Fig.	Description	ALCO Part No.	Price Each
2	Steel Main Frame	AL-58674	Call
3	Mechanism (Pair)	AL-77161	\$269.00
5	5" Rigid Caster	AL-58712	\$44.95
6	5" Swivel Caster with Brake	AL-50819	\$52.95
7	Plastic Blow Molded Tray Only	AL-58666	\$62.95
8	Blow Molded Tray with Arms Complete	AL-58667	\$99.95
9	Tray Arm, Right	AL-58668	\$18.95
10	Tray Arm, Left	AL-58669	\$18.95
N/S	Valco Snap Button for AL-58668	AL-64226	\$12.95
N/S	Valco Snap Button for AL-58669	AL-64227	\$12.95
N/S	Tray Arm Strap	AL-58670	\$6.95

Fig.	Description	ALCO Part No.	Price Each
11	Tray Receiving Tube Inserts Flanged (1)	AL-64230	\$4.95
12	Tray Receiving Tube Inserts Plain (3)	AL-64231	\$2.95
N/S	Slat for Apron	AL-50813	\$14.95
14	Position Lock Bar	AL-58678	\$47.95
15	3/4" Black Ball Glide for Tray	AL-58679	\$2.95
16	Upholstered Seat (specify color)	AL-58680	\$119.95
17	Upholstered Back*	AL-77103	Call
18	Upholstered Arms (Pair) 3" (specify color)	AL-50814	\$79.95
19	Upholstered Legrest (specify color)	AL-58683	\$69.95
20	Upholstered Footrest (specify color)	AL-58684	\$59.95
21	Upholstered Side Panel*	AL-77104	Call
22	Apron, Front (specify color)	AL-58686	\$44.95

\*Need Serial/Model Number



# Winco Convalescent Recliner Model 525 (w/Tray) & Recliner Model 526 (w/o Tray)



**BUY 11 GET 1 FREE!**



**MADE IN THE USA**

*When Ordering, Specify Left (L) or Right (R) Sitting in Chair*



Blueridge (17)    Burgundy (14)    Hunter Green (06)    Mauve (16)    Royal Blue (02)    Taupe (03)    Moss Green (04)

EP-1

Fig.	Description	ALCO Part No.	Price Each
1	Back Frame	AL-64243	\$62.95
N/S	Slat for Apron	AL-50813	\$14.95
N/S	Mechanism (Pair)	AL-77161	\$269.00
3	Tray Arm Right	AL-58668	\$18.95
4	Tray Arm Left	AL-58669	\$18.95
N/S	Tray Arm Strap	AL-58670	\$6.95
N/S	Steel Main Frame	AL-64251	\$259.95
5	Side Panel Insert Left	AL-64252	Call
6	Side Panel Insert Right	AL-64253	Call
7	Blow Molded Tray with Tray Arms Complete (Model 525 only)	AL-58667	\$99.95
N/S	Valco Snap Button for AL-58668	AL-64226	\$12.95
N/S	Valco Snap Button for AL-58669	AL-64227	\$12.95

Pr.

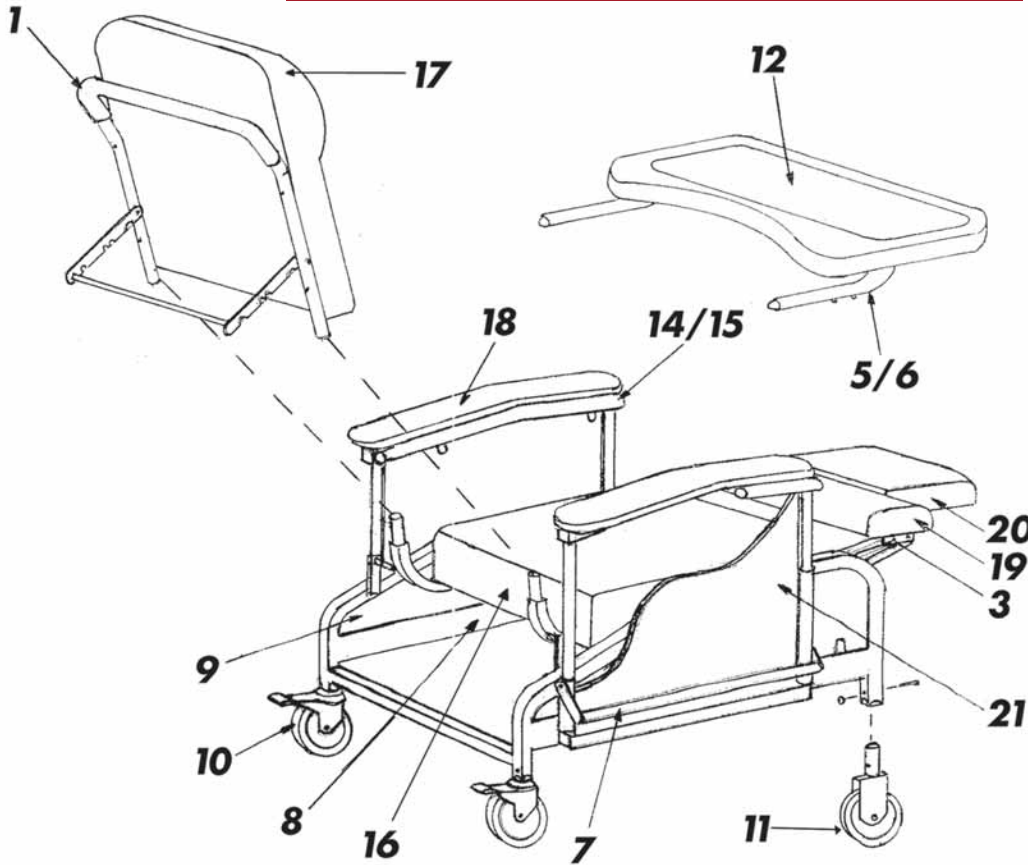
Fig.	Description	ALCO Part No.	Price Each
8	5" Swivel Caster with Brake	AL-50819	\$52.95
9	5" Rigid Caster	AL-58712	\$44.95
10	Plastic Blow Molded Tray Only (Mdl. 525 only)	AL-58666	\$62.95
11	3/4" Black Ball Glide	AL-58679	\$2.95
12	Tray Receiving Tube Inserts Flanged (1)	AL-64230	\$4.95
13	Tray Receiving Tube Inserts Plain (3)	AL-64231	\$2.95
15	Upholstered Seat (Specify Color)	AL-58680	\$119.95
16	Upholstered Back (Specify Color)	AL-58681	\$169.95
17	Upholstered Arms (Pair) (Specify Color)	AL-50814	\$79.95
N/S	Upholstered Legrest (Specify Color)	AL-58683	\$69.95
N/S	Upholstered Footrest (Specify Color)	AL-58684	\$59.95
N/S	Upholstered Front Apron (Specify Color)	AL-58686	\$44.95

Pr.



# Winco Drop Arm Convalescent Recliner Model 527 (w/Tray) & Model 528 (w/o Tray)

**BUY 11 GET 1 FREE!**



**When Ordering,  
Specify Left (L)  
or Right (R)  
Sitting in Chair**



Blueridge (17)

Burgundy (14)

Hunter Green (06)

Mauve (16)

Royal Blue (02)

Taupe (03)

Moss Green (04)

Fig.	Description	ALCO Part No.	Price Each
1	Back Frame	AL-64243	\$62.95
N/S	Slat for Apron	AL-50813	\$14.95
3	Mechanism (Pair)	AL-77161	\$269.00 Pr.
5	Tray Arm Right (Model 527 only)	AL-58668	\$18.95
6	Tray Arm Left (Model 527 only)	AL-58669	\$18.95
N/S	Tray Arm Strap	AL-58670	\$6.95
7	Drop Arm Release Bar	AL-64262	Call
8	Steel Main Frame	AL-64371	Call
9	Plastic Side Panel (Main Frame)	AL-58738	Call
N/S	Blow Molded Tray w/ Tray Arms Complete	AL-58667	\$99.95
N/S	Valco Snap Button For AL-58668	AL-64226	\$12.95
N/S	Valco Snap Button For AL-58669	AL-64227	\$12.95
10	5" Swivel Caster w/ Brake	AL-50819	\$52.95

Fig.	Description	ALCO Part No.	Price Each
11	5" Rigid Caster	AL-58712	\$44.95
12	Plastic Blow Molded Tray Only (Model 527 only)	AL-58666	\$62.95
14	Tray Receiving Tube Flanged	AL-64230	\$4.95
15	Tray Receiving Tube Plain Insert	AL-64231	\$2.95
16	Upholstered Seat (Specify Color)	AL-58680	\$119.95
17	Upholstered Back (Specify Color)	AL-58681	\$169.95
18	Upholstered Arms (Each) (Specify Color)	AL-64411	\$69.95
19	Upholstered Legrest (Specify Color)	AL-58683	\$69.95
20	Upholstered Footrest (Specify Color)	AL-58684	\$59.95
21	Upholstered Side Panel Left (Specify Color)	AL-58685L	\$69.95
21	Upholstered Side Panel Right (Specify Color)	AL-58685R	\$69.95
N/S	Upholstered Front Apron (Specify Color)	AL-58686	\$44.95

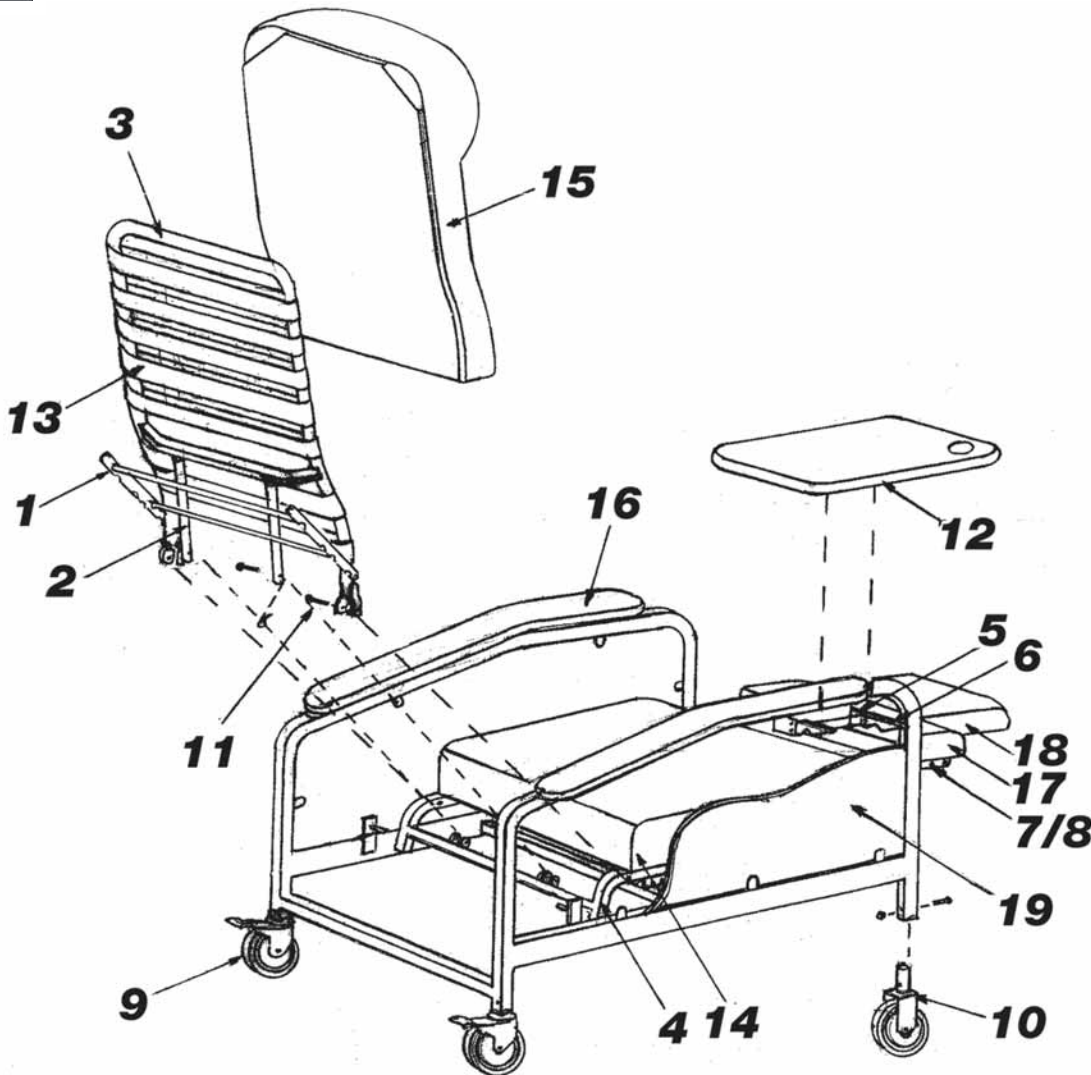


# Winco XL Care Cliner with Tables Model 529

**BUY 11 GET 1 FREE!**



When Ordering, Specify Left (L) or Right (R) Sitting in Chair



Blueridge (17)    Burgundy (14)    Hunter Green (06)    Mauve (16)    Royal Blue (02)    Taupe (03)    Moss Green (04)

Fig.	Description	ALCO Part No.	Price Each
N/S	Front Apron Slat	AL-58703	\$6.95
1	Position Lock Bar	AL-58704	\$69.95
2	Back Support Strut	AL-58716	\$28.95
N/S	Main Frame	AL-64239	Call
3	Back Frame	AL-64240	Call
4	Seat Frame	AL-58706	\$89.95
N/S	Seat Frame with Mechanisms	AL-64241	N/A
	5/16" Hinge Rod (Each)	N/A	N/A
	Threaded Rod (Each)	AL-76079	\$13.95
	5/16" Hinge Rod (Each)	AL-76080	\$0.59
N/S	Side Table Assembly	AL-64242	Call
6	Side Table Hinge (Pair)	AL-58709	\$19.95
7/8	Recliner Mechanism, Set	AL-25622	\$119.95

Pr. Set

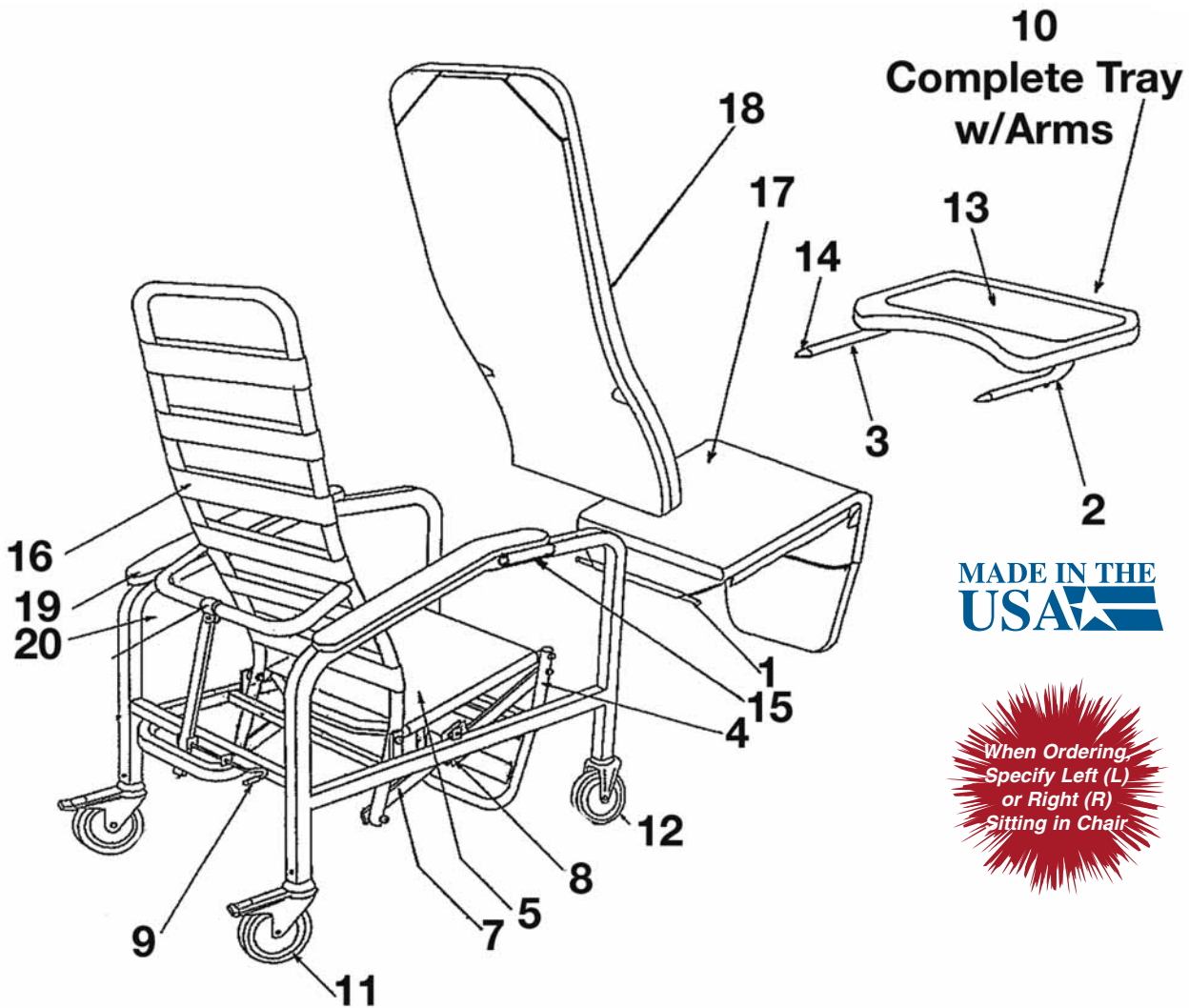
Fig.	Description	ALCO Part No.	Price Each
9	Total Lock Casters (Each)	AL-50819	\$52.95
10	Rigid Casters 5"	AL-58712	\$44.95
11	Clevis Pin Tapered (2 Chair Each)	AL-64233	Call
12	Blow Molded Side Table	AL-64236	\$45.95
13	Adjustable Elastic Straps	AL-64232	\$14.95
14	Upholstered Seat (Specify Color)	AL-58721	\$169.95
15	Upholstered Back (Specify Color)	AL-58722	\$189.95
16	Upholstered Armrest (Specify Color)*	AL-58717	Call
17	Upholstered Legrest (Specify Color)	AL-58719	\$79.95
18	Upholstered Footrest (Specify Color)	AL-58720	\$79.95
N/S	Upholstered Front Apron (Specify Color)	AL-58723	\$51.95
19	Upholstered Side Panel (Specify Color)*	AL-58718	Call

\*Need Serial/Model Number

**LOW PRICES GUARANTEED!**  
**WE WILL NOT BE UNDERSOLD!**

# Winco Caremor Cliner Model 532

**BUY 11 GET 1 FREE!**



**MADE IN THE USA**

*When Ordering, Specify Left (L) or Right (R) Sitting in Chair*



Blueridge (17)    Burgundy (14)    Hunter Green (06)    Mauve (16)    Royal Blue (02)    Taupe (03)    Moss Green (04)

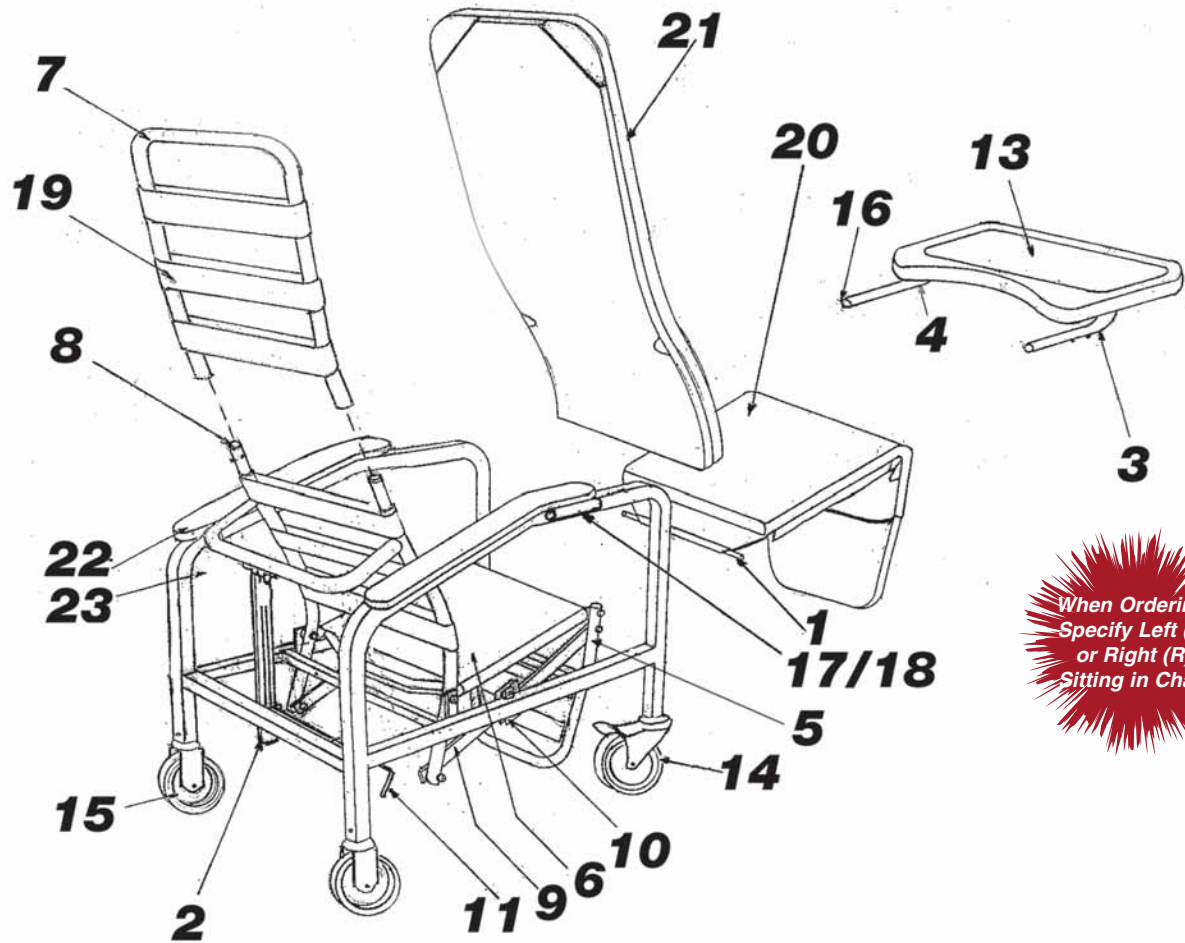
Fig.	Description	ALCO Part No.	Price Each
1	Seat Slat	AL-50813	\$14.95
2	Tray Arm-Right	AL-58668	\$18.95
3	Tray Arm-Left	AL-58669	\$18.95
N/S	Tray Arm Strap	AL-58670	\$6.95
4	Steel Legrest Frame	AL-68911	Call
5	Seat Frame w/ Webbing	AL-58691	Call
7	Torsion Bar (Each)	AL-50821	Call
8	Torsion Slide Assembly	AL-50823	Call
N/S	Caster Sleeve	AL-50830	Call
9	Position Lock Handle 5/16"	AL-64224	\$41.95
	Replacement Position Lock Kit 5/16"	AL-64225	\$47.95
10	Blow Molded Tray w/ Arms Complete	AL-58667	\$99.95
N/S	Valco Snap Button For AL-58668	AL-64226	\$12.95
N/S	Valco Snap Button For AL-58669	AL-64227	\$12.95

Fig.	Description	ALCO Part No.	Price Each
11	5" Swivel Caster Total Lock"	AL-50819	\$52.95
12	5" Rigid Caster"	AL-58712	\$44.95
N/S	5/16" Locking Flange Nut"	AL-64228	\$4.95
13	Plastic Blow Molded Tray Only	AL-58666	\$62.95
14	3/4" Black Ball Glide for AL-58668 & AL-58669	AL-58679	\$2.95
15	Tray Receiving Tube Insert Flanged (1)	AL-64230	\$4.95
	Tray Receiving Tube Insert Plain (3)	AL-64231	\$2.95
16	Back Webbing	AL-64232	\$14.95
17	Upholstered Seat/Legrest*	AL-68912	Call
18	Upholstered Back*	AL-50829	Call
19	Upholstered Arms*	AL-68913	Call
20	Upholstered Side Panel*	AL-68914	Call

\*Need Serial/Model Number



**BUY 11 GET 1 FREE!**



**When Ordering, Specify Left (L) or Right (R) Sitting in Chair**



Blueridge (17)    Burgundy (14)    Hunter Green (06)    Mauve (16)    Royal Blue (02)    Taupe (03)    Moss Green (04)

EP-1

Fig.	Description	ALCO Part No.	Price Each
1	Seat Strap	AL-58687	Call
2	Position Lock Slide Bar	AL-58688	\$52.95
3	Tray Arm Right	AL-58669	\$18.95
4	Tray Arm Left	AL-58668	\$18.95
N/S	Tray Arm Strap	AL-58670	\$6.95
5	Steel Legrest Frame	AL-58689	Call
N/S	Seat Frame	AL-58690	Call
6	Seat Frame with Webbing	AL-58691	Call
7	Steel Back Frame Top	AL-58692	Call
8	Steel Back Frame Bottom	AL-58693	Call
9	Torsion Bar (Each)	AL-50821	Call
10	Torsion Slide Plates (One Side)	AL-50823	Call
N/S	Caster Sleeve	AL-50830	Call
11	Position Lock Handle	AL-50818	\$26.95
N/S	Replacement Position Lock Kit	AL-64223	\$39.95
N/S	Position Lock Handle 5/16"	AL-64224	\$41.95
N/S	Replacement Position Lock Kit 5/16"	AL-64225	\$44.95
13	Blow Molded Tray w/ Arms complete	AL-58667	\$99.95

Fig.	Description	ALCO Part No.	Price Each
N/S	Valco Snap Button for AL-58669	AL-64226	\$12.95
N/S	Valco Snap Button for AL-58668	AL-64227	\$12.95
14	5" Swivel Caster Total Lock	AL-50819	\$52.95
15	5" Rigid Caster	AL-58712	\$44.95
N/S	5/16 Locking Flange Nut	AL-64228	\$4.95
N/S	Plastic Blow Molded Tray Only	AL-58666	\$62.95
16	3/4" Black Ball Glide for AL-58668/AL-58669	AL-58679	\$2.95
17	Tray Receiving Tube Insert Flanged (1)	AL-64230	\$4.95
18	Tray Receiving Tube Insert Plain (3)	AL-64231	\$2.95
19	Back Webbing	AL-64232	\$14.95
20	Upholstered Seat/Legrest (Specify Color)*	AL-50828	Call
21	Upholstered Back (Specify Color)*	AL-50829	Call
22	Upholstered Arms (Pair) (Specify Color)	AL-50814	\$79.95
23	Upholstered Side Panels, Left (Spec Color)	AL-50815L	\$99.95
	Upholstered Side Panels, Right (Spec Color)	AL-50815R	\$99.95

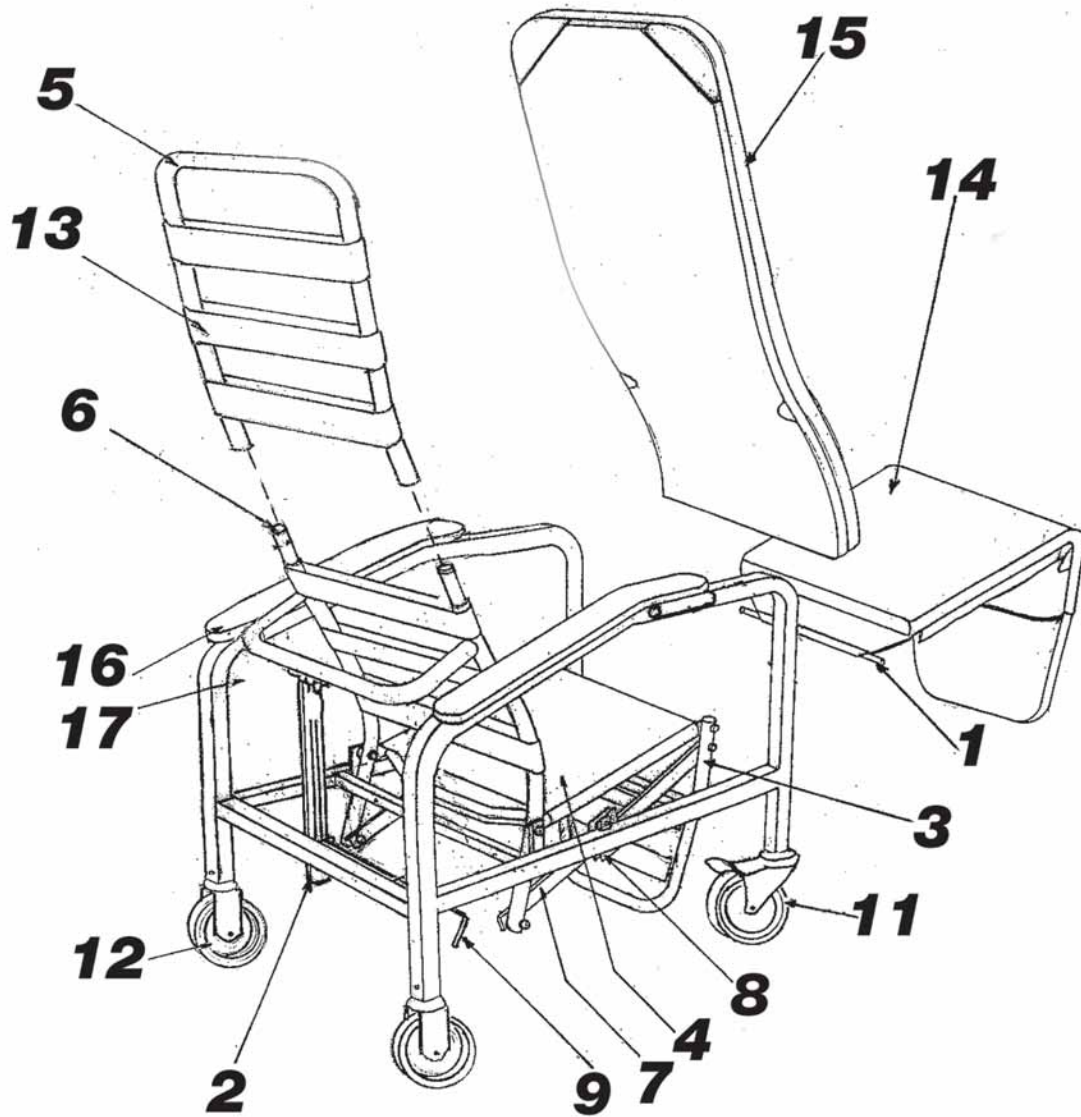
Pr.

\*Need Serial/Model Number



# Winco Caremor Cliner Model 534

**BUY 11 GET 1 FREE!**



When Ordering, Specify Left (L) or Right (R) Sitting in Chair

MADE IN THE USA



Blueridge (17)    Burgundy (14)    Hunter Green (06)    Mauve (16)    Royal Blue (02)    Taupe (03)    Moss Green (04)

Fig.	Description	ALCO Part No.	Price Each
1	Seat Strap	AL-58687	Call
2	Position Lock Slide Bar	AL-58688	\$52.95
3	Steel Legrest Frame	AL-58689	Call
N/S	Seat Frame	AL-58690	Call
4	Seat Frame with Webbing	AL-58691	Call
5	Steel Back Frame Top	AL-58692	Call
6	Steel Back Frame Bottom	AL-58693	Call
7	Torsion Bar (Each)	AL-50821	Call
8	Torsion Slide Plates (One Side)	AL-50823	Call
N/S	Caster Sleeve	AL-50830	Call
9	Position Lock Handle	AL-50818	\$26.95

Fig.	Description	ALCO Part No.	Price Each
N/S	Replacement Position Lock Kit	AL-64223	\$39.95
N/S	Position Lock Handle 5/16"	AL-64224	\$41.95
N/S	Replacement Position Lock Kit 5/16"	AL-64225	\$44.95
11	5" Swivel Caster Total Lock	AL-50819	\$52.95
12	5" Rigid Caster	AL-58712	\$44.95
13	Back Webbing	AL-64232	\$14.95
14	Upholstered Seat/Legrest (Specify Color)	AL-50828	Call
15	Upholstered Back (Specify Color)	AL-50829	Call
16	Upholstered Arms (Pair) (Specify Color)	AL-50814	\$79.95 Pr.
17	Upholstered Side Panels, Left (Spec Color)	AL-50815L	\$99.95
	Upholstered Side Panels, Right (Spec Color)	AL-50815R	\$99.95

\*Need Serial/Model Number



# Winco Caremor Cliner Model 535/536



**BUY 11 GET 1 FREE!**



Blueridge (17)

Burgundy (14)

Hunter Green (06)

Mauve (16)

Royal Blue (02)

Taupe (03)

Moss Green (04)

Fig.	Description	ALCO Part No.	Price Each
1	Gas Cylinder Assembly	AL-68915	\$159.95
2	Tray Arm-Right	AL-58668	\$18.95
3	Tray Arm-Left	AL-58669	\$18.95
N/S	Tray Arm Strap	AL-58670	\$6.95
4	Main Frame	AL-58690	Call
N/S	Seat Frame w/ Webbing	AL-58691	Call
N/S	Replacement Position Lock Kit 5/16"	AL-64225	\$44.95
N/S	Back Frame	AL-68916	\$32.95
5	Push Handle Kit*	AL-68917	\$104.95
6	Blow Molded Tray w/ Arms Complete	AL-58667	\$99.95
N/S	Valco Snap Button For AL-58668	AL-64226	\$12.95
N/S	Valco Snap Button For AL-58669	AL-64227	\$12.95
7	5" Swivel Caster Total Lock	AL-50819	\$52.95

Fig.	Description	ALCO Part No.	Price Each
8	5" Rigid Caster	AL-58712	\$44.95
N/S	Seat Legrest Assembly	AL-68918	\$299.95
9	Plastic Blow Molded Tray Only	AL-58666	\$62.95
N/S	3/4" Black Ball Glide for AL-58668 & AL-58669	AL-58679	\$2.95
N/S	Tray Receiving Tube Insert Flanged (1)	AL-64230	\$4.95
N/S	Tray Receiving Tube Insert Plain (3)	AL-64231	\$2.95
10	Release Lever	AL-68919	\$29.95
11	Upholstered Seat/Legrest*	AL-50828	Call
12	Upholstered Back	AL-68920	\$159.95
13	Upholstered Arms	AL-50814	\$79.95
14	Upholstered Side Panels, Left (Specify Color)	AL-50815L	\$99.95
	Upholstered Side Panels, Right (Specify Color)	AL-50815R	\$99.95

\*Includes mounting dowels and hardware

\*Need Serial and/or Model Number



# Winco Convalescent Recliner Model 584

**BUY 11  
Get One  
FREE**

**BUY 11 GET 1 FREE!**

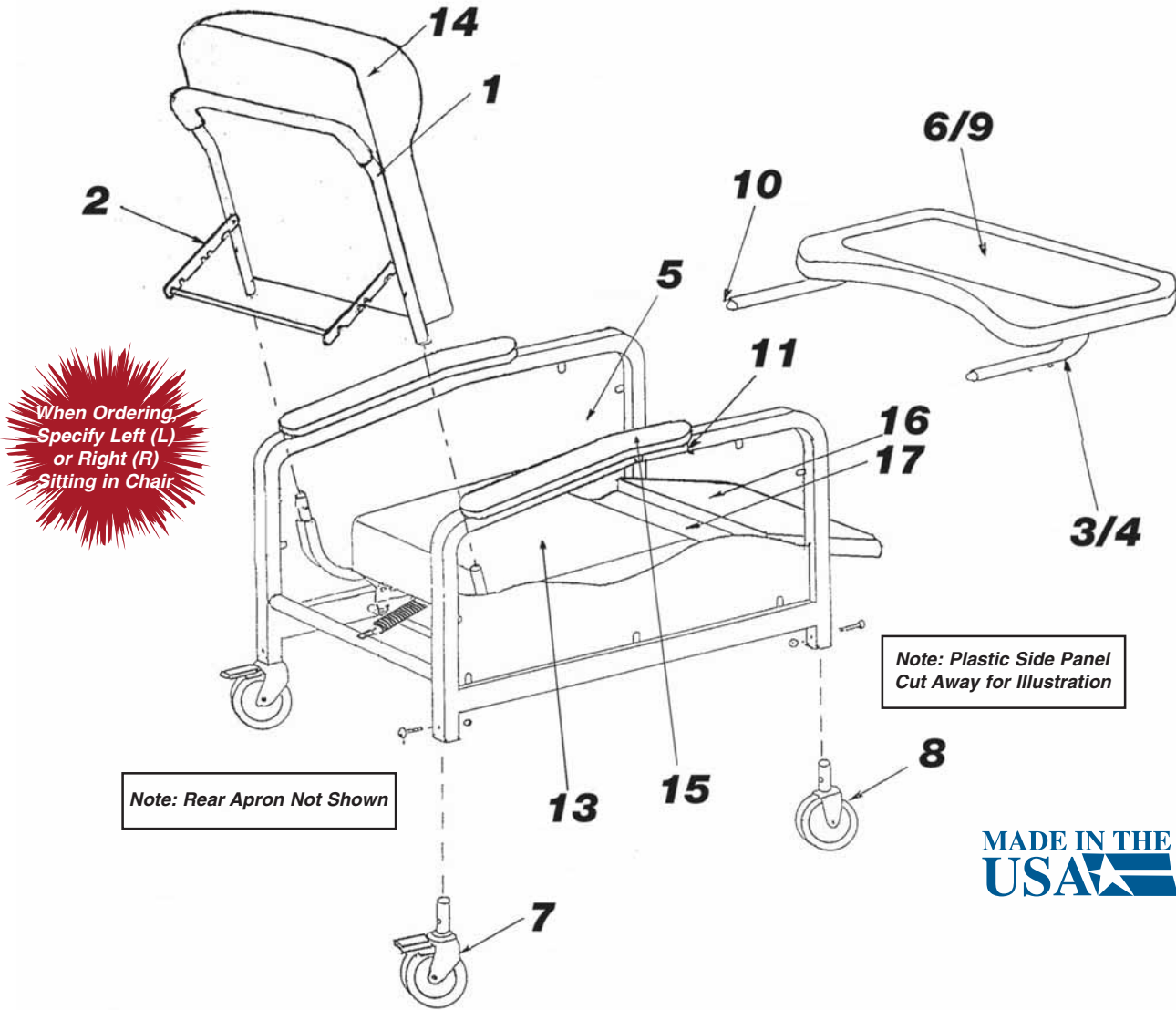


Fig.	Description	ALCO Part No.	Price Each
1	Back Frame	AL-64243	\$62.95
N/S	Slat for Apron	AL-50813	\$14.95
2	Position Lock Bar	AL-58678	\$47.95
3	Tray Arm Right	AL-58668	\$18.95
4	Tray Arm Left	AL-58669	\$18.95
N/S	Tray Arm Strap	AL-58670	\$6.95
N/S	Steel Main Frame	AL-64247	Call
5	Plastic Side Panel	AL-58698	Call
6	Blow Molded Tray with Tray Arms Complete	AL-58667	\$99.95
N/S	Valco Snap Button for AL-58668	AL-64226	\$12.95
N/S	Valco Snap Button for AL-58669	AL-64227	\$12.95
7	5" Swivel Caster with Brake	AL-50819	\$52.95

Fig.	Description	ALCO Part No.	Price Each
8	5" Rigid Caster	AL-58712	\$44.95
9	Plastic Blow Molded Tray Only	AL-58666	\$62.95
10	3/4" Black Ball Glide for AL-58668 & AL-58669	AL-58679	\$2.95
11	Tray Receiving Tube Insert Flanged	AL-64230	\$4.95
	Tray Receiving Tube Insert Plain	AL-64231	\$2.95
13	Upholstered Seat (Specify Color)	AL-64402	\$139.95
14	Upholstered Back (Specify Color)	AL-64407	\$149.95
15	Upholstered Arms (Pair) (Specify Color)	AL-50814	\$79.95
16	Upholstered Legrest (Specify Color)	AL-64408	\$89.95
17	Upholstered Apron (Front or Rear) (Specify Color)	AL-64406	\$49.95

Pr.



# Winco Convalescent Recliner Model 585 (w/Tray& Model 586 (w/o Tray)



**BUY 11 GET 1 FREE!**



Blueridge (17)    Burgundy (14)    Hunter Green (06)    Mauve (16)    Royal Blue (02)    Taupe (03)    Moss Green (04)

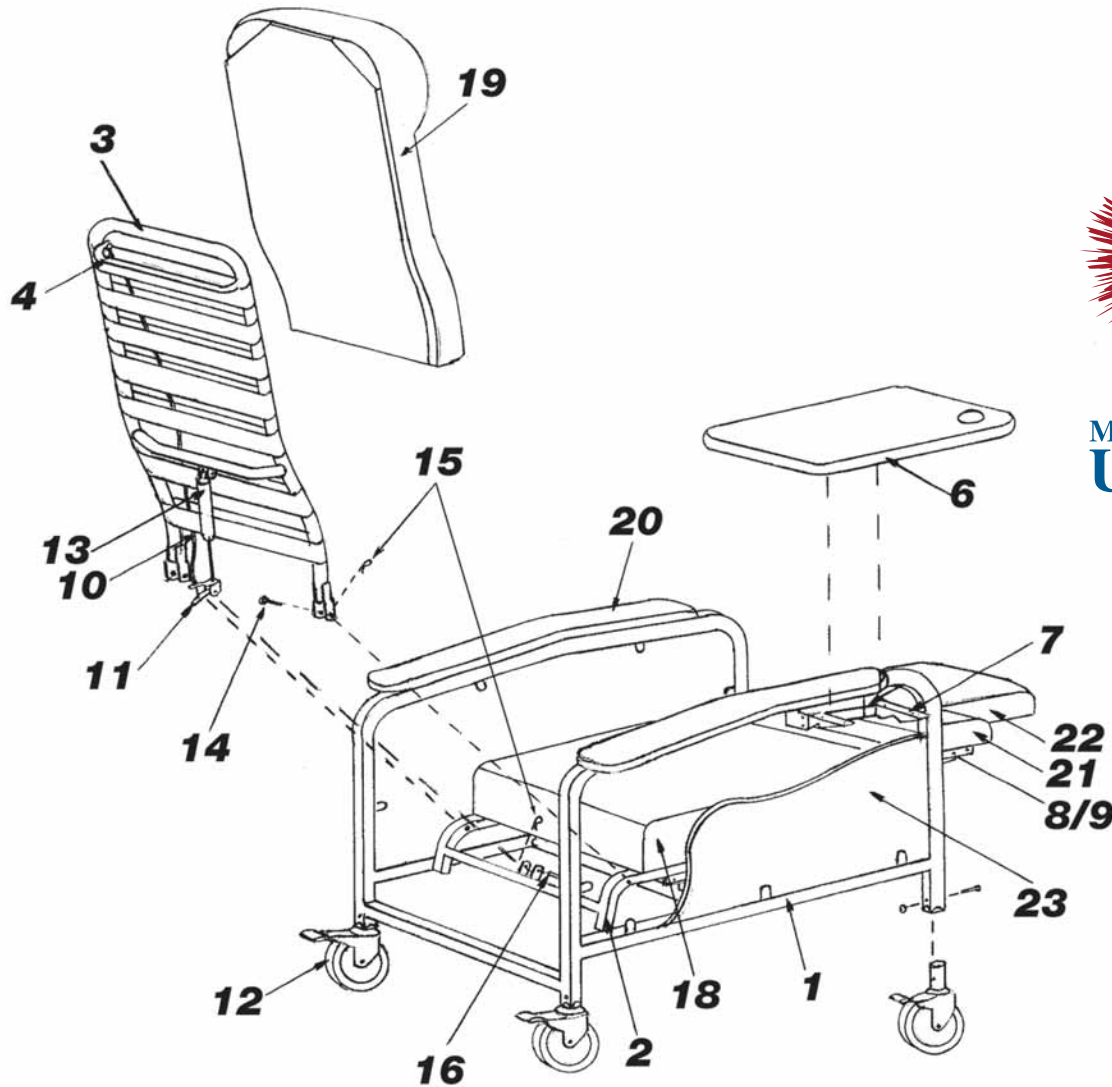
Fig.	Description	ALCO Part No.	Price Each
1	Back Frame	AL-64243	\$62.95
N/S	Slat for Apron	AL-50813	\$14.95
3	Tray Arm Right (Model 585 only)	AL-58668	\$18.95
4	Tray Arm Left (Model 585 only)	AL-58669	\$18.95
N/S	Tray Arm Strap	AL-58670	\$6.95
N/S	Steel Main Frame	AL-64251	\$289.95
5	Blow Molded Tray with Tray Arms Complete (Model 585 only)	AL-58667	\$99.95
N/S	Valco Snap Button for AL-58668	AL-64226	\$12.95
N/S	Valco Snap Button for AL-58669	AL-64227	\$12.95
N/S	Mechanism Left with Seat Rail & Safety Shield	AL-64255	\$71.95
N/S	Mechanism Right with Seat Rail & Safety Shield	AL-64256	\$71.95
6	5" Swivel Caster with Brake	AL-50819	\$52.95

Fig.	Description	ALCO Part No.	Price Each
7	5" Rigid Caster	AL-58712	\$44.95
8	Plastic Blow Molded Tray Only (Model 585 only)	AL-58666	\$62.95
9	Blow Molded Side Panel Left	AL-64257	\$43.95
10	Blow Molded Side Panel Right	AL-64258	\$43.95
11	3/4" Black Ball Glide for AL-58668 & AL-58669	AL-58679	\$2.95
12	Tray Receiving Tube Inserts Flanged (1)	AL-64230	\$4.95
13	Tray Receiving Tube Inserts Plain (3)	AL-64231	\$2.95
15	Upholstered Seat (Specify Color)	AL-64402	\$139.95
16	Upholstered Back (Specify Color)	AL-64407	\$149.95
17	Upholstered Arms (Pair) (Specify Color)	AL-50814	\$79.95 Pr.
N/S	Upholstered Legrest (Specify Color)	AL-64408	\$89.95
N/S	Upholstered Apron (Front or Rear) (Specify Color)	AL-64406	\$49.95

EP-1

# Winco Care Cliner Model 653

**BUY 11 GET 1 FREE!**



*When Ordering,  
Specify Left (L)  
or Right (R)  
Sitting in Chair*

**MADE IN THE USA**



Blueridge (17)    Burgundy (14)    Hunter Green (06)    Mauve (16)    Royal Blue (02)    Taupe (03)    Moss Green (04)

Fig.	Description	ALCO Part No.	Price Each
N/S	Front Apron Slat	AL-58765	\$6.95
2	Seat Frame	AL-58725	\$69.95
3	Back Frame, With Webbing	AL-58726	\$249.95
4	Release Handle	AL-58727	\$34.95
N/S	Leg Extensions	AL-64400	Call
6	Side Table Assembly	AL-64242	Call
7	Side Table Hinge (Pair)	AL-58709	\$19.95
8/9	Recliner Mechanism, (Set)	AL-25622	\$119.95
10	Cable	AL-58728	\$35.95
11	Operator	AL-58729	Call
	Operator (for serial number "A")	AL-69224	Call
12	Total Lock Caster (Each)	AL-50819	\$59.95

Pr. Set

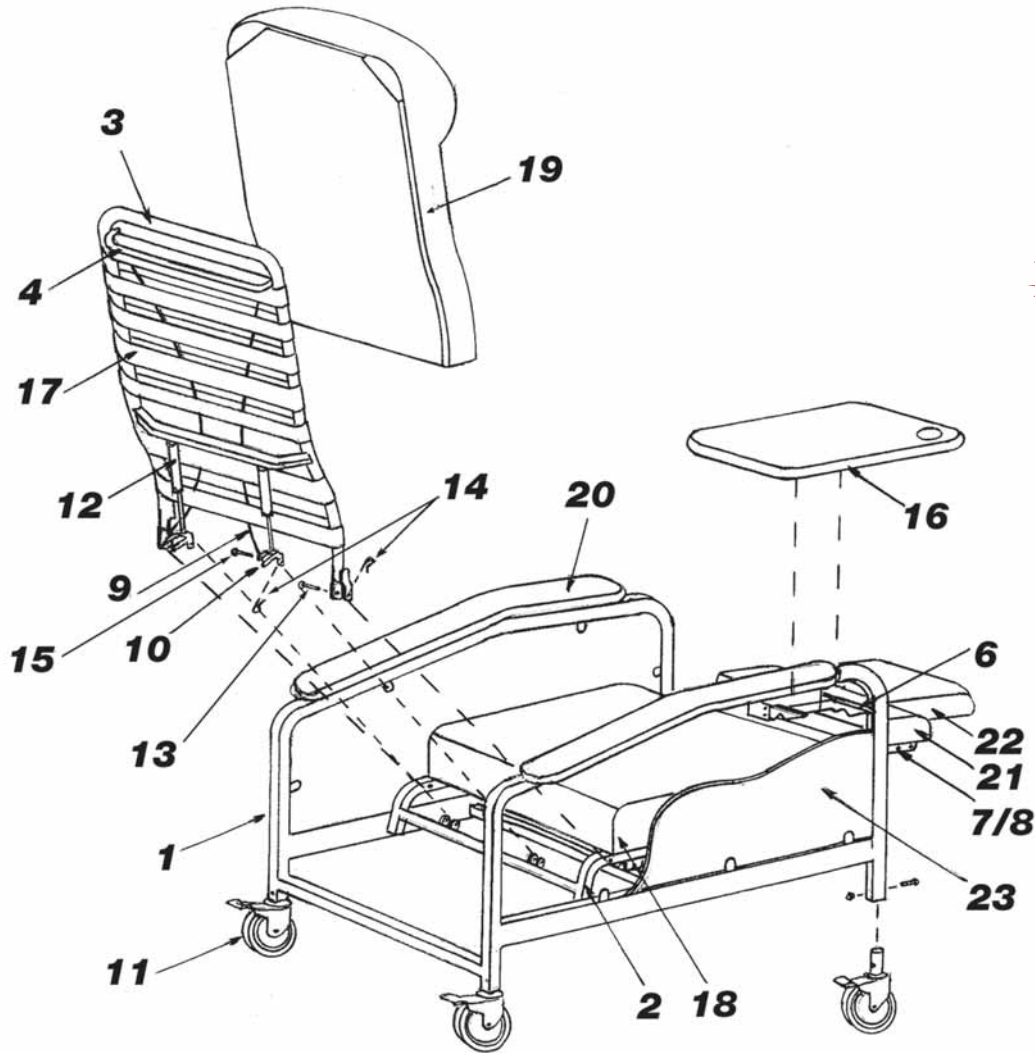
Fig.	Description	ALCO Part No.	Price Each
13	Gas Cylinder	AL-58730	\$99.95
14	Clevis Pin Tapered	AL-64233	Call
15	Bow Tie Cotter Pins	AL-64234	\$2.95
16	Clevis Pin Not Tapered	AL-64235	Call
N/S	Blow Molded Side Table	AL-64236	\$45.95
18	Upholstered Seat (Specify Color)	AL-64393	\$149.95
19	Upholstered Back (Specify Color)	AL-64394	\$189.95
20	Upholstered Armrest (Specify Color)*	AL-58717	Call
21	Upholstered Legrest (Specify Color)	AL-64396	\$79.95
22	Upholstered Footrest (Specify Color)	AL-64397	\$79.95
N/S	Upholstered Front Apron (Specify Color)	AL-64398	\$51.95
N/S	Upholstered Rear Apron (Specify Color)	AL-69225	\$29.95
23	Upholstered Side Panel (Specify Color)*	AL-64399	Call

\*Need Serial and/or Model Number



# Winco Care Cliner XL Model 654

**BUY 11 GET 1 FREE!**



When Ordering, Specify Left (L) or Right (R) Sitting in Chair

MADE IN THE USA



Blueridge (17)    Burgundy (14)    Hunter Green (06)    Mauve (16)    Royal Blue (02)    Taupe (03)    Moss Green (04)

Fig.	Description	ALCO Part No.	Price Each
N/S	Front Apron Slat	AL-58703	\$6.95
1	Main Frame	AL-58739	\$379.95
2	Seat Frame	AL-58706	\$89.95
3	Back Frame, With Webbing	AL-58707	\$279.95
4	Release Handle	AL-58742	\$19.95
N/S	Seat Frame with Mechanisms	AL-64241	\$269.95
N/S	Side Table Assembly	AL-64242	Call
6	Side Table Hinge (Pair)	AL-58709	\$19.95
7/8	Recliner Mechanism, (Set)	AL-25622	\$119.95
9	Cable	AL-58728	\$35.95
10	Operator	AL-58729	Call
	Operator (for serial number "A")	AL-69224	Call
11	Total Lock Casters (Each)	AL-50819	\$59.95

Pr. Set

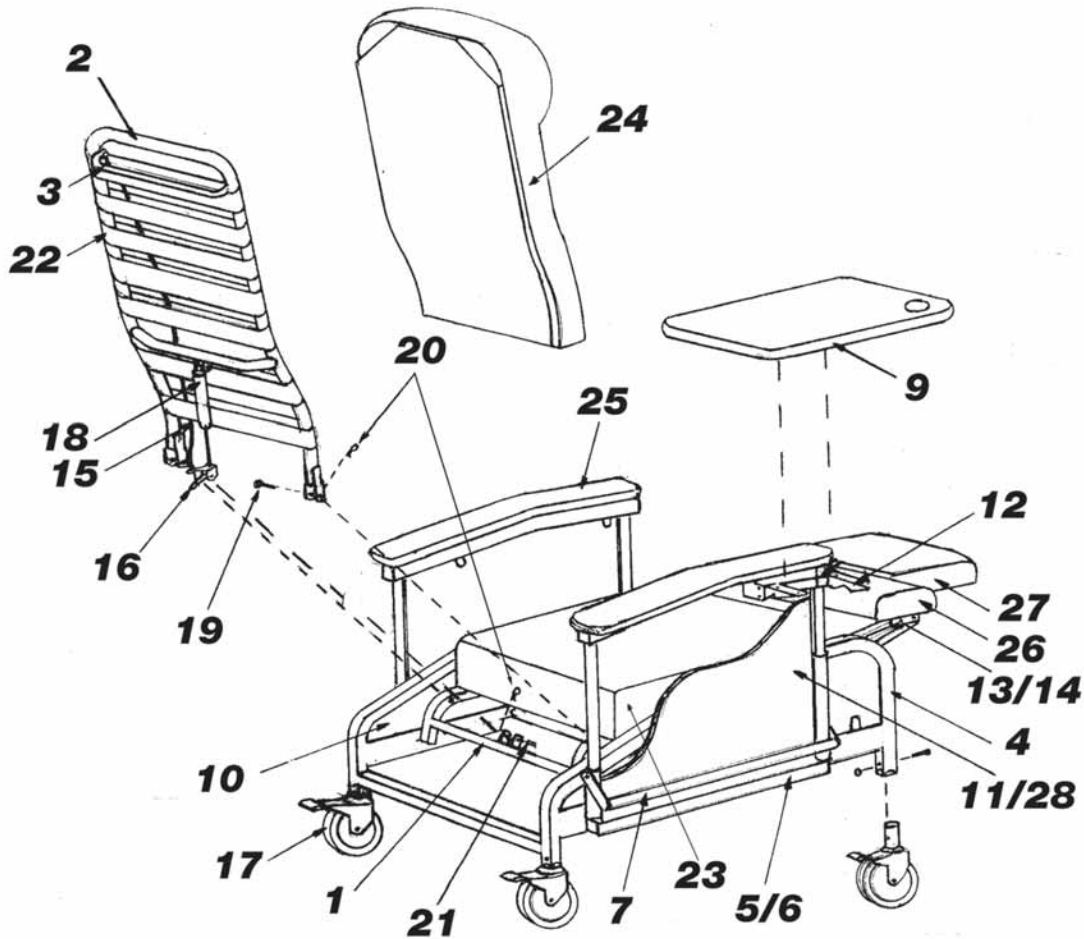
Fig.	Description	ALCO Part No.	Price Each
12	Gas Cylinder	AL-58730	\$99.95
13	Clevis Pin Tapered	AL-64233	Call
14	Bow Tie Cotter Pins	AL-64234	\$2.95
15	Clevis Pin Not Tapered	AL-64235	Call
16	Blow Molded Side Table	AL-64236	\$45.95
17	2" 90 Webbing For Back	AL-64232	\$14.95
18	Upholstered Seat (Specify Color)	AL-58721	\$159.95
19	Upholstered Back (Specify Color)	AL-58722	\$129.95
20	Upholstered Armrest (Specify Color)*	AL-58717	Call
21	Upholstered Legrest (Specify Color)	AL-58719	\$79.95
22	Upholstered Footrest (Specify Color)	AL-58720	\$79.95
N/S	Upholstered Front Apron (Specify Color)	AL-58723	\$51.95
N/S	Upholstered Rear Apron (Specify Color)*	AL-69227	Call
23	Upholstered Side Panel (Specify Color)*	AL-58744	Call

\*Need Serial/Model Number

**LOW PRICES GUARANTEED!**  
**WE WILL NOT BE UNDERSOLD!**

# Winco Care Cliner Model 655

**BUY 11 GET 1 FREE!**



When Ordering,  
Specify Left (L)  
or Right (R)  
Sitting in Chair

**MADE IN THE USA**



Blueridge (17)    Burgundy (14)    Hunter Green (06)    Mauve (16)    Royal Blue (02)    Taupe (03)    Moss Green (04)

Fig.	Description	ALCO Part No.	Price Each
N/S	Front Apron Slat	AL-58765	\$6.95
1	Seat Frame	AL-58725	\$69.95
2	Back Frame	AL-58726	\$295.95
3	Release Handle	AL-58727	\$34.95
4	Main Frame	AL-58733	Call
5	Drop Arm Right	AL-58734	Call
	Drop Arm Right (For serial number "A")	AL-69229	\$79.95
6	Drop Arm Left	AL-58735	Call
	Drop Arm Left (For serial number "A")	AL-69230	\$79.95
7	Drop Arm Release Bar	AL-58736	Call
N/S	Drop Arm Lower Brace w/ Clips	AL-64237	Call
N/S	Seat Frame w/ Mechanisms	AL-64263	\$279.95
9	Side Table Assembly	AL-64242	Call
10	Plastic Side Panel Main Frame	AL-58738	Call
11	Plastic Side Panel Drop Arm	AL-58737	Call
12	Side Table Hinge (Pair)	AL-58709	\$19.95
13/14	Recliner Mechanism, (Set)	AL-25622	\$119.95

Pr. Set

Fig.	Description	ALCO Part No.	Price Each
15	Cable	AL-58728	\$35.95
16	Operator	AL-58729	Call
	Operator (For serial number "A")	AL-69224	Call
17	Total Lock Caster (Each)	AL-50819	\$59.95
18	Gas Cylinder	AL-58730	\$99.95
19	Clevis Pin Tapered	AL-64233	Call
20	Bow Tie Cotter Pins	AL-64234	\$2.95
21	Clevis Pin Not Tapered	AL-64235	Call
N/S	Blow Molded Side Table	AL-64236	\$45.95
22	2" 90 Webbing For Back	AL-64232	\$14.95
23	Upholstered Seat (Specify Color)	AL-64393	\$149.95
24	Upholstered Back (Specify Color)	AL-64394	\$189.95
25	Upholstered Armrest (Specify Color)*	AL-58717	Call
26	Upholstered Legrest (Specify Color)	AL-64396	\$79.95
27	Upholstered Footrest (Specify Color)	AL-64397	\$79.95
N/S	Upholstered Apron (Specify Color)	AL-64398	\$51.95
28	Upholstered Side Panel (Specify Color)*	AL-64399	Call

\*Need Serial and/or Model Number





# Winco Models 556/656

**BUY 11 GET 1 FREE!**

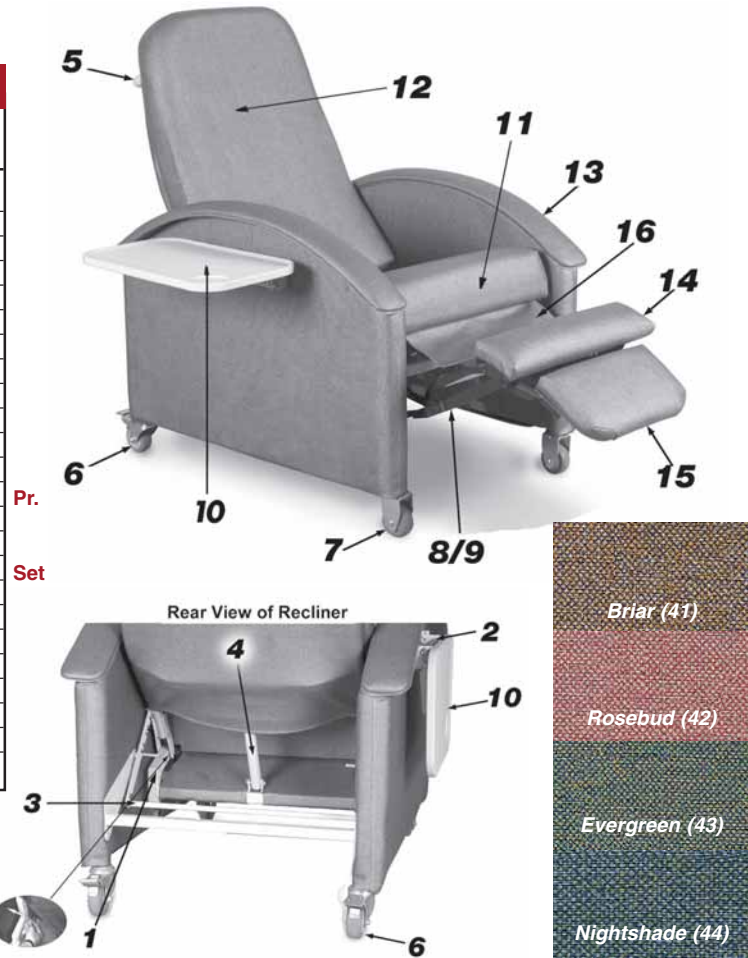


## Comfort Plus Recliner Model 556

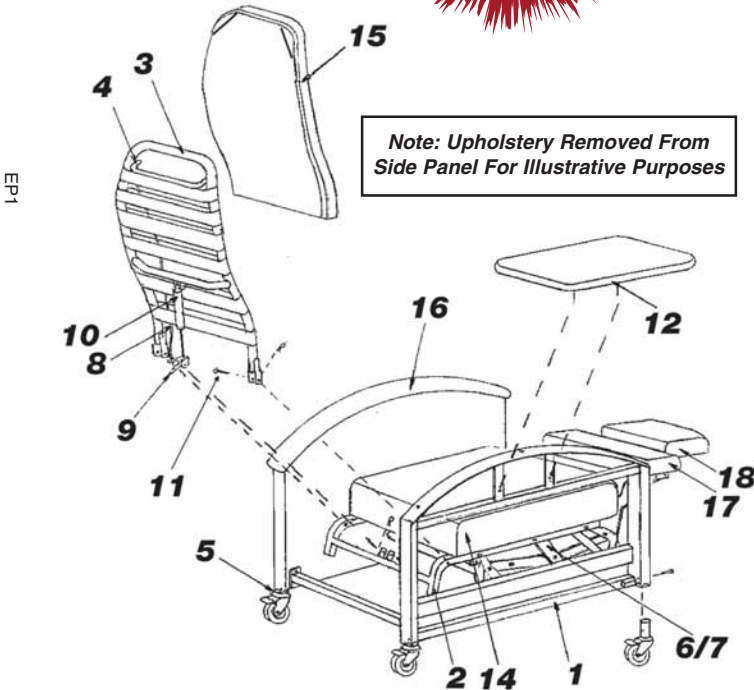
Fig.	Description	ALCO Part No.	Price Each
N/S	Front Apron Slat	AL-58765	\$6.95
N/S	Main Frame	AL-58766	Call
1	Seat Frame with Mechanisms	AL-64263	\$279.95
2	5/16" Hinge Rod (Each)	AL-64264	\$5.95
N/S	Caster Sleeve	AL-50830	Call
3	Position Lock Bar	AL-64265	\$71.95
N/S	Back Frame	AL-64266	Call
4	Back Support Strut	AL-64267	Call
5	Push Handle	AL-64268	\$103.95
N/S	Rear Brake Assembly	AL-64269	\$69.95
N/S	Side Table Assembly	AL-64270	Call
N/S	Side Table "Add On" Kit	AL-64259	Call
N/S	Side Table Hinge (Pair)	AL-58709	\$19.95
6	Total Lock Casters 3" (Each)	AL-41487ML	\$28.95
7	Rigid Casters 3"	AL-64271	Call
8/9	Recliner Mechanism, (Set)	AL-25622	\$119.95
10	Blow Molded Side Table	AL-64236	\$45.95
11	Upholstered Seat (Specify Color)*	AL-58774	Call
12	Upholstered Back (Specify Color)*	AL-58775	Call
13	Upholstered Armrest (Specify Color)*	AL-58770	Call
14	Upholstered Legrest (Specify Color)*	AL-58772	Call
15	Upholstered Footrest (Specify Color)*	AL-58773	Call
16	Upholstered Apron (Specify Color)*	AL-58776	Call
N/S	Upholstered Side Panel (Specify Color)*	AL-58771	Call

\*Need Serial and/or Model Number

**When Ordering, Specify Left (L) or Right (R) Sitting in Chair**



Pr.  
Set



EP-1

## Care Cliner Model 656

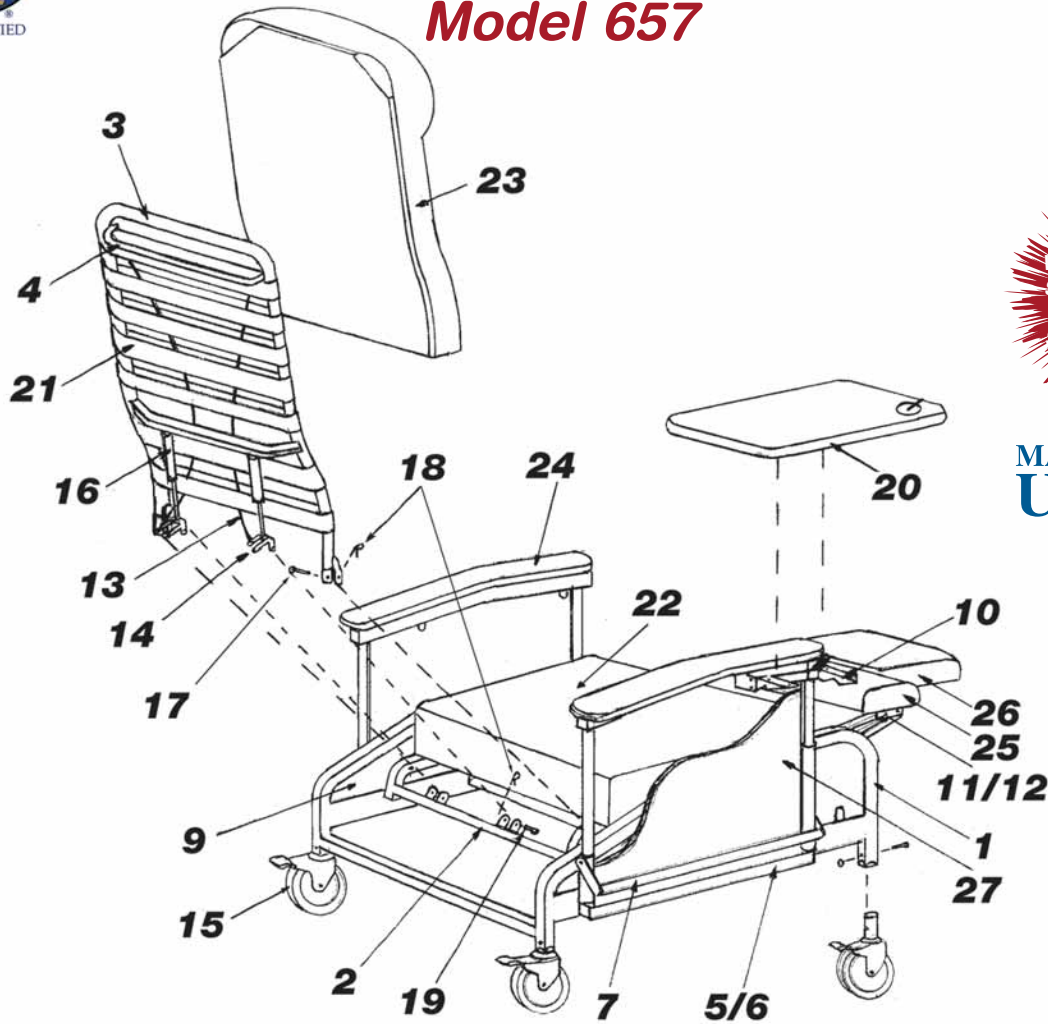
Fig.	Description	ALCO Part No.	Price Each
N/S	Front Apron Slat	AL-58765	\$6.95
1	Main Frame	AL-58766	Call
2	Seat Frame	AL-58725	\$69.95
3	Back Frame	AL-58768	Call
4	Release Handle	AL-58769	\$39.95
N/S	Side Table Assembly	AL-64242	Call
N/S	Side Table "Add On" Kit	AL-64259	Call
N/S	Side Table Hinge (Pair)	AL-58709	\$19.95
5	Total Lock Casters 3" (Each)	AL-41487ML	\$28.95
6/7	Recliner Mechanism, (Set)	AL-25622	\$119.95
8	Cable	AL-58728	\$35.95
9	Operator	AL-58729	Call
10	Gas Cylinder	AL-58730	\$99.95
11	Clevis Pin Tapered	AL-64233	Call
12	Blow Molded Side Table	AL-64226	\$12.95
14	Upholstered Seat (Specify Color)*	AL-58774	Call
15	Upholstered Back (Specify Color)*	AL-58775	Call
16	Upholstered Armrest (Specify Color)*	AL-58770	Call
17	Upholstered Legrest (Specify Color)*	AL-58772	Call
18	Upholstered Footrest (Specify Color)*	AL-58773	Call
N/S	Upholstered Apron (Specify Color)*	AL-58776	Call
N/S	Upholstered Side Panel (Specify Color)*	AL-58771	Call

Pr.  
Set

\*Need Serial and/or Model Number

# Winco Drop Arm Care Cliner XL Model 657

BUY 11  
Get One  
**FREE**



When Ordering,  
Specify Left (L)  
or Right (R)  
Sitting in Chair

MADE IN THE  
USA



Blueridge (17)    Burgundy (14)    Hunter Green (06)    Mauve (16)    Royal Blue (02)    Taupe (03)    Moss Green (04)

Fig.	Description	ALCO Part No.	Price Each
N/S	Front Apron Slat	AL-58703	\$6.95
1	Main Frame	AL-64261	Call
2	Seat Frame	AL-58706	\$89.95
3	Back Frame	AL-58707	\$279.95
4	Release Handle	AL-58742	\$19.95
5	Drop Arm Right	AL-58734	Call
	Drop Arm Right (For serial number "A")	AL-69229	\$79.95
6	Drop Arm Left	AL-58735	Call
	Drop Arm Left (For serial number "A")	AL-69230	\$79.95
7	Drop Arm Release Bar	AL-64262	Call
N/S	Seat Frame with Mechanism	AL-64241	\$269.95
N/S	Side Table Assembly	AL-64242	Call
9	Plastic Side Panel Main Frame	AL-58738	Call
	Plastic Side Panel Main Frame (For serial number "A")	AL-58737	Call
10	Side Table Hinge (Pair)	AL-58709	\$19.95
11/12	Recliner Mechanism, (Set)	AL-25622	\$119.95

Pr. Set

Fig.	Description	ALCO Part No.	Price Each
13	Cable	AL-58728	\$35.95
14	Operator	AL-58729	Call
	Operator (For serial number "A")	AL-69224	Call
15	Total Lock Casters (Each)	AL-50819	\$59.95
16	Gas Cylinder	AL-58730	\$99.95
17	Clevis Pin Tapered	AL-64233	Call
18	Bow Tie Cotter Pins	AL-64234	\$2.95
19	Clevis Pin Not Tapered	AL-64235	Call
20	Blow Molded Side Table	AL-64236	\$45.95
21	2" 90 Webbing For Back	AL-64232	\$14.95
22	Upholstered Seat (Specify Color)	AL-58721	\$169.95
23	Upholstered Back (Specify Color)	AL-58722	\$189.95
24	Upholstered Armrest (Specify Color)*	AL-58717	Call
25	Upholstered Legrest (Specify Color)	AL-58719	\$79.95
26	Upholstered Footrest (Specify Color)	AL-58720	\$79.95
N/S	Upholstered Apron (Specify Color)	AL-58723	\$51.95
27	Upholstered Side Panel (Specify Color)*	AL-64399	Call

\*Need Serial and/or Model Number



# Winco Elite Care Cliner Models 690N & 694N



## Model 690N

Description	ALCO Part No.	Price Each
Gas Cylinder w/ Operator	AL-58730	\$99.95
Seat Frame	AL-58725	\$69.95
Seat Frame w/ Mechanism	AL-64263	\$279.95
Back Frame	AL-58726	\$249.95
Release Handle	AL-58727	\$34.95
Main Chair Frame	AL-69239	\$159.95
Side Table Assembly	AL-64270	Call
Side Table "Add On" Kit Assembly"	AL-69240	\$89.95
Recline Mechanism (Left & Right)	AL-25622	\$119.95
Total Lock Nylon Caster	AL-69241	\$69.95
Directional Lock Nylon Caster	AL-69242	\$69.95
Control Cable	AL-58728	\$35.95
Clevis Pin (2 per chair)	AL-64233	Call
Bow Tie Cotter Pins (3 per chair)	AL-64234	\$2.95
Clevis Pin (1 per chair)	AL-64235	Call
Blow Molded Side Table	AL-64236	\$45.95
Upholstered Seat (Specify Color)	AL-64393	\$149.95
Upholstered Back (Specify Color)	AL-64394	\$189.95
Upholstered Left Arm (Specify Color)*	AL-69244	Call
Upholstered Right Arm (Specify Color)*	AL-69243	Call
Upholstered Legrest (Specify Color)	AL-64396	\$79.95
Upholstered Footrest (Specify Color)	AL-64397	\$79.95
Upholstered Front Apron (Specify Color)	AL-64398	\$51.95
Upholstered Rear Apron (Specify Color)	AL-69225	\$39.95
Upholstered Ottoman (Specify Color)*	AL-69245	Call

\*Need Serial and/or Model Number

## Model 694N

Description	ALCO Part No.	Price Each
Gas Cylinder w/ Operator	AL-58730	\$99.95
Seat Frame	AL-58725	\$69.95
Seat Frame w/ Mechanism	AL-64263	\$279.95
Back Frame	AL-58726	\$249.95
Release Handle	AL-58727	\$34.95
Main Chair Frame	AL-69248	\$459.95
Side Table Assembly	AL-64270	Call
Side Table "Add On" Kit Assembly"	AL-69240	\$89.95
Recline Mechanism (Left & Right)	AL-25622	\$119.95
Total Lock Nylon Caster	AL-69241	\$69.95
Directional Lock Nylon Caster	AL-69242	\$69.95
Control Cable	AL-58728	\$35.95
Clevis Pin (2 per chair)	AL-64233	Call
Bow Tie Cotter Pins (3 per chair)	AL-64234	\$2.95
Clevis Pin (1 per chair)	AL-64235	Call
Blow Molded Side Table	AL-64236	\$45.95
Upholstered Seat (Specify Color)	AL-64393	\$149.95
Upholstered Back (Specify Color)	AL-64394	\$189.95
Upholstered Left Arm (Specify Color)*	AL-69250	Call
Upholstered Right Arm (Specify Color)*	AL-69249	Call
Upholstered Legrest (Specify Color)	AL-64396	\$79.95
Upholstered Footrest (Specify Color)	AL-64397	\$79.95
Upholstered Front Apron (Specify Color)	AL-64398	\$51.95
Upholstered Rear Apron (Specify Color)	AL-69225	\$39.95
Upholstered Ottoman (Specify Color)*	AL-69245	Call
Rotary Latch Complete (Right)	AL-69246	\$39.95
Rotary Latch Complete (Left)	AL-69247	\$39.95

\*Need Serial and/or Model Number



Blueridge (17)

Burgundy (14)

Hunter Green (06)

Mauve (16)

Royal Blue (02)

Taupe (03)

Moss Green (04)



Briar (41)

Rosebud (42)

Evergreen (42)

Nightshade (44)

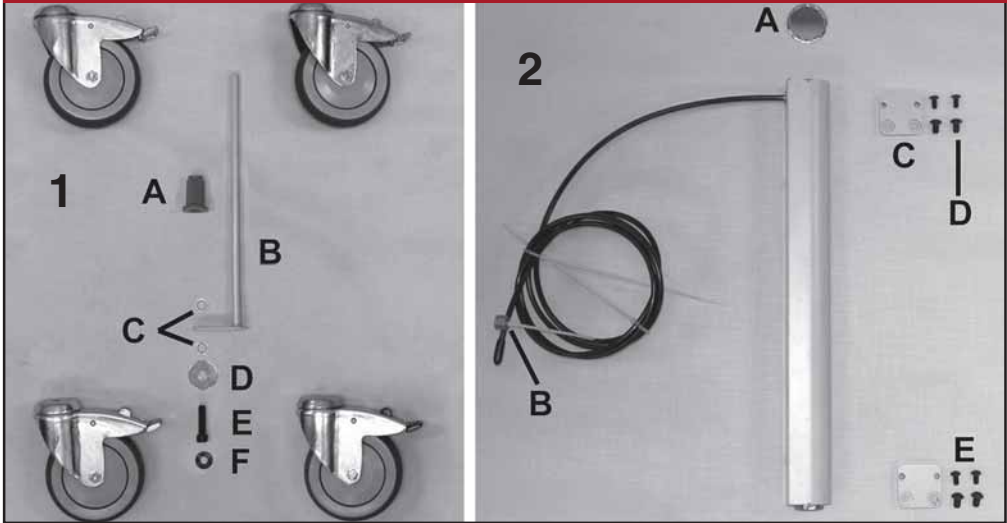
EP-1

# Winco S300 Stretcher

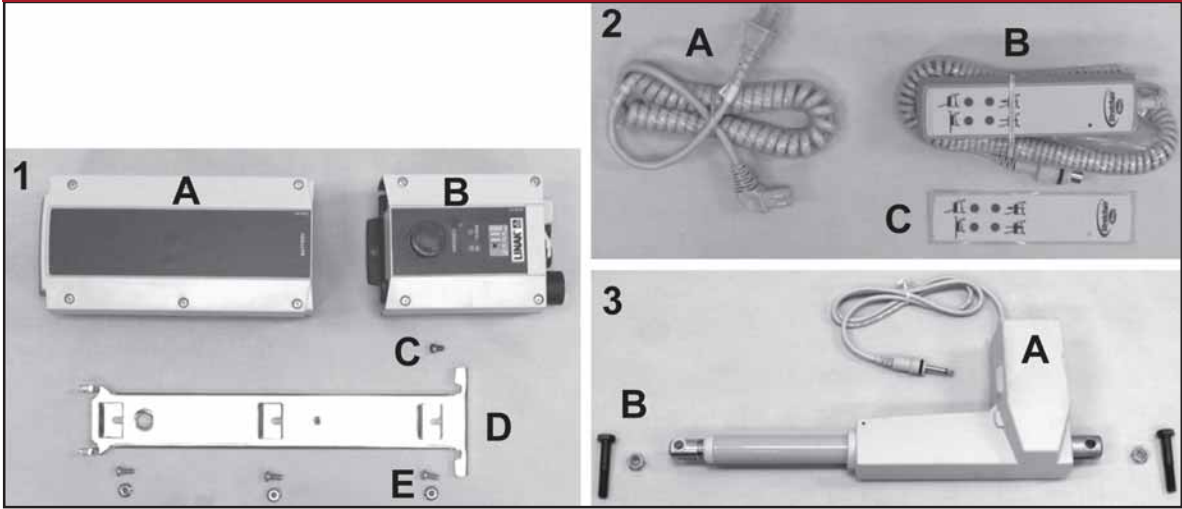
**BUY 11 GET 1 FREE!**



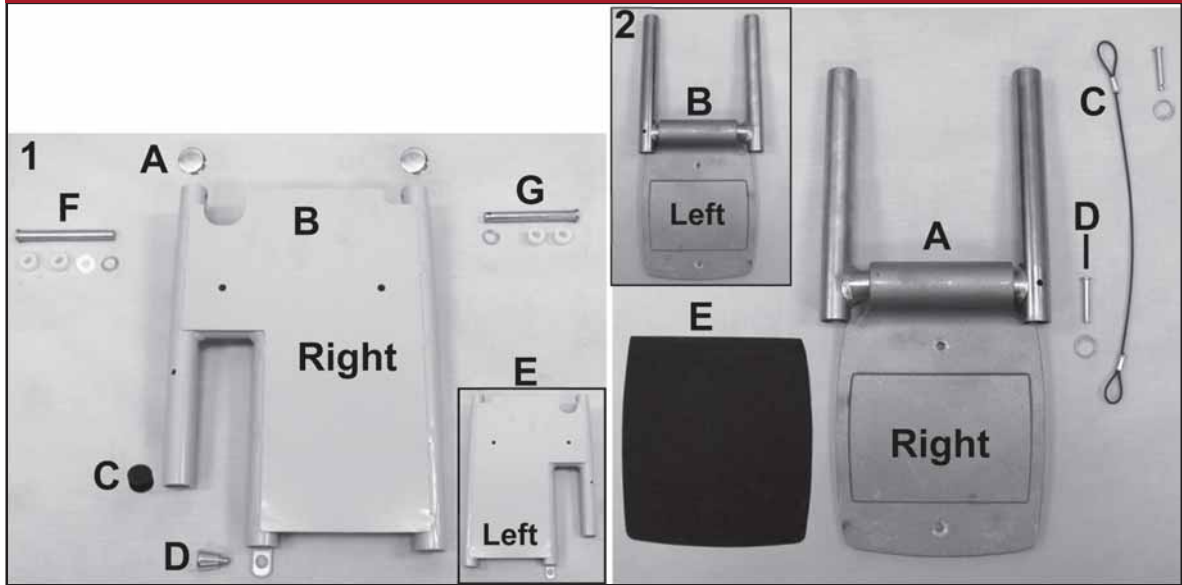
**Wheels & Monarch Cylinder Assembly Kit**



**Battery Pack, Power Cord & Linak Actuator**



**Left Leg Support & Right Leg Support**



# Winco S300 Stretchair

## BUY 11 GET 1 FREE!



### Wheels & Monarch Cylinder Assembly Kit

Fig.	Description	ALCO Part No.	Price Each
1	5.0 Dia. Wheel / Steer Lock	AL-77516	\$79.95
	5.0 Dia. Wheel / Lock Type	AL-77517	\$120.95
1A	Insert-VL Stabilizer	AL-77518	\$2.95
1B	Wheel Lock Weldment-Monarch	AL-77519	\$64.95
1C	Washer, Inner-Lock, Zinc .38 ID x .70 OD x .03 THK	AL-77400	\$0.95
1D	Washer, Fend, .38 ID x 1.50 OD x .05 TH	AL-77520	\$2.95
1E	Socket HD. Cap Screw, 3/8-16 x 1.5	AL-77399	\$0.95
N/A	Loctite, Threadlocker, .02 Oz Tube #262	AL-77521	\$21.95
1F	Washer, Conc., 3/8 ID, .90 OD x .08 Th	AL-77522	\$2.95
2	S300 Monarch Cylinder Assembly Kit	AL-77398	\$86.95
2A	Cap, Nickel Plated 1.26 ID x 1.43 OD-Monarch Cyl.	AL-77402	\$4.95
2B	Fitting Brass Monarch Small	AL-77403	\$456.95
2C	Plate-Hydro Cyl. Top	AL-77404	\$31.95
2D	Button HD. Screw 1/4-20 x .38 Lg.	AL-77405	\$0.95
2E	Button HD. Screw 10-32 x .38	AL-77408	\$0.95
N/A	Hydraulic Pump, Monarch Lift System-S300,S675,S999	AL-77409	\$636.95

Note A MC300-1031 (BLACK BRAKE TAB) Is Installed On The LEFT REAR Of Chair Frame.

Note B It is NOT Recommended That These Parts Be Sold Separately However In Special Cases They Can Be.

Note C Not shown But Is Available For Purchase.

### Battery Pack, Power Cord & Linak Actuator

Fig.	Description	ALCO Part No.	Price Each
A	Linak Battery Pack	AL-77410	\$269.95
1B	Linak Control Box, 2 Channel	AL-77411	\$664.95
1C	Socket Head, Cap Screw, #10-32 x 5/16 Lg.	AL-77412	\$6.95
1D	Mounting Bracket, Battery	AL-77413	\$46.95
1E	Screw, Pan Head, #10-32 x 1/2, Zinc	AL-77414	\$0.95
1E	Nut, Hex Flanged, Z/P 10-32	AL-77415	\$0.95
2A	Power Cord, UL, Jumbo	AL-77416	\$50.95
2B	Control, Handset Kit	AL-77417	\$173.95
2B	Control, Handset	AL-77418	\$175.95
2C	Label, Handset, 2-Channel	AL-77419	\$26.95
3A	Linak Act. 250mm Str. (Ret)	AL-77420	\$458.95
3B	Screw, Hex Head, 10mm x 60mm Lg	AL-77421	\$2.95
3B	Nut, Hex Nylock, Z/P, M10	AL-77422	\$0.95

Note A Handset CAN'T Be Ordered Sererate From The Label, However The Label CAN Be Ordered As A Stand-Alone Item.

### Left Leg Support & Right Leg Support

Fig.	Description	ALCO Part No.	Price Each
1	Leg Support Assembly Right Leg	AL-77523R	\$36.95
1A	Plug, 1.0 Dia., SS	AL-77438	\$1.95
1B	Leg Support Weldment-Right	AL-77524R	\$181.95
1C	Plug, Round, Nylon, Black	AL-77440	\$0.95
1D	Plunger-S.Leg	AL-77441	\$20.95
D	Leg Support Assembly Left Leg	AL-77523L	\$36.95
1E	Leg Support Weldment-Left	AL-77524L	\$185.95
1F	Pin, Clevis, 3/8 x 3.75 Lg., Zinc	AL-77442	\$11.95
1F,1G	Spacer-Nylon .38 ID x .63 OD x .25 Thk	AL-77443	\$0.95
1F	Spacer-Nylon .38 ID x .63 OD x .12 Thk	AL-77444	\$0.95
1F,1G,2D	Cotter Ring, 5/8" OD	AL-77426	\$0.95
1G	Pin, Clevis, 3/8 x 3.50 Lg.,Zinc	AL-77525	\$0.95
2A	Right Assembly, MC300, Foot, Right	AL-77526R	\$177.95
2A	Tele Tube Weld - Outer - R	AL-77449R	\$41.95
2A	Tele Tube Weld.-Inner	AL-77450	\$47.95
2A	Foot Plate Casting Machined	AL-77470	\$79.95
2A	Spring Foot Plate	AL-77452	\$15.95
2A	Plug, Rnd Nickel Plated .88OD x .69ID	AL-77453	\$1.95
2B	Assembly, MC300, Foot, Left	AL-77526L	\$177.95
2B	Tele Tube Weld.-Outer-L	AL-77449L	\$41.95
2C	Cable Assembly-Tele Stop	AL-77457	\$16.95
2D	Pin-Pivot Point #CP-36-.250 Dia. x 1.00 Lg.	AL-77458	\$5.95
2E	Rubber Pad-Foot Cushion	AL-77527	\$15.95

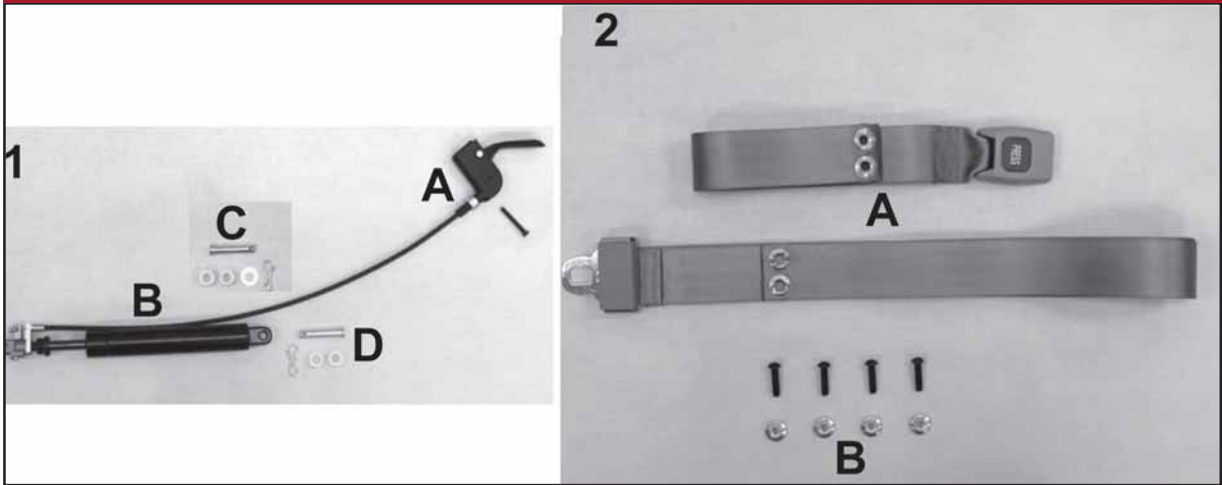
Left and Right Is Determined—As If Sitting In The Chair

# Winco S300 Stretchchair

**BUY 11 GET 1 FREE!**



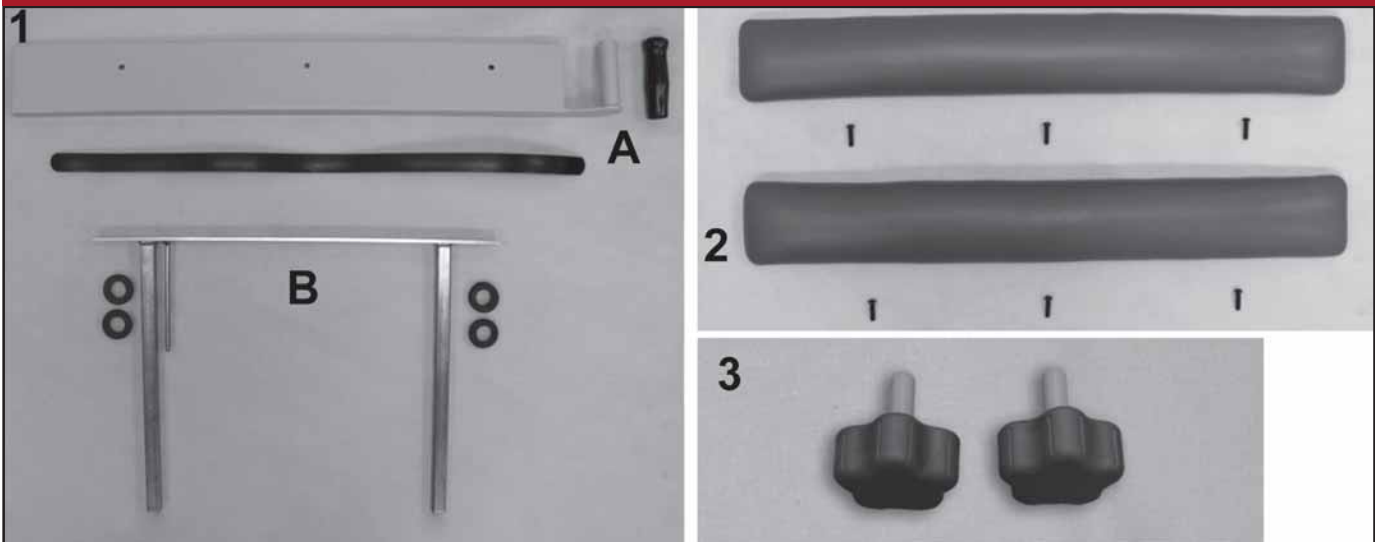
**Legrest Gas-Spring and Cable Kit & Seat Belt**



**Upholstered Seat & Leg Pad**



**Armrest Assembly, Upholstered Armrest & Hand Knob**



# Winco S300 Stretchchair

## BUY 11 GET 1 FREE!



### Legrest Gas-Spring and Cable Kit & Seat Belt

Fig.	Description	ALCO Part No.	Price Each
1	Stretchchair Legrest Gas-Spring And Cable Kit	AL-77459	\$169.95
1A	Cable Kit Stretchchair Release Cable Kit	AL-77460	\$73.95
1A	Cable Release Cable With Handle	AL-77461	\$46.95
1A	#10 x 1.5 Sq Drive, SS, Pan Head Sht Mtl Screw	AL-77462	\$1.95
1B	Cable Tie, 7", Natural	AL-77463	\$2.95
1B	Cylinder Gas Cylinder, Stretchchair	AL-77464	\$135.95
1B	Head Release Head, For Gas Cylinder	AL-77466	\$18.95
1B	Lever, Release Head	AL-77465	\$3.95
1C,1D	Pin-Pivot Point #CP-100 (.312 x 1.75)	AL-77467	\$5.95
1C	Spacer-Nylon .38 ID x .63 OD x .25 Thk	AL-77443	\$0.95
1C, 1D	Spacer-Nylon .38 ID x .63 OD x .38 Thk	AL-77469	\$0.95
1C	Spacer-Nylon .38 ID x .63 OD x .12 Thk	AL-77444	\$0.95
1C, 1D	Bow Tie Cotter Pin .072	AL-64234	\$1.95
2A	Belt Seat Belt, MC300 90 Inch	AL-77468	\$59.95
2B	Button HD. Screw .25-20 x 1.00	AL-77472	\$1.95
2B	Nut, Hex Flanged, Z/P, .250-20	AL-77473	\$0.95

Note A This PIN Connects The Legrest Frames Together

Note B It is NOT Recommended That These Parts Be Sold Separately However In Special Cases They Can Be.

Note C Part is Used For The LEFT & RIGHT Assemblies

Note D NOTE "C" parts listed in above assembly are included

### Upholstered Seat & Leg Pad

Fig.	Description	ALCO Part No.	Price Each
1	S300 Upholstered Seat	AL-77528	Call
	Screw-Mach 10-24 x 3/4 Pan Phil M/S Zinc	AL-77475	\$1.95
	S300 Upholstered Back	AL-77529	Call
	Screw-Mach 10-24 x 3/4 Pan Phil M/S Zinc	AL-77475	\$1.95
2	S300 Leg Pad	AL-77530	Call
	Screw-Mach 10-24 x 3/4 Pan Phil M/S Zinc	AL-77475	\$1.95
	S300 Foot Pad	AL-77531	Call
	Screw, WD PH FL HD ZP #14 THD x 1.000 LG	AL-77478	\$0.95

Options: For TB133 Add TB After Part Number

Note A Screws needed To Attach This Product Are Included

### Armrest Assembly, Upholstered Armrest & Hand Knob

Fig.	Description	ALCO Part No.	Price Each
1	Armrest Assembly, RH Complete	AL-77480R	\$406.95
	Cush. Support Weld.-Right	AL-77481R	\$201.95
1A	Handle Grip, Ribbed, Black 1" x 4.375"	AL-77482	\$3.95
	Bumper, Arm, Black, 30.25" x 1"	AL-77483	\$44.95
1B	Arm Support Weld.	AL-77484	\$82.95
	Grommet, Rubber, 7/8 Dia.	AL-77485	\$3.95
	Armrest Assembly, LH Complete	AL-77480L	\$406.95
1A	Cush. Support Weld. L Arm	AL-77481L	\$201.95
2	Upholstered Armrest	AL-77532	Call
	1/4-20 .88 Socket Button Head Cap Screw, Zinc	AL-77489	\$0.95
3	Hand Knob McMaster (5/16-18)	AL-77479	\$22.95

Left & Right is determined—as if sitting in the chair  
Options: For TB133 Add TB After Part Number

Note A RIGHT-SIDE arm support shown in image 1

Note B Part is Used For The LEFT & RIGHT Assemblies

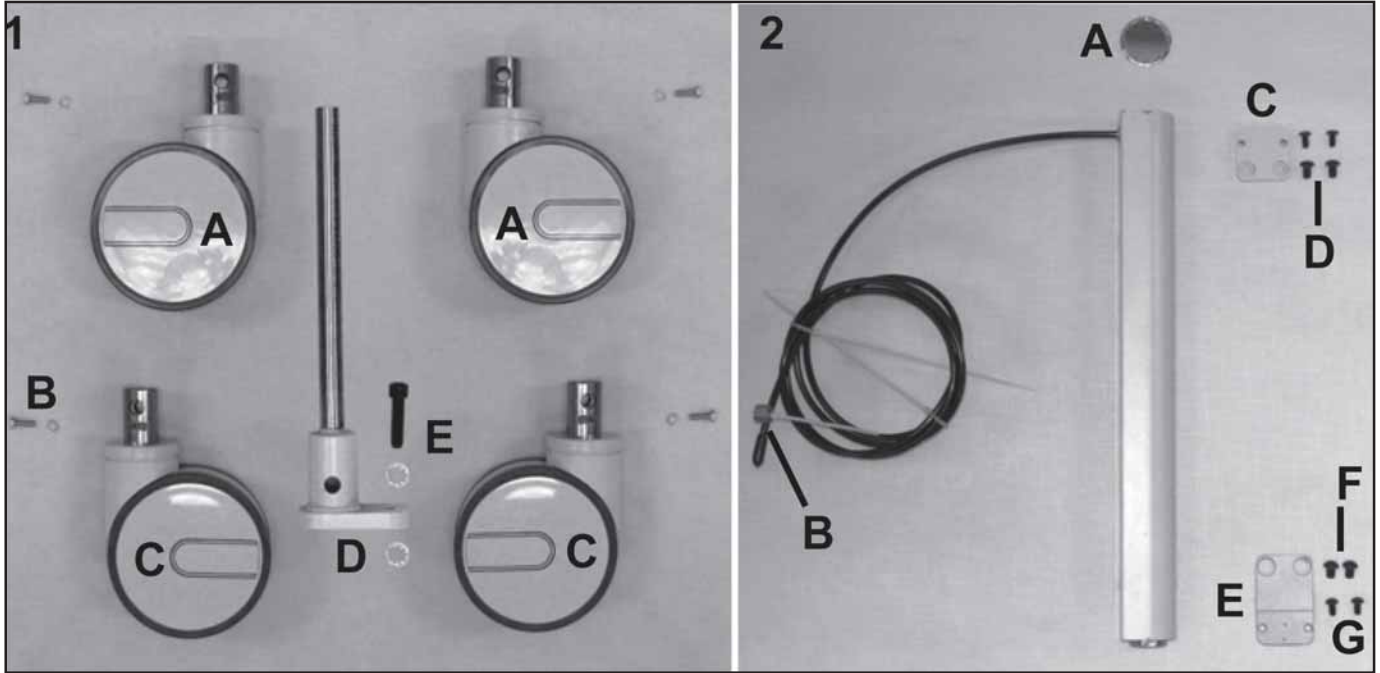
Note C Screws needed to attach this product are included

Note D It is NOT Recommended That These Parts Be Sold Separately However In Special Cases They Can Be.

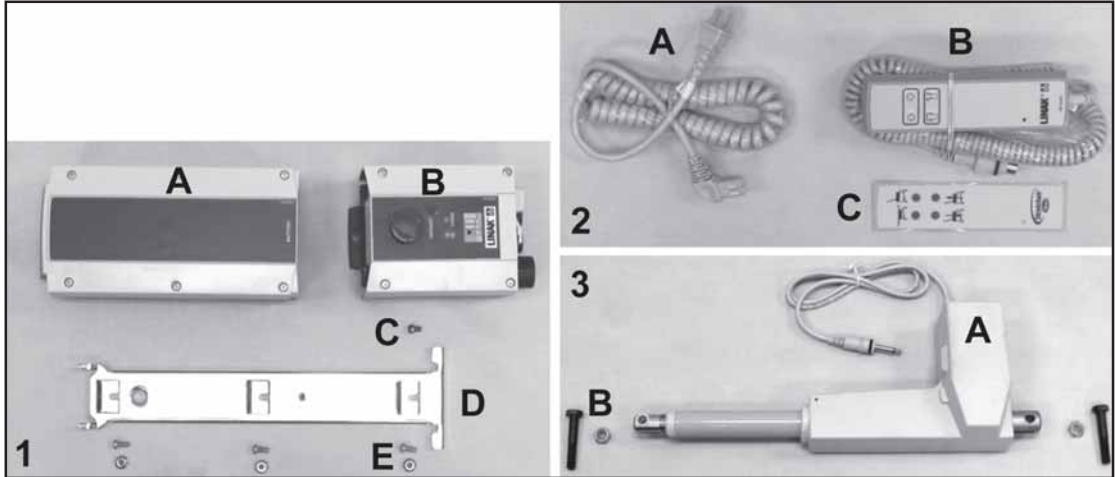
# Winco S675 Stretcher

**BUY 11 GET 1 FREE!**

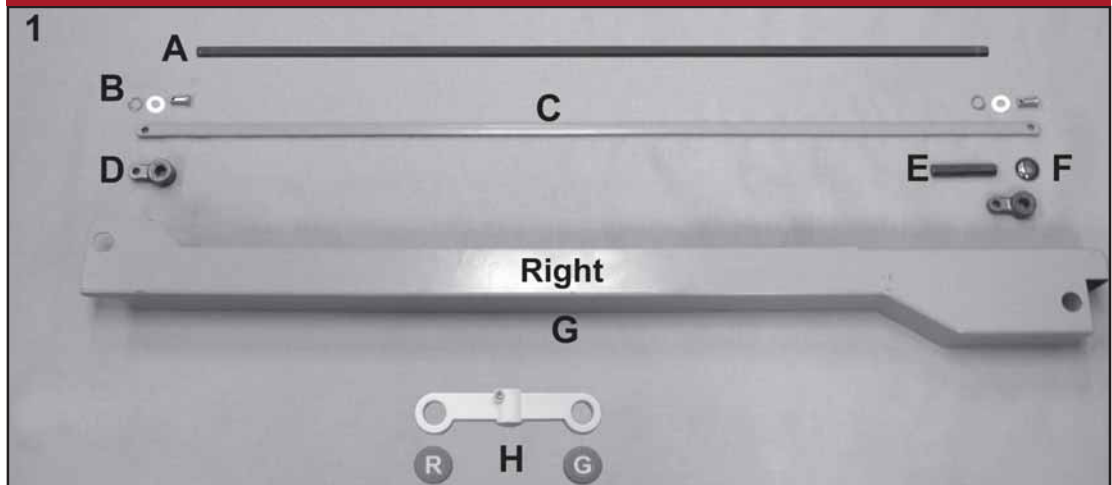
## Casters & Monarch Cylinder Assembly Kit



## Battery Pack, Power Cord & Linak Act.



## Brake





# Winco S675 Stretchair

## BUY 11 GET 1 FREE!



<b>Casters &amp; Monarch Cylinder Assembly Kit</b>			
<b>Fig.</b>	<b>Description</b>	<b>ALCO Part No.</b>	<b>Price Each</b>
1A	Caster, 6" Central Locking, Total Lk Twin Wheel	AL-77394	\$237.95
1C	Caster, 6" Central Locking, Dir Lk, Twin Wheel	AL-77395	\$242.95
1B	Screw, Hex Head, M6 x 20 Mm Lg	AL-77396	\$0.95
1B	Washer, ID Lock, .25 ID x .47 OD x .03 Thk	AL-77397	\$0.95
1D	Wheel Support Weld	AL-77519	\$86.95
1E	Socket Hd. Cap Screw, 3/8-16 x 1.5	AL-77399	\$0.95
	Washer, Inner-Lock, Zinc .38 ID x .70 OD x .03 Thk	AL-77400	\$0.95
2	S675-S999 Monarch Cylinder Assembly Kit	AL-77401	\$456.95
2A	Cap, Nickel Plated 1.26 ID x 1.43 Od-Monarch Cyl.	AL-77402	\$4.95
2B	Fitting Brass Monarch Small	AL-77403	\$456.95
2C	Plate-Hydro Cyl. Top	AL-77404	\$31.95
2E	Plate-Hydro Cyl.-Bottom	AL-77406	\$39.95
2D	Button Hd. Screw 1/4-20 x .38 Lg.	AL-77405	\$0.95
2F	Cap Screw, 1/4-20 x .312 Socket Button Head, Alloy Black Oxide	AL-77407	\$0.95
2G	Button Hd. Screw 10-32 x .38	AL-77408	\$0.95
N/A	Hydraulic Pump, Monarch Lift System-S300,S675,S999	AL-77409	\$636.95

Note A MC675-1041's Are Installed On The Front Of Chair Frame.

Note B It is NOT Recommended That These Parts Be Sold Separately However In Special Cases They Can Be.

Note C Not shown But Is Available For Purchase.

<b>Battery Pack, Power Cord &amp; Linak Act.</b>			
<b>Fig.</b>	<b>Description</b>	<b>ALCO Part No.</b>	<b>Price Each</b>
1A	Linak Battery Pack	AL-77410	\$269.95
1B	Linak Control Box, 2 Channel	AL-77411	\$664.95
1C	Socket Head, Cap Screw, #10-32 x 5/16 Lg.	AL-77412	\$6.95
1D	Mounting Bracket, Battery	AL-77413	\$46.95
1E	Screw, Pan Head, #10-32 x 1/2, Zinc	AL-77414	\$0.95
	Nut, Hex Flanged, Z/P 10-32	AL-77415	\$0.95
2A	Power Cord, UL, Jumbo	AL-77416	\$50.95
2B	Control, Handset Kit	AL-77417	\$173.95
	Control, Handset	AL-77418	\$175.95
2C	Label, Handset, 2-Channel	AL-77419	\$26.95
3A	Linak Act. 250mm Str. (Ret) 1	AL-77420	\$458.95
3B	Screw, Hex Head, 10mm x 60mm Lg	AL-77421	\$2.95
	Nut, Hex Nylock, Z/P, M10	AL-77422	\$0.95

Note A Handset Can't Be Ordered Separate From The Label, However The Label Can Be Ordered As A Stand-Along Item.

<b>Brake</b>			
<b>Fig.</b>	<b>Description</b>	<b>ALCO Part No.</b>	<b>Price Each</b>
1A	Mach., Hex. Rod, Brake	AL-77423	\$66.95
	Pin-.310 Dia x .75 Lg	AL-77424	\$0.95
1B	Washer, Nylon, .34 ID x .75 OD x .06 Th	AL-77425	\$0.95
	Cotter Ring, 5/8" OD	AL-77426	\$0.95
1C	Rod-Connecting-Brake	AL-77427	\$33.95
1D	Connect. Lever	AL-77428	\$33.95
1E	Hex. Rod 7/16 x 2.75 Lg.	AL-77429	\$14.95
1F	Cap, Star Lock	AL-77430	\$3.95
1G	Brake Rod Cover - Right Side	AL-77431R	\$136.95
	Brake Rod Cover - Left Side	AL-77431L	\$136.95
1H	Brake Pedal Assembly Kit - Left & Right	AL-77433	\$77.95
	Brake Pedal	AL-77434	\$41.95
	Brake Pedal Insert, Red	AL-77435	\$6.95
	Brake Pedal Insert, Green	AL-77436	\$6.95

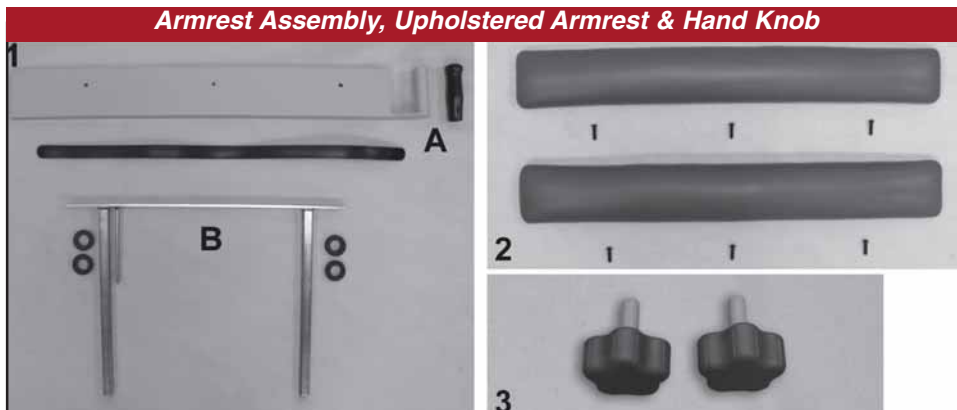
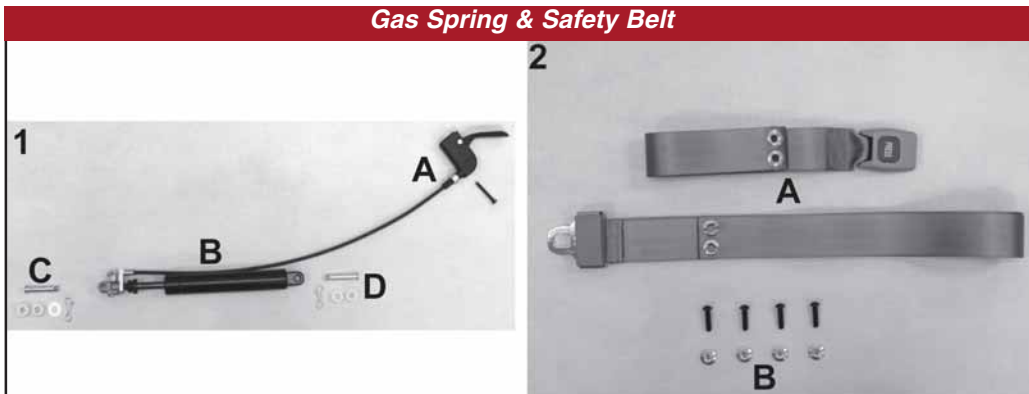
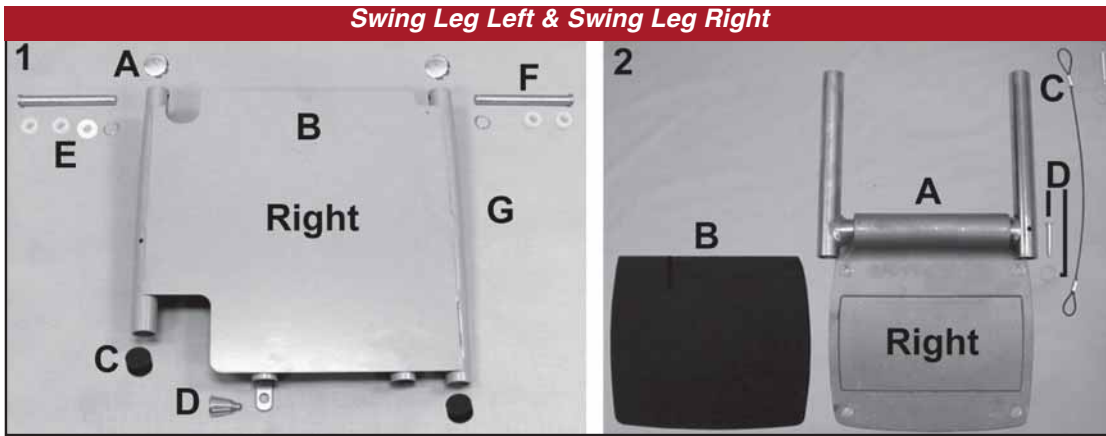
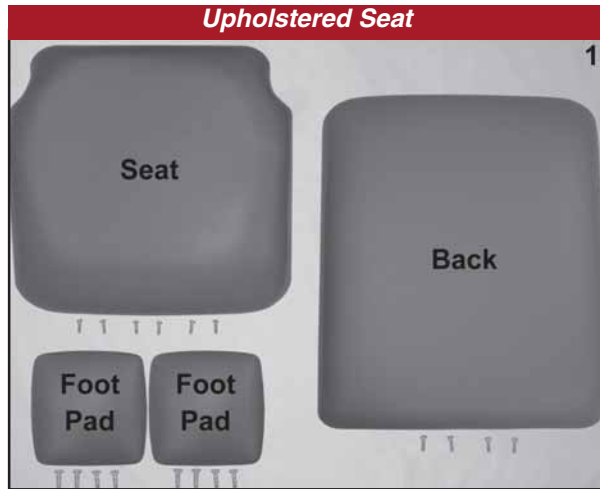
*Left & Right Is Determined—As If Sitting In The Chair*

Note A Ships unassembled. Left & Right Is Determined When Customer Assembles Parts.

Note B It is NOT recommended That These Parts Be Sold Separately However In Special Cases They Can Be.

# Winco S675 Stretchchair

**BUY 11 GET 1 FREE!**



# Winco S675 Stretchair

## BUY 11 GET 1 FREE!



Gas Spring & Safety Belt			
Fig.	Description	ALCO Part No.	Price Each
1	Assembly Mc675, Swing Leg, Right	AL-77437R	\$160.95
1A	Plug, 1.0 Dia.,SS	AL-77438	\$1.95
1B	Swing Leg Weld.-R Leg	AL-77439R	\$167.95
1C	Plug, Round, Nylon, Black	AL-77440	\$0.95
1D	Plunger-S.Leg	AL-77441	\$20.95
1E	Pin, Clevis, 3/8 x 3.75 Lg., Zinc	AL-77442	\$11.95
1E,1F	Spacer-Nylon .38 ID x .63 OD x .25 Thk	AL-77443	\$0.95
1E	Spacer-Nylon .38 ID x .63 OD x .12 Thk	AL-77444	\$0.95
1E,1F,2D	Cotter Ring, 5/8" OD	AL-77426	\$0.95
1F	Pin, Clevis, 3/8 x 3.50 Lg.,Zinc	AL-77425	\$0.95
N/A	Assembly MC675, Swing Leg, Left	AL-77437L	\$160.95
	Swing Leg Weld.-Left Leg	AL-77439L	\$167.95
2A	Assembly, MC675, Foot, Right	AL-77448R	\$189.95
	Tele Tube Weld - Outer - R	AL-77449R	\$41.95
	Tele Tube Weld.-Inner	AL-77450	\$47.95
	Foot Plate Casting Machined	AL-77451	\$164.95
	Spring Foot Plate	AL-77452	\$15.95
	Plug, Rnd Nickel Plated .88OD x .69ID	AL-77453	\$1.95
N/A	Assembly, Mc675, Foot, Left	AL-77448L	\$189.95
	Tele Tube Weld.-Outer-L	AL-77449L	\$41.95
2B	Foam, Neo, Adh, Footpad, 675	AL-77456	\$23.95
2C	Cable Assembly-Tele Stop	AL-77457	\$16.95
2D	Pin-Pivot Point #CP-36-.250 Dia. x 1.00 Lg.	AL-77458	\$5.95
<i>Left &amp; Right Is Determined—As If Sitting In The Chair</i>			

Armrest Assembly, Upholstered Armrest & Hand Knob			
Fig.	Description	ALCO Part No.	Price Each
1	Armrest Assembly, RH Complete	AL-77480R	\$406.95
1A	Cush. Support Weld.-Right	AL-77481	\$201.95
	Handle Grip, Ribbed, Black 1" x 4.375"	AL-77482	\$3.95
	Bumper, Arm, Black, 30.25" x 1"	AL-77483	\$22.95
1B	Arm Support Weld.	AL-77484	\$82.95
	Grommet, Rubber, 7/8 Dia.	AL-77485	\$3.95
	Armrest Assembly, LH Complete	AL-77480L	\$406.95
1A	Cush. Support Weld. L Arm	AL-77487	\$201.95
	Upholstered Armrest	AL-77536	Call
2	1/4-20 .88 Socket Button Head Cap Screw, Zinc	AL-77489	\$0.95
3	Hand Knob McMaster (5/16-18)	AL-77479	\$22.95
<i>Left &amp; Right is determined—as if sitting in the chair</i>			
<i>Options: For TB133 Add TB After Part Number</i>			

Note A RIGHT-Side Arm Support Shown In Image 1  
 Note B Part is used For The Left & Right Assemblies  
 Note C Screws needed To Attach This Product Are Included  
 Note D It is NOT Recommended That These Parts Be Sold Separately However In Special Cases They Can Be.

Note A This PIN Connects The 2 Legrest Frames Together  
 Note B It is NOT Recommended That These Parts Be Sold Separately However In Special Cases They Can Be.  
 Note C Part is used For The Left & Right Assemblies Listed Above  
 Note D NOTE "C" Parts Listed In Above Assembly Are Included

Gas Spring & Safety Belt			
Fig.	Description	ALCO Part No.	Price Each
	Stretchair Legrest Gas-Spring And Cable Kit	AL-77459	\$169.95
1A	Stretchair Release Cable Kit	AL-77460	\$73.95
	Release Cable With Handle	AL-77461	\$46.95
	#10 x 1.5 Sq Drive, SS, Pan Head Sht Mtl Screw	AL-77462	\$1.95
1B	Cable Tie, 7", Natural	AL-77463	\$2.95
	Gas Cylinder, Stretchair	AL-77464	\$135.95
	Head Release Head, For Gas Cylinder	AL-77466	\$18.95
	Lever, Release Head	AL-77465	\$3.95
1C,1D	Pin-Pivot Point #CP-100 (.312 x 1.75)	AL-77467	\$5.95
1C	Spacer-Nylon .38 ID x .63 OD x .25 Thk	AL-77443	\$0.95
1C,1D	Spacer-Nylon .38 ID x .63 OD x .38 Thk	AL-77469	\$0.95
1C	Spacer-Nylon .38 ID x .63 OD x .12 Thk	AL-77444	\$0.95
1C,1D	Bow Tie Cotter Pin .072	AL-64234	\$1.95
2A	Belt Safety Belt 675	AL-77471	\$116.95
2B	Button Hd. Screw .25-20 x 1.00	AL-77472	\$1.95
	Nut, Hex Flanged, Z/P, .250-20	AL-77473	\$0.95

Upholstered Seat			
Fig.	Description	ALCO Part No.	Price Each
1	S675 Upholstered Seat	AL-77533	Call
	Screw-Mach 10-24 x 3/4 Pan Phil M/S Zinc	AL-77475	\$1.95
	S675 Upholstered Back	AL-77534	Call
	Screw-Mach 10-24 x 3/4 Pan Phil M/S Zinc	AL-77475	\$1.95
	S675 Foot Pad	AL-77535	Call
	Screw, Wd Ph Fl Hd Zp #14 Thd x 1.000 Lg	AL-77478	\$0.95
<i>Options: For TB133 Add TB After Part Number</i>			

Note A Screws needed To Attach This Product Are Included For TB133 Add TB After Part Number

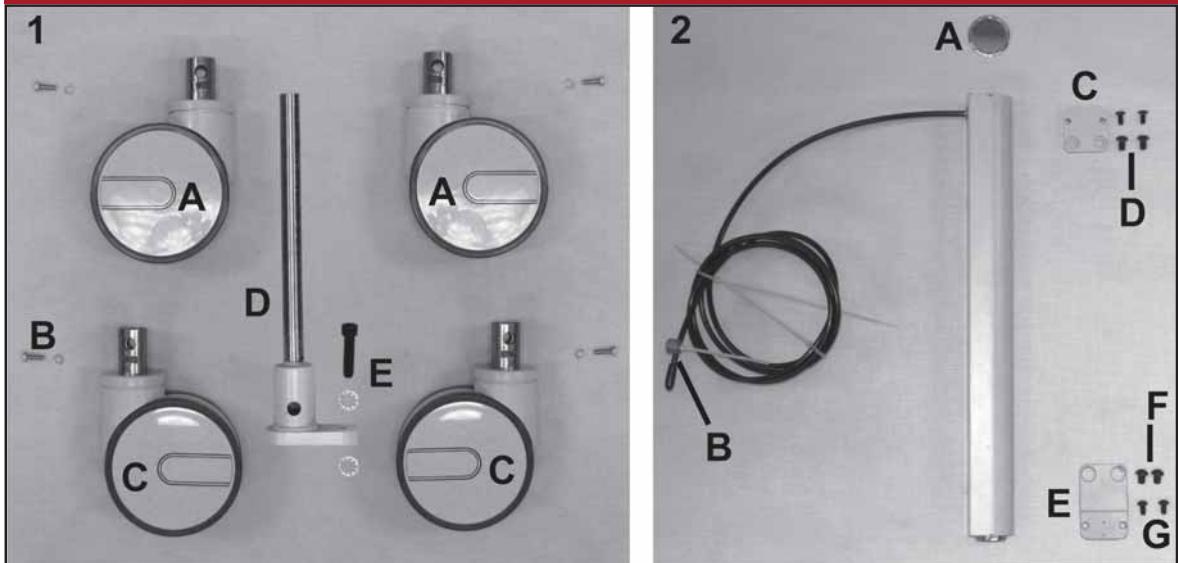
EP-1

# Winco S999 Stretcher

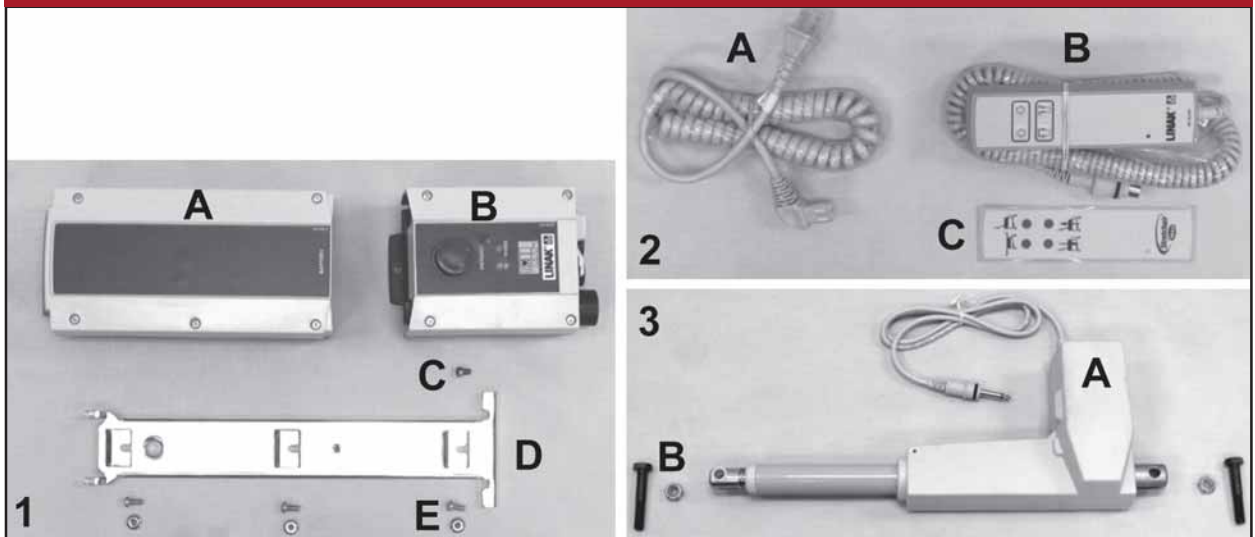
## BUY 11 GET 1 FREE!



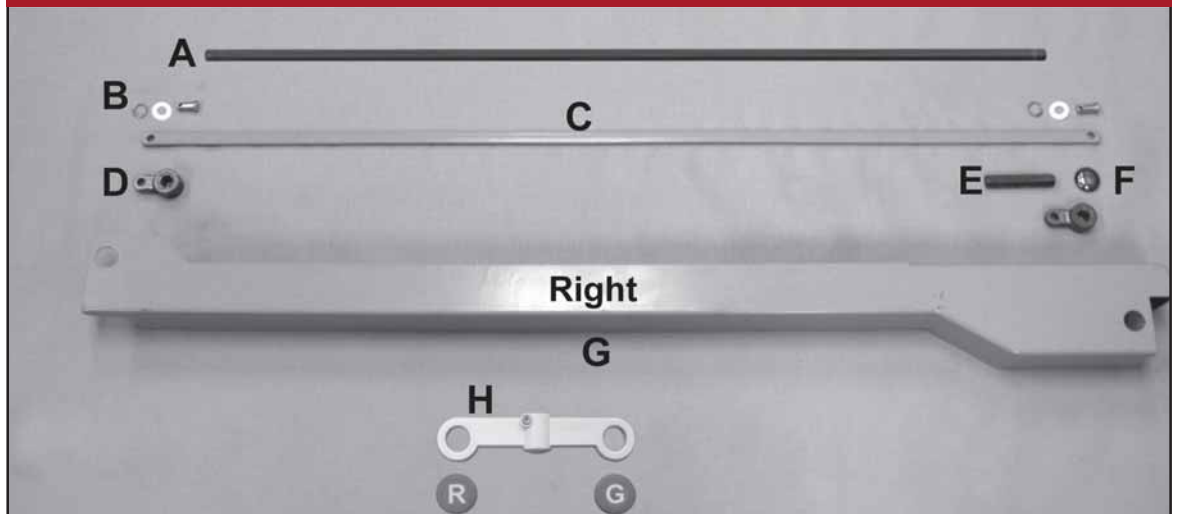
### Casters & Monarch Cylinder Assembly Kit



### Battery Pack, Power Cord & Linak Actuator



### Rod Brake



# Winco S999 Stretchair

## BUY 11 GET 1 FREE!



Casters & Monarch Cylinder Assembly Kit			
Fig.	Description	ALCO Part No.	Price Each
1A	Caster, 6" Central Locking, Total Lk Twin Wheel	AL-77394	\$237.95
1C	Caster, 6" Central Locking, Dir Lk, Twin Wheel	AL-77395	\$242.95
1B	Screw, Hex Head, M6 x 20 Mm Lg	AL-77396	\$0.95
	Washer, ID Lock, .25 ID x .47 OD x .03 Thk	AL-77397	\$0.95
1D	Wheel Support Weld	AL-77519	\$86.95
1E	Socket HD. Cap Screw, 3/8-16 x 1.5	AL-77399	\$0.95
	Washer, Inner-Lock, Zinc .38 ID x .70 OD x .03 THK	AL-77400	\$0.95
2	S675-S999 Monarch Cylinder Assembly Kit	AL-77401	\$456.95
2A	Cap, Nickel Plated 1.26 ID x 1.43 Od-Monarch Cyl.	AL-77402	\$4.95
2B	Fitting Brass Monarch Small	AL-77403	\$456.95
2C	Plate-Hydro Cyl. Top	AL-77404	\$31.95
2D	Button HD. Screw 1/4-20 x .38 Lg.	AL-77405	\$0.95
2E	Plate-Hydro Cyl.-Bottom	AL-77406	\$39.95
2F	Cap Screw, 1/4-20 x .312 Socket Button Head, Alloy Black Oxide	AL-77407	\$0.95
	Button HD. Screw 10-32 x .38	AL-77408	\$0.95
N/A	Hydraulic Pump, Monarch Lift System-S300,S675,S999	AL-77409	\$636.95
	Nut, Hex Flanged, Z/P, .250-20	AL-77473	\$0.95

Note A MC675-1041's are installed on the FRONT of chair frame.

Note B It is NOT recommended that these parts be sold separately however in special cases they can be.

Note C Not shown but is available for purchase.

Battery Pack, Power Cord & Linak Actuator			
Fig.	Description	ALCO Part No.	Price Each
1A	Linak Battery Pack	AL-77410	\$269.95
1B	Linak Control Box, 2 Channel	AL-77411	\$664.95
1C	Socket Head, Cap Screw, #10-32 x 5/16 Lg.	AL-77412	\$6.95
1D	Mounting Bracket, Battery	AL-77413	\$46.95
1E	Screw, Pan Head, #10-32 x 1/2, Zinc	AL-77414	\$0.95
	Nut, Hex Flanged, Z/P 10-32	AL-77415	\$0.95
2A	Power Cord, UL, Jumbo	AL-77416	\$50.95
2B	Control, Handset Kit	AL-77417	\$173.95
	Control, Handset	AL-77418	\$175.95
2C	Label, Handset, 2-Channel	AL-77419	\$26.95
3A	Linak Act. 250mm Str. (Ret) 1	AL-77420	\$458.95
3B	Screw, Hex Head, 10mm x 60mm Lg	AL-77421	\$2.95
	Nut, Hex Nylock, Z/P, M10	AL-77422	\$0.95

Note A Handset CAN'T be ordered separate from The Label, However The Label CAN Be Ordered As A Stand-Alone Item.

Rod Brake			
Fig.	Description	ALCO Part No.	Price Each
1A	Mach., Hex. Rod, Brake	AL-77423	\$66.95
1B	Pin-.310 Dia x .75 Lg	AL-77424	\$0.95
	Washer, NYLON, .34 ID x .75 OD x .06 TH	AL-77425	\$0.95
1B	Cotter Ring, 5/8" OD	AL-77426	\$0.95
	Rod-Connecting-Brake	AL-77427	\$33.95
1D	Connect. Lever	AL-77428	\$33.95
1E	Hex. Rod 7/16 x 2.75 Lg.	AL-77429	\$14.95
1F	Cap, Star Lock	AL-77430	\$3.95
1G	Brake Rod Cover - Right Side	AL-77431R	\$136.95
	Brake Rod Cover - Left Side	AL-77431L	\$136.95
1H	Brake Pedal Assembly Kit - Left & Right	AL-77433	\$77.95
	Brake Pedal	AL-77434	\$41.95
	Brake Pedal Insert, Red	AL-77435	\$6.95
	Brake Pedal Insert, Green	AL-77436	\$6.95

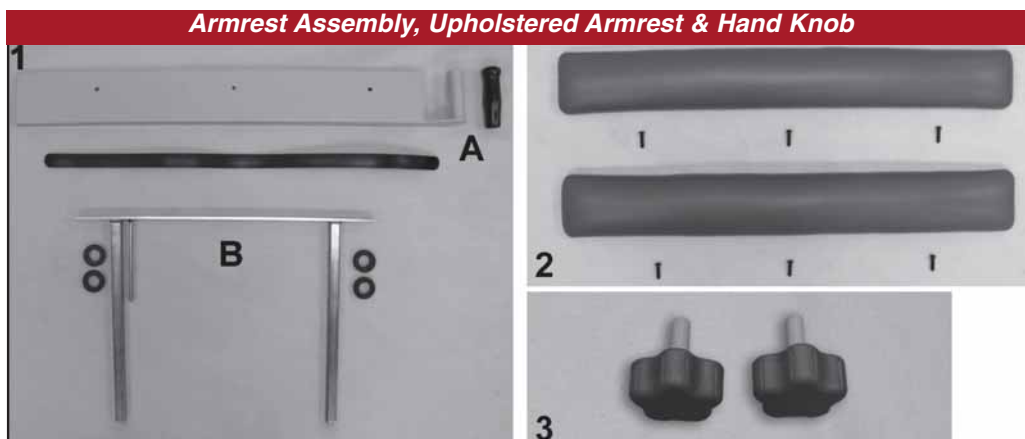
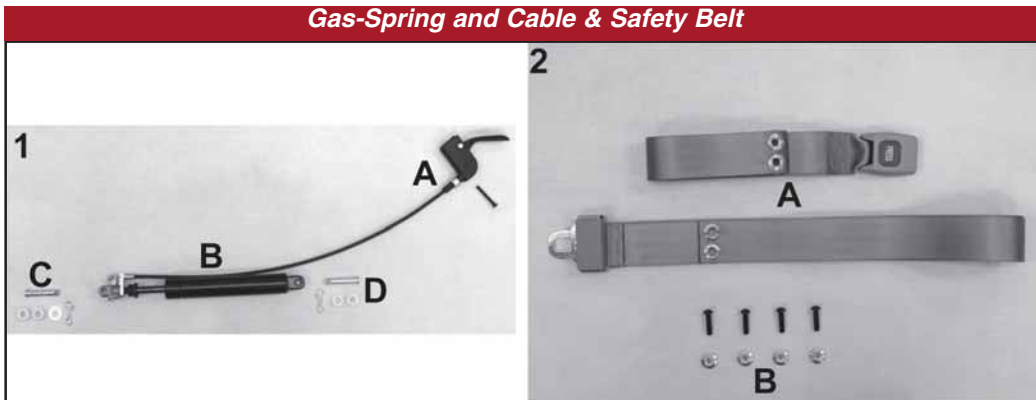
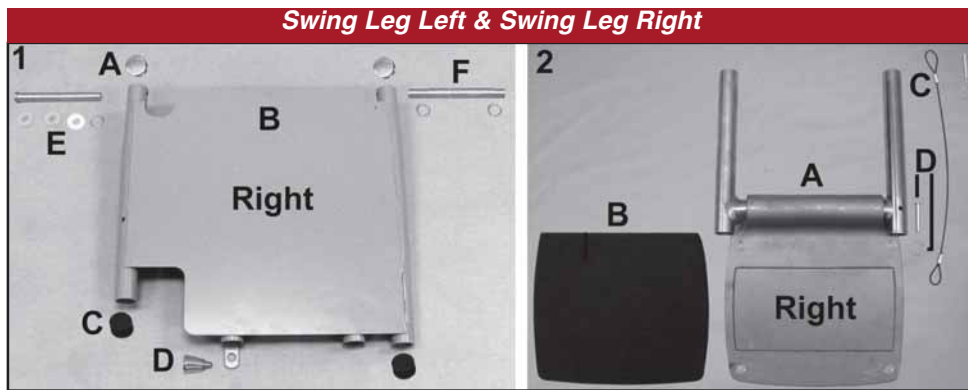
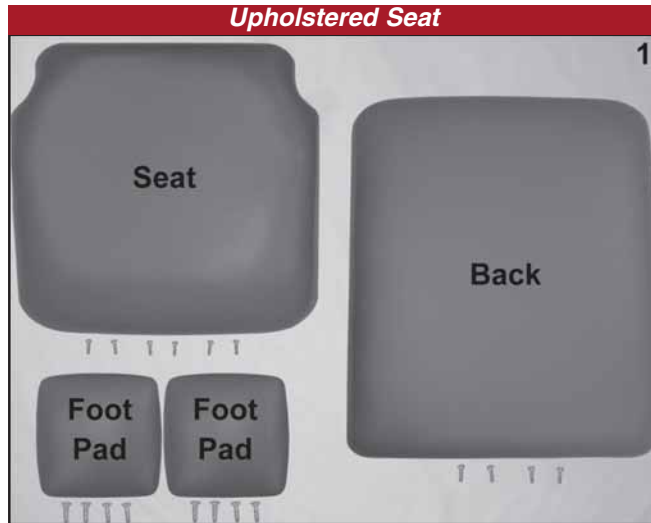
*Left & Right is determined—as if sitting in the chair*

Note A Ships unassembled. Left & Right is determined When Customer Assembles Parts.

Note B It is NOT recommended that these parts be Sold Separately However In Special Cases They Can Be.

# Winco S999 Stretchair

**BUY 11 GET 1 FREE!**



# Winco S999 Stretchair

**BUY 11 GET 1 FREE!**



Swing Leg Left & Swing Leg Right			
Fig.	Description	ALCO Part No.	Price Each
1	Assembly Mc675, Swing Leg, Right	AL-77437R	\$160.95
1A	Plug, 1.0 Dia., SS	AL-77438	\$1.95
1B	Swing Leg Weld.-R Leg	AL-77439R	\$167.95
1C	Plug, Round, Nylon, Black	AL-77440	\$0.95
1D	Plunger-S.Leg	AL-77441	\$20.95
1E	Pin, Clevis, 3/8 x 3.75 Lg., Zinc	AL-77442	\$11.95
	Spacer-Nylon .38 ID x .63 OD x .25 Thk	AL-77443	\$0.95
	Spacer-Nylon .38 ID x .63 OD x .12 Thk	AL-77444	\$0.95
1E,1F,2D	Cotter Ring, 5/8" OD	AL-77426	\$0.95
1F	Long Swing Leg Pin	AL-77445	\$31.95
N/A	Assembly Mc675, Swing Leg, Left	AL-77437L	\$160.95
	Swing Leg Weld.-Left Leg	AL-77439L	\$167.95
2A	Assembly, Mc675, Foot, Right	AL-77448R	\$189.95
	Tele Tube Weld -Outer -R	AL-77449R	\$41.95
	Tele Tube Weld.-Inner	AL-77450	\$47.95
	Foot Plate Casting Machined	AL-77451	\$164.95
	Spring Foot Plate	AL-77452	\$15.95
	Plug, Rnd Nickel Plated .88OD x .69ID	AL-77453	\$1.95
N/A	Assembly, Mc675, Foot, Left	AL-77448L	\$189.95
	Tele Tube Weld.-Outer-L	AL-77449L	\$41.95
2B	Foam, Neo, Adh, Footpad, 675	AL-77456	\$23.95
2C	Cable Assembly-Tele Stop	AL-77457	\$16.95
2D	Pin-Pivot Point #CP-36-.250 Dia. x 1.00 Lg.	AL-77458	\$5.95

Left & Right is determined—as if sitting in the chair

Note A These Pins Connect The 2 Legrest Frames Together

Note B It is NOT recommended that these parts be Sold Separately However In Special Cases They Can Be.

Note C Part is used for the LEFT & RIGHT Assemblies Listed Above

Note D NOTE "C" parts listed in above assembly Are Included

Gas-Spring and Cable & Safety Belt			
Fig.	Description	ALCO Part No.	Price Each
	Stretchair Legrest Gas-Spring And Cable Kit	AL-77459	\$169.95
1A	Stretchair Release Cable Kit	AL-77460	\$73.95
	Release Cable With Handle	AL-77461	\$46.95
	#10 x 1.5 Sq Drive, SS, Pan Head Sheet Metal Screw	AL-77462	\$1.95
1B	Cable Tie, 7", Natural	AL-77463	\$2.95
	Gas Cylinder, Stretchair	AL-77464	\$135.95
	Lever, Release Head	AL-77465	\$3.95
	Release Head, For Gas Cylinder	AL-77466	\$18.95
1C, 1D	Pin-Pivot Point #CP-100 (.312 x 1.75)	AL-77467	\$5.95
1C	Spacer-Nylon .38 ID x .63 OD x .25 Thk	AL-77443	\$0.95
1C, 1D	Spacer-Nylon .38 ID x .63 OD x .38 Thk	AL-77469	\$0.95
1C	Spacer-Nylon .38 ID x .63 OD x .12 Thk	AL-77444	\$0.95
1C, 1D	Bow Tie Cotter Pin .072	AL-64234	\$1.95
2A	Safety Belt 675	AL-77471	\$116.95
2B	Button HD. Screw .25-20 x 1.00	AL-77472	\$1.95
	Nut, Hex Flanged, Z/P, .250-20	AL-77473	\$0.95

## Upholstered Seat

Fig.	Description	ALCO Part No.	Price Each
1	S999 Upholstered Seat	AL-77474	Call
	Screw-Mach 10-24 x 3/4 Pan Phil M/S Zinc	AL-77475	\$1.95
	S999 Upholstered Back	AL-77476	Call
	Screw-Mach 10-24 x 3/4 Pan Phil M/S Zinc	AL-77475	\$1.95
	S999 Foot Pad	AL-77477	Call
	Screw, WD PH FL HD ZP #14 THD x 1.000 LG	AL-77478	\$0.95

Options: For TB133 Add TB After Part Number

Note A Screws needed to attach this product are included

## Armrest Assembly, Upholstered Armrest & Hand Knob

Fig.	Description	ALCO Part No.	Price Each
1	Armrest Assembly, RH Complete	AL-77480R	\$406.95
1A	Cush. Support Weld.-Right	AL-77481R	\$201.95
	Handle Grip, Ribbed, Black 1" x 4.375"	AL-77482	\$3.95
	Bumper, Arm, Black, 30.25" x 1"	AL-77483	\$44.95
1B	Arm Support Weld.	AL-77484	\$82.95
	Grommet, Rubber, 7/8 Dia.	AL-77485	\$3.95
	Armrest Assembly, LH Complete	AL-77480L	\$406.95
1A	Cush. Support Weld. L Arm	AL-77481L	\$201.95
	Upholstered Armrest	AL-77488	Call
2	1/4-20 .88 Socket Button Head Cap Screw, Zinc	AL-77489	\$0.95
3	Hand Knob McMaster (5/16-18)	AL-77479	\$22.95

Left & Right is determined—as if sitting in the chair  
Options: For TB133 Add TB After Part Number

Note A RIGHT-SIDE arm support shown in image 1.

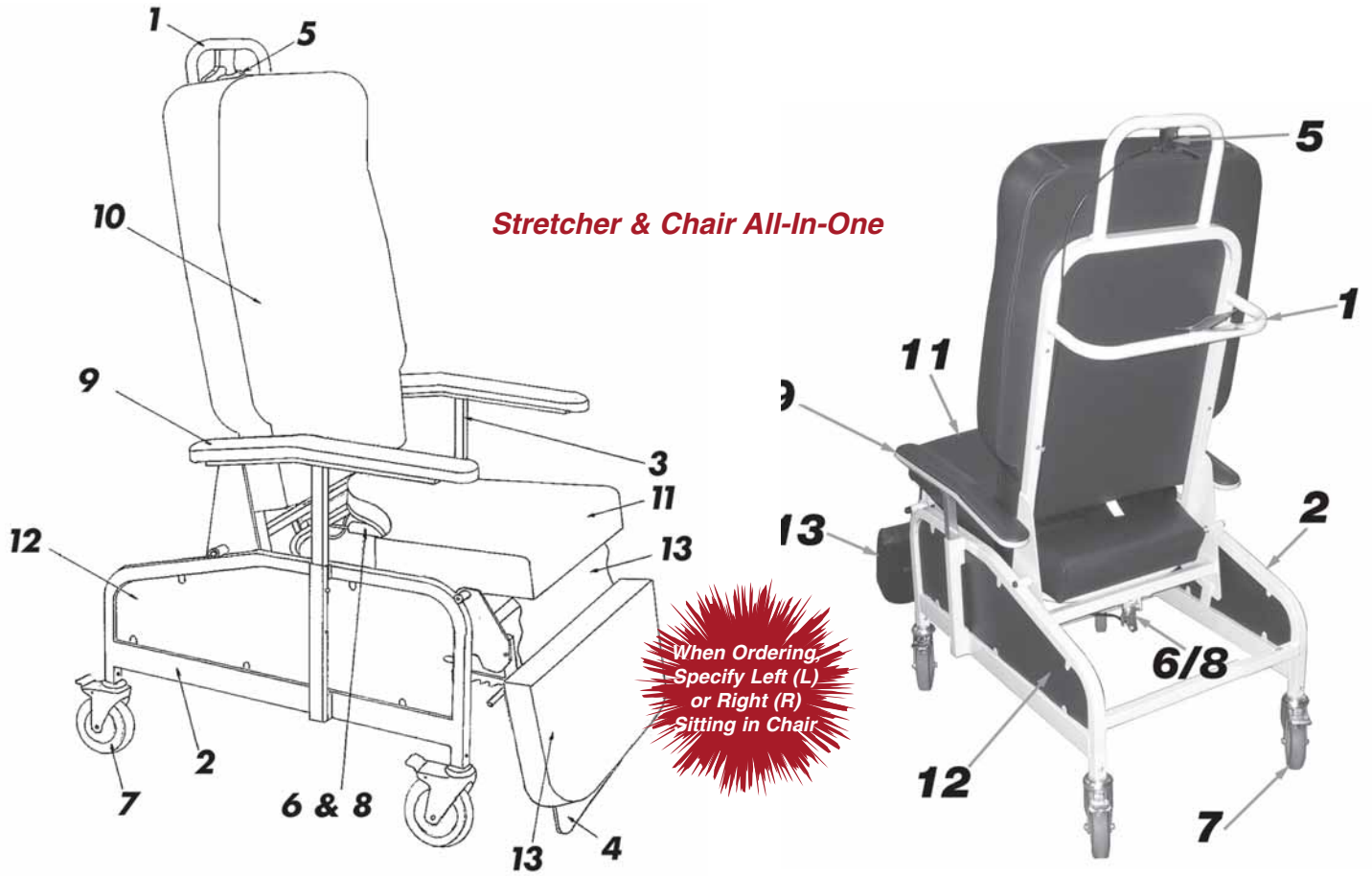
Note B Part is used for the LEFT & RIGHT Assemblies

Note C Screws needed to attach this product are included

Note D It is NOT recommended that these parts be Sold Separately However In Special Cases They Can Be.

# Winco Transfer Cliner Model 680 & 681

**BUY 11 GET 1 FREE!**



Blueridge (17)    Burgundy (14)    Hunter Green (06)    Mauve (16)    Royal Blue (02)    Taupe (03)    Moss Green (04)

Fig.	Description	ALCO Part No.	Price Each
1	Back Assembly	AL-58750	Call
2	Main Frame (model 680)	AL-58751	Call
N/S	Main Frame (model 681)	AL-69176	Call
3	Armrest Support	AL-58752	\$89.95
N/S	Footrest Assembly	AL-58753	Call
4	Footplate	AL-58754	Call
N/S	Safety Shield (set of 2)	AL-58755	Call
5	Control Cable 60" with Lever	AL-58756	\$119.95
6	Operator	AL-58729	Call
7	5" Total Lock Caster (Each)	AL-50819	\$59.95
8	Gas Cylinder (model 680)	AL-58757	Call
	Gas Cylinder with operator (model 681)	AL-69175	\$189.95
N/S	Black Knob/Stud	AL-58758	\$11.95
N/S	Plastic Saddle, Black	AL-58759	\$10.95

Fig.	Description	ALCO Part No.	Price Each
N/S	Seat Belt	AL-58760	\$42.95
N/S	Glide, non-swivel (model 681)	AL-69177	\$7.95
N/S	Glide Insert (model 681)	AL-69178	\$4.95
9	Upholstered Armrest, (Pair)*	AL-50814	\$79.95
10	Upholstered Back (model 680)*	AL-58761	Call
	Upholstered Seat (model 681)*	AL-69179	Call
11	Upholstered Back (model 681)*	AL-69180	Call
	Upholstered Seat (model 680)*	AL-58762	Call
12	Upholstered Side Panel (model 680)*	AL-58763	Call
	Upholstered Side Panel (model 681)*	AL-69181	Call
13	Upholstered Legrest with Apron (model 680)*	AL-58764	Call
	Upholstered Legrest with Apron (model 681)*	AL-69182	Call

Pr.

\*Need Serial and/or Model Number



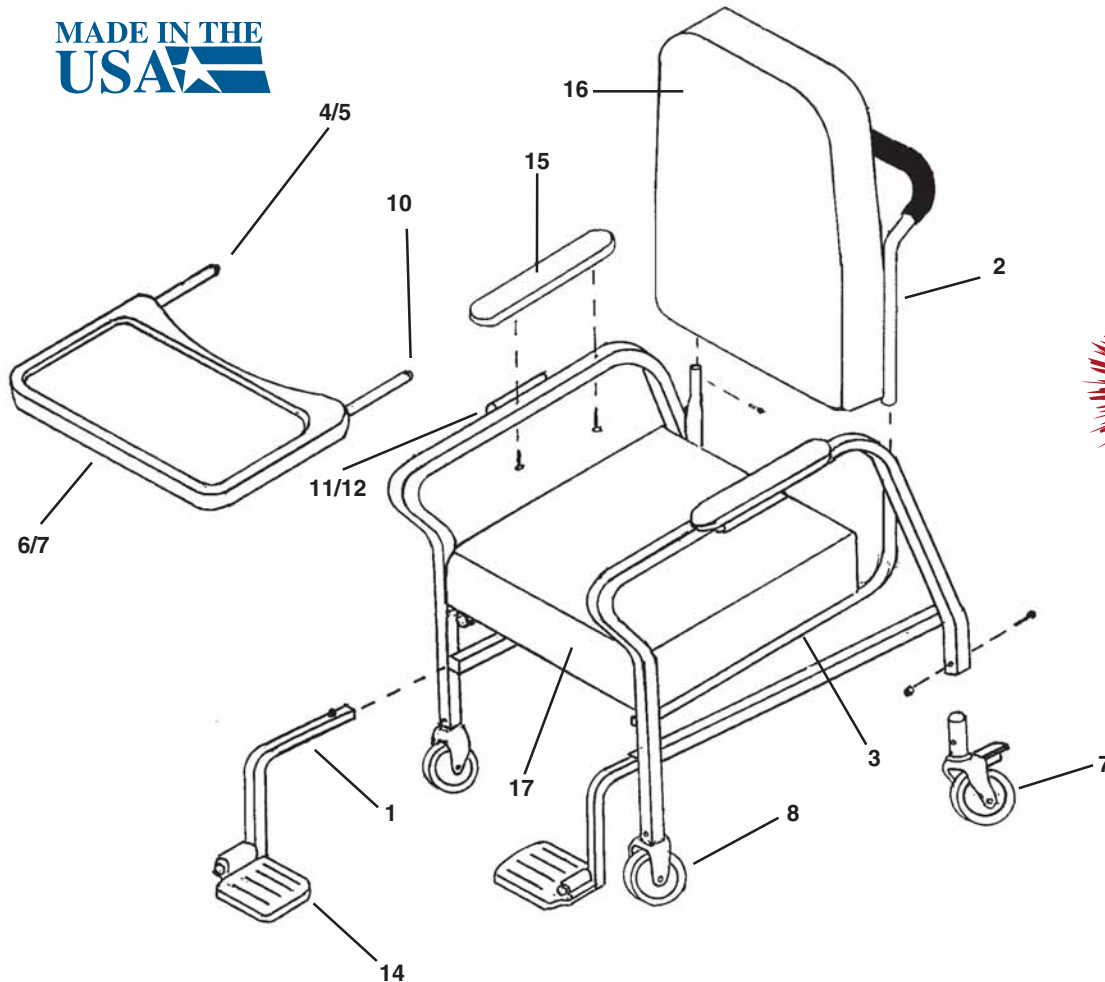


# Winco Golden Years Chair Model 510



**BUY 11 GET 1 FREE!**

**MADE IN THE USA**



Blueridge (17)    Burgundy (14)    Hunter Green (06)    Mauve (16)    Royal Blue (02)    Taupe (03)    Moss Green (04)

Fig.	Description	ALCO Part No.	Price Each
1	Footrest Tube Assembly (L or R)	AL-58664	\$28.95
2	Back Frame	AL-58662	\$42.95
3	Steel Seat / Arm Frame	AL-58663	\$209.95
4	Tray Arm Right	AL-58668	\$18.95
5	Tray Arm Left	AL-58669	\$18.95
N/S	Tray Arm Strap	AL-58670	\$6.95
6	Blow Molded Tray w/ Tray Arms Complete	AL-58667	\$99.95
N/S	Valco Snap Button For AL-58668	AL-64226	\$12.95
N/S	Valco Snap Button For AL-58669	AL-64227	\$12.95
7	5" Swivel Caster w/ Brake	AL-50819	\$59.95

Fig.	Description	ALCO Part No.	Price Each
8	5" Rigid Caster	AL-58712	\$44.95
9	Plastic Blow Molded Tray Only	AL-58666	\$62.95
10	3/4" Black Ball Glide for AL- AL-58668 & AL-58669	AL-58679	\$2.95
11	Tray Receiving Tube Flanged (1)	AL-64230	\$4.95
12	Tray Receiving Tube Plain Insert (3)	AL-64231	\$2.95
14	Footrest Black Nylon	AL-58665	\$19.95
15	Armpads	AL-77100	\$49.95
16	Back	AL-77101	\$109.95
17	Seat	AL-64402	\$139.95

Phone 800-323-4282 • 630-655-1900  
FAX 800-950-1167 • 630-655-1990

E-mail: [info@alcosales.com](mailto:info@alcosales.com)  
Website: [www.alcosales.com](http://www.alcosales.com)

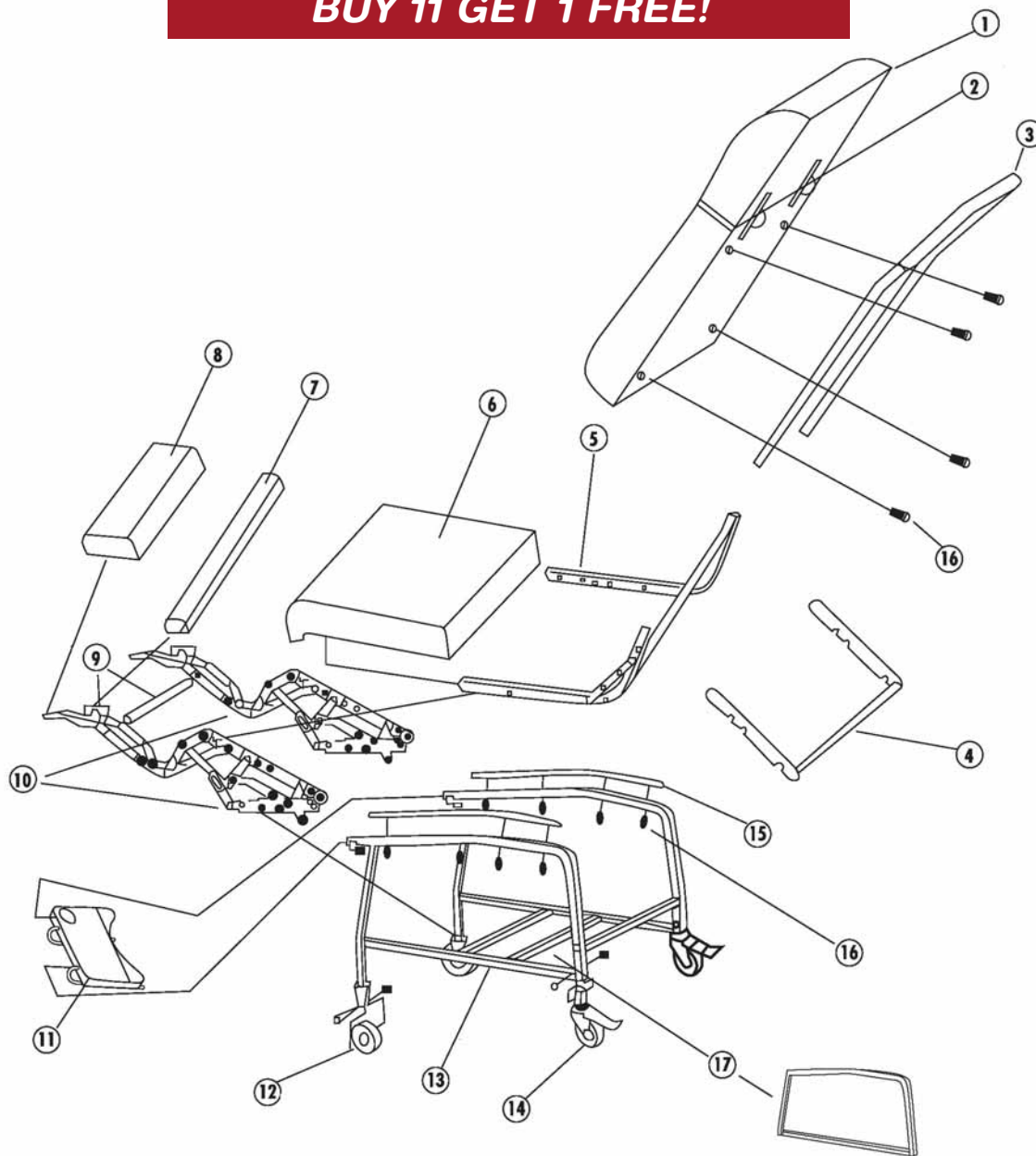


Fig	Description	ALCO Part No.	Price Each	Fig	Description	ALCO Part No.	Price Each
1	Back Only*	AL-67331	\$92.95	10	Recliner Mechanism, Set	AL-67340	\$71.95
2	Head Rest Adjustment	AL-67332	\$9.95	11	Table Tray	AL-67341	\$39.95
3	Push Handle	AL-67333	\$39.95	12	Front Caster	AL-67342	\$31.95
4	Lock Bar for Back	AL-67334	\$12.95	13	Recliner Frame	AL-67343	\$59.00
5	Seat Frame	AL-67335	\$59.00	14	Rear Locking Caster	AL-67344	\$49.95
6	Seat Only*	AL-67336	\$22.95	15	Armpad*	AL-67345	\$11.95
7	Legrest*	AL-67337	\$16.95	16	Recliner Hardware Pack	AL-67346	\$29.95
8	Footrest*	AL-67338	\$16.95	17	Side Panels, Left & Right	AL-67349	\$59.95
9	Footrest Support Bar	AL-67339	\$9.95				

\* Specify Color When Ordering: Blue Ridge (BR), Jade (J) or Rosewood (R)



Rose Wood

Blue Ridge

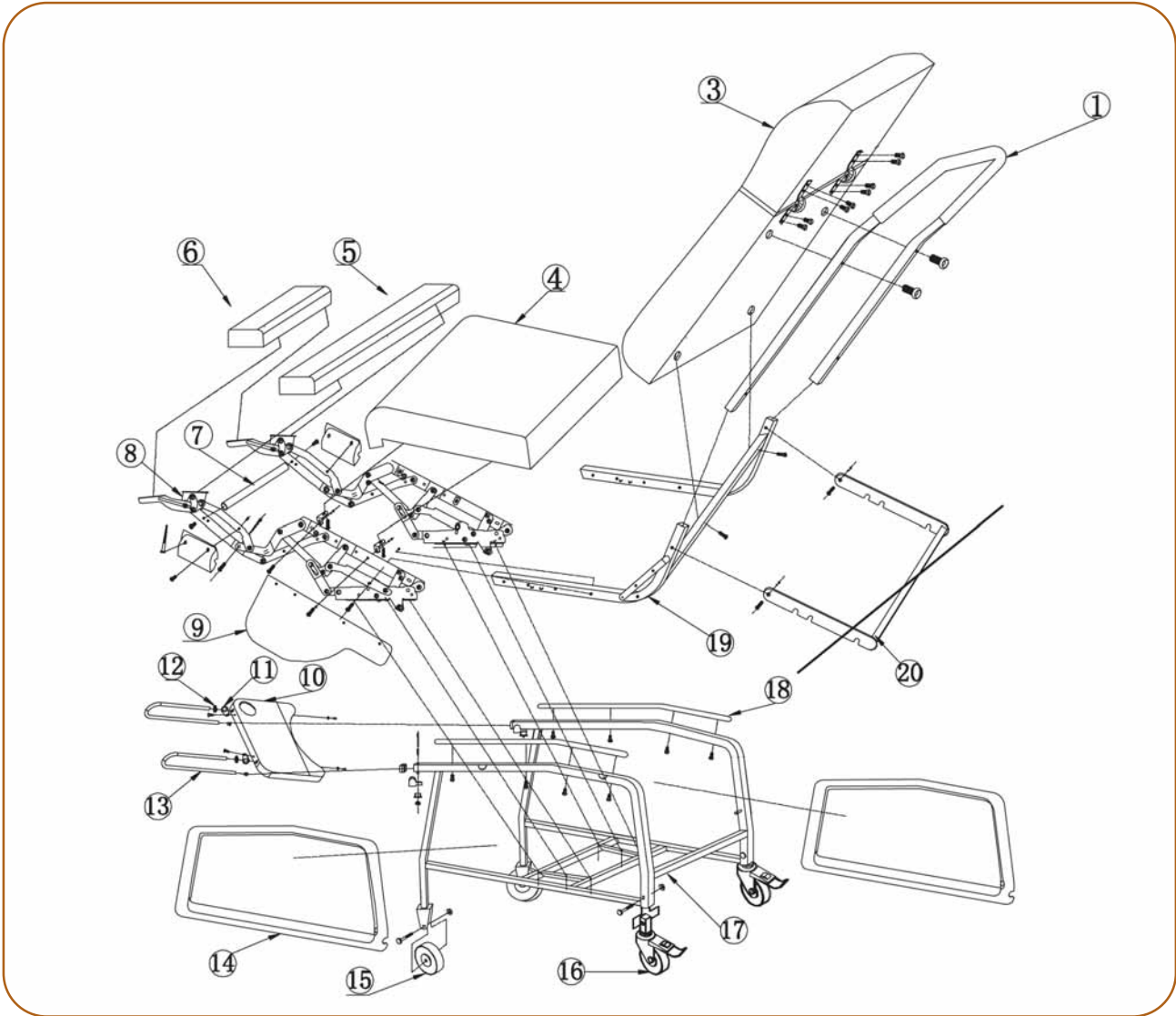
Jade



# Drive Medical Model D574EWR



**BUY 11 GET 1 FREE!**



EP-1

Item	Description	ALCO Part No.	Price Each
1	Lower Push Handle	AL-75771	\$27.95
3	Back Upholstery – Blue Ridge	AL-75773-BR	\$149.95
	Back Upholstery – Jade	AL-75773-J	\$149.95
	Back Upholstery – Rose	AL-75773-R	\$149.95
4	Seat Upholstery – Blue Ridge	AL-75774-BR	\$129.95
	Seat Upholstery – Jade	AL-75774-J	\$129.95
	Seat Upholstery – Rose	AL-75774-R	\$129.95
5	Legrest – Blue Ridge	AL-75775-BR	\$26.95
	Legrest – Jade	AL-75775-J	\$26.95
	Legrest – Rose	AL-75775-R	\$26.95
6	Footrest – Blue Ridge	AL-75776-BR	\$26.95
	Footrest – Jade	AL-75776-J	\$26.95
	Footrest – Rose	AL-75776-R	\$26.95
7	Support Bar	AL-75777	\$13.95
8	Reclining Mechanism, Set	AL-67340	\$99.95

Item	Description	ALCO Part No.	Price Each
9	Protecting Panel	AL-68965	\$24.95
10	Tray	AL-75778	\$34.95
11	Table Washer	AL-75779	\$14.95
12	Table Fitting	AL-75780	\$14.95
13	Tray Slide Tube	AL-75781	\$14.95
14	Side Panels	AL-67349	\$59.95
15	Front Caster	AL-67342	\$31.95
16	Rear Locking Caster	AL-67344	\$49.95
17	Frame	AL-75782	\$69.95
	Armrest – Blue Ridge	AL-67345-BR	\$11.95
	Armrest – Jade	AL-67345-J	\$11.95
	Armrest – Rose	AL-67345-R	\$11.95
19	Seat Frame	AL-75783	\$69.95
20	Locking Bar	AL-75784	\$69.95

**BUY 11 GET 1 FREE!**

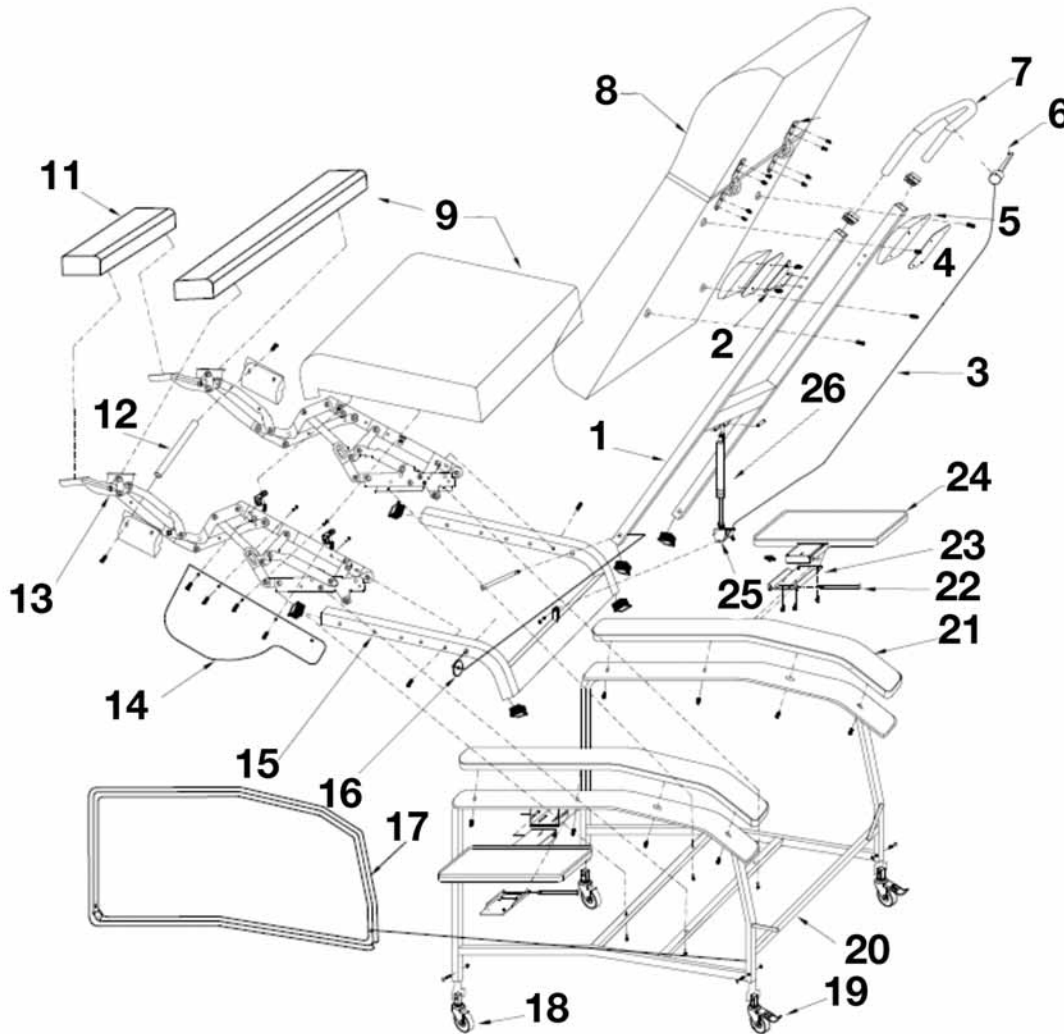


Fig	Description	ALCO Part No.	Price Each
1	Lower Push Handle	AL-68941	\$26.95
2	Side Wing Bracket	AL-68942	\$16.95
3	Recliner Cable	AL-68943	\$10.95
4	Side Wing Plastic Backing	AL-68944	\$5.95
5	Side Wing—Blue Ridge	AL-68945	\$44.95
	Side Wing—Jade	AL-68946	\$44.95
	Side Wing—Rose	AL-68947	\$44.95
6	Recliner Release Handle	AL-68948	\$15.95
7	Upper Push Handle	AL-68949	\$22.95
8	Back—Blueridge	AL-68951	\$149.95
	Back—Jade	AL-68952	\$149.95
	Back—Rose	AL-68953	\$149.95
9	Seat w/Legrest—Blueridge	AL-68954	\$129.95
	Seat w/Legrest—Jade	AL-68955	\$129.95
	Seat w/Legrest—Rose	AL-68956	\$129.95
11	Footrest—Blueridge	AL-68960	\$24.95
	Footrest—Jade	AL-68961	\$24.95
	Footrest—Rose	AL-68962	\$24.95

Fig	Description	ALCO Part No.	Price Each
12	Support Bar	AL-68963	\$12.95
13	Reclining Mechanism, Set	AL-67340	\$99.95
14	Protecting Panel	AL-68965	\$24.95
15	Seat Frame	AL-68966	\$66.95
16	Washer	AL-68967	\$5.95
17	Side Panel Set	AL-68968	\$69.95
18	Front Casters	AL-68969	\$49.95
19	Rear Casters	AL-68971	\$51.95
20	Main Frame	AL-68971	\$66.95
21	Armrest—Blueridge	AL-68972	\$22.95
	Armrest—Jade	AL-68973	\$22.95
	Armrest—Rose	AL-68974	\$22.95
22	Tray Bolt	AL-68975	\$5.95
23	Tray Base	AL-68976	\$17.95
24	Tray	AL-68977	\$29.97
25	Release Mount	AL-68978	\$8.95
26	Gas Cylinder	AL-68979	\$34.95



Rose Wood

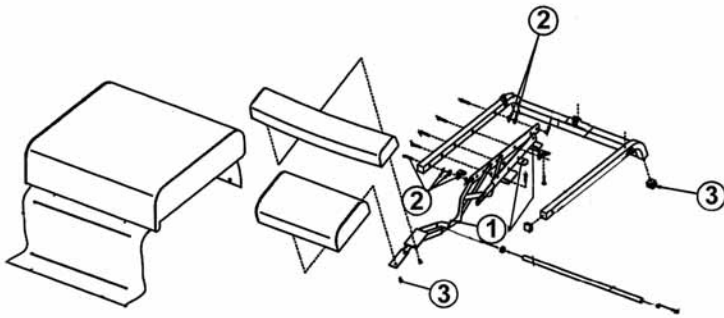
Blue Ridge

Jade



# Invacare Recliner—Model 6908A

**BUY 11 GET 1 FREE!**

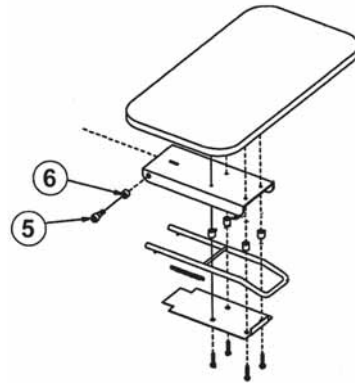


### Seat and Ottoman

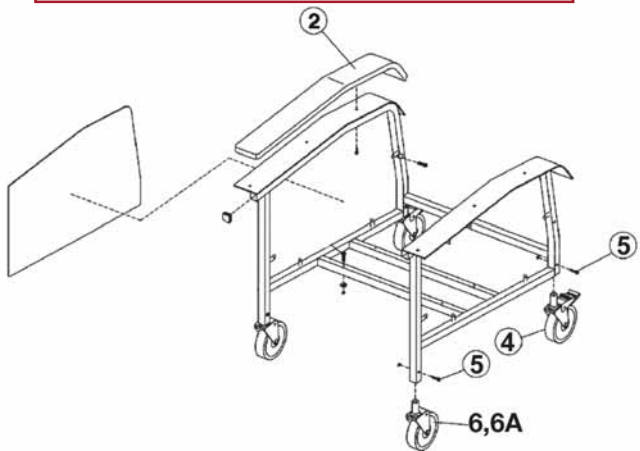
Fig.	Description	ALCO Part No.	Price Each
1	Reclining Mechanism (right & left)	AL-25771	\$99.95
2	Washer, Steel	AL-58436	\$4.95
3	Hex Head Screw	AL-50028	\$5.95

### Tray

Fig	Description	ALCO Part No.	Price Each
5	Shoulder Screw	AL-50053	\$4.95
6	Nylon Washer	AL-50054	\$6.95



*When Ordering Specify Left (L) or Right (R) Side as patient is sitting in chair*

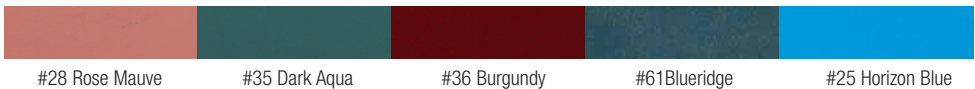
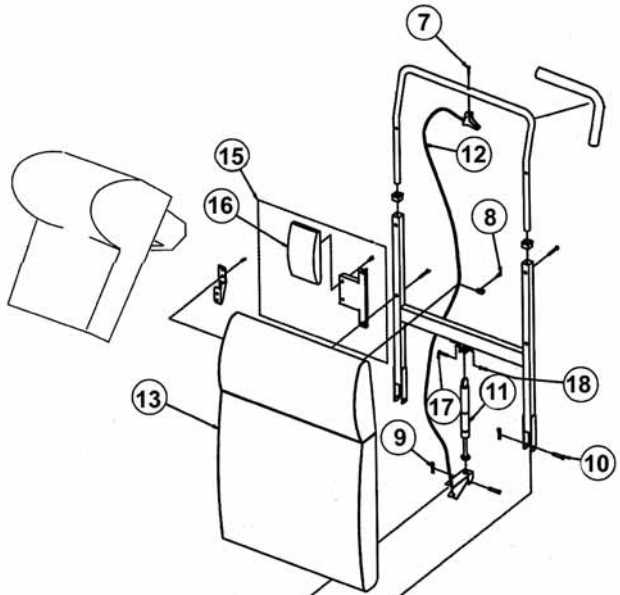


### Base Frame

Fig.	Description	ALCO Part No.	Price Each
2	Armrest—Rose Mauve	AL-58376-28	\$63.95
	Armrest—Dark Aqua	AL-58376-35	\$63.95
	Armrest—Burgundy	AL-58376-36	\$63.95
	Armrest—Blueridge	AL-58376-38	\$63.95
4,5	Kit, Caster with Brake (Included Items 3, 4, 5)	AL-66906	\$49.95
5,6	Kit, Caster, Rear (Included Items 3, 5, 6)	AL-66907	\$39.95
6A	Caster only	AL-18611	\$13.95

### Back Frame and Cushions

Fig.	Description	ALCO Part No.	Price Each
7	Oval Head Phillips Screw	AL-58378	\$6.95
8	Pan Head Phillips Screw	AL-66912	\$8.95
9	Hitch Pin	AL-50010	\$5.95
10	Clevis Pin	AL-50112	\$4.95
11	Hydraulic Cylinder	AL-50115	\$59.95
12	Control Lever with Cable	AL-50116	\$32.95
13	Back Cushion— (After 1/7/02) Dark Aqua	AL-58381-35	\$199.95
15	Elbow Pad Assembly Grey Finish—Left		
	Rose Mauve	AL-58385A-28	\$29.95
16	Elbow Pad Only—		
	Burgundy	AL-58385A-36	\$29.95
16	Elbow Pad Only— Burgundy	AL-58386-36	\$16.95
17	Hex Head Screw	AL-50125	\$5.95
18	Locknut	AL-50126	\$5.95

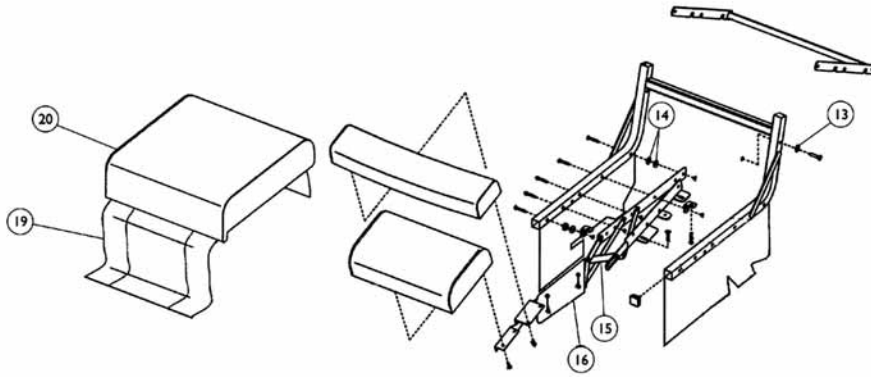




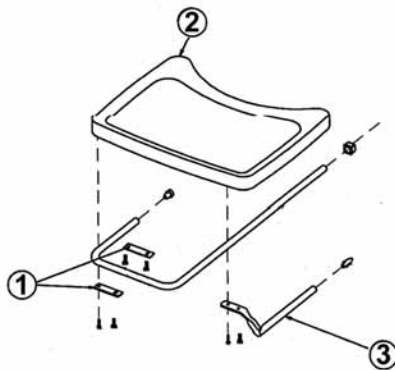
# Invacare Recliner—Model 6907A



**BUY 11 GET 1 FREE!**

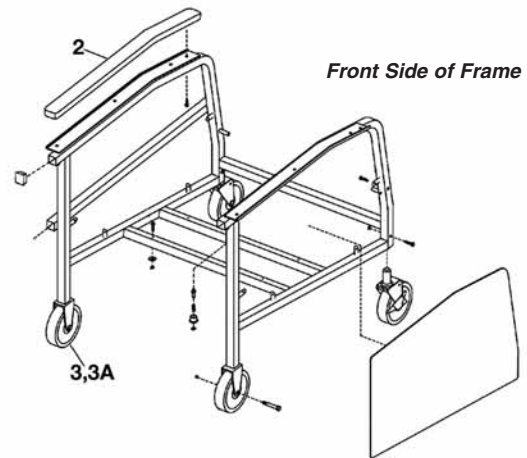


Seat and Ottoman			
Fig.	Description	ALCO Part No.	Price Each
13	Washer, Nylon	AL-50102	\$5.95
14	Washer, Steel	AL-49998	\$6.95
15-16	Kit, Recliner Mechanism (Includes Items 15-16)	AL-25771	\$99.95
19	Leg Panel Dark Aqua	AL-50099-35	\$49.95
	Burgundy	AL-50099-36	\$49.95
20	Seat Cushion Assembly Rose Mauve	AL-58414-28	\$159.95
	Burgundy	AL-58414-36	\$159.95

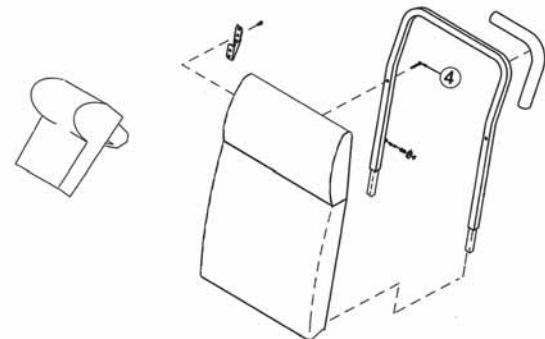


Tray			
Fig.	Description	ALCO Part No.	Price Each
1	Tray Tab (Before 1/18/02) Brown Frame	AL-58424	\$6.95
2	Tray Only, Brown Finish	AL-58425	\$41.95
3	Tray Support, Brown Finish	AL-58427	\$7.95

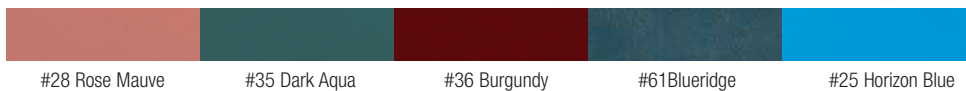
Base Frame			
Fig.	Description	ALCO Part No.	Price Each
2	Armrest Assembly w/Vinyl Cover Rose Mauve	AL-58376-28	\$63.95
	Dark Aqua	AL-58376-35	\$63.95
	Burgundy	AL-58376-36	\$63.95
	Blueridge	AL-58376-38	\$63.95
3	Caster with Brake	AL-66906	\$49.95
3A	Caster only	AL-18611	\$13.95



Back Frame and Cushions			
Fig.	Description	ALCO Part No.	Price Each
4	Hex Head Screw	AL-50013	\$6.95



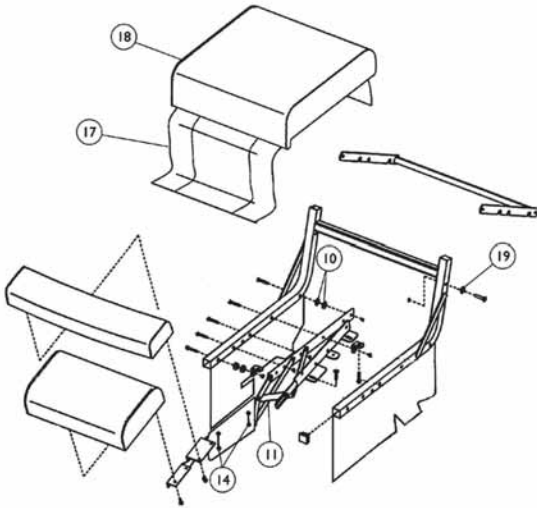
EP1





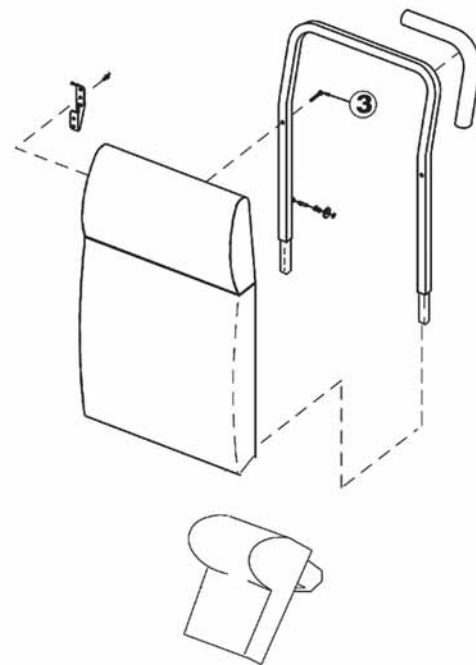
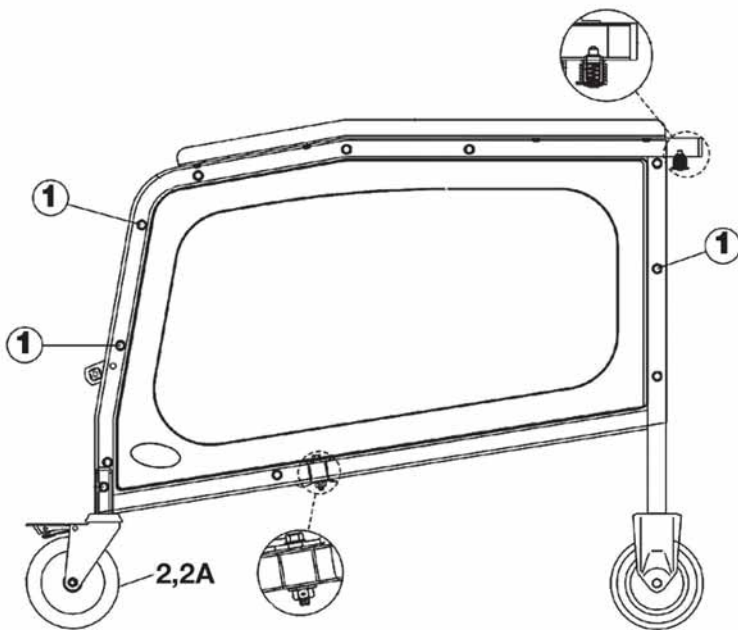
# Invacare Recliner—Model 6905A

**BUY 11 GET 1 FREE!**



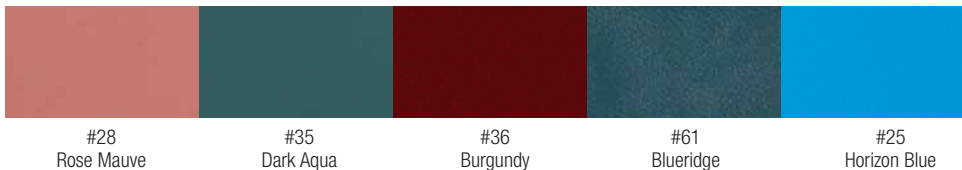
Seat and Ottoman			
Fig.	Description	ALCO Part No.	Price Each
10	Washer, Steel	AL-49998	\$6.95
11	Kit, Recliner Mechanism (Includes Items 11-12)	AL-25771	\$99.95
14	Screw	AL-66925	\$6.95
17	Leg Panel		
	Dark Aqua	AL-50099-35	\$49.95
	Burgundy	AL-50099-36	\$49.95
18	Seat Cushion Assembly		
	Rose Mauve	AL-58414-28	\$159.95
	Burgundy	AL-58414-36	\$159.95
19	Washer, Nylon	AL-50102	\$5.95

When Ordering Specify Left (L) or Right (R) Side as patient is sitting in chair



Base Frame			
Fig.	Description	ALCO Part No.	Price Each
1	Screw	AL-66925	\$6.95
2	Caster with Brake	AL-66906	\$49.95
2A	Caster only	AL-18611	\$13.95

Back Frame and Cushions			
Fig.	Description	ALCO Part No.	Price Each
3	Screw	AL-50013	\$6.95



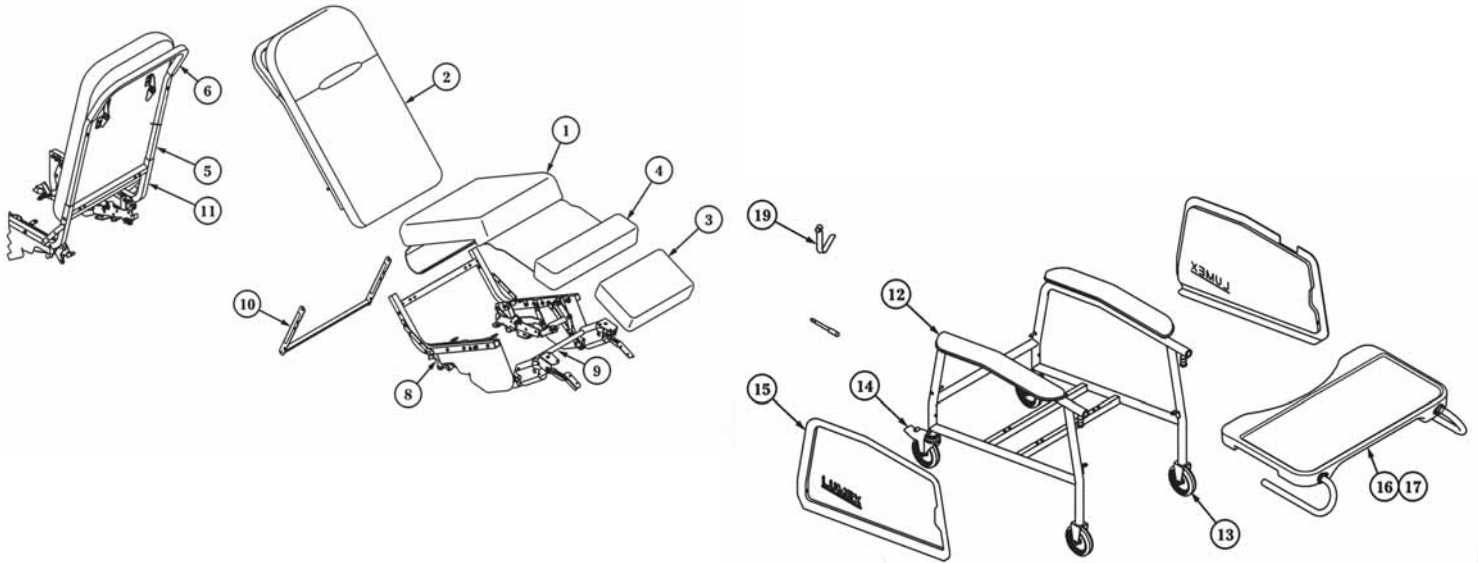


# Lumex 3-Position Recliner

**BUY 11 GET 1 FREE!**



## Model 574G



EP1



Rose Wood

Blue Ridge

Jade

Model 574G			
Item No	Description	ALCO Part No.	Price Each
1	Seat Upholstery (Fire Rate)*	AL-9393FR	\$109.95
	Seat Upholstery (Non-Fire Rate)*	AL-9393	\$89.95
2	Back Upholstery (Fire Rate)*	AL-9396FR	\$149.95
	Back Upholstery (Non-Fire Rate)*	AL-9396	\$139.95
3	Footrest Upholstery (Fire Rate)*	AL-9404FR	\$25.95
	Footrest Upholstery (Non-Fire Rate)*	AL-9404	\$25.95
4	Legrest Upholstery (Fire Rate)*	AL-9401FR	\$62.95
	Legrest Upholstery (Non-Fire Rate)*	AL-9401	\$62.95
5	Push Bar Handle with Grip	AL-25416	\$19.95
6	Handle Grip	AL-65320	\$19.95
8	Recliner Mechanism, Set	AL-25622	\$119.95
9	Torque Tube Assembly	AL-25427	\$21.95
10	Back Lock w/ Hardware	AL-25422	\$25.95
11	Coated Lower Back Brace	AL-25423	\$85.95
12	Armrest Upholstery (Fire Rate)* 24-1/4"L x 1-7/8"W	AL-9399FR	\$29.95
	Armrest Upholstery (Fire Rate)* 26-1/2"L x 2.29"W	AL-59328FR	\$35.95
12	Armrest Upholstery (Non-Fire Rate)* 24-1/4"L x 1-7/8"W	AL-9399	\$27.95
	Armrest Upholstery (Non-Fire Rate)* 26-1/2"L x 2.29"W	AL-59328	\$35.95
13	Front Caster Wheel Assembly	AL-65318	\$29.95
14	Rear Locking Caster Assembly for 574RG	AL-65367	\$85.95
	Rear Locking Caster Assembly for 574G	AL-65319	\$75.95
15	Side Panels for 574G	AL-50757	\$44.95
16	Tray Table Assembly	AL-59354	\$105.95
17	Table Top Only	AL-59353	\$21.95
19	Release Button Spring (Set of 8)	AL-69237	\$15.95
N/S	Pull Button Assembly	AL-967	\$6.95
N/S	Table Lock Out Clip	AL-66633	\$15.95
N/S	Reducer Cap (Pack of 10)	AL-65317	\$15.95

Set

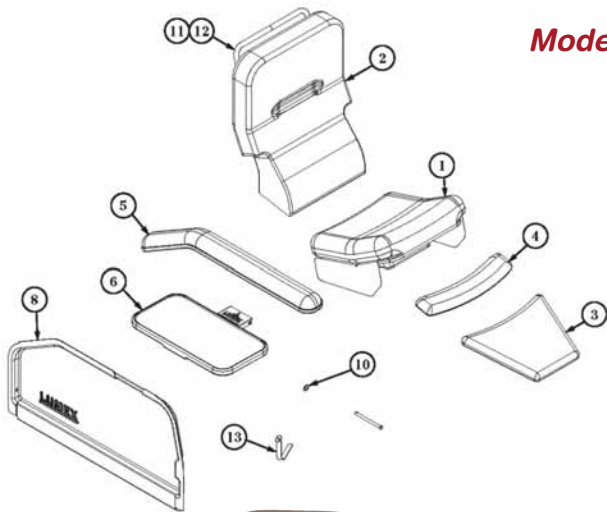
Pk.

\*Specify Color When Ordering:  
Blueridge (427), Jade (857) & Rosewood (863)

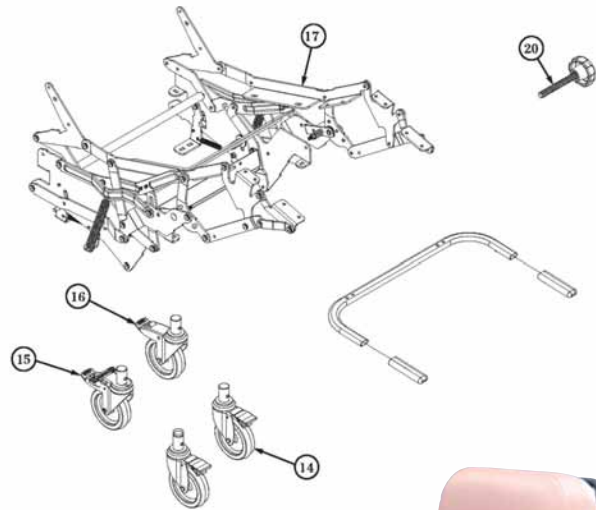


# Lumex Clinical Care Recliner

## BUY 11 GET 1 FREE!



**Model 566G**



**350 lb.  
Capacity**



**Model 566DG**



**Model 566G**

566DG & 566G							
Fig	Description	ALCO Part No.	Price Each	Fig	Description	ALCO Part No.	Price Each
1	FR Seat Upholstery*	AL-65350FR	\$109.95	14	Front Locking Caster	AL-65355	\$65.95
2	FR Back Upholstery*	AL-65362FR	\$319.95	15	Left Rear Locking Caster	AL-65367	\$85.95
3	FR Footrest Upholstery*	AL-65352FR	\$59.95	17	Recliner Mechanism, Set	AL-65359	\$165.95
4	FR Legrest Upholstery*	AL-65351FR	\$39.95	8	Side Panels	AL-65345	\$124.95
5	FR Armrest Upholstery*	AL-65357FR	\$49.95	11	Push Handle with Grip	AL-65334	\$19.95
N/S	Clothing Guard	AL-67312	\$59.00	12	Handle Grip	AL-65365	\$19.95
N/S	Right Drop Arm Assembly	AL-67313	\$99.00	6	Side Table Assembly (Grey)	AL-65336	\$35.95
N/S	Left Drop Arm Assembly	AL-67314	\$99.00	16	Right Rear Directional Caster	AL-65367	\$85.95
N/S	FR Flat Back Upholstery*	AL-65363FR	\$299.95	20	Knob, Back Attachment	AL-67316	\$13.95
10	Flat Washer, Side Table	AL-73264	\$9.95	N/S	Drop Arm Pull Pin Assembly	AL-67317	\$9.95
13	Release Push Pin for Side Panel (8 per set)	AL-69237	\$15.95				

\*SPECIFY COLOR WHEN ORDERING!: Blueridge (427), Jade (857) & Rosewood (863) • FR=Fire Rated



Rose Wood

Blue Ridge

Jade



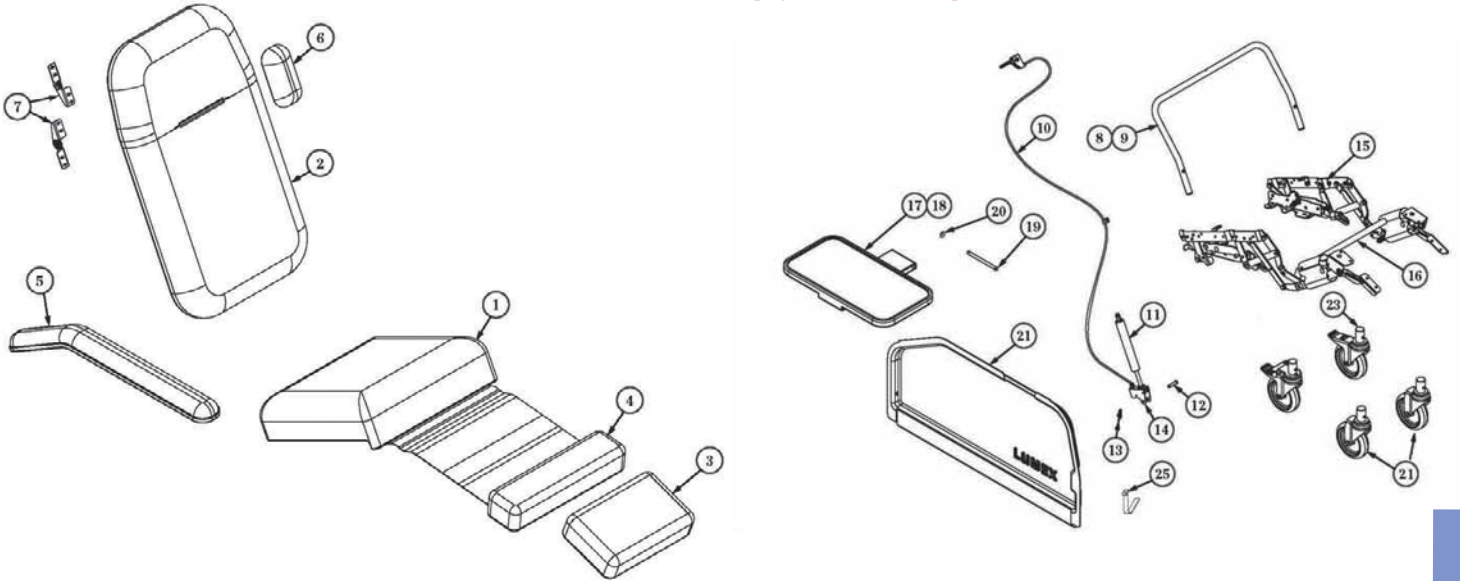


# Lumex Clinical Care Recliner



**BUY 11 GET 1 FREE!**

## Model 577G/577RG



### Models 577G/577RG

Fig.	Description	ALCO Part No.	Price Each
1	FR Seat Upholstery*	AL-25331FR	\$105.95
2	FR Back Upholstery*	AL-54301FR	\$219.95
3	FR Footrest Upholstery*	AL-9404FR	\$25.95
4	FR Legrest Upholstery*	AL-9401FR	\$62.95
N/S	FR Armrest Upholstery*	AL-54302FR	\$35.95
5	FR Armrest Upholstery*	AL-65357FR	\$49.95
6	FR Upper Arm Supports*	AL-25338FR	\$55.95
7	Back Hinge with Hardware	AL-73263	\$19.95
8	Push Handle with Grip	AL-65334	\$19.95
9	Handle Grip	AL-65365	\$19.95
10	Cable Assembly	AL-53138	\$27.95
11	Gas Spring	AL-53137	\$49.95
12	Clevis Pin for Gas Spring	AL-47409	\$4.95
13	Rue Ring Cotter Clip	AL-65315	\$10.95
14	Zinc Plated Lower Bracket for Gas Spring	AL-53139	\$19.95
15	Recliner Mechanism, Set	AL-25622	\$119.95
16	Torque Tube Assembly	AL-25427	\$21.95
17	Side Table Assembly	AL-65336	\$35.95
18	Side Table Top Only	AL-65337	\$19.95
N/S	Sidepanels L/R	AL-50757A	\$25.95
20	Sidepanels L/R	AL-65345	\$124.95
N/S	Front Caster Assembly	AL-66634	\$55.95
N/S	Rear Locking Caster	AL-66620	\$75.95
21	Front Caster Assembly	AL-53133	\$55.95
23	Rear Directional Locking Caster	AL-65367	\$85.95
25	Release Push Pin for Side Panel	AL-69237	\$15.95

\*SPECIFY COLOR WHEN ORDERING!: Blueridge (427), Jade (857) & Rosewood (863) • FR=Fire Rated

**300 lb. Capacity**



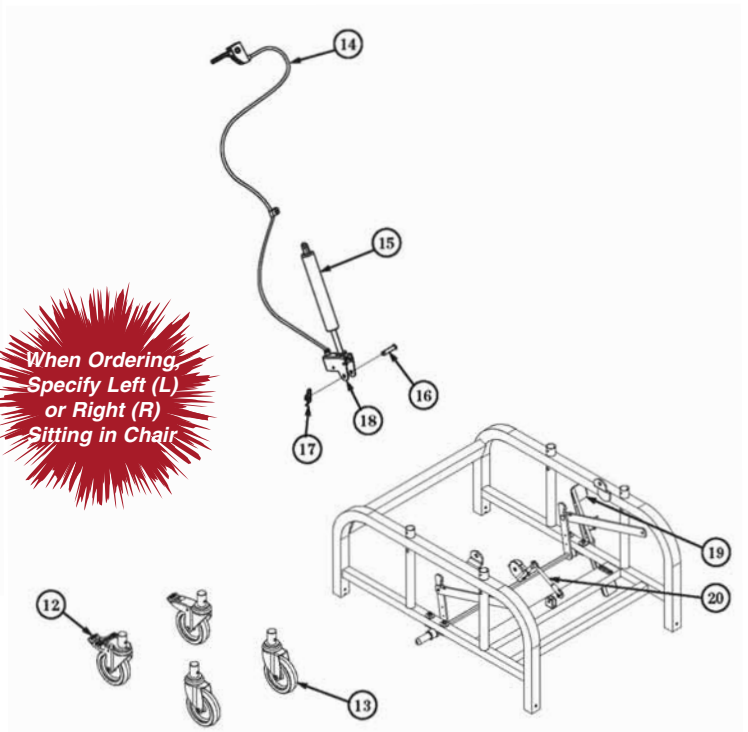
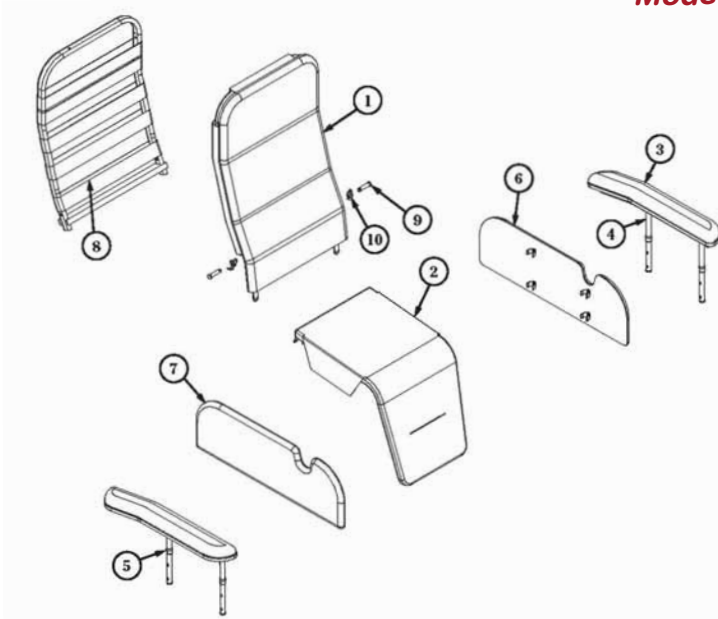
Rose Wood

Blue Ridge

Jade



**Model 565TG**



**Model 565TG**

Fig	Description	ALCO Part No.	Price Each
1A	Back Upholstery*	AL-47446	\$149.95
1B	FR Back Upholstery*	AL-47446FR	\$189.95
2A	Legrest/ Seat Upholstery*	AL-47448	\$159.95
2B	FR Legrest/ Seat Upholstery*	AL-47448FR	\$219.95
3A	Armrest Upholstery*	AL-59328	\$19.95
3B	FR Armrest Upholstery*	AL-59328FR	\$35.95
4	Left Drop Arm Assembly	AL-59334	\$89.95
5	Right Drop Arm Assembly	AL-59333	\$89.95
6	Left Upholstered Side Panel*	AL-59329	\$59.95
6A	FR Left Upholstered Side Panel*	AL-59329FR	\$59.95
7	Right Upholstered Side Panel*	AL-59330	\$59.95
7A	FR Right Upholstered Side Panel*	AL-59330FR	\$59.95
8	Back Webbing	AL-47440	\$14.95
12	Right & Rear Directional Locking Caster Assembly	AL-65367	\$85.95
13	Front Caster Assembly	AL-47421	\$45.95
14	Cable Assembly	AL-59339	\$45.95
15	Gas Spring	AL-47408	\$45.95
18	Zinc Plated Lower Bracket for Gas Spring	AL-53139	\$19.95
19	Foot Pedal	AL-65314	\$45.95
20	Torque Limiter	AL-59344	\$85.95

**\*SPECIFY COLOR WHEN ORDERING!:** Blueridge (427), Jade (857) & Rosewood (863) • FR=Fire Rated



Rose Wood

Blue Ridge

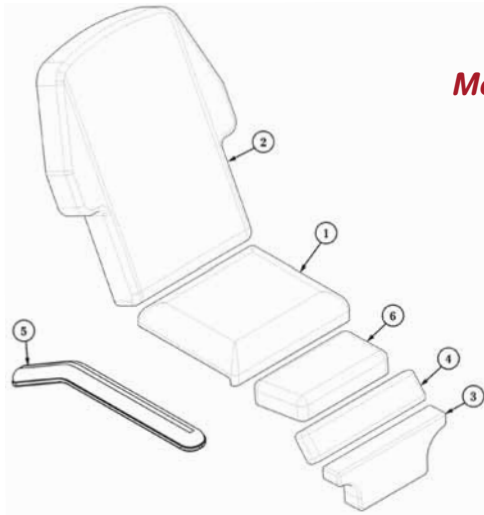
Jade

Great For Psych  
Wards or Prisons

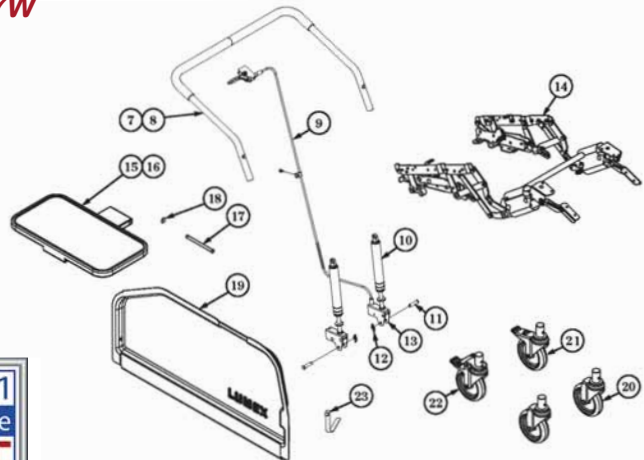
# Lumex Clinical Care Recliners

**LUMEX**<sup>®</sup>  
A Graham-Field Brand

**BUY 11 GET 1 FREE!**



Model 587W



BUY 11  
Get One  
FREE



450 lb.  
Capacity

When Ordering,  
Specify Left (L)  
or Right (R)  
Sitting in Chair

Model 561



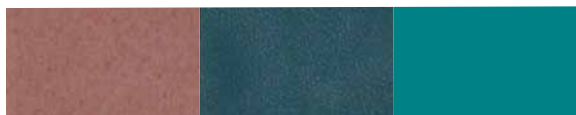
250 lb.  
Weight  
Capacity

Model 587W

Fig	Description	ALCO Part No.	Price Each
1	FR Seat Upholstery*	AL-53126FR	\$159.95
2	FR Back Upholstery*	AL-53127FR	\$299.95
3	FR Footrest Upholstery*	AL-53128FR	\$54.95
4	FR Legrest Upholstery*	AL-53129FR	\$49.95
5	FR Right/Left Armrest Upholstery (New Style)*	AL-65357FR	\$49.95
N/S	Left Armrest Upholstery (Older Style)*	AL-53131FR	\$59.95
N/S	Right Armrest Upholstery (Older Style)*	AL-53132FR	\$59.95
6	FR Ottoman Upholstery*	AL-53130FR	\$69.95
7	Push Handle with Grip	AL-65346	\$25.95
8	Handle Grip	AL-65365	\$19.95
9	Cable Assembly	AL-53138	\$27.95
10	Gas Spring	AL-53137	\$49.95
13	Zinc Plated Lower Bracket for Gas Spring	AL-53139	\$19.95
14	Recliner Mechanism, Set	AL-53136	\$105.95
15	Side Table Assembly	AL-65336	\$35.95
19	Side Panels	AL-65345	\$115.95
20	Front Caster Assembly	AL-53133	\$55.95
22	Right Rear Directional Locking Caster	AL-65367	\$85.95

Description	ALCO Part No.	Price Each
Seat Upholstery*	AL-66612	\$149.95
Back Upholstery*	AL-66613	\$189.95
Footrest Upholstery*	AL-66614	\$49.95
Legrest Upholstery*	AL-66615	\$65.95
Ottoman Upholstery*	AL-66616	\$69.95
Side Bolster Upholstery*	AL-66617	\$49.95
Left Coated Bolster Support	AL-66618L	\$15.95
Right Coated Bolster Support	AL-66618R	\$15.95
Head Rest Upholstery*	AL-66619	\$85.95
Front Caster Wheel Assembly	AL-65318	\$29.95
Rear Locking Caster Assembly	AL-66620	\$75.95
Reclining Mechanism	AL-53136	\$105.95
Lock Bar Assembly	AL-66621	\$29.95
Push Handle Assembly	AL-66622	Call
Left Armrest w/ Side Panel*	AL-66623L	\$65.95
Right Armrest w/ Side Panel*	AL-66623R	\$65.95
Tray Table Assembly	AL-66624	\$125.95

\*SPECIFY COLOR WHEN ORDERING!: Blueridge (427), Jade (857) & Rosewood (863) • FR=Fire Rated



Rose Wood

Blue Ridge

Jade

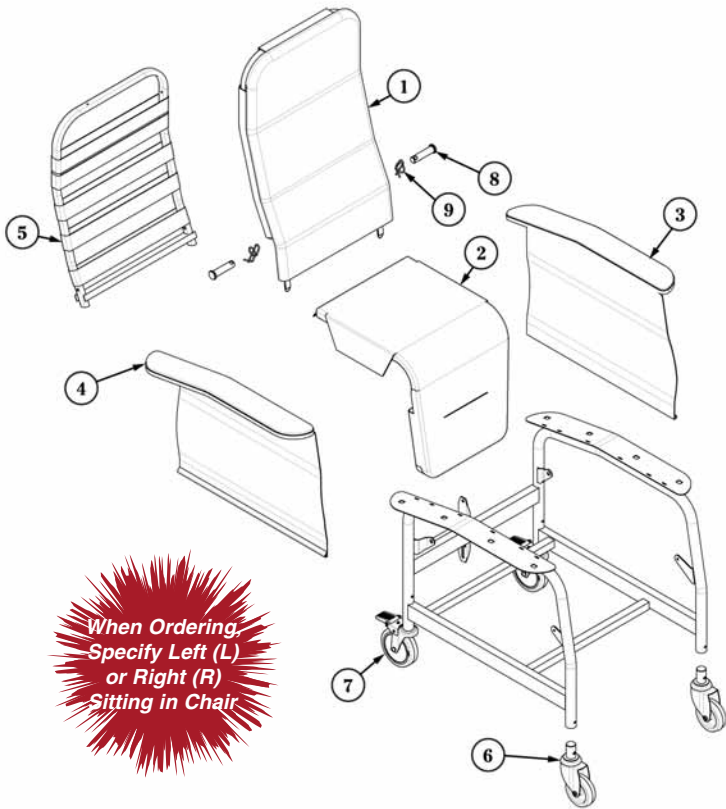
EP-1

# Lumex Preferred Care Recliners

**BUY 11 GET 1 FREE!**



## Model 565G/565PG



**When Ordering,  
Specify Left (L)  
or Right (R)  
Sitting in Chair**



Model 565G			
Fig	Description	ALCO Part No.	Price Each
1	Back Upholstery*	AL-47446	\$149.95
	FR Back Upholstery*	AL-47446FR	\$189.95
2	Seat & Leg Upholstery*	AL-47448	\$159.95
	FR Seat & Leg Upholstery*	AL-47448FR	\$219.95
3	Armrest/Sidepanel Upholstery, Left*	AL-47450	\$27.95
	FR Armrest/Sidepanel Upholstery, Left*	AL-47450FR	\$44.95
4	Armrest/Sidepanel Upholstery, Right*	AL-47449	\$27.95
	FR Armrest/Sidepanel Upholstery, Right*	AL-47449FR	\$44.95
5	Flex Back Webbing, 2"	AL-47440	\$14.95
6	Front Caster	AL-47421	\$45.95
7	Rear Wheel (No Brake)	AL-47417	\$29.95
N/S	Rear Brake Kit	AL-66625	\$39.95
8	Clevis Pin	AL-47409	\$4.95
9	Rue Ring Cotter Clip	AL-65315	\$10.95

\*SPECIFY COLOR WHEN ORDERING!: *Blueridge (427), Jade (857) & Rosewood (863)* • FR=Fire Rated

Model 565PG		
Description	ALCO Part No.	Price Each
Petite Legrest /Seat Upholstery*	AL-66626	\$149.95
FR Petite Legrest /Seat Upholstery*	AL-66626FR	\$159.95
Petite Back Upholstery*	AL-66627	\$139.95
FR Petite Back Upholstery*	AL-66627FR	\$179.95
Left Armrest w/ Side Panel*	AL-47450	\$27.95
FR Armrest w/ Side Panel*	AL-47450FR	\$39.95
Right Armrest w/ Side Panel*	AL-47449	\$25.95
FR Right Armrest w/ Side Panel*	AL-47449FR	\$39.95
Front Caster Assembly	AL-47421	\$45.95
Rear Caster (No Brake)	AL-47417	\$29.95
Rear Brake Kit	AL-66625	\$39.95
Reclining Lock Kit	AL-65310	\$44.95
Lock Handle Kit	AL-65311	\$19.95
Brake Plate	AL-59348	\$15.95
Fingerguard Kit	AL-59327	\$15.95
Side Panel Curtain Rod	AL-59352	\$15.95

\*SPECIFY COLOR WHEN ORDERING!: *Blueridge (427), Jade (857) & Rosewood (863)* • FR=Fire Rated



Rose Wood

Blue Ridge

Jade

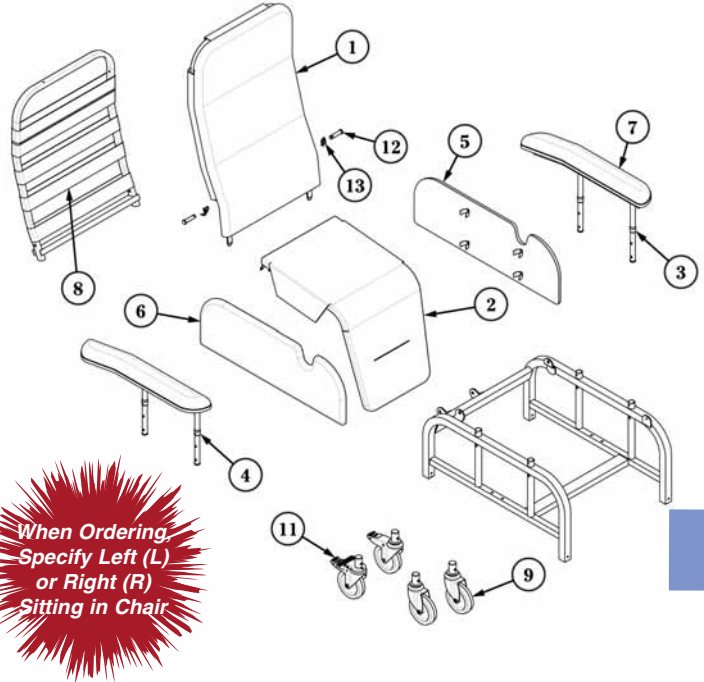
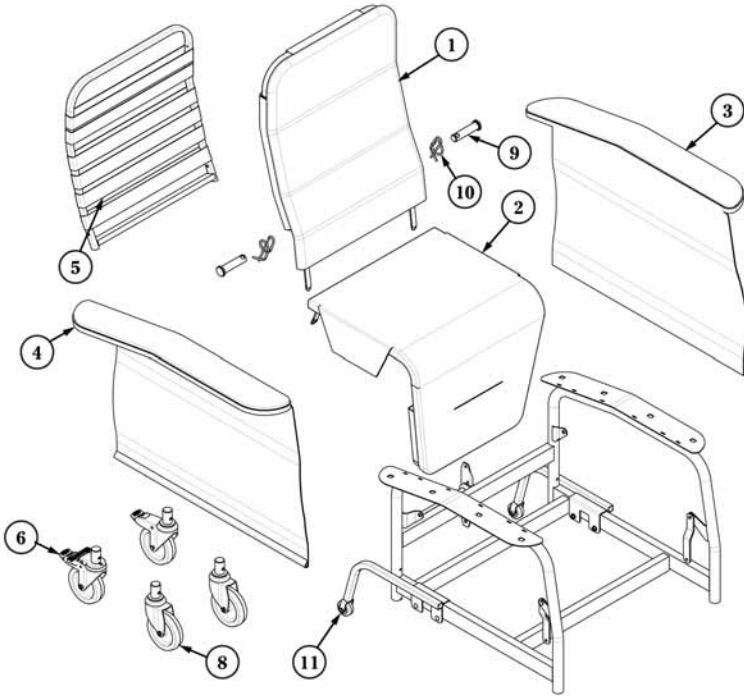


# Lumex Preferred Care Recliners



**BUY 11 GET 1 FREE!**

## Model 565WG/ 565DG



**When Ordering, Specify Left (L) or Right (R) Sitting in Chair**

### Model 565WG

Fig	Description	ALCO Part No.	Price Each
1	Back Upholstery*	AL-66629	\$169.95
	FR Back Upholstery*	AL-66629FR	\$229.95
2	Seat & Leg Upholstery*	AL-66630	\$159.95
	FR Seat & Leg Upholstery*	AL-66630FR	\$159.95
3	Armrest/Sidepanel Upholstery, Left*	AL-47450	\$27.95
	FR Armrest/Sidepanel Upholstery, Left*	AL-47450FR	\$44.95
4	Armrest Upholstery, Right*	AL-47449	\$27.95
	FR Armrest Upholstery, Right*	AL-47449FR	\$44.95
6	Right Rear Directional Locking Caster	AL-65367	\$85.95
8	Front Caster	AL-53133	\$55.95
9	Clevis Pin for Gas Spring	AL-47409	\$4.95
10	Rue Ring Cotter Clip	AL-65315	\$10.95
11	Anti-Tipper	AL-66632	\$29.95

\*SPECIFY COLOR WHEN ORDERING!: Blueridge (427), Jade (857) & Rosewood (863) • FR=Fire Rated

### Model 565DG

Fig	Description	ALCO Part No.	Price Each
1	Back Upholstery*	AL-47446	\$149.95
	FR Back Upholstery*	AL-47446FR	\$189.95
2	Seat & Leg Upholstery*	AL-47448	\$159.95
	FR Seat & Leg Upholstery*	AL-47448FR	\$219.95
3	Left Drop Arm Assembly	AL-59334	\$99.95
4	Right Drop Arm Assembly	AL-59333	\$99.95
5	FR Left Side Panel, Upholstered*	AL-59329FR	\$59.95
6	FR Right Side Panel, Upholstered*	AL-59330FR	\$59.95
7	FR Armrest Upholstery*	AL-59328FR	\$35.95
8	Flex Back Webbing, 2"	AL-47440	\$12.95
9	Front Caster	AL-47421	\$45.95
11	Right Rear Directional Locking Caster	AL-65367	\$85.95
12	Clevis Pin	AL-47409	\$4.95
13	Rue Ring Cotter Clip	AL-65315	\$10.95

\*SPECIFY COLOR WHEN ORDERING!: Blueridge (427), Jade (857) & Rosewood (863) • FR=Fire Rated



Rose Wood      Blue Ridge      Jade

Phone 800-323-4282 • 630-655-1900  
FAX 800-950-1167 • 630-655-1900

E-mail: [info@alcosales.com](mailto:info@alcosales.com)  
Website: [www.alcosales.com](http://www.alcosales.com)

# Lumex Recliners

**BUY 11 GET 1 FREE!**



## Runabout Models 590G, 592G & 593G



Model 590G



Model 592G



Model 593G

## Drop-Arm Recliner 330 Series



Model 3301



Model 3302

### Runabouts-590G, 592G, 593G

Description	ALCO Part No.	Price Each
Seat Upholstery*	AL-53104	\$119.95
FR Seat Upholstery*	AL-53104FR	\$125.95
Back Upholstery (590,592)*	AL-53105	\$89.95
FR Back Upholstery (590,592)*	AL-53105FR	\$109.95
Back Upholstery (593)*	AL-66635	\$109.95
FR Back Upholstery (593)*	AL-66635FR	\$119.95
Desk Arm Upholstery*	AL-53111	\$15.95
FR Desk Arm Upholstery*	AL-53111FR	\$15.95
Full Arm Upholstery*	AL-53113	\$15.95
FR Full Arm Upholstery*	AL-53113FR	\$25.95
Front Caster Assembly	AL-53122	\$29.95
Rear Wheel Assembly	AL-66636	\$145.95
Left Flip Up Arm Assembly	AL-53108	\$125.95
Right Flip Up Arm Assembly	AL-53109	\$125.95
U-Bracket Kit for 590G	AL-53103	\$25.95
Pull Pin Kits	AL-59355	\$19.95
Wheel Lock Assy (Pair)	AL-66637	\$25.95
Rear Anti-tippers	AL-53102	\$69.95
Gas Spring Kit (593)	AL-59356	\$89.95
Footrest	AL-50202	\$149.95
Legrest*	AL-50203	\$219.95

Pr.

\*SPECIFY COLOR WHEN ORDERING!: Blueridge (427), Jade (857) & Rosewood (863) • FR=Fire Rated

### Specialty Seating Parts 330 Series

Description	ALCO Part No.	Price Each
FR Standard Back Upholstery*	AL-66601FR	\$239.95
FR Pillow Back Upholstery*	AL-66602FR	\$319.95
FR Seat Upholstery*	AL-66603FR	\$129.95
FR Legrest Upholstery *	AL-66604FR	\$95.95
FR Right Armrest Upholstery*	AL-66605FR-FR	\$35.95
FR Left Armrest Upholstery*	AL-66605L-FR	\$35.95
FR Side Panel Upholstery *	AL-66606FR	\$119.95
Fixed Yoke For 330 Series Front Casters	AL-66607	\$19.95
Swivel Yoke For 330 Series, Rear Casters	AL-66608	\$25.95
Front & Rear Wheel Assembly	AL-47422	\$25.95
Recliner Mechanism	AL-66609	\$95.95
Push Handle Assembly	AL-66610	\$25.95
Handle Grip	AL-65365	\$19.95
Left Armrest Assembly	AL-66611L	\$105.95
Right Armrest Assembly	AL-66611R	\$105.95
Reducer Cap (Pack of 10)	AL-65317	\$15.95
Pull Button Assembly	AL-967	\$6.95

Pk.

\*SPECIFY COLOR WHEN ORDERING!: Blueridge (427), Jade (857) & Rosewood (863) • FR=Fire Rated



Rose Wood

Blue Ridge

Jade

# Lumex Recliners

**BUY 11 GET 1 FREE!**



## Runabout Models 590G, 592G & 593G



Model 590G



Model 592G



Model 593G

## Drop-Arm Recliner 330 Series



Model 3301



Model 3302

Runabouts-590G, 592G, 593G		
Description	ALCO Part No.	Price Each
Seat Upholstery*	AL-53104	\$109.95
FR Seat Upholstery*	AL-53104FR	\$125.95
Back Upholstery (590,592)*	AL-53105	\$89.95
FR Back Upholstery (590,592)*	AL-53105FR	\$105.95
Back Upholstery (593)*	AL-66635	\$99.95
FR Back Upholstery (593)*	AL-66635FR	\$119.95
Desk Arm Upholstery*	AL-53111	\$15.95
FR Desk Arm Upholstery*	AL-53111FR	\$15.95
Full Arm Upholstery*	AL-53113	\$15.95
FR Full Arm Upholstery*	AL-53113FR	\$25.95
Front Caster Assembly	AL-53122	\$29.95
Rear Wheel Assembly	AL-66636	\$145.95
Left Flip Up Arm Assembly	AL-53108	\$125.95
Right Flip Up Arm Assembly	AL-53109	\$125.95
U-Bracket Kit for 590GXXX	AL-53103	\$25.95
Pull Pin Kits	AL-59355	\$19.95
Wheel Lock Assy (Pair)	AL-66637	\$25.95
Rear Anti-tippers	AL-53102	\$69.95
Gas Spring Kit (593)	AL-59356	\$89.95
Footrest	AL-50202	\$149.95
Legrest*	AL-50203	\$219.95

Pr.

\*SPECIFY COLOR WHEN ORDERING!: Blueridge (427), Jade (857) & Rosewood (863) • FR=Fire Rated

Specialty Seating Parts 330 Series		
Description	ALCO Part No.	Price Each
FR Standard Back Upholstery*	AL-66601FR	\$239.95
FR Pillow Back Upholstery*	AL-66602FR	\$309.95
FR Seat Upholstery*	AL-66603FR	\$129.95
FR Legrest Upholstery *	AL-66604FR	\$95.95
FR Right Armrest Upholstery*	AL-66605R-FR	\$35.95
FR Left Armrest Upholstery*	AL-66605L-FR	\$35.95
FR Side Panel Upholstery *	AL-66606FR	\$115.95
Fixed Yoke For 330 Series Front Casters	AL-66607	\$19.95
Swivel Yoke For 330 Series, Rear Casters	AL-66608	\$25.95
Front & Rear Wheel Assembly	AL-47422	\$25.95
Recliner Mechanism	AL-66609	\$95.95
Push Handle Assembly	AL-66610	\$25.95
Handle Grip	AL-65365	\$19.95
Left Armrest Assembly	AL-66611L	\$105.95
Right Armrest Assembly	AL-66611R	\$105.95
Reducer Cap (Pack of 10)	AL-65317	\$15.95
Pull Button Assembly	AL-967	\$6.95

Pk.

\*SPECIFY COLOR WHEN ORDERING!: Blueridge (427), Jade (857) & Rosewood (863) • FR=Fire Rated



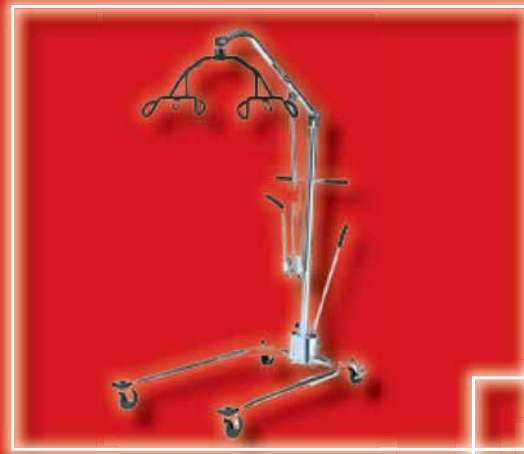
Rose Wood

Blue Ridge

Jade



# Patient Care



Phone: 800-323-4282  
Fax: 800-950-1167

**ALCO**  
Sales & Service Co.

info@alcosales.com  
www.alcosales.com



# Invacare Walkers

**300 lb. Capacity**



Dual-Release Folding Mechanism handles "pop-up" when walker is opened. Impact-modified nylon handles are resistant to cracking or shattering

**Dual-Release Paddle Adult Folding Walker**  
**AL-52069 \$59.00 Ea.**  
**Paddle Adult (500 lb capacity)**  
**AL-62109 \$89.00 Ea.**

**Features:**

- ✓ Fits users from 4'4" to 6'10" in height
- ✓ Minimal effort is required to open and close the walkers
- ✓ Folding mechanisms are easy to reach from a seated position
- ✓ Walkers fold easily for transport or storage
- ✓ Composite lower side brace stiffens walker frame and adds stability
- ✓ PVC hand grips wear longer and provide greater comfort
- ✓ Ergonomic release mechanisms
- ✓ Quiet operation
- ✓ Weight limitation 300 lb.
- ✓ Lifetime limited warranty



Single-Release Folding Mechanism allows walker to be folded with one hand. Button provides both visual and audible "locked" cues.

**Single-Release Adult Folding Walker**  
**AL-52070 \$59.00 Ea.**

**300 lb. Capacity**



**AL-67849**

**AL-77715**

**Wheeled Walkers**

- ✓ Wide, deep frames with a large number of height adjustments and a lower side brace for added stability
- ✓ Include PVC handgrips that provide comfort for long-lasting wear and anti-rattle silencers for quiet operation
- ✓ Walkers fold easily for transport and storage with folding mechanisms that make it easy to open and close the walkers
- ✓ Sold 4 per carton

**3" Wheels**

Dual-Release Adult Walker **AL-67846 \$59.00 Ea.**

**5" Wheels**

Dual-Release Adult Walker **AL-67847 \$59.00 Ea.**

Dual Blue-Release Adult Walker **AL-67849 \$39.00 Ea.**

**Without Wheels**

Dual Blue-Release Adult Walker **AL-77715 \$129.00**



**286 lb. Capacity**

**2-Step Walker**

- ✓ Combination single release folding walker and sit to stand assistance
- ✓ Adjustable height settings
- ✓ Can also be used as a toilet safety frame

**Specifications:**

Width Inside Hand Grips: 16-1/2"  
 Width Inside Base Legs: 21-1/2"  
 Height Adjustment: 31" min. -36" max.

**AL-77714 \$269.00 Case of 5 Ea**

**Rear Brake Attachments**



10" Rear Wheel Brakes are used with 3" or 5" single fixed wheel attachments.

**AL-52082 \$29.00 Set (shown)**

13" Wheel Brakes are used with 3" or 5" swivel wheel attachments or tall 3" single fixed wheel attachments.

**AL-52083 \$29.00 Set**

# Invacare Walker Accessories

## Walker Wheels and Extensions



3" Single Fixed Wheel Attachments with Rear Glide Tips  
**AL-44699 \$14.95 Set**



5" Single Fixed Wheel Attachments with Rear Glide Tips  
**AL-52071 \$32.95 Set**



Tall 3" Single Fixed Wheel Attachments with Tall Rear Legs and Glide Tips  
**AL-52072 \$17.95 Set**



Tall Leg Extensions adjust to accommodate persons up to 6'6" tall  
**AL-52073 \$16.95 Set**



13" Rear Leg Extensions with Glide Tips  
**AL-52074 \$10.95 Set**



5" Swivel Wheels with 13" Cambered SureGlide Brakes  
**AL-52075 \$69.00 Set**



5" Swivel Wheel Attachments with Rear Glide Tips  
**AL-52076 \$49.00 Set**



Court-Side Glides with spring-loaded brakes and lock-out clips  
**AL-67851 \$18.95 Each**  
Sold 6 per carton only



3" Swivel Wheels with 13" Cambered SureGlide Brakes  
**AL-52078 \$59.00 Set**



3" Swivel Wheel Attachments with Rear Glide Tips  
**AL-52079 \$39.00 Set**

## Accessories



### Walker Basket

- (Not to be used with model **AL-62109**)
- ✓ Mounts easily with snap hooks
  - ✓ Rust-resistant vinyl coating cleans easily
  - ✓ 5 lb. weight capacity
  - ✓ One year limited warranty
- AL-62112 \$31.95**



### Walker Pouch

- (Not to be used with model **AL-62108** or **AL-62109**)
- ✓ Made of forest-green/deep sea-blue denier nylon
  - ✓ Inside and outside pockets
  - ✓ Easily attaches over front crossbar
  - ✓ Lightweight and water-repellent
  - ✓ 5 lb. weight capacity
  - ✓ One year limited warranty
  - ✓ Sold 4 per carton only
- AL-62114 \$29.00**



### Walker Tray

- (Not to be used with model **AL-62108** or **AL-62109**)
- ✓ Provides convenient assistance for a variety of everyday activities
  - ✓ Fold-down tray features cup and utensil holder
  - ✓ Raised edges prevent spills
  - ✓ Folds out of the way when not in use
  - ✓ 5 lb. weight capacity
  - ✓ One year limited warranty
- AL-62113 \$39.00**

## Rear Brake Attachments



10" Rear Wheel Brakes are used with 3" or 5" single fixed wheel attachments.  
**AL-52082 \$29.00 Set (shown)**

13" Wheel Brakes are used with 3" or 5" swivel wheel attachments or tall 3" single fixed wheel attachments.  
**AL-52083 \$29.00 Set**



### Glide Tips

- ✓ Durable construction for long wear
- AL-62111 \$7.95 Ea**

### Platform Attachment

- (Not to be used with model **AL-62109**)
- ✓ Easy "tool-free" installation
  - ✓ For adult and junior walkers
  - ✓ Thick vinyl-covered pad with heavy-duty Velcro® strap
  - ✓ 300 lb weight capacity
  - ✓ Lifetime limited warranty
- AL-62110 \$79.00**

**BUY 11  
Get One  
FREE**

# Economy Medical Walkers

**BUY 11 GET 1 FREE!**

Two Walkers  
In One



### Universal Folding Walker – Adult & Junior

- ✓ Walker height can be adjusted from 28" - 38"
- ✓ Two walkers in one
- ✓ Side brace adjusts with height of walker to provide additional stability
- ✓ Easy push-button mechanisms may be operated by fingers, palms or side of hand
- ✓ Each side operates independently to allow easy movement through narrow spaces and greater stability while standing
- ✓ Sturdy 1" diameter anodized, extruded aluminum construction ensures maximum strength while remaining lightweight
- ✓ Vinyl contoured hand grip for added comfort

**AL-73109 \$44.95 Each**

**300 lb.  
Capacity**



#### Accessories

5" Wheels with two sets of rear glides **AL-73110 \$19.95 Pair**

**350 lb.  
Capacity**



**AL-66077**



**AL-66081**  
With 5" wheels

**500 lb.  
Capacity**



**AL-66083**



**AL-74703**

**350 lb.  
Capacity**



**AL-75632**



**AL-75364**  
With 5" Wheels

**Weighs  
Only  
4.9 lbs!**

#### Deluxe Folding Walker, Two Button

- ✓ Easy push-button mechanisms
- ✓ Unique U-shape frame design creates greater clearance

Adult (Adjusts 32"-39")	<b>AL-66077</b>	<b>\$119.00/Cs of 4 Ea</b>
Junior (Adjusts 25"-32")	<b>AL-66078</b>	<b>\$129.00/Cs of 4 Ea</b>

#### With Wheels

Adult, 3" Wheels	<b>AL-66079</b>	<b>\$149.00/Cs of 4 Ea</b>
Junior, 3" Wheels	<b>AL-66080</b>	<b>\$149.00/Cs of 4 Ea</b>
Adult, 5" Wheels	<b>AL-66081</b>	<b>\$149.00/Cs of 4 Ea</b>
Junior, 5" Wheels	<b>AL-66082</b>	<b>\$149.00/Cs of 4 Ea</b>

#### Bariatric Aluminum Folding Walker, Two Button

- ✓ Vinyl contoured hand grip
- ✓ Precision design provides additional strength while adding minimal weight

Adult	<b>AL-66083</b>	<b>\$129.00/Cs of 2 Ea</b>
Adult	<b>AL-75449</b>	<b>\$79.00 Ea</b>
Adult w/Heavy Duty Wheels	<b>AL-74703</b>	<b>\$239.00/Cs of 2 Ea</b>
Junior	<b>AL-66084</b>	<b>\$129.00/Cs of 2 Ea</b>

#### Deluxe Push Palm Release Ultra Lightweight Folding Walker

- ✓ The unique, Push-Palm Release makes it easy to open and close the walker from a seated or standing position
- ✓ The release mechanism pops up with an audible "click" that ensures the side frame is completely opened
- ✓ Sturdy 1" diameter aluminum

Adult	<b>AL-75632</b>	<b>\$159.00 4/Cs</b>
Junior	<b>AL-75633</b>	<b>\$159.00 4/Cs</b>
Adult with 5" Wheels	<b>AL-75634</b>	<b>\$179.00 4/Cs</b>
Junior with 5" Wheels	<b>AL-75635</b>	<b>\$179.00 4/Cs</b>



**700 lb.  
Capacity**

#### Bariatric Steel Folding Walker, Two Button

- ✓ Sturdy steel construction and vinyl contoured hand grips
- ✓ Easy push button mechanisms may be operated by fingers, palm or side of hand

**AL-75636 \$139.00/Cs of 2 Ea**

# Economy Walker Accessories



AL-60468



AL-62651



AL-62653

## Universal Wheels with Rear Glide Caps

- ✔ Positioning holes located on both sides
- ✔ Allows for 8 height adjustments

5" Wheel (pr)	<b>AL-60468</b>	<b>\$19.95 Pr</b>
3" Wheel (pr)	<b>AL-62649</b>	<b>\$16.95 Pr</b>

## Walker Wheels with Rear Glide Caps

- ✔ Allows for 8 height adjustments

5" Swivel Wheel (pr)	<b>AL-62651</b>	<b>\$32.00 Pr</b>
3" Swivel Wheel (pr)	<b>AL-62653</b>	<b>\$28.00 Pr</b>

## Rear Glide Brakes

- ✔ Allows for 8 height adjustments

Glide Brake with 3" wheels (pr)	<b>AL-62654</b>	<b>\$24.00 Pr</b>
Glide Brake (pr)	<b>AL-62655</b>	<b>\$20.00 Pr</b>

## Accessories

Glide Cap (pr)	<b>AL-62656</b>	<b>\$6.95 Pr</b>
Glide Cover (pr)	<b>AL-62657</b>	<b>\$6.95 Pr</b>
Extension Legs (4 per box)	<b>AL-62658</b>	<b>\$19.00 Box</b>
Extension Legs w/5" wheels (pr)	<b>AL-62659</b>	<b>\$31.00 Pr</b>
Platform Attachment	<b>AL-62660</b>	<b>\$76.00 Ea</b>
Platform Attachment—Bariatric	<b>AL-74708</b>	<b>\$169.00 Ea</b>
Basket (includes plastic insert tray and cup holder)	<b>AL-62661</b>	<b>\$19.95 Ea</b>



AL-62658



AL-74708



AL-62659



AL-62660



AL-62661



AL-62656



AL-62657



## Carry Pouch for Walker

- ✔ Easily attaches to walker
- ✔ 3 mesh pouches
- ✔ Made of durable, easy-to-clean nylon
- ✔ Small size: 8.5" x 9" x 1"
- ✔ Large size: 10.5" x 14" x 2"

Small	<b>AL-74714</b>	<b>\$21.95 1/Cs</b>
Large	<b>AL-74715</b>	<b>\$24.95 1/Cs</b>



Easy to replace glide pads

## Tennis Ball Glides with Replaceable Glide Pads

- ✔ Provides a quiet, smooth and durable glide experience with a walker
- ✔ Easy and safe to install
- ✔ 2 replacement glide pads included
- ✔ Lasts longer than plastic glide cap

Tennis Ball Glides	<b>AL-65473</b>	<b>\$23.95 Pr</b>
Replacement Glide Pad, 4/pkg	<b>AL-65474</b>	<b>\$17.95 Pkg</b>



## Universal Cup Holder

- ✔ New clamp allows cup holder to swivel to keep contents level
- ✔ Easily attaches to wheelchairs, rollators or walkers with tubing diameter from 5/8" to 1"
- ✔ Special clamp insert can be added or removed as necessary to accommodate different size tubing
- ✔ Made with durable, lightweight plastic
- ✔ Dimensions: 3"L x 3"W

<b>AL-69656</b>	<b>\$15.95</b>
-----------------	----------------



## E-Z Walker Caddy

- ✔ Includes a removable top that conceals personal items
- ✔ Fits most manufacturers 2 button walkers
- ✔ Easily attaches with side straps
- ✔ Made of easy to clean, durable plastic
- ✔ Size: 15-1/2"W x 12-1/2"D x 5"H

<b>AL-74907</b>	<b>\$59.00 Cs of 3 Ea</b>
-----------------	---------------------------

Comes with Removable Top!



## Glide Ski

- ✔ For use with all 1" folding walkers
- ✔ Easily added to walker
- ✔ Durable composite construction ensures long life

White Glides	<b>AL-74712</b>	<b>\$5.95 1 Pr/Box</b>
Black Glides	<b>AL-74713</b>	<b>\$5.95 1 Pr/Box</b>



## Universal Walker Tray & Cup Holder

- ✔ Fits all manufacturers walkers
- ✔ Easy to clean, durable plastic
- ✔ Size: 29.5"W x 17.5"D

<b>AL-74716</b>	<b>\$39.00 1/Box</b>
-----------------	----------------------

Comes with convenient cup holder!

# Guardian & Carex Walker Accessories

**BUY 11 GET 1 FREE!**



**Wheel Footpiece** **Pair**  
 5" Wheels **AL-44673 \$24.00**  
 3" Wheels **AL-44676 \$19.00**

**Swivel Wheel** **Pair**  
 5" Wheels **AL-50857 \$36.00**  
 3" Wheels **AL-44677 \$29.00**

**Walker Brakes**  
 Wheel Brake **AL-44668 \$32.95 Pair**  
 Glide Brake **AL-44672 \$39.95 Case of 3**



**AL-44632**      **AL-44634**      **AL-67855**

**Accessories**  
 5" Wheel (pr) **AL-44634 \$24.00**  
 3" Wheel (pr) **AL-44632 \$19.00**  
 3" Urethane Wheel (pr) **AL-67855 \$21.00**



**The Universal Walker Basket**  
**AL-62661 \$19.95**

**Auto Glide** for use on back of a wheeled walker. Nylon tip glides along surface, until weight is applied to handgrip which activates rubber tip brake. Fits 1" walker and 1-1/8" diameter tube.  
**AL-44636 \$12.00 Pair**



**Walker Glide**  
 Fits both 7/8" & 1" ( I.D. tubing) (Pair)  
**AL-57948 \$14.95**



**Platform Crutch Attachment**  
 Fits Carex **AL-44642 \$79.00**  
 Fits Guardian **AL-44642A \$99.00**

**Footpiece Extension**  
 Extends the height adjustment of the walker to accommodate users up to 6'8" tall with an adjustment range of 36-42".  
 Adult (Fits 1" O.D. leg)  
**Set of 4**  
**AL-44670 \$28.95**

**Glide Caps**  
 Fits tips with 1-1/2" OD  
**Set of 4**  
**AL-50856 \$9.00 Ea**

**Glides**  
 Fits 7/8" diameter tube **AL-52375 \$9.00 Pair**  
 Fits 1" diameter tube **AL-52376 \$9.00 Pair**

Phone 800-323-4282 • 630-655-1900  
 FAX 800-950-1167 • 630-655-1990

E-mail: info@alcosales.com  
 Website: www.alcosales.com

# Replacement Tips

**BUY 11 GET 1 FREE!**



Packaged 2 per box

### Replacement Tips For Canes

- ✓ Heavy-duty rubber tip is reinforced with metal insert for longer wear
- ✓ Natural rubber materials provide greater stability and safety

Color	Size	ALCO Part No	Price Set of 2 Each
Black	5/8"	AL-63846	\$4.95
Black	3/4"	AL-62519	\$3.95
Grey	3/4"	AL-62520	\$3.95
Black	7/8"	AL-62521	\$4.95



Packaged 4 per box

### Quad Canes Replacement Tips

- ✓ Heavy-duty rubber tip is reinforced with metal insert for longer wear
- ✓ Special tread for skid resistance and secure traction

Color	Size	ALCO Part No	Price Per Set of 4 Each
Black	1/2"	AL-62505	\$4.95
Black	5/8"	AL-62507	\$4.95



Packaged 4 per box

### Utility Tips

- ✓ Heavy-duty rubber tip is reinforced with metal insert for longer wear
- ✓ Fit walkers, commodes and transfer benches

Color	Size	ALCO Part No	Price Per Set of 4 Each
Grey	3/4"	AL-62512	\$5.95
Grey	1"	AL-62516	\$5.95
Grey	1-1/8"	AL-62518	\$5.95

### Premium Crutch Tips

- ✓ Heavy duty stem walls and an expanded pivot cavity provide swivel action and positive return for a non-slip grip
- ✓ Large surface area provides superior tracking
- ✓ Heavy-duty latex-free rubber tip flexes for cushioning and shock absorption
- ✓ Reinforced with metal insert for extended wear



Color	Fits Shaft Size	Base Diameter	Overall Height	ALCO Part No.	Price Per Pair
Tan	7/8"	2"	3"	AL-63490	\$5.95
Grey	7/8"	2"	3"	AL-63491	\$5.95
Tan	3/4"	1-3/4"	2-1/2"	AL-63495	\$5.95

### Crutch/Furniture Rubber Tips

Tip Num.	Dia.	Grey		Black		White	
		ALCO Part No.	Price Each	ALCO Part No.	Price Each	ALCO Part No.	Price Each
16	1/2"	AL-387	\$1.00	AL-387B	\$1.00	AL-387W	\$1.00
17	5/8"	AL-388	\$1.00	AL-388B	\$1.00	AL-388W	\$1.00
18	3/4"	AL-392	\$1.00	AL-392B	\$1.00	AL-392W	\$1.00
19	7/8"	AL-384	\$1.00	AL-384B	\$1.00	AL-384W	\$1.00
20	1"	AL-385	\$1.00	AL-385B	\$1.00	AL-385W	\$1.00
21	1-1/8"	AL-386	\$1.00	AL-386B	\$1.00	AL-386W	\$1.00
22	1-1/4"	N/A	N/A	AL-386AB	\$1.00	AL-386AW	\$1.00

EP1



### Crutch Rubber Accessory Set

- ✓ Tan
- AL-63481 \$13.95 Set

Rubber Tips							
A	B	C	D	Color	ALCO Part No.	Price Each	
38"	11/16"	7/8"	15/16"	White	AL-15058	\$0.95	<p><b>Save Up To 60%!</b></p>
1/2"	13/16"	1"	11/16"	Black	AL-15059	\$0.95	
1/2"	13/16"	1"	11/16"	White	AL-15060	\$0.95	
5/8"	7/8"	1-1/16"	1-1/8"	Black	AL-15061	\$0.95	
5/8"	7/8"	1-1/16"	1-1/8"	White	AL-15062	\$0.95	
3/4"	1-5/16"	1-1/4"	13/16"	Black	AL-15063	\$0.95	
3/4"	1-5/16"	1-1/4"	13/16"	White	AL-15064	\$0.95	
7/8"	1-1/16"	15/16"	13/8"	Black	AL-15065	\$0.95	
7/8"	1-1/16"	15/16"	13/8"	White	AL-15066	\$0.95	
1"	1-1/4"	11/2"	1-7/16"	Black	AL-15067	\$1.95	
1"	1-1/4"	11/2"	1-7/16"	White	AL-15068	\$1.95	
1-1/8"	1-1/4"	15/8"	1-7/16"	Black	AL-15069	\$1.95	
1-1/8"	1-1/4"	15/8"	1-7/16"	White	AL-15070	\$1.95	
1-1/4"	1-13/32"	1-13/16"	1-3/4"	Black	AL-17065	\$1.95	
1-1/4"	1-13/32"	1-13/16"	1-3/4"	White	AL-17066	\$1.95	

**BUY 11**  
Get One  
**FREE**

# Bariatric Walkers & Accessories

**BUY 11 GET 1 FREE!**



**850 lb. Capacity**

### Adjustable Walker

- ✓ Double tubed frame
- ✓ Wide enough for standard wheelchair to be rolled in
- ✓ "Posi-Lock Tee Joint", a refinement in construction for added stability

**AL-44400 \$159.00**

### Specifications

Height: Adjusts 33" to 36"  
Width between grips: 22"  
Depth: 21" at bottom, 14-1/2" at top

### Two Button Release Folding Walker

**AL-61093 \$129.00**

### Specifications

Height: Adjusts 30-1/2" to 39-1/2"  
Width between grips: 22"  
Depth: 18-1/4"



**750 lb. Capacity**



### Leg Kit

(Fits AL-44400. Adds 3" to height, reduces capacity to 650 lbs.)

**AL-44400A \$42.00**



### Wheel Kit

(Fits AL-44400. 5" casters. Reduces capacity to 500 lbs.)

**AL-61094 \$79.00**



### Glide Brakes

(Fits AL-44400. Reduces capacity to 500 lbs.)

**AL-61095 \$59.00**



### Glides for Rear Legs

(Fits AL-44400. Reduces capacity to 500 lbs.)

**AL-61096 \$49.00**



**700 lb. Capacity**

### Extra Wide Universal Tall Youth to Tall Adult Double Button Folding Walker

- ✓ Dual safety release pin for folding
- ✓ Over the toilet design—angled front legs to insure stability
- ✓ Double tube cross brace, side leg braces with patented brace clamps for added safety
- ✓ Adjustable in 1" increments
- ✓ Height: 30-40"
- ✓ Width Between Grips: 20-1/4"
- ✓ Width at Base: 28"

**AL-42540 \$119.00**

Wheeled Extension Kit

**AL-42541 \$79.00 Set**

MADE IN USA



**600 lb. Capacity**

### Tall Youth to Tall Adult Double Button Folding Walker

- ✓ Dual 5" wheel on each side in front and swivel casters w/auto brake in rear
- ✓ Dual safety release pin for folding
- ✓ Over the toilet design—angled front legs to insure stability
- ✓ Double tube cross brace, side leg braces with patented brace clamps for added safety
- ✓ Adjustable in 1" increments
- ✓ Aircraft type rivets
- ✓ Height: 31-41"
- ✓ Width Between Grips: 20-1/4"
- ✓ Width at Base: 29"

**AL-63033 \$229.00**



### Stroke Handle

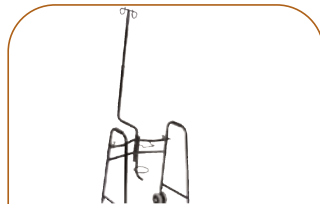
- ✓ 700 lb. weight Capacity

**AL-73111 \$39.00**



### Oxygen C&D Tank Holder

**AL-73112 \$49.00**



### I.V. Pole w/O2 Cylinder

- ✓ With Patented HandiHolder®

**AL-75698 \$109.00**



### I.V. Pole

**AL-75699 \$69.00**



# Walker Accessories & Canes

**BUY 11 GET 1 FREE!**



**Walkerballs**

- ✓ Easy-to-install
- ✓ Pre-cut for most walkers
- ✓ Protects floor from scuff marks
- ✓ Designed to glide smoothly across most surfaces
- ✓ One pair per package

Grey Walkerballs	<b>AL-69648</b>	<b>\$5.95</b>
Red Walkerballs	<b>AL-69649</b>	<b>\$5.95</b>
Patriotic Walkerballs	<b>AL-69651</b>	<b>\$5.95</b>
White w / Hearts Walkerballs	<b>AL-69653</b>	<b>\$5.95</b>



**Universal Tote Carry-On (Zipper Closure)**  
Black **AL-52092B** **\$18.95**




**Walker Carry-On (Large Front Mount)**  
Black **AL-46382B** **\$26.95**



**Walker Carry-On (Side Mount)**  
Black **AL-46383B** **\$26.95**




**Walker Basket Liner (Front Mount)**  
**AL-58020** **\$13.95**



**Hospital Canes**

- ✓ Round nose crook handle hospital cane
- ✓ 1" diameter hardwood shaft
- ✓ 36" long with rubber tip
- ✓ Extra sturdy

Walnut	<b>AL-67924</b>	<b>\$12.95</b>
Natural	<b>AL-67925</b>	<b>\$8.95</b>
Mahogany	<b>AL-67926</b>	<b>\$8.95</b>



**Offset Handle Canes**

- ✓ Men's center balance handle with hypalon grip
- ✓ Aluminum adjustable 7/8" shaft with aluminum locking nut for added safety
- ✓ Adjusts 30"-39" with rubber tip and wrist strap

Black	<b>AL-67927</b>	<b>\$17.95</b>
Bronze	<b>AL-67928</b>	<b>\$17.95</b>
Blue	<b>AL-67929</b>	<b>\$17.95</b>



**Natural Wood Cane**

- ✓ Men's extra heavy crook handle-natural chestnut
- ✓ Walnut stained
- ✓ 36" long with rubber tip

**AL-67934** **\$10.95**

Phone 800-323-4282 • 630-655-1900  
FAX 800-950-1167 • 630-655-1990

E-mail: [info@alcosales.com](mailto:info@alcosales.com)  
Website: [www.alcosales.com](http://www.alcosales.com)

EPI

# Bariatric Walking Aids

**BUY 11 GET 1 FREE!**



**400 lb. Capacity**



Easy Height Adjustment With Self Threading Knob!



**AL-74906**

### Bariatric Steel Rollator with Padded Seat

- ✓ Large 8" casters with loop locks are ideal for indoor and outdoor use
- ✓ Comes with large 21"W x 9"D x 6"H basket that can be mounted under seat
- ✓ Tool Free removable padded back rest for comfort
- ✓ Strong Steel reinforced frame supports 400 lbs
- ✓ Soft padded oversized seat - 18"W x 13"D
- ✓ Special loop lock made of internal aluminum casting operates easily and ensures safety
- ✓ Handles are adjustable in height

Blue	<b>AL-74905</b>	<b>\$159.00 Each</b>
Red	<b>AL-74906</b>	<b>\$159.00 Each</b>



**AL-74718**

### Side Walker & Bariatric Side Walker

- ✓ Lighter than a walker and more stable than a cane
- ✓ Side walker has a height adjustment of 29.5" – 37"
- ✓ Bariatric side walker has a height adjustment of 30" – 36"
- ✓ Bariatric side walker is manufactured with reinforced tubing
- ✓ Folds easily with one hand
- ✓ Ideal for users who do not require a walker but need a wider base for support

Adult Side Walker, 300 lb Cap	<b>AL-74718</b>	<b>\$39.00 Each</b>
Adult Bariatric Side Walker, 500 lb Cap	<b>AL-74719</b>	<b>\$119.00 Each</b>



**300 lb. Capacity**

### Steerable Knee Walker

- ✓ Knee walker can be steered for increased maneuverability
- ✓ Ideal for individuals recovering from foot surgery, breaks, sprains, amputation and ulcers of the foot
- ✓ Deluxe lever brake ensures safety
- ✓ Tool free height adjustment
- ✓ 8" casters are ideal for indoor/outdoor use
- ✓ Color: Black

**AL-75488 \$479.00**



**AL-61461**

**AL-61460**

**500 lb. Capacity**

### Offset Handle Adjustable Aluminum Cane

- ✓ Ergonomically designed handle with high density foam grip
- ✓ Handle height adjustable from 29" to 38"
- ✓ 7/8" diameter anodized, extruded aluminum tubing

**AL-61461 \$139.00/Case of 6 Each**

### Adjustable Quad Cane

- ✓ 4 point base, combined with offset handle
- ✓ High density foam grip for comfort
- ✓ Heavy duty chrome
- ✓ One button height adjustment from 30"-39"

**AL-61460 \$129.00/Case of 4 Each**



**550 lb. Capacity**

### Heavy Duty Steel Crutch—550 lb Capacity

- ✓ Push-buttons easily adjust height in 1" increments
- ✓ Comfortable, contoured underarm design
- ✓ **Latex Free**
- ✓ Large, non-skid jumbo size vinyl contoured tips

**AL-61100 \$99.00/Set**  
**AL-61101 \$99.00/Set**

Specifications	<b>AL-61100</b>	<b>AL-61101</b>
Crutch Height	45" - 53"	53" - 61-1/2"
Patient Height	5'2" - 5'10"	5'10" - 6'6"

### Aluminum Crutch—350 lb Capacity

Adult, 1 pr/Cs	<b>AL-75472</b>	<b>\$27.00 Each</b>
Adult, 8 pr/Cs	<b>AL-66100</b>	<b>\$149.00/Case</b>
Youth, 8 pr/Cs	<b>AL-66101</b>	<b>\$149.00/Case</b>
Tall Adult, 8 pr/Cs	<b>AL-66102</b>	<b>\$149.00/Case</b>

# Mobile Commodes

**BUY 11 GET 1 FREE!**

**300 lb. Capacity**



### Aluminum Shower Chair/Commode with Casters

- ✓ Anodized aluminum frame
- ✓ Back removes for easy cleaning (tool free)
- ✓ Rust resistant 3" (2 rear locking) swivel casters
- ✓ Comes with removable 12 qt. commode bucket and cover
- ✓ Plastic armrests
- ✓ Padded, open front, vinyl toilet seat

**AL-66106      \$139.00 Each**

**350 lb. Capacity**



### Wheeled Drop Arm Commode w/Padded Seat

- ✓ Chrome plated steel tubing frame with welded construction
- ✓ Swingaway and detachable footrests (sold separately)
- ✓ Injection molded large plastic toilet seat, 12 quart bucket and cover
- ✓ Back can be easily removed without tools
- ✓ Rust resistant, swivel casters (2 with locks)

Commode  
**AL-62665      \$179.00 Each**  
 Footrests  
**AL-61014      \$59.95 Pair**

**300 lb. Capacity**



### Stainless Steel Rehab/Shower Commode

- ✓ Can be positioned over a standard toilet or used as a portable self contained commode
- ✓ Removable full arms with plastic armrests allow for easy transfer
- ✓ Corrosion resistant stainless steel frame
- ✓ Cushioned, vinyl seat is sealed to prevent moisture penetration
- ✓ Removable pail and lid are included
- ✓ Mag-style 24" rear wheel with rubber tires allows individual to self propel
- ✓ Swing-away, detachable footrests with durable, non-corrosive footplates come standard
- ✓ Stainless steel frame, grey upholstery

**AL-74910      \$769.00 Each**

**287 lb. Capacity**



### 24" Clean Shower Chair/ Commode

- ✓ Width: Total: 27-3/4", Between Armrests: 17-1/4", Seat: 19"
- ✓ 21-3/4" seat height
- ✓ Seat is fully opened in the rear

Chair only    **AL-78357      \$999.00**

Accessories	ALCO Part No.	Price Each
Soft Seat, Grey	<b>AL-78358</b>	<b>\$109.00</b>
Soft Back, Grey	<b>AL-78359</b>	<b>\$49.00</b>
Cross Bar	<b>AL-78360</b>	<b>\$37.00</b>
Pan with Incline Lid and Holder	<b>AL-78354</b>	<b>\$179.00</b>

**New!**

**BUY 11  
Get One  
FREE**

# Bariatric Drop Arm Commode Chairs

**BUY 11 GET 1 FREE!**

**New!**

**1200 lb.  
Capacity**



### Drop Arm Bariatric Commode

- ✓ 5" Tente total lock premium casters
- ✓ Stainless steel frame is corrosion resistant, easily cleaned and carries a lifetime warranty
- ✓ Steel splash guard
- ✓ Back support for improved posture
- ✓ Toilet seat provides stability for patient and care giver in cleaning "hard to reach" areas of larger patients
- ✓ Extra-capacity collection bucket
- ✓ 28" deep with extended armrests
- ✓ Dimensions: 36"H x 20"W x 21"D

**AL-77691 \$1089.00**

**1000 lb.  
Capacity**



### Extra Wide Heavy Duty Drop Arm Commode

- ✓ Extra large opening in Toilet Seat, 8-1/2" x 12"
- ✓ Heavy duty, white powder coated steel construction
- ✓ Extra large padded deep seat provides comfort
- ✓ Comes complete with extra large commode bucket and cover that removes from behind

Width Between Arms: 36.5"  
Outside Width: 40"  
Seat Width: 36"  
Seat Depth: 21"  
Seat Height: 21"

**AL-66185 \$499.00**

**1000 lb.  
Capacity**



### Bariatric Drop-Arm Commode

- ✓ Wide and deep seating
- ✓ Extra wide snap on seat and removable backrest; no tools
- ✓ Strong and durable steel frame

#### Specifications:

Seat Width:	23-1/2"
Seat Surface Depth:	18"
Width Between Arms:	25"
Seat Height:	Min-Max: 19-1/4" to 23-1/4"
	Note: Depends on height setting of legs
Seat Opening Width:	Seat Opening Width: 8-1/4" Depth: 10-1/4"
Overall Width:	28"
Overall Depth:	20-1/2"

**AL-77712 \$279.00 Ea**



**850 lb.  
Capacity**



### Heavy Duty Drop Arm Commode

- ✓ Extra large opening in toilet seat, 8-1/2" x 12"
- ✓ Heavy duty, white powder coated steel construction
- ✓ Extra large, padded, deep seat provides comfort
- ✓ Comes complete with extra large commode bucket and cover that removes from behind

Width Between Arms: 25.5"  
Outside Width: 27.5"  
Seat Width: 24"  
Seat Depth: 21"  
Seat Height: 18.5"-37"

**AL-66186 \$439.00**

# Bariatric Drop Arm Commode Chairs

**BUY 11  
Get One  
FREE**

**BUY 11 GET 1 FREE!**

**850 lb.  
Capacity**



### Heavy Duty Drop Arm Commode

- ✓ Both arms drop
- ✓ Blow molded seat
- ✓ Larger opening—12" x 8.5", 21" seat depth
- ✓ Front and rear removal of pail
- ✓ Shipped common carrier



26-1/4" width between arms 850 lb. capacity  
**AL-52292 \$569.00**

23-1/4" width between arms 600 lb. capacity  
**AL-58098 \$539.00**

Replacement Rectangular Pail & Cover  
**AL-73113 \$24.00**



**AL-73113**



### Drop Arm Commode

- ✓ Durable 1" steel tubing
- ✓ Large, durable "snap-on" seat
- ✓ Pail easily slides in from behind
- ✓ Shipped UPS/FEDEX

Width between arms 26"  
 Outside width 28"  
 Seat width 23"  
 Seat depth 18"  
 Height 19"-23"

**AL-61034 \$239.00**

**850 lb.  
Capacity**

 **Replacement Toilet Seats Available on Page 365**



### Drop Arm Commode

- ✓ Welded steel frame construction
- ✓ Plastic bucket with cover and splash guard
- ✓ Weight limit: 700 lbs.
- ✓ 20-24" seat height; 18" seat depth
- ✓ 31" overall width

**AL-72842 \$249.00**

**700 lb.  
Capacity**



### Drop Arm Commode

- ✓ Easy to operate independent drop arms for safe lateral transfers
- ✓ Width between arms 26"
- ✓ Adjustable seat height
- ✓ Armrests for comfort
- ✓ Complete with bucket and lid

Width between arms 25.5"  
 Outside width 31"  
 Seat width 23"  
 Seat depth 18.5"  
 Seat height 19.5"-23"

**AL-52249 \$189.00**



**LUMEX®**  
A Graham-Field Brand

**600 lb.  
Capacity**

EP1

# Specialty Shower Chair

**BUY 11 GET 1 FREE!**

**297 lb. Capacity**



### Mobile Tilt Shower Chair

- ✓ Dimensions: 14"L x 22-3/4"W
- ✓ Height adjustable: 19-3/4" - 25-3/4"
- ✓ Back support upholstery can be adjusted/ removed by using Velcro scraps
- ✓ Seat adjusts from 0 to -35 degrees or +5 to -30 degrees
- ✓ Foot supports are gently arched to provide stable and comfortability
- ✓ Width between arm supports: 19"

Chair only **AL-78348** **\$1799.00**

Accessories	ALCO Part No.	Price Each
Seat Cover	<b>AL-78349</b>	<b>\$139.00</b>
Comfort Seat	<b>AL-78350</b>	<b>\$119.00</b>
Chest Harness Belt	<b>AL-78351</b>	<b>\$31.00</b>
Safety Strap	<b>AL-78352</b>	<b>\$37.00</b>
Cross Bar	<b>AL-78353</b>	<b>\$64.00</b>
Pan w/ Incline Lid and Holder	<b>AL-78354</b>	<b>\$43.00</b>
Pan Holder, Pair	<b>AL-78355</b>	<b>\$17.00 pr.</b>
Attachment pan and bucket holder, pair	<b>AL-78356</b>	<b>\$16.00 pr.</b>



## Bariatric Commodes

### Shower Commode

- ✓ 12° posterior seat tilt
- ✓ 10° anterior tilt
- ✓ 67° back recline allows for easy cleaning and washing
- ✓ Soft seat provides exceptional comfort

**AL-78055** **\$2849.00**



**350 lb. Capacity**



### Bari Commode

- ✓ Adjustable seat width : 27"-33"
- ✓ 14° posterior tilt
- ✓ 8° anterior tilt
- ✓ 65° back recline helps with washing hard to reach areas

**AL-78056** **\$4759.00**



**800 lb. Capacity**

# Bariatric Commodes

**BUY 11 GET 1 FREE!**

**Up To  
1500 lb.  
Capacity**



### Extra Wide Heavy Duty Commode

**AL-49565**  
 Height: 33-1/2"  
 Seat Height: 21"  
 Width between arms: 30"  
 Dimensions: 33-3/4"W x 17-1/2"D  
 Shipped: Common Carrier

**AL-49564**  
 Height: 33-1/2"  
 Seat Height: 21"  
 Width between arms: 36"  
 Dimensions: 38-3/4" x 21" x 33-1/2"  
 Shipped: Common Carrier

Certified to 1000 lbs. **AL-49565 \$499.00**  
 Certified to 1500 lbs. **AL-49564 \$599.00**

**1200 lb.  
Capacity**



36"H x 40"W x 21"D  
**AL-77690 \$1269.00**



36"H x 32"W x 21"D  
**AL-77692 \$1089.00**

**New!**

### Bariatric Commodes

- ✓ 5" Tente total lock premium casters
- ✓ Stainless steel frame is corrosion resistant, easily cleaned and carries a lifetime warranty
- ✓ Steel splash guard
- ✓ Back support for improved posture
- ✓ Toilet seat provides stability for patient and care giver in cleaning "hard to reach" areas of larger patients
- ✓ Extra-capacity collection bucket
- ✓ 28" deep with extended armrests

EP1



**700 lb.  
Capacity**



**AL-73113**



**AL-73114**

### Steel Commode

- ✓ Snap-on toilet seat and toilet paper holder
- ✓ Lid may be removed for additional comfort
- ✓ Riveted steel construction

Seat Height: 20.5"  
 Width Between Arms: 20-7/8"  
 Overall Width: 28"  
 Depth: 23-3/4"

Extra Large Steel Commode **AL-42542 \$199.00**  
 Replacement Rectangular Pail & Cover **AL-73113 \$24.00**  
 Replacement Elongated Toilet Seat w/Cover **AL-73114 \$59.00**



# Bariatric Commodes

**BUY 11 GET 1 FREE!**



### Wheeled Shower Commode Chair

- ✓ Frame fits over 19" commodes
- ✓ 1" anodized aluminum tubing
- ✓ "Posi-Lock Tee Joint" provides stability and security
- ✓ Back angled for ease in pushing and pulling
- ✓ 5" rust resistant casters
- ✓ Shipped UPS/FEDEX

O.D.: 35-1/2" H x 29" W x 21" D  
 Seat: 22"  
 Width between arms: 26"  
 Height, floor to arm: 31-1/2"

Standard Shower Chair	<b>AL-44401</b>	<b>\$399.00</b>
Commode and Shower Chair w/Pail	<b>AL-44401P</b>	<b>\$469.00</b>



### Commode

- ✓ Extra wide snap-on seat with flip up lid
- ✓ Lid upholstery can be reversed for added comfort
- ✓ Can be used bedside or with backrest removed; can act as a toilet safety frame or raised toilet seat
- ✓ Bottom seat lip eliminates the need for splash shield if used over the toilet
- ✓ Adjustable seat-to-floor height
- ✓ Width between arms 30"
- ✓ Seat depth 18-1/2"
- ✓ Shipped UPS/FEDEX



Commode	<b>AL-58074</b>	<b>\$459.00/Case of 2 Each</b>
Replacement Rectangular Pan	<b>AL-2561</b>	<b>\$16.95 Each</b>



### Folding Commode

- ✓ Back is easy to install/remove with wing-nuts
- ✓ Comes with 12 quart commode bucket, cover and splash shield
- ✓ Shipped common carrier

Width between arms: 24"  
 Outside width: 31.5"  
 Seat width: 13.5"  
 Seat depth: 16.5"  
 Height: 15"- 21"

<b>AL-75473</b>	<b>\$119.00 Each</b>
<b>AL-61036</b>	<b>\$209.00/Case of 2 Each</b>





# Bariatric Commodes

**BUY 11 GET 1 FREE!**



**Commode**

- ✓ Durable 1" steel tubing is sturdy and easy to maintain
- ✓ Large, durable "snap-on" seat
- ✓ Comes complete with 12 quart commode bucket, cover and splash shield
- ✓ Shipped UPS/FEDEX

Width between arms: 23.5"  
 Outside width: 26"  
 Seat width: 23"  
 Seat depth: 18.5"  
 Height: 15"-22"

**AL-61033 349.00/Case of 2 Each**



**Commode**

- ✓ Angle legs for increased stability
- ✓ Anti-rattle collars to eliminate noise and four non-skid rubber tips for added safety
- ✓ Designed for bedside use
- ✓ Extra wide, clamp-on seat and lid
- ✓ Removable backrest, welded steel frame

**AL-45121 \$179.00/Case 2 Each**

**Dimensions**

Base Width: 30"  
 Width Between Arms: 21-3/4"  
 Seat Width (Overall): 15-1/2"  
 Seat Depth (Overall): 17-3/4"  
 Minimum Seat Height: 16-1/4"  
 Maximum Seat Height: 22-3/4"



**Commode**

- ✓ Extra wide platform seat to maximize patient stability
- ✓ Molded plastic platform
- ✓ Adjustable seat height
- ✓ Back support is removable for toileting or to increase usage depth
- ✓ Commode opening is contoured and indented in the front to accommodate the needs of larger users
- ✓ Complete with bucket and lid, and splash guard

**AL-52248 \$189.00/Case of 2 Each**

Width between arms: 23.5"  
 Outside width: 26"  
 Seat width: 23"  
 Seat depth: 18"  
 Seat height: 16.5"-23"





# Invacare Commodes, Shower Chairs & Transfer Benches

**BUY 11**  
Get One  
**FREE**



### Grey Coated Commode with Back

- ✓ Snap-on seat
- ✓ Pail with lid
- ✓ Splash shield
- ✓ Armrest for added comfort

### Specifications (AL-50365 & AL-62098)

Width between arms: 19"  
Seat surface width: 16"  
Base depth overall: 19"  
Seat surface depth: 14"  
Seat-to-floor height min.-max.: 16"-22"

**300 lb. Capacity**

**AL-50365 \$69.00 Each**



**250 lb. Capacity**

### Mobile Shower Commode Chair

- ✓ Flexible nylon backrest
- ✓ 1" aluminum tubing
- ✓ 5" swivel casters with rear-wheel safety locks
- ✓ Toilet seat and pail are included
- ✓ Seat height 21", seat-to-armrest 8", width between arms 18"
- ✓ Overall height 38", overall width 22-3/8", overall length 24"

**AL-45217 \$289.00 Case of 2 Each**



### All-In-One Aluminum Commode

- ✓ Specifications listed above
- ✓ Lightweight aluminum frame will not rust
- ✓ Large 16" wide snap-on seat with lid for added comfort and support
- ✓ Greater seat opening depth for hygienic purposes
- ✓ Comes complete with commode bucket, bucket cover and splash shield
- ✓ Wing nuts allow for removal of backrest when needed
- ✓ Non-marring rubber tips have bottom hole for drainage after cleaning

**300 lb. Capacity**

**AL-62098 \$169.00 Case of 4 Each**



**300 lb. Capacity**

### Stationary Drop Arm Commode

- ✓ Arms move independently and lock automatically in upright position
- ✓ 1" Tubing

### Specifications

Depth: 20.5"  
Width: 20.25"  
Seat height: 17"-21"  
Width between arms: 17.5"

**AL-45123 \$119.00 Each**



**Replacement Toilet Seats Available on Page 365**



**315 lb. Capacity**

### Transfer Bench

- ✓ Three-piece blow-molded seat
- ✓ Textured seat with drain holes

### Specifications

Depth: 16"  
Width: 23"  
Seat height: 17.5"-22"  
Overall Height: 28.5"-33"

**AL-62100 \$139.00 Case of 2 Each**



**400 lb. Capacity**

### Plastic Transfer Bench

- ✓ Non-marking, non-slip rubber tips
- ✓ Non-slip seat with drain hole and built in soap dish and hand held shower holders and shower curtain opening
- ✓ Reversible backrest

### Specifications

Seat To Floor Height: 18" - 22-1/2"  
Seat Depth: 18"  
Seat Width: 33-1/4"

**AL-77713 \$139.00 Case of 2 Each**

**BUY 11**  
Get One  
**FREE**

# Shower Chairs & Commodes by Lumex

**LUMEX**  
A Graham-Field Brand



**AL-45157**

**Rust Resistant Shower Transport Chair** fits over standard height toilets. Anodized aluminum frame. 4" swivel casters. Fast drying nylon back. Solid plastic seat will not crack or chip.

Standard Shower Chair

**AL-45157 \$199.00**

Deluxe Shower Transport Chair has same features as **AL-45157** except with deluxe, 5" casters. VersaGuard® coated steel front brace with footrests.

Deluxe Shower Transport Chair

**AL-45158 \$219.00**

Specifications	AL-45157	AL-45158
Depth	22-1/2"	30"
Width	21"	21"
Floor to seat height	20"	21"
Maximum bowl clearance	17"	17-1/2"
Width between armrests	17-1/2"	17-1/2"

## Drop Arm Commode

- ✓ Drop Arm for lateral transfer
- ✓ All steel frame with Versa-Guard coating
- ✓ Adjustable legs allow for flexible seat height
- ✓ Complete with pail and lid
- ✓ Solid plastic seat

With Plastic Seat

**AL-75692 \$109.00 Ea**

**AL-50588 \$199.00 Case of 2 Ea**

With Soft Seat

**AL-45172 \$149.00 Ea**

Specifications	AL-75692/50588	AL-45172
Width between arms:	18"	18"
Outside width:	23.75"	23"
Seat width:	14"	14"
Seat depth:	16.75"	16.5"
Seat height:	18.75"-22.75"	19.5"-23.5"



**300 lb. Capacity**



**Up To 400 lb. Capacity**

## 3-in-1 Aluminum Commode

- ✓ Can be used as commode, toilet safety frame or raised toilet seat
- ✓ 1" heavy gauge, anodized aluminum tubing
- ✓ Fits all standard commodes
- ✓ Includes splashguard and pail

300 lbs. Capacity w/Backbar

**AL-58064 \$259.00 Case of 4 Ea**

300 lbs. Capacity w/Backbar and Casters

**AL-58065 \$229.00 Case of 2 Ea**

400 lbs. Capacity w/Backbar

**AL-45105 \$179.00 Case of 2 Ea**

Specifications	AL-58064	AL-58065	AL-45105
Width between arms:	18.5"	16.75"	22.25"
Outside width:	26"	21.25"	27"
Seat width:	13.5"	14"	14"
Seat depth:	14.5"	16.75"	16.75"
Seat height:	17.5"-21.5"	21.5"	18"-23"

## 3-in-1 Steel Commode

- ✓ Versatile 3-in-1 design can be used as a bedside commode, raised toilet seat or toilet safety frame
- ✓ Welded steel construction provides strength and stability
- ✓ Durable, grey or white-coated steel frame
- ✓ Contoured armrests enhance user comfort
- ✓ Back bar detaches to accommodate use as toilet safety frame
- ✓ Sturdy plastic seat snaps-on easily
- ✓ Comes complete with commode pail, cover and splash shield

Width between arms:	17.5"
Outside width:	24"
Seat width:	14"
Seat depth:	15"
Seat height:	15.5" - 23.5"
<b>AL-69238</b>	<b>\$139.00 Cs/4</b>

Width between arms:	18.5"
Outside width:	24.5"
Seat width:	14"
Seat depth:	16.5"
Seat height:	17 - 27"
<b>AL-75693</b>	<b>\$169.00 Cs/4</b>



**300 lb. Capacity**



# Economy Commodes

**BUY 11 GET 1 FREE!**



**350 lb. Capacity**

### Deluxe All-In-One Welded Steel Commode with Plastic Armrests

- ✓ All-in-one commode reduces the number of items carried
- ✓ Durable plastic snap-on seat with lid
- ✓ Grey powder coated steel welded construction increases strength and durability
- ✓ Removable tool free back
- ✓ Plastic arms for added comfort
- ✓ Comes complete with a 12 qt. commode bucket with metal handle, cover and splash shield

**AL-74746 \$149.00/Case of 4 Each**

### Deluxe All-In-One Steel Folding Commode with Plastic Armrests

- ✓ Durable plastic snap-on seat with lid
- ✓ Grey powder coated steel welded construction
- ✓ Removable tool free back.
- ✓ Plastic arms for added comfort
- ✓ 12 qt. commode bucket and splash shield

**AL-75474 \$49.00 Each**  
**AL-66107 \$149.00/Case of 4 Each**



**350 lb. Capacity**



Replacement Toilet Seats Available on Page 365

**300 lb. Capacity**



**AL-75475**



Shown w/dropped down arm  
**AL-74747**

### Deluxe Adjustable Steel Drop Arm Commode

- ✓ Easy to clean white powder coated steel finish
- ✓ Plastic arm rests
- ✓ Comes with 12 qt. commode bucket with carry handle and splash shield

**AL-75475 \$139.00 Each**  
**AL-66103 \$199.00/Case of 2 Each**

### Padded Seat and Arms

**AL-74747 \$159.00 Each**

ALCO Part No.	Width (between arms)	Outside Width	Width Seat	Depth Seat	Height (highest)	Height (lowest)
<b>AL-74746</b>	18.5"	25"	13.5"	16.5"	22.5"	16.5
<b>AL-66107</b>	18.5"	22.5"	13.5"	16.5"	22.5"	16.5
<b>AL-74747</b>	17.5"	24"	13.5"	16.5"	23"	19"
<b>AL-66103</b>	17.5"	24"	13.5"	16.5"	23"	19"

**287 lb. Capacity**



**New!**

### 3 in 1 Shower Chair/Commode/Toilet Seat Raiser

- ✓ Total Width: 22"
- ✓ Seat Width: 21-1/4"
- ✓ Seat Height: 16-1/2" to 22-1/2"
- ✓ Width Between Arm Supports: 17-3/4"
- ✓ Color: Grey

**AL-78361 \$179.00**

# Economy Transfer Benches

**BUY 11 GET 1 FREE!**




**300 lb. Capacity**


**Padded Transfer Bench**

- ✓ Comfortable cushioned seat and backrest
- ✓ 1" Aluminum frame is lightweight, sturdy and corrosion resistant
- ✓ Height adjusts in 1" increments
- ✓ Back reverses without tools
- ✓ 3 Position Back depth is adjustable from 18" - 19" in 1/2" increments
- ✓ Extra large suction cups provide added safety
- ✓ Comes assembled with tool free removable back and arm

AL-75477	\$129.00 Each
AL-66440	\$209.00/Case of 2 Each

**ASSEMBLED WITH TOOL FREE REMOVABLE ARM AND BACK**

*Must pull "tab" on suction cup to release from the tub.*



**400 lb. Capacity**

**Combination Transfer Bench/Commode**

- ✓ Combines a transfer bench and commode into one product
- ✓ Durable blow-molded plastic bench and backrest
- ✓ No exposed hardware to injure patient.
- ✓ Extra large, locking suction cups
- ✓ 3 Position Back depth is adjustable from 18" - 19" in 1/2" increments
- ✓ 2 qt. commode bucket, cover and splash shield
- ✓ Comes assembled with tool free removable back and arm

AL-75476	\$99.00 Each
AL-66113	\$179.00/Case of 2 Each

*Must pull "tab" on suction cup to release from the tub.*



**500 lb. Capacity**

**Transfer Bench**

- ✓ Durable blow-molded plastic bench and backrest
- ✓ 1" aluminum frame is lightweight, sturdy and corrosion resistant
- ✓ Height adjusts in 1/2" increments with unique "Dual Column" extension legs
- ✓ Armrest is reversible to accommodate any bathroom
- ✓ Extra large suction cups provide added safety
- ✓ Assembly required

AL-75478	\$139.00 Each
AL-66441	\$229.00/Case of 2 Each

*Must pull "tab" on suction cup to release from the tub.*



# Toilet Safety Frames

**BUY 11 GET 1 FREE!**



**Toilet Safety Frame**  
AL-45169 \$41.00



**300 lb. Capacity**

AL-914M

**LUMEX**  
A Graham-Field Brand

AL-914

**Lumex Adjustable Toilet Versaframe**

- ✓ Ensures patient safety and security when using a raised toilet seat
- ✓ Quickly secures to most toilets
- ✓ New high density plastic mounting bracket will not mar toilet
- ✓ Contoured waterfall armrests give patients a secure hand support to raise and lower themselves
- ✓ Arms are adjustable to conform to most toilet bowl heights and can be used singly or in pairs
- ✓ Width between arms adjusts with positive lock push-buttons

**Specifications**

Width between arms: 17.5"-20.5"  
Armrests to floor: 26"-30"

Toilet Versaframe	<b>AL-914</b>	<b>\$29.00 Set</b>
Bracket w/Hardware	<b>AL-914M</b>	<b>\$16.95</b>

**300 lb. Capacity**

**SPECIALTY COMMODE FRAME**

**Toilet Safety Frame**

The versatile toilet safety frame can function as toilet side rails, a toilet seat raiser, a shower stool or a commode.

- ✓ Available in oversize model
- ✓ Adjusts to seven different seat heights
- ✓ Safe, sturdy construction; Non-slip rubber leg tips

21" W x 20" D  
18" between the arms  
Seat heights 18" - 24"

With Pail	<b>AL-49682</b>	<b>\$129.00</b>
Without Pail	<b>AL-66678</b>	<b>\$129.00</b>



# Bath Seats & Raised Toilet Seats

**BUY 11 GET 1 FREE!**



AL-66111

### Deluxe Bath Seat

- ✓ Easy tool free assembly
- ✓ Drainage holes in seat to reduce slipping
- ✓ 12" Seat Depth
- ✓ Aluminum frame is lightweight
- ✓ Height Adjustable

AL-75479 \$49.00 Each  
AL-66111 \$139.00/Case of 4 Each



AL-66115

### Deluxe Heavy Duty Bath Seat

- ✓ Frame has width/depth crossbraces attached with aircraft type rivets

With Back, Assembled  
AL-75480 \$59.00 Each  
AL-66115 \$229.00/Case of 4 Each  
Without Back  
AL-75481 \$49.00 Each  
AL-66116 \$189.00/Case of 4 Each



### Deluxe Extra Heavy Duty Bath Seat

- ✓ 16" Seat Depth

With Back, Assembled  
AL-78364 \$129.00 Each  
Without Back  
AL-42543 \$79.00 Each



AL-58030

AL-62674

### Toilet Seat Riser With Arms

- ✓ Toilet seat riser with molded-in arms
- ✓ Designed to be used in conjunction with a toilet seat and lid
- ✓ All composite construction provides durability and a contemporary look
- ✓ Easily attaches to toilet for added safety

For Standard Toilets AL-58030 \$39.00  
For Elongated Toilets with lock AL-62674 \$49.00



AL-62675

### Raised Toilet Seat Without Arms

- ✓ Fits most toilets
- ✓ Padded armrests

AL-62673 \$39.00  
Premium Plastic Elevated, Regular/Elongated Toilet Seat with Lock  
AL-62675 \$39.00



AL-62672 \$49.00

### Raised Toilet Seat with Lock and Tool-Free Removable Arms

- ✓ Fits most toilets
- ✓ Padded armrests



AL-78362 \$63.00

### Edge Shower Stool

- ✓ Total Width: 20-1/2"
- ✓ Seat Width: Base: 17-3/4"
- ✓ Seat Height: Edge: 16-1/2" to 22-1/2"
- ✓ Color: Grey

# Raised Toilet Seats

**BUY 11 GET 1 FREE!**



### Hinged Elevated Toilet Seat

- ✓ Elevates the seating position by 4"
- ✓ Installs easily using the existing toilet seat and lid; does NOT noticeably change the appearance of the toilet

Standard Hinged Toilet Seat	
<b>AL-66659</b>	<b>\$69.00</b>
Elongated Hinged Toilet Seat	
<b>AL-66660</b>	<b>\$69.00</b>



### Basic Elevated Toilet Seats

- ✓ Open front allows for easy access for hygienic purposes
- ✓ Durable plastic; won't chip or rust and will last for years
- ✓ Elevates seat by 3"
- ✓ Easy to install; no tools required
- ✓ For standard or elongated toilets

Open Front Toilet Seat	
<b>AL-75640</b>	<b>\$13.95</b>
Open Front Toilet Seat w/Closed Front Option	
<b>AL-75641</b>	<b>\$16.95</b>

### MaddaGuard™ Splash Guard

- ✓ Directs urine flow towards the toilet
- ✓ Fits most toilet seats, as well as elevated toilet seats

<b>AL-75642</b>	<b>\$9.95</b>
-----------------	---------------

**300 lb. Capacity**

### Raised Toilet Seat with Removable Arm Rests

All plastic seat and clamp will not rust or corrode. Padded armrests allow patient to sit and stand with greater ease. Orthopedically designed contoured surface. Easy to clean. Attaches securely to most commode bowls, standard and elongated

**Specifications**

- ✓ Overall Height: 10"
- ✓ Seat Height above bowl rim: 4-1/2"
- ✓ Width: 20"
- ✓ Length: 16"
- ✓ Width between armrests: 18"
- ✓ Opening Width: 8"
- ✓ Opening Length: 9-1/2"

With Removable Arms	<b>AL-45188W</b>	<b>\$49.95</b>
Without Arms	<b>AL-45183</b>	<b>\$39.95</b>

**LUMEX**  
A Graham-Field Brand



# Raised Toilet Seats

**BUY 11 GET 1 FREE!**



### Elevated Toilet Seat w/ Integrated Handles

- ✓ Innovative bracket design for maximum stability
- ✓ Supports up to 300 lbs
- ✓ Raises seat level by 5"

**AL-72473 \$49.00**



### Economy Raised Toilet Seat

- ✓ Width: 15"; Length: 15"
- ✓ Overall Height: 6"
- ✓ Raises Toilet Seat: 4"
- ✓ Height above bowl rim: 4-3/4"

**AL-2008 \$19.00**



### Raised Toilet Seat

- ✓ Anodized Aluminum Support Brackets
- ✓ Height: 4" to 6"

**AL-52859 \$49.00**



### Standard Toilet Seat Elevator

- ✓ Adds 3-1/2" to height of toilet seat
- ✓ Fits under a regular toilet (screws to bowl) seat
- ✓ Easy to install using only a screwdriver
- ✓ Measures 17-1/2" x 13-1/2" x 3-1/2"

**AL-49976 \$33.00**

### Elongated Toilet Seat Elevator (Not shown)

- ✓ Fits elongated and European toilets
- ✓ Measures 19-1/2" x 14" x 3-1/2"

**AL-49977 \$33.00**



### Reversible Toilet Transfer Seat

One product—two distinct uses. Installed with the "arms up", it's a toilet seat with armrests to help people who have difficulty rising from or lowering to a toilet but don't need an elevated seat or grab bars. Installed with the "arms down" it's an extended platform to help wheelchair users transfer on to and off of the toilet

**AL-58143 \$69.00**



**350 lb. Capacity**

### Elevated Push-Up Toilet Seat with Armrests

Converts a standard toilet seat into an elevated seat with armrests that are optimally designed to assist a person lower to or push up from the toilet. Elevated design adds 3" of height to the toilet and the extra width between armrests—20-1/4". Includes hardware kit.

**AL-58144 \$89.00**

# Commode Pails & Bedpan Racks & Liners

**BUY 11 GET 1 FREE!**



**Commode Pail—7 and 12 Quart**

- ✓ 11-5/8" x 9-1/4" (12 Qt)
  - ✓ 11-5/8" x 6-1/2" (7 Qt)
  - ✓ Color: Natural
- |               |                 |               |
|---------------|-----------------|---------------|
| 7 Qt. Pail    | <b>AL-45136</b> | <b>\$6.95</b> |
| 10 Qt. Pail   | <b>AL-2309B</b> | <b>\$7.95</b> |
| 12 Qt. Pail   | <b>AL-60634</b> | <b>\$8.95</b> |
| Splash Shield | <b>AL-45137</b> | <b>\$6.95</b> |



**Bedpan Rack**

- Single Stainless Steel
- AL-60752** **\$62.95**
- Single Aluminum
- AL-60753** **\$49.95**



**Economy Wire Bedpan Rack**

**AL-60756** **\$34.95**



**Specimen Hat Holder** is designed to mount on the wall within reach of the toilet and off bathroom floors. Mounts with adhesive (included) (specimen hat not included)  
**AL-62602** **\$49.00**



**1000 lb. Capacity**

**Universal Bedpan**

- ✓ Holds over 2 quarts
  - ✓ 15"L x 14.5"W
  - ✓ Comfortable, contoured finish is fully autoclavable so it can be sterilized and reused many times
  - ✓ Color: Blue
- 10-Pack **AL-67805** **\$249.00**



**Wall Holder**  
**AL-77171** **\$49.95**



**Bedpan Liner** (23.6 x 15.75)  
18 Boxes (1 box = 20 bags)  
**AL-76546** **\$389.00**



**Commode Liner** (20.5 x 15.75)  
18 Boxes (1 box = 20 bags)  
**AL-76547** **\$389.00**



**Men's Urinal** (6.3 x 15)  
21 Boxes (1 box = 20 bags)  
**AL-76548** **\$429.00**



**Toilet Bowl Liner** (25.5 x 15.75)  
18 Boxes (1 box = 20 bags)  
**AL-76550** **\$389.00**

**All Liners Come with Super Absorbent Pad**

Description	Case Size	ALCO Part No.	Price Case
Bedpan Liner (23.6 x 15.75) 1 case = 360 bags	18 Boxes	<b>AL-76546</b>	<b>\$389.00</b>
Commode Liner (20.5 x 15.75) 1 case = 360 bags	18 Boxes	<b>AL-76547</b>	<b>\$389.00</b>
Men's Urinal (6.3 x 15) 1 case = 420 bags	21 Boxes	<b>AL-76548</b>	<b>\$429.00</b>
Vomit Bag (9.8 x 9.8) 1 case = 420 bags	21 Boxes	<b>AL-76549</b>	<b>\$429.00</b>
Toilet Bowl Liner (25.5 x 15.75) 1 case = 360 bags	18 Boxes	<b>AL-76550</b>	<b>\$389.00</b>

**New!**

**▼ LOW PRICES GUARANTEED! ▼**  
**WE WILL NOT BE UNDERSOLD!**

# Bath Safety & Grab Bars

**BUY 11 GET 1 FREE!**

**250 lb. Capacity**



16"

**AL-77357-BN**

**Designer Grab Bar with Integrated Shelf and Corner Shelf**

- ✓ Includes two SecureMount™ Anchors
- ✓ Removable ABS plastic shelf is dishwasher safe

Bar-Brushed Nickel	<b>AL-77357-BN</b>	<b>\$44.95</b>
Bar-Chrome	<b>AL-77357-CH</b>	<b>\$44.95</b>
Bar-Old World Bronze	<b>AL-77357-OW</b>	<b>\$44.95</b>
Shelf-Brushed Nickel	<b>AL-77358-BN</b>	<b>\$44.95</b>
Shelf-Chrome	<b>AL-77358-CH</b>	<b>\$44.95</b>
Shelf-Old World Bronze	<b>AL-77358-OW</b>	<b>\$44.95</b>

**250 lb. Capacity**



9.17" x 9.17"

**AL-77358-BN**

**400 lb. Capacity**



**Fold-Down Shower Seat**

- ✓ Aluminum frame and water-resistant teak wood

**AL-77361     \$295.95**




**Universal Toilet Paper Holder with Adapter**

- ✓ Attaches with one hand, no tools required
- ✓ Fits all standard tube frame and composite commodes
- ✓ 2-7/8"W x 3"D x 7-5/16"H

**AL-75629     \$10.95**



**Clamp-On Tub Rail**

- ✓ Durable, white powder-coated steel construction
- ✓ Width adjusts from 3" to 7"
- ✓ Stainless steel locking mechanism and non-wearing rubber pads provide scratch-proof security
- ✓ Fits most tubs (not for use with fiberglass tubs)
- ✓ 14"-17" height adjustment for AL-74745 only
- ✓ Tool free installation

**300 lb. Capacity**

White, Non-Adjustable Height  
**AL-66427     \$31.00**

White, Adjustable Height (Shown)  
**AL-74745     \$39.00**



**12" Plastic Tub Rail**

- ✓ Plastic tub rail is tool free, easy-to-install
- ✓ Width adjusts from 2-3/4" to 6-1/2"

**AL-66428     \$33.00**



**Sure-Step Cushioned Bath Mat**

- ✓ Creates a safe environment in damp, slippery areas
- ✓ Made of soft, durable PVC and capable of absorbing up to 93% of impact forces from a fall
- ✓ Impervious to water, oils, grease, brines, acids, alkalis and bacterial growth
- ✓ Easy to install and can be cut to fit any size bathtub, shower stall, or bathroom floor

3'W x 4'L <b>AL-67609A</b> <b>\$99.00</b>	3'W x 5'L <b>AL-67609B</b> <b>\$129.00</b>	3'W x 6'L <b>AL-67609C</b> <b>\$149.00</b>	3'W x 8'L <b>AL-67609D</b> <b>\$199.00</b>
---	--	--	--

EP1



# Hand Shower Spray Systems & Accessories

**BUY 11 GET 1 FREE!**

## Hand Shower Systems

**ADA-6**



### Full Spray Hand Shower With Ultraflex Hose System

- Includes hand shower spray, 2 adhesive wall mounts and an 86" UltraFlex Hose
- The hand spray is push button to save energy and water!
- Rub clean hand shower to remove mineral deposits
- Two wall mounts for dual mounting positions
- 86" UltraFlex Hose for Extra Reach

**AL-66875 \$26.95**  
 Replacement Wall Mount  
**AL-66880 \$11.95**



### Full Spray Hand Shower With Reinforced Vinyl Hose System

- Includes hand shower spray, swivel connector, pin mount & 84" RV hose
- The hand spray is push button to save energy and water!
- Rub clean hand shower to remove mineral deposits
- Easy adjustability of spray direction
- 84" Reinforced vinyl hose for extra-reach

**AL-66876 \$44.95**



### White Wall Grab Bar Hand Shower System

- Includes hand shower spray, 70" UltraFlex hose for ease of bathing in a seated position and a 24" white grab bar
- ADA Compliant Wall Grab Bar
- Adjustable Mount; Operable by hand or closed fist

**AL-66877 \$91.95**



### Stainless Steel Wall Grab Bar Hand Massage Shower System

- Includes hand massager, 36" Stainless Steel grab bar, slide mechanism and 70": Ultraflex hose
- ADA Compliant (Wall Grab Bar and Hand Shower)
- Adjustable Mount; Operable by hand or closed fist

**AL-66877A \$99.95**



## Palm Shower



- 4-setting hand shower
- Push-button spray selection
- Hose not included

**AL-77109 \$29.95**



### Deluxe Hand Held Shower Spray with Diverter Valve

- On/Off switch built into handle for easy access
- Wall holder and extra-long 80" white reinforced nylon hose

**AL-74729 \$16.95 Each**

## Hand Shower System Accessories



### Vacuum Breaker

- Brass shield
- Atmospheric design

**AL-77108 \$19.95**



### Hand Shower Mount

- 3-way Brass Diverter
- ADA flip lever control

**AL-77107 \$44.95**



- 60"-82" Stretchable Metal Hose

**AL-77105 \$24.95**



- 69" Reinforced Vinyl Hose

**AL-77106 \$19.95**



- 84" UltraFlex White/Chrome Hose

**AL-66881 \$24.95**



### Replacement Slide Mechanism For Wall Grab Bar

- Fits all Alson's & Delta ADA Grab bar systems
- ADA compliant
- Operable by hand or closed fist

**AL-66882 \$16.95**



# Healthcare Toilet Seats

**BUY 11 GET 1 FREE!**



AL-51242

### Commercial Plastic Seats-DuraGuard

- ✓ Open front without cover
  - ✓ STA-TITE® Commercial Fastening System™
  - ✓ Heavy-weight
  - ✓ DuraGuard antimicrobial agent
  - ✓ External check hinge with stainless steel post
- |           |          |         |
|-----------|----------|---------|
| Regular   | AL-51242 | \$31.95 |
| Elongated | AL-51243 | \$31.95 |



AL-40528

### Posturemold Seats-Open Front Without Cover

- ✓ STA-TITE® Commercial Fastening System™
  - ✓ External check hinge with stainless steel post
- |                        |          |         |
|------------------------|----------|---------|
| Elongated (Heavy Duty) | AL-40528 | \$50.95 |
| Elongated              | AL-51248 | \$19.95 |



AL-40527W

AL-40526W

### Commercial Plastic Seats

- ✓ Open front without cover
  - ✓ STA-TITE® Commercial Fastening System™
  - ✓ Heavy weight
  - ✓ External check hinge with stainless steel post
- |                  |           |         |
|------------------|-----------|---------|
| Elongated, White | AL-40527W | \$24.95 |
| Elongated, Black | AL-40527B | \$24.95 |
| Regular, White   | AL-40526W | \$24.95 |
| Regular, Black   | AL-40526B | \$24.95 |



AL-51236

### Plastic Seats-Closed Front With Cover

- ✓ Top-Tite hinge
- |           |          |         |
|-----------|----------|---------|
| Regular   | AL-51235 | \$13.95 |
| Elongated | AL-51236 | \$19.95 |



AL-77673

### Commercial/Institutional Plastic Seats

- ✓ Open front
  - ✓ STA-TITE® Commercial Fastening System™
  - ✓ JUST-LIFT Check Hinge (see below)
- |           |          |         |
|-----------|----------|---------|
| Elongated | AL-77673 | \$39.95 |
|-----------|----------|---------|



AL-51240



### Medic-Aid Seats-Lift Seats

- ✓ 3" Lift Seat
- ✓ Open front
- ✓ DuraGuard antimicrobial agent
- ✓ Stainless steel hinge



AL-40546

### Medic-Aid Seats-"Safety Side" Arm

- ✓ Open front
- ✓ DuraGuard antimicrobial agent
- ✓ Stainless steel side arms with textured plastic handgrips and finger grooves



AL-40544

	Without Cover	With Cover	Price Each
Regular	AL-40544	AL-40543	\$256.95
Elongated	AL-40546	AL-40545	

	Without Cover	Price Each	With Cover	Price Each
Regular	AL-51237	\$149.95	AL-51239	\$154.95
Elongated	AL-51238		AL-51240	

EP-1



1. Assemble hinges
2. Center seat on bowl and finger-tighten STA-TITE® Fastening Nuts
3. Using a 5/8" wrench alternately tighten until lower portions shear off

### JUST-LIFT Toilet Seat



1. Put toilet seat ring cover in upright position. Hold ring cover firmly and pull up.
2. Clean on and around receptacle bodies, stainless steel rods and beneath hinge body.
3. Hold ring cover firmly and push down. Continue with normal cleaning of toilet seat ring.

**Bemis toilet seats will fit the following fixtures (and others): American Standard, Briggs, Crane, Eljer, Gerber, Kohler, Mansfield, Peerless, Toto, Universal Rundle and St. Thomas**



DuraGuard seats contain an anti-microbial agent molded in plastic inhibiting growth of bacteria.

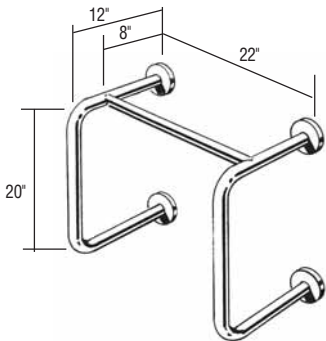


ADA Compliant

# Grab Bars

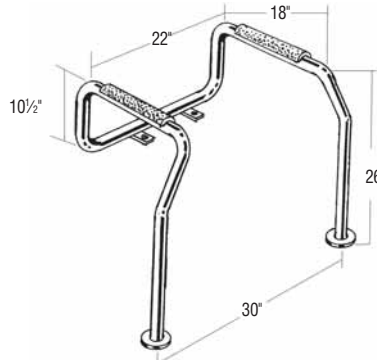
**BUY 11 GET 1 FREE!**

**MADE IN THE USA**



### Urinal Bar

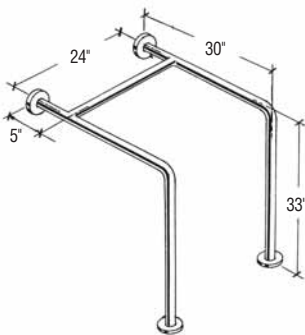
1-1/4" Dia	<b>AL-67902</b>	<b>\$181.00</b>
1-1/2" Dia	<b>AL-67902A</b>	<b>\$188.00</b>



### Wheelchair Toilet Bar

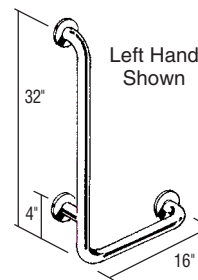
- ✓ Extra wide legs for easy access by wheelchair users
- ✓ Mounts to the floor
- ✓ Fits toilet bowl height of 15"-15 1/2" but can be modified to fit your requirements

<b>AL-67899</b>	<b>\$254.00</b>
-----------------	-----------------



### Wall To Floor Straddle Bar

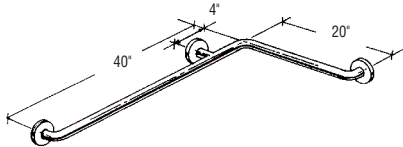
1-1/4" Dia	<b>AL-67901</b>	<b>\$247.00</b>
1-1/2" Dia	<b>AL-67901A</b>	<b>\$265.00</b>



### Horizontal/Vertical Stainless Steel Grab Bars

Offers horizontal and vertical use in one bar. When entering tub, if the bather's right hand grips the vertical, specify right hand. If reverse, specify left.

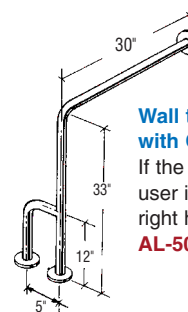
12" x 24"	<b>AL-50960</b>	<b>\$90.00</b>
16" x 32"	<b>AL-50961</b>	<b>\$97.00</b>
18" x 32"	<b>AL-50962</b>	<b>\$99.00</b>
24" x 48"	<b>AL-50963</b>	<b>\$118.00</b>
24" x 36"	<b>AL-50964</b>	<b>\$107.00</b>



### Horizontal Corner Stainless Steel Bar

Same configuration as the Horizontal/Vertical Bar (above) but with dimensions as noted.

20" x 40"	<b>AL-50965</b>	<b>\$111.00</b>
24" x 36"	<b>AL-50966</b>	<b>\$111.00</b>
36" x 48"	<b>AL-50967</b>	<b>\$131.00</b>
36" x 52"	<b>AL-50968</b>	<b>\$134.00</b>
36" x 54"	<b>AL-50969</b>	<b>\$137.00</b>



### Wall to Floor Stainless Steel Bar with Outrigger

If the bar is on the right when the user is sitting on the toilet, specify right hand. If reverse, specify left.

<b>AL-50940</b>	<b>\$114.00</b>
-----------------	-----------------

Right Hand Shown

EP1



**AL-74453**

### Flip-Up Grab Bars

- ✓ Stainless Steel Construction
- ✓ 1-1/2" Diameter
- ✓ ADA-Compliant
- ✓ Securemount Flange



**AL-74455**

Peened Stainless Steel	<b>AL-74453</b>	<b>\$99.00 Each</b>
White Powder Coat	<b>AL-74454</b>	<b>\$99.00 Each</b>
Peened Stainless Steel w/Integrated Toilet Paper Holder	<b>AL-74455</b>	<b>\$109.00 Each</b>
White Powder Coat w/Integrated Toilet Paper Holder	<b>AL-74456</b>	<b>\$109.00 Each</b>



### L-Shaped Peened Grab Bar with Concealed Screws

- ✓ 500 lb. Capacity
- ✓ 1-1/2" Diameter
- ✓ SECUREMOUNT Flange

16" x 32"	<b>AL-74450</b>	<b>\$69.00 Each</b>
24" x 36"	<b>AL-74451</b>	<b>\$69.00 Each</b>
24" x 48"	<b>AL-74452</b>	<b>\$79.00 Each</b>



ADA Compliant

# Grab Bars



ADA Compliant

**BUY 11 GET 1 FREE!**

**SECUREMOUNT™ Anchors**

- ✓ The "D-Shape" of the anchor permits superior precision-engineered bracing behind the wall!
- ✓ No wall stud needed
- ✓ Mounts to drywall, drywall/tile, drywall/marble or fiberglass tub surrounds.
- ✓ Can be used with all Moen grab bars or most competitors

Chrome (Pair) **AL-67432** **\$31.95 Pr**




**1. Drill It**



**2. Install It**




**3. Mount It**



**Securemount anchors and grab bars** make it possible to quickly and easily install grab bars with or without studs.

**Stainless Steel Grab Bars**

- ✓ Patented design allows for three screws to be mounted to stud
- ✓ Concealed screws
- ✓ 500lb weight pull capacity exceeds ADA requirements


ADA Compliant

**White Powder Coated Grab Bar (1-1/4")**

12"	<b>AL-77510-12</b>	<b>\$34.95</b>
16"	<b>AL-77510-16</b>	<b>\$39.95</b>
18"	<b>AL-77510-18</b>	<b>\$40.95</b>
24"	<b>AL-77510-24</b>	<b>\$44.95</b>
30"	<b>AL-77510-30</b>	<b>\$48.95</b>
32"	<b>AL-77510-32</b>	<b>\$50.95</b>
36"	<b>AL-77510-36</b>	<b>\$54.95</b>
42"	<b>AL-77510-42</b>	<b>\$60.95</b>
48"	<b>AL-77510-48</b>	<b>\$62.95</b>



**Peened Grab Bar (1-1/4")**

12"	<b>AL-77506-12</b>	<b>\$22.95</b>
16"	<b>AL-77506-16</b>	<b>\$23.95</b>
18"	<b>AL-77506-18</b>	<b>\$24.95</b>
24"	<b>AL-77506-24</b>	<b>\$28.95</b>
30"	<b>AL-77506-30</b>	<b>\$31.95</b>
32"	<b>AL-77506-32</b>	<b>\$33.95</b>
36"	<b>AL-77506-36</b>	<b>\$34.95</b>
42"	<b>AL-77506-42</b>	<b>\$36.95</b>
48"	<b>AL-77506-48</b>	<b>\$44.95</b>

**Non-Peened Grab Bar (1-1/4")**

12"	<b>AL-77507-12</b>	<b>\$21.95</b>
16"	<b>AL-77507-16</b>	<b>\$22.95</b>
18"	<b>AL-77507-18</b>	<b>\$23.95</b>
24"	<b>AL-77507-24</b>	<b>\$27.95</b>
30"	<b>AL-77507-30</b>	<b>\$30.95</b>
32"	<b>AL-77507-32</b>	<b>\$32.95</b>
36"	<b>AL-77507-36</b>	<b>\$33.95</b>
42"	<b>AL-77507-42</b>	<b>\$35.95</b>
48"	<b>AL-77507-48</b>	<b>\$43.95</b>

**Peened Grab Bar (1-1/2")**

12"	<b>AL-77508-12</b>	<b>\$19.95</b>
16"	<b>AL-77508-16</b>	<b>\$20.95</b>
18"	<b>AL-77508-18</b>	<b>\$26.95</b>
24"	<b>AL-77508-24</b>	<b>\$29.95</b>
30"	<b>AL-77508-30</b>	<b>\$32.95</b>
32"	<b>AL-77508-32</b>	<b>\$39.95</b>
36"	<b>AL-77508-36</b>	<b>\$40.95</b>
42"	<b>AL-77508-42</b>	<b>\$42.95</b>
48"	<b>AL-77508-48</b>	<b>\$44.95</b>

**Non-Peened Grab Bar (1-1/2")**

12"	<b>AL-77509-12</b>	<b>\$18.95</b>
16"	<b>AL-77509-16</b>	<b>\$19.95</b>
18"	<b>AL-77509-18</b>	<b>\$25.95</b>
24"	<b>AL-77509-24</b>	<b>\$28.95</b>
30"	<b>AL-77509-30</b>	<b>\$31.95</b>
32"	<b>AL-77509-32</b>	<b>\$38.95</b>
36"	<b>AL-77509-36</b>	<b>\$39.95</b>
42"	<b>AL-77509-42</b>	<b>\$41.95</b>
48"	<b>AL-77509-48</b>	<b>\$43.95</b>



**Typical Design**




**Patented Securemount Design**

EPI

**Chrome Grab Bar**

- ✓ Knurled finish for safe grip
- ✓ 1" heavy wall steel tubing
- ✓ Chrome finish (stainless steel screws provided)
- ✓ Measures 1-1/2" from the wall



12" Grab Bar	<b>AL-73252</b>	<b>\$41.00 Case/3</b>
16" Grab Bar	<b>AL-73253</b>	<b>\$43.00 Case/3</b>
18" Grab Bar	<b>AL-73254</b>	<b>\$48.00 Case/3</b>
24" Grab Bar	<b>AL-73255</b>	<b>\$52.00 Case/3</b>
32" Grab Bar	<b>AL-73256</b>	<b>\$59.00 Case/3</b>

**White Powder Coated Grab Bar**

- ✓ 1" Heavy duty steel construction
- ✓ Large, 3-hole welded flanges provide additional security




12" Grab Bar	<b>AL-73257</b>	<b>\$35.00 Case/3</b>
16" Grab Bar	<b>AL-73258</b>	<b>\$37.00 Case/3</b>
18" Grab Bar	<b>AL-73259</b>	<b>\$39.00 Case/3</b>
24" Grab Bar	<b>AL-73260</b>	<b>\$43.00 Case/3</b>
32" Grab Bar	<b>AL-73261</b>	<b>\$49.00 Case/3</b>

**Stainless Steel Peened Grab Bar (1-1/4") with non-concealed screws**

12" Grab Bar	<b>Q12R1</b>	<b>\$29.50</b>
18" Grab Bar	<b>Q18R1</b>	<b>\$31.00</b>
24" Grab Bar	<b>Q24R1</b>	<b>\$33.30</b>
36" Grab Bar	<b>Q36R1</b>	<b>\$38.60</b>
42" Grab Bar	<b>Q42R1</b>	<b>\$41.50</b>

**Stainless Steel Non-Peened Grab Bar (1-1/4") with non-concealed screws**

12" Grab Bar	<b>AL-77349</b>	<b>\$18.95</b>
18" Grab Bar	<b>AL-77350</b>	<b>\$19.95</b>
24" Grab Bar	<b>AL-77351</b>	<b>\$20.95</b>
36" Grab Bar	<b>AL-77352</b>	<b>\$28.95</b>
42" Grab Bar	<b>AL-77353</b>	<b>\$30.95</b>



**Stainless Steel Grab Bar**

- ✓ Satin finish
- ✓ 18 gauge type 304 stainless steel
- ✓ 900 lbs. capacity



**900 lb capacity**

12" Grab Bar	<b>AL-58332</b>	<b>\$29.00</b>
18" Grab Bar	<b>AL-58333</b>	<b>\$29.00</b>
24" Grab Bar	<b>AL-58334</b>	<b>\$31.00</b>
36" Grab Bar	<b>AL-58335</b>	<b>\$42.00</b>
42" Grab Bar	<b>AL-58336</b>	<b>\$46.00</b>

# Anti-Ligature Accessories

**BUY 11 GET 1 FREE!**




**Grab Bar**

- ✓ 1-1/2" diameter, 18 ga. stainless steel tube
- ✓ Welded 11 ga. closure plate

	Concealed Mount		Exposed Mount	
12" Grab Bar	<b>AL-77549-12</b>	<b>\$79.00</b>	<b>AL-77550-12</b>	<b>\$79.00</b>
16" Grab Bar	<b>AL-77549-16</b>	<b>\$83.00</b>	<b>AL-77550-16</b>	<b>\$81.00</b>
18" Grab Bar	<b>AL-77549-18</b>	<b>\$85.00</b>	<b>AL-77550-18</b>	<b>\$83.00</b>
24" Grab Bar	<b>AL-77549-24</b>	<b>\$93.00</b>	<b>AL-77550-24</b>	<b>\$91.00</b>
30" Grab Bar	<b>AL-77549-30</b>	<b>\$105.00</b>	<b>AL-77550-30</b>	<b>\$103.00</b>
36" Grab Bar	<b>AL-77549-36</b>	<b>\$109.00</b>	<b>AL-77550-36</b>	<b>\$109.00</b>
42" Grab Bar	<b>AL-77549-42</b>	<b>\$119.00</b>	<b>AL-77550-42</b>	<b>\$119.00</b>
48" Grab Bar	<b>AL-77549-48</b>	<b>\$129.00</b>	<b>AL-77550-48</b>	<b>\$125.00</b>






**Mirror—Framed**


- ✓ Framed seamless corner construction exposed mount
- ✓ 16 ga. polished bright stainless steel
- ✓ 18 ga. satin stainless steel frame

Concealed



Exposed


Exposed 12" x 14"	<b>AL-78015</b>	<b>\$39.00</b>
Concealed 12" x 14"	<b>AL-77552-12</b>	<b>\$99.00</b>
Concealed 18" x 24"	<b>AL-77552-18</b>	<b>\$239.00</b>



**Exposed Mount Mirror—Frameless**

- ✓ 16 ga. polished bright stainless steel mirror

12" x 14"	<b>AL-77551</b>	<b>\$99.00</b>
18" x 24"	<b>AL-78014-24</b>	<b>\$92.00</b>
18" x 30"	<b>AL-78014-30</b>	<b>\$135.00</b>



**Stainless Steel Security Grab Bars**

Surface Mounted Security Grab Bar Tubing is welded to round 8 gauge R-3 flanges. One-way screws provided.

24" Length	<b>AL-50954G</b>	<b>\$119.00</b>
36" Length	<b>AL-50955</b>	<b>\$142.00</b>
42" Length	<b>AL-50956</b>	<b>\$154.00</b>



**Recessed Soap Dish**

- ✓ 20 ga. stainless steel
- ✓ Beveled for secure fit
- ✓ Dimpled for soap


Exposed	<b>AL-77558E</b>	<b>\$29.00</b>
Concealed	<b>AL-77558C</b>	<b>\$42.00</b>



**Recessed Mounted Tumbler**

- ✓ 20 ga. stainless steel
- ✓ Beveled for secure fit

Exposed	<b>AL-77573E</b>	<b>\$29.00</b>
Concealed	<b>AL-77573C</b>	<b>\$42.00</b>



**Hook Strip Shelf**

- ✓ 5" H x 18" W x 8" projection
- ✓ 18 gauge stainless steel construction
- ✓ (Hardware not included)


<b>AL-77553</b>	<b>\$179.00</b>
-----------------	-----------------



**Recessed Toilet Paper Holder**

- ✓ 14 ga. 8" x 8" face plate"
- ✓ 18 ga. cylinder- 5" dia x 4" depth
- ✓ Stainless steel welded construct


<b>AL-77562</b>	<b>\$69.00</b>
-----------------	----------------



**Curtain Hook**

- ✓ 11 ga. stainless steel
- ✓ 1" dia. rod

<b>AL-77564</b>	<b>\$7.00</b>
-----------------	---------------



**Break-Away Shower Flange**

- ✓ 1" dia. rod
- ✓ Mounts with #10 oval head screw
- ✓ Releases shower rod under load

<b>AL-77565</b>	<b>\$25.00</b>
-----------------	----------------



# Anti-Ligature Accessories



**BUY 11 GET 1 FREE!**



**Breakaway Hook Strips**  
 ✓ 6" H x 18"W x 2.5" projection  
 Exposed Mount  
 ✓ Includes (6) 1/4"-20 1-1/2" pin Torx screws  
**AL-77554E \$259.00**  
 Concealed Mount  
 ✓ (6) 1/4"-20 1-1/2" mount tee nuts welded to back  
 ✓ (Hardware not included—access behind wall needed for installation)  
**AL-77554C \$259.00**



**Breakaway Towel Hooks**  
 ✓ 3" dia. x 2.5" projection  
 Exposed Mount  
 ✓ Includes (3) 1/4"-20 1-1/2" pin in Torx screws  
**AL-77563C \$39.00**  
 Concealed Mount  
 ✓ (2) 1/4"-20 1-1/2" mounting tee nuts welded to the back  
 ✓ Hardware not included—access behind wall necessary for installation  
**AL-77563E \$49.00**



**Breakaway Toilet Paper Holder**  
 Exposed Mount  
**AL-78312E \$49.00**  
 Concealed Mount  
**AL-78312C \$39.00**

# Security Accessories

**Seats**  
 ✓ 14 ga stainless steel heavy-duty shower seat

**500 lb. Capacity**



**AL-77561L**




**AL-77561R**


L-Shaped Left Hand 32" x 23" L-projection  
**AL-77561L \$1159.00**  
 L-Shaped Right Hand 32" x 23" L-projection  
**AL-77561R \$1159.00**




Rectangular 16" x 32" Left Hand Locking Hasp  
**AL-77559L \$1169.00**  
 Rectangular 16" x 32" Right Hand Locking Hasp  
**AL-77559R \$1169.00**




**Shower Rod**  
 24" Rod  
**AL-78313-24 \$17.00**  
 36" Rod  
**AL-78313-36 \$17.00**  
 48" Rod  
**AL-78313-48 \$17.00**  
 60" Rod  
**AL-78313-60 \$17.00**




**Towel Bar**  
 ✓ 1" dia. X 24" 16 ga.  
 ✓ Welded 11 ga. end brackets  
 Exposed Mount  
**AL-77555E \$39.00**  
 Concealed Mount  
**AL-77555C \$39.00**




**Double Towel Bar**  
 ✓ 1" dia. X 24" 16 ga.  
 ✓ Welded 11 ga. end brackets  
 Exposed Mount **AL-77566E \$61.00**  
 Concealed Mount **AL-77566C \$61.00**



**Surface Mount Soap Dish**  
 ✓ 11 ga. stainless steel  
 ✓ 3 drain holes  
 ✓ Raised edges to hold soap  
 Exposed **AL-77572E \$25.00**  
 Concealed **AL-77572C \$29.00**



**Surface Mounted Toothbrush Holder**  
 ✓ 11 ga. stainless steel  
 ✓ Holds 4 brushes  
 Exposed **AL-77556E \$29.00**  
 Concealed **AL-77556C \$31.00**



**Surface Mounted Tumbler**  
 ✓ 11 ga. stainless steel  
 ✓ Holds up to 4 brushes and cup  
 Exposed **AL-77557E \$27.00**  
 Concealed **AL-77557C \$29.00**



**Double Roll Toilet Tissue Dispenser (Surface Mount)**  
 ✓ 22 ga stainless steel  
 ✓ Holds (2) 5-1/4" dia rolls  
 ✓ Pivoting front cover  
 ✓ Equipped w/ tumbler lock  
 ✓ 4-13/16" x 13-1/4" x 4"  
**AL-77570E \$66.00**  
 Hinged Hoods  
**AL-77570C \$74.00**



**AL-77570C**



**Hooded Toilet Paper Holder**  
 ✓ 14 ga. stainless steel satin finish  
 ✓ Spindle 7 ga. stainless steel with 3/16" padlock hole  
 ✓ Padlock and fasteners not included  
**AL-77571 \$73.00**



**Toilet Paper Holder**  
 ✓ 7 ga. stainless steel  
 ✓ 16 ga 1" diameter tube  
 Exposed Mount  
**AL-77567E \$43.00**  
 Concealed Mount  
**AL-77567C \$49.00**

# Drive Commodes

**BUY 11 GET 1 FREE!**



**Model 11132**

Fig.	Description	ALCO Part No.	Price Each
1	Right Arm	AL-76081	\$39.95
2	Hardware	AL-76082	\$11.95
3	Seat	AL-76083	\$26.95
4	Tip	AL-384B	\$1.00
5	Left Arm	AL-76085	\$39.95
6	Bucket	AL-77113	\$36.95

**Model 11138**

Fig.	Description	ALCO Part No.	Price Each
1	Seat	AL-76086	\$99.95
2	Back	AL-76087	\$49.95
3	Tip	AL-384B	\$1.00
4	Bucket	AL-77113	\$36.95

**Model 11105N**

Fig.	Description	ALCO Part No.	Price Each
1	Push Button	AL-76090	\$4.95
2	Splash Guard	AL-76110	\$14.95
2	Bucket	AL-60634	\$8.95
3	Tips	AL-384	\$1.00
4	Seat & Lid	AL-76109	\$24.95
5	Armpad	AL-76117	\$14.95

**Model 11130**

Fig.	Description	ALCO Part No.	Price Each
1	Back Support	AL-76097	\$19.95
2	Seat	AL-76098	\$42.95
	Push Buttons	AL-76090	\$4.95
3	Tips, 1", Grey, 1PR/BX	AL-384	\$1.00
4	Commode Bucket	AL-76094	\$10.95
4	Splash Shield	AL-76099	\$14.95
	Pail Bracket 3 Screws Ea. Side Serial #1A1104000001	AL-76095	Call
	Pail Bracket 4 Screws Ea. Side	AL-76096	\$14.95
5	Armrest	AL-76102	\$14.95

**Model 11135**

Fig.	Description	ALCO Part No.	Price Each
1	Commode Seat (Serial #1A)	AL-76108	\$40.95
1	Commode Seat (Serial #1Z)	AL-76089	Call
1A	Push Button	AL-76090	\$4.95
2	Tips (1 Pair)	AL-384	\$1.00
3	Commode Pail	AL-76094	\$10.95
N/S	Pail Bracket (3 Screws Each Side, Serial #1A1104000001)	AL-76095	Call
N/S	Pail Bracket (4 Screws Ea. Side)	AL-76096	\$14.95
4	Arm	AL-76107	\$19.95
5	Backrest	AL-76088	\$19.95



# Drive Commodes

**BUY 11 GET 1 FREE!**



**Model 11117N**

Fig. Description	ALCO Part No.	Price
1 Backrest Wingnut/ Bolt Set	AL-76111	\$14.95
2 Back	AL-76112	\$14.95
3 Seat and Lid	AL-76113	\$30.95
4 Commode Bucket	AL-76094	\$10.95
5 Splash Guard	AL-76110	\$14.95
6 Leg	AL-76114	\$14.95
7 Tips, 1", Grey, 1PR/BX	AL-384	\$1.00
8 Push Button	AL-76090	\$4.95

**Model 11148KDR**

Fig. Description	ALCO Part No.	Price
1 Toilet Seat With Lid Standard (1 Each)	AL-76115	\$20.95
2 Backrest Assy	AL-76116	\$14.95
3 Arm Rest	AL-76117	\$14.95
4 Leg	AL-76118	\$14.95
5 Commode Bucket	AL-76094	\$10.95
6 Splash Guard	AL-76134	\$14.95
NS Hardware	AL-76135	\$8.95
7 Tips, 1", Grey, 1PR/BX	AL-384	\$1.00
8 Push Buttons	AL-76090	\$4.95

**Model 11125KD**

Fig. Description	ALCO Part No.	Price
1 Right Arm Release Lever	AL-76136	\$22.95
2 Left Arm Release Lever	AL-76137	\$22.95
3 Replacement Leg	AL-76138	\$14.95
4 Commode Bucket	AL-76094	\$10.95
5 Tips, 1", Grey, 1PR/BX	AL-384	\$1.00
6 Push Button	AL-76090	\$4.95
7 Padded Seat	AL-76139	\$46.95

**Model 11125PSKD**

Fig. Description	ALCO Part No.	Price
1 Right Arm Release Lever	AL-76140	\$14.95
2 Left Arm Release Lever	AL-76141	\$22.95
3 Back	AL-76142	\$14.95
4 Replacement Leg	AL-76138	\$14.95
5 Commode Bucket	AL-76143	\$14.95
6 Tips, 1", Grey, 1PR/BX	AL-384	\$1.00
7 Push Button	AL-76090	\$4.95

EP1

# Drive Commodes



**BUY 11 GET 1 FREE!**

## Model 11101



Fig.	Description	ALCO Part No.	Price
NS	Hardware Assembly	AL-76156	\$14.95
1	Right Arm	AL-76157	\$28.95
2	Left Arm	AL-76158	\$22.95
3	Release Pin (1 set)	AL-76159	\$22.95
4	Leg	AL-76160	\$14.95

## Model 11114



Fig.	Description	ALCO Part No.	Price
1	Back Assembly	AL-76161	\$20.95
2	Armrest	AL-76162	\$14.95
3	Commode Bucket	AL-76163	\$10.95
4	Grey Caster (without lock)	AL-76164	\$15.95
5	Grey Caster (with lock)	AL-76165	\$15.95
6	Seat	AL-76166	\$46.95
7	Back Upholstery	AL-76167	\$11.95

## Model R5185001



Fig.	Description	ALCO Part No.	Price
1	Back Assembly	AL-76168	\$56.95
NS	Push Handle 3P Only	AL-76169	Call
2	Right Arm Assembly	AL-76170	Call
3	Plastic Arm Pad	AL-76171	\$14.95
4	Armrest Release Pin	AL-76172	\$14.95
5	Left Arm Assembly	AL-76173	Call
6	Rear Wheel 24" (2A Only)	AL-76174	\$89.95
7	Rear Wheel Bearing (2A Only)	AL-76176	\$14.95
8	Rear Axle (2A Only)	AL-76178	Call
9	Hub Cap (2A Only)	AL-76180	\$14.95
10	Left Brake	AL-76182	\$14.95
NS	Right Brake	AL-76183	\$14.95
11	Bucket Frame	AL-76184	Call
12	Commode Bucket	AL-76185	\$19.95
13	Seat	AL-76186	\$99.95
14	Seat Bracket Set	AL-76187	\$14.95
15	Front Caster	AL-76189	\$49.95
16	Slide Tube and Bushing 2A	AL-76190	Call
17	Step Tube Sleeve	AL-76192	\$7.95
18	Frame Plug	AL-76193	Call
19	Seat Rail Guide	AL-76194	\$4.95
20	Footrest Set 1.5" Spacing	AL-76195	\$59.95
NS	Footrest Set 3" Spacing	AL-76196	\$69.95

## Model 11120KD



Fig.	Description	ALCO Part No.	Price
1	Back Frame	AL-76144	\$19.95
2	Arm Pad	AL-76145	\$16.95
3	Arm Assembly	AL-76146	\$20.95
4	Seat (black padded)	AL-76147	\$28.95
5	Seat (plastic)	AL-76148	\$20.95
6	Bracket (bucket to seat)	AL-76149	\$11.95
7	Caster	AL-76150	\$15.95
8	Caster (with lock)	AL-76151	\$15.95
9	Commode Bucket (lid)	AL-76152	\$14.95
10	Arm Release Assembly	AL-76153	\$14.95
11	Back Adjustment Knob	AL-76154	\$14.95
12	Back Upholstery	AL-76155	\$14.95



# Coated Safeguard Commode w/o Back



**BUY 11 GET 1 FREE!**

**Model #9610**

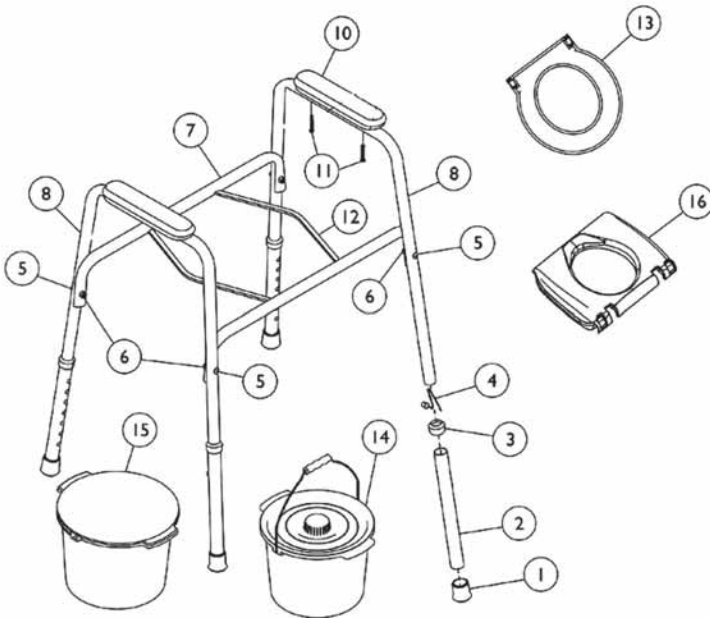
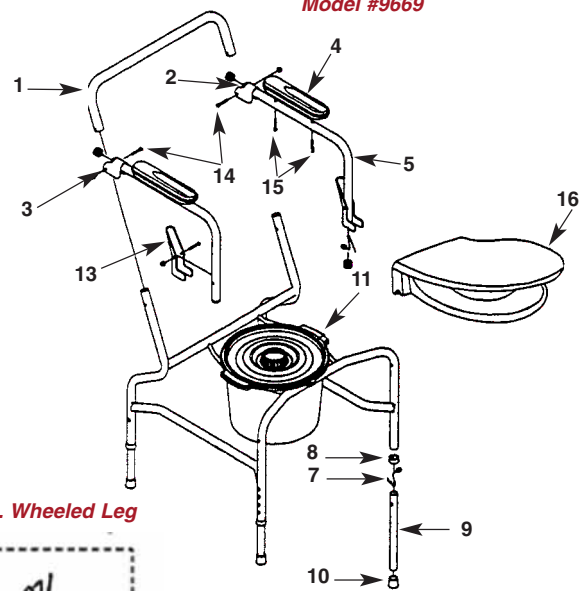


Fig.	Description	ALCO Part No.	Price Each
1	Tip, Rubber, Grey (1")	AL-385	\$1.00
2	Tube, Extension Leg, Coated	AL-52818	\$7.95
3	Anti-Rattle, Grey (1")	AL-52820	\$6.95
4	Snap Button	AL-52821	\$7.95
5	Screw, Phillips Pan Head	AL-66444	\$6.95
6	Locknut	AL-52837	\$7.95
7	Seat Rail, Coated	AL-52824	\$7.95
8	Arm Tube with Holes, Coated	AL-52826	\$9.95
10	Armrest, Grey	AL-143-GY	\$6.95
11	Screw, Phillips Head Tap	AL-52829	\$6.95
12	Holder, Pan/Pail	AL-52832	\$15.95
13	Seat, Ring	AL-52834	\$14.95
14	Pail with Lid and No Handle, Grey	AL-52835	\$16.95
15	Splash Shield, Grey	AL-52836	\$10.95
16	Seat, Commode	AL-66454	\$23.95
	Square Seat with Hardware	AL-491	\$24.95
NS	Square Lid with Hardware	AL-490	\$24.95

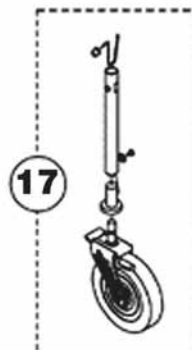
# Drop Arm Commode

**Model #9669**

Fig.	Description	ALCO Part No.	Price Each
1	Back tube	AL-52838	\$7.95
2	Plug button, grey (7/8")	AL-231	\$0.95
3	Nylon nut	AL-52837	\$7.95
4	Armrest, grey	AL-143-GY	\$6.95
5	Arm tube	AL-52839	\$8.95
7	Locking pin	AL-52840	\$4.95
8	Anti-Rattle, grey (7/8")	AL-52841	\$6.95
9	Leg extension	AL-52842	\$10.95
10	Rubber tip (3/4")	AL-392	\$1.00
11	Pail w/lid, grey	AL-52835	\$16.95
13	Arm latch	AL-52844	\$6.95
14	Screw	AL-52845	\$6.95
15	Screw, phillips head tap	AL-52829	\$6.95
<b>Toilet Seats and Lids</b>			
16	Seat & lid (snap-on)	AL-52833	\$19.95
	Seat ring only (snap-on)	AL-52834	\$14.95
N/S	Square Seat only w/ hardware — grey	AL-491	\$24.95
N/S	Square Lid only w/ hardware — grey	AL-490	\$24.95
17	Adjustable wheeled leg	AL-52846	Call



*Adj. Wheeled Leg*



**BUY IT NEW!**

Without Wheels **AL-45123 \$119.00**

We Accept



# Bariatric Commode—Model 6499-BHD & 6500-BHD



**BUY 11 GET 1 FREE!**



**700 lb. Capacity**

**BUY IT NEW!**  
AL-58074 \$459.00  
Case of 2 Each

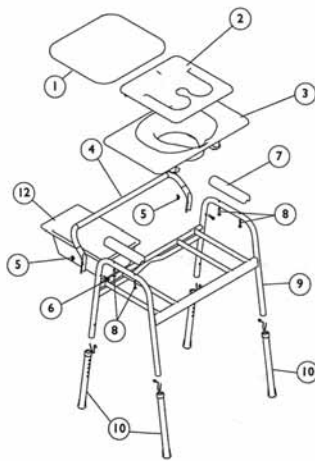
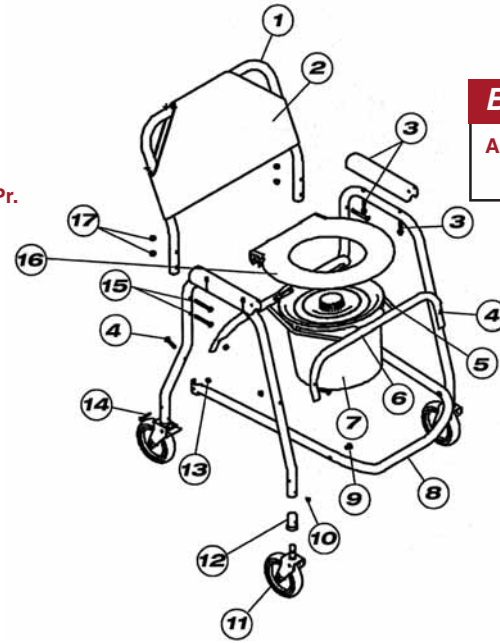


Fig.	Description	ALCO Part No.	Price Each
1	Upholstered, Seat Cover (Grey)	AL-2587	N/A
2	Clamp On Lid with Hardware	AL-490	\$24.95
3	Seat, Commode with Hardware	AL-491	\$24.95
4	Tube, Back Support	AL-59844	\$18.95
5	Wingnut (114-20)	AL-52823	\$5.95
6	Screw, Pan Head	AL-52845	\$6.95
7	Armrest	AL-141-GY	\$6.95
8	Screw, Pan Head	AL-45497	\$0.39
9	Frame	AL-59847	\$79.95
10	Leg Extension	AL-59848	\$23.95
12	Pan, Commode	AL-2561	\$16.95

## Mobile Shower Chair Model #6358

Fig.	Description	ALCO Part No.	Price Each
1	Back Frame Tube	AL-26253	\$40.95
2	Back Upholstery Nylon—Grey	AL-59849	\$23.95
3	Armrest With Screws—After 5/14/99 (1 Pair)	AL-59850	\$16.95
4	Screw, Pan Head	AL-52822	\$4.95
5	Pail Holder	AL-52832	\$15.95
6	Seat Rail, Front	AL-59852	\$11.95
7	Seat Rail, Rear	AL-59853	\$11.95
8	Pail With Lid, Grey—After 5/14/99	AL-59854	\$15.95
9	Foot Support Tube	AL-59855	N/A
10	Rivnut	AL-65091	\$7.95
11	Screw, Phillips Pan Head	AL-59856	\$4.95
12	5" Caster With Sleeve—Without Wheel Lock	AL-59857	\$42.95
13	Caster Sleeve	AL-59859	\$4.95
14	Locknut	AL-59860	\$7.95
15	Screw, Phillips Round Head	AL-26255	\$4.95
16	Screw, Phillips	AL-59861	\$8.95
17	Seat Ring After 5/15/99	AL-52834	\$14.95
18	Locknut	AL-52837	\$7.95

Pr.



**BUY IT NEW!**  
AL-45217 289.00 Ea.  
Case of 2 Ea

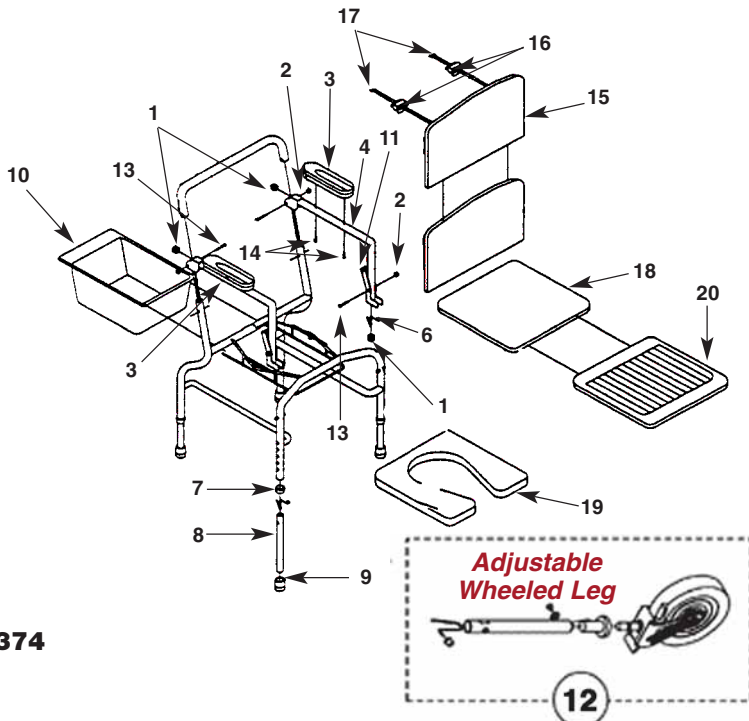


Fig.	Description	ALCO Part No.	Price Each
1	Plug button, grey (7/8")	AL-231	\$0.95
2	Nylon nut	AL-52837	\$7.95
3	Armrest, grey	AL-143-GY	\$6.95
4	Arm tube	AL-52839	\$8.95
6	Locking pin	AL-52821	\$7.95
7	Anti-Rattle, grey (7/8")	AL-52841	\$6.95
8	Leg extension	AL-52842	\$10.95
9	Rubber tip (3/4")	AL-392	\$1.00
10	Pan	AL-2561	\$16.95
11	Arm latch	AL-52844	\$6.95
12	Adjustable wheeled leg	AL-52846	Call
13	Screw	AL-52845	\$6.95
14	Screw, pan head tap	AL-52829	\$8.95
15	Back cover, grey	AL-2589	\$19.95
16	Clip	AL-52852	\$5.95
17	Screw, sheet metal	AL-52853	\$6.95
18	Lid, square w/ hardware	AL-490	\$24.95
19	Seat, square w/hardware	AL-491	\$24.95
20	Seat cover, grey	AL-2587	N/A

# Extra Wide Model 6496 & 6497 Steel Commode

**BUY 11 GET 1 FREE!**

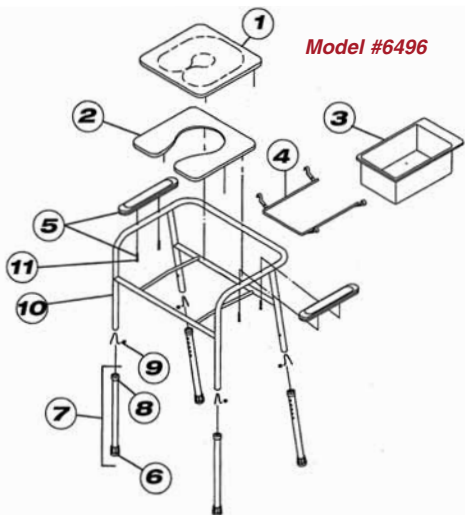


Fig.	Description	ALCO Part No.	Price Each
1	Lid, Square With Hardware	AL-490	\$24.95
2	Seat, Square With Hardware	AL-491	\$24.95
3	Pan	AL-2561	\$16.95
4	Pan Holder	AL-2585	N/A
5	Armrest—Full Length - Grey (After 9/93)	AL-133-GY	\$6.95
6	Rubber Tip, Light Grey	AL-386	\$1.00
7	Leg Extension Assembly, Before 10/19/99 (Includes: Items 7 & 9)	AL-2594	\$19.95
	Leg Extension Assembly, After 1/14/04 (Includes: Items 7 & 9)	AL-66442	\$24.95
8	Anti-Rattle, Grey	AL-26219	N/A
9	Snap Button	AL-52821	\$7.95
10	Frame	AL-52817	N/A
11	Screw, Phillips Round Head	AL-45497	\$0.39

**BUY IT NEW!**  
AL-45121 \$179.00  
Case of 2 Each



Fig.	Description	ALCO Part No.	Price Each
1	Rail, Back with Snap Buttons	AL-71354	\$18.95
2	Armrest with Hardware	AL-71355	\$19.95
3	Seat, Square with Hardware	AL-71356	\$24.95
4	Lid, Square with Hardware	AL-71357	\$24.95
5	Pan	AL-71358	\$14.95
6	Leg, Extension with Hardware	AL-71359	\$18.95



Model #6497

## All-In-One Commode with Back

Model #9630/9640/9650

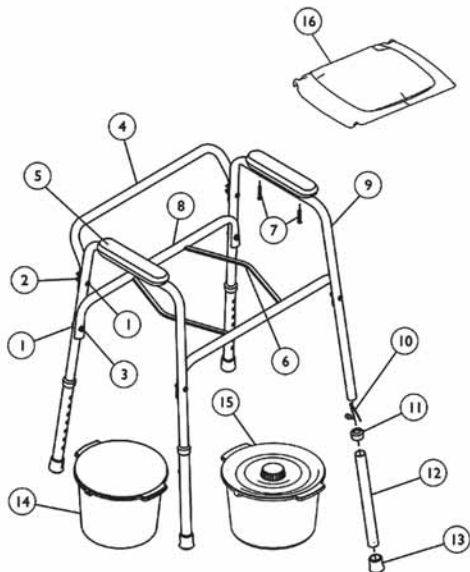


Fig.	Description	ALCO Part No.	Price Each
1	Screw, Phillips Pan Head	AL-66444	\$6.95
2	Wing Nut	AL-52823	\$5.95
3	Locknut	AL-52837	\$7.95
4	Tube, Back Support	AL-66445	\$12.95
	Tube, Back Coated	AL-52830	\$10.95
5	Armrest, Grey	AL-143-GY	\$6.95
6	Holder, Pan/Pail	AL-52832	\$15.95
7	Screw, Phillips Head Tap	AL-52829	\$6.95
8	Tube Rail, Coated	AL-52824	\$7.95
	Tube, Seat Rail	AL-66448	\$12.95
9	Arm Tube with Holes	AL-66456	\$14.95
	Arm Tube with Holes, Coated	AL-52826	\$9.95
10	Snap Button	AL-52821	\$7.95
11	Anti-Rattle, Grey (1")	AL-52820	\$6.95
12	Tube, Extension Leg	AL-66449	\$8.95
	Tube, Extension Leg, Coated	AL-52818	\$7.95
13	Tip, Rubber, Grey (1")	AL-385	\$1.00
14	Splash Shield, Grey	AL-52836	\$10.95
15	Pail with Lid and No Handle, Grey	AL-52835	\$16.95
16	Seat, Commode with Lid	AL-66450	\$23.95

**BUY IT NEW!**  
AL-50365 \$69.00 Each



**BUY 11 GET 1 FREE!**



Description	ALCO Part No.	Price Each
Splash guard	<b>AL-45137</b>	<b>\$6.95</b>
Pail w/lid	<b>AL-2309B</b>	<b>\$7.95</b>
Seat w/lid & hardware	<b>AL-59592</b>	<b>\$24.95</b>
Rubber tip for legs	<b>AL-385</b>	<b>\$1.00</b>
Caster w/brake (2215A)	<b>AL-41001-11-TLB</b>	<b>\$8.45</b>
Caster w/o brake (2215A)	<b>AL-41001-11</b>	<b>\$5.95</b>
<b>BUY IT NEW</b>		
300 lbs. Capacity w/Backbar	<b>AL-58064</b>	<b>\$259.00 Cs/4</b>
300 lbs. Capacity w/Backbar and Casters	<b>AL-58065</b>	<b>\$229.00 Cs/2</b>
400 lbs. Capacity w/Backbar	<b>AL-45105</b>	<b>\$179.00 Cs/2</b>

Description	ALCO Part No.	Price Each
Plastic Seat w/lid	<b>AL-59592</b>	<b>\$24.95</b>
Splash guard	<b>AL-45137</b>	<b>\$6.95</b>
10 qt bucket w/lid	<b>AL-2309B</b>	<b>\$7.95</b>
Armrest	<b>AL-139N-G</b>	<b>\$29.95</b>
Rubber tips for legs	<b>AL-386</b>	<b>\$1.00</b>



Description	ALCO Part No.	Price Each
Arm Attachment Hardware (6437A)	<b>AL-25419</b>	<b>\$15.95</b>
Toilet Seat Assembly, Standard (6433A)	<b>AL-68930</b>	<b>\$29.95</b>
Toilet Seat Assembly, Padded (6437A)	<b>AL-68931</b>	<b>\$99.95</b>
Pail w/ Lid	<b>AL-2309B</b>	<b>\$7.95</b>
Splash Guard	<b>AL-45137</b>	<b>\$6.95</b>
Rubber Tips for Legs	<b>AL-385</b>	<b>\$1.00</b>
<b>BUY IT NEW</b>		
With Plastic Seat	<b>AL-75692</b>	<b>\$109.00 Ea.</b>
With Plastic Seat	<b>AL-50588</b>	<b>\$199.00 Case/2 Ea.</b>
With Soft Seat	<b>AL-45172</b>	<b>\$149.00 Ea.</b>



Leg Assembly	<b>AL-68932</b>	<b>\$19.95</b>
Toilet Seat (fits 7103A)	<b>AL-68933</b>	<b>\$29.95</b>
Toilet Seat (fits 7103)	<b>AL-68930</b>	<b>\$29.95</b>
Armrest (Pair)	<b>AL-139N-G</b>	<b>\$29.95</b>
Splash guard	<b>AL-45137</b>	<b>\$6.95</b>
10 qt bucket w/lid	<b>AL-2309B</b>	<b>\$7.95</b>
Rubber tips for legs	<b>AL-386</b>	<b>\$1.00</b>

**BUY IT NEW**

Commode (17-1/2 Width)	<b>AL-69238</b>	<b>\$139.00</b>
Commode (18-1/2 Width)	<b>AL-75693</b>	<b>\$169.00</b>



# Lumex Commode & Shower Chair

**LUMEX**<sup>®</sup>  
A Graham-Field Brand

**BUY 11 GET 1 FREE!**



Description	ALCO Part No.	Price Each
Armrests	AL-138W	\$8.95
Toilet Seat Assembly	AL-68935	\$59.95
Pail w/ Lid	AL-2309B	\$7.95
1" Rubber Tips For Legs	AL-385	\$1.00
Drop Arm Assembly	AL-68936	\$49.95

**BUY IT NEW**  
Commode AL-52249 \$189.00



Description	ALCO Part No.	Price Each
Armrests	AL-139W	\$7.00
Toilet Seat Assembly	AL-68934	\$59.95
Pail w/ Lid	AL-2309B	\$7.95
1" Rubber Tips For Legs	AL-385	\$1.00

**BUY IT NEW**  
Commode AL-52248 \$189.00 Case/2



Description	ALCO Part No.	Price Each
Velcro belt	AL-322	\$19.95
Seat w/hardware	AL-492	\$34.95
Nylon back	AL-318	\$21.95
Caster w/brake	AL-2050	\$29.95
Caster w/o brake	AL-25306	\$27.95

**BUY IT NEW**  
Standard Shower Chair AL-45157 \$199.00  
Deluxe Shower Transport Chair with Footrest AL-45158 \$219.00

the ROHO group  
shape fitting technology<sup>®</sup>

**ROHO® Shower/Commode Cushion**

- ✓ Designed to fit shower commode chairs
- ✓ Custom Sizes Available—Call!

Size	ALCO Part No.	Price Each
15" x 15"	AL-69283	\$339.00
15" x 16"	AL-69284	\$339.00
16" x 16"	AL-69285	\$339.00
16" x 18"	AL-69286	\$339.00



EP1



# Bariatric Lifters

**BUY 11 GET 1 FREE!**

Now comes with 6 pt. cradle



450 lb. Capacity

### Hydraulic Standard Patient Lift with 6-Point Cradle

- ✓ Safely raises or lowers individuals from any stationary position
- ✓ High performance hydraulics raise or lower individuals gradually and safely
- ✓ Easy to operate caster brakes provide additional security
- ✓ Chrome-plated steel construction provides maximum strength
- ✓ Adjustable width base

AL-65496 \$599.00

\*Please Note: Sling Sold Separately



450 lb. Capacity

### Battery Powered Patient Lift with 6-Point Cradle

- ✓ Fast, easy charge from AC outlet
- ✓ To charge, simply plug in unit. Battery does not need to be removed to be charged. Lift will not operate while plugged in
- ✓ Heavy gauge construction
- ✓ Jumbo actuator pump with emergency button can switch to manual mode lowers patient down safely
- ✓ Audible warning when battery power falls below 50%
- ✓ The "CHARGE" Light will automatically shut off when battery is fully charged
- ✓ Foldable mast and base for easy storage and transportation
- ✓ For use with 4 point and 2 point slings
- ✓ Wide base provides additional stability

AL-65491 \$1629.00



**Slings For Lifts on Page 392**



Can Fit Under A Low Bed

### Bariatric Battery Powered Lift with 6-Point Cradle

- ✓ To charge, simply plug in unit. Battery does not need to be removed to be charged. Lift will not operate while plugged in
- ✓ Jumbo actuator pump with emergency button can switch to manual mode lowers patient down safely
- ✓ Base legs adjust easily and lock securely into open position with padded shifter handle
- ✓ Extra wide coated swivel bar with 360° rotation with 4 point hook up
- ✓ High lift range allows transfer to high surfaces
- ✓ Dual, 3" heavy duty front casters

AL-65497 \$2499.00

EPI

\*Please Note: Sling Sold Separately



# Bariatric Lifters

BUY 11  
Get One  
**FREE**



## Patient Lifter

- ✓ Super heavy duty steel construction
- ✓ State of the art welding technology provides extra stability
- ✓ Specially designed for bariatric patients
- ✓ Lifetime warranty on frame
- ✓ Shipped common carrier

Lifter	<b>AL-61303</b>	<b>\$2699.00</b>
Sling	<b>AL-61303A</b>	<b>\$199.00</b>

## Specifications

Minimum lift height from hanger to floor:	60"
Maximum lift height from hanger to floor:	94"
Front base width:	55"
Back base width:	27-1/2"
Base length:	61-1/2"
Seat height:	0" - 35"

## Extra Care Bariatric Lift

- ✓ Battery charger
- ✓ Optional 1000 lb sling—**AL-67757**
- ✓ Manually retractable base legs for stability
- ✓ Lift ranges: 31"-74" (700 lb models)
- ✓ Lift ranges: 39"-76" (1000 lb models)
- ✓ Base sized open: 44.5" (700 lb models) /60" (1000 lb models)
- ✓ Rear locking casters
- ✓ Under bed clearance: 700 lb models= 4.5"/ 1000 lb models= 6.75"



Description	ALCO Part No.	Price Each
700 lb capacity	<b>AL-67753</b>	<b>Call</b>
700 lb capacity with digital scale	<b>AL-67754</b>	<b>Call</b>
1000 lb capacity	<b>AL-67755</b>	<b>Call</b>
1000 lb capacity with digital scale	<b>AL-67756</b>	<b>Call</b>

## Option

Bariatric sling (400-1000 lbs)	<b>AL-67757</b>	<b>\$389.00</b>
--------------------------------	-----------------	-----------------



## Reliant 600 Heavy-Duty Lift

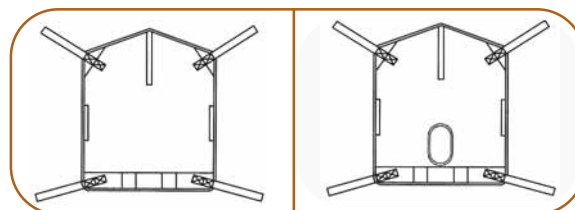
- ✓ High lift range allows transfer to high surfaces
- ✓ Manual lowering for instant response to power loss
- ✓ Safety-tested with "CE" mark for highest quality standards
- ✓ Essential device for safe patient handling in hospitals and long-term care facilities
- ✓ Unique sling fabric designed to provide the utmost in comfort and strength (**sold separately**)
- ✓ 24V battery with charging station included
- ✓ Shipped common carrier

450 lb	<b>AL-73205</b>	<b>\$2009.00</b>
600 lb	<b>AL-58105</b>	<b>\$3379.00</b>

## Optional Digital Scale

<b>AL-58106</b>	<b>\$929.00</b>
-----------------	-----------------

- ✓ Compact precision scale mounted on swivel bar accurately measures weights up to 600 lbs.




<b>Mesh Sling</b>	<b>AL-58107</b>	<b>\$119.00</b>	<b>Mesh Sling w/Commode Opening</b>	<b>AL-58108</b>	<b>\$129.00</b>
-------------------	-----------------	-----------------	-------------------------------------	-----------------	-----------------

**Other Style Slings Available—Please Call!**

## Hoyer Lifts

**BUY 11 GET 1 FREE!**




**400 lb. Capacity**

**AL-49579P**

**The Hoyer Partner All Purpose Hydraulic and Power Lifter**

- ✓ Chrome finish
- ✓ Accommodates bathroom mount units
- ✓ Adjustable U base with 5.5" base clearance
- ✓ 24" - 39.5" width and 41" length
- ✓ 29" - 74.5" lift range of boom
- ✓ Shipped UPS/FEDEX

<b>Hydraulic</b>		
Lifter only	<b>AL-49579</b>	<b>\$709.00</b>
with sling	<b>AL-49588</b>	<b>\$159.00</b>
<b>Total</b>		<b>\$868.00</b>
<b>Power</b>		
Lifter only	<b>AL-49579P</b>	<b>\$1149.00</b>
with sling	<b>AL-49588</b>	<b>\$159.00</b>
<b>Total</b>		<b>\$1308.00</b>



**400 lb. Capacity**

**AL-49579**



**Up To 700 lb. Capacity**

**HPL402 Power Patient Lifter**

- ✓ Removable, rechargeable battery
- ✓ Built-in emergency stop button
- ✓ Smooth, quiet power transfer
- ✓ Includes battery capacity readout
- ✓ Emergency down capability
- ✓ High-durability powder coat tan finish
- ✓ Rear caster brake
- ✓ Shipped UPS/FEDEX

400 lb. Capacity	<b>AL-52646</b>	<b>CALL</b>
700 lb. Capacity	<b>AL-61203</b>	<b>CALL</b>



**400 lb. Capacity**

**HML400 Hydraulic Patient Lifter**

- ✓ High-durability powder coat tan finish
- ✓ Rear caster brake
- ✓ Ergonomically placed hydraulic pump handle is easy to use
- ✓ Legs adjust to fit around furniture and wheelchairs
- ✓ Convenient rotating pump handle allows operation from both sides
- ✓ Battery: 2 - 12 Volt Rechargeable Sealed
- ✓ Emergency Lowering
- ✓ Soft Stop; Emergency Stop
- ✓ LCD Display for Battery Life
- ✓ Shipped UPS/FEDEX

<b>AL-52645</b>	<b>CALL</b>
-----------------	-------------


# Hoyer Replacement Slings

**HOYER®**

**BUY 11 GET 1 FREE!**


### Hoyer Four Point Patient Slings

- ✓ Durable polyester with closed-cell foam padding for comfort
- ✓ Bathing slings are fast draining and drying nylon mesh




**Padded U-Sling**

X-Large	<b>AL-49587</b>	<b>\$159.00</b>
Large	<b>AL-49588</b>	<b>\$159.00</b>
Medium	<b>AL-49589</b>	<b>\$159.00</b>
Small	<b>AL-49590</b>	<b>\$159.00</b>




**One-Piece Sling w/Positioning Strap**

Large	<b>AL-62092</b>	<b>\$139.00</b>
Medium	<b>AL-62093</b>	<b>\$139.00</b>
Small	<b>AL-62094</b>	<b>\$139.00</b>




**Padded with Head Support U-Sling**

X-Large	<b>AL-49591</b>	<b>\$179.00</b>
Large	<b>AL-49592</b>	<b>\$179.00</b>
Medium	<b>AL-49593</b>	<b>\$179.00</b>
Small	<b>AL-49594</b>	<b>\$179.00</b>




**One-Piece Commode Sling w/Positioning Strap**

Large	<b>AL-62095</b>	<b>\$139.00</b>
Medium	<b>AL-62096</b>	<b>\$139.00</b>
Small	<b>AL-62097</b>	<b>\$139.00</b>



**Nylon Mesh w/Head Support Bath Sling**

Large	<b>AL-49584</b>	<b>\$129.00</b>
Medium	<b>AL-49585</b>	<b>\$159.00</b>
Small	<b>AL-49586</b>	<b>\$139.00</b>



**Nylon Mesh Bath Sling**

X-Large	<b>AL-49580</b>	<b>\$129.00</b>
Large	<b>AL-49581</b>	<b>\$129.00</b>
Medium	<b>AL-49582</b>	<b>\$129.00</b>
Small	<b>AL-49583</b>	<b>\$129.00</b>

**Below Fits Hoyer Lifter Models C-HLA-1, C-HLA-2, HML400, HPL400 & HPL402**

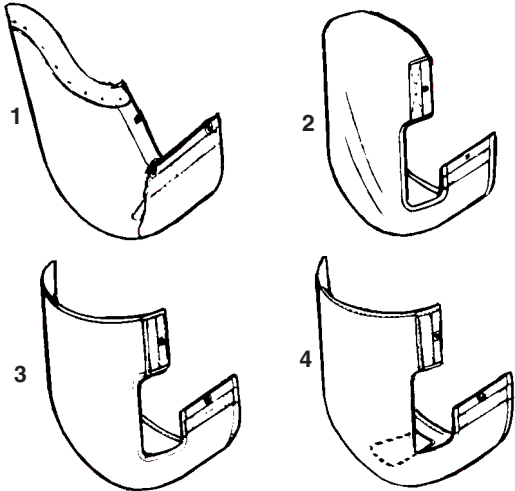


Fig	Description	HOYER (OEM)	
		ALCO Part No.	Price Each
1	Comfort Seat w/Head Support & Wire	<b>AL-2652D</b>	<b>\$89.00</b>
	Comfort Seat w/Head Support & Wire	<b>AL-2652P</b>	<b>\$89.00</b>
	Comfort Seat w/Head Support & Wire (inc. web straps)	<b>AL-52173D</b>	<b>\$139.00</b>
	Comfort Seat w/Head Support & Wire (inc. web straps)	<b>AL-52173P</b>	<b>\$139.00</b>
2	One-Piece Seat & Back	<b>AL-2654D</b>	<b>\$89.00</b>
	One-Piece Seat & Back	<b>AL-2654P</b>	<b>\$89.00</b>
	One-Piece Seat & Back (includes chains)	<b>AL-52175D</b>	<b>\$119.00</b>
	One-Piece Seat & Back (includes chains)	<b>AL-52175P</b>	<b>\$119.00</b>
3	Comfort Seat	<b>AL-2659D</b>	<b>\$69.00</b>
	Comfort Seat	<b>AL-2659P</b>	<b>\$69.00</b>
	Comfort Seat (includes chains)	<b>AL-52180D</b>	<b>\$99.00</b>
	Comfort Seat (includes chains)	<b>AL-52180P</b>	<b>\$99.00</b>
4	One-Piece Commode Seat & Back	<b>AL-2655D</b>	<b>\$69.00</b>
	One-Piece Commode Seat & Back	<b>AL-2655P</b>	<b>\$69.00</b>
	One-Piece Commode Seat & Back (inc. chains)	<b>AL-52176D</b>	<b>\$99.00</b>
	One-Piece Commode Seat & Back (inc. chains)	<b>AL-52176P</b>	<b>\$99.00</b>

Fabric: Polydura (P) for softness and durability or Dacron mesh (D) for use in bathing

# Invacare Replacement Slings



**Mesh Sling**

- ✓ Polyester-nylon fabric and/or mesh offers full head and neck support
- ✓ Four-point hook-up
- ✓ Fully padded
- ✓ Available in four sizes: M, L, XL, XXL
- ✓ 450 lb weight capacity

**AL-73369 \$109.00**



**Heavy Duty Full Body Mesh Sling**

- ✓ 600 lb weight capacity
- ✓ XXL size, heavy-duty without commode opening
- ✓ Four point hook up

**AL-73370 \$119.00**



**Standing Sling**

- ✓ 440 lb. capacity
- ✓ 44"W x 16"L dimensions
- ✓ Made of polyester and nylon

**AL-73371 \$129.00**



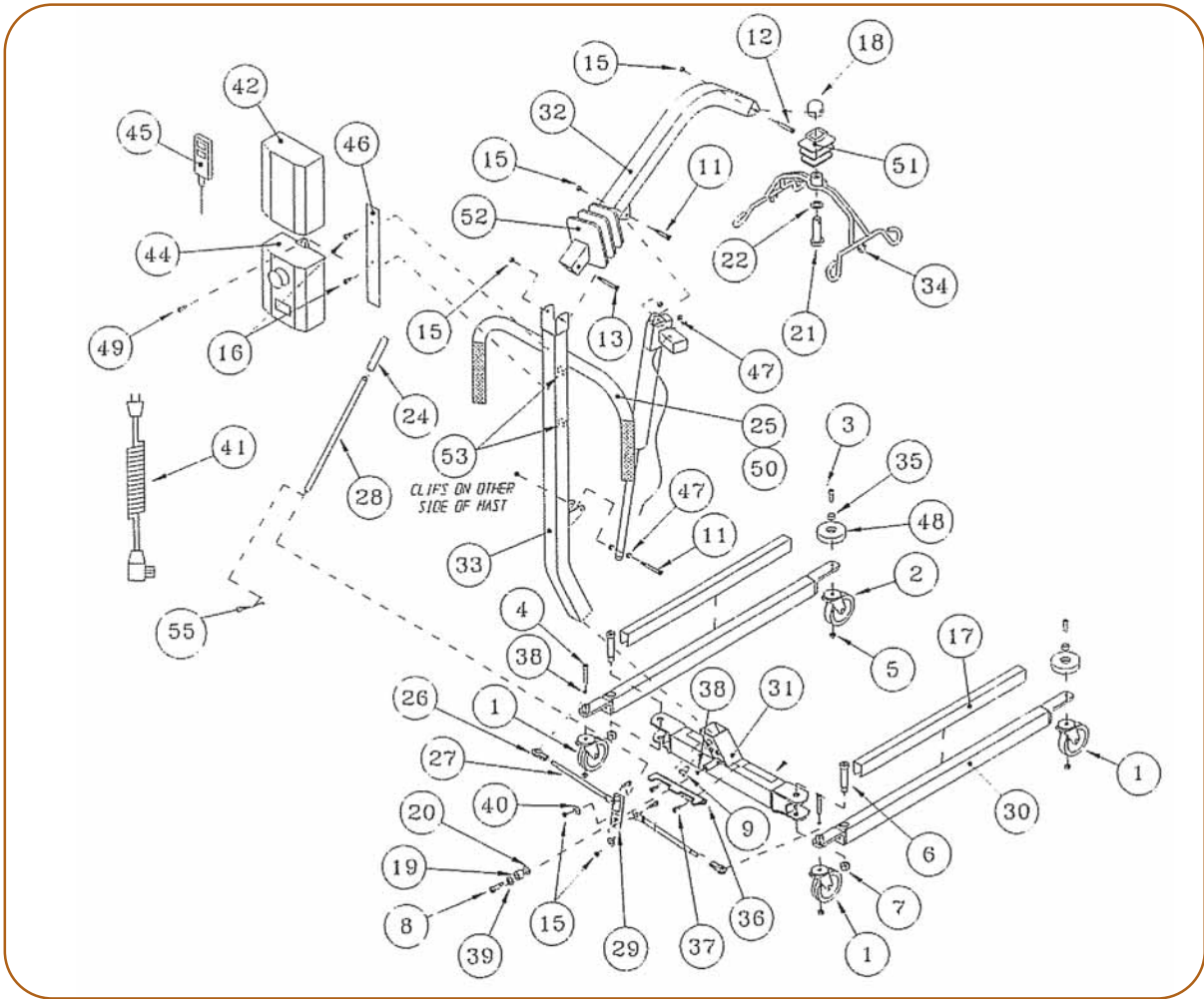


Fig.	Description	ALCO Part No.	Price Each
1	Caster Kit, 2 locking and 2 Swivel	<b>AL-77265</b>	<b>\$109.95</b>
3	Screw	<b>AL-76858</b>	<b>\$3.95</b>
4	Screw	<b>AL-76821</b>	<b>\$10.95</b>
5	Nut	<b>AL-76822</b>	<b>\$5.95</b>
6	Bolt	<b>AL-76823</b>	<b>\$28.95</b>
7	Nut	<b>AL-76824</b>	<b>\$2.95</b>
8	Bolt	<b>AL-76825</b>	<b>\$7.95</b>
9	Bolt	<b>AL-76826</b>	<b>\$12.95</b>
11	Bolt	<b>AL-76828</b>	<b>\$5.95</b>
12	Bolt	<b>AL-76829</b>	<b>\$6.95</b>
13	Bolt	<b>AL-76830</b>	<b>\$6.95</b>
15	Nut	<b>AL-76860</b>	<b>\$0.95</b>
16	Screw	<b>AL-76861</b>	<b>\$2.95</b>
17	Guard	<b>AL-76862</b>	<b>\$37.95</b>
18	Spacer	<b>AL-76834</b>	<b>\$24.95</b>
19	Spacer	<b>AL-76835</b>	<b>\$27.95</b>
20	Washer	<b>AL-76836</b>	<b>\$3.95</b>
21	Post	<b>AL-76863</b>	<b>\$35.95</b>
22	Washer	<b>AL-76838</b>	<b>\$15.95</b>
24	Grip, Vinyl (BLK)	<b>AL-76840</b>	<b>\$15.95</b>
25	Grip	<b>AL-76864</b>	<b>\$23.95</b>
26	End, Tie Rod	<b>AL-76865</b>	<b>\$21.95</b>
27	Tie Rod	<b>AL-76866</b>	<b>\$19.95</b>
28	Handle	<b>AL-76842</b>	<b>\$35.95</b>
29	Adjusting Lever	<b>AL-76867</b>	<b>\$29.95</b>

Fig.	Description	ALCO Part No.	Price Each
30	Leg	<b>AL-76844</b>	<b>\$116.95</b>
31	Center	<b>AL-76845</b>	<b>\$209.95</b>
32	Boom	<b>AL-76868</b>	<b>\$135.95</b>
33	Mast	<b>AL-76869</b>	<b>\$135.95</b>
34	Cradle	<b>AL-76848</b>	<b>\$181.95</b>
35	Spacer	<b>AL-76931</b>	<b>\$3.95</b>
36	Lock	<b>AL-76850</b>	<b>\$18.95</b>
37	Screw	<b>AL-76851</b>	<b>\$5.95</b>
38	Washer	<b>AL-76852</b>	<b>\$1.95</b>
39	Washer	<b>AL-76853</b>	<b>\$1.95</b>
40	Washer	<b>AL-76870</b>	<b>\$1.95</b>
41	Cable	<b>AL-76871</b>	<b>\$63.95</b>
42	Battery Box	<b>AL-76872</b>	<b>\$239.95</b>
43	Actuator	<b>AL-76873</b>	<b>Call</b>
44	Control Box	<b>AL-76874</b>	<b>Call</b>
45	Hand Set	<b>AL-76875</b>	<b>\$179.95</b>
46	Bracket	<b>AL-76876</b>	<b>\$71.95</b>
47	Washer	<b>AL-76832</b>	<b>\$2.95</b>
48	Bumper	<b>AL-76877</b>	<b>\$70.95</b>
49	Screw	<b>AL-76878</b>	<b>\$0.95</b>
50	Plug	<b>AL-76879</b>	<b>\$2.95</b>
51	Boot	<b>AL-76880</b>	<b>\$36.95</b>
52	Boot	<b>AL-76881</b>	<b>\$51.95</b>
53	Clip	<b>AL-76882</b>	<b>\$6.95</b>
55	Button	<b>AL-76855</b>	<b>\$8.95</b>

# Hoyer Lift Model HML400

**BUY 11 GET 1 FREE!**

**HOYER®**

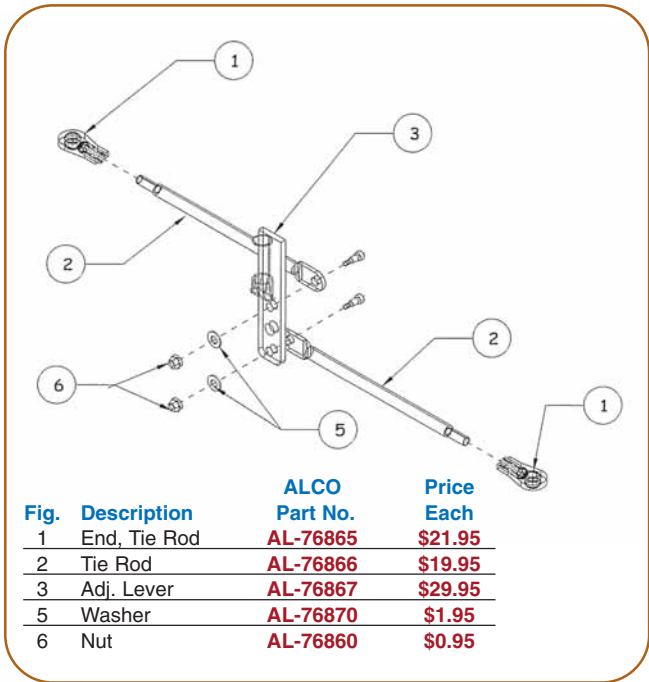
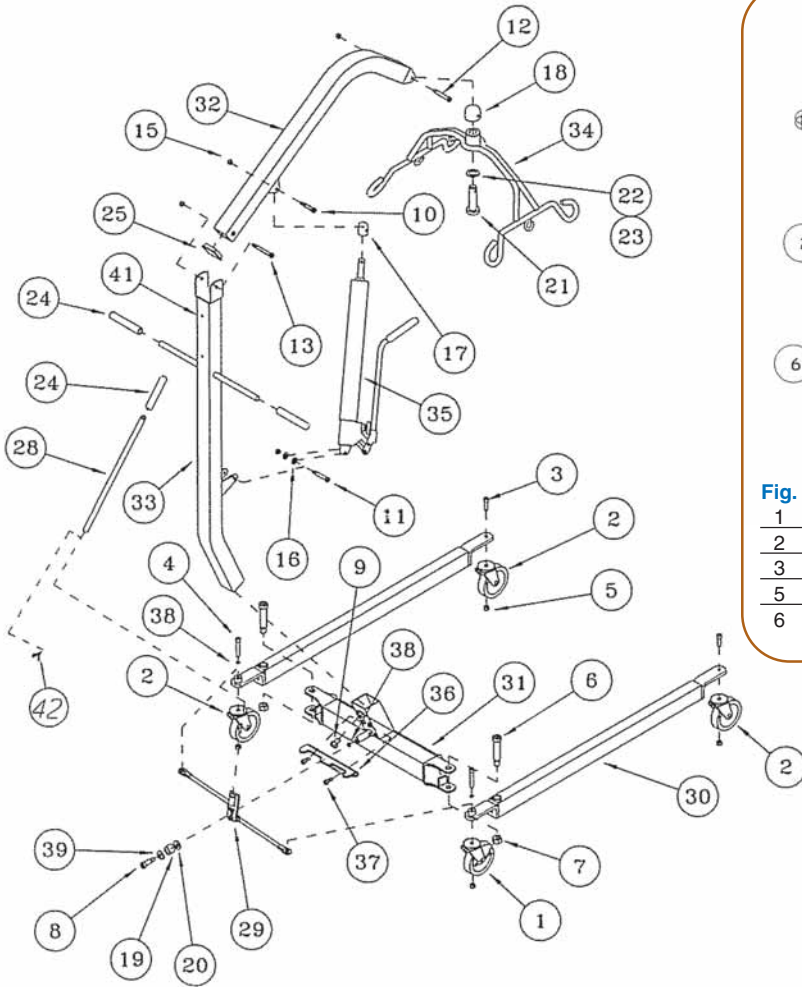


Fig.	Description	ALCO Part No.	Price Each
1	End, Tie Rod	AL-76865	\$21.95
2	Tie Rod	AL-76866	\$19.95
3	Adj. Lever	AL-76867	\$29.95
5	Washer	AL-76870	\$1.95
6	Nut	AL-76860	\$0.95

Fig.	Description	ALCO Part No.	Price Each
1	Caster 4" with Brake	AL-76818	\$69.95
2	Caster 4" without Brake	AL-76819	\$59.95
3	Screw	AL-76820	\$1.95
4	Screw	AL-76821	\$10.95
5	Nut	AL-76822	\$5.95
6	Bolt	AL-76823	\$28.95
7	Nut	AL-76824	\$2.95
8	Bolt	AL-76825	\$7.95
9	Bolt	AL-76826	\$12.95
10	Bolt	AL-76827	\$5.95
11	Bolt	AL-76828	\$5.95
12	Bolt	AL-76829	\$6.95
13	Bolt	AL-76830	\$6.95
16	Washer	AL-76832	\$2.95
17	Spacer	AL-76833	\$20.95
18	Spacer	AL-76834	\$24.95
19	Spacer	AL-76835	\$27.95
20	Washer	AL-76836	\$3.95

Fig.	Description	ALCO Part No.	Price Each
21	Post	AL-76837	\$85.95
22	Washer	AL-76838	\$15.95
24	Grip, Vinyl (BLK)	AL-76840	\$15.95
25	Cap	AL-76841	\$7.95
28	Handle	AL-76842	\$35.95
29	Lever	AL-76843	\$109.95
30	Leg	AL-76844	\$116.95
31	Center	AL-76845	\$209.95
32	Boom	AL-76846	\$141.95
33	Mast	AL-76847	\$135.95
34	Cradle	AL-76848	\$181.95
35	Jack	AL-1810	\$319.00
36	Lock	AL-76850	\$18.95
37	Screw	AL-76851	\$5.95
38	Washer	AL-76852	\$1.95
39	Washer	AL-76853	\$1.95
41	Plug	AL-76854	\$1.95
42	Button	AL-76855	\$8.95

Phone 800-323-4282 • 630-655-1900  
 FAX 800-950-1167 • 630-655-1990

E-mail: [info@alcosales.com](mailto:info@alcosales.com)  
 Website: [www.alcosales.com](http://www.alcosales.com)

**BUY 11 GET 1 FREE!**

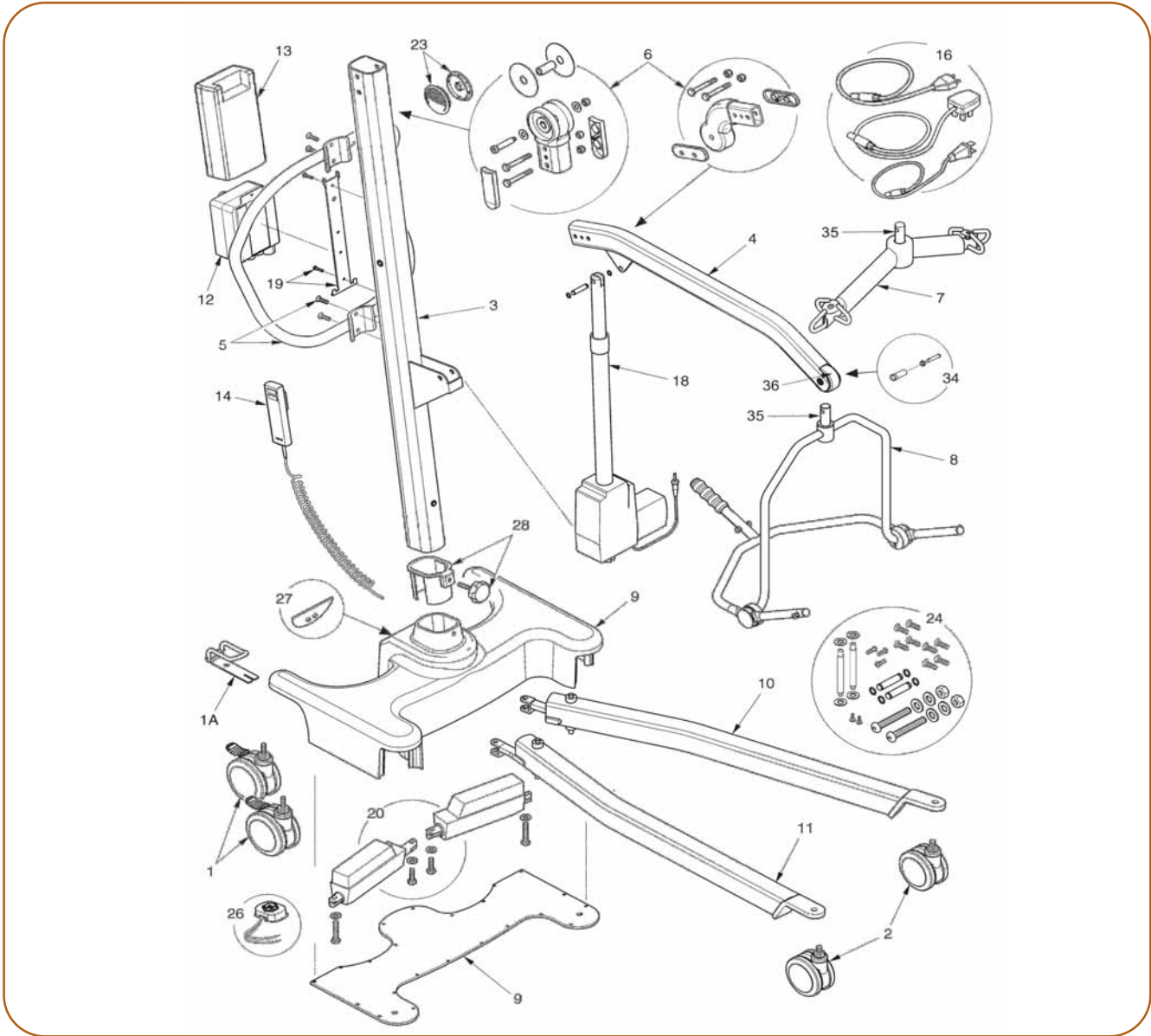


Fig.	Description	ALCO Part No.	Price Each
1	Caster with Brake	AL-76884	\$109.95
1A	Straight-line Steering Device	AL-76885	\$71.95
2	Front Caster	AL-76886	\$119.95
3	Mast	AL-76887	Call
4	Boom	AL-76888	Call
5	Push Handle	AL-76889	\$195.95
6	Casted Boom	AL-76890	\$133.95
7	Spreader Bar	AL-76891	Call
8	Spreader Bar	AL-76892	Call
9	Base	AL-76893	Call
10	Left Leg	AL-76894	Call
11	Right Leg	AL-76895	Call
12	Linak Controller	AL-76896	\$389.95
13	Linak Battery	AL-76897	\$297.95
14	Linak Hand Controller	AL-76898	\$205.95
16	Linak Charge Lead (US)	AL-76900	\$110.95
18	Linak Actuator	AL-76902	Call
19	Linak Battery & Controller	AL-76903	\$84.95

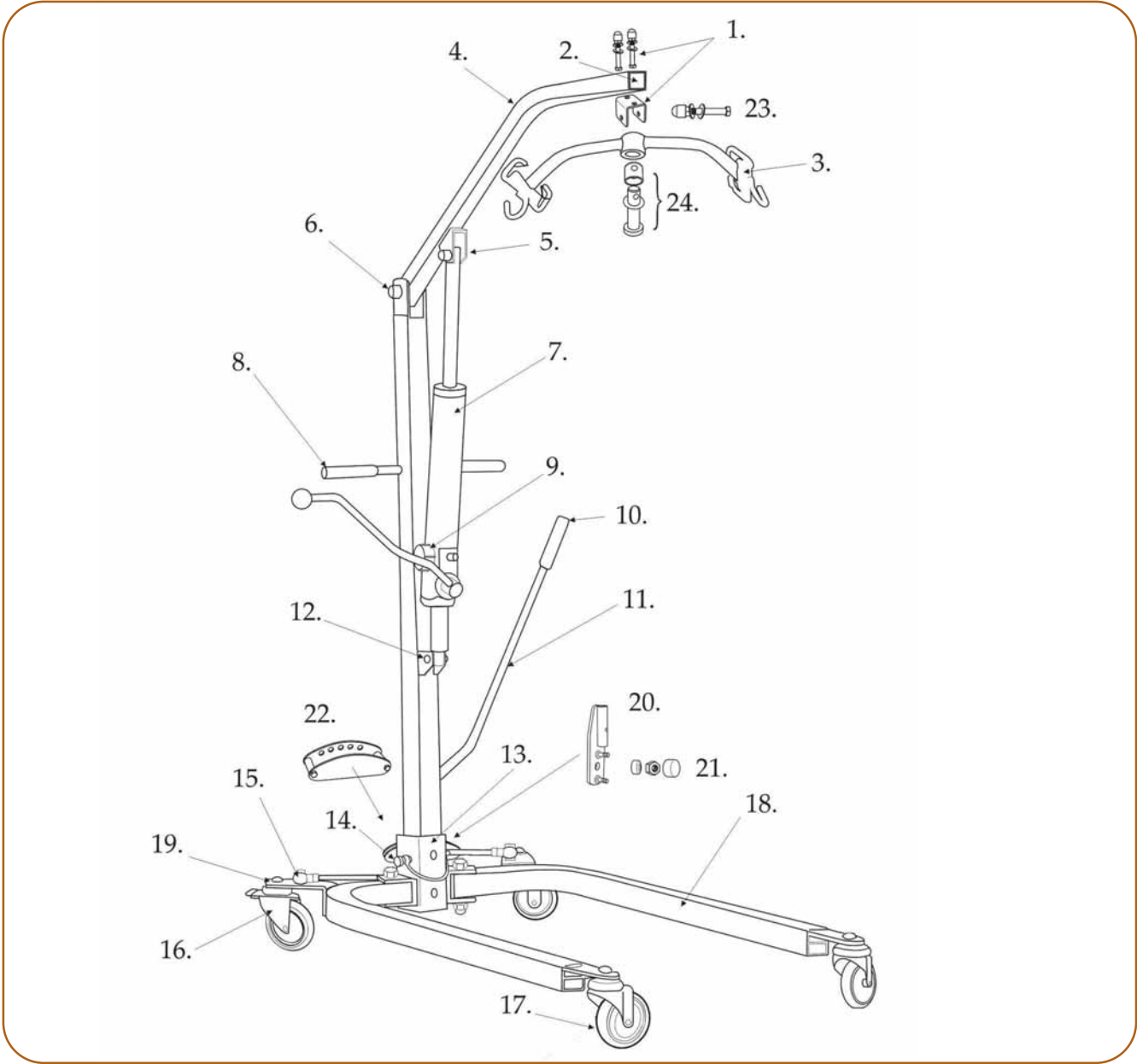
Fig.	Description	ALCO Part No.	Price Each
20	Linak Leg Actuators	AL-76904	Call
23	Sunrise Pivot Caps	AL-76907	\$18.95
24	Fixings Kit	AL-76908	\$294.95
25	Handset Clip	AL-76909	\$23.95
26	Mast	AL-76910	\$157.95
27	Foot Push Pad	AL-76911	\$53.95
28	Mast	AL-76912	\$15.95
29	Castor Tightening Wrench	AL-76913	\$39.95
30	Linak Charger and Stand Assembly	AL-76914	Call
31	Base to Actuator Electrical Connection Kit	AL-76915	\$64.95
32	Boom to Mast Plastic Caps	AL-76916	\$14.95
33	Mast Side Caps	AL-76917	\$25.95
34	Quick Release Pin Kit	AL-76918	\$93.95
35	Hook Shaft Washer and O-Ring Spares	AL-76919	\$37.95
36	Boom and Plastic Caps	AL-76920	\$46.95



# Drive Lift Model 13010SV



**BUY 11 GET 1 FREE!**



EP-1

Figure	Description	ALCO Part No.	Price Each
1	Cradle Hanging	AL-76197	Call
2	Frame Plug	AL-76198	\$14.95
3	4/6 Point Cradle	AL-66894	\$103.95
4	Boom with Mast	AL-76199	\$42.95
4a.	Upper Mast	AL-76200	\$79.95
4b.	Lower Mast	AL-76201	\$199.95
5	Upper Bolt for Pump	AL-76202	\$14.95
6	Mast Hinge Bolt	AL-76203	\$14.95
7	Pump	AL-66893	\$299.00
8a.	Push Handle	AL-76204	\$14.95
8b.	Hand Grip Set	AL-76205	\$14.95
9	Pump Adjustment	AL-76206	\$14.95
10	Spreader Bar Handgrip	AL-76207	\$14.95
11	Spreader Bar	AL-76208	\$35.95

Figure	Description	ALCO Part No.	Price Each
12	Lower Bolt for Pump	AL-76209	\$14.95
13	Plastic Inner Sleeve	AL-76210	\$14.95
14	Cotton Pin for Mast	AL-76211	\$14.95
15	Actuating Rod	AL-76212	\$23.95
16	Caster with Lock	AL-76213	\$39.95
17	Caster without Lock	AL-76214	\$25.95
18	Base	AL-76215	\$369.95
19	Caster Stem Bolt	AL-76216	\$17.95
20	Spreader Bar Receiver	AL-76217	\$34.95
21	Receiver Nut, Spacer	AL-76218	\$14.95
22	Base Adjusting Bracket	AL-76219	Call
23	Cradle Attachment Bolt	AL-76220	Call
24	Cradle Pivot Bolt	AL-76221	Call

# Drive Lift Model 13244

**BUY 11 GET 1 FREE!**

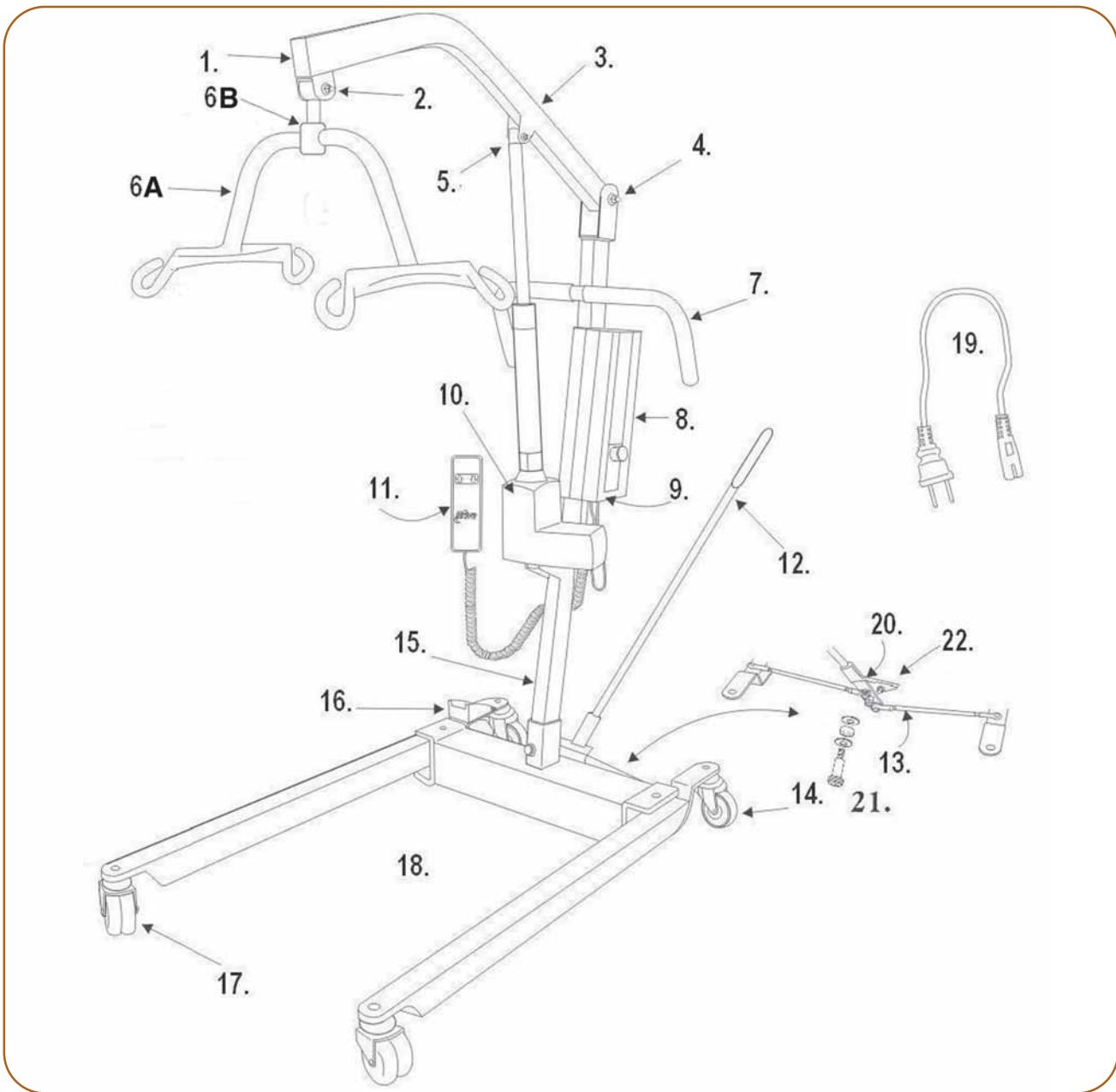


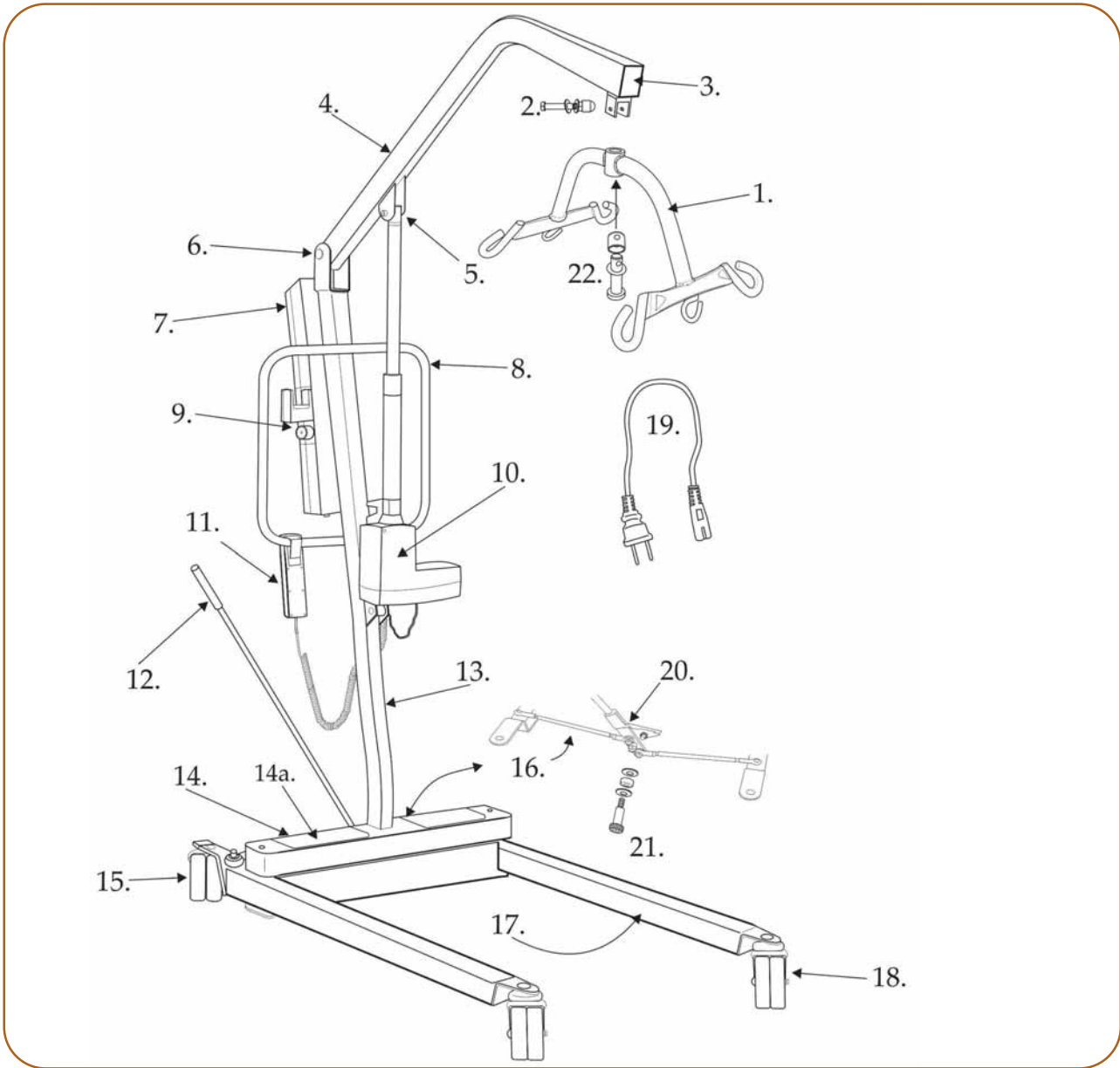
Figure	Description	ALCO Part No.	Price Each
1	Frame Plug	AL-76224	\$14.95
2	Cradle Attachment Bolt	AL-76249	\$30.95
3	Upper Mast	AL-76250	\$99.95
4	Mast Hinge Bolt	AL-76251	\$26.95
5	Upper Actuator Bolt	AL-76252	\$14.95
6A	Cradle	AL-66897	\$179.95
6B	Pivot Bolt	AL-76253	\$19.95
7	Push Handle	AL-76254	\$20.95
8	Battery Pack	AL-76228	\$319.95
NS	Battery Cell	AL-76229	\$79.95
NS	Fuse	AL-76247	Call
9	Charger	AL-65497	Call
NS	External Charger	AL-65493	Call
10	Actuator	AL-76232	Call

Figure	Description	ALCO Part No.	Price Each
11	Hand Control	AL-76233	\$189.95
12a.	Spreader Bar	AL-66896	\$32.95
12b.	Spreader Bar Handle	AL-76235	\$14.95
13	Base Actuating	AL-76255	\$28.95
14	Caster with Lock	AL-76256	\$30.95
15	Mast	AL-76257	\$129.95
16	Caster Position	AL-76259	\$28.95
17	Caster without Lock	AL-76260	\$28.95
18	Base	AL-76261	Call
19	Power Cord	AL-76244	\$60.95
20	Receiver Plate Assy.	AL-76263	\$20.95
21	Receiver Plate Bolt	AL-76264	Call
22	Spreader Locking Plate	AL-76265	Call

# Drive Lift Model 13240-13242



**BUY 11 GET 1 FREE!**



EP1

Figure	Description	ALCO Part No.	Price Each
1	4/6 Point Cradle	AL-76222	\$149.95
2	Cradle Attachment Bolt	AL-76223	Call
3	Square Frame Plug	AL-76224	\$14.95
4	Upper Mast Boom	AL-76225	\$119.95
5	Upper Bolt for Actuator	AL-76226	\$14.95
6	Mast Hinge Bolt	AL-76227	\$20.95
7	Battery Pack	AL-76228	\$319.95
NS	Battery (required, 2 each)	AL-76229	\$79.95
NS	Removable Rechargeable Battery for 13242	AL-78422	\$629.00
NS	Fuse	AL-76247	Call
NS	External Charger w/Power Cord for 13242	AL-78243	\$409.00
8	Push Handle	AL-76230	\$26.95
9	Battery Charger	AL-76231	Call
NS	Red Emergency Button	AL-76248	Call

Figure	Description	ALCO Part No.	Price Each
10	Actuator	AL-76232	Call
11	Hand Control	AL-76233	\$189.95
12	Spreader Bar	AL-76234	\$14.95
NS	Spreader Bar Handle	AL-76235	\$14.95
13	Mast	AL-76236	\$169.95
NS	Lower Mast	AL-76237	\$86.95
14	Footplate	AL-76238	\$86.95
14a	Foot Pad	AL-76239	\$4.95
15	Caster with Lock	AL-76240	\$22.95
16	Base Actuating Rod	AL-76241	\$52.95
17	Base	AL-76242	\$379.95
18	Caster	AL-76243	\$28.95
19	Power Cord	AL-76244	\$60.95
20	Receiver Plate Assy.	AL-76245	\$14.95
21	Actuating Rod Bolts	AL-76246	\$14.95
22	Cradle Pivot Bolt	AL-76221	\$19.95

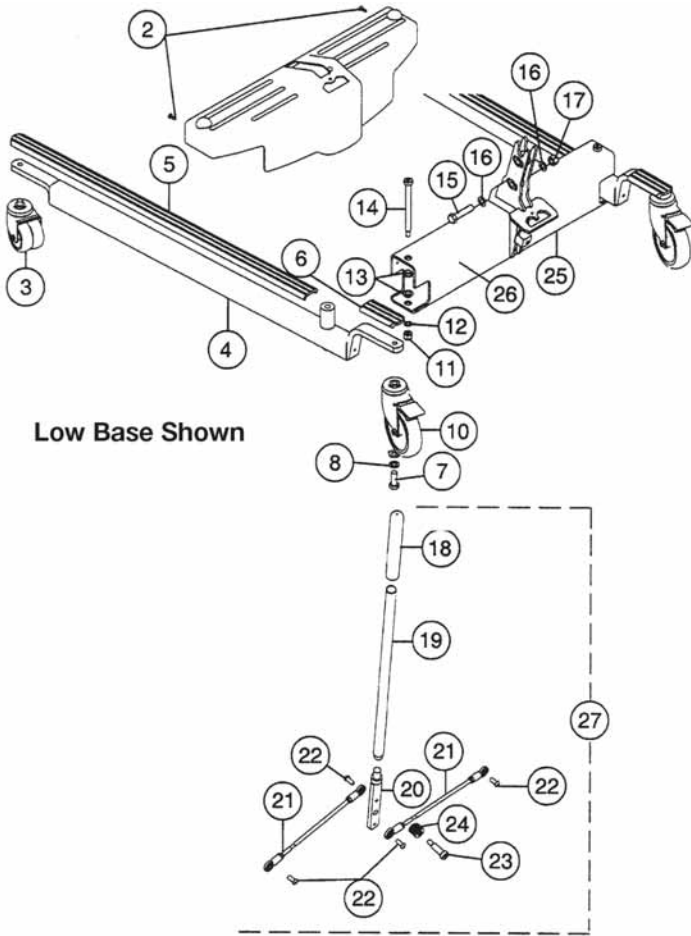


# Invacare Patient Transport Parts

**BUY 11 GET 1 FREE!**



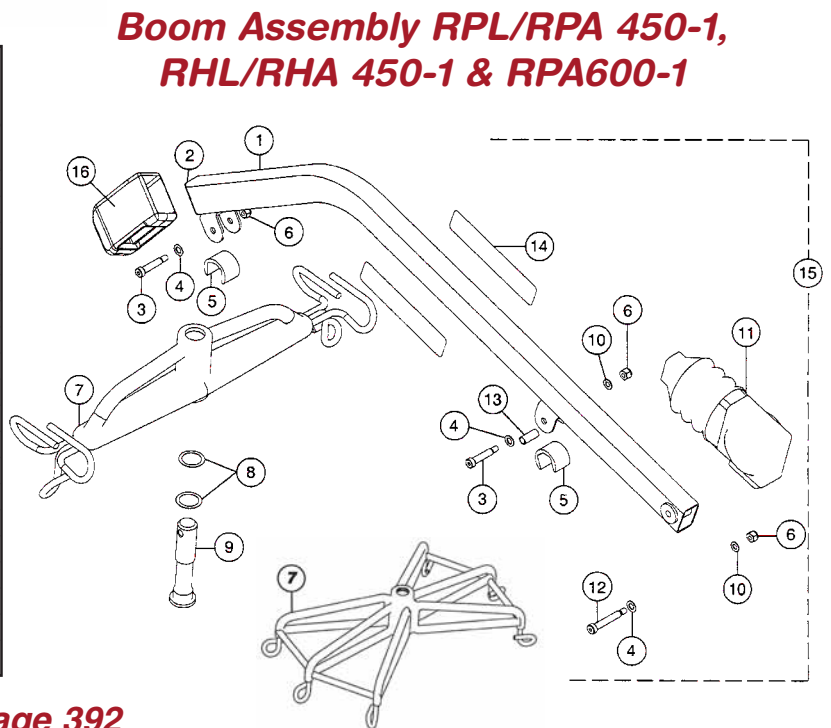
## Base Assembly RPL/RPA 450-1, RHL/RHA 450-1 & RPA600-1



Low Base Shown

Fig	Description	ALCO Part No.	Price Each
2	Clip Shroud	AL-53307	\$6.95
3	Caster Front—3" Swivel, Dual (Low Base)	AL-53308	\$41.95
	Caster Front—5" Swivel (Adj Base)	AL-53309	\$27.95
4	Leg, Adjustable—Low Base (before 4/14/00)	AL-53310	\$200.95
	Leg, Adjustable—Standard Base	AL-53311	\$101.95
5	Cover, Front Leg	AL-53312	\$34.95
6	Cover, Rear Leg—Low & Standard Base	AL-53313	\$10.95
7	Screw, Hex Head Cap	AL-53315	\$8.95
8	Lockwasher	AL-53316	\$8.95
10	Caster, Rear—5" Swivel with Brake	AL-53318	\$40.95
11	Locknut	AL-53319	\$8.95
12	Washer, Flat	AL-53320	\$8.95
13	Bushing, Flanged	AL-53321	\$7.95
14	Screw, Shoulder	AL-53322	\$10.95
15	Screw, Hex Head	AL-53323	\$8.95
16	Washer	AL-53324	\$8.95
17	Locknut	AL-53325	\$8.95
18	Grip, Cane	AL-53326	\$7.95
19	Handle	AL-53327	\$19.95
20	Handle Mount	AL-53328	\$14.95
21	Tie Rod	AL-53329	\$21.95
22	Screw, Button Head Cap	AL-53330	\$8.95
23	Screw, Shoulder	AL-53331	\$10.95
24	Spring	AL-53332	\$8.95
25	Cross Support	AL-53333	\$189.95
	Hardware for Cross Support	AL-75737	\$19.95
26	Label, Attention	AL-53334	\$6.95
	<b>Base kits</b>		
27	(Includes: 1-8, 10-14, 18-26) Adjustable Low Base	AL-53335	Call

Fig	Description	ALCO Part No.	Price Each
1	RPL/RPA—Electric	AL-53337	\$59.95
	RHL/RHA—Hydraulic	AL-53338	\$59.95
	Boom—Model RPA600-1	AL-53338A	\$56.95
2	End Cap	AL-53339	\$6.95
3	Screw, Shoulder	AL-53340	\$6.95
4	Washer, Flat	AL-53320	\$8.95
5	Finger Guard	AL-53342	\$7.95
	Finger Guard—Model RPA600-1	AL-53342A	\$6.95
6	Locknut	AL-53343	\$8.95
7	Hanger Bracket, Urethane Padded	AL-53344	\$99.95
8	Washer, Nylon	AL-53345	\$8.95
9	Pin (Hanger)	AL-53346	\$21.95
10	Spacer	AL-53347	\$10.95
11	Boot	AL-53348	\$21.95
12	Screw, Shoulder	AL-53349	\$10.95
13	Bushing	AL-53350	\$10.95
14	Decal, 450 Reliant Lift	AL-53351	\$8.95
15	Mast and Boom Kit—Electric	AL-53352	Call
	Backrest Frame—Model RPA600-1	AL-53353A	Call
16	Bumper Pad, foam	AL-53354	\$19.95



EP-1

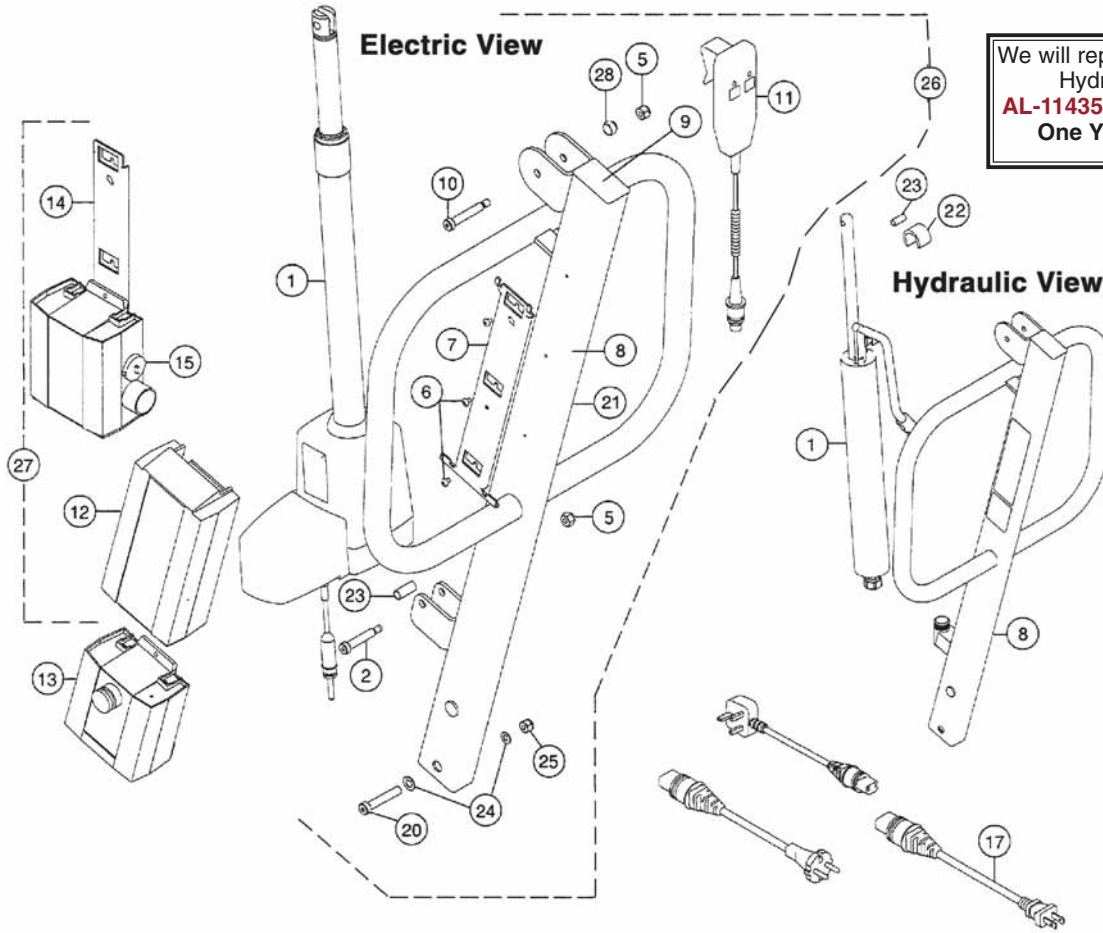


# Invacare Patient Transport Parts



**BUY 11 GET 1 FREE!**

**Mast Assembly RPL/RPA 450-1, RHL/RHA 450-1 and RPA600-1**



We will repair your Invacare Hydraulic Pump  
**AL-11435R \$279.00 Each**  
 One Year Warranty

Fig	Description	ALCO Part No.	Price Each
1	Actuator, Electric	AL-53355	\$659.95
	Actuator, Hydraulic	AL-53356	\$239.95
2	Screw, Shoulder	AL-53340	\$6.95
5	Locknut	AL-53343	\$8.95
6	Screw, Phillips Head	AL-53361	\$8.95
7	Bracket, Battery (Electric Only)	AL-53362	\$39.95
	Mast, Electric	AL-53363	\$119.95
8	Mast, Hydraulic	AL-53364	\$119.95
	Mast (RPA600-1)	AL-66600	\$109.95
9	End Cap	AL-53365	\$6.95
	Screw Shoulder	AL-53349	\$10.95
10	Screw Shoulder (RPA600-1)	AL-53366	\$8.95
11	Handset	AL-53367	\$75.95
12	Battery Pack (Electric Only)	AL-53368	\$179.95
13	Controller (Electric Only)	AL-53369	\$179.95
14	Bracket, Wall Mount Charger (Electric Only)	AL-53370	\$39.95
15	Charger (Electric Only)	AL-53371	\$179.95
17	Cord, USA (Electric Only)	AL-53373	\$19.95

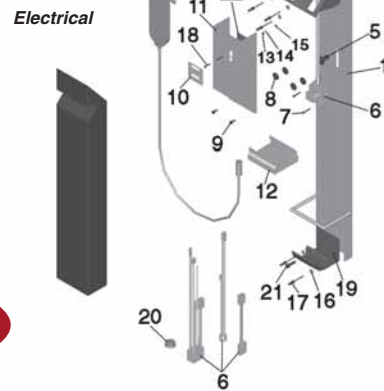
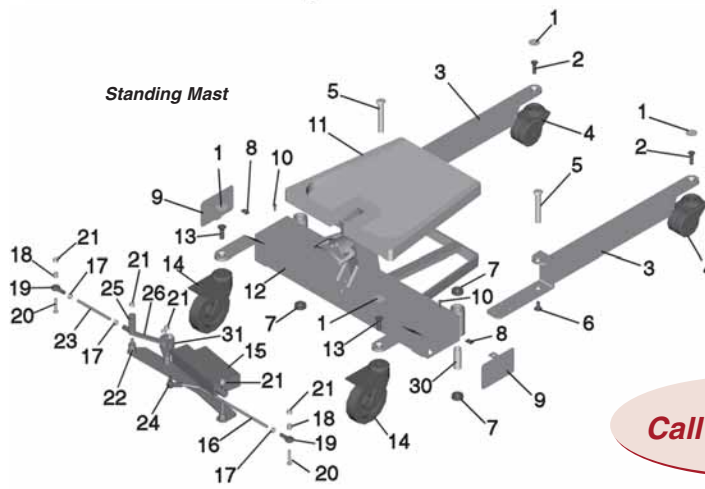
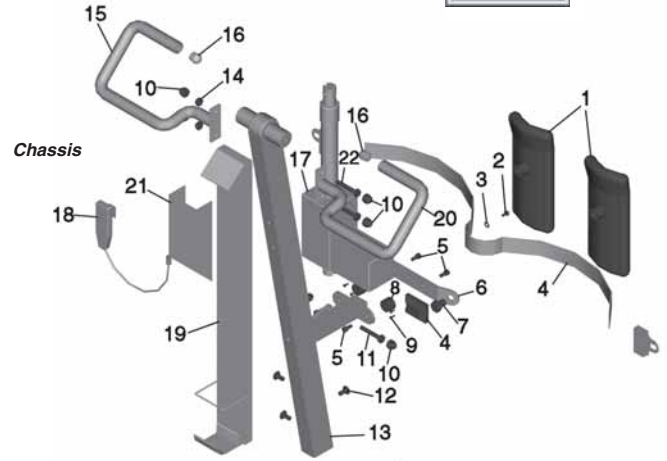
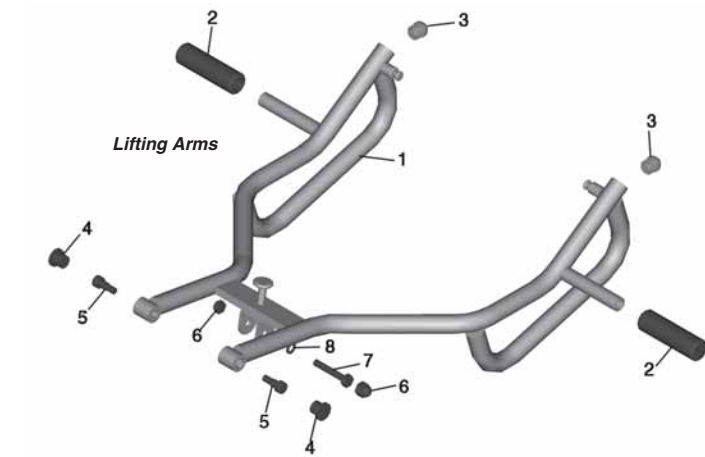
Fig	Description	ALCO Part No.	Price Each
19	Label, Reliant 450 Lift, Hydraulic Only	AL-53376	\$4.95
20	Screw, Hex Head	AL-53323	\$8.95
21	Label, CE Marking	AL-53378	\$6.95
22	Guard, Finger	AL-53342	\$7.95
23	Bushing	AL-53350	\$10.95
24	Washer	AL-53324	\$8.95
25	Locknut	AL-53325	\$8.95
	Mast & Boom Kit—Electric (excludes 17 & 19)	AL-53352	Call
26	Mast & Boom Kit—Hydraulic (excludes 8 & 12-19)	AL-53353	Call
	Boom Model RPA600-1	AL-53353A	Call
27	Charger Kit—USA Only (Includes: Items 12, 14-15 & 17)	AL-53386	Call
28	Spacer	AL-53347	\$10.95
NS	Wrench, Allen (3/16")	AL-53256	\$6.95
NS	Accessory for Electric Lifts Only (Actuator Cover, Padded w/Instructions)	AL-53388	\$99.95

EP-1

**For Replacement Slings See Page 392**

# Sara 3000 by Arjo Huntleigh

**BUY 11 GET 1 FREE!**



**Call For Pricing**

Fig.	Description	ALCO Part No.
<b>Lifting Arms</b>		
1	Lifting Arm	AL-73745
2	Handgrip Flexigrip	AL-73746
3	Cap Round D – 25mm	AL-73747
4	Cap Flat D – 22 mm	AL-73748
5	M10 x 12 x 12 Inside Head Bolt	AL-73749
6	Cap Disk SLW17	AL-73750
7	Bolt M10 x 75	AL-73751
8	M10 Lock Washer	AL-73752
<b>Standing Mast</b>		
1	Excelsior Knee Support	AL-73753
2	M6 x 12 Cylindrical Bolt	AL-73754
3	M6 x 25 Washer	AL-73755
4	Leg Fixation Strap (2 Straps/Set)	AL-73756
5	M8 x 16 inside head bolt	AL-73757
6	Knee Support Plate	AL-73758
7	M16 x 20 Bolt	AL-73759
8	Silent Blocks	AL-73760
9	M4 x 8 Cylindrical Bolt	AL-73761
10	Cap Disk SLW17	AL-73762
11	M10 x 40 Bolt	AL-73763
12	M10 x 20 Inside Head Screw/Bolt BK w/Flange	AL-73764
13	Mast	AL-73765
14	M10 Lock Nut	AL-73766
15	Handle Bar (Left)	AL-73767
16	Cap Round D – 28 mm	AL-73768
17	Actuator Linak – 230 mm	AL-73769
18	Handset	AL-73770
19	Compartment Unit – Battery – Electronics	AL-73771
20	Handle Bar (Right)	AL-73772
21	Plastic Cover Electronics	AL-73773

Fig.	Description	ALCO Part No.
22	M10 x 60 Hexagon Bolt	AL-73774
N/S	Battery (not shown)	AL-73775
<b>Chassis</b>		
1	Anti-slip Cover Disk	AL-73776
2	M10 x 35 Bolt Hex. Socket	AL-73777
3	Leg	AL-73778
4	Castor D – 75 mm (Ral7001)	AL-73779
5	Bolt Bearing	AL-73780
6	M10 x 20 Inside Head Screw/Bolt BK w/Flange	AL-73764
7	Ball Bearing	AL-73782
8	48 mm Speednut	AL-73783
9	Cover Plate Chassis Excelsior	AL-73784
10	Screw 48 mm x 19 mm Long	AL-73785
11	Plastic Footplate	AL-73786
12	Chassis	AL-73787
13	M12 x 30 Inside Head VK	AL-73788
14	Castor D – 125 mm Braked	AL-73789
15	Actuator Linak 75 mm	AL-73790
16	Tie Bar (Bent)	AL-73791
17	M8 Nut	AL-73792
18	Distance Bus Electric Spreading	AL-73793
19	M8 Bar Head (Bearing)	AL-73794
20	M8 x 40 Bolt	AL-73795
21	M8 Lock Nut	AL-73796
22	Base Plate Electric Powered Chassis Adj.	AL-73797
23	Tie Bar (Straight)	AL-73798
24	Ball Joint M8 (Right)	AL-73799
25	Support El. Leg Adj. – Adjustment Part	AL-73800
26	Support El. Leg Adj. – Pushing Part	AL-73801

Fig.	Description	ALCO Part No.
27	M10 Lock Nut	AL-73802
N/S	Trespa Footplate	AL-73803
N/S	M12 Lock Nut	AL-73804
30	Distance Bus (Low)	AL-73805
31	Turning Plate El. Powered Chassis Adj.	AL-73806
<b>Electrical</b>		
1	Back Plate	AL-73807
2	Switch Plate Molding	AL-73808
3	Emergency Switch	AL-73809
4	Dual Control Switch	AL-73810
5	M10 x 20 Hex. Socket	AL-73811
6	Cable Loom	AL-73812
7	Bolt M3 x 20	AL-73813
8	Washer D4.3 x 18 x 2	AL-73814
9	Bolt M4 x 10	AL-73815
10	Life Counter Label	AL-73816
11	Electrical Cover	AL-73817
12	Motor Control PCB	AL-73818
13	Spacer	AL-73819
14	Washer M2.5	AL-73820
15	Nut M2.5	AL-73821
16	Washer M5	AL-73822
17	Pop Rivet 4.8 x 12	AL-73823
18	Bolt M2.5 x 16VK	AL-73824
19	Battery Locator Molding	AL-73825
20	Piezo Electric Speaker	AL-73826
21	Bolt M8 x 12	AL-73827
22	Battery Discharge Indicator	AL-73828
N/S	Foam Rubber Strip (not shown)	AL-73829

Call For Pricing

# Maxi Move™ by Arjo Huntleigh

**BUY 11 GET 1 FREE!**

ARJOHUNTLEIGH

## Quick Reference Parts List

Description (Arjo Part #)	ALCO Part No.
Split Ring (000.00921)	AL-73628
Zinc Pan Torx Screw (000.02501)	AL-73658
Socket, Low ZP Adhesive Screw (000.03035)	AL-73596
Zinc Socket Screw (000.04075)	AL-73629
Flat ZP Adhesive Screw (000.04095)	AL-73721
Zinc Socket Screw (000.04253)	AL-73718
Zinc Lock Washer (000.04425)	AL-73717
Nylon Flat Washer (000.04450)	AL-73637
Flat ZP Adhesive Screw (000.04720)	AL-73705
Light Grey Swivel Wheel (000.20475)	AL-73723
Light Grey Swivel Wheel (700.00088)	AL-73707
Total-Lock Grey Wheel (000.20485)	AL-73702
Flange Bushing (000.25005)	AL-73597
Jam Locknut (000.25025)	AL-73662
Top Combi Bushing Adaptor (000.25042)	AL-73650
Collant Arjo (001.16070.33)	AL-74432
Control Box Membrane (001.24100)	AL-73689
"Arjo" Sticker (001-25091)	AL-73684
Control Box (200.24120)	AL-73688
Battery Support Bracket (200.24121)	AL-73673
Handset Tool Door (200.24128)	AL-73697
Column Top Cover (200.25026)	AL-73630
Hex Interface Emergency Lowering (200.25027)	AL-73620
Plunger for Limit Switch (200.25032)	AL-73600
Foam Ring (200.25033)	AL-73712
Friction Lug (200.25035)	AL-73665
Upper Slider – Rear (200.25036)	AL-73611
Upper Slider – Front (200.25037)	AL-73610
Lower Slider – Rear (200.25038)	AL-73614
Lower Slider – Front (200.25039)	AL-73613
Outer Mast Protector Insert (200.25044)	AL-73631
Slider for Handle (200.25045)	AL-73677
Adjustable Slider Handle (200.25046)	AL-73678
Control Box Top (200.25052)	AL-73683
Jib Top Cover (200.25056)	AL-73669
Jib Left Finger Anti-pinch (200.25068)	AL-73639
Jib Right Finger Anti-pinch (200.25069)	AL-73640
Machined Jib Roller (200.25079)	AL-73635
Combi Jib Bottom Cover (200.25080)	AL-73652
Directional Lock Plug (200.25087)	AL-73713
Plastic Protection Film (200.25089)	AL-73685
Flange Bushing (200.25093)	AL-73656
Standard Leg Top Cover (200.25100)	AL-73720
Low Height Leg Cover (200.25101)	AL-73724
Emergency Lowering Locking Pin (203.25025)	AL-73627
Upper Slider Adjust. Block (203.25040)	AL-73609
Lower Slider Adjustment Block (203.25041)	AL-73615
Adjustment Screw Slider (204.25042)	AL-73608
Handle (239.25020)	AL-73676
Lift Band Assembly (362.25018)	AL-73601
Emergency Lower Strap Bin (362.25086)	AL-73625
Flexible Cable for Standard Jib (402.25000)	AL-74433
Mast Short Coil Cable (402.25001)	AL-74434
Motor Harness (402.25005)	AL-74435
Limit Switches Harness (402.25010)	AL-74436
Cable Fuse Holder (402.25015)	AL-74437
Harness Handset/UMC Interface (402.25020)	AL-74438
Wire Harness Actuator (402.25025)	AL-74439
Combi Wire Harness Interface (402.25026)	AL-73663
Cable Motor Brake (402.25030)	AL-74440



Description (Arjo Part #)	ALCO Part No.
Cable Motor Brake Control (402.25035)	AL-74441
Connector w/Insulating Pin (450.00321)	AL-73693
Universal Motor Controller (492.00066)	AL-73686
Univ. Motor Controller, Std Jib (492.00066-01)	AL-74442
Univ. Motor Controller, Ext Jib (492.00066-02)	AL-74443
PCBA Brake Board for Motor 1 (492.00070)	AL-73687
Arjo Floor Lift DPS LCD Handset (700.13700)	AL-73696
Universal Wall Charger (700.24250)	AL-73744
Abridged Instructions for Clip Slings (700.25044)	AL-73698
Abridged Instructions for Loop Slings (700.25047)	AL-73699
Fuse AGC 15A (C8FAGC15)	AL-74444
Stop/Start Switch (KKX10730-00)	AL-73691
Bezel (KKX21360-00)	AL-73692
Guide Block (KMX82022-20)	AL-73634
Actuator Assembly (KMX82116-00)	AL-73595
Pick-Up Assembly (KMX82161-00)	AL-73660
T-Bar Socket (KMX82245-00)	AL-73661
Plate Switch Mounting (KPX00110-00)	AL-73602
Slipper (KPX00290-00)	AL-73680
Starlock Push-on Fastener (KPX02180.0)	AL-73638
Mounted Micro Switch Panel (KRX00430-00)	AL-73599
Micro Switch (KRX00640-00)	AL-73603
Double-ended Actuator (KRX10280-00)	AL-73709
Battery Pack 5.5A (NDA0200-20)	AL-73743

# Patient Lift Sling Reference Guide

**BUY 11 GET 1 FREE!**

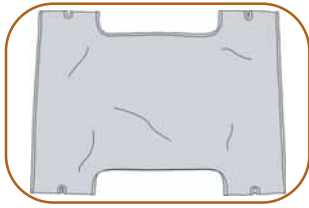


Fig #1

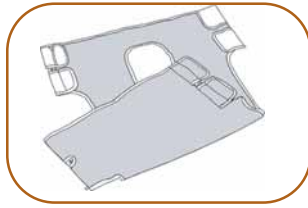


Fig #2

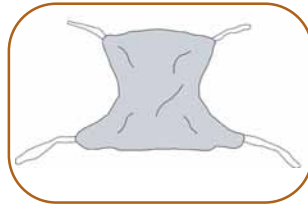


Fig #3

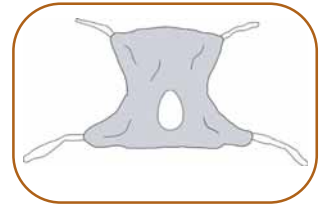


Fig #4



Fig #5

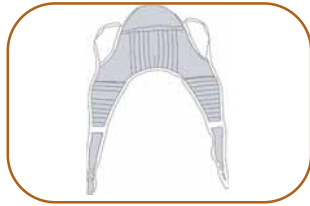


Fig #6

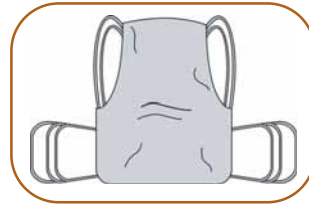


Fig #7

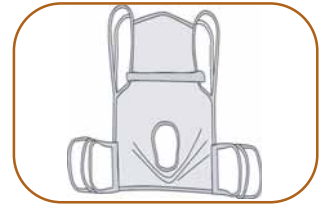


Fig #8

Fig.	Sling Points	Cradle Points	Invacare	Hoyer/ Joerns	Medline	Mason	Blue Chip	Graham Field	ALCO Part No.	Price Each
1	2	2/6	9042	112-N	MDS87810NCL	9506	7502	GF112-N-LC, GF-114-N-LC	AL-60759	\$40.95
	2	2/6		112-C	MDS87810CLC	9500	7500	GF112-C-LC, GF-114-C-LC	AL-76808	\$40.95
	2	2/6	9046	112-P	MDS87810DLC	9502	7504		AL-67330	\$40.95
	2	2/6					7508		AL-76809	\$99.95
2	2	2/6	9043	113-N	MDS87815NCL		7503	GF113-N-LC, GF-115-N-LC	AL-60761	\$40.95
	2	2/6		113-C	MDS87815CLC	9501	7501	GF113-C-LC, GF-115-C-LC	AL-60760	\$40.95
	2	2/6	9047	113-P	MDS87815DLC	9503	7505		AL-65507	\$39.95
	2	2/6	9043XW						AL-76810	\$99.95
3	4	4/6	R110		MDSR110	9507		DSL110	AL-66576	\$119.95
	4	4/6	R111		MDSR111	9508		DSL111	AL-66577	\$119.95
	4	4/6	R112		MDSR112	9509		DSL112	AL-65505	\$119.95
	4	4/6	R113		MDSR113	9510		DSL113	AL-66578	\$129.95
	4	4/6	R117		MDSR117	9507		DSL110	AL-66579	\$139.95
4	4	4/6	R114		MDSR114	9512		DSL114	AL-66580	\$119.95
	4	4/6	R115		MDSR115	9513		DSL115, DSL114	AL-66581	\$119.95
	4	4/6	R116		MDSR116	9514		DSL116	AL-66582	\$129.95
	4	4/6	R140		MDSR140				AL-76811	\$119.95
	4	4/6	R141		MDSR141				AL-76812	\$119.95
5	4	4/6		70000	MDSP4				AL-74249	\$119.95
	4	4/6		70001	MDSP3			3105300/3206300	AL-74250	\$119.95
	4	4/6		70002	MDSP2			3105200/3206200	AL-74251	\$119.95
	4	4/6		70003				32206100	AL-74252	\$119.95
6	4	4/6		70010	MDSPHS4				AL-66585	\$159.95
	4	4/6		70011	MDSPHS3			3106300	AL-66584	\$149.95
	4	4/6		70012	MDSPHS2			3106200	AL-66583	\$149.95
	4	4/6		70013	MDSPHS1			3106100	AL-65503	\$149.95
7	4	4/6		70051	MDS8770051				AL-74257	\$129.95
	4	4/6		70052	MDS8770052				AL-74258	\$129.95
	4	4/6		70053	MDS8770053				AL-74259	\$129.95
8	4	4/6		70056	MDS8770058				AL-74260	\$129.95
	4	4/6		70057	MDS8770057				AL-74261	\$129.95
	4	4/6		70058	MDS8770056				AL-74262	\$129.95

EPI



**BUY 11  
Get One  
FREE**

## Chair Scales



### Flip Seat Scale

- ✓ Unique flip-up seat allows weighing in a standing or sitting position
- ✓ Wheels for easy movement

Scale	<b>AL-61115</b>	<b>\$4119.00</b>
AC Adapter	<b>AL-61114</b>	<b>\$59.00</b>

### Specifications

Display:	0.7" high-contrast LCD
Power Source:	6 "C" size alkaline batteries (included)
Handrail:	Wrap-around tubular stainless steel with padded hand grips
Platform size:	Oversized Non-Skid Platform: 34" x 32" with non-slip rubber mat



### Mechanical Chair Scale

- ✓ Flip-up arms
- ✓ Graduation: 1/4 lb/100 grams
- ✓ Seat: 18-1/4"W x 15"H x 17-1/2"D

**AL-72847**      **\$559.00**

### Electronic Chair Scale

- ✓ Digital display: 1-1/4" LCD
- ✓ Battery: 6V rechargeable (charger included)

Digital Scale (440lb Cap.)	<b>AL-72846</b>	<b>\$689.00</b>
Digital Scale (600lb Cap.)	<b>AL-42777</b>	<b>\$1259.00</b>



## Bed Scales



### Electronic In-Bed Scale

- ✓ Flame-retardant, antibacterial stretcher is placed under patient and hydraulically lifted inches from bed
- ✓ Digital LCD indicator gives quick weight readout
- ✓ Locking rear casters assure safety

**AL-52298H**      **\$7439.00**



### Electronic In-Bed Scale

- ✓ EMR connectivity via USB
- ✓ 3/4" LCD display, with 180° swivel for ease of viewing
- ✓ Functions: LB / KG Conversion, LB / KG lock out, Body Mass Index (BMI), Zero Out / Tare, Hold / Release, Reweigh, Auto Zero, Auto Off
- ✓ Stretcher: 70-3/8"W x 30-3/8"D
- ✓ 120V adapter included, 6 AA batteries (not included)

**AL-52298**      **\$3459.00**



# Hand Rail Scales

**BUY 11 GET 1 FREE!**

**660 lb. Capacity**



### Hand-Rail Scale

The low level of the platform makes it easy to get onto and the curved railing provides a secure hand-hold. With it's locking castors and swiveling control/display panel, the scale provides the medical staff with a high degree of flexibility. It can be transformed into a complete measuring and weighing station: two different measuring rods can be fitted as options.

- ✓ Graduations 0.2 lbs
- ✓ H x W x D: 45-1/4" x 29-1/4" x 29-1/4"
- ✓ Platform area: 23-1/4" x 23-1/4"
- ✓ Height of railing: 37-1/2"
- ✓ Width of railing: 27-3/4"
- ✓ Platform height: 2"
- ✓ Operating and read-off height: 43-1/2"
- ✓ Power supply: AC / UL adapter and rechargeable battery
- ✓ Weight: 52.8 lbs
- ✓ Shipped common carrier

Scale	<b>AL-61194</b>	<b>\$2549.00</b>
Electronic measuring rod	<b>AL-61994</b>	<b>\$1189.00</b>
Measuring rod	<b>AL-61995</b>	<b>\$329.00</b>

**660 lb. Capacity**



### Waist-High Stand-On Digital Scale

- ✓ Shipped common carrier

### Specifications

Display: 0.7" high-contrast LCD  
 Scale Height: 42"  
 Power Source: 6 "C" size alkaline batteries (included)  
 Handrail: Wrap-around tubular stainless steel with padded hand grips  
 Platform size: 18" x 14" with non-slip rubber mat

Scale	<b>AL-52294</b>	<b>\$2939.00</b>
AC Adapter	<b>AL-61114</b>	<b>\$59.00</b>

**800 lb. Capacity**



### ProMed Scales

- ✓ Fast, accurate digital height LCD readouts
- ✓ Measures up to 6'7" / 200 cm
- ✓ Highly accurate digital weight display with Body Mass Index
- ✓ Extra strength wrap-around tubular stainless steel handrails
- ✓ Large heavy-duty rubber wheels and the scale tips back for easy transporting
- ✓ Skid-proof and soft, but durable black rubber mat

600lb Capacity Scale (Platform Size: 18" x 14")

**AL-72954**     **\$3219.00**

800lb Capacity Scale (Platform Size: 24" x 24")

**AL-72955**     **\$3409.00**

**AL-72955**

# Wheelchair Scales



**BUY 11 GET 1 FREE!**

## Wheelchair Scale

- ✓ Generous platform area and large-diameter railing
- ✓ Low level of the platform makes it easy to get onto
- ✓ Curved railing provides a secure hand-hold
- ✓ Locking castors and swiveling control/display pane provides medical staff with a high degree of flexibility
- ✓ Can be transformed into a complete measuring and weighing station with either of two measuring rods
- ✓ Shipped common carrier

### Specifications

Graduations: 0.2 lbs  
 Product Dimensions (H x W x D): 45-1/4" x 29-1/4" x 29-1/4"  
 Platform area: 23-1/4" x 2-1/4"  
 Platform height: 2"  
 Operating and read-off height: 43-1/2"  
 Weight: 52.8 lbs  
 Power Supply: A/C UL adapter  
 rechargeable battery

**800 lb.  
Capacity**



Scale	<b>AL-61197</b>	<b>\$3829.00</b>
Electronic measuring rod	<b>AL-61994</b>	<b>\$1189.00</b>
Measuring rod	<b>AL-61995</b>	<b>\$329.00</b>

**1000 lb.  
Capacity**

**Highly Mobile  
with Quick  
Flip-Up Ramp**



**AL-42773**

## The Electronic Wheelchair Scale

- ✓ 180° Swivel Head for Side Read
- ✓ Motion-sensing weighing technology
- ✓ EMR connectivity via USB
- ✓ Displays fractions, lb/oz, decimals in standard; decimals in metric
- ✓ Platform with wheels for mobility, **AL-42773L** folds up for easy storage
- ✓ Keypad entry, BMI, Manual Tare, Zero, Auto-Off, Auto-Hold, Reweigh, Hold/Release
- ✓ 6 AA batteries and 120V AC adapter

For Standard Platform 28-1/2" x 29-3/8" Wheelchairs

**AL-42773**      **\$2299.00**

With extra Large 32" x 36" Platform for Extra Wide Wheelchairs and Geriatric Recliner Chairs

**AL-42773L**      **\$2269.00**

**1000 lb.  
Capacity**



## Portable Bariatric Wheelchair Scale

- ✓ Can store the weight of the chair, allowing clinical staff to simply roll the patient on the scale for quick and easy weighing
- ✓ Lightweight design and integral handles make it easy to lift and lower into position
- ✓ Built-in wheels permit the scale to be rolled anywhere it's needed
- ✓ 6 "C" size batteries or optional AC adapter
- ✓ 30" L x 40" W

**AL-67812**      **\$4269.00**

**▼ LOW PRICES GUARANTEED! ▼**  
**WE WILL NOT BE UNDERSOLD!**

# Floor Scales

## BUY 11 GET 1 FREE!



AL-61987

### Balance Beam Scale

- ✓ A slip-resistant, heavy-duty, cast-iron base with wheels
- ✓ Graduations: 1/8 lb
- ✓ Height rod included
- ✓ Heavy-duty lever system

Available In:	Cap. (Lbs.)	ALCO Part No.	Price Each
Lbs.	500	AL-61987	\$319.00
Lbs./Kg	400	AL-61988	\$319.00
Lbs w/o Height Rod	500	AL-61992	\$339.00
Kg (200 Kg)	500	AL-72399	\$369.00



### This Eye-Level Beam Scale

- ✓ Counterweights included
- ✓ Graduation: 1/4lb / 100gr
- ✓ Platform: 10-1/2"W x 14"D
- ✓ Rod height: 23"-84"
- ✓ Easy to read rotating poise bars for dual reading in Lb and Kg

500 lb Scale **AL-42768 \$299.00**  
 Optional Casters **AL-48611 \$69.00**



AL-42768



### Height Measuring Device

- ✓ Measuring Range: 2" -90-1/2" / 6-230cm
  - ✓ Graduations: 1/8" / 1 mm
- AL-61995 \$329.00**



**1000 lb. Capacity**

### Digital Bariatric Platform Scales

- ✓ Motion-sensing weighing technology
- ✓ EMR connectivity via USB
- ✓ 6 AA Batteries (not included) and 120V AC adapter (included)
- ✓ Resolution: 0.2lb/0.1kg
- ✓ Display: 3/4" LCD with 180° swivel
- ✓ Platform:  
 AL-72850: 22"W x 15-3/4"D x 2-1/2"H  
 AL-42783: 22"W x 26"D x 2-3/8"H

AL-72850 **\$1459.00**  
 AL-42783 **\$2009.00**

AL-72850

AL-42783



**800 lb. Capacity**



### Platform Scale for Gurneys, Stretchers or Wheelchairs

- ✓ Functions: pre-TARE with 3 storage spaces for additional weights, TARE, HOLD, BMI with 3 storage spaces for heights, damping, kg/lbs/sts switch-over
- ✓ Practical transport casters and integrated handle making it easy to maneuver and use in different locations

**AL-69099 \$4869.00**

# Floor Scales

**BUY 11 GET 1 FREE!**



**500 lb. Capacity**

**AL-72849**



**AL-72848**



**600 lb. Capacity**

**AL-77548**



**AL-77547**

### Digital Physician Scales

- ✓ Resolution: 0.2 lb / 0.1 kg
- ✓ Platform size: 12-3/4"W x 16-1/2"D x 2-3/8"H
- ✓ Rod height: 30"-84-1/4"
- ✓ Display: 1" LCD
- ✓ Battery: 6 AA (included)

Waist Level Digital Scale	
<b>AL-72848</b>	<b>\$429.00</b>
Eye Level Digital Scale	
<b>AL-72849</b>	<b>\$439.00</b>

### Heavy Duty Digital Physician Scales

- ✓ Resolution: 0.2 lb / 0.1 kg
- ✓ Platform size: 14-1/4"W x 14-1/4"D x 2-5/8"H
- ✓ Rod height: 24"-84"
- ✓ EMR connectivity via USB
- ✓ Battery: 6 C-Cell (not included)
- ✓ 120V Adapter included
- ✓ Display: 1" LCD swivel

<b>AL-77548</b>	<b>\$699.00</b>
<b>AL-77547</b>	<b>\$569.00</b>

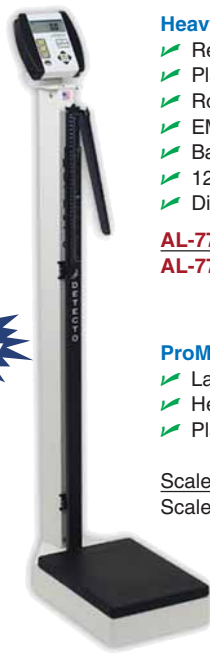
### ProMed Eye Level Scales

- ✓ Large 3/4" LCD Digits for easy visibility
- ✓ Heavy steel construction
- ✓ Platform size: 10.75"W x 14.75"D

Scale	<b>AL-72986</b>	<b>\$699.00</b>
Scale with Height Rod	<b>AL-72987</b>	<b>\$709.00</b>



**AL-72986**



**AL-72987**

**300 lb. Capacity**



### Personal Floor Scale

- ✓ Overall Dimensions 12" W x 16.75" D x 2.5" H
- ✓ Low profile design, heavy duty construction and a non-skid vinyl mat

**AL-75663 \$59.00**

**500 lb. Capacity**

**400 lb. Capacity**



### Floor Scale

- ✓ Stainless steel
- ✓ Resolution/Gradation: 0.2 lb / 0.1kg
- ✓ Platform Size: 22-1/4"W x 42"D x 2-1/2"H
- ✓ Display: 7/8" LCD
- ✓ Battery: 6 C-Cell (not included)
- ✓ Adapter: 120 V (included)

**AL-77432 \$839.00**



### Digital Floor Scale

- ✓ Scale interfaces with leading vital signs monitor, WelchAllyn® Spot Vital Signs® LXi

**AL-42770 \$239.00**

EP1

**BUY 11**  
Get One  
**FREE**

# Blood Drawing Chairs

## BARIATRIC



AL-42715D

**300 lb. Capacity**



AL-56533XL

**450 lb. Capacity**



AL-42715AD

**300 lb. Capacity**



**BUY 11**  
Get One  
**FREE**

### Designer Blood Drawing Chairs

- ✓ Padded armrests, seat and back
- ✓ High strength steel frame
- ✓ Cushioned with 11/4" medium density foam
- ✓ Infinitely adjustable height armrest
- ✓ Reversible armrest can be mounted to provide support across front of patient or angled arm support on side

- ✓ Convenient drawer storage cabinet (AL-42715D)
- ✓ Neutral grey powder coating provides durable finish
- ✓ Non-slip maring leveling feet
- ✓ Please specify color option when ordering

With Cabinet

**AL-42715D \$469.00**

With Infinitely Adjustable Armrest in Place of Cabinet

**AL-42715AD \$399.00**

With 24-1/4" Extra Wide Seat

**AL-56533XL \$569.00**

With 24-1/4" Extra Wide Seat w/Cabinet (not shown)

**AL-75630 \$659.00**



### Available Colors for Designer Blood Drawing Chairs Only

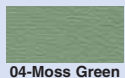
**BARIATRIC**



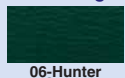
02-Royal Blue



03-Taupe



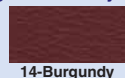
04-Moss Green



06-Hunter Green



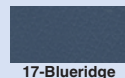
07-Grey



14-Burgundy



16-Mauve



17-Blueridge



**300 lb. Capacity**



### Blood Drawing Chairs

- ✓ Infinitely adjustable height armrest
- ✓ Durable black fiberglass reinforced seat
- ✓ Reversible armrest can be mounted to provide support across front of patient or angled arm support on side
- ✓ Convenient drawer storage cabinet (AL-42715)
- ✓ Welded steel frame gives superior strength
- ✓ Neutral grey powder coating provides durable finish
- ✓ Non-slip maring leveling feet

With Cabinet

**AL-42715 \$409.00**

With Infinitely Adjustable Armrest in Place of Cabinet

**AL-42715A \$339.00**



**700 lb. Capacity**

### Bariatric Blood Drawing Chair

- ✓ 2 adjustable flip-arms

**AL-67918**

**\$879.00**

EP1

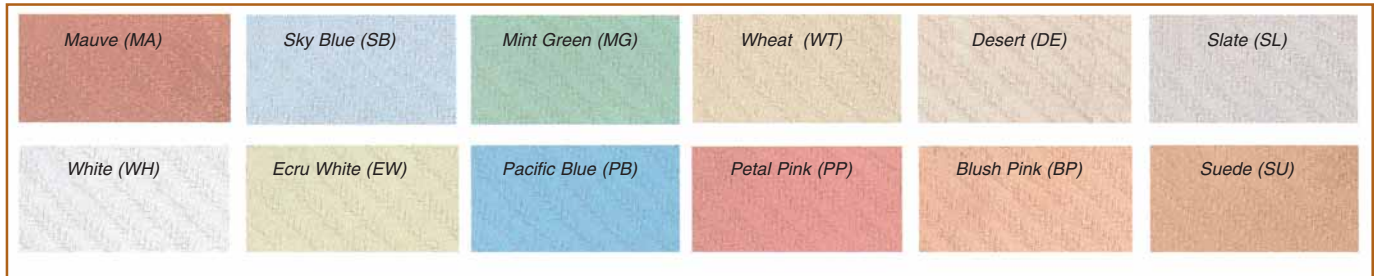
# Cubicle Curtain & Track



## Windsor Cloth Cubicle Curtains (Less Track)

- ✓ 100% Trevira Polyester — Washable to 160 degrees F
- ✓ Flame Resistant: NFPA Test 701
- ✓ Select your ceiling height and order in 18" width increments. Curtains will hang 15" above the floor
- ✓ Same price with or without mesh! #50 1/2" hole Nylon Mesh Top is Standard
- ✓ **Pacific Blue (PB) is Standard Color**
- ✓ All Cubicle Curtains Are Custom Made And Are Non-Returnable
- ✓ We Recommend adding an additional 12" to your curtain to achieve desired fullness.

Indicate color choice at end of ALCO Part No. Example: For 6 foot width, Pacific Blue Part No. and price would be — **AL-42792-PB \$65.70** (6' x \$10.95 per foot)



Ceiling Height		Ceiling Height		
8'	8' 6"	9'	9' 6"	10'
5'0" (60")Hi + 20" Mesh Tot. Length 80"	5'6" (66") Hi + 20" Mesh Tot. Length 86"	6'0" (72") Hi + 20" Mesh Tot. Length 92"	6'6" (78") Hi + 20" Mesh Tot. Length 98"	7'0" (84") Hi + 20" Mesh Tot. Length 104"
<b>AL-42792</b> <b>\$11.95</b> <b>Per/Foot</b> <b>Width</b>	<b>AL-42793</b> <b>\$11.95</b> <b>Per/Foot</b> <b>Width</b>	<b>AL-42794</b> <b>\$11.95</b> <b>Per/Foot</b> <b>Width</b>	<b>AL-42795</b> <b>\$12.95</b> <b>Per/Foot</b> <b>Width</b>	<b>AL-42796</b> <b>\$12.95</b> <b>Per/Foot</b> <b>Width</b>

**NOTE: Mesh top is required with sprinkler system. For solid top put (SLD) after ALCO Part No.**

Cubicle curtain **Standard Track** complete is heavy duty, 1-3/8" x 3/4" aluminum alloy, and comes complete with 2.2 carriers per foot. End caps and any necessary splices required due to track configuration are additional.

<b>AL-28600</b>	<b>\$3.95/Foot</b>	Track Complete
<b>AL-28602</b>	<b>\$1.95/Pair</b>	End Cap for Track
<b>AL-28603</b>	<b>\$2.30/Each</b>	Splice for Track

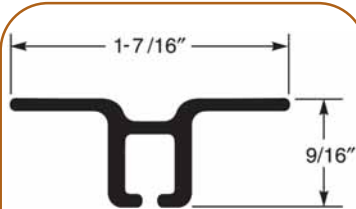
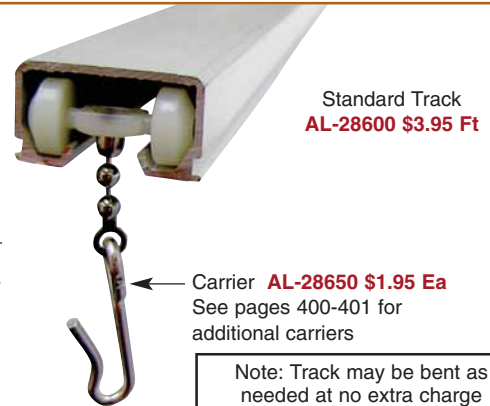
Standard Track is available in White. Simply indicate with a "W" after the ALCO Part No.  
**Example: AL-28600W \$4.95.**

*NOTE: Orders under \$200 add \$15.00 for special packing  
All Track Over 8" Length Will Be Shipped Truck Line*

Cubicle curtain **Trim Track™** complete is heavy duty, 5/8" x 1/2" aluminum alloy, and comes complete with 2.2 carriers per foot. End caps and any necessary splices required due to track configuration are additional.

<b>AL-28620</b>	<b>\$3.95/Foot</b>	Trim Track™ Complete
<b>AL-28622</b>	<b>\$3.95/Pair</b>	End Cap for Track
<b>AL-28623</b>	<b>\$3.95/Pair</b>	Splice for Track

*NOTE: Orders under \$200 add \$15.00 for special packing  
All Track Over 8" Length Will Be Shipped Truck Line*



**Cubicle Curtain "Break-A-Way" Track** complete in heavy duty, 1-7/16" x 9/16" aluminum alloy and comes complete with 3 four inch long safety tabs per foot and non-removable endstops. "Break-A-Way" shower curtains and cubicle curtains are available. Please call for customized quote.

"Break-A-Way" Track Complete	<b>AL-58150</b>	<b>\$8.95/Foot</b>
Additional Safety Tabs	<b>AL-58151</b>	<b>\$1.00/Each</b>
Safety Tabs (pack of 100 ea)	<b>AL-58152</b>	<b>\$69.00/Pack</b>

*Note: Orders under \$200 add \$15.00 for special packing*



# Cubicle Curtain & I.V. Hanger Hardware

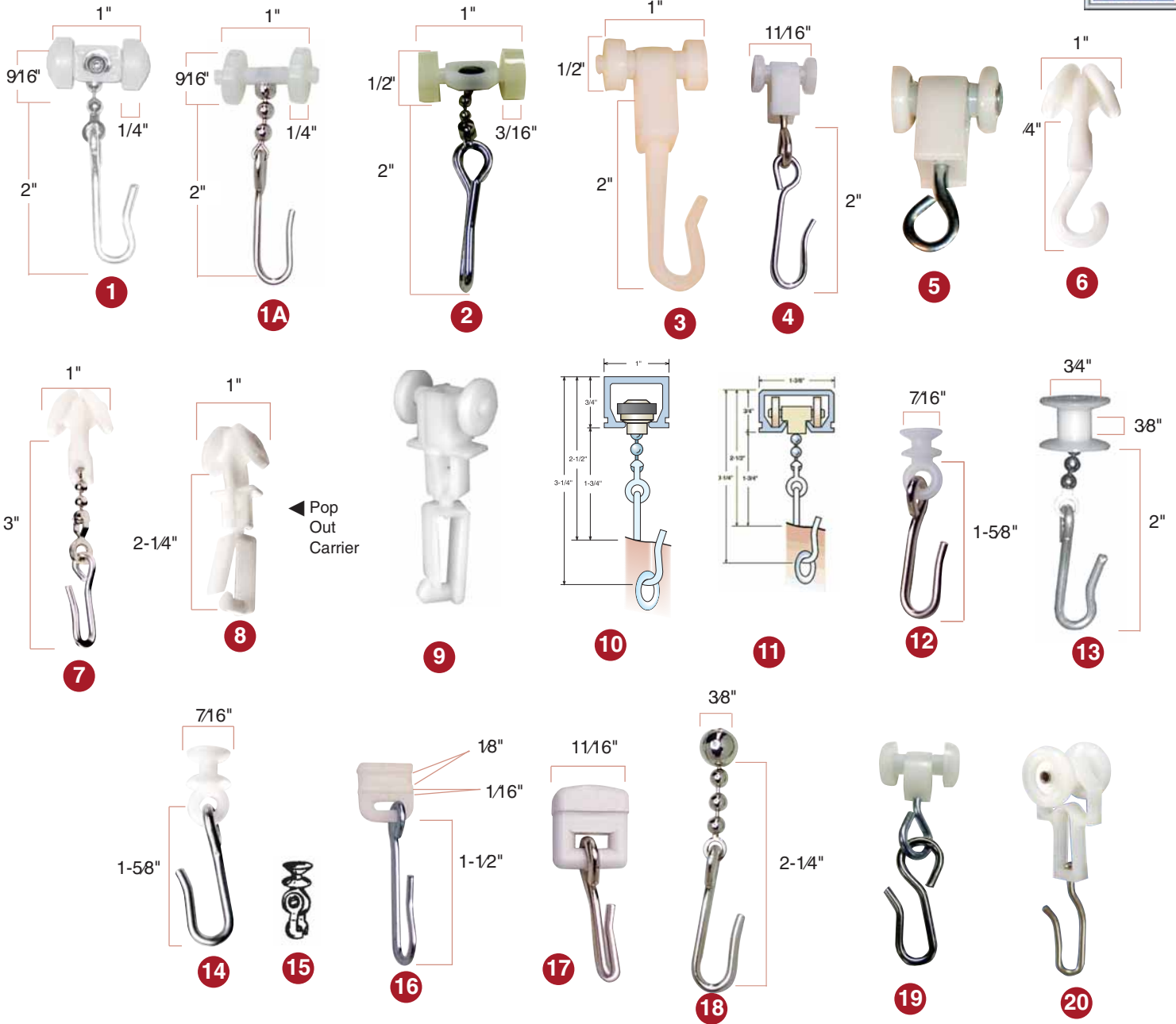


Fig	Description	ALCO Part No.	Price Each	Fig	Description	ALCO Part No.	Price Each
1	Rounded nylon wheels, stainless steel bead chain & hard aluminum hook (NEW STYLE)	AL-28650	\$1.95	11	Curtain Hook (Fits Salsbury)	AL-69311	\$2.95
1A	Flat nylon wheel, stainless steel bead chain aluminum hook (OLD STYLE)	AL-75607	\$1.95	12	Nylon slider with chrome plated hook Nylon glide with hard aluminum wire	AL-28652	\$1.10
2	Curtain Hook	AL-68207	\$1.95	13	Closed hook on stainless steel bead chain	AL-28653	\$1.49
3	Same As Fig #1A except entire carrier is made of nylon	AL-28650N	\$1.45	14	For use with Click-EZE Econo-Cube™ track system. Pkg of 10	AL-50181	\$9.95
4	For use with Kirsch and Masco systems.	AL-50176	\$1.95	15	Curtain Slide w/Eyelet (fits Kirsch series 9046)	AL-50771	\$2.95
5	Curtain Slide w/Steel Hoop (fits Kirsch)	AL-50769	\$1.25	16	Delrin slider with cadmium plated spring steel wire hook	AL-28651	\$1.00
6	For use with Click-EZE track system	AL-50178	\$1.95	17	For use with Crest Slim track system	AL-56598	\$1.95
7	For use with Click-EZE track system	AL-50180	\$2.45	18	Same as above except 3/8" wide	AL-56599	\$1.95
8	For use with Click-EZE track system	AL-50182	\$3.95	19	For use with slim track, plus Alpine, Capital, and Grant systems.	AL-50175	\$1.95
9	For use with Click-EZE track system	AL-70761	\$4.95	20	For suspended acoustical tile ceilings	AL-75787	\$2.95
10	Self Lubricating Nylon Body w/Rubber Bumper (Fits Salsbury)	AL-61801	\$2.95		Cubicle Curtain Hook	AL-75787	\$2.95
					Stainless Hooks. Fits Pryor & Others	AL-61830	\$3.95

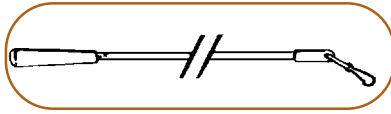


# Cubicle Curtain & I.V. Hanger Hardware

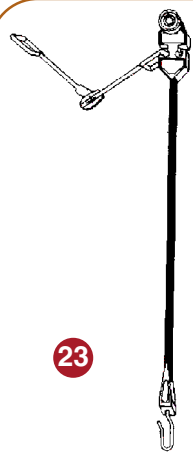
**BUY 11  
Get One  
FREE**



21




22



**PRYOR Universal Curtain Mover**

- ✓ Patented "Holding Hands", in-line hinged nylon spacers are guaranteed to provide tangle-free operation
- ✓ Self-lubricating, easy-rolling medical grade nylon wheels provide quiet and smooth travel
- ✓ Stainless steel curtain hook on the mover body has a large opening for easy installation and maintenance
- ✓ The one-piece, 18" curtain mover body lowers the curtain from the track to provide improved lighting and air circulation, and meets the NFPA regulations for ceiling fire sprinklers

**AL-50768 \$2.95**



23



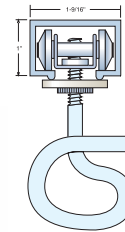
24



25



26



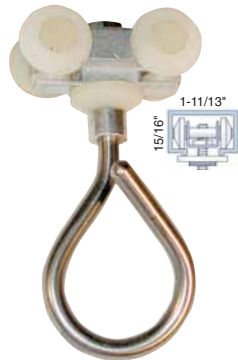
27



28



29



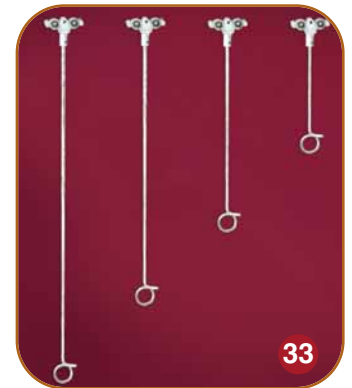
30



31



32



33

Fig	Description	ALCO Part No.	Price Each
21	PVC Drops with cadmium plated spring steel hook attached—Specify Length	AL-42821	\$1.95
22	Batons: 30" long, 1/4" dia. fiberglass baton with snap hook	AL-42822	\$14.95
23	Universal Non-Tangling Curtain Mover (hangers w/18" connective line & hook)	AL-50768	\$4.95
24	Drop Chains, Stainless steel beaded chain with aluminum hook and eyelet to be used with existing carrier.		
	6" chain	AL-42816	\$1.00
	9" chain	AL-42817	\$1.95
	12" chain	AL-42818	\$1.95
	15" chain	AL-42819	\$1.95
	18" chain	AL-42820	\$1.95
25	Tie-Back w/Hardware, White (Other Colors Available—See Inside Back Cover)	AL-28590-WH	\$8.95
26	Curtain Tie-Back	AL-70762	\$9.95

Fig	Description	ALCO Part No.	Price Each
27	I.V. Carrier Assembly 4 Aluminum Wheels (fits Salisbury Industries and others)	AL-61802	\$39.95
28	4-Wheel Heavy Duty I.V. Trolley (fits Pryor and others)	AL-60637	\$6.95
29	4-Wheel I.V. Carrier—Molded Delrin Wheels (fits Pryor and others)	AL-60751	\$40.95
30	4-Wheel I.V. Carrier (fits Barjon and others)	AL-61803	\$49.95
31	4-Wheel I.V. Carrier (fits Ultra Cube)	AL-61804	\$51.95
32	4-Wheel I.V. Carrier (fits Optitrac)	AL-76523	\$49.95
33	10' Ceiling Ht. I.V. Carrier with Hook 27" Stem (Fits Ultra Cube)	AL-61805	\$79.95
	9-1/2' Ceiling Ht. I.V. Carrier with Hook 21" Stem (Fits Ultra Cube)	AL-61806	\$72.95
	9' Ceiling Ht. I.V. Carrier with Hook 15" Stem	AL-61807	\$67.95
	8-1/2' Ceiling Ht. I.V. Carrier with Hook 9" Stem (Fits Ultra Cube)	AL-61808	\$59.95

**New!**

# Bendable Cubicle Curtain Track

**BUY 11 GET 1 FREE!**



AL-76800

### Bendable Track

- ✓ A 99% recycled aluminum core and ABS (non-PVC) shell
- ✓ Aluminum core and ABS shell is easily trimmed with a hand saw
- ✓ Standard track lengths allowing for virtually any length or radius bend required and eliminates splicing
- ✓ All three standard track lengths ship via UPS ground
- ✓ Ease of installation by snapping track into grid clips
- ✓ Versatility with virtually any ceiling type, including both Regular and flush ceiling tile



AL-76804



AL-76805



AL-76806

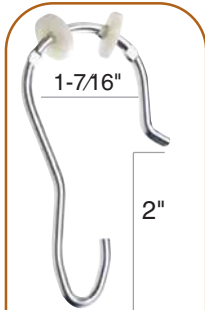
Description	ALCO Part No.	Price Each
Formatrac Track 8' Length	AL-76800	\$33.95
Formatrac Track 16' Length	AL-76801	\$66.95
Formatrac Track 105' Length	AL-76802	\$435.95
End Cap	AL-76803	\$2.95
Fixed End Cap	AL-76804	\$1.95
Nylon Carrier With Hook	AL-76805	\$1.95
Spring Clip	AL-76806	\$3.95
Spring Clip With Gridclip	AL-76807	\$5.95

## Shower Curtain Accessories



Nickel plated steel snap hook  
1-3/8" Diameter

Nickel Plated  
AL-42814 \$0.50  
Stainless Steel  
AL-61037 \$1.95



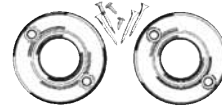
Wire hook with two self-lubricating wheels  
AL-42815 \$1.50



White  
AL-61039 \$0.95  
Clear  
AL-61040 \$0.95



White Plastic Hook  
AL-71118 \$0.95



Shower Rod Brackets — 2 aluminum wall brackets with matching bright anodized finish. Mounting hardware furnished.  
AL-42812 \$7.95



Shower Curtain Rod — 1" O.D. seamless aluminum tubing with bright anodized finish  
AL-42811 \$7.95 per foot



"Snap-Action" plastic closure supports heaviest shower curtain.  
Crystal AL-42813 \$1.00  
White AL-61038 \$5.95

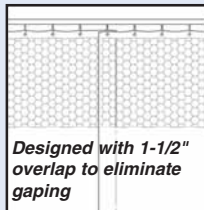


Double Curtain Shower Rings  
✓ Box of 12  
Brushed Nickel AL-77362-BN \$16.95  
Chrome AL-77362-CH \$15.95  
Old World Bronze AL-77362-OW \$44.95

## "Quick" Cube™ Cubicle Curtains

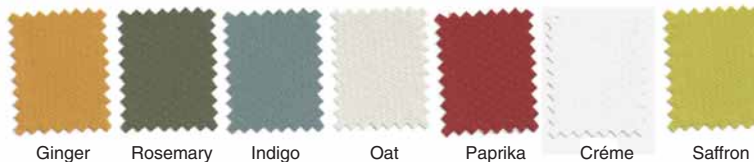
**Cubicle Curtains are in stock and ship within 3 days!**

- ✓ Double hems on top, bottom and sides
- ✓ Standard 20" superior mesh meets or exceeds code
- ✓ Flame retardant



Designed with 1-1/2" overlap to eliminate gaping

Description	6'W x 84"L		6'W x 96"L	
	ALCO Part No	Price Each	ALCO Part No	Price Each
Classic Ginger	AL-74046CG	\$49.95	AL-74047CG	\$59.95
Classic Rosemary	AL-74046CR	\$49.95	AL-74047CR	\$59.95
Classic Indigo	AL-74046CI	\$49.95	AL-74047CI	\$59.95
Classic Oat	AL-74046CO	\$49.95	AL-74047CO	\$59.95
Classic Paprika	AL-74046CP	\$49.95	AL-74047CP	\$59.95
Classic Crème	AL-74046CC	\$49.95	AL-74047CC	\$59.95
Classic Saffron	AL-74046CS	\$49.95	AL-74047CS	\$59.95





# Shower Curtains

**BUY 11 GET 1 FREE!**

Hookless® brand Flex-On™ technology is protected under one or more of the following patents: US 5,186,232; US 6,494,248 B1; US 6,935,402 B2; US 7,296,609 B2; EP 1,583,445; and additional US and foreign patents pending.



AL-73396



AL-73376



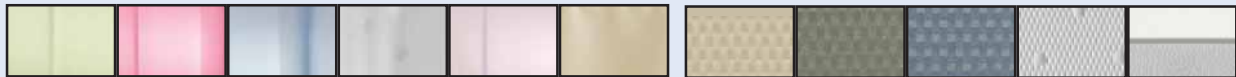
AL-73382

## Hookless® Shower Curtains

- ✓ Hangs in seconds – patented Flex-On® rings pop right over rod
- ✓ No hooks to buy or struggle with
- ✓ No more broken, unattached or missing rings
- ✓ Fire retardant option available
- ✓ No liner necessary

Description	42"W x 74"H		71"W x 74"H	
	ALCO Part No.	Price Each	ALCO Part No.	Price Each
<b>Vinyl—Antimicrobial</b>				
White	AL-73372	\$19.00	AL-73373	\$19.00
Beige	AL-73374	\$19.00	AL-73375	\$19.00
Beige With Window	N/A	N/A	AL-73376	\$19.00
<b>Fabric (Water Repellent) With Window</b>				
Beige w/Chrome Rings	AL-73382	\$29.00	AL-73383	\$39.00
Blue w/Chrome Rings	AL-73384	\$29.00	AL-73385	\$39.00
Sage w/Chrome Rings	AL-73386	\$29.00	AL-73387	\$39.00
Rose w/Chrome Rings	AL-73388	\$29.00	AL-73389	\$39.00
White w/Chrome Rings	N/A	N/A	AL-73390	\$39.00
Lilac w/Chrome Rings	N/A	N/A	AL-73391	\$39.00
<b>Fire Retardant</b>				
<b>Mini-Square Design</b>				
Beige Polyester Fabric	AL-73392	\$49.00	AL-73393	\$69.00
Sea Blue Polyester Fabric	AL-73394	\$49.00	AL-73395	\$69.00
Sage Polyester Fabric	AL-73396	\$49.00	AL-73397	\$69.00

### Hookless® Shower Curtain Color Choices



Mystery Sage Mystery Rose Mystery Blue Mystery White Mystery Lilac Mystery Beige Beige Sage Blue Pindot Vision

## SureChek® Shower Curtains

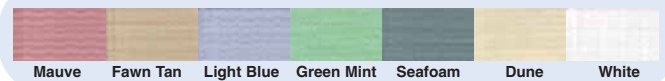
ALL SHOWER CURTAINS ARE CUSTOM MADE AND ARE NON-RETURNABLE

### Sure-Chek Shower Curtains (less rod)

- ✓ Flame Retardant
- ✓ Anti-Bacterial - Antistatic
- ✓ Mildew and Abrasion Resistant
- ✓ Odor Resistant
- ✓ Corner weights available (call for price)
- ✓ Choose from seven colors

Total Widths Feet Inches	AL-42803 (72") Hi 6'0" Hi	AL-42804 (75") Hi 6'3" Hi	AL-42805 (78") Hi 6'6" Hi	AL-42806 (81") Hi 6'9" Hi	AL-42807 (84") Hi 7'0" Hi	AL-42808 (87") Hi 7'3" Hi	AL-42809 (90") Hi 7'6" Hi	AL-42810 (93") Hi 7'9" Hi
3 33"	\$28.95	\$30.95	\$33.95	\$36.95	\$38.95	\$41.95	\$44.95	\$46.95
4 6" 54"	\$59.95	\$60.95	\$61.95	\$63.95	\$64.95	\$66.95	\$68.95	\$70.95
6 72"	\$59.95	\$60.95	\$61.95	\$63.95	\$64.95	\$66.95	\$68.95	\$70.95
7 6" 90"	\$69.95	\$74.95	\$76.95	\$78.95	\$80.95	\$82.95	\$83.95	\$85.95
9 108"	\$87.95	\$89.95	\$92.95	\$94.95	\$96.95	\$98.95	\$101.95	\$103.95

Indicate width after ALCO Number.  
Example, for 72" width and 72" length: **AL-42803-72**



Shower Curtain Accessories Located On Page 402



# Folding Privacy Screens

## Multi-Panel Folding Screens

- ✓ 3/4" round aluminum tubular frame
- ✓ 6-mil flame retardant bacteriostatic vinyl (Sure-Chek® only)
- ✓ Each panel adds 20" to width and 3/4" to folded depth
- ✓ White Vinyl



AL-42696



Standard 3 panel folding screen	<b>AL-42696</b>	<b>\$104.00</b>
Standard 4 panel folding screen	<b>AL-42697</b>	<b>\$139.00</b>
Standard 5 panel folding screen	<b>AL-42698</b>	<b>\$169.00</b>
Sure-Chek® 3 panel folding screen	<b>AL-74526</b>	<b>\$139.00</b>
Sure-Chek® 4 panel folding screen	<b>AL-74527</b>	<b>\$189.00</b>
Sure-Chek® 5 panel folding screen	<b>AL-74528</b>	<b>\$239.00</b>

Screens fold up for storage  
Overall height: 69"  
Panel widths: 20"



**Sure-Chek® Fabrics  
Now Available.  
Call For Details.**



## Single Panel Wide Screen

- ✓ High strength powder coated steel frame
- ✓ 2" twin wheel casters
- ✓ Flame retardant bacteriostatic 6-mil vinyl curtain (Sure-Chek® only)
- ✓ White Vinyl

Overall height: 69", overall width: 42",  
base size: 27" x 20"

Standard	<b>AL-50193</b>	<b>\$169.00</b>
Sure-Chek®	<b>AL-74529</b>	<b>\$169.00</b>

## Three Panel Privacy Screen

- ✓ High strength powder coated steel frame and legs
- ✓ Lightweight panels are hinged
- ✓ Flame retardant bacteriostatic 6-mil vinyl curtain (Sure-Chek® only)
- ✓ Easily converts from casters using furnished crutch tips
- ✓ White Vinyl

Overall height: 69 in.  
Overall width: 82"  
Single panel width: 27"  
Base size: 20" x 27"

Standard	<b>AL-42705</b>	<b>\$159.00</b>
Sure-Chek®	<b>AL-74530</b>	<b>\$199.00</b>



EP1

## Wall Mounted Telescopic Curtain

- ✓ May be positioned anywhere within a 180° arc
- ✓ Bacteriostatic 6-mil vinyl (Sure-Chek® only)
- ✓ White Vinyl

Overall height: 69"  
Overall width: 39" - 90"

Standard	<b>AL-42699</b>	<b>\$119.00</b>
Sure-Chek®	<b>AL-74525</b>	<b>\$179.00</b>



## 3-Panel Folding Designer Privacy Screen

- ✓ Smooth-rolling twin wheel casters
- ✓ Powder-coated steel frame for durability
- ✓ High grade, anti-bacterial, anti-microbial, stain-resistant vinyl
- ✓ See Below for Color Choices

### Specifications

Overall Height: 69.5"  
Overall Width: 82" • Single Panel Width: 28"

**AL-67969** **\$379.00**

Available Colors for AL-67969



Sure-Chek® Color Choices



# Privacy Screens

**BUY 11 GET 1 FREE!**



### 3-Panel Privacy Screen

- Available with or without casters
- All vinyl panels are flame-retardant and easily cleaned
- Heavy-duty 1" tubular steel and powder coated frame
- Aluminum rods and convenient plastic clips for easy installation
- The unit is 69" high with each panel measuring 27"W x 55"H and is 17-1/2" from the floor to the bottom of the screen

Description	White ALCO Part No.	Blue ALCO Part No.	Green ALCO Part No.	Pink ALCO Part No.	Price Each
Privacy Screen with 2" Casters	AL-72844W	AL-72844B	AL-72844G	AL-72844P	\$129.00
Privacy Screen without Casters	AL-72845W	AL-72845B	AL-72845G	AL-72845P	\$119.00



Privacy screen panels meet minimum requirements of flame resistance as established by the California State Fire Marshall for products identified in section 1311, California Health and Safety Code and NFPA # 701. Registration # F-3100.

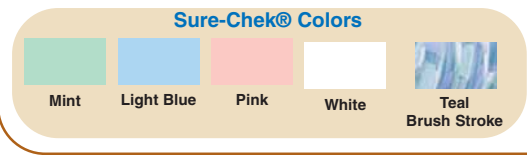


**AL-61736**  
**Portable Privacy Screens**  
 Portable Privacy Screen  
 (3-panel, 21"W x 51"H)  
**AL-61736      \$169.00**  
 Portable Privacy Screen  
 w/ 3" Twin Nylon Casters  
 (3-panel, 21"W x 51"H)  
**AL-61738      \$189.00**



### Privacy Screen

- Attractive three-panel wheeled privacy screen
  - Available in two heights, 53" and 70"
  - Folds into triangle for easy transport
  - Available in five Sure-Chek® colors
- 53" H x 68" W x 30" D      **AL-66706      \$189.00**  
 70" H x 68" W x 30" D      **AL-66707      \$249.00**



EP1

# Patient Pal® I.V. Poles & Accessories



### Hex-Base I.V. Stand

- ✓ Heavyweight 6-leg hex-base with low center of gravity
- ✓ 4-Hook top
- ✓ Wide 22" diameter for greater stability
- ✓ Welded base pole with powder coated epoxy finish
- ✓ Rubber casters
- ✓ Slow-descending stainless I.V. pole

**AL-46366 \$319.00**



### I.V. Stand

- ✓ 22" diameter, low-center-of-gravity steel base with epoxy finish
- ✓ 3" premium rubber casters with ball bearings (10 yr. warranty)
- ✓ Welded steel base pole with epoxy finish
- ✓ 4-Hook top
- ✓ 99" fully extended; 68" compressed

**AL-62677 \$289.00**



### Stainless Steel I.V. Stand

- ✓ Slow descending stainless telescoping pole with four-hook stainless top
- ✓ 22" five-leg lightweight ABS/Polycarbonate base

**AL-50680 \$189.00**



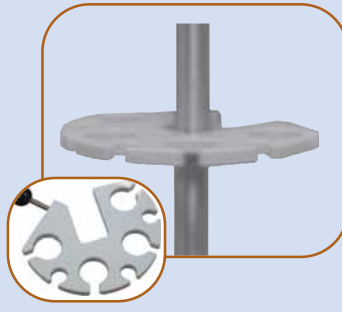
### Trans-Pal® I.V. Stand

- ✓ 24" diameter (4 wheel base); 22" diameter (5 wheel base), low-center-of-gravity steel base with epoxy finish
- ✓ 3" premium rubber casters with 4 sets of ball bearings (10 yr. warranty)
- ✓ Welded steel base pole with epoxy finish

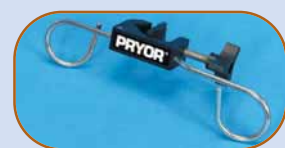
4-leg base **AL-50676 \$319.00**  
5-leg base **AL-50677 \$349.00**



**Single "J" Hook**  
**AL-59813 \$19.00**



**5 Slot Syringe Holder**  
**AL-66149 \$29.95**



**Clamp Hanger Accessory**  
**AL-46370 \$49.95**



**Dual Hook**  
**AL-59814 \$29.95**



**Oxygen Tank Holder**  
Fits 1-1/4" Dia. Poles  
**AL-46367 \$29.95 Set**  
Fits 7/8" Dia. Poles  
**AL-46367A \$29.95 Set**



**4-Hook Top AL-66148 \$29.95**  
**5-Hook Top AL-73200 \$39.95**

**Replacement Knob and Square Nut**  
**AL-67008 \$3.95**

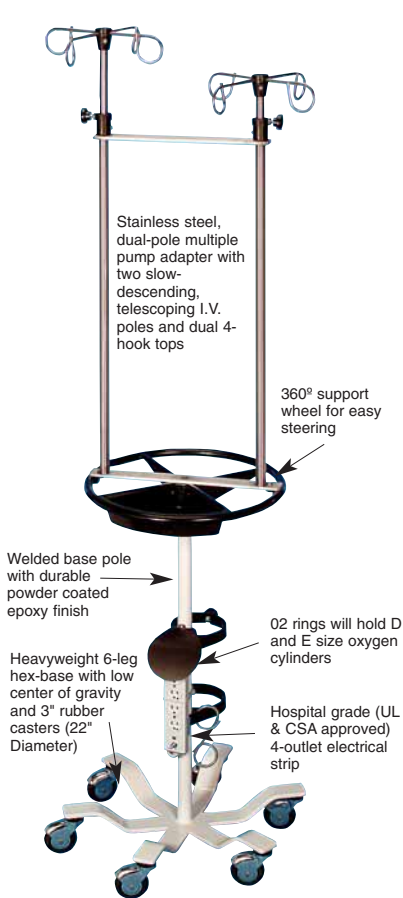


**Utility Basket**  
✓ Durable powder coat epoxy finish  
✓ Clamp can rotate 90° for horizontal mount  
✓ Detachable knob for semi-permanent mounting  
✓ Profile accommodating thrust plate  
**AL-46372A \$69.95**

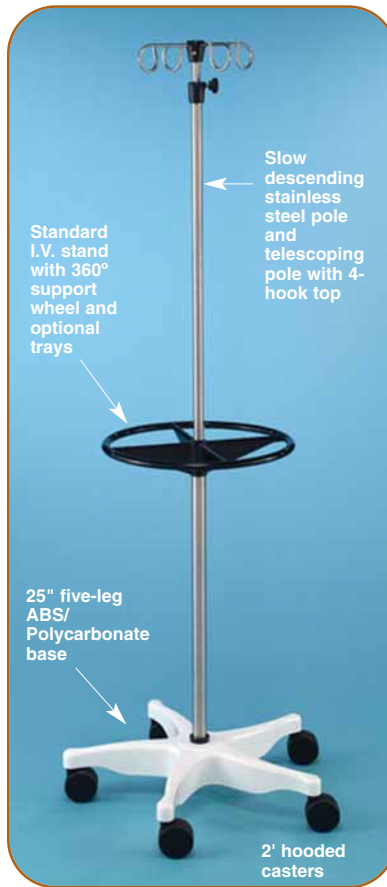


**Polished Stainless Steel "S" Hanger**  
✓ For Piggy-Backs or Drainage bag holder  
**AL-46371 \$10.95**

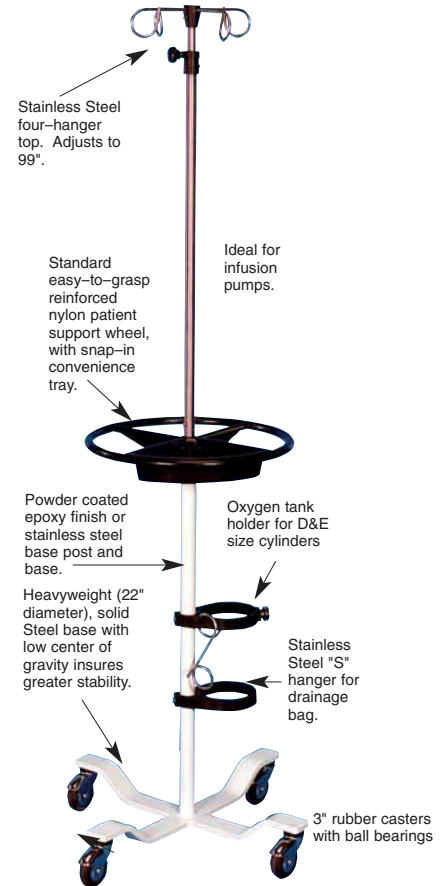
# Patient Pal® I.V. Walker & Accessories



**Base Station I.V. Stand Complete**  
AL-46385 \$579.00



**Instrument & I.V. Stand**  
AL-46381 \$189.00



The Patient Pal I.V. Walker  
**4 Leg**  
AL-46377 \$299.00  
**6 Leg** (provides maximum stability and support)  
AL-46377-6 \$399.00



**Custom Tri-Pole Adapter**

- Three vertical stainless steel tubes for mounting multiple instruments
- 90° rotating C-clamp
- Detachable knob for semi-permanent mounting
- Profile accommodating thrust plate

AL-50684 \$89.00



**Patient Support Hand Grip Wheel**  
AL-46368 \$44.95



**Utility Tray For Support Wheel**  
AL-46369 \$12.95



**Transducer Holder**

- Provides easy raising and lowering of transducer to maintain proper level
- Attaches to stand with simple clamp
- Constructed of everlasting stainless steel tubing

AL-66147 \$89.00

**Custom Made Mobile I.V. Poles Available**



AL-50682

AL-63527

**Electrical Strip**

- Hospital grade UL and CSA approved electrical strip with cover and standard 13-foot cord
- Attaches with ease to I.V. Stands using our 02 rings as mounting brackets
- Rubber cover helps shield outlets from fluid spills

4-Outlet	AL-50682	\$179.00
6-Outlet	AL-63527	\$199.00

# I.V. Poles



AL-75766

### 6-Leg I.V. Stand with Short Wheelbase

- ✓ Tip resistant 16" steel base with extra bottom weight
- ✓ 3" hard rubber casters
- ✓ Height range of 53" - 93"

2-Hook	<b>AL-75766</b>	<b>\$229.00</b>
4-Hook	<b>AL-75767</b>	<b>\$239.00</b>
6-Hook	<b>AL-75768</b>	<b>\$249.00</b>



1-1/4"  
Dia. Pole

AL-43008

### 6-Leg Infusion Pump Stand

- ✓ Epoxy coated
- ✓ Heavy duty
- ✓ 3" hard rubber casters

2-hook	<b>AL-43008</b>	<b>\$169.00</b>
4-hook	<b>AL-43009</b>	<b>\$179.00</b>



AL-43025

### 4-Leg I. V. Stand w/Twist Knob

- ✓ Base: 22" diameter. Chrome plated heavy bar steel. Low slung for stability. "Wall Saver" feature
- ✓ Height adjusts: 51-1/4" to 94"

2 Hooks	<b>AL-43025</b>	<b>\$79.00</b>
4 Hooks	<b>AL-43025A</b>	<b>\$89.00</b>



AL-63477A

### 4-Leg I.V. Stand w/Twist Lock

- ✓ Chrome plated
- ✓ Weighted base

2-hook	<b>AL-63477</b>	<b>\$31.00</b>
4-hook	<b>AL-63477A</b>	<b>\$39.00</b>



AL-43027

AL-69424

### 5-Leg I. V. Stand w/Twist Knob

- ✓ Base: 24" diameter. Polished die cast aluminum
- ✓ Height adjusts: 57-3/4" to 101"

2 Hooks	<b>AL-43027</b>	<b>\$129.00</b>
4 Hooks	<b>AL-43028</b>	<b>\$139.00</b>

### 5-Leg I.V. Stand w/Knob Lock w/Squeeze Release

- ✓ 24" Diameter Base
- ✓ Adjusts 56" to 99"

2-hook	<b>AL-49447</b>	<b>\$209.00</b>
4-hook	<b>AL-69424</b>	<b>\$219.00</b>



AL-60764

### 5-Leg I.V. Stand w/Twist Lock

- ✓ Chrome plated
- ✓ Non-breakable composite base
- ✓ Sold 2 per case only

2-hook	<b>AL-60764</b>	<b>\$94.00/Cs</b>
4-hook (top only)	<b>AL-60764A</b>	<b>\$17.00</b>

### 5-Leg Stainless Steel I.V. Stand w/Knob Lock

2-hook	<b>AL-66560</b>	<b>\$109.00</b>
4-hook	<b>AL-69421</b>	<b>\$119.00</b>



Large  
21" Wide  
Base

### Deluxe Stainless Steel I.V. Pole with 5-Leg Aluminum Base

Stainless Steel Pole w/2 Hooks and Aluminum Base

**AL-74773** **\$329.00 2/Cs**

Chrome Plated Steel Pole w/2 Hooks and Aluminum Base

**AL-74774** **\$239.00 2/Cs**

Chrome Plated Steel Pole w/4 Hooks and Aluminum Base


**AL-74775** **\$259.00 2/Cs**



# I.V. Pole Accessories

BUY 11  
Get One  
**FREE**

**New!**



**Color Coded 4 Hook IV Hangers**

- ✓ Stainless Steel
- ✓ Aluminum body with set screw to secure to 3/4" OD Pole

Black	<b>AL-77025</b>	<b>\$59.00</b>
Blue	<b>AL-77026</b>	<b>\$59.00</b>
Green	<b>AL-77027</b>	<b>\$59.00</b>
Red	<b>AL-77028</b>	<b>\$59.00</b>



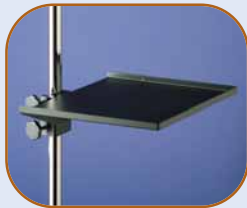
**Replacement Casters Available—See Pages 668-669**



**Guidance Handle**

- ✓ I. V. pole steering aid
- ✓ Black poly coated finish
- ✓ Fits 3/4" through 1-1/4" diameter poles

**AL-43033 \$64.95**



**Utility Console Tray**

- ✓ Tray: 11.5" x 13.5"
- ✓ Fits 3/4" through 1-1/4", Poly Coated

**AL-43036L \$119.00**



**Drainage Bag Hook**

- ✓ Aluminum hook
- ✓ Black poly coated finish
- ✓ Fits 3/4" through 1-1/4" diameter poles

**AL-43034 \$32.95**



**Basket w/2 Hooks**

Must specify pole diameter: 1", 1-3/4" or 2"

**AL-74886 \$99.00**



**Multi-Purpose Baskets**

Must specify pole diameter: 1", 1-3/4" or 2"

12"L x 8"W x 6"Deep  
**AL-49713 \$99.00**

12"L x 12"W x 8"Deep  
**AL-49714 \$129.00**



**Mobile Outlet Sphere**

- ✓ Light blue, durable, impact and fluid-resistant plastic
- ✓ Built-in circuit breaker and reset button
- ✓ Includes 15' cord

12-amp unit **AL-72567 \$219.00**

Includes 4 pairs of mounting rings that snap onto all sizes of I.V. poles 1" (25mm) to 1-1/2" (38mm) in diameter.



**Pole Mount Electrical Strip**

Combination multiple plug and surge protector features custom pole mount and cord wrap. Please specify 1" or 1-3/4" to 2" diameter

**AL-49712 \$229.00**



**5" x 6" Tray**

- ✓ Chrome Plated

**AL-43036 \$89.00**

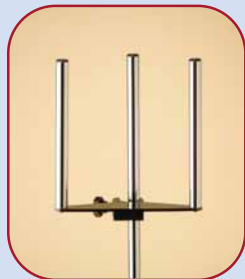
EP1



**Multi-Pump Holder**

- ✓ Designed for use with up to 4 pumps
- ✓ Features double Tru Loc
- ✓ Dimensions: 17-3/4"W x 27-3/4"H
- ✓ Fits 3/4" through 1-1/4" diameter poles

**AL-43035 \$149.00**



**Dual Pump Holder**

- ✓ Designed for use with multiple infusion pumps
- ✓ Uprights: 1" diameter tubing, 12" high, Triple Chrome plated
- ✓ Fits 3/4" through 1-1/4" diameter poles

**AL-43037 \$79.00**



**"D" Or "E" Oxygen Holder**

Fits 1"-2" Diameter Poles—Please Specify Single Holder **AL-49445 \$99.00**

Fits 1-3/4" Diameter Poles Only Dual Holder **AL-69425 \$159.00**



**I.V. to I.V. Transport Clamping System**

- ✓ Helps transport multiple I.V. Poles
- ✓ Locking clamps can hold standard I.V. Pole's ranging from 3/4" to 1-1/4"
- ✓ Locking clamps on both ends
- ✓ Keeps I.V. Poles 20" apart

**AL-77356 \$129.00**

# Stainless Steel I.V. Poles

**Features**

- ✔ Ramshorn can accommodate up to 200lb.
- ✔ Shock absorbing features allows for pole to be lowered safely
- ✔ I.V. Poles are self draining so will not collect fluids that erode the pole and spread bacteria
- ✔ All units are fully customizable
- ✔ Made in the USA
- ✔ 10 year warranty
- ✔ MRI Compatible Available



**There Will Be A Donation To The Fisher House For Every Victory I.V. Pole Sold!**



**VICTORY LINE**

- ✔ Stainless Steel I.V. pole w/ 24" Aluminum Polished Base
- ✔ 4 hook ramshorn which holds 200 lbs available in Blue or Red
- ✔ 3" deluxe SiLENT casters
- ✔ 6 outlet hospital grade power supply with umbrella and cord winders
- ✔ Extra Large Stainless Steel Adjustable pump adapter, which can accommodate 6 pumps with ease
- ✔ 25# Weight
- ✔ Flag topper and starred blue collar

**AL-77041      \$669.00**



**ViCTORY LiNE**

- ✔ Stainless Steel I.V. pole w/ 24" Aluminum Polished Base
- ✔ 4 hook ramshorn which holds 200 lbs available in Blue or Red
- ✔ 3" deluxe SiLENT casters
- ✔ 6 outlet hospital grade power supply with umbrella and cord winders
- ✔ Catheter bag hook
- ✔ 18" Patient Support Ring
- ✔ Flag topper and starred blue collar

**AL-77042      \$629.00**



**VICTORY LINE**

- ✔ Stainless Steel I.V. pole w/ 24" Aluminum Polished Base
- ✔ 4 hook ramshorn which holds 200 lbs available in Blue or Red
- ✔ 3" deluxe SiLENT casters
- ✔ 6 outlet power supply with umbrella and cord winders
- ✔ Catheter bag hook
- ✔ Pump shelf (Can hold 60 lbs.) FULLY CUSTOMIZABLE
- ✔ Flag topper and starred blue collar

**AL-77043      \$599.00**

## I.V. Pole Toppers

	<b>AL-77044</b>		<b>AL-77045</b>		<b>AL-77046</b>
ViCTORY LiNE Flag I.V. Topper cut out with clear holder & set screw		<b>AL-77044      \$49.00</b>		Heart I.V. Topper cut out with clear holder & set screw	
		<b>AL-77045      \$49.00</b>		Pink Ribbon I.V. Topper cut out with clear holder & set screw	
		<b>AL-77046      \$49.00</b>		Smile I.V. Topper cut out with clear holder & set screw	
		<b>AL-77047      \$49.00</b>			

# Stainless Steel I.V. Poles



**BUY 11 GET 1 FREE!**



AL-77048



AL-77049



AL-77050



AL-77052

4 hook, deluxe casters, 25lb weight	AL-77048	\$489.00
4 hook, deluxe casters, 50lb weight	AL-77048A	\$569.00
Patient Ring, double mast, power strip, O2 holder, 25lb weight	AL-77049	\$779.00
Multi Pump infusion stand 25lb weight, Power strip, Deluxe Casters, 8 hook Rake Top	AL-77050	\$629.00
Multi Pump infusion stand 50lb weight, Power strip, Deluxe Casters, 8 hook Rake Top	AL-77051	\$669.00
4 hook, deluxe casters and 18" Patient Ring with poly tray (not shown)	AL-77052	\$419.00

# Stainless Steel I.V. Hangers



I.V. 5-Bag Holder  
AL-63533 \$229.95



I.V. 9-Bag Holder  
AL-63534 \$279.95



### Adjustable I.V. Hanger

- ✓ Stainless steel telescoping I.V. hanger
- ✓ Overall length 25" compressed; to 37" fully extended
- ✓ New finger pull release design with quick stop feature, allows single-hand adjustment
- ✓ 4 stainless steel hooks
- ✓ Can be modified for MRI applications

AL-60735 \$179.00

**For Hanger Hardware  
See Pages 400-401**



### Atlas I.V. Hanger

- ✓ 4-hook polished stainless steel hanger

18" to 31" lengths	AL-56620	\$69.00
32" and longer lengths	AL-56621	\$69.00

### Adjustable I.V. Hanger

- ✓ Stainless telescoping hanger with 18" adjustment capability
- ✓ Overall length 36" compressed; 54" fully extended
- ✓ 5 hooks

AL-56622 \$79.00



EP1

# Stainless Steel I.V. Poles

**BUY 11 GET 1 FREE!**



## Stainless Steel I.V. Poles w/Color Coded Bases

- ✓ Base weighs 25 lbs for unmatched stability and comes with 3" scuff resistant casters
- ✓ Height adjustable from 52"-94" by simply turning the soft touch "no lose" screw knob
- ✓ Specify base color when ordering: Charcoal (C), Red (R), Green (G), Yellow (Y) and Blue (B)

- ✓ Height adjustable from 50"-92"
- ✓ Specify base color when ordering: Charcoal (C), Red (R), Green (G), Yellow (Y) and Blue (B)

2 Hook Top 16"W Base	<b>AL-67895</b>	<b>\$269.00</b>
4 Hook Top 16"W Base	<b>AL-67896</b>	<b>\$279.00</b>
6 Hook Top 16"W Base	<b>AL-67897</b>	<b>\$289.00</b>

2-Hook Top, 22"W Base	<b>AL-75440</b>	<b>\$289.00</b>
4-Hook Top, 22"W Base	<b>AL-75441</b>	<b>\$299.00</b>



Foot Pedal Adjustment

**AL-56584**

## Stainless 4-Hook I.V. Stand

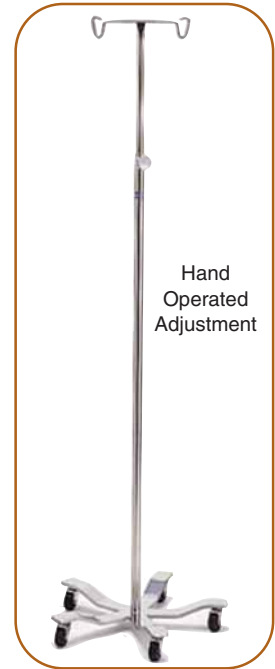
- ✓ Quick and easy footpedal height adjustment
- ✓ Four or five leg base
- ✓ All stainless steel
- ✓ Heavy, tip-resistant, all welded design
- ✓ 2" swivel casters for easy mobility
- ✓ 68" to 108" height adjustment
- ✓ Easy to clean surfaces

Four Hook, Five Leg Base	<b>AL-56584</b>	<b>\$499.00</b>
Two Hook, Five Leg Base	<b>AL-56584A</b>	<b>\$459.00</b>
Four Hook, Four Leg Base	<b>AL-56584B</b>	<b>\$439.00</b>
Two Hook, Four Leg Base	<b>AL-56584C</b>	<b>\$409.00</b>

## Stainless Steel I.V. Stand

- ✓ Hand operated friction lock eight adjustment
- ✓ 68" to 108" Height Adjustment
- ✓ 2" Swivel Caster for Easy Mobility

Two Hook I.V. Stand w/Four Legs	<b>AL-69453</b>	<b>\$349.00</b>
Four Hook I.V. Stand w/Four Legs	<b>AL-69454</b>	<b>\$369.00</b>
Two Hook I.V. Stand w/Five Legs	<b>AL-69455</b>	<b>\$409.00</b>
Four Hook I.V. Stand w/Five Legs	<b>AL-69456</b>	<b>\$429.00</b>



Hand Operated Adjustment

EP1



## The Power Pole

- ✓ Elevate 4 bags with one hand
- ✓ Same size as conventional I.V. tower
- ✓ No cords, plugs or batteries
- ✓ Designed with injury prevention in mind
- ✓ Perfect for arthroscopies
- ✓ Heavy duty 26" base
- ✓ Removable 4 position Ram Hook
- ✓ 3 Position Adjustment Handles
- ✓ 3" Swivel Casters (6)
- ✓ Latex Free

**AL-75393 Call**

# I.V. Poles

**BUY 11 GET 1 FREE!**



### Pediatric I.V. Stand With Transport Handle

- ✓ 19" diameter, low center of gravity cast base
  - ✓ 3" premium roller blade ball bearing casters
  - ✓ Powder coated 1.25" to double chrome plated 1" telescoping upright with posi-lock coupling to eliminate slippage
  - ✓ Low center of gravity small foot print
  - ✓ Four hook ram's horn type holder
  - ✓ Height Range 60" to 100"
- AL-75838      \$289.00**



### Multi-Pump I.V. Stand

- ✓ 22" diameter, low center of gravity cast base
  - ✓ 3" premium roller blade casters
  - ✓ Small foot print Heavy Duty I.V. stand
  - ✓ Double chrome plated 1.25" to 1" telescoping upright with posi-lock coupling to eliminate slippage
  - ✓ Four hook ram's horn type solution holder
  - ✓ Height Range 70" to 110"
- AL-75839      \$279.00**



### Heavy Duty Single Platform I.V. Stand

- ✓ 25" diameter, low center of gravity fabricated steel base
  - ✓ 4" premium twin wheel urethane casters
  - ✓ Low center of gravity Heavy Duty I.V. stand
  - ✓ Eight hook U-type solution holder
  - ✓ Height Range 70" to 83"
- AL-75840      \$369.00**



### 6-Leg I.V. Stand

- ✓ 23.5" diameter, low center of gravity 6 leg cast fabricated solid steel base
  - ✓ 3" premium roller blade casters or soft rubber wheel hooded style
  - ✓ Double chrome plated 1" to 7/8" telescoping upright with posi-lock coupling to eliminate slippage
  - ✓ Eight hook ram's horn
  - ✓ Height Range 70" to 110"
- AL-75837      \$279.00**

NOTE: Shown with optional Circular Transport Handle (AL-75841) and Oxygen Tank Support Bracket (AL-75842), sold separately.



### Off-Set Pole I.V. Stand

- ✓ This stand is designed to safely support heavy, multiple I.V. infusion devices and also companion I.V. fluid containers
  - ✓ Fits Pumps: B Braun, Carefusion, Hospira, etc.
  - ✓ 6-legs
  - ✓ 25" dia., low-center-of-gravity steel base with gray epoxy finish
  - ✓ This base has a welded off-set morse taper that allows the stainless I.V. pole to securely and permanently attach to the base
  - ✓ 3" premium rubber casters with sealed ball bearing
  - ✓ Stainless steel I.V. pole with defeat handle (to assure proper I.V. pump orientation)
  - ✓ This off-set pole positions the central mass of the infusion devices directly over the central axis of the stand, thus maximizing stability
  - ✓ 8-hook rake top assembly
  - ✓ Fixed position handle at the ideal push-point height
  - ✓ 82" fully extended; 62" compressed
- AL-77720      \$629.00**

**BUY 11  
Get One  
FREE**

# Glove Boxes & Paper Towel Holders



### Dispensa-Glove

- ✓ Open design makes it easy to see what is being dispensed
- ✓ Steel construction with powder coat finish

Standard Size	10-3/4" x 3-1/8"	<b>AL-52271</b>	<b>\$14.00</b>
X-Large Size	11-1/8" x 3-1/2"	<b>AL-52272</b>	<b>\$13.00</b>



### Deluxe Glove Box Holder —Adjustable — One Size Fits All

- ✓ Anodized aluminum
- ✓ Easy-to-mount horizontally or vertically
- ✓ Sturdy snap button design for ease of depth adjustment

#### Inside Dimensions:

4 5/8"W x 2 1/2"D x 10"L, minimum;  
8 1/2"W x 4 3/8"D x 10"L, maximum

Glove Box Holder, Adjustable – 2/Pk **AL-43189** **\$109.00/Pk of 2 Each**



### Dual-Dispensing Paper Towel Holders

- ✓ PETG construction won't break like acrylic, yet is clear
- ✓ Fills from top; dispenses from bottom or top
- ✓ Mounts on wall with key holes in back

Single Stack	<b>AL-75769</b>	<b>\$29.00</b>
Double Stack	<b>AL-75770</b>	<b>\$39.00</b>



### Stainless Steel & Wire Glove Box Holders

**Sold 2 Each Per Pack**

Single (6-1/4"H x 10"W x 4"D)

**AL-67919** **\$69.00 Pack**

Double (11"H x 11"W x 4"D)

**AL-56552** **\$89.00 Pack**

Triple (11"H x 15"W x 4"D)

**AL-67920** **\$99.00 Pack**

Triple Wire (16"H x 11-1/2"W x 4-1/2"D)

**AL-67922** **\$49.00 Pack**

Deluxe Wire (11 1/8"H x 17"W x 4-1/2"D)

**AL-67923** **\$69.00 Pack**

**MADE IN THE  
USA**



**AL-67922**



**AL-67923**



**AL-72598**

### Acrylic Glove Box Holders

- ✓ Right or left loading for easy fill
- ✓ Crystal clear acrylic construction

Single Glove Box Holder (5.6 x 10.4 x 4.4")

**AL-72597** **\$49.00**

Double Glove Box Holder (10 x 10.4 x 4.4")

**AL-72598** **\$79.00**

Triple Glove Box Holder (16.4 x 10.4 x 4.4")

**AL-72599** **\$79.00**



**AL-72595**

**AL-72594**

**AL-72596**

### GloveMaster® Glove Box Holders

- ✓ Top loading for easy fill
- ✓ Installs on wall with cut-out key holes or sits on bench
- ✓ Made from tough polycarbonate construction

Single GloveMaster® (11.25 x 4.25 x 4.5")

**AL-72594** **\$39.00**

Double GloveMaster® (11.25 x 8.25 x 4.5")

**AL-72595** **\$49.00**

Triple GloveMaster® (11.25 x 16.25 x 4.5")

**AL-72596** **\$59.00**

# Gait Belts

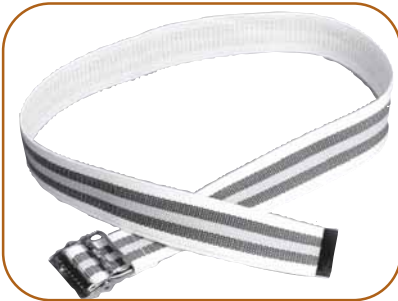
**BUY 11 GET 1 FREE!**



### Stars & Stripes Gait Belt

- ✓ Strong 2" wide cotton webbing
- ✓ Reliable quality and construction
- ✓ Secure metal or Delrin® buckle
- ✓ All belts are 60"L

Metal Buckle	<b>AL-62442</b>	<b>\$10.00</b>
Delrin® Buckle	<b>AL-62443</b>	<b>\$12.00</b>



### Gait Belt with Buckle

- ✓ Heavy 2" blue, gold, and natural striped webbing with sturdy steel buckle
- ✓ Used as a utility strap for walking patients

#### Sizes (Length/Waist):

36" Long/Fits up to 32"		
48" Long/Fits up to 44"		
60" Long/Fits up to 56"		
72" Long/Fits up to 68"		
36"	<b>AL-42835-36</b>	<b>\$10.95</b>
48"	<b>AL-42835-48</b>	<b>\$13.95</b>
60"	<b>AL-42835-60</b>	<b>\$14.95</b>
72"	<b>AL-42835-72</b>	<b>\$14.95</b>



### Gait Belt

- ✓ Durable, 2" wide belt
- ✓ Available in standard and heavy-duty cotton webbing
- ✓ Select either white or pastel stripe
- ✓ Choose from metal buckle or lightweight Delrin® buckle
- ✓ All belts are 60"L

Standard Webbing, Metal Buckle, White	<b>AL-62434</b>	<b>\$10.00</b>
Heavy-Duty Webbing, Metal Buckle, White	<b>AL-62435</b>	<b>\$12.00</b>
Standard Webbing, Delrin® Buckle, White	<b>AL-62436</b>	<b>\$12.00</b>
Heavy-Duty Webbing, Delrin® Buckle, White	<b>AL-62437</b>	<b>\$12.00</b>
Standard Webbing, Delrin® Buckle, Pastel Stripe	<b>AL-62438</b>	<b>\$12.00</b>
Heavy-Duty Webbing, Delrin® Buckle, Pastel Stripe	<b>AL-62439</b>	<b>\$12.00</b>
Standard Webbing, Metal Buckle, Pastel Stripe	<b>AL-62440</b>	<b>\$11.00</b>
Heavy-Duty Webbing, Metal Buckle, Pastel Stripe	<b>AL-62441</b>	<b>\$12.00</b>



### Gait/Transfer Belts

- ✓ Highest-quality, 100% cotton belt guarantees comfort and safety
- ✓ Choose our nickel-plated metal buckle or the new snap-in-place plastic looking buckle—just press the two sides to release
- ✓ 2" Wide

Buckle	Part No.	Ea.
<b>Pinstripe Gait Belts</b>		
54" Metal	<b>AL-66224</b>	
70" Metal	<b>AL-66223</b>	
54" Plastic	<b>AL-66232</b>	
70" Plastic	<b>AL-66233</b>	
<b>Pastel Gait Belts</b>		
54" Metal	<b>AL-66318</b>	
70" Metal	<b>AL-66319</b>	
54" Plastic	<b>AL-66320</b>	
70" Plastic	<b>AL-66321</b>	
<b>Red/White/Blue Gait Belts</b>		
54" Metal	<b>AL-66322</b>	
70" Metal	<b>AL-66323</b>	
54" Plastic	<b>AL-66324</b>	
70" Plastic	<b>AL-66325</b>	
<b>Price</b>		<b>\$14.95 Each</b>



### Gait Belt with Handle

Beige 3" wide belt made of loop that engages with hook in front. Sturdy strap to assist with handling of patient. Available in four lengths.

#### Sizes (Length/Waist):

36" Long/ Fits 18"-22"		
48" Long/Fits 22"-34"		
60" Long/Fits 34"-46"		
72" Long/Fits 40"-60"		
36"	<b>AL-42839-36</b>	<b>\$21.95</b>
48"	<b>AL-42839-48</b>	<b>\$24.95</b>
60"	<b>AL-42839-60</b>	<b>\$30.95</b>
72"	<b>AL-42839-72</b>	<b>\$36.95</b>



### Bariatric Gait Belt

- ✓ Strong 2" wide cotton webbing
- ✓ Secure metal buckle
- ✓ Choose White, Pastel Stripe or Stars and Stripes

White	<b>AL-67802</b>	<b>\$9.00</b>
Pastel Stripe	<b>AL-67803</b>	<b>\$9.00</b>
Stars & Stripes	<b>AL-67804</b>	<b>\$11.00</b>

**LOW PRICES GUARANTEED!**  
**WE WILL NOT BE UNDERSOLD!**



# Patient Care



AL-62001



AL-62000

### Clipboards

Poly "Covered" Clipboard Overbed and Regular Protect and preserve the integrity and confidentiality of patient information. Keep patient records at bedside. Cover held in place by our popular CHART-L0K®. Full 10" x 13" for most forms, with 1-3/4" bend to fit most bed rails, stretchers, etc. Easy to clean, attractive and strong. 100+gauge (1/8" thick). Economical, durable and quiet.

Available in Blue (BL), Mauve (MV), Beige (BG) or Burgundy (BU)

Poly Covered Clipboard

AL-62000 \$17.00

Poly Overbed Covered Clipboard with Standard Bend 1-3/4"

AL-62001 \$18.00

Specify Color

Burgundy (BU)	Blue (BL)	Mauve (MV)	Beige (BG)
---------------	-----------	------------	------------



AL-43193



AL-62005

### Deluxe and Slim Line Wall Desks

- ✓ Chart storage and work space
- ✓ Lockable
- ✓ Deluxe units hold binders with spine measurements to 3-1/4"
- ✓ Slim Line units hold binders with spine measurements to 2-1/4"

Deluxe, Full Size, Self Close, 23-3/4"H x 30"W x 4"D  
AL-43193 \$549.00

Slim Line, Full Size, Self Close, 23.75"H x 30"W x 3"D  
AL-62005 \$539.00

Economy Anodized Aluminum Low Desk, 15"H x 20.75"W x 3"D  
AL-62006 \$219.00



### Chartholders

- ✓ 3/4" capacity, holds 150 sheets
- ✓ Spring-loaded mechanism has 3 springs on a 9" x 12" chartholder
- ✓ Interchangeable with most racks
- ✓ Rounded corners

Anodized Aluminum AL-67861 \$59.00  
Beige Vinyl Clad Aluminum AL-67862 \$59.00



### 8" Flag System

3 Flags (Red, Blue, Green)  
AL-62631 \$36.00  
4 Flags (Red, Blue, Green, Yellow)  
AL-62632 \$42.00  
6 Flags (Red, Blue, Green, Yellow, Black, White)  
AL-62002 \$48.00

### 4" Flag System

6 Flags (Red, Blue, Green, Yellow, Black, White)  
AL-62003 \$69.00

Custom I.D. Flag Systems Available  
CALL!

AL-62002

EP1



### Computer Wall Desk

- ✓ Heavy gauge steel construction
- ✓ Dual entry for power & network cabling
- ✓ Programmable push button lock with automatically securing mechanism
- ✓ Smooth operating gas cylinders adjust for self or manual door close
- ✓ Accommodates 19" monitors & various CPU models

Beige AL-67863 \$999.00  
Light Grey AL-67864 \$999.00

Specify Color

Grey (GY)	Beige (BG)
-----------	------------



# Storage Cabinets & Safety Seals

**BUY 11 GET 1 FREE!**



**Medication Storage Cabinet with Lock**  
24"L x 8"W x 30"H

**AL-42751 \$409.00**

**Narcotic Cabinet**  
✓ 3 adjustable shelves  
24"L x 10"W x 30"H

**AL-42752 \$429.00**  
**AL-42752A \$219.00**  
with Double Lock and Two Shelves



**AL-42752A**

**AL-42752**

**QUICK SHIP! ORDER SHIPS 3 DAYS OR LESS!**

**Double Door/Double Lock Narcotic Cabinet**  
**1 Adjustable Shelf**

✓ Size 12"L x 8"W x 15" H

**AL-55306 \$269.00**

**2 Adjustable Shelves**

✓ Size - 18"L x 10"W x 30"H

**AL-67500 \$399.00**



**Compact Single Door/Double Lock Narcotic Cabinet**  
8-3/4"L x 6"W x 7-1/4"H

**AL-62218 \$129.00**

EP1



**AL-62008**



**AL-62007**

**Safety Control Seals**

Pull to break. Plastic closure system. Color coded. Designed for narrow slot opening. No scissors or tools needed to break uniquely designed seal.

Safety Control Seals with Numbers, 100/Pkg

**AL-62007 \$36.00**

Safety Control Seals without Numbers, 100/Pkg

**AL-62008 \$30.00**



# Seals, Saline, I.D. Bracelets & Tablet Crusher

**BUY 11 GET 1 FREE!**



### Pull Tite II Seals

- ✓ Excellent seal for code carts and emergency kits that need security with quick entry
- ✓ Average breaking strength: 11-14 lbs
- ✓ One side of the seal tab is textured to permit writing of verification information
- ✓ Polypropylene plastic
- ✓ Length of seal: 9"
- ✓ **Sold in quantities of 100 per pack only**
- ✓ Can be custom printed!
- ✓ \*Specify Color: Blue (BL), Green (GR), Red (RD), White (WH) or Yellow (YW)

**Example: AL-68528BL**

Consecutively Numbered Pull Tite II Seal*	<b>AL-68528</b>	<b>\$20.95/100 Pk</b>
Un-Numbered Pull Tite II Seal*	<b>AL-68529</b>	<b>\$13.95/100 Pk</b>
Biohazard Pull Tite II Seal (Orange)	<b>AL-68530</b>	<b>\$13.95/100 Pk</b>



### Saljet® — Single Dose

- ✓ Sterile Saline Topical Solution
- ✓ Single use, 1 oz. containers filled with sterile, normal saline
- ✓ Cleanses minor wounds, cuts, bruises and minor burns with minimal risk of cross contamination
- ✓ Continuous stream or drop by drop
- ✓ Containers come 4 to a strip, 10 strips of 4, for a total of 40 containers in each dispensing box

**AL-68550 \$36.95 Box**



**Identification Bracelets**  
Surface accepts writing, typing or embossing. Resists tearing and smearing even when wet. Reinforced for strength. Easy to apply.

Stat I.D. Bands, Box of 250  
**AL-62004 \$32.00**

### The Silent Knight Tablet Crushing System

- ✓ Silent—will not disturb patients
- ✓ Clean—prevents cross contamination and requires no cleanup
- ✓ Safe & Fast—requires minimum force to crush tablets; reduces med-pass time
- ✓ Fine Particle Size—prevents clogging of feed tubes

Silent Knight Tablet Crusher	<b>AL-52932</b>	<b>\$119.00</b>
PC Pouch (1000 each)	<b>AL-52933</b>	<b>\$49.00</b>



Remove pouch from handy dispenser. Place tablet(s) in pouch. Do not fill beyond dotted line.



Lift handle and insert pouch either from the top or the sides between the crushing plates.



Press handle down firmly to break tablets. Repeat to pulverize.



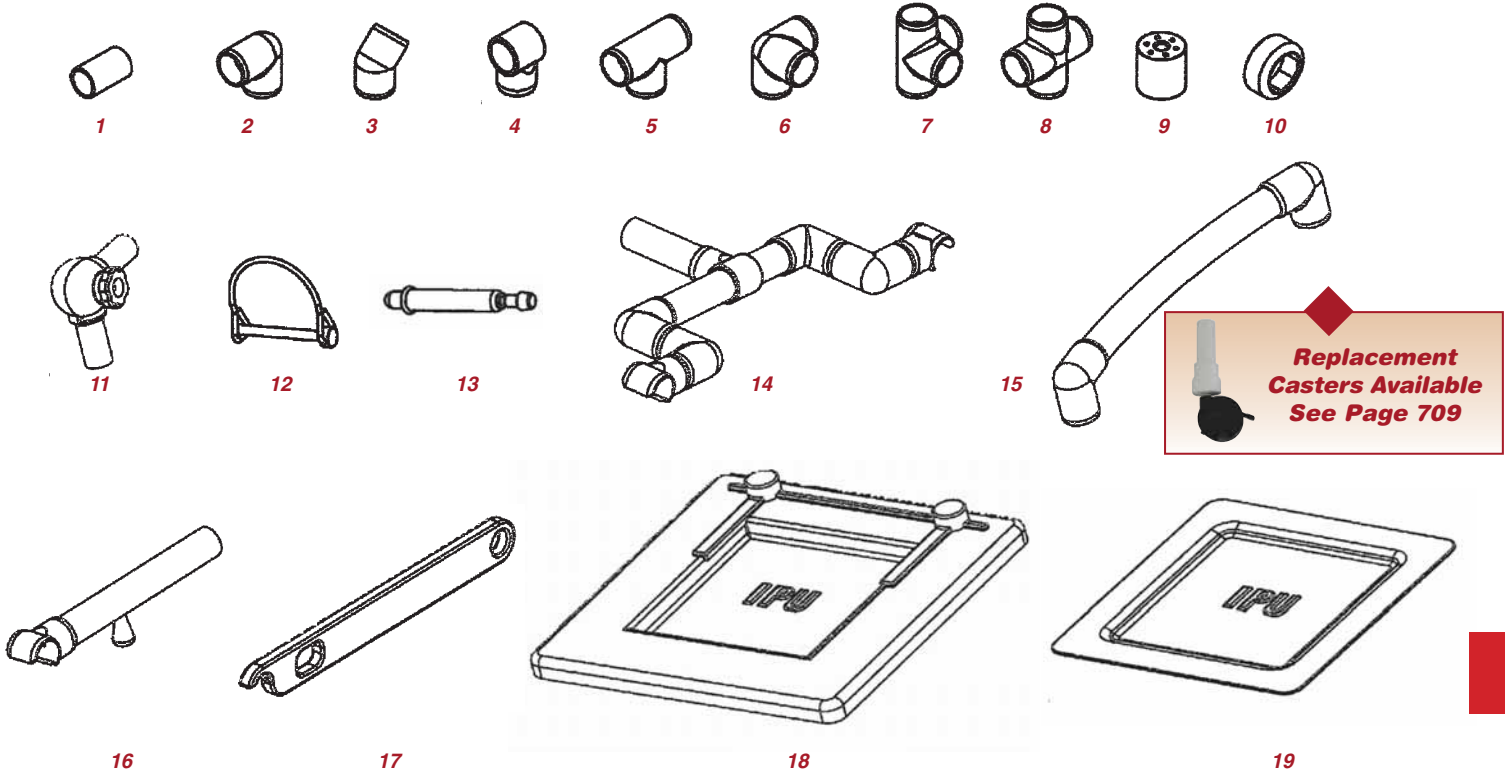
EP1

**We Accept**



# Innovative Products Unlimited PVC Parts

**BUY 11 GET 1 FREE!**

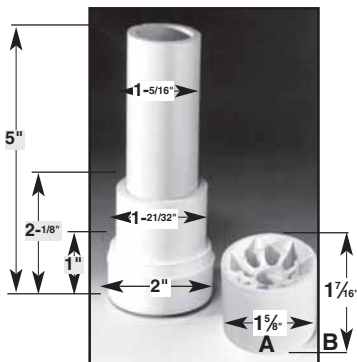


**Replacement Casters Available See Page 709**

Fig.	Description	ALCO Part No	Price Each
1	1-1/4" Pipe (O.D.=1-5/8")	AL-66851	\$7.95
2	1-1/4" L	AL-54819	\$4.95
3	1-1/4" 45 L	AL-66854	\$5.95
4	1-1/4" TI	AL-54820	\$4.95
5	1-1/4" T	AL-54822	\$4.95
6	1-1/4" 3way	AL-54823	\$5.95
7	1-1/4" 4way	AL-54821	\$5.95
8	1-1/4" X	AL-66860	\$7.95
9	1-1/4" Plug Ss	AL-47576	\$4.95
10	Ref Ring S	AL-54824	\$2.95

Fig.	Description	ALCO Part No	Price Each
11	Ratchet L	AL-66865	\$23.95
12	Adjust Lock Pin (For Walker)	AL-66869	\$4.95
13	Lock Bar Pin (For Walker)	AL-66870	\$7.95
14	250RC U Lock	AL-66866	\$46.95
	260RC U Lock	AL-66867	\$46.95
15	SC Push Bar	AL-66864	\$34.95
16	99 Bar (Before 1/17/02)	AL-54825	\$45.95
17	Medium Lock Bar (After 1/16/02)	AL-66868	\$45.95
18	Lid 22" X 21"	AL-66871	\$50.95
19	Lid 18" X 18"	AL-66872	\$39.95

EP1



(A) **AL-50337 \$4.95 Each**  
For Healthline PVC  
(B) **AL-50338 \$4.95 Each**  
For Anthros PVC (7/16" Stem Hole)



# Pediatric Equipment



## Reflex Hammers

- ✓ The balance, durometer and weight of Dino and Jamaal match that of conventional hammers
- ✓ A sturdy clip is attached to keep them comfortably contained in a pocket when not in use

Dino™ Dinosaur	AL-75704	\$19.95
Jamaal™ Giraffe	AL-75705	\$19.95



## Windmill Trainer and Mini-Wright Peak Flow Meter

- ✓ Teaches proper peak flow and improves monitoring
- ✓ Ideal for children as young as 2-1/2 years

Windmill Trainer (Pack of 5)	AL-75711	\$14.95 Pk/5
Peak Flow Meter (Low Range)	AL-75712	\$42.00 Each



## Animal Thermometers

- ✓ Friendly animals quickly take a child's temperature in 15 seconds

Alligator	AL-75707	\$12.95
Monkey	AL-75708	\$12.95
Dinosaur	AL-75709	\$12.95
Panda	AL-75710	\$12.95



## Alpha Bear Nebulizer

- ✓ This adorable bear uses any standard mask and tubing

AL-75706	\$59.00
----------	---------



## Benjamin Bear Sphygmomanometer

- ✓ Your wee patients give the bear (pressure bulb) a hug (squeeze) and they get a hug right back from the cuff
- ✓ Washable colorfast embroidered cuff with large Velcro strip

Child	AL-75713	\$79.00
Infant	AL-75714	\$79.00



## Finger Pulse Oximeter

- ✓ There is a special mark to tell the children the best place to put their fingers
- ✓ It can monitor a child's blood oxygen saturation (SpO2) value and pulse rate accurately through a finger even if the child is moving

AL-75715	\$129.00
----------	----------



## Stethoscope Covers

- ✓ Covers are made of washable, fun, plush material

Dalmatian	AL-75716	\$35.95
Tiger	AL-75717	\$35.95
Lion	AL-75718	\$35.95
Dinosaur	AL-75719	\$35.95

# Baby Changing Stations



## Wall Mounted Changing Station

- ✓ Microban Antimicrobial Protection
- ✓ Vertical Design
- ✓ Requires only 22" of horizontal wall space
- ✓ Complies with ADA and FDA regulations
- ✓ Braille instructions on door
- ✓ Safety messages in 6 languages
- ✓ Built-in sanitary liner dispenser encourages public hygiene
- ✓ 3 standard colors available: Granite, Beige and Light Grey

AL-58008	\$269.00
----------	----------



## Koala Kare Baby Changing Station

- ✓ Dimensions: 35" W x 22" H
- ✓ Depth Open: 22.5"
- ✓ Depth Closed: 4"
- ✓ Mounting Height: 44.25"
- ✓ Wall mounted
- ✓ Available in four colors: Cream, Grey, White Granite or Earth

AL-73117	\$259.00
----------	----------

# Pediatric Equipment

**BUY 11 GET 1 FREE!**



**300 lb. Capacity**

Flip Back Arms are Non-Removable

### ALCO Deluxe Flip Back Non-Removable Arm Wheelchair

- ✓ Comes standard with "flip up" rear anti-tippers with wheels
- ✓ Flip-back arms are non-removable and allow for easy transfer
- ✓ Composite wheels with aluminum hand rims
- ✓ Standard dual axle provides easy transition of seat height

### Pediatric (seat to floor height 13-1/2"-15-1/2")

12" Flip Back Desk Arm w/Swing-away Footrest	<b>AL-75411</b>	<b>\$339.00</b>
12" Flip Back Desk Arm w/Elevating Legrest	<b>AL-75412</b>	<b>\$359.00</b>
14" Flip Back Desk Arm w/Swing-away Footrest	<b>AL-75413</b>	<b>\$339.00</b>
14" Flip Back Desk Arm w/Elevating Legrest	<b>AL-75414</b>	<b>\$359.00</b>

**200 lb. Capacity**



**AL-63034BL**

### Non-Folding Toddler Walker

- ✓ Adjustable in 1" increments
- ✓ Angled front legs to insure stability

Blue	<b>AL-63034BL</b>	<b>\$99.00</b>
Red	<b>AL-63034R</b>	<b>\$99.00</b>

Height	21-25"
Width Between Grips	12"
Width at Base	18.5"

**250 lb. Capacity**



**AL-63037R**

MADE IN USA



### Pediatric Commode w/Hook and Loop Chest Strap

- ✓ Small solid plastic toilet seat
- ✓ Welded steel construction
- ✓ Angled arms for easier ascending and descending

Blue	<b>AL-63037BL</b>	<b>\$189.00</b>
Red	<b>AL-63037R</b>	<b>\$189.00</b>

Seat Height	11-14"
Overall Width	18"
Width Between Arms	14.5"
Depth	19"

**300 lb. Capacity**



### Pediatric Quad Canes

- ✓ Right and Left hand use—vinyl comfort grip
- ✓ Light weight, extra strong base design
- ✓ push button adjustment
- ✓ Adjustable in 1" increments

Blue	<b>AL-63036BL</b>	<b>\$69.00</b>
Red	<b>AL-63036R</b>	<b>\$69.00</b>

Height	22.75-27-75"
Overall Width	8"
Depth	6"

EP1



### Neonatal Crib

- ✓ 24" x 36" size saves space in the neonatal unit but has plenty of room for twins
- ✓ Short side rails for easy access
- ✓ Two side drop
- ✓ Fixed position mattress support
- ✓ Memory Foam Mattress standard

**AL-67984 CALL**



### Infant Crib

- ✓ 30" x 44" size will accommodate infants up to 9 months
- ✓ Mid-stop position
- ✓ Two side drop
- ✓ Fixed position mattress support

**AL-67985 CALL**



### Bassinet with One Drawer

- ✓ Ample storage for baby's supplies and bottom shelf offers surface space for storage equipment
- ✓ Drawer latches securely
- ✓ Easy rolling 4" casters are standard
- ✓ Overall dimensions, including basket: 30" x 16" x 40"

**AL-67983 Call**



# Pediatric Scales

**BUY 11 GET 1 FREE!**



### Digital Pediatric/Neonatal Scales

- ✓ Tray size for AL-75724 measures 24-1/8"W x 14-1/8"D x 2-5/8"H
- ✓ Seat size for AL-75725 measures 24-1/4"W x 14-1/4"D x 18-1/2"H
- ✓ 1" LCD display
- ✓ 6 AA batteries (included)
- ✓ Plastic, easy to clean surface
- ✓ USB connectivity

### Digital Pediatric/Neonatal Scales

- ✓ Tray size for AL-75726 measures 24-7/8"W x 13"D x 1-3/8"H
- ✓ Tray size for AL-75727 measures 19-1/4"W x 13"D x 2-5/8"H
- ✓ LCD display
- ✓ Plastic, easy to clean surface
- ✓ White

Tray Scale	<b>AL-75724</b>	<b>\$409.00</b>
Seat Scale	<b>AL-75725</b>	<b>\$469.00</b>

Tray Scale	<b>AL-75726</b>	<b>\$369.00</b>
Tray Scale	<b>AL-75727</b>	<b>\$229.00</b>



### Pediatric Scale

- ✓ Tray size for AL-75731 measures 24-1/8"W x 14-1/2"D x 2-3/4"H
- ✓ Seat size for AL-75732 measures 24-1/4"W x 14-1/4"D x 18-1/2"H
- ✓ White

### High Resolution Portable Neonatal Scale

- ✓ Tray size measures 24"W x 15-3/8"D x 3"H
- ✓ 7/8" LCD display
- ✓ Plastic, easy to clean surface
- ✓ Light grey

Tray Scale	<b>AL-75731</b>	<b>\$409.00</b>
Seat Scale	<b>AL-75732</b>	<b>\$469.00</b>

<b>AL-75728</b>	<b>\$2099.00</b>
-----------------	------------------

EPI

# Diagnostic



Phone: 800-323-4282  
Fax: 800-950-1167

**ALCO**  
Sales & Service Co.

info@alcosales.com  
www.alcosales.com

# Welch Allyn Sphygmomanometers



**BUY 11 GET 1 FREE!**



AL-48937

### 767 Wall & Mobile Aneroids

- ✓ Certified accurate to  $\pm 3$  mmHg
- ✓ Mercury-free and latex-free for safety
- ✓ Ruby-jeweled movement for long life
- ✓ Laser-engraved dial face for accuracy
- ✓ Large, easy-to-read dial face (6.25"/15 cm)
- ✓ Built-in cuff storage basket
- ✓ Mobile stand has adjustable height and 360° swivel for clear viewing
- ✓ Lifetime calibration warranty

Description	ALCO Part No.	Price Each
Wall Aneroid w/ Durable One-Piece Adult Cuff	AL-48937	\$229.95
Wall Aneroid Only w/ 8ft. Coiled Tubing	AL-48631	\$179.95
Mobile Aneroid w/ Weighted Base and Durable One-Piece Adult Cuff	AL-48632	\$389.95
Mobile Aneroid on 5-Leg Stand w/ Durable One-Piece Adult Cuff	AL-72904	\$686.95
Wall Aneroid w/ Durable Two-Piece Adult Cuff and Bladder	AL-72906	\$237.95
Mobile Aneroid w/ Two-Piece Adult Cuff, Bladder & Standard Base	AL-72907	\$420.95



AL-48632

## Replacement Parts

Description	ALCO Part No.	Price Each
Large Adult Common Cuffs & Inflation Systems-Wall Sphygs (Reusable Cuff Only)	AL-71263	\$34.95
Adult Common Cuffs & Inflation Systems-Wall Sphygs (Reusable Cuff Only)	AL-71247	\$30.95
Small Adult Common Cuffs & Inflation Systems-Wall Sphygs (Reusable Cuff Only)	AL-71239	\$29.95
Large Adult Common Cuffs & Inflation Systems-Wall Sphygs (Complete System)	AL-71264	\$55.95
Adult Common Cuffs & Inflation Systems-Wall Sphygs (Complete System)	AL-71248	\$50.95
Small Adult Common Cuffs & Inflation Systems-Wall Sphygs (Complete System)	AL-71240	\$48.95
Mobile Stand & Basket Assembly Only (w/o Base Weight)	AL-72911	\$305.95
Inflation System Basket, Large, White	AL-72913	\$37.95
Crystal for Tyco's 767-Series Wall and Mobile Aneroids	AL-9064D	\$16.95
Premium Small Inflation Bulb (Black)	AL-9047	\$10.95
Premium Large Inflation Bulb (Black)	AL-67350	\$13.95
Air Release Valve	AL-9049	\$19.95
Air Release Valve & Small Bulb	AL-9050	\$23.95
Fitting, Metal Male Luer Slip (10 Pack)	AL-72914	\$35.95
Fitting, Metal Female Luer Slip (10 Pack)	AL-72915	\$19.95
Coil Tubing - 4ft. Length	AL-72916	\$24.95
Coil Tubing - 8ft. Length	AL-9056	\$28.95
Large Adult Inflation System w/ Two-Tube Bag & Cuff -Wall Sphygs	AL-9024	\$61.95
Adult Inflation System w/ Two-Tube Bag & Cuff -Wall Sphygs	AL-9023	\$61.95
Child Inflation System w/ Two-Tube Bag & Cuff -Wall Sphygs	AL-9022	\$60.95
Large Adult Cuff & Bladder Only	AL-9018	\$40.95
Adult Cuff & Bladder Only	AL-9017	\$40.95
Child Cuff & Bladder Only	AL-9016	\$59.95

EP1



# Welch Allyn Green Series Integrated Wall System



## Features

- ✓ Help reduce facility cost with a more energy efficient product than the 767 Wall Transformer
- ✓ Help improve workflow and save energy with handles that automatically turn on/off
- ✓ Quickly and easily upgrade from the Welch Allyn 767 Wall Transformer to the Green Series 777 Wall Transformer
- ✓ No on/off switch reduces contact, to help reduce the risk of cross-contamination

Description	Welch Allyn Part No.	ALCO Part No.	Price Each
Includes: PanOptic Ophthalmoscope, MacroView Otoscope, Wall Aneroid, KleanSpec Specula Dispenser, SureTemp Plus 690 Thermometer & Wall Board	77791-1MPX	AL-77537-1MPX	\$2199.00
Includes: PanOptic, MacroView Otoscope, Wall Aneroid, KleanSpec Specula Dispenser, SureTemp Plus 690 Thermometer & Wall Board	77791-2MPX	AL-77537-2MPX	\$2259.00
Includes: PanOptic Ophthalmoscope, MacroView Otoscope, KleanSpec Specula Dispenser, Connex ProBP Digital Blood Pressure Device, SureTemp Plus 690 Thermometer and Wall Board	77791-2MPXPROBP	AL-77537-2MPXPROBP	\$3399.00
Includes: Coaxial Ophthalmoscope, MacroView Otoscope, Wall Aneroid KleanSpec Specula Dispenser, SureTemp Plus 690 Thermometer & Wall Board	77791-MX	AL-77537MX	\$1759.00
Includes: Coaxial Ophthalmoscope, MacroView Otoscope, KleanSpec Specula Dispenser, SureTemp Plus 690 Thermometer & Wall Board	77791-MXNOBP	AL-77537MXNOBP	\$1539.00
Includes: Coaxial Ophthalmoscope, MacroView Otoscope, KleanSpec Specula Dispenser, Connex ProBP Digital Blood Pressure Device, SureTemp Plus 690 Thermometer & Wall Board	77791-MXPROBP	AL-77537MXPROBP	\$2999.00
Includes: PanOptic Ophthalmoscope, MacroView Otoscope, Wall Aneroid, KleanSpec Specula Dispenser & Wall Board	77792-1MP	AL-77538-1MP	\$1829.00
Includes: PanOptic Ophthalmoscope, MacroView Otoscope, Wall Aneroid, KleanSpec Specula Dispenser & Wall Board	77792-2MP	AL-77538-2MP	\$1889.00
Includes: Coaxial Ophthalmoscope, MacroView Otoscope, Wall Aneroid, KleanSpec Specula Dispenser & Wall Board	77792-M	AL-77538M	\$1429.00
Includes: Coaxial Ophthalmoscope, MacroView Otoscope, KleanSpec Specula Dispenser & Wall Board	77792-MNOBP	AL-77538MNOBP	\$1239.00
Includes: PanOptic Ophthalmoscope, MacroView Otoscope, Wall Aneroid, KleanSpec Specula Dispenser, SureTemp Plus 690 Thermometer & Wall Board	77795-2MPX	AL-77539-2MPX	\$2379.00
Includes: Coaxial Ophthalmoscope, MacroView Otoscope, Wall Aneroid, KleanSpec Specula Dispenser, SureTemp Plus 690 Thermometer & Wall Board	77795-MX	AL-77539MX	\$1889.00
Includes: PanOptic Ophthalmoscope, Pneumatic Otoscope, Wall Aneroid, KleanSpec Specula Dispenser, SureTemp Plus 690 Thermometer & Wall Board	77797-2PX	AL-77541-2PX	\$2249.00
Includes: Coaxial Ophthalmoscope, Pneumatic Otoscope, Wall Aneroid, KleanSpec Specula Dispenser, SureTemp Plus 690 Thermometer & Wall Board	77797-X	AL-77541X	\$1299.00
Includes: Coaxial Ophthalmoscope, Pneumatic Otoscope, Wall Aneroid, KleanSpec Specula Dispenser & Wall Board	77798	AL-77542	\$1379.00
Includes: Coaxial Ophthalmoscope, Pneumatic Otoscope, Wall Aneroid, KleanSpec Specula Dispenser screws only for Spot Vital Signs LXi & Wall Board	77794-2MPLXI	AL-77543-2MPLXI	\$1669.00
Includes: PanOptic Ophthalmoscope, MacroView Otoscope, KleanSpec Specula Dispenser, mounting screws only for Spot Vital Signs & Wall Board	77794-2MPSPOT	AL-77543-2MPSPOT	\$1699.00
Includes: Coaxial Ophthalmoscope, MacroView Otoscope, KleanSpec Specula Dispenser, mounting screws only for Spot Vital Signs LXi & Wall Board	77794-MLXI	AL-77543MLXI	\$1279.00
Includes: Coaxial Ophthalmoscope, MacroView Otoscope, KleanSpec Specula Dispenser, mounting screws only for Spot Vital Signs & Wall Board	77794-MSPOT	AL-77543MSPOT	\$1279.00
Includes: PanOptic Ophthalmoscope, MacroView Otoscope, KleanSpec Specula Dispenser, mounting screws only for Spot Vital Signs LXi & Wall Board	77710-71M	AL-77544-71M	\$1019.00
Includes: Coaxial Ophthalmoscope & MacroView Otoscope	77710-81M	AL-77544-81M	\$1399.00
Includes: PanOptic Ophthalmoscope & MacroView Otoscope	77710-82M	AL-77544-82M	\$1469.00
Includes: PanOptic Ophthalmoscope & MacroView Otoscope	77710-TAKX	AL-77544TAKX	\$1219.00
Includes: SureTemp Plus 690 Thermometer, Wall Aneroid & KleanSpec Specula Dispenser	77910	AL-77545	\$819.00
Includes: Wall Aneroid & KleanSpec Specula Dispenser	77510	AL-77546	\$599.00
Includes: Specula Dispenser	77710	AL-48939	\$549.00
Wall Transformer only—3.5V			



# Aneroid Sphygmomanometers

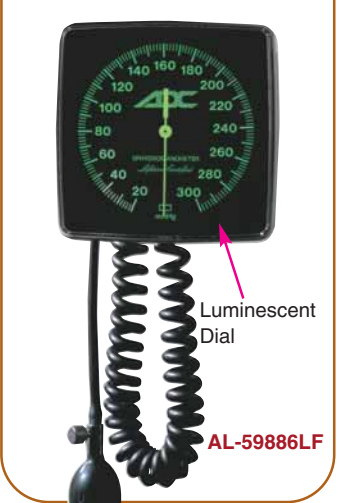
**BUY 11 GET 1 FREE!**

## Floor Model



AL-50854LF

## Wall Mounted



AL-59886LF

Luminescent Dial

### Classic Latex Free Floor Model Aneroid

- ✓ Height adjustable 5-leg caster stand with range of 36" to 42" (floor to top of unit)
- ✓ Coated wire inflation system storage basket.
- ✓ Manometer angled back 15 degrees for easy viewing
- ✓ All assembly hardware and instructions included
- ✓ Lifetime Limited Warranty

	ALCO Part No.	Price Each
Adult	AL-50854LF	\$189.00
Newborn	N/A	N/A
Infant	AL-50854IMLF	\$189.00
Child	AL-50854CMLF	\$189.00
Large Adult	AL-50854XMLF	\$199.00
Thigh	AL-50854TMLF	\$199.00

### Large Face Latex Free Aneroid

- ✓ Large, 6" luminescent dial
- ✓ Visible in virtually any light condition
- ✓ 300mmHg no-pin stop mechanism
- ✓ Rear bracket holds inflation system
- ✓ Lifetime calibration warranty

	ALCO Part No.	Price Each
Adult	AL-59886LF	\$99.00
Newborn	N/A	N/A
Infant	AL-59888LF	\$99.00
Child	AL-59889LF	\$99.00
Large Adult	AL-59890LF	\$99.00
Thigh	AL-59891LF	\$99.00

### Mobile Clock Aneroid Adjustable Sphygmomanometer

- ✓ Heavy base design with five caster dual wheels provides stability and ease in movement
- ✓ Height adjusts from 42" to 55"
- ✓ Lifetime calibration warranty
- ✓ The unit comes complete with a deluxe calibrated, nylon cuff, deluxe air release valve, cuff storage basket and 8' coiled tubing

Size	Color	ALCO Part No.	Price Each
Adult	Black	AL-68288	\$169.00

### Wall-Mounted Clock Aneroid Adjustable Sphygmomanometers

- ✓ Special mounting bracket allows the unit to swivel
- ✓ Built-in cuff storage area
- ✓ Lifetime calibration warranty
- ✓ 8' coiled tubing, deluxe calibrated, nylon cuff and bulb with deluxe air release valve, are included

Size	Color	ALCO Part No.	Price Each
Adult	Black	AL-68287	\$99.00

## Wall Mounted



AL-68287

Latex Free

## Floor Model



Adjustable



Latex Free

AL-68288



### Economy Floor Model Aneroid

- ✓ Swivel bracket with 6" easy-to-read dial
- ✓ Inflation system storage
- ✓ 57-62" height adjustment
- ✓ Low profile base

AL-42979 \$139.00



# Baumanometer Sphygmomanometers

Baumanometer®

## Baumanometer Wall and Mobile Aneroid Units



AL-55133



AL-56802



AL-56554

### Baumanometer Pocket Aneroid Calibrated V-Lok™ and Case

Adult Latex	AL-56554	\$79.00
Adult Non-Latex	AL-56555	\$79.00
Large Arm Latex	AL-56556	\$89.00
Large Arm Non-Latex	AL-56557	\$89.00

Description	Wall Aneroid Units		Mobile Aneroid Units	
	ALCO Part No.	Price Each	ALCO Part No.	Price Each
Adult Latex	AL-55133	\$149.00	AL-56802	\$349.00
Adult Latex-Free	AL-55133NL	\$149.00	AL-56802NL	\$349.00
Child/Small Adult Latex	AL-55134	\$149.00	AL-56803	\$349.00
Child/Small Adult Latex-Free	AL-55134NL	\$149.00	AL-56803NL	\$349.00
Infant Latex	AL-55135	\$149.00	AL-56804	\$339.00
Infant Latex-Free	AL-55135NL	\$149.00	AL-56804NL	\$339.00
Large Arm Latex	AL-55136	\$159.00	AL-56807	\$369.00
Large Arm Latex-Free	AL-55136NL	\$159.00	AL-56807NL	\$369.00

## Mercurial Units

(Can NOT Be Shipped To The Following States: Illinois, California, Connecticut, Maine, Massachusetts, New Hampshire, New York, Rhode Island, Vermont, Washington or Louisiana)



AL-6502

### Mercurial Standby Model with Mobile Base

With wheels 2-1/2 dia.

Latex

AL-6502 \$389.00

Non-Latex

AL-6502NL \$389.00



### Mercurial Desk Model Sphygmomanometer

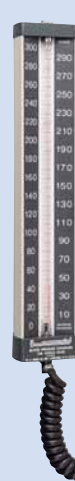
✓ Mercury, 300mm HG

Latex

AL-2013 \$199.00

Non-Latex

AL-2013NL \$199.00



Wall Units Are Neutral White Instruments with Medium Blue Cuff. Other Colors Available - Call!

### Shatterproof Mylar Wrap Tube

Latex w/wall basket

AL-6503A \$189.00

Non-Latex w/wall basket

AL-6503NL-A \$199.00



Includes Stainless Steel wall clip

Latex

AL-6504A \$169.00

Non-Latex

AL-6504NL-A \$179.00



# Riester Sphygmomanometers & Wall Systems

**BUY 11 GET 1 FREE!**



  
**AL-70520**

  
**AL-70521**

  
**AL-70522**

  
**AL-70523**

**Ri-San® Aneroid Sphygmomanometer w/Adult Size Cuff (Latex-Free)**

- ✓ Fingertip Air Release Valve
- ✓ Linear Scale Easy to Read
- ✓ Sturdy ABS Plastic

Blue	<b>AL-70520</b>	<b>\$69.00</b>
Slate Grey	<b>AL-70521</b>	<b>\$69.00</b>
Saffron	<b>AL-70522</b>	<b>\$69.00</b>
Green	<b>AL-70523</b>	<b>\$69.00</b>

**LATEX FREE**



**AL-70524**



**AL-64070**

**Big Ben® Desk Aneroid Sphygmomanometer, w/Adult size Velcro Cuff, Latex Free**

- ✓ High Contrast Scale for Easy Reading
- ✓ Non-wearing Air Release Valve
- ✓ Strong ABS Plastic
- ✓ Stable base

Desk Round	<b>AL-64070</b>	<b>\$129.00</b>
Desk Square	<b>AL-70524</b>	<b>\$129.00</b>



**AL-70526**



**AL-70527**

**Big Ben® Wall Model Aneroid Sphygmomanometer, w/Adult size Velcro Cuff, Latex Free**

- ✓ Extremely stable wall mounting made of glass-fibre reinforced plastic
- ✓ Exceptionally sturdy casing made of ABS plastic
- ✓ Includes screws and wallplugs

Wall Square	<b>AL-70526</b>	<b>\$129.00</b>
Wall Round	<b>AL-70527</b>	<b>\$129.00</b>



**AL-70525**



**AL-70528**

**LATEX FREE**

**Big Ben® Floor Model Aneroid Sphygmomanometer w/Adult size Velcro Cuff, Latex Free**

- ✓ Adjustable height
- ✓ Strong ABS Plastic

Floor Round	<b>AL-70525</b>	<b>\$249.00</b>
Floor Square	<b>AL-70528</b>	<b>\$249.00</b>



**LATEX FREE**

**Babyphon Aneroid Sphygmomanometer w/Child, Baby and Infant Size Velcro Cuff**

- ✓ Ergonomic spoon-shaped grip of stainless steel
- ✓ Precision air release valve, permits fine regulation and is non-wearing
- ✓ Special hardened copper-beryllium membranes, virtually unchangeable precision workings
- ✓ Membrane can withstand overpressures of up to 600mm
- ✓ Linear scale, up to 300mm Hg

**AL-70519      \$119.00**

# Palm Style Sphygmomanometers

**BUY 11 GET 1 FREE!**



AL-55231BL

### Signature™ Series Palm Model

The deluxe chrome-plated palm aneroid gauge is backed by a lifetime calibration warranty. Complete unit is packed in a deluxe carrying case.

#### With Calibrated Nylon Cuff

	Latex	Latex-Free
Adult, Blue	AL-55231BL \$99.00	AL-77154BL \$109.00
Adult, Black	AL-55231BK \$99.00	AL-77154BK \$109.00
Palm Manometer only	AL-9012 \$99.00	



AL-9012



### Welch Allyn Hand Aneroid with Durable One-Piece Cuff

- ✓ Innovative trigger-release design for easy operation
- ✓ Certified accurate to ±3 mmHg
- ✓ Trigger deflation valve provides smooth one-finger control
- ✓ Thermally treated diaphragm maintains calibration
- ✓ Double-shell ABS housing for durability
- ✓ Luer lock for easy cuff-size changes
- ✓ Hand Aneroid Gauge

Adult	AL-64621	\$189.00
Large Adult	AL-72917	\$189.00
Child	AL-72918	\$187.00
Hand Aneroid Gauge and Bulb Only	AL-72930	\$141.95

**WelchAllyn®**



### Welch Allyn Hand Aneroids

- Maintains accurate blood pressure readings with lower lifetime cost due to gear-free, shock-resistant DuraShock™ technology
- ✓ Certified accuracy to 3 mmHg
- ✓ Meets twice the AAMI shock-resistant standard for enhanced durability (60")
- ✓ Laser-engraved dial face for accuracy
- ✓ Jeweled movement for long life
- ✓ Premium inflation system for comfort
- ✓ Latex-free for safety

Hand Aneroid w/Reusable One-Piece Adult Cuff and Zippered Case

AL-68333 \$229.00

Hand Aneroid w/Reusable One-Piece Multi-Cuff Kit and Zippered Case

AL-68334 \$338.00



### Diagnostix™ Palm Style Latex Free Aneroid

- ✓ Latex-free bulb and trigger style air release valve
- ✓ Precision crafted 300mmHg no-pin stop
- ✓ Movement housed in a patented double shell ABS-impact resistant polymer casing
- ✓ ADCUFF™ nylon cuff
- ✓ Dip molded latex inflation bladder
- ✓ Quick release luer slip connector for easy cuff-size changes
- ✓ Leather case included
- ✓ Lifetime calibration warranty

Palm Style Aneroid	Color	ALCO Part No.	Price Each
Adult	Black	AL-52929LF	\$79.00
Child	Black	AL-52930LF	\$79.00
Large Adult	Black	AL-52931LF	\$79.00



# Sphygmomanometers

**BUY 11 GET 1 FREE!**



AL-58982LF

### Diagnostix™ 720 Series Latex Free Sphygmomanometer

- ✓ Precision crafted 300mmHg no-pin stop manometer
- ✓ Extended scaleplate graduation marks reduce parallax for easier viewing from virtually any angle
- ✓ ADCUFF™ nylon cuff with ADC's proprietary Size Guide™ marking system ensures proper cuff positioning and use of correct cuff size
- ✓ Adflow™ chrome-plated brass air release valve for precise deflation control
- ✓ Complete with leatherette carrying case with nylon zipper

#### Lifetime Calibration Warranty

Color	ALCO Part No.	Price
Black	<b>AL-58982LF</b>	<b>\$39.95</b>
Burgundy	<b>AL-58983LF</b>	<b>\$39.95</b>
Grey	<b>AL-58984LF</b>	<b>\$39.95</b>
Navy	<b>AL-58985LF</b>	<b>\$39.95</b>
Orange	<b>AL-58986LF</b>	<b>\$39.95</b>
Royal Blue	<b>AL-58987LF</b>	<b>\$39.95</b>
Teal	<b>AL-58988LF</b>	<b>\$39.95</b>
Dark Green	<b>AL-64385LF</b>	<b>\$39.95</b>

Also Available In Black Only For:		
Child	Latex Free: <b>AL-58989LF</b>	<b>\$39.95</b>
Lg Adult	Latex Free: <b>AL-58990LF</b>	<b>\$43.95</b>

#### Twenty Year Calibration Warranty

Color	ALCO Part No.	Price
Black	<b>AL-58991LF</b>	<b>\$29.95</b>
Burgundy	<b>AL-58992LF</b>	<b>\$29.95</b>
Grey	<b>AL-58993LF</b>	<b>\$29.95</b>
Navy	<b>AL-58994LF</b>	<b>\$29.95</b>
Orange	<b>AL-58995LF</b>	<b>\$29.95</b>
Royal Blue	<b>AL-58996LF</b>	<b>\$29.95</b>
Teal	<b>AL-58997LF</b>	<b>\$29.95</b>
Dark Green	<b>AL-64384LF</b>	<b>\$29.95</b>

Also Available In Black Only For:		
Child	Latex Free: <b>AL-58998LF</b>	<b>\$29.95</b>
Lg Adult	Latex Free: <b>AL-58999LF</b>	<b>\$34.95</b>



AL-9006A



### Pocket Aneroid

- ✓ Super shock-resistant—can withstand up to 60" drop (twice the AAMI "Shock Resistant" standard) and remain in calibration
- ✓ Jewel movement for long life
- ✓ Laser-engraved dial face for accuracy
- ✓ Premium inflation system for comfort
- ✓ Lifetime calibration warranty
- ✓ Premium aesthetics
- ✓ Latex-free

Gauge Only	<b>AL-9006</b>	<b>\$159.95</b>
Gauge w/ Durable One-Piece Adult Cuff and Nylon Zipper Case Complete	<b>AL-9006A</b>	<b>\$245.95</b>
Small Nylon Zipper Case	<b>AL-9006B</b>	<b>\$55.95</b>

We Accept



# Sphygmomanometers

**BUY 11 GET 1 FREE!**



## Aneroid Sphygmomanometer

- ✓ Comfortable-fitting calibrated cuff in nylon or cotton
- ✓ Twenty-year gauge calibration warranty
- ✓ Standard air release valve
- ✓ Zippered carrying case

Size	Color	Latex		Latex Free	
		ALCO Part No.	Price Each	ALCO Part No	Price
Adult	Blue	AL-54156	\$19.00	AL-54156LF	\$19.00
Infant	Blue	AL-54157	\$19.00	AL-54157LF	\$28.00
Child	Blue	AL-54158	\$19.00	AL-54158LF	\$28.00
Lg Adult	Blue	AL-54159	\$25.00	AL-54159LF	\$36.00
Thigh	Blue	AL-54160	\$29.00	AL-54160LF	\$43.00

## Latex with Cotton Cuff

Adult	Grey	AL-55222	\$21.00
Child	Grey	AL-55223	\$24.00
Lg Adult	Grey	AL-55224	\$24.00



## Pinnacle Series Aneroid Sphygmomanometer

- ✓ Durable chrome-plated gauge with luminescent dial and needle for convenient readings in low light
- ✓ Deluxe air release valve delivers a smooth and precise deflation rate
- ✓ Heavy-duty deluxe bladder and thick-walled inflation bulb combined with our deluxe calibrated nylon cuff guarantees reliable measurement
- ✓ Latex

Adult	AL-74040	\$32.00
Large Adult	AL-74041	\$36.00
Child	AL-74042	\$55.00
Infant	AL-74043	\$55.00
Thigh	AL-74044	\$65.00

## Adjustable Aneroid Latex Free Sphygmomanometer

Simply insert a mini-screwdriver (included) into the stem of the gauge and turn the screwdriver until the needle returns to zero

- ✓ Lifetime Gauge Calibration warranty
- ✓ Zippered carrying case
- ✓ Calibrated, Black nylon cuff
- ✓ Deluxe air release valve

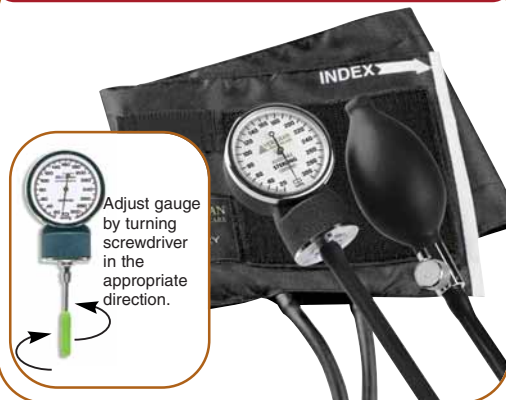
Size	Model No.	Price
Adult	AL-55225	\$34.00
Infant	AL-63708	\$34.00
Child	AL-63709	\$34.00
Lg Adult	AL-63710	\$44.00
Thigh	AL-73289	\$49.00

## Adjustable Gauge Only

Blue	AL-55395	\$19.95
Black	AL-55395BK	\$19.95

NOTE: Although the gauge can be set to zero, it is highly recommended that all gauges be periodically checked and calibrated against a certified mercurial column.

## Adjustable Gauge



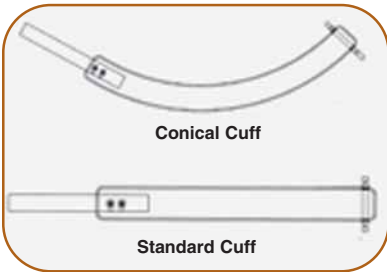
# Surgical Tourniquet Cuffs

**BUY 11 GET 1 FREE!**



## Tournicuf® Standard and Conical Surgical Tourniquet Cuffs

- ✓ Exclusive bladderless design creates a less bulky and high performing product
- ✓ All cuffs compatible with other OEM units (Stryker and Zimmer)
- ✓ Each cuff is 100% inspected and tested
- ✓ Made in the USA



Description	Standard		Conical	
	ALCO Part No.	Price Box/10	ALCO Part No.	Price Box/10
18" Dual Port Disposable Cuff W/Luer Lock Connector	AL-74964	\$409.00	AL-74984	\$459.00
24" Dual Port Disposable Cuff W/Luer Lock Connector	AL-74965	\$459.00	AL-74985	\$509.00
30" Dual Port Disposable Cuff W/Luer Lock Connector	AL-74966	\$489.00	AL-74986	\$539.00
34" Dual Port Disposable Cuff W/Luer Lock Connector	AL-74967	\$529.00	AL-74987	\$589.00
42" Dual Port Disposable Cuff W/Luer Lock Connector	AL-74968	\$569.00	AL-74988	\$629.00
18" Single Port Disposable Cuff W/Luer Lock Connector	AL-74969	\$379.00	AL-74989	\$419.00
24" Single Port Disposable Cuff W/Luer Lock Connector	AL-74970	\$429.00	AL-74990	\$469.00
30" Single Port Disposable Cuff W/Luer Lock Connector	AL-74971	\$459.00	AL-74991	\$509.00
34" Single Port Disposable Cuff W/Luer Lock Connector	AL-74972	\$499.00	AL-74992	\$559.00
42" Single Port Disposable Cuff W/Luer Lock Connector	AL-74973	\$549.00	AL-74993	\$599.00
18" Dual Port Disposable Cuff W/PLC Connector	AL-74974	\$409.00	AL-74994	\$459.00
24" Dual Port Disposable Cuff W/PLC Connector	AL-74975	\$459.00	AL-74995	\$509.00
30" Dual Port Disposable Cuff W/PLC Connector	AL-74976	\$489.00	AL-74996	\$539.00
34" Dual Port Disposable Cuff W/PLC Connector	AL-74977	\$529.00	AL-74997	\$589.00
42" Dual Port Disposable Cuff W/PLC Connector	AL-74978	\$569.00	AL-74998	\$629.00
18" Single Port Disposable Cuff W/PLC Connector	AL-74979	\$379.00	AL-74999	\$419.00
24" Single Port Disposable Cuff W/PLC Connector	AL-74980	\$429.00	AL-75385	\$469.00
30" Single Port Disposable Cuff W/PLC Connector	AL-74981	\$459.00	AL-75386	\$509.00
34" Single Port Disposable Cuff W/PLC Connector	AL-74982	\$499.00	AL-75387	\$559.00
42" Single Port Disposable Cuff W/PLC Connector	AL-74983	\$549.00	AL-75388	\$599.00



# Single Patient Use Sphygmomanometers



## Single-Patient Use Sphygmomanometer

Designed to reduce the spread of infection, the Single-Patient Use Aneroid Sphygmomanometer combines a reliable, yet economical aneroid gauge with a disposable bulb and valve assembly and the Single-Patient Use Blood Pressure Cuff.

Size	Color	ALCO Part No.	Price
<b>With Aneroid Gauge</b>			
Adult	Yellow	AL-54175LF	\$107.00 Case/5 Ea.
Child	White	AL-54175LFC	\$102.00 Ea.
Large Adult	White	AL-54175LFL	\$121.00 Ea.
<b>Without Aneroid Gauge</b>			
Adult	White	AL-54186LF	\$52.00 Case/5 Ea.



## Single-Patient Use Replacement Parts

The Single-Patient Use Replacement Parts are interchangeable with most single patient use cuffs.

Color	Description	ALCO Part No.	Price Each
Yellow/White	Aneroid Gauge	AL-54444	\$12.95
Black	Bulb and Valve Assembly	AL-54445	\$3.95



# Single Patient Use Cuffs



**BUY 11 GET 1 FREE!**

## Single Patient Use 1-Tube and 2-Tube Cuffs

- ✓ Single patient use cuffs for use with virtually all monitors
- ✓ Artery mark simplifies correct positioning
- ✓ Bladder-less and latex free
- ✓ Vinyl material treated with antibacterial agent
- ✓ Individually polybagged, 10/box
- ✓ Color coded sizes facilitate cuff selection



Description	Size Range	Color Code	1-TUBE		2-TUBE	
			ALCO Part No.	Price Per Pack of 10	ALCO Part No.	Price Per Pack of 10
Infant Cuff, No Connector	8-13	Lt. Blue	AL-71041	\$79.00/10 Pk	AL-71017	\$79.00/10 Pk
Infant Cuff, Slip Connector	8-13	Lt. Blue	AL-71042	\$79.00/10 Pk	AL-71018	\$79.00/10 Pk
Infant Cuff, Female Connector	8-13	Lt. Blue	AL-71043	\$79.00/10 Pk	AL-71019	\$79.00/10 Pk
Infant Cuff, Bayonet Connector	8-13	Lt. Blue	AL-71044	\$79.00/10 Pk	AL-71020	\$79.00/10 Pk
Child Cuff, No Connector	12-19	Lavender	AL-71045	\$79.00/10 Pk	AL-71021	\$79.00/10 Pk
Child Cuff, Slip Connector	12-19	Lavender	AL-71046	\$79.00/10 Pk	AL-71022	\$79.00/10 Pk
Child Cuff, Female Connector	12-19	Lavender	AL-71047	\$79.00/10 Pk	AL-71023	\$79.00/10 Pk
Child Cuff, Bayonet Connector	12-19	Lavender	AL-71048	\$79.00/10 Pk	AL-71024	\$79.00/10 Pk
Small Adult Cuff, No Connector	17-25	Green	AL-71049	\$79.00/10 Pk	AL-71025	\$79.00/10 Pk
Small Adult Cuff, Slip Connector	17-25	Green	AL-71050	\$79.00/10 Pk	AL-71026	\$79.00/10 Pk
Small Adult Cuff, Female Connector	17-25	Green	AL-71051	\$79.00/10 Pk	AL-71027	\$79.00/10 Pk
Small Adult Cuff, Bayonet Connector	17-25	Green	AL-71052	\$79.00/10 Pk	AL-71028	\$79.00/10 Pk
Adult Cuff, No Connector	23-33	Navy	AL-71053	\$79.00/10 Pk	AL-71029	\$79.00/10 Pk
Adult Cuff, Slip Connector	23-33	Navy	AL-71054	\$79.00/10 Pk	AL-71030	\$79.00/10 Pk
Adult Cuff, Female Connector	23-33	Navy	AL-71055	\$79.00/10 Pk	AL-71031	\$79.00/10 Pk
Adult Cuff, Bayonet Connector	23-33	Navy	AL-71056	\$79.00/10 Pk	AL-71032	\$79.00/10 Pk
Adult Long Cuff, No Connector	23-33	Orange	AL-71057	\$79.00/10 Pk	AL-71033	\$79.00/10 Pk
Adult Long Cuff, Slip Connector	23-33	Orange	AL-71058	\$79.00/10 Pk	AL-71034	\$79.00/10 Pk
Adult Long Cuff, Female Connector	23-33	Orange	AL-71059	\$79.00/10 Pk	AL-71035	\$79.00/10 Pk
Adult Long Cuff, Bayonet Connector	23-33	Orange	AL-71060	\$79.00/10 Pk	AL-71036	\$79.00/10 Pk
Large Adult Cuff, No Connector	31-40	Pink	AL-71061	\$79.00/10 Pk	AL-71037	\$79.00/10 Pk
Large Adult Cuff, Slip Connector	31-40	Pink	AL-71062	\$79.00/10 Pk	AL-71038	\$79.00/10 Pk
Large Adult Cuff, Female Connector	31-40	Pink	AL-71063	\$79.00/10 Pk	AL-71039	\$79.00/10 Pk
Large Adult Cuff, Bayonet Connector	31-40	Pink	AL-71064	\$79.00/10 Pk	AL-71040	\$79.00/10 Pk

## Single Patient Use Inflation Systems

Description	Size Range	Color Code	ALCO Part No.	Price Per Pack of 10
Infant Inflation System	8-13	Lt. Blue	AL-71065	\$99.00/10 Pk
Child Inflation System	12-19	Lavender	AL-71066	\$99.00/10 Pk
Small Adult Inflation System	17-25	Green	AL-71067	\$99.00/10 Pk
Adult Inflation System	23-33	Navy	AL-71068	\$99.00/10 Pk
Adult Long Inflation System	23-33	Orange	AL-71069	\$99.00/10 Pk
Large Adult Inflation System	31-40	Pink	AL-71070	\$99.00/10 Pk

## Single Patient Use Neonatal Cuffs

Description	Size Range	Color Code	ALCO Part No.	Price Per Pack of 10
#1, 2-Tube Neonatal Cuff	3-6	Lt. Blue	AL-71071	\$49.00/10 Pk
#2, 2-Tube Neonatal Cuff	4-8	Lavender	AL-71072	\$49.00/10 Pk
#3, 2-Tube Neonatal Cuff	6-11	Green	AL-71073	\$49.00/10 Pk
#4, 2-Tube Neonatal Cuff	7-13	Navy	AL-71074	\$49.00/10 Pk
#5, 2-Tube Neonatal Cuff	8-15	Pink	AL-71075	\$49.00/10 Pk

#1, 1-Tube Neonatal Cuff	3-6	Lt. Blue	AL-71076	\$49.00/10 Pk
#2, 1-Tube Neonatal Cuff	4-8	Lavender	AL-71077	\$49.00/10 Pk
#3, 1-Tube Neonatal Cuff	6-11	Green	AL-71078	\$49.00/10 Pk
#4, 1-Tube Neonatal Cuff	7-13	Navy	AL-71079	\$49.00/10 Pk
#5, 1-Tube Neonatal Cuff	8-15	Pink	AL-71080	\$49.00/10 Pk

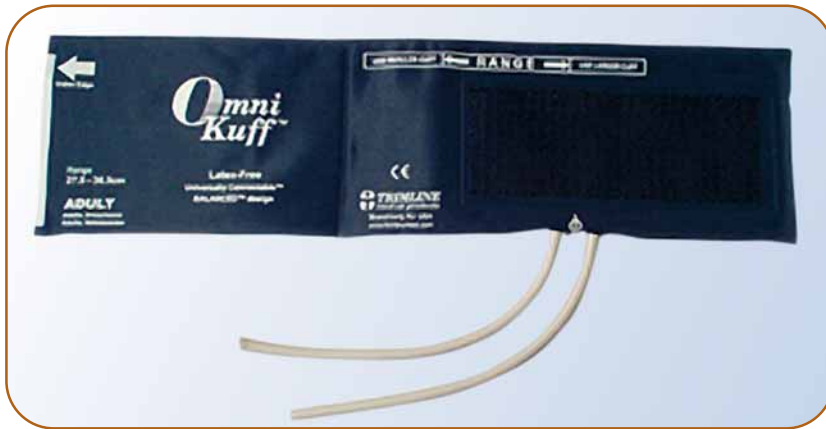


EP1

# Welch Allyn Trimline Sphygmomanometer Parts



**BUY 11 GET 1 FREE!**



**Omni-Kuff® Integrated Bladder Cuffs**

- ✓ Universally Connectable™ to all manual NIBP monitors
- ✓ Antimicrobial treatment prevents the growth of bacteria and mildew on the cuff fabric
- ✓ Prominently identified as "Latex-Free"
- ✓ Unique color distinguishes each size

Size	2 Tube/2 Female Luers For Universal Connectivity		2 Tubes w/Threaded Connectors for Critikon (Dinamap)		2 Tubes w/ Bulb & Valve		2 Tubes w/o Bulb & Valve		1 Tube w/Bayonet Fitting for Agilent (formerly Hewlett-Packard)	
	ALCO Part No.	Price Each	ALCO Part No.	Price Each	ALCO Part No.	Price Each	ALCO Part No.	Price Each	ALCO Part No.	Price Each
Adult	AL-56488	\$26.95	AL-56837	\$26.95	AL-20834N	\$36.95	AL-20826N	\$26.95	AL-56843	\$30.95
Lg Adult	AL-56489	\$38.95	AL-56838	\$38.95	AL-20841N	\$49.95	AL-20833N	\$38.95	AL-56844	\$42.95
Child	AL-56491	\$24.95	AL-56839	\$24.95	AL-20836N	\$34.95	AL-20828N	\$24.95	AL-56845	\$28.95

**AL-9065A**

**AL-9065B**

**Tycos Inflation System Baskets**

Small Inflation System Basket (Stainless Steel)  
**AL-9065A \$46.95**

Large Inflation System Basket (Black)  
**AL-9065B \$53.95**

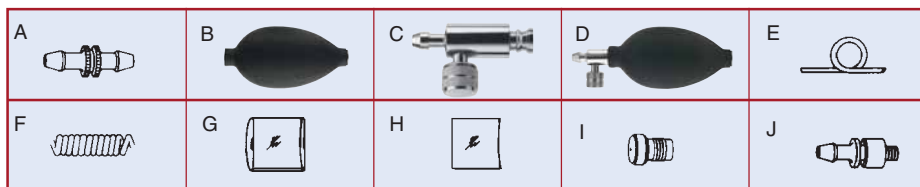
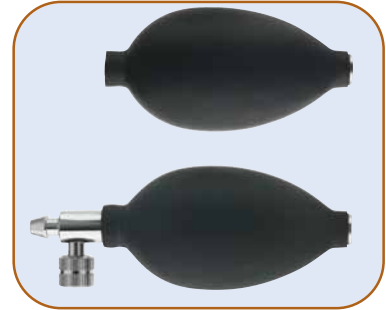


Fig	Description	ALCO Part No	Price Each	Fig	Description	ALCO Part No	Price Each
A	Twist Fit Connectors Set	AL-9046	\$7.95	G	Crystal for Wall Gauge, Square	AL-9064	\$17.95
B	Latex Inflation Bulb, Latex-Free	AL-9047	\$10.95	H	Crystal for 767 Deluxe Wall Aneroid	AL-9064D	\$16.95
C	Air Release Valve (thumb screw)	AL-9049	\$19.95	I	Tube Cap, Wall Mercurial Incline Tube, Mobile Mercurial	AL-9069	\$8.95
D	Air Release Valve and Bulb, Latex-Free	AL-9050	\$23.95	J	Luer Lock (set)	AL-9071	\$5.95
E	Tubing 27" Length, Latex-Free	AL-9055	\$7.95				
F	Coil Tubing 8 foot Length, Latex-Free	AL-9056	\$28.95				



# Welch Allyn Sphygmomanometer Parts

**BUY 11 GET 1 FREE!**



### Complete Inflation Systems (Cuff, Bag, Bulb and Valve)

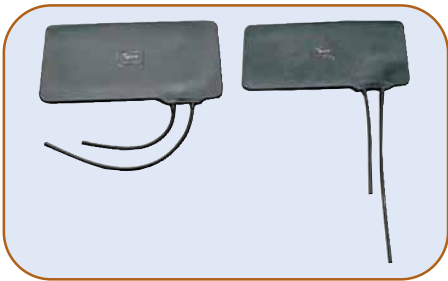
Description	ALCO Part No	Price Each
Child Velcro Inflation System w/two tube bag	AL-9022	\$60.95
Adult Velcro Inflation System w/two tube bag	AL-9023	\$61.95
Inflation System, Adult Hospital Pk of 6	AL-9143	\$329.95
Large Adult Inflation System w/two tube bag	AL-9024	\$61.95
Large Adult (2-tubes) Hospital Pk of 6	AL-9155	\$329.95
Thigh Inflation System w/two tube bag	AL-9025	\$89.95

### Cuffs (Non-Conductive)

Description	ALCO Part No	Price Each
Velcro Cuff Adult	AL-20800	\$23.95
Velcro Cuff, Adult Hospital Pk of 12	AL-9140	\$259.95
Velcro Cuff Child	AL-20801	\$24.95
Velcro Cuff, Thigh	AL-20804	\$41.95
Velcro Cuff, Large Adult	AL-20806	\$33.95


### Bulbs & Tubing

Description	ALCO Part No	Price Each
Standard Bulb	AL-9047	\$10.95
Standard Bulb & Valve Combo	AL-9050	\$23.95
Bulb & Valve Combo Hospital Pk of 12	AL-9146	\$249.95
Large Bulb	AL-67350	\$13.95
Inflation Bulb Pack of 12 Each	AL-9144	\$139.95
Large Bulb Pack of 6 Each	AL-9144L	\$79.95
Air Release Valve Pack of 12 Each	AL-9145	\$209.95
Air Release Valve	AL-9049	\$19.95
Coil Tubing 8 ft.	AL-9056	\$28.95
Coil Tubing 8 ft. Pack of 12 Each	AL-9149	\$319.95



### Inflation Bags Only (Non-Conductive)

Description	ALCO Part No	Price Each
Adult (two tubes)	AL-9026	\$20.95
Adult (two tubes) Pack of 12 Each	AL-9147	\$449.95
Child (two tubes)	AL-9027	\$39.95
Adult (one tube)	AL-9028	\$37.95
Child (one tube)	AL-9029	\$33.95
Thigh (one tube)	AL-9030	\$84.95
Thigh (two tubes)	AL-9031	\$78.95
Large Adult (one tube)	AL-9032	\$61.95
Large Adult (two tubes)	AL-9033	\$61.95
Large Adult (two tubes) Pack of 6 Each	AL-9150	\$349.95
Infant (one tube)	AL-9034	\$33.95
Infant (two tubes)	AL-9035	\$32.95



**Cuff & Bag Combination**

Description	One Tube Bag		Two Tube Bag	
	ALCO Part No	Price Each	ALCO Part No	Price Each
Velcro Cuff, Infant	AL-9013	\$53.95	AL-9015	\$50.95
Velcro Cuff, Newborn	AL-9014	\$54.95	N/A	N/A
Velcro Cuff, Child	AL-9019	\$59.95	AL-9016	\$59.95
Velcro Cuff, Adult	AL-9020	\$40.95	AL-9017	\$40.95
Velcro Cuff, Large Adult	AL-9021	\$40.95	AL-9018	\$40.95

EP1

# WelchAllyn® Welch Allyn FlexiPort System

## Reusable Cuffs



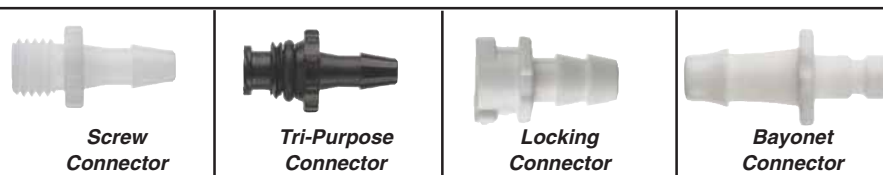
FlexiPort BP Cuff w/Connector



With FlexiPort, you can use one cuff on all compatible electronic and manual blood pressure devices — even those that are not manufactured by Welch Allyn.



### One Tube



Description	Color Code	Size Range	Screw		Tri-Purpose		Locking		Bayonet	
			Price Each	Price Each	Price Each	Price Each	Price Each	Price Each		
Small Infant	Black	7-10	AL-71205	\$26.95	AL-71206	\$26.95	AL-71207	\$26.95	AL-71208	\$26.95
Infant	Black	9-13	AL-71209	\$27.95	AL-71210	\$27.95	AL-71211	\$27.95	AL-71212	\$27.95
Small Child	Black	12-16	AL-71217	\$27.95	AL-71218	\$27.95	AL-71219	\$27.95	AL-71220	\$27.95
Child	Green	15-21	AL-71225	\$28.95	AL-71226	\$28.95	AL-71227	\$28.95	AL-71228	\$28.95
Small Adult	Ryl Blue	20-26	AL-71233	\$29.95	AL-71234	\$29.95	AL-71235	\$29.95	AL-71236	\$29.95
Adult	Navy	25-34	AL-71241	\$30.95	AL-71242	\$30.95	AL-71243	\$30.95	AL-71244	\$30.95
Adult Long	Navy	25-34	AL-71249	\$35.95	AL-71250	\$35.95	AL-71251	\$35.95	AL-71252	\$35.95
Large Adult	Maroon	32-43	AL-71257	\$34.95	AL-71258	\$34.95	AL-71259	\$34.95	AL-71260	\$34.95
Large Adult Long	Maroon	32-43	AL-71265	\$39.95	AL-71266	\$39.95	AL-71267	\$39.95	AL-71268	\$39.95
Thigh	Black	40-55	AL-71273	\$53.95	AL-71274	\$53.95	AL-71275	\$53.95	AL-71276	\$53.95

### Two Tube

Description	Color Code	Size Range	Screw		Tri-Purpose		Locking		Bayonet	
			Price Each	Price Each	Price Each	Price Each	Price Each	Price Each		
Infant	Black	9-13	AL-71213	\$27.95	AL-71214	\$27.95	AL-71215	\$27.95	AL-71216	\$45.95
Small Child	Black	12-16	AL-71221	\$27.95	AL-71222	\$27.95	AL-71223	\$27.95	AL-71224	\$46.95
Child	Green	15-21	AL-71229	\$28.95	AL-71230	\$28.95	AL-71231	\$28.95	AL-71232	\$47.95
Small Adult	Ryl Blue	20-26	AL-71237	\$29.95	AL-71238	\$29.95	AL-71239	\$29.95	AL-71240	\$48.95
Adult	Navy	25-34	AL-71245	\$30.95	AL-71246	\$30.95	AL-71247	\$30.95	AL-71248	\$50.95
Adult Long	Navy	25-34	AL-71253	\$35.95	AL-71254	\$35.95	AL-71255	\$35.95	AL-71256	\$56.95
Large Adult	Maroon	32-43	AL-71261	\$34.95	AL-71262	\$34.95	AL-71263	\$34.95	AL-71264	\$55.95
Large Adult Long	Maroon	32-43	AL-71269	\$39.95	AL-71270	\$39.95	AL-71271	\$39.95	AL-71272	\$60.95
Thigh	Black	40-55	AL-71277	\$53.95	AL-71278	\$53.95	AL-71279	\$53.95	AL-71280	\$73.95

# Welch Allyn FlexiPort System Disposable Single Patient Cuffs

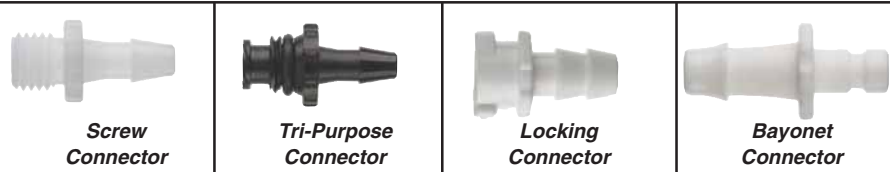


FlexiPort One Tube Disposable Cuff  
**AL-71165**



FlexiPort Two Tube Disposable Cuff  
**AL-71169**

## One Tube



Description	Color Code	Size Range	Screw		Tri-Purpose		Locking		Bayonet	
			Price PK 20	Price PK 20	Price PK 20	Price PK 20	Price PK 20	Price PK 20		
Small Infant	Yellow	7-10	AL-71129	\$99.95	AL-71130	\$99.95	AL-71131	\$99.95	AL-71132	\$99.95
Infant	Black	9-13	AL-71133	\$99.95	AL-71134	\$99.95	AL-71135	\$99.95	AL-71136	\$99.95
Small Child	Black	12-16	AL-71141	\$99.95	AL-71142	\$99.95	AL-71143	\$99.95	AL-71144	\$99.95
Child	Green	15-21	AL-71149	\$99.95	AL-71150	\$99.95	AL-71151	\$99.95	AL-71152	\$99.95
Small Adult	Ryl Blue	20-26	AL-71157	\$136.95	AL-71158	\$136.95	AL-71159	\$136.95	AL-71160	\$136.95
Adult	Navy	25-34	AL-71165	\$136.95	AL-71166	\$136.95	AL-71167	\$136.95	AL-71168	\$136.95
Adult Long	Navy	25-34	AL-71173	\$155.95	AL-71174	\$155.95	AL-71175	\$155.95	AL-71176	\$155.95
Large Adult	Maroon	32-43	AL-71181	\$136.95	AL-71182	\$136.95	AL-71183	\$136.95	AL-71184	\$136.95
Large Adult Long	Maroon	32-43	AL-71189	\$155.95	AL-71190	\$155.95	AL-71191	\$155.95	AL-71192	\$155.95
Thigh	Brown	40-55	AL-71197	\$181.95	AL-71198	\$181.95	AL-71199	\$181.95	AL-71200	\$181.95

## Two Tube

Description	Color Code	Size Range	Screw		Tri-Purpose		Locking		Bayonet	
			Price PK 20	Price PK 20	Price PK 20	Price PK 20	Price PK 20	Price PK 20		
Infant	Orange	9-13	AL-71137	\$99.95	AL-71138	\$99.95	AL-71139	\$99.95	AL-71140	\$167.95
Small Child	Pink	12-16	AL-71145	\$99.95	AL-71146	\$99.95	AL-71147	\$99.95	AL-71148	\$167.95
Child	Green	15-21	AL-71153	\$99.95	AL-71154	\$99.95	AL-71155	\$99.95	AL-71156	\$167.95
Small Adult	Ryl Blue	20-26	AL-71161	\$136.95	AL-71162	\$136.95	AL-71163	\$136.95	AL-71164	\$203.95
Adult	Navy	25-34	AL-71169	\$136.95	AL-71170	\$136.95	AL-71171	\$136.95	AL-71172	\$203.95
Adult Long	Navy	25-34	AL-71177	\$155.95	AL-71178	\$155.95	AL-71179	\$155.95	AL-71180	\$222.95
Large Adult	Maroon	32-43	AL-71185	\$136.95	AL-71186	\$136.95	AL-71187	\$136.95	AL-71188	\$203.95
Large Adult Long	Maroon	32-43	AL-71193	\$155.95	AL-71194	\$155.95	AL-71195	\$155.95	AL-71196	\$222.95
Thigh	Brown	40-55	AL-71201	\$181.95	AL-71202	\$181.95	AL-71203	\$181.95	AL-71204	\$258.95

We Accept





**BUY 11 GET 1 FREE!**

FlexiPort® Replacement Tubes & Accessories Description	Welch Allyn Part No.	ALCO Part No.	Price Each
One-Tube FlexiPort® Double Hose Barb Connector (8")	1-BARB	AL-76000	\$55.95
One-Tube FlexiPort® Screw Connector (8")	1-SC	AL-76001	\$52.95
One-Tube FlexiPort® Locking Connector (8")	1-MQ	AL-76002	\$55.95
One-Tube FlexiPort® Bayonet Connector (8")	1-HP	AL-76003	\$52.95
One-Tube FlexiPort® Tri-Purpose Connector (24" for hand aneroid devices)	1-TPS	AL-76004	\$60.95
One-Tube FlexiPort® Tri-Purpose Connector (24" for European hand aneroid devices)	1-TPSE	AL-76005	\$49.95
One-Tube FlexiPort® Tri-Purpose Connector (31" for hand aneroid devices)	1-TPL	AL-76006	\$55.95
One-Tube FlexiPort® Tri-Purpose Connector (31" for European hand aneroid devices)	1-TPLE	AL-76007	\$47.95
Two-Tube FlexiPort® Double Hose Barb Connector (8")	2-BARB	AL-76008	\$65.95
Two-Tube FlexiPort® Screw Connector (8")	2-SC	AL-76009	\$52.95
Two-Tube FlexiPort® Screw Connector (8") w/Clamp on Tube	2-SCC	AL-76010	\$41.95
Two-Tube FlexiPort® Locking Connector (8")	2-MQ	AL-76011	\$55.95
Two-Tube FlexiPort® Mated Locking Connector (8")	2-MF	AL-76012	\$62.95
Two-Tube FlexiPort® Tri-Purpose Connector (31" for European wall, mobile & pocket aneroid)	2-TPLE	AL-76013	\$79.95
Two-Tube FlexiPort® Tri-Purpose Connector (24" for European wall, mobile & pocket aneroid)	2-TPSE	AL-76014	\$90.95
Two-Tube FlexiPort® Tri-Purpose Connector (8" & 13" for European wall, mobile & pocket aneroid)	2-TP	AL-76015	\$60.95
Two-Tube FlexiPort® Tri-Purpose Connector (8" & 13" for European wall, mobile & pocket aneroid)	2-SRC	AL-76016	\$57.95
Two-Tube FlexiPort® Tri-Purpose Connector (8" & 13") w/Large Bulb	2-BVL	AL-76017	\$317.95
Two-Tube FlexiPort® Tri-Purpose Connector (8" & 13") w/Large Bulb & Clamp	2-BVLC	AL-76018	\$413.95
Two-Tube FlexiPort® Tri-Purpose Connector (8" & 13") w/Small Bulb	2-BVS	AL-76019	\$342.95
Two-Tube FlexiPort® Tri-Purpose Connector (8" & 13") w/Small Bulb & Clamp	2-BVSC	AL-76020	\$331.95
Two-Tube FlexiPort® Tri-Purpose Connector (8" & 13") w/Economy Bulb	2-BVD	AL-76021	\$151.95
Two-Tube FlexiPort® Tri-Purpose Connector (8" & 13") w/Economy Bulb & Clamp	2-BVDC	AL-76022	\$129.95
8" FlexiPort® Tubing	5082-188	AL-76023	\$17.95
13" FlexiPort® Tubing	5082-189	AL-76024	\$17.95
One-Tube FlexiPort® Fitting without any Tubes	PORT-1	AL-76025	\$17.95
Two-Tube FlexiPort® Fitting without any Tubes	PORT-2	AL-76026	\$17.95
Wash Cap that Tethers to FlexiPort® on Cuffs	5082-159	AL-76027	\$8.95
DuraShock Classic Adapter with 24" Tube & Large Bulb w/Premium Valve	1SRCL	AL-76028	\$39.95
DuraShock Classic Adapter with 24" Tube & Small Bulb w/Premium Valve	1SRCS	AL-76029	\$34.95
DuraShock Adapter with 24" Tube & Large Bulb w/Premium Valve	1DSAL	AL-76030	\$41.95
DuraShock Adapter with 24" Tube & Small Bulb w/Premium Valve	1DSAS	AL-76031	\$32.95
DuraShock Adapter with 24" Tube & Economy Bulb & Valve	1DSLCL	AL-76032	\$20.95

**Tubing with Connectors & Adaptors**



Description	Welch Allyn Part No.	ALCO Part No.	Price
<b>Straight Tubing with Connectors and Adaptors</b>			
Sphyg tubing with 2 plastic male luer slip cuff connectors on one end and plastic hose barb for sphyg tubing and 13" (33 cm) tubing for inflation bulb on the other. Pack of 10.	5082-153	AL-75988	\$96.95 Pk/10
Monitor tubing, 10 ft (3 m) with metal female bayonet adapter connector, for Welch Allyn Propaq & HP/Philips neonatal monitors.	5082-244	AL-75989	\$159.95 Each
Monitor tubing, 10 ft (3 m) with metal female luer slip adapter. For Welch Allyn Propaq and HP/Philips monitors.	5082-245	AL-75990	\$93.95 Each
Monitor tubing, 10 ft (3 m) with metal female screw-type adapter, for Welch Allyn Propaq and HP/Philips monitors.	5082-246	AL-75991	\$102.95 Each
Monitor tubing, 9 ft (2.8 m) with plastic male screw-type connector (female luer slip inside), for Spacelabs neonatal monitors.	5082-247	AL-75992	\$28.95 Each
<b>Y-Tubing With and Without Connectors and Adaptors</b>			
Y-tubing with two plastic female screw-type adapters on one end and one plastic bayonet and connector on the other. Pack of 10.	5082-148	AL-75993	\$252.95 Pk/10
Y-tubing with two plastic female screw-type adapters on one end and an 1/8" (3.2 mm) I.D. open end on the other. Pack of 10.	5082-149	AL-75994	\$410.95 Pk/10
Y-tubing with two plastic female screw-type adapters on one end and one metal female bayonet adapter on the other. Pack of 2.	5082-154	AL-75995	\$151.95 Pk/2
Y-tubing without connectors. 1/8" (3.2 mm) I.D., Pack of 10.	5082-183	AL-75996	\$108.95 Pk/10
<b>Tube Connectors</b>			
Plastic connector for 5/32" (4 mm) tubing. Pack of 10.	5082-170	AL-75997	\$37.95 Pk/10
Plastic connector for 1/8" (3.2 mm) to 5/32" (4 mm) I.D. tubing. Pack of 10.	5082-171	AL-75998	\$106.95 Pk/10

# Baumanometer Sphygmomanometer Parts



**BUY 11 GET 1 FREE!**



**Complete Inflation System (Non-Latex) AL-9295NL**



**Double Tube (Non-Latex) AL-5017NL**      **Single Tube (Non-Latex) AL-5017STNL**



**Double Tube (Non-Latex) AL-5056NL**



**Single Tube (Non-Latex) AL-5056STNL**



**(Non-Latex) AL-5045NL**



**Extendex Tube (Non-Latex) AL-5017ANL**

Description	Latex Free		Latex	
	ALCO Part No.	Price Each	ALCO Part No.	Price Each
<b>Calibrated® V-Lok® Complete Inflation System (Blue standard)</b>				
Adult	AL-9295NL	\$39.95	AL-9295	\$38.95
Child/Sm.Ad.	AL-9296NL	\$37.95	AL-9296	\$36.95
Infant	AL-9297NL	\$33.95	AL-9297	\$33.95
Newborn	AL-9298NL	\$29.95	AL-9298	\$29.95
Thigh	AL-9299NL	\$59.95	AL-9299	\$59.95
Large Arm	AL-9300NL	\$49.95	AL-9300	\$48.95
<b>Inflation Bag with Female Luer Connector (Double Tube)</b>				
Adult	AL-5017NL	\$16.95	AL-5017	\$14.95
Child/Sm.Ad.	AL-5018NL	\$16.95	AL-5018	\$13.95
Infant	AL-5019NL	\$15.95	AL-5019	\$13.95
Newborn	AL-5020NL	\$14.95	AL-5020	\$11.95
Thigh	AL-5021NL	\$21.95	AL-5021	\$21.95
Large Arm	AL-5022NL	\$19.95	AL-5022	\$19.95
<b>Inflation Bags without Connector (Single Tube)</b>				
Adult	AL-5017STNL	\$16.95	AL-5017ST	\$14.95
Child/Sm.Ad.	AL-5018STNL	\$16.95	AL-5018ST	\$13.95
Infant	AL-5019STNL	\$15.95	AL-5019ST	\$13.95
Newborn	AL-5020STNL	\$14.95	AL-5020ST	\$11.95
Thigh	AL-5021STNL	\$21.95	AL-5021ST	\$21.95
Large Arm	AL-5022STNL	\$19.95	AL-5022ST	\$19.95
<b>Calibrated® V-Lok® Blue Cuff and Inflation Bag (Double Tube)</b>				
Adult	AL-5056NL	\$27.95	AL-5056	\$25.95
Child/Sm.Ad.	AL-5057NL	\$24.95	AL-5057	\$24.95
Infant	AL-5058NL	\$22.95	AL-5058	\$22.95
Newborn	AL-5059NL	\$19.95	AL-5059	\$19.95
Thigh	AL-5060NL	\$47.95	AL-5060	\$47.95
Large Arm	AL-5061NL	\$36.95	AL-5061	\$36.95
<b>Calibrated® V-Lok® Blue Cuff and Inflation Bag (Single Tube)</b>				
Adult	AL-5056STNL	\$27.95	AL-5056ST	\$26.95
Child/Sm.Ad.	AL-5057STNL	\$24.95	AL-5057ST	\$24.95
Infant	AL-5058STNL	\$22.95	AL-5058ST	\$22.95
Newborn	AL-5059STNL	\$19.95	AL-5059ST	\$19.95
Thigh	AL-5060STNL	\$47.95	AL-5060ST	\$47.95
Large Arm	AL-5061STNL	\$36.95	AL-5061ST	\$36.95
<b>Complete Cuff (Double Tube) with Threaded Adapter</b>				
Adult	AL-5056TANL	\$27.95	AL-5056TA	\$27.95
Child/Small Adult	AL-5057TANL	\$26.95	AL-5057TA	\$23.95
Large Arm	AL-5061TANL	\$36.95	AL-5061TA	\$36.95
<b>Calibrated V-Lok Cuff (Single Tube) with female Luer Lock</b>				
Adult	AL-5056LLNL	\$29.95	AL-5056LL	\$29.95
Child/Small Adult	AL-5057LLNL	\$28.95	AL-5057LL	\$25.95
Large Arm	AL-5061LLNL	\$39.95	AL-5061LL	\$39.95
<b>Extendex® Tubing</b>				
8 ft. with connectors	AL-5017ANL	\$16.95	AL-5017A	\$14.95
4 ft. with connectors	AL-5017BNL	\$10.95	AL-5017B	\$8.95
Straight Tubing	AL-6070NL	\$.95/foot	AL-6070	\$. 95/foot
Straight Tubing, 50 ft Reel	AL-6071NL	\$54.95	AL-6071	\$39.95
<b>Bulb and Air-Flo® Control Valve, Non-Latex Bulb</b>				
Bulb & Air-Flo® Control Valve	AL-5045NL	\$13.95	AL-5045	\$12.95
Bulb only	AL-5046NL	\$6.95	AL-5046	\$4.95
Large Bulb only	AL-5050NL	\$7.95	AL-5050	\$5.95
Large Bulb & Air-Flo® Control Valve	AL-5051NL	\$16.95	AL-5051	\$14.95
Air-Flo® Control Valve only	AL-5047	\$8.95	AL-5047	\$8.95
Tubing Connectors – Set (Metal)	AL-9970	\$2.95/set	AL-9970	\$2.95/set

EP1



# Parts—Connectors

**BUY 11 GET 1 FREE!**



## Connectors

Description	ALCO Part No.	Price Each
<b>Luer Lock Connectors – Metal</b>		
Male part only	AL-43001	\$3.95
Female part only	AL-43002	\$3.95
Set	AL-43000	\$6.95
<b>Luer Connectors – Metal</b>		
Male part only	AL-6072-M	\$0.95
Female part only	AL-6072-F	\$0.95
Set	AL-9978	\$1.95
<b>Luer Connectors – Plastic</b>		
Male part only	AL-9974	\$2.95
Female part only	AL-9975	\$2.95
Set	AL-9973	\$4.95
<b>Double End Connectors – Plastic</b>		
Double Male Connector	AL-9970	\$2.95
<b>Screw Connectors – Metal</b>		
Male part only	AL-43004	\$4.95
Female part only	AL-43005	\$4.95
Set	AL-56141	\$7.95
<b>Connectors for Single Patient Use Cuffs</b>		
Screw Connector with Washing Cap For Two-Tube Adult/Pediatric Cuffs	AL-56143	\$2.95
Female Luer Lock Connector For One-Tube Adult/Pediatric Cuffs	AL-56144	\$2.95
Male Luer Slip Connector For Neonatal Cuffs	AL-56145	\$2.95
HP Type Connector for One-Tube Nylon Cuffs (Plastic)	AL-56146	\$3.95

Dinamap® is a registered trademark of CRITIKON, INC.  
NOTE: Connectors are shown actual size.

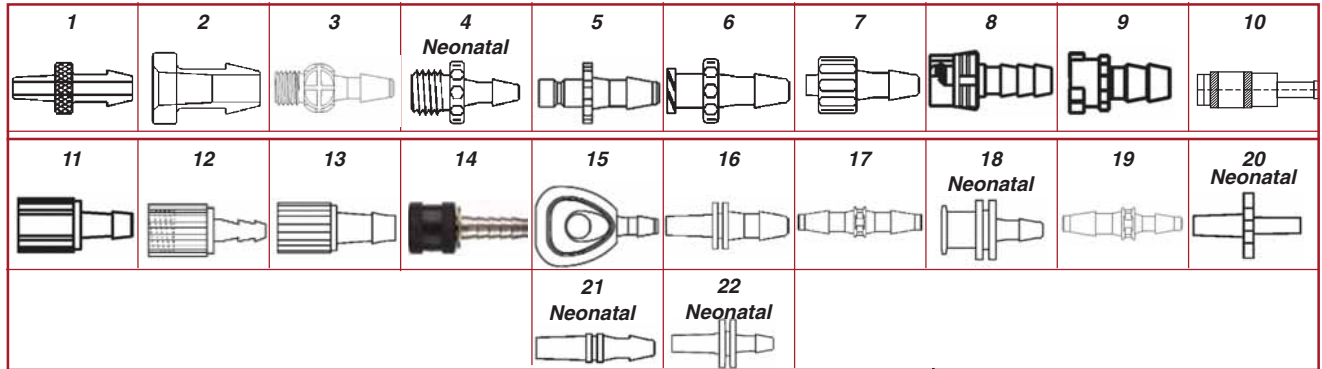


<b>Connectors and Adapters</b>			
	Description	ALCO Part No.	Price Each
	Screw adapter w/barbed end for use w/Dinamap & Spacelabs	AL-65444	\$1.00
	Male luer slip connector w/barbed end (plastic)	AL-65445	\$1.00
	Female locking luer connector w/barbed end for use w/Datascope (plastic)	AL-65447	\$1.00
	Bayonet connector for use w/Hewlett Packard & Siemens monitors	AL-65449	\$1.50
	Neonatal cuff connector, male luer slip fitting for 3/32" ID tubing	AL-65450	\$1.00
	Double male connector for 5/32" ID tubing (plastic)	AL-65451	\$1.50
	Y adaptor—no fittings for use w/2 tube cuffs	AL-65452	\$1.95



# Parts—Connectors & Adapters

**BUY 11 GET 1 FREE!**



Item No.	Description	Welch Allyn Part No.	ALCO Part No.	Price Per/10Pk
1	Standard Male Slip Luer with Barbed End (metal)	1378	AL-56492	\$8.95
2	Standard Female Slip Luer with Barbed End (plastic)	1391	AL-56493	\$5.95
3	Threaded Plastic Female Connector for 5/32" Tubing (Critikon - Dinamap Monitors)	1360	AL-48102	\$6.95
4	Threaded Plastic Female Connector for 1/8" Tubing (Critikon Neonatal Monitors)	1360N	AL-48103	\$6.95
5	Quick Connect Male Bayonet Fitting (Siemens and Agilent - HP Monitors)	1361	AL-48104	\$10.95
6	Female Locking Luer Lug Style Slip (Datascope and Colin Monitors)	1362	AL-48105	\$6.95
7	Male Locking Luer Thread Style with Barbed End	1367	AL-56494	\$8.95
8	Male Quick Coupling Locking Connector with Barbed End (plastic)	1369	AL-56495	\$29.95
9	Female Quick Coupling Locking Connector (Marquette and Protocol Monitors)	1370	AL-56496	\$17.95
10	Metal Bayonet Type Female Quick Connector for 1/8" I.D. Tubing (Hewlett Packard Style)	1365	AL-64392	\$17.95 ea.
11	Threaded Male Swivel Connector for 5/32" Tubing (plastic, medium, black)	1376	AL-69087	\$42.95
12	Threaded Male Swivel Connector for 1/8" ID Tubing (plastic, small, purple)	66018	AL-69088	\$39.95
13	Threaded Male Swivel Connector for 3/16" ID Tubing (plastic, large, black)	66024	AL-69089	\$39.95
14	Threaded Male Cable Connector for 5/32" Tubing (metal, plated brass)	5082-161	AL-69090	\$25.95 ea.
15	Plastic Bayonet Female Quick Connector for 5/32" ID Tubing (Hewlett Packard Style)	1319	AL-69091	\$91.95
16	Slip Type Male Luer for 5/32" ID Tubing (plastic)	1371	AL-69092	\$7.95
17	Male To Male Connector for 5/32" Tubing (plastic)	1372	AL-69093	\$12.95
18	Neonatal Lug Style Female Slip Luer for 3/32" ID Tubing (plastic)	1373	AL-69094	\$5.95
19	Plastic 5/32" to 1/8" Reduction Fitting	1377	AL-69095	\$10.95
20	Plastic ANSI/HIMA Slip Type Male for 3/32" ID Tubing, Neonatal	1379	AL-69096	\$6.95
21	Plastic ANSI/HIMA Slip Type Male Luer for 1/8" ID Tubing	1380	AL-69097	\$6.95
22	Plastic Male Micro Luer w/ Barb for 3/32" ID Tubing, Neonatal	2863	AL-69098	\$7.95

## ALCO's Universal Connectivity™ Program

Standardization on one cuffing system from one supplier, regardless of the brands of NIBP monitors being used.

Monitor Cable	Description	NIBP Connector Type	Welch Allyn Part No.	ALCO Part No.	Price Each
	Double tube cable with threaded female connectors	- Critikon (Dinamap) - MDE	9206	AL-56483	\$13.95
	Single tube cable with metal bayonet coupling	- Agilent (Hewlett Packard) - Siemens - Datascope (Accutorr Plus)	TL9203	AL-56482	\$11.95
	Single tube cable with male locking luer	- Datascope (Passport models) - Colin - SpaceLabs	9208	AL-56484	\$10.95
	Double tube cable with male quick coupling connectors	- Marquette	9207	AL-56485	\$11.95
	Single tube cable with male quick coupling connector	- Protocol	9224	AL-56486	\$11.95

EP-1



# Latex Sphygmomanometer Parts

**BUY 11 GET 1 FREE!**

## Latex Nylon Cuff & Bladder 2-Tube & 1-Tube

Adult	2-Tube	1-Tube
Blue	AL-56171 \$14.95	AL-10063 \$16.95
Grey	AL-64082 \$14.95	AL-10065 \$16.95
Black	AL-10046B \$19.95	AL-10065B \$19.95
Red	AL-10048 \$19.95	AL-10067 \$19.95
Orange	AL-10049 \$19.95	AL-10068 \$19.95
Green	AL-10047 \$19.95	AL-10066 \$19.95



## Nylon & Cotton Cuff Only

Adult	Nylon	Cotton
Blue	AL-56193 \$11.95	AL-7052 \$11.95
Grey	AL-9186 \$11.95	AL-7054 \$11.95
Black	AL-9186B \$11.95	AL-50754 \$11.95
Orange	AL-9188 \$11.95	N/A
Green	AL-9187 \$11.95	N/A
Red	AL-9189 \$11.95	N/A

## Large Adult

Blue	AL-56174 \$22.95	N/A	\$26.95
Grey	AL-64083 \$22.95	AL-10070	\$26.95
Black	AL-10051B \$22.95	AL-10070B	\$26.95
Orange	AL-10052 \$25.95	AL-10073	\$26.95



Nylon cuff only

## Child

Blue	AL-56173 \$14.95	AL-10059	\$16.95
Grey	AL-64085 \$14.95	AL-10061	\$16.95
Black	AL-10042B \$14.95	AL-10061B	\$16.95
Orange	AL-10043 \$14.95	AL-10062	\$16.95



Cotton cuff only

## Infant

Blue	AL-56172 \$14.95	AL-10056B	\$16.95
Grey	AL-64084 \$14.95	AL-10057	\$16.95
Orange	AL-10039 \$14.95	AL-10058	\$16.95

## Thigh

Blue	AL-56175 \$32.95	AL-10071B	\$33.95
Grey	AL-64086 \$32.95	AL-10072	\$33.95
Orange	N/A	AL-10074	\$33.95



AL-9203

## Bladders Only

	2-Tube	1-Tube
Adult	AL-7048 \$6.95	AL-9203 \$6.95
LG Adult*	AL-9199 \$14.95	AL-9199 \$14.95
Child*	AL-9202 \$8.95	AL-9202 \$8.95
Infant*	AL-9201 \$8.95	AL-9201 \$8.95
Thigh*	AL-9200 \$15.95	AL-9200 \$15.95

\*Universal Bladder Fits Both 1 and 2 Tube



AL-9986

## Large Adult

Blue	AL-56195 \$18.95	AL-7052L	\$19.95
Grey	AL-9191 \$18.95	N/A	N/A
Black	AL-9191B \$18.95	AL-56874	\$19.95
Orange	AL-9192 \$18.95	N/A	N/A

## Child

Blue	AL-56194 \$8.95	AL-7058B	\$9.95
Grey	AL-9182 \$8.95	N/A	N/A
Black	AL-9182B \$8.95	N/A	N/A
Orange	AL-9183 \$8.95	N/A	N/A

## Infant

Blue	AL-9177B \$8.95	AL-7057	\$12.95
Grey	AL-9178 \$8.95	N/A	N/A
Orange	AL-9179 \$8.95	N/A	N/A

## Thigh

Blue	AL-9193B \$23.95	AL-7059	\$24.95
Grey	AL-9194 \$23.95	N/A	N/A
Orange	AL-9195 \$23.95	N/A	N/A

## Latex Inflation Systems – COMPLETE

Includes nylon cuff, valve and latex bladder and bulb.

Infant (Blue)	AL-49903	\$24.95
Child (Blue)	AL-9982	\$24.95
Adult (Blue)	AL-9986	\$19.95
Lg Adult (Blue)	AL-49904	\$29.95
Thigh (Blue)	AL-49905	\$39.95
Infant (Black)	AL-56199	\$24.95
Child (Black)	AL-56200	\$24.95
Adult (Black)	AL-56198	\$24.95
Lg Adult (Black)	AL-56201	\$29.95



AL-7043DV



AL-7042



8 Feet Latex Coiled Tubing  
AL-9972 \$10.95



AL-9173

Deluxe Valve With  
Screen Air Filter and  
Large Thumb Screw

## Standard Valve Replacement

Valve Only	AL-7042	\$3.95
(Hospital Pack - Box of 20)	AL-7042H	\$49.00
Bulb w/Deluxe Air Valve	AL-7043DV	\$6.95

## Latex Bulbs & Valves

Bulb with end valve only	AL-7043	\$3.95
Bulb with standard air valve	AL-7043DV	\$6.95
Bulb with deluxe air valve	AL-50864	\$8.95

Valve Only, Deluxe	AL-9173	\$6.95
Hospital Pack - Box of 20	AL-9173H	\$119.00
Bulb w/Deluxe Plus Air Valve	AL-50864	\$8.95
Large Bulb w/Deluxe Plus Air Valve	AL-50865	\$10.95

# Latex-Free Sphygmomanometer Parts



**BUY 11 GET 1 FREE!**



AL-51540LF

AL-64178



AL-51534LF



AL-51546LF

## Latex-Free Nylon Cuffs & Bladders

Size	Color	ALCO Part No.	Price Each
<b>With 2-Tubes</b>			
Adult	Black	AL-51540LF	\$17.95
Adult	Blue	AL-56171LF	\$17.95
Infant	Black	AL-56234LF	\$17.95
Child	Black	AL-51541LF	\$17.95
Large Adult	Black	AL-51542LF	\$29.95
Thigh	Black	AL-56235LF	\$35.95

## Latex-Free Nylon Cuffs & Bladders

Size	Color	ALCO Part No.	Price Each
<b>With 1-Tube</b>			
Adult	Blue	AL-51543LF	\$17.95
Infant	Blue	AL-56236LF	\$17.95
Child	Blue	AL-51544LF	\$17.95
Large Adult	Blue	AL-51545LF	\$29.95
Thigh	Blue	AL-56237LF	\$35.95

## Latex-Free Bladders Only

Size	Color	ALCO Part No.	Price Each
<b>With 1-Tube</b>			
Adult		AL-64178	\$11.95
Infant		AL-64180	\$11.95
Child		AL-64181	\$11.95
Large Adult		AL-64179	\$17.95
Thigh		AL-64182	\$24.95
<b>With 2-Tubes</b>			
Adult		AL-51534LF	\$11.95
Infant		AL-64175	\$11.95
Child		AL-64176	\$11.95
Large Adult		AL-64174	\$17.95
Thigh		AL-64177	\$24.95

## Latex-Free Inflation Systems

Inflation Systems include Calibrated Nylon Cuff and Two Tube Latex-Free Bladder, Deluxe Air Release Valve, and Latex-Free Inflation Bulb

Size	Color	ALCO Part No.	Price Each
Adult	Black	AL-51546LF	\$28.95
Infant	Black	AL-56232LF	\$26.95
Child	Black	AL-51547LF	\$26.95
Large Adult	Black	AL-51548LF	\$39.95
Thigh	Black	AL-56233LF	\$41.95



### Wall Basket

Basket for storage of gloves, masks, and inflation systems.

Black Coated Basket Only  
AL-71332 \$24.95



### Zipper Case

Standard  
AL-7046 \$4.00  
Extra Large  
AL-64059 \$5.00



Customized Silk Screening Available.  
Call For Details!



### End Valve

AL-7047 \$1.95



AL-56231LF



AL-51549LF

## Latex-Free Bulbs & Valves

Size	ALCO Part No.	Price Each
<b>Bulb &amp; Valve Assembly</b>		
Standard	AL-56231LF	\$6.95
Deluxe	AL-51551LF	\$9.95

## Bulb with Standard End Valve

With Standard End Valve  
AL-64055 \$4.95

## Latex-Free Coiled Tubing

Size	ALCO Part No.	Price Each
8-Foot, Black	AL-51549LF	\$11.95
8-Foot, Grey	AL-48100	\$19.95
5-Foot, Grey	AL-48099	\$17.95

# Replacement Manometers & Baumanometer Parts

**BUY 11 GET 1 FREE!**



**Adjustable**

- ALCO Adjustable Manometer**
- ✓ No zero stop pin
  - ✓ Graduated to 300mm
  - ✓ Visual check assures accuracy If the pointer returns to within the oval
  - ✓ Supplied with adjustment tool
  - ✓ Lifetime warranty

Grey **AL-55395** **\$19.95**



**Adjustable**

**Easy Field Calibration**



Adjusts from back side.  
**AL-9009AT Adjustment Tool only \$3.95**

- ALCO Heavy Duty Adjustable Manometer**
- ✓ No zero stop pin
  - ✓ Graduated to 300mm
  - ✓ Visual check assures accuracy if the pointer returns to within the oval
  - ✓ Calibration tool included
  - ✓ Lifetime warranty

Grey **AL-9009** **\$26.95**



**ALCO Deluxe Heavy Duty Manometer**

- ✓ No zero stop pin
- ✓ Graduated to 300mm
- ✓ Visual check assures accuracy if the pointer returns to within the oval

	10 Year Warranty	20 Year Warranty
Blue	<b>AL-49907 \$14.95</b>	<b>AL-56150 \$19.95</b>
Grey	<b>AL-49906 \$14.95</b>	<b>AL-56152 \$19.95</b>
Black	<b>AL-73580 \$11.95</b>	<b>AL-50752 \$16.95</b>



**Clip/Pin Spring Assembly**

**AL-7041 \$2.95**



**Faceplate Cover**

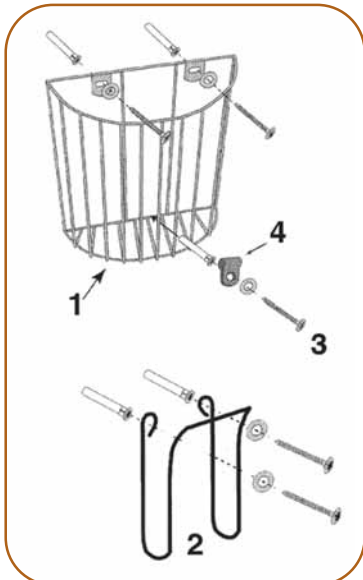
- AL-7039 \$2.95**  
1-3/16" 44mm Dia. For regular Aneroid
- AL-7039A \$2.95**  
2-3/16" 50mm Dia. For Palm Aneroid



**Gauge Guard**

**Calibration Tool**

Description	ALCO Part No.	Price Each
Gauge Guard, Black	<b>AL-180G-BK</b>	<b>\$6.95</b>
Gauge Guard, Orange	<b>AL-180G-OR</b>	<b>\$6.95</b>
Calibration tool	<b>AL-917A</b>	<b>\$19.95</b>



**Baumanometer®**

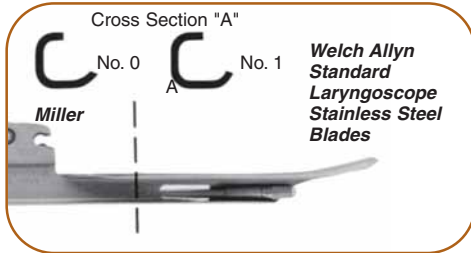
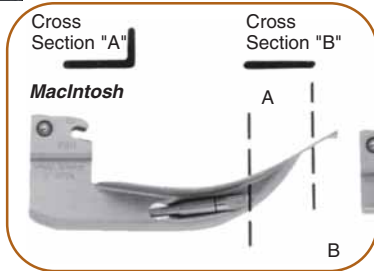
**MADE IN THE USA**

**Wall Unit 33 Baumanometer**

Fig.	Description	ALCO Part No	Price Each
1	Inflation System Basket	<b>AL-6069</b>	<b>\$28.95</b>
	Large Inflation System Basket	<b>AL-9286</b>	<b>\$38.95</b>
2	Clip Type Holder for Inflation	<b>AL-6068</b>	<b>\$8.95</b>
	2-1/2"W x 4"H x 1"D System		
3	Mounting Bracket	<b>AL-6065</b>	<b>\$4.95</b>
4	Nylon Hanging Clip (Pkg of 2) *	<b>AL-56797</b>	<b>\$0.95</b>



# Welch Allyn—Laryngoscope Blades & Handles



Blade Size	Inside Vertical Measurement	Length Inside Neck to Tip	Standard Blades			Fiber Optic Blades		
			Welch Allyn No.	ALCO Part No.	Price Each	Welch Allyn No.	ALCO Part No.	Price Each
<b>MacIntosh Stainless Steel Laryngoscope Blades featuring one piece construction</b>								
1	89mm	63mm	69041	AL-48988	\$138.95	69061	AL-72522	\$163.95
2	108mm	82mm	69042	AL-48989	\$138.95	69062	AL-72523	\$148.95
3	126mm	101mm	69043	AL-48990	\$138.95	69063	AL-72524	\$148.95
4	160mm	135mm	69044	AL-48991	\$138.95	69064	AL-72525	\$148.95
<b>Miller Stainless Steel Laryngoscope Blades featuring one piece construction</b>								
0	8mm	53mm	68040	AL-48996	\$138.95	68060	AL-72526	\$148.95
1	8mm	79mm	68041	AL-48997	\$138.95	68061	AL-72527	\$148.95
2	10mm	132mm	68042	AL-48998	\$125.95	68062	AL-72528	\$148.95
3	11mm	172mm	68043	AL-48999	\$125.95	68063	AL-72529	\$148.95
4	13mm	182mm	68044	AL-49000	\$138.95	68064	AL-72530	\$148.95

MADE IN THE USA

## Laryngoscope Handles



### Standard Description

Description	Welch Allyn No.	ALCO Part No.	Price Each
Large D size battery handle	60200	AL-48985	\$129.95
Medium C size battery handle	60300	AL-48986	\$74.95
Standard AA battery stubby handle	60305	AL-48987	\$150.95

AL-48985



### Fiber Optic Description

Description	Welch Allyn No.	ALCO Part No.	Price Each
Medium Handle for C size batteries	60813	AL-48980	\$107.95
Small Handle for AA size batteries	60814	AL-48981	\$107.95
Halogen replacement Lamp (6/carton)	06000	AL-9283	\$23.95
Fiber optic stubby handle for AA size batteries	60815	AL-48982	\$170.95

AL-48980

## Economy Blades & Handles



Blade Size	Description	Standard Blades		Fiber Optic Blades	
		ALCO Part No.	Price Each	ALCO Part No.	Price Each
<b>MacIntosh Stainless Steel Laryngoscope Blades</b>					
0	Preemie	AL-72531	\$29.00	AL-72536	\$59.00
1	Infant	AL-72532	\$29.00	AL-72537	\$59.00
2	Child	AL-72533	\$29.00	AL-72538	\$59.00
3	Med. Adult	AL-72534	\$29.00	AL-72539	\$59.00
4	Large Adult	AL-72535	\$29.00	AL-72540	\$59.00
<b>Miller Stainless Steel Laryngoscope Blades</b>					
0	Preemie	AL-72541	\$29.00	AL-72546	\$59.00
1	Infant	AL-72542	\$29.00	AL-72547	\$59.00
2	Child	AL-72543	\$29.00	AL-72548	\$59.00
3	Med. Adult	AL-72544	\$29.00	AL-72549	\$59.00
4	Large Adult	AL-72545	\$29.00	AL-72550	\$59.00

### Handles

#### Description

#### Standard

Description	ALCO Part No.	Price Each
Small "AA" Size Battery Handle	AL-72551	\$29.00
Medium "C" Size Battery Handle	AL-72552	\$29.00
Stubby "AA" Size Battery Handle	AL-72553	\$29.00

#### Fiber Optic

Small "AA" Size Fiber Optic Battery Handle	AL-72554	\$59.00
Medium "C" Size Fiber Optic Battery Handle	AL-72555	\$69.00
Stubby "AA" Size Fiber Optic Battery Handle	AL-72556	\$59.00
Fiber optic Replacement Lamp, Pkg. of 1	AL-72557	\$19.00



AL-72552



AL-72555

Complete Fiber Optic Blade & Handle Kits Available. Please Call.

**BUY 11 GET 1 FREE!**



**Panoptic Ophthalmoscope Heads**

Innovative optics for panoramic views of the fundus – with its 5X larger view of the fundus in an undilated eye, the new Welch Allyn PanOptic™ Ophthalmoscope performs like a specialist's instrument, yet is affordable, easy-to-use and ideal for primary care practitioners.

- ✓ Makes it easy to enter small, undilated pupils
- ✓ Provides a 5X larger view of the fundus than ever before achieved with a standard ophthalmoscope in an undilated eye
- ✓ Increases magnification by 26% over a standard scope
- ✓ Greater working distance between practitioner and patient improves comfort for all
- ✓ Affordable new head is compatible with all existing Welch Allyn 3.5V battery handles and wall transformers.

**Description**

	Welch Allyn No.	ALCO Part No.	Price Each
Panoptic Ophthalmoscope w/o cobalt blue filter	11810	<b>AL-56927</b>	<b>\$554.95</b>
Panoptic Ophthalmoscope with cobalt blue filter and add-on corneal viewing lens	11820	<b>AL-56928</b>	<b>\$599.95</b>
Patient Eyecup for Panoptic (box of 5)	11870	<b>AL-56929</b>	<b>\$25.95</b>
Replacement Halogen HPX Lamp (sold only 6 per case)	03800	<b>AL-57931</b>	<b>\$36.95</b>
Diagnostic Set Hard Case	05258-M	<b>AL-57932</b>	<b>\$84.95</b>
Corneal View Lens for use with 11820	11875	<b>AL-57933</b>	<b>\$54.95</b>
Soft Case	05815-M	<b>AL-57934</b>	<b>\$66.95</b>
LED Replacement Lamp	03800-LED	<b>AL-74894</b>	<b>\$167.00</b>



**Standard Ophthalmoscope** Halogen Light for true tissue color and consistent, long lasting illumination. 6 apertures for all general and specialist use. 28 lenses -25 to +40 diopters for better resolution. Rubber brow rest prevents scratching of eyeglasses. Illuminated lens dial clearly identifies setting.

**Coaxial Ophthalmoscope features those of the AL-48910 plus**

New Halogen HPX™ Lamp that provides 30% more light output, for true tissue color and consistent, long lasting illumination. Coaxial optical system for shadow-free spot and easier entry into undilated pupil. Crossed linear polarizing filter to reduce corneal reflection. Red-free filter for use with any aperture. 18 possible aperture combinations for greater versatility. Sealed optics for better dust protection.



**Description**

	Welch Allyn No.	ALCO Part No.	Price Each
3.5v Standard Ophthalmoscope Replacement for 11600 & 11610	11710	<b>AL-48910</b>	<b>\$275.95</b>
Halogen replacement lamp for No. 11710	03000	<b>AL-9271</b>	<b>\$14.95</b>
3.5v Coaxial Ophthalmoscope Replacement for 11620	11720	<b>AL-48911</b>	<b>\$299.95</b>
Halogen replacement lamp for No. 11720	04900	<b>AL-9282</b>	<b>\$24.95</b>
Locking Collar for instrument heads (Set of 2)	76700	<b>AL-48634</b>	<b>\$44.95</b>
LED Replacement Lamp	04900-LED	<b>AL-74896</b>	<b>\$152.00</b>

**3.5v Oscopes**

**Description**

	Welch Allyn No.	ALCO Part No.	Price Each
3.5v MacroView Oscope with Throat Illuminator and four polypropylene specula, sizes 2.5, 3, 4, 5mm	23820	<b>AL-63499</b>	<b>\$269.95</b>
Same as 23820, including No. 21504 insufflator bulb and tube with top	23824	<b>AL-48913</b>	<b>\$279.95</b>
Halogen replacement lamp for No. 23820. Sold 6 per case Only	06500-V	<b>AL-63932</b>	<b>\$22.95</b>
3.5v Oscope head complete with four polypropylene specula, sizes 2.5, 3, 4, 5mm	25020	<b>AL-48917</b>	<b>\$159.95</b>
Same as 25020, including insufflator bulb and tube	25021	<b>AL-48918</b>	<b>\$179.95</b>
Same as 25020, without polypropylene specula	25035	<b>AL-48919</b>	<b>\$174.95</b>
Halogen replacement lamp for No. 25020	03100	<b>AL-9272</b>	<b>\$17.95</b>
Accessories (No. 20000 and 25020)			
Insufflator bulb and tube with tip	21504	<b>AL-48920</b>	<b>\$11.95</b>
Lens holder assembly	200055-502	<b>AL-48921</b>	<b>\$42.95</b>
LED Replacement Lamp for Models 23810, 23820, 23920	06500-LED	<b>AL-74892</b>	<b>\$121.00</b>
LED Replacement Lamp for Models 20000 20200, 21700, 25020	03100-LED	<b>AL-74890</b>	<b>\$121.00</b>



**BUY 11 GET 1 FREE!**



**3.5v Rechargeable Handles**

Description	Welch Allyn No.	ALCO Part No.	Price Each
Rechargeable 3.5v handle, 100-130v, 50/60 Hz Complete	71000-A	<b>AL-48922</b>	<b>\$179.95</b>
New Lithium Rechargeable 3.5v handle, 100-130v 50/60Hz complete	71900	<b>AL-56907</b>	<b>\$374.95</b>
Handle sub assembly, top section only	710127-503	<b>AL-48923</b>	<b>\$77.95</b>
Handle sub assembly, bottom section only, 100-130v, 50/60Hz	71050-C	<b>AL-48924</b>	<b>\$131.95</b>
Order AL-20263 for Nickel Cadmium rechargeable battery (color coded black) for No. 71000, 71010, 71015, 71020, 71050, 71051, 71054, 71055 and 71670 handles	72200	<b>AL-20263</b>	<b>\$56.95</b>
Order AL-20264 for Nickel Cadmium rechargeable battery for Model No. 71000-A	72300	<b>AL-20264</b>	<b>\$56.95</b>
Order AL-64380 for Nickel Cadmium rechargeable battery for Model # 71900	71960	<b>AL-64380</b>	<b>\$164.95</b>



**Locking Collar**  
(for Welch Allyn Models 76710/76720) to secure 3.5v instrument heads against loss. Sold only as set of two.  
**AL-48634 \$44.95 Set**



**AL-20263**



**AL-20264**



**Welch Allyn 3.5v Desk Chargers and Wall Diagnostic Systems**

Description	Welch Allyn No.	ALCO Part No.	Price Each
Universal Charger, complete with two rechargeable NiCad handles	71630	<b>AL-48925</b>	<b>\$587.95</b>
Universal Charger, complete with two rechargeable Lithium Ion handles	71640	<b>AL-64381</b>	<b>\$779.95</b>
Universal Charger only	71140	<b>AL-48927</b>	<b>\$279.95</b>
Optional wall bracket	71420	<b>AL-48929</b>	<b>\$89.95</b>
Rechargeable 3.5v handle only.	71670	<b>AL-48930</b>	<b>\$151.95</b>
Nickel cadmium rechargeable battery (color coded black)	72200	<b>AL-20263</b>	<b>\$56.95</b>
Specula Tray for swabs, ear specs & currettes	71310	<b>AL-56903</b>	<b>\$119.95</b>
Pocket Scope Adapters for charging Welch Allyn rechargeable PocketScope handles	71249	<b>AL-56904</b>	<b>\$35.95</b>



**Note: Instrument Heads Sold Separately - Page 446**

**AL-64381**

**AL-48927**



**KleenSpec® Disposable Vaginal Specula Illumination System with Integrated On/Off Switch and Transformer**

The permanent illumination system comes complete with a light handle on/off switch and transformer.

Description	Welch Allyn No.	ALCO Part No.	Price Each
110-130v, 60Hz for North America, UL listed, CSA certified	78810	<b>AL-48956</b>	<b>\$289.95</b>
Halogen replacement lamp for No. 78000/78103	08800	<b>AL-43259</b>	<b>\$25.50</b>



**BUY 11 GET 1 FREE!**



**AL-75482**

**Cordless Illumination System**

- ✓ Advanced LED light source provides improved visualization of the exam area by supplying brighter, whiter light
- ✓ No cord to get in the way during procedures
- ✓ Automatically illuminates upon insertion of the illuminator and once it is removed the light goes off
- ✓ Use your Cordless Illumination System as an all purpose light source as well as with the KleenSpec® Vaginal Speculum



**KleenSpec® Disposable Vaginal Specula**

- ✓ Newly designed light pipe provides a homogeneous spot and eliminates glare back
- ✓ New wider handle provides improved ergonomics, better balance, and is much easier to manipulate during exams
- ✓ Smooth, molded acrylic will not pinch or bind tissue for greater patient comfort during the exam
- ✓ The new 590 Series KleenSpec® Vaginal Speculum is compatible with the new cordless illumination system

Complete KleenSpec® Vaginal Specula Cordless Illuminator w/Charging Station	<b>AL-75482</b>	<b>\$286.95 Each</b>
KleenSpec® 590 Series Premium Disposable Vaginal Specula, Small (Box of 24)	<b>AL-75483</b>	<b>\$229.00 24/Box</b>
KleenSpec® 590 Series Premium Disposable Vaginal Specula, Medium (Box of 24)	<b>AL-75484</b>	<b>\$229.00 24/Box</b>
KleenSpec® 590 Series Premium Disposable Vaginal Specula, Large (Box of 19)	<b>AL-75485</b>	<b>\$229.00 18/Box</b>

**Pelvic Wedges**  
See Page 150



Complete Set with Hard Case  
**AL-49006**



Hard Case only  
**AL-63502 \$59.95**  
W/A Model U5259-U



Soft Case only, includes interior pockets for instrument placement  
**AL-63503 \$59.95**  
W/A Model 05215-U



Complete Set  
W/A Model 97100-PC  
**AL-56925 \$1200.95**

	Ophthalmoscope	Otoscope	Handle	Illuminator	Complete Set Hard Case		Complete Set Soft Case	
					ALCO Part No.	Price Set	ALCO Part No.	Price Set
<b>Standard Diagnostic Sets</b>	11710	20000	71000-A	None	<b>AL-49001</b>	<b>\$793.00</b>	<b>AL-49016</b>	<b>\$754.00</b>
	11710	20000	71000-A	26550	<b>AL-49002</b>	<b>\$802.00</b>	N/A	N/A
	11710	20200	71000-A	None	<b>AL-49003</b>	<b>\$802.00</b>	<b>AL-49018</b>	<b>\$732.95</b>
	11710	25020	71000-A	None	<b>AL-49004</b>	<b>\$776.00</b>	N/A	N/A
	11710	21700	71000-A	None	<b>AL-49005</b>	<b>\$846.00</b>	N/A	N/A
<b>Coaxial Diagnostic Sets</b>	11720	20000	71000-A	None	<b>AL-49006</b>	<b>\$778.00</b>	<b>AL-49021</b>	<b>\$1012.95</b>
	11720	20000	71000-A	26550	<b>AL-49007</b>	<b>\$826.00</b>	N/A	N/A
	11720	20200	71000-A	None	<b>AL-49008</b>	<b>\$1094.00</b>	N/A	N/A
	11720	25020	71000-A	None	<b>AL-49009</b>	<b>\$762.00</b>	<b>AL-49024</b>	<b>\$924.00</b>
	11720	21700	71000-A	None	<b>AL-49010</b>	<b>\$1068.00</b>	N/A	N/A
<b>Panoptic Diagnostic Sets</b>	11820	20000	71000-C	None	<b>AL-56923</b>	<b>\$1208.00</b>	N/A	N/A
	11820	20000	71900	None	<b>AL-56924*</b>	<b>\$1370.00</b>	N/A	N/A
	11810	20000	71000-C	None	<b>AL-56925</b>	<b>\$1200.00</b>	N/A	N/A
	11810	20000	71900	None	<b>AL-56926*</b>	<b>\$1368.00</b>	N/A	N/A

\*Includes "Smart" Handle with AC Plug Charger

EP1



W/A Model 11710

W/A Model 11720

W/A Model 11810

Old W/A Model 20000  
New W/A Model 23820

W/A Model 25020

W/A Model 20200

W/A Model 21700





# Diagnostics



**BUY 11 GET 1 FREE!**



**Now With Motion Tolerant SpO<sub>2</sub>**

### Welch Allyn® Vital Signs Monitor

- ✓ Simple and accurate spot-check vital signs assessment or continuous monitoring
- ✓ Standard non-invasive blood pressure (NIBP), pulse rate and MAP
- ✓ Optional - SureTemp® Thermometry, motion tolerant Nellcor® pulse oximetry and integrated thermal printer
- ✓ Supports adult, pediatric and neonatal patients
- ✓ Simple to use - new LCD display facilitates menu navigation
- ✓ Includes automatic blood pressure mode, programmable alarms, built-in memory capability, and intuitive icons
- ✓ Lightweight and portable, with a variety of mounting options

Vital Signs Monitor complete with NIBP, Nellcor® SpO <sub>2</sub> , SureTemp® Thermometry and Printer	<b>AL-61961</b>	<b>\$3715.95</b>
Vital Signs Monitor with NIBP (includes Pulse Rate and MAP)	<b>AL-61962</b>	<b>\$1728.95</b>
Vital Signs Monitor with NIBP and SureTemp® Thermometry	<b>AL-61963</b>	<b>\$2189.95</b>
Vital Signs Monitor with NIBP and Nellcor® SpO <sub>2</sub>	<b>AL-61964</b>	<b>\$3249.95</b>
Vital Signs Monitor with NIBP and Nellcor® SpO <sub>2</sub> , and SureTemp® Thermometry	<b>AL-61965</b>	<b>\$3715.95</b>
Mobile Stand	<b>AL-61966</b>	<b>\$312.00</b>



### Connex Vital Signs Monitor

- ✓ 6300 Series has no nurse call, 1 host USB port for accessories, Non-upgradeable
- ✓ 6400 Series has nurse call, 4 host USB ports for accessories, Radio Ready
- ✓ 6500 Series is same as 6400 plus an Internal 802.11 a/b/g wireless Radio
- ✓ SureBP—approx. 15-second NIBP, pulse rate
- ✓ Adult, pediatric, neonatal blood pressure modes
- ✓ NIBP automatic and programmable interval monitoring modes
- ✓ Programmable visual and audible alarms for BP, SpO<sub>2</sub>, temp and pulse
- ✓ Ships with Adult and Large Adult FlexiPort® Cuffs
- ✓ Li-ion battery for mobile operation
- ✓ Manual weight, height, respiration rate, pain entries
- ✓ EHR/EMR connectivity through a USB cable (optional)

6300: BP, Pulse Rate, MAP, Nellcor SpO <sub>2</sub> , Sure Temp Plus Thermometer	<b>AL-75515</b>	<b>\$3718.00</b>
6400: BP, Pulse Rate, MAP, Nellcor SpO <sub>2</sub> , Sure Temp Plus Thermometer	<b>AL-75516</b>	<b>\$4088.00</b>
6500: BP, Pulse Rate, MAP, Nellcor SpO <sub>2</sub> , Sure Temp Plus Thermometer	<b>AL-75517</b>	<b>\$4633.00</b>
Cable Management Mobile Stand	<b>AL-75518</b>	<b>\$374.95</b>



**AL-56811**



**AL-56811 shown with AL-61966**

### Spot Vital Signs®

- ✓ Take vital signs in seconds with superior technology for triage or bedside that spot checks easily, accurately and affordably.
- ✓ Automated measurement of non-invasive blood pressure (NIBP) pulse rate temperature, and SpO<sub>2</sub> in 30 seconds
- ✓ All configurations include NIBP, Pulse Rate, and MAP
- ✓ Flexible configurations, yet fully upgradeable to meet your future needs
- ✓ Lightweight and portable with a variety of mounting options

Spot Vital Signs with NIBP, Nellcor® Pulse Oximetry, SureTemp® Thermometry	<b>AL-56811</b>	<b>\$2411.95</b>
Spot Vital Signs with NIBP (includes Pulse Rate and MAP)	<b>AL-56808</b>	<b>\$1000.95</b>
Spot Vital Signs with NIBP and SureTemp® Thermometry	<b>AL-56809</b>	<b>\$1397.95</b>
Spot Vital Signs with NIBP, Nellcor® Pulse Oximetry	<b>AL-56810</b>	<b>\$2062.95</b>
Mobile Stand	<b>AL-61966</b>	<b>\$312.00</b>
Wall Mount with Basket	<b>AL-56813B</b>	<b>\$251.95</b>



# Diagnosics

**BUY 11 GET 1 FREE!**



### Ri-Mini® Otoscope/Ophthalmoscope Combination Kit

This outstanding Riester Ri-Mini® Combination Kit features both an Otoscope and an Ophthalmoscope that are manufactured in Germany and are in compliance with Directive 93/42/EEC. Kits include a connector for pneumatic testing, replacement ear specula, replaceable 2.5V halogen lamps and are packaged in a traditional hard storage case. Each instrument requires two AA batteries (not included).

Ri-Mini® Combination Kit, Black	<b>AL-55920</b>	<b>\$259.00</b>
Ri-Mini® Combination Kit, Blue	<b>AL-69477</b>	<b>\$259.00</b>
Ri-Mini® Combination Kit, Green	<b>AL-69478</b>	<b>\$259.00</b>
Ri-Mini® Combination Kit, Grey	<b>AL-69476</b>	<b>\$259.00</b>

**AL-55920**



**AL-55921**

### Ri-Mini® Otoscope

When combined with an ear speculum, the Riester Ri-Mini® Otoscope is the ideal instrument to use for lighting and examining the auditory canal. Includes replaceable 2.5V halogen lamp and traditional hard storage case. Operates on two AA batteries (not included).

Ri-Mini® Otoscope, Black	<b>AL-55921</b>	<b>\$99.00</b>
Ri-Mini® Otoscope, Blue	<b>AL-69480</b>	<b>\$99.00</b>
Ri-Mini® Otoscope, Green	<b>AL-69481</b>	<b>\$99.00</b>
Ri-Mini® Otoscope, Grey	<b>AL-69479</b>	<b>\$99.00</b>

### Accessories & Replacement Parts For Ri-Mini AL-55920 and/or AL-55921

2.5mm Ear Specula, 1,000/pk	<b>AL-55924</b>	<b>\$65.00</b>
4.0mm Ear Specula, 1,000/pk	<b>AL-55925</b>	<b>\$65.00</b>



### Economy Diagnostic Kit

The battery handle, which operates on two C batteries (not included), utilizes a pin contact fitting for changing the multiple instrument heads included in the kit. A rheostat controls the level of light intensity provided by the incandescent lamps in the instrument heads. Kit includes: a chrome-plated Bent Arm Illuminator for lighting the oral cavity and pharyngeal area; two chrome-plated Laryngeal Mirrors sized 3.0mm and 4.0mm that attach to the Illuminator; a May Ophthalmoscope with lens wheel and correcting lens diopters ranging from -20 to +20; a chrome-plated Nasal Speculum that manually opens and closes within a wide range; a chrome-plated Otoscope with removable cap, three reusable specula, swivel magnifying lens and an outlet for pneumatic testing; a chrome-plated Tongue Blade Holder that uses wooden or plastic tongue blades; and a traditional hard storage case.

Riester Diagnostic Kit	<b>AL-55606</b>	<b>\$209.00</b>
Ophthalmoscope Replacement Incandescent Lamp 2.7V (Model AL-55606)	<b>AL-55613</b>	<b>\$79.95 Pack/6 Each</b>



# Pulse Oximeters



**BUY 11 GET 1 FREE!**



### Clip Style Fingertip Pulse Oximeter

- ✔ Two way display
- ✔ Spot-check measurement of oxygen saturation and pulse rate

Pulse Oximeter

**AL-74869** **\$79.00 Each**

Protective Black Rubber Boot for AL-74869

**AL-74870** **\$11.95 Each**



### Pulse Oximeter

- ✔ Reads SpO2 and pulse rate
- ✔ 6 changeable display modes
- ✔ 10 display brightness settings
- ✔ Complete with carry lanyard and rubberized bumper
- ✔ 2 "AAA" batteries (included)

**AL-72985** **\$99.00**



### Portable "HandyOx" Digital Oximeter

- ✔ Customizable Audible and Visual Alarm Settings
- ✔ Low and high thresholds can be individualized to the patient for both pulse rate and oxygen saturation
- ✔ Comes with durable rubber boot that provides protection against accidental drops

Hand Held Oximeter **AL-75637** **\$199.00**

Reusable Finger Clip Sensor **AL-75638** **\$39.00**



**AL-67998**

### Cordless Pulse Oximeter

- ✔ Relied upon for fast and accurate measurements
- ✔ Single "AA" alkaline battery gives approximately 1200 spot checks

**AL-67998** **\$279.00**

### Cabled Pulse Oximeter

- ✔ Same features as above and
- ✔ Has memory to retain oxygen saturation and pulse rate data and can operate in 3 different modes

**AL-67999** **\$389.00**



### Pulse Oximeter w/Memory

- ✔ Bright LED displays indicate oxygen saturation and heart rate from any angle and in most lighting conditions
- ✔ Bar graph displays for Pulse Amplitude and Perfusion Quality indication
- ✔ Online/remote monitoring ability through USB port
- ✔ Audible pulse tone varies in pitch with rise and fall of Oxygen saturation
- ✔ 136 hours patient data storage facility
- ✔ Rechargeable Lithium Ion battery and built-in charger
- ✔ Unique averaging sequencing technique updates values and provides faster response time

**AL-69726** **\$539.00**

**BUY 11 GET 1 FREE!**

**All Welch Allyn Bulbs Are Non-Returnable**

## Diagnostic Replacement Bulbs

Bulb	Welch Allyn #	Description	ALCO Part No.	Price Each	Bulb	Welch Allyn #	Description	ALCO Part No.	Price Each
	02600-U	Headlights	AL-43250	\$62.95		04800-U	Otoscope. Finoff & Briggs Transilluminator. Tongue Depressor Anoscopes. Bivalve Nasal Speculum. Speculum Illuminators Ocular Pocketlight. Laryngoscopes (except Premature) MacIntosh, Miller, Guedel, Wisc., Flag	AL-9281	\$16.95
	03000-U	Ophthalmoscope (Halogen) 3.5v	AL-9271	\$14.95					
	03100-U	Otoscope (Halogen) 3.5v	AL-9272	\$17.95					
	03400-U	Otoscope (Halogen) 2.5v	AL-9274	\$24.95					
	04100-U	Examination Lights	AL-43252	\$52.95					
	06400-U	Examination Lights	AL-48594	\$59.95		04900-U	Ophthalmoscope (halogen) 3.5v	AL-9282	\$24.95
						06100-U	Examination Lights	AL-43256	\$85.95

**Note: Bulbs Below Are Sold In Carton Quantities Of 6 ONLY—Priced EACH**

Bulb	Welch Allyn #	Description	ALCO Part No.	Price Each
	00200-U	Transilluminator, Tongue Depressor Anoscopes, Bi-valve Nasal Speculum, Speculum Illum., Ocular Pocketlight (Sold in quantities of 6 only)	AL-9260	\$15.95
	00900-U	All Ophthalmoscopes (Sold in quantities of 6 only)	AL-9263	\$51.95
	01300-U	Tongue Blade Holders & PenLites (Sold in quantities of 6 only)	AL-43245	\$34.95
	01400-U	PenLites (Sold in quantities of 6 only)	AL-43246	\$5.95
	03300-U	Ophthalmoscope (Halogen) 3.5v (Sold in quantities of 6 only)	AL-9273	\$32.95
	07800-U	For All Fiber Optic Proctological Instruments and Vaginal Specula Illuminator (sold in qty of 6 only)	AL-43259	\$25.50
	02000-U	Headlights (sold in qty of 6 only)	AL-43248	\$5.95
	02500-U	Headlights (sold in qty of 6 only)	AL-43249	\$18.95
	03800-U	Halogen HPX for PanOptic (sold 6 to a box)	AL-57931	\$36.95
<b>PHOTO NOT AVAILABLE</b>	04430-U	Halogen LS-135 (sold 6 to a box)	AL-64836	\$23.95
	06500-U	3.5v MacroView Otoscope (sold 6 to a box)	AL-63932	\$22.95
<b>PHOTO NOT AVAILABLE</b>	08800-U	4.7v Halogen 78810 Illumination System (sold 6 to a box)	AL-64838	\$31.95
	04200-U	Halogen Lamp (sold in qty of 6 only)	AL-43263	\$47.95
	03700-U	Streak Retinoscope (Halogen)3.5v (Sold in quantities of 6 only)	AL-9275	\$47.95
	03900-U	Ophthalmoscope (Halogen) 2.5v (Sold in quantities of 6 only)	AL-9276	\$31.95

Bulb	Welch Allyn #	Description	ALCO Part No.	Price Each
	04400-U	Ophthalmoscope (Halogen) and Incandescent 2.5	AL-9279	\$32.95
	04500-U	Retinoscopes (Sold in quantities of 6 only)	AL-43253	\$61.95
	04600-U	Retinoscopes (Sold in quantities of 6 only)	AL-43254	\$86.95
	04700-U	Premature size Laryngoscopes (Sold in quantities of 6 only)	AL-9280	\$32.95
	06000-U	Fiber Optic Laryngoscope (Sold in quantities of 6 only)	AL-9283	\$23.95
	06200-U	AudioScopes (Sold in quantities of 6 only)	AL-43257	\$34.95
	07600-U	PenLite (Sold in quantities of 6 only)	AL-43258	\$17.95
<b>PHOTO NOT AVAILABLE</b>	00300-U	3.5V Halogen HPX (Sold in quantities of 6 only)	AL-64833	\$26.95
	00600-U	Replacement Lamp for Distal Proctoscope (Sold in quantities of 6 only)	AL-9262	\$79.95
	01200-U	Halogen for Bio (Sold in quantities of 6 only)	AL-64834	\$63.95
	06300-U	Exam Lamp Bulb (Sold in quantities of 6 only)	AL-48593	\$19.95
	08200-U	3.5V Halogen Lamp (Sold in quantities of 6 only)	AL-43265	\$38.95
	08300-U	3.5V Halogen Lamp (Sold in quantities of 6 only)	AL-43266	\$45.95
	08500-U	Replacement Lamp (Sold in quantities of 6 only)	AL-74309	\$37.95

EP1

**▼ LOW PRICES GUARANTEED! ▼**  
**WE WILL NOT BE UNDERSOLD!**



# Welch Allyn LED Lamps & Batteries

**BUY 11 GET 1 FREE!**



Welch Allyn LED Lamp Upgrade Kits				
	Otosopes	Welch Allyn Part No.	ALCO Part No.	Price
	3.5V Diag. 3.5V Diag.(Box of 10)	03100-LED 03100-LED10	AL-74890 AL-74891	\$121.00 Each \$1223.00 Box/10
	MV MV (Box of 10)	06500-LED 06500-LED10	AL-74892 AL-74893	\$121.00 Each \$1221.00 Box/10
	Ophthalmoscopes PO PO (Box of 10)	03800-LED 03800-LED10	AL-74894 AL-74895	\$167.00 Each \$1682.00 Box/10
	3.5V Coax 3.5V Coax (Box of 10)	04900-LED 04900-LED10	AL-74896 AL-74897	\$152.00 Each \$1524.00 Box/10

Welch Allyn Batteries						
	Description	Volts	Capacity	Mfg Part No.	ALCO Part No.	Price Each
	60, 700 Series Handles, 70, 700 Series Handles, 71, 500 Series Handles	2.5	1000mAh	72000 (Red)	AL-20261	\$42.95
	71000 & 71670	3.5	750mAh	72200 (Black)	AL-20263	\$56.95
	Audioscopes, 71000-A & 71000-C	3.5	750mAh	72300 (Orange)	AL-20264	\$56.95
	70, 100 Series Handles	2.5	500mAh	72600 (Blue)	AL-20265	\$39.95
	For 71900 Lithium Handle For 12000 Binocular	N/A	N/A	71960	AL-64380	\$164.95
	Indirect Ophthalmoscope	N/A	N/A	72240	AL-76035	\$189.95
	For 14010 Sure Sight	N/A	N/A	72420	AL-76036	\$199.95
	For 93400 Compac Set	N/A	N/A	72610	AL-76037	\$64.95

EP-1





**Braun ThermoScan® Pro 4000**

- ✓ Sensor scans eight temperatures in 1 second, displaying the highest reading
- ✓ Built-in cross contamination protection
- ✓ Used probe covers may be ejected automatically
- ✓ Easy-to-read LCD displays temperature in Fahrenheit or Celsius
- ✓ Has last temperature recall capability
- ✓ Wide range of patient and ambient temperature
- ✓ Approximately 5,000 temperatures with 2 lithium batteries

**Description**

	ALCO Part No.	Price Each
Braun ThermoScan® Pro 4000 Ear Thermometer	<b>AL-58088</b>	<b>\$213.00</b>
Braun ThermoScan® Pro 4000 Ear Thermometer with Recharging Base Station	<b>AL-58089</b>	<b>\$292.00</b>
Braun ThermoScan® Pro 4000 Ear Thermometer with Security Roll Stand	<b>AL-58090</b>	<b>\$584.00</b>

**Accessories**

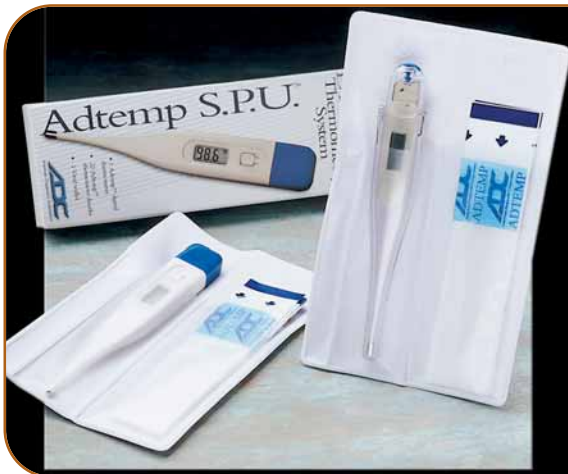
Braun ThermoScan® Disposable Probe Covers (800)	<b>AL-58091</b>	<b>\$66.95</b>
Braun ThermoScan® Disposable Probe Covers (5,000)	<b>AL-58092</b>	<b>\$418.95</b>



**ADTEMP I™ Digital Thermometer**

- ✓ Measures in 60 seconds
- ✓ Last reading memory
- ✓ Completely sealed and waterproof
- ✓ Dual scale: can be operated in either °F or °C
- ✓ Auto off function conserves battery life

**AL-59892      \$59.00 Case of 20**



**ADTEMP™ Single Patient Use Kit**

- ✓ ADTEMP™ thermometer and 20 ADTEMP™ sheaths with 2 pocket (digital) vinyl wallet
- ✓ Beeps when ready

Digital Thermometer - Oral	<b>AL-59895</b>	<b>\$7.95</b>
Digital Thermometer - Rectal	<b>AL-59895A</b>	<b>\$7.95</b>
ADTEMP™ Disposable Sheaths	<b>AL-59896</b>	<b>\$4.95 Box of 100</b>
ADTEMP™ Disposable Sheaths	<b>AL-59897</b>	<b>\$31.95 Box of 1000</b>



**Infrared Thermometer**

- ✓ Measures instantly (under 5 seconds) without patient contact eliminating cross-contamination
- ✓ Fever alarm and color coded display speeds interpretation
- ✓ Fahrenheit – Celsius switchable
- ✓ Large Backlit Display
- ✓ Uses 2-AAA batteries (included)
- ✓ Large Backlit Display

**AL-77125      Call**



# SureTemp® Plus Thermometers WelchAllyn®

**BUY 11 GET 1 FREE!**

## SureTemp® Plus 690

- ✓ Interchangeable probe with push-button probe cover ejection
- ✓ Removable probe well for easy cleaning
- ✓ Convenient storage for 25 probe covers
- ✓ Large, easy-to-read LCD
- ✓ C/F button for toggling between Fahrenheit and Celsius
- ✓ Prominent recall button for display of last temperature taken
- ✓ Ergonomic design with rubberized grips
- ✓ Mode selection button for selecting oral, pediatric axillary, or adult axillary
- ✓ User selectable icon and/or words for identification of thermometer mode
- ✓ Battery life indicator (takes approx 5,000 temps model 690; 6,000 model 692)
- ✓ Interchangeable rectal probe and well reduces risk of cross-contamination
- ✓ Optional wall mount has storage space for 50 additional probe covers

## SureTemp® Plus 690 & 692 Specifications

Calibration Accuracy	+/-0.2 ° F (+/-0.1°C) (Monitor Mode)
Temperature Predict Time:	
Oral	Approx. 4 secs.
Adult Axillary (18 years and older)	Approx. 15 secs.
Pediatric Axillary (17 years and younger)	Approx. 10 secs.
Rectal	Approx. 10 secs.
Unit Dimensions	8.46" x 3.18" x 2.43"
Unit Weight	12.6 ounces (357 grams)
Ambient Temperature Range	50.0°F(10°C) - 104°F(40.0°C)
Patient Temperature Range	80.0°F(26.7°C) -110°F (43.3°C)
Power Source	(3)1.5Vdc AA batteries
Warranty	2 year limited instrument, Model 690
	3 year limited instrument, Model 692



SureTemp® 690

SureTemp® 690 with Holder



SureTemp® 692

SureTemp® 692 with Holder

## SureTemp® Plus 690

SureTemp Plus Electronic Thermometer (Model 690), Oral Probe with Oral Probe Well, 2 Year Limited Warranty	<b>AL-61936</b>	<b>\$289.95</b>
SureTemp Plus Electronic Thermometer (Model 690), Rectal Probe with Rectal Probe Well, 2 Year Limited Warranty	<b>AL-61937</b>	<b>\$289.95</b>
SureTemp Plus Electronic Thermometer (Model 690), One Per Room, Wall Mount, 9ft. Oral Probe with Oral Probe Well, 2 Year Limited Warranty (must be locked to the wall)	<b>AL-61938</b>	<b>\$316.95</b>
SureTemp Plus Electronic Thermometer (Model 690), One Per Room, Wall Mount, 9 ft, Rectal Probe with Rectal Probe Well, 2 Year Limited Warranty (must be locked to the wall)	<b>AL-61940</b>	<b>\$333.95</b>
SureTemp Plus Electronic Thermometer (Model 690), Wall Mount, Oral Probe with Oral Probe Well, 2 Year Limited Warranty	<b>AL-61941</b>	<b>\$302.95</b>
SureTemp Plus Electronic Thermometer (Model 690), Wall Mount, 9ft Oral Probe with Oral Probe Well, 2 Year Limited Warranty, with Rolling Stand and Holder for Spare Probe & Well	<b>AL-61942</b>	<b>\$637.95</b>

## SureTemp Plus® 692

SureTemp Plus Electronic Thermometer (Model 692), Wall Mount, Security System with ID Location Field, and Oral Probe with Oral Probe Well	<b>AL-61943</b>	<b>\$475.95</b>
SureTemp Plus Electronic Thermometer (Model 692), Wall Mount, Security System with ID Location Field and Rectal Probe with Rectal Probe Well	<b>AL-61944</b>	<b>\$475.95</b>
SureTemp Plus Electronic Thermometer (Model 692), One Per Room, Wall Mount 9 FT Oral Probe with Oral Probe Well	<b>AL-61945</b>	<b>\$479.95</b>
SureTemp Plus Electronic Thermometer (Model 692), One Per Room, Wall Mount, 9 FT Rectal Probe with Rectal Probe Well	<b>AL-61946</b>	<b>\$487.95</b>
SureTemp Plus Electronic Thermometer (Model 692), Wall Mount, 9 FT Oral Probe with Oral Probe Well, with Rolling Stand and Holder for Spare Probe & Well	<b>AL-61947</b>	<b>\$666.95</b>

## Accessories for Models 690 and 692

Wall Holder	<b>AL-61948</b>	<b>\$39.95</b>
Holder for Spare Probe & Well	<b>AL-61949</b>	<b>\$18.95</b>
Calibration Key Assembly, 690/692	<b>AL-61950</b>	<b>\$38.95</b>
Probe & Well Kit 4FT Rectal	<b>AL-61951</b>	<b>\$85.95</b>
Probe & Well Kit 9FT Rectal	<b>AL-61952</b>	<b>\$98.95</b>
Probe & Well Kit 4FT Oral	<b>AL-61953</b>	<b>\$85.95</b>
Probe & Well Kit 9FT Oral	<b>AL-61954</b>	<b>\$98.95</b>
Probe Well, Blue	<b>AL-61955</b>	<b>\$18.95</b>
Probe Well, Red	<b>AL-61956</b>	<b>\$19.95</b>
Thermometer Stand with Holder for Spare Probe & Well	<b>AL-61957</b>	<b>\$334.95</b>
Bracket, M600 Stand Upgrade with Holder for Spare Probe & Well	<b>AL-61958</b>	<b>\$149.95</b>
Replacement Probe Covers (Case of 1,000)	<b>AL-50302</b>	<b>\$57.95</b>



**Probe & Well Kit**  
**AL-61953**



**Probe Covers, 1000 per case**  
**AL-50302**

**BUY 11**  
Get One  
**FREE**

# Blood Pressure Monitors

**BUY 11 GET 1 FREE!**

**New!**



### Jumbo Screen Premium Blood Pressure Arm Monitor

- ✓ Clinically accurate reading
- ✓ Large LCD display
- ✓ Backlit display
- ✓ Fully automatic inflation and deflation
- ✓ 2-person memory bank holds 120-reading, 60 per user
- ✓ Memory recall with date/ time stamp
- ✓ Hypertension indicator
- ✓ Automatic shut-off
- ✓ AC adapter port
- ✓ Canvas storage bag
- ✓ Batteries included: 4 AA

Complete Monitoring System	<b>AL-77257</b>	<b>\$45.00</b>
Small Adult Cuff	<b>AL-77258</b>	<b>\$12.00</b>
Large Adult Cuff	<b>AL-77259</b>	<b>\$12.00</b>
AC Adapter	<b>AL-73239</b>	<b>\$9.95</b>



### Sports Automatic Digital Blood Pressure Wrist Monitor

- ✓ Clinically accurate reading
- ✓ Fully automatic inflation and deflation
- ✓ Simultaneous systolic, diastolic and pulse results
- ✓ Memory bank holds 90 readings
- ✓ Hypertension indicator
- ✓ Automatic shut-off
- ✓ Hard plastic storage case
- ✓ Batteries included: 2 AAA

**AL-77260      \$32.00**



### Automatic Digital Blood Pressure Wrist Monitor

- ✓ Clinically accurate reading
- ✓ One-button blood pressure measurements
- ✓ Large LCD display
- ✓ 1-person memory bank holds 60-readings
- ✓ Storage pouch
- ✓ Batteries included: 2 AAA

**AL-77261      \$28.00**



### Citizen Self-Storing Blood Pressure Arm Monitor

- ✓ Clinically accurate reading
- ✓ One-button blood pressure measurements
- ✓ Memory bank holds 90 readings
- ✓ Body movement indicator
- ✓ Built-in storage cuff area
- ✓ Latex-free adult cuff fits arm sizes: 8-3/4"-12-1/2"
- ✓ Batteries included: 4 AA

Complete Monitoring System	<b>AL-77262</b>	<b>\$64.00</b>
Large Adult Cuff	<b>AL-77263</b>	<b>\$15.00</b>
AC Adapter	<b>AL-77264</b>	<b>\$11.00</b>



# Blood Pressure Monitors

**BUY 11 GET 1 FREE!**



### One-Step Plus Memory Blood Pressure Monitor

- ✓ 90 memory recall
- ✓ Clinically validated for accuracy
- ✓ Clock, time and date stamp
- ✓ Pressure Rating Indicator™
- ✓ Irregular heartbeat detection
- ✓ One button operation
- ✓ Displays average readings
- ✓ Four week blood pressure logbook
- ✓ Latex free

	Without AC Adaptor		With AC Adaptor	
With Adult Cuff	<b>AL-73236</b>	<b>\$69.00</b>	<b>AL-73241</b>	<b>\$79.00</b>
With Large Adult Cuff	<b>AL-73237</b>	<b>\$79.00</b>	<b>AL-73242</b>	<b>\$89.00</b>
With Small Adult Cuff	<b>AL-73238</b>	<b>\$79.00</b>	<b>AL-73243</b>	<b>\$89.00</b>
Cuff - Large Adult	<b>AL-73240</b>	<b>\$29.00</b>	<b>AL-73240</b>	<b>\$29.00</b>
Cuff - Small Adult	<b>AL-73248</b>	<b>\$21.00</b>	<b>AL-73248</b>	<b>\$21.00</b>
Cuff - Adult	<b>AL-73249</b>	<b>\$19.00</b>	<b>AL-73249</b>	<b>\$19.00</b>



### Quick Response w/Blood Pressure Monitor

- ✓ Clinically validated for accuracy
- ✓ 60 reading memory
- ✓ Easy-Fit™ cuff fits most arms
- ✓ Date/Time Stamp
- ✓ Three programmable alarms
- ✓ Pressure Rating Indicator™
- ✓ Irregular heartbeat feature

Digital Upper Arm w/Easy Wrap Cuff	<b>AL-73244</b>	<b>\$99.00</b>
Easy Wrap Cuff (9"-17")	<b>AL-73245</b>	<b>\$34.00</b>

EP1

### 7 Series™ Blood Pressure Monitor

- ✓ Exclusive technology automatically displays the average of up to the last 3 readings taken within the last 10 minutes
  - ✓ This monitor can detect irregular heartbeats while your blood pressure is being measured
  - ✓ Alerts you if your blood pressure reading exceeds internationally recognized guidelines for normal blood pressure levels
  - ✓ AC Adapter
  - ✓ 60 Memory Storage
- AL-70370      \$119.00**



### X-Large Arm BP Monitor

- ✓ AccuFit Extra Large Cuff Fits Arms Ranging From 16.5"-23.6" (42-60cm)
  - ✓ High Performance Monitor
  - ✓ Irregular Heartbeat Detection
  - ✓ 60 Memory Recall
  - ✓ Illuminated Start Button
  - ✓ AC Power Adapter Included
- AL-70375      \$169.00**

Latex Free

We Accept





# Littmann Stethoscope

**BUY 11 GET 1 FREE!**



### 3M™ Littmann™ Cardiology III Stethoscope

- ✓ Two tunable diaphragms alternate between low- and - high frequency sounds w/o the need to turn over the chest piece
- ✓ Solid stainless steel chest piece
- ✓ Dual-lumen design
- ✓ Snap Tight Soft-Sealing Ear tips
- ✓ Non-chill rim and diaphragm

Color	Length	Littmann Part No.	ALCO Part No.	Price Each
Black	22"	3127	LA-7213	\$199.00
Black	27"	3128	LA-8213	\$199.00
Burgundy	27"	3129	LA-9213	\$199.00
Navy Blue	27"	3130	LA-0313	\$199.00
Hunter Green	27"	3134	LA-4313	\$199.00
Plum	27"	3135	LA-5313	\$199.00
Chocolate	27"	3137	LA-7313	\$199.00
Gray	27"	3136	LA-6313	\$199.00
Raspberry	27"	3148	LA-8413	\$199.00
Caribbean Blue	27"	3138	LA-8313	\$199.00
Red	27"	3140	LA-0413	\$199.00



### 3M™ Littmann™ Lightweight II S. E. Stethoscope

- ✓ Chest piece shape designed for better orientation around blood-pressure cuffs and body contours
- ✓ Traditional bell combined with tunable diaphragms alternate between low- and - high frequency sounds w/o the need to turn over the chest piece
- ✓ Snap Tight Soft-Sealing Ear tips
- ✓ Metal/resin composite chest piece

Color	Length	Littmann Part No.	ALCO Part No.	Price Each
Black	28"	2450	LA-0542	\$59.00
Burgundy	28"	2451	LA-1542	\$59.00
Ceil Blue	28"	2454	LA-4542	\$59.00
Sea Foam Green	28"	2455	LA-5542	\$59.00
Lilac	28"	2453	LA-3542	\$59.00

**Latex Free**

LA-3112

LA-R4112

**LA-8022**

### 3M™ Littmann® Classic II S.E.

Known as the standard in the industry, this performance stethoscope features the tunable diaphragm that allows both low and high frequency sound to be heard by simply alternating the pressure on the chestpiece. All models feature single-lumen tubing, nonchill rim, patented Littmann® soft-sealing eartips and three-year warranty. Teaching stethoscope model ( LA-63759) includes two headsets.

Color	Length	Littmann No.	ALCO Part No.	Price Each
Black	40"	2138	LA-63759	\$149.00
Black	28"	2201	LA-1022	\$99.00
Gray	28"	2203	LA-3022	\$109.00
Burgundy	28"	2211	LA-1122	\$109.00
Purple	28"	2209	LA-9022	\$109.00
Navy	28"	2205	LA-5022	\$109.00
Hunter Green	28"	2208	LA-8022	\$109.00
Caribbean Blue	28"	2206	LA-6022	\$109.00
Pine Green	28"	2818	LA-8182	\$109.00
Raspberry	28"	2210	LA-0122	\$109.00
Orange	28"	2812	LA-2182	\$109.00
Pearl Pink	28"	2817	LA-7182	\$109.00
Rainbow Edition	28"	2823	LA-3282	\$109.00



# Littmann Stethoscope Parts

**BUY 11 GET 1 FREE!**



**For All 3M™ Littmann™ Stethoscopes**

Color	Littmann No.	ALCO Part No.	Price Pair
<b>LARGE Eartips (Pair) Soft-sealing, snap-tight</b>			
Black	37811	AL-56244	\$12.95
Grey	37812	AL-56245	\$12.95
<b>Firm, snap-tight</b>			
Grey	37808	AL-56247	\$8.95
<b>Small Eartips (Pair) Soft-sealing, snap-tight</b>			
Black	37809	AL-56251	\$12.95
Grey	37810	AL-56252	\$12.95
<b>Firm, snap-tight</b>			
Grey	38742	AL-56254	\$8.95

**3M™ Littmann™ Cardiology III (continued)**

Color	Littmann No.	ALCO Part No.	Price Each
<b>Large Snap-on Rims</b>			
Black	36548	AL-56260	\$6.95
Grey	36549	AL-56261	\$6.95
<b>Small Snap-on Rims</b>			
Black	36550	AL-56262	\$6.95
Grey	36551	AL-56263	\$6.95
<b>Large Tunable Diaphragm &amp; Rim Assembly</b>			
Grey	36557	AL-56265	\$10.95
<b>Small Tunable Diaphragm &amp; Rim Assembly</b>			
Black	36572	AL-56266	\$10.95
Grey	36573	AL-56267	\$10.95

**3M™ Littmann™ Classic II Pediatric**

Color	Littmann No.	ALCO Part No.	Price Each
<b>Nonchill Bell Sleeve</b>			
Black	36546	AL-56278	\$5.95
<b>Small Snap-on Rims</b>			
Black	36550	AL-56262	\$6.95
Grey	36551	AL-56263	\$6.95

**3M™ Littmann™ Classic II Infant**

Color	Littmann No.	ALCO Part No.	Price Each
<b>Nonchill Bell Sleeve</b>			
Black	36547	AL-56284	\$6.95
Grey	36569	AL-56285	\$6.95

**3M™ Littmann™ Master Cardiology**

Color	Littmann No.	ALCO Part No.	Price Each
<b>Tunable Diaphragm &amp; Rim Assembly</b>			
Black	36554	AL-56256	\$13.95
Grey	36555	AL-56257	\$13.95

<b>Nonchill Bell Sleeve</b>			
Black	36570	AL-56258	\$6.95
Grey	36571	AL-56259	\$6.95

**3M™ Littmann™ STC**

Color	Littmann No.	ALCO Part No.	Price Each
<b>Tunable Diaphragm &amp; Rim Assembly</b>			
Black	51185	AL-64199	\$12.95

**3M™ Littmann™ Master Classic II**

Color	Littmann No.	ALCO Part No.	Price Each
<b>Large Snap-on Rims</b>			
Black	36548	AL-56260	\$6.95
Grey	36549	AL-56261	\$6.95

<b>Large Tunable Diaphragm &amp; Rim Assy.</b>			
Grey	36557	AL-56265	\$10.95

**3M™ Littmann™ Classic II S.E.**

Color	Littmann No.	ALCO Part No.	Price Each
<b>Nonchill Bell Sleeve</b>			
Black	36544	AL-56272	\$6.95
Grey	36545	AL-56294	\$6.95

<b>Large Snap-on Rims</b>			
Black	36548	AL-56260	\$6.95
Grey	36549	AL-56261	\$6.95

<b>Large Tunable Diaphragm &amp; Rim Assy.</b>			
Grey	36557	AL-56265	\$10.95

<b>Infant Snap-on Rims</b>			
Black	36552	AL-56286	\$6.95
Grey	36553	AL-56287	\$6.95

<b>Diaphragm w/Littmann Logo</b>			
	36561	AL-56288	\$4.95

**3M™ Littmann™ Select**

Color	Littmann No.	ALCO Part No.	Price Each
<b>Large Snap-on Rims</b>			
Black	36548	AL-56260	\$6.95
Grey	36549	AL-56261	\$6.95

<b>Large Tunable Diaphragm &amp; Rim Assembly</b>			
Grey	36557	AL-56265	\$10.95

**3M™ Littmann™ Lightweight II S.E.**

Color	Littmann No.	ALCO Part No.	Price Each
<b>Tunable Diaphragm &amp; Rim Assembly</b>			
Black	51159	AL-64195	\$10.95
Lt. Brown	51160	AL-64196	\$10.95

<b>Nonchill Bell Sleeve</b>			
Black	51162	AL-64197	\$5.95
Lt. Brown	51163	AL-64198	\$5.95

**NOTE:** Littmann stethoscopes manufactured prior to early 1994 use threaded eartips. All others use snap-tight. Threaded and snap-tight eartips are not interchangeable.





# ALCO Economy Stethoscopes

**BUY 11 GET 1 FREE!**

## ALCO Sprague Rappaport-Type Stethoscopes

The stethoscope includes five interchangeable chestpieces: three bells (adult, medium and infant) and two diaphragms (small and large) for custom user design, plus three different sized eartips for maximum comfort. Overall stethoscope length is 30". Lifetime limited warranty.

- ✓ Outstanding acoustical quality
- ✓ Heavy-walled 22" tubing
- ✓ Lifetime limited warranty
- ✓ Latex-Free

Color	ALCO Part No.	Color	ALCO Part No.	Price Each
Blue	AL-55445	Black	AL-55446	\$13.95
Grey	AL-55447	Orange	AL-55448	\$13.95
Burgundy	AL-55449	Red	AL-55450	\$13.95
Lavender	AL-55451	Magenta	AL-55454	\$13.95
Yellow	AL-55453	Purple	AL-55456	\$13.95
Teal	AL-55455	Hunter Green	AL-55460	\$13.95
Navy	AL-55459			\$13.95

**Latex Free**



## ALCO Dual Head Stethoscope

Each stethoscope features a chrome-plated brass binaural, lightweight anodized aluminum chestpiece, 22" vinyl Y-tubing, spare diaphragm and a pair of mushroom eartips. Overall stethoscope length is 30". Lifetime limited warranty.

Color	ALCO Part No.	Color	ALCO Part No.	Price Each
Grey	AL-55463	Black	AL-55462	\$7.95
Burgundy	AL-55465	Orange	AL-55464	\$7.95
Magenta	AL-55469	Red	AL-55466	\$7.95
Purple	AL-55471	Teal	AL-55470	\$7.95
Navy	AL-55472	Hunter Green	AL-55473	\$7.95

**Latex Free**



## ALCO Nurse Stethoscopes

Each stethoscope features a chrome-plated brass binaural, lightweight anodized aluminum chestpiece and 22" vinyl Y-tubing. Each stethoscope is packaged with a spare diaphragm and a pair of mushroom eartips. Overall stethoscope length is 30". Lifetime limited warranty.

Color	ALCO Part No.	Color	ALCO Part No.	Price Each
Grey	AL-55476	Black	AL-55475	\$5.95
Burgundy	AL-55478	Orange	AL-55477	\$5.95
Magenta	AL-55482	Red	AL-55479	\$5.95
Purple	AL-55484	Teal	AL-55483	\$5.95
Hunter Green	AL-55486	Navy	AL-55485	\$5.95

**Latex Free**



# Stethoscope Parts & Accessories

**BUY 11 GET 1 FREE!**



AL-6838 AL-6839

### Binaurals

Chrome, Standard Style	AL-6838	\$3.95
Sprague Rappaport	AL-6839	\$4.95
Spring for Binaurals	AL-6866	\$2.00



1-3/4" AL-42931

### Non-Chill Rings

Adult, Black	AL-42930	\$3.95
Deluxe series, Black	AL-42931	\$4.95



**Latex Free**

### Y-Tubing 22"

Black	AL-6853	\$2.95
Blue	AL-6854	\$2.95
Grey	AL-6857	\$2.95
Green	AL-6858	\$2.50
Pink	AL-6859	\$2.50
Red	AL-6860	\$2.50

### Replacement Chestpieces

Neonatal	AL-21600	\$12.95
Sprague Rappaport	AL-42950	\$10.95

### Single Head Chestpiece

Silver	AL-9209	\$3.95
--------	---------	--------

### Chestpieces Only – Double Head

Silver, Adult	AL-6830	\$5.95
Premature Size	AL-21600	\$12.95
Pediatric Size	AL-21601	\$9.95



### Eartips (Sold in Pairs)

White Plastic	AL-6847	\$1.25
Black Plastic	AL-6848	\$1.25
Black Mushroom Type	AL-6851	\$1.25
Sprague Rapp, Soft, Clear	AL-42933	\$2.95
Classic, Hard, Plastic, Card	AL-42935	\$3.95
Classic, Soft, Vinyl, Lrg, Adult	AL-42938	\$4.95
Classic, Soft, Vinyl, Sml, Adult	AL-42939	\$4.95



### Diaphragm Retaining Rings

Adult	AL-6864	\$2.95
Small Ring - 1" Dia	AL-42940	\$2.95
Large Ring	AL-42941	\$4.95
Large Diaphragm	AL-42942	\$10.95
Small Diaphragm - 1" Dia	AL-42943	\$9.95



### Diaphragms

Adult	AL-6865	\$2.95
Pediatric - Small	AL-6865P	\$2.95
Sprague Rapp, Large 1-5/8"	AL-42946	\$2.95
Sprague Rapp, Small 1"	AL-42947	\$2.95
Reg, Adt & Card, White	AL-42948	\$2.95



Front

Back

### 3M™ Littmann™ Stethoscope Identification Tags

High quality I.D. Tags by Littmann are durable and attractive, offering the option to affix either an engraved or handwritten nameplate.

Black Littmann I.D. Tag	AL-56038	\$8.00
Grey Littmann I.D. Tag (not shown)	AL-56039	\$8.00



AL-54184

AL-54185

### Stethoscope I.D. Tags

H-Type	AL-54184	\$4.95
Straight Type	AL-54185	\$4.95

# Specialty Stethoscopes

**BUY 11 GET 1 FREE!**



**Latex Free**

### Adscope-Lite™ 612 Platinum Edition

- ✓ Unique design that combines the acoustic response of a traditional bell and diaphragm into a convenient one-sided chestpiece
- ✓ Rubber gasket recessed into the chestpiece alters the diaphragm's effective diameter, permitting the scope to achieve multi-frequency response
- ✓ Extra thick tubing walls minimize extraneous noise
- ✓ Includes one pair of plastic eartips and ADSOFT™ PVC eartips (small and large) and one spare diaphragm
- ✓ Scope ID Tag included
- ✓ Overall length 30.5"
- ✓ Weighs only 6 ounces

Color	ALCO Part No.	Price Each
Black	AL-59032	\$49.00
Navy	AL-59035	\$49.00
Royal Blue	AL-59037	\$49.00
Teal	AL-59038	\$49.00



### Adscope™ 603 Stainless Steel Scope

- ✓ Extra large bell (1-3/8" diameter) for unsurpassed low frequency response
- ✓ Ultra-sensitive diaphragm (1-7/8" diameter) for greater amplification and crisper high frequency transmission
- ✓ Stainless steel binaurals with double leaf internal spring fixed at 15° angle for greater comfort
- ✓ Reinforcing yoke molded into flexible 22" PVC "Y" tubing
- ✓ Scope ID Tag included
- ✓ Overall length 31"

Latex-Free Color	ALCO Part No.	Price Each
Black	AL-59046	\$39.00
Burgundy	AL-59047	\$39.00
Grey	AL-59048	\$39.00
Navy	AL-59049	\$39.00
Lavender	AL-59050	\$39.00
Royal Blue	AL-59051	\$39.00
Teal	AL-59052	\$39.00
Dark Green	AL-64383	\$39.00



**Lifetime Warranty**

**Latex Free**





### Single Patient Use Disposable Yellow Stethoscope

- ✓ Features aluminum binaurals
- ✓ Overall scope length 30"

AL-42956	\$209.00/Box of 50
AL-42956A	\$24.00/Box of 10



AL-55492  
Newborn

AL-55488  
Pediatric

**Save Up To 60%!**

### Pediatric & Newborn Stethoscopes—Latex Free

- ✓ Chrome-plated brass binaural and chestpiece
- ✓ Color-coordinated diaphragm retaining ring and nonchill ring

Length	Color	ALCO Part No.	Price Each
<b>Pediatric (nonchill ring 1", diaphragm 1-1/2")</b>			
30"	Grey	AL-55487	\$10.00
30"	Pink	AL-55488	\$10.00
30"	Light Blue	AL-55489	\$10.00
<b>Newborn (nonchill ring 3/4", diaphragm 3/4")</b>			
31"	Grey	AL-55490	\$16.00
31"	Pink	AL-55491	\$16.00
31"	Light Blue	AL-55492	\$16.00

# Respiratory



Phone: 800-323-4282  
Fax: 800-950-1167

**ALCO**  
Sales & Service Co.

info@alcosales.com  
www.alcosales.com



# Respiratory Products

**BUY 11 GET 1 FREE!**



AL-68280

### 5-Liter and 10-Liter Concentrators

Rated Current Input 5-Liter:.....4.0 amps average @ 5 LPM  
 Rated Current Input 10-Liter:.....4.9 A  
 Oxygen 5-Liter: .....Purity: 95.6% to 87% at all flow rates  
 Oxygen 10-Liter: .....94% to 87% at all flow rates  
 Maximum Outlet Pressure 5-Liter: .....5 PSI (+/- 0.5 PSI)  
 Maximum Outlet Pressure 10-Liter:.....9 +/- 0.5 psi  
 Operating Flow Rate 5-Liter:.....0.5 – 5 LPM  
 Operating Flow Rate 10-Liter:.....2 – 10 LPM  
 Filters:.....Compressor inlet, outlet HEPA, cabinet (gross particle)  
 Dimensions 5-Liter:.....13"W x 23"H x 11.5"D  
 Dimensions 10-Liter:.....18-3/8"W x 26-3/8"H x 14-3/8"D



5-Liter	AL-68279	\$799.00
5-Liter With O2 Sensor	AL-68280	\$849.00
10-Liter	AL-70714	\$1589.00
10-Liter With O2 Sensor	AL-70715	\$1659.00



*For use with: M6, ML6, B, C, D, E Post or Toggle Cylinders*

### Regulators

Barb Outlet, Pediatric, Green  
 Liter Flow Increments: 0, .03, .06, .12, .25, .5, .75, 1, 1.5, 2, 2.5, 3

AL-65548 \$39.00 Each

Barb Outlet, Adult, Green  
 Liter Flow Increments: 0, .12, .5, 1, 1.5, 2, 2.5, 3, 4, 6, 8

AL-66120 \$54.00 Each

Barb Outlet, Adult, Green  
 Liter Flow Increments: 0, .12, .5, 1, 1.5, 2, 3, 4, 6, 8, 10, 15

AL-74860 \$29.00 Each

Diss Outlet, Adult, Green  
 Liter Flow Increments: 0, .12, .5, 1, 1.5, 2, 3, 4, 6, 8, 10, 15

AL-74862 \$69.00 Each

### Mini Regulators

Barb Outlet, Adult, Green  
 Liter Flow Increments: 0, .12, .5, 1, 1.5, 2, 2.5, 3, 4, 6, 8

AL-74863 \$29.00 Each

Barb Outlet, Adult, Green  
 Liter Flow Increments: 0, .12, .5, 1, 1.5, 2, 3, 4, 6, 8, 10, 15

AL-66121 \$44.00 Each

### Pacifica Nebulizer II (Piston Powered)

- ✓ Compact design is extremely portable
- ✓ Weighs only 3.3 lbs
- ✓ Powerful piston pump is efficient, dependable and quiet
- ✓ Maximum pressure: 30 psi
- ✓ Liter flow: 5-6 liters/Minute
- ✓ Comes complete with (1) Nebulizer Kit packed in box



Pacifica II (Shown) AL-73202 \$39.00

Filter for AL-73202 (Bag of 5) AL-73203 \$11.95

Nebulizer Kit Disposables, Case of 50 AL-65551 \$59.00

(Contains 1 each ampule, mouth piece, tubing and reservoir tubing)

Universal Nebulizer Carry Bag AL-73204 \$14.00

(For use with most Manufacturers Nebulizers)

# Gomco Respiratory Products



AL-77114



AL-21199

AL-74231



### Aspirators

1500 ML Suction Unit	AL-77114	\$669.00
800cc Disposable Canister and Metal Base Aspirator	AL-21199	\$319.00
800cc Disposable Canister and Molded Base Aspirator	AL-74231	\$279.00
1100 ML Disposable Canister Suction Unit	AL-42889	\$409.00



# Concentrator & Respiratory Parts

**BUY 11 GET 1 FREE!**



**Oxygen Tubing**

- ✓ Cannula tubing
- ✓ Kink resistant

Length	Color	Count Per Case	ALCO Part No	Price Case
7 ft.	Green	50	AL-77685-7	\$59.95
14 ft.	Green	50	AL-77685-14	\$109.95
25 ft.	Green	25	AL-77685-25	\$59.95
50 ft.	Green	20	AL-77685-50	\$59.95

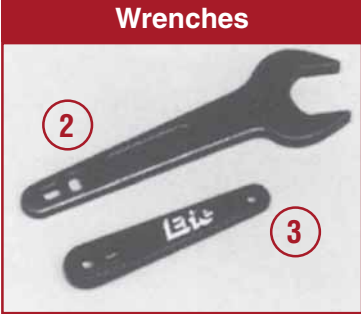
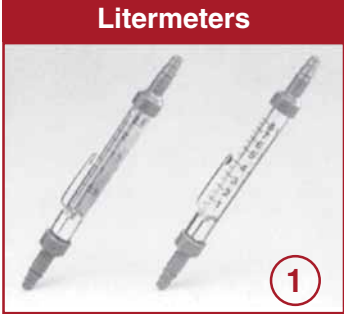
Fig.	Description	ALCO Part No.	Price Each
1	Intake Bacteria HEPA Filter	AL-73402	\$14.95
2	Cabinet Filter; Invacare Platinum 5 ( <b>Pack of 10</b> )	AL-73403	\$10.95
N/S	Final Bacteria Filter; 1/4 inch- 3/8 inch Stepped Barb	AL-73404	\$2.95
3	Filter Smart Pak for Respironics Millennium	AL-73405	\$11.95
4	Filter Smart Pak for Invacare Platinum	AL-73406	\$17.95
N/S	Extended Life Intake Bacteria HEPA Filter	AL-73407	\$19.95
5	Intake Bacteria Filter (Pall Filter)	AL-73408	\$4.95
6	Humidifier Adapter; Black Plastic w/ Tubing	AL-73409	\$3.95
N/S	Regulator; 0-8LPM - 870 CGA Connection; Barbed Outlet	AL-73410	\$28.95
7	Regulator; 0-15LPM - 870 CGA Connection; Barbed Outlet	AL-73411	\$28.95
8	Wrench; For Cylinders - Hardened Black Plastic	AL-73412	\$1.95
9	Cylinder Cart; Telescoping Handle; Painted Grey	AL-73413	\$24.95
10	Shoulder Bag; Black Nylon, Padded w/ Window	AL-73414	\$19.95
11	Shoulder Bag; Black Nylon, Padded w/ Window	AL-73415	\$19.95
12	Shoulder Bag; Black Nylon, Padded w/Window & Conserver Pocket	AL-73416	\$19.95
13	Tubing Connector; Christmas Tree ( <b>Pack of 25</b> )	AL-73417	\$19.95
14	Suction Canister; 800cc; Includes Hydrophobic Shutoff Filter Critical Measure Bottom	AL-73418	\$5.95
15	Suction Canister; 800cc; Includes 72 inch Tubing w/ Hydrophobic Shutoff Filter ( <b>Pack of 10</b> )	AL-73419	\$68.95
16	Filter; Suction Machine; Bacteria; Hydrophobic; 1/8 MPT x 1/4 inch-3/8 inch Stepped Barbs	AL-73420	\$5.95
17	Filter; Suction Machine; Bacteria; Hydrophobic; 1/4 inch-3/8 inch Stepped Barbs	AL-73421	\$5.95

Pk/10  
Pack  
Pack  
Pk/25  
Pk/10  
465



# Oxygen Regulators

**BUY 11 GET 1 FREE!**



**We Repair  
Regulators  
&  
Flowmeters  
See Page  
642 For  
Details!**

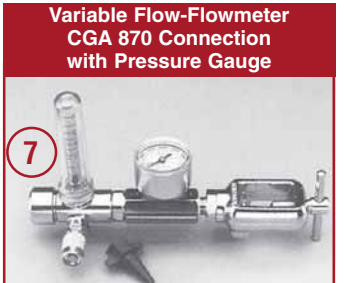
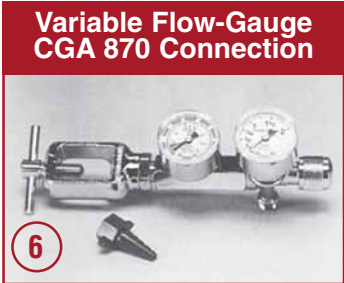
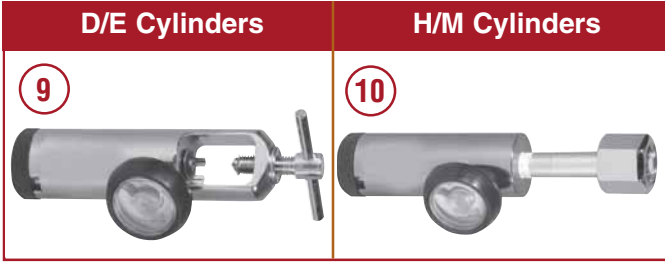
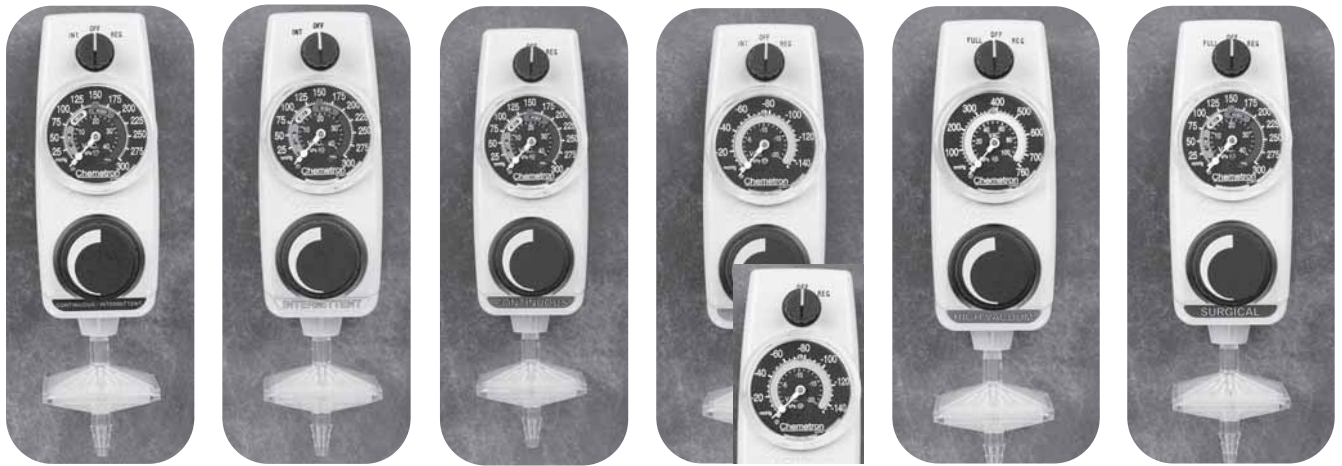


Fig.	Description	ALCO Part No.	Price Each
1	<b>Litermeters</b>		
	0-2.5 lpm in .25 lpm	AL-50268	\$19.00
	0-8 lpm in .51 lpm	AL-50269	\$19.00
	6-15 lpm in .51 lpm	AL-50270	\$29.00
2	<b>Wrenches</b>		
	Metal H/K (each)	AL-50272	\$19.00
3	Plastic D/E (10 pack)	AL-50271	\$19.00
4	<b>Steel Stand</b>		
	Stand for H/K Cylinders	AL-50273	\$69.00
5	<b>Oxygen Regulators: Variable Flow-Gauge CGA 540 Connectors</b>		
	0-2 lpm with pressure gauge with hex nut	AL-50274	\$99.00
	0-8 lpm with pressure gauge with hex nut	AL-50275	\$99.00
	0-15 lpm with pressure gauge with hex nut	AL-50276	\$99.00
	0-8 lpm with pressure gauge with hand tight nut	AL-50278	\$99.00
	0-15 lpm with pressure gauge with hand tight nut	AL-50279	\$99.00
6	<b>Oxygen Regulators: Variable Flow-Gauge CGA 870 Connectors</b>		
	0-8 lpm with pressure gauge	AL-50281	\$109.00
	0-15 lpm with pressure gauge	AL-50282	\$109.00
7	<b>Oxygen Regulators: Variable Flow-Flowmeter CGA 870 Connectors</b>		
	0-8 lpm/ 50 Psi with pressure gauge	AL-50288	\$109.00
8	0-8 lpm/20 Psi with no pressure gauge	AL-50289	\$109.00
9	<b>Oxygen Regulators: D/E Cylinders</b>		
	0-8 lpm, Adult, Barb Outlet (Green)	AL-66120	\$54.00
	0-15 lpm, Adult, Barb Outlet (Green)	AL-66121	\$44.00
	0-3 lpm, Pediatric, Barb Outlet (Green)	AL-65548	\$39.00
10	<b>Oxygen Regulators: H/M Cylinders</b>		
	0-8 lpm, Adult, Nut connector w/screw outlet (Blue)	AL-66512	\$39.00
	0-15 lpm, Adult, Nut connector w/screw outlet (Blue)	AL-66513	\$39.00
	0-8 lpm, Adult, Nut connector w/screw outlet (Green)	AL-66514	\$39.00
	0-15 lpm, Adult, Nut connector w/screw outlet (Green)	AL-66515	\$39.00



# Vacutron Suction Regulators

**BUY 11 GET 1 FREE!**

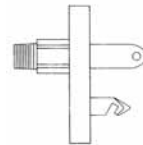
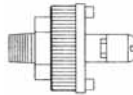


Continuous/Intermittent   Intermittent   Continuous   Pediatric Continuous/ Intermittent   High Vacuum   Surgical

### Vacutron Suction Regulators

- ✓ New Soft-Touch knobs
- ✓ Can be sterilized internally with cold disinfectant
- ✓ Two year warranty
- ✓ Accurate, precise vacuum control
- ✓ Impact-resistant internal components

### Inset: Pediatric Continuous Model



Vacutron Model	Bottom Outlet	OHMEDA DIAMOND	Price Each	DISS HANDTIGHT	Price Each	CHEMTRON Q.C. RECT.	Price Each
Continuous	DISS Male	AL-60321	\$325.00	AL-60417	\$311.00	AL-60149	\$311.00
	Barbed Stem	AL-60322	\$325.00	AL-60418	\$311.00	AL-60150	\$311.00
	V.A. Male	AL-60323	\$325.00	N/A	N/A	AL-60151	\$311.00
Surgical	DISS Male	AL-60324	\$311.00	AL-60420	\$311.00	AL-60153	\$311.00
	Barbed Stem	AL-60325	\$311.00	AL-60421	\$311.00	AL-60154	\$311.00
	V.A. Male	AL-60326	\$325.00	N/A	N/A	AL-60155	\$311.00
	45" DISS Male	AL-60327	\$325.00	N/A	N/A	AL-60156	\$311.00
High Vacuum	DISS Male	AL-60328	\$325.00	AL-60424	\$311.00	AL-60158	\$311.00
	Barbed Stem	AL-60329	\$325.00	AL-60425	\$311.00	AL-60159	\$311.00
	V.A. Male	AL-60330	\$311.00	N/A	N/A	AL-60160	\$311.00
	45" DISS Male	AL-60331	\$325.00	N/A	N/A	AL-60161	\$311.00
Continuous Intermittent	DISS Male	AL-60335	\$660.00	AL-60431	\$643.00	AL-60166	\$643.00
	Barbed Stem	AL-60336	\$660.00	AL-60432	\$651.00	AL-60167	\$643.00
	V.A. Male	N/A	N/A	N/A	N/A	AL-60168	\$651.00
	Bacteria Filter	AL-60339	\$660.00	N/A	N/A	AL-60170	\$643.00
Intermittent	DISS Male	AL-60340	\$569.00	AL-60436	\$552.00	AL-60171	\$552.00
	Barbed Stem	AL-60341	\$569.00	AL-60437	\$552.00	AL-60172	\$552.00
Pediatric Continuous Intermittent	DISS Male	AL-60345	\$660.00	AL-60441	\$643.00	AL-60176	\$643.00
	Barbed Stem	AL-60346	\$660.00	AL-60442	\$643.00	AL-60177	\$643.00
Pediatric Continuous Only	DISS Male	AL-60349	\$325.00	AL-60445	\$311.00	AL-60180	\$311.00
	Barbed Stem	AL-60350	\$325.00	AL-60446	\$311.00	AL-60181	\$311.00

EPI

## Timeter Oxygen Flowmeters Oxygen Standard Flow

Oxygen Standard Flow

Ultra-Flow 15 lpm



Description	Ultra Flow 8 LPM Oxygen (With Power Take-Off)		Ultra Flow 15 LPM Oxygen		Ultra Flow 15 LPM Air	
	ALCO Part No.	Price Each	ALCO Part No.	Price Each	ALCO Part No.	Price Each
1/8" FNPT	AL-53986	\$45.00	AL-54006	\$38.00	AL-54026	\$40.00
Chemtron Male	AL-53987	\$74.00	AL-54007	\$64.00	AL-54027	\$69.00
Ohmeda (OHIO) Male	AL-53989	\$82.00	AL-54009	\$65.00	AL-54029	\$70.00
Puritan Bennett Male	AL-53991	\$59.00	AL-54011	\$54.00	AL-54031	\$65.00
DISS Female Hand Tight	AL-53993	\$64.00	AL-54013	\$53.00	AL-54033	\$58.00
DISS Female Hex	AL-53994	\$59.00	AL-54014	\$51.00	AL-54034	\$53.00

**We Repair Regulators & Flowmeters—See Page 642 For Details!**

# Cylinder Carts

## BUY 11 GET 1 FREE!



Holds D or E size cylinders

**Aluminum**  
**AL-50221**  
**\$59.00 Ea.**  
(Sold 2 ea per carton)



Holds D or E size cylinders

**Chrome**  
**AL-50222**  
**\$39.00 Ea.**  
(Sold 2 ea per carton)



Holds D or E size cylinders

**Silver Vein Finish**  
**AL-75489 \$21.95 Each**  
**AL-66508 \$99.00/CS of 6**  
**AL-74854 (Dual) \$69.00/CS of 2**



Holds D or E size cylinders

**Chrome**  
✓ 30"H x 10"W x 5"L  
**AL-73210 \$119.00**



Holds 2 D or E size cylinders

**Double**  
41"H x 14"W, Painted Green  
**AL-50224 \$69.00 Ea.**  
41"H x 14"W, Chrome  
**AL-50224C \$99.00 Ea.**

**Single**  
41"H x 12" W, Painted Green  
**AL-50225 \$39.00 Ea.**  
41"H x 12" W, Chrome  
**AL-50225C \$49.00 Ea.**

**MRI Compatible**

<b>AL-66573</b> <b>\$229.00</b>	<b>AL-66572</b> <b>\$259.00</b>	<b>AL-67965</b> <b>\$209.00</b>	<b>AL-67966</b> <b>\$279.00</b>	Available in 48" or 60" Pole <b>48" AL-67967 \$259.00</b> <b>60" AL-67991 \$269.00</b>	<b>AL-67968</b> <b>\$319.00</b>	<b>AL-74685</b> <b>\$239.00</b>	<b>AL-74686</b> <b>\$309.00</b>



**ups**  
Holds D or E size cylinders

Height: 42"  
Depth: 15"  
Width: 18"  
Capacity: 6  
**AL-50226 \$179.00**



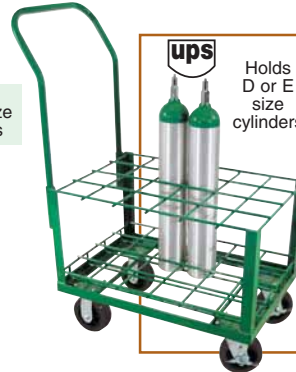
**ups**  
Holds D or E size cylinders

Height: 42"  
Depth: 20"  
Width: 22"  
Capacity: 12  
**AL-50227 \$199.00**



**ups**  
Holds D or E size cylinders

Height: 42"  
Depth: 20"  
Width: 22"  
Capacity: 12  
**AL-50228 \$249.00**



**ups**  
Holds D or E size cylinders

Height: 42"  
Depth: 30"  
Width: 16"  
Capacity: 18  
**AL-50229 \$259.00**

Height: 42"  
Depth: 30"  
Width: 20"  
Capacity: 24  
**AL-50230 \$279.00**

Height: 40"  
Depth: 23"  
Width: 19"  
Capacity: 30  
**AL-63517 \$289.00**

Fits M4, M6 B Size Cylinders Only

Height: 40"  
Depth: 39"  
Width: 23"  
Capacity: 60  
**AL-63518 \$369.00**

Fits M4, M6 B Size Cylinders Only

**Sound Deadening Kits**

Capacity	ALCO Part No.	Price Each
6 Cyl.	<b>AL-63520</b>	<b>\$39.00</b>
12 Cyl.	<b>AL-63521</b>	<b>\$69.00</b>
18 Cyl.	<b>AL-63522</b>	<b>\$69.00</b>
24 Cyl.	<b>AL-63523</b>	<b>\$89.00</b>



**Automatic E-Tank Security Lock**  
✓ Meets state code compliance  
✓ Meets safety compliance  
✓ Easy to install and use  
**AL-73208 \$19.00**



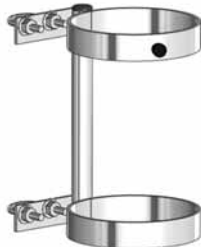
# Cylinder Carts

**BUY 11 GET 1 FREE!**



**DE-1 Walker/I.V. Pole**  
 ✓ Holds 1 D/E cylinder, mounts to I.V. Pole or Walker  
 ✓ J hook wraps around pole and is secured with screw knobs  
 ✓ Dim: 8.125"H  
 ✓ Chrome plated

**AL-74681 \$69.00**



**DE-1-W for Walker**  
 ✓ Dim: 8.25"H  
 ✓ Chrome plated

**AL-74682 \$22.00**



**4 E Oxygen Cylinder Economy Rack with Handle**  
**AL-74688 \$39.00**



**Call For More Options**



**AL-74689**



**AL-74690**



**AL-74691**

**6-Leg Heavyweight Base Equipment Stand**

- ✓ 6-Leg Heavyweight Base, 20 Lbs
- ✓ Low Center of Gravity
- ✓ Polished Stainless Steel body and telescoping adjustable height tray
- ✓ Tray height is adjustable from 41" to 51" in height
- ✓ Velcro and necessary hardware to secure your equipment is included
- ✓ 3" premium casters, two with brakes
- ✓ Made in the USA

**Options**

Standard Pole with 8" x 5" Tray	<b>AL-74689 \$219.00</b>
Standard Pole with Tray, Patient Support Handle, O2 Cylinder Holders & Electrical Strip	<b>AL-74690 \$389.00</b>
Standard Pole with 8" x 5" Tray & O2 Cylinder Holders	<b>AL-74691 \$259.00</b>







**HT-6 Wall Mount**

- ✓ Holds 6 H or T Cylinders
- ✓ Equipped with (6) 2" HD Ratchet Straps
- ✓ Powder Coated Green

**AL-74687 \$269.00**



Holds D or E size cylinders



**O2 Holder for D or E Size Cylinders**

- ✓ Can be mounted to a crash cart or any solid surface.

Painted Green	<b>AL-50232 \$44.00</b>
Chrome	<b>AL-50232C \$49.00</b>



**AL-63519**

**AL-74865**

**Patented 7" to 9-1/2" Stand**

M, M60, H & T Size High Pressure Cylinder Stand

Height: 12"  
 Depth: 18" O.D.  
 Width: 18" O.D.

<b>AL-63519</b>	<b>\$69.00</b>
<b>AL-74865</b>	<b>\$39.00 Each</b>



For D&E Cylinders  
**AL-67964 \$19.00**

EP1



# Cylinder Carts

**BUY 11 GET 1 FREE!**



Cylinder Capacity	Layered Carts				Bumper Guards	
	With Casters	Price Each	Without Casters	Price Each	Bumper Guard Kit	Price Each
(25) D/E or (50) M7/M9/C	AL-63507	\$699.00	AL-63508	\$629.00	AL-63894	\$89.00
(50) D/E or (100) M7/M9/C	AL-63509	\$1369.00	AL-63510	\$1259.00	AL-63895	\$179.00
(84) M4/M6/B	AL-63511	\$699.00	AL-63512	\$629.00	AL-63896	\$79.00
(168) M4/M6/B	AL-63513	\$1369.00	AL-63514	\$1259.00	AL-63897	\$159.00



**Oxygen Cylinder Carrier**  
 ✓ Small, compact and lightweight  
 ✓ For use with 6 cylinder M4 (A) or M6 (B) carrier  
 ✓ Doubles as a cylinder rack  
 ✓ Chrome plated finish

AL-74864 \$49.00 Each



AL-66511

**Oxygen Cylinder Racks**

- ✓ Heavy-duty, chrome-plated steel
- ✓ Bolts to floor or stands free


Description	ALCO Part No.	Price Each
Use with 4 "D/E" Style Cylinders	AL-72504	\$29.00
Use with 4 "M6" Style Cylinders	AL-72507	\$23.00
Use with 6 "D/E" Style Cylinders	AL-66509	\$29.00
Use with 6 "M6" Style Cylinders	AL-72508	\$31.00
Use with 8 "D/E" Style Cylinders	AL-72505	\$39.00
Use with 8 "M6" Style Cylinders	AL-72509	\$39.00
Use with 12 "D/E" Style Cylinders	AL-66510	\$59.00
Use with 12 "M6" Style Cylinders	AL-66511	\$59.00
Use with 24 "D/E" Style Cylinders	AL-72506	\$99.00
Use with 24 "M6" Style Cylinders	AL-72510	\$104.00



**Cylinder Stand**


Cylinder Capacity: (30 or 60) M4/M6/B  
 Height: 16" 16"  
 Depth: 23" 39"  
 Width: 19" 23"

30 Capacity AL-63515 \$199.00  
 60 Capacity AL-63516 \$289.00



**Painted Green Cylinder Rack**

4 cylinder capacity	AL-50234	\$89.00
6 cylinder capacity	AL-50235	\$99.00
12 cylinder capacity	AL-50236	\$109.00
18 cylinder capacity	AL-50237	\$119.00
24 cylinder capacity	AL-50238	\$139.00
40 cylinder capacity	AL-50239	\$319.00

Holds D or E size cylinders 



**Oxygen Cylinder Carts**

- ✓ Dual lifting handles
- ✓ 5" Swivel Casters, two with brakes
- ✓ Chrome plated finish



**Mobile Cylinder Cart**

Retractable 38"

Holds One H size cylinder

Height: 46"  
 Depth: 15"  
 Width: 15"  
 H Size Cylinder Capacity: 1

Painted Green AL-50233 \$249.00  
 Chrome plated AL-50233C \$309.00



**Mobile Cylinder Cart**

- ✓ 18" x 24" x 37-1/2"
- ✓ Holds 60 D/E"

AL-76792 \$249.00

470 Use with 12 Cylinder E, D, C or M9 Cart AL-74855 \$109.00 Each  
 Use with 20 Cylinder E, D, C or M9 Cart AL-74856 \$119.00 Each  
 Use with 28 Cylinder E, D, C or M9 Cart AL-74857 \$139.00 Each

# Gomco Aspiration/Suction Pump Replacement Parts

**BUY 11  
Get One  
FREE**

**BUY 11 GET 1 FREE!**

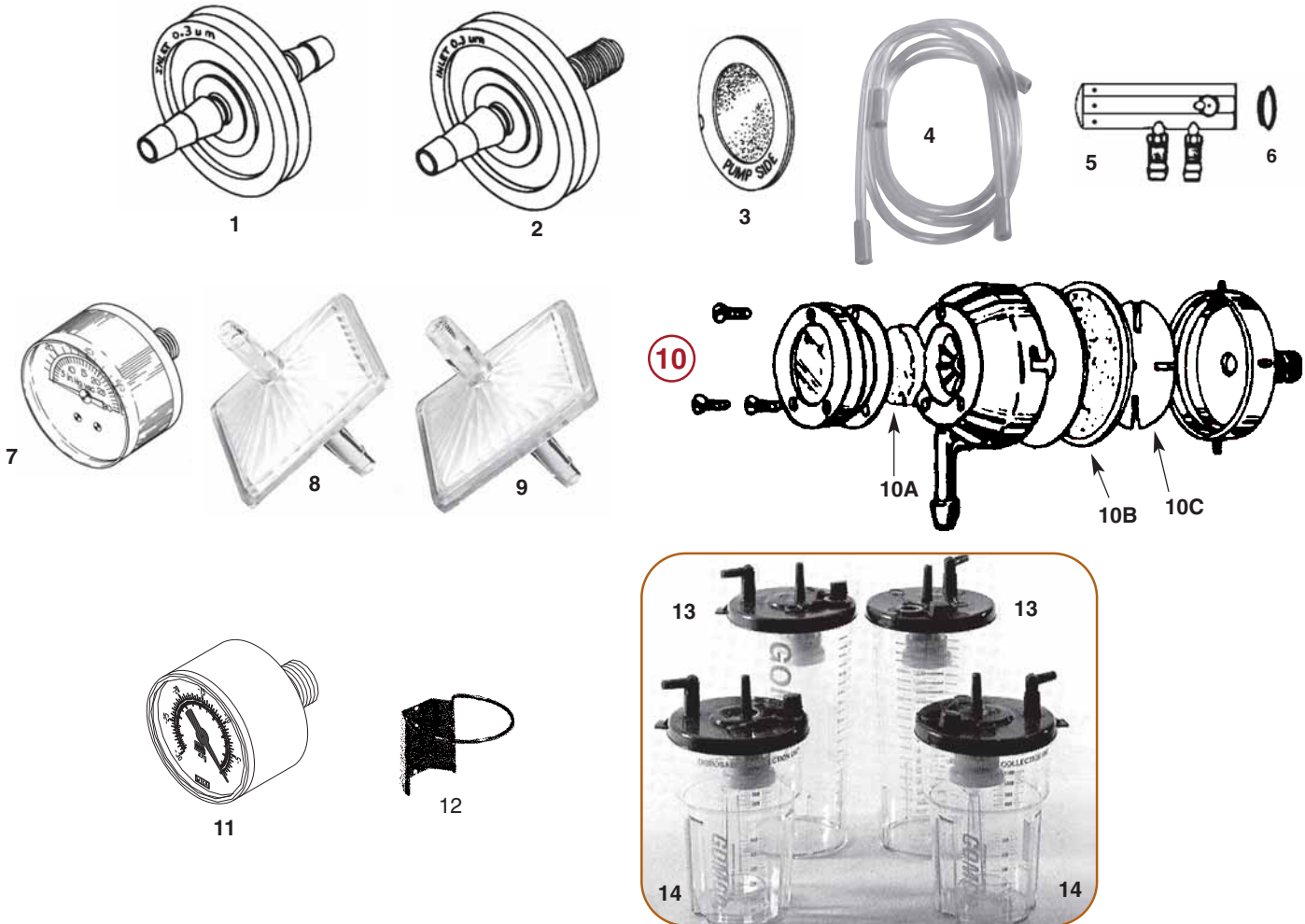


Fig.	Description	ALCO Part No	Price Each
1	Bacteria Filter (Barb to Barb) 3 per package	AL-54829	\$21.95 Pkg
2	Bacteria Filter (Barb to 1/8 NPT) 3 per package	AL-54830	\$21.95 Pkg
3	Filter Disc, Fits all pumps with overflow valve - 12/Pkg.—Heavy Duty	AL-6353	\$59.95 Pkg
4	Tubing Kit (Disposable). Consists of 1 piece of each of 15" tubing and 6' tubing (Fits all Pumps)	AL-2890	\$17.95 Pkg
5	Muffler Bar w/Regulator	AL-6343	\$210.95
6	Cap for Muffler Bar No. 5500, 5501	AL-6344	\$13.95
7	Vacuum Gauge - 30" (Fits All Models Requiring 1/8" MPT w/Center Back Mount)	AL-6333	\$59.95
8	Barb to Barb Filter accepts 1/4" to 1/2" I.D. Flexible Tubing	AL-9002	\$22.95
9	Barb to 1/8" NPT thread is installed in all applicable Gomco Suction pumps by simply screwing the threaded end into the vacuum and filter connections.(Set of 3)	AL-9003	\$29.95
10	Overflow Valve Complete	AL-6352	\$148.95
10A	Felt Filter Discs (set of 12 ea.)	AL-6354	\$14.95
10B	Chamois Discs (set of 12 ea.)	AL-6353	\$59.95
10C	Overflow Valve Slotted Spring	AL-6350	\$21.95
11	Vacuum Gauge 300 Series Port	AL-59110	\$36.95
12	Mounting Bracket for small disposable canisters	AL-2889	\$28.95
13	Collection Cannister (1100 MI) for Gomco Pumps Using This Size	AL-59111	\$10.95
14	Collection Cannister (2100 MI) For Gomco Pumps Using This Size	AL-59112	\$10.95

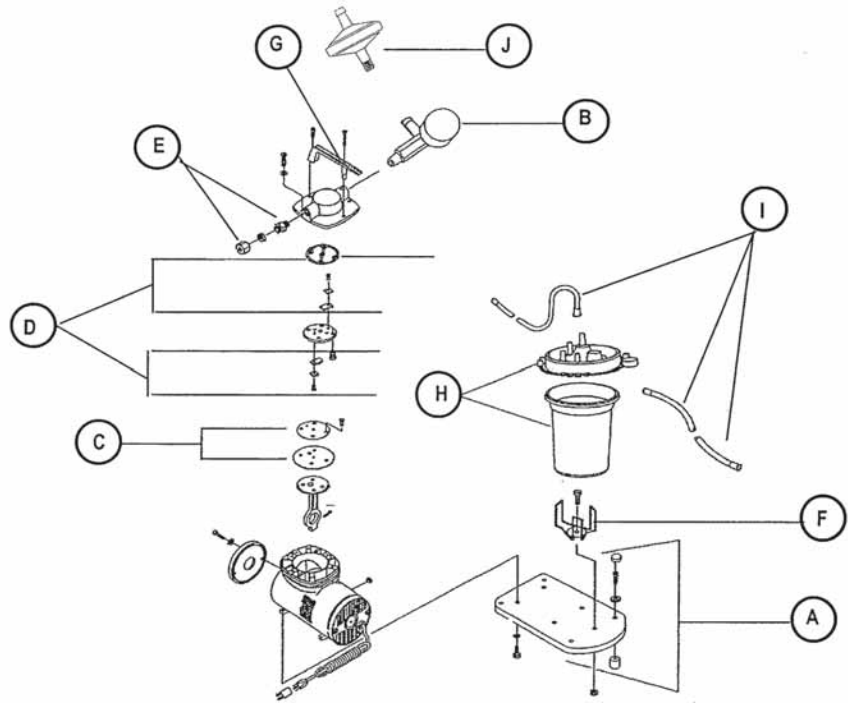
EP1





# Schuco-Vac Replacement Kits & Parts

**BUY 11 GET 1 FREE!**



### Replacement Kits

#### A-Base Assembly Kit

<b>AL-21223</b>	<b>\$159.95</b>
<b>Description</b>	<b>Qty</b>
Screw #12 x 7/8	4
Blue Base	4
Rubber Bumper	4
White Cap	4
Base Cap	4

#### B-Vacuum Gauge Kit

<b>AL-65300</b>	<b>\$89.95</b>
<b>Description</b>	<b>Qty</b>
Vacuum Gauge *	1
Vacuum Control Assy	1

#### C-Diaphragm Kit

<b>AL-21212</b>	<b>\$69.95</b>
<b>Description</b>	<b>Qty</b>
Screws 8-32 x 3/8	4
Diaphragm	1
Diaphragm Hold-Down Plate	1

#### D-Intake & Exhaust Valve Kit

<b>AL-64222</b>	<b>\$39.95</b>
<b>Description</b>	<b>Qty</b>
Screws 6-32 x 3/16	2
Valve Keeper Strip	2
Valve Flapper-Intake Exhaust	2
O-Ring Gasket	1

#### E-Hose Connector Kit

<b>AL-21209</b>	<b>\$49.95</b>
<b>Description</b>	<b>Qty</b>
Hose Connector	1
Nut Hose Connector	1
Filter Silencer *	1

#### F-Bottle Holder Kit

<b>AL-65301</b>	<b>\$49.95</b>
<b>Description</b>	<b>Qty</b>
Nut Stop 8-32	1
Screw 8-32 x 5/8	1
Bottle Holder	1

#### G-Plastic Handle Assembly Kit

<b>AL-65302</b>	<b>\$29.95</b>
<b>Description</b>	<b>Qty</b>
Screw 10-24 x 7/8	1
Screw 10-24 x 1-1/4	1
Plastic Handle	1

\*Also sold separately

### Replacement Parts

#### H-Collection Units & Lid Assembly

Description	Qty	ALCO Part No.	Price Each
1200 CC Disposable Canister Unit	4/Case	AL-21267	\$59.00
2000 CC Disposable Canister Unit	4/Case	AL-21266	\$59.00
800 CC Disposable Canister Unit	1	AL-65303	\$59.95
800 CC Disposable Canister Unit	70/Case	AL-65304	\$479.95
750 CC Glass Bottle Replacement	1	AL-21219	\$18.95
Jar, Cap, Tube & Lid Assembly	1	AL-65306	\$64.95
Bottle Cap Only	1	AL-21201	\$20.95
Cap Assembly Only	1	AL-65307	\$89.95

#### I-Replacement Tubing

Description	Qty	ALCO Part No.	Price Each
13" Blue Tipped Tubing	1	AL-21222	\$3.95
72" Blue Tipped Tubing	1	AL-65308	\$11.95
Blue Tipped Tubing Kit Contains:	1	AL-65309	\$12.95
One 13" Piece	1		
One 72" Piece	1		

#### J-Bacteria Filters

Description	Qty	ALCO Part No.	Price Each
Bacteria Filters, Barb X Thread	1 Set of 3	AL-9003	\$29.95

### Schuco-Vac Aspirators Parts Not Shown

Description	Qty	ALCO Part No.	Price Each	Description	Qty	ALCO Part No.	Price Each
Tube-Long	1	AL-6421A	\$48.95	Cap	1	AL-21215	\$64.95
Tube-Short	1	AL-6421B	\$36.95	Tubing-Bottle to Patient (priced per ft.)	1	AL-21220	\$1.95
Vacuum Gauge Bottom Mount	1	AL-21204	\$50.95	Tube Fitting	1	AL-21231	\$7.95
Vacuum Gauge Center Back Mount	1	AL-6333	\$59.95	Screw-Head	1	AL-21237	\$4.95
Switch (On-Off)	1	AL-21205	\$14.95	Handle & Bottle Holder	1	AL-21252	\$29.95
Connector	1	AL-21207	\$6.95	Gasket	1	AL-21253	\$4.95
Insulated Connector	1	AL-21208	\$1.95	Cord	1	AL-21255	\$26.95
Connecting Rod	1	AL-21210	\$29.95	Felt Silencer	1	AL-21258	\$0.95
Ball-Cork	1	AL-21213	\$6.95	Valve Plate	1	AL-21260	\$20.95
Bottle	1	AL-21214	\$4.95	Head	1	AL-21264	\$59.95



# Chemetron Style Quick Connect Couplers



**BUY 11 GET 1 FREE!**



**Fig. 1 Chemetron Quick Connect to 1/8" NPT Female**

Oxygen	AL-53596	\$20.95
Air (rectangular striker)	AL-53597	\$23.95
Vacuum (rectangular striker)	AL-53599	\$23.95
Nitrous Oxide (can be used for ISO)	AL-53601	\$23.95
Waste Anesthetic Gas Disposal	AL-53602	\$56.95

**Fig. 2 Chemetron Quick Connect to 1/4" Hose Barb**

Oxygen	AL-53778	\$27.95
Air (rectangular striker)	AL-53779	\$30.95
Air (round Striker)*	AL-53780	\$31.95
Vacuum (rectangular striker)	AL-53781	\$30.95
Vacuum (round Striker)	AL-53782	\$31.95
Nitrous Oxide (can be used for ISO)	AL-53783	\$30.95
Waste Anesthetic Gas Disposal	AL-53784	\$72.95
CO2	AL-53785	\$28.95

\*For Gas Outlets Before 1966

**Fig. 3 Chemetron Quick Connect to 1/8" NPT Male**

Oxygen	AL-53560	\$23.95
Air (rectangular striker)	AL-53561	\$25.95
Air (round striker)	AL-53562	\$31.95
Vacuum (rectangular striker)	AL-53563	\$25.95
Vacuum (round striker)*	AL-53564	\$31.95
Nitrous Oxide (can be used for ISO)	AL-53565	\$23.95
Waste Anesthetic Gas Disposal	AL-53566	\$70.95
CO2	AL-53567	\$31.95
Oxygen (ISO style)	AL-65567	\$29.95
Air (ISO style)	AL-65568	\$33.95
Vac (ISO style)	AL-65569	\$33.95
Nitrous Oxide (ISO style)	AL-65570	\$33.95

\*For Gas Outlets Before 1966

**Fig. 4 Chemetron Quick Connect to DISS Male**

Oxygen	AL-53665	\$29.95
Air	AL-53666	\$38.95
Vacuum	AL-53667	\$38.95
Nitrous Oxide (can be used for ISO)	AL-53668	\$38.95

**Fig. 5 Chemetron Quick Connect to 1/4" NPT Male**

Oxygen	AL-65588	\$73.95
Vacuum (recommend use of 5/16" hose)	AL-65589	\$73.95
Nitrous Oxide	AL-65590	\$73.95

**Fig. 6 Chemetron Quick Connect to Double Coupler Center**

Oxygen	AL-65606	\$189.95
Vacuum	AL-65607	\$189.95
Air	AL-65608	\$189.95

**Fig. 7 Chemetron Quick Connect to Double Coupler Offset Right**

Oxygen	AL-65609	\$199.95
Vacuum	AL-65610	\$199.95

**Fig. 8 Chemetron Quick Connect to Double Coupler Offset Left**

Oxygen	AL-65612	\$189.95
Vacuum	AL-65613	\$199.95

**Fig. 9 Chemetron Quick Connect to Double Coupler Center "Y" Style**

Oxygen	AL-65615	\$189.95
Vacuum	AL-65616	\$189.95
Air	AL-65617	\$189.95

**Call For Couplers  
Not Shown**



# Ohmeda Style Quick Connect Adapters & NPT Pipe Fittings

**BUY 11 GET 1 FREE!**



### Ohmeda Quick Connect to 1/8" NPT Male

Oxygen	<b>AL-53582</b>	<b>\$28.95</b>
Air	<b>AL-53583</b>	<b>\$28.95</b>
Vacuum	<b>AL-53584</b>	<b>\$28.95</b>
Nitrous Oxide	<b>AL-53585</b>	<b>\$28.95</b>
Waste Anesthetic Gas Disposal	<b>AL-53586</b>	<b>\$57.95</b>
CO2	<b>AL-65618</b>	<b>\$29.95</b>

### Ohmeda Quick Connect to 1/4" Hose Barb

Oxygen	<b>AL-53793</b>	<b>\$27.95</b>
Air	<b>AL-53794</b>	<b>\$31.95</b>
Vacuum	<b>AL-53795</b>	<b>\$32.95</b>
Nitrous Oxide	<b>AL-53796</b>	<b>\$36.95</b>
Waste Anesthetic Gas Disposal	<b>AL-53797</b>	<b>\$70.95</b>
CO2	<b>AL-53798</b>	<b>\$36.95</b>



### Ohmeda Quick Connect to 1/8" NPT Female

Oxygen	<b>AL-53618</b>	<b>\$27.95</b>
Air	<b>AL-53619</b>	<b>\$28.95</b>
Vacuum	<b>AL-53620</b>	<b>\$28.95</b>
Nitrous Oxide	<b>AL-53621</b>	<b>\$35.95</b>
Waste Anesthetic Gas Disposal	<b>AL-53622</b>	<b>\$60.95</b>

**Call For Adapters & Pipe Fittings Not Shown**

### Ohmeda Quick Connect to 1/4" NPT Male

Oxygen	<b>AL-65623</b>	<b>\$75.95</b>
Vacuum	<b>AL-65624</b>	<b>\$75.95</b>
Air	<b>AL-65625</b>	<b>\$75.95</b>
Nitrous Oxide	<b>AL-65626</b>	<b>\$75.95</b>



### NPT Hex Nipple Male x Male

1/8" NPT Male x 1/8" NPT Male	<b>AL-65779</b>	<b>\$4.95</b>
1/4" NPT Male x 1/8" NPT Male	<b>AL-65780</b>	<b>\$24.95</b> Pk of 5
1/4" NPT Male x 1/4" NPT Male	<b>AL-65781</b>	<b>\$4.95</b>

### NPT Male x Hose Barb

1/8" NPT Male x 3/16" Dia.	<b>AL-65782</b>	<b>\$5.95</b>
1/8" NPT Male x 1/4" Dia.	<b>AL-65783</b>	<b>\$4.95</b>
1/8" NPT Male x 5/16" Dia.	<b>AL-65784</b>	<b>\$8.95</b>
1/4" NPT Male x 1/4" Dia.	<b>AL-65785</b>	<b>\$4.95</b>
3/8" NPT Male x 1/4" Dia.	<b>AL-65786</b>	<b>\$23.95</b>



### NPT Female x Hose Barb

1/8" NPT Female x 1/4" Dia.	<b>AL-65787</b>	<b>\$4.95</b>
1/4" NPT Female x 1/4" Dia.	<b>AL-65788</b>	<b>\$5.95</b>
1/4" NPT Female x 5/16" Dia.	<b>AL-65789</b>	<b>\$5.95</b>

### NPT Female x Female

1/8" NPT Female x 1/8" Female	<b>AL-65794</b>	<b>\$4.95</b>
1/4" NPT Female x 1/4" Female	<b>AL-65796</b>	<b>\$4.95</b>



### NPT Pipe Nipple Male x Male

1/8" NPT Male x 1/8" Male NPT 1-1/2" Long	<b>AL-65797</b>	<b>\$4.95</b>
1/8" NPT Male x 1/8" Male NPT 2" Long	<b>AL-65798</b>	<b>\$8.95</b>
1/8" NPT Male x 1/8" Male NPT 3-1/2" Long	<b>AL-65799</b>	<b>\$13.95</b>

EP1

# DISS Male & Female Fittings

**BUY 11 GET 1 FREE!**



Call For Fittings Not Shown

## DISS Male Fittings

**Fig. 1 DISS Male to 1/4" Hose Barb (Without Check)**

Oxygen	AL-53901	\$7.95
Air	AL-53902	\$15.95
Vacuum	AL-53903	\$14.95
Nitrous Oxide	AL-53904	\$18.95
Nitrogen	AL-53907	\$32.95

**Fig. 2 DISS Male to 1/8" NPT Male (Without Check)**

Oxygen	AL-53853	\$6.95
Air	AL-53854	\$12.95
Vacuum	AL-53855	\$12.95
Nitrous Oxide	AL-53856	\$15.95
Waste Anesthetic Gas Disposal	AL-65704	\$59.95
CO2	AL-65705	\$45.95
Nitrogen	AL-53860	\$14.95

**Fig. 3 DISS Male to 1/8" NPT Male (With Check)**

Oxygen	AL-53861	\$19.95
Air	AL-53862	\$19.95
Vacuum	AL-53863	\$35.95
Nitrous Oxide	AL-53864	\$42.95
CO2	AL-53866	\$45.95
Waste Anesthetic Gas Disposal	AL-65712	\$69.95
Nitrogen	AL-53868	\$63.95

**Fig. 4 DISS Male to 1/4" NPT Male (With Check)**

Oxygen	AL-53869	\$19.95
Air	AL-53870	\$18.95
Vacuum	AL-53871	\$31.95
Nitrous Oxide	AL-53872	\$21.95
Waste Anesthetic Gas Disposal	AL-53873	\$44.95
CO2	AL-53874	\$76.95
Nitrogen	AL-53876	\$70.95

## DISS Female Fittings

**Fig. 5 DISS Female Hex Nut to 1/4" Hose Barb**

Oxygen	AL-53877	\$9.95
Air	AL-53879	\$18.95
Vacuum	AL-53880	\$14.95
Nitrous Oxide	AL-53881	\$16.95
CO2	AL-65713	\$19.95
Nitrogen	AL-53885	\$21.95

**Fig. 6 DISS Female Hand Tight Nut to 1/4" Hose Barb**

Oxygen	AL-53892	\$12.95
Air	AL-53893	\$15.95
Air (ISO Style)	AL-53893	\$15.95
Vacuum	AL-53894	\$15.95
Vacuum (ISO Style)	AL-53894	\$15.95
Nitrous Oxide	AL-53895	\$15.95
CO2	AL-53898	\$21.95
Nitrogen	AL-53900	\$21.95

**Fig. 7 DISS Female Hand Tight Nut to 1/8" NPT Male**

Oxygen	AL-53830	\$11.95
Air	AL-53831	\$17.95
Vacuum	AL-53832	\$19.95
Nitrous Oxide	AL-53833	\$18.95
CO2	AL-53834	\$18.95
Nitrogen	AL-53836	\$21.95

**Fig. 8 DISS Female Hand Tight Nut to 1/8" NPT Female**

Oxygen	AL-53844	\$23.95
Air	AL-53845	\$25.95
Vacuum	AL-53846	\$29.95
Nitrous Oxide	AL-53847	\$23.95
CO2	AL-53848	\$31.95
Nitrogen	AL-53850	\$42.95

# Oxequip® Twist Style Quick Connect Adapters

**BUY 11 GET 1 FREE!**



### Oxequip Twist Quick Connect to 1/8" NPT Male

Oxygen	AL-53575	\$21.95
Air	AL-53576	\$24.95
Vacuum	AL-53577	\$24.95
Nitrous Oxide	AL-53578	\$32.95
CO2	AL-53580	\$86.95
Nitrogen	AL-53581	\$86.95



### Oxequip Twist Quick Connect to 1/4" NPT Male

Oxygen	AL-53645	\$33.95
Air	AL-53646	\$33.95
Vacuum	AL-53647	\$33.95
Nitrous Oxide	AL-53648	\$33.95
CO2	AL-53649	\$86.95
Nitrogen	AL-53650	\$86.95

## Schrader Style Quick Connect Couplers

Couplers



### Schrader Quick Connect to 1/4" NPT Male

Oxygen	AL-65660	\$199.95
Air	AL-65661	\$199.95
Vacuum	AL-65662	\$219.95
Nitrous Oxide	AL-65663	\$219.95



### Schrader Quick Connect to 1/8" NPT Female

Vacuum	AL-65664	\$219.95
Air	AL-65665	\$199.95

### Schrader Quick Connect to 3/8" NPT Female (Not Shown)

Nitrous Oxide	AL-65666	\$219.95
Oxygen	AL-65667	\$229.95

Couplers

Call For Adapters & Couplers Not Shown

## Double Bar & "Y" Block Assemblies



### Blank "Y" Style Connector

1/8" NPT Female X Double		
1/8" NPT Female	AL-65762	\$23.95
1/8" NPT Female X Double		
1/4" NPT Female	AL-65763	\$27.95

### Adapter DISS Female to Double DISS Male with Check "Y"

Oxygen	AL-65757	\$74.95
Air	AL-65758	\$74.95
Vacuum	AL-65759	\$75.95



EP1

### Extension Manifolds (DISS) – 3 Foot



Description	Oxygen		Air		Vacuum	
	ALCO Part No.	Price Each	ALCO Part No.	Price Each	ALCO Part No.	Price Each
2 Outlet	AL-74315O	\$99.00	AL-74315A	\$99.00	AL-74315V	\$129.00
3 Outlet	AL-74316O	\$129.00	AL-74316A	\$119.00	AL-74316V	\$179.00
4 Outlet	AL-74317O	\$149.00	AL-74317A	\$139.00	AL-74317V	\$219.00

# OR/ER



Phone: 800-323-4282  
Fax: 800-950-1167

**ALCO**<sup>®</sup>  
Sales & Service Co.

info@alcosales.com  
www.alcosales.com

**BUY 11  
Get One  
FREE**

# OR Products—Stainless Steel



**AL-56584**

### Stainless 4-Hook I.V. Stand

- ✓ Quick and easy footpedal height adjustment
- ✓ Four or five leg base
- ✓ All stainless steel
- ✓ Heavy, tip-resistant, all welded design
- ✓ 2" swivel casters for easy mobility
- ✓ 68" to 108" height adjustment
- ✓ Easy to clean surfaces

Four Hook, Five Leg Base	<b>AL-56584</b>	<b>\$449.00</b>
Two Hook, Five Leg Base	<b>AL-56584A</b>	<b>\$459.00</b>
Four Hook, Four Leg Base	<b>AL-56584B</b>	<b>\$439.00</b>
Two Hook, Four Leg Base	<b>AL-56584C</b>	<b>\$409.00</b>



**AL-69455**

### Stainless Steel I.V. Stand

- ✓ Hand operated friction lock eight adjustment
- ✓ 68" to 108" Height Adjustment
- ✓ 2" Swivel Caster for Easy Mobility

Two Hook I.V. Stand w/Four Legs	<b>AL-69453</b>	<b>\$349.00</b>
Four Hook I.V. Stand w/Four Legs	<b>AL-69454</b>	<b>\$369.00</b>
Two Hook I.V. Stand w/Five Legs	<b>AL-69455</b>	<b>\$409.00</b>
Four Hook I.V. Stand w/Five Legs	<b>AL-69456</b>	<b>\$429.00</b>



**AL-69464**



**AL-69466**

### Stainless Basin Stands

- ✓ Elevated ring basin bracket
- ✓ Open frame design allows access from all sides
- ✓ 2" Diameter double-ball bearing swivel casters
- ✓ Mobile and easy to clean

Single Basin Stand, Stainless Steel	<b>AL-69464</b>	<b>\$369.00</b>
Double Basin Stand, Stainless Steel	<b>AL-69466</b>	<b>\$529.00</b>
Single Basin Stand w/Lower Shelf	<b>AL-56586</b>	<b>\$399.00</b>
Double Basin Stand w/Lower Shelf	<b>AL-56587</b>	<b>\$599.00</b>



**AL-56586**

### Kick Bucket Stands

- ✓ Removable 8-1/2 quart or 12-quart stainless steel basin
- ✓ Balanced tip-resistant
- ✓ Electro-polished, stainless steel frame
- ✓ Perimeter bumper to protect walls
- ✓ 2" Swivel casters for easy mobility

8-1/2 Quart Kick Bucket	<b>AL-56588</b>	<b>\$239.00</b>
Sponge Receptacle	<b>AL-69468</b>	<b>\$329.00</b>



**AL-56588**



**AL-69468**

# OR Products—Stainless Steel



### Stirrup Cart

- ✓ Stainless steel construction
- ✓ 2 different size hooks for standard and bariatric stirrups
- ✓ Accessory rail for clamps
- ✓ Base is designed to hold accessories in storage and transport
- ✓ Ships knocked down and is easily assembled with 2 screws
- ✓ 3" scuff-resistant coasters for ease of mobility
- ✓ Dimensions: 20-1/2"D x 22"W x 48"H
- ✓ Cost effective

**AL-75443      \$599.00**



**AL-56585**



**AL-69462**



**AL-69460**



**AL-69463**

### Mayo Stands

Description	Tray Dimensions	Hand Operated	ALCO Part No.	Price Each
Stainless Steel Mayo Stand	20 x 25	No	<b>AL-56585B</b>	<b>\$939.00</b>
Stainless Steel Mayo Stand	16-1/4 x 21-1/4	No	<b>AL-56585</b>	<b>\$729.00</b>
Stainless Steel Mayo Stand	16-1/4 x 21-1/4	Yes	<b>AL-69458</b>	<b>\$689.00</b>
Stainless Steel Mayo Stand	12-5/8 x 19-1/8	No	<b>AL-56585A</b>	<b>\$689.00</b>
Stainless Steel Mayo Stand	12-5/8 x 19-1/8	Yes	<b>AL-69459</b>	<b>\$649.00</b>
Stainless Steel Mayo Stand-3 Leg Base	16-1/4 x 21-1/4	No	<b>AL-69460</b>	<b>\$839.00</b>
Stainless Steel Mayo Stand 3-Leg Base	16-1/4 x 21-1/4	Yes	<b>AL-69461</b>	<b>\$789.00</b>
Stainless Steel Mayo Stand	19-1/8 x 12-5/8	No	<b>AL-69462</b>	<b>\$249.00</b>
Medical Tray Unit	19-1/8 x 12-5/8	Yes	<b>AL-69463</b>	<b>\$249.00</b>

### Stainless Steel Mayo Stands

- ✓ Unique "safe descend" feature built in for patient and staff safety
- ✓ Removable tray for easy cleaning
- ✓ Foot-pedal operated lock adjusts height from 36"-62"
- ✓ Low profile base design easily slides under equipment
- ✓ All welded #304 stainless steel construction
- ✓ 2" double ball bearing casters
- ✓ Brass inserts allow effortless height adjustment

12-5/8" x 19-1/8" Tray Size	<b>AL-75444</b>	<b>\$639.00</b>
16-1/4" x 21-1/4" Tray Size	<b>AL-75445</b>	<b>\$639.00</b>
20" x 25" Tray Size	<b>AL-75446</b>	<b>\$769.00</b>



### Mid-Size and Large-Size Stainless Instrument Table with and without Shelf

- ✓ Mid-Size overall size 20"W x 36"L x 34"H
- ✓ Large-Size overall size 24"W x 60"L x 34"H
- ✓ Stainless steel Sterile-Gard™ construction eliminates full sub-tops where undesirable substances can collect
- ✓ Lightweight but strong
- ✓ Easy to clean
- ✓ Soundproofed reinforcing channels for quiet use
- ✓ 3" rubber, double ball bearing casters for silent mobility

Mid-Size with Shelf	<b>AL-56594</b>	<b>\$579.00</b>
Large-Size with Shelf	<b>AL-56595</b>	<b>\$879.00</b>
Mid-Size without Shelf	<b>AL-56594A</b>	<b>\$489.00</b>
Large-Size without Shelf	<b>AL-56595A</b>	<b>\$679.00</b>

### Stainless Utility Table

- ✓ Shelf, one drawer and rail
- ✓ Overall 16"W x 20"L x 34"H
- ✓ Drawer measures 12-1/2"L x 15-1/2"W x 3-1/2"D
- ✓ Stainless steel, Sterile-Gard™ construction eliminates full sub-tops
- ✓ 3" double ball bearing, rubber casters
- ✓ 1-1/2" high 3-sided top rail

Single Drawer	<b>AL-56589</b>	<b>\$659.00</b>
Two Drawer	<b>AL-56589A</b>	<b>\$1059.00</b>
No Drawer	<b>AL-56589B</b>	<b>\$489.00</b>



# OR Products—Stainless Steel

**BUY 11 GET 1 FREE!**



### Linen Hampers with Quiet Close Lid

- ✓ High reliability - tested for 50,000 cycles
- ✓ Improves safety -protects hands and fingers
- ✓ Reduces the spread of bacteria during lid closure
- ✓ Slows lid closures for quiet operation
- ✓ Hydraulic lid dampener mechanism

32"H Stainless Steel	<b>AL-56596</b>	<b>\$609.00</b>
35"H Stainless Steel	<b>AL-56884</b>	<b>\$609.00</b>



### Linen Hamper

- ✓ Heavy gauge steel construction
- ✓ Powder coated steel
- ✓ Triangular frame for efficient use of space
- ✓ Strong heavy-gauge shelf keeps bag from touching floor and simplifies bag removal
- ✓ 3" Double ball bearing swivel casters for easy mobility

32"H Stainless Steel	<b>AL-56596A</b>	<b>\$369.00</b>
35"H Stainless Steel	<b>AL-56885</b>	<b>\$369.00</b>



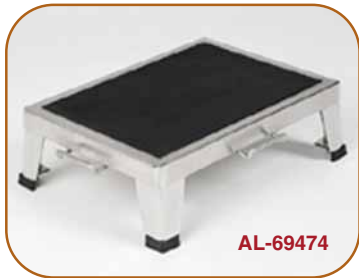
AL-56593

AL-56593A

### Stainless Stackable Stepstool

- ✓ Overall size 12"D x 18"W x 5"H
- ✓ Extra large platform
- ✓ Slip resistant top
- ✓ Heavy gauge legs
- ✓ Can stack safely for increased height and interlock to create larger platforms

Footstool	<b>AL-56593</b>	<b>\$199.00</b>
Carry Cart	<b>AL-56593A</b>	<b>\$319.00</b>



AL-69474

### Stainless Steel Stackable Stepstool

- ✓ Slip resistant top
- ✓ Heavy gauge legs and handles
- ✓ Extra Large Platform
- ✓ Can stack safely for increased height and interlock to create larger platform

Stackable Stepstool	<b>AL-69474</b>	<b>\$259.00</b>
Transport Cart	<b>AL-69475</b>	<b>\$339.00</b>



AL-69475



AL-42742

### Stepstools

- ✓ Strong all-welded steel
- ✓ Leg constructed of 1" O.D. 16-gauge tubular steel
- ✓ Handrail constructed of 1" O.D tubular steel
- ✓ Corrugated black, rubber top surface
- ✓ Rubber floor tips

### Stainless Steel

12"D x 16"W x 8-1/4"H	<b>AL-56592</b>	<b>\$199.00</b>
12"D x 30"W x 5"H	<b>AL-69471</b>	<b>\$309.00</b>
12"D x 30"W x 8"H	<b>AL-69472</b>	<b>\$309.00</b>

### Stainless Steel w/Handrail

12"D x 16"W x 8-1/4"H	<b>AL-69473</b>	<b>\$319.00</b>
-----------------------	-----------------	-----------------

### Chrome

12"D x 16"W x 8-1/4"H	<b>AL-42738</b>	<b>\$99.00</b>
12"D x 30"W x 8"H	<b>AL-42740</b>	<b>\$249.00</b>

### Chrome w/Handrail

12"D x 16"W x 8-1/4"H	<b>AL-42742</b>	<b>\$199.00</b>
-----------------------	-----------------	-----------------



AL-42738

EP1



# OR/ER Carts—Stainless Steel

**BUY 11**  
Get One  
**FREE**



### Closed Case Carts

- ✓ Type 304 Stainless Steel
- ✓ Continuous Non-Marring Vinyl Bumper
- ✓ Four 5" Polyurethane Swivel Casters
- ✓ Doors Have Lift-Off Style Hinges—Doors Hooks in Open Position For Cart Washing

### Closed Case Carts

#### Small Carts—Overall Size: 26-1/2"D x 29-3/4"W x 36-1/4"H

Case Cart, Single Door 25" x 25-1/4" x 29-3/4"H—Cabinet Size	AL-63847	\$1969.00
Stainless Steel Wire Roll-Out Shelf	AL-63848	\$219.00
Stainless Steel Wire Adjustable Shelf	AL-63849	\$149.00
Stainless Steel Solid Adjustable Shelf	AL-63850	\$109.00
Folding Top Shelf, 12" x 25" (for extending top work surface)	AL-63851	\$319.00

#### Medium Carts—Overall Size: 26-1/2"D x 40-1/2"W x 36-1/4"H

Case Cart, Double Door 25" x 36" x 29-3/4"H—Cabinet Size	AL-63852	\$2289.00
Stainless Steel Wire Roll-Out Shelf	AL-63853	\$269.00
Stainless Steel Wire Adjustable Shelf	AL-63854	\$189.00
Stainless Steel Solid Adjustable Shelf	AL-63855	\$139.00
Folding Top Shelf, 12" x 25" (for extending top work surface)	AL-63851	\$319.00

#### Large Carts—Overall Size: 26-1/2"D x 52-1/2"W x 36-1/4"H

Case Cart, Double Door 25" x 48" x 29-3/4"H—Cabinet Size	AL-63857	\$2489.00
Stainless Steel Wire Roll-Out Shelf	AL-63858	\$309.00
Stainless Steel Adjustable Shelf	AL-63859	\$239.00
Stainless Steel Adjustable Shelf	AL-63860	\$169.00
5 x 7" Stainless Steel Card Holder	AL-63861	\$39.00
Folding Top Shelf, 12" x 25" (for extending top work surface)	AL-63851	\$319.00



### Open Stainless Steel Case Carts

#### Small Carts

Cart, 24-1/2"W x 34-3/4"L x 40-3/4"H w/Stainless Steel Base Shelf	AL-63863	\$929.00
Cart, 24-1/2"W x 34-3/4"L x 56-1/4"H w/Stainless Steel Base Shelf	AL-63864	\$1019.00
Shelf, Adjustable Solid Stainless Steel	AL-63865	\$99.00
Shelf, Adjustable Solid Stainless Steel w/Runners for 1 Wide Drawer	AL-63866	\$119.00
Shelf, Adjustable Solid Stainless Steel w/Runners for 2 Narrow Drawers	AL-63867	\$129.00
Single Retaining Rod, Stainless Steel	AL-63868	\$19.00
Double Retaining Rod, Stainless Steel	AL-63869	\$29.00

#### Medium Carts

Cart, 24-1/2"W x 48-1/2"L x 40-3/4"H w/Stainless Steel Base Shelf	AL-63870	\$969.00
Cart, 24-1/2"W x 48-1/2"L x 56-1/4"H w/Stainless Steel Base Shelf	AL-63871	\$1059.00
Shelf, Adjustable Solid Stainless Steel	AL-63872	\$129.00
Shelf, Adjustable Solid Stainless Steel w/Runners for 2 Wide Drawers	AL-63873	\$159.00
Shelf, Adjustable Solid Stainless Steel w/Runners for 3 Narrow Drawers	AL-63874	\$169.00
Single Retaining Rod, Stainless Steel	AL-63875	\$19.00
Double Retaining Rod, Stainless Steel	AL-63876	\$39.00

#### Large Carts

Cart, 24-1/2"W x 60-1/2"L x 66-1/2"H w/Stainless Steel Base Shelf	AL-63877	\$1199.00
Shelf, Adjustable Solid Stainless Steel	AL-63878	\$129.00
Shelf, Adjustable Solid Stainless Steel w/Runners for 4 Wide Drawers	AL-63879	\$179.00
Shelf, Adjustable Solid Stainless Steel w/Runners for 4 Narrow Drawers	AL-63880	\$199.00
Single Retaining Rod, Stainless Steel	AL-63881	\$19.00
Double Retaining Rod, Stainless Steel	AL-63882	\$39.00

#### Accessories

Drawer, Narrow Autoclavable 13-1/2"W x 19-1/2"L x 4-1/2"D	AL-63883	\$49.00
Drawer, Wide Autoclavable 15-7/8"W x 20-1/2"L x 4-1/2"D	AL-63884	\$69.00
Bin, Autoclavable 12-7/8"W x 20-1/2"L x 8"D	AL-63885	\$49.00

### Open Stainless Steel Case Carts

- ✓ Wrap Around Bumper
- ✓ 5" Casters on Small and Medium Carts
- ✓ 8" Casters on Large Carts

## Refurbished Custom Stainless Steel Carts



**Closed Case Cart**  
AL-57505 Call



**Custom Table**  
AL-57502 Call



**Bulk Truck**  
AL-57508 Call



**Open Case Cart**  
AL-57504 Call



**Instrument Table**  
AL-57506 Call



**Work Table**  
AL-57503  
Call



**Basket Cart**  
AL-57507  
Call

**ALCO Refurbishes & Reconditions Your Old Carts at a Fraction of New Cart Prices!**



# OR Products—Chrome

**BUY 11 GET 1 FREE!**



### Linen Hampers with Quiet Close Lid

- ✓ High reliability - tested for 50,000 cycles
- ✓ Improves safety -protects hands and fingers
- ✓ Reduces the spread of bacteria during lid closure
- ✓ Slows lid closures for quiet operation
- ✓ Hydraulic lid dampener mechanism

32"H Chrome	<b>AL-42734</b>	<b>\$399.00</b>
35"H Chrome	<b>AL-42735</b>	<b>\$459.00</b>



### Linen Hamper

- ✓ Heavy gauge steel construction
- ✓ Powder coated steel
- ✓ Triangular frame for efficient use of space
- ✓ Strong heavy-gauge shelf keeps bag from touching floor and simplifies bag removal
- ✓ 3" Double ball bearing swivel casters for easy mobility

32"H Chrome	<b>AL-56882</b>	<b>\$209.00</b>
35"H Chrome	<b>AL-56883</b>	<b>\$229.00</b>



### Basin Stands

- ✓ Powder Coated
- ✓ 2" Diameter double ball bearing casters

Single Basin Stand, Powder Coated	<b>AL-69465</b>	<b>\$249.00</b>
Double Basin Stand, Powder Coated	<b>AL-69467</b>	<b>\$389.00</b>



### Mobile Mayo-Instrument Stand

- ✓ Removable stainless steel tray measures 19" x 12-1/2"
- ✓ Tray height adjusts from 29-1/2" to 47" with lock

Stand w/ 5 Casters	<b>AL-74765</b>	<b>\$119.00 Each</b>
Replacement Tray	<b>AL-74766</b>	<b>\$49.00 Each</b>



### Mayo-Instrument Stand, Single Post

- ✓ Removable stainless steel tray measures 19" x 12-5/8"
- ✓ Tray height adjusts from 32-1/8" to 50" with lock
- ✓ Two 3" casters provide additional mobility

Single Post Stand	<b>AL-43038</b>	<b>\$99.00 Each</b>
Replacement Tray	<b>AL-74766</b>	<b>\$49.00 Each</b>



### Mayo-Instrument Stand, Double Post

- ✓ Removable stainless steel tray measures 19" x 12-5/8" Tray
- ✓ Adjustable height from 34" to 54-1/2"
- ✓ Two hooded casters

Double Post Stand	w/19" x 12-5/8" Tray	<b>AL-74768</b>	<b>\$119.00 Each</b>
Double Post Stand	w/11" x 17.5" Tray	<b>AL-43018</b>	<b>\$119.00 Each</b>
Replacement Tray		<b>AL-74766</b>	<b>\$49.00 Each</b>



**300 lb. Capacity**

### Foot Stool

- ✓ Steel welded silver vein construction
- ✓ 14"W x 11"D Step Surface
- ✓ Non-skip ribbed rubber platform
- ✓ Reinforced rubber tips

Foot Stool	<b>AL-74753</b>	<b>\$29.00 1/Cs</b>
Foot Stool	<b>AL-74754</b>	<b>\$49.00 2/Cs</b>



**Up To 1000 lb. Capacity**

### Bariatric Foot Stool

- ✓ Manufactured with 1" steel tubing
- ✓ 14"W x 11"D Step Surface
- ✓ Non-skid ribbed rubber platform
- ✓ Cross brace attached with aircraft-type rivets

Foot Stool-500 lb Capacity	<b>AL-74755</b>	<b>\$39.00 Ea</b>
Foot Stool w/Handrail-500 lb Capacity	<b>AL-74756</b>	<b>\$49.00 Ea</b>
Foot Stool-1000 lb Capacity	<b>AL-66536</b>	<b>\$99.00 Ea</b>



**300 lb. Capacity**

### Foot Stool with Handrail

- ✓ Handrail provides additional support & safety
- ✓ 14"W x 11"D Step Surface
- ✓ Steel welded construction
- ✓ Non-skip ribbed rubber platform
- ✓ Reinforced rubber tips

Deluxe with Handrail, Assembled	<b>AL-74757</b>	<b>\$49.00 1/Cs</b>
Deluxe with Handrail, Assembled	<b>AL-74758</b>	<b>\$79.00 2/Cs</b>

# Step, Pneumatic & Adjustable Stools

**BUY 11 GET 1 FREE!**



**600 lb. Capacity**

**Bariatric Step Stools**

- ✓ Chrome plated 16 gauge steel for durability
- ✓ Skid resistant rubber mat for safety
- ✓ Handrail is 1" chrome plated steel

Two-Step, Step Stool	<b>AL-68154</b>	<b>\$179.00</b>
Two-Step, Step Stool w/ Hand Rail	<b>AL-68155</b>	<b>\$219.00</b>



**Mobile Two-Step Step Stool**

- ✓ Soft, slip resistant pads on both steps
- ✓ Wheels retract when stepped on
- ✓ Capacity: 350 lb
- ✓ Measures: 16" Dia x 13-1/2"H

Black	<b>AL-67613</b>	<b>\$74.00</b>
Beige	<b>AL-67614</b>	<b>\$74.00</b>



**Replacement Phelan Step Stool Tip**

**AL-78403**     **\$1.50 Ea**



**Chrome Step Stool**

- ✓ All welded steel construction
- ✓ 1" chromed steel legs with crutch tips
- ✓ Height: 9"
- ✓ Top: 11" x 14" steel with "non-slip" rubber mat

**MADE IN THE USA**

**300 lb. Capacity**

Step Stool with Hand Rail  
**AL-42717**     **\$49.00**

Step Stool  
**AL-42716**     **\$39.00**



**Two-Step Folding Step Stool**

- ✓ Slip-resistant surfaces on steps & foot pads
- ✓ Stands upright when folded and requires minimum space for storage
- ✓ Supports loads up to 300 lbs

**AL-68391**     **\$49.00**



**250 lb. Capacity**

**Revolving Adjustable Height Stool**

- ✓ Smooth screw height adjustment
- ✓ Solid steel screw shaft
- ✓ 1" chrome plated steel tubular construction
- ✓ 14" seat diameter
- ✓ 4" thick padded seat (black)

Round Footrest	<b>AL-74782</b>	<b>\$109.00 Each</b>
Square Footrest	<b>AL-74783</b>	<b>\$109.00 Each</b>



**250 lb. Capacity**

**Revolving Pneumatic Adjustable Height Stool**

- ✓ Pneumatic adjustment provides easy-touch height adjustment
- ✓ Solid steel shaft
- ✓ 14" diameter round seat
- ✓ 4" thick padded seat (black)
- ✓ Black, composite base

Stool with Plastic Base	<b>AL-74784</b>	<b>\$119.00 Each</b>
Stool with Metal Base	<b>AL-74785</b>	<b>\$129.00 Each</b>

EP-1

# Gas Lift Stools

## BUY 11 GET 1 FREE!

**BUY 11  
Get One  
FREE**

### Gas Lift Stools with Back

- ✓ Adjustable back height
- ✓ Adjustable back & foot ring (for AL-56956)
- ✓ Clean, contemporary and durable design
- ✓ Effortless fingertip height adjustment
- ✓ 5 star base provides extra stability and mobility
- ✓ Easy rolling 2" twin wheel casters
- ✓ Heavy gauge vinyl cover and foam are flame retardant
- ✓ 3" high density foam
- ✓ 6" seat width; 18"-23" height (AL-42728 & AL-60750)
- ✓ 16" seat width; 24"-34" height (AL-56956)
- ✓ Polished aluminum base (for AL-60750)
- ✓ Please specify color option when ordering

Gas Lift Stool with Back

<b>AL-42728</b>	<b>\$159.00</b>
Deluxe Gas Lift Stool with Back & Aluminum Base (not shown)	
<b>AL-60750</b>	<b>\$219.00</b>
Gas Lift Stool with Adjustable Back, Footring	
<b>AL-56956</b>	<b>\$229.00</b>



AL-56956



AL-42728

**MADE IN THE  
USA**

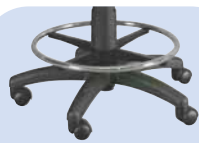


AL-42727

**250 lb.  
Capacity**



AL-60749



AL-56957

### Gas Lift Stools

- ✓ 16" seat diameter
- ✓ 5 star base provides extra stability
- ✓ 3" high density foam
- ✓ Polished aluminum base on AL-60749
- ✓ Clean, contemporary, durable design
- ✓ Effortless fingertip height adjustment
- ✓ Easy rolling 2" twin wheel casters
- ✓ Heavy gauge vinyl cover & foam are flame retardant
- ✓ Clean, contemporary design

Gas Lift Stool

<b>AL-42727</b>	<b>\$109.00</b>
-----------------	-----------------

Deluxe Gas Lift Stool with Aluminum Base

<b>AL-60749</b>	<b>\$189.00</b>
-----------------	-----------------

Optional Footring

<b>AL-56957</b>	<b>\$39.00</b>
-----------------	----------------

### Available Stool Colors



# Pneumatic & Adjustable Stools



**BUY 11 GET 1 FREE!**

- ✓ Easy Clean Perma Black and stain resistant upholstery
- ✓ "Soft Feel" poly foam padding
- ✓ Dual wheel casters



### 5-Leg Pneumatic Exam Stool

- ✓ 16" seat diameter
- ✓ 18"-23-1/2" height range
- ✓ 23" aluminum base

Stool **AL-43020** **\$189.00**

Stool with Backrest and Footring **AL-43021** **\$259.00**



### 5-Leg Pneumatic Exam Stool

- ✓ 16" seat diameter
- ✓ 18"-23" height range
- ✓ 24" nylon base

**AL-77218** **\$129.00**

### Specify Color



**Replacement Stool Cushion Covers Available See Page 492**



### Adjustable Exam Stools

- ✓ 14" seat diameter
- ✓ 18"-25-1/2" height range

Square Foot Ring **AL-42718** **\$111.00**

Round Foot Ring **AL-42719** **\$114.00**



Select BOTH Top and Side Colors

### Chrome Base Stool with Multi-Color Top

- ✓ 14" seat diameter
- ✓ 18-1/2"-25-1/2" height range
- ✓ 1" welded tubular frame (completely chrome plated)
- ✓ 2" rubber wheel, ball bearing casters
- ✓ Round foot ring
- ✓ 4" thick padded seat
- ✓ Easy clean Perma-Block-3, stain resistant upholstery
- ✓ **REQUIRED: Select a color for BOTH Top and Side of stool**

**AL-77217** **\$129.00**



# Examination Lights & Woods Light

**BUY 11 GET 1 FREE!**



**Wave+ Plus Magnifier**  
AL-50591 \$419.00



**5-Leg Mobile Stand**  
AL-50592 \$139.00



**Wall Mount**  
AL-50594 \$49.00




**X-Ray Illuminators**

- ✓ Designed for desk viewing or wall mounting
- ✓ Housings are stainless steel with powder coated finish
- ✓ Features Film Grip at top of unit with plexiglass viewing panel

Single X-Ray Viewer: 17.3" x 22.8" x 4.7"  
**AL-61889 \$169.00**

Double X-Ray Viewer: 31.5" x 22.8" x 4.7"  
**AL-61890 \$359.00**

**Incandescent Arm Lamp**  
AL-50593 \$219.00



**Ultraviolet (Woods) Light**

- ✓ Special fluorescent bulbs produce UVA at approximately 360 nm wavelength
- ✓ Magnifier models include optically ground and polished lens with 3 power magnification and focal length of 8"
- ✓ 6,000 hour average bulb life
- ✓ 5-year warranty

Model w/2 UV bulbs	<b>AL-61881</b>	<b>\$379.00</b>
Model w/Magnifier & 2 UV bulbs. 11 5V	<b>AL-61882</b>	<b>\$429.00</b>
Model w/Magnifier 2 White & 2 UV bulbs. 115V	<b>AL-61884</b>	<b>\$509.00</b>
White Replacement Bulbs. Set of 4	<b>AL-61886</b>	<b>\$99.00</b>
UV Replacement Bulbs, Set of 4	<b>AL-61887</b>	<b>\$139.00</b>
Wall Bracket	<b>AL-61888</b>	<b>\$49.00</b>

# Examination Lights



**BUY 11 GET 1 FREE!**



AL-42736    AL-74778    AL-74779    AL-74781

### Exam Lamps

- ✓ 16" flexible goose neck arm adjusts 360°
- ✓ Goose-style neck allows the lamp to be adjusted in any direction
- ✓ Weighted, steel base prevents tipping
- ✓ Adjustable height: 48" - 72"
- ✓ 3-prong hospital grade plug
- ✓ UL listed
- ✓ For use with incandescent light bulbs up to 60 watts

Goose Neck Lamp w/"Flared, Cone" Style Shade	<b>AL-42736</b>	<b>\$79.00 Each</b>
Mobile Goose Neck Halogen Lamp w/"Flared, Cone" Style Shade	<b>AL-42737</b>	<b>\$99.00 Each</b>
Goose Neck Halogen Lamp w/"Flared, Cone" Style Shade	<b>AL-74778</b>	<b>\$79.00 Each</b>
"Dome" Style Shade Exam Lamp	<b>AL-74779</b>	<b>\$69.00 Each</b>
"Dome" Style Shade Exam Lamp w/Mobile Base	<b>AL-74781</b>	<b>\$79.00 Each</b>



**AL-72923**  
shown with  
**AL-72924**  
base.



**AL-72919**

### Green Series™ Medical Exam Lights

- ✓ One LED - 3x the typical light output; pinpoint accuracy; true tissue color rendition
- ✓ Highly flexible pipe for easy maneuverability
- ✓ Lightweight pipe is twice as long as conventional pipes
- ✓ Touchless On/Off control reduces risk of infections due to cross-contamination
- ✓ Multiple mounting options for floor space maximization
- ✓ Disposable sheath available for the reduction of risk associated with cross-contamination
- ✓ Lower cost of ownership due to elimination of bulb replacement and lower energy consumption
- ✓ Easy to assemble



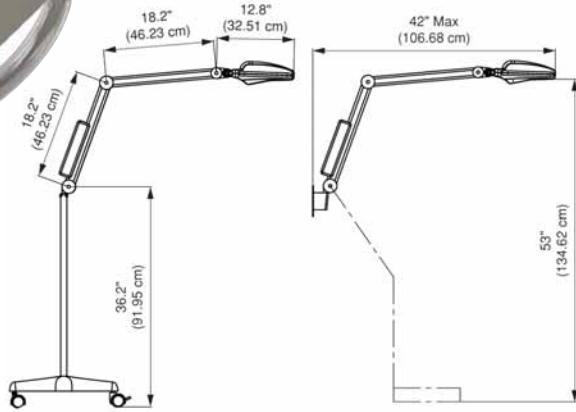
### Description

Description	ALCO Part No.	Price Each
GS 300 General Exam Light w/ Mobile Stand	<b>AL-72919</b>	<b>\$394.95</b>
GS 300 General Exam Light w/ Table/Wall Mount	<b>AL-72920</b>	<b>\$349.95</b>
GS 600 Minor Procedure Light w/ Mobile Stand	<b>AL-72921</b>	<b>\$894.95</b>
GS 600 Minor Procedure Light w/ Table/Wall Mount	<b>AL-72922</b>	<b>\$834.95</b>
Exam Light IV with Table/Wall Mount	<b>AL-72923</b>	<b>\$981.95</b>
Mobile Stand for GS Exam Light IV	<b>AL-72924</b>	<b>\$396.95</b>
Table/Wall Mount for GS Exam Light IV/GS 300/GS600	<b>AL-72925</b>	<b>\$79.00</b>
Disposable Sheath for GS 600/GS 900 (100/Box, 5 Boxes/Cs)	<b>AL-72926</b>	<b>\$113.95*</b>

\*Case of 5 Boxes



**MADE IN THE USA**



### Nova® Gooseneck Light

- ✓ The LED source has a heat-free light beam so the patient remains comfortable
- ✓ Dual handles are easily accessible to position the fixture head
- ✓ The patented K-arm moves smoothly with no drifting
- ✓ Nova Exam LED delivers a uniform beam pattern that aids the examination process
- ✓ Dual-intensity switching allows a choice between two illumination levels. The low level delivers a 19% increase in light level compared to comparable halogen options
- ✓ The LED source offers 10x the operational life of traditional halogen solutions
- ✓ 58% energy savings over comparable halogen options (at low light level setting) and 18% savings when providing double the illumination

Nova® Exam Floorstand	<b>AL-61879</b>	<b>\$399.00</b>
Nova® Exam Wall Mount	<b>AL-78434</b>	<b>\$809.00</b>

# Surgical Table Cushion Sets



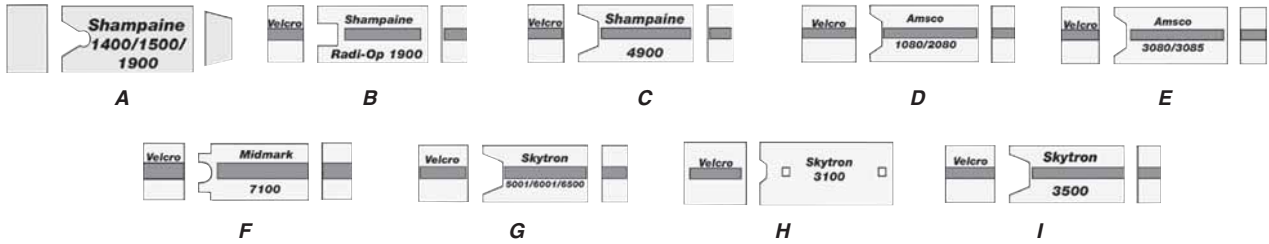
Nevro Head Rest  
w/Wrist Rest  
**AL-69748 \$2809.00**



Namon Head Rest  
**AL-69746 \$1159.00**  
Sliding Head Rest  
**AL-69747 \$2169.00**



- Cushion Sets**
- ✓ Pressure management
  - ✓ Recommended for high risk patients
  - ✓ Long duration procedures



Replacement Surgical Table Cushion Sets		BASIC – 2"		COMFORT – 2.5"		PRESSURE REDISTRIBUTION – 4"		BARIATRIC – 4"	
		Black Lectrolite Comfort Foam (HR)		Fusion III, 4-way Multi-Directional Stretch Cover Memory foam over Comfort foam		Fusion III, 4-way Multi-Directional Stretch Cover. Memory foam over Comfort foam		Fusion III, 4-way Multi-Directional Stretch Cover	
		<i>Suggested Applications:</i> Low risk of pressure ulcers & short procedures		<i>Suggested Applications:</i> Moderate risk of pressure ulcers & moderate length procedures		<i>Suggested Applications:</i> High risk of pressure ulcers & longer procedures		<i>Suggested Applications:</i> Bariatric patients (600 lb capacity), high risk of pressure ulcers & longer procedures	
Make/Model	Fig	ALCO Part No.	Price Each	ALCO Part No.	Price Each	ALCO Part No.	Price Each	ALCO Part No.	Price Each
Ritter F75		AL-63050	\$239.00	AL-73880	\$359.00	AL-73882	\$419.00	AL-73899	\$419.00
Shampaine 1501/1502/1503/1505	A	AL-63051	\$139.00	AL-73881	\$199.00	AL-73883	\$239.00	AL-73900	\$239.00
Shampaine 1900 Series	B	AL-63052	\$139.00	AL-63063	\$199.00	AL-73884	\$239.00	AL-73901	\$239.00
MDT/Shampaine 4900	C	AL-56635	\$139.00	AL-63064	\$199.00	AL-73885	\$239.00	AL-73902	\$239.00
MDT 2600W (wide leg)		AL-63053	\$139.00	AL-63065	\$199.00	AL-73886	\$239.00	AL-73903	\$239.00
MDT 2605 (2 piece set)		AL-63055	\$139.00	AL-63066	\$199.00	AL-73887	\$239.00	AL-73904	\$239.00
MDT 2605NLB (2 piece set)		AL-63056	\$139.00	AL-63067	\$199.00	AL-73888	\$239.00	AL-73905	\$239.00
Amsco 1080/2080	D	AL-56627	\$139.00	AL-63068	\$199.00	AL-73889	\$239.00	AL-73906	\$239.00
Amsco 3080/3085	E	AL-56626	\$139.00	AL-63069	\$199.00	AL-73890	\$239.00	AL-73907	\$239.00
Amsco 1100 URO/ENDO		AL-63057	\$139.00	AL-63070	\$199.00	AL-73891	\$239.00	AL-73908	\$239.00
Amsco Ortho II		AL-63058	\$199.00	AL-63071	\$299.00	AL-73892	\$329.00	AL-73909	\$339.00
Midmark 7100	F	AL-56629	\$139.00	AL-63072	\$199.00	AL-73893	\$239.00	AL-73910	\$239.00
Maquet 1130.02 (3 piece)		AL-63059	\$139.00	AL-63073	\$199.00	AL-73894	\$239.00	AL-73911	\$239.00
Skytron 5001/6001/6500	G	AL-56633	\$139.00	AL-63074	\$199.00	AL-73895	\$239.00	AL-73912	\$239.00
Skytron 3100 Elite	H	AL-56631	\$139.00	AL-63075	\$199.00	AL-73896	\$239.00	AL-73913	\$239.00
Skytron 3500 Elite	I	AL-56632	\$139.00	AL-63076	\$199.00	AL-73897	\$239.00	AL-73914	\$239.00
Skytron 5000/6000		AL-63060	\$139.00	AL-63077	\$199.00	AL-73898	\$239.00	AL-73915	\$239.00





# Surgical Table Accessories

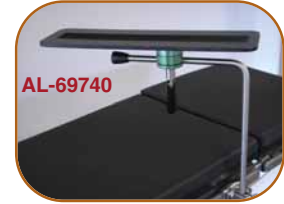
**BUY 11 GET 1 FREE!**



AL-63013



AL-58309



AL-69740



Table Armguard

AL-63014

Armboard Shown with 2" Pad

### Armboard Assemblies

- ✓ Rotates 180 degrees
- ✓ 21 Locking Increments
- ✓ With or without pad
- ✓ Fits all standard North American Surgical tables
- ✓ Restraint strap available

### Armboard Assemblies

Description	ALCO Part No.	Price Each
Standard Armboard w/o Pad	AL-63013	\$219.00
Standard Armboard w/ 2" Pad	AL-58309	\$239.00
Standard Table Armguard	AL-63014	\$89.00
Multi-Position Armboard	AL-69740	\$549.00
Wide Armboard	AL-69741	\$359.00
Clamping Armboard	AL-69742	\$269.00



### Replacement Pads

Size	ALCO Part No.	Price Each
2" x 6" x 24" Pad Only	AL-58312	\$39.00
1" x 6" x 26" Pad Only	AL-58311	\$39.00
2" x 6" x 26" Pad Only	AL-58313	\$49.00
3" x 6" x 26" Pad Only	AL-58314	\$49.00
4" x 6" x 26" Pad Only	AL-58315	\$49.00



VELCRO Included • Latex-Free



### Surgical Table Restraint Straps

- ✓ Electrically conductive rubber
- ✓ Very durable; easy to clean and disinfect
- ✓ Mounts to surgical table with or without hooks (as shown)

Rubber strap w/ 2 airplane buckles 96" (w/o hooks)	AL-63015	\$149.00
Rubber strap w/ 2 airplane buckles 96" (w/ hooks)	AL-63016	\$179.00
Rubber strap w/ 2 airplane buckles extra long 120" (w/o hooks)	AL-63017	\$179.00
Rubber strap w/ 2 airplane buckles extra long 120" (w/ hooks)	AL-63018	\$209.00
Replacement mounting hook (pair)	AL-63019	\$49.00



### Vinyl Patient Restraint Straps

- ✓ Reusable
- ✓ 4" wide, 2 piece
- ✓ Vinyl strap
- ✓ Velcro® closures
- ✓ Extends 30" to 70"
- ✓ Mounts to any style table with side rail

Standard vinyl strap w/ Velcro Closure - ext. to 70"	AL-63020	\$69.00 Set
Extra Long vinyl strap w/ Velcro Closure - ext. to 96"	AL-63021	\$79.00 Set



### Armboard Restraint Strap

- ✓ Unique design—one strap secures to board and top strap secures around patient's arm
  - ✓ High quality webbing
  - ✓ Double Velcro® closures
  - ✓ Reusable
- AL-63026 \$39.00 Each

Velcro® By The Roll  
See Page 490



# Surgical Table Accessories

**BUY 11 GET 1 FREE!**



### Side Rail Accessory Clamp for Straight Bar Accessories

- ✓ Securely holds any rectangle bar accessories up to 1/4" x 1"
- ✓ Easily mounts on all North American surgical table side rails

**AL-63005 \$79.00**



### Polished Stainless Steel Clark Socket

- ✓ Easily mounts on all North American surgical table side rails
- ✓ Stainless steel construction ensures longer life
- ✓ Securely holds round bar accessories up to 3/4" diameter

**AL-63007 \$119.00**



### Standard Clark Socket

- ✓ Easily mounts on all North American surgical table side rails
- ✓ Nickel plated bronze
- ✓ Securely holds round bar accessories up to 11/16" diameter

**AL-63008 \$119.00**

**▼ LOW PRICES GUARANTEED! ▼**  
**WE WILL NOT BE UNDERSOLD!**



### Anesthesia Screen

- ✓ Supports surgical drapes
- ✓ Easily adjusts vertically and horizontally
- ✓ Requires Clark Socket, Superclamp or Tri-Clamp for mounting to side rails

Anesthesia Screen  
**AL-63012 \$149.00**  
 Rigid Anesthesia Screen  
**AL-63012A \$69.00**



### Picket Fence Leg Prep Unit

- ✓ Easy positioning
- ✓ Efficiently preps both legs, at once
- ✓ Stainless steel support bar 5/6" diameter
- ✓ Height adjustable up to 30"

**AL-69743 \$379.00**



### Pressure Sensitive Velcro®

- ✓ 2" wide; black
- ✓ Adhesive backed

### Hook and Loop Combo

5 ft. roll	<b>AL-2243-5</b>	<b>\$19.00</b>
10 ft. roll	<b>AL-2243-10</b>	<b>\$29.00</b>
15 ft. roll	<b>AL-2243-15</b>	<b>\$39.00</b>
30 ft. roll	<b>AL-2243-30</b>	<b>\$69.00</b>
50 ft. roll	<b>AL-2243-50</b>	<b>\$99.00</b>
75 ft. roll	<b>AL-2243-75</b>	<b>\$149.00</b>



# Surgical Table Accessories

**BUY 11 GET 1 FREE!**



### Altima® Leg Positioners

- ✓ Proven performer for procedures requiring lithotomy positioning
- ✓ Unique clamping allows maximum flexibility
- ✓ Sold with 1 pair of pads and 1 set of restraint straps
- ✓ **Requires** Clark Socket or Clamp for mounting. See Page 490

**AL-62890 \$1269.00**



### Disposable Foam Legholder Boot Pads

- ✓ Egg crate foam
- ✓ Designed for single use
- ✓ Sold 10 pairs per case

**AL-62891 \$59.00**

### Four Replacement Legholder Boot Straps

(Set of 6—See page 492)

**AL-63025 \$49.00**



### Pro-Tek® Memory Foam Leg Holder Boot Pads

- ✓ Pressure management pads
- ✓ Memory foam covered with soft black 3-way stretch vinyl
- ✓ Fits Altima® and Allen® style leg holder systems
- ✓ Sold in pairs

**Also available in clamshell style**

**AL-62892 \$249.00**



### Replacement Lithotomy Leg Holder Straps

- ✓ Fits all lithotomy leg holders
- ✓ 1" wide cotton strap
- ✓ Sold in pairs

**AL-62893 \$39.00**



### Replacement Heel Cups

- ✓ Premium quality
- ✓ Made with supersoft vinyl with nylon webbing straps
- ✓ Fits all lithotomy leg holders
- ✓ Sold in pairs

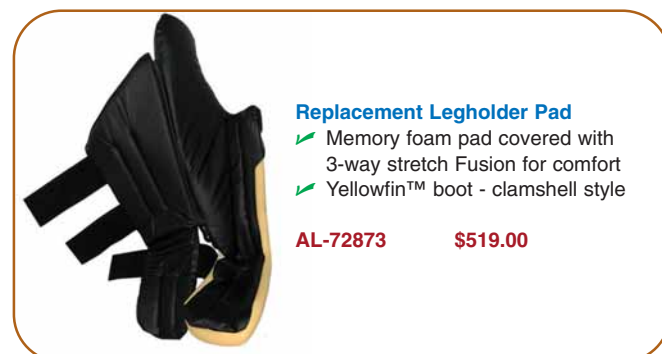
**AL-62894 \$129.00**



### Well Knee Support Pad

- ✓ Conductive Vinyl over foam

**AL-62895 \$239.00**



### Replacement Legholder Pad

- ✓ Memory foam pad covered with 3-way stretch Fusion for comfort
- ✓ Yellowfin™ boot - clamshell style

**AL-72873 \$519.00**

EP1



# Surgical Table Accessories

**BUY 11 GET 1 FREE!**



### Quik-Strap™ By The Roll

- ✓ Versatile
- ✓ Easily cut to any length desired
- ✓ Unique Double Sided hook 'n' loop strapping; 1-1/2" or 2" wide
- ✓ Custom cut pieces available upon request

1-1/2" Wide Blue—25 yd. Roll **AL-63022 \$89.00 Roll**  
 2" Wide Blue—25 yd. Roll **AL-63023 \$99.00 Roll**

### Stretcher Safety Straps

- ✓ 2-piece strap (three 2-piece straps per set)
- ✓ Secures to stretcher side rails
- ✓ Extends 70"; 3" wide

**AL-63024 \$79.00 Set**



### Replacement Legholder Boot Strap Set

- ✓ Six replacement straps per set
- ✓ 1-1/2" wide straps
- ✓ Fits Altima and Allen style leg holder boots

**AL-63025 \$49.00 Set**



### Bariatric Uni-Prepper Leg Prep Unit

- ✓ Most versatile leg prepper
- ✓ Infinite positioning possibilities
- ✓ 10.5" Wide support cradle
- ✓ Adjustable height of 12"-27"
- ✓ Heavy stainless steel construction
- ✓ Fits all surgical tables
- ✓ Pressure management pad included

**AL-69745 \$479.00**



### Candy Cane Style Lithotomy Legholder

- ✓ Easily adjusts height and angulation
- ✓ Requires Clark Socket, Superclamp or Tri-Clamp for mounting to table

**AL-63011 \$199.00**



### Uni-Prepper Leg Prep Unit

- ✓ Most versatile leg prepper available
- ✓ Infinite positioning possibilities
- ✓ Leg cradle measures 8"W x 5"H x 3-1/2"D
- ✓ Adjustable height of 12"-27"
- ✓ Stainless steel construction
- ✓ Fits all surgical tables
- ✓ Pressure management pad included

**AL-69744 \$449.00**

### Patient Transfer Roller Boards

- ✓ Allows effortless patient transfer from any two combinations of the following: hospital bed, gurney, operating room table, X-ray table, exam table and cast table
- ✓ Includes cover

30" Long Roller Board	<b>AL-67865</b>	<b>\$179.00</b>
30"L Replacement Cover	<b>AL-67866</b>	<b>\$49.00</b>
67" Long Roller Board	<b>AL-67867</b>	<b>\$279.00</b>
67"L Replacement Cover	<b>AL-67868</b>	<b>\$99.00</b>
Bariatric Roller Board 20" to 31" Length	<b>AL-69749</b>	<b>\$549.00</b>

### Revolving Stool Cushion Covers

have elastic skirt permitting cushion to be securely fastened to stool top; Filler is Pro Resilient™ Foam and is 1" thick. Choice of Green, Brown or Black (specify color).

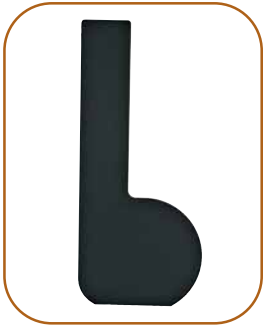
12" Diameter	<b>AL-58235</b>	<b>\$69.00</b>
13" Diameter	<b>AL-58236</b>	<b>\$79.00</b>
14" Diameter	<b>AL-58237</b>	<b>\$79.00</b>
15" Diameter	<b>AL-58238</b>	<b>\$89.00</b>
16" Diameter	<b>AL-58239</b>	<b>\$99.00</b>

**▼ LOW PRICES GUARANTEED! ▼**  
**WE WILL NOT BE UNDERSOLD!**

# Roller Board & Surgical Armboards



**BUY 11 GET 1 FREE!**



- Underpad Mount Armboard**
- ✓ Armboard is made of 3/8" thick black phenolic and weighs a mere 7 lbs
  - ✓ Slides under table pad
  - ✓ Accepts 6"W x 24"L pad

**AL-75439 \$349.00**



**Rectangular Armboards and Single Post Legs**



**AL-67869**

**Phenolic Armboards**

**Standard Drop-Latch Style Armboard**

- ✓ Drops onto rail and locks by means of a weighted trigger lock
- ✓ Designed with extra strong gear casting to eliminate broken teeth on castings
- ✓ Made of 3/8" thick black phenolic and weighs a slim 4.5 pounds
- ✓ Fits all standard American made operating room tables

24" Long Armboard	<b>AL-67869</b>	<b>\$189.00</b>
24"L Replacement Pad	<b>AL-67871</b>	<b>\$49.00</b>
26" Long Armboard	<b>AL-67870</b>	<b>\$189.00</b>
26"L Replacement Pad	<b>AL-67872</b>	<b>\$49.00</b>

**Height Adjustable Radiolucent Armboard**

- ✓ Securely locks to operating room rail with simple spin of a knob
- ✓ Height adjustable to accommodate all thicknesses of pads
- ✓ Easy 180-degree rotation

6"W x 26"L Armboard	<b>AL-67873</b>	<b>\$209.00</b>
26"L Replacement Pad	<b>AL-67872</b>	<b>\$49.00</b>

**Phenolic Arm and Hand Surgery Tables**

- ✓ Clamps to operating table with unique posi-lock clamps, providing unmatched stability
- ✓ Operating surfaces are 15" x 32" and 18" x 32" to accommodate a wide range of procedures
- ✓ Radiolucent offering excellent C-arm imaging
- ✓ Leg adjustment range 12"

**Rectangular Arm & Hand Surgery Table-18" x 32" Operating Surface**

Single Post Leg and 2" Thick Radiolucent Pad	<b>AL-67874</b>	<b>\$879.00</b>
Tee Foot Leg and 2" Thick Radiolucent Pad	<b>AL-67876</b>	<b>\$899.00</b>
2" Thick Radiolucent Replacement Pad	<b>AL-67875</b>	<b>\$124.00</b>

**Hourglass Arm & Hand Surgery Table-15" x 32" Operating Surface**

Single Post Leg and 2" Thick Radiolucent Pad	<b>AL-67877</b>	<b>\$939.00</b>
Tee Foot Leg and 2" Thick Radiolucent Pad	<b>AL-67879</b>	<b>\$959.00</b>
2" Thick Radiolucent Replacement Pad	<b>AL-67878</b>	<b>\$154.00</b>

**Carbon Fiber Arm and Hand Surgery Tables**

**Rectangular Arm and Hand Surgery Table-18" x 32" operating surface**

Single Post Leg and 2" Thick Radiolucent Pad	<b>AL-67880</b>	<b>\$2349.00</b>
Tee Foot Leg and 2" Thick Radiolucent Pad	<b>AL-67881</b>	<b>\$2369.00</b>
2" Thick Radiolucent Replacement Pad	<b>AL-67875</b>	<b>\$124.00</b>

**Hourglass Arm and Hand Surgery Table-15" x 32" operating surface**

Single Post Leg and 2" Thick Radiolucent Pad	<b>AL-67882</b>	<b>\$2429.00</b>
Tee Foot Leg and 2" Thick Radiolucent Pad	<b>AL-67883</b>	<b>\$2449.00</b>
2" Thick Radiolucent Replacement Pad	<b>AL-67878</b>	<b>\$154.00</b>

**Phenolic Arm and Hand Surgery Tables**

**Free Access Arm and Hand Surgery Table**

- ✓ Radiolucent allowing state of the art C-arm access
- ✓ Operating surface is 12" x 30"
- ✓ Great for many procedures such as fistula, angiogram and angioplasty

Surgery Table with 2" Thick Radiolucent Pad	<b>AL-67884</b>	<b>\$699.00</b>
2" Thick Radiolucent Replacement Pad	<b>AL-67885</b>	<b>\$149.00</b>

**Carpal Arm and Hand Surgery Table**

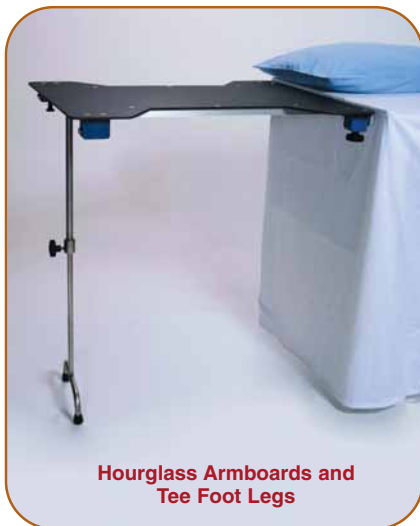
- ✓ Legless design offers optimum rigidity and easy access for C-arm procedures
- ✓ Operating surface is 18" x 32"
- ✓ Ultimate choice for carpal tunnel procedures and others

Surgery Table with 2" Thick Radiolucent Pad	<b>AL-67886</b>	<b>\$759.00</b>
2" Thick Radiolucent Replacement Pad	<b>AL-67875</b>	<b>\$124.00</b>

**Under Pad Mount Arm and Hand Surgery Table**

- ✓ Very durable offering a poly carbonate covered opening which measures 14"W x 24"L
- ✓ Rugged stainless steel construction for long time use
- ✓ Designed to slip under pad

Single Post Leg and 2" Thick Radiolucent Pad	<b>AL-67887</b>	<b>\$1079.00</b>
Tee Foot Leg and 2" Thick Radiolucent Pad	<b>AL-67888</b>	<b>\$1099.00</b>
2" Thick Radiolucent Replacement Pad	<b>AL-67875</b>	<b>\$124.00</b>



**Hourglass Armboards and Tee Foot Legs**

# Reusable Gel Pads & Positioners



Head Donut AL-62864



Flat Bottom Chest Roll



AL-62859

3-Piece Table Set

## Gel Pads & Positioners

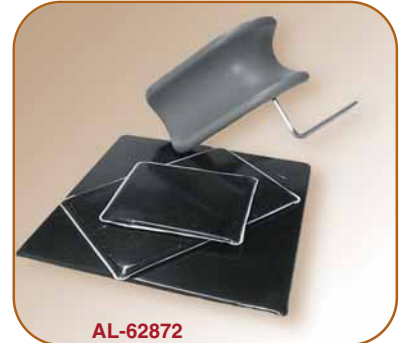
- ✓ Polymer Gel Pressure Management
- ✓ Simulates fatty tissue composition
- ✓ Radiotranslucent and antibacterial
- ✓ 100% Latex Free and Fluid proof
- ✓ Reduces shear and protects against decubitus ulcers

Description	ALCO Part No.	Price Each
Full Length Table Pad—20" x 72"	AL-62857	Call
3/4 Full Table Pad—20" x 46"	AL-62858	Call
3-Piece Gel Set for Surgical Table	AL-62859	Call
Table/Hip Pad—20" x 20"	AL-62860	Call
Armboard Pad—Small 6" x 15"	AL-62861	Call
Armboard Pad—Large 6" x 24"	AL-62862	Call
Toboggan/Arm Shield Pad—11" x 17"	AL-62863	Call
Adult Head Donut—8" Dia	AL-62864	Call
Pediatric Head Donut—6" Dia	AL-62865	Call
Horseshoe Head Donut—8"	AL-62866	Call
Head Pillow w/Centering Dish	AL-62867	Call
Anesthesia Prone Headrest w/Tube Channels	AL-62868	Call
Knee Crutch Pad—Small 9" x 11"	AL-62869	Call
Knee Crutch Pad—Medium 11" x 17"	AL-62870	Call
Knee Crutch Pad—Large 22" x 20"	AL-62871	Call
Universal Stirrup Pad—2-piece	AL-62872	Call
Candy Cane Stirrup Pad—2-piece	AL-62873	Call
Flat Bottom Chest Roll—12" x 4"	AL-62874	Call
Flat Bottom Chest Roll—16" x 4"	AL-62875	Call
Flat Bottom Chest Roll—12" x 6"	AL-62877	Call
Flat Bottom Chest Roll—16" x 6"	AL-62878	Call
Flat Bottom Chest Roll—20" x 6"	AL-62879	Call
Flat Bottom Chest Roll—6" x 2"	AL-62880	Call



AL-62857

Full Length Surgical Table Pad



AL-62872

Universal Stirrup Pad

## DRY FLOATATION® O.R. Pad by ROHO (Not Shown)

- ✓ For use on operating room tables to promote tissue viability during extended operating procedures
- ✓ Air cells are 2.5"H
- ✓ Drainage holes prevent pooling from caustic solution

AL-69281 \$1269.00



## Patient Positioners

- ✓ 2 Styles: Donut or Roll
- ✓ Vinyl covered foam
- ✓ Conductive; latex free

Medium head donut (7"OD x 3"ID x 1-1/2"T)  
**AL-63001 \$59.00 Ea**

Large head donut (9"OD x 4"ID x 2"T)  
**AL-63002 \$69.00 Ea**

Surgery Roll (6" X 10")  
**AL-63003 \$89.00 Ea**

Surgery Roll (6" X 20")  
**AL-63004 \$119.00 Ea**



## Head Support

Helps disperse pressure around cranium. Cutout floats ear when in the lateral position, or occiput when in supine position.

Standard Density  
**AL-56610 \$99.00 Case**

Economy Density  
**AL-56609 \$99.00 Case**  
*(case of 12 each)*



## Geo-Matt 45° Body Wedge

Both 45° and 90° angles available for patient support. Standard wedge is a full 24 inches long to support the entire length of the torso.

Standard  
**AL-56608 \$189.00 Case**  
*(case of 6 each)*

Economy  
**AL-56607 \$59.00 Case**  
*(case of 2 each)*



## O.R. Armboard Pads

Comfortably supports entire arm during surgery when used on O.R. table armboards.

**AL-56606 \$51.00 Case**  
*(case of 12 pairs)*

# MRI Transport



- ALCO 20" Wide MRI Wheelchair**
- ✓ 20" Width
  - ✓ 350 lbs. capacity
  - ✓ Swing back arms
  - ✓ Footrests

**AL-77667 \$2095.00**



- ALCO 26" Wide MRI Wheelchair**
- ✓ Seat width: 26"
  - ✓ Seat depth: 20"
  - ✓ Back height: Adj. 16.5" - 18.5"
  - ✓ Seat to floor height: 18"
  - ✓ Footrests
  - ✓ Rear anti-tippers included
  - ✓ Full length removable arms

650 lbs. capacity

**AL-77668-650 \$3095.00**

850 lbs. capacity

**AL-77668-850 \$3395.00**



**AL-78307**



**AL-78308**



**AL-78310**



**AL-62503BG**

**MRI Wheelchairs**

18" Flip-Back Arm, Footrest, 250 lb capacity, Burgundy	<b>AL-62502BG</b>	<b>\$1969.00</b>
18" Flip-Back Arm, Footrest, 250 lb capacity, Green	<b>AL-62502G</b>	<b>\$1969.00</b>
20" Flip-Back Arm, Footrest, 350 lb capacity, Tweed Fabric	<b>AL-77667</b>	<b>\$2095.00</b>
20" Removable Arm, Footrest, 250 lb capacity, Burgundy	<b>AL-78306BG</b>	<b>\$1999.00</b>
20" Removable Arm, Footrest, 250 lb capacity, Green	<b>AL-78306G</b>	<b>\$1999.00</b>
22" Removable Arm, Footrest, 350 lb capacity, Burgundy	<b>AL-62503BG</b>	<b>\$2499.00</b>
22" Removable Arm, Footrest, 350 lb capacity, Green	<b>AL-62503G</b>	<b>\$2499.00</b>
24" Removable Arm, Footrest, 350 lb capacity, Burgundy	<b>AL-70676BG</b>	<b>\$2699.00</b>
24" Removable Arm, Footrest, 350 lb capacity, Green	<b>AL-70676G</b>	<b>\$2699.00</b>
24" Removable Arm, Footrest, 550 lb capacity, Burgundy	<b>AL-78277BG</b>	<b>\$3249.00</b>
24" Removable Arm, Footrest, 550 lb capacity, Green	<b>AL-78277G</b>	<b>\$3249.00</b>
26" Wheelchair 650 lb capacity	<b>AL-77668-650</b>	<b>\$3095.00</b>
26" Wheelchair 850 lb capacity	<b>AL-77668-850</b>	<b>\$3395.00</b>

**MRI Transport Chairs**

18" Transport Chair	<b>AL-70364</b>	<b>\$1499.00</b>
20" Transport Chair, Burgundy	<b>AL-70363BG</b>	<b>\$1569.00</b>
20" Transport Chair, Green	<b>AL-70363G</b>	<b>\$1569.00</b>
20" Transfer Chair - PVC, Internal Seat Width	<b>AL-63551</b>	<b>\$1589.00</b>
24" Transfer Chair - PVC, Internal Seat Width	<b>AL-63553</b>	<b>\$1799.00</b>

**MRI Stretchers**

Bariatric, Manual Backrest w/7 Raised Positions, 700 lb cap.	<b>AL-78307</b>	<b>\$7199.00</b>
Bariatric, Fowler Back Headrest, 600 lb capacity	<b>AL-78308</b>	<b>\$4029.00</b>
Bariatric, Multi-Level Roll-In Cot, 400 lb capacity	<b>AL-78309</b>	<b>\$4709.00</b>

**MRI Walkers**

Bariatric, Folding, 500 lb capacity	<b>AL-78310</b>	<b>\$289.00</b>
Walker, Folding, 250 lb capacity	<b>AL-78311</b>	<b>\$249.00</b>



**AL-62502BG**



Transport Chair





# MRI Cart & Oxygen Holders

**BUY 11 GET 1 FREE!**



### Harloff MRI Safe Emergency Carts

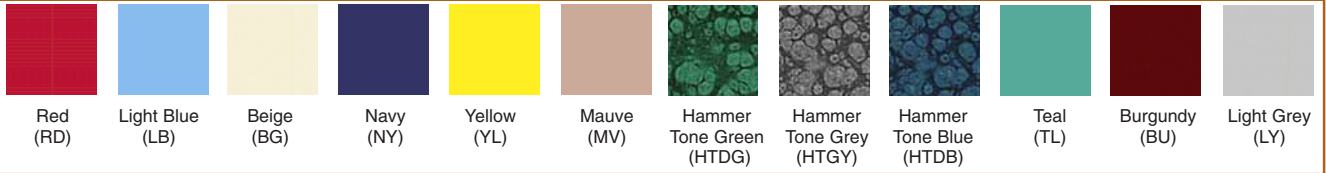
- ✓ Pre-threaded holes for easy MRI Safe accessory installation
- ✓ Provides safe mobile storage of MR approved emergency supplies
- ✓ Cart's durable aluminum construction resists organic contamination, will not rust and is easily cleaned
- ✓ Cart is tested safe for use in both 1.5 and 3.0 Tesla magnetic resonance environments
- ✓ Cart addresses needs of hospitals and imaging centers that perform an increased variety of procedures in MRI suites

MRI Safe Emergency Cart **AL-69694** **Call**  
 MRI Safe Emergency Cart **AL-69695** **Call**

Dimensions for	AL-69694	AL-69695
	1-4" (10.2cm)	1-4" (10.2cm)
	2-3.25" (8.3cm)	4-3.25" (8.3cm)
	2-6.5" (16.5cm)	1-6.5" (16.5cm)
	1-9.75" (24.8cm)	1-9.75" (24.8cm)

✓ Standard Cart Dimensions: 45.75" H x 30.5" W x 23.75" D

### Specify Color



### Non-Magnetic Cart

- ✓ Ideal for Medical Equipment, Hospital Carts and Electronic Equipment
- ✓ MRI room compatible
- ✓ Three-shelf unit will hold 300lbs of evenly distributed weight
- ✓ Soft 70-75A durometer tread

Available Shelf Colors: Orange, Blue, Red, Gray, Yellow, Putty, Aqua, Purple, Tan, Hunter Green, Burgundy, Topaz Blue, Green or Black

Available Leg Colors: Black, Nickel or Putty

### Description

Description	ALCO Part No.	Price Each
2 Shelf Cart, 24-1/2"H, 22 lbs (Specify Leg/Shelf Color)	<b>MRIWT26</b>	<b>\$326.00</b>
3 Shelf Cart, 34"H, 28 lbs (Specify Leg/Shelf Color)	<b>MRIWT34S</b>	<b>\$344.00</b>
3 Shelf Cart, 42-1/2"H, 29 lbs (Specify Leg/Shelf Color)	<b>MRIWT42</b>	<b>\$368.00</b>



### MRI Compatible





# MRI Equipment—PVC

**BUY 11 GET 1 FREE!**



AL-63577

### Extra-Wide 24" Utility/Mini Linen Carts (24 X 25)

3-shelf(no cover)	<b>AL-63574</b>	<b>\$309.00</b>
2-shelf w/mesh or solid vinyl cover	<b>AL-63575</b>	<b>\$329.00</b>
3-shelf w/mesh or solid vinyl cover	<b>AL-63576</b>	<b>\$359.00</b>
4-shelf w/mesh or solid vinyl cover	<b>AL-63577</b>	<b>\$459.00</b>

Transfer/Wheelchairs With Folding Footrest					
Description	Sling Seat	ALCO Price	Flatstock Seat	ALCO Price	
18" Internal width, 250 lb	<b>AL-63549</b>	<b>\$1079.00</b>	<b>AL-63550</b>	<b>\$1199.00</b>	
22" Internal width, 350 lb	<b>AL-63551</b>	<b>\$1649.00</b>	<b>AL-63552</b>	<b>\$1649.00</b>	
26" Internal width, 550 lb	<b>AL-63553</b>	<b>\$1799.00</b>	<b>AL-63554</b>	<b>\$1799.00</b>	
Optional dual drop arms for MRI Wheelchair Transfer chairs <b>AL-63555 \$39.00</b>					



AL-63550



AL-63587

### PVC Transfer Stretchers

Sling Gurney without elevating headrest	<b>AL-63587</b>	<b>\$889.00</b>
Bariatric Sling Gurney without elevating headrest	<b>AL-63588</b>	<b>\$949.00</b>
Sling Gurney w/3-position elevating headrest	<b>AL-63589</b>	<b>\$829.00</b>
Bariatric Sling Gurney w/3-position elevating headrest	<b>AL-63590</b>	<b>\$1069.00</b>

### Hampers With Base Support For Bag Description

Description	Single	Double	Triple
Mesh bag (33 gallon cap w/plastic bag), zipper opening, push/pull handle	<b>AL-63556 \$269.00</b>	<b>AL-63557 \$339.00</b>	<b>AL-63558 \$449.00</b>
Mesh bag (55 gallon cap w/plastic bag), zipper opening, push/pull handle	<b>AL-63559 \$269.00</b>	<b>AL-63560 \$359.00</b>	<b>AL-63561 \$479.00</b>
Leakproof bag* 22 gallon cap	<b>AL-63562 \$289.00</b>	<b>AL-63563 \$389.00</b>	<b>AL-63564 \$449.00</b>
Leakproof bag* 35 gallon cap	<b>AL-63565 \$309.00</b>	<b>AL-63566 \$449.00</b>	<b>AL-63567 \$559.00</b>
Foot pedal option	<b>AL-63568 \$19.00</b>		

\*Leakproof Colors: Pink, Blue, Green, White



AL-63559

### Crash Cart

Crash Cart	<b>AL-63591</b>	<b>\$459.00</b>
Optional cover w/mesh or solid vinyl (cart cover w/ handle will conceal the entire frame)	<b>AL-63592</b>	<b>\$69.00</b>

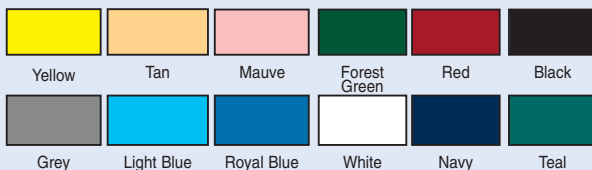
### Step Stools (not shown)

w/Rubber leg tips 16"W x 12"D x 6-1/2"H	<b>AL-63595</b>	<b>\$69.00</b>
w/Non-tip offset legs & rubber leg tips 18"W x 25"D x 8"H	<b>AL-63596</b>	<b>\$129.00</b>
w/1 rail & rubber leg tips 16"Wx12"Dx6-1/2"H, 41"high & hand rails	<b>AL-63597</b>	<b>\$89.00</b>

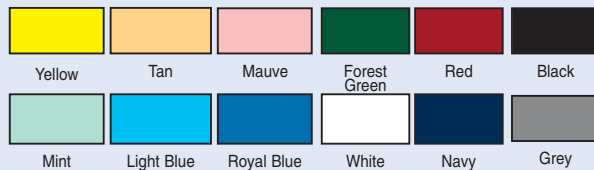


AL-63591

### Standard Mesh Colors



### Standard Solid Vinyl



# MRI Products



Cleaning Wand Kit



Arm Board



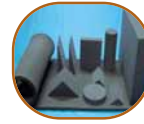
Exam Light



Single Camera Kit



Floor Sweeper



Foam Positioners



Office Chair

Description	ALCO Part No.	Price Each
ACR MR Phantom	AL-69833	CALL
Adaptor - Single Tube Headset	AL-69822	\$59.00
Adaptor - 3-Prong Push-To Lock	AL-69823	\$189.00
Adaptor - 3-Prong Screw Top	AL-70454	\$159.00
Adhesive Disc 250/Roll	AL-70184	\$59.00
Adhesive Disc 100/Roll	AL-70487	\$59.00
Adhesive Disc 1000/Roll	AL-70488	\$169.00
Arm Boards for Open MRI	AL-70125	\$689.00
Arm Board	AL-72979	\$429.00
Backboard and Stretcher Straps, Plastic Cam (Friction)		
Buckle, 1-piece	AL-69923	\$29.00
Backboard and Stretcher Straps, Side Release Buckle, Loop-Lock, 2-piece	AL-69924	\$29.00
Badge Clips	AL-69750	\$69.00
Basin Stand w/H-Brace and Casters	AL-69751	\$639.00
Basin Stand w/H-Brace	AL-69752	\$579.00
Blood Pressure Cuff - Adult Large	AL-69846	\$89.00
Blood Pressure Cuff - Adult Extra Large	AL-69847	\$119.00
Blood Pressure Cuff - Infant	AL-69849	\$69.00
Blood Pressure Cuff - Pediatric	AL-69848	\$79.00
Broom Head - Angle Cut	AL-69753	\$79.00
Broom Head for Push Broom - Block Cut	AL-69754	\$189.00
Broom Handle - Fiberglass	AL-69755	\$79.00
Bulb - 35-Watt	AL-69878	\$99.00
Bulb - 50-Watt	AL-69879	\$69.00
Bulbs - 35-Watt, 3 Pack	AL-69882	\$249.00
Capes - Lavender/Pink	AL-69929	\$79.00
CCTV MRI Single Camera Kit	AL-70354	CALL
<b>MRI Chairs</b>		
Chair - MRI Conditional for Office	AL-70138	CALL
Chair w/Casters - Non-Magnetic Adjustable (17"-23")		
Arms & Back	AL-70139	\$779.00
Chair w/Casters - Non-Magnetic Adjustable (23"-29")		
Arms & Back	AL-70140	\$819.00
Chair w/Casters - Non-Magnetic Adjustable (17"-23")		
Back Only	AL-70141	\$709.00
Chair w/Casters - Non-Magnetic Adjustable (23"-29")		
Back Only	AL-70142	\$739.00
Chair w/Rubber Tips - Non-Magnetic Adjustable (15"-21")		
Arms & Back	AL-70143	\$709.00
Chair w/Rubber Tips - Non-Magnetic Adjustable (21"-27")		
Arms & Back	AL-70144	\$719.00
Chair w/Rubber Tips - Non-Magnetic Adjustable (15"-21")		
Back Only	AL-70145	\$649.00
Chair w/Rubber Tips - Non-Magnetic Adjustable (21"-27")		
Back Only	AL-70146	\$679.00
Cleaning Wand, Long Strand MicroFiber	AL-69763	\$49.00
Cleaning Wand Kit	AL-69769	\$209.00
Cleaning Wand	AL-72961	\$179.00
Cleaning Wand Disposable Refills, 100	AL-72962	\$199.00
Cleaning Wand Steris Disinfectant	AL-72963	\$29.00
Clip Boards (4 Pack)	AL-69756	\$89.00
Collection Canisters	AL-69900	\$129.00
Conductive Shifter	AL-69916	\$429.00
Cot - Non-Magnetic Multi-Level Lift-in	AL-69797	CALL
CT/MRI Marker, Solid Multi-Modality	AL-69889	\$209.00
Cylinder Cart, Non-Magnetic	AL-69907	\$409.00
Dual Bucket Press System	AL-69760	\$599.00
Du-O-Vac Plus Complete Unit	AL-69898	\$1,269.00
Du-O-Vac Plus Crash Cart "MRI Grab & Go"	AL-69899	\$2,209.00
Du-O-Vac Plus, MRI Compatible Gas Powered Suction Device	AL-69901	\$849.00
Dustpan - Ergonomic Hygienic	AL-69768	\$39.00
Earplugs Paired (37db)	AL-69772	\$209.00
Earplugs 33db (Bulk)	AL-69773	\$209.00
Earplugs 29db (Bulk)	AL-69774	\$169.00

Description	ALCO Part No.	Price Each
Earplug Dispenser - Non-Magnetic	AL-69775	\$109.00
<b>MRI Electrodes</b>		
Electrode - Invisatrace	AL-69782	\$549.00
Electrode - Cleartrace	AL-69783	\$439.00
Electrode - DYNA / Trace	AL-69784	\$399.00
Equipment Stand	AL-69839	\$419.00
Exam Light, Mobile	AL-69874	CALL
Eye Shades	AL-69790	\$199.00
E-Z Straps	AL-69946	\$99.00
FerrAlertô Halo System	AL-69884	CALL
Fire Extinguisher, MRI Tested - Rechargeable BC	AL-69786	\$369.00
Flashlight	AL-72964	\$359.00
Floor Mat, Carpeted - "Danger"	AL-69791	\$319.00
Floor Sticker - "Danger"	AL-69792	\$79.00
Floor Stand, MRI E/D Compact	AL-69892	\$69.00
Floor Sweeper (Nonmagnetic)	AL-72980	\$329.00
<b>MRI Positioners</b>		
Foam Positioner Breast Imaging Pad	AL-69945	\$229.00
Foam Positioner Kit - Deluxe	AL-69947	\$299.00
Foam Positioner Kit - Large	AL-69948	\$329.00
Foam Positioner Kit - Small	AL-69949	\$89.00
Foam Positioner Kit A	AL-69950	\$89.00
Foam Positioner Kit B	AL-69951	\$119.00
Foam Positioner Kit C	AL-69952	\$209.00
Foam Positioner Kit D	AL-69953	\$89.00
Foam Positioner Kit E	AL-69954	\$289.00
Foam Positioner Rectangle Kit	AL-69955	\$59.00
Foam Positioner Kit F	AL-69956	\$209.00
Foam Positioner Special Procedure Kit	AL-69957	\$379.00
Foam Positioner Kit I	AL-69958	\$189.00
Foam Positioner Ortho Kit	AL-69959	\$179.00
Foam Positioner Pediatric Kit	AL-69960	\$749.00
Foam Positioner Routine X-Ray Kit	AL-69961	\$129.00
Foam Positioner Standard R&F Kit	AL-69962	\$179.00
Foam Positioner CT Positioning Kit	AL-69963	\$259.00
Foam Positioner Nuclear Imaging Accessory Kit	AL-69964	\$1,989.00
Positioner - BiDirectional TMJ	AL-69997	\$1,689.00
ONI Positioning Starter Kit	AL-69965	\$1,389.00
ONI Positioning Back Pad	AL-69966	\$599.00
ONI Positioning Seat Pad	AL-69967	\$179.00
ONI Positioning Leg Extension Pad	AL-69968	\$549.00
ONI Positioning Lower Arm Rests	AL-69969	\$129.00
ONI Positioning Upper Arm Rests #1	AL-69970	\$109.00
ONI Positioning Upper Arm Rests #2	AL-69971	\$119.00
ONI Positioning Large Wrist Pad	AL-69972	\$129.00
ONI Positioning Small Wrist Pad	AL-69973	\$89.00
ONI Positioning Lower Leg Rest	AL-69974	\$609.00
ONI Positioning Upper Leg Rest #1	AL-69975	\$709.00
ONI Positioning Upper Leg Rest #2	AL-69976	\$599.00
ONI Positioning Upper Leg Rest #3	AL-69977	\$549.00
ONI Positioning Lower Knee Rest	AL-69978	\$639.00
ONI Positioning Upper Knee Rest #1	AL-69979	\$239.00
ONI Positioning Upper Knee Rest #2	AL-69980	\$269.00
ONI Positioning Upper Knee Rest #3	AL-69981	\$329.00
ONI Positioning Small Gap Pad	AL-69982	\$69.00
ONI Positioning Large Gap Pad	AL-69983	\$69.00
ONI Positioning Transition Wedge	AL-69984	\$239.00
Gait Belts w/Plastic Side Release, Plastic Side Release	AL-69925	\$29.00
Gas Monitor, Tox Guard II	AL-69908	CALL
<b>MRI Geri Chairs</b>		
Geri Chair - MRI Conditional (18")	AL-70359	\$1,249.00
Geri Chair - Wide, MRI Conditional (21")	AL-70360	\$1,329.00
Geri Chair - Extra Wide, MRI Conditional (24")	AL-70361	\$1,409.00
Geri Chair - Bariatric, MRI Conditional (30")	AL-70362	\$1,919.00
Glasses, Non-Magnetic, Prism	AL-69789	\$129.00
Glove Box Holder	AL-69803	\$39.00

# MRI Products

**BUY 11 GET 1 FREE!**



Noise Guards (Neonatal)



Janitorial Cart



Hamper



Mayo Stand



MRI Signs



Safety Signs

Description	ALCO Part No.	Price Each
Goggles (Prescription ) MRI Safe	AL-69788	CALL
<b>MRI Gowns</b>		
Gown - Adult, Blue (30" x 40")	AL-69926	\$49.00
Gown - Adult, Blue (32" x 42")	AL-69927	\$69.00
Gown - Adult, Watercolors	AL-69928	\$69.00
Gown - Pediatric, Bugs & Things	AL-69930	\$99.00
Gown - Pediatric, Under the Sea	AL-69931	\$59.00
Gown - Pediatric, Schooltime	AL-69932	\$59.00
Gown - Pediatric, Dr.Seuss	AL-69933	\$79.00
Gown - Pediatric, Blue	AL-69934	\$49.00
<b>MRI Gurneys &amp; Stretchers</b>		
Gurney - Transport	See Page 495	
Gurney with Hand Crank	See Page 495	
Gurney - Fixed Non-Magnetic	See Page 495	
Gurney with Adjustable Backrest, Non-Magnetic	See Page 495	
Stretcher - Transport	See Page 495	
Stretcher	See Page 495	
<b>MRI Headsets</b>		
Headset - Noise Guard	AL-69812	\$459.00
Headset - Slimline Noise Guard	AL-69813	\$339.00
Headset - Pediatric Noise Guard	AL-69815	\$279.00
Headset - No-Cord Noise Guard	AL-69817	\$109.00
Headset - No-Cord Slimline Noise Guard	AL-69818	\$109.00
Headset - Foam Ear Piece	AL-69820	\$29.00
Hugger - Infant	AL-70124	\$429.00
Hugger - Child	AL-70126	\$679.00
Hugger - Control Head	AL-70127	\$439.00
I.V. Pole Stand	AL-69854	\$399.00
Janitorial Cart	AL-69759	\$1,089.00
Kickbucket	AL-69767	\$689.00
Kwik-Skan Liquid Crystal Temperature Monitor, Oval	AL-69936	\$249.00
<b>MRI Labels</b>		
Labels - ASTM, 3 small & 3 medium, 18 labels	AL-69855	\$39.00
Labels - ASTM, 7 small & 7 medium, 42 labels	AL-69856	\$69.00
Labels - ASTM	AL-69857	\$79.00
Label - MRI Contraindicated	AL-69858	\$69.00
Labels - Green, 12 Pack	AL-69859	\$29.00
Labels - Green, 25 Pack	AL-69860	\$39.00
Labels - Red, 12 Pack	AL-69861	\$29.00
Labels - Red, 25 Pack	AL-69862	\$49.00
Labels - Green Safe / Red Caution Combo Pack (24 count)	AL-69863	\$49.00
Labels - Green Safe / Red Caution Customer Choice (24 count)	AL-69864	\$49.00
Labels - Green Safe / Red Caution Combo Pack (25 each)	AL-69865	\$79.00
Labels - Red MRI Caution (12 pack)	AL-69866	\$29.00
Labels - Red MRI Caution (25 pack)	AL-69867	\$49.00
Ladder - Multi Position	AL-69868	\$479.00
Ladder 6'	AL-72965	\$479.00
Ladder 7'	AL-72966	\$549.00
Ladder 8'	AL-72967	\$599.00
Laryngoscope Handle	AL-69852	\$389.00
Laryngoscope Handle Short Pediatric	AL-69853	\$379.00
Laryngoscope Kit	AL-69840	CALL
Laryngoscope Blades - 25 Pack	AL-69871	\$239.00
Leg Positioner "A", Adjustable	AL-70122	\$439.00
Leg Positioner "B", Adjustable	AL-70123	\$439.00
Light Bulb - Laryngoscopes Halogen	AL-69872	\$79.00
Linen Hamper w/Lid and Foot Pedal	AL-69804	\$669.00
Linen Hamper with Lid	AL-69805	\$569.00
Linen Hamper with Tips (18")	AL-69806	\$389.00
Linen Hamper with Casters (18")	AL-69807	\$419.00
Lithium Battery - Laryngoscopes "C" Size	AL-69873	\$409.00
Magnet - Hand Held Screening	AL-69885	\$189.00
Magnet - MRI Testing	AL-69886	\$599.00
Manifold w/Dual Flowmeters-DISS	AL-69894	\$209.00
Manometer - Mercury, Desktop	AL-69844	CALL
Manometer - Mercury	AL-69845	\$1,599.00
Mattress, Bolster, Replacement for Mobile Transporter	AL-69800	\$379.00
Mayo Stands	AL-69883	\$749.00
Metal Detector - Super Scanner Handheld	AL-69887	\$319.00

Description	ALCO Part No.	Price Each
Mirror - Claustrophobia Relief	AL-69888	\$919.00
Mop with Handle - Non-Magnetic	AL-69764	\$69.00
Mop Head	AL-69765	\$159.00
Mop Head Holder	AL-69766	\$199.00
Mop, MicroFiber Flat - Non-Magnetic	AL-69761	\$79.00
Mop, MicroFiber Flat, Refills - Non-Magnetic	AL-69762	\$29.00
Mouth Pieces, Disposable	AL-69998	\$99.00
MRI E Cylinder	AL-69890	\$139.00
MRI M Cylinder	AL-69891	\$479.00
MRI Medical M Cylinder Hand Cart	AL-69906	\$339.00
MRI Zone II & Sign	AL-70162	\$39.00
MRI Zone III & Sign	AL-70163	\$49.00
MRI Zone IV & Sign	AL-70164	\$39.00
MRI Zone I & Sign	AL-70165	\$39.00
Multi-Modality Markers	AL-69835	\$189.00
Noise Guards - Neonatal	AL-69816	\$99.00
Non-Headset	AL-69814	\$129.00
Oxygen Flowmeters	AL-69895	\$129.00
Oxygen Cylinder Wrench (small cylinders)	AL-69896	\$19.00
Oxygen Regulator, MRI Click Style	AL-69897	\$359.00
Oxygen Regulator - Nut & Nipple Connection for MRI Liter Flow	AL-69902	\$479.00
Oxygen Regulator - Yoke Connection for MRI Liter Flow	AL-69903	\$429.00
Oxygen Regulator - Nut & Nipple Connection	AL-69904	\$479.00
Oxygen Regulator Yoke Connection	AL-69905	\$479.00
Oxytote	AL-69893	\$289.00
Paper Towel Dispenser	AL-69770	\$69.00
Patient Shifter Horizontal Wall Hanger	AL-69917	\$189.00
Patient Shifter Vertical Wall Hanger Hooks	AL-69918	\$169.00
Patient Sound Tube (10 foot section)	AL-69821	\$19.00
Patient Mover - Antimicrobial (17-3/4")	AL-69919	\$389.00
Patient Mover - Antimicrobial (22")	AL-69920	\$389.00
Patient Mover Mounting Kit - Antimicrobial	AL-69921	\$79.00
Patient Shifter - Anti-Static, Narrow (Aqua)	AL-69914	\$319.00
Patient Shifter - Anti-Static (White)	AL-69915	\$359.00
<b>MRI Phantom Cradles</b>		
Phantom Cradle Siemens 1	AL-69836	\$1,279.00
Phantom Cradle Siemens 2	AL-70462	\$1,279.00
Phantom Cradle Philips 1	AL-70463	\$1,439.00
Phantom Cradle Philips 2	AL-70464	\$1,279.00
Phantom Cradle Philips 3	AL-70465	\$1,279.00
Phantom Cradle Hitachi	AL-70466	\$1,279.00
Phantom Cradle GE 1 Standard Quad	AL-70467	\$1,279.00
Phantom Cradle GE 2 Split	AL-70468	\$1,279.00
Pillow - MRI Comfort	AL-69943	\$359.00
Pillow - CT	AL-69944	\$69.00
Plastic Stanchion Chain	AL-70172	\$29.00
Plastic Stanchion Kit	AL-70173	\$189.00
Plastic Stanchion C-Hook (2 pack)	AL-70171	\$19.00
Precordial Monoscope, Comfort Fit, Small Adult 7mm	AL-70181	\$29.00
Precordial Monoscope, Comfort Fit, Medium Adult 7mm	AL-70484	\$29.00
Precordial Monoscope, Comfort Fit, Large Adult 9mm	AL-70485	\$29.00
Precordial Monoscope, Disposable Comfort Ear, Box of 25	AL-70182	\$129.00
Precordial Chest Piece, Lightweight/MRI, Adult 1-1/2" Diameter	AL-70183	\$49.00
Precordial Chest Piece, Lightweight/MRI, Adult 1-1/8" Diameter	AL-70486	\$49.00
Pulse Oximeter	AL-69850	CALL
Pulse Oximeter Sensors - Adult 20'	AL-70469	\$1,759.00
Pulse Oximeter Sensors - Adult 30'	AL-70470	\$1,839.00
Pulse Oximeter Sensors - Infant 20'	AL-69851	\$1,759.00
Pulse Oximeter Sensors - Infant 30'	AL-70471	\$1,839.00
Pump - Electric Membrane	AL-69985	CALL
Pump - Manual Immobilization	AL-69986	\$259.00
Redi-Temp Crystal Temperature Monitor, Strip	AL-69938	\$249.00
Sand Bags - Foam Silica	AL-69994	\$29.00
Sand Bags - Cervical	AL-69995	\$129.00
Sanitary Covers Large	AL-70129	\$139.00
Sanitary Covers Small	AL-70130	\$159.00
Sanitary Covers X-Small	AL-70131	\$159.00
Sanitary Covers Large-Black	AL-70132	\$139.00

# MRI Products

**BUY 11 GET 1 FREE!**



Equipment Stand

Sanitary Covers

Sound System – Full

Step Stool

Waste Receptacles

Comfort Stool

Sphygmomanometer

Description	ALCO Part No.	Price Each
Sanitary Covers Small-Black	AL-70133	\$159.00
Sanitary Covers X-Small-Black	AL-70135	\$159.00
Sat Pad Neck / Brachial	AL-69824	CALL
Sat Pad Back / Abdomen	AL-69825	CALL
Sat Pad Ankle Kit	AL-69826	CALL
Sat Pad Knee Kit	AL-69827	CALL
Sat Pad 4 Channel Coil Breast Imaging Kit	AL-69828	CALL
Sat Pad 7 & 8 Channel Coil Breast Imaging Kit	AL-69829	CALL
Sat Pad 7 & 8 Channel Coil Breast Imaging Kit w/Accusorb RF Shielding Blanket	AL-69830	CALL
Sharps Sentinel Container - Non-Magnetic , 5-Quart	AL-70152	\$59.00
Sharps Sentinel Container - Non-Magnetic , 5-Quart	AL-70153	\$59.00
Sharps Container - Non-Magnetic Wall Safe, 3-Quart	AL-70154	\$59.00
Sharps Container - Non-Magnetic Wall Safe, 3-Quart	AL-70155	\$59.00
Sharps Container - Non-Magnetic Wall Safe, 5-Quart	AL-70156	\$59.00
Sharps Container - Non-Magnetic Wall Safe, 5-Quart	AL-70157	\$59.00
Sharps Sentinel Wall Bracket	AL-70158	\$19.00
Sharps Wall Safe Bracket	AL-70159	\$19.00
Sharps Sentinel Wall Bracket Key	AL-70160	\$9.00
Sharps Wall Safe Kit	AL-70161	\$9.00
Smartset Hand Injector	AL-69809	\$509.00
Smartset with Sideport	AL-69811	\$339.00
Smart Tourniquet w/Manometer	AL-69834	\$799.00
Sound System - Full	AL-69940	CALL
Sound System - Mini	AL-69941	CALL
Sound System - Econo	AL-69942	CALL
Sphygmomanometer	AL-69843	\$369.00
Spine Board	AL-69913	\$509.00
Stanchion (only)	AL-70174	\$89.00
Stat-Skan Temperature Monitor, Round	AL-69937	\$319.00
Step Stool, Double, MRI Conditional	AL-70175	\$919.00
Step Stool w/Handrail, MRI Conditional	AL-70176	\$339.00
Step Stools	AL-70177	\$339.00
Step Stool w/Handle, Double (16" x 16" x 25"D)	AL-70178	\$709.00
Step Stool, Double, Narrow	AL-70179	\$639.00
Step Stool, Platform (30"W x 8"H x 12"D)	AL-70180	\$429.00
Stethoscope - Rappaport	AL-69841	\$189.00
Stethoscope - Disposable	AL-69842	\$49.00
Stool - Fixed Height	AL-70137	\$379.00
Stool with Gas Lift	AL-72960	\$629.00
Stool	AL-70147	\$429.00
Stool w/Casters - Non-Magnetic Adjustable (17"-23")	AL-70148	\$619.00
Stool w/Casters - Non-Magnetic Adjustable (23"-29")	AL-70149	\$649.00
Stool w/Rubber Tips - Non-Magnetic Adjustable (15"-21")	AL-70150	\$549.00
Stool w/Rubber Tips - Non-Magnetic Adjustable (21"-27")	AL-70151	\$569.00
Surgical Light - Mobile	AL-69875	CALL
Surgical Light - Ceiling Mount	AL-69876	CALL
Surgical Light - Dual Ceiling Mount	AL-69877	CALL
Surgical Light Replacement Handle	AL-69881	\$129.00
Surgical Skin Marker	AL-70353	\$119.00
Table Paper Rolls, Disposable	AL-70136	\$59.00
<b>MRI Forceps</b>		
Titanium Dissecting Forceps DeBakey Straight Flat Handle width 2.5mm, 150mm-6"	AL-70185	\$329.00
Titanium Dissecting Forceps DeBakey Straight Flat Handle width 2.5mm, 195mm-7-3/4"	AL-70186	\$359.00
Titanium Dissecting Forceps DeBakey Straight Flat Handle width 2.5mm, 240mm-9-1/2"	AL-70187	\$489.00
Titanium Dissecting Forceps DeBakey Straight Flat Handle width 1.5mm, 150mm-6"	AL-70188	\$349.00
Titanium Dissecting Forceps DeBakey Straight Flat Handle width 1.5mm, 195mm-7-3/4"	AL-70189	\$359.00
Titanium Dissecting Forceps DeBakey Straight Flat Handle width 1.5mm, 240mm-9-1/2"	AL-70190	\$489.00
Titanium Dissecting Forceps DeBakey Straight Flat Handle width 3mm, 150mm-6"	AL-70191	\$339.00
Titanium Dissecting Forceps DeBakey Straight Flat Handle width 3mm, 195mm-7-3/4"	AL-70192	\$359.00
Titanium Dissecting Forceps DeBakey Straight Flat Handle width 3mm, 240mm-9-1/2"	AL-70193	\$439.00

Description	ALCO Part No.	Price Each
Titanium Dissecting Forceps DeBakey Angular Flat Handle width 2.5mm, 150mm-6"	AL-70194	\$419.00
Titanium Dissecting Forceps DeBakey Angular Flat Handle width 2.5mm, 195mm-7-3/4"	AL-70195	\$459.00
Titanium Dissecting Forceps DeBakey Angular Flat Handle width 2.5mm, 240mm-9-1/2"	AL-70196	\$469.00
Titanium Dissecting Micro Tying Forceps Straight Round Handle, tcc on tip 120mm-4-3/4"	AL-70197	\$469.00
Titanium Dissecting Micro Tying Forceps Straight Round Handle, tcc on tip 150mm-6"	AL-70198	\$449.00
Titanium Dissecting Micro Tying Forceps Straight Round Handle, tcc on tip 180mm-7-1/8"	AL-70199	\$479.00
Titanium Dissecting Micro Tying Forceps Curved Round Handle, tcc on tip 120mm-4-3/4"	AL-70200	\$459.00
Titanium Dissecting Micro Tying Forceps Curved Round Handle, tcc on tip 150mm-6"	AL-70201	\$459.00
Titanium Dissecting Micro Tying Forceps Curved Round Handle, tcc on tip 180mm-7-1/8"	AL-70202	\$509.00
Titanium Leriche Haemostatic Forceps 150mm-6" Straight Tip	AL-70204	\$459.00
Titanium Leriche Haemostatic Forceps 150mm-6" Curved Tip	AL-70205	\$509.00
Titanium Leriche Haemostatic Forceps 150mm-6" Straight Tip, 1 x 2" teeth	AL-70206	\$459.00
Titanium Leriche Haemostatic Forceps 150mm-6" Curved Tip, 1 x 2" teeth	AL-70207	\$509.00
Titanium Dissecting Micro Tying Forceps w/Ring Tips O int 13/10, O ext. 19/10, 150mm-6"	AL-70288	\$679.00
Titanium Dissecting Micro Tying Forceps w/Ring Tips O int 13/10, O ext. 19/10, 180mm-7-1/8"	AL-70289	\$589.00
Titanium Dissecting Micro Tying Forceps w/Ring Tips O int 10/10, O ext 20/10, 220mm-8-5/8"	AL-70290	\$749.00
Titanium Dissecting Micro Tying Forceps w/Ring Tips O int 14/10, O ext 10/10, 150mm-6"	AL-70291	\$679.00
Titanium Dissecting Micro Tying Forceps w/Ring Tips, O int 4/10, O ext 10/10, 180mm-7-1/8"	AL-70292	\$589.00
Titanium Dissecting Micro Tying Forceps w/Ring Tips O int 14/10, O ext 10/10, 220mm-8-5/8"	AL-70293	\$749.00
Titanium Adson Dissecting Forceps, w/o Teeth 120mm-4-3/4"	AL-70294	\$279.00
Titanium Adson Dissecting Forceps, w/ 1 x 2" Teeth 120mm-4-3/4"	AL-70295	\$269.00
Titanium Adson Dissecting Forceps, w/o Teeth 120mm-4-3/4"	AL-70296	\$479.00
Titanium Adson Dissecting Forceps, w/ 1 x 2" Teeth TCI 120mm-4-3/4"	AL-70297	\$479.00
Titanium Adson Dissecting Forceps, w/ 1 x 2" Teeth TCC 120mm-4-3/4"	AL-70298	\$339.00
Titanium Adson Dissecting Forceps, w/ 1 x 2" Teeth, Serrated 120mm-4-3/4"	AL-70299	\$339.00
Titanium Adson-Brown Dissecting Forceps, Multiple Teeth 120mm-4-3/4"	AL-70300	\$459.00
Titanium Gerald Dissecting Forceps, Serrated Tip 175mm-6-7/8"	AL-70301	\$409.00
Titanium Gerald Dissecting Forceps, 1 x 2" Teeth 175mm-6-7/8"	AL-70302	\$459.00
Titanium Gerald Dissecting Forceps, TCC 175mm-6-7/8"	AL-70303	\$569.00
Titanium Mc Indoe Dissecting Forceps, 150mm-6"	AL-70304	\$359.00
Titanium Gillies Dissecting Forceps, 1 x 2" Teeth 150mm-6"	AL-70305	\$329.00
Titanium Barraya Dissecting Forceps, 2 x 3" Teeth 200mm-7-7/8"	AL-70306	\$609.00
Titanium Resano Dissecting Forceps, 230mm-0"	AL-70307	\$429.00
Titanium Bayonet Tissue Forceps Dissecting Forceps 0.5mm tip 220mm-8-5/8"	AL-70308	\$1,139.00
Titanium Bayonet Tissue Forceps Dissecting Forceps 1 .5mm tip 220mm-8-5/8"	AL-70309	\$679.00
Titanium Dissecting Bayonet Cushing Tissue Forceps, 1 x 2" Teeth 185mm-7-1/4"	AL-70310	\$679.00

# MRI Products

**BUY 11 GET 1 FREE!**



Dissecting Forceps



Surgical Light



Disposable Scalpel #11



Stat Kit 700 – Pediatric



Long Dissecting Forceps



Long Curved Scissors

Description	ALCO Part No.	Price Each
<b>MRI Forceps</b>		
Titanium Dissecting Bayonet Cushing Tissue Forceps, w/o Teeth, tip = 1.5mm, 200mm-7-7/8"	AL-70311	\$629.00
Titanium Dissecting Bayonet Cushing Tissue Forceps, w/o Teeth, tip + 1.8mm, 205mm-8"	AL-70312	\$919.00
Titanium Yasargil Dissecting Forceps, w/o Teeth, tip = 0.9mm, 240mm-9-1/2"	AL-70313	\$619.00
Titanium Dissecting Hartman Haemostatic Forceps, Straight 100mm-4"	AL-70314	\$319.00
Titanium Dissecting Hartman Haemostatic Forceps, Curved 100mm-4"	AL-70315	\$349.00
Titanium Dissecting Hartman Haemostatic Forceps, Straight Smooth Jaw 100mm-4"	AL-70316	\$279.00
Titanium Halstead Haemostatic Forceps, Straight 125mm-5"	AL-70317	\$389.00
Titanium Halstead Haemostatic Forceps, Curved 125mm-5"	AL-70318	\$449.00
Titanium Halstead Haemostatic Forceps, Straight 1 x 2" Teeth 125mm-5"	AL-70319	\$449.00
Titanium Halstead Haemostatic Forceps, Curved 1 x 2" Teeth 125mm-5"	AL-70320	\$479.00
Titanium Halstead Baby Haemostatic Forceps, Curved 125mm-5"	AL-70321	\$469.00
Titanium Halstead Baby Haemostatic Forceps, Curved 1 x 2" Teeth 125mm-5"	AL-70322	\$389.00
Titanium Crile Haemostatic, Forceps, Straight 140mm-5-1/2"	AL-70323	\$369.00
Titanium Crile Haemostatic, Forceps, Straight 160mm-6-1/4"	AL-70324	\$419.00
Titanium Crile Haemostatic, Forceps, Curved 140mm-5-1/2"	AL-70325	\$399.00
Titanium Crile Haemostatic, Forceps, Curved 160mm-6-1/4"	AL-70326	\$459.00
Titanium Crile Haemostatic, Forceps, Straight 1 x 2" Teeth 140mm-5-1/2"	AL-70327	\$409.00
Titanium Crile Haemostatic, Forceps, Straight 1 x 2" Teeth 160mm-6-1/4"	AL-70328	\$459.00
Titanium Crile Haemostatic, Forceps, Curved 1 x 2" Teeth, 140mm-5-1/2"	AL-70329	\$439.00
Titanium Crile Haemostatic, Forceps, Curved 1 x 2" Teeth, 160mm-6-1/4"	AL-70330	\$489.00
Titanium Dandy Haemostatic Forceps, 160mm-6-1/4"	AL-70331	\$499.00
Titanium Bengolea Haemostatic Forceps, STraight 180mm-7-1/8"	AL-70332	\$439.00
Titanium Bengolea Haemostatic Forceps, Straight 230mm-9"	AL-70333	\$509.00
Titanium Bengolea Haemostatic Forceps, Curved 180mm-7-1/8"	AL-70334	\$479.00
Titanium Bengolea Haemostatic Forceps, Curved 230mm-9"	AL-70335	\$569.00
Titanium Bengolea Haemostatic Forceps, Straight 1 x 2" Teeth 180mm-7-1/8"	AL-70336	\$309.00
Titanium Bengolea Haemostatic Forceps, Curved 1 x 2" Teeth 180mm-7-1/8"	AL-70337	\$489.00
Titanium Bengolea Haemostatic Forceps, Curved 1 x 2" Teeth 230mm-9"	AL-70338	\$569.00
Titanium Kocher Haemostatic Forceps, Straight, 1 x 2" Teeth, 180mm-7-1/8"	AL-70339	\$629.00
Titanium Kocher Haemostatic Forceps, Straight, 1 x 2" Teeth, 200mm-7-7/8"	AL-70340	\$629.00
Titanium Pean Haemostatic Forceps, Curved 200mm-7-7/8"	AL-70341	\$629.00
Titanium Heiss Clamping Forceps, Curved 210mm-8-1/4"	AL-70342	\$679.00
Titanium Craford Clamping Forceps, Curved 240mm-9-1/2"	AL-70343	\$679.00
Titanium Duval Grasping Forceps, width = 25mm, 200mm-7-7/8"	AL-70344	\$899.00
Titanium Grasping Babcock Tissue Forceps, 180mm-7-1/8"	AL-70345	\$859.00
Titanium Grasping Allis Tissue Forceps, DeBakey jaws 160mm-6-1/4"	AL-70346	\$809.00
Titanium Grasping Pozzi-Braun Forceps, 250mm-9-7/8"	AL-70347	\$899.00
Titanium Sundry Backhaus Forceps, 105mm-4-1/8"	AL-70348	\$629.00
Titanium Sundry Pituitary Alligator Grasping Forceps, 2mm tip, 240mm-9-1/2"	AL-70349	CALL

Description	ALCO Part No.	Price Each
Titanium Doyen Sundry Forceps, Straight 240mm-9-1/2"	AL-70350	\$919.00
Titanium Doyen Sundry Forceps, Curved 240mm-9-1/2"	AL-70351	\$1,029.00
Titanium Gulimet Dissecting Forceps	AL-70352	\$359.00
<b>MRI Knives &amp; Scalpels</b>		
Titanium Scalpel Nr 15, 160mm-6-1/4"	AL-70208	\$479.00
Titanium Scalpel Nr 21, 160mm-6-1/4"	AL-70209	\$479.00
Scalpel #11 (Disposable MR Conditional)	AL-72984	\$139.00
Titanium Septal Knife, 140mm-5-1/2"	AL-70210	\$489.00
Titanium Sicle Knife, Curved Up, 240mm-9-1/2"	AL-70211	\$409.00
Titanium Sicle Knife, Curved Down, 240mm-9-1/2"	AL-70212	\$409.00
Titanium Sicle Knife, Curved Right, 240mm-9-1/2"	AL-70213	\$409.00
Titanium Sicle Knife, Curved Left, 240mm-9-1/2"	AL-70214	\$409.00
Titanium Tumor Knife, 1.0 x 5.0mm, 230mm-9"	AL-70215	\$429.00
Titanium Tumor Knife, 1.5 x 5.0mm, 230mm-9"	AL-70216	\$429.00
Titanium Tumor Knife, 2.0 x 5.5mm, 230mm-9"	AL-70217	\$429.00
Titanium Tumor Knife, 2.5 x 6.0mm, 230mm-9"	AL-70218	\$429.00
Titanium Tumor Knife, 3.0 x 7.0mm, 230mm-9"	AL-70219	\$429.00
Titanium Tumor Knife, 3.5 x 7.0mm, 230mm-9"	AL-70220	\$429.00
Titanium Tumor Knife, 4.0 x 7.5mm, 230mm-9"	AL-70221	\$429.00
Titanium Tumor Knife, 5.0 x 8.0mm, 230mm-9"	AL-70222	\$429.00
<b>MRI Scissors</b>		
Titanium Stevens Scissors, Straight/Blunt 110mm-4-1/2"	AL-70223	\$899.00
Titanium Stevens Scissors, Curved/Blunt 110mm-4-1/2"	AL-70224	\$949.00
Titanium Suture Scissors, Straight, 140mm-5-1/2"	AL-70225	\$899.00
Titanium Mayo Scissors, Straight 150mm-6"	AL-70226	\$789.00
Titanium Mayo Scissors, Straight 170mm-6-3/4"	AL-70227	\$789.00
Titanium Mayo Scissors, Curved 150mm-6"	AL-70228	\$789.00
Titanium Mayo Scissors, Curved 170mm-6-3/4"	AL-70229	\$789.00
Titanium Mayo Scissors, Straight Blunt-Sharp 150mm-6"	AL-70230	\$899.00
Titanium Metzenbaum Scissors, Straight 230mm-9"	AL-70231	\$1,059.00
Titanium Metzenbaum Scissors, Curved 230mm-9"	AL-70232	\$1,059.00
Titanium Metzenbaum Scissors, Straight 150mm-6"	AL-70233	\$789.00
Titanium Metzenbaum Scissors, Straight 180mm-7-1/8"	AL-70234	\$789.00
Titanium Metzenbaum Scissors, Curved 180mm-7-1/8"	AL-70235	\$789.00
Titanium Metzenbaum Scissors, Curved Serrated 180mm-7-1/8"	AL-70236	\$859.00
Titanium Flat Handle Micro Scissors, Straight 160mm-6-1/4"	AL-70237	\$359.00
Titanium Flat Handle Micro Scissors, Straight 180mm-7-1/8"	AL-70238	\$359.00
Titanium Flat Handle Micro Scissors, Straight 210mm-8-1/4"	AL-70239	\$359.00
Titanium Flat Handle Micro Scissors, Straight 230mm-9"	AL-70240	\$359.00
Titanium Flat Handle Micro Scissors, Curved 160mm-6-1/4"	AL-70241	\$369.00
Titanium Flat Handle Micro Scissors, Curved 180mm-7-1/8"	AL-70242	\$369.00
Titanium Flat Handle Micro Scissors, Curved 210mm-8-1/4"	AL-70243	\$369.00
Titanium Flat Handle Micro Scissors, Curved 230mm-9"	AL-70244	\$369.00
Titanium Flat Handle Micro Scissors, Straight Serrated 160mm-6-1/4"	AL-70245	\$359.00
Titanium Flat Handle Micro Scissors, Straight Serrated 180mm-7-1/8"	AL-70246	\$439.00
Titanium Flat Handle Micro Scissors, Straight Serrated 210mm-8-1/4"	AL-70247	\$359.00
Titanium Flat Handle Micro Scissors, Straight Serrated 230mm-9"	AL-70248	\$359.00
Titanium Flat Handle Micro Scissors, Curved Serrated 160mm-6-1/4"	AL-70249	\$369.00
Titanium Flat Handle Micro Scissors, Curved Serrated 180mm-7-1/8"	AL-70250	\$369.00
Titanium Flat Handle Micro Scissors, Curved Serrated 210mm-8-1/4"	AL-70251	\$369.00
Titanium Flat Handle Micro Scissors, Curved Serrated 230mm-9"	AL-70252	\$369.00
Titanium Flat Handle Micro Scissors, Straight Serrated 180mm-7-1/8"	AL-70253	\$399.00
Titanium Flat Handle Micro Scissors, Straight Serrated 180mm-7-1/8"	AL-70254	\$399.00
Titanium Flat Handle Micro Scissors, Straight Serrated 210mm-8-1/4"	AL-70255	\$399.00

# MRI Products

**BUY 11 GET 1 FREE!**



Fire Extinguisher



Transfer Board



Arm Splint



Laryngoscope Kit



Transport Cart



Ball Point Pen

Description	ALCO Part No.	Price Each
<b>MRI Scissors</b>		
Titanium Flat Handle Micro Scissors, Straight Serrated 230mm-9"	AL-70256	\$399.00
Titanium Malis Micro Scissors, Curved Down 220mm-8-5/8"	AL-70257	\$1249.00
Titanium Malis Micro Scissors, Curved Up, Fine Tip 220mm-5-5/8"	AL-70258	\$1399.00
Titanium Malis Micro Scissors, Curved Up, Fine Tip 220mm-58-5/8"	AL-70259	\$1249.00
Titanium Malis Micro Scissors, Straight Fine Tip 220mm-8/5/8"	AL-70260	\$1399.00
Titanium Malis Micro Scissors, Straight 220mm-8/5/8"	AL-70261	\$1189.00
Titanium Round Handle Micro Scissors, Curved 230mm-9"	AL-70262	\$429.00
Titanium Round Handle Micro Scissors, Straight 160mm-6 1/4"	AL-70263	\$409.00
Titanium Round Handle Micro Scissors, Straight 180mm-7-1/8"	AL-70264	\$459.00
Titanium Round Handle Micro Scissors, Straight 210mm-8-1/4"	AL-70265	\$409.00
Titanium Round Handle Micro Scissors, Straight 230mm-9"	AL-70266	\$419.00
Titanium Round Handle Micro Scissors, Curved 160mm-6-1/4"	AL-70267	\$429.00
Titanium Round Handle Micro Scissors, Curved 180mm-7-1/8"	AL-70268	\$429.00
Titanium Round Handle Micro Scissors, Curved 210mm-8-1/4"	AL-70269	\$429.00
Titanium Round Handle Micro Scissors, Straight Serrated 160mm-6 1/4"	AL-70270	\$419.00
Titanium Round Handle Micro Scissors, Straight Serrated 180mm-7-1/8"	AL-70271	\$419.00
Titanium Round Handle Micro Scissors, Straight Serrated 210mm-8-1/4"	AL-70272	\$419.00
Titanium Round Handle Micro Scissors, Straight Serrated 230mm-9"	AL-70273	\$419.00
Titanium Round Handle Micro Scissors, Curved Serrated 160mm-6-1/4"	AL-70274	\$429.00
Titanium Round Handle Micro Scissors, Curved Serrated 180mm-7-1/8"	AL-70275	\$429.00
Titanium Round Handle Micro Scissors, Curved Serrated 210mm-8-1/4"	AL-70276	\$429.00
Titanium Round Handle Micro Scissors, Curved Serrated 230mm-9"	AL-70277	\$429.00
Titanium Round Handle Micro Scissors, Straight Serrated 160mm-6-1/4"	AL-70278	\$449.00
Titanium Round Handle Micro Scissors, Straight Serrated 180mm-7-1/8"	AL-70279	\$449.00
Titanium Round Handle Micro Scissors, Straight Serrated 210mm-8-1/4"	AL-70280	\$449.00
Titanium Round Handle Micro Scissors, Straight Serrated 230mm-9"	AL-70281	\$459.00
Titanium Potts Micro Scissors, Angulated 130 (degrees) 185mm-7-1/4"	AL-70282	\$819.00
Titanium Potts Micro Scissors, Angulated 25 (degrees) 185mm-7-1/4"	AL-70283	\$819.00
Titanium Potts Micro Scissors, Angulated 45 (degrees) 185mm-7-1/4"	AL-70284	\$819.00
Titanium Potts Micro Scissors, Angulated 60 (degrees) 185mm-7-1/4"	AL-70285	\$819.00
Titanium Potts Micro Scissors, Angulated 90 (degrees) 185mm-7-1/4"	AL-70286	\$819.00
Titanium Vannas Micro Scissors, Straight Fine Tip 190mm-7-1/2"	AL-70287	\$859.00
Transfer Board, MRI Safe	AL-69909	\$279.00
Transfer Board - Wide	AL-69910	\$479.00
Transfer Board - Half	AL-69911	\$169.00
Transfer Board -Narrow	AL-69912	\$259.00
Transport Cart, Mobile	AL-69802	CALL
Transformer, Additional (Allows For Use in Multiple Locations)	AL-69880	\$1689.00
Vacuum Immobilization Arm Splint	AL-69987	\$1329.00
Vacuum Immobilization Leg Splint	AL-69988	\$1409.00
Vacuum Immobilization Knee Splint 2	AL-69989	\$1429.00

Description	ALCO Part No.	Price Each
Vacuum Immobilization Hand/Wrist/Foot Splint	AL-69990	\$1029.00
Vacuum Immobilization Ankle Splint	AL-69991	\$1329.00
Vacuum Immobilization Infant Splint	AL-69992	\$1429.00
Wall Signs - Light Up	AL-70170	\$329.00
Warning Wall Signs-English 12" x 18"	AL-70166	\$49.00
Warning Wall Signs-English 4" x 10"	AL-70167	\$29.00
Warning Wall Signs-Spanish 12" x 18"	AL-70168	\$49.00
Warning Wall Signs-Spanish 4" x 10"	AL-70169	\$29.00
Wet Floor Sign (MR Safe)	AL-72968	\$89.00
Waste Can w/Step-to-Open Lid, 12 Gallon	AL-69771	\$229.00
Waste Can w/Step-to-Open Lid, 18 Gallon	AL-70452	\$239.00



# Carts



Phone: 800-323-4282  
Fax: 800-950-1167

**ALCO**  
Sales & Service Co.

info@alcosales.com  
www.alcosales.com



# Medical Carts



### All Carts Feature

- ✓ Solidly built with double-wall construction
- ✓ Stabilizing frame with built-in bumper
- ✓ Top-quality swivel and locking casters
- ✓ Ball bearing slides
- ✓ Plastic top included on all carts
- ✓ Key locks—all locks can be keyed alike for quantity orders
- ✓ Soft, comfortable handle grips



### 6 Drawer Mobile Workstation with Push-Button Lock

- ✓ Drawer Configuration  
3"H (3); 6"H (2); 9"H (1)
  - ✓ 30" Drawer Space
  - ✓ 46-1/4"H x 25"D x 32"W
- AL-75495 \$1179.00**

### Solid Color and Two-Tone Mobile Workstations

#### 4 and 6-Drawer Cart Dimensions

- ✓ Overall: 46-1/4"H x 25" D x 33-1/2" W, including bumper, handle and casters
- ✓ Drawer Size: 17-1/16"D x 22-1/4"W
- ✓ Drawer Configuration (30" total drawer space):  
4-Drawers: 3"H (1); 9"H (3)  
6-Drawers: 3"H (3); 6"H (2); 9"H (1)

#### 5-Drawer Cart Dimensions

- ✓ Overall: 39-3/4"H x 25" D x 33-1/2" W, including bumper, handle and casters
- ✓ Drawer Size: 17-1/16"D x 22-1/4"W
- ✓ Drawer Configuration (24" total drawer space):  
5-Drawers: 3"H (3); 6"H (1); 9"H (1)



### Two-tone (shell color is beige) Station with Key Locks

6 Drawer (any color)	<b>AL-58279</b>	<b>\$969.00</b>
5 Drawer (any color)	<b>AL-58278</b>	<b>\$879.00</b>
4 Drawer (any color)	<b>AL-58277</b>	<b>\$969.00</b>

Note: On all Panel Carts there are two breakaway seal areas, one for all the drawers and the other for the bottom panel



### Two-tone (shell color is beige) Mini Cart with Key Lock

#### 5-Drawer Mini Cart Dimensions

- ✓ Drawer Sizes: 3"H (3); 6"H (1); 9"H (1)
- ✓ Overall: 34"H x 18-1/2"D x 18"W
- ✓ Drawer Space: 24"
- ✓ Includes plastic top
- ✓ 3" casters (2 with brake)

5 Drawer (any drawer color)	<b>AL-58283</b>	<b>\$699.00</b>
Optional Push Handle	<b>AL-58284</b>	<b>\$49.00</b>

### Solid Color or Two-Tone Emergency Cart with Full Length Breakaway Locks

#### 6-Drawer Dimensions

- ✓ Overall: 46-1/4"H x 25" D x 33-1/2" W, including bumper, handle and casters
- ✓ Drawer Size: 17-1/16"D x 22-1/4"W
- ✓ Drawer Configuration (30" total drawer space):  
6-Drawers: 3"H (4); 6-13/16"H (1);  
12-11/16"H (1)

#### 5-Drawer Dimensions

- ✓ Overall: 39-3/4"H x 25" D x 33-1/2" W, including bumper, handle and casters
- ✓ Drawer Size: 17-1/16"D x 22-1/4"W
- ✓ Drawer Configuration (24" total drawer space):  
5-Drawers: 3"H (3); 6-13/16"H (1);  
9-7/16"H (1)

#### 4-Drawer Dimensions

- ✓ 4-Drawers: 3"H (2); 6"H (1); 12"H (1)
- ✓ 24" of drawer space

6 Drawer (any color)	<b>AL-58282</b>	<b>\$939.00</b>
5 Drawer (any color)	<b>AL-58281</b>	<b>\$849.00</b>
4 Drawer (any color)	<b>AL-58280</b>	<b>\$799.00</b>



see Page 506 for Accessories

### 14 Cart Color Choices

Slate Blue SB	Sea Foam Green SFG	Lavender L	Mauve M	Yellow Y	Taupe TP	Teal T	Beige B	Crash Cart Blue CCB	Cranberry CR	Blue Grey BG	Hunter Green HG	Deep Blue DB	Red R
------------------	-----------------------	---------------	------------	-------------	-------------	-----------	------------	------------------------	-----------------	-----------------	--------------------	-----------------	----------



# Economy Medical Carts

**BUY 11 GET 1 FREE!**



**Plastic top included**

#### 4 Drawer Cart Includes Plastic Top

- ✓ Drawer config. 1 (3"), 2 (6"), 1 (9")
- ✓ 24" Drawer Space
- ✓ Color: Beige only
- ✓ 34-1/2"H x 18"D x 18-1/2"W

*Please note: Lock secures TOP DRAWER ONLY. All other drawers are non-locking.*

**AL-75496 \$599.00**



**New!**

#### 4 Drawer Cart Includes Plastic Top

- ✓ Drawer configuration 1 (3"), 2 (6"), 1 (9")
- ✓ 24" Drawer Space
- ✓ Color: Beige only
- ✓ 27"H x 18-1/2"D x 30"W

*Please note: Lock secures TOP DRAWER ONLY. Bottom panel can be secured with a plastic seal or small padlock. 2-6" drawers are non-locking.*

**AL-75497 \$649.00**



**New!**

*Shown with optional plastic top*



**New!**

*Also available in solid dark blue & red*



**New!**

#### 5 Drawer Treatment/Procedure Cart

- ✓ Quality steel construction with a premium powder coat finish
- ✓ 5 lockable drawers with easy sliding, full width drawer pulls
- ✓ Durable 5" casters—2 fixed and 2 swivel
- ✓ Overall dimensions—27"W x 18-3/4"D x 35-5/8"H
- ✓ Available in 3 colors: Beige (B), Dark Blue (DB) and Red (R)

**AL-68047 \$589.00**



**New!**

#### 4 Drawer Cart Includes Plastic Top

- ✓ Drawer configuration 1 (3"), 2 (6"), 1 (9")
- ✓ Panel not included
- ✓ 24" Drawer Space
- ✓ Color: Beige only
- ✓ 34-1/2"H x 18"D x 30"W

*Please note: Lock secures TOP DRAWER ONLY. All other drawers are non-locking.*

**AL-75498 \$659.00**



**New!**

#### 3 Drawer Small Key Lock Cart—Includes Plastic Top

- ✓ Drawer configuration 3 (2-3/4")
- ✓ 29"H x 13-1/4"D x 24-1/2"W/Drawer configuration 1 (3"), 2 (6") 1 (9")
- ✓ 24" Drawer Space
- ✓ Color: Beige only
- ✓ 27"H x 18-1/2"D x 30"W

*Please note: Lock secures TOP DRAWER ONLY. All other drawers are non-locking.*

**AL-75499 \$239.00**



**New!**

#### 5 Drawer Small Key Lock Cart—Includes Plastic Top

- ✓ Drawer configuration 3 (2-3/4"), 2 (6")
- ✓ Color: Beige only
- ✓ 29"H x 13-1/4"D x 24-1/2"W

**AL-75519 \$279.00**

*All Economy Carts are available in Solid Beige only unless otherwise noted.*

EP1

# Mini-Cart Accessories For Page 504




**BUY 11 GET 1 FREE!**

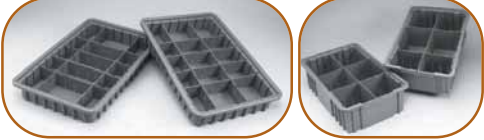

				
<b>Tubular Rail</b> AL-62313 \$139.00	<b>Glove Box Holder</b> AL-62314 \$49.00	<b>Tray with Dividers and Ampule Holders</b> AL-62315 \$149.00	<b>Divider Set</b> 3" High AL-62338M \$59.00 6" High AL-62339M \$79.00 9" High AL-62340M \$119.00	<b>Tray with Dividers</b> AL-62316 \$109.00

# Standard Medical Cart Accessories For Page 505

				
<b>I.V. Pole</b> AL-62321 \$129.00	<b>Standard Rail</b> AL-62318 \$99.00	<b>Side Shelf</b> AL-62320 \$109.00	<b>Accessory Bar Bracket</b> AL-62323 \$22.00	<b>Trellis System</b> w/Hooks AL-62343 \$149.00 w/o Hooks AL-62344 \$129.00

			
<b>Chart Holder Wire Basket*</b> AL-75490 \$79.00 *Requires AL-62323 Bar Bracket	<b>O2 Holder</b> AL-62346 \$49.00	<b>Outlet Strip</b> AL-75491 \$149.00	<b>Tilt Bins</b> 3 Bin AL-62327 \$109.00 4 Bin AL-62328 \$89.00 5 Bin AL-62329 \$79.00 6 Bin AL-62330 \$69.00

		
<b>Wire Basket*</b> AL-75492 \$59.00 *Requires AL-62323 Bar Bracket	<b>Full Drawer Tray with 6 dividers, 2 rails</b> AL-75493 \$109.00	<b>Container w/o Lid*</b> AL-62325 \$42.00 *Requires AL-62323 Bar Bracket

		
<b>Divider Set</b> AL-75494 \$49.00	<b>Divisible Drug Tray Kits</b> 3" deep tray with long and short dividers AL-62334 \$69.00 5" deep tray with long and short dividers AL-62335 \$69.00	<b>Cardiac Board</b> AL-62319 \$99.00

**BUY 11 GET 1 FREE!**

- ✓ Steel chrome drawer pulls
- ✓ Interchangeable drawer fronts
- ✓ Dual wall steel construction
- ✓ Twin ergo poly push handles
- ✓ Premium 5" full swivel casters (2 locking, 1 directional)

- ✓ Outrigger stabilizing frame with full size poly extruded corner bumpers
- ✓ Ball bearing drawer glides
- ✓ Additional colors available—Call



**Isolation Cart**

- ✓ 25" x 32" x 46-1/4"
- ✓ Drawer Configuration:
  - 2 ea 9"
  - 1 ea 12"
- ✓ 3 drawers
- ✓ Key lock

Yellow Cart		
<b>AL-77702Y</b>		<b>\$1159.00</b>
Blue Cart		
<b>AL-77702B</b>		<b>\$1159.00</b>
Red Cart		
<b>AL-77702R</b>		<b>\$1159.00</b>

**AL-77702Y**



**Anesthesia Cart**

- ✓ 25" x 32" x 46-1/4"
- ✓ 6 drawers
- ✓ Key lock

Blue Cart		
<b>AL-77705B</b>		<b>\$1299.00</b>
Red Cart		
<b>AL-77705R</b>		<b>\$1299.00</b>

**AL-77705B**




**Emergency Cart**

- ✓ 25" x 32" x 39-3/4"
- ✓ 3 drawers
- ✓ 12" panel
- ✓ Break away lock

Blue Cart	<b>AL-77703B</b>	<b>\$1009.00</b>
Red Cart	<b>AL-77703R</b>	<b>\$1009.00</b>

**AL-77703R**

**AL-77704R**

**Emergency Cart**

- ✓ 25" x 32" x 39-3/4"
- ✓ 5 drawers
- ✓ Key lock
- ✓ Accessories not included

Blue Cart	<b>AL-77704B</b>	<b>\$1159.00</b>
Red Cart	<b>AL-77704R</b>	<b>\$1159.00</b>

**Accessories Available Call**



**Bedside Cart**

- ✓ 13-1/4" x 24-1/2" x 29"
- ✓ Drawer Configuration:
  - 3 ea 2-3/4"
  - 2 ea 6"
- ✓ Key lock
- ✓ Beige

Three drawer	<b>AL-77701-3</b>	<b>\$379.00</b>
Five drawer	<b>AL-77701-5</b>	<b>\$399.00</b>

**AL-77701-5**



# Harloff Emergency & Isolation Carts



**BUY 11 GET 1 FREE!**

**For Accessories see Page 509**



- ✓ Extended wheel base with projected front casters to prevent tipping
- ✓ Seamless painted steel top work surface
- ✓ Carts available with break-away lock bar or key lock
- ✓ Integrated drawer pull handles
- ✓ Full-extension ball-bearing drawer slides
- ✓ Five inch full swivel casters, two with brakes
- ✓ Latex Free
- ✓ Durable, hard-baked powder coat finish
- ✓ Specify color below

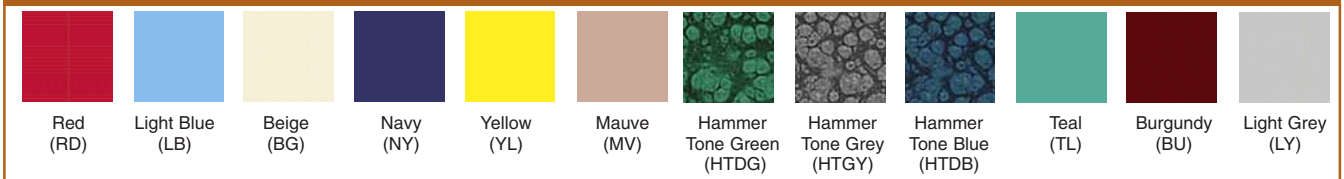
Emergency Carts			
Description	Drawer Configuration	ALCO Part No.	Price Each
Short, Four Drawer	2-3", 1-6", 1-12"	<b>AL-78093</b>	<b>\$849.00</b>
Short, Four Drawer with Accessory Package*	2-3", 1-6", 1-12"	<b>AL-78121</b>	<b>\$1259.00</b>
Tall, Six Drawer	4-3", 1-6", 1-12"	<b>AL-78094</b>	<b>\$979.00</b>
Tall, Six Drawer with Accessory Package*	4-3", 1-6", 1-12"	<b>AL-78095</b>	<b>\$1379.00</b>

\*Includes: I.V. Pole, Cardiac Board, O<sub>2</sub> Holder, Top Rail, Push Handle and Drop Shelf



Infection Control/ Isolation Carts			
Description	Drawer Configuration	ALCO Part No.	Price Each
Short, Three Drawer	1-6", 2-9"	<b>AL-78096</b>	<b>\$819.00</b>
Tall, Three Drawer	1-6", 2-12"	<b>AL-78097</b>	<b>\$839.00</b>
Tall, Four Drawer	1-3", 3-9"	<b>AL-78114</b>	<b>\$889.00</b>

### Specify Color



# Harloff Treatment & Procedure Carts

Call For Harloff  
Carts Not Shown!

**BUY 11 GET 1 FREE!**



- ✓ Extended wheel base with projected front casters to prevent tipping
- ✓ Seamless painted steel top work surface
- ✓ Carts available with break-away lock bar or key lock
- ✓ Integrated drawer pull handles
- ✓ Full-extension ball-bearing drawer slides
- ✓ Five inch full swivel casters, two with brakes
- ✓ Latex Free
- ✓ Durable, hard-baked powder coat finish
- ✓ Specify color (See Page 508)



Treatment and Procedure Carts			
Description	Drawer Configuration	ALCO Part No.	Price Each
Short, Four Drawer	2-3", 1-6", 1-12"	<b>AL-78116</b>	<b>\$849.00</b>
Short, Five Drawer	3-3", 1-6", 1-9"	<b>AL-78117</b>	<b>\$879.00</b>
Tall, Two Drawer w/ Lower Storage	1-3", 1-6", 1-21" (storage)	<b>AL-78118</b>	<b>\$819.00</b>
Tall, Five Drawer	2-3", 1-6", 2-9"	<b>AL-78119</b>	<b>\$939.00</b>
Tall, Six Drawer	4-3", 1-6", 1-12"	<b>AL-78120</b>	<b>\$979.00</b>

## Accessories

 Top Rail and Push Handle, Painted Steel <b>AL-78143 \$69.00</b>	 Side Mounted Drop Shelf without Lip <b>AL-78144 \$89.00</b>	 Cardiac Board with 3 Brackets <b>AL-78145 \$109.00</b>	 Oxygen Tank Holder, for D/E Cylinders <b>AL-78146 \$59.00</b>
 I.V. Pole, 2 Prong Mounting Bracket without Cover, 3 Gal. <b>AL-78147 \$149.00</b>	 Plastic Waste Container without Cover, 3 Gal. <b>AL-78148 \$69.00</b>	 Plastic Waste Container without Cover, 2 gallon <b>AL-78149 \$29.00</b>	 3 Gal Bemis® Sharps Container with Wire Holder and Mounting Bracket <b>AL-78150 \$69.00</b>
 Sharps Bracket, Universal <b>AL-78151 \$39.00</b>	 Glove Box Holder <b>AL-78152 \$49.00</b>	 Top, Plastic <b>AL-78153 \$59.00</b>	



# Lightweight Aluminum Carts

**BUY 11 GET 1 FREE!**



## Up to 80 lbs. Lighter Than Comparable Steel Carts

- ✓ FREE Dual Pullout Side Shelves
- ✓ FREE Metal Drawer Dividers
- ✓ Cutaway Front Plastic Top
- ✓ Centrally Located Lever-Lock
- ✓ Custom Configurations Available on All Carts
- ✓ All Waterloo Carts Are Covered By A Full Five Year Manufacturer's Warranty



### Emergency Carts

- ✓ Stabilizing frame and bumper that provides stability when drawers are open
- ✓ Drawer fronts are available in 16 custom colors (see below)
- ✓ Includes one tracking and two braking casters
- ✓ Antimicrobial painted surfaces

Shown with optional accessories not included with cart. Call for accessory pricing.



**AL-75464-RED**

Cart Dimensions	Drawers	Drawer Configuration	Lock Type	ALCO Part No.	Price Each
29"W x 24.5"D x 42"H	4	2 (3"), 1 (6"), 1 (9")	Lever	<b>AL-75464</b>	<b>\$1299.00</b>
29"W x 24.5"D x 42"H	6	4 (3"), 1 (6"), 1 (9")	Lever	<b>AL-75465</b>	<b>\$1509.00</b>

**AL-75465-RED**



### Anesthesia Carts

- ✓ Stabilizing frame and bumper that provides stability when drawers are open
- ✓ Drawer fronts are available in 16 custom colors (see below)
- ✓ Includes one tracking and two braking casters
- ✓ Antimicrobial painted surfaces

Shown with optional accessories not included with cart. Call for accessory pricing.



**AL-75466-ELB**

Cart Dimensions	Drawers	Drawer Configuration	Lock Type	ALCO Part No.	Price Each
29"W x 24.5"D x 42"H	6	4 (3"), 1 (6"), 1 (9")	Lever	<b>AL-75466</b>	<b>\$1509.00</b>
29"W x 24.5"D x 42"H	6	4 (3"), 1 (6"), 1 (9")	Key	<b>AL-75467</b>	<b>\$1509.00</b>

**AL-75467-DKB**

### Color Options





# Lightweight Aluminum Carts


**BUY 11 GET 1 FREE!**



**Up to 80 lbs. Lighter Than Comparable Steel Carts**

- ✓ FREE Dual Pullout Side Shelves
- ✓ FREE Metal Drawer Dividers
- ✓ Cutaway Front Plastic Top
- ✓ Centrally Located Lever-Lock
- ✓ Custom Configurations Available on All Carts
- ✓ All Waterloo Carts Are Covered By A Full Five Year Manufacturer's Warranty






**AL-75461-YEL**

**Isolation Carts**


- ✓ Stabilizing frame and bumper that provides stability when drawers are open
- ✓ Drawer fronts are available in 16 custom colors (see page 510)
- ✓ Includes one tracking and two braking casters
- ✓ Antimicrobial painted surfaces

Slim Med-Junior Isolation Cart



**AL-75462-YEL**


Cart Dimensions	Drawers	Drawer Configuration	Lock Type	ALCO Part No.	Price Each
29"W x 24.5"D x 42"H	4	1 (3"), 1 (6"), 2 (9")	Key	<b>AL-75461</b>	<b>\$1389.00</b>
23"W x 24.5"D x 42"H	6	4 (3"), 1 (6"), 1 (9")	Lever	<b>AL-75462</b>	<b>\$1289.00</b>



**AL-75462-ELB**

**Med-Junior Carts**


- ✓ Stabilizing frame and bumper that provides stability when drawers are open
- ✓ Drawer fronts are available in 16 custom colors (see page 510)
- ✓ Includes one tracking and two braking casters
- ✓ Antimicrobial painted surfaces




**AL-75462-VIL**

Cart Dimensions	Drawers	Drawer Configuration	Lock Type	ALCO Part No.	Price Each
23"W x 24.5"D x 42"H	6	4 (3"), 1 (6"), 1 (9")	Lever	<b>AL-75462</b>	<b>\$1289.00</b>

**Standard Locks**




Key Lock  
(Included in price)




Lever Lock—for use with breakaway security seals. (Included in price)

**Optional Locks**



**AL-75468** Electronic Key Lock or Proximity Card Reader Lock  
**AL-75469**



Mechanical Pushbutton Lock **AL-75470** Call

EPI



**BUY 11  
Get One  
FREE**

# Isolation/Emergency/Nursing/Ice Carts

**MADE IN THE  
USA**



### Isolation Station

- ✓ Stay ahead of MRSA
- ✓ 12" x 6" sliding backboards for mounting
- ✓ 26" x 15" top work area/writing surface
- ✓ 7"H x 19"W x 14"D drawers
- ✓ 4 superior dual-wheel casters – 2 locking
- ✓ Overall dimensions: 45"H x 26"W x 15"D

**AL-69031 \$249.00**



### Crash Cart

- ✓ Holds E Series oxygen cylinders
- ✓ Top shelf is used for suction machine
- ✓ 3 pull out storage tubs

**AL-61755 \$229.00**

### Options

Hood Cover Only (covers top only)

**AL-61756 \$59.00**

Panels (Mesh or Solid Vinyl)

**AL-61757 \$39.00**

CPR Board (20" x 20")

**AL-61758 \$39.00**

CPR Bag

**AL-61759 \$29.00**

Cover (Mesh or Solid Vinyl)  
(Will conceal entire frame)

**AL-61760 \$59.00**

**AL-61755**



### Mobile 3 Drawer Cart

- ✓ 43"H x 34.5"W x 22"D

**AL-68276 \$319.00**



**AL-49707**

Accessories  
not included

### Emergency Cart

- ✓ Allows easy replacement of E series oxygen cylinder
- ✓ Recessed shelf mount for suction machine
- ✓ Two shelves for supply storage
- ✓ Recessed cup holder for 16 oz. container
- ✓ Divided pouch for stethoscope and BP Cuff
- ✓ Dual wheel casters for easy maneuverability (2 locking)

27" L x 21" W x 36" H

**AL-49707 \$329.00**

### Mobile Utility Cabinet

- ✓ 43"H x 34.5"W x 22"D
- ✓ 2 adjustable shelves 29" x 16.5" with double door

**AL-68277 \$319.00**



**AL-58304**

### Certified Nurse Aide Cart

- ✓ 3 Large supply drawers
- ✓ 26" x 16" Bottom storage shelf
- ✓ Top shelf writing surface
- ✓ 3" Easy-roll casters (2 locking)
- 44" H x 26" W x 16" D
- 3 Drawers 7" H x 19" W x 14" D

**AL-58304 \$239.00**



**AL-49706**

### Arctic Ice Cart

Insulated cooler holds 36 quarts (lbs.) for easy delivery throughout your facility.

- ✓ Ice scoop held in separate holder for infection control
- ✓ Flip up serving shelf
- ✓ Built in cooler drain keeps ice dry
- ✓ Two convenient storage shelves
- ✓ 4" easy-roll casters (2 locking)
- ✓ Skirt available in 12 mesh colors

30" L x 18" W x 41" H  
**AL-49706 \$369.00**



**AL-52642A**

### Standard Line Ice Cart

- ✓ Upper serving shelf, lower storage shelf
- ✓ 36 quart insulated cooler
- ✓ 3" easy-roll casters
- 41" H x 26" W x 24" D

With Canopy

**AL-66705 \$249.00**

Without Canopy

**AL-52642A \$199.00**



**AL-58139**

### Nursing Supply Cart

- ✓ 8 Storage Drawers in two sizes
- ✓ 30" x 18" Bottom shelf for additional storage
- ✓ Swing-out gate with push-button lock
- ✓ Cart is lockable (padlock not included)
- ✓ Top shelf writing surface
- ✓ 3" Easy-roll casters (2 locking)
- 44" H x 30" W x 17 1/2" D
- 4 Drawers 7" H x 10 1/2" W x 13" D
- 4 Drawers 3" H x 10 1/2" W x 13" D

**AL-58139 \$339.00**

EPI



# Stainless Steel Carts



### Closed Case Carts

- ✓ Type 304 Stainless Steel
- ✓ Continuous Non-Marring Vinyl Bumper
- ✓ Four 5" Polyurethane Swivel Casters
- ✓ Doors Have Lift-Off Style Hinges—Doors Hook in Open Position For Cart Washing

### Closed Case Carts

#### Small Carts—Overall Size: 26-1/2"D x 29-3/4"W x 36-1/4"H

Case Cart, Single Door 25" x 25-1/4" x 29-3/4"H—Cabinet Size	AL-63847	\$1969.00
Stainless Steel Wire Roll-Out Shelf	AL-63848	\$219.00
Stainless Steel Wire Adjustable Shelf	AL-63849	\$149.00
Stainless Steel Solid Adjustable Shelf	AL-63850	\$109.00
Folding Top Shelf, 12" x 25" (for extending top work surface)	AL-63851	\$319.00

#### Medium Carts—Overall Size: 26-1/2"D x 40-1/2"W x 36-1/4"H

Case Cart, Double Door 25" x 36" x 29-3/4"H—Cabinet Size	AL-63852	\$2289.00
Stainless Steel Wire Roll-Out Shelf	AL-63853	\$269.00
Stainless Steel Wire Adjustable Shelf	AL-63854	\$189.00
Stainless Steel Solid Adjustable Shelf	AL-63855	\$139.00
Folding Top Shelf, 12" x 25" (for extending top work surface)	AL-63851	\$319.00

#### Large Carts—Overall Size: 26-1/2"D x 52-1/2"W x 36-1/4"H

Case Cart, Double Door 25" x 48" x 29-3/4"H—Cabinet Size	AL-63857	\$2489.00
Stainless Steel Wire Roll-Out Shelf	AL-63858	\$309.00
Stainless Steel Adjustable Shelf	AL-63859	\$239.00
Stainless Steel Adjustable Shelf	AL-63860	\$169.00
5 x 7" Stainless Steel Card Holder	AL-63861	\$39.00
Folding Top Shelf, 12" x 25" (for extending top work surface)	AL-63851	\$319.00



### Open Stainless Steel Case Carts

#### Small Carts

Cart, 24-1/2"W x 34-3/4"L x 40-3/4"H w/Stainless Steel Base Shelf	AL-63863	\$929.00
Cart, 24-1/2"W x 34-3/4"L x 56-1/4"H w/Stainless Steel Base Shelf	AL-63864	\$1019.00
Shelf, Adjustable Solid Stainless Steel	AL-63865	\$99.00
Shelf, Adjustable Solid Stainless Steel w/Runners for 1 Wide Drawer	AL-63866	\$119.00
Shelf, Adjustable Solid Stainless Steel w/Runners for 2 Narrow Drawers	AL-63867	\$129.00
Single Retaining Rod, Stainless Steel	AL-63868	\$19.00
Double Retaining Rod, Stainless Steel	AL-63869	\$29.00

#### Medium Carts

Cart, 24-1/2"W x 48-1/2"L x 40-3/4"H w/Stainless Steel Base Shelf	AL-63870	\$969.00
Cart, 24-1/2"W x 48-1/2"L x 56-1/4"H w/Stainless Steel Base Shelf	AL-63871	\$1059.00
Shelf, Adjustable Solid Stainless Steel	AL-63872	\$129.00
Shelf, Adjustable Solid Stainless Steel w/Runners for 2 Wide Drawers	AL-63873	\$159.00
Shelf, Adjustable Solid Stainless Steel w/Runners for 3 Narrow Drawers	AL-63874	\$169.00
Single Retaining Rod, Stainless Steel	AL-63875	\$19.00
Double Retaining Rod, Stainless Steel	AL-63876	\$39.00

#### Large Carts

Cart, 24-1/2"W x 60-1/2"L x 66-1/2"H w/Stainless Steel Base Shelf	AL-63877	\$1199.00
Shelf, Adjustable Solid Stainless Steel	AL-63878	\$129.00
Shelf, Adjustable Solid Stainless Steel w/Runners for 4 Wide Drawers	AL-63879	\$179.00
Shelf, Adjustable Solid Stainless Steel w/Runners for 4 Narrow Drawers	AL-63880	\$199.00
Single Retaining Rod, Stainless Steel	AL-63881	\$19.00
Double Retaining Rod, Stainless Steel	AL-63882	\$39.00

#### Accessories

Drawer, Narrow Autoclavable 13-1/2"W x 19-1/2"L x 4-1/2"D	AL-63883	\$49.00
Drawer, Wide Autoclavable 15-7/8"W x 20-1/2"L x 4-1/2"D	AL-63884	\$69.00
Bin, Autoclavable 12-7/8"W x 20-1/2"L x 8"D	AL-63885	\$49.00

### Open Stainless Steel Case Carts

- ✓ Wrap Around Bumper
- ✓ 5" Casters on Small and Medium Carts
- ✓ 8" Casters on Large Carts

## Refurbished Custom Stainless Steel Carts



**Closed Case Cart**  
AL-57505 Call



**Custom Table**  
AL-57502 Call



**Bulk Truck**  
AL-57508 Call



**Open Case Cart**  
AL-57504 Call



**Instrument Table**  
AL-57506 Call



**Work Table**  
AL-57503  
Call



**Basket Cart**  
AL-57507  
Call

**ALCO Refurbishes & Reconditions Your Old Carts at a Fraction of New Cart Prices!**



# Utility Carts

**BUY 11 GET 1 FREE!**



AL-56757

AL-56758



### Utility Carts

- ✓ Side gates flip up or down to a flat-top or box-top cart
- ✓ Dent-resistant, rust-proof and never needs painting
- ✓ Shipped UPS/Fedex Ground

### Specify when ordering: Grey or Beige

Large Cart	45"L x 24"W x 34-3/4"H
<b>AL-56757</b>	<b>\$239.00</b>
Small Cart	40"L x 19-1/2"W x 34-3/4"H
<b>AL-56758</b>	<b>\$209.00</b>

### Three Tub Shelf Utility Carts

- ✓ Three tub shelf cart with 4" casters, two with locking brake
- ✓ Unit measures 24"W x 18"D x 40-1/2"H
- ✓ Available in 6 shelf colors and 9 leg colors
- ✓ Available Shelf Colors: Black, Blue, Grey, Putty or Red
- ✓ Available Leg Colors: Red (RD), Orange (OR), Yellow (YW), Blue (BU), Purple (PR), Putty (PY), Grey (GY), Black (NONE)

### Plastic Mobile Carts - Grey

- ✓ Industrial strength cart
- ✓ Set of 2 swivel and 2 rigid 5" x 1-1/4" heavy duty casters



### Overall Dimensions (L x W x H)

34-1/4" x 17-1/2" x 32-1/2"
40" x 26" x 32-1/2"

ALCO Part No.	Price Each
<b>AL-69222</b>	<b>\$149.00</b>
<b>AL-69223</b>	<b>\$199.00</b>

### Options

Shelf for AL-69222	<b>AL-73099</b>	<b>\$59.00</b>
Shelf for AL-69223	<b>AL-73100</b>	<b>\$79.00</b>
Tool Bar Holder	<b>AL-73101</b>	<b>\$39.00</b>



AL-69222



STC111 \$119.00

AL-69222 shown with Tool Holder AL-73101 (Tools NOT Included)

**Need Cart Covers**  
See Page 530



### Utility Cart

- ✓ Top and middle tub shelf and bottom flat shelf
- ✓ 4" casters, two with brake
- ✓ 32"W x 24"D x 37"H
- ✓ 2-3/4" deep tubs
- ✓ Shelf clearance 11"
- ✓ Specify black or grey

TC112 \$279.00

We Accept



**BUY 11  
Get One  
FREE**

# Utility Carts

**300 lb.  
Capacity**

**Utility Cart**  
 ✓ 17-1/2" x 31-3/4" x 38"  
 ✓ 3 black shelves  
 ✓ Aluminum legs

**AL-77707 \$149.00**

**AL-77707**

**500 lb.  
Capacity**

**Utility Cart**  
 ✓ 20" x 42" x 37-1/2"  
 ✓ 3 shelves

Light Gray **AL-77709G \$199.00**  
 Charcoal **AL-77709C \$199.00**

**AL-77709G**

**300 lb.  
Capacity**

**Economy Cart**  
 ✓ 18-1/2" x 36" x 35"  
 ✓ 3 shelves

Light Gray **AL-77708G \$189.00**  
 Charcoal **AL-77708C \$189.00**

**AL-77708G**

**Need Storage Bins  
See Page 602**

**Need Cart Covers  
See Page 530**



**Plastic Utility Cart**  
 ✓ Two push handles  
 ✓ Aluminum uprights  
 ✓ 15-1/2" x 19-1/2" shelf size  
 ✓ 10-1/2" opening between shelves

**AL-55138 \$169.00**



**Plastic Utility Cart**  
 ✓ Three ABS plastic shelves 23" x 17"  
 ✓ 3" swivel casters  
 Note: Assembly required

**AL-51365 \$199.00**

ALCO Part No.	Shelf Size	CART SPECIFICATIONS			Total Weight Capacity	Casters
		Overall Height	Height Between Shelves			
AL-55138	15-1/2" x 19-1/2"	32"	10-1/2"		200 lbs.	3"
AL-51365	23" x 17"	35-1/2"	11"		200 lbs.	3"



# Utility Carts



### Utility Cart

- ✓ Cart has top and middle flat shelves and bottom tub shelf
- ✓ Includes 4" casters, two with locking brake
- ✓ Unit measures 24"W x 18"D x 35-1/2"H
- ✓ Available in 6 shelf colors and 9 leg colors
- ✓ Available Shelf Colors: Black, Blue, Green Grey, Putty or Red
- ✓ Available Leg Colors: Red (RD), Orange (OR), Yellow (YW), Green (GN), Blue (BU), Purple (PR), Putty (PY), Grey (GY), Black (NONE)

**STC221**      **\$139.00**

**200 lb. Capacity**



### Utility Cart with Lockable Doors

- ✓ All plastic construction is durable and easy to clean
- ✓ Sliding drawer stores small items and accessories
- ✓ Back and side panels conceal contents
- ✓ Lockable doors for extra security
- ✓ Measures 33-5/8"L x 18-5/8"W x 37-3/4"H
- ✓ Color: Black

**AL-67568**      **\$389.00**

**200 lb. Capacity**



### Utility Cart

- ✓ 3 shelf Measures 33-5/8"L x 18-5/8"W x 37-3/4"H

Black	<b>AL-56700</b>	<b>\$219.00</b>
Off White	<b>AL-56700A</b>	<b>\$219.00</b>
Red	<b>AL-56700B</b>	<b>\$219.00</b>
Platinum	<b>AL-56700C</b>	<b>\$219.00</b>

**Need Cart Covers  
See Page 530**

### Utility Carts—Open and Enclosed Shelving

Length: 40 5/8"  
Width: 20"  
Height: 37 13/16"

**300 lb. Capacity**

#### Open Shelving Cart

Off White	<b>AL-67569</b>	<b>\$259.00</b>
Grey	<b>AL-67570</b>	<b>\$259.00</b>
Black	<b>AL-67571</b>	<b>\$259.00</b>

#### Enclosed Shelving

Off White	<b>AL-67572</b>	<b>\$459.00</b>
Black	<b>AL-67573</b>	<b>\$459.00</b>

**Replacement Casters Available  
For All Equipment. Call!**





# Stainless Steel Utility Carts



**BUY 11 GET 1 FREE!**



AL-68073



AL-52105



AL-52103

### Stainless Steel Equipment Stands

- ✓ 3 shelves, each measuring 16-5/8" x 18-1/8"
- ✓ All Swivel, Lake-Glide™ Casters

**Need Cart Covers  
See Page 530**

Overall Size			Casters Dia	Weight Capacity	ALCO Part No.	Price Each
W	L	H				
<b>Equipment Stand — No Drawer</b>						
16-3/4"	18-3/4"	30-1/8"	3-1/2"	300 lbs.	AL-52103	\$249.00
16-3/4"	18-3/4"	31"	4"	500 lbs.	AL-52104	\$329.00
<b>Equipment Stand — One Drawer</b>						
16-3/4"	18-3/4"	30-1/8"	3-1/2"	300 lbs.	AL-52105	\$479.00
16-3/4"	18-3/4"	31"	4"	500 lbs.	AL-52106	\$549.00
<b>Equipment Stand — Two Drawer</b>						
16-3/4"	18-3/4"	35"	3-1/2"	300 lbs.	AL-68072	\$699.00
20-1/8"	36-3/8"	35"	4"	500 lbs.	AL-68073	\$949.00

**LOW PRICES GUARANTEED!  
WE WILL NOT BE UNDERSOLD!**

EP1



**Up To  
500 lb.  
Capacity**

**Stainless Steel Utility Cart—200 lb. capacity**

15-1/2" x 24" Shelf	AL-18299	\$199.00
18" x 27" Shelf	AL-18301	\$229.00

**Stainless Steel Utility Cart—400 lb. capacity**

15-1/2" x 24" Shelf	AL-18298	\$269.00
18" x 27" Shelf	AL-18300	\$299.00

**Stainless Steel Utility Cart—500 lb. capacity**

22-3/8" x 39-1/4" Shelf	AL-67499	\$509.00
-------------------------	----------	----------

AL-18298



# Wire Utility Carts



### Standard Utility Cart

- ✓ Removable, chrome plated top basket—wire construction; measures 23-1/2" x 16-5/8" x 10-5/8" deep
- ✓ Chrome plated bottom shelf lower depth accommodates bulkier items; measures: 23-1/2" x 14-1/2" x 1-1/2" deep
- ✓ Chrome plated cart built with 7/8" round steel tubing—Four heavy duty grey 4" swivel casters; unit height 36"

**AL-56734      \$195.00**



### Large Capacity Utility Cart

- ✓ Top basket – heavy duty wire construction. Comes with legal size file folder rack. Chrome plated. 38-1/2" x 16-1/2" x 10" deep
- ✓ Bottom basket – heavy duty wire construction. Chrome plated. 38-1/2" x 16-1/2" x 8-1/2" deep
- ✓ Cart built with 1" square heavy gauge steel tubing. Heavy duty 4" swivel casters in front and 8" wheels in back. Chrome plated. Unit height 40-1/2"

**AL-56735      \$355.00**



### Deluxe Utility Cart

- ✓ Top basket – heavy duty wire construction. Comes with legal size file folder rack. Grey vinyl coated. 29-1/2" x 16" x 8" deep
- ✓ Bottom basket – heavy duty wire construction. Grey vinyl coated. 29-1/2" x 16" x 8" deep
- ✓ Cart built with 7/8" round heavy gauge steel tubing. Heavy duty 4" swivel casters in front and 8" wheels in back. Chrome plated. Unit height 37-1/2"

**AL-56733      \$235.00**



**AL-52270**

### Open Wire Specialty Carts

Highly rollable wire carts for fast efficient movement over carpets and any other surface.

- ✓ File capacity 80 - 120 legal folders
- ✓ 2 removable baskets
- ✓ Adjustable hanging file folder guide rails for use of legal or letter size folders
- ✓ Non-marking casters
- ✓ Contents visible from all sides...no lost or hidden items
- ✓ Lightweight, but rugged 7/8" tube construction
- ✓ Chrome plated for long lasting durability

W x L x H (In.) Top	Baskets Bottom	ALCO Part No.	Price Each
17 x 25 x 11	17 x 25 x 7	<b>AL-52268</b>	<b>\$199.00</b>
17 x 25 x 11	17 x 25 x 7	<b>AL-52269</b>	<b>\$219.00</b>
17 x 36 x 11	17 x 36 x 7	<b>AL-52270</b>	<b>\$269.00</b>

**Need Cart Covers  
See Page 530**



**AL-54893 shown with  
AL-54894 & AL-54895 Baskets**

### Folding Utility Cart

- ✓ Chrome plated frame
  - ✓ 4" rubber ball bearing casters
  - ✓ White epoxy coated basket holder
  - ✓ 39" high x 30" deep x 19.5" wide
- AL-54893      \$139.00**

### 6" & 12" Wire Baskets

- ✓ Heavy gauge steel wire
- ✓ Dimensions: 12"H x 24-1/2"L x 14-1/2"W  
6"H x 24-1/2"L x 14-1/2"W
- ✓ Color: White epoxy coated.


12" Wire Basket      **AL-54895      \$35.00 Each**  
6" Wire Basket      **AL-54894      \$25.00 Each**

# Utility Carts & Tables

**BUY 11 GET 1 FREE!**




**Stainless Steel Work Table with Adjustable Undershef**



**AL-76759**

Dimensions L" x W" x H"	ALCO Part No.	Price Each
<b>300 lb. Load Capacity Cart</b>		
24" x 36" x 34"	<b>AL-76759</b>	<b>\$309.00</b>
24" x 48" x 34"	<b>AL-76760</b>	<b>\$369.00</b>
24" x 60" x 34"	<b>AL-76761</b>	<b>\$429.00</b>
24" x 72" x 34"	<b>AL-76762</b>	<b>\$499.00</b>
<b>Mobile Kit</b>		
4 Swivel Casters, 2 with Brakes	<b>AL-76763</b>	<b>\$159.00</b>

**Stainless Steel Carts**



**AL-76793**

Dimensions L" x W" x H"	ALCO Part No.	Price Each
<b>300 lb. Load Capacity Cart</b>		
16-1/4" x 27-1/2" x 32-1/8"	<b>AL-76793</b>	<b>\$209.00</b>
18-3/8" x 30-3/4" x 33"	<b>AL-76755</b>	<b>\$249.00</b>
<b>500 lb. Load Capacity Cart</b>		
16-3/4" x 27-5/8" x 32"	<b>AL-76756</b>	<b>\$229.00</b>
19" x 31" x 32"	<b>AL-76757</b>	<b>\$279.00</b>
22-3/8" x 39-1/4" x 37-1/4"	<b>AL-76758</b>	<b>\$379.00</b>

## Utility Carts with Wire & Solid Shelves



EP1

Dimensions W" x L" x H"	WIRE SHELF		WIRE & SOLID SHELF		SOLID SHELF	
	ALCO Part No.	Price Each	ALCO Part No.	Price Each	ALCO Part No.	Price Each
<b>2 WIRE SHELF</b>						
<b>Mobile Utility Cart</b>						
18" x 36" x 37-1/2"	<b>AL-61344</b>	<b>\$139.00</b>	<b>1 WIRE &amp; 1 SOLID SHELF</b>		<b>2 SOLID SHELF</b>	
18" x 42" x 37-1/2"	<b>AL-76764</b>	<b>\$149.00</b>	<b>Mobile Utility Cart</b>		<b>Mobile Utility Cart</b>	
18" x 48" x 37-1/2"	<b>AL-61345</b>	<b>\$169.00</b>	<b>AL-76766</b>	<b>\$189.00</b>	<b>AL-76770</b>	<b>\$219.00</b>
24" x 36" x 37-1/2"	<b>AL-61346</b>	<b>\$159.00</b>	<b>AL-76767</b>	<b>\$219.00</b>	<b>AL-76771</b>	<b>\$269.00</b>
24" x 42" x 37-1/2"	<b>AL-76765</b>	<b>\$169.00</b>	<b>AL-76768</b>	<b>\$219.00</b>	<b>AL-76772</b>	<b>\$249.00</b>
24" x 48" x 37-1/2"	<b>AL-61347</b>	<b>\$169.00</b>	<b>AL-76769</b>	<b>\$249.00</b>	<b>AL-76773</b>	<b>\$279.00</b>
<b>3 WIRE SHELF</b>						
<b>Mobile Utility Cart</b>						
18" x 36" x 37-1/2"	<b>AL-61348</b>	<b>\$179.00</b>	<b>2 WIRE &amp; 1 SOLID SHELF</b>		<b>3 SOLID SHELF</b>	
18" x 42" x 37-1/2"	<b>AL-76774</b>	<b>\$189.00</b>	<b>Mobile Utility Cart</b>		<b>Mobile Utility Cart</b>	
18" x 48" x 37-1/2"	<b>AL-61349</b>	<b>\$199.00</b>	<b>AL-76776</b>	<b>\$219.00</b>	<b>AL-76780</b>	<b>\$289.00</b>
24" x 36" x 37-1/2"	<b>AL-61350</b>	<b>\$199.00</b>	<b>AL-76777</b>	<b>\$249.00</b>	<b>AL-76781</b>	<b>\$349.00</b>
24" x 42" x 37-1/2"	<b>AL-76775</b>	<b>\$199.00</b>	<b>AL-76778</b>	<b>\$249.00</b>	<b>AL-76782</b>	<b>\$329.00</b>
24" x 48" x 37-1/2"	<b>AL-61351</b>	<b>\$209.00</b>	<b>AL-76779</b>	<b>\$279.00</b>	<b>AL-76783</b>	<b>\$399.00</b>



**We Accept**



# Ergo-Smart Prep Station

**BUY 11 GET 1 FREE!**

### Ergo-Smart Prep Station

- ✓ Adjustable table height, footrest
- ✓ Pull-out shelves, table top
- ✓ Over head lighting
- ✓ No tool assembly
- ✓ Anodized aluminum legs
- ✓ Available in 48", 60", 72" and 84" table length
- ✓ Powdered coated steel frame

### Package A

Includes table and frame, adj. overhead light and one mounted power strip

48"	<b>AL-77375-48</b>	<b>\$4889.00</b>
60"	<b>AL-77375-60</b>	<b>\$5009.00</b>
72"	<b>AL-77375-72</b>	<b>\$5259.00</b>
84"	<b>AL-77375-84</b>	<b>\$5379.00</b>

### Package B

Includes table and frame, adj. overhead light and one mounted power strip, two wire grids, peg board, half shelf, full shelf, five bins and Bin/Spool holder

48"	<b>AL-77376-48</b>	<b>\$5429.00</b>
60"	<b>AL-77376-60</b>	<b>\$5539.00</b>
72"	<b>AL-77376-72</b>	<b>\$5819.00</b>
84"	<b>AL-77376-84</b>	<b>\$5889.00</b>

### Package C

Includes table and frame, adj. overhead light and one mounted power strip, two wire grids, peg board, half shelf, full shelf, five bins and Bin/Spool holder, CPU housing, drawer and monitor arm

48"	<b>AL-77377-48</b>	<b>\$6219.00</b>
60"	<b>AL-77377-60</b>	<b>\$6329.00</b>
72"	<b>AL-77377-72</b>	<b>\$6609.00</b>
84"	<b>AL-77377-84</b>	<b>\$6679.00</b>



Table in up position



Table in Down position



CPU Housing



Drawer



Magnifying Lamp



Power Strip



Adjustable Foot Rest



Peg Board



Monitor Arm



Overhead Light

### Accessories

CPU Housing Small	<b>AL-77378S</b>	<b>\$29.00</b>
CPU Housing Large	<b>AL-77378L</b>	<b>\$39.00</b>
Drawer	<b>AL-77379</b>	<b>\$309.00</b>
Magnifying Lamp	<b>AL-77380</b>	<b>\$279.00</b>
Power Strip	<b>AL-77381</b>	<b>\$109.00</b>
Peg Board	<b>AL-77382</b>	<b>\$149.00</b>
Monitor Arm	<b>AL-77383</b>	<b>\$319.00</b>
Overhead Light Assembly 45"	<b>AL-77384-45</b>	<b>\$769.00</b>
Overhead Light Assembly 69"	<b>AL-77384-69</b>	<b>\$819.00</b>
Laptop Holder	<b>AL-77385</b>	<b>\$169.00</b>



**BUY 11  
Get One  
FREE**

# Ring Binder & Linen Carts



**BUY 11 GET 1 FREE!**

**MADE IN THE  
USA**



**AL-42710 \$239.00**



**AL-42711 \$279.00**

### Ring Binder Carts

- ✓ Attractive appearance, neutral color shelves
- ✓ Design allows for clear identification and easy access
- ✓ Provides trouble-free service
- ✓ 1" powder coated steel tubing
- ✓ Rigid 1/4" rod securely supports binders and charts
- ✓ Four 3" total lock casters

10 - 2" binder capacity (15.5" depth)	<b>AL-42710</b>	<b>\$289.00</b>
15 - 2" binder capacity (15.5" depth)	<b>AL-42711</b>	<b>\$329.00</b>
16 - 3" binder capacity (15.5" depth)	<b>AL-58321</b>	<b>\$379.00</b>
20 - 2" binder capacity (15.5" depth)	<b>AL-42712</b>	<b>\$379.00</b>
24 - 3" binder capacity (15.5" depth)	<b>AL-58322</b>	<b>\$429.00</b>
30 - 2" binder capacity (15.5" depth)	<b>AL-42713</b>	<b>\$449.00</b>



**AL-58321 \$329.00**



**AL-42712 \$329.00**

**Includes Stainless Steel Shelf**



**AL-61318**

**800 lb.  
Capacity**

### Linen Cart (Exchange/Transport)

Features enclosure panels, four wire shelves and one designated stainless steel shelf. Unit has four 5" plate casters, two with brake.

Description	Size WxL	Overall Height	ALCO Part No.	Price Each
<b>Standard Duty</b>				
Stainless Steel Bottom Shelf	24x48	69"	<b>AL-61318</b>	<b>\$349.00</b>
Stainless Steel Bottom Shelf	24x60	69"	<b>AL-61319</b>	<b>\$539.00</b>

**Need Storage Bins  
See Page 602**

**Need Cart Covers  
See Page 530**

**New!**

# Pillow & Storage Carts

**MADE IN THE USA**

**BUY 11 GET 1 FREE!**



**Storage Carts**

- ✓ 28" x 49" x 21"
- ✓ 3" deluxe casters, 2 each with brake
- ✓ Hospital-grade fabric
- ✓ Clear vinyl flap flips up and includes stenciling of your choice
- ✓ Fully assembled

Cart	ALCO Part No.	Price Each
Pillows	<b>AL-77686</b>	<b>\$439.00</b>
Isolation Gowns	<b>AL-77687</b>	<b>\$439.00</b>
Slings	<b>AL-77688</b>	<b>\$439.00</b>
Blankets	<b>AL-77689</b>	<b>\$439.00</b>



**BUY 3 OR MORE...  
SAVE ON FREIGHT!**

## Linen Carts

**LAKESIDE**

**Stainless Steel Linen Carts**

- ✓ 4 shelves
- ✓ Standard leg and handle bumpers protect cart, walls and doorways from damage

Overall Size			Casters	Weight	ALCO	Price
W	L	H	Dia	Capacity	Part No.	Each
<b>Shelf Size 15-1/2" x 24", Clearance 12-5/8", All Swivel Lake-Glide™ Casters</b>						
16-1/4"	27-1/2"	46"	3-1/2"	200 lbs. Yes	<b>AL-52107</b>	<b>\$419.00</b>
16-1/4"	27-1/2"	46"	3-1/2"	200 lbs. No	<b>AL-52108</b>	<b>\$309.00</b>
<b>Shelf Size 21" x 33", Clearance 11-3/16", 2 fixed 2 Swivel Lake-Glide™ Casters</b>						
22-1/4"	35-3/8"	45-1.2"	5"	500 lbs. Yes	<b>AL-52109</b>	<b>\$809.00</b>
22-1/4"	35-3/8"	45-1.2"	5"	500 lbs. No	<b>AL-52110</b>	<b>\$699.00</b>
<b>Shelf Size 21" x 50", Clearance 11-3/16", 2 fixed 2 Swivel Lake-Glide™ Casters</b>						
22-1/4"	35-3/8"	45-1.2"	5"	500 lbs. Yes	<b>AL-52111</b>	<b>\$1259.00</b>
22-1/4"	35-3/8"	45-1.2"	5"	500 lbs. No	<b>AL-52112</b>	<b>\$1059.00</b>

Models **AL-52107**, **AL-52109** and **AL-52111** are standard with a Responsible™ cart cover. This cover protects lines from airborne dust and dirt, while at the same time allowing for easy accessibility to the cart contents.



EP1

**BUY 11  
Get One  
FREE**

# Linen Carts

**ipu**  
INNOVATIVE PRODUCTS UNLIMITED INC.  
IPU PRODUCTS = LOWEST COST OF OWNERSHIP



**Deluxe Linen Cart**  
35" H x 40" W x 20" D  
36" x 20" removable shelves  
12" spacing  
**AL-66692 \$269.00**



**Deluxe Linen Cart**  
48" H x 40" W x 20" D  
36" x 20" removable shelves  
12" spacing  
**AL-66693 \$359.00**



**Deluxe Linen Cart**  
62" H x 40" W x 20" D  
36" x 20" removable shelves  
12" spacing  
**AL-66694 \$459.00**



**Deluxe Wide Linen Cart**  
77" H x 50" W x 20" D  
46" x 20" removable shelves  
15" spacing  
**AL-66695 \$519.00**



**Deluxe Wide Linen Cart**  
64" H x 50" W x 20" D  
46" x 20" removable shelves  
16" spacing  
**AL-66696 \$439.00**



**Deluxe Wide Linen Cart**  
44" H x 50" W x 20" D  
46" x 20" removable shelves  
16" spacing  
**AL-66697 \$339.00**

## Knock-Down Versions (Saves On Freight!)



**Multi-Purpose Cart**  
37" H x 31" W x 20" D  
26" x 20" removable shelves  
14-1/2" spacing  
**AL-59611 \$259.00**



**Multi-Purpose Cart**  
52" H x 31" W x 20" D  
26" x 20" removable shelves  
14-1/2" spacing  
**AL-49701 \$329.00**

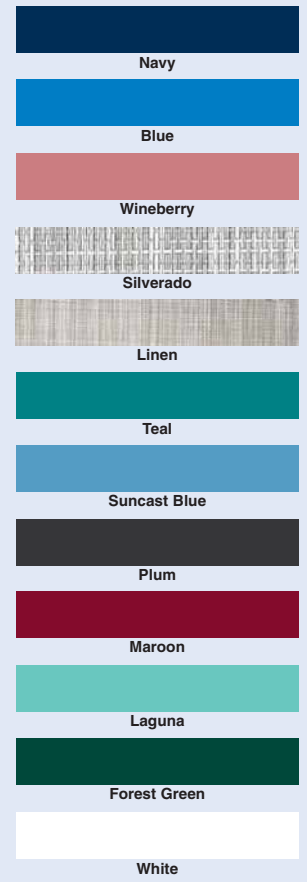


**Multi-Purpose Cart**  
67" H x 31" W x 20" D  
26" x 20" removable shelves  
14-1/2" spacing  
**AL-49702 \$389.00**

### Sure-Chek® Color Options



### Mesh Color Options



**Optional Bag**  
**AL-56912 \$34.00**  
12" H x 16" W x 4" D  
Great for carrying supplies. Attaches to the linen cart push bar with snaps.

**Choose From Sure-Chek or Mesh Color Options**

**MADE IN THE USA**



# Conversion Two-In-One Carts

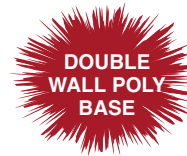
**BUY 11 GET 1 FREE!**



### Turnabout Trucks

Converts from clean linen wire shelved delivery truck to soiled linen bulk truck by repositioning shelves to vertical position. Chrome plated wire shelving. Built tough with heavy wall poly construction. Heavy double wall structural poly base with rugged 6" ball bearing casters, 2 fixed/2 swivel will insure many years of carefree service. Choose from white, dark blue or grey. Optional white vinyl cover also available.

Bu.	Capacity lbs.	L" x W" x H"	ALCO Part No.	Price Each	Optional Cover	Price Each
48	600	48" x 29" x 68"	AL-60974	\$989.00	AL-60972	\$165.00
48	600	60" x 29" x 56"	AL-60975	\$1045.00	AL-60977	\$165.00



AL-51598

**Poly Shelf Truck** body is made of high quality polyethylene resin rotationally molded, is tough, durable. The body is seamless and smooth surfaced and comes with bottom drain holes to facilitate cleaning and sanitizing.

Casters are heavy duty 6" quiet rolling top quality rubber with thread guards. The Poly Truck body is bolted to a rugged, rust resistant steel full perimeter dolly base. Available with a security closure system.

### Optional Accessories—Call For Pricing

Additional metal or plastic shelves, pushbar, handholes, white vinyl fabric dust cover roll down white fabric cover with Velcro strips for closure, card holders wheel brakes hangar bar swivel lock plus other caster sizes and types.

### Conversion—Shelf to Bulk Truck



(1) Three Jumbo Spaces

(2) Shelves Swing Down

(3) Form Bulk Truck

### CASTER PATTERNS (specify when ordering)



Style 60  
Two stationary,  
Two swivel,  
corner pattern



Style 20  
Four swivel,  
corner pattern

Volume Bu.	Dimensions L	Dimensions W	Dimensions D	Caster Size	Overall Height	ALCO Part No.	Price Each	With Security Option	
30	32	48	29	48	6"	56"	AL-51598	\$799.00	AL-51607 \$1219.00
24	30	42	28	51	6"	59"	AL-51599	\$829.00	AL-51608 \$1249.00
38	47	42	28	68	6"	75"	AL-51601	\$919.00	AL-51610 \$1329.00
39	48	48	29	60	6"	67"	AL-51602	\$839.00	AL-51611 \$1259.00
39	48	48	29	59	6"	67"	AL-51603	\$879.00	AL-51612 \$1369.00



Phone 800-323-4282 • 630-655-1900  
FAX 800-950-1167 • 630-655-1990

E-mail: [info@alcosales.com](mailto:info@alcosales.com)  
Website: [www.alcosales.com](http://www.alcosales.com)

# Laundry Carts

BUY 11  
Get One  
**FREE**

## Large Capacity Laundry Cart

- ✓ Large heavy duty basket plated in chrome or vinyl coated in almond. With thick air-cushion bumper. 33" x 19" x 15-3/4" deep.
- ✓ Large round tubular base, all welded 7/8" round steel tubular construction. Plated in chrome or DuraGuard plastic coated (Call) in beige. Complete with 4" Mega-Casters. 27-3/4" x 16" x 15-3/4" high. Total unit height 31-1/2"
- ✓ Large capacity cart holds 4-1/2 bushels



*Chrome will be shipped unless otherwise Specified*

## Laundry Cart With Double Pole Rack

- ✓ Rack plated in chrome or DuraGuard plastic coated (Call) in beige
- ✓ Total unit height 75-1/2"

AL-51304 \$205.00



## Large Capacity Laundry Cart

Large Capacity Laundry Cart	AL-51303	\$165.00
Cart with Double Pole Rack	AL-51304	\$205.00

## Liners and Covers For AL-51303

(Note: will not fit AL-51304)

Clear Vinyl Basket Liner	AL-51305	\$29.00
Nylon Basket Cover	AL-51306	\$35.00
Nylon Basket Liner	AL-51307	\$45.00
SureChek® Basket Cover	AL-51308	\$39.00
SureChek® Basket Liner	AL-51309	\$69.00

## Support Frame and Nylon Cover For AL-51304

(Note: will not fit AL-51311)

Frame & Cover (specify nylon color)	AL-55151	\$179.00
-------------------------------------	----------	----------

## Standard Capacity Laundry Cart (2-1/2 Bushel Cap)

Standard Capacity Laundry Cart	AL-51310	\$129.00
Cart with Double Pole Rack	AL-51311	\$165.00

## Liners And Covers For AL-51310

(Note: will not fit AL-51311)

Nylon Basket Cover	AL-51312	\$25.00
Nylon Basket Liner	AL-51313	\$39.00
SureChek® Basket Cover	AL-51314	\$39.00
SureChek® Basket Liner	AL-51315	\$59.00



## Support Frame and Nylon Cover

- ✓ Protective cover for clean hanging garments & laundry
- ✓ Support frame fits on AL-51304

AL-55151 \$179.00

Blue	Mauve	Yellow	White
Blue	Mauve	Green	White

Nylon Colors

SureChek® Colors

## Front Load Carts

A laundry cart specifically designed for your front loaders. Now available in both standard and large capacity sizes, with or without pole racks. Chrome (std) or almond vinyl coating (call).

### Large Capacity (3-1/2 bushel)

Front Load Cart with Rack	AL-55152	\$205.00
Front Load Cart without Rack	AL-55153	\$165.00

### Standard Capacity (2-1/4 bushel)

Front Load Cart with Rack	AL-55154	\$165.00
Front Load Cart (single pole rack)	AL-55155	\$165.00
Front Load Cart without Rack	AL-55156	\$129.00



**Replacement Casters Available For All Equipment. Call!**

Phone 800-323-4282 • 630-655-1900  
FAX 800-950-1167 • 630-655-1900

E-mail: [info@alcosales.com](mailto:info@alcosales.com)  
Website: [www.alcosales.com](http://www.alcosales.com)



# AV Furniture

**BUY 11 GET 1 FREE!**



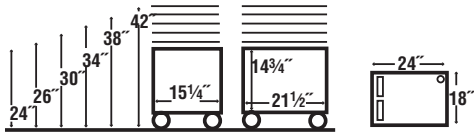
### Mobile Plasma or LCD Table Top Stand

- ✓ Mounts to top shelf of 40" high three-shelf cart using steel plates
- ✓ Holds 32"-50" plasma or LCD displays
- ✓ Adjustable mounting arms

**LE40WTUD \$469.00**  
 Same as above featuring two shelves with height of 27"  
**LE27WTUD \$419.00**

### Adjustable Height Tables

- ✓ Roll formed shelves with powder coat paint finish
- ✓ Tables are robotically arc welded
- ✓ Cable pass through holes
- ✓ 1/4" retaining lip around each shelf
- ✓ 3-outlet, 15 UL and CSA listed electric assembly with cord plug snap
- ✓ 4" ball bearing casters, two with locking brake
- ✓ AVJ models have safety mats



Red      Green      Blue      Yellow      Black



Black	<b>AVJ42</b>	<b>\$189.00</b>
Green	<b>AVJ42 GN</b>	<b>\$209.00</b>
Red	<b>AVJ42 RD</b>	<b>\$209.00</b>
Yellow	<b>AVJ42 YW</b>	<b>\$209.00</b>
Royal Blue	<b>AVJ42 RB</b>	<b>\$209.00</b>



### Multi-Media Cart with Locking Cabinet and Drawer

- ✓ 15-5/8"W x 10-3/4"D pull-out shelf
- ✓ Two 10"W x 12"D shelves that flip up from both sides
- ✓ Adjustable middle shelf inside cabinet
- ✓ Includes 3" casters, two with locking brakes

**LMC2 \$349.00**



### Adjustable Height Computer Workstation

- ✓ Adjusts in height from 39" to 45"
- ✓ Perfect for desktop or laptop computer
- ✓ Dark grey wood laminate surface; powder coat painted steel frame
- ✓ 3" casters, two with locking brake

**PS3945 \$169.00**

### 42" Two-Shelf Endura Equipment Table

- ✓ Complete with 3-outlet 15' surge suppressing electric assembly
- ✓ UL and CSA listed
- ✓ 4" casters, two with locking brake
- ✓ Measures 24"W x 18"D x 42"H
- ✓ Weight: 291 lbs.

**LEVC42 \$269.00**

### 34" Two-Shelf Endura Equipment Table

Same features as above, but measures 24"W x 18"D x 34"H

**LEVC34 \$269.00**



# AV Furniture

**BUY 11 GET 1 FREE!**



### Platinum Flat Panel Stand

- ✓ Modern design holds up to a 50" flat panel display
- ✓ Tilts up to 37 degrees for the ideal viewing angle
- ✓ AV shelf is scratch-resistant gray laminate
- ✓ Frame is silver powder-coated steel
- ✓ Heavy duty 5" casters

**AL-73051 \$479.00**



### Mobile Flat Panel Stand

- ✓ Modern design holds up to a 48" flat panel display
- ✓ Tilts up to 30 degrees for the ideal viewing angle
- ✓ AV shelf is scratch-resistant gray laminate
- ✓ Frame is silver powder-coated steel
- ✓ Heavy duty 4" casters
- ✓ Wide base prevents tipping
- ✓ Optional video conferencing shelf

Mobile Stand **AL-73052 \$649.00**  
Video Shelf **AL-73053 \$39.00**



### DCH-1 Workstation

- ✓ Compact fully-featured workstation
- ✓ Tilting keyboard platform and padded wrist rest
- ✓ Height adjustable. Use for sitting or standing
- ✓ Includes CPU holder and 3" casters

**AL-73054 \$229.00**



### Max Stax

- ✓ Use as a stand up workstation or as an office machine stand
- ✓ Gray powder-coated steel frame
- ✓ 3" casters

**AL-73055 \$249.00**



### Presentation Cart

- ✓ Presentation and storage space in one unit
- ✓ Powder-coated steel with gray laminate
- ✓ Four shelves included
- ✓ Laptop shelf adjusts from 19" to 39-1/2"H
- ✓ Top and laptop shelf measure 18"W x 14"D
- ✓ Bottom shelf measures 18"W x 18"D
- ✓ Optional electrical assembly available

Presentation Cart **AL-73056 \$209.00**  
Electrical Assembly **AL-73057 \$49.00**



### Adjustable Laptop Utility Cart

- ✓ All steel utility cart features a retractable shelf for a laptop
- ✓ Optional second retractable shelf available
- ✓ Adjusts in height from 26" to 42"
- ✓ 4-outlet electrical assembly and 4" casters included

Utility Cart **AL-73058 \$279.00**  
Optional Shelf **AL-73059 \$79.00**

**All-Service Cart—8 Carts in One!**

- ✓ Get 8 carts in 1 with this versatile cart
- ✓ Height adjustable to 16", 24", 34" or 42"
- ✓ Removable wall panels for each shelf for use as an AV cart, food service or janitorial cart
- ✓ Injection molded plastic body
- ✓ 4" casters and 3-outlet electrical assembly

**AL-73060 \$239.00**



# Tablet & Laptop Stands



Works With Many Different Tablets

### Economy Tablet Stand

- ✓ Dual locking (combo and key) tablet mount
- ✓ Convenient collars and knobs for height adjustability
- ✓ Five legged, 23" aluminum base
- ✓ 2-6" caster options available



Tablet stand with standard base

**AL-77511**     **\$349.00**

Tablet stand with standard base and shelf

**AL-77512**     **\$409.00**



### EMR Hybrid Cart

1. Antimicrobial Finish Surfaces treated with Agion® antimicrobial finish for product protection
2. Fully Adjustable Ergonomic back-tilt keyboard tray with left or right mouse tray
3. Flexible Viewing Sit-to-stand height adjustment range of at least 20" (508mm)
4. Easy-to-Maneuver Lightweight and durable at just 59lb (26kg)

#### Features:

- ✓ Domestically manufactured to exacting standards and the rigors of healthcare environments with infection control in mind
- ✓ Industry first EMR cart optimized for thin client tablets such as the iPad® tablet
- ✓ Lightest weight powered/ non-powered user configurable cart in the market
- ✓ Longest battery life estimated at 24+ hours when used with thin client tablet and external battery system accessory. Actual overall battery performance may vary based on wireless connectivity, application usage, brightness settings, and other factors
- ✓ Best in class battery management and ease of use with external charging station and hot swap capability. Co-designed with industry leader Belkin®
- ✓ Agion® antimicrobial\* finish assists in controlling the spread of infection within healthcare institutions

Non-Powered Cart     **AL-78083A**     **\$1139.00**

Powered Cart     **AL-78083B**     **\$1649.00**



### Laptop Stand

- ✓ Designed to accept most laptop computers
- ✓ 5-Leg, 22" dia., low-center-of-gravity steel base with gray epoxy finish
- ✓ 3" premium rubber casters with ball bearings
- ✓ Welded rectangular base pole with gray epoxy finish
- ✓ Telescoping base pole; adjustable up to 10"; mounting plate head unit height 43" fully extended; 33" compressed
- ✓ Mounting plate head unit comes with mounting footpads and security screw, left/ right sliding writing pad, mounting pocket for external battery pack
- ✓ Patient support wheel and utility tray
- ✓ Adjustable keyboard assembly with 18" x 8" plate 10" long x 8" high x 4" wide utility basket

**AL-77718**     **\$1669.00**



# Mobile Computer Carts (Non-Powered & Powered)

BUY 11  
Get One  
**FREE**

**BUY 11 GET 1 FREE!**

### All Mobilizing Computer Carts Feature

- ✓ Designed to accommodate your choice of laptop computers
- ✓ Lightweight
- ✓ Gas springs
- ✓ 2 Braking casters
- ✓ 1 tracking caster
- ✓ Antimicrobial
- ✓ Key drawer security

**New!**



**AL-77513A**

- ✓ Manual Lock
- ✓ Non-powered cart
- ✓ Open lap top tray

Stand with no drawer  
**AL-77513A \$799.00**

Stand with 1-3" drawer  
**AL-77513D \$1109.00**

Stand with 2-3" drawer  
**AL-77513C \$1129.00**

Stand with 1-6" drawer  
**AL-77513D \$1129.00**



**AL-77514C**

- ✓ Manual Lock
- ✓ Non-powered cart
- ✓ Enclosed laptop
- ✓ Reverse tilt keyboard tray
- ✓ Left and right mouse tray

Stand with no drawer  
**AL-77514A \$1139.00**

Stand with 1-3" drawer  
**AL-77514B \$1449.00**

Stand with 2-3" drawer  
**AL-77514C \$1749.00**

Stand with 1-6" drawer  
**AL-77514D \$1749.00**



**AL-77515D**

- ✓ Key or keyless lock
- ✓ US cord
- ✓ 110V
- ✓ 50AH-SLA
- ✓ Powered cart
- ✓ Enclosed laptop
- ✓ DC platform sealed Lead Acid or Lithium-Ion power system
- ✓ Reverse tilt with LED light keyboard tray
- ✓ Left and right mouse tray

Stand with no drawer  
**AL-77515A \$2459.00**

Stand with 1-3" drawer  
**AL-77515B \$2949.00**

Stand with 2-3" drawer  
**AL-77515C \$3239.00**

Stand with 1-6" drawer  
**AL-77515D \$3239.00**

### Accessories

Cup Holder	<b>AL-77387</b>	<b>\$39.00</b>
File Basket	<b>AL-77388</b>	<b>\$79.00</b>
Small Basket	<b>AL-77389</b>	<b>\$69.00</b>
Scanner Bracket Assembly (Fork Type)	<b>AL-77390</b>	<b>\$19.00</b>
Plug Hanger	<b>AL-77391</b>	<b>\$39.00</b>
Scanner Platform Assembly (Tray Type—Wireless)	<b>AL-77392</b>	<b>\$29.00</b>
Universal Accessory Mount Assembly	<b>AL-77393</b>	<b>\$49.00</b>





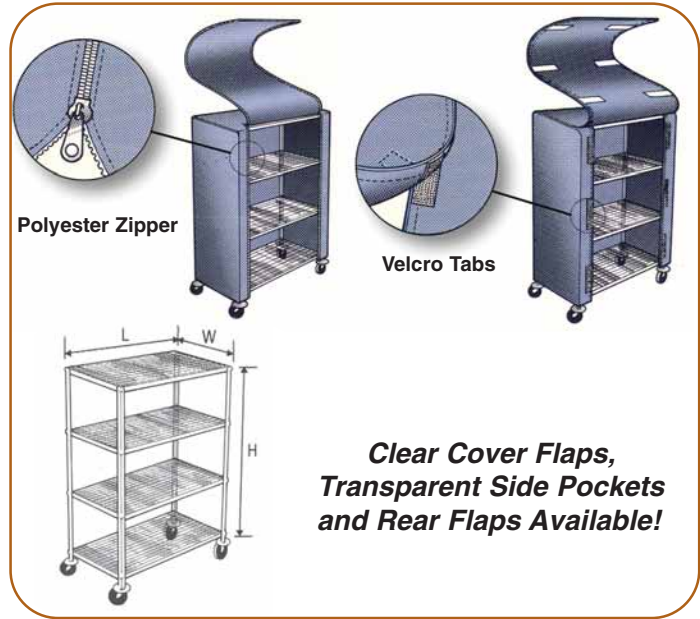
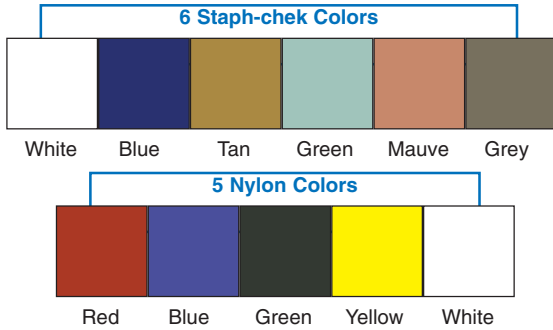
# Cart Covers

**All Cart Covers Are Custom Made and Non-Returnable**

## Cart Covers

- ✓ Choice of Velcro hook and loop or Heavy duty zipper.
- ✓ Full flaps
- ✓ Reinforced corners
- ✓ Double needle construction
- ✓ Choice of three covers:
  1. Staph-chek: Flame Retardant, antibacterial, antistatic, mildew and abrasion resistant. Six colors: White, Blue, Tan, Green, Mauve and Grey.
  2. Nylon: Machine wash and dry. Not flame retardant. Five Colors: Red, Blue, Green, Yellow, White
  3. 16 Gauge Clear Vinyl

**When Ordering Specify: Cart Size, Fabric Choice, Color of Fabric and Type of Closure (Zipper versus Velcro)**



**Clear Cover Flaps, Transparent Side Pockets and Rear Flaps Available!**

Width	Cart Size Length	Height	Flame Retardant Staph-Chek		Nylon		Clear Vinyl (16 Gauge)	
			ALCO Part No.	Price Each	ALCO Part No.	Price Each	ALCO Part No.	Price Each
18"	36"	48"	AL-44456	\$92.95	AL-77266	\$77.95	AL-77299	\$87.95
18"	36"	54"	AL-44457	\$92.95	AL-77267	\$77.95	AL-77300	\$87.95
18"	36"	62"	AL-44458	\$99.95	AL-77268	\$82.95	AL-77301	\$92.95
18"	36"	74"	AL-44459	\$109.95	AL-77269	\$89.95	AL-77302	\$95.95
18"	48"	48"	AL-44460	\$92.95	AL-77270	\$77.95	AL-77303	\$87.95
18"	48"	54"	AL-44461	\$99.95	AL-77271	\$77.95	AL-77304	\$87.95
18"	48"	62"	AL-44462	\$109.95	AL-77272	\$82.95	AL-77305	\$92.95
18"	48"	74"	AL-44463	\$109.95	AL-77273	\$89.95	AL-77306	\$95.95
18"	60"	48"	AL-44464	\$109.95	AL-77274	\$85.95	AL-77307	\$97.95
18"	60"	54"	AL-44465	\$109.95	AL-77275	\$85.95	AL-77308	\$97.95
18"	60"	62"	AL-44466	\$119.95	AL-77276	\$95.95	AL-77309	\$106.95
18"	60"	74"	AL-44467	\$129.95	AL-77278	\$105.95	AL-77310	\$116.95
18"	72"	48"	AL-44468	\$133.95	N/A	N/A	N/A	N/A
18"	72"	54"	AL-44469	\$162.95	N/A	N/A	N/A	N/A
18"	72"	62"	AL-44470	\$167.95	N/A	N/A	N/A	N/A
18"	72"	74"	AL-44471	\$174.95	N/A	N/A	N/A	N/A
24"	36"	48"	AL-44472	\$99.95	AL-77283	\$82.95	AL-77315	\$92.95
24"	36"	54"	AL-44473	\$99.95	AL-77284	\$82.95	AL-77316	\$92.95
24"	36"	62"	AL-44474	\$109.95	AL-77285	\$87.95	AL-77317	\$97.95
24"	36"	74"	AL-44475	\$119.95	AL-77286	\$97.95	AL-77318	\$108.95
24"	48"	48"	AL-44476	\$109.95	AL-77287	\$82.95	AL-77319	\$92.95
24"	48"	54"	AL-44477	\$109.95	AL-77288	\$82.95	AL-77320	\$92.95
24"	48"	62"	AL-44478	\$109.95	AL-77289	\$87.95	AL-77321	\$97.95
24"	48"	74"	AL-44479	\$119.95	AL-77290	\$97.95	AL-77322	\$108.95
24"	60"	48"	AL-44480	\$109.95	AL-77291	\$85.95	AL-77323	\$97.95
24"	60"	54"	AL-44481	\$109.95	AL-77292	\$85.95	AL-77324	\$97.95
24"	60"	62"	AL-44482	\$119.95	AL-77293	\$95.95	AL-77325	\$106.95
24"	60"	74"	AL-44483	\$129.95	AL-77294	\$105.95	AL-77326	\$116.95
24"	72"	48"	AL-44484	\$162.95	N/A	N/A	N/A	N/A
24"	72"	54"	AL-44485	\$165.95	N/A	N/A	N/A	N/A
24"	72"	62"	AL-44486	\$169.95	N/A	N/A	N/A	N/A
24"	72"	74"	AL-44487	\$175.95	N/A	N/A	N/A	N/A

Accessories	
For All Numbers Listed <b>Except</b> AL-44468 thru AL-44471 and AL-44484 thru AL-44487	
Hand Holes	
AL-77490	\$9.00
9x12 Clear Vinyl Pocket	
AL-77386	\$9.00
Clear Cover Flaps	
Call	

Accessories	
For AL-44468 thru AL-44471 and AL-44484 thru AL-44487	
Clear Cover Flaps	
AL-44554	\$20.00 Each
Transparent Side Pocket	
AL-44552	\$10.00 Each

The above shown sizes are actual cart measurements. Order by specifying cart size. We manufacture these covers so they will fit over your cart. For in between sizes not listed above, use the next largest size to determine the price.

# PVC



Phone: 800-323-4282  
Fax: 800-950-1167

**ALCO**  
Sales & Service Co.

info@alcosales.com  
www.alcosales.com

# Walkers

## The Ultimate Walker Line The Safest Walkers on the Market!

- ✓ Anti-tip design provides the "Ultimate" stability
- ✓ Locking dual wheel casters, 4 each on Ultimate, 6 each on Deluxe Ultimate
- ✓ Comfortable vinyl seat with easy-open lockbar & safety strap
- ✓ Mesh backrest/side tote
- ✓ Available in 12 standard mesh color options

### Standard Ultimate Walkers

Designed for those: 4'10" to 5'10"  
 H x W x D: 41" - 47" H x 21" W x 32" D  
 Base: 30" W x 36" D  
 Deluxe Ultimate Base: 30" W x 40" D  
 Seat heights: 17" - 23" in 1" increments  
 Deluxe Ultimate Seat heights: 16" - 20" in 1" increments  
 Support arm heights: 29" - 35" in 1" increments  
 Inches between arms: 18"

Standard Ultimate Walker Options to choose from: AL-67243, AL-67245, AL-49674 and AL-67241 (SEE PAGE 539)

White PVC	<b>AL-090WM</b>	<b>\$349.00</b>
Tan PVC NEW!	<b>AL-66709</b>	<b>\$369.00</b>
Deluxe Ultimate	<b>AL-70374</b>	<b>\$389.00</b>

### Special Ultimate Walkers

Wheels: 8 Superior Dual Wheel Casters (4 locking)  
 Colors Available: Any of the 12 Mesh Colors Below  
 Base: 33" W x 43" D  
 Inches between arms: 20 1/2"  
 Oversized Walker **AL-58502** **\$439.00**

- ✓ Designed for those 4'10" to 5'10"
- ✓ 41" - 47" H x 24" W x 34" D
- ✓ Seat heights: 17 1/2" to 23 1/2"; 1" increments
- ✓ Support arm heights: 29 1/2" to 35 1/2"; 1" increments
- Extra Tall Walker **AL-58501** **\$439.00**

- ✓ Designed for those 5'10" to 6'6"
- ✓ 46" - 52" H x 24" W x 34" D
- ✓ Seat heights: 22 1/2" to 28 1/2"; 1" increments
- ✓ Support arm heights: 34 1/2" to 40 1/2"; 1" increments

Special Ultimate Walker Option: AL-67241 (SEE PAGE 539)



**MADE IN THE USA**  
**BARIATRIC**



### Standard Walker

- ✓ Contoured plastic seat, easy-open lockbar
- ✓ 3" heavy-duty casters (2 locking)
- ✓ Anti-tip design, convenient safety strap
- ✓ Adjusts to 7 heights, designed for people 4'10" to 5'10"
- ✓ Only available in White PVC
- 38" - 44" H x 21" W x 36" D
- Base 30" wide x 36" deep
- Seat heights 17" - 23" in 1" increments
- 18" between the arms
- Support arm heights 29" - 35" in 1" increments
- AL-52632** **\$239.00**

### Big Wheel Walker

- ✓ Available in 12 colors
- ✓ 24" rear wheels provide excellent stability
- ✓ Footrest retracts for walking and extends for comfortable seating
- ✓ 4" swivel casters in front for added mobility
- 43" H x 31" W x 43" D
- Arm height 31 1/2"; Seat height 18 1/2"
- 17" between arms
- AL-57473** **\$569.00**

### Mesh Color Options



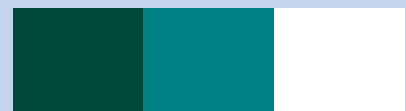
Navy Suncastr Blue Blue



Plum Wineberry Maroon



Silverado Laguna Linen



Forest Green Teal White

# Deluxe Shower Chairs/Commodes



AL-59777



AL-59776



AL-57479

## Deluxe Shower Chair Commodes

38" H x 21" W x 20" D 18" Between Arms  
17" Clearance 300 lb. Weight Capacity (Standard)

Closed Front Soft Seat/Back	<b>AL-59777</b>	<b>\$309.00</b>
Open Front Soft Seat/Back	<b>AL-59776</b>	<b>\$309.00</b>
Closed Front Soft Seat/Back, Privacy Skirt, Left Drop Arm & Slideout Footrest	<b>AL-57479</b>	<b>\$459.00</b>
Open Front Soft Seat/ Mesh Backrest	<b>AL-66664</b>	<b>\$269.00</b>
Closed Front Soft Seat/Mesh Backrest	<b>AL-66666</b>	<b>\$269.00</b>

Specify color of Soft Seat and Back: Grey (G), Navy (N) and Laguna (L)

Mesh Backrest (all 12 mesh colors are currently available)



AL-66664  
38" H

AL-66665  
41" H



AL-66666  
38" H

AL-66667  
41" H

41" H x 21" W x 20" D 18" Between Arms 300 lb. Weight Capacity (Std)  
20" Clearance Slanted Handle

Closed Front Soft Seat & Mesh Backrest	<b>AL-66667</b>	<b>\$269.00</b>
Open Front Soft Seat & Mesh Backrest	<b>AL-66665</b>	<b>\$269.00</b>
Open Front Soft Seat, Mesh Backrest & Privacy Skirt, Lap Bar & Slideout Footrest	<b>AL-52630G</b>	<b>\$389.00</b>
Closed Front Soft Seat & Mesh Backrest, Left Drop Arm and Slideout Footrest	<b>AL-52628</b>	<b>\$379.00</b>

Specify color of Soft Seat and Back: Grey (G), Navy (N) and Laguna (L)

Mesh Backrest (all 12 mesh colors are currently available)



AL-52628



AL-52630

**ALL CHAIRS ON PAGE FEATURE LOCKING NO-RUST CASTERS!**

**BUY 11 Get One FREE**

**SEE PAGE 539 FOR CHAIR OPTIONS AVAILABLE**

## Deluxe Shower Chairs

- ✓ Cleans easily
- ✓ Comfortable mesh backrest available in 12 color options
- ✓ 18" between arms
- ✓ Soft seat is available in Grey (G), Navy (N), or Laguna (L)

**300 lb. Capacity**



AL-49661

**Open Front Soft Seat & Mesh Backrest**  
38" H x 21" W x 20" D, 17" Clearance  
**AL-49661 \$249.00**  
41" H x 21" W x 20" D, 20" Clearance  
**AL-49662 \$249.00**



AL-57484

**Closed Front Soft Seat & Mesh Backrest**  
38" H x 21" W x 20" D, 17" Clearance  
**AL-57484 \$249.00**  
41" H x 21" W x 20" D, 20" Clearance  
**AL-57485 \$249.00**



AL-64207

**Total Hygienic Chair**  
Deluxe Split Seat - Open front and back provides ample cleaning access!  
38" H x 21" W x 20" D, 17" Clearance  
**AL-64207 \$259.00**  
41" H x 21" W x 20" D, 20" Clearance  
**AL-66668 \$259.00**

## Mesh Color Options





### Original Shower Chair Commode

- Use as a shower chair or commode chair
  - New IPU commode seat
  - 2 quart removable pail slides out from the side (AL-63968 or AL-052SCC)
  - Deluxe no-rust twin-wheel casters (2 locking)
  - 8" between the arms
- 38" H x 21" W x 25-1/4" D, 17" Clearance
- |              |                 |                 |
|--------------|-----------------|-----------------|
| With Pail    | <b>AL-63968</b> | <b>\$189.00</b> |
| Without Pail | <b>AL-66670</b> | <b>\$179.00</b> |

- 41" H x 21" W x 25-1/4" D, 20" Clearance
- |              |                  |                 |
|--------------|------------------|-----------------|
| With Pail    | <b>AL-052SCC</b> | <b>\$219.00</b> |
| Without Pail | <b>AL-66671</b>  | <b>\$179.00</b> |



### Slant Seat Shower Chair Commode

- Seat is lower in the back to prevent sliding forward
  - Slant seat feature allows patient to stay in position without using restraints
  - 12 qt. removable pail (AL-66674 or AL-66675)
  - 18" between arms
- 38" H x 21" W x 25-1/4" D, 16" Clearance
- |              |                 |                 |
|--------------|-----------------|-----------------|
| With Pail    | <b>AL-66674</b> | <b>\$189.00</b> |
| Without Pail | <b>AL-66672</b> | <b>\$179.00</b> |

- 41" H x 21" W x 25-1/4" D, 19" Clearance
- |              |                 |                 |
|--------------|-----------------|-----------------|
| With Pail    | <b>AL-66675</b> | <b>\$189.00</b> |
| Without Pail | <b>AL-66673</b> | <b>\$179.00</b> |



### Select Line Shower Chair Commode

- 12 quart removable pail slides out from the side (AL-49676 or AL-710CSEP)
  - Superior dual wheel casters (all locking)
  - 18" between the arms
- 38" H x 21" W x 25-1/4" D, 17" Clearance
- |              |                   |                 |
|--------------|-------------------|-----------------|
| With Pail    | <b>AL-710CSEP</b> | <b>\$149.00</b> |
| Without Pail | <b>AL-7100CSE</b> | <b>\$139.00</b> |
- 41" H x 21" W x 25-1/4" D, 20" Clearance
- |              |                 |                 |
|--------------|-----------------|-----------------|
| With Pail    | <b>AL-49676</b> | <b>\$149.00</b> |
| Without Pail | <b>AL-49663</b> | <b>\$139.00</b> |

SEE PAGE 539 FOR CHAIR OPTIONS AVAILABLE

### Mesh Color Options



### Standard Line Shower Chair Commode

- Comfortable mesh backrest available in 4 colors: Teal, Blue, Wineberry & White
  - 3" swivel casters (2 locking)
  - Comfortable contoured seat
  - 12 qt. removable pail (AL-52635 or AL-52636)
- 38"H x 21"W x 21-1/4"D, 17" Clearance
- |              |                 |                 |
|--------------|-----------------|-----------------|
| With Pail    | <b>AL-52635</b> | <b>\$119.00</b> |
| Without Pail | <b>AL-52633</b> | <b>\$109.00</b> |

- 41"H x 21"W x 21-1/4"D, 20" Clearance
- |              |                 |                 |
|--------------|-----------------|-----------------|
| With Pail    | <b>AL-52636</b> | <b>\$119.00</b> |
| Without Pail | <b>AL-52634</b> | <b>\$109.00</b> |



### Midsize Shower Chair Commode

- Use as a shower chair or commode chair
  - New IPU commode seat
  - 12 quart removable pail slides out from the side
  - 4" heavy-duty casters (all locking)
  - No-rust casters optional
- 39-1/4"H x 25-1/4" W x 25-1/4" D  
 22" between the arms  
 19" Clearance
- |                 |                 |
|-----------------|-----------------|
| <b>AL-61831</b> | <b>\$219.00</b> |
|-----------------|-----------------|



### SHOWER ACCESS CHAIR

300 lb. Capacity

### Shower Access Chair

- Deluxe open front soft available in (G) grey or (N) navy or (L) laguna
- 36-1/4" H x 29" W x 31" D  
 21-1/2" seat height,  
 17" between the arms
- |                 |                 |
|-----------------|-----------------|
| <b>AL-59602</b> | <b>\$719.00</b> |
|-----------------|-----------------|
- |           |                  |                 |
|-----------|------------------|-----------------|
| With Pail | <b>AL-59602P</b> | <b>\$719.00</b> |
|-----------|------------------|-----------------|

# Shower Chair Commodes

## BARIATRIC OVERSIZE SHOWER CHAIRS & COMMODES

- ✓ Top Locking casters
- ✓ 24" between the arms
- ✓ 19" Clearance

**BARIATRIC**



**Oversize Shower Chair**

- ✓ 5" heavy-duty casters (2 locking)
- ✓ Exclusive anti-tip design

40" H x 28" W x 25-1/4" D

Standard Seat **AL-66681** **\$249.00**

Flat Seat (Inset) **AL-55319** **\$259.00**



**Oversize Shower Chair Commode**

40" H x 28" W x 25" D

Standard Seat **AL-66682** **\$259.00**

Flat Seat (Inset) **AL-59606** **\$279.00**



**Oversize Shower Chair Soft Seat Commode**

- ✓ Deluxe extra wide open front soft seat available in (N) navy only

40" H x 28" W x 25" D

**AL-57469** **\$439.00**

## MIDSIZE SHOWER CHAIR



**Midsize Shower Chair**

- ✓ Top Locking casters
- 39-1/4"H x 25-1/4"W x 25-1/4"D  
22" between the arms  
19" Clearance

**AL-66680** **\$209.00**

## BARIATRIC SHOWER COMMUNE CHAIRS



**Bariatric Commode Chair**

- 39-3/4"H x 34"W x 27-1/2"D  
1-1/2" pipe  
28" between arms  
21-1/4" seat height

**AL-56581A** **\$489.00**



**Bariatric Shower Chair Commode With Footrests**

- ✓ 6 heavy-duty 5" Casters (4 locking)
  - ✓ Convenient push handles
  - ✓ Heavy-duty 1 1/2" pipe
- 39-3/4"H x 34"W x 22-1/2"D  
28" between arms  
21-1/4" seat height

With Pail **AL-56581** **\$869.00**

Without Pail **AL-56580** **\$849.00**

SEE PAGE 539 FOR CHAIR OPTIONS AVAILABLE

### Mesh Color Options



# Bariatric & Specialty Shower Chair Commodes

## BARIATRIC SHOWER CHAIR COMMODES



### Deluxe Bariatric Shower Chair Commode With Footrests

- ✓ Larger seat hole opening
- ✓ 6 heavy duty 5" Casters (4 locking)
- ✓ 1-1/2" heavy duty pipe
- ✓ Convenient push handles
- 40" H x 36" W x 31" D
- 30" between the arms
- 21" seat height

**BARIATRIC**

With Pail **AL-56581HD \$1119.00**  
Without Pail **AL-56580HD \$1039.00**



### Bariatric Shower Chair Commode

- ✓ Anti-tip design for safe transfers
- ✓ Larger seat hole opening
- ✓ 5" heavy-duty casters (all locking)

41" H x 28" W x 31" D  
24" between the arms  
Seat height 22 1/2"

**BARIATRIC**

With Pail **AL-66518 \$379.00**  
Without Pail **AL-66517 \$349.00**

## SPECIALTY COMMODE FRAME



### Toilet Safety Frame

The versatile toilet safety frame can function as toilet side rails, a toilet seat raiser, a shower stool or a commode.

- ✓ Available in oversize model
- ✓ Adjusts to seven different seat heights
- ✓ Safe, sturdy construction; Non-slip rubber leg tips

21" W x 20" D

18" between the arms

Seat heights 18" - 24"

With Pail **AL-49682 \$139.00**  
Without Pail **AL-66678 \$129.00**

## SPECIALTY SHOWER CHAIR COMMODES



### Shower Chair/Commode

Accommodates Bedpan

- ✓ No rust casters standard
- ✓ Closed Soft Seat: Specify Grey (G), Navy (N), or Laguna (L)
- ✓ BEDPAN NOT INCLUDED!

41" H x 21" W x 25-1/4"D (includes push handle)  
18" Between Arms

**AL-66669 \$329.00**



### Standard Commode

38" H x 21" W x 21-1/2" D  
18" between the arms  
17" Clearance

**AL-66676 \$159.00**



### Wheeled Commode

- ✓ No rust casters standard
- 38" H x 21" W x 21-1/2" D  
18" between the arms  
17" Clearance

**AL-66677 \$199.00**



SEE PAGE 539 FOR CHAIR OPTIONS AVAILABLE

### Mesh Color Options





**BARIATRIC**

# Reclining Shower Chair Commodes



**450 lb.  
Capacity**

### Deluxe Reclining Shower Chair Commode

- ✓ Deluxe open front soft seat available in (N) navy only
- ✓ Comfortable mesh backrest available in 12 colors
- ✓ 55" H x 28" W x 40" D
- ✓ 24" between the arms
- ✓ 63" reclined and fully extended
- ✓ Seat height 21"

**AL-66516**

**\$629.00**



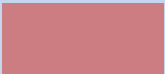
### Mesh Color Options



Navy



Blue



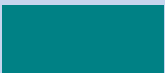
Wineberry



Silverado



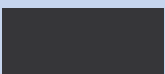
Linen



Teal



Suncast Blue



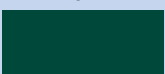
Plum



Maroon



Laguna



Forest Green



White



**650 lb.  
Capacity**

### Bariatric Reclining Shower Chair Commode

- ✓ 48"H x 32"W x 41-1/2"D
- ✓ Seat Height: 21-1/2"
- ✓ Seat Depth: 22"
- ✓ 7-Heavy Duty 5" Casters, 4 Locking
- ✓ High Density Polyethylene Seat and Legrest
- ✓ 2-Position Backrest; 3-Position Legrest
- ✓ Available in 12 Colors

**AL-70371**

**\$799.00**

### IPU Bariatric Reclining Chair

- ✓ 48"H x 30"W x 41-1/2"D
- ✓ Seat Height: 23-1/2"
- ✓ Seat Depth: 21-1/2"
- ✓ Sturdy PVC Recliner Will Not Rust, Stain or Yellow
- ✓ 5-Heavy Duty 5" Casters, 4 Locking
- ✓ High Density Blue Foam Cushion Offers Outstanding Comfort
- ✓ 2-Position Backrest; 3-Position Legrest

**AL-70372**

**\$689.00**



**450 lb.  
Capacity**



**650 lb.  
Capacity**

### Bariatric Reclining Chair

- ✓ 48"H x 32"W x 41-1/2"D
- ✓ Seat Height: 23-1/2"
- ✓ Seat Depth: 21-1/2"
- ✓ Sturdy PVC Recliner Will Not Rust, Stain or Yellow
- ✓ 5-Heavy Duty 5" Casters, 4 Locking
- ✓ High Density Blue Foam Cushion Offers Outstanding Comfort
- ✓ 2-Position Backrest; 3-Position Legrest

**AL-70373**

**\$799.00**

**BARIATRIC**

## TRANSPORT CHAIRS & SHOWER GURNEY



**300 lb. Capacity**

### MRI Transport Chair

- ✓ Contoured plastic seat
  - ✓ Deluxe, no rust, twin wheel casters (2 locking)
  - ✓ Convenient push bars
  - ✓ Chair available in White only
  - ✓ Options available: Drop-arm, seat belt (SEE PAGE 539)
- 36" H x 23" W x 25" D  
 21" seat height,  
 19" between the arms
- AL-66679      \$289.00**



**Up To 500 lb. Capacity**

### Transport Shower Gurney

- ✓ Gurney 1" higher at head for controlled drainage at foot
  - ✓ 1" pad standard
  - ✓ Locked side rails for patient safety (insert shown with side rails down)
  - ✓ Use for patient transport and/or shower gurney
- 77" L x 32" W x 37-1/2" H  
 350 lb. capacity  
**AL-005GST      \$659.00**
- 500 lb. capacity  
 77-1/2" L x 32" W x 38" H  
 1-1/2" Heavy Duty Pipe  
**AL-55251      \$839.00**

**BARIATRIC**

## SHOWER GURNEYS



**900 lb. Capacity**

### Bariatric Shower Gurney

- ✓ 1-1/2" pipe for added strength
  - ✓ Waterproof foam pad, Drop side rails
- 77-1/2" L x 34" W x 36" H

**AL-56914      \$1669.00**

**BARIATRIC**



**Up To 500 lb. Capacity**

### Universal Shower Gurney

- ✓ Gurney 1" higher at head for controlled drainage at foot
- ✓ Waterproof foam pad w/side flaps for controlled drainage
- ✓ Easy to clean
- ✓ Locked side rails for patient safety (insert shown with siderails down)

77" L x 32" W x 37-1/2" H  
 350 lb. capacity  
**AL-0001GSU      \$899.00**

77-1/2" L x 32" W x 38" H  
 1-1/2" Heavy Duty Pipe  
 500 lb. capacity  
**AL-55250      \$1089.00**

**BARIATRIC**



Gurney Siderail Locking Pins



Available Option: Elevating headrest

Call for Details!





**Snap-On Footrest**  
14-1/2" W x 10" D  
300 lb. Capacity  
Standard **AL-49666 \$49.00**

21" W x 10" D  
400 lb. Capacity  
Oversize **AL-49666SS \$49.00**



**Slide-Out Footrest/ Anti-Tip Design**  
300 lb. Capacity  
Standard **AL-49674 \$69.00**

400 lb. Capacity  
Oversize **AL-49674SS \$79.00**

For AL-66517 & AL-66518 only  
Bariatric **AL-49674BA \$79.00**



**Closed Front Soft Seat**  
Specify color of seat: Grey (G), Navy (N) or Laguna (L)

Without Pail **AL-49667 \$79.00**  
With Pail **AL-49667P \$79.00**



**Open Front Soft Seat**  
Specify color of seat: Grey (G), Navy (N) or Laguna (L)

Without Pail **AL-49668 \$79.00**  
With Pail **AL-49668P \$89.00**



**Lap Bar**  
For 300 lb. Capacity Chairs  
Standard **AL-49673 \$29.00**

For 350 lb. Capacity Chairs  
Midsize **AL-49673MS \$29.00**

For 400 lb. Capacity Chairs  
Oversize **AL-49673SS \$29.00**



**Drop Arm**  
Specify: Left side or right side – sitting in chair

Left **AL-66901L \$39.00**  
Right **AL-66901R \$39.00**



**Privacy Skirt**  
**SPECIFY MESH COLOR OPTION**  
300 lb. Capacity  
61" x 15"  
Standard **AL-49672 \$29.00**

350 lb. Capacity  
64" x 15"  
Midsize **AL-49672MS \$39.00**

400 lb. Capacity  
67-1/2" x 15"  
Oversize **AL-49672SS \$39.00**

For AL-66517 & AL-66518 only  
Bariatric **AL-49672BA \$39.00**



**Seat Belt**  
Standard 55" **AL-49665S \$29.00**

Oversize 79" **AL-49665SS \$29.00**



**Privacy Cover**  
**SPECIFY MESH COLOR OPTION**  
300 lb. Capacity  
Standard **AL-67270 \$39.00**

350 lb. Capacity  
Midsize **AL-67270MS \$49.00**

400 lb. Capacity  
Oversize **AL-67270SS \$49.00**

For AL-66517 & AL-66518 only  
Bariatric **AL-67270BA \$49.00**



**Oxygen Tank Holder**  
For Ultimate Walkers  
**AL-67243 \$99.00**

**Oxygen Tank Holder**  
For Recliners  
**AL-67244 \$39.00**



**I.V. Pole**  
For Ultimate Walkers  
**AL-67241 \$69.00**

**I.V. Pole**  
For All Recliners  
**AL-67242 \$49.00**



**Lap Tray**  
For the Ultimate Walker **AL-67245 \$59.00**  
Lap Tray for Recliners **AL-67246 \$89.00**



**We Accept**



# Linen Hampers

Available in 16 colors

## Jumbo, Classic & Select Line Linen Hamper

- Designed for easy release and removal of plastic liner or leakproof bag
- Eliminates excessive bending and lifting
- Available with mesh or leakproof bags
- Plastic-coated wire hangers hold plastic liners or leakproof bags in place
- Mesh zipper-front bags, requiring 39 gallon plastic liners, are available in 12 colors
- Washable leakproof bags are available in 4 colors

**SPECIFY: Zipper-front mesh bag or leakproof bag and color**



**Jumbo Linen Hamper**  
 22" L x 21" W x 37" H  
 Footpedals **AL-49686 \$259.00**  
 No Footpedals **AL-49687 \$219.00**



**Jumbo Double Linen Hamper**  
 45" L x 21" W x 37" H  
 Footpedals **AL-49688 \$469.00**  
 No Footpedals **AL-49689 \$379.00**



**Jumbo Double Linen Hamper**  
 User will supply plastic liner  
 Good for isolation room usage  
 18" L x 18" W x 37" H  
**AL-56910 \$129.00**



**Classic Linen Hamper With Foot Pedal**  
 18" L x 18" W x 37" H  
**AL-1200HL \$189.00**



**Classic Double Linen Hamper With Foot Pedal**  
 37" L x 18" W x 37" H  
**AL-2200HL \$309.00**



**Classic Triple Linen Hamper With Foot Pedal**  
 58" L x 18" W x 37" H  
**AL-2300HL \$429.00**



**Select Line Linen Hamper Without Foot Pedal**  
 18" L x 18" W x 37" H  
**AL-49690 \$149.00**



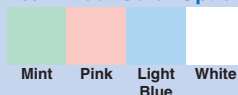
**Select Line Double Linen Hamper Without Foot Pedal**  
 37" L x 18" W x 37" H  
**AL-49691 \$249.00**



**Select Line Triple Linen Hamper Without Foot Pedal**  
 57" L x 18" W x 37" H  
**AL-49692 \$359.00**



### Leak-Proof Color Options



### Mesh Color Options



**BUY 11 GET 1 FREE!**



AL-52637

**Standard Line Linen Hamper**

Choose from four mesh color options  
18" L x 18" W x 35" H

Footpedal standard **AL-52637 \$119.00**  
No Footpedal **AL-66685 \$109.00**



AL-52638

**Standard Line Double Linen Hamper**

Choose from four mesh color options  
37" L x 18" W x 35" H

Footpedals standard **AL-52638 \$209.00**  
No Footpedals **AL-66686 \$199.00**



AL-52639

**Standard Line Triple Linen Hamper**

Choose from four mesh color options  
57" L x 18" W x 35" H

Footpedal standard **AL-52639 \$289.00**  
No Footpedal **AL-66687 \$259.00**



AL-66688

**Standard Line Jumbo Hamper**

Choose from four mesh color options  
22" L x 21" W x 35" H

Footpedal standard **AL-66690 \$149.00**  
No Footpedal **AL-66688 \$139.00**



AL-66691

**Standard Line Double Jumbo Hamper**

Choose from four mesh color options  
45" L x 21" W x 35" H

Footpedals standard **AL-66691 \$249.00**  
No Footpedals **AL-66689 \$239.00**

**Linen Hamper Mesh Color Options**

Teal

Blue

Wineberry

White

VELCRO® Front Opening  
Open frame design for easy bag removal.



**Mesh Color Options for Housekeeping Cart Bag**

Navy	Blue
Wineberry	Silverado
Linen	Teal
Suncastr Blue	Plum
Maroon	Laguna
Forest Green	White

**Housekeeping Cart With Lockbox**

- ✓ Attractive and durable
- ✓ OBRA compliant
- ✓ Mesh bag and side tote available in 12 colors
- ✓ 4" heavy-duty casters (2 locking)
- ✓ Impervious to most chemicals
- ✓ Optional bucket extension available (With Lockbox)

45" L x 18" W x 40" H  
**AL-55247 \$349.00**



# Linen Carts



**Deluxe Linen Cart**  
35" H x 40" W x 20" D  
36" x 20" removable shelves  
12" spacing  
**AL-66692      \$289.00**



**Deluxe Linen Cart**  
48" H x 40" W x 20" D  
36" x 20" removable shelves  
12" spacing  
**AL-66693      \$369.00**



**Deluxe Linen Cart**  
62" H x 40" W x 20" D  
36" x 20" removable shelves  
12" spacing  
**AL-66694      \$479.00**



**Deluxe Wide Linen Cart**  
77" H x 50" W x 20" D  
46" x 20" removable shelves  
15" spacing  
**AL-66695      \$539.00**



**Deluxe Wide Linen Cart**  
64" H x 50" W x 20" D  
46" x 20" removable shelves  
16" spacing  
**AL-66696      \$459.00**



**Deluxe Wide Linen Cart**  
44" H x 50" W x 20" D  
46" x 20" removable shelves  
16" spacing  
**AL-66697      \$359.00**

## Knock-Down Versions (Saves On Freight!)



**Multi-Purpose Cart**  
37" H x 31" W x 20" D  
26" x 20" removable shelves  
14-1/2" spacing  
**AL-59611      \$269.00**



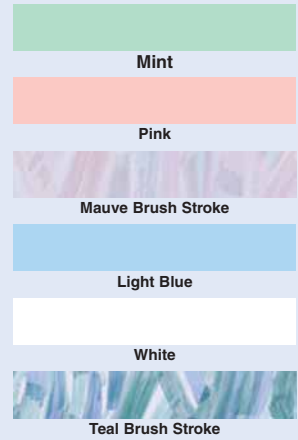
**Multi-Purpose Cart**  
52" H x 31" W x 20" D  
26" x 20" removable shelves  
14-1/2" spacing  
**AL-49701      \$349.00**



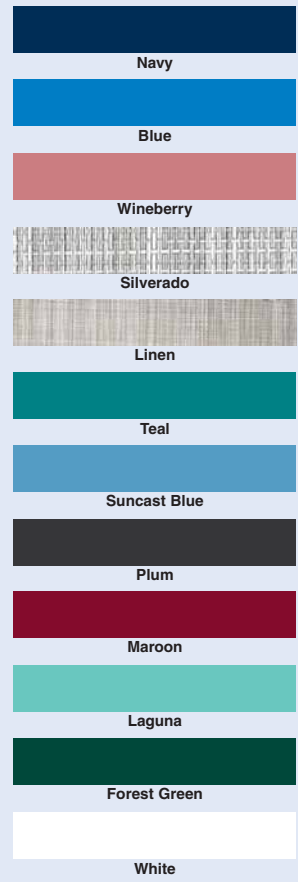
**Multi-Purpose Cart**  
67" H x 31" W x 20" D  
26" x 20" removable shelves  
14-1/2" spacing  
**AL-49702      \$409.00**

**Choose From Sure-Chek or Mesh Color Options**

### Sure-Chek® Color Options



### Mesh Color Options



**Optional Bag**  
**AL-56912**  
**\$34.00**  
12" H x 16" W x 4" D  
Great for carrying supplies. Attaches to the linen cart push bar with snaps.



# Linen/Multi-Purpose Carts



**Standard Line Wide Linen Cart**  
 Choose from Sure-Chek or Vinyl Mesh color options  
 43" H x 52" W x 24" D  
 50" x 24" removable shelves  
 15" spacing  
**AL-66698      \$239.00**



**Standard Line Wide Linen Cart**  
 Choose from Sure-Chek or Vinyl Mesh color options  
 60" H x 52" W x 24" D  
 50" x 24" removable shelves  
 15" spacing  
**AL-66699      \$299.00**



**Standard Line Wide Linen Cart**  
 Choose from Sure-Chek or Vinyl Mesh color options  
 77" H x 52" W x 24" D  
 50" x 24" removable shelves  
 15" spacing  
**AL-66700      \$379.00**

**Vinyl Mesh Color Options**

Teal	Blue
Wineberry	White

**Sure-Chek® Color Options**

Mint	Light Blue
Pink	White
Mauve Brush Stroke	Teal Brush Stroke



**Standard Line Linen Cart**  
 Choose from Sure-Chek or Vinyl Mesh color options  
 79" H x 47" W x 20" D  
 45" x 20" removable shelves  
 15" spacing  
**AL-66701A      \$319.00**



**Standard Line Linen Cart**  
 Choose from Sure-Chek or Vinyl Mesh color options  
 79" H x 38" W x 20" D  
 36" x 20" removable shelves  
 15" spacing  
**AL-66701      \$299.00**



**Standard Line Linen Cart**  
 Choose from Sure-Chek or Vinyl Mesh color options  
 61" H x 47" W x 20" D  
 45" x 20" removable shelves  
 16" spacing  
**AL-52640A      \$249.00**



**Standard Line Linen Cart**  
 Choose from Sure-Chek or Vinyl Mesh color options  
 61" H x 38" W x 20" D  
 36" x 20" removable shelves  
 16" spacing  
**AL-52640      \$289.00**



**Standard Line Multi-Purpose Cart**  
 Choose from Sure-Chek or Vinyl Mesh color options  
 37" H x 29" W x 20" D  
 26" x 20" removable shelves  
 14-1/2" spacing  
**AL-66702      \$159.00**



**Standard Line Multi-Purpose Cart**  
 Choose from Sure-Chek or Vinyl Mesh color options  
 52" H x 29" W x 20" D  
 26" x 20" removable shelves  
 14-1/2" spacing  
**AL-66703      \$199.00**



**Standard Line Multi-Purpose Cart**  
 Choose from Sure-Chek or Vinyl Mesh color options  
 67" H x 29" W x 20" D  
 26" x 20" removable shelves  
 14-1/2" spacing  
**AL-66704      \$239.00**



# Multi-Purpose/Clothing/ Chart Storage Carts

## Jumbo Linen Carts

Jumbo linen carts accommodate larger loads on 24-inch deep shelves. These lightweight carts with our ergonomic push bars move easily throughout your facility.

- ✓ Ergonomic push bars
- ✓ Removable shelves
- ✓ Cover opens on both sides
- ✓ 5" heavy-duty casters (2 locking)
- ✓ 50" x 24" shelves
- ✓ 15" spacing



43" H x 55" W x 24" D  
**AL-51184 \$479.00**

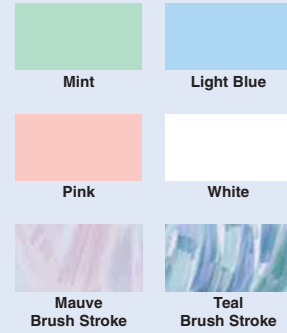


60" H x 55" W x 24" D  
**AL-51182 \$599.00**



77" H x 55" W x 24" D  
**AL-51183 \$729.00**

## Sure-Chek® Color Options



## Mesh Color Options



## Clothing Carts



**AL-49698**

### Adapt-A-Cart

- ✓ Adapts to a variety of individual wardrobe and laundry needs
  - ✓ Lightweight, easy to maneuver
  - ✓ Cover opens on both sides
  - ✓ OPTIONAL bins may be used in any number up to 48 bins
  - ✓ 5" heavy-duty casters (2 locking)
  - ✓ Convenient push bar, 10 clothes dividers included
- 64" H x 51" W x 20" D  
**AL-49698 \$529.00**

### Garment Rack

Transport resident clothing in this sturdy, attractive garment rack

- ✓ Removable cover opens on both sides for easy loading and unloading
  - ✓ 41" Clothing bar, 10 clothes dividers included
  - ✓ 4" easy-roll casters (2 locking)
- 62" H x 46" W x 20" D  
**AL-49700 \$279.00**



**AL-49700**

## Chart Storage Carts

Our system accommodates notebook ring binder charts. For binder back width of less than 2-3/4" order small. For binder back width of 2-3/4" up to 4" order large.



**AL-49711**

### Chart Storage Cart

Holds 10 ring binders  
Small 37" H x 23" W x 15" D  
**AL-49711S \$259.00**  
Large 37" H x 29" W x 15" D  
**AL-49711L \$299.00**



**AL-49710**

### Chart Storage Cart

Holds 20 ring binders  
Small 37" H x 36" W x 15" D  
**AL-49710S \$319.00**  
Large 37" H x 48" W x 15" D  
**AL-49710L \$349.00**



**AL-49708**

### Chart Storage Cart

Holds 30 ring binders  
Small 54" H x 36" W x 15" D  
**AL-49708S \$369.00**  
Large 54" H x 48" W x 15" D  
**AL-49708L \$389.00**



**AL-49709**

### Chart Storage Cart

Holds 40 ring binders  
Small 65" H x 36" W x 15" D  
**AL-49709S \$439.00**  
Large 65" H x 48" W x 15" D  
**AL-49709L \$469.00**



# Isolation/Emergency/ Nursing/Ice Carts



### Isolation Station

- ✓ Stay ahead of MRSA
- ✓ 12" x 6" sliding backboards for mounting
- ✓ 26" x 15" top work area/writing surface
- ✓ 7"H x 19"W x 14"D drawers
- ✓ 4 superior dual-wheel casters – 2 locking
- ✓ Overall dimensions: 45"H x 26"W x 15"D

**AL-69031 \$269.00**



### Mobile 3 Drawer Cart

- ✓ 43"H x 34.5"W x 22"D

**AL-68276 \$339.00**



### Mobile Utility Cabinet

- ✓ 43"H x 34.5"W x 22"D
- ✓ 2 adjustable shelves 29" x 16.5" with double door

**AL-68277 \$339.00**



### Nursing Supply Cart

- ✓ 8 Storage Drawers in two sizes
- ✓ 30" x 18" Bottom shelf for additional storage
- ✓ Swing-out gate with push-button lock
- ✓ Cart is lockable (padlock not included)
- ✓ Top shelf writing surface
- ✓ 3" Easy-roll casters (2 locking)
- ✓ 44" H x 30" W x 17 1/2" D
- ✓ 4 Drawers 7" H x 10-1/2" W x 13" D
- ✓ 4 Drawers 3" H x 10-1/2" W x 13" D

**AL-58139 \$359.00**



Accessories  
not included

### Emergency Cart

- ✓ New CPR Board standard
- ✓ Allows easy replacement of E series oxygen cylinder
- ✓ Recessed shelf mount for suction machine
- ✓ Two shelves for supply storage
- ✓ Recessed cup holder for 16 oz. container
- ✓ Divided pouch for stethoscope and BP Cuff
- ✓ Dual wheel casters for easy maneuverability (2 locking)
- ✓ 27" L x 21" W x 36" H

**AL-49707 \$349.00**



### Certified Nurse Aide Cart

- ✓ 3 Large supply drawers
- ✓ 26" x 16" Bottom storage shelf
- ✓ Top shelf writing surface
- ✓ 3" Easy-roll casters (2 locking)
- ✓ 44" H x 26" W x 16" D
- ✓ 3 Drawers 7" H x 19" W x 14" D

**AL-58304 \$249.00**



### Cooler Caddy/Ice Cart

- ✓ 5 gallon Igloo™ Cooler
- ✓ 3" Easy-roll casters
- ✓ 51" H x 16" W x 16" D

**AL-58306 \$209.00**



### Arctic Ice Cart

- Insulated cooler holds 36 quarts (lbs.) for easy delivery throughout your facility.
- ✓ Ice scoop held in separate holder for infection control
- ✓ Flip up serving shelf
- ✓ Built in cooler drain keeps ice dry
- ✓ Two convenient storage shelves
- ✓ 4" easy-roll casters (2 locking)
- ✓ Skirt available in 12 mesh colors
- 30" L x 18" W x 41" H

**AL-49706 \$379.00**



### Standard Line Ice Cart

- ✓ Upper serving shelf, lower storage shelf
- ✓ 36 quart insulated cooler
- ✓ 3" easy-roll casters
- ✓ 41" H x 26" W x 24" D

With Canopy

**AL-66705 \$239.00**

Without Canopy

**AL-52642A \$189.00**



# Low Beds/Privacy Screens/Patient Transfer Boards

Restraint-free comfort and safety for at-risk residents. Low beds from IPU allow residents to enjoy their stay in bed without fear of injury, while being cared for in the least restrictive environment.

- ✓ Highest quality materials
- ✓ Strong and durable, yet lightweight
- ✓ Crutch-tip base prevents slipping or marring
- ✓ Models available for 76" and 80" mattresses
- ✓ Headboard/footboard color in 12 mesh options

### Options to choose from

- ✓ Headboard and footboard available in 12 mesh colors
- ✓ 4 locking 2" casters and 4 non-locking 2" casters
- ✓ 3-position elevating headrest
- ✓ Overbed tray



Casters are not included

AL-50358

250 lb.  
Capacity

### Restraint-Free Low Bed

Shown with headboard, footboard and casters (casters not included). 6-inches from floor to top of frame deck. Mattress and bedding not included.

- ✓ 5" from floor
- 81" L x 39" W  
**AL-50358**     **\$209.00**
- 85" L x 39" W  
**AL-50359**     **\$209.00**

### Options

Headboard/Footboard	<b>AL-50360</b>	<b>\$49.00</b>
Elevating Headrest	<b>AL-50362</b>	<b>\$79.00</b>
Wheel Kit Elevates bed 6" from floor	<b>AL-50361</b>	<b>\$29.00</b>



### Tray

- ✓ Overbed tray for low bed
- ✓ Snaps on side horizontal pipes
- 15" H x 39" W x 20" D
- Usable tray surface 22" W x 16" D
- AL-50362T**     **\$99.00**



Low Bed with headboard, footboard and elevating headrest 5-inches from floor to top of frame deck (mattress and bedding are not included)

### Mesh Color Options



### Body Board For Patient Transfers

- ✓ Facilitates quick and efficient patient transfers
- ✓ Constructed of high density polyethylene
- ✓ Cleans easily
- 71" L x 23-1/2" W  
**AL-56913**     **\$169.00**
- 71" L x 35-1/2" W  
**PTB63**     **\$249.00**



### Privacy Screen

- ✓ Attractive three-panel wheeled privacy screen
- ✓ Available in two heights, 53" and 70"
- ✓ Folds into triangle for easy transport
- ✓ Available in five Sure-Chek® colors
- 53" H x 68" W x 30" D     **AL-66706**     **\$189.00**
- 70" H x 68" W x 30" D     **AL-66707**     **\$259.00**



Outside open



Closed



AL-66707 Inside open

### Sure-Chek® Colors



# PVC Shower Chairs

**BUY 11  
Get One  
FREE**

### Shower Chairs From Pediatric To Bariatric

- ✓ Deluxe, elongated extra heavy-duty, contoured open front seat
- ✓ Aesthetically pleasing w/ ergonomic curved/bent arms that support w/out sharp edges
- ✓ Fast drying, removable mesh back/sling comes w/ personal pocket/pouch
- ✓ Threaded stem casters provide additional safety

Internal Width	Stem Casters	Capacity	Special Features	ALCO Part No.	Price Each
15"	3" x 1-1/4"	300 lbs	Small Adult or Pediatric Use	AL-61531	\$119.00
18"	3" x 1-1/4"	300 lbs		AL-61001	\$119.00
18"	3" x 1-1/4"	300 lbs	Open Front Soft Seat	AL-68227	\$169.00
18"	3" x 1-1/4"	300 lbs	Folding Capacity	AL-61501	\$169.00
18"	3" x 1-1/4"	300 lbs	Flared Stability Base	AL-61504	\$139.00
18"	3" x 1-1/4"	300 lbs	Sliding Footrest	AL-68229	\$159.00
18"	3" x 1-1/4"	300 lbs	Individual Footrest	AL-68230	\$169.00
18"	3" x 1-1/4"	300 lbs	Soft Seat Complete & Individual Footrest	AL-68231	\$219.00
18"	3" x 1-1/4"	300 lbs	Open Front Soft Seat & Individual Footrest	AL-68232	\$219.00
18"	3" x 1-1/4"	300 lbs	Soft Seat Deluxe Dual Usage w/ Removable Center	AL-68233	\$169.00
18"	3" x 1-1/4"	300 lbs	Tilted Seat	AL-68234	\$119.00
18"	3" x 1-1/4"	300 lbs	Full Support, Snap-On Seat	AL-68235	\$149.00
22"	3" x 1-1/4"	375 lbs		AL-61003	\$129.00
26"	4" x 1-1/4"	425 lbs	7 Qt. Slide Out Commode Pail	AL-61002	\$169.00
26"	5" x 1-1/4"	600 lbs	10 Qt. Pail	AL-61537	\$309.00
30"	5" x 1-1/4"	700 lbs	10 Qt. Pail	AL-61022	\$539.00
30"	5" x 1-1/4"	700 lbs	10 Qt. Pail w/ Footrest	AL-61023	\$599.00
30"	5" x 1-1/4"	900 lbs	11 Qt. Pail w/ Footrest	AL-68236	\$1229.00



AL-61001



AL-61003



AL-61023

### Accessories

#### Description

Description	ALCO Part No.	Price Each
Lap Security Bar for 18" Internal Shower Chair	AL-61507	\$15.00
Lap Security Bar for 22" Internal Shower Chair	AL-68244	\$16.00
Lap Security Bar for 26" Internal Shower Chair	AL-68245	\$16.00
Lap Security Bar for 30" Internal Shower Chair	AL-68246	\$19.00
10 Quart Square Commode Pail w/ Slide On Rails	AL-61511A	\$12.00
Double Drop Arm (Factory Installed Only)	AL-61512	\$21.00
Folding Footrest	AL-61518	\$39.00
Sliding Footrest	AL-61519	\$49.00
Deluxe Elongated Closed Seat w/ Lid	AL-68251	\$21.00
Deluxe Elongated Open Front Soft Seat (Ideal for Male)	AL-68252	\$59.00

### Echo Line Shower Chairs (Same Quality Products w/ Less Standard Features)

Internal Width	Stem Casters	Capacity	ALCO Part No.	Price Each
18"	3" Twin	250 lbs	AL-61810	\$109.00
22"	3" Twin	250 lbs	AL-61811	\$119.00

### Accessories

Description	Internal Width	Length	ALCO Part No.	Price Each
Privacy Skirt	18"	Full	AL-61513	\$29.00
Privacy Skirt	18"	3/4	AL-68239	\$29.00
Privacy Skirt	22"	Full	AL-68240	\$32.00
Privacy Skirt	22"	3/4	AL-68241	\$29.00
Privacy Skirt	26"	Full	AL-68242	\$32.00
Privacy Skirt	26"	3/4	AL-68243	\$29.00
Safety Belt		Adjustable w/ Velcro	AL-61508	\$12.00
Safety Belt		Adjustable w/ heavy duty all plastic buckle	AL-61509	\$12.00

EP1

**900 lb.  
Capacity**



#### Multi-Purpose Chair

- ✓ Serves as a Shower Chair, Commode Chair, Transfer Chair and Aquatic—Pool Chair
- ✓ 18" internal width
- ✓ 24" rear wheels
- ✓ Open front soft seat w/individual footrest

AL-68237 \$479.00

#### PVC Woodtone Color Available



**CALL FOR DETAILS!**

# PVC Shower, Geri Chairs & Hampers



**MADE IN THE USA**

## Reclining Shower Chairs

- ✓ Padded lumbar support and head section

### Description

Description	ALCO Part No.	Price Each
Deluxe elongated open front seat and elevated leg extension	AL-61004	\$269.00
Tilt "n" Space w/ open front soft seat and double drop arm	AL-61547	\$349.00
Soft seat deluxe open front and elevated leg extension	AL-68238	\$319.00
Deluxe elongated open front seat, footrest, padded elevated leg extension	AL-61025	\$299.00

## Echo Line Reclining Shower Chair (Same Quality Products w/ Less Standard Features)

Deluxe elongated open front seat, elevating legrest	AL-68262	\$249.00
---	----------	----------



AL-61004

## Multi-Position Geri-Chairs

- ✓ Elevated legrest and footrest
- ✓ 3 position recline

### Description

Description	Capacity	ALCO Part No.	Price Each
Standard 18" Internal Width (Will fit most average height residents)	300 lbs	AL-61702	\$349.00
Bariatric 30" Internal Width	700 lbs	AL-68253	\$739.00

### Ger-Chair Options

Clip-On Tray for 18" Geri-Chair	AL-61704	\$39.00
Clip-On Tray for 30" Geri-Chair	AL-61723	\$79.00
Enclosed Padded Lap Tray w/ anti-bacterial upholstery for 18" Geri-Chair	AL-61705	\$59.00
Enclosed Padded Lap Tray w/ anti-bacterial upholstery for 30" Geri-Chair	AL-61724	\$109.00



AL-61702



AL-56782

AL-61567

AL-56784

## Hampers

- ✓ 3" heavy duty casters
- ✓ Mesh bag and zipper opening
- ✓ Base support for bag
- ✓ Push/pull handle

Description	Capacity	ALCO Part No.	Price Each
Single	33 Gallon	AL-56782	\$119.00
Single w/ Footpedal	33 Gallon	AL-56782F	\$149.00
Double	33 Gallon	AL-56784	\$209.00
Double w/ Footpedal	33 Gallon	AL-56784F	\$239.00
Triple	33 Gallon	AL-61567	\$309.00
Triple w/ Footpedal	33 Gallon	AL-61567F	\$349.00
Single	55 Gallon	AL-56783	\$139.00
Single w/ Footpedal	55 Gallon	AL-56783F	\$159.00
Double	55 Gallon	AL-56785	\$229.00
Double w/ Footpedal	55 Gallon	AL-56785F	\$259.00
Triple	55 Gallon	AL-61568	\$329.00
Triple w/ Footpedal	55 Gallon	AL-61568F	\$329.00

## Liner Bags (For Singles, Doubles and Triples)

Description	Size	ALCO Part No.	Price Each
Treated Nylon Liner Bag	14" x 14"	AL-56708B	\$18.00
Treated Nylon Liner Bag	18" x 18"	AL-56709B	\$20.00
Extra Leakproof Bag (30" x 35")	14" x 14"	AL-56708A	\$24.00
Extra Leakproof Bag (35" x 40")	18" x 18"	AL-56709A	\$28.00

## Echo Line Hampers (Same Quality Products w/ Less Standard Features)

Description	Capacity	ALCO Part No.	Price Each
Single	33 Gallon	AL-61814	\$119.00
Single w/ Footpedal	33 Gallon	AL-68263	\$139.00
Double	33 Gallon	AL-61815	\$179.00
Double w/ Footpedal	33 Gallon	AL-68264	\$219.00
Triple	33 Gallon	AL-68265	\$259.00
Triple w/ Footpedal	33 Gallon	AL-68266	\$309.00
Single	55 Gallon	AL-61816	\$119.00
Single w/ Footpedal	55 Gallon	AL-68267	\$139.00
Double	55 Gallon	AL-68268	\$209.00
Double w/ Footpedal	55 Gallon	AL-68269	\$239.00
Triple	55 Gallon	AL-68270	\$319.00
Triple w/ Footpedal	55 Gallon	AL-68271	\$369.00



# PVC Equipment



## Walkers

- ✓ 18" internal width
- ✓ Restraint free opening/closing gate
- ✓ Adjustable safety belt to help break accidental falls
- ✓ Height adjustable

### Description

	ALCO Part No.	Price Each
Walker (21" internal width base) w/ 3" heavy duty casters	AL-61685	\$199.00
Walker w/ anti-tip outriggers and 3" twin casters	AL-61684	\$279.00
Walker w/ anti-tip outriggers and 3" heavy duty casters	AL-61686	\$259.00



AL-61686

## Bariatric Bedside Commodes (Full Support Seat w/ Commode Opening, No Back and No Pail)

- ✓ Non slip rubber crutch tips
- ✓ High density polyethylene flat seat
- ✓ With slide out square pail

Useable Space	Capacity	ALCO Part No.	Price Each
26"	425 lbs	AL-61080	\$239.00
30"	700 lbs	AL-61081	\$239.00
36"	900 lbs	AL-61082	\$259.00



AL-61080

## Low Resident Beds

- ✓ Eliminate the use of restraints
- ✓ No sharp edges, w/ smooth, curved corner supports that hold mattress in place
- ✓ Double walled support at all stress points
- ✓ 3 different deck heights

### Description

Description	Dimensions	ALCO Part No.	Price Each
Standard Sleeping Surface	76"L x 40"W	AL-61726	\$169.00
Standard Sleeping Surface	80"L x 40"W	AL-61728	\$169.00
Reclined/Elevated Head Section	76"L x 40"W	AL-61727	\$249.00
Reclined/Elevated Head Section	80"L x 40"W	AL-61729	\$249.00



AL-61726

### Additional Items for Low Resident Beds

	Castors	ALCO Part No.	Price Each
Set of Casters for Beds (4 locking/ 2 non-locking)	3" Heavy Duty	AL-61731	\$59.00
Set of Casters for Beds (4 locking/ 2 non-locking)	3" Twin	AL-68258	\$59.00
Set of Casters for Beds (4 locking/ 4 non-locking)	2"	AL-61730	\$41.00
Head & Footboard w/ standard mesh		AL-61732	\$49.00
Safety Pad w/ anti-bacterial protection		AL-61735	\$109.00

## Transfer Boards

- ✓ Allows for quick and efficient patient transfers
- ✓ Made of high density polyethylene

Description	Dimensions	ALCO Part No.	Price Each
Transfer Board-Half Size	31"L x 23"W	AL-68254	\$79.00
Transfer Board-Narrow Size	71"L x 15.75"W	AL-68255	\$129.00
Transfer Board w/ 8" Carrying Handles	71"L x 23.5"W	AL-68256	\$139.00
Transfer Board-Wide Size	71"L x 35.5"W	AL-68257	\$259.00



AL-68257



AL-68259

## Universal Surge Overflow Beds

- ✓ Serves as sleeping cot
- ✓ Gurney comes w/ triage information system
- ✓ Carrying Carts for Overflow Beds
- ✓ Serves as storage and transportation

**Emergency Preparedness**

Description	Dimensions	Capacity	ALCO Part No.	Price Each
Universal Surge Bed	75"L x 25"W x 31"H	490 lbs	AL-68259	\$1479.00
Universal Surge Bed	48"L x 25"W x 30"H	300 lbs	AL-68260	\$1329.00
Crib Bed	50"L x 55.5"H	200 lbs	AL-68113	\$1119.00

## Carrying Carts for Surge Overflow Beds

- ✓ Serves as storage and transportation

Description	Dimensions	Included Beds	ALCO Part No.	Price Each
Universal Adult Cart	94.5"L x 30"W x 89.5"H	5 Adult Beds	AL-68109	\$6169.00
Universal Adult Cart	94.5"L x 30"W x 77.5"H	4 Adult Beds	AL-68108	\$4939.00
Universal Adult Cart	94.5"L x 30"W x 68.5"H	3 Adult Beds	AL-68107	\$3839.00
Universal Pediatric Cart	67"L x 30"W x 77"H	5 Pedi Beds	AL-68112	\$6049.00
Universal Pediatric Cart	67"L x 30"W x 62"H	4 Pedi Beds	AL-68111	\$4839.00
Universal Pediatric Cart	67"L x 30"W x 50"H	3 Pedi Beds	AL-68110	\$3629.00
Universal Crib Cart	85.5"L x 33"W x 63 1/4"H	3 Crib Beds	AL-68261	\$3659.00



AL-68261

**BUY 11**  
Get One  
**FREE**

# PVC Equipment



**AL-61201**

### Shower Gurneys

- ✓ 5 position elevating headrest
- ✓ Close cell water-proof foam pad
- ✓ Drain pan and drain hose

450 lb Capacity	<b>AL-61006</b>	<b>\$569.00</b>
600 lb Capacity	<b>AL-61201</b>	<b>\$679.00</b>
900 lb Capacity	<b>AL-61202</b>	<b>\$1169.00</b>



**AL-61736**

### Portable Privacy Screens

- ✓ 3-panel
- ✓ 21"W x 51"H

Without Casters

**AL-61736** **\$169.00**

With 3" Twin Nylon Casters

**AL-61738** **\$189.00**



### 3-Pack Bottle Buddy

- ✓ All plastic product – will never chip, rust, peel or corrode
- ✓ One kit includes: 3 trays, 8 legs, 4 top caps, floor protection kit and instruction kit
- ✓ Measures 28.75" x 14.5" x 21.5"

**AL-72469**

**\$39.00**

### Linen and Laundry Carts

- ✓ Mesh or solid vinyl cover
- ✓ Ergonomic handles designed to reduce wrist injuries
- ✓ Threaded stem casters

Description	No. of Shelves	Shelf Size	ALCO Part No.	Price Each
Mini-Linen Cart	2	20" x 25"	<b>AL-61622</b>	<b>\$169.00</b>
Mini-Linen Cart	3	20" x 25"	<b>AL-56773</b>	<b>\$199.00</b>
Mini-Linen Cart	4	20" x 25"	<b>AL-61625</b>	<b>\$249.00</b>
Utility/Linen Cart	2	20" x 32"	<b>AL-56776</b>	<b>\$199.00</b>
Utility/Linen Cart	3	20" x 32"	<b>AL-61628</b>	<b>\$239.00</b>
Utility/Linen Cart	4	20" x 32"	<b>AL-61630</b>	<b>\$299.00</b>
Linen Cart	2	20" x 45"	<b>AL-61633</b>	<b>\$269.00</b>
Linen Cart	3	20" x 45"	<b>AL-56775</b>	<b>\$319.00</b>
Linen Cart	4	20" x 45"	<b>AL-61636</b>	<b>\$399.00</b>
Jumbo Linen Cart	2	20" x 50"	<b>AL-61615</b>	<b>\$269.00</b>
Jumbo Linen Cart	3	20" x 50"	<b>AL-56778</b>	<b>\$329.00</b>
Jumbo Linen Cart	4	20" x 50"	<b>AL-61616</b>	<b>\$449.00</b>
Extra Wide Utility/Mini Linen Cart	2	24" x 25"	<b>AL-61619</b>	<b>\$199.00</b>
Extra Wide Utility/Mini Linen Cart	3	24" x 25"	<b>AL-56774</b>	<b>\$239.00</b>
Extra Wide Utility/Mini Linen Cart	4	24" x 25"	<b>AL-61621</b>	<b>\$289.00</b>
Extra Wide Jumbo Linen Cart	2	24" x 50"	<b>AL-61617</b>	<b>\$289.00</b>
Extra Wide Jumbo Linen Cart	3	24" x 50"	<b>AL-56777</b>	<b>\$369.00</b>
Extra Wide Jumbo Linen Cart	4	24" x 50"	<b>AL-61618</b>	<b>\$459.00</b>

### Specialty/Handy Carts (Tub Size 20" x 15" x 5")

Universal Cart w/ 3 Slide Out Drawers (19.125"W x 14"D x 6.5"H)	<b>AL-61660</b>	<b>\$199.00</b>
Specialty Cart w/ 4 Shelves, 8 Pull Out Tubs	<b>AL-61641</b>	<b>\$379.00</b>
Combo Cart, 1/2 Clothes Closet, 1/2 Linen Cart w/ 4 Shelves	<b>AL-56788</b>	<b>\$349.00</b>

### Echo Line Carts (Same Quality Products w/ Less Standard Features)

Mini-Linen Cart	3	20" x 25"	<b>AL-68272</b>	<b>\$189.00</b>
Utility/Linen Cart	3	20" x 32"	<b>AL-61818</b>	<b>\$209.00</b>
Linen Cart	3	20" x 45"	<b>AL-61819</b>	<b>\$259.00</b>



**AL-61622**



**AL-61636**



**AL-56788**

# PVC Shower & Commode Chairs

NEW Vacuum Formed Seats feature built in splash guard, wider seats for full support and removable snap-on seats for easy cleaning!

**BUY 11 GET 1 FREE!**

**600 lb. Capacity**



**Bariatric Shower Commode Chair**  
 ✓ 6 Non-rust 5" wheels with brake  
 ✓ 26" internal; 22" seat height;  
 ✓ 24" wide vacuum formed seat for extra support  
**AL-72789 \$409.00**

**Option**  
 Buckle safety belt  
**AL-72803 \$19.00**

**450 lb. Capacity**



**Bariatric Reclining Shower Chair with Vacuum Seat**  
 ✓ 4 Non-rust 5" locking wheels  
 ✓ Seat height 22.5"; 24" between arms  
 ✓ 5 position padded legrest and backrest  
 ✓ Oversize pail included  
**AL-72790 \$459.00**

**Options**  
 Buckle safety belt  
**AL-72803 \$19.00**  
 Swing away arms (both sides)  
**AL-72804 \$59.00 Pair**



**Shower Chair with Extra Wide 24" Vacuum Formed Seat**  
 ✓ 24" between arms; 18.75" clearance; 20" seat depth  
 ✓ Seat is snap on/snap off for easy cleaning  
 ✓ Built in splash guard  
**AL-72791 \$219.00**

**Options**  
 Buckle safety belt **AL-72803 \$19.00**  
 Bucket/pail **AL-72805 \$19.00**  
 Sliding footrest **AL-72806 \$59.00 Pr**  
 Drop arm (both sides) **AL-72807 \$69.00 Pr**  
 Privacy skirt **AL-72808 \$39.00**  
 Upgrade to 5" Non-rust wheels (set of 4) **AL-72809 \$89.00**

**400 lb. Capacity**



**300 lb. Capacity**

**Shower Chair with Vacuum Seat**  
 ✓ 18" seat depth; 17.5" clearance  
 ✓ Drop arm on both sides  
 ✓ 18" between arms  
**AL-72792 \$269.00**

**Options**  
 Buckle safety belt **AL-72803 \$19.00**  
 Bucket/pail **AL-72805 \$19.00**  
 Privacy skirt **AL-72808 \$39.00**  
 Upgrade to 5" Non-rust wheels (set of 4) **AL-72809 \$89.00**



**Soft Seat Shower & Commode Chair**  
 ✓ 18" between arms; 23" seat height; 18" seat depth  
 ✓ Deluxe padded open front seat  
 ✓ 5" premium non-rust casters  
**AL-72793 \$329.00**

**Options**  
 Buckle safety belt **AL-72803 \$19.00**  
 Bucket/pail **AL-72805 \$19.00**  
 Privacy skirt **AL-72808 \$39.00**

**400 lb. Capacity**



**Standard Shower Commode Chair**  
 ✓ 18" between arms; 17.5" clearance; seat depth 18"  
 ✓ 3" x 1 1/4" extra wide heavy-duty zinc plated casters  
 ✓ Pail included  
**AL-72794 \$139.00**

**Options**  
 Buckle safety belt **AL-72803 \$19.00**  
 Sliding footrest **AL-72806 \$59.00 Pr**  
 Privacy skirt **AL-72808 \$39.00**  
 Upgrade to 5" Non-rust wheels (set of 4) **AL-72809 \$89.00**

**300 lb. Capacity**



**Deluxe Shower Commode Chair with Vacuum Seat**  
 ✓ 18" between arms; 17.5" clearance; 18" seat depth  
 ✓ Seat is snap on/snap off for easy cleaning  
 ✓ Built in splash guard  
**AL-72795 \$159.00**

**Options**  
 Buckle safety belt **AL-72803 \$19.00**  
 Bucket/pail **AL-72805 \$19.00**  
 Drop arm (both sides) **AL-72807 \$69.00 Pr**  
 Privacy skirt **AL-72808 \$39.00**  
 Upgrade to 5" Non-rust wheels (set of 4) **AL-72809 \$89.00**

**300 lb. Capacity**



**300 lb. Capacity**

**Reclining Commode with Legrest and Footrest**  
 ✓ 21" between arms; seat height 23.5"  
 ✓ 5 position backrest; 5-position padded legrest  
 ✓ 4" heavy duty caster  
**AL-72796 \$329.00**

**Options**  
 Buckle safety belt **AL-72803 \$19.00**  
 Pail/bucket **AL-72805 \$19.00**  
 Drop arm both sides **AL-72807 \$69.00 Pr**  
 Privacy skirt **AL-72808 \$39.00**  
 Upgrade to 5" Non-rust wheels (set of 4) **AL-72809 \$89.00**

EP1



# Replacement PVC Casters

**BUY 11 GET 1 FREE!**

## Replacement PVC Casters by Care Products

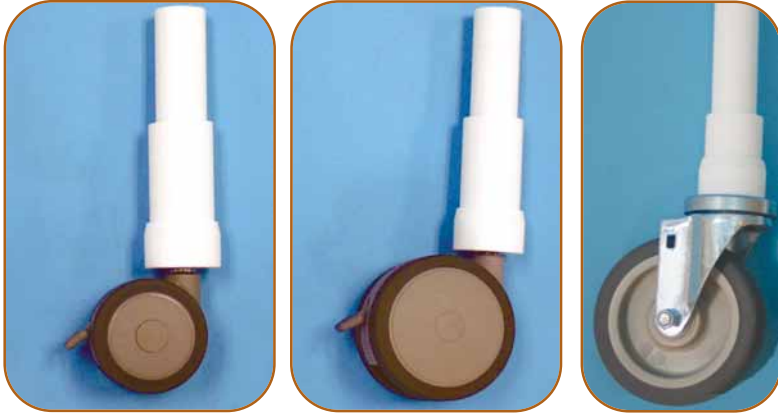


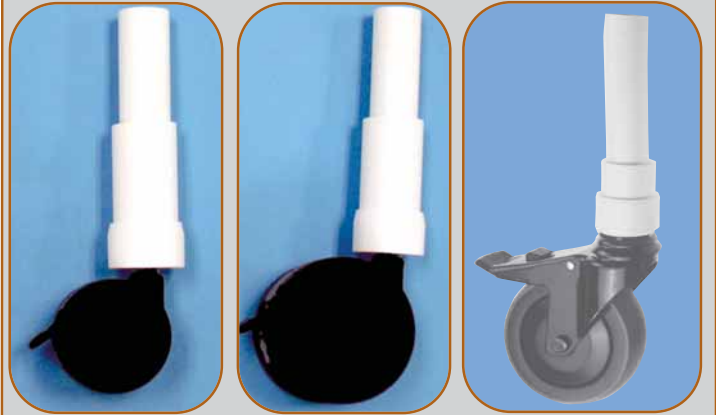
Fig 1

Fig 2

Fig 3

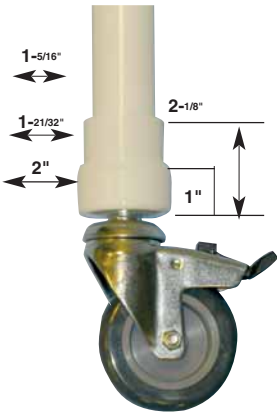
Fig.	Size	Fits	ALCO Part No.	Price
1	3"	Standard Shower Chairs, Set of 4	AL-69322	\$89.00 Set/4 Ea.
2	4"	Extra Wide Shower Chair Model 520W, Set of 4	AL-72511	\$99.00 Set/4 Ea.
3	5"	For Gurney and Models 522, 523, 524XW, 900, 925, 930 & 940, Set of 6	AL-69323	\$129.00 Set/6 Ea.

## Replacement PVC Casters by MJM



3" Total Lock Caster <b>AL-57456 \$26.00</b>	5" Swivel Caster <b>AL-57459 \$25.00</b>	5" Total Lock Brake and 5" Swivel Caster Set of 4 w/PVC <b>AL-57460 \$199.00 Set</b>
3" Swivel Caster <b>AL-57455 \$23.00</b>	5" Swivel w/Brake <b>AL-57458 \$27.00</b>	
3" Caster—Set of 4 w/PVC <b>AL-57454 \$59.00 Set</b>	5" Caster—Set of 4 w/PVC <b>AL-57457 \$99.00 Set</b>	

## Replacement PVC Casters by Healthline



AL-52731B

5" X 1-1/4" No Rust, non-marking gray Rubber Tire. Can Disassemble For Cleaning.

Without Brake <b>AL-52731</b>	<b>\$35.95 ea.</b>
With Brake <b>AL-52731B</b>	<b>\$37.95 ea.</b>



AL-52732B

3" Total Lock Caster. Locks wheel and swivel. Thread Guards. Can Disassemble For Cleaning. Non-Marking Gray Rubber Tire.

Without Brake <b>AL-52732</b>	<b>\$27.95 ea.</b>
With Brake <b>AL-52732B</b>	<b>\$29.95 ea.</b>



AL-52734B

No Rust Twin Wheel Composite Caster

3" Without Brake <b>AL-52734</b>	<b>\$12.95 ea.</b>
3" With Brake <b>AL-52734B</b>	<b>\$14.95 ea.</b>
4" Without Brake <b>AL-52735</b>	<b>\$21.95 ea.</b>
4" With Brake <b>AL-52735B</b>	<b>\$23.95 ea.</b>



# Replacement PVC Casters by IPU

**BUY 11 GET 1 FREE!**



Replacement  
Caster Plug  
**AL-47576**  
\$4.95 Ea.



**AL-47577**

1A



**AL-47577BK**

2



**AL-69252**

2A



**AL-69252BK**



**Non-Rusting**



3



**AL-57027**

3A



**AL-57027BK**

4



**AL-47579**

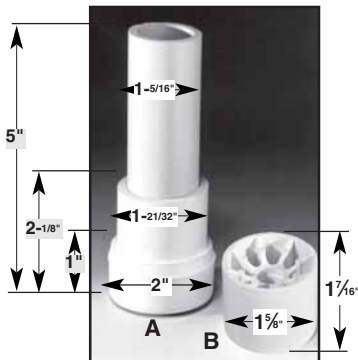
5



**AL-74888**

Fig	Description	ALCO Part No.	Price Set of 4
1	3" Twin Wheel Casters with PVC Plug (All Locking set of 4)	<b>AL-47577</b>	<b>\$59.00 Kit</b>
1A	3" Twin Wheel Casters with PVC Plug (All Locking Set of 4); Black	<b>AL-47577BK</b>	<b>\$59.00 Kit</b>
2	3" Deluxe Twin Non-Rusting Caster with PVC Plug (All Locking set of 4)	<b>AL-69252</b>	<b>\$89.95 Kit</b>
2A	3" Deluxe Twin Non-Rusting Casters with PVC Plug (All Locking Set of 4); Black	<b>AL-69252BK</b>	<b>\$89.95 Kit</b>
3	4" Single Wheel Casters with PVC Plug and two with wheel Brake (set of 4)	<b>AL-57027</b>	<b>\$89.95 Kit</b>
3A	4" Single Wheel Casters with PVC Plug and two with wheel Brake (Set of 4); Black	<b>AL-57027BK</b>	<b>\$89.95 Kit</b>
4	3" Single Wheel Casters with PVC Plug and two with Total Lock Brake (set of 4)	<b>AL-47579</b>	<b>\$69.95 Kit</b>
5	3" Twin Wheel Casters (two locking and two non-locking); Black	<b>AL-74888</b>	<b>\$59.95 Kit</b>
N/S	5" Single Wheel Casters with PVC Plug and two with wheel Brake (set of 4)	<b>AL-57037</b>	<b>\$99.95 Kit</b>

Total Brake caster locks both swivel and wheel at the same time. Operates with a simple tap of the toe.



(A) **AL-50337** \$4.95 Each  
For Healthline PVC  
(B) **AL-50338** \$4.95 Each  
For Anthros PVC (7/16" Stem Hole)

**PVC Plug**

Plug takes 7/16" Dia. Grip Lock Stem Caster.

**AL-47576 \$4.95 Each**

**PVC Plug**

Plug takes 7/16" Dia. Grip Lock Stem Caster.

**AL-47578 \$3.95 Each**

# Replacement Parts by IPU

**BUY 11 GET 1 FREE!**

## Fittings



AL-74926 \$3.95    AL-74927 \$4.95    AL-74928 \$7.95



AL-74929 \$5.95    AL-74930 \$2.95    AL-74931 \$3.95



AL-74932 \$2.95    AL-74933 \$3.95    AL-74934 \$12.95



AL-74935 \$1.95    AL-74936 \$1.95

## Casters



Plug AL-74937 \$1.95    Plug AL-47576 \$4.95    Crutch Tip AL-74939 \$4.95



3" Twin Wheel Kit AL-47577BK \$59.95    3" Twin Wheel Kit AL-74888 \$59.95    3" Twin Wheel Kit AL-69252BK \$89.95



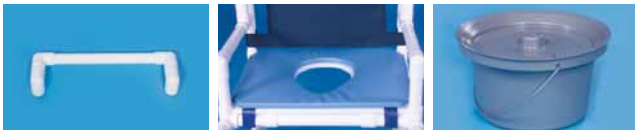
4" Twin Wheel AL-74943 \$22.95 Ea    4" Heavy-Duty Kit AL-57027BK \$89.95    5" Heavy-Duty AL-74945 \$24.95 Ea



5" No-Rust AL-74947 \$56.95 Ea    4" No-Rust AL-74946 \$38.95 Ea

*Note: Kit Includes Set of 4 Wheels*

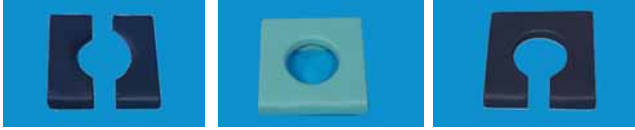
## Shower Chair Replacement Parts



Pushbar AL-66864 \$34.95    Seat Pad AL-74949 \$59.95    Deluxe Pail AL-74954 \$29.95



Oval Pail AL-74955 \$26.95    Tall Pail AL-74956 \$19.95    Bariatric Pail AL-74957 \$47.95



Split Seat AL-74951 \$98.95    Closed Front Seat AL-74952 \$98.95    Open Front Seat AL-74953 \$98.95



Straps AL-74958 \$9.95    Pushbar AL-74948 \$24.95

## xWalker Parts



Medium Lock AL-74960 \$47.95



Adjust Lock Pin AL-66869 \$4.95



Lock Bar Pin AL-66870 \$7.95



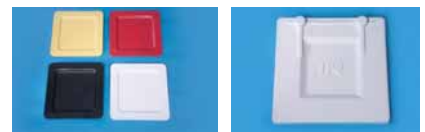
Bar AL-74959 \$49.95

## Miscellaneous



Lanyard AL-74962 \$6.95    L-Ratchet AL-66865 \$23.95  
 Quick Pin AL-74963 \$6.95

## Hamper Parts



18" x 18" AL-66872 \$39.95    22" x 21" AL-66871 \$50.95

# Furniture



Phone: 800-323-4282  
Fax: 800-950-1167

**ALCO**  
Sales & Service Co.

info@alcosales.com  
www.alcosales.com

# Bariatric Furniture



### Multipurpose Chair

- ✓ Made from high pressure laminated northern hardwood
- ✓ Shipped common carrier

**AL-63921      \$729.00**

Seat width: 30"  
 Seat height: 18"  
 Seat depth: 23"  
 Color: Marina Blue



### Multipurpose Chair

- ✓ Double tubed aluminum powder-coated frame with generous seat width of 30" and seat depth of 18" to 20"
- ✓ The pads are reversible which allow the user to change the seat height and depth
- ✓ Shipped common carrier

**AL-61064      \$759.00**

Seat width: 30"  
 Seat height: 19 1/2"-21 1/2"  
 Seat depth: 20"-18"  
 Arm height from seat: 9"-11"  
 Arm height from floor: 28"  
 Color: Sapphire



### The Ascender Bariatric Chair

The Ascender product line reduces patient effort and risk associated with rising from a chair while lessening the chance of a "lifting" injury to the caregiver. From post-operative acute and sub-acute rehabilitation to at-home recovery to follow-up physician office visits, the Ascender orthopedic and bariatric seating solutions deliver clinical efficacy as well as patient and caregiver safety.

- ✓ New standard in seat height maximizes patient's "sit to stand" capability
- ✓ Extended armrests and secure hand grips provide greater support when rising and sitting
- ✓ Patented GLIDE-A-WAY footrest facilitates patient positioning when seated or during entry and exit
- ✓ Adjustable four position back and three-position footrest ensures comfort and proper skeletal alignment
- ✓ Seat and back cushions are interchangeable for modification of seat height and/or depth to meet the needs of a varied patient population
- ✓ Specify color: Wine Rose (A), Ice Blue (B), Emerald (C) and Wheat (D) Example: **AL-67810A**

20" Seat Width	<b>AL-67810</b>	<b>\$1969.00</b>
24" Seat Width	<b>AL-67811</b>	<b>\$1769.00</b>



**New!**

# Bariatric Furniture

**BUY 11 GET 1 FREE!**

**Call For Pricing**

- ✓ Scuff-, scratch- and water-resistant finish with antimicrobial product protection
- ✓ Solid steel inner frame
- ✓ Optional Fire Rated: CAL133

- ✓ Choose from 100's of fabrics
- ✓ Pick from 23 finish types
- ✓ Call for details



**Up To 1000 lb. Capacity**

**Bariatric Chair**

- ✓ Dimensions: 34-1/4"W x 26-1/2"D x 37"H
- ✓ Seat: 34"W x 19"D x 19"H
- ✓ Arms: 25"H

**AL-77737 Call**

**500 lb. Capacity**



**Seville Bariatric Chair**

- ✓ Dimensions: 35-1/2"W x 30-1/2"D x 34-1/2"H
- ✓ Seat: 34"W x 19"D x 18-1/2"H
- ✓ Arms: 26"H
- ✓ Feet require assembly

**AL-77738 Call**

**Up To 1000 lb. Capacity**



**Bariatric Dining**

- ✓ Dimensions: 28-1/2"W x 25"D x 37"H
- ✓ Seat: 25-1/4"W x 20"D x 21-1/2"H
- ✓ Arms: 26"H

**AL-77739 Call**

**700 lb. Capacity**



**Valentia Bariatric**

- ✓ Dimensions: 34-1/4"W x 27"D x 35-3/4"H
- ✓ Seat: 30"W x 20"D x 18-1/2"H
- ✓ Arms: 25-3/4"H

**AL-77740 Call**

**400 lb. Capacity**



**Tivoli Bariatric**

- ✓ Dimensions: 25-1/4"W x 22"D x 42-1/2"H
- ✓ Seat: 21-3/4"W x 18-1/2"D x 19-1/2"H
- ✓ Arms: 26-1/2"H
- ✓ Reinforced frame and/or back
- ✓ Curved, split-back detail and custom carved arms, delightfully reminiscent of hand-carved wooden detailing

**AL-77741 Call**

**Up To 1000 lb. Capacity**



**Bariatric Fully Upholstered**

- ✓ Dimensions: 29-1/4"W x 26-1/2"D x 33"H
- ✓ Seat: 30"W x 19"D x 18-1/2"H
- ✓ Arms: 25-1/4"H

**AL-77742 Call**

EP1

**500 lb. Capacity**



**Carrara Bariatric Recliner**

- ✓ Dimensions: 31-1/2"W x 38"D x 44-1/2"H
- ✓ Seat: 24"W x 20"D x 19"H
- ✓ Arms: 25-1/2"H
- ✓ Trendelenburg treatment chair
- ✓ Locking casters standard
- ✓ High-impact resistant arm caps repairable in seconds
- ✓ Back capable of multiple locking positions from upright to sleeper
- ✓ Independent footrest and back

**AL-77743 Call**



**Carrara Bariatric Chair**

- ✓ Dimensions: 36-1/2"W x 26-1/2"D x 36"H
- ✓ Seat: 31"W x 19-1/2"D x 19"H
- ✓ Arms: 25"H

**AL-77744 Call**

**500 lb. Capacity**

# Stackable/Folding Chairs & Step Stools

BUY 11  
Get One  
**FREE**



**Figure 1**  
2" Thick Dome Seat



**Figure 2**  
2" Thick Crown Seat



**Figure 3**  
2" Thick Dome Seat



**Figure 4**  
30-5/8"H x 18-5/8"W x  
21-1/2"D



**Figure 5**  
30"H x 17-1/2"W x 20"D



**Figure 6**  
Steel Folding Chair



**Figure 7**  
Padded Seat & Back Folding Chairs



**Figure 8**

Fig	Frame	Upholstery	ALCO Part No.	Price Each
<b>Upholstered Stackable Chairs</b>				
1	Char Black	Sedona Ruby Fabric	AL-62527	\$59.00
1	Silver	Sedona Sailor Fabric	AL-62528	\$59.00
2	Char Black	Sedona Sailor Fabric	AL-62529	\$54.00
2	Silver	Sedona Sailor Fabric	AL-62530	\$54.00
2	Chrome	Ultratexhyde CaribVinyl	AL-62531	\$54.00
3	Char Black	Linen Black Vinyl	AL-62532	\$54.00
3	Char Black	Linen Burgundy Vinyl	AL-62533	\$54.00
3	Silver Mist	Linen Slate Blue Vinyl	AL-62534	\$54.00

The Above Figures #1-3 Are Sold 4 Per Carton Only!

### Plastic Stackable Chairs

4	Chrome	Black	AL-62537	\$44.00
4	Chrome	Navy Blue	AL-62538	\$44.00
4	Chrome	Wine	AL-62539	\$44.00
4	Chrome	Red	AL-62540	\$44.00
5	Chrome	Navy Blue	AL-62541	\$44.00
5	Chrome	Wine	AL-62542	\$44.00

### Steel Folding Chairs

6	Steel	El Dorado Bronze	AL-62543	\$33.00
6	Steel	Silver Mist	AL-62544	\$33.00
6	Steel	Golden Bronze	AL-62545	\$33.00
6	Steel	Mocha	AL-62546	\$33.00

### Padded Seat & Back Folding Chairs

7	Mocha	Select Brown Vinyl	AL-62547	\$47.00
8	Silver	Sedona Sailor Fabric	AL-62548	\$49.00
8	Char Black	Sedona Ruby Fabric	AL-62549	\$49.00
8	Char Black	Sedona Loden Fabric	AL-62550	\$49.00

The Above Figures #4-8 Are Sold 4 Per Carton Only!



600 lb.  
Capacity

AL-68155

AL-68154

### Bariatric Step Stools

- ✓ Chrome plated 16 gauge steel for durability
- ✓ Skid resistant rubber mat for safety
- ✓ Handrail is 1" chrome plated steel

Two-Step, Step Stool	AL-68154	\$179.00
Two-Step, Step Stool w/ Hand Rail	AL-68155	\$219.00



300 lb.  
Capacity

### Chrome Step Stool

- ✓ All welded steel construction
- ✓ 1" chromed steel legs with crutch tips
- ✓ Height: 9"
- ✓ Top: 11" x 14" steel with "non-slip" rubber mat

Step Stool with Hand Rail  
AL-42717 \$49.00

MADE IN THE  
USA

Step Stool  
AL-42716 \$39.00



300 lb.  
Capacity

### Two-Step Folding Step Stool

- ✓ Slip-resistant surfaces on steps & foot pads
- ✓ Stands upright when folded and requires minimum space for storage

AL-68391 \$49.00

LOW PRICES GUARANTEED!  
WE WILL NOT BE UNDERSOLD!

# Wardrobes & Dressers

**BUY 11 GET 1 FREE!**

## Avalon Style

✓ High pressure laminate surfaces



### Single Wardrobe

- ✓ Wardrobe cabinet with 1 door and 2 drawer inset
- ✓ High density particle board core
- ✓ 21-3/4"W x 24"D x 72"H



### Double Wardrobe

- ✓ Double wardrobe cabinet with 2 doors and 2 drawers inset
- ✓ High density particle board core
- ✓ 36"W x 24"D x 72"H

### 3 Drawer Dresser

- ✓ Moisture resistant vinyl drawer
- ✓ epoxy coated heavy duty steel drawer guides
- ✓ Vented back
- ✓ Gold wire pulls
- ✓ 30"W x 20"D x 30"H



### Drawer Dresser

- ✓ Moisture resistant vinyl drawer
- ✓ Epoxy coated heavy duty steel drawer guides
- ✓ Vented back, gold wire pulls
- ✓ 30"W x 20"D x 30"H



## Other Styles Available

### Cardinal



## Standard Finish Options



Description	Natural Maple	Natural Oak	Wild Cherry	Cherry	English Oak	Walnut	Price
Avalon single wardrobe - 1 door	AL-75220	AL-75221	AL-75222	AL-75223	AL-75224	AL-75225	CALL
Avalon single wardrobe - 1 door / 2 drawer	AL-75226	AL-75227	AL-75228	AL-75229	AL-75230	AL-75231	CALL
Avalon double wardrobe - 2 door	AL-75232	AL-75233	AL-75234	AL-75235	AL-75236	AL-75237	CALL
Avalon double wardrobe - 2 door / 2 drawer	AL-75238	AL-75239	AL-75240	AL-75241	AL-75242	AL-75243	CALL
Avalon 3 Drawer Dresser	AL-75244	AL-75245	AL-75246	AL-75247	AL-75248	AL-75249	CALL
Avalon 6 Drawer Dresser	AL-75250	AL-75251	AL-75252	AL-75253	AL-75254	AL-75255	CALL
Cardinal single wardrobe - 1 door	AL-75256	AL-75257	AL-75258	AL-75259	AL-75260	AL-75261	CALL
Cardinal single wardrobe - 1 door / 2 drawer	AL-75262	AL-75263	AL-75264	AL-75265	AL-75266	AL-75267	CALL
Cardinal double wardrobe - 2 door	AL-75268	AL-75269	AL-75270	AL-75271	AL-75272	AL-75273	CALL
Cardinal double wardrobe - 2 door / 2 drawer	AL-75274	AL-75275	AL-75276	AL-75277	AL-75278	AL-75279	CALL
Cardinal 3 Drawer Dresser	AL-75280	AL-75281	AL-75282	AL-75283	AL-75284	AL-75285	CALL
Cardinal 6 Drawer Dresser	AL-75286	AL-75287	AL-75288	AL-75289	AL-75290	AL-75291	CALL

# Bedside Cabinets

**BUY 11 GET 1 FREE!**

## Wood Veneer

- ✓ High pressure laminate top
- ✓ Veneer paneling
- ✓ Plywood core
- ✓ Wood trim edge top
- ✓ Gold wire pulls



**Newport**  
 ✓ Shown in English Oak finish

(F)



**Willow Court**  
 ✓ Shown in Wild Cherry finish

(G)



**Stanton**  
 ✓ 23" W x 17" D x 31" H  
 ✓ Shown in Natural Oak finish

(H)

## High Pressure Laminate

- ✓ High pressure laminate
- ✓ High density particle board core
- ✓ 23" W x 19" D x 30" H



(A)

**Avalon**  
 ✓ Inset doors and drawers  
 ✓ Gold wire pulls  
 ✓ Shown in Natural Oak finish



(B)

**Highlynn**  
 ✓ Gold wire pulls  
 ✓ Shown in Cherry finish



(C)

**Huntington**  
 ✓ Hardwood trim base  
 ✓ Finger pulls  
 ✓ Wood trim edge top  
 ✓ Shown in Natural Oak finish



(D)

**Cardinal**  
 ✓ Inset door and drawer  
 ✓ Wood trim edge top  
 ✓ Gold wire pulls  
 ✓ Shown in Natural Maple finish  
 ✓ Shown with optional casters



(E)

**Shoreline**  
 ✓ Galley rails  
 ✓ Pullout shelf  
 ✓ Finger pulls  
 ✓ Shown in Natural Maple finish  
 ✓ Shown with optional casters

## Ordering Guide

Fig	Description	Natural Maple Door/Drawer	Three Drawer	Natural Oak Door/Drawer	Three Drawer	Wild Cherry Door/Drawer	Three Drawer	Cherry Door/Drawer	Three Drawer	English Door/Drawer	Three Drawer	Oak Door/Drawer	Walnut Door/Drawer	Three Drawer
A	Avalon	AL-75086	AL-75087	AL-75088	AL-75089	AL-75090	AL-75091	AL-75092	AL-75093	AL-75094	AL-75095	AL-75096	AL-75097	
B	Highlynn	AL-75098	AL-75099	AL-75100	AL-75101	AL-75102	AL-75103	AL-75104	AL-75105	AL-75106	AL-75107	AL-75108	AL-75109	
C	Huntington	AL-75110	AL-75111	AL-75112	AL-75113	AL-75114	AL-75115	AL-75116	AL-75117	AL-75118	AL-75119	AL-75120	AL-75121	
D	Cardinal	AL-75122	AL-75123	AL-75124	AL-75125	AL-75126	AL-75127	AL-75128	AL-75129	AL-75130	AL-75131	AL-75132	AL-75133	
E	Shoreline	AL-75170	AL-75171	AL-75172	AL-75173	AL-75174	AL-75175	AL-75176	AL-75177	AL-75178	AL-75179	AL-75180	AL-75181	
F	Newport	AL-75134	AL-75135	AL-75136	AL-75137	AL-75138	AL-75139	AL-75140	AL-75141	AL-75142	AL-75143	AL-75144	AL-75145	
G	Willow Court	AL-75146	AL-75147	AL-75148	AL-75149	AL-75150	AL-75151	AL-75152	AL-75153	AL-75154	AL-75155	AL-75156	AL-75157	
H	Stanton	AL-75158	AL-75159	AL-75160	AL-75161	AL-75162	AL-75163	AL-75164	AL-75165	AL-75166	AL-75167	AL-75168	AL-75169	

Add casters to any cabinet **AL-75182 CALL**  
 Add door/drawer locks to any cabinet **AL-75183 CALL**  
 Custom drawer pulls are available upon request

Finish options for all cabinets

**Call For Pricing**






# Psychiatric Furniture

**BUY 11 GET 1 FREE!**

**Durable furniture for hard use environments**



**Psychiatric Bed**

- ✓ High pressure laminate surfaces with plywood core and hardwood trim, internal hardwood blocking for additional strength; 35" x 80" sleep surface
- ✓ Dimensions: 83" L x 38" W x 20" H
- ✓ Can be mounted to the ground
- ✓ 3 configurations available: No compartments, 2 compartments and restraint rails
- ✓ Mattresses sold separately—See pages 133-139



**Psychiatric Wardrobe Units**

- ✓ Psychiatric wardrobe units are made with a sturdy plywood core and dent and scratch resistant high pressure laminate surfaces. These units also come standard with non-removable drawers and tamper resistant hardware. Drawers can be locked. See below.
- ✓ Custom options are available

Single Wardrobe - 1 door and 2 drawer (shown): 21-3/4" W x 25"D x 72"H  
 Double Wardrobe - 2 door and 2 drawer (not shown): 36"W x 25"D x 72"H



**Psychiatric Dressers**

- ✓ Psychiatric dresser with non-removable drawers and tamper resistant hardware, high pressure laminate surfaces with plywood core and hardwood trim

3 Drawer (shown): 30"W x 20"D x 30"H  
 4 Drawer (not shown): 24"W x 18"D x 36"H



**Bedside Cabinets**

- ✓ High pressure laminate; heavy-duty construction; plywood core; hardwood pulls
- ✓ 23" W x 19" D x 30" H
- ✓ Available in 1 drawer/1 door (shown) or 3 drawer (not shown)



**Desks**

- ✓ High pressure laminate; heavy-duty construction; plywood core
- ✓ 36" W x 18" D x 30" H
- ✓ Available with or without pencil drawer

Fig.	Description	Natural Maple	Natural Oak	Wild Cherry	Cherry	English Oak	Walnut	Price
A	Psychiatric bed	AL-75292	AL-75293	AL-75294	AL-75295	AL-75296	AL-75297	CALL
B	Psychiatric bed with restraint rails	AL-75298	AL-75299	AL-75300	AL-75301	AL-75302	AL-75303	CALL
C	Psychiatric bed with two compartments	AL-75304	AL-75305	AL-75306	AL-75307	AL-75308	AL-75309	CALL
D	Psychiatric single wardrobe	AL-75310	AL-75311	AL-75312	AL-75313	AL-75314	AL-75315	CALL
N/S	Psychiatric double wardrobe	AL-75316	AL-75317	AL-75318	AL-75319	AL-75320	AL-75321	CALL
E	Psychiatric 3 drawer dresser	AL-75322	AL-75323	AL-75324	AL-75325	AL-75326	AL-75327	CALL
N/S	Psychiatric 4 drawer dresser	AL-75328	AL-75329	AL-75330	AL-75331	AL-75332	AL-75333	CALL
F	Psychiatric cabinet - 1 drawer /1 door	AL-75334	AL-75335	AL-75336	AL-75337	AL-75338	AL-75339	CALL
N/S	Psychiatric cabinet - 3 drawer	AL-75340	AL-75341	AL-75342	AL-75343	AL-75344	AL-75345	CALL
G	Psychiatric desk	AL-75346	AL-75347	AL-75348	AL-75349	AL-75350	AL-75351	CALL
N/S	Psychiatric desk with pencil drawer	AL-75352	AL-75353	AL-75354	AL-75355	AL-75356	AL-75357	CALL
	Drawer locks (each)						AL-75358	CALL
	Bed mounting hardware						AL-75359	CALL

**Standard Finish Options**

Each item is available in six standard finishes—See ordering guide on page 560



EP1

# Monitor Carts

**BUY 11 GET 1 FREE!**

## Consolidate Equipment in Your Sub-Acute Unit

Laminate surfaces and high density particle board core on 4" casters



### Single Monitor Cart

- ✓ 1 door, 1 drawer and hutch top
- ✓ 64-3/4"H x 22"D x 22"W
- ✓ Shown in Natural Oak



### Double Monitor Cart

- ✓ 2 doors, 2 drawers and hutch top
- ✓ 64-3/4"H x 22"D x 42 1/4"W
- ✓ Shown in custom finish: Oatmeal Fiber AT101

Standard finish options—Call for custom finishes



Description	Natural Maple	Natural Oak	Wild Cherry	Cherry	English Oak	Walnut	Price
Single Monitor Cart	AL-75360	AL-75361	AL-75362	AL-75363	AL-75364	AL-75365	CALL
Double Monitor Cart	AL-75366	AL-75367	AL-75368	AL-75369	AL-75370	AL-75371	CALL

# Patient Room Chairs



### What is Reconditioned Upholstery?

The material is thoroughly cleaned, sanitized and inspected to ensure it is free of any rips, tears or defects. Call ALCO for available fabric color options.

### Refurbished Hill-Rom Patient Chair with Reconditioned Upholstery

Hill-Rom high back patient room chair with reconditioned upholstery and refinished frame.

### Refurbished Hill-Rom Patient Chair with New Upholstery

Hill-Rom high back patient room chair with new vinyl upholstery and refinished frame.

Refurbished Hill-Rom patient chair							
Description	Natural Maple	Natural Oak	Wild Cherry	Cherry	English Oak	Walnut	Price
With Reconditioned Upholstery	AL-75372	AL-75373	AL-75374	AL-75375	AL-75376	AL-75377	CALL
With New Upholstery	AL-75378	AL-75379	AL-75380	AL-75381	AL-75382	AL-75383	CALL

EP1

# Physical Therapy



Phone: 800-323-4282  
Fax: 800-950-1167

**ALCO**  
Sales & Service Co.

info@alcosales.com  
www.alcosales.com

# Exercise Peddlers, Bands, Putty & Exercise Pedalers

**BUY 11 GET 1 FREE!**



## Cando Exercise Band

	Low-Powder				Latex Free			
	6 Yard Dispenser		50 Yard Dispenser		6 Yard Dispenser		50 Yard Dispenser	
XX-Light, Tan	AL-63212	\$9.00	AL-63220	\$54.00	AL-63228	\$10.00	AL-63235A	\$66.00
X-Light, Yellow	AL-63213	\$9.00	AL-63221	\$59.00	AL-63229	\$11.00	AL-63236	\$71.00
Light, Red	AL-63214	\$10.00	AL-63222	\$65.00	AL-63230	\$12.00	AL-63237	\$76.00
Medium, Green	AL-63215	\$11.00	AL-63223	\$71.00	AL-63231	\$13.00	AL-63238	\$82.00
Heavy, Blue	AL-63216	\$12.00	AL-63224	\$76.00	AL-63232	\$14.00	AL-63239	\$87.00
X-Heavy, Black	AL-63217	\$12.00	AL-63225	\$82.00	AL-63233	\$15.00	AL-63240	\$93.00
XX-Heavy, Silver	AL-63218	\$13.00	AL-63226	\$87.00	AL-63234	\$15.00	AL-63241	\$99.00
XXX-Heavy, Gold	AL-63219	\$14.00	AL-63227	\$93.00	AL-63235	\$16.00	AL-63242	\$105.00



## Color-Coded Resistive Hand Exercise Material

Size	Color	2 Ounce		3 Ounce		4 Ounce	
XX-Soft	Tan	AL-63156	\$3.00	AL-63162	\$4.00	AL-63168	\$5.00
X-Soft	Yellow	AL-63157	\$3.00	AL-63163	\$4.00	AL-63169	\$5.00
Soft	Red	AL-63158	\$3.00	AL-63164	\$4.00	AL-63170	\$5.00
Medium	Green	AL-63159	\$3.00	AL-63165	\$4.00	AL-63171	\$5.00
Firm	Blue	AL-63160	\$3.00	AL-63166	\$4.00	AL-63172	\$5.00
X-Firm	Black	AL-63161	\$3.00	AL-63167	\$4.00	AL-63173	\$5.00
Size	Color	1 Pound		5 Pounds			
XX-Soft	Tan	AL-63174	\$18.00	AL-63180	\$74.00		
X-Soft	Yellow	AL-63175	\$18.00	AL-63181	\$74.00		
Soft	Red	AL-63176	\$18.00	AL-63182	\$74.00		
Medium	Green	AL-63177	\$18.00	AL-63183	\$74.00		
Firm	Blue	AL-63178	\$18.00	AL-63184	\$74.00		
X-Firm	Black	AL-63179	\$18.00	AL-63185	\$74.00		



Anti-Slip Pads

**Exercise Pedaler**  
AL-73115

- Stimulates circulation
- Four anti-slip rubber pads prevent sliding
- Ideal for toning leg and arm muscles
- Tension can be adjusted
- Silver Vein finish
- Compact for storage and transport
- Comes completely assembled

Completely Assembled	AL-65518	\$29.00
Anti Slip Pads, 4/pkg	AL-65519	\$11.95
Foot Strap	AL-65554	\$15.95
HandiPedaler™ Exerciser with Removable Handle	AL-73115	\$39.00



**Folding Exercise Pedaler with Electronic Display**  
AL-74911

- Five function display indicates exercise time, revolution count, revolutions per minute (rpm's) and calories burned
- Scan feature alternately displays all measurements automatically
- Ideal for leg and arm muscle exercising
- Four anti-slip rubber pads prevent sliding
- Resistance easily adjusted with tension screw
- Silver finish
- Button cell battery included
- Completely assembled, foldable design

AL-74911	\$39.00 Each
----------	--------------

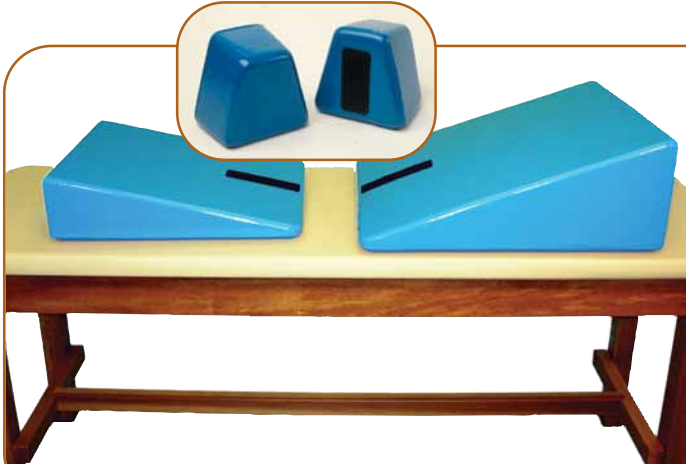
# Evaluation, Positioners & Treatment Tables

**BUY 11 GET 1 FREE!**



**Baseline® Tuning Forks**  
Evaluate hearing and vibratory sensation. Set of 6 of the most commonly used frequencies contains the following tuning forks (128, 256, 512, 1024, 2048, 4095 cps).

<b>Sets</b>		
Set Of 6 With Case	<b>AL-63386</b>	<b>\$39.00</b>
Sensory Evaluation Set (30 And 256 Cps)	<b>AL-63387</b>	<b>\$29.00</b>
20 To 4096 Cps With Variable Frequency	<b>AL-63388</b>	<b>\$17.50</b>
<b>Weighted</b>		
30 cps	<b>AL-63389</b>	<b>\$18.50</b>
128 cps	<b>AL-63390</b>	<b>\$8.00</b>
256 cps	<b>AL-63391</b>	<b>\$8.00</b>
<b>Unweighted</b>		
512 cps	<b>AL-63392</b>	<b>\$6.00</b>
1024 cps	<b>AL-63393</b>	<b>\$6.00</b>
2048 cps	<b>AL-63394</b>	<b>\$6.00</b>
4096 cps	<b>AL-63395</b>	<b>\$6.00</b>



**Skillbuilders® Wedges**  
Wedges are ideal positioning shapes for exercise therapy. They can be used to position the patient in a comfortable position such as under the back, arm or leg. They can be used to provide the necessary leverage to promote an exercise regime; i.e. under the knee to enable weighted ankle lifts. Skillbuilders wedges have an integral waterproof polyurethane coating that can be washed. The heavy-duty wedges will give you years of use.

4x20x22 Inch	<b>AL-63409</b>	<b>\$79.00</b>
6x20x22 Inch	<b>AL-63410</b>	<b>\$79.00</b>
8x20x22 Inch	<b>AL-63411</b>	<b>\$89.00</b>
10x20x22 inch	<b>AL-63412</b>	<b>\$109.00</b>
6x24x26 Inch	<b>AL-63413</b>	<b>\$109.00</b>
8x24x26 Inch	<b>AL-63414</b>	<b>\$119.00</b>
10x24x26 Inch	<b>AL-63415</b>	<b>\$149.00</b>
2x24x26 Inch	<b>AL-63416</b>	<b>\$159.00</b>
Abductor Wedge w/Velcro	<b>AL-63417</b>	<b>\$39.00</b>



**Treatment Tables**

- ✓ High strength steel frame, legs and cross braces
- ✓ Powder coated in neutral grey
- ✓ Upholstered in heavy gauge expanded vinyl
- ✓ Comes with holder for 21" x 3" roll paper
- ✓ 2" foam provides outstanding firmness and comfort

400 lb Capacity	<b>AL-42722</b>	<b>\$319.00</b>
400 lb Capacity With Shelf	<b>AL-60806</b>	<b>\$359.00</b>

**Other Physical Therapy Products Available—CALL!**

### Color Options



EP1

# Physical Therapy—Exercise & Rehab

**BUY 11 GET 1 FREE!**



AL-78122



AL-78123



AL-78124



AL-63450



AL-63454



AL-63095



AL-63097



AL-63099



AL-63100



AL-63101



AL-63104



AL-63107



AL-63112



AL-78125

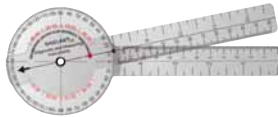
Description	ALCO Part No.	Price Each
Cando Digi-Flex hand/finger exerciser, 5 piece set	AL-78122	\$72.00
Cando Digi-Flex hand/finger exerciser, 5 piece set w/plastic display	AL-78123	\$86.00
Cando Digi-Flex, Via, Pro, VariGrip stand	AL-78124	\$16.00
Cando round foam roller, 6x36	AL-63450	\$15.00
Cando half-round foam roller, 6x36	AL-63454	\$9.00
Cando round foam roller, 6x12	AL-63451	\$7.00
Cando half-round foam roller, 6x12	AL-63455	\$5.00
Cuff weight, 1 pound, blue	AL-63095	\$8.00
Cuff weight, 2 pound, white	AL-63097	\$9.00
Cuff weight, 3 pound, gold	AL-63099	\$11.00
Cuff weight, 4 pound, turquoise	AL-63100	\$12.00
Cuff weight, 5 pound, black	AL-63101	\$14.00
Cuff weight, 7 1/2 pound, orange	AL-63104	\$18.00
Cuff weight, 10 pound, brown	AL-63107	\$21.00
FEI functional Cuff weight set (7 pieces) 1ea: 1,2,3,4,5,7.5,10	AL-63112	\$85.00
FEI functional Cuff weight set with rack (7 pieces) 1 ea: 1,2,3,4,5,7.5,10	AL-78125	\$388.00

# Physical Therapy—Evaluation

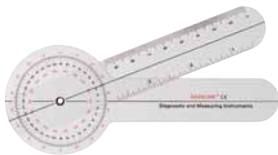
**BUY 11 GET 1 FREE!**



Baseline 360 degree clear plastic goniometer, 12 inches  
**AL-63348 \$13.00**



Baseline 360 degree clear plastic goniometer, 12 inches  
**AL-63349 \$8.00**



Baseline 360 degree clear plastic goniometer, 12 inches  
**AL-63350 \$7.00**



Baseline electronic Smedley hand dynamometer, adult,  
200lb/90 kg  
**AL-78126 \$101.00**



Fingertip pulse oximeter  
**AL-78127 \$42.00**



Baseline economy plastic skinfold caliper  
**AL-78128 \$15.00**

EP1

# Physical Therapy—Hot & Cold Therapy

**BUY 11 GET 1 FREE!**



AL-63468



AL-63469



AL-63470



AL-63294



AL-78129



AL-78130



AL-78131



AL-63301



AL-63302



AL-63303



AL-63304



AL-78132



AL-63311



AL-63312



AL-63308



AL-63320



AL-78141



AL-78142

**Description**

**ALCO Part No.**

**Price Each**

Relief Pak moist heat pack, standard	AL-63468	\$10.00
Relief Pak moist heat pack, neck	AL-63469	\$11.00
Relief Pak moist heat pack, oversize	AL-63470	\$22.00
Relief Pak moist heat pack cover, velour with foam, standard	AL-63293	\$15.00
Relief Pak moist heat pack cover, velour with foam, neck	AL-63294	\$15.00
Relief Pak moist heat pack cover, velour with foam, oversize	AL-63295	\$20.00
Relief Pak moist heat pack cover, ALL velour, standard	AL-78129	\$19.00
Relief Pak moist heat pack cover, ALL velour, neck	AL-78130	\$20.00
Relief Pak moist heat pack cover, ALL velour, oversize	AL-78131	\$27.00
Relief Pak re-usable cold pack, standard	AL-63301	\$12.00
Relief Pak re-usable cold pack, neck	AL-63302	\$12.00
Relief Pak re-usable cold pack, oversize 11x21	AL-63303	\$19.00
Relief Pak re-usable cold pack, halfsize	AL-63304	\$7.00
Chilling unit for cold packs, upright (front loading)	AL-78132	\$457.00
Point Relief ColdSpot gel tube, 4 ounce	AL-78133	\$7.00
Point Relief ColdSpot gel tube w/hands free applicator, 4oz	AL-78134	\$8.00
Point Relief ColdSpot gel pump, 16 ounce	AL-78135	\$21.00
Point Relief ColdSpot gel pump, 32 ounce	AL-78136	\$33.00
Point Relief ColdSpot gel pump, 128 ounce (1 gallon)	AL-78137	\$86.00
Point Relief ColdSpot roll-on, 3 ounce	AL-78138	\$7.00
Point Relief ColdSpot spray, 2 ounce	AL-78139	\$6.00
Point Relief ColdSpot spray, 4 ounce	AL-78140	\$8.00
WaxWel paraffin bath with 6lb. unscented paraffin PLUS liners, mitt and booties	AL-63320	\$99.00
WaxWel paraffin bath with 6lb. wintergreen paraffin PLUS liners, mitt and booties	AL-78141	\$126.00
WaxWel paraffin bath with 6lb. lavender paraffin PLUS liners, mitt and booties	AL-78142	\$126.00
WaxWel unscented paraffin wax refill (6 1lb. blocks)	AL-63311	\$26.00
WaxWel wintergreen paraffin wax refill (6 1lb. blocks)	AL-63312	\$85.00
WaxWel lavender paraffin wax refill (6 1lb. blocks)	AL-63308	\$23.00



AL-78133



AL-78134



AL-78135



AL-78136



AL-78137



AL-78138



AL-78139



AL-78140

EPI



# Housekeeping



Phone: 800-323-4282  
Fax: 800-950-1167

**ALCO**  
Sales & Service Co.

info@alcosales.com  
www.alcosales.com



# Economy Janitorial Equipment

**BUY 11 GET 1 FREE!**



AL-73214

### Unisan™ Waste Receptacles – Gray

- ✓ All plastic resin containers
- ✓ Can be used with Unisan Dolly
- ✓ Nestable for storage

32 Gallon	<b>AL-73213</b>	<b>\$26.00</b>
44 Gallon	<b>AL-73214</b>	<b>\$35.00</b>



### Unisan™ Mopping Combo – Yellow

- ✓ 2-piece mopping combo with large capacity side wringer
- ✓ Ergonomic handle and 2" swivel casters

<b>AL-73220</b>	<b>\$59.00</b>
-----------------	----------------



### Unisan™ Refuse Dolly – Black

- ✓ All plastic resin construction
- ✓ Five 2" casters
- ✓ Twist on-Twist off for secure Attachment to Unisan waste receptacles

<b>AL-73215</b>	<b>\$33.00</b>
-----------------	----------------



### Unisan™ Janitor Cart - Gray

- ✓ Plastic resin construction with 6" heavy duty wheels and 3" swivel casters
- ✓ Includes 24 gallon yellow vinyl bag

<b>AL-73221</b>	<b>\$139.00</b>
-----------------	-----------------



### Unisan™ Wet Floor Sign – Yellow

- ✓ 26" plastic resin floor safety sign
- ✓ Folds flat for convenient storage
- ✓ Imprinted on both sides

<b>AL-73216</b>	<b>\$10.00</b>
-----------------	----------------



### Unisan™ 2-Shelf Utility Carts – Gray

- ✓ All plastic resin construction
- ✓ 4" swivel casters
- ✓ 300 lb capacity

34" x 16"	<b>AL-73222</b>	<b>\$142.00</b>
40" x 24"	<b>AL-73223</b>	<b>\$169.00</b>

AL-73222



AL-73217

### Unisan™ Small Wastebasket – Black

- ✓ Molded plastic resin construction
- ✓ Seamless – will not dent, leak or rust

14 Quart	<b>AL-73217</b>	<b>\$7.00</b>
28 Quart	<b>AL-73218</b>	<b>\$8.00</b>
41 Quart	<b>AL-73219</b>	<b>\$10.00</b>



AL-73224

### Unisan™ Cube Trucks – Gray

- ✓ Seamless durable plastic construction won't leak, rust or dent

8 Cu. Ft. / 200 lb Cap	<b>AL-73224</b>	<b>\$269.00</b>
12 Cu. Ft. / 250 lb Cap	<b>AL-73225</b>	<b>\$319.00</b>
14 Cu. Ft. / 250 lb Cap	<b>AL-73226</b>	<b>\$359.00</b>
16 Cu. Ft. / 250 lb Cap	<b>AL-73227</b>	<b>\$359.00</b>
20 Cu. Ft. / 250 lb Cap	<b>AL-73228</b>	<b>\$429.00</b>



### Unisan™ Tilt Trucks – Gray

- ✓ Seamless durable plastic construction won't leak, rust or dent

1/2 Cu. Ft. / 300 lb Capacity	<b>AL-73229</b>	<b>\$449.00</b>
1 Cu. Ft. / 600 lb Capacity	<b>AL-73230</b>	<b>\$579.00</b>

# Brute® Waste Receptacles & Accessories



Color	Container	Lid
<b>10-Gallon – Container size 15-5/8" dia. x 17-1/8"h</b>		
Grey	AL-51461 \$20.00	AL-51462 \$8.00
White	AL-51463 \$20.00	AL-51464 \$8.00
Red	AL-72383 \$119.00**	N/A N/A
Yellow	AL-72384 \$119.00**	AL-72410** \$49.00

<b>20-Gallon – Container size 19-1/2" dia. x 22-7/8"h</b>		
Grey	AL-51465 \$29.00	AL-51466 \$9.00
White	AL-51467 \$31.00	AL-51468 \$9.00
Red	AL-72386 \$189.00**	N/A N/A
Yellow	AL-51470 \$31.00	AL-51471* \$9.00
Blue	AL-51469 \$31.00	AL-72414 \$9.00*

<b>32-Gallon – Container size 22" dia. x 27-1/4"h</b>		
Grey	AL-51472 \$31.00	AL-51473 \$12.00
White	AL-51474 \$39.00	AL-51475 \$13.00
Red	AL-51479 \$36.00	AL-51480 \$13.00
Yellow	AL-51477 \$36.00	AL-51478 \$13.00
Dark Green	AL-72388 \$39.00	AL-72415 \$13.00
Blue	AL-51476 \$36.00	AL-72416 \$13.00

<b>44-Gallon – Container size 24" dia. x 31-1/2"h</b>		
Grey	AL-51481 \$49.00	AL-72417 \$18.00
White	AL-51483 \$59.00	AL-72418 \$21.00
Red	AL-51488 \$59.00	AL-72419 \$21.00
Yellow	AL-51486 \$59.00	AL-72420 \$21.00
Dark Green	AL-72389 \$60.00	AL-70539 \$21.00*
Blue	AL-51485 \$59.00	AL-70539 \$21.00*

<b>55-Gallon – Container size 26-1/2" dia. x 33"h</b>		
Grey	AL-51490 \$77.00	AL-51491 \$28.00
White	AL-72390 \$279.00***	AL-72421 \$31.00
Red	AL-72391 \$279.00***	AL-72422 \$94.00
Yellow	AL-72392 \$279.00***	AL-72423 \$31.00
Dark Green	AL-72393 \$279.00***	AL-72424 \$31.00

\*Black  
 \*\* Sold case of 6 each  
 \*\*\*Sold case of 3 each



**BRUTE® Dome Top**  
 ✓ Fits 32-Gallon Container  
 ✓ Measures 22.69" Dia x 12.25"H

Red	AL-72394RD	\$92.00
Grey	AL-72394GY	\$92.00



**BRUTE® Dome Top**  
 ✓ Fits 44-Gallon Container  
 ✓ Measures 24.81" Dia x 12.63"H

Red	AL-72395RD	\$96.00
Grey	AL-72395GY	\$89.00



**BRUTE® Funnel Top**  
 ✓ 16-1/8" Dia top guides refuse into container  
 ✓ Fits 32-Gallon Container  
**AL-61165 \$43.00**



**BRUTE® Quiet Dolly**  
 ✓ Non-marking Red Casters to easily identify traditional dollies from quiet dollies  
 ✓ Eliminates 88% of traditional dolly noise across both smooth and uneven surfaces

**AL-67646 \$68.00**



**BRUTE® Twist On/Off Dolly**  
 ✓ Fits all Round BRUTE® Containers (above) except 10-Gallon Size  
 ✓ 300 lb. maximum load capacity  
 ✓ Measures 24-3/4"D x 7-1/8"H  
 ✓ Black

**AL-51492 \$49.00**



**BRUTE® Caddy Bag**  
 ✓ Fits 32 and 44-gallon containers, sold separately  
 ✓ Includes adjustable buckles and bottom strap  
 ✓ Elasticized pockets hold cleaning supplies (sold separately)  
 ✓ Measures 20"W x 20-1/2"H

**AL-61167 \$42.00**



**BRUTE® Square Dolly**  
 ✓ Professional-grade construction, resists rust, chipping and denting  
 ✓ Heavy-duty wheels w/swivel capabilities provides for easy mobility  
 ✓ Up to 300 lb continuous static load setting

**AL-70376 \$67.00**





# Waste Receptacles

**BUY 11 GET 1 FREE!**

## Slim Jim™ Containers, Tops and Trolley System

- ✓ Durable, all-plastic construction
- ✓ Interchangeable, color-codes tops promote waste separation: slotted blue for paper; green and brown round-hole tops for glass bottles, jars and metal cans; grey tops for general refuse



### Containers

23 Gal. Slim Jim Waste Container measures 23-1/8"L x 11"W x 30"H

Beige	<b>AL-61189</b>	<b>\$50.00</b>
Grey	<b>AL-61190</b>	<b>\$48.00</b>
Brown	<b>AL-61191</b>	<b>\$57.00</b>
Yellow	<b>AL-67577</b>	<b>\$57.00</b>

### Tops

Slim Jim® Untouchable® Swing Top measures 20-3/8"L x 11-3/8"W x 4-3/4" H. Blue, Brown or Light Grey

**AL-56708 \$40.00**

Slim Jim® Handle Top measures 20-3/8"L x 11-5/16"W x 2-3/4" H. Light Grey

**AL-56709 \$41.00**

Slim Jim® Bottle and Can Recycling Top measures 20-3/8"L x 11-5/16"W x 2-3/4" H. Brown or Green

**AL-56710 \$41.00**

Slim Jim® Paper Recycling Top measures 20-3/8"L x 11-5/16"W x 2-3/4" H. Blue

**AL-56711 \$37.00**

### Trolley

Slim Jim® Trolley measures 23-7/16"L x 15"W x 10-13/16"H. Black

**AL-56712 \$80.00**

### Color Choices



### Fire Resistant Wastebaskets

- ✓ Long-lasting fiberglass resists chips, scratches and dents
- ✓ California State Fire Marshal (CSFM) approved for fire safety

Description	ALCO Part No.	Price Each
<b>7-Quart—8-7/8"L x 6-3/8"W x 10-5/16"H</b>		
Beige	<b>AL-51523</b>	<b>\$18.00</b>
<b>14-Quart—11-1/8"L x 8-1/4"W x 12-1/4"H</b>		
Beige	<b>AL-51524</b>	<b>\$27.00</b>
Black	<b>AL-51525</b>	<b>\$27.00</b>
Grey	<b>AL-51526</b>	<b>\$27.00</b>
<b>28-Quart—14-1/2"L x 10-1/2"W x 15-5/16"H</b>		
Beige	<b>AL-51527</b>	<b>\$40.00</b>
Black	<b>AL-51528</b>	<b>\$40.00</b>
Grey	<b>AL-51528A</b>	<b>\$42.00</b>
<b>40-Quart—15"L x 11-1/4"W x 20"H</b>		
Beige	<b>AL-51529</b>	<b>\$52.00</b>



**AL-61175**  
w/AL-72404BLK Lid

### Untouchable® Square Containers

23 Gal—14-1/2"Sq. x28"H

Beige	<b>AL-61173</b>	<b>\$64.00</b>
Brown	<b>AL-61174</b>	<b>\$72.00</b>
Grey	<b>AL-61175</b>	<b>\$64.00</b>

35 Gal—19-1/2"Sq. x27-5/8"H

Beige	<b>AL-61176</b>	<b>\$108.00</b>
Grey	<b>AL-61177</b>	<b>\$117.00</b>

50 Gal—19-1/2"Sq. x34-1/4"H

Beige	<b>AL-61178</b>	<b>\$161.00</b>
Grey	<b>AL-61179</b>	<b>\$161.00</b>



### Untouchable® Square Tops

Fits AL-61176 thru AL-61179

Beige	<b>AL-61185</b>	<b>\$57.00</b>
Grey	<b>AL-61186</b>	<b>\$60.00</b>



### Untouchable® Swing Top

Fits AL-61173 thru AL-61175

Black	<b>AL-72404BLK</b>	<b>\$31.00</b>
Beige	<b>AL-72404BEI</b>	<b>\$28.00</b>

# Recycling, Medical & Confidential Waste Receptacles

## Collect-A-Cube Recycling Receptacles

- ✓ Securely attached piano hinged top
- ✓ Federal Spec A-A 1B2 fire safe
- ✓ Retainer bands hold poly bags neatly in place
- ✓ Factory installed keyed cam locks available
- ✓ Decals provided at no additional charge



**BUY 11  
Get One  
FREE**

Shown with keyed cam lock

Description	Size	Gal.	ALCO Part No.	Price Each
Small w/Can Lid	8" Dia. x 11.5" H	22	AL-60915	\$229.00
Small w/Paper Lid	8" Dia. x 11.5" H	22	AL-60916	\$229.00
Small w/Waste Lid	10" Dia. x 15.75" H	22	AL-60917	\$229.00
Medium w/Can Lid	8" Dia. x 11.5" H	28	AL-60918	\$239.00
Medium w/Paper Lid	8" Dia. x 11.5" H	28	AL-60919	\$239.00
Medium w/Waste Lid	10" Dia. x 15.75" H	28	AL-60920	\$239.00
Large w/Can Lid	8" Dia. x 11.5" H	35	AL-60921	\$259.00
Large w/Paper Lid	8" Dia. x 11.5" H	35	AL-60922	\$259.00
Large w/Waste Lid	10" Dia. x 15.75" H	35	AL-60923	\$259.00



**HIPAA Compliance: Trash Disposal Essentials**  
Under the Health Insurance Portability and Accountability Act (HIPAA), an organization is liable for protecting patient or employee privacy through the proper disposal of medical records. Trash cans containing confidential information are a source of non-compliance. Providing an optional lock to the above receptacles makes them HIPAA compliant.



## BRUTE® Medical Waste Rollout Container

65 Gallon Red BRUTE® Medical Waste Rollout Container  
**AL-67543 \$309.00**  
95 Gallon Red BRUTE® Medical Waste Rollout Container  
**AL-67544 \$339.00**



## BRUTE® Recycling Rollout Container w/Lid

- ✓ 50 Gallon Container
- ✓ Color: Blue

**AL-72398 \$122.00**



## Deskside Recycling Container w/Universal Recycle Symbol

- ✓ 14.38"L x 10.25"W x 15"H

Green **AL-70388 \$7.00**  
Blue **AL-70389 \$7.00**



## Dollies and Lids for Medical Waste Disposable Boxes

18 x 18 Dolly & Lid **AL-68033 \$129.00**  
13 x 13 Dolly & Lid **AL-68034 \$119.00**

\*Disposable boxes not included



## Controlled Waste Cart

- ✓ Completely modular construction
- ✓ Revolutionary "snap latch" locking device w/easy positive locking and is fully adjustable
- ✓ Interchangeable parts—container and dolly base with 5" casters
- ✓ Easily fits through doorways 32" wide or more
- ✓ 500 lb Cap/200 Gallons

**AL-68032 \$819.00**

# Step Cans & Waste Receptacles

## Medi-Can Economy Step Cans

- ✓ Fire Safe Steel
- ✓ Complies with OSHA and OBRA regulations
- ✓ Self-closing lid fits tightly over molded plastic gasket or odor control and quiet operation
- ✓ Plastic ring base and carrying handle
- ✓ Liners available in Rigid Plastic Liner (PL) or Galvanized Steel (GL)



**New Steel Hinge doubles as carrying handle!**



Description	Size	Gal.	Liner	Powder Coated		Stainless Steel	
				ALCO Part No.	Price Each	ALCO Part No.	Price Each
A Small Round Step Can*	8" Dia. x 11.5" H	1.5	PL	AL-54892	\$49.00	AL-60953	\$79.00
B Medium Round Step Can**	10" Dia. x 15.75" H	3.5	PL	AL-51520	\$59.00	AL-60954	\$99.00
C Large Round Step Can**	11.75" Dia. x 25" H	8	GL	AL-51521	\$99.00	AL-51522	\$159.00

\* Available in White and #304 Non-Magnetic Stainless Steel  
 \*\* Available in White, Red and #304 Non-Magnetic Stainless Steel



## Step-On Containers

Description	ALCO Part No.	Price Each
4-1/2 Gallon—Round with a Rigid Liner 13-1/4" dia. x 15-3/8"H		
White	AL-51507	\$91.00
8 Gallon—16-1/4"L x 15-3/4"W x 17-1/8"H		
Beige	AL-51508	\$91.00
Red	AL-51509	\$91.00
White	AL-51510	\$97.00
Rigid Liner (Beige, Red or White)	AL-67536	\$32.00
12-Gallon—16-1/4"L x 15-3/4"W x 23-5/8"H		
Beige	AL-51511	\$108.00
Red	AL-51512	\$108.00
White	AL-51513	\$108.00
Rigid Liner (Beige, Red or White)	AL-67537	\$41.00
18-Gallon—19-3/4"L x 16-1/8"W x 26-1/2"H		
Beige	AL-51514	\$122.00
Red	AL-51515	\$122.00
White	AL-51516	\$129.00
Rigid Liner (Beige, Red or White)	AL-67538	\$44.00
Mobile 23-Gallon 19-3/4"L x 16-1/8"W x 32-1/2"H		
Beige	AL-51517	\$175.00
Red	AL-51518	\$175.00
White	AL-51519	\$185.00
Rigid Liner (Beige, Red or White)	AL-73098	\$59.00

## Step-On Containers For Hands Free Sanitary Refuse Disposal

- ✓ Tight-fitting, overlapping lid to help contain odors
- ✓ Tough, puncture-resistant, all-plastic construction
- ✓ Assists in complying with OSHA regulation 29CFR 1910.1030 "Occupational Exposure to Bloodborne Pathogens."
- ✓ Factory Mutual (FM) and California State Fire Marshal (CSFM) approved for fire safety)



## Step-On Waste Containers

- ✓ Quiet casters
  - ✓ Hands-free, slow-close lid
  - ✓ Durable stainless steel and plastic construction
  - ✓ Extra large foot pedal
- ### Linen Hamper
- ✓ Quiet, slow-close lid
  - ✓ Highly aesthetic design
  - ✓ Lockable quiet casters for maneuverability



Description	Dimensions	ALCO Part No.	Price Each
23 Gallon Stainless Steel Step-On Container (BK) Black or RD (Red)	22-3/4"L x 20-1/3"W x 27-1/3"H	AL-69167	\$381.00
30 Gallon Step-On Container (LP) Light Platinum or RD (Red)	24-1/5"L x 19-3/4"W x 34-1/5"H	AL-69168	\$265.00
30 Gallon Stainless Steel Step-On Container (BK) Black or RD (Red)	22-3/4"L x 20-1/3"W x 34-1/5"H	AL-69169	\$466.00
Linen Hamper (uses 30 gallon liner) (BK) Black	22-1/4"L x 20-3/8"W x 37-7/8"H	AL-69170	\$198.00
Linen Hamper Bag (BK) Black	19-7/8"L x 13-3/8"W x 29-1/4"H	AL-69171	\$66.00

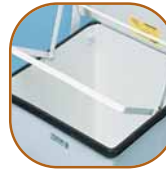
# Steel Step Cans



## Defenders Non-Magnetic Step Cans

The Defenders institutional quality step cans comply with OSHA standards on bloodborne pathogens for the safe containment of infectious waste. Meets Federal OBRA regulations.

- ✓ #304 Non-Magnetic Stainless Steel
- ✓ UL Listed /FM Approved fire safe/self-extinguishing
- ✓ Foot pedal opens self-closing lid eliminating hand contact
- ✓ Retainer bands hold poly bags securely in place
- ✓ Available with leak proof rigid plastic liner



Quiet close option

Square models are equipped with poly bag retainer bands.

Description	Size	Gal.	With Retainer Bands		With Retainer Bands & PL* Liner	
			ALCO Part No.	Price Each	ALCO Part No.	Price Each
Round Step Can	11" Dia. x 17" H	3.5	N/A	N/A	AL-67599A	\$169.00
Square Step Can	12" Sq. x 17" H	7	AL-67591	\$239.00	AL-67600A	\$239.00
Square Step Can (with Quiet Close)	12" Sq. x 17" H	7	AL-67592	\$279.00	N/A	N/A
Square Step Can	12" Sq. x 23" H	12	AL-67593	\$289.00	AL-67601A	\$319.00
Square Step Can (with Quiet Close)	12" Sq. x 23" H	12	AL-67594	\$319.00	N/A	N/A
Square Step Can	15" Sq. x 30" H	24	AL-67595	\$399.00	AL-67602A	\$429.00
Square Step Can (with Quiet Close)	15" Sq. x 30" H	24	AL-67596	\$429.00	N/A	N/A
Square Step Can	19" Sq. x 30" H	40	AL-67597	\$579.00	N/A	N/A
Square Step Can (with Quiet Close)	19" Sq. x 30" H	40	AL-67598	\$609.00	N/A	N/A

\* PL- Leak Proof Rigid Plastic Liner



## Defenders Heavy Duty "Institutional" Step Cans

The Defenders institutional quality step cans comply with OSHA standards on bloodborne pathogens for the safe containment of infectious waste. Meets Federal OBRA regulations.

- ✓ All steel construction with a powder coated finish resists fading and wear
- ✓ UL Listed /FM Approved fire safe/self-extinguishing
- ✓ Foot pedal opens self-closing lid eliminating hand contact
- ✓ Colors: Red or White
- ✓ Retainer bands hold poly bags securely in place
- ✓ Available with leak proof rigid plastic liner



Quiet close option

Description	Size	Gal.	With Retainer Bands		With Retainer Bands & PL* Liner	
			ALCO Part No.	Price Each	ALCO Part No.	Price Each
Round Step Can	11" Dia. x 17" H	3.5	N/A	N/A	AL-60925	\$79.00
Square Step Can	12" Sq. x 17" H	7	AL-60927	\$124.00	AL-51194	\$139.00
Square Step Can	12" Sq. x 23" H	12	AL-60928	\$139.00	AL-51195	\$169.00
Square Step Can (with Quiet Close)	12" Sq. x 23" H	12	AL-61826	\$169.00	AL-61827	\$199.00
Square Step Can	15" Sq. x 30" H	24	AL-60931	\$169.00	AL-51196	\$209.00
Square Step Can (with Quiet Close)	15" Sq. x 30" H	24	AL-61828	\$199.00	AL-61829	\$239.00
Square Step Can	19" Sq. x 30" H	40	AL-60934	\$209.00	AL-60933	\$279.00

\* PL- Leak Proof Rigid Plastic Liner

## Optional Decals For All Step-Cans



AL-51199



AL-51202

### Bilingual English/Spanish Decals (black letters/clear)

Biohazard	AL-51197	\$4.95
Soiled Linen	AL-51198	\$4.95
Trash Only	AL-51199	\$4.95
Infectious Waste	AL-51200	\$4.95

### English Only Decals (black letters/colored background)

Biohazard (flourescent red)	AL-51201	\$5.95
Chemotherapy Waste (yellow)	AL-51202	\$5.95



# Microfiber Cleaning Accessories

**BUY 11 GET 1 FREE!**

Description	Dimensions (LxWxH)	Pack	Color	ALCO Part No.	Price Per Pack
<b>Wet Pads</b>					
11" Wet Pad	13.7" x 5.5" x .5"	6	Blue	AL-67689	\$58.00
18" Wet Pad	18.5" x 5.5" x .5"	12	Blue	AL-67690	\$104.00
18" Wet Pad	18.5" x 5.5" x .5"	12	Red	AL-67691	\$124.00
18" Wet Pad	18.5" x 5.5" x .5"	12	Green	AL-67692	\$124.00
18" Wet Pad With Scrubber	20.7" x 5.7" x .5"	6	Blue	AL-67693	\$13.00
24" Wet Pad	24.5" x 5.5" x .5"	12	Blue	AL-67694	\$177.00
24" Wet Pad With Scrubber	26.8" x 5.7" x .5"	Each	Blue	AL-67695	\$17.00 Ea.
18" High Absorbency Pad	20.7" x 5.7" x .5"	Each	Blue	AL-67696	\$16.00 Ea.

Description	Dimensions (LxWxH)	Pack	Color	ALCO Part No.	Price Per Pack
<b>Dry/Dust Pads</b>					
18" Room Dust Pad	18.5" x 5.5" x .5"	12	Green	AL-67699	\$112.00
			White	AL-67711	\$129.00
18" Dust Pad with Fringe	20.7" x 5.7" x .5"	6	Green	AL-67700	\$73.00
36" Dust Pad with Fringe	40" x 9" x .5"	6	Green	AL-72364	\$146.00
48" Dust Pad with Fringe	52"	6	Green	AL-72379	\$183.00
24" Hall Dust Pad	24.5" x 5.5" x .5"	12	Green	AL-67701	\$158.00
36" Hall Dust Pad	36.5" x 5.5" x .5"	Each	Green	AL-67702	\$18.00 Ea.
48" Hall Dust Pad	48.5" x 5.5" x .5"	Each	Green	AL-67703	\$22.00 Ea.

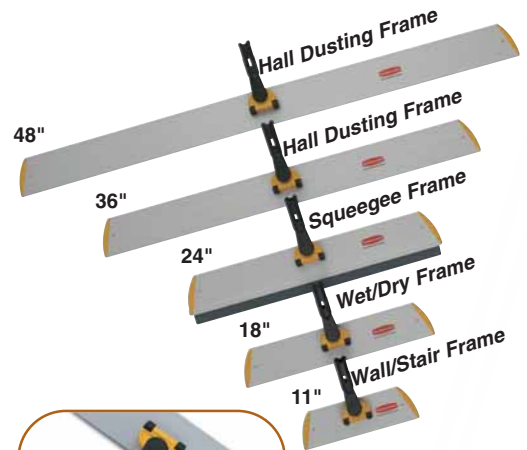
Description	Dimensions (LxWxH)	Pack	Color	ALCO Part No.	Price Per Pack
<b>Cloths</b>					
Bathroom Cloth-Yellow	16" x 16"	12	Yellow	AL-67704	\$43.00
General Purpose Cloth-Green	16" x 16"	12	Green	AL-67705	\$45.00
Glass/Mirror Cloth-Blue	16" x 16"	12	Blue	AL-67706	\$54.00
XL General Purpose Cloth-Green	20" x 20"	Each	Green	AL-67707	\$6.00 Ea.

Description	Dimensions (LxWxH)	ALCO Part No.	Price Each
<b>Quick-Connect Aluminum Handles</b>			
58" QC Handle	58" x 1.63" x 1.63"	AL-67674	\$10.00
QC Ergo Adjustable Handle	47.75" x 7.5" x 2.5" (collapsed)	AL-67675	\$17.00
QC Straight Adjustable Handle	47.75" x 7.5" x 2.5" (collapsed)	AL-72363	\$17.00

Description	Dimensions (LxWxH)	ALCO Part No.	Price Each
<b>Quick-Connect Aluminum Frames</b>			
11" QC Wall/Stair Frame	11.13" x 3.5" x 1.5"	AL-67676	\$17.00
18" QC Wet/Dry Frame	18.13" x 3.5" x 1.5"	AL-67677	\$20.00
24" QC Squeegee Frame	24.13" x 4.5" x 1.5"	AL-67678	\$27.00
36" QC Hall Dusting Frame	36.13" x 3.5" x 1.5"	AL-67679	\$31.00
48" QC Hall Dusting Frame	48.13" x 3.5" x 1.5"	AL-67680	\$35.00

Description	Dimensions (LxWxH)	ALCO Part No.	Price Each
<b>Dusters and Sleeves</b>			
QC Flexible Dusting Wand	28.75" x 3.25" x 1.5"	AL-67681	\$22.00
Wand Duster Replacement Sleeve	22.7" x 3.25" x .75"	AL-67682	\$9.00

Description	Dimensions (LxWxH)	ALCO Part No.	Price Each
<b>Accessories</b>			
18" Hook-and-Loop Replacement Set	17.1" x 1.1" x .25"	AL-67684	\$7.00
24" Hook-and-Loop Replacement Set	23" x 1.1" x .25"	AL-67685	\$8.00
36" Hook-and-Loop Replacement Set	35" x 1.1" x .25"	AL-67686	\$9.00
24" Squeegee Blade Replacement	23.2" x 1.5" x .25"	AL-67688	\$7.00
Microfiber Flexi Frame Damp Mop	N/A	AL-72359	\$116.00 CS/12



EPI



### Disinfecting Bucket

- ✓ All-plastic bucket with water-tight lid is designed especially for patient room cleaning in the healthcare market
- ✓ Holds 15U-20 microfiber wet pads
- ✓ Using one pad per room minimizes the risk of cross-contamination
- ✓ Molded-in filling guide for measuring cleaning/disinfecting solution
- ✓ Moisten pads by tilting bucket from side to side while holding handle
- ✓ Dimensions: 25.1"L x 8.8"W x 12.2"H

**AL-67672 \$48.00**

576



### Pedal Wring Bucket

- ✓ Two-part bucket designed for microfiber flat mops
- ✓ No bending or pulling to wring
- ✓ Foot pedal for "no-touch" wringing
- ✓ Built-in brake prevents bucket from moving while wringing
- ✓ Empty contents without lifting using the twist valve at back of bucket
- ✓ Empty into sinks by only lifting plastic bucket with an easy tilt
- ✓ Dimensions: 26.2"L x 20"W x 22.6"H

**AL-67670 \$185.00**



# Buckets, Wringers & Cleaning Supplies

Optional  
Dirty Water  
Bucket (Red)  
**AL-67667**



**WaveBrake Combo**  
**AL-67664 \$79.00**

**WaveBrake Mopping System** The WaveBrake mop bucket and wringer system reduces splashing, which means a safer environment, cleaner floors and improved productivity

- ✓ Molded-in WaveBrakes inhibits wave formation, virtually eliminating splashing
- ✓ Wring mops with 18% less effort
- ✓ Wringer body is made from Structural Web molded plastic
- ✓ Optional Dirty Water Bucket sits below the wringer to collect dirty water and keep it separate from the cleaning solution
- ✓ Easy-lift handle
- ✓ Graduated marks for measuring fluid
- ✓ No rust casters
- ✓ Capacity 35 quarts



**WaveBrake Side Press Wringer**  
**AL-67666 \$80.00**



**WaveBrake Bucket**  
**AL-67665 \$65.00**



**WaveBrake Quiet Caster Dolly**  
**AL-67668 \$50.00**



**Dirty Water Bucket (Red)**  
**AL-67667 \$25.00**



**Foot Activated**

**WaveBrake® 44 Qt Slide Press Combo**

- ✓ Foot activated emptying mechanism
- ✓ Non-marking and non-rusting casters for reduced touch-up cleaning

**AL-68210 \$187.00**



**31 Qt Tandem Bucket & Wringer**

- ✓ One piece design for effective wringing and no more lost parts
- ✓ Accepts up to 24 oz mops
- ✓ Features easy downward wringing motion and two wringing plates with holes to remove more water in less time

**AL-69172 \$59.00**

## Floor Strippers, Polish & Cleaners



**Ultra 10 Floor Polish**  
(Case of (4) 1 Gallon Bottles)  
**AL-73016 \$99.00 Case/4**  
(5 Gallon Pail)  
**AL-73017 \$89.00 Pail**

**AL-73016**

**Liquid 660 Drain Cleaner Enzyme**  
(Case of (4) 1 Gallon Bottles)  
**AL-73020 \$49.00 Case/4**  
(5 Gallon Pail)  
**AL-73021 \$39.00 Pail**



**AL-73020**



**First Strip Floor Stripper**  
(Case of (4) 1 Gallon Bottles)  
**AL-73014 \$59.00 Case/4**  
(5 Gallon Pail)  
**AL-73015 \$59.00 Pail**

**AL-73014**

**Clear Blue Cleaner**  
(Case of (4) 1 Gallon Bottles)  
**AL-73018 \$39.00 Case/4**  
(5 Gallon Pail)  
**AL-73019 \$49.00 Pail**



**AL-73018**



# Brooms & Mops

**BUY 11 GET 1 FREE!**



**Black Tampico Floor Brush**  
 Fine/Medium sweep. Tampico fibers resist heat and chemicals. Trim 2-1/2"

18"	<b>AL-60909</b>	<b>\$21.00</b>
24"	<b>AL-60910</b>	<b>\$25.00</b>
36"	<b>AL-60911</b>	<b>\$45.00</b>



AL-60912 & AL-60913  
 AL-60914

**Pro Line Broom Handles**

Threaded End—Natural lacquered hardwood. Standard thread 15/16" diameter.  
 Overall length 54" **AL-60912** **\$5.00**  
 Overall length 60" **AL-60913** **\$5.00**

Metal Tip Threaded—Die-cast, unbreakable aluminum threaded tip secured to natural lacquered hardwood handle. 15/16" diameter.  
 Overall length 60" **AL-60914** **\$5.00**

**Lobby Pro™ Upright Dust Pan**

Upright Dust Pan, Black, with Closing Lid **AL-56717** **\$27.00 Ea**  
 Upright Dust Pan, Black, without Closing Lid **AL-56718** **\$19.00 Ea**

**Lobby and Angler Brooms**

Dust Pan Broom, Black, Polypropylene Fill **AL-56716** **\$8.00 Ea**  
 Broom, Red handle, 100% Corn **AL-51423** **\$51.00 Dozen**  
 Angler Broom, 13" Sweeping Surface **AL-51424** **\$103.00 Dozen**  
 Dust Pan, 12-1/4" Wide **AL-51446** **\$5.00 Ea**



AL-56717

AL-56718



AL-51446



AL-51424



AL-51423



AL-56716



**Dynamate Mop Handle**

- ✓ Corrosion proof and lightweight
- ✓ Stainless steel spring yoke
- ✓ Self-locking threaded collar
- ✓ All are packed and sold 12 per carton

54" handle, 12/carton	<b>AL-55193</b>	<b>\$239.00 Carton</b>
60" handle, 12/carton	<b>AL-55194</b>	<b>\$249.00 Carton</b>



**Featherweight Mop Handle**

- ✓ Vinyl covered aluminum
- ✓ Quick change, one-piece yoke
- ✓ Electroplated holder
- ✓ All are packed and sold 12 per carton

54" handle, 12/carton	<b>AL-55195</b>	<b>\$329.00 Carton</b>
60" handle, 12/carton	<b>AL-55196</b>	<b>\$339.00 Carton</b>



**Plastic Head Mop Handles**

60" Plastic Jaws—Jaws hold mophead firmly in place. Ideal for 5" wide headband mopheads. 15/16" dia. x 60" vinyl covered aluminum handle. Yellow.

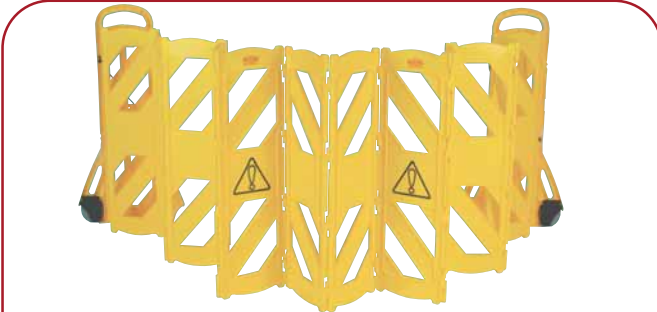
<b>AL-51398</b>	<b>\$14.00</b>
-----------------	----------------

60" Plastic Quick Change—Hinged side latch with roller adjustment knob for easy loading. IFits most mops. 15/16" dia. x 60" vinyl covered aluminum handle. Yellow.

<b>AL-51399</b>	<b>\$11.00</b>
-----------------	----------------

# Floor Safety

BUY 11  
Get One  
**FREE**



### Rubbermaid Portable/Mobile Safety Barrier

- ✓ Rubbermaid Bright Yellow Barrier can block hazards by placing straight or curving to restrict un-safe area!
- ✓ Extends up to 13 Feet Long with 16 panels
- ✓ Mobile barrier allows for simple transport, set-up and take-down
- ✓ Equipped with 5" non-marking wheels
- ✓ For indoor use only

AL-67464 \$500.00



Belt Adjusts Up To 84"

Note: Must Purchase 2 Safety Cones To Complete The Kit

Double Weight Ring Prevents Tipping

### Rubbermaid Safety Cones

- ✓ Bright yellow plastic allows for quick visibility of warning
- ✓ Warning printed in both English and Spanish on all four sides
- ✓ Stackable for easy transport and storage
- ✓ Measures 10-1/2"W x 10-1/2"D x 25-5/8"H

Multilingual Safety Cone AL-67462 \$203.00 Each



AL-51404



AL-51405

### Folding Floor Signs

Multilingual signs are printed in English, Spanish, French, and German.

Message	Part No.	Each
Two-Sided—25"h (open). 11"w x 1-1/2"d x 26-1/2"h (closed).		
Multilingual Caution	AL-51404	\$13.00
Caution Wet Floor	AL-51405	\$13.00
Multilingual Closed	AL-51406	\$15.00

Message	Part No.	Each
Four-Sided—37"h (open). 12"w x 1-1/2"d x 38"h (closed).		
Multilingual Caution	AL-51407	\$39.00
Caution Wet Floor	AL-51408	\$39.00
Multilingual Closed	AL-51409	\$39.00



### Multilingual Safety Cones

Measures: 12-1/4"W x 12-1/4"D x 36"H  
With Keyhole Openings AL-67461 \$44.00



### Over-The-Spill Pad Tablet

- ✓ Slip resistant pads quickly cover spills and alert pedestrians
- ✓ Each yellow pad is coded with universal caution symbol and "Caution Wet Floor" message in English and Spanish
- ✓ Single pad absorbs up to 12 oz. (0.3 kg) of fluid
- ✓ Tear-off pads are constructed of melt-blown polypropylene for added strength and absorbency
- ✓ Measures: 16-1/2"L x 14"W

AL-67600 \$21.00



Wall-mounted storage tube allows for easy and compact storing

### Pop-Up Safety Cones

- ✓ Collapsible, automatically deployed cone
- ✓ Wall-mounted storage tube allows for easy and compact storing
- ✓ Durable material withstands abuse
- ✓ Measures: 21"W x 21"D x 30"H

AL-67601 \$45.00



# Tilt Trucks

**BUY 11 GET 1 FREE!**

### Tilt Trucks

- ✓ Steel wheel on heavy duty units
- ✓ Push bar on standard and heavy duty units
- ✓ All have 2 casters and 2 large rear wheels
- ✓ Colors: Grey (std), Red, Blue, Green, Natural (soft white), Yellow, and Black

Description	Type	Load Cap	Cu Ft	WxDxH	ALCO Part No.	Price Each
<b>Tilt Truck</b>						
1/2 Cu Yd	Utility	300	13.5	52x26x36	AL-51560	\$419.00
1/2 Cu Yd	Standard	750	13.5	52x26x36	AL-51561	\$559.00
1/2 Cu Yd	Heavy Duty	1200	13.5	52x26x36	AL-51562	\$649.00
1 Cu Yd	Utility	750	27	67x31x42	AL-51566	\$539.00
1 Cu Yd	Standard	1000	27	67x31x42	AL-51567	\$699.00
1 Cu Yd	Heavy Duty	2000	27	67x31x42	AL-51568	\$789.00
1 1/2 CuYd	Utility	1200	40.5	81x43x49	AL-68281	\$879.00
1 1/2 CuYd	Standard	1800	40.5	81x43x49	AL-51572	\$1069.00
1 1/2 CuYd	Heavy Duty	2300	40.5	81x43x49	AL-51573	\$1169.00
2 Cu Yd	Utility	1200	54	83x47x51	AL-68282	\$1079.00
2 Cu Yd	Standard	1900	54	83x47x51	AL-68283	\$1269.00
2 Cu Yd	Heavy Duty	2500	54	83x47x51	AL-68284	\$1359.00



AL-51560

### Tilt Truck Lids

1/2 Cu Yd	AL-51563	\$169.00
1 Cu Yd	AL-51569	\$199.00
1 1/2 CuYd	AL-51574	\$259.00
2 Cu Yd	AL-68285	\$359.00

### Truck Liner

1/2 Cu Yd	AL-51564	\$229.00
1 Cu Yd	AL-51570	\$309.00
1 1/2 CuYd	AL-51575	\$559.00
2 Cu Yd	AL-68286	\$659.00



# Poly Trucks

### Poly Bulk Handling Truck

- ✓ One-piece, rotationally molded body
- ✓ Snag-free interior
- ✓ Rust resistant steel base
- ✓ Easy access front
- ✓ Easy rolling 6" casters with thread guards
- ✓ Optional security closures, hand holes, card holders, tow package and dust covers
- ✓ Colors: Grey (std), Red, Blue, Green, Natural (soft white), Yellow, and Black

VOLUME BU.	CU'	DIMENSIONS L x W x D	CASTER SIZE	OVERALL HEIGHT	ALCO Part No.	Price Each	With Security Option (Not Shown)
30	38	48 x 29 x 49	6"	56"	AL-51625	\$559.00	AL-51630 \$779.00
24	30	42 x 28 x 51	6"	59"	AL-51626	\$569.00	AL-51631 \$789.00
38	40	42 x 28 x 68	6"	75"	AL-51627	\$679.00	AL-51632 \$899.00
39	48	48 x 29 x 60	6"	67"	AL-51628	\$609.00	AL-51633 \$879.00
47	60	48 x 36 x 60	6"	67"	AL-51629	\$709.00	AL-51634 \$929.00

\*All dimensions nominal. For security closure, add 1.5" to width for hasp in front; add .5" to overall height.

### CASTER PATTERNS (specify when ordering)



Style 60  
Two stationary,  
Two swivel,  
corner pattern



Style 20  
Four swivel,  
corner pattern

Two basic caster patterns to suit specific needs: Styles 20 and 60. When ordering specify caster pattern.



AL-51625

EP1

# Elevated & Taper Trucks



AL-51639



AL-51635

## Elevated Trucks

Fabric body. Choice of white canvas or yellow Glosstex, reinforced at all wear points. Frame is high tensile spring steel, electro-welded at all intersections. Liner support is plated, flat steel welded at crosspoints. Caster boards are kiln-dried hardwood, stem casters are 3" rubber, swivel only.

Poly body. The body, made of high quality polyethylene, is bolted to rugged painted metal tubular frame. Casters are 3" top quality rubber, swivel only.

Volume Bushels	Dimensions, Id			Overall Height Truck	Overall Height Basket	ALCO Part No.	Price Each
	L (Top)	W (Top)	Depth				
<b>Fabric Body</b>							
2	24"	14"	14"	30"	26"	AL-51635	\$119.00
3	26"	18"	16"	30"	26"	AL-51636	\$119.00
4	26"	18"	18"	30"	26"	AL-51637	\$119.00
6	30"	20"	21"	30"	26"	AL-51638	\$139.00
<b>Poly Body</b>							
4	26"	18"	18-1/4"	29-3/4"	—	AL-51639	\$199.00
6	29"	19-1/2"	21"	32-1/2"	—	AL-51640	\$199.00

All dimensions nominal.

### 7 Color Choices



## Elevated Truck with Sewn-in Vinyl/Nylon Liners

Practical design with tubular zinc plated steel base and 4" polyurethane ball bearing casters. Helps eliminate stooping. Detachable base saves in shipping costs. Vinyl/nylon laminate liner with 2 handles. Available in yellow, dark blue or grey.



### Features

- ✓ Ships "knocked down" to save freight cost or storage
- ✓ 4" polyurethane ball bearing casters
- ✓ Handles sewn in on both ends
- ✓ Rust resistant coating
- ✓ Reinforced rim

Bu.	L" x W" x H"	ALCO Part No.	Price Each
3	29" x 22-1/2" x 27"	AL-60978	\$129.00
4	32" x 19-1/2" x 32"	AL-60979	\$139.00
6	32" x 21" x 36"	AL-60980	\$165.00



AL-51582

**Poly Taper Trucks** are made of high quality polyethylene resin, rotationally molded.

Taper Trucks are ideal for transporting wet laundry and dry cleaning.

There are two types of Poly Taper Trucks: (1) Standard with plywood base on larger sizes, 12 through 20 bushel. (2) Heavy-duty with plated metal base on all sizes.

Casters are top quality rubber with thread guards. (See pattern selections above)

Standard colors: red, green, blue, yellow, grey and natural (soft white).

## Optional Accessories—Call For Pricing

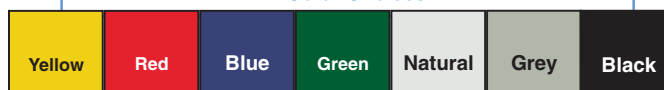
Platform lifts, lids and caps.

Volume Bushels	L (Top)		W (Top)		Dimensions*			Overall HEIGHT	Standard Base		Heavy Duty Base	
	ID	OD	ID	OD	ID	OD	Caster SIZE		ALCO Part No.	Price Each	ALCO Part No.	Price Each
6	29"	32"	19"	22"	21"	21-1/4"	3"	24"	AL-51582	\$179.00	AL-51590	\$209.00
8	33"	36"	21"	24"	23"	23-1/4"	3"	27"	AL-51583	\$229.00	AL-51591	\$249.00
10	35"	38"	23"	26"	25"	25-1/4"	3"	29"	AL-51584	\$219.00	AL-51592	\$239.00
12	35"	38"	25"	28"	28"	28-1/4"	3"	32-1/2"	AL-51585	\$229.00	AL-51593	\$259.00
14	39"	42"	27"	30"	28"	28-1/4"	3"	32-1/2"	AL-51586	\$239.00	AL-51594	\$259.00
16	39"	42"	27"	30"	30-1/2"	30-3/4"	3"	34-3/4"	AL-51587	\$269.00	AL-51595	\$279.00
18	44"	47"	28"	31"	30-1/2"	30-3/4"	3"	34-3/4"	AL-51588	\$289.00	AL-51596	\$309.00
20	47"	50"	31"	34"	30-1/2"	30-3/4"	3"	34-3/4"	AL-51589	\$319.00	AL-51597	\$339.00

\*All dimensions nominal.

Specify Caster Pattern

### 7 Color Choices





# Poly & Heavy Duty Bushel Trucks

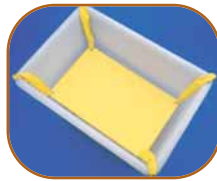
**BUY 11 GET 1 FREE!**



**Economy Poly Trucks** including rugged 4" swivel corner caster with grey non-marking, durable polyurethane wheels. Three color choices: **White, Blue or Grey**

Capacity	Dimensions* LxWxH (inches)	Poly Trucks		Spring Platforms		Hinged Poly Cover	
		ALCO Part No.	Price Each	ALCO Part No.	Price Each	ALCO Part No.	Price Each
6 bu.	28-1/2 x 18-1/2 x 21	AL-55159	\$245.00	AL-55167B	\$59.00	AL-60632	\$75.00
8 bu.	32-1/2 x 20-1/2 x 23-1/2	AL-55160	\$275.00	AL-55167F	\$65.00	AL-60633	\$79.00
10 bu.	34-1/2 x 22-1/2 x 25-1/2	AL-55161	\$295.00	AL-55167C	\$65.00	AL-58503	\$85.00
12 bu.	35 x 25 x 27-1/2	AL-55162	\$315.00	AL-55167G	\$69.00	AL-58504	\$89.00
14 bu.	39 x 27 x 37	AL-55163	\$339.00	AL-55167D	\$79.00	AL-58505	\$99.00
16 bu.	39 x 27 x 30-1/2	AL-55164	\$355.00				
18 bu.	41 x 29 x 30	AL-55166	\$425.00	AL-55167E	\$89.00	AL-58506	\$109.00
20 bu.	47 x 31 x 30-1/2	AL-55165	\$375.00	AL-55167H	\$95.00	AL-58507	\$119.00

\*Interior dimensions shown. For exterior dimensions add 3" to length and with and 6-1/2" to depth



Sturdy helpful spring platforms for all sizes  
**See above for part number and pricing**



Elastic Cover (Grey)

6 & 8 BU.	AL-60628	\$35.00
10 & 12 BU.	AL-60629	\$45.00
14 & 16 BU.	AL-60630	\$49.00
18 & 20 BU.	AL-60631	\$55.00

**Collapsible**

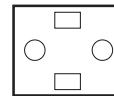


Hinged Poly Cover (Dark Blue, Grey or White)

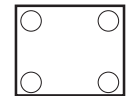
### "UPS-able" Bushel Trucks

- ✓ Heavy duty, Durachrome plated all welded steel construction
- ✓ Durable vinyl/nylon laminate liner can be easily cleaned
- ✓ Fire retardant

### Caster Pattern Options



Standard Pattern



Optional All Swivel Pattern

Standard caster pattern will be shipped unless otherwise requested



Elevated Spring Platform (Yellow)



Elastic Soft Cover

Colors: Yellow, Dk Blue, Grey or White

"UPS/FEDEX-ABLE" BUSHEL TRUCKS (Yellow, Dark Blue, or Grey)					ACCESSORIES					
Capacity	Inside Dimensions* L" x W" x H"	Wt. Cap (lbs.)	ALCO Part No.	Price Each	Spring Platform Lift (Yellow)	Price Each	Elastic Soft Cover	Price Each	Hinged Poly Cover	Price Each
6 Bu.	30-1/4" x 20-1/4" x 21"	250	AL-61237	\$179.00	AL-61243	\$59.00	AL-60628	\$35.00	AL-60632	\$75.00
8 Bu.	34" x 21-3/4" x 22-1/2"	300	AL-51356	\$189.00	AL-51358	\$59.00			AL-60633	\$79.00
10 Bu.	36" x 24" x 24-1/2"	350	AL-61238	\$209.00	AL-61244	\$69.00	AL-60629	\$45.00	AL-58503	\$85.00
12 Bu.	36-1/4" x 26-1/2" x 25-1/2"	400	AL-51357	\$215.00	AL-51359	\$65.00			AL-58504	\$89.00
14 Bu.	40-1/4" x 28-3/4" x 27"	500	AL-61239	\$229.00			AL-60630	\$49.00	AL-58505	\$99.00
16 Bu.	39-3/4" x 28-1/4" x 30-1/2"	525	AL-61240	\$239.00	AL-61246	\$79.00			AL-58506	\$109.00
18 Bu.	42-1/4" x 30-1/4" x 30-1/2"	550	AL-61241	\$249.00	AL-61247	\$79.00	AL-60631	\$55.00		
20 Bu.	48" x 32-1/4" x 30" (FEDEX Only)	600	AL-61242	\$255.00	AL-61248	\$95.00			AL-58507	\$119.00

\* Add 1-3/4" to length and width for outside dimensions  
Add 5-1/4" to depth for overall height for all swivel caster trucks  
Add 5-3/4" to depth for overall height for diamond pattern caster trucks

# Smokers Stations & Ash Trays

BUY 11  
Get One  
**FREE**



## Infinity® Smoking Management Solutions

- ✓ Metal receptacles with highly aesthetic designs in colors to match any environment
- ✓ Large stainless steel extinguish areas for proper disposal
- ✓ Various capacities allow you to choose the right size
- ✓ Easily empty these receptacles without touching the cigarettes or tarred surfaces
- ✓ Reduce theft by locking the unit using locking tabs
- ✓ Weighted base and bolt down feature prevents "tip-overs"

Description	Dimensions	Color	ALCO Part No.	Price Each
A) Infinity™ Base-Mount	15.5"W x 39.6"H	Black Stainless Steel	<b>AL-68128</b>	<b>\$300.00</b>
B) Infinity™ Wall-Mount	11.6"W x 18.6"H	Black Stainless Steel	<b>AL-68130</b>	<b>\$189.00</b>
C) Infinity™ Traditional	13"W x 39"H	Black	<b>AL-68132</b>	<b>\$204.00</b>
		Antique Pewter	<b>AL-68133</b>	<b>\$204.00</b>
D) Infinity™ Ultra-High Capacity	15.5"W x 41.5"H	Black	<b>AL-68135</b>	<b>\$279.00</b>
		Antique Pewter	<b>AL-68136</b>	<b>\$279.00</b>



## Aladdin™ Smokers Station®

- ✓ FM Approved for fire-safety
- ✓ Durable melt-proof, steel construction
- ✓ 4.25 gallon galvanized steel liner
- ✓ Specify color: Charcoal or Bronze
- ✓ 38.75" H x 16" Dia.

### Smokers Station®

Neat, clean and weather resistant, simply extinguish cigarette on recessed screen and drop into receptacle. Keyed cam-locks prevent tampering. Black textured powder coated body with a stainless steel door. Mounting hardware included. Optional mounting poles available. 10" W x 3" D x 12.5" H



### Smokers' Pole

*The simple space saving solution to control smoker's waste*



- ✓ Easy to empty, oxygen restricting design requires no tools and minimal bending to empty
- ✓ Durable, weather resistant powder coated steel construction
- ✓ Two 3" W x 1" H disposal openings with recessed extinguishing screen
- ✓ 4" Dia. x 41" H. (14-1/4" Dia. Base)
- ✓ Specify color: Black or Silver Metallic



### GroundsKeeper Smoking Management Receptacles

- ✓ Restricted opening shields cigarette butts from view, weather and flow of oxygen
- ✓ Constructed of smooth injection molded plastic, rust resistant and easy to clean
- ✓ Steel base plate adds weight for stability and discourages theft
- ✓ Measures: 12-1/4"H x 12-1/4"W x 39-7/16"H

Brown	<b>AL-67556</b>	<b>\$117.00</b>
Black	<b>AL-67557</b>	<b>\$117.00</b>

Description	ALCO Part No.	Price Each
A Charcoal Aladdin	<b>AL-60968</b>	<b>\$169.00</b>
B Bronze Aladdin	<b>AL-60969</b>	<b>\$169.00</b>
C Black Body, Stainless Steel Door	<b>AL-56722</b>	<b>\$139.00</b>
D All Stainless Steel	<b>AL-56723</b>	<b>\$169.00</b>
E Surface Mount Pole	<b>AL-56724</b>	<b>\$169.00</b>
F Silver Metallic Smoker's Pole	<b>AL-67578</b>	<b>\$189.00</b>
G Black Smoker's Pole	<b>AL-67579</b>	<b>\$189.00</b>

### Sand Urn

- ✓ Measures 10" x 20"
- ✓ Removable sand top for easy empty and cleaning

Sand Urn (Black)  
**AL-55173** **\$49.00**  
Sand Urn (Colored)  
**AL-61207A** **\$49.00**  
(Colors: Brown or Hunter Green)

Replacement White Sand  
**AL-55174** **\$39.00**  
Replacement Black Sand  
**AL-55175** **\$39.00**  
(23 lb. packs will fill 10 urns)



Wall Urn with Flip Top  
Stainless Steel Wall Urn  
**AL-55172** **\$89.00**



### Flip Top Chrome Ashtrays 8" x 4" H

Large Flip Top **AL-55180** **\$49.00**  
Large Flip Top w/Bridge **AL-55181** **\$59.00**



# Hampers

## Steel Tubular Hamper

Heavy duty steel frame is chrome plated for a clean, professional look. Available with hands-free foot pedal for ease of operation. Flame retardant, leak-proof, removable and washable bags included. Bags have shock corded rim and envelope closure. Choose from the four bag colors shown below. Durable, high impact, crack resistant plastic lids. Rolls easily with 4" Casters. Foot pedal models supplied with two foot brake locking casters.

## Steel Tubular Hampers

Single Steel Tubular Hamper with Foot Pedal	<b>AL-51340</b>	<b>\$199.00</b>
Double Steel Tubular Hamper with Foot Pedal	<b>AL-51342</b>	<b>\$335.00</b>
Triple Steel Tubular Hamper with Foot Pedal	<b>AL-51344</b>	<b>\$495.00</b>
<b>Accessories</b> (specify color)		
Crack Resistant Replacement Lid— <i>After 5/99</i>	<b>AL-51335A</b>	<b>\$29.00</b>
(18-1/2" x 17-3/4" x 2-1/2")		
Replacement Leakproof Bag (Flat bag size: 30" x 35")	<b>AL-51346</b>	<b>\$49.00</b>



Double Steel Tubular Hamper With Foot Pedal



## "Easy Access" Hamper

The "Easy Access" Hamper System makes the use of 33-40 gallon polyliners a breeze. The included flame retardant, SureChek® "Easy Access" bags attach securely with Velcro® to the rugged chrome plated steel frame. An ingenious Velcro® front flap makes removing full polyliners hassle-free. No more lifting up through the top. Bags are available in four colors. Durable, high impact, crack resistant plastic lids. Rugged 4" polyurethane ball bearing casters roll quietly and easily. Foot pedal models supplied with two foot brake locking casters.

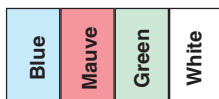
Single Hamper with Foot Pedal—Specify Color	<b>AL-51348</b>	<b>\$225.00</b>
Double Hamper with Foot Pedal—Specify Color	<b>AL-51350</b>	<b>\$379.00</b>
Triple Hamper with Foot Pedal—Specify Color	<b>AL-51352</b>	<b>\$565.00</b>

## Accessories

Crack Resistant Replacement White Lid (18-1/2" x 17-3/4" x 2-1/2")— <i>After 5/99</i>	<b>AL-51335A</b>	<b>\$29.00</b>
Bulk Polyliner Holder (16-3/4" x 5-3/4" x 6-1/4" deep)	<b>AL-51354</b>	<b>\$25.00</b>
Replacement "Easy Access" Bag (17" x 13-1/2" x 25" deep)	<b>AL-51355</b>	<b>\$65.00</b>
(specify color)		



Washable leakproof bags



"Easy Access" Colors



## 18" Tilt-Top Hamper

Features a top ring of 1" O.D. welded steel tubing, legs of 7/8" O.D. steel tubing. Bag rest is 3/8" diameter steel rod. All are chrome plated. Furnished with twin wheel casters for ease of transport. Fits all 18" round hampers.

18" Tilt-Top Hamper	<b>AL-43015</b>	<b>\$189.00</b>
18" Tilt-Top Hamper with Red Lid	<b>AL-69422</b>	<b>\$189.00</b>
Bag for Hamper	<b>AL-43016</b>	<b>\$29.00</b>
Plastic Bag Retaining Kit	<b>AL-43017</b>	<b>\$59.00</b>

## 18" Round Hamper

Chrome plated steel, three rubber ball bearing casters and bag support bars  
**AL-54896 \$109.00**

## Adjustable Folding Hamper

- ✓ Chrome plated steel
- ✓ Folds to compact storage
- ✓ Adjusts to fit 18", 22" or 25" bags
- ✓ All steel bag rest
- ✓ Four rubber wheel ball bearing casters
- ✓ 19-3/4"W x 21"D x 37"-47"H

**AL-51363 \$114.00**

## Hamper Stand with Poly Coated Steel Lid

- ✓ Supports 36 - 42 gallon bags
- ✓ Glides easily with 3" locking casters
- ✓ Chrome plated steel
- ✓ Non-slip pedal raises the white, poly-coated steel lid
- ✓ Lid measures: 18" x 19-1/2"
- ✓ Ships knocked down
- ✓ Height: 38"

Standard Lid

**AL-42730 \$159.00 Each**

Red Lid

**AL-69423 \$139.00 Each**



# Hampers, Bags & Labels

**BUY 11 GET 1 FREE!**



AL-51333

### Foot Pedal Hamper Stand

Ball bearing ball casters. With high impact, crack resistant, plastic lid. Durachrome plated steel frame. Fits standard disposable polyliners (33-40 gallon) as well as **AL-51337** and **AL-51338** bags. (Bags or liners not included.) 18-1/2" x 17-3/4" x 37"

### Wire Portable Hamper Stand

Foot Pedal Hamper Stand  
**AL-51333** **\$105.00**  
 Stationary Hamper Stand  
**AL-51334** **\$25.00** (not shown)  
 Accessory Basket  
**AL-61075** **\$9.00**



### Medium Duty Hamper

Solid 7/8" round tubing. Bright chrome finish. Tough ABS lid. Designed for secure attachment of disposable polyliners. Durable easy-rolling 3" casters.

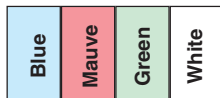
Single **AL-56644** **\$119.00**  
 Double **AL-56645** **\$229.00**  
 Accessory Basket **AL-61076** **\$15.00**

### Accessories for Wire and Medium Duty Hamper

Crack Resistant Replacement Lid (18-1/2" x 17-3/4" x 2-1/2") **(AFTER 5/99)** **AL-51335A** **\$29.00**  
 Replacement Grill for Models AL-51332 and AL-51333 **AL-51336** **\$19.00**  
 Nylon Flame Retardant Hamper Bag (specify color) **AL-51337** **\$45.00**  
 SureChek® Hamper Bag (specify color) **AL-51338** **\$59.00**  
 Replacement Leakproof Bag (flat bag size 30" x 35") **AL-51346** **\$49.00**



Nylon Colors



SureChek® Colors



Washable Leakproof Bags



### Stainless Steel Laundry Hamper

- ✓ 1" x 18 gauge Stainless Steel
- ✓ 3" ball bearing casters

18" width **AL-63887** **\$229.00**  
 25" width **AL-63888** **\$229.00**

**AL-51387**

**Hamper Labels \$10.95 Each**  
(Labeled in English and Spanish)

Description	ALCO Part No.
Orange - "Biohazardous Waste"	<b>AL-51385</b>
Yellow - "Isolation Linen"	<b>AL-51386</b>
Blue - "Soiled Linen"	<b>AL-51387</b>
Green - "Surgery Soiled Linen"	<b>AL-51388</b>
Pink - "Pediatric Soiled Linen"	<b>AL-51389</b>
Yellow - "Caution! Chemotherapy Waste"	<b>AL-51390</b>
Brown - "Trash"	<b>AL-51392</b>
Red - "Infectious Waste"	<b>AL-68278</b>

EP1



AL-73011W



AL-73010G

### Deluxe Triangular Hamper

- ✓ Hamper is made from 1" tubular steel or stainless steel
- ✓ Dual access foot pedal activation
- ✓ Legs have adjustable feet to control the leg height
- ✓ Unit dimensions are 21"W x 21"D x 32"H

### Description

Description	ALCO Part No.	Price Each
Hamper, Tubular Steel – Fully Welded	<b>AL-73006</b>	<b>\$245.00</b>
Hamper, Stainless Steel – Fully Welded	<b>AL-73007</b>	<b>\$489.00</b>
Hamper, Tubular Steel – Knocked Down	<b>AL-73008</b>	<b>\$245.00</b>

Colors available for all bags - excluding Cotton Duck.



Custom colors available in large quantities



AL-73012M



AL-73013B

### Triangular Hamper Bags

- ✓ Includes hamper bag with drawstring
- ✓ Available in white/natural, green, mauve or blue (excluding Cotton Duck, sold in White only)

Description	White ALCO Part No.	Green ALCO Part No.	Mauve ALCO Part No.	Blue ALCO Part No.	Price Each
Hamper Bag – Antimicrobial	<b>AL-73010W</b>	<b>AL-73010G</b>	<b>AL-73010M</b>	<b>AL-73010B</b>	<b>\$39.00</b>
Hamper Bag – Cotton Duck	<b>AL-73011W</b>	N/A	N/A	N/A	<b>\$25.00</b>
Hamper Bag – Leak proof	<b>AL-73012W</b>	<b>AL-73012G</b>	<b>AL-73012M</b>	<b>AL-73012B</b>	<b>\$39.00</b>
Hamper Bag – Nylon	<b>AL-73013W</b>	<b>AL-73013G</b>	<b>AL-73013M</b>	<b>AL-73013B</b>	<b>\$25.00</b>

# Hampers



## Poly Laundry Hampers

White molded Polyethylene poly hampers with zinc plated heavy wire frames and easy rolling 2" ball casters. These hampers are totally leakproof, virtually indestructible with easy opening hinged poly lids. Nest for easy storage and a breeze to clean. Use with or without rolling bases. Easy opening lid keeps laundry contained in controlled sanitary conditions.

Bu.	Capacity lbs.	*Inside Dimensions L" x W" x H"	ALCO Part No.	Price Each
3	150	18" x 13-1/2" x 27-1/2"	<b>AL-60981</b>	<b>\$229.00</b>
4-1/2	250	18" x 20" x 27-1/2"	<b>AL-60982</b>	<b>\$259.00</b>

\*Add 1-1/2" to length, 4" to width, and 3-1/2" to depth for overall outside dimensions.



## Collapsible Hamper

- ✓ Super-strong, flame retardant vinyl liner
- ✓ Convenient and collapsible
- ✓ Galvanized steel rod stand
- ✓ Easy clean-up with a mild detergent
- ✓ 15"W x 16"L x 30"H
- ✓ Specify vinyl color-Example: **AL-67778-BK**

Stand	<b>AL-67777</b>	<b>\$34.00</b>
Bag	<b>AL-67778</b>	<b>\$25.95</b>



Available colors:  
Blue (BL),  
Red (RD),  
Green (GN),  
Yellow (YL),  
Brown (BR),  
Tan (TN),  
Grey (GR),  
White (WH) and  
Black (BK)

## X-Frame Cart

- ✓ Removable, super-strong vinyl liner
- ✓ Collapsible, lightweight 1" steel tubular frame
- ✓ Standard 3" polyolefin casters
- ✓ 8 bushel
- ✓ 21"W x 26"L x 36"D
- ✓ Specify vinyl color-Example: **AL-67779-BK**

**AL-67779**      **\$139.00**



## Industrial Laundry Hamper

- ✓ Metal frame with removable cloth bag
  - ✓ Heavy duty 4" casters
  - ✓ 36-1/4"W x 22"D x 35"H
- HL14**      **\$169.00**

## Collapsible Hamper W/Rack



## Convenient, Versatile Collapsible Hampers

- ✓ No assembly required
- ✓ Heavy Duty unique design-folds/stores
- ✓ Stands in either open or closed position
- ✓ Rolls easily on sturdy 4" casters
- ✓ Heavy duty, spacious, detachable canvas bag
- ✓ Easy to carry, w/snap closure shoulder strap
- ✓ Clean chrome appearance
- ✓ Versatile garment rack feature
- ✓ Replacement bags available (call)

## Collapsible Hamper W/Rack

(31" x 19-1/2" x 75-1/2" high)  
**AL-60985**      **\$225.00**

## Collapsible Hamper

(31" x 19-1/2" x 32-1/2" high)  
**AL-60986**      **\$179.00**



## Collapsible Hamper



# Hamper Bags

**BUY 11 GET 1 FREE!**



## 18" & 25" Ropeless Hamper Bags

- ✓ 18" diameter features 30"x43" finish size. 25" diameter features 40"x43" finish size
  - ✓ 18" bag has 26 gallon capacity. 25" bag has 44 gallon capacity. Both have straight bottom
  - ✓ Ropeless, flips closed just like a sandwich bag
  - ✓ All stress points reinforced
  - ✓ Top and bottom dump handles for easy dumping
  - ✓ Colors available for nylon bags: Red, Blue, Green, Yellow and Orange
- Colors available for water repellent bags: White, Blue, Green, Red, Yellow and Grey**

Description	Hem	18"		25"	
		ALCO Part No.	Price Per Doz	ALCO Part No.	Price Per Doz
Cotton Duck Natural	Sewn	AL-51644	\$79.00	AL-51648	\$99.00
200 Denier Nylon White	Elastic	AL-51645	\$79.00	AL-51649	\$99.00
200 Denier Nylon (Specify Color)	Elastic	AL-51646	\$89.00	AL-51650	\$109.00
Water Repellent Polyester (Specify Color)	Elastic	AL-51647	\$129.00	AL-51651	\$149.00

## Water Repellent Polyester

Polyester 100% continuous filament polyester, tightly woven, and treated to give an inherent fluid resistant capability. Light weight and durable. Can be laundered and quickly dried for fast turn around.

## Cotton Duck (Canvas)

100% natural cotton strong and durable. Not preshrunk. Not recommended for wet linen. Will not rot or mildew if left wet.

## 200 Denier Nylon

100% nylon preshrunk—light weight (like wind breaker) requiring minimal drying time.

## 18" & 25" Drawcord Hamper Bags

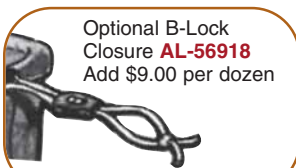
- ✓ 18" diameter features 30"x37" finish size. 25" diameter features 40"x40" finish size
  - ✓ 18" bag has 26 gallon capacity. 25" bag has 44 gallon capacity. Both have straight bottom
  - ✓ Drawcord closure sewn in top hem
  - ✓ Available with optional b-lock or slip-lock closure to prevent accidental spillage
  - ✓ Colors available for nylon bags: Red, Blue, Green, Yellow and Orange
- Colors available for water repellent bags: White, Blue, Green, Red, Yellow and Grey**

Description	Hem	18"		25"	
		ALCO Part No.	Price Per Doz	ALCO Part No.	Price Per Doz
Cotton Duck Natural	Sewn	AL-51652	\$59.00	AL-51656	\$79.00
200 Denier Nylon White	Elastic	AL-51653	\$59.00	AL-51657	\$69.00
200 Denier Nylon (Specify Color)	Elastic	AL-51654	\$59.00	AL-51658	\$79.00
Water Repellent Polyester (Specify Color)	Elastic	AL-51655	\$109.00	AL-51659	\$129.00



**Synthetic Mesh Laundry Net w/Locking Closure**  
AL-72368 \$19.00 Each

EP1



## Mesh Bag With Drawstring Closure

- ✓ Personal belongings bag, specially designed polyester, leno weave mesh, allows laundry to be washed without removing articles from the bag
- ✓ Available with 3 closing devices, assuring personal articles will not be lost
- ✓ Colors available: Red, Blue, Green, Yellow and Orange
- ✓ 3/16" large hole standard. 1/8" small hole optional (call for price)

Color	Weight	Flat Size	1-11 Dozen		12-24 Dozen	
			ALCO Part No.	Price Dozen	ALCO Part No.	Price Dozen
White	Medium	18x24	AL-51660	\$39.00	AL-51660A	\$39.00
Color	Medium	18x24	AL-51661	\$49.00	AL-51661A	\$39.00
White	Medium	18x30	AL-51662	\$49.00	AL-51662A	\$39.00
Color	Medium	18x30	AL-51663	\$59.00	AL-51663A	\$49.00
White	Medium	24x36	AL-51664	\$59.00	AL-51664A	\$59.00
Color	Medium	24x36	AL-51665	\$69.00	AL-51665A	\$69.00
White	Medium	30x40	AL-51666	\$69.00	AL-51666A	\$69.00
Color	Medium	30x40	AL-51667	\$89.00	AL-51667A	\$79.00



**Optional Laundry Net Pins**  
AL-56921 Add \$26.00 per dozen **587**

# Portable Garment Racks



AL-51321

**36" & 48" Portable Garment Racks** are constructed with rugged 7/8" steel tubing. Complete with our 4" Mega-Caster. Chrome plated 48" long x 18" wide x 64" high or 36" long x 18" side x 64" high.

36" Portable Garment Rack **AL-51320 \$115.00**

48" Portable Garment Rack **AL-51321 \$119.00**

Combo: AL-51321, 51324 & 51325 Complete (Specify Color) **AL-51322 \$335.00**

Combo: AL-51321 & 51324 Complete (Specify Color) **AL-51323 \$285.00**

### Accessories

Cover Kit for AL-51321 Portable Garment Rack (Specify Color) **AL-51324 \$185.00**

Basket Shelf for AL-51321 Portable Garment Rack **AL-51325 \$65.00**



AL-51324

### Cover Kit For AL-51321 Portable Garment Rack

Support frame is built from Durachrome plated heavy gauge steel. Cover is constructed from rugged 200 denier urethane coated nylon which is fire retardant and washable. Double sewn seams. Tear resistant. Completely washable (cool dry). Velcro® flap. Replacement cover available.

**AL-51324 \$179.00**



AL-51325

### Basket Shelf For Portable Garment Rack

A useful accessory that attaches to the bottom of the AL-51321 Portable Garment Rack. Built from heavy gauge chrome plated steel. 50 lb. capacity. Handy for transporting any items along with garments. 45" x 17" x 3" deep.

### Nylon Cover Colors



Covers are made from rugged 200 denier nylon, are fire retardant, and are coated with durable heavy urethane. They feature double sewn seams, are tear resistant, and completely washable (cool dry). They are designed to give many years of service.



AL-51327

### 60" and 72" Double Portable Garment Rack

1" heavy gauge steel tubing with 5" Mega-Casters. Chrome plated.

60" long x 20" wide x 70" high **AL-51327 \$239.00**

72" long x 27" wide x 67" high **AL-56865 \$289.00**



### Cover Kit For 60" and 72" Portable Garment Rack

Support frame is built from Durachrome plated heavy gauge steel. Cover is constructed from rugged 200 denier urethane coated nylon which is fire retardant and washable. Velcro® flaps. Replacement cover available.

### Accessories

Cover Kit for AL-51326 (Specify Color) **AL-51330 \$235.00**

Cover Kit for AL-51327 (Specify Color) **AL-51331 \$315.00**

Cover Kit for AL-56864 (Specify Color) **AL-56868 \$269.00**

Cover Kit for AL-56865 (Specify Color) **AL-56869 \$359.00**

### 60" Portable Garment Racks

60" Single Portable Garment Rack **AL-51326 \$235.00**

60" Double Portable Garment Rack **AL-51327 \$245.00**

Combo: AL-51326 & 51330

Complete (Specify Color) **AL-51328 \$445.00**

Combo: AL-51327 & 51331

Complete (Specify Color) **AL-51329 \$525.00**

### 72" Portable Garment Racks

72" Single Portable Garment Rack **AL-56864 \$269.00**

72" Double Portable Garment Rack **AL-56865 \$295.00**

Combo: AL-56864 & AL-56868

Complete (Specify Color) **AL-56866 \$509.00**

Combo: AL-56865 & AL-56869

Complete (Specify Color) **AL-56867 \$619.00**

**Replacement Casters Available For All Equipment. Call!**

We Accept



# Toilet Accessories

BUY 11  
Get One  
FREE



### Toilet Seat Cover Dispensers

White plastic dispenser (AL-60823) includes double-sided tape for wall mounting (16W x 3-1/4D x 11-1/2H).

White Plastic	<b>AL-60823</b>	<b>\$8.00</b>
Chrome	<b>AL-60824</b>	<b>\$29.00</b>



AL-56749

AL-56750

### Health Gards® Waste Receptacles

Swing Type Napkin; White Metal

**AL-56749** **\$44.00**

Convertible Napkin; White ABS plastic

**AL-56750** **\$39.00**

Kraft Waxed paper Liners (not shown)

**AL-56751** **\$33.00 (500/Cs)**



### Premium Toilet Seat Covers

Half-fold covers fit all popular seat cover dispensers. Made from a quick-dissolving tissue; 100% biodegradable.

20 Packs (5000)

**AL-60820** **\$72.00**

10 Packs (2500)

**AL-60821** **\$44.00**

4 Packs (1000)

**AL-60822** **\$24.00**



### Sanitary Napkin Receptacle w/Rigid Liner

- ✓ Tight-fitting lid helps contain odor
- ✓ Removable rigid liner is easy to clean and maintain
- ✓ 5 Waxed paper bags included

**AL-70380** **\$54.00**



### Krystal Para Urinal Block Screen with Deodorizer

Pliable screen traps debris. Lasts up to 30 days. Cherry Fragrance. USDA Classification C1

**AL-60845** **\$34.00 Dozen**



### Toilet Bowl Mop

4-1/2" strands of acid-resistant polypropylene. Strong I-beam 12" plastic handle. White

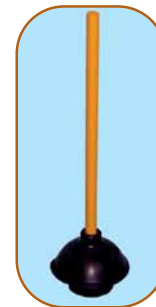
**AL-61402** **\$4.00**



### Value-Plus Cone Bowl Mop

Cone moves freely over mop head to remove excess liquid. 4-1/2" strands of acid-resistant polypropylene. Strong I-beam 12" plastic handle. White

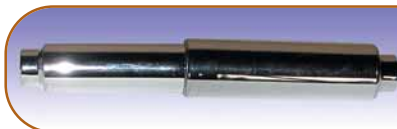
**AL-61403** **\$4.00**



### Heavy Duty Plunger

20" wood handle, with 4" high, 6" dia plunger

**AL-61428** **\$12.00**



### Replacement Toilet Paper Rollers

Chrome-Plated Plastic **AL-61835** **\$3.95**

Grey Plastic **AL-61836** **\$2.00**

White Plastic **AL-61837** **\$1.50**



# Disinfectants, Hand Sanitizers & Gloves

**BUY 11 GET 1 FREE!**

### Germicidal Cleaner

32 ounce Spray Bottle	<b>AL-2215</b>	<b>\$10.95/Ea</b>
1 Gallon / 4 per Case	<b>AL-54898</b>	<b>\$109.00/Cs</b>
2-1/2 Gallon (each)	<b>AL-69727</b>	<b>\$69.00/Ea</b>
5 Gallon	<b>AL-54899</b>	<b>\$119.00/Cs</b>
55 Gallon	<b>AL-69728</b>	<b>Call</b>




**Germicidal Wipes**

- ✓ Bleach and alcohol-free, multi-purpose wipes
- ✓ Cuts tough grease and grime
- ✓ 125 count canister

**AL-72938 \$9.95 Each**




**ALCO Citrus II™ Hospital Germicidal Deodorizing Cleaner**

Bactericidal\* • Virucidal\* • Tuberculocidal\*  
Fungicidal\* • HIV (AIDS) • Mildewstat

22 oz. Trigger Spray Bottle  
**6.95 Each (12 per Case)**


1 gal. Refill  
**AL-49553 \$21.95 Each (4 per Case)**



**Clorox Germicidal Wipes**

- ✓ Kill claims for 27 different microorganisms, including MRSA, HIV Type-1, Pseudomonas, aeruginosa, Staphylococcus aureus and Streptococcus pyogenes


**AL-69682 \$69.00/Cs 6 Each**



**Johnson Diversey Easy Paks® Bowl Cleaner**

- ✓ Premeasured 1/2 oz packets dissolve completely in water
- ✓ 90 packets per tub; 2 tubs per case

**AL-60833 \$42.00 Case**



**Ultra Clorox Germicidal Bleach**

- ✓ Effective against TB, HIV-1, Hepatitis A virus and MRSA
- ✓ Helps with compliance and OSHA blood-bone pathogen guidelines


**AL-69681 \$19.00/Cs 6 Each**



**Lysol® Brand I.C.TM Foaming Disinfectant Cleaner**

Effective against the HIV-1 (AIDS) virus and Type 1 Poliovirus on hard, nonporous surfaces. 24 oz. aerosol. 12 cans per case.


**AL-60832 \$44.00 Case**



**Clorox Germicidal Spray**

- ✓ Kill claims for 32 different microorganisms, including MRSA, Human Hepatitis C, Pseudomonas aeruginosa, Staphylococcus aureus and Streptococcus pyogenes
- ✓ Contains a 1:10 bleach solution as recommended by the CDC

**AL-69683 \$79.00/Cs 9 Each**



**Orange Flock-Lined Gloves**—For janitorial services, dishwashing and strong chemical handling. Chemical-resistant to mild detergents, acids, solvents, alcohols and alkalis. USDA compliant. 12" length with embossed nonslip grip. 28-30 mil thick.

Medium (Dozen)	<b>AL-60858</b>	<b>\$29.00 Doz</b>
Large (Dozen)	<b>AL-60859</b>	<b>\$29.00 Doz</b>
X-Large (Dozen)	<b>AL-60860</b>	<b>\$29.00 Doz</b>

EP1



**Citrus II™ Instant Antimicrobial Hand Sanitizing Lotion**

- ✓ Kills 99.99% of germs without water, no rinsing required
- ✓ Fresh citrus fragrance
- ✓ Non-drying, skin softening formula

4 oz. Bottle  
**AL-52644A \$1.95 Each**

32 oz. Bottle with Pump  
**AL-52646A \$12.95 Each**

**AL-52644A**



**Citrus II™ Citrus Fresh Antibacterial Hand Soap**

- ✓ Unique, patented formula with proven, germ-fighting ingredients
- ✓ Provides gentle, yet effective protection against bacteria and viruses

8 oz. Bottle with Pump  
**AL-56659 \$2.95 Each**

32 oz. Bottle with Pump  
**AL-56661 7.95 Each**

**AL-56661**

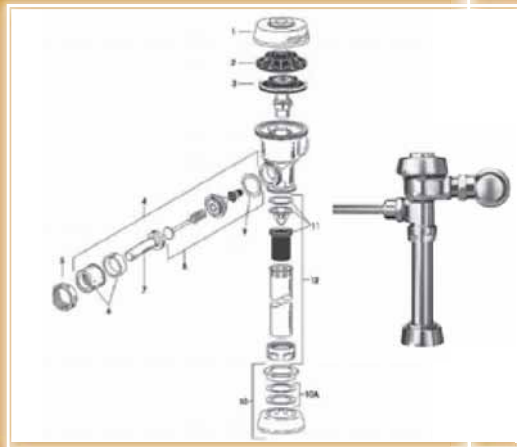


**Tote Caddy**

- ✓ 8" Deep compartments
- ✓ Heavy-duty polypropylene
- ✓ Measures 1 3-3/4"L x 18-1/4"W x 8-3/4"H

**AL-61126 \$44.95 Case/6 each (Sold 6 per carton only)**

# Maintenance



Phone: 800-323-4282  
Fax: 800-950-1167

**ALCO**  
Sales & Service Co.

info@alcosales.com  
www.alcosales.com

**BUY 11  
Get One  
FREE**

# ALCO Universal Toilet Seat & Supports

**BUY 11 GET 1 FREE!**

**Over  
1200 lb.  
Capacity**



X-Wide Toilet Seat  
**AL-69105**

Toilet Support  
**AL-69100**

**Leg Base Can Be Raised 4"  
Great for Housekeeping**



**AL-69100 AL-69100A**

### Universal Toilet Support

- ✓ Increases weight capacity from 350 lbs. to over 1,200 lbs.
- ✓ Mounts under most wall mounted toilets
- ✓ Leg base can be raised 4" for cleaning access
- ✓ Meets surgical review center of excellence requirements

Regular	<b>AL-69100</b>	<b>\$149.00</b>
Short (top swivels)	<b>AL-69100A</b>	<b>\$149.00</b>

### 19" Wide Standard Toilet Seat (not shown)

- ✓ 800 lb capacity
- ✓ High impact ABS hinges
- ✓ For anyone who just wants a more comfortable toilet seat

**AL-75739 \$99.95**

### 19" Wide Bariatric Toilet Seat

- ✓ Rated at over 1,200 lbs.
- ✓ Stainless Steel hinges
- ✓ Ideal for larger framed and the bariatric patient
- ✓ Fits all standard toilets, round or elongated
- ✓ ADA compliant
- ✓ 2" Higher than standard toilet seats

White, Closed Front with Cover	<b>AL-69103</b>	<b>\$169.00</b>
White, Open Front with Cover	<b>AL-69104</b>	<b>\$169.00</b>
White, Open Front without Cover	<b>AL-69105</b>	<b>\$169.00</b>



**AL-69103**



**AL-69104**



**AL-69105**

### Combo Universal Toilet Support and 19" Wide Bariatric Toilet Seat Kits

Toilet Support and Closed Front Toilet Seat (with cover) Kit	<b>AL-69106</b>	<b>\$299.00</b>
Toilet Support and Open Front Toilet Seat (with cover) Kit	<b>AL-69107</b>	<b>\$299.00</b>
Toilet Support and Open Front Toilet Seat (without cover) Kit	<b>AL-69108</b>	<b>\$299.00</b>

**1000 lb.  
Capacity**



**Retractable Leg—  
Great For Housekeeping**

### Universal Toilet Support

- ✓ Leg made of stainless steel
- ✓ Carriage and foot made of non-porous, chemical and stain resistant FDA grade silicon
- ✓ Fits **ALL** wall-mounted toilets
- ✓ Supports 1,000 lbs.—Guaranteed
- ✓ Easy to install and maintain: installs in less than 15 minutes!
- ✓ Reduces risk of injury and embarrassment to bariatric patients

**AL-66049 \$309.00**



**1000 lb.  
Capacity**

### Universal Aluminum Toilet Support

- ✓ Height 5-1/2" to 6-1/2"
- ✓ Universal; fits most commode models
- ✓ Top portion attaches to commode and is made of silicon rubber to prevent bacteria growth
- ✓ Aluminum support will not corrode or be affected by different chemicals

**AL-67410 \$129.95**



# Healthcare Toilet Seats

**BUY 11 GET 1 FREE!**



AL-51242

### Commercial Plastic Seats-DuraGuard

- ✓ Open front without cover
  - ✓ STA-TITE® Commercial Fastening System™
  - ✓ Heavy-weight
  - ✓ DuraGuard antimicrobial agent
  - ✓ External check hinge with stainless steel post
- |           |          |         |
|-----------|----------|---------|
| Regular   | AL-51242 | \$31.95 |
| Elongated | AL-51243 | \$31.95 |



AL-40528

### Posturemold Seats-Open Front Without Cover

- ✓ STA-TITE® Commercial Fastening System™
  - ✓ External check hinge with stainless steel post
- |                        |          |         |
|------------------------|----------|---------|
| Elongated (Heavy Duty) | AL-40528 | \$50.95 |
| Elongated              | AL-51248 | \$19.95 |



AL-40527W

AL-40526W

### Commercial Plastic Seats

- ✓ Open front without cover
  - ✓ STA-TITE® Commercial Fastening System™
  - ✓ Heavy weight
  - ✓ External check hinge with stainless steel post
- |                  |           |         |
|------------------|-----------|---------|
| Elongated, White | AL-40527W | \$24.95 |
| Elongated, Black | AL-40527B | \$24.95 |
| Regular, White   | AL-40526W | \$24.95 |
| Regular, Black   | AL-40526B | \$24.95 |



AL-51236

### Plastic Seats-Closed Front With Cover

- ✓ Top-Tite hinge
- |           |          |         |
|-----------|----------|---------|
| Regular   | AL-51235 | \$13.95 |
| Elongated | AL-51236 | \$19.95 |



AL-77673

### Commercial/Institutional Plastic Seats

- ✓ Open front
  - ✓ STA-TITE® Commercial Fastening System™
  - ✓ JUST-LIFT Check Hinge (see below)
- |           |          |         |
|-----------|----------|---------|
| Elongated | AL-77673 | \$39.95 |
|-----------|----------|---------|



AL-51240



### Medic-Aid Seats-Lift Seats

- ✓ 3" Lift Seat
- ✓ Open front
- ✓ DuraGuard antimicrobial agent
- ✓ Stainless steel hinge



AL-40546

### Medic-Aid Seats-"Safety Side" Arm

- ✓ Open front
- ✓ DuraGuard antimicrobial agent
- ✓ Stainless steel side arms with textured plastic handgrips and finger grooves



AL-40544

	Without Cover	With Cover	Price Each
Regular	AL-40544	AL-40543	\$256.95
Elongated	AL-40546	AL-40545	

	Without Cover	Price Each	With Cover	Price Each
Regular	AL-51237	\$149.95	AL-51239	\$154.95
Elongated	AL-51238		AL-51240	

EP1



1. Assemble hinges
2. Center seat on bowl and finger-tighten STA-TITE® Fastening Nuts
3. Using a 5/8" wrench alternately tighten until lower portions shear off

### JUST-LIFT Toilet Seat



1. Put toilet seat ring cover in upright position. Hold ring cover firmly and pull up.
2. Clean on and around receptacle bodies, stainless steel rods and beneath hinge body.
3. Hold ring cover firmly and push down. Continue with normal cleaning of toilet seat ring.

**Bemis toilet seats will fit the following fixtures (and others): American Standard, Briggs, Crane, Eljer, Gerber, Kohler, Mansfield, Peerless, Toto, Universal Rundle and St. Thomas**



DuraGuard seats contain an anti-microbial agent molded in plastic inhibiting growth of bacteria.

# Saniguard® Antimicrobial Products

**BUY 11 GET 1 FREE!**

## Products Featuring SANIGUARD® Antimicrobial Product Protection

SANIGUARD® antimicrobial product protection is a proven, cost-effective treatment that is permanently built-in to OEM products and utilizes a silver-ion based technology to inhibit the growth of common bacteria, molds and fungi that cause odors, staining and product deterioration for the useful life of the product. SANIGUARD treated products are listed by NSF under Standards 2, 51 and 61, and meet the standard ASTM specifications for powder coating. Please note that the SANIGUARD treatment is designed to protect the product itself from microbial growth. It is not a substitute for good hygiene and cleaning practices and will not protect users or others against food-borne illness or disease. SANIGUARD treated products are widely accepted by assisted-living and healthcare professionals in both the USA and Canada. ALCO, in partnership with CHG, continually conducts extensive third-party research and evidence-based testing of SANIGUARD antimicrobial product protection against various microorganisms and ALCO can furnish the documented results to support its efficacy claims.



16" Smooth Grab Bar	<b>AL-71439</b>	<b>\$41.00</b>
18" Smooth Grab Bar	<b>AL-71440</b>	<b>\$43.00</b>
24" Smooth Grab Bar	<b>AL-71441</b>	<b>\$50.00</b>
30"x30" L Smooth Grab Bar	<b>AL-71442</b>	<b>\$101.00</b>
30" Smooth Grab Bar	<b>AL-71443</b>	<b>\$57.00</b>
36" Smooth Grab Bar	<b>AL-71444</b>	<b>\$63.00</b>
42" Smooth Grab Bar	<b>AL-71445</b>	<b>\$70.00</b>
48" Smooth Grab Bar	<b>AL-71446</b>	<b>\$77.00</b>

16" Knurled Grab Bar	<b>AL-71447</b>	<b>\$43.00</b>
18" Knurled Grab Bar	<b>AL-71448</b>	<b>\$45.00</b>
24" Knurled Grab Bar	<b>AL-71449</b>	<b>\$52.00</b>
30"x30" L Knurled Grab Bar	<b>AL-71450</b>	<b>\$126.00</b>
30" Knurled Grab Bar	<b>AL-71451</b>	<b>\$59.00</b>
36" Knurled Grab Bar	<b>AL-71452</b>	<b>\$67.00</b>
42" Knurled Grab Bar	<b>AL-71453</b>	<b>\$74.00</b>
48" Knurled Grab Bar	<b>AL-71454</b>	<b>\$82.00</b>



Electronic faucet with mixing handle  
**AL-71455 \$499.00**



Faucet w/bracket stops, threaded spout w/hook  
**AL-71458 \$139.00**



Glass filler Water Station  
**AL-71456 \$305.00**



Replacement Button valve for Encore/T & S spray  
**AL-71473 \$18.00**



**AL-71461**

Retro-fit T&S 6" Wrist Blade handles hot & cold

Hot	<b>AL-71461R</b>	<b>\$54.00</b>
Cold	<b>AL-71461B</b>	<b>\$54.00</b>

Retro-fit T&S 4" Wrist Blade handles hot & cold

Hot	<b>AL-71462R</b>	<b>\$45.00</b>
Cold	<b>AL-71462B</b>	<b>\$45.00</b>

Retro-fit T&S lever handles hot & cold (Not Shown)

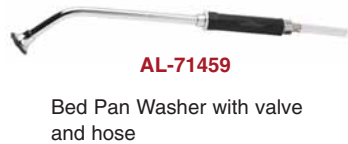
Hot	<b>AL-71463R</b>	<b>\$24.00</b>
Cold	<b>AL-71463B</b>	<b>\$24.00</b>



4" Wall Mount with 8" Tubular Spout Sani lever handle, ceramic disc  
**AL-71467 \$139.00**



**AL-71460**



**AL-71459**

Bed Pan Washer with valve and hose

**AL-71459 \$169.00**

Bed Pan Washer with hose  
**AL-71460 \$109.00**



**AL-71464**

Retro-fit Chicago & Zurn 6" Wrist Blade handles hot & cold

Hot	<b>AL-71464R</b>	<b>\$68.00</b>
Cold	<b>AL-71464B</b>	<b>\$68.00</b>

Retro-fit Chicago & Zurn 4" Wrist Blade handles hot & cold

Hot	<b>AL-71465R</b>	<b>\$45.00</b>
Cold	<b>AL-71465B</b>	<b>\$45.00</b>



Spray Head repair kit for Pre-Rinse  
**AL-71468 \$23.00**



Retro-fit Chicago & Zurn lever handles hot and cold

Hot	<b>AL-71466R</b>	<b>\$28.00</b>
Cold	<b>AL-71466B</b>	<b>\$28.00</b>

Retro-fit Chicago & Zurn 6" Wrist Blade handles hot & cold

Hot	<b>AL-71464R</b>	<b>\$68.00</b>
Cold	<b>AL-71464B</b>	<b>\$68.00</b>

Retro-fit Chicago & Zurn 4" Wrist Blade handles hot & cold

Hot	<b>AL-71465R</b>	<b>\$45.00</b>
Cold	<b>AL-71465B</b>	<b>\$45.00</b>



Wall Bracket for Pre-Rinse Unit  
**AL-71457 \$30.00**

# Saniguard® Antimicrobial Products

**BUY 11 GET 1 FREE!**

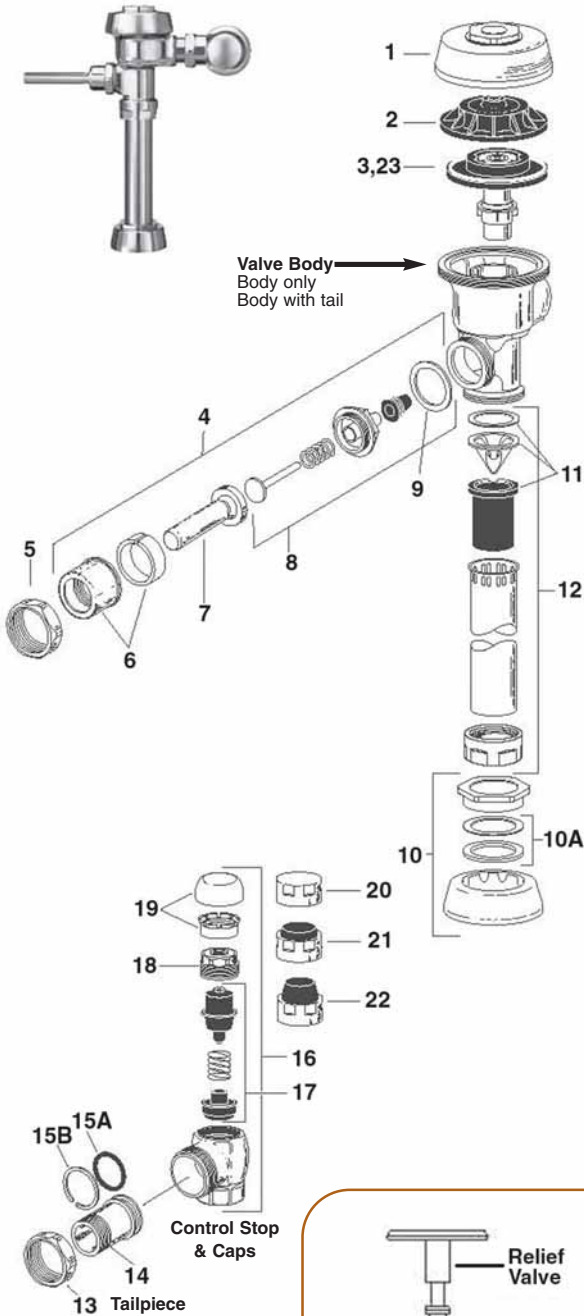


Fig.	Description	ALCO Part No.	Price Each
1	Double Pantry single Deck mount Pre-rinse lever handles, spray valve, compression	AL-71470	\$322.00
2	8" adjust center Wall Mount Pre-Rinse lever handles, spray valve, compression	AL-71474	\$317.00
3	4" adjust center Deck Mount Pre-Rinse lever handles, spray valve, compression	AL-71476	\$329.00
4	8" adjust center Deck Mount Pre-Rinse Sani lever handles, spray valve, compression	AL-71477	\$339.00
5	Encore 4cc Single Handle Faucet	AL-71478	\$134.00
6	8" adjust center Wall mount Faucet with Handles and 12" spout	AL-71475	\$149.00
7	4" Ctrs. Deckmount Faucet 4" cast spout lever handle, ceramic, less pop-up hole	AL-71480	\$129.00
	4" Ctrs. Deck Mount Faucet 4" cast spout lever handle, ceramic w/pop-up hole	AL-71485	\$139.00
8	Electronic Deck Mount Soap Dispenser	AL-71488	\$119.00
9	Retro-fit Quik-Wash spout mounted hand wash faucet control	AL-71486	\$35.00
10	8" Widespread Faucet w/8' Gooseneck Spout, 4" wrist blade handles, ceramic	AL-71484	\$229.00
11	4" Ctrs. Deck Mount Faucet 3" gooseneck spout Sani lever handle, ceramic w/pop-up hole	AL-71479	\$144.00
12	Retro-fit Pre-Rinse Universal Spray Valve	AL-71469	\$73.00
13	Pre-Rinse Spray Valve	AL-71471	\$59.00
14	Retro-fit Metering handle Cold	AL-71481	\$17.00
	Retro-fit Metering handle Hot	AL-71482	\$17.00
	Retro-fit Metering handle Universal	AL-71483	\$17.00
15	44" Universal Pre-rinse replacement hose with Handle	AL-71472	\$65.00
16A	SaniShower Hand Shower without shutoff	AL-71499	\$19.00
16B	SaniShower Hand Shower with shutoff	AL-71500	\$21.00
17	SaniShower Hand Shower Hose 72"	AL-71501	\$23.00
18	Brass CP Shower Head	AL-71502	\$77.00
19	Plastic Shower Head	AL-71503	\$25.00
20	Manual Soap Dispenser	AL-71487	\$44.00
21	Electronic Wall Mount Soap Dispenser	AL-71489	\$91.00
22	Retro-fit Toilet Tank Universal Lever	AL-71490	\$24.00
23	Ice Scoop	AL-71498	\$15.00
24A	Door Handle with Push Plate 3 1/2"x15"x1" dia	AL-71491	\$53.00
24B	Door Handle with Push Plate 4"x16"x1" dia	AL-71492	\$59.00
25	SaniGrasp Handle with SANIGUARD Protection	AL-71493	\$103.00

EP-1

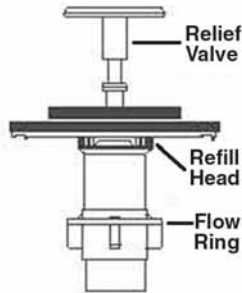
# Sloan New Style Royal® Flushometer—Model 0615

**BUY 11 GET 1 FREE!**



Tailpieces, Control Stops and Flush Connections

Fig.	Model 0615 Description	OEM Part No.	ALCO Part No.	Price Each
1	A-72 C.P. Outside	0301172	AL-76921	\$30.95
2	A-71 Inside Cover	0301168	AL-76923	\$7.95
3	Diaphragm Seal	See Fig.#23		
4	Triple Handle Assembly	0302390	AL-77111	Call
5	A-6 Handle Coupling Nut	0301082	AL-76925	\$10.95
6	B-7-A Socket Assembly	0302109	AL-76926	\$10.95
7	B-74-A Handle Grip ADA Compliant	0302389	AL-76927	Call
8	B-51-A Triple Seal Handle Repair Kit	3302306	AL-76601	\$8.95
9	A-31 Handle Gasket	5301139	AL-76602	Call
10	F-5A C.P. Spud Coupling Assy. For 3/4" Tube	0306125	AL-76603	\$20.95
10	F-5A C.P. Spud Coupling Assy. For 1 1/4" Tube	0306140	AL-76604	\$22.95
10	F-5A C.P. Spud Coupling Assy. For 1 1/2" Tube	0306146	AL-76605	\$21.95
11	V-651-A High Back Pressure VB Repair Kit	3323182	AL-76606	\$5.95
12	V-600-AA 3/4" x 9" C.P. Vacuum Breaker	3393004	AL-76607	\$29.95
12	V-600-AA 1-1/4" x 9" C.P. Vacuum Breaker	3393006	AL-76608	\$29.95
12	V-600-AA 1-1/2" x 9" C.P. Vacuum Breaker	3393007	AL-76609	\$28.95
13	H-550 C.P. Stop Coupling Nut	0308676	AL-76610	\$10.95
14	H-551-A 2-1/16" Tail Piece	0308801	AL-76611	\$23.95
15A	H-553 O-Ring	5308696	AL-76612	\$0.29
15B	H-552 Locking Ring	5308381	AL-77112	Call
16	H-700-A 1" C.P. SD Stop, Bak-Chek-Complete	3308386	AL-76613	\$90.95
16	H-700-A 3/4" C.P. SD Stop, Bak-Chek-Complete	3308384	AL-76614	\$90.95
17	1" Stop Kit	3308853	AL-76615	\$11.95
17	3/4" Stop Kit	3308856	AL-76616	\$13.95
18	H-622 C.P. Bonnet	0308612	AL-76617	Call
19	Vandal Resist. Control Stop Cap Assy. H1010A	3308772	AL-76619	\$14.95
19	Vandal Resist. Control Stop Cap Assy. H1009A	3308790	AL-76620	\$14.95
20	H-573 Control Stop Cap, C.P.	0308738	AL-76621	\$18.95
20	H-582 Control Stop Cap, C.P.	0308848	AL-76622	\$15.95
21	H-574 Control Stop Cap w/ Bumper	3308866	AL-76623	\$18.95
22	H-576 Control Stop Cap w/ext. Bumper	3308867	AL-76624	Call
23	Diaphragm Only Kit, Closet, 3.5 GPF	3301501	AL-76625	\$38.95
23	Diaphragm Only Kit, Closet, 2.4 GPF	3301505	AL-76626	\$37.95
23	Diaphragm Only Kit, Closet, 1.6 GPF	3301502	AL-76627	\$38.95
23	Diaphragm Only Kit, Urinal, 1.5 GPF	3301500	AL-76628	\$38.95
23	Diaphragm Only Kit, Urinal, 1.0 GPF	3301503	AL-76629	\$39.95
23	Diaphragm Only Kit, Urinal, 0.5 GPF	3301504	AL-76630	\$37.95



### Royal Performance Kits with Dual Filtered Diaphragm Assemblies\*

(Can be used to upgrade all Royal Style Diaphragm Flushometer Valves manufactured after 1964)

Description	ALCO Part No.	Price Each
Kit for A-1101-A Low Consumption Closets 1.6 GPF	AL-77029	\$69.95
Kit for A-1102-A Water Saver Closet 3.5 GPF	AL-77030	\$69.95
Kit for A-1106-A Wash Down Urinal .5 GPF	AL-77032	\$74.95
Kit for A-1107-A Low Consumption Urinal 1.0 GPF	AL-77033	\$74.95
Kit for A-1108-A Water Saver Urinal 1.5 GPF	AL-77034	\$74.95

\*Includes Items #8, 11, 15A and 23 Shown Above

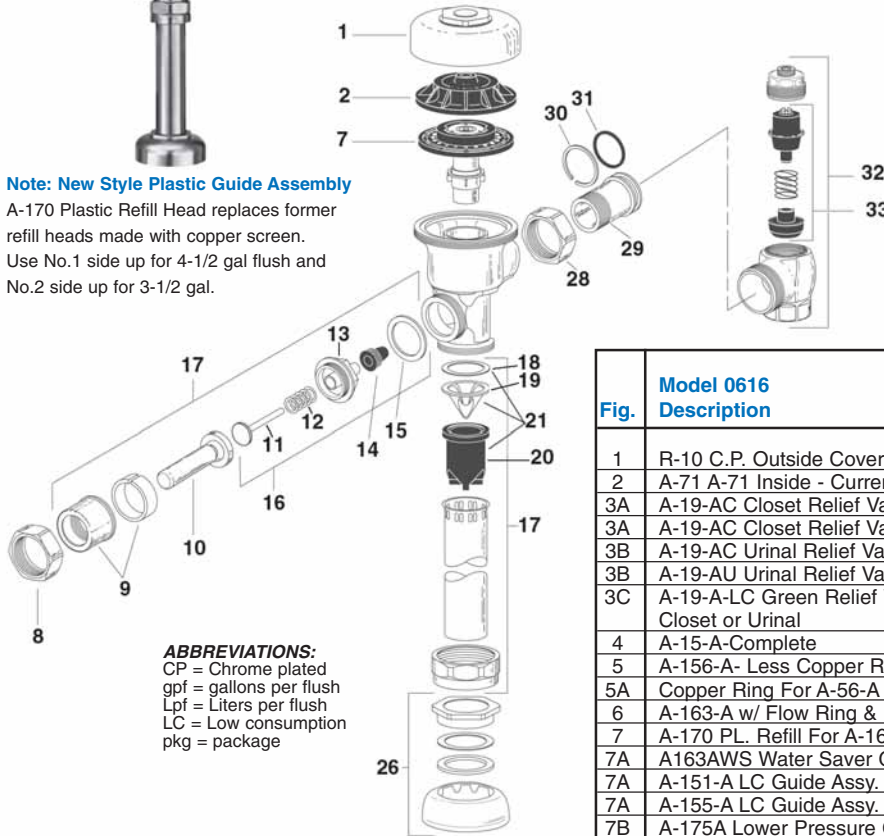
# Sloan Regal Flushometer—Model 0616

**BUY 11 GET 1 FREE!**

**SLOAN.**



**Note: New Style Plastic Guide Assembly**  
A-170 Plastic Refill Head replaces former refill heads made with copper screen.  
Use No.1 side up for 4-1/2 gal flush and No.2 side up for 3-1/2 gal.



**Older Model Royal Valves Prior to 1998**

**ABBREVIATIONS:**  
CP = Chrome plated  
gpf = gallons per flush  
Lpf = Liters per flush  
LC = Low consumption  
pkg = package

**Inside Parts Components**

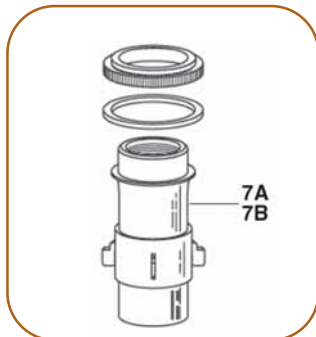
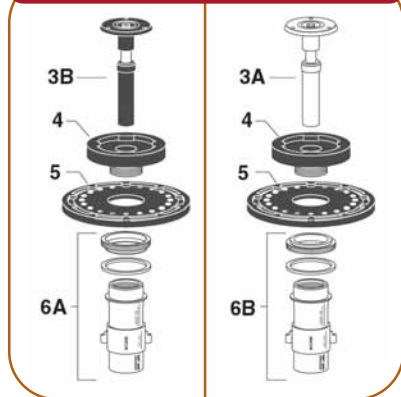


Fig.	Model 0616 Description	OEM Part No.	ALCO Part No.	Price Each
1	R-10 C.P. Outside Cover, Regal		AL-76631	\$34.95
2	A-71 A-71 Inside - Current Styles		AL-76928	\$7.95
3A	A-19-AC Closet Relief Valve, All Metal		AL-76632	\$13.95
3A	A-19-AC Closet Relief Valve, White Plastic		AL-76633	\$6.95
3B	A-19-AC Urinal Relief Valve, All Metal		AL-76634	\$14.95
3B	A-19-AU Urinal Relief Valve, Black Plastic		AL-76635	\$7.95
3C	A-19-A-LC Green Relief Valve for Low Consumption Closet or Urinal		AL-76636	\$10.95
4	A-15-A-Complete		AL-76637	\$5.95
5	A-156-A- Less Copper Ring - Used w/Plastic Guide	5301188	AL-76638	\$6.95
5A	Copper Ring For A-56-A Not Shown		AL-76639	Call
6	A-163-A w/ Flow Ring & Item 7	5301236	AL-76640	\$5.95
7	A-170 PL. Refill For A-163-A Guide (See Note)		AL-76641	\$1.95
7A	A163AWS Water Saver Guide Assy. Closet (LC)	0301238	AL-76642	\$4.95
7A	A-151-A LC Guide Assy. Closets 1.6 GPF	5301031	AL-76643	\$12.95
7A	A-155-A LC Guide Assy. Urinals 1.0 GPF	5301155	AL-76644	\$16.95
7B	A-175A Lower Pressure Guide	0301104	AL-76645	\$21.95
8	A-6 Handle Coupling Nut	0301082PK	AL-76929	\$10.95
9	B-7-A Handle Socket	0302109	AL-76930	\$10.95
10	B-32 Metal Handle	5302274	AL-76646	\$11.95
11	B-8-A Handle Plunger		AL-76647	\$2.95
12	C-7 Handle Spring		AL-76648	\$1.95
13	B-40 Delrin Bushing		AL-76649	\$6.95
14	B-39 Hycar Seal	5302297	AL-76650	\$1.95
16	B-50-A Handle Rebuilding Kit	3302305	AL-76652	\$4.95
17	NB-32-A Handle Assy., Complete	5302279	AL-76653	\$14.95
18	G-44 Fibre Washer	0307071	AL-76654	\$1.95
19	V-552 Plastic Insert		AL-76655	\$1.95
20	V-551 Rubber Sleeve	0323125	AL-76656	\$7.95
21	SP-VB Vacuum Breaker Rebuilding Kit	3323192	AL-76657	\$3.95
N/S	F-2 No. 14-A C.P. Coupling Nut (1-1/2")	SJ-03-CPB	AL-76658	\$3.95
N/S	F-3 BR-78 Brass Washer		AL-76659	\$1.95
N/S	F-5 No. 6 Slip Joint Washer (1-1/2")		AL-76660	\$1.95
N/S	F-2-A No.14 C.P. Coupling Nut Assy. (1-1/2")		AL-76661	\$2.95
26	F-5-A C.P. Spud Coupling Assy. For 1-1/4" tube	0306140	AL-76604	\$22.95
26	F-5-A C.P. Spud Coupling Assy. For 1-1/2" tube	0306146	AL-76605	\$21.95
26	F-5-A C.P. Spud Coupling Assy. For 3/4" tube	0306125	AL-76603	\$20.95
N/S	K-46 Blind Nut Gasket		AL-76662	\$1.95
28	H-550 C.P. Stop Coupling Nut	0308676PK	AL-76610	\$10.95
29	H-551-A 2-1/16" Nipple Assy.	0308801	AL-76611	\$23.95
30	H-552 Stop Nipple Snap Ring	5308381	AL-76663	\$1.95
31	No. 42 O-Ring		AL-76612	\$0.29
32	Complete Stop		AL-76664	Call
33	1" Stop Kit	3308853	AL-76615	\$11.95
33	3/4" Stop Kit	3308861	AL-76665	\$13.95

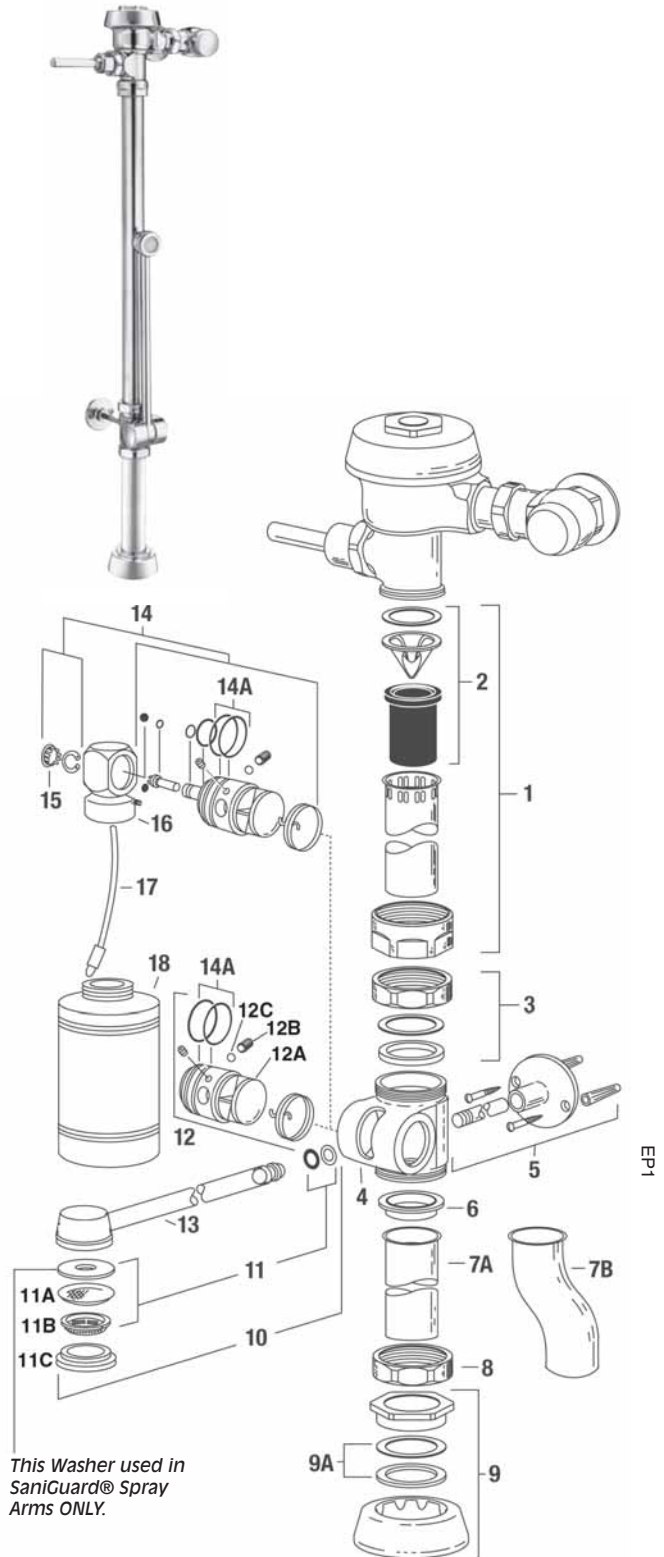
**Important Information For Installing Diaphragms and Guides**

- ✓ Royal Guides (metal or plastic) have a Refill Head at the top. Use of these Guides requires discarding the Copper Gasket that comes with all A-56-A and A-156-A Diaphragms. Top of Guide will then slip up into Diaphragm.
- ✓ For service sinks, use the same repair parts as for closet flush valves.
- ✓ Remove flow ring from A-163-A

# Sloan Slimline® Bedpan Washer Flushometer—Model 0619



Fig.	Model 0619 Description	OEM Part No.	ALCO Part No.	Price Each
1	V-500-AA 1-1/2" x 21-1/2" CP Vacuum Breaker	0330144	<b>AL-76666</b>	<b>\$6.95</b>
	V-500-AA 1-1/2" x 13-1/2" CP Vacuum Breaker (ADA Height)	0323014	<b>AL-76667</b>	<b>\$47.95</b>
	V-600-AA 1-1/2" x 17-1/2" CP Vacuum Breaker w/2" Offset	0323176	<b>AL-76668</b>	<b>Call</b>
	V-600-AA 1-1/2" x 21-1/2" CP Vacuum Breaker w/2" Offset	0393029	<b>AL-76669</b>	<b>Call</b>
2	V-651-A Vacuum Breaker Repair Kit	3323182	<b>AL-76606</b>	<b>\$5.95</b>
3	F-2-A 1-1/2" Slip Joint Coupling	0306093	<b>AL-76670</b>	<b>\$10.95</b>
4	DV-1 Diverter Valve Body	0309001	<b>AL-76671</b>	<b>\$113.95</b>
5	DV-1001-A Wall Support Kit	3309035	<b>AL-76672</b>	<b>Call</b>
6	F-1003 Outlet Tube Gasket	0309027	<b>AL-76675</b>	<b>\$1.95</b>
7A	F-1005 Outlet Tube	0309029	<b>AL-76676</b>	<b>Call</b>
7B	F-182 Outlet Tube w/1-1/2" Offset	0396525	<b>AL-76677</b>	<b>Call</b>
8	F-2 1-1/2" Coupling Nut	0306045	<b>AL-76658</b>	<b>\$3.95</b>
9	F-5-A 1-1/2" Spud Coupling Assembly	0306146	<b>AL-76605</b>	<b>\$21.95</b>
9A	F-7 Spud Flange	0306238PK	<b>AL-76678</b>	<b>\$9.95</b>
10	DV-32-AA Spray Arm Replacement Kit	3309044	<b>AL-76679</b>	<b>\$98.95</b>
NS	DV-1013-A Bio-Gard Spray Arm Replacement Kit	3309016	<b>AL-76680</b>	<b>Call</b>
NS	DV-1014-A Short Spray Arm Replacement Kit (FOR USE W/F-182 Offset Outlet Tube)	3309077	<b>AL-76681</b>	<b>Call</b>
11	DV-1007-A Spray Arm Repair Kit	3309032	<b>AL-76682</b>	<b>Call</b>
11A	DV-11 Nozzle Screen	0309011	<b>AL-76683</b>	<b>\$3.95</b>
11B	DV-10 Nozzle Spray Disc	0309010	<b>AL-76684</b>	<b>\$3.95</b>
11C	DV-9 Spray Disc Retainer	0309009	<b>AL-76685</b>	<b>\$9.95</b>
12	DV-1003-A Pivot Replacement Kit	3309037	<b>AL-76686</b>	<b>\$89.95</b>
12A	DC-2 Nozzle Kit	0309002PK	<b>AL-76687</b>	<b>\$84.95</b>
12B	DV-14 Divert Valve Seal	0309014PK	<b>AL-76688</b>	<b>\$2.95</b>
12C	DV-16 Diverter Valve Seal Washer	0309016PK	<b>AL-76689</b>	<b>Call</b>
14	DV-1002-A Deoseptic Pivot Replacement Kit	3309036	<b>AL-76690</b>	<b>Call</b>
15	DV-21 Plug Button	0309024	<b>AL-76691</b>	<b>Call</b>
16	DV-33-A Swivel & Ball Check Assembly	0309033	<b>AL-76692</b>	<b>Call</b>
17	DV-36-A Aspirator Tube Assembly	0309036	<b>AL-76693</b>	<b>Call</b>
18	DV-29 Deoseptic Solution Bottle	0309018	<b>AL-76694</b>	<b>Call</b>
NS	DV-55-A Diverter and Spray Arm	0309021	<b>AL-76695</b>	<b>Call</b>
NS	DV-50-A Diverter Rebuild Kit; Includes Outlet Tube Gasket (item 6), Spray Arm Repair Kit (item 11), and all items in Pivot Replacement Kit (item 12) except Pivot	5309031	<b>AL-76696</b>	<b>\$13.95</b>
NS	DV-1004-A Diopsetic Diverter Rebuild Kit; Includes Outlet Tube Gasket (item 6), Spray Arm Repair Kit (item 11), and all items in Pivot Replacement kit (item 13) except Pivot	3309040	<b>AL-76697</b>	<b>Call</b>
NS	DV-1005-A Deoseptic Conversion Kit; To convert a Standard Diverter Assembly to a Deoseptic Diverter Assembly	3309048	<b>AL-76698</b>	<b>Call</b>
NS	O-Ring Seal set repair Kit To repair Pivot	<b>N/A</b>	<b>AL-76699</b>	<b>\$6.95</b>
NS	DV-34A Deoseptic Unit Nozzle Pivot	0309034	<b>AL-76700</b>	<b>\$94.95</b>



# Washroom Accessories

**BUY 11 GET 1 FREE!**



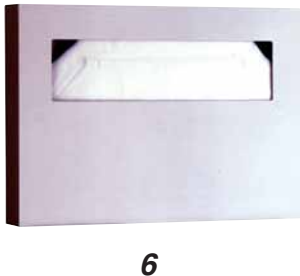
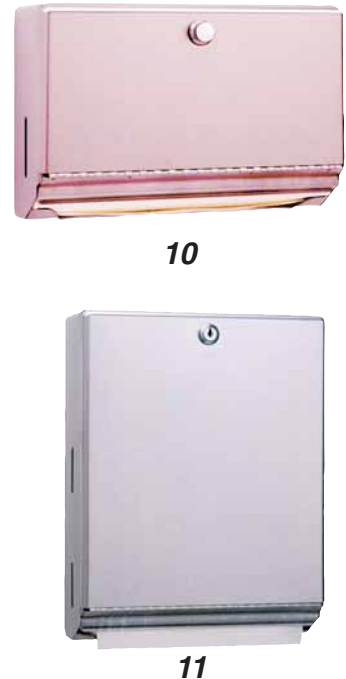
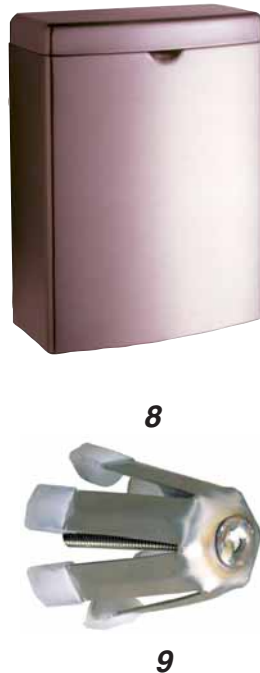
**New!**



**Auto Flusher**

- ✔ Promotes good hygiene by eliminating cross-contamination
- ✔ One-minute installation
- ✔ Programmable features
- ✔ Fits Zurn and Sloan Flush Valves

**AL-77110 \$199.00**



EP-1



**For Grab Bars and Other Washroom Accessories, See Pages 367-368**

Fig	Description	ALCO Part No.	Price Each
1	Two-tone Soap Dispenser (black/grey); 40 oz cap.	AL-67767	\$23.00
2	Framed Mirror, 18"W x 30"H, Stainless Steel	AL-67770	\$59.00
2	Framed Mirror, 18"W x 36"H, Stainless Steel	AL-67771	\$69.00
3	Toilet Tissue Dispenser (holds 1 roll)	AL-67768	\$23.00
4	Utility Hook, Stainless Steel	AL-75627	\$25.00
5	Multi-Roll Toilet Tissue Dispenser (holds 2 rolls)	AL-58059	\$64.00
6	Toilet Seat Cover Dispenser, 15-3/4"W x 11"H x 2"D	AL-58060	\$32.00
7	Paper Towel Dispenser & Waste Receptacle, 8"D w/ 12 Gal Cap	AL-58052	\$329.00
8	Sanitary Napkin Disposal, 7-1/2"W x 10"H x 3-13/16"D	AL-58061	\$29.00
9	WingIt™ Grab Bar Fastener, 300 lb Cap, Stainless Steel	AL-58062	\$52.00
10	Paper Towel Dispenser, 10-3/4"W x 7-1/8"H x 4"D	AL-40370	\$54.00
11	Classic Series Paper Towel Dispenser, 10-3/4"W x 14"H x 4"D	AL-40369TD	\$50.00





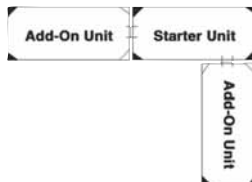
# Wire Shelving

## BUY 11 GET 1 FREE!

### 4-Shelf Chrome Shelving Units

- ✓ Starter units include 4 shelves, 4 posts, 16 plastic shelf supports. 800 pound capacity per shelf evenly distributed.
- ✓ Add-on units include 4 shelves, 2 posts, 8 plastic shelf supports, 8 S-Hooks

Size (DxWxH)	72" Starter Units		72" Add-On Units	
	ALCO Part No.	Price Each	ALCO Part No.	Price Each
18 x 36 x 72	AL-56679	\$119.00	AL-56685	\$129.00
18 x 48 x 72	AL-56680	\$139.00	AL-56686	\$149.00
18 x 60 x 72	AL-56681	\$159.00	AL-56687	\$159.00
24 x 36 x 72	AL-56682	\$149.00	AL-56688	\$139.00
24 x 48 x 72	AL-56683	\$169.00	AL-56689	\$159.00
24 x 60 x 72	AL-56684	\$189.00	AL-56690	\$199.00



### Side & Back Ledges - 4" High - (Packed 2 per carton)

Side Ledges			Back Ledges		
Size	Part No.	Price Each	Size	Part No.	Price Each
18"	AL-56691	\$6.00	36"	AL-56693	\$9.00
24"	AL-56692	\$6.00	48"	AL-56694	\$12.00
			60"	AL-56695	\$13.00

### Chrome Shelf Dividers - 7" High - (Packed 2 per carton)

Size	ALCO Part No.	Price Each
18"	AL-56696	\$7.00
24"	AL-56697	\$10.00



### 3-Sided, Round Chrome Carts

Features shelf attached 3 x 3 mesh panels hook over the top shelf channel and into the bottom shelf for easy assembly. Additional slip ties keep panels secure during transit. The 3-sides design keeps materials from falling during movement and the top shelf allows for cart covers to fit snugly. Carts come with four 5" polyurethane swivel casters.

Description	Size WxL	Overall Height	Shipping Weight	ALCO Part No.	Price Each
4-Shelf Unit	18x36	78"	88 lbs.	AL-61324	\$269.00
4-Shelf Unit	18x48	78"	100 lbs.	AL-61325	\$289.00
4-Shelf Unit	18x60	78"	125 lbs.	AL-61326	\$329.00
4-Shelf Unit	18x72	78"	142 lbs.	AL-61327	\$369.00
4-Shelf Unit	24x36	78"	106 lbs.	AL-61328	\$289.00
4-Shelf Unit	24x48	78"	120 lbs.	AL-61329	\$329.00
4-Shelf Unit	24x60	78"	145 lbs.	AL-61330	\$389.00
4-Shelf Unit	24x72	78"	170 lbs.	AL-61331	\$459.00

Replacement Casters Available For All Equipment.

4 Shelf Wire Caster Cart with 5" Polyurethane Swivel Casters					
Shelf Size W x L	Overall Ht (in)	Round Post		Square Post	
		ALCO Part No.	Price Each	ALCO Part No.	Price Each
18 x 36	70	AL-56673	\$199.00	AL-56673A	\$199.00
18 x 48	70	AL-56674	\$199.00	AL-56674A	\$229.00
18 x 60	70	AL-56675	\$219.00	AL-56675A	\$249.00
24 x 36	70	AL-56676	\$209.00	AL-56676A	\$259.00
24 x 48	70	AL-56677	\$229.00	AL-56677A	\$269.00
24 x 60	70	AL-56678	\$259.00	AL-56678A	\$309.00



Need Storage Bins See Page 602

Need Cart Covers See Page 530



# Wall Mount Shelving & Liners

**BUY 11 GET 1 FREE!**



Maximum distance between top and bottom shelf is 18"

### Wall Mounted Unit

- ✓ Finish Zinc Protoxy
- ✓ Unit comes complete with 2 shelves and mounting kit to mount to wall
- ✓ Care should be taken in determining mounting suitability of wall with potential weight load

Shelf Size W&L (in.)	ALCO Part No.	Price Each
12 x 36	AL-51125	CALL
12 x 48	AL-51126	CALL
18 x 36	AL-51127	CALL
18 x 48	AL-51128	CALL

### Additional Shelves

12 x 36	AL-51129	CALL
12 x 48	AL-51130	CALL
18 x 36	AL-51131	CALL
18 x 48	AL-51132	CALL



### Snap-N-Slide Wire Wall Shelves

- ✓ Brackets can be mounted to studs - no wall backing required
- ✓ Wire design allows for air circulation
- ✓ No tools required

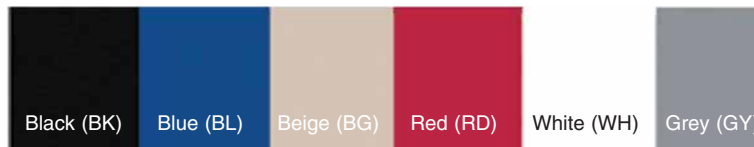
Dimensions	ALCO Part No.	Price Each
12"W x 24"L	AL-69232	\$59.95
12"W x 36"L	AL-69233	\$79.95
12"W x 48"L	AL-69234	\$99.95
12"W x 60"L	AL-69235	\$109.95
12"W x 72"L	AL-69236	\$139.95

### Wire Shelving Liners

- ✓ Made from durable 1/8" solid PVC
- ✓ Translucent liners have one side matte other side glossy
- ✓ Water resistant
- ✓ Six solid colors (reversible): Beige (BG), Black (BK), Blue (BL), Grey (GY), Red (RD) or White (WH)
- ✓ Solid 1/8" thick PVC plastic construction
- ✓ Lay level with the shelf edge of the wire shelving and do not roll up on the ends like competitive brands
- ✓ Keeps smaller items from falling between wires
- ✓ Great infection control solution
- ✓ Custom colors available—Call



Size (D x W)	Reversible PVC Liners				Reversible Translucent Liners			
	Round Posts		Square Posts		Round Posts		Square Posts	
	ALCO Part No.	Price (per liner)	ALCO Part No.	Price (per liner)	ALCO Part No.	Price (per liner)	ALCO Part No.	Price (per liner)
18" x 36"	AL-68922	\$19.00	AL-70707	\$19.00	AL-76707	\$8.95	AL-76713	\$8.95
18" x 48"	AL-68923	\$19.00	AL-70708	\$19.00	AL-76708	\$9.95	AL-76714	\$9.95
18" x 60"	AL-68924	\$29.00	AL-70709	\$29.00	AL-76709	\$14.95	AL-76715	\$14.95
24" x 36"	AL-68925	\$21.00	AL-70710	\$21.00	AL-76710	\$10.95	AL-76716	\$10.95
24" x 48"	AL-68926	\$29.00	AL-70711	\$29.00	AL-76711	\$13.95	AL-76717	\$13.95
24" x 60"	AL-68927	\$39.00	AL-70712	\$39.00	AL-76712	\$17.95	AL-76718	\$17.95



Phone 800-323-4282 • 630-655-1900  
FAX 800-950-1167 • 630-655-1990

E-mail: [info@alcosales.com](mailto:info@alcosales.com)  
Website: [www.alcosales.com](http://www.alcosales.com)

# AkroBins, Shelf Bins & System Bins



## Shelf Bins



AkroBins L X W X H	Carton Qty	ALCO Part No	Price Each	Dividers	
				ALCO Part No	Price 6/Pkg
5-3/8" x 4-1/8" x 3"	24	AL-58338*	\$1.59	AL-58350	\$5.95
7-3/8" x 4-1/8" x 3"	24	AL-58339*	\$2.29	AL-58351	\$5.95
10-7/8" x 4-1/8" x 3"	12	AL-58340*	\$3.49	N/A	N/A
10-7/8" x 5-1/2" x 5"	12	AL-58341*	\$5.49	AL-58352	\$9.95
10-7/8" x 11" x 5"	6	AL-58343*	\$7.95	AL-58352	\$9.95
10-7/8" x 16-1/2" x 5"	6	AL-58347	\$12.95	N/A	N/A
10-3/4" x 8-1/4" x 7"	6	AL-58344*	\$8.95	AL-58353	\$14.95
14-3/4" x 5-1/2" x 5"	12	AL-58342*	\$6.95	N/A	N/A
14-3/4" x 8-1/4" x 7"	12	AL-58345*	\$10.95	AL-58354	\$13.95
14-3/4" x 16-1/2" x 7"	6	AL-58346*	\$14.95	AL-58354	\$13.95
18 x 8-1/4" x 9"	6	AL-58348	\$16.95	AL-58355	\$23.95
18 x 11" x 10"	6	AL-72890	\$23.95	N/A	N/A
18" x 16-1/2" x 11"	3	AL-58349	\$24.95	AL-58356	\$26.95
20" x 12-1/4" x 6"	4	AL-68311	\$12.95	N/A	N/A
20" x 12-1/4" x 8"	3	AL-68312	\$13.95	N/A	N/A
20" x 12-1/4" x 12"	2	AL-68313	\$17.95	N/A	N/A
20" x 18" x 12"	1	AL-68314	\$32.95	N/A	N/A
24" x 11" x 7"	4	AL-73367	\$24.95	N/A	N/A
24" x 18.25" x 12"	1	AL-73368	\$27.95	N/A	N/A

Shelf Bins L X W X H	Carton Qty	ALCO Part No	Price Each	Dividers	
				ALCO Part No	Price 6/Pkg
11-5/8" x 2-3/4" x 4"	24	AL-68294	\$1.95	N/A	N/A
11-5/8" x 4-1/8" x 4"	24	AL-68295	\$1.95	AL-68307	\$8.95
11-5/8" x 6-5/8" x 4"	12	AL-68298	\$3.49	AL-68308	\$12.95
11-5/8" x 8-3/8" x 4"	12	AL-68300	\$3.49	AL-68309	\$22.95
11-5/8" x 11-1/8" x 4"	12	AL-68303	\$4.95	AL-68310	\$27.95
17-7/8" x 4-1/8" x 4"	12	AL-68297	\$2.95	AL-68307	\$8.95
17-7/8" x 6-5/8" x 4"	12	AL-68299	\$3.49	AL-68308	\$12.95
17-7/8" x 8-3/8" x 4"	12	AL-68301	\$4.95	AL-68309	\$22.95
17-7/8" x 11-1/8" x 4"	12	AL-68305	\$7.95	AL-68310	\$27.95
23-5/8" x 4-1/8" x 4"	12	AL-68296	\$4.95	AL-68307	\$8.95
23-5/8" x 6-5/8" x 4"	6	AL-68302	\$6.95	AL-68308	\$12.95
23-5/8" x 8-3/8" x 4"	12	AL-68306	\$8.95	AL-68309	\$22.95
23-5/8" x 11-1/8" x 4"	6	AL-68304	\$10.49	AL-68310	\$27.95
29-1/4" x 18-1/4" x 12"	1	AL-68315	\$32.95	N/A	N/A

Specify Color Choice (one color per carton): Blue (B), Red (R), Yellow (Y), Green (G) or White (WH)

Note: AkroBins are available in carton quantities only. Specify color choice (one color per carton): Blue(B), Red(R), Yellow(Y), Stone(S), Black(BL), Green(G) or Semi-Clear(SC)

\*Available in all colors listed above as well as New Healthline Colors: Berry(BY), Purple(P), Teal(T) and Light Blue(LB)



### Akro-Mils System Bins

Six storage compartments. Stackable with a dowel rod (not included). Nests when empty. Available in Blue (B), Red (R) or Yellow (Y).

Description (WxDxH)	ALCO Part No.	Price Each
33 x 12 x 5 (5 per carton)	AL-66873	\$12.95
33 x 18 x 5 (5 per carton)	AL-74545	\$18.95



AkroDrawers™ Outside Dimensions (L x W x H)	ALCO Part No.	Price Each	Crystal Clear ALCO Part No.	Price Each
11-5/8" x 3-3/4" x 4-5/8"	AL-74167*	\$4.95	AL-74533	\$6.95
11-5/8" x 5-9/16" x 4-5/8"	AL-74168*	\$4.95	AL-74534	\$6.95
11-5/8" x 8-3/8" x 4-5/8"	AL-74169*	\$6.95	AL-74535	\$8.95
17-5/8" x 5-9/16" x 4-5/8"	AL-74170*	\$7.95	AL-74536	\$10.95
17-5/8" x 8-3/8" x 4-5/8"	AL-74171*	\$8.95	AL-74537	\$12.95

\*Specify color when ordering: Red (R), Blue (B), Yellow (Y) or Grey (GY)  
Sold 6/Cs only, price is each

### Dividers for AkroDrawers™

Dimensions (W x H x D)	ALCO Part No.	Price Pack of 6
3-9/16" x 4-1/5" x 13/16" (for AL-74167)	AL-74172	\$4.95
5-21/64" x 4-1/5" x 13/16" (for AL-74168 & AL-74170)	AL-74173	\$4.95
8-9/64" x 4-1/5" x 1/10" (for AL-74169 & AL-74171)	AL-74174	\$7.95

# AkroBin Cabinets & Louvered Hanging Systems

**BUY 11 GET 1 FREE!**



**AL-58367**



**AL-58362**



**AL-58365**



**AL-58366**

Louvered Panels Size	Carton Quantity	ALCO Part No.	Price Each
18" Wide x 19" Height	4	<b>AL-58361</b>	<b>\$21.95</b>
35-3/4" Wide 19" Height	4	<b>AL-58362</b>	<b>\$29.95</b>
36" x 61"	1	<b>AL-68316</b>	<b>\$99.95</b>

Louvered Bench Racks			
Size	Carton Quantity	ALCO Part No.	Price Each
27-3/4" Wide	1	<b>AL-58364</b>	<b>\$49.95</b>
36" Wide	1	<b>AL-58365</b>	<b>\$54.95</b>

Louvered Racks			
Size	Carton Quantity	ALCO Part No.	Price Each
2-Sided Louvered Rack	1	<b>AL-58367</b>	<b>\$439.00</b>
1-Sided Louvered Rack	1	<b>AL-74544</b>	<b>\$199.00</b>

**Note: AkroBins are available in carton quantities only. Specify color choice (one color per carton): Blue, Red, Yellow, Stone, Black, Green or Semi-Clear located on page 602**




**AL-72886**

**Quick-View Security Bin Cabinet**

- Lexan™ door panels; louvered back wall panel
- Holds between 18 and 36 bins

14-3/4" x 8-1/4" x 7'; 36 Bins  
**AL-72886** **\$899.00**

14-3/4" x 16-1/2" x 7'; 18 Bins  
**AL-72887** **\$859.00**



**AL-72894**

**Shelf Bin Systems**

- 12" Unit measures 12"D x 36"W x 79"H overall
- 18" Unit measures 18"D x 36"W x 79"H overall
- 13 Shelves
- 350 lb. capacity per shelf
- Bin color: Yellow

Description	ALCO Part No.	Price Each
<b>12" System</b>		
11-5/8" x 4-1/8" x 4/Bin, 96 Bins	<b>AL-72891</b>	<b>\$509.00</b>
11-5/8" x 11-1/8" x 4/Bin, 36 Bins	<b>AL-72892</b>	<b>\$509.00</b>
<b>18" System</b>		
17-7/8" x 4-1/8" x 4/Bin, 96 Bins	<b>AL-72893</b>	<b>\$649.00</b>
17-7/8" x 8-3/8" x 4/Bin, 48 Bins	<b>AL-72894</b>	<b>\$649.00</b>



**AL-72888**      **AL-72889**

**ReadySpace™ Mobile System with Bins**

- Convenient option for mobile storage
- Standard with four lockable casters
- Perfect for "high demand" items
- Unit measures 24-5/8" x 23" x 52"

Unit with 30 Bins	<b>AL-72888</b>	<b>\$479.00</b>
Unit with 60 Bins	<b>AL-72889</b>	<b>\$539.00</b>



**AL-74175**

**Enclosed Steel Shelving Systems**

- Grey steel shelving accommodates 12" and 18" drawers
- High-grade, 22-gauge steel with powder-coated finish
- Each shelving system an hold up to a maximum of 8,500 lbs: 12" x 36" shelf holds 500 lbs; 18" x 36" shelf holds 550 lbs
- 12" System includes mix of drawers:
  - 27 (11-5/8" x 3-3/4" x 4-5/8");
  - 36 (11-5/8" x 5-9/16" x 4-5/8");
  - 12 (11-5/8" x 8-3/8" x 4-5/8")
- 18" System includes mix of drawers:
  - 36 (17-5/8" x 5-9/16" x 4-5/8"); 24 (17-5/8" x 8-3/8" x 4-5/8")
- Specify drawer color when ordering: Red, Blue, Yellow, Grey or Crystal Clear (only one color per unit)
- 36 (17-5/8" x 5-9/16" x 4-5/8"); 24 (17-5/8" x 8-3/8" x 4-5/8")
- Assembly Required

System w/ AkroDrawers™ Mix Shelf				
Size	Dimensions	No. of Drawers	ALCO Part No.	Price Each
12"	12" x 36" x 79"	27/36/12	<b>AL-74175</b>	<b>\$779.00</b>
18"	18" x 36" x 79"	36/24	<b>AL-74176</b>	<b>\$1039.00</b>

# InSight™ Ultra-Clear Bins, Bin Rail Holder & Peg Boards

**BUY 11 GET 1 FREE!**



AL-75645

### InSight™ Ultra-Clear Bins

- ✓ Transparent, autoclavable polycarbonate material
- ✓ Unique "lock-in-place" design
- ✓ Strong molded hanger
- ✓ Convenient labeling area

### Description (L x W x H)

Description (L x W x H)	ALCO Part No.	Price Each
5.375" x 4.125" x 3.25" Bin	AL-75643	\$3.95 Each*
7.375" x 4.125" x 3.25" Bin	AL-75644	\$4.95 Each*
10.875" x 4.125" x 3.25" Bin	AL-75645	\$5.95 Each**
10.875" x 5.5" x 5.25" Bin	AL-75646	\$8.95 Each**

\*Must purchase pack of 16 (price is Each)

\*\*Must purchase pack of 12 (price is Each)

### InSight™ Lids

Description (L x W x H)	ALCO Part No.	Price Each
5.06" x 4.045" x 2.1" Lid	AL-75647	\$3.95 Each*
7.065" x 4.045" x 2.13" Lid	AL-75648	\$3.95 Each*
10.75" x 4.045" x 2.1" Lid	AL-75649	\$4.95 Each**
10.55" x 5.42" x 3.31" Lid	AL-75650	\$5.95 Each**

\*Must purchase pack of 16 (price is Each)

\*\*Must purchase pack of 24 (price is Each)

### InSight™ Length Dividers

Description (L x W x H)	ALCO Part No.	Price Each
4.392" x 0.13" x 2.2" Divider for AL-75643	AL-75651	\$7.95*
6.392" x 0.13" x 2.22" Divider for AL-75644	AL-75652	\$13.95*
9.89" x 0.18" x 2.21" Divider for AL-75645	AL-75653	\$11.95**
9.65" x 0.18" x 3.76" Divider for AL-75646	AL-75654	\$13.95**

\*Must purchase pack of 8 (price is Each)

\*\*Must purchase pack of 6 (price is Each)

### InSight™ Width Dividers

Description (L x W x H)	ALCO Part No.	Price Each
3.321" x 0.13" x 2.33" Divider for AL-75643, AL-75644, AL-75645	AL-75655	\$7.95*
4.33" x 0.18" x 3.65" Divider for AL-75646	AL-75656	\$7.95**

\*Must purchase pack of 8 (price is Each)

\*\*Must purchase pack of 6 (price is Each)

### ReadySpace™ Wall Unit

- ✓ Frees up valuable workspace
- ✓ Clean, sleek look with a white powder-coated finish
- ✓ 37.5"L x 1.75"W x 25.375"H Panel

AL-75657 \$139.00 Each



AL-75657

Shown with bins, sold separately

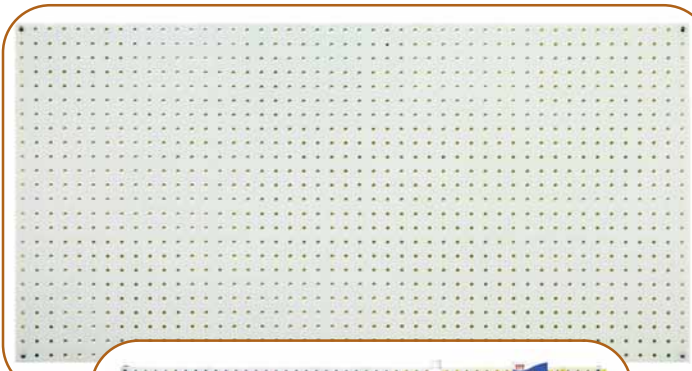
### Q-Peg Wall System Peg Board

- ✓ Board is durable, weather resistant and washable
- ✓ 1/4" thick polypropylene board offers 3 times the holding power of traditional peg boards
- ✓ Color: White

24" x 48" x 1/4" (2 Boards)	AL-75598	\$99.00 2/Cs
24" x 48" x 1/4" (4 Boards)	AL-75599	\$199.00 4/Cs

### Accessories

2-3/4" Single Rod, 90 Degree Bend	AL-75600	\$7.95 10/Pk
4" Single Rod, 30 Degree Bend	AL-75601	\$8.95 10/Pk
3" Double Rod, 80 Degree Bend	AL-75602	\$9.95 10/Pk
3-3/4" Curved Hook	AL-75603	\$10.95 10/Pk
5" Double Closed End Loop	AL-75604	\$12.95 5/Pk
Bin Clip	AL-75605	\$6.95 5/Pk
Bin Kit (23-7/8" x 8-1/4" x 9" - Outside Dim.)	AL-75606	\$59.00 24 Bins/Pk



### Bin Rail Holder

- ✓ Unit measures 48"L x 3"H
  - ✓ Steel rail mounts to any surface or workbench
  - ✓ 125 lb load capacity
- (Bins sold separately)

AL-73079 \$19.95



# ALCO EarthSaver™ Series

**BUY 11 GET 1 FREE!**



## ALCO EarthSaver™ Series

- ✓ Made from 100% recycled material
- ✓ Three color options: Sandstone, Terra Cotta and Hunter Green
- ✓ Make a positive impact on the environment
- ✓ Optional width and length dividers keep items neatly separated

EarthSaver™ AkroBins®										
Outside Dimensions (L x W x H)	Bin Load Cap. Lbs.	Carton Qty	Sandstone	Terra Cotta	Hunter Green	Price Each	Dividers (Sold 6/Pk)		Bin Lids	
			ALCO Part No.	ALCO Part No.	ALCO Part No.		ALCO Part No.	Price Per Pack	ALCO Part No.	Price Each
5-3/8 x 4-1/8 x 3"	10	24	AL-74177SS	AL-74177TC	AL-74177HG	\$1.95	AL-74285	\$6.95	AL-74289*	\$1.95
7-3/8 x 4-1/8 x 3"	10	24	AL-74178SS	AL-74178TC	AL-74178HG	\$2.95	AL-74286	\$6.95	AL-74290*	\$1.95
10-7/8 x 5-1/2 x 5"	30	12	AL-74179SS	AL-74179TC	AL-74179HG	\$6.95	AL-74287	\$9.95	AL-74291**	\$4.95
14-3/4 x 8-1/4 x 7"	60	12	AL-74180SS	AL-74180TC	AL-74180HG	\$10.95	AL-74288 <sup>1</sup>	\$13.95	NA	NA
14-3/4 x 16-1/2 x 7"	75	6	AL-74181SS	AL-74181TC	AL-74181HG	\$15.95	AL-74288 <sup>2</sup>	\$13.95	NA	NA

<sup>1</sup> (1/Bin Max)

<sup>2</sup> (3/Bin Max)

\*Sold 24/Case Only

\*\*Sold 12/Case Only

EarthSaver™ Shelf Bins							
Outside Dimensions (L x W x H)	Carton Quantity	Cups per Bin*		Shelf Bins		Dividers	
		Small AL-74292	Large AL-74293	ALCO Part No.	Price Each	ALCO Part No.	Price Per Pack
<b>12" Shelf Bins</b>							
11-5/8 x 4-1/8 x 4"	24	5	2	AL-74182	\$1.95	AL-74296	\$8.95 24/Pk
11-5/8 x 6-5/8 x 4"	12	9	4	AL-74183	\$3.95	AL-74297	\$12.95 24/Pk
<b>18" Shelf Bins</b>							
17-7/8 x 4-1/8 x 4"	12	8	3	AL-74184	\$2.95	AL-74296	\$8.95 24/Pk
17-7/8 x 6-5/8 x 4"	12	15	6	AL-74185	\$4.95	AL-74297	\$12.95 24/Pk
<b>24" Shelf Bins</b>							
23-5/8 x 4-1/8 x 4"	12	11	4	AL-74186	\$5.95	AL-74296	\$8.95 24/Pk
23-5/8 x 6-5/8 x 4"	6	21	8	AL-74187	\$7.95	AL-74297	\$12.95 24/Pk

NOTE: Specify color when ordering: Sandstone (SS), Terra Cotta (TC) or Hunter Green (HG)

\*Sold separately, see below



AL-74293

### Bin Cups

Dimensions (L x W x H)	Carton Qty.	ALCO Part No.	Price Each
2 x 3-1/4 x 3"	48	AL-74292	\$0.75
2-3/4 x 5 x 3"	24	AL-74293	\$0.95

### Extended Label Holders (Not Shown)

Description	W x H	Pkg. Qty.	ALCO Part No.	Price Pkg
10° Angle	4 x 2-1/4"	24	AL-74294	\$31.95
45° Angle	4 x 2-1/4"	24	AL-74295	\$31.95

Phone 800-323-4282 • 630-655-1900  
FAX 800-950-1167 • 630-655-1990

E-mail: [info@alcosales.com](mailto:info@alcosales.com)  
Website: [www.alcosales.com](http://www.alcosales.com)

# LED Emergency Lighting & Surge Suppressors/Outlet Strips

**BUY 11 GET 1 FREE!**



### Thermoplastic LED Exit Signs

- ✓ Directional arrow snap outs
- ✓ Red or Green letters-White finish
- ✓ Battery backup unit stays on during power failure
- ✓ Ceiling end or Back Mount; UL approved

Sign, AC Only (Red on White)	<b>AL-52099</b>	<b>\$29.00</b>
Sign, AC Only (Green on White)	<b>AL-52099A</b>	<b>\$29.00</b>
Sign w/Battery Backup (Red on White)	<b>AL-52100</b>	<b>\$32.00</b>
Sign w/Battery Backup (Green on White)	<b>AL-52100A</b>	<b>\$32.00</b>



Sign w/Two Adjustable Lamp Heads (Red on White)	<b>AL-75744</b>	<b>\$69.00</b>
Sign w/Two Adjustable Lamp Heads (Green on White)	<b>AL-75745</b>	<b>\$72.00</b>



### Vandal-Resistant LED Exit Signs

- ✓ 16-gauge steel housing
- ✓ Tamper proof screws

AC Only Sign (Red on White)	<b>AL-75746</b>	<b>\$79.00</b>
AC Only Sign (Green on White)	<b>AL-75747</b>	<b>\$79.00</b>



### Portable Emergency Lights

- ✓ Integrated Solid State System
- ✓ Internal battery charger
- ✓ 12 hour recharge time
- ✓ Detachable 6 ft 120V cord


6 Watt/1.5 hour run time	<b>AL-75748</b>	<b>\$189.00</b>
6 Watt/8 hour run time	<b>AL-75749</b>	<b>\$229.00</b>



### Emergency Fluorescent Linear Lamps Ballast

- ✓ Converts fluorescent fixtures to emergency lighting
- ✓ UL Listed
- ✓ For use on single or double lamps

500 Lumens	<b>AL-75750</b>	<b>\$69.00</b>
700 Lumens	<b>AL-75751</b>	<b>\$109.00</b>




**Hospital-Group Surge Suppressors**

Joules	Input/Output Voltage	Outlets	Power Cord Length (ft.)	ALCO Part No.	Price Each
600	120V	6	15	<b>AL-59793</b>	<b>\$109.95</b>
450	120V	6	15	<b>AL-54227</b>	<b>\$99.95</b>

**Hospital-Group Outlet Strips**

Input/Output Voltage	Outlets	Power Cord Length (ft.)	ALCO Part No.	Price Each
120V	12	15	<b>AL-59794*</b>	<b>\$129.95</b>
120V	6	15	<b>AL-54225*</b>	<b>\$92.95</b>

\* 1U rackmount model.





### Steel LED Exit Sign

- ✓ AC Only
- ✓ Made in USA

Red on White	<b>AL-75752</b>	<b>\$59.00</b>
Green on White	<b>AL-75752A</b>	<b>\$59.00</b>

# Healthcare Clocks



**BUY 11 GET 1 FREE!**

12 Hour standard clock with large, easy-to-read numbers



Quartz (AA Battery not included) 2-1/4" Slim-Line			Electric—110 Volt w/6' Cord 2-1/4" Slim-Line		
Size	ALCO Part No.	Price Each	Size	ALCO Part No.	Price Each
10"	AL-49066	\$31.95	10"	AL-49070	\$39.95
12"	AL-49067	\$31.95	12"	AL-49071	\$39.95

**2 Year Warranty**

Deluxe 12- and 24-Hour Clock

Quartz (AA Battery not included) 2-1/4" Slim-Line			Electric—110 Volt w/6' Cord 2-1/4" Slim-Line		
Size	ALCO Part No.	Price Each	Size	ALCO Part No.	Price Each
10"	AL-49074	\$31.95	10"	AL-49078	\$39.95
12"	AL-49075	\$31.95	12"	AL-49079	\$39.95



### Low Profile 9" Clock

- ✓ Low profile, black polystyrene case
- ✓ Customized dial capability
- ✓ Built-in hanger
- ✓ Size: 10.950" diameter: 1.953" depth
- ✓ Perfect for the Office, Waiting Room, Reception Area. Smaller areas demand a smaller profile!

Personalize Your Clock When ordering 25+ and get Your Facility, Name and/or Logo **FREE!**  
Call For Details



AL-60450 \$21.95



AL-60451 \$21.95

### Auto Daylight-Savings Wall Clock

- ✓ Automatically adjusts for daylight savings time
- ✓ Black satin case
- ✓ 12-1/4" diameter

AL-68191 \$31.00

### Two-Color Numerals Wall Clock

- ✓ Large face with 24 hour dial
- ✓ 14" diameter
- ✓ Black
- ✓ 1AA battery

AL-68204 \$24.00



### Round Wall Clock

- ✓ 9-3/4" diameter
- ✓ Black case
- ✓ 1 AA battery

AL-68202 \$16.00



### Economy 12-1/2" Diameter Round Wall Clock

- ✓ Quartz movement
  - ✓ Second hand
  - ✓ Operates on one AA battery (sold separately)
  - ✓ 11-1/2" dial has large easy-to-read numbers
  - ✓ Black case
  - ✓ Measures 12-1/2" diameter x 1-5/8" deep
- |         |          |         |
|---------|----------|---------|
| 12-1/2" | AL-67490 | \$19.00 |
| 13-1/2" | AL-68206 | \$19.00 |

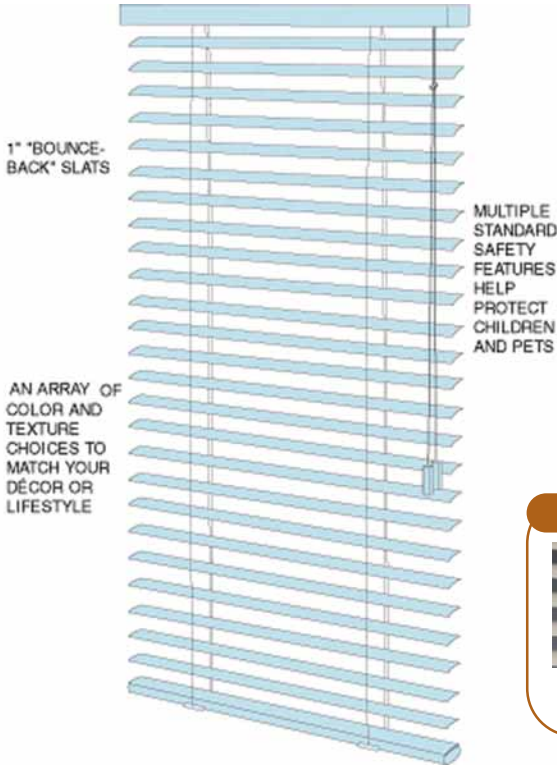


EP1



# Hunter Douglas "Celebrity" Mini Blinds

**BUY 11 GET 1 FREE!**



- ✓ Exclusive "bounce back" .006 gauge slats can endure the roughest treatment and feature an anti-static treatment to minimize dust build-up
  - ✓ Beveled headrail does not require a valance
  - ✓ Material: Aluminum
  - ✓ Slat Size: 1"
  - ✓ Standard cordlock operating option
- Color Options: Specify Color Ex: AL-69525-C002**



**Specify Color**



Alabaster  
(C002)



Colonial Blue  
(C261)



Flex White  
(C885)



Rosewood  
(C837)



Turquoise Sky  
(C299)

	23"W		26"W		29"W		32"W		36"W	
	ALCO Part No.	Price Each	ALCO Part No.	Price Each	ALCO Part No.	Price Each	ALCO Part No.	Price Each	ALCO Part No.	Price Each
42"H	AL-69525	\$59.00	AL-69533	\$59.00	AL-69541	\$69.00	AL-69549	\$69.00	AL-69557	\$69.00
48"H	AL-69526	\$59.00	AL-69534	\$69.00	AL-69542	\$69.00	AL-69550	\$69.00	AL-69558	\$79.00
54"H	AL-69527	\$69.00	AL-69535	\$69.00	AL-69543	\$79.00	AL-69551	\$79.00	AL-69559	\$89.00
60"H	AL-69528	\$69.00	AL-69536	\$79.00	AL-69544	\$79.00	AL-69552	\$89.00	AL-69560	\$89.00
66"H	AL-69529	\$79.00	AL-69537	\$79.00	AL-69545	\$89.00	AL-69553	\$89.00	AL-69561	\$99.00
72"H	AL-69530	\$79.00	AL-69538	\$89.00	AL-69546	\$89.00	AL-69554	\$89.00	AL-69562	\$99.00
78"H	AL-69531	\$89.00	AL-69539	\$89.00	AL-69547	\$99.00	AL-69555	\$99.00	AL-69563	\$109.00
84"H	AL-69532	\$89.00	AL-69540	\$99.00	AL-69548	\$99.00	AL-69556	\$109.00	AL-69564	\$109.00
	40"W		44"W		48"W		52"W		57"W	
42"H	AL-69565	\$79.00	AL-69573	\$79.00	AL-69581	\$89.00	AL-69589	\$89.00	AL-69597	\$109.00
48"H	AL-69566	\$89.00	AL-69574	\$89.00	AL-69582	\$99.00	AL-69590	\$99.00	AL-69598	\$119.00
54"H	AL-69567	\$89.00	AL-69575	\$99.00	AL-69583	\$99.00	AL-69591	\$109.00	AL-69599	\$119.00
60"H	AL-69568	\$99.00	AL-69576	\$99.00	AL-69584	\$109.00	AL-69592	\$119.00	AL-69600	\$129.00
66"H	AL-69569	\$99.00	AL-69577	\$109.00	AL-69585	\$119.00	AL-69593	\$129.00	AL-69601	\$139.00
72"H	AL-69570	\$109.00	AL-69578	\$119.00	AL-69586	\$129.00	AL-69594	\$139.00	AL-69602	\$149.00
78"H	AL-69571	\$119.00	AL-69579	\$129.00	AL-69587	\$139.00	AL-69595	\$139.00	AL-69603	\$159.00
84"H	AL-69572	\$119.00	AL-69580	\$129.00	AL-69588	\$139.00	AL-69596	\$149.00	AL-69604	\$169.00
	62" W		67" W		72" W		82" W		92" W	
42"H	AL-69605	\$109.00	AL-69613	\$119.00	AL-69621	\$129.00	AL-69629	\$139.00	AL-69637	\$149.00
48"H	AL-69606	\$119.00	AL-69614	\$129.00	AL-69622	\$139.00	AL-69630	\$149.00	AL-69638	\$169.00
54"H	AL-69607	\$129.00	AL-69615	\$139.00	AL-69623	\$149.00	AL-69631	\$169.00	AL-69639	\$189.00
60"H	AL-69608	\$139.00	AL-69616	\$149.00	AL-69624	\$159.00	AL-69632	\$179.00	AL-69640	\$199.00
66"H	AL-69609	\$149.00	AL-69617	\$159.00	AL-69625	\$169.00	AL-69633	\$189.00	AL-69641	\$219.00
72"H	AL-69610	\$159.00	AL-69618	\$169.00	AL-69626	\$189.00	AL-69634	\$209.00	AL-69642	\$229.00
78"H	AL-69611	\$169.00	AL-69619	\$189.00	AL-69627	\$189.00	AL-69635	\$219.00	AL-69643	\$239.00
84"H	AL-69612	\$179.00	AL-69620	\$189.00	AL-69628	\$179.00	AL-69636	\$209.00	AL-69644	\$259.00

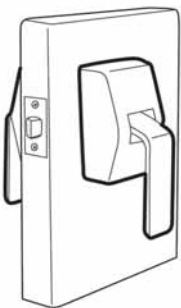
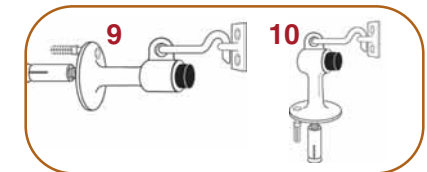
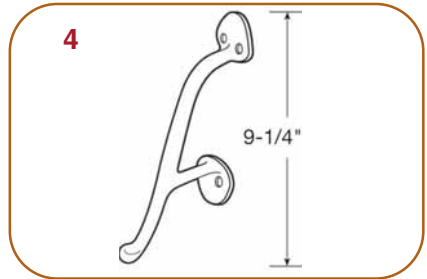
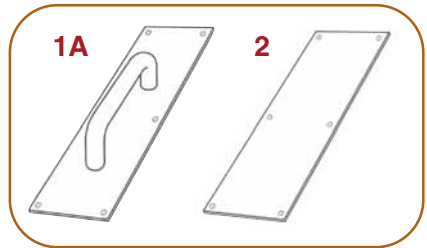




# Door Hardware

**BUY 11 GET 1 FREE!**

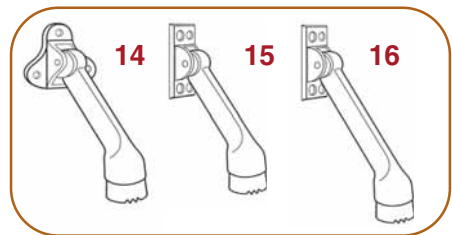
Fig	Description	ALCO Part No.	Price Each
1	3-1/2" x 15" Plate w/ 3/4" dia. Round Pull, 5-1/2 CTC (Polished Brass)	AL-60690	\$34.95
	3-1/2" x 15" Plate w/ 3/4" dia. Round Pull, 5-1/2 CTC (Aluminum)	AL-60691	\$19.95
	3-1/2" x 15" Plate w/ 3/4" dia. Round Pull, 5-1/2 CTC (Satin Stainless)	AL-60692	\$21.95
1A	4" x 16" Plate w/ 3/4" dia. Round Pull, 5-1/2 CTC (Polished Brass)	AL-60693	\$36.95
	4" x 16" Plate w/ 3/4" dia. Round Pull, 5-1/2 CTC (Aluminum)	AL-60694	\$19.95
	4" x 16" Plate w/ 3/4" dia. Round Pull, 5-1/2 CTC (Satin Stainless)	AL-60695	\$22.95
2	3-1/2" x 15" Push Plate (Polished Brass)	AL-60696	\$11.95
	3-1/2" x 15" Push Plate (Aluminum)	AL-60697	\$6.95
	3-1/2" x 15" Push Plate (Satin Stainless)	AL-60698	\$7.95
	4" x 16" Push Plate (Polished Brass)	AL-60699	\$13.95
	4" x 16" Push Plate (Aluminum)	AL-60700	\$7.95
4	9" x 6" Proj. - 5-1/2" CTC Door Pull (Polished Brass)	AL-60704	\$56.95
	9" x 6" Proj. - 5-1/2" CTC Door Pull (Satin Chrome)	AL-60705	\$49.95
	2-1/2" dia., 1" projection Wall Door Stop (Polished Brass)	AL-60706	\$2.95
5	2-1/2" dia., 1" projection Wall Door Stop (Satin Chrome)	AL-60707	\$2.95
	2-1/2" dia., 15/16" projection Wall Door Stop (Polished Brass)	AL-60708	\$2.95
6	2-1/2" dia., 15/16" projection (Satin Chrome)	AL-60709	\$2.95
	1/2" H x 1-5/8" Dia Base Floor Dome Stop (Polished Brass)	AL-60710	\$4.95
7	1/2" H x 1-5/8" Dia Base Floor Dome Stop (Satin Chrome)	AL-60711	\$4.95
	1/2" H x 1-5/8" Dia Base Low Floor Dome Stop (Polished Brass)	AL-60712	\$4.95
8	1/2" H x 1-5/8" Dia Base Low Floor Dome Stop (Satin Chrome)	AL-60713	\$4.95
	2-1/4" Base, 3-1/2" Projection w/ Holder Wall Door Stop (Polished Brass)	AL-60714	\$26.95
9	2-1/4" Base, 3-1/2" Projection w/ Holder Wall Door Stop (Satin Chrome)	AL-60715	\$17.95
	2-1/4" Base x 3" Projection w/ Holder Floor Door Stop (Polished Brass)	AL-60716	\$26.95
10	2-1/4" Base x 3" Projection w/ Holder Floor Door Stop (Satin Chrome)	AL-60717	\$17.95
	2-5/8" x 1-5/8" Base, 2-1/8" High Floor Door Stop (Polished Brass)	AL-60718	\$12.95
11	2-5/8" x 1-5/8" Base, 2-1/8" High Floor Door Stop (Satin Chrome)	AL-60719	\$12.95
	2-1/4" x 1-1/4" Base, 2-3/4" High Floor Door Stop (Polished Brass)	AL-60720	\$15.95
12	2-1/4" x 1-1/4" Base, 2-3/4" High Floor Door Stop (Satin Chrome)	AL-60721	\$15.95
	2-1/4" x 1-1/4" Base, 2-3/4" High w/ Holder Floor Door Stop (Polished Brass)	AL-60722	\$22.95
13	2-1/4" x 1-1/4" Base, 2-3/4" High w/ Holder Floor Door Stop (Satin Chrome)	AL-60723	\$18.95
	4" Projection, Cast Aluminum, Cast Kick Down Door Holder (Brass Plated)	AL-60724	\$6.95
14	4" Projection, Cast Aluminum, Cast Kick Down Door Holder (Satin Chrome)	AL-60725	\$6.95
	4" Projection, Solid Brass Kick Down Door Holder (Polished Brass)	AL-60726	\$12.95
15	4" Projection, Solid Brass Kick Down Door Holder (Satin Chrome)	AL-60727	\$12.95
	5" Projection, Solid Brass Kick Down Door Holder (Polished Brass)	AL-60728	\$17.95
16	5" Projection, Solid Brass Kick Down Door Holder (Satin Chrome)	AL-60729	\$16.95
	1" dia. Replacement Tip - Twist On	AL-60730	\$1.95
17	1" dia. Replacement Tip - Screw Held	AL-60731	\$1.95



### Hospital Latch

- ✓ Satin Chrome or Stainless Steel Finish
- ✓ Push/pull latch can be mounted with the handles up, down or horizontal without any modification.
- ✓ UL listed for all fire doors.
- ✓ Meets ADA requirements
- ✓ Packed with ANSI strike and T strike as standard
- ✓ Lever projection 31/4"
- ✓ Bolt 1/2" throw with anti-friction nylon insert

Back Set	Door	Finish	ALCO Part No.	Price Each
2-3/4"	1-3/4" to 2-1/4"	Stainless Steel	AL-67249SS	\$139.00
5"	1-3/4" to 2-1/4"	Stainless Steel	AL-67250SS	\$139.00



### Giant Foot® Doorstop

For doors with clearances up to 2" from floor. 3-1/2"W x 6-1/4"L x 2"H. Brown **AL-62904** **\$9.00**

### Big Foot® Doorstop

Wedge style, no-slip rubber with extra wide flange. 2"W x 4-1/2"L x 1-1/4"H. Brown **AL-62905** **\$7.00**



# Floor Protection

## BUY 11 GET 1 FREE!

### Flex Track

- ✓ Long life and durable
- ✓ Improves traction in both wet and dry areas
- ✓ Simply position, peel off the backing paper and apply to clean, dry, oil-free surface
- ✓ Reduces trip hazards

### White

1" x 60' roll (12 rolls/cs)	<b>AL-61785</b>	<b>\$149.00</b>
2" x 60" roll (6 rolls/cs)	<b>AL-61786</b>	<b>\$149.00</b>
24" x 24" Shower Mat (6 mats/cs)	<b>AL-61787</b>	<b>\$49.00</b>
16" x 34" Bath Mat (6 mats/cs)	<b>AL-61788</b>	<b>\$49.00</b>
3/4" x 17-1/2" Bathtub strip (50 strips/cs)	<b>AL-61789</b>	<b>\$31.00</b>

### Clear

1" x 60' roll (12 rolls/cs)	<b>AL-61790</b>	<b>\$159.00</b>
2" x 60" roll (6 rolls/cs)	<b>AL-61791</b>	<b>\$159.00</b>
16" x 34" Bath Mat (6 mats/cs)	<b>AL-61792</b>	<b>\$49.00</b>
3/4" x 17-1/2" Bathtub strip (50 strips/cs)	<b>AL-61793</b>	<b>\$31.00</b>



### Safety Track

- ✓ Long life, durable and resistant to heavy traffic, water and grease
- ✓ Provides a consistent co-efficient of friction
- ✓ Simply position, peel off the backing paper and apply to clean, dry, oil-free surface
- ✓ Installs over most irregular surfaces
- ✓ Helps prevent edge curl
- ✓ Black

2" x 60' roll (6 rolls/cs)	<b>AL-61794</b>	<b>\$169.00</b>
4" x 60' roll (3 rolls/cs)	<b>AL-61795</b>	<b>\$169.00</b>
6" x 60' roll (2 rolls/cs)	<b>AL-61796</b>	<b>\$169.00</b>
6" x 24" (10 pcs/cs)	<b>AL-61797</b>	<b>\$39.00</b>
3/4" x 24" (50 pcs/cs)	<b>AL-61798</b>	<b>\$39.00</b>

**Sav-A-Floor Tabs and Strips** once affixed to objects prevent marking, scratching or marring of floors and walls. A self-adhesive backing installs in seconds to the bottom of chair and table legs, file cabinets and much more. Use on almost anything that may come in contact with floors or walls such as:

- ✓ Buckets, Mops and Brooms
- ✓ Doors and Furniture
- ✓ Tables and Chairs
- ✓ Vacuums
- ✓ Hospital Beds and Carts
- ✓ Dollies and Wheel Guards

7/8" tabs; 500/case	<b>AL-56651</b>	<b>\$69.00</b>
1-1/4" tabs; 300/case	<b>AL-56652</b>	<b>\$79.00</b>
1/2" x 6" Strips; 150/case	<b>AL-56653</b>	<b>\$69.00</b>



# Floor Protection

**BUY 11 GET 1 FREE!**



## Square Insert

Tube OD	Tube ID	Gauge	ALCO Part No.	Price Each
3/4"	11/16"	16-20	AL-1180S	\$1.25
3/4"	21/32"	18	AL-1183S	\$1.25
3/4"	5/8"	16	AL-1179S	\$1.25
7/8"	25/32"	18	AL-1168S	\$1.25
7/8"	3/4"	16	AL-1284S	\$1.25
1"	29/32"	18	AL-1187S	\$1.25
1"	7/8"	16	AL-1189S	\$1.25
1"	49/64"	10	AL-1188S	\$1.25
1-1/8"	1-1/32"	18	AL-1190S	\$1.25
1-1/8"	1"	16	AL-1194S	\$1.25
1-1/4"	1-1/8"	16-20	AL-1213S	\$1.25
1-1/2"	1-3/8"	16-20	AL-1192S	\$1.25



Square



Round

## Round Insert

Tube OD	Tube ID	Tubing Gauge	ALCO Part No.	Price Each
3/4"	21/32"	18	AL-1120R	\$1.25
7/8"	3/4"	16	AL-1130R	\$1.25
1"	7/8"	16	AL-1140R	\$1.25
1-1/8"	1-1/32"	18	AL-1160R	\$1.25
1-1/4"	1-1/8"	16	AL-1165R	\$1.25
1-1/2"	1-13/32"	14-20	AL-1175R	\$1.25

## Protective Leg Tips

Cap Type	For Legs OD (In.)	Black		Off-White	
		ALCO Part No.	Price 24/Pk	ALCO Part No.	Price 24/Pk
<b>Rubber</b>					
Round	3/8	N/A	N/A	AL-71822	\$17.95
Round	1/2	AL-71823	\$15.95	AL-71824	\$15.95
Round	5/8	AL-71825	\$13.95	AL-71826	\$13.95
Round	3/4	AL-71827	\$19.95	AL-71828	\$19.95
Round	7/8	AL-71829	\$19.95	AL-71830	\$19.95
Round	1	AL-71831	\$22.95	AL-71832	\$22.95
Round	1-1/8	AL-71833	\$26.95	AL-71834	\$26.95
Round	1-1/4	AL-71835	\$30.95	AL-71836	\$24.95
<b>Plastic</b>					
Round	7/8	AL-71837	\$9.95	AL-71838	\$9.95
Round	1	AL-71839	\$10.95	AL-71840	\$10.95
Square	1	AL-71841	\$20.95	N/A	N/A
Round	1-1/8	N/A	N/A	AL-71842	\$12.95
<b>Plastic Inside Leg Tips</b>					
Angle	3/4	AL-71843	\$13.95	N/A	N/A
Angle	7/8	AL-71844	\$14.95	N/A	N/A



Rubber Round

Plastic Angle



Plastic Square

Plastic Round

## Floor Protector Glides

H	L	W	Dia.	Shape	Pkg. Qty.	ALCO Part No.	Price Per Pack
<b>Self Stick</b>							
3/8"			3/4"	Circle	8	AL-71815	\$17.95
3/8"			1"	Circle	8	AL-71816	\$17.95
3/8"			2-1/4"	Circle	4	AL-71817	\$17.95
3/8"	x 2"	x 2-1/2"		Triangle	4	AL-71818	\$17.95
3/8"	x 4-1/2"	x 3-1/2"		Triangle	4	AL-71819	\$29.95
3/8"	x 4"	x 3/4"		Strips	4	AL-71820	\$17.95
<b>Reusable Foam</b>							
3/8"			5"	Circle	4	AL-71821	\$48.95






**Plastic Plug Bumper**  
Used on top of rear leg, on folding chairs. Fits 7/8" O.D. x 3/4" I.D.. tubing. Tan color.  
**AL-19170 \$1.25 Ea**



**Plastic Cap For 7/8 Round Tubing**  
Used for folding chairs. Tan color.  
**AL-19171 \$1.25 Ea**



**AL-19162**

**Plastic Glide Square Rocker Base**  
13/16" O.D. 23/32" (18 GA.) I.D. takes any angle leg. Used on stack chairs.  
**AL-19162 \$1.25 Ea**  
7/8" O.D. 25/32" (18 GA.) I.D. Clear.  
**AL-19163 \$1.25 Ea**  
3/4" O.D. 21/32" (18 GA.) I.D. Clear.  
**AL-19164 \$1.25 Ea**  
7/8" (16 GA.) I.D. Black  
**AL-19168 \$1.25 Ea**  
7/8" O.D. 25/32" (18 GA.) I.D. Black  
**AL-19169 \$1.25 Ea**

EP1



# Antimicrobial Lockers & Shelving

**BUY 11 GET 1 FREE!**



### Antimicrobial Lockers

- ✓ Antimicrobial coating
- ✓ Recessed handles
- ✓ Smooth fronts (no louvers)
- ✓ Sloping tops
- ✓ E-Zee™ closed bases
- ✓ 20+ years of antimicrobial protection

W x D x H* (per locker opening)	No. of Frames	No. of Openings	ALCO Part No.	Price Each
<b>Single Tier-Knocked Down</b>				
15" x 18" x 72"	1	1	AL-76340	\$529.00
15" x 18" x 72"	1	3	AL-76341	\$1369.00
18" x 18" x 72"	1	1	AL-76342	\$549.00
18" x 18" x 72"	1	3	AL-76343	\$1429.00
<b>Double Tier-Knocked Down</b>				
12" x 12" x 36"	2	2	AL-76344	\$489.00
12" x 12" x 36"	2	6	AL-76345	\$1269.00
12" x 18" x 36"	2	2	AL-76346	\$529.00
12" x 18" x 36"	2	6	AL-76347	\$1369.00

\*Heights shown do not include E-Zee™ Base – add 4" to height for E-Zee™ Base.  
NOTE: E-Zee™ Base ships knocked down. Some easy assembly is required.



### 22-Gauge Medium Duty Box "W" Open Shelving

36"W x 18"D x 84"H

No. of Shelves	Starters		Add-Ons	
	ALCO Part No.	Price Each	ALCO Part No.	Price Each
5	AL-76369	\$449.00	AL-76373	\$349.00
6	AL-76370	\$479.00	AL-76374	\$379.00
7	AL-76371	\$519.00	AL-76375	\$429.00
8	AL-76372	\$569.00	AL-76376	\$469.00

36"W x 24"D x 84"H

No. of Shelves	Starters		Add-Ons	
	ALCO Part No.	Price Each	ALCO Part No.	Price Each
5	AL-76377	\$509.00	AL-76381	\$409.00
6	AL-76378	\$549.00	AL-76382	\$449.00
7	AL-76379	\$599.00	AL-76383	\$499.00
8	AL-76380	\$659.00	AL-76384	\$559.00

### 22-Gauge Medium Duty Box "W" Closed Shelving

36"W x 18"D x 84"H

No. of Shelves	Starters		Add-Ons	
	ALCO Part No.	Price Each	ALCO Part No.	Price Each
5	AL-76385	\$619.00	AL-76390	\$439.00
6	AL-76386	\$649.00	AL-76391	\$509.00
6**	AL-76387	\$559.00	AL-76392	\$419.00
7	AL-76388	\$689.00	AL-76393	\$559.00
8	AL-76389	\$739.00	AL-76394	\$599.00

36"W x 24"D x 84"H

No. of Shelves	Starters		Add-Ons	
	ALCO Part No.	Price Each	ALCO Part No.	Price Each
5	AL-76395	\$699.00	AL-76400	\$549.00
6	AL-76396	\$729.00	AL-76401	\$579.00
6**	AL-76397	\$629.00	AL-76402	\$489.00
7	AL-76398	\$789.00	AL-76403	\$639.00
8	AL-76399	\$689.00	AL-76404	\$699.00

\*\*NOTE: Back open with lateral cross brace.



# Lyon Locker Replacement Parts

**BUY 11 GET 1 FREE!**

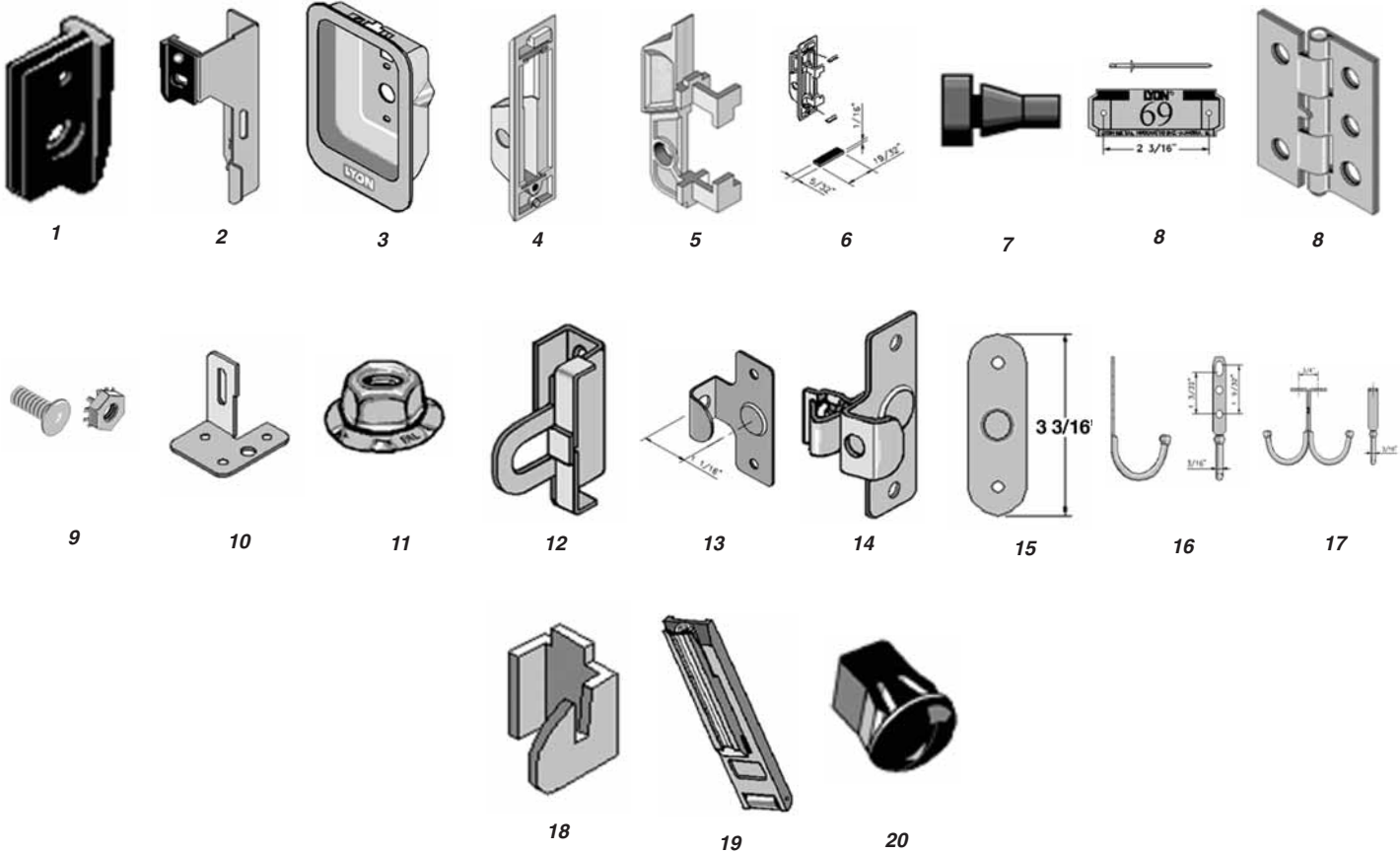


Fig.	Description	ALCO Part No.	Price Each
1	Black Plastic Finger Lift	AL-76314	\$1.95
2	RH Lift (shown)	AL-76315	\$8.95
	LH Lift	AL-76316	\$11.95
3	Recessed Handle	AL-76317	\$27.95
4	Stationary Handle	AL-76318	\$14.95
5	RH Lift (shown)	AL-76319	\$12.95
	LH Lift	AL-76320	\$12.95
6	Rubber Bumper	AL-76321	\$0.95
7	Rubber Bumper	AL-76322	\$0.95
8	Number Plate for Locker (rivets included)	AL-76323	\$2.95
9	Locker Hinge	AL-76325	\$16.95
10	10/24" x 1/2" Bolt and Kep Nut	AL-76326	\$0.95
	10/24" x 3/8" with Standard Nut	AL-76327	\$0.95
	10/24" x 1/2" with Standard Nut	AL-76328	\$0.95
11	Locker Foot	AL-76329	\$1.95
12	Pal Nut for Foot	AL-76330	\$1.95
13	Box Locker Lock Clip	AL-76331	\$14.95
14	Box Locker Door Pull	AL-76332	\$2.95
15	Box Locker Roll Point Catch	AL-76333	\$12.95
16	Lock Hole Filler	AL-76334	\$1.95
17	Single Prong Hook	AL-76335	\$2.95
18	Double Prong Hook	AL-76336	\$6.95
19	Door Jamba	AL-76337	\$5.95
20	Nano Roller Lockbar Catch	AL-76338	\$5.95
21	Black Nylon Lockbar Retainer	AL-76339	\$0.95



**Call For  
Parts Not  
Shown**



# LED Fixtures by Kason For Walk-In Coolers & Freezers

Return on Investment In  
As Little As 6 Months!



**LED Fixture**  
**Sustainable**

LED technology assures sustainable energy savings over the life of the fixture. The vapor-proof fixture is supplied complete with the unique, Kason engineered LED 11.5 watt bulb. The first LED replacement for 75-100 watt incandescent bulbs, designed specifically for WET freezer and cooler applications.

**Efficient**

The 1806 LED is engineered for precise optical performance (85 lumens/watt), providing specifiers and end users with the most cost efficient way to light walk-ins, while significantly reducing electrical costs. The unbreakable lexan globe features LIFO (Light Intensifying Focus Optics) technology that provides precise light placement where it is needed in the walk-in.

**Fast Return**

ROI can be as fast as 6 months. The 11.5-watt design can reduce electrical usage by 85%.

**Instant On**

Reach full light level immediately even in lowest temperatures. No more waiting for freezer light to warm up.

**Electrical Specifications**

- ✓ Unbreakable lexan globe
- ✓ Light output: 980 lumens
- ✓ 85 lumens/watt—exceeds Federal Energy Act requirement
- ✓ Rated 50,000 hours life
- ✓ Designed for wet and cooler/freezer (-40° F) environments
- ✓ 5-year limited warranty on fixture
- ✓ 3-year limited warranty on lamp
- ✓ No mercury
- ✓ RoHS compliant
- ✓ Lamps are cULus listed
- ✓ NSF listed
- ✓ LM-79 Tested
- ✓ Luminaire: Rating IP-65 for wet and cold environments
- ✓ Patent pending

Fixture w/Lamp and Optic Globe **AL-76959** **\$129.00**



**Adapter Retrofit Kit**

- ✓ Fits most pre-existing housings
- ✓ Converts a standard Edison Type "A" lamp holder to a GU23 lamp base
- ✓ Non-removable thread stop adapter ensures sustainability
- ✓ Rated for 50,000 hour life
- ✓ Designed for damp/wet and cooler/freezer (-40° F) environment
- ✓ Gasket, lamp adapter, LED lamp and globe included
- ✓ 3-year limited warranty on lamp
- ✓ RoHS compliant

LED Adapter Retrofit Kit **AL-76939** **\$129.00**

**SAVES MONEY  
AND ENERGY!**



**LED Fixture**  
**Sustainable**

LED technology assures sustainable energy savings over the life of the fixture. Four-foot vapor-proof fixture is supplied complete with low energy LED lamps. The 1810L fixture accepts only LED lamps to assure sustained energy savings. Optimum design 71 lumen/watt provides maximum light output with longest life for lowest total cost of ownership.

**Fast Return**

ROI can be as fast as 6 months. Reduced lighting wattage and heat generation lower utility cost. LED tubes are rated 50,000hr/life—save on bulb replacement.

**Instant On**

Reach full light level immediately even in lowest temperatures. No more waiting for freezer light to warm up.

**Electrical Specifications**

- ✓ Unbreakable polycarbonate enclosure
- ✓ 2-lamp, 36W total, 120VAC, 0.31 amps
- ✓ Bright 5000K color temperature
- ✓ Rated 50,000 hours life
- ✓ Suitable for wet locations
- ✓ 5-year limited warranty on fixture
- ✓ 3-year limited warranty on lamp
- ✓ Lamps are cULus listed
- ✓ RoHS compliant
- ✓ Warranted up to 3X longer than the competition
- ✓ LM-79 Tested
- ✓ Luminaire: Rating IP-65 for wet and cold environments



Fixture w/2 Lamps, 48" (1219.2mm) **AL-76961** **\$289.00**

# Motion Sensor & Door Closers by Kason



## Motion Sensor

### Cost Savings

- ✓ Motion sensor controls Walk-in light fixtures. Turns light on only when area is in use
- ✓ Extends life of fixture, lowering replacement cost and maintenance calls
- ✓ Reduces energy-robbing heat in freezers and coolers

### For Wet & Lo-Temp Areas

- ✓ 1901 Sensor is designed specifically to operate efficiently in wet environment and at temperatures as low as -40° F/C

### Meets Federal Regulations

- ✓ Fulfills Federal Energy Efficiency and Security Act requirements for walk-in lighting
- ✓ For maximum compliance and cost savings, use 1901 Motion Sensor with Kason 1806 series and 1810 series high efficiency light fixtures

### Specifications

#### Operation

Passive infrared sensor detects motion and turns lights on at temperatures below freezing. Uses DIP switches to set time delay and PIR sensitivity.

#### Voltage

120/277 vac@60hz.

#### Load

120 VAC with 0-800 W ballast  
277 VAC with 0-1200 W ballast

Low Bay Sensor	<b>AL-76940</b>	<b>\$115.00</b>
Replacement Lens for Low Bay Sensor	<b>AL-76942</b>	<b>Call</b>
Wall Mount Kit (Sold Separately)	<b>AL-76944</b>	<b>Call</b>



## Sureclose™ Hydraulic Door Closer

Closer, Exposed Mounting	Polished Chrome	<b>AL-76946</b>	<b>\$109.00</b>
Closer, Concealed Mounting	Polished Chrome	<b>AL-76948</b>	<b>\$129.00</b>
Hook for 1094 Flush (0.0mm)	Polished Chrome	<b>AL-76953</b>	<b>Call</b>
Hook for 1094 1-1/8 (28.6mm) Offset	Polished Chrome	<b>AL-76955</b>	<b>Call</b>

## Spring Action Door Closer

Closer		<b>AL-76956</b>	<b>\$61.00</b>
Hook for 1095, Flush (0.0mm)		<b>AL-76957</b>	<b>\$12.00</b>
Hook for 1095, 1-1/8" (28.6mm) Offset		<b>AL-76958</b>	<b>\$15.00</b>

Spring Action Door Closer Shown

# Vinyl Strip System



## EASIMOUNT™

- ✓ Temp Range -40 degrees to 140 degrees F
- ✓ For Walk-in coolers, freezers and personnel doors
- ✓ Quick, easy mounting and strip replacement
- ✓ Wall mounted system for a wide range of applications

USDA Low-Temp Smooth 6" Wide x .06 Ga. Strips		
38"W x 84"H	<b>AL-77726-38</b>	<b>\$89.00</b>
42"W x 84"H	<b>AL-77726-42</b>	<b>\$99.00</b>
51"W x 84"H	<b>AL-77726-51</b>	<b>\$109.00</b>

USDA Low-Temp Smooth 8" Wide x .08 Ga. Strips		
38"W x 84"H	<b>AL-77727-38</b>	<b>\$99.00</b>
42"W x 84"H	<b>AL-77727-42</b>	<b>\$109.00</b>
51"W x 84"H	<b>AL-77727-51</b>	<b>\$129.00</b>

## Maximount™

- ✓ Temp Range -20 degrees to 150 degrees F
- ✓ For loading docks and interior passages
- ✓ Easy strip replacement
- ✓ Heavy duty
- ✓ Mounts flush with wall or overhead

Standard Ribbed Material 8" Wide x .080 Ga. strips		
98"W x 96"H	<b>AL-77728-96</b>	<b>\$379.00</b>
98"W x 108"H	<b>AL-77728-108</b>	<b>\$429.00</b>
98"W x 120"H	<b>AL-77728-120</b>	<b>\$479.00</b>
122"W x 120"H	<b>AL-77729-120</b>	<b>\$589.00</b>
122"W x 144"H	<b>AL-77729-144</b>	<b>\$709.00</b>
146"W x 120"H	<b>AL-77730-120</b>	<b>\$709.00</b>
146"W x 144"H	<b>AL-77730-144</b>	<b>\$849.00</b>



# Platform Trucks

**BUY 11 GET 1 FREE!**



AL-56759 w/AL-72203 Handle

Platform Description	L x W	Load Capacity (lbs)	ALCO Part No.	Price Each
Versa/Deck™ w/6" Polyolefin Casters (Grey)	24" x 48"	1500	AL-72197	\$319.00
Versa/Deck™ w/6" Polyurethane Casters (Grey)	24" x 48"	2700	AL-72198	\$389.00
Versa/Deck™ w/8" Mold-On Rubber Casters (Grey)	24" x 48"	2000	AL-72199	\$329.00
Versa/Deck™ w/8" Pneumatic Casters (Grey)	24" x 48"	1200	AL-56759	\$369.00
Versa/Deck™ w/6" Polyolefin Casters (Grey)	30" x 60"	1500	AL-72200	\$349.00
Versa/Deck™ w/6" Polyurethane Casters (Grey)	30" x 60"	2700	AL-72201	\$409.00
Versa/Deck™ w/8" Mold-On Rubber Casters (Grey)	30" x 60"	2000	AL-72202	\$359.00
Versa Deck w/8" Pneumatic Casters (Grey)	30" x 60"	1200	AL-56760	\$389.00

**Handle Options for Versa/Deck™**

	ALCO Part No.	Price Each
18" Open Style Outside Deck Sway Back Handle (Fits 24" x 48" Deck)	AL-72203	\$39.00
18" Crossbars Style Outside Deck Sway Back Handle (Fits 24" x 48" Deck)	AL-72204	\$54.00
24" Open Style Outside Deck Sway Back Handle (Fits 30" x 60" Deck)	AL-72206	\$42.00
24" Crossbars Style Outside Deck Sway Back Handle (Fits 30" x 60" Deck)	AL-72207	\$54.00

Platform Trucks – Series 2 Description	L x W	Load Capacity (lbs)	Caster	ALCO Part No.	Price Each
<b>(Wood deck with steel frame)</b>					
Hardwood w/Steel Angle Frame	24" x 48"	1800	5" Polyolefin	AL-72209	\$219.00
Hardwood w/Steel Angle Frame	24" x 48"	1800	6" Mold-On Rubber	AL-72210	\$239.00
Hardwood w/Steel Angle Frame	30" x 60"	2000	6" Polyolefin	AL-72211	\$309.00
Hardwood w/Steel Angle Frame	30" x 60"	2000	8" Mold-On Rubber	AL-72212	\$319.00



AL-72209

**Aluminum & Steel Treadplate Platform Trucks**

- ✓ Slip-resistant diamond pattern surface
- ✓ Corrosion resistant and maintains clean appearance
- ✓ Corner sockets at both ends allow handles (one handle included) to be used on either or both ends of truck
- ✓ Casters must be purchased separately
- ✓ One-push handle included



AL-63955 with AL-63957 Casters

Platform size	Aluminum Deck		Steel Deck	
	ALCO Part No.	Price Each	ALCO Part No.	Price Each
24" x 48"	AL-63954	\$369.00	AL-64506	\$159.00
30" x 48"	AL-63955	\$399.00	N/A	N/A
36" x 60"	AL-63956	\$489.00	AL-64508	\$489.00
<b>Caster Options (2 rigid / 2 swivel per set)</b>				
<b>Moldon Rubber</b>				
6" x 2" (2000 lb. Cap.)	AL-63957	\$179.00 set	N/A	N/A
8" x 2" (2400 lb. Cap.)	AL-63958	\$199.00 set	N/A	N/A
<b>Polyurethane Rubber</b>				
6" x 2" (3000 lb. Cap.)	AL-63959	\$279.00 set	AL-64511	\$29.00 Set
8" x 2" (3000 lb. Cap.)	AL-63960	\$329.00 set	AL-64512	\$59.00 Set
<b>Additional Push Handles</b>				
24"	AL-63961	\$29.00	AL-64513	\$19.00
30"	AL-63962	\$22.00	AL-64514	\$22.00
36"	AL-63963	\$23.00	AL-64515	\$23.00



# Handtrucks, Pallet Trucks & Dollies

**BUY 11 GET 1 FREE!**



6" Wide Forks

### Pallet Truck

- ✓ Polyurethane load and steering wheels
- ✓ Adjustable fork connecting rods
- ✓ Overload bypass
- ✓ Rubber coated handle
- ✓ Raised height: 7.25", lowered height: 2.9"
- ✓ 27" Fork width x 48" length
- ✓ 5,500 lbs capacity
- ✓ 2 year pump warranty

**AL-63935 \$409.00**



### Wood Dollies

- ✓ 4 swivel casters
- ✓ Seasoned hardwood with flush top bolted construction or Rubber End Cap
- ✓ 3" hard rubber casters
- ✓ 900 lbs capacity

Flush Open Deck	Flush Open Deck		Carpeted End Cap	
	ALCO Part No.	Price Each	ALCO Part No.	Price Each
24" x 16"	AL-63936	\$39.00	N/A	N/A
30" x 18"	AL-63937	\$49.00	AL-64681	\$42.00
36" x 24"	AL-63938	\$49.00	AL-64682	\$48.00

### Spartan Economy Aluminum 2-in-1 Trucks

- ✓ 18" wide aluminum alloy noseplate for large loads
- ✓ 10" full pneumatic wheel
- ✓ Non-marking 5" x 1.25" swivel casters
- ✓ Foot pedal release allows easy conversion from 2-wheel to 4-wheel position
- ✓ 500 lbs capacity (2 wheel); 1000 lbs capacity (4 wheel)
- ✓ Dual hand grips



**AL-63964 \$239.00**

### Economy Hand Trucks

- ✓ 7.5" x 14" nose plate
- ✓ 16 gauge frame
- ✓ 10" solid rubber wheels
- ✓ Economy SR is 21.5"W x 51"H
- ✓ 500 lbs capacity



**AL-63966 \$89.00**

Wood Dollies – Assembled	L x W x H	Load Capacity (lbs)	Caster	ALCO Part No.	Price Each
Solid Dolly	30" x 18" x 5-3/8"	900	3" Polyolefin	AL-72220	\$69.00
Solid Dolly	36" x 24" x 5-3/8"	900	3" Polyolefin	AL-72221	\$79.00
Carpet End Dolly	30" x 18" x 5-3/8"	900	3" Polyolefin	AL-72222	\$82.00
Rubber Cap Dolly	30" x 18" x 5-3/8"	900	3" Polyolefin	AL-72223	\$59.00



AL-72221

### Polyethylene Dollies

- ✓ High-impact, durable polyethylene construction
- ✓ Steel reinforced, one-piece deck design
- ✓ Easy to clean, non-porous platform will not rot, mildew or splinter
- ✓ 1200lb Capacity
- ✓ Made in the USA

Description	Caster Type	LxWxH	RED ALCO Part No.	BLUE ALCO Part No.	Price Each
Flush Polyethylene w/Casters	4" Polyolefin	30x18x7-3/4	AL-72218R	AL-72218B	\$69.00
Padded Polyethylene w/Casters	4" Polyolefin	30x18x8-3/4	AL-72219R	AL-72219B	\$92.00
Flush Polyethylene w/o Casters	N/A	30x18x2-3/4	AL-72895R	AL-72895B	\$42.00
Padded Polyethylene w/o Casters	N/A	30x18x3-3/4	AL-72896R	AL-72896B	\$61.00
Flush Polyethylene w/Casters	4" Blue Elastic Rubber	30x18x7-3/4	AL-72897R	AL-72897B	\$89.00
Padded Polyethylene w/Casters	4" Blue Elastic Rubber	30x18x8-3/4	AL-72898R	AL-72898B	\$113.00



AL-72218R

### Mega, Maxi Mover and Superlite Dolly

- ✓ Lightweight aluminum/poly construction
- ✓ Easy push button operation for quick set up
- ✓ Elastic straps for securing load



Description	Extended Dimensions	Folded Dimensions	Noseplate Dimensions	Wheel Size	Weight Capacity	ALCO Part No.	Price Each
Mega Mover	47" x 26-1/2" x 25-1/2"	34" x 23-1/2" x 4-3/4"	23-1/2"W x 18"D	8" x 2-1/2"	550 lb.	AL-78303	\$699.00
Maxi Mover	42" x 19" x 19"	29-1/2" x 19" x 2"	19"W x 12"D	7" x 1-1/2"	250 lb.	AL-78304	\$289.00
Superlite	42" x 19" x 19"	29-1/2" x 19" x 2"	19"W x 12"D	7" x 1-1/2"	175 lb.	AL-78305	\$279.00

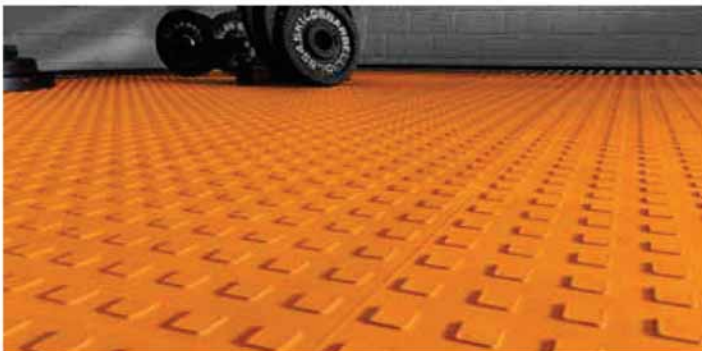




WeatherTech™ TechFloor™ is the first modular floor tile system to offer TWO distinctly different materials molded into ONE tile.



Our revolutionary TwoShot™ process (patent pending) produces an extremely rugged and low profile (slightly over ¼") durable plastic tile with attractive raised TractionSquares™ for wet-or-dry non-slip use. Soft touch underside offers incredible grip to virtually any floor.



Available in 6 tile sizes and 5 border options to allow fast wall-to-wall installation, typically without the need to cut or trim.

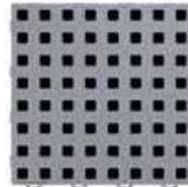
Easily assembled and disassembled by hand using a snap together loop and tab system (patent pending).

No professional installation or special tools required.

Tiles are available in a variety of colors, borders available only in black. Use a single color or create custom patterns by using multiple color and border options.

## System Components

### Floor Tiles



12" x 12"



6" x 6"



3" x 3"



3" x 12"

Right Loop



3" x 12"

Left Loop

### Trim Tiles



¾" x 12"



1½" x 12"

### Borders



2" x 12"



2" x 12"



2" x 6"



2" x 3"



2" x 6"



2" x 3"

### Border Corners



2" x 2" Border Corner



3" x 3" Tab-Tab



3" x 3" Loop-Tab



3" x 3" Tab-Loop



3" x 3" Loop-Loop



CALL FOR ALL AVAILABLE COLORS

TechFloor™	ALCO Part No.	Price Each
12" x 12" Tile (Must be ordered in qty's of 10)	AL-78166	\$5.19
6" x 6" Tile (Must be ordered in qty's of 10)	AL-78167	\$4.19
3" x 12" Tile (Must be ordered in qty's of 10)	AL-78168	\$4.19
3" x 3" Tile (Must be ordered in qty's of 4)	AL-78169	\$3.09
2" x 12" Border (Must be ordered in qty's of 4)*	AL-78170	\$1.79
2" x 6" Border (Must be ordered in qty's of 4)*	AL-78171	\$1.59
2" x 3" Border (Must be ordered in qty's of 4)*	AL-78172	\$1.59
Outside Corner (Must be ordered in qty's of 4)*	AL-78173	\$2.29
1-1/2" Border Trim (Must be ordered in qty's of 4)*	AL-78174	\$1.79
3/4" Border Trim (Must be ordered in qty's of 4)*	AL-78175	\$1.79
Inside Corner (Must be ordered in qty's of 4)*	AL-78176	\$2.29

\*Black only

**ALL PRODUCTS ON THIS PAGE ARE CUSTOM ORDERED AND NON-RETURNABLE.  
PLEASE CONTACT ALCO FOR MORE INFORMATION**



## FLOORLINERS™

Digital laser measurements of interior surfaces offer a consistently perfect fit. A patented tri-extruded composition allows for a rigid core for strength while offering surface friction to the carpet, as well as tactile feel to the surface. The FloorLiners™ advanced surface design has channels that carry fluid and debris, away from shoes and clothing, into a lower reservoir. The lower reservoir uses additional channeling to minimize fluid movement while driving. Once fluids become trapped in the reservoir, they are easily removed over the door sill ... No muss-no fuss! Front, Rear and Third-Row FloorLiners™ available in black, tan and gray for cars, trucks, SUVs, and minivans.



## ALL-WEATHER FLOOR MATS

The WeatherTech® All-Weather Floor Mats are made out of an odorless compound, and have deeply sculpted channels designed to trap water, road salt, mud and sand. Our proprietary engineered resin ensures these mats will not curl, crack, or harden in sub-zero weather. All-Weather Floor Mats also have anti-skid ridges to prevent shifting in your vehicle and come with protective, non-stick finish to make cleanup quick and easy. WeatherTech® All-Weather Floor Mats meet FMVSS302 and are manufactured to ISO 9001 standards, your assurance of quality



## SIDE WINDOW DEFLECTORS

WeatherTech® Side Window Deflectors offer fresh air enjoyment with an original equipment look. They are crafted from the finest 3mm lightly-tinted acrylic material available. Installation is quick and easy, with no exterior tape needed. WeatherTech® Side Window Deflectors are precision-machined to perfectly fit your vehicle. These low profile window deflectors help to reduce wind noise and allow interior heat to escape.



## CARGO LINERS

WeatherTech® Cargo Liners provide complete trunk and cargo area protection. Cargo Liners are digitally designed to fit your vehicle and have a raised lip to keep spills, dirt and grease off your vehicle's interior, protecting your investment from normal wear and tear. Made from a proprietary custom blended TPO that is not only wear resistant, but also remains flexible under temperature extremes. The WeatherTech® Cargo Liner features a textured finish which helps to keep cargo from shifting, and it's perfect for hauling just about anything from gardening supplies to construction materials to the family pet.

# Office Chair Parts

**BUY 11 GET 1 FREE!**

**Call For Other  
Cylinders Not Shown**

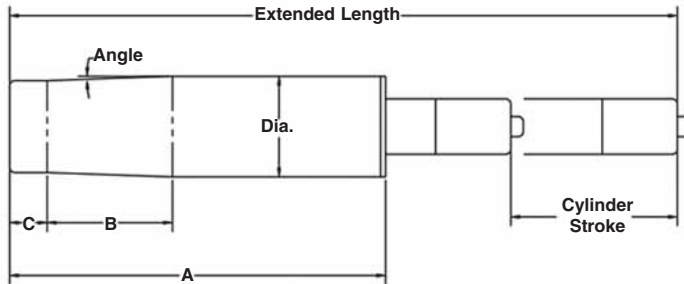


AL-76119

### Standard Gas Cylinder

Description	Stroke	Extended Length	Dia.	A	B	C	U/S Tube Force	ALCO Part No.	Price Each
Executive Style Chair	80	307	50	185	55	25	210	400	AL-76119 \$39.95
Consumer Chair	100	343	50	195	55	25	225	400	AL-76120 \$39.95
Task Chair	140	415	50	235	55	25	259	300	AL-76121 \$39.95
Task Chair	140	415	50	235	55	42	259	300	AL-76122 \$39.95

Note: All measurements are in millimeters. Standard conversion: 1" = 25.4mm



A = Stand Pipe  
B = Engagement Taper  
C = Bottom Taper

2-1/8" Diameter



7/16 x 7/8 Stem

**Model:** Replacement Chair Caster  
**Wheel Diameter:** 2-1/8"  
**Tread Material:** Hard Nylon for carpets; Soft Urethane for hard surfaces  
**Dynamic Load Rating:** 75 lbs  
**Finish:** Black  
**Stem:** 7/16" x 7/8" Long

**1-1/2" Pivot Head Dia**  
Nylon AL-57263 \$3.95 each  
Urethane AL-57265 \$4.95 each

**1-3/4" Pivot Head Dia**  
Nylon AL-57264 \$3.95 each  
Urethane AL-57266 \$4.95 each



### 23.5" Polished Top T-Edge with Black Underside

- ✓ 300mm radius from center of hub to outside leg
- ✓ 50mm hub (Also available with 45mm hub)
- ✓ 20mm caster barrel diameter
- ✓ Standard 11mm x 25mm caster sockets
- ✓ 65mm base height

AL-76127 \$35.95



### 24" Plastic Base

- ✓ 305mm radius from center of hub to outside of leg
- ✓ 50mm hub
- ✓ 42mm caster barrel diameter
- ✓ Standard 11mm x 25mm caster sockets
- ✓ 65mm base height

AL-76128 \$29.95



### 28" Plastic Base

- ✓ 355mm radius from center of hub to outside leg
- ✓ 50mm hub
- ✓ 45mm caster barrel diameter
- ✓ Standard 11mm x 25mm caster sockets
- ✓ 65mm base height

AL-76129 \$33.95



### Black Polyurethane Office Chair Arm Pad

- ✓ 3" wide
- ✓ 10" long
- ✓ Self-skinning polyurethane

620 AL-76130 \$17.95



### Black Polyurethane Office Chair Arm Pad

- ✓ 4" wide
- ✓ 10" long
- ✓ Self-skinning polyurethane

AL-76131 \$17.95



### Black Polyurethane Office Chair Arm Pad

- ✓ 3" wide
- ✓ 10" long
- ✓ Self-skinning polyurethane

AL-76132 \$17.95

EP1

**Call For Parts Not Shown**

# Wall Protection & Signs



Phone: 800-323-4282  
Fax: 800-950-1167

**ALCO**  
Sales & Service Co.

info@alcosales.com  
www.alcosales.com

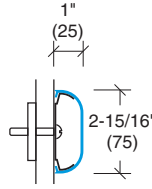


# Wall Protection—Flat Wall Guards

3" strip generally used at wainscot level or at top of cove base height

- ✓ Material thickness: vinyl .100", aluminum .062"
- ✓ Available in all standard colors: see page 623

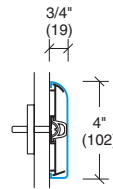
	ALCO Part No.	Price Each
<b>12 Foot Wall Guard</b>		
Rail Assembly	AL-16763	\$68.60
Rail Assembly Grooved*	AL-16763G	\$137.20
<b>*Add \$250.00 set up (net) for under 25 pieces</b>		
<b>Accessories</b>		
End Cap	AL-16765	\$6.20
Outside Corner	AL-16767	\$15.40



4" strip with gentler curve at top, squared-off bottom.

- ✓ Material thickness: vinyl .088", aluminum .080"
- ✓ Available in all standard colors: see page 623

	ALCO Part No.	Price Each
<b>12 Foot Wall Guard</b>		
Rail Assembly	AL-16800	\$84.80
Rail Assembly Grooved*	AL-16800G	\$159.00
<b>*Add \$250.00 set up (net) for under 25 pieces</b>		
<b>Accessories</b>		
End Cap—Right	AL-16802R	\$5.40
End Cap—Left	AL-16802L	\$5.40
Outside Corner	AL-16803	\$5.00
Rubber Spacer, 1-1/2" Dia, 1/4" Thick	AL-16801	\$2.20



Note: Spacers to be used every 16 inches on center

**Rapid Response Program** These colors ship out in 3 days: Linen White, Champagne, Ivory, Tan, Eggshell, Silver Grey, Windsor Blue and Teal.

6" strip approximates width of handrail styles for coordination of color line throughout facility.

- ✓ Material thickness: vinyl .100", aluminum .080"
- ✓ Available in all standard colors: see page 623

	ALCO Part No.	Price Each
<b>12 Ft Wall Guard</b>		
Rail Assembly with Bumper & Continuous Alum. Retainer	AL-55650	\$130.20
Rail Assembly Grooved* with Continuous Alum. Retainer	AL-55650G	\$183.40
Rail Assembly w/10 Red-E-Clip® per 12' Length	AL-73080	\$66.00
Rail Assembly Grooved* w/10 Red-E-Clips® per 12' Length	AL-73080G	\$125.60
<b>*Add \$250.00 set up (net) for under 25 pieces</b>		

**Accessories**

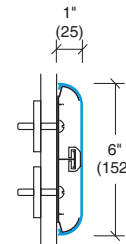
End Cap	AL-55651	\$3.60
Outside Corner	AL-55652	\$4.80
Rubber Spacer, 1-1/2" Dia., 1/4" Thick, Note: Spacers to be used every 16 inches	AL-16801	\$2.20
End Cap for Red-E-Clip® Installation	AL-73081	\$4.00
Outside Corner for Red-E-Clip® Installation	AL-73082	\$5.80
Red-E-Clip® Assembly	AL-73083	\$2.80
Bracket	AL-16778A	\$2.40
Splice for off-the-wall installation (2 req. for each seam) (Continuous Aluminum Retainer only)	AL-73084	\$2.80
Return	AL-55653	\$16.80

NOTE: Red-E-Clip® Systems cannot be mounted off the wall with spacers or brackets.

**Rapid Response Program** These colors ship out in 3 days: Linen White, Champagne, Ivory, Tan, Eggshell, Silver Grey, Windsor Blue and Teal.

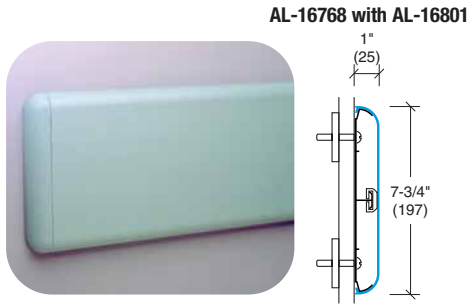


AL-55650 with AL-16801



EP1

# Wall Protection—Flat Wall Guards



Available in all standard colors below

## 12 Foot Wall Guard

	ALCO Part No.	Price Each
Rail Assembly with Bumper & Continuous Alum. Retainer	AL-16768	\$143.80
Rail Assembly Grooved* with Continuous Alum. Retainer	AL-16768G	\$209.40
Rail Assembly w/10 Red-E-Clip® per 12' Length	AL-73085	\$71.80
Rail Assembly Grooved* w/10 Red-E-Clips® per 12' Length	AL-73085G	\$143.60

\*Add \$250.00 set up (net) for under 25 pieces

## Accessories

	ALCO Part No.	Price Each
End Cap for Continuous Aluminum Retainer	AL-16769	\$4.00
Outside Corner for Continuous Alum. Retainer	AL-16770	\$5.00
Rubber Spacer, 1-1/2" Dia., 1/4" Thick for AL-16768 EXT	AL-16801	\$2.20
Note: Spacers to be used every 16 inches on center		
Return	AL-55659	\$17.60
Bracket	AL-16795	\$2.40
End Cap for Red-E-Clip® Installation	AL-73086	\$4.60
Outside Corner for Red-E-Clip® Installation	AL-73087	\$6.00
Red-E-Clip® Assembly	AL-73088	\$3.20
Splice for off-the-wall installation (2 req. for each seam) (Continuous Aluminum Retainer Only)	AL-73089	\$2.80

NOTE: Red-E-Clip® Systems cannot be mounted off the wall with spacers or brackets.

**Rapid Response Program** These colors ship out in 3 days: Linen White, Champagne, Ivory, Tan, Eggshell, Silver Grey, Windsor Blue and Teal.

All Wall Protection Is Custom Ordered and are Non-Returnable  
All Wall Protection Over 8 ft. Long Will Be Shipped Via Truck

# 4' x 8' Wall Protection—Wall Coverings

Thickness	Flammability	Size 32 Sq.Ft	Weight/Sheet	Sheets Per Case	ALCO Part No.	Price Each
1/32 (.030)	Class A	4' x 8' Sheet	6.3 lbs.	30	AL-16981	\$81.80
3/64 (.040)	Class A	4' x 8' Sheet	9 lbs.	20	AL-16982	\$115.90
1/16 (.060)	Class A	4' x 8' Sheet	13.5 lbs.	16	AL-16983	\$154.00

## Accessories

Adhesive (gallon) AL-55715 \$69.00/Gallon  
Double Faced Foam Tape AL-16735 \$29.00/Roll

**Rapid Response Program** These colors ship out in 3 days: Linen White, Champagne, Ivory, Tan, Eggshell, Silver Grey, Windsor Blue and Teal.

4' x 8' Sheet



## Wall Covering Accessories

- Wall covering accessories include top caps, joint covers and inside and outside corners
- Fine hair cell pattern softens glare

### Top End Caps

	.028"-.060"	AL-16986	\$6.20
	.093"-.125"	AL-16986T	\$11.60

### Joint Cover

	.028"-.060"	AL-16987	\$6.20
	.093"-.125"	AL-16987T	\$11.60

### Inside Corner

	.028"-.060"	AL-55711	\$6.20
	.093"-.125"	AL-55711T	\$11.60

### Outside Corner

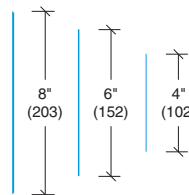
	.028"-.060"	AL-55712	\$6.20
	.093"-.125"	AL-55712T	\$11.60

Color Choices									
Linen White (A301)	Eggshell (A370)	Champagne (A313)	Chablis (A497)	Ivory (A2)	Doeskin (A268)	Ecru (A269)	Beige Desert (A385)	Mojave Sand (A379)	Tan (A3 Tan)
Dawn (A494)	Mocha (A288)	Chinchilla (A297)	Taupe (A176)	Silver Grey (A210)	Grey (A5)	Blue Fog (A369)	Windsor Blue (A265)	Sage Green (A371)	Teal (A377)

## 8 Foot Undrilled Rub Rail

Installed with adhesive or screws (not included) or factory-applied tape (upcharge—CALL)

Size	Gauge	Quantity Weight	ALCO Per Box	Price Part No.	Each
4" x 8'	.040	.75 lbs	6	AL-55654	\$10.70
6" x 8'	.040	1.1 lbs	4	AL-55655	\$15.20
8" x 8'	.040	1.5 lbs	3	AL-55656	\$19.50
4" x 8'	.060	1.1 lbs	6	AL-55657	\$15.20
6" x 8'	.060	1.7 lbs	4	AL-55658	\$21.80
8" x 8'	.060	2.25 lbs	3	AL-16806	\$28.20



All Wall Protection Is Custom Ordered and are Non-Returnable



# Corner Guards—Surface Mounted

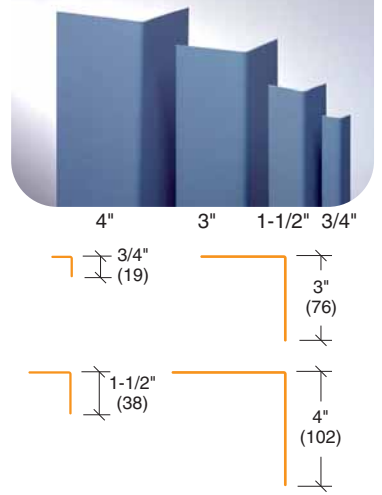
Surface-mounted corner guards offer cost-effective protection for existing facilities, easy installation and a wide variety of styles and materials to meet virtually any requirement.

- ✓ Class A fire rating
- ✓ Color coordinated top and bottom caps

- ✓ 90° rigid vinyl corner guard
- ✓ May be installed with adhesive, double-faced tape or screws
- ✓ Available in all standard colors: See color choices below

Description	Undrilled		Drilled*		Taped	
	ALCO Part No.	Price Each	ALCO Part No.	Price Each	ALCO Part No.	Price Each
<b>4, 8 &amp; 12 Ft. 3/4", .080" Rigid Vinyl Corner Guards</b>						
4 ft. long 90 degree Corner Guard	AL-55744-4	\$7.80	N/A	N/A	AL-55745-4	\$9.20
8 ft. long 90 degree Corner Guard	AL-55744-8	\$15.00	N/A	N/A	AL-55745-8	\$17.60
12 ft. long 90 degree Corner Guard	AL-55744-12	\$22.40	N/A	N/A	AL-55745-12	\$26.20
<b>4, 8 &amp; 12 Ft. 1-1/2", .080" Rigid Vinyl Corner Guards</b>						
4 ft. long 90 degree Corner Guard	AL-16726-4	\$10.80	AL-16727-4	\$11.60	AL-55746-4	\$13.00
8 ft. long 90 degree Corner Guard	AL-16726-8	\$20.80	AL-16727-8	\$22.20	AL-55746-8	\$25.20
12 ft. long 90 degree Corner Guard	AL-16726-12	\$31.00	AL-16727-12	\$33.00	AL-55746-12	\$37.60
<b>4, 8 &amp; 12 Ft. 3", .093" Rigid Vinyl Corner Guards</b>						
4 ft. long 90 degree Corner Guard	AL-16728-4	\$19.00	AL-16729-4	\$19.80	AL-55747-4	\$23.00
8 ft. long 90 degree Corner Guard	AL-16728-8	\$37.20	AL-16729-8	\$38.60	AL-55747-8	\$45.40
12 ft. long 90 degree Corner Guard	AL-16728-12	\$55.80	AL-16729-12	\$57.80	AL-55747-12	\$67.80
<b>4, 8 &amp; 12 Ft. 4", .093" Rigid Vinyl Corner Guards</b>						
4 ft. long 90 degree Corner Guard	AL-16730-4	\$32.20	AL-16731-4	\$32.80	AL-55748-4	\$37.80
8 ft. long 90 degree Corner Guard	AL-16730-8	\$63.60	AL-16731-8	\$65.00	AL-55748-8	\$75.00
12 ft. long 90 degree Corner Guard	AL-16730-12	\$94.60	AL-16731-12	\$96.60	AL-55748-12	\$111.60

## 90° Rigid Vinyl Corner Guard



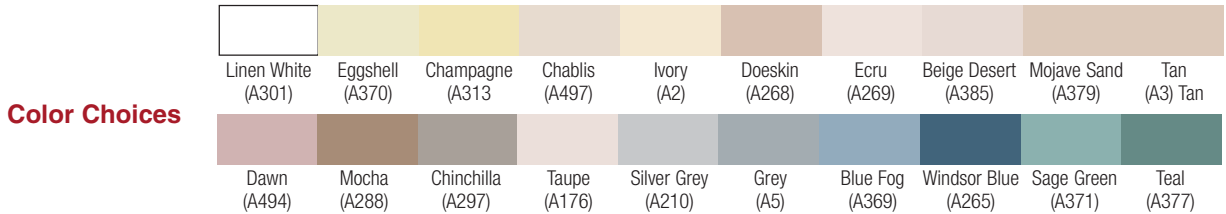
\*There are 6 holes per corner guard in the 1-1/2", 3" and 4" sizes.

### Accessories

Screws (sold 50 per bag) **AL-16747 \$4.95**

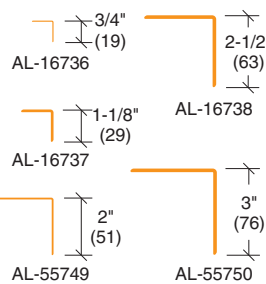
### Rapid Response Program

These colors ship out in 3 days: Linen White, Champagne, Ivory, Tan, Eggshell, Silver Grey, Windsor Blue and Teal.



90° corner polycarbonate guards

Description	ALCO Part No.	Price Each
<b>3/4" x 3/4"-1/16" 90° Corner Guards Clear*</b>		
4 ft. long Corner Guard	AL-16736	\$2.20*
8 ft. long Corner Guard	AL-16736-8	\$4.40*
<b>1-1/8" x 1-1/8"-3/32" 90° Corner Guards Clear*</b>		
4 ft. long Corner Guard*	AL-16737	\$7.60*
8 ft. long Corner Guard*	AL-16737-8	\$15.20*
<b>2-1/2" x 2-1/2"-1/8" 90° Corner Guards Clear*</b>		
4 ft. long Corner Guard*	AL-16738	\$18.80*
8 ft. long Corner Guard*	AL-16738-8	\$37.60*
<b>2" x 2" 90° Corner Guards Clear*</b>		
4 ft. long Corner Guard	AL-55749	\$14.60*
8 ft. long Corner Guard	AL-55749-8	\$29.20*
<b>3" x 3" 90° Corner Guards Clear*</b>		
4 ft. long Corner Guard	AL-55750	\$27.20*
8 ft. long Corner Guard	AL-55750-8	\$54.40*



## Clear Lexan Corner Guards



\* Colors available (add 10%) and are furnished undrilled: (A1) Black, (A2) Ivory, (A301) Linen White, (A3) Tan, (A4) Brown, (A5) Grey, (A9) Green, (A69) Pastel Blue, (A97) Polar White.

**All Corner Guard Is Custom Ordered and are Non-Returnable**  
**All Corner Guard Over 8 ft. Long Will Be Shipped Via Truck**



# Corner & Wall Guards—Surface Mounted



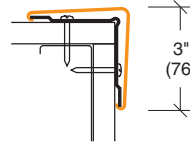
Surface-mounted corner guards offer cost-effective protection for existing facilities, easy installation and a wide variety of styles and materials to meet virtually any requirement.

- ✓ Class A fire rating
- ✓ Flex Action Absorbs Impact
- ✓ Available in all standard colors: See Page 624

90° corner guard, constructed of heavy-duty aluminum retainer and rigid vinyl cover

- ✓ Material thickness: vinyl .100", aluminum .062"
- ✓ Color coordinated top and bottom caps included

3" x 3" 90° Corner Guards	Part No.	ALCO Each	Price
4 ft. long Corner Guard	AL-16744-4	\$34.60	
8 ft. long Corner Guard	AL-16744-8	\$64.40	
9 ft. long Corner Guard	AL-16744-9	\$68.80	
<b>Accessories</b>			
Top Cap	AL-16745	\$1.40	



90° Corner Guard—3" x 3"

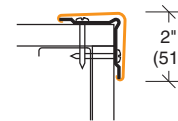


**Rapid Response Program** These colors ship out in 3 days: Linen White, Champagne, Ivory, Tan, Eggshell, Silver Grey, Windsor Blue and Teal.

90° corner guard, constructed of heavy-duty aluminum retainer and rigid vinyl cover

- ✓ Material thickness: vinyl .085", aluminum .062"
- ✓ Color coordinated top and bottom caps included

2" x 2" 90° Corner Guards	Part No.	ALCO Each	Price
4 ft. long Corner Guard	AL-16752-4	\$27.40	
8 ft. long Corner Guard	AL-16752-8	\$48.20	
9 ft. long Corner Guard	AL-16752-9	\$51.60	
<b>Accessories</b>			
Top Cap	AL-16753	\$1.20	



90° Corner Guard—2" x 2"

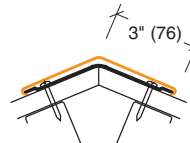


**Rapid Response Program** These colors ship out in 3 days: Linen White, Champagne, Ivory, Tan, Eggshell, Silver Grey, Windsor Blue and Teal.

135° corner guard, constructed of heavy-duty aluminum retainer and rigid vinyl cover

- ✓ Material thickness: vinyl .100", aluminum .078"
- ✓ Color coordinated top and bottom caps included

3" x 3", 135° Corner Guards	Part No.	ALCO Each	Price
4 ft. long 135° Corner Guard	AL-16756-4	\$59.00	
8 ft. long 135° Corner Guard	AL-16756-8	\$99.00	
9 ft. long 135° Corner Guard	AL-16756-9	\$106.80	
<b>Accessories</b>			
Top Cap	AL-16757	\$9.00	



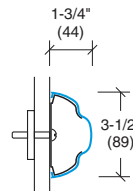
135° Corner Guard—3" x 3"



1-3/4" projection keeps damaging impact away from wall surface

- ✓ Vinyl covers are designed to flex upon impact
- ✓ Material thickness: vinyl .085", aluminum .062"

12 Foot Wall Guard	ALCO Part No.	Price Each
Wall Guard	AL-16771	\$91.80
<b>Accessories</b>		
End Cap	AL-16773	\$3.20
Outside Corner	AL-16774	\$3.80



Wall Guard—3-1/2" Width

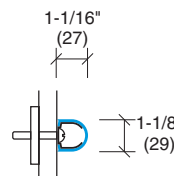


Note: Spacers to be used every 16 inches on center

Simple rounded profile, smooth finish, with approximately 1" x 1" profile

- ✓ Can be mounted on carts and equipment for added protection
- ✓ Material thickness: vinyl .100", aluminum .062"

12 Foot Accent Rail	ALCO Part No.	Price Each
Accent Rail 4.8 lbs	AL-55666	\$47.00
<b>Accessories</b>		
End Cap	AL-55667	\$6.60
Outside Corner	AL-55668	\$6.00



Wall Guard—Rounded Profile



EP1

**All Corner Guard Is Custom Ordered and are Non-Returnable**  
**All Corner Guard Over 8 ft. Long Will Be Shipped Via Truck**



# Rigid Vinyl Kickplates

All Door and Frame Protection is Custom Ordered and is Non-Returnable

Flat Kick Plate Size H x W	.040 Thickness			.060 Thickness			Add For Double Face Tape
	.040 Thickness (No Holes)	Price Each	Package Quantity	.060 Thickness (No Holes)	Price Each	Package Quantity	
6" x 24"	AL-53479	\$14.30	6	AL-53480	\$15.90	6	CALL
6" x 32"	AL-53481	\$14.30	6	AL-53482	\$15.90	6	CALL
6" x 48"	AL-53483	\$19.00	4	AL-53484	\$24.30	4	CALL
8" x 24"	AL-53485	\$14.30	6	AL-53486	\$15.90	6	CALL
8" x 32"	AL-53487	\$14.30	6	AL-53488	\$15.90	6	CALL
8" x 48"	AL-53489	\$19.00	4	AL-53490	\$24.30	4	CALL
12" x 24"	AL-53491	\$14.30	6	AL-53492	\$15.90	6	CALL
12" x 32"	AL-53493	\$14.30	6	AL-53494	\$15.90	6	CALL
12" x 48"	AL-53495	\$19.00	4	AL-53496	\$24.30	4	CALL
16" x 24"	AL-53497	\$23.70	3	AL-53498	\$31.20	3	CALL
16" x 32"	AL-53499	\$23.70	3	AL-53500	\$31.20	3	CALL
16" x 48"	AL-53501	\$32.80	2	AL-53502	\$43.00	2	CALL
24" x 24"	AL-53503	\$23.70	3	AL-53504	\$31.20	3	CALL
24" x 32"	AL-53505	\$23.70	3	AL-53506	\$31.20	3	CALL
24" x 48"	AL-53507	\$32.80	2	AL-53508	\$43.00	2	CALL
32" x 24"	AL-53509	\$61.50	1	AL-53510	\$82.00	1	CALL
32" x 32"	AL-53511	\$61.50	1	AL-53512	\$82.00	1	CALL
32" x 48"	AL-53513	\$64.60	1	AL-53514	\$85.90	1	CALL
48" x 24"	AL-53515	\$61.50	1	AL-53516	\$82.00	1	CALL
48" x 32"	AL-53517	\$61.50	1	AL-53518	\$82.00	1	CALL
48" x 48"	AL-53519	\$64.60	1	AL-53520	\$85.90	1	CALL

## Wall Protection Colors (\* Standard Colors)

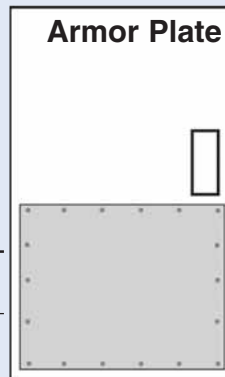


EP1

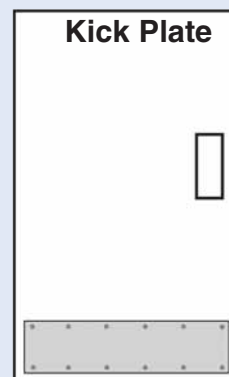
### Stainless Steel Kick Plates

- ✓ Full threaded to the head stainless steel sheet metal screws with plated finish
- ✓ Beveled 3 or 4 sides optional
- ✓ Commercial grade thickness
- ✓ Stainless Steel

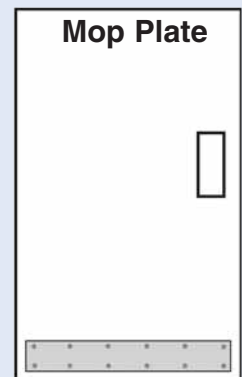
Description	ALCO Part No.	Price Each	Description	ALCO Part No.	Price Each
<b>Kick Plate</b>			<b>Armor Plate</b>		
8 x 30	AL-67256	\$19.95	34 x 34	AL-67254	\$79.95
8 x 32	AL-67257	\$20.95	34 x 32	AL-67255	\$79.95
10 x 32	AL-67258	\$29.95			
6 x 34	AL-67259	\$16.95	<b>Mop Plate</b>		
8 x 34	AL-67260	\$22.95	4 x 32	AL-67262	\$12.95
10 x 34	AL-67261	\$27.95	4 x 34	AL-67263	\$13.95



Used on doors subject to marring or damage from carts, trucks, etc.



Used on doors subject to marring or damage from foot traffic.



Used on doors subject to marring or damage during cleaning operations.

# Door & Frame Protection

**BUY 11 GET 1 FREE!**



### Door Edge Guards

- ✓ Protects interior and exterior edges
- ✓ .060" thick
- ✓ Class A fire rating
- ✓ Secured with adhesive, transfer tape or flat-head recessed screws
- ✓ Available in all standard colors: See Page 624

	ALCO Part No.	Price Each
1-3/8" wide, 7 Feet	AL-16994	\$29.00
1-3/4" wide, 7 Feet	AL-16995	\$29.00

### Push Plate

- ✓ .060" thick
- ✓ 4" x 12" & 8" x 12"
- ✓ Class A fire rating
- ✓ Secured with adhesive, transfer tape or flat-head recessed screws
- ✓ Available in all standard colors: See Page 624

	ALCO Part No.	Price Each
4" x 12" Push Plate, Pkg of 48	AL-16976	\$2.60 ea.
8" x 12" Push Plate, Pkg of 24	AL-16977	\$5.00 ea.

**Note: Packaged 48 & 24 and price per plate. Broken package charge is \$20.00.**



AL-55755

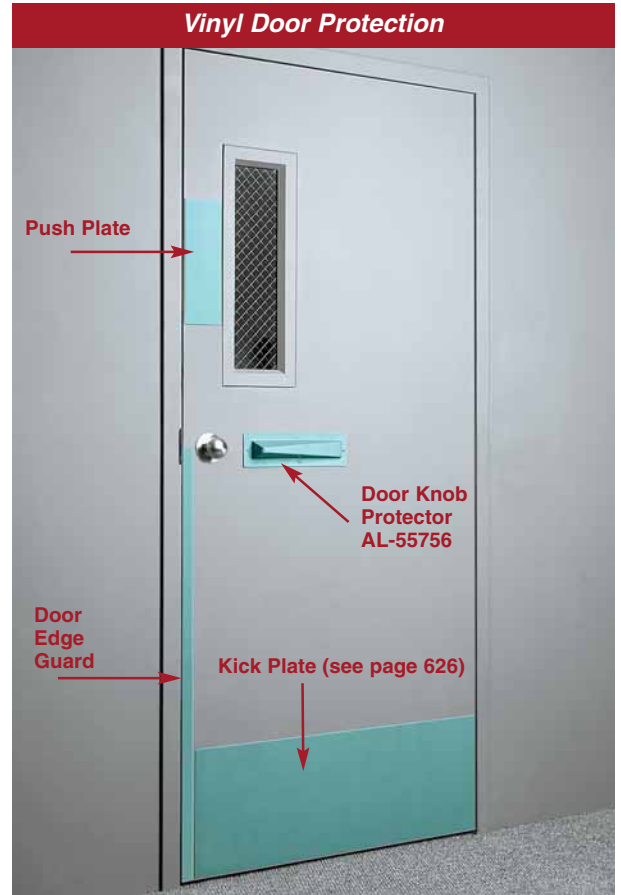


AL-55756

### Door Knob Protector

- ✓ Cam action protects knob from vehicular damage while allowing easy passage
  - ✓ Class A fire rating
  - ✓ Secured with adhesive, transfer tape or flat-head recessed screws
  - ✓ Available in the following colors only: (A2) Ivory, (A4) Brown, (A370) Eggshell, (A3) Tan
- Note: Package of 4 and priced per protector. Orders for fewer than 4 pcs will be charged for (4) pcs total to recover setup charges on equipment.**

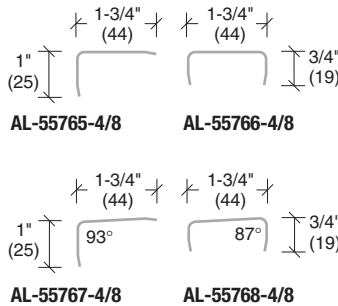
	ALCO Part No.	Price Each
11-1/4"W x 6-3/8"H, Pkg of 4	AL-55755	\$39.20 ea.
12"W x 3-3/16"H, Pkg of 4	AL-55756	\$34.20 ea.



### Stainless Steel Door Edge Guards

Available in four profiles to fit conventional door edges

	ALCO Part No.	Price Each
1" x 1-3/4" 4 ft.	AL-55765-4	\$42.20
1" x 1-3/4" 8 ft.	AL-55765-8	\$68.20
3/4" x 1-3/4" x 3/4" 4 ft.	AL-55766-4	\$43.80
3/4" x 1-3/4" x 3/4" 8 ft.	AL-55766-8	\$83.40
1" x 1-3/4" 4 ft.	AL-55767-4	\$43.20
1" x 1-3/4" 8 ft.	AL-55767-8	\$68.20
3/4" x 1-3/4" x 3/4" 4 ft.	AL-55768-4	\$43.60
3/4" x 1-3/4" x 3/4" 8 ft.	AL-55768-8	\$83.40



### Stainless Steel Door Guard



**Additional Door Hardware  
Located On Page 609**

**All Door and Frame Protection Is Custom Ordered and are Non-Returnable  
All Door and Frame Protection Over 8 ft. Long Will Be Shipped Via Truck**

# Picture Resident & Room ID Signs

Refer to Page 636 for Color Options. Additional Colors Available at [www.alcosigns.com](http://www.alcosigns.com)



### Picture Resident & Room ID

- ✓ 1" raised white room numbers and Grade 2 Braille for ADA compliancy
- ✓ Removable name/picture card may be lettered with a labeling machine
- ✓ Additional name cards are available in packs of 100
- ✓ Made of scratch resistant plastic
- ✓ Easy installation
- ✓ To order, please select a product number and color
- ✓ Provide a list of room numbers on a separate sheet of paper



5.5" x 5.5"  
CTP-PR02 \$41.35

### Removable Name Cards

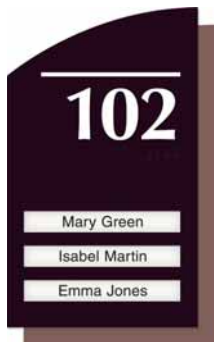
for easy updating of names and pictures

### One or Two Picture Slots

ideal for Alzheimer patients



17.75" x 6.5"  
CTL-PPR02 \$95.22



9.75" x 6"  
OPR-PR03 \$46.94



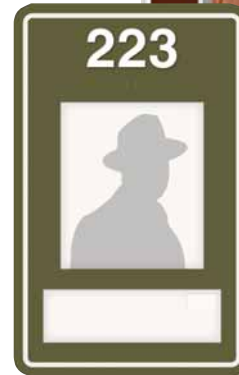
6" x 6"  
FXAN-PR01 \$33.17



3.75" x 4.75"  
CTL-RN34 \$40.53



4" x 4"  
ALTC-RN44 \$24.68



9.5" x 6"  
CTP-PPR01 \$51.56

# Suite ID Signs



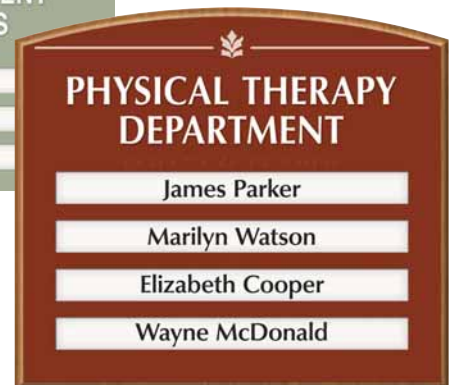
7.75" x 11.75"  
FXAN-SD01 \$97.37



8.375" x 11.5"  
OPR-SD02 \$69.91



9" x 11"  
ALTC-SD03 \$62.15



10.375" x 11.75"  
CTL-SD04 \$97.64

### Suite ID Signs

- ✓ 1.5" raised white room numbers and Grade 2 Braille for ADA compliancy
- ✓ Removable name card may be lettered with a labeling machine
- ✓ Additional name cards are available in packs of 100
- ✓ Made of scratch resistant plastic
- ✓ Easy installation

EP1



# General Regulatory Signs

Refer to Page 636 for Color Options. Additional Colors Available at [www.alcosigns.com](http://www.alcosigns.com)



9.375" x 6.75"  
CTL-RG01 \$61.27



9.125" x 7"  
FXAN-RG03 \$56.66



10.125" x 8.875"  
OPR-RG21 \$59.57



9.375" x 6.75"  
CTL-RG72 \$61.27



9.125" x 7"  
FXAN-RG02 \$56.66

10.125" x 8.875"  
OPR-RG71 \$59.57



8" x 8"  
CTP-RG31 \$49.63



8" x 8"  
CTP-RG32 \$49.63



8" x 8"  
ALTC-RG62 \$44.71



8" x 8"  
ALTC-RG74 \$44.71



## General Regulatory Signs

- ✓ Raised lettering and Grade 2 Braille comply with the ADA
- ✓ Includes foam tape strips on the back of the sign for easy installation
- ✓ Internationally recognized symbols

# General Information Signs



8.625" x 7.75"  
FXAN-G87 \$62.06



## General Information Signs

- ✓ White subsurface lettering on scratch resistant plastic
- ✓ General Signs are 5.5" x 5.5" unless otherwise noted



9.375" x 6.75"  
CTL-RG30 \$61.27



9.125" x 7"  
FXAN-RGCC \$66.23



12.625" x 8.875"  
OPR-RGCC2 \$64.50



CTP-G08  
\$23.87



ALTC-G10  
\$22.71



CTP-G15  
\$23.87



ALTC-G16  
\$22.71



ALTC-G20  
\$22.71



7"x7"  
ALTC-G77  
\$52.61



CTP-G25  
\$23.87



ALTC-G35  
\$22.71



CTP-G36  
\$23.87



ALTC-G38  
\$22.71



CTP-G39  
\$23.87



CTP-G63  
\$23.87

**LOW PRICES GUARANTEED!**  
**WE WILL NOT BE UNDERSOLD!**

# Common Room Signs

Refer to Page 636 for Color Options. Additional Colors Available at [www.alcosigns.com](http://www.alcosigns.com)



ALTC-CR49 4" x 9"



ALTC-CR511 5" x 11"



ALTC-CR411 4" x 11"



ALTC-CR515 5" x 15"



ALTC-CR77 7" x 7"

- Use your own wording to create custom signs
- Raised white lettering and Grade 2 Braille
- Available in 5 sizes to accommodate long and short room titles
- To order, please select a product number and color. List your common room titles on a separate sheet of paper and quantity of each

Description	ALCO Part No.	Price Each
4" x 9" Common Room Sign	ALTC-CR49	\$43.95
4" x 11" Common Room Sign	ALTC-CR411	\$53.95
5" x 11" Common Room Sign	ALTC-CR511	\$61.95
5" x 15" Common Room Sign	ALTC-CR515	\$66.17
7" x 7" Common Room Sign	ALTC-CR77	\$57.95
7" x 7" Changeable Common Room**	ALTC-CRW77	\$60.95

\*\* Not Shown. Features raised room title, Grade 2 Braille and a changeable insert.

### Maximum Copy Per Sign:

4" x 9"	Accommodates up to 2 lines, with 10 characters per line
4" x 11"	Accommodates up to 2 lines, with 14 characters per line
5" x 11"	Accommodates up to 3 lines, with 14 characters per line
5" x 15"	Accommodates up to 3 lines, with 18 characters per line
7" x 7"	Accommodates up to 4 lines, with 10 characters per line
7" x 7" (N/S)	Accommodates up to 2 lines, with 10 characters per line

### Write Way™ Dry Erase Message Signs

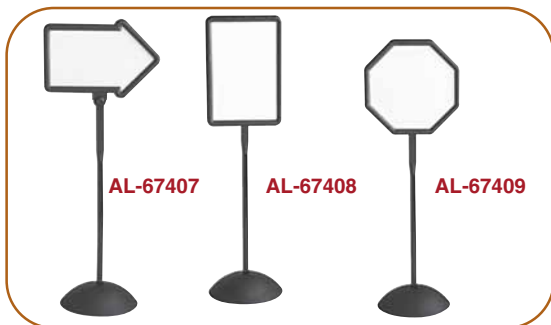
- UV inhibitors for indoor/outdoor use
- White steel board can also be used with magnets
- Dual sided
- Overall height 64-1/4"
- 18" base can be weighted with water or sand

25-1/2"W x 12"H	Arrow	AL-67407	Call
14-1/4"W x 22-1/4"H	Rectangle	AL-67408	Call
19-1/4"W x 19-1/4"H	Octagon	AL-67409	Call

### LOOK FOR THIS SYMBOL

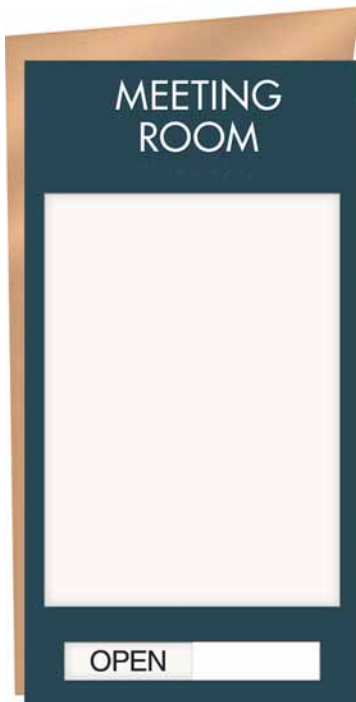


For A.D.A. Compliant Signage.  
Need information on the A.D.A.?  
Call today for a free guide.



# Common Room Signs

Refer to Page 636 for Color Options. Additional Colors Available at [www.alcosigns.com](http://www.alcosigns.com)



17.75" x 9"  
FXAN-MR179 \$140.30



5.75" x 9.875"  
OPR-CR59 \$56.56



6.75" x 11.75"  
CTL-CR611 \$87.63



### Common Room Signs

- ✓ Use your own wording to create custom signs
- ✓ Ideal for identifying rooms and meetings areas
- ✓ Made of scratch resistant plastic
- ✓ Raised white lettering and Grade 2 Braille
- ✓ Inserts slide out for easy updating of information (select styles)



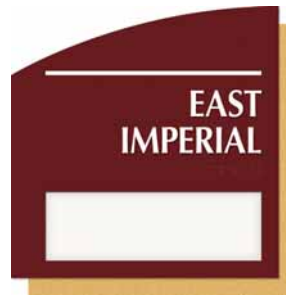
5.5" x 15"  
ALTC-CR515 \$66.17



7.75" x 7.75"  
CTL-CR77 \$65.16



7" x 7"  
ALTC-SP77 \$60.56



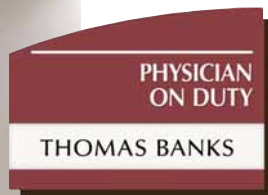
8.375" x 8.25"  
OPR-CRW88 \$60.69



12.625" x 11.75"  
FXAN-CR1211 \$157.25

EP1

# Nameplates/Staff on Duty



8.375" x 11.5"  
OPR-MOD811 \$67.98



3.5" x 9"  
CTL-NP39 \$24.80



2.25" x 8.75"  
FXAN-NP28 \$16.48

### Nameplates/Staff on Duty

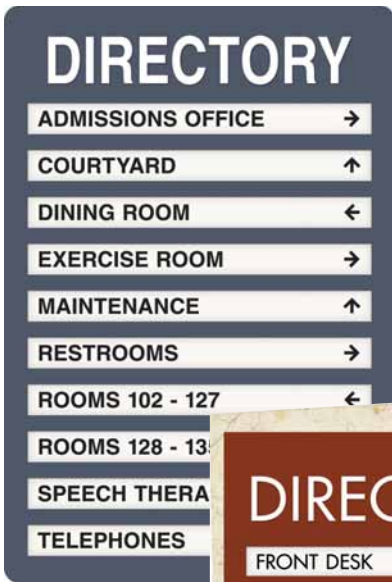
- ✓ Removable name card may be lettered with a labeling machine
- ✓ Additional name cards are available in packs of 100
- ✓ Made of scratch resistant plastic
- ✓ Easy installation



4" x 11"  
CTP-NPT411 \$49.29

# Directory & Directional Signs

Refer to Page 636 for Color Options. Additional Colors Available at [www.alcosigns.com](http://www.alcosigns.com)



18.5" x 12.5"  
ALTC-D10  
\$136.91



13.125" x 12.5"  
FXAN-D05 \$127.44



14.625" x 12"  
OPR-D1412 \$141.35



20" x 12.5"  
CTL-D10-S \$290.74



### Directory Signs

- ✓ Direct visitors to their destinations
- ✓ Match the decor of your facility
- ✓ Header text is raised white lettering
- ✓ Changeable inserts feature black lettering on a white background (select styles)

### Header Text

Please provide wording, for example: North Wing, Tower, Directory, etc.

### Changeable Insert

Please provide wording for insert and arrow direction.

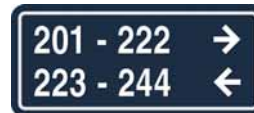


11.75" x 11.75"  
CTL-D1111 \$158.36



### Directional Signs

- ✓ Direct visitors to their destinations
- ✓ Match the decor of your facility
- ✓ When ordering directional signs, please list exactly how the directory is to read including arrows



4" x 9"  
CTP-D49 \$40.92



4" x 11"  
CTP-D411 \$50.16



5.5" x 15"  
ALTC-D515 \$63.81



5.75" x 11.5"  
OPR-D511 \$61.11



7" x 11.75"  
FXAN-D711 \$82.12

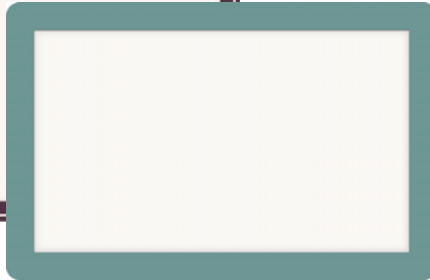


# Evacuation Plan Frames & Message Holders

Refer to Page 636 for Color Options. Additional Colors Available at [www.alcosigns.com](http://www.alcosigns.com)



17.5" x 21.5"  
CTP-MH20  
\$112.93



10" x 15.5"  
ALTC-MH14 \$44.88

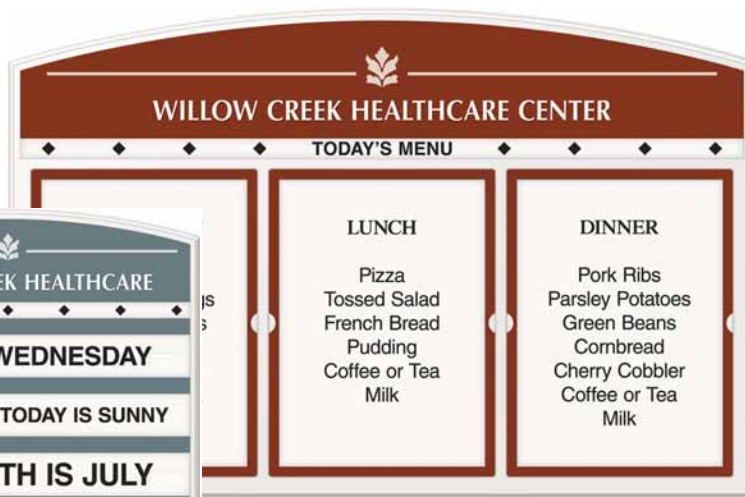


10.5" x 11.5"  
FXAN-MH11 \$62.01

## Evacuation Maps and Message Holder Frames

- ✓ Includes foam tape strips for easy installation
- ✓ Made of durable plastic that is scratch and chemical resistant
- ✓ Evacuation maps sold separately
- ✓ To order, please select a frame size and color

# Reality & Information Boards



18.5625" x 28.1875"  
CTL-MB1828 \$290.42



17" x 9.875"  
OPR-TE179 \$165.73



23.75" x 17.875"  
CTL-RB2317 \$308.98



## Reality and Information Boards

- ✓ Sign includes an insert carrier to attach a standard letter size sheet of paper
- ✓ Message board provides current information for residents
- ✓ Reality Board Panels display: days of the week, month, date, year, weather and notice of next holiday
- ✓ 90 different panels come with the Reality Board sign
- ✓ Made of scratch resistant plastic

# Patient Care Signs™

5" x 3"										
	PC-1	PC-2	PC-3	PC-4	PC-5	PC-6	PC-7	PC-8	PC-9	PC-10
	PC-11	PC-63	PC-13	PC-14	PC-15	PC-16	PC-17	PC-18	PC-19	PC-20
	PC-21	PC-22	PC-23	PC-24	PC-25	PC-26	PC-27	PC-34	PC-35	PC-36
9" x 2"										
	PCV-1	PCV-2	PCV-3	PCV-4	PCV-5	PCV-6	PCV-7	PCV-8	PCV-11	PCV-13
	PCV-17	PCV-19	PCV-20	PCV-22	PCV-23	PCV-35	PCV-36	PCV-52	PCV-60	PCV-61

- ✓ Two sizes available: 2" x 9" and 3" x 5"
- ✓ Bright red with white lettering and symbols
- ✓ Made of scratch resistant plastic
- ✓ Attach magnetically to steel door frames or use at bed side
- ✓ Over 30 standard signs to choose from
- ✓ To order, please select a product number

**Select Product Number \$5.78**

<p><b>NO THROUGH TRAFFIC</b></p> <p>RESTRICTED AREA</p> <p><b>LBL01</b></p>	<p><b>ATTENTION</b></p> <p>ALL VISITORS REPORT TO NURSES STATION</p> <p><b>LBL02</b></p>
<p><b>SURGERY</b></p> <p>RESTRICTED AREA</p> <p><b>LBL03</b></p>	<p><b>STAFF ONLY</b></p> <p>BIOHAZARD</p> <p><b>LBL04</b></p>
<p><b>STAFF ONLY</b></p> <p>NO SMOKING NO OPEN FLAME</p> <p><b>LBL05</b></p>	<p><b>ATTENTION</b></p> <p>AUTHORIZED PERSONNEL ONLY</p> <p><b>LBL06</b></p>

## Door Signs

- ✓ Designate restricted areas.
- ✓ Subsurface graphics
- ✓ Size: 10" x 23.5"
- ✓ To order, please select a product number

Select Product Number \$53.72



Shown: (2) LBL03

# Traffic Control and General Information Signs

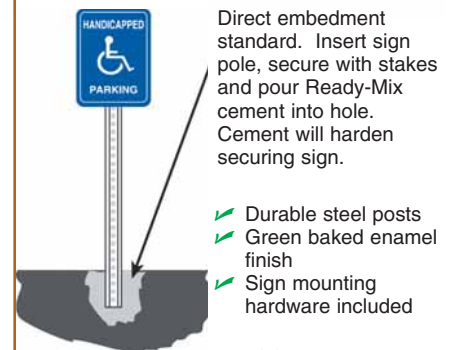


## Traffic Control Signs

- ✓ Easily direct visitors in your parking areas
- ✓ Premium quality metal signs
- ✓ Designate handicapped parking areas
- ✓ Custom signs for your wording available
- ✓ Mounting posts available in 4 sizes and are sold separately. See "Posts" to the right
- ✓ To order, please specify product number—For custom signs, please specify exact wording and arrow direction if applicable

Description	ALCO Part No.	Price Each
18" x 12" Traffic Control	<b>Please Select</b>	<b>\$28.38</b>
18" x 12" Custom Wording	<b>TC-C18</b>	<b>\$39.95</b>
6" x 12" Van Accessible	<b>TC-60</b>	<b>\$16.95</b>
18" x 12" Reserved Parking	<b>TC-18</b>	<b>\$33.38</b>
18" x 12" Wheelchair Symbol	<b>TC-19</b>	<b>\$27.95</b>

## Posts



Direct embedment standard. Insert sign pole, secure with stakes and pour Ready-Mix cement into hole. Cement will harden securing sign.

- ✓ Durable steel posts
- ✓ Green baked enamel finish
- ✓ Sign mounting hardware included

Description	ALCO Part No.	Price Each
6ft. Post	<b>UP-26</b>	<b>\$23.46</b>
7ft. Post	<b>UP-27</b>	<b>\$29.25</b>
8ft. Post	<b>UP-28</b>	<b>\$34.46</b>

## No Cellular Phone Signs



NC-55 5.5" x 5.5"

NC-88 8" x 8"

AL-NC-515 5" x 15"

**IN STOCK!**

- ✓ Made of scratch resistant plastic
- ✓ Easy-to-read red and black graphics
- ✓ Available only in black with red warning
- ✓ Permanent adhesive strips pre-applied to the back of the sign for easy installation
- ✓ Available in three sizes

Description	ALCO Part No.	Price Each
5.5" x 5.5" No Cellular Sign	<b>NC-55</b>	<b>\$24.78</b>
8" x 8" No Cellular Sign	<b>NC-88</b>	<b>\$33.59</b>
5" x 15" No Cellular Sign	<b>NC-515</b>	<b>\$37.07</b>

## No Weapon Signs



NG-55 5.5" x 5.5"

NG-88 8" x 8"

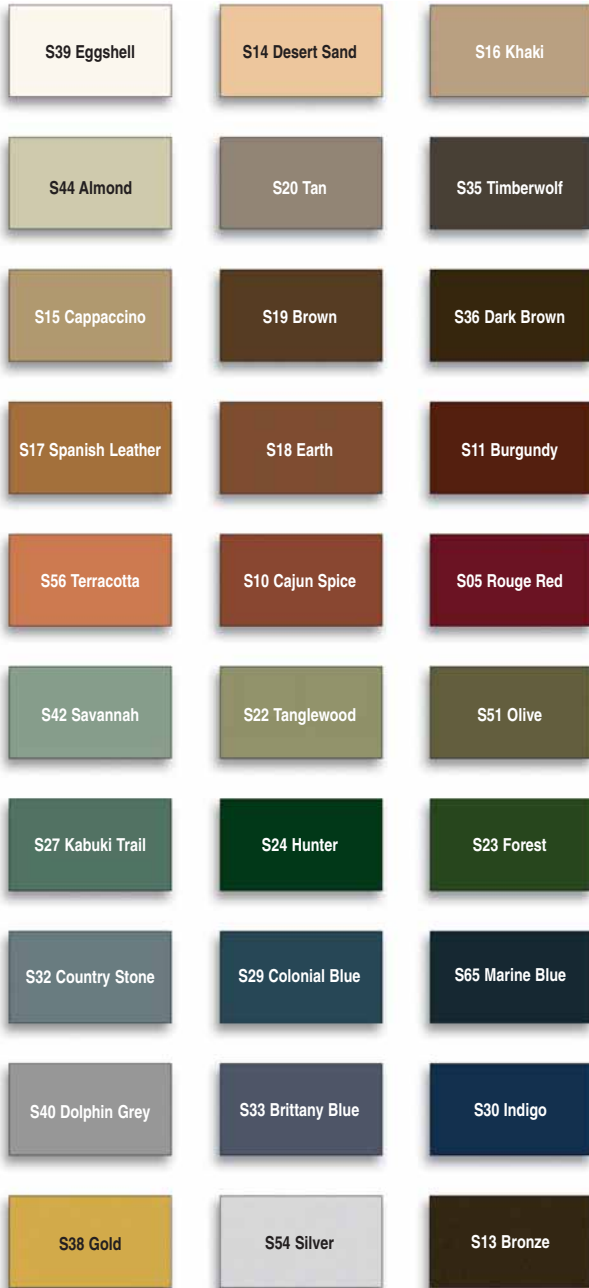


NG-515 5" x 15"

Description	ALCO Part No.	Price Each
5.5" x 5.5" No Weapon Sign	<b>NG-55</b>	<b>\$24.78</b>
8" x 8" No Weapon Sign	<b>NG-88</b>	<b>\$33.59</b>
5" x 15" No Weapon Sign	<b>NG-515</b>	<b>\$37.07</b>

# Signage Color Options

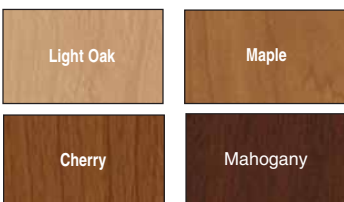
## SIGN COLOR



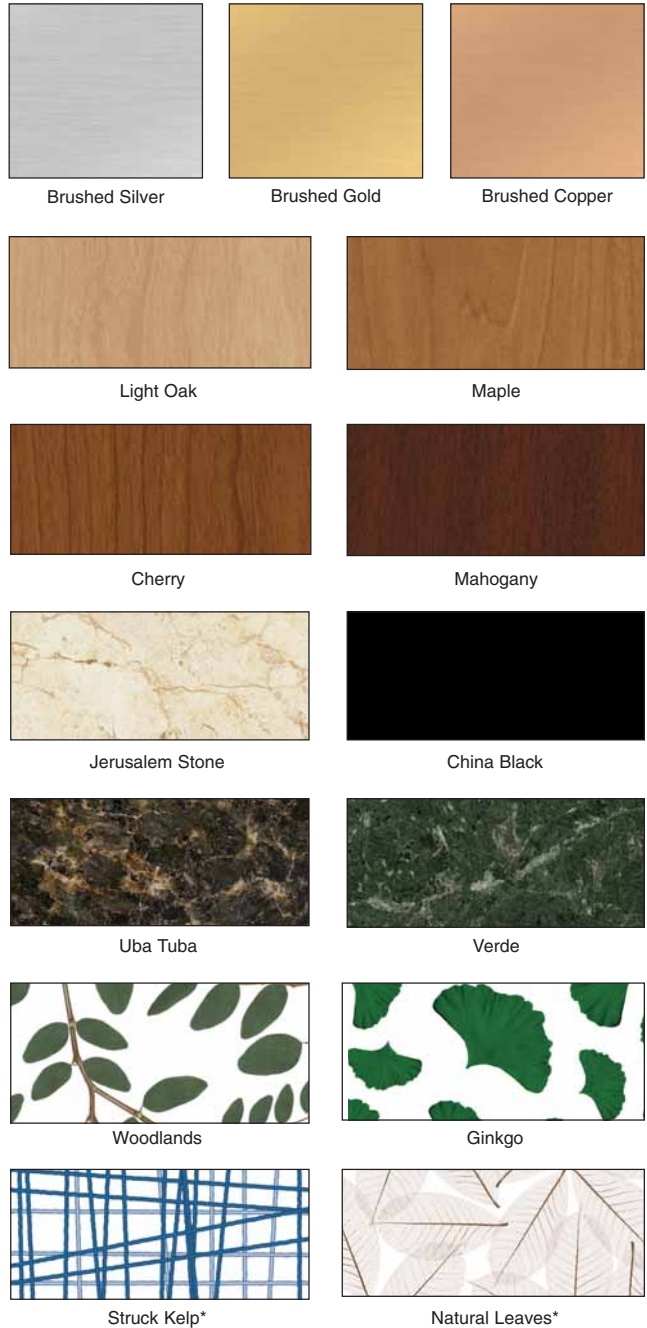
Additional colors are available on [www.alcosigns.com](http://www.alcosigns.com)

## ADDITIONAL SIGN COLOR OPTIONS

Available on select sign lines



## FLEXIA® BACKPLATE OPTIONS



\*Struck Kelp and Natural Leaves are available in the colors below.





# www.alcosigns.com

Select customize preview & order online!



### Making Signs Easy

Replacement, renovation, new construction - our convenient online sign store allows you to order signs with ease. To create a new account, click Log In on the upper right side of the page. You can then access all areas of the site. Navigate through our sign selections by clicking on the category box you wish to view, or search for the type of sign you want.



### Customizing Your Signs **Customize-It®**

On the product description page, click on the Customize-It button to specify color combinations, text styles, and custom text (where applicable). Ordering a series of room numbers is easy: enter the room numbers you need and your quantity will be immediately updated. And don't worry about ADA compliance; when you select a sign's color, approved contrasting text color choices will automatically appear.



### Preview Your Signs Before You Order!



### Placing Your Order

Add your selections to your cart, click Checkout, enter your delivery and payment information, and you're done!

**▼ LOW PRICES GUARANTEED! ▼**  
**WE WILL NOT BE UNDERSOLD!**

Phone 800-323-4282 • 630-655-1900  
FAX 800-950-1167 • 630-655-1990

E-mail: [info@alcosales.com](mailto:info@alcosales.com)  
Website: [www.alcosales.com](http://www.alcosales.com)

# Visual Display Boards

**BUY 11 GET 1 FREE!**



### ReTire Tack

- ✓ EcoLogical™ ReTire Board is made with a 100% recycled rubber surface
- ✓ Surface is 90% post consumer and 10% post industrial
- ✓ Moisture and chemical resistance in a stain and fade resistant, washable surface
- ✓ Multi-colored, textured surface with unmatched durability
- ✓ Silver Presidential trim
- ✓ 20 year guarantee

2' x 3'	<b>AL-73022</b>	<b>\$39.00</b>
3' x 4'	<b>AL-73023</b>	<b>\$59.00</b>
4' x 6'	<b>AL-73024</b>	<b>\$109.00</b>
4' x 8'	<b>AL-73025</b>	<b>\$139.00</b>



### Patient Room Message Board

- ✓ The magnetic message board's compact size ideal for smaller work spaces/areas
- ✓ Ideal for hanging outside a doorway
- ✓ Hangs either horizontally or vertically
- ✓ Unit measures 24" x 8-1/2"

**AL-73026 \$19.00**



### C2C Green-Rite™ Markerboard

- ✓ Green-Rite™ dry erase markerboard is Cradle to Cradle Certified CM Silver
- ✓ Part of the EcoLogical™ series of environmentally responsible products
- ✓ 98% recyclable and contains over 50% recycled materials
- ✓ Superior writability; virtually indestructible
- ✓ Magnetic Q-Tray included
- ✓ 50 year guarantee. Made in the USA

2' x 3'	<b>AL-73027</b>	<b>\$139.00</b>
3' x 4'	<b>AL-73028</b>	<b>\$169.00</b>
4' x 6'	<b>AL-73029</b>	<b>\$339.00</b>
4' x 8'	<b>AL-73030</b>	<b>\$449.00</b>



### Bulletin Board Cabinet

- ✓ Features an oak frame with a 100% natural cork tack surface
- ✓ Locking doors are attached with a full-length pinch-proof piano hinge
- ✓ Features acrylic panels for easy viewing

24" x 18" x 1-1/2"	<b>AL-73031</b>	<b>\$99.00</b>
24" x 36" x 1-1/2"	<b>AL-73032</b>	<b>\$149.00</b>
36" x 48" x 1-1/2"	<b>AL-73033</b>	<b>\$249.00</b>
36" x 60" x 1-1/2"	<b>AL-73034</b>	<b>\$489.00</b>



### C2C Black Splash Cork

- ✓ Features a completely recyclable cork surface
- ✓ Part of the EcoLogical™ series of environmentally responsible products
- ✓ Cradle to Cradle Certified CM Silver
- ✓ Naturally renewable surface is durable, self-healing and environmentally responsible
- ✓ 10 year guarantee. Made in the USA

2' x 3'	<b>AL-73039</b>	<b>\$59.00</b>
3' x 4'	<b>AL-73040</b>	<b>\$99.00</b>
4' x 6'	<b>AL-73041</b>	<b>\$189.00</b>
4' x 8'	<b>AL-73042</b>	<b>\$229.00</b>



### Pebbles Vinyl Tackboard

- ✓ Textured vinyl surface is durable and easy to clean with detergent and water
- ✓ Naturally resists dirt and dust
- ✓ Treated to be antimicrobial and resist mold, mildew and bacteria
- ✓ Framed in silver Presidential trim
- ✓ 10 year guarantee

2' x 3'	<b>AL-73043</b>	<b>\$49.00</b>
3' x 4'	<b>AL-73044</b>	<b>\$79.00</b>
4' x 6'	<b>AL-73045</b>	<b>\$139.00</b>
4' x 8'	<b>AL-73046</b>	<b>\$179.00</b>

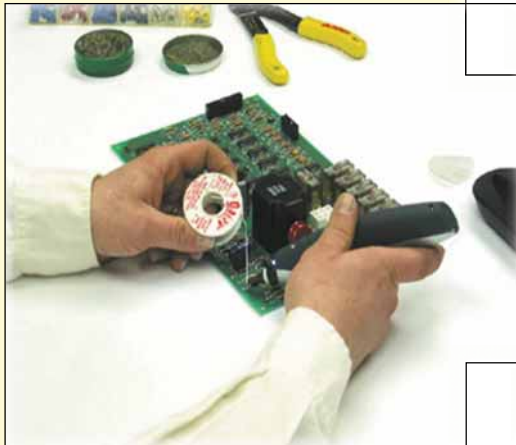


### Platinum Reversible Board

- ✓ Twice the functional surface of a wall mounted board
- ✓ Double sided markerboard
- ✓ Surface rotates 360 degree and locks into place
- ✓ Porcelain steel surface has a 50 year dry erase writing warranty and is magnetic
- ✓ Dura-Safe® surface has a 20 year dry erase writing warranty

Porcelain 40"x 30"	<b>AL-73047</b>	<b>\$489.00</b>
Dura-Rite® 40" x 30"	<b>AL-73048</b>	<b>\$399.00</b>
Porcelain 4' x 6'	<b>AL-73049</b>	<b>\$759.00</b>
Dura-Rite® 4' x 6'	<b>AL-73050</b>	<b>\$569.00</b>

# Repair Services



Phone: 800-323-4282  
Fax: 800-950-1167

**ALCO**<sup>®</sup>  
Sales & Service Co.

info@alcosales.com  
www.alcosales.com

# Hydraulic Pump Repair 1 Year Warranty



Hill-Rom Pump



715 Stryker Pump



926 Stryker Pump



Amsco Pump



Hausted Pump



Invacare Pump



Scale-Tronix Pump

Hoyer (Sunrise Medical) • Joerns • MSI  
Hein Warner • Midmark (OMI) • Colson • Invacare  
Tabbert • Invalux • E&J • Hausted (Steris)  
Secure • Lumex • Hill-Rom Model 800 • Auto Lift  
Porto-lift • Scalettronix Imex Healthline • Amsco

AL-11435R \$279.00  
AL-11435A (Amsco only) \$489.00

**Includes:**

- ✓ 1-year warranty
- ✓ Standard rebuilding process. (Parts that are missing and/or need replacement may incur additional costs)
- ✓ A service charge may be applied when sending in pumps under warranty if it is determined that pump has been damaged or tampered with.

**Stryker Pump for repair:**

- ✓ Please include the valve and hydraulic lines when sending in
- AL-67473 \$199.00

**Hill-Rom Century Pumps for repair:**

Hi-Lo, Manual, Head RH and LH  
AL-11435H \$279.00  
Knee  
AL-11435HK \$199.00

**Includes:**

- ✓ 1-year warranty
- ✓ Standard rebuilding process (Parts that are missing and/or need replacement may incur additional costs)

The following pumps are available for repair. Price will be quoted after we determine model and problems:

Emerson • Ritter • Gomco • Enochs • Schuco • LIC-Rehab • CCI Blood Drawing Chair Table Lift Pump  
Reliance Pump Master & Slave (set only)  
Midmark Table Model 114 Motor Pump Assmy  
Pallet jacks • IE Table  
Ohmeda Infant Warmer Model 4000 & 5000

**Includes:**

- ✓ 1-year warranty

**1 Year Warranty**

## Junction Box Repair



Type 1



Type 2



Type 3

Joerns, Invacare, Basic American, Carroll, Hill-Rom, Kimball and Smith & Davis  
AL-67491 \$99.00

## Analog & Digital Pillow Speaker Repair



ALCO will repair most Analog and Digital pillow speakers. Price includes all parts needed, plug and cord if needed.

Analog with four buttons  
AL-48653R \$56.95 Each  
Digital with four buttons  
AL-67009R \$81.95 Each

**90 Day Warranty**

## Bed Control Repair



ALCO will repair most bed controls. Price includes all parts needed, plug and cord if needed.

AL-48635R \$49.95 Ea.

**90 Day Warranty**

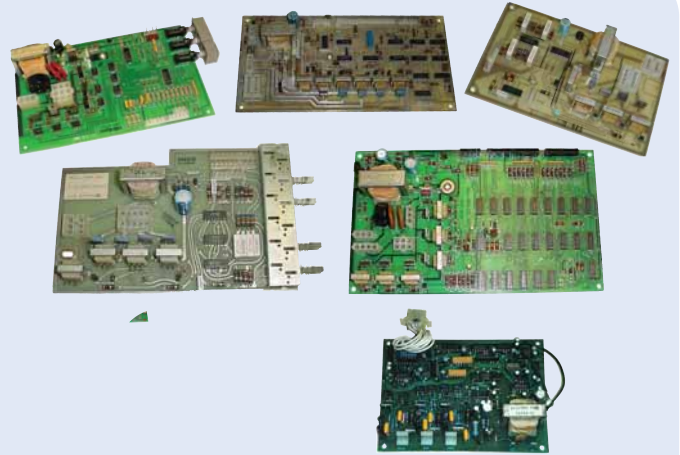
**Note: We must receive complete Pillow Speaker or Bed Control unit for repair or you will be charged for all missing parts**



# Hospital Bed Printed Circuit Board Repair

ALCO Repairs All Types Bed Control Printed Circuit Boards: Call for Printed Circuit Boards not shown.

Description	Repair		Rebuilt	
	ALCO Part No.	Repair Price	ALCO Part No.	Rebuilt Price
Hill-Rom 720 Series Hill-Rom 820 Series Hill-Rom 835 Series Hill-Rom 840 Series Hill-Rom 850 Series Hill-Rom Adv 1000 Series Hill-Rom Adv 2000 Series Hill-Rom Cent. CC Series Stryker Mod 2020 Power Boards Stryker Mod 2020 Litter Control Boards	See Pages 166-169		See Pages 166-169	
Amedco Mod 1 Series	AL-48641R	\$99.00	Call	Call
Amedco Mod 3, 4-Button	AL-48642R	\$49.00	Call	Call
Amedco Mod 3, 6-Button	AL-48643R	\$49.00	Call	Call
Amedco Mod 362	AL-48644R	\$49.00	Call	Call
Amedco Mod 6	AL-48645R	\$89.00	Call	Call
Joerns Mod 660 Series	AL-48646R	\$49.00	Call	Call

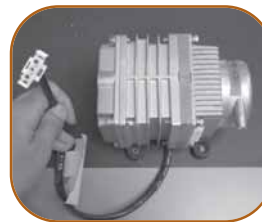


Price includes all parts and labor needed. 90 day warranty. ALCO also repairs circuit boards not shown. Call for price.

**Save 40% off Mfg. Price** **90 Day Warranty**



Hill-Rom Total Care Bed Rebuilt Blower Motor  
AL-67351 \$529.00



Hill-Rom Zone Air Bed Rebuilt Blower Motor  
AL-67352 \$395.00

**Refurbished Hill-Rom Century Plus DC Motors Available. Call For Details!**

## Bed Motor Repair and More

ALCO will repair most Bed Motors. Price includes all parts and labor needed. Additional cost may be required if special parts are needed.

- AL-46389R \$119.95
- AL-76815R \$159.95 (Hill-Rom 43370 & 43370S)
- Motor capacitor and cap corrects many motor problems
- AL-49427 \$23.95



Bed Motor Repair  
AL-46389R \$119.95 Ea.

Description	ALCO Part No.	Repair Price
Light Switching Unit	AL-48648R	\$59.00
Side Com/Alpha Com Junction Box	AL-48649R	\$79.00
Side Com/Alpha Com Interface Cable	AL-48650R	\$49.00
Bed Control Interconnect Cable	AL-48651R	\$29.00
Telephone, Hill-Rom TeleMate	AL-48652R	\$49.00

**90 Day Warranty**

### Replacement Capacitors



MFD/Voltage Rating	Capacitor Part No.	Price Each	W/Cap Part No.	Price Each
21-25 MFD, 250VAC	AL-67115	\$16.95	AL-67116	\$21.95
30-36 MFD, 330VAC	AL-67117	\$21.95	AL-67118	\$27.95
53-64 MFD, 250VAC	AL-67119	\$16.95	AL-67120	\$21.95
88-106 MFD, 250VAC	AL-67121	\$19.95	AL-67122	\$23.95

We also repair motors for the following power wheelchairs and scooters. Price will be quoted after we determine model and problems.

- ✓ E&J
- ✓ Permobil
- ✓ Hoveround
- ✓ Invacare
- ✓ Pride
- ✓ Redman
- ✓ Fortress
- ✓ Quickie

**Matress Blower Motor Repair—Most models**  
AL-59843 \$219.00

# Blood Pressure & Junction Box Repair

## Manometer Aneroid Gauge Repair



AL-48656R \$13.95 Ea.  
includes all parts.

## Mercury Wall and Floor Sphygmomanometer Repair



AL-48657R  
Price Parts  
plus labor.

We also repair the following Biomedical Equipment. Price will be quoted after we determine model and problems:

- ✓ Critikon BP Monitors
- ✓ Portable Ventilators
- ✓ Pulse Oximeters
- ✓ Apnea Monitors
- ✓ Defibrillators/Monitors (Models LP9, LP9P, LP10, LP10P)
- ✓ Battery Support Systems (Models LP10)
- ✓ Heaters/Humidifiers
- ✓ BIPAP's
- ✓ CPAP's
- ✓ Non-Invasive BP Monitors
- ✓ Concentrators

# Flowmeters, Suction and O2 Regulators Repair Program



**All Repairs  
Must Be Shipped To  
ALCO In A Sealed Plastic Bag**



### Flowmeter Repair Categories

- FL-1 **Flowmeter Standard Repair**—The flowmeter is disassembled and any worn parts are repaired or replaced. The flowmeter is then reassembled, cleaned and calibrated.
- FL-2 **Flowmeter Gross Damage Repair**—Same as above, except the flowmeter has been grossly damaged and/or is missing parts. Note: missing flowmeter adapters are not covered under an "FL-2" gross damage repair. Adapter replacement is billed accordingly.
- FL-3 **Flowmeter Update**—Flowmeters are updated when replacement parts are no longer available or when gross damage exceeds replacement costs.

### Regulator Repair Categories

- ER-1 **Regulator Standard Repair**—The regulator is disassembled and any worn parts are repaired or replaced. The regulator is then reassembled, cleaned and calibrated.
- ER-2 **Regulator Gross Damage Repair**—Same as above, except the regulator has been grossly damaged and/or is missing parts.
- ER-3 **Regulator Update**—Regulators are updated when replacement parts are no longer available or when gross damage exceeds replacement costs.

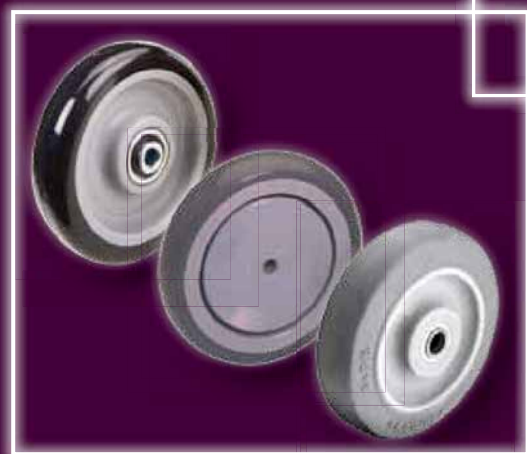
Description	Code	ALCO Part No.	Price Each
Flowmeter repair, standard	FL-1	AL-54221R	CALL
Flowmeter repair, gross damage	FL-2	AL-54222R	CALL
Flowmeter update	FL-3	AL-54223R	CALL
Timeter Classic, repair		AL-54224R	CALL
Timeter Classic, gross damage		AL-54225R	CALL
Regulator repair, standard	ER-1	AL-54226R	CALL
Regulator repair, gross damage	ER-2	AL-54227R	CALL
Regulator update	ER-3	AL-54228R	CALL
Duplex adapter		AL-54229R	CALL
Continuous suction repair		AL-54230R	CALL
ISU/continuous suction repair		AL-54231R	CALL

**Note: ALL repairs must be sent in for evaluation before a price to repair is given. Please call for RA# before shipping.**

# Casters & Wheels



**Antimicrobial**



Phone: 800-323-4282  
Fax: 800-950-1167

**ALCO**  
Sales & Service Co.

info@alcosales.com  
www.alcosales.com



# Common Replacement Casters In-Stock



AL-4704 \$22.95



AL-10131 \$25.95



AL-57568PG \$4.95



AL-57582PP \$10.95

## Plate

Wheel Dia.	Description	Load Capacity	Bolt Hole Spacing	Wheel Type	Bearing	ALCO Part No.	Price Each	Page No.
2"	Swivel w/Brake	90	1-1/2" x 1-1/2"	Grey Urethane	Plain	AL-57568PG	\$4.95	661
	Swivel	135	1-1/2" x 1-1/2"	Grey Urethane	Plain	AL-57571PG	\$6.95	
3"	Swivel	135	1-3/4" x 3"	Grey Urethane	Plain	AL-57572PP	\$6.95	697
	Swivel	125	1-3/4" x 3"	Grey Soft Rubber	Nylon	AL-41092	\$10.95	
	Swivel	150	1-3/4" x 3"	Grey Soft Rubber	Plain	AL-52621	\$19.95	688
	Swivel	220	1-3/4" x 3"	Grey Polyurethane	Ball	AL-52782	\$14.95	697
	Swivel	200	1-3/4" x 3"	Red Polyurethane	Plain	AL-52622	\$21.95	688
	Rigid	125	1-3/4" x 3"	Grey Soft Rubber	Nylon	AL-41115	\$8.95	697
	Rigid	150	1-3/4" x 3"	Grey Soft Rubber	Plain	AL-52624	\$14.95	688
	Rigid	220	1-3/4" x 3"	Grey Polyurethane	Ball	AL-52783	\$12.95	697
	Rigid	200	1-3/4" x 3"	Red Polyurethane	Plain	AL-52625	\$17.95	688
	Total Lock	135	1-1/2" x 1-1/2"	Grey Urethane	Plain	AL-57575PG	\$7.95	661
Total Lock	135	1-3/4" x 3"	Grey Urethane	Plain	AL-57576PP	\$7.95		
4"	Swivel	168	1-3/4" x 3"	Grey Urethane	Plain	AL-57579PP	\$9.95	697
	Total Lock	168	1-3/4" x 3"	Grey Urethane	Plain	AL-57582PP	\$10.95	
5"	Swivel	175	1-3/4" x 3"	Grey Soft Rubber	Nylon	AL-41108	\$13.95	697
	Swivel	175	1-3/4" x 3"	Grey Soft Rubber	Ball	AL-41109	\$15.95	688
	Swivel	250	1-3/4" x 3"	Grey Round Rubber	Delrin	AL-10131	\$25.95	
	Swivel	250	1-3/4" x 3"	Grey Round Rubber	Ball	AL-10132	\$27.95	707
	Swivel	300	1-3/4" x 3"	Hi-Temp*	Plain	AL-57073	\$39.95	706
	Swivel	300	1-3/4" x 3"	Black Hi-Temp*	Ball	AL-64210	\$65.95	697
	Swivel	250	1-3/4" x 3"	Dark Blue/Black Polyurethane	Ball	AL-41114	\$15.95	
	Swivel	300	1-3/4" x 3"	Red Polyurethane	Delrin	AL-4704	\$22.95	688
	Swivel	300	1-3/4" x 3"	Red Polyurethane	Ball	AL-4706	\$25.95	697
	Rigid	175	1-3/4" x 3"	Grey Soft Rubber	Nylon	AL-41131	\$11.95	
	Rigid	175	1-3/4" x 3"	Grey Soft Rubber	Ball	AL-41132	\$13.95	688
	Rigid	250	1-3/4" x 3"	Grey Round Rubber	Delrin	AL-10133	\$19.95	707
	Rigid	250	1-3/4" x 3"	Grey Round Rubber	Ball	AL-10134	\$21.95	706
	Rigid	300	1-3/4" x 3"	Hi-Temp*	Plain	AL-57078	\$30.95	
	Rigid	300	1-3/4" x 3"	Black Hi-Temp*	Ball	AL-64213	\$51.95	697
	Rigid	250	1-3/4" x 3"	Dark Blue/Black Polyurethane	Ball	AL-41137	\$13.95	
	Rigid	300	1-3/4" x 3"	Red Polyurethane	Delrin	AL-4705	\$20.95	688
	Rigid	300	1-3/4" x 3"	Red Polyurethane	Ball	AL-4707	\$22.95	
Total Lock	250	1-3/4" x 3"	Grey Round Rubber	Delrin	AL-47737	\$35.95	700	
Total Lock	250	1-3/4" x 3"	Grey Round Rubber	Ball	AL-47738	\$37.95		
Total Lock	300	1-3/4" x 3"	Red Polyurethane	Delrin	AL-15397	\$37.95	686	
Total Lock	300	1-3/4" x 3"	Red Polyurethane	Ball	AL-15398	\$39.95		
6"	Swivel	500	2-5/8"x 3-5/8" to 3"x3"	Grey Rubber Round	Roller	AL-65128-01	\$23.95	700
	Swivel	300	1-3/4" x 3"	Grey Rubber Round	Delrin	AL-72022-2	\$28.95	686
	Swivel	300	1-3/4" x 3"	Grey Polyurethane	Delrin	AL-72025-2	\$28.95	
	Rigid	300	1-3/4" x 3"	Grey Rubber Round	Delrin	AL-72048-2	\$19.95	700
	Rigid	500	2-5/8"x 3-5/8" to 3"x3"	Grey Rubber Round	Roller	AL-65129-01	\$19.95	686
	Rigid	300	1-3/4" x 3"	Grey Polyurethane	Delrin	AL-72051-2	\$17.95	
8"	Swivel	650	2-5/8"x 3-5/8" to 3"x3"	Grey Rubber Round	Roller	AL-65130-01	\$28.95	700
	Swivel	900	2-5/8"x 3-5/8" to 3"x3"	Grey Polyurethane	Roller	AL-41202-01	\$36.95	
	Rigid	650	2-5/8"x 3-5/8" to 3"x3"	Grey Rubber Round	Roller	AL-65131-01	\$24.95	
	Rigid	900	2-5/8"x 3-5/8" to 3"x3"	Grey Polyurethane	Roller	AL-41209-01	\$33.95	

\*Temperature range -70°F to +525°F



# Common Replacement Casters In-Stock



**BUY 11 GET 1 FREE!**

## Grip Ring

Wheel Dia.	Description	Load Capacity	Stem Size	Wheel Type	Bearing	ALCO Part No.	Price Each	Page No.
2"	Swivel	90	7/16" x 1-1/4"	Grey Urethane	Plain	AL-57566BA	\$3.95	661
	Swivel w/Brake	90	7/16" x 1-1/4"	Grey Urethane	Plain	AL-57569BA	\$4.95	
3"	Swivel	135	7/16" x 1-1/4"	Grey Urethane	Plain	AL-57573BA	\$6.95	
	Total Lock	135	7/16" x 1-1/4"	Grey Urethane	Plain	AL-57577BA	\$7.95	
4"	Swivel	168	7/16" x 1-1/4"	Grey Urethane	Plain	AL-57580BA	\$9.95	
	Total Lock	168	7/16" x 1-1/4"	Grey Urethane	Plain	AL-57583BA	\$10.95	
5"	Swivel	280	7/16" x 1-1/4"	Grey Rubber	Ball	AL-64020	\$13.95	N/S
	Swivel	315	7/16" x 1-1/4"	Grey Polyurethane	Ball	AL-64021	\$14.95	697
	Swivel	250	.845 x 2-3/16"	Grey Polyurethane	Ball	AL-41114-12	\$15.95	
	Swivel	250	27/32" x 2-1/2"	Black Polyurethane	Ball	AL-57105D2*	\$16.95	720

\*Fits Metro Wire Carts



AL-57577BA \$7.95

## Stemless

Wheel Dia.	Description	Load Capacity	Wheel Type	Bearing	ALCO Part No.	Price Each	Page No.
2"	Swivel	90	Grey Urethane	Plain	AL-57564HD	\$3.95	661
	Swivel w/Brake	90	Grey Urethane	Plain	AL-57567HD	\$4.95	
3"	Swivel	135	Grey Urethane	Plain	AL-57570HD	\$6.95	
	Total Lock	135	Grey Urethane	Plain	AL-57574HD	\$7.95	
4"	Swivel	150	Grey Urethane	Plain	AL-57578HD	\$9.95	
	Total Lock	150	Grey Urethane	Plain	AL-57581HD	\$10.95	



AL-57570HD \$6.95

## Expanding Adapter

Wheel Dia.	Description	Load Capacity	Adapter Size	Wheel Type	Bearing	ALCO Part No.	Price Each	Page No.
5"	Swivel	280	7/8" to 15/16"	Grey Rubber	Ball	AL-71787-441	\$20.95	703
	Swivel	280	1" to 1-1/16"	Grey Rubber	Ball	AL-71787-442	\$20.95	
	Total Lock	280	7/8" to 15/16"	Grey Rubber	Ball	AL-71787TL-441	\$22.95	
	Total Lock	280	1" to 1-1/16"	Grey Rubber	Ball	AL-71787TL-442	\$22.95	



AL-71787-441 \$20.95

## Lakeside Cart

Wheel Dia.	Description	Wheel Type	ALCO Part No.	Price Each	Page No.
5"	Swivel	Grey Polyurethane	AL-9937	\$89.00	711
	Swivel	Black Rubber	AL-9911	\$59.00	



AL-9937 \$89.00

# Central Locking 8" Stretcher Casters—Long Stem

Tente Original Equipment Exact Replacement



The World in Motion  
Innovation and Quality

**BUY 11 GET 1 FREE!**



## Precision Bearing Swivel Head Casters (With Swivel or Total Lock)

Housing made of pressed steel, chrome plated, covered and protected precision swivel bearing with hardened balls and tracks.

Swivel Lock—Total Lock Brake and Swivel

Fits All Central Lock Stretchers.



## Application: Patient stretchers

Fits Midmark, Hausted, Hill Rom, Techlem, Colson Stretchers (and more)



Black Polyurethane  
Standard  
**AL-18568L**



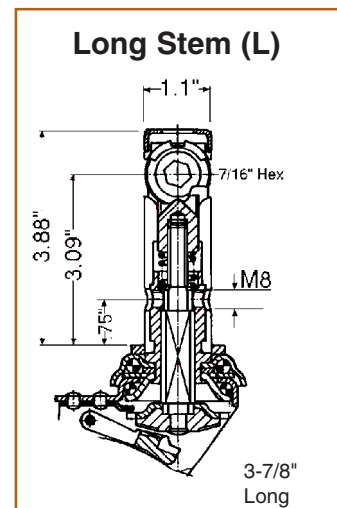
Red Polyurethane  
**AL-57513L**



Grey Rubber  
**AL-18567L**



Grey Polyurethane  
**AL-50739L**



## Swivel Lock—Green Top

Wheel Dia.	Wheel Tread Material	Wheel Bearing Type	Load Capacity	Swivel Radius	Overall Height	Hill-Rom Part No.	ALCO Part No.	Price Each
<b>8" x 1 1/4"</b>	Conductive Rubber	Precision	220 lbs	6.38"	9.37"	SA1351	<b>AL-18566L</b>	<b>\$119.95</b>
	Grey Rubber	Precision	220 lbs	6.38"	9.37"	N/A	<b>AL-18567L</b>	<b>\$119.95</b>
	Black Polyurethane (Std)	Precision	220 lbs	6.38"	9.37"	N/A	<b>AL-18568L</b>	<b>\$119.95</b>
	Grey Polyurethane	Precision	220 lbs	6.38"	9.37"	N/A	<b>AL-50739L</b>	<b>\$119.95</b>
	Red Polyurethane	Precision	220 lbs	6.38"	9.37"	N/A	<b>AL-57513L</b>	<b>\$119.95</b>



Replacement Swivel Lock 8" Fork only (without wheel) **AL-57021L \$89.95**

Used On Older  
TranStar® Gentle  
Ride Stretcher

See Page 649 for  
Replacement Tente  
Stretcher Wheels

## Total Lock—Red Top

Wheel Dia.	Wheel Tread Material	Wheel Bearing Type	Load Capacity	Swivel Radius	Overall Height	Hill-Rom Part No.	ALCO Part No.	Price Each
<b>8" x 1 1/4"</b>	Conductive Rubber	Precision	220 lbs	6.38"	9.37"	N/A	<b>AL-18574L</b>	<b>\$118.95</b>
	Grey Rubber	Precision	220 lbs	6.38"	9.37"	N/A	<b>AL-18575L</b>	<b>\$118.95</b>
	Black Polyurethane (Std)*	Precision	220 lbs	6.38"	9.37"	SA1350	<b>AL-18576L</b>	<b>\$118.95</b>
	Grey Polyurethane*	Precision	220 lbs	6.38"	9.37"	N/A	<b>AL-50742L</b>	<b>\$118.95</b>
	Red Polyurethane*	Precision	220 lbs	6.38"	9.37"	N/A	<b>AL-57514L</b>	<b>\$118.95</b>

Replacement Total Lock 8" Fork only (without wheel) **AL-57022L \$88.95**



**Polyurethane Rolls 40% Easier**

### ALCO Payment Policy

Credit Card or check in advance if not approved account. Prepay and we add shipping to invoice.

# Central Locking 8" Stretcher Casters—Short Stem

## Tente Original Equipment Exact Replacement

**BUY 11 GET 1 FREE!**



The World in Motion  
Innovation and Quality

### Precision Bearing Swivel Head Casters (With Swivel or Total Lock)

Housing made of pressed steel, chrome plated, covered and protected precision swivel bearing with hardened balls and tracks.  
Swivel Lock—Total Lock Brake and Swivel  
Fits All Central Lock Stretchers.

### Application: Patient stretchers

Fits Hill-Rom Transtar & Durastar stretchers and some Hill-Rom beds.



Code HS (Short Stem)



Black Polyurethane  
Standard  
**AL-18568HS**



Red Polyurethane  
**AL-57513HS**



Grey Rubber  
**AL-18567HS**



Grey Polyurethane  
**AL-50739HS**

### Swivel Lock—Green Top

Wheel Dia.	Wheel Tread Material	Wheel Bearing Type	Load Capacity	Swivel Radius	Overall Height	ALCO Part No.	Price Each
8" x 1¼"	Conductive Rubber	Precision	220 lbs	6.38"	9.37"	<b>AL-18566HS</b>	<b>\$119.95</b>
	Grey Rubber	Precision	220 lbs	6.38"	9.37"	<b>AL-18567HS</b>	<b>\$119.95</b>
	Black Polyurethane (Std)	Precision	220 lbs	6.38"	9.37"	<b>AL-18568HS</b>	<b>\$119.95</b>
	Grey Polyurethane	Precision	220 lbs	6.38"	9.37"	<b>AL-50739HS</b>	<b>\$119.95</b>
	Red Polyurethane	Precision	220 lbs	6.38"	9.37"	<b>AL-57513HS</b>	<b>\$119.95</b>



Replacement Swivel Lock 8" Fork only (without wheel) order **AL-57021HS \$99.95**

See Page 649 for Replacement Tente Stretcher Wheels

### Polyurethane Rolls 40% Easier

### Total Lock—Red Top

Wheel Dia.	Wheel Tread Material	Wheel Bearing Type	Load Capacity	Swivel Radius	Overall Height	ALCO Part No.	Price Each
8" x 1¼"	Conductive Rubber	Precision	220 lbs	6.38"	9.37"	<b>AL-18574HS</b>	<b>\$118.95</b>
	Grey Rubber	Precision	220 lbs	6.38"	9.37"	<b>AL-18575HS</b>	<b>\$118.95</b>
	Black Polyurethane (Std)*	Precision	220 lbs	6.38"	9.37"	<b>AL-18576HS</b>	<b>\$118.95</b>
	Grey Polyurethane*	Precision	220 lbs	6.38"	9.37"	<b>AL-50742HS</b>	<b>\$118.95</b>
	Red Polyurethane*	Precision	220 lbs	6.38"	9.37"	<b>AL-57514HS</b>	<b>\$118.95</b>

Replacement Total Lock 8" Fork only (without wheel) order **AL-57022HS \$98.95**



Used On Newer Hill-Rom Transtar and Durastar



# Central Locking Precision Fork Casters

Tente Original Equipment Exact Replacement

**BUY 11 GET 1 FREE!**

**Swivel Lock Green Top**



AL-18568L \$119.95



**Precision Bearing Swivel Head Casters (With Swivel Lock)**

Housing made of pressed steel, chrome plated, covered and protected precision swivel bearing with hardened balls and tracks.

**Application: Patient Stretchers**

Fits Midmark, Hausted, Hill-Rom, TechLem, Colson Stretchers (and more) Use **AL-18568L**

Swivel Lock							
Wheel Dia. (Inches)	Wheel Tread Material	Wheel Bearing Type	Load Capacity (lbs)	Swivel Radius	Overall Height	ALCO Part No.	Price Each
5x1 1/4	Grey Rubber	Precision	242	4.17"	6.61"	AL-18562	\$99.95
	Grey Rubber	Ball	220	4.17"	6.61"	AL-18563	\$99.95
	Grey Polyurethane	Precision	220	4.17"	6.61"	AL-50737	\$99.95
6x1 1/4	Grey Polyurethane	Precision	220	4.72"	7.4"	AL-50734	\$119.95
	Grey Polyurethane	Precision	242	4.92"	7.52"	AL-50738	\$119.95
8x1 1/4	Conductive Rubber	Precision	220	6.38"	9.37"	AL-18566	\$119.95
	Grey Rubber	Precision	220	6.38"	9.37"	AL-18567	\$119.95
	Black Polyurethane (Std)	Precision	220	6.38"	9.37"	AL-18568	\$119.95
	Grey Polyurethane	Precision	220	6.38"	9.37"	AL-50739	\$119.95

Replacement Swivel Lock 8" Long Stem Fork only (without wheel) order **AL-57021L \$89.95**

**Total Lock Red Top**



AL-18576L \$118.95



**Precision Bearing Swivel Head Casters (With Total Lock)**

Housing made of pressed steel, chrome plated, covered and protected precision swivel bearing with hardened balls and tracks.

**Application: Patient Stretchers**

Fits Midmark, Hausted, Hill-Rom, TechLem, Colson Stretchers and more. Use **AL-18576L**

Total Lock							
Wheel Dia. (Inches)	Wheel Tread Material	Wheel Bearing Type	Load Capacity (lbs)	Swivel Radius	Overall Height	ALCO Part No.	Price Each
5x1 1/4	Grey Rubber	Precision Ball	242	4.17"	6.61"	AL-18570	\$98.95
	Grey Rubber	Ball	220	4.17"	6.61"	AL-18571	\$98.95
	Grey Polyurethane	Precision Ball	220	4.17"	6.61"	AL-50740	\$98.95
6x1 1/4	Grey Polyurethane	Precision	220	4.72"	7.4"	AL-50736	\$118.95
	Grey Polyurethane	Precision	242	4.92"	7.52"	AL-50741	\$118.95
8x1 1/4	Conductive Rubber	Precision	220	6.38"	9.37"	AL-18574	\$118.95
	Grey Rubber	Precision	220	6.38"	9.37"	AL-18575	\$118.95
	Black Polyurethane (Std)	Precision	220	6.38"	9.37"	AL-18576	\$118.95
	Grey Polyurethane	Precision	220	6.38"	9.37"	AL-50742	\$118.95

Replacement Total Lock 8" Long Stem Fork only (without wheel) order **AL-57022L \$88.95**

## Tente Central Locking System Fittings

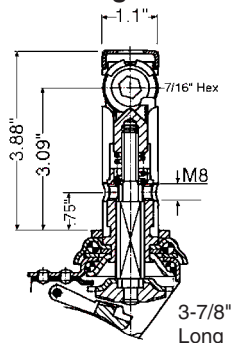
**Long Stem - Code L (Standard)**

- ✓ 7/16" hex cam
- ✓ Total lock or total/steer lock
- ✓ Plunger locks swivel and depresses brake pad to lock wheel
- ✓ Adjustable

**Hill-Rom Bed Stem - Code HS and HN**

- ✓ 7/16" hex cam
- ✓ Total lock or total/steer lock
- ✓ Direct pressure on top of fitting actuates the plunger, which locks the swivel and depresses the brake pad to lock the wheel

**Code "L" (Standard) Long Stem**



**Code HS Short Stem**



Fits Hill-Rom Bed and Stretchers

**Code HN Spring Stem**



Code HN is 1" Cost Included In Caster Price

"HN" is New Style after 1994 with spring cam. Total Lock and Swivel lock model only. 5" & 6" only.

**Must Have Stem Code After ALCO Part Number. Example: AL-50737HN**





# Stretcher Wheels

**BUY 11 GET 1 FREE!**



## 8" Tente Replacement Standard Stretcher Wheels



8" Pressed Steel Center, Black Polyurethane Tread, Precision Bearing  
 Black Tread **AL-18602 \$49.95**  
 Red Tread **AL-18602R \$49.95**



8" Grey Polyurethane Wheel Precision Ball Bearing  
**AL-41502 \$49.95**



8" Grey Rubber Wheel Precision Ball Bearing  
**AL-18600 \$49.95**



8" Black Conductive Wheel Precision Ball Bearing  
**AL-18600C \$49.95**



**AL-12250A**



**AL-12249C**

Polyurethane Tread with Aluminum Core							
Wheel Dia. (Inches)	Tread Width (Inches)	Tread Color	Wheel Bearing	Axle (Inches)	Load Capacity (lbs)	ALCO Part No.	Price Each
<b>8</b>	1-5/8	Black	Ball	5/8	1000	<b>AL-12249A</b>	<b>\$61.95</b>
	1-5/8	Black	Ball	7/16	1000	<b>AL-12249B</b>	<b>\$61.95</b>
	1-5/8	Black	Ball	1/2	1000	<b>AL-12249C</b>	<b>\$61.95</b>
	1-5/8	Red	Ball	5/8	1000	<b>AL-12250A</b>	<b>\$61.95</b>
	1-5/8	Red	Ball	7/16	1000	<b>AL-12250B</b>	<b>\$61.95</b>
	1-5/8	Red	Ball	1/2	1000	<b>AL-12250C</b>	<b>\$61.95</b>
<b>10</b>	1-5/8	Red	Ball	1/2	1200	<b>AL-12238A</b>	<b>\$69.95</b>



Polyurethane Tread with Polyolefin Core							
Wheel Dia. (Inches)	Tread Width (Inches)	Wheel Bearing	Load Capacity (lbs)	Specify Wheel Bearing Bore (Inches)	Hub Length (Inches)	ALCO Part No.	Price Each
<b>8</b>	1-1/2	Ball	800	1/2	2	<b>AL-40522A</b>	<b>\$39.95</b>
	1-1/2	Ball	800	3/4	2	<b>AL-40522C</b>	<b>\$39.95</b>
<b>10</b>	1-1/2	Ball	1000	1/2	2-3/8	<b>AL-12246</b>	<b>\$39.95</b>
				7/16	2-3/8	<b>AL-12246A</b>	<b>\$39.95</b>
				5/8	2-3/8	<b>AL-12246C</b>	<b>\$39.95</b>

EP1

# Replacement Tente Caster Cross Reference Buying Guide

## Tente Original Equipment Exact Replacement



The World in Motion  
Innovation and Quality

**BUY 11 GET 1 FREE!**

Save  
Up To  
60%!



5" Swivel Caster  
AL-18509PP \$27.95



5" Total Lock Caster  
AL-18541PP \$33.95



8" Swivel Caster  
AL-18567L \$119.95

Usage and Manufacturer	Type of Caster	ALCO Part No.	Price Each
<b>For Medication/Crash Carts</b>			
Waterloo	5" Swivel, Special Plate 77x67	AL-18509PH	\$27.95
	5" Total Lock	AL-18541PH	\$33.95
	5" Directional Lock	AL-18526PH	\$35.95
Harloff, Homak, CBI, BlueBell, Artomick, Drustar	5" Swivel Standard Plate 1-3/4x3" bolt Hole	AL-18509PP	\$27.95
	5" Total Lock	AL-18541PP	\$33.95
<b>For Recliners</b>			
La-Z-Boy, Lumex, Hill-Rom and Others	3" Swivel, Plate	AL-18504PG	\$17.95
	3" Total Lock, Plate	AL-18536PG	\$19.95
	3" Swivel 7/16x1-1/4" Grip Ring Stem	AL-18504BA	\$18.95
	3" Total Lock 7/16x1-1/4" Grip Ring Stem	AL-18536BA	\$20.95
<b>For Ultrasound and X-Ray</b>			
ATL and Burdick	5" Total Lock with Antistatic Wheel	AL-18541CML	\$38.95
	5" Swivel with Antistatic Wheel	AL-18509CML	\$29.95
	5" Directional Lock with Antistatic Wheel	AL-18526CML	\$47.95
Coromatrics	4" Swivel	AL-18507PH	\$26.95
	4" Total Lock	AL-18539PH	\$32.95
Draeger	6" Swivel	AL-50743ML	\$105.95
	6" Total Lock	AL-50746ML	\$88.95
Elscent	5" Swivel	AL-18509PH	\$27.95
	5" Directional Lock	AL-18526PH	\$35.95
Picker	5" Total Lock	AL-41489PH	\$26.95
	8" Wheel	AL-18600	\$49.95
Phillips	5" Swivel	AL-18509PH	\$27.95
	8" Wheel	AL-18600	\$49.95
<b>For Miscellaneous Equipment</b>			
Air Shields	2" Twin Wheel	AL-18579HD	\$24.85
	2" Twin Wheel with Brake	AL-18579BHD	\$29.95
	5" Swivel with Threaded Stem 1/2-13x1	AL-41469S6	\$32.95
	5" Wheel Brake with Threaded Stem 1/2-13x1	AL-41489S6	\$47.95
Broda	8" Central Locking	AL-18567L	\$119.95

**Super Soft Wall Protection**



- ✓ 4x2 Grey non-marking wheel
- ✓ 5/16" axle
- ✓ Axle and locknut included
- ✓ Bracket sold separately

Roller Bed Bumper  
AL-50127 \$12.95 each  
Bracket only  
AL-61809 \$12.95 each



Description	ALCO Part No.	Price Each
Roller Bumper Set- 850 Reconditioned (2 per set)	AL-63085	\$34.95
Roller Bumper Set-Advance Reconditioned (2 per set)	AL-68766	\$40.00

**BUY 11  
Get One  
FREE**

# Replacement Bed & Stretcher Casters & Wheels by Tente Cross Reference Buying Guide

**TENTE**  
The World in Motion  
Innovation and Quality

**BUY 11 GET 1 FREE!**



5" Swivel Lock and Total Lock Brake Caster  
Hill-Rom SA1359  
**AL-18553H \$89.95**



5" Hill-Rom Bed Wheel  
Hill-Rom Old SA3712  
Hill-Rom New 331501  
**AL-18596 \$18.95**

**Save  
Up To  
60%!**



8" Swivel Caster w/Bolt  
1/2"-20x3" For Stryker Stretcher  
**AL-18614-S8 \$99.95**



8" Swivel Lock/Steer Caster  
Long Stem Green Top  
Hill-Rom 9022911  
**AL-18568L \$119.95**

Manufacturer	Type of Caster	Needed Per Bed	Black Polyurethane		Grey Polyurethane	
			ALCO Part No.	Price Each	ALCO Part No.	Price Each
<b>Hospital Stretchers</b>						
Hill Rom, Hausted, Midmark, Colson, Beta, Techlem, Gendron, + others	<b>Long Stem 98.5 mm / 3.88"</b>					
	8" Central total lock w/poly wheel	3 per unit	<b>AL-18576L</b>	<b>\$118.95</b>	<b>AL-50742L</b>	<b>\$118.95</b>
	8" Central swivel lock brake w/poly wheel	1 per unit	<b>AL-18568L</b>	<b>\$119.95</b>	<b>AL-50739L</b>	<b>\$119.95</b>
Stryker (older units)	8" with a 1/2"-20x2-1/2 threaded bolt & a black swivel wheel	4 per unit	<b>AL-18614-S8</b>	<b>\$99.95</b>	N/A	N/A
	8" Total lock toe brake w/above stem	2 per unit	<b>AL-18549CS8</b>	<b>\$94.95</b>	N/A	N/A
	8" Directional lock toe brake w/above stem	2 per unit	<b>AL-18534CS8</b>	<b>\$104.95</b>	N/A	N/A
Hausted (older units) Midmark 900	8" Directional lock toe brake w/ 1x1-1/8" stem	2 per unit	<b>AL-69085</b>	<b>\$169.95</b>	N/A	N/A
	8" Total lock toe brake w/ 1x1-1/8" stem	2 per unit	<b>AL-69086</b>	<b>\$159.95</b>	N/A	N/A
Replacement 8" Wheels	8" Polyurethane wheel, black		<b>AL-18602</b>	<b>\$49.95</b>	N/A	N/A
	8" Conductive wheel, black		<b>AL-18602C</b>	<b>\$49.95</b>	N/A	N/A
	8" Polyurethane wheel, red		<b>AL-18602R</b>	<b>\$49.95</b>	N/A	N/A
	8" Rubber wheel, grey		N/A	N/A	<b>AL-18600</b>	<b>\$49.95</b>
	8" Polyurethane wheel, grey		N/A	N/A	<b>AL-41502</b>	<b>\$49.95</b>
<b>Hospital Beds</b>						
Central Locking Casters: Hill-Rom, SSI, Kinetic Concepts	5" Swivel, gray rubber wheels	2 per unit	<b>AL-18509MM</b>	<b>\$29.95</b>	<b>AL-41470MM</b>	<b>\$32.95</b>
	5" Central locking Total lock	1 per unit	<b>AL-18559H</b>	<b>\$79.95</b>	<b>AL-41496H</b>	<b>\$79.95</b>
	5" Central locking Directional/Total lock	1 per unit	<b>AL-18553H</b>	<b>\$89.95</b>	<b>AL-41494H</b>	<b>\$89.95</b>
Individual Brake Casters (Toe Brake): Hill-Rom, Amedco, Carron, Simmons	5" Swivel w/ 1 Grip Ring Stem	2 per unit	<b>AL-18509BD</b>	<b>\$32.95</b>	<b>AL-41470BD</b>	<b>\$32.95</b>
	5" Total lock w/ 1 Grip Ring Stem	2 per unit	<b>AL-18541BD</b>	<b>\$42.95</b>	<b>AL-41490BD</b>	<b>\$36.95</b>
	<b>Alternate:</b>					
	5" Swivel w/ 1 Solid Stem	2 per unit	<b>AL-18509MM</b>	<b>\$29.95</b>	<b>AL-41470MM</b>	<b>\$32.95</b>
	5" Total lock w/ 1 Solid stem, Threaded 8" mm hole, 3/4" up from mounting surface	2 per unit	<b>AL-18541MM</b>	<b>\$42.95</b>	<b>AL-41490MM</b>	<b>\$36.95</b>
Stryker Bertec	5" Swivel w/ poly wheel stem 1-1/8" x 1	2 per bed	<b>AL-40962MN</b>	<b>\$85.95</b>	N/A	N/A
	5" Central locking Directional / Total lock	1 per bed	N/A	N/A	<b>AL-50737L</b>	<b>\$99.95</b>
	5" Central locking Total lock	1 per bed	N/A	N/A	<b>AL-50740L</b>	<b>\$98.95</b>
Stryker, Adel, old style	5" Central locking Directional / Total lock	1 per bed	<b>AL-41495L</b>	<b>\$99.95</b>	N/A	N/A
	5" Central locking Total lock	3 per bed	<b>AL-41493L</b>	<b>\$98.95</b>	N/A	N/A
Stryker, and Adel Old Style Birthing Beds	4" Total & Directional lock w/poly wheel	2 per bed	N/A	N/A	<b>AL-50733S</b>	<b>\$99.95</b>
	4" Total lock w/ poly wheel	2 per bed	N/A	N/A	<b>AL-50735S</b>	<b>\$98.95</b>
Stryker and Adel Made after 1993 uses both the 2670 & 2440 series casters	5" Swivel w/ poly wheel and 3/8" hollow hole	2 per unit	N/A	N/A	<b>AL-41470HD</b>	<b>\$34.95</b>
	5" Central locking Directional / Total lock	1 per unit	N/A	N/A	<b>AL-50737S</b>	<b>\$89.95</b>
	5" Central locking Total lock	1 per unit	N/A	N/A	<b>AL-50740S</b>	<b>\$89.95</b>
Simmons, Joerns & other Long Term Care beds	5" Swivel w/ 7/16"x1-7/16 Grip Ring Stem	2 each	<b>AL-41469BC</b>	<b>\$32.95</b>	N/A	N/A
	5" Total lock w/ 7/16"x1-7/16 Grip Ring Stem	2 each	<b>AL-41489BC</b>	<b>\$42.95</b>	N/A	N/A
	3" Swivel w/ 7/16"x2 Grip Ring Stem	2 each	<b>AL-41467BE</b>	<b>\$16.95</b>	N/A	N/A
	3" Total lock w/ 7/16"x2 Grip Ring Stem	2 each	<b>AL-41487BE</b>	<b>\$18.95</b>	N/A	N/A
Replacement 5" Wheels	5" Gray rubber, steel center, cone bearing		<b>AL-18596</b>	<b>\$18.95</b>	N/A	N/A
	5" TPR, plastic center, precision bearing		<b>AL-41499</b>	<b>\$14.95</b>	N/A	N/A
	5" Poly, plastic center, precision bearing		N/A	N/A	<b>AL-41500</b>	<b>\$14.95</b>

EPI

# Replacement Hill-Rom Bed Casters by Tente

**BUY 11 GET 1 FREE!**



5" Swivel Lock and Total Lock Brake Caster  
Hill-Rom SA1359  
**AL-18553H**  
**\$89.95 Each**



5" Swivel Lock and Total Lock Brake Caster  
Hill-Rom SA1359  
**AL-41494H**  
**\$89.95 Each**



5" Swivel Caster  
Hill-Rom SA1358  
**AL-18509MM**  
**\$29.95 Each**



5" Grip Ring Stem  
5" Total Lock Brake Caster  
**AL-18541BD** **\$42.95**

Hill-Rom Bed Model	Caster Description	Hill-Rom Part No.	Hill-Rom Part No.	Grey Rubber		Grey Polyurethane	
				ALCO Part No.	Price Each	ALCO Part No.	Price Each
55/70/77	5" swivel w/ 1" grip ring stem 5" total lock (toe brake) w/1" grip ring stem	N/A		<b>AL-18509BD</b>	<b>\$32.95</b>	<b>AL-41470BD</b>	<b>\$32.95</b>
				<b>AL-18541BD</b>	<b>\$42.95</b>	<b>AL-41490BD</b>	<b>\$36.95</b>
840/842	5" swivel w/ 1" solid stem	31632	SA1358-R1	<b>AL-18509MM</b>	<b>\$29.95</b>	<b>AL-41470MM</b>	<b>\$28.95</b>
835/837	5" steer lock (toe brake) w/ 1" solid stem 5" total lock (toe brake) w/ 1" solid stem	34709 25635	SA1220	<b>AL-18526MM</b>	<b>\$44.95</b>	<b>AL-41492MM</b>	<b>\$38.95</b>
				<b>AL-18541MM</b>	<b>\$42.95</b>	<b>AL-41490MM</b>	<b>\$36.95</b>
820/822 720/722 715/717 550/552 450/452 440/442 430/432 420/422	5" swivel w/ 1" solid stem 5" total lock (toe brake) w/ 1" solid stem Individual Locking Casters	31632 25635	SA1358	<b>AL-18509MM</b>	<b>\$29.95</b>	<b>AL-41470MM</b>	<b>\$28.95</b>
				<b>AL-18541MM</b>	<b>\$42.95</b>	<b>AL-41490MM</b>	<b>\$36.95</b>
835/837/842 Century Bed 840	5" swivel w/ 1" solid stem (old style) 5" steer lock (central lock) 5" total lock (central lock)	31632 33865 33866	SA1358 SA1359 SA1360	<b>AL-18509MM</b>	<b>\$29.95</b>	<b>AL-41470MM</b>	<b>\$28.95</b>
				<b>AL-18553H</b>	<b>\$89.95</b>	<b>AL-41494H</b>	<b>\$89.95</b>
				<b>AL-18559H</b>	<b>\$79.95</b>	<b>AL-41496H</b>	<b>\$79.95</b>
835/837 A or D G	5" swivel w/ 1" solid stem 5" steer lock (central lock) 5" total lock (central lock)	SA1359 SA1360	SA1358	<b>AL-18509MM</b>	<b>\$29.95</b>	<b>AL-41470MM</b>	<b>\$28.95</b>
				<b>AL-18553H</b>	<b>\$89.95</b>	<b>AL-41494H</b>	<b>\$89.95</b>
				<b>AL-18559H</b>	<b>\$79.95</b>	<b>AL-41496H</b>	<b>\$79.95</b>
P1400 Century 2 Bed	4" swivel w/ 1" solid stem 4" steer lock (central lock) 4" total lock (central lock)	4508440 4508444 4508446	126328 126344 126345	<b>AL-50651MM</b>	<b>\$27.95</b>	N/A	N/A
				<b>AL-68980HN</b>	<b>\$79.95</b>	N/A	N/A
				<b>AL-68981HN</b>	<b>\$79.95</b>	N/A	N/A
Century Bed Individual Locking	5" plastic housing swivel w/ 1" solid stem 5" plastic housing steer lock (toe brake) 5" plastic housing total lock (toe brake)	6119920 6119921 6119927		<b>AL-49314MM</b>	<b>\$32.95</b>	N/A	N/A
				<b>AL-57562MM</b>	<b>\$45.95</b>	N/A	N/A
				<b>AL-49315MM</b>	<b>\$42.95</b>	N/A	N/A
850/852 (with 1100 1110 1120 1130 1140	Double Ball Fork Bearing) 5" swivel w/ 1" solid stem 5" steer lock (central lock) 5" total lock (central lock)		SA1358 SA1359 SA1360	<b>AL-18509MM</b>	<b>\$29.95</b>	<b>AL-41470MM</b>	<b>\$28.95</b>
				<b>AL-18553H</b>	<b>\$89.95</b>	<b>AL-41494H</b>	<b>\$89.95</b>
				<b>AL-18559H</b>	<b>\$79.95</b>	<b>AL-41496H</b>	<b>\$79.95</b>
Advance 1000/2000 Beds 1105/1115 (with 1135/1145 8400/8500 1155	Precision Fork Bearing) 5" swivel w/ 1" solid stem 5" steer lock (central lock) 5" total lock (central lock)		43840 43838 43839	N/A	N/A	<b>AL-40994MM</b>	<b>\$49.95</b>
				N/A	N/A	<b>AL-50737HN</b>	<b>\$99.95</b>
				N/A	N/A	<b>AL-50740HN</b>	<b>\$98.95</b>
Advanced Bed 1060 1062	1000 (with double ball fork bearing) 5" swivel w/ 1" solid stem 5" steer lock (central lock) 5" total lock (central lock) All 3 have threadguards	SA1358 SA1359 SA1360		<b>AL-18509MM</b>	<b>\$29.95</b>	<b>AL-41470MM</b>	<b>\$28.95</b>
				<b>AL-18553H</b>	<b>\$89.95</b>	<b>AL-41494H</b>	<b>\$89.95</b>
				<b>AL-18559H</b>	<b>\$79.95</b>	<b>AL-41496H</b>	<b>\$79.95</b>
Total Care Adventa 1995 to 1999	With Precision Fork Bearing 5" steer lock (central lock, short stem) 5" total lock (central lock, short stem) Metal Caster	4723902 4723901		N/A	N/A	<b>AL-50737HS</b>	<b>\$99.95</b>
				N/A	N/A	<b>AL-50740HS</b>	<b>\$98.95</b>



# Replacement Hill-Rom Bed Casters & Wheels by Tente



**BUY 11 GET 1 FREE!**

## Tente Original Equipment Exact Replacement



**Red Top, 8" Total Lock**  
Hill-Rom 9022910  
Long Stem  
**AL-18576L**



**8" Stretcher Wheel**  
Pressed Steel Center, Black  
Polyurethane Tread, Precision Bearing  
**AL-18602**



**5" Grey Polyurethane Wheel**  
With Precision Ball Bearing for  
standard Hill-Rom Beds.  
Hill-Rom SA7081  
Grey  
**AL-41500 \$14.95 Each**  
Light Neutral  
**AL-63090 \$14.95 Each**



**Green Top, 8" Steer Lock**  
Hill-Rom 9022918  
Short Stem, Black Wheel  
**AL-18568HS**

**Call For Casters  
Not Shown**

**Save  
Up To  
60%**

Hill-Rom Bed Model	Caster Description	Hill-Rom Part No.	Hill-Rom Part No.	ALCO Part No.	Price Each
<b>With Precision Fork Bearings</b>					
3600-3606 Birthing Bed	6" swivel w/ 1" solid stem	450846048		<b>AL-50744MM</b>	<b>\$69.95</b>
Affinity Bed	6" steer lock (central lock)	450846448		<b>AL-50738HN</b>	<b>\$119.95</b>
	6" total lock (central lock)	450846648		<b>AL-50741HN</b>	<b>\$118.95</b>
880-886 CCU/Century CC	8" steer lock (central lock) Long stem	9022911	SA1484	<b>AL-18568L</b>	<b>\$119.95</b>
	8" total lock (central lock) Long stem	9022910	SA1483	<b>AL-18576L</b>	<b>\$118.95</b>
892-896 GPS	8" steer lock (central lock) Long stem	9022909	SA1351	<b>AL-18568L</b>	<b>\$119.95</b>
	8" total lock (central lock) Long stem	9022908	SA1350	<b>AL-18576L</b>	<b>\$118.95</b>
I CU	8" steer lock (central lock) Long stem (Anti-Static)	9022915		<b>AL-18566L</b>	<b>\$119.95</b>
	8" total lock (central lock) Long stem (Anti-Static)	9022914		<b>AL-18574L</b>	<b>\$118.95</b>
8030, 8020, 8010 Transtar stretcher	8" steer lock (central lock) Short stem (Red Top, Grey Poly Wheel)	9022918		<b>AL-50739HS</b>	<b>\$119.95</b>
	8" total lock (central lock) Short stem (Green Top, Grey Poly Wheel)	9022919		<b>AL-50742HS</b>	<b>\$118.95</b>
	5" wheel in middle of bed (for support)	143076		<b>AL-68986</b>	<b>\$29.95</b>
Durastar stretcher	8" steer lock (central lock) Short stem (Green Top, Black Wheel)	9022918		<b>AL-18568HS</b>	<b>\$119.95</b>
	8" total lock (central lock) Short stem (Red Top, Black Wheel)	9022919		<b>AL-18576HS</b>	<b>\$118.95</b>
Total Care* Advanta	5" Steer Lock (Central Lock) Short Stem	6390602		<b>AL-57602HS</b>	<b>\$129.95</b>
Bariatric Plus	5" Total Lock (Central Lock) Short Stem (Casters Made With Plastic Shroud)	6390601		<b>AL-57605HS</b>	<b>\$129.95</b>
Total Care** Intellidrive	6" Steer Lock (Central Lock) Short Stem	6831003		<b>AL-57603HS</b>	<b>\$169.95</b>
	6" Total Lock (Central Lock) Short Stem (Casters Made With Plastic Shroud)	6831002		<b>AL-57606HS</b>	<b>\$169.95</b>
Basic Care Bed*** with 6" casters (See Note Below)	6" Steer Lock (Central Lock) Twin Wheel With Short Stem	9022924	4724002	<b>AL-57615HS</b>	<b>\$189.95</b>
	6" Total Lock (Central Lock) Twin Wheel With Short Stem	9022925	4724001	<b>AL-57617HS</b>	<b>\$189.95</b>
Resident Bed	5" Swivel w/7/16"x2" Grip Ring Stem (2 each)			<b>AL-41469BE</b>	<b>\$32.95</b>
	5" Total lock w/7/16"x2" Grip Ring Stem (2 each)			<b>AL-41489BE</b>	<b>\$35.95</b>
	3" Swivel w/7/16"x2" Grip Ring Stem (2 each)			<b>AL-41467BE</b>	<b>\$16.95</b>
	3" Total lock w/7/16"x2" Grip Ring Stem (2 each)			<b>AL-41487BE</b>	<b>\$18.95</b>
Recliner	3" Swivel 7/16 X 1-1/4" Grip Ring Stem	35142		<b>AL-18504BA</b>	<b>\$17.95</b>
	3" Total Lock (Toe Brake) 7/16 X 1-1/4" Stem	35143		<b>AL-18536BA</b>	<b>\$20.95</b>
	Plastic Socket Insert	35141		<b>AL-69001</b>	<b>\$0.95</b>
Long Term Care	3" Swivel 1" Solid Stem	D79X035		<b>AL-18504MM</b>	<b>\$26.95</b>
	3" Total Lock (Toe Brake) 1" Solid Stem	D79X034		<b>AL-18536MM</b>	<b>\$33.95</b>
Hill-Rom: Tente Replacement Wheels	5" Steel Center, Cone Bearing, Rubber Grey	4331501	SA3712	<b>AL-18596</b>	<b>\$18.95</b>
	5" Plastic Center, Precision Bearing, TPR Rubber Grey	N/A	N/A	<b>AL-41499</b>	<b>\$14.95</b>
	5" Plastic Center, Precision Bearing, Poly Grey	SA7081	N/A	<b>AL-41500</b>	<b>\$14.95</b>
	5" Plastic Center, Roller Bearing, Elastic Tire	143076	N/A	<b>AL-68986</b>	<b>\$29.95</b>
	6" Plastic Center, Precision Bearing, Poly Grey Tire	SA7113		<b>AL-41501</b>	<b>\$24.95</b>
	8" Plastic Center, Precision Bearing, Poly Grey Tire	SA8894		<b>AL-41502</b>	<b>\$49.95</b>
	8" Steel Center, Precision Bearing, Rubber Grey Tire	SA4382		<b>AL-18600</b>	<b>\$49.95</b>
	8" Steel Center, Precision Bearing, Poly Black Tire	SA4383		<b>AL-18602</b>	<b>\$49.95</b>
	8" Steel Center, Precision Bearing, Poly Red Tire			<b>AL-18602R</b>	<b>\$49.95</b>
	8" Precision Bearing, Black Conductive Tire (anti-static)			<b>AL-18600C</b>	<b>\$49.95</b>

\*For beds manufactured 2000 to Present

\*\*For beds manufactured 2005 to Present

\*\*\*Note: On Basic Care Beds with 5" casters, these casters have extended height stems. All four casters must be replaced with 6" version.

EP-1

# Tente Original Equipment Exact Replacement



The World in Motion  
Innovation and Quality

**BUY 11 GET 1 FREE!**



**Threaded Stem**  
Code S6 1/2"-13 x 1"  
5" Casters Only



**Hollow King Pin**  
Cost included in caster price  
Code HF 1/2" or M12 Bolt

5, 6, & 8 (Precision Fork) Std U.S. Plate		
PK	3.74" x 2.76"	1-3/4" x 3"



Solid Steel Stem 8"  
Swivel Caster  
**AL-18615MM \$89.95**



Solid Steel Stem 8" Total  
Lock Caster  
**AL-18548MM \$159.95**



Solid Steel Stem 8"  
Swivel Lock Caster  
**AL-18533MM \$169.95**



**1" Dia. X 1-5/8" Long  
Solid Steel Stem**

With 8mm  
threaded hole  
19mm up from  
mounting  
surface.

Code	For Tubes
MM	1" ID (HR*)

**Total Lock caster locks both swivel and wheel at the same time. Operates with a simple tap of the toe.**

**Custom Length Solid Steel Stems Available. Please CALL!**

## Swivel Head Caster Fork with Precision Bearing\*

Wheel Dia. (Inches)	Tread Material	Wheel Bearing	Swivel Only		Total Lock		Swivel Lock	
			ALCO Part No.	Price Each	ALCO Part No.	Price Each	ALCO Part No.	Price Each
<b>5 x 1 1/4</b>	Grey Rubber	Precision Ball	<b>AL-40963</b>	<b>\$49.95</b>	<b>AL-41505</b>	<b>\$169.95</b>	<b>N/A</b>	<b>N/A</b>
	Grey Polyurethane	Precision Ball	<b>AL-40994</b>	<b>\$49.95</b>	<b>AL-41506</b>	<b>\$169.95</b>	<b>N/A</b>	<b>N/A</b>
<b>6 x 1 1/4</b>	Grey Rubber	Precision Ball	<b>AL-50743</b>	<b>\$79.95</b>	<b>AL-50746</b>	<b>\$119.95</b>	<b>AL-50749</b>	<b>\$129.95</b>
	Grey Polyurethane	Precision Ball	<b>AL-50744</b>	<b>\$79.95</b>	<b>AL-50747</b>	<b>\$119.95</b>	<b>AL-50750</b>	<b>\$129.95</b>
<b>8 x 1 1/4</b>	Black Polyurethane	Precision Ball	<b>AL-18614</b>	<b>\$89.95</b>	<b>AL-18547</b>	<b>\$159.95</b>	<b>AL-18532</b>	<b>\$169.95</b>
	Grey Rubber	Precision Ball	<b>AL-18615</b>	<b>\$89.95</b>	<b>AL-18548</b>	<b>\$159.95</b>	<b>AL-18533</b>	<b>\$169.95</b>
	Conductive Rubber	Precision Ball	<b>AL-18616</b>	<b>\$89.95</b>	<b>AL-18549</b>	<b>\$159.95</b>	<b>AL-18534</b>	<b>\$169.95</b>
	Grey Polyurethane	Precision Ball	<b>AL-50745</b>	<b>\$89.95</b>	<b>AL-50748</b>	<b>\$159.95</b>	<b>AL-50751</b>	<b>\$169.95</b>

## Polyamide Casters by Tente



Swivel Caster  
**AL-71873BA**  
**\$10.95**



Swivel Caster with  
Wheel Brake  
**AL-71879BA**  
**\$11.95**

### Features

- ✓ Housing made of polyamide with polypropylene wheel center and thermoplastic rubber tread
- ✓ Thread guards
- ✓ Plain bearing

**See Page 726 For  
Caster Sockets**

### Stem Codes

S5	3/8-16 x 1" (threaded)
S6	1/2-13 x 1" (threaded)
BA	7/16 x 1-1/4" (grip ring)
BF	7/16 x 7/8" (grip ring)
PF	38 x 38/10 (plate)
PJ	65 x 65/10 (plate)

Wheel Diameter (Inches)	Wheel Type	Load Capacity (lbs.)	ALCO Part No.	Price Each	
<b>Swivel</b>	<b>3</b>	Grey Rubber	155	<b>AL-71873</b>	<b>\$10.95</b>
	<b>4</b>	Grey Rubber	155	<b>AL-71876</b>	<b>\$12.95</b>
<b>Wheel Brake</b>	<b>3</b>	Grey Rubber	155	<b>AL-71879</b>	<b>\$11.95</b>
	<b>4</b>	Grey Rubber	155	<b>AL-71882</b>	<b>\$13.95</b>

**Must Have Stem Code. Example: AL-71873S5**  
**All Stem and Plate Casters Are Same Price**



# Tente Central Locking Casters Tente Original Equipment Exact Replacement

**BUY 11 GET 1 FREE!**



Central Locking Stem  
Long Stem  
**AL-57596L \$129.95**

**Save  
Up To  
60%!**



Central Locking Stem  
Used on Newer Hill-Rom Beds  
**AL-57602HS \$129.95**

Size	Stem Type	ALCO Part No.	Price Each
5"	Directional or Total Lock	<b>AL-57596L</b>	<b>\$129.95</b>
6"	Directional or Total Lock	<b>AL-57597L</b>	<b>\$169.95</b>
8"	Directional or Total Lock	<b>AL-57598L</b>	<b>\$179.95</b>
5"	Total Lock	<b>AL-57599L</b>	<b>\$129.95</b>
6"	Total Lock	<b>AL-57600L</b>	<b>\$169.95</b>
8"	Total Lock	<b>AL-57601L</b>	<b>\$179.95</b>

Size	Stem Type	Hill-Rom Part No.	ALCO Part No.	Price Each
5"	Directional or Total Lock	4723902	<b>AL-57602HS</b>	<b>\$129.95</b>
6"	Directional or Total Lock	6831003	<b>AL-57603HS</b>	<b>\$169.95</b>
8"	Directional or Total Lock		<b>AL-57604HS</b>	<b>\$179.95</b>
5"	Total Lock	4723901	<b>AL-57605HS</b>	<b>\$129.95</b>
6"	Total Lock	6831002	<b>AL-57606HS</b>	<b>\$169.95</b>
8"	Total Lock		<b>AL-57607HS</b>	<b>\$179.95</b>

5" fits Total care Advanta Bariatric Plus Hill-Rom Beds  
6" Fits Total Care Intellidrive Hill-Rom Beds

*Housing made of pressed steel, yellow zinc-plated, precision ball bearing in swivel head and wheel, housing cover made of synthetic plastics.*



Solid Steel Stem  
**AL-57608MM \$129.95**



Total Lock Stem  
**AL-57610L \$169.95**



Central Locking Stem  
**AL-57614HS \$179.95**

Size	Stem Type	ALCO Part No.	Price Each
5"	Swivel	<b>AL-57608MM</b>	<b>\$129.95</b>
6"	Swivel	<b>AL-57609MM</b>	<b>\$139.95</b>
5"	Total or Directional Lock	<b>AL-57610L</b>	<b>\$169.95</b>
6"	Total or Directional Lock	<b>AL-57611L</b>	<b>\$189.95</b>
5"	Total Lock	<b>AL-57612L</b>	<b>\$169.95</b>
6"	Total Lock	<b>AL-57613L</b>	<b>\$189.95</b>

Size	Stem Type	Hill-Rom Part No.	ALCO Part No.	Price Each
5"	Total or Directional Lock		<b>AL-57614HS</b>	<b>\$179.95</b>
6"	Total or Directional Lock	9022924	<b>AL-57615HS</b>	<b>\$189.95</b>
5"	Total Lock		<b>AL-57616HS</b>	<b>\$179.95</b>
6"	Total Lock	9022925	<b>AL-57617HS</b>	<b>\$189.95</b>

Fits Hill-Rom Basic Care Beds w/6" Casters

## Hausted APC Chairs, Models 150-250, 350-450 Central Locking Caster

Description	Hausted/Steris Part No.	ALCO Part No.	Price each
5" Total Lock	065293-11	<b>AL-57612L</b>	<b>\$169.95</b>
5" Directional Lock	065234-11	<b>AL-57610L</b>	<b>\$169.95</b>

*Steel frame, yellow zinc plated, precision ball bearings in swivel head and wheel, covered swivel head, swivel head is welded to the steel frame, housing with synthetic cover.*

# Replacement Hill-Rom Bed Casters

## Tente Original Equipment Exact Replacement



**BUY 11 GET 1 FREE!**



Grip Ring Stem  
5" Total Lock Brake Caster  
**AL-18541BD**



Bolt-Lock Stem  
5" Total Lock Brake Caster  
Hill-Rom SA1219  
**AL-18541MM**



Bolt-Lock Stem  
5" Swivel Caster  
Hill-Rom SA1358  
**AL-18509MM**



Bolt-Lock Stem  
3" Total Lock Brake Caster  
**AL-18536MM**

### Hill-Rom Individual Locking Caster For Hill-Rom, Borg-Warner, AMEDCO

All 5" casters come with either 1"x1-3/4" Grip Ring (BD Code) or bolt-lock stems (MM Code) — Bolt-lock stem have 8mm bolt hole 19mm up from the mounting surface. Available in either soft non-marking grey rubber with sealed ball bearings or non-marking grey polyurethane with precision ball bearing.

Grey polyurethane casters feature deluxe precision ball bearing wheels and rolls 40% easier



AL-18509MM = Hill-Rom SA1358  
AL-18541MM = Hill-Rom SA1219  
AL-18526MM = Hill-Rom SA1220

Total Lock Brake caster locks both swivel and wheel at the same time. Operates with a simple tap of the toe.

**Grey Rubber is Quiet and Non-marking**

5" Caster—Load Height 6.38"					
Wheel Diameter	Load Capacity	Wheel Type	Swivel or Total Lock Caster Option	ALCO Part No.	Price Each
5"	240 lbs	Grey Rubber with Cup & Cone Ball Bearing Wheel	Swivel only caster with bolt-lock stem	AL-18509MM	\$29.95
			Swivel only caster with grip ring stem	AL-18509BD	\$32.95
			Total Lock caster with bolt-lock stem	AL-18541MM	\$42.95
			Directional Swivel Lock w/bolt-lock stem	AL-18526MM	\$44.95
			Total Lock caster with grip ring stem	AL-18541BD	\$42.95
5"	240 lbs	Grey Polyurethane with Precision Ball Bearing Wheel	Swivel only caster with bolt-lock stem	AL-41470MM	\$28.95
			Swivel only caster with grip ring stem	AL-41470BD	\$28.95
			Total Lock caster with bolt-lock stem	AL-41490MM	\$36.95
			Directional Swivel Lock w/bolt-lock stem	AL-18527MM	\$38.95
			Total Lock caster with grip ring stem	AL-41490BD	\$36.95
5"	240 lbs	Grey Rubber with Precision Ball Bearing Wheel	Swivel only caster with bolt-lock stem	AL-41469MM	\$28.95
			Swivel only caster with grip ring stem	AL-41469BD	\$28.95
			Total Lock caster with bolt-lock stem	AL-41489MM	\$36.95
			Directional Swivel Lock w/bolt-lock stem	AL-41491MM	\$38.95
			Total Lock caster with grip ring stem	AL-41489BD	\$36.95

3" Caster—Load Height 4.06"					
Wheel Diameter	Load Capacity	Wheel Type	Swivel or Total Lock Caster Option	ALCO Part No.	Price Each
3"	165 lbs	Grey Rubber with Cup & Cone Ball Bearing Wheel	Swivel only caster with bolt-lock stem	AL-18504MM	\$26.95
			Swivel only caster with grip ring stem	AL-18504BD	\$26.95
			Total Lock caster with bolt-lock stem	AL-18536MM	\$33.95
3"	175 lbs	Grey Polyurethane with Precision Ball Bearing Wheel	Swivel only caster with bolt-lock stem	AL-64928MM	\$26.95
			Swivel only caster with grip ring stem	AL-64928BD	\$26.95
			Total Lock caster with bolt-lock stem	AL-64929MM	\$33.95
3"	165 lbs	Grey Rubber with Precision Ball Bearing Wheel	Swivel only caster with bolt-lock stem	AL-41467MM	\$26.95
			Swivel only caster with grip ring stem	AL-41467BD	\$26.95
			Total Lock caster with bolt-lock stem	AL-41487MM	\$33.95





# Replacement Hill-Rom Bed Casters

## Tente Original Equipment Exact Replacement



The World in Motion  
Innovation and Quality

**BUY 11 GET 1 FREE!**



5" Swivel Lock and Total Lock Brake Caster  
Hill-Rom SA1359  
**AL-41494H**



5" Swivel Lock and Total Lock Brake Caster  
Hill-Rom SA1359  
**AL-18553H**



5" Swivel Caster  
Hill-Rom SA1358  
**AL-18509MM**

### For Hill-Rom Central Locking Beds With Nut Fork Top

Caster Forks With Double Ball Bearing

AL-18509MM = Hill-Rom SA1358  
AL-18553H = Hill-Rom SA1359  
AL-18559H = Hill-Rom SA1360

Wheel Diameter	Wheel Type	Central Swivel or Total Lock Caster Option	ALCO Part No.	Price Each
5"	Grey Rubber with Cup & Cone Ball Bearing Wheel	Swivel only caster with bolt-lock stem	<b>AL-18509MM</b>	<b>\$29.95</b>
		Swivel lock & brake caster; green top	<b>AL-18553H</b>	<b>\$89.95</b>
		Central Total Lock caster; red top	<b>AL-18559H</b>	<b>\$79.95</b>
	Grey Polyurethane with Precision Ball Bearing Wheel	Swivel only caster with bolt-lock stem	<b>AL-41470MM</b>	<b>\$28.95</b>
		Swivel lock & brake caster; green top	<b>AL-41494H</b>	<b>\$89.95</b>
		Central Total Lock caster; red top	<b>AL-41496H</b>	<b>\$79.95</b>
	Grey Rubber with Precision Ball Bearing Wheel	Swivel only caster with bolt-lock stem	<b>AL-41469MM</b>	<b>\$28.95</b>
		Swivel lock & brake caster; green top	<b>AL-41493H</b>	<b>\$89.95</b>
		Central Total Lock caster; red top	<b>AL-41495H</b>	<b>\$79.95</b>



Directional Swivel Lock & Brake Fork only (green top) **AL-59863** **\$79.95**  
 Central Total Lock Caster and Brake Fork only (red top) **AL-59864** **\$69.95**  
 Swivel Fork Only **AL-57515** **\$17.95**



5" Swivel Lock and Total Lock Brake Caster  
**AL-18553HN**



5" Swivel Caster  
Hill-Rom SA1358  
**AL-18509MM**

### For Hill-Rom Central Locking Beds With Spring Fork Top

Hill-Rom Beds manufactured after 1994 with spring cam



Wheel Diameter	Wheel Type	Central Swivel or Total Lock Caster Option	ALCO Part No.	Price Each
5"	Grey Rubber with Cup & Cone Ball Bearing Wheel	Swivel only caster with bolt-lock stem	<b>AL-18509MM</b>	<b>\$29.95</b>
		Swivel lock & brake caster; green top	<b>AL-18553HN</b>	<b>\$69.95</b>
		Central Total Lock caster; red top	<b>AL-18559HN</b>	<b>\$67.95</b>
	Grey Polyurethane with Precision Ball Bearing Wheel	Swivel only caster with bolt-lock stem	<b>AL-41470MM</b>	<b>\$28.95</b>
		Swivel lock & brake caster; green top	<b>AL-41494HN</b>	<b>\$69.95</b>
		Central Total Lock caster; red top	<b>AL-41496HN</b>	<b>\$67.95</b>
	Grey Rubber with Precision Ball Bearing Wheel	Swivel only caster with bolt-lock stem	<b>AL-41469MM</b>	<b>\$28.95</b>
		Swivel lock & brake caster; green top	<b>AL-41493HN</b>	<b>\$69.95</b>
		Central Total Lock caster; red top	<b>AL-41495HN</b>	<b>\$67.95</b>



Directional Swivel Lock & Brake Fork only (green top) **AL-63504** **\$59.95**  
 Central Total Lock Caster and Brake Fork only (red top) **AL-63505** **\$57.95**  
 Swivel Fork Only **AL-57515** **\$17.95**

**Grey Rubber is Quiet and Non-marking**

EP1

# Medium Duty Swivel & Total Lock Casters by Tente

## Tente Original Equipment Exact Replacement



**BUY 11 GET 1 FREE!**

Total Lock caster locks both swivel and wheel at the same time. Operates with a simple tap of the toe.



AL-18541MM



AL-18541PP



AL-18526MM



AL-18526PP



### Double Ball Bearing Fork

Wheel Dia. (Inches)	Tread Material	Wheel Bearing	Load Capacity	Swivel Radius	Overall Height	Total Lock		Swivel Lock	
						ALCO Part No.	Price Each	ALCO Part No.	Price Each
3 x 1	Grey Polyurethane	Precision Ball	175 lbs	3.27"	4.06"	N/A	N/A	N/A	N/A
	Grey Rubber	Ball	165 lbs	3.27"	4.06"	AL-18536	\$19.95	N/A	N/A
	Grey Rubber	Precision Ball	165 lbs	3.27"	4.06"	AL-41487	\$18.95	N/A	N/A
	Grey Rubber	Plain	165lbs	3.27"	4.06"	AL-56524	\$12.95	N/A	N/A
4 x 1 1/4	Grey Rubber	Precision Ball	240 lbs	5.12"	5.39"	AL-41488	\$24.95	AL-57537	\$26.95
	Grey Rubber	Ball	220 lbs	5.12"	5.39"	AL-18539	\$32.95	AL-57538	\$34.95
	Grey Polyurethane	Precision Ball	240 lbs	5.12"	5.39"	AL-50652	\$24.95	AL-57539	\$26.95
	Grey Rubber	Plain	240lbs	5.12"	5.39"	AL-56525	\$22.95	AL-57536	\$23.95
5 x 1 1/4	Grey Rubber	Ball	220 lbs	5.12"	6.38"	AL-18541	\$33.95	AL-18526	\$35.95
	Grey Rubber	Precision Ball	240 lbs	5.12"	6.38"	AL-41489	\$26.95	AL-41491	\$28.95
	Grey Polyurethane	Precision Ball	240 lbs	5.12"	6.38"	AL-41490	\$26.95	AL-41492	\$28.95
	Grey Rubber	Plain	240lbs	5.12"	6.38"	AL-56526	\$23.95	AL-57540	\$24.95
6 x 1 1/4	Grey Rubber	Ball	240lbs	5.68"	7.38"	AL-57527	\$39.95	AL-57544	\$39.95
	Grey Rubber	Precision Ball	240lbs	5.68"	7.38"	AL-57528	\$34.95	AL-57545	\$34.95
	Grey Polyurethane	Precision Ball	240lbs	5.68"	7.38"	AL-57529	\$34.95	AL-57546	\$34.95

Note: Plain Bearing Wheel has no Thread Guard

### Precision Bearing Fork

Wheel Dia. (Inches)	Tread Material	Wheel Bearing	Load Capacity	Swivel Radius	Overall Height	Total Lock		Swivel Lock	
						ALCO Part No.	Price Each	ALCO Part No.	Price Each
5 x 1 1/4	Grey Rubber	Precision Ball	242 lbs	5.17"	6.89"	AL-41505	\$109.95	N/A	N/A
	Grey Polyurethane	Precision Ball	242 lbs	5.17"	6.89"	AL-41506	\$109.95	N/A	N/A
6 x 1 1/4	Grey Rubber	Precision Ball	220 lbs	5.31"	7.76"	AL-50746	\$119.95	AL-50749	\$129.95
	Grey Polyurethane	Precision Ball	242 lbs	5.31"	7.76"	AL-50747	\$119.95	AL-50750	\$129.95
8 x 1 1/4	Black Polyurethane	Precision Ball	220 lbs	6.54"	9.65"	AL-18547	\$159.95	AL-18532	\$169.95
	Grey Rubber	Precision Ball	220 lbs	6.54"	9.65"	AL-18548	\$159.95	AL-18533	\$169.95
	Conductive Rubber	Precision Ball	220 lbs	6.54"	9.65"	AL-18549	\$159.95	AL-18534	\$169.95
	Grey Polyurethane	Precision Ball	220 lbs	6.54"	9.65"	AL-50748	\$159.95	AL-50751	\$169.95

EP1



**Solid Steel Stem** — add \$10.00 to caster price

Code	For Tubes
ML	.875" ID
MM	1" ID (HR*)
MN	1.125" ID
MO	1.5" ID

With 8mm threaded hole 19mm up from mounting surface.

MM fits \*Hill-Rom Beds  
\*AL-18541MM and AL-41490MM are standard for Hill-Rom Beds.



**Round Expandable Stem** — add \$14.00 to caster price

Color	Code	For Tubes
Black	RQ	.75" ID
Black	RR	.875" ID
Black	RS	1" ID
Black	RT	1.125" ID
Black	RU	1.5" ID



**Threaded Stem** — add \$5.00 to caster price  
Code S5 3/8"-16 x 1" for 3", 4", 5" & 6" Casters  
Code S6 1/2"-13 x 1" for 3", 4", 5" & 6" Casters  
Code S8 1/2"-20x3" For Stryker Stretchers, 8" swivel only



**Square Expandable Stem** — add \$14.00 to caster price

Color	Code	For Tubes
Black	EX	.875" ID
Black	EY	1" ID
Black	EZ	1.125" ID

For 3", 4", 5" & 6" Casters



# Medium Duty Swivel & Rigid Casters by Tente

## Tente Original Equipment Exact Replacement



The World in Motion  
Innovation and Quality

**BUY 11 GET 1 FREE!**



AL-18509MM \$29.95



AL-18509PP \$27.95



AL-18522PP \$27.95



Housing made of pressed steel, zinc-chromatized, double ball bearing swivel head, wheel with threadguards, wheel axle with nut. Call for electric conductive



### Double Ball Bearing Fork

Wheel Dia. (Inches)	Wheel Tread Material	Wheel Bearing	Load Capacity	Swivel Radius	Overall Height	Swivel		Rigid	
						ALCO Part No.	Price Each	ALCO Part No.	Price Each
3 x 1	Grey Polyurethane	Precision Ball	175 lbs	2.68"	4.06"	AL-64928	\$14.95	AL-64934	\$14.95
	Grey Rubber	Ball	165 lbs	2.68"	4.06"	AL-18504	\$17.95	AL-18517	\$17.95
	Grey Rubber	Precision Ball	165 lbs	2.68"	4.06"	AL-41467	\$14.95	AL-41479	\$14.95
	Grey Rubber	Plain	165lbs	3.27"	4.06"	AL-57517	\$10.95	AL-57530	\$10.95
4 x 1 1/4	Grey Rubber	Precision Ball	240 lbs	3.54"	5.39"	AL-41468	\$18.95	AL-41480	\$18.95
	Grey Rubber	Ball	220 lbs	3.54"	5.39"	AL-18507	\$26.95	AL-18520	\$27.95
	Grey Polyurethane	Precision Ball	240 lbs	3.54"	5.39"	AL-50651	\$18.95	AL-50653	\$18.95
	Grey Rubber	Plain	240lbs	3.54"	5.39"	AL-57518	\$16.95	AL-57531	\$16.95
5 x 1 1/4	Grey Rubber*	Ball	220 lbs	4.17"	6.38"	AL-18509	\$27.95	AL-18522	\$27.95
	Grey Rubber	Precision Ball	240 lbs	4.17"	6.38"	AL-41469	\$20.95	AL-41481	\$20.95
	Grey Polyurethane*	Precision Ball	240 lbs	4.17"	6.38"	AL-41470*	\$20.95	AL-41482	\$20.95
	Grey Rubber	Plain	240lbs	4.17"	6.38"	AL-57519	\$17.95	AL-57532	\$17.95
6 x 1 1/4	Grey Rubber	Ball	240lbs	4.92"	7.38"	AL-57520	\$36.95	AL-57533	\$30.95
	Grey Rubber	Precision Ball	240lbs	4.92"	7.38"	AL-57521	\$29.95	AL-57534	\$24.95
	Grey Polyurethane	Precision Ball	240lbs	4.92"	7.38"	AL-57522	\$29.95	AL-57535	\$24.95

\*AL-18509MM and AL-41470MM are for Hill-Rom Beds

### Precision Bearing Fork

Wheel Dia. (Inches)	Wheel Tread Material	Wheel Bearing	Load Capacity	Swivel Radius	Overall Height	Swivel Caster	
						ALCO Part No.	Price Each
5 x 1 1/4	Grey Rubber	Precision Ball	220 lbs	4.17"	6.89"	AL-40963	\$49.95
	Polyurethane	Precision Ball	242 lbs	4.17"	6.89"	AL-40994	\$49.95
6 x 1 1/4	Grey Rubber	Precision Ball	242 lbs	4.92"	7.76"	AL-50743	\$79.95
	Grey Polyurethane	Precision Ball	242 lbs	4.92"	7.76"	AL-50744	\$79.95
8 x 1 1/4	Black Polyurethane	Precision Ball	220 lbs	6.39"	9.65"	AL-18614	\$89.95
	Grey Rubber	Precision Ball	220 lbs	6.39"	9.65"	AL-18615	\$89.95
	Conductive Rubber	Precision Ball	220 lbs	6.39"	9.65"	AL-18616	\$89.95
	Grey Polyurethane	Precision Ball	220 lbs	6.39"	9.65"	AL-50745	\$89.95

### Caster Plate and Stem Codes Must Be Specified When Ordering

#### See Bottom of Pages 658 and 659

Not All Fittings Are Available On All Casters—Please Call.



**Plate**  
Cost included in caster price



**Hollow King Pin**  
Cost included in caster price  
Code HD 3/8" or M10 Bolt for 3", 4", 5" & 6" Casters  
Code HF 1/2" or M12 Bolt (4", 5", 6" and 8")



**Grip Ring Stem**  
For 3", 4", 5" and 6" Casters

Caster Type	Code	Overall	Bolt Hole
2 & 3" - Square	PG	2.36" x 2.36"	1-1/2" x 1-1/2"
4, 5 & 6" - Europe Plate	PH	3.03" x 2.64"	2.42/1.97" x 2.03/1.63"
4, 5 & 6" - Std U.S. Plate	PP	3.74" x 2.76"	1-3/4" x 3"
5, 6, & 8 (Precision Fork) Std U.S. Plate	PK	3.74" x 2.76"	1-3/4" x 3"

**Add \$10.00 to caster price**  
Code BA 7/16" x 1-1/4" (Hill-Rom)  
Code BC 7/16" x 1-7/16"

**Add \$10.00 to caster price**  
Code BD 1" x 1-3/4" (Hill-Rom & AMEDCO Beds)  
Code BE 7/16" x 1-29/32"

# Hospital Bed & Crib Casters

## Tente Original Equipment Exact Replacement

See Page 726 for  
Caster Sockets



**BUY 11 GET 1 FREE!**

7/16" Dia Grip Ring Stem x 1-29/32" long. Fits most nursing home beds, cribs and some hospital beds. Features heavy duty, non-marking grey tire and quiet, smooth-rolling ball bearing wheel.

**Total Lock caster locks both swivel and wheel at the same time. Operates with a simple tap of the toe.**

**Polyurethane Rolls 40% Easier**

**AS LOW AS \$10.95**

**Save Up To 60%!**

**BUY 11  
Get One  
FREE**



7/16" Grip Ring Stem x 1-29/32" Long—Fits most nursing home beds, cribs and some hospital beds

Wheel Dia. (In.)	Wheel Tread Material	Wheel Bearing	Load Capacity	Overall Height	Swivel Caster	Price	Total Lock Caster	Price
					Part No.	Each	Part No.	Each
<b>3 x 1</b>	Grey Polyurethane	Precision	175 lbs	4.06"	AL-64928BE	\$16.95	AL-64929BE	\$18.95
	Grey Rubber	Ball	165 lbs	4.06"	AL-18504BE	\$18.95	AL-18536BE	\$20.95
	Grey Rubber	Plain	165 lbs	4.06"	AL-57511BE	\$11.95	AL-57512BE	\$13.95
	Grey Rubber	Precision	175 lbs	4.06"	AL-41467BE	\$16.95	AL-41487BE	\$18.95
<b>4 x 1 1/4</b>	Grey Rubber	Plain	240 lbs	5.39"	AL-57518BE	\$22.95	AL-56525BE	\$28.95
	Grey Rubber	Precision	240 lbs	5.39"	AL-41468BE	\$27.95	AL-41488BE	\$33.95
	Grey Rubber	Ball	220 lbs	5.39"	AL-18507BE	\$35.95	AL-18539BE	\$42.95
	Grey Polyurethane	Precision	240 lbs	5.39"	AL-50651BE	\$27.95	AL-50652BE	\$33.95
<b>5 x 1 1/4</b>	Grey Rubber	Plain	240 lbs	6.38"	AL-57519BE	\$23.95	AL-56526BE	\$30.95
	Grey Rubber	Ball	220 lbs	6.38"	AL-18509BE	\$32.95	AL-18541BE	\$42.95
	Grey Rubber	Precision	240 lbs	6.38"	AL-41469BE	\$28.95	AL-41489BE	\$35.95
	Grey Polyurethane	Precision	240 lbs	6.38"	AL-41470BE	\$28.95	AL-41490BE	\$35.95

**With Plain Bearing  
No Thread Guard**



7/16" Grip Ring Stem x 1-1/4" Long **Note: Plain Wheel Bearing Casters Do Not Come With Thread Guards**

Wheel Dia. (In.)	Wheel Tread Material	Wheel Bearing	Load Capacity	Overall Height	Swivel Caster	Price	Total Lock Caster	Price
					Part No.	Each	Part No.	Each
<b>3 x 1</b>	Grey Polyurethane	Precision	175 lbs	4.06"	AL-64928BA	\$16.95	AL-64929BA	\$18.95
	Grey Rubber	Precision	175 lbs	4.06"	AL-41467BA	\$16.95	AL-41487BA	\$18.95
	Grey Rubber	Ball	165 lbs	4.06"	AL-18504BA	\$17.95	AL-18536BA	\$20.95
	Grey Rubber	Plain	165 lbs	4.06"	AL-57511BA	\$11.95	AL-57512BA	\$13.95

## Overbed Table Casters

## Economy Total Lock Casters

**Hill-Rom**

Twin Wheel Caster And Stem For #630, #631 & #632 PM & PM Jr (4 Req. Per Table) (SA1264)  
**AL-59966 \$16.00 Set of 4 Ea**  
No Stem Twin Wheel Caster For Newer Style Hill-Rom 0B Tables (stem welded in frame)  
**AL-59940 \$3.95 Single Wheel**

**Stryker**

U-Base H-Base  
**1-1/2" Twin-Wheel Caster For Model #3150 U-Base**  
Stryker #: 3150-001-200  
**Al-76484 \$2.19 Ea**  
**2" Twin-Wheel Caster For Model #3150 H-Base**  
Stryker #: 3150-052-734  
**Al-76485 \$3.19 Ea**

Specify code below when ordering

Stem	Type	Size
06	Plate	1-3/4 x 2-7/8 to 3 Bolt Hole
67	Threaded	Round Tubing ID 1/2-13 x 1
68	Threaded	1/2-13 x 1-1/2
70	Threaded	1/2-13 x 2-3/4
71	Expandable	3/4
72	Expandable	7/8
73	Expandable	1
74	Expandable	1-1/8
75	Expandable	1-3/8
76	Expandable	1-1/2
77	Expandable	1-7/8

**3" Total Lock Caster**  
✓ Grey Rubber  
✓ 210 Lb Load Capacity  
✓ Precision Bearing  
**AL-75917 \$9.95**

# Replacement Bed & Crib Casters



**BUY 11 GET 1 FREE!**

### Features

- ✓ Chrome plated finish
- ✓ Dual ball swivel raceways for added strength
- ✓ Total Lock Brake locks both swivel and wheel
- ✓ Wheels have full thread guard for added protection

Grip Ring Codes	
Code	Dimensions
09	.845" x 2-3/16"
10	7/16" x 1-3/8"



Swivel Caster  
AL-72242-10



Total Lock Caster  
AL-72248-10

Now Available with  
**Anti-Microbial Wheel**  
See Page 713

**Anti-Microbial**

Wheel Dia. (Inches)	Tread Width (Inches)	Tread Material	Load Capacity (lbs)	Load Height (Inches)	Swivel Radius (Inches)	Wheel Bearing	Grip Ring Swivel		Grip Ring Total Lock		Grip Ring Directional Lock	
							ALCO Part No.	Price Each	ALCO Part No.	Price Each	ALCO Part No.	Price Each
3	1 1/4	Grey Rubber	190	4-5/16	2-29/32	Precision Ball	AL-72237	\$16.95	AL-72243	\$20.95	AL-75943	\$21.95
		Grey Polyurethane	190	4-5/16	2-29/32	Precision Ball	AL-72238	\$16.95	AL-72244	\$20.95	AL-75944	\$21.95
4	1 1/4	Grey Rubber	240	5-5/16	3-37/64	Precision Ball	AL-72239	\$22.95	AL-72245	\$24.95	AL-75945	\$26.95
		Grey Polyurethane	240	5-5/16	3-37/64	Precision Ball	AL-72240	\$20.95	AL-72246	\$22.95	AL-75946	\$24.95
5	1 1/4	Grey Rubber	260	6-5/16	4-7/32	Precision Ball	AL-72241	\$28.95	AL-72247	\$30.95	AL-75947	\$32.95
		Grey Polyurethane	260	6-5/16	4-7/32	Precision Ball	AL-72242	\$26.95	AL-72248	\$28.95	AL-75948	\$30.95

### Features

- ✓ 7/16" Grip Ring Stem x 1-29/32" long
- ✓ Heavy duty, soft rubber wheel with 15/16" tread width

3" Tread brake caster, 130 lbs load capacity

AL-6552-3B \$14.95 each

3" Swivel caster, 130 lbs load capacity

AL-6552-3 \$12.95 each

4" Tread brake caster, 130 lbs load capacity

AL-6556-3B \$17.95 each

4" Swivel caster, 130 lbs load capacity

AL-6556-3 \$15.95 each

5" Tread brake caster, 7/16 x 1-29/32 grip ring

AL-6565-3B \$19.95 each

5" Swivel caster, 7/16 x 1-29/32 grip ring

AL-6565-3 \$17.95 each

5" Tread brake caster, 1 x 1-1/2 grip ring

AL-6565-5B \$18.95 each

5" Swivel caster, 1 x 1-1/2 grip ring

AL-6565-5 \$15.95 each



3" Swivel Caster  
AL-6552-3



3" Tread Brake Caster  
AL-6552-3B



5" Tread Brake Caster  
1" x 1-1/2" Stem  
AL-6565-5B



3" Swivel Caster  
AL-57244-11



3" Swivel Caster w/Brake  
AL-57244B-1

### Features

- ✓ Resistant to most chemicals and oils
- ✓ Round tread offers better mobility
- ✓ Available with soft grey tread
- ✓ Nylon wheel bearings standard

### Stem Dimensions:

Stem Code 11 is 7/16" diameter and 1-7/16" long

Stem Code 204 is 7/16" diameter and 2" long

See Page 726 for  
**Caster Sockets**



Wheel Dia. (Inches)	Tread Width (Inches)	Load Capacity (lbs)	Tread Material	Wheel Style	Overall Height	Swivel Caster		Wheel Brake Type	Swivel w/Brake	
						ALCO Part No.	Price Each		ALCO Part No.	Price Each
3	1	120	Grey Rubber	Flat	3-1/2"	AL-57270-11	\$5.95	Side	AL-57270B-11	\$6.95
				Round	3-1/2"	AL-57244-11	\$5.95	Side	AL-57244B-11	\$6.95
4	1	150	Grey Rubber	Flat	4-9/16"	AL-57273-204	\$8.95	Tread	AL-57273B-204	\$10.95
				Round	4-9/16"	AL-57245-204	\$8.95	Tread	AL-57245B-204	\$10.95
5	1	160	Grey Rubber	Flat	5-3/4"	AL-57272-204	\$9.95	Tread	AL-57272B-204	\$11.95
				Round	5-3/4"	AL-57246-204	\$9.95	Tread	AL-57246B-204	\$11.95
			Grey Rubber Precision Ball	Round	5-3/4"	AL-57352-204	\$11.95	Tread	AL-57352B-204	\$13.95

# Medium Duty Expandable Stem Casters with Seals by Tente



**BUY 11 GET 1 FREE!**



**Swivel Caster**

**AL-41470EZ**  
\$34.95



**Total Lock Caster**

**AL-41490EZ**  
\$40.95

All Tente Expandable Stem Casters come with Thread Guards except Plain Wheel Bearing Casters

Save Up To 60%!

Total Lock caster locks both swivel and wheel at the same time. Operates with a simple tap of the toe.

Wheel Dia (Inches)	Wheel Tread Material	Wheel Bearing	Load Capacity	Overall Height	Swivel Caster		Total Lock Caster	
					ALCO Part No.	Price Each	ALCO Part No.	Price Each
3x1	Grey Polyurethane	Precision	175 lbs	4.06"	AL-64928	\$28.95	AL-64929	\$32.95
	Grey Rubber	Ball	165 lbs	4.06"	AL-18504	\$31.95	AL-18536	\$33.95
	Grey Rubber	Precision	165 lbs	4.06"	AL-41467	\$28.95	AL-41487	\$32.95
	Grey Rubber	Plain	165 lbs	4.06"	AL-57517	\$24.95	AL-56524	\$26.95
4x1¼	Grey Rubber	Plain	240 lbs	5.39"	AL-57518	\$30.95	AL-56525	\$36.95
	Grey Rubber	Precision	240 lbs	5.39"	AL-41468	\$32.95	AL-41488	\$38.95
	Grey Rubber	Ball	240 lbs	5.39"	AL-18507	\$40.95	AL-18539	\$46.95
	Grey Polyurethane	Precision	240 lbs	5.39"	AL-50651	\$32.95	AL-50652	\$38.95
5x1¼	Grey Rubber	Plain	240 lbs	6.38"	AL-57519	\$31.95	AL-56526	\$37.95
	Grey Rubber	Ball	240 lbs	6.38"	AL-18509	\$41.95	AL-18541	\$47.95
	Grey Rubber	Precision	240 lbs	6.38"	AL-41469	\$34.95	AL-41489	\$40.95
	Grey Polyurethane	Precision	240 lbs	6.38"	AL-41470	\$34.95	AL-41490	\$40.95
6x1¼	Grey Rubber	Ball	240 lbs	7.38"	AL-57520	\$50.95	AL-57527	\$53.95
	Grey Rubber	Precision	240 lbs	7.38"	AL-57521	\$43.95	AL-57528	\$48.95
	Grey Polyurethane	Precision	240 lbs	7.38"	AL-57522	\$43.95	AL-57529	\$48.95

Add Expandable Stem Code at No Extra Charge  
Example: **AL-41470EZ \$34.95**



**Round Expandable Stem** — add code to ALCO part number

Color	Code	For Tubes
Black	RQ	.75" ID
Black	RR	.875" ID
Black	RS	1" ID
Black	RT	1.125" ID
Black	RU	1.5" ID

**Must Have Stem Code and Size**



**Square Expandable Stem** — add code to ALCO part number

Color	Code	For Tubes
Black	EX	.875" ID
Black	EY	1" ID
Black	EZ	1.125" ID

For 3", 4", 5" & 6" Casters

EP1



# Medium Duty, Standard (US) Plate Casters with Seals by Tente



5" Swivel Caster  
AL-18509PP



5" Total Lock Caster  
AL-18541PP



5" Rigid Caster  
AL-18522PP



Swivel Caster  
with Directional Lock  
5" Swivel Lock Caster  
AL-18526PP

## Casters in 4", 5" and 6" w/Standard US Plate (95x70) Code PP

Wheel Dia. (Inches)	Wheel Tread Material	Wheel Bearing	Load Capacity	Overall Height	Swivel Caster		Total Lock Caster		Rigid Caster		Swivel Lock	
					ALCO Part No.	Price Each	ALCO Part No.	Price Each	ALCO Part No.	Price Each	ALCO Part No.	Price Each
2x1	Grey Rubber	Plain	110 lbs	2.75"	AL-57516PG	\$8.95	AL-57523PG*	\$11.95	N/A	N/A	N/A	N/A
3x1	Grey Polyurethane	Precision	175 lbs	4.06"	AL-64928PG	\$14.95	AL-64929PG	\$18.95	AL-64934PG	\$14.95	N/A	N/A
	Grey Rubber	Ball	165 lbs	4.06"	AL-18504PG	\$17.95	AL-18536PG	\$19.95	AL-18517PG	\$17.95	N/A	N/A
	Grey Rubber	Precision	165 lbs	4.06"	AL-41467PG	\$14.95	AL-41487PG	\$18.95	AL-41479PG	\$14.95	N/A	N/A
	Grey Rubber	Plain	165 lbs	4.06"	AL-57517PG	\$10.95	AL-56524PG	\$12.95	AL-57530PG	\$10.95	N/A	N/A
4x1 1/4	Grey Rubber	Plain	240 lbs	5.39"	AL-57518PP	\$16.95	AL-56525PP	\$22.95	AL-57531PP	\$16.95	AL-57536PP	\$23.95
	Grey Rubber	Precision	240 lbs	5.39"	AL-41468PP	\$18.95	AL-41488PP	\$24.95	AL-41480PP	\$18.95	AL-57537PP	\$26.95
	Grey Rubber	Ball	240 lbs	5.39"	AL-18507PP	\$26.95	AL-18539PP	\$32.95	AL-18520PP	\$27.95	AL-57538PP	\$34.95
	Grey Polyurethane	Precision	240 lbs	5.39"	AL-50651PP	\$18.95	AL-50652PP	\$24.95	AL-50653PP	\$19.95	AL-57539PP	\$26.95
5x1 1/4	Grey Rubber	Plain	240 lbs	6.38"	AL-57519PP	\$17.95	AL-56526PP	\$23.95	AL-57532PP	\$17.95	AL-57540PP	\$24.95
	Grey Rubber	Ball	240 lbs	6.38"	AL-18509PP	\$27.95	AL-18541PP	\$33.95	AL-18522PP	\$27.95	AL-18526PP	\$35.95
	Grey Rubber	Precision	240 lbs	6.38"	AL-41469PP	\$20.95	AL-41489PP	\$26.95	AL-41481PP	\$20.95	AL-41491PP	\$28.95
	Grey Polyurethane	Precision	240 lbs	6.38"	AL-41470PP	\$20.95	AL-41490PP	\$26.95	AL-41482PP	\$20.95	AL-41492PP	\$28.95
6x1 1/4	Grey Rubber	Ball	240 lbs	7.38"	AL-57520PP	\$36.95	AL-57527PP	\$39.95	AL-57533PP	\$30.95	AL-57544PP	\$39.95
	Grey Rubber	Precision	240 lbs	7.38"	AL-57521PP	\$29.95	AL-57528PP	\$34.95	AL-57534PP	\$24.95	AL-57545PP	\$34.95
	Grey Polyurethane	Precision	240 lbs	7.38"	AL-57522PP	\$29.95	AL-57529PP	\$34.95	AL-57535PP	\$24.95	AL-57546PP	\$34.95

\*2" x 1" Caster is Wheel Brake Only

**With Plain Bearing Wheel—  
No Thread Guard**

For 2" and 3" Casters	
Overall	Bolt Hole
2.36" x 2.36"	1-1/2" x 1-1/2"

For 4", 5" and 6" Casters	
Overall	Bolt Hole
2-3/4" x 3-3/4" Std US Plate	1-3/4" x 3"

**Total Lock caster locks both swivel and wheel at the same time. Operates with a simple tap of the toe.**

## Casters in 4", 5" and 6" w/Europe Size Plate Overall 3.03" x 2.64" Bolt Hole 2.42"/1.97"x2.03/163 - Plate Code PH

Wheel Dia. (Inches)	Wheel Tread Material	Wheel Bearing	Load Capacity	Overall Height	Swivel Caster		Total Lock Caster		Rigid Caster		Swivel Lock	
					ALCO Part No.	Price Each	ALCO Part No.	Price Each	ALCO Part No.	Price Each	ALCO Part No.	Price Each
4x1 1/4	Grey Rubber	Plain	240 lbs	5.39"	AL-57518PH	\$16.95	AL-56525PH	\$22.95	AL-57531PH	\$16.95	AL-57536PH	\$23.95
	Grey Rubber	Precision	240 lbs	5.39"	AL-41468PH	\$18.95	AL-41488PH	\$24.95	AL-41480PH	\$19.95	AL-57537PH	\$26.95
	Grey Rubber	Ball	240 lbs	5.39"	AL-18507PH	\$26.95	AL-18539PH	\$32.95	AL-18520PH	\$27.95	AL-57538PH	\$34.95
	Grey Polyurethane	Precision	240 lbs	5.39"	AL-50651PH	\$18.95	AL-50652PH	\$24.95	AL-50653PH	\$19.95	AL-57539PH	\$26.95
5x1 1/4	Grey Rubber	Plain	240 lbs	6.38"	AL-57519PH	\$17.95	AL-56526PH	\$23.95	AL-57532PH	\$17.95	AL-57540PH	\$25.95
	Grey Rubber	Ball	240 lbs	6.38"	AL-18509PH	\$27.95	AL-18541PH	\$33.95	AL-18522PH	\$27.95	AL-18526PH	\$35.95
	Grey Rubber	Precision	240 lbs	6.38"	AL-41469PH	\$20.95	AL-41489PH	\$26.95	AL-41481PH	\$20.95	AL-41491PH	\$28.95
	Grey Polyurethane	Precision	240 lbs	6.38"	AL-41470PH	\$20.95	AL-41490PH	\$26.95	AL-41482PH	\$20.95	AL-41492PH	\$28.95
6x1 1/4	Grey Rubber	Ball	240 lbs	7.38"	AL-57520PH	\$36.95	AL-57527PH	\$39.95	AL-57533PH	\$30.95	AL-57544PH	\$39.95
	Grey Rubber	Precision	240 lbs	7.38"	AL-57521PH	\$29.95	AL-57528PH	\$34.95	AL-57534PH	\$24.95	AL-57545PH	\$34.95
	Grey Polyurethane	Precision	240 lbs	7.38"	AL-57522PH	\$29.95	AL-57529PH	\$34.95	AL-57535PH	\$24.95	AL-57546PH	\$34.95

**Tente Original Equipment Exact Replacement**

# Anti-Microbial Medium Duty Casters

**BUY 11 GET 1 FREE!**

## How does it work?

The compound used in the wheels is designed to suppress the growth of a variety of destructive and odor causing microbes such as bacteria, molds, mildew and fungi.

## How long does the protection last?

It is engineered to be effective against microbes for the life of the wheel. The agent remains stored in the polymer and is gradually released to the surface of the wheel.

## Does the anti-microbial wheel eliminate the need for cleaning?

No. Although it provides an added level of protection, these wheels do not eliminate the need for normal cleaning practices.

## Is it safe?

Yes. The active ingredients have undergone extensive lab testing and have been proven safe. The active ingredient has a history of hospital use for more than 25 years.

## Applications

- ✓ Healthcare and Medical
- ✓ Food processing
- ✓ Clean rooms
- ✓ Scientific and Research
- ✓ Chemical
- ✓ Pharmaceutical



Top Plate



AL-75921-01

Expandable Stem



AL-75974

Threaded



AL-75980

Grip Ring



AL-76408

**Wheels Are Removable  
For Easy Cleaning**

## Caster Features

- ✓ Chrome plated finish
- ✓ Dual ball swivel raceways for added strength
- ✓ Precision ball bearings in wheels for easier rollability
- ✓ Wheels have full thread guards for added protection

Top Plate		Wheel Dia. (Inches)	Tread Width (Inches)	Load Capacity (lbs)	Load Height (Inches)	Wheel Bearing	Swivel		Total Lock		Directional Lock	
Part No.	Dimensions						ALCO Part No.	Price Each	ALCO Part No.	Price Each	ALCO Part No.	Price Each
01	3-5/8" x 2-1/2"	3	1-1/4	190	4-7/16	Precision Ball	AL-75919	\$15.95	AL-75925	\$21.95	AL-75931	\$21.95
04	3" x 2-9/16"	5	1-1/4	260	6-7/16	Precision Ball	AL-75922	\$19.95	AL-75928	\$24.95	AL-75934	\$24.95

Expandable Stem		Wheel Dia. (Inches)	Tread Width (Inches)	Load Capacity (lbs)	Load Height (Inches)	Wheel Bearing	Swivel		Total Lock	
Part No.	Dimensions						ALCO Part No.	Price Each	ALCO Part No.	Price Each
1	3/4" x 2-1/4"	3	1-1/4	190	4-5/16	Precision Ball	AL-75970	\$17.95	AL-75971	\$24.95
2	13/16" x 2-1/4"	3	1-1/4	190	4-5/16	Precision Ball	AL-75970	\$17.95	AL-75971	\$24.95
3	7/8" x 2-1/4"	3	1-1/4	190	4-5/16	Precision Ball	AL-75970	\$17.95	AL-75971	\$24.95
4	1" x 2-1/4"	5	1-1/4	260	6-5/16	Precision Ball	AL-75973	\$22.95	AL-75974	\$26.95

Threaded Stem		Wheel Dia. (Inches)	Tread Width (Inches)	Load Capacity (lbs)	Load Height (Inches)	Wheel Bearing	Swivel		Total Lock	
Part No.	Dimensions						ALCO Part No.	Price Each	ALCO Part No.	Price Each
02	1/2" x 1"	3	1-1/4	190	4-5/16	Precision Ball	AL-75976	\$15.95	AL-75977	\$19.95
03	1/2" x 1-1/2"	5	1-1/4	260	6-5/16	Precision Ball	AL-75979	\$19.95	AL-75980	\$24.95

Grip Ring		Wheel Dia. (Inches)	Tread Width (Inches)	Load Capacity (lbs)	Load Height (Inches)	Wheel Bearing	Swivel		Total Lock	
Part No.	Dimensions						ALCO Part No.	Price Each	ALCO Part No.	Price Each
09	845" x 2-3/16"	3	1-1/4	190	4-5/16	Precision Ball	AL-75936	\$16.95	AL-75938	\$22.95
10	7/16" x 1-3/8"	5	1-1/4	260	6-5/16	Precision Ball	AL-75937	\$22.95	AL-75939	\$26.95



# Anti-Microbial Medium Duty Casters

**BUY 11 GET 1 FREE!**

### Caster Features

- ✓ Fork made of glass filled nylon for added strength and durability
- ✓ Sealed precision bearing raceway, smooth and quiet
- ✓ Resistance to most chemicals
- ✓ Recessed axle with plastic cap covers

**Wheels Are Removable For Easy Cleaning**



**Anti-Microbial**

Top Plate Bolt Hole Spacing: 1-3/4" x 2-13/16"-3-1/16"	Wheel Dia. (Inches)	Tread Width (Inches)	Load Capacity (lbs)	Load Height (Inches)	Wheel Bearing	Swivel		Total Lock		Directional Lock	
						ALCO Part No.	Price Each	ALCO Part No.	Price Each	ALCO Part No.	Price Each
						3	1-1/4	200	4-1/4	Precision Ball	AL-75952
5	1-1/4	325	6-7/8	Precision Ball	AL-75955	\$21.95	AL-75956	\$24.95	AL-75957	\$24.95	

Threaded Stem Codes		Wheel Dia. (Inches)	Tread Width (Inches)	Load Capacity (lbs)	Load Height (Inches)	Wheel Bearing	Swivel		Total Lock	
Code	Dimensions						ALCO Part No.	Price Each	ALCO Part No.	Price Each
02	1/2" x 1"						3	1-1/4	200	4-7/32
03	1/2" x 1-1/2"	5	1-1/4	325	6-1/2	Precision Ball	AL-75967	\$20.95	AL-75968	\$22.95

Grip Ring Stem Codes		Wheel Dia. (Inches)	Tread Width (Inches)	Load Capacity (lbs)	Load Height (Inches)	Wheel Bearing	Swivel		Total Lock	
Code	Dimensions						ALCO Part No.	Price Each	ALCO Part No.	Price Each
09	.845" x 2-3/16"						3	1-1/4	200	4/7/32
10	7/16" x 1-3/8"	5	1-1/4	375	6-1/2	Precision Ball	AL-75961	\$22.95	AL-75962	\$26.95

EP-1

# Anti-microbial Medium Duty Prevenz™ Casters

**BUY 11 GET 1 FREE!**

## How does it work?

The compound used in the wheels is designed to suppress the growth of a variety of destructive and odor causing microbes such as bacteria, molds, mildew and fungi.

## How long does the protection last?

It is engineered to be effective against microbes for the life of the wheel. The agent remains stored in the polymer and is gradually released to the surface of the wheel.

## Does the anti-microbial wheel eliminate the need for cleaning?

No. Although it provides an added level of protection, these wheels do not eliminate the need for normal cleaning practices.

## Is it safe?

Yes. The active ingredients have undergone extensive lab testing and have been proven safe. The active ingredient has a history of hospital use for more than 25 years.

## Applications

Healthcare and Medical ■ Food processing ■ Clean rooms ■ Scientific and Research ■ Chemical ■ Pharmaceutical

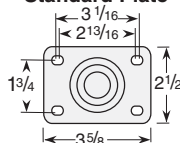
## Medium Duty Prevenz™

- ✓ Heavy embossed formed steel
- ✓ Heat treated double ball raceways
- ✓ 1/2" hydraulically formed steel rivet
- ✓ 3/8" diameter hollow axle with lock nut for easy cleaning
- ✓ 3" dia. models overall height is 4-1/4", 5" is 6-3/16"

**Anti-Microbial**

**Wheels Are Removable  
For Easy Cleaning**

## Standard Plate



Swivel Caster  
**AL-70809**



Rigid Caster  
**AL-70810**



Total Lock Caster  
**AL-70811**

Wheel Dia. (Inches)	Tread Width (Inches)	Load Capacity (lbs)	Tread Material	Wheel Bearing	Swivel Caster		Rigid Caster		Total Lock Caster	
					ALCO Part No.	Price Each	ALCO Part No.	Price Each	ALCO Part No.	Price Each
3	1 1/4	300	Polyurethane	Precision Ball	AL-70773	\$18.95	AL-70774	\$15.95	AL-70775	\$23.95
				Delrin	AL-70776	\$18.95	AL-70777	\$15.95	AL-70778	\$23.95
	1 1/4	350	Rubber	Precision Ball	AL-75845	\$11.00	AL-75846	\$15.95	AL-75847	\$23.95
				Delrin	AL-75848	\$18.95	AL-75849	\$15.95	AL-75850	\$23.95
5	1 1/4	350	Rubber	Precision Ball	AL-75851	\$20.95	AL-75852	\$17.95	AL-75853	\$25.95
				Delrin	AL-75854	\$20.95	AL-75855	\$17.95	AL-75856	\$25.95
	1 1/4	350	Polyurethane	Precision Ball	AL-70809	\$20.95	AL-70810	\$17.95	AL-70811	\$25.95
				Delrin	AL-70812	\$20.95	AL-70813	\$17.95	AL-70814	\$25.95

## Stainless Steel

## Stainless Steel Prevenz™

- ✓ Heavy embossed, Type 304 formed stainless steel to extend caster life under rugged conditions
- ✓ Double stainless steel ball bearing raceways to resist wear and improve maneuverability
- ✓ 1/2" hydraulically formed stainless steel rivet
- ✓ 3/8" diameter Type 304 stainless steel hollow axle with lock nut for easy cleaning
- ✓ NSF Listed
- ✓ Component parts including bushing axle and nut are stainless steel



Swivel Caster  
**AL-70857**



Rigid Caster  
**AL-70858**



Total Lock Caster  
**AL-70859**

Wheel Dia. (Inches)	Tread Width (Inches)	Load Capacity (lbs)	Tread Material	Wheel Bearing	Swivel Caster		Rigid Caster		Total Lock Caster	
					ALCO Part No.	Price Each	ALCO Part No.	Price Each	ALCO Part No.	Price Each
3	1 1/4	300	Polyurethane	Precision Ball	AL-70821	\$35.95	AL-70822	\$26.95	AL-70823	\$51.95
				Delrin	AL-70824	\$35.95	AL-70825	\$26.95	AL-70826	\$51.95
	1 1/4	350	Rubber	Ball	AL-75857	\$35.95	AL-75858	\$26.95	AL-75859	\$51.95
				Delrin	AL-75860	\$35.95	AL-75861	\$26.95	AL-75862	\$51.95
5	1 1/4	350	Rubber	Ball	AL-75863	\$38.95	AL-75864	\$29.95	AL-75865	\$55.95
				Delrin	AL-75866	\$38.95	AL-75867	\$29.95	AL-75868	\$55.95
	1 1/4	350	Polyurethane	Ball	AL-70857	\$38.95	AL-70858	\$29.95	AL-70859	\$55.95
				Delrin	AL-70860	\$38.95	AL-70861	\$29.95	AL-70862	\$55.95

666 3" dia. models overall height is 4-1/4", 5" is 6-3/16"

**Anti-Microbial Wheels Are Quiet and Non-Marking**

# Anti-microbial Heavy Duty Prevenz™ Casters

**BUY 11 GET 1 FREE!**

**Wheels Are Removable  
For Easy Cleaning**

### Heavy Duty Prevenz™

- ✓ Cold formed from 1/4" steel plate.
- ✓ Heat treated, smooth formed, hardened, double ball bearing raceways minimize ball indentation and wear
- ✓ 1/4" steel, formed to increase strength and welded to yoke base
- ✓ 5/8" diameter orbitally spun steel rivet
- ✓ 1/2" diameter hollow axle complete with lock nut for roller bearing. Axle is solid for precision and delrin bearing.
- ✓ Nylon seal retaining/thrust washers
- ✓ Zerk fitting in swivel section



Swivel Caster  
AL-70884



Rigid Caster  
AL-70885

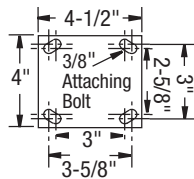


Total Lock Caster  
AL-70886

Wheel Dia. (Inches)	Tread Width (Inches)	Load Capacity (lbs)	Tread Material	Wheel Bearing	Swivel Caster		Rigid Caster		Total Lock Caster	
					ALCO Part No.	Price Each	ALCO Part No.	Price Each	ALCO Part No.	Price Each
4	2	600	Polyurethane	Roller	AL-70869	\$30.95	AL-70870	\$24.95	AL-70871	\$38.95
				Delrin	AL-70872	\$30.95	AL-70873	\$24.95	AL-70874	\$38.95
5	2	750	Polyurethane	Roller	AL-70884	\$35.95	AL-70885	\$28.95	AL-70886	\$44.95
				Delrin	AL-70887	\$35.95	AL-70888	\$28.95	AL-70889	\$44.95
6	2	950	Polyurethane	Roller	AL-70908	\$38.95	AL-70909	\$32.95	AL-70910	\$49.95
				Delrin	AL-70911	\$38.95	AL-70912	\$32.95	AL-70913	\$49.95
8	2	1000	Polyurethane	Roller	AL-70932	\$47.95	AL-70933	\$41.95	AL-70934	\$60.95
				Delrin	AL-70935	\$47.95	AL-70936	\$41.95	AL-70937	\$60.95

4" dia. models overall height is 5-5/8"; 5" is 6-1/2"; 6" is 7-1/2"; 8" is 9-1/2"

### Standard Plate



**Anti-Microbial**

**Replacement Anti-Microbial Wheel Available See Page 713**

## Stainless Steel

### Stainless Steel Prevenz™

- ✓ Formed from superior 1/4" Type 304 stainless steel plate
- ✓ Highly polished stainless steel
- ✓ Double stainless steel ball bearing raceways formed smooth for easy swiveling
- ✓ Stainless steel rivet, axles, nuts
- ✓ 1/4" stainless steel formed for added strength welded to the yoke base
- ✓ Type 304 stainless spanner bushing
- ✓ NSF Listed



Swivel Caster  
AL-70961



Rigid Caster  
AL-70962



Side Brake Caster  
AL-70963

Wheel Dia. (Inches)	Tread Width (Inches)	Load Capacity (lbs)	Tread Material	Wheel Bearing	Swivel Caster		Rigid Caster		Side Brake Caster	
					ALCO Part No.	Price Each	ALCO Part No.	Price Each	ALCO Part No.	Price Each
4	2	600	Polyurethane	Roller	AL-70945	\$85.95	AL-70946	\$65.95	AL-70947	\$96.95
				Delrin	AL-70948	\$85.95	AL-70949	\$65.95	AL-70950	\$96.95
5	2	750	Polyurethane	Roller	AL-70961	\$100.95	AL-70962	\$71.95	AL-70963	\$110.95
				Delrin	AL-70964	\$100.95	AL-70965	\$71.95	AL-70966	\$110.95
6	2	950	Polyurethane	Roller	AL-70985	\$108.95	AL-70986	\$79.95	AL-70987	\$116.95
				Delrin	AL-70988	\$108.95	AL-70989	\$79.95	AL-70990	\$116.95
8	2	1000	Polyurethane	Roller	AL-71009	\$115.95	AL-71010	\$87.95	AL-71011	\$124.95
				Delrin	AL-71012	\$115.95	AL-71013	\$87.95	AL-71014	\$124.95

4" dia. models overall height is 5-5/8"; 5" is 6-1/2"; 6" is 7-1/2"; 8" is 9-1/2"

**Anti-Microbial Wheels Are Quiet and Non-Marking**



# I.V. Pole & Chair Casters

**BUY 11 GET 1 FREE!**

### "Omega" by Shepherd

- ✓ Dual ball bearing raceways
- ✓ Precision ball bearing wheels



3" Swivel Caster  
AL-57452-11



3" Swivel Caster with Wheel Brake  
AL-57452B-11

**NEW! Fits Prior I.V. Poles**



AL-76816-403

Wheel Dia. (Inches)	Load Capacity (lbs)	Tread Material	Stem	Swivel		Swivel With Wheel Brake	
				ALCO Part No.	Price Each	ALCO Part No.	Price Each
2	75	Soft Neoprene Rubber Non-Marking	7/16" x 7/8" Grip Ring Stem #201	AL-57452-201	\$12.95	AL-57452B-201	\$17.95
3	110		Stemless Hollow King Pin (7/16" Hole) #403*	AL-57452-403	\$16.95	AL-57452B-403	\$18.95
			3/8" x 1" Grip Ring Stem #22	AL-57452-22	\$16.95	AL-57452B-22	\$18.95
			7/16" x 7/8" Grip Ring Stem #23	AL-57452-23	\$16.95	AL-57452B-23	\$18.95
			7/16" x 1-7/16" Grip Ring Stem #11	AL-57452-11	\$16.95	AL-57452B-11	\$18.95
			5/16" x 1-1/2" Grip Ring Stem #02	AL-57452-02	\$16.95	AL-57452B-02	\$18.95
Stemless Hollow King Pin (7/16" Hole) With Sealed Bearings #403*	AL-76816-403		\$19.95	N/A	N/A		

\*Stemless Hollow King Pin #403 use on Pryor Mobile I.V. Rods (7/16" Hole)



Total Lock Caster locks both swivel and wheel at the same time. Operates with a simple tap of the toe.

### "NeoTaq" by MedCaster

- ✓ Dual ball swivel raceways
- ✓ Total Lock Brake models lock both swivel and wheel

Grip Ring Codes	
Code	Dimensions
01	7/16" x 7/8"
02	7/16" x 1- 7/16"



AL-72250-01



AL-72252-01



AL-72254



Total Lock

AL-72256

Wheel Dia. (Inches)	Tread Width (Inches)	Tread Material	Load Capacity (lbs)	Wheel Bearing	Grip Ring Swivel		Grip Ring Total Lock		Hollow KingPin Swivel		Hollow KingPin Total Lock	
					ALCO Part No.	Price Each	ALCO Part No.	Price Each	ALCO Part No.	Price Each	ALCO Part No.	Price Each
2	1	Neoprene Rubber	125	Precision Ball	AL-72249	\$9.95	AL-72251	\$13.95	AL-72253	\$9.95	AL-72255	\$12.95
3	1	Neoprene Rubber	175	Precision Ball	AL-72250	\$12.95	AL-72252	\$14.95	AL-72254	\$11.95	AL-72256	\$14.95

Hollow rivet recommended for use with 3/8" diameter fittings.

### "Carpet Master" by Darcor

- ✓ Ball Bearing Wheels
- ✓ Dual Ball Bearing Raceways



AL-40701-OC

Wheel Dia. (Inches)	Load Capacity (lbs)	Tread Material	Grip Ring Stem Dia. x Length	ALCO Part No.	Price Each
2	75	Soft Rubber	3/8" x 1"	AL-40700-OA	\$18.95
			7/16" x 13/16"	AL-40700-OB	\$18.95
			7/16" x 1-1/4"	AL-40700-OC	\$18.95
3	100	Soft Rubber	3/8" x 1"	AL-40701-OA	\$25.95
			7/16" x 13/16"	AL-40701-OB	\$25.95
			7/16" x 1-1/4"	AL-40701-OC	\$25.95



**Save  
Up To  
60%!**

# I.V. Pole & Chair Casters

**BUY 11 GET 1 FREE!**

Total Lock Caster locks both swivel and wheel at the same time. Operates with a simple tap of the toe.



- Features**
- ✓ Nut and bolt axle for easy cleaning
  - ✓ Stem size 7/16" x 1-1/4" long

<b>Grey Rubber</b>		
Ball Bearing		
3" Swivel Only	<b>AL-18504BA</b>	<b>\$18.95 Ea.</b>
3" W/Total Lock Brake	<b>AL-18536BA</b>	<b>\$20.95 Ea.</b>
<b>Polyurethane</b>		
Precision Bearing		
3" Swivel Only	<b>AL-64928BA</b>	<b>\$16.95 Ea.</b>
3" W/Total Lock Brake	<b>AL-64929BA</b>	<b>\$18.95 Ea.</b>

**AL-64928BA**



<b>Grey Urethane</b>			
Size (In)	Description	Grip Ring	
		ALCO Part No.	Price Each
2	Swivel Caster	<b>AL-57566BA</b>	<b>\$3.95</b>
	Wheel Brake	<b>AL-57569BA</b>	<b>\$4.95</b>
3	Swivel Caster	<b>AL-57573BA</b>	<b>\$6.95</b>
	Total Lock	<b>AL-57577BA</b>	<b>\$7.95</b>
4	Swivel Caster	<b>AL-57580BA</b>	<b>\$9.95</b>
	Total Lock	<b>AL-57583BA</b>	<b>\$10.95</b>

Nut and bolt axle for easy cleaning



Grip Ring Stem  
7/16" x 1-1/4" Long  
**AL-57577BA**



- Features**
- ✓ Grey rubber wheel is quiet and non-marking
  - ✓ 7/16" x 7/8" long stem
  - ✓ Non-removable wheel

Description	ALCO Part No.	Price Each
2"	<b>AL-52323-23</b>	<b>\$3.95</b>
2" w/Brake	<b>AL-52323B-23</b>	<b>\$4.95</b>
2-1/2"	<b>AL-52324-23</b>	<b>\$5.95</b>
2-1/2" w/Brake	<b>AL-52324B-23</b>	<b>\$6.95</b>
3"	<b>AL-52325-23</b>	<b>\$5.95</b>
3" Dia. w/Brake	<b>AL-52325B-23</b>	<b>\$6.95</b>

**AL-52325-23**



- Features**
- ✓ Performa grey rubber is quiet and non-marking with delrin bearing
  - ✓ Nut and bolt axle for easy cleaning
  - ✓ 7/16" x 1" long stem

2"	<b>AL-15283-50</b>	<b>\$9.95 Ea.</b>
3"	<b>AL-15286-50</b>	<b>\$10.95 Ea.</b>

**AL-15286-50**

## 7/16" dia. x 7/8" long grip ring stems



**Figure 1**



**Figure 2**



**Figure 3**



**Figure 4**



**Figure 5**

Fig	Description	Cap (lbs)	Description	ALCO Part No	Price Each
1	Shepherd zinc body. Bright chrome finish with 2-3/8" diameter twin wheel.	100	Hard nylon wheel	<b>AL-4361-23</b>	<b>\$6.95</b>
		100	Soft quiet urethane wheel	<b>AL-4365-23</b>	<b>\$9.95</b>
2	Shepherd zinc body. Flat Black finish with 2-3/8" diameter twin wheel.	100	Hard nylon wheel	<b>AL-15000FB-23</b>	<b>\$5.95</b>
		100	Soft quiet urethane wheel	<b>AL-15001FB-23</b>	<b>\$8.95</b>
3	Shepherd plastic body. Black finish with 2-3/8" diameter twin wheel.	100	Hard nylon wheel	<b>AL-15009-23</b>	<b>\$3.95</b>
3	Shepherd plastic body. Black finish with 2-1/6" twin wheel.	75	Hard nylon wheel	<b>AL-15010-23</b>	<b>\$2.95</b>
4	Shepherd plastic body. Black finish with 2-3/8" diameter twin wheel.	100	Hard nylon wheel	<b>AL-15007-23</b>	<b>\$3.95</b>
		100	Soft quiet urethane wheel	<b>AL-15006-23</b>	<b>\$4.95</b>
5	Shepherd Ball Caster (7/16 x 7/8 Grip Ring)	80	2" Dia. Hard nylon wheel	<b>AL-15004-23</b>	<b>\$5.95</b>
	Ball Caster (7/16 x 1" Grip Ring)	90	2" Dia. Soft rubber wheel	<b>AL-64428</b>	<b>\$4.95</b>
	Ball Caster (7/16 x 1-1/2" Grip Ring)	90	2" Dia. Soft rubber wheel	<b>AL-78424</b>	<b>\$4.95</b>
	Ball Caster (Bright Chrome Finish)	80	1-5/8" Dia. Soft quiet rubber wheel	<b>AL-50136-23</b>	<b>\$4.95</b>

# Twin Wheel Casters by Shepherd



**BUY 11 GET 1 FREE!**



**60mm (2-3/8")** **Model:** Pacer  
**Tread Material:** Hard Nylon for carpets; Soft Urethane for hard surfaces  
**Dynamic Load Rating:** 100 lbs  
**Finishes:** Bright Chrome (standard) or Flat Black  
**Plate Code:** 01, 13  
**Stem Code:** 02, 05, 11, 22, 23, 25, 37, 39, 45

Nylon	<b>AL-4361</b>	<b>\$6.95 each</b>
Urethane	<b>AL-4365</b>	<b>\$9.95 each</b>

**50mm (2")** **Model:** Pacer  
**Tread Material:** Hard Nylon for carpets; Soft Urethane for hard surfaces  
**Dynamic Load Rating:** 75 lbs  
**Finishes:** Bright Chrome (standard) or Flat Black  
**Plate Code:** 01, 13  
**Stem Code:** 02, 05, 07, 11, 22, 23, 25, 37, 39

Nylon	<b>AL-4361A</b>	<b>\$6.95 each</b>
Urethane	<b>AL-4365A</b>	<b>\$7.95 each</b>



**50mm (2")** **Model:** Pacer with Brake  
**Wheel Diameter:** 50mm, 2"  
**Tread Material:** Hard Nylon for carpets  
**Dynamic Load Rating:** 75 lbs  
**Finishes:** Bright Chrome (standard) or Flat Black  
**Plate Code:** 01, 13  
**Stem Code:** 02, 05, 07, 11, 22, 23, 25, 37, 39

Nylon	<b>AL-4365H</b>	<b>\$8.95 each</b>
-------	-----------------	--------------------



**60mm (2-3/8")** **Model:** Pilot  
**Tread Material:** Hard Nylon for carpets; Soft Urethane for hard surfaces  
**Dynamic Load Rating:** 100 lbs  
**Finishes:** Flat Black  
**Plate Code:** 01, 13  
**Stem Code:** 02, 05, 11, 22, 23, 25, 37, 39, 45

Nylon	<b>AL-15000FB</b>	<b>\$5.95 each</b>
Urethane	<b>AL-15001FB</b>	<b>\$8.95 each</b>

**50mm (2")** **Model:** Pilot  
**Tread Material:** Hard Nylon for carpets; Soft Urethane for hard surfaces  
**Dynamic Load Rating:** 75 lbs  
**Finishes:** Flat Black  
**Plate Code:** 01, 13  
**Stem Code:** 02, 05, 07, 11, 22, 23, 25, 37, 39

Nylon	<b>AL-15002FB</b>	<b>\$4.95 each</b>
Urethane	<b>AL-15003FB</b>	<b>\$7.95 each</b>

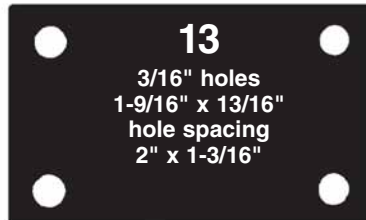


**50mm (2")** **Model:** Self-Braking Chair Casters  
**Wheel Diameter:** 50mm, 2"  
**Tread Material:** Urethane  
**Dynamic Load Rating:** 75 lbs  
**Finishes:** Flat Black  
**Stem:** 7/16 x 7/8 Grip Ring

<b>Compression Brake</b> (Brakes when weight is applied)		
Urethane	<b>AL-71947</b>	<b>\$11.95 each</b>
<b>Decompression Brake</b> (Brakes without weight, rolls when weight is applied)		
Urethane	<b>AL-71948</b>	<b>\$11.95 each</b>

**Specify Stem or Plate Code When Ordering. Example: AL-4361-01 \$5.95 Each**

**Caster Plate and Stem Codes Shown Actual Size. Specify When Ordering.**





# Twin Wheel Casters by Shepherd

**BUY 11 GET 1 FREE!**



60mm (2-3/8")

**Model:** Ultima Unhooded  
**Tread Material:** Hard Nylon for carpets;  
 Soft Urethane for hard surfaces  
**Dynamic Load Rating:** 100 lbs  
**Finishes:** Flat Black  
**Plate Code:** 01  
**Stem Code:** 02, 07, 11, 23, 34, 37

Urethane	<b>AL-15006</b>	<b>\$4.95 each</b>
Urethane w/brake	<b>AL-15006H</b>	<b>\$7.95 each</b>
Nylon	<b>AL-15007</b>	<b>\$3.95 each</b>
Nylon w/brake	<b>AL-15007H</b>	<b>\$6.95 each</b>



50mm (2")

**Model:** Ultima Unhooded  
**Tread Material:** Hard Nylon for carpets;  
 Soft Urethane for hard surfaces  
**Dynamic Load Rating:** 75 lbs  
**Finishes:** Flat Black  
**Plate Code:** 01  
**Stem Code:** 02, 07, 11, 23, 37

Urethane	<b>AL-64043</b>	<b>\$4.95 each</b>
Urethane w/brake	<b>AL-64043H</b>	<b>\$7.95 each</b>
Nylon	<b>AL-64044</b>	<b>\$3.95 each</b>
Nylon w/brake	<b>AL-64044H</b>	<b>\$6.95 each</b>

60mm (2-3/8")

**Model:** Source II Hooded  
**Tread Material:** Hard Nylon for carpets  
**Dynamic Load Rating:** 100 lbs  
**Finishes:** Flat Black  
**Plate Code:** 01, 13  
**Stem Code:** 02, 07, 11, 23, 37

Nylon	<b>AL-15009</b>	<b>\$3.95 each</b>
Nylon w/brake	<b>AL-15009H</b>	<b>\$4.95 each</b>



50mm (2")

**Model:** Source II Hooded  
**Tread Material:** Hard Nylon for carpets  
**Dynamic Load Rating:** 75 lbs  
**Finishes:** Flat Black  
**Plate Code:** 01, 13  
**Stem Code:** 02, 07, 11, 22, 23, 37

Nylon	<b>AL-15010</b>	<b>\$2.95 each</b>
Nylon with Brake	<b>AL-15010H</b>	<b>\$3.95 each</b>

**Model:** Replacement Chair Caster  
**Wheel Diameter:** 2-1/8"  
**Tread Material:** Hard Nylon for carpets;  
 Soft Urethane for hard surfaces  
**Dynamic Load Rating:** 75 lbs  
**Finish:** Black  
**Stem:** 7/16" x 7/8" Long

<b>1-1/2" Pivot Head Dia</b>		
Nylon	<b>AL-57263</b>	<b>\$3.95 each</b>
Urethane	<b>AL-57265</b>	<b>\$4.95 each</b>
<b>1-3/4" Pivot Head Dia</b>		
Nylon	<b>AL-57264</b>	<b>\$3.95 each</b>
Urethane	<b>AL-57266</b>	<b>\$4.95 each</b>



## MRI Non-Magnetic Casters

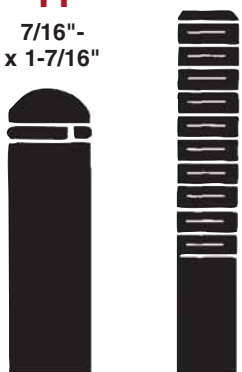
Wheel Dia.	Dynamic Load (lbs)	Swivel Radius	Threaded Stem (3/8" x 3/4")		Grip Ring Stem (7/16" x 1-7/16")		Grip Ring Stem (7/16" x 7/8")	
			ALCO Part No.	Price Each	ALCO Part No.	Price Each	ALCO Part No.	Price Each
50mm	75	1-13/16"	<b>AL-71949</b>	<b>\$13.95</b>	<b>AL-71952</b>	<b>\$14.95</b>	<b>AL-71955</b>	<b>\$14.95</b>
60mm	100	2-1/8"	<b>AL-71950</b>	<b>\$13.95</b>	<b>AL-71953</b>	<b>\$15.95</b>	<b>AL-71956</b>	<b>\$14.95</b>
75mm	165	2-1/2"	<b>AL-71951</b>	<b>\$19.95</b>	<b>AL-71954</b>	<b>\$20.95</b>	<b>AL-71957</b>	<b>\$19.95</b>



12

5/16"-18 x 2"  
 1-3/8" thread

11  
 7/16"-  
 x 1-7/16"



**Caster Plate and Stem Codes Shown  
 Actual Size. Specify When Ordering.**

22  
 3/8" x 1"



23  
 7/16" x 7/8"



25  
 5/16"-  
 18 x 1/2"



34  
 3/8"-16 x 1"



37  
 3/8"-16 x 3/4"



39  
 3/8"-  
 24 x 5/8"



45  
 5/16"-  
 18 x 7/8"



### Total Lock Twin Wheel Casters by MedCaster

- ✓ Hard Quiet Polyurethane
- ✓ Double ball bearing swivel raceway
- ✓ Total Lock models lock both the wheel and swivel

Threaded Stem Codes	
Code	Dimensions
02	1/2"-13 x 1"



AL-72224-02

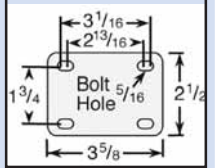
AL-72227-02

AL-72230

AL-72233

Wheel Dia. (Inches)	Load Capacity (lbs)	Wheel Bearing	Threaded Stem		Threaded Stem Total Lock		Top Plate Swivel		Top Plate Total Lock	
			ALCO Part No.	Price Each	ALCO Part No.	Price Each	ALCO Part No.	Price Each	ALCO Part No.*	Price Each
3	165	Precision	AL-72224-02	\$11.95	AL-72227-02	\$13.95	AL-72230	\$14.95	AL-72233*	\$15.95
4	220	Precision	AL-72225-02	\$11.95	AL-72228-02	\$13.95	AL-72231	\$14.95	AL-72234*	\$15.95
5	246	Precision	AL-72226-02	\$20.95	AL-72229-02	\$21.95	AL-72232	\$21.95	AL-72235*	\$22.95

#### Std. US Top Plate Dimensions



\*Plain Bearing

### Features

- ✓ Friction Raceway
- ✓ Hard nylon for carpets
- ✓ Hard Urethane for hard surfaces
- ✓ Contemporary design
- ✓ "Corrosion & Water Resistant"

With Wheel Brake  
AL-55308U-91

AL-55307U-120

3" Grey Swivel Caster  
AL-57251-91See Page 726 for  
Caster Sockets3" Grey Swivel Caster  
with Wheel Brake  
AL-57254-120

Wheel Dia. (inches)	Load Capacity (lbs)	Description	Black Hard Nylon Wheel		Black Hard Quiet Polyurethane		Load Capacity (lbs)	Soft Elastomer Dark Grey Tread		Specify Plate or Stem Code		
			ALCO Part No.	Price Each	ALCO Part No.	Price Each		ALCO Part No.	Price Each	Plates	Grip Ring Stems	Threaded Stems
3	165	Without Brake	AL-55307	\$7.95	AL-55307U	\$8.95	165	AL-57251	\$9.95	01, 16, 120	11, 23, 42, 91	07, 34, 37, 41, 48
		With Brake	AL-55308	\$8.95	AL-55308U	\$9.95		AL-57254	\$10.95			
4	175	Without Brake	AL-55309	\$7.95	AL-55309U	\$9.95	225	AL-57252	\$12.95	16, 120	11, 91	34, 37, 41, 48
		With Brake	AL-55310	\$8.95	AL-55310U	\$10.95		AL-57255	\$13.95			
5	180	Without Brake	AL-55322	\$11.95	AL-55322U	\$13.95	225	AL-57253	\$17.95	16, 120	11, 91	41, 48
		With Brake	AL-55324	\$12.95	AL-55324U	\$14.95		AL-57256	\$18.95			

**Caster Plate and Stem Codes Shown Actual Size**  
Specify Stem or Plate Code When Ordering. Example: AL-55307-23 \$7.95 Each



01

3/16" holes  
1" hole spacing  
1-1/2" square

672

16

Plate Size  
2-1/8" x 2-1/2"

120

Plate Size  
2-5/8" x 3-3/4"  
Bolt hole  
spacing  
1-3/4" x 2-3/4"  
3" Std US  
Plate

07

5/16" -  
18 x 1"

11

7/16" x 1-7/16"



23



7/16" x 7/8"

34

3/8" -  
16 x 1"

37

3/8" -  
16 x 3/4"

41

1/2" -  
13 x 1"

42

7/16" x 1-7/8"



48

1/2"-13 x 1-1/2"



91

7/16" x 1-1/4"







# Shepherd Casters



**BUY 11 GET 1 FREE!**

**Wheels are Non-Removable**

	Load Cap	Hard Tread	Soft Tread	Grey Rubber	Price Each
2"	90	AL-57260	AL-15019	AL-52323	\$3.95
2" w/Brake	90	AL-57260B	AL-15019B	AL-52323B	\$4.95
2-1/2"	95	AL-57261	AL-15020	AL-52324	\$5.95
2-1/2" w/Brake	95	AL-57261B	AL-15020B	AL-52324B	\$6.95
3"	120	AL-57262	AL-50657	AL-52325	\$5.95
3" w/Side Brake	120	AL-57262B	AL-50657B	AL-52325B	\$6.95

**Model:** Regent  
**Tread Material:** Hard or Soft  
**Finish:** Zinc  
**Plate Code:** 13  
**Stem Code:** 05, 07, 11, 22, 23, 32, 34, 37



	Grey Rubber	Black Rubber	
2"	AL-52774	AL-52777	\$3.95 each
2-1/2"	AL-52775	AL-52778	\$4.95 each
3"	AL-52776	AL-52779	\$5.95 each

**Model:** Monarch  
**Wheel Diameter:** 2", 2-1/2" or 3"  
**Tread Material:** Grey or Black Rubber  
**Dynamic Load Rating:** 80 lbs  
**Finish:** Zinc  
**Plate Code:** 08, 13  
**Stem Code:** 05, 07, 11, 23



1-5/8"	AL-50136	\$5.95 each
2"	AL-15004	\$5.95 each
2" Soft Rubber	AL-64428	\$4.95 each

**Model:** Baron  
**Wheel Diameter:** 1-5/8" or 2"  
**Tread Material:** 1-5/8" is soft quiet rubber; 2" hard polyolefin or 2" Soft Rubber  
**Dynamic Load Rating:** 70 lbs for 1-5/8"; 80 lbs for 2", 90 lbs for 2" Soft Rubber  
**Finish:** 1-5/8" Bright Chrome (22, 23 only); 2" Bright Chrome  
**Plate Code:** 13  
**Stem Code:** 02, 05, 07, 11, 22, 23, 32, 34



3"	AL-63972	\$8.95 each
3" w/ Side Brake	AL-63972B	\$9.95 each

**Model:** Vipor Institutional  
**Wheel Diameter:** 3"  
**Tread Material:** High Tech Transparent  
**Dynamic Load Rating:** 120 lbs  
**Finish:** Zinc  
**Plate Code:** 120  
**Stem Code:** 05, 11, 22, 23, 37, 48



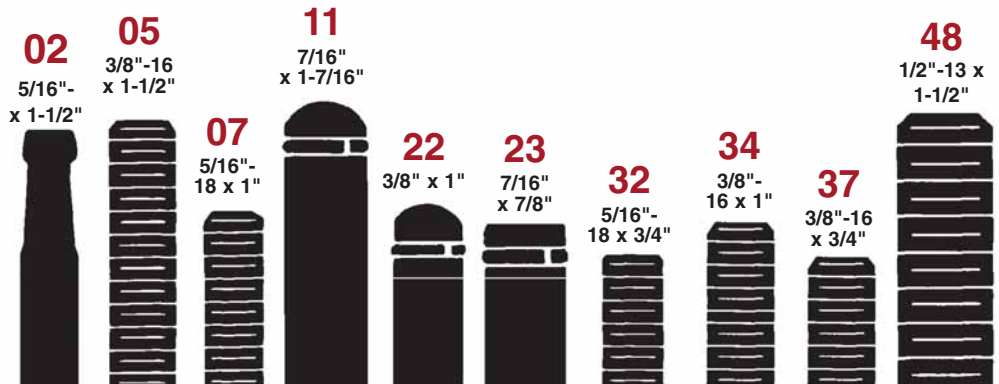
3"	AL-64042-403*	\$16.95 each
3"	AL-64042-22	\$16.95 each
3"	AL-64042-23	\$16.95 each
3"	AL-64042-11	\$16.95 each
3"	AL-64042-02	\$16.95 each

**Model:** Hooded Vipor Institutional  
**Wheel Diameter:** 3"  
**Tread Material:** High Tech Transparent  
**Dynamic Load Rating:** 120 lbs  
**Finish:** Zinc  
**Stem Code:** 02, 11, 22, 23, 403\*  
 \*Stemless Hollow King Pin #403 use on Pryor Mobile I.V. Rods (7/16" Hole)



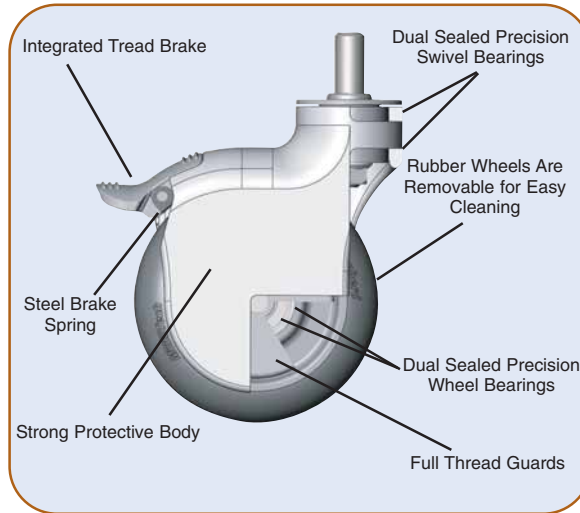
**Caster Plate and Stem Codes Shown Actual Size. Specify When Ordering.**

**120**  
 Plate Size  
 2-5/8" x 3-3/4"  
 Bolt hole spacing  
 1-3/4" x 2-3/4-3"  
 Std US Plate



# Shepherd Casters

**NEW!**  
**Wheels Are Removable  
 for Easy Cleaning!**  
**Great For Mobile I.V.  
 Poles!**



Wheel Diameter	Code Size
3"	<b>Threaded Stems</b>
	5/16"-18x1" #07
	3/8"-16x1-1/2" #05
	3/8"-16x3/4" #37
	1/2"-13x1-1/2" #48
	<b>Grip Ring Stems</b>
7/16"x1-7/16" #11	
7/16"x7/8" #23	
4"	<b>Plate</b>
	1-3/4 x 2-3/4-3" Bolt Hole #120
	<b>Threaded Stems</b>
	1/2"-13x1-1/2" #48
	1/2"-13x1" #41
	<b>Grip Ring Stems</b>
7/16"x1-1/4" #91	

Wheel Dia. (Inches)	Load Cap. (lbs)	Mounting Height	Without Brake				With Brake			
			White ALCO Part No.	Black ALCO Part No.	Grey ALCO Part No.	Price Each	White ALCO Part No.	Black ALCO Part No.	Grey ALCO Part No.	Price Each
3	110	4"	AL-76076	AL-76077	AL-76078	\$12.95	AL-76076B	AL-76077B	AL-76078B	\$16.95
4	225	5-5/8"	AL-76481	AL-76482	AL-76483	\$19.95	AL-76481B	AL-76482B	AL-76483B	\$23.95

Please Specify Stem Code When Ordering



AL-76072-23



AL-76070-34



AL-76075

**Features**

- ✓ Soft, non-marking MonoTech wheels (65 A durometer)
- ✓ MonoTech wheels reject debris and offer smooth, quiet mobility
- ✓ Excellent on both carpet and hard floors
- ✓ Riveted axle for positive wheel retention

Wheel Diameter	Code Size
65mm	<b>Threaded Stems</b>
	5/16"-18x1" #07
	3/8"-18x1" #34
	3/8"-16x3/4" #37
	<b>Grip Ring Stems</b>
	5/16"x1-1/2" #02
	7/16"x1-7/16" #73
	7/16"x1-7/16" #11
	7/16"x7/8" #23

Threaded Stem						
Wheel Diameter	Body Color	Dynamic Load	Mounting Height	Swivel Radius	ALCO Part No.	Price Each
65mm	Grey	110 lbs.	3"	2-5/16"	AL-76070	\$7.95
65mm	Black	110 lbs.	3"	2-5/16"	AL-76071	\$7.95
Grip Ring and Grip Neck Stem						
Wheel Diameter	Body Color	Dynamic Load	Mounting Height	Swivel Radius	ALCO Part No.	Price Each
65mm	Grey	110 lbs.	3"	2-5/16"	AL-76072	\$7.95
65mm	Black	110 lbs.	3"	2-5/16"	AL-76073	\$7.95
Top Plate 1-1/2" x 1-1/2" Square						
Wheel Diameter	Body Color	Dynamic Load	Mounting Height	Swivel Radius	ALCO Part No.	Price Each
65mm	Grey	110 lbs.	3-3/16"	2-5/16"	AL-76074	\$7.95
65mm	Black	110 lbs.	3-3/16"	2-5/16"	AL-76075	\$7.95



Available in  
Anti-Microbial

**Anti-Microbial**

# Hospital Chrome Casters

**BUY 11 GET 1 FREE!**



AL-75921-01

### Top Plate

- ✓ Dual ball swivel raceways for added strength
- ✓ Wheels have full thread guards
- ✓ Precision ball bearings
- ✓ Outlasts Grey Rubber
- ✓ Anti-Microbial

Top Plate Codes	
Code	Dimensions
01	3-5/8" x 2-1/2"
04	3" x 2-9/16"

**Wheels Are Removable  
For Easy Cleaning**

Wheel Dia. (Inches)	Tread Width (Inches)	Tread Material	Load Capacity (lbs)	Load Height (Inches)	Wheel Bearing	Swivel		Total Lock		Directional Lock	
						ALCO Part No.	Price Each	ALCO Part No.	Price Each	ALCO Part No.	Price Each
3	1 1/4	Grey Rubber	190	4-7/16	Precision Ball	AL-75918	\$13.95	AL-75924	\$19.95	AL-75930	\$19.95
		Anti-Microbial	190	4-7/16	Precision Ball	AL-75919	\$15.95	AL-75925	\$21.95	AL-75931	\$21.95
		Polyurethane	190	4-7/16	Precision Ball	AL-75920	\$13.95	AL-75926	\$19.95	AL-75932	\$19.95
5	1 1/4	Grey Rubber	260	6-7/16	Precision Ball	AL-75921	\$17.95	AL-75927	\$22.95	AL-75933	\$22.95
		Anti-Microbial	260	6-7/16	Precision Ball	AL-75922	\$19.95	AL-75928	\$24.95	AL-75934	\$24.95
		Polyurethane	260	6-7/16	Precision Ball	AL-75923	\$16.95	AL-75929	\$21.95	AL-75935	\$21.95

### Grip Ring

- ✓ Dual ball swivel raceways for added strength
- ✓ Wheels have full thread guards
- ✓ Precision ball bearings
- ✓ Outlasts Grey Rubber
- ✓ Anti-Microbial

Grip Ring Codes	
Code	Dimensions
09	.845" x 2-3/16"
10	7/16" x 1-3/8"



AL-72248-10

Wheel Dia. (Inches)	Tread Width (Inches)	Tread Material	Load Capacity (lbs)	Load Height (Inches)	Wheel Bearing	Swivel		Total Lock		Directional Lock	
						ALCO Part No.	Price Each	ALCO Part No.	Price Each	ALCO Part No.	Price Each
3	1 1/4	Grey Rubber	190	4-5/16	Precision Ball	AL-72237	\$16.95	AL-72243	\$20.95	AL-75943	\$21.95
		Grey Polyurethane	190	4-5/16	Precision Ball	AL-72238	\$16.95	AL-72244	\$20.95	AL-75944	\$21.95
		Anti-Microbial	190	4-5/16	Precision Ball	AL-75936	\$16.95	AL-75938	\$22.95	AL-75940	\$22.95
5	1 1/4	Grey Rubber	260	6-5/16	Precision Ball	AL-72241	\$28.95	AL-72247	\$30.95	AL-75947	\$32.95
		Grey Polyurethane	260	6-5/16	Precision Ball	AL-72242	\$26.95	AL-72248	\$28.95	AL-75948	\$30.95
		Anti-Microbial	260	6-5/16	Precision Ball	AL-75937	\$22.95	AL-75939	\$26.95	AL-75941	\$26.95



AL-76518-03

### Threaded Stem

- ✓ Dual ball swivel raceways for added strength
- ✓ Wheels have full thread guards
- ✓ Precision ball bearings
- ✓ Outlasts Grey Rubber
- ✓ Anti-Microbial

Threaded Stem Codes	
Code	Dimensions
02	1/2" x 1"
03	1/2" x 1-1/2"

Wheel Dia. (Inches)	Tread Width (Inches)	Tread Material	Load Capacity (lbs)	Load Height (Inches)	Wheel Bearing	Swivel		Total Lock		Directional Lock	
						ALCO Part No.	Price Each	ALCO Part No.	Price Each	ALCO Part No.	Price Each
3	1 1/4	Anti-Microbial	190	4-5/16	Precision Ball	AL-75976	\$15.95	AL-75977	\$19.95	AL-75978	\$19.95
		Grey Rubber	190	4-5/16	Precision Ball	AL-76511	\$13.95	AL-76512	\$21.95	AL-76513	\$21.95
		Grey Polyurethane	190	4-5/16	Precision Ball	AL-76514	\$13.95	AL-76515	\$19.95	AL-76516	\$19.95
5	1 1/4	Anti-Microbial	260	6-5/16	Precision Ball	AL-75979	\$19.95	AL-75980	\$24.95	AL-75981	\$24.95
		Grey Rubber	260	6-5/16	Precision Ball	AL-76517	\$17.95	AL-76518	\$22.95	AL-76519	\$22.95
		Grey Polyurethane	260	6-5/16	Precision Ball	AL-76520	\$17.95	AL-76521	\$21.95	AL-76522	\$21.95

**Anti-Microbial Wheels Are Quiet and Non-Marking**

# Threaded Stem Casters

**BUY 11 GET 1 FREE!**

Wheels Are Non-Removable

Wheel Diameter	Code Size
<b>3"</b>	<b>Threaded Stems</b>
	5/16"-18 x 1" #07
	5/16"-18 x 1-1/2" #500
	3/8"-16 x 3/4" #37
	3/8"-16 x 1" #34
<b>4"</b>	3/8"-16 x 1-1/2" #05
	7/16"-14 x 1-1/2" #800
	1/2"-13 x 1" #41
	1/2"-13 x 1-1/2" #48
<b>5"</b>	3/8"-16 x 1-1/2" #05
	7/16"-14 x 1-1/2" #800
	1/2"-13 x 1" #41
	1/2"-13 x 1-1/2" #48



4" Swivel Caster  
AL-57245-800



4" Swivel Caster with Brake  
AL-57245B-800

MADE IN THE USA



Wheel Dia. (Inches)	Tread Width (Inches)	Load Capacity (lbs)	Soft Tread Material	Wheel Style	Overall Height	Swivel Caster		Swivel w/Brake		
						ALCO Part No.	Price Each	Brake Type	ALCO Part No.	Price Each
<b>3</b>	<b>1</b>	<b>120</b>	Grey Rubber	Flat*	3-1/2"	AL-52325	\$5.95	Side	AL-52325B	\$6.95
				Round	3-1/2"	AL-57244	\$6.95	Side	AL-57244B	\$7.95
<b>4</b>	<b>1</b>	<b>150</b>	Grey Rubber	Flat*	4-9/16"	AL-57273	\$8.95	Tread	AL-57273B	\$10.95
				Round	4-9/16"	AL-57245	\$9.95	Tread	AL-57245B	\$10.95
<b>5</b>	<b>1</b>	<b>160</b>	Grey Rubber	Flat*	5-3/4"	AL-57272	\$9.95	Tread	AL-57272B	\$10.95
				Round	5-3/4"	AL-57246	\$11.95	Tread	AL-57246B	\$13.95

\*Black Hub/Grey Tread

Please Specify Stem Code When Ordering

## Grip Ring Stem Casters

**Features**

- ✓ Resistant to most chemicals and oils
- ✓ Round or flat tread offer better mobility
- ✓ Available with soft grey tread
- ✓ Nylon wheel bearings standard

Wheel Diameter	Code Size
<b>3"</b>	<b>Grip Ring Stems</b>
	3/8" x 1" #22
	7/16" x 7/8" #23
<b>4"</b>	7/16" x 1-7/16" #11
	7/16" x 1-7/16" #73
<b>5"</b>	7/16" x 2" #204
	7/16" x 1-7/16" #73
	7/16" x 2" #204



3" Swivel Caster  
AL-57244-23



3" Swivel Caster with Brake  
AL-57244B-23



3" Swivel Caster  
AL-57244-11



3" Swivel Caster with Brake  
AL-57244B-11

Wheel Dia. (Inches)	Tread Width (Inches)	Load Capacity (lbs)	Soft Tread Material	Wheel Style	Overall Height	Swivel Caster		Swivel w/Brake		
						ALCO Part No.	Price Each	Brake Type	ALCO Part No.	Price Each
<b>3</b>	<b>13/16</b>	<b>120</b>	Grey Rubber	Round	3-1/2"	AL-57244	\$6.95	Side	AL-57244B	\$7.95
				Flat*	3-1/2"	AL-57270	\$5.95	Side	AL-57270B	\$6.95
<b>4</b>	<b>15/16</b>	<b>150</b>	Grey Rubber	Round	4-9/16"	AL-57245	\$9.95	Tread	AL-57245B	\$10.95
				Flat*	4-9/16"	AL-57273	\$8.95	Tread	AL-57273B	\$10.95
<b>5</b>	<b>15/16</b>	<b>160</b>	Grey Rubber	Round	5-3/4"	AL-57246	\$11.95	Tread	AL-57246B	\$13.95
				Flat*	5-3/4"	AL-57272	\$9.95	Tread	AL-57272B	\$10.95

\*Black Hub/Grey Tread

Please Specify Stem Code When Ordering

See Page 726 for Caster Sockets



**Wheels Are Non-Removable**

# Top Plate Casters

**BUY 11 GET 1 FREE!**



**Features**

- ✓ Resistant to most chemicals and oils
- ✓ Round or flat tread offer better mobility
- ✓ Available with soft grey tread
- ✓ Nylon wheel bearings standard



4" Swivel Caster  
AL-57245-120

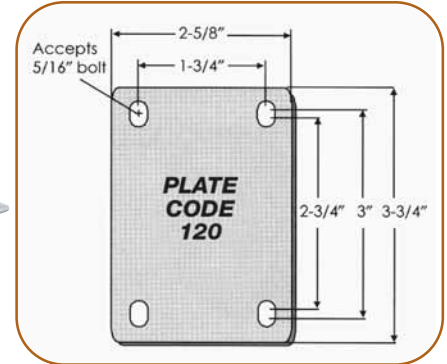


4" Rigid Caster  
AL-57258-120



4" Swivel w/Brake  
AL-57245B-120

Matching Swivel and Rigid Top Plate



Standard US Top Plate

Wheel Dia. (Inches)	Tread Width (Inches)	Load Capacity (lbs)	Soft Tread Material	Wheel Style	Overall Height	Swivel Caster		Rigid Caster		Swivel W/Brake		
						ALCO Part No.	Price Each	ALCO Part No.	Price Each	Brake Type	ALCO Part No.	Price Each
3	13/16	120	Grey Rubber	Round	3-1/2"	AL-57244-120	\$6.95	AL-57257-120	\$7.95	Side	AL-57244B-120	\$7.95
				Flat*	3-1/2"	AL-57270-120	\$5.95	AL-57271-120	\$5.95	Side	AL-57270B-120	\$6.95
4	15/16	150	Grey Rubber	Round	4-9/16"	AL-57245-120	\$9.95	AL-57258-120	\$8.95	Tread	AL-57245B-120	\$10.95
				Flat*	4-9/16"	AL-57273-120	\$8.95	AL-57274-120	\$8.95	Tread	AL-57273B-120	\$10.95
5	15/16	160	Grey Rubber	Round	5-3/4"	AL-57246-120	\$11.95	AL-57259-120	\$9.95	Tread	AL-57246B-120	\$13.95
				Flat*	5-3/4"	AL-57272-120	\$9.95	AL-57275-120	\$8.95	Tread	AL-57272B-120	\$10.95

\*Black Hub/Grey Tread

## 5" Grey Rubber Precision Ball Bearing Caster

**Features**

- ✓ Zinc finish
- ✓ Double ball bearing raceways



Grip Ring Caster  
AL-57352-73



Top Plate Caster  
AL-57352-120



Threaded Stem Caster  
AL-57352-800

Wheel Dia. (Inches)	Tread Width (Inches)	Stem Style & Size	Load Capacity (lbs)	Wheel Style	Overall Height (Inches)	Swivel Caster		Swivel w/Brake		Rigid Caster	
						ALCO Part No.	Price Each	ALCO Part No.	Price Each	ALCO Part No.	Price Each
5	15/16	Threaded - 3/8"-16 x 1/1/2"	160	Round	5-3/4	AL-57352-05	\$13.95	AL-57352B-05	\$15.95	N/A	N/A
		Threaded - 7/16"-14 x 1/1/2"	160	Round	5-3/4	AL-57352-800	\$13.95	AL-57352B-800	\$15.95	N/A	N/A
		Threaded - 1/2"-13 x 1"	160	Round	5-3/4	AL-57352-41	\$13.95	AL-57352B-41	\$15.95	N/A	N/A
		Threaded - 1/2"-13 x 1/1/2"	160	Round	5-3/4	AL-57352-48	\$13.95	AL-57352B-48	\$15.95	N/A	N/A
		Top Plate - 2-5/8" x 3-3/4" Plate	160	Round	5-3/4	AL-57352-120	\$13.95	AL-57352B-120	\$15.95	AL-57353-120	\$12.95
		Grip Ring - 7/16" x 1-7/16"	160	Round	5-3/4	AL-57352-73	\$13.95	AL-57352B-73	\$15.95	N/A	N/A
Grip Ring - 7/16" x 2"	160	Round	5-3/4	AL-57352-204	\$13.95	AL-57352B-204	\$15.95	N/A	N/A		

Please Specify Plate Code When Ordering

# colson Light Duty Series 1 Casters by Colson

Capacity up to 75 lbs Each

Wheels Are Removable  
For Easy Cleaning

**BUY 11 GET 1 FREE!**



Wheel Dia. (Inches)	Tread Width (Inch)	Tread Material	Wheel Bearing	Load Capacity	Load Height	Swivel Radius	Grip Ring Stem*		Threaded Stem		Wood Furniture Stem	
							ALCO Part No.	Price Each	ALCO Part No.	Price Each	ALCO Part No.	Price Each
1 5/8	7/8	Performa Grey Rubber	Delrin	60	2 1/2	1 3/4	AL-15281	\$11.95	AL-15225	\$11.95	AL-15203	\$11.95
		Polyolefin					AL-15282	\$11.95	AL-15226	\$11.95	AL-15204	\$11.95
2	7/8	Performa Grey Rubber	Delrin	75	2 11/16	1 15/16	AL-15283	\$13.95	AL-15227	\$8.95	AL-15205	\$12.95
		Polyolefin					AL-15284	\$13.95	AL-15229	\$7.95	AL-15207	\$12.95
		Hard Rubber	Ball				AL-15285	\$13.95	AL-15230	\$13.95	AL-15206	\$12.95
		Soft Rubber					AL-50686	\$13.95	AL-15228	\$13.95	AL-15208	\$12.95
3	7/8	Performa Grey Rubber	Delrin	75	3 13/16	2 9/16	AL-15286	\$13.95	AL-15231	\$13.95	AL-15209	\$13.95
		Polyurethane (High Tech) Red					AL-15287	\$13.95	AL-15233	\$13.95	AL-15211	\$13.95
		Polyolefin					AL-15290	\$13.95	AL-15235	\$13.95	AL-15213	\$13.95

Save Up To 60%!

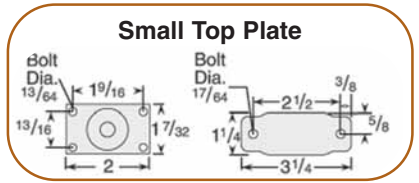
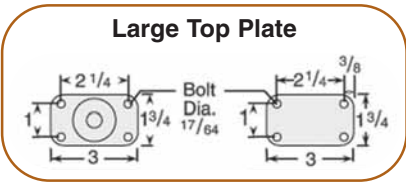
See Page 726 for Caster Sockets

MADE IN THE USA

**\*GRIP RING STEM SIZES AND CODES**

Code 1: 3/8" x 1-9/16"	Code 50: 7/16" x 1" long
Code 2: 7/16" x 1-9/16"	Code 52: 7/16" x 1-29/32" long with grip ring.

\*To order specify stem code. Example: AL-15286-50



Wheel Dia. (Inches)	Tread Width (Inches)	Wheel Bearing	Load Height	Swivel Radius	Load Capacity (lbs)	Tread Material	Large Top Plate Models   Small Top Plate Models							
							Swivel		Rigid		Swivel		Rigid	
							ALCO Part No.	Price Each	ALCO Part No.	Price Each	ALCO Part No.	Price Each	ALCO Part No.	Price Each
1 5/8	7/8	Delrin	2 1/2	1 3/4	60	Performa Grey Rubber	AL-15363	\$7.95	N/A	N/A	AL-15351	\$7.95	AL-15357	\$5.95
						Polyolefin	AL-15364	\$6.95	N/A	N/A	AL-15352	\$6.95	AL-15358	\$4.95
2	7/8	Delrin	2 11/16	1 15/16	75	Performa Grey Rubber	AL-15365	\$8.95	N/A	N/A	AL-15353	\$8.95	AL-15359	\$6.95
						Polyolefin	AL-15367	\$7.95	N/A	N/A	AL-15355	\$10.95	AL-15361	\$8.95
		Ball	2 11/16	1 15/16	75	Hard Rubber	AL-15368	\$12.95	N/A	N/A	AL-15356	\$13.95	AL-15362	\$11.95
						Soft Rubber	AL-15366	\$12.95	N/A	N/A	AL-15354	\$13.95	AL-15360	\$11.95
3	7/8	Delrin	3 13/16	2 9/16	75	Performa Grey Rubber	AL-15369	\$11.95	AL-15374	\$9.95	N/A	N/A	N/A	N/A
						Polyurethane (High Tech) Red	AL-15371	\$13.95	AL-15376	\$11.95	N/A	N/A	N/A	N/A
						Polyolefin	AL-15373	\$12.95	AL-15378	\$10.95	N/A	N/A	N/A	N/A

See Page 679 For Wheel Selection and Options

# Light Duty Series 1 Casters by Colson

Capacity up to 145 lbs Each

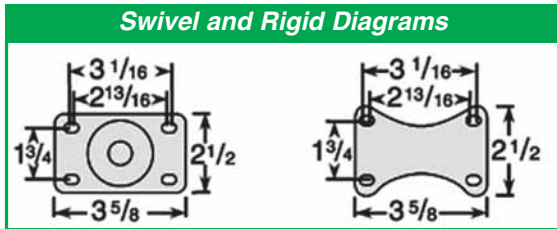
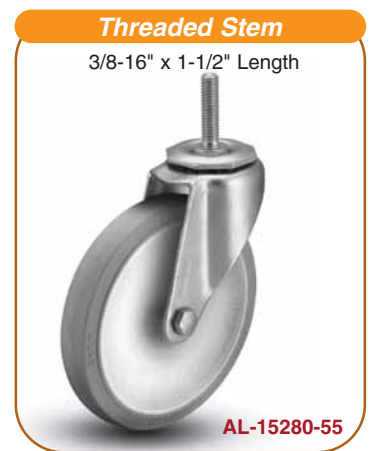


**BUY 11 GET 1 FREE!**

**Features**

- ✓ Zinc plated finish
- ✓ Full double ball hardened raceways for better performance and greater durability
- ✓ 5/16" shouldered axle with 1/4" nut
- ✓ "Colson 45" multi-temp grease lubricates in extreme hot and cold temperatures

**Wheels Are Removable For Easy Cleaning**



**Grip Ring Stem Sizes and Codes**

Code 2: 7/16" x 1-1/2"  
 Code 52: 7/16" x 1-29/32"  
 Code 51: 7/16" x 1-29/32" long without grip ring.  
 \*To order specify stem code.  
 Example: AL-15276-51

**See Page 726 for Caster Sockets**

Dia. (In.)	Tread Width	Tread Material	Wheel Bearing	Load Cap.	Load Height	Swivel Radius	Top Plate				Grip Ring Stem*		Threaded Stem	
							Swivel		Rigid		ALCO Part No.	Price Each	ALCO Part No.	Price Each
							ALCO Part No.	Price Each	ALCO Part No.	Price Each				
3	7/8"	Performa Grey Rubber	Delrin	125	3-3/4	2-13/16	AL-15291	\$11.95	AL-15321	\$9.95	AL-15266	\$13.95	AL-15266-55	\$13.95
		Polyurethane High Tech (Red)		100			AL-15292	\$13.95	AL-15322	\$11.95	AL-15267	\$14.95	AL-15267-55	\$14.95
		Polyolefin		125			AL-15295	\$12.95	AL-15325	\$10.95	AL-15270	\$12.95	AL-15270-55	\$12.95
4	7/8"	Performa Grey Rubber	Delrin	135	4-9/16	3-7/16	AL-15296	\$14.95	AL-15326	\$12.95	AL-15271	\$15.95	AL-15271-55	\$15.95
		Polyurethane High Tech (Red)		125			AL-15297	\$19.95	AL-15327	\$17.95	AL-15272	\$16.95	AL-15272-55	\$16.95
		Polyolefin		135			AL-15300	\$14.95	AL-15330	\$12.95	AL-15275	\$14.95	AL-15275-55	\$14.95
5	7/8"	Performa Grey Rubber	Delrin	145	5-3/4	4-1/16	AL-15301	\$18.95	AL-15331	\$16.95	AL-15276	\$17.95	AL-15276-55	\$17.95
		Polyurethane High Tech (Red)		140			AL-15302	\$21.95	AL-15332	\$19.95	AL-15277	\$18.95	AL-15277-55	\$18.95
		Polyolefin		145			AL-15305	\$15.95	AL-15335	\$13.95	AL-15280	\$16.95	AL-15280-55	\$16.95

EP1

**OPTIONS**



Side Brake all 3" swivel models only. Field installable.  
**AL-14856 \$5.00**



Thread Guards not available with brake option  
**AL-14857 \$4.00**

**WHEEL SELECTION**



Performa Grey Rubber Flat Tread



Polyolefin



Polyurethane High Tech Red



Hard or Soft Rubber

**Grey Rubber is Quiet and Non-marking**



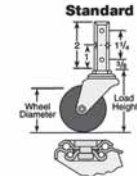
# Light Duty Square Stem & Expandable Stem Casters by Colson

Capacity up to 145 lbs Each

## colson

**BUY 11 GET 1 FREE!**

### Square Stem



Swivel Cross Section Fork Leg Spacing 1-5/32"

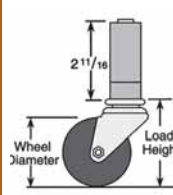
AL-15246

### Square Stem Casters

- Stems may be bolted, riveted or welded against any flat vertical surface
- Zinc plated finish
- Full double ball hardened raceways for better performance and greater durability
- "Colson 45" multi-temp grease lubricates in extreme hot and cold temperatures
- Standard stem 2" long, 3/4" square with 3 mounting holes 17/64" diameter

**Wheels Are Removable For Easy Cleaning**

### Expandable Stem



Swivel Cross Section Fork Leg Spacing 1-5/32"

AL-15251-42

### Expandable Stem Caster

- Zinc plated finish
- Full double ball hardened raceways for better performance and greater durability
- 5/16" shouldered axle with 1/4" nut
- "Colson 45" multi-temp grease lubricates in extreme hot and cold temperatures

**Save Up To 60%!**

							Square Stem		Expandable Stem		
Wheel Dia (Inches)	Tread Width (Inches)	Wheel Bearing	Load Height (Inches)	Swivel Radius (Inches)	Capacity Per Caster (lbs)	Tread Material	ALCO Part No.	Price Each	Load Height (Inches)	ALCO Part No.	Price Each
3	7/8	Delrin	3 3/4	2 13/16	125	Performa Grey Rubber	AL-15236	\$16.95	3 7/8	AL-15251	\$17.95
					100	Polyurethane (High Tech) Red	AL-15238	\$19.95		AL-15253	\$19.95
					125	Polyolefin	AL-15240	\$14.95		AL-15255	\$21.95
4	7/8	Delrin	4 3/4	3 7/16	135	Performa Grey Rubber	AL-15241	\$21.95	4 7/8	AL-15256	\$21.95
					125	Polyurethane (High Tech) Red	AL-15243	\$24.95		AL-15258	\$23.95
					135	Polyolefin	AL-15245	\$21.95		AL-15260	\$25.95
5	7/8	Delrin	5 3/4	4 1/16	145	Performa Grey Rubber	AL-15246	\$22.95	5 7/8	AL-15261	\$22.95
					140	Polyurethane (High Tech) Red	AL-15248	\$25.95		AL-15263	\$24.95
					145	Polyolefin	AL-15250	\$21.95		AL-15265	\$26.95

### Expandable Stem Sizes and Codes

Inside Diameter of Tube	Round Tubing	Inside Diameter of Tube	Round Tubing
3/4" - 13/16"	40	1 1/4" - 1-5/16"	44
7/8" - 15/16"	41	1 3/8" - 1-7/16"	45

To order specify stem code. Example: AL-15256-42  
 All Stems are 2-11/16" Long.  
 Stem Size Less Adapter: 1/2" -13 x 2-11/16"

MADE IN THE USA

### Grey Rubber is Quiet and Non-marking

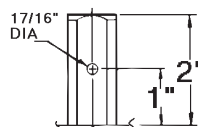
#### OPTIONS



680 Side Brake all 3" swivel models only. Field installable.  
 AL-14856 \$5.00



Thread Guards not available with brake  
 AL-14857 \$4.00



Code 1  
 Stem 2" x 7/8" square  
 Mounting hole 17/64"

#### WHEEL SELECTION



Performa Grey Rubber Flat Tread



Polyolefin



Polyurethane High Tech Red



# Light Duty Total Lock Casters by Shepherd



**BUY 11 GET 1 FREE!**

**Features**

- ✓ Light duty total lock brake with matching swivel
- ✓ Fully heat treated
- ✓ Dual ball bearing raceways
- ✓ Matching thread guards standard on all models
- ✓ Precision bearing wheels standard in neoprene and Vipor wheel models
- ✓ 5/16" nut and bolt axle for easy cleaning

**Must Have Stem**  
Code. Example: 71909-11



Bright Chrome



Zinc Plated



Black Powder Coated



Hollow Kingpin Swivel Caster with Vipor Wheel

Top Plate Codes	
Code	Dimensions
140	1-3/4" x 3" Plate Size
	1"-2-1/4" Bolt Hole Spacing
Threaded Stem Codes	
Code	Dimensions
05	3/8" - 16 x 1-1/2"
07	5/16" - 18 x 1"
37	3/8" - 16 x 3/4"
48	1/2" - 13 x 1-1/2"
Grip Ring Stem Codes	
Code	Dimensions
11	7/16" x 1-7/16"
22	3/8" x 1"
23	7/16" x 7/8"
42	7/16" x 1-7/8"

## Swivel Casters

Wheel Dia. (Inches)	Tread Width (Inches)	Tread Type	Finish	Bearing Type	Dynamic Load (lbs)	Swivel Radius	Hollow Kingpin		Threaded Stem		Top Plate	
							ALCO Part No.	Price Each	ALCO Part No.	Price Each	ALCO Part No.	Price Each
3	15/16	Neoprene	Bright Chrome	Precision	110	2-15/16"	AL-71885	\$13.95	AL-71889	\$15.95	AL-71893-140	\$14.95
	15/16	Vipor	Bright Chrome	Precision	120	2-15/16"	AL-71886	\$13.95	AL-71890	\$15.95	AL-71894-140	\$15.95
	13/16	Black Rubber	Black Powder Coat	Plain	110	2-15/16"	AL-71887	\$11.95	AL-71891	\$12.95	AL-71895-140	\$12.95
	13/16	Grey Rubber	Zinc Plated	Plain	110	2-15/16"	AL-71888	\$10.95	AL-71892	\$12.95	AL-71896-140	\$12.95

## Total Lock Casters

Wheel Dia. (Inches)	Tread Width (Inches)	Tread Type	Finish	Bearing Type	Dynamic Load (lbs)	Swivel Radius	Hollow Kingpin		Threaded Stem		Top Plate	
							ALCO Part No.	Price Each	ALCO Part No.	Price Each	ALCO Part No.	Price Each
3	15/16	Neoprene	Bright Chrome	Precision	110	4"	AL-71897	\$17.95	AL-71901	\$20.95	AL-71905-140	\$19.95
	15/16	Vipor	Bright Chrome	Precision	120	4"	AL-71898	\$18.95	AL-71902	\$21.95	AL-71906-140	\$20.95
	13/16	Black Rubber	Black Powder Coat	Plain	110	4"	AL-71899	\$14.95	AL-71903	\$16.95	AL-71907-140	\$16.95
	13/16	Grey Rubber	Zinc Plated	Plain	110	4"	AL-71900	\$14.95	AL-71904	\$15.95	AL-71908-140	\$15.95

Note: Mounting height on Hollow Kingpin is 4"; Mounting height on Threaded Stem is 4-3/16"  
Hollow Kingpin: 7/16", recommended mounting bolt 3/8" diameter - 16 x 1/2" Minimum

## Grip Ring Casters

Wheel Dia. (Inches)	Tread Width (Inches)	Tread Type	Finish	Bearing Type	Dynamic Load (lbs)	Swivel Radius	Grip Ring		Grip Ring Total Lock	
							ALCO Part No.	Price Each	ALCO Part No.	Price Each
3	15/16"	Neoprene	Bright Chrome	Precision	110	2-15/16"	AL-71909	\$15.95	AL-71913	\$20.95
	15/16"	Vipor	Bright Chrome	Precision	120	2-15/16"	AL-71910	\$15.95	AL-71914	\$20.95
	13/16"	Black Rubber	Black Powder Coat	Plain	110	2-15/16"	AL-71911	\$12.95	AL-71915	\$16.95
	13/16"	Grey Rubber	Zinc Plated	Plain	110	2-15/16"	AL-71912	\$12.95	AL-71916	\$15.95

Note: Swivel Radius for Grip Ring Casters: 2-5/16"; Swivel Radius for Grip Ring Total Lock Casters: 4"

**140**  
Plate Size  
1-3/4" x 3"

---

Bolt Hole  
Spacing  
1"-2-1/4"

---

1/4" Holes

**05**  
3/8"-16 x 1-1/2"

**07**  
5/16" -18 x 1"

**11**  
7/16" x 1-7/16"

**22**  
3/8" x 1"

**23**  
7/16" x 7/8"

**37**  
3/8"-  
16 x 3/4"

**42**  
7/16" x 1-7/8"

**48**  
1/2"-13 x 1-1/2"

EP1



# Light Duty Casters—Best Buy Capacity up to 110 lbs

**BUY 11 GET 1 FREE!**

**Features**

- ✓ Zinc plated
- ✓ Full double ball raceway, hardened to resist wear
- ✓ Yoke assembly formed from heavily embossed steel
- ✓ Nut and bolt axle for easy cleaning



3" Swivel Caster w/Top Lock Brake  
**AL-64943-24-TLB**



3" Grip Ring Caster  
**AL-64943-12**

Wheel Diameter (inches)	Tread Width (inches)	Wheel Type	Wheel Bearing Type	Load Capacity (lbs)	Swivel Radius (inches)	ALCO Part No.	Price Each
<b>2</b>	<b>13/16</b>	Black Soft Rubber	Nylon	80	1-13/16	<b>AL-64936</b>	<b>\$3.95</b>
		Black Hard Rubber	Nylon	80	1-13/16	<b>AL-64937</b>	<b>\$3.95</b>
		Polyurethane	Plain	80	1-13/16	<b>AL-64938</b>	<b>\$3.95</b>
		Grey Mirage Soft Rubber	Steel	80	1-13/16	<b>AL-64939</b>	<b>\$3.95</b>
<b>3</b>	<b>13/16</b>	Black Soft Rubber	Nylon	110	2-1/2	<b>AL-64940</b>	<b>\$4.95</b>
		Black Hard Rubber	Nylon	110	2-1/2	<b>AL-64941</b>	<b>\$4.95</b>
		Polyurethane	Nylon	110	1-13/16	<b>AL-64942</b>	<b>\$4.95</b>
		Grey Mirage Soft Rubber	Nylon	110	1-13/16	<b>AL-64943</b>	<b>\$4.95</b>

**Fastening Code to be added to end of ALCO Part No. Example: AL-64942-24**

Code	Type	Size
01	Standard US Top Plate	Top Plate Overall 1-1/4"x2-1/16" Bolt Hole Spacing 13/16"x1-9/16" Attaching Bolt Size: 3/16"
11	Grip Ring Stem	7/16 x 1-3/16"
12	Grip Ring Stem	7/16 x 1-7/16"
21	Threaded Stem	5/16 - 18 x 1"
24	Threaded Stem	3/8 - 16 x 1 -1/4"
TLB	Top Lock Brake	Add \$2.50 Each

**See Page 726 for Caster Sockets**

# Light Duty Institutional Casters—Best Buy Capacity up to 145 lbs

**Feature**

- ✓ Zinc plated
- ✓ Nut and Bolt Axle
- ✓ Seal in raceway helps guard against dust, dirt, etc.



**AL-41005-01**



**AL-41014-01**



**AL-64432-01**



**AL-41011-01**

Wheel Diameter (inches)	Tread Width (inches)	Wheel Type	Wheel Bearing Type	Load Capacity (lbs)	Overall Height (inches)	Swivel Radius (inches)	Swivel		Rigid	
							ALCO Part No.	Price Each	ALCO Part No.	Price Each
<b>3</b>	<b>1</b>	Grey Soft Rubber	Nylon	100	3-3/4	2-5/8	<b>AL-64431</b>	<b>\$6.95</b>	<b>AL-64944</b>	<b>\$5.95</b>
		Black Soft Rubber	Nylon	100	3-3/4	2-5/8	<b>AL-41002</b>	<b>\$6.95</b>	<b>AL-41011</b>	<b>\$5.95</b>
		Black Hard Rubber	Nylon	125	3-3/4	2-5/8	<b>AL-41003</b>	<b>\$6.95</b>	<b>AL-41012</b>	<b>\$5.95</b>
<b>4</b>	<b>1</b>	Grey Soft Rubber	Nylon	125	4-3/4	3-1/8	<b>AL-64432</b>	<b>\$7.95</b>	<b>AL-64945</b>	<b>\$6.95</b>
		Black Soft Rubber	Nylon	125	4-3/4	3-1/8	<b>AL-41005</b>	<b>\$7.95</b>	<b>AL-41014</b>	<b>\$6.95</b>
		Black Hard Rubber	Nylon	140	4-3/4	3-1/8	<b>AL-41006</b>	<b>\$7.95</b>	<b>AL-41015</b>	<b>\$6.95</b>
<b>5</b>	<b>1</b>	Grey Soft Rubber	Nylon	135	5-3/4	3-11/16	<b>AL-64433</b>	<b>\$9.95</b>	<b>AL-71016</b>	<b>\$8.95</b>
		Black Soft Rubber	Nylon	135	5-3/4	3-11/16	<b>AL-41008</b>	<b>\$9.95</b>	<b>AL-41017</b>	<b>\$8.95</b>
		Black Hard Rubber	Nylon	145	5-3/4	3-11/16	<b>AL-41009</b>	<b>\$9.95</b>	<b>AL-41018</b>	<b>\$8.95</b>


**Fastening Code to be added to end of ALCO No. Example: AL-41005-11**

Code	Type	Size (All Same Price) (inches)
01	Std U.S. Top Plate	Top Plate Overall 2-3/4 x 3-3/4 Bolt Hole Spacing 1-3/4 x 2-7/8 to 3 Attaching Bolt Size: 5/16
11	Grip Ring Stem	7/16 Dia. x 1-1/2 Long (swivel only)
21	Threaded Stem	1/2 Dia.-13 x 1-1/2 Long (swivel only)

**OPTIONS**

Code	Description	Price
TLB	Top Lock Brake (Factory Installed Swivel Only)	Add \$2.50 each

Add code to the end of part number  
Example: **AL-41005-11-TLB \$10.45**



# General Duty Casters—Best Buy

## Capacity up to 300 lbs

BUY 11  
Get One  
**FREE**

### Features

- ✓ Large single raceways deeply embossed for extra strength
- ✓ Special precision king pin engineered for thrust absorption and durability
- ✓ Axle and nut design for wheel assembly for easy cleaning (except 1-1/4" is riveted)
- ✓ Zinc plated



With Brake  
AL-41028-SLB



AL-41045

Wheel Diameter (inches)	Tread Width (inches)	Wheel Type	Wheel Bearing Type	Load Capacity (lbs)	Overall Height (inches)	Swivel Radius (inches)	Swivel		Rigid	
							ALCO Part No.	Price Each	ALCO Part No.	Price Each
1 1/4	9/16	Polyurethane	Nylon	30	1-3/4	1-1/32	AL-41020	\$2.95	AL-41037	\$1.95
		Soft Rubber	Nylon	90	2-7/16	1-3/4	AL-41021	\$3.95	AL-41038	\$2.95
2	15/16	Hard Rubber	Nylon	125	2-7/16	1-3/4	AL-41022	\$3.95	AL-41039	\$2.95
		Soft Rubber	Nylon	100	3-1/4	2-3/8	AL-41025	\$5.95	AL-41042	\$4.95
2 1/2	1 1/16	Hard Rubber	Nylon	175	3-1/4	2-3/8	AL-41026	\$5.95	AL-41043	\$4.95
		Soft Rubber	Nylon	125	3-1/4	2-7/16	AL-41028	\$6.95	AL-41045	\$5.95
3	1 1/4	Hard Rubber	Nylon	250	3-1/4	2-7/16	AL-41029	\$6.95	AL-41046	\$5.95
		Soft Rubber	Nylon	200	5	2-9/32	AL-41033	\$11.95	AL-41050	\$9.95
4	1 1/4	Hard Rubber	Nylon	300	5	2-9/32	AL-41034	\$11.95	AL-41051	\$9.95

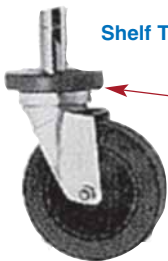
### Top Plate Specifications

Wheel Diameter (inches)	Attaching Bolt Size (inches)	Swivel Plate Size		Rigid Plate Size	
		Overall Size (inches)	Bolt Hole Spacing (inches)	Overall Size (inches)	Bolt Hole Spacing (inches)
1-1/4	3/16	1-3/16 x 2-3/8	1-3/4	1 x 2-3/8	1-3/4
2	1/4	1-7/8 x 2-9/16	15/16 x 2-1/8	1-1/2 x 2-21/32	15/16 x 2-1/8
2-1/2	5/16	2-3/4 x 3-7/8	1-3/4 x 3	2-1/4 x 4-7/16	1-1/16 x 3-1/2
3	5/16	3-1/8 x 4-1/8	2-3/8 x 3-3/8 to 3-7/16	2-1/2 x 4-15/16	1-3/16 x 4
4	3/8	4 x 5-1/8	3 x 4	3-1/8 x 6-1/4	1-3/4 x 5

### Option

Code	Description	Price
SLB	Side Lock Brake (swivels only – factory installed) Add selected code to the end of part number. Example: AL-41021-SLB	Add \$2.50

### Shelf Truck & Cart Casters



AL-15906



AL-15907

Bumper  
AL-16283

### METRO WIRE CASTERS — STEM TYPE

Type	Wheel Diameter (In.)	Tread Width (In.)	Wheel Tread	Load Rating (lbs.)	Weight Each (lbs.)	ALCO Part No.	Price Each
Stem/Swivel	4	1/2	Resilient	125	1-1/2	AL-15904	\$19.95
Stem/Swivel	5	1/2	Resilient	125	2	AL-15905	\$21.95
Stem/Swivel	5	1-1/4	Resilient	175	2-1/2	AL-15906	\$25.95
Stem/Brake	5	1-1/4	Resilient	175	2-3/4	AL-15907	\$29.95
Stem/Rigid	5	1-1/4	Resilient	175	3-1/2	AL-15908	\$29.95
Stem/Swivel	5	1-1/4	Polyurethane	300	2-1/8	AL-15909	\$39.95
Stem/Brake	5	1-1/4	Polyurethane	300	2-1/4	AL-15910	\$44.95
Stem/Rigid	5	1-1/4	Polyurethane	300	2	AL-15911	\$44.95

3-1/2" Donut bumper AL-16283 \$7.95

5-1/2" Donut bumper AL-16284 \$11.95

NOTE 1: Stem casters are shipped with donut bumper at no additional charge.

NOTE 2: Rigid casters are held in position by a connecting channel.

When ordering rigid casters, shelf width must be known.

NOTE 3: Load Height for all AL-15906 and AL-15909 casters — 6-3/32" ± 1/16"

NOTE 4: Load height for AL-15904 caster — 4-5/8" ± 1/16"

NOTE 5: Load Height for AL-15905 caster — 5-5/8" ± 1/16"

NOTE 6: Brakes are foot-operated.

Economy Metro  
Casters On Page 691



# Extra Light Duty Casters by Jarvis

Wheels Are  
Non-Removable

**BUY 11 GET 1 FREE!**



Straight for metal sockets  
7/16" x 1-29/32"



Grip Ring  
A. 7/16" x 1-3/8"  
B. 7/16" x 1-29/32"



Threaded  
B. 5/16" x 18 x 3/4"  
C. 5/16" x 18 x 1-1/2"  
E. 3/8" x 16 x 1"  
F. 3/8" x 16 x 1-1/2"



Top Plate w/Brake  
Top Plate Size 1-3/16" x 2"  
spacing 13/16" x 1-9/16"  
3/16" diameter bolt

See Page 726 for  
Caster Sockets

Must Have  
Stem Code  
and Size

Wheel Dia. (Inches)	Tread Width (Inches)	Load Capacity (lbs)	Tread Material	Wheel Bearing	Load Height (inches)	Swivel Radius (inches)	ALCO Part No. Straight Stem	ALCO Part No. Grip Ring	ALCO Part No. Threaded	ALCO Part No. Plate	Price Each
<b>2</b>	13/16	75	Soft Grey	Plain	2-1/2	1-7/8	AL-57344	AL-57345	AL-57346	AL-57347	\$5.95
<b>3</b>	13/16	75	Soft Grey	Plain	3-1/2	2-9/16	AL-57348	AL-57349	AL-57350	AL-57351	\$7.95

## Light Duty Plate Casters by Jarvis

### Features

- ✓ Heavy gauge cold rolled steel, formed for strength
- ✓ Bright zinc plating to resist rust and corrosion
- ✓ 5/16" diameter bolt with lock nut for easy cleaning

Add Code for Top Plate Required Example AL-71958-1

Code	Overall Size	Bolt Hole Spacing	Bolt Hole Size
3	2-3/8"x3-5/8"	1-3/4"x3"	5/16"



Top Plate Swivel  
AL-71963-3

Top Plate Rigid  
AL-71968-3

Dia. (In)	Tread Width (Inches)	Tread Material (Grey)	Wheel Bearing	Load Cap.	Load Height	Swivel Radius	Swivel		Rigid (2-3/8" x 3-5/8" Only)	
							ALCO Part No.	Price Each	ALCO Part No.	Price Each
3	15/16	Grey Flat Rubber (PolyCore)	Plain	125	3-7/8"	2-3/4"	AL-71959-3	\$13.95	AL-71965-3	\$10.95
	4	15/16	Grey Flat Rubber ( PolyCore)	Plain	125	4-3/4"	3-5/16"	AL-71960-3	\$14.95	AL-71966-3
5	1	Grey Polyurethane	Ball	150	4-3/4"	3-5/16"	AL-71961-3	\$21.95	AL-71967-3	\$18.95
	1	Grey Flat Rubber ( PolyCore)	Plain	125	5-7/8"	4"	AL-71962-3	\$15.95	AL-71968-3	\$12.95
	1	Grey Polyurethane	Ball	160	5-7/8"	4"	AL-71963-3	\$22.95	AL-71969-3	\$12.95

EP1

## Light Duty Threaded & Grip Ring Casters



Threaded Stem  
AL-71973-7

Grip Ring Stem  
AL-71979-5

Diameter (Inches)	Tread Width (Inches)	Tread Material (Grey)	Wheel Bearing	Load Capacity	Load Height	Swivel Radius	Threaded Stem		Grip Ring Stem	
							ALCO Part No.	Price Each	ALCO Part No.	Price Each
4	15/16	Grey Flat Rubber ( PolyCore)	Plain	125	4-5/8"	3-5/16"	AL-71972	\$16.95	AL-71978	\$14.95
	1	Grey Polyurethane	Ball	150	4-5/8"	3-5/16"	AL-71973	\$23.95	AL-71979	\$21.95
5	15/16	Grey Flat Rubber ( PolyCore)	Plain	150	5-5/8"	4"	AL-71974	\$17.95	AL-71980	\$15.95
	1	Grey Polyurethane	Ball	160	5-5/8"	4"	AL-71975	\$24.95	AL-71981	\$22.95

Grip Ring Stems Available. Specify Code No. - 7/16" x 1-3/8" (Code 4); 7/16" x 1-15/16" (Code 5)

Threaded Stems Available. Specify Code No. - 7/16"-14 x 1-1/2" (Code 7); 1/2"-13 x 1" (Code 8); 1/2"-13 x 1-1/2" (Code 9)

For Wheel Options See Page 685 ▶

**684** VERTILOK Brake Swivel Only  
AL-14847 \$6.95



**Wheels Are  
Non-Removable**

# Medium Duty Casters by Jarvis



**BUY 11 GET 1 FREE!**

**Features**

- ✓ Bright zinc plating to resist rust and corrosion
- ✓ Heavy gauge cold rolled steel, formed for strength
- ✓ Double ball bearing with hardened raceways
- ✓ 3/8" diameter riveted nut and bolt for easy cleaning
- ✓ Top plate measures 2-3/4" x 3-3/4"



Wheel Dia. (Inches)	Tread Width (Inches)	Tread Material	Bearing	Load Capacity (lbs)	Load Height (Inches)	Swivel Radius (Inches)	Swivel		Rigid	
							ALCO Part No.	Price Each	ALCO Part No.	Price Each
4	1 1/4	Grey Rubber (Flat)	Precision Ball	190	5-7/16	3-5/16	AL-71982	\$16.95	AL-71986	\$13.95
		Grey Polyurethane	Precision Ball	300	5-7/16	3-5/16	AL-71983	\$16.95	AL-71987	\$13.95
5	1 1/4	Grey Rubber (Flat)	Precision Ball	200	6-1/2	3-3/16	AL-71984	\$18.95	AL-71988	\$14.95
		Grey Polyurethane	Precision Ball	300	6-1/2	3-3/16	AL-71985	\$18.95	AL-71989	\$14.95

Wheel Dia. (Inches)	Tread Width (Inches)	Tread Material	Bearing	Load Capacity (lbs)	Load Height (Inches)	Swivel Radius (Inches)	Total Lock	
							ALCO Part No.	Price Each
4	1 1/4	Grey Rubber (Flat)	Precision Ball	190	5-7/16	4-1/8	AL-71990	\$20.95
		Grey Polyurethane	Precision Ball	300	5-7/16	4-1/8	AL-71991	\$20.95
5	1 1/4	Grey Rubber (Flat)	Precision Ball	200	6-1/2	4-1/8	AL-71992	\$22.95
		Grey Polyurethane	Precision Ball	300	6-1/2	4-1/8	AL-71993	\$22.95

Note: Plate Size is 2-3/4" x 3-3/4"; Bolt Hole Spacing is 1-3/4" x 2-7/8" to 3" (5/16" Bolt Hole)

**WHEEL OPTIONS**



Grey Rubber Flat Tread



Grey Polyurethane Flat Tread



Grey Rubber (Flat) on Polyolefin Core

Phone 800-323-4282 • 630-655-1900  
FAX 800-950-1167 • 630-655-1990

E-mail: [info@alcosales.com](mailto:info@alcosales.com)  
Website: [www.alcosales.com](http://www.alcosales.com)

EP1



# Medium Duty Casters by Jarvis

## Capacity Up To 325 Lbs.

Wheels Are Removable  
For Easy Cleaning

**BUY 11 GET 1 FREE!**

Code	Top Plate Size	Bolt Hole Spacing	Size
2	2-3/8" x 3-5/8"	1-3/4" x 3"	5/16"
3	3-1/8" x 4-1/8"	2-3/8" x 3-7/16"	5/16"
5	3-3/4" x 4-1/2"	2-5/8" x 3-5/8" to 3" x 3"	3/8"

Add Code for Top Plate Required. Example: **AL-72017-2**



Wheel Dia. (Inches)	Tread Width (Inches)	Wheel Type	Bearing	Load Capacity (lbs)	Load Height (Inches)	Radius (Inches)	Swivel		Rigid	
							ALCO Part No.	Price Each	ALCO Part No.	Price Each
<b>3 1/2</b>	<b>1 1/4</b>	Rubber Round	Delrin	225	4-5/8	3-1/4	<b>AL-72001</b>	<b>\$19.95</b>	<b>AL-72027</b>	<b>\$15.95</b>
		Rubber Round	Ball	225	4-5/8	3-1/4	<b>AL-72002</b>	<b>\$20.95</b>	<b>AL-72028</b>	<b>\$16.95</b>
		Rubber Flat	Delrin	250	4-5/8	3-1/4	<b>AL-72003</b>	<b>\$19.95</b>	<b>AL-72029</b>	<b>\$15.95</b>
		Rubber Flat	Ball	250	4-5/8	3-1/4	<b>AL-72004</b>	<b>\$20.95</b>	<b>AL-72030</b>	<b>\$16.95</b>
		Polyurethane	Delrin	250	4-5/8	3-1/4	<b>AL-72006</b>	<b>\$19.95</b>	<b>AL-72032</b>	<b>\$15.95</b>
		Polyurethane	Ball	250	4-5/8	3-1/4	<b>AL-72007</b>	<b>\$20.95</b>	<b>AL-72033</b>	<b>\$16.95</b>
<b>4</b>	<b>1 1/4</b>	Rubber Round	Delrin	250	5-1/8	3-1/2	<b>AL-72008</b>	<b>\$20.95</b>	<b>AL-72034</b>	<b>\$16.95</b>
		Rubber Round	Ball	250	5-1/8	3-1/2	<b>AL-72009</b>	<b>\$21.95</b>	<b>AL-72035</b>	<b>\$17.95</b>
		Rubber Flat	Delrin	300	5-1/8	3-1/2	<b>AL-72010</b>	<b>\$20.95</b>	<b>AL-72036</b>	<b>\$16.95</b>
		Rubber Flat	Ball	300	5-1/8	3-1/2	<b>AL-72011</b>	<b>\$21.95</b>	<b>AL-72037</b>	<b>\$17.95</b>
		Polyurethane	Delrin	275	5-1/8	3-1/2	<b>AL-72013</b>	<b>\$20.95</b>	<b>AL-72039</b>	<b>\$16.95</b>
		Polyurethane	Ball	275	5-1/8	3-1/2	<b>AL-72014</b>	<b>\$21.95</b>	<b>AL-72040</b>	<b>\$17.95</b>
<b>5</b>	<b>1 1/4</b>	Rubber Round	Delrin	250	6-1/4	4	<b>AL-72015</b>	<b>\$21.95</b>	<b>AL-72041</b>	<b>\$17.95</b>
		Rubber Round	Ball	250	6-1/4	4	<b>AL-72016</b>	<b>\$22.95</b>	<b>AL-72042</b>	<b>\$18.95</b>
		Rubber Flat	Delrin	325	6-1/4	4	<b>AL-72017</b>	<b>\$21.95</b>	<b>AL-72043</b>	<b>\$17.95</b>
		Rubber Flat	Ball	325	6-1/4	4	<b>AL-72018</b>	<b>\$22.95</b>	<b>AL-72044</b>	<b>\$18.95</b>
		Polyurethane	Delrin	300	6-1/4	4	<b>AL-72020</b>	<b>\$21.95</b>	<b>AL-72046</b>	<b>\$17.95</b>
		Polyurethane	Ball	300	6-1/4	4	<b>AL-72021</b>	<b>\$22.95</b>	<b>AL-72047</b>	<b>\$18.95</b>
<b>6</b>	<b>1 1/4</b>	Rubber Round	Delrin	300	7-1/4	4-1/2	<b>AL-72022</b>	<b>\$28.95</b>	<b>AL-72048</b>	<b>\$17.95</b>
		Rubber Round	Ball	300	7-1/4	4-1/2	<b>AL-72023</b>	<b>\$30.95</b>	<b>AL-72049</b>	<b>\$18.95</b>
		Polyurethane	Delrin	300	7-1/4	4-1/2	<b>AL-72025</b>	<b>\$28.95</b>	<b>AL-72051</b>	<b>\$17.95</b>
		Polyurethane	Ball	300	7-1/4	4-1/2	<b>AL-72026</b>	<b>\$30.95</b>	<b>AL-72052</b>	<b>\$18.95</b>

### OPTIONS



PosiLoc® Brake  
**AL-72053**  
**\$8.95**



VertiLoc® Brake  
**AL-14847**  
**\$6.95**



Swivel Lock  
**AL-72054**  
**\$4.95**

### WHEEL OPTIONS



Grey Rubber Round Tread



Grey Rubber Flat Tread



Grey Polyurethane Flat Tread

**Grey Rubber is Quiet and Non-marking**



# Medium Duty Casters by Jarvis Capacity Up To 325 Lbs



**BUY 11 GET 1 FREE!**

Wheels Are Removable  
For Easy Cleaning



Wheel Dia. (Inches)	Tread Width (Inches)	Wheel Type	Bearing	Load Capacity (lbs)	Load Height (Inches)	Swivel Radius (Inches)	Stem		Threaded Stem		Hollow King Pin		Octagon Stem	
							ALCO Part No.	Price Each	ALCO Part No.	Price Each	ALCO Part No.	Price Each	ALCO Part No.	Price Each
3 1/2	1 1/4	Rubber Round	Delrin	225	4-7/16	3-1/4	AL-72055	\$26.95	AL-72081	\$19.95	AL-72145	\$26.95	AL-72171	\$26.95
		Rubber Round	Ball	225	4-7/16	3-1/4	AL-72056	\$28.95	AL-72082	\$20.95	AL-72146	\$28.95	AL-72172	\$28.95
		Rubber Flat	Delrin	250	4-7/16	3-1/4	AL-72057	\$26.95	AL-72083	\$19.95	AL-72147	\$26.95	AL-72173	\$26.95
		Rubber Flat	Ball	250	4-7/16	3-1/4	AL-72058	\$28.95	AL-72084	\$20.95	AL-72148	\$28.95	AL-72174	\$28.95
		Polyurethane	Delrin	250	4-7/16	3-1/4	AL-72060	\$26.95	AL-72086	\$19.95	AL-72150	\$26.95	AL-72176	\$26.95
		Polyurethane	Ball	250	4-7/16	3-1/4	AL-72061	\$28.95	AL-72087	\$20.95	AL-72151	\$28.95	AL-72177	\$28.95
4	1 1/4	Rubber Round	Delrin	250	4-15/16	3-1/2	AL-72062	\$20.95	AL-72088	\$20.95	AL-72152	\$27.95	AL-72178	\$27.95
		Rubber Round	Ball	250	4-15/16	3-1/2	AL-72063	\$21.95	AL-72089	\$21.95	AL-72153	\$28.95	AL-72179	\$28.95
		Rubber Flat	Delrin	300	4-15/16	3-1/2	AL-72064	\$20.95	AL-72090	\$20.95	AL-72154	\$27.95	AL-72180	\$27.95
		Rubber Flat	Ball	300	4-15/16	3-1/2	AL-72065	\$21.95	AL-72091	\$21.95	AL-72155	\$28.95	AL-72181	\$28.95
		Polyurethane	Delrin	275	4-15/16	3-1/2	AL-72067	\$20.95	AL-72093	\$20.95	AL-72157	\$27.95	AL-72183	\$27.95
		Polyurethane	Ball	275	4-15/16	3-1/2	AL-72068	\$21.95	AL-72094	\$21.95	AL-72158	\$28.95	AL-72184	\$29.95
5	1 1/4	Rubber Round	Delrin	250	6-1/16	4	AL-72069	\$28.95	AL-72095	\$22.95	AL-72159	\$28.95	AL-72185	\$28.95
		Rubber Round	Ball	250	6-1/16	4	AL-72070	\$29.95	AL-72134	\$24.95	AL-72160	\$29.95	AL-72186	\$29.95
		Rubber Flat	Delrin	325	6-1/16	4	AL-72071	\$28.95	AL-72135	\$22.95	AL-72161	\$28.95	AL-72187	\$28.95
		Rubber Flat	Ball	325	6-1/16	4	AL-72072	\$29.95	AL-72136	\$24.95	AL-72162	\$29.95	AL-72188	\$29.95
		Polyurethane	Delrin	300	6-1/16	4	AL-72074	\$28.95	AL-72138	\$22.95	AL-72164	\$28.95	AL-72190	\$28.95
		Polyurethane	Ball	300	6-1/16	4	AL-72075	\$29.95	AL-72139	\$24.95	AL-72165	\$29.95	AL-72191	\$29.95
6	1 1/4	Rubber Round	Delrin	300	7-1/16	4-1/2	AL-72076	\$28.95	AL-72140	\$28.95	AL-72166	\$28.95	AL-72192	\$28.95
		Rubber Round	Ball	300	7-1/16	4-1/2	AL-72077	\$30.95	AL-72141	\$30.95	AL-72167	\$30.95	AL-72193	\$30.95
		Polyurethane	Delrin	300	7-1/16	4-1/2	AL-72079	\$28.95	AL-72143	\$28.95	AL-72169	\$28.95	AL-72195	\$28.95
		Polyurethane	Ball	300	7-1/16	4-1/2	AL-72080	\$30.95	AL-72144	\$30.95	AL-72170	\$30.95	AL-72196	\$30.95

◀ See Page 686 For Wheel Options

Grip Ring Stem	
Code	Dimensions
1	3/4" x 2-3/16"
3*	.845" x 2-3/16"
4	.865" x 2-3/16"
*For MetroWire Cart	
Add Stem Code. Example: <b>AL-72055-1</b>	

Threaded Stem	
Code	Dimensions
1	1/2"-13 x 3/4"
2	1/2"-13 x 1"
3	1/2"-13 x 1-1/2"
4	1/2"-20 x 3/4"
5	1/2"-20 x 2-1/4"
6	5/8"-11 x 1-1/4"
7	5/8"-18 x 1-3/4"
8	3/4"-10 x 1"



# Medium Duty Series 2 Casters by Colson

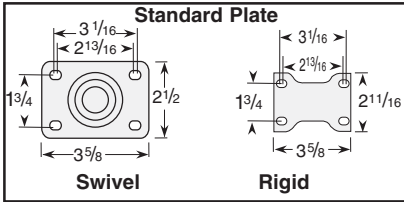
## Capacity up to 325 lbs

**colson**

**BUY 11 GET 1 FREE!**

**Medium Duty Casters**

- ✓ Zinc plated finish
- ✓ Full double ball hardened raceways for better performance and greater durability
- ✓ 3/8" hollow axle with lock nut
- ✓ Grease holes on wheel bearing for greater convenience



Wheel Dia. (Inches)	Tread Width (Inches)	Capc. Per Caster (lbs)	Tread Material	Wheel Bearing	Load Height (Inches)	Swivel Radius (Inches)	Swivel Plate Caster		Rigid Plate Caster		Total Lock Plate Caster			
							ALCO Part No.	Price Each	ALCO Part No.	Price Each	ALCO Part No.	Price Each		
2 1/2	1 1/4	140	Performa (Flat Tread)	Delrin	3-7/8	2-13/32	AL-4609	\$15.95	AL-4610	\$12.95				
				Ball	3-7/8	2-13/32	AL-4611	\$20.95	AL-4612	\$15.95				
		200	Polyolefin	Delrin	3-7/8	2-13/32	AL-4613	\$14.95	AL-4614	\$12.95				
				Ball	3-7/8	2-13/32	AL-4615	\$19.95	AL-4616	\$14.95				
		250	Polyurethane (High Tech)	Delrin	3-7/8	2-13/32	AL-4617	\$22.95	AL-4618	\$19.95				
				Ball	3-7/8	2-13/32	AL-4619	\$22.95	AL-4620	\$19.95				
125	Performa (Cond. Flat)	Ball	3-7/8	2-13/32	AL-57023	\$26.95	AL-57033	\$23.95						
300	Phenolic	Roller	3-7/8	2-13/32	AL-4623	\$21.95	AL-4624	\$17.95						
3	1 1/4	300	Phenolic	Roller	4-1/8	2-21/32	AL-4625	\$22.95	AL-4626	\$18.95				
				200	Polyolefin	Delrin	4-1/8	2-21/32	AL-52620	\$15.95			AL-52623	\$12.95
						Plain	4-1/8	2-21/32	AL-52621	\$19.95			AL-52624	\$14.95
				200	Polyurethane (High Tech)	Plain	4-1/8	2-21/32	AL-52622	\$21.95			AL-52625	\$17.95
3 1/2	1 1/4	250	Performa (Flat Tread)	Delrin	4-11/16	2-29/32	AL-4627	\$18.95	AL-4628	\$12.95	AL-52610	\$31.95		
				Ball	4-11/16	2-29/32	AL-4629	\$19.95	AL-4630	\$14.95	AL-52611	\$33.95		
		230	Polyolefin	Delrin	4-11/16	2-29/32	AL-4631	\$15.95	AL-4632	\$12.95	AL-52612	\$26.95		
				Ball	4-11/16	2-29/32	AL-4633	\$22.95	AL-4634	\$13.95	AL-52613	\$29.95		
		210	Performa (Cond. Rd) Performa (Cond. Flat)	Ball	4-11/16	2-29/32	AL-57024	\$29.95	AL-57034	\$26.95	AL-57043	\$40.95		
				Ball	4-11/16	2-29/32	AL-57025	\$29.95	AL-57035	\$27.95	AL-57044	\$40.95		
	300	High Temp	Plain	4-11/16	2-29/32	AL-57026	\$25.95	AL-57036	\$23.95	NA	NA			
			Delrin	4-11/16	2-29/32	AL-4645	\$23.95	AL-4646	\$16.95	AL-52616	\$30.95			
	250	Polyurethane (High Tech)	Ball	4-11/16	2-29/32	AL-4647	\$25.95	AL-4648	\$18.95	AL-52617	\$34.95			
			Delrin	4-11/16	2-29/32	AL-10135	\$24.95	AL-10137	\$19.95	AL-52618	\$33.95			
1 5/16	210	Performa Rubber (Round Tread)	Delrin	4-11/16	2-29/32	AL-10136	\$26.95	AL-10138	\$21.95	AL-52619	\$38.95			
			Ball	4-11/16	2-29/32	AL-4657	\$19.95	AL-4658	\$14.95	AL-15379	\$31.95			
4	1 1/4	300	Performa (Flat Tread)	Delrin	5-1/8	3-7/32	AL-4657S	\$24.95	AL-4659	\$16.95	AL-15380	\$35.95		
				Ball	5-1/8	3-7/32	AL-4660	\$18.95	AL-4661	\$14.95	AL-15381	\$31.95		
		275	Polyolefin	Delrin	5-1/8	3-7/32	AL-4662	\$22.95	AL-4663	\$17.95	AL-15382	\$35.95		
				Ball	5-1/8	3-7/32	AL-57028	\$33.95	AL-57038	\$30.95	AL-57046	\$44.95		
		250	Performa (Cond. Flat)	Ball	5-1/8	3-7/32	AL-57029	\$28.95	AL-57039	\$24.95	NA	NA		
				Plain	5-1/8	3-7/32	AL-4674	\$24.95	AL-4675	\$18.95	AL-15387	\$35.95		
		300	High Temp	Delrin	5-1/8	3-7/32	AL-4676	\$25.95	AL-4677	\$19.95	AL-15388	\$36.95		
				Ball	5-1/8	3-7/32	AL-4686	\$18.95	AL-4687	\$17.95	AL-15389	\$36.95		
5	1 1/4	325	Performa (Flat Tread)	Delrin	6-3/16	3-13/16	AL-4688	\$21.95	AL-4689	\$19.95	AL-15390	\$38.95		
				Ball	6-3/16	3-13/16	AL-4690	\$17.95	AL-4691	\$13.95	AL-15391	\$31.95		
		Polyolefin	Delrin	6-3/16	3-13/16	AL-4692	\$22.95	AL-4693	\$20.95	AL-15392	\$35.95			
			Ball	6-3/16	3-13/16	AL-57030	\$36.95	AL-57040	\$32.95	AL-57047	\$46.95			
		250	Performa (Cond. Rd) Performa (Cond. Flat)	Ball	6-3/16	3-13/16	AL-57031	\$34.95	AL-57041	\$32.95	AL-57048	\$44.95		
				Ball	6-3/16	3-13/16	AL-57032	\$29.95	AL-57042	\$24.95	NA	NA		
	300	High Temp	Plain	6-3/16	3-13/16	AL-4704	\$22.95	AL-4705	\$20.95	AL-15397	\$37.95			
			Delrin	6-3/16	3-13/16	AL-4706	\$25.95	AL-4707	\$22.95	AL-15398	\$39.95			
	300	Polyurethane (High Tech)	Delrin	6-3/16	3-13/16	AL-10131	\$25.95	AL-10133	\$19.95	AL-47737	\$35.95			
			Ball	6-3/16	3-13/16	AL-10132	\$27.95	AL-10134	\$21.95	AL-47738	\$37.95			

See Page 689 For Wheel Selection

EP1



# Medium Duty Series 2 Casters by Colson *colson*

Capacity up to 325 lbs Each

**BUY 11 GET 1 FREE!**

**Threaded Stem**



AL-4686-1

Add Stem Code to Swivel Caster Part Number.

Example: AL-4686-1

**Stem Sizes:**

Code 1:	1/2"-13 x 1"
Code 2:	1/2"-20 x 3/4"
Code 3:	1/2"-13 x 1-1/2"
Code 4:	1/2"-13 x 3/4"
Code 8:	5/8"-11 x 1-3/4"
Code 9:	5/8"-18 x 1-3/4"
Code 10:	3/4"-10 x 1-3/4"

**Threaded Stem Total Lock**



AL-15389-1

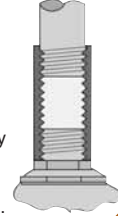
**Pipe Thread Stem**



Add Stem Code to Swivel Caster Part Number.

Example: AL-4688-7

Code 7 Pipe Threaded Stem



Mounting: Pipe thread stem screws directly into standard pipe coupling for rigid and permanent fit with full swivel action. Tapered pipe thread to fit 3/4" pipe coupling.

**WHEEL SELECTION**



Wheel Dia. (Inches)	Tread Width (Inches)	Capc. Per Caster (lbs)	Tread Material	Wheel Bearing	Load Height (Inches)	Swivel Radius (Inches)	Swivel Caster		Total Lock		
							ALCO Part No.	Price Each	ALCO Part No.	Price Each	
2 1/2	1 1/4	125	Performa (Cond. Flat)	Ball	3-3/4	2-13/32	AL-57023	\$26.95			
		140	Performa (Flat Tread)	Delrin	3-3/4	2-13/32	AL-4609	\$20.95			
				Ball	3-3/4	2-13/32	AL-4611	\$25.95			
		200	Polyolefin	Delrin	3-3/4	2-13/32	AL-4613	\$21.95			
				Ball	3-3/4	2-13/32	AL-4615	\$23.95			
			250	Polyurethane (High Tech)	Delrin	3-3/4	2-13/32	AL-4617			\$20.95
					Ball	3-3/4	2-13/32	AL-4619			\$20.95
		1-7/16	300	Phenolic	Roller	3-3/4	2-13/32	AL-4623			\$22.95
		1-15/32	300	Phenolic	Roller	4	2-21/32	AL-4625			\$26.95
			150	Rubber (High Tech)	Plain	4	2-21/32	AL-52621			\$20.95
3	1 1/4	200	Polyolefin	Delrin	4	2-21/32	AL-52620	\$21.95			
		200	Polyurethane (High Tech)	Plain	4	2-21/32	AL-52622	\$20.95			
		1 5/16	210	Performa Rubber (Round Tread)	Delrin	4-9/16	2-29/32	AL-10135	\$26.95	AL-52618	\$37.95
					Ball	4-9/16	2-29/32	AL-10136	\$26.95	AL-52619	\$39.95
3 1/2	1 1/4	210	Performa (Cond. Rd)	Ball	4-9/16	2-29/32	AL-57024	\$31.95	AL-57043	\$40.95	
			Performa (Cond. Flat)	Ball	4-9/16	2-29/32	AL-57025	\$31.95	AL-57044	\$40.95	
		230	Polyolefin	Delrin	4-9/16	2-29/32	AL-4631	\$19.95	AL-52612	\$26.95	
				Ball	4-9/16	2-29/32	AL-4633	\$22.95	AL-52613	\$29.95	
		300	High Temp	Plain	4-9/16	2-29/32	AL-57026	\$29.95	NA	NA	
		250	Performa (Flat Tread)	Delrin	4-9/16	2-29/32	AL-4627	\$20.95	AL-52610	\$35.95	
				Ball	4-9/16	2-29/32	AL-4629	\$25.95	AL-52611	\$37.95	
		250	Polyurethane (High Tech)	Delrin	4-9/16	2-29/32	AL-4645	\$24.95	AL-52616	\$37.95	
		Ball	4-9/16	2-29/32	AL-4647	\$24.95	AL-52617	\$39.95			
4	1 1/4	250	Performa (Cond. Flat)	Ball	5	3-7/32	AL-57028	\$34.95	AL-57046	\$48.95	
		275	Polyurethane (High Tech)	Delrin	5	3-7/32	AL-4674	\$24.95	AL-15387	\$34.95	
				Ball	5	3-7/32	AL-4676	\$26.95	AL-15388	\$40.95	
		275	Polyolefin	Delrin	5	3-7/32	AL-4660	\$22.95	AL-15381	\$32.95	
				Ball	5	3-7/32	AL-4662	\$24.95	AL-15382	\$35.95	
		300	Performa (Flat Tread)	Delrin	5	3-7/32	AL-4657	\$23.95	AL-15379	\$33.95	
				Ball	5	3-7/32	AL-4657S	\$25.95	AL-15380	\$35.95	
		300	High Temp	Plain	5	3-7/32	AL-57029	\$31.95	NA	NA	
5	1 5/16	250	Performa (Round Tread)	Delrin	6-1/16	3-13/16	AL-10131	\$26.95	AL-47737	\$39.95	
				Ball	6-1/16	3-13/16	AL-10132	\$28.95	AL-47738	\$41.95	
	250	Performa (Cond. Rd)	Ball	6-1/16	3-13/16	AL-57030	\$39.95	AL-57047	\$51.95		
		Performa (Cond. Flat)	Ball	6-1/16	3-13/16	AL-57031	\$39.95	AL-57048	\$49.95		
	325	Performa (Flat Tread)	Delrin	6-1/16	3-13/16	AL-4686	\$24.95	AL-15389	\$39.95		
			Ball	6-1/16	3-13/16	AL-4688	\$24.95	AL-15390	\$41.95		
		Polyolefin	Delrin	6-1/16	3-13/16	AL-4690	\$19.95	AL-15391	\$35.95		
			Ball	6-1/16	3-13/16	AL-4692	\$24.95	AL-15392	\$37.95		
	300	High Temp	Plain	6-1/16	3-13/16	AL-57032	\$31.95	NA	NA		
	300	Polyurethane (High Tech)	Delrin	6-1/16	3-13/16	AL-4704	\$27.95	AL-15397	\$41.95		
		Ball	6-1/16	3-13/16	AL-4706	\$29.95	AL-15398	\$43.95			

MADE IN THE USA

# colson Medium Duty Series 2 Casters by Colson

Capacity up to 325 lbs Each

Wheels Are Removable  
For Easy Cleaning

**BUY 11 GET 1 FREE!**

## Grip Ring Stem



Add Stem Code to Swivel  
Caster Part Number

Example: **AL-4688-5**

- Code 5:** 5/8" x 2-3/16" long
- Code 15:** 3/4" x 2-3/16" long
- Code 16:** 13/16" x 2-3/16" long
- Code 17:** 27/32" x 2-3/16" long  
For Metro Wire Cart
- Code 18:** 7/8" x 2-3/16" long
- Code 19:** 1" x 2-3/16" long

**AL-4688-5**

## Grip Ring Total Lock



**AL-15389-5**

## OPTIONS



1/2" hollow rivet which will accept a wide variety of mounting stems  
Code (MS) \$4.00  
Example: **AL-4686MS**



Tread Lock Brake  
(Available on All swivel models).  
**AL-52595 \$5.00**



Thread Guards  
**AL-14849 \$3.00**

Wheel Dia. (Inches)	Tread Width (Inches)	Capc. Per Caster (lbs)	Tread Material	Wheel Bearing	Load Height (Inches)	Swivel Radius (Inches)	Swivel Caster		Total Lock	
							ALCO Part No.	Price Each	ALCO Part No.	Price Each
2 1/2	1 1/4	125	Performa (Cond. Flat)	Ball	3-3/4	2-13/32	<b>AL-57023</b>	<b>\$28.95</b>		
		140	Performa Rubber (Flat Tread)	Delrin	3-3/4	2-13/32	<b>AL-4609</b>	<b>\$20.95</b>		
				Ball	3-3/4	2-13/32	<b>AL-4611</b>	<b>\$25.95</b>		
		200	Polyolefin	Delrin	3-3/4	2-13/32	<b>AL-4613</b>	<b>\$21.95</b>		
				Ball	3-3/4	2-13/32	<b>AL-4615</b>	<b>\$23.95</b>		
		250	Polyurethane (High Tech)	Delrin	3-3/4	2-13/32	<b>AL-4617</b>	<b>\$18.95</b>		
				Ball	3-3/4	2-13/32	<b>AL-4619</b>	<b>\$18.95</b>		
	1-7/16	300	Phenolic	Roller	3-3/4	2-13/32	<b>AL-4623</b>	<b>\$19.95</b>		
3	1-15/32	300	Phenolic	Roller	4	2-21/32	<b>AL-4625</b>	<b>\$26.95</b>		
	1 1/4	200	Polyolefin	Delrin	4	2-21/32	<b>AL-52620</b>	<b>\$21.95</b>		
		150	Rubber (High Tech)	Plain	4	2-21/32	<b>AL-52621</b>	<b>\$21.95</b>		
		200	Polyurethane (High Tech)	Plain	4	2-21/32	<b>AL-52622</b>	<b>\$22.95</b>		
3 1/2	1 1/4	250	Performa (Flat Tread)	Delrin	4-9/16	2-29/32	<b>AL-4627</b>	<b>\$22.95</b>	<b>AL-52610</b>	<b>\$35.95</b>
				Ball	4-9/16	2-29/32	<b>AL-4629</b>	<b>\$25.95</b>	<b>AL-52611</b>	<b>\$37.95</b>
		230	Polyolefin	Delrin	4-9/16	2-29/32	<b>AL-4631</b>	<b>\$19.95</b>	<b>AL-52612</b>	<b>\$26.95</b>
				Ball	4-9/16	2-29/32	<b>AL-4633</b>	<b>\$21.95</b>	<b>AL-52613</b>	<b>\$29.95</b>
		210	Performa (Cond. Rd)	Ball	4-9/16	2-29/32	<b>AL-57024</b>	<b>\$32.95</b>	<b>AL-57043</b>	<b>\$40.95</b>
			Performa (Cond. Flat)	Ball	4-9/16	2-29/32	<b>AL-57025</b>	<b>\$32.95</b>	<b>AL-57044</b>	<b>\$40.95</b>
		300	High Temp	Plain	4-9/16	2-29/32	<b>AL-57026</b>	<b>\$32.95</b>	<b>NA</b>	<b>NA</b>
		250	Polyurethane (High Tech)	Delrin	4-9/16	2-29/32	<b>AL-4645</b>	<b>\$21.95</b>	<b>AL-52616</b>	<b>\$37.95</b>
				Ball	4-9/16	2-29/32	<b>AL-4647</b>	<b>\$23.95</b>	<b>AL-52617</b>	<b>\$34.95</b>
		1 5/16	210	Performa Rubber (Round Tread)	Delrin	4-9/16	2-29/32	<b>AL-10135</b>	<b>\$24.95</b>	<b>AL-52618</b>
				Ball	4-9/16	2-29/32	<b>AL-10136</b>	<b>\$26.95</b>	<b>AL-52619</b>	<b>\$39.95</b>
4	1 1/4	250	Performa (Cond. Flat)	Ball	5	3-7/32	<b>AL-57028</b>	<b>\$32.95</b>	<b>AL-57046</b>	<b>\$48.95</b>
			Polyurethane (High Tech)	Delrin	5	3-7/32	<b>AL-4674</b>	<b>\$23.95</b>	<b>AL-15387</b>	<b>\$38.95</b>
				Ball	5	3-7/32	<b>AL-4676</b>	<b>\$25.95</b>	<b>AL-15388</b>	<b>\$40.95</b>
		275	Polyolefin	Delrin	5	3-7/32	<b>AL-4660</b>	<b>\$21.95</b>	<b>AL-15381</b>	<b>\$32.95</b>
				Ball	5	3-7/32	<b>AL-4662</b>	<b>\$23.95</b>	<b>AL-15382</b>	<b>\$35.95</b>
			High Temp	Plain	5	3-7/32	<b>AL-57029</b>	<b>\$30.95</b>	<b>NA</b>	<b>NA</b>
			300	Performa Rubber (Flat Tread)	Delrin	5	3-7/32	<b>AL-4657</b>	<b>\$23.95</b>	<b>AL-15379</b>
			Ball	5	3-7/32	<b>AL-4657S</b>	<b>\$25.95</b>	<b>AL-15380</b>	<b>\$35.95</b>	
5	1 1/4	250	Performa (Cond. Rd)	Ball	6-1/16	3-13/16	<b>AL-57030</b>	<b>\$39.95</b>	<b>AL-57047</b>	<b>\$51.95</b>
			Performa (Cond. Flat)	Ball	6-1/16	3-13/16	<b>AL-57031</b>	<b>\$35.95</b>	<b>AL-57048</b>	<b>\$49.95</b>
			High Temp	Plain	6-1/16	3-13/16	<b>AL-57032</b>	<b>\$29.95</b>	<b>NA</b>	<b>NA</b>
		300	Polyurethane (High Tech)	Delrin	6-1/16	3-13/16	<b>AL-4704</b>	<b>\$27.95</b>	<b>AL-15397</b>	<b>\$41.95</b>
				Ball	6-1/16	3-13/16	<b>AL-4706</b>	<b>\$29.95</b>	<b>AL-15398</b>	<b>\$43.95</b>
			Performa Rubber (Flat Tread)	Delrin	6-1/16	3-13/16	<b>AL-4686</b>	<b>\$26.95</b>	<b>AL-15389</b>	<b>\$39.95</b>
		325		Ball	6-1/16	3-13/16	<b>AL-4688</b>	<b>\$28.95</b>	<b>AL-15390</b>	<b>\$41.95</b>
				Delrin	6-1/16	3-13/16	<b>AL-4690</b>	<b>\$25.95</b>	<b>AL-15391</b>	<b>\$35.95</b>
				Ball	6-1/16	3-13/16	<b>AL-4692</b>	<b>\$27.95</b>	<b>AL-15392</b>	<b>\$37.95</b>
		1 5/16	250	Performa Rubber (Round Tread)	Delrin	6-1/16	3-13/16	<b>AL-10131</b>	<b>\$22.95</b>	<b>AL-47737</b>
				Ball	6-1/16	3-13/16	<b>AL-10132</b>	<b>\$26.95</b>	<b>AL-47738</b>	<b>\$41.95</b>

**Temperature Range:** -70°F to +525°F intermittent service  
1(+475° continuous service)  
**1Hardness:** 85(±5) Durometer Shore D scale

See Page 689 For  
Wheel Selection

See Page 726 for  
Caster Sockets



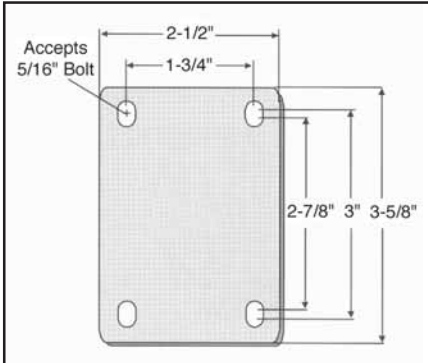
**MADE IN THE USA**

# Medium Duty Casters—Best Buy

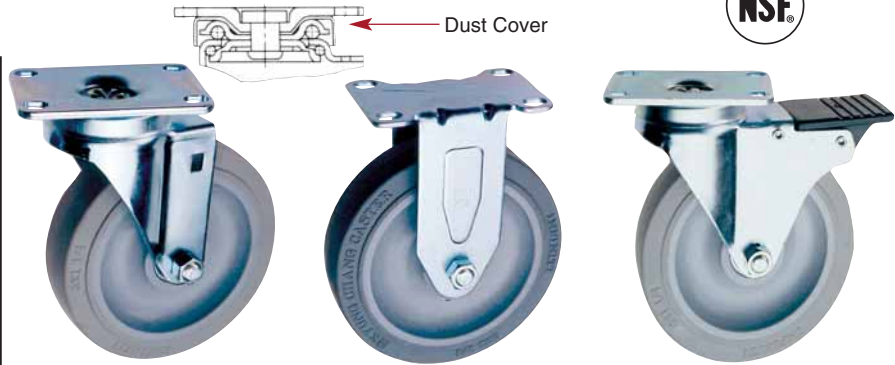
Capacity up to 300 lbs

**BUY 11 GET 1 FREE!**

Wheels Are Removable  
For Easy Cleaning



With Standard US Top Plate



5" Swivel Caster  
AL-57107 \$14.95

5" Rigid Caster  
AL-57122 \$11.95

5" Total Lock Brake Caster  
AL-57092 \$20.95

Wheel Dia. (Inches)	Tread Width (Inches)	Load Capacity (lbs.)	Tread Material	Wheel Bearing	Swivel Caster		Rigid Caster		Total-Lock Brake Caster			
					ALCO Part No.	Price Each	ALCO Part No.	Price Each	ALCO Part No.	Price Each		
3 1/2	1 1/4	260	Polyurethane	Ball	AL-57095	\$14.95	AL-57110	\$10.95	AL-57080	\$19.95		
				Delrin	AL-57096	\$14.95	AL-57111	\$10.95	AL-57081	\$19.95		
		230	Grey Rubber	Ball	AL-57097	\$12.95	AL-57112	\$9.95	AL-57082	\$17.95		
				Delrin	AL-57098	\$12.95	AL-57113	\$9.95	AL-57083	\$17.95		
4	1 1/4	265	Polyurethane	Ball	AL-57100	\$14.95	AL-57115	\$12.95	AL-57085	\$20.95		
				Delrin	AL-57101	\$14.95	AL-57116	\$12.95	AL-57086	\$20.95		
		250	Grey Rubber	Ball	AL-57102	\$13.95	AL-57117	\$10.95	AL-57087	\$19.95		
				Delrin	AL-57103	\$13.95	AL-57118	\$10.95	AL-57088	\$19.95		
5	1 1/4	300	Hi Temp	Plane	AL-57104	\$22.95	AL-57119	\$19.95	AL-57089	N/A		
				265	Polyurethane	Ball	AL-57105	\$14.95	AL-57120	\$11.95	AL-57090	\$19.95
						Grey Rubber	Ball	AL-57107	\$14.95	AL-57122	\$11.95	AL-57092
300	Hi Temp	Plane	Delrin	AL-57108	\$14.95	AL-57123	\$11.95	AL-57093	\$20.95			
			Delrin	AL-57109	\$23.95	AL-57124	\$20.95	AL-57094	\$28.95			

**GRIP RING OPTION**  
For Metro Wire Carts



27/32 x 2-1/2" For Metro Wire Carts



AL-57105D2  
\$16.95

- 5" Swivel Caster Only
- AL-57105D2 \$16.95
- AL-57107D2 \$16.95
- AL-57108D2 \$16.95
- AL-57109D2 \$25.95

Check above for wheel type and bearing

- 3-1/2" Donut bumper AL-16283 \$5.95
- 5-1/2" Donut bumper AL-16284 \$9.95

**BRAKE OPTION**



Top Lock Brake. Swivel only.  
**FACTORY INSTALLED**  
3-1/2" AL-57232-3 \$3.00  
4" AL-57232-4 \$3.00  
5" AL-57232-5 \$3.00

**Features:**

- ✓ Heavily embossed, formed steel upper and lower cup
- ✓ Double row ball bearing swivel raceway construction
- ✓ Raceways and yoke hardened for extra strength
- ✓ Dust cover helps protect swivel bearings
- ✓ Finish: Bright zinc

**Caster Accessories—Call**

- ◆ Thread Guard
- ◆ Zerk Axle
- ◆ Sealed Swivel
- ◆ Expanded Applicator
- ◆ Chrome Plating
- ◆ Nickel Plating



**High Temp Wheels**

Temperature Range: -70°F to +525°F  
intermittent service (+475° continuous service)  
Hardness: 85(±5) Durometer Shore D scale

**Grey Rubber is Quiet and Non-Marking**

**Total Lock Brake Caster locks both swivel and wheel at the same time. Operates with a simple tap of the toe.**

# colson® Medium Duty Series 3 Casters by Colson

Capacity up to 400 lbs. Each

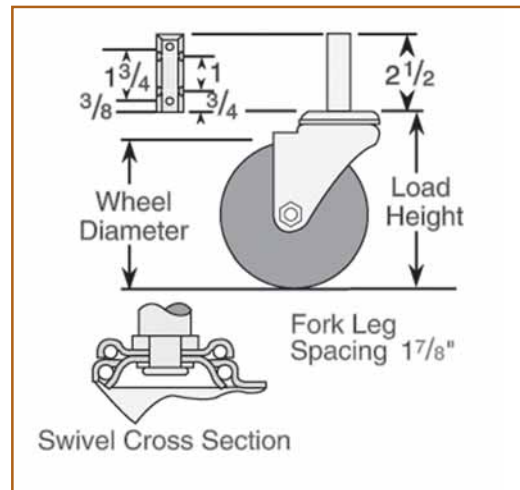
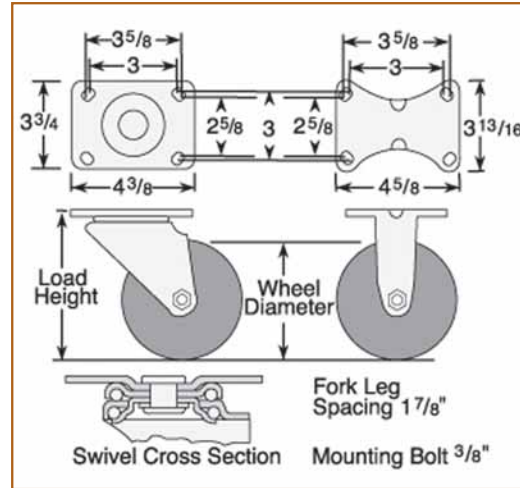
Wheels Are Removable  
For Easy Cleaning

**BUY 11 GET 1 FREE!**

### Medium Duty Casters

- ✓ Zinc plated finish
  - ✓ Full double ball hardened raceways
  - ✓ 3/8" hollow axle with lock nut
  - ✓ Permanent rivet king pin construction
  - ✓ Reinforcing washer on upper and lower raceway (swivel models)
  - ✓ .164 steel top plate
  - ✓ Grease holes: wheel bearing
  - ✓ "Colson 45" multi-temperature lube
- Stem Casters Round and Square**
- ✓ Fork Leg Spacing: 1-7/8"

See Page 693 for  
Stem Sizes  
and To Order



**OPTIONS**

**WHEEL SELECTION**

**692** Brake—Available on all swivel models  
AL-17025 \$8.00

Thread Guards  
AL-17026 \$5.00

Performa  
Grey Rubber  
Flat Tread

Polyolefin

Polyurethane  
(High Tech)  
Red

Phenolic

Cast Iron

# Medium Duty Series 3 Casters by Colson

Capacity up to 400 lbs Each



Wheels Are Removable  
For Easy Cleaning

**BUY 11 GET 1 FREE!**

Performa Grey Rubber is Quiet and Non-Marking

Wheel Dia (Inches)	Tread Width (Inches)	Capacity Per Caster (lbs)	Wheel Type	Wheel Bearing	Load Height (Inches)	Swivel Radius (Inches)	Swivel Plate		Rigid Plate		
							ALCO Part No.	Price Each	ALCO Part No.	Price Each	
3	1½	250	Grey Rubber Performa Flat Tread	Roller	4-5/16	3-1/8	AL-17070	\$27.95	AL-17118	\$22.95	
				Delrin	4-5/16	3-1/8	AL-17071	\$22.95	AL-17119	\$17.95	
		300	Polyolefin	Roller	4-5/16	3-1/8	AL-17072	\$24.95	AL-17120	\$19.95	
				Roller	4-5/16	3-1/8	AL-17073	\$35.95	AL-17121	\$30.95	
		400	Phenolic	Ball	4-5/16	3-1/8	AL-17074	\$30.95	AL-17122	\$25.95	
				Roller	4-5/16	3-1/8	AL-17075	\$28.95	AL-17123	\$23.95	
Cast Iron	Roller	4-5/16	3-1/8	AL-17077	\$30.95	AL-17125	\$25.95				
4	1½	325	Grey Rubber Performa Flat Tread	Delrin	5-3/16	3-5/8	AL-17081	\$30.95	AL-17129	\$25.95	
				Roller	5-3/16	3-5/8	AL-17082	\$37.95	AL-17130	\$32.95	
		375	Polyolefin	Delrin	5-3/16	3-5/8	AL-17085	\$22.95	AL-17133	\$18.95	
				Roller	5-3/16	3-5/8	AL-17086	\$25.95	AL-17134	\$20.95	
		400	Polyurethane (HI-TECH)	Roller	5-3/16	3-5/8	AL-17087	\$38.95	AL-17135	\$33.95	
				Phenolic	Ball	5-3/16	3-5/8	AL-17088	\$35.95	AL-17136	\$30.95
					Roller	5-3/16	3-5/8	AL-17089	\$28.95	AL-17137	\$23.95
				Cast Iron	Roller	5-3/16	3-5/8	AL-17091	\$33.95	AL-17139	\$28.95
5	1½	350	Grey Rubber Performa Flat Tread	Delrin	6-3/16	3-7/8	AL-17092	\$29.95	AL-17140	\$24.95	
				Roller	6-3/16	3-7/8	AL-17093	\$34.95	AL-17141	\$29.95	
		400	Polyurethane (HI-TECH)	Roller	6-3/16	3-7/8	AL-17096	\$37.95	AL-17144	\$32.95	
				Phenolic	Ball	6-3/16	3-7/8	AL-17097	\$39.95	AL-17145	\$34.95
					Roller	6-3/16	3-7/8	AL-17098	\$40.95	AL-17146	\$35.95
				Polyolefin	Delrin	6-3/16	3-7/8	AL-17101	\$27.95	AL-17149	\$22.95
					Roller	6-3/16	3-7/8	AL-17102	\$30.95	AL-17150	\$25.95
				Cast Iron	Roller	6-3/16	3-7/8	AL-17104	\$36.95	AL-17152	\$31.95
6	1½	375	Grey Rubber Performa Flat Tread	Delrin	7-3/16	4-5/8	AL-17105	\$38.95	AL-17153	\$33.95	
				Roller	7-3/16	4-5/8	AL-17106	\$42.95	AL-17154	\$38.95	
		400	Polyurethane (HI-TECH)	Roller	7-3/16	4-5/8	AL-17109	\$48.95	AL-17157	\$43.95	
				Polyolefin	Delrin	7-3/16	4-5/8	AL-17110	\$30.95	AL-17158	\$25.95
					Roller	7-3/16	4-5/8	AL-17111	\$32.95	AL-17159	\$28.95
				Phenolic	Ball	7-3/16	4-5/8	AL-17112	\$37.95	AL-17160	\$32.95
					Roller	7-3/16	4-5/8	AL-17113	\$34.95	AL-17161	\$29.95
				Cast Iron	Roller	7-3/16	4-5/8	AL-17117	\$46.95	AL-17165	\$41.95

◀ See Page 692 For Wheel Selection

To order a Stem Caster (Round or Square), add stem code from below to plate swivel caster part number from above and add \$10.00 to the price.

Examples: AL-17092-7 \$39.95 Each / AL-17105-3 \$48.95 Each

**Square Stem**

Code 3: 2-1/2" long x 7/8" square  
Mounting holes — Four 17/64" diameter holes are drilled in square stem. Two per side.

**Round Stem**

Code 7: 2-1/2" long x 3/4" diameter  
Code 9: 2-1/2" long x 7/8" diameter  
Code 1: 2-1/2" Long x 1" diameter

See Page 726 for Caster Sockets



**▼ LOW PRICES GUARANTEED! ▼**  
**WE WILL NOT BE UNDERSOLD!**

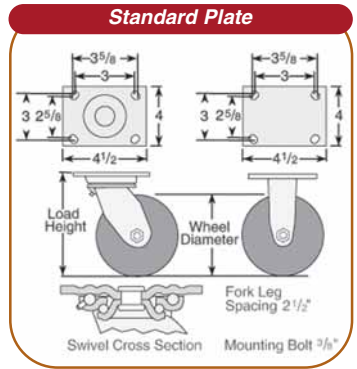
# Colson Medium Duty Series 4 Casters by Colson

## Capacity up to 800 lbs Each

**BUY 11 GET 1 FREE!**

### Medium Duty Casters

- ✓ Pressweld (1-1/2" Tread Width Models)
- ✓ Zinc plated finish
- ✓ Full double ball hardened raceways
- ✓ 1/2" hollow axle with grease zerk and lock nut for easy cleaning
- ✓ Plastic seal/retainer washer (roller bearing models)
- ✓ 1/4" steel top plate for durability
- ✓ Permanent rivet king pin with 5/8" diameter rivet
- ✓ Grease fittings: wheel bearing and swivel raceway
- ✓ "Colson 45" multi-temp grease lubricates in extreme hot and cold temperatures



Wheel Dia (Inches)	Tread Width (Inches)	Capacity Per Caster (lbs)	Wheel Type	Wheel Bearing	Load Height (Inches)	Swivel Radius (Inches)	Swivel Plate		Rigid Plate	
							ALCO Part No.	Price Each	ALCO Part No.	Price Each
3	1 1/2	250	Grey Rubber Performa Flat Tread	Roller	5-1/8	3-1/16	AL-17166	\$26.95	AL-17222	\$21.95
		300	Polyolefin	Roller	5-1/8	3-1/16	AL-17168	\$26.95	AL-17224	\$21.95
			Polyurethane (High Tech)	Roller	5-1/8	3-1/16	AL-17169	\$34.95	AL-17225	\$29.95
		600	Phenolic	Ball	5-1/8	3-1/16	AL-17172	\$35.95	AL-17228	\$30.95
				Roller	5-1/8	3-1/16	AL-17173	\$35.95	AL-17229	\$30.95
4	1 1/2	325	Grey Rubber Performa Flat Tread	Roller	5-5/8	3-9/16	AL-17178	\$30.95	AL-17234	\$25.95
		275	Polyolefin	Roller	5-5/8	3-9/16	AL-17181	\$27.95	AL-17237	\$22.95
		400	Polyurethane (High Tech)	Roller	5-5/8	3-9/16	AL-17182	\$35.95	AL-17238	\$30.95
		600	Phenolic	Ball	5-5/8	3-9/16	AL-17185	\$37.95	AL-17241	\$32.95
Roller	5-5/8			3-9/16	AL-17186	\$34.95	AL-17242	\$29.95		
5	1 1/2	350	Grey Rubber Performa Flat Tread	Roller	6-1/2	4-1/4	AL-17187	\$33.95	AL-17243	\$28.95
		450	Polyolefin	Roller	6-1/2	4-1/4	AL-17190	\$31.95	AL-17246	\$26.95
		500	Polyurethane (High Tech)	Roller	6-1/2	4-1/4	AL-17191	\$41.95	AL-17247	\$36.95
		600	Phenolic	Ball	6-1/2	4-1/4	AL-17196	\$39.95	AL-17252	\$34.95
Roller	6-1/2			4-1/4	AL-17197	\$36.95	AL-17253	\$31.95		
6	1 1/2	375	Grey Rubber Performa Flat Tread	Roller	7-1/2	5	AL-17200	\$35.95	AL-17256	\$30.95
		500	Polyolefin	Roller	7-1/2	5	AL-17203	\$30.95	AL-17259	\$25.95
		600	Polyurethane (High Tech)	Roller	7-1/2	5	AL-17208	\$39.95	AL-17264	\$34.95
		800	Phenolic	Ball	7-1/2	5	AL-17211	\$41.95	AL-17267	\$36.95
Roller	7-1/2			5	AL-17212	\$39.95	AL-17268	\$34.95		
8	1 1/2	500	Grey Rubber Performa Flat Tread	Roller	9-1/2	6-1/2	AL-17213	\$47.95	AL-17269	\$42.95
		600	Polyolefin	Roller	9-1/2	6-1/2	AL-17216	\$34.95	AL-17272	\$29.95
		800	Polyurethane (High Tech)	Roller	9-1/2	6-1/2	AL-17221	\$49.95	AL-17277	\$44.95

See Page 695 For Wheel Selection ▶

## OPTIONS



**694 TREAD LOCK BRAKE**  
Available on all models except 3"  
AL-14803 \$29.95



**SWIVEL LOCK**  
Hand Activated  
AL-14805 \$24.95



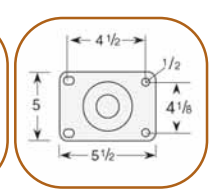
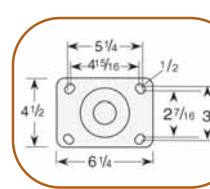
**Tech Lock**  
AL-14807 \$20.95



**THREAD GUARDS**  
AL-14802 \$5.00



**SEALED SWIVEL**  
Only available on swivel wheels  
AL-14806 \$5.95



# Medium Duty Expandable Stem Casters by Colson

Capacity up to 325 lbs Each

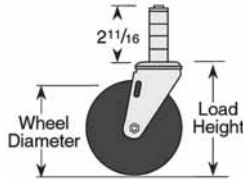
**colson**

**BUY 11 GET 1 FREE!**

## Medium Duty Expandable Stem Caster

- ✓ Zinc plated finish
- ✓ Full double ball hardened raceways for better performance and greater durability
- ✓ 3/8" hollow axle with lock nut for easy cleaning
- ✓ Grease holes on wheel bearing for greater convenience
- ✓ Fork leg spacing: 1-5/8"
- ✓ Colson 45" multi-temp grease lubricates in extreme hot and cold temperatures

**MADE IN THE USA**



**BUY 11  
Get One  
FREE**



Expandable Stem Codes	
Inside Diameter of Tube	Round Tubing
3/4" - 13/16"	40
7/8" - 15/16"	41
1" - 1-1/16"	42
1 1/8" - 1-3/16"	43
1 1/4" - 1-5/16"	44
1 3/8" - 1-7/16"	45
1 1/2" - 1-9/16"	46
1-5/8" - 1-11/16"	47

To order specify stem code. Example: **AL-15438-42**

Wheel Dia. (Inches)	Tread Width (Inches)	Capacity Per Caster (lbs)	Tread Material	Bearing	Load Height (Inches)	Swivel Radius (Inches)	Swivel		Total Lock	
							ALCO Part No.	Price Each	ALCO Part No.	Price Each
3 1/2	1 1/4	250	Performa Flat Tread	Delrin	4-9/16	2-29/32	AL-15399	\$21.95	AL-52538	\$34.95
				Ball	4-9/16	2-29/32	AL-15400	\$23.95	AL-52539	\$36.95
	1 5/16	210	Performa Round Tread	Delrin	4-9/16	2-29/32	AL-15401	\$24.95	AL-52540	\$35.95
				Ball	4-9/16	2-29/32	AL-15402	\$26.95	AL-52541	\$35.95
	1 1/4	230	Polyolefin	Delrin	4-9/16	2-29/32	AL-15403	\$24.95	AL-52542	\$32.95
				Ball	4-9/16	2-29/32	AL-15404	\$26.95	AL-52543	\$36.95
250	Polyurethane (High Tech) Red	Delrin	4-9/16	2-29/32	AL-15410	\$24.95	AL-52545	\$36.95		
		Ball	4-9/16	2-29/32	AL-15411	\$24.95	AL-52546	\$38.95		
4	1 1/4	300	Performa Flat Tread	Delrin	5-1/4	3-7/32	AL-15414	\$29.95	AL-15442	\$39.95
				Ball	5-1/4	3-7/32	AL-15415	\$31.95	AL-15443	\$41.95
		275	Polyolefin	Delrin	5-1/4	3-7/32	AL-15416	\$24.95	AL-15444	\$34.95
				Ball	5-1/4	3-7/32	AL-15417	\$28.95	AL-15445	\$36.95
		Polyurethane (High Tech) Red	Delrin	5-1/4	3-7/32	AL-15423	\$26.95	AL-15450	\$40.95	
			Ball	5-1/4	3-7/32	AL-15424	\$26.95	AL-15451	\$41.95	
5	1 1/4	325	Performa Flat Tread	Delrin	6-5/16	3-13/16	AL-15427	\$26.95	AL-15452	\$39.95
				Ball	6-5/16	3-13/16	AL-15428	\$28.95	AL-15453	\$40.95
		300	Polyolefin	Delrin	6-5/16	3-13/16	AL-15431	\$22.95	AL-15454	\$38.95
				Ball	6-5/16	3-13/16	AL-15432	\$26.95	AL-15455	\$41.95
	Polyurethane (High Tech) Red	Delrin	6-5/16	3-13/16	AL-15438	\$26.95	AL-15460	\$40.95		
		Ball	6-5/16	3-13/16	AL-15439	\$28.95	AL-15461	\$44.95		
1 5/16	250	Performa Round Tread	Delrin	6-5/16	3-13/16	AL-15429	\$26.95	AL-47735	\$40.95	
Ball	6-5/16	3-13/16	AL-15430	\$28.95	AL-47736	\$42.95				

## OPTIONS



Tread Lock Brake Swivel models only  
AL-52595 \$3.00



Thread Guards  
AL-14849 \$3.00

## WHEEL SELECTION



Performa Grey Rubber Flat Tread



Performa Grey Rubber Round Tread



Polyolefin



Polyurethane (High Tech) Red



Phenolic

**Grey Rubber Is Quiet and Non-Marking**

# Medium Duty Casters—Best Buy

Capacity up to 350 lbs

**BUY 11 GET 1 FREE!**



**Wheels Are Removable  
For Easy Cleaning**

**Features:**

- ✓ Yoke assembly formed from heavily embossed steel
- ✓ 1/2" king pin hydraulically upset to increase shock absorbing capacity
- ✓ Zinc plated



Wheel Dia (Inches)	Tread Width (Inches)	Wheel Type	Wheel Bearing Type	Load Capacity (lbs)	Overall Height (Inches)	Swivel Caster		Rigid Caster		Total Lock Brake Caster	
						ALCO Part No.	Price Each	ALCO Part No.	Price Each	ALCO Part No.	Price Each
3	1 1/4	Grey Miracle Soft Rubber	Annular	155	4	AL-64440	\$8.95	AL-64443	\$7.95	AL-64946	\$13.95
		Grey Soft Rubber	Nylon	125	4	AL-41054	\$9.95	AL-41073	\$8.95	AL-64947	\$14.95
		Black Hard Rubber	Plain	150	4	AL-41055	\$9.95	AL-41074	\$8.95	AL-64948	\$14.95
		Heavy Duty Plastic	Plain	250	4	AL-41057	\$8.95	AL-41076	\$8.95	AL-64949	\$13.95
3 1/2	1 1/4	Rubber on Aluminum	Annular	255	4-11/16	AL-64434	\$10.95	AL-64437	\$9.95	AL-64951	\$15.95
		Grey Soft Mirage Rubber	Annular	255	4-11/16	AL-64435	\$8.95	AL-64438	\$7.95	AL-64952	\$13.95
		Black Soft Rubber	Steel Bush	150	4-11/16	AL-64436	\$7.95	AL-64439	\$5.95	AL-64953	\$12.95
4	1 1/4	Grey Miracle Soft Rubber	Annular	250	5	AL-64441	\$9.95	AL-64444	\$8.95	AL-64447	\$14.95
		Black Soft Rubber	Nylon	165	5	AL-41059	\$10.95	AL-41078	\$8.95	AL-64954	\$15.95
		Black Hard Rubber	Nylon	255	5	AL-41061	\$10.95	AL-41080	\$8.95	AL-64956	\$15.95
		Black Hard Rubber	Ball	255	5	AL-41062	\$11.95	AL-41081	\$9.95	AL-64957	\$16.95
		Heavy Duty Plastic	Plain	300	5	AL-41063	\$10.95	AL-41082	\$9.95	AL-64958	\$15.95
		Phenolic	Roller	350	5	AL-41064	\$19.95	AL-41083	\$12.95	AL-64959	\$24.95
		Polyurethane	Ball	230	5	AL-41065	\$12.95	AL-41084	\$10.95	AL-64960	\$17.95
5	1 1/4	Grey Miracle Soft Rubber	Annular	250	6	AL-64442	\$10.95	AL-64445	\$9.95	AL-64448	\$15.95
		Black Soft Rubber	Nylon	175	6	AL-41066	\$12.95	AL-41085	\$10.95	AL-64961	\$17.95
		Black Hard Rubber	Nylon	260	6	AL-41068	\$12.95	AL-41087	\$10.95	AL-64963	\$17.95
		Black Hard Rubber	Ball	260	6	AL-41069	\$13.95	AL-41088	\$11.95	AL-64964	\$18.95
		Heavy Duty Plastic	Plain	300	6	AL-41070	\$11.95	AL-41089	\$10.95	AL-64965	\$16.95
		Phenolic	Roller	350	6	AL-41071	\$19.95	AL-41090	\$14.95	AL-64966	\$24.95
		Polyurethane	Ball	250	6	AL-41072	\$14.95	AL-41091	\$12.95	AL-64967	\$19.95

Plate & Stem Code to be added to end of ALCO Part No. Example: AL-41066-22

Code	Type Plate or Stem	Size (Inches)	Additional Price
01	Top Plate	Plate Overall 2-1/2 x 3-3/4 Bolt Hole Spacing 1-3/4 x 2-7/8 to 3 Attaching Bolt Size: 5/16	None
02	Top Plate 5" Swivel and Rigid 3" and 4" Swivel only	Plate Overall 3-3/4 x 4-1/2 Bolt Hole Spacing Slotted 2-5/8 x 3-5/8 to 3 x 3 Attaching Bolt Size: 5/16	Add \$3.00
03	Top Plate 3" - 4" - 5"	Plate Overall 3-1/8 x 4-1/8 Bolt Hole Spacing Slotted 1-3/4 x 3 to 2-3/8 x 3-3/8 Attaching Bolt Size: 3/8	Add \$3.00
22	Threaded Stem	1/2"-13 x 1-1/2" Swivel Only	Add \$3.00
41	Octagon Stem Standard Hole	3/4" sq. or 27/32 x 2-7/16 with 3 cross drilled holes Available in all sizes swivel and 4" and 5" rigid	Add \$3.00

**Options**



Top Lock Brake (factory installed—swivels only) Add \$2.50. Add TLB code to the end of part number.  
Example:  
**AL-41066-01-TLB \$15.45**  
Thread Guards (ball bearing wheels only) Add TG code to part number. Add \$2.00  
Example: **AL-41060-01TG \$13.95**

**Grey Rubber is Quiet and Non-marking**



# Deluxe Medium Duty Casters—Best Buy

## Capacity up to 300 lbs



**Wheels Are Removable  
For Easy Cleaning**

**BUY 11 GET 1 FREE!**

**Features:**

- ✓ Zinc plated finish
- ✓ Fully heat treated
- ✓ Smooth staking of king pin
- ✓ Metal dust cover helps protect swivel raceway
- ✓ 3/8" axle/bore sizes; 1-1/2" wide fork spacing

**Standard US Top Plate**

Plate Overall 2-1/2" x 3-5/8"  
Bolt Hole Spacing 1-3/4" x 2-15/16"  
Attaching Bolt Size: 5/16"




**Grey Rubber is Quiet and Non-Marking**

Wheel Diameter (Inches)	Tread Width (Inches)	Wheel Type	Wheel Bearing Type	Load Capacity (lbs)	Overall Height (Inches)	Swivel Radius (Inches)	Swivel Caster		Rigid Caster	
							ALCO Part No.	Price Each	ALCO Part No.	Price Each
3	1 1/4	Grey Soft Rubber	Annular	155	4-1/8	2-3/4	AL-64449	\$9.95	AL-64453	\$7.95
		Grey Soft Rubber	Nylon	125	4-1/8	2-3/4	AL-41092	\$10.95	AL-41115	\$8.95
		Black Hard Rubber	Nylon	210	4-1/8	2-3/4	AL-41094	\$10.95	AL-41117	\$8.95
		Black Hard Rubber	Ball	210	4-1/8	2-3/4	AL-41095	\$13.95	AL-41118	\$10.95
		Heavy Duty Plastic	Plain	250	4-1/8	2-3/4	AL-41097	\$11.95	AL-41120	\$7.95
3 1/2	1 1/4	Polyurethane	Ball	220	4-1/8	2-3/4	AL-52782	\$14.95	AL-52783	\$12.95
		Grey Soft Rubber	Annular	225	4-5/8	3-1/4	AL-64450	\$10.95	AL-64454	\$8.95
		Black Hard Rubber	Nylon	225	4-5/8	3-1/4	AL-41099	\$10.95	AL-41122	\$8.95
		Grey Rubber on Alum	Annular Ball	225	4-5/8	3-1/4	AL-41100	\$13.95	AL-41123	\$11.95
		Grey Soft Rubber	Annular	250	5-1/8	3-1/2	AL-64451	\$11.95	AL-64455	\$9.95
4	1 1/4	Grey Soft Rubber	Plain	165	5-1/8	3-1/2	AL-41101	\$11.95	AL-41124	\$9.95
		Black Hard Rubber	Nylon	255	5-1/8	3-1/2	AL-41103	\$11.95	AL-41126	\$9.95
		Black Hard Rubber	Ball	255	5-1/8	3-1/2	AL-41104	\$13.95	AL-41127	\$12.95
		Grey Rubber on Alum	Annular Ball	250	5-1/8	3-1/2	AL-41105	\$15.95	AL-41128	\$14.95
		Heavy Duty Plastic	Plain	300	5-1/8	3-1/2	AL-41106	\$12.95	AL-41129	\$8.95
		Polyurethane	Ball	230	5-1/8	3-1/2	AL-41107	\$14.95	AL-41130	\$12.95
5	1 1/4	Grey Soft Rubber	Annular	250	6-1/4	4	AL-64452	\$13.95	AL-64456	\$11.95
		Grey Soft Rubber	Plain	175	6-1/4	4	AL-41108	\$13.95	AL-41131	\$11.95
		Grey Soft Rubber	Precision	175	6-1/4	4	AL-41109	\$15.95	AL-41132	\$13.95
		Black Hard Rubber	Nylon	260	6-1/4	4	AL-41110	\$13.95	AL-41133	\$11.95
		Black Hard Rubber	Ball	260	6-1/4	4	AL-41111	\$15.95	AL-41134	\$13.95
		Grey Rubber on Alum	Annular Ball	250	6-1/4	4	AL-41112	\$17.95	AL-41135	\$15.95
		Heavy Duty Plastic	Plain	300	6-1/4	4	AL-41113	\$16.95	AL-41136	\$10.95
		Polyurethane	Ball	250	6-1/4	4	AL-41114	\$15.95	AL-41137	\$13.95

EP1

**Optional Brake, Thread Guards and Stems**

Code	Description	Additional Price
TLB	Top Lock Brake (swivels only) All sizes	Add \$2.50
TG	Thread Guards (on ball bearing wheels only)	Add \$2.00
12	Grip Ring Stem (for metro wire carts) in 4" and 5" swivel only.	None
22	.845 Dia. x 2-3/16 Long Threaded Stem 1/2-13 x 1-1/2" for 3-1/2", 4", and 5" swivel only	None



Stem Code To Be Added To End Of ALCO Part No—Example: **AL-41109-12 \$15.95**



# colson® Heavy Duty Series 4 Casters by Colson

Capacity up to 1250 lbs Each

BUY 11  
Get One  
FREE

**BUY 11 GET 1 FREE!**

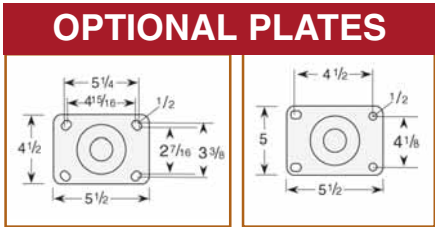
### Heavy Duty Casters

- ✓ Pressweld
- ✓ Zinc plated finish
- ✓ Full double ball hardened raceways
- ✓ 1/2" hollow axle with grease zerk and lock nut
- ✓ Plastic seal/retainer washer (roller bearing models)
- ✓ 1/4" steel top plate for durability
- ✓ Permanent rivet king pin with 5/8" diameter rivet
- ✓ Grease fittings: wheel bearing and swivel raceway
- ✓ "Colson 45" multi-temp grease lubricates in extreme hot and cold temperatures

**Wheels Are Removable For Easy Cleaning**

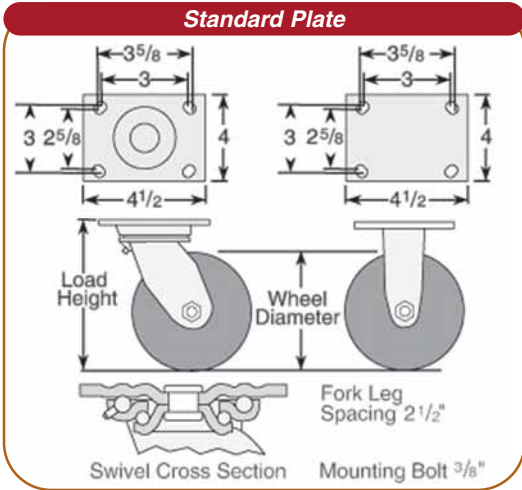


**MADE IN THE USA**



**Plate #2**  
Swivel Only  
Add \$2.00

**Plate #4**  
Swivel Only  
Add \$2.00



## OPTIONS



**THREAD GUARDS**  
AL-14802 \$5.00



**TECH LOCK BRAKE**  
AL-14807 \$20.95



**TREAD LOCK BRAKE**  
AL-14803 \$29.95



**TOTAL LOCK BRAKE**  
AL-71998 \$21.95



**SIDE LOCK BRAKE**  
AL-14804 \$17.95



**HAND ACTIVATED SWIVEL LOCK**  
AL-14805 \$24.95



**SEALED SWIVEL**  
AL-14806 \$5.95



**DELRIN BEARINGS**  
(All Models)  
Add (D) after model no.  
Same Price



# Heavy Duty Series 4 Casters by Colson *colson*

**BUY 11 GET 1 FREE!**

Wheel Dia (Inches)	Tread Width (Inches)	Capacity Per Caster (lbs)	Wheel Type	Wheel Bearing	Load Height (Inches)	Radius (Inches)	Swivel Plate		Rigid Plate	
							Alco Part No.	Price Each	Alco Part No.	Price Each
3 1/4	2	700	Phenolic	Roller	5-1/4	3-3/16	AL-4756	\$29.95	AL-4757	\$24.95
4	2	350	Grey Rubber Performa Flat Tread	Ball	5-5/8	3-9/16	AL-4758	\$39.95	AL-4759	\$34.95
		500	Polyolefin	Roller	5-5/8	3-9/16	AL-4764	\$34.95	AL-4765	\$29.95
		600	Polyurethane (High Tech)	Roller	5-5/8	3-9/16	AL-4766	\$39.95	AL-4767	\$34.95
		700	Moldon Polyurethane	Roller	5-5/8	3-9/16	AL-4768	\$61.95	AL-4769	\$56.95
		800	Phenolic	Roller	5-5/8	3-9/16	AL-4770	\$36.95	AL-4771	\$31.95
		5	2	375	Grey Rubber Performa Flat Tread	Ball	6-1/2	4-1/4	AL-4776	\$39.95
650	Polyolefin			Roller	6-1/2	4-1/4	AL-4782	\$36.95	AL-4783	\$31.95
750	Polyurethane (High Tech)			Roller	6-1/2	4-1/4	AL-4784	\$46.95	AL-4785	\$41.95
1000	Moldon Polyurethane			Roller	6-1/2	4-1/4	AL-4786	\$52.95	AL-4787	\$47.95
	Phenolic			Roller	6-1/2	4-1/4	AL-4788	\$38.95	AL-4789	\$33.95
	Cast Iron			Roller	6-1/2	4-1/4	AL-4790	\$44.95	AL-4791	\$39.95
6	2	600	Grey Rubber Performa Flat Tread	Ball	7-1/2	5	AL-4794	\$42.95	AL-4795	\$37.95
		700	Polyolefin	Roller	7-1/2	5	AL-4802	\$29.95	AL-4803	\$24.95
		900	Polyurethane (High Tech)	Roller	7-1/2	5	AL-4804	\$39.95	AL-4805	\$34.95
		1200	Moldon Polyurethane	Roller	7-1/2	5	AL-4806	\$51.95	AL-4807	\$46.95
			Phenolic	Roller	7-1/2	5	AL-4808	\$29.95	AL-4809	\$24.95
			Cast Iron	Roller	7-1/2	5	AL-4810	\$47.95	AL-4811	\$42.95
		450	Performa Rubber (Round/Grey)	Roller	7-1/2	5	AL-10115	\$46.95	AL-10123	\$41.95
			Performa Rubber (Round/Grey)	Ball	7-1/2	5	AL-10116	\$46.95	AL-10124	\$41.95
8	2	500	Grey Rubber Performa Flat Tread	Ball	9-1/2	6-1/2	AL-4816	\$44.95	AL-4817	\$39.95
		675	Polyolefin	Roller	9-1/2	6-1/2	AL-4818	\$44.95	AL-4819	\$39.95
		900	Polyurethane (High Tech)	Roller	9-1/2	6-1/2	AL-4824	\$36.95	AL-4825	\$31.95
		1200	Phenolic	Roller	9-1/2	6-1/2	AL-4826	\$39.95	AL-4827	\$34.95
			Cast Iron	Roller	9-1/2	6-1/2	AL-4828	\$62.95	AL-4829	\$57.95
			Polyurethane (High Tech)	Roller	9-1/2	6-1/2	AL-4830	\$49.95	AL-4831	\$44.95
		1000	Moldon Polyurethane	Roller	9-1/2	6-1/2	AL-4832	\$79.95	AL-4833	\$74.95
		600	Performa Rubber (Round/Grey)	Roller	9-1/2	6-1/2	AL-10119	\$47.95	AL-10127	\$42.95
		500	Performa Rubber (Round/Grey)	Ball	9-1/2	6-1/2	AL-10120	\$52.95	AL-10128	\$47.95

To order an optional Top Plate, add Plate Code from page 698 to part number from above and add \$2.00 to price. Example: AL-4794-2 \$44.95

## WHEEL SELECTION



Performa Grey Rubber Flat Tread



Polyolefin



Phenolic



Cast Iron



Polyurethane (High Tech) Red



Performa Grey Rubber Round Tread

**Performa Grey Rubber is Quiet and Non-marking**



# Heavy Duty Casters—Best Buy

## Capacity up to 1200 lbs

**BUY 11 GET 1 FREE!**



2-1/2" Wide Fork Spacing

**ALCO's Heavy Duty Casters**

- ✓ Hardened raceway for strength
- ✓ Corrosion-resistant zinc plated finish
- ✓ Nut and bolt king pin
- ✓ Zerk fittings in wheel and swivel bearings
- ✓ Legs welded by machine for uniform consistency and strength
- ✓ 2-1/2" fork spacing allows for a wide selection of popular wheels

**Standard Plate** (Add code 01 after ALCO Part No.)

Example: **AL-41156-01 \$19.95**

Overall: 4 x 4-1/2

Bolt Hole Spacing Slotted:

2-5/8 x 3-5/8 to 3 x 3

Attaching Bolt Size: 3/8

**Optional Plate** (Add code 04 after ALCO Part No. Add \$3.00)

Example: **AL-41198-04 \$31.95**

Overall: 5 x 5-1/2. Bolt Hole Spacing Slotted: 4-1/8 x 4-1/2

Attaching Bolt Size: 7/16 (5", 6" & 8" only).



OPTIONAL BRAKE AND LOCK		
Code	Options Available	Additional Price
TLB	Top Lock Brake (swivels only) All sizes	<b>Add \$4.00</b>
PSL-4	Four Position Lock (2" tread width only) All sizes	<b>Add \$8.00</b>

Add selected code or codes to the end of part number

Wheel Diameter (Inches)	Tread Width (Inches)	Wheel Type	Wheel Bearing Type	Load Capacity (lbs)	Overall Height (Inches)	Swivel Radius (Inches)	Swivel Caster		Rigid Caster	
							ALCO Part No.	Price Each	ALCO Part No.	Price Each
4	2	Grey Rubber Round	Roller	350	5-5/8	3-9/16	<b>AL-65124</b>	<b>\$19.95</b>	<b>AL-65125</b>	<b>\$14.95</b>
		Grey Rubber Flat	Roller	350	5-5/8	3-9/16	<b>AL-41156</b>	<b>\$19.95</b>	<b>AL-41177</b>	<b>\$14.95</b>
		Polyurethane Tread	Roller	700	5-5/8	3-9/16	<b>AL-41157</b>	<b>\$16.95</b>	<b>AL-41178</b>	<b>\$12.95</b>
		Heavy Duty Plastic	Roller	500	5-5/8	3-9/16	<b>AL-41158</b>	<b>\$18.95</b>	<b>AL-41179</b>	<b>\$13.95</b>
		Phenolic	Roller	700	5-5/8	3-9/16	<b>AL-41159</b>	<b>\$18.95</b>	<b>AL-41180</b>	<b>\$13.95</b>
		Patriot Polyurethane	Precision	600	5-5/8	3-9/16	<b>AL-64974</b>	<b>\$26.95</b>	<b>AL-64975</b>	<b>\$22.95</b>
5	2	Grey Rubber Round	Roller	400	6-1/2	4-1/4	<b>AL-65126</b>	<b>\$20.95</b>	<b>AL-65127</b>	<b>\$16.95</b>
		Grey Rubber Flat	Roller	400	6-1/2	4-1/4	<b>AL-41162</b>	<b>\$20.95</b>	<b>AL-41183</b>	<b>\$16.95</b>
		Heavy Duty Plastic	Roller	650	6-1/2	4-1/4	<b>AL-41163</b>	<b>\$18.95</b>	<b>AL-41184</b>	<b>\$14.95</b>
		Phenolic	Roller	800	6-1/2	4-1/4	<b>AL-41164</b>	<b>\$19.95</b>	<b>AL-41185</b>	<b>\$15.95</b>
		Polyurethane Tread	Roller	800	6-1/2	4-1/4	<b>AL-41165</b>	<b>\$24.95</b>	<b>AL-41186</b>	<b>\$19.95</b>
		Steel	Roller	800	6-1/2	4-1/4	<b>AL-41166</b>	<b>\$26.95</b>	<b>AL-41187</b>	<b>\$19.95</b>
6	2	Patriot Polyurethane	Precision	800	6-1/2	4-1/4	<b>AL-64976</b>	<b>\$28.95</b>	<b>AL-64977</b>	<b>\$24.95</b>
		Grey Rubber Round	Roller	500	7-3/8	4-1/2	<b>AL-65128</b>	<b>\$23.95</b>	<b>AL-65129</b>	<b>\$19.95</b>
		Grey Rubber Flat	Roller	500	7-3/8	4-1/2	<b>AL-41169</b>	<b>\$23.95</b>	<b>AL-41190</b>	<b>\$19.95</b>
		Rubber/Aluminum	Roller	440	7-3/8	4-1/2	<b>AL-41170</b>	<b>\$35.95</b>	<b>AL-41191</b>	<b>\$28.95</b>
		Heavy Duty Plastic	Roller	700	7-3/8	4-1/2	<b>AL-41171</b>	<b>\$19.95</b>	<b>AL-41192</b>	<b>\$15.95</b>
		Phenolic	Roller	800	7-3/8	4-1/2	<b>AL-41172</b>	<b>\$20.95</b>	<b>AL-41193</b>	<b>\$16.95</b>
		Polyurethane Tread	Roller	800	7-3/8	4-1/2	<b>AL-41173</b>	<b>\$33.95</b>	<b>AL-41194</b>	<b>\$20.95</b>
		Steel	Roller	800	7-3/8	4-1/2	<b>AL-41174</b>	<b>\$33.95</b>	<b>AL-41195</b>	<b>\$28.95</b>
8	2	Patriot Polyurethane	Precision	1000	7-3/8	4-1/2	<b>AL-64978</b>	<b>\$30.95</b>	<b>AL-64979</b>	<b>\$26.95</b>
		Grey Rubber Round	Roller	650	9-1/2	6-1/2	<b>AL-65130</b>	<b>\$28.95</b>	<b>AL-65131</b>	<b>\$24.95</b>
		Grey Rubber Flat	Roller	650	9-1/2	6-1/2	<b>AL-41198</b>	<b>\$28.95</b>	<b>AL-41205</b>	<b>\$24.95</b>
		Rubber/Aluminum	Roller	500	9-1/2	6-1/2	<b>AL-41199</b>	<b>\$42.95</b>	<b>AL-41206</b>	<b>\$36.95</b>
		Heavy Duty Plastic	Roller	700	9-1/2	6-1/2	<b>AL-41200</b>	<b>\$24.95</b>	<b>AL-41207</b>	<b>\$21.95</b>
		Phenolic	Roller	900	9-1/2	6-1/2	<b>AL-41201</b>	<b>\$26.95</b>	<b>AL-41208</b>	<b>\$23.95</b>
		Polyurethane Tread	Roller	900	9-1/2	6-1/2	<b>AL-41202</b>	<b>\$36.95</b>	<b>AL-41209</b>	<b>\$33.95</b>
Patriot Polyurethane	Precision	1200	9-1/2	6-1/2	<b>AL-64980</b>	<b>\$39.95</b>	<b>AL-64981</b>	<b>\$36.95</b>		

**Grey Rubber Comes In Flat or Round Tread**

# Pneumatic Rubber Casters



**BUY 11 GET 1 FREE!**

### Features

- ✓ Pneumatic wheels absorb shock for a smoother ride
- ✓ Reduces vibration to protect sensitive equipment and cargo
- ✓ Rolls over floor cracks, obstacles and uneven surfaces with ease
- ✓ Easy access inflation valve stem
- ✓ Ball bearing

Tread Lock Brake Add (TB)  
at end of ALCO Part No.  
Example: **AL-63973-73TB**



Wheel Dia. (Inches)	Tread Width (Inches)	Load Capacity (lbs)	Swivel Radius (Inches)	Mounting Height (Inches)	Tread Material	Swivel Caster		Swivel Caster w/ Side Brake		
						ALCO Part No.	Price Each	Wheel Brake Type	ALCO Part No.	Price Each
6" Grip Ring 7/16"x1-1/16"	1-1/4	150	4-1/2	7-5/16	Black	<b>AL-63974-73</b>	<b>\$26.95</b>	Tread Lock	<b>AL-63974B-73</b>	<b>\$27.95</b>
6" Threaded Stem 1/2-13x1"	1-1/4	150	4-1/2	7-5/16	Black	<b>AL-63976-41</b>	<b>\$26.95</b>	Tread Lock	<b>AL-63976B-41</b>	<b>\$27.95</b>
6" Threaded Stem 1/2-13x1-1/2"	1-1/4	150	4-1/2	7-5/16	Black	<b>AL-63978-48</b>	<b>\$26.95</b>	Tread Lock	<b>AL-63978B-48</b>	<b>\$27.95</b>
6" Swivel Plate 2-5/8"x3-3/4" 5/16" Hole	1-1/4	150	4-1/2	7-1/8	Black	<b>AL-63980-120</b>	<b>\$26.95</b>	Tread Lock	<b>AL-63980B-120</b>	<b>\$27.95</b>
6" Rigid 2-5/8"x3-3/4" 5/16" Hole	1-1/4	150	4-1/2	7-1/8	Black	<b>AL-63982-120*</b>	<b>\$27.95</b>	N/A	<b>N/A</b>	<b>N/A</b>

\*Rigid Caster

### Full Pneumatic Grey Rubber Casters

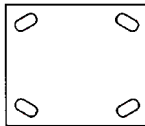
- ✓ Cold Forged Construction
- ✓ Double Ball Bearing Swivel with large diameter main load bearing and thrust bearing
- ✓ Lube Fittings for both swivel and wheel bearings
- ✓ Quiet and non-marking



**AL-15819G**



**AL-51003G**



Overall Size 4" x 4-1/2"  
Hole Spacing 2-5/8" x 3-5/8" to 3" x 3"  
Hole Diameter 3/8" x 3/4" slots  
Bolt Diameter 3/8"

Wheel Dia. (inches)	Caster Capacity (lbs)	Wheel Bearing Type	Height (inches)	Swivel Radius (inches)	Wheel Brake Swivel Caster		Swivel Caster		Rigid Caster	
					ALCO Part No.	Price Each	ALCO Part No.	Price Each	ALCO Part No.	Price Each
<b>GREY RUBBER WHEEL</b>										
<b>6</b>	200	Ball	7-1/2	5-1/2	<b>AL-71800</b>	<b>\$44.95</b>	<b>AL-71801</b>	<b>\$37.95</b>	<b>AL-71802</b>	<b>\$29.95</b>
<b>8</b>	300	Ball	10-1/16	7	<b>AL-51003G</b>	<b>\$44.95</b>	<b>AL-15818G</b>	<b>\$36.95</b>	<b>AL-15819G</b>	<b>\$34.95</b>
<b>10</b>	350	Ball	12	8-5/16	<b>AL-57020G</b>	<b>\$49.95</b>	<b>AL-15820G</b>	<b>\$45.95</b>	<b>AL-15821G</b>	<b>\$39.95</b>
<b>12</b>	450	Ball	15	10-1/4	<b>NA</b>	<b>NA</b>	<b>AL-51004G</b>	<b>\$79.95</b>	<b>N/A</b>	<b>N/A</b>
<b>BLACK RUBBER WHEEL</b>										
<b>6</b>	200	Ball	7-1/2	5-1/2	<b>AL-71806</b>	<b>\$41.95</b>	<b>AL-71807</b>	<b>\$34.95</b>	<b>AL-71808</b>	<b>\$26.95</b>
<b>8</b>	300	Ball	9-11/16	6-1/2	<b>AL-71809</b>	<b>\$43.95</b>	<b>AL-71810</b>	<b>\$39.95</b>	<b>AL-71811</b>	<b>\$34.95</b>
<b>10</b>	350	Ball	11-13/16	7-5/8	<b>N/A</b>	<b>N/A</b>	<b>AL-71813</b>	<b>\$50.95</b>	<b>AL-71814</b>	<b>\$44.95</b>

**Replacement Pneumatic  
Wheels Available On Page 712**



### Semi-Pneumatic Heavy Duty

Wheel Dia.	Tread	Wheel Bearing	Capacity	Load Height	Swivel Radius	Swivel Caster		Rigid Caster	
						ALCO Part No.	Price Each	ALCO Part No.	Price Each
<b>6"</b>	2"	Ball	200	7-1/2"	5-1/16"	<b>AL-15812</b>	<b>\$56.95</b>	<b>AL-15813</b>	<b>\$48.00</b>
<b>8"</b>	2-1/2"	Ball	350	10-1/8"	6-1/8"	<b>AL-15814</b>	<b>\$57.00</b>	<b>AL-15815</b>	<b>\$53.00</b>
<b>10"</b>	2-3/4"	Ball	450	11-1/2"	7-1/4"	<b>AL-15816</b>	<b>\$62.00</b>	<b>AL-15817</b>	<b>\$58.00</b>



**AL-15814**

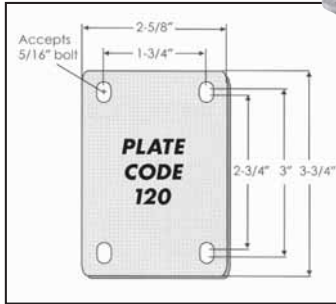
**STANDARD TOP PLATE: 4" x 4-1/2" SLOTTED FOR 2-5/8" x 3-5/8" OR 3" x 3"**

## BUY 11 GET 1 FREE!

### The Shepherd Institutional Series

- ✓ 3/8" diameter nut and bolt axle for easy cleaning
- ✓ Plastic thread guards standard on 4" and 5" wheels with ball bearings
- ✓ Sealed raceways
- ✓ Total Lock engagement on inner raceway eliminating unwanted play

- ✓ Constructed of high-strength steel for added durability
- ✓ Total Lock caster locks both swivel and wheel at the same time; Operates with a simple tap of the toe
- ✓ Quiet and non-marking



Standard US Top Plate



5" Total Lock Plate Caster  
**AL-55539**



5" Swivel Plate Caster  
**AL-55545**



5" Rigid Plate Caster  
**AL-55551**



5" Directional Lock Caster  
**AL-63983**

Wheel Dia. (Inches)	Tread Width (Inches)	Load Capacity (lbs)	Tread Material	Wheel Bearing	Total Lock Plate Caster		Swivel Plate Caster		Rigid Plate Caster		Directional Lock Caster	
					ALCO Part No.	Price Each	ALCO Part No.	Price Each	ALCO Part No.	Price Each	ALCO Part No.	Price Each
<b>3</b>	<b>1 1/4</b>	250	Grey Poly	Ball	<b>AL-55535</b>	<b>\$17.95</b>	<b>AL-55541</b>	<b>\$11.95</b>	<b>AL-55547</b>	<b>\$8.95</b>	N/A	N/A
		210	Grey Rubber	Ball	<b>AL-55536</b>	<b>\$17.95</b>	<b>AL-55542</b>	<b>\$11.95</b>	<b>AL-55548</b>	<b>\$8.95</b>	N/A	N/A
<b>3 1/2</b>	<b>1 1/4</b>	250	MonoTech (Flat)	Precision	<b>AL-71735</b>	<b>\$18.95</b>	<b>AL-71736</b>	<b>\$15.95</b>	<b>AL-71737</b>	<b>\$14.95</b>	N/A	N/A
<b>4</b>	<b>1 1/4</b>	300	Grey Poly	Ball	<b>AL-55537</b>	<b>\$19.95</b>	<b>AL-55543</b>	<b>\$12.95</b>	<b>AL-55549</b>	<b>\$10.95</b>	N/A	N/A
		260	Grey Rubber	Ball	<b>AL-55538</b>	<b>\$19.95</b>	<b>AL-55544</b>	<b>\$12.95</b>	<b>AL-55550</b>	<b>\$9.95</b>	N/A	N/A
		300	MonoTech (Flat)	Precision	<b>AL-71738</b>	<b>\$18.95</b>	<b>AL-71739</b>	<b>\$16.95</b>	<b>AL-71740</b>	<b>\$15.95</b>	N/A	N/A
<b>5</b>	<b>1 1/4</b>	315	Grey Poly	Ball	<b>AL-55539</b>	<b>\$20.95</b>	<b>AL-55545</b>	<b>\$13.95</b>	<b>AL-55551</b>	<b>\$12.95</b>	<b>AL-63983</b>	<b>\$19.95</b>
		280	Grey Rubber	Ball	<b>AL-55540</b>	<b>\$20.95</b>	<b>AL-55546</b>	<b>\$13.95</b>	<b>AL-55552</b>	<b>\$11.95</b>	<b>AL-63984</b>	<b>\$20.95</b>
		325	MonoTech (Flat)	Precision	<b>AL-71741</b>	<b>\$20.95</b>	<b>AL-71742</b>	<b>\$17.95</b>	<b>AL-71743</b>	<b>\$16.95</b>	<b>AL-71744</b>	<b>\$22.95</b>
<b>6</b>	<b>1 1/4</b>	325	MonoTech (Donut)	Precision	<b>AL-71745</b>	<b>\$20.95</b>	<b>AL-71746</b>	<b>\$20.95</b>	<b>AL-71747</b>	<b>\$17.95</b>	N/A	N/A
		150	No-Matic (Black)	Ball	N/A	N/A	<b>AL-71749</b>	<b>\$20.95</b>	<b>AL-71750</b>	<b>\$23.95</b>	N/A	N/A
		150	No-Matic (Grey)	Ball	N/A	N/A	<b>AL-71752</b>	<b>\$24.95</b>	<b>AL-71753</b>	<b>\$23.95</b>	N/A	N/A
		300	Vipor	Ball	N/A	N/A	<b>AL-71928</b>	<b>\$20.95</b>	<b>AL-71929</b>	<b>\$19.95</b>	N/A	N/A

1/2" Bolt Hole



Hollow King Pin Swivel Caster Stemless 1/2" Bolt Hole  
**AL-57307**

Wheel Dia. (Inches)	Tread Width (Inches)	Load Capacity (lbs)	Tread Material	Wheel Bearing	Stemless 1/2" Hollow King Pin Total Lock Caster		Stemless 1/2" Hollow King Pin Swivel Caster	
					ALCO Part No.	Price Each	ALCO Part No.	Price Each
<b>3</b>	<b>1 1/4</b>	250	Grey Poly	Ball	<b>AL-57296</b>	<b>\$17.95</b>	<b>AL-57302</b>	<b>\$11.95</b>
		210	Grey Rubber	Ball	<b>AL-57297</b>	<b>\$17.95</b>	<b>AL-57303</b>	<b>\$11.95</b>
<b>3 1/2</b>	<b>1 1/4</b>	250	MonoTech (Flat)	Precision	<b>AL-71754</b>	<b>\$18.95</b>	<b>AL-71755</b>	<b>\$15.95</b>
<b>4</b>	<b>1 1/4</b>	300	Grey Poly	Ball	<b>AL-57298</b>	<b>\$18.95</b>	<b>AL-57304</b>	<b>\$12.95</b>
		260	Grey Rubber	Ball	<b>AL-57299</b>	<b>\$18.95</b>	<b>AL-57305</b>	<b>\$12.95</b>
		300	MonoTech (Flat)	Precision	<b>AL-71756</b>	<b>\$19.95</b>	<b>AL-71757</b>	<b>\$16.95</b>
<b>5</b>	<b>1 1/4</b>	315	Grey Poly	Ball	<b>AL-57300</b>	<b>\$19.95</b>	<b>AL-57306</b>	<b>\$13.95</b>
		280	Grey Rubber	Ball	<b>AL-57301</b>	<b>\$19.95</b>	<b>AL-57307</b>	<b>\$13.95</b>
		325	MonoTech (Flat)	Precision	<b>AL-71758</b>	<b>\$20.95</b>	<b>AL-71759</b>	<b>\$18.95</b>
<b>6</b>	<b>1 1/4</b>	325	MonoTech (Donut)	Precision	N/A	N/A	<b>AL-71761</b>	<b>\$20.95</b>
		150	No-Matic (Black)	Ball	N/A	N/A	<b>AL-71763</b>	<b>\$21.95</b>
		150	No-Matic (Grey)	Ball	N/A	N/A	<b>AL-71765</b>	<b>\$22.95</b>
		300	Vipor	Ball	N/A	N/A	<b>AL-71865</b>	<b>\$21.95</b>

Stemless Hollow King Pin 1/2" Bolt Hole

**Wheel Brake**

Tread Lock Wheel Brake available on 3", 4" and 5" swivel models.

<b>3"</b>	<b>AL-55553</b>	<b>\$2.95</b>
<b>4"</b>	<b>AL-55554</b>	<b>\$3.95</b>
<b>5"</b>	<b>AL-55555</b>	<b>\$3.95</b>

EP1



# Institutional Casters by Shepherd



**BUY 11 GET 1 FREE!**

### Features

- ✓ Constructed of high-strength steel for added durability
- ✓ All institutional series casters without thread guards are NSF approved
- ✓ Dual ball bearing raceway
- ✓ Zinc plated finish
- ✓ 3/8" diameter nut and bolt axle for easy cleaning
- ✓ Plastic thread guards standard on 4" and 5" wheels with ball bearings
- ✓ Grip ring available in 7/16x1-1/4 only
- ✓ Threaded stem available in either **Code 41: 1/2-13x1"** or **Code 48: 1/2-13x1-1/2"**. Specify when ordering: Example: **AL-64022-41**



Wheel Dia. (inches)	Tread Width (inches)	Tread Material	Wheel Bearing	Load Capacity (lbs)	Swivel Radius	Grip Ring 7/16 x 1-1/4			Threaded (need stem code above)		
						Mounting Height	ALCO Part No.	Price Each	Mounting Height	ALCO Part No.	Price Each
<b>3</b>	<b>1 1/4</b>	Grey Rubber	Ball	210	2-7/8"	4-1/8"	<b>AL-64016</b>	<b>\$11.95</b>	4-1/8"	<b>AL-64022</b>	<b>\$11.95</b>
		Grey Poly	Ball	250	2-7/8"	4-1/8"	<b>AL-64017</b>	<b>\$11.95</b>	4-1/8"	<b>AL-64023</b>	<b>\$11.95</b>
<b>3 1/2</b>	<b>1-1/4</b>	MonoTech (Flat)	Precision	250	3"	4-5/8"	<b>AL-71766</b>	<b>\$16.95</b>	4-5/8"	<b>AL-71767</b>	<b>\$16.95</b>
<b>4</b>	<b>1 1/4</b>	Grey Rubber	Ball	260	3-3/8"	5-1/8"	<b>AL-64018</b>	<b>\$12.95</b>	5-1/8"	<b>AL-64024</b>	<b>\$12.95</b>
		Grey Poly	Ball	300	3-3/8"	5-1/8"	<b>AL-64019</b>	<b>\$12.95</b>	5-1/8"	<b>AL-64025</b>	<b>\$13.95</b>
		MonoTech (Flat)	Precision	300	3-3/8"	5-1/8"	<b>AL-71768</b>	<b>\$16.95</b>	5-1/8"	<b>AL-71769</b>	<b>\$17.95</b>
<b>5</b>	<b>1 1/4</b>	Grey Rubber	Ball	280	4-1/4"	6-1/8"	<b>AL-64020</b>	<b>\$13.95</b>	6-1/8"	<b>AL-64026</b>	<b>\$14.95</b>
		Grey Poly	Ball	315	4-1/4"	6-1/8"	<b>AL-64021</b>	<b>\$14.95</b>	6-1/8"	<b>AL-64027</b>	<b>\$15.95</b>
		MonoTech (Flat)	Precision	325	4-1/4"	6-1/8"	<b>AL-71770</b>	<b>\$18.95</b>	6-1/8"	<b>AL-71771</b>	<b>\$18.95</b>
<b>6</b>	<b>1 1/4</b>	MonoTech (Donut)	Precision	325	4-1/2"	7-1/8"	N/A	N/A	7-1/8"	<b>AL-71773</b>	<b>\$20.95</b>
		No-Matic (Black)	Ball	150	4-1/2"	7-1/8"	N/A	N/A	7-1/8"	<b>AL-71775</b>	<b>\$24.95</b>
		No-Matic (Grey)	Ball	150	4-1/2"	7-1/8"	N/A	N/A	7-1/8"	<b>AL-71777</b>	<b>\$25.95</b>
		Vipor	Ball	300	4-1/2"	7-1/8"	N/A	N/A	7-1/8"	<b>AL-72097</b>	<b>\$20.95</b>

### Institutional Expanding Adapter Stems

Wheel Dia. (Inches)	Tread Width (Inches)	Load Capacity (lbs)	Tread Material	Wheel Bearing	Swivel Caster		Wheel Lock Brake Caster		Total Lock Caster	
					ALCO Part No.	Price Each	ALCO Part No.	Price Each	ALCO Part No.	Price Each
<b>3</b>	<b>1 1/4</b>	220	Grey Rubber	Ball	<b>AL-71778</b>	<b>\$17.95</b>	<b>AL-71778B</b>	<b>\$19.95</b>	<b>AL-71778TL</b>	<b>\$20.95</b>
		250	Grey Rubber	Ball	<b>AL-71779</b>	<b>\$20.95</b>	<b>AL-71779B</b>	<b>\$22.95</b>	<b>AL-71779TL</b>	<b>\$23.95</b>
<b>3 1/2</b>	<b>1 1/4</b>	250	Mono Tech (Flat)	Precision	<b>AL-71780</b>	<b>\$22.95</b>	<b>AL-71780B</b>	<b>\$23.95</b>	<b>AL-71780TL</b>	<b>\$24.95</b>
		250	Mono Tech (Flat)	Delrin	<b>AL-71781</b>	<b>\$20.95</b>	<b>AL-71781B</b>	<b>\$21.95</b>	<b>AL-71781TL</b>	<b>\$21.95</b>
<b>4</b>	<b>1 1/4</b>	260	Grey Rubber	Ball	<b>AL-71782</b>	<b>\$18.95</b>	<b>AL-71782B</b>	<b>\$20.95</b>	<b>AL-71782TL</b>	<b>\$21.95</b>
		300	Mono Tech (Flat)	Precision	<b>AL-71783</b>	<b>\$20.95</b>	<b>AL-71783B</b>	<b>\$22.95</b>	<b>AL-71783TL</b>	<b>\$23.95</b>
		300	Mono Tech (Flat)	Delrin	<b>AL-71784</b>	<b>\$19.95</b>	<b>AL-71784B</b>	<b>\$20.95</b>	<b>AL-71784TL</b>	<b>\$21.95</b>
		250	Mono Tech (Donut)	Precision	<b>AL-71785</b>	<b>\$20.95</b>	<b>AL-71785B</b>	<b>\$22.95</b>	<b>AL-71785TL</b>	<b>\$22.95</b>
		250	Mono Tech (Donut)	Delrin	<b>AL-71786</b>	<b>\$18.95</b>	<b>AL-71786B</b>	<b>\$20.95</b>	<b>AL-71786TL</b>	<b>\$21.95</b>
<b>5</b>	<b>1 1/4</b>	280	Grey Rubber	Ball	<b>AL-71787</b>	<b>\$20.95</b>	<b>AL-71787B</b>	<b>\$21.95</b>	<b>AL-71787TL</b>	<b>\$22.95</b>
		325	Mono Tech (Flat)	Precision	<b>AL-71788</b>	<b>\$22.95</b>	<b>AL-71788B</b>	<b>\$24.95</b>	<b>AL-71788TL</b>	<b>\$24.95</b>
		325	Mono Tech (Flat)	Delrin	<b>AL-71789</b>	<b>\$20.95</b>	<b>AL-71789B</b>	<b>\$22.95</b>	<b>AL-71789TL</b>	<b>\$22.95</b>
		300	Mono Tech (Donut)	Precision	<b>AL-71790</b>	<b>\$21.95</b>	<b>AL-71790B</b>	<b>\$23.95</b>	<b>AL-71790TL</b>	<b>\$24.95</b>
		300	Mono Tech (Donut)	Delrin	<b>AL-71791</b>	<b>\$20.95</b>	<b>AL-71791B</b>	<b>\$21.95</b>	<b>AL-71791TL</b>	<b>\$22.95</b>
<b>6</b>	<b>1 1/4</b>	325	Mono Tech (Donut)	Precision	<b>AL-71792</b>	<b>\$29.95</b>	<b>AL-71792B</b>	<b>\$31.95</b>	N/A	N/A
		150	No-Matic (Black)	Ball	<b>AL-71793</b>	<b>\$33.95</b>	<b>AL-71793B</b>	<b>\$35.95</b>	N/A	N/A
		150	No-Matic (Grey)	Ball	<b>AL-71794</b>	<b>\$34.95</b>	<b>AL-71794B</b>	<b>\$36.95</b>	N/A	N/A
		300	Vipor	Ball	<b>AL-71863</b>	<b>\$30.95</b>	<b>AL-71863B</b>	<b>\$32.95</b>	N/A	N/A

Fastener Dimensions	Fastener Code
Round – 3/4" - 13/16"	440
Round – 7/8" - 15/16"	441
Round – 1" - 1-1/16"	442
Round – 1-1/8" - 1-3/16"	443

Fastener Dimensions	Fastener Code
Round – 1-1/4" - 1-5/16"	444
Round – 1-3/8" - 1-7/16"	445
Round – 1-1/2" - 1-9/16"	446
Round – 1-5/8" - 1-11/16"	447

We Accept





# High Temperature/Cart Washable Casters by Darcor

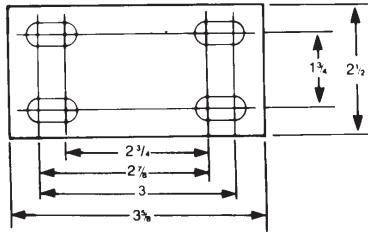
Capacity up to 500 lbs



**Features:**

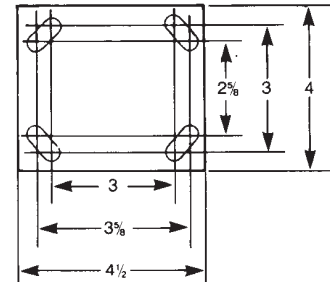
- ✓ 3/8" Axle
- ✓ 1/2" Rivet
- ✓ Double row ball bearing swivel
- ✓ Bright zinc finish
- ✓ All swivel parts case hardened
- ✓ Thread guards standard on wheels

Plate No. 16



Holes for 5/16" Bolts

Plate No. 31



Holes for 3/8" Bolts



5" Swivel Caster  
AL-57368-16

5" Rigid Caster  
AL-57376-16

Nickel chrome finish

Swivel yoke and ball bearing raceway hardened to provide protection against shock

Rubber "O" ring seals the upper ball race.

Lower metal cup seal to protect bearings. Also provides reservoir for lubricant to act as protection wall against water or dust

**CART WASHABLE CASTERS—Range from -20 to +300F**

Wheel Dia. (inches)	Tread Width (inches)	Tread Material	Load Cap/lbs	Wheel Bearing Type	Swivel Radius	Swivel Caster		Rigid Caster	
						ALCO Part No.	Price Each	ALCO Part No.	Price Each
4	1-3/8	Neoprene	225	Ball	3-1/4"	AL-40794	\$66.95	AL-40802	\$51.95
	1-3/8	Neoprene	250	Ball	3-1/2"	AL-40795	\$71.95	AL-40803	\$56.95
	1-3/8	Neoprene	250	Ball	4"	AL-40796	\$71.95	AL-40804	\$56.95
5	1-3/8	Neoprene	325	Ball	4"	AL-40797	\$75.95	AL-40805	\$61.95
	2	Neoprene	450	Roller	4-1/4"	AL-40798	\$93.95	AL-40806	\$73.95
6	1-5/8	Neoprene	350	Ball	4-7/8"	AL-40799	\$99.95	AL-40807	\$89.95
	2	Neoprene	500	Roller	4-5/8"	AL-40800	\$114.95	AL-40808	\$94.95
8	2	Neoprene	500	Roller	5-3/4"	AL-40801	\$131.95	AL-40809	\$114.95

Wheel Dia. (inches)	Tread Width (inches)	Tread Material	Load Cap/lbs	Wheel Bearing Type	Swivel Caster		Rigid Caster	
					ALCO Part No.	Price Each	ALCO Part No.	Price Each
4	1-3/8	Neoprene*	225	Ball	AL-57367	\$44.95	AL-57375	\$37.95
5	1-3/8	Neoprene*	250	Ball	AL-57368	\$48.95	AL-57376	\$39.95
4	1-3/8	Neoprene—Super Roll**	275	Ball	AL-57371	\$44.95	AL-57379	\$34.95
5	1-3/8	Neoprene—Super Roll**	325	Ball	AL-57372	\$54.95	AL-57380	\$42.95

\*Neoprene is non-marking—used on any floor surface

\*\*Neoprene Super Roll is non-marking—Ergonomically designed low profile tread for easy rolling and swiveling

See Pages 719-720 for Replacement High Temp Wheels



**OPTIONS**

Add Suffix To ALCO Part No. (Above) Example: AL-57365-OU

**Grip Ring Stems**

Diameter x Length	Model No. Suffix
3/4" x 1-5/8"	OY
13/16" x 2"	OCC
7/8" x 2"	OHH
7/16" x 1-1/2"	OJ
1" x 1-5/8"	OKK
1/2" x 1-1/8"	OH

**Threaded Stems**

Diameter x Length	Model No. Suffix
1/2" x 1-1/2"-13	LH
5/8" x 2"-11	LN
3/4" x 2"-10	LR
1/2" x 2" NC	LK



Tread Lock Wheel Brake  
Factory Installed  
(Available on all but 6" models)  
AL-57381





# Replacement Cart Washable Casters

## Tente Original Equipment Exact Replacement



**BUY 11 GET 1 FREE!**

Total Lock Caster locks both swivel and wheel at the same time. Operates with a simple tap of the toe.



5" Swivel Caster  
AL-49314PP



5" Total Lock Caster  
AL-49315PP



5" Rigid Caster  
AL-49316PP



5" Swivel Directional Lock Caster  
AL-57562PP

Overall	Bolt Hole
2-3/4" x 3-3/4" Std US Plate	1-3/4" x 3"

### Standard US Plate (95"x70") Code PP

Wheel Dia. (Inches)	Wheel Tread Material	Wheel Bearing	Swivel Caster		Total Lock Caster		Rigid Caster		Swivel Lock	
			ALCO Part No.	Price Each	ALCO Part No.	Price Each	ALCO Part No.	Price Each	ALCO Part No.	Price Each
4x1 1/4	Grey Rubber	Precision Ball	AL-57547PP	\$26.95	AL-57551PP	\$36.95	AL-57555PP	\$26.95	AL-57559PP	\$39.95
	Grey Rubber	Plain w/o Thread Guard	AL-57548PP	\$22.95	AL-57552PP	\$32.95	AL-57556PP	\$22.95	AL-57560PP	\$35.95
5x1 1/4	Grey Rubber	Plain w/o Thread Guard	AL-57549PP	\$22.95	AL-57553PP	\$32.95	AL-57557PP	\$22.95	AL-57561PP	\$35.95
	Grey Rubber	Precision Ball	AL-49314PP	\$26.95	AL-49315PP	\$36.95	AL-49316PP	\$26.95	AL-57562PP	\$39.95
	Grey Polyurethane	Precision Ball	AL-57550PP	\$26.95	AL-57554PP	\$36.95	AL-57558PP	\$26.95	AL-57563PP	\$39.95



**Threaded Stem** — Same price as plate caster, Swivel or Total Lock only  
Change code from PP to S5 or S6  
Code S5 3/8"-16 x 1" for 4" & 5" Casters  
Code S6 1/2"-13 x 1" for 4" & 5" Casters

EXAMPLE: AL-57554S6 \$36.95



**1" Dia. X 1-5/8" Long Solid Steel Stem** — add \$6.00 to caster price

Code	For Tubes
MM	1" ID (HR*)

With 8mm threaded hole 19mm up from mounting surface.

MM fits \*Hill-Rom Beds

EXAMPLE: AL-57554MM \$42.95

### European Plate Overall 3.03" x 2.64" - Bolt Hole 2.42"/1.97" x 2.03"/163" - Plate Code PH

Wheel Dia. (Inches)	Wheel Tread Material	Wheel Bearing	Swivel Caster		Total Lock Caster		Rigid Caster		Swivel Lock	
			ALCO Part No.	Price Each	ALCO Part No.	Price Each	ALCO Part No.	Price Each	ALCO Part No.	Price Each
4x1 1/4	Grey Rubber	Precision Ball	AL-57547PH	\$26.95	AL-57551PH	\$36.95	AL-57555PH	\$26.95	AL-57559PH	\$39.95
	Grey Rubber	Plain w/o Thread Guard	AL-57548PH	\$22.95	AL-57552PH	\$32.95	AL-57556PH	\$22.95	AL-57560PH	\$35.95
5x1 1/4	Grey Rubber	Plain w/o Thread Guard	AL-57549PH	\$22.95	AL-57553PH	\$32.95	AL-57557PH	\$22.95	AL-57561PH	\$35.95
	Grey Rubber	Precision Ball	AL-49314PH	\$26.95	AL-49315PH	\$36.95	AL-49316PH	\$26.95	AL-57562PH	\$39.95
	Grey Polyurethane	Precision Ball	AL-57550PH	\$26.95	AL-57554PH	\$36.95	AL-57558PH	\$26.95	AL-57563PH	\$39.95



Tente Original Equipment Exact Replacement

We Accept





# Stainless Steel Casters—Best Buy

Capacity up to 300 lbs

**BUY 11 GET 1 FREE!**

### Features

- ✓ Stainless steel (304) won't rust or corrode under most situations
- ✓ Applications include: Wash-down carts, Stainless racks, Food service equipment, Hospital equipment
- ✓ Top Plate:  
Overall: 2-1/2 x 3-3/4  
Hole Spacing: 1-3/4 x 2-7/8 to 3  
Attaching Bolt Size: 5/16

**Type 304**  
**Stainless Steel**  
**Will Not Rust!**



## Cart Washable

**High Temp Nylon Wheels (do not include Fork Seals)**  
Temperature Range: -70°F to +525°F intermittent service  
(+485° continuous service)  
Hardness: 85(±5) Durometer Shore D scale

Wheel Diameter (Inches)	Tread Width (Inches)	Wheel Type	Wheel Bearing Type	Load Capacity (lbs)	Swivel Radius (Inches)	Swivel		Rigid		Brake (Swivel Only)	
						ALCO Part No.	Price Each	ALCO Part No.	Price Each	ALCO Part No.	Price Each
4	1 1/4	White Nylon	Plain	300	3-1/2	AL-64469	\$25.95	AL-64490	\$15.95	AL-64469TLB	\$30.95
		Polyurethane	Plain	250	3-1/2	AL-64470	\$25.95	AL-64491	\$15.95	AL-64470TLB	\$30.95
		Grey Mirage Rubber	Plain	230	3-1/2	AL-64471	\$25.95	AL-64492	\$15.95	AL-64471TLB	\$30.95
		High Temp Nylon	Plain	250	3-1/2	AL-57029	\$28.95	AL-57039	\$24.95	N/A	N/A
5	1 1/4	White Nylon	Plain	300	4	AL-64475	\$26.95	AL-64496	\$18.95	AL-64475TLB	\$31.95
		Polyurethane	Plain	250	4	AL-64476	\$27.95	AL-64497	\$19.95	AL-64476TLB	\$32.95
		Grey Mirage Rubber	Plain	250	4	AL-64477	\$28.95	AL-64498	\$19.95	AL-64477TLB	\$33.95
		High Temp Nylon	Plain	250	4	AL-57032	\$29.95	AL-57042	\$24.95	N/A	N/A

## Deluxe Cart Washable Heat Master Casters

### Heat Master Caster

- ✓ Temperature range up to 500° constant
- ✓ Stainless steel housing with stainless steel lube fitting on axle & swivel with neoprene seals on swivel for grease retention eliminating lubrication loss during cleaning
- ✓ Wheel is supplied with plain bore (standard) and a stainless steel ball bearing version for easier rolling is available
- ✓ Expandable stem style maximum temperature is 160°

Standard Plate Size: 2-3/8" x 3-5/8" Bolt Hole Pattern 1-3/4" x 3" (5/16" Bolt)				
Wheel Diameter (Inches)	Swivel Plate		Rigid Plate	
	ALCO Part No.	Price Each	ALCO Part No.	Price Each
4	AL-64209	\$57.95	AL-64212	\$49.95
5	AL-64210	\$65.95	AL-64213	\$51.95
6	AL-64211	\$79.95	AL-64214	\$65.95

Code	Optional Plates*:
1	3-1/8" x 4-1/8"
2	3-3/4" x 4-1/2"
	<b>Grip Ring Stem for InterMetro: Add \$4.95 (swivel only)</b>
3	.845 Diameter (Round)
	<b>Threaded Stem*: (swivel only)</b>
7	3/4-10" x 1-3/4"
	<b>Expandable Stem*: (swivel only)</b>
8	7/8" Dia.
9	1" Dia.
10	1-1/8" Dia.
11	1-1/4" Dia.
12	1-1/2" Dia.

\*Additional Charges May Apply

Options	
Stainless steel Treadlock Brake Kit (swivel only)	
AL-64215	\$13.95
Stainless steel ball bearing in wheel	
AL-64216	\$18.95



**High-Temp!**  
**Great For**  
**Autoclaves**

**▼ LOW PRICES GUARANTEED! ▼**  
**WE WILL NOT BE UNDERSOLD!**

# Cart Washable Casters—Best Buy

**BUY 11 GET 1 FREE!**



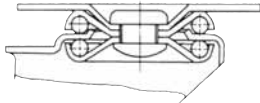
### Stainless Steel Cart Washable Casters

- ✓ High embossed, formed Stainless Steel double cup
- ✓ Double row ball bearing swivel raceway

Standard U.S. Top Plate	
Overall Size:	2-3/8x3-5/8
Bolt Hole Spacing:	1-3/4x2-11/16 to 2-5/16
Attaching Bolt Size:	5/16

### High Temp Wheels

Temperature Range: -70°F to +525°F  
intermittent service (+475° continuous service)  
Hardness: 85(±5) Durometer Shore D scale



5" Swivel Stainless Steel Caster  
Grey Flat Tread  
**AL-57072**



5" Rigid Stainless Steel Caster  
Grey Flat Tread  
**AL-57077**



Stainless Steel Tread Lock  
Wheel Brake 4" **AL-57079 \$7.00**  
Wheel Brake 5" **AL-57079A \$7.00**

Wheel Diameter (inches)	Tread Width (inches)	Wheel Type	Wheel Bearing Type	Load Capacity (lbs)	Swivel		Rigid	
					ALCO Part No.	Price Each	ALCO Part No.	Price Each
4	1 1/4	Polyurethane	Ball	260	<b>AL-57059</b>	<b>\$21.95</b>	<b>AL-57064</b>	<b>\$20.95</b>
		Polyurethane	Delrin	260	<b>AL-64470</b>	<b>\$25.95</b>	<b>AL-64491</b>	<b>\$15.95</b>
		Grey Rubber	Ball	240	<b>AL-57061</b>	<b>\$21.95</b>	<b>AL-57066</b>	<b>\$20.95</b>
		Grey Rubber	Delrin	240	<b>AL-57062</b>	<b>\$21.95</b>	<b>AL-57067</b>	<b>\$20.95</b>
		High Temp	Plain	240	<b>AL-57063</b>	<b>\$30.95</b>	<b>AL-57068</b>	<b>\$29.95</b>
5	1 1/4	Polyurethane	Ball	275	<b>AL-57069</b>	<b>\$23.95</b>	<b>AL-57074</b>	<b>\$22.95</b>
		Polyurethane	Delrin	275	<b>AL-64476</b>	<b>\$27.95</b>	<b>AL-64497</b>	<b>\$19.95</b>
		Grey Rubber	Ball	265	<b>AL-57071</b>	<b>\$34.95</b>	<b>AL-57076</b>	<b>\$23.95</b>
		Grey Rubber	Delrin	265	<b>AL-57072</b>	<b>\$34.95</b>	<b>AL-57077</b>	<b>\$23.95</b>
		High Temp	Plain	300	<b>AL-57073</b>	<b>\$34.95</b>	<b>AL-57078</b>	<b>\$30.95</b>

See Page 719-720 for Replacement High Temp Wheels



## Cart Washable Casters by Tente



Swivel Caster  
**AL-71873BA**  
**\$10.95**



Swivel Caster with Wheel Brake  
**AL-71879BA**  
**\$11.95**

### Features

- ✓ Housing made of polyamide with polypropylene wheel center and thermoplastic rubber tread
- ✓ Thread guards
- ✓ Plain bearing



The World in Motion  
Innovation and Quality

See Page 726 for Caster Sockets

### Stem Codes

- S5 3/8-16 x 1" (threaded)
- S6 1/2-13 x 1" (threaded)
- CP 1/2-13 x 1-1/4" (threaded)
- BA 7/16 x 1-1/4" (grip ring)
- BF 7/16 x 7/8" (grip ring)
- PF 38 x 38/10 (plate)
- PJ 65 x 65/10 (plate)

Wheel Diameter (Inches)	Wheel Type	Load Capacity (lbs.)	ALCO Part No.	Price Each
<b>Swivel</b>				
3	Grey Rubber	220	<b>AL-71873</b>	<b>\$10.95</b>
4	Grey Rubber	220	<b>AL-71876</b>	<b>\$12.95</b>
<b>Wheel Brake</b>				
3	Grey Rubber	220	<b>AL-71879</b>	<b>\$11.95</b>
4	Grey Rubber	220	<b>AL-71882</b>	<b>\$13.95</b>

Must Have Stem Code. Example: **AL-71873S5**



# Replacement PVC Casters

**BUY 11 GET 1 FREE!**

## Replacement PVC Casters by Care Products

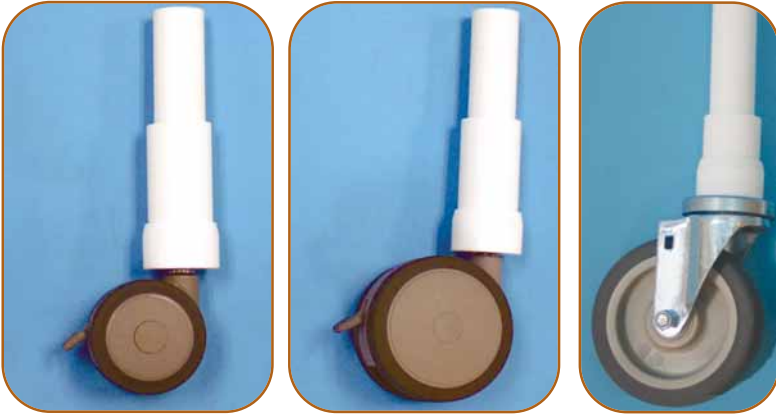


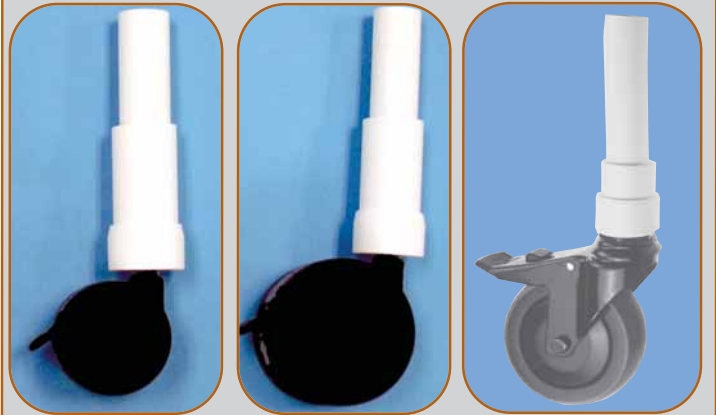
Fig 1

Fig 2

Fig 3

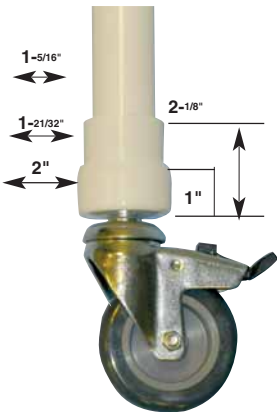
Fig.	Size	Fits	ALCO Part No.	Price
1	3"	Standard Shower Chairs, Set of 4	AL-69322	\$89.00 Set/4 Ea.
2	4"	Extra Wide Shower Chair Model 520W, Set of 4	AL-72511	\$99.00 Set/4 Ea.
3	5"	For Gurney and Models 522, 523, 524XW, 900, 925, 930 & 940, Set of 6	AL-69323	\$129.00 Set/6 Ea.

## Replacement PVC Casters by MJM



3" Total Lock Caster <b>AL-57456 \$26.00</b>	5" Swivel Caster <b>AL-57459 \$25.00</b>	5" Total Lock Brake and 5" Swivel Caster Set of 4 w/PVC <b>AL-57460 \$199.00 Set</b>
3" Swivel Caster <b>AL-57455 \$23.00</b>	5" Swivel w/Brake <b>AL-57458 \$27.00</b>	
3" Caster—Set of 4 w/PVC <b>AL-57454 \$59.00 Set</b>	5" Caster—Set of 4 w/PVC <b>AL-57457 \$99.00 Set</b>	

## Replacement PVC Casters by Healthline



AL-52731B

5" X 1-1/4" No Rust, non-marking gray Rubber Tire. Can Disassemble For Cleaning.

Without Brake <b>AL-52731</b>	<b>\$35.95 ea.</b>
With Brake <b>AL-52731B</b>	<b>\$37.95 ea.</b>



AL-52732B

3" Total Lock Caster. Locks wheel and swivel. Thread Guards. Can Disassemble For Cleaning. Non-Marking Gray Rubber Tire.

Without Brake <b>AL-52732</b>	<b>\$27.95 ea.</b>
With Brake <b>AL-52732B</b>	<b>\$29.95 ea.</b>



AL-52734B

No Rust Twin Wheel Composite Caster

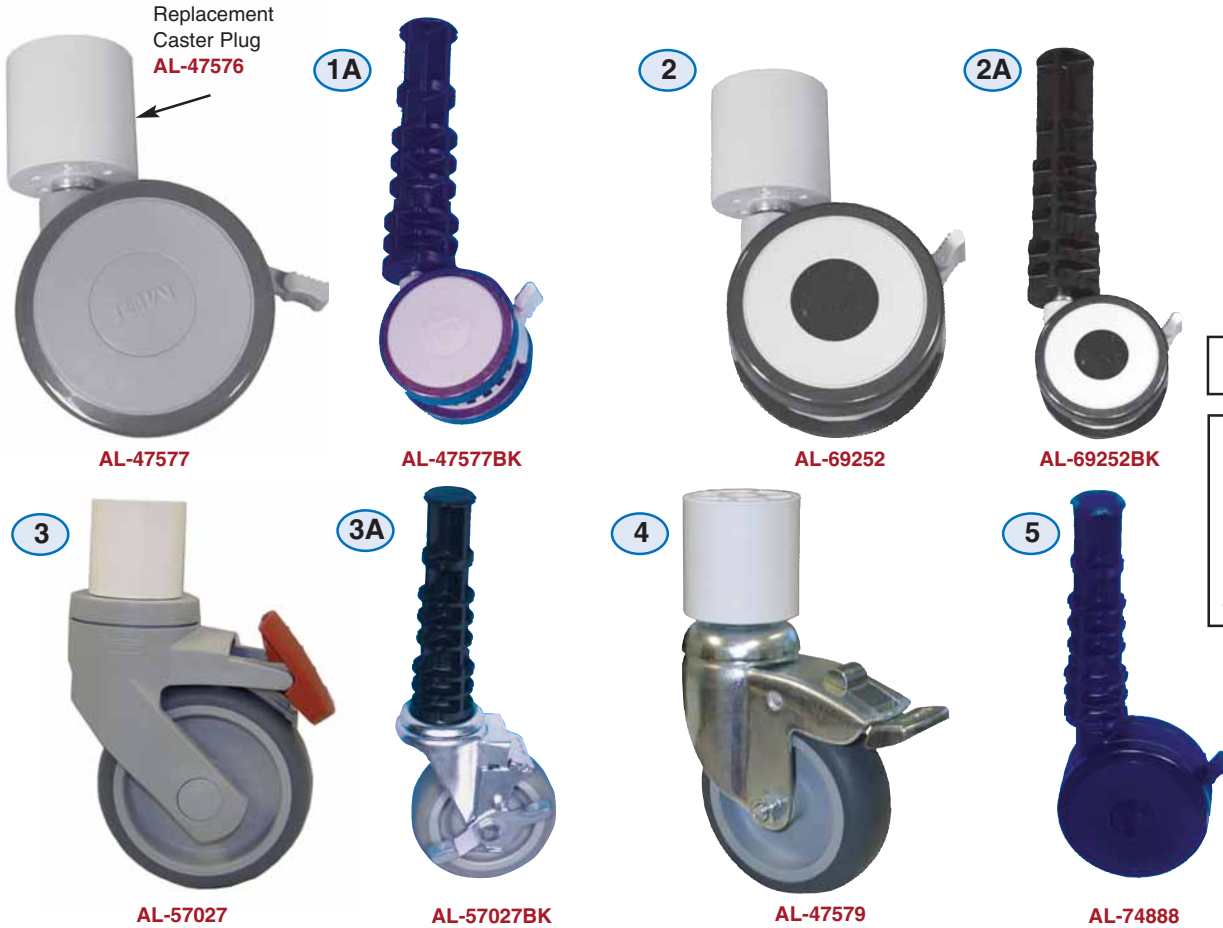
3" Without Brake <b>AL-52734</b>	<b>\$12.95 ea.</b>
3" With Brake <b>AL-52734B</b>	<b>\$14.95 ea.</b>
4" Without Brake <b>AL-52735</b>	<b>\$21.95 ea.</b>
4" With Brake <b>AL-52735B</b>	<b>\$23.95 ea.</b>

**BUY 11**  
Get One  
**FREE**

# Replacement PVC Casters by IPU

**ipu**  
INNOVATIVE PRODUCTS UNLIMITED INC  
IPU PRODUCTS = LOWEST COST OF OWNERSHIP

**BUY 11 GET 1 FREE!**

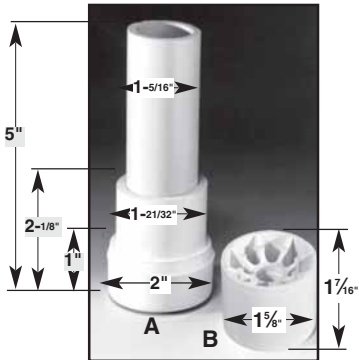


**Non-Rusting**

**Grip Ring Stem**  
7/16" Dia. x 1-3/8" Long for Shower Chair

Fig	Description	ALCO Part No.	Price Set of 4
1	3" Twin Wheel Casters with PVC Plug (All Locking set of 4)	AL-47577	\$59.95 Kit
1A	3" Twin Wheel Casters with PVC Plug (All Locking Set of 4); Black	AL-47577BK	\$59.95 Kit
2	3" Deluxe Twin Non-Rusting Caster with PVC Plug (All Locking set of 4)	AL-69252	\$89.95 Kit
2A	3" Deluxe Twin Non-Rusting Casters with PVC Plug (All Locking Set of 4); Black	AL-69252BK	\$89.95 Kit
3	4" Single Wheel Casters with PVC Plug and two with wheel Brake (set of 4)	AL-57027	\$89.95 Kit
3A	4" Single Wheel Casters with PVC Plug and two with wheel Brake (Set of 4); Black	AL-57027BK	\$89.95 Kit
4	3" Single Wheel Casters with PVC Plug and two with Total Lock Brake (set of 4)	AL-47579	\$69.95 Kit
5	3" Twin Wheel Casters (two locking and two non-locking); Black	AL-74888	\$59.95 Kit
N/S	5" Single Wheel Casters with PVC Plug and two with wheel Brake (set of 4)	AL-57037	\$99.95 Kit

Total Brake caster locks both swivel and wheel at the same time. Operates with a simple tap of the toe.



(A) AL-50337 \$4.95 Each  
For Healthline PVC  
(B) AL-50338 \$4.95 Each  
For Anthros PVC (7/16" Stem Hole)

**PVC Plug**

Plug takes 7/16" Dia. Grip Lock Stem Caster.

**AL-47576 \$4.95 Each**

**PVC Plug**

Plug takes 7/16" Dia. Grip Lock Stem Caster.

**AL-47578 \$3.95 Each**

**Water and Corrosion Resistant — Excellent For Shower Chairs!**

EP1

# Rubbermaid Replacement Casters & Wheels

## BUY 11 GET 1 FREE!

Description	For Rubbermaid Cart Model No.	ALCO Part No	Price
Big Wheel® Cart Wheel	5642	AL-55329	\$95.00
Cube Trucks 4" dia Swivel Caster	4608, 4612	AL-55332	\$29.00
Cube Trucks 4" dia Fixed Caster	4608, 4612	AL-55333	\$29.00
Cube Trucks 5" dia Swivel Caster	4614, 4616, 4616-06, 4619	AL-55334	\$35.00
Cube Trucks 5" dia Rigid Caster	4614, 4616, 4616-06, 4619	AL-55335	\$35.00
Flat Shelf Cart 5" dia Rigid Caster	4505, 4525	AL-55336	\$19.00
Flat Shelf Cart 5" dia Swivel Caster	4505, 4525	AL-55337	\$25.00
Heavy-Duty Utility/Service Cart 5" dia Rigid Caster	4500, 4520	AL-55338	\$19.00
Heavy-Duty Utility/Service Cart 5" dia Swivel Caster	4500, 4520	AL-55337	\$25.00
Heavy-Duty Utility Truck 5" dia Swivel Caster	4716, 4720	AL-55334	\$35.00
Heavy-Duty Utility Truck 5" dia Rigid Caster	4716, 4720	AL-55335	\$35.00
Heavy-Duty Utility Truck 4" dia Swivel Caster	4708, 4712	AL-55339	\$27.00
Heavy-Duty Utility Truck 4" dia Rigid Caster	4708, 4712	AL-55340	\$29.00
Janitor Cart 2000/Cleaning Trolley 2000 4" dia Caster	6173	AL-55389	\$16.00
Janitor Cart 2000/Cleaning Trolley 2000 Wheel and Axle Assembly (Specify Color)	6173	AL-55344	\$49.00
Mobile Recycling Collection Equipment 3-1/2" dia Soft Rubber Swivel Plate Caster	1305-06	AL-55345	\$35.00
Mobile Recycling Collection Equipment 5" dia Swivel Caster	4616-06	AL-55334	\$35.00
Mobile Recycling Collection Equipment 5" dia Rigid Caster	4616-06	AL-55335	\$35.00
Platform Truck 5" dia Swivel Caster	4403, 4433, 4461	AL-55346	\$39.00
Platform Truck 5" dia Rigid Caster	4403, 4433, 4461	AL-55347	\$31.00
Platform Truck 8" dia Swivel Pneumatic Caster	4436-10, 4466-10	AL-55348	\$149.00
Platform Truck 8" dia Rigid Pneumatic Caster	4436-10, 4466-10	AL-55349	\$159.00
Platform Truck 6" dia Rubber Swivel Caster	4406, 4436, 4466	AL-55350	\$149.00
Platform Truck 6" dia Rubber Rigid Caster	4406, 4436, 4466	AL-55351	\$159.00
Platform Truck 8" dia Polyolefin Swivel Caster	4441, 4471	AL-55352	\$99.00
Platform Truck 8" dia Polyolefin Rigid Caster	4441, 4471	AL-55353	\$79.00
Round Brute® Container 3" dia Swivel Caster (Plate)	2650	AL-55360	\$19.00
Self-Dumping Hopper 6" dia Swivel Polyolefin Plate Caster	1054, 1059, 1064, 1069, 1074	AL-55361	\$69.00
Self-Dumping Hopper 6" dia Rigid Polyolefin Plate Caster	1054, 1059, 1064, 1069, 1074	AL-55362	\$55.00
Square Brute® Big Wheel® Container Axle	3557	AL-55363	\$5.00
Stepstool Caster	2523	AL-55366	\$10.00
Structural Foam Tilt Truck 12" dia Non-Marking Wheel	1011	AL-55367	\$84.00
Structural Foam Tilt Truck 4" dia Non-Marking Wheel	1011	AL-55368	\$29.00
Structural Foam Tilt Truck 12" dia Wheel	1013	AL-55369	\$129.00
Structural Foam Tilt Truck 4" dia Plate Caster	1013	AL-55370	\$49.00
Tilt Truck 10" dia Soft Rubber (Semi-pneumatic) Wheel for 3/4" dia Axle	1304	AL-55371	\$52.00
Tilt Truck 3-1/2" dia Soft Rubber Swivel Plate Caster	1305, 1306, 1305-06	AL-55345	\$35.00
Tilt Truck 12" dia Soft Rubber (Semi-pneumatic) Wheel for 3/4" dia Axle	1314	AL-55348	\$95.00
Tilt Truck 4" dia Canvas Impregnated Phenolic Resin Plate Caster	1025, 1026, 1035, 1036, 1045, 1046	AL-55372	\$69.00
Tilt Truck 12" dia Wheel (Vulcanized Hard Rubber)	1026, 1035, 1036, 1045, 1046	AL-55374	\$129.00
Tilt Truck 4" dia Swivel Stem Caster	1304	AL-55375	\$29.00
Tilt Truck 10" dia Wheel	1305, 1305-06	AL-55376	\$63.00
Tilt Truck 10" dia Wheel (One Wheel)	1306	AL-55377	\$109.00
Tilt Truck 5" dia Swivel Stem Caster	1314	AL-55378	\$35.00
Tilt Truck 12" dia Wheel	1315	AL-55379	\$85.00
Tilt Truck 5" dia Swivel Caster	1316	AL-55380	\$45.00
Tilt Truck 12" dia Wheel	1316	AL-55381	\$149.00
Tilt Truck 5" dia Swivel Caster	1315	AL-55346	\$39.00
Trade Cart Swivel Caster	6180	AL-55383	\$69.00
Trade Cart Rigid Caster	6180	AL-55384	\$45.00
Trimeld® Ingredient Bin Swivel Caster	3600, 3601, 3602, 3603	AL-55385	\$19.00
Trimeld® Ingredient Bin Rigid Caster	3600, 3601, 3602, 3603	AL-55386	\$19.00
Triple™ Trolley and Trolley/Dolly 5" dia Rigid Caster	4401	AL-55336	\$19.00
Triple™ Trolley and Trolley/Dolly 5" dia Swivel Caster	4401	AL-55337	\$25.00
4" Diameter Swivel Caster	3355, 3424	AL-55389	\$16.00
Cube and Spring Platform Truck Swivel Caster w/Seal Kit, 4"	4608, 4612	AL-71362	\$39.00
Cube and Spring Platform Truck Soft Rubber Swivel Caster 5"—Quiet	4611,4612,4614,4616,1618,4619,4716	AL-71363	\$39.00
Cube and Spring Platform Truck Soft Rubber Rigid Caster 5"—Quiet	4611,4612,4614,4616,1618,4619,4716	AL-71364	\$36.00
Cube and Spring Platform Truck Trainable Dolly Caster	2651	AL-71365	\$11.00
Cube and Spring Platform Truck Caster w/Hardware	Old 2640, 3530	AL-71366	\$9.00
Cube and Spring Platform Truck Caster Kit 4" w/Hardware	9T54,9T55	AL-71367	\$29.00
Cube and Spring Platform Truck Replacement Caster	E050,E051,Q354,7570,7571,7577,7580,7581,7590	AL-71368	\$9.00
Flexi 2000™ Cleaning Cart Caster w/Insert	4400,6111,6113,6118-88,6150,6152,6182,6185	AL-71369	\$11.00
Housekeeping Cart Swivel Caster w/Brake 8"	6189, 6190, 6191, 6192, 6198	AL-71370	\$99.00
Max System™ Caster and Hardware Kit (2 Rigid & Swivel) Black, Off White	3315, 3316, 3317, 3319, 3320, 3324	AL-71421	\$99.00
Media Master® Audio-Visual Cart Swivel Caster Kit 4" (2 locking/2 non-locking)	9T30, 9T31, 9T32, 9T34, 9T35	AL-71371	\$59.00
Mega BRUTE® Mobile Waste Collector 5" Diameter Caster Kit	9W71	AL-71372	\$49.00
Mega BRUTE® Mobile Waste Collector 12" Diameter Wheel Kit, Black	9W71	AL-71373	\$49.00
Mop Bucket Caster 3"	7380	AL-71374	\$25.00
Mop Bucket Quiet Caster for Wavebrake Trolley, Red	7777, 7780, 9C73	AL-71375	\$9.00
Platform Truck Pneumatic Wheel 16"	9T06	AL-71376	\$99.00
Platform Truck Pneumatic Wheel 12"	9T07	AL-71377	\$89.00
Platform Truck Molded On Tire 12"	9T08	AL-71378	\$129.00
Roll Out Container Wheels w/Plush Caps (2)	9W27, 9W27-28, 9W27-73	AL-71379	\$17.00
Slim Jim® Trolley System Caster	3551-88	AL-71380	\$9.00
StockMate Restocking Truck Rigid Caster	9T45, 9T50, 9T50-88	AL-71381	\$49.00
StockMate Restocking Truck Swivel Caster	9T45, 9T50, 9T50-88	AL-71382	\$45.00
Sturdy Chair™ Youth Seat Caster	7811	AL-71383	\$19.00
Tilt Truck and Self Dumping Hopper Wheel Kit (2)	1304	AL-71384	\$99.00
Tilt Truck and Self Dumping Hopper Wheel Caster 4"	1016	AL-71386	\$59.00
Tilt Truck and Self Dumping Hopper Molded Wheel 12", Soft Rubber	1025	AL-71387	\$99.00
Tilt Truck and Self Dumping Hopper Wheel 16", Pneumatic	1026-41	AL-71388	\$109.00
Tilt Truck and Self Dumping Hopper Wheel 10"	1305, 1305-42, 1305-73	AL-71389	\$79.00
Tilt Truck and Self Dumping Hopper Swivel Caster 6"	1026-41, 1306-41, 1316-41, 4727-41	AL-71390	\$109.00
Tilt Truck and Self Dumping Hopper Wheel 10"	9T13, 9T17	AL-71391	\$45.00
Tilt Truck and Self Dumping Hopper Wheel 10"	9T14	AL-71392	\$49.00
Tilt Truck and Self Dumping Hopper Swivel Caster 5"	9T15, 9T16	AL-71393	\$39.00
Tilt Truck and Self Dumping Hopper Swivel Caster 4"	9T17	AL-71394	\$16.00
Tilt Truck and Self Dumping Hopper Swivel Caster 4"	9T18	AL-71395	\$21.00
TradeMaster® Cart Rigid Caster 5"	4512,4513,4532,4533,4534,4546,4757,4548	AL-71396	\$21.00
TradeMaster® Cart Swivel Caster w/Brake 5"	4512,4513,4532,4533,4534,4546,4757,4548	AL-71397	\$24.00
TradeMaster® Cart Swivel Caster 5"	4546, 4547	AL-71398	\$24.00
Untouchable® Top Dynatred Swivel Caster w/Brake 5"	4401, 4500,4505, 4520, 4525	AL-71399	\$19.00
Untouchable® Top Dynatred Swivel Caster w/Brake 4"	3424, 4091, 4092, 4093, 4094, 4095	AL-71400	\$32.00
Untouchable® Top Swivel Caster 4" Soft Rubber—Quiet	3424, 4091, 4092, 4093, 4094, 4095	AL-71401	\$25.00
Untouchable® Top Caster Kit (4) 3"	3421	AL-71402	\$29.00
Untouchable® Top Quiet Rigid 5" Caster w/Spacer	4500, 4505, 4520, 4525, 6180, 6180-88	AL-71405	\$44.00
Untouchable® Top Quiet Swivel 5" Caster w/Spacer	4500, 4505, 4520, 4525, 6180, 6180-88	AL-71406	\$44.00
Untouchable® Top Quiet Heavier Rigid 5" Caster w/Spacer	4500, 4505, 4520, 4525, 6180, 6180-88	AL-71407	\$35.00
Untouchable® Top Quiet Heavier Swivel 5" Caster w/Spacer	4500, 4505, 4520, 4525, 6180, 6180-88	AL-71408	\$35.00
Untouchable® Top Parts Kit w/Casters (4)	4505, 4525	AL-71409	\$69.00
Untouchable® Top Caster Kit w/Hardware 2 Rigid, 2 Swivel (4)	9T66, 9T67	AL-71410	\$59.00
Untouchable® Top Swivel Caster 4"	3708, 3709, 3712, 3713	AL-71413	\$69.00
Untouchable® Top Rigid Caster 4"	3708, 3709, 3712, 3713	AL-71414	\$39.00
Untouchable® Top Swivel Caster 5"	4727	AL-71415	\$39.00
Untouchable® Top Rigid Caster 5"	4727-41	AL-71416	\$79.00
Untouchable® Top Swivel Caster 6"	1026-41, 1306-41, 1316-41, 4724-41	AL-71417	\$109.00
X-tra® Shelving & Mobile Shelf Truck Caster Kit, 2 Braking, 2 non-Braking, 5"	9T42, 9T43, 9T43	AL-71420	\$109.00



# Lakeside Casters



**BUY 11 GET 1 FREE!**



AL-9911

AL-9937

Rigid Casters			
Lakeside Cart Model	Description	ALCO Part No.	Price Each
351-355, 357, 660, 680	5" Fixed—Grey Donut TPR, 4" T.P.	AL-9951	\$59.00
433, 445, 446, 448, 449, 451, 643, 653, 459-465, 470, 471, 458	5" Fixed—Grey Donut TPR	AL-9952	\$59.00
458	5" XL SQ. Stem Fxd.	AL-9953	\$69.00
560-563, 733, 745-748, 760-763	5" Fixed—Grey Donut TPR	AL-9954	\$49.00
541, 542, 551, 552	6" Fixed	AL-58244	\$69.00
68210, 68220	8" Fixed	AL-58250	\$109.00

## Swivel Casters

Lakeside Cart Model	Description	ALCO Part No.	Price Each
110, 125, 126, 130, 135, 136, 155, 156, 197, 515-518, 715-718	4" Stem	AL-9909	\$49.00
110, 130, 197, 199, 515-518, 715-718	4" Stem w/brake	AL-9910*	\$59.00
127-129, 137-139, 157-159, 168, 179, 198	5" Standard Stem	AL-9911	\$49.00
162-166, 172-173, 182-183, 240, 250, 403, 407, 442-446, 448-449, 4444, 4451,4510, 4511, 4521, 4522, 4543, 4544, 4558, 4559, 459-465, 470, 471, 4710, 4711, 4721, 4722, 4743, 4744, 4758, 4759, 4944, 4958, 510, 511, 521, 522, 527, 533, 543-548, 557-563, 570, 577, 580, 5910, 5915, 5920, 5925, 5930, 603, 643, 644, 646, 653, 675, 6750, 676,678, 681, 6820, 6830, 69010, 69020, 69030, 69040, 7010, 7015, 7020, 7025, 7030, 70310, 70320, 70330,70340, 705, 706, 70610, 70620, 70630, 70640, 70903, 70910, 70920, 70940, 711, 7120, 7130, 7140, 71240, 71310, 7332971330, 721, 722, 725-730, 733, 743-748, 757-763, 844, 886, 887, 88920, 88930, 88940, 88950, 8900,938, 939, 943, 944, 947, 949, 953, 954, 958, 959	5" Grey Donut TPR	AL-9912	\$49.00
210, 211, 221, 222, 472, 473, 7200, 7205-7210,7212,773, 774,777, 778, 8206, 8207, 8209, 8212	4" Stem	AL-9913	\$49.00
230, 3000, 411, 422, 437, 438, 4411, 4422, 447, 450, 466, 469, 474, 476, 622, 626, 636, 672, 810, 815	4" Swivel NO Tabs	AL-9916	\$29.00
311, 316-322, 332-333, 356, 358, 359, 4311, 4322, 526, 610, 615	3-1/2" DBR	AL-9918	\$39.00
213, 217, 243, 244, 2005, 2007-2009, 2011, 2012, 2205, 2207, 2211, 2212, 307010, 30703351-355, 357, 405, 452, 454-456, 64110, 64120, 64130, 64140, 6800, 6810, 790, 822, 890	5" Grey Donut TPR 4" T.P.	AL-9919	\$39.00
412, 413, 415, 416	412, 3,5,6 Swivel Stem	AL-9921	\$49.00
412, 413, 415, 416	412, 3,5,6 Swivel Stem w/ Brake	AL-9922*	\$59.00
458	5XL Sqr. Swivel Stem	AL-9925	\$69.00
479	4" Std K.D. Swivel	AL-9928	\$49.00
492, 493	5" Std Stem Spartan	AL-9930	\$39.00
499	5" Std K.D. Swivel	AL-9931	\$49.00
670, 671, 673, 674, 707	Swivel 1-1/2" Wide	AL-9934	\$99.00
640, 642, 645, 647-652, 654, 655, 657, 840, 842, 845-852, 854, 855, 857		AL-9937	\$99.00
884, 886, 887		AL-9939	\$49.00
210, 211, 221, 222, 472, 473, 7200, 7205-7210, 7212, 773, 774, 777, 778, 8206-8210, 8212	4" Stem Lock w/ Brake	AL-9945*	\$49.00
2814, 2816, 2818-2820, 3004, 5100, 5105-5112, 5200, 5205-5212, 5300, 5305-5310, 5400, 5405-5410, 6106, 6107, 6206-6212, 6306-6310, 6406-6410, 7300, 7305-7310, 7400, 7405-7410, 782-784, 786-788, 792, 796, 797, 814, 816, 818-820, 8306-8310, 8406-8410, E6200, E6205, 36207, E6109-E6212, E917, E927, E937, S5206, S5207, S5209-S5212, V5210, V5211, V5212, V5214, V6210-V6214	4" Ex Load NSF	AL-9946	\$49.00
2814, 2816, 2818-2820, 3004, 5100, 5105-5112, 5200, 5205-5212, 5300, 5305-5310, 5400, 5405-5410, 6106, 6107, 6206-6212, 6306-6310, 6406-6410, 7300, 7305-7310, 7400, 7405-7410, 782-784, 786-788, 792, 796, 797, 814, 816, 818-820, 8306-8310, 8406-8410, E6200, E6205, 36207, E6109-E6212, E917, E927, E937, S5206, S5207, S5209-S5212, V5210, V5211, V5212, V5214, V6210-V6214	4" Ex Load Brake NSF	AL-9947*	\$59.00
541, 542, 551, 552, 897, 898	6" Swivel	AL-58243*	\$109.00
564-569, 581-588, 593-598, B587-B589, B591-B593, B596, B597, B599	8" Ureth Swivel NSF	AL-58245	\$49.00
68210, 68220	8" Swl w/Brake	AL-58249*	\$139.00
70100, 70110, 70120, 70140	5" Swivel	AL-58251	\$79.00
70100, 70110, 70120, 70140	5" Swivel w/ Brake	AL-58252*	\$89.00
4510, 4511, 4521, 4522, 4543, 4544, 4558, 4559, 4710, 4711, 4721, 4722, 4743, 4744, 4758, 4759, 4934, 4938, 4939, 4958, 4959, 510, 511, 521, 522, 527, 533, 543-546, 548, 557-563, 5910, 5915, 5920, 5925, 5930, 6750, 7010, 7015, 7020, 7025, 7030, 70310, 70320, 70330, 70340, 70610, 70620, 70630, 70640, 70910, 70920, 700930, 79040, 710, 711, 7120, 7130, 7140, 721, 722, 725-727, 729, 730, 733, 743-746, 748, 758-763, 938, 939, 943, 944, 947, 949, 953, 954, 958, 959	5" Swivel Brake Grey Donut	AL-58253*	\$59.00
835-837	8" Swivel w/ Brake	AL-58255	\$109.00

\*With Brake

Wheel Only Description	ALCO Part No.	Price Each
8" Wheel	AL-9890	\$39.00

EP-1



# Handtruck Wheels

**BUY 11 GET 1 FREE!**



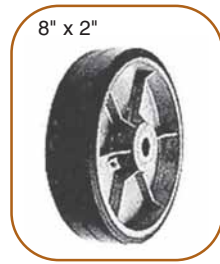
7" x 1-1/2"  
1/2" Bore  
Plain Bearing  
1-1/2" Hub Width  
Offset Poly Hub  
Zero Pressure Tire  
Load Cap. 100 lbs  
**AL-40979 \$10.95**



8" x 1-3/4"  
1/2" Bore  
Plain Bearing  
1-1/2" Hub Width  
Offset Poly Hub  
Zero Pressure Tire  
Load Cap. 150 lbs  
**AL-40982 \$13.95**  
Ball Bearing  
**AL-40983 \$17.95**



8" x 1-5/8"  
5/8" Bore  
2" Hub width  
Ball bearing  
Grease fitting  
Molded-on rubber tire  
Load cap. 450 lbs  
**AL-16417 \$29.95**



8" x 2"  
3/4" Bore  
2-1/4" Hub width Ball bearing  
Molded-on rubber tire  
Grease fitting  
Load cap 565 lbs  
**AL-16412 \$57.95**



10" x 2"  
5/8" Bore  
Ball Bearing  
2-1/4" Offset Poly Hub  
Grease Fitting  
Solid Rubber Tire  
Load Cap. 300 lbs  
**AL-40985 \$28.95**



10" x 2.75"  
3/4" Bore  
2-1/4" Hub width  
Offset poly hub  
Ball bearing  
Solid rubber  
Load cap. 550 lbs  
**AL-16420 \$24.95**  
5/8" Bore  
**AL-16414 \$24.95**



10" x 3-1/2"  
5/8" Bore  
2-1/4" Hub Width  
Pneu. 2-Ply Air  
Load Cap. 250 lbs  
**AL-40986 \$26.95**



10" x 3.50"  
3/4" Bore  
3-1/4" Hub width offset  
Grease fitting Ball bearing  
pneu 4 ply tire-tube  
Load cap 500 lbs  
**AL-16425 \$52.95**

**6x2 Air Free & Flat Free**



1/2" Bore  
2-3/8" Hub  
Polyurethane Foam  
250 lb Capacity  
SawTooth Tread  
Fits into Standard 2" Swivel & Rigid Rigs  
**AL-78298 \$21.95**

- ✓ **Pneumatic** wheels absorb shock and reduce vibration. Provides a smoother ride
- ✓ **No-Matic** wheels have a look and feel of pneumatic but without the hassles of air pressure maintenance and flat tires
- ✓ **Foam fill** provides shock absorption, quiet operation and ease of rolling
- ✓ **Quiet!**

Wheel Dia (Inches)	Tread Width (Inches)	Dynamic Load (lbs)	Wheel Bearing	Axle Size (Inches)	Hub Length (Inches)	Fig.	Color Tread/Core	ALCO Part No.	Price Each
<b>6</b>	<b>1 1/4</b>	<b>150</b>	<b>Ball</b>	<b>3/8</b>	<b>1.57</b>	<b>A</b>	Grey/Grey	<b>AL-76451</b>	<b>\$19.95</b>
							Black/Grey	<b>AL-76452</b>	<b>\$19.95</b>
			<b>B</b>	Grey/Grey	<b>AL-76591</b>	<b>\$19.95</b>			
			Black/Grey	<b>AL-76592</b>	<b>\$19.95</b>				
<b>8</b>	<b>2 1/2</b>	<b>210</b>	<b>Ball</b>	<b>1/2</b>	<b>2 1/2</b>	<b>C</b>	Black	<b>AL-76594</b>	<b>\$19.95</b>
							Grey	<b>AL-76595</b>	<b>\$19.95</b>
<b>10</b>	<b>3</b>	<b>250</b>	<b>Ball</b>	<b>5/8</b>	<b>2 1/4</b>	<b>C</b>	Black	<b>AL-76596</b>	<b>\$21.95</b>
							Grey	<b>AL-76597</b>	<b>\$21.95</b>
				<b>1/2</b>	<b>4</b>	<b>C</b>	Black	<b>AL-76598</b>	<b>\$26.95</b>
							Black	<b>AL-76599</b>	<b>\$26.95</b>
					<b>C</b>	Grey	<b>AL-76600</b>	<b>\$26.95</b>	





# Anti-Microbial Wheels

**BUY 11 GET 1 FREE!**

Polyurethane Wheels						Roller Bearing		Precision Bearing	
Wheel Dia. (Inches)	Tread Width	Load Cap.	Hub Length	Bearing I.D.	Bearing Type	ALCO Part No.	Price Each.	ALCO Part No.	Price Each
3	1-1/4	300	1-1/2	3/8	Annular Ball	AL-75870	\$8.95	AL-75879	\$8.95
3-1/2	1-1/4	360	1-1/2	3/8	Annular Ball	AL-75871	\$8.95	AL-75880	\$8.95
4	1-1/4	400	1-1/2	3/8	Annular Ball	AL-75872	\$9.95	AL-75881	\$8.95
4	2	600	2-3/16	3/4	Roller	AL-75873	\$14.95	N/A	N/A
5	1-1/4	440	1-1/2	3/8	Annular Ball	AL-75874	\$10.95	AL-75882	\$9.95
5	2	750	2-3/16	3/4	Roller	AL-75875	\$15.95	N/A	N/A
6	2	900	2-3/16	3/4	Roller	AL-75876	\$19.95	N/A	N/A
8	2	1000	2-3/16	3/4	Roller	AL-75877	\$26.95	N/A	N/A
10	2-1/2	1500	3-1/4	1	Roller	AL-75878	\$42.95	N/A	N/A
10	2-1/2	1500	3-1/2	1	N/A	N/A	N/A	AL-75883	\$48.95

**Anti-Microbial**



AL-75873

Xtra-Soft Flat Grey Tread (Light Duty)							
Wheel Dia. (Inches)	Tread Width	Load Cap.	Hub Length	Bearing I.D.	Bearing Type	ALCO Part No.	Price Each
3	1-1/4	200	1-1/2	1/2	Delrin	AL-75884	\$8.95
3-1/2	1-1/4	250	1-1/2	1/2	Delrin	AL-75885	\$8.95
3-1/2	1-1/4	225	1-5/8	3/8	Stainless Ball	AL-78039	\$9.95
4	1-1/4	300	1-1/2	1/2	Delrin	AL-75886	\$8.95
4	1-1/4	300	1-5/8	3/8	Ball	AL-78040	\$9.95
5	1-1/4	325	1-1/2	1/2	Delrin	AL-75887	\$9.95
5	1-1/4	300	1-5/8	3/8	Ball	AL-78041	\$10.95
6	1-1/4	325	1-1/2	1/2	Delrin	AL-75888	\$10.95
6	1-1/4	325	1-5/8	3/8	Ball	AL-78042	\$11.95

Xtra-Soft Flat Grey Tread (Medium Heavy Duty)							
Wheel Dia. (Inches)	Tread Width	Load Cap.	Hub Length	Bearing I.D.	Bearing Type	ALCO Part No.	Price Each
4	2	350	2-3/16	3/4	Delrin	AL-75889	\$14.95
4	2	350	2-3/16	3/4	Roller	AL-75890	\$16.95
4	2	350	2-7/16	1/2	Precision Ball	AL-75891	\$40.95
5	2	375	2-3/16	3/4	Delrin	AL-75892	\$16.95
5	2	375	2-3/16	3/4	Roller	AL-75893	\$17.95
5	2	375	2-7/16	1/2	Precision Ball	AL-75894	\$28.95
6	2	600	2-3/16	3/4	Delrin	AL-75895	\$20.95
6	2	600	2-3/16	3/4	Roller	AL-75896	\$22.95
6	2	500	2-7/16	1/2	Precision Ball	AL-75897	\$46.95
8	2	675	2-3/16	3/4	Delrin	AL-75898	\$22.95
8	2	675	2-3/16	3/4	Roller	AL-75899	\$24.95
8	2	500	2-7/16	1/2	Precision Ball	AL-75900	\$50.95

Xtra-Soft Round Grey Tread (Light Duty)							
Wheel Dia. (Inches)	Tread Width	Load Cap.	Hub Length	Bearing I.D.	Bearing Type	ALCO Part No.	Price Each
3	1-1/4	200	1-1/2	3/8	Precision	AL-75901	\$8.95
3-1/2	1-1/4	250	1-1/2	3/8	Precision	AL-75902	\$8.95
4	1-1/4	300	1-1/2	3/8	Precision	AL-75903	\$8.95
5	1-1/4	325	1-1/2	3/8	Precision	AL-75904	\$9.95

Xtra-Soft Round Grey Tread (Medium Heavy Duty)							
Wheel Dia. (Inches)	Tread Width	Load Cap.	Hub Length	Bearing I.D.	Bearing Type	ALCO Part No.	Price Each
6	2	450	2-3/16	3/4	Delrin	AL-75905	\$16.95
6	2	450	2-3/16	3/4	Roller	AL-75906	\$22.95
6	2	450	2-7/16	1/2	Precision Ball	AL-75907	\$32.95
8	2	600	2-3/16	3/4	Delrin	AL-75908	\$22.95
8	2	600	2-3/16	3/4	Roller	AL-75909	\$28.95
8	2	500	2-7/16	1/2	Precision Ball	AL-75910	\$32.95
10	2-1/2	850	3-1/4	1	Delrin	AL-75911	\$36.95

### How does it work?

The compound used in the wheels is designed to suppress the growth of a variety of destructive and odor causing microbes such as bacteria, molds, mildew and fungi.

### How long does the protection last?

It is engineered to be effective against microbes for the life of the wheel. The agent remains stored in the polymer and is gradually released to the surface of the wheel.

### Does the anti-microbial wheel eliminate the need for cleaning?

No. Although it provides an added level of protection, these wheels do not eliminate the need for normal cleaning practices.

### Is it safe?

Yes. The active ingredients have undergone extensive lab testing and have been proven safe. The active ingredient has a history of hospital use for more than 25 years.

### Applications

- ✓ Healthcare and Medical
- ✓ Food processing
- ✓ Clean rooms
- ✓ Scientific and Research
- ✓ Chemical
- ✓ Pharmaceutical



AL-75887



AL-75893



AL-75906

**Anti-Microbial Wheels Are Quiet and Non-Marking**

# Hill-Rom Bed Wheels

## Tente Original Equipment Exact Replacement

These 5" Tente Caster wheels are an exact replacement for the caster wheels used on all Hill-Rom central locking or individual locking beds.



**5" Grey Rubber Wheel**  
With Cup & Cone Bearing  
Hill-Rom SA3712  
Hill-Rom New 4331501

**AL-18596 \$18.95 Each**

**TENTE**  
The World in Motion  
Innovation and Quality

**Buy 11 at \$18.95 Get 1 FREE!**  
**Buy 33 at \$17.95 Get 3 FREE!**






**5" Grey Polyurethane Wheel**  
With Precision Ball Bearing  
Hill-Rom New SA7081

Grey	<b>AL-41500</b>	<b>\$14.95 Each</b>
Light Neutral	<b>AL-63090</b>	<b>\$14.95 Each</b>

**Buy 11 at \$14.95 Get 1 FREE!**  
**Buy 33 at \$13.95 Get 3 FREE!**





### Med-Caster Replacement Hill-Rom Bed Wheel After Market Replacement

A	5" Grey Rubber—Metal Side Guard—Precision Bearing	<b>AL-69325 \$14.95</b>
B	5" Grey Rubber—Plastic Side Guard—Precision Bearing	<b>AL-69324 \$8.95</b>
C	5" Grey Anti-Microbial—Plastic Side Guard—Precision Bearing Outlasts Grey Rubber	<b>AL-72262 \$17.95</b>

Anti-Microbial

## Wheels by Tente

	<p><b>Grey Polyurethane Wheel</b> Wheel center: Polyimide, grey. Tread: Polyurethane, with Thread Guards and Precision Ball Bearing</p>	<table border="1" style="width: 100%; border-collapse: collapse;"> <thead> <tr> <th>Diameter</th> <th>Tread</th> <th>Bore</th> <th>Hub</th> <th>Capacity</th> <th>ALCO Part No.</th> <th>Price Each</th> </tr> </thead> <tbody> <tr> <td>3" Std.</td> <td>1"</td> <td>.24"</td> <td>1.10"</td> <td>175 lbs</td> <td><b>AL-64935</b></td> <td><b>\$15.95</b></td> </tr> <tr> <td>4" Std.</td> <td>1.25"</td> <td>.32"</td> <td>1.40"</td> <td>350 lbs</td> <td><b>AL-50650</b></td> <td><b>\$14.95</b></td> </tr> <tr> <td>6"</td> <td>1.25"</td> <td>.32"</td> <td>1.40"</td> <td>350 lbs</td> <td><b>AL-41501</b></td> <td><b>\$24.95</b></td> </tr> </tbody> </table>	Diameter	Tread	Bore	Hub	Capacity	ALCO Part No.	Price Each	3" Std.	1"	.24"	1.10"	175 lbs	<b>AL-64935</b>	<b>\$15.95</b>	4" Std.	1.25"	.32"	1.40"	350 lbs	<b>AL-50650</b>	<b>\$14.95</b>	6"	1.25"	.32"	1.40"	350 lbs	<b>AL-41501</b>	<b>\$24.95</b>
	Diameter	Tread	Bore	Hub	Capacity	ALCO Part No.	Price Each																							
	3" Std.	1"	.24"	1.10"	175 lbs	<b>AL-64935</b>	<b>\$15.95</b>																							
	4" Std.	1.25"	.32"	1.40"	350 lbs	<b>AL-50650</b>	<b>\$14.95</b>																							
6"	1.25"	.32"	1.40"	350 lbs	<b>AL-41501</b>	<b>\$24.95</b>																								
	<p><b>Grey Rubber Tire</b> Pressed Steel Center, Grey Non-Marking Rubber Tread, Cup &amp; Cone Ball Bearings, and Thread Guards</p>	<table border="1" style="width: 100%; border-collapse: collapse;"> <tbody> <tr> <td>3"</td> <td>1.02"</td> <td>.24"</td> <td>1.28"</td> <td>175 lbs</td> <td><b>AL-18592</b></td> <td><b>\$16.95</b></td> </tr> <tr> <td>4"</td> <td>1.25"</td> <td>.32"</td> <td>1.42"</td> <td>242 lbs</td> <td><b>AL-18595</b></td> <td><b>\$18.95</b></td> </tr> <tr> <td>5" Black Conductive</td> <td>1.25"</td> <td>.32"</td> <td>1.42"</td> <td>242 lbs</td> <td><b>AL-18596C</b></td> <td><b>\$20.95</b></td> </tr> <tr> <td>6"</td> <td>1.25"</td> <td>.32"</td> <td>1.42"</td> <td>242 lbs</td> <td><b>AL-18597</b></td> <td><b>\$32.95</b></td> </tr> </tbody> </table>	3"	1.02"	.24"	1.28"	175 lbs	<b>AL-18592</b>	<b>\$16.95</b>	4"	1.25"	.32"	1.42"	242 lbs	<b>AL-18595</b>	<b>\$18.95</b>	5" Black Conductive	1.25"	.32"	1.42"	242 lbs	<b>AL-18596C</b>	<b>\$20.95</b>	6"	1.25"	.32"	1.42"	242 lbs	<b>AL-18597</b>	<b>\$32.95</b>
	3"	1.02"	.24"	1.28"	175 lbs	<b>AL-18592</b>	<b>\$16.95</b>																							
	4"	1.25"	.32"	1.42"	242 lbs	<b>AL-18595</b>	<b>\$18.95</b>																							
	5" Black Conductive	1.25"	.32"	1.42"	242 lbs	<b>AL-18596C</b>	<b>\$20.95</b>																							
6"	1.25"	.32"	1.42"	242 lbs	<b>AL-18597</b>	<b>\$32.95</b>																								
	<p><b>Grey Rubber Tire</b> Pressed Steel Center, Grey Non-Marking Rubber Tread, Precision Bearings, and Thread Guards</p>	<table border="1" style="width: 100%; border-collapse: collapse;"> <tbody> <tr> <td>5"</td> <td>1.25"</td> <td>.32"</td> <td>1.42"</td> <td>242 lbs</td> <td><b>AL-18598</b></td> <td><b>\$33.95</b></td> </tr> <tr> <td>6"</td> <td>1.25"</td> <td>.32"</td> <td>1.42"</td> <td>242 lbs</td> <td><b>AL-18599</b></td> <td><b>\$36.95</b></td> </tr> </tbody> </table>	5"	1.25"	.32"	1.42"	242 lbs	<b>AL-18598</b>	<b>\$33.95</b>	6"	1.25"	.32"	1.42"	242 lbs	<b>AL-18599</b>	<b>\$36.95</b>														
	5"	1.25"	.32"	1.42"	242 lbs	<b>AL-18598</b>	<b>\$33.95</b>																							
6"	1.25"	.32"	1.42"	242 lbs	<b>AL-18599</b>	<b>\$36.95</b>																								
	<p><b>Grey Rubber Wheel</b> Polypropylene Center, Grey Rubber Tread, Plain Bearing, or Precision Ball Bearing with or without Thread Guards</p>	<p style="text-align: center;"><i>With Plain Bearing Wheel—No Thread Guard</i></p> <table border="1" style="width: 100%; border-collapse: collapse;"> <tbody> <tr> <td>3"</td> <td>1.0"</td> <td>.24"</td> <td>1.10"</td> <td>175 lbs</td> <td><b>AL-18610</b></td> <td><b>\$10.95</b></td> </tr> <tr> <td>4"</td> <td>1.25"</td> <td>.32"</td> <td>1.42"</td> <td>220 lbs</td> <td><b>AL-57618</b></td> <td><b>\$11.95</b></td> </tr> <tr> <td>5"</td> <td>1.25"</td> <td>.32"</td> <td>1.42"</td> <td>220 lbs</td> <td><b>AL-18611</b></td> <td><b>\$13.95</b></td> </tr> </tbody> </table>	3"	1.0"	.24"	1.10"	175 lbs	<b>AL-18610</b>	<b>\$10.95</b>	4"	1.25"	.32"	1.42"	220 lbs	<b>AL-57618</b>	<b>\$11.95</b>	5"	1.25"	.32"	1.42"	220 lbs	<b>AL-18611</b>	<b>\$13.95</b>							
		3"	1.0"	.24"	1.10"	175 lbs	<b>AL-18610</b>	<b>\$10.95</b>																						
		4"	1.25"	.32"	1.42"	220 lbs	<b>AL-57618</b>	<b>\$11.95</b>																						
	5"	1.25"	.32"	1.42"	220 lbs	<b>AL-18611</b>	<b>\$13.95</b>																							
	<p style="text-align: center;"><i>With Precision Ball Bearing Wheel—Thread Guards</i></p> <table border="1" style="width: 100%; border-collapse: collapse;"> <tbody> <tr> <td>3"</td> <td>1.0"</td> <td>.24"</td> <td>1.10"</td> <td>185 lbs</td> <td><b>AL-41498</b></td> <td><b>\$13.95</b></td> </tr> <tr> <td>4"</td> <td>1.25"</td> <td>.32"</td> <td>1.42"</td> <td>242 lbs</td> <td><b>AL-50312</b></td> <td><b>\$14.95</b></td> </tr> <tr> <td>5"</td> <td>1.25"</td> <td>.32"</td> <td>1.42"</td> <td>242 lbs</td> <td><b>AL-41499</b></td> <td><b>\$14.95</b></td> </tr> </tbody> </table>	3"	1.0"	.24"	1.10"	185 lbs	<b>AL-41498</b>	<b>\$13.95</b>	4"	1.25"	.32"	1.42"	242 lbs	<b>AL-50312</b>	<b>\$14.95</b>	5"	1.25"	.32"	1.42"	242 lbs	<b>AL-41499</b>	<b>\$14.95</b>								
	3"	1.0"	.24"	1.10"	185 lbs	<b>AL-41498</b>	<b>\$13.95</b>																							
	4"	1.25"	.32"	1.42"	242 lbs	<b>AL-50312</b>	<b>\$14.95</b>																							
	5"	1.25"	.32"	1.42"	242 lbs	<b>AL-41499</b>	<b>\$14.95</b>																							











# Wheels by Tente



The World in Motion  
Innovation and Quality

**BUY 11 GET 1 FREE!**

Description	Diameter	Tread	Bore	Hub	Capacity	ALCO Part No.	Price Each
<b>Grey Polyurethane Wheel</b> Wheel center: Polyimide, grey, Tread: Polyurethane, with threadguards, with precision ball bearing 	3" Std.	1"	.24"	1.10"	175 lbs	AL-64935	\$15.95
	4" Std.	1.25"	.32"	1.40"	350 lbs	AL-50650	\$14.95
	5" Std.	1.25"	.32"	1.40"	350 lbs	AL-41500	\$14.95
	5" Std White	1.25"	.32"	1.40"	350 lbs	AL-63090	\$14.95
	6"	1.25"	.32"	1.40"	350 lbs	AL-41501	\$24.95
	8"	1.25"	.32"	1.40"	350 lbs	AL-41502	\$49.95
<b>Grey Rubber Wheel</b> Pressed Steel Center, Grey Non-Marking Rubber Tread, Cup & Cone Ball Bearings, and Thread Guards  	3"	1.02"	.24"	1.28"	175 lbs	AL-18592	\$16.95
	4"	1.25"	.32"	1.42"	242 lbs	AL-18595	\$18.95
	5"* Std.	1.25"	.32"	1.42"	242 lbs	AL-18596	\$18.95
	5" Black Conductive	1.25"	.32"	1.42"	242 lbs	AL-18596C	\$20.95
	6"	1.25"	.32"	1.42"	242 lbs	AL-18597	\$32.95
<i>*Standard for Hill Rom, Borg Warner/AMEDCO and more</i>							
<b>Grey Rubber Wheel</b> Pressed Steel Center, Grey Non-Marking Rubber Tread, Precision Bearings, and Thread Guards  	6"	1.25"	.32"	1.42"	242 lbs	AL-18599	\$36.95
	8"*	1.25"	.32"	1.42"	242 lbs	AL-18600	\$49.95
	8" Black Conductive	1.25"	.32"	1.42"	242 lbs	AL-18600C	\$49.95
<i>*Stretcher Wheel Grey Rubber or Black Conductive</i>							
<b>Stretcher Wheel</b> Pressed Steel Center, Black or Red Polyurethane Tread, Precision Bearing  Carpet Tread/Round Profile, includes Thread Guards  <b>Rolls 40% Easier On Carpet</b> 	8" Std.	1.25"	.32"	1.42"	242 lbs	AL-18602	\$49.95
	8"	1.25"	.32"	1.42"	242 lbs	AL-18602R	\$49.95
<b>Standard Stretcher Wheel</b>							
<b>Grey Rubber Wheel</b> Polypropylene Center, Grey Rubber Tread, Plain Bearing, or precision ball bearing with or without Threadguards  	<i>With Plain Bearing Wheel—No Tread Guard</i>						
	3"	1.0"	.24"	1.10"	175 lbs	AL-18610	\$10.95
	4"	1.25"	.32"	1.42"	220 lbs	AL-57618	\$11.95
	5"	1.25"	.32"	1.42"	220 lbs	AL-18611	\$13.95
	<i>With Precision Ball Bearing Wheel</i>						
	3"	1.0"	.24"	1.10"	175 lbs	AL-41498	\$13.95
	4"	1.25"	.32"	1.42"	242 lbs	AL-50312	\$14.95
5"	1.25"	.32"	1.42"	242 lbs	AL-41499	\$14.95	

5" (AL-41499) Only For Hill Rom Bed



**▼ LOW PRICES GUARANTEED! ▼**  
**WE WILL NOT BE UNDERSOLD!**

EP1



# Performa Rubber Flat Tread Wheels by Colson

Capacity up to 325 lbs Each



**BUY 11 GET 1 FREE!**



Thermoplastic cushion rubber tread bonded to polyolefin core. Tread is precision molded and mechanically locked in, around and through a ribbed extension of the core to prevent debonding. Polyolefin core assures high impact strength and light weight. Standard colors are dark grey tread on light grey core. Resistant to most chemicals, solvents, water and acids. Temperature range: -45°F to +120°F. Hardness: 75 (±5) Durometer Shore A scale. Spanner bushing included with wheel.

Wheel Dia. (Inches)	Tread Width (Inches)	Load Capacity (lbs)	Wheel Bearing Type	Without Bushing		With Bushing		ALCO Part No.	Price Each
				Bearing Bore (Inches)	Hub Length (Inches)	Bore (Inches)	length (Inches)		
1 5/8	7/8	60	Delrin	5/16	1-1/32	-	-	AL-14835	\$3.95
			Delrin	5/16	1-1/32	-	-	AL-14836	\$2.95
2	7/8	75	Ball	5/16	1-3/32	-	-	AL-17729 (Soft Tread)	\$9.95
		100	Ball	5/16	1-3/32	-	-	AL-17730 (Hard Tread)	\$9.95
2 1/2	1 1/4	140	Delrin	1/2	1-7/16	3/8	1-1/2	AL-14837	\$5.95
		140	Ball	3/8	1-1/2	-	-	AL-14838	\$9.88
3	7/8	125	Delrin	7/16	1-1/32	5/16	1-7/64	AL-14839	\$4.95
3 1/2	1 1/4	250	Delrin	1/2	1-7/16	3/8	1-1/2	AL-14840	\$7.95
		250	Ball	3/8	1-1/2	-	-	AL-14841	\$10.95
4	7/8	135	Delrin	7/16	1-1/32	5/16	1-7/64	AL-14842	\$7.95
	1 1/4	300	Delrin	1/2	1-7/16	3/8	1-1/2	AL-14843	\$8.95
		300	Ball	3/8	1-1/2	-	-	AL-14844	\$14.18
5	7/8	145	Delrin	7/16	1-1/32	5/16	1-7/64	AL-16390	\$8.95
	1 1/4	325	Delrin	1/2	1-7/16	3/8	1-1/2	AL-16391	\$10.95
		325	Ball	3/8	1-1/2	-	-	AL-16392	\$14.95

# Performa Rubber Round Tread Wheels by Colson

Capacity up to 500 lbs Each



Grey tread balloon wheels are made of a non-marking rubber which offers quiet operation and high shock absorption for fragile loads. Wheel core lightweight, durable. Ideally suited for light industrial, commercial and institutional uses. Temperature range: -45°F to +180°F. Hardness: 65(±5) Durometer Shore A scale; 60(±5) Durometer Shore A scale 65(±5). Ball bearings are radial type. Spanner bushing included with wheel.

Wheel Dia. (Inches)	Tread Width (Inches)	Wheel Bearing Type	Load Capacity (lbs)	Wheel		With Bushing		ALCO Part No.	Price Each
				Bearing Bore (Inches)	Hub Length (Inches)	Bore (Inches)	length (Inches)		
3 1/2	1 5/16	Delrin	210	1/2	1-7/16	3/8	1-1/2	AL-16370	\$12.95
		Ball	210	3/8	1-1/2	—	—	AL-16371	\$14.95
5	1 5/16	Delrin	250	1/2	1-7/16	3/8	1-1/2	AL-16372	\$14.95
		Ball	250	3/8	1-1/2	—	—	AL-16373	\$18.95
6	2	Delrin	450	3/4	2-3/16	1/2	2-7/16	AL-16374	\$19.95
		Roller	450	3/4	2-3/16	1/2	2-7/16	AL-16375	\$19.95
		Ball	450	1/2	2-7/16	—	—	AL-16376	\$19.95
8	2	Delrin	600	3/4	2-3/16	1/2	2-7/16	AL-16378	\$21.95
		Roller	600	3/4	2-3/16	1/2	2-7/16	AL-16379	\$23.95
		Ball	500	1/2	2-7/16	—	—	AL-16380	\$27.95

# Performa Rubber Flat Tread Wheels by Colson

Capacity to 1700 lbs Each

**colson**

**BUY 11 GET 1 FREE!**



Thermoplastic cushion rubber tread bonded to polyolefin core. Tread is molded in, around and through a ribbed extension of the core to prevent debonding. Standard colors are dark grey tread on light grey core. Resistant to most chemicals, solvents, water and acids. Temperature range: -45°F to +180°F. Hardness: 95 (±5) Durometer Shore A scale. Not recommended for conditions of continuous operation such as tow-line, etc.

Wheel Dia (Inches)	Tread Width (Inches)	Load Capacity (lbs)	Bearing Type	Wheel		With Bushing		Tread Color	ALCO Part No.	Price Each	
				Bearing Bore (Inches)	Hub Length (Inches)	Bore (Inches)	Length (Inches)				
<b>3</b>	<b>1½</b>	<b>250</b>	Delrin	3/4	1-5/8	3/8	1-7/8	Grey	<b>AL-17357</b>	<b>\$14.95</b>	
			Roller	3/4	1-5/8	3/8	1-7/8	Grey	<b>AL-17358</b>	<b>\$14.95</b>	
			Delrin	3/4	1-5/8	1/2	2-7/16	Grey	<b>AL-17359</b>	<b>\$12.95</b>	
			Roller	3/4	1-5/8	1/2	2-7/16	Grey	<b>AL-17360</b>	<b>\$14.95</b>	
<b>4</b>	<b>1½</b>	<b>325</b>	Delrin	3/4	1-5/8	3/8	1-7/8	Grey	<b>AL-17361</b>	<b>\$16.95</b>	
			Roller	3/4	1-5/8	3/8	1-7/8	Grey	<b>AL-17362</b>	<b>\$17.95</b>	
			Delrin	3/4	1-5/8	1/2	2-7/16	Grey	<b>AL-17363</b>	<b>\$15.95</b>	
			Roller	3/4	1-5/8	1/2	2-7/16	Grey	<b>AL-17364</b>	<b>\$16.95</b>	
	<b>2</b>	<b>350</b>	Delrin	3/4	2-3/16	1/2	2-7/16	Grey*	<b>AL-17365</b>	<b>\$16.95</b>	
			Roller	3/4	2-3/16	1/2	2-7/16	Grey*	<b>AL-17366</b>	<b>\$18.95</b>	
Ball			1/2	2-7/16	—	—	Grey	<b>AL-17366B</b>	<b>\$19.95</b>		
<b>5</b>	<b>1½</b>	<b>350</b>	Delrin	3/4	1-5/8	3/8	1-7/8	Grey	<b>AL-17367</b>	<b>\$16.95</b>	
			Roller	3/4	1-5/8	3/8	1-7/8	Grey	<b>AL-17368</b>	<b>\$17.95</b>	
			Delrin	3/4	1-5/8	1/2	2-7/16	Grey	<b>AL-17369</b>	<b>\$16.95</b>	
			Roller	3/4	1-5/8	1/2	2-7/16	Grey	<b>AL-17370</b>	<b>\$17.95</b>	
	<b>2</b>	<b>375</b>	Delrin	3/4	2-3/16	1/2	2-7/16	Grey*	<b>AL-17371</b>	<b>\$16.95</b>	
			Roller	3/4	2-3/16	1/2	2-7/16	Grey*	<b>AL-17372</b>	<b>\$18.95</b>	
			Ball	1/2	2-7/16	—	—	Grey	<b>AL-17372B</b>	<b>\$17.95</b>	
			Delrin	3/4	1-5/8	3/8	1-7/8	Grey	<b>AL-17373</b>	<b>\$17.95</b>	
<b>6</b>	<b>1½</b>	<b>375</b>	Roller	3/4	1-5/8	3/8	1-7/8	Grey	<b>AL-17374</b>	<b>\$18.95</b>	
			Delrin	3/4	1-5/8	1/2	2-7/16	Grey	<b>AL-17375</b>	<b>\$17.95</b>	
			Roller	3/4	1-5/8	1/2	2-7/16	Grey	<b>AL-17376</b>	<b>\$18.95</b>	
			Delrin	3/4	2-3/16	1/2	2-7/16	Grey*	<b>AL-17377</b>	<b>\$19.95</b>	
	<b>2</b>	<b>600</b>	Roller	3/4	2-3/16	1/2	2-7/16	Grey*	<b>AL-17378</b>	<b>\$21.95</b>	
			Ball	1/2	2-7/16	—	—	Grey	<b>AL-17378B</b>	<b>\$25.95</b>	
			<b>500</b>	Delrin	3/4	1-5/8	1/2	2-7/16	Grey	<b>AL-17379</b>	<b>\$22.95</b>
				Roller	3/4	1-5/8	1/2	2-7/16	Grey	<b>AL-17380</b>	<b>\$24.95</b>
<b>8</b>	<b>1½</b>	<b>500</b>	Delrin	3/4	2-3/16	1/2	2-7/16	Grey*	<b>AL-17381</b>	<b>\$26.95</b>	
			Roller	3/4	2-3/16	1/2	2-7/16	Grey*	<b>AL-17382</b>	<b>\$27.95</b>	
	<b>2</b>	<b>675</b>	Ball	1/2	2-7/16	—	—	Grey	<b>AL-17382B</b>	<b>\$29.95</b>	
			<b>500</b>	Delrin	1	3-1/4	3/4	3-1/2	Black	<b>AL-17383</b>	<b>\$49.95</b>
				Roller	1	3-1/4	3/4	3-1/2	Black	<b>AL-17384</b>	<b>\$49.95</b>
			<b>3</b>	<b>1700</b>	Delrin	1	3-1/4	3/4	3-1/2	Black	<b>AL-17385</b>
Roller	1	3-1/4			3/4	3-1/2	Black	<b>AL-17386</b>	<b>\$79.95</b>		



## Polyolefin Wheels by Colson

Capacity up to 300 lbs Each

\*Grey Standard, Black Optional



Wheel Dia (Inches)	Tread Width (Inches)	Load Capacity (lbs)	Bearing Type	Wheel		With Bushing		ALCO Part No.	Price Each
				Bearing Bore (Inches)	Hub Length (Inches)	Bore (Inches)	Length (Inches)		
<b>2</b>	<b>7/8</b>	<b>100</b>	Delrin	5/16	1-1/32	—	—	<b>AL-17557</b>	<b>\$2.34</b>
<b>3</b>	<b>7/8</b>	<b>125</b>	Delrin	7/16	1-1/32	5/16	1-7/64	<b>AL-17560</b>	<b>\$4.95</b>
			Delrin	7/16	1-1/32	5/16	1-7/64	<b>AL-17566</b>	<b>\$8.95</b>
<b>5</b>	<b>1¼</b>	<b>300</b>	Delrin	1/2	1-7/16	3/8	1-1/2	<b>AL-17567</b>	<b>\$9.95</b>
			Ball	3/8	1-1/2	—	—	<b>AL-17568</b>	<b>\$14.95</b>

# Moldon Polyurethane (High Tech) Wheels by Colson

## Capacity up to 300 lbs Each

**BUY 11 GET 1 FREE!**



Polyurethane tread bonded to polyolefin core. Tread is precision molded and mechanically locked in, around and through a ribbed extension of the core to prevent debonding. Polyolefin core assures high impact strength and light weight. Standard colors are red tread on grey core. A very attractive, all-purpose wheel. Resistant to most chemicals, solvents, water and acids. Temperature range: -45°F to +180°F. Hardness: 55 (±5) Durometer Shore D scale. Spanner bushing included with wheel.

Wheel Dia. (Inches)	Tread Width (Inches)	Load Capacity (lbs)	Wheel Bearing Type	Without Bushing		With Bushing		ALCO Part No.	Price Each
				Bearing Bore (Inches)	Hub Length (Inches)	Bearing Bore (Inches)	Hub Length (Inches)		
2½	1¼	250	Delrin	1/2	1-7/16	3/8	1-1/2	AL-16393	\$15.62
		250	Ball	3/8	1-1/2	-	-	AL-16394	\$15.62
3	7/8	100	Delrin	7/16	1-1/32	5/16	1-7/64	AL-16395	\$6.95
3½	1¼	250	Delrin	1/2	1-7/16	3/8	1-1/2	AL-16396	\$11.95
		250	Ball	3/8	1-1/2	-	-	AL-16397	\$17.95
4	7/8	125	Delrin	7/16	1-1/32	5/16	1-7/64	AL-16398	\$9.95
	1¼	275	Delrin	1/2	1-7/16	3/8	1-1/2	AL-16399	\$14.95
		275	Ball	3/8	1-1/2	-	-	AL-16400	\$19.95
5	7/8	140	Delrin	7/16	1-1/32	5/16	1-7/64	AL-16401	\$11.95
	1¼	300	Delrin	1/2	1-7/16	3/8	1-1/2	AL-16402	\$17.95
		300	Ball	3/8	1-1/2	-	-	AL-16403	\$22.95

# Moldon Polyurethane (High Tech) Wheels by Colson

## Capacity up to 1,700 lbs Each



Industrial strength red polyurethane tread bonded to polyolefin core. Polyolefin core features unique "ribbed" design which adds strength for loads subjected to shock and hard impacts. Standard colors are red tread on grey core. Temperature range: -45°F to +180°F. Hardness: 55 (±5) Durometer Shore D scale. Not recommended for conditions of continuous operation such as tow-line, etc.

Wheel Dia (Inches)	Tread Width (Inches)	Load Capacity (lbs)	Bearing Type	Wheel		With Bushing		ALCO Part No.	Price Each
				Bearing Bore (Inches)	Hub Length (Inches)	Bearing Bore (Inches)	Hub Length (Inches)		
3	1½	300	Delrin	3/4	1-5/8	3/8	1-7/8	AL-17387	\$24.21
			Roller	3/4	1-5/8	3/8	1-7/8	AL-17388	\$25.72
			Delrin	3/4	1-5/8	1/2	2-7/16	AL-17389	\$24.95
			Roller	3/4	1-5/8	1/2	2-7/16	AL-17390	\$24.95
4	1½	400	Delrin	3/4	1-5/8	3/8	1-7/8	AL-17391	\$19.95
			Roller	3/4	1-5/8	3/8	1-7/8	AL-17392	\$19.95
			Delrin	3/4	1-5/8	1/2	2-7/16	AL-17393	\$19.95
			Roller	3/4	1-5/8	1/2	2-7/16	AL-17394	\$19.95
4	2	600	Delrin	3/4	2-3/16	1/2	2-7/16	AL-17395	\$29.95
	Roller	3/4	2-3/16	1/2	2-7/16	AL-17396	\$29.95		
5	1½	500	Delrin	3/4	1-5/8	3/8	1-7/8	AL-17397	\$19.95
			Roller	3/4	1-5/8	3/8	1-7/8	AL-17398	\$21.95
			Delrin	3/4	1-5/8	1/2	2-7/16	AL-17399	\$20.95
			Roller	3/4	1-5/8	1/2	2-7/16	AL-17400	\$22.95
5	2	750	Delrin	3/4	2-3/16	1/2	2-7/16	AL-17401	\$20.95
	Roller	3/4	2-3/16	1/2	2-7/16	AL-17402	\$22.95		
6	1½	600	Delrin	3/4	1-5/8	3/8	1-7/8	AL-17403	\$21.95
			Roller	3/4	1-5/8	3/8	1-7/8	AL-17404	\$23.95
			Delrin	3/4	1-5/8	1/2	2-7/16	AL-17405	\$23.95
			Roller	3/4	1-5/8	1/2	2-7/16	AL-17406	\$24.95
6	2	900	Delrin	3/4	2-3/16	1/2	2-7/16	AL-17407	\$21.95
	Roller	3/4	2-3/16	1/2	2-7/16	AL-17408	\$23.95		
8	1½	800	Delrin	3/4	1-5/8	1/2	2-7/16	AL-17409	\$26.95
			Roller	3/4	1-5/8	1/2	2-7/16	AL-17410	\$27.95
8	2	1000	Delrin	3/4	2-3/16	1/2	2-7/16	AL-17411	\$31.95
			Roller	3/4	2-3/16	1/2	2-7/16	AL-17412	\$32.95
10	2½	1200	Delrin	1	3-1/4	3/4	3-1/2	AL-17413	\$89.95
			Roller	1	3-1/4	3/4	3-1/2	AL-17414	\$89.95
12	3	1700	Delrin	1	3-1/4	3/4	3-1/2	AL-17415	\$99.95
			Roller	1	3-1/4	3/4	3-1/2	AL-17416	\$99.95



# Welded Disc Rubber Tread Wheels



**BUY 11 GET 1 FREE!**



Specify Axle Size	Wheel Dia. (Inches)	Tread Width (Inches)	Wheel Type	Bearing	Load Capacity (lbs)	Wheel		ALCO Part No.	Price Each
						Bearing Bore (Inches)	Hub Length (Inches)		
						3-1/2	1-1/4		
	1-1/4	Black Rubber	Ball	200	3/8	1-5/8	AL-71939	\$14.95	
5	1-1/4	Grey Rubber	Ball	200	3/8	1-5/8	AL-40488G	\$21.95	
	1-1/4	Black Rubber	Ball	200	3/8	1-5/8	AL-71942	\$18.95	
6	1-1/4	Grey Rubber	Ball	250	3/4	1-1/2	AL-71943	\$18.95	
	1-1/4	Black Rubber	Ball	250	3/4	1-1/2	AL-71944	\$20.95	

All welded disc rubber tread wheels are of high quality non-marking rubber welded for appearance and N.S.F. approval. Black rubber tire is standard, unless grey is listed. Temperature range -40° to 160°F.



# Welded Disc Polyurethane Tread Wheels



Specify Axle Size	Wheel Dia. (Inches)	Tread Width (Inches)	Wheel Type	Bearing	Load Capacity (lbs)	Wheel		ALCO Part No.	Price Each
						Bearing Bore (Inches)	Hub Length (Inches)		
						3-1/2	1-1/4		
4	1-1/4	Blue Tread	Ball	275	3/8	1-5/8	AL-71946	\$18.95	
5	1-1/4	Blue Tread	Ball	300	3/8	1-5/8	AL-40512	\$21.95	
6	1-1/4	Blue Tread	Ball	300	3/4	1-1/2	AL-71920	\$19.95	

This wheel series features a polyurethane tire molded to fit between two steel plated wheel discs. It provides maximum rollability, long life, and greater load capacity than regular rubber. It also resists corrosion, abrasion, damage from oils, grease or solvents. Temperature Range -30°F to 180°F.

# Hi Temp Wheels—Best Buy

Hi Temp wheels handle extreme temperatures even under heavy loads -70° F to 525° F intermittent service



Wheel Dia. (Inches)	Tread Width (Inches)	Capacity Each	Bearing	Wheel		ALCO Part No.	Price Each
				Bearing Bore	Hub Length		
4	1 1/4	300	Plain	3/8"	1-5/8"	AL-57242	\$16.95
5	1 1/4	300	Plain	3/8"	1-5/8"	AL-57243	\$17.95

EP1



- Pistol Grease Gun**
- ✓ Heavy duty cast iron head
  - ✓ Three-way loading
  - ✓ Combination filler/bleeder nipple
  - ✓ 4-Jaw coupler with ball check
  - ✓ Positive grip follower handle

Description	ALCO Part No.	Price Ea.
Pistol Grease Gun	AL-4501	\$42.95
Multipurpose Grease	AL-4502	\$7.95



**ALCO Spray Grease For Casters and Wheels**  
 For use on all types of bearings and gears. Sprays on in liquid form and sets up as a permanent grease in 20 minutes. Grease is impervious to water and temperatures up to 400 degrees F.  
 ✓ 14 oz can

AL-2014 \$7.95 Ea  
 AL-66073 \$69.95 Case/12 Ea



# Neoprene High Temperature Wheels by Darcor



**BUY 11 GET 1 FREE!**

## Features

- ✓ Durometer—Shore 62 "A"
- ✓ Mold-on wheels with a neoprene tread thermally bonded to a glass fiber reinforced nylon core



Neoprene Tread



Neoprene "Super Roll" Tread

## Neoprene Wheels Are Chemical Resistant

Wheel Dia (inches)	Tread Width (inches)	Tread Material	Load Cap/lbs	Wheel Bearing Type	Bore Size	Hub Length	ALCO Part No.	Price Each
2	1	Neoprene	75	Ball	5/16"	1-1/8"	AL-57382	\$10.95
	1	Neoprene	150	Ball	5/16"	1-1/8"	AL-57383	\$10.95
3	1	Neoprene	75	Ball	5/16"	1-1/8"	AL-57385	\$15.95
	1-3/8	Neoprene	200	Ball	3/8"	1-1/2"	AL-57386	\$24.95
	1-3/8	Neoprene	225	Ball	3/8"	1-3/4"	AL-57387	\$24.95
3-1/2	1-3/8	Neoprene	200	Ball	3/8"	1-1/2"	AL-57388	\$26.95
4	1	Neoprene	75	Ball	5/16"	1-1/8"	AL-57389	\$20.95
	1-3/8	Neoprene	225	Ball	3/8"	1-1/2"	AL-57390	\$32.95
	1-3/8	Neoprene	250	Ball	3/8"	1-3/4"	AL-57391	\$32.95
	2	Neoprene	500	Precision	1/2"	2-5/16"	AL-57393	\$44.95
5	1	Neoprene	75	Ball	5/16"	1-1/8"	AL-57394	\$26.95
	1-3/8	Neoprene	250	Ball	3/8"	1-1/2"	AL-57395	\$36.95
	1-3/8	Neoprene	275	Ball	3/8"	1-3/4"	AL-57396	\$36.95
	2	Neoprene	550	Precision	1/2"	2-5/16"	AL-57398	\$54.95
6	2	Neoprene	600	Precision	1/2"	2-5/16"	AL-57401	\$64.95
8	2	Neoprene	600	Precision	1/2"	2-5/16"	AL-57403	\$95.95
2-1/2	1	Neoprene—Super Roll	75	Ball	5/16"	1-1/8"	AL-57404	\$13.95
	1	Neoprene—Super Roll	150	Ball	5/16"	1-1/8"	AL-57405	\$13.95
	1-3/8	Neoprene—Super Roll	175	Ball	3/8"	1-1/2"	AL-57406	\$21.95
3-1/2	1-3/8	Neoprene—Super Roll	225	Ball	3/8"	1-1/2"	AL-57407	\$24.95
4	1-3/8	Neoprene—Super Roll	225	Ball	3/8"	1-1/2"	AL-57408	\$26.95
	1-3/8	Neoprene—Super Roll	300	Ball	3/8"	1-3/4"	AL-57409	\$26.95
5	1-3/8	Neoprene—Super Roll	275	Ball	3/8"	1-1/2"	AL-57410	\$32.95
	1-3/8	Neoprene—Super Roll	350	Ball	3/8"	1-3/4"	AL-57411	\$32.95
6	1-1/2	Neoprene—Super Roll	400	Ball	3/8"	1-3/4"	AL-57412	\$40.95

## GRIP RING OPTION For Metro Wire Carts



27/32 x 2-1/2" For Metro Wire Carts



5" Swivel Caster Only

Polyurethane, Ball Bearing	AL-57105D2	\$16.95
Grey Rubber, Ball Bearing	AL-57107D2	\$16.95
Grey Rubber, Delrin Bearing	AL-57108D2	\$16.95
Hi Temp, Plane Bearing	AL-57109D2	\$25.95

AL-57105D2  
\$16.95



# Jarvis Advantage Replacement Wheels



**BUY 11 GET 1 FREE!**

## Advantage Medium Duty Wheels

Advantage special modulus tread material offers performance levels that exceed other tread materials in many ways. It offers superior reliability and maneuverability, factors important handling of heavy or bulky loads. It carries large loads while greatly reducing unsightly marking and scuffing of floors. It stands up to virtually all common cleaners and solvents, acids and oils. It is durable through hundreds of washing cycles.

Temperature Range: -40F to 180F  
Hardness: 65 ± 5 SHORE A



<b>Grey Flat Tread</b>							
Wheel Dia. (Inches)	Flat Tread Width (Inches)	Wheel Bearing Type	Hub Width (Inches)	Bore I.D. (Inches)	Load Capacity (lbs)	ALCO Part No.	Price Each
3½	1¼	Ball	1-5/8	3/8	225	AL-57311	\$10.95
		Delrin	1-1/2	1/2	225	AL-57312	\$10.95
4	1¼	Ball	1-5/8	3/8	300	AL-57313	\$11.95
		Delrin	1-1/2	1/2	300	AL-57314	\$11.95
	2	Roller	2-3/8	3/4	350	AL-57325	\$17.95
		Delrin	2-3/8	3/4	350	AL-57326	\$19.95
5	1¼	Ball	1-5/8	3/8	325	AL-57315	\$11.95
		Delrin	1-1/2	1/2	325	AL-57316	\$11.95
	1½	Roller	2	3/4	350	AL-57327	\$17.95
		Delrin	2	3/4	350	AL-57328	\$16.95
	2	Roller	2-3/8	3/4	375	AL-57329	\$26.95
		Delrin	2-3/8	3/4	375	AL-57330	\$24.95
6	1½	Roller	2	3/4	375	AL-57331	\$29.95
		Delrin	2	3/4	375	AL-57332	\$24.95
	2	Roller	2-3/8	3/4	600	AL-57333	\$26.95
		Delrin	2-3/8	3/4	600	AL-57334	\$23.95
8	1½	Roller	2	3/4	500	AL-57335	\$28.95
		Ball	2-1/4	3/4	500	AL-57336	\$34.95
		Delrin	2	3/4	500	AL-57337	\$27.95
	2	Roller	2-3/8	3/4	675	AL-57338	\$39.95
		Delrin	2-3/8	3/4	675	AL-57339	\$39.95



<b>Grey Round Tread</b>							
Wheel Dia. (Inches)	Round Tread Width (Inches)	Wheel Bearing Type	Hub Width (Inches)	Bore Size (Inches)	Load Capacity (lbs)	ALCO Part No.	Price Each
3½	1¼	Ball	1-5/8	3/8	225	AL-57317	\$10.95
		Delrin	1-1/2	1/2	225	AL-57318	\$10.95
4	1¼	Ball	1-5/8	3/8	250	AL-57319	\$11.95
		Delrin	1-1/2	1/2	250	AL-57320	\$11.95
5	1¼	Ball	1-5/8	3/8	250	AL-57321	\$14.95
		Delrin	1-1/2	1/2	250	AL-57322	\$11.95
6	1¼	Ball	1-5/8	3/8	300	AL-57323	\$12.95
		Delrin	1-1/2	1/2	300	AL-57324	\$12.95
	2	Ball	2-3/8	3/4	450	AL-57340	\$23.95
		Roller	2-3/8	3/4	450	AL-71860	\$28.95
8	2	Delrin	2-3/8	3/4	450	AL-57341	\$19.95
		Ball	2-3/8	3/4	500	AL-57342	\$22.95
		Roller	2-3/8	3/4	500	AL-71861	\$25.95
		Delrin	2-3/8	3/4	500	AL-57343	\$39.95

**Grey Rubber is Quiet and Non-marking**



### Grey Rubber—Round Tread

- ✓ Constructed of a special mix of monoprene that rejects almost every type of floor debris
- ✓ Soft durometer allows maximum shock absorption and cushions ride to protect your equipment, cargo and floors while reducing noise
- ✓ Resistant to most chemicals and oils
- ✓ Round tread offers better mobility
- ✓ Available with grey tread chemically bonded to marble grey core
- ✓ Nylon bearings standard

Wheel Dia. (Inches)	Tread Width (Inches)	Load Capacity (lbs)	Tire Tread Material	Axle Size	Hub Length	ALCO Part No.	Price Each
3	15/16	120	Grey	1/4"	1.01"	AL-57276	\$3.95
4	1	150	Grey	5/16"	1.18"	AL-57277	\$5.95
5	1	160	Grey	5/16"	1.18"	AL-57278	\$7.95



### Grey Thermoplastic Rubber—Flat Tread

- ✓ Thermoplastic rubber tread offers resistance to oils and chemicals
- ✓ Great alternative to standard rubber wheels
- ✓ Mechanically interlocked tread eliminates separation

Wheel Dia. (Inches)	Tread Width (Inches)	Load Capacity (lbs)	Tire Tread Material	Axle Size	Hub Length	ALCO Part No.	Price Each
2	13/16	80	Grey	1/4"	.900"	AL-57280	\$2.95
2-1/2	13/16	90	Grey	1/4"	.900"	AL-57281	\$3.95
3	13/16	110	Grey	1/4"	1.000"	AL-57282	\$3.95
4	15/16	125	Grey	5/16"	1.15"	AL-57283	\$3.95
5	1	130	Grey	5/16"	1.15"	AL-57284	\$4.95



### Grey Polyurethane Tread

- ✓ High-grade polyurethane tread for extended wear
- ✓ Protects floors and resists oils and chemicals
- ✓ Mechanically interlocked tread eliminates separation

Wheel Dia. (Inches)	Tread Width (Inches)	Load Capacity (lbs)	Tire Tread Material	Axle Size	Hub Length	ALCO Part No.	Price Each
2	13/16	100	Grey	1/4"	.900"	AL-57285	\$1.95
2-1/2	13/16	120	Grey	1/4"	.900"	AL-57286	\$2.95
3	13/16	125	Grey	1/4"	1.000"	AL-57287	\$3.95
4	15/16	150	Grey	5/16"	1.15"	AL-57288	\$4.95
5	1	150	Grey	5/16"	1.15"	AL-57289	\$4.95



### Black Soft Rubber

- ✓ Offers quiet mobility on hard surfaces
- ✓ Combines a cushioned ride with maximum floor protection
- ✓ Nylon bushing for better rollability
- ✓ Non-marking

Wheel Dia. (Inches)	Tread Width (Inches)	Load Capacity (lbs)	Tire Tread Material	Axle Size	Hub Length	ALCO Part No.	Price Each
1-5/8	23/32	70	Black	7/32"	.77"	AL-57290	\$1.95
2	13/16	80	Black	1/4"	.92"	AL-57291	\$1.95
2-1/2	13/16	90	Black	1/4"	.92"	AL-57292	\$2.95
3	13/16	110	Black	1/4"	.99"	AL-57293	\$2.95
4	15/16	125	Black	5/16"	1.15"	AL-57294	\$3.95
5	15/16	130	Black	5/16"	1.15"	AL-57295	\$4.95



# Wheels by Shepherd



**BUY 11 GET 1 FREE!**

### Vipor Wheels

- ✓ High Tech transparent look
- ✓ Constructed of a special Vipor material that is highly resistant to most chemicals and oils
- ✓ Plain bore bearing

Wheel Diameter (Inches)	Tread Width (Inches)	Bearing Type	Load Capacity (lbs)	Tread Type	Hub Length	Axle Hole Dia.	ALCO Part Number	Price Each
3	7/8	Plain	120	Vipor	.99"	1/4"	AL-63971	\$4.95
6	1-1/4	Ball	300	Vipor	1.59"	3/8"	AL-71917	\$11.95



### Precision Bearing (Thermoplastic Rubber)

- ✓ Soft durometer offers quiet mobility
- ✓ Mechanically bonded tread eliminates separation
- ✓ Excellent resistance to oils and chemicals

Wheel Diameter (Inches)	Tread Width (Inches)	Bearing Type	Hub Length	Axle Hole Dia.	Load Capacity (lbs)	ALCO Part Number	Price Each
3	1-1/4	Precision	1-5/8"	3/8"	210	AL-64272	\$5.95
4	1-1/4	Precision	1-5/8"	3/8"	260	AL-64273	\$6.95
5	1-1/4	Precision	1-5/8"	3/8"	280	AL-64274	\$7.95
6	1-1/4	Precision	1-5/8"	3/8"	300	AL-71918	\$11.95



### Ball Bearing (Thermoplastic Rubber)

- ✓ Thermoplastic rubber tread offers resistance to oils and chemicals
- ✓ Soft durometer offers quiet mobility
- ✓ Mechanically bonded tread eliminates separation and is very durable
- ✓ Plastic thread guards standard on 4" and 5" models

Wheel Diameter (Inches)	Tread Width (Inches)	Bearing Type	Hub Length	Axle Hole Dia.	Load Capacity (lbs)	ALCO Part Number	Price Each
3	1-1/4	Ball	1-5/8"	3/8"	165	AL-55558	\$5.95
4	1-1/4	Ball	1-5/8"	3/8"	185	AL-55559	\$6.95
5	1-1/4	Ball	1-5/8"	3/8"	200	AL-55560	\$7.95



### Polyurethane (TPU)

- ✓ Protects floors and resists oils and chemicals
- ✓ Mechanically bonded tread eliminates separation
- ✓ Plastic thread guards standard

Wheel Diameter (Inches)	Tread Width (Inches)	Bearing Type	Hub Length	Axle Hole Dia.	Load Capacity (lbs)	ALCO Part Number	Price Each
3	1-1/4	Ball	1-5/8"	3/8"	185	AL-55561	\$5.95
4	1-1/4	Ball	1-5/8"	3/8"	200	AL-55562	\$6.95
5	1-1/4	Ball	1-5/8"	3/8"	225	AL-55563	\$7.95
6	1-1/4	Precision	1-5/8"	3/8"	300	AL-71919	\$12.95



### Grey Rubber—Round Tread

- ✓ Constructed of a special mix of monprene that rejects almost every type of floor debris
- ✓ Soft durometer allows maximum shock absorption and cushions ride

Wheel Diameter (Inches)	Tread Width (Inches)	Load Capacity (lbs)	Bearing Type	Thread Guard	Axle Size	Hub Length	ALCO Part No.	Price Each
4	1-1/4	250	Precision Ball	Partial	3/8"	1-5/8"	AL-71921	\$7.95
	1-1/4	250	Delrin	None	1/2"	1-1/2"	AL-71922	\$6.95
5	1-1/4	300	Precision Ball	Partial	3/8"	1-5/8"	AL-71923	\$7.95
	1-1/4	300	Delrin	None	1/2"	1-1/2"	AL-71924	\$6.95
6	1-1/4	325	Precision Ball	Partial	3/8"	1-5/8"	AL-71925	\$7.95
	1-1/4	325	Delrin	None	1/2"	1-1/2"	AL-71926	\$7.95



EP1



# Rubber & Polyurethane Wheels—Best Buy

## Rubber Tread Wheel w/Polyolefin Core



AL-52790

Wheel Diameter (Inches)	Tread Width (Inches)	Hub Length (Inches)	Bearing Size (Inches)	Bearing Type	Load Capacity (lbs)	ALCO Part No.	Price Each
3¼	1¼	1-1/2	3/8	Ball	225	AL-52788	\$7.95
4	1¼	1-1/2	3/8	Ball	250	AL-52789	\$9.95
	2	2-3/16	3/4	Roller	300	AL-52791	\$17.85
5	1¼	1-1/2	3/8	Ball	250	AL-52790	\$10.95
	2	2-3/16	3/4	Roller	350	AL-52792	\$17.95
6	2	2-3/16	3/4	Roller	410	AL-52793	\$19.95
8	2	2-3/16	3/4	Roller	500	AL-52794	\$20.95

## Rubber Tread Wheel w/Aluminum Center



AL-41361

Wheel Diameter (Inches)	Tread Width (Inches)	Hub Length (Inches)	Specify Bearing Size (Inches)	Bearing Type	Load Capacity (lbs)	Tread Color	ALCO Part No.	Price Each
3½	1¼	1-1/2	3/8	Ball	225	Grey	AL-41359	\$8.95
4	1¼	1-1/2	3/8	Ball	250	Grey	AL-41360	\$9.95
5	1¼	1-1/2	3/8	Ball	250	Grey	AL-41361	\$11.95
6	2	2-3/16	3/4 or 1/2	Roller	410	Black	AL-41362	\$19.95
8	2	2-3/16	3/4 or 1/2	Roller	500	Black	AL-41363	\$25.95

## Polyurethane Tread Wheel w/Polyolefin Center



AL-78299R

Wheel Size (Inches)	Hub Length (Inches)	Bearing Type	Bearing Size (Inches)	Capacity	ALCO Part No.	Price Each
3 x 2	2¾/16	Delrin	1-3/16	600 lb.	AL-78299D	\$5.95
		Roller	1-3/16	600 lb.	AL-78299R	\$5.95
3 x 2	2¾/16	Delrin	1-3/16	750 lb.	AL-78300D	\$7.95
		Roller	1-3/16	750 lb.	AL-78300R	\$7.95
3 x 2	2¾/16	Delrin	1-3/16	900 lb.	AL-78301D	\$8.95
		Roller	1-3/16	900 lb.	AL-78301R	\$8.95
3 x 2	2¾/16	Delrin	1-3/16	1000 lb.	AL-78302D	\$11.95
		Roller	1-3/16	1000 lb.	AL-78302R	\$11.95

## Polyurethane Tread Wheel w/Plastic Center



AL-41383

Wheel Diameter (Inches)	Tread Width (Inches)	Hub Length (Inches)	Bearing Size (Inches)	Bearing Type	Load Capacity (lbs)	ALCO Part No.	Price Each
3	1¼	1⅝	3/8	Ball	220	AL-52787	\$7.95
4	1¼	1⅝	5/16	Ball	230	AL-41380	\$8.95
			3/8	Ball	230	AL-41381	\$8.95
5	1¼	1⅝	5/16	Ball	250	AL-41382	\$8.95
			3/8	Ball	250	AL-41383	\$8.95

## Blue Polyurethane Tread Wheel w/Plastic Center



724

AL-64983

Wheel Diameter (Inches)	Tread Width (Inches)	Hub Length (Inches)	Bearing Size (Inches)	Bearing Type	Load Capacity (lbs)	ALCO Part No.	Price Each
4	2	2-1/4	1/2	Precision	600	AL-64982	\$12.95
5	2	2-1/4	1/2	Precision	800	AL-64983	\$13.95
6	2	2-1/4	1/2	Precision	1000	AL-64984	\$16.95
8	2	2-1/4	1/2	Precision	1200	AL-64985	\$22.95

# Grey Rubber Wheels—Best Buy



**BUY 11 GET 1 FREE!**

### Features

- ✓ TPE (Thermoplastic Elastomer) tread on plastic core
- ✓ Standard color is grey
- ✓ Soft cushion ride with a non-marking tread
- ✓ Floor protection, annular ball bearing for easy rolling
- ✓ Durometer, 60 ±5 shore A
- ✓ Delrin or ball bearing



5" Flat Wheel  
AL-57423



8" Round Wheel  
AL-57433



Wheel Dia. (Inches)	Tread Width (Inches)	Load Capacity (lbs)	Wheel Bearing Type	Hub Length (Inches)	Bore Size (Inches)	Tread	ALCO Part No.	Price Each	With Delrin Bearing	
									ALCO Part No.	Price Each
3	1 1/4	225	Ball	1-1/2	3/8	Flat	AL-57413	\$5.95	N/A	N/A
			Delrin	1-1/2	3/8	Flat	AL-57414	\$5.95	N/A	N/A
3 1/2	1 1/4	250	Ball	1-1/2	3/8	Flat	AL-57415	\$6.95	N/A	N/A
			Delrin	1-1/2	3/8	Flat	AL-57416	\$6.95	N/A	N/A
4	1 1/4	300	Ball	1-1/2	3/8	Flat	AL-57417	\$7.95	N/A	N/A
			Delrin	1-1/2	3/8	Flat	AL-57418	\$7.95	N/A	N/A
5	1 1/4	325	Ball	1-1/2	3/8	Flat	AL-57423	\$8.95	N/A	N/A
			Delrin	1-1/2	3/8	Flat	AL-57424	\$8.95	N/A	N/A
4	2	700	Roller	2-3/16	1/2	Round	AL-57419	\$14.95	AL-57420	\$14.95
			Roller	2-3/16	1/2	Flat	AL-57421	\$14.95	AL-57422	\$14.95
5	2	800	Roller	2-3/16	1/2	Round	AL-57425	\$14.95	AL-57426	\$14.95
			Roller	2-3/16	1/2	Flat	AL-57427	\$14.95	AL-57428	\$14.95
6	2	800	Roller	2-3/16	1/2	Round	AL-57429	\$16.95	AL-57430	\$16.95
			Roller	2-3/16	1/2	Flat	AL-57431	\$16.95	AL-57432	\$16.95
8	2	850	Roller	2-3/16	1/2	Round	AL-57433	\$20.95	AL-57434	\$20.95
			Roller	2-3/16	1/2	Flat	AL-57435	\$20.95	AL-57436	\$20.95

# Polyurethane Wheels—Best Buy

### Features

- ✓ Polyurethane tread on plastic core construction
- ✓ Tread guards available for bearing protection
- ✓ Roller bearing for easy handling of heavy loads
- ✓ Durometer, 95 ±5 shore A
- ✓ Tread mechanically locked on
- ✓ Floor protection, cushioned ride, shock absorbent
- ✓ Ball bearing for easy rolling



5" Wheel  
AL-57442

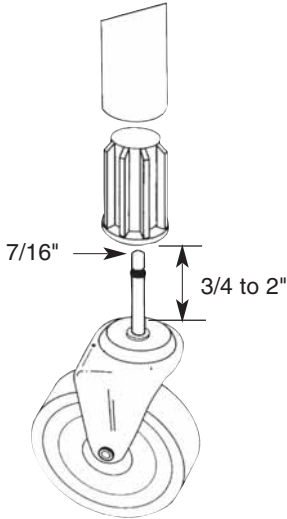
Wheel Dia. (Inches)	Tread Width (Inches)	Wheel Bearing Type	Hub Length (Inches)	Bore Size (Inches)	Load Capacity (lbs)	ALCO Part No.	Price Each
3	1 1/4	Ball	1-9/16	3/8	220	AL-57437	\$7.95
3 1/2	1 1/4	Ball	1-5/8	3/8	260	AL-57438	\$7.95
		Delrin	1-5/8	3/8	260	AL-57439	\$7.95
4	1 1/4	Ball	1-5/8	3/8	275	AL-57440	\$8.95
		Delrin	1-5/8	3/8	275	AL-57441	\$8.95
5	1 1/4	Ball	1-5/8	3/8	300	AL-57442	\$8.95
		Delrin	1-5/8	3/8	300	AL-57443	\$8.95
4	2	Delrin	2-3/16	1-3/16	660	AL-57444	\$12.95
		Roller	2-3/16	1/2	660	AL-57445	\$12.95
5	2	Delrin	2-3/16	1-3/16	770	AL-57446	\$13.95
		Roller	2-3/16	1/2	770	AL-57447	\$13.95
6	2	Delrin	2-3/16	1-3/16	900	AL-57448	\$16.95
		Roller	2-3/16	1/2	900	AL-57449	\$16.95
8	2	Delrin	2-3/16	1-3/16	1000	AL-57450	\$25.95
		Roller	2-3/16	1/2	1000	AL-57451	\$25.95



# Caster Sockets

**BUY 11 GET 1 FREE!**

## Indestructible Heavy Duty Caster Sockets



**ALCO RT Sockets** for round or square tubing are constructed of black reinforced thermoplastics which makes them virtually indestructible. Internal grooves allow the caster stem to snap into place with a snug interference fit but allows easy removal for replacement.

For 7/16" Grip Ring Stem					
	Tube Size	Tube I.D.	Tube I.D.	ALCO Part No.	Price Each
	<b>Square Socket</b>				
	3/4" SQ - 16GA	5/8"	.620	AL-49978	\$1.69
	3/4" SQ - 18GA	21/32"	.652	AL-49979	\$1.69
	1.040SQ - .080 WALL	7/8"	.880	AL-49980	\$1.69
	1"SQ - 18GA	59/64"	.902	AL-49981	\$1.69
	1-1/4"SQ - 11GA	1"	1.01	AL-49982	\$1.69
	1-1/4"SQ - 16GA	1-1/8"	1.120	AL-49983	\$1.69
	1-1/4"SQ - 18GA	1-5/32"	1.152	AL-49984	\$1.69
	<b>Round Socket</b>				
	1-1/2"SQ - 7GA	1-9/64"	1.140	AL-49985	\$1.69
	1-1/2"SQ - 18GA	1-13/32"	1.402	AL-49987	\$1.69
	7/8"RD - 18GA	25/32"	.777	AL-49989	\$1.69
	1"RD - 16GA	7/8"	.872	AL-49990	\$1.69
	1-5/16"RD - 11GA	1-5/64"	1.072	AL-49992	\$1.69
	1-1/4"RD - 16GA	1-1/8"	1.120	AL-49993	\$1.69
	1-1/2"RD - 13GA	1-5/16"	1.310	AL-49986	\$1.69
1-1/2"RD - 16 GA	1-3/8"	1.370	AL-50766	\$1.69	
1-5/8"RD - 16GA	1-1/2"	1.695	AL-49988	\$1.69	

- ✓ Round Socket
- ✓ Tubing I.D. 1".891-.906
- ✓ 16 Gauge

**AL-4837 \$1.69**

Round or Square for 7/16" Grip Ring Stem					
Nylon Model	Size	Fits Rd. I.D. Tube	Fits Sq. I.D. Tube	ALCO Part No.	Price Each
<p>✓ For 7/16" OD Grip Ring Stem Up To 2" Long ✓ "R" Type ✓ Plastic Inserts</p>	5/8"	5/8"	13/32"	AL-15035	\$0.99
	11/16"	11/16"	21/32"	AL-15036	\$0.99
	3/4"	3/4"	23/32"	AL-15037	\$0.99
	25/32"	25/32"	47/64"	AL-15038	\$0.99
	13/16"	13/16"	3/4"	AL-15039	\$0.99
	27/32"	27/32"	25/32"	AL-15040	\$0.99
	7/8"	7/8"	27/32"	AL-15041	\$0.99
	15/16"	15/16"	29/32"	AL-15042	\$0.99
	1"	1"	15/16"	AL-15043	\$0.99
	1-1/16"	1-1/16"	1"	AL-15044	\$0.99
	1-1/8"	1-1/8"	1-3/64"	AL-15045	\$0.99
	1-3/16"	1-3/16"	1-7/64"	AL-15046	\$0.99

Plastic Sockets for 5/16" Wood Stem					
Socket	Socket O.D.	Tubing O.D. Gauge	Tubing I.D.	ALCO Part No.	Price
<b>Round Tube Sockets — Pack of 4 Each*</b>					
	.450	16	7/16"	AL-15021	\$0.89 Ea
	.514	5/8" 16	33/64"	AL-19229	\$4.95*
	.765	7/8" 16	3/4"	AL-15025	\$4.95*
	.890	1" 16	7/8"	AL-19238	\$4.95*
	1.001	1-1/16" 20	1"	AL-15027	\$4.95*
<b>Square Tube Sockets For (02) Stems</b>					
	.695	3/4" 20	11/16"	AL-15028	\$0.95
	.890	1" 16	7/8"	AL-15029	\$0.95



### Metal Tubing Adapter

7/16"

1-7/8"

Straight Stem

**Grip Ring Socket.** These zinc plated sockets adapt to the most commonly used sizes of tubular metal furniture.

For 7/16" x 1-7/8" Straight Stem		
Tubing Size	ALCO Part No.	Price Each
1" (16ga.)	AL-1542RP	\$3.95



**If Unsure of Exact Dimensions, Please Send Us A Sample!**

# Glides

**BUY 11 GET 1 FREE!**



**7/8" Round Cushioned Swivel Glide**

For 7/8" outside dia.-3/4" inside dia.  
15/16" base.

**AL-19018 \$1.95 Ea**



**13/16" Square Cushioned Swivel Glide**

7/8" outside dia. x 3/4" to 25/32" inside dia. (16-18 ga.).

**AL-19025 \$2.25 Ea**



**7/8" Square Cushioned Swivel Glide**

1-1/16" dia. steel base. For 7/8" O.D.-3/4" I.D. SQ. Shock absorbing cushion reduces noise.

**AL-19020 \$2.50 Ea**



**1" Square Cushioned Swivel Glide**

1-1/16" dia. steel base. For 1" O.D.-7/8" I.D. SQ. Shock absorbing cushion reduces noise.

**AL-19021 \$1.95 Ea**



**3/4" Square Cushioned Swivel Glide**

1-1/16" dia. steel base. For 3/4" O.D.-5/8" I.D. SQ. Shock absorbing cushion reduces noise.

**AL-19019 \$2.25 Ea**



Nickel



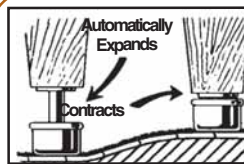
Nylon

**Nail-On Cushion Glides**

Base Type	Size (In.)	ALCO Part No.	Price Each
-----------	------------	---------------	------------

**Nail-On Cushion Glides**

Nylon	5/8	<b>AL-71848</b>	<b>\$0.95</b>
Nylon	3/4	<b>AL-19147</b>	<b>\$0.95</b>
Nylon	7/8	<b>AL-19146</b>	<b>\$1.25</b>
Nylon	1-1/8	<b>AL-19145</b>	<b>\$1.25</b>
Nylon	1-1/2	<b>AL-71852</b>	<b>\$2.95</b>
Nickel	7/8	<b>AL-15090</b>	<b>\$1.95</b>
Nickel	1-1/16	<b>AL-15091</b>	<b>\$1.95</b>
Nickel	1-1/4	<b>AL-15092</b>	<b>\$1.95</b>

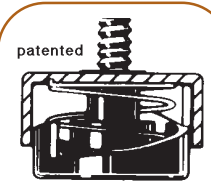


Base Cap Included

**Automatic Level Glide**

Hydraulic-type action, adjusts and readjusts automatically whenever furniture is moved. Compression Height 3/4", 1-7/16" Dia. Base. 1/4-20 x 5/16 w/Hex. For tables with a minimum weight of 40 lbs

**AL-19150 \$4.95 Ea**



patented

CUTAWAY VIEW

**Automatic Self-Adjusting Superlevel Table Glides**

SuperLevel table glides adjust automatically to uneven floor surfaces without manual readjustment each time a table is moved. Uses a table's own weight to eliminate table wobble. Features a double cam-and-spring locked inside a super-tough nylon body.

1/4-20x3/8 **AL-19149 \$5.50 Ea**  
5/16-18x1 w/Hex **AL-19149A \$6.95 Ea**

EPI



Friction Ring Stem (FRS\*\*) **AL-19096**

**Heavy Duty Glides (Nickel Plated Shell) — with Hex on bottom of stud**

Base Dia.	Base Material	Thread Size	ALCO Part No.	Price Each
-----------	---------------	-------------	---------------	------------

1-3/4" Non-Skid 1/4-20 x 1" **AL-19080 \$2.15**  
1-3/8" Plastic 7/16 x 7/8" **AL-19096\*\* \$2.95**

\*\*FRS=Friction Ring Stem



**Adjustable Swivel Glides**

Base Dia.	Stud Size	ALCO Part No.	Price Each
-----------	-----------	---------------	------------

Swivels to 16° angle. Hex Head for easy adjustment. White plastic base. Nickel plated steel cover shell.

**AL-19070 \$1.25**  
**AL-19076 \$1.25**  
**AL-19079 \$1.50**



**Non-Skid Adjustable Glide**  
1-1/8" dia. black base.

1/4-20x 1/2"	<b>AL-52804</b>	<b>\$1.25</b>
1/4-20x 1"	<b>AL-19054</b>	<b>\$1.25</b>
5/16-18 x 1"	<b>AL-52805</b>	<b>\$1.25</b>
3/8-16 x 1"	<b>AL-52806</b>	<b>\$1.95</b>
3/8-16 x 1-1/2"	<b>AL-19056</b>	<b>\$1.50</b>



Plastic base. Nickel plated steel cover shell **AL-19061**

**Adjustable Non-Swivel Glides**

Base Dia.	Stud Size	ALCO Part No.	Price Each
1-1/8" White	1/4"-20 x 1/2"	<b>AL-19057</b>	<b>\$1.25</b>
1-1/8" White	1/4"-20 x 3/4"	<b>AL-19059</b>	<b>\$1.25</b>
1-1/8" White	1/4"-20 x 1"	<b>AL-19061</b>	<b>\$1.25</b>
1-1/8" White	5/16"-18 x 1"	<b>AL-19063</b>	<b>\$1.25</b>
1-1/8" White	1/4"-20 x 1-1/2"	<b>AL-19068</b>	<b>\$1.25</b>



**AL-19042**

**Cushioned Adjustable Non-Swivel Glide w/Nickel Plated Steel Base**

Stud Size	Base Dia.	ALCO Part No.	Price Each
1/4-20 x 1"	1-1/16"	<b>AL-19037</b>	<b>\$1.25</b>
1/4-20 x 1"	7/8"	<b>AL-19038</b>	<b>\$1.25</b>
5/16-18 x 1"	1-1/16"	<b>AL-19041</b>	<b>\$1.25</b>
3/8-16 x 1"	1-1/4"	<b>AL-19042</b>	<b>\$1.50</b>
5/16-18 x 1-1/2"	1-1/4"	<b>AL-19045</b>	<b>\$1.95</b>



# Caster Replacement Parts


**BUY 11 GET 1 FREE!**

## AXLE KITS (Includes Nut)


	Axle Dia. x Length (In)	ALCO Part No.	Price Each
	1/4 x 1-1/2	AL-72295	\$1.95
5/16 x 1-1/2	AL-17689*	\$2.95	
5/16 x 1-5/8	AL-17690	\$2.95	
5/16 x 1-7/8	AL-72296*	\$1.95	
5/16 x 2	AL-72297*	\$1.95	
5/16 x 2-1/8	AL-72298*	\$1.95	
3/8 x 2-3/32	AL-17691*	\$2.95	
3/8 x 2-3/16	AL-17692	\$2.95	
Zerk Axle			
3/8 x 2-3/32	AL-17693*	\$2.95	
3/8 x 2-1/2	AL-17694*	\$3.95	
Zerk Axle			
3/8 x 2-1/2	AL-17695	\$3.95	
3/8 x 2-3/4	AL-17696	\$3.95	
3/8 x 2-7/16	AL-72299	\$2.95	
3/8 x 2-5/8	AL-72300*	\$2.95	
1/2 x 3-3/8	AL-17699	\$3.95	
1/2 x 3-9/16	AL-17700*	\$3.95	
7/16 x 2-13/16	AL-72301*	\$3.95	

\*Used on casters without brakes.


## SPANNER BUSHINGS

	Spanner Bushings I.D. x O.D. x Length (In)	ALCO Part No.	Price Each
	5/16 x 7/16 x 1-7/64	AL-17736	\$0.95
5/16 x 3/8 x 1-1/2	AL-76103	\$1.95	
5/16 x 3/8 x 1-5/8	AL-76104	\$1.95	
3/8 x 5/8 x 1-1/2	AL-17738	\$1.95	
3/8 x 5/8 x 1-7/32	AL-17739	\$1.95	
3/8 x 1/2 x 1-1/2	AL-17740	\$1.95	
3/8 x 3/4 x 1-7/8	AL-17741	\$1.95	
5/8 x 3/4 x 1-7/8	AL-17742	\$1.95	
1/2 x 3/4 x 1-7/8	AL-71930	\$1.95	
1/2 x 3/4 x 2-7/16	AL-17744	\$1.95	
5/8 x 3/4 x 2-7/16	AL-17745	\$1.95	
1/2 x 3/4 x 3	AL-17747	\$1.95	
3/4 x 1 x 2/78	AL-76105	\$1.95	
3/4 x 1 x 3-3/8	AL-76106	\$1.95	


## ROLLER BEARINGS

	Roller Bearing I.D. x O.D. x Length (In)	ALCO Part No.	Price Each
	5/8 x 1-9/16 x 1-1/4	AL-17714	\$5.95
3/4 x 1-3/16 x 1-7/16	AL-17715	\$5.95	
3/4 x 1-3/16 x 1-7/8	AL-17716	\$5.95	
3/4 x 1-3/16 x 2-1/2	AL-17717	\$5.95	

## THRUST WASHERS

	Thrust Washer I.D. x O.D. x Thickness (In)	ALCO Part No.	Price Each
	3/4 x 1-1/2 x 3/16	AL-17752	\$0.95
3/4 x 1-1/2 x 3/16	AL-17754	\$0.95	
3/4 x 1-7/16 x 9/32	AL-71931	\$0.95	
3/4 x 1-1/2 x 3/16	AL-17758	\$0.95	

## RETAINER WASHERS

	Retainer Washer I.D. x O.D. x Thickness (In)	To Be Used w/ Roller Bearing Part No.	ALCO Part No.	Price Each
	21/32 x 1-1/16 x 3/32	AL-17714	AL-17721	\$0.95
3/4 x 1-1/2 x 3/16	AL-17716	AL-17722	\$0.95	
3/4 x 1-1/2 x 7/32	AL-17716	AL-71932	\$0.95	
3/4 x 1-1/2 x 3/16	AL-17717	AL-71933	\$0.95	



**ALCO Spray Grease—14 oz**  
 For use on all types of bearings and gears. Sprays on in liquid form and sets up as a permanent grease in 20 minutes. Grease is impervious to water and temperatures up to 400 degrees F.

**AL-2014 \$7.95 Each**  
**AL-66073 \$69.95 Case/12 Each**

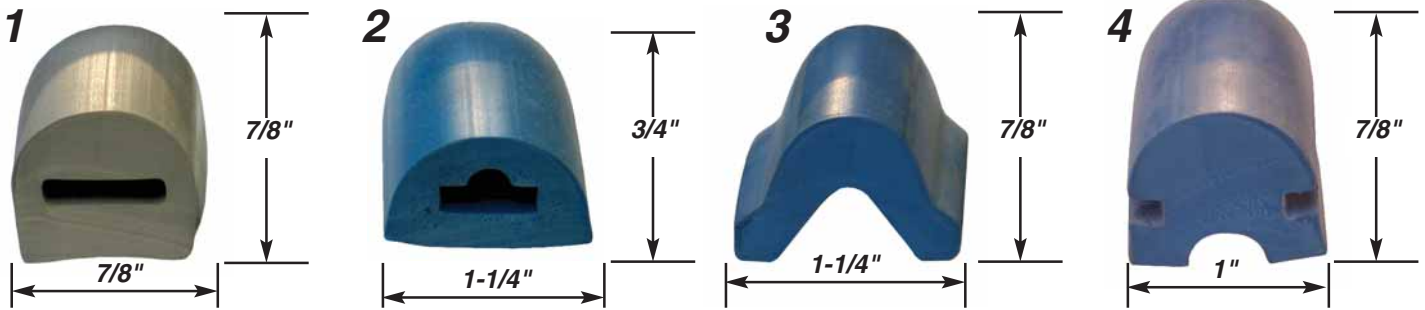
EP1



# Bumpers: Used on Colson, Midmark, Stryker, Blickman & III Carts



**BUY 11 GET 1 FREE!**



## Wrap Around Bumpers

Fig	Description	ALCO Part No.	Price Per Foot
1	Grey with center slit	AL-71675	\$8.95
N/S	Grey with center slit, with aluminum insert	AL-71676	\$11.95
2	Blue with center slit	AL-71677	\$8.95
N/S	Blue with center slit, with aluminum insert	AL-71678	\$11.95
3	Blue A-Shaped	AL-71679	\$8.95
4	Blue Round with sides cut	AL-71680	\$8.95

**Grey Leg Bumpers** are designed for mounting on equipment with round or square tubing. A simple, concealed nut and bolt arrangement holds the bumper securely in place.

Shape of Tubing	Size of Hole	Thickness		Edge	ALCO Part No.	Price Each
		OD	Center			
Square	1-1/2"	5"	1-1/8"	5/8"	AL-4259	\$13.95
Round	1-1/4"	5"	1-1/8"	5/8"	AL-4261	\$16.95
Round	1-1/2"	5"	1-1/8"	5/8"	AL-4262	\$10.95
Round	1.9" & 2"	5"	1-1/8"	5/8"	AL-4263	\$10.95

### Grey End Bumpers

Outside Diameter	Hole Diameter	ALCO Part No.	Price Each
3-1/4"	11/32"	AL-4275	\$3.95
1-3/4"	9/32"	AL-4276	\$1.95

### 5" Diameter Rolling Bumper



**5" Rolling Bumper** is a newly designed grey sloping rubber bumper bonded to a zinc plated insert, with removable center bushings. Center bushings available 3/8" to 1-1/8" dia.

Bore Size	ALCO Part No.	Price Each
7/16"	AL-16404	\$10.95
3/8"	AL-16404A	\$10.95
1"	AL-16404B	\$10.95
1-1/8"	AL-16404C	\$10.95

### Grey Corner Bumpers



For mounting on flat surfaces. 7/8" thickness 1" high x 2-5/8" long from inside corner.

Grey  
AL-16406 \$4.95 each  
Black  
AL-16406B \$4.95 each



For mounting on flat surfaces. Ends of legs are tapered, with steel inserts. 1" thick x 1-1/16" high x 3-1/16" long from inside corner.

Grey  
AL-16407 \$8.95 each  
Black  
AL-16407B \$8.95 each



For mounting on flat surfaces. Ends of legs may be cut at notched area to make square ends with steel inserts. 7/8" thick x 1" high x 3-1/8" long from inside corner.

Grey  
AL-16408 \$7.95 each  
Black  
AL-16408B \$7.95 each



# Floor Protection

**BUY 11 GET 1 FREE!**

Square Insert				
Tube OD	Tube ID	Gauge	ALCO Part No.	Price Each
3/4"	11/16"	16-20	AL-1180S	\$1.25
3/4"	21/32"	18	AL-1183S	\$1.25
3/4"	5/8"	16	AL-1179S	\$1.25
7/8"	25/32"	18	AL-1168S	\$1.25
7/8"	3/4"	16	AL-1284S	\$1.25
1"	29/32"	18	AL-1187S	\$1.25
1"	7/8"	16	AL-1189S	\$1.25
1"	49/64"	10	AL-1188S	\$1.25
1-1/8"	1-1/32"	18	AL-1190S	\$1.25
1-1/8"	1"	16	AL-1194S	\$1.25
1-1/4"	1-1/8"	16-20	AL-1213S	\$1.25
1-1/2"	1-3/8"	16-20	AL-1192S	\$1.25



Square



Round

Round Insert				
Tube OD	Tube ID	Tubing Gauge	ALCO Part No.	Price Each
3/4"	21/32"	18	AL-1120R	\$1.25
7/8"	3/4"	16	AL-1130R	\$1.25
1"	7/8"	16	AL-1140R	\$1.25
1-1/8"	1-1/32"	18	AL-1160R	\$1.25
1-1/4"	1-1/8"	16	AL-1165R	\$1.25
1-1/2"	1-13/32"	14-20	AL-1175R	\$1.25

## Protective Leg Tips

Cap Type	For Legs OD (In.)	Black		Off-White	
		ALCO Part No.	Price 24/Pk	ALCO Part No.	Price 24/Pk
<b>Rubber</b>					
Round	3/8	N/A	N/A	AL-71822	\$17.95
Round	1/2	AL-71823	\$15.95	AL-71824	\$15.95
Round	5/8	AL-71825	\$13.95	AL-71826	\$13.95
Round	3/4	AL-71827	\$19.95	AL-71828	\$19.95
Round	7/8	AL-71829	\$19.95	AL-71830	\$19.95
Round	1	AL-71831	\$22.95	AL-71832	\$22.95
Round	1-1/8	AL-71833	\$26.95	AL-71834	\$26.95
Round	1-1/4	AL-71835	\$30.95	AL-71836	\$24.95
<b>Plastic</b>					
Round	7/8	AL-71837	\$9.95	AL-71838	\$9.95
Round	1	AL-71839	\$10.95	AL-71840	\$10.95
Square	1	AL-71841	\$20.95	N/A	N/A
Round	1-1/8	N/A	N/A	AL-71842	\$12.95
<b>Plastic Inside Leg Tips</b>					
Angle	3/4	AL-71843	\$13.95	N/A	N/A
Angle	7/8	AL-71844	\$14.95	N/A	N/A



Rubber Round

Plastic Angle




Plastic Square

Plastic Round

## Floor Protector Glides

H	L	W	Dia.	Shape	Pkg. Qty.	ALCO Part No.	Price Per Pack
<b>Self Stick</b>							
3/8			3/4	Circle	8	AL-71815	\$17.95
3/8			1	Circle	8	AL-71816	\$17.95
3/8			2-1/4	Circle	4	AL-71817	\$17.95
3/8	2	2-1/2		Triangle	4	AL-71818	\$17.95
3/8	4-1/2	3-1/2		Triangle	4	AL-71819	\$29.95
3/8	4	3/4		Strips	4	AL-71820	\$17.95
<b>Reusable Foam</b>							
3/8			5	Circle	4	AL-71821	\$48.95






**Plastic Plug Bumper**  
Used on top of rear leg, on folding chairs. Fits 7/8" O.D. x 3/4" I.D.. tubing. Tan color.  
**AL-19170 \$1.25 Ea**



**Plastic Cap For 7/8" Round Tubing**  
Used for folding chairs. Tan color.  
**AL-19171 \$1.25 Ea**



**AL-19162**

**Plastic Glide Square Rocker Base**  
13/16" O.D. 23/32" (18 GA.) I.D. takes any angle leg. Used on stack chairs.  
**AL-19162 \$1.25 Ea**  
7/8" O.D. 25/32" (18 GA.) I.D. Clear.  
**AL-19163 \$1.25 Ea**  
3/4" O.D. 21/32" (18 GA.) I.D. Clear.  
**AL-19164 \$1.25 Ea**  
7/8" (16 GA.) I.D. Black  
**AL-19168 \$1.25 Ea**  
7/8" O.D. 25/32" (18 GA.) I.D. Black  
**AL-19169 \$1.25 Ea**

# Metal Caster Sockets & Adapters



**BUY 11 GET 1 FREE!**

## For 7/16" X 1-3/8" Grip Ring Stem



Description	ALCO Part No.	Price Each
For wood. Bore dimension: 9/16" X 1-1/2"	AL-66RP	\$2.25
For 9/16" I D tubing	AL-10RP	\$1.39
180° side bracket, 2-3/16" wide	AL-32RP	\$2.00
For 90° inside corner	AL-34RP	\$2.00



## Round Threaded Metal Adapter



Tube OD	Gauge	Thread	ALCO Part No.	Price Each
1"	16-18	1/4-20	AL-19116	\$1.95

## Square Threaded Metal Adapters



Tube OD	Gauge	Thread	Style	ALCO Part No.	Price Each
3/4"	16-18	1/4-20	B	AL-19126	\$1.95
1"	16-18	3/8-16	C	AL-19132	\$2.25
1"	16-18	1/4-20	C	AL-52796	\$1.95
1"	16-18	5/16-18	C	AL-52797	\$2.25
1-1/8"	16-18	5/16-18	A	AL-19133	\$1.95
1-1/4"	16-18	3/8-16	C	AL-19136	\$2.50

**T Nuts**

1/4-20 Thread	AL-19101	\$1.25 Ea
5/16-18 Thread	AL-19102	\$1.25 Ea
3/8-16 Thread	AL-19103	\$1.25 Ea
1/2-13 Thread	AL-19104	\$1.95 Ea

EP1

## Metal Spring Closures For Closing Tube Ends



ROUND STRAIGHT PRONGS

Tube OD	Finish	ALCO Part No.	Price Each
5/8"	Heat Treated	AL-19180	\$1.25
3/4"	Nickel Plated	AL-243	\$1.25
7/8"	Nickel Plated	AL-244	\$1.25
1"	Nickel Plated	AL-245	\$1.25
1-1/8"	Chrome Plated	AL-19184	\$1.25
1-1/4"	Nickel Plated	AL-19185	\$1.25
1-1/2"	Nickel Plated	AL-19186	\$1.50

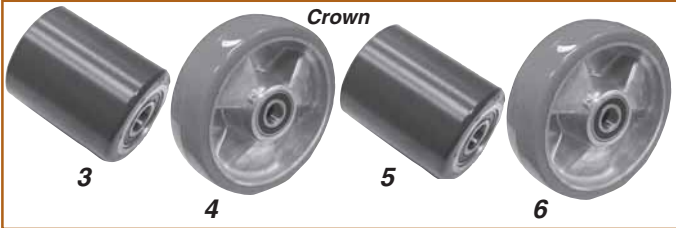
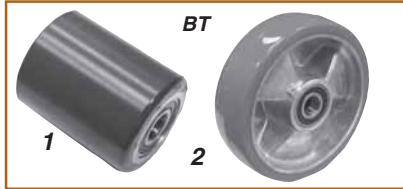
## Plastic Snap-On Cap

1-1/16" O.D. cushioned base	AL-19173	\$1.25 Ea
1-1/4" dia. base glides.	AL-19174	\$1.25 Ea
15/16" dia. cushioned glide base.	AL-19177	\$1.25 Ea

# Pallet Jack Parts & Floor Maintenance

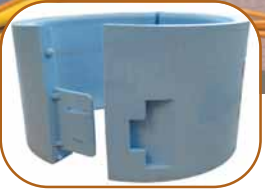
**BUY 11 GET 1 FREE!**

## Pallet Jack Replacement Load & Steer Wheel Assemblies



Make	Model	Fig.	Wheel Assembly	Description	ALCO Part No.	Price Each
BT	L2000-2300	1	Load	3" x 3-3/4" w/17mm Bearings	AL-64028	\$53.95
		2	Steer	7" x 2" w/20 mm Bearings	AL-64029	\$62.95
Crown	PTH50	3	Load	3" x 3-3/4" w/20mm Bearings	AL-64030	\$48.95
		4	Steer	7" x 2" w/20 mm Bearings	AL-64031	\$71.95
	PTH	5	Load	3-1/4" x 3-7/8" w/20mm Bearings	AL-64032	\$46.95
		6	Steer	8" x 2" w/20mm Bearings	AL-64033	\$67.95

## Innovative Cord Management Solution



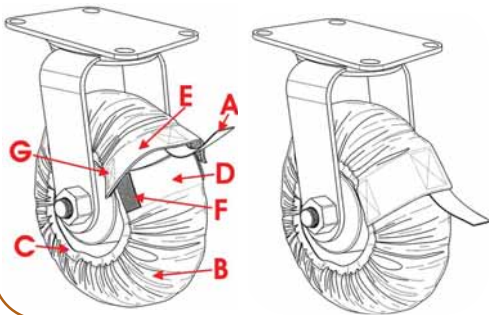
**The best way to move anesthesia machines and wheeled OR carts safely without wheel obstructions**

- ✓ Protects expensive cables, probes and wire leads
- ✓ Conveniently moves cords and hoses as you move your equipment
- ✓ One-piece design with locking tab
- ✓ Colors: Blue (B), Gray (G), Red (R) and Yellow (Y) except AL-67858
- ✓ Sold in sets of 4

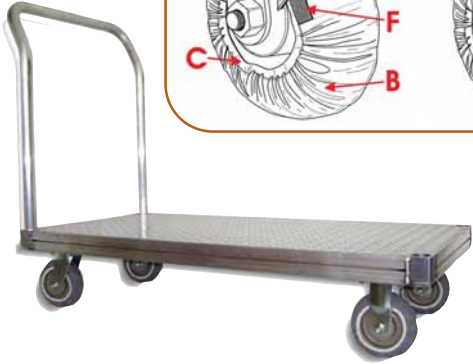
5" CASTrGARD	AL-67857	\$289.00/set of 4
6" CASTrGARD Blue(B) and Gray(G) only	AL-67858	\$289.00/set of 4
7.125" CASTrGARD	AL-67859	\$289.00/set of 4

# CasterBooties™ Floor & Caster Protection

## Anatomy of a CasterBooties™



- A: Leader Strap
- B: Wheel Cover
- C: Elastic
- D: Under Flap
- E: Over Flap
- F: Under Flap Velcro
- F: Over Flap Velcro



- CasterBooties™**
- ✓ Each Bootie is quick to install and provides quiet and easy unrestricted use of operation
  - ✓ Booties provide protection against scratching, scraping, or scarring on any floor surface be it tile, carpeting, terrazzo, laminate, wood, & marble!!
  - ✓ Each Bootie is durable, waterproof and washable allowing for economical and reusable solutions vs. expensive cleaning, repairs and maintenance
  - ✓ Available in grey or blue, please specify
  - ✓ Does not work with caster locks
  - ✓ Not recommended for steel casters or dual wheels
  - ✓ Applications Over 450lbs please call

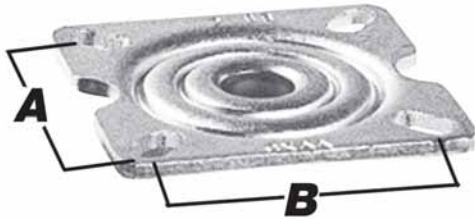
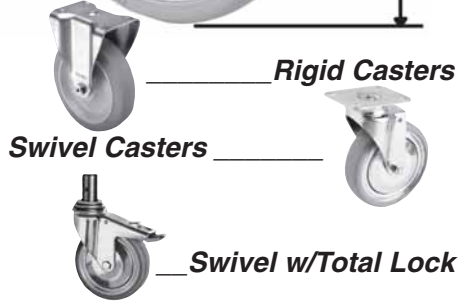
4" Dia. x 1-1/4" W	AL-73361	\$49.00 Per Case/1 Doz
5" Dia. x 1-1/4" W	AL-73362	\$49.00 Per Case/1 Doz
6" Dia. x 2" W	AL-73363	\$49.00 Per Case/1 Doz

**▼ LOW PRICES GUARANTEED! ▼**  
**WE WILL NOT BE UNDERSOLD!**

# Caster & Wheel Selection Guide

Please Measure your existing casters (if applicable), provide us with the required information and FAX, mail or email the form to us!  
 We will have one of our "Caster Experts" review your form and choose the caster that's right for you.  
 They will then contact and advise you of the available choices for final approval of the order!

## Plate Caster



### Top Plate Bolt Holes

A. \_\_\_\_\_ Inches  
 B. \_\_\_\_\_ Inches

### Wheel Diameter

\_\_\_\_\_ Inches

### Overall Caster Height

\_\_\_\_\_ Inches

QUANTITY \_\_\_\_\_

## Stem Caster



### Please Circle Stem Type:



- 1 - Central Locking (Short/Long Stem)
- 2 - Wood Furniture Stem
- 3 - Tubular Metal Stem
- 4 - Grip Ring Stem
- 5 - Threaded Stem  
Threads/Inch: \_\_\_\_\_
- 6 - Square Stem
- 7 - Round Expandable Stem
- 8 - Square Expandable Stem
- 9 - Threaded Pipe Stem
- 10 - Hollow King Pin Stemless

### Stem Length

A. \_\_\_\_\_ Inches

### Wheel Diameter

\_\_\_\_\_ Inches

### Stem Diameter

B \_\_\_\_\_ Inches

### Overall Caster Height

\_\_\_\_\_ Inches

QUANTITY \_\_\_\_\_

Name \_\_\_\_\_

Facility Name \_\_\_\_\_

Address \_\_\_\_\_

City \_\_\_\_\_ State \_\_\_\_\_

Zip \_\_\_\_\_ Phone (\_\_\_\_) \_\_\_\_\_

Fax (\_\_\_\_) \_\_\_\_\_ PO# \_\_\_\_\_

Email \_\_\_\_\_

## Replacement Wheel



### Wheel Diameter

A. \_\_\_\_\_ In.

### Tire Width

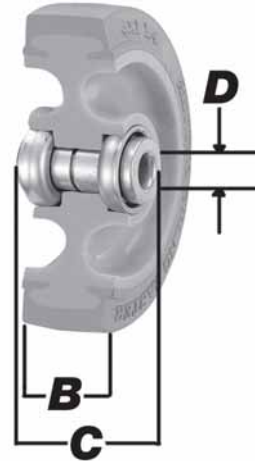
B. \_\_\_\_\_ In.

### Hub Width

C. \_\_\_\_\_ In.

### Axle Diameter

D. \_\_\_\_\_ In.



### Bearing Type:



\_\_\_\_\_ Delrin/Sleeve/  
Plain



\_\_\_\_\_ Ball



\_\_\_\_\_ Roller



\_\_\_\_\_ Precision Ball

### Additional Options:

#### Wheel Material:

\_\_\_\_\_ Grey Soft Non-Marking Rubber

\_\_\_\_\_ Polyurethane

Other: \_\_\_\_\_

Weight Capacity \_\_\_\_\_ lbs./Wheel

# of Locking Needed \_\_\_\_\_

# of Non-Locking Needed \_\_\_\_\_

Please Specify: Wheel Qty \_\_\_\_\_

\_\_\_\_\_ For Caster or \_\_\_\_\_ Replacement

\_\_\_\_\_ Total Lock Brake

EP1

# ALCO

ALCO SALES & SERVICE

6851 High Grove Blvd

Burr Ridge, IL 60527

Ph: 800-323-4282

Fax: 800-950-1167

www.alcosales.com

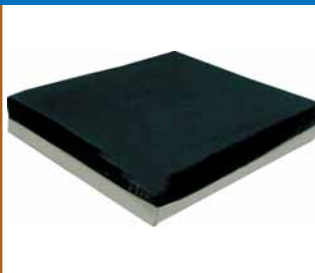
# Bariatric Product Index

## Wheelchairs



See Pages 6-10, 17-22

## Wheelchair Cushions



See Pages 32, 34

## Rollator



See Page 346

## Commode & Shower Chairs



See Pages 347-356

## PVC



See Pages 532,534-538,547-549, 551

## Step Stools



See Pages 482-483

## Bath Benches



See Pages 357-358

## Walkers



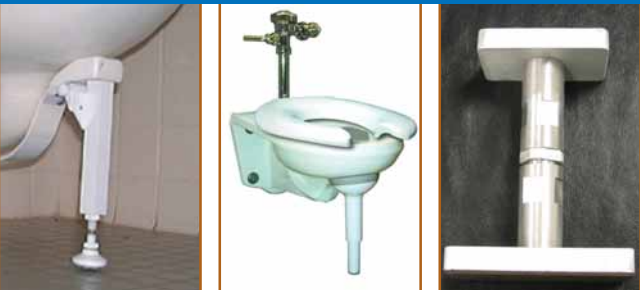
See Pages 340, 344, 356

## Stretchers



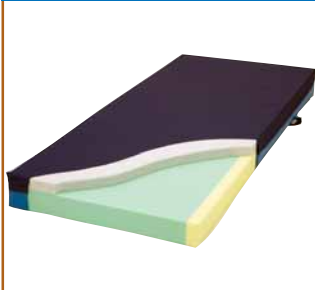
See Page 223

## Toilet Jack Supports



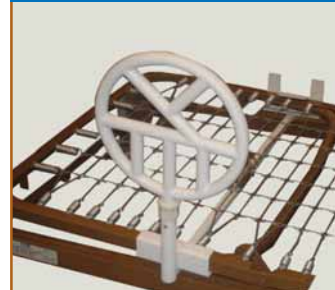
See Page 592

## Mattresses



See Pages 133-134, 138-139

## Halo Safety Ring



See Page 145

# Bariatric Product Index

## Recliners



See Pages 278, 281, 283-285, 287-288

## Beds



See Pages 124-128

## Trapeze



See Pages 143

## Lifters



See Pages 378-380

## Grab Bars



See Pages 366-367

## Toilet Seat



See Page 592

## Bedpans



See Page 362

## Patient Transfer



See Page 143

## Blood Pressure



See Page 457

## Crutches & Canes



See Page 346

## Scales



See Pages 393-397

## Gait Belt



See Page 415

## Overbed Table



See Page 148

## Blood Drawing Chairs



See Page 398

## Furniture



See Pages 556-558

# ALCO Quick Find Parts Index

<b>AkroBins</b> .....	602-605	Welch Allyn.....	424-425,429-430,	Folding/Stackable.....	558	Wheels, 8".....	96-97
<b>Alarms</b> .....	28-29,149		434-438	Office Chair Parts.....	620	Wheels, 24".....	94-95
<b>AmFab Overbed Table</b> .....	148,216-217	<b>Brooms</b> .....	578	<b>Chemtron Regulators</b> .....	467	<b>Examination Lights</b> .....	486-487
<b>Amsco Table Pads</b> .....	488	<b>Bulbs/Lamps (Nurse Call &amp; General Purpose)</b> .....	276	<b>Clark Sockets</b> .....	490	<b>Executone</b>	
<b>Anthros PVC Casters</b> .....	709	<b>Bumper Pads</b> .....	146-147	<b>Cleaners</b> .....	590	Nurse Call.....	263-264
<b>Anti-Ligature</b> .....	368-369	<b>Bumpers</b> .....	729	<b>Clean Remote</b> .....	156	Patient Station Repair.....	264
<b>Anti-Microbial</b>		<b>Cabinets</b> .....	417	<b>Clocks</b> .....	607	Pillow Speaker Repair.....	239,242
Casters.....	661, 664-667	<b>Call Cords</b>		<b>Commodes</b>			
Grab Bars.....	594-595	Adapter Plugs.....	272	Drive.....	347-348,352-353,356-357	<b>Fail-Out Pads</b> .....	150-151
Lockers & Shelving.....	612-613	ALCO.....	246	Invacare.....	348,352-354	<b>Faraday Nurse Call</b> .....	266
Saniguard.....	594-595	ALCO Geriatric.....	246	Lumex.....	353,355	<b>Fisher-Berkely Patient</b>	
Wheels.....	713	Bite-or-Puff.....	244-245	Pails.....	362	Station Repair.....	264
<b>Arjo</b> .....	390-391	Breathcall.....	248-249	<b>Computer Workstations</b> .....	526-527	<b>Floor Cleaning Products</b> .....	577
<b>Arm Boards</b> .....	489	EZ Call.....	244-245	<b>Concentrator</b> .....	464	<b>Floor Safety</b> .....	579
<b>Ash Trays</b> .....	583	Glow-In-The-Dark.....	244-245	<b>Concentrator Parts</b> .....	465	<b>Folding Chairs</b> .....	558
<b>Aspirator</b> .....	464	In-Line.....	248-249	<b>Cornell Nurse Call</b> .....	254-255	<b>Footrests, Wheelchair</b> .....	108
<b>Auth Nurse Call</b> .....	252-253	Locking.....	244-245	<b>Corner Guards</b> .....	624-625	<b>Foot Stools</b> .....	558
<b>Auto Flush</b> .....	599	Momentary.....	244-247	<b>Couch Nurse Call</b> .....	256	<b>Furniture</b>	
<b>Audio Visual Furniture</b> .....	526-527	Padcall.....	244-245,248	<b>Covers (Linen Carts)</b> .....	530	Arm Chair.....	556-557
		Parts.....	250	<b>Crest Healthcare</b>		Audio/Visual.....	526-527
<b>Baby Changing Stations</b> .....	420	Plugs/Jacks/Sockets.....	273	Bed Control Repair.....	641	Blood Drawing.....	398
<b>Bariatric Product Index</b> .....	734-735	PressCall.....	448	Pillow Speaker Repair.....	640	Computer Workstations.....	526-527
<b>Basin Stands</b> .....	478,482	Winged Style.....	244-245,247	<b>Cribs</b>		Folding Chairs.....	558
<b>Bassinets</b> .....	421	<b>Callcare Call Cords</b> .....	246	Casters.....	660-661	Footstools.....	558
<b>Bath Benches</b> .....	357,359,363	<b>Canes</b> .....	345	Pedicraft Schematic.....	220	Patient Room.....	556-557,559-562
<b>Batteries</b>		<b>Care Products PVC Casters</b> .....	708	<b>Crutches</b> .....	346	Psychiatric.....	561
Diagnostic.....	452-453	<b>Carex Walker Wheels</b> .....	342	<b>Crutch Parts</b> .....	343	Stackable Chairs.....	558
<b>Baumanometer</b>		<b>Carts</b>		<b>Cubicle Track</b>		Stools.....	558
Sphygmomanometers		Aluminum.....	510-511	Bendable.....	402	TV/VCR Mounts.....	154-155
Aneroid.....	427	Anesthesia.....	507,510	Curtains.....	399		
Parts.....	439	AV Furniture.....	526-527	Hardware.....	400-401	<b>Garment Racks</b> .....	598
Pocket Aneroid.....	427	Case.....	513	I.V. Hangers.....	411	<b>Gait Belts</b> .....	415
<b>Bedpans</b>		Economy.....	519	QuickCube™ Curtains.....	402	<b>Gas Cylinders</b> .....	171,227,620
Holders.....	362	Emergency.....	504,507-508,510,512	Track.....	399	<b>Gendron Beds</b> .....	208
Liners.....	362	Garment.....	598	<b>Cuffs</b>		<b>Gendron Stretchers</b> .....	236
<b>Beds</b>		Ice.....	545	Disposable.....	432-433,437	<b>Gendron Wheelchairs</b>	
Accessories.....	149-153,156	Isolation.....	507-508,511-512	Replacement.....	432-433,437,439	Brake Extensions.....	91
Air Pumps.....	133	Lakeside.....	507,517	<b>Curbell Electronics</b>		Brakes.....	91
Air Connectors.....	173	Laundry.....	522,525	Bed Control Repair.....	641	Footrests.....	108
Amedco/Borg Warner.....	209	Linen.....	521-524	Pillow Speaker Repair.....	640	Legrests.....	107
Bariatric.....	124-128	MRI.....	496	<b>Curtains</b>		Schematics.....	82-83
Bed/Stretcher Stopper.....	150	Procedure.....	509	Cubicle.....	399,402	Upholstery.....	82-83
Bumper Pads.....	146-147	PVC.....	512	Shower.....	403	Wheels, 8".....	83,96-97
Cables.....	212-213	Refurbished.....	513	<b>Cylinder Carts</b> .....	468-470	Wheels, 24".....	95
Carroll.....	126	Stainless Steel.....	513,517,519	<b>Delta Shower System</b> .....	364	<b>Glove Box Holders</b> .....	414
Casters.....	645-661	Treatment.....	505,507,509,512	<b>Diagnostic Systems &amp; Sets</b> .....	448,450	<b>Gloves</b> .....	590
Circuit Board Repair.....	166-169, 641	Two In One.....	524	<b>Diagnostics</b>		<b>Grab Bars</b> .....	366-368
Control Repair.....	641	Utility.....	514-519	Desk Charger.....	447	<b>Grease</b> .....	719
Controls.....	214-215	Wire.....	518-519	Heads (Replacement).....	446	<b>Guardian Walker Wheels</b> .....	342
Crank Handles.....	210-211	<b>Cart Covers</b> .....	530	Ophthalmoscope.....	446-448,450		
Drive.....	193-197	<b>Casters</b>		Otosopes.....	446-448,450	<b>Hamper Bags</b> .....	587
Gendron.....	208	Anthros PVC.....	709	Pulse Oximeter.....	451	<b>Hampers</b>	
Hill-Rom.....	122-123,158-175	Anti-Microbial.....	661,664-667	<b>Digital Blood Pressure Monitors</b> .....	456-457	Collapsible.....	584,586
Headboard/Footboards.....	164-165	Bed.....	645,661	<b>Dollies</b>		PVC.....	548
Invacare.....	126,190-192,198-199	Best Buy.....	682-683,696-697,700	Pallet Truck.....	617	Stainless Steel.....	585
Joerns.....	200-206	Care Products.....	708	<b>Doors</b>		Steel.....	584-586
Junction Boxes.....	211	Cart Washable.....	704-707	Hardware.....	609	<b>Hand Sanitizers</b> .....	590
Liners.....	362	Central Locking.....	646-648	<b>Door Closers</b> .....	615	<b>Handtrucks</b> .....	617
Low.....	124-128	Chair.....	668-674	<b>Drive Medical</b>		<b>Handtruck Wheels</b> .....	712
Mattresses.....	130-142	Colson.....	678-680,688-690,	Beds.....	193-197	<b>Headphones</b> .....	156
Monitoring Systems.....	149	692-695,698-699		Commodes.....	347-348,352-353,356-357	<b>Healthline PVC Casters</b> .....	708
Motor Repair.....	641	Crib.....	660-661	Lifts.....	385-387	<b>Hill-Rom Beds</b>	
NOA.....	124-125, 206-207	Darcor.....	704	Recliners.....	322-324	1000/2000.....	161
Pillow Speaker Repair.....	640	Heathline.....	708	Wheelchair Parts.....	59-63	Affinity.....	162
Pillow Speakers.....	238-243	Heavy Duty.....	698-700	<b>Dukane Nurse Call</b> .....	257	Air Connectors.....	173
Pillows.....	135	I.V. Pole.....	668-669	<b>Edwards Nurse Call</b> .....	260-262	Batteries.....	174
Reconditioned.....	122-123	IPU.....	709	<b>Ektacom/Fisher-Berkely Nurse Call</b> .....	258	Bumper Kit.....	163
Rollaway.....	129	Jarvis.....	684-687	<b>Emergency Lighting</b> .....	606	Bumper Pads.....	147
Side Rails & Parts.....	144-145, 172	Lakeside.....	711	<b>Engineered Electronics Nurse Call</b> .....	259	Cables.....	212
Stryker.....	123,132,176-189	Light Duty.....	678-682,684	<b>Everest &amp; Jennings Wheelchair</b>		Casters.....	646-663
Trapeze.....	143	Medium Duty.....	685-697	Armrests (Complete).....	119	Century CC.....	161
<b>Bemis Toilet Seats</b> .....	365, 593	MJM.....	708	Arm Pads.....	51	Circuit Board Repair.....	166-169
<b>Binder Carts</b> .....	521,544	MRI.....	671	Brake Extensions.....	91	Control Repair.....	641
<b>Blinds</b> .....	608	Pneumatic.....	701	Brakes.....	90-91	Controls.....	214-215
<b>Blood Drawing Chairs</b> .....	398	Rubber Maid.....	710	Caster Assemblies.....	93	Cylinder Holder.....	151
<b>Blood Pressure</b>		Shepherd.....	669-674,676-677,	Footrests.....	108	Dynamic Air Mattress.....	131
Digital Monitors.....	456-457	681,702-703		Legrests.....	107	Gas Springs.....	171
Baumanometer.....	427,439	Sockets.....	726	Schematics.....	107	Headboard/Footboards.....	106-107
Pulse Oximeter.....	451	Stretchers.....	646-655	Upholstery.....	44-45,48-51	I.V. Poles.....	169
Riester.....	428	<b>Chairs</b>				Mattresses.....	130-139
Sphygmomanometers.....	424-431	Arm.....	556-557			Model 720.....	158
Sphygmomanometer Parts.....	432-444	Blood Drawing.....	398			Model 820.....	158
Stethoscopes.....	458-462					Model 835/837.....	159
Stethoscope Parts.....	459,461					Model 840.....	159



# ALCO Quick Find Parts Index

Model 8400/8500 .....	160	LED Lighting Kits .....	614	<b>Operating Room</b>	Exercise Bands .....	564
Model 850/852 .....	160	Resident Room .....	218-219	Armboard Pads .....	Foam Roll .....	566
Model 870 .....	160	<b>Linen Carts.....521-524</b>		Gel Pads.....	Goniometers.....	567
Motor Repair .....	641	<b>Littmann Stethoscopes.....458-459</b>		Hand Surgery Tables.....	Hand Exercisers.....	564,566
Nurse Call .....	266	<b>Lumex</b>		Lighting .....	Hot & Cold Therapy.....	568
Over Bed Tables .....	217	Commode Parts .....	376-377	Mayo Stands .....	Leg Exercisers.....	564
Paint .....	174	Recliners .....	329-336	Pallet Truck .....	Point Relief .....	568
Pillow Speaker Repair.....	640	Shower Chairs .....	376-377	Positioners.....	Positioners.....	565
Pillow Speakers.....	238-243	<b>Lyon Lockers &amp; Parts.....612-613</b>		Roller Boards .....	Pulse Oximeter.....	567
Plastic Parts .....	175	<b>Manometer Repairs .....</b>	<b>642</b>	Stainless Steel Products.....	Treatment Tables .....	565
Refurbished/Reconditioned .....	123	<b>Manometers.....</b>	<b>444</b>	Surgical Table Accessories .....	Tuning Fork .....	565
Side Rails .....	172	<b>Maquet Table Pads.....</b>	<b>488</b>	Table Pads.....	Weights .....	566
Stretcher Casters .....	646-649	<b>Mattresses.....</b>	<b>130-142</b>	Velcro .....	<b>Picker-Briggs.....268</b>	
Stretcher Pads .....	224-226	ALCO Comfort Plus .....	134	<b>Operating Room Parts .....</b>	<b>Pill Crusher .....</b>	<b>418</b>
Switches .....	172	ALCO EasyRest .....	134	<b>Ophthalmoscopes .....</b>	<b>Pillow Speakers</b>	
Total Care.....	163	ALCOAire12 .....	133	<b>Otoscopies.....</b>	Cables .....	238-243
Versa Care .....	162	ALCOPedic.....	134	<b>Outlet Strips .....</b>	Digital .....	238-243
Wheels .....	649,714-715	Bariatric.....	133-134,138-139	<b>Overbed Tables .....</b>	Dukane .....	238-243
Zone Air Mattress.....	131	Behavioral Health.....	139	<b>Oxygen</b>	Executone .....	239,242
<b>Hill-Rom Mattress</b>		Birthing Bed .....	142	Chemetron Adaptors &	Hill-Rom.....	240,243
Total Care .....	130	Clamshell.....	136	Couplers.....	Rauland-Borg .....	240,242
Total Care Sport.....	130	Gel Bed .....	141	Chemetron Regulators .....	Repair.....	640
Versa Care .....	130	Hill-Rom .....	130-132	Concentrator Parts .....	<b>Pillows</b>	
Linens.....	161	Innersprings .....	135	Concentrator.....	Healthcare .....	135
<b>Hoyer Patient Lifts</b>		Linens .....	132,142	Cylinder Trucks.....	Stretcher .....	224
Hydraulic Jack Repairs .....	640	Overlays .....	140-141	E-Tank Security Lock .....	<b>Platform Trucks .....</b>	<b>616</b>
Schematics.....	382-384	Pressure Reduction .....	134-139	Filters.....	<b>Poly Trucks .....</b>	<b>570,580-582</b>
Slings.....	381	Rest-Q .....	138	Flowmeters.....	<b>Privacy Screens .....</b>	<b>404-405</b>
<b>Hunter Douglas</b>		<b>Mayo Stands.....</b>	<b>479,482</b>	Gomco.....	<b>Pulse Oximeter .....</b>	<b>451</b>
Mini Blinds.....	608	<b>Medline Schematics .....</b>	<b>54-58</b>	Invacare .....	<b>Pump Repair .....</b>	<b>640</b>
<b>Identification Bracelets .....</b>	<b>418</b>	Upholstery .....	46	Nebulizer .....	<b>Pushbar, Ergonomic .....</b>	<b>30</b>
<b>Invacare</b>		<b>Medtek (Anacom)</b>		Ohmeda Adaptors &	<b>PVC</b>	
Beds.....	126,190-192,198-199	Bed Control Repair.....	641	Couplers.....	Bariatric.....	532,534-538,547-549,551
Commodes .....	348,352-354,373-375	Pillow Speaker Repair.....	640	Ohmeda Regulators .....	Beds .....	546
Lifts .....	379,388-389	<b>Microfiber Cleaning Systems .....</b>	<b>576</b>	Oxequip Adapters &	Binder Carts .....	544
Recliners .....	288,325-328	<b>Midmark Stretcher Parts .....</b>	<b>227</b>	Couplers.....	Commodes.....	533-538,547,551
Shower Chairs.....	354	<b>Midmark Table Pads.....</b>	<b>488</b>	Regulators.....	Emergency Carts .....	545
Walkers .....	338-339	<b>Mini Blinds .....</b>	<b>608</b>	Repair Program.....	Garment Racks .....	544
Wheelchair Parts.....	64-73	<b>MJM PVC Casters .....</b>	<b>708</b>	Respiratory Products.....	Gurney .....	538,549-550
<b>IPU PVC Casters &amp;</b>		<b>Mops .....</b>	<b>576,578</b>	Schrader Adapters &	Hampers.....	540-541,548
<b>Parts .....</b>	<b>419,709</b>	<b>Motion Sensors.....</b>	<b>615</b>	Couplers .....	Ice Carts.....	545
<b>I.V. Hangers .....</b>	<b>411</b>	<b>Motor Repair .....</b>	<b>641</b>	Schuco-Vac Replacement	Isolation .....	545
<b>I.V. Poles &amp; Accessories .....</b>	<b>406-413</b>	<b>MRI</b>		Kits & Parts .....	Linen Carts .....	542-544,550
<b>I.V. &amp; O2 Holders.....</b>	<b>25,468-470</b>	Carts.....	496	Suction Unit .....	MRI.....	497
<b>Janitorial</b>		Chairs .....	498	Tubing.....	Nursing Supply Carts.....	545
Accessories.....	577-579,590	Forceps .....	500-501	Vacutron Suction Regulators.....	Recliners .....	537,548,551
Brooms .....	578	Gowns .....	499	<b>Pallet Truck .....</b>	Shower Chairs .....	533-538,547,551
Buckets/Ringers .....	576-577	Headsets .....	499	<b>Paper Towel Dispensers .....</b>	Utility Carts.....	545
Cleaners .....	590	Knives.....	501	<b>Patient Lift Sling Guide .....</b>	Walkers.....	532,549
Equipment/ Economy .....	570	Labels.....	499	<b>Patient Stations</b>	<b>PVC Casters .....</b>	<b>708-709</b>
Hamper Bags .....	587	Oxygen Holders .....	496	Auth .....	<b>PVC Parts .....</b>	<b>419</b>
Microfiber.....	576	PVC .....	497	.....	<b>PVC Pull Cords .....</b>	<b>274-275</b>
Mops .....	576,578	Scissors .....	501-502	Cornell.....	<b>Raised Toilet Seats .....</b>	<b>359-361</b>
Toilet Supplies .....	589,599	Transport .....	495	Couch .....	<b>Ritter Table Pads .....</b>	<b>488</b>
Washroom Accessories .....	589,599	<b>Narcotic Cabinets .....</b>	<b>417</b>	Darcor.....	<b>Rollators .....</b>	<b>346</b>
<b>Jarvis Casters .....</b>	<b>684-687</b>	<b>Nebulizers.....</b>	<b>464</b>	Edwards.....	<b>Roller Boards .....</b>	<b>492</b>
<b>Jeron Nurse Call .....</b>	<b>265</b>	<b>NOA.....</b>	<b>124-125,206-207</b>	Ektacom/ Fisher-Berkley.....	<b>Room ID Flag System.....</b>	<b>416</b>
<b>Joerns Bed Parts .....</b>	<b>200-206</b>	<b>Nurse Call</b>		Engineered Electronics .....	<b>Rubbermaid .....</b>	<b>571-572,576-577,579</b>
<b>Junction Boxes .....</b>	<b>211</b>	Auth .....	252-253	Executone .....	<b>Rauland-Borg Nurse Call .....</b>	<b>267</b>
<b>Kick Bucket .....</b>	<b>478</b>	Bulbs (Replacement).....	276	Faraday .....	<b>Recliners</b>	
<b>Kick Plates .....</b>	<b>626-627</b>	Cornell.....	254-255	Hill-Rom.....	Broda .....	290-291
<b>Knee Walker.....</b>	<b>346</b>	Corridor Pilot Lights .....	271	Jeron .....	Drive Medical .....	278,322-324
<b>Lamps/Bulbs (Nurse call &amp; General Purpose).....</b>	<b>276</b>	Couch .....	256	Picker-Briggs .....	Invacare .....	288,325-328
<b>Laryngoscope Handles &amp; Blades.....</b>	<b>445</b>	Dukane .....	257	Rauland-Borg .....	Lumex .....	287,329-336
<b>LED Lighting Fixtures .....</b>	<b>614</b>	Edwards .....	260-262	Setco.....	Winco .....	279-286,292-321
<b>LED Lighting Kits .....</b>	<b>614</b>	Ektacom/Fisher-Berkely .....	258-259	Tektone.....	<b>Recycling Receptacles.....</b>	<b>573</b>
<b>Lifts (Patient)</b>		Engineered Electronics .....	259	Universal Stations .....	<b>Repair Services .....</b>	<b>640-642</b>
Arjo.....	390-391	Executone .....	263-264	Wescom .....	<b>Regulators .....</b>	<b>464,467</b>
Bariatric.....	378-379	Faraday .....	266	West-com .....	<b>Respiratory</b>	
Drive .....	385-387	Hill-Rom.....	266	<b>Pediatrics</b>	Aspirators .....	464
Hoyer.....	380-384	Jeron .....	265	Baby Changing Stations.....	Concentrators.....	464
Invacare .....	379,388-389	Picker-Briggs .....	268	Bassinets.....	Cylinder Racks & Trucks .....	468-470
Slings.....	381,392	Rauland Borg .....	267	Canes .....	Gomco .....	464
<b>Lighting</b>		Setco .....	268	Cribbs .....	Invacare.....	464
Emergency .....	606	Tektone.....	268-269	Diagnosics.....	Nebulizers .....	464
Examination .....	486-487	Universal Stations .....	251	Scales .....	Suction Regulators.....	467
LED Lighting Fixtures.....	614	Wescom .....	269	Walkers.....	<b>Riester</b>	
<b>O2 Holders.....</b>	<b>25</b>	West-Com.....	270	Wheelchairs.....	Palm Units .....	428
<b>Office Chair Parts .....</b>	<b>620</b>	<b>Physical Therapy</b>		<b>Caliper.....</b>	Sphygmomanometers .....	428
		Caliper.....	567	Cando Exercise Bands.....	Wall Systems .....	428
		Cando Exercise Bands.....	564		<b>Ritter Table Pads .....</b>	<b>488</b>

# ALCO Quick Find Parts Index

Rollators .....	346	MRI .....	495	Carex/Rubbermaid .....	342	Drop Hooks (Seating).....	105
Roller Boards .....	492	Pads .....	224-226	Drive Medical .....	340-341	E&J .....	74-81
Room ID Flag System.....	416	Pillow .....	224	Guardian .....	342	Footrest Parts.....	109,111,113-116
Rubbermaid .....	571-572, 576-577, 579	PVC.....	538,549-550	Invacare .....	338-339	Footrests .....	108
<b>Safety Armrests (Toilet) .....</b>	<b>358</b>	Transport .....	223	Pouches .....	339,341-342	Forks .....	117
<b>Safety Assist Bar.....</b>	<b>144-145</b>	<b>Stretcher/Bed Stopper.....</b>	<b>150</b>	Tips (Replacement).....	343	Gel Pads.....	30
<b>Safety Tape .....</b>	<b>610</b>	<b>Stretcher Casters.....</b>	<b>646-655</b>	Walker Balls .....	345	Gendron .....	82-83
<b>Saline (SALJET).....</b>	<b>418</b>	<b>Stretcher Pads .....</b>	<b>224-226</b>	<b>Wall Desks.....</b>	<b>416</b>	Handgrips .....	88
<b>Saniguard Antimicrobial</b>		<b>Stryker</b>		<b>Wall Guards.....</b>	<b>622-623</b>	Handrim .....	103
Products.....	594-595	Beds.....	123,132,176-189	<b>Wall Mounts .....</b>	<b>154-155</b>	Hub Caps .....	89
<b>Scales</b>		Breakaway Cables.....	213	<b>Washroom Accessories .....</b>	<b>589, 599</b>	I.D. System .....	37
Balance Beam.....	396	Bumper Pads.....	147	<b>Waste Receptacles.....</b>	<b>570-575</b>	I.V. Pole Clamping System .....	31
Bariatric.....	393-397	Circuit Boards.....	181	<b>Waterloo Carts .....</b>	<b>510-511</b>	I.V. Poles.....	24
Bed.....	393	GoBed .....	182-185	<b>Welch Allyn</b>		Invacare .....	64-73
Chair.....	393	LD304 Birthing Bed .....	186-189	Aneroid Sphygmomanometer .....	424-425	Lamb Wool Cover.....	37
Column.....	397	Mattress.....	132	Batteries & Bulbs .....	452	Legrest Parts.....	110-116
Floor.....	397	Motors .....	181	Braun Thermoscan.....	454	Legrests .....	106-107
Handrail.....	394,396	Refurbished .....	123	Desk Charger .....	447	Medline .....	54-58
Height Measuring Device.....	396	Secure II.....	176-181	Diagnostic Sets .....	448	Monitoring Systems (Alarms).....	28-29
Wheelchair .....	395	Stretcher Pads .....	224-226	Diagnostic .....	446-449	Motor Repair .....	641
<b>Shuco-Vac Aspirator .....</b>	<b>471-472</b>	Stretchers .....	223	Examination Lamps.....	487	MRI .....	120
<b>Secure Mount Anchors .....</b>	<b>367</b>	<b>Sunrise Medical</b>		Flexi Port System.....	436-438	Oxygen Holders .....	25
<b>Setco Nurse Call .....</b>	<b>268</b>	Walkers.....	342	Laryngoscope Blades		Oxygen Stand Off Brackets.....	31
<b>Shampaine Table Pads .....</b>	<b>488</b>	Wheelchair Parts.....	84-85	& Handles.....	445	Plug Buttons.....	89
<b>Shelving (Wire) .....</b>	<b>600</b>	<b>Surge Suppressors.....</b>	<b>606</b>	LED Lamps .....	453	Positioners.....	36
Liners .....	601	<b>Surgical Tourniquet Cuff .....</b>	<b>432</b>	Ophthalmoscopes .....	446-448	Push Bar .....	30
<b>Shepherd Casters.....</b>	<b>669-674,676-681,</b>	<b>Tektone Nurse Call .....</b>	<b>268-269</b>	Otoscopies .....	446-448	Quickie .....	85
.....	<b>702-703</b>	<b>Telephones.....</b>	<b>152-153</b>	Palm Style Sphygmomanometer.....	429	Repair Equipment .....	120
<b>Shower Chairs .....</b>	<b>350,354-356,359</b>	<b>Tente</b>		Parts .....	434-438	Replacement Pin Kit.....	106
<b>Shower Curtains &amp; Hardware.....</b>	<b>402-403</b>	Casters .....	646-663,705-707	Repair.....	642	RoHo .....	33
<b>Shower Curtains, Hookless®.....</b>	<b>403</b>	Wheels .....	714-715	Sure Temp Thermometer .....	455	Scales .....	395
<b>Shower Systems.....</b>	<b>364</b>	<b>Thermometers</b>		Vaginal Specula .....	448	Seat Belts.....	23
<b>Signs.....</b>	<b>628-638</b>	Digital .....	454-455	Vital Sign Monitor.....	449	Seat Guides .....	88
<b>Single Patient Use Cuffs &amp;</b>		Ear.....	454	Wall Systems.....	425	Seating Hardware .....	105
<b>Parts.....</b>	<b>432-433</b>	Infrared.....	454	<b>Wescom Nurse Call .....</b>	<b>269</b>	Side Panel/Skirt Guard .....	118
<b>Skytron Table Pads .....</b>	<b>488</b>	Single Patient Use .....	454	<b>West-Com Nurse Call .....</b>	<b>270</b>	Snap-On Tires .....	102
<b>Sloan Flushometer Parts .....</b>	<b>596-598</b>	SureTemp (Welch Allyn).....	455	<b>Wheelchairs</b>		Solid Seat .....	52-53
<b>Specimen Hat Holder .....</b>	<b>362</b>	Thermoscan (Braun).....	454	Bariatric.....	6-10,17-21	Spoke Protectors.....	103
<b>Sphygmomanometer Parts .....</b>	<b>439</b>	<b>Timer Flowmeter .....</b>	<b>467</b>	Classic.....	8-14	Stenciling.....	38
<b>Sphygmomanometers</b>		<b>Toilet Supports .....</b>	<b>592</b>	E & J .....	18-19	Storage Bags .....	31,37
Adjustable.....	426	<b>Toilets</b>		Gendron .....	20-21	Sunrise Medical .....	84-85
Aneroid.....	424-428	Raised Seats .....	359-361	Invacare .....	15-17	Tips.....	88
Baumanometer.....	427	Safety Frames .....	358	MRI .....	20,495	Transfer Systems.....	37
Mercurial .....	427	Sanitary Napkin Disposal.....	589,599	Pediatric .....	421	Translock .....	38
Palm Style .....	429	Seat Cover Dispensers .....	589	Recliners .....	6,14,16,19	Trays .....	37
Parts.....	432-444	Seats .....	365,593	Solid Seat.....	6-7	Tuffcare .....	86-87
Repair.....	642	Tissue Dispensers.....	599	Transport .....	14,22	Ultralight Upholstery.....	47-49
Single Patient Use .....	432-433	Supports.....	592	<b>Wheelchair Parts &amp; Accessories</b>		Upholstery Kits.....	43-45
Welch Allyn .....	424-425,429-430,	<b>Tournicuff®.....</b>	<b>432</b>	Accessories.....	23-38	Upholstery.....	41-51
.....	434-438	<b>Transfer Benches.....</b>	<b>354,357</b>	Alarms.....	29	Upholstery, Undrilled .....	46
<b>Stainless Steel</b>		<b>Trapeze .....</b>	<b>143</b>	ALCO Comfort Classic.....	52-53	Upholstery-Quick Reference.....	48-49
Carts.....	513,517,519	<b>Trucks</b>		Anti-Fold Bars.....	30	Wheel Parts .....	98-104
Grab Bars.....	366-368	Cylinder.....	468-470	Anti-Roll Back Brakes .....	26	Wheels, 24" .....	95
I.V. Hangers .....	411	Hand.....	617	Anti-Theft Bars .....	30	Wheels, 8" .....	96-97
I.V. Poles .....	410-413	Pallet .....	617	Anti-Tippers (Front & Rear).....	27	<b>Wheels</b>	
OR Products .....	490-492	Platform.....	616	Arm Sockets.....	117	8" .....	96-97
<b>Step Stools.....</b>	<b>480,482-483,558</b>	Poly .....	580-582	Armpads .....	41, 51	24" .....	95
<b>Stethoscopes</b>		<b>Tuffcare Schematics.....</b>	<b>86-87</b>	Armrests.....	117-119	Anti-Microbial.....	713
Disposable.....	462	<b>TV Mounts .....</b>	<b>154-155</b>	Axle & Nut Assemblies.....	104	Best Buy.....	719,724-725
Dual Head .....	458,560	<b>TV Remotes .....</b>	<b>156</b>	Axle Spacers.....	103-104	Colson .....	716-718
Littmann.....	458	<b>Utility Carts .....</b>	<b>514-519</b>	Bags & Pouches.....	31, 37	Darcor.....	720
Nurse Head.....	460	<b>Vacutron Suction Regulators .....</b>	<b>467</b>	Bearings.....	98-101	Hand Truck .....	712
Sprague Rappaport.....	460	<b>Velcro .....</b>	<b>490</b>	Brake Extensions .....	91	Jarvis .....	721
Stainless Steel .....	462	<b>Vinyl Strip System .....</b>	<b>615</b>	Brakes .....	90-92	Parts.....	98-104
<b>Stethoscope Parts .....</b>	<b>459,461</b>	<b>Visual Display Boards.....</b>	<b>638</b>	Breezy .....	85	Shepherd .....	722-723
<b>Stools.....</b>	<b>483-485</b>	<b>Walkers</b>		Bumpers.....	89	Tente .....	714-715
<b>Storage Bins .....</b>	<b>602-605</b>	Accessories.....	339,341-342	Calf Pads.....	41, 50	<b>Winco Recliners .....</b>	<b>279-286,292-321</b>
<b>Stretchers</b>		Bariatric .....	344	Caps.....	89	<b>Woods Light .....</b>	<b>486</b>
Bariatric.....	223			Caster Assemblies (8").....	93	<b>X-Ray Viewer .....</b>	<b>486</b>
Gendron .....	236			Chart Bags .....	31		
I.V. Poles.....	222			Cushions .....	32-35		
				Drive Medical .....	59-63		

ALCO I



ALCO II



Our friendly & knowledgeable



Customer Service Team



ALCO's Employees

# FREE Gifts from ALCO®

## \$50 Purchase (Choose One)

**AL-69328F**  
6" Magnetic Level

**AL-27500F**  
Reversible Screwdriver

**AL-71283F**  
Large Snap Blade Cutter

**\$4.95 Value**

## \$100 Purchase (Choose One)

**AL-55461F**  
Dual Head Stethoscope

**AL-61896F**  
Golf Balls

**AL-2232F**  
Pen Light

**\$5.95 Value**

## \$200 Purchase (Choose One)

**AL-52326F**  
Spill-Proof Mug

**AL-71284F**  
Multi-Function Pliers

**AL-71285F**  
Pedometer/ Radio

**\$6.95 Value**

## \$300 Purchase (Choose One)

**AL-71286F**  
Lunch Box

**AL-56873F**  
Hat

**AL-61897F**  
T-Shirt

**\$9.95 Value**

## \$500 Purchase (Choose One)

**AL-49061F**  
Road Atlas

**AL-71287F**  
Tire Gauge

**AL-52327F**  
4-Size Screwdriver

**\$11.95 Value**

## \$1000 Purchase (Choose One)

**AL-2233F**  
Caliper

**AL-74307F**  
Calculator/Clock

**AL-71288F**  
LED Flexlight

**AL-61893F**  
Tape Measure

**\$16.95 Value**

PRICES AND SPECIFICATIONS SUBJECT TO CHANGE WITHOUT NOTIFICATION - PRICES BASED ON U.S. CURRENCY - PLUS FREIGHT

# ALCO<sup>®</sup>

Sales & Service Co.

6851 High Grove Blvd.  
 Burr Ridge, IL 60527  
 Phone: 800-323-4282  
 Fax: 800-950-1167  
 www.alcosales.com  
 info@alcosales.com

## Hours

Monday - Friday  
 8:00 a.m. - 4:30 p.m.  
 Central Time

©Copyright 2013-2014  
 ALCO Sales & Service Co.  
 Printed in U.S.A.

PRSRRT BOUND  
 PRINTED MATTER  
 U.S. Postage Paid  
 ALCO Sales  
 & Service Co.

- Administrator
- Bio-Med or Clinical Eng.
- Central Supply - SPD
- Emergency Room
- Hemodialysis Dept.
- Housekeeping
- Maintenance/Engineering
- Materials Management
- Nursing Dept. Director
- Occupational Therapy
- OR/Recovery
- Patient Transportation
- Physical Therapy
- Purchasing Dept.
- Receiving
- Risk Management
- Supply Product Distribution

## 2013-2014 Equipment & Parts Catalog EP1

PLEASE FORWARD TO PROPER PERSON

PRICES AND SPECIFICATIONS SUBJECT TO CHANGE WITHOUT NOTIFICATION - PRICES BASED ON U.S. CURRENCY - PLUS FREIGHT

### Models:



**Solid Seat**



**300**



**300E**



**Flip-Back**



**Transport**



**Recliner**



ALCO's  
 Classic 500  
 Wheelchair



500 lb.  
 weight  
 capacity!

Phone: 800-323-4282  
 Fax: 800-950-1167

**ALCO<sup>®</sup>**  
 Sales & Service Co.

info@alcosales.com  
 www.alcosales.com