

Dayton parts®

www.daytonparts.com

DRIVELINE COMPONENTS



neapco®

Table of Contents - Driveline Components

Driveline Component	
U-Joint	2
Bearing Cap Retainer	2
U-Joint Strap Kit	3
End Yoke, Bearing Strap Construction	3-4
End Yoke, Bearing Plate Construction	4-5
Pinion Seal	5-6
Center Bearing	6-7
Part Number Interchange	8-11



Abbreviations and Symbols

DIA	<i>diameter</i>	No	<i>number</i>	°	<i>degrees</i>
ID	<i>inside diameter</i>	OD	<i>outside diameter</i>	#	<i>number</i>
CL	<i>centerline</i>	RH	<i>right hand</i>	" or "	<i>inches</i>
LH	<i>left hand</i>	w/	<i>with</i>		

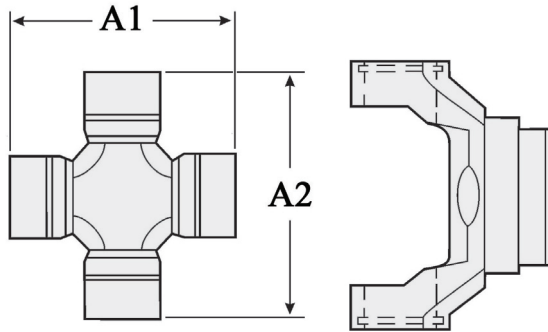
The names and reference numbers of manufacturers and suppliers, other than Dayton Parts, LLC, used in this catalog are shown only to assist our customers in identifying parts. Under no circumstances does Dayton Parts, LLC imply that the parts are of these OE manufacturers. Although care has been taken to ensure the accuracy of the data contained in this publication, Dayton Parts, LLC does not assume any liability for errors or omissions.

© Copyright 2016, Dayton Parts, LLC, all rights reserved. No part of this publication covered by the copyrights hereon may be reproduced or copied in any form or by any means whatsoever without the expressed prior written permission of Dayton Parts, LLC

U-Joints/Bearing Cap Retainer

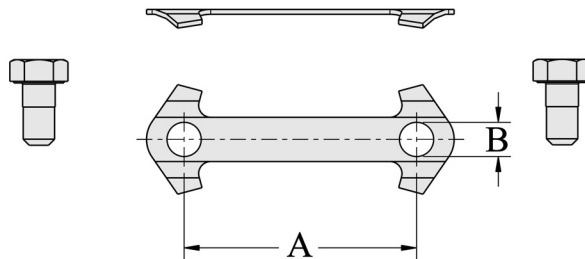
Driveline Components

Driveline Components



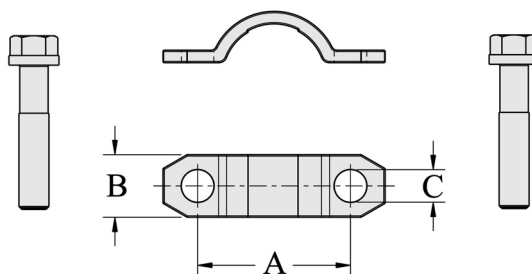
U-Joints

Part No.	Grade	A1 Lock-Up	A2 Lock-Up	Bearing Cap Dia.	Bearing Cap Retainer Kit	Bearing Strap Kit	Bearing Type	Lube Fitting	Manufacturer Series
N4-1090	OE Equivalent	4.957	4.957	1.625	—	N90-70-28X	(4) Round OSR	1 Cross	Spicer SPL90 & SPL100
N4-0279	OE Equivalent	5.312	5.312	1.875	N1-2858	—	(4) Round w/ Plate	2 Cross	Spicer 1610
N4-0674	OE Equivalent	5.312	5.312	1.875	N1-2858	N1-0045	(2) Round w/ Plate (2) Round	2 Cross	Spicer 1610HR
N6-1250	OE Equivalent	5.984	6.413	2.361	N1-0070	N250-70-08X	(2) Round-NPL (2) Round	1 Cross	Spicer SPL250
N6-1170	OE Equivalent	6.024	6.457	2.165	N1-0070	N170-70-08X	(2) Round-NPL (2) Round	1 Cross	Spicer SPL170
N5-0280	OE Equivalent	6.094	6.094	1.937	N1-2859	—	(4) Round w/ Plate	2 Cross	Spicer 1710
N6-0675	OE Equivalent	6.094	6.187	1.937	N1-2859	N1-0046	(2) Round w/ Plate (2) Round	2 Cross	Spicer 1710HR
N6-0407	OE Equivalent	7.000	7.000	1.937	N1-2859	—	(4) Round w/ Plate	2 Cross	Spicer 1760
N6-0677	OE Equivalent	7.000	7.093	1.937	N1-2859	N1-0046	(2) Round w/ Plate (2) Round	2 Cross	Spicer 1760HR
N6-0281	OE Equivalent	7.547	7.547	1.937	N1-2859	—	(4) Round w/ Plate	2 Cross	Spicer 1810
N6-0676	OE Equivalent	7.547	7.640	1.937	N1-2859	N1-0046	(2) Round w/ Plate (2) Round	2 Cross	Spicer 1810HR



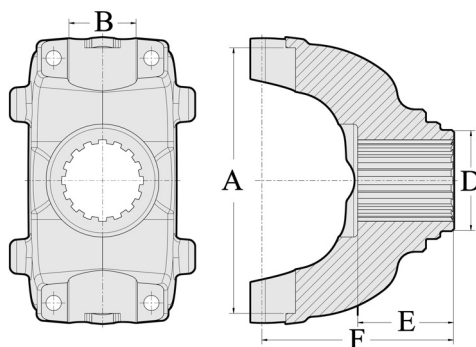
Bearing Cap Retainer

Part No.	DL Series	A	B	Used with U-Joint
1-2858	1610	2.313	0.344	4-0279 / 4-0674
1-2859	1710 / 1760 / 1810	2.437	0.406	5-280 / 6-0675 / 6-0677 / 6-0407 / 6-0676 / 6-0281
1-0070	SPL-170 / SPL250	—	—	6-1170 / 6-1250



Strap Kits

Part No.	DL Series	Bearing OD	A	B	C	Bolt Length	Thread Size
N1-0045	1610	1.88	2.50	0.94	0.41	0.75	3/8-24
N1-0046	1710 / 1760 / 1810	1.94	2.81	1.00	0.53	1.00	1/2-20
N90-70-28X	SPL90 & 100	1.63	2.31	0.88	0.41	0.75	3/8-24
N170-70-08X	SPL170	2.17	3.23	1.10	0.49	0.98	M12 x 1.25
N250-70-08X	SPL250	2.36	3.44	1.13	0.49	0.98	M12 x 1.25



End Yokes

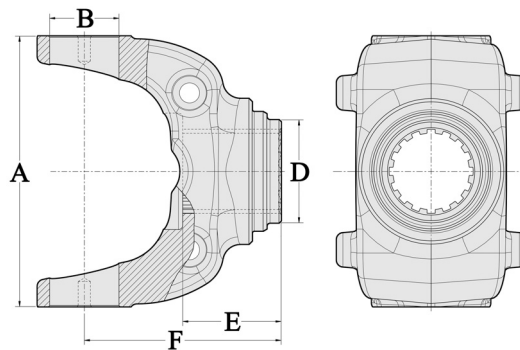
Bearing Strap Construction

Part No.	Type	Series	Description	Spline/ Number Teeth	A Lock-Up Yoke	B Bearing Dia.	D Hub Dia.	E Length Through Bore	F CL to End of Hub	Joint Angle
N5-4-1721-1X	Strap	1610HR	HD End Yoke	1.750-10	5.312	1.875	2.19	2.25	4.13	—
N5-4-7171-1	Strap	1610HR	HD End Yoke	1.790-34	5.312	1.875	2.19	2.25	4.12	22
N6-4-1981-1	Strap	1710HR	HD End Yoke	1.960-10	6.190	1.938	2.82	3.00	5.00	—
N6-4-7141-1	Strap	1710HR	HD End Yoke	2.000-38	6.190	1.938	2.81	3.00	5.00	25
N6-4-9001-1X	Strap	1710HR	HD End Yoke	2.020-39	6.190	1.938	2.62	2.50	6.12	39.5
N6-4-8331-1X	Strap	1710HR	HD End Yoke	2.020-39	6.190	1.938	2.75	2.00	5.00	33.5
N6-4-8991-1X	Strap	1710HR	HD End Yoke	2.020-39	6.190	1.938	3.00	2.28	6.12	39.5
N6-4-4601-1	Strap	1710HR	HD End Yoke	2.340-16	6.190	1.938	3.31	2.75	4.94	20
N6-4-7481-1	Strap	1710HR	HD End Yoke	2.390-46	6.190	1.938	2.88	2.75	4.94	20.5
N6-4-6931-1X	Strap	1710HR	HD End Yoke	2.750-10	6.190	1.938	3.00	2.31	6.25	—
N63-4-541-1X	Strap	1760HR	HD End Yoke	2.000-39	7.094	1.938	3.00	2.31	5.19	30
N63-4-1521-1X	Strap	1760HR	HD End Yoke	2.110-32	7.094	1.938	3.00	2.25	5.00	30.5
N63-4-5221-1X	Strap	1760HR	HD End Yoke	2.270-44	7.094	1.938	3.00	2.50	5.25	30
N63-4-161-1	Strap	1760HR	HD End Yoke	2.340-16	7.094	1.938	2.88	2.75	5.50	30

End Yokes

Bearing Strap Construction - Continued

Part No.	Type	Series	Description	Spline/ Number Teeth	A Lock-Up Yoke	B Bearing Dia.	D Hub Dia.	E Length Through Bore	F CL to End of Hub	Joint Angle
N63-4-1041-1X	Strap	1760HR	HD End Yoke	2.380-46	7.094	1.938	3.25	2.32	5.06	—
N63-4-821-1	Strap	1760HR	HD End Yoke	2.380-46	7.094	1.938	3.31	2.75	5.50	30
N63-4-1391-1X	Strap	1760HR	HD End Yoke	2.390-46	7.094	1.938	3.50	2.41	5.38	30
N63-4-791-1X	Strap	1760HR	HD End Yoke	2.750-10	7.094	1.938	3.75	3.00	5.97	30
N63-4-1681-1	Strap	1760HR	HD End Yoke	2.790-54	7.094	1.938	—	2.75	5.62	—
N65-4-4571-1X	Strap	1810HR	HD End Yoke	2.270-44	7.643	1.938	3.00	2.50	5.25	30
N65-4-1891-1	Strap	1810HR	HD End Yoke	2.340-16	7.643	1.938	3.31	2.75	5.50	30
N65-4-3731-1X	Strap	1810HR	HD End Yoke	2.380-46	7.643	1.938	3.25	2.32	5.16	—
N65-4-3591-1	Strap	1810HR	HD End Yoke	2.380-46	7.643	1.938	3.31	2.75	5.50	30
N65-4-3561-1X	Strap	1810HR	HD End Yoke	2.750-10	7.643	1.938	3.75	3.00	6.06	30
N65-4-4631-1	Strap	1810HR	HD End Yoke	2.790-54	7.643	1.938	—	2.75	5.62	30
N170-4-261-1X	Strap	SPL170	HD End Yoke	2.020-39	6.460	2.166	3.00	2.28	5.16	25
N170-4-281-1X	Strap	SPL170	HD End Yoke	2.020-39	6.460	2.166	3.00	2.28	6.24	45
N170-4-201-1X	Strap	SPL170	HD End Yoke	2.270-44	6.460	2.166	3.00	2.50	5.27	25
N170-4-721-1X	Strap	SPL170	HD End Yoke	2.390-46	6.460	2.166	3.25	2.33	5.10	25
N170-4-1271-1	Strap	SPL170	HD End Yoke	2.390-46	6.460	2.166	—	2.75	5.59	25
N250-4-351-1X	Strap	SPL250	HD End Yoke	2.390-46	6.415	2.362	3.25	2.31	5.31	25
N250-4-21-1	Strap	SPL250	HD End Yoke	2.390-46	6.415	2.362	—	2.75	5.75	25
N250-4-241-1X	Strap	SPL250	HD End Yoke	2.750-10	6.415	2.362	3.75	3.00	6.30	25
N250-4-271-1	Strap	SPL250	HD End Yoke	2.790-54	6.415	2.362	—	2.75	5.70	25



End Yokes

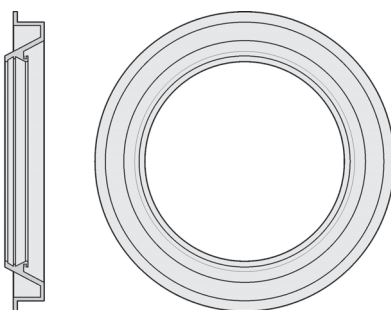
Bearing Plate Construction

Part No.	Type	Series	Description	Spline/ Number Teeth	A Lock-Up Yoke	B Bearing Dia.	D Hub Dia.	E Length Through Bore	F CL to End of Hub	Joint Angle
N5-4-1721	Plate	1610	HD End Yoke	1.750-10	5.312	1.875	2.19	2.25	4.13	24
N6-4-6331	Plate	1710	HD End Yoke	1.750-34	6.094	1.938	2.50	2.25	4.88	30
N6-4-5041X	Plate	1710	HD End Yoke	1.780-34	6.094	1.938	2.56	2.75	7.19	33

End Yokes

Bearing Plate Construction - Continued

Part No.	Type	Series	Description	Spline/ Number Teeth	A Lock-Up Yoke	B Bearing Dia.	D Hub Dia.	E Length Through Bore	F CL to End of Hub	Joint Angle
N6-4-6481	Plate	1710	HD End Yoke	1.780-34	6.094	1.938	2.62	2.44	5.44	33.5
N6-4-8511X	Plate	1710	HD End Yoke	1.790-34	6.094	1.938	2.62	2.44	5.44	34
N6-4-1981	Plate	1710	HD End Yoke	1.960-10	6.094	1.938	2.81	3.00	5.00	21/32
N6-4-3241	Plate	1710	HD End Yoke	2.000-10	6.094	1.938	2.94	2.56	5.19	25/27
N6-4-5991	Plate	1710	HD End Yoke	2.020-39	6.094	1.938	2.62	2.25	5.25	33.5
N6-4-6001X	Plate	1710	HD End Yoke	2.020-39	6.094	1.938	2.62	2.25	5.25	33.5
N6-4-6371	Plate	1710	HD End Yoke	2.024-39	6.094	1.938	3.00	2.31	6.25	45
N6-4-6411X	Plate	1710	HD End Yoke	2.024-39	6.094	1.938	3.00	2.33	5.16	28
N6-4-6421X	Plate	1710	HD End Yoke	2.024-39	6.094	1.938	3.00	2.31	5.16	—
N6-4-6401	Plate	1710	HD End Yoke	2.043-39	6.094	1.938	3.00	2.31	5.16	—
N6-4-4601	Plate	1710	HD End Yoke	2.340-16	6.094	1.938	2.88	2.75	4.94	26
N6-4-5071X	Plate	1710	HD End Yoke	2.340-16	6.094	1.938	2.88	2.75	4.94	26
N6-4-4561	Plate	1710	HD End Yoke	2.360-18	6.094	1.938	3.50	3.38	5.75	26
N63-4-161	Plate	1760	HD End Yoke	2.340-16	7.000	1.938	2.86	2.75	5.50	30
N65-4-2531X	Plate	1810	HD End Yoke	2.340-16	7.547	1.938	2.88	2.75	5.50	30
N65-4-1891	Plate	1810	HD End Yoke	2.340-16	7.547	1.938	3.31	2.75	5.50	30
N65-4-3731X	Plate	1810	HD End Yoke	2.380-46	7.547	1.938	3.25	2.32	5.16	—
N65-4-3561X	Plate	1810	HD End Yoke	2.750-10	7.547	1.938	3.75	3.00	6.06	30

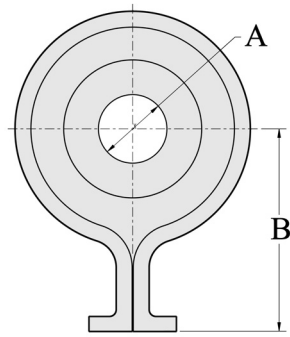


Pinion Seals

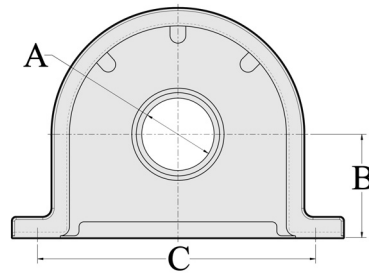
Part No.	Desc.	Application	End Yoke OD	Seal Bore ID	OE Reference No.
TS73904	Pinion Seal	Eaton 400/402 Forward Rear Output	2.62	3.62	63910 127720
TS73914	Pinion Seal	Eaton 404 Forward Rear Output	2.62	3.62	127592
TS73903	Pinion Seal	Eaton 400 Forward Rear Input	2.62	4.56	79470 127721
TS73906	Pinion Seal	Eaton 402 Forward Rear Input	2.94	4.00	127719
TS72905	Pinion Seal	Meritor SQ100 Forward Rear Output	3.00	3.75	A1-1250-Y-2729 A-1205-P-2590
TS73912	Pinion Seal	Eaton 344/404/405/454 Rear Rear Input	3.00	4.56	127591

Pinion Seals - Continued

Part No.	Desc.	Application	End Yoke OD	Seal Bore ID	OE Reference No.
TS72910	Pinion Seal	Meritor SQ100 Rear Rear Input	3.00	4.94	A-1205-N-2588 A1-1205-Z-2730
TS72907	Pinion Seal	Meritor R145/160 Forward Rear Input	3.25	4.25	A-1205-R-2592 A1-1205-X-2728
TS72911	Pinion Seal	Meritor RT46-160, 180, 380 series Rear Rear Input	3.25	5.50	A-1205-Q-2591 A1-1205-A-2731



Type 1



Type 2

Center Bearings

Part No.	Grade	Type	Bore Inches	Bore MM	CL of Bearing to Face	CL to CL Mounting	Bolt Hole Dia.	Slinger Part No.
N210527X	OE Equivalent	1	1.181	30	3.50	1.50	M10 x 1.5 Bolts	—
CN210527X	Aftermarket	1	1.181	30	3.50	1.50	M10 x 1.5 Bolts	—
N210088-1X	OE Equivalent	2	1.378	35	2.24	6.61	0.51 X 0.56	(2) 230118 (1) 230121
CN210088-1X	Aftermarket	2	1.378	35	2.24	6.61	0.51 X 0.56	(2) 230118 (1) 230121
N210090-1X	OE Equivalent	2	1.378	35	2.24	6.61	0.51 X 0.56	(2) 230118
CN210090-1X	Aftermarket	2	1.378	35	2.24	6.61	0.51 X 0.56	(2) 230118
N210367-1X	OE Equivalent	2	1.378	35	2.24	6.61	0.51 X 0.56	(1) 230141 (2) 98-1473
CN210367-1X	Aftermarket	2	1.378	35	2.24	6.61	0.51 X 0.56	(1) 230141 (2) 98-1473
N210370-1X	OE Equivalent	2	1.378	35	2.24	6.61	0.51 X 0.56	(1) 230104 (2) 230141 (2) 98-1473
CN210370-1X	Aftermarket	2	1.378	35	2.24	6.61	0.51 X 0.56	(1) 230104 (2) 230141 (2) 98-1473
N210866-1X	OE Equivalent	2	1.575	40	2.24	6.61	0.50 X 0.55	(1) 231004 (1) 23100
CN210866-1X	Aftermarket	2	1.575	40	2.24	6.61	0.50 X 0.55	(1) 231004 (1) 23100
N210873-1X	OE Equivalent	2	1.575	40	2.24	6.61	0.50 X 0.55	(2) 231004
CN210873-1X	Aftermarket	2	1.575	40	2.24	6.61	0.50 X 0.55	(2) 231004
N212028-1X	OE Equivalent	2	1.575	40	2.24	6.61	M10 x 1.5 Studs	—
N210140-1X	OE Equivalent	2	1.575	40	2.50	6.63	0.56	(1) 230207 (1) 230208

Center Bearings - Continued

Part No.	Grade	Type	Bore Inches	Bore MM	CL of Bearing to Face	CL to CL Mounting	Bolt Hole Dia.	Slinger Part No.
CN210140-1X	Aftermarket	2	1.575	40	2.50	6.63	0.56	(1) 230207 (1) 230208
N210144-1X	OE Equivalent	2	1.575	40	2.50	6.63	0.56	(2) 23207
CN210144-1X	Aftermarket	2	1.575	40	2.50	6.63	0.56	(2) 23207
N210391-1X	OE Equivalent	2	1.575	40	2.50	6.63	0.56	(2) 230124
CN210391-1X	Aftermarket	2	1.575	40	2.50	6.63	0.56	(2) 230124
N210433-1X	OE Equivalent	2	1.575	40	2.50	6.63	0.56	(1) 230124 (1) 230209
CN210433-1X	Aftermarket	2	1.575	40	2.50	6.63	0.56	(1) 230124 (1) 230209
N210084-2X	OE Equivalent	2	1.772	45	2.72	7.62	0.56	(2) 230151
CN210084-2X	Aftermarket	2	1.772	45	2.72	7.62	0.56	(2) 230151
N210207-1X	OE Equivalent	2	1.772	45	2.72	7.62	0.56	(1) 230151 (1) 230363
CN210207-1X	Aftermarket	2	1.772	45	2.72	7.62	0.56	(1) 230151 (1) 230363
N210969X	OE Equivalent	2	1.772	45	2.72	7.62	0.56	—
CN210969X	Aftermarket	2	1.772	45	2.72	7.62	0.56	—
N210121-1X	OE Equivalent	2	1.968	50	2.80	7.62	0.52 X 0.62	(1) 230166
N210121-1XSA	Self-Align	2	1.968	50	2.80	7.62	0.52 X 0.62	(2) 230166
CN210121-1X	Aftermarket	2	1.968	50	2.80	7.62	0.52 X 0.62	(2) 230166
N210881-1X	OE Equivalent	2	1.968	50	2.80	7.62	0.52 X 0.62	(2) 230166
CN210881-1X	Aftermarket	2	1.968	50	2.80	7.62	0.52 X 0.62	(2) 230166
N210661-1X	OE Equivalent	2	2.362	60	3.37	8.62	0.63 X 0.75	(2) 230746
N210661-1XSA	Self-Align	2	2.362	60	3.37	8.62	0.63 X 0.75	(2) 230746
CN210661-1X	Aftermarket	2	2.362	60	3.37	8.62	0.63 X 0.75	(2) 230746
N210875-1X	OE Equivalent	2	2.362	60	3.37	8.62	0.63 X 0.75	(2) 230746
N210875-1XSA	Self-Align	2	2.362	60	3.37	8.62	0.63 X 0.75	(2) 230746
CN210875-1X	Aftermarket	2	2.362	60	3.37	8.62	0.63 X 0.75	(2) 230746

Part Number Interchange

Comp No.	DP No.	Competitor	Comp No.	DP No.	Competitor	Comp No.	DP No.	Competitor
00275451	N4-0674	Allis Chalmers	181DS11	N6-0281	Oshkosh Truck	2104SPL170X	N6-1170	Mack Truck
10060-P2	N4-0279	Diamond Reo	18N41891	N65-4-1891	Meritor	210527X	N210527X	Spicer
10060P2	N4-0279	Diamond Reo	18N41891-1	N65-4-1891-1	Meritor	210527XV	CN210527X	Spicer
10062-P2	N5-0280	Diamond Reo	18N43561	N65-4-3561X	Meritor	210661-1XV	CN210661-1X	Spicer
10062P2	N5-0280	Diamond Reo	18N435611X	N65-4-3561-1X	Meritor	210866-1X	N210866-1X	Spicer
105M671	N4-0279	Eimco	18N435911	N65-4-3591-1	Meritor	210866-1XV	CN210866-1X	Spicer
114516	N4-0279	Borg Warner	18N445711X	N65-4-4571-1X	Meritor	210873-1X	N210873-1X	Spicer
114517	N5-0280	Borg Warner	18TYS3827A	N65-4-3731-1X	Meritor	210873-1XV	CN210873-1X	Spicer
121684R91	N4-0279	Intl. Harvester	18TYS45	N65-4-4631-1	Meritor	210875-1XV	CN210875-1X	Spicer
121684R92	N4-0279	Intl. Harvester	19	N210969X	AEC	210881-1X	N210881-1X	Spicer
121762R91	N5-0280	Intl. Harvester	1932710	N210121-1X	Chrysler	210881-1XV	CN210881-1X	Spicer
121762R92	N5-0280	Intl. Harvester	2-6040	N210969X	American Parts	210969X	N210969X	Spicer
12377849	N210873-1X	General Motors	2-6041	N210969X	American Parts	210969XV	CN210969X	Spicer
12472456	N212028-1X	General Motors	2-6513	N210121-1X	American Parts	212028-1X	N212028-1X	Spicer
12546070	N210873-1X	General Motors	2-6514	N210661-1X	American Parts	21296	N4-0279	Euclid
12546071	N210873-1X	General Motors	20	N210121-1X	AEC	21584R92	N4-0279	Intl. Harvester
15512198	N210866-1X	General Motors	201SJ-14	N4-0279	Mack Truck	2173956	N4-0279	Euclid
1667748	N210969X	Chrysler	201SJ-14A	N4-0279	Mack Truck	2173960	N5-0280	Euclid
1667749	N210969X	Chrysler	201SJ-15	N5-0280	Mack Truck	21762R92	N5-0280	Intl. Harvester
16DS150	N4-0279	Oshkosh Truck	201SJ-15B	N5-0280	Mack Truck	218	N4-0279	Diamond T
16TYSC28 63	N5-4-7171-1	Meritor	201SJ-23	N5-0280	Mack Truck	2196041	N5-0280	Chrysler
176N15211X	N63-4-1521-1X	Meritor	201SJ-25	N4-0279	Mack Truck	21SJ-15A	N5-0280	Mack Truck
176N4161	N63-4-161	Meritor	201SJ-47	N6-0281	Mack Truck	21SJ15A	N5-0280	Mack Truck
176N41611	N63-4-161-1	Meritor	201SJ14	N4-0279	Mack Truck	2222853	N5-0280	Euclid
176N416811	N63-4-1681-1	Meritor	201SJ14A	N4-0279	Mack Truck	2222853	N5-0280	General Motors
176N452211X	N63-4-5221-1X	Meritor	201SJ15	N5-0280	Mack Truck	2222854	N4-0279	Euclid
176N47911X	N63-4-791-1X	Meritor	201SJ15B	N5-0280	Mack Truck	2222854	N4-0279	General Motors
176N48211	N63-4-821-1	Meritor	201SJ23	N5-0280	Mack Truck	2291000C91	N6-0281	Intl. Harvester
176TYS3811A	N63-4-1391-1X	Meritor	201SJ25	N4-0279	Mack Truck	2300279	N4-0279	GMB
176TYS3827A2	N63-4-1041-1X	Meritor	201SJ47	N6-0281	Mack Truck	2300280	N5-0280	GMB
17752317	N4-0279	Chrysler	2021805	N210140-1X	General Motors	2300281	N6-0281	GMB
17DS350	N5-0280	Oshkosh Truck	2040210	N6-0407	General Motors	2300407	N6-0407	GMB
17DS91	N5-0280	Oshkosh Truck	21	N210661-1X	AEC	2301520	N5-0280	Euclid
17N41981	N6-4-1981	Meritor	2100084-2XV	CN210084-2X	Spicer	2301544	N4-0279	Euclid
17N44601	N6-4-4601	Meritor	2100088-1XV	CN210088-1X	Spicer	2322136	N4-0279	Euclid
17N45071X	N6-4-5071X	Meritor	210084-2X	N210084-2X	Spicer	2322136	N4-0279	General Motors
17N45991	N6-4-5991	Meritor	210088-1X	N210088-1X	Spicer	2322137	N5-0280	Euclid
17N46331	N6-4-6331	Meritor	210090-1X	N210090-1X	Spicer	2322138	N5-0280	Euclid
17N46411X	N6-4-6411X	Meritor	210090-1XV	CN210090-1X	Spicer	2322138	N5-0280	General Motors
17N46421X	N6-4-6421X	Meritor	210121-1X	N210121-1X	Spicer	2343325	N210367-1X	General Motors
17N46481	N6-4-6481	Meritor	210121-1XV	CN210121-1X	Spicer	2351948	N210140-1X	General Motors
17N474811	N6-4-7481-1	Meritor	210140-1X	N210140-1X	Spicer	2366104	N5-0280	Euclid
17N48531X	N6-4-6001X	Meritor	210140-1XV	CN210140-1X	Spicer	2366108	N5-0280	Allis Chalmers
17N489911X	N6-4-8991-1X	Meritor	210144-1X	N210144-1X	Spicer	2366108	N5-0280	Euclid
17N490011X	N6-4-9001-1X	Meritor	210144-1XV	CN210144-1X	Spicer	2366108	N5-0280	General Motors
17NYS2866A	N6-4-8511X	Meritor	210207-1X	N210207-1X	Spicer	2370733	N5-0280	General Motors
17NYS32100	N6-4-6401	Meritor	210367-1X	N210367-1X	Spicer	239723R91	N5-0280	Intl. Harvester
17TYS3260A	N6-4-8331-1X	Meritor	210367-1XV	CN210367-1X	Spicer	240155R91	N4-0279	Intl. Harvester
18	N210969X	AEC	210370-1X	N210370-1X	Spicer	2406989	N210121-1X	General Motors
1802	N5-0280	Alloy	210370-1XV	CN210370-1X	Spicer	2473119	N210370-1X	General Motors
1803	N5-0280	Alloy	210391-1X	N210391-1X	Spicer	2500678C91	N6-1170	Intl. Harvester
1806	N4-0279	Alloy	210391-1XV	CN210391-1X	Spicer	2701001	N210370-1X	GMB
1807	N4-0279	Alloy	210433-1X	N210433-1X	Spicer	275451	N4-0674	Allis Chalmers
1810	N6-0281	Alloy	210433-1XV	CN210433-1X	Spicer	279	N4-0279	AEC

Part Number Interchange

Comp No.	DP No.	Competitor	Comp No.	DP No.	Competitor	Comp No.	DP No.	Competitor
280	N5-0280	AEC	463236C91	N210433-1X	Intl. Harvester	516	N4-0279	AEC
281	N6-0281	AEC	466505C91	N210207-1X	Intl. Harvester	5200AG	N4-0279	MotorMaster (Old)
283067C91	N210969X	Intl. Harvester	468656C91	N210866-1X	Intl. Harvester	5278AG	N5-0280	MotorMaster (Old)
283069C91	N210121-1X	Intl. Harvester	468666C91	N210873-1X	Intl. Harvester	53-17	N210661-1X	Crane Carrier
283071C91	N210661-1X	Intl. Harvester	475	N4-0674	Precision	53-18	N210121-1X	Crane Carrier
291869C91	N210084-2X	Intl. Harvester	476	N6-0675	Precision	577	N5-0280	AEC
315442C91	N210391-1X	Intl. Harvester	477	N6-0677	Precision	578379C91	N6-0407	Intl. Harvester
32029001	N6-0281	John Deere	478	N6-0676	Precision	5961411	N5-0280	Amer. Mtr. Corp.
32075201	N4-0279	John Deere	47985	N5-0280	Euclid	6-4-1981	N6-4-1981	Spicer
321SB171	N4-0279	Clark Equipment	48222AX	N5-0280	Oshkosh Truck	6-4-4601	N6-4-4601	Spicer
321SC171	N5-0280	Clark Equipment	5-279X	N4-0279	Spicer	6-4-5071X	N6-4-5071X	Spicer
321SF171	N6-0281	Clark Equipment	5-280X	N5-0280	Spicer	6-4-5991	N6-4-5991	Spicer
333	N4-0279	Precision	5-281X	N6-0281	Spicer	6-4-6001X	N6-4-6001X	Spicer
334	N5-0280	Precision	5-4-7171-1	N5-4-7171-1	Spicer	6-4-6331	N6-4-6331	Spicer
347385R91	N5-0280	Intl. Harvester	5-407X	N6-0407	Spicer	6-4-6401	N6-4-6401	Spicer
35-6040	N210969X	Anchor Ind. Inc.	5-674X	N4-0674	Spicer	6-4-6411X	N6-4-6411X	Spicer
35-6041	N210969X	Anchor Ind. Inc.	5-675X	N6-0675	Spicer	6-4-6421X	N6-4-6421X	Spicer
35-6048	N210121-1X	Anchor Ind. Inc.	5-676X	N6-0676	Spicer	6-4-6481	N6-4-6481	Spicer
35-6049	N210661-1X	Anchor Ind. Inc.	5-677X	N6-0677	Spicer	6-4-7481-1	N6-4-7481-1	Spicer
35MU218	N6-0281	Mack Truck	5003323	N210661-1XSA	Spicer	6-4-8331-1X	N6-4-8331-1X	Spicer
35MU32-P1	N210121-1X	Mack Truck	5003326	N210875-1XSA	Spicer	6-4-8511X	N6-4-8511X	Spicer
35MU32-P3	N210661-1X	Mack Truck	510084-2X	N210084-2X	Brockway Mtr. Trk.	6-4-8991-1X	N6-4-8991-1X	Spicer
35MUA31	N210121-1X	Mack Truck	510084-2X	N210084-2X	Butler Mfg. Inc.	6-4-9001-1X	N6-4-9001-1X	Spicer
35MUA32-P1	N210121-1X	Mack Truck	510084-2XWF	N210969X	Brockway Mtr. Trk.	6.3-4-1041-1X	N63-4-1041-1X	Spicer
35MUA32-P3	N210661-1X	Mack Truck	510084-2XWF	N210969X	Butler Mfg. Inc.	6.3-4-1391-1X	N63-4-1391-1X	Spicer
3632990	N210088-1X	Chrysler	510088-1X	N210088-1X	Brockway Mtr. Trk.	6.3-4-1521-1X	N63-4-1521-1X	Spicer
376	N6-0407	Precision	510088-1X	N210088-1X	Butler Mfg. Inc.	6.3-4-161	N63-4-161	Spicer
3765513	N210367-1X	General Motors	510088-1X2	N210088-1X	Brockway Mtr. Trk.	6.3-4-161-1	N63-4-161-1	Spicer
3766233	N210140-1X	General Motors	510088-1X2	N210088-1X	Butler Mfg. Inc.	6.3-4-1681-1	N63-4-1681-1	Spicer
381	N6-0281	Precision	510121-1X	N210121-1X	Brockway Mtr. Trk.	6.3-4-5221-1X	N63-4-5221-1X	Spicer
3820254	N5-0280	Chrysler	510121-1X	N210121-1X	Butler Mfg. Inc.	6.3-4-791-1	N63-4-791-1X	Spicer
3820255	N4-0279	Chrysler	510140-1X	N210140-1X	Brockway Mtr. Trk.	6.3-4-821-1	N63-4-821-1	Spicer
3822292	N6-0281	Chrysler	510140-1X	N210140-1X	Butler Mfg. Inc.	6.5-4-1891	N65-4-1891	Spicer
3947697	N6-1170	Volvo	510207-1X	N210207-1X	Brockway Mtr. Trk.	6.5-4-1891-1	N65-4-1891-1	Spicer
3990291	N210367-1X	General Motors	510207-1X	N210207-1X	Butler Mfg. Inc.	6.5-4-3561-1X	N65-4-3561-1X	Spicer
3AA0970	N210121-1X	Autocar	510367-1XWF	N210367-1X	Brockway Mtr. Trk.	6.5-4-3561X	N65-4-3561X	Spicer
3AB0970	N210661-1X	Autocar	510367-1XWF	N210367-1X	Butler Mfg. Inc.	6.5-4-3591-1	N65-4-3591-1	Spicer
3AD0970	N210969X	Autocar	510370-1X	N210370-1X	Brockway Mtr. Trk.	6.5-4-3731-1X	N65-4-3731-1X	Spicer
3AL01150	N5-0280	Autocar	510370-1X	N210370-1X	Butler Mfg. Inc.	6.5-4-4571-1X	N65-4-4571-1X	Spicer
3EA01172	N4-0279	Autocar	510391-1X	N210391-1X	Brockway Mtr. Trk.	6.5-4-4631-1	N65-4-4631-1	Spicer
3FA01172	N5-0280	Autocar	510391-1X	N210391-1X	Butler Mfg. Inc.	6003796	N4-0279	Clark Equipment
3UU001173	N4-0279	Autocar	510433-1X	N210433-1X	Brockway Mtr. Trk.	6003797	N5-0280	Clark Equipment
4004	N210391-1X	Alloy	510433-1X	N210433-1X	Butler Mfg. Inc.	6191703	N6-0281	Clark Equipment
4005	N210969X	Alloy	510661-1X	N210661-1X	Brockway Mtr. Trk.	6269A	N6-0407	MotorMaster (Old)
4006	N210969X	Alloy	510661-1X	N210661-1X	Butler Mfg. Inc.	634539C91	N5-0280	Intl. Harvester
4007	N210121-1X	Alloy	510866-1X	N210866-1X	Brockway Mtr. Trk.	637366C91	N4-0279	Intl. Harvester
4011	N210866-1X	Alloy	510866-1X	N210866-1X	Butler Mfg. Inc.	63RU141	N5-0280	Mack Truck
4016484	N5-0280	Euclid	510873X	N210873-1X	Brockway Mtr. Trk.	662-012	N210367-1X	Dorman
4025348	N6-0281	Euclid	510873X	N210873-1X	Butler Mfg. Inc.	662-017	N210140-1X	Dorman
407	N6-0407	AEC	511016-X3	N210873-1X	Brockway Mtr. Trk.	662-018	N210969X	Dorman
422910C91	N6-0281	Intl. Harvester	511016-X3	N210873-1X	Butler Mfg. Inc.	662-020	N210121-1X	Dorman
4582853	N5-0280	Fiat	51178A	N4-0279	Oshkosh Truck	662-021	N210661-1X	Dorman
460	N4-1090	Precision	51367-1X	N210367-1X	Brockway Mtr. Trk.	662044	N210661-1X	General Motors
			51367-1X	N210367-1X	Butler Mfg. Inc.	688016	N5-0280	General Motors

Part Number Interchange

Part Number Interchange

Comp No.	DP No.	Competitor	Comp No.	DP No.	Competitor	Comp No.	DP No.	Competitor
692296	N210969X	Mack Truck	CB210090-1X	N210090-1X	Meritor	E7HZ4635B	N4-0674	Ford
692297	N210969X	Mack Truck	CB210121-1X	N210121-1X	Meritor	G5279X	N4-0279	GMB
695232	N5-0280	General Motors	CB210121-1XSA	N210121-1XSA	Meritor	G5280X	N5-0280	GMB
695909	N4-0279	General Motors	CB210140-1X	N210140-1X	Meritor	G5281X	N6-0281	GMB
695990	N4-0279	General Motors	CB210144-1X	N210144-1X	Meritor	G5407X	N6-0407	GMB
697689R91	N4-0279	Intl. Harvester	CB210367-1X	N210367-1X	Meritor	GCB210084 2X	CN210084-2X	Meritor
697690R91	N5-0280	Intl. Harvester	CB210370-1X	N210370-1X	Meritor	GCB210084-2X	CN210088-1X	Meritor
697769R91	N5-0280	Intl. Harvester	CB210391-1X	N210391-1X	Meritor	GCB210090-1X	CN210090-1X	Meritor
701639	N6-0281	General Motors	CB210433-1X	N210433-1X	Meritor	GCB210121-1X	CN210121-1X	Meritor
702120	N5-0280	General Motors	CB210527X	N210527X	Meritor	GCB210140-1X	CN210140-1X	Meritor
7225A	N6-0281	MotorMaster (Old)	CB210661-1X	N210661-1X	Meritor	GCB210144-1X	CN210144-1X	Meritor
7225AG	N6-0281	MotorMaster (Old)	CB210661-1XSA	N210661-1XSA	Meritor	GCB210207-1X	N210207-1X	Meritor
7347665	N4-0279	Amer. Mtr. Corp.	CB210866-1X	N210866-1X	Meritor	GCB210367-1X	CN210367-1X	Meritor
7500055	N5-0280	Euclid	CB210873-1X	N210873-1X	Meritor	GCB210370-1X	CN210370-1X	Meritor
753455C91	N210121-1X	Intl. Harvester	CB210875-1X	N210875-1X	Meritor	GCB210391-1X	CN210391-1X	Meritor
7V3842	N6-0675	Caterpillar	CB210875-1XSA	N210875-1XSA	Meritor	GCB210433-1X	CN210433-1X	Meritor
7V4077	N4-0674	Caterpillar	CB210881-1X	N210881-1X	Meritor	GCB210527X	CN210527X	Meritor
82853	N5-0280	Fiat	CB212028-1X	N212028-1X	Meritor	GCB210661-1X	CN210661-1X	Meritor
875	N4-0674	Precision	CB310007-1X	N210969X	Meritor	GCB210866-1X	CN210866-1X	Meritor
876	N6-0675	Precision	D2HZ4635A	N6-0281	Ford	GCB210873-1X	CN210873-1X	Meritor
876044	N5-0280	Fiat	D3TZ4635A	N4-0279	Ford	GCB210875-1X	CN210875-1X	Meritor
876045	N5-0280	Fiat	D3TZ4635B	N5-0280	Ford	GCB210881-1X	CN210881-1X	Meritor
877	N6-0677	Precision	D4TZ4800E	N210969X	Ford	GCB210969X	CN210969X	Meritor
878	N6-0676	Precision	D4TZ4800G	N210121-1X	Ford	HB206FF	N210527X	BCA / National
88934865	N212028-1X	General Motors	D4TZ4800J	N210661-1X	Ford	HB3010	N210527X	Timken
9044898	N5-0280	Euclid	D602	N210367-1X	Mopar	HB3511A	N210088-1X	Timken
9044961	N5-0280	Euclid	D606	N210140-1X	Mopar	HB3511B	N210090-1X	Timken
9052692	N6-0281	Euclid	D608	N210969X	Mopar	HB3512A	N210367-1X	Timken
916650R91	N4-0279	Intl. Harvester	D611	N210121-1X	Mopar	HB3512B	N210370-1X	Timken
9855	N210140-1X	Precision	D612	N210661-1X	Mopar	HB4013A	N210433-1X	Timken
9865	N210969X	Precision	D62	N4-0279	Mopar	HB4013B	N210391-1X	Timken
9880	N210121-1X	Precision	D79	N5-0280	Mopar	HB4014A	N210140-1X	Timken
9885	N210661-1X	Precision	D9HZ4635B	N6-0407	Ford	HB4014B	N210144-1X	Timken
991790A	N210661-1X	Mack Truck	DS-12	N210367-1X	MotorMaster (Old)	HB4016A	N212028-1X	Timken
A262467	N4-0279	Joy	DS-17	N210140-1X	MotorMaster (Old)	HB4018A	N210873-1X	Timken
A365789	N4-0279	Joy	DS-18	N210969X	MotorMaster (Old)	HB4018B	N210866-1X	Timken
AD3532	N5-0280	Wabco	DS-20	N210121-1X	MotorMaster (Old)	HB4510	N210969X	Timken
B9TT4800A	N210969X	Ford	DS-21	N210661-1X	MotorMaster (Old)	HB4510A	N210084-2X	Timken
BB-7042	N4-0279	Diamond T	DS201KF1	N210088-1X	CMP	HB4510B	N210207-1X	Timken
BB-7043	N4-0279	Diamond T	DS201KG1	N210367-1X	CMP	HB5010A	N210121-1X	Timken
BB-7044	N5-0280	Diamond T	DS201KG2	N210370-1X	CMP	HB5011A	N210881-1X	Timken
BB-7199F	N4-0279	Diamond T	DS204KF1	N210866-1X	CMP	HB6010A	N210661-1X	Timken
BB-7199J	N5-0280	Diamond T	DS204KF2	N210873-1X	CMP	HB6011A	N210875-1X	Timken
BB7042	N4-0279	Diamond T	DS204KF3	N210873-1X	CMP	HB88107B	N210088-1X	BCA / National
BB7043	N4-0279	Diamond T	DS301KF1	N210391-1X	CMP	HB88107C	N210090-1X	BCA / National
BB7044	N5-0280	Diamond T	DS301KF2	N210433-1X	CMP	HB88107D	N210367-1X	BCA / National
BB7199F	N4-0279	Diamond T	DS301KG1	N210140-1X	CMP	HB88107E	N210370-1X	BCA / National
BB7199J	N5-0280	Diamond T	DS401KF	N210969X	CMP	HB88508AA	N210873-1X	BCA / National
C6TZ4635F	N5-0280	Ford	DS401KF1	N210084-2X	CMP	HB88508AB	N210866-1X	BCA / National
C6TZ4635G	N4-0279	Ford	DS401KF2	N210207-1X	CMP	HB88508B	N210433-1X	BCA / National
C8HA4800A	N210661-1X	Ford	DS401KG	N210969X	CMP	HB88508C	N210140-1X	BCA / National
C8HA4800B	N210121-1X	Ford	DS501KF	N210121-1X	CMP	HB88508D	N210144-1X	BCA / National
CB210084-2X	N210084-2X	Meritor	DS601KF	N210661-1X	CMP	HB88508E	N210391-1X	BCA / National
CB210088-1X	N210088-1X	Meritor	E7HZ4635A	N6-0675	Ford	HB88509	N210969X	BCA / National

Part Number Interchange

Part Number Interchange

Comp No.	DP No.	Competitor
HB88509A	N210084-2X	BCA / National
HB88509C	N210207-1X	BCA / National
HB88510	N210121-1X	BCA / National
HB88510S	N210881-1X	BCA / National
HB88512AHD	N210661-1X	BCA / National
HB88512ASHD	N210875-1X	BCA / National
HYL3873	N4-0279	British Leyland
K279	N4-0279	Rockford (MotorMaster)
K280	N5-0280	Rockford (MotorMaster)
K281	N6-0281	Rockford (MotorMaster)
K407	N6-0407	Rockford (MotorMaster)
M279X	N4-0279	Meritor
M280X	N5-0280	Meritor
M281X	N6-0281	Meritor
M407X	N6-0407	Meritor
M674X	N4-0674	Meritor
M675X	N6-0675	Meritor
M676X	N6-0676	Meritor
M677X	N6-0677	Meritor
R22913	N5-0280	Joy
S-5780	N6-4-1981	S&S Truck Parts
S-7582	N6-4-4601	S&S Truck Parts
S-9028	N6-4-6481	S&S Truck Parts
S-9167	N65-4-1891	S&S Truck Parts
S-9859	N6-4-5991	S&S Truck Parts
S-9859	N6-4-6001X	S&S Truck Parts
S-B818	N6-4-6331	S&S Truck Parts
S-D977	N6-4-8511X	S&S Truck Parts
SPL170-4X	N6-1170	Spicer
SPL250X	N6-1250	Spicer
SPL90X	N4-1090	Spicer
U02-30	N5-0280	McQuay Norris
U0230	N5-0280	McQuay Norris
U03-42	N4-0279	McQuay Norris
U0342	N4-0279	McQuay Norris
US170X	N6-1170	Meritor
US250X	N6-1250	Meritor
US90X	N4-1090	Meritor
X47259	N5-0280	General Motors
ZAD28058X	N4-0279	Fleetrite
ZAD28059X	N5-0280	Fleetrite
ZAD28279X	N4-0279	Fleetrite
ZAD28280X	N5-0280	Fleetrite
ZAD28281X	N6-0281	Fleetrite
ZAD28407X	N6-0407	Fleetrite

