

## 3030CE, 3030CLE & 3030CIS18 Air Chambers



Part No. 3030CE  
Standard Stroke  
12" Pushrod Length  
Round Ports



Part No. 3030CLE  
Long Stroke  
14" Pushrod Length  
Square Ports



Part No. 3030CIS18  
Standard Stroke  
18" Pushrod Length  
Round Ports

1. Tamper resistant spring brakes. Complies with all Federal Motor Vehicle Safety Standards
2. Service chamber clamp rotated 15 degrees off from centerline of the mounting studs
3. Chrome spring brake push rod & reinforced spring brake diaphragms
4. Double lipped spring brake seal & factory pressure tested at 150 psi
5. Clevis & caging bolt included
6. E-Coated parking brake spring
7. 3030CLE has 3" push rod stroke w/ square air ports to identify it as a long stroke

Visit us on the World Wide Web at [www.daytonparts.com](http://www.daytonparts.com)

Dayton Parts, LLC • PO Box 5795 • Harrisburg, PA 17110-0795 • 800-233-0899 • Fax 800-225-2159  
Dayton Parts/Batco • 12390 184th Street • Edmonton, Alberta T5V 0A5 • 800-661-9861 • Fax 888-207-9064

## New Product - 3030CW & 3030CLW Air Chambers

Update #2356

Attention: Dayton Parts' Distributors and Business Partners.

New air chambers for drive axle applications –

We've recently added a standard stroke and a long stroke 3030 air chamber with a welded clevis assembly for some particular drive axle applications. Spacing on the pre-welded auto slack clevis pins center to center is 1.3".

Both chambers are in stock and available for shipment in our Harrisburg and Lewisville warehouses.



The 3030CLW long stroke has square shaped ports to identify it is a long stroke air chamber.

Call 800-233-0899 today to place your order.

*Steven S. Wolf*

Steven S. Wolf  
Axle Group Product Manager

Visit us on the World Wide Web at [www.daytonparts.com](http://www.daytonparts.com)

**Dayton Parts, LLC** • PO Box 5795 • Harrisburg, PA 17110-0795 • 800-233-0899 • Fax 800-225-2159  
**Dayton Parts/Batco** • 12390 184th Street • Edmonton, Alberta T5V 0A5 • 800-661-9861 • Fax 888-207-9064

## Product Update - 3030 Chambers for Hendrickson Intraax Axles

Update #2383

Attention: Dayton Parts' Distributors and Business Partners.

Dayton Parts now offers direct replacement air chambers for Hendrickson Intraax axles. These chambers are the same as our very popular 3030CE and 3030CLE chambers except for the following —

- The mounting studs and inlet ports are clocked specifically for Hendrickson Intraax chamber replacement.
- Pushrod length from the mounting housing to the end of the pushrod has been pre-cut to 12.31" on the standard stroke and 12.88" on the long stroke chamber.

Part numbers available are —

**3030CE-INT** — 2.5" standard stroke 3030 chamber

**3030CLE-INT** — 3.0" long stroke 3030 chamber

Both of these chambers **do not** include a manual clevis assembly.

Both chambers are now in stock at all four Dayton Parts warehouses.  
For pricing check on-line at [www.daytonparts.com](http://www.daytonparts.com)

**3030CLE-INT  
Long Stroke**



**3030CE-INT  
Standard Stroke**



Call 800-233-0899 today to place your order.

*Steven S. Wolf*

Steven S. Wolf  
Axle Group Product Manager

Visit us on the World Wide Web at [www.daytonparts.com](http://www.daytonparts.com)

**Dayton Parts, LLC** • PO Box 5795 • Harrisburg, PA 17110-0795 • 800-233-0899 • Fax 800-225-2159  
**Dayton Parts/Batco** • 12390 184th Street • Edmonton, Alberta T5V 0A5 • 800-661-9861 • Fax 888-207-9064



## New Product Pull To Lock Air Chamber



Update #2386

Attention: Dayton Parts' Distributors and Business Partners.

Dayton Parts would like to announce a new product availability: **Pull To Lock Air Chamber**

Used on many dump trucks and dump trailers to remotely release the tailgate when air pressure is applied. In addition to use as a tailgate lock, the remote chamber has found many new markets, including use as a drawbar lift and clamp apparatus. Dual 3/8" NPT ports for easy plumbing connection.

### Dayton Part Number: 30TS62-925

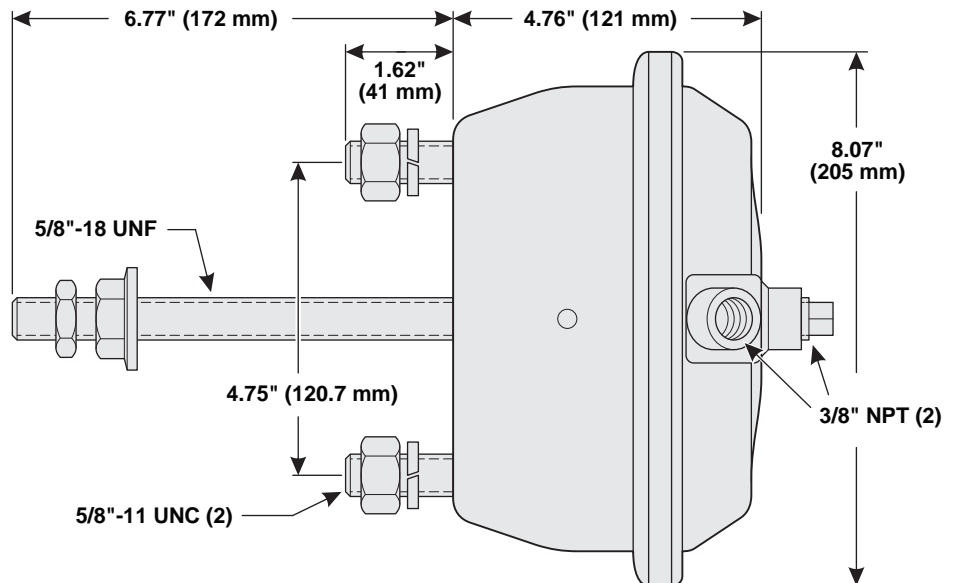
**Stroke:** 2.5" (65 mm)

**Service Volume:** 94 cu. in.

**Weight:** 13.75 lbs.

**Warranty:** 1 Year by Dayton Parts.

**Performance:** Equivalent to TSE's  
30RPC2 Pull to Lock Chamber.



Call 800-233-0899 today to place your order.

Dan Young  
Product Manager - Steering & Trailer Products

Visit us on the World Wide Web at [www.daytonparts.com](http://www.daytonparts.com)

Dayton Parts, LLC • PO Box 5795 • Harrisburg, PA 17110-0795 • 800-233-0899 • Fax 800-225-2159  
Dayton Parts/Batco • 12390 184th Street • Edmonton, Alberta T5V 0A5 • 800-661-9861 • Fax 888-207-9064