



PRODUCT CATALOG L1050E

ELECTRIC MOTORS, GEARMOTORS AND DRIVES
SUB-FRACTIONAL TO 700 HP



What's New In This Catalog

- Additional Mod's added to the Mod Squad Program - pg 424
- Aggregate/Crusher Duty Motors - pg 275
- Cooling Tower 6-Pole Motors - pg 243
- Single Phase, TEFC Crop Dryer Motors - pg 209
- DC Explosion Proof 12 & 24 Volts - pg 324
- DC Washguard 12 & 24 Volts - pg 333
- Grain Dryer/Centrifugal Fan Motor Line Extension - pg 209
- Extreme Duck Ultra - pg 195
- Extreme Duck Ultra w/shaft grounding rings - pg 199
- Higher Horsepower Stainless Steel Motors 180T-201T Frame - pg 183
- Kiln Duty Motors - pg 244
- Platinum e Permanent Magnet AC Motors - pg 98
- Platinum e VSD - Plus Series Drives for use with 3 Phase Induction or PMAC Motors - pgs 389-392
- Platinum e VSD Series Drives for use with 3 Phase Induction or PMAC Motors - pgs 390-393
- Premium Stainless 1 & 3 Phase - pg 185
- SGR Kits for Cast Iron WATTSaver e[®] Motors - pg 421
- Speedmaster Plus 1000:1 Constant Torque - pg 92
- Stainless Steel Pedestal Fan Motors - pg 182
- WATTSaver e[®] Plus Motors - Rigid C Face - pg 105
- Ultimate e General Purpose with Roller Bearings - pg 82

What's Coming

- Aluminum Frame Motor Line
- Crop Dryer Motor 16 Horsepower, 1 Phase, TEFC
- Explosion Proof Motor Line Extension - Adding 6 Pole
- Higher HP Stainless Steel Motors 250T Frame
- IEC Brakemotor Kits
- IEC Brakemotors
- IEEE841 6-Pole, 1 thru 350 Horsepower
- Washguard Explosion Proof Motors

Stainless Steel Pedestal Fan Motors



Page 182

Cooling Tower Motors



Page 243

Crusher Duty Motors



Page 275

Crop Dryer Motors



Page 209

VSD Series Inverters



Page 389

Table Of Contents

New Product	Page Number
Agricultural Duty Motors	202
AG - Pump Duty	212
Catfish Pond	212
Eco-AG Series / Premium Efficient 1 & 3 Phase	204
Extra High Torque 1 Phase	205
Fan Duty / Crop Dryer	206 & 218
Feather Picker	216
Feed Auger Duty	215
Grain Stirring/Crop Dryer	209
Hatchery / Fan Duty	216
High Torque 1-Phase	203 & 217
High Torque C Face 1-Phase	205
Milk Transfer Pump	213
Tobacco Barn Duty Fan Motors	211
Automotive Duty Motors	120
Brakemotors	288
Brakemotor Kits	295
General Purpose	289
High Cycle Brakemotors	294
Washdown Duty	293
Definite Purpose Motors	264
Boat Hoist Duty	273
Compressor Duty	265
Crusher / Quarry Duty	275
Elevator Duty	276
Export Only	286
Instant Reversing	271
Pressure Washer Duty	267
Two-Speed	274
Unit Handling	285
Woodworking Duty	269
Explosion Proof Motors	112
Single Phase	114
Three Phase - Higher HP ratings available	115
General Purpose Motors	
Single Phase Drip-Proof Motors	16
General Purpose	
Compressor Duty	24
EcoSaver (Small Motor Rule)	17
Premium Efficient - Fan Duty	23
Pressure Washer	25
Resilient Base	26
Single Phase Totally Enclosed Motors	28
General Purpose	29
Premium Efficient	36
Pressure Washer	37
Resilient Base Mount	37
Single Phase C Face Motors	
General Purpose - Drip-Proof	20
General Purpose - TEFC	32
Pressure Washer - C-face - TEFC	38
Unit Handling - C-face - TEFC	39
Three Phase Drip-Proof Motors	40
General Purpose	42
Automatic Overload Protected	59
C-Face	49

Compressor Duty	57
F2 Mount	59
Resilient Base Mount	58
Ultimate e C-face	56
Ultimate e Rigid	54
Three Phase Totally Enclosed Motors	60
General Purpose	61
C-Face	69
Compressor Duty	84
F2 Mount	83
FHP For AC Drives	85
Resilient Base Mount	84
SUB-FHP Inverter Rated	86
TENV Enclosure	83
Ultimate e C-face	80
Ultimate e C-face with Roller Bearings	82
Ultimate e Rigid	78
HVAC / Fan Motors	222
Aeration Fan	228
AG Hatchery Duty	239
Agricultural Duty	235 & 240
Condenser Fan	230
Crop Dryer	238
Grain Dryer	237
Kiln Duty	244
Multi-Speed	226
Pedestal Fan	232
Premium Efficient - 1 Phase	224
Resilient Base - 1 Phase	223
Resilient Base - 3-Phase	225
Split Phase	231
TEAO Cooling Tower	243
Two-Speed	233
Ventilation Fan	229
IEC / Metric Motors	298
575 Volt - B3 Flange	308
B14 Flange	306
B3 Flange	302
B5 Flange	304
Commercial Duty	319
DC Metric	313
Metric Motor Flange Kits	310
Metric Stainless Washdown	312
Inverter / Vector Duty Motors	88
2000 : 1 With Encoder Feedback	93
2000 : 1 With Encoder Provision	89
4 : 1 Speed Ratio	94
Encoder Kits	91
SUB-FHP - 10 : 1 Speed Ratio	97
ODP - 10 : 1 Speed Ratio	96
Platinume Permanent Magnet AC	98
Platinume Permanent Magnet AC - Drives	390-393
Speedmaster Plus 1000:1 Constant Torque	92
Pump Motors	126
4-Pole Jet Pump ratings	119
Carbonator Pump	132
EcoSaver Jet Pump - 2 speed - 1 PH	132

Table of Contents (cont'd)

Explosion Proof Jet Pump	128 & 130	Parallel Shaft, P300 - SCR & Low Voltage	344
Fire Pump ODP & TEFC	143	Parallel Shaft, P300 - Washdown Duty	356
Hydraulic SAE Pump Motors - TEFC	149	Parallel Shaft, PE350 Washdown Duty	358
Jet Pump - Single & Three Phase	127	Parallel Shaft, PE350, SCR & Low Voltage	348
JM Pump - ODP & TEFC	135	Parallel Shaft, PZ SCR & Low Voltage	342
JP Pump - ODP & TEFC	123	Right-Angle	352
Premium Efficient JM Pump - ODP & TEFC	136	Right-Angle, Washdown Duty	361
Premium Efficient JP Pump - ODP & TEFC	133 & 141	AC Gearmotors	
Washdown Duty Pump	131	Inverter Rated - PZ Series	374
Severe Duty Motors	100	Kits & Accessories	372
IEEE 841 Motors - Higher HP ratings available	101	Parallel Shaft P240	364
Multiguard Motors	107	Parallel Shaft PZ	362
WattSaver e Plus - Mill & Chemical Duty	103	Parallel Shaft, P1100	368
WattSaver e Plus with C-face - Mill & Chemical Duty	105	Parallel Shaft, P240 Washdown Duty	365
Special Voltage	246	Parallel Shaft, PE350	366
200/400 Volt	256	Right Angle	370
50 Hz	258	Right-Angle Washdown Duty	371
575 Volt	247	AC & DC Controls	376
Medium Voltage	263	DC Drives	
Washdown Duty Motors	156	DC Dual Mode	380
575 Volt - Epoxy Painted	163	DC Low Voltage	379
BrakeMotors - Epoxy Painted	165	DC PWM	379
BrakeMotors - Stainless Steel	191	DC SCR Rated	378
DC Stainless	193	AC Drives	376
DC Washdown - Epoxy Painted	169	FHP Series	382
Extreme Duck Ultra Encapsulated Stainless	195	Inverter Kits and Accessories	402
Extreme Duck Ultra With Shaft Grounding Rings	199	Micro Series NEMA 1	384
Gearmotors - AC & DC Epoxy painted	171	Micro Series NEMA 4/12 & 4X	386
General Purpose Epoxy Painted -1 & 3 Phase	159	Platinum VSD	389
IEC / Metric Stainless	192	Platinum VSD Plus	391
Jet & JM Pump Motors - Epoxy Painted	163	SM Plus Series	398
JM Pump Motors - Stainless Steel	191	SM Series	400
Lincoln Wash-Thru™ Series	167	Vector Series NEMA 1	393
Premium Stainless 1 & 3 Phase	185	Vector Series NEMA 4/12	396
Premium Stainless with Shaft Grounding Rings	189	Motor Accessories / Kits	
SST Stainless - 1 & 3 Phase	181	Blower Kits	416
Washdown II Series / Paint Free	180	C Flange Kits	409
Stainless Steel Pedestal Fan	182	Cast Iron Fan Guard / Severe Duty Kits	414
Washguard® Brakekits™	166	CE Conversion Kits	420
Washguard® Coupler Brakes	166	D Flange Kits	408
DC Motors	320	Drip-Cover Kits	415
Commercial Duty Low Voltage	336	Encoder Kits	417
Explosion Proof	324	Rodent Screen Kits	414
IEC / Metric	328	Shaft Grounding Kits	421
Low Voltage	332	Slide Base / Transition Bases	419
Low Voltage Metric	334	Terminal Block Kits	418
NEMA Frame SCR Rated	322	Conduit Box Kits	418
Stainless Washdown Duty	337	Motor Modifications, MOD-SQUAD	424
SUB-FHP Low Voltage	335	Factory Options	437
SUB-FHP Washdown Duty	327	General Information	
Sub-Fractional HP	326	Technical Information	6
Washdown Duty	325	Cross References	438
Gearmotors	340	Terms and Conditions	512
DC Gearmotors		Index	454
Parallel Shaft, OS300 - SCR & Low Voltage	346	Dimension Information	500
Parallel Shaft, P1100	350	Note Information	Inside back flap



New products and pricing are continually updated, for the latest real time product information please refer to leeson.com

The LEESON Mobile app puts all the product info you need at your fingertips



Available on Apple or Android
Scan this code to download app

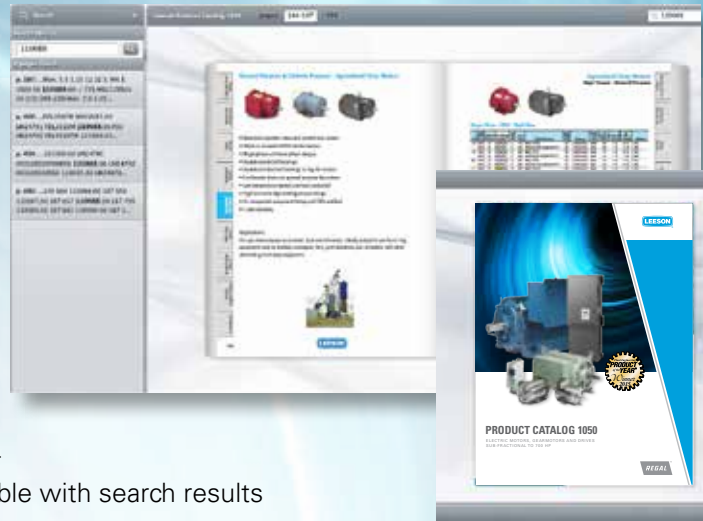


LEEBiz PLUS gives you real-time access to all of your most important account information.

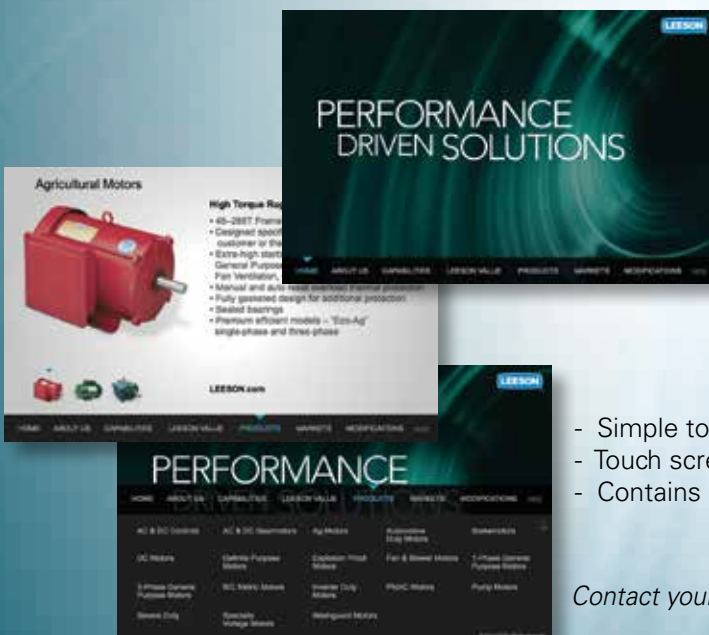
- Real time inventory visibility
- Shipment tracking
- PDF product packet information
- Alternative product suggestions

www.leeson.com

Use our easy Search Catalog available on leeson.com to help you easily search for products



- Search by product type
- Search by item number
- Engineering data available with search results



LEESON Distributors use our interactive tool available to download and use on your laptop or mobile device to help you with your selling efforts

- Simple to use
- Touch screen friendly
- Contains LEESON product overview

Contact your local LEESON sales rep for more information

DOE & EISA Ruling Explained

In March of 2010, the DOE (Department of Energy) instituted a ruling that incorporates small motors into their Energy Efficiency Programs. The DOE, as required by law, is mandated to review the readiness of the Energy regulations based on current materials and manufacturing technologies. This SMR (Small Motor Efficiency Rule) includes motors that are described in the information below. This rule goes into effect on March 9th, 2015. **Motors requiring outside agency approval, such as UL or CSA, have a 2-year extension and need to comply by March 9, 2017.**

In addition, in May of 2014, the DOE released communications with required expansions of 3 phase, single-speed, low voltage, integral HP motors, 1-500 HP to meet NEMA Premium efficiency levels, excluding some exceptions. This ruling expands current motor regulation for motors that were not previously covered in the EISA 2010 regulations. These families of motors are also listed in the information below. This rule goes into effect on June 1, 2016.

This new rule is predicted to save approximately 7 quads of energy and result in approximately \$41.4 billion in energy bill savings for products shipped from 2016 – 2045. This rule is also predicted to reduce 395 million metric tons of carbon dioxide emissions.

For the SMR, the motors that are in scope include:

- 2-digit frame numbers – 42, 48 and 56 frame motors and their IEC equivalent frame size motors
- The Speed or Poles of the motors would include 2, 4 and 6 pole designs from 1/4 to 3 HP
- Open construction motors that are either 3 phase (Polyphase), Cap Start – Induction Run or Cap Start/Cap Run designs
- Continuous duty rated and also meet NEMA Service Factor

Exemptions to this rule include:

- Definite or Special Purpose OPEN construction design motors
- Motor speeds that are outside of the 2, 4 and 6-pole speeds
- Enclosed motors
- Motor types that are not classified as being 3 phase, Cap Start – Induction Run or Cap Start/Cap Run
- Intermittent duty motors as well as designs outside the HP and frame size listing as described above
- Motors that are already covered by other efficiency legislation are also not covered by this rule

EISA Expansion Rule - Effective June 1, 2016

The EISA (Energy Independence and Security Act) expansion and compliance rule, or sometimes referred to as the EISA Expansion Rule, expands the following list of motor designs to meet NEMA Premium efficiency: 1 – 500 HP, NEMA Design A, B & C (1 - 200 HP only today for Design A & B motors); IEC Design N, H, 8 Pole designs, enclosed 56 Frame IHP and IEC 80 frame (1 HP and larger) that are either of General Purpose, Special or Definite Purpose design electric motors.

The Efficiency levels must meet NEMA Premium levels as listed in Table 12-12 (IE3 – 60Hz). Please visit www.leeson.com for a copy of the NEMA 12-12 table.

Motors now affected by this expansion rule include:

- NEMA Design A & B motors from 201 to 500 HP
- NEMA Design C motors from 1 to 500 HP
- All voltages \leq 600 volts
- 8-pole motors
- Electric motors with non-standard endshields, flanges or shafts
- Motors with moisture resistant windings, like encapsulated or sealed windings
- Motors that use any non-standard mounting like a base or cradle
- Motors that do not have a base or cradle – footless designs
- Partial designed electric motors – but not rotor and stator sets
- Vertical hollow shaft motors
- TENV designed motors
- JM and JP Pump motors
- Electric motors having thrust or roller bearings
- Integral brake motors
- Motors with separately cooled blowers on them
- Enclosed 56 frame and IEC 80 frame 1 HP and larger – 56 Open motors are covered by the SMR
- Gearmotors if the motor can be removed from the reducer and work as independent motor

Exempt motors from the 2010 expansion rule include:

- Fire pump motors
- Liquid cooled motors
- Submersible motors
- Air over design motors
- Component sets (stator, rotor sets)
- Small electric motors below 56 frame – see SMR rules
- Advanced Motor Technology motors which include PMAC, ECM, Brushless DC, etc.
- 50Hz motors
- Time rated motors



Technical Information

Application Information

AGENCY LISTINGS

UL and CSA

LEESON Electric and Lincoln Motors Fire Pump and Explosion Proof motors are UL Listed. Other motor types are UL Recognized, including models with inherent overheating protection as noted (i.e. thermally protected models). Leeson and Lincoln motors are also CSA Certified for both explosion proof and non-explosion proof enclosures.

AC Motors

Non-Explosion Proof	UL File No.	CSA File No.
NEMA 25-449 Frame	E49747	LR2025
NEMA 500 and 5000 Frame	—	LR2025*
IEC 63-90 Frame	E49747	LR2025
IEC 100-280 Frame	E49747	LR2025#
Thermally Protected motors	E6312	LR2025
Insulation Systems	E37900	LR2025

* Does not include coverage for use with VFD

Domestic product only

Explosion Proof	UL File No.	CSA File No.
NEMA 56-326 Frame	E12044	LR47504
NEMA 364-449 Frame	E12044	LR21839
Fire Pump Motors	UL File No.	CSA File No.
NEMA 143-510	EX5190	LR2025
Class I, Division 2/Zone	UL File No.	CSA File No.
NEMA 48-449 5000 Frame	—	LR21839
European ATEX Zone 2	Intertek Certificate No..	
NEMA 143-449, IEC 112-280	ITS06ATEX45370	

PMDC Motors + Gear Motors

Non-Explosion Proof	UL File No.	CSA File No.
NEMA 25-145	E49747	LR2025
AC Inverters	E161242	#
SpeedMaster SCR Controls	E132235	LR41380
FHP Speed Drives	E132235	—

- UL Certified for Canada under UL File E 1.67242

ATEX Directive (ATmospheres EXplosibles)

Mandatory by law, the European Union (EU) Directive 94/9/EC requires that electric motors for use in explosive atmospheres carry the CE mark, notified body identifier, Ex symbol, equipment group and category, plus the date code. See "European Installations" for additional details, located on the next page.

NEMA (National Electrical Manufacturers Ass'n)

LEESON Electric and Lincoln Motors' are manufactured in accordance with all applicable areas of NEMA standards in MG1-2006. When applied in accordance with the "Guidelines for Application of Three Phase Motors on Variable Frequency Drives," **LEESON Electric and Lincoln Motors' are in full compliance with NEMA MG1-2006, Part 31, Section 4.4.2**, as pertaining to voltage spikes. 460 volt motors must

withstand voltage spikes of up to 1426 volts; 575 volt motors must withstand spikes up to 1788 volts. See "Insulation Systems" for additional detail on this subject.

Website: www.nema.org

Commitment to RoHS and WEEE European Directives

European Directive 2002/95/EC "Restriction of Use of Certain Hazardous Substances" (RoHS) and Directive 2002/96/EC "Directives on Waste Electrical and Electronic Equipment" (WEEE) were enacted to control the amount of certain hazardous substances contained in products shipped into the E.U. Restricted substances include lead, mercury, cadmium, hexavalent chromium, polybrominated biphenyls and polybrominated dipheynl ethers.

- The scope of products covered, affecting motors, is:
- Large household appliances
- Small household appliances
- IT and telecommunications equipment
- Consumer equipment
- Electrical and electronic tools (except large scale stationary and industrial tools)
- Toys, leisure and sports equipment
- Automatic dispensers

The Directives do not currently apply to medical devices, monitoring and control instruments, spare parts for the repair or reuse of electrical and electronic equipment placed on the market before July 1, 2006, and most military and state security equipment.

Regal Beloit Corporation worked closely with suppliers to assure that product falling within the scope of these Directives meets the specified levels of these substances. The Directives took affect July 1st, 2006 however many products were converted in May and June. The products converted are motors in NEMA frame size 145 and below, both AC and DC motors with the following exceptions:

- Brakemotors in 56-145 frame **will have to be ordered specifically as RoHS compliant.**
- Some motors with specialty electro-mechanical components.

ISO QUALITY CERTIFICATION

Affiliate of The Regal Beloit Corporation. We are ISO 9001:2008 and our registrar is NSF-ISR. The certificate number for the corporation is C0026928-IS2.

leeson.com/Technical Information



LEESON Electric and Lincoln Motors employ the use of Exxon POLYREX® EM grease, a specially formulated bearing grease designed for electric motors. POLYREX® EM provides superior lubricity, durability and resists corrosion, rust and washout. POLYREX® EM is a registered trademark of Mobil Corporation.

Maximum safe mechanical speed capability is a function of bearing size, type and grease selection, as well as rotor balance specifications. Consult the "Maximum Safe Mechanical Speed Limits" chart in the "Overspeed Capability" section.

Note that these values do not imply maximum constant horsepower RPM.

EFFICIENCY

The efficiency of a motor is the ratio of its useful power output to its total power input and is usually expressed in a percentage. LEESON Electric and Lincoln Motors offers standard, high efficient EPAAct, and **NEMA Premium®** efficient ratings. Standard efficiency motors may only be used on applications that are exempt from legislated efficiencies. The high efficient motor line is in compliance with the Energy Policy Act of 1992 (EPAAct) and/or Canadian efficiencies as set by NRCAN. The Energy Independence and Security Act of 2007 (**EISA07**) will become law on December 19, 2010, requiring current EPAAct-compliant motors to meet NEMA Premium® efficiencies, and most EPAAct-exempt motors to meet EPAAct levels. Premium efficient motors in this catalog meet NEMA Premium® unless otherwise noted.

The LEESON WattSAVERe® and Lincoln Ultimate-e™ line is a premium efficiency line, which exceeds mandated efficiencies of EPAAct and /or NRCAN. Unless otherwise noted, premium efficient motors in this catalog meet NEMA Premium® the newly promoted efficiency levels by NEMA and the Consortium for Energy Efficiency (CEE).

ELECTRICAL TYPE/STARTING METHOD

Motors in this catalog are capacitor start, split phase, permanent split capacitor, or three phase. Capacitor Start motors have high starting torque, high breakdown torque, and relatively low starting current. Split phase motors have medium starting torque and medium starting current. Permanent split capacitor motors have low starting torque and low starting current. Three phase motors have high starting, extra breakdown torque, and typically very low starting current. Single phase motors cannot be applied on variable frequency drives with three phase output.

ENCLOSURE AND METHOD OF COOLING

LEESON Electric and Lincoln Motors are available in various enclosures; Drip-proof (DP), Drip-proof Force Ventilated (DPFV), Totally Enclosed Fan Cooled (TEFC), Totally Enclosed Non-Ventilated (TENV), Totally Enclosed (TEAO) and Totally Enclosed Blower Cooled (TEBC). Application conditions will determine the type of motor enclosure required.

Drip-proof motors have open enclosures and are suitable for indoor use and in relatively clean atmospheres. Drip-proof motors have ventilating openings constructed so that drops of liquid or solid particles falling on the machine at an angle of not greater than 15 degrees from the vertical cannot enter the machine.

Totally enclosed motors are suitable for use in humid environments or dusty, contaminated atmospheres. Totally enclosed non-ventilated motors are NOT cooled by external means. Totally enclosed fan cooled motors are cooled by external means that are part of the motor but not in the internal workings of the motor. Totally enclosed air over motors are sufficiently cooled by external means, provided by the customer.

HAZARDOUS DUTY

Hazardous Duty motors are totally enclosed (fan cooled or non-ventilated) motors designed for applications in hazardous atmospheres containing explosive gases and/or combustible dusts.

North American installations

North American standards for electric motors generally fall into one of two divisions. Division 1 Explosion Proof motors are UL Listed in accordance with NFPA Class I (Flammable Gases) or Class II (Combustible Dusts) and Groups (gases or dusts), depending upon the atmosphere. Division 2 motors are CSA Certified and are marked similarly to Division 1 equipment. Inverter Duty motors through 449T frames are CSA Certified for use in Division 2 locations.

European installations

Motors for hazardous locations in Europe must meet a different set of standards and require different markings than those of North America. CENELEC sets the standards for equipment in hazardous locations for Europe. Motors for use in explosive atmospheres in Europe are often referred to as flameproof (Zone 1) or non-sparking (Zone 2) motors. These motors must comply with the ATEX Directive. The ATEX Directive covers all electrical equipment used in explosive atmospheres. To ensure compliance with the Directive, equipment must meet the essential ATEX requirements and carry the CE mark on the nameplate. Other information required on the nameplate includes the Ex symbol, group & category, Ex protection method, gas group, and temperature code, example (Ex) II 3 G Ex nA IIC T3).

The tables on the next page describe LEESON Electric and Lincoln Motors capabilities by Area Classification and by Temperature Code.

Single Phase
ODP Motors

Single Phase
TEFC Motors

Three Phase
ODP Motors

Three Phase
TEFC Motors

Inverter Duty
Motors

Severe Duty
Motors

Definite
Purpose Motors

Brake Motors



Technical Information

Application Information

Single Phase
ODP Motors

Single Phase
TEFC Motors

Three Phase
ODP Motors

Three Phase
TEFC Motors

Inverter Duty
Motors

Severe Duty
Motors

Definite
Purpose Motors

Brake Motors

LEESON Electric and Lincoln Motors Hazardous Duty Motor Area Classification Chart

Class I Area Classification (Flammable Gases, Vapors or Mists)				Class II Area Classification (Combustible Dusts)			
North America		Europe - ATEX Ⓢ (Category G - Gases)		North America		Europe - ATEX Ⓢ (Category D - Dusts)	
Division 1 Explosion Proof	Division 2 TEFC & TENV	Zone1 Flameproof	Zone 2 Non-Sparking	Division 1 Explosion Proof	Division2	Zone 21 Flameproof	Zone 22 Non-Sparking
① Group A	Group A	N/A	N/A	-	-	-	-
② Group B	Group B	N/A	N/A	-	-	-	-
Group C	Group C	N/A	N/A	-	-	-	-
Group D	Group D	N/A	N/A	-	-	-	-
-	-	N/A	-	Group EⓈ	-	N/A	N/A
-	-	N/A	-	Group F	Group FⓈ	N/A	N/A
-	-	N/A	-	Group G	Group GⓈ	N/A	N/A

- Group is not applicable to that Division or Zone, or is not defined.
- ① Group is not available from LEESON Electric and Lincoln Motors.
- ② Contact factory representative for availability.
- Ⓢ Please contact your local LEESON sales office for ATEX certification

LEESON Electric and Lincoln Motors Hazardous Duty Motor Temperature Code Chart

TEMPERATURE CODES	Division 1 Explosion Proof / Flameproof		Division 2 / Non-Sparking	
	Class I Area Classification (Flammable Gases, Vapors or Mists)	Class II Area Classification* (Combustible Dusts)	Class I Area Classification (Flammable Gases, Vapors or Mists)	
Temp. UL/CSA ATEX	Division 1/Zone 1	Division 1/Zone 21	Division 2/Zone 2	
280°C T2A T2(280)	Explosion Proof - Class I, Group D (Group C as noted)			
260°C T2B T2(260)			Severe Duty & IEEE-841 @ 1.15 S.F., Class I, Groups A,B,C,D (Sine wave power)	
215°C T2D T2(215)				
200°C T3 T3				
165°C T3B T3(165)	Explosion Proof - Class I, Group D (Group C as noted), Sine wave or PWM power	Explosion Proof - Class II, Groups F & G, Sine wave or PWM power		
160°C T3C T3(160)				
135°C T4 T4				

* Class II, Division 2 motors are not available from LEESON Electric and Lincoln Motors.

Division I & II ambient range is -25°C to +40°C



Technical Information

Application Information

Guidelines for Application of General Purpose, Three Phase, Single Speed Motors on Variable Frequency Drives Meets NEMA MG1-2006 Part 30 and Part 31 Section 4.4.2 Unless stated otherwise, motor nameplates do NOT include listed speed range.

ENCLOSURE	EFFICIENCY	VARIABLE TORQUE	CONSTANT TORQUE								
		ALL FRAMES	56	143-215		254-286		324-365		404-449	
NEMA Motors		ALL POLES	ALL POLES	2-Pole	4 & 6 Pole	2-Pole	4 & 6 Pole	2-Pole	4 & 6 Pole	2-Pole	4 & 6 Pole
ODP	Standard (EPAAct exempt)	10:1	2:1	2:1	2:1	Contact Engineering					
	EPAAct compliant	10:1	n/a	10:1	2:1	2:1	2:1	Contact Engineering			
	NEMA Premium	10:1	n/a	2:1	10:1	10:1	10:1				
TEFC	Standard (EPAAct exempt)	10:1	2:1	2:1	2:1	Contact Engineering					
	EPAAct compliant	10:1	n/a	2:1	10:1	2:1	10:1	2:1	2:1	2:1	2:1
	NEMA Premium	10:1	n/a	2:1	20:1	2:1	20:1	2:1	20:1	2:1	20:1
TENV	EPAAct compliant	10:1	n/a	1000:1	1000:1	1000:1	1000:1	1000:1	1000:1	1000:1	1000:1
	NEMA Premium	10:1	1000:1	1000:1	1000:1	1000:1	1000:1	1000:1	1000:1	1000:1	1000:1
Washdown TEFC	Standard (EPAAct exempt)	10:1	10:1 (2)	10:1 (2)	10:1 (2)	n/a	n/a	n/a	n/a	n/a	n/a
	EPAAct compliant	10:1	10:1 (2)	10:1 (2)	10:1 (2)	n/a	n/a	n/a	n/a	n/a	n/a
	NEMA Premium	10:1	10:1 (2)	10:1 (2)	10:1 (2)	n/a	n/a	n/a	n/a	n/a	n/a
Washdown TENV	Standard (EPAAct exempt)	10:1	1000:1	1000:1	1000:1	n/a	n/a	n/a	n/a	n/a	n/a
	EPAAct compliant	10:1	1000:1	1000:1	1000:1	n/a	n/a	n/a	n/a	n/a	n/a
	NEMA Premium	10:1	1000:1	1000:1	1000:1	n/a	n/a	n/a	n/a	n/a	n/a
Explosion Proof	All efficiency levels	Explosion Proof motors must be properly nameplated with inverter duty information prior to use on VFD See LEESON catalog pages for specific rating capabilities Motors with automatic overload protectors cannot be used on VFDs									
IEC Motors		ALL FRAMES	63-90		100-225		250-315				
All enclosures	All efficiency levels	10:1	20:1		Up to 20:1		Up to 2:1				

Note (2) - Washdown TEFC motors are rated for 10:1 C.T. 60 minute duty or 2:1 C.T. continuous duty at lowest RPM
Lincoln Rolled Steel - ODP - 280-360 Frame - 2:1 Constant Torque

280 Frame and Higher - TEFC -280-360 Frame- 2:1 Constant Torque
400 Frame and Higher - Contact Local Sales office
Stock 90 VDC and 180 VDC Motors 30:1 of rated torque

Application Notes

Bearing currents: LEESON Electric recommends that any motors used with Variable Frequency Drives be equipped with suitable means to protect the motor bearings from shaft currents caused by common mode voltages inherent with operation on a non-sinusoidal power supply. LEESON Electric offers several options for motors in non-classified (non-hazardous) locations, including ground brushes, insulated bearings and non-contact shaft grounding rings. For more information on ground brushes and bearing currents, see the VARIABLE SPEED OPERATION section. For installation cost and available options, see the MOD Squad section.

Restricted use: DO NOT APPLY THE FOLLOWING MOTORS ON VARIABLE FREQUENCY DRIVES:

Single Phase motors: Motors with inherent overload protection, Multi-speed motors, Motors with 1.0 service Factor on sine wave power. Fire Pump motors should not be used with variable frequency power supplies, due to the critical nature of these applications.

Hazardous locations: Consult with LEESON Electric when applying motors and drives into hazardous locations, either Division/Zone 1 or Division/Zone 2 areas. UL and CSA policies prohibit the installation of bearing protection devices, such as shaft grounding brushes, rings or insulated bearings on motors in hazardous locations.

Maximum Cable Lengths from the Motor to Drive

* Higher carrier frequencies require shorter cable length to obtain normal (50Khrs) insulation life.

Standard Motor Insulation Systems

PRODUCT DESCRIPTION	3 kHz CARRIER FREQUENCY (PHASE TO PHASE)*		
	230 VOLT	460 VOLT	575 VOLT
56-326 NEMA, 100-225 IEC Frames	600 ft.	125 ft.	40 ft.
364-5013 NEMA, 250-315 IEC Frames	1000 ft.	225 ft.	60 ft.
Motors with Corona Resistant Magnet Wire	1500 ft.	475 ft.	140 ft.
Motors with IRIS™ or Ultimate-e™ Spike Defense™	Unlimited	Unlimited	650 ft.
Form-wound low voltage motors	Unlimited	Unlimited	650 ft.
Standard Motor Insulation Systems			
IRIS™ INSULATION SYSTEM	ULTIMATE SPIKE DEFENSE™		
All LEESON 3-Phase Motors 1HP and above	Lincoln Premium Efficient Motors		
All LEESON Premium Efficient Motors	Lincoln Inverter Duty Motors		
All LEESON Inverter Duty Motors	Lincoln CTAC® Motors		



Technical Information

Application Information

VARIABLE SPEED INFORMATION

LEESON Electric and Lincoln Motors Vector-Duty and Inverter Duty motors, unless otherwise stated, are rated for continuous operation in a 40°C ambient and for altitudes up to 3300 feet (1000 meters) above sea level. Special application considerations, such as high or low ambient, intermittent ratings, high altitude, duty cycle rated, extended constant horsepower range, special base speed, voltage or frequency, or any other special requirements, should be reviewed by a factory representative.

It is the responsibility of the startup personnel during commissioning of the VFD/motor system to properly tune the drive to the motor for the specific application. The correct voltage boost and volts/hertz settings are application dependent and unique to each motor design. Procedures for these adjustments should be in your VFD user manual. Many Vector Duty and Inverter Duty motors in this catalog are equipped with thermostats; warranty coverage may be denied if they are not properly utilized.

WARNING! *Power factor correction capacitors should never be installed between the drive and the motor.*

INVERTER DUTY OR INVERTER RATED

“Inverter Duty” (often called “Inverter Rated”) motors are suitable for use with Variable Frequency Drives, as long as operation is within the application guidelines published in this catalog. In general, LEESON Electric and Lincoln Motors’ three phase, general purpose, NEMA Design B motors are considered “Inverter Duty”; and meet or exceed the requirements of NEMA MG1, Part 30. As required under Federal law, these motors comply with EISA2007 efficiencies when operating from utility power.

Inverter Duty (Rated) motors are most often used in 10:1 speed range, variable torque or constant torque applications. A vector control is usually required for operation beyond 10:1 CT.

Additional detail regarding a specific product’s capabilities is available on its catalog page, or by consulting your application engineer.

VECTOR DUTY

“Vector Duty” describes a class of motors that are used in conjunction with Open- (without encoder) or Closed-Loop (with encoder) Vector controls, that provide enhanced performance under low speed operating conditions, or in cases where torque (rather than speed) must be controlled. “Vector Duty” motors can be applied to Volts/Hertz (scalar) drives, as well.

LEESON Electric’s Speedmaster® motors and Lincoln Motors’ CTAC Motors, have been specifically designed for optimal operation on vector or volts/hertz controls. These motors feature a wide constant torque (up to 2000:1) and/or constant horsepower (up to 4:1) speed range and are performance-matched to all current technology IGBT drives. Vector Duty motors meet or exceed the requirements of NEMA MG1, Part 31, and are equipped with an enhanced insulation system (IRIS or Ultimate Spike Defense) to provide many years of trouble-free service. Consult the catalog page for each product’s capabilities and features. As these

motors are specifically designed for operation through an inverter, they are exempt from EISA2007.

VARIABLE TORQUE LOADS

Applications include fans, blowers and centrifugal pumps. Torque varies as the square of the speed, and horsepower as the cube of the speed. Operation below base speed significantly lightens the load on the motor. While most variable torque applications do not require the motor to operate below half speed, the motor is fully capable of operation to zero speed. Operation above base speed significantly adds to the load on the motor; therefore, a factory representative must review applications requiring variable torque above base speed. Refer to the application chart found on page 9 for use of general purpose three phase motors on variable frequency drives. A bypass circuit is often employed in Variable Torque applications. If this device is intended to be used, selection of a NEMA Design B motor is recommended, to withstand the inrush current during across-the-line starting.

CONSTANT TORQUE LOADS

Applications include conveyors, elevators, hoists, extruders, positive displacement pumps, mixers and converting equipment. Torque remains constant throughout the range of operation, and extra care should be taken in the proper application of motors, especially at very low speeds. Most constant torque applications don’t require operation below 10:1 (i.e. 6 Hz operation on a 60 Hz motor), but an increasing number of applications historically reserved for servo and/or stepper systems are being served with motors capable of operation beyond 20:1...even up to 2000:1 (zero speed, constant torque). Refer to the application chart found on page 14 for use of general purpose three phase motors on variable frequency drives.

Applications requiring greater than 20:1 C.T. are ideal for LEESON Speedmaster® Inverter Duty/Vector Duty and Lincoln Vector Duty CTAC® motors. These motors provide full rated torque within their listed speed range, without exceeding a Class F temperature rating while under inverter power (many operate at Class B). Ratings in this catalog have been developed, based on extensive testing on IGBT inverters, set at a minimum 3 KHz (or equivalent) carrier frequency.

Vector Duty and Inverter Duty motors from LEESON Electric and Lincoln Motors are designed for operation at 150% of rated load for one minute, up to the base speed of the motor (overload capability declines to 100% as the motor reaches maximum constant HP speed). These motors accommodate constant horsepower operation to 1-1/2 to 2 times base speed, subject to the motor’s maximum safe mechanical speed limit. Refer to the Maximum Safe Mechanical Speed Chart, as well as the performance section for each motor’s capability.

Motors rated for zero RPM continuous duty (1000:1 or 2000:1) must be powered by vector drives to produce rated torque without overheating. Optimum zero speed and low-speed full torque performance may require a closed loop vector drive (with encoder feedback).

Continued on next page



CONSTANT HORSEPOWER LOADS

Applications include coil winders, band saws, grinders, and turret lathes. Operation requires the motor to deliver the same horsepower rating, regardless of shaft speed. Torque increases at low speed and decreases at higher speed. Most general purpose motors can deliver constant horsepower up to 1 1/2 times base speed (consult a factory representative to verify performance). However, many constant HP applications require operation to twice base speed, and some, such as coil winders, up to 4 times base speed.

MOTOR GROUNDING

Frames and accessories of all motors must be grounded in accordance with the National Electric Code (NEC) Article 430. Refer to NEC Article 250 for general information on grounding. Proper grounding of inverter-driven motors is essential to protect personnel and livestock from inverter-sourced common mode voltages, which may reach hazardous levels on the frame of ungrounded or poorly grounded motors.

LOW INPUT VOLTAGE

If, due to lower utility supply voltage, the input voltage from the VFD to the motor is lower than the motor's rated voltage, de-rating of the motor's base frequency, horsepower, full load RPM, and constant HP RPM is required. The revised values can be calculated by multiplying by the ratio of the voltage change. For example, to operate a 460 volt motor from an inverter fed by 50 or 60 HZ, 400 volt utility power, the multiplier is 400/460 or 0.87.

The VFD can be reprogrammed to match the new base point values, allowing the motor to provide rated torque at rated current from the new base speed down to its original minimum Constant torque speed. The motor's CHP range will begin at the new base frequency and will be shortened by the same ratio as described above.

OVERSPEED CAPABILITY

Maximum safe mechanical speed capability is a function of bearing size and type, lubrication, rotor balancing technique and specifications, air gap, enclosure, frame construction and connection to the driven load. In addition, consideration must be given to ambient noise levels, as operation above base speed will increase motor noise and vibration, and reduce bearing life. Under no circumstances should bearing hub temperature exceed 100° C. Belted loads should not exceed 60 Hz operating RPM by more than 25% (NEMA "TS" shafts are not suitable for belted loads). Due to external cooling fans, TEFC (and Explosion Proof Fan Cooled) motors are limited to 4000 RPM maximum speed.

Maximum Safe Mechanical Speed Limits (ODP, TENV, DPFV OR TEBC ENCLOSURES)

60 Hz base frequency

Frame Size	2-Pole	4, 6 or 8-Pole
56-184	7200	5400
213-256	5400	4200
284-286	5400	3600
324-326	4000	3600
364-365	4000	2800
404-449	3600	2800
5000 Fr	N/A	CALL
6800 Fr	N/A	CALL

Single Phase
ODP Motors

Single Phase
TEFC Motors

Three Phase
ODP Motors

Three Phase
TEFC Motors

Inverter Duty
Motors

Severe Duty
Motors

Definite
Purpose Motors

Brake Motors



Technical Information

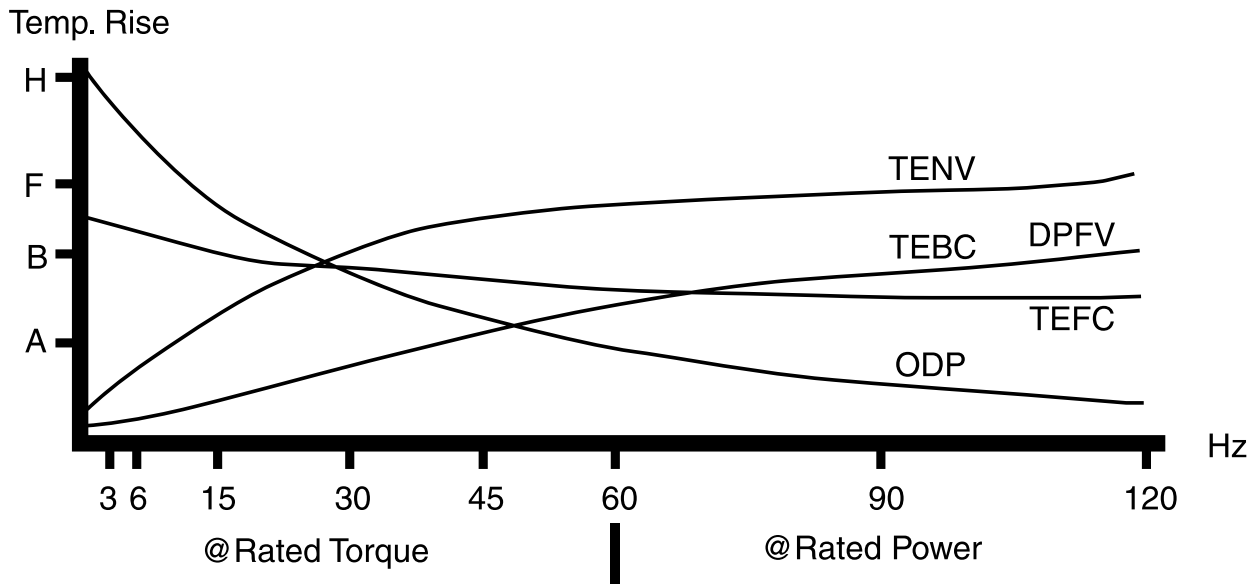
Variable Speed Operation

OTHER APPLICATION CONSIDERATIONS –

For proper selection, the following should be considered:

- Horsepower or torque requirements at various speeds.
- Desired speed range of the load and motor.
- Acceleration and deceleration rate requirements of the process being controlled.
- Starting requirements including the frequency of starting and a description of the load (reflected inertia at the motor, load torque during starting).
- Whether the application is a continuous process or duty cycle of starts, stops and speed changes.
- A general description of the type of application including the environment in which the VFD system components must operate (determines motor enclosure and/or explosion proof classification)
- Description of the available electrical power supply and wiring.
- Special performance requirements, if any.
- Whether the drive will be configured with a by-pass circuit. In case of its deployment, the motor will operate like its fixed speed counterpart and may require a NEMA B design which limits in-rush current, or selection of a larger motor starter or other protective circuitry.
- Load sharing
- Mounting and other mechanical considerations.

Typical Temperature Rise Of Various Enclosures



Technical Information

LEESON Model Number Nomenclature

LEESON MOTOR MODEL NUMBER NOMENCLATURE

All LEESON motors, both stock and custom, have a catalog number and a model number. The model number appears on the motor's nameplate and describes pertinent electrical and mechanical features of the motor. An example follows along with a listing of the various letters and positions used.

POSITION 1: U.L. PREFIX

A = Auto protector. U.L. recognized for locked rotor plus run, also recognized construction (U.L. 1004)*.

M = Manual protector. U.L. recognized for locked rotor plus run, also recognized construction (U.L. 1004)*.

C = Component recognition. (U.L. 1004) No protector.

U = Auto protector. U.L. recognized construction (UL1004).

Motor/protector combination not UL recognized.

P = Manual protector. U.L. recognized construction (UL1004).

Motor/protector combination not UL recognized.

T = Thermostat, not U.L. recognized.

N = No overload protection.

*This applies only to 48, S56, and 56 frame designs through 1 HP, Open & TENV.

POSITION 2: FRAME

4 = 48 Frame	24 = 24 Frame	40 = 40 Frame
6 = 56 Frame	25 = 25 Frame	43 = 43 Frame
42 = 42 Frame	30 = 30 Frame	44 = 44 Frame
143 = 143T Frame	31 = 31 Frame	
145 = 145T Frame	32 = 32 Frame	
182 = 182T Frame	34 = 34 Frame	
184 = 184T Frame	38 = 38 Frame	
213 = 213T Frame		
215 = 215T Frame		
254 = 254T Frame		
256 = 256T Frame		
284 = 284T Frame		
286 = 286T Frame		
324 = 324T Frame		
326 = 326T Frame		
364 = 364T Frame		
365 = 365T Frame		
404 = 404T Frame		
405 = 405 T Frame		
444 = 444T Frame		
447 = 447T Frame		
449 = 449T Frame		

POSITION 3: MOTOR TYPE

C =Cap. Start/Ind. Run	T =Three Phase
D =Direct Current	B =Brushless DC
K =Cap. Start/Cap. Run	H =Inverter Rated/IEEE841
P =Permanent Split	S =Split Phase

Odd frequencies other than 50 Hz show synchronous speed code. DC and special motors may have one, two, or three digits indicating motor speed rounded to the nearest hundred RPM.

EXAMPLE:

Position No.	1	2	3	4	5	6	7	8
Sample Model No.	A	4	C	17	D	B	1	A

POSITION 4: RPM

RPM-Single Speed

34 = 3450 RPM 60 Hz 2 Pole
28 = 2850 RPM 50 Hz 2 Pole
17 = 1725 RPM 60 Hz 4 Pole
14 = 1425 RPM 50 Hz 4 Pole
11 = 1140 RPM 60 Hz 6 Pole
9 = 950 RPM 50 Hz 6 Pole
8 = 960 RPM 60 Hz 8 Pole
7 = 720 RPM 50 Hz 8 Pole
7 = 795 RPM 60 Hz 10 Pole
6 = 580 RPM 50 Hz 10 Pole
6 = 580 RPM 60 Hz 12 Pole

RPM-Multi-Speed

24 = 2 and 4 Poles
26 = 2 and 6 Poles
82 = 2 and 8 Poles
212 = 2 and 12 Poles
46 = 4 and 6 Poles
48 = 4 and 8 Poles
410 = 4 and 10 Poles
412 = 4 and 12 Poles
68 = 6 and 8 Poles

POSITION 5: ENCLOSURE

D = Drip-Proof

E = Explosion-Proof TENV

F = Fan Cooled

N = TENV

O = Open

S = Splashproof

W = Weatherproof, Severe Duty, Chemical Duty, WASHGUARD - TEFC

X = Explosion-Proof TEFC

V = Weatherproof, Severe Duty, Chemical Duty, WASHGUARD - TENV

POSITION 6: MOUNTING

B = Rigid base standard

C = "C" face - no base - NEMA

D = "D" flange - no base - NEMA

H = 48 frame - 56 frame mounting/shaft rigid

J = 48 frame - 56 frame mounting/shaft resilient

K = Rigid mount with "C" flange

M = Motor parts - rotor and stator

R = Resilient base

S = Shell motor

T = Round body

Z = Special mounting

POSITION 7: SEQUENCE NUMBER

Number assigned as required when new designs with new characteristics are needed.

POSITION 8: MODIFICATION LETTER

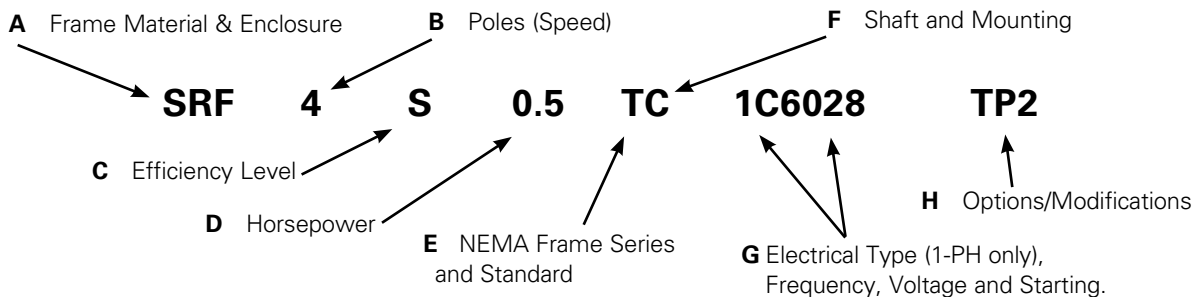
Major modification letter. Used when revisions made in existing model will affect service parts.



Technical Information

Lincoln Motors Model Number Defined

A Typical Single Phase Motor Model Number



A Typical Three Phase Motor Model Number

EXAMPLE:

Position No.	A	B	C	D	E,F	G	H
Sample Three Phase Model No. SF2P50TSC619	SF	2	P	50	TSC	61Y	Options/Modifications
Sample One Phase Model No. SF2P50TSC619	SRF	4	S	0.5	TC	1C6028	

AP20 Division 2 Hazardous location Class 1, DIV2, Groups A,B,C,D
 AP25 China sourced Ultimate E brand
 AP26 MT2 plant sourced
 CRI Crusher Duty

A Frame Material:

- A, AA = Extruded aluminum
- AV = Alum 63 frame
- AP = Alum 71 frame
- AR = lum 80 frame
- C = Cast iron
- M = Steel (encapsulated windings, 284T-445T frames)
- S = Steel (143T-449T frames)

Signature Series Motors

- SP = Steel (48 frames)
- SR = Steel (56 frames)
- SS = Steel (143T-215T frames)
- CC = Cast iron (143T and larger)

Enclosure (follows Frame Material*):

- A = TEAO
- B = TEBC
- D = ODP
- E = ODP-Encapsulated
- EW = Wash-ThruTM Motor
- F = TEFC
- RN = Steel TENV 48 frame
- N = TENV
- P = Severe Duty IEEE 841
- S = Severe Duty
- FW = TEFC, Washdown
- FX = TE, Explosion-proof
- NW = TENV, Washdown
- RA = TEAO, Steel
- NX = XP, TENV
- YF = TEFC, Metric
- PA = Steel 48 frame
- PN = Steel TENV 48 frame
- RN = Steel TENV 48 frame

B Number of Magnetic Poles: this leads to motor synchronous speed (rpm).

Poles	Speed 60 Hz	Speed 50 Hz
2	3600 RPM	3000 RPM
4	1800	1500
6	1200	1000
8	900	750

Single speed motors:
 4 = 1800 (60 Hz) or 1500 (50 Hz)

Two speed motors:
 2/4/1 = 3600 and 1800 (60 Hz), one winding
 4/8/2 = 1800 and 900 (60 Hz), two windings

C Efficiency Level:

- B = Exceeds NEMA MG-1 Table 12-12
- G = Below NEMA MG-1 Table 12-11, GM7EQ
- P = Meets EPAAct, NEMA MG-1 Table 12-11 and GM-7EH.
- S, H = Below NEMA MG-1 Tables 12-11 and 12-12

D Horsepower:

Single speed motor examples: 0.25, 0.5, 1.5, 75, 800
 Horsepower range example: 5-7 = 5 to 7
 Two speed motor example:
 10/2.5 = 10 HP high speed, 2.5 HP low speed



Technical Information

Lincoln Motors Model Number Defined

E NEMA Frame Series and Dimensions:

T or U = sets frame number and dimensions in accordance with NEMA T or U design standards for the motor's HP, speed and enclosure.
E = Metric design IEC

F Shaft and Mounting:

AD = Auger drive R = Resilient mount
 C = C-Face, B14 S = NEMA short shaft
 D = D-Flange, B5 Y = special mounting
 J = Jet Pump (ie. extended thru-bolts)
 JM = JM Pump Mount Z = non-standard shaft
 JP = JP Pump Mount dimensions (-1, -2, -3, etc.
 L = Locked bearing will appear at the end of
 N = No feet the Model Number)

Double shaft motors are identified by two symbols, the first for the "normal drive end" and the second for the "opposite normal drive end": SD4B30TTM61Y and SD4P75TSTS61Y

Each end of the double shaft can have its own mounting: MD4S125TSCTSC61 and CS6P15TTMC61Y

Mounting symbols are listed in alphabetical order when more than one is specified: SSD2S25TJMN61

G Electrical Type (Single Phase Only):

1A = permanent split capacitor
 1B = capacitor start, capacitor run
 1C = capacitor start, induction run
 1N = split phase start, capacitor run
 1S = split phase

Frequency:

6_ = 60 Hz and 5_ = 50 Hz

Voltage:

The specific number has no significance. Lincoln will assign the next number in sequence to a new, previously unmanufactured voltage when it is ordered.

Commonly used voltage codes:

60 Hz		50 Hz
61 = 230/460 V	6026 = 208-230/460	51 = 220/380 V
62 = 200/400	6027 = 115/230	52 = 240/415
63 = 208	6028 = 115/208-230	53 = 230/400
64 = 460	6029 = 208-220/440	54 = 200/400
65 = 575		55 = 380
67 = 440		56 = 400
68 = 380		57 = 415
69 = 480		58 = 440
6003 = 220/380		59 = 220/440
6004 = 220/440		5001 = 190/380
6020 = 2300		5007 = 346
6021 = 4000		5012 = 550
6024 = 2300/4000		5014 = 380-415

Reduced Voltage Start Capability:

P = Part winding start (PWS)
 Y = Wye-delta start (YDS)
 PY = PWS and YDS

H OPTIONS/MODIFICATIONS:

If a motor has more than one Option / Modification, the symbols will appear in alphabetical order.

AP1 CE Compliant Motor
 AP5 Fire Pump certified
 AP7 Farm Duty, High Torque
 AP8 Farm Duty, Extra High Torque
 AP9 Grain Stirring
 AP10 PSC Variable Speed
 AP11 PSC Variable Speed, expanded speed range
 AP13 UL Listed Class 1 Groups C & D and Class 2 Groups F & G, thermostats
 AP14 UL Listed Class 1 Groups C & D and Class 2 Groups F & G, auto reset thermal protector
 AP15 UL Listed Class 1 Group D and Class 2 Groups F & G, thermostats
 AP21 China Sourced
 AP25 China Sourced Ultimate E
 B F-2 Mount
 C_ Ceiling Mount - NEMA position follows "C"; 1-2
 E3 Class H Insulation
 E5 Class H Insulation & High Temperature Grease
 F Fungus Proofing (Tropicalization)
 H4 Leads exit motor at 12 o'clock position
 HS Precision Dynamic Balance
 HT1 Space Heater, 120V
 HT2 Space Heater, 240 V
 K Omit Terminal Box
 L_ Additional Lead Length - "L" followed by additional length in inches
 MB3 Insulated bearings, both ends
 MB6 Double sealed bearings, both ends
 MK_ Brake installed on motor
 Q1 VTAC Inverter Duty Motor
 Q10 CTAC Inverter Duty Motor with provision for mounting feedback device
 Q15 CTAC Inverter Duty Motor with factory installed Dynapar 625 1024 ppr encoder
 Q15_ CTAC Inverter Duty Motor with factory installed encoder - letter following "Q15" represents brand and ppr rating of encoder, A through S.
 Q20 CTAC Inverter Duty motor without provision for mounting feedback device
 Q40 CTAC Inverter Duty Motor without provision for mounting feedback device
 QS10 Crop dryer (single phase, auto reset)
 QS11 Crop dryer (single phase, thermostats)
 QS12 Crop dryer (three phase, thermostats)
 RB Roller bearing on drive end
 T1 Thermostats, Class F, 3 in series
 TD1,2 RTD - Winding, 100 Ω platinum
 TD4 RTD - Winding, 10 Ω copper
 TD6 RTD - Winding, 120 Ω nickel
 TP1 Overload protection, manual reset
 TP2 Overload protection, auto reset
 TX1 Thermistors, 3 in series
 W_ Wall Mount - W followed by NEMA position number, 1-8
 X_ Paint color deviation



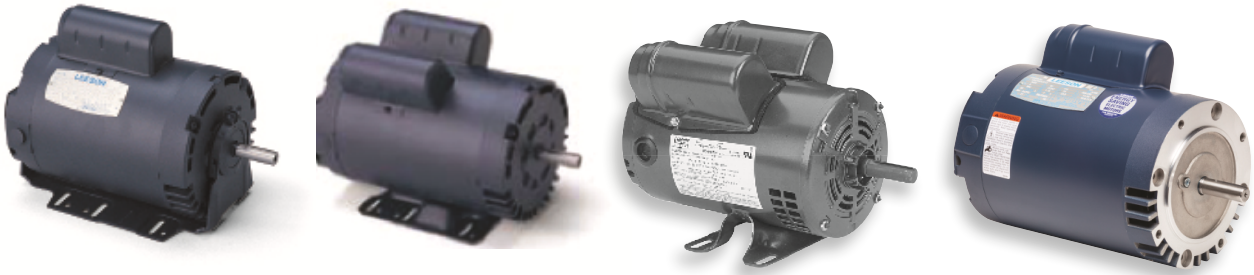
Single Phase ODP Motors

Single Phase Motors – General Purpose – Drip-Proof – 115/208-230V

Rigid Mount – 1/12 HP – 10 HP – Frame sizes - 42 – 215T

C Face Mount – 1/6 HP – 10 HP – Frame sizes 48 – 215TC

Resilient Base Mount – ¼ HP – 2 HP – Frame sizes – 48 – 56



- Durable rolled steel construction
- NEMA design B performance
- Meets or exceeds NEMA service factors
- Double shielded ball bearings
- Continuous duty
- Thermally protected ratings
- UL recognized component listing and CSA certified
- 1-year warranty on general purpose motors
- 3-year warranty on Premium efficient motors

Applications:

For use where water and dust exposure is minimal. Ideally suited for use on pumps, compressors, blowers, fans and other standard industrial applications



Single Phase – Drip-Proof – Rigid Base

HP	SYN RPM 60 Hz	NEMA Frame	Catalog Number	Stock	List Price	Model Number	App. Wgt. (lbs)	Voltage	Over- load Prot.	F. L. Amps @ 230 V	Service Factor	"C" Dim. (Inches)	Notes
1/4	1800	48	101423.00	√	395	M4C17DB33	16	115/230	Man.	2.7	1.35	8.87	S, MX
1/4	1800	48	100115.00	√	327	A4C17DB1	16	115/230	Auto.	2.7	1.35	8.87	S, MX
1/4	1800	S56	100000.00	√	374	A4C17DH1	17	115/230	Auto.	2.7	1.35	9.24	S, MX
1/4	1800	S56	LM24457	D	387	SPD450.25T1C6028	17	115/230	None	2.5	1.35	9.84	S, MX
1/4	3600	S56	100336.00	D	306	C4C34DH11	26	115/230	None	2.8	1.35	8.99	S, MX
1/4	3600	S56	E100336.00	√	392	C4K34DH6	29	115/230	None	1.5	1.35	10.49	S, MX, 53
1/3	1800	48	100116.00	√	374	A4C17DB2	17	115/230	Auto.	3.3	1.35	8.87	S, MX
1/3	1800	S56	E100006.00	√	499	C4K17DH5	19	115/230	None	1.9	1.35	10.99	S, MX, 53
1/3	1800	S56	100588.00	√	442	M4C17DH46	18	115/230	Man.	3.3	1.35	9.24	S, MX
1/3	1800	S56	LM24550	√	460	SRD450.33T1C6028TP1	18	115/230	Man.	3.2	1.35	10.22	S, MX
1/3	1800	S56	100001.00	√	440	A4C17DH2	18	115/230	Auto.	3.3	1.35	9.24	S, MX
1/3	1200	56	E104018.00	√	678	C4K11DH1	32	115/230	None	1.7	1.35	11.99	S, MX, 53
1/2	3600	48	100184.00	D	338	C4C34DB1	19	115/230	None	3.4	1.25	9.62	S, MX
1/2	3600	48	E100184.00	√	422	4K34DB1	29	115/230	None	2.2	1.25	10.37	S, MX, 53
1/2	3600	S56	E100337.00	√	433	C4K34DH5	21	115/230	None	2.2	1.25	10.99	S, MX, 53
1/2	3600	S56	100052.00	√	365	M4C34DH2	21	115/230	Man.	3.4	1.25	9.99	S, MX
1/2	1800	48	E100338.00	√	547	C4K17DB5	30	115/230	None	2.3	1.25	11.12	S, MX, 53
1/2	1800	S56	E100007.00	√	547	C4K17DH6	30	115/230	None	2.3	1.25	11.49	S, MX, 53
1/2	1800	S56	100004.00	√	522	M4C17DH5	21	115/230	Man.	4.4	1.25	9.99	S, MX
1/2	1800	S56	100002.00	√	496	A4C17DH3	20	115/230	Auto.	4.4	1.25	9.99	S, MX
1/2	1800	S56	LM24552	D	520	SRD450.5T1C6028TP2	22	115/230	Auto.	4.3	1.25	11.72	S, MX
1/2	1200	56	E110002.00	√	1,026	C6K11DB5	33	115/230	None	2.6	1.25	12.37	S, MX, 53
3/4	3600	S56	E100340.00	√	518	C4K34DH4	31	115/230	None	3.6	1.25	11.49	S, MX, 53
3/4	3600	S56	100053.00	√	460	M4C34DH3	24	115/230	Man.	4.9	1.25	10.49	S, MX
3/4	1800	56	E119348.00	√	632	C6K17DB51	27	115/230	None	3.3	1.25	13.15	S, MX, 53
3/4	1800	S56	100005.00	√	623	M4C17DH6	25	115/230	Man.	5.4	1.25	10.99	S, MX
3/4	1800	S56	LM24504	D	688	SRD450.75T1B6028TP1	18	115/230	Man.	5.5	1.25	11.47	S, MX
3/4	1800	S56	101544.00	C/A	665	M4K17DH2	28	115/230	Man.	4.0	1.25	11.24	S, MX
3/4	1800	S56	100003.00	√	606	A4C17DH4	25	115/230	Auto.	5.4	1.25	10.99	S, MX
3/4	1800	S56	LM24503	D	634	SRD450.75T1B6028TP2	25	115/230	Auto.	5.5	1.25	11.47	S, MX
3/4	1200	56H	E110003.00	√	1,040	C6K11DB6	45	115/230	None	3.3	1.15	13.62	S, MX, 53

115/230 volt motors are suitable for use at 208 volts

Continued on next page

Green items are Premium Efficient

"E" prefix items comply with SMR 2015

LM Numbers are Lincoln Models

D - Item to be discontinued once inventory is depleted

C/A - Check Availability

♥ Note listing on inside back flap
Specifications are subject to change without notice



Single Phase ODP Motors



Capacitor Start – General Purpose

Single Phase – Drip-Proof – Rigid Base

HP	SYN RPM 60 Hz	NEMA Frame	Catalog Number	Stock	List Price	Model Number	App. Wgt. (lbs)	Voltage	Over-load Prot.	F. L. Amps @ 230 V	Service Factor	"C" Dim. (Inches)	Notes
1	3600	56	E110360.00	✓	557	C6K34DB31	29	115/230	None	3.9	1.25	11.37	S, US, 53
1	3600	56	110097.00	✓	475	M6C34DB3	28	115/230	Man.	6.0	1.25	10.84	S, US
1	1800	56	110004.00	D	573	C6K17DB2	28	115/230	None	6.4	1.15	11.87	S, US
1	1800	56	E110004.00	✓	726	C6K17DB52	29	115/230	None	4.2	1.15	11.44	S, US, 53
1	1800	56	110167.00	✓	673	M6C17DB7	30	115/230	Man.	6.4	1.15	10.84	S, US
1	1800	56	113630.00	✓	721	M6K17DB33	31	115/230	Man.	5.3	1.15	10.88	S, US, 53
1	1800	56	110000.00	✓	648	A6C17DB1	28	115/230	Auto.	6.4	1.15	10.88	S, US
1	1800	143T	120044.00	✓	640	C143C17DB3	38	115/230	None	6.4	1.15	11.28	S, US
1	1800	143T	120003.00	✓	673	M143C17DB2	33	115/230	Man.	6.4	1.15	11.31	S, US
1	1800	143T	120000.00	✓	672	A143C17DB1	32	115/230	Auto.	6.4	1.15	11.33	S, US
1 1/2	3600	56	E110361.00	✓	776	C6K34DB32	30	115/230	None	6.1	1.15	11.87	S, US, 53
1 1/2	3600	56	110110.00	✓	623	M6C34DB4	28	115/230	Man.	8.2	1.15	10.84	S, US
1 1/2	3600	56	113631.00	✓	631	M6K34DB15	36	115/230	Man.	6.2	1.15	11.34	S, US, 53
1 1/2	3600	143T	120107.00	C/A	613	C143C34DB1	32	115/230	None	8.2	1.15	11.28	S, US
1 1/2	1800	56H	E110005.00	✓	943	C6K17DB53	38	115/230	None	6.5	1.15	12.87	S, US, 53
1 1/2	1800	56H	110006.00	✓	812	P6K17DB2	38	115/230	Man.	8.6	1.15	11.84	S, US, 53
1 1/2	1800	56H	113266.00	✓	841	M6K17DB30	42	115/230	Man.	6.7	1.15	12.38	S, US, 53
1 1/2	1800	145T	120042.00	✓	707	C145K17DB5	38	115/230	None	8.6	1.15	12.28	S, US, 53
1 1/2	1800	145T	LM24687	✓	742	SSD451.5T1C6028	41	115/230	None	9.0	1.15	12.49	S, MX
1 1/2	1800	145T	120004.00	✓	898	P145K17DB3	40	115/230	Man.	8.6	1.15	12.28	S, US, 53
1 1/2	1800	145T	120001.00	✓	898	U145K17DB1	40	115/230	Auto.	8.6	1.15	12.28	S, US, 53
2	3600	56	110363.00	D	812	C6C34DB22	37	115/230	None	10.0	1.15	11.84	S, US
2	3600	56	E110363.00	✓	1,018	C6K34DB33	38	115/230	None	8.0	1.15	11.87	S, US, 53
2	3600	56	110362.00	D	846	P6C34DB21	38	115/230	Man.	10.0	1.15	12.34	S, US
2	3600	56	113632.00	✓	852	P6K34DB16	38	115/230	Man.	8.6	1.15	11.34	S, US, 53
2	3600	145T	120106.00	✓	874	C145C34DB3	40	115/230	None	10.0	1.15	12.28	S, US
2	1800	56H	116704.00	✓	898	P6K17DB47	45	115/230	Man.	8.6	1.15	12.88	S, US, 53
2	1800	145T	120067.00	✓	844	C145K17DB9	42	115/230	None	10.5	1.15	13.28	S, US, 53
2	1800	145T	LM24677	✓	883	SSD452T1B6028	49	115/230	None	10.5	1.15	13.49	S, MX, 53
2	1800	145T	120879.00	✓	945	P145K17DB38	51	115/230	Man.	8.6	1.15	12.45	S, US, 53
2	1800	182T	131515.00	✓	874	C182C17DB8	56	115/230	None	12.4	1.15	13.19	S, MX
2	1800	182T	131536.00	✓	935	P182C17DB10	63	115/230	Man.	12.4	1.15	13.19	S, MX
2	1800	182T	131535.00	✓	930	U182C17DB9	63	115/230	Auto.	12.4	1.15	13.19	S, MX

115/230 volt motors are suitable for use at 208 volts

Continued on next page

Green items are Premium Efficient

"E" prefix items comply with SMR 2015

LM Numbers are Lincoln Models

D - Item to be discontinued once inventory is depleted

C/A - Check Availability

♥ Note listing on inside back flap
Specifications are subject to change without notice

Single Phase – Drip-Proof – Rigid Base

HP	SYN RPM 60 Hz	NEMA Frame	Catalog Number	Stock	List Price	Model Number	App. Wgt. (lbs)	Voltage	Over-load Prot.	F. L. Amps @ 230 V	Service Factor	"C" Dim. (Inches)	Notes
3	3600	56H	116706.00	✓	906	M6C34DB75	39	230	Man.	15.0	1.0	12.38	S, US
3	3600	182T	131636.00	✓	1,005	C182K34DB3	74	115/230	None	14.0	1.15	14.18	S, MX, 53
3	1800	184T	131534.00	✓	946	C184C17DB19	69	115/230	None	16.9	1.15	14.19	S, MX
3	1800	184T	131561.00	✓	1,119	P184C17DB21	76	115/230	Man.	16.9	1.15	14.19	S, MX
3	1800	184T	131851.00	C/A	1,117	C184K17D0B40	72	230	Man.	13.7	1.15	15.22	S, MX, 53
3	1800	184T	131530.00	✓	1,119	U184C17DB20	69	115/230	Auto.	16.9	1.15	14.19	S, MX
5	3600	56H	116708.00	✓	926	P6K34DB26	45	230	Man.	20.8	1.0	13.34	S, MX, 53
5	3600	184T	131616.00	✓	1,196	C184K34DB3	84	230	None	22.0	1.15	14.69	S, MX, 53
5	3600	184T	LM24681	C/A	1,226	SS184D2S5T1C6008	78	230	None	24.0	1.15	14.72	S, MX, 53
5	1800	184T	131537.00	✓	1,135	C184K17DB31	83	230	None	21.0	1.15	14.69	S, MX, 53
5	1800	184T	LM24682	✓	1,160	SSD4S5T1B6008	87	230	None	21.0	1.15	15.72	S, MX, 53
5	1800	184T	131560.00	✓	1,135	C184K17DB32	82	208	None	23.2*	1.15	14.69	S, MX, 53
5	1800	184T	131622.00	✓	1,357	P184K17DB33	82	230	Man.	21.0	1.15	14.69	S, MX, 53
7 1/2	3600	184T	132044.00	✓	1,093	C184K34DB8	110	230	Tstat	31.0	1.15	16.69	S, MX, 53
7 1/2	3600	213T	140680.00	✓	1,846	C213K34DB1	112	230	None	29.5	1.15	18.04	S, MX, 53
7 1/2	1800	215T	140155.00	✓	1,611	C215K17DB2	113	230	None	36.0	1.15	17.26	S, MX, 53
7 1/2	1800	215T	LM24683	✓	1,700	SS15D4S7.5T1B6008	118	230	None	34.5	1.15	18.05	S, MX, 53
10	3600	215T	140681.00	✓	2,334	C215K34DB1	135	230	None	37.0	1.15	18.05	S, MX, 53
10	1800	215TZ	140311.00	✓	2,355	C215K17DB4	140	230	None	43.0	1.25	19.76	S, MX, 53
10	1800	215	LM24684	✓	2,413	SSD4S10T1B6008	140	230	None	44.0	1.15	19.29	S, MX, 53

115/230 volt motors are suitable for use at 208 volts

♥ Note listing on inside back flap
Specifications are subject to change without notice

* F.L. Amps at 208V
LM Numbers are Lincoln Models
C/A - Check Availability



Single Phase - C Face Motors

ecoSaver™

Drip-Proof - Capacitor Start

General Purpose - C Face Less Base



Single Phase - Drip-Proof - C Face Less Base

HP	SYN RPM 60 Hz	NEMA Frame	Catalog Number	Stock	List Price	Model Number	App. Wgt. (lbs)	Voltage	Over- load Prot.	F. L. Amps @ 230 V	Service Factor	"C" Dim. (Inches)	♥Notes
1/4	1800	S56C	100023.00	D	365	C4C17DC7	17	115/230	None	2.7	1.35	9.24	S, MX
1/4	1800	S56C	E100023.00	√	470	C4K17DC13	18	115/230	None	1.2	1.35	10.74	S, MX, 53
1/4	1800	S56C	101521.00	√	396	A4C17DC79	17	115/230	Auto.	2.7	1.35	9.24	S, MX
1/3	3600	S56C	E100354.00	√	413	C4K34DC4	29	115/230	None	1.5	1.35	10.24	S, MX, 53
1/3	3600	S56C	100355.00	√	338	A4C34DC12	17	115/230	Auto.	2.8	1.35	8.99	S, MX
1/3	1800	S56C	E100024.00	√	546	C4K17DC12	19	115/230	None	1.9	1.35	10.99	S, MX, 53
1/3	1800	S56C	LM34059	C/A	566	SRD4B0.33TLCN1C6028	19	115/230	None	1.9	1.35	10.94	S, MX, 53
1/3	1800	S56C	100018.00	√	459	M4C17DC2	18	115/230	Man.	3.3	1.35	9.24	S, MX
1/3	1800	S56C	101522.00	√	448	A4C17DC81	17	115/230	Auto.	3.3	1.35	9.24	S, MX
1/2	3600	S56C	E100356.00	√	449	C4K34DC3	29	115/230	None	2.2	1.25	10.74	S, MX, 53
1/2	3600	S56C	100054.00	√	363	A4C34DC1	18	115/230	Auto.	3.4	1.25	9.99	S, MX
1/2	1800	S56C	E100025.00	√	565	C4K17DC14	30	115/230	None	2.3	1.25	11.49	S, MX, 53
1/2	1800	S56C	100019.00	√	519	M4C17DC3	21	115/230	Man.	4.4	1.25	9.99	S, MX
1/2	1800	S56C	100020.00	√	507	A4C17DC4	20	115/230	Auto.	4.4	1.25	9.99	S, MX
1/2	1200	56C	E110381.00	√	1,049	C6K11DC5	33	115/230	None	2.6	1.25	12.37	S, US
3/4	3600	S56C	E100357.00	√	547	C4K34DC5	24	115/230	None	3.6	1.25	11.49	S, MX, 53
3/4	3600	S56C	100055.00	√	475	A4C34DC2	24	115/230	Auto.	4.9	1.25	10.49	S, MX
3/4	1800	56C	E119349.00	√	653	C6K17DC50	25	115/230	None	3.3	1.25	13.15	S, MX
3/4	1800	S56C	100021.00	√	626	M4C17DC5	24	115/230	Man.	5.4	1.25	10.99	S, MX
3/4	1800	S56C	101523.00	√	620	A4C17DC80	26	115/230	Auto.	5.4	1.25	10.99	S, MX
3/4	1200	56C	E110382.00	√	1,128	C6K11DC6	47	115/230	None	3.3	1.15	13.62	S, MX, 53
1	3600	56C	E110384.00	√	596	C6K34DC25	29	115/230	None	3.9	1.25	11.37	S, US, 53
1	3600	56C	113337.00	C/A	519	A6C34DC53	28	115/230	Auto.	6.0	1.25	10.84	S, US
1	1800	56C	110220.00	D	617	C6C17DC3	30	115/230	None	6.4	1.15	10.88	S, US
1	1800	56C	E110220.00	√	735	C6K17DC51	31	115/230	None	4.2	1.15	11.87	S, MX, 53
1	1800	56C	110036.00	√	650	M6C17DC1	27	115/230	Man.	6.4	1.15	10.88	S, US
1	1800	143TC	121002.00	√	667	C143C17DC2	31	115/230	None	6.4	1.15	11.28	S, US

115/230 volt motors are suitable for use at 208 volts

Continued on next page

Green items are Premium Efficient
 "E" prefix items comply with SMR 2015

LM Numbers are Lincoln Models

D - Item to be discontinued once inventory is depleted

C/A - Check Availability

♥ Note listing on inside back flap
 Specifications are subject to change without notice

Single Phase - Drip-Proof - C Face Less Base

HP	SYN RPM 60 Hz	NEMA Frame	Catalog Number	Stock	List Price	Model Number	App. Wgt. (lbs)	Voltage	Over-load Prot.	F. L. Amps @ 230 V	Service Factor	"C" Dim. (Inches)	♥Notes
1 1/2	3600	56C	E110387.00	√	809	C6K34DC26	29	115/230	None	6.1	1.15	11.87	S, US, 53
1 1/2	3600	56C	113336.00	√	677	A6C34DC52	28	115/230	Auto.	8.2	1.15	10.84	S, US
1 1/2	1800	56C	110388.00	D	745	C6K17DC4	38	115/230	None	8.6	1.15	11.84	S, US, 53
1 1/2	1800	56C	E110388.00	√	946	C6K17DC52	39	115/230	None	6.5	1.15	12.87	S, US, 53
1 1/2	1800	56C	110037.00	√	782	P6K17DC1	39	115/230	Man.	8.6	1.15	11.84	S, US, 53
2	3600	56C	E110390.00	√	1,043	C6K34DC27	38	115/230	None	8.0	1.15	11.87	S, US, 53
2	3600	56C	113335.00	√	875	U6C34DC51	36	115/230	Auto.	10.0	1.15	11.84	S, US
2	3600	145TC	121184.00	C/A	853	C145C34DC4	37	115/230	None	10.0	1.15	12.28	S, US
2	1800	56C	LM24507	D	878	SRD452TLCN1B6028	48	115/230	None	10.5	1.15	13.44	S, MX, 53
2	1800	56C	LM34060	√	1,133	SRD4B2TLCN1B6028	49	115/230	None	6.3	1.15	14.10	S, MX, 53
2	1800	145TC	120073.00	√	846	C145K17DC4	49	115/230	None	10.5	1.15	13.28	S, US, 53
3	3600	56C	113334.00	√	891	P6C34DC50	36	230	Auto.	15.0	1.00	11.84	S, US
3	1800	184TC	131544.00	√	984	C184C17DC5	73	115/230	None	16.9	1.15	14.20	S, MX
5	3600	184TC	131777.00	√	1,317	C184K34DC2	70	230	None	22.2	1.15	14.70	S, MX, 53
5	1800	184TC	131539.00	√	1,370	C184K17DC6	81	230	None	21.0	1.15	14.70	S, MX, 53

115/230 volt motors are suitable for use at 208 volts

♥ Note listing on inside back flap
Specifications are subject to change without notice

Green items are Premium Efficient

"E" prefix items comply with SMR 2015

LM Numbers are Lincoln Models

D - Item to be discontinued once inventory is depleted

C/A - Check Availability



Single Phase - C Face Motors

ecoSaver™

Drip-Proof - Capacitor Start

Single Phase - Drip-Proof - C Face With Base

HP	SYN RPM 60 Hz	NEMA Frame	Catalog Number	Stock	List Price	Model Number	App. Wgt. (lbs)	Voltage	Over-load Prot.	F. L. Amps @ 230 V	Service Factor	"C" Dim. (Inches)	♥Notes
1/3	1800	S56C	E103023.00	✓	545	C4K17DK2	19	115/230	None	1.9	1.35	10.74	S, MX, 53
1/3	1800	S56C	103083.00	✓	435	M4C17DK37	18	115/230	Man.	3.3	1.35	9.24	S, MX
1/2	3600	S56C	103024.00	D	395	C4C34DK10	20	115/230	None	3.4	1.25	9.99	S, MX
1/2	3600	S56C	E103024.00	✓	455	C4K34DK3	29	115/230	None	2.2	1.25	10.74	S, MX, 53
1/2	1800	S56C	E101651.00	✓	586	C4K17DK5	30	115/230	None	2.3	1.25	11.49	S, MX, 53
1/2	1800	S56C	103084.00	✓	526	M4C17DK38	21	115/230	Man.	4.4	1.25	9.99	S, MX
3/4	3600	S56C	E103025.00	✓	549	C4K34DK4	29	115/230	None	2.2	1.25	11.49	S, MX, 53
3/4	1800	56C	E119350.00	✓	650	C6K17DK44	28	115/230	None	3.3	1.25	13.08	S, MX, 53
3/4	1800	S56C	103086.00	✓	609	M4C17DK39	27	115/230	Man.	5.4	1.25	10.99	S, MX
1	3600	56C	116769.00	D	492	C6C34DK6	28	115/230	None	6.0	1.25	10.87	S, US
1	3600	56C	E116769.00	✓	598	C6K34DK23	29	115/230	None	3.9	1.25	11.37	S, US, 53
1	1800	56C	E113930.00	✓	746	C6K17DK45	35	115/230	None	4.2	1.15	11.87	S, US, 53
1 1/2	3600	56C	E116770.00	C/A	808	C6K34DK24	36	115/230	None	6.1	1.15	11.87	S, US, 53
1 1/2	3600	56C	114214.00	✓	672	M6K34DK8	35	115/230	Man.	6.2	1.15	11.34	S, US, 53
1 1/2	1800	56HC	E113932.00	✓	926	C6K17DK46	40	115/230	None	6.5	1.15	12.87	S, US, 53
1 1/2	1800	56HC	113700.00	✓	888	M6K17DK15	38	115/230	Man.	7.2	1.15	11.84	S, US, 53
2	3600	56C	E116771.00	✓	1,025	C6K34DK25	36	115/230	None	8.0	1.15	11.87	S, US, 53
2	3600	56C	114215.00	✓	853	P6K34DK9	35	115/230	Man.	8.6	1.15	11.34	S, US, 53
2	1800	56HC	113281.00	✓	919	P6K17DK12	45	115/230	Man.	8.6	1.15	12.87	S, US, 53
2	1800	145TC	120992.00	✓	804	C145K17DK7	45	115/230	None	10.5	1.15	13.28	S, US, 53
3	3600	56HC	116707.00	✓	931	M6C34DK5	41	230	Man.	15.0	1.00	12.84	S, US
3	3600	182TC	132083.00	C/A	1,049	C182K34DK2	74	115/230	None	14.0	1.15	14.20	S, MX, 53
3	1800	184TC	131629.00	✓	1,119	P184C17DK3	70	115/230	Man.	16.9	1.15	14.20	S, MX
3	1800	184TC	131853.00	✓	1,117	C184K17DK18	87	230	Man.	15.4	1.15	13.20	S, MX, 53
5	3600	56HC	116709.00	✓	953	P6K34DK18	46	230	Man.	20.8	1.00	13.84	S, US, 53
5	3600	184TC	131781.00	✓	1,322	C184K34DK4	70	230	None	22.2	1.15	14.70	S, MX, 53
5	1800	184TC	131630.00	✓	1,374	M184K17DK13	77	230	Man.	21.0	1.15	14.70	S, MX, 53
7 1/2	3600	184TC	132043.00	✓	1,371	C184K34DK8	112	230	T-stats	31.0	1.15	16.70	S, MX, 53
7 1/2	1800	215TC	140806.00	✓	1,412	C215K17DK5	120	230	None	36.0	1.15	17.26	S, MX, 53

115/230 volt motors are suitable for use at 208 volts

♥ Note listing on inside back flap
Specifications are subject to change without notice

Green items are Premium Efficient

"E" prefix items comply with SMR 2015

D - Item to be discontinued once inventory is depleted

C/A - Check Availability

Single Phase ODP Motors

WATTSaver e[®] Premium Efficiency Fan Motors

Features Include:

- Premium Efficient
- Class F insulation
- Terminal boards
- Shielded ball bearings



Single Phase – Drip-Proof – Resilient Base

HP	SYN RPM 60 Hz	NEMA Frame	Catalog Number	Stock	List Price	Model Number	App. Wgt. (lbs)	Voltage	Over-load Prot.	F. L. Amps @ 115 V	Service Factor	% F. L. Eff.	"C" Dim. (Inches)	♥ Notes
1/4	1800	48	101602.00	√	429	A4K17DR7	19	115	Auto.	2.5	1.35	71.0	10.39	S, MX, 32, 53
1/3	1800	48	101405.00	√	507	A4K17DR5	19	115	Auto.	3.2	1.35	75.0	10.39	S, MX, 32, 53
1/2	1800	48	101585.00	√	580	A4K17DR6	25	115	Auto.	4.6	1.35	76.0	11.39	S, MX, 32, 53

Green items are Premium Efficient

♥ Note listing on inside back flap
Specifications are subject to change without notice

Tech Information

Single Phase ODP Motors

Single Phase TEFC Motors

Three Phase ODP Motors

Three Phase TEFC Motors

Inverter Duty Motors

Severe Duty Motors

Definite Purpose Motors

Brake Motors



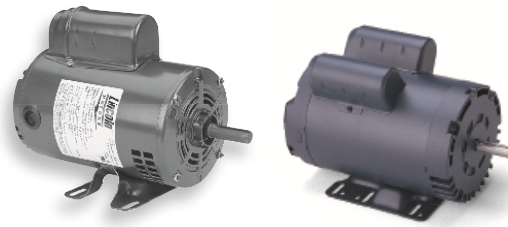
Single Phase ODP Motors

Compressor Duty Motors –

Compressor – Pump and Fan & Blower Duty

General Specifications:

Motors designed for air compressor, pump, fan and blower duty applications which require high breakdown torque and rugged mechanical construction.



Mechanical Features:

- Double shielded ball bearings
- Designed for belted loads

Electrical Features:

- High efficient Class "F" copper windings
- High starting and breakdown torque
- Dual rotation

Single Phase – Drip-Proof – Rigid Base

HP	SYN RPM 60 Hz	NEMA Frame	Catalog Number	Stock	List Price	Model Number	App. Wgt. (lbs)	Voltage	Over-load Prot.	F. L. Amps @ 230 V	Service Factor	"C" Dim. (Inches)	♥ Notes
1	3600	56	110160.00	√	470	M6C34DB6	27	115/230	Man.	6.7	SPEC	11.38	S, US
1	1800	143T	120044.00	√	640	C143C17DB3	38	115/230	None	6.4	1.15	11.28	S, US
1	1800	143T	120003.00	√	673	M143C17DB2	33	115/230	Man.	6.4	1.15	11.13	S, US
1 1/2	3600	56	110161.00	√	516	P6C34DB7	33	115/230	Man.	10.0	SPEC	11.88	S, US
1 1/2	1800	145T	120042.00	√	707	C145K17DB5	38	115/230	None	8.6	1.15	12.28	S, US, 53
1 1/2	1800	145T	LM24687	C/A	742	SSD4S1.5T1C602	41	115/230	None	8.6	1.15	12.49	S, US
1 1/2	1800	145T	120004.00	√	898	P145K17DB3	40	115/230	Man.	8.6	1.15	12.28	S, US, 53
2	3600	56	110232.00	√	538	M6C34DB11	33	115/230	Man.	11.0	SPEC	11.88	S, US
2	1800	182T	131515.00	√	874	C182C17DB8	56	115/230	None	12.4	1.15	13.19	S, MX
2	1800	182T	131536.00	√	935	P182C17DB10	63	115/230	Man.	8.8	1.15	10.66	S, MX
3	3600	56Y	110222.00	√	603	M6C34DB13	38	230	Man.	15.0	1.15	12.38	S, US, 36
3	1800	184T	131534.00	√	946	C184C17DB19	69	115/230	None	16.9	1.15	14.19	S, MX
5SPL	3600	56	116523.00	√	728	P6K34DB22	35	230	Man.	15.0	1.0	11.44	S, US, 53
5	3600	56Y	111275.00	√	750	P6K34DB5	44	230	Man.	20.8	1.0	13.34	S, US, 36, 53
5	3600	56Y	116789.00	√	773	P6K34DB27	45	230	Man.	20.8	1.0	12.38	S, US, 10, 53
5	3600	145T	120554.00	√	758	P145K34DB1	46	230	Man.	20.8	1.0	13.12	S, US, 53
5	1800	184T	131537.00	√	1,135	C184K17DB31	83	230	None	21.0	1.15	14.69	S, MX, 53
5	1800	184T	LM24682	√	1,160	SSD4S5T1B600	87	230	None	21.0	1.15	14.69	S, MX, 53
5	1800	184T	131622.00	√	1,357	P184K17DB33	82	230	Man.	21.0	1.15	14.69	S, MX, 53
7.5	3600	184T	132044.00	√	1,093	C184K34DB8	110	230	Tstat	31.0	1.15	16.69	S, MX, 53
7.5	3600	213T	140680.00	√	1,846	C213K34DB1	112	230	None	29.5	1.15	16.55	S, MX, 53
7.5	1800	215T	140155.00	√	1,611	C215K17DB2	113	230	None	36.0	1.15	17.26	S, MX, 53
7.5	1800	215T	LM24683	√	1,700	SS215D4S7.5T1B600	118	230	None	36.0	1.15	17.26	S, MX, 53
10	3600	215T	140681.00	√	2,334	C215K34DB1	135	230	None	37.0	1.15	18.05	S, MX, 53
10	1800	215TZ	140311.00	√	2,355	C215K17DB4	140	230	None	43.0	1.25	19.76	S, MX, 53
10	1800	215TZ	LM24684	√	2,413	SSD4S10T1B600	140	230	None	43.0	1.15	19.76	S, MX, 53

115/230 volt motors are suitable for use at 208 volts

♥ Note listing on inside back flap
Specifications are subject to change without notice

LM Numbers are Lincoln Models

Note - 3 HP Continuous Duty and 5 HP Breakdown Torque

Note 10 - Motor has a base with 182T mounting holes and a 4.5 inch shaft height

Note 36 - Special BA dimension of 2.31 for belt guard clearance

C/A - Check Availability

Single Phase ODP Motors

Pressure Washer Pump Motors

Tech Information

Single Phase ODP Motors

Single Phase TEFC Motors

Three Phase ODP Motors

Three Phase TEFC Motors

Inverter Duty Motors

Severe Duty Motors

Definite Purpose Motors

Brake Motors

General Specifications:

Motors specially suited for hot or cold pressure washer applications and other single phase installations requiring minimum starting and running amperages. Capacitor start, capacitor run construction for reduced amperage.



Mechanical Features:

- Double shielded ball bearings
- Dynamically balanced rotors

Electrical Features:

- Windings dipped in heavy duty varnish system
- Capacitor start/capacitor run designs to reduce amp draw
- Manual reset overload protection
- High service factor

Single Phase – Drip-Proof – Rigid Base

HP	SYN RPM 60 Hz	NEMA Frame	Catalog Number	Stock	List Price	Model Number	App. Wgt. (lbs)	Voltage	Over-load Prot.	F. L. Amps @ 230 V	Service Factor	"C" Dim. (Inches)	♥ Notes
3/4	3600	S56	100053.00	√	460	M4C34DH3	24	115/230	Man.	4.9	1.25	10.49	S, MX
3/4	1800	S56	101544.00	C/A	665	M4K17DH2	28	115/230	Man.	4.0	1.25	11.24	S, US, 53
1	3600	56	110097.00	√	475	M6C34DB3	27	115/230	Man.	6.0	1.25	10.84	S, US
1	1800	56	113630.00	√	721	M6K17DB33	31	115/230	Man.	5.3	1.15	10.84	S, US, 53
1 1/2	3600	56	113631.00	√	631	M6K34DB15	36	115/230	Man.	6.2	1.15	11.34	S, US, 53
1 1/2	1800	56H	113266.00	√	841	M6K17DB30	42	115/230	Man.	6.7	1.15	12.38	S, US, 6, 53
1 1/2	1800	145T	120004.00	√	898	P145K17DB3	40	115/230	Man.	8.6	1.15	12.28	S, US, 53
2	3600	56	113632.00	√	852	P6K34DB16	36	115/230	Man.	8.6	1.15	11.34	S, US, 53
2	1800	56H	116704.00	√	898	P6K17DB47	45	115/230	Man.	8.6	1.15	12.88	S, US, 6
2	1800	145T	120879.00	√	945	P145K17DB38	53	115/230	Man.	8.6	1.15	13.31	S, US, 53
3	3600	56H	116706.00	√	906	M6C34DB75	39	230	Man.	15.0	1.00	12.38	S, US, 6
3	1800	184T	131851.00	C/A	1,117	184TBDR7675	72	230	Man.	13.7	1.15	15.22	S, MX, 9
5	3600	56H	116708.00	√	926	P6K34DB26	45	230	Man.	20.8	1.00	13.34	S, US, 6
5	1800	184T	131622.00	√	1,357	P184K17DB33	82	230	Man.	21.0	1.15	14.69	S, MX

115/230 volt motors are suitable for use at 208 volts

♥ Note listing on inside back flap
Specifications are subject to change without notice

D-Item to be discontinued once inventory is depleted
C/A - Check Availability



Single Phase ODP Motors

ecoSaver™

Resilient Base Motors – General Purpose or Fan Duty

General Specifications:

- Industrial quality resilient base
- Belt driven fans or fan on shaft applications
- Moderate starting torque
- Self ventilated designs



Drip-Proof – Single Phase – Resilient Base

HP	SYN RPM 60 Hz	NEMA Frame	Catalog Number	Stock	List Price	Model Number	App. Wgt. (lbs)	Voltage	Over-load Prot.	F.L. Amps @ 230 V	Service Factor	"C" Dim. (Inches)	♥ Notes
1/4	3600	48	101434.00	√	329	A4C34DR8	16	115/230	Auto.	2.0	1.00	9.39	S, MX
1/4	1800	48	100109.00	√	387	A4C17DR1	17	115/230	Auto.	2.7	1.35	9.89	S, MX
1/4	1800	48	100111.00	√	334	A4C17DR3	17	115/230	Auto.	2.7	1.00	9.89	S, MX
1/4	1800	48	102963.00	√	387	A4C17DR47	17	277 ■	Auto.	2.2*	1.35	9.89	S, MX
1/3	3600	48	101431.00	√	339	A4C34DR11	17	115/230	Auto.	2.3	1.00	9.39	S, MX
1/3	1800	48	100110.00	√	472	A4C17DR2	18	115/230	Auto.	3.3	1.35	9.89	S, MX
1/3	1800	48	101015.00	√	387	A4C17DR31	18	115/230	Auto.	3.3	1.00	9.89	S, MX
1/3	1800	S56	E100014.00	√	557	C4K17DJ9	20	115/230	None	1.9	1.35	10.97	S, MX, 53
1/3	1800	S56	100010.00	√	472	A4C17DJ2	18	115/230	Auto.	3.3	1.35	10.31	S, MX
1/3	1800	S56	100063.00	√	387	A4C17DJ9	19	115/230	Auto.	3.3	1.00	10.31	S, MX
1/3	1800	S56	102964.00	√	472	A4C17DJ72	18	277 ■	Auto.	2.8*	1.35	10.31	S, MX
1/2	3600	48	101432.00	√	374	A4C34DR10	20	115/230	Auto.	3.4	1.00	9.89	S, MX
1/2	1800	S56	100015.00	D	480	C4C17DJ6	21	115/230	None	4.4	1.25	10.81	S, MX
1/2	1800	S56	E100015.00	√	574	C4K17DJ10	22	115/230	None	2.3	1.25	11.47	S, MX, 53
1/2	1800	S56	100045.00	√	460	M4C17DJ17	20	115/230	Man.	4.4	1.00	10.81	S, MX
1/2	1800	S56	101611.00	√	508	A4C17DJ57	22	115/230	Auto.	4.4	1.25	10.81	S, MX, 32
1/2	1800	S56	100011.00	√	508	A4C17DJ3	22	115/230	Auto.	4.4	1.25	10.81	S, MX
1/2	1800	S56	100064.00	√	462	A4C17DJ10	20	115/230	Auto.	4.4	1.00	10.81	S, MX
1/2	1800	S56	102965.00	√	508	A4C17DJ74	22	277 ■	Auto.	3.7*	1.25	10.81	S, MX
3/4	3600	48	101433.00	√	439	A4C34DR9	22	115/230	Auto.	4.8	1.00	10.39	S, MX
3/4	3600	S56H	100603.00	√	468	A4C34DJ7	26	115/230	Auto.	4.9	1.25	11.31	S, MX
3/4	1800	S56H	E119362.00	√	662	C6K17DR44	27	115/230	None	3.3	1.25	13.21	S, MX, 53
3/4	1800	S56H	100046.00	√	629	M4C17DJ18	26	115/230	Man.	5.4	1.25	11.81	S, MX
3/4	1800	S56H	100047.00	√	526	M4C17DJ19	25	115/230	Man.	5.5	1.00	11.81	S, MX
3/4	1800	S56H	101839.00	√	629	A4C17DJ67	28	115/230	Auto.	5.4	1.25	11.81	S, MX, 32
3/4	1800	S56H	100012.00	√	629	A4C17DJ4	26	115/230	Auto.	5.4	1.25	11.81	S, MX
3/4	1800	S56H	100065.00	√	521	A4C17DJ11	25	115/230	Auto.	5.5	1.00	11.81	S, MX
3/4	1800	S56H	102966.00	√	629	A4C17DJ73	26	277 ■	Auto.	4.5*	1.25	11.81	S, MX
1	3600	56H	110478.00	√	540	A6C34DR6	28	115/230	Auto.	6.0	1.25	11.85	S, US
1	1800	56H	E113027.00	√	713	C6K17DR43	31	115/230	None	4.2	1.15	12.88	S, US, 53
1	1800	56H	110007.00	√	681	A6C17DR1	29	115/230	Auto.	6.4	1.15	11.81	S, US
1	1800	56H	110054.00	√	666	A6C17DR2	32	115/230	Auto.	6.4	1.00	11.81	S, US
1	1800	56H	116599.00	√	681	A6C17DR54	29	277 ■	Auto.	5.4*	1.20	11.82	S, US
1 1/2	3600	56H	110479.00	√	695	A6C34DR7	30	115/230	Auto.	8.2	1.15	11.82	S, US
1 1/2	1800	56H	110579.00	√	824	A6K17DR6	38	115/230	Auto.	7.2	1.15	12.82	S, US, 6
1 1/2	1800	56H	116600.00	C/A	824	A6K17DR41	38	277 ■	Auto.	6.0*	1.15	12.82	S, US
2	3600	56H	113633.00	√	870	U6C34DR21	38	115/230	Auto.	10.0	1.15	13.82	S, US
2	1800	56H	113608.00	√	878	A6K17DR28	45	115/230	Auto.	10.0	1.15	13.81	S, US, 6
2	1800	56H	116601.00	√	878	A6K17DR42	45	277 ■	Auto.	8.7*	1.15	13.82	S, US

115/230 volt motors are suitable for use at 208 volts
 ■ 277 volts only

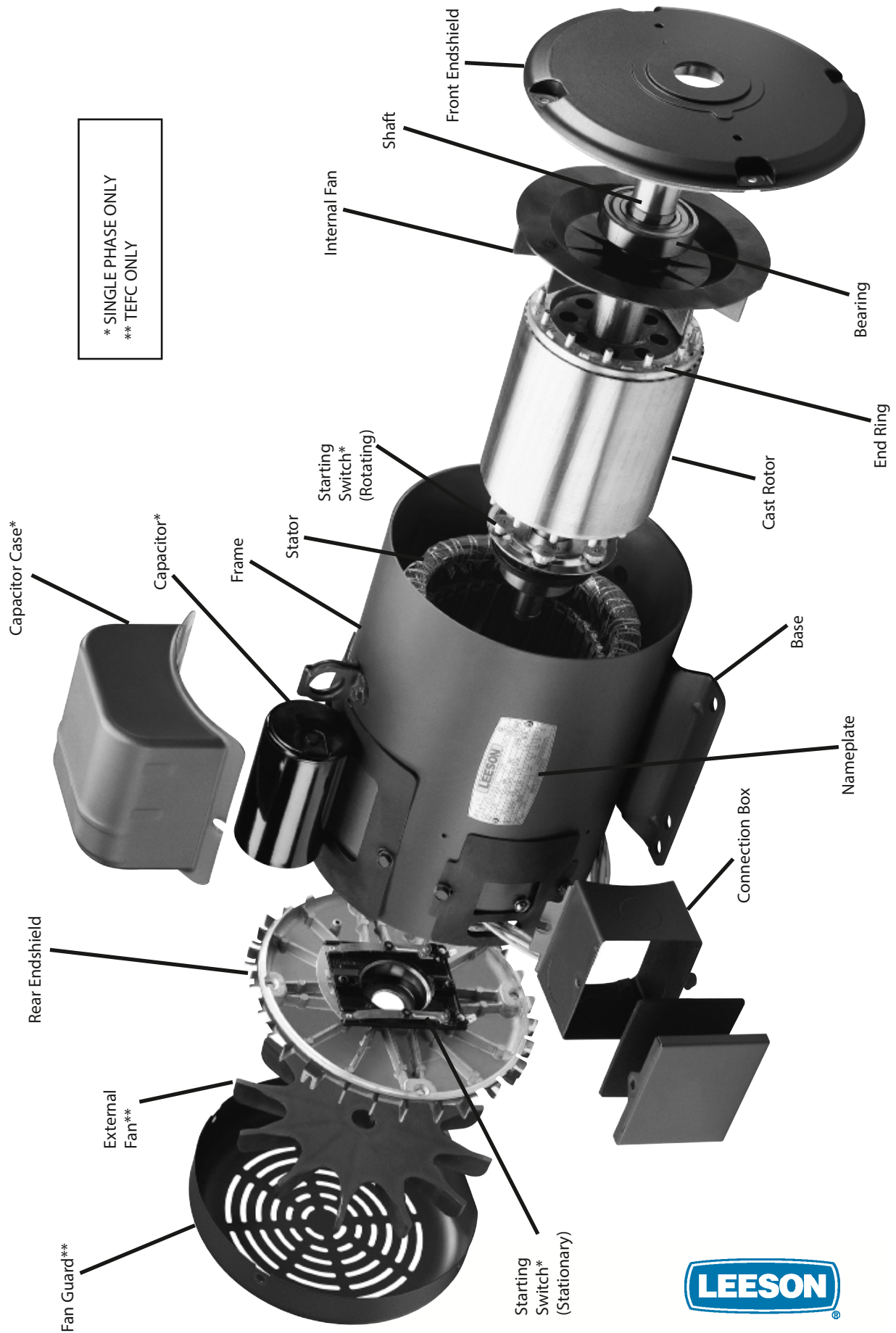
♥ Note listing on inside back flap
 Specifications are subject to change without notice

Green items are Premium Efficient
 "E" prefix items comply with SMR 2015

* F.L. Amps at 277V
 D-Item to be discontinued once inventory is depleted
 C/A - Check Availability



Major Components of an Electric Motor



Tech Information

Single Phase
ODP Motors

Single Phase
TEFC Motors

Three Phase
ODP Motors

Three Phase
TEFC Motors

Inverter Duty
Motors

Severe Duty
Motors

Definite
Purpose Motors

Brake Motors

Single Phase TEFC Motors

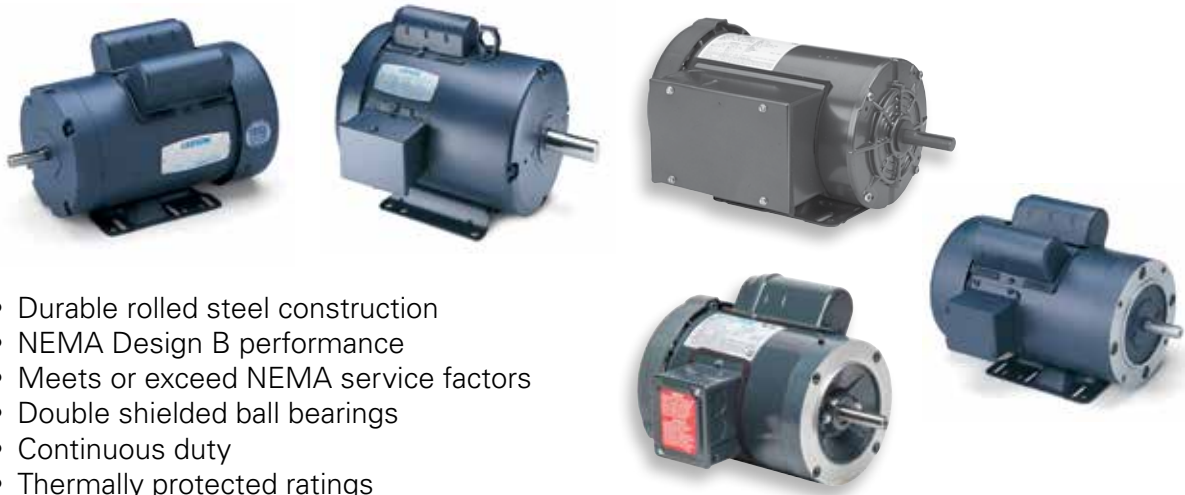
Standard and Premium Efficiency –

General Purpose – 115/208-230 Volt

Rigid Mount – 1/12 HP – 10 HP – 42 through 215T frame

Resilient Mount – ½ HP – 1 HP – 56 frame

C Face Motors - 1/6 HP - 10 HP - 48 through 215TC



- Durable rolled steel construction
- NEMA Design B performance
- Meets or exceed NEMA service factors
- Double shielded ball bearings
- Continuous duty
- Thermally protected ratings
- 1-year warranty on general purpose motors
- 3-year warranty on Premium efficient motors
- UL recognized component listing and CSA certified

Applications:

For use where exposure to water, dust and dirt exists. Ideally suited for use on pumps, compressors, fans, conveyors and other industrial equipment.



Single Phase TEFC Motors

Capacitor Start – General Purpose

Tech Information

Single Phase
ODP Motors

Single Phase
TEFC Motors

Three Phase
ODP Motors

Three Phase
TEFC Motors

Inverter Duty
Motors

Severe Duty
Motors

Definite
Purpose Motors

Brake Motors

Single Phase – TEFC – Rigid Base

HP	SYN RPM 60 Hz	NEMA Frame	▼ Catalog Number	Stock	List Price	Model Number	App. Wgt. (lbs)	Voltage	Over- load Prot.	F. L. Amps @ 230 V	Service Factor	"C" Dim. (Inches)	♥Notes
1/12	1800	42	092111.00	√	338	C42C17FB3	14	115/230	None	1.1	1.15	8.94	S, US
1/8	1800	42	092114.00	√	350	C42C17FB2	16	115/230	None	1.6	1.15	9.44	S, US
1/6	1800	42	092116.00	√	384	C42C17FB1	17	115/230	None	2.1	1.15	9.44	S, US
1/6	1800	48	102012.00	√	381	C4C17FB23	17	115/230	None	2.0	1.15	9.06	S, MX
1/6	1200	48	102013.00	√	540	C4C11FB3	23	115/230	None	1.9	1.15	10.31	S, MX
1/4	3600	42	092112.00	√	389	C42C34FB3	19	115/230	None	2.1	1.15	9.94	S, US
1/4	1800	48	102014.00	√	374	C4C17FB21	20	115/230	None	2.7	1.15	9.06	S, MX
1/4	1800	48	101446.00	√	430	M4C17FB10	18	115/230	Man.	2.7	1.15	9.06	S, MX
1/4	1800	S56	LM24606	C/A	508	SRF4S0.25T1C6028	18	115/230	None	2.1	1.15	10.22	S, MX
1/4	1200	48	102015.00	√	575	C4C11FB4	23	115/230	None	3.2	1.15	11.31	S, MX
1/4	1200	56	114617.00	√	606	C6C11FB7	30	115/230	None	2.8	1.15	11.81	S, US
1/3	3600	48	102016.00	√	357	C4C34FB10	21	115/230	None	2.8	1.15	9.06	S, MX
1/3	1800	48	100955.00	√	414	C4C17FB3	19	115/230	None	3.3	1.15	9.56	S, MX
1/3	1800	48	102018.00	√	474	M4C17FB22	20	115/230	Man.	3.3	1.15	9.56	S, MX
1/3	1800	S56	102931.00	√	412	C4C17FH31	23	115/230	None	3.1	1.15	10.44	S, MX
1/3	1800	56	LM24597	√	434	SRF4S0.33T1C6028	19	115/230	None	3.1	1.15	10.44	S, MX
1/3	1800	S56	102933.00	√	470	M4C17FH33	23	115/230	Man.	3.1	1.15	10.44	S, MX
1/3	1800	S56	LM24602	C/A	496	SRF3S0.33T1C6028TP1	20	115/230	Man.	3.0	1.15	10.47	S, MX
1/3	1800	S56	102932.00	√	486	A4C17FH32	23	115/230	Auto.	3.1	1.15	10.44	S, MX
1/3	1800	56	113765.00	√	571	M6K17FB33	27	115/230	Man.	1.7	1.15	10.81	S, US, 53
1/3	1200	48	102019.00	√	634	C4C11FB5	28	115/230	None	3.1	1.00	11.56	S, MX
1/3	1200	56	110009.00	√	634	C6C11FB1	34	115/230	None	3.6	1.00	12.31	S, US
1/3	1200	56	LM24546	√	665	SRF6S0.33T1C6028	28	115/230	None	3.9	1.15	12.32	S, MX
1/2	3600	48	102020.00	√	407	C4C34FB9	27	115/230	None	3.5	1.15	9.31	S, MX
1/2	3600	S56	102905.00	√	405	C4C34FH8	22	115/230	None	3.5	1.15	9.94	S, MX
1/2	3600	56	LM24706	C/A	426	SRF2S0.5T1C6028	23	115/230	None	4.2	1.15	11.82	S, MX
1/2	3600	S56	102904.00	√	434	M4C34FH7	25	115/230	Man.	3.5	1.15	9.94	S, MX
1/2	3600	56	LM24743	√	456	SRF2S0.5T1C6028TP1	23	115/230	Man.	4.2	1.15	11.82	S, MX
1/2	1800	48	100956.00	√	474	C4C17FB4	22	115/230	None	4.0	1.15	10.31	S, MX
1/2	1800	S56	102906.00	√	470	C4C17FH28	22	115/230	None	4.0	1.15	10.69	S, MX
1/2	1800	S56	LM24627	√	496	SRF4S0.5T1C6028	24	115/230	None	4.0	1.15	11.22	S, MX
1/2	1800	S56	102909.00	√	551	M4C17FH30	22	115/230	Man.	4.0	1.15	10.69	S, MX
1/2	1800	S56	LM24604	C/A	582	SRF2S0.5T1C6028TP1	24	115/230	Man.	4.0	1.15	11.22	S, MX
1/2	1800	S56	102908.00	√	564	A4C17FH29	25	115/230	Auto.	4.0	1.15	10.69	S, MX
1/2	1800	56	113766.00	√	634	M6K17FB34	30	115/230	Man.	2.5	1.15	11.31	S, US, 53
1/2	1200	56	110011.00	√	902	C6C11FB2	38	115/230	None	4.9	1.00	12.81	S, US

Suitable for use at 208 volts

Continued on next page

Green items are Premium Efficient

▼ LM Numbers are Lincoln Models
C/A - Check Availability

♥ Note listing on inside back flap
Specifications are subject to change without notice



Single Phase TEFC Motors

Capacitor Start – General Purpose

Single Phase - TEFC - Rigid Base

HP	SYN RPM 60 Hz	NEMA Frame	▼ Catalog Number	Stock	List Price	Model Number	App. Wgt. (lbs)	Voltage	Over-load Prot.	F. L. Amps @ 230 V	Service Factor	"C" Dim. (Inches)	♥Notes
3/4	3600	56	110276.00	√	456	C6C34FB15	26	115/230	None	5.0	1.15	11.31	S, US
3/4	3600	56	110108.00	√	485	M6C34FB7	26	115/230	Man.	5.0	1.15	11.31	S, US
3/4	3600	56	LM24744	√	504	SRF2S0.75T1C6028TP1	26	115/230	Man.	5.3	1.15	12.32	S, MX
3/4	1800	56	110013.00	√	564	C6C17FB2	29	115/230	None	5.4	1.15	11.31	S, US
3/4	1800	56	LM24607	√	589	SRF4S0.75T1C6028	30	115/230	None	5.5	1.15	12.32	S, MX
3/4	1800	56	110022.00	√	659	M6C17FB7	29	115/230	Man.	5.4	1.15	11.31	S, US
3/4	1800	56	110017.00	√	688	A6C17FB4	26	115/230	Auto.	5.4	1.15	11.31	S, US
3/4	1800	56	113767.00	√	748	M6K17FB35	35	115/230	Man.	3.2	1.15	11.81	S, US, 53
3/4	1200	56H	110400.00	√	1,044	C6K11FB1	43	115/230	None	5.3	1.00	13.31	S, US, 53
3/4	1200	56	LM24497	√	1,093	SRF6S0.75T1B6028	41	115/230	None	5.7	1.15	13.82	S, MX, 53
1	3600	56	110059.00	√	531	C6C34FB5	28	115/230	None	6.0	1.15	11.81	S, US
1	3600	56	110142.00	√	593	M6C34FB2	28	115/230	Man.	6.0	1.15	11.81	S, US
1	3600	56	LM24745	√	624	SRF2S1T1C6028TP1	31	115/230	Man.	6.2	1.15	12.32	S, MX
1	1800	56H	110209.00	√	647	C6C17FB17	30	115/230	None	7.0	1.15	11.81	S, US
1	1800	56	LM24610	√	679	SRF4S1T1C6028	32	115/230	None	6.7	1.15	12.82	S, MX
1	1800	56	110023.00	√	745	M6C17FB8	29	115/230	Man.	6.4	1.15	11.81	S, US
1	1800	56	110018.00	√	770	A6C17FB5	29	115/230	Auto.	6.4	1.15	12.31	S, US
1	1800	56	113768.00	√	858	M6K17FB36	37	115/230	Man.	4.2	1.15	12.31	S, US, 53
1	1800	143T	120025.00	√	713	C143C17FB3	34	115/230	None	6.4	1.15	12.75	S, US
1	1800	143T	LM24709	C/A	747	SSF4S1T1C6028	34	115/230	None	6.7	1.15	12.87	S, MX
1	1800	143T	120008.00	√	745	M143C17FB2	31	115/230	Man.	6.4	1.15	12.75	S, US
1	1200	145T	120043.00	√	1196	C145K11FB1	49	115/230	None	6.7	1.00	14.25	S, US, 53
1 1/2	3600	56	110094.00	√	697	C6C34FB6	32	115/230	None	8.5	1.00	12.31	S, US
1 1/2	3600	56H	LM24531	√	728	SRF2S1.5T1B6028	35	115/230	None	7.1	1.15	12.82	S, MX, 53
1 1/2	3600	56	110109.00	√	816	M6C34FB8	31	115/230	Man.	8.5	1.00	12.31	S, US
1 1/2	3600	56H	LM24532	√	853	SRF2S1.5T1B6028TP1	35	115/230	Man.	7.1	1.15	12.82	S, MX, 53
1 1/2	3600	143T	120130.00	√	697	C143C34FB1	36	115/230	None	8.5	1.00	13.25	S, US
1 1/2	3600	143T	LM24710	C/A	728	SRF4S1.5T1B6028	39	115/230	None	7.1	1.15	12.87	S, MX, 53
1 1/2	1800	56H	110253.00	√	735	C6K17FB9	38	115/230	None	8.6	1.00	12.81	S, US, 53
1 1/2	1800	56H	LM24513	√	768	SSF4S1.5T1B6028	41	115/230	None	7.6	1.15	13.82	S, MX, 53
1 1/2	1800	56H	113333.00	√	844	M6K17FB32	38	115/230	Man.	8.6	1.00	12.81	S, US, 53
1 1/2	1800	56H	LM24515	C/A	883	SRF3S1.5T1B6028TP1	41	115/230	Man.	7.6	1.15	13.82	S, MX, 53
1 1/2	1800	56H	110019.00	√	915	U6K17FB1	38	115/230	Auto.	8.6	1.00	12.81	S, US, 53
1 1/2	1800	56H	113769.00	√	975	M6K17FB37	43	115/230	Man.	6.5	1.15	13.31	S, US, 53
1 1/2	1800	145T	120026.00	√	735	C145K17FB3	44	115/230	None	8.6	1.00	13.25	S, US, 53
1 1/2	1800	145T	LM24711	C/A	768	SSF4S1.5T1B6028	42	115/230	None	7.6	1.15	13.87	S, MX, 53
1 1/2	1800	145T	120009.00	√	844	M145K17FB2	42	115/230	Man.	8.6	1.00	13.25	S, US, 53
1 1/2	1800	145T	LM24746	C/A	883	SSF4S1.5T1B6028TP1	43	115/230	Man.	7.6	1.15	13.87	S, MX, 53
1 1/2	1200	184T	131526.00	√	1,939	C184C11FB2	69	115/230	None	11.0	1.00	15.46	S, MX

Suitable for use at 208 volts

Continued on next page

Green items are Premium Efficient

▼ LM Numbers are Lincoln Models
C/A - Check Availability

♥ Note listing on inside back flap
Specifications are subject to change without notice



Single Phase TEFC Motors

Capacitor Start – General Purpose

Single Phase - TEFC - Rigid Base

HP	SYN RPM 60 Hz	NEMA Frame	▼ Catalog Number	Stock	List Price	Model Number	App. Wgt. (lbs)	Voltage	Over-load Prot.	F. L. Amps @ 230 V	Service Factor	"C" Dim. (Inches)	♥Notes
2	3600	56H	110352.00	√	909	C6C34FB21	41	115/230	None	10.0	1.00	13.31	S, US
2	3600	56H	110402.00	√	952	P6C34FB23	41	115/230	Man.	10.0	1.00	13.31	S, US
2	3600	56H	LM24534	C/A	1,000	SRF2S2T1B6028TP1	40	115/230	Man.	9.0	1.15	13.32	S, MX, 53
2	3600	145T	120036.00	√	915	C145C34FB1	42	115/230	None	10.0	1.00	13.75	S, US
2	3600	145T	LM24712	C/A	950	SRF2ST1B6028	54	115/230	None	9.0	1.15	13.37	S, MX, 53
2	3600	145T	120395.00	√	962	P145C34FB5	44	115/230	Man.	10.0	1.00	13.75	S, US
2	1800	56HZ	113770.00	√	1,341	M6K17FB38	49	230	Man.	8.2	1.15	14.25	S, US, 3, 53
2	1800	145T	121507.00	√	1,201	C145K17FB24	48	115/230	None	9.2	1.15	13.75	S, US, 53
2	1800	145T	120867.00	√	1,210	P145K17FB22	48	115/230	Man.	9.2	1.00	13.75	S, US, 53
2	1800	182T	131509.00	√	1,053	C182C17FB11	65	115/230	None	12.4	1.00	14.46	S, MX
2	1800	182T	LM24713	√	1,089	SS18F4S21B028	54	115/230	None	12.4	1.15	14.46	S, MX, 53
2	1200	215T	140747.00	C/A	2,874	C215K11FB3	118	115/230	None	11.2	1.15	18.71	S, MX, 53
3	3600	56H	116705.00	√	992	P6K34FB31	53	230	Man.	14.0	1.00	13.81	S, US, 53
3	3600	145T	120341.00	√	987	C145K34FB3	46	230	None	13.0	1.00	14.25	S, US, 53
3	3600	145T	LM24714	√	1,023	SS14F2S3T1B6008	48	230	None	11.8	1.15	14.87	S, MX, 53
3	3600	182T	131637.00	√	1,087	C182K34FB2	78	115/230	None	13.4	1.15	14.96	S, MX, 53
3	1800	184T	131533.00	√	1,242	C184C17FB12	83	115/230	None	16.8	1.00	16.46	S, MX
3	1800	184T	LM24716	C/A	1,273	SS184F4S3T1C6028	99	115/230	None	16.8	1.00	16.46	S, MX
3	1800	184T	131855.00	√	1,341	P184K17FB26	88	230	Man.	13.6	1.15	14.96	S, MX, 53
5	3600	184T	131549.00	√	1,502	C184K34FB6	93	230	None	19.8	1.15	16.96	S, MX, 53
5	3600	184T	132042.00	√	1,676	P184K34FB9	103	230	Man.	19.8	1.15	16.97	S, MX, 53
5	1800	184T	131538.00	√	1,511	C184K17FB15	95	230	None	23.0	1.00	17.46	S, MX, 53
5	1800	184T	LM24718	√	1,519	SSF4S5T1B6008	98	230	None	21.7	1.00	17.46	S, MX, 53
5	1800	184T	131856.00	√	1,559	P184K17FB25	95	230	Man.	21.0	1.00	15.96	S, MX, 53
7 1/2	3600	213T	140684.00	√	1,930	C213K34FB1	120	230	None	32.0	1.00	18.34	S, MX, 53
7 1/2	3600	213T	LM24719	√	2,080	DDF2S751B6008	120	230	None	32.0	1.00	18.73	S, MX, 53
7 1/2	1800	215T	140120.00	√	1,959	N215K17FB1	169	230	None	33.6	1.15	20.21	S, MX, 53
7 1/2	1800	215T	LM24720	√	2,008	SS215F4S75T1B6008	133	230	None	30.0	1.00	21.09	S, MX, 53
10	3600	215T	140685.00	√	2,369	C215K34FB1	138	230	None	41.5	1.00	19.84	S, MX, 53
10	3600	215T	LM24721	√	2,552	SSF2S10T1B6008	138	230	None	41.5	1.00	20.23	S, MX, 53
10	1800	215T	140581.00	√	2,248	C215K17FB12	202	230	None	40.0	1.15	20.71	S, MX, 53
10	1800	215T	LM24722	√	2,606	SSF4S10T1B66	155	230	None	41.5	1.00	21.09	S, MX, 53

Suitable for use at 208 volts

♥ Note listing on inside back flap
Specifications are subject to change without notice

Green items are Premium Efficient

▼ LM Numbers are Lincoln Models
C/A - Check Availability



Tech Information

Single Phase
ODP Motors

Single Phase
TEFC Motors

Three Phase
ODP Motors

Three Phase
TEFC Motors

Inverter Duty
Motors

Severe Duty
Motors

Definite
Purpose Motors

Brake Motors

Single Phase - C Face Motors

Totally Enclosed - Capacitor Start - General Purpose

Single Phase - Totally Enclosed - C Face Less Base

HP	SYN RPM 60 Hz	NEMA Frame	▼ Catalog Number	Stock	List Price	Model Number	App. Wgt. (lbs)	Voltage	Over-load Prot.	F. L. Amps @ 230 V	Service Factor	"C" Dim. (Inches)	♥Notes
1/6	1800	48CZ	102661.00	√	374	C4C17FC25	14	115/230	None	2.0	1.15	9.19	S, MX, 25
1/4	1800	48CZ	101765.00	√	426	C4C17FC10	18	115/230	None	2.7	1.15	9.19	S, MX, 25
1/4	1800	S56C	102868.00	√	424	C4C17NC26	22	115/230	None	2.3	1.15	9.80	S, MX, 12
1/4	1800	S56C	LM24733	√	405	SRN4S0.25TLCN1C6028	18	115/230	None	2.1	1.00	9.94	S, MX
1/4	1800	S56C	102866.00	√	424	C4C17FC34	18	115/230	None	2.7	1.15	9.44	S, MX
1/3	3600	S56C	102870.00	√	363	C4C34FC13	20	115/230	None	2.8	1.15	9.44	S, MX
1/3	3600	S56C	102873.00	√	363	C4C34NC15	24	115/230	None	1.9	1.00	9.30	S, MX
1/3	3600	S56C	LM24734	√	403	SRN2S0.33TLCN1C6028	20	115/230	None	2.2	1.15	10.19	S, MX
1/3	1800	48CZ	102663.00	√	440	C4C17FC26	19	115/230	None	3.3	1.15	9.69	S, MX, 25
1/3	1800	S56C	101766.00	√	459	C4C17FC9	22	115/230	None	3.3	1.15	9.94	S, MX
1/3	1800	S56C	102867.00	√	456	C4C17NC25	23	115/230	None	2.6	1.15	10.3	S, MX, 12
1/3	1800	S56C	LM24598	√	440	SRF4S0.33TLCN1C6028	19	115/230	None	3.9	1.15	12.32	S, MX
1/3	1800	S56C	102869.00	√	480	M4C17NC27	25	115/230	Man.	2.6	1.15	10.30	S, MX, 12
1/3	1200	56C	LM24735	C/A	673	SRF6S0.33TLCN1C6028	28	115/230	None	3.9	1.15	12.32	S, MX
1/2	3600	S56C	102864.00	√	409	C4C34FC12	22	115/230	None	3.5	1.15	9.94	S, MX
1/2	3600	56C	LM24736	√	459	SRF2S0.5TLCN1C6028	23	115/230	None	4.2	1.15	11.82	S, MX
1/2	3600	S56C	102872.00	√	435	M4C34FC14	25	115/230	Man.	3.5	1.15	9.94	S, MX
1/2	1800	48CZ	102665.00	C/A	513	C4C17FC27	22	115/230	None	4.0	1.00	10.44	S, MX, 25
1/2	1800	S56C	102862.00	√	526	C4C17FC32	21	115/230	None	4.0	1.15	10.69	S, MX
1/2	1800	56C	LM24599	√	523	SRF4S0.5TLCN1C6028	24	115/230	None	4.4	1.15	11.19	S, MX
1/2	1800	S56C	102865.00	√	557	M4C17FC33	22	115/230	Man.	4.0	1.15	10.69	S, MX
1/2	1800	S56C	102871.00	√	549	A4C17FC35	24	115/230	Auto.	4.0	1.15	10.69	S, MX
1/2	1200	56C	110411.00	√	927	C6C11FC1	37	115/230	None	4.9	1.00	12.81	S, US
3/4	3600	56C	110413.00	√	480	C6C34FC8	26	115/230	None	5.0	1.15	11.31	S, US
3/4	3600	56C	LM24738	√	480	SRF2S0.75TLCN1C5028	30	115/230	None	5.3	1.15	12.32	S, MX
3/4	3600	56C	110412.00	√	499	M6C34FC7	28	115/230	Man.	5.0	1.15	11.31	S, US
3/4	1800	56C	110057.00	√	626	C6C17FC6	25	115/230	None	5.4	1.15	11.31	S, US
3/4	1800	56C	LM24613	√	558	SRF4S0.75TLCN1C6028	30	115/230	None	5.5	1.15	12.32	S, MX
3/4	1800	56C	110040.00	√	660	M6C17FC2	26	115/230	Man.	5.4	1.15	11.31	S, US
3/4	1800	56C	110308.00	√	650	A6C17FC8	28	115/230	Auto.	5.4	1.15	11.31	S, US
3/4	1200	56C	110414.00	√	1,044	C6K11FC2	42	115/230	None	5.3	1.00	13.31	S, US, 53
3/4	1200	56C	LM24739	C/A	759	SRF60.75TLCN1B6028	41	115/230	None	5.7	1.15	13.82	S, MX, 53

Suitable for use at 208 volts

Continued on next page

▼ LM Numbers are Lincoln Models
C/A - Check Availability

♥ Note listing on inside back flap
Specifications are subject to change without notice



Single Phase - C Face Motors

Totally Enclosed - Capacitor Start - General Purpose

Tech Information

Single Phase
ODP Motors

Single Phase
TEFC Motors

Three Phase
ODP Motors

Three Phase
TEFC Motors

Inverter Duty
Motors

Severe Duty
Motors

Definite
Purpose Motors

Brake Motors

Single Phase - Totally Enclosed - C Face Less Base

HP	SYN RPM 60 Hz	NEMA Frame	▼ Catalog Number	Stock	List Price	Model Number	App. Wgt. (lbs)	Voltage	Over-load Prot.	F. L. Amps @ 230 V	Service Factor	"C" Dim. (Inches)	♥Notes
1	3600	56C	110416.00	√	562	C6C34FC10	28	115/230	None	6.0	1.15	11.81	S, US
1	3600	56C	LM24740	√	569	SRF2S1TLCN1C6028	31	115/230	None	6.2	1.15	12.32	S, MX
1	3600	56C	110415.00	√	616	M6C34FC9	28	115/230	Man.	6.0	1.15	11.81	S, US
1	1800	56C	110058.00	√	720	C6C17FC7	33	115/230	None	6.4	1.15	11.81	S, US
1	1800	56C	LM24614	√	596	SRF4S1TLCN1C6028	32	115/230	None	6.7	1.15	12.82	S, MX
1	1800	56C	110041.00	√	752	M6C17FC3	29	115/230	Man.	6.4	1.15	11.81	S, US
1	1800	143TC	121001.00	√	817	C143C17FC2	32	115/230	None	6.4	1.15	12.25	S, US
1 1/2	3600	56C	110419.00	√	722	C6C34FC12	31	115/230	None	8.5	1.00	12.31	S, US
1 1/2	3600	56C	LM24535	√	624	SRF2S1.5TLCN1B6028	35	115/230	None	7.1	1.15	12.82	S, MX, 53
1 1/2	3600	56C	110418.00	√	757	M6C34FC11	31	115/230	Man.	8.5	1.00	12.31	S, US
1 1/2	3600	143TC	120101.00	√	817	C143C34FC1	36	115/230	None	8.5	1.00	12.75	S, US
1 1/2	1800	56C	110420.00	√	812	C6K17FC2	37	115/230	None	8.6	1.00	12.81	S, US, 53
1 1/2	1800	56C	LM24622	√	632	SRF4S1.5TLCN1B6028	41	115/230	None	7.6	1.15	13.82	S, MX, 53
1 1/2	1800	56C	110042.00	√	846	M6K17FC1	40	115/230	Man.	8.6	1.00	12.81	S, US
1 1/2	1800	145TC	120017.00	√	924	C145K17FC3	40	115/230	None	8.6	1.00	13.75	S, US, 53
2	3600	56C	110422.00	√	919	C6C34FC14	40	115/230	None	10.0	1.00	13.31	S, US
2	3600	56C	LM24530	√	711	SRF2S2TLCNB6038	40	115/230	None	9.0	1.15	13.32	S, MX, 53
2	3600	56C	110421.00	√	952	P6C34FC13	41	115/230	Man.	10.0	1.00	13.31	S, US
2	3600	145TC	120102.00	√	953	C145C34FC2	43	115/230	None	10.0	1.00	13.75	S, US
2	1800	56C	112136.00	√	1,087	C6K17FC9	41	115/230	None	9.2	1.00	13.31	S, US, 53
2	1800	145TC	120060.00	√	1,111	P145K17FC2	45	115/230	Man.	10.0	1.00	14.25	S, US, 53
2	1800	182TC	131516.00	C/A	1,448	C182C17FC3	64	115/230	None	12.4	1.00	14.47	S, MX
3	3600	145TC	120824.00	√	1,067	P145K34FC6	56	230	Man.	13.0	1.00	14.25	S, US, 53
3	1800	184TC	131545.00	√	1,706	C184C17FC4	82	115/230	None	16.8	1.00	16.47	S, MX
5	3600	184TC	131778.00	√	1,712	C184K34FC2	81	115/230	None	19.8	1.15	16.97	S, MX, 53
5	1800	184TC	131540.00	√	1,776	C184K17FC6	104	230	None	23.0	1.00	17.47	S, MX, 53

Suitable for use at 208 volts

Continued on next page

▼ LM Numbers are Lincoln Models
C/A - Check Availability

♥ Note listing on inside back flap
Specifications are subject to change without notice



Single Phase C Face Motors

Totally Enclosed - Capacitor Start - General Purpose



Single Phase - Totally Enclosed - C Face With Base

HP	SYN RPM 60 Hz	NEMA Frame	▼ Catalog Number	Stock	List Price	Model Number	App. Wgt. (lbs)	Voltage	Over- load Prot.	F. L. Amps @ 230 V	Service Factor	"C" Dim. (Inches)	♥ Notes
1/4	1800	S56C	102916.00	√	433	C4C17FK4	22	115/230	None	2.7	1.15	9.69	S, MX
1/4	1800	S56C	LM24723	√	455	SRF4S0.25TLC6028	17	115/230	None	2.1	1.15	10.19	S, MX
1/3	3600	S56C	102929.00	√	430	C4C34FK16	22	115/230	None	2.8	1.15	9.69	S, MX
1/3	1800	S56C	102930.00	√	460	C4C17FK6	24	115/230	None	3.1	1.15	10.44	S, MX
1/3	1800	S56C	LM24600	√	481	SRF4S0.33TLC1C6028	23	115/230	None	3.0	1.15	10.44	S, MX
1/3	1800	S56C	103082.00	√	460	M4C17FK7	24	115/230	Man.	3.1	1.15	10.31	S, MX
1/3	1800	S56C	102910.00	√	460	C4C17NK2	25	115/230	None	2.6	1.15	10.31	S, MX
1/2	3600	S56C	102903.00	√	431	C4C34FK17	25	115/230	None	3.5	1.15	9.94	S, MX
1/2	3600	56C	LM24725	√	456	SRF2S0.5TLC1C6028	23	115/230	None	4.2	1.15	11.82	S, MX
1/2	1800	S56C	102907.00	√	553	C4C17FK5	22	115/230	None	4.0	1.15	10.69	S, MX
1/2	1800	S56C	LM24628	√	583	SRF4S0.5TLC6028	24	115/230	None	4.0	1.15	11.19	S, MX
1/2	1800	S56C	103085.00	√	553	M4C17FK8	22	115/230	Man.	4.0	1.15	10.69	S, MX
3/4	3600	56C	112135.00	√	492	C6C34FK36	26	115/230	None	5.0	1.15	11.31	S, US
3/4	3600	56C	LM24726	√	512	SRF2S0.75TLC1C6028	30	115/230	None	5.3	1.15	12.32	S, MX
3/4	1800	56C	110905.00	√	667	C6C17FK4	26	115/230	None	5.4	1.15	11.31	S, US
3/4	1800	56C	LM24615	√	700	SRF2S0.75TLC1C6028	30	115/230	None	5.5	1.15	12.32	S, MX
3/4	1800	56C	116922.00	√	667	M6C17FK86	26	115/230	Man.	5.4	1.15	11.31	S, US
1	3600	56C	110180.00	√	566	C6C34FK1	28	115/230	None	6.0	1.15	11.81	S, US
1	3600	56C	LM24727	√	590	SRF2S1TLC1C6028	32	115/230	None	6.2	1.15	12.32	S, MX
1	3600	56C	115877.00	√	566	M6C34FK78	28	115/230	Man.	6.0	1.15	11.81	S, US
1	1800	56C	110908.00	√	755	C6C17FK5	30	115/230	None	6.4	1.15	11.81	S, US
1	1800	56C	LM24616	√	790	SRF4S1TLC6028	35	115/230	None	6.7	1.15	12.82	S, MX
1	1800	56C	115879.00	√	755	M6C17FK80	32	115/230	Man.	6.4	1.15	11.81	S, US
1	1800	143TC	121680.00	√	755	C143C17FK1	32	115/230	None	6.4	1.15	12.25	S, US
1 1/2	3600	56C	110909.00	√	734	C6C34FK19	34	115/230	None	8.5	1.00	12.31	S, US
1 1/2	3600	56HC	LM24539	√	767	SRF2S1.5TLC1B6028	35	115/230	None	7.1	1.15	12.82	S, MX
1 1/2	3600	56C	115024.00	√	770	M6K34FK16	35	115/230	Man.	6.2	1.15	12.31	S, US
1 1/2	1800	56HC	110910.00	√	897	C6K17FK2	39	115/230	None	8.6	1.00	12.81	S, US
1 1/2	1800	56HC	LM24728	√	934	SRF2S1.5TLC1B6028	41	115/230	None	7.6	1.15	13.82	S, MX
1 1/2	1800	56HC	116703.00	√	902	M6K17FK50	42	115/230	Man.	8.6	1.15	12.81	S, US
1 1/2	1800	145TC	121681.00	√	897	C145K17FK13	40	115/230	None	8.6	1.00	13.75	S, US

Suitable for use at 208 volts

Continued on next page

▼ LM Numbers are Lincoln Models

♥ Note listing on inside back flap
Specifications are subject to change without notice

Single Phase C Face Motors

Totally Enclosed - Capacitor Start - General Purpose

Tech Information

Single Phase
ODP Motors

Single Phase
TEFC Motors

Three Phase
ODP Motors

Three Phase
TEFC Motors

Inverter Duty
Motors

Severe Duty
Motors

Definite
Purpose Motors

Brake Motors

Single Phase - Totally Enclosed - C Face With Base

HP	SYN RPM 60 Hz	NEMA Frame	▼ Catalog Number	Stock	List Price	Model Number	App. Wgt. (lbs)	Voltage	Over-load Prot.	F. L. Amps @ 230 V	Service Factor	"C" Dim. (Inches)	♥Notes
2	3600	56HC	113931.00	√	961	C6C34FK52	46	115/230	None	10.0	1.00	13.31	S, US
2	3600	56HC	LM24729	√	1,006	SRF2S2TLC1B6028	40	115/230	None	9.0	1.15	13.32	S, MX, 53
2	3600	56HC	114995.00	√	916	P6K34FK15	42	115/230	Man.	9.2	1.15	13.31	S, US, 53
2	3600	56HC	115878.00	C/A	961	P6C34FK79	43	115/230	Man.	10.0	1.00	13.31	S, US
2	3600	145TC	121008.00	√	961	C145C34FK2	43	115/230	None	10.0	1.00	13.75	S, US
2	1800	145TC	120274.00	√	1,210	C145K17FK2	49	115/230	None	9.2	1.00	14.25	S, US, 53
2	1800	145TC	LM24731	C/A	1,267	SSF4S2TLC1B6028	52	115/230	None	9.5	1.15	14.87	S, MX, 53
2	1800	145TC	121465.00	√	1,210	P145K17FK10	44	115/230	Man.	9.2	1.00	13.75	S, US, 53
3	3600	145TC	121825.00	√	1,015	C145K34FK9	47	230	None	13.0	1.00	14.43	S, US, 53
3	3600	56HC	115048.00	√	1,002	P6K34FK17	53	230	Man.	14.0	1.00	13.31	S, US, 53
3	3600	145TC	121060.00	√	1,077	P145K34FK4	51	230	Man.	13.0	1.00	14.25	S, US, 53
3	1800	184TC	131631.00	√	1,710	P184C17FK9	84	115/230	Man.	16.8	1.00	16.47	S, MX
3	1800	184TC	131857.00	√	1,710	P14K17FK14	104	230	Man.	13.7	1.15	17.61	S, MX, 53
5	3600	184TC	131632.00	√	1,718	P184K34FK2	103	230	Man.	19.8	1.15	16.97	S, MX, 53
5	1800	184TC	131633.00	√	1,790	P184K17FK11	86	230	Man.	23.0	1.00	16.97	S, MX, 53
7 1/2	3600	213TC	140694.00	√	2,017	C213K34FK1	120	230	None	32.0	1.00	19.07	S, MX, 53
7 1/2	1800	215TC	140807.00	√	2,060	C215K17FK6	171	230	None	33.6	1.15	20.21	S, MX, 53
10	3600	215TC	140695.00	√	2,406	C215K34FK1	138	230	None	41.5	1.00	20.57	S, MX, 53
10	1800	215TC	140678.00	√	2,331	C215K17FK4	152	230	None	40.0	1.15	20.71	S, MX, 53

Suitable for use at 208 volts

♥ Note listing on inside back flap
Specifications are subject to change without notice

▼ LM Numbers are Lincoln Models
C/A - Check Availability



Single Phase TEFC Motors

WATTSaver Premium Efficiency Motors

Features:

- High starting torque
- Capacitor start / capacitor run designs for higher efficiency
- Reduced running amps
- Energy saving designs



Single Phase - TEFC - Rigid Base

HP	SYN RPM 60 Hz	NEMA Frame	Catalog Number	Stock	List Price	Model Number	App. Wgt. (lbs)	Voltage	Over- load Prot.	F. L. Amps @ 230 V	Service Factor	% F.L.Eff.	"C" Dim. (Inches)	♥Notes
1/3	1800	56	113765.00	√	571	M6K17FB33	27	115/230	Man.	1.7	1.15	76	10.81	S, US
1/2	1800	56	113766.00	√	634	M6K17FB34	30	115/230	Man.	2.5	1.15	78	11.31	S, US
3/4	1800	56	113767.00	√	748	M6K17FB35	35	115/230	Man.	3.2	1.15	82	11.81	S, US
1	1800	56	113768.00	√	858	M6K17FB36	37	115/230	Man.	4.2	1.15	83	12.31	S, US
1	1800	56H	113769.00	√	975	M6K17FB37	43	115/230	Man.	6.5	1.15	84	13.31	S, US
2	1800	56HZ	113770.00	√	1,341	M6K17FB38	49	230	Man.	8.2	1.15	85	14.25	S, US

Suitable for use at 208 volts

♥ Note listing on inside back flap
Specifications are subject to change without notice

Green items are Premium Efficient



Single Phase TENV - General Purpose

Single Phase - TENV - Rigid Base

HP	SYN RPM 60 Hz	NEMA Frame	Catalog Number	Stock	List Price	Model Number	App. Wgt. (lbs)	Voltage	Over- load Prot.	F. L. Amps @ 230 V	Service Factor	"C" Dim. (Inches)	♥Notes
1/6	3600	42	092011.00	√	363	C42C34NB1	16	115/230	None	1.0	1.00	9.56	S, US
1/6	1800	42	092012.00	C/A	385	C42C17NB1	21	115/230	None	1.8	1.00	10.56	S, US
1/4	3600	42	092013.00	C/A	390	C42C34NB2	21	115/230	None	1.7	1.00	10.56	S, US
1/4	1800	48	100361.00	√	374	C4C17NB4	17	115/230	None	2.2	1.15	9.43	S, MX
1/4	1800	S56	102914.00	√	378	C4C17NH9	24	115/230	None	2.3	1.15	9.81	S, MX
1/4	1800	S56	102915.00	√	426	A4C17NH10	23	115/230	Auto.	2.3	1.15	9.81	S, MX
1/3	3600	48	100362.00	√	359	C4C34NB2	24	115/230	None	2.0	1.00	9.93	S, MX
1/3	1800	S56	102912.00	√	414	C4C17NH7	25	115/230	None	2.6	1.15	10.81	S, MX
1/3	1800	S56	102913.00	C/A	473	M4C17NH8	25	115/230	Man.	2.6	1.15	10.31	S, MX
1/3	1800	S56	102911.00	√	469	A4C17NH6	24	115/230	Auto.	2.6	1.15	10.31	S, MX
1/2	3600	48	100366.00	√	412	C4C34NB3	27	115/230	None	2.9	1.00	10.43	S, MX

Suitable for use at 208 volts

C/A - Check Availability

♥ Note listing on inside back flap
Specifications are subject to change without notice

Single Phase TEFC Motors

Pressure Washer Pump Motors & Resilient Base Motors

Tech Information

Single Phase
ODP Motors

Single Phase
TEFC Motors

Three Phase
ODP Motors

Three Phase
TEFC Motors

Inverter Duty
Motors

Severe Duty
Motors

Definite
Purpose Motors

Brake Motors

General Specifications:

Motors specially suited for hot or cold pressure washer applications and other single phase installations requiring minimum starting and running amperages.



Mechanical Features:

- Double shielded ball bearings
- Dynamically balanced rotors

Electrical Features:

- Windings dipped in heavy duty varnish system
- Capacitor start / capacitor run designs to reduce amp draw
- Manual reset overload protection

Single Phase - TEFC - Rigid Base

HP	SYN RPM 60 Hz	NEMA Frame	Catalog Number	Stock	List Price	Model Number	App. Wgt. (lbs)	Voltage	Over-load Prot.	F. L. Amps @ 230 V	Service Factor	"C" Dim. (Inches)	Notes
3/4	3600	56	110108.00	√	485	M6C34FB7	26	115/230	Man.	5.0	1.15	11.31	S, US
3/4	1800	56	110022.00	√	659	M6C17FB7	29	115/230	Man.	5.4	1.15	11.31	S, US
1	3600	56	110142.00	√	593	M6C34FB2	28	115/230	Man.	6.0	1.15	11.81	S, US
1	1800	56	110023.00	√	745	M6C17FB8	29	115/230	Man.	6.4	1.15	11.81	S, US
1	1800	143T	120008.00	√	745	M143C17FB2	31	115/230	Man.	6.4	1.15	12.75	S, US
1 1/2	3600	56	110109.00	√	816	M6C34FB8	31	115/230	Man.	8.5	1.00	12.31	S, US
1 1/2	1800	56H	113333.00	√	844	M6K17FB32	38	115/230	Man.	8.6	1.00	12.81	US, 6, 53
1 1/2	1800	145T	120009.00	√	844	M145K17FB2	42	115/230	Man.	8.6	1.00	13.25	US, 53
2	3600	56H	110402.00	√	952	P6C34FB23	41	115/230	Man.	10.0	1.00	13.31	S, US, 6, 53
2	3600	145T	120395.00	√	962	P145C34FB5	44	115/230	Man.	10.0	1.00	13.75	S, US
2	1800	145T	120867.00	√	1,210	P145K17FB22	48	115/230	Man.	9.2	1.00	13.75	US, 53
3	3600	56H	116705.00	√	992	P6K34FB31	53	230	Man.	14.0	1.00	13.81	S, US, 6, 53
3	1800	184T	131855.00	√	1,341	P184K17FB26	88	230	Man.	13.7	1.15	16.86	MX, 53
5	3600	184T	132042.00	√	1,676	P184K34FB9	103	230	Man.	19.8	1.15	16.97	S, MX, 53
5	1800	184T	131856.00	√	1,559	P184K17FB25	95	230	Man.	21.0	1.00	17.86	MX, 53

Suitable for use at 208 volts

♥ Note listing on inside back flap Specifications are subject to change without notice

Resilient Base Motors - Single Phase - General Purpose or Fan Duty

General Specifications:

- Industrial quality resilient base
- Moderate starting torque
- Belt driven fans or fan on shaft applications
- Capacitor start designs



Single Phase - TEFC - Resilient Base

HP	SYN RPM 60 Hz	NEMA Frame	Catalog Number	Stock	List Price	Model Number	App. Wgt. (lbs)	Voltage	Over-load Prot.	F. L. Amps @ 230 V	Service Factor	"C" Dim. (Inches)	Notes
1/2	1800	56	110025.00	√	576	A6C17FR1	26	115/230	Auto.	4.4	1.15	11.96	S, US
3/4	1800	56	110026.00	√	690	A6C17FR2	28	115/230	Auto.	5.4	1.15	12.46	S, US
1	1800	56H	111915.00	√	784	A6C17FR10	31	115/230	Auto.	6.4	1.15	12.96	S, US, 6

Suitable for use at 208 volts

♥ Note listing on inside back flap Specifications are subject to change without notice



Single Phase - C Face Motors

Pressure Washer Pump Motors

Application Information:

Motors specially suited for hot or cold pressure washer applications and other single phase installations requiring minimum starting and running amperages.



Mechanical Features:

- Double shielded ball bearings
- Dynamically balanced rotors

Electrical Features:

- Windings dipped in heavy duty varnish system
- Capacitor start / capacitor run designs to reduce amp draw
- Manual reset overload protection
- High service factor

Single Phase - TEFC - C Face With Base

HP	SYN RPM 60 Hz	NEMA Frame	Catalog Number	Stock	List Price	Model Number	App. Wgt. (lbs)	Voltage	Over-load Prot.	F. L. Amps @ 230 V	Service Factor	"C" Dim. (Inches)	♥Notes
1/3	1800	56C	116485.00	C/A	673	M6C17FK81	29	115/230	Man.	3.2	1.15	10.81	S, US, 57
1/2	1800	56C	116486.00	√	773	M6C17FK80	23	115/230	Man.	4.4	1.15	10.81	S, US, 57
3/4	1800	56C	116487.00	√	898	M6C17FK79	30	115/230	Man.	5.4	1.15	11.31	S, US, 57
1	3600	56C	115877.00	√	566	M6C34FK78	28	115/230	Man.	6.0	1.15	11.81	S, US
1	1800	56C	115879.00	√	755	M6C17FK80	32	115/230	Man.	6.4	1.15	11.81	S, US
1 1/2	3600	56C	115024.00	√	770	M6K34FK16	35	115/230	Man.	6.2	1.15	12.31	S, US, 53
1 1/2	1800	56HC	116703.00	√	902	M6K17FK50	39	115/230	Man.	8.6	1.15	12.81	S, US, 53
2	3600	56HC	114995.00	√	916	P6K34FK15	42	115/230	Man.	9.2	1.15	13.31	S, US, 53
2	1800	145TC	121465.00	√	1,210	P145K17FK10	44	115/230	Man.	9.2	1.00	13.75	S, US, 53
3	3600	56HC	115048.00	√	1,002	P6K34FK17	53	115/230	Man.	14.0	1.00	13.81	S, US, 53
3	1800	184TC	131857.00	√	1,710	P14K17FK14	104	230	Man.	13.7	1.15	17.61	S, MX, 53
5	3600	184TC	131632.00	√	1,718	P184K34FK2	106	230	Man.	19.8	1.15	16.97	S, MX, 53
5	1800	184TC	131633.00	√	1,790	P184K17FK11	107	230	Man.	23.0	1.00	16.97	S, MX, 53

115/230 volt motors are suitable for use at 208 volts
C/A - Check Availability

♥ Note listing on inside back flap
Specifications are subject to change without notice

Single Phase C Face Motors Unit Handling Motors

Tech Information

Single Phase
ODP Motors

Single Phase
TEFC Motors

Three Phase
ODP Motors

Three Phase
TEFC Motors

Inverter Duty
Motors

Severe Duty
Motors

Definite
Purpose Motors

Brake Motors

Applications Include:

Unit and baggage handling, conveyors, packaging equipment, machine tools, elevators and door openers where a conduit box at 12:00 position is needed due to mounting size restrictions



Features include:

- Low profile conduit box at the 12:00 position
- Base includes both 56H and 143-5T mounting holes and slots

Single Phase - TEFC - C Face With Base

HP	SYN RPM 60 Hz	Frame	Catalog Number	Stock	List Price	Model Number	App. Wgt. (lbs)	Voltage	F. L. Amps @ 230 V	Service Factor	"C" Dim. (Inches)	♥ Notes
1/2	1800	56C	117701.00	√	553	C6C17FK92	22	115/230	4.4	1.2	12.48	S, US
3/4	1800	56C	117702.00	√	601	C6C17FK94	26	115/230	5.4	1.2	12.98	S, US
1	1800	56C	117703.00	√	652	C6C17FK93	30	115/230	6.4	1.2	12.98	S, US

115/230 volt motors are suitable for use at 208 volts

♥ Note listing on inside back flap
Specifications are subject to change without notice

Single Phase - TEFC - Rigid C Face Less Base

HP	SYN RPM 60 Hz	Frame	Catalog Number	Stock	List Price	Model Number	App. Wgt. (lbs)	Voltage	F. L. Amps @ 230 V	Service Factor	"C" Dim. (Inches)	♥ Notes
1/2	1800	56C	117704.00	√	531	C6C17FC175	21	115/230	4.4	1.2	10.98	S, US
3/4	1800	56C	117705.00	√	580	C6C17FC176	25	115/230	5.4	1.2	11.48	S, US
1	1800	56C	117706.00	√	624	C6C17FC177	29	115/230	6.4	1.2	11.48	S, US

115/230 volt motors are suitable for use at 208 volts

♥ Note listing on inside back flap
Specifications are subject to change without notice



Three Phase - Cast Iron

150 & 170 Series - Rigid Base - General Purpose

**NEMA
Premium**

For reliable performance in heavy-duty industrial applications, nothing beats the LEESON Heavyweights. With their cast iron construction and 1.15 Service Factor, they are ideal for "tough to handle" applications.

But that's only part of the story. LEESON 150 and 170-series cast iron motors are extremely versatile and can be field converted in minutes to a number of different configurations, including:

- Severe Duty TEFC (using cast iron fan guard kit)
- F2 mounting 180 frame or larger (by re-assembly)
- C face with rigid base (from stock or using C face kit)
- D flange with base (using D flange kit)

UL recognized and CSA certified.

LEESON's Inverter Rated Insulation System (IRIS™)

provides superior motor protection against voltage spikes induced by variable frequency drives. This total insulation system protects better than spike-resistant magnet wire alone. Specially formed phase insulation, cushioned and sleeved connections (from the leads all the way into the turns), and deep-penetrating, non-hygroscopic, high temperature varnish are just a few features contributing to the extra protection. All this plus second generation, spike-resistant magnet wire. The IRIS™ total insulation system is standard at no extra cost in all LEESON stock NEMA three-phase motors, 1 HP and larger. The LEESON Ultimate E, "199" Series motors have our standard insulation system.



Stainless steel "full fact" nameplate with information on motor efficiency and power factor. Includes wiring diagram, bearing sizes, and motor weight.

Heavy-duty cast iron frame, endbells and conduit box.

High torques for hard-to-start loads. Torques exceed NEMA performance standards. Energy performance verified by LEESON's NVLAP-Certified testing laboratory.

Lubrication fittings on each end of motor (254T frame and larger). New Exxon POLYREX® EM lubricant for extended bearing life. Oversized bearings. Slotted-head pipe plug reliefs. Bearing caps protect against entry of grease into the motor.

Non-sparking fan. Small size reduces noise and enhances efficiency. Fan keyed to shaft.

100% copper-wound Inverter Rated Insulation System is double-dipped and baked. Stator press-fitted and pinned to housing. 1.15 Service Factor provides extra margin of power. Class F insulation system with Class B or lower temperature rise. Many suitable for 50 Hz operation at 1.0 service factor. Contact factory for details.

Dynamically balanced rotor assembly is keyed to shaft.

Cast iron endplates for maximum rigidity and long bearing life.

Steel fan cover for optimum strength. Cast iron cover available for severe service.

Oversized cast iron conduit box is gasketed and may be rotated in 90° increments. NPT threaded entrance.

Internal caps on shaft-end and lead-end bearings 254T frame and larger. 182T through 215T frame motors with C-faces have locked bearing on the shaft end only. Motors are suitable for all mounting positions.

One-way, corrosion resistant condensate drains. (TEFC models) release condensation and moisture.

Neoprene shaft slinger protects bearings by repelling moisture and other contaminants. Internal protection against rust and corrosion.

12-Lead Delta windings (254T to 405T frame and larger) for across-the-line or wye delta starts. (182T & 215T frame motors are dual voltage with nine leads. Motors above 405T frame are single voltage with six leads. 575V motors have six leads, except 213T-215T which have three leads) Permanently marked leads with lugs for easy connection. Normally-closed thermostat standard on WATTSaver e® designs.

Cast iron mounting feet. Precision-machined for accurate alignment. Dual mounting provisions (six mounting holes) on 184T, 215T, 256T, 286T, 326T, 365T, 405T, 445T, 447T and 449T frames.



The WATTSaver^e line of premium efficiency motors is LEESON's unique IRIS™ voltage-spike-resistant insulation system is standard at no extra cost. WATTSaver^e motors carry a three-year warranty in general purpose and inverter fed applications. These motors meet or exceed most utility rebate programs and the EPA's federally mandated efficiency levels. The efficiency ratings have been verified to IEEE 112B test standards by LEESON's NVLAP-Certified lab.

Cast iron 170 series motors can be field modified for forced ventilation service to extend the inverter-fed operating range and an encoder package is stocked for closed-loop vector inverter systems. These motors can be converted to IEEE841 compliant using the Custom PDQ Program. Contact LEESON.

Rugged cast iron construction on three phase, 1-350 HP models. These motors share features with normal efficiency 150 Series motors detailed on page 42. Add an optional cast iron fan guard for severe duty applications.

Efficiencies meet or exceed NEMA Premium on all WATTSaver^e motors.

Both 3/4 and full load efficiencies are listed on the stainless steel nameplate for your convenience in calculating realistic energy savings. Unique serial number identifies each motor and is stamped clearly on the metal nameplate.

Independently verified efficiencies by the Canadian Standards Association, an internationally recognized testing laboratory. CSA Report Number EEV78720-1.

Three phase models suitable for inverter duty, as well as both 50 Hz and 60 Hz operation.

Premium efficiency motors finished with primer and chemical resistant green acrylic matte enamel. IP43 enclosure protection.

Meets or exceeds the 1997 mandated efficiency standards of the Energy Policy Act of 1992. Also meets or exceeds efficiency requirements of most electric utility rebate programs.

Modification to meet IEEE 841 available through Custom PDQ. Includes addition of watertight Inpro shaft seals, two-part epoxy finish, and plated hardware.

WATTSaver^e motors comply with EISA 2007

One-way, corrosion resistant condensate drains. (TEFC models) release condensation and moisture.

Second-generation, high temperature, spike-resistant magnet wire for extended motor life. Stator impregnated with extra-heavy varnish system. 1.15 Service Factor. All WATTSaver^e motors have Class F insulation with a Class B rise. Motors rated at 40 degrees C ambient.



UL and CSA Recognition

LEESON's Inverter Rated Insulation System (IRIS™) provides superior protection against voltage spikes induced by variable frequency drives. This protects better than spike-resistant magnet wire alone. Specially formed phase insulation, cushioned and sleeved connections (from the leads all the way into the turns), and deep-penetrating, non-hygroscopic, high

temperature varnish are just a few features contributing to extra protection. All this plus second generation spike-resistant magnet wire. The IRIS™ is standard at no extra cost in all LEESON stock NEMA three-phase motors, 1 HP and larger. The LEESON Ultimate E, "199" Series motors have our standard insulation system.



Three Phase ODP Motors

General Purpose – Drip-Proof –

208-230/460V & 460V Rigid Mount – 1/4 HP – 500 HP

C Face motors – 1/4 HP – 200 HP

Ultimate e Motors

see pages 54-56



- Standard, EPart and Premium efficient ratings
- Inverter-rated
- Nameplated for 50 Hz operation
- 1-year warranty on Standard efficient motors
- 2-year warranty on EPart efficient motors
- 3-year warranty on Premium efficient motors
- Class B insulation systems, Class F 140 frame and higher
- Shielded ball bearings for direct coupled applications
contact your local sales office for belted load applications
- Rolled steel and cast iron designs
- UL recognized and CSA certified
- WATTSaver e® Premium efficient motors
- Ultimate e Premium efficient motors



Applications:

For use where water and dust exposure is minimal. Ideally suited for use on pumps, compressors, blowers, fans and other standard industrial applications.

LEESON Cast Iron WATTSaver e® Motors	LEESON Ultimate e
Standard Features	
3 HP - 250 HP	1.5 HP - 200 HP
N/C Thermostats	N/A
3-Year Warranty	3-Year Warranty
IRIS™ Inverter Insulation System	Standard Insulation System
10:1 Constant Torque Operation	10:1 Constant Torque Operation
Ring Terminals on Leads	N/A
TEFC Enclosure	TEFC Enclosure
ODP Enclosure	ODP Enclosure
Chemical Resistant Paint	Enamel Paint
Cast Iron Conduit Box	Stamped Steel Conduit Box
Options	
C-Face Kits	C-Face Kits
D-Flange Kits	N/A
Encoder Mounting Provisions	N/A
Blower Kit Option	N/A
F-2 Mounting by re-assembly	F-2 Mounting by re-assembly
213-5T and 254-6T Frame Brake Kits	N/A
Cast Iron Fan Guards	N/A
SGR mounting provisions	N/A



Three Phase ODP Motors

General Purpose - Standard, EAct and Premium Efficient Motors

Tech Information

Single Phase ODP Motors

Single Phase TEFC Motors

Three Phase ODP Motors

Three Phase TEFC Motors

Inverter Duty Motors

Severe Duty Motors

Definite Purpose Motors

Brake Motors

Three Phase - Drip-Proof - Rigid Base

HP	SYN RPM 60 Hz	NEMA Frame	▼ Catalog Number	Stock	List Price	Model Number	App. Wgt. (lbs)	Voltage	F. L. Amps @ 230 V.	% FL. Eff.	Service Factor	"C" Dim. (Inches)	♥Notes
1/4	1800	S56	100027.00	D	327	C4T17DH1	16	230/460	1.4	58.0	1.00	9.24	S, MX
1/4	1800	S56	E100027.00	√	424	C4T17DH45	17	230/460	1.0	72.4	1.35	10.74	S, MX
1/4	1800	48	LM34048	√	439	SPD4B0.25T61	20	230/460	1.0	72.4	1.35	10.34	S, MX
1/3	3600	48	E101447.00	√	435	C4T34DB7	18	230/460	0.7	73.4	1.35	10.51	S, US
1/3	1800	48	E100446.00	√	456	C4T17DB17	18	230/460	1.2	73.4	1.35	11.12	S, MX
1/3	1800	S56	100028.00	D	346	C4T17DH2	18	230/460	1.6	64.3	1.35	9.49	S, MX
1/3	1800	S56	E103017.00	√	462	C4T17DH39	23	230/460	1.3	77.0	1.25	11.49	S, MX
1/3	1800	S56	LM34049	√	472	SRD4B0.33T61	23	230/460	1.3	77.0	1.25	11.22	S, MX
1/3	1200	56	110425.00	D	559	C6T11DB3	23	230/460	1.6	65.0	1.15	9.84	S, US
1/3	1200	56	E110425.00	√	722	C6T11DH2	28	230/460	0.8	73.4	1.15	10.37	S, US
1/2	3600	S56	101448.00	D	357	C4T34DH7	17	230/460	1.8	69.0	1.25	9.24	S, US
1/2	3600	S56	E101448.00	√	468	C4T34DH7	19	230/460	1.8	73.4	1.25	10.89	S, US
1/2	1800	S56	LM24098	D	422	SRD4S0.5T61	17	230/460	2.2	70.0	1.25	10.47	S, MX
1/2	1800	56	LM34050	√	500	SRD4B0.5T61	25	230/460	1.7	78.2	1.25	11.32	S, MX
1/2	1800	S56	100029.00	D	394	C4T17DH3	20	230/460	2.0	68.0	1.25	9.99	S, MX
1/2	1800	56	E119351.00	√	496	C6T17DB113	29	230/460	1.0	78.2	1.25	9.87	S, US
1/2	1200	56	E110027.00	√	762	C6T11DB22	29	230/460	1.1	75.3	1.15	10.87	S, US
3/4	3600	S56	E101449.00	√	477	C4T34DH8	20	230/460	2.4	79.0	1.25	9.74	S, US
3/4	1800	S56	LM34051	√	512	SRD4B0.75T61	24	230/460	1.3	81.1	1.25	11.32	S, MX
3/4	1800	56	116738.00	D	502	C6T17DB95	30	230/460	2.4	81.5	1.25	10.84	S, US
3/4	1800	56	E116738.00	√	502	C6T17DB95	30	230/460	2.4	81.5	1.25	10.87	S, US
3/4	1200	56	E110028.00	√	797	C6T11DB23	30	230/460	1.4	81.7	1.15	11.87	S, US

230/460 volt motors are suitable for use at 208 volts

Continued on next page

Green items are Premium Efficient

"E" prefix items comply with SMR 2015

▼ LM Numbers are Lincoln Models

D - Item to be discontinued once inventory is depleted

♥ Note listing on inside back flap
Specifications are subject to change without notice



Three Phase ODP Motors

General Purpose - Standard, EPAct and Premium Efficient Motors

Ultimate e Motors
see pages 54-56

Three Phase - Drip-Proof - Rigid Base

HP	SYN RPM 60 Hz	NEMA Frame	▼ Catalog Number	Stock	List Price	Model Number	App. Wgt. (lbs)	Voltage	F. L. Amps @ 230 V.	% FL. Eff.	Service Factor	"C" Dim. (Inches)	♥Notes
1	3600	56	116128.00	D	613	C6T34DB30	24	230/460	2.8	80.0	1.25	10.18	S, US
1	3600	56	E110426.00	√	485	C6T34DB1	22	230/460	3.2	77.0	1.25	9.87	S, US
1	1800	56	LM34052	√	597	SRD4B1T61	26	230/460	1.5	83.5	1.15	11.72	S, MX
1	1800	56HZ	115827.00	√	474	C6T17DB77	24	230/460	4.2	78.5	1.15	11.19	S, US, 5
1	1800	56HZ	E115827.00	√	614	C6T17DB117	34	230/460	3.2	83.5	1.15	12.19	S, US, 5
1	1800	56	110029.00	D	497	C6T17DB1	22	230/460	4.2	78.5	1.15	10.34	S, US
1	1800	56	116752.00	D	689	C6T17DB92	36	230/460	3.2	85.5	1.25	11.84	S, US
1	1800	56	E116752.00	√	689	C6T17DB92	36	230/460	3.2	85.5	1.25	12.12	S, US
1	1800	143T	121003.00	√	689	C143T17DB10	36	230/460	3.2	85.5	1.25	12.19	S, US
1	1800	143T	LM24871	√	569	SSD4B1T61	35	230/460	3.2	85.5	1.15	11.99	S, MX
1	1200	145T	121517.00	√	802	C145T11DB7	41	230/460	3.8	82.5	1.25	12.69	S, US
1 1/2	3600	56	110429.00	D	542	C6T34DB2	29	230/460	4.2	81.5	1.15	10.87	S, US
1 1/2	3600	56	E116753.00	√	682	C6T34DB31	36	230/460	4.0	84.0	1.25	11.87	S, US
1 1/2	3600	143T	121514.00	√	682	C143T34DB4	36	230/460	4.0	84.0	1.25	12.19	S, US
1 1/2	1800	56H	LM34053	√	730	SRD4B1.5T61	34	230/460	2.3	86.5	1.15	14.07	S, MX, 6
1 1/2	1800	56	111309.00	C/A	633	A6T17DB26	33	230/460	5.6	78.5	1.15	10.84	S, US, 33
1 1/2	1800	56HZ	E115825.00	√	719	C6T17DB114	35	230/460	4.8	86.5	1.15	13.19	S, US, 5
1 1/2	1800	56	E116754.00	√	719	C6T17DB91	35	230/460	4.8	86.5	1.25	12.87	S, US
1 1/2	1800	145T	121004.00	√	719	C145T17DB32	35	230/460	4.8	86.5	1.25	12.69	S, US
1 1/2	1800	145T	LM24875	√	595	SSD4B1.5T61	45	230/460	5.0	85.5	1.15	12.99	S, MX
1 1/2	1200	182T	131971.00	√	945	C182T11DB9	82	230/460	5.6	86.5	1.15	13.19	S, MX

230/460 volt motors are suitable for use at 208 volts

Continued on next page

Green items are Premium Efficient

"E" prefix items comply with SMR 2015

▼ LM Numbers are Lincoln Models

D - Item to be discontinued once inventory is depleted

C/A - Check Availability

♥ Note listing on inside back flap
Specifications are subject to change without notice

Three Phase - Drip-Proof - Rigid Base

HP	SYN RPM 60 Hz	NEMA Frame	▼ Catalog Number	Stock	List Price	Model Number	App. Wgt. (lbs)	Voltage	F. L. Amps @ 230 V.	% FL. Eff.	Service Factor	"C" Dim. (Inches)	♥Notes
2	3600	56H	LM24877	D	665	SRD2S2T61	25	230/460	6.2	80.0	1.15	10.44	S, US, 6
2	3600	56	E116755.00	√	804	C6T34DB32	32	230/460	4.8	85.5	1.25	12.87	S, US
2	3600	145T	121515.00	√	804	C145T34DB15	43	230/460	4.8	85.5	1.25	12.69	S, US
2	1800	56H	LM34054	C/A	829	SRD4B2T61	42	230/460	3.0	86.5	1.15	13.44	S, MX, 47
2	1800	56HZ	115826.00	√	545	C6T17DB78	33	230/460	6.2	78.5	1.15	11.63	S, US, 5
2	1800	56HZ	E115826.00	√	815	C6T17DB115	37	230/460	5.8	86.5	1.25	13.69	S, US, 5
2	1800	56H	111310.00	C/A	731	A6T17DB27	36	230/460	6.2	78.7	1.15	11.34	S, US, 6, 33
2	1800	56H	E116756.00	√	815	C6T17DB96	37	230/460	5.8	86.5	1.25	13.37	S, US, 6
2	1800	145T	121005.00	√	815	C145T17DB33	37	230/460	5.8	86.5	1.25	13.69	S, US
2	1800	145T	LM24169	√	659	SSD4BT61	48	230/460	6.0	86.5	1.25	13.00	S, MX
2	1200	184T	131972.00	√	960	C184T11DB9	88	230/460	7.2	87.5	1.15	14.19	S, MX
3	3600	56H	E113293.00	√	835	C6T34DB37	44	230/460	7.2	86.5	1.15	12.87	S, US, 6
3	3600	145T	121516.00	√	814	C145T34DB16	45	230/460	7.2	86.5	1.25	12.69	S, US
3	3600	145T	LM32731	√	741	SSD2B3T61	33	230/460	7.2	85.5	1.25	12.70	S, US
3	1800	56HZ	116595.00	√	650	C6T17DB90	44	230/460	8.6	82.5	1.15	13.13	S, US, 5
3	1800	182T	131519.00	√	833	C182T17DB37	75	230/460	7.9	89.5	1.25	13.19	S, MX
3	1800	182T	LM24222	√	858	SSD4B3T61	56	230/460	8.0	89.5	1.25	13.19	S, MX
3	1200	213T	171574.60	√	1,246	C213T11DB2	156	230/460	10.0	88.5	1.25	16.38	C, CN
5	3600	184T	131986.00	√	892	C184T34DB11	86	230/460	12.0	86.5	1.15	15.19	S, MX
5	1800	184T	131520.00	√	939	C184T17DB44	86	230/460	12.8	89.5	1.25	14.19	S, MX
5	1800	184T	LM24202	√	962	SSD4BT61	91	230/460	12.6	89.5	1.25	14.19	S, MX
5	1200	215T	171575.60	√	1,575	C215T11DB6	188	230/460	15.0	90.2	1.25	16.38	C, CN
7.5	3600	184T	131988.00	√	1,290	C184T34DB12	106	230/460	17.6	88.5	1.15	16.19	S, MX
7.5	1800	213T	140470.00	√	1,178	C213T17DB2	133	230/460	20.6	91.0	1.25	16.25	S, MX
7.5	1800	213T	LM24194	√	1,355	SSD4B75T61	121	230/460	19.2	91.0	1.25	18.54	S, US
7.5	1800	213T	170142.60	√	1,250	C213T17DB44	163	230/460	19.8	91.0	1.25	16.38	C, CN
7.5	1200	254T	170145.60	√	1,973	C254T11DB43	291	230/460	22.4	91.7	1.25	20.94	C, CN

230/460 volt motors are suitable for use at 208 volts

Continued on next page

Shaded model numbers are cast iron frame

♥ Note listing on inside back flap
Specifications are subject to change without notice

Green items are Premium Efficient
"E" prefix items comply with SMR 2015

▼ LM Numbers are Lincoln Models
D - Item to be discontinued once inventory is depleted
C/A - Check Availability

Tech Information

Single Phase
ODP Motors

Single Phase
TEFC Motors

Three Phase
ODP Motors

Three Phase
TEFC Motors

Inverter Duty
Motors

Severe Duty
Motors

Definite
Purpose Motors

Brake Motors



Three Phase ODP Motors

General Purpose - Standard,
EPAct and Premium Efficient Motors

Ultimate e Motors
see pages 54-56

Three Phase - Drip-Proof - Rigid Base

HP	SYN RPM 60 Hz	NEMA Frame	▼ Catalog Number	Stock	List Price	Model Number	App. Wgt. (lbs)	Voltage	F. L. Amps @ 230 V.	% FL. Eff.	Service Factor	"C" Dim. (Inches)	♥Notes
10	3600	213T	140753.00	√	1,359	C213T34DB4	160	230/460	23.4	89.5	1.15	17.30	S, MX
10	3600	213T	LM32740	√	1,436	SSD2B10T61	138	230/460	24.0	89.5	1.25	17.30	S, US
10	3600	213T	170143.60	√	1,446	C213T34DB45	153	230/460	23.6	91.0	1.15	16.38	C, CN
10	1800	215T	140472.00	√	1,392	C215T17DB15	144	230/460	26.8	91.7	1.25	17.25	S, MX
10	1800	215T	LM24193	√	1,514	SSDB10T61	155	230/460	25.0	91.7	1.25	18.54	S, US
10	1800	215T	170144.60	√	1,475	C215T17DB49	203	230/460	25.6	91.7	1.15	17.87	C, CN
10	1200	256T	170146.60	√	2,458	C256T11DB45	305	230/460	29.6	91.7	1.25	22.60	C, CN
15	3600	215T	140754.00	√	1,806	C215T34DB4	170	230/460	35.0	91.0	1.15	18.55	S, MX
15	3600	215T	LM32743	√	1,919	SSD2B15T61	135	230/460	35.0	90.2	1.25	18.54	S, US
15	3600	215T	170064.60	√	1,943	C215T34DB3	178	230/460	34.6	91.0	1.25	17.87	C, CN
15	1800	254T	170065.60	√	1,963	C254T17DB9	289	230/460	37.0	93.0	1.15	20.94	C, CN
15	1800	254T	LM24190	√	2,258	CCD4B15T61	300	230/460	37.0	93.0	1.25	22.87	C, US
15	1200	284T	170067.60	√	3,237	C284T11DB7	445	230/460	39.4	92.4	1.25	23.54	S, CN
20	3600	254T	170032.60	√	2,439	C254T34DB5	285	230/460	46.0	93.0	1.15	20.94	C, CN
20	1800	256T	170006.60	√	2,398	C256T17DB5	334	230/460	51.0	93.0	1.15	22.60	C, CN
20	1800	256T	LM24199	√	2,604	CCD4B20T61	350	230/460	48.0	93.0	1.25	24.37	C, US
20	1800	286T	LM32746	√	3,567	SSD4B20T61	233	230/460	48.0	93.0	1.25	25.18	S, US
20	1200	286T	170000.60	√	3,997	C286T11DB1	467	230/460	55.0	92.4	1.15	25.00	C, CN
25	3600	256T	170034.60	√	3,027	C256T34DB5	325	230/460	52.4	93.0	1.15	22.60	C, CN
25	1800	284T	170009.60	√	3,027	C284T17DB7	414	230/460	59.6	93.6	1.15	23.50	C, CN
25	1800	284T	LM29576	√	3,369	CCD4B25T61Y	435	230/460	64.0	93.6	1.25	24.94	C, US
25	1800	284TS	LM32748	C/A	3,369	CCD4B25TS61Y	435	230/460	64.0	93.6	1.25	23.57	C, US
25	1200	324T	170002.60	√	4,760	C324T11DB5	670	230/460	67.0	93.0	1.15	26.02	C, CN
30	3600	284TS	170036.60	√	3,515	C284T34DB4	406	230/460	67.0	94.1	1.15	22.17	C, CN
30	3600	284T	LM32687	C/A	6,528	SD2B30T61Y	348	230/460	67.0	91.7	1.25	23.00	S, US
30	1800	286T	170013.60	√	3,281	C286T17DB8	490	230/460	71.0	94.1	1.15	25.00	C, CN
30	1800	286T	LM29577	√	3,905	CCD4B30T61Y	400	230/460	74.0	94.1	1.25	26.81	C, US
30	1800	286TS	LM32749	C/A	3,905	CCD4B39TS61Y	400	230/460	73.0	94.1	1.25	25.44	C, US
30	1200	326T	170004.60	√	4,964	C326T11DB1	760	230/460	78.0	93.6	1.15	27.52	C, CN

230/460 volt motors are suitable for use at 208 volts

Continued on next page

Shaded model numbers are cast iron frame

Green items are Premium Efficient

▼ LM Numbers are Lincoln Models

C/A - Check Availability

♥ Note listing on inside back flap
Specifications are subject to change without notice



Three Phase - Drip-Proof - Rigid Base

HP	SYN RPM 60 Hz	NEMA Frame	▼ Catalog Number	Stock	List Price	Model Number	App. Wgt. (lbs)	Voltage	F. L. Amps @ 230 V.	% FL. Eff.	Service Factor	"C" Dim. (Inches)	♥Notes
40	3600	286TS	170038.60	√	4,625	C286T34DB3	451	208-230/460	91.2	93.6	1.15	23.62	C, CN
40	3600	286TS	LM13969	C/A	7,857	SD2B40TS61Y	389	230/460	90.0	93.6	1.25	23.25	S, US
40	3600	286T	LM32750	√	7,857	SD2B40T61Y	389	230/460	90.0	92.4	1.25	24.54	S, US
40	1800	324T	170017.60	√	4,323	C324T17DB8	591	208-230/460	96.0	94.1	1.15	26.02	C, CN
40	1800	324T	LM13811	√	8,334	SD4B40T61Y	469	230/460	104.0	94.1	1.25	25.82	S, US
40	1800	324TS	LM32751	C/A	8,334	SD4B40TS61Y	469	230/460	103.0	94.1	1.25	24.32	S, US
40	1200	364T	170147.60	√	7,078	C364T11DB1	892	208-230/460	103.0	94.1	1.15	28.00	C, CN
50	3600	324TS	170040.60	√	5,642	C324T34DB3	558	208-230/460	112.0	94.1	1.25	24.53	C, CN
50	3600	324T	LM32752	C/A	7,914	SD2B50T61Y	469	230/460	122.0	93.0	1.25	25.82	S, US
50	1800	326T	170021.60	√	5,222	C326T17DB5	660	208-230/460	118.0	94.5	1.15	27.52	C, CN
50	1800	326T	LM13813	√	8,437	SD4B50T61Y	522	230/460	131.0	95.0	1.25	27.32	S, US
50	1800	326TS	LM32674	√	8,437	SD4B50T61Y	522	230/460	131.0	94.5	1.25	25.82	S, US
50	1200	365T	170148.60	√	8,096	C365T11DB1	918	208-230/460	128	94.5	1.15	32.72	C, CN
60	3600	326TS	170042.60	√	6,747	C326T34DB5	600	208-230/460	136	94.1	1.25	26.02	C, CN
60	3600	326TS	LM13814	√	7,686	SD2B60T61Y	522	230/460	136	94.5	1.25	25.82	S, US
60	3600	326T	LM32682	C/A	7,686	SDB60T61Y	522	230/460	136	93.6	1.25	27.32	S, US
60	1800	364T	170025.60	√	5,750	C364T17DB7	736	208-230/460	139	94.1	1.15	31.54	C, CN
60	1800	364T	LM14813	√	11,418	SD4B60T61Y	712	230/460	140	95.0	1.25	28.40	S, US
60	1800	364TS	LM32753	C/A	11,418	SD4B60TS61Y	712	230/460	140	95.0	1.25	26.27	S, US
60	1200	404T	170149.60	√	8,962	C404T11DB5	1031	208-230/460	159	94.5	1.25	32.76	C, CN
75	3600	364TS	170044.60	√	8,915	C364T34DB3	740	208-230/460	170	94.1	1.15	29.41	C, CN
75	3600	364TS	LM14812	√	12,412	SD2B75TS61Y	712	230/460	164	94.5	1.25	29.77	S, US
75	3600	364T	LM32754	C/A	12,412	SD2B75T61Y	712	230/460	164	93.6	1.25	28.40	S, US
75	1800	365T	170029.60	√	7,090	C365T17DB5	1050	208-230/460	174	94.5	1.15	31.54	C, CN
75	1800	365T	LM14815	√	11,622	SD4B75T61Y	763	230/460	176	95.0	1.25	29.40	S, US
75	1800	365TS	LM32755	√	11,622	SD4B75TS61Y	763	230/460	180	95.0	1.25	27.27	S, US
75	1200	405T	170150.60	√	10,621	C405T11DB6	1275	208-230/460	199	94.5	1.25	34.25	C, CN
100	3600	365TS	170151.60	√	10,078	C365T34DB4	980	230/460	226	94.5	1.15	29.10	C, CN
100	3600	365TS	LM14814	√	11,224	SD2B100TS61Y	763	230/460	220	95.0	1.25	27.27	S, US
100	3600	365T	LM32756	C/A	11,224	SD2B100T61Y	763	230/460	220	93.6	1.25	29.40	S, US
100	1800	404T	170152.60	√	9,701	C404T17DB5	1183	230/460	225	95.4	1.25	36.42	C, CN
100	1800	405T	LM13943	√	12,799	SD4B100T61Y	882	230/460	244	95.4	1.25	33.31	S, US
100	1800	404TS	LM32757	√	12,799	SD4B100TS61Y	882	230/460	260	95.4	1.25	29.18	S, US
100	1200	444T	170269.60	√	12,546	C444T11DB4	2604	460	118 *	95.4	1.25	40.00	C, CN

230/460 volt motors are suitable for use at 208 volts

Continued on next page

*Amps at 460 volts

Shaded model numbers are cast iron frame

♥ Note listing on inside back flap
Specifications are subject to change without notice

Green items are Premium Efficient

▼ LM Numbers are Lincoln Models

C/A - Check Availability



Three Phase ODP Motors

General Purpose - Standard, EPAct and Premium Efficient Motors

Ultimate e Motors
see pages 54-56

Three Phase - Drip-Proof - Rigid Base

HP	SYN RPM 60 Hz	NEMA Frame	▼ Catalog Number	Stock	List Price	Model Number	App. Wgt. (lbs)	Voltage	F. L. Amps @ 230 V.	% F.L. Eff.	Service Factor	"C" Dim. (Inches)	♥Notes
125	3600	404TS	170154.60	√	11,650	C404T34DB1	1585	230/460	284	94.5	1.25	29.80	C, CN
125	3600	404TS	LM13942	C/A	13,631	SD2B125TS61Y	882	230/460	276	95.0	1.25	29.20	S, US
125	3600	404T	LM32758	C/A	13,631	SD2B125T61Y	882	230/460	276	94.1	1.25	32.00	S, US
125	1800	405T	170155.60	√	12,277	C405T17DB6	1292	230/460	280	95.4	1.25	34.30	C, CN
125	1800	405TS	LM32759	√	12,946	SD4B125TS61Y	958	230/460	306	95.4	1.25	30.70	S, US
125	1200	445T	170259.60	√	16,308	C445T11DB4	2200	460	148 *	95.8	1.25	40.00	C, CN
150	3600	405TS	171449.60	√	14,373	C405T34DB2	1173	460	169 *	94.5	1.15	31.30	C, CN
150	1800	444T	171522.60	√	14,498	C444T17DB2	2150	460	164 *	95.8	1.15	40.00	C, CN
150	1800	444T	LM13817	√	16,586	SD4B150T64Y	1277	460	170 *	95.8	1.25	37.40	S, US
150	1800	444TS	LM32760	√	16,586	SD4B150TS64Y	277	460	170 *	95.8	1.25	33.50	S, US
150	1200	445T	171576.60	√	17,495	C445T11DB5	2153	460	178 *	95.8	1.25	40.00	C, CN
200	3600	444TS	171573.60	√	19,115	C444T35DB1	1765	460	216 *	95.4	1.25	36.30	C, CN
200	1800	445T	171523.60	√	16,720	C445T17DB14	2037	460	220 *	95.8	1.25	40.00	C, CN
200	1800	445T	LM13820	√	20,399	SD4B200T64Y	1438	460	233 *	96.2	1.25	39.40	S, US
200	1800	445TS	LM32761	√	20,399	SD4B200TS64Y	1449	460	233 *	96.2	1.25	35.50	S, US
200	1200	447T	171577.60	√	22,998	C447T11DB1	2750	460	239 *	96.2	1.25	48.50	C, CN
200	1200	449T	LM16239	√	22,871	SDB200T64Y	2112	460	255 *	95.8	1.15	47.90	S, US
250	3600	445TS	LM13761	D	23,813	SD2P250TS64Y	1438	460	266 *	94.5	1.15	35.50	S, US
250	3600	445TS	LM13822	√	29,777	SD2B250TS64Y	1438	460	267 *	95.8	1.15	35.50	S, US
250	1800	445T	G151524.60	D	18,767	C445T17DB10	1940	460	284 *	95.8	1.15	40.00	C, CN
250	1800	445T	171524.60	√	18,767	C445T17DB19	1940	460	284 *	95.8	1.15	40.00	C, CN
250	1800	445T	LM13762	D	21,964	SD4P250T64Y	1438	460	293 *	95.4	1.15	39.40	S, US
250	1800	447T	LM16235	√	28,354	SD4B250T64Y	1745	460	284 *	95.8	1.15	42.93	S, US
300	3600	447TS	LM13825	C/A	35,079	SD2B300TS64Y	1745	460	316 *	96.2	1.15	39.00	S, US
300	3600	447TS	LM13764	C/A	27,780	SD2P300TS64Y	1745	460	316 *	95.4	1.15	39.00	S, US
300	1800	447T	LM13765	D	23,189	SD4P300T64Y	1745	460	349 *	95.4	1.15	42.90	S, US
300	1800	447T	LM13826	√	29,564	SD4B300T64Y	1745	460	348 *	95.8	1.15	42.90	S, US
300	1800	447TS	LM22758	D	23,189	SD4P300TS64Y	1745	460	349 *	95.4	1.15	39.00	S, US
300	1800	447TS	LM32143	C/A	26,072	SD4B300TS64Y	1775	460	348 *	95.8	1.15	37.00	S, US
300	1800	445T	G151525.60	D	21,530	C445T17DB11	2345	460	329 *	95.8	1.15	40.00	C, CN
300	1800	445T	171525.60	√	21,530	C445T17DB20	2345	460	329 *	95.8	1.15	40.00	C, CN
350	3600	447TS	LM13767	√	31,444	SD2P350TS64Y	1745	460	369 *	95.4	1.15	39.00	S, US
350	3600	449TS	LM16226	D	33,021	SD2P350TS64Y	2112	460	370 *	95.0	1.15	44.00	S, US
350	3600	449TS	LM16237	C/A	41,693	SD2B350TS64Y	2112	460	368 *	95.8	1.15	44.00	S, US
350	1800	447TS	LM15159	D	26,685	SD4P350TS64Y	1745	460	406 *	95.4	1.00	39.00	S, US
350	1800	447TS	LM34097	√	32,162	SD4B350TS64Y	1745	460	405 *	95.8	1.00	39.00	S, US
350	1800	447T	G151518.60	D	23,762	N447T17DB9	2041	460	392 *	95.8	1.15	40.00	C, CN
350	1800	447T	171518.60	√	23,762	N447T17DB10	2041	460	392 *	95.8	1.15	40.00	C, CN
400	3600	449TS	LM13770	D	35,572	SD2P400TS64Y	2112	460	420 *	95.4	1.15	44.00	S, US
400	3600	449TS	LM13831	C/A	45,899	SD2B400TS64Y	2112	460	430 *	95.8	1.15	44.00	S, US
400	1800	449T	LM13771	D	33,338	SD4P400T64Y	2112	460	460 *	95.8	1.15	47.90	S, US
400	1800	449T	LM13832	C/A	44,540	SD4B400T64Y	2112	460	445 *	96.2	1.15	47.90	S, US
400	1800	449TS	LM22759	C/A	33,338	SD4B400TS64Y	2112	460	460 *	95.8	1.15	44.00	S, US

230/460 volt motors are suitable for use at 208 volts

*Amps at 460 volts

Shaded model numbers are cast iron frame

Green items are Premium Efficient

▼ LM Numbers are Lincoln Models

C/A - Check Availability

♥ Note listing on inside back flap
Specifications are subject to change without notice



Three Phase - Drip-Proof - C Face Less Base

HP	SYN RPM 60 Hz	NEMA Frame	▼ Catalog Number	Stock	List Price	Model Number	App. Wgt. (lbs)	Voltage	F. L. Amps @ 230 V.	% FL. Eff.	Service Factor	"C" Dim. (Inches)	♥Notes
1/4	1800	S56C	103014.00	D	329	C4T17DC47	19	230/460	1.4	58.0	1.35	9.24	S, MX
1/3	1800	S56C	E103014.00	√	426	C4T17DC55	20	230/460	1.0	69.5	1.35	10.74	S, MX
1/3	3600	S56C	E100375.00	√	442	C4T34DC45	19	230/460	0.7	69.5	1.35	11.04	S, US
1/3	1800	S56C	100048.00	D	362	C4T17DC1	17	230/460	1.6	64.3	1.35	9.49	S, MX
1/3	1800	S56C	102695.00	D	456	C4T17DC45	22	230/460	1.3	77.0	1.25	10.24	S, MX
1/3	1800	S56C	E102695.00	√	456	C4T17DC45	22	230/460	1.3	77.0	1.25	11.49	S, MX
1/2	3600	S56C	E100056.00	√	477	C4T34DC46	19	230/460	0.9	73.4	1.25	11.04	S, US
1/2	1800	56C	E119352.00	√	515	C6T17DC97	29	230/460	1.0	78.2	1.25	9.87	S, US
1/2	1200	56C	E110434.00	√	777	C6T11DC12	29	230/460	1.1	75.3	1.15	10.87	S, US
3/4	3600	S56C	E100378.00	√	482	C4T34DC3	20	230/460	2.4	79.0	1.25	9.74	S, US
3/4	1800	56C	E114934.00	√	522	C6T17DC68	29	230/460	2.4	81.5	1.25	10.87	S, US
3/4	1200	143TC	120063.00	√	671	C143T11DC1	20	230/460	3.0	80.0	1.15	12.12	S, US
3/4	1200	56C	E116728.00	√	814	C6T11DC13	36	230/460	1.4	81.7	1.15	11.87	S, US
1	3600	56C	110111.00	√	492	C6T34DC7	22	230/460	3.2	77.0	1.25	9.88	S, US
1	3600	56C	E110111.00	√	492	C6T34DC7	22	230/460	3.2	77.0	1.25	9.87	S, US
1	1800	143TC	G120172.00	D	575	C143T17DC13	30	230/460	3.1	82.5	1.15	11.68	S, US
1	1800	143TC	121064.00	√	757	C143T17DC12	32	230/460	3.4	85.5	1.25	12.12	S, US
1	1800	56C	116740.00	D	757	C6T17DC80	32	230/460	3.4	85.5	1.25	11.68	S, US
1	1800	56C	E116740.00	√	757	C6T17DC80	32	230/460	3.4	85.5	1.25	12.12	S, US
1	1200	145TC	G120082.00	D	792	C145T11DC5	35	230/460	3.6	80.0	1.15	12.62	S, US
1	1200	145TC	122162.00	√	808	C145T11DC6	41	230/460	3.8	82.5	1.15	9.87	S, US
1 1/2	3600	143TC	G121668.00	D	626	C143T34DC5	35	230/460	4.0	82.5	1.50	11.78	S, US
1 1/2	3600	143TC	122214.00	√	746	C143T34DC10	41	230/460	4.0	84.0	1.15	10.19	S, US
1 1/2	3600	56C	E110437.00	√	737	C4T34DC48	35	230/460	4.0	84.0	1.25	11.87	S, US
1 1/2	1800	145TC	G120081.00	D	616	C145T17DC42	37	230/460	4.4	84.0	1.15	12.12	S, US
1 1/2	1800	143TC	121063.00	√	790	C145T17DC30	36	230/460	5.6	86.5	1.25	13.12	S, US
1 1/2	1800	56C	116741.00	D	790	C6T17DC81	36	230/460	5.6	86.5	1.25	12.68	S, US
1 1/2	1800	56C	E116741.00	√	790	C6T17DC81	36	230/460	5.6	86.5	1.25	12.87	S, US
1 1/2	1200	182TC	G132250.00	D	828	C182T11DC4	60	230/460	5.7	84.0	1.15	12.70	S, MX

230/460 volt motors are suitable for use at 208 volts

Continued on next page

Green items are Premium Efficient
"E" prefix items comply with SMR 2015

♥ Note listing on inside back flap
Specifications are subject to change without notice

▼ LM Numbers are Lincoln Models
D - Item to be discontinued once inventory is depleted



Three Phase - Drip-Proof - C Face Less Base

HP	SYN RPM 60 Hz	NEMA Frame	▼ Catalog Number	Stock	List Price	Model Number	App. Wgt. (lbs)	Voltage	F. L. Amps @ 230 V.	% FL. Eff.	Service Factor	"C" Dim. (Inches)	♥Notes
2	3600	143TC	G121670.00	D	702	C145T34DC12	45	230/460	5.2	84.0	1.15	12.18	S, US
2	3600	143TC	122164.00	√	819	C143T34DC9	47	230/460	4.8	85.5	1.15	12.69	S, US
2	3600	56C	E113894.00	√	819	C6T34DC104	41	230/460	4.8	85.5	1.25	12.87	S, US
2	1800	145TC	G120035.00	D	673	C145T17DC41	39	230/460	6.4	84.0	1.15	12.69	S, US
2	1800	145TC	121071.00	√	901	C145T17DC31	41	230/460	5.8	86.5	1.25	13.62	S, US
2	1800	56C	116742.00	D	889	C6T17DC82	41	230/460	5.8	86.5	1.25	13.18	S, US
2	1800	56C	E116742.00	√	889	C6T17DC82	41	230/460	5.8	86.5	1.25	13.37	S, US
2	1200	184TC	G132059.00	D	861	C184T11DC5	81	230/460	7.2	85.5	1.15	13.63	S, MX
2	1200	184TC	132427.00	C/A	960	C182T11DC112	85	230/460	7.2	88.5	1.15	15.20	S, MX
3	3600	145TC	G121187.00	D	722	C145T34DC10	45	230/460	7.6	84.0	1.15	13.63	S, US
3	3600	145TC	122163.00	√	859	C145T34DC17	49	230/460	7.2	85.5	1.15	12.69	S, US
3	3600	145TC	LM32793	D	837	SSD2P3TCN61	33	230/460	7.6	84.0	1.15	11.99	S, US
3	3600	56C	E114420.00	√	851	C6T34DC105	45	230/460	7.2	85.5	1.25	12.87	S, US
3	1800	182TC	G131489.00	D	779	C182T17DC28	57	230/460	8.4	86.5	1.15	12.69	S, MX
3	1800	182TC	131518.00	√	953	C182T17DC20	75	230/460	7.8	89.5	1.25	13.20	S, MX
5	3600	145TC	G121664.00	D	762	C145T34DC11	47	230/460	12.4	85.5	1.15	13.75	S, US
5	3600	182TC	G131779.00	D	800	C182T34DC11	64	230/460	12.2	85.5	1.15	13.20	S, MX
5	3600	182TC	132426.00	√	877	C182T34DC111	67	230/460	12.4	86.5	1.15	13.20	S, MX
5	1800	184TC	G131490.00	D	819	C184T17DC27	69	230/460	13.2	87.5	1.15	13.69	S, MX
5	1800	184TC	LM24234	D	823	SSD4P5TCN61	93	230/460	13.2	87.5	1.25	15.78	S, MX
5	1800	184TC	131517.00	√	1,120	C184T17DC16	96	230/460	12.8	89.5	1.25	15.20	S, MX
7 1/2	3600	184TC	G131780.00	D	1,169	C184T34DC9	78	230/460	17.6	87.5	1.15	14.70	S, MX
7 1/2	3600	184TC	132425.00	√	1,320	C184T34DC110	85	230/460	17.8	88.5	1.15	14.70	S, MX
7 1/2	1800	213TC	G140580.00	D	1,085	C213T17DC11	144	230/460	20.6	88.5	1.15	15.75	S, MX
7 1/2	1800	213TC	140483.00	√	1,240	C213T17DC7	132	230/460	20.6	91.0	1.25	16.25	S, MX
10	3600	213TC	G140688.00	D	1,333	C213T34DC1	138	230/460	23.4	88.5	1.15	16.53	S, MX
10	3600	213TC	141228.00	√	1,453	C215T34DC69	145	230/460	24.2	90.2	1.15	18.03	S, MX
10	1800	215TC	G140108.00	D	1,334	C215T17DC8	132	230/460	28.0	89.5	1.15	16.75	S, MX
10	1800	215TC	140485.00	C/A	1,401	C213T17DC5	144	230/460	26.8	91.9	1.25	17.25	S, MX
15	3600	215TC	G140689.00	D	1,846	C215T34DC2	145	230/460	34.0	89.5	1.15	19.28	S, MX
15	3600	215TC	141229.00	√	1,876	C215T34DC70	148	230/460	36.5	91.0	1.15	19.28	S, MX
15	1800	254TC	G151682.60	D	1,953	C254T17DC7	265	230/460	37.6	91.0	1.15	21.32	C, CN
15	1800	254TC	171682.60	√	2,114	C254T17DC8	280	230/460	37.0	93.0	1.15	20.94	C, CN
20	3600	254TC	G151683.60	D	2,349	C254T34DC2	258	230/460	46.6	90.2	1.15	21.38	C, CN
20	3600	254TC	171683.60	√	2,647	C254T34DC4	280	230/460	46.6	91.0	1.15	20.94	C, CN
20	1800	256TC	G151684.60	D	2,386	C256T17DC5	307	230/460	48.0	91.0	1.15	23.03	C, CN
20	1800	256TC	171684.60	√	2,639	C256T17DC6	340	230/460	51.0	93.0	1.15	22.60	C, CN
25	3600	256TC	G151685.60	D	2,731	C256T34DC2	292	230/460	57.0	91.0	1.15	22.60	C, CN
25	3600	256TC	171685.60	√	3,246	C256T34DC3	383	230/460	57.0	92.5	1.15	23.03	C, CN
25	1800	284TC	G151686.60	D	2,908	C284T17DC2	388	230/460	59.6	91.7	1.15	23.54	C, CN
25	1800	284TC	171686.60	√	3,300	C284T17DC3	404	230/460	59.6	93.6	1.15	23.54	C, CN
30	3600	284TSC	G151687.60	D	3,185	C284T34DC2	373	230/460	70.4	91.0	1.15	25.00	C, CN
30	3600	284TSC	171687.60	√	3,578	C284T34DC3	406	230/460	67.0	94.1	1.15	25.00	C, CN

230/460 volt motors are suitable for use at 208 volts

Shaded model numbers are cast iron frame

Green items are Premium Efficient
"E" prefix items comply with SMR 2015

▼ LM Numbers are Lincoln Models
 D - Item to be discontinued once inventory is depleted
 C/A - Check Availability

♥ Note listing on inside back flap
 Specifications are subject to change without notice



Three Phase - Drip-Proof - C Face With Base

HP	SYN RPM 60 Hz	NEMA Frame	▼ Catalog Number	Stock	List Price	Model Number	App. Wgt. (lbs)	Voltage	F. L. Amps @ 230 V.	% FL. Eff.	Service Factor	"C" Dim. (Inches)	♥Notes
1/3	1800	S56C	100599.00	D	413	C4T17DK1	18	230/460	1.6	64.3	1.35	9.49	S, MX
1/3	1800	S56C	LM24277	D	392	SRDAS0.33TC61	15	230/460	2.2	67.0	1.35	9.80	S, MX
1/3	1800	S56C	E103021.00	✓	478	C4T17DK9	23	230/460	1.3	77.0	1.25	11.49	S, MX
1/2	3600	S56C	E100600.00	✓	507	C4T34DK18	27	230/460	0.9	78.2	1.25	11.04	S, US
1/2	1800	56C	E119353.00	✓	529	C6T17DK40	26	230/460	1.0	78.2	1.25	9.87	S, US
3/4	3600	S56C	E102971.00	✓	511	C4T34DK9	21	230/460	2.4	79.0	1.25	9.74	S, US
3/4	1800	S56C	LM34055	✓	533	SRD4B0.75TC61	29	230/460	1.3	81.1	1.25	11.55	S, MX
3/4	1800	56C	E116762.00	✓	535	C6T17DK30	30	230/460	2.4	81.5	1.25	10.87	S, US
1	3600	56C	E116784.00	C/A	516	C6T34DK16	23	230/460	3.2	77.0	1.15	9.87	S, US
1	1800	S56C	LM34056	✓	777	SRD4B1TC61	34	230/460	1.5	83.5	1.15	12.19	S, MX
1	1800	56C	E116763.00	✓	766	C6T17DK33	33	230/460	3.4	85.5	1.25	12.12	S, US
1	1800	143TC	121674.00	D	766	C143T17DK5	34	230/460	3.2	85.5	1.25	12.12	S, US, ♣
1	1800	143TC	121935.00	✓	704	C143T17DK6	34	230/460	3.2	85.5	1.25	12.12	S, US
1 1/2	3600	56C	116785.00	D	610	C6T34DK17	28	230/460	4.2	81.5	1.15	10.84	S, US
1 1/2	3600	56C	E116785.00	✓	752	C6T34DK20	35	230/460	4.0	84.0	1.25	11.87	S, US
1 1/2	1800	56HC	LM34057	✓	809	SRD4B1.5TC61	34	230/460	2.3	86.5	1.15	13.50	S, US, 6
1 1/2	1800	56C	110902.00	D	638	C6T17DK4	29	230/460	5.6	78.5	1.15	10.88	S, US
1 1/2	1800	56C	E116764.00	✓	792	C6T17DK32	37	230/460	5.6	86.5	1.15	12.87	S, US
1 1/2	1800	145TC	121675.00	✓	792	C145T17DK22	37	230/460	5.6	86.5	1.25	13.12	S, US
2	3600	56C	E114218.00	✓	831	C6T34DK25	41	230/460	4.8	85.5	1.15	12.87	S, US
2	1800	56HC	LM34058	✓	904	SRD4B2TC61	42	230/460	3.0	86.5	1.25	13.44	S, US, 6
2	1800	56HC	E116765.00	✓	896	C6T17DK31	42	230/460	5.8	86.5	1.25	13.37	S, US, 6
2	1800	145TC	121676.00	✓	896	C145T17DK21	42	230/460	5.8	86.5	1.25	13.62	S, US

230/460 volt motors are suitable for use at 208 volts

Continued on next page

Green items are Premium Efficient

"E" prefix items comply with SMR 2015

▼ LM Numbers are Lincoln Models

D - Item to be discontinued once inventory is depleted

C/A - Check Availability

♣ 121674.00 has an oversized conduit box

♥ Note listing on inside back flap
Specifications are subject to change without notice

Tech Information

Single Phase
ODP Motors

Single Phase
TEFC Motors

Three Phase
ODP Motors

Three Phase
TEFC Motors

Inverter Duty
Motors

Severe Duty
Motors

Definite
Purpose Motors

Brake Motors



Three Phase C Face Motors

Drip-Proof - General Purpose

Ultimate e Motors
see pages 54-56

Three Phase - Drip-Proof - C Face With Base

HP	SYN RPM 60 Hz	NEMA Frame	▼ Catalog Number	Stock	List Price	Model Number	App. Wgt. (lbs)	Voltage	F. L. Amps @ 230 V.	% FL. Eff.	Service Factor	"C" Dim. (Inches)	♥Notes
3	3600	145TC	121928.00	√	825	C145T34DK16	45	230/460	72	85.5	1.25	13.76	S, US
3	1800	182TC	132081.00	√	970	C182T17DK17	76	230/460	78	89.5	1.25	14.20	S, MX
5	3600	182TC	132242.00	√	892	C184T34DK20	92	230/460	12.2	86.5	1.15	15.19	S, MX
5	1800	184TC	132082.00	√	1,137	C184T17DK26	97	230/460	12.8	89.5	1.25	15.20	S, MX
7 1/2	3600	184TC	132244.00	√	1,347	C184T34DK21	106	230/460	17.6	88.5	1.15	16.19	S, MX
7 1/2	1800	213TC	140767.00	C/A	1,250	C213T17DK7	132	230/460	20.8	91.0	1.25	16.25	S, MX
7 1/2	1800	213TC	170170.60	√	1,214	C213T17DK15	165	230/460	19.8	91.0	1.15	16.38	C, CN
10	3600	213TC	141111.00	√	1,494	C213T34DK6	160	230/460	23.4	89.5	1.15	17.30	S, MX
10	3600	213TC	LM32778	C/A	1,573	SSD2B10TC61	138	230/460	26.8	89.5	1.25	17.25	S, MX
10	3600	213TC	170171.60	√	1,621	C213T3DK7	195	230/460	27.6	89.5	1.15	16.38	C, CN
10	1800	215TC	140768.00	√	1,418	C215T17DK6	144	230/460	26.8	91.9	1.25	17.25	S, MX
10	1800	215TC	LM32649	√	1,635	SSD4B10TC61	138	230/460	25.0	91.7	1.25	19.28	S, MX
10	1800	215TC	170172.60	√	1,587	C215T17DK13	200	230/460	25.6	91.7	1.15	18.62	C, CN
15	3600	215TC	170173.60	√	2,239	C215T34DK9	200	230/460	34.6	90.2	1.15	17.87	C, CN
15	3600	215TC	141119.00	√	1,930	C215T34DK3	170	230/460	35.0	91.0	1.15	18.55	S, MX
15	1800	254TC	170175.60	√	2,266	C254T17DK7	280	230/460	37.0	93.0	1.15	20.94	C, CN
15	1800	254TC	LM32781	C/A	2,569	CCD4B15TC61	326	230/460	37.0	93.6	1.25	23.31	C, US
20	3600	254TC	170070.60	√	2,707	C254T34DK6	280	230/460	46.6	91.0	1.15	20.94	C, CN
20	1800	256TC	170071.60	√	2,757	C256T17DK6	340	230/460	51.0	93.0	1.15	22.60	C, CN
20	1800	286TC	LM32783	√	3,812	SSD4B20TC61	233	230/460	48.0	93.0	1.25	29.19	S, US

230/460 volt motors are suitable for use at 208 volts

Continued on next page

Shaded model numbers are cast iron frame

Green items are Premium Efficient

▼ LM Numbers are Lincoln Models

C/A - Check Availability

♥ Note listing on inside back flap
Specifications are subject to change without notice

Single Phase
ODP MotorsSingle Phase
TEFC MotorsThree Phase
ODP MotorsThree Phase
TEFC MotorsInverter Duty
MotorsSevere Duty
MotorsDefinite
Purpose Motors

Brake Motors

Three Phase - Drip-Proof - C Face With Base

HP	SYN RPM 60 Hz	NEMA Frame	▼ Catalog Number	Stock	List Price	Model Number	App. Wgt. (lbs)	Voltage	F. L. Amps @ 230 V.	% FL. Eff.	Service Factor	"C" Dim. (Inches)	♥Notes
25	3600	256TC	171688.60	√	3,388	C256T34DK6	383	230/460	57	92.5	1.15	23.03	C, CN
25	1800	284TC	170073.60	√	3,483	C284T17DK4	404	230/460	59.6	93.6	1.15	23.54	C, CN
25	1800	284TSC	LM32785	√	3,693	CCD4B25TSC61Y	447	230/460	62	93.6	1.25	23.57	C, US
25	1200	324TC	LM14535	√	5,933	SD6B25TC61Y	479	230/460	65	93.0	1.25	28.00	S, US
30	3600	284TSC	LM17382	√	6,062	SD2B30TSC61Y	355	230/460	67	93.0	1.25	21.78	S, US
30	1800	286TC	171377.60	√	3,987	C286T17DK5	471	230/460	71	94.1	1.15	25.00	C, CN
30	1800	286TSC	LM32786	√	4,278	CCD4B30TSC61Y	400	230/460	74	94.1	1.25	25.44	C, US
40	3600	286TSC	LM17384	√	7,922	SD2B40TSC61Y	406	230/460	90	93.6	1.25	23.28	S, US
40	1800	324TC	170378.60	√	5,053	C324T17DK10	560	230/460	96	94.1	1.15	26.02	C, CN
40	1800	324TC	LM13837	C/A	8,616	SD4B40TC61Y	479	230/460	103	94.1	1.25	25.91	S, US
50	3600	324TSC	LM13838	√	7,963	SD2B50TSC61Y	479	230/460	110	94.1	1.25	24.41	S, US
50	1800	326TC	170379.60	√	5,985	C326T17DK4	614	230/460	118	94.5	1.15	27.52	C, CN
50	1800	326TC	LM13839	√	8,620	SD4B50TC61Y	479	230/460	130	94.5	1.25	27.41	S, US
50	1800	326TSC	LM32655	√	8,620	SD4B50TSC61Y	532	230/460	131	94.5	1.25	25.91	S, US
60	3600	326TSC	LM13840	C/A	7,670	SD2B60TSC61Y	535	230/460	136	93.6	1.25	25.91	S, US
60	1800	364TC	171689.60	√	7,512	C364T17DK2	716	230/460	139	95.0	1.15	28.01	C, CN
60	1800	364TSC	LM32787	√	11,547	SD4B60TSC61Y	724	230/460	140	94.5	1.25	28.35	S, US
60	1800	364TC	LM15570	C/A	11,547	SD4B60TC61Y	724	230/460	140	95.0	1.25	28.35	S, US
75	3600	364TSC	LM15569	√	12,240	SD2B75TSC61Y	724	230/460	164	95.0	1.25	26.27	S, US
75	1800	365TC	171690.60	√	9,123	C365T17BK2	766	230/460	172	95.0	1.15	31.18	C, CN
75	1800	365TSC	LM32656	√	11,509	SD4B75TSC61Y	775	230/460	176	95.0	1.25	27.27	S, US
100	3600	365TSC	LM15572	C/A	12,574	SD2B100TSC61Y	775	230/460	110	95.4	1.25	27.27	S, US
100	1800	404TC	171691.60	√	11,612	C404T17DK2	1141	230/460	225	95.4	1.15	32.76	C, CN
100	1800	404TSC	LM32788	√	12,421	SD4B100TSC1Y	898	230/460	130	95.4	1.25	29.16	S, US
125	3600	404TSC	LM17388	C/A	16,101	SD2B125TSC61Y	898	230/460	138	95.0	1.25	29.16	S, US
125	1800	405TSC	LM32657	√	12,967	SD4B125TSC61Y	974	230/460	153	95.4	1.25	30.66	S, US
125	1800	405TC	LM17389	C/A	12,967	SD4B125TC61Y	974	230/460	153	95.4	1.25	33.66	S, US
150	3600	405TSC	LM17390	C/A	18,950	SD2B150TSC61Y	974	230/460	169	94.1	1.25	30.66	S, US
150	1800	444TSC	LM32789	√	16,614	SD4B150TSC64Y	1298	460	170 *	95.8	1.25	33.50	S, US
200	3600	444TSC	LM13795	C/A	23,226	SD2B200TSC64Y	1298	460	216 *	95.8	1.25	33.50	S, US
200	1800	445TSC	LM32677	√	20,443	SD4B200TSC64Y	1470	460	233 *	96.2	1.25	35.50	S, US

230/460 volt motors are suitable for use at 208 volts

Shaded model numbers are cast iron frame

Green items are Premium Efficient

▼ LM Numbers are Lincoln Models

*FL. Amps at 460V

C/A - Check Availability

♥ Note listing on inside back flap
Specifications are subject to change without notice

Tech Information

Single Phase
ODP Motors

Single Phase
TEFC Motors

Three Phase
ODP Motors

Three Phase
TEFC Motors

Inverter Duty
Motors

Severe Duty
Motors

Definite
Purpose Motors

Brake Motors



Ultimate e Series General Purpose Motors

Drip-Proof - General Purpose

Features:

- Meets or exceeds NEMA Premium® efficiencies
- 182T - 215T Models are rolled steel frame - also available through 286T frame
- Class F insulation
- Standard assembly F1, reversible to F2 by reassembly
- UL Recognized, CSA Certified, CE Mark
- Three year warranty



Three Phase - Drip-Proof - Rigid Base

HP	SYN RPM 60 Hz	NEMA Frame	Catalog Number	Stock	List Price	Model Number	App. Wgt. (lbs)	Voltage	F. L. Amps @ 230 V	% F.L. Eff.	Service Factor	"C" Dim. (Inches)	Notes
1 1/2	1200	182T	199685.00	√	769	C182T11DB10	75	230/460	4.4	86.5	1.15	13.72	S, CN
2	1200	184T	199686.00	√	782	C184T11DB10	99	230/460	5.8	87.5	1.15	14.72	S, CN
3	1800	182T	199687.00	√	679	C182T17DB62	76	230/460	7.6	90.2	1.15	13.72	S, CN
3	1200	213T	199688.00	D	1,072	C213T11DB12	156	230/460	8.8	87.5	1.15	17.52	S, CN
3	1200	213T	B199688.00	√	1,072	C213T11DB13	130	230/460	8.6	87.5	1.15	17.52	S, CN
5	3600	182T	199689.00	√	716	C182T34DB8	126	230/460	12.4	87.5	1.15	13.72	S, CN
5	1800	184T	199690.00	√	765	C184T17DB84	86	230/460	12.8	89.5	1.15	14.72	S, CN
5	1200	215T	199691.00	D	1,248	C215T11DB10	281	230/460	14.0	89.5	1.15	17.52	S, CN
5	1200	215T	B199691.00	√	1,248	C215T11DB11	275	230/460	14.0	89.5	1.15	17.52	S, CN
7.5	3600	184T	199692.00	√	881	C184T34DB17	143	230/460	18.0	88.5	1.15	14.72	S, CN
7.5	1800	213T	199693.00	D	989	C213T17DB49	160	230/460	19.0	91.7	1.15	17.52	S, CN
7.5	1800	213T	B199693.00	√	989	C213T17DB50	155	230/460	19.8	91.7	1.15	17.52	S, CN
7.5	1200	254T	199694.00	D	1,561	C254T11DB46	281	230/460	21.0	90.2	1.15	22.64	C, CN
7.5	1200	254T	B199694.00	√	1,561	C254T11DB47	260	230/460	20.2	90.2	1.15	22.64	S, CN
10	3600	213T	199695.00	D	1,130	C213T34DB48	150	230/460	23.0	89.5	1.15	17.52	S, CN
10	3600	213T	B199695.00	√	1,130	C213T34DB49	145	230/460	24.0	89.5	1.15	17.52	S, CN
10	1800	215T	199696.00	D	1,168	C215T17DB58	220	230/460	25.6	91.7	1.15	17.52	S, CN
10	1800	215T	B199696.00	√	1,168	C215T17DB59	210	230/460	25.4	91.7	1.15	17.52	S, CN
10	1200	256T	199697.00	D	1,946	C256T11DB48	305	230/460	27.6	91.7	1.15	24.22	C, CN
10	1200	256T	B199697.00	√	1,848	C256T11DB49	285	230/460	25.5	91.7	1.15	24.22	S, CN
15	3600	215T	199698.00	D	1,655	C215T34DB6	184	230/460	35.0	91.0	1.15	17.52	S, CN
15	3600	215T	B199698.00	√	1,655	C215T34DB7	184	230/460	36.0	91.0	1.15	17.52	S, CN
15	1800	254T	199699.00	D	1,893	C254T17DB46	310	230/460	36.5	93.0	1.15	22.64	C, CN
15	1800	254T	B199699.00	√	1,799	C254T17DB47	285	230/460	37.5	93.0	1.15	22.64	S, CN
15	1200	284T	199700.00	D	2,562	C284T11DB9	414	230/460	40.0	91.7	1.15	25.71	C, CN
15	1200	284T	B199700.00	√	2,435	C284T11DB10	414	230/460	40.3	91.7	1.15	25.71	S, CN
20	3600	254T	199701.00	D	1,907	C254T34DB6	300	230/460	45.0	91.7	1.15	22.64	C, CN
20	3600	254T	B199701.00	√	1,811	C254T34DB7	300	230/460	48.4	91.7	1.15	22.64	S, CN
20	1800	256T	199702.00	D	2,001	C256T17DB12	360	230/460	48.0	93.0	1.15	24.22	C, CN
20	1800	256T	B199702.00	√	1,902	C256T17DB13	360	230/460	48.5	93.0	1.15	24.22	S, CN
20	1200	286T	199703.00	D	3,122	C286T11DB7	457	230/460	54.0	92.4	1.15	27.09	C, CN
20	1200	286T	B199703.00	√	2,966	C286T11DB8A	457	230/460	55.0	92.4	1.15	27.09	S, CN

230/460 volt motors are suitable for use at 208 volts

Continued on next page

Shaded model numbers are cast iron frame

*Amps at 460 volts

Green items are Premium Efficient

D - Item to be discontinued once inventory is depleted

♥ Note listing on inside back flap
Specifications are subject to change without notice



Ultimate e Series General Purpose Motors

Drip-Proof - General Purpose

Tech Information

Three Phase - Drip-Proof - Rigid Base

HP	SYN RPM 60 Hz	NEMA Frame	Catalog Number	Stock	List Price	Model Number	App. Wgt. (lbs)	Voltage	F. L. Amps @ 230 V	% F.L. Eff.	Service Factor	"C" Dim. (Inches)	♥Notes
25	3600	256T	199704.00	D	2,427	C256T34DB10	315	230/460	55.0	91.7	1.15	24.22	C, CN
25	3600	256T	B199704.00	√	2,306	C256T34DB11	315	230/460	59.4	91.7	1.15	24.22	S, CN
25	1800	284T	199705.00	D	2,362	C284T17DB11	424	230/460	62.0	93.6	1.15	25.71	C, CN
25	1800	284T	B199705.00	√	2,243	C284T17DB12	424	230/460	70.5	93.6	1.15	25.71	S, CN
25	1200	324T	199706.00	√	3,719	C324T11DB7	695	230/460	68.0	93.0	1.15	28.55	C, CN
30	3600	284TS	199707.00	D	3,003	C284T34DB9	396	230/460	66.5	91.7	1.15	24.41	C, CN
30	3600	284TS	B199707.00	√	2,852	C284T34DB10	396	230/460	71.0	91.7	1.15	24.41	S, CN
30	1800	286T	199708.00	D	2,725	C286T17DB14	483	230/460	74.0	94.1	1.15	27.09	C, CN
30	1800	286T	B199708.00	√	2,589	C286T17DB15	483	230/460	72.5	94.1	1.15	27.09	S, CN
30	1200	326T	199709.00	√	4,359	C326T11DB7	760	230/460	81.0	93.6	1.15	29.73	C, CN
40	3600	286TS	199710.00	D	3,614	C286T34DB6	452	230/460	89.0	92.4	1.15	25.79	C, CN
40	3600	286TS	B199710.00	√	3,519	C286T34DB7		230/460		92.4	1.15		S, CN
40	1800	324T	199711.00	√	3,425	C324T17DB12	581	230/460	95.0	94.5	1.15	28.55	C, CN
40	1200	364T	199712.00	√	5,595	C364T11DB8	875	230/460	99.0	94.1	1.15	31.69	C, CN
50	3600	324TS	199713.00	√	4,405	C324T34DB6	548	230/460	113.0	93.0	1.15	27.05	C, CN
50	1800	326T	199714.00	√	4,081	C326T17DB9	710	230/460	118.0	94.5	1.15	29.73	C, CN
50	1200	365T	199715.00	√	6,441	C365T11DB6	930	230/460	122.0	94.1	1.15	33.27	C, CN
60	3600	326TS	199716.00	√	5,272	C326T34DB8	590	230/460	134.0	93.6	1.15	28.23	C, CN
60	1800	364T	199717.00	√	4,852	C364T17DB8	1005	230/460	139.0	95.0	1.15	31.69	C, CN
60	1200	404T	199718.00	√	7,750	C404T11DB7	975	230/460	144.0	94.5	1.15	37.20	C, CN
75	3600	364TS	199719.00	√	6,964	C364T34DB5	937	230/460	166.0	93.6	1.15	29.57	C, CN
75	1800	365T	199720.00	√	5,811	C365T17DB8	1030	230/460	174.0	95.0	1.15	33.27	C, CN
75	1200	405T	199721.00	√	9,526	C405T11DB8	1100	230/460	180.0	94.5	1.15	38.78	C, CN
100	3600	365TS	199722.00	√	8,522	C365T34DB7	1016	230/460	222.0	93.6	1.15	31.14	C, CN
100	1800	404T	199723.00	√	7,577	C404T17DB8	1025	230/460	226.0	95.4	1.15	37.20	C, CN
100	1200	444T	199724.00	√	11,826	C444T11DB6	1675	230/460	232.0	95.0	1.15	44.57	C, CN
125	3600	404TS	199725.00	√	10,196	C404T34DB5	973	460	138 *	94.1	1.15	35.45	C,CN
125	1800	405T	199726.00	√	9,590	C405T17DB8	1150	460	140 *	95.4	1.15	38.78	C,CN
125	1200	445T	199727.00	√	15,518	C445T11DB8	1799	460	145 *	95.0	1.15	44.57	C,CN
150	3600	405TS	199728.00	√	11,930	C405T34DB4	1075	460	164 *	94.1	1.15	35.45	C,CN
150	1800	444T	199729.00	√	12,875	C444T17DB7	1275	460	168 *	95.8	1.15	44.57	C,CN
150	1200	447T	199730.00	√	15,957	C447T11DB3	2050	460	172 *	95.4	1.15	49.69	C,CN
200	3600	444TS	199731.00	√	18,558	C444T34DB2	1277	460	215 *	95.0	1.15	40.83	C,CN
200	1800	445T	199732.00	√	16,155	C445T17DB18	1885	460	233 *	95.8	1.15	44.57	C,CN
200	1200	449T	199733.00	√	20,346	C449T11DB1	2200	460	228 *	95.4	1.15	49.96	C,CN

Single Phase
ODP Motors

Single Phase
TEFC Motors

Three Phase
ODP Motors

Three Phase
TEFC Motors

Inverter Duty
Motors

Severe Duty
Motors

Definite
Purpose Motors

Brake Motors

230/460 volt motors are suitable for use at 208 volts

Continued on next page

Shaded model numbers are cast iron frame

*Amps at 460 volts

Green items are Premium Efficient

D - Item to be discontinued once inventory is depleted

♥ Note listing on inside back flap
Specifications are subject to change without notice



Ultimate e Series General Purpose Motors

Drip-Proof - General Purpose

Three Phase - Drip-Proof - C Face With Base

HP	SYN RPM 60 Hz	NEMA Frame	Catalog Number	Stock	List Price	Model Number	App. Wgt. (lbs)	Voltage	F. L. Amps @ 230 V	% F.L. Eff.	Service Factor	"C" Dim. (Inches)	Notes
3	1800	182TC	199735.00	✓	787	C182T17DK42	77	230/460	76	90.2	1.15	14.45	S, CN
5	3600	182TC	199736.00	✓	827	C182T34DK18	128	230/460	12.4	87.5	1.15	14.45	S, CN
5	1800	184TC	199737.00	✓	925	C184T17DK42	88	230/460	12.8	89.5	1.15	15.46	S, CN
7 1/2	3600	184TC	199738.00	✓	1,004	C184T34DK26	145	230/460	18.0	88.5	1.15	15.46	S, CN
7 1/2	1800	213TC	199739.00	D	1,158	C213T17DK45	162	230/460	19.0	91.7	1.15	18.10	S, CN
7 1/2	1800	213TC	B199739.00	✓	1,158	C213T17DK45	162	230/460	22.4	91.7	1.15	17.52	S, CN
10	3600	213TC	199740.00	D	1,340	C213T34DK47	152	230/460	23.0	89.5	1.15	18.10	S, CN
10	3600	213TC	B199740.00	✓	1,340	C213T34DK47	152	230/460	24.0	89.5	1.15	18.10	S, CN
10	1800	215TC	199741.00	D	1,358	C215T17DK45	223	230/460	25.6	91.7	1.15	18.10	S, CN
10	1800	215TC	B199741.00	✓	1,358	C215T17DK45	223	230/460	25.4	91.7	1.15	17.52	S, CN
15	3600	215TC	199742.00	D	1,894	C215T34DK46	187	230/460	35.0	91.0	1.15	18.10	S, CN
15	3600	215TC	B199742.00	✓	1,894	C215T34DK46	187	230/460	36.0	91.0	1.15	17.52	S, CN
15	1800	254TC	199743.00	D	2,208	C254T17DK11	314	230/460	36.5	93.0	1.15	23.00	C, CN
15	1800	254TC	B199743.00	✓	2,098	C254T17DK11	285	230/460	37.5	93.0	1.15	22.64	S, CN
20	3600	254TC	199744.00	D	2,390	C254T34DK8	305	230/460	45.0	91.7	1.15	23.00	C, CN
20	3600	254TC	B199744.00	✓	2,271	C254T34DK8	280	230/460	48.4	91.7	1.15	23.14	S, CN
20	1800	256TC	199745.00	D	2,652	C256T17DK7	365	230/460	48.0	93.0	1.15	24.60	C, CN
20	1800	256TC	B199745.00	✓	2,519	C256T17DK7	340	230/460	48.5	93.0	1.15	24.22	S, CN
25	3600	256TC	199746.00	D	2,803	C256T34DK7	321	230/460	55.0	91.7	1.15	24.60	C, CN
25	3600	256TC	B199746.00	✓	2,663	C256T34DK7	295	230/460	59.4	91.7	1.15	24.72	S, CN
25	1800	284TC	199747.00	D	3,083	C284T17DK5	430	230/460	62.0	93.6	1.15	25.71	C, CN
25	1800	284TC	B199747.00	✓	2,929	C284T17DK5	400	230/460	70.5	93.6	1.15	25.71	S, CN
30	3600	284TSC	199748.00	D	3,448	C284T34DK3	401	230/460	66.5	91.7	1.15	24.41	C, CN
30	3600	284TSC	B199748.00	✓	3,275	C284T34DK3	370	230/460	71.0	91.7	1.15	24.34	S, CN
30	1800	286TC	199749.00	D	3,724	C286T17DK6	488	230/460	74.0	94.1	1.15	27.09	C, CN
30	1800	286TC	B199749.00	✓	3,538	C286T17DK6	460	230/460	71.9	94.1	1.15	27.09	S, CN
40	3600	286TSC	199750.00	✓	4,139	C286T34DK3	456	230/460	89.0	92.4	1.15	25.79	C, CN
40	1800	324TC	199751.00	✓	4,336	C324T17DK11	587	230/460	95.0	94.5	1.15	28.55	C, CN
50	3600	324TSC	199752.00	✓	5,036	C324T34DK3	554	230/460	113	93.0	1.15	27.05	C, CN
50	1800	326TC	199753.00	✓	4,987	C326T17DK5	716	230/460	118	94.5	1.15	29.73	C, CN
60	3600	326TSC	199754.00	✓	6,035	C326T34DK1	597	230/460	134	93.6	1.15	28.23	C, CN
60	1800	364TC	199755.00	✓	6,691	C364T17DK5	1011	230/460	139	95.0	1.15	31.69	C, CN
75	3600	364TSC	199756.00	✓	7,935	C364T34DK1	943	230/460	166	93.6	1.15	29.57	C, CN
75	1800	365TC	199816.00	✓	7,049	C365T17DK3	1036	230/460	174	95.0	1.15	33.27	C, CN
100	3600	365TSC	199758.00	✓	9,707	C365T34DK1	1022	230/460	222	93.6	1.15	31.14	C, CN
100	1800	404TC	199759.00	✓	9,539	C404T17DK3	1033	230/460	226	95.4	1.15	37.20	C, CN

230/460 volt motors are suitable for use at 208 volts

♥ Note listing on inside back flap
Specifications are subject to change without notice

Shaded model numbers are cast iron frame

Green items are Premium Efficient

D - Item to be discontinued once inventory is depleted



Three Phase ODP Motors

Compressor, Pump and Fan & Blower Duty

Tech Information

Single Phase ODP Motors

Single Phase TEFC Motors

Three Phase ODP Motors

Three Phase TEFC Motors

Inverter Duty Motors

Severe Duty Motors

Definite Purpose Motors

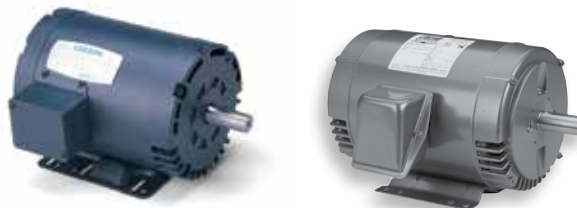
Brake Motors

General Specifications:

Motors designed for air compressor, pump, fan and blower duty applications which require high breakdown torque and rugged mechanical construction.

Mechanical Features:

- Double shielded ball bearings
- Designed for belted loads
- Class F Insulation



Three Phase - Drip-Proof - Rigid Base

HP	RPM 60 Hz	NEMA Frame	▼ Catalog Number	Stock	List Price	Model Number	App. Wgt. (lbs)	Voltage	F. L. Amps @ 230 V	% FL. Eff.	Service Factor	"C" Dim. (Inches)	♥Notes
1	1800	143T	121003.00	√	689	C143T17DB10	36	230/460	3.2	85.5	1.25	12.10	S, US
1	1800	143T	LM24871	√	569	SSD4B1T6	35	230/460	3.2	85.5	1.25	12.00	S, MX
1 1/2	1800	145T	121004.00	√	719	C145T17DB32	35	230/460	4.8	86.5	1.25	12.60	S, US
1 1/2	1800	145T	LM24875	√	595	SSD4B1.5T6	45	230/460	4.4	86.5	1.25	13.00	S, MX
2	1800	145T	121005.00	√	815	C145T17DB33	37	230/460	5.8	86.5	1.25	13.60	S, US
2	1800	145T	LM24169	√	659	SSD4B2T6	48	230/460	6.0	86.5	1.25	11.50	S, MX
3	1800	182T	131519.00	√	833	C182T17DB37	75	230/460	7.8	89.5	1.25	13.70	S, MX
3	1800	182T	LM24222	√	858	SSD4B3T61	75	230/460	8.0	89.5	1.25	13.20	S, MX
5	1800	184T	131520.00	√	939	C184T17DB44	86	230/460	12.8	89.5	1.25	14.70	S, MX
5	1800	184T	LM24202	√	962	SSD4B5T61	91	230/460	12.6	89.5	1.25	14.20	S, MX
7 1/2	1800	213T	140470.00	√	1,178	C213T17DB2	133	230/460	20.6	91.0	1.25	16.30	S, MX
7 1/2	1800	213T	LM24194	√	1,355	SSD4B7.5T6	125	230/460	19.2	91.0	1.25	18.50	S, US
10	1800	215T	140472.00	√	1,392	C215T17DB15	144	230/460	26.8	91.7	1.25	17.30	S, MX
10	1800	215T	LM24193	√	1,514	SSD4B10T6	155	230/460	25.0	91.7	1.25	18.50	S, US
20	1800	256T	170006.60	√	2,398	C256T17DB5	324	230/460	51.0	93.0	1.25	22.60	C, CN
20	1800	256T	LM24199	√	2,604	CCD4B20T6	350	230/460	48.0	93.0	1.25	24.40	C, US

230/460 volt motors are suitable for use at 208 volts

Shaded model numbers are cast iron frame

Green items are Premium Efficient

▼ LM Numbers are Lincoln Models

♥ Note listing on inside back flap
Specifications are subject to change without notice



Three Phase ODP Motors

Resilient Base

General Purpose or Fan & Blower Service

General Specifications:

- Industrial quality resilient base
- Moderate starting torque
- Double shielded ball bearings
- Belt-Driven or fan-on-shaft applications



Drip-Proof - Three Phase - Resilient Base

HP	SYN RPM 60 Hz	NEMA Frame	Catalog Number	Stock	List Price	Model Number	App. Wgt. (lbs)	Voltage	Over-load Prot.	F. L. Amps @ 230 V	Service Factor	% FL. Eff.	"C" Dim. (Inches)	♥Notes
1/3	3450	S56	101639.00	√	393	A4T34DJ4	17	230/460	Auto.	1.7	1.35	61	10.31	S, US, 33
1/3	1725	S56	100210.00	D	429	C4T17DJ3	18	230/460	None	1.6	1.35	64.3	10.31	S, MX
1/3	1725	S56	E100210.00	√	470	C4T17DJ25	19	230/460	None	1.2	1.35	73.4	12.31	S, MX
1/3	1725	S56	101520.00	√	521	A4T17DJ18	19	230/460	Auto.	1.6	1.35	64.3	10.81	S, MX, 33
1/2	3450	S56	101640.00	C/A	472	A4T34DJ3	18	230/460	Auto.	2.4	1.25	69.0	10.31	S, US, 33
1/2	1725	S56	100145.00	D	492	C4T17DJ1	22	230/460	None	2.0	1.25	68.0	10.81	S, MX
1/2	1725	56	E119360.00	√	549	C6T17DR40	23	230/460	None	2.0	1.25	78.2	10.82	S, MX
1/2	1725	S56	100796.00	√	572	A4T17DJ10	22	230/460	Auto.	2.0	1.25	68.0	11.31	S, MX
3/4	3450	S56	E101773.00	√	494	C4T34DJ8	20	230/460	None	2.4	1.25	79.0	10.81	S, MX
3/4	3450	S56	101641.00	√	576	A4T34DJ5	20	230/460	Auto.	2.4	1.25	79.0	11.31	S, US, 33
3/4	1725	56	E119361.00	√	589	C6T17DR41	26	230/460	None	2.4	1.25	81.1	11.82	S, MX
3/4	1725	S56	100908.00	√	620	A4T17DJ13	26	230/460	Auto.	2.8	1.25	75.0	11.81	S, US, 33
1	3450	56	114192.00	D	526	C6T34DR35	24	230/460	None	3.2	1.25	77.0	10.82	S, US
1	3450	56	E114192.00	√	526	C6T34DR35	24	230/460	None	3.2	1.25	77.0	10.82	S, US
1	3450	56	113895.00	C/A	608	A6T34DR30	25	230/460	Auto.	3.2	1.25	77.0	10.82	S, US, 33
1	1725	56	E110052.00	√	741	C6T17DR37	24	230/460	None	3.2	1.15	83.5	13.32	S, US
1	1725	56H	111311.00	√	644	A6T17DR11	27	230/460	Auto.	4.2	1.15	78.5	11.31	S, US, 33
1 1/2	3450	56H	E114194.00	C/A	758	C6T34DR3	31	230/460	None	4.0	1.15	84.0	12.82	S, US
1 1/2	3450	56H	113896.00	C/A	689	A6T34DR31	29	230/460	Auto.	4.2	1.15	81.5	11.82	S, US, 33
1 1/2	1725	56H	110433.00	D	660	C6T17DR4	32	230/460	None	5.6	1.15	78.5	11.81	S, US
1 1/2	1725	56H	E110433.00	√	795	C6T17DR38	33	230/460	None	4.8	1.15	86.5	13.82	S, US
1 1/2	1725	56H	113846.00	√	683	A6T17DR25	29	230/460	Auto.	5.6	1.15	78.5	11.81	S, US, 49
2	3450	56H	E114196.00	C/A	838	C6T34DR38	37	230/460	None	4.8	1.15	85.5	13.82	S, US
2	3450	56H	113897.00	√	799	A6T34DR32	39	230/460	Auto.	5.6	1.15	82.9	12.32	S, US, 33
2	1725	56H	E114197.00	√	874	C6T17DR39	38	230/460	None	5.8	1.15	86.5	14.32	S, US
2	1725	56H	113847.00	√	784	A6T17DR26	34	230/460	Auto.	6.2	1.15	78.5	12.31	S, US, 33
3	3450	56HZ	113926.00	√	789	U6T34DR33	40	230/460	Auto.	7.6	1.00	84.0	13.19	S, US, 33
3	1725	56HZ	116593.00	√	859	A6T17DR33	47	230/460	Auto.	8.6	1.15	82.5	14.19	S, US, 33

230/460 volt motors are suitable for use at 208 volts

♥ Note listing on inside back flap
Specifications are subject to change without notice

Green items are Premium Efficient

"E" prefix items comply with SMR 2015

D - Item to be discontinued once inventory is depleted

C/A - Check Availability

Three Phase ODP Motors

F2 Conduit Box Mount Motors - General Purpose

Tech Information

Single Phase ODP Motors

Single Phase TEFC Motors

Three Phase ODP Motors

Three Phase TEFC Motors

Inverter Duty Motors

Severe Duty Motors

Definite Purpose Motors

Brake Motors

Three Phase - ODP - Rigid Base

HP	SYN RPM 60 Hz	NEMA Frame	Catalog Number	Stock	List Price	Model Number	App. Wgt. (lbs)	Voltage	Over-load Prot.	F. L. Amps @ 230 V	Service Factor	"C" Dim. (Inches)	♥Notes
3	1800	182T	132232.00	√	846	C182T17DB57	75	230/460	7.2	1.15	89.5	13.70	S, MX
5	1800	184T	132233.00	√	939	C184T17DB77	86	230/460	12.8	1.15	89.5	14.70	S, MX
7 1/2	1800	213T	140831.00	C/A	1,178	C213T17DB14	133	230/460	20.6	1.15	91.0	16.30	S, MX

230/460 volt motors are suitable for use at 208 volts

♥ Note listing on inside back flap Specifications are subject to change without notice

Green items are Premium Efficient

C/A - Check Availability

Three Phase - Automatic Overload Protected Motors

General Specifications:

- General purpose
- Automatic reset protection
- Not for use with variable frequency inverters



Three Phase - Drip-Proof - Rigid Base

HP	SYN RPM 60 Hz	NEMA Frame	Catalog Number	Stock	List Price	Model Number	App. Wgt. (lbs)	Voltage	Over-load Prot.	F. L. Amps @ 230 V	Service Factor	% F.L. Eff.	"C" Dim. (Inches)	♥Notes
3	1800	182T	132234.00	√	1,004	U182T17DB61	58	230/460	Auto	8.4	1.15	86.5	12.69	S, MX
5	1800	184T	132235.00	√	1,127	U184T17DB82	78	230/460	Auto	13.2	1.15	87.5	13.69	S, MX

230/460 volt motors are suitable for use at 208 volts

♥ Note listing on inside back flap Specifications are subject to change without notice

Green items are Premium Efficient



Three Phase Motors Totally Enclosed

**Three Phase Motors – General Purpose – Totally Enclosed –
208-230/460V & 460V Rigid Mount – ¼ HP – 400 HP
Steel Frame – Cast Iron Frame – Aluminum Frame**

Ultimate e Motors
see pages 78-82



- Standard, EAct and Premium efficient ratings
- Inverter-rated
- Class B insulation systems – 42, 48 and 56 frames
- Class F insulation system – 140 frame and higher
- Shielded ball bearings for direct coupled applications
Contact your local sales office for belted load applications
- Continuous duty
- Dynamically balanced rotors
- 1-year warranty on Standard efficient motors
- 2-year warranty on EAct efficient motors
- 3-year warranty on Premium efficient motors
- Torques exceed NEMA performance standards
- UL recognized and CSA certified
- WATTSaver® Premium efficient motors
- Ultimate e Premium efficient motors



Applications:

For use where exposure to water, dust and corrosives exists. Ideally suited for use on pumps, compressors, fans, blowers, conveyors, machine tools and other industrial applications.

LEESON Cast Iron WATTSaver e® Motors	LEESON Ultimate e
Standard Features	
3 HP - 250 HP	1.5 HP - 200 HP
N/C Thermostats	N/A
3-Year Warranty	3-Year Warranty
IRIS™ Inverter Insulation System	Standard Insulation System
10:1 Constant Torque Operation	10:1 Constant Torque Operation
Ring Terminals on Leads	N/A
TEFC Enclosure	TEFC Enclosure
ODP Enclosure	ODP Enclosure
Chemical Resistant Paint	Enamel Paint
Cast Iron Conduit Box	Stamped Steel Conduit Box
Options	
C-Face Kits	C-Face Kits
D-Flange Kits	N/A
Encoder Mounting Provisions	N/A
Blower Kit Option	N/A
F-2 Mounting by re-assembly	F-2 Mounting by re-assembly
213-5T and 254-6T Frame Brake Kits	N/A
Cast Iron Fan Guards	N/A
SGR mounting provisions	N/A

Three Phase - TEFC - Rigid Base

HP	SYN RPM 60 Hz	NEMA Frame	▼ Catalog Number	Stock	List Price	Model Number	App. Wgt. (lbs)	Voltage	F. L. Amps @ 230 V	% F.L. Eff.	Service Factor	"C" Dim. (Inches)	♥Notes
1/4	1800	48	101646.00	√	357	C4T17FB9	18	230/460	1.4	58.0	1.15	9.31	S, MX
1/4	1800	48	LM24929	√	376	SPF4S0.25T61	17	230/460	1.3	62.5	1.15	9.59	S, MX
1/3	3600	48	102684.00	√	359	C4T34FB5	18	230/460	1.4	68.0	1.00	8.81	S, US
1/3	1800	48	101647.00	√	427	C4T17FB10	21	230/460	1.6	64.3	1.15	9.31	S, MX
1/3	1800	S56	101079.00	√	392	C4T17FH6	22	230/460	1.6	64.3	1.15	9.69	S, MX
1/3	1800	S56	LM24107	√	420	SRF4S0.33T61	16	230/460	1.6	65.5	1.15	10.22	S, MX
1/3	1800	S56	103019.00	√	573	C4T17FH12	24	230/460	1.3	77.0	1.25	10.19	S, MX
1/3	1200	56	110441.00	√	616	C6T11FB5	23	230/460	1.6	65.0	1.15	10.81	S, US
1/2	3600	48	100905.00	√	421	C4T34FB2	18	230/460	1.8	69.0	1.00	9.94	S, US
1/2	3600	56	LM24185	√	434	SRF2S0.5T61	22	230/460	2.2	69.0	1.15	11.82	S, US
1/2	1800	48	100961.00	√	501	C4T17FB4	21	230/460	2.0	73.0	1.15	9.56	S, MX
1/2	1800	S56	100913.00	√	449	C4T17FH1	24	230/460	2.0	73.0	1.15	9.94	S, MX
1/2	1800	S56	LM24073	√	480	SRF4S0.5T61	18	230/460	2.2	70.0	1.15	10.72	S, MX
1/2	1800	S56	103020.00	√	608	C4T17FH13	27	230/460	1.8	77.0	1.25	10.69	S, MX
1/2	1200	56	110353.00	√	665	C6T11FB2	26	230/460	2.4	70.0	1.15	11.31	S, US
1/2	1200	56	LM24105	√	695	SRF6S0.5T61	24	230/460	2.7	68.0	1.15	11.82	S, MX
1/2	900	56	114618.00	√	991	C6T8FB11	31	230/460	2.4	69.0	1.15	11.81	S, US
1/2	900	143T	LM24291	C/A	1,034	SSF8S0.5T61	31	230/460	2.6	66.0	1.15	13.37	S, US
3/4	3600	48	100960.00	√	462	C4T34FB3	21	230/460	2.4	79.0	1.00	10.44	S, US
3/4	3600	56	110313.00	√	462	C6T34FB2	22	230/460	2.4	75.5	1.15	10.81	S, US
3/4	3600	56	LM24133	√	480	SRF2S0.75T61	23	230/460	3.2	74.0	1.15	11.82	S, US
3/4	1800	56	110034.00	√	478	C6T17FB1	22	230/460	2.8	77.0	1.15	10.81	S, US
3/4	1800	S56	LM24075	√	516	SRF4S0.75T61	30	230/460	2.8	75.5	1.15	11.22	S, MX
3/4	1800	56	116739.00	√	638	C6T17FB152	31	230/460	2.4	81.5	1.25	11.31	S, US
3/4	1200	56	110275.00	√	665	C6T11FB3	33	230/460	3.0	75.5	1.15	11.81	S, US
3/4	1200	56	LM24136	√	711	SRF6S0.75T61	28	230/460	3.2	74.0	1.15	12.32	S, MX
3/4	1200	143T	121009.00	√	678	C143T11FB2	34	230/460	3.0	75.5	1.15	12.75	S, US
3/4	1200	143T	LM24103	√	711	SSF6S0.75T61	29	230/460	3.2	74.0	1.15	12.37	S, MX
3/4	900	145T	121199.00	√	1,142	C145T8FB5	21	230/460	3.1	70.0	1.15	12.75	S, US
3/4	900	145T	LM24276	√	1,184	SSF8S0.75T61	49	230/460	4.8	70.0	1.15	14.87	S, US

230/460 volt motors are suitable for use at 208 volts

Continued on next page

Green items are Premium Efficient

▼ LM Numbers are Lincoln Models
C/A - Check Availability

♥ Note listing on inside back flap
Specifications are subject to change without notice

Single Phase
ODP Motors

Single Phase
TEFC Motors

Three Phase
ODP Motors

Three Phase
TEFC Motors

Inverter Duty
Motors

Severe Duty
Motors

Definite
Purpose Motors

Brake Motors



Three Phase Motors Totally Enclosed Fan Cooled

Ultimate e Motors
see pages 78-82

**General Purpose - Standard,
EPA and Premium Efficient - Three Phase Motors**

Three Phase - TEFC - Rigid Base

HP	SYN RPM 60 Hz	NEMA Frame	▼Catalog Number	Stock	List Price	Model Number	App. Wgt. (lbs)	Voltage	F. L. Amps @ 230 V	% FL. Eff.	Service Factor	"C" Dim. (Inches)	♥Notes
1	3600	56	110145.00	√	540	C6T34FB1	24	230/460	3.2	77.0	1.15	10.81	S, US
1	3600	56	116129.00	√	715	C6T34FB49	24	230/460	2.8	80.0	1.25	11.31	S, US
1	3600	56	LM24094	D	564	SRF2S1T61	24	230/460	3.7	74.0	1.15	11.82	S, US
1	3600	56	LM34141	√	601	SRF2B1T61	27	230/460		77.0	1.15		S, US
1	1800	56H	110035.00	D	501	C6T17FB2	30	230/460	3.8	77.0	1.15	11.31	S, US
1	1800	56H	116757.00	√	784	C6T17FB151	32	230/460	3.2	85.5	1.25	12.81	S, US
1	1800	56	LM24078	D	534	SRF4S1T61	27	230/460	3.6	77.0	1.15	12.32	S, MX
1	1800	56	LM34139	√	784	SRF4B1T61	32	230/460		85.5	1.15		S, MX
1	1800	56HZ	115830.00	D	531	C6T17FB120	33	230/460	3.8	77.0	1.15	12.75	S, US, 5
1	1800	143T	120921.00	√	784	C143T17FB13	32	230/460	3.2	85.5	1.25	13.25	S, US
1	1800	143T	LM32796	√	775	SSF4B1T61	41	230/460	3.2	85.5	1.25	12.93	S, MX
1	1800	143T	171640.60	√	841	C145T17FB25	61	230/460	3.2	85.5	1.15	13.46	C, CN
1	1800	143T	LM24102	√	861	CCN3BIT61	56	230/460	3.0	85.5	1.25	10.43	C, US
1	1200	56	113933.00	D	688	C6T11FB13	35	230/460	4.0	77.0	1.15	12.31	S, US
1	1200	56	119395.00	√	772	C6T11FB28	38	230/460	3.8	82.5	1.15	12.98	S, US
1	1200	56H	LM24159	D	717	SRF6S1T61	35	230/460	4.0	78.5	1.15	12.82	S, MX
1	1200	56H	LM34140	√	772	SRF6B1T61	39	230/460		82.5	1.15		S, MX
1	1200	145T	121520.00	√	927	C145T11FB20	47	230/460	3.8	82.5	1.25	13.75	S, US
1	1200	145T	LM33121	√	889	SSF6B1T61	35	230/460	3.8	82.5	1.15	14.87	S, MX
1	1200	145T	171643.60	√	990	C145T11FB25	58	230/460	3.8	82.5	1.25	13.46	C, CN
1	900	182T	G131478.00	D	1,408	C182T8FB9	57	230/460	4.2	74.0	1.15	12.96	S, MX
1	900	182T	132428.00	√	1,478	C182T8FB14	70	230/460		82.5	1.15		S, MX

230/460 volt motors are suitable for use at 208 volts

Continued on next page

Shaded model numbers are cast iron frame

Green items are Premium Efficient

▼ LM Numbers are Lincoln Models

D - Item to be discontinued once inventory is depleted

♥ Note listing on inside back flap
Specifications are subject to change without notice

Three Phase - TEFC - Rigid Base

HP	SYN RPM 60 Hz	NEMA Frame	▼Catalog Number	Stock	List Price	Model Number	App. Wgt. (lbs)	Voltage	F. L. Amps @ 230 V	% F.L. Eff.	Service Factor	"C" Dim. (Inches)	♥Notes
1 1/2	3600	56	110745.00	D	591	C6T34FB16	30	230/460	4.2	81.5	1.15	11.81	S, US
1 1/2	3600	56	LM24144	D	619	SRF2S1.5T61	34	230/460	4.6	80.0	1.15	11.82	S, US
1 1/2	3600	56	116758.00	√	812	C6T34FB50B	33	230/460	4.0	84.0	1.25	12.81	S, US
1 1/2	3600	143T	121518.00	√	812	C143T34FB1	33	230/460	4.0	84.0	1.25	13.25	S, US
1 1/2	3600	143T	LM33122	√	812	SSF2B1.5T61	32	230/460	4.0	84.0	1.25	13.37	S, US
1 1/2	3600	143T	171642.60	√	870	C143T34FB5	49	230/460	4.0	84.0	1.15	13.46	C, CN
1 1/2	1800	56	110444.00	D	563	C6T17FB14	30	230/460	5.0	78.5	1.15	11.81	S, US
1 1/2	1800	56	116759.00	√	800	C6T17FB150	34	230/460	4.8	86.5	1.25	13.31	S, US
1 1/2	1800	56H	LM24118	D	567	SRF4S1.5T61	30	230/460	4.8	80.0	1.15	12.32	S, MX
1 1/2	1800	56H	LM34142	√	800	SRF4B1.5T61	35	230/460		86.5	1.15		S, MX
1 1/2	1800	56HZ	115829.00	D	542	C6T17FB121	37	230/460	5.0	78.5	1.15	12.75	S, US, 5
1 1/2	1800	145T	120922.00	√	814	C145T17FB33	34	230/460	4.8	86.5	1.15	13.75	S, US
1 1/2	1800	145T	LM33123	√	814	SSF4B1.5T61	45	230/460	4.8	86.5	1.25	13.43	S, MX
1 1/2	1800	145T	171646.60	√	868	C145T17FB78	69	230/460	4.8	86.5	1.15	13.46	C, CN
1 1/2	1800	145T	LM25637	D	919	CCN4B1.5T61	62	230/460	4.4	84.0	1.25	11.43	C, US
1 1/2	1800	145T	LM34263	√	966	CCF4B1.5T61	67	230/460	4.6	86.5	1.00	13.99	C, US
1 1/2	1200	56H	114930.00	D	790	C6T11FB17	48	230/460	5.7	77.0	1.15	13.31	S, US
1 1/2	1200	56HZ	116591.00	D	801	C6T11FB24	45	230/460	5.7	77.0	1.15	13.75	S, US, 5
1 1/2	1200	182T	131980.00	√	1,351	C182T11FB9	89	230/460	5.6	87.5	1.15	15.96	S, MX
1 1/2	1200	182T	LM15648	D	1,140	AAF6B1.5T61	83	230/460	4.4	87.7	1.25	15.19	A, US
1 1/2	1200	182T	LM33561	√	1,140	AAF6B1.5T61AP26	83	230/460	4.4	87.7	1.25	14.96	A, MX
1 1/2	900	184T	G131479.00	D	1,673	C184T8FB6	68	230/460	5.6	77.0	1.15	13.96	S, MX
1 1/2	900	184T	132429.00	√	1,757	C184T8FB7	72	230/460	5.7	78.9	1.15	14.96	S, MX
1 1/2	900	184T	LM32798	D	1,561	AAF8P1.5T61	71	230/460	6.2	77.0	1.15	15.19	A, US
1 1/2	900	184T	LM33562	√	1,667	AAF8P1.5T61AP26	80	230/460		78.5	1.15		A, MX

230/460 volt motors are suitable for use at 208 volts

Continued on next page

Shaded model numbers are cast iron frame

♥ Note listing on inside back flap
Specifications are subject to change without notice

Green items are Premium Efficient

▼ LM Numbers are Lincoln Models

D - Item to be discontinued once inventory is depleted



Three Phase Motors Totally Enclosed Fan Cooled

General Purpose - Standard,
EPAct and Premium Efficient - Three Phase Motors

Three Phase - TEFC - Rigid Base

HP	SYN RPM 60 Hz	NEMA Frame	▼ Catalog Number	Stock	List Price	Model Number	App. Wgt. (lbs)	Voltage	F. L. Amps @ 230 V	% FL. Eff.	Service Factor	"C" Dim. (Inches)	♥Notes
2	3600	56	111916.00	D	665	C6T34FB24	33	230/460	5.6	82.5	1.15	12.31	S, US
2	3600	56	116760.00	√	888	C6T34FB51	44	230/460	4.8	85.5	1.25	13.31	S, US
2	3600	145T	121519.00	√	888	C145T34FB33	44	230/460	4.8	85.5	1.25	13.75	S, US
2	3600	145T	LM33124	√	888	SSF2BT61	31	230/460	4.8	85.5	1.25	13.43	S, US
2	3600	145T	171648.60	√	949	C145T34FB37	56	230/460	4.8	85.5	1.25	13.46	C, CN
2	1800	56H	LM24097	D	602	SRF4S2T61	40	230/460	5.8	82.5	1.15	13.82	S, MX
2	1800	56H	LM34144	√	847	SRF4B2T61	45	230/460	6.0	86.5	1.15		S, MX
2	1800	56H	113026.00	D	612	C6T17FB65	35	230/460	6.2	81.5	1.15	12.31	S, US
2	1800	56H	116761.00	√	847	C6T17FB154	45	230/460	5.8	86.5	1.25	14.32	S, US
2	1800	56HZ	115828.00	D	567	C6T17FB119	37	230/460	6.2	81.5	1.15	12.75	S, US
2	1800	145T	120923.00	√	847	C145T17FB32	45	230/460	5.8	86.5	1.25	14.76	S, US
2	1800	145T	LM33125	√	733	SSF4B2T61	41	230/460	6.5	86.5	1.25	13.93	S, MX
2	1800	145T	171647.60	√	904	C145T17FB79	68	230/460	5.8	86.5	1.15	13.46	C, CN
2	1800	145T	LM24127	D	967	CCN4B2T61	64	230/460	6.0	85.5	1.15	11.43	C, US
2	1800	145T	LM34264	√	967	CCF4B2T61	68	230/460	6.0	86.5	1.15	13.99	C, US
2	1200	184T	131981.00	√	1,375	C184T11FB20	89	230/460	7.2	88.5	1.15	15.96	S, MX
2	1200	184T	LM15651	D	1,166	AAF6B2T61	92	230/460	6.0	88.5	1.25	16.19	A, US
2	1200	184T	LM33563	√	1,181	AAF6B2T61AP26	92	230/460	6.0	88.5	1.25	14.96	A, MX
2	900	213T	G140516.00	D	2,310	C213T8FB3	114	230/460	8.0	82.5	1.15	18.22	S, MX
2	900	213T	141312.00	√	2,310	C213T8FB4	121	230/460		84.0	1.15		S, MX
2	900	213T	LM32799	D	1,851	AF8P2T61	101	230/460	7.3	82.5	1.15	17.20	A, US
2	900	213T	LM34145	√	2,341	AF8B2T61	108	230/460		84.0	1.15		A, US
3	3600	56H	114614.00	D	774	C6T34FB35	40	230/460	7.6	84.0	1.15	13.25	S, US, 5
3	3600	56H	119396.00	√	950	C6T34FB54	43	230/460	8.0	86.5	1.15	13.48	S, US, 5
3	3600	145T	121968.00	√	1,024	C145T34FB49	48	230/460	8.0	86.5	1.15	13.93	S, US
3	3600	182T	131985.00	√	1,102	C182T34FB72	66	230/460	7.6	86.5	1.25	13.96	S, MX
3	3600	182T	LM15646	D	1,403	AAF2B3T61	83	230/460	7.6	87.5	1.25	15.19	A, US
3	3600	182T	LM33564	√	1,403	AAF2B3T61AP26	83	230/460	7.6	87.5	1.25	14.96	A, MX
3	3600	182T	LM33262	C/A	1,102	SSF2B3T61	75	230/460	7.6	87.5	1.15	13.46	S, MX
3	1800	56HZ	116594.00	D	671	C6T17FB144	45	230/460	8.6	82.5	1.00	14.26	S, US
3	1800	182T	131463.00	√	957	C182T17FB32	80	230/460	7.8	89.5	1.15	13.96	S, MX
3	1800	182T	LM15647	D	1,128	AAF4B3T61	83	230/460	8.0	89.5	1.25	15.19	A, US
3	1800	182T	LM33486	√	1,015	AAF4B3T61AP26	83	230/460	8.0	89.5	1.25	14.96	A, MX
3	1800	182T	LM32741	√	957	SSF4B3T61	77	230/460	7.8	89.5	1.15	13.96	S, MX
3	1800	182T	171320.60	√	1,074	C182T17FB42	108	230/460	7.8	89.5	1.15	15.89	C, CN
3	1200	213T	171378.60	√	1,521	C213T11FB1	166	230/460	9.4	89.5	1.15	18.19	C, CN
3	1200	213T	LM16030	√	1,675	AF6B3T61	127	230/460	9.0	89.5	1.15	17.20	A, US
3	1200	213T	LM34006	C/A	1,292	SSF6P3T61	85	230/460	8.8	89.5	1.15	18.73	S, MX
3	900	215T	G151809.22	D	3,607	C215T8FB1	171	230/460	11.4	84.0	1.15	19.61	C, CA
3	900	215T	825403.00	C/A	3,749			230/460		85.5	1.15		C, US

230/460 volt motors are suitable for use at 208 volts

Continued on next page

Shaded model numbers are cast iron frame

Green items are Premium Efficient

▼ LM Numbers are Lincoln Models

D - Item to be discontinued once inventory is depleted

C/A - Check Availability

♥ Note listing on inside back flap
Specifications are subject to change without notice



Three Phase - TEFC - Rigid Base

HP	SYN RPM 60 Hz	NEMA Frame	▼ Catalog Number	Stock	List Price	Model Number	App. Wgt. (lbs)	Voltage	F. L. Amps @ 230 V	% FL. Eff.	Service Factor	"C" Dim. (Inches)	♥ Notes
5	3600	184T	131987.00	√	1,232	C184T34FB20	88	230/460	12.0	88.5	1.25	16.46	S, MX
5	3600	184T	LM15649	D	1,570	AAF2BT61	89	230/460	11.8	89.5	1.25	16.19	A, US
5	3600	184T	LM33565	√	1,503	AAF2BT61AP26	89	230/460	11.8	89.5	1.25	14.96	A, MX
5	3600	184T	LM15869	C/A	1,570	CCF2BT61	108	230/460	11.8	88.5	1.15	15.81	C, US
5	1800	184T	131464.00	√	1,053	C184T17FB42	87	230/460	12.8	89.5	1.15	14.96	S, MX
5	1800	184T	LM15650	D	1,254	AAF4B5T61	104	230/460	12.4	90.2	1.25	16.19	A, US
5	1800	184T	LM33487	√	1,186	AAF4B5T61AP26	87	230/460	12.4	90.2	1.25	14.96	A, MX
5	1800	184T	171322.60	√	1,117	C184T17FB43	112	230/460	12.8	89.5	1.25	16.80	C, CN
5	1200	215T	171379.60	√	1,695	C215T11FB1	176	230/460	14.4	89.5	1.25	19.61	C, CN
5	1200	215T	LM16033	√	1,943	AF6B5T61	138	230/460	13.8	89.5	1.15	18.70	A, US
5	1200	215T	LM32802	√	1,673	SSF6BT61	140	230/460	14.0	90.2	1.15	20.23	S, US
5	900	254T	G151355.22	√	4,034	C254T8FB5	188	230/460	14.4	88.3	1.15	23.23	C, CA
5	900	254T	LM32803	√	2,755	AF8P5T61	159	230/460	15.0	87.5	1.15	23.40	A, US
7 1/2	3600	213T	170158.60	√	1,571	C213T34FB42	156	230/460	18.0	91.0	1.25	18.19	C, CN
7 1/2	3600	213T	LM28968	√	1,776	AF2B75T61	127	230/460	17.8	91.7	1.25	20.65	A, US
7 1/2	3600	213T	140756.00	√	1,485	C213T34FB1	156	230/460	17.8	90.2	1.15	19.84	S, MX
7 1/2	1800	213T	140450.00	√	1,353	C213T17FB6	153	230/460	21.4	91.7	1.25	18.70	S, MX
7 1/2	1800	213T	LM32805	√	1,249	SSF4B75T61	144	230/460	19.4	91.7	1.15	20.23	S, US
7 1/2	1800	213T	LM16029	√	1,866	AF4B75T61	127	230/460	19.2	91.1	1.25	18.70	A, US
7 1/2	1800	213T	170157.60	√	1,493	C213T17FB43	158	230/460	18.6	91.7	1.25	18.19	C, CN
7 1/2	1800	213T	LM24209	√	1,593	CCF4B75T61	180	230/460	19.2	91.7	1.25	19.70	C, US
7 1/2	1200	254T	170122.60	√	2,208	C254T11FB3	259	230/460	22.2	91.7	1.25	23.19	C, CN
7 1/2	1200	254T	LM15672	√	2,854	AF6B75T61	209	230/460	19.8	91.0	1.25	23.40	A, US
7 1/2	900	256T	G151356.22	√	4,807	C256T8FB42	300	230/460	20.0	87.7	1.15	24.96	C, CA
7 1/2	900	256T	LM32807	√	3,260	AF8B75T61	195	230/460	23.0	86.5	1.15	25.15	A, US

230/460 volt motors are suitable for use at 208 volts

Continued on next page

Shaded model numbers are cast iron frame

♥ Note listing on inside back flap
Specifications are subject to change without notice

Green items are Premium Efficient

▼ LM Numbers are Lincoln Models

D - Item to be discontinued once inventory is depleted

C/A - Check Availability



Three Phase Motors Totally Enclosed Fan Cooled

General Purpose - Standard,
EPA and Premium Efficient - Three Phase Motors

Three Phase - TEFC - Rigid Base

HP	SYN RPM 60 Hz	NEMA Frame	▼ Catalog Number	Stock	List Price	Model Number	App. Wgt. (lbs)	Voltage	F. L. Amps @ 230 V	% FL. Eff.	Service Factor	"C" Dim. (Inches)	♥Notes
10	3600	215T	140755.00	√	1,724	C215T34FB11	170	230/460	23.6	91.7	1.15	21.09	S, MX
10	3600	215T	LM32808	√	1,869	SSF2B10T61	172	230/460	23.6	91.7	1.15	21.48	S,US
10	3600	215T	170159.60	√	1,861	C215T34FB47	181	230/460	23.4	91.7	1.25	19.61	C, CN
10	3600	215T	LM16031	√	1,966	AF2B10T61	185	230/460	23.6	91.7	1.25	19.70	A, US
10	1800	215T	140451.00	√	1,636	C215T17FB18	161	230/460	26.6	91.7	1.25	19.70	S, MX
10	1800	215T	LM32809	√	1,542	SSF4B10T61	168	230/460	26.0	91.7	1.25	21.48	S, US
10	1800	215T	170140.60	√	1,783	C215T17FB43	196	230/460	25.0	91.7	1.25	19.61	C, CN
10	1800	215T	LM16032	√	1,979	AF4B10T61	160	230/460	26.9	91.7	1.25	18.70	A, US
10	1200	256T	170123.60	√	3,159	C256T11FB4	310	230/460	29.0	91.7	1.25	24.92	C, CN
10	1200	256T	LM15675	√	3,355	AF6B10T61	236	230/460	26.2	91.0	1.25	25.15	A, US
10	900	284T	G150282.22	√	5,584	C284T8FB2	346	230/460	26.0	90.2	1.15	26.26	C, CA
15	3600	215T	170615.60	√	2,340	C215T34FB13	223	230/460	35.0	92.4	1.15	19.61	C, CN
15	3600	254T	170062.60	√	2,528	C254T34FB4	292	230/460	35.0	92.4	1.25	23.19	C, CN
15	3600	254T	LM15670	√	2,696	AAF2B15T61	215	230/460	35.0	91.7	1.25	23.40	A, US
15	1800	254T	170066.60	√	2,413	C254T17FB10	290	230/460	36.0	92.4	1.25	23.19	C, CN
15	1800	254T	LM15671	√	2,384	AAF4B15T61	209	230/460	37.5	92.4	1.25	23.40	A, US
15	1800	254T	LM24208	√	2,695	CCF4B15T61	322	230/460	37.5	92.4	1.25	23.52	C, US
15	1200	284T	170068.60	√	4,334	C284T11FB4	380	230/460	40.6	92.4	1.25	26.26	C, CN
15	900	286T	G150261.22	√	6,135	G150261.22	480	230/460	40.0	91.0	1.15	27.83	C, CA
20	3600	256T	170033.60	√	3,091	C256T34FB10	332	230/460	46.0	92.4	1.15	24.92	C, CN
20	3600	256T	LM15673	√	3,143	AF2B0T61	325	230/460	47.0	92.4	1.25	25.15	A, US
20	1800	256T	170007.60	√	3,018	C256T17FB4	332	230/460	49.0	93.0	1.15	24.92	C, CN
20	1800	256T	LM15674	√	2,991	AAF4B20T61	295	230/460	48.0	93.0	1.25	25.15	A, US
20	1200	286T	170001.60	√	5,420	C286T11FB6	406	230/460	54.0	91.7	1.15	27.83	C, CN
20	900	324T	G150263.22	C/A	7,377	C324T8FB3	640	230/460	54.0	91.0	1.15	29.53	C, CA
25	3600	284TS	170035.60	√	4,019	C284T34FB5	393	230/460	56.8	93.0	1.15	24.88	C,CN
25	3600	284TS	LM13960	√	4,773	AF2B25TS61Y	385	230/460	56.0	92.4	1.25	25.25	A,US
25	3600	284T	LM32811	C/A	4,773	AF2B25T61Y	433	230/460	56.0	92.4	1.25	26.62	A,US
25	1800	284T	170011.60	√	3,796	C284T17FB5	395	230/460	59.0	93.6	1.15	26.26	C,CN
25	1800	284T	LM13961	√	4,058	AF4B25T61Y	495	230/460	64.0	93.6	1.25	26.62	A,US
25	1200	324T	170003.60	√	6,343	C324T11FB3	555	230/460	66.0	93.0	1.15	29.53	C,CN
25	900	326T	G150265.22	C/A	8,602	C326T8FB2	700	230/460	63.0	90.2	1.15	31.02	C,CA
30	3600	286TS	170037.60	√	4,744	C286T34FB4	423	230/460	67.0	93.0	1.15	26.46	C,CN
30	3600	286T	LM32813	√	5,209	AF2B30T61Y	438	230/460	66.0	92.4	1.25	28.12	A,US
30	1800	286T	170015.60	√	4,422	C286T17FB5	442	230/460	70.0	94.1	1.15	27.83	C,CN
30	1800	286T	LM13964	√	4,658	AF4B30T61Y	426	230/460	75.0	93.6	1.25	28.12	A,US
30	1200	326T	170005.60	√	7,119	C326T11FB3	624	230/460	77.0	93.6	1.15	31.02	C,CN

230/460 volt motors are suitable for use at 208 volts

Continued on next page

Shaded model numbers are cast iron frame

♥ Note listing on inside back flap
Specifications are subject to change without notice

Green items are Premium Efficient

▼ LM Numbers are Lincoln Models

C/A - Check Availability



Three Phase - TEFC - Rigid Base

HP	SYN RPM 60 Hz	NEMA Frame	▼ Catalog Number	Stock	List Price	Model Number	App. Wgt. (lbs)	Voltage	F. L. Amps @ 230 V	% F.L. Eff.	Service Factor	"C" Dim. (Inches)	♥Notes
40	3600	324TS	170039.60	√	5,917	C324T34FB3	510	230/460	89.0	93.6	1.25	28.03	C, CN
40	3600	324T	LM32671	C/A	7,689	SF2B40T61Y	535	230/460	88.0	93.6	1.25	28.50	S, US
40	1800	324T	170019.60	√	5,874	C324T17FB5	539	230/460	92.0	94.1	1.15	29.53	C, CN
40	1800	324T	LM13699	√	9,234	SF4B40T61Y	504	230/460	101.0	94.1	1.25	28.50	S, US
40	1800	324TS	LM32686	√	9,234	SF4B40TS61Y	504	230/460	101.0	94.1	1.25	27.00	S, US
40	1200	364T	170096.60	√	9,758	C364T11FB4	788	230/460	102.0	94.1	1.15	32.64	C, CN
50	3600	326TS	170041.60	√	7,186	C326T34FB4	564	230/460	111.0	94.5	1.25	29.53	C, CN
50	3600	326T	LM32669	C/A	9,174	SF2B50T61Y	558	230/460	111.0	94.1	1.25	30.00	S, US
50	1800	326T	170023.60	√	7,094	C326T17FB7	587	230/460	117.0	94.5	1.15	31.02	C, CN
50	1800	326T	LM13701	√	9,121	SF4B50T61Y	585	230/460	127.0	94.5	1.25	36.00	S, US
50	1800	326TS	LM32815	C/A	9,121	SF4B50TS61Y	558	230/460	127.0	94.5	1.25	34.50	S, US
50	1200	365T	170097.60	√	11,711	C365T11FB5	682	230/460	124.0	94.1	1.15	33.62	C, CN
60	3600	364TS	170043.60	√	10,658	C364T34FB3	758	230/460	136.0	94.1	1.15	30.51	C, CN
60	1800	364T	170027.60	√	10,090	C364T17FB6	899	230/460	137.0	95.4	1.15	32.64	C, CN
60	1800	364T	LM14809	√	12,326	SF4B60T61Y	765	230/460	144.0	95.0	1.25	31.90	S, US
60	1200	404T	170098.60	√	13,813	C404T11FB3	1035	230/460	142.0	94.5	1.25	36.42	C, CN
75	3600	365TS	170045.60	√	13,056	C365T34FB3	800	230/460	169.0	94.5	1.15	31.50	C, CN
75	1800	365T	170031.60	√	12,592	C365T17FB4	1028	230/460	171.0	95.8	1.15	33.62	C, CN
75	1800	365T	LM14811	√	12,343	SF4B75T61Y	822	230/460	178.0	95.4	1.15	32.90	S, US
75	1800	365TS	LM32672	√	12,343	SF4B75TS61Y	822	230/460	178.0	95.4	1.25	30.77	S, US
75	1200	405T	170099.60	√	14,560	C405T11FB5	995	230/460	176.0	95.0	1.25	37.91	C, CN
100	3600	405TS	170160.60	√	16,076	C449T11FB1	975	230/460	218.0	95.0	1.25	34.92	C, CN
100	1800	405T	170087.60	√	15,658	C405T17FB4	1090	230/460	225.0	95.4	1.15	37.91	C, CN
100	1800	405T	LM13940	√	14,911	SF4B100T61Y	1052	230/460	244.0	95.4	1.15	38.40	S, US
100	1800	405TS	LM32819	√	14,911	SF4B100TS61Y	1052	230/460	244.0	95.4	1.15	35.40	S, US
100	1200	444T	170256.60	√	20,726	C444T11FB6	1457	460	121.0*	95.0	1.25	42.87	C, CN
125	3600	444TS	171580.60	√	19,194	C444T34FB8	1373	460	132.0*	95.0	1.25	39.10	C, CN
125	1800	444T	170369.60	√	20,789	C444T17FB5	1576	460	137.0*	95.4	1.15	42.87	C, CN
125	1800	444T	LM13704	√	19,933	SF4B125T64Y	1351	460	146.0*	96.2	1.15	41.58	S, US
125	1800	444TS	LM32820	C/A	19,933	SF4B125TS64Y	1351	460	146.0*	96.2	1.15	37.83	S, US
125	1200	445T	170260.60	√	23,418	C445T11FB5	1596	460	155.0*	95.4	1.25	44.88	C, CN

230/460 volt motors are suitable for use at 208 volts

Continued on next page

*Amps at 460 volts

Shaded model numbers are cast iron frame

Green items are Premium Efficient

▼ LM Numbers are Lincoln Models

C/A - Check Availability

♥ Note listing on inside back flap
Specifications are subject to change without notice



Three Phase Motors

Totally Enclosed Fan Cooled

Ultimate e Motors
see pages 78-82

**General Purpose - Standard,
EPAct and Premium Efficient - Three Phase Motors**

Three Phase - TEFC - Rigid Base

HP	SYN RPM 60 Hz	NEMA Frame	▼ Catalog Number	Stock	List Price	Model Number	App. Wgt. (lbs)	Voltage	F. L. Amps @ 230 V	% F.L. Eff.	Service Factor	"C" Dim. (Inches)	♥Notes
150	3600	445TS	171578.60	√	23,690	C445T34FB3	1445	460	163.0	95.0	1.15	41.11	C, CN
150	1800	445T	170371.60	√	23,786	C445T17FB8	1627	460	163.0	95.8	1.15	44.88	C, CN
150	1800	445T	LM13707	√	23,121	SF4B150T64Y	1531	460	168.0	96.2	1.15	43.58	S, US
150	1800	445TS	LM32679	C/A	23,121	SF4B150TS64Y	1504	460	168.0	96.2	1.15	39.49	S, US
150	1200	447T	171315.60	√	26,407	C447T11FB1	2230	460	185.0	95.8	1.25	48.00	C, CN
200	3600	447TS	171579.60	√	27,284	C447T34FB3	2100	460	216.0	95.4	1.25	48.00	C, CN
200	3600	445TS	LM13709	√	36,245	SF2B200TS64Y	1531	460	211.0	95.4	1.15	39.49	S, US
200	1800	447T	170352.60	√	27,242	C447T17FB8	2785	460	216.0	96.2	1.15	48.00	C, CN
200	1800	445T	LM13710	√	28,594	SF4B200T64Y	1531	460	227.0	95.0	1.15	43.58	S, US
200	1200	449T	171316.60	√	34,589	C449T11FB1	2542	460	241.0	96.2	1.25	52.80	C, CN
250	3600	449TS	LM16222	C/A	36,407	SF2P250TS64Y	2185	460	263.0	95.8	1.15	47.99	S, US
250	3600	447TS	LM13556	D	34,675	SF2P250TS64Y	1812	460	263.0	95.4	1.15	42.99	S, US
250	3600	447TS	LM13712	C/A	36,407	SF2B250TS64Y	1812	460	263.0	95.8	1.15	42.99	S, US
250	1800	449T	G151516.60	D	29,451	C449T17FB3	2541	460	274.0	95.0	1.15	52.80	C, CN
250	1800	449T	171516.60	√	31,512	C449T17FB11		460	274.0	96.2	1.15		C, CN
250	1800	447T	LM13557	D	29,808	SF4P250T64Y	1812	460	283.0	95.0	1.15	47.08	S, US
250	1800	447T	LM13713	C/A	36,000	SF4B250T64Y	1812	460	282.0	96.2	1.15	47.08	S, US
250	1200	449T	LM30826	D	39,252	CCF6P250T64Y	3408	460	300.0	95.4	1.15	51.86	C, US
250	1200	449T	LM13714	C/A	40,429	CCF6B250T64Y	3408	460	300.0	95.8	1.15	52.08	C, US
300	3600	449TS	LM13559	D	42,380	SF2P300TS64Y	2185	460	315	95.4	1.15	47.99	S, US
300	3600	449TS	LM13715	C/A	54,511	SF2B300TS64Y	2185	460	314	95.8	1.15	47.99	S, US
300	1800	449T	G151529.60	D	33,124	C449T17FB9	2558	460	327	95.4	1.15	53.15	C, CN
300	1800	449T	171529.60	√	35,475	C449T17FB12		460		96.2	1.15		C, CN
300	1800	447T	LM13560	D	31,163	SF4P300T64Y	2185	460	353	95.4	1.0	47.08	S, US
300	1800	447T	LM13716	C/A	39,409	SF4B300T64Y	2185	460	352	96.2	1.15	47.08	S, US
300	1800	449T	LM17953	D	31,163	SF4P300T64Y	1812	460	338	95.4	1.15	52.08	S, US
300	1800	447/449T	LM17956	√	39,409	S449F4B300T64Y	2185	460	337	96.2	1.15		S, US
350	3600	449TS	LM13562	D	47,002	SF2350TS64Y	2185	460	367	95.4	1.0	47.99	S, US
350	3600	449TS	LM13719	C/A	59,357	SFB350TS64Y	2185	460	370	95.8	1.15	47.99	S, US
350	1800	449T	G151530.60	D	34,515	C449T17FB10	2710	460	402	95.4	1.15	52.8	C, CN
350	1800	449T	171530.60	√	36,585	C449T17FB13		460		96.2	1.15		C, CN
350	1800	449T	LM13563	D	32,278	SF4P350T64Y	2185	460	395	95.4	1.15	52.08	S, US
350	1800	449T	LM34528	C/A	40,676	CCF4B350T64PYGB	3400	460	395	96.2	1.15	52.07	C, US
400	3600	449TS	LM13564	D	57,410	SF2P400TS64Y	2185	460	424	94.1	1.0	47.99	S, US
400	3600	449TS	LM13721	C/A	72,490	SF2B400TS64Y	2185	460	420	95.8	1.0	47.99	S, US
400	1800	449T	LM13565	D	42,689	SF4P400T64Y	2185	460	447	95.4	1.0	52.08	S, US
400	1800	449T	LM33803	C/A	53,361	CCF4B400T64YE3	3558	460	460	96.5	1.15	56.71	C, US

Shaded model numbers are cast iron frame

♥ Note listing on inside back flap
Specifications are subject to change without notice

Green items are Premium Efficient

▼ LM Numbers are Lincoln Models
D - Item to be discontinued once inventory is depleted
C/A - Check Availability

Three Phase - Totally Enclosed - C Face Less Base

HP	SYN RPM 60 Hz	NEMA Frame	▼ Catalog Number	Stock	List Price	Model Number	App. Wgt. (lbs)	Voltage	F. L. Amps @ 230 V	% F.L. Eff.	Service Factor	"C" Dim. (Inches)	♥Notes
1/6	1800	48CZ	102662.00	√	342	C4T17FC31	15	230/460	0.7	71.0	1.00	9.44	S, MX
1/4	3600	48CZ	101965.00	√	448	C4T34NC11	15	230/460	1.0	67.0	1.00	9.03	S, US 12
1/4	1800	48CZ	101966.00	√	387	C4T17NC35	18	230/460	1.0	78.0	1.15	9.31	S, MX 12
1/4	1800	48CZ	101981.00	√	387	C4T17FC19	17	230/460	1.4	58.0	1.15	8.94	S, MX
1/4	1800	S56C	101648.00	√	380	C4T17NC28	17	230/460	1.0	78.0	1.15	9.56	S, MX 12
1/4	1800	S56C	101767.00	√	380	C4T17FC9	19	230/460	1.4	58.0	1.15	9.69	S, MX
1/4	1800	56C	LM24964	√	402	SRF4S0.25TCN61	14	230/460	1.1	71.0	1.15	11.32	S, US
1/3	3600	56C	110446.00	√	378	C6T34NC2	20	230/460	1.2	77.0	1.15	9.90	S, US 12
1/3	1800	48CZ	102664.00	√	394	C4T17FC30	20	230/460	1.6	64.3	1.15	9.19	S, MX
1/3	1800	S56C	101769.00	√	407	C4T17FC10	20	230/460	1.6	64.3	1.15	9.69	S, MX
1/3	1800	S56C	LM24093	√	435	SRF4S0.33TCN61	15	230/460	1.6	65.5	1.15	10.19	S, MX
1/3	1800	S56C	102863.00	√	418	C4T17NC47	19	230/460	1.3	77.0	1.15	9.56	S, MX 12
1/3	1800	S56C	102696.00	√	571	C4T17FC33	22	230/460	1.3	77.0	1.25	10.19	S, MX
1/3	1200	48C	101291.00	√	635	C4T11NC1	20	230/460	1.8	73.0	1.00	9.56	S, MX
1/3	1200	56C	113311.00	√	635	C6T11FC16	22	230/460	1.6	65.0	1.15	10.81	S, US
1/3	1200	56C	LM24858	√	665	SRF6S0.33TCN61	21	230/460	2.2	62.0	1.15	11.32	S, MX
1/2	3600	48C	100449.00	√	440	C4T34NC4	23	230/460	1.6	67.0	1.00	10.06	S, US 12
1/2	3600	56C	110144.00	√	440	C6T34NC1	25	230/460	1.6	82.5	1.15	10.40	S, US 12
1/2	3600	56C	114176.00	√	440	C6T34FC42	19	230/460	2.0	72.0	1.15	10.31	S, US
1/2	1800	48CZ	100486.00	√	497	C4T17NC11	24	230/460	1.6	78.0	1.00	10.31	S, MX 12
1/2	1800	48CZ	102666.00	√	475	C4T17FC32	24	230/460	2.0	73.0	1.15	9.69	S, MX
1/2	1800	S56C	102861.00	√	495	C4T17NC46	23	230/460	1.8	77.0	1.15	10.06	S, MX 12
1/2	1800	S56C	102860.00	√	475	C4T17FC40	19	230/460	2.0	73.0	1.15	10.19	S, MX
1/2	1800	S56C	LM24083	√	531	SRF4S0.5TCN61	17	230/460	2.2	70.0	1.15	10.69	S, MX
1/2	1800	S56C	101780.00	√	612	C4T17FC12	25	230/460	1.8	77.0	1.15	10.69	S, MX
1/2	1200	56C	110163.00	√	687	C6T11FC1	25	230/460	2.4	70.0	1.15	11.31	S, US
1/2	1200	56C	LM24128	√	715	SRF6S0.5TCN61	23	230/460	2.7	68.0	1.15	11.82	S, MX
1/2	900	143TC	LM24965	√	1,089	SSF8S0.5TCN61	31	230/460	2.6	66.0	1.15	13.37	S, US
3/4	3600	56C	110448.00	√	462	C6T34FC9	21	230/460	2.4	75.5	1.15	10.81	S, US
3/4	3600	56C	LM24151	√	480	SRF2S0.75TCN61	22	230/460	3.2	74.0	1.15	11.82	S, US
3/4	1800	56C	110047.00	√	515	C6T17FC1	22	230/460	2.8	77.0	1.15	10.81	S, US
3/4	1800	S56C	LM24077	√	551	SRF4S0.75TCN61	21	230/460	2.8	75.5	1.15	11.19	S, MX
3/4	1800	56C	114213.00	√	659	C6T17FC114	27	230/460	2.7	81.5	1.15	11.31	S, US
3/4	1200	143TC	120097.00	√	719	C143T11FC1	32	230/460	3.0	80.0	1.15	10.88	S, US
3/4	1200	56C	112378.00	√	719	C6T11FC10	29	230/460	3.0	75.5	1.15	11.81	S, US
3/4	900	145TC	LM24967	√	1,240	SSF8S0.75TCN61	49	230/460	4.2	70.0	1.15	14.87	S, US

230/460 volt motors are suitable for use at 208 volts

Continued on next page

Green items are Premium Efficient

▼ LM Numbers are Lincoln Models
Note 12 - TENV

♥ Note listing on inside back flap
Specifications are subject to change without notice



Three Phase - Totally Enclosed - C Face Less Base

HP	SYN RPM 60 Hz	NEMA Frame	▼ Catalog Number	Stock	List Price	Model Number	App. Wgt. (lbs)	Voltage	F. L. Amps @ 230 V	% F.L. Eff.	Service Factor	"C" Dim. (Inches)	♥Notes
1	3600	56C	LM24139	D	569	SRF2S1TCN61	24	230/460	3.7	74.0	1.15	11.82	S, US
1	3600	56C	110112.00	√	542	C6T34FC6	21	230/460	3.2	77.0	1.15	10.81	S, US
1	3600	56C	116748.00	√	733	C6T34FC97	29	230/460	2.8	80.0	1.25	11.31	S, US
1	1800	56C	LM24080	D	588	SRF3S1TCN61	27	230/460	3.6	77.0	1.15	12.32	S, MX
1	1800	56C	LM34158	√	915	SRF3B1TCN61	34	230/460		85.5	1.15		S, MX
1	1800	56C	110048.00	D	549	C6T17FC2	24	230/460	3.8	77.0	1.15	11.31	S, US
1	1800	56C	114638.00	√	915	C6T17FC132	34	230/460	3.4	85.5	1.15	12.81	S, US
1	1800	143TC	LM24148	D	678	SSF4P1TCN61	28	230/460	3.6	82.5	1.25	12.87	S, MX
1	1800	143TC	LM34159	√	915	SSF4B1TCN61	34	230/460		85.5	1.25		S, MX
1	1800	143TC	G120024.00	D	625	C143T17FC23	34	230/460	3.1	82.5	1.15	11.28	S, US
1	1800	143TC	121067.00	√	915	C143T17FC16	36	230/460	3.4	85.5	1.15	13.25	S, US
1	1200	56C	112379.00	D	706	C6T11FC11	32	230/460	4.0	77.0	1.15	12.31	S, US
1	1200	56C	116749.00	√	962	C6T11FC29	39	230/460	3.8	82.5	1.25	13.75	S, US
1	1200	56C	LM24130	D	738	SRF6S1TCN61	33	230/460	4.0	78.5	1.15	12.82	S, MX
1	1200	56C	LM34162	√	962	SRF6B1TCN61	39	230/460		82.5	1.15		S, MX
1	1200	145TC	G120098.00	D	775	C145T11FC9	35	230/460	3.6	80.0	1.15	12.28	S, US
1	1200	145TC	122165.00	√	962	C145T11FC12	39	230/460	3.8	82.5	1.15		S, US
1	1200	145TC	LM32846	√	845	SSF6B1TCN61	33	230/460	3.6	82.5	1.15	12.50	S, US
1 1/2	3600	56C	110192.00	D	598	C6T34FC5	28	230/460	4.2	81.5	1.15	11.81	S, US
1 1/2	3600	56C	LM24096	D	624	SRF2S1.5TCN61	26	230/460	4.6	80.0	1.15	13.82	S, US
1 1/2	3600	56C	116750.00	√	831	C6T34FC98C	33	230/460	4.0	84.0	1.25	11.98	S, US
1 1/2	3600	143TC	G120105.00	D	680	C143T34FC18	27	230/460	4.0	82.5	1.15	11.78	S, US
1 1/2	3600	143TC	122166.00	√	831	C143T34FC22	32	230/460	4.0	84.0	1.15		S, US
1 1/2	1800	56C	110125.00	D	581	C6T17FC3	29	230/460	5.0	78.5	1.15	11.81	S, US
1 1/2	1800	56C	116743.00	√	965	C6T17FC209	41	230/460	4.8	86.5	1.25	13.31	S, US
1 1/2	1800	56C	LM24112	D	624	SRF4S1.5TCN61	29	230/460	4.8	80.0	1.15	12.32	S, MX
1 1/2	1800	56C	LM34161	√	965	SRF4B1.5TCN61	33	230/460	4.6	86.5	1.15		S, MX
1 1/2	1800	145TC	G120037.00	D	652	C145T17FC62	36	230/460	4.4	84.0	1.15	12.13	S, US
1 1/2	1800	145TC	121066.00	√	965	C145T17FC37	41	230/460	4.8	86.5	1.15	13.75	S, US
1 1/2	1800	145TC	LM24149	D	639	SSF4P1.5TCN61	31	230/460	4.4	84.0	1.25	14.37	S, MX
1 1/2	1800	145TC	LM34154	√	965	SSF4B1.5TCN61	37	230/460	4.4	86.5	1.25	14.37	S, MX
1 1/2	1200	56C	113634.00	D	805	C6T11FC18	39	230/460	5.7	77.0	1.15	13.31	S, US
1 1/2	1200	56C	132596.00	√	805	C182T11FC7	86	230/460	5.2	87.5	1.15	15.09	S, US
1 1/2	1200	182TC	G132249.00	D	904	C182T11FC4	82	230/460	5.6	85.5	1.15	14.96	S, MX
1 1/2	1200	182TC	132431.00	√	1,415	C182T11FC113	87	230/460	5.2	87.5	1.15	15.96	S, MX

230/460 volt motors are suitable for use at 208 volts

Continued on next page

Green items are Premium Efficient

▼ LM Numbers are Lincoln Models

D - Item to be discontinued once inventory is depleted

♥ Note listing on inside back flap
Specifications are subject to change without notice



Three Phase - Totally Enclosed - C Face Less Base

HP	SYN RPM 60 Hz	NEMA Frame	▼ Catalog Number	Stock	List Price	Model Number	App. Wgt. (lbs)	Voltage	F. L. Amps @ 230 V	% F.L. Eff.	Service Factor	"C" Dim. (Inches)	♥Notes
2	3600	56C	111273.00	D	680	C6T34FC22	36	230/460	5.6	82.5	1.15	12.31	S, US
2	3600	56C	116751.00	√	962	C6T34FC94	44	230/460	4.8	85.5	1.25	14.25	S, US
2	3600	56C	LM24132	D	711	SRF2S2TCN61	29	230/460	6.0	82.5	1.15	12.32	S, US
2	3600	56C	LM34163	√	962	SRF2B2TCN61	44	230/460	6.0	85.5	1.15		S, US
2	3600	145TC	G120061.00	D	750	C145T34FC38	44	230/460	5.2	84.0	1.15	11.78	S, US
2	3600	145TC	122167.00	√	962	C145T34FC44	48	230/460	4.8	85.5	1.15		S, US
2	3600	145TC	LM32678	D	815	SSF2P2TCN61	45	230/460	5.2	84.0	1.15	13.37	S, US
2	3600	145TC	LM34160	√	962	SSF2B2TCN61	48	230/460	5.2	85.5	1.15		S, US
2	1800	56C	110451.00	D	618	C6T17FC9	34	230/460	6.2	81.5	1.15	12.81	S, US
2	1800	56C	116744.00	√	1,014	C6T17FC210	45	230/460	5.8	86.5	1.25	13.82	S, US
2	1800	56C	LM24084	D	665	SRF4S2TCN61	39	230/460	5.8	82.5	1.15	13.82	S, MX
2	1800	56C	LM34155	√	1,014	SRF4B2TCN61	45	230/460		86.5	1.15		S, MX
2	1800	145TC	G120038.00	D	670	C145T17FC105	44	230/460	5.6	84.0	1.15	13.42	S, US
2	1800	145TC	121065.00	√	1,014	C145T17FC38	45	230/460	5.8	86.5	1.25	14.26	S, US
2	1800	145TC	LM24125	D	737	SSF4P2TCN61	39	230/460	5.6	84.0	1.25	13.87	S, MX
2	1800	145TC	LM34153	√	1,014	SSF4B2TCN61	45	230/460	5.6	86.5	1.25		S, MX
2	1200	184TC	G131525.00	D	986	C184T11FC10	75	230/460	7.4	86.5	1.15	13.97	S, MX
2	1200	184TC	132430.00	√	1,435	C184T11FC112	80	230/460	6.4	88.5	1.15	14.97	S, MX
3	3600	56C	111630.00	D	774	C6T34FC28	37	230/460	7.6	84.0	1.15	12.81	S, US
3	3600	56C	119414.00	√	1,053	C6T34FC123	44	230/460	8.0	86.5	1.15	13.86	S, US
3	3600	145TC	G120993.00	D	849	C145T34FC39	44	230/460	8.4	85.5	1.15	13.42	S, US
3	3600	145TC	122171.00	√	1,053	C145T34FC45	49	230/460	8.0	86.5	1.15	13.92	S, US
3	3600	145TC	LM32848	D	929	SSF2S3TCN61	40	230/460	7.6	85.5	1.15	13.42	S, US
3	3600	145TC	LM34165	√	1,053	SSF2B3TCN61	49	230/460	7.6	85.5	1.15	13.42	S, US
3	3600	182TC	G131513.00	D	936	C182T34FC6	55	230/460	8.0	84.0	1.15	13.97	S, MX
3	3600	182TC	132433.00	√	1,196	C182T34FC7	60	230/460	7.8	86.5	1.15		S, MX
3	1800	56C	113890.00	D	825	C6T17FC91	43	230/460	8.6	82.5	1.00	13.81	S, US
3	1800	56C	132595.00	√	1,087	C182T17FC47	72	230/460	7.8	89.5	1.15	12.52	S, MX
3	1800	182TC	G131491.00	D	830	C182T17FC35	67	230/460	8.2	87.5	1.15	13.96	S, MX
3	1800	182TC	131503.00	√	1,087	C182T17FC26	72	230/460	7.8	89.5	1.15	14.96	S, MX
3	1800	182TC	G131491.00	D	888	C182T17FC35	67	230/460	8.2	87.5	1.15	13.96	S, MX
3	1800	182TC	131503.00	√	1,087	C182T17FC26	72	230/460	7.8	89.5	1.15	14.96	S, MX
3	1800	182TC	LM33574	D	830	AAF4P3TCN61AP26	91	230/460	8.4	87.5	1.25	14.96	A, MX
3	1800	182TC	LM33573	√	1,087	AAF4B3TCN61AP26	95	230/460	8.0	89.5	1.25	14.96	A, MX
3	1800	182TC	LM33337	D	830	SSF4P3TCN61	67	230/460	8.2	87.5	1.15	13.96	S, MX
3	1800	182TC	LM34353	√	1,087	SSF4B3TCN61	72	230/460	7.8	89.5	1.15		S, MX
3	1200	213TC	G141114.00	D	1,401	C213T11FC1	133	230/460	14.4	87.5	1.15	17.71	S, MX
3	1200	213TC	141231.00	√	1,524	C215T11FC4	145	230/460	8.8	89.5	1.15	20.96	S, MX

230/460 volt motors are suitable for use at 208 volts

Continued on next page

Green items are Premium Efficient

▼ LM Numbers are Lincoln Models

D - Item to be discontinued once inventory is depleted

♥ Note listing on inside back flap
Specifications are subject to change without notice



Three Phase C Face Motors

Totally Enclosed - General Purpose

Ultimate e Motors
see pages 78-82

Three Phase - Totally Enclosed - C Face Less Base

HP	SYN RPM 60 Hz	NEMA Frame	▼ Catalog Number	Stock	List Price	Model Number	App. Wgt. (lbs)	Voltage	F. L. Amps @ 230 V	% F.L. Eff.	Service Factor	"C" Dim. (Inches)	♥Notes
5	3600	184TC	G131514.00	D	992	C184T34FC23	79	230/460	12.0	87.5	1.15	14.47	S, MX
5	3600	184TC	132434.00	√	1,240	C184T34FC28	99	230/460	12.0	88.5	1.15	14.97	S, MX
5	1800	184TC	G131492.00	D	956	C184T17FC46	80	230/460	12.8	87.5	1.15	14.97	S, MX
5	1800	184TC	131501.00	√	1,173	C184T17FC29	90	230/460	12.8	89.5	1.15	15.97	S, MX
5	1800	184TC	LM33489	D	994	AAF4P5TCN61AP26	104	230/460	13.0	87.5	1.25	15.94	A, MX
5	1800	184TC	LM33575	√	1,243	AAF4B5TCN61AP26	115	230/460		89.5	1.25		A, MX
5	1200	215TC	G140535.00	D	1,617	C215T11FC3	142	230/460	17.6	87.5	1.15	18.21	S, MX
5	1200	215TC	141232.00	√	1,743	C215T11FC5	156	230/460	14.0	89.5	1.15		S, MX
7 1/2	3600	184TC	G131510.00	D	1,218	C184T34FC22	90	230/460	16.8	88.5	1.00	15.97	S, MX
7 1/2	3600	184TC	132561.00	√	1,336	C184T34FC32	102	230/460	16.8	89.5	1.00	15.97	S, MX
7 1/2	3600	S213TC	G131912.00	D	1,251	C184T34FC24	91	230/460	16.8	88.5	1.00	16.96	S, MX
7 1/2	3600	213TC	141234.00	√	1,517	C213T34FC1	158	230/460	18.6	89.5	1.00		S, MX
7 1/2	3600	213TC	G151345.60	D	1,338	C213T34FC43	158	230/460	17.8	88.5	1.25	18.95	C, CN
7 1/2	3600	213TC	171852.60	√	1,509	C213T34FC44		230/460		89.5	1.25		C, CN
7 1/2	1800	213TC	G141113.00	D	1,187	C213T17FC9	144	230/460	20.4	89.5	1.15	17.71	S, MX
7 1/2	1800	213TC	140486.00	√	1,364	C213T17FC7	144	230/460	21.4	91.7	1.25	18.70	S, MX
7 1/2	1800	213TC	G151346.60	D	1,242	C213T17FC42	148	230/460	19.2	89.5	1.25	18.95	C, CN
7 1/2	1800	213TC	171851.60	√	1,426	C213T17FC43	148	230/460		91.7	1.25		C, CN
10	3600	213TC	G140690.00	D	1,538	C215T34FC4	112	230/460	23.6	90.2	1.15	20.57	S, MX
10	3600	215TC	141233.00	√	1,538	215T34FC7	112	230/460	23.6	90.2	1.15	20.57	S, MX
10	3600	215TC	G151347.60	D	1,570	C215T34FC43	153	230/460	23.6	90.2	1.25	20.36	C, CN
10	3600	215TC	171854.60	√	1,570	C215T34FC43	153	230/460	23.6	90.2	1.25	20.36	C, CN
10	1800	215TC	G140109.00	D	1,372	C215T17FC10	158	230/460	26.0	89.5	1.15	20.57	S, MX
10	1800	215TC	140484.00	√	1,646	C215T17FC4	160	230/460	26.6	91.7	1.25	19.70	S, MX
10	1800	215TC	G151348.60	D	1,460	C215T17FC42	173	230/460	24.0	91.0	1.25	20.36	C, CN
10	1800	215TC	171853.60	√	1,460	C215T17FC42	173	230/460	25.2	91.7	1.25	20.36	C, CN
10	1800	215TC	LM16301	D	1,680	AF4P10TCN61	149	230/460	27.0	89.5	1.25	19.63	A, US
10	1800	215TC	LM34166	√	1,978	AF4B10TCN61	155	230/460	26.6	91.7	1.25		A, US
15	3600	215TC	G140691.00	D	2,067	C215T34FC5	158	230/460	36.0	90.2	1.15	20.57	S, MX
15	3600	215TC	141235.00	√	2,187	C215T34FC8	165	230/460	35.0	91.0	1.15		S, MX
15	3600	215TC	G151349.60	D	2,192	C215T34FC44	173	230/460	35.0	90.2	1.25	23.80	C, CN
15	3600	215TC	171349.60	√	2,708	C215T34FC45	182	230/460	34.6	91.0	1.25	23.19	C, CN
15	1800	254TC	G151350.60	D	2,093	C254T17FC5	251	230/460	37.0	91.0	1.25	23.80	C, CN
15	1800	254TC	171479.60	√	2,809	C254T17FC6	284	230/460	36.0	92.4	1.25	23.19	C, CN
15	1800	254TC	LM16302	D	2,528	AF4P15TCN61	221	230/460	39.0	91.0	1.25	23.40	A, US
15	1800	254TC	LM16828	√	2,789	AF4B15TCN61	210	230/460	37.5	92.4	1.25	24.02	A, US
20	3600	256TC	G151351.60	D	2,782	C256T34FC5	250	230/460	46.2	90.2	1.25	25.50	C, CN
20	3600	256TC	171480.60	√	3,303	C256T34FC7	326	230/460	46.0	91.0	1.25	24.92	C, CN
20	1800	256TC	G151352.60	D	2,577	C256T17FC4	265	230/460	48.2	91.0	1.25	25.50	C, CN
20	1800	256TC	171352.60	√	3,372	C256T17FC5	325	230/460	49.0	93.0	1.15	24.92	C, CN
25	1800	284TC	G151507.60	D	3,331	C284T17FC5	355	230/460	58.8	92.4	1.15	26.26	C, CN
25	1800	284TC	171507.60	√	4,308	C284T17FC6	388	230/460	59.0	93.6	1.15	26.26	C, CN
30	1800	286TC	G151508.60	D	3,975	C286T17FC5	422	230/460	69.8	92.4	1.15	27.83	C, CN
30	1800	286TC	171508.60	√	5,137	C286T17FC6	436	230/460	70.0	93.6	1.15	27.83	C, CN
40	1800	324TC	G151509.60	D	5,074	C324T17FC5	562	230/460	94.0	93.0	1.15	29.53	C, CN
40	1800	324TC	171509.60	√	6,771	C324T17FC6	575	230/460	92.0	94.1	1.15	29.53	C, CN
50	1800	326TC	G151510.60	D	5,874	C326T17FC5	620	230/460	118.0	93.0	1.15	31.02	C, CN
50	1800	326TC	171510.60	√	7,424	C326T17FC6	635	230/460	117.0	94.5	1.15	31.02	C, CN
60	1800	364TC	G151519.60	D	8,856	C364T17FC10	689	230/460	138.0	95.4	1.15	32.64	C, CN
60	1800	364TC	171519.60	√	8,856	C364T17FC10	689	230/460	138.0	95.4	1.15	32.64	C, CN

230/460 volt motors are suitable for use at 208 volts

♥ Note listing on inside back flap
Specifications are subject to change without notice

Shaded model numbers are cast iron frame

Green items are Premium Efficient

▼ LM Numbers are Lincoln Models

D - Item to be discontinued once inventory is depleted



Three Phase - Totally Enclosed - C Face With Base

HP	SYN RPM 60 Hz	NEMA Frame	▼ Catalog Number	Stock	List Price	Model Number	App. Wgt. (lbs)	Voltage	F. L. Amps @ 230 V	% F.L. Eff.	Service Factor	"C" Dim. (Inches)	♥Notes
1/4	1800	S56C	LM24946	C/A	428	SRF4S0.25TC61	21	230/460	1.3	62.5	1.15	9.94	S, US
1/3	1800	S56C	102921.00	√	456	C4T17NK3	18	230/460	1.3	77.0	1.15	9.56	S, MX, 12
1/3	1800	S56C	102922.00	√	454	C4T17FK11	19	230/460	1.3	77.0	1.15	10.19	S, MX
1/3	1800	S56C	LM24114	√	473	SRF4S0.33TC61	21	230/460	1.6	65.5	1.15	10.1	S, MX
1/3	1800	S56C	102697.00	√	581	C4T17FK5	22	230/460	1.3	77.0	1.25	10.19	S, MX
1/2	3600	56C	110182.00	√	457	C6T344NK1	26	230/460	1.6	82.5	1.15	10.4	S, MX, 12
1/2	3600	56C	114142.00	√	457	C6T34FK46	21	230/460	2.6	68.0	1.15	10.81	S, US
1/2	3600	56C	LM24129	√	490	SRF2S0.5TC61	22	230/460	2.2	69.0	1.15	11.81	S, US
1/2	1800	S56C	102919.00	√	525	C4T17NK2	22	230/460	2.0	77.0	1.15	10.06	S, MX, 12
1/2	1800	S56C	102917.00	√	525	C4T17FK10	19	230/460	2.0	73.0	1.15	10.19	S, MX
1/2	1800	S56C	LM24074	√	533	SRF4S0.5TC61	18	230/460	2.2	70.0	1.15	10.69	S, MX
1/2	1800	S56C	102024.00	√	626	C4T17FK2	23	230/460	1.8	77.0	1.15	10.69	S, MX
1/2	1200	56C	110914.00	√	707	C6T11FK1	25	230/460	2.4	70.0	1.15	11.31	S, US
1/2	1200	56C	LM24104	√	748	SRF6S0.5TC61	24	230/460	2.7	68.0	1.15	11.81	S, MX
1/2	900	143TC	LM24949	√	1,089	SSF8S0.5TC61	31	230/460	2.6	66.0	1.15	13.37	S, US
3/4	3600	56C	110915.00	√	494	C6T34FK6	23	230/460	2.4	75.5	1.15	10.81	S, US
3/4	3600	56C	LM24134	√	537	SRF2S0.75TC61	22	230/460	3.2	74.0	1.15	11.81	S, US
3/4	1800	56C	110916.00	√	565	C6T17FK5	22	230/460	2.8	77.0	1.15	10.81	S, US
3/4	1800	S56C	LM24076	√	569	SRF4S0.75TC61	20	230/460	2.8	75.5	1.15	11.19	S, MX
3/4	1800	56C	114624.00	√	672	C6T17FK58	25	230/460	2.7	81.5	1.25	11.31	S, US
3/4	1200	56C	116340.00	√	740	C6T11FK12	29	230/460	3.0	75.5	1.15	11.81	S, US
3/4	1200	56C	LM24140	√	766	SRF6S0.75TC61	26	230/460	3.2	74.0	1.15	12.31	S, MX
3/4	1200	143TC	120485.00	√	740	C143T11FK2	34	230/460	3.0	75.5	1.15	13.25	S, US
3/4	1200	143TC	LM24273	√	766	SSF6S0.75TC61	28	230/460	3.2	74.0	1.15	12.37	S, MX
3/4	900	145TC	LM24265	√	1,240	SSF8S0.75TC61	49	230/460	4.8	70.0	1.15	14.87	S, US
1	3600	56C	110181.00	√	586	C6T34FK1	24	230/460	3.2	77.0	1.15	10.81	S, US
1	3600	56C	LM24126	D	619	SRF2S1TC61	25	230/460	3.7	74.0	1.15	11.81	S, US
1	3600	56C	LM34169	√	663	SRF2B1TC61	27	230/460		77.0	1.15		S, US
1	1800	56C	110912.00	D	602	C6T17FK6	24	230/460	3.6	77.0	1.15	11.31	S, US
1	1800	56C	116745.00	√	947	C6T17FK98	34	230/460	3.4	85.5	1.25	12.81	S, US
1	1800	56C	LM24079	D	589	SRF4S1TC61	28	230/460	3.6	77.0	1.15	12.31	S, MX
1	1800	56C	LM34167	√	947	SRF4B1TC61	34	230/460	3.6	85.5	1.15		S, MX
1	1800	143TC	121179.00	√	947	C143T17FK9	34	230/460	3.4	85.5	1.15	13.25	S, US
1	1800	143TC	LM32822	√	799	SSF4B1TC61	41	230/460	3.2	85.5	1.25	12.93	S, US
1	1200	145TC	121936.00	√	927	C145T11FK7	47	230/460	3.8	81.5	1.25	13.75	S, US
1	1200	56C	LM24349	D	773	SRF6S1TC61	38	230/460	4.0	78.5	1.15	12.82	S, MX
1	1200	56HC	LM34168	√	953	SRF6B1TC61	42	230/460	3.8	82.5	1.15	15.15	S, MX
1	1200	145TC	LM32823	√	953	SSF6B1TC61	47	230/460	3.8	82.5	1.25	14.87	S, US
1	900	182TC	LM33566	C/A	1,526	AAF8B1TC61AP26	77	230/460	4.4	82.5	1.15	14.96	A, MX

230/460 volt motors are suitable for use at 208 volts

Continued on next page

Green items are Premium Efficient

▼ LM Numbers are Lincoln Models

D - Item to be discontinued once inventory is depleted

C/A - Check Availability

♥ Note listing on inside back flap
Specifications are subject to change without notice



Three Phase C Face Motors

Totally Enclosed - General Purpose



Three Phase - Totally Enclosed - C Face With Base

HP	SYN RPM 60 Hz	NEMA Frame	▼ Catalog Number	Stock	List Price	Model Number	App. Wgt. (lbs)	Voltage	F. L. Amps @ 230 V	% F.L. Eff.	Service Factor	"C" Dim. (Inches)	♥Notes
1 1/2	3600	56C	110917.00	D	657	C6T34FK7	29	230/460	4.2	81.5	1.15	11.81	S, US
1 1/2	3600	56C	119416.00	√	846	C6T34FK131	32	230/460	4.0	84.0	1.15	11.98	S, US
1 1/2	3600	56C	LM24135	D	673	SRF2S1.5TC61	41	230/460	4.6	80.0	1.15	11.82	S, US
1 1/2	3600	56C	LM34171	√	846	SRF2B1.5TC61	44	230/460		84.0	1.15		S, US
1 1/2	3600	143TC	121672.00	√	866	C143T34FK15	33	230/460	3.6	84.0	1.25	13.25	S, US
1 1/2	1800	56C	110918.00	D	635	C6T17FK7	30	230/460	5.0	78.5	1.15	11.81	S, US
1 1/2	1800	56C	116746.00	√	982	C6T17FK96	37	230/460	5.6	86.5	1.25	13.31	S, US
1 1/2	1800	56HC	LM24095	D	623	SRF4S1.5TC61	31	230/460	4.8	80.0	1.15	12.32	S, MX
1 1/2	1800	56HC	LM34170	√	982	SRF4B1.5TC61	37	230/460		86.5	1.15		S, MX
1 1/2	1800	145TC	121180.00	√	982	C145T17FK26	37	230/460	5.6	86.5	1.15	13.75	S, US
1 1/2	1800	145TC	LM32825	√	836	SSF4B1.5TC61	44	230/460	4.6	86.5	1.15	14.37	S, US
1 1/2	1200	56HC	114198.00	D	852	C6T11FK6	41	230/460	5.7	77.0	1.15	13.31	S, US, 47
1 1/2	1200	56HCZ	116592.00	D	852	C6T11FK15	44	230/460	5.7	77.0	1.15	13.75	S, US, 32
1 1/2	1200	182TC	132435.00	√	1,435	C182T11FC5	89	230/460	5.2	87.5	1.15	15.96	S, MX
1 1/2	1200	182TC	LM33567	√	1,130	AAF6B1.5TC61AP26	95	230/460	4.4	87.5	1.25	14.97	A, MX
2	3600	56C	113927.00	D	743	C6T34FK44	34	230/460	5.6	82.5	1.15	12.31	S, US
2	3600	56C	119417.00	√	851	C6T34FK132	39	230/460	4.8	85.5	1.15	12.98	S, US
2	3600	56HC	LM24121	D	748	SRF2S2TC61	38	230/460	6.0	82.5	1.15	12.32	S, US
2	3600	56HC	LM34173	√	851	SRF2B2TC61	42	230/460		85.5	1.15		S, US
2	3600	145TC	121673.00	√	888	C145T34FK39	44	230/460	4.8	85.5	1.25	13.75	S, US
2	3600	145TC	LM32828	√	928	SSF2B2TC61	40	230/460	4.8	85.5	1.25	13.43	S, US
2	1800	56HC	116106.00	D	678	C6T17FK76	36	230/460	6.2	81.5	1.15	12.81	S, US
2	1800	56HC	116747.00	√	1,026	C6T17FK97	43	230/460	5.8	86.5	1.25	13.82	S, US
2	1800	56HC	LM24081	D	632	SRF4S3TC61	50	230/460	5.2	82.5	1.15	13.82	S, US
2	1800	56HC	LM34172	√	1,026	SRF4B2TC61	54	230/460		86.5	1.15		S, US
2	1800	145TC	121181.00	√	1,026	C145T17FK27	43	230/460	5.8	86.5	1.25	14.26	S, US
2	1800	145TC	LM32829	√	907	SSF4B2TC61	46	230/460	6.0	86.5	1.15	14.87	S, MX
2	1200	184TC	132243.00	√	1,171	C184T11FK6	93	230/460	7.2	88.5	1.15	15.96	S, MX
2	1200	184TC	LM16739	D	1,249	AAF6B2TC61	104	230/460	6.0	88.5	1.25	16.83	A, US
2	1200	184TC	LM33569	√	1,249	AAF6B2TC61AP26	88	230/460	6.0	88.5	1.25	14.97	A, MX
2	900	213TC	LM32831	D	1,970	AAF8P2TC61	107	230/460	7.3	82.5	1.15	17.95	A, US
2	900	213TC	LM34174	C/A	2,403	AAF8B2TC61	113	230/460	84.0	1.15			A, US

230/460 volt motors are suitable for use at 208 volts

Continued on next page

Green items are Premium Efficient

- ▼ LM Numbers are Lincoln Models
- D - Item to be discontinued once inventory is depleted
- C/A - Check Availability

♥ Note listing on inside back flap
Specifications are subject to change without notice



Three Phase - Totally Enclosed - C Face With Base

HP	SYN RPM 60 Hz	NEMA Frame	▼ Catalog Number	Stock	List Price	Model Number	App. Wgt. (lbs)	Voltage	F. L. Amps @ 230 V	% F.L. Eff.	Service Factor	"C" Dim. (Inches)	♥Notes
3	3600	56HC	114615.00	D	827	C6T34FK55	38	230/460	7.6	84.0	1.15	12.81	S, US, 47
3	3600	56HC	119418.00	√	1,041	C6T34FK133	43	230/460	8.0	86.5	1.15	13.48	S, US
3	3600	145TC	121929.00	√	1,090	C145T34FK43	45	230/460	7.6	86.5	1.15	13.76	S, US
3	3600	182TC	132079.00	√	1,230	C182T34FK10	70	230/460	7.6	86.5	1.25	13.96	S, MX
3	3600	182TC	171564.60	√	1,271	C182T34FK14	66	230/460	7.2	86.5	1.15	16.76	C, CN
3	3600	182TC	LM16741	D	1,253	AAF2B3TC61	95	230/460	7.6	87.5	1.25	15.83	A, US
3	3600	182TC	LM33570	√	1,253	AAF2B3TC61AP26	95	230/460	7.6	87.5	1.25	14.97	A, MX
3	1800	56HC	116107.00	D	859	C6T17FK77	45	230/460	8.6	82.5	1.00	13.81	S, US, 47
3	1800	56HCZ	116388.00	D	859	C6T17FK90	46	230/460	8.6	82.5	1.00	14.25	S, US
3	1800	182TC	131504.00	√	1,107	C182T17FK14	75	230/460	7.8	89.5	1.15	14.96	S, MX
3	1800	182TC	LM33485	√	1,101	AAF4B3TC61AP26	75	230/460	8.0	89.5	1.25	14.97	A, MX
3	1800	182TC	171565.60	√	1,234	C182T17FK27	125	230/460	7.8	89.5	1.15	15.89	C, CN
3	1200	215TC	140834.00	√	1,582	C215T11FK9	170	230/460	9.4	89.5	1.15	18.21	S, MX
3	1200	213TC	LM16744	√	1,776	AF6B3TC61	131	230/460	8.8	89.5	1.25	19.45	S, MX
5	3600	184TC	171446.60	√	1,322	C184T34FK44	111	230/460	12.0	88.5	1.15	16.80	C, CN
5	3600	184TC	132080.00	√	1,267	C184T34FK32	100	230/460	12.0	88.5	1.25	16.46	S, MX
5	3600	184TC	LM16745	D	1,628	AAF2B5TC61	104	230/460	11.8	89.5	1.25	16.83	A, US
5	3600	184TC	LM33571	√	1,628	AAF2B5TC61AP26	104	230/460	11.8	89.5	1.25	14.97	A, MX
5	1800	184TC	171566.60	√	1,280	C184T17FK35	109	230/460	12.8	89.5	1.15	16.80	C, CN
5	1800	184TC	131502.00	√	1,200	C184T17FK15	99	230/460	12.8	89.5	1.15	15.97	S, MX
5	1800	184TC	LM16747	D	1,258	AAF4B3TC61	104	230/460	12.4	90.2	1.25	16.83	A, US
5	1800	184TC	LM33484	√	1,276	AAF4B5TC61AP26	104	230/460	12.4	90.2	1.25	16.83	A, MX
5	1200	215TC	171116.60	√	1,970	C215T11FB11	180	230/460	14.4	89.5	1.15	19.61	C, CN
5	1200	215TC	LM16748	√	2,036	AF6B5TC61	149	230/460	13.8	89.5	1.25	19.45	A, US
5	1200	215TC	LM32835	√	1,788	SSF6B5TC61	149	230/460	14.0	89.5	1.15	20.97	S, MX
5	900	254TC	LM32836	√	2,913	AF8B5TC61	244	230/460	15.0	87.5	1.15	23.40	A, US
7 1/2	3600	184TC	132313.00	√	1,377	C184T34FK48	103	230/460	17.6	89.5	1.15	15.97	S, MX
7 1/2	3600	213TC	140770.00	√	1,564	C215T34FK11	160	230/460	17.8	90.2	1.15	19.64	S, MX
7 1/2	3600	213TC	170166.60	√	1,557	C213T34FK5	147	230/460	18.0	89.5	1.15	18.19	C, CN
7 1/2	1800	213TC	140521.00	√	1,371	C213T17FK7	144	230/460	21.4	91.7	1.25	18.70	S, MX
7 1/2	1800	213TC	170165.60	√	1,471	C286T17DK5	155	230/460	18.6	91.7	1.15	18.19	C, CN
7 1/2	1800	213TC	LM16752	√	1,925	AF4B75TC61	138	230/460	19.2	91.6	1.25	19.45	A, US
7 1/2	1200	254TC	170138.60	√	2,836	C254T11FB9	249	230/460	22.2	91.0	1.15	23.19	C, CN
7 1/2	1200	254TC	LM16753	√	2,787	AAF6B75TC61	221	230/460	19.8	91.0	1.25	23.40	A, US
7 1/2	900	256TC	LM32839	√	3,423	AF8B75TC61	203	230/460	23.0	86.5	1.15	25.15	A, US

230/460 volt motors are suitable for use at 208 volts

Continued on next page

Shaded model numbers are cast iron frame

Green items are Premium Efficient

▼ LM Numbers are Lincoln Models

D - Item to be discontinued once inventory is depleted

♥ Note listing on inside back flap
Specifications are subject to change without notice



Tech Information

Single Phase
ODP Motors

Single Phase
TEFC Motors

Three Phase
ODP Motors

Three Phase
TEFC Motors

Inverter Duty
Motors

Severe Duty
Motors

Definite
Purpose Motors

Brake Motors

Three Phase - Totally Enclosed - C Face With Base

HP	SYN RPM 60 Hz	NEMA Frame	▼ Catalog Number	Stock	List Price	Model Number	App. Wgt. (lbs)	Voltage	F. L. Amps @ 230 V	% F.L. Eff.	Service Factor	"C" Dim. (Inches)	♥Notes
10	3600	215TC	140769.00	√	1,769	C213T34FK1	175	230/460	23.6	91.7	1.15	21.09	S, MX
10	3600	215TC	LM32840	√	1,986	SSF2B10TC1	125	230/460	23.6	91.7	1.25	22.22	S, MX
10	3600	215TC	170168.60	√	1,823	C215T34FK15	181	230/460	23.4	90.2	1.15	19.61	C, CN
10	3600	215TC	LM16755	√	2,065	AF2B10TC61	149	230/460	23.6	91.7	1.25	20.45	A, US
10	1800	215TC	140522.00	√	1,655	C215T17FK3	160	230/460	26.6	91.7	1.25	19.70	S, MX
10	1800	215TC	LM32841	√	1,641	SSF4B10TC61	135	230/460	25.6	91.7	1.25	20.97	S, MX
10	1800	215TC	170167.60	√	1,683	C215T17FK20	177	230/460	25.0	91.7	1.15	19.61	C, CN
10	1800	215TC	LM16757	√	2,035	AF4B10TC61	149	230/460	25.0	91.7	1.25	19.45	A, US
10	1200	256TC	170139.60	√	3,161	C256T11FB11	300	230/460	29.0	91.0	1.15	24.92	C, CN
10	1200	256TC	LM16759	√	3,483	AF6B10TC61	248	230/460	26.2	91.0	1.25	25.15	A, US
15	3600	254TC	171586.60	√	2,798	C254T34FK8	292	230/460	34.6	91.7	1.25	23.19	C, CN
15	1800	254TC	171587.60	√	2,893	C254T17FK8	284	230/460	36.0	92.4	1.25	23.19	C, CN
15	1800	254TC	LM16762	√	2,868	AF4B15TC61	221	230/460	37.5	92.4	1.25	23.40	A, US
15	1200	284TC	170104.60	√	4,709	C284T11FB9	333	230/460	40.6	91.7	1.15	26.26	C, CN
20	3600	256TC	171588.60	√	3,437	C256T34FK3	326	230/460	46.0	92.4	1.25	24.92	C, CN
20	1800	256TC	171589.60	√	3,454	C256T17FK8	325	230/460	49.0	93.0	1.25	24.92	C, CN
20	1800	256TC	LM16767	√	3,118	AF4B20TC61	248	230/460	48.0	93.0	1.25	25.15	A, US
20	1200	286TC	LM16769	√	6,199	AF6B20TC61Y	415	230/460	61.0	91.7	1.25	28.01	A, US
25	3600	284TC	170619.60	√	3,791	C284T34FK8	393	230/460	56.8	93.0	1.15	24.88	C, CN
25	3600	284TSC	171590.60	√	4,319	C284T34FK5	290	230/460	56.8	93.0	1.25	25.88	C, CN
25	1800	284TC	171591.60	√	4,469	C284T17FK5	388	230/460	59.0	94.0	1.25	26.26	C, CN
25	1800	284TC	LM16772	√	4,237	AF4B25TC61Y	370	230/460	64.0	93.6	1.25	26.51	A, US
25	1800	284TSC	LM32654	√	4,214	AF4B25TSC61Y	370	230/460	65.0	93.6	1.25	25.13	A, US
30	3600	286TSC	170108.60	√	4,473	C286T34FK14	400	230/460	69.2	93.0	1.15	27.83	C, CN
30	3600	286TC	170620.60	√	4,473	C286T34FK11	400	230/460	69.2	93.0	1.15	26.46	C, CN
30	1800	286TC	171592.60	√	5,385	C286T17FK4	436	230/460	70.0	93.6	1.15	27.83	C, CN
30	1800	286TC	LM16774	√	5,507	AF4B30TC61Y	415	230/460	75.0	93.6	1.25	28.01	A, US
30	1800	286TSC	LM32842	√	5,507	AF430TSC61Y	415	230/460	75.0	93.6	1.25	26.63	A, US
30	1200	326TC	LM13724	C/A	8,887	SF6B30TC61Y	568	230/460	76.0	93.0	1.25	30.44	S, US

230/460 volt motors are suitable for use at 208 volts

Continued on next page

Shaded model numbers are cast iron frame

♥ Note listing on inside back flap
Specifications are subject to change without notice

Green items are Premium Efficient

▼ LM Numbers are Lincoln Models
C/A - Check Availability



Three Phase - Totally Enclosed - C Face With Base

HP	SYN RPM 60 Hz	NEMA Frame	▼ Catalog Number	Stock	List Price	Model Number	App. Wgt. (lbs)	Voltage	F. L. Amps @ 230 V	% F.L. Eff.	Service Factor	"C" Dim. (Inches)	♥Notes
40	3600	324TSC	170110.60	√	6,597	C324T34FK8	574	230/460	89.0	93.6	1.15	28.03	C, CN
40	1800	324TC	171593.60	√	6,960	C324T17FK5	532	230/460	92.0	94.1	1.15	29.53	C, CN
40	1800	324TC	LM13726	√	9,443	SF4B40TC61Y	514	230/460	101.0	94.1	1.25	28.94	S, US
40	1800	324TSC	LM32652	√	9,443	SF4B40TSC61Y	574	230/460	102.0	94.1	1.25	27.44	S, US
40	1200	364TC	LM15565	√	10,439	SF6B40TC61Y	777	230/460	112.0	93.6	1.25	31.89	S, US
50	3600	326TSC	170112.60	√	6,788	C326T34FK5	604	230/460	112.0	93.0	1.15	29.53	C, CN
50	1800	326TC	171594.60	√	7,645	C326T17FK5	592	230/460	117.0	94.5	1.25	31.02	C, CN
50	1800	326TC	LM13728	√	9,484	SF4B59TC61Y	568	230/460	127.0	94.5	1.25	30.44	S, US
50	1800	326TSC	LM32843	√	9,484	SF4B50TSC61Y	568	230/460	122.0	94.5	1.25	28.94	S, US
50	1200	365TC	LM15568	√	12,509	SF6B50TC61Y	834	230/460	138.0	94.1	1.25	32.89	S, US
60	3600	364TSC	170114.60	√	11,097	C364T34FK3	860	230/460	139.0	93.6	1.15	30.51	C, CN
60	1800	364TC	171595.60	√	12,125	C364T17FK5	670	230/460	137.0	95.4	1.25	32.64	C, CN
60	1800	364TC	LM15563	√	12,455	SF4B60TC61Y	777	230/460	145.0	95.0	1.25	31.89	S, US
60	1800	364TSC	LM32665	√	12,455	SF4B60TSC61Y	777	230/460	145.0	95.0	1.25	29.77	S, US
75	3600	365TSC	171115.60	√	13,322	C365T34FK3	773	230/460	172.0	93.6	1.15	31.49	C, CN
75	1800	365TC	171596.60	√	13,950	C365T17FK6	739	230/460	170.0	95.8	1.25	33.62	C, CN
75	1800	365TC	LM15567	√	13,025	SF4B75TC61Y	834	230/460	178.0	95.4	1.15	32.89	S, US
75	1800	365TSC	LM32653	√	13,025	SF4B75TSC61Y	834	230/460	178.0	95.4	1.15	30.77	S, US
100	3600	405TSC	LM16719	√	18,730	SF2B100TSC61Y	1018	230/460	210	94.5	1.15	33.87	S, US
100	1800	405TC	171597.60	√	17,081	C405T17FK2	1076	230/460	225	95.4	1.15	37.91	C, CN
100	1800	405TC	LM15263	√	15,743	SF4B100TC61Y	1018	230/460	244	95.4	1.15	36.87	S, US
100	1800	405TSC	LM32659	√	15,743	SF4B100TSC61Y	1372	230/460	244	95.4	1.15	33.87	S, US
125	3600	444TSC	LM13730	C/A	23,987	SF2B125TSC64Y	1372	460	133*	95.0	1.15	37.74	S, US
125	1800	444TC	LM13731	C/A	20,963	SF4B125TC64Y	1372	460	146*	96.2	1.15	41.49	S, US
125	1800	444TSC	LM32844	√	20,963	SF4B125TSC64Y	1372	460	146*	96.2	1.15	37.74	S, US
150	3600	445TSC	LM13733	C/A	29,607	SF2B150TSC64Y	1552	460	163*	95.8	1.15	39.74	S, US
150	1800	445TC	LM13734	√	24,141	SF4B150TC64Y	1552	460	168*	96.2	1.15	39.74	S, US
150	1800	445TSC	LM32845	√	24,141	SF4B150TSC64Y	1525	460	168*	96.2	1.15	39.74	S, US
200	3600	445TSC	LM13736	C/A	37,122	SF2B200TSC64Y	1552	460	212*	96.2	1.15	39.74	S, US
200	1800	445TC	LM13737	√	29,643	SF4B200TC64Y	1525	460	227*	96.2	1.15	43.49	S, US
200	1800	445TSC	LM32660	√	29,643	SF4B200TSC64Y	1525	460	227*	96.2	1.15	39.74	S, US

230/460 volt motors are suitable for use at 208 volts

*Amps at 460 volts

Shaded model numbers are cast iron frame

Green items are Premium Efficient

▼ LM Numbers are Lincoln Models

C/A - Check Availability

♥ Note listing on inside back flap
Specifications are subject to change without notice

Tech Information

Single Phase
ODP Motors

Single Phase
TEFC Motors

Three Phase
ODP Motors

Three Phase
TEFC Motors

Inverter Duty
Motors

Severe Duty
Motors

Definite
Purpose Motors

Brake Motors



Three Phase Totally Enclosed Fan Cooled Ultimate e Series General Purpose Motors

Features:

- Meets or exceeds NEMA Premium® efficiencies
- Class F insulation
- Standard assembly F1, reversible to F2 by reassembly
- UL Recognized, CSA Certified, CE Mark



Three Phase - TEFC - Rigid Base

HP	SYN RPM 60 Hz	NEMA Frame	Catalog Number	Stock	List Price	Model Number	App. Wgt. (lbs)	Voltage	F. L. Amps @ 230 V	% FL. Eff.	Service Factor	"C" Dim. (Inches)	♥Notes
1 1/2	1200	182T	199001.00	√	788	C182T11FB1	89	230/460	4.8	87.5	1.15	14.80	C, CN
2	1200	184T	199002.00	√	950	C184T11FB1	125	230/460	6.0	88.5	1.15	15.81	C, CN
3	3600	182T	199003.00	√	837	C182T34FB1	94	230/460	7.6	86.5	1.15	14.80	C, CN
3	1800	182T	199004.00	√	788	C182T17FB1	102	230/460	7.8	89.5	1.15	14.80	C, CN
3	1200	213T	199005.00	D	1,292	C213T11FB1	173	230/460	8.6	89.5	1.15	18.23	C, CN
3	1200	213T	B199005.00	√	1,245	C213T11FB7	160	230/460	8.7	89.5	1.15	18.35	S, CN
5	3600	184T	199006.00	√	970	C184T34FB1	109	230/460	12.0	88.5	1.15	15.81	C, CN
5	1800	184T	199007.00	√	877	C184T17FB1	117	230/460	12.4	90.2	1.15	15.81	C, CN
5	1200	215T	199008.00	D	1,604	C215T11FB1	203	230/460	14.0	90.2	1.15	19.73	C, CN
5	1200	215T	B199008.00	√	1,515	C215T11FB13	195	230/460	13.8	90.2	1.15	19.95	S, CN
7 1/2	3600	213T	199009.00	D	1,342	C213T34FB1	185	230/460	17.8	89.5	1.15	18.23	C, CN
7 1/2	3600	213T	B199009.00	√	1,152	C213T34FB1	165	230/460	18.0	89.5	1.15	18.35	S, CN
7 1/2	1800	213T	199010.00	D	1,137	C213T17FB1	194	230/460	18.6	91.7	1.15	18.23	C, CN
7 1/2	1800	213T	B199010.00	√	1,114	C213T17FB47	175	230/460	19.1	91.7	1.15	18.35	S, CN
7 1/2	1200	254T	199011.00	D	2,122	C254T11FB1	223	230/460	20.4	91.0	1.15	23.70	C, CN
7 1/2	1200	254T	B199011.00	√	2,102	C254T11FB7	210	230/460	19.8	91.0	1.15	24.15	C, CN
10	3600	215T	199012.00	D	1,333	C215T34FB1	217	230/460	22.8	90.2	1.15	19.73	C, CN
10	3600	215T	B199012.00	√	1,297	C215T34FB52	198	230/460	23.1	90.2	1.15	19.95	S, CN
10	1800	215T	199013.00	D	1,292	C215T17FB1	225	230/460	24.4	91.7	1.15	19.73	C, CN
10	1800	215T	B199013.00	√	1,269	C215T17FB52	201	230/460	25.2	91.7	1.15	19.95	S, CN
10	1200	256T	199014.00	D	2,591	C256T11FB1	368	230/460	26.8	91.0	1.15	25.43	C, CN
10	1200	256T	B199014.00	√	2,557	C256T11FB8	350	230/460	25.7	91.0	1.15	25.89	C, CN
15	3600	254T	199015.00	D	2,097	C254T34FB1	350	230/460	34.0	91.0	1.15	23.70	C, CN
15	3600	254T	B199015.00	√	2,013	C254T34FB11	335	230/460	35.1	91.0	1.15	24.15	C, CN
15	1800	254T	199016.00	D	1,970	C254T17FB1	375	230/460	37.0	92.4	1.15	23.70	C, CN
15	1800	254T	B199016.00	√	1,923	C254T17FB14	355	230/460	37.0	92.4	1.15	24.15	C, CN
15	1200	284T	199017.00	D	3,372	C284T11FB1	475	230/460	39.5	91.7	1.15	27.83	C, CN
15	1200	284T	B199017.00	√	3,372	C284T11FB10	465	230/460	40.0	91.7	1.15	26.65	C, CN

230/460 volt motors are suitable for use at 208 volts

Continued on next page

Shaded model numbers are cast iron frame

Green items are Premium Efficient

D - Item to be discontinued once inventory is depleted

♥ Note listing on inside back flap
Specifications are subject to change without notice

Three Phase Totally Enclosed Fan Cooled Ultimate e Series General Purpose Motors

Tech Information

Three Phase - TEFC - Rigid Base

HP	SYN RPM 60 Hz	NEMA Frame	Catalog Number	Stock	List Price	Model Number	App. Wgt. (lbs)	Voltage	F. L. Amps @ 230 V	% FL. Eff.	Service Factor	"C" Dim. (Inches)	♥Notes
20	3600	256T	199018.00	D	2,548	C256T34FB1	375	230/460	46.0	91.0	1.15	27.80	C, CN
20	3600	256T	B199018.00	√	2,451	C256T34FB21	355	230/460	46.8	91.0	1.15	25.89	C, CN
20	1800	256T	199019.00	D	2,476	C256T17FB1	425	230/460	48.0	93.0	1.15	27.80	C, CN
20	1800	256T	B199019.00	√	2,406	C256T17FB8	405	230/460	48.0	93.0	1.15	25.89	C, CN
20	1200	286T	199020.00	D	3,862	C286T11FB1	550	230/460	52.0	91.7	1.15	31.34	C, CN
20	1200	286T	B199020.00	√	3,773	C286T11FB10	535	230/460	52.4	91.7	1.15	28.14	C, CN
25	3600	284TS	199021.00	D	3,139	C284T34FB1	475	230/460	55.5	91.7	1.15	28.82	C, CN
25	3600	284TS	B199021.00	√	3,030	C284T34FB13	460	230/460	58.7	91.7	1.15	25.28	C, CN
25	1800	284T	199022.00	D	2,893	C284T17FB1	500	230/460	62.0	93.6	1.15	30.16	C, CN
25	1800	284T	B199022.00	√	2,814	C284T17FB9	485	230/460	61.0	93.6	1.15	26.65	C, CN
25	1200	324T	199023.00	√	5,079	C324T11FB1	675	230/460	66.0	93.0	1.15	32.68	C, CN
30	3600	286TS	199024.00	D	3,666	C286T34FB1	500	230/460	66.0	91.7	1.15	30.00	C, CN
30	3600	286TS	B199024.00	√	3,583	C286T34FB8	485	230/460	70.4	91.7	1.15	26.77	C, CN
30	1800	286T	199025.00	D	3,365	C286T17FB1	525	230/460	73.0	93.6	1.15	31.34	C, CN
30	1800	286T	B199025.00	√	3,291	C286T17FB9	505	230/460	72.3	93.6	1.15	28.14	C, CN
30	1200	326T	199026.00	√	5,449	C326T11FB1	725	230/460	80.0	93.0	1.15	33.86	C, CN
40	3600	324TS	199027.00	√	4,836	C324T34FB1	675	230/460	88.0	92.4	1.15	31.26	C, CN
40	1800	324T	199028.00	√	4,426	C324T17FB1	750	230/460	94.0	94.1	1.15	32.68	C, CN
40	1200	364T	199029.00	√	7,538	C364T11FB1	950	230/460	94.0	94.1	1.15	36.61	C, CN
50	3600	326TS	199030.00	√	5,520	C326T34FB1	725	230/460	109.0	93.0	1.15	32.44	C, CN
50	1800	326T	199031.00	√	5,433	C326T17FB1	775	230/460	119.0	94.5	1.15	33.86	C, CN
50	1200	365T	199032.00	√	8,568	C365T11FB1	1000	230/460	117.0	94.1	1.15	38.39	C, CN
60	3600	364TS	199033.00	√	7,504	C364T34FB1	925	230/460	132.0	93.6	1.15	34.57	C, CN
60	1800	364T	199034.00	√	7,414	C364T17FB1	1000	230/460	138.0	95.0	1.15	36.61	C, CN
60	1200	404T	199035.00	√	10,039	C404T11FB1	1200	230/460	140.0	94.5	1.15	42.72	C, CN
75	3600	365TS	199036.00	√	9,321	C365T34FB1	1025	230/460	164.0	94.1	1.15	36.34	C, CN
75	1800	365T	199037.00	√	9,109	C365T17FB1	1100	230/460	170.0	95.4	1.15	38.39	C, CN
75	1200	405T	199038.00	√	11,818	C405T11FB1	1300	230/460	174.0	94.5	1.15	42.72	C, CN
100	3600	405TS	199039.00	√	11,308	C405T34FB1	1250	230/460	216.0	94.5	1.15	39.76	C, CN
100	1800	405T	199040.00	√	11,133	C405T17FB1	1375	230/460	224.0	95.4	1.15	42.72	C, CN
100	1200	444T	199041.00	√	17,427	C444T11FB1	2000	230/460	228.0	95.0	1.15	50.79	C, CN
125	3600	444TS	199042.00	√	15,795	C444T34FB1	1750	460	136.0*	95.0	1.15	47.05	C, CN
125	1800	444T	199043.00	√	15,603	C444T17FB1	1850	460	140.0*	95.4	1.15	50.79	C, CN
125	1200	445T	199044.00	√	18,186	C445T11FB1	2050	460	142.0*	95.0	1.15	50.79	C, CN
150	3600	445TS	199045.00	√	19,402	C445T34FB1	2050	460	162.0*	95.0	1.15	47.05	C, CN
150	1800	445T	199046.00	√	18,321	C445T17FB1	2050	460	165.0*	95.8	1.15	50.79	C, CN
150	1200	447T	199047.00	√	23,123	C447T11FB1	2500	460	170.0*	95.8	1.15	55.91	C, CN
200	3600	447TS	199048.00	√	22,655	C447T34FB1	2300	460	215.0*	95.4	1.15	52.17	C, CN
200	1800	447T	199049.00	√	22,283	C447T17FB1	2350	460	225.0*	96.2	1.15	55.91	C, CN
200	1200	449T	199050.00	√	24,626	C449T11FB1	2900	460	228.0*	95.8	1.15	55.91	C, CN

230/460 volt motors are suitable for use at 208 volts

♥ Note listing on inside back flap

Shaded model numbers are cast iron frame

Specifications are subject to change without notice

Green items are Premium Efficient

D - Item to be discontinued once inventory is depleted

* amps at 460 volts

Single Phase
ODP Motors

Single Phase
TEFC Motors

Three Phase
ODP Motors

Three Phase
TEFC Motors

Inverter Duty
Motors

Severe Duty
Motors

Definite
Purpose Motors

Brake Motors



Three Phase C Face Motors

Ultimate e Series General Purpose Motors

Three Phase - Totally Enclosed - C Face Less Base

HP	SYN RPM 60 Hz	NEMA Frame	Catalog Number	Stock	List Price	Model Number	App. Wgt. (lbs)	Voltage	F. L. Amps @ 230 V	% F.L. Eff.	Service Factor	"C" Dim. (Inches)	♥Notes
3	3600	182TC	199082.00	√	912	C182T34FC1	94	230/460	7.6	86.5	1.15	15.75	C, CN
3	1800	182TC	199083.00	√	901	C182T17FC1	102	230/460	7.8	89.5	1.15	15.75	C, CN
5	3600	184TC	199084.00	√	1,012	C184T34FC1	109	230/460	13.4	88.5	1.15	16.73	C, CN
5	1800	184TC	199085.00	√	983	C184T17FC1	117	230/460	12.4	89.5	1.15	16.73	C, CN
7 1/2	3600	213TC	199086.00	D	1,423	C213T34FC1	185	230/460	17.8	89.5	1.15	19.53	C, CN
7 1/2	3600	213TC	B199086.00	√	1,332	C213T34FC1	165	230/460	18.0	89.5	1.15	19.10	S, CN
7 1/2	1800	213TC	199087.00	D	1,245	C213T17FC1	194	230/460	18.6	91.7	1.15	19.53	C, CN
7 1/2	1800	213TC	B199087.00	√	1,164	C213T17FC1	175	230/460	19.1	91.7	1.15	19.10	S, CN
10	3600	215TC	199088.00	D	1,503	C215T34FC1	217	230/460	22.8	90.2	1.15	21.02	C, CN
10	3600	215TC	B199088.00	√	1,404	C215T34FC1	198	230/460	23.1	90.2	1.15	20.70	S, CN
10	1800	215TC	199089.00	D	1,464	C215T17FC1	225	230/460	24.4	91.7	1.15	21.02	C, CN
10	1800	215TC	B199089.00	√	1,368	C215T17FC1	201	230/460	25.2	91.7	1.15	20.70	S, CN

Shaded model numbers are cast iron frame

♥ Note listing on inside back flap
Specifications are subject to change without notice

Green items are Premium Efficient

D - Item to be discontinued once inventory is depleted

Three Phase C Face Motors

Ultimate e Series General Purpose Motors

Tech Information

Single Phase
ODP Motors

Single Phase
TEFC Motors

Three Phase
ODP Motors

Three Phase
TEFC Motors

Inverter Duty
Motors

Severe Duty
Motors

Definite
Purpose Motors

Brake Motors

Three Phase - Totally Enclosed - C Face With Base

HP	SYN RPM 60 Hz	NEMA Frame	Catalog Number	Stock	List Price	Model Number	App. Wgt. (lbs)	Voltage	F. L. Amps @ 230 V	% FL. Eff.	Service Factor	"C" Dim. (Inches)	♥Notes
3	3600	182TC	199051.00	√	921	C182T34FK1	95	230/460	7.6	86.5	1.15	15.75	C, CN
3	1800	182TC	199052.00	√	910	C182T17FK1	103	230/460	7.8	89.5	1.15	15.75	C, CN
5	3600	184TC	199053.00	√	1,024	C184T34FK1	110	230/460	13.4	88.5	1.15	16.73	C, CN
5	1800	184TC	199054.00	√	877	C184T17FK1	118	230/460	12.4	89.5	1.15	16.73	C, CN
7 1/2	3600	213TC	199055.00	D	1,342	C213T34FK1	186	230/460	17.8	89.5	1.15	19.53	C, CN
7 1/2	3600	213TC	B199055.00	√	1,318	C213T34FK1	166	230/460	18.0	89.5	1.15	19.10	S, CN
7 1/2	1800	213TC	199056.00	D	1,274	C213T17FK1	195	230/460	18.6	91.7	1.15	19.53	C, CN
7 1/2	1800	213TC	B199056.00	√	1,248	C213T17FK1	176	230/460	19.1	91.7	1.15	19.10	S, CN
10	3600	215TC	199057.00	D	1,566	C215T34FK1	218	230/460	22.8	90.2	1.15	21.02	C, CN
10	3600	215TC	B199057.00	√	1,516	C215T34FK1	199	230/460	23.1	90.2	1.15	20.70	S, CN
10	1800	215TC	199058.00	D	1,533	C215T17FK1	226	230/460	24.4	91.7	1.15	21.02	C, CN
10	1800	215TC	B199058.00	√	1,498	C215T17FK1	201	230/460	25.0	91.7	1.15	20.70	S, CN
15	3600	254TC	199059.00	D	2,204	C254T34FK1	351	230/460	34.0	91.0	1.15	26.60	C, CN
15	3600	254TC	B199059.00	√	2,178	C254T34FK1	336	230/460	35.1	91.0	1.15	24.15	C, CN
15	3600	215TC	194128.00	√	2,031	C215T34FK2	185	230/460	35.0	93.0	1.15	21.62	S, CN
15	1800	254TC	199060.00	D	2,123	C254T17FK1	375	230/460	37.0	92.4	1.15	26.60	C, CN
15	1800	254TC	B199060.00	√	2,097	C254T17FK1	356	230/460	37.5	92.4	1.15	25.65	C, CN
20	3600	256TC	199061.00	D	2,599	C256T34FK1	375	230/460	46.0	91.0	1.15	27.80	C, CN
20	3600	256TC	B199061.00	√	2,562	C256T34FK1	356	230/460	47.5	91.0	1.15	26.39	C, CN
20	1800	256TC	199062.00	D	2,540	C256T17FK1	425	230/460	49.0	93.0	1.15	27.80	C, CN
20	1800	256TC	B199062.00	√	2,506	C256T17FK1	406	230/460	48.0	93.0	1.15	25.89	C, CN
25	3600	284TSC	199063.00	D	3,280	C284T34FK1	475	230/460	56.0	91.7	1.15	28.79	C, CN
25	3600	284TSC	B199063.00	√	3,239	C284T34FK1	460	230/460	60.0	91.7	1.15	26.65	C, CN
25	1800	284TC	199064.00	D	3,023	C284T17FK1	500	230/460	61.0	93.6	1.15	30.16	C, CN
25	1800	284TC	B199064.00	√	2,984	C284T17FK1	485	230/460	61.0	93.6	1.15	26.65	C, CN
30	3600	286TSC	199065.00	D	3,772	C286T34FK1	500	230/460	68.0	91.7	1.15	39.97	C, CN
30	3600	286TSC	B199065.00	√	3,737	C286T34FK1	485	230/460	70.4	91.7	1.15	26.77	C, CN
30	1800	286TC	199066.00	D	3,631	C286T17FK1	525	230/460	73.0	93.6	1.15	31.34	C, CN
30	1800	286TC	B199066.00	√	3,596	C286T17FK1	505	230/460	72.5	93.6	1.15	28.14	C, CN
40	3600	324TSC	199067.00	√	5,016	C324T34FK1	675	230/460	88.0	92.4	1.15	31.18	C, CN
40	1800	324TC	199068.00	√	4,633	C324T17FK1	750	230/460	94.0	94.1	1.15	32.68	C, CN
50	3600	326TSC	199069.00	√	6,151	C326T34FK1	725	230/460	109.0	93.0	1.15	32.36	C, CN
50	1800	326TC	199070.00	√	5,687	C326T17FK1	775	230/460	119.0	94.5	1.15	33.86	C, CN
60	3600	364TSC	199071.00	√	8,157	C364T34FK1	925	230/460	132.0	93.6	1.15	34.48	C, CN
60	1800	364TC	199072.00	√	7,765	C364T17FK1	1000	230/460	138.0	95.0	1.15	36.61	C, CN
75	3600	365TSC	199073.00	√	9,544	C365T34FK1	1025	230/460	164.0	93.6	1.15	36.26	C, CN
75	1800	365TC	199074.00	√	9,356	C365T17FK1	1100	230/460	173.0	95.4	1.15	38.39	C, CN
100	3600	405TSC	199075.00	√	12,344	C405T34FK1	1250	230/460	216.0	94.5	1.15	39.76	C, CN
100	1800	405TC	199076.00	√	11,235	C405T17FK1	1375	230/460	224.0	95.4	1.15	42.76	C, CN

230/460 volt motors are suitable for use at 208 volts

Shaded model numbers are cast iron frame

Green items are Premium Efficient

D - Item to be discontinued once inventory is depleted

♥ Note listing on inside back flap

Specifications are subject to change without notice



Three Phase Motors Totally Enclosed

Ultimate e Series General Purpose Motors With Roller Bearings

Features:

- Meets or exceeds NEMA Premium® efficiencies
- Cast iron frame construction
- Class F insulation
- UL Recognized, CSA Certified, CE Mark
- **Roller Bearing at the drive end only for belted load operation only**



Three Phase - TEFC - Rigid Base

HP	SYN RPM 60 Hz	NEMA Frame	Catalog Number	Stock	List Price	Model Number	App. Wgt. (lbs)	Voltage	F. L. Amps @ 230 V	% FL. Eff.	Service Factor	"C" Dim. (Inches)	♥Notes
25	1800	284T	194228.00	√	2,979	C284T17FB9	500	230/460	61.0	93.6	1.15	26.65	C, CN
25	1200	324T	194229.00	√	5,232	C324T11FB7	555	230/460	66.0	93.0	1.15	32.68	C, CN
30	1800	286T	194230.00	√	3,466	C286T17FB9	525	230/460	72.5	93.6	1.15	28.14	C, CN
30	1200	326T	194231.00	√	5,612	C326T11FB7	725	230/460	80.0	93.0	1.15	33.86	C, CN
40	1800	324T	194232.00	√	4,559	C324T17FB10	750	230/460	94.0	94.1	1.15	32.68	C, CN
40	1200	364T	194233.00	√	7,765	C364T11FB8	950	230/460	94.0	94.1	1.15	36.61	C, CN
50	1800	326T	194234.00	√	5,596	C326T17FB11	775	230/460	119.0	94.5	1.15	33.86	C, CN
50	1200	365T	194235.00	√	8,826	C365T11FB11	1000	230/460	117.0	94.1	1.15	38.39	C, CN
60	1800	364T	194236.00	√	7,636	C364T17FB13	1000	230/460	138.0	95.0	1.15	36.61	C, CN
60	1200	404T	194237.00	√	10,340	C404T11FB8	1200	230/460	140.0	94.5	1.15	42.72	C, CN
75	1800	365T	194238.00	√	9,382	C365T17FB13	1100	230/460	170.0	95.4	1.15	38.39	C, CN
75	1200	405T	194239.00	√	12,173	C405T11FB9	1300	230/460	174.0	94.5	1.15	42.72	C, CN
100	1800	405T	194240.00	√	11,467	C405T17FB11	1375	230/460	224.0	95.4	1.15	42.72	C, CN
100	1200	444T	194241.00	√	17,950	C444T11FB9	2000	230/460	228.0	95.0	1.15	50.79	C, CN
125	1800	444T	194242.00	√	16,071	C444T17FB13	1850	460	140.0*	95.4	1.15	50.79	C, CN
125	1200	445T	194243.00	√	18,731	C445T11FB7	2050	460	142.0*	95.0	1.15	50.79	C, CN
150	1800	445T	194244.00	√	18,871	C445T17FB16	2050	460	165.0*	95.8	1.15	50.79	C, CN
150	1200	447T	194245.00	√	23,816	C447T11FB5	2500	460	170.0*	95.8	1.15	55.91	C, CN
200	1800	447T	194246.00	√	22,951	C447T17FB9	2350	460	225.0*	96.2	1.15	55.91	C, CN
200	1200	449T	194247.00	√	25,365	C449T11FB5	2900	460	228.0*	95.8	1.15	55.91	C, CN

230/460 volt motors are suitable for use at 208 volts

Shaded model numbers are cast iron frame

Green items are Premium Efficient

* amps at 460 volts

♥ Note listing on inside back flap
Specifications are subject to change without notice



Three Phase Motors Totally Enclosed TENV Motors - Three Phase - Rigid Base

Three Phase - TENV - Rigid Base

HP	SYN RPM 60 Hz	NEMA Frame	Catalog Number	Stock	List Price	Model Number	App. Wgt. (lbs)	Voltage	F. L. Amps @ 230 V	% FL. Eff.	Service Factor	"C" Dim. (Inches)	Notes
1/6	3600	42	092014.00	C/A	442	C42T34NB2	13	230/460	0.7	65.0	1.00	7.56	S, US
1/6	1800	42	092015.00	√	484	C42T17NB1	14	230/460	0.9	61.0	1.00	7.81	S, US
1/4	3600	42	092016.00	C/A	468	C42T34NB3	15	230/460	0.9	62.0	1.00	8.06	S, US
1/4	1800	48	100123.00	√	367	C4T17NB3	16	230/460	1.0	78.0	1.15	9.18	S, MX
1/4	1800	S56	101649.00	√	367	C4T17NH8	16	230/460	1.0	78.0	1.15	9.56	S, MX
1/3	3600	48	101013.00	√	352	C4T34NB3	17	230/460	1.2	72.0	1.15	9.06	S, US
1/3	1800	48	100443.00	√	407	C4T17NB5	19	230/460	1.4	78.0	1.15	9.56	S, MX
1/3	1800	S56	102920.00	√	405	C4T17NH13	20	230/460	1.3	77.0	1.15	9.56	S, MX
1/2	3600	56	110143.00	√	407	C6T34NB1	25	230/460	1.5	67.0	1.15	10.38	S, US
1/2	1800	S56	102918.00	√	473	C4T17NH12	21	230/460	1.8	77.0	1.15	10.06	S, MX
3/4	1800	56	114309.00	√	515	C6T17NB53	30	230/460	2.5	80.0	1.15	10.89	S, US
1	1800	143T	121098.00	D	590	C143T17NB6	35	230/460	3.2	80.0	1.15	11.83	S, US
1 1/2	1800	145T	121099.00	D	617	C145T17NB9	47	230/460	4.2	80.0	1.15	13.33	S, US

230/460 volt motors are suitable for use at 208 volt

Note - Motors 121098.00 and 121099.00 moved to TEFC designs to meet EISA regulations

C/A - Check Availability

♥ Note listing on inside back flap
Specifications are subject to change without notice

Three Phase Motors Totally Enclosed F2 Conduit Box Mount Motors - TEFC - Three Phase General Purpose Applications



Three Phase - TEFC - Rigid Base

HP	SYN RPM 60 Hz	NEMA Frame	Catalog Number	Stock	List Price	Model Number	App. Wgt. (lbs)	Voltage	F. L. Amps @ 230 V	% FL. Eff.	Service Factor	"C" Dim. (Inches)	Notes
3	1800	182T	132237.00	√	957	C182T17FB50	80	230/460	7.8	89.5	1.15	14.96	S, MX
5	1800	184T	132236.00	√	1,053	C184T17FB62	94	230/460	12.8	89.5	1.15	15.96	S, MX
7	1800	213T	140832.00	C/A	1,353	C213T17FB18	154	230/460	21.4	91.7	1.25	18.70	S, MX

230/460 volt motors are suitable for use at 208 volts

Green items are Premium Efficient

C/A - Check Availability

Note: For larger F2 mount motors, G150 & 170 Series cast iron motors may be converted to F2 by reassembly. Contact factory for F2 mounting for Lincoln Brand motors

♥ Note listing on inside back flap
Specifications are subject to change without notice



Three Phase Motors Totally Enclosed Compressor Duty

General Specifications:

Motors designed for air compressor, pump, fan and blower duty applications which require high breakdown torque and rugged mechanical construction.

Mechanical Features:

- Double shielded ball bearings
- Designed for belted loads
- Class F insulation



Three Phase - TEFC - Rigid Base

HP	SYN RPM 60 Hz	NEMA Frame	Catalog Number	Stock	List Price	Model Number	App. Wgt. (lbs)	Voltage	F. L. Amps @ 230 V	% FL. Eff.	Service Factor	"C" Dim. (Inches)	♥Notes
3	1800	182T	131463.00	√	957	C182T17FB32	80	230/460	7.8	89.5	1.15	13.96	S, MX
3	1800	182T	LM32741	√	957	SSF4B3T61	77	230/460	7.8	89.5	1.15	13.96	S, MX
5	1800	182T	131464.00	√	1,053	C184T17FB42	94	230/460	12.8	89.5	1.15	15.96	S, MX
5	1800	182T	LM33266	√	1,053	SSF4B5T61	85	230/460	12.6	89.5	1.15	14.96	S, MX
7 1/2	1800	213T	140450.00	√	1,353	C213T17FB6	144	230/460	21.4	91.7	1.25	18.70	S, MX
7 1/2	1800	213T	LM32805	√	1,249	SSF4B7.5T6	115	230/460	19.4	91.7	1.25	20.23	S, MX
10	1800	215T	140451.00	√	1,636	C215T17FB18	161	230/460	26.6	91.7	1.25	19.70	S, MX
10	1800	215T	LM32809	√	1,542	SSF4B10T6	135	230/460	26.0	91.7	1.25	21.48	S, MX
15	1800	254T	170066.60	√	2,413	C254T17FB10	280	230/460	36.0	92.4	1.25	23.19	C, CN
15	1800	254T	LM24208	√	2,695	CCF4B15T6	322	230/460	37.5	92.4	1.25	25.27	C, US
20	1800	256T	170007.60	√	3,018	C256T17FB4	322	230/460	49.0	93.0	1.15	24.92	C, CN

230/460 volt motors are suitable for use at 208 volts

Shaded model numbers are cast iron frame

Green items are Premium Efficient

♥ Note listing on inside back flap
Specifications are subject to change without notice

Three Phase Motors Totally Enclosed Resilient Base Motors - Three Phase General Purpose or Fan & Blower Service

Mechanical Features:

- Industrial duty designs
- Suitable for belt driven or fan-on-shaft applications
- Ball bearings



Three Phase - Totally Enclosed - Resilient Base

HP	SYN RPM 60 Hz	NEMA Frame	Catalog Number	Stock	List Price	Model Number	App. Wgt. (lbs)	Voltage	F. L. Amps @ 230 V	% FL. Eff.	Service Factor	"C" Dim. (Inches)	♥Notes
1/2	1800	56	111917.00	√	541	C6T17NR1	25	230/460	1.8	78.5	1.15	11.31	S, US, 12
1	1800	56	111918.00	D	609	C6T17FR1	29	230/460	3.8	77.0	1.15	12.51	S, US, 13
1	1800	56H	119419.00	√	784	C6T17FR3	33	230/460	3.2	85.5	1.15	13.84	S, US, 6, 13

230/460 volt motors are suitable for use at 208 volts

Green items are Premium Efficient

♥ Note listing on inside back flap
Specifications are subject to change without notice

Three Phase Motors Totally Enclosed Sub-FHP Motors - Inverter Rated - Three Phase

Features:

- Designed with the exclusive inverter rated insulation system (IRIS™)
- Provides superior protection against voltage spikes induced by variable frequency drives
- Double shielded motor ball bearings
- Needle bearings in the parallel shaft gearboxes
- Ball bearings in the Right angle (worm) gearboxes
- Steel conduit box provided as standard
- Finished in high gloss hardened black enamel paint

Application Notes:

- Designed with high temperature insulation (Class F) to prevent overheating when operated with a PWM inverter down to a 10:1 speed range from the printed motor's speed range



Three Phase - 230 Volt - Totally Enclosed - C Face With Base

HP	SYN RPM 60 Hz	NEMA Frame	Catalog Number	Stock	List Price	Model Number	App. Wgt. (lbs)	F. L. Amps @ 230 V	♥Notes
1/15	1725	38	M1140171.00	√	372	CM38T17NK1	7	0.4	S, US, 12
1/6	1725	38	M1140173.00	C/A	401	CM38T17NK2	8	0.7	S, US, 13
1/4	1725	38	M1140172.00	C/A	431	CM38T17FK3	9	1.1	S, US, 13

C/A - Check Availability
Note 12 - TENV

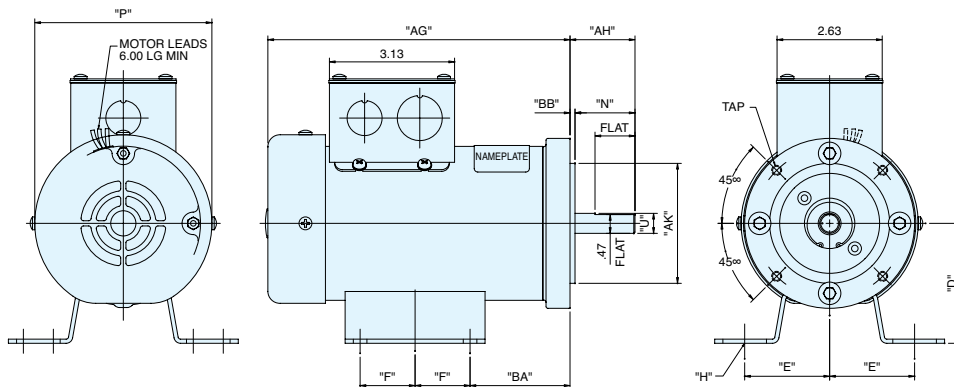
♥ Note listing on inside back flap
Specifications are subject to change without notice

38 Frame NEMA C Face With Base Dimensions

Catalog Number	AG	P	U	AH	BB	AJ	TAP	R	AK	BB	D	BA	E	F	H
M1140171.00	5.14	3.85	0.5	1.63	1	3.75	1/3/16	4.25	3.0	0.1	3.00	1.50	2.125	1.375	11/32 Slot
M1140173.00	6.14	3.85	0.5	1.63	1	3.75	1/3/16	4.25	3.0	0.1	3.00	1.50	2.125	1.375	11/32 Slot
M1140172.00	7.56	4.43	0.5	1.63	1	3.75	1/3/16	4.25	3.0	0.1	3.00	1.50	2.125	1.375	11/32 Slot

Specifications are subject to change without notice

AC 38 48C ALL DIMENSIONS IN INCHES



Both motors only and gearmotors will have inverter rated printed on the nameplate.
UL and CSA recognition for both motors only and gearmotors



Three Phase C Face Motors

Inverter Duty - FHP Motors

Features:

- Compact 48-frame design with keyed shaft
- Class F insulation
- 20:1 constant torque rated
- Inverter IRIS™ insulation system
- 1/2" diameter keyed shaft with 48-C Face
- 115/230V three phase design optimized for FHP drives
- Designed to be used with FHP AC Drives found on page 361



Three Phase - TEFC - C Face With Base

HP	SYN RPM 60 Hz	NEMA Frame	Catalog Number	Stock	List Price	Model Number	App. Wgt. (lbs)	Voltage	F. L. Amps @ 230 V	% F.L. Eff.	Service Factor	"C" Dim. (Inches)	♥Notes
1/6	1800	48CZ	102792.00	√	367	C4T17FK7	25	115/230	1.3	56.0	1.15	8.94	S, MX
1/4	1800	48CZ	102793.00	√	417	C4T17FK8	26	115/230	1.4	58.0	1.15	8.94	S, MX
1/3	1800	48CZ	102794.00	√	456	C4T17FK6	28	115/230	1.6	64.3	1.15	9.19	S, MX
1/2	1800	48CZ	102795.00	√	509	C4T17FK9	30	115/230	1.8	77.0	1.15	10.19	S, MX

Green items are Premium Efficient

♥ Note listing on inside back flap
Specifications are subject to change without notice

600 Volts and Lower Motors

	LV ODP	LV TEFC	LV DPFV	LV WPI	LV WPPI	LV TEFC	LV TEAAC	LV TEWAC
	NEMA			IEC				
Range	15–600 HP	15–700 HP	25–1250 HP	250–3350 HP	250–3350 HP	250–2150 HP	300–2680 HP	250–3350 HP
Voltage	460V	460V	460V	460V	460V	460V	460V	460V
Pole	2-, 4-, 6-, 8-pole	2-, 4-, 6-, 8-pole	2-, 4-, 6-, 8-pole	2-, 4-, 6-, 8-pole	2-, 4-, 6-, 8-pole	2-, 4-, 6-, 8-pole	2-, 4-, 6-pole	2-, 4-, 6-, 8-pole
Frequency	60 and/or 50 Hertz	60 Hertz	60 and/or 50 Hertz	60 Hertz	60 Hertz	60 Hertz	60 Hertz	60 Hertz
Frame	254–510 NEMA	254–5013 NEMA	364–6805 NEMA	355–630 IEC	355–630 IEC	355–560 IEC	355–630 IEC	355–630 IEC
Protection	IP12 & 23	IP55	IP12 & 23	IP23	IP23	IP55	IP44	IP44
Ambient	40° C	40° C	40° C	40° C	40° C	40° C	40° C	40° C
Insulation	Class F	Class H VPI	Class F	Class F VPI	Class F VPI	Class F VPI	Class F VPI	Class F VPI
Construction	Rolled Steel & Cast Iron	Cast Iron	Cast Iron	Fabricated	Fabricated	Cast Iron	Fabricated	Fabricated
Performance	MG1	MG1	MG1	IEC	IEC	IEC	IEC	IEC
Bearings	Anti-Friction	Anti-Friction	Anti-Friction	Anti-Friction	Anti-Friction	Anti-Friction	Anti-Friction	Anti-Friction
Service Factor	1.15	1.15	1.15	1.15	1.15	1.15	1.15	1.15
Inverter	Yes	Yes	Yes	Yes	Yes	Yes	Yes	Yes

Medium Voltage Motors

	MV ODP	MV TEFC	MV WPI	MV WPPI	MV TEFC	MV TEAAC	MV TEWAC
	NEMA		IEC				
Range	125–700 HP	200–750 HP	250–3350 HP	250–3350 HP	250–2410 HP	300–3350 HP	250–3350 HP
Voltage	2300/4000V	2300/4000V	2300/4000V	2300/4000V	2300/4000V	2300/4000V	2300/4000V
Pole	2-, 4-, 6-, 8-pole	2-, 4-, 6-pole	2-, 4-, 6-pole	2-, 4-, 6-pole	2-, 4-, 6-pole	2-, 4-, 6-pole	2-, 4-, 6-, 8-pole
Frequency	60 Hertz	60 Hertz	60 Hertz	60 Hertz	60 Hertz	60 Hertz	60 Hertz
Frame	449T–510U NEMA	5011–5811 NEMA	355–630 IEC	355–630 IEC	355–560 IEC	355–630 IEC	355–630 IEC
Protection	IP23	IP55	IP23	IPW23	IP55	IP44	IP44
Ambient	40° C	40° C	40° C	40° C	40° C	40° C	40° C
Insulation	Class H VPI	Class H VPI	Class F VPI	Class F VPI	Class F VPI	Class F VPI	Class F VPI
Construction	Rolled Steel & Cast Iron	Cast Iron	Fabricated	Fabricated	Cast Iron	Fabricated	Fabricated
Performance	MG1	MG1	IEC	IEC	IEC	IEC	IEC
Bearings	Anti-Friction	Anti-Friction	Anti-Friction	Anti-Friction	Anti-Friction	Anti-Friction	Anti-Friction
Service Factor	1.15	1.15	1.15	1.15	1.15	1.15	1.15
Inverter	Yes	Yes	Yes	Yes	Yes	Yes	Yes

Special Configurations:

There's more to LEESON large AC induction motor capabilities than what you see here. Contact your local LEESON Electric District Sales Office to discuss your unique application.

In some cases:

- HP capability can extend to 5000 HP
- Voltages can extend to 6.6KV & 11KV and higher

Available Accessories:

- Stator RTDs
- Bearing RTDs
- Space Heaters
- Vibration Detectors
- Split Sleeve Bearings
- Noise Reduction Packages
- Lightning Arrestors
- Surge Capacitors
- **Ask about other options**



Tech Information

Single Phase ODP Motors

Single Phase TEFC Motors

Three Phase ODP Motors

Three Phase TEFC Motors

Inverter Duty Motors

Severe Duty Motors

Definite Purpose Motors

Brake Motors

Inverter Duty Motors

Tech Information

Single Phase
ODP Motors

Single Phase
TEFC Motors

Three Phase
ODP Motors

Three Phase
TEFC Motors

Inverter Duty
Motors

Severe Duty
Motors

Definite
Purpose Motors

Brake Motors



- Ideally suited for IGBT power
- Inverter duty insulation system
- Over temperature protection
- Speedmaster® and CTAC® models – 2000 : 1 speed range
- Provisions for encoder mounting
- Lincoln Vector duty CTAC® models include 1024 ppr encoder
- Drip-proof and totally enclosed models available
- Precision balanced rotor assemblies
- Made in the U.S.A.
- 3-year warranty
- Speedmaster Plus Inverter Duty Motors [NEW page 92](#)
- Platinum Permanent Magnet AC Motors [NEW page 98](#)

Applications:

For use in constant torque (conveyors and machine tools) or variable torque (pumps and fans) variable speed applications within the stated speed range of the motor.





Inverter Duty Motors

Inverter Duty Motors / Vector Duty Motors

2000:1 Speed Range

With Encoder mounting provisions

Tech Information

Single Phase
ODP Motors

Single Phase
TEFC Motors

Three Phase
ODP Motors

Three Phase
TEFC Motors

Inverter Duty
Motors

Severe Duty
Motors

Definite
Purpose Motors

Brake Motors

Features:

- Class H inverter insulation system on LEESON models, Class F on Lincoln models
- No blower needed on 256T frame and smaller motors
- Constant torque operation from 0 to base RPM rating with vector drives
- C Face with rigid base through 100 HP on LEESON models, Lincoln models through 5 HP
- TEBC designs utilize 3-phase blower motors
- Normally closed thermostats
- Cast iron, Steel and Aluminum frame construction - see Notes
- Provisions for Encoder feedback devices - all LEESON models and Lincoln Q10 models
- LEESON models, 180 frame and higher, include internal shaft grounding rings (SGRs)
- Precision balanced rotors
- UL recognized and CSA certified
- 3-year warranty

Three Phase - Totally Enclosed - Rigid Base & Rigid C Face

For use with inverters only

HP	SYN RPM 60 Hz	NEMA Frame	▼ Catalog Number	Stock	List Price	Model Number	App. Wgt. (lbs)	Voltage	F. L. Amps @ 230 V	Max. RPM	Service Factor	"C" Dim. (Inches)	Inverter Speed Range	♥ Notes
1/3	1800	56C	LM10336	√	598	SRF4S0.33TC61Q20	26	230/460	1.6	4000	1.0	11.31	10:1	S, US, 13
1/2	1800	56C	LM24264	C/A	689	SRF4S0.5TC61Q20	24	230/460	2.4	4000	1.0	11.81	10:1	S, US, 13
1/2	1200	56HC	LM10338	√	818	SRF6S0.5TC61Q20	41	230/460	2.6	4000	1.0	12.32	10:1	S, US, 13
3/4	1800	56HC	LM10339	√	777	SRF4S0.75TC61Q20	25	230/460	3.0	4000	1.0	11.82	10:1	S, US, 13
1	1800	56HC	LM10340	√	1,494	SRF4S1TC61Q20	62	230/460	3.6	4000	1.0	12.32	10:1	S, US, 13
1	1800	143TC	810548.00	√	1,580	143THTN8037	61	230/460	3.0	5400	1.0	13.68	2000:1	C, US, 12
1	1800	145TC	LM26359	√	1,514	SSN4S1TC61Q10	62	230/460	4.0	5000	1.0	15.39	2000:1	S, US, 12
1	1200	182TC	LM06103	√	1,713	AAN6S1TC61Q10	78	230/460	3.6	4800	1.0	12.94	2000:1	A, US, 12
1	900	184TC	LM06105	C/A	2,137	AAN8S1TC61Q10	100	230/460	5.0	4800	1.2	16.57	2000:1	A, US, 12
1 1/2	1800	145TC	810547.00	√	1,740	145THTN8044	68	230/460	4.6	5400	1.0	14.68	2000:1	C, US, 12
1 1/2	1800	145TC	LM26233	C/A	1,680	SSN4S1.5TC61Q10	65	230/460	4.8	5000	1.0	15.39	2000:1	S, US, 12
1 1/2	1200	56HC	119796.00	√	870	C6T11FK18	45	230/460	5.7	—	1.0	13.31	2:1	S, US, 13
1 1/2	1200	145TC	122337.00	√	877	C145T11FK11	46	230/460	5.7	—	1.0	13.76	2:1	S, US, 13
2	1800	145TC	810546.00	√	1,817	145THTN8045	70	230/460	6.0	5400	1.0	14.68	2000:1	C, US, 12
2	1800	182TC	LM06113	D	1,824	AAN4S2TC61Q10	74	230/460	6.0	4800	1.0	15.57	2000:1	A, US, 12
2	1800	182TC	LM33591	√	1,824	AAN4S2TC61Q10AP26	74	230/460	8.2	4800	1.0	15.88	2000:1	A, MX, 12
3	1800	182TC	811320.00	√	2,171	182THTS8051	110	230/460	8.0	5400	1.0	16.68	2000:1	C, US, 12
3	1800	56HC	119797.00	√	938	C6T17FK116	45	230/460	7.6	—	1.0	12.81	2:1	S, US, 13
3	1800	145TC	122338.00	√	952	C145T17FK84	46	230/460	7.6	—	1.0	13.76	2:1	S, US, 13
3	1800	184TC	LM06119	D	2,121	AAN4S3TC61Q10	94	230/460	8.4	4800	1.0	16.57	2000:1	A, US, 12
3	1800	184TC	LM33492	√	2,121	AAN4S3TC61Q10AP26	94	230/460	8.4	4800	1.0	16.57	2000:1	A, MX, 12
3	1200	215TC	LM06121	C/A	3,383	AN5S3TC61Q10	135	230/460	12.0	4600	1.0	18.56	2000:1	A, US, 12

Shaded model numbers are cast iron frame

Continued on next page

▼ LM Numbers are Lincoln Models
 D - Item to be discontinued once inventory is depleted
 C/A - Check Availability
 Note 12 - TENV

♥ Note listing on inside back flap
 Specifications are subject to change without notice



Inverter Duty Motors

Inverter Duty Motors / Vector Duty Motors - 2000:1 Speed Range

With encoder mounting provisions

Three Phase - Totally Enclosed - Rigid Base & Rigid C Face

For use with inverters only

HP	SYN RPM 60 Hz	NEMA Frame	▼ Catalog Number	Stock	List Price	Model Number	App. Wgt. (lbs)	Voltage	F. L. Amps @ 230 V	Max. RPM	Service Factor	"C" Dim. (Inches)	Inverter Speed Range	♥Notes
5	1800	184TC	811322.00	√	2,406	184THTS8058	118	230/460	13.4	5400	1.0	17.69	2000:1	C, US, 12
5	1800	213TC	LM06125	√	2,434	AN4S5TC61Q10	115	230/460	15.6	4600	1.0	17.94	2000:1	A, US, 12
7 1/2	1800	213TC	810157.00	√	3,236	213THFS8070	180	230/460	21.0	4200	1.0	20.56	2000:1	C, US, 12
10	1800	215TC	810140.00	√	3,824	215THTS8070	290	230/460	26.0	4200	1.0	22.74	2000:1	C, US, 12
15	1800	254TC	810066.00	√	4,584	254THNA8060	320	230/460	39.0	4200	1.0	25.12	2000:1	C, US, 12
15	1200	284TC	810068.00	√	9,682	284THTPA7090	440	230/460	40.0	3600	1.0	37.48	2000:1	C, US, 11
20	1800	256TC	810007.00	√	6,247	256THNA8070	435	230/460	52.0	4200	1.0	27.13	2000:1	C, US, 12
20	1200	286TC	810001.00	√	11,599	286THFPA8090	450	230/460	52.4	3600	1.0	37.48	2000:1	C, US, 11
25	1800	284TC	810011.00	C/A	7,785	284THFPA8060	438	230/460	65.0	3600	1.0	37.48	2000:1	C, US, 11
25	1200	324TC	810003.00	√	13,646	324THFPA8090	620	230/460	67.0	3600	1.0	40.41	2000:1	C, US, 11
30	1800	286TC	810015.00	√	8,573	286THFPA8040	520	230/460	74.0	4200	1.0	38.98	2000:1	C, US, 11
30	1200	326TC	810005.00	√	15,017	326THFPA8090	700	230/460	82.0	3600	1.0	41.91	2000:1	C, US, 11
40	1800	324TC	810019.00	√	10,843	324THFPA8050	620	230/460	100.0	3600	1.0	40.41	2000:1	C, US, 11
40	1200	364TC	810096.00	√	18,109	364THFS18079	975	230/460	104.0	2700	1.0	42.78	2000:1	C, US, 11
50	1800	326TC	810023.00	√	12,789	326THFPA8040	640	230/460	120.0	3600	1.0	41.91	2000:1	C, US, 11
50	1200	365TC	810097.00	C/A	21,709	365THFS8397	1029	230/460	180.0	2700	1.0	43.78	2000:1	C, US, 11
60	1800	364TC	810027.00	√	16,461	364THFS8059	975	230/460	147.0	2700	1.0	42.78	2000:1	C, US, 11
60	1200	404TC	810098.00	√	24,084	404THFS8378	1322	230/460	142.0	2700	1.0	46.72	2000:1	C, US, 11
75	1800	365TC	810031.00	√	19,738	365THFS8074	1050	230/460	180.0	2700	1.0	43.78	2000:1	C, US, 11
75	1200	405TC	810099.00	C/A	29,344	405THFS8386	1350	230/460	180.0	2700	1.0	49.28	2000:1	C, US, 11
100	1800	405TC	810087.00	C/A	24,047	405THFS8329	1400	230/460	230.0	2700	1.0	49.28	2000:1	C, US, 11
100	1200	444TC	811367.00	C/A	33,362	444THFN8389	2050	230/460	250.0	2700	1.0	52.72	2000:1	C, US, 11
125	1800	444T	811369.00	C/A	30,326	444THFN8050	2000	460	138*	2700	1.0	52.72	2000:1	C, US, 11
150	1800	445T	811371.00	C/A	34,407	445THFN8334	2321	460	170*	2700	1.0	54.72	2000:1	C, US, 11
200	1800	445T	810503.00	C/A	40,728	445THFN8335	2450	460	230*	2700	1.0	54.72	2000:1	C, US, 11
250	1800	449T	811516.00	C/A	53,959	449THFS8328	3210	460	295*	2700	1.0	63.21	2000:1	C, US, 11
300	1800	449T	811529.00	C/A	68,399	449THFS8329	3410	460	330*	2700	1.0	63.21	2000:1	C, US, 11
350	1800	449T	811530.00	C/A	83,430	449THFS8330	3520	460	385*	2700	1.0	63.21	2000:1	C, US, 11

Shaded model numbers are cast iron frame

♥ Note listing on inside back flap
Specifications are subject to change without notice

*FL. Amps at 460 Volts

▼ LM Numbers are Lincoln Models

D - Item to be discontinued once inventory is depleted

C/A - Check Availability

Note 11 - TEBC

Note 12 - TENV



Encoder Kits For Speedmaster® 81,000 Series 2000:1 Motors

Description	Enclosure	Frame	Brand/Model	PPR	Catalog Number	List Price
Encoders						
Modular Mount, 5-15 VDC, with EPIC connector	TENV	143-256T	Northstar SL56	1024	E175927.00	3,505
Shaft Mount, 5-26 VDC, with 10 pin connector	TENV	143-256T	Dynapar HS35	1024	E175928.00	2,251
Shaft Mount, 5-26 VDC, with 10 pin connector	TENV	143-256T	BEI HS35	1024	E175929.00	2,251
Shaft Mount, 5-26 VDC, with 10 pin connector	TENV	143-256T	Dynapar HS35	2048	E175930.00	2,251
Shaft Mount, 5-26 VDC, with 10 pin connector	TENV	143-256T	BEI HS35	2048	E175931.00	2,251
Modular Mount, 5-15 VDC (Encoder Conduit Box Required)	TEBC	284-449T	Northstar SL56	1024	E175921.00	3,505
Shaft Mount, 5-26 VDC (Encoder Conduit Box Required)	TEBC	284-449T	Dynapar HS35	1024	E175922.00	2,251
Shaft Mount, 5-26 VDC (Encoder Conduit Box Required)	TEBC	284-449T	BEI HS35	1024	E175923.00	2,251
Shaft Mount, 5-26 VDC (Encoder Conduit Box Required)	TEBC	284-449T	Dynapar HS35	2048	E175924.00	2,251
Shaft Mount, 5-26 VDC (Encoder Conduit Box Required)	TEBC	284-449T	BEI HS35	2048	E175925.00	2,251
Conduit Box Required for all TEBC Units	—	—	—	—	ECB175926.00	250

Shipped separately for field installation.

Tech Information

Single Phase
ODP Motors

Single Phase
TEFC Motors

Three Phase
ODP Motors

Three Phase
TEFC Motors

Inverter Duty
Motors

Severe Duty
Motors

Definite
Purpose Motors

Brake Motors



LEESON Speedmaster Plus Inverter Duty Motors

1000:1 Constant Torque

NEW!

Applications:

Designed for inverter or vector duty applications where up to a 1000:1 constant torque speed range is required. Typical applications would include: conveyors, machine tools, metal processing, pumping equipment and compressors.

Features:

- IRIS® Inverter duty insulation system
- Constant torque operation from 0 to base speed on vector drive
- Constant horsepower operation up to twice base RPM
- Normally closed thermostats (one per phase, Class F)
- Ball bearings
- Encoder provisions included on opposite drive end
- UL Recognized, CSA Certified, and CE Mark
- 3-year warranty

Three Phase - TENV - C Face With Base

For use with inverters only

HP	SYN RPM 60 Hz	NEMA Frame	▼ Catalog Number	Stock	List Price	Model Number	App. Wgt. (lbs)	Voltage	F. L. Amps @ 230 V	Service Factor	"C" Dim. (Inches)	♥Notes
1/4	1800	56C	119286.00	√	609	C6T17NK49	19	230/460	1.2	1.0	11.88	S, MX
1/2	1800	56C	119287.00	√	763	C6T17NK51	35	230/460	1.6	1.0	13.48	S, MX
1	1800	56C	119289.00	√	910	C6T17NK50	39	230/460	3.0	1.0	14.98	S, MX
1	1800	143TC	122129.00	√	935	C143T17NK4	48	230/460	3.0	1.0	15.04	S, MX
1	1200	145TC	122130.00	√	1,083	C143T11NK3	49	230/460	3.8	1.0	16.04	S, MX
1.5	1800	145TC	122131.00	√	1,135	C145T17NK6	50	230/460	4.8	1.0	16.04	S, MX
2	1800	145TC	122132.00	√	1,462	C145T17NK5	65	230/460	6.0	1.0	16.04	S, MX
2	1200	184TC	811618.00	√	2,243	184THTL17079	88	230/460	6.6	1.0	16.94	A, MX
3	1800	182TC	811619.00	√	1,944	182HTY17054	95	230/460	8.4	1.0	17.39	A, MX
3	1200	213TC	811621.00	√	2,763	213THTL17081	105	230/460	9.4	1.0	19.94	A, US
5	1800	184TC	811625.00	√	2,322	184HTY17045	146	230/460	14.0	1.0	20.54	A, MX
5	1200	215TC	811624.00	√	3,361	215THTL17086	105	230/460	15.4	1.0	19.94	A, US
7 1/2	1800	213TC	811622.00	√	3,047	213THTL17044	110	230/460	21.0	1.0	18.94	A, US
7 1/2	1200	254TC	811627.00	√	4,521	254THTL17081	223	230/460	22.0	1.0	25.37	A, US
10	1800	215TC	811628.00	√	3,645	215THTL17047	219	230/460	27.0	1.0	23.04	A, US
10	1200	256TC	811630.00	√	5,117	256THTL17083	229	230/460	28.0	1.0	26.87	A, US
15	1800	254TC	811631.00	√	4,338	254THTL17049	260	230/460	40.0	1.0	26.87	A, US
20	1800	256TC	811633.00	√	6,332	256HTNA16034	300	230/460	52.0	1.0	27.13	C, US
25	1800	284TC	811635.00	√	6,888	284HTNA16039	379	230/460	62.0	1.0	27.08	C, US
30	1800	286TC	811637.00	√	7,767	286HTNA17042	575	230/460	74.0	1.0	28.58	C, US

Shaded model numbers are cast iron frame

▼ LM Numbers are Lincoln Models

♥ Note listing on inside back flap
Specifications are subject to change without notice



Inverter Duty Motors

Vector Duty Motors - 2000:1 Speed Range

With 1024 ppr Encoder

Tech Information

Single Phase
ODP Motors

Single Phase
TEFC Motors

Three Phase
ODP Motors

Three Phase
TEFC Motors

Inverter Duty
Motors

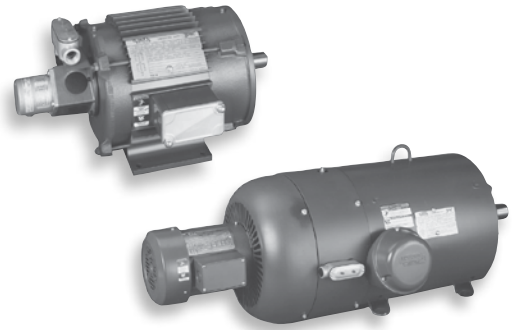
Severe Duty
Motors

Definite
Purpose Motors

Brake Motors

Features:

- Inverter duty insulation system
- Constant HP range at 2x base speed 56 - 256T frames
- Constant HP range at 1.5x base speed 284T - 445T frames
- Includes 1024 ppr encoder with differential line driver
- Normally closed thermostats
- Steel and aluminum frame construction - see Notes
- C Face designs through 10 HP
- Precision balanced rotors



Three Phase - Totally Enclosed - Rigid Base & Rigid C Face

For use with inverters only

HP	SYN RPM 60 Hz	NEMA Frame	▼ Catalog Number	Stock	List Price	Model Number	App. Wgt. (lbs)	Voltage	F. L. Amps @ 230 V	Max. RPM	Service Factor	"C" Dim. (Inches)	Inverter Speed Range	♥ Notes
1/3	1800	56C	LM10346	√	2,258	SRN4S0.33TC61Q15	43	230/460	1.0	5000	1.00	14.47	2000 : 1	S, US, 12
1/2	1800	56C	LM10347	√	2,357	SRN4S0.5TC61Q15	43	230/460	1.6	5000	1.00	14.47	2000 : 1	S, US, 12
3/4	1800	56HC	LM10349	C/A	2,438	SRN4S0.75TC61Q15	54	230/460	2.6	5000	1.00	15.97	2000 : 1	S, US, 12
1	1800	56HC	LM10350	C/A	3,325	SRN4S1TC61Q15	54	230/460	3.2	5000	1.00	15.97	2000 : 1	S, US, 12
1	1800	145TC	LM26109	C/A	3,325	SSN4S1TC61Q15	82	230/460	3.0	5000	1.00	16.03	2000 : 1	S, US, 12
1.5	1800	145TC	LM26278	C/A	3,572	SSN4S1.5TC61Q15	85	230/460	4.8	5000	1.00	17.03	2000 : 1	S, US, 12
2	1800	182TC	LM03987	D	3,680	AAN4S2TC61Q15	98	230/460	6.0	4800	1.00	18.34	2000 : 1	A, US, 12
2	1800	182TC	LM33595	√	3,680	AAN4S2TC61Q15AP26	98	230/460	6.6	4800	1.00	19.84	2000 : 1	A, US, 12
5	1800	213TC	LM04003	C/A	4,294	AAN4S5TC61Q15	115	230/460	15.6	4600	1.00	21.14	2000 : 1	A, US, 12
7.5	1800	215TC	LM31463	C/A	5,103	AN4S7.5TC61Q15	155	230/460	21.0	4600	1.00	23.48	2000 : 1	A, US, 12
10	1800	256TC	LM30572	C/A	5,370	AN4S10TC61Q15	235	230/460	27.0	4400	1.00	—	2000 : 1	A, US, 12
25	1800	284T	LM03189	D	7,920	SB4H25T61Q15	350	230/460	62.0	4200	1.00	40.69	2000 : 1	S, US, 11
25	1800	284T	811639.00	C/A	7,920	284THFPA17034	438	230/460	65.0	3600	1.00	37.48	2000 : 1	C, US, 11
30	1800	286T	LM03237	D	8,832	SB6H30T61Q15	420	230/460	74.0	4200	1.00	—	2000 : 1	S, US, 11
30	1800	286T	811640.00	C/A	8,832	286THFPA18043	520	230/460	74.0	4200	1.00	38.98	2000 : 1	C, US, 11
40	1800	324T	LM03285	C/A	11,264	SB4H40T61Q15	550	230/460	98.0	4000	1.00	43.41	2000 : 1	S, US, 11
50	1800	326T	LM03333	C/A	12,425	SB4H50T61Q15	550	230/460	—	4000	1.00	—	2000 : 1	S, US, 11
60	1800	364T	LM03377	C/A	14,256	SB4H60T61YQ15	690	230/460	146	3800	1.00	48.29	2000 : 1	S, US, 11
75	1800	365T	LM03425	C/A	16,475	SB4P75T61YQ15	740	230/460	180.0	3800	1.00	49.29	2000 : 1	S, US, 11
100	1800	405T	LM03473	C/A	23,971	SB4H100T61YQ15	1000	230/460	240.0	3600	1.00	53.23	2000 : 1	S, US, 11
125	1800	444T	LM03517	C/A	31,272	SB4H125T64YQ15	1290	460	146 *	3000	1.00	58.28	2000 : 1	S, US, 11

Shaded model numbers are cast iron frame

♥ Note listing on inside back flap
Specifications are subject to change without notice

*F.L. Amps at 460 Volts

▼ LM Numbers are Lincoln Models

D - Item to be discontinued once inventory is depleted

C/A - Check Availability

Note 11 - TEBC

Note 12 - TENV

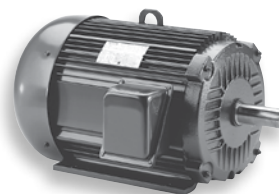


Inverter Duty Motors

Lincoln Inverter Duty Motors - 4:1 Speed Range - Totally Enclosed

Features:

- Inverter duty insulation system
- Constant HP range at 2x base speed 56 - 256T frames
- Constant HP range at 1.5x base speed 284T - 445T frames
- No mounting available for encoder devices
- Normally closed thermostats
- Steel and aluminum frame construction - see notes
- Precision balanced rotors



Three Phase - Totally Enclosed - Rigid Base

For use with inverters only

HP	SYN RPM 60 Hz	NEMA Frame	▼ Catalog Number	Stock	List Price	Model Number	App. Wgt. (lbs)	Voltage	F. L. Amps @ 230 V	Max. RPM	Service Factor	% FL. Eff.	"C" Dim. (Inches)	Inverter Speed Range	♥Notes
1	1800	56	LM22660	√	743	SRF4S1T61Q40	28	230/460	3.6	4000	1.00	78.5	12.32	4:1	S, US
1	1800	143T	LM26097	C/A	833	SSF4P1T61Q40	46	230/460	3.0	4000	1.00	82.5	12.87	4:1	S, US
1 1/2	1800	56H	LM22664	C/A	819	SRF4S1.5T61Q40	28	230/460	5.0	4000	1.00	80	13.52	4:1	S, US
1 1/2	1800	145T	LM26098	C/A	844	SSF4P1.5T61Q40	51	230/460	5.0	4000	1.00	84	13.87	4:1	S, US
2	1800	145T	LM25991	C/A	878	SSF4P2T61Q40	51	230/460	6.0	4000	1.00	84	14.37	4:1	S, US
3	3600	182T	LM21189	C/A	1,156	AAF2P3T61Q40	83	230/460	7.4	4000	1.00	85.5	14.19	4:1	A, US
3	1800	182T	LM21190	√	1,066	AAF4P3T61Q40	83	230/460	8.4	4000	1.00	87.5	14.19	4:1	A, US
5	3600	184T	LM21192	C/A	1,343	AAF2P5T61Q40	92	230/460	12.4	4000	1.00	87.5	15.19	4:1	A, US
5	1800	184T	LM21193	√	1,186	AAF4P5T61Q40	92	230/460	13.4	4000	1.00	87.5	16.19	4:1	A, US
7 1/2	3600	213T	LM21195	C/A	1,815	AF2P7.5T61Q40	127	230/460	18.0	4600	1.00	88.5	18.30	4:1	A, US
7 1/2	1800	213T	LM21196	√	1,683	AF4P7.5T61Q40	127	230/460	20.0	4600	1.00	89.5	17.20	4:1	A, US
10	3600	215T	LM21198	C/A	1,987	AF2P10T61Q40	138	230/460	24.0	4600	1.00	89.5	18.25	4:1	A, US
10	1800	215T	LM21199	√	1,849	AF4P10T61Q40	138	230/460	25.4	4600	1.00	89.5	18.70	4:1	A, US
15	3600	254T	LM21201	√	2,653	AAF2P15T61Q40	209	230/460	35.0	4400	1.00	90.2	23.40	4:1	A, US
15	1800	254T	LM21202	√	2,514	AF4P15T61Q40	209	230/460	39.0	4400	1.00	91.0	23.40	4:1	A, US
20	3600	256T	LM21204	C/A	3,044	AF2P20T61Q40	236	230/460	47.0	4400	1.00	90.2	26.10	4:1	A, US
20	1800	256T	LM21205	√	2,912	AF4P20T61Q40	236	230/460	50.0	4400	1.00	91.0	25.15	4:1	A, US
25	1800	284T	LM21208	C/A	4,042	AF4P25T61YQ40	363	230/460	66.0	4200	1.00	92.4	26.62	4:1	A, US
30	1800	286T	LM21211	√	4,474	AF4P30T61YQ40	408	230/460	76.0	4200	1.00	92.4	28.12	4:1	A, US
40	1800	324T	LM21214	√	6,171	SF4P40T61YQ40	504	230/460	106.0	4000	1.00	93.0	28.50	4:1	S, US
50	1800	326T	LM21217	√	6,755	SF4P50T61YQ40	558	230/460	129.0	4000	1.00	93.0	30.00	4:1	S, US
60	1800	364T	LM21220	√	9,019	SF4P60T61YQ40	765	230/460	145.0	3800	1.00	93.6	31.90	4:1	S, US
75	1800	365T	LM21223	C/A	11,458	SF4P75T61YQ40	822	230/460	187.0	3800	1.00	94.1	32.90	4:1	S, US
100	1800	405T	LM21227	C/A	14,841	SF4P100T61YQ40	1002	230/460	244.0	3600	1.00	94.5	38.40	4:1	S, US
125	1800	444T	LM21230	C/A	18,438	SF4P125T64YQ40	1351	460	146*	3000	1.00	94.5	41.58	4:1	S, US
150	1800	445T	LM21233	C/A	21,329	SF4P150T64YQ40	1504	460	168*	3000	1.00	95.0	43.58	4:1	S, US
200	1800	445T	LM21236	C/A	25,373	SF4P200T64YQ40	1504	460	228*	3000	1.00	95.0	43.58	4:1	S, US
250	1800	447T	LM21238	C/A	30,535	SF4P250T64YQ40	1812	460	283*	2800	1.00	95.0	47.08	4:1	S, US
300	1800	449T	LM21239	C/A	33,047	SF4P300T64YQ40	2315	460	349*	2800	1.00	95.4	52.08	4:1	S, US

▼ LM Numbers are Lincoln Models
C/A - Check Availability

♥ Note listing on inside back flap
Specifications are subject to change without notice

Inverter Duty Motors

Lincoln Inverter Duty Motors - 4:1 Speed Range - Totally Enclosed

Tech Information

Three Phase - Totally Enclosed - Rigid C Face

For use with inverters only

HP	SYN RPM 60 Hz	NEMA Frame	▼ Catalog Number	Stock	List Price	Model Number	App. Wgt. (lbs)	Voltage	F. L. Amps @ 230 V	Max. RPM	Service Factor	% F.L. Eff.	"C" Dim. (Inches)	Inverter Speed Range	♥ Notes
1/3	1800	56C	LM22645	√	670	SRF4S0.33TC61Q40	33	230/460	1.6	4000	1.0	72.0	11.31	4:01	S, US
1/2	1800	56C	LM22649	√	765	SRF4S0.5TC61Q40	33	230/460	2.4	4000	1.0	74.0	11.81	4:01	S, US
3/4	3600	56C	LM22653	C/A	687	SRF2S0.75TC61Q40	33	230/460	3.4	4000	1.0	74.0	11.81	4:01	S, US
3/4	1800	56C	LM22655	√	776	SRF4S0.75TC61Q40	33	230/460	3.0	4000	1.0	77.0	11.81	4:01	S, US
3/4	1200	56C	LM22657	C/A	911	SRF6S0.75TC61Q40	28	230/460	3.4	4000	1.0	72.0	12.81	4:01	S, US
1	3600	56C	LM22659	C/A	776	SRF2S1TC61Q40	33	230/460	3.7	4000	1.0	75.5	11.81	4:01	S, US
1	1800	56C	LM22661	√	796	SRF4S1TC61Q40	28	230/460	3.0	4000	1.0	78.5	11.81	4:01	S, US
1	1800	143TC	LM26081	C/A	891	SSF4P1TC61Q40	52	230/460	3.0	4000	1.0	82.5	12.87	4:01	S, US
1	1200	145TC	LM26323	C/A	1,063	SSF6P1TC61Q40	57	230/460	3.8	4000	1.0	80.0	14.87	4:01	S, US
1 1/2	1800	56HC	LM22665	C/A	874	SRF4S1.5TC61Q40	36	230/460	5.0	4000	1.0	80.0	13.32	4:01	S, US
1 1/2	1800	145TC	LM26008	C/A	897	SSF4P1.5TC61Q40	57	230/460	4.8	4000	1.0	84.0	13.87	4:01	S, US
2	1800	145TC	LM25962	√	955	SSF4P2TC61Q40	57	230/460	6.0	4000	1.0	84.0	14.37	4:01	S, US
3	3600	182TC	LM22826	C/A	1,241	AAF2P3TC61Q40	95	230/460	7.4	4000	1.0	85.5	14.83	4:01	A, US
3	1800	182TC	LM22827	√	1,151	AAF4P3TC61Q40	95	230/460	8.4	4000	1.0	87.5	14.83	4:01	A, US
5	1800	184TC	LM22830	√	1,276	AAF4P5TC61Q40	104	230/460	13.4	4000	1.0	87.5	16.83	4:01	A, US
7 1/2	1800	213TC	LM22833	C/A	1,596	AAF4P7.5TC61Q40	138	230/460	20.0	4600	1.0	89.5	17.95	4:01	A, US
10	1800	215TC	LM22836	C/A	1,849	AF4P10TC61Q40	149	230/460	25.4	4600	1.0	89.5	19.45	4:01	A, US
15	1800	254TC	LM22839	√	2,646	AF4P15TC61Q40	221	230/460	39.0	4400	1.0	91.0	23.4	4:01	A, US
20	1800	256TC	LM22841	√	3,045	AF4P20TC61Q40	248	230/460	50.0	4400	1.0	91.0	25.15	4:01	A, US

▼ LM Numbers are Lincoln Models
C/A - Check Availability

♥ Note listing on inside back flap
Specifications are subject to change without notice

Single Phase
ODP Motors

Single Phase
TEFC Motors

Three Phase
ODP Motors

Three Phase
TEFC Motors

Inverter Duty
Motors

Severe Duty
Motors

Definite
Purpose Motors

Brake Motors



Inverter Duty Motors

Lincoln Inverter Duty Motors - 10:1 Speed Range - Drip-Proof

Features:

- Variable torque speed range with open loop drive of 0-60 Hz
- Constant horsepower speed range of 2x base speed
- Ultimate Spike Defense™ Insulation System
- 1.00 service factor on PWM waveform,
- 1.15 service factor or better on sine-wave power
- Precision dynamic balanced rotor assembly
- Thermal overload protection (Class F thermostats)

Three Phase - Drip-Proof - Rigid Base

For use with inverters only

HP	SYN RPM 60 Hz	NEMA Frame	▼ Catalog Number	Stock	List Price	Model Number	App. Wgt. (lbs)	Voltage	F. L. Amps @ 230 V	Max. RPM	Service Factor	% FL. Eff.	"C" Dim. (Inches)	Inverter Speed Range	♥Notes
1	1800	143T	LM21148	C/A	768	SSD4P1T61Q40	55	230/460	3.1	5000	1.0	82.5	12.49	10:1	S, US
1 1/2	1800	145T	LM21151	C/A	801	SSD4P1.5T61Q40	68	230/460	4.4	5000	1.0	84.0	12.49	10:1	S, US
2	1800	145T	LM21153	C/A	846	SSD4P2T61Q40	68	230/460	5.8	5000	1.0	84.0	12.49	10:1	S, US
3	1800	182T	LM21157	C/A	958	SSD4P3T61Q40	82	230/460	8.6	4800	1.0	86.5	13.72	10:1	S, US
5	1800	184T	LM21159	C/A	1,226	SSD4P5T61Q40	71	230/460	13.2	4800	1.0	87.5	13.19	10:1	S, US
7 1/2	1800	213T	LM21162	C/A	1,407	SSD4P7.5T61Q40	141	230/460	19.4	4600	1.0	88.5	17.29	10:1	S, US
10	1800	215T	LM21165	√	1,654	SSD4P10T61Q40	168	230/460	25.0	4600	1.0	89.5	17.29	10:1	S, US
15	1800	254T	LM21168	√	2,361	SSD4P15T61Q40	245	230/460	41.0	4400	1.0	91.0	22.32	10:1	S, US
20	1800	256T	LM21171	√	2,613	SSD4P20T61Q40	255	230/460	52.0	4400	1.0	91.0	22.32	10:1	S, US
25	1800	284T	LM29579	√	3,432	CCD4P25T61YQ40	350	230/460	61.0	4000	1.0	91.7	23.49	10:1	C, US
30	1800	286T	LM29936	√	3,905	CCD4P30T61YQ40	400	230/460	72.0	4000	1.0	92.4	24.99	10:1	C, US
40	1800	324T	LM21180	√	5,309	SD4P40T61YQ40	469	230/460	106.0	4000	1.0	93.0	25.82	10:1	S, US
50	1800	326T	LM21118	C/A	5,929	SD4P50T61YQ40	522	230/460	130.0	4000	1.0	93.0	27.32	10:1	S, US
60	1800	364T	LM21121	C/A	7,656	SD4P60T61YQ40	595	230/460	145.0	3600	1.0	94.0	28.40	10:1	S, US
75	1800	365T	LM21124	C/A	10,741	SD4P75T61YQ40	763	230/460	176.0	3800	1.0	94.1	32.90	10:1	S, US
100	1800	404T	LM21127	√	10,785	SD4P100T61YQ40	882	230/460	244.0	3600	1.0	94.1	31.81	10:1	S, US
125	1800	405T	LM30727	√	10,937	SD4P125T61YQ40	958	230/460	304.0	3600	1.0	94.5	33.31	10:1	S, US

Shaded model numbers are cast iron frame

♥ Note listing on inside back flap
Specifications are subject to change without notice

▼ LM Numbers are Lincoln Models
C/A - Check Availability



Inverter Duty Motors

Sub-FHP Motors - Inverter Rated - Three Phase

Tech Information

Single Phase
ODP Motors

Single Phase
TEFC Motors

Three Phase
ODP Motors

Three Phase
TEFC Motors

Inverter Duty
Motors

Severe Duty
Motors

Definite
Purpose Motors

Brake Motors

Features:

- Designed with exclusive inverter rated insulation system (IRIS™)
- Provides superior protection against voltage spikes induced by variable frequency drives
- Double shielded motor ball bearings
- Needle bearings in the parallel shaft gearboxes
- Steel conduit box provided as standard
- Finished in high gloss hardened black enamel paint

Application Notes:

- Designed with high temperature insulation (Class F) to prevent overheating when operated with a PWM inverter down to a 10:1 speed range from the printed motor's speed range

Three Phase - Totally Enclosed - Rigid Base - C Face With Base

HP	SYN RPM 60 Hz	NEMA Frame	Catalog Number	Stock	List Price	Model Number	App. Wgt. (lbs)	F. L. Amps @ 230 V	♥Notes
1/15	1725	38	M1140171.00	√	372	CM38T17NK1	230	0.4	S, US, 12
1/6	1725	38	M1140173.00	C/A	401	CM38T17NK2	230	0.7	S, US, 12
1/4	1725	38	M1140172.00	√	431	CM38T17FK3	230	1.1	S, US, 13

C/A - Check Availability
Note 12 - TENV

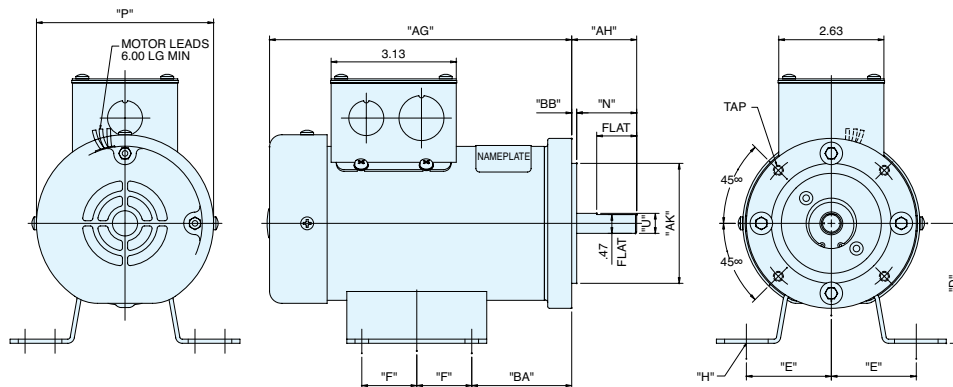
♥ Note listing on inside back flap
Specifications are subject to change without notice

38 Frame NEMA C Face With Base Dimensions

Catalog Number	AG	P	U	AH	BB	AJ	TAP	R	AK	BB	D	BA	E	F	H
M1140171.00	5.14	3.85	0.5	1.63	1	3.75	1/4-20	4.3	3.0	0.13	3.0	2.50	2.125	1.375	11/32 Slot
M1140173.00	6.14	3.85	0.5	1.63	1	3.75	1/4-20	4.3	3.0	0.13	3.0	2.50	2.125	1.375	11/32 Slot
M1140172.00	7.56	4.43	0.5	1.63	1	3.75	1/4-20	4.3	3.0	0.13	3.0	2.50	2.125	1.375	11/32 Slot

Specifications are subject to change without notice

AC 38 48C ALL DIMENSIONS IN INCHES



Both motors only and gearmotors will have inverter rated printed on the nameplate.
UL and CSA recognition for both motors only and gearmotors



NEW!

Inverter Duty Motors

Platinum Permanent Magnet AC Motors

Commercial, Rolled Steel Frame (NEMA S56C frame models)

Features:

- Meets or exceeds NEMA Premium® (IE3)
- Class F IRIS™ insulation system
- 20:1 Constant Torque open-loop (1000:1 closed-loop)
- IP43 enclosure (IP54 and IP55 available)
- Totally enclosed non-ventilated
- Sealed ball bearing
- High power density, low weight design
- Provisions for optional Shaft Grounding Ring
- 3-year warranty
- Requires an AC inverter for operation



Industrial, Cast Iron Frame (NEMA 182-286 frame models)

Features:

- Ultra Efficient™ Premium-Plus exceeds NEMA Premium® (IE4)
- Class H IRIS™ insulation system
- Cast iron construction for rigidity and reduced vibration
- Severe Duty, TEFC
- Normally closed thermostats (One per phase, Class F)
- High power density, low weight design
- UL, CSA and CE
- Optional terminal block
- Provisions for shaft grounding ring
- 3-year warranty
- Requires an AC inverter for operation

TENV and TEFC Three Phase C Face With Base

HP	SYN RPM 60 Hz	NEMA Frame	▼ Catalog Number	Stock	List Price	Model Number	App. Wgt. (lbs)	Voltage	Hertz	F. L. Amps	Nominal EFF	Torque (LB-FT)	"C" Dim. (Inches)	♥Notes
1/4	1800	S56C	103756.00	√	498	48PNRA20202	13	230/460	—	—	—	—	—	S, MX
1/3	1800	S56C	103757.00	√	588	48PNRA20203	13	230/460	—	—	—	—	—	S, MX
1/2	1800	S56C	103758.00	√	707	48PNRA20204	13	230/460	91	1.9/0.8	83.5	1.5	7.68	S, MX
3/4	1800	S56C	103759.00	√	756	48PNRA20205	16	230/460	—	—	—	—	—	S, MX
1	1800	S56C	103760.00	√	820	48PNRA20206	18	230/460	91	3.44/1.71	85.3	2.9	8.68	S, MX
1.5	1800	S56C	104008.00	√	997	48PNRA20207	23	230/460	91	5.4/2.7	86.1	4.4	9.68	S, MX
2	1800	S56C	103761.00	√	1,320	48PNRA20208	28	230/460	91	6.32/3.16	86.5	5.8	10.68	S, MX
3	1800	182TC	132293.00	√	3,116	182TPFSA20017	99	460	150	3.9	91.7	8.8	16.63	C, US
5	1800	184TC	132294.00	√	3,979	184TPFSA20018	108	460	150	6.4	91.7	14.6	16.63	C, US
7.5	1800	213TC	140840.00	√	4,825	213TPFSA20027	152	460	150	9.4	93.0	21.9	20.16	C, US
10	1800	215TC	140841.00	√	5,042	215TPFSA20028	166	460	150	11.7	93.6	29.2	20.16	C, US
15	1800	254TC	825201.00	√	5,775	254TPFSA20057	204	460	120	18.0	94.5	43.8	25.77	C, US
20	1800	256TC	825202.00	√	6,145	256TPFSA20058	253	460	120	24.0	95.0	58.3	25.77	C, US
25	1800	284TC	825203.00	√	7,374	284TPFSA20059	396	460	120	30.0	95.0	72.9	26.21	C, US
30	1800	286TC	825204.00	√	7,544	286TPFSA20060	416	460	120	35.5	95.4	87.5	27.71	C, US
40	1800	286TC	825387.00	√	9,170	286TPFSA20125	490	460	120	47.5	95.8	116.7	27.71	C, US

Shaded model numbers are cast iron frame

♥ Note listing on inside back flap
Specifications are subject to change without notice



NEW!

LEESON VSD Series Inverters At a Glance

For use with PMAC or AC induction motors



For more information,
please see pages 389-392
of this catalog.

	VSD	VSD - Plus
Power Range	1/3 - 3 HP	1/3 - 30 HP
Voltages	230/240 Volts 1 or 3 phase / 400/480 Volts	230/240 Volts 1 or 3 phase / 400/480 Volts
Hardware	<ul style="list-style-type: none"> • Memory module • IT-Grid compatible • Integrated EMC filters • Zero clearance mounting • Form "C" relay 	In addition to VSD <ul style="list-style-type: none"> • Brake chopper • DC bus sharing • Safety torque off (optional) • Dedicated PTC
I/O	Basic -I/O	Standard-I/O
Communication	<ul style="list-style-type: none"> • Spring loaded control terminals (fixed) 	<ul style="list-style-type: none"> • Pluggable control terminal Bipolar speed reference 24V keep alive Selectable PHP or NPN logic Application-I/O (optional) Additional I/Os
Fieldbus	CANopen/Modbus (optional)	CANopen, Modbus, Profibus, Profinet, EtherNet-I/P
Diagnostics	Hot-swappable options: keypad, USB module, WLAN module, Remote keypad	



Tech Information

Single Phase
ODP Motors

Single Phase
TEFC Motors

Three Phase
ODP Motors

Three Phase
TEFC Motors

Inverter Duty
Motors

Severe Duty
Motors

Definite
Purpose Motors

Brake Motors

Severe Duty Motors

Premium Efficient IEEE 841 Severe Duty Motors & Lincoln Encapsulated Multiguard® Motors



- IEEE-841 motors available – 5-year warranty
- 3-year warranty on Premium efficient models
- Dual voltage designs
- 1.15 or 1.25 service factors
- Epoxy painted ratings
- Cast iron and steel frame construction
- Internal corrosion protection
- Inverter rated
- Shaft seals where applicable
- UL and CSA recognized
- 5-year warranty on IEEE 841 models

Applications:

Used in severe duty environments that you may find in foundries, pulp, paper mills, waste management facilities, above ground mines, refineries or other applications that demand corrosion protection for long motor life and dependability.



Severe Duty Motors

IEEE 841 Premium Efficient Motors

Tech Information

Single Phase
ODP Motors

Single Phase
TEFC Motors

Three Phase
ODP Motors

Three Phase
TEFC Motors

Inverter Duty
Motors

Severe Duty
Motors

Definite
Purpose Motors

Brake Motors

General Specifications:

Designed for harsh environments that you may find in refineries, above-ground mines, foundries, paper and pulp mills, cement plants or other severe duty applications.



Features:

- Inpro shaft seals
- Inverter rated insulation system
- Re-greasable bearings
- Epoxy paint
- Test data supplied with each motor
- IP 56 enclosure protection
- Tested to IEEE45 USCG Marine Duty, API RP14F for offshore platforms
- Division 2 CSA certification for hazardous locations, Class 1 Groups A, B, C, D, temperature Code T2B
- 5-year warranty

Three Phase - Totally Enclosed - Rigid Base

HP	SYN RPM 60 Hz	NEMA Frame	Catalog Number	Stock	List Price	Model Number	App. Wgt. (lbs)	Voltage	F. L. Amps @ 460 V	% FL. Eff.	Service Factor	"C" Dim. (Inches)	Notes
1	1800	143T	811541.00	√	944	143THTN9026	55	460	1.5	85.5	1.15	10.43	C, US, 12
1 1/2	3600	143T	811542.00	√	1,170	145THTN9005	58	460	2.0	86.5	1.15	10.43	C, US, 12
1 1/2	1800	145T	811543.00	D	1,083	145THTN9026	65	460	2.2	84.0	1.15	11.43	C, US, 12
1 1/2	1800	145T	811643.00	C/A	1,175	145TTTN16627	68	460	2.3	86.5	1.15	11.43	C, US, 12
2	3600	145T	811544.00	√	1,228	145THTN9001	68	460	2.5	85.5	1.15	11.43	C, US, 12
2	1800	145T	811545.00	D	1,135	145THTN9027	68	460	3.0	85.5	1.15	11.43	C, US, 12
2	1800	145T	811644.00	√	1,210	145TTTN16626	72	460	3.0	86.5	1.15	11.43	C, US, 12
3	3600	182T	811546.00	√	1,778	182THTS19005	105	460	3.8	87.5	1.15	12.71	C, US, 12
3	1800	182T	811547.00	√	1,508	182THTS19041	100	460	4.0	90.2	1.15	12.71	C, US, 12
5	3600	184T	811548.00	√	1,910	184THFS19010	142	460	5.9	89.5	1.15	16.19	C, US
5	1800	184T	811549.00	√	1,760	184THFS19045	130	460	6.2	90.2	1.15	16.19	C, US
7 1/2	3600	213T	811550.00	C/A	2,255	213THFS19008	200	460	8.9	91.7	1.15	17.18	C, US
7 1/2	1800	213T	811551.00	√	2,135	213THFS19044	200	460	9.6	91.7	1.15	19.72	C, US
10	3600	215T	811552.00	√	2,636	215THFS19011	218	460	11.2	91.7	1.15	21.00	C, US
10	1800	215T	811553.00	√	2,585	215THFS19051	225	460	12.5	91.7	1.15	19.72	C, US
15	3600	254T	811554.00	√	3,267	254THFNA19014	345	460	17.5	91.7	1.15	23.52	C, US
15	1800	254T	811555.00	√	3,106	254THFNA19052	350	460	18.8	92.4	1.15	23.52	C, US
20	3600	256T	811556.00	√	4,036	256THFNA19004	375	460	23.4	92.4	1.15	25.27	C, US
20	1800	256T	811557.00	√	3,862	256THFNA19050	425	460	24.1	93.0	1.15	25.27	C, US
25	3600	284TS	811558.00	√	5,010	284TSHFNA19009	481	460	28.1	93.6	1.15	25.27	C, US
25	1800	284T	811559.00	√	4,576	284THFNA19043	478	460	31.0	93.6	1.15	26.46	C, US

Shaded model numbers are cast iron frame

Continued on next page

Green items are Premium Efficient

Note - 12 - TENV

D - Item to be discontinued once inventory is depleted

C/A - Check Availability

♥ Note listing on inside back flap
Specifications are subject to change without notice



Severe Duty Motors

IEEE 841 Premium Efficient Motors

Three Phase - Totally Enclosed - Rigid Base

HP	SYN RPM 60 Hz	NEMA Frame	Catalog Number	Stock	List Price	Model Number	App. Wgt. (lbs)	Voltage	F. L. Amps @ 460 V	% FL. Eff.	Service Factor	"C" Dim. (Inches)	♥Notes
30	3600	286TS	811560.00	√	6,151	286TSHFNA19002	500	460	33.8	93.6	1.15	26.46	C, US
30	1800	286T	811561.00	√	5,575	286THFNA19051	525	460	36.5	94.1	1.15	27.84	C, US
40	3600	324TS	811562.00	√	8,168	324TSHFS19007	656	460	47.0	93.6	1.15	27.37	C, US
40	1800	324T	811563.00	√	7,632	324THFS19045	700	460	47.5	94.1	1.15	28.90	C, US
50	3600	326TS	811564.00	√	10,525	326TSHFS19005	725	460	58.0	93.6	1.15	28.90	C, US
50	1800	326T	811565.00	√	9,138	326THFS19057	775	460	60.0	94.5	1.15	30.37	C, US
60	3600	364TS	811566.00	√	12,659	364TSHFS19006	925	460	67.0	94.5	1.15	29.38	C, US
60	1800	364T	811567.00	√	12,047	364THFS19047	1000	460	69.0	95.0	1.15	31.50	C, US
75	3600	365TS	811568.00	√	15,963	365TSHFS19005	1002	460	84.0	94.5	1.15	30.38	C, US
75	1800	365T	811569.00	√	15,478	365THFS19052	1100	460	86.0	95.4	1.15	32.50	C, US
100	3600	405TS	811570.00	√	21,621	405TSHFS19006	1295	460	108.0	95.0	1.15	34.10	C, US
100	1800	405T	811571.00	√	18,877	405THFS19060	1330	460	113.0	95.4	1.15	37.10	C, US
125	3600	444TS	811586.00	√	24,614	444TSHFN19003	1682	460	142.0	95.0	1.15	39.64	C, US
125	1800	444T	811587.00	√	22,918	444THFN19055	1725	460	141.0	95.4	1.15	41.25	C, US
150	3600	445TS	811588.00	√	29,567	445TSHFN19005	2187	460	165.0	95.8	1.15	39.37	C, US
150	1800	445T	811589.00	√	25,409	445THFN19072	2070	460	172.0	95.8	1.15	43.19	C, US
200	3600	445TS	811590.00	√	37,403	445TSHFN19006	2300	460	223.0	95.8	1.15	39.37	C, US
200	1800	445T	811591.00	√	30,902	445THFN19074	2437	460	226.0	96.2	1.15	43.19	C, US
250	3600	447/9TS	811592.00	C/A	47,171	449TSHFS19008	2635	460	270.0	96.5	1.15	47.94	C, US
250	1800	447/9T	811593.00	C/A	44,586	449THFS19344	2834	460	285.0	96.5	1.15	51.69	C, US
300	1800	447/9T	811594.00	C/A	45,479	449THFS19345	3039	460	390.0	96.5	1.15	51.84	C, US
350	3600	447/9TS	811595.00	C/A	70,116	449TSHFS19009	2888	460	380.0	96.2	1.15	47.94	C, US
350	1800	447/9T	811596.00	C/A	57,811	449THFS19346	3082	460	450.0	96.2	1.15	51.84	C, US

Shaded model numbers are cast iron frame

♥ Note listing on inside back flap
Specifications are subject to change without notice

Green items are Premium Efficient

D - Item to be discontinued once inventory is depleted

Tech Information
Single Phase ODP Motors
Single Phase TEFC Motors
Three Phase ODP Motors
Three Phase TEFC Motors
Inverter Duty Motors
Severe Duty Motors
Definite Purpose Motors
Brake Motors



Severe Duty Motors

Premium Efficient Severe Duty - WATTSaver e® Plus

Tech Information

Single Phase
ODP Motors

Single Phase
TEFC Motors

Three Phase
ODP Motors

Three Phase
TEFC Motors

Inverter Duty
Motors

Severe Duty
Motors

Definite
Purpose Motors

Brake Motors

General Specifications:

Designed specifically to meet severe duty environments that you may find in applications such as chemical plants, foundries, pulp and paper mills, waste management facilities and above ground mines.



Features:

- Full cast iron construction
- Inverter rated insulation system
- Epoxy painted
- Shaft seals both ends
- Internal corrosion protection
- IP 55 enclosure protection
- Division 2 CSA certification for hazardous locations, Class 1 Groups A, B, C, D, temperature Code T2B
- 3-year warranty

Three Phase - TEFC - Rigid Base

HP	SYN RPM 60 Hz	NEMA Frame	Catalog Number	Stock	List Price	Model Number	App. Wgt. (lbs)	Voltage	F. L. Amps @ 230 V	% F.L. Eff.	Service Factor	"C" Dim. (Inches)	♥ Notes
3	1800	182T	171623.60	√	1,188	C184T17FB1	112	230/460	7.8	90.2	1.25	16.60	C, CN
3	1200	213T	171634.60	√	1,676	C213T11FW1	133	230/460	9.4	89.5	1.25	18.70	C, CN
5	1800	184T	171630.60	√	1,230	C184T17FB1	120	230/460	12.8	89.5	1.15	17.30	C, CN
5	1200	215T	171635.60	√	1,875	C215T11FW1	186	230/460	14.4	89.5	1.25	20.10	C, CN
7 1/2	3600	213T	171616.60	√	1,708	C213T34FW1	155	230/460	18.0	91.0	1.25	18.70	C, CN
7 1/2	1800	213T	171622.60	√	1,648	C213T17FW1	165	230/460	18.6	91.7	1.25	18.70	C, CN
7 1/2	1200	254T	171636.60	√	2,438	C254T11FW1	263	230/460	22.2	91.7	1.25	23.70	C, CN
10	3600	215T	171617.60	√	2,026	C215T34FW1	190	230/460	23.0	91.7	1.25	20.10	C, CN
10	1800	215T	171631.60	√	1,965	C215T17FB1	187	230/460	25.0	91.7	1.25	20.10	C, CN
10	1200	256T	171637.60	√	3,486	C256T11FB1	312	230/460	29.0	91.7	1.25	25.40	C, CN
15	3600	254T	171620.60	√	2,754	C254T34FW1	294	230/460	34.6	92.4	1.25	23.70	C, CN
15	1800	254T	171632.60	√	2,664	C254T17W1	294	230/460	36.0	92.4	1.25	23.70	C, CN
15	1200	284T	171638.60	√	4,719	C284T11FW1	346	230/460	40.6	92.4	1.25	26.80	C, CN
20	3605	256T	171621.60	√	3,365	C256T34FW1	330	230/460	46.0	92.4	1.25	25.40	C, CN
20	1800	256T	171633.60	√	3,326	C256T17FW1	335	230/460	49.0	93.0	1.15	25.40	C, CN
20	1200	286T	171639.60	√	5,896	C286T11FW1	405	230/460	54.0	92.4	1.25	28.30	C, CN
25	3600	284TS	171778.60	√	4,108	C284T34FB11	403	230/460	56.8	93.0	1.15	24.88	C, CN
25	1800	284T	171779.60	√	3,880	C284T17FB14	405	230/460	59.0	93.6	1.15	26.26	C, CN
25	1200	324T	171780.60	√	6,483	C324T11FB16	566	230/460	66.0	93.6	1.15	29.53	C, CN
30	3600	286TS	171781.60	√	4,849	C286T34FB10	435	230/460	67.0	93.0	1.15	26.46	C, CN
30	1800	286T	171782.60	√	4,520	C286T17FB12	455	230/460	70.0	94.1	1.15	27.83	C, CN
30	1200	326T	171783.60	√	7,277	C326T11FB12	636	230/460	77.0	93.6	1.15	31.02	C, CN
40	3600	324TS	171784.60	√	6,048	C324T34FB9	522	230/460	89.0	93.6	1.25	28.03	C, CN
40	1800	324T	171785.60	√	6,005	C324T17FB12	553	230/460	92.0	94.1	1.15	29.53	C, CN
40	1200	364T	171786.60	√	9,976	C364T11FB14	803	230/460	102.0	94.1	1.15	32.64	C, CN

230/460 volt motors are suitable for use at 208 volts

Continued on next page

Shaded model numbers are cast iron frame

♥ Note listing on inside back flap
Specifications are subject to change without notice

Green items are Premium Efficient



Severe Duty Motors

Premium Efficient Severe Duty - WATTSaver e® Plus

Three Phase - TEFC - Rigid Base

HP	SYN RPM 60 Hz	NEMA Frame	Catalog Number	Stock	List Price	Model Number	App. Wgt. (lbs)	Voltage	F. L. Amps @ 230 V	% F.L. Eff.	Service Factor	"C" Dim. (Inches)	Notes
50	3600	326TS	171787.60	√	7,345	C326T34FB10	578	230/460	111	94.5	1.25	29.53	C, CN
50	1800	326T	171788.60	√	7,253	C326T17FB13	612	230/460	117	94.5	1.15	31.02	C, CN
50	1200	365T	171789.60	√	11,973	C365T11FB14	698	230/460	124	94.1	1.15	33.62	C, CN
60	3600	364TS	171790.60	√	10,896	C364T34FW1	770	230/460	136	94.1	1.15	30.51	C, CN
60	1800	364T	171791.60	√	10,315	C364T17FB12	903	230/460	137	95.4	1.15	32.64	C, CN
60	1200	404T	171792.60	√	14,121	C404T11FB11	1050	230/460	142	94.5	1.25	36.42	C, CN
75	3600	365TS	171793.60	√	13,347	C365T34FB9	822	230/460	169	94.5	1.15	31.50	C, CN
75	1800	365T	171794.60	√	12,872	C365T17FB11	1050	230/460	171	95.8	1.15	33.62	C, CN
75	1200	405T	171795.60	√	14,884	C405T11FB12	1020	230/460	176	95.0	1.15	38.91	C, CN
100	3600	405TS	171796.60	√	16,434	C405T34FB11	1018	230/460	218	95.0	1.15	35.92	C, CN
100	1800	405T	171797.60	√	16,008	C405T17FB10	1121	230/460	225	95.4	1.15	39.40	C, CN
100	1200	444T	171798.60	√	21,189	C444T11FB11	1480	460	121*	95.0	1.15	43.87	C, CN
125	3600	444TS	171799.60	√	19,623	C444T34FB12	1405	460	132*	95.0	1.15	41.10	C, CN
125	1800	444T	171800.60	√	21,254	C444T17FB12	1605	460	137*	95.4	1.15	43.87	C, CN
125	1200	445T	171801.60	√	23,941	C445T11FB9	1630	460	155*	95.4	1.15	45.88	C, CN
150	3600	445TS	171802.60	√	24,219	C445T34FB7	1560	460	161*	95.0	1.15	45.88	C, CN
150	1800	445T	171803.60	√	24,316	C445T17FB14	1670	460	163*	95.8	1.15	45.88	C, CN
150	1200	447T	171804.60	√	26,997	C447T11FB7	2270	460	185*	95.8	1.15	49.00	C, CN
200	3600	447TS	171805.60	√	27,893	C447T34FB7	2135	460	216*	95.4	1.15	49.00	C, CN
200	1800	447T	171806.60	√	27,850	C447T17FB11	2820	460	216*	96.2	1.15	49.00	C, CN
200	1200	449T	171807.60	√	35,361	C449T11FB7	2590	460	241*	96.2	1.15	53.80	C, CN

230/460 volt motors are suitable for use at 208 volts

*FL. Amps @ 460 volts

Shaded model numbers are cast iron frame

Green items are Premium Efficient

♥ Note listing on inside back flap
Specifications are subject to change without notice



NEW!

Severe Duty Motors Premium Efficient Severe Duty - WATTSaver e® Plus

Three Phase - TEFC - Rigid C Face

HP	SYN RPM 60 Hz	NEMA Frame	Catalog Number	Stock	List Price	Model Number	App. Wgt. (lbs)	Voltage	F. L. Amps @ 230 V	% F.L. Eff.	Service Factor	"C" Dim. (Inches)	♥Notes
3	1800	182TC	171815.60	√	1,274	182T17WK1	125	230/460	7.8	90.2	1.15	15.89	C, CN
3	1200	213TC	171816.60	√	1,797	213T11WK1	142	230/460	9.4	89.5	1.15	18.19	C, CN
5	1800	184TC	171817.60	√	1,319	184T17WK1	131	230/460	12.8	89.5	1.15	16.80	C, CN
5	1200	215TC	171818.60	√	2,010	215T11WK1	180	230/460	14.4	89.5	1.15	19.61	C, CN
7 1/2	1800	213TC	171819.60	√	1,767	213T17WK1	155	230/460	18.6	91.7	1.15	18.19	C, CN
7 1/2	1200	254TC	171820.60	√	2,614	254T11WK1	249	230/460	22.2	91.7	1.15	23.19	C, CN
10	1800	215TC	171821.60	√	2,106	215T17WK1	177	230/460	25.0	91.7	1.15	19.61	C, CN
10	1200	256TC	171822.60	√	3,737	256T11WK1	300	230/460	29.0	91.7	1.15	24.92	C, CN
15	1800	254TC	171823.60	√	2,856	254T17WK1	284	230/460	36.0	92.4	1.15	23.19	C, CN
15	1200	284TC	171824.60	√	5,059	284T11WK1	333	230/460	40.6	92.4	1.15	26.26	C, CN
20	1800	256TC	171825.60	√	3,565	256T17WK1	325	230/460	49.0	93.0	1.15	24.92	C, CN
20	1200	286TC	171826.60	√	6,321	286T11WK1	423	230/460	54.0	92.4	1.15	27.83	C, CN
25	1800	284TC	171827.60	√	4,159	284T17WK1	388	230/460	59.0	93.6	1.15	26.26	C, CN
25	1200	324TC	171828.60	√	6,950	324T11WK1	578	230/460	66.0	93.6	1.15	29.53	C, CN
30	1800	286TC	171829.60	√	4,845	286T17WK1	436	230/460	70.0	94.1	1.15	27.83	C, CN
30	1200	326TC	171830.60	√	7,801	326T11WK1	646	230/460	77.0	93.6	1.15	31.02	C, CN
40	1800	324TC	171831.60	√	6,437	324T17WK1	532	230/460	92.0	94.1	1.15	29.53	C, CN
40	1200	364TC	171832.60	√	10,694	364T11WK1	816	230/460	102	94.1	1.15	32.64	C, CN
50	1800	326TC	171833.60	√	7,775	326T17WK1	592	230/460	117	94.5	1.15	31.02	C, CN
50	1200	365TC	171834.60	√	12,835	365T11WK1	712	230/460	124	94.1	1.15	33.62	C, CN
60	1800	364TC	171835.60	√	11,058	364T17WK1	670	230/460	137	95.4	1.15	32.64	C, CN
60	1200	404TC	171836.60	√	15,138	404T11WK1	1062	230/460	142	94.5	1.15	36.42	C, CN
75	1800	365TC	171837.60	√	13,799	365T17WK1	739	230/460	171	95.8	1.15	33.62	C, CN
75	1200	405TC	171838.60	√	15,956	405T11WK1	1066	230/460	176	95.0	1.15	37.91	C, CN
100	1800	405TC	171839.60	√	17,161	405T17WK1	1076	230/460	225	95.4	1.15	37.91	C, CN
100	1200	444TC	171840.60	√	22,715	444T11WK1	1492	460	121*	95.0	1.15	42.87	C, CN

230/460 volt motors are suitable for use at 208 volts

♥ Note listing on inside back flap
Specifications are subject to change without notice

*FL. Amps @ 460 volts

Shaded model numbers are cast iron frame

Green items are Premium Efficient



Tech Information

Single Phase
ODP Motors

Single Phase
TEFC Motors

Three Phase
ODP Motors

Three Phase
TEFC Motors

Inverter Duty
Motors

Severe Duty
Motors

Definite
Purpose Motors

Brake Motors

Severe Duty Motors

Lincoln Severe Duty

Tech Information

Single Phase ODP Motors

Single Phase TEFC Motors

Three Phase ODP Motors

Three Phase TEFC Motors

Inverter Duty Motors

Severe Duty Motors

Definite Purpose Motors

Brake Motors

General Specifications:

Cast iron designed motors that are designed for use in pulp and paper mills, foundries, chemical plants or any severe duty application.

Features:

- Meets Ford EM1-1996 Spec.
- 460 volt - 3 lead designs
- Full cast iron construction
- Class F insulation
- Shielded ball bearing construction



Three Phase - TEFC - Rigid Base

HP	SYN RPM 60 Hz	NEMA Frame	▼ Catalog Number	Stock	List Price	Model Number	App. Wgt. (lbs)	Voltage	F. L. Amps @ 230 V	% F.L. Eff.	Service Factor	"C" Dim. (Inches)	♥Notes
1	1800	143T	LM32856	C/A	917	CCS4B1T61	59	230/460	3.3	84.0	1.15	14.17	C, US
1	1200	145T	LM32857	C/A	1,142	CCS6B1T61	57	230/460	3.6	82.5	1.15	14.29	C, US
2	1800	145T	LM32862	√	1,021	CCS4B2T61	64	230/460	6.0	86.5	1.25	14.30	C, US
3	1800	182T	LM16644	√	1,241	CCS4B3T61T5	104	230/460	8.0	90.2	1.25	15.20	C, US
5	1800	184T	LM16650	C/A	1,357	CCS4B5T61T5	138	230/460	12.4	90.2	1.15	16.20	C, US
7 1/2	1800	213T	LM32869	√	1,770	CCS4B75T61	223	230/460	19.4	91.7	1.15	19.70	C, US
10	1800	215T	LM16919	C/A	2,236	CCS4B10T61	213	230/460	25.0	91.7	1.25	19.63	C, US
15	1800	254T	LM32873	C/A	2,801	CCS4B15T61	322	230/460	37.5	92.4	1.15	23.52	C, US
20	1800	256T	LM32876	√	3,611	CCS4B20T61	368	230/460	48.0	93.0	1.15	25.30	C, US
25	1800	284T	LM32879	√	4,251	CCS4B25T61Y	495	230/460	62.0	93.6	1.25	26.30	C, US
30	1800	286T	LM32882	C/A	5,022	CCS4B30T61Y	519	230/460	73.0	94.1	1.15	27.84	C, US
40	1800	324T	LM32885	C/A	6,631	CCS4B40T61Y	835	230/460	—	94.1	1.15	—	C, US
50	1800	326T	LM32887	√	7,723	CCS4B50T61Y	692	230/460	120	94.5	1.15	30.40	C, US
60	1800	364T	LM32890	C/A	12,486	CCS4B60T61Y	980	230/460	—	95.0	1.15	—	C, US
75	1800	365T	LM32893	C/A	14,166	CCS4B75T61Y	1018	230/460	172	95.4	1.15	32.50	C, US
100	1800	405T	LM32896	C/A	17,133	CCS4B100T61Y	1338	230/460	226	95.4	1.15	37.10	C, US
125	1800	444T	LM32899	C/A	21,818	CCS4B125T64Y	1874	460	*	95.4	1.15	—	C, US
150	1800	445T	LM32902	C/A	28,325	CCS4B150T64Y	2070	460	*	95.8	1.15	—	C, US
200	1800	449T	LM32905	C/A	32,226	CCS4B200T64Y	2305	460	224*	96.2	1.15	51.80	C, US
250	1800	449T	LM14643	D	34,489	CCS4P250T64Y	2572	460	290*	95.0	1.15	51.80	C, US
250	1800	447/449T	LM34101	C/A	36,450	CCS4B250T64Y	2572	460	285*	96.5	1.15	51.80	C, US
250	1800	449T	LM17594	D	34,489	CCS4P250T64	2572	460	290*	95.0	1.15	51.80	C, US
300	1800	449T	LM14642	C/A	36,959	CCS4B300T64Y	2572	460	341*	96.2	1.15	51.80	C, US
300	1800	449T	LM22909	C/A	36,959	CCS4B300T64	2572	460	341*	96.2	1.15	51.84	C, US
350	1800	449T	LM14645	D	40,911	CCS4P350T64Y	2883	460	400*	95.4	1.15	51.84	C, US

230/460 volt motors are suitable for use at 208 volts

*F.L. Amps @ 460 volts

♥ Note listing on inside back flap Specifications are subject to change without notice

Shaded model numbers are cast iron frame

Green items are Premium Efficient

▼ LM Numbers are Lincoln Models

D - Item to be discontinued once inventory is depleted

C/A - Check Availability



General Specifications:

Multiguard motors utilize an ODP enclosure utilizing an impregnated and encapsulated process to seal the winding endcoils from contamination. This process protects the windings from moisture, vibration, and some chemical actions.

Features:

- Encapsulated windings
- Durable steel frame construction
- NEMA design B performance
- 284T - 405T: Y-delta start on either voltage
- 444T - 445T: Y-delta start and part-winding start
- 3-year warranty
- Made in the U.S.A.
- NOT FOR USE WITH VFDs
- Contact sales office for 50HZ ratings as the frame sizes will change from 60HZ



Three Phase - Drip-Proof - Rigid Base

HP	SYN RPM 60 Hz	NEMA Frame	▼ Catalog Number	Stock	List Price	Model Number	App. Wgt. (lbs)	Voltage	F. L. Amps @ 230 V	% F.L. Eff.	Service Factor	"C" Dim. (Inches)	♥Notes
15	1200	284T	LM03614	D	3,886	MD6S15T61	280	230/460	43.0	86.5	1.00	23.10	S, US
15	1200	284T	LM34358	D		DISCONTINUED		230/460		91.7	1.00		S, US
20	1200	286T	LM03631	D	8,335	MD6S20T61	328	230/460	55.0	84.0	1.00	24.60	S, US
20	1200	286T	LM34359	D		DISCONTINUED		230/460		92.4	1.00		S, US
25	1800	284T	LM03618	D	3,956	MD4S25T61	296	230/460	63.0	85.5	1.00	23.00	S, US
25	1800	284T	LM34360	D		DISCONTINUED		230/460		93.6	1.00		S, US
30	1800	286T	LM03636	D	5,545	MD4S30T61	334	230/460	74.0	87.5	1.00	24.60	S, US
30	1800	286T	LM34361	D		DISCONTINUED		230/460		94.1	1.00		S, US
30	1800	286TS	LM03637	D	5,545	MD4S30TS61	334	230/460	74.0	87.5	1.00	23.30	S, US
30	1800	286TS	LM34362	D		DISCONTINUED		230/460		94.1	1.00		S, US
40	3600	286T	LM03651	D	5,576	MD2S40T61	350	230/460	97.0	87.0	1.00	24.60	S, US
40	3600	286T	LM34363	D		DISCONTINUED		230/460		92.4	1.00		S, US
40	3600	286TS	LM03650	D	5,576	MD2S40TS61	350	230/460	97.0	87.0	1.00	23.20	S, US
40	3600	286TS	LM34364	D		DISCONTINUED		230/460		92.4	1.00		S, US
40	1800	324T	LM03669	D	5,766	MD4S40T61	420	230/460	99.0	95.0	1.00	25.80	S, US
40	1800	324T	LM34365	C/A	9,694	MD4B40T61		230/460		94.1	1.00		S, US
40	1800	324TS	LM03670	D	5,766	MD4S40TS61	420	230/460	99.0	90.2	1.00	24.50	S, US
40	1800	324TS	LM34366	C/A	9,679	MD4B40TS61		230/460		94.1	1.00		S, US
50	3600	324TS	LM03681	D	5,922	MD2S50TS61	425	230/460	122.0	89.5	1.00	—	S, US
50	3600	324TS	LM34367	C/A		DISCONTINUED		230/460		93.0	1.00		S, US
50	1800	326T	LM03683	D	6,002	MD4S50T61	476	230/460	124.0	89.5	1.00	27.30	S, US
50	1800	326T	LM34368	C/A	10,930	MD4B50T61		230/460		94.5	1.00		S, US

230/460 volt motors are suitable for use at 208 volts

Continued on next page

*F.L. Amps @ 460 volts

Green items are Premium Efficient

▼ LM Numbers are Lincoln Models

D - Item to be discontinued once inventory is depleted

C/A - Check Availability

♥ Note listing on inside back flap
Specifications are subject to change without notice



Severe Duty Motors

Lincoln ODP-Encapsulated Multiguard®

Three Phase - Drip-Proof - Rigid Base

HP	SYN RPM 60 Hz	NEMA Frame	▼ Catalog Number	Stock	List Price	Model Number	App. Wgt. (lbs)	Voltage	F. L. Amps @ 230 V	% FL. Eff.	Service Factor	"C" Dim. (Inches)	♥Notes
60	3600	326T	LM03691	D	6,840	MD2S60TS61	484	230/460	154.0	89.5	1.00	24.50	S, US
60	3600	326T	LM34369	C/A		DISCONTINUED		230/460		94.5	1.00		S, US
60	1800	364T	LM03709	D	7,147	MD4S60T61	627	230/460	144.0	91.7	1.00	28.40	S, US
60	1800	364T	LM34370	C/A	12,825	MD4B60T61		230/460		94.5	1.00		S, US
75	3600	364TS	LM03718	C/A	11,920	MD2S75TS61	644	230/460	171.0	91.0	1.00	26.30	S, US
75	3600	364TS	LM34372	C/A		DISCONTINUED		230/460		93.6	1.00		S, US
75	1800	365T	LM03729	√	7,596	MD4S75T61	707	230/460	184.0	92.4	1.00	29.40	S, US
75	1800	365T	LM34371	C/A	13,541	MD4B75T61		230/460		95.0	1.00		S, US
75	1200	405T	LM03799	D	11,256	MD6S75T61	948	230/460	196.0	91.7	1.00	33.80	S, US
75	1200	405T	LM34373	C/A		DISCONTINUED		230/460		94.5	1.00		S, US
100	3600	365TS	LM03739	D	12,202	MD2S100TS61	712	230/460	244.0	90.2	1.00	27.30	S, US
100	3600	365TS	LM34374	C/A		DISCONTINUED		230/460		93.6	1.00		S, US
100	1800	404T	LM03791	D	10,109	MD4S100T61	865	230/460	230.0	94.1	1.00	32.30	S, US
100	1800	404T	LM34375	C/A	13,618	MD4B100T61		230/460		95.4	1.00		S, US
125	3600	404TS	LM03797	D	14,010	MD2S125TS61	875	230/460	294.0	92.4	1.00	29.30	S, US
125	3600	404TS	LM34376	C/A		DISCONTINUED		230/460		94.1	1.00		S, US
125	1800	405T	LM03809	D	11,478	MD4S125T61	972	230/460	290.0	94.1	1.00	33.80	S, US
125	1800	405T	LM34377	C/A	14,898	MD4B125T61		230/460		95.4	1.00		S, US
125	1800	405TS	LM03808	D	11,478	MD4S125TS61	972	230/460	290.0	94.1	1.00	30.80	S, US
125	1800	405TS	LM34378	C/A	14,898	MD4B125TS61		230/460		95.4	1.00		S, US
150	3600	405TS	LM03815	D	14,094	MD2S150TS61	978	230/460	368.0	92.4	1.00	30.80	S, US
150	3600	405TS	LM34379	C/A		DISCONTINUED		230/460		94.1	1.00		S, US
150	1800	444T	LM03761	D	15,152	MD4S150T64PY	1230	460	175*	95.0	1.00	37.40	S, US
150	1800	444T	LM34380	C/A	17,470	MD4B150T64PY		460		95.8	1.00		S, US
200	1800	445T	LM03773	C/A	18,491	MD4S200T64PY	1440	460	222*	94.1	1.00	39.60	S, US
200	1800	445T	LM34381	C/A	21,320	MD4B200T64PY		460		95.8	1.00		S, US
250	1800	445T	LM03780	D	19,327	MD4S250T64PY	1500	460	293*	95.0	1.00	39.40	S, US
250	1800	447T	LM34382	C/A	22,284	MD4B250T64PY		460		95.8	1.00		S, US
250	1800	445TS	LM03779	D	19,327	MD4S250TS64PY	1500	460	293*	93.6	1.00	35.50	S, US
250	1800	445TS	LM34383	C/A	22,284	MD4B250TS64PY	1500	460	293*	95.8	1.00	35.50	S, US

230/460 volt motors are suitable for use at 208 volts

*FL. Amps @ 460 volts

♥ Note listing on inside back flap
Specifications are subject to change without notice

Green items are Premium Efficient

▼ LM Numbers are Lincoln Models

D - Item to be discontinued once inventory is depleted

C/A - Check Availability



Three Phase - Drip-Proof - C Face With Base

HP	SYN RPM 60 Hz	NEMA Frame	▼ Catalog Number	Stock	List Price	Model Number	App. Wgt. (lbs)	Voltage	F. L. Amps @ 230 V	% FL. Eff.	Service Factor	"C" Dim. (Inches)	♥Notes
15	1200	284TC	LM03616	D	4,080	MD6S15TC61	287	230/460	43.0	86.5	1.0	23.20	S, US
15	1200	284TC	LM34384	D		DISCONTINUED		230/460		91.7	1.0		S, US
20	1200	286TC	LM03633	D	8,382	MD6S20TC61	335	230/460	55.0	87.5	1.0	24.70	S, US
20	1200	286TC	LM34385	D		DISCONTINUED		230/460		91.7	1.0		S, US
20	1200	286TSC	LM03632	D	8,382	MD6S20TSC61	335	230/460	55.0	87.5	1.0	23.20	S, US
20	1200	286TSC	LM34386	D		DISCONTINUED		230/460		92.4	1.0		S, US
25	1800	284TC	LM03623	D	4,114	MD4S25TC61	303	230/460	63.0	85.5	1.0	23.20	S, US
25	1800	284TC	LM34387	D		DISCONTINUED		230/460		93.6	1.0		S, US
30	1800	286TC	LM03643	D	5,973	MD4S30TC61	343	230/460	74.0	87.5	1.0	24.70	S, US
30	1800	286TC	LM34388	D		DISCONTINUED		230/460		94.1	1.0		S, US
40	1800	324TC	LM03673	D	6,203	MD4S40TC61	439	230/460	99.0	90.2	1.0	25.90	S, US
40	1800	324TC	LM34389	C/A	9,818	MDBS40TC61		230/460		94.1	1.0		S, US
50	1800	326TC	LM03686	D	6,674	MD4S50TC61	486	230/460	124.0	89.5	1.0	27.40	S, US
50	1800	326TC	LM34390	C/A	10,750	MD4B50TC61		230/460		94.5	1.0		S, US
60	1800	364TC	LM03711	D	8,199	MD4S60TC61	639	230/460	144.0	91.7	1.0	28.40	S, US
60	1800	364TC	LM34391	C/A	13,953	MD4S60TC61		230/460		95.0	1.0		S, US
60	1800	364TSC	LM03713	D	8,199	MD4S60TSC61	639	230/460	144.0	91.7	1.0	26.30	S, US
60	1800	364TSC	LM34392	C/A	13,953	MD4B60TSC61		230/460		95.0	1.0		S, US
75	1800	365TC	LM03730	D	9,195	MD4S75TC61	709	230/460	184.0	92.4	1.0	29.60	S, US
75	1800	365TC	LM34393	C/A	14,485	MD4B75TC61		230/460		95.0	1.0		S, US
75	1800	365TSC	LM03733	D	9,195	MD4S75TSC61	709	230/460	184.0	92.4	1.0	27.30	S, US
75	1800	365TSC	LM34394	C/A	14,485	MD4B75TSC61		230/460		95.0	1.0		S, US
100	1800	404TC	LM03792	D	10,799	MD4S100TC61	881	230/460	230.0	94.1	1.0	32.20	S, US
100	1800	404TC	LM34395	C/A	14,810	MD4B100TC61		230/460		95.4	1.0		S, US
100	1800	404TSC	LM03794	D	10,794	MD4S100TSC61	881	230/460	230.0	94.1	1.0	29.20	S, US
100	1800	404TSC	LM34396	C/A	14,810	MD4B100TSC61		230/460		95.4	1.0		S, US
125	1800	405TC	LM03810	D	12,165	MD4S125TC61	988	230/460	290.0	93.0	1.0	32.20	S, US
125	1800	405TC	LM34397	C/A	15,157	MD4B125TC61		230/460		95.4	1.0		S, US
125	1800	405TSC	LM03812	D	12,165	MD4S125TSC61	988	230/460	290.0	94.1	1.0	30.70	S, US
125	1800	405TSC	LM34398	C/A	14,014	MD4B125TSC61		230/460		95.4	1.0		S, US
150	1800	444TSC	LM03763	D	16,003	MD4S150TSC64PY	1251	460	174*	92.4	1.0	33.00	S, US
150	1800	444TSC	LM34399	C/A	18,435	MD4B150TSC64PY		460		95.8	1.0		S, US
200	1800	445TSC	LM03776	D	19,343	MD4S200TSC64PY	1435	460	222*	94.5	1.0	35.00	S, US
200	1800	445TSC	LM34400	C/A	22,283	MD4B200TSC64PY	1435	460	222*	95.8	1.0	35.00	S, US

230/460 volt motors are suitable for use at 208 volts

Continued on next page

*FL. Amps @ 460 volts

♥ Note listing on inside back flap

Green items are Premium Efficient

Specifications are subject to change without notice

▼ LM Numbers are Lincoln Models

D - Item to be discontinued once inventory is depleted

C/A - Check Availability



Severe Duty Motors

Lincoln ODP-Encapsulated Multiguard®

Three Phase - Drip-Proof - Double C Face/Double Shaft - With Base

HP	SYN RPM 60 Hz	NEMA Frame	▼ Catalog Number	Stock	List Price	Model Number	App. Wgt. (lbs)	Voltage	F. L. Amps @ 230 V	% F.L. Eff.	Service Factor	"C" Dim. (Inches)	♥Notes
25	1800	284TSC	LM03625	D	4,325	MD4S25TSC61	310	230/460	63.0	85.5	1.0	25.50	S, US
25	1800	284TSC	LM34401	D		DISCONTINUED		230/460		93.6	1.0		S, US
30	1800	286TC	LM03644	D	6,625	MD4S30TCTMC61	348	230/460	75.0	89.5	1.0	29.10	S, US
30	1800	286TC	LM34402	D		DISCONTINUED		230/460		94.1	1.0		S, US
40	1800	324TC	LM03674	D	6,503	MD4S40TCTMC61	440	230/460	99.0	90.2	1.0	31.00	S, US
40	1800	324TC	LM34403	C/A	11,358	MD4B40TCTMC61		230/460		94.1	1.0		S, US
40	1800	324TSC	LM03675	D	6,503	MD4S40TSC61	440	230/460	99.0	90.2	1.0	28.50	S, US
40	1800	324TSC	LM34404	C/A	10,763	MD4B40TSC61		230/460		94.1	1.0		S, US
50	1800	326TC	LM03687	D	6,873	MD4S50TCTMC61	496	230/460	124.0	89.5	1.0	32.50	S, US
50	1800	326TC	LM34405	C/A	12,603	MD4B50TCTMC61		230/460		94.5	1.0		S, US
50	1800	326TSC	LM27884	D	6,873	MD4S50TSC61Y	496	230/460	124.0	89.5	1.0	30.20	S, US
50	1800	326TSC	LM34406	C/A	12,603	MD4B50TSC61Y		230/460		94.5	1.0		S, US
60	1800	364TC	LM03714	D	8,342	MD4S60TCTMC61	651	230/460	144.0	91.7	1.0	33.50	S, US
60	1800	364TC	LM34407	C/A	15,214	MD4B60TCTMC61		230/460		95.0	1.0		S, US
60	1800	364TSC	LM03715	D	8,342	MD4S60TSC61	651	230/460	154.0	92.4	1.0	30.50	S, US
60	1800	364TSC	LM34408	C/A	15,214	MD4B60TSC61		230/460		95.0	1.0		S, US
75	1800	365TC	LM03735	D	8,789	MD4S75TCTMC61	721	230/460	184.0	92.4	1.0	34.50	S, US
75	1800	365TC	LM34409	C/A	15,970	MD4B75TCTMC61		230/460		95.0	1.0		S, US
75	1800	365TSC	LM03736	D	8,789	MD4S75TSC61	721	230/460	184.0	92.4	1.0	31.50	S, US
75	1800	365TSC	LM34410	C/A	15,970	MD4B75TSC61		230/460		95.0	1.0		S, US
100	1800	404TSC	LM03795	D	11,379	MD4S100TSC61	897	230/460	250.0	94.1	1.0	34.00	S, US
100	1800	404TSC	LM34411	C/A	14,938	MD4B100TSC61		230/460		95.4	1.0		S, US
125	1800	405TSC	LM03813	D	12,748	MD4S125TSC61	1004	230/460	302.0	93.6	1.0	35.50	S, US
125	1800	405TSC	LM34412	C/A	15,385	MD4B125TSC61		230/460		95.4	1.0		S, US
125	1200	445TSC	LM03771	D	19,674	MD6S125TSC64PY	1419	460	1670*	94.1	1.0	41.00	S, US
125	1200	445TSC	LM34413	C/A		DISCONTINUED		460		95.4	1.0		S, US
150	1800	444TSC	LM03764	D	16,930	MD4S150TSC64PY	1272	460	175.0*	95.0	1.0	39.00	S, US
150	1800	444TSC	LM34414	C/A	19,503	MD4B150TSC64PY	1272	460		95.8	1.0		S, US

230/460 volt motors are suitable for use at 208 volts

*FL. Amps @ 460 volts

♥ Note listing on inside back flap
Specifications are subject to change without notice

Green items are Premium Efficient

▼ LM Numbers are Lincoln Models

D - Item to be discontinued once inventory is depleted

C/A - Check Availability



CUSTOMIZED AND MODIFIED PRODUCTS



Custom Motors, Gearboxes & Gearmotors

LEESON is a leading designer and manufacturer of application-specific AC and DC motors and gearmotors in sub-fractional, fractional and integral horsepower sizes. We offer a database of over 30,000 custom designs, experienced application and design engineering teams to ensure the best, most cost-effective custom motor solution.

Custom Multi-Speed & Low-Speed Motors

LEESON's PDQ Modular Production Program utilizes specially designed and standard components to make almost any imaginable NEMA frame multi-speed or low-speed motor available when you need it. We pride ourselves on fast turnaround times on highly customized motors.

Custom motors include two, three and four-speed motors and speed ranges of 900, 720, 600, 450 and 300 RPMs. We also specialize in non-standard shaft designs. For quotations, availability and application assistance, phone toll-free to our Canadian manufacturing facility at 1-800-463-1797.

Mod-Squad Program

Quick-turnaround stock motor modifications are available through the LEESON Motor Mod-Squad. Adding cords or switches, changing mountings, extending leads and incorporating various severe-duty features are among the many standard modifications offered.



See page 424 of current product catalog for available modifications.

For complete stock products information, visit our online technical database at www.leeson.com/findaproduct.



Explosion Proof Motors



- Meets all UL and CSA safety requirements
- Single and three phase motors
- Double shielded ball bearings
- Automatic overload protection or thermostat protected
- Includes explosion proof conduit box
- NEMA 1.0 or 1.15 service factor
- 1-year warranty
- 3-year warranty on premium efficient models

Applications:

These motors must be applied in accordance with the National Electrical Code, Article #500.

Consult NFPA Publication 497M for a complete listing of explosive agents that are typically found in the environments that these motors are exposed to.



Application Notes:

These motors must be applied in accordance with the National Electrical Code, Article #500. A partial listing of explosive agents is noted below. Consult NFPA Publication 497M for a complete listing. Please note subheads above each column for qualifications of LEESON motors.

Features:

- Meets UL and CSA safety requirements
- Automatic overload protected
- Explosion rated conduit box included
- Internal mounted capacitors
- Double shielded ball bearings
- Meets temperature code T3B

Rating Information:

Division I areas are environments where a hazard is present continuously or would be subject to fire or explosion if the hazard was present as a result of an accident or uncommon occurrence. Division II areas are environments where the threat of fire or explosion is not normally present and not likely to result in the event of an abnormal occurrence.

Application Notes:

- Class I
 - Group A: Acetylene
 - Group B: Butadiene, ethylene oxide, hydrogen, propylene oxide, manufactured gases containing more than 30% hydrogen by volume.
 - Group C: Acetaldehyde, cyclopropane, diethyl ether, ethylene.
 - Group D: Acetone, acrylonitrile, ammonia, benzene, butane, ethanol, ethylene dichloride, gasoline, hexane, isoprene, methane (natural gas), methanol, naphtha, propane, propylene, styrene, toluene, vinyl acetate, vinyl chloride, xylene.
- Class II
 - Group E: Aluminum, magnesium and other metal dusts with similar characteristics.
 - Group F: Carbon black, coke or coal dust.
 - Group G: Flour, starch or grain dust.

Note: No LEESON motors are listed for Class I, Group A or B for Division I.

Please contact your local LEESON sales office for ATEX certified motors, zone 2 and 22.



Explosion-Proof Motors

Single Phase - Rigid Base

Division I, Class I, Groups C&D - Class II, Groups F&G - W/Conduit Box

HP	SYN RPM 60 Hz	NEMA Frame	Catalog Number	Stock	List Price	Model Number	App. Wgt. (lbs)	Voltage	Over-load Prot.	F. L. Amps @ 230 V	Service Factor	"C" Dim. (Inches)	♥Notes
1/3	1800	56	111074.00	√	819	A6C17EB20	35	115/230	Auto.	2.9	1.00	12.97	S, US, 12
1/2	1800	56H	111084.00	√	903	A6C17XB22	41	115/230	Auto.	4.4	1.00	13.58	S, US, 6, 13
3/4	1800	56H	110934.00	√	1,066	A6C17XB21	46	115/230	Auto.	5.5	1.00	14.08	S, US, 6, 13
1	1800	56H	110961.00	√	1,210	A6C17XB20	47	115/230	Auto.	6.7	1.00	14.08	S, US, 6, 13

Note 12 - TENV

♥ Note listing on inside back flap
Specifications are subject to change without notice

Single Phase - C Face Less Base

Division I, Class I, Groups C&D - Class II, Groups F&G - W/Conduit Box

HP	SYN RPM 60 Hz	NEMA Frame	Catalog Number	Stock	List Price	Model Number	App. Wgt. (lbs)	Voltage	Over-load Prot.	F. L. Amps @ 230 V	Service Factor	"C" Dim. (Inches)	♥Notes
1/3	3600	56C	111095.00	√	861	A6C34EC20	38	115/230	Auto.	2.2	1.00	13.44	S, US, 13
1/3	1800	56C	111075.00	√	903	A6C17EC20	41	115/230	Auto.	2.9	1.00	12.97	S, US, 12
1/2	3600	56C	111098.00	√	871	A6C34XC22	35	115/230	Auto.	4.2	1.00	13.44	S, US, 13
1/2	3600	56J	116188.00	√	822	A6C34XC31	35	115/230	Auto.	3.8	1.00	13.96	S, US, 13
1/2	1800	56C	111085.00	√	1,002	A6C17XC22	45	115/230	Auto.	4.4	1.00	13.94	S, US, 13
3/4	3600	56C	111097.00	√	934	A6C34XC21	40	115/230	Auto.	5.0	1.00	13.96	S, US, 13
3/4	3600	56J	116186.00	√	926	A6C34XC32	40	115/230	Auto.	5.0	1.00	14.46	S, US, 13
3/4	1800	56C	111086.00	√	1,111	A6C17XC21	50	115/230	Auto.	5.5	1.00	14.44	S, US, 13
1	3600	56C	111096.00	√	1,002	A6C34XC20	49	115/230	Auto.	6.2	1.00	14.44	S, US, 13
1	3600	56J	116185.00	√	993	A6C34XC33	49	115/230	Auto.	6.0	1.00	14.96	S, US, 13
1	1800	56C	110852.00	√	1,268	A6C17XC20	53	115/230	Auto.	6.7	1.00	14.44	S, US, 13
1 1/2	3600	56C	114424.00	√	1,241	A6C34XC26	44	115/230	Auto.	8.5	1.00	14.96	S, US, 13
1 1/2	3600	56J	116183.00	√	1,273	A6C34XC34	54	115/230	Auto.	8.5	1.00	14.95	S, US, 13
2	3600	56C	114425.00	√	1,361	A6C34XC27	54	115/230	Auto.	10.5	1.00	14.94	S, US, 13
2	3600	56J	116181.00	√	1,385	A6C34XC35	54	115/230	Auto.	10.5	1.00	15.45	S, US, 13

Note 12 - TENV

♥ Note listing on inside back flap
Specifications are subject to change without notice

Single Phase - C Face With Base

Division I, Class I, Groups C&D - Class II, Groups F&G - W/Conduit Box

HP	SYN RPM 60 Hz	NEMA Frame	Catalog Number	Stock	List Price	Model Number	App. Wgt. (lbs)	Voltage	Over-load Prot.	F. L. Amps @ 230 V	Service Factor	"C" Dim. (Inches)	♥Notes
1/3	3600	56C	116605.00	√	891	A6C34XK7	39	115/230	Auto.	2.6	1.00	13.44	S, US, 13
1/3	1800	56C	116606.00	√	931	A6C17XK33	42	115/230	Auto.	3.3	1.00	13.44	S, US, 13
1/3	1200	56C	116607.00	√	1,066	A6C17XK31	45	115/230	Auto.	3.9	1.00	13.94	S, US, 6, 13
1/2	3600	56C	116608.00	√	898	A6C34XK6	36	115/230	Auto.	3.8	1.00	13.44	S, US, 6, 13
1/2	1800	56C	116609.00	√	1,032	A6C17XK32	46	115/230	Auto.	4.4	1.00	13.94	S, US, 6, 13
1/2	1200	56HC	116610.00	√	1,156	A6C17XK34	56	115/230	Auto.	4.7	1.00	14.94	S, US, 6, 13
3/4	3600	56C	116611.00	√	961	A6C34XK5	41	115/230	Auto.	5.3	1.00	13.94	S, US, 6, 13
3/4	1800	56C	116612.00	√	1,141	A6C17XK30	51	115/230	Auto.	5.5	1.00	14.44	S, US, 6, 13
1	3600	56C	116613.00	√	1,032	A6C34XK4	50	115/230	Auto.	6.3	1.00	14.44	S, US, 6, 13
1	1800	56C	116614.00	√	1,257	A6C17XK29	54	115/230	Auto.	6.7	1.00	14.44	S, US, 6, 13
1 1/2	3600	56C	116615.00	√	1,463	A6C34XK3	45	115/230	Auto.	8.5	1.00	14.44	S, US, 6, 13
2	3600	56C	116616.00	√	1,793	A6C34XK2	58	115/230	Auto.	10.5	1.00	14.94	S, US, 6, 13

Note 12 - TENV

♥ Note listing on inside back flap
Specifications are subject to change without notice

Explosion-Proof Motors

Three Phase - Rigid Base

Division I, Division II, Class I, Groups C&D - Class II, Groups F&G - W/Conduit Box

HP	SYN RPM 60 Hz	NEMA Frame	Catalog Number	Stock	List Price	Model Number	App. Wgt. (lbs)	Voltage	Over-load Prot.	F. L. Amps @ 230 V	% FL. Eff	Service Factor	"C" Dim. (Inches)	Notes
1/3	1800	56	111932.00	√	837	A6T17EB22	33	230/460	Auto	1.3	76.0	1.00	10.97	S, US, 12
1/3	1800	56	117856.00	√	820	C6T17EB38	33	230/460	T-Stats	1.3	76.0	1.00	10.97	S, US, 12
1/3	1200	56H	111940.00	√	1,201	A6T11EB21	39	230/460	Auto	1.5	70.0	1.00	13.97	S, US, 12
1/2	3600	56	111934.00	C/A	955	A6T34EB22	39	230/460	Auto	1.6	82.5	1.00	12.47	S, US, 12
1/2	1800	56	111929.00	√	870	A6T17EB21	32	230/460	Auto	1.7	75.0	1.00	12.47	S, US, 12
1/2	1800	56	117857.00	√	853	C6T17EB39	32	230/460	T-Stats	1.7	75.0	1.00	12.47	S, US, 12
1/2	1200	56H	111938.00	√	1,271	A6T11XB22	44	230/460	Auto	2.0	71.0	1.00	13.47	S, US, 6
3/4	3600	56	111937.00	√	1,000	A6T34XB21	37	230/460	Auto	3.2	75.5	1.00	13.44	S, US, 13
3/4	1800	56	111923.00	√	1,009	A6T17XB21	38	230/460	Auto	3.0	75.0	1.00	13.94	S, US, 13
3/4	1800	56	117858.00	√	992	C6T17XB35	38	230/460	T-Stats	3.0	75.0	1.00	13.94	S, US, 13
3/4	1200	56	119736.00	√	1,331	C6T11XB49	42	230/460	T-Stat	3.6	74.0	1.00	13.44	S, US
1	3600	56	111942.00	D	1,055	A6T34XB20	34	230/460	Auto	3.6	72.5	1.00	13.44	S, US, 13
1	3600	56	119425.00	√	1,181	A6T34XB23	38	230/460	Auto	3.0	80.0	1.00	—	S, US, 13
1	1800	56H	111922.00	D	1,097	A6T17XB20	45	230/460	Auto	3.6	78.0	1.00	13.94	S, US, 6, 13
1	1800	56H	119421.00	√	1,314	A6T17XB32	49	230/460	Auto	—	85.5	1.00	—	S, US, 6, 13
1	1800	56H	117848.00	D	1,080	C6T17XB20	45	230/460	T-Stats	3.6	78.0	1.00	13.94	S, US, 6, 13
1	1800	56H	119426.00	√	1,314	C6T17XB33	50	230/460	T-Stats	—	85.5	1.00	—	S, US, 6, 13
1	1200	56	119737.00	√	1,396	C6T11XB50	52	230/460	T-Stat	3.8	82.5	1.00	15.94	S, US
1 1/2	3600	143T	121914.00	√	1,172	A143T34XB25	49	230/460	Auto	4.0	84.0	1.00	14.41	S, US, 13
1 1/2	1800	56H	117849.00	D	1,323	C6T17XB27	58	230/460	T-Stats	4.8	80.0	1.15	14.41	S, US, 13
1 1/2	1800	56H	119433.00	√	1,323	C6T17XB34	63	230/460	T-Stats	—	86.5	1.15	—	S, US, 13
1 1/2	1800	145T	121915.00	√	1,304	A145T17XB28	59	230/460	Auto	4.8	86.5	1.00	14.41	S, US, 13
1 1/2	1800	145T	122024.00	√	1,286	C145T17XB31	59	230/460	T-Stats	4.8	86.5	1.00	14.41	S, US, 13
1.5	1200	182T	825404.00	√	1,487	182TTGN	147	230/460	T-Stat	4.4	87.5	1.00	15.87	C, US
2	3600	145T	121916.00	√	1,208	A145T34XB25	55	230/460	Auto	4.8	85.5	1.00	15.41	S, US, 13
2	1800	145T	121917.00	√	1,448	C145T17XB27	60	230/460	Auto	5.8	86.5	1.00	15.41	S, US, 13
2	1800	145T	122025.00	√	1,429	C145T17XB32	60	230/460	T-Stats	5.8	86.5	1.00	15.41	S, US, 13
2	1200	184T	825405.00	√	1,683	184TTGN	154	230/460	T-Stat	6.0	88.5	1.00	17.87	C, US
3	3600	145T	121918.00	√	1,428	U145T34XB26	56	230/460	T-Stats	4.8	86.5	1.00	15.91	S, US, 13
3	1800	182T	825085.00	√	1,746	182TTGN16026	107	230/460	T-Stat	7.8	89.5	1.15	17.62	C, US
3	1200	213T	825406.00	√	2,156	213TTGN	244	230/460	T-Stat	8.8	89.5	1.00	19.63	C, US
5	3600	184T	825086.00	√	1,840	184TTGN16504	117	230/460	T-Stat	12.0	88.5	1.15	17.62	C, US
5	1800	184T	825087.00	√	1,809	184TTGN16032	128	230/460	T-Stat	12.8	89.5	1.15	17.62	C, US
5	1200	215T	825407.00	√	2,763	215TTGN	206	230/460	T-Stat	13.8	89.5	1.00	22.63	C, US
7 1/2	3600	213T	825088.00	√	2,823	213TTGN16527	183	230/460	T-Stat	18.0	89.5	1.15	21.41	C, US
7 1/2	1800	213T	825089.00	√	2,791	213TTGN16527	228	230/460	T-Stat	18.6	91.7	1.15	20.16	C, US
7 1/2	1200	254T	825408.00	√	3,308	254TTGN	345	230/460	T-Stat	19.8	91.0	1.00	23.52	C, US
10	3600	215T	825090.00	√	2,962	215TTGN16504	200	230/460	T-Stat	23.6	90.2	1.15	21.41	C, US
10	1800	215T	825091.00	√	2,949	215TTGN16526	273	230/460	T-Stat	25.0	91.7	1.15	21.41	C, US
10	1200	256T	825409.00	√	3,990	256TTGN	360	230/460	T-Stat	26.2	91.0	1.00	25.27	C, US
15	3600	254T	825092.00	√	3,994	254TTGN16506	333	230/460	T-Stat	34.6	91.0	1.15	24.12	C, US
15	1800	254T	825093.00	√	3,978	254TTGN16539	383	230/460	T-Stat	36.0	92.4	1.15	24.12	C, US
15	1200	284T	825410.00	√	5,542	284TTGN	536	230/460	T-Stat	41.0	91.7	1.00	26.34	C, US
20	3600	256T	825094.00	√	4,185	256TTGS16514	383	230/460	T-Stat	46.8	91.0	1.15	25.77	C, US
20	1800	256T	825095.00	√	4,153	256TTGN16539	285	230/460	T-Stat	48.2	93.0	1.15	25.77	C, US
20	1200	286T	825411.00	√	6,462	286TTGN	593	230/460	T-Stat	53.6	91.7	1.00	27.69	C, US

230/460 volt motors are suitable for use at 208 volts

Continued on next page

Shaded model numbers are cast iron frame

Green items are Premium Efficient

♥ Note listing on inside back flap
Specifications are subject to change without notice

Explosion proof motors having T-Stats are inverter rated
D - Item to be discontinued once inventory is depleted
Note 12 - TENV



Explosion Proof Motors

Automotive Duty Motors

Pump Motors

Washguard Motors

Agricultural Duty Motors

HVAC / Fan Motors

Special Voltage Motors

Definite Purpose Motors

Brake Motors

Explosion-Proof Motors

Three Phase - Rigid Base

Division I, Division II, Class I, Groups C&D - Class II, Groups F&G - W/Conduit Box

	HP	SYN RPM 60 Hz	NEMA Frame	Catalog Number	Stock	List Price	Model Number	App. Wgt. (lbs)	Voltage	Over-load Prot.	F. L. Amps @ 230 V	% FL. Eff	Service Factor	"C" Dim. (Inches)	♥Notes
Automotive Duty Motors	25	3600	284TS	825096.00	√	5,400	284TSGN16505	413	230/460	T-Stat	56.2	91.7	1.15	25.44	C, US
	25	1800	284T	825097.00	√	4,851	284TTGN16538	374	230/460	T-Stat	62.0	93.6	1.15	26.80	C, US
	25	1200	324T	825412.00	√	9,511	324TTGS	681	230/460	T-Stat	65.0	93.0	1.00	28.87	C, US
	30	3600	286TS	825098.00	√	5,510	286TSTN16504	464	230/460	T-Stat	67.6	91.7	1.15	26.94	C, US
	30	1800	286T	825099.00	√	5,465	286TTGN16033	464	230/460	T-Stat	73.0	93.6	1.15	28.30	C, US
	30	1200	326T	825413.00	√	10,340	326TTGS	900	230/460	T-Stat	77.0	93.0	1.00	30.37	C, US
Pump Motors	40	3600	324TS	825100.00	√	7,620	324TSTGS16002	515	230/460	T-Stat	94.0	92.4	1.15	27.87	C, US
	40	1800	324T	825101.00	√	7,341	324TTGS16037	535	230/460	T-Stat	95.0	94.1	1.15	29.37	C, US
	40	1200	364T	825414.00	√	12,434	364TTGS16581	1151	230/460	T-Stat	100	93.6	1.00	31.50	C, US
	50	3600	326TS	825102.00	√	9,586	326TSTGS16503	585	230/460	T-Stat	116	93.0	1.15	29.37	C, US
	50	1800	326T	825103.00	√	9,524	326TTGS16540	585	230/460	T-Stat	120	94.5	1.00	30.57	C, US
	50	1200	365T	825415.00	√	13,453	365TTGS16587	1099	230/460	T-Stat	123	94.5	1.00	32.50	C, US
Washguard Motors	60	3600	364TS	825104.00	C/A	13,696	364TSTGS16504	890	230/460	T-Stat	134	93.6	1.15	29.88	C, US
	60	1800	364T	825105.00	√	13,114	364TTGS16035	992	230/460	T-Stat	138	95.0	1.15	32.00	C, US
	60	1200	404T	825416.00	√	16,799	404TTGS16581	1295	230/460	T-Stat	144	94.5	1.00	35.62	C, US
	75	3600	365TS	825106.00	√	15,827	365TSTGS16507	1025	230/460	T-Stat	168	93.6	1.15	30.88	C, US
	75	1800	365T	825107.00	√	15,624	365TTGS16541	1053	230/460	T-Stat	172	95.4	1.15	33.00	C, US
	75	1200	405T	825417.00	√	19,562	405TTGS16585	1388	230/460	T-Stat	180	94.5	1.00	37.12	C, US
Agricultural Duty Motors	100	3600	405TS	825108.00	C/A	21,410	405TSTGS16002	1168	230/460	T-Stat	216	94.1	1.15	34.62	C, US
	100	1800	405T	825109.00	C/A	19,037	405TTGS16034	1322	230/460	T-Stat	226	95.4	1.15	37.62	C, US
	100	1200	444T	825418.00	√	27,952	444TTGN16585	1813	230/460	T-Stat	248	95.0	1.00	41.35	C, US
	125	3600	444TS	825110.00	C/A	29,555	444TSGN16503	1768	230/460	T-Stat	136	95.0	1.15	38.00	C, US
	125	1800	444T	825111.00	C/A	24,834	444TTGN16032	1822	460	T-Stat	141*	95.4	1.15	41.75	C, US
	125	1200	445T	825419.00	√	32,135	445TTGN16585	2200	460	T-Stat	155*	95.0	1.00	43.25	C, US
HVAC / Fan Motors	150	3600	445TS	825112.00	C/A	34,592	445TSTGN16002	2072	460	T-Stat	165*	95.0	1.15	38.00	C, US
	150	1800	445T	825113.00	C/A	28,943	445TTGN16035	2072	460	T-Stat	172*	95.8	1.15	43.69	C, US
	150	1200	445T	825420.00	√	34,541	445TTGN16595	2384	460	T-Stat	181*	95.8	1.00	43.35	C, US
	200	3600	445TS	825114.00	C/A	42,213	445TSTGN16003	2332	460	T-Stat	222*	95.4	1.15	38.00	C, US
	200	1800	445T	825115.00	C/A	34,208	445TTGN16036	2275	460	T-Stat	226*	96.2	1.15	43.69	C, US
	200	1200	449T	825421.00	√	49,114	449TTGS16598	2878	460	T-Stat	240*	95.8	1.00	51.85	C, US
Special Voltage Motors	250	3600	449TS	G825071.00	D	42,353	449TSTGS14004	2480	460	T-Stat	274*	95.4	1.00	48.14	C, US
	250	1800	449T	G825072.00	D	34,998	449TTGS14041	2630	460	T-Stat	285*	95.0	1.00	51.85	C, US
	250	1800	447/449T	825339.00	C/A	40,563	449TTGS16045	—	460	T-Stat	285*	96.5	1.00	51.85	C, US
	300	1800	449T	G850818.00	D	37,330	449TTGS14046	3032	460	T-Stat	338*	95.4	1.00	51.85	C, US
	300	1800	449T	825431.00	C/A	43,265	—	—	460	T-Stat	—	96.2	1.00	—	C, US
	350	1800	449T	G850819.00	D	41,136	449TTGS14047	3280	460	T-Stat	400*	95.4	1.00	51.85	C, US
350	1800	449T	825432.00	C/A	47,553	—	—	460	T-Stat	—	96.2	1.00	—	C, US	

230/460 volt motors are suitable for use at 208 volts

Shaded model numbers are cast iron frame

Green items are Premium Efficient

Explosion proof motors having T-Stats are inverter rated

D - Item to be discontinued once inventory is depleted

C/A - Check Availability

♥ Note listing on inside back flap

Specifications are subject to change without notice



Explosion-Proof Motors

Three Phase - C Face Less Base

Division I, Division II, Class I, Groups C&D - Class II, Groups F&G - W/Conduit Box

HP	SYN RPM 60 Hz	NEMA Frame	Catalog Number	Stock	List Price	Model Number	App. Wgt. (lbs)	Voltage	Over-load Prot.	F. L. Amps @ 230 V	% FL. Eff	Service Factor	"C" Dim. (Inches)	♥Notes
1/3	3600	56C	111944.00	√	999	A6T34EC23	36	230/460	Auto	1.2	77.0	1.00	11.97	S, US, 12
1/3	1800	56C	111931.00	√	1,072	A6T17EC23	29	230/460	Auto	1.2	76.0	1.00	11.97	S, US, 12
1/3	1800	56C	117860.00	√	1,056	C6T17EC30	29	230/460	T-Stat	1.2	76.0	1.00	11.97	S, US, 12
1/2	3600	56C	111933.00	√	1,040	A6T34EC22	33	230/460	Auto	1.6	82.5	1.00	12.47	S, US, 12
1/2	3600	56J	116187.00	√	1,016	A6T34EC28	33	230/460	Auto	1.6	82.5	1.00	12.98	S, US, 12
1/2	1800	56C	111930.00	√	1,136	A6T17EC22	34	230/460	Auto	1.7	75.0	1.00	12.47	S, US, 12
1/2	1800	56C	117852.00	√	1,120	C6T17XC29	34	230/460	T-Stat	1.7	75.0	1.00	12.47	S, US, 12
3/4	3600	56C	111936.00	√	1,072	A6T34XC21	27	230/460	Auto	2.4	75.5	1.00	13.44	S, US, 13
3/4	1800	56C	111935.00	√	1,154	A6T17XC23	36	230/460	Auto	3.0	75.0	1.00	13.94	S, US, 13
3/4	1800	56C	117853.00	√	1,138	C6T17XC30	36	230/460	T-Stat	3.0	75.0	1.00	13.94	S, US, 13
1	3600	56C	111943.00	D	1,123	A6T34XC20	30	230/460	Auto	3.2	72.5	1.00	13.44	S, US, 13
1	3600	56C	119422.00	√	1,231	A6T17XC47	35	230/460	Auto	3.0	80.0	1.00	14.45	S, US, 13
1	3600	56J	116184.00	D	1,093	A6T34XC31	33	230/460	Auto	3.2	72.5	1.00	13.95	S, US, 13
1	3600	56J	119424.00	√	1,240	A6T34XC49	36	230/460	Auto	3.2	80.0	1.00	14.45	S, US, 13
1	1800	56C	111926.00	D	1,210	A6T17XC22	46	230/460	Auto	3.6	78.0	1.00	13.94	S, US, 13
1	1800	56C	119420.00	√	1,353	A6T17XC52	49	230/460	Auto	3.3	85.5	1.00	15.94	S, US, 13
1	1800	56C	117854.00	D	1,195	C6T17XC31	46	230/460	T-Stat	3.6	78.0	1.00	13.94	S, US, 13
1	1800	56C	119423.00	√	1,336	C6T17XC51	49	230/460	T-Stat	3.3	85.5	1.00	15.94	S, US, 13
1 1/2	3600	56C	111939.00	D	1,277	A6T34XC25	48	230/460	Auto	4.2	81.5	1.00	13.94	S, US, 13
1 1/2	3600	56C	119428.00	√	1,277	A6T34XC48	49	230/460	Auto	4.0	84.0	1.00	15.94	S, US, 13
1 1/2	3600	56J	116182.00	D	1,121	A6T34XC30	48	230/460	Auto	4.2	81.5	1.00	14.46	S, US, 13
1 1/2	3600	56J	119429.00	√	1,244	A6T34XC50	52	230/460	Auto	4.0	84.0	1.00	15.45	S, US, 13
1 1/2	1800	56C	111941.00	D	1,303	A6T17XC24	46	230/460	Auto	4.4	80.0	1.00	15.94	S, US, 13
1 1/2	1800	56C	119427.00	√	1,369	A6T17XC49	51	230/460	Auto	4.6	86.5	1.00	15.94	S, US, 13
1 1/2	1800	56C	117855.00	D	1,283	C6T17XC32	46	230/460	T-Stat	4.4	80.0	1.00	15.94	S, US, 13
1 1/2	1800	56C	119430.00	√	1,353	C6T17XC50	51	230/460	T-Stat	4.8	86.5	1.00	15.94	S, US, 13
2	3600	56C	113971.00	D	1,233	A6T34XC26	50	230/460	Auto	5.6	82.5	1.15	13.94	S, US, 13
2	3600	56C	119431.00	√	1,270	A6T34XC51	55	230/460	Auto	5.8	85.5	1.15	16.44	S, US, 13
2	3600	56J	116180.00	D	1,171	A6T34XC29	50	230/460	Auto	5.6	82.5	1.00	14.45	S, US, 13
2	3600	56J	119434.00	√	1,280	A6T34XC52	50	230/460	Auto	5.6	82.5	1.00	14.45	S, US, 13
2	1800	145TC	G121178.00	D	1,371	A145T17XC4	55	230/460	Auto	5.6	84.0	1.00	15.03	S, US, 13
2	1800	145TC	122174.00	√	1,482	A145T17XC9	60	230/460	Auto	6.0	86.5	1.00	16.50	S, US, 13
2	1800	145TC	122023.00	D	1,353	C145T17XC6	55	230/460	T-Stat	5.6	84.0	1.00	15.03	S, US, 13
2	1800	145TC	122175.00	√	1,467	C145T17XC10	60	230/460	T-Stat	6.0	86.5	1.00	16.50	S, US, 13

230/460 volt motors are suitable for use at 208 volts

Continued on next page

Shaded model numbers are cast iron frame

Green items are Premium Efficient

D - Item to be discontinued once inventory is depleted
Note 12 - TENV

♥ Note listing on inside back flap
Specifications are subject to change without notice



Explosion Proof Motors

Automotive Duty Motors

Pump Motors

Washguard Motors

Agricultural Duty Motors

HVAC / Fan Motors

Special Voltage Motors

Definite Purpose Motors

Brake Motors

Explosion-Proof Motors

Three Phase - C Face Less Base

Division I, Division II, Class I, Groups C&D - Class II, Groups F&G - W/Conduit Box

HP	SYN RPM 60 Hz	NEMA Frame	Catalog Number	Stock	List Price	Model Number	App. Wgt. (lbs)	Voltage	Over- load Prot.	F. L. Amps @ 230 V	% FL. Eff	Service Factor	"C" Dim. (Inches)	♥Notes
3	3600	56C	114419.00	D	1,590	A6T34XC28	54	230/460	Auto	7.6	84.0	1.00	15.44	S, US, 13
3	3600	56C	119435.00	√	1,590	A6T34XC53	59	230/460	Auto	7.6	86.5	1.00	15.94	S, US, 13
3	1800	182TC	G825116.00	D	1,785	182TTGS14057	96	230/460	T-Stat	8.5	87.5	1.00	17.87	C, US, 13
3	1800	182TC	825116.00	√	1,820	182TTGN16026	107	230/460	T-Stat	8.0	90.2	1.00	18.62	C, US, 13
5	3600	184TC	G825190.00	D	1,909	184TTGN4013	133	230/460	T-Stat	11.8	87.5	1.00	18.62	C, US, 13, †
5	3600	184TC	825190.00	C/A	1,952	184TTGN16003	—	230/460	T-Stat	11.8	88.5	1.00	18.62	C, US, 13
5	1800	184TC	G825128.00	D	1,930	184TTGN14030	116	230/460	T-Stat	13.8	87.5	1.00	17.87	C, US, 13
5	1800	184TC	825128.00	√	1,952	184TTGN16026	—	230/460	T-Stat	12.4	90.2	1.00	18.62	C, US, 13
7 1/2	3600	213TC	G825188.00	D	2,867	213TTGN14005	241	230/460	T-Stat	19.0	88.5	1.00	22.25	C, US, 13
7 1/2	3600	213TC	825348.00	C/A	2,930	213TTGN16510	—	230/460	T-Stat	19.0	90.2	1.15	23.45	C, US, 13
7 1/2	1800	213TC	G825192.00	D	2,837	213TTGN4050	194	230/460	T-Stat	20.0	89.5	1.00	23.45	C, US, 13
7 1/2	1800	213TC	825192.00	C/A	2,905	213TTGN16026	—	230/460	T-Stat	19.2	91.7	1.00	23.45	C, US, 13
10	3600	215TC	G825193.00	D	3,010	215TTGN4031	271	230/460	T-Stat	24.0	90.2	1.00	22.25	C, US, 13
10	3600	215TC	825193.00	C/A	3,080	215TTGN16005	—	230/460	T-Stat	24.0	90.2	1.00	23.45	C, US, 13
10	1800	215TC	G825194.00	D	2,988	215TTGN4051	216	230/460	T-Stat	25.0	86.5	1.00	23.45	C, US, 13
10	1800	215TC	825194.00	C/A	3,056	215TTGN16026	—	230/460	T-Stat	25.0	91.7	1.00	23.45	C, US, 13
15	3600	254TC	G825195.00	D	3,808	254TTGP14014	301	230/460	T-Stat	35.0	90.2	1.00	24.19	C, US, 13
15	1800	254TC	G825196.00	D	4,462	T254T17XC1	370	230/460	T-Stat	39.0	91.0	1.00	25.77	C, US, 13
15	1800	254TC	825196.00	C/A	4,572	254TTGN16033	—	230/460	T-Stat	92.4	92.4	1.00	25.77	C, US, 13
20	3600	256TC	G825197.00	D	5,115	256TTGN14013	340	230/460	T-Stat	47.0	90.2	1.00	25.77	C, US, 13
20	1800	256TC	G825198.00	D	5,088	256TTGN14046	315	230/460	T-Stat	50.0	91.0	1.00	25.94	C, US, 13
20	1800	256TC	825198.00	C/A	5,218	256TTGN16033	—	230/460	T-Stat	48.0	93.0	1.00	25.77	C, US, 13

230/460 volt motors are suitable for use at 208 volts

Shaded model numbers are cast iron frame

Green items are Premium Efficient

Note † - Explosion-proof motors are Class I, Group D – Class II, Groups F & G

D - Item to be discontinued once inventory is depleted

C/A - Check Availability

♥ Note listing on inside back flap
Specifications are subject to change without notice



Explosion-Proof Motors

Three Phase - C Face With Base

Division I, Division II, Class I, Groups C&D - Class II, Groups F&G - W/Conduit Box

HP	SYN RPM 60 Hz	NEMA Frame	Catalog Number	Stock	List Price	Model Number	App. Wgt. (lbs)	Voltage	Over-load Prot.	F. L. Amps @ 230 V	% FL. Eff	Service Factor	"C" Dim. (Inches)	Notes
1/2	3600	56C	114625.00	√	1,009	A6T34EK1	33	230/460	Auto.	1.2	77.0	1.00	11.97	S, US, 12
1/2	1800	56C	114626.00	√	1,090	A6T17EK7	38	230/460	Auto.	1.3	76.0	1.00	11.97	S, US, 12
1/2	1800	56C	117859.00	√	1,073	C6T17EK11	38	230/460	T-Stat	1.3	76.0	1.00	11.97	S, US, 12
1/2	3600	56C	114627.00	√	1,052	A6T34EK2	35	230/460	Auto.	1.6	82.5	1.00	12.47	S, US, 12
1/2	1800	56C	114628.00	√	1,140	A6T17EK8	35	230/460	Auto.	1.7	75.0	1.00	12.47	S, US, 12
1/2	1800	56C	116190.00	√	1,433	C6T17XK23	34	230/460	T-Stat	2.4	68.0	1.00	13.44	S, US, 13
3/4	3600	56C	114629.00	√	1,087	A6T34XK2	33	230/460	Auto.	2.4	75.5	1.00	13.44	S, US, 13
3/4	1800	56C	114630.00	√	1,163	A6T17XK11	42	230/460	Auto.	2.6	75.0	1.00	13.94	S, US, 13
3/4	1800	56C	116191.00	√	1,461	C6T17XK24	38	230/460	T-Stat	3.0	75.5	1.00	13.44	S, US, 13
1	3600	56C	114631.00	D	1,136	A6T34XK3	34	230/460	Auto.	3.2	72.5	1.00	13.44	S, US, 13
1	3600	56C	119436.00	√	1,282	A6T34XK25	38	230/460	Auto.	3.0	80.0	1.00	13.94	S, US, 13
1	1800	56C	114632.00	D	1,234	C6T17XK12	48	230/460	Auto.	3.2	77.0	1.00	14.50	S, US, 13
1	1800	56C	119437.00	√	1,369	A6T17XK23	52	230/460	Auto.	3.3	85.5	1.00	15.94	S, US, 13
1	1800	56C	117850.00	D	1,216	A6T17XK27	48	230/460	T-Stat	3.2	77.0	1.00	14.50	S, US, 13
1	1800	56C	119438.00	√	1,354	C6T17XK34	52	230/460	T-Stat	3.3	85.5	1.00	15.94	S, US, 13
1	1800	143TC	121919.00	√	1,345	C143T17XK3	44	230/460	T-Stat	3.0	85.5	1.00	14.50	S, US, 13
1 1/2	3600	56C	114633.00	D	1,289	A6T34XK4	42	230/460	Auto.	4.2	81.5	1.00	13.94	S, US, 13
1 1/2	3600	56C	119439.00	√	1,289	A6T34XK24	47	230/460	Auto.	4.0	84.0	1.00	14.41	S, US, 13
1 1/2	1800	56C	114634.00	D	1,320	A6T17XK13	45	230/460	Auto.	4.4	80.0	1.00	15.94	S, US, 13
1 1/2	1800	56C	119440.00	√	1,405	A6T17XK35	51	230/460	Auto.	4.8	86.5	1.00	15.94	S, US, 13
1 1/2	1800	56C	117851.00	D	1,300	C6T17XK28	45	230/460	T-Stat	4.4	80.0	1.00	15.94	S, US, 13
1 1/2	1800	56C	119441.00	√	1,397	C6T17XK36	51	230/460	T-Stat	4.8	86.5	1.00	18.94	S, US, 13
1 1/2	1800	145TC	121920.00	√	1,393	C145T17XK6	58	230/460	T-Stat	4.8	86.5	1.15	16.00	S, US, 13
2	3600	56C	114635.00	D	1,276	A6T34XK5	51	230/460	Auto.	5.6	78.8	1.00	13.94	S, US, 13
2	3600	56C	119442.00	√	1,290	A6T34XK26	58	230/460	Auto.	4.8	85.5	1.00	15.02	S, US, 13
2	1800	145TC	121921.00	√	1,552	C145T17XK7	62	230/460	Auto.	5.8	86.5	1.00	15.02	S, US, 13
2	1800	145TC	121922.00	√	1,535	C145T17XK8	66	230/460	T-Stat	5.8	86.5	1.00	16.50	S, US, 13
3	3600	56C	114636.00	D	1,598	A6T34XK6	62	230/460	Auto.	7.6	84.0	1.00	15.44	S, US, 13
3	3600	56C	119443.00	√	1,610	C6T34XK24	66	230/460	Auto.	3.8	87.5	1.00	15.94	S, US, 13
3	3600	182TC	825125.00	√	1,840	182TTGN16508	95	230/460	T-Stat	7.6	87.5	1.15	17.62	C, US
3	1800	182TC	825126.00	√	1,840	182TTGN16529	96	230/460	T-Stat	7.8	90.2	1.15	17.60	C, US
5	3600	184TC	825127.00	√	1,964	184TTGN16503	130	230/460	T-Stat	12.0	88.5	1.15	17.62	C, US
5	1800	184TC	825071.00	√	1,964	184TTGN16537	130	230/460	T-Stat	12.8	90.2	1.15	17.60	C, US
7 1/2	3600	213TC	825072.00	√	2,949	213TTGN16507	143	230/460	T-Stat	18.0	90.2	1.15	20.68	C, US
7 1/2	1800	213TC	825073.00	√	2,920	213TTGN16526	143	230/460	T-Stat	18.6	91.7	1.15	20.68	C, US
10	3600	215TC	825074.00	√	3,097	215TTGN16505	160	230/460	T-Stat	23.0	91.7	1.15	20.68	C, US
10	1800	215TC	825075.00	√	3,074	215TTGN16526	160	230/460	T-Stat	25.0	91.7	1.15	20.68	C, US
15	3600	254TC	825076.00	√	3,918	254TTGN16507	245	230/460	T-Stat	34.6	91.7	1.15	24.02	C, US
15	1800	254TC	825077.00	√	4,591	254TTGN16540	246	230/460	T-Stat	36.0	92.4	1.15	24.02	C, US
20	3600	256TC	825078.00	√	5,263	256TTGN16513	271	230/460	T-Stat	46.0	91.0	1.15	25.77	C, US
20	1800	256TC	825079.00	√	5,235	256TTGN16543	273	230/460	T-Stat	49.0	93.0	1.15	25.77	C, US
25	3600	284TSC	825080.00	√	5,449	284TTGN16506	373	230/460	T-Stat	56.8	91.7	1.15	24.44	C, US
25	1800	284TC	825081.00	√	5,390	284TTGN16540	375	230/460	T-Stat	59.0	93.6	1.15	26.80	C, US
30	1800	286TC	825082.00	√	6,124	286TTGN16538	395	230/460	T-Stat	70.0	93.6	1.15	28.30	C, US
40	1800	324TC	825083.00	√	7,958	324TTGS1603	563	230/460	T-Stat	92.0	94.1	1.15	29.37	C, US
50	1800	326TC	825084.00	√	9,794	326TTGS16031	585	230/460	T-Stat	117.0	94.5	1.15	30.87	C, US

230/460 volt motors are suitable for use at 208 volts

Shaded model numbers are cast iron frame

Green items are Premium Efficient

Explosion proof motors having T-Stats are inverter rated

D - Item to be discontinued once inventory is depleted

Note 12 - TENV

♥ Note listing on inside back flap

Specifications are subject to change without notice



Explosion Proof Motors

Automotive Duty Motors

Pump Motors

Washguard Motors

Agricultural Duty Motors

HVAC / Fan Motors

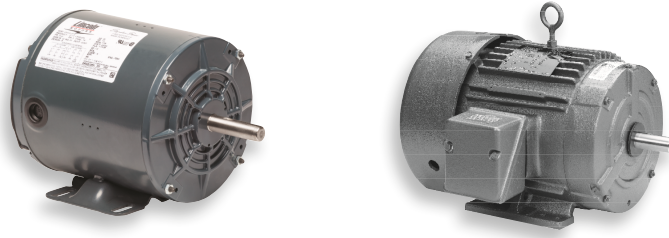
Special Voltage Motors

Definite Purpose Motors

Brake Motors

Automotive Duty Motors

Lincoln Automotive Duty Motors



- Meets NEMA U-frame dimensions and performance
- Meets or exceeds General Motors GM-7EH, and -7EQ, Ford Emi and Chrysler NPEM-100 specifications
- NEMA design B performance
- Inverter rated
- Oversized cast iron conduit box with threaded conduit holes
- Lower noise designs
- Shielded ball bearing construction
- UL recognized component listing and CSA approved
- Nameplated 1.15 service factor, 40° ambient and 1.00 service factor, 65° ambient

Applications:

Ideally suited for a wide variety of tough applications found in automotive manufacturing facilities and other industries utilizing U-Frame motors, which would include pumps, conveyors and fans.



Automotive Duty Motors

Lincoln Automotive Duty Motors

Totally Enclosed - 56 Frame - 1/4 HP - 1 HP

Features:

- NEMA Design B Performance
- Steel frame/cast aluminum end brackets
- Premium Class F Insulation system
- Continuous Duty

Application Notes:

Ideally suited for use on pumps, fans, conveyors, gear boxes and other equipment located in automotive manufacturing facilities.



Three Phase - TEFC - Rigid Base

HP	SYN RPM 60 Hz	NEMA Frame	Catalog Number	Stock	List Price	Model Number	App. Wgt. (lbs)	Voltage	F. L. Amps @ 460 V	% F.L. Eff.	Service Factor	"C" Dim. (Inches)	♥Notes
1/4	1800	56	LM25123	√	582	SRN4H0.25T61	22	230/460	1.1	68.0	1.00	9.94	S, MX
1/4	1200	56	LM25127	C/A	830	SRN6H0.25T61	28	230/460	1.2	73.4	1.00	10.94	S, MX
1/3	3600	56	LM25124	√	523	SRN2H0.33T61	20	230/460	2.0	64.0	1.00	9.94	S, US
1/3	1800	56	LM25115	C/A	619	SRN4H0.33T61	22	230/460	1.2	68.0	1.00	9.94	S, MX
1/3	1200	56	LM25116	C/A	840	SRN6H0.33T61	29	230/460	1.5	75.5	1.00	10.94	S, US
1/2	3600	56	LM25126	√	562	SRN2H0.5T61	23	230/460	1.6	74.0	1.00	9.94	S, US
1/2	1800	56	LM24258	√	707	SRN4H0.5T61	26	230/460	2.0	77.0	1.00	10.44	S, MX
1/2	1200	56	LM24268	√	927	SRN6H0.5T61	42	230/460	1.9	78.5	1.00	11.94	S, MX
3/4	3600	56	LM25133	C/A	642	SRN2H0.75T61	34	230/460	2.4	80.0	1.00	10.94	S, US
3/4	1800	56	LM24266	C/A	783	SRN4H0.75T61	30	230/460	2.4	81.5	1.00	10.94	S, MX
1	3600	56	LM25129	C/A	723	SRN2B1T61	41	230/460	2.8	82.5	1.00	11.94	S, US
1	1800	56	LM25113	D	616	SRF4H1T61	28	230/460	3.6	77.0	1.00	12.32	S, MX
1	1800	56	LM34178	√	775	SRF4B1T61	37	230/460	3.3	85.5	1.00	14.62	S, MX

230/460 volt motors are suitable for use at 208 volts

♥ Note listing on inside back flap
Specifications are subject to change without notice

Green items are Premium Efficient

LM Numbers are Lincoln Models

D - Item to be discontinued once inventory is depleted

C/A - Check Availability



Explosion Proof Motors

Automotive Duty Motors

Pump Motors

Washguard Motors

Agricultural Duty Motors

HVAC / Fan Motors

Special Voltage Motors

Definite Purpose Motors

Brake Motors

Automotive Duty Motors

Lincoln Automotive Duty Motors

Totally Enclosed - 56 Frame - 1/4 HP - 1 HP

Three Phase - C Face - Rigid Base

HP	SYN RPM 60 Hz	NEMA Frame	Catalog Number	Stock	List Price	Model Number	App. Wgt. (lbs)	Voltage	F. L. Amps @ 230 V	% F.L. Eff.	Service Factor	"C" Dim. (Inches)	Notes
1/4	1800	56C	LM25131	C/A	640	SRN4H0.25TC61	20	230/460	1.1	68.0	1.15	9.94	S, US
1/4	1200	56C	LM25135	√	892	SRN6H0.25TC61	24	230/460	1.2	73.4	1.00	10.94	S, US
1/3	3600	56C	LM25153	C/A	583	SRN2H0.33TC61	20	230/460	2.0	64.0	1.15	9.94	S, US
1/3	1800	56C	LM25149	C/A	680	SRN4H0.33TC61	22	230/460	1.2	68.0	1.00	9.94	S, US
1/2	3600	56C	LM25151	C/A	619	SRN2H0.5TC61	25	230/460	1.8	74.0	1.00	10.44	S, US
1/2	1800	56C	LM25114	√	768	SRN4H0.5TC61	24	230/460	2.0	77.0	1.00	10.44	S, MX
1/2	1200	56C	LM25134	C/A	986	SRN6H0.5TC61	42	230/460	1.9	78.5	1.00	11.94	S, MX
3/4	3600	56C	LM25119	C/A	704	SRN2H0.75TC61	34	230/460	2.4	80.0	1.00	10.94	S, US
3/4	1800	56C	LM25121	√	845	SRN4H0.75TC61	30	230/460	2.4	81.5	1.00	10.94	S, MX
1	3600	56C	LM25125	C/A	783	SRN2B1TC61	41	230/460	2.8	82.5	1.00	11.94	S, US
1	1800	56C	LM25117	D	677	SRF4H1TC61	29	230/460	3.6	77.0	1.00	12.31	S, MX
1	1800	56C	LM34180	√	849	SRF4B1TC61	35	230/460	3.3	85.5	1.00	14.15	S, MX, †

230/460 volt motors are suitable for use at 208 volts

♥ Note listing on inside back flap
Specifications are subject to change without notice

Green items are Premium Efficient

LM Numbers are Lincoln Models

† - meets 40° C @ 1.0 service factor

D - Item to be discontinued once inventory is depleted

C/A - Check Availability

Three Phase - TEFC - C Face Less Base

HP	SYN RPM 60 Hz	NEMA Frame	Catalog Number	Stock	List Price	Model Number	App. Wgt. (lbs)	Voltage	F. L. Amps @ 230 V	% F.L. Eff.	Service Factor	"C" Dim. (Inches)	Notes
1/4	1800	56C	LM25136	√	640	SRN4H0.25TCN61	19	230/460	1.1	68.0	1.00	9.94	S, MX
1/3	3600	56C	LM25158	C/A	583	SRN2H0.33TCN61	21	230/460	2.0	64.0	1.00	9.94	S, US
1/3	1800	56C	LM25128	C/A	680	SRN4H0.33TCN61	21	230/460	1.2	68.0	1.00	9.94	S, MX
1/2	3600	56C	LM25154	C/A	619	SRN2H0.5TCN61	23	230/460	1.6	74.0	1.15	9.94	S, US
1/2	1800	56C	LM24259	√	768	SRN4H0.5TCN61	26	230/460	2.0	77.0	1.00	10.44	S, MX
3/4	3600	56C	LM25139	C/A	702	SRN2H0.75TCN61	26	230/460	2.0	80.0	1.15	11.94	S, US
3/4	1800	56C	LM24262	C/A	845	SRN4H0.75TCN61	25	230/460	2.4	81.5	1.00	10.94	S, MX
1	3600	56C	LM25112	C/A	783	SRN2B1TCN61	33	230/460	2.8	82.5	1.00	11.94	S, US
1	1800	56C	LM24271	D	677	SRF4H1TCN61	26	230/460	3.6	77.0	1.00	12.32	S, MX
1	1800	56C	LM34181	√	849	SRF4B1TCN61	33	230/460	3.3	85.5	1.00	14.15	S, MX

230/460 volt motors are suitable for use at 208 volts

♥ Note listing on inside back flap
Specifications are subject to change without notice

Green items are Premium Efficient

LM Numbers are Lincoln Models

D - Item to be discontinued once inventory is depleted

C/A - Check Availability



Automotive Duty Motors

Lincoln Automotive Duty Motors

U-Frame - Three Phase - 460 Volts

Explosion Proof
Motors

Automotive
Duty Motors

Pump
Motors

Washguard
Motors

Agricultural
Duty Motors

HVAC / Fan
Motors

Special Voltage
Motors

Definite
Purpose Motors

Brake Motors

Features:

- Meets NEMA U-Frame dimensional and performance standards
- Meets or exceeds General Motors GM-7EH and -7EQ, Ford EM1, and Chrysler NPEM-100 specifications
- Full cast iron construction – all frame sizes
- Oversized, cast iron terminal box with threaded conduit holes
- NEMA Design B Performance
- Continuous Duty
- Inverter-Rated
- Premium Class F Insulation System

Application Notes:

Ideally suited for a wide variety of tough applications found in automotive manufacturing facilities and other industries utilizing U-Frame motors.

Lincoln U-Frame motors exceed NEMA MG-1, Section IV, Part 31 spike resistance requirements.

Three Phase - TEFC - Rigid Base

HP	SYN RPM 60 Hz	NEMA Frame	Catalog Number	Stock	List Price	Model Number	App. Wgt. (lbs)	Voltage	F. L. Amps @ 230 V	% F.L. Eff.	Service Factor	"C" Dim. (Inches)	Notes
3/4	1200	182U	LM21379	C/A	1,247	CCN6P0.75U64	89	460	1.3	82.5	1.00	12.21	C, US
1	1800	182U	LM21378	√	1,173	CCN4B1U64	110	460	1.5	87.5	1.00	12.21	C, US
1	1200	184U	LM21381	√	1,434	CCN6B1U64	108	460	1.7	86.5	1.00	13.21	C, US
1 1/2	3600	182U	LM21084	√	1,078	CCN2B1.5U64	108	460	2.0	85.5	1.00	12.21	C, US
1 1/2	1800	184U	LM21380	C/A	1,256	CCN4B1.5U64	108	460	2.1	88.8	1.00	13.21	C, US
1 1/2	1200	184U	LM20709	√	1,577	CCN6B1.5U64	99	460	2.2	87.5	1.00	13.21	C, US
2	3600	184U	LM21085	√	1,187	CCF2B2U64	120	460	2.7	85.5	1.00	15.69	C, US
2	1800	184U	LM20708	√	1,322	CCF4B2U64	120	460	2.6	89.5	1.00	15.69	C, US
2	1200	213U	LM21383	D	1,749	CCF6P2U64	170	460	3.1	87.5	1.00	17.82	C, US
2	1200	213U	LM34354	C/A	1,889	CCF6B2U64	177	460	—	88.5	1.00	—	C, US
3	3600	184U	LM20707	√	1,463	CCF2B3U64	120	460	3.8	87.5	1.00	15.69	C, US
3	1800	213U	LM21382	D	1,521	CCF4P3U64	170	460	4.0	88.5	1.00	17.82	C, US
3	1800	213U	LM34115	√	1,656	CCF4B3U64	177	460	3.9	89.5	1.00	19.25	C, US
3	1200	215U	LM20391	√	2,166	CCF6B3U64	170	460	4.4	89.5	1.00	19.32	C, US
5	3600	213U	LM21086	D	1,622	CCF2P5U64	170	460	6.4	87.5	1.00	17.82	C, US
5	3600	213U	LM34108	√	1,800	CCF2B5U64	174	460	5.9	91.0	1.00	—	C, US
5	1800	215U	LM20392	√	2,015	CCF4B5U64	170	460	6.5	89.5	1.00	19.32	C, US
5	1200	254U	LM21385	C/A	3,173	CCF6B5U64	260	460	6.7	90.2	1.00	23.27	C, US
7 1/2	3600	215U	LM20393	D	1,952	CCF2P7.5U64	170	460	9.5	88.5	1.00	19.32	C, US
7 1/2	3600	215U	LM34355	C/A	2,186	CCF2P7.5U64	—	460	—	91.7	1.00	—	C, US
7 1/2	1800	254U	LM21384	√	2,648	CCF4B7.5U64	260	460	9.6	91.7	1.00	23.44	C, US
7 1/2	1200	256U	LM20389	√	3,853	CCF6B7.5U64	332	460	9.9	91.0	1.00	25.02	C, US
10	3600	254U	LM21087	√	2,337	CCF2B10U64	260	460	12.0	89.5	1.00	23.44	C, US
10	1800	256U	LM20390	√	3,217	CCF4B10U64	260	460	12.5	91.7	1.00	25.19	C, US
15	3600	256U	LM20394	√	2,977	CCF2B15U64	260	460	17.5	91.7	1.00	25.02	C, US
15	1800	284U	LM21665	√	4,417	CCF4B15U64	525	460	18.0	92.4	1.00	26.52	C, US

Shaded model numbers are cast iron frame

♥ Note listing on inside back flap
Specifications are subject to change without notice

Green items are Premium Efficient

LM Numbers are Lincoln Models

D - Item to be discontinued once inventory is depleted

C/A - Check Availability

Please review our on-line catalog for updated information that was unavailable at the time of this printing



Automotive Duty Motors

Lincoln Automotive Duty Motors

U-Frame - Three Phase - 460 Volts

Three Phase - TEFC - Rigid Base

HP	SYN RPM 60 Hz	NEMA Frame	Catalog Number	Stock	List Price	Model Number	App. Wgt. (lbs)	Voltage	F. L. Amps @ 230 V	% F.L. Eff.	Service Factor	"C" Dim. (Inches)	♥Notes
20	3600	286U	LM21088	√	4,047	CCF2B20U64	525	460	23.4	90.2	1.00	28.02	C, US
20	1800	286U	LM20029	√	5,429	CCF4B20U64	525	460	24.1	93.0	1.00	28.02	C, US
25	3600	324U	LM21089	C/A	5,192	CCF2B25U64	748	460	28.1	93.6	1.00	29.34	C, US
25	3600	324US	LM21807	C/A	5,192	CCF2B25US64	748	460	28.1	93.6	1.00	26.97	C, US
25	1800	324U	LM21386	D	6,793	CCF4P25U64	748	460	30.5	92.1	1.00	29.24	C, US
25	1800	324U	LM34109	√	7,439	CCF4B25U64	—	460	31.0	93.6	1.00	29.34	C, US
30	3600	326US	LM21810	D	6,261	CCF2P30US64	748	460	35.0	91.0	1.00	28.47	C, US
30	3600	326US	LM34333	C/A	6,950	CCF2B30US64	—	460	—	91.7	1.00	—	C, US
30	1800	326U	LM20030	C/A	7,936	CCF4B30U64	748	460	36.0	94.1	1.00	30.74	C, US
40	3600	364US	LM21091	C/A	8,177	CCF2B40US64	908	460	45.0	93.6	1.00	29.38	C, US
40	1800	364U	LM21388	C/A	10,463	CCF4B40U64	977	460	47.0	94.1	1.00	32.00	C, US
50	3600	365US	LM21092	C/A	10,317	CCF2B50US64	980	460	56.0	94.1	1.00	30.38	C, US
50	3600	365U	LM21799	√	10,317	CCF2B50U64	980	460	56.0	94.1	1.00	33.00	C, US
50	1800	365U	LM19530	C/A	12,277	CCF4B50U64	1063	460	57.0	94.5	1.00	33.00	C, US
60	3600	405US	LM19532	C/A	12,275	CCF2B60US64	1130	460	66.0	94.1	1.00	34.12	C, US
60	1800	405U	LM21391	C/A	15,241	CCF4B60U64	1110	460	68.0	95.0	1.00	37.00	C, US
75	3600	444US	LM21093	C/A	16,130	CCF2B75US64	1685	460	84.0	94.1	1.00	38.94	C, US
75	1800	444U	LM21392	D	18,798	CCF4P75U64	1787	460	85.0	95.0	1.00	41.38	C, US
75	1800	444U	LM34110	C/A	21,053	CCF4B75U64Y	—	460	85.0	95.4	1.00	43.47	C, US
75	1200	445U	LM19535	C/A	21,976	CCF6B75U64	1787	460	90.0	95.0	1.00	43.70	C, US
100	3600	445US	LM21094	C/A	21,317	CCF2B100US64	1685	460	113.0	95.4	1.00	38.94	C, US
100	1800	445U	LM19534	C/A	23,370	CCF4B100U64	1787	460	113.0	95.4	1.00	43.47	C, US

Shaded model numbers are cast iron frame

♥ Note listing on inside back flap
Specifications are subject to change without notice

Green items are Premium Efficient

LM Numbers are Lincoln Models

D - Item to be discontinued once inventory is depleted

C/A - Check Availability

Please review our on-line catalog for updated information
that was unavailable at the time of this printing

U-Frame - Three Phase - 460 Volts -C Face Less Base

Three Phase - TEFC - C Face Less Base

HP	SYN RPM 60 Hz	NEMA Frame	Catalog Number	Stock	List Price	Model Number	App. Wgt. (lbs)	Voltage	F. L. Amps @ 230 V	% F.L. Eff.	Service Factor	"C" Dim. (Inches)	♥Notes
1	1800	182UC	LM23781	√	1,256	CCN4B1UCN64	108	460	1.5	87.5	1.00	12.96	C, US
1 1/2	1800	184UC	LM23783	C/A	1,338	CCN4B1.5UCN64	120	460	2.1	88.5	1.00	13.96	C, US
2	1800	184UC	LM23782	√	1,406	CCF4B2UCN64	132	460	2.6	89.5	1.00	16.22	C, US
3	1800	213UC	LM23854	D	1,857	CCF4P3UCN64	175	460	4.0	88.5	1.00	18.58	C, US
3	1800	213UC	LM34356	C/A	1,857	CCF4B3UCN64	—	460	—	89.5	1.00	—	C, US
5	1800	215UC	LM24072	√	2,305	CCF4B5UCN64	181	460	6.5	89.5	1.00	18.58	C, US
7 1/2	1800	254UC	LM23784	C/A	2,778	CCF4B7.5UCN64	385	460	9.6	91.7	1.00	23.94	C, US

Shaded model numbers are cast iron frame

♥ Note listing on inside back flap
Specifications are subject to change without notice

Green items are Premium Efficient

LM Numbers are Lincoln Models

D - Item to be discontinued once inventory is depleted

C/A - Check Availability

Please review our on-line catalog for updated information
that was unavailable at the time of this printing



Automotive Duty Motors

Lincoln Automotive Duty Motors

U-Frame - Three Phase - 460 Volts

Three Phase - TEFC - C Face With Base

HP	SYN RPM 60 Hz	NEMA Frame	Catalog Number	Stock	List Price	Model Number	App. Wgt. (lbs)	Voltage	F. L. Amps @ 230 V	% F.L. Eff.	Service Factor	"C" Dim. (Inches)	Notes
3/4	1200	182UC	LM21828	C/A	1,328	CCN6P0.75UC64	120	460	1.3	82.5	1.00	12.96	C, US
1	1800	182UC	LM21827	C/A	1,256	CCN4B1UC64	120	460	1.5	87.5	1.00	12.96	C, US
1 1/2	3600	182UC	LM21826	C/A	1,162	CCN2B1.5UC64	120	460	2.0	85.5	1.00	12.96	C, US
1 1/2	1800	184UC	LM21833	C/A	1,338	CCN4B1.5UC64	120	460	2.1	88.5	1.00	13.96	C, US
2	3600	184UC	LM21831	C/A	1,276	CCF2B2UC64	132	460	2.7	85.5	1.00	14.10	C, US
2	1800	184UC	LM21832	C/A	1,406	CCF4B2UC64	132	460	2.6	89.5	1.00	16.22	C, US
3	3600	184UC	LM21829	√	1,524	CCF2B3UC64	132	460	3.8	87.5	1.00	16.22	C, US
3	1800	213UC	LM21837	D	1,617	CCF4P3UC64	181	460	4.0	88.5	1.00	18.58	C, US
3	1800	213UC	LM34112	C/A	1,858	CCF4B3UC64	---	460	3.9	89.5	1.00	20.00	C, US
3	1200	215UC	LM21841	C/A	2,264	CCF6B3UC64	181	460	4.4	89.5	1.00	20.08	C, US
5	3600	213UC	LM21836	D	1,702	CCF2P5UC64	181	460	6.4	87.5	1.00	18.58	C, US
5	3600	213UC	LM34113	√	1,957	CCF2B5UC64	---	460	5.9	91.0	1.00	20.00	C, US
5	1800	215UC	LM21840	C/A	2,114	CCF4B5UC64	181	460	6.5	89.5	1.00	20.08	C, US
5	1200	254UC	LM21844	√	3,139	CCF6B5UC64	272	460	6.7	90.2	1.00	23.77	C, US
7 1/2	3600	215UC	LM21839	D	2,048	CCF2P7.5UC64	181	460	9.5	88.5	1.00	20.08	C, US
7 1/2	3600	215UC	LM34114	C/A	2,212	CCF2B7.5UC64	---	460	8.9	90.2	1.00	20.00	C, US
7 1/2	1800	254UC	LM21843	C/A	2,778	CCF4B7.5UC64	272	460	9.6	91.7	1.00	23.89	C, US
10	3600	254UC	LM21842	D	2,464	CCF2P10UC64	272	460	12.0	89.5	1.00	23.89	C, US
10	3600	254UC	LM34334	C/A	2,760	CCF2B10UC64	---	460	---	90.2	1.00	---	C, US
10	1800	256UC	LM21846	√	3,345	CCF4B10UC64	272	460	12.5	91.7	1.00	25.64	C, US
15	3600	256UC	LM21845	√	3,103	CCF2B15UC64	272	460	17.5	91.7	1.00	25.22	C, US
15	1800	284UC	LM21848	√	4,643	CCF4B15UC64	531	460	18.0	92.4	1.00	26.52	C, US
15	1200	324UC	LM21854	√	6,728	CCF6B15UC64	757	460	19.2	92.4	1.00	32.50	C, US
20	3600	286UC	LM21850	D	4,269	CCF2P20UC64	531	460	23.4	90.2	1.00	28.02	C, US
20	3600	286UC	LM34335	C/A	4,909	CCF2B20UC64	---	460	---	91.0	1.00	---	C, US
20	1800	286UC	LM21851	√	5,649	CCF4B20UC64	531	460	24.1	93.0	1.00	28.02	C, US
20	1200	326UC	LM21857	C/A	8,138	CCF6B20UC64	757	460	25.5	92.4	1.00	34.00	C, US
25	3600	324UC	LM21893	C/A	5,567	CCF2B25UC64	755	460	28.1	93.6	1.00	27.22	C, US
25	1800	324UC	LM21853	C/A	7,163	CCF4B25UC64	755	460	---	94.1	1.00	---	C, US
30	3600	326UC	LM21880	D	6,635	CCF2P30UC64	755	460	35.0	91.0	1.00	28.72	C, US
30	3600	326UC	LM34336	C/A	7,643	CCF2B30UC64	---	460	---	91.7	1.00	---	C, US
30	1800	326UC	LM21856	C/A	8,305	CCF4B30UC64	755	460	---	94.1	1.00	---	C, US
40	3600	364UC	LM21883	C/A	8,773	CCF2B40UC64	917	460	45.0	93.6	1.00	29.38	C, US
40	1800	364UC	LM21859	C/A	11,061	CCF4B40UC64	986	460	46.5	94.1	1.00	32.00	C, US
50	3600	365UC	LM21886	C/A	10,915	CCF2B50UC64	989	460	---	94.1	1.00	---	C, US
50	1800	365UC	LM21862	C/A	12,874	CCF4B50UC64	1072	460	57.0	94.5	1.00	33.00	C, US
60	3600	405UC	LM21890	C/A	12,981	CCF2B60UC64	1143	460	65.5	94.1	1.00	34.12	C, US
60	1800	405UC	LM21866	C/A	15,952	CCF4B60UC64	1123	460	67.5	95.0	1.00	37.00	C, US
75	3600	444UC	LM21877	C/A	17,008	CCF2B75UC64	1708	460	82.0	94.1	1.00	37.00	C, US
75	1800	444UC	LM21869	D	19,676	CCF4P75UC64	1810	460	85.0	95.0	1.00	41.38	C, US
75	1800	444UC	LM34337	C/A	20,462	CCF4B75UC64	---	460	---	95.4	1.00	---	C, US
100	3600	445UC	LM21896	C/A	22,192	CCF2B100UC64	1708	460	---	95.4	1.00	---	C, US
100	1800	445UC	LM21872	C/A	24,243	CCF4B100UC64	1810	460	---	95.4	1.00	---	C, US

Shaded model numbers are cast iron frame

Green items are Premium Efficient

LM Numbers are Lincoln Models

D - Item to be discontinued once inventory is depleted

C/A - Check Availability

Please review our on-line catalog for updated information that was unavailable at the time of this printing

♥ Note listing on inside back flap
Specifications are subject to change without notice



Explosion Proof Motors

Automotive Duty Motors

Pump Motors

Washguard Motors

Agricultural Duty Motors

HVAC / Fan Motors

Special Voltage Motors

Definite Purpose Motors

Brake Motors

Pump Motors

Explosion Proof
Motors

Automotive
Duty Motors

Pump
Motors

Washguard
Motors

Agricultural
Duty Motors

HVAC / Fan
Motors

Special Voltage
Motors

Definite
Purpose Motors

Brake Motors



- Jet pump, JM & JP pump, carbonator pump and fire pump motors
- Washdown duty pump motors available
- Explosion proof jet pump motors available
- Three phase and single phase models
- Premium efficient JM & JP pump motors available
- 1.15 service factor or better
- Jet pump motors have quick connect terminal boards
- Drip-proof and totally enclosed designs
- Drip-cover kits available on drip-proof designs
- Threaded jet pump motors have stainless steel shafts
- Jet pump single phase motors have automatic overload protection
- 1-year warranty on standard motors, 2-year warranty on "G" models and 3-year warranty on premium efficiency models
- UL recognized and CSA certified

Applications:

Designed for various applications that you may find in the pumping industry where direct coupled motor to pump is required.



Pump Motors

Jet Pump Motors - Single Phase

Explosion Proof
Motors

Automotive
Duty Motors

Pump
Motors

Washguard
Motors

Agricultural
Duty Motors

HVAC / Fan
Motors

Special Voltage
Motors

Definite
Purpose Motors

Brake Motors

General Specifications:

- NEMA 56 C face mounting flange
- Keyed shafts made of carbon steel
- Threaded shafts made of 416 grade stainless steel
- Dual rotation - Key shaft motors only
- Quiet flow-through ventilation system
- Double sealed bearings on shaft end
- Terminal board with quick connects
- Locked shaft-end bearings
- Automatic overload protection
- UL recognized and CSA certified



Keyed Shaft - Drip-Proof - Single Phase - C Face Less Base

HP	SYN RPM 60 Hz	NEMA Frame	Catalog Number	Stock	List Price	Model Number	App. Wgt. (lbs)	Voltage	Over- load Prot.	F. L. Amps @ 230 V	Service Factor	"C" Dim. (Inches)	♥Notes
1/2	3600	S56C	100204.00	√	356	A4C34DC4	19	115/230	Auto.	3.4	1.60	9.49	S, MX, 30
3/4	3600	S56C	100205.00	√	469	A4C34DC5	21	115/230	Auto.	5.1	1.50	9.99	S, MX, 30
1	3600	S56C	100722.00	√	506	A4C34DC21	24	115/230	Auto.	5.7	1.40	10.49	S, MX, 30
1 1/2	3600	56C	110288.00	√	665	U6C34DC18	31	115/230	Auto.	9.0	1.30	11.34	S, US, 30
2	3600	56C	110289.00	√	857	U6C34DC19	37	115/230	Auto.	10.5	1.25	12.34	S, US, 30
3	3600	56C	117715.00	√	876	U6K34DC19	49	230	Auto.	12.8	1.15	13.55	S, US, 30, 53

♥ Note listing on inside back flap
Specifications are subject to change without notice

Threaded Shaft - Drip-Proof - Single Phase - C Face Less Base

HP	SYN RPM 60 Hz	NEMA Frame	Catalog Number	Stock	List Price	Model Number	App. Wgt. (lbs)	Voltage	Over- load Prot.	F. L. Amps @ 230 V	Service Factor	"C" Dim. (Inches)	♥Notes
1/2	3600	S56J	100207.00	√	343	A4C34DC7	19	115/230	Auto.	3.4	1.60	10.00	S, MX, 30
3/4	3600	S56J	100208.00	√	446	A4C34DC8	21	115/230	Auto.	5.1	1.50	10.50	S, MX, 30
1	3600	S56J	100723.00	√	468	A4C34DC22	23	115/230	Auto.	5.7	1.40	11.00	S, MX, 30
1 1/2	3600	56J	110292.00	D	650	U6C34DC21	31	115/230	Auto.	9.0	1.30	11.34	S, US, 30
1 1/2	3600	56J	119090.00	√	546	119090.00	25	115/230	Auto.	9.2	1.30	11.89	S, MX, 30
2	3600	56J	119091.00	√	738	119091.00	38	115/230	Auto.	10.6	1.20	13.73	S, MX, 30
3	3600	56J	117716.00	D	827	U6K34DC20	51	230	Auto.	12.8	1.15	14.15	S, US, 30, 53
3	3600	56J	119092.00	√	754	119092.00	48	115/230	Auto.	14.7	1.15	13.17	S, MX, 30, 53

D - Item to be discontinued once inventory is depleted

♥ Note listing on inside back flap
Specifications are subject to change without notice



Pump Motors

Jet Pump Motors - Single Phase

Threaded Shaft - Totally Enclosed - Single Phase - C Face Less Base

HP	SYN RPM 60 Hz	NEMA Frame	Catalog Number	Stock	List Price	Model Number	App. Wgt. (lbs)	Voltage	Over-load Prot.	F. L. Amps @ 230 V	Service Factor	"C" Dim. (Inches)	♥Notes
1/2	3600	56J	113955.00	√	402	A6C34FC44	22	115/230	Auto.	3.8	1.60	11.31	S, US, 30
3/4	3600	56J	113956.00	√	478	A6C34FC45	26	115/230	Auto.	5.0	1.50	11.81	S, US, 30
1	3600	56J	113639.00	√	583	A6C34FC41	30	115/230	Auto.	6.0	1.25	12.31	S, US, 30
1 1/2	3600	56J	113640.00	√	694	A6C34FC42	34	115/230	Auto.	8.5	1.00	12.81	S, US, 30
2	3600	56J	113641.00	√	820	U6C34FC34	41	115/230	Auto.	10.0	1.00	13.81	S, US, 30

♥ Note listing on inside back flap
Specifications are subject to change without notice

Threaded Shaft - Totally Enclosed - Single Phase - C Face With Base

HP	SYN RPM 60 Hz	NEMA Frame	Catalog Number	Stock	List Price	Model Number	App. Wgt. (lbs)	Voltage	Over-load Prot.	F. L. Amps @ 230 V	Service Factor	"C" Dim. (Inches)	♥Notes
1/2	3600	56J	113637.00	√	463	A6C34FK49	23	115/230	Auto.	3.8	1.60	11.31	S, US, 30
3/4	3600	56J	113638.00	√	494	A6C34FK50	26	115/230	Auto.	5.0	1.50	11.81	S, US, 30
1	3600	56J	113957.00	√	598	A6C34FK53	28	115/230	Auto.	6.0	1.25	12.31	S, US, 30
1 1/2	3600	56J	113958.00	√	711	A6C34FK54	34	115/230	Auto.	8.5	1.00	12.81	S, US, 30
2	3600	56J	113959.00	√	838	U6C34FK55	43	115/230	Auto.	10.0	1.00	13.81	S, US, 30

♥ Note listing on inside back flap
Specifications are subject to change without notice

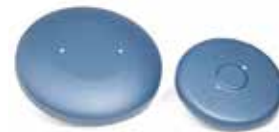
Threaded Shaft - Explosion Proof - Totally Enclosed - Single Phase - C Face Less Base

HP	SYN RPM 60 Hz	NEMA Frame	Catalog Number	Stock	List Price	Model Number	App. Wgt. (lbs)	Voltage	Over-load Prot.	F. L. Amps @ 230 V	Service Factor	"C" Dim. (Inches)	♥Notes
1/2	3600	56J	116188.00	√	822	A6C34XC31	35	115/230	Auto.	3.8	1.00	13.96	S, US
3/4	3600	56J	116186.00	√	926	A6C34XC32	40	115/230	Auto.	5.0	1.00	14.46	S, US
1	3600	56J	116185.00	√	993	A6C34XC33	49	115/230	Auto.	6.0	1.00	14.96	S, US
1 1/2	3600	56J	116183.00	√	1,273	A6C34XC34	52	115/230	Auto.	8.5	1.00	15.46	S, US
2	3600	56J	116181.00	√	1,385	A6C34XC35	54	115/230	Auto.	10.5	1.00	16.46	S, US

♥ Note listing on inside back flap
Specifications are subject to change without notice

Drip-Cover Kits

Each kit includes one drip-cover, designed to protect motors from rain, snow and ice when mounted outdoors in a vertical position.



Drip Cover Kits For Jet Pump Motors

Frame	Catalog Number	App. Wgt. (lbs)	List Price	♥Notes
48-S56	175003.00	2	57	
48-S56	175298.00	2	57	P
56 / 143T-145T	175004.00	2	66	

Note P - For motors having a "P" suffix on date code

Pump Motors

Jet Pump Motors - Three Phase

Explosion Proof Motors

Automotive Duty Motors

Pump Motors

Washguard Motors

Agricultural Duty Motors

HVAC / Fan Motors

Special Voltage Motors

Definite Purpose Motors

Brake Motors

General Specifications:

- NEMA 56 C face mounting flange
- Threaded shafts made of 303 grade stainless steel
- CCW rotation facing lead end
- Quiet flow-through ventilation system
- Double sealed bearings on shaft end
- Terminal board with quick connects
- Locked shaft end bearings
- Automatic overload protection on explosion proof Jet Pump motors
- UL recognized and CSA certified



Threaded Shaft - Drip-Proof - Three Phase - C Face Less Base

HP	SYN RPM 60 Hz	NEMA Frame	Catalog Number	Stock	List Price	Model Number	App. Wgt. (lbs)	Voltage	F. L. Amps @ 230 V	% F.L. EFF.	Service Factor	"C" Dim. (Inches)	♥Notes
1/3	3600	S56J	102197.00	√	357	C4T34DC25	15	230/460	1.4	68.0	1.35	9.50	S, US
1/3	1800	S56J	103723.00	√	389	C4T17DC50	16	230/460	1.8	64.3	1.35	10.00	S, MX
1/2	3600	S56J	102198.00	√	376	C4T34DC26	17	230/460	1.8	69.0	1.25	9.75	S, US
1/2	1800	S56J	103724.00	√	422	C4T17DC51	18	230/460	2.0	68.0	1.25	10.00	S, MX
3/4	3600	S56J	101637.00	√	453	C4T34DC20	18	230/460	2.4	79.0	1.15	10.00	S, US
3/4	1800	S56J	103725.00	√	498	C4T17DC52	19	230/460	2.8	75.0	1.25	10.50	S, MX
1	3600	S56J	101638.00	√	502	C4T34DC21	25	230/460	3.0	78.0	1.15	11.25	S, US
1	1800	56J	117872.00	√	531	C6T17DC89	26	230/460	4.2	78.5	1.15	10.87	S, US
1 1/2	3600	56J	113891.00	√	600	C6T34DC64	28	230/460	4.2	81.5	1.15	11.34	S, US
1 1/2	1800	56J	117873.00	√	627	C6T17DC87	29	230/460	5.6	78.5	1.15	11.87	S, US
2	3600	56J	113892.00	√	713	C6T34DC65	33	230/460	5.6	82.5	1.15	11.84	S, US
2	1800	56J	117874.00	√	716	C6T17DC88	34	230/460	6.2	78.5	1.15	11.87	S, US
3	3600	56J	113893.00	√	843	C6T34DC66	36	230/460	7.6	84.0	1.15	12.34	S, US
5	3600	56J	116698.00	√	924	C6T34DC92	45	230/460	12.4	85.5	1.15	13.88	S, US

230/460 volt motors are suitable for use at 208 volts

♥ Note listing on inside back flap
Specifications are subject to change without notice

Threaded Shaft - Drip-Proof - Three Phase - C Face With Base

HP	SYN RPM 60 Hz	NEMA Frame	Catalog Number	Stock	List Price	Model Number	App. Wgt. (lbs)	Voltage	F. L. Amps @ 230 V	% F.L. EFF.	Service Factor	"C" Dim. (Inches)	♥Notes
1/2	3600	S56J	102199.00	√	393	C4T34DK8	17	230/460	1.8	69.0	1.25	9.75	S, US
1/2	1800	S56J	103726.00	√	435	C4T17DK12	18	230/460	2.4	68.0	1.25	10.50	S, MX
3/4	3600	S56J	101776.00	√	453	C4T34DK5	18	230/460	2.4	79.0	1.15	10.00	S, US
3/4	1800	S56J	103727.00	√	513	C4T17DK13	19	230/460	2.8	75.0	1.25	10.50	S, MX
1	3600	S56J	101775.00	√	505	C4T34DK6	26	230/460	3.0	78.0	1.15	11.25	S, US
1	1800	56J	117875.00	√	544	C6T17DK34	28	230/460	4.2	78.5	1.15	10.87	S, US
1 1/2	3600	56J	114203.00	√	615	C6T34DK5	33	230/460	4.2	81.5	1.15	11.34	S, US
1 1/2	1800	56J	117876.00	√	648	C6T17DK35	34	230/460	5.6	78.5	1.15	11.87	S, US
2	3600	56J	114202.00	√	734	C6T34DK6	35	230/460	5.6	82.5	1.15	11.84	S, US
3	3600	56HJ	114201.00	√	864	C6T34DK7	35	230/460	8.0	84.0	1.15	11.84	S, US
5	3600	56HJ	116699.00	√	949	C6T34DK18	47	230/460	12.4	85.5	1.15	13.88	S, US

230/460 volt motors are suitable for use at 208 volts

♥ Note listing on inside back flap
Specifications are subject to change without notice



Pump Motors

Jet Pump Motors - Three Phase

Threaded Shaft - Totally Enclosed - Three Phase - C Face Less Base

HP	SYN RPM 60 Hz	NEMA Frame	Catalog Number	Stock	List Price	Model Number	App. Wgt. (lbs)	Voltage	F. L. Amps @ 230 V	% F.L. EFF.	Service Factor	"C" Dim. (Inches)	♥Notes
1/2	3600	56J	114931.00	√	425	C6T34FC49	21	230/460	2.0	67.0	1.15	10.81	S, US
3/4	3600	56J	114208.00	√	469	C6T34FC37	22	230/460	2.4	75.5	1.15	11.31	S, US
1	3600	56J	114207.00	√	558	C6T34FC38	25	230/460	3.2	77.0	1.15	11.31	S, US
1 1/2	3600	56J	114206.00	D	580	C6T34FC39	31	230/460	4.2	81.5	1.15	12.31	S, US
1 1/2	3600	56J	119453.00	√	667	C6T34FC124	33	230/460	4.0	84.0	1.15	12.66	S, US
2	3600	56J	114205.00	D	735	C6T34FC40	40	230/460	5.6	82.5	1.15	12.81	S, US
2	3600	56J	119455.00	√	841	C6T34FC125	43	230/460	4.8	85.5	1.15	13.66	S, US
3	3600	56J	114204.00	D	794	C6T34FC41	52	230/460	7.6	84.0	1.15	13.31	S, US
3	3600	56J	119456.00	√	889	C6T34FC126	55	230/460	8.0	86.5	1.15	14.16	S, US

230/460 volt motors are suitable for use at 208 volts

♥ Note listing on inside back flap
Specifications are subject to change without notice

Green items are Premium Efficient

D - Item to be discontinued once inventory is depleted

Threaded Shaft - Totally Enclosed - Three Phase - C Face With Base

HP	SYN RPM 60 Hz	NEMA Frame	Catalog Number	Stock	List Price	Model Number	App. Wgt. (lbs)	Voltage	F. L. Amps @ 230 V	% F.L. EFF.	Service Factor	"C" Dim. (Inches)	♥Notes
3/4	3600	56J	113028.00	√	563	C6T34FK34	23	230/460	2.4	75.5	1.15	11.31	S, US
1	3600	56J	113029.00	√	575	C6T34FK35	24	230/460	3.2	77.0	1.15	11.31	S, US
1 1/2	3600	56J	113030.00	D	593	C6T34FK36	32	230/460	4.2	81.5	1.15	12.31	S, US
1 1/2	3600	56J	119452.00	√	693	C6T34FK134	34	230/460	4.0	84.0	1.15	12.66	S, US
2	3600	56J	113031.00	D	743	C6T34FK37	41	230/460	5.6	82.5	1.15	12.81	S, US
2	3600	56J	119454.00	√	859	C6T34FK135	44	230/460	4.8	85.5	1.15	13.66	S, US
3	3600	56HJ	113032.00	D	811	C6T34FK38	53	230/460	7.6	84.0	1.15	13.31	S, US
3	3600	56HJ	119457.00	√	900	C6T34FK136	56	230/460	8.0	86.5	1.15	14.16	S, US

230/460 volt motors are suitable for use at 208 volts

♥ Note listing on inside back flap
Specifications are subject to change without notice

Green items are Premium Efficient

D - Item to be discontinued once inventory is depleted

Threaded Shaft - Explosion Proof - TEFC/TENV Three Phase - C Face Less Base

HP	SYN RPM 60 Hz	NEMA Frame	Catalog Number	Stock	List Price	Model Number	App. Wgt. (lbs)	Voltage	F. L. Amps @ 230 V	% F.L. EFF.	Service Factor	"C" Dim. (Inches)	♥Notes
1/2	3600	56J	116187.00	√	1,016	A6T34EC28	33	230/460	1.6	82.5	1.00	12.87	S, US, 12, 47
1	3600	56J	116184.00	√	1,093	A6T34XC31	33	230/460	3.6	72.5	1.00	13.46	S, US, 13
1	3600	56J	119424.00	√	1,240	A6T34XC49	36	230/460	2.4	80.0	1.00	14.45	S, US, 13
1 1/2	3600	56J	116182.00	D	1,121	A6T34XC30	48	230/460	4.6	81.5	1.00	14.46	S, US, 13
1 1/2	3600	56J	119429.00	√	1,244	A6T34XC50	48	230/460	4.6	84.0	1.00	15.45	S, US, 13
2	3600	56J	116180.00	D	1,171	A6T34XC29	50	230/460	6.0	82.5	1.00	14.96	S, US, 13
2	3600	56J	119434.00	√	1,280	A6T34XC52	50	230/460	5.0	85.5	1.00	15.45	S, US, 13

230/460 volt motors are suitable for use at 208 volts

♥ Note listing on inside back flap
Specifications are subject to change without notice

Green items are Premium Efficient

D - Item to be discontinued once inventory is depleted

Note 12 - TENV



Pump Motors

Washguard® Jet Pump Motors

Washdown duty three phase jet pump motors for industrial service. These motors include all of the features of LEESON's White Duck Washguard® motors with the addition of a 56J threaded shaft for use on jet pumps. For demanding pump applications in wet, humid, or washdown environments.



Washguard® - Jet Pump - Threaded Shaft Three Phase - TEFC - C Face Less Base

HP	SYN RPM 60 Hz	NEMA Frame	Catalog Number	Stock	List Price	Model Number	App. Wgt. (lbs)	Voltage	F. L. Amps @ 230 V	% FL. EFF.	Service Factor	"C" Dim. (Inches)	♥Notes
3/4	3600	56J	116774.00	√	735	C6T34WC14	23	230/460	2.4	75.5	1.15	10.81	S, US
1	3600	56J	116775.00	√	854	C6T34WC15	35	230/460	3.2	77.0	1.15	10.81	S, US
1 1/2	3600	56J	116776.00	D	909	C6T34WC13	42	230/460	4.2	81.5	1.15	11.81	S, US
1 1/2	3600	56J	119459.00	√	983	C6T34WC24	44	230/460	4.0	84.0	1.15	12.87	S, US
2	3600	56J	116777.00	D	1,039	C6T34WC11	47	230/460	5.6	82.5	1.15	12.31	S, US
2	3600	56J	119460.00	√	1,222	C6T34WC25	50	230/460	4.8	85.5	1.15	13.87	S, US
3	3600	56J	116778.00	D	1,090	C6T34WC10	52	230/460	7.6	84.0	1.15	13.25	S, US
3	3600	56J	119462.00	√	1,252	C6T34WC26	55	230/460	8.0	86.5	1.15	14.37	S, US

230/460 volt motors are suitable for use at 208 volts

♥ Note listing on inside back flap
Specifications are subject to change without notice

Green items are Premium Efficient

D - Item to be discontinued once inventory is depleted

Washguard® - Jet Pump - Threaded Shaft Three Phase - TEFC - C Face With Base



HP	SYN RPM 60 Hz	NEMA Frame	Catalog Number	Stock	List Price	Model Number	App. Wgt. (lbs)	Voltage	F. L. Amps @ 230 V	% FL. EFF.	Service Factor	"C" Dim. (Inches)	♥Notes
3/4	3600	56J	116779.00	√	754	C6T34WK12	24	230/460	2.4	75.5	1.15	10.81	S, US
1	3600	56J	116780.00	√	876	C6T34WK13	36	230/460	3.2	77.0	1.15	10.81	S, US
1 1/2	3600	56J	116781.00	D	950	C6T34WK11	43	230/460	4.2	81.5	1.15	11.81	S, US
1 1/2	3600	56J	119458.00	√	1,003	C6T34WK30	45	230/460	4.0	84.0	1.15	12.87	S, US
2	3600	56J	116782.00	D	1,056	C6T34WK10	48	230/460	5.6	82.5	1.15	12.31	S, US
2	3600	56J	119461.00	√	1,240	C6T34WK31	51	230/460	4.8	85.5	1.15	13.87	S, US
3	3600	56J	116783.00	D	1,125	C6T34WK9	53	230/460	7.6	84.0	1.15	13.25	S, US
3	3600	56J	119463.00	√	1,269	C6T34WK32	56	230/460	8.0	86.5	1.15	14.37	S, US

230/460 volt motors are suitable for use at 208 volts

♥ Note listing on inside back flap
Specifications are subject to change without notice

Green items are Premium Efficient

D - Item to be discontinued once inventory is depleted



Explosion Proof Motors

Automotive Duty Motors

Pump Motors

Washguard Motors

Agricultural Duty Motors

HVAC / Fan Motors

Special Voltage Motors

Definite Purpose Motors

Brake Motors

Pump Motors

ecoSaver



Features:

- 303 stainless shaft
- Capacitor run low speed, PSC high speed
- Meets California Energy Commission Appliance Regulations 2008
- Integrated timer interface
- Timer mode or manual mode
- Over current protection
- Battery backup - program saver
- LCD display with backlight
- Class B insulation
- High efficiency - high and low speed
- Rotation - CCW pump end

Jet Pump - 2-speed - With Timer Single Phase - Drip Proof - C Face Less Base

HP	SYN RPM 60 Hz	Frame	Catalog Number	Stock	List Price	Model Number	App. Wgt. (lbs)	Voltage	Over- load Prot.	Service Factor Amps	Service Factor	"C" Dim. (Inches)	♥Notes
3/4 - .10	3600/1800	56J	117913.00	√	800	F56AA73F16T	26	115	Auto	12.2/2.2	1.50	12.30	S, MX
1 - .12	3600/1800	56J	117914.00	√	812	F56AA74F16T	30	230	Auto	6.1/1.5	1.40	13.05	S, MX
2 - .25	3600/1800	56J	117915.00	√	987	K56AB47F16T	42	230	Auto	11.0/1.6	1.20	13.55	S, MX
3 - .38	3600/1800	56J	117916.00	√	1,107	187855T	45	230	Auto	13.8/4.0	1.15	14.29	S, MX

♥ Note listing on inside back flap
Specifications are subject to change without notice

Carbonator Pump Motors

Application information:

Used in liquid transfer pumps that you may see in vending machines ideal for compact pump to motor mount applications.

Features:

- Interchangeable with OEM units
- Automatic overload protection
- Ball bearing designs

Single Phase - Drip Proof - Rigid or Resilient Base

HP	SYN RPM 60 Hz	NEMA Frame	Catalog Number	Stock	List Price	Model Number	App. Wgt. (lbs)	Voltage	FL. Amps	Service Factor	"C" Dim. (Inches)	♥Notes
1/4	1800	48Y	103520.00	√	210	A4S17DR62	14	208-240	2.3-2.4	1.00	7.69	S, MX, 63
1/4	1800	48Y	103530.00	√	221	A4S17DR63	16	115/230	4.3-2.2	1.00	8.75	S, MX, 63
1/3	1800	48Y	103521.00	√	224	A4S17DB46	14	100-120/200-240	5.5-5.6/2.7-2.8	1.00	7.69	S, MX, 60
1/3	1800	48Y	103531.00	√	230	A4S17DR65	14	100-120/200-240	5.5-5.6/2.7-2.8	1.00	7.69	S, MX, 63
1/2	1800	48Y	103522.00	√	251	A4S17DR66	17	100-120/200-240	7.1-7.2/3.4-3.6	1.00	8.75	S, MX, 63
3/4	1800	48Y	103523.00	√	301	A4S17DR67	19	115/230	10.4/5.2	1.00	9.15	S, MX, 63

Note 60 - Rigid Base
Note 63 - Resilient Base

♥ Note listing on inside back flap
Specifications are subject to change without notice

General Specifications:

For use with close-coupled pumps having NEMA JP mounting and shaft dimensions. In such applications, the pump impeller is mounted directly on the motor shaft. For use where the environment is relatively clean and dry. For outdoor use, an enclosure or drip cover may be preferred.

Features:

- Open drip-proof construction with rigid base mounting.
- Locked bearing on shaft end limits axial shaft movement
- Drip cover kits available
- UL recognized and CSA certified
- Single phase designs are capacitor start, induction run
- All 180 and 210 frame rolled steel motors have class F insulation



Single Phase - Drip-Proof - C Face With Base

HP	SYN RPM 60 Hz	NEMA Frame	Catalog Number	Stock	List Price	Model Number	App. Wgt. (lbs)	Voltage	F. L. Amps @ 230 V	Service Factor	"C" Dim. (Inches)	♥Notes
5	3600	184JP	131881.00	√	1,480	C184K34DK6	95	230	22.0	1.15	19.38	S, MX
7 1/2	3600	213JP	140646.00	√	1,758	C213K34DK1	121	230	37.0	1.15	14.17	S, MX, 37
10	3600	215JP	140647.00	√	2,370	C215K34DK1	138	230	47.0	1.15	15.67	S, MX, 37

♥ Note listing on inside back flap
Specifications are subject to change without notice

Three Phase - Drip-Proof - C Face With Base & C Face Less Base thru 3 HP

HP	SYN RPM 60 Hz	NEMA Frame	Catalog Number	Stock	List Price	Model Number	App. Wgt. (lbs)	Voltage	F. L. Amps @ 230 V	% FL. EFF.	Service Factor	"C" Dim. (Inches)	♥Notes
1	1800	143JP	122093.00	√	572	C143T17DK9	41	230/460	3.2	85.5	1.15	18.48	S, US, 39
1	1800	143JPV	122094.00	√	572	C143T17DC20	41	230/460	3.2	85.5	1.15	18.48	S, US, 39
1 1/2	3600	143JP	122095.00	√	698	C143T34DK6	40	230/460	4.0	84.0	1.15	17.68	S, US, 39
1 1/2	3600	143JPV	122096.00	√	698	C143T34DC8	40	230/460	4.0	84.0	1.15	17.68	S, US, 39
1 1/2	1800	145JP	G121846.00	D	596	C145T17DK16	38	230/460	4.4	84.0	1.15	17.68	S, US, 39
1 1/2	1800	145JP	122097.00	√	684	C145T17DK25	44	230/460	4.8	86.5	1.15	18.18	S, US, 39
1 1/2	1800	145JPV	122098.00	√	684	C145T17DC45	44	230/460	4.8	86.5	1.15	18.18	S, US, 39
2	3600	145JPV	122099.00	√	713	C145T34DC15	43	230/460	4.8	85.5	1.15	16.18	S, US, 39
2	1800	145JP	G121847.00	D	622	C145T17DK17	46	230/460	5.8	84.0	1.15	18.48	S, US, 39
2	1800	145JP	122100.00	√	701	C145T17DK26	45	230/460	5.8	86.5	1.15	18.68	S, US, 39
2	1800	145JPV	122101.00	√	701	C145T17DC46	45	230/460	5.8	86.5	1.15	18.68	S, US, 39
3	3600	145JP	G121849.00	D	782	C145T34DK12	46	230/460	8.4	84.0	1.15	16.68	S, US, 39
3	3600	145JP	122102.00	√	890	C145T34DK18	47	230/460	7.2	86.5	1.15	13.62	S, US, 39
3	3600	145JPV	122103.00	√	890	C145T34DC16	47	230/460	7.2	86.5	1.15	13.62	S, US, 39
3	1800	182JP	G131882.00	D	813	C182T17DK20	58	230/460	9.2	86.5	1.15	19.91	S, MX, 14, 45
3	1800	182JP	199770.00	√	934	C182T17DK44	123	230/460	8.4	89.5	1.15	15.35	S, CN
5	3600	182JP	G131884.00	D	938	C182T34DK13	65	230/460	12.0	85.5	1.15	19.65	S, MX, 45
5	3600	182JP	199097.00	√	1,077	C182T34DK19	131	230/460	11.8	86.5	1.15	15.35	S, CN
5	1800	184JP	G131883.00	D	933	C184T17DK29	70	230/460	13.2	87.5	1.15	20.41	S, MX, 45
5	1800	184JP	199772.00	√	1,052	C184T17DK44	166	230/460	18.6	91.0	1.15	17.68	S, CN

230/460 volt motors are suitable for use at 208 volts

Continued On Next Page

Green shaded items are less base and have drip covers

Green items are Premium Efficient

D - Item to be discontinued once inventory is depleted

♥ Note listing on inside back flap
Specifications are subject to change without notice



Pump Motors

J P Pump Motors - Three Phase

Three Phase - Drip-Proof - C Face With Base

HP	SYN RPM 60 Hz	NEMA Frame	Catalog Number	Stock	List Price	Model Number	App. Wgt. (lbs)	Voltage	F. L. Amps @ 230 V	% F.L. EFF.	Service Factor	"C" Dim. (Inches)	♥Notes
7 1/2	3600	184JP	G131885.00	D	1,124	C184T34DK19	80	230/460	17.6	87.5	1.15	20.41	S, MX, 45
7 1/2	3600	184JP	199773.00	√	1,347	C184T34DK28	149	230/460	17.2	88.5	1.15	16.34	S, CN
7 1/2	1800	213JP	G140667.00	D	1,534	C213T17DK14	146	230/460	19.2	88.5	1.15	23.03	S, MX, 41
7 1/2	1800	213JP	199783.00	√	1,718	C213T17DK47	166	230/460	18.6	91.0	1.15	17.68	S, CN
10	3600	213JP	G140655.00	D	1,445	C213T34DK2	140	230/460	23.4	88.5	1.15	23.03	S, MX, 37
10	3600	213JP	199784.00	√	1,618	C213T34DK49	156	230/460	23.0	89.5	1.15	17.68	S, CN
10	1800	215JP	G140668.00	D	1,753	C215T17DK12	134	230/460	25.0	89.5	1.15	25.00	S, MX, 41
10	1800	215JP	199785.00	√	1,961	C215T17DK47	167	230/460	229.0	91.7	1.15	19.17	S, CN
15	3600	215JP	G140656.00	D	1,787	C215T34DK2	147	230/460	34.0	89.5	1.15	34.00	S, MX, 37
15	3600	215JP	199786.00	√	2,019	C215T34DK48	191	230/460	34.0	90.2	1.15	19.17	S, CN
15	1800	254JP	G801051.00	D	2,167	254TTDX14067	170	230/460	38.5	91.0	1.15	38.50	S, US
15	1800	254JP	199987.00	√	3,621	C254T17DK13	322	230/460	36.5	93.0	1.15	24.41	C, CN
20	3600	254JP	G801056.00	D	2,252	254TTDX14305	175	230/460	46.0	90.2	1.15	25.29	S, US
20	3600	254JP	199988.00	√	3,128	C254T34DK10	312	230/460	46.0	91.0	1.15	24.41	C, CN
20	1800	256JP	G801052.00	D	2,619	256TTDX14054	222	230/460	52.0	91.0	1.15	27.04	S, US
20	1800	256JP	199989.00	√	3,761	C256T17DK9	374	230/460	49.0	93.0	1.15	26.00	C, CN
25	3600	256JP	G801057.00	D	2,653	256TTDX14019	181	230/460	58.0	91.0	1.15	27.04	S, US
25	3600	256JP	199990.00	√	3,340	C256T34DK9	328	230/460	57.0	91.7	1.15	26.00	C, CN
25	1800	284JP	G801053.00	D	3,521	284TTDP14048	332	230/460	61.0	91.7	1.15	27.18	C, US
25	1800	284JP	199991.00	√	4,358	C284T17DK7	441	230/460	62.0	93.6	1.15	26.58	C, CN
30	3600	284JP	G801058.00	D	3,534	284TTDP14012	336	230/460	73.0	91.0	1.15	27.18	C, US
30	3600	284JP	199992.00	√	4,068	C284T34DK5	412	230/460	68.0	91.7	1.15	26.58	C, CN
30	1800	286JP	G801054.00	D	3,654	286TTDP14052	342	230/460	72.0	92.4	1.15	28.68	C, US
30	1800	286JP	199993.00	√	4,884	C286T17DK8	502	230/460	74.0	94.1	1.15	27.10	C, CN
40	3600	286JP	G801059.00	D	3,896	286TTDP14012	385	230/460	94.0	91.7	1.15	28.68	C, US
40	3600	286JP	199994.00	√	4,408	C286T34DK5	470	230/460	60.0	92.4	1.15	27.10	C, CN
40	1800	324JP	G801055.00	D	3,932	324TTDP14052	487	230/460	97.0	93.0	1.15	29.12	C, US
40	1800	324JP	199995.00	√	5,672	C324T17DK13	604	230/460	95.0	94.1	1.15	28.95	C, CN
50	3600	324JP	G801060.00	D	5,174	324TTDP14014	472	230/460	117.0	92.4	1.15	29.12	C, US
50	3600	324JP	199996.00	√	5,354	C324T34DK5	655	230/460	113.0	93.0	1.15	28.95	C, CN
50	1800	326JP	199997.00	√	5,967	C326T17DK7	738	230/460	118.0	94.5	1.15	30.12	C, CN

230/460 volt motors are suitable for use at 208 volts

♥ Note listing on inside back flap

Shaded model numbers are cast iron frame

Specifications are subject to change without notice

Green items are Premium Efficient

D - Item to be discontinued once inventory is depleted

Drip-Cover Kits For JP Pump Motors

Frame	Catalog Number	List Price	Enclosure	♥Notes
56-145JP	175932.00	36	ODP or TEFC	39
213JP-215JP	175305.00	116	ODP	37
213JP-215JP	175846.00	116	ODP	41
182JP-184JP	175614.00	82	ODP	45



Pump Motors

JM Pump Motors - Single Phase

General Specifications:

Designed for continuous duty service on close-coupled pumps using NEMA JM mounting provisions.

Features:

- Cooling air exhausts at shaft end for maximum cooling
- Locked bearing shaft end
- Drip-cover kits available

Electrical Features:

- High efficiency copper windings
- UL and CSA recognized designs
- Single phase designs are capacitor start/induction run unless indicated otherwise
- Class F Insulation



Single Phase - Drip-Proof - C Face With Base

HP	SYN RPM 60 Hz	NEMA Frame	Catalog Number	Stock	List Price	Model Number	App. Wgt. (lbs)	Voltage	F. L. Amps @ 230 V	Service Factor	"C" Dim. (Inches)	♥Notes
1	1800	143JM	120996.00	√	876	C143C17DK1	42	115/208-230	6.4	1.15	13.91	S, US, 38
1 1/2	1800	145JM	120994.00	√	883	C145K17DK8	45	115/208-230	8.6	1.15	14.91	S, US, 38, 53
2	3600	145JM	121190.00	√	903	C145C34DK3	47	115/208-230	10.5	1.15	14.91	S, US, 38
2	1800	145JM	120995.00	√	885	C145K17DK9	45	115/208-230	10.5	1.15	15.41	S, US, 38, 53
2	1800	182JM	132073.00	√	924	C182C17DK3	70	115/208-230	12.4	1.15	13.19	S, MX, 45
3	3600	182JM	131640.00	√	1,069	C182K34DK1	80	115/208-230	15.2	1.15	16.32	S, MX, 45, 53
3	1800	182JM	131604.00	√	1,229	C182C17DK2	73	230	16.8	1.15	15.82	S, MX, 45
5	3600	184JM	131641.00	√	1,520	C184K34DK3	95	115/208-230	24.0	1.15	17.32	S, MX, 45, 53
5	1800	184JM	131605.00	√	1,746	C184K17DK14	82	230	21.0	1.15	16.32	S, MX, 45, 53
7 1/2	3600	213JM	140642.00	√	2,161	C213K34DK2	109	230	37.0	1.15	14.17	S, MX, 37, 53
7 1/2	1800	215JM	140665.00	√	2,302	C215K17DK1	141	230	40.5	1.15	18.38	S, MX, 37, 53
10	3600	215JM	140644.00	√	2,434	C215K34DK2	135	230	47.0	1.15	18.38	S, MX, 37, 53
10	1800	215JM	140666.00	C/A	2,848	C215K17DK2	144	230	43.0	1.15	19.88	S, MX, 37, 53

C/A - Check Availability

♥ Note listing on inside back flap
Specifications are subject to change without notice



Explosion Proof Motors

Automotive Duty Motors

Pump Motors

Washguard Motors

Agricultural Duty Motors

HVAC / Fan Motors

Special Voltage Motors

Definite Purpose Motors

Brake Motors

NEW!

Pump Motors

JM Pump Motors - TEFC - Single Phase

General Specifications:

Designed for continuous duty service on close-coupled pumps using NEMA JM mounting provisions.

Features:

- Cooling air exhausts at shaft end for maximum cooling
- Locked bearing shaft end
- Drip-cover kits available

Electrical Features:

- High efficiency copper windings
- UL and CSA recognized designs
- Single phase designs are capacitor start/induction run
- Class F Insulation

Single Phase - TEFC - C Face With Base

HP	SYN RPM 60 Hz	NEMA Frame	Catalog Number	Stock	List Price	Model Number	App. Wgt. (lbs)	Voltage	F. L. Amps @ 230 V	Service Factor	"C" Dim. (Inches)	♥Notes
3	3600	182JM	132457.00	√	1,300	C182K34FC2	82	230	13.6	1.0	18.59	S, MX *
5	3600	184JM	132458.00	√	1,374	C184K34FK6	95	230	19.8	1.0	18.59	S, MX
7 1/2	3600	213JM	141281.00	√	1,621	C213F34FK2	120	230	32.0	1.0	20.59	S, MX
10	3600	215JM	141282.00	√	1,883	C215K34FK3	142	230	41.5	1.0	22.09	S, MX

* - C Face less Base Design

♥ Note listing on inside back flap
Specifications are subject to change without notice

Explosion Proof
MotorsAutomotive
Duty MotorsPump
MotorsWashguard
MotorsAgricultural
Duty MotorsHVAC / Fan
MotorsSpecial Voltage
MotorsDefinite
Purpose Motors

Brake Motors



Pump Motors

JM Pump Motors - ODP - Three Phase

Three Phase - Drip-Proof - C Face With Base & C Face Less Base thru 3 HP

HP	SYN RPM 60 Hz	NEMA Frame	Catalog Number	Stock	List Price	Model Number	App. Wgt. (lbs)	Voltage	F. L. Amps @ 230 V	% FL. EFF.	Service Factor	"C" Dim. (Inches)	♥Notes
1	1800	143JM	G121850.00	D	608	C143T17DK3	44	230/460	3.1	82.5	1.15	14.62	S, US, 39
1	1800	143JM	122115.00	✓	717	C143T17DK8	41	230/460	3.2	85.5	1.15	14.62	S, US, 39
1	1800	143JMV	122073.00	✓	717	C143T17DC17	41	230/460	3.0	85.5	1.15	15.42	S, US, 39
1 1/2	3600	143JM	122074.00	✓	789	C143T34DK4	40	230/460	4.0	84.0	1.15	13.12	S, US, 39
1 1/2	3600	143JMV	122075.00	✓	789	C143T34DC6	44	230/460	5.6	86.5	1.15	14.62	S, US
1 1/2	1800	145JM	G121851.00	D	659	C145T17DK18	44	230/460	4.8	84.0	1.15	14.62	S, US, 39
1 1/2	1800	143JM	122076.00	✓	772	C143T17DK7	44	230/460	5.6	86.5	1.15	14.62	S, US, 39
1 1/2	1800	143JMV	122077.00	✓	772	C143T17DC18	44	230/460	4.8	86.5	1.15	15.42	S, US
2	3600	145JM	G121853.00	D	760	C145T34DK13	44	230/460	5.4	84.0	1.15	13.42	S, US, 39
2	3600	145JM	122078.00	✓	898	C143T34DK5	43	230/460	4.8	85.5	1.15	13.12	S, US, 39
2	3600	145JMV	122079.00	✓	898	C143T34DC7	43	230/460	4.8	85.5	1.15	13.42	S, US
2	1800	145JM	G121852.00	D	683	C145T17DK19	48	230/460	5.8	84.0	1.15	15.12	S, US, 39
2	1800	145JM	122329.00	✓	870	C145T17DK29	46	230/460	6.0	86.5	1.15	15.12	S, US, 39
2	1800	145JMV	122080.00	✓	870	C143T17DC19	45	230/460	6.0	86.5	1.15	15.92	S, US
3	3600	145JM	G121854.00	D	844	C145T34DK14	45	230/460	8.4	84.0	1.15	13.62	S, US, 39
3	3600	145JM	122081.00	✓	994	C145T34DK17	47	230/460	7.2	86.5	1.15	13.62	S, US, 39
3	3600	145JMV	122082.00	✓	994	C145T34DC14	47	230/460	7.2	86.5	1.15	13.62	S, US
3	1800	182JM	G131562.00	D	902	C182T17DK19	64	230/460	9.2	86.5	1.15	16.09	S, MX, 45
3	1800	182JM	199589.00	✓	1,059	C182T17DK43	123	230/460	7.8	89.5	1.15	15.35	S, CN
5	3600	182JM	G131574.00	D	1,110	C182T34DK12	66	230/460	12.0	85.5	1.15	16.35	S, MX, 45
5	3600	182JM	199763.00	✓	1,266	C182T34DK20	131	230/460	11.8	86.5	1.15	15.35	S, CN
5	1800	184JM	G131563.00	D	1,040	C184T17DK28	71	230/460	13.2	87.5	1.15	17.09	S, MX, 45
5	1800	184JM	199590.00	✓	1,196	C184T17DK43	135	230/460	12.4	89.5	1.15	16.34	S, CN
7 1/2	3600	184JM	G131576.00	D	1,219	C184T34DK18	108	230/460	17.6	87.5	1.15	17.09	S, MX, 45
7 1/2	3600	184JM	199765.00	✓	1,365	C184T34DK27	149	230/460	17.2	88.5	1.15	16.34	S, CN
7 1/2	1800	213JM	G140618.00	D	1,298	C213T17DK13	147	230/460	19.2	88.5	1.15	19.16	S, MX, 41
7 1/2	1800	213JM	199775.00	✓	1,565	C213T17DK46	166	230/460	18.6	91.0	1.15	17.68	S, CN
10	3600	213JM	G141121.00	D	1,442	C213T34DK5	130	230/460	23.4	88.5	1.15	19.16	S, MX, 37
10	3600	213JM	199090.00	✓	1,749	C213T34DK48	156	230/460	23.0	89.5	1.15	17.68	S, CN
10	1800	215JM	G140619.00	D	1,484	C215T17DK11	135	230/460	25.0	89.5	1.15	19.16	S, MX, 41
10	1800	215JM	199777.00	✓	1,767	C215T17DK46	229	230/460	24.4	91.7	1.15	19.17	S, CN
15	3600	215JM	G151380.60	D	2,067	C215T34DK9	175	230/460	34.0	89.5	1.15	20.41	C, CN, 43
15	3600	215JM	199091.00	✓	2,314	C215T34DK47	191	230/460	34.0	90.2	1.15	19.17	S, CN
15	1800	254JM	G151361.60	D	2,230	C254T17DK7	268	230/460	38.5	91.0	1.15	25.45	C, CN, 44
15	1800	254JM	199964.00	✓	2,542	C254T17DK12	322	230/460	38.0	93.0	1.15	24.41	C, CN
20	3600	254JM	G151381.60	D	2,247	C254T34DK5	261	230/460	46.0	90.2	1.15	22.42	C, CN, 44
20	3600	254JM	199965.00	✓	3,128	C254T34DK9	312	230/460	46.0	91.0	1.15	24.41	C, CN
20	1800	256JM	G151362.60	D	2,348	C256T17DK5	310	230/460	52.0	91.0	1.15	24.17	C, CN, 44
20	1800	256JM	199966.00	✓	3,767	C256T17DK8	374	230/460	46.0	91.0	1.15	24.41	C, CN
25	3600	256JM	G151382.60	D	2,811	C256T34DK5	295	230/460	58.0	91.0	1.15	24.17	C, CN, 44
25	3600	256JM	199967.00	✓	3,799	C256T34DK8	328	230/460	57.0	91.7	1.15	26.00	C, CN
25	1800	284JM	G801028.00	D	3,484	284TTDP14049	391	230/460	66.0	91.7	1.15	24.31	C, US
25	1800	284JM	199968.00	✓	4,357	C284T17DK6	441	230/460	62.0	93.6	1.15	26.58	C, CN

230/460 volt motors are suitable for use at 208 volts

Continued On Next Page

Green shaded items are less base and have drip covers

Shaded model numbers are cast iron frame

Green items are Premium Efficient

D - Item to be discontinued once inventory is depleted

♥ Note listing on inside back flap
Specifications are subject to change without notice



Explosion Proof Motors

Automotive Duty Motors

Pump Motors

Washguard Motors

Agricultural Duty Motors

HVAC / Fan Motors

Special Voltage Motors

Definite Purpose Motors

Brake Motors

Pump Motors

JM Pump Motors - ODP - Three Phase

Three Phase - Drip-Proof - C Face With Base

HP	SYN RPM 60 Hz	NEMA Frame	Catalog Number	Stock	List Price	Model Number	App. Wgt. (lbs)	Voltage	F. L. Amps @ 230 V	% FL. EFF.	Service Factor	"C" Dim. (Inches)	♥Notes
30	3600	284JM	G801040.00	D	3,524	284TTDP14013	376	230/460	73.0	91.0	1.15	24.31	C, US
30	3600	284JM	199969.00	√	4,404	C284T34DK4	412	230/460	68.0	91.7	1.15	26.58	C, CN
30	1800	286JM	G801029.00	D	3,654	286TTDP14053	437	230/460	72.0	92.4	1.15	25.81	C, US
30	1800	286JM	199970.00	√	4,883	C286T17DK7	502	230/460	74.0	94.1	1.15	27.10	C, CN
40	3600	286JM	G801041.00	D	4,045	286TTDP14011	429	230/460	94.0	91.7	1.15	25.81	C, US
40	3600	286JM	199971.00	√	4,946	C286T34DK4	470	230/460	90.0	92.4	1.15	27.10	C, CN
40	1800	324JM	G801030.00	D	4,774	324TTDP14055	531	230/460	97.0	93.0	1.15	26.25	C, US
40	1800	324JM	199972.00	√	5,672	C324T17DK12	604	230/460	95.0	94.1	1.15	28.95	C, CN
50	3600	324JM	G801042.00	D	5,498	324TTDP14013	514	230/460	117.0	92.4	1.15	26.25	C, US
50	3600	324JM	199973.00	√	5,938	C324T34DK4	570	230/460	113.0	93.0	1.15	28.95	C, CN
50	1800	326JM	199974.00	√	6,048	C326T17DK6	738	230/460	118.0	94.5	1.15	30.12	C, CN

230/460 volt motors are suitable for use at 208 volts

♥ Note listing on inside back flap

Shaded model numbers are cast iron frame

Specifications are subject to change without notice

Green items are Premium Efficient

D - Item to be discontinued once inventory is depleted

Drip-Cover Kits For JM Pump Motors

Frame	Catalog Number	List Price	Enclosure	♥Notes
143-145JM	175004.00	66	ODP	38
143-145JM	175932.00	36	ODP	39
213-215JM	175305.00	116	ODP	37
213-215JM	175846.00	116	ODP	41
213-215JM ‡	175962.00	116	ODP	43
254-256JM ‡	175963.00	148	ODP	44
182-184JM	175614.00	82	ODP	45

For use with cast iron "G15" Series Motors

Pump Motors

JM Pump Motors - TEFC - Three Phase



General Specifications:

Designed for continuous duty service on close-coupled pumps using NEMA JM mounting provisions. All motors have a rigid mounting base and NEMA JM pump shaft and face mount.

Features:

- Totally enclosed fan cooled construction for maximum life in dirty or severe environments. Oversized locked bearing on shaft end limits axial shaft movement. Drip covers are available as accessory kits for 143-5JM and 182-4JM motors—see letter designations in the table for the correct kit. Some 182-4JM frame motors have enclosed endshields as standard with frame vents meeting the 12° drip-proof requirement. No drip cover is needed, or shown in the table, for these motors
- Oversized locked bearing on shaft end limits axial shaft movement
- Drip cover kits available
- High efficiency copper windings
- UL and CSA recognized designs

Three Phase - TEFC - C Face With Base & C Face Less Base thru 2 HP

HP	SYN RPM 60 Hz	NEMA Frame	Catalog Number	Stock	List Price	Model Number	App. Wgt. (lbs)	Voltage	F. L. Amps @ 230 V	% FL. EFF.	Service Factor	"C" Dim. (Inches)	♥Notes
1	1800	143JM	G121855.00	D	659	C143T17FK19	35	230/460	3.0	82.5	1.15	15.00	S, MX
1	1800	143JM	122083.00	√	777	C143T17FK27	59	230/460	3.3	85.5	1.15	16.79	S, US
1	1800	143JMV	122084.00	√	777	C143T17FC39	57	230/460	3.3	85.5	1.15	16.00	S, US
1 1/2	3600	143JM	G121858.00	D	664	C143T34FK14	37	230/460	4.0	82.5	1.15	15.50	S, US
1 1/2	3600	143JM	122085.00	√	801	C143T34FK17	63	230/460	4.0	84.0	1.15	15.50	S, US
1 1/2	3600	143JMV	122086.00	√	801	C143T34FC20	61	230/460	4.0	84.0	1.15	16.29	S, US
1 1/2	1800	145JM	G121856.00	D	719	C145T17FK53	46	230/460	4.4	84.0	1.15	16.50	S, US
1 1/2	1800	145JM	122087.00	√	848	C145T17FK71	68	230/460	4.6	86.5	1.15	16.50	S, US
1 1/2	1800	145JMV	122088.00	√	848	C145T17FC121	66	230/460	4.6	86.5	1.15	17.29	S, US
2	3600	145JM	G121859.00	D	815	C145T34FK37	38	230/460	5.2	84.0	1.15	15.50	S, US
2	3600	145JM	122089.00	√	961	C145T34FK45	71	230/460	5.2	85.5	1.15	16.50	S, US
2	3600	145JMV	122090.00	√	961	C145T34FC42	69	230/460	5.2	85.5	1.15	17.29	S, US
2	1800	145JM	G121857.00	D	715	C145T17FK54	50	230/460	5.6	84.0	1.15	16.00	S, US
2	1800	145JM	122091.00	√	847	C145T17FK72	76	230/460	6.0	86.5	1.15	17.00	S, US
2	1800	145JMV	122092.00	√	847	C145T17FC122	74	230/460	6.0	86.5	1.15	17.79	S, US
3	3600	145JM	G121860.00	D	863	C145T34FK38	49	230/460	7.4	85.5	1.15	17.35	S, US
3	3600	182JM	199766.00	√	992	C182T34FK43	83	230/460	7.6	86.5	1.15	17.51	S, US
3	1800	182JM	G131579.00	D	876	C182T17FK26	75	230/460	8.4	87.5	1.15	17.85	S, MX
3	1800	182JM	199767.00	√	1,016	C182T17FK48	87	230/460	7.8	89.5	1.15	17.51	S, CN
5	3600	184JM	G131580.00	D	1,172	C184T34FK39	82	230/460	12.4	87.5	1.15	18.35	S, MX
5	3600	184JM	199768.00	√	1,383	C184T34FK49	95	230/460	12.0	88.5	1.15	18.36	S, CN
5	1800	184JM	G131581.00	D	1,140	C184T17FK33	97	230/460	12.6	87.5	1.15	18.85	S, MX
5	1800	184JM	199769.00	√	1,345	C184T17FK49	110	230/460	12.4	89.5	1.15	18.36	S, CN

230/460 volt motors are suitable for use at 208 volts

Continued On Next Page

Green shaded items are less base and have drip covers

Green items are Premium Efficient

D - Item to be discontinued once inventory is depleted

♥ Note listing on inside back flap Specifications are subject to change without notice



Explosion Proof Motors

Automotive Duty Motors

Pump Motors

Washguard Motors

Agricultural Duty Motors

HVAC / Fan Motors

Special Voltage Motors

Definite Purpose Motors

Brake Motors

Pump Motors

JM Pump Motors - TEFC - Three Phase

Three Phase - TEFC - C Face With Base

HP	SYN RPM 60 Hz	NEMA Frame	Catalog Number	Stock	List Price	Model Number	App. Wgt. (lbs)	Voltage	F. L. Amps @ 230 V	% F.L. EFF.	Service Factor	"C" Dim. (Inches)	♥Notes
7 1/2	3600	184JM	G131582.00	D	1,335	C184T34FK40	104	230/460	18.4	88.5	1.00	22.09	S,MX
7 1/2	3600	S213JM	G132027.00	D	1,474	C184T34FK41	121	230/460	18.4	88.5	1.15	22.09	S,MX
7 1/2	3600	213JM	199779.00	√	1,647	C213T34FK45	95	230/460	17.8	89.5	1.15	20.65	S,CN
7 1/2	1800	213JM	G140622.00	D	1,556	C213T17FK23	127	230/460	20.0	89.5	1.15	20.59	S,MX
7 1/2	1800	213JM	199780.00	√	1,836	C213T17FK46	110	230/460	18.6	89.5	1.15	20.65	S,CN
10	3600	213JM	G141122.00	D	1,782	C213T34FK2	130	230/460	24.0	89.5	1.15	22.09	S,MX
10	3600	215JM	199781.00	√	2,102	C215T34FK46	137	230/460	22.8	90.2	1.15	22.14	S,CN
10	1800	215JM	G140623.00	D	1,918	C215T17FK18	145	230/460	25.6	90.2	1.15	22.09	S,MX
10	1800	215JM	199782.00	√	2,263	C215T17FK46	164	230/460	24.4	91.7	1.15	22.14	S,CN
15	3600	215JM	G140764.00	D	2,137	C215T34FK10	139	230/460	35.0	90.2	1.15	24.74	S,MX
15	3600	254JM	G151567.60	D	2,493	C254T34FK11	171	230/460	35.0	90.2	1.15	24.80	C,CN
15	3600	254JM	199975.00	√	3,228	C254T34FK15	350	230/460	34.0	91.0	1.15	26.60	C,CN
15	1800	254JM	G151568.60	D	2,425	A254T17FK12	287	230/460	37.0	91.0	1.15	24.80	C,CN
15	1800	254JM	199976.00	√	3,267	C254T17FK16	375	230/460	37.0	92.4	1.15	26.60	C,CN
20	3600	254JM	G151569.60	D	2,720	C254T34FK12	299	230/460	46.2	90.2	1.15	24.80	C,CN
20	3600	256JM	199977.00	√	3,512	C256T34FK11	375	230/460	46.0	91.0	1.15	27.80	C,CN
20	1800	256JM	G151570.60	D	2,942	C256T17FK5	324	230/460	48.2	91.0	1.15	26.50	C,CN
20	1800	256JM	199978.00	√	4,103	C256T17FK16	425	230/460	48.0	93.0	1.15	27.80	C,CN
25	3600	256JM	G151417.60	D	3,368	C256T34FK8	311	230/460	56.4	91.0	1.15	28.00	C,CN
25	3600	284JM	199979.00	√	4,183	C284T34FK12	475	230/460	55.5	91.7	1.15	30.92	C,CN
25	1800	284JM	G151418.60	D	3,312	C284T17FK6	373	230/460	58.8	92.4	1.15	28.17	C,CN
25	1800	284JM	199980.00	√	4,635	C284T17FK14	500	230/460	62.0	93.6	1.15	30.92	C,CN
30	3600	284JM	G151420.60	D	3,996	C284T34FK12	378	230/460	69.2	91.0	1.15	28.17	C,CN
30	3600	286JM	199981.00	√	4,427	C286T34FK19	500	230/460	66.0	91.7	1.15	32.10	C,CN
30	1800	286JM	G151422.60	D	3,931	C286T17FK11	431	230/460	69.8	92.4	1.15	29.74	C,CN
30	1800	286JM	199982.00	√	4,851	C286T17FK14	525	230/460	73.0	93.6	1.15	32.10	C,CN
40	3600	286JM	G151424.60	D	4,979	C286T34FK16	499	230/460	93.0	91.7	1.15	29.74	C,CN
40	3600	324JM	199983.00	√	5,736	C324T34FK11	675	230/460	88.0	92.4	1.15	32.93	C,CN
40	1800	324JM	G151426.60	D	4,823	C324T17FK12	531	230/460	90.0	93.0	1.15	32.33	C,CN
40	1800	324JM	199984.00	√	5,842	C324T17FK15	683	230/460	94.0	94.1	1.15	32.93	C,CN
50	3600	326JM	199985.00	√	6,090	C326T34FK8	725	230/460	109.0	93.0	1.15	34.11	C,CN
50	1800	326JM	199986.00	√	6,889	C326T17FK11	775	230/460	119.0	94.5	1.15	34.11	C,CN

230/460 volt motors are suitable for use at 208 volts

♥ Note listing on inside back flap

Shaded model numbers are cast iron frame

Specifications are subject to change without notice

Green items are Premium Efficient

D - Item to be discontinued once inventory is depleted



Pump Motors

JP Pump Motors - TEFC - Three Phase

Explosion Proof Motors

Automotive Duty Motors

Pump Motors

Washguard Motors

Agricultural Duty Motors

HVAC / Fan Motors

Special Voltage Motors

Definite Purpose Motors

Brake Motors

General Specifications:

For use with close-coupled pumps having NEMA JP mounting and shaft dimensions. Used in applications where the pump impeller is mounted directly on the motor shaft. Designed for continuous duty service.



Features:

- 1.25 Service Factor
- All cast iron construction
- Premium efficient
- Re-greasable bearings
- UL recognized and CSA certified
- Class F Insulation

TEFC JP Pump Motors - C Face With Base & C Face Less Base thru 2 HP

HP	SYN RPM 60 Hz	NEMA Frame	Catalog Number	Stock	List Price	Model Number	App. Wgt. (lbs)	Voltage	F. L. Amps @ 230 V	% F.L. EFF.	Service Factor	"C" Dim. (Inches)	♥Notes
1	1800	143JP	122105.00	√	807	C143T17FK28	59	230/460	3.3	85.5	1.15	19.13	S, US
1	1800	143JPV	122106.00	√	807	C143T17FC40	57	230/460	3.3	85.5	1.15	19.85	S, US
1 1/2	3600	143JP	122107.00	√	832	C143T34FK18	63	230/460	4.0	84.0	1.15	18.63	S, US
1 1/2	3600	143JPV	122108.00	√	832	C143T34FC21	61	230/460	4.0	84.0	1.15	19.35	S, US
1 1/2	1800	145JP	G151736.60	D	625	C145T17FK60	54	230/460	4.5	85.5	1.15	18.66	C, CN
1 1/2	1800	145JP	122109.00	√	885	C145T17FK73	68	230/460	4.6	86.5	1.15	19.63	S, US
1 1/2	1800	145JPV	122110.00	√	885	C145T17FC123	66	230/460	4.6	86.5	1.15	20.35	S, US
2	3600	145JP	122111.00	√	1002	C145T34FK46	71	230/460	5.2	85.5	1.15	19.63	S, US
2	3600	145JPV	122112.00	√	1002	C145T34FC43	69	230/460	5.2	85.5	1.15	20.35	S, US
2	1800	145JP	G151737.60	D	644	C145T17FK61	57	230/460	5.8	85.5	1.15	18.66	C, CN
2	1800	145JP	122113.00	√	893	C145T17FK74	76	230/460	6.0	86.5	1.15	20.13	S, US
2	1800	145JP	122114.00	√	893	C145T17FC124	74	230/460	6.0	86.5	1.15	20.85	S, US
3	3600	182JP	G151738.60	D	1,171	C182T34FK12	91	230/460	7.4	85.5	1.15	20.71	C, CN
3	3600	182JP	199092.00	√	1,346	C182T34FK42	83	230/460	7.6	86.5	1.15	19.07	S, CN
3	1800	182JP	G151739.60	D	1,073	C182T17FK24	95	230/460	8.5	87.5	1.15	20.71	C, CN
3	1800	182JP	199093.00	√	1,245	C182T17FK47	87	230/460	7.8	89.5	1.15	19.07	S, CN
5	3600	184JP	G151740.60	D	1,202	C184T34FK35	103	230/460	12.0	87.5	1.15	20.71	C, CN
5	3600	184JP	199094.00	√	1,417	C184T34FK48	95	230/460	12.0	88.5	1.15	20.05	S, CN
5	1800	184JP	G151741.60	D	1,186	C184T17FK31	103	230/460	13.8	87.5	1.15	20.71	C, CN
5	1800	184JP	199095.00	√	1,423	C184T17FK48	110	230/460	12.4	89.5	1.15	20.05	S, CN

230/460 volt motors are suitable for use at 208 volts

Continued On Next Page

Green shaded items are less base and have drip covers

♥ Note listing on inside back flap Specifications are subject to change without notice

Shaded model numbers are cast iron frame

Green items are Premium Efficient

D - Item to be discontinued once inventory is depleted



Pump Motors

JP Pump Motors - TEFC - Three Phase

TEFC JP Pump Motors - C Face With Base

HP	SYN RPM 60 Hz	NEMA Frame	Catalog Number	Stock	List Price	Model Number	App. Wgt. (lbs)	Voltage	F. L. Amps @ 230 V	% F.L. EFF.	Service Factor	"C" Dim. (Inches)	♥Notes
7 1/2	3600	184JP	G151742.60	D	1,445	C184T34FK38	156	230/460	17.8	88.5	1.15	20.71	C, CN
7 1/2	3600	213JP	199096.00	√	1,733	C213T34FK44	116	230/460	17.8	88.5	1.15	24.54	S, CN
7 1/2	1800	213JP	G151743.60	D	1,358	C213T17FK17	158	230/460	19.2	89.5	1.15	24.02	C, CN
7 1/2	1800	213JP	199787.00	√	1,806	C213T17FK47	143	230/460	18.6	89.5	1.15	24.54	S, CN
10	3600	213JP	G151744.60	D	1,684	C213T34FK4	166	230/460	23.6	89.5	1.15	24.02	C, CN
10	3600	215JP	199788.00	√	1,987	C215T34FK47	137	230/460	22.8	90.2	1.15	26.03	S, CN
10	1800	215JP	G151745.60	D	1,638	C215T17FK13	179	230/460	25.2	89.5	1.15	25.74	C, CN
10	1800	215JP	199789.00	√	1,956	C215T17FK47	164	230/460	24.4	91.7	1.15	26.03	S, CN
15	3600	215JP	G151746.60	D	2,359	C215T34FK14	249	230/460	35.0	90.2	1.15	25.74	C, CN
15	3600	254JP	199998.00	√	3,228	C254T34FK15	350	230/460	34.0	91.0	1.15	29.51	C, CN
15	1800	254JP	G151747.60	D	2,505	C254T17FK10	281	230/460	37.0	92.4	1.15	28.03	C, CN
15	1800	254JP	199999.00	√	3,267	C254T17FK17	375	230/460	37.0	92.4	1.15	29.51	C, CN
20	3600	254JP	G151748.60	D	3,126	C254T34FK10	260	230/460	46.2	90.2	1.15	28.03	C, CN
20	3600	256JP	194118.00	√	3,688	C256T17FK17	375	230/460	45.0	91.0	1.15	30.71	C, CN
20	1800	256JP	G151749.60	D	2,961	C256T34FK12	324	230/460	48.2	91.0	1.15	29.76	C, CN
20	1800	256JP	194119.00	√	4,103	C256T17FK17	425	230/460	48.5	93.0	1.15	30.71	C, CN
25	3600	256JP	G151750.60	D	3,729	C256T34FK7	366	230/460	58.2	91.0	1.15	29.76	C, CN
25	3600	284JP	194120.00	√	4,183	C284T34FK13	475	230/460	55.5	91.7	1.15	33.82	C, CN
25	1800	284JP	G151751.60	D	3,745	C284T17FK8	391	230/460	58.8	92.4	1.15	30.04	C, CN
25	1800	284JP	194121.00	√	4,634	C284T17FK15	500	230/460	62.0	93.6	1.15	33.82	C, CN
30	3600	284JP	G151752.60	D	4,060	C286T34FK7	380	230/460	69.2	91.0	1.15	30.04	C, CN
30	3600	286JP	194122.00	√	4,791	C286T34FK20	500	230/460	66.0	91.7	1.15	35.00	C, CN
30	1800	286JP	G151753.60	D	3,933	C286T17FK7	438	230/460	69.8	92.4	1.15	31.61	C, CN
30	1800	286JP	194123.00	√	4,851	C286T17FK15	525	230/460	73.0	93.6	1.15	35.00	C, CN
40	3600	286JP	G151754.60	D	5,136	C324T34FK9	580	230/460	93.0	91.7	1.15	31.61	C, CN
40	3600	324JP	194124.00	√	6,060	C324T34FK12	675	230/460	88.0	92.4	1.15	35.81	C, CN
40	1800	324JP	G151755.60	D	4,895	C324T17FK8	583	230/460	90.0	93.0	1.15	32.80	C, CN
40	1800	324JP	194125.00	√	6,151	C324T17FK16	750	230/460	94.0	94.1	1.15	35.81	C, CN
50	3600	324JP	G151756.60	D	6,318	C326T34FK7	610	230/460	112.0	92.4	1.15	34.17	C, CN
50	3600	326JP	194126.00	√	7,076	C326T34FK9	725	230/460	109.0	93.0	1.15	36.99	C, CN
50	1800	326JP	194127.00	√	7,112	C326T17FK12	775	230/460	119.0	94.5	1.15	36.99	C, CN

230/460 volt motors are suitable for use at 208 volts

♥ Note listing on inside back flap
Specifications are subject to change without notice

Shaded model numbers are cast iron frame

Green items are Premium Efficient

D - Item to be discontinued once inventory is depleted



Features:

- 25 to 500 horsepower
- 3600 & 1800 RPM's
- 250 frame rolled steel construction
- 280 frame and larger - cast iron construction
- EPA efficiency
- Ball bearings
- NEMA design B, code G
- 230/460 and 460 volt motors rated for 50HZ at next lower HP, with 1.15 S.F. on nameplate
- Dual voltage motors – 12 leads suitable for Y-Delta, low voltage PWS, and across the line start
- Single voltage motors – 12 leads suitable for Y-Delta, PWS, and across the line start
- C Face kits available through 250HP
- For special designs contact district sales office near you
- Exterior red paint
- UL listed and CSA certified (UL1004A) and CE marked



Three Phase - Drip-Proof - Rigid Base

HP	SYN RPM 60 Hz	NEMA Frame	▼ Catalog Number	Stock	List Price	Model Number	App. Wgt. (lbs)	Voltage	*F. L. Amps	% F.L. EFF.	Service Factor	"C" Dim. (Inches)	♥ Notes
25	3600	256T	LM80103	C/A	1,870	SSD2P25T62AP5	164	200/400	—	91.0	1.15	—	S, US
25	3600	256T	LM80104	C/A	1,870	SSD2P25T61AP5	164	230/460	58.0	91.0	1.15	22.32	S, US
25	1800	284T	LM80105	C/A	2,625	CCD4P25T62YAP5	420	200/400	70.0	91.7	1.15	23.49	C, US
25	1800	284T	LM80106	C/A	2,625	CCD4P25T61YAP5	420	230/460	61.0	91.7	1.15	23.49	C, US
30	3600	284TS	LM80107	C/A	2,812	CCD2P30TS62YAP5	318	200/400	83.0	91.0	1.15	22.06	C, US
30	3600	284TS	LM80108	C/A	2,812	CCD2P30TS61YAP5	318	230/460	72.0	91.0	1.15	22.06	C, US
30	1800	286T	LM80109	C/A	3,094	CCD4P30T62YAP5	364	200/400	83.0	92.4	1.15	23.56	C, US
30	1800	286T	LM80110	C/A	3,094	CCD4P30T61YAP5	364	230/460	72.0	92.4	1.15	23.49	C, US
40	3600	286TS	LM80111	C/A	3,137	CCD2P40TS62YAP5	360	200/400	123.0	91.7	1.15	23.64	C, US
40	3600	286TS	LM80112	√	3,137	CCD2P40TS61YAP5	360	230/460	107.0	91.7	1.15	23.56	C, US
40	1800	324TS	LM80113	C/A	3,481	CCD4P40TS62YAP5	465	200/400	127.0	93.0	1.15	24.50	C, US
40	1800	324TS	LM80114	C/A	3,481	CCD4P40TS61YAP5	465	230/460	97.0	93.0	1.15	24.50	C, US
40	1800	324T	LM80115	C/A	3,481	CCD4P40T62YAP5	465	200/400	112.0	93.0	1.15	26.00	C, US
40	1800	324T	LM80116	√	3,481	CCD4P40T61YAP5	465	230/460	97.0	93.0	1.15	26.00	C, US
50	3600	324TS	LM80117	C/A	3,320	CCD2P50TS62YAP5	415	200/400	135.0	92.4	1.15	24.50	C, US
50	3600	324TS	LM80118	√	3,320	CCD2P50TS61YAP5	415	230/460	117.0	92.4	1.15	24.50	C, US
50	1800	326TS	LM80119	C/A	3,709	CCD4P50TS62YAP5	515	200/400	142.0	93.0	1.15	26.00	C, US
50	1800	326TS	LM80120	C/A	3,709	CCD4P50TS61YAP5	515	230/460	123.0	93.0	1.15	26.00	C, US
50	1800	326T	LM80121	C/A	3,709	CCD4P50T62YAP5	515	200/400	161.0	93.0	1.15	26.00	C, US
50	1800	326T	LM80122	√	3,709	CCD4P50T61YAP5	515	230/460	123.0	93.0	1.15	27.50	C, US

230/460 volt motors are suitable for use at 208 volts

Continued On Next Page

Shaded model numbers are cast iron frame

▼ LM Numbers are Lincoln Models

* Full load amps at lowest listed voltage

C/A - Check Availability

♥ Note listing on inside back flap
Specifications are subject to change without notice

Pump Motors

Lincoln Fire Pump Motors - Drip-Proof - Rigid Base

Three Phase - Drip-Proof - Rigid Base

HP	SYN RPM 60 Hz	NEMA Frame	▼ Catalog Number	Stock	List Price	Model Number	App. Wgt. (lbs)	Voltage	*F. L. Amps	% FL. EFF.	Service Factor	"C" Dim. (Inches)	♥Notes
60	3600	326TS	LM80123	C/A	3,699	CCD2P60TS62YAP5	340	200/400	155.0	93.0	1.15	26.00	C, US
60	3600	326TS	LM80124	✓	3,699	CCD2P60TS61YAP5	340	230/460	135.0	93.0	1.15	26.00	C, US
60	1800	364TS	LM80125	C/A	7,010	CCD4P60TS62YAP5	805	200/400	166.0	93.6	1.15	26.50	C, US
60	1800	364TS	LM80126	C/A	7,016	CCD4P60TS61YAP5	805	230/460	144.0	93.6	1.15	26.50	C, US
60	1800	364T	LM80127	C/A	7,016	CCD4P60T62YAP5	805	200/400	166.0	93.6	1.15	28.62	C, US
60	1800	364T	LM80128	C/A	7,016	CCD4P60T61YAP5	805	230/460	144.0	93.6	1.15	28.62	C, US
75	3600	364TS	LM80129	C/A	6,853	CCD2P75TS62YAP5	950	200/400	211.0	93.0	1.15	26.50	C, US
75	3600	364TS	LM80130	✓	7,284	CCD2P75TS61YAP5	950	230/460	183.0	93.0	1.15	26.50	C, US
75	1800	365TS	LM80131	C/A	7,301	CCD4P75TS62YAP5	766	200/400	204.0	94.1	1.15	27.50	C, US
75	1800	365TS	LM80132	C/A	7,301	CCD4P75TS61YAP5	766	230/460	177.0	94.1	1.15	27.50	C, US
75	1800	365T	LM80133	C/A	7,301	CCD4P75T62YAP5	766	200/400	204.0	94.1	1.15	29.62	C, US
75	1800	365T	LM80134	✓	7,301	CCD4P75T61YAP5	766	230/460	177.0	94.1	1.15	29.62	C, US
100	3600	365TS	LM80135	C/A	7,133	CCD2P100TS62YAP5	730	200/400	276.0	93.0	1.15	27.50	C, US
100	3600	365TS	LM80136	✓	7,133	CCD2P100TS61YAP5	730	230/460	240.0	93.0	1.15	27.50	C, US
100	1800	404TS	LM80137	C/A	8,976	CCD4P100TS62YAP5	1065	200/400	267.0	94.1	1.15	29.50	C, US
100	1800	404TS	LM80138	C/A	8,976	CCD4P100TS61YAP5	1065	230/460	236.0	94.1	1.15	29.50	C, US
100	1800	404T	LM80139	C/A	8,976	CCD4P100T62YAP5	1065	200/400	271.0	94.1	1.15	32.50	C, US
100	1800	404T	LM80140	✓	8,976	CCD4P100T61YAP5	1065	230/460	236.0	94.1	1.15	32.50	C, US
125	3600	404TS	LM80141	C/A	8,500	CCD2P125TS62YAP5	949	200/400	327.0	93.6	1.15	29.50	C, US
125	3600	404TS	LM80142	✓	8,500	CCD2P125TS61YAP5	949	230/460	284.0	93.6	1.15	29.50	C, US
125	1800	405TS	LM80143	C/A	9,600	CCD4P125TS62YAP5	1070	200/400	327.0	94.5	1.15	29.50	C, US
125	1800	405TS	LM80144	C/A	9,600	CCD4P125TS61YAP5	1070	230/460	288.0	94.5	1.15	31.00	C, US
125	1800	405T	LM80145	C/A	9,600	CCD4P125T62YAP5	1070	200/400	331.0	94.5	1.15	34.00	C, US
125	1800	405T	LM80146	✓	9,600	CCD4P125T61YAP5	1070	230/460	288.0	94.5	1.15	34.00	C, US
150	3600	405TS	LM80147	C/A	8,762	CCD2P150TS6011PYAP5	983	400	194.0	93.6	1.15	31.00	C, US
150	3600	405TS	LM80148	✓	8,762	CCD2P150TS64PYAP5	983	460	169.0	93.6	1.15	31.00	C, US
150	1800	444TS	LM80149	C/A	11,222	CCD4P150TS6011PYAP5	1265	400	199.0	95.0	1.15	34.00	C, US
150	1800	444TS	LM80150	C/A	11,222	CCD4P150TS64PYAP5	1265	460	173.0	95.0	1.15	34.00	C, US
150	1800	444T	LM80151	C/A	11,222	CCD4P150T6011PYAP5	1265	400	199.0	95.0	1.15	37.75	C, US
150	1800	444T	LM80152	✓	11,222	CCD4P150T64PYAP5	1265	460	173.0	95.0	1.15	37.75	C, US
200	3600	444TS	LM80153	C/A	11,341	CCD2P200TS6011PYAP5	1315	400	259.0	94.5	1.15	34.00	C, US
200	3600	444TS	LM80154	✓	11,341	CCD2P200TS64PYAP5	1315	460	225.0	94.5	1.15	34.00	C, US
200	1800	445TS	LM80155	C/A	12,056	CCD4P200TS6011PYAP5	1412	400	268.0	95.0	1.15	36.00	C, US
200	1800	445TS	LM80156	C/A	12,056	CCD4P200TS64PYAP5	1412	460	233.0	95.0	1.15	36.00	C, US
200	1800	445T	LM80157	C/A	12,056	CCD4P200T6011PYAP5	1412	400	268.0	95.0	1.15	39.75	C, US
200	1800	445T	LM80158	✓	12,056	CCD4P200T64PYAP5	1412	460	233.0	95.0	1.15	39.75	C, US
250	3600	445TS	LM80159	C/A	12,118	CCD2P250TS6011PYAP5	1387	400	321.0	94.5	1.15	36.00	C, US
250	3600	445TS	LM80160	✓	12,118	CCD2P250TS64PYAP5	1387	460	279.0	94.5	1.15	36.00	C, US
250	1800	445TS	LM80161	C/A	13,275	CCD4P250TS6011PYAP5	1428	400	328.0	95.4	1.15	36.00	C, US
250	1800	445TS	LM80162	C/A	13,275	CCD4P250TS64PYAP5	1428	460	285.0	95.4	1.15	36.00	C, US
250	1800	445T	LM80163	C/A	13,275	CCD4P250T6011PYAP5	1428	400	328.0	95.4	1.15	39.75	C, US
250	1800	445T	LM80164	✓	13,275	CCD4P250T64PYAP5	1428	460	285.0	95.4	1.15	39.75	C, US

230/460 volt motors are suitable for use at 208 volts

Continued On Next Page

Shaded model numbers are cast iron frame

▼ LM Numbers are Lincoln Models
 * Full load amps at lowest listed voltage
 C/A - Check Availability

♥ Note listing on inside back flap
 Specifications are subject to change without notice



Three Phase - Drip-Proof - Rigid Base

HP	SYN RPM 60 Hz	NEMA Frame	▼ Catalog Number	Stock	List Price	Model Number	App. Wgt. (lbs)	Voltage	*F. L. Amps	% F.L. EFF.	Service Factor	"C" Dim. (Inches)	♥Notes
300	3600	447TS	LM80165	C/A	16,261	CCD2P300TS6011PYAP5	2255	400	382.0	95.0	1.15	39.50	C, US
300	3600	447TS	LM80166	√	16,261	CCD2P300TS64PYAP5	2255	460	332.0	95.0	1.15	39.50	C, US
300	1800	447TS	LM80167	C/A	17,088	CCD4P300TS6011PYAP5	1952	400	397.0	95.4	1.15	39.50	C, US
300	1800	447TS	LM80168	C/A	17,088	CCD4P300TS64PYAP5	1952	460	345.0	95.4	1.15	39.50	C, US
300	1800	447T	LM80169	C/A	17,088	CCD4P300T6011PYAP5	1952	400	397.0	95.4	1.15	43.25	C, US
300	1800	447T	LM80170	√	17,088	CCD4P300T64PYAP5	1952	460	345.0	95.4	1.15	43.25	C, US
350	3600	447TS	LM80171	C/A	16,941	CCD2P350TS6011PYAP5	2068	400	443.0	95.0	1.15	39.50	C, US
350	3600	447TS	LM80172	√	16,941	CCD2P350TS64PYAP5	2068	460	385.0	95.0	1.15	39.50	C, US
350	1800	447TS	LM80173	C/A	17,047	CCD4P350TS6011PYAP5	1950	400	466.0	95.4	1.15	39.50	C, US
350	1800	447TS	LM80174	C/A	17,047	CCD4P350TS64PYAP5	1950	460	405.0	95.4	1.15	39.50	C, US
350	1800	447T	LM80175	C/A	17,047	CCD4P350T6011PYAP5	1950	400	466.0	95.4	1.15	43.25	C, US
350	1800	447T	LM80176	√	17,047	CCD4P350T64PYAP5	1950	460	405.0	95.4	1.15	43.25	C, US
400	1800	447TS	LM80178	√	19,076	CCD4P400TS64PYAP5	2214	460	450.0	95.4	1.15	39.50	C, US
450	1800	449TS	LM80180	√	25,309	CCD4P450TS64PYAP5	2675	460	505.0	95.8	1.15	44.50	C, US
500	1800	449TS	LM80182	√	27,629	CCD4P500TS64PYAP5	2695	460	560.0	95.8	1.15	44.50	C, US

Shaded model numbers are cast iron frame

♥ Note listing on inside back flap
Specifications are subject to change without notice

▼ LM Numbers are Lincoln Models
* Full load amps at lowest listed voltage
C/A - Check Availability



Explosion Proof Motors

Automotive Duty Motors

Pump Motors

Washguard Motors

Agricultural Duty Motors

HVAC / Fan Motors

Special Voltage Motors

Definite Purpose Motors

Brake Motors

Pump Motors

Lincoln Fire Pump Motors - TEFC - Rigid Base



Features:

- 3 to 450 horsepower
- 3600 & 1800 RPM's
- EAct efficiency
- Ball bearings
- NEMA design B, code G
- 230/460 and 460 volt motors rated for 50HZ at next lower HP, with 1.15 S.F. on nameplate
- Dual voltage motors – 12 leads suitable for Y-Delta, low voltage PWS, and across the line start
- Single voltage motors – 12 leads suitable for Y-Delta, PWS, and across the line start
- C-Face kits available through 250HP
- For special designs contact district sales office near you
- Exterior red paint
- UL listed and CSA certified (UL1004A) and CE marked

Three Phase - TEFC - Rigid Base

HP	SYN RPM 60 Hz	NEMA Frame	▼ Catalog Number	Stock	List Price	Model Number	App. Wgt. (lbs)	Voltage	*F. L. Amps	% FL. EFF.	Service Factor	"C" Dim. (Inches)	♥Notes
3	3600	182T	LM80050	C/A	985	CCF2P3T62AP5	84	200/400	8.5	86.5	1.15	15.87	C, US
3	3600	182T	LM80051	C/A	985	CCF2P3T61AP5	84	230/460	7.4	86.5	1.15	15.87	C, US
3	1800	182T	LM80052	C/A	1,069	CCF4P3T62AP5	90	200/400	9.9	87.5	1.15	15.87	C, US
3	1800	182T	LM80053	C/A	1,069	CCF4P3T61AP5	90	230/460	8.6	87.5	1.15	15.87	C, US
5	3600	184T	LM80054	C/A	1,134	CCF2P5T62AP5	108	200/400	14.0	87.5	1.15	15.87	C, US
5	3600	184T	LM80055	C/A	1,134	CCF2P5T61AP5	108	230/460	12.2	87.5	1.15	15.87	C, US
5	1800	184T	LM80056	√	1,169	CCF4P5T62AP5	123	200/400	15.0	87.5	1.15	15.87	C, US
5	1800	184T	LM80057	√	1,169	CCF4P5T61AP5	123	230/460	13.0	87.5	1.15	15.87	C, US
7 1/2	3600	213T	LM80058	C/A	1,582	CCF2P7.5T62AP5	188	200/400	21.9	88.5	1.15	18.20	C, US
7 1/2	3600	213T	LM80059	C/A	1,582	CCF2P7.5T61AP5	188	230/460	19.0	88.5	1.15	18.20	C, US
7 1/2	1800	213T	LM80060	C/A	1,556	CCF4P7.5T62AP5	194	200/400	23.0	89.5	1.15	18.20	C, US
7 1/2	1800	213T	LM80061	C/A	1,556	CCF4P7.5T61AP5	194	230/460	20.0	89.5	1.15	19.63	C, US
10	3600	215T	LM80062	C/A	1,675	CCF2P10T62AP5	217	200/400	27.6	89.5	1.15	19.63	C, US
10	3600	215T	LM80063	C/A	1,675	CCF2P10T61AP5	217	230/460	24.0	89.5	1.15	22.63	C, US
10	1800	215T	LM80064	C/A	1,733	CCF4P10T62AP5	227	200/400	28.8	89.5	1.15	22.63	C, US
10	1800	215T	LM80065	√	1,733	CCF4P10T61AP5	227	230/460	25.0	89.5	1.15	22.63	C, US
15	3600	254T	LM80066	C/A	2,361	CCF2P15T62AP5	370	200/400	—	90.2	1.15	—	C, US
15	3600	254T	LM80067	C/A	2,361	CCF2P15T61AP5	370	230/460	35.0	90.2	1.15	23.69	C, US
15	1800	254T	LM80068	C/A	2,264	CCF4P15T62AP5	365	200/400	—	91.0	1.15	—	C, US
15	1800	254T	LM80069	C/A	2,264	CCF4P15T61AP5	365	230/460	39.0	91.0	1.15	23.52	C, US
20	3600	256T	LM80070	C/A	2,852	CCF2P20T62AP5	334	200/400	—	90.2	1.15	—	C, US
20	3600	256T	LM80071	C/A	2,852	CCF2P20T61AP5	334	230/460	46.5	90.2	1.15	25.27	C, US
20	1800	256T	LM80072	C/A	2,429	CCF4P20T62AP5	420	200/400	57.5	91.0	1.15	25.27	C, US
20	1800	256T	LM80073	C/A	2,429	CCF4P20T61AP5	420	230/460	50.0	91.0	1.15	25.27	C, US
25	3600	284TS	LM80074	C/A	3,690	CCF2P25TS62YAP5	384	200/400	—	91.0	1.15	—	C, US
25	3600	284TS	LM80075	C/A	3,690	CCF2P25TS61YAP5	384	230/460	59.0	91.0	1.15	24.89	C, US
25	1800	284T	LM80076	C/A	2,949	CCF4P25T62YAP5	440	200/400	—	92.4	1.15	—	C, US
25	1800	284T	LM80077	C/A	2,949	CCF4P25T61YAP5	440	230/460	61.0	92.4	1.15	26.27	C, US

230/460 volt motors are suitable for use at 208 volts

Continued On Next Page

Shaded model numbers are cast iron frame

♥ Note listing on inside back flap
Specifications are subject to change without notice

▼ LM Numbers are Lincoln Models
* Full load amps at lowest listed voltage
C/A - Check Availability

Three Phase - TEFC - Rigid Base

HP	SYN RPM 60 Hz	NEMA Frame	▼ Catalog Number	Stock	List Price	Model Number	App. Wgt. (lbs)	Voltage	*F. L. Amps	% FL. EFF.	Service Factor	"C" Dim. (Inches)	♥Notes
30	3600	286TS	LM80078	C/A	4,380	CCF2P30TS62YAP5	428	200/400	—	91.0	1.15	—	C, US
30	3600	286TS	LM80079	C/A	4,380	CCF2P30TS61YAP5	428	230/460	70.0	91.0	1.15	26.43	C, US
30	1800	286T	LM80080	C/A	3,526	CCF4P30T62YAP5	494	200/400	—	92.4	1.15	—	C, US
30	1800	286T	LM80081	C/A	3,526	CCF4P30T61YAP5	494	230/460	72.0	92.4	1.15	27.84	C, US
40	3600	324TS	LM80084	C/A	6,133	CCF2P40TS62YAP5	520	200/400	—	91.7	1.15	—	C, US
40	3600	324TS	LM80085	✓	6,133	CCF2P40TS61YAP5	520	230/460	92.0	91.7	1.15	27.47	C, US
40	1800	324TS	LM80183	C/A	5,165	CCF4P40TS62YAP5	575	200/400	—	93.0	1.15	—	C, US
40	1800	324TS	LM80184	C/A	5,165	CCF4P40TS61YAP5	575	230/460	100.0	93.0	1.15	27.47	C, US
40	1800	324T	LM80027	C/A	5,165	CCF4P40T62YAP5	575	200/400	—	93.0	1.15	—	C, US
40	1800	324T	LM80086	✓	5,165	CCF4P40T61YAP5	575	230/460	100.0	93.0	1.15	28.97	C, US
50	3600	326TS	LM80028	C/A	7,160	CCF2P50TS62YAP5	540	200/400	—	93.0	1.15	—	C, US
50	3600	326TS	LM80087	✓	7,160	CCF2P50TS61YAP5	540	230/460	112.0	93.0	1.15	28.97	C, US
50	1800	326TS	LM80186	C/A	5,799	CCF4P50TS62YAP5	675	200/400	—	93.6	1.15	—	C, US
50	1800	326TS	LM80187	C/A	5,799	CCF4P50TS61YAP5	675	230/460	122.0	93.6	1.15	28.87	C, US
50	1800	326T	LM80029	C/A	5,799	CCF4P50T62YAP5	675	200/400	140.0	93.6	1.15	30.37	C, US
50	1800	326T	LM80088	✓	5,799	CCF4P50T61YAP5	675	230/460	122.0	93.6	1.15	31.87	C, US
60	3600	364TS	LM80030	C/A	8,628	CCF2P60TS62YAP5	875	200/400	—	93.0	1.15	—	C, US
60	3600	364TS	LM80089	✓	8,628	CCF2P60TS61YAP5	875	230/460	138.0	93.0	1.15	29.38	C, US
60	1800	364TS	LM80188	C/A	7,995	CCF4P60TS62YAP5	975	200/400	—	93.6	1.15	—	C, US
60	1800	364TS	LM80185	C/A	7,995	CCF4P60TS61YAP5	975	230/460	142.0	93.6	1.15	29.38	C, US
60	1800	364T	LM80031	C/A	7,995	CCF4P60T62YAP5	975	200/400	—	93.6	1.15	—	C, US
60	1800	364T	LM80090	✓	7,995	CCF4P60T61YAP5	975	230/460	142.0	93.6	1.15	31.50	C, US
75	3600	365TS	LM80032	C/A	10,276	CCF2P75TS62YAP5	1000	200/400	—	93.6	1.15	—	C, US
75	3600	365TS	LM80091	✓	10,276	CCF2P75TS61YAP5	1000	230/460	172.0	93.6	1.15	30.38	C, US
75	1800	365TS	LM80189	C/A	10,084	CCF4P75TS62YAP5	1025	200/400	—	94.1	1.15	—	C, US
75	1800	365TS	LM80190	C/A	10,084	CCF4P75TS61YAP5	1025	230/460	176.0	94.1	1.15	30.38	C, US
75	1800	365T	LM80033	C/A	10,084	CCF4P75T62YAP5	1025	200/400	—	94.1	1.15	—	C, US
75	1800	365T	LM80092	✓	10,084	CCF4P75T61YAP5	1025	230/460	176.0	94.1	1.15	32.50	C, US
100	3600	405TS	LM80034	C/A	14,058	CCF2P100TS62YAP5	1239	200/400	—	94.1	1.15	—	C, US
100	3600	405TS	LM80093	✓	14,058	CCF2P100TS61YAP5	1239	230/460	224.0	94.1	1.15	34.12	C, US
100	1800	405TS	LM80191	C/A	12,184	CCF4P100TS62YAP5	1267	200/400	172.0	94.5	1.15	30.38	C, US
100	1800	405TS	LM80192	C/A	12,184	CCF4P100TS61YAP5	1267	230/460	224.0	94.5	1.15	32.62	C, US
100	1800	405T	LM80035	C/A	12,184	CCF4P100T62YAP5	1267	200/400	—	94.5	1.15	—	C, US
100	1800	405T	LM80094	✓	12,184	CCF4P100T61YAP5	1267	230/460	224.0	94.5	1.15	37.12	C, US
125	3600	444TS	LM80036	C/A	17,122	CCF2P125TS6011PYAP5	1750	400	—	94.5	1.15	—	C, US
125	3600	444TS	LM80095	✓	17,122	CCF2P125TS64PYAP5	1750	460	—	94.5	1.15	—	C, US
125	1800	444TS	LM80193	C/A	16,285	CCF4P125TS6011PYAP5	1805	400	167.0	94.5	1.15	39.60	C, US
125	1800	444TS	LM80194	C/A	16,285	CCF4P125TS64PYAP5	1805	460	142.0	94.5	1.15	37.60	C, US
125	1800	444T	LM80037	C/A	16,285	CCF4P125T6011PYAP5	1805	400	167.0	94.5	1.15	43.35	C, US
125	1800	444T	LM80096	✓	16,285	CCF4P125T64PYAP5	1805	460	145.0	94.5	1.15	43.35	C, US

230/460 volt motors are suitable for use at 208 volts

Continued On Next Page

Shaded model numbers are cast iron frame

♥ Note listing on inside back flap
Specifications are subject to change without notice

▼ LM Numbers are Lincoln Models
* Full load amps at lowest listed voltage
C/A - Check Availability



Explosion Proof Motors

Automotive Duty Motors

Pump Motors

Washguard Motors

Agricultural Duty Motors

HVAC / Fan Motors

Special Voltage Motors

Definite Purpose Motors

Brake Motors

Pump Motors

Lincoln Fire Pump Motors - TEFC - Rigid Base

Three Phase - TEFC - Rigid Base

HP	SYN RPM 60 Hz	NEMA Frame	▼ Catalog Number	Stock	List Price	Model Number	App. Wgt. (lbs)	Voltage	*F. L. Amps	% F.L. EFF.	Service Factor	"C" Dim. (Inches)	♥Notes
150	1800	445TS	LM80195	C/A	18,889	CCF4P150TS6011PYAP5	2116	400	—	95.0	1.15	—	C, US
150	1800	445TS	LM80196	C/A	18,889	CCF4P150TS64PYAP5	2116	460	170.0	95.0	1.15	39.60	C, US
150	1800	445T	LM80039	C/A	18,889	CCF4P150T6011PYAP5	2116	400	—	95.0	1.15	—	C, US
150	1800	445T	LM80098	√	18,889	CCF4P150T64PYAP5	2116	460	170.0	95.0	1.15	43.35	C, US
200	1800	445TS	LM80197	C/A	23,360	CCF4P200TS6011PYAP5	2311	400	—	95.4	1.15	—	C, US
200	1800	445TS	LM80198	C/A	23,360	CCF4P200TS64PYAP5	2311	460	—	95.4	1.15	—	C, US
200	1800	445T	LM80041	C/A	23,360	CCF4P200T6011PYAP5	2311	400	—	95.4	1.15	—	C, US
200	1800	445T	LM80100	√	23,360	CCF4P200T64PYAP5	2311	460	224.0	95.4	1.15	43.35	C, US
250	1800	449TS	LM80199	C/A	27,883	CC449F4P250TS6011PYAP5	2600	400	—	93.0	1.15	—	C, US
250	1800	449TS	LM80200	C/A	27,883	CC449F4P250TS64PYAP5	2600	460	326.0	93.0	1.15	48.09	C, US
250	1800	449T	LM80043	C/A	27,883	CC449F4P250T6011PYAP5	2600	400	—	95.4	1.15	—	C, US
250	1800	449T	LM80102	√	27,883	CC449F4P250T64PYAP5	2600	460	290.0	95.4	1.15	51.85	C, US
300	1800	449TS	LM80201	C/A	29,153	CCF4P300TS6011PYAP5	3041	400	374.0	93.0	1.15	48.09	C, US
300	1800	449TS	LM80202	C/A	29,153	CCF4P300TS64PYAP5	3041	460	335.0	93.0	1.15	48.09	C, US
300	1800	449T	LM80045	C/A	29,153	CCF4P300T6011PYAP5	3041	400	385.0	95.4	1.15	51.86	C, US
300	1800	449T	LM80018	√	29,153	CCF4P300T64PYAP5	3041	460	335.0	95.4	1.15	51.86	C, US
350	1800	449TS	LM80203	C/A	30,192	CCF4P350TS6011PYAP5	3202	400	—	93.0	1.15	—	C, US
350	1800	449TS	LM80204	C/A	30,192	CCF4P350TS64PYAP5	3202	460	400.0	93.0	1.15	48.09	C, US
350	1800	449T	LM80047	C/A	30,192	CCF4P350T6011PYAP5	3202	400	—	95.4	1.15	—	C, US
350	1800	449T	LM80020	√	30,192	CCF4P350T64PYAP5	3202	460	400.0	95.4	1.15	51.88	C, US
400	1800	5011L	LM80049	C/A	62,634	CC5011F4P400L6011PYAP5	5500	400	—	95.8	1.15	—	C, US
400	1800	449T	LM80022†	√	62,634	CC5011F4P400L64PYAP5	5500	460	448.0	95.8	1.15	51.85	C, US
450	1800	5011L	LM80082	C/A	64,388	CC5011F4P450L6011PYAP5	5500	400	—	95.8	1.15	—	C, US
450	1800	5011L	LM80083±	√	64,388	CC5011F4P450L64PYAP5	5500	460	495.0	95.8	1.15	70.94	C, US

Shaded model numbers are cast iron frame

♥ Note listing on inside back flap
Specifications are subject to change without notice

▼ LM Numbers are Lincoln Models
* Full load amps at lowest listed voltage
C/A - Check Availability
Note † - 50HZ rated at 300HP
Note ± - 50HZ rated at 350HP



Hydraulic SAE Pump Motors



Specifications:

- Rolled steel and cast iron construction
- Rigid base construction
- 230/460 Volt
- IRIS™ Inverter insulation system
- 575 Volt ratings available - contact your local sales office
- Higher HP SAE Pump motors available - contact your local sales office

Explosion Proof Motors

Automotive Duty Motors

Pump Motors

Washguard Motors

Agricultural Duty Motors

HVAC / Fan Motors

Special Voltage Motors

Definite Purpose Motors

Brake Motors

Three Phase - TEFC - SAE Flange - Rigid Base

HP	SYN RPM 60 Hz	NEMA Frame	Catalog Number	Stock	List Price	Model Number	Flange Type	Voltage	F. L. Amps @ 230 V	% FL. EFF.	Service Factor	"C" Dim. (Inches)	♥Notes
1/2	3600	56YZ	117813.00	C/A	466	C6T34FZ47	2-Bolt SAE AA	230/460	2.0	72.0	1.15	8.67	S, US
1/2	3600	56YZ	117925.00	C/A	466	C6T34FZ48	4-Bolt SAE AA	230/460	2.0	72.0	1.15	8.67	S, US
1/2	3600	56YZ	117926.00	C/A	466	C6T34FZ49	2-Bolt SAE A	230/460	2.0	72.0	1.15	8.50	S, US
1/2	3600	56YZ	117927.00	C/A	466	C6T34FZ50	2-Bolt SAE B	230/460	2.0	72.0	1.15	8.93	S, US
1/2	1800	56YZ	117814.00	C/A	404	C6T17FZ97	2-Bolt SAE AA	230/460	2.0	74.0	1.15	8.67	S, US
1/2	1800	56YZ	117928.00	C/A	404	C6T17FZ100	4-Bolt SAE AA	230/460	2.0	74.0	1.15	8.67	S, US
1/2	1800	56YZ	117929.00	C/A	404	C6T17FZ101	2-Bolt SAE A	230/460	2.0	74.0	1.15	8.50	S, US
1/2	1800	56YZ	117930.00	C/A	404	C6T17FZ102	2-Bolt SAE B	230/460	2.0	74.0	1.15	8.93	S, US
3/4	3600	56YZ	117815.00	C/A	564	C6T34FZ51	2-Bolt SAE AA	230/460	2.4	75.5	1.15	8.67	S, US
3/4	3600	56YZ	117931.00	C/A	564	C6T34FZ55	4-Bolt SAE AA	230/460	2.4	75.5	1.15	8.67	S, US
3/4	3600	56YZ	117932.00	C/A	564	C6T34FZ56	2-Bolt SAE A	230/460	2.4	75.5	1.15	8.50	S, US
3/4	3600	56YZ	117933.00	C/A	564	C6T34FZ57	2-Bolt SAE B	230/460	2.4	75.5	1.15	8.93	S, US
3/4	1800	56YZ	117816.00	C/A	531	C6T17FZ98	2-Bolt SAE AA	230/460	2.8	77.0	1.15	9.17	S, US
3/4	1800	56YZ	117934.00	C/A	531	C6T17FZ104	4-Bolt SAE AA	230/460	2.8	77.0	1.15	9.17	S, US
3/4	1800	56YZ	117935.00	C/A	531	C6T17FZ105	2-Bolt SAE A	230/460	2.8	77.0	1.15	9.00	S, US
3/4	1800	56YZ	117936.00	C/A	531	C6T17FZ106	2-Bolt SAE B	230/460	2.8	77.0	1.15	9.43	S, US
1	3600	56YZ	117817.00	C/A	557	C6T34FZ52	2-Bolt SAE AA	230/460	3.2	77.0	1.15	8.67	S, US
1	3600	56YZ	117937.00	C/A	557	C6T34FZ58	4-Bolt SAE AA	230/460	3.2	77.0	1.15	8.67	S, US
1	3600	56YZ	117938.00	C/A	557	C6T34FZ59	2-Bolt SAE A	230/460	3.2	77.0	1.15	9.00	S, US
1	3600	56YZ	117939.00	C/A	557	C6T34FZ60	2-Bolt SAE B	230/460	3.2	77.0	1.15	9.93	S, US
1	1800	56YZ	117818.00	D	557	C6T17FZ99	2-Bolt SAE AA	230/460	3.8	77.0	1.15	9.17	S, US
1	1800	56YZ	119752.00	C/A	797	C6T17FZ127	2-Bolt SAE AA	230/460	—	85.5	1.15	—	S, US
1	1800	56YZ	117940.00	D	557	C6T17FZ108	4-Bolt SAE AA	230/460	3.8	77.0	1.15	9.17	S, US
1	1800	56YZ	119753.00	C/A	797	C6T17FZ128	4-Bolt SAE AA	230/460	—	85.5	1.15	—	S, US
1	1800	56YZ	117941.00	D	557	C6T17FZ109	2-Bolt SAE A	230/460	3.8	77.0	1.15	9.00	S, US
1	1800	56YZ	119466.00	C/A	797	C6T17FZ129	2-Bolt SAE A	230/460	—	85.5	1.15	—	S, US
1	1800	56YZ	117942.00	D	557	C6T17FZ110	2-Bolt SAE B	230/460	3.8	77.0	1.15	9.43	S, US
1	1800	56YZ	119754.00	C/A	797	C6T17FZ130	2-Bolt SAE B	230/460	—	85.5	1.15	—	S, US
1	1800	143YZ	122035.00	D	744	C143T17FZ2	2-Bolt SAE AA	230/460	3.8	77.0	1.15	10.67	S, US
1	1800	143YZ	122313.00	C/A	816	C143T17FZ6	2-Bolt SAE AA	230/460	—	85.5	1.15	—	S, US
1	1800	143YZ	122036.00	D	744	C143T17FZ3	4-Bolt SAE AA	230/460	3.8	77.0	1.15	10.67	S, US
1	1800	143YZ	122314.00	C/A	816	C143T17FZ7	4-Bolt SAE AA	230/460	—	85.5	1.15	—	S, US
1	1800	143YZ	122037.00	D	744	C143T17FZ4	2-Bolt SAE A	230/460	3.8	77.0	1.15	10.50	S, US
1	1800	143YZ	122315.00	C/A	816	C143T17FZ8	2-Bolt SAE A	230/460	—	85.5	1.15	—	S, US
1	1800	143YZ	122038.00	D	744	C143T17FZ5	2-Bolt SAE B	230/460	3.8	77.0	1.15	10.93	S, US
1	1800	143YZ	122316.00	C/A	816	C143T17FZ9	2-Bolt SAE B	230/460	—	85.5	1.15	—	S, US

230/460 volt motors are suitable for use at 208 volts

Continued On Next Page

Green items are Premium Efficient

Note - 254T frame and larger - 2 & 4 bolt B flange has a 13 teeth internal spline
 Note - 254T frame and larger - 2 & 4 bolt BB flange has a 15 teeth internal spline

D - Item to be discontinued once inventory is depleted

C/A - Check Availability

Please review our on-line catalog for missing information that was not available at the time of this printing

♥ Note listing on inside back flap
 Specifications are subject to change without notice



Hydraulic SAE Pump Motors

Three Phase - TEFC - SAE Flange - Rigid Base

HP	SYN RPM 60 Hz	NEMA Frame	Catalog Number	Stock	List Price	Model Number	Flange Type	Voltage	F. L. Amps @ 230 V	% FL. EFF.	Service Factor	"C" Dim. (Inches)	♥Notes
1 1/2	3600	56YZ	117819.00	D	596	C6T34FZ53	2-Bolt SAE AA	230/460	4.2	81.5	1.15	9.67	S, US
1 1/2	3600	56YZ	119759.00	C/A	822	C6T34FZ73	2-Bolt SAE AA	230/460	—	84.0	1.15	—	S, US
1 1/2	3600	56YZ	117943.00	D	596	C6T34FZ61	4-Bolt SAE AA	230/460	4.2	81.5	1.15	9.67	S, US
1 1/2	3600	56YZ	119760.00	C/A	822	C6T34FZ74	4-Bolt SAE AA	230/460	—	84.0	1.15	—	S, US
1 1/2	3600	56YZ	117944.00	D	596	C6T34FZ62	2-Bolt SAE A	230/460	4.2	81.5	1.15	10.00	S, US
1 1/2	3600	56YZ	119761.00	C/A	822	C6T34FZ75	2-Bolt SAE A	230/460	—	84.0	1.15	—	S, US
1 1/2	3600	56YZ	117945.00	D	596	C6T34FZ63	2-Bolt SAE B	230/460	4.2	81.5	1.15	10.43	S, US
1 1/2	3600	56YZ	119762.00	C/A	822	C6T34FZ76	2-Bolt SAE B	230/460	—	84.0	1.15	—	S, US
1 1/2	3600	143YZ	122039.00	D	693	C143T34FZ1	2-Bolt SAE AA	230/460	4.2	81.5	1.15	10.67	S, US
1 1/2	3600	143YZ	122317.00	C/A	839	C143T34FZ5	2-Bolt SAE AA	230/460	—	84.0	1.15	—	S, US
1 1/2	3600	143YZ	122040.00	D	693	C143T34FZ2	4-Bolt SAE AA	230/460	4.2	81.5	1.15	10.67	S, US
1 1/2	3600	143YZ	122318.00	C/A	839	C143T34FZ6	4-Bolt SAE AA	230/460	—	84.0	1.15	—	S, US
1 1/2	3600	143YZ	122041.00	D	693	C143T34FZ3	2-Bolt SAE A	230/460	4.2	81.5	1.15	10.50	S, US
1 1/2	3600	143YZ	122319.00	C/A	839	C143T34FZ7	2-Bolt SAE A	230/460	—	84.0	1.15	—	S, US
1 1/2	3600	143YZ	122042.00	D	693	C143T34FZ4	2-Bolt SAE B	230/460	4.8	81.5	1.15	10.93	S, US
1 1/2	3600	143YZ	122320.00	C/A	839	C143T34FZ8	2-Bolt SAE B	230/460	—	84.0	1.15	—	S, US
1 1/2	1800	56YZ	117820.00	D	596	C6T17FZ103	2-Bolt SAE AA	230/460	5.0	78.5	1.15	10.17	S, US
1 1/2	1800	56YZ	119755.00	C/A	822	C6T17FZ131	2-Bolt SAE AA	230/460	—	84.0	1.15	—	S, US
1 1/2	1800	56YZ	117946.00	D	596	C6T17FZ111	4-Bolt SAE AA	230/460	5.0	78.5	1.15	10.17	S, US
1 1/2	1800	56YZ	119756.00	C/A	822	C6T17FZ132	4-Bolt SAE AA	230/460	—	84.0	1.15	—	S, US
1 1/2	1800	56YZ	117947.00	D	596	C6T17FZ112	2-Bolt SAE A	230/460	5.0	78.5	1.15	10.00	S, US
1 1/2	1800	56YZ	119757.00	C/A	822	C6T17FZ133	2-Bolt SAE A	230/460	—	84.0	1.15	—	S, US
1 1/2	1800	56YZ	117948.00	D	596	C6T17FZ113	2-Bolt SAE B	230/460	5.0	78.5	1.15	10.43	S, US
1 1/2	1800	56YZ	119758.00	C/A	822	C6T17FZ134	2-Bolt SAE B	230/460	—	84.0	1.15	—	S, US
1 1/2	1800	145YZ	122043.00	D	787	C145T17FZ18	2-Bolt SAE AA	230/460	5.0	78.5	1.15	10.67	S, US
1 1/2	1800	145YZ	122321.00	C/A	890	C145T17FZ34	2-Bolt SAE AA	230/460	—	86.5	1.15	—	S, US
1 1/2	1800	145YZ	122044.00	D	787	C145T17FZ19	4-Bolt SAE AA	230/460	5.0	78.5	1.15	10.67	S, US
1 1/2	1800	145YZ	122322.00	C/A	890	C145T17FZ35	4-Bolt SAE AA	230/460	—	86.5	1.15	—	S, US
1 1/2	1800	145YZ	122045.00	D	787	C145T17FZ20	2-Bolt SAE A	230/460	5.0	78.5	1.15	10.50	S, US
1 1/2	1800	145YZ	122323.00	C/A	890	C145T17FZ36	2-Bolt SAE A	230/460	—	86.5	1.15	—	S, US
1 1/2	1800	145YZ	122046.00	D	787	C145T17FZ21	2-Bolt SAE B	230/460	5.0	78.5	1.15	10.93	S, US
1 1/2	1800	145YZ	122324.00	C/A	890	C145T17FZ37	2-Bolt SAE B	230/460	—	86.5	1.15	—	S, US
2	3600	56YZ	117821.00	D	617	C6T34FZ54	2-Bolt SAE AA	230/460	5.6	82.5	1.15	10.17	S, US
2	3600	56YZ	119763.00	C/A	866	C6T34FZ77	2-Bolt SAE AA	230/460	—	85.5	1.15	—	S, US
2	3600	56YZ	117949.00	D	617	C6T34FZ64	4-Bolt SAE AA	230/460	5.6	82.5	1.15	10.17	S, US
2	3600	56YZ	119764.00	C/A	866	C6T34FZ78	4-Bolt SAE AA	230/460	—	85.5	1.15	—	S, US
2	3600	56YZ	117950.00	D	617	C6T34FZ65	2-Bolt SAE A	230/460	5.6	82.5	1.15	10.50	S, US
2	3600	56YZ	119765.00	C/A	866	C6T34FZ79	2-Bolt SAE A	230/460	—	85.5	1.15	—	S, US
2	3600	56YZ	117951.00	D	617	C6T34FZ66	2-Bolt SAE B	230/460	5.6	82.5	1.15	9.93	S, US
2	3600	56YZ	119766.00	C/A	866	C6T34FZ80	2-Bolt SAE B	230/460	—	85.5	1.15	—	S, US
2	1800	56YZ	117822.00	D	627	C6T17FZ107	2-Bolt SAE AA	230/460	6.2	81.5	1.15	10.67	S, US
2	1800	56YZ	119767.00	C/A	875	C6T17FZ135	2-Bolt SAE AA	230/460	—	86.5	1.15	—	S, US
2	1800	56YZ	117952.00	D	627	C6T17FZ114	4-Bolt SAE AA	230/460	6.2	81.5	1.15	10.67	S, US
2	1800	56YZ	119768.00	C/A	875	C6T17FZ136	4-Bolt SAE AA	230/460	—	86.5	1.15	—	S, US

230/460 volt motors are suitable for use at 208 volts

Continued On Next Page

Green items are Premium Efficient

Note - 254T frame and larger - 2 & 4 bolt B flange has a 13 teeth internal spline
 Note - 254T frame and larger - 2 & 4 bolt BB flange has a 15 teeth internal spline
 D - Item to be discontinued once inventory is depleted
 C/A - Check Availability
 Please review our on-line catalog for missing information that was not available at the time of this printing

♥ Note listing on inside back flap
 Specifications are subject to change without notice



Three Phase - TEFC - SAE Flange - Rigid Base

HP	SYN RPM 60 Hz	NEMA Frame	Catalog Number	Stock	List Price	Model Number	Flange Type	Voltage	F. L. Amps @ 230 V	% FL. EFF.	Service Factor	"C" Dim. (Inches)	Notes
2	1800	56YZ	117953.00	D	627	C6T17FZ115	2-Bolt SAE A	230/460	6.2	81.5	1.15	10.50	S, US
2	1800	56YZ	119769.00	C/A	875	C6T17FZ137	2-Bolt SAE A	230/460	—	86.5	1.15	—	S, US
2	1800	56YZ	117954.00	D	627	C6T17FZ116	2-Bolt SAE B	230/460	6.2	81.5	1.15	11.43	S, US
2	1800	56YZ	119770.00	C/A	875	C6T17FZ138	2-Bolt SAE B	230/460	—	86.5	1.15	—	S, US
2	1800	145YZ	122047.00	D	838	C145T17FZ22	2-Bolt SAE AA	230/460	6.2	81.5	1.15	10.67	S, US
2	1800	145YZ	122325.00	C/A	948	C145T17FZ38	2-Bolt SAE AA	230/460	—	86.5	1.15	—	S, US
2	1800	145YZ	122048.00	D	838	C145T17FZ23	4-Bolt SAE AA	230/460	6.2	81.5	1.15	10.67	S, US
2	1800	145YZ	122326.00	C/A	948	C145T17FZ39	4-Bolt SAE AA	230/460	—	86.5	1.15	—	S, US
2	1800	145YZ	122049.00	D	838	C145T17FZ24	2-Bolt SAE A	230/460	6.2	81.5	1.15	11.00	S, US
2	1800	145YZ	122327.00	C/A	948	C145T17FZ40	2-Bolt SAE A	230/460	—	86.5	1.15	—	S, US
2	1800	145YZ	122050.00	D	838	C145T17FZ25	2-Bolt SAE B	230/460	6.2	81.5	1.15	11.43	S, US
2	1800	145YZ	122328.00	C/A	948	C145T17FZ41	2-Bolt SAE B	230/460	—	86.5	1.15	—	S, US
3	3600	182TYZ	132345.00	D	1,145	C182T34FZ7	2-Bolt SAE AA	230/460	7.8	84.0	1.15	12.04	S, MX
3	3600	182TYZ	132548.00	√	1,250	C182T34FZ10	2-Bolt SAE AA	230/460	—	86.5	1.15	—	S, MX
3	3600	182TYZ	132356.00	D	1,145	C182T34FZ8	2-Bolt SAE A	230/460	7.8	84.0	1.15	11.96	S, MX
3	3600	182TYZ	132549.00	C/A	1,250	C182T34FZ11	2-Bolt SAE A	230/460	—	86.5	1.15	—	S, MX
3	3600	182TYZ	132357.00	D	1,145	C182T34FZ9	2-Bolt SAE B	230/460	7.8	84.0	1.15	12.21	S, MX
3	3600	182TYZ	132550.00	C/A	1,250	C182T34FZ12	2-Bolt SAE B	230/460	—	86.5	1.15	—	S, MX
3	1800	182TYZ	132346.00	D	1,120	C182T17FZ17	2-Bolt SAE AA	230/460	8.6	87.5	1.15	12.04	S, MX
3	1800	182TYZ	132551.00	C/A	1,250	C182T17FZ21	2-Bolt SAE AA	230/460	—	89.5	1.15	12.04	S, MX
3	1800	182TYZ	132359.00	D	1,120	C182T17FZ18	2-Bolt SAE A	230/460	8.6	87.5	1.15	11.96	S, MX
3	1800	182TYZ	132552.00	C/A	1,250	C182T17FZ22	2-Bolt SAE A	230/460	—	89.5	1.15	11.96	S, MX
3	1800	182TYZ	132360.00	D	1,120	C182T17FZ19	2-Bolt SAE B	230/460	8.6	87.5	1.15	12.21	S, MX
3	1800	182TYZ	132553.00	C/A	1,250	C182T17FZ23	2-Bolt SAE B	230/460	—	89.5	1.15	12.21	S, MX
5	3600	184TYZ	132347.00	D	1,266	C184T34FZ4	2-Bolt SAE AA	230/460	12.0	87.5	1.15	12.04	S, MX
5	3600	184TYZ	132554.00	C/A	1,382	C184T34FZ7	2-Bolt SAE AA	230/460	—	88.5	1.15	—	S, MX
5	3600	184TYZ	132362.00	D	1,266	C184T34FZ5	2-Bolt SAE A	230/460	12.0	87.5	1.15	11.96	S, MX
5	3600	184TYZ	132555.00	C/A	1,382	C184T34FZ8	2-Bolt SAE A	230/460	—	88.5	1.15	—	S, MX
5	3600	184TYZ	132363.00	D	1,266	C184T34FZ6	2-Bolt SAE B	230/460	12.0	87.5	1.15	12.21	S, MX
5	3600	184TYZ	132556.00	C/A	1,382	C184T34FZ9	2-Bolt SAE B	230/460	—	88.5	1.15	—	S, MX
5	1800	184TYZ	132348.00	D	1,196	C184T17FZ35	2-Bolt SAE AA	230/460	13.0	87.5	1.15	12.04	S, MX
5	1800	184TYZ	132557.00	C/A	1,306	C184T17FZ41	2-Bolt SAE AA	230/460	—	89.5	1.15	—	S, MX
5	1800	184TYZ	132365.00	D	1,196	C184T17FZ31	2-Bolt SAE A	230/460	13.0	87.5	1.15	11.96	S, MX
5	1800	184TYZ	132558.00	C/A	1,306	C184T17FZ42	2-Bolt SAE A	230/460	—	89.5	1.15	—	S, MX
5	1800	184TYZ	132366.00	D	1,196	C184T17FZ36	2-Bolt SAE B	230/460	13.0	87.5	1.15	12.21	S, MX
5	1800	184TYZ	132559.00	C/A	1,306	C184T17FZ43	2-Bolt SAE B	230/460	—	89.5	1.15	—	S, MX
7 1/2	3600	213TYZ	141156.00	D	2,276	C213T34FZ1	2-Bolt SAE AA	230/460	18.4	88.5	1.15	17.22	S, MX
7 1/2	3600	213TYZ	141336.00	C/A	2,486	C213T34FZ7	2-Bolt SAE AA	230/460	—	89.5	1.15	—	S, MX
7 1/2	3600	213TYZ	141170.00	D	2,276	C213T34FZ2	2-Bolt SAE A	230/460	18.4	88.5	1.15	17.05	S, MX
7 1/2	3600	213TYZ	141337.00	C/A	2,486	C213T34FZ8	2-Bolt SAE A	230/460	—	89.5	1.15	—	S, MX
7 1/2	3600	213TYZ	141171.00	D	2,276	C213T34FZ3	2-Bolt SAE B	230/460	18.4	88.5	1.15	17.18	S, MX
7 1/2	3600	213TYZ	141342.00	C/A	2,486	C213T34FZ9	2-Bolt SAE B	230/460	—	89.5	1.15	—	S, MX
7 1/2	1800	213TYZ	141157.00	D	2,206	C213T17FZ1	2-Bolt SAE AA	230/460	20.0	89.5	1.15	17.22	S, MX
7 1/2	1800	213TYZ	141343.00	C/A	2,409	C213T17FZ7	2-Bolt SAE AA	230/460	—	91.7	1.15	—	S, MX
7 1/2	1800	213TYZ	141173.00	D	2,206	C213T17FZ2	2-Bolt SAE A	230/460	20.0	89.5	1.15	17.05	S, MX
7 1/2	1800	213TYZ	141344.00	C/A	2,409	C213T17FZ8	2-Bolt SAE A	230/460	—	91.7	1.15	—	S, MX
7 1/2	1800	213TYZ	141174.00	D	2,206	C213T17FZ3	2-Bolt SAE B	230/460	20.0	89.5	1.15	17.18	S, MX
7 1/2	1800	213TYZ	141338.00	C/A	2,409	C213T17FZ9	2-Bolt SAE B	230/460	—	91.7	1.15	—	S, MX

230/460 volt motors are suitable for use at 208 volts

Continued On Next Page

Green items are Premium Efficient

Note - 254T frame and larger - 2 & 4 bolt B flange has a 13 teeth internal spline

Note - 254T frame and larger - 2 & 4 bolt BB flange has a 15 teeth internal spline

D - Item to be discontinued once inventory is depleted

C/A - Check Availability

Please review our on-line catalog for missing information that was not available at the time of this printing

♥ Note listing on inside back flap
Specifications are subject to change without notice



Explosion Proof Motors
Automotive Duty Motors
Pump Motors
Washguard Motors
Agricultural Duty Motors
HVAC / Fan Motors
Special Voltage Motors
Definite Purpose Motors
Brake Motors

Hydraulic SAE Pump Motors

Three Phase - TEFC - SAE Flange - Rigid Base

HP	SYN RPM 60 Hz	NEMA Frame	Catalog Number	Stock	List Price	Model Number	Flange Type	Voltage	*F. L. Amps	% FL. EFF.	Service Factor	"C" Dim. (Inches)	♥Notes
10	3600	215TYZ	141158.00	D	2,558	C215T34FZ1	2-Bolt SAE AA	230/460	24.0	89.5	1.15	17.22	S, MX
10	3600	215TYZ	141339.00	✓	2,781	C215T34FZ7	2-Bolt SAE AA	230/460	—	90.2	1.15	—	S, MX
10	3600	215TYZ	141176.00	D	2,558	C215T34FZ2	2-Bolt SAE A	230/460	24.0	89.5	1.15	17.05	S, MX
10	3600	215TYZ	141340.00	✓	2,781	C215T34FZ8	2-Bolt SAE A	230/460	—	90.2	1.15	—	S, MX
10	3600	215TYZ	141177.00	D	2,558	C215T34FZ3	2-Bolt SAE B	230/460	24.0	89.5	1.15	17.18	S, MX
10	3600	215TYZ	141345.00	✓	2,781	C215T34FZ9	2-Bolt SAE B	230/460	—	90.2	1.15	—	S, MX
10	1800	215TYZ	141159.00	D	2,307	C215T17FZ5	2-Bolt SAE AA	230/460	26.0	89.5	1.15	17.22	S, MX
10	1800	215TYZ	141346.00	✓	2,509	C215T17FZ11	2-Bolt SAE AA	230/460	—	91.7	1.15	—	S, MX
10	1800	215TYZ	141179.00	D	2,307	C215T17FZ6	2-Bolt SAE A	230/460	26.0	89.5	1.15	17.05	S, MX
10	1800	215TYZ	141347.00	✓	2,509	C215T17FZ12	2-Bolt SAE A	230/460	—	91.7	1.15	—	S, MX
10	1800	215TYZ	141180.00	D	2,307	C215T17FZ7	2-Bolt SAE B	230/460	26.0	89.5	1.15	17.18	S, MX
10	1800	215TYZ	141341.00	✓	2,509	C215T17FZ13	2-Bolt SAE B	230/460	—	91.7	1.15	—	S, MX
15	3600	254TYZ	850788.00	D	4,890	254TTFNA17007	2-Bolt SAE A	230/460	35.5	89.5	1.15	23.66	C, US
15	3600	254TYZ	851110.00	C/A	5,317	—	2-Bolt SAE A	230/460	—	91.0	1.15	—	C, US
15	3600	254TYZ	850820.00	D	4,826	254TTFNA17009	2&4 Bolt SAE B	230/460	35.5	89.5	1.15	23.66	C, US
15	3600	254TYZ	851111.00	C/A	5,247	—	2&4 Bolt SAE B	230/460	—	91.0	1.15	—	C, US
15	3600	254TYZ	850821.00	D	4,727	254TTFNA17011	2&4 Bolt SAE BB	230/460	35.5	89.5	1.15	23.66	C, US
15	3600	254TYZ	851112.00	C/A	5,140	—	2&4 Bolt SAE BB	230/460	—	91.0	1.15	—	C, US
15	3600	254TYZ	850822.00	D	4,890	254TTFNA17008	2&4 Bolt SAE C	230/460	35.5	89.5	1.15	23.66	C, US
15	3600	254TYZ	851113.00	C/A	5,317	—	2&4 Bolt SAE C	230/460	—	91.0	1.15	—	C, US
15	1800	254TYZ	850789.00	D	3,757	254TTFNA17053	2-Bolt SAE A	230/460	37.0	89.5	1.15	23.66	C, US
15	1800	254TYZ	851041.00	C/A	4,085	—	2-Bolt SAE A	230/460	—	92.4	1.15	—	C, US
15	1800	254TYZ	850823.00	D	3,757	254TTFNA17055	2&4 Bolt SAE B	230/460	37.0	89.5	1.15	23.66	C, US
15	1800	254TYZ	851114.00	C/A	4,085	—	2&4 Bolt SAE B	230/460	—	92.4	1.15	—	C, US
15	1800	254TYZ	850824.00	D	3,757	254TTFNA17056	2&4 Bolt SAE BB	230/460	37.0	89.5	1.15	23.66	C, US
15	1800	254TYZ	851115.00	C/A	4,085	—	2&4 Bolt SAE BB	230/460	—	92.4	1.15	—	C, US
15	1800	254TYZ	850825.00	D	3,757	254TTFNA17054	2&4 Bolt SAE C	230/460	37.0	89.5	1.15	23.66	C, US
15	1800	254TYZ	851116.00	C/A	4,085	—	2&4 Bolt SAE C	230/460	—	92.4	1.15	—	C, US
20	3600	256TYZ	850790.00	C/A	5,307	256TTFNA17015	2-Bolt SAE A	230/460	47.0	90.2	1.15	23.66	C, US
20	3600	256TYZ	851117.00	C/A	5,610	—	2-Bolt SAE A	230/460	—	91.0	1.15	—	C, US
20	3600	256TYZ	850826.00	D	5,244	256TTFNA17016	2&4 Bolt SAE B	230/460	47.0	90.2	1.15	23.66	C, US
20	3600	256TYZ	851118.00	C/A	5,610	—	2&4 Bolt SAE B	230/460	—	91.0	1.15	—	C, US
20	3600	256TYZ	850827.00	D	5,144	256TTFNA17017	2&4 Bolt SAE BB	230/460	47.0	90.2	1.15	23.66	C, US
20	3600	256TYZ	851119.00	C/A	5,610	—	2&4 Bolt SAE BB	230/460	—	91.0	1.15	—	C, US
20	3600	256TYZ	850828.00	D	5,307	256TTFNA1701	2&4 Bolt SAE C	230/460	47.0	90.2	1.15	23.66	C, US
20	3600	256TYZ	851120.00	C/A	5,610	—	2&4 Bolt SAE C	230/460	—	91.0	1.15	—	C, US
20	1800	256TYZ	850791.00	D	4,268	256TTFNA18540	2-Bolt SAE A	230/460	50.0	90.2	1.15	25.44	C, US
20	1800	256TYZ	851042.00	C/A	4,641	—	2-Bolt SAE A	230/460	—	93.0	1.15	—	C, US
20	1800	256TYZ	850829.00	D	4,268	256TTFNA17052	2&4 Bolt SAE B	230/460	50.0	90.2	1.15	25.44	C, US
20	1800	256TYZ	851121.00	C/A	4,641	—	2&4 Bolt SAE B	230/460	—	93.0	1.15	—	C, US
20	1800	256TYZ	850830.00	D	4,268	256TTFNA17054	2&4 Bolt SAE BB	230/460	50.0	90.2	1.15	25.44	C, US
20	1800	256TYZ	851122.00	C/A	4,641	—	2&4 Bolt SAE BB	230/460	—	93.0	1.15	—	C, US
20	1800	256TYZ	850831.00	D	4,268	256TTFNA17055	2&4 Bolt SAE C	230/460	50.0	90.2	1.15	25.44	C, US
20	1800	256TYZ	851123.00	C/A	4,641	—	2&4 Bolt SAE C	230/460	—	93.0	1.15	—	C, US

230/460 volt motors are suitable for use at 208 volts

Continued On Next Page

Shaded model numbers are cast iron frame

♥ Note listing on inside back flap
Specifications are subject to change without notice

Green items are Premium Efficient

Note - 254T frame and larger - 2 & 4 bolt B flange has a 13 teeth internal spline
 Note - 254T frame and larger - 2 & 4 bolt BB flange has a 15 teeth internal spline
 D - Item to be discontinued once inventory is depleted
 C/A - Check Availability
 Please review our on-line catalog for missing information that was not available at the time of this printing



Three Phase - TEFC - SAE Flange - Rigid Base

HP	SYN RPM 60 Hz	NEMA Frame	Catalog Number	Stock	List Price	Model Number	Flange Type	Voltage	*F.L. Amps	% F.L. EFF.	Service Factor	"C" Dim. (Inches)	♥Notes
25	3600	284TYZ	850792.00	D	5,450	284TTFPA17011	2-Bolt SAE A	230/460	60.0	91.0	1.15	23.94	C, US
25	3600	284TYZ	851124.00	C/A	5,680	—	2-Bolt SAE A	230/460	—	91.7	1.15	—	C, US
25	3600	284TYZ	850832.00	D	5,387	284TTFPA17012	2&4 Bolt SAE B	230/460	60.0	91.0	1.15	23.94	C, US
25	3600	284TYZ	851125.00	C/A	5,680	—	2&4 Bolt SAE B	230/460	—	91.7	1.15	—	C, US
25	3600	284TYZ	850833.00	D	5,173	284TTFPA17013	2&4 Bolt SAE BB	230/460	60.0	91.0	1.15	23.94	C, US
25	3600	284TYZ	851126.00	C/A	5,680	—	2&4 Bolt SAE BB	230/460	—	91.7	1.15	—	C, US
25	3600	284TYZ	850834.00	D	5,450	284TTFPA17010	2&4 Bolt SAE C	230/460	60.0	91.0	1.15	23.94	C, US
25	3600	284TYZ	851127.00	C/A	5,680	—	2&4 Bolt SAE C	230/460	—	91.7	1.15	—	C, US
25	1800	284TYZ	850793.00	D	4,838	284TTFPA17052	2-Bolt SAE A	230/460	61.0	91.7	1.15	23.94	C, US
25	1800	284TYZ	851128.00	C/A	5,260	—	2-Bolt SAE A	230/460	—	93.6	1.15	—	C, US
25	1800	284TYZ	850835.00	D	4,838	284TTFPA17051	2&4 Bolt SAE B	230/460	61.0	91.7	1.15	25.44	C, US
25	1800	284TYZ	851129.00	C/A	5,260	—	2&4 Bolt SAE B	230/460	—	93.6	1.15	—	C, US
25	1800	284TYZ	850836.00	D	4,838	284TTFPA17049	2&4 Bolt SAE BB	230/460	61.0	91.7	1.15	23.94	C, US
25	1800	284TYZ	851130.00	C/A	5,260	—	2&4 Bolt SAE BB	230/460	—	93.6	1.15	—	C, US
25	1800	284TYZ	850837.00	D	4,838	284TTFPA17050	2&4 Bolt SAE C	230/460	61.0	91.7	1.15	23.94	C, US
25	1800	284TYZ	851131.00	C/A	5,260	—	2&4 Bolt SAE C	230/460	—	93.6	1.15	—	C, US
30	3600	286TYZ	850794.00	C/A	6,095	286TTFNA17005	2-Bolt SAE A	230/460	67.0	93.0	1.15	25.35	C, US
30	3600	286TYZ	850838.00	D	6,032	286TTFNA17006	2&4 Bolt SAE B	230/460	70.0	91.0	1.15	25.44	C, US
30	3600	286TYZ	851132.00	C/A	6,095	—	2&4 Bolt SAE B	230/460	—	93.0	1.15	—	C, US
30	3600	286TYZ	850839.00	D	5,933	286TTFNA17007	2&4 Bolt SAE BB	230/460	70.0	91.0	1.15	25.35	C, US
30	3600	286TYZ	851133.00	C/A	6,095	—	2&4 Bolt SAE BB	230/460	—	93.0	1.15	—	C, US
30	3600	286TYZ	850840.00	D	6,095	286TTFNA17008	2&4 Bolt SAE C	230/460	70.0	91.0	1.15	25.35	C, US
30	3600	286TYZ	851134.00	C/A	6,095	—	2&4 Bolt SAE C	230/460	—	93.0	1.15	—	C, US
30	1800	286TYZ	850795.00	C/A	5,123	286TTFNA17055	2-Bolt SAE A	230/460	73.0	94.1	1.15	25.35	C, US
30	1800	286TYZ	850841.00	C/A	5,123	286TTFNA17058	2&4 Bolt SAE B	230/460	73.0	94.1	1.15	25.35	C, US
30	1800	286TYZ	850842.00	C/A	5,123	286TTFNA17057	2&4 Bolt SAE BB	230/460	73.0	94.1	1.15	25.35	C, US
30	1800	286TYZ	850843.00	D	5,123	286TTFNA17056	2&4 Bolt SAE C	230/460	76.0	92.4	1.15	25.35	C, US
30	1800	286TYZ	821135.00	C/A	5,123	—	2&4 Bolt SAE C	230/460	—	94.1	1.15	—	C, US

230/460 volt motors are suitable for use at 208 volts

Continued On Next Page

Shaded model numbers are cast iron frame

♥ Note listing on inside back flap
Specifications are subject to change without notice

Green items are Premium Efficient

Note - 254T frame and larger - 2 & 4 bolt B flange has a 13 teeth internal spline
 Note - 254T frame and larger - 2 & 4 bolt BB flange has a 15 teeth internal spline
 D - Item to be discontinued once inventory is depleted
 C/A - Check Availability
 Please review our on-line catalog for missing information that was not available at the time of this printing



Explosion Proof Motors

Automotive Duty Motors

Pump Motors

Washguard Motors

Agricultural Duty Motors

HVAC / Fan Motors

Special Voltage Motors

Definite Purpose Motors

Brake Motors

Hydraulic SAE Pump Motors

Three Phase - TEFC - SAE Flange - Rigid Base

HP	SYN RPM 60 Hz	NEMA Frame	Catalog Number	Stock	List Price	Model Number	Flange Type	Voltage	*F. L. Amps	% FL. EFF.	Service Factor	"C" Dim. (Inches)	♥Notes
40	3600	324TYZ	850796.00	D	6,811	324TTFFPA17008	2-Bolt SAE A	230/460	95	90.2	1.15	26.08	C, US
40	3600	324TYZ	851136.00	C/A	7,304	—	2-Bolt SAE A	230/460	—	92.4	1.15	—	C, US
40	3600	324TYZ	850844.00	D	6,747	324TTFFPA17007	2&4 Bolt SAE B	230/460	95	90.2	1.15	26.08	C, US
40	3600	324TYZ	851137.00	C/A	7,235	—	2&4 Bolt SAE B	230/460	—	92.4	1.15	—	C, US
40	3600	324TYZ	850845.00	D	6,648	324TTFFPA17009	2&4 Bolt SAE BB	230/460	95	90.2	1.15	26.08	C, US
40	3600	324TYZ	851138.00	C/A	7,129	—	2&4 Bolt SAE BB	230/460	—	92.4	1.15	—	C, US
40	3600	324TYZ	850846.00	D	6,811	324TTFFPA17006	2&4 Bolt SAE C	230/460	95	90.2	1.15	26.08	C, US
40	3600	324TYZ	851139.00	C/A	7,304	—	2&4 Bolt SAE C	230/460	—	92.4	1.15	—	C, US
40	1800	324TYZ	850797.00	D	5,322	324TTFFP17026	2-Bolt SAE A	230/460	100	92.4	1.15	26.08	C, US
40	1800	324TYZ	851140.00	C/A	5,707	—	2-Bolt SAE A	230/460	—	94.1	1.15	—	C, US
40	1800	324TYZ	850847.00	D	5,322	324TTFFPA17027	2&4 Bolt SAE B	230/460	100	92.4	1.15	26.08	C, US
40	1800	324TYZ	851043.00	C/A	5,707	—	2&4 Bolt SAE B	230/460	—	94.1	1.15	—	C, US
40	1800	324TYZ	850848.00	D	5,322	324TTFFPA17052	2&4 Bolt SAE BB	230/460	100	92.4	1.15	26.08	C, US
40	1800	324TYZ	851141.00	C/A	5,707	—	2&4 Bolt SAE BB	230/460	—	94.1	1.15	—	C, US
40	1800	324TYZ	850849.00	D	5,322	324TTFFPA17027	2&4 Bolt SAE C	230/460	100	92.4	1.15	26.08	C, US
40	1800	324TYZ	851142.00	C/A	5,707	—	2&4 Bolt SAE C	230/460	—	94.1	1.15	—	C, US
50	3600	326TYZ	850798.00	√	7,130	326TTFFPA17009	2-Bolt SAE A	230/460	90	93.0	1.15	27.58	C, US
50	3600	326TYZ	850850.00	D	7,067	326TTFFPA17011	2&4 Bolt SAE B	230/460	115	91.0	1.15	27.58	C, US
50	3600	326TYZ	811130.00	C/A	7,579	—	2&4 Bolt SAE B	230/460	—	93.0	1.15	—	C, US
50	3600	326TYZ	850851.00	D	6,967	326TTFFPA17013	2&4 Bolt SAE BB	230/460	115	91.0	1.15	27.58	C, US
50	3600	326TYZ	811131.00	C/A	7,472	—	2&4 Bolt SAE BB	230/460	—	93.0	1.15	—	C, US
50	3600	326TYZ	850852.00	D	7,130	326TTFFPA17010	2&4 Bolt SAE C	230/460	115	91.0	1.15	27.58	C, US
50	3600	326TYZ	811132.00	C/A	7,645	—	2&4 Bolt SAE C	230/460	—	93.0	1.15	—	C, US
50	1800	326TYZ	850799.00	D	6,498	326TTFFPA17051	2-Bolt SAE A	230/460	122	93.0	1.15	27.58	C, US, ⚡
50	1800	326TYZ	811139.00	C/A	6,968	—	2-Bolt SAE A	230/460	—	94.5	1.15	—	C, US, ⚡
50	1800	326TYZ	850853.00	D	6,498	326TTFFPA17050	2&4 Bolt SAE B	230/460	122	93.0	1.15	27.58	C, US, ⚡
50	1800	326TYZ	811133.00	C/A	6,968	—	2&4 Bolt SAE B	230/460	—	94.5	1.15	—	C, US, ⚡
50	1800	326TYZ	850854.00	D	6,498	326TTFFPA17053	2&4 Bolt SAE BB	230/460	122	93.0	1.15	27.58	C, US, ⚡
50	1800	326TYZ	811134.00	C/A	6,968	—	2&4 Bolt SAE BB	230/460	—	94.5	1.15	—	C, US, ⚡
50	1800	326TYZ	850855.00	D	6,498	326TTFFPA17049	2&4 Bolt SAE C	230/460	122	93.0	1.15	27.58	C, US, ⚡
50	1800	326TYZ	811135.00	C/A	6,968	—	2&4 Bolt SAE C	230/460	—	94.5	1.15	—	C, US, ⚡

230/460 volt motors are suitable for use at 208 volts

♥ Note listing on inside back flap Specifications are subject to change without notice

Shaded model numbers are cast iron frame

Green items are Premium Efficient

⚡ - 2:1 Constant torque, all others are 10:1 constant torque
 Note - 254T frame and larger - 2 & 4 bolt B flange has a 13 teeth internal spline
 Note - 254T frame and larger - 2 & 4 bolt BB flange has a 15 teeth internal spline
 D - Item to be discontinued once inventory is depleted
 C/A - Check Availability
 Please review our on-line catalog for missing information that was not available at the time of this printing

SAE Pump Pad Kits and Bushing Kits

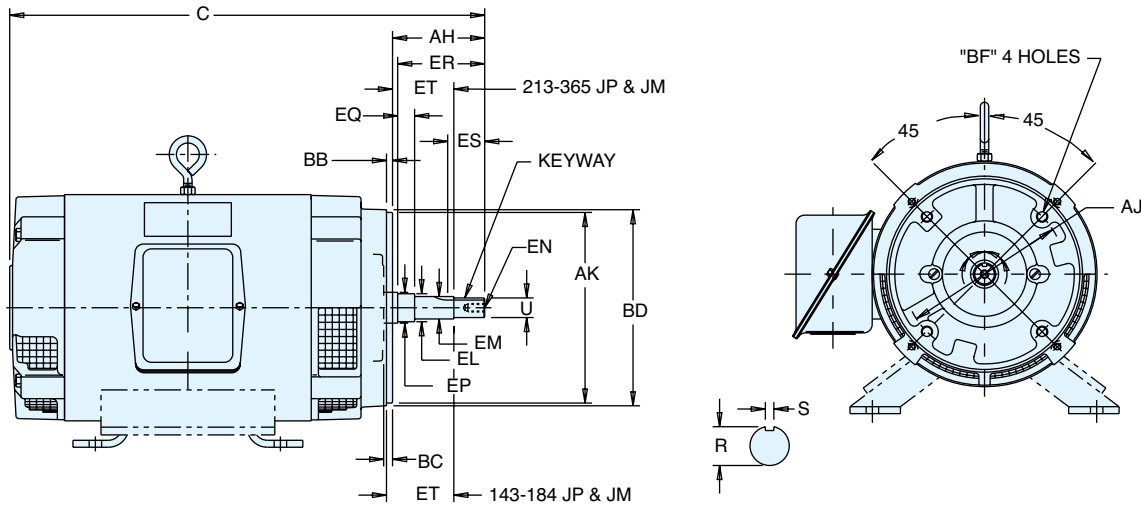
Kit Catalog Number	254 - 449 Frame Kits	Lead Time (days)	List Price
174341.00	Kit - SAE (A)	30	405
174342.00	Kit - SAE (B)	30	346
174344.00	Kit - SAE (C)	30	249
174345.00	Kit Bushing SAE (A)	30	154
174346.00	Kit Bushing SAE (B)	30	154
174347.00	Kit Bushing SAE (BB)	30	154
174348.00	Kit Bushing SAE (C)	30	154



Close Coupled Pump Motors

Dimensions - Definite Purpose - Close Coupled Pump Motors

Typical Close Coupled Pump Motors



Dimensions for Type JM

Frame Desig.	U	AH	AJ	AK	BB	BD Max.	BF			EL	EM	EN			EP Min.	EQ	ER Min.	Keyseat			ET
							No.	Tap Size	Bolt Pen. Allow.			Tap Size	Tap Drill Depth Max.	Bolt Pen. Allow.				R	ES Min.	S	
143 & 145JM	0.8745 0.8740	4.15 4.10	5.890 5.860	4.500 4.497	0.150 0.10	6.62	4	3/8-16	0.56	1.156 1.154	1.0000 0.9995	3/8-16	1.12	0.75	1.156 0.610	0.640 0.610	4.25	0.771 0.756	1.65 0.188	0.190 0.188	2.890 2.860
182 & 184JM	0.8745 0.8740	4.13 4.09	5.89 5.86	4.500 4.497	0.16 0.125	6.62	4	3/8-16	0.56	1.250 1.248	1.0000 0.9995	3/8-16	1.12	0.75	1.250 0.610	0.640 0.610	4.25	0.771 0.756	1.65 0.188	0.190 0.188	2.890 2.860
213 & 215JM	0.8750 0.8745	4.25 4.235	7.265 7.235	8.500 8.497	0.312 0.250	9.00	4	1/2-13	0.75	1.250 1.248	1.0000 0.9995	3/8-16	1.12	0.75	1.750 0.610	0.640 0.610	4.25	0.771 0.756	1.65 0.188	0.190 0.188	2.890 2.860
254 & 256JM	1.2495 1.2490	5.25	7.250	8.500 8.497	0.312 0.250	10.00	4	1/2-13	0.75	1.750 1.748	1.3750 1.3745	1/2-13	1.50	1.00	1.750 0.610	0.640 0.610	5.25	1.112 1.097	2.53 0.250	0.252 0.250	3.015 2.985
284 & 286JM	1.2495 1.2490	5.281 5.219	11.00	12.500 12.495	0.312 0.250	14.00	4	5/8-11	0.94	1.750 1.748	1.3750 1.3745	1/2-13	1.50	1.00	2.125 0.605	0.645 0.605	5.25	1.112 1.097	2.53 0.250	0.252 0.250	3.020 2.980
324 & 326JM	1.2495 1.2490	5.281 5.219	11.00	12.500 12.495	0.312 0.250	14.00	4	5/8-11	0.94	1.750 1.478	1.3750 1.3745	1/2-13	1.50	1.00	2.125 0.605	0.645 0.605	5.25	1.112 1.097	2.53 0.250	0.252 0.250	3.020 2.980

Dimensions for Type JP

Frame Desig.	U	AH	AJ	AK	BB	BD Max.	BF			EL	EM	EN			EP Min.	EQ	ER Min.	Keyseat			ET
							No.	Tap Size	Bolt Pen. Allow.			Tap Size	Tap Drill Depth Max.	Bolt Pen. Allow.				R	ES Min.	S	
143 & 145JP	0.8745 0.8740	7.19 7.15	5.890 5.860	4.500 4.497	0.156 0.125	6.62	4	3/8-16	0.56	1.156 1.154	1.0000 0.9995	3/8-16	1.12	0.75	1.156 1.548	1.578 1.548	7.312	0.771 0.756	1.65 0.188	0.190 0.188	5.952 5.922
182 & 184JP	0.8745 0.8740	7.21 7.15	5.890 5.860	4.500 4.497	0.156 0.100	6.62	4	3/8-16	0.56	1.250 1.248	1.0000 0.9995	3/8-16	1.12	0.75	1.250 1.548	1.578 1.548	7.312	0.771 0.756	1.65 0.188	0.190 0.188	5.952 5.922
213 & 215JP	1.2495 1.2490	8.12	7.250	8.500 8.497	0.312 0.250	9.00	4	1/2-13	0.75	1.750 1.748	1.3750 1.3745	1/2-13	1.50	1.00	1.750 2.360	2.390 2.360	8.125	1.112 1.097	2.53 0.250	0.252 0.250	5.890 5.860
254 & 256JP	1.2495 1.2490	8.156 8.094	7.250	8.500 8.497	0.312 0.250	10.00	4	1/2-13	0.75	1.750 1.748	1.3750 1.3745	1/2-13	1.50	1.00	1.750 2.360	2.390 2.360	8.125	1.112 1.097	2.53 0.250	0.252 0.250	5.890 5.855
284 & 286JP	1.2495 1.2490	8.156 8.094	11.00	12.500 12.495	0.312 0.250	14.00	4	5/8-11	0.94	1.750 1.748	1.3750 1.3745	1/2-13	1.50	1.00	2.125 2.360	2.390 2.360	8.125	1.112 1.097	2.53 0.250	0.252 0.250	5.895 5.860
324JP & 326JP	1.2495 1.2490	8.12	11.00	12.500 12.495	0.312 0.250	14.00	4	5/8-11	0.94	1.750 1.748	1.3750 1.3745	1/2-13	1.50	1.00	2.125 2.355	2.395 2.355	8.125	1.112 1.097	2.53 0.250	0.252 0.250	5.895 5.855
364JP & 365JP	1.6245 1.6240	8.12	11.00	12.500 12.495	0.312 0.250	14.00	4	5/8-11	0.94	2.125 2.13	1.7500 1.7495	1/2-13	1.50	1.00	2.500 2.355	2.395 2.355	8.125	1.416 1.401	2.53 0.375	0.377 0.375	5.895 5.855

All dimensions are measured in inches. For "C" dimensions, refer to the appropriate catalog page. Certified drawings are available upon request - contact LEESON for details.



Explosion Proof Motors

Automotive Duty Motors

Pump Motors

Washguard Motors

Agricultural Duty Motors

HVAC / Fan Motors

Special Voltage Motors

Definite Purpose Motors

Brake Motors



- USDA-approved white epoxy finish
- Stainless steel motors
- Encapsulated stainless steel motors available
- NEMA and IEC flange motors
- Three phase, single phase and DC washdown duty motors
- AC and DC washdown gearmotors
- Rigid base and C face mount types
- BISSC approved designs
- Double lip contact seals and v-ring seals used for shaft seals
- 3-year warranty on encapsulated and premium efficient models
- Washdown brakemotors and pump motors available
- UL recognized and CSA certified

Applications:

Designed to meet the demanding washdown conditions that you may find in food processing plants, chemical processing, pharmaceutical plants and the beverage and brewing industries.



Premium Stainless Duck

Maximum service in critically clean or corrosive environments



- All exterior components of 300 series stainless steel
- Endshields o-ring sealed to frame
- IEEE 841 severe-duty features standard
- Meets IP56 enclosure protection
- AC, DC and IEC designs
- (SGRs) shaft grounding rings



Washguard® Motors
Broad Product Range

Explosion Proof Motors

Automotive Duty Motors

Pump Motors

Washguard® Motors

Agricultural Duty Motors

HVAC / Fan Motors

Special Voltage Motors

Definite Purpose Motors

Brake Motors

SSTDuck

Stainless Steel Tough for demanding washdown applications



- All exterior components of 300 series stainless steel, including motor frame, endshield and conduit box castings
- Moisture resistant sealant between frame and endbells
- Full-fact nameplate is laser-etched on the motor frame
- Four locations for T-drains provided on each endshield
- Meets IP55 enclosure protection

Washguard® II Motors

Superior, extended life in severe environments



- Paint-free exterior—stainless frame and conduit box lid, specially processed endshields and conduit box housing
- Etched stainless steel nameplate
- Meets IP55 enclosure protection
- Three phase motors are suitable for use on VFDs

White Duck

Enhanced performance in wet, humid areas



- Our original moisture-shedding "duck" motor
- USDA-approved white epoxy finish
- Stainless steel shaft, conduit box cover, nameplate, fan guard
- Four endshield drains
- Meets IP55 enclosure protection

Extreme Duck Ultra

Revolutionary Designed Stainless Steel Motors are built to be the last Stainless Steel Washdown motors you will ever need!



- Total winding encapsulation using an Epoxy Resin
- All exterior components are 300-Series stainless steel
- (SRGs) shaft grounding rings
- Protech Bearing isolator used for the output shaft seal
- Pre-lubricated double-sealed bearings
- Full fact nameplate is laser etched





WASHGUARD® MOTORS ARE BUILT TO HANDLE HIGH-PRESSURE WASHDOWNS!*

Stainless-steel or white polypropylene fan guard on all WASHGUARD® frames.

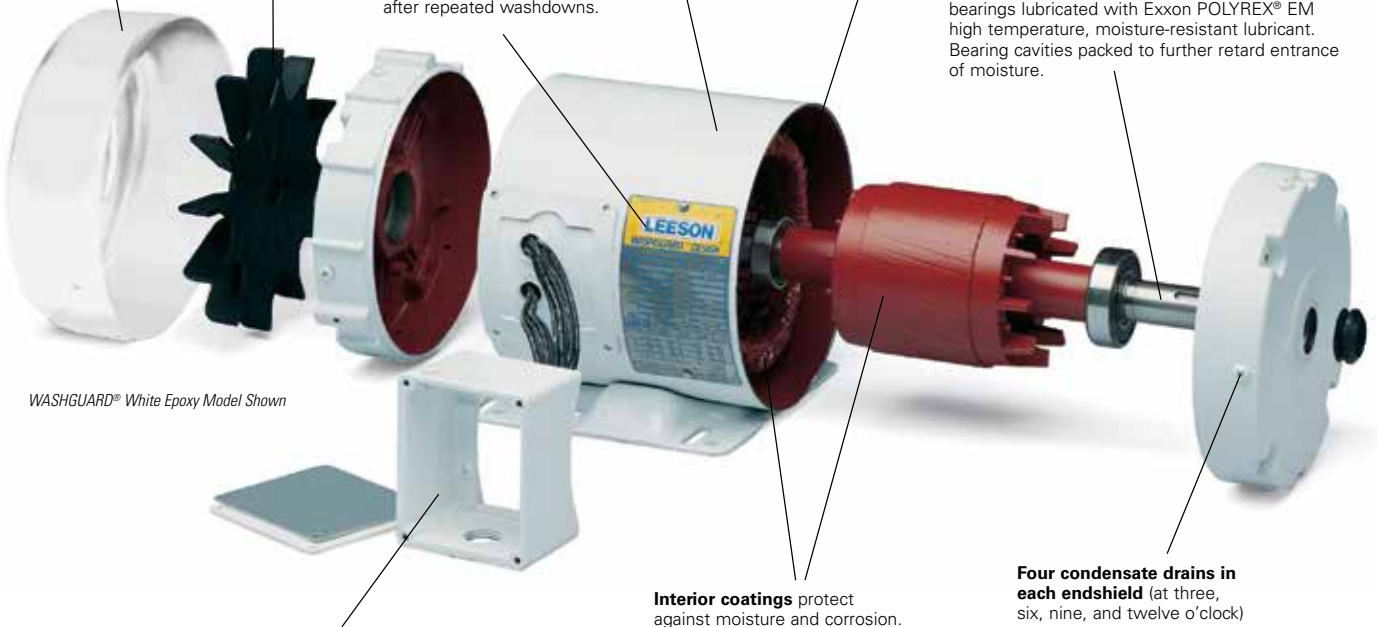
Composite fan is chemically-inert and static-free. Fan is positively positioned on shaft on TEFC designs only.

USDA-approved, white epoxy finish for superior protection and resistance to caustic cleaning solutions.

Encapsulated starting switch (single-phase WASHGUARD® motors) uses a patented, field-proven design that is immune to moisture, shock and vibration. No moving parts or exposed contacts to become corroded or inoperable.

Stainless-steel, "full-fact" nameplate includes information on motor efficiency and connections. Readable even after repeated washdowns.

Moisture-resistant shaft system includes 303 stainless-steel shaft and lubricated, spring-loaded contact seals in each endshield. Patented V-ring Forsheda seal on shaft end to deflect water (see inset). Double-sealed, oversized bearings lubricated with Exxon POLYREX® EM high temperature, moisture-resistant lubricant. Bearing cavities packed to further retard entrance of moisture.

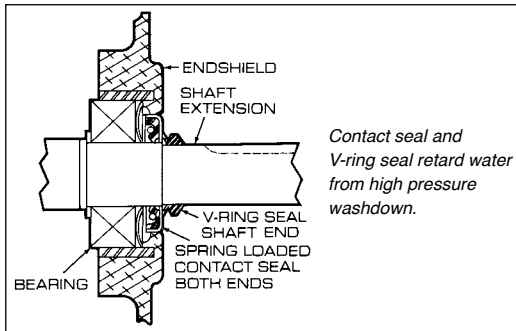


WASHGUARD® White Epoxy Model Shown

Cast, oversized conduit box with tough, high-temperature nitrile gaskets and stainless-steel cover and hardware. Oversized design with threaded entrance. All machined fits are sealed and nylon gaskets are used under bolt heads.

Interior coatings protect against moisture and corrosion. Frame, base, endshields, rotor, and interior components are protected by enamel and polyester compounds of outstanding adhesion and resistance to moisture, acids, alkalis, and oils. High temperature, moisture resistant IRIS insulation system assures long life on inverter service. Windings are immersed and cured in polyester insulating compound.

Four condensate drains in each endshield (at three, six, nine, and twelve o'clock) purge condensate and water which may enter the motor.



* Also excellent for applications requiring a motor that is "tropicalized"!





Washguard® Motors

Single Phase - White Epoxy Painted



Single Phase - TEFC - Rigid Base - Featuring Electronic Solid State Encapsulated Switch

HP	SYN RPM 60 Hz	NEMA Frame	Catalog Number	Stock	List Price	Model Number	App. Wgt. (lbs)	Voltage	F. L. Amps @ 230 V	Service Factor	"C" Dim. (Inches)	♥Notes
1/2	1800	56	112431.00	√	690	C6C17WB1	24	115/208-230	4.4	10.81	S, US	C, US
3/4	1800	56	112432.00	√	812	C6C17WB2	31	115/208-230	5.4	11.31	S, US	C, US
1	1800	56	112626.00	√	930	C6C17WB3	33	115/208-230	6.4	11.81	S, US	C, US
1	1800	143T	120589.00	√	930	N143C17WB1	34	115/208-230	6.4	12.25	S, US	C, US
1 1/2	1800	145T	120590.00	√	1,184	C145C17WB1	47	115/208-230	9.5	13.75	S, US	C, US
2	1800	182T	131571.00	√	1,717	C182C17WB3	60	115/208-230	12.6	13.46	S, MX	C, US

♥ Note listing on inside back flap
Specifications are subject to change without notice

Single Phase - TEFC - C Face With Base - Featuring Electronic Solid State Encapsulated Switch

HP	SYN RPM 60 Hz	NEMA Frame	Catalog Number	Stock	List Price	Model Number	App. Wgt. (lbs)	Voltage	F. L. Amps @ 230 V	Service Factor	"C" Dim. (Inches)	♥Notes
1/3	3600	56C	113580.00	√	681	C6C34WK2	27	115/208-230	2.6	1.15	10.69	S, US
1/3	1800	56C	112526.00	√	690	C6C17WK2	28	115/208-230	3.2	1.15	10.69	S, US
1/2	3600	56C	113581.00	√	690	C6C34WK3	25	115/208-230	3.6	1.15	10.69	S, US
1/2	1800	56C	112527.00	√	715	C6C17WK3	28	115/208-230	4.4	1.15	11.19	S, US
3/4	3600	56C	113582.00	√	700	C6C34WK4	31	115/208-230	5.0	1.15	11.69	S, US
3/4	1800	56C	112528.00	√	811	C6C17WK4	30	115/208-230	5.4	1.15	11.69	S, US
1	3600	56C	113583.00	√	702	C6C34WK6	31	115/208-230	6.0	1.15	12.19	S, US
1	1800	56C	112529.00	√	933	C6C17WK5	33	115/208-230	6.4	1.15	12.19	S, US
1 1/2	3600	56C	113584.00	√	1,027	C6C34WK5	36	115/208-230	8.5	1.15	12.69	S, US
1 1/2	1800	56HC	113300.00	√	1,188	C6C17WK6	45	115/208-230	9.5	1.15	13.69	S, US
2	3600	56HC	114637.00	√	1,184	C6C34WK9	43	115/208-230	10.0	1.00	13.69	S, US

♥ Note listing on inside back flap
Specifications are subject to change without notice

Single Phase - TEFC - C Face Less Base - Featuring Electronic Solid State Encapsulated Switch



HP	SYN RPM 60 Hz	NEMA Frame	Catalog Number	Stock	List Price	Model Number	App. Wgt. (lbs)	Voltage	F. L. Amps @ 230 V	Service Factor	"C" Dim. (Inches)	♥Notes
1/3	3600	56C	114310.00	√	677	C6C34WC2	25	115/208-230	2.6	1.15	10.69	S, US
1/3	1800	56C	114311.00	√	687	C6C17WC2	27	115/208-230	3.2	1.15	10.69	S, US
1/2	3600	56C	114312.00	√	687	C6C34WC3	25	115/208-230	3.6	1.15	10.69	S, US
1/2	1800	56C	114313.00	√	705	C6C17WC3	29	115/208-230	4.4	1.15	11.19	S, US
3/4	3600	56C	114314.00	√	690	C6C34WC4	31	115/208-230	5.0	1.15	11.69	S, US
3/4	1800	56C	114315.00	√	815	C6C17WC4	31	115/208-230	5.4	1.15	11.69	S, US
1	3600	56C	114316.00	√	695	C6C34WC5	29	115/208-230	6.0	1.15	12.19	S, US
1	1800	56C	114317.00	√	924	C6C17WC5	34	115/208-230	6.4	1.15	12.19	S, US
1 1/2	3600	56C	114318.00	√	1,026	C6C34WC6	36	115/208-230	8.5	1.15	12.69	S, US
1 1/2	1800	56C	114319.00	√	1,184	C6C17WC6	43	115/208-230	9.5	1.15	13.69	S, US

♥ Note listing on inside back flap
Specifications are subject to change without notice



Explosion Proof Motors

Automotive Duty Motors

Pump Motors

Washguard® Motors

Agricultural Duty Motors

HVAC / Fan Motors

Special Voltage Motors

Definite Purpose Motors

Brake Motors

Washguard® Motors

White Epoxy Painted - Three Phase



Three Phase - TENV and TEFC C Face Less Base

HP	SYN RPM 60 Hz	NEMA Frame	Catalog Number	Stock	List Price	Model Number	App. Wgt. (lbs)	Voltage	F. L. Amps @ 230 V	% F.L. Eff.	Service Factor	"C" Dim. (Inches)	♥Notes
1/4	1800	56C	113649.00	√	661	C6T17VC5	19	230/460	1.1	68.0	1.15	9.56	S, US, 12
1/3	3600	56C	116640.00	√	682	C6T34VC16	19	230/460	1.1	77.0	1.15	10.08	S, US, 12
1/3	1800	56C	113954.00	√	702	C6T17VC6	19	230/460	1.3	72.0	1.15	9.56	S, US, 12
1/3	1800	56C	116642.00	√	702	C6T17WC23	19	230/460	1.7	68.0	1.15	10.69	S, US, 13
1/2	3600	56C	116643.00	√	704	C6T34VC17	22	230/460	1.6	82.5	1.15	10.06	S, US, 12
1/2	1800	56C	113473.00	√	723	C6T17VC4	22	230/460	1.8	78.5	1.15	10.06	S, US, 12
1/2	1800	56C	116644.00	√	723	C6T17WC24	22	230/460	2.0	74.0	1.15	11.19	S, US, 13
3/4	3600	56C	113022.00	√	733	C6T34VC1	23	230/460	2.4	84.0	1.15	11.06	S, US, 12
3/4	1800	56C	113019.00	√	838	C6T17VC1	28	230/460	2.5	80.0	1.15	10.56	S, US, 12
3/4	1800	56C	116645.00	√	838	C6T17FC204	28	230/460	2.8	77.0	1.15	11.69	S, US, 13
1	3600	56C	113023.00	√	854	C6T34VC2	35	230/460	2.6	85.5	1.15	11.56	S, US, 12
1	1800	56C	113020.00	D	874	C6T17VC2	32	230/460	3.2	80.0	1.15	11.56	S, US, 12
1	1800	56C	116646.00	D	874	C6T17WC25	32	230/460	3.8	77.0	1.15	11.69	S, US, 13
1	1800	56C	119468.00	√	936	C6T17WC380	37	230/460	3.2	85.5	1.15	12.87	S, US, 13
1	1800	143TC	120760.00	D	874	C143T17VC1	35	230/460	3.2	80.0	1.15	11.75	S, US, 12
1	1800	143TC	G121652.00	D	895	C143T17WC8	33	230/460	3.1	82.5	1.15	13.25	S, US, 13
1	1800	143TC	122179.00	√	952	C143T17WC130	45	230/460	3.2	85.5	1.15	12.93	S, US, 13
1 1/2	3600	56C	113024.00	√	906	C6T34VC3	42	230/460	3.8	84.0	1.15	12.56	S, US, 12
1 1/2	1800	56C	113021.00	D	911	C6T17VC3	44	230/460	4.2	84.0	1.15	13.06	S, US, 12
1 1/2	1800	56C	116647.00	D	911	C6T17WC26	44	230/460	5.0	78.5	1.15	12.69	S, US, 13
1 1/2	1800	56C	119469.00	√	963	C6T17WC51	50	230/460	4.8	86.5	1.15	13.37	S, US, 13
1 1/2	1800	145TC	120761.00	D	911	C145T17VC1	47	230/460	4.2	84.0	1.15	13.25	S, US, 12
1 1/2	1800	145TC	G121655.00	D	935	C145T17WC28	45	230/460	4.4	84.0	1.15	13.25	S, US, 13
1 1/2	1800	145TC	122180.00	√	972	C145T17WC42	53	230/460	4.8	86.5	1.15	13.43	S, US, 13
2	3600	56C	113593.00	D	1,035	C6T34VC5	47	230/460	5.0	84.0	1.00	13.06	S, US, 12
2	3600	56C	119472.00	√	1,139	C6T34WC27	51	230/460	4.8	85.5	1.00	13.37	S, US, 13
2	3600	145TC	121040.00	D	1,035	C145T34VC1	45	230/460	5.0	84.0	1.15	13.12	S, US, 12
2	3600	145TC	122183.00	√	1,172	C145T34WC22	50	230/460	4.8	85.5	1.15	13.43	S, US, 13
2	1800	56C	114616.00	D	1,063	C6T17WC12	48	230/460	6.2	81.5	1.15	12.69	S, US, 13
2	1800	56C	119471.00	√	1,158	C6T17WC383	52	230/460	5.8	86.5	1.15	13.87	S, US, 13
2	1800	145TC	G120762.00	D	1,156	C145T17WC27	47	230/460	5.6	84.0	1.15	13.75	S, US, 13
2	1800	145TC	122182.00	√	1,204	C145T17WC131	52	230/460	5.8	86.5	1.15	13.93	S, US, 13
3	3600	56C	115976.00	D	1,264	C6T34WC7	39	230/460	7.6	84.0	1.15	13.19	S, US, 13
3	3600	56C	119473.00	√	1,425	C6T34WC28	45	230/460	8.0	86.5	1.15	13.62	S, US, 13
3	3600	145TC	G120987.00	D	1,364	C145T34WC15	44	230/460	7.6	85.5	1.15	13.75	S, US, 13
3	3600	145TC	122184.00	√	1,451	C145T34WC23	53	230/460	8.0	86.5	1.15	13.68	S, US, 13
3	1800	182TC	G131596.00	D	1,522	C182T17WC9	81	230/460	7.6	87.5	1.15	14.47	S, US, 13
3	1800	182TC	132439.00	√	1,610	C182T17WC13	85	230/460	7.8	89.5	1.15	14.47	S, US, 13
5	3600	184TC	G131595.00	D	1,905	C184T34WC7	75	230/460	12.0	87.5	1.15	14.47	S, US, 13
5	3600	184TC	132441.00	√	1,905	C184T34WC10	85	230/460	12.0	88.5	1.15	14.97	S, US, 13

230/460 volt motors are suitable for use at 208 volts

Continued On Next Page

Green items are Premium Efficient

D - Item to be discontinued once inventory is depleted
Note 12 - TENV

♥ Note listing on inside back flap
Specifications are subject to change without notice





Three Phase - TENV and TEFC C Face Less Base

HP	SYN RPM 60 Hz	NEMA Frame	Catalog Number	Stock	List Price	Model Number	App. Wgt. (lbs)	Voltage	F. L. Amps @ 230 V	% FL. Eff.	Service Factor	"C" Dim. (Inches)	♥Notes
5	3600	184TC	G131595.00	D	1,905	C184T34WC7	75	230/460	12.0	87.5	1.15	14.47	S, US, 13
5	3600	184TC	132441.00	√	1,905	C184T34WC10	85	230/460	12.0	88.5	1.15	14.97	S, US, 13
5	1800	184TC	G131597.00	D	1,717	C184T17WC8	95	230/460	13.0	87.5	1.15	14.97	S, US, 13
5	1800	184TC	132440.00	√	1,857	C184T17WC10	101	230/460	12.6	89.5	1.15	15.47	S, US, 13
7 1/2	3600	S213TC	G131594.00	D	2,361	C184T34WC6	102	230/460	16.8	88.5	1.00	17.47	S, US, 13
7 1/2	3600	213TC	141267.00	√	2,341	C213T17WC5	130	230/460	18.6	89.5	1.00	18.77	S, US, 13
7 1/2	1800	213TC	G140467.00	D	2,177	C213T17WC3	145	230/460	20.4	89.5	1.15	17.71	S, US, 13
7 1/2	1800	213TC	141266.00	√	2,351	C213T17WC4	152	230/460	19.6	91.7	1.15	18.77	S, US, 13
10	3600	215TC	G140737.00	D	2,805	C215T34WC2	170	230/460	24.0	89.5	1.15	20.57	S, US, 13
10	3600	215TC	141269.00	√	2,830	C215T34WC5	170	230/460	23.6	90.2	1.15	20.27	S, US, 13
10	1800	215TC	G140465.00	D	2,474	C215T17WC3	180	230/460	26.0	89.5	1.15	18.71	S, US, 13
10	1800	215TC	141268.00	√	2,814	C215T17WC4	180	230/460	26.4	91.7	1.15	20.27	S, US, 13
15	3600	215TC	G140738.00	D	3,452	C215T34WC4	140	230/460	36.0	90.2	1.15	20.57	S, US, 13
15	3600	215TC	141357.00	√	3,495	C215T34WC8	140	230/460	36.0	91.0	1.15	20.57	S, US, 13

230/460 volt motors are suitable for use at 208 volts

♥ Note listing on inside back flap Specifications are subject to change without notice

Green items are Premium Efficient

D - Item to be discontinued once inventory is depleted

Three Phase - TEFC - Rigid Base

HP	SYN RPM 60 Hz	NEMA Frame	Catalog Number	Stock	List Price	Model Number	App. Wgt. (lbs)	Voltage	F. L. Amps @ 230 V	% FL. Eff.	Service Factor	"C" Dim. (Inches)	♥Notes
1/2	1800	56	112427.00	√	711	C6T17WB6	24	230/460	2.0	74.0	1.15	10.81	S, US
3/4	1800	56	112428.00	√	742	C6T17WB7	27	230/460	2.8	77.0	1.15	10.81	S, US
1	1800	56	112627.00	D	780	C6T17WB8	26	230/460	3.8	77.0	1.15	11.31	S, US
1	1800	56	119475.00	√	960	C6T17WB18	31	230/460	3.2	85.5	1.15	12.25	S, US
1	1800	143T	121865.00	√	981	C143T17WB4	35	230/460	3.1	85.5	1.15	12.75	S, US
1 1/2	1800	145T	121869.00	√	983	C145T17WB23	51	230/460	4.4	86.5	1.15	12.75	S, US
2	1800	145T	121866.00	√	1,222	C145T17WB22	46	230/460	5.6	86.5	1.15	13.75	S, US
3	3600	182T	132388.00	C/A	1,673	C182T34WB1	69	230/460	7.6	86.5	1.25	13.96	S, MX
3	1800	182T	132196.00	√	1,088	C182T17WB10	69	230/460	8.2	89.5	1.15	13.96	S, MX
5	3600	184T	132202.00	√	1,641	C184T34WB5	75	230/460	12.0	88.5	1.25	14.46	S, MX
5	1800	184T	132197.00	√	1,877	C184T17WB8	85	230/460	13.0	89.5	1.15	14.96	S, MX
7 1/2	3600	184T	132306.00	√	1,877	C184T34WB6	87	230/460	16.8	89.5	1.15	15.96	S, MX
7 1/2	3600	S213T	132204.00	√	2,341	C184T34WB6	87	230/460	16.8	89.5	1.15	16.59	S, MX
7 1/2	1800	213T	140819.00	√	2,341	C213T17WB6	131	230/460	20.4	91.7	1.25	17.21	S, MX
10	1800	215T	140820.00	√	2,382	C215T17WB5	165	230/460	26.0	91.7	1.25	18.71	S, MX
10	1800	215T	140820.00	√	2,849	C215T17WB5	165	230/460	26.0	91.7	1.25	18.71	S, MX

230/460 volt motors are suitable for use at 208 volts

♥ Note listing on inside back flap Specifications are subject to change without notice

Green items are Premium Efficient

D - Item to be discontinued once inventory is depleted

C/A - Check Availability

Washguard® Motors

White Epoxy Painted - Three Phase



Three Phase - TENV and TEFC C Face With Base

HP	SYN RPM 60 Hz	NEMA Frame	Catalog Number	Stock	List Price	Model Number	App. Wgt. (lbs)	Voltage	F. L. Amps @ 230 V	% FL. Eff.	Service Factor	"C" Dim. (Inches)	♥Notes
1/4	1800	56C	112523.00	√	665	C6T17WK8	21	230/460	1.1	67.0	1.15	10.69	S, US, 13
1/3	3600	56C	116641.00	√	704	C6T34VK15	22	230/460	1.1	77.0	1.15	10.08	S, US, 12
1/3	1800	56C	112547.00	√	732	C6T17WK9	22	230/460	1.7	68.0	1.15	10.69	S, US, 13
1/2	3600	56C	113588.00	√	663	C6T34VK3	26	230/460	1.5	82.5	1.15	10.58	S, US, 12
1/2	1800	56C	113586.00	√	742	C6T17VK2	23	230/460	1.8	78.5	1.15	10.06	S, US, 12
1/2	1800	56C	112429.00	√	742	C6T17WK1	22	230/460	2.0	74.0	1.15	11.19	S, US, 13
1/2	1200	56C	115743.00	√	928	C6T11VK1	24	230/460	2.3	77.0	1.15	11.56	S, US, 12
3/4	3600	56C	113589.00	√	728	C6T34VK2	24	230/460	2.4	84.0	1.15	11.08	S, US, 12
3/4	1800	56C	113587.00	√	859	C6T17VK1	30	230/460	2.5	80.0	1.15	10.56	S, US, 12
3/4	1800	56C	112430.00	√	859	C6T17WK2	26	230/460	2.8	77.0	1.15	11.19	S, US, 13
3/4	1200	56HC	115744.00	√	1,009	C6T11VK2	25	230/460	3.0	78.5	1.15	13.06	S, US, 12
1	3600	56C	113590.00	√	852	C6T34VK4	34	230/460	2.6	85.5	1.15	11.58	S, US, 12
1	1800	56C	112524.00	D	895	C6T17WK10	27	230/460	3.8	77.0	1.15	11.69	S, US, 13
1	1800	56H	119476.00	√	993	C6T17WK44	35	230/460	3.2	85.5	1.15	12.87	S, US, 13
1	1800	143TC	121867.00	√	1,031	C143T17WK11	37	230/460	3.2	85.5	1.15	13.25	S, US, 13
1	1200	56HC	115745.00	D	1,079	C6T11WK3	35	230/460	4.0	77.0	1.15	13.08	S, US, 13
1	1200	56HC	119478.00	√	1,241	C6T11WK11	45	230/460	3.8	82.5	1.15	13.37	S, US, 13
1 1/2	3600	56C	113591.00	√	939	C6T34VK5	44	230/460	3.8	84.0	1.15	12.56	S, US, 12
1 1/2	1800	145TC	121871.00	√	1,074	C145T17WK31	53	230/460	4.8	86.5	1.15	13.25	S, US, 13
1 1/2	1800	56C	112643.00	D	935	C6T17WK11	32	230/460	5.0	78.5	1.15	12.19	S, US, 13
1 1/2	1800	56C	119480.00	√	1,142	C6T17WK45	45	230/460	4.8	86.5	1.15	13.37	S, US, 13
1 1/2	1200	56HC	115746.00	D	1,140	C6T11WK4	31	230/460	5.7	77.0	1.15	14.18	S, US, 13
1 1/2	1200	182TC	132563.00	√	1,585	C6T11WK11	89	230/460	5.6	87.5	1.15	15.96	S, US, 13
2	3600	56HC	113592.00	D	1,044	C6T34VK6	48	230/460	5.0	84.0	1.15	13.06	S, US, 12
2	3600	56HC	119482.00	√	1,230	C6T34WK33	51	230/460	4.8	85.5	1.15	13.37	S, US, 13
2	3600	145TC	121039.00	D	1,044	C145T34VK1	43	230/460	4.8	84.5	1.15	13.12	S, US, 12
2	3600	145TC	122185.00	√	1,240	C145T34WK37	49	230/460	4.8	85.5	1.15	13.43	S, US, 13
2	1800	56C	112644.00	D	1,071	C6T17WK12	36	230/460	6.2	81.5	1.15	12.69	S, US, 13
2	1800	56C	119483.00	√	1,248	C6T17WK46	47	230/460	5.8	86.5	1.15	13.87	S, US, 13
2	1800	145TC	121868.00	√	1,328	C145T17WK30	49	230/460	5.8	86.5	1.15	13.75	S, US, 13
3	3600	145TC	121870.00	√	1,569	C145T34WK28	46	230/460	7.6	89.5	1.15	13.75	S, US, 13
3	3600	182TC	132199.00	√	1,804	C182T34WK1	80	230/460	7.6	86.5	1.25	14.97	S, MX, 13
3	1800	182TC	132198.00	√	1,779	C182T17WK13	80	230/460	7.8	89.5	1.15	14.47	S, MX, 13
5	3600	184TC	132200.00	√	2,229	C184T34WK10	79	230/460	12.0	88.5	1.15	14.47	S, MX, 13
5	1800	184TC	132201.00	√	2,009	C184T17WK15	84	230/460	12.8	89.5	1.15	14.97	S, MX, 13
7 1/2	3600	184TC	132205.00	√	2,763	C184T34WK17	94	230/460	17.6	89.5	1.15	15.97	S, MX, 13
7 1/2	3600	213TC	141120.00	√	2,826	C213T34WK6	140	230/460	17.8	89.5	1.15	17.47	S, MX, 13
7 1/2	1800	213TC	140822.00	√	2,590	C213T17WK9	135	230/460	21.4	91.7	1.25	17.71	S, MX, 13
10	3600	215TC	140823.00	√	3,336	C215T34WK9	129	230/460	23.6	90.2	1.15	20.57	S, US, 13
10	1800	215TC	140821.00	√	2,944	C215T17WK9	145	230/460	26.6	91.7	1.25	18.71	S, MX, 13

230/460 volt motors are suitable for use at 208 volts

♥ Note listing on inside back flap
Specifications are subject to change without notice

Green items are Premium Efficient

D - Item to be discontinued once inventory is depleted





Washguard® Motors

White Epoxy Painted - Three Phase

Three Phase - 575 Volts

Three Phase - TEFC - C Face With Base

HP	SYN RPM 60 Hz	NEMA Frame	Catalog Number	Stock	List Price	Model Number	App. Wgt. (lbs)	Voltage	F. L. Amps @ 575 V	% F.L. Eff.	Service Factor	"C" Dim. (Inches)	♥Notes
1/4	1800	56C	112520.00	√	665	C6T17WK5	24	575	0.4	68.0	1.15	10.69	S, US
1/3	1800	56C	112521.00	√	688	C6T17WK6	22	575	0.7	68.0	1.15	10.69	S, US
1/2	1800	56C	112483.00	√	742	C6T17WK3	28	575	0.8	74.0	1.15	10.69	S, US
3/4	1800	56C	112484.00	√	859	C6T17WK4	24	575	1.1	77.0	1.15	11.19	S, US
1	1800	56C	112522.00	D	895	C6T17WK7	30	575	1.5	77.0	1.15	11.69	S, US
1	1800	56C	119479.00	√	993	C6T17WK381	35	575	1.3	85.5	1.15	12.62	S, US
2	1800	145TC	121075.00	√	1,071	C145T17WK2	47	575	2.3	84.0	1.15	13.43	S, US
2	1800	145TC	122330.00	√	1,328	C145T17WK60	49	575	5.8	86.5	1.15	13.75	S, US

Green items are Premium Efficient

D - Item to be discontinued once inventory is depleted

♥ Note listing on inside back flap
Specifications are subject to change without notice



Washdown Duty Pump Motors - White Epoxy Painted

Three Phase - TEFC - JM Pump

HP	SYN RPM 60 Hz	NEMA Frame	Catalog Number	Stock	List Price	Model Number	App. Wgt. (lbs)	Voltage	F. L. Amps @ 230 V	% F.L. Eff.	Service Factor	"C" Dim. (Inches)	♥Notes
1	1800	143JM	G121579.00	D	1,197	C143T17WK16	41	230/460	3.1	82.5	1.15	15.43	S, US
1	1800	143JM	122186.00	C/A	1,276	C143T17WK15	47	230/460	3.2	85.5	1.15	15.43	S, US
1 1/2	3600	143JM	G121580.00	D	1,291	C143T34WK9	33	230/460	4.0	82.5	1.15	15.43	S, US
1 1/2	3600	143JM	122188.00	√	1,378	C143T34WK10	35	230/460	4.0	84.0	1.15	15.43	S, US
1 1/2	1800	145JM	G121581.00	D	1,325	C145T17WK38	47	230/460	4.4	84.0	1.15	15.43	S, US
1 1/2	1800	145JM	122187.00	√	1,418	C145T17WK57	39	230/460	4.8	86.5	1.15	15.93	S, US
2	3600	145JM	G121582.00	D	1,458	C145T34WK22	50	230/460	5.2	84.0	1.15	15.43	S, US
2	3600	145JM	122189.00	√	1,561	C145T34WK38	51	230/460	4.8	85.5	1.15	15.93	S, US
2	1800	145JM	G121583.00	D	1,368	C145T17WK39	49	230/460	5.6	84.0	1.15	15.93	S, US
2	1800	145JM	122190.00	√	1,477	C145T17WK58	52	230/460	5.8	86.5	1.15	16.43	S, US
3	3600	145JM	G121584.00	D	1,564	C145T34WK23	54	230/460	7.6	85.5	1.15	15.93	S, US
3	3600	145JM	122191.00	√	1,691	C145T34WK39	56	230/460	8.0	86.5	1.15	16.43	S, US
3	1800	182JM	G131967.00	D	1,739	C182T17WK15	79	230/460	8.2	87.5	1.15	16.13	S, MX
3	1800	182JM	132442.00	√	1,879	C182T17WK20	82	230/460	7.8	89.5	1.15	16.13	S, MX
5	3600	184JM	G131968.00	D	2,075	C184T34WK12	81	230/460	12.0	87.5	1.15	16.13	S, MX
5	3600	184JM	132443.00	√	2,198	C184T34WK18	86	230/460	12.0	88.5	1.15	16.63	S, MX
5	1800	184JM	G131969.00	D	1,882	C184T17WK17	95	230/460	13.0	87.5	1.15	16.13	S, MX
5	1800	184JM	132444.00	√	2,010	C184T17WK24	100	230/460	12.6	89.5	1.15	16.63	S, MX
7 1/2	3600	184JM	G131970.00	D	2,274	C184T34WK13	110	230/460	16.8	88.5	1.15	17.63	S, MX
7 1/2	3600	184JM	132446.00	√	2,421	C184T34WK19	116	230/460	17.6	90.1	1.15	17.63	S, MX
7 1/2	1800	213JM	G140733.00	D	2,538	C213T17WK13	135	230/460	20.4	89.5	1.15	19.00	S, MX
7 1/2	1800	213JM	141270.00	√	2,707	C213T17WK17	141	230/460	19.6	91.7	1.15	21.40	S, MX
10	3600	215JM	G140734.00	D	3,127	C215T34WK5	142	230/460	24.0	89.5	1.15	19.50	S, MX
10	3600	215JM	141271.00	√	3,270	C215T34WK15	148	230/460	23.6	90.2	1.15	21.40	S, MX
10	1800	215JM	G140735.00	D	2,952	C215T17WK12	150	230/460	26.0	89.5	1.15	19.50	S, MX
10	1800	215JM	141272.00	√	3,099	C215T17WK18	159	230/460	26.4	91.7	1.15	22.90	S, MX
15	3600	215JM	G140736.00	D	3,574	C215T34WK6	160	230/460	36.0	90.2	1.15	22.20	S, MX

230/460 volt motors are suitable for use at 208 volts

♥ Note listing on inside back flap
Specifications are subject to change without notice

Green items are Premium Efficient

D - Item to be discontinued once inventory is depleted



Explosion Proof Motors

Automotive Duty Motors

Pump Motors

Washguard® Motors

Agricultural Duty Motors

HVAC / Fan Motors

Special Voltage Motors

Definite Purpose Motors

Brake Motors



Washdown duty three phase jet pump motors for industrial service. These motors include all of the features of LEESON's White Duck Washguard® motors with the addition of a 56J threaded shaft for use on jet pumps. For demanding pump applications in wet, humid, or washdown environments.

Three Phase - TEFC - C Face Less Base - Threaded Shaft

HP	SYN RPM 60 Hz	NEMA Frame	Catalog Number	Stock	List Price	Model Number	App. Wgt. (lbs)	Voltage	F. L. Amps @ 230 V	% FL. Eff.	Service Factor	"C" Dim. (Inches)	♥Notes
3/4	3600	56J	116774.00	√	735	C6T34WC14	23	230/460	2.4	75.5	1.15	10.81	S, US
1	3600	56J	116775.00	√	854	C6T34WC15	35	230/460	3.2	77.0	1.15	10.81	S, US
1 1/2	3600	56J	116776.00	D	909	C6T34WC13	42	230/460	4.2	81.5	1.15	11.81	S, US
1 1/2	3600	56J	119459.00	√	983	C6T34WC24	44	230/460	4.0	84.0	1.15	12.87	S, US
2	3600	56J	116777.00	D	1,039	C6T34WC11	47	230/460	5.6	82.5	1.15	12.31	S, US
2	3600	56J	119460.00	√	1,222	C6T34WC25	50	230/460	4.8	85.5	1.15	13.87	S, US
3	3600	56J	116778.00	D	1,090	C6T34WC10	52	230/460	7.6	84.0	1.15	13.25	S, US
3	3600	56J	119462.00	√	1,252	C6T34WC26	55	230/460	8.0	86.5	1.15	14.37	S, US

230/460 volt motors are suitable for use at 208 volts

♥ Note listing on inside back flap Specifications are subject to change without notice

Green items are Premium Efficient

D - Item to be discontinued once inventory is depleted

Three Phase - TEFC - C Face With Base - Threaded Shaft

HP	SYN RPM 60 Hz	NEMA Frame	Catalog Number	Stock	List Price	Model Number	App. Wgt. (lbs)	Voltage	F. L. Amps @ 230 V	% FL. Eff.	Service Factor	"C" Dim. (Inches)	♥Notes
3/4	3600	56J	116779.00	√	754	C6T34WK12	24	230/460	2.4	75.5	1.15	10.81	S, US
1	3600	56J	116780.00	√	876	C6T34WK13	36	230/460	3.2	77.0	1.15	10.81	S, US
1 1/2	3600	56J	116781.00	D	950	C6T34WK11	43	230/460	4.2	81.5	1.15	11.81	S, US
1 1/2	3600	56J	119458.00	√	1,003	C6T34WK30	45	230/460	4.0	84.0	1.15	12.87	S, US
2	3600	56J	116782.00	D	1,056	C6T34WK10	48	230/460	5.6	82.5	1.15	12.31	S, US
2	3600	56J	119461.00	√	1,240	C6T34WK31	51	230/460	4.8	85.5	1.15	13.87	S, US
3	3600	56J	116783.00	D	1,125	C6T34WK9	53	230/460	7.6	84.0	1.15	13.25	S, US
3	3600	56J	119463.00	√	1,269	C6T34WK32	56	230/460	8.0	86.5	1.15	14.37	S, US

230/460 volt motors are suitable for use at 208 volts

♥ Note listing on inside back flap Specifications are subject to change without notice

Green items are Premium Efficient

D - Item to be discontinued once inventory is depleted





Washguard® Motors

Washdown Duty Brakemotors

White Epoxy Painted

Explosion Proof
Motors

Automotive
Duty Motors

Pump
Motors

Washguard®
Motors

Agricultural
Duty Motors

HVAC / Fan
Motors

Special Voltage
Motors

Definite
Purpose Motors

Brake Motors

Washguard® Brakemotors - TENV/TEFC - C Face With Base

HP	SYN RPM 60 Hz	NEMA Frame	Brake Rating (ft lbs)	Catalog Number	Stock	List Price	Model Number	App. Wgt. (lbs)	Voltage	F. L. Amps @ 230 V	% FL. Eff.	Service Factor	"C" Dim. (Inches)	Notes
1/3	1800	56C	3	116466.00	C/A	1,459	C6T17VK28	40	230/460	1.3	72.0	1.15	14.00	S, US, 12
1/2	1800	56C	3	116467.00	√	1,488	C6T17VK30	42	230/460	1.8	78.5	1.15	14.50	S, US, 12
3/4	1800	56C	6	116468.00	√	1,765	C6T17VK29	44	230/460	2.5	80.0	1.15	15.00	S, US, 12
1	1800	56C	6	116469.00	D	1,824	C6T17VK27	48	230/460	3.2	80.0	1.15	15.50	S, US, 12
1	1800	56HC	6	119486.00	√	1,915	C6T17WK47	53	230/460	3.2	85.5	1.15	17.50	S, US, 13
1	1800	143TC	6	121616.00	D	1,824	C143T17VK7	49	230/460	3.2	80.0	1.15	16.06	S, US, 12
1	1800	143TC	6	122193.00	√	1,933	C143T17WK14	53	230/460	3.2	85.5	1.15	17.50	S, US, 13
1 1/2	1800	145TC	10	G121617.00	√	2,528	C145T17WK22	50	230/460	4.4	84.0	1.15	19.01	S, US, 13
1 1/2	1800	145TC	10	122195.00	D	2,636	C145T17WK55	55	230/460	4.8	86.5	1.15	18.50	S, US, 13
2	1800	145TC	10	G121618.00	D	2,622	C145T17WK21	62	230/460	5.6	84.0	1.15	19.01	S, US, 13
2	1800	145TC	10	122197.00	C/A	2,716	C145T17WK56	67	230/460	5.8	86.5	1.15	19.00	S, US, 13

230/460 volt motors are suitable for use at 208 volts

♥ Note listing on inside back flap
Specifications are subject to change without notice

Green items are Premium Efficient

D - Item to be discontinued once inventory is depleted
C/A - Check Availability

Washguard® Brakemotors - TENV/TEFC - C Face Less Base

HP	SYN RPM 60 Hz	NEMA Frame	Brake Rating (ft lbs)	Catalog Number	Stock	List Price	Model Number	App. Wgt. (lbs)	Voltage	F. L. Amps @ 230 V	% FL. Eff.	Service Factor	"C" Dim. (Inches)	Notes
1/3	1800	56C	3	116462.00	√	1,408	C6T17VC43	39	230/460	1.3	72.0	1.15	14.00	S, US, 12
1/2	1800	56C	3	116463.00	√	1,443	C6T17VC42	41	230/460	1.8	78.5	1.15	14.50	S, US, 12
3/4	1800	56C	6	116464.00	√	1,717	C6T17VC44	43	230/460	2.5	80.0	1.15	15.00	S, US, 12
1	1800	56C	6	116465.00	D	1,778	C6T17VC45	45	230/460	3.2	80.0	1.15	15.50	S, US, 12
1	1800	56C	6	119485.00	√	1,893	C6T17WC54	50	230/460	3.2	85.5	1.15	15.50	S, US, 13
1	1800	143TC	6	121613.00	D	1,778	C143T17VC8	46	230/460	3.2	80.0	1.15	15.56	S, US, 12
1	1800	143TC	6	122192.00	√	1,906	C143T17VC9	52	230/460	3.2	85.5	1.15	17.50	S, US, 13
1 1/2	1800	145TC	10	121614.00	D	2,464	C145T17WC20	49	230/460	5.0	78.5	1.15	18.01	S, US, 13
1 1/2	1800	145TC	10	122194.00	√	2,603	C145T17WC44	55	230/460	4.8	86.5	1.15	18.50	S, US, 13
2	1800	145TC	10	121615.00	D	2,534	C145T17WC19	61	230/460	6.2	81.5	1.15	18.51	S, US, 13
2	1800	145TC	10	122196.00	√	2,670	C145T17WC45	65	230/460	5.8	86.5	1.15	19.00	S, US, 13

230/460 volt motors are suitable for use at 208 volts

♥ Note listing on inside back flap
Specifications are subject to change without notice

Green items are Premium Efficient

D - Item to be discontinued once inventory is depleted



Washguard® Motors

Washdown Duty Brakemotors

White Epoxy Painted

Washguard® Coupler Brakes

Larger coupler brakes on page 297.

Solid die-cast aluminum Stearns NEMA 4X coupler brake converts any TEFC or TENV 56C thru 145TC motor to a fail-safe brakemotor by mounting between the C-face motor and driven equipment. Food safe white epoxy finish. BISSC Certified. Adds 5" to the overall length of 56C thru 145TC WASHGUARD® TEFC or TENV motors. Includes all mounting components.



For Both Single and Three Phase Motors

Catalog Number	List Price	Catalog Number	List Price	Catalog Number	List Price	Brake Rating (ft lbs)	Max HP @ 1725 RPM	Mounts to NEMA Frame	Coupler Brake Output Shaft and Face	App. Wgt. (lbs)
175566.00	1,289	175567.00	1,289	175568.00	1,289	3	1	56C	58", 56C	13.0
175572.00	1,387	175573.00	1,387	175574.00	1,387	6	2	56C/143-5TC	58", 56C	14.0

♥ Note listing on inside back flap
Specifications are subject to change without notice

Washguard® Brakekits™

Kit of components including a Stearns NEMA 4X brake to convert 56 thru 145T frame stock TEFC only motors to fail-safe brakemotors. Food safe white epoxy finish. BISSC Certified. Adds 5 1/8" to the overall length of 56 thru 145T WASHGUARD® TEFC motors.

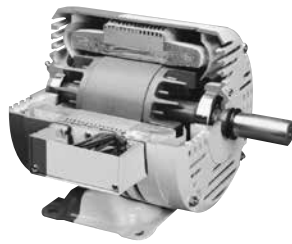


For 230/460V Three Phase and 230V Single Phase Motors

Brake Rating (ft lbs)	Mounts to NEMA Frame	Max. HP @ 1725rpm	Cat. No. 230/460 V Brake Coil Voltage	List Price	(lbs)
3	56/143-5T	1	175771.00*	1,433	
6	56/143-5T	2	175772.00*	1,511	
10	56/143-5T	3	175773.00*	1,592	

♥ Note listing on inside back flap
Specifications are subject to change without notice

* For 56/145 frame motors having a "B" for the suffix letter for the date code and having a face mount fan guard.



Washguard® Motors

Lincoln Wash -Thru™ Motors

230/460 Volts - Three Phase - Foot Mount & C Face

Explosion Proof Motors

Automotive Duty Motors

Pump Motors

Washguard® Motors

Agricultural Duty Motors

HVAC / Fan Motors

Special Voltage Motors

Definite Purpose Motors

Brake Motors

Applications:

Exceptional choice for demanding uses in poultry, seafood, meat and other food processing plants. Other applications include areas where a high degree of dust, moisture, and vibration exist.

Features:

- Pressure encapsulation technology - winding endcoils totally encapsulated
- 303 Stainless shaft
- Double sealed bearings
- FDA approved white finish coat
- Stainless laser etched nameplate

Three Phase - Drip-Proof - Rigid Base - Encapsulated

HP	SYN RPM 60 Hz	NEMA Frame	▼ Catalog Number	Stock	List Price	Model Number	App. Wgt. (lbs)	Voltage	F. L. Amps @ 230 V	% FL. Eff.	Service Factor	"C" Dim. (Inches)	♥Notes
1/2	1800	56	LM20655	C/A	1,110	SREW4S0.5T61	26	230/460	—	68.0	1.0	10.44	S, US
3/4	1800	56	LM20658	C/A	1,151	SREW4S0.75T61	24	230/460	3.0	75.5	1.0	10.44	S, US
1	3600	56	LM21037	C/A	1,187	SREW2S1T61	30	230/460	3.2	78.5	1.0	11.44	S, US
1	1800	56	LM21061	C/A	1,206	SREW4S1T61	30	230/460	3.2	77.0	1.0	10.44	S, US
1 1/2	3600	56	LM21040	C/A	1,267	SREW2S1.5T61	30	230/460	—	78.5	1.0	—	S, US
1 1/2	3600	143T	LM21046	D	1,318	SSEW2S1.5T61	35	230/460	4.6	78.5	1.0	11.49	S, US
1 1/2	3600	143T	LM34416	√	1,358	SSEW2B1.5T61	38	230/460	—	84.0	1.0	—	S, US
1 1/2	1800	56H	LM21062	C/A	1,256	SREW4S1.5T61	30	230/460	4.8	80.0	1.0	10.94	S, US
1 1/2	1800	145T	LM20670	D	1,256	SSEW4S1.5T61	35	230/460	4.8	80.0	1.0	10.99	S, US
1 1/2	1800	145T	LM34417	C/A	1,294	SSEW4B1.5T61	40	230/460	4.4	86.5	1.0	12.99	S, US
2	3600	145T	LM21049	D	1,469	SSEW2S2T61	35	230/460	6.6	82.5	1.0	10.99	S, US
2	3600	145T	LM34418	C/A	1,513	SSEW2B2T61	38	230/460	—	85.5	1.0	—	S, US
2	1800	56H	LM21063	√	1,540	SREW4S2T61	34	230/460	6.2	81.5	1.0	10.94	S, US
2	1800	145T	LM20673	D	1,503	SSEW4S2T61	35	230/460	6.2	81.5	1.0	11.99	S, US
2	1800	145T	LM34419	√	1,549	SSEW4B2T61	40	230/460	6.0	86.5	1.0	13.49	S, US
3	3600	182T	LM21052	D	1,754	SSEW2S3T61	64	230/460	—	81.5	1.0	—	S, US
3	3600	182T	LM34420	√	1,807	SSEW2B3T61	70	230/460	—	85.5	1.0	—	S, US
3	1800	182T	LM20676	√	1,962	SSEW4B3T61	64	230/460	7.8	89.5	1.0	14.22	S, US
5	3600	184T	LM21055	D	2,482	SSEW2S5T61	70	230/460	12.4	81.5	1.0	14.22	S, US
5	3600	184T	LM34431	C/A	2,556	SSEW2B5T61	77	230/460	—	86.5	1.0	—	S, US
5	1800	184T	LM20679	D	2,232	SSEW4S5T61	70	230/460	13.2	87.5	1.0	14.22	S, US
5	1800	184T	LM34422	C/A	2,299	SSEW4B5T61	77	230/460	12.6	89.5	1.0	16.22	S, US
7 1/2	3600	213T	LM22423	D	3,090	SSEW2S7.5T61	109	230/460	19.0	81.5	1.0	17.30	S, US
7 1/2	3600	213T	LM34423	√	3,183	SSEW2B7.5T61	116	230/460	—	88.5	1.0	—	S, US
7 1/2	1800	213T	LM22435	D	2,841	SSEW4S7.5T61	109	230/460	19.2	81.5	1.0	15.80	S, US
7 1/2	1800	213T	LM34424	√	2,926	SSEW4B7.5T61	116	230/460	20.0	91.0	1.0	17.30	S, US
10	3600	215T	LM22426	D	3,686	SSEW2S10T61	125	230/460	24.0	84.0	1.0	17.30	S, US
10	3600	215T	LM34425	√	3,796	SSEW2B10T61	132	230/460	24.2	89.5	1.0	17.30	S, US
10	1800	215T	LM22438	D	3,245	SSEW4S10T61	125	230/460	25.0	84.0	1.0	17.30	S, US
10	1800	215T	LM34426	C/A	3,343	SSEW4B10T61	132	230/460	26.2	91.7	1.0	17.30	S, US

230/460 volt motors are suitable for use at 208 volts

♥ Note listing on inside back flap Specifications are subject to change without notice

Green items are Premium Efficient

- ▼ LM Numbers are Lincoln Models
- D - Item to be discontinued once inventory is depleted
- C/A - Check Availability



Washguard® Motors

Lincoln Wash -Thru™ Motors

Three Phase - Drip-Proof - C Face Less Base

HP	SYN RPM 60 Hz	NEMA Frame	▼ Catalog Number	Stock	List Price	Model Number	App. Wgt. (lbs)	Voltage	F. L. Amps @ 230 V	% FL. Eff.	Service Factor	"C" Dim. (Inches)	♥Notes
1/2	3600	56C	LM21033	C/A	1,086	SREW2S0.5TCN61	35	230/460	—	70.0	1.0	—	S, US
1/2	1800	56C	LM20657	√	1,168	SREW4S0.5TCN61	35	230/460	2.4	74.0	1.0	10.43	S, US
3/4	3600	56C	LM21036	C/A	1,149	SREW2S0.75TCN61	35	230/460	—	74.0	1.0	—	S, US
3/4	1800	56C	LM20660	√	1,207	SREW4S0.75TCN61	35	230/460	3.0	77.0	1.0	10.43	S, US
1	3600	56C	LM21039	C/A	1,244	SREW2S1TCN61	35	230/460	3.2	75.5	1.0	10.43	S, US
1	1800	56C	LM20662	C/A	1,259	SREW4S1TCN61	35	230/460	3.6	78.5	1.0	10.93	S, US
1	1800	143TC	LM20669	D	1,259	SSEW4S1TCN61	40	230/460	3.6	78.5	1.0	10.99	S, US
1	1800	143TC	LM34427	C/A	1,322	SSEW4B1TCN61	44	230/460	3.0	85.5	1.0	12.44	S, US
1 1/2	3600	56C	LM21042	C/A	1,324	SREW2S1.5TCN61	35	230/460	—	78.5	1.0	—	S, US
1 1/2	3600	143TC	LM21048	D	1,371	SSEW2S1.5TCN61	40	230/460	—	78.5	1.0	—	S, US
1 1/2		143TC	LM34428	C/A	1,440	SSEW2B1.5TCN61		230/460	—	84.0	1.0	—	S, US
1 1/2	1800	56HC	LM20664	C/A	1,316	SREW4S1.5TCN61	35	230/460	4.8	80.0	1.0	10.93	S, US
1 1/2	1800	145TC	LM20672	D	1,316	SSSEW4S1.5TCN61	40	230/460	4.8	80.0	1.0	10.99	S, US
1 1/2	1800	145TC	LM34429	C/A	1,382	SSSEW4B1.5TCN61		230/460	—	86.5	1.0	—	S, US
2	3600	56HC	LM21045	C/A	1,466	SREW2S2TCN61	40	230/460	6.6	78.5	1.0	10.93	S, US
2	3600	145TC	LM21051	D	1,523	SSEW2S2TCN61	40	230/460	6.6	78.5	1.0	10.99	S, US
2	3600	145TC	LM34430	C/A	1,599	SSEW2B2TCN61		230/460	—	85.5	1.0	—	S, US
2	1800	56HC	LM20666	C/A	1,596	SREW4S2TCN61	40	230/460	6.2	81.5	1.0	11.93	S, US
2	1800	145TC	LM20675	D	1,559	SSEW4S2TCN61	40	230/460	6.2	81.5	1.0	11.99	S, US
2	1800	145TC	LM34421	√	1,637	SSEW4B2TCN61	40	230/460	6.0	86.5	1.0	13.49	S, US

230/460 volt motors are suitable for use at 208 volts

♥ Note listing on inside back flap
Specifications are subject to change without notice

Green items are Premium Efficient

▼ LM Numbers are Lincoln Models

D - Item to be discontinued once inventory is depleted

C/A - Check Availability

Explosion Proof
Motors

Automotive
Duty Motors

Pump
Motors

Washguard®
Motors

Agricultural
Duty Motors

HVAC / Fan
Motors

Special Voltage
Motors

Definite
Purpose Motors

Brake Motors





Washguard® Motors DC Washdown Duty Motors White Epoxy Painted

DC - SCR Rated 90 & 180 Volts - IP55 - C Face with Removable Base

HP	SYN RPM 60 Hz	NEMA Frame	Catalog Number	Stock	List Price	Model Number	App. Wgt. (lbs)	Arm. Volts DC	Control Volts AC Input	FL. Amps DC	"C" Dim. (Inches)	♥Notes
1/4	1750	S56C	108423.00	√	854	C4D17VK9C	23	90	115	2.7	10.69	S, US, 12
1/4	1750	SS56C	098375.00	C/A	854	C42D17VK1	21	180	230	1.4	10.22	S, US, 12
1/3	1750	S56C	108424.00	√	903	C4D17VK10	26	90	115	3.5	11.69	S, US, 12
1/3	1750	SS56C	098376.00	C/A	903	C42D17VK2	22	180	230	1.7	10.22	S, US, 12
1/2	1750	S56C	108226.00	√	1,013	C4D17VK1	38	90	115	4.9	13.69	S, US, 12
1/2	1750	S56C	108227.00	√	1,013	C4D17VK2	43	180	230	2.4	13.69	S, US, 12
3/4	1750	S56C	108228.00	√	1,229	C4D17VK3	53	90	115	7.0	15.69	S, US, 12
3/4	1750	S56C	108229.00	√	1,229	C4D17VK4	50	180	230	3.5	15.69	S, US, 12
1	1750	S56C	108230.00	√	1,497	C4D17WK1	45	90	115	10.0	15.81	S, US, 13
1	1750	S56C	108231.00	√	1,497	C4D17WK2	42	180	230	5.0	14.81	S, US, 13
1 1/2	1750	S56C	108232.00	√	1,913	C4D17WK3	50	180	230	7.6	15.81	S, US, 13

Note 12 - TENV

Note 13 - TEFC

C/A - Check Availability

♥ Note listing on inside back flap
Specifications are subject to change without notice

Washguard® - DC - IEC Frame

180 Volts - TENV IP55 - B5 Flange With Removable B3 Base

HP/ kW	Full Load RPM	NEMA Frame	Catalog Number	Stock	List Price	Model Number	App. Wgt. (lbs)	Arm. Volts DC	Control Volts AC Input	FL. Amps DC	"C" Dim. (Inches)	♥Notes
1/2 - .37	1750	71	098040.00	C/A	895	42D17VD1	22	180	230	2.5	10.69	S, US
3/4 - .55	1750	80	108407.00	D	1,213	4D17VD1	52	180	230	3.5	16.02	S, US

D - Item to be discontinued once inventory is depleted

C/A - Check Availability

♥ Note listing on inside back flap
Specifications are subject to change without notice

If base is removed, do not reinstall bolts without using washers to compensate for the thickness of base. These WASHGUARD® motors are modular design but stocked with B5 flange and B3 foot. The foot is removable. The B5 flange can be replaced with a B14 face or other diameter B5 flanges noted on page 310.

All Washdown Duty Motors Have Class F Insulation.

Washguard® Motors

SUB-FHP IP55 Washguard® Motors

White Epoxy Painted



General Specifications:

Precision subfractional horsepower DC permanent magnet motors. Designed for use with fullwave nonfiltered SCR controls or battery supplied low voltage for adjustable speed applications requiring constant torque throughout the speed range.

Features:

- 303 Stainless steel shaft resists corrosion
- Lubricated spring loaded contact seals prevent moisture from entering the motor
- Double sealed, Oversize bearings with high temp lubricant
- Exterior and interior components protected against moisture, acids, alkalies and oil
- Cast conduit box for superior sealing includes:
 - Threaded conduit entrance
 - Drain holes
 - Nitrile gaskets
 - 304 stainless steel conduit box cover
 - Stainless steel hardware
- USDA Approved white epoxy finish
- Nylon seals at bolt heads for superior sealing
- O ring sealed brush covers



90 Volts DC - TENV - Square Flange Less Feet

HP	Full Load RPM	NEMA Frame	Catalog Number	Stock	List Price	Model Number	App. Wgt. (lbs)	Arm. Volts DC	Control Volts AC Input	FL. Amps DC	"C" Dim. (Inches)	♥Notes
1/8	1800	31S	M1120181.00	√	531	M31D17VZ1	11	90	115	1.5	8.57	S, US
1/6	1800	31S	M1120183.00	√	538	M31D17VZ3	11	90	115	1.9	10.07	S, US
1/4	3600	32	M1120185.00	√	586	M32D25VC1	13	90	115	1.9	10.00	S, US

♥ Note listing on inside back flap
Specifications are subject to change without notice



Low Voltage - 12 Volt - TENV - Square Flange or C Face

HP	Full Load RPM	NEMA Frame	Catalog Number	Stock	List Price	Model Number	App. Wgt. (lbs)	Arm. Volts DC	Control Volts AC Input	FL. Amps DC	"C" Dim. (Inches)	♥Notes
1/8	1800	31S	M1120182.00	√	553	M31D17VZ2	7	12	10.5	8.1	8.1	S, US
1/6	1800	31S	M1120184.00	√	560	M31D17VZ4	11	12	14.5	9.6	9.6	S, US
1/4	3600	32	M1120186.00	√	608	M32D25VC2	13	12	20.0	9.5	9.5	S, US

♥ Note listing on inside back flap
Specifications are subject to change without notice



Washguard® Motors

IP55 Washguard® Gearmotors - Parallel Shaft

White Epoxy Painted

Explosion Proof
Motors

Automotive
Duty Motors

Pump
Motors

Washguard®
Motors

Agricultural
Duty Motors

HVAC / Fan
Motors

Special Voltage
Motors

Definite
Purpose Motors

Brake Motors

General Specifications - SCR rated Gearmotors:

- Performance matched for continuous duty service over 60:1 speed range
- Constant torque throughout the range when powered by a full-wave unfiltered SCR-type adjustable speed control having a typical form factor of 1.3 to 1.4

General Specifications - Low voltage Gearmotors:

- Performance matched for continuous duty service
- Designed for battery power or can be used with a low voltage controller with form factor up to 1.05

Features:

- Gearbox output shafts are coated with Mirolon 3300 fortified Teflon for superior corrosion resistance
- Frame, endshields, armature and interior components protected by enamel and polyester compounds for resistance to moisture, acids, alkalies and oil
- Precision machined in-line steel gears
- First stage steel helical gear followed by spur-type gears
- Lubrication is permanent semi-fluid grease, reducing possibility of leakage
- Output shafts have needle bearings for high load capacities
- Gearbox shafts are hardened steel
- Cast conduit box with threaded conduit holes and Nitrile gaskets keep water out
- Conduit box cover is made from 304 stainless steel
- For any condensation that may accumulate inside the motor, a one-way stainless steel vapor vent is provided
- All hardware is stainless steel
- Painted with white epoxy for superior corrosion resistance and protection
- Machined fits between the endbells and motor frame are sealed with gaskets
- Thru-bolt heads and nuts sealed with fiber washers
- O-rings under each threaded brush cover

Application Notes:

- Extended life in wet, high humidity applications
- Design repels water from entering motor
- Internal components protected against rust and corrosion
- These gearmotors are designed for mounting at any angle, but motor below the reducer should be avoided to prevent leakage of lubricant into the motor should the motor shaft seal fail
- Overhung load capacities shown are at center of output shaft
- Motor's stall torque could exceed recommended full load torques. A current limiting device such as an SCR control should be used to prevent damage. This issue is even more critical for low voltage motors, typically no controller is used since motor is connected directly to a battery, so some type of current limit or fusing should be considered.
- USDA approved white epoxy finish
- **Bison/Dayton direct interchange**



Washguard® Motors

IP55 Washguard® Gearmotors - Parallel Shaft

White Epoxy Painted



P300 Series - SCR RATED - 90V - Parallel Shaft - TENV - 1.0 Service Factor

Output RPM	FL Torque (Lb.In.)	Input HP	Catalog Number	Stock	List Price	Model Number	Gearmotor Type & Frame	Ratio to 1	DC Arm. Volts	Full Load Amps DC	Over-hung Load (Lbs.)
5	353	1/20	M1125261.00	✓	902	CM31D17VZ5	P303-31	336	90	0.8	565
31	220	1/8	M1125262.00	✓	927	CM31D17VZ6	P303-31	58	90	1.6	327
51	130	1/8	M1125263.00	✓	857	CM31D17VZ7	P302-31	35	90	1.6	277
94	77	1/8	M1125264.00	✓	857	CM31D17VZ8	P302-31	19	90	1.6	236
167	43	1/8	M1125265.00	✓	857	CM31D17VZ9	P302-31	11	90	1.6	197

Specifications are subject to change without notice

P	PB	X Inches	XL	XH
3.13	3.8	3.54	10.44	8.94
3.13	3.8	3.54	11.94	10.44
3.13	3.8	3.54	11.94	10.44
3.13	3.8	3.54	11.94	10.44
3.13	3.8	3.54	11.94	10.44

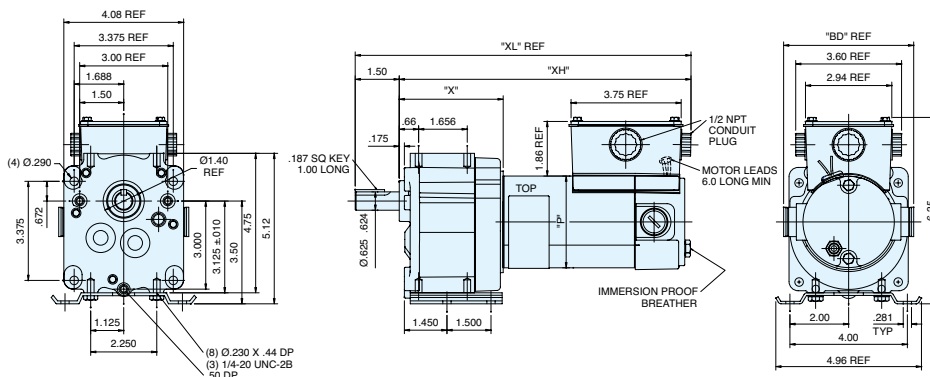
Specifications are subject to change without notice

P300 Series - Low Voltage (12V) - Parallel Shaft - TENV - 1.0 Service Factor

Output RPM	FL Torque (Lb.In.)	Input HP	Catalog Number	Stock	List Price	Model Number	Gearmotor Type & Frame	Ratio to 1	DC Arm. Volts	Full Load Amps DC	Over-hung Load (Lbs.)
5	353	1/20	M1125266.00	✓	927	CM31D17VZ10	P303-31	336	12	6.4	565
31	220	1/8	M1125267.00	✓	950	CM31D17VZ11	P303-31	58	12	11.0	327

Specifications are subject to change without notice

P	PB	X Inches	XL	XH
3.13	3.8	3.54	10.44	8.94
3.13	4.43	3.54	11.94	9.94





General Specifications - SCR rated Gearmotors:

- Performance matched for continuous duty service over 60:1 speed range
- Constant torque throughout the range when powered by a full-wave unfiltered SCR-type adjustable speed control having a typical form factor of 1.3 to 1.4

General Specifications - Low voltage Gearmotors:

- Performance matched for continuous duty service
- Designed for battery power or can be used with a low voltage controller with form factor up to 1.05

Features:

- Gearbox output shafts are coated with Mirolon 3300 fortified Teflon for superior corrosion resistance
- Frame, endshields, armature and interior components protected by enamel and polyester compounds for resistance to moisture, acids, alkalies and oil
- Precision machined in-line steel gears
- First stage steel helical gear followed by spur-type gears
- Lubrication is permanent semi-fluid grease, reducing possibility of leakage
- Output shafts have needle bearings for high load capacities
- Gearbox shafts are hardened steel
- Cast conduit box with threaded conduit holes and Nitrile gaskets keep water out
- Conduit box cover is made from 304 stainless steel
- For any condensation that may accumulate inside the motor, a one-way stainless steel vapor vent is provided
- All hardware is stainless steel
- Painted with white epoxy for superior corrosion resistance and protection
- Machined fits between the endbells and motor frame are sealed with gaskets
- Thru-bolt heads and nuts sealed with fiber washers
- O-rings under each threaded brush cover

Application Notes:

- Extended life in wet, high humidity applications
- Design repels water from entering motor
- Internal components protected against rust and corrosion
- These gearmotors are designed for mounting at any angle, but motor below the reducer should be avoided to prevent leakage of lubricant into the motor should the motor shaft seal fail
- Overhung load capacities shown are at center of output shaft
- Motor's stall torque could exceed recommended full load torques. A current limiting device such as an SCR control should be used to prevent damage. This issue is even more critical for low voltage motors, typically no controller is used since motor is connected directly to a battery, so some type of current limit or fusing should be considered.
- USDA approved white epoxy finish
- **Bodine/Baldor direct interchange**

Washguard® Motors

IP55 Washguard® Gearmotors - Parallel Shaft

White Epoxy Painted



TENV - 1.0 Service Factor - SCR Rated 90V

Output RPM	FL Torque (Lb.In.)	Input HP	Catalog Number	Stock	List Price	Model Number	Gearmotor Type & Frame	Ratio to 1	DC Arm. Volts	Full Load Amps DC	Over-hung Load (Lbs.)
14	341	1/8	M1125268.00	✓	934	M31D25VZ1	P353-31	180	90	1.5	465
42	280	1/4	M1125269.00	✓	967	M32D25VZ1	P353-32	58	90	2.6	327
83	155	1/4	M1125270.00	✓	942	M32D25VZ2	P353-32	29	90	2.6	267
250	45	1/4	M1125271.00	✓	942	M32D25VZ3	P352-32	10	90	2.6	201
500	25	1/4	M1125272.00	✓	942	M32D25VZ4	P352-32	5	90	2.6	194

Specifications are subject to change without notice

P	PB	X Inches	XL	XH
3.13	3.8	3.45	11.84	9.84
3.25	3.8	3.45	13.84	11.84
3.25	3.8	3.45	13.84	11.84
3.25	3.8	3.45	13.84	11.84
3.25	3.8	3.45	13.84	11.84

Specifications are subject to change without notice

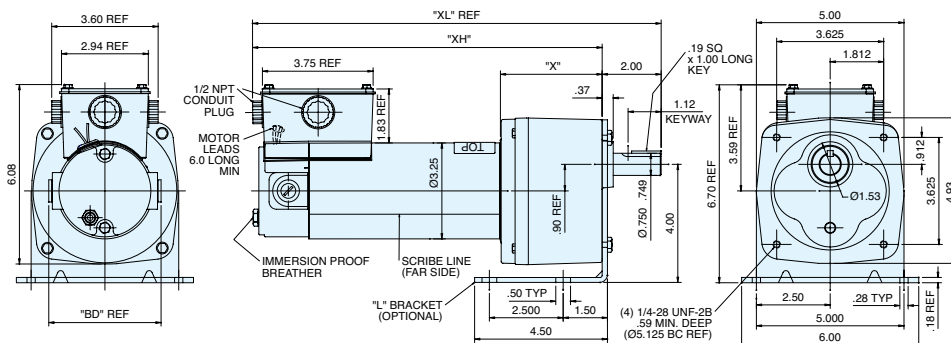
PE350 Series Parallel Shaft - TENV - 1.0 Service Factor - Low Voltage 12V

Output RPM	FL Torque (Lb.In.)	Input HP	Catalog Number	Stock	List Price	Model Number	Gearmotor Type & Frame	Ratio to 1	DC Arm. Volts	Full Load Amps DC	Over-hung Load (Lbs.)
14	341	1/8	M1125273.00	✓	957	M31D25VZ2	P353-31	180	12	12.0	465
42	325	1/4	M1125274.00	✓	1,012	M32D25VZ5	P353-32	58	12	20.0	327

Specifications are subject to change without notice

P	PB	X Inches	XL	XH
3.13	4.43	3.45	11.58	9.58
3.25	4.43	3.45	13.84	11.84

Specifications are subject to change without notice





Washguard® Motors IP55 Washguard® Right Angle Gearmotors White Epoxy Painted

Explosion Proof
Motors

Automotive
Duty Motors

Pump
Motors

Washguard®
Motors

Agricultural
Duty Motors

HVAC / Fan
Motors

Special Voltage
Motors

Definite
Purpose Motors

Brake Motors

General Specifications - SCR rated Gearmotors:

- Performance matched for continuous duty service over 60:1 speed range
- Constant torque throughout the range when powered by a full-wave unfiltered SCR-type adjustable speed control having a typical form factor of 1.3 to 1.4

General Specifications - Low voltage Gearmotors:

- Performance matched for continuous duty service
- Designed for battery power or can be used with a low voltage controller with form factor up to 1.05

Features:

- 303 stainless steel gearbox output shaft
- Frame, endshields, armature and interior components protected by enamel and polyester compounds for resistance to moisture, acids, alkalies and oil
- Cast conduit box with threaded conduit holes and Nitrile gaskets keep water out
- Conduit box cover is made from 304 stainless steel
- For any condensation that may accumulate inside the motor, a one-way stainless steel vapor vent is provided
- All hardware is stainless steel
- Painted with white epoxy for superior corrosion resistance and protection
- Machined fits between the endbells and motor frame are sealed with gaskets
- Thru-bolt heads and nuts sealed with fiber washers
- O-rings under each threaded brush cover
- Worm-type right-angle gearing features hardened, steel worm with bronze worm wheel for long life and quiet operation
- Precision machined aluminum gear housing
- Lubrication is permanent with an oil bath
- Gearbox has all ball bearings
- Output shaft is field interchangeable from left hand to right hand style by reassembly
- Double output shaft available as a factory option

Application Notes :

- These right-angle gearmotors have a lubrication breather positioned for horizontal mounting. For other mountings, the breather plug must be reoriented by using a 90 deg 1/8" NPT taper pipe elbow (See drawing). Elbow not available from LEESON
- These gearmotors are designed for mounting at any angle, but motor below the reducer should be avoided to prevent leakage of lubricant into the motor should the motor shaft seal fail
- Overhung load capacities shown are at center of output shaft
- For additional information, see Bulletin 1830



Washguard® Motors

IP55 Washguard® Right Angle Gearmotors

White Epoxy Painted



TENV - 1.0 Service Factor - SCR Rated 90V

Output RPM	FL Torque (Lb.In.)	Input HP	Catalog Number	Stock	List Price	Model Number	Gearmotor Type & Frame	Ratio to 1	DC Arm. Volts	Full Load Amps DC	Over-hung Load (Lbs.)
42	80	1/8	M1125275.00	✓	934	M31D25VZ3	13F60-31	60	90	2.2	235
250	25	1/8	M1125276.00	✓	934	M31D25VZ4	13F10-31	10	90	2.2	235
62	135	1/4	M1125277.00	✓	942	M32D25VZ6	13F40-32	40	90	3.7	235
125	90	1/4	M1125278.00	✓	942	M32D25VZ7	13F20-32	20	90	3.7	235
250	50	1/4	M1125279.00	✓	942	M32D25VZ8	13F10-32	10	90	3.7	235

Specifications are subject to change without notice

P	PB	X Inches	XL	XH
3.13	3.8	4.5	10.86	6.36
3.13	3.8	4.5	10.86	6.36
3.25	3.8	4.5	12.86	8.36
3.25	3.8	4.5	12.86	8.36
3.25	3.8	4.5	12.86	8.36

Specifications are subject to change without notice

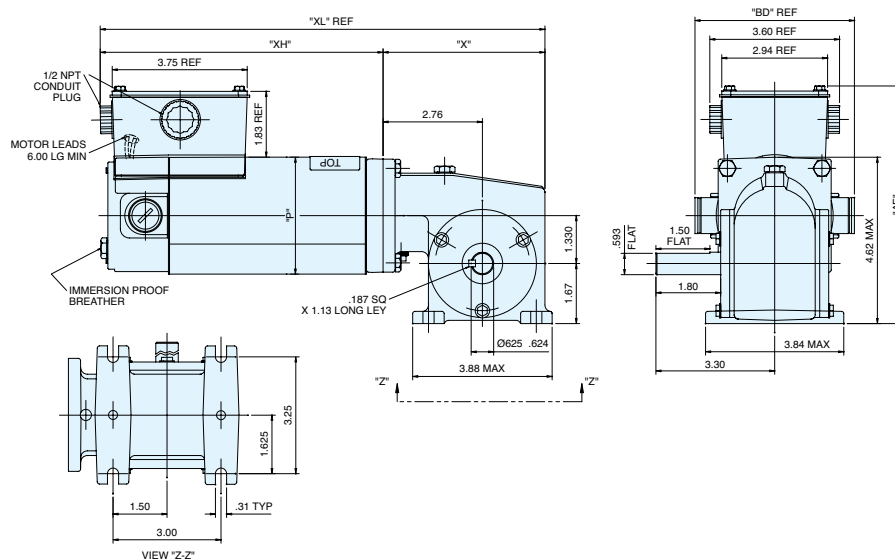
PE350 Series Parallel Shaft - TENV - 1.0 Service Factor - Low Voltage 12V

Output RPM	FL Torque (Lb.In.)	Input HP	Catalog Number	Stock	List Price	Model Number	Gearmotor Type & Frame	Ratio to 1	DC Arm. Volts	Full Load Amps DC	Over-hung Load (Lbs.)
62	135	1/4	M1125280.00	✓	894	M32D25VZ9	13F40-32	40	12	28.0	235
125	90	1/4	M1125281.00	✓	894	M32D25VZ10	13F20-32	20	12	28.0	235

Specifications are subject to change without notice

P	PB	X Inches	XL	XH
3.25	4.43	4.5	12.36	7.86
3.25	4.43	4.5	12.36	7.86

Specifications are subject to change without notice





Washguard® Motors IP55 AC Washguard® Gearmotors Parallel Shaft - White Epoxy Painted

Explosion Proof
MotorsAutomotive
Duty MotorsPump
MotorsWashguard®
MotorsAgricultural
Duty MotorsHVAC / Fan
MotorsSpecial Voltage
MotorsDefinite
Purpose Motors

Brake Motors

Features:

- Single phase PSC designs include capacitor inside conduit box
- These gearmotors are designed for mounting at any angle, but motor below the reducer should be avoided to prevent leakage of lubricant into the motor should the motor shaft seal fail
- Shaft material coated with Teflon/Ceramic plating
- White epoxy painted motors
- O-rings and gaskets used for sealing
- Hardened Worm-type gearing used
- Interior components protected against corrosion
- Ball bearings used in gear housing
- Sealed output shafts
- Output shafts have needle bearings for high load capacities
- UL listed and CSA certified
- **Bison/Dayton direct interchange**



P240 series AC Washdown Duty Gearmotors

Output RPM	FL. Torque (Lb.In.)	Input HP	Catalog Number	Stock	List Price	Model Number	Gearmotor Type & Frame	Ratio to 1	Voltage	Phase	FL. Amps @ 230 V	Over-hung Load (Lbs.)
16	391	5/32	M1145138.00	√	962	CM38P17FZ39	P240	103	115/230	1	1.05	399
40	219	5/32	M1145139.00	√	962	CM38P17FZ40	P240	43	115/230	1	1.00	303
156	60	5/32	M1145140.00	√	883	CM38P17FZ41	P240	10.6	115/230	1	1.00	201
16	391	1/6	M1145144.00	√	962	CM38T17FZ20	P240	103	230	3	0.72	237
30	295	1/6	M1145145.00	√	962	CM38T17FZ21	P240	58	230	3	0.72	237

Specifications are subject to change without notice

Washguard® Motors

IP55 AC Washguard® Gearmotors

Right Angle



Features:

- Single phase PSC designs include capacitor inside conduit box
- These gearmotors are designed for mounting at any angle, but motor below the reducer should be avoided to prevent leakage of lubricant into the motor should the motor shaft seal fail
- Shaft material coated with Teflon/Ceramic plating
- White epoxy painted motors
- O-rings and gaskets used for sealing
- Hardened Worm-type gearing used
- Interior components protected against corrosion
- Ball bearings used in gear housing
- Sealed output shafts
- Output shafts have needle bearings for high load capacities
- UL listed and CSA certified



Right Angle Series AC Washdown Duty Gearmotors

Output RPM	F.L. Torque (Lb.In.)	Input HP	Catalog Number	Stock	List Price	Model Number	Gearmotor Type & Frame	Ratio to 1	Voltage	Phase	F.L. Amps @ 230 V	Over-hung Load (Lbs.)
43	113	1/6	M1145141.00	√	808	CM38P17FZ42	Right-Angle	40	115/230	1	1.0	235
83	75	1/6	M1145142.00	√	991	CM38P17FZ43	Right-Angle	20	115/230	1	1.0	235
340	23	1/6	M1145143.00	√	991	CM38P17FZ44	Right-Angle	5	115/230	1	1.4	235
29	220	1/6	M1145146.00	√	991	CM38T17FZ22	Right-Angle	60	230	3	1.3	235
172	105	1/6	M1145147.00	√	991	CM38T17FZ23	Right-Angle	10	230	3	1.3	235

Specifications are subject to change without notice



Washguard® Motors

Chemical Resistance Comparison

Chemical Name	% Concentration	Exposure	White Epoxy	Stainless Steel
Fresh Water	100	Continuous	Excellent	Excellent
Salt Water	5	Continuous	Excellent	Excellent
Salt Brine	Dilute	Continuous	Fair	Good
Ammonium Hydroxide	Dilute	Continuous	Good	Excellent
Calcium Hydroxide (Lime)	100	Intermittent	Good	Excellent
Citric Acid	10	Continuous	Good	Excellent
Ethylene Glycol	100	Continuous	Excellent	Excellent
Hydrochloric Acid	37	Intermittent	Good	Poor
Lactic Acid	Dilute	Intermittent	Excellent	Excellent
Lactic Acid	100	Intermittent	Fair	Fair
Mineral Spirits	100	Continuous	Excellent	Excellent
Potassium Hydroxide	50	Intermittent	Fair	Fair
Sodium Hydroxide	5	Continuous	Fair	Excellent
Sodium Hydroxide	20	Continuous	Fair	Excellent
Sodium Hydroxide	50	Continuous	Excellent	Excellent
Sodium Hypochlorite (Bleach)	15	Intermittent	Excellent	Excellent
Sulfuric Acid	10	Intermittent	Fair	Fair
Toluene	100	Continuous	Fair	Fair
Animal Fats	NA	Continuous	Excellent	Excellent
Mineral Oils	NA	Continuous	Excellent	Excellent
Vegetable Oils	NA	Continuous	Excellent	Excellent
Cutting Oils	NA	Continuous	Excellent	Excellent
Detergents	NA	Continuous	Excellent	Excellent
Gasoline	NA	Continuous	Fair	Fair
Hydraulic Fluid	NA	Continuous	Excellent	Excellent
Lubricating Oils	NA	Continuous	Excellent	Excellent
General Weathering	NA	Continuous	Fair	Excellent
Mold/Mildew	NA	Continuous	Excellent	Excellent
Light Abrasion	NA	Continuous	Excellent	Excellent
Heavy Abrasion	NA	Continuous	Fair	Excellent

Explosion Proof Motors

Automotive Duty Motors

Pump Motors

Washguard® Motors

Agricultural Duty Motors

HVAC / Fan Motors

Special Voltage Motors

Definite Purpose Motors

Brake Motors



Washguard® Motors

Washguard® II Motors

Stainless Frame - Three Phase - Standard, EAct & NEMA Premium Ratings



Typical applications include food processing areas requiring frequent sanitation procedures using high pressure cleaning with concentrated caustic solutions, areas of high humidity and in chemical environments.

Features:

- Paint free exterior
- BISSC certified for the Baking Industry
- Stainless Steel Output shafts
- Repositional drain plugs for all angle mounting
- Double Sealed bearings
- Output shaft seal
- Inverter Duty IRIS™ insulation system



Stainless Frame - C Face Less Base - Totally Enclosed

HP	SYN RPM 60 Hz	NEMA Frame	Catalog Number	Stock	List Price	Model Number	App. Wgt. (lbs)	Voltage	F. L. Amps @ 230 V	% F.L. Eff.	Service Factor	"C" Dim. (Inches)	♥Notes
1/2	1800	56C	114394.00	√	860	CZ6T17VC10	30	230/460	1.6	78.5	1.15	11.06	S, US, 12
3/4	1800	56C	114395.00	√	995	CZ6T17VC11	34	230/460	2.3	80.0	1.15	11.56	S, US, 12
1	1800	56C	114437.00	D	1,033	CZ6T17VC12	44	230/460	3.0	81.5	1.15	12.06	S, US, 12
1	1800	56C	119487.00	√	1,126	CZ6T17FC384	47	230/460	3.2	85.5	1.15	12.65	S, US, 13
1	1800	143TC	121109.00	D	1,033	CZ143T17VC2	45	230/460	3.0	81.5	1.15	12.13	S, US, 12
1	1800	143TC	122198.00	√	1,126	CZ143T17WC14	48	230/460	3.2	85.5	1.15	13.16	S, US, 13
1 1/2	1800	56C	114581.00	D	1,084	CZ6T17WC14	45	230/460	4.4	84.0	1.15	12.69	S, US, 13
1 1/2	1800	56C	119488.00	√	1,180	CZ6T17WC55	47	230/460	4.8	86.5	1.15	13.16	S, US, 13
1 1/2	1800	145TC	G121350.00	D	1,084	CZ145T17WC29	45	230/460	4.4	82.5	1.15	13.25	S, US, 13
1 1/2	1800	145TC	122199.00	√	1,180	CZ145T17WC46	48	230/460	4.8	86.5	1.15	13.25	S, US, 13
2	1800	56C	114582.00	D	1,230	CZ6T17WC11	51	230/460	5.6	84.0	1.15	13.69	S, US, 13
2	1800	56C	119489.00	√	1,342	CZ6T17WC56	53	230/460	5.8	86.5	1.15	13.69	S, US, 13
2	1800	145TC	G121351.00	D	1,230	CZ145T17WC30	52	230/460	5.6	84.0	1.15	13.75	S, US, 13
2	1800	145TC	122200.00	√	1,342	CZ145T17WC47	53	230/460	5.8	86.5	1.15	13.75	S, US, 13

230/460 volt motors are suitable for use at 208 volts

♥ Note listing on inside back flap
Specifications are subject to change without notice

Green items are Premium Efficient

D - Item to be discontinued once inventory is depleted

Stainless Frame - C Face With Base - Totally Enclosed

HP	SYN RPM 60 Hz	NEMA Frame	Catalog Number	Stock	List Price	Model Number	App. Wgt. (lbs)	Voltage	F. L. Amps @ 230 V	% F.L. Eff.	Service Factor	"C" Dim. (Inches)	♥Notes
1/2	1800	56HC	114560.00	√	870	CZ6T17VK3	34	230/460	1.6	78.5	1.15	11.56	S, US, 6, 12
3/4	1800	56HC	114561.00	√	1,005	CZ6T17VK4	38	230/460	2.3	80.0	1.15	12.06	S, US, 6, 12
1	1800	56HC	114562.00	D	1,044	CZ6T17VK5	45	230/460	2.3	81.5	1.15	12.06	S, US, 6, 12
1	1800	56HC	119490.00	√	1,128	CZ6T17FK385	48	230/460	3.2	85.5	1.15	12.65	S, US, 6, 13
1	1800	143TC	121165.00	D	1,044	CZ143T17VK2	45	230/460	2.3	81.5	1.15	12.13	S, US, 12
1	1800	143TC	122201.00	√	1,128	CZ143T17WK19	49	230/460	3.2	85.5	1.15	13.16	S, US, 13
1 1/2	1800	145TC	121912.00	√	1,199	CZ145T14KW40	47	230/460	4.4	86.5	1.15	13.25	S, US, 13
2	1800	145TC	121913.00	√	1,401	CZ145T14WK41	54	230/460	5.6	86.5	1.25	13.75	S, US, 13

230/460 volt motors are suitable for use at 208 volts

♥ Note listing on inside back flap
Specifications are subject to change without notice

Green items are Premium Efficient

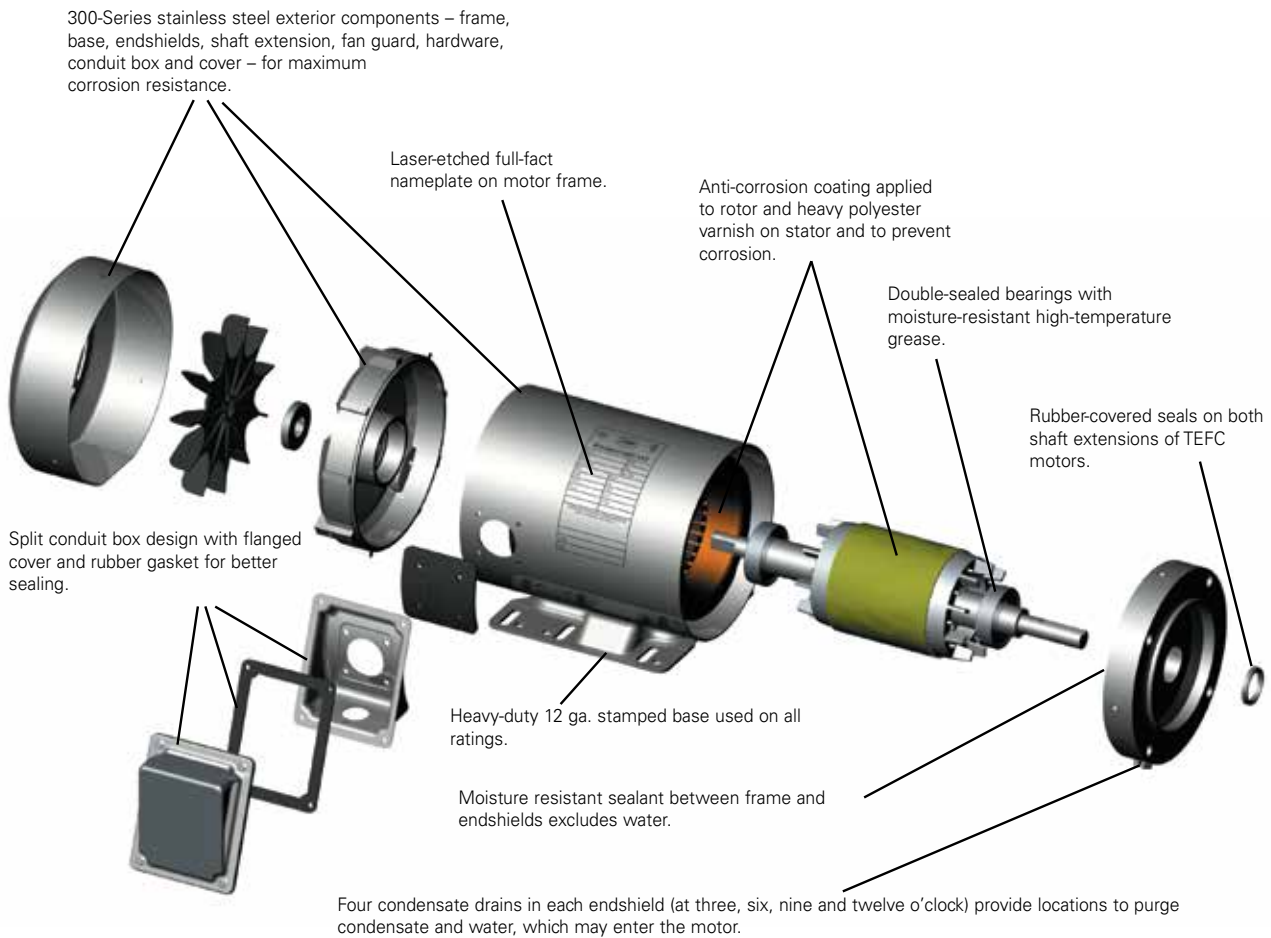
D - Item to be discontinued once inventory is depleted
Note 12 - TENV



SST StainlessDuck

This member of LEESON's family of tough ducks is designed for long life in demanding washdown applications. LEESON's FHP Washguard® SST All-Stainless motors are Stainless Steel Tough!

Built with all stainless steel external components to prevent corrosion and well sealed against moisture and condensation to protect internal components, the Washguard® SST all-stainless motors are able to withstand the severe washdown environments found in the food processing, chemical processing, and beverage industries.



Explosion Proof Motors

Automotive Duty Motors

Pump Motors

Washguard® Motors

Agricultural Duty Motors

HVAC / Fan Motors

Special Voltage Motors

Definite Purpose Motors

Brake Motors



Single-Phase - TEFC - C Face With Base

HP	SYN RPM 60 Hz	NEMA Frame	Catalog Number	Stock	List Price	Model Number	App. Wgt. (lbs)	Voltage	F. L. Amps @ 230 V	Service Factor	"C" Dim. (Inches)	♥Notes
1/2	3600	56C	191474.00	√	736	C6C34WK18	29.5	115/208-230	3.1	1.15	11.10	S, CN
1/2	1800	56C	191475.00	√	829	C6C17WK14	31.5	115/208-230	4.1	1.15	11.10	S, CN
3/4	3600	56C	191476.00	√	810	C6C34WK19	31.5	115/208-230	4.5	1.15	11.80	S, CN
3/4	1800	56C	191477.00	√	957	C6C17WK15	39.0	115/208-230	4.9	1.15	11.80	S, CN
1	3600	56C	191478.00	√	951	C6C34WK20	39.0	115/208-230	6.2	1.15	12.30	S, CN
1	1800	56C	191479.00	√	999	C6C17WK16	42.5	115/208-230	6.8	1.15	12.30	S, CN
1 1/2	3600	56C	191480.00	√	1,046	C6K34WK2	42.5	115/208-230	8.8	1.15	13.20	S, CN
1 1/2	1800	56C	191481.00	√	1,043	C6K17WK1	52.5	115/208-230	9.5	1.15	13.20	S, CN
2	3600	145TC	191482.00	√	1,349	C145K34WK2	64.5	115/208-230	10.8	1.15	14.20	S, CN
2	1800	145TC	191483.00	√	1,323	C145K17WK3	64.5	115/208-230	9.0	1.15	14.20	S, CN

♥ Note listing on inside back flap
Specifications are subject to change without notice

Stainless Steel Pedestal Fan Motors

- Extended Thru-bolts
- Auto Reset Protectors
- TEAO designs



NEW!

Single-Phase - TEFC - C Face With Base

HP	SYN RPM 60 Hz	NEMA Frame	Catalog Number	Stock	List Price	Model Number	App. Wgt. (lbs)	Voltage	F. L. Amps @ 230 V	Service Factor	"C" Dim. (Inches)	Shaft Dia.	♥Notes
1/4	1725	48Y	191543.00	√	684	A4P17VZ1A	17.6	115/230	1.3	1.0	11.58	.50	S, CN
1/4	1075	48Y	191544.00	√	693	A6P11VZ1A	18.7	115/230	1.5	1.0	11.58	.50	S, CN
1/3	1725	48Y	191545.00	√	706	A4P17VZ2A	18.5	115/230	1.5	1.0	11.58	.50	S, CN
1/3	1075	48Y	191546.00	√	718	A6P11VZ2A	21.6	115/230	2.0	1.0	11.58	.50	S, CN
1/2	1725	48Y	191547.00	√	732	A4P17VZ3A	21.2	115/230	2.6	1.0	11.58	.63	S, CN
1/2	1075	48Y	191548.00	√	766	A6P11VZ3A	26.4	115/230	2.7	1.0	12.56	.63	S, CN

♥ Note listing on inside back flap
Specifications are subject to change without notice



Three-Phase - TENV/TEFC - C Face With Base

HP	SYN RPM 60 Hz	NEMA Frame	Catalog Number	Stock	List Price	Model Number	App. Wgt. (lbs)	Voltage	F. L. Amps @ 230 V	% F.L. Eff.	Service Factor	"C" Dim. (Inches)	♥Notes
1/3	3600	56C	191200.00	D	705	C6T34NK26	29	230/460	1.0	74.0	1.15	9.78	S, CN, 12
1/3	3600	56C	191200.40	√	705	C6T34NK32	29	230/460	1.0	74.0	1.15	9.78	S, CN, 12
1/3	1800	56C	191201.40	√	789	C6T17NK40	30	230/460	1.3	78.5	1.15	9.78	S, CN, 12
1/2	3600	56C	191203.40	√	721	C6T34NK33	32	230/460	1.5	77.0	1.15	9.78	S, CN, 12
1/2	1800	56C	191204.40	√	814	C6T17NK41	33	230/460	1.6	81.5	1.15	9.78	S, CN, 12
1/2	1800	56C	191949.00	√	814	C6T17NK46	34	230/460	1.6	81.5	1.15	13.77	S, CN, 13
1/2	1200	56C	191414.40	√	885	C6T11NK7	36	230/460	2.0	78.5	1.15	9.76	S, CN, 12
3/4	3600	56C	191206.00	D	792	C6T34NK28	33	230/460	2.0	78.5	1.15	9.78	S, CN, 12
3/4	3600	56C	191206.40	√	792	C6T34NK34	33	230/460	2.0	78.5	1.15	9.78	S, CN, 12
3/4	1800	56C	191207.40	√	936	C6T17NK48	38	230/460	2.3	82.5	1.15	9.78	S, CN, 12
3/4	1800	56C	191950.00	√	936	C6T17WK40	39	230/460	2.3	82.5	1.15	13.77	S, CN, 13
3/4	1200	56C	191415.40	√	1,018	C6T11NK8	49	230/460	3.0	80.0	1.15	11.94	S, CN, 12
1	3600	56HC	191209.00	√	930	C6T34FK85	41	230/460	2.6	80.0	1.15	13.77	S, CN, 6, 13
1	3600	143TC	191486.00	√	1,160	C143T34WK10	42	230/460	2.6	80.0	1.15	13.62	S, CN, 13
1	1800	56C	191291.40	√	977	C6T17NK49	46	230/460	3.0	85.5	1.15	11.00	S, CN, 12
1	1800	56HC	191211.00	D	977	C6T17FK81	47	230/460	3.0	82.5	1.15	13.77	S, CN, 6, 13
1	1800	56HC	191558.00	√	1,204	C6T17WK41	48	230/460	3.0	85.5	1.15	13.77	S, CN, 6, 13
1	1800	143TC	191487.00	√	1,217	C143T17WK14	48	230/460	3.0	85.5	1.15	13.62	S, CN, 13
1	1200	56HC	191417.00	√	1,065	C6T11NK6	49	230/460	3.8	82.5	1.15	13.1	S, CN, 13
1	1200	145TC	191528.00	√	1,069	C6T11NK6	49	230/460	3.8	82.5	1.15	13.2	S, CN, 13
1 1/2	3600	56HC	191215.00	D	1,025	C6T34FK86	48	230/460	3.8	82.5	1.15	13.77	S, CN, 6, 13
1 1/2	3600	56HC	191560.00	√	1,255	C6T34WK23	48	230/460	3.8	84.0	1.15	13.77	S, CN, 6, 13
1 1/2	3600	143TC	191488.00	√	1,281	C143T34WK12	49	230/460	3.8	84.0	1.15	13.62	S, CN, 13
1 1/2	1800	56HC	191217.00	D	1,018	C6T17FK82	48	230/460	4.8	84.0	1.15	13.77	S, CN, 6, 13
1 1/2	1800	56HC	191561.00	√	1,245	C6T17WK43	48	230/460	4.8	86.5	1.15	13.77	S, CN, 6, 13
1 1/2	1800	145TC	191489.00	√	1,269	C145T17WK35	49	230/460	4.8	86.5	1.15	13.62	S, CN, 13
2	3600	56HC	191221.00	D	1,136	C6T34FK87	49	230/460	5.0	84.0	1.15	13.77	S, CN, 6, 13
2	3600	56HC	191562.00	√	1,513	C6T34WK37	49	230/460	5.0	85.5	1.15	13.77	S, CN, 6, 13
2	3600	145TC	191490.00	√	1,533	C145T34WK26	50	230/460	5.0	85.5	1.15	13.62	S, CN, 13
2	1800	56HC	191223.00	D	1,163	C6T17FK83	52	230/460	5.8	84.0	1.15	13.77	S, CN, 6, 13
2	1800	56HC	191563.00	√	1,477	C6T17WK42	53	230/460	5.8	86.5	1.15	13.77	S, CN, 6, 13
2	1800	145TC	191491.00	√	1,505	C145T17WK37	53	230/460	5.8	86.5	1.15	13.62	S, CN, 13
3	3600	145TC	191492.00	√	1,645	C145T34WK21	62	230/460	7.4	86.5	1.15	14.12	S, CN, 13
3	3600	182TC	194000.00	CA	2,683	C182T34WK2	--	230/460	--	86.5	1.15	--	S, CN, 13
3	1800	182TC	194001.00	CA	2,730	C182T17WK21	--	230/460	--	89.5	1.15	--	S, CN, 13
5	3600	184TC	194002.00	CA	3,099	C184T34WK21	--	230/460	--	88.5	1.15	--	S, CN, 13
5	1800	184TC	194003.00	CA	3,056	C184T17WK25	--	230/460	--	89.5	1.15	--	S, CN, 13
7 1/2	3600	213TC	194004.00	CA	4,243	C213T34WK9	--	230/460	--	89.5	1.15	--	S, CN, 13
7 1/2	1800	213TC	194005.00	CA	4,672	C213T17WK19	--	230/460	--	91.7	1.15	--	S, CN, 13
10	3600	215TC	194006.00	CA	4,455	C215T34WK16	--	230/460	--	90.2	1.15	--	S, CN, 13
10	1800	215TC	194007.00	CA	4,749	C215T17WK19	--	230/460	--	91.7	1.15	--	S, CN, 13

230/460 volt motors are suitable for use at 208 volts

♥ Note listing on inside back flap
Specifications are subject to change without notice

Green items are Premium Efficient

D - Item to be discontinued once inventory is depleted
Note 12 - TENV
C/A - Check Availability



Explosion Proof Motors

Automotive Duty Motors

Pump Motors

Washguard® Motors

Agricultural Duty Motors

HVAC / Fan Motors

Special Voltage Motors

Definite Purpose Motors

Brake Motors



Three Phase - TENV/TEFC - C Face Less Base

HP	SYN RPM 60 Hz	NEMA Frame	Catalog Number	Stock	List Price	Model Number	App. Wgt. (lbs)	Voltage	F. L. Amps @ 230 V	% F.L. Eff.	Service Factor	"C" Dim. (Inches)	♥Notes
1/3	1800	56C	191202.40	√	783	C6T17NC320	30	230/460	1.3	78.5	1.15	9.78	S,CN,12
1/2	1800	56C	191205.40	√	801	C6T17NC321	33	230/460	1.6	81.5	1.15	9.78	S,CN,12
1/2	1800	56C	191507.00	√	801	C6T17WC39	34	230/460	0.8	78.0	1.15	11.20	S,CN,13
1/2	1200	56C	191419.40	√	874	C6T11NC48	35	230/460	2.0	78.5	1.15	9.76	S,CN,12
3/4	1800	56C	191208.40	√	934	C6T17NC322	38	230/460	2.3	82.5	1.15	9.78	S,CN,12
3/4	1800	56C	191508.00	√	934	C6T17WC40	39	230/460	1.1	80.0	1.15	11.20	S,CN,13
3/4	1200	56C	191420.40	√	1,016	C6T11NC49	47	230/460	3.0	80.0	1.15	11.30	S,CN,12
1	1800	56C	191290.40	√	973	C6T17NC323	45	230/460	3.0	85.5	1.15	11.00	S,CN,12
1	1800	56C	191213.00	D	973	C6T17FC177	47	230/460	3.0	82.5	1.15	13.77	S,CN,13
1	1800	56C	191564.00	√	1,163	C6T17WC46	48	230/460	3.0	85.5	1.15	13.77	S,CN,13
1	1800	143TC	G191214.00	D	1,002	C143T17WC12	47	230/460	3.0	82.5	1.15	13.62	S,CN,13
1	1800	143TC	191565.00	√	1,186	C143T17WC9	48	230/460	3.0	85.5	1.15	13.62	S,CN,13
1	1200	56C	191421.00	√	1,062	C6T11NC44	47	230/460	3.8	82.5	1.15	13.10	S,CN,13
1 1/2	1800	56C	191219.00	D	1,016	C6T17FC178	48	230/460	4.8	84.0	1.15	13.77	S,CN,13
1 1/2	1800	56C	191567.00	√	1,204	C6T17WC48	49	230/460	4.8	86.5	1.15	13.77	S,CN,13
1 1/2	1800	145TC	G191220.00	D	1,045	C145T17WC37	48	230/460	4.8	84.0	1.15	13.62	S,CN,13
1 1/2	1800	145TC	191568.00	√	1,230	C145T17WC39	48	230/460	4.8	86.5	1.15	13.62	S,CN,13
2	1800	56C	191225.00	D	1,157	C6T17FC179	52	230/460	5.8	84.0	1.15	13.77	S,CN,13
2	1800	56C	191569.00	√	1,420	C6T17WC47	52	230/460	5.8	86.5	1.15	13.77	S,CN,13
2	1800	145TC	G191226.00	D	1,192	145T17WC38	52	230/460	5.8	84.0	1.15	13.62	S,CN,13
2	1800	145TC	191570.00	√	1,467	145T17WC59	52	230/460	5.8	86.5	1.15	1 3.62	S,CN,13
3	3600	145TC	G191542.00	D	1,312	C145T34WC8	60	230/460	7.4	86.5	1.15	14.12	S,CN,13
3	3600	145TC	191542.00	√	1,312	C145T34WC8	60	230/460	7.4	86.5	1.15	14.12	S,CN,13

230/460 volt motors are suitable for use at 208 volts

♥ Note listing on inside back flap Specifications are subject to change without notice

Green items are Premium Efficient

D - Item to be discontinued once inventory is depleted
 Note 12 - TENV

Explosion Proof Motors

Automotive Duty Motors

Pump Motors

Washguard® Motors

Agricultural Duty Motors

HVAC / Fan Motors

Special Voltage Motors

Definite Purpose Motors

Brake Motors



Washguard® Motors

Premium - All Stainless Motors

Single Phase & Three Phase

Explosion Proof
Motors

Automotive
Duty Motors

Pump
Motors

Washguard®
Motors

Agricultural
Duty Motors

HVAC / Fan
Motors

Special Voltage
Motors

Definite
Purpose Motors

Brake Motors

General Specifications:

Designed specifically to meet the demanding sanitation requirements of the pharmaceutical, food processing and beverage industries. These motors are also ideal in clean room and severe chemical-processing applications involving frequent washdown with nitric acid and caustic lye. In fact, WASHGUARD All-Stainless Motors include IEEE 841 severe-duty features right out of the box! Motors have been tested to and passed the IEC IP-56 test requirements.

Mechanical Protection Features:

- All exterior components are 300-series stainless steel
- Nothing on the motor's exterior is painted or coated in any way
- All sealing components are Viton® for superior chemical resistance
- Full fact nameplate is laser etched on the motor frame – no separately attached nameplate to trap dirt or contaminants
- Endshields are O-ring sealed to the frame
- Double lip shaft seals on both ends of TEFC motors (shaft end only on TENV motors)
- Removable hydrophobic breathers in opposite shaft endbell and conduit box equalize pressure without allowing moisture to enter
- Exterior fastener use minimized reducing the number of entry points for moisture. There are no holes in the frame for attaching a nameplate. Bearing lock screws are located inside the motor and the conduit box mounted screws have been eliminated
- Double-sealed bearings are pre-lubricated with moisture-resistant high-temperature grease for long life
- Interior coatings applied to rotor and stator protect against corrosion
- New conduit box mounting system provides optimum sealing
- Ease to clean construction is BISSC Certified for bakery applications

Electrical Performance and Protection Features:

- WASHGUARD efficiencies meet EPA mandates for non-exempt motors when tested without shaft seals.
- Windings are immersed and cured in polyester insulating varnish for extra moisture-resistance
- LEESON's exclusive IRIS™ Inverter-Rated Insulation System provides extra protection and long life, especially in inverter-driven applications
- Single-phase motors use Solid State Sinpac® switch – no mechanical switch contacts to corrode and fail
- All Washdown Duty motors have Class F Insulation

Standards and Approvals:

- Single and three phase motors are UL component recognized – file number E57948, guide number PRGY2.
- CSA Energy Efficiency Verification Program, report number EEV 78720-1
- Construction is CSA Certified for safety report number LR33543 and listed under BISSC authorization number 769



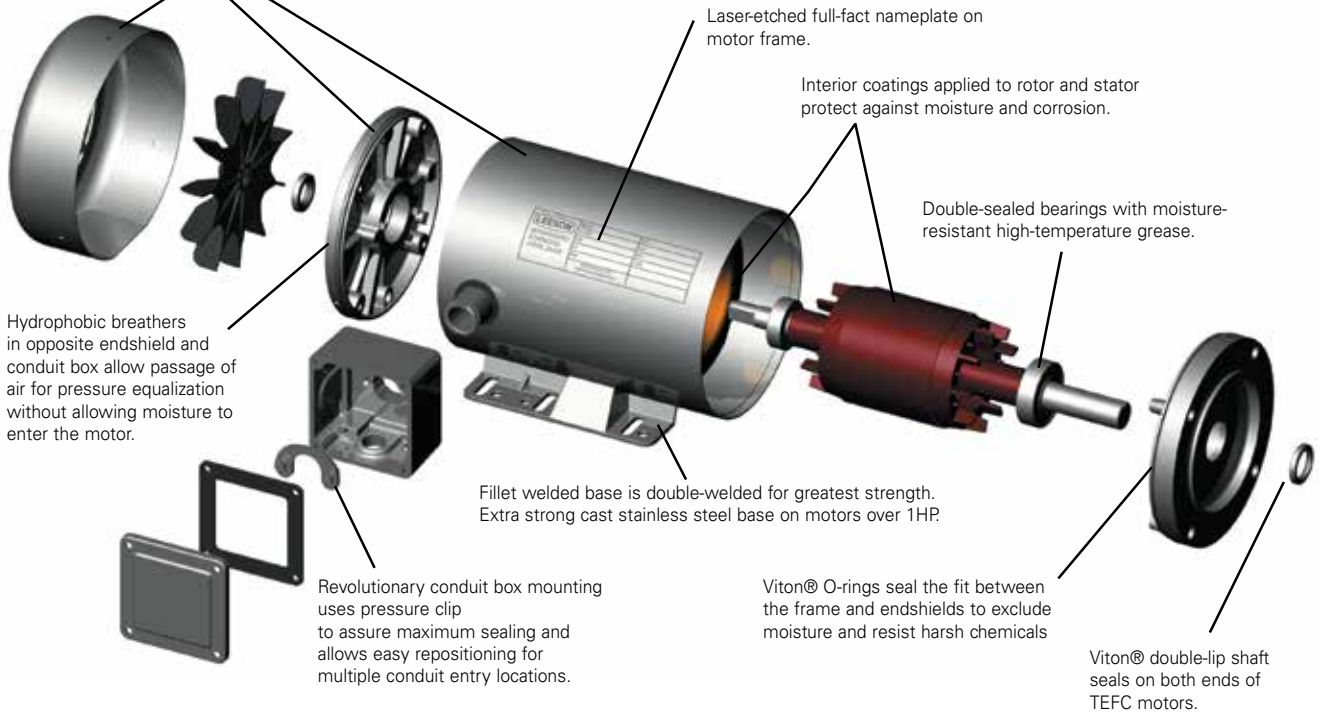
Washguard® Motors

Premium - All Stainless Motors
Single-Phase & Three-Phase

Premium Stainless Duck



300-Series stainless steel exterior components – frame, base, endshields, shaft extension, fan guard, hardware, conduit box and cover – for maximum corrosion resistance.





Three Phase - TENV/TEFC - C Face With Base

HP	SYN RPM 60 Hz	NEMA Frame	Catalog Number	Stock	List Price	Model Number	App. Wgt. (lbs)	Voltage	F. L. Amps @ 230 V	% F.L. Eff.	Service Factor	"C" Dim. (Inches)	Notes
1/2	3600	56HC	117269.00	√	1,404	CZ6T34VK19	35	230/460	1.6	82.5	1.15	10.47	S, US, 12
1/2	1800	S56C	103387.00	√	1,408	CZ4T17VK2	31	230/460	1.8	76.0	1.15	11.49	S, US, 12
1/2	1800	56HC	117266.00	√	1,504	CZ6T17VK46	35	230/460	1.6	78.5	1.15	11.22	S, US, 12
1/2	1800	56HC	117762.00	√	1,504	CZ6T17VK52	36	230/460	1.8	78.5	1.15	13.13	S, US, 13
1/2	1200	56HC	117275.00	√	1,876	CZ6T11VK5	35	230/460	2.3	77.0	1.15	11.47	S, US, 12
3/4	3600	56HC	117271.00	√	1,454	CZ6T34VK20	40	230/460	2.4	84.0	1.15	10.97	S, US, 12
3/4	1800	S56C	103388.00	√	1,460	CZ4T17WK1	28	230/460	2.4	77.0	1.15	12.50	S, US, 13
3/4	1800	56HC	117267.00	√	1,561	CZ6T17VK47	41	230/460	2.3	80.0	1.15	11.72	S, US, 12
3/4	1200	56HC	117276.00	√	1,939	CZ6T11VK6	46	230/460	3.0	78.5	1.15	13.22	S, US, 12
1	3600	56HC	117273.00	√	1,591	CZ6T34VK21	43	230/460	2.6	85.5	1.15	13.04	S, US, 12
1	1800	56HC	115635.00	D	1,597	CZ6T17VK8	44	230/460	3.0	81.5	1.15	13.54	S, US, 6, 12
1	1800	56HC	117286.00	D	1,642	CZ6T17WK28	39	230/460	3.1	82.5	1.15	11.19	S, US, 13
1	1800	56HC	119491.00	√	1,832	CZ6T17WK52	42	230/460	3.2	85.5	1.15	11.94	S, US, 13
1	1800	143TC	121795.00	D	1,597	CZ143T17VK8	44	230/460	3.0	81.5	1.15	13.02	S, US, 12
1	1800	143TC	121873.00	√	1,888	CZ143T17WK12	50	230/460	3.2	85.5	1.15	12.00	S, US, 13
1	1200	56HC	117277.00	D	1,986	CZ6T11WK7	48	230/460	4.0	77.0	1.15	11.94	S, US, 13
1	1200	56HC	119492.00	√	2,032	CZ6T11WK12	51	230/460	3.8	82.5	1.15	12.69	S, US, 13
1 1/2	3600	143TC	121874.00	√	1,904	CZ143T34WK7	45	230/460	4.0	84.0	1.15	11.75	S, US, 13
1 1/2	1800	56HC	117284.00	D	1,679	CZ6T17WK26	49	230/460	4.4	84.0	1.15	11.94	S, US, 13
1 1/2	1800	56HC	119494.00	√	1,906	CZ6T17WK56	51	230/460	4.4	86.5	1.15	11.94	S, US, 13
1 1/2	1800	145TC	121875.00	√	1,931	CZ145T17WK32	49	230/460	4.8	86.5	1.15	12.75	S, US, 13
1 1/2	1200	56HC	117278.00	D	2,065	CZ6T11WK8	51	230/460	5.4	80.0	1.15	13.19	S, US, 13
1 1/2	1200	182TC	132565.00	√	2,809	C182T11WK2	85	230/460		87.5	1.15	14.27	S, US, 13
2	3600	145TC	121876.00	√	2,260	CZ145T34WK18	49	230/460	4.8	85.5	1.25	12.75	S, US, 13
2	1800	56HC	117285.00	D	1,986	CZ6T17WK27	50	230/460	5.6	84.0	1.15	12.69	S, US, 13
2	1800	56HC	119495.00	√	2,239	CZ6T17WK54	52	230/460	5.8	86.5	1.15	13.19	S, US, 13
2	1800	145TC	121877.00	√	2,283	CZ145T17WK33	50	230/460	5.8	86.5	1.25	13.25	S, US, 13
3	3600	145TC	121878.00	√	2,719	CZ145T34WK27	53	230/460	8.0	86.5	1.15	13.69	S, US, 13
3	3600	182TC	132203.00	√	2,782	CZ182T34WK2	85	230/460	7.6	86.5	1.25	14.27	S, MX, 13
3	1800	182TC	132206.00	√	2,868	C184T17WK14	85	230/460	7.8	89.5	1.15	14.77	S, MX, 13
5	3600	184TC	132207.00	√	3,251	C184T34WK11	90	230/460	12.0	88.5	1.25	15.27	S, MX, 13
5	1800	184TC	132208.00	√	3,181	C184T17WK16	96	230/460	12.6	89.5	1.15	15.77	S, MX, 13
7 1/2	3600	213TC	140825.00	√	4,525	C213T34WK4	160	230/460	17.8	89.5	1.15	18.69	S, MX, 13
7 1/2	1800	213TC	140826.00	√	5,107	C213T17WK10	160	230/460	21.6	91.7	1.15	18.69	S, MX, 13
10	3600	215TC	140827.00	√	4,652	C215T34WK11	165	230/460	23.6	90.2	1.15	18.69	S, MX, 13
10	1800	215TC	140828.00	√	5,260	C215T17WK10	173	230/460	26.8	91.7	1.15	18.69	S, MX, 13

230/460 volt motors are suitable for use at 208 volts

♥ Note listing on inside back flap
Specifications are subject to change without notice

Green items are Premium Efficient

D - Item to be discontinued once inventory is depleted
Note 12 - TENV

Explosion Proof Motors

Automotive Duty Motors

Pump Motors

Washguard® Motors

Agricultural Duty Motors

HVAC / Fan Motors

Special Voltage Motors

Definite Purpose Motors

Brake Motors



Explosion Proof
Motors

Automotive
Duty Motors

Pump
Motors

Washguard®
Motors

Agricultural
Duty Motors

HVAC / Fan
Motors

Special Voltage
Motors

Definite
Purpose Motors

Brake Motors

Three Phase - TENV/TEFC - C Face Less Base

HP	SYN RPM 60 Hz	NEMA Frame	Catalog Number	Stock	List Price	Model Number	App. Wgt. (lbs)	Voltage	F. L. Amps @ 230 V	% F.L. Eff.	Service Factor	"C" Dim. (Inches)	♥Notes
1/3	1800	48C	103393.00	√	1,191	CZ4T17VC7	25	230/460	1.3	70.5	1.15	9.83	S, US, 12
1/2	3600	56C	117279.00	√	1,378	CZ6T34VC22	35	230/460	1.6	82.5	1.15	10.47	S, US, 12
1/2	1800	48C	103394.00	√	1,216	CZ4T17VC3	27	230/460	1.8	76.0	1.15	11.58	S, US, 12
1/2	1800	S56C	103389.00	√	1,391	CZ4T17VC4	30	230/460	1.8	76.0	1.15	11.49	S, US, 12
1/2	1800	56C	117270.00	√	1,475	CZ6T17VC56	34	230/460	1.6	78.5	1.15	11.22	S, US, 12
3/4	3600	56C	117280.00	√	1,425	CZ6T34VC23	40	230/460	2.4	84.0	1.15	10.97	S, US, 12
3/4	1800	S56C	103390.00	√	1,423	CZ4T17WC1	33	230/460	2.4	77.0	1.15	12.50	S, US, 13
3/4	1800	56C	117272.00	√	1,522	CZ6T17VC57	40	230/460	2.3	80.0	1.15	11.72	S, US, 12
1	3600	56C	117281.00	√	1,562	CZ6T34VC24	43	230/460	2.6	85.5	1.15	12.22	S, US, 12
1	1800	56C	117274.00	D	1,571	CZ6T17VC58	44	230/460	3.0	81.5	1.15	12.72	S, US, 12
1	1800	56HC	117287.00	D	1,571	CZ6T17WC30	45	230/460	3.1	82.5	1.15	11.19	S, US, 13
1	1800	56C	119497.00	√	1,790	CZ6T17WC57	47	230/460	3.2	85.5	1.15	11.94	S, US, 13
1	1800	143TC	121796.00	D	1,571	CZ143T17VC9	44	230/460	3.0	81.5	1.15	13.02	S, US, 12
1	1800	143TC	G121659.00	D	1,571	CZ143T17WC13	51	230/460	3.1	82.5	1.15	11.25	S, US, 13
1	1800	143TC	122202.00	√	1,796	CZ143T17WC15	53	230/460	3.2	85.5	1.15	12.00	S, US, 13
1 1/2	3600	143TC	G121560.00	D	1,572	CZ143T34WC7	52	230/460	4.0	82.5	1.15	11.25	S, US, 13
1 1/2	3600	143TC	122207.00	√	1,873	CZ143T34WC8	55	230/460	4.0	84.0	1.15	12.00	S, US, 13
1 1/2	1800	56C	117282.00	D	1,602	CZ6T17WC28	49	230/460	4.4	84.0	1.15	11.94	S, US, 13
1 1/2	1800	56C	119498.00	√	1,880	CZ6T17WC52	52	230/460	4.8	86.5	1.15	12.94	S, US, 13
1 1/2	1800	145TC	G121525.00	D	1,602	CZ145T17WC39	55	230/460	4.4	84.0	1.15	12.50	S, US, 13
1 1/2	1800	145TC	122203.00	√	1,885	CZ145T17WC49	58	230/460	4.8	86.5	1.15	12.75	S, US, 13
2	3600	145TC	G121561.00	D	1,929	CZ145T34WC20	54	230/460	5.2	84.0	1.15	12.50	S, US, 13
2	3600	145TC	122205.00	√	2,210	CZ145T34WC24	57	230/460	4.8	85.5	1.15	13.25	S, US, 13
2	1800	56C	117283.00	D	1,944	CZ6T17WC29	49	230/460	5.6	84.0	1.15	12.69	S, US, 13
2	1800	56C	119499.00	√	2,192	CZ6T17WC58	51	230/460	5.8	86.5	1.15	13.25	S, US, 13
2	1800	145TC	G121527.00	D	1,944	CZ145T17WC40	60	230/460	5.6	84.0	1.15	12.75	S, US, 13
2	1800	145TC	122204.00	√	2,198	CZ145T17WC48	63	230/460	5.8	86.5	1.15	13.25	S, US, 13
3	3600	145TC	G121562.00	D	2,320	CZ145T34WC21	55	230/460	7.6	85.5	1.15	12.75	S, US, 13
3	3600	145TC	122206.00	√	2,665	CZ145T34WC25	58	230/460	8.0	86.5	1.15	13.69	S, US, 13
3	1800	182TC	G131923.00	D	2,338	C182T17WC10	88	230/460	8.6	87.5	1.15	14.77	S, MX, 13
3	1800	182TC	132447.00	√	2,789	C182T17WC12	91	230/460	7.8	89.5	1.15	14.77	S, MX, 13
5	3600	184TC	G131949.00	D	2,650	C184T34WC8	98	230/460	12.0	87.5	1.15	14.77	S, MX, 13
5	3600	184TC	132449.00	√	3,169	C184T34WC11	100	230/460	12.0	88.5	1.15	15.27	S, MX, 13
5	1800	184TC	G131924.00	D	2,667	C184T17WC9	102	230/460	13.0	87.5	1.15	15.27	S, MX, 13
5	1800	184TC	132448.00	√	3,118	C184T17WC106	105	230/460	12.6	89.5	1.15	15.77	S, MX, 13

230/460 volt motors are suitable for use at 208 volts

♥ Note listing on inside back flap
 Specifications are subject to change without notice

Green items are Premium Efficient

D - Item to be discontinued once inventory is depleted
 Note 12 - TENV





Washguard® Motors Premium All Stainless Motors with Shaft Grounding Rings (SGRs)

Explosion Proof
Motors

Automotive
Duty Motors

Pump
Motors

Washguard®
Motors

Agricultural
Duty Motors

HVAC / Fan
Motors

Special Voltage
Motors

Definite
Purpose Motors

Brake Motors

General Specifications:

Same design features as our standard Premium Stainless and Extreme Duck motors only having a built-in Shaft Grounding Ring that are designed to protect motors that are used in applications that are using AC inverters to control the speed of the motors. They eliminate the stray voltages that may damage the motor's bearings.

Premium Washguard® All-Stainless Motors With Shaft Grounding Rings (SGRs)

Three Phase - Standard, EPAct & NEMA Premium Ratings Three-Phase - TENV/TEFC - C Face With Base

HP	SYN RPM 60 Hz	NEMA Frame	Catalog Number	Stock	List Price	Model Number	App. Wgt. (lbs)	Voltage	F. L. Amps @ 230 V	% F.L. Eff.	Service Factor	"C" Dim. (Inches)	♥Notes
1/2	1800	56HC	117901.00	√	1,602	CZ6T17VK53	35	230/460	1.6	78.5	1.15	12.54	S, US, 12
3/4	1800	56HC	117902.00	√	1,656	CZ6T17VK54	41	230/460	2.3	80.0	1.15	13.04	S, US, 12
1	1800	56HC	117903.00	D	1,734	CZ6T17WK38	39	230/460	3.1	82.5	1.15	13.13	S, US, 12
1	1800	56C	119500.00	√	1,873	CZ6T17WK48	41	230/460	3.2	85.5	1.15	11.94	S, US, 13
1	1800	143TC	122029.00	D	1,691	CZ143T17VK10	44	230/460	3.0	81.5	1.15	13.61	S, US, 12
1	1800	143TC	122215.00	√	1,929	CZ143T17WK21		230/460	3.2	85.5	1.15	12.00	S, US, 13
1 1/2	1800	56HC	117904.00	D	1,770	CZ6T17WK40	49	230/460	4.4	84.0	1.15	13.63	S, US, 13
1 1/2	1800	56HC	119501.00	√	1,948	CZ6T17WK49		230/460	4.8	86.5	1.15	12.94	S, US, 13
1 1/2	1800	145TC	122030.00	√	2,014	CZ145T17WK52	49	230/460	4.4	86.5	1.15	13.69	S, US, 13
2	1800	56HC	117905.00	D	2,067	CZ6T17WK39	50	230/460	5.6	84.0	1.15	13.63	S, US, 13
2	1800	56HC	119502.00	√	2,274	CZ6T17WK50		230/460	5.8	86.5	1.15	13.44	S, US, 13
2	1800	145TC	122031.00	√	2,354	CZ145T17WK53	50	230/460	5.6	86.5	1.25	13.69	S, US, 13

230/460 volt motors are suitable for use at 208 volts

♥ Note listing on inside back flap
Specifications are subject to change without notice

Green items are Premium Efficient

D - Item to be discontinued once inventory is depleted
Note 12 - TENV





Single Phase - TENV/TEFC - C Face With Base

HP	SYN RPM 60 Hz	NEMA Frame	Catalog Number	Stock	List Price	Model Number	App. Wgt. (lbs)	Voltage	F. L. Amps @ 230 V	Service Factor	"C" Dim. (Inches)	♥Notes
1/3	1800	56HC	116343.00	√	1,574	NZ6C17VK1	35	115/208-230	2.7	1.15	12.20	S, US, 6, 12
1/2	3600	56HC	116344.00	√	1,558	NZ6C34VK2	38	115/208-230	3.8	1.15	12.20	S, US, 6, 12
1/2	1800	56HC	116345.00	√	1,597	NZ6C17VK2	38	115/208-230	3.3	1.15	12.70	S, US, 6, 12
3/4	1800	56HC	116346.00	√	1,688	NZ6K17VK2	42	115/208-230	3.8	1.15	12.70	S, US, 6, 12 ♣
3/4	1200	56HC	116919.00	√	1,765	UZ6K11VB1	44	115/208-230	4.2	1.15	13.88	S, US, 6, 12
1	3600	56HC	116347.00	√	1,767	NZ6C34VK1	49	115/208-230	6.0	1.15	13.70	S, US, 6, 12
1	1800	56HC	116348.00	√	1,755	NZ6K17VK1	49	115/208-230	4.5	1.15	13.70	S, US, 6, 12
1 1/2	3600	56HC	116482.00	√	1,851	CZ6K34WK1	49	115/208-230	6.8	1.15	13.81	S, US, 13
1 1/2	1800	145TC	121622.00	√	1,824	CZ145K17WK2	53	115/208-230	7.4	1.15	14.81	S, US, 13
2	3600	145TC	121623.00	C/A	2,022	CZ145K34WK1	57	115/208-230	8.8	1.15	14.81	S, US, 13
2	1800	145TC	121632.00	C/A	2,104	CZ145K17WK1	57	115/208-230	10.0	1.15	14.81	S, US, 13

Note: Motor 116919.00 is Rigid Mount only

C/A - Check Availability
 Note 12 - TENV

♥ Note listing on inside back flap
 Specifications are subject to change without notice

Single Phase - TENV/TEFC - C Face Less Base

HP	SYN RPM 60 Hz	NEMA Frame	Catalog Number	Stock	List Price	Model Number	App. Wgt. (lbs)	Voltage	F. L. Amps @ 230 V	Service Factor	"C" Dim. (Inches)	♥Notes
1/3	1800	56C	116349.00	√	1,540	NZ6C17VC1	35	115/208-230	2.7	1.15	11.70	S, US, 12
1/2	1800	56C	116350.00	√	1,570	NZ6C17VC2	38	115/208-230	3.3	1.15	12.70	S, US, 12
3/4	1800	56C	116351.00	√	1,654	CZ6K17VC2	42	115/208-230	3.8	1.15	12.70	S, US, 12
1	1800	56C	116352.00	√	1,712	CZ6K17VC1	49	115/208-230	4.5	1.15	13.70	S, US, 12
1 1/2	1800	145TC	121624.00	√	1,739	CZ145K17WC2	53	115/208-230	7.4	1.15	14.87	S, US, 13
2	1800	145TC	121633.00	C/A	2,000	CZ145K17WC1	57	115/208-230	10.0	1.15	14.87	S, US, 13

C/A - Check Availability
 Note 12 - TENV

♥ Note listing on inside back flap
 Specifications are subject to change without notice



Washguard® Motors

Stainless Steel Brakemotors & JM Pump Motors

Explosion Proof
Motors

Automotive
Duty Motors

Pump
Motors

Washguard®
Motors

Agricultural
Duty Motors

HVAC / Fan
Motors

Special Voltage
Motors

Definite
Purpose Motors

Brake Motors

Stainless Steel Brakemotors

Three Phase - TENV - C Face With Base

HP	SYN RPM 60 Hz	NEMA Frame	Brake Rating (ft. lbs)	Catalog Number	Stock	List Price	Model Number	App. Wgt. (lbs)	Voltage	F. L. Amps @ 230 V	% F.L. Eff.	Service Factor	"C" Dim. (Inches)	♥Notes
1/2	1800	56C	3	116483.00	√	5,503	CZ6T17VK31	59	230/460	1.6	78.5	1.15	15.85	S, US, 12
1	1800	56C	6	116484.00	D	5,797	CZ6T17VK32	69	230/460	3.0	81.5	1.15	15.85	S, US, 12
1	1800	56C	6	119785.00	√	6,197	CZ6T17VK61	73	230/460	3.2	85.5	1.15	15.56	S, US, 12

230/460 volt motors are suitable for use at 208 volts

♥ Note listing on inside back flap

Specifications are subject to change without notice

Green items are Premium Efficient

D - Item to be discontinued once inventory is depleted

Note 12 - TENV



Stainless Steel JM Pump Motors

Three Phase - TEFC - JM Pump - C Face With Base

HP	SYN RPM 60 Hz	NEMA Frame	Catalog Number	Stock	List Price	Model Number	App. Wgt. (lbs)	Voltage	F. L. Amps @ 230 V	% F.L. Eff.	Service Factor	"C" Dim. (Inches)	♥Notes
1	1800	143JM	G121626.00	C	1,635	CZ143T17WK18	55	208-230/460	3.0	82.5	1.15	16.00	S, US
1	1800	143JM	122208.00	√	1,782	CZ143T17WK22	59	230/460	3.2	85.5	1.15	16.00	S, US
1 1/2	3600	143JM	G121627.00	D	1,636	CZ143T34WK11	55	208-230/460	4.0	82.4	1.15	16.00	S, US
1 1/2	3600	143JM	122210.00	√	1,780	CZ143T34WK12	58	208-230/460	4.0	84.0	1.15	16.00	S, US
1 1/2	1800	145JM	G121628.00	D	1,669	CZ145T17WK45	56	208-230/460	4.4	84.0	1.15	16.00	S, US
1 1/2	1800	145JM	122209.00	√	1,818	CZ145T17WK61	58	208-230/460	4.8	86.5	1.15	16.00	S, US
2	3600	145JM	G121629.00	D	1,944	CZ145T34WK24	56	208-230/460	5.2	84.0	1.15	16.00	S, US
2	3600	145JM	122212.00	√	2,119	CZ145T34WK40	59	208-230/460	4.8	85.5	1.15	16.50	S, US
2	1800	145JM	G121630.00	D	1,964	CZ145T17WK46	57	208-230/460	5.6	84.0	1.15	16.50	S, US
2	1800	145JM	122211.00	√	2,142	CZ145T17WK59	60	208-230/460	5.8	86.5	1.15	17.00	S, US
3	3600	145JM	G121631.00	D	2,337	CZ145T34WK25	57	208-230/460	7.6	85.5	1.15	16.50	S, US
3	3600	145JM	122213.00	√	2,558	CZ145T34WK41	62	208-230/460	8.0	86.5	1.15	16.50	S, US
3	1800	182JM	G131996.00	D	2,472	C182T17WK16	85	208-230/460	8.2	87.5	1.15	16.20	S, MX
3	1800	182JM	132450.00	√	2,713	C182T17WK19	90	230/460	3.9	89.5	1.15	16.20	S, MX
5	3600	184JM	G131997.00	D	2,726	C184T34WK14	90	208-230/460	12.0	87.5	1.15	16.20	S, MX
5	3600	184JM	132451.00	√	2,992	C184T34WK17	97	230/460	12.0	88.5	1.15	16.77	S, MX
5	1800	184JM	G131998.00	D	2,741	C184T17WK18	96	208-230/460	13.0	87.5	1.15	16.77	S, MX
5	1800	184JM	132452.00	√	2,993	C184T17WK23	103	230/460	12.6	89.5	1.15	17.27	S, MX
7 1/2	3600	213JM	G140740.00	D	4,152	C213T34WK5	160	208-230/460	18.4	88.5	1.15	16.81	S, MX
7 1/2	3600	213JM	141274.00	√	4,608	C213T34WK8	167	230/460	18.6	89.5	1.15	19.81	S, MX
7 1/2	1800	213JM	G140741.00	D	4,242	C213T17WK14	162	208-230/460	20.4	89.5	1.15	19.81	S, MX
7 1/2	1800	213JM	141273.00	√	4,665	C213T17WK18	169	230/460	19.6	91.7	1.15	19.81	S, MX
10	3600	215JM	G140742.00	D	4,297	C215T34WK12	165	208-230/460	24.0	89.5	1.15	19.81	S, MX
10	3600	215JM	141275.00	√	4,813	C215T34WK14	169	230/460	23.6	90.2	1.15	19.81	S, MX
10	1800	215JM	G140743.00	D	4,375	C215T17WK13	173	208-230/460	26.0	89.5	1.15	19.81	S, MX
10	1800	215JM	141276.00	√	4,824	C215T17WK17	178	230/460	26.4	91.7	1.15	19.81	S, MX

230/460 volt motors are suitable for use at 208 volts

♥ Note listing on inside back flap

Specifications are subject to change without notice

Green items are Premium Efficient

D - Item to be discontinued once inventory is depleted



Washguard® Motors

IEC Washguard All-Stainless AC Motors



IEC B5 Flange - Round Body - Three Phase - TENV/TEFC

HP/kW	SYN RPM 60 Hz	IEC Frame	Catalog Number	Stock	List Price	Model Number	App. Wgt. (lbs)	Voltage	F. L. Amps @ 230 V	% FL. Eff.	Service Factor	"C" Dim. (Inches)	♥Notes
1/3-0.25	1800	71	103403.00	√	1,455	CZ4T17VZ16	30	230/460	1.3	70.5	1.15	9.87	S, US, 12
1/3-0.25	1800	80	103405.00	√	1,455	CZ4T17VZ17	30	230/460	1.3	70.5	1.15	9.87	S, US, 12
1/2-0.37	1800	71	103404.00	√	1,504	CZ4T17VZ6	32	230/460	1.6	76.0	1.15	11.62	S, US, 12
1/2-0.37	1800	80	103406.00	√	1,504	CZ4T17VZ7	32	230/460	1.6	76.0	1.15	11.62	S, US, 12
3/4-0.55	1800	80	103407.00	√	1,595	CZ4T17WZ9	38	230/460	2.3	77.0	1.15	12.26	S, US, 13
1 - 0.75	1800	90	117516.00	D	1,695	CZ6T17WC44	45	230/460	3.1	82.5	1.15	11.84	S, US, 13
1 - 0.75	1800	90	119507.00	√	1,855	CZ6T17WC55	47	230/460	3.2	85.5	1.15	12.59	S, US, 13
1.5 - 1.1	1800	90	117517.00	D	1,788	CZ6T17WC46	49	230/460	4.4	84.0	1.15	13.63	S, US, 13
1.5 - 1.1	1800	90	119508.00	√	1,942	CZ6T17WC60	52	230/460	4.8	86.5	1.15	13.09	S, US, 13
2 - 1.5	1800	90	117518.00	D	1,986	CZ6T17WC45	49	230/460	5.6	84.0	1.15	13.34	S, US, 13
2 - 1.5	1800	90	119509.00	√	2,117	CZ6T17WC59	49	230/460	5.8	86.5	1.15	13.84	S, US, 13

230/460 volt motors are suitable for use at 208 volts
 D - Item to be discontinued once inventory is depleted
 Note 12 - TENV

♥ Note listing on inside back flap
 Specifications are subject to change without notice



IEC B14 Flange - Round Body - Three Phase - Totally Enclosed

HP/kW	SYN RPM 60 Hz	IEC Frame	Catalog Number	Stock	List Price	Model Number	App. Wgt. (lbs)	Voltage	F. L. Amps @ 230 V	% FL. Eff.	Service Factor	"C" Dim. (Inches)	♥Notes
1/3-0.25	1800	71	103395.00	√	1,455	CZ4T17VZ13	30	230/460	1.3	70.5	1.15	9.83	S, US, 12
1/3-0.25	1800	80	103397.00	√	1,455	CZ4T17VZ14	30	230/460	1.3	70.5	1.15	9.72	S, US, 12
1/2-0.37	1800	71	103396.00	√	1,504	CZ4T17VZ3	32	230/460	1.6	76.0	1.15	11.58	S, US, 12
1/2-0.37	1800	80	103398.00	√	1,504	CZ4T17VZ4	32	230/460	1.6	76.0	1.15	11.58	S, US, 12
3/4-0.55	1800	80	103399.00	√	1,595	CZ4T17WZ7	38	230/460	2.3	77.0	1.15	12.48	S, US, 13

230/460 volt motors are suitable for use at 208 volts
 Note 12 - TENV

♥ Note listing on inside back flap
 Specifications are subject to change without notice

IEC B3/ B5 Flange - Rigid Base - Three Phase - Totally Enclosed

HP/kW	SYN RPM 60 Hz	IEC Frame	Catalog Number	Stock	List Price	Model Number	App. Wgt. (lbs)	Voltage	F. L. Amps @ 230 V	% FL. Eff.	Service Factor	"C" Dim. (Inches)	♥Notes
1/3-0.25	1800	80	103408.00	√	1,480	CZ4T17VZ18	30	230/460	1.3	70.5	1.15	9.50	S, US, 12
1/2-0.37	1800	80	103409.00	√	1,526	CZ4T17VZ8	32	230/460	1.6	76.0	1.15	12.75	S, US, 12
3/4-0.55	1800	80	103410.00	√	1,627	CZ4T17WZ10	38	230/460	2.3	77.0	1.15	12.26	S, US, 13

230/460 volt motors are suitable for use at 208 volts
 Note 12 - TENV

♥ Note listing on inside back flap
 Specifications are subject to change without notice

IEC B3 / B14 Flange - Rigid Base - Three Phase - Totally Enclosed

HP/kW	SYN RPM 60 Hz	IEC Frame	Catalog Number	Stock	List Price	Model Number	App. Wgt. (lbs)	Voltage	F. L. Amps @ 230 V	% FL. Eff.	Service Factor	"C" Dim. (Inches)	♥Notes
1/3-0.25	1800	80	103400.00	√	1,504	CZ4T17VZ15	31	230/460	1.3	70.5	1.15	9.72	S, US, 12
1/2-0.37	1800	80	103401.00	√	1,662	CZ4T17VZ5	33	230/460	1.6	76.0	1.15	11.58	S, US, 12
3/4-0.55	1800	80	103402.00	√	1,722	CZ4T17WZ8	39	230/460	2.3	77.0	1.15	12.48	S, US, 13

230/460 volt motors are suitable for use at 208 volts
 Note 12 - TENV

♥ Note listing on inside back flap
 Specifications are subject to change without notice



Washguard® Motors
NEMA and IEC Washguard®
All-Stainless DC Motors - SCR Rated
IP 55 Enclosure Protection

Explosion Proof
Motors

Automotive
Duty Motors

Pump
Motors

Washguard®
Motors

Agricultural
Duty Motors

HVAC / Fan
Motors

Special Voltage
Motors

Definite
Purpose Motors

Brake Motors

TEFC - SCR Rated 90 & 180V - NEMA - C Face With Base

HP	Full Load RPM	NEMA Frame	Catalog Number	Stock	List Price	Model Number	App. Wgt. (lbs)	Arm. Volts DC	Control Volts AC Input	F. L. Amps DC	"C" Dim. (Inches)	♥Notes
1/4	1750	S56C	109065.00	√	1,420	4D17VK24	38	90	115	3.1	11.81	S, US, 12
1/3	1750	S56C	109066.00	√	1,501	4D17VK25	44	90	115	3.8	12.81	S, US, 12
1/3	1750	S56C	109067.00	√	1,501	4D17VK26	44	180	230	1.9	12.81	S, US, 12
1/2	1750	S56C	109069.00	√	1,754	4D17WK9	46	90	115	5.2	13.87	S, US, 13
1/2	1750	S56C	109070.00	√	1,754	4D17WK10	46	180	230	2.7	13.87	S, US, 13
3/4	1750	S56C	109072.00	√	2,136	4D17WK13	47	90	115	7.5	15.37	S, US, 13
3/4	1750	S56C	109073.00	√	2,136	4D17WK14	48	180	230	3.7	15.37	S, US, 13
1	1750	S56C	109075.00	√	2,478	4D17WK16	51	90	115	9.5	16.37	S, US, 13
1	1750	S56C	109076.00	√	2,478	4D17WK17	50	180	230	5.0	16.37	S, US, 13

Base is welded to frame and not removable
 Note 12 - TENV

♥ Note listing on inside back flap
 Specifications are subject to change without notice



TEFC - SCR Rated 90 & 180V • NEMA - C Face Less Base

HP	Full Load RPM	NEMA Frame	Catalog Number	Stock	List Price	Model Number	App. Wgt. (lbs)	Arm. Volts DC	Control Volts AC Input	F. L. Amps DC	"C" Dim. (Inches)	♥Notes
1/4	1750	S56C	109078.00	√	1,386	4D17VC5	38	90	115	3.1	11.81	S, US, 12
1/3	1750	S56C	109079.00	√	1,468	4D17VC6	44	90	115	3.8	12.81	S, US, 13
1/3	1750	S56C	109080.00	√	1,468	4D17VC7	44	180	230	1.9	12.81	S, US, 13
1/2	1750	S56C	109082.00	√	1,722	4D17WC2	46	90	115	5.2	13.87	S, US, 13
1/2	1750	S56C	109083.00	√	1,722	4D17WC3	46	180	230	2.7	13.87	S, US, 13
3/4	1750	S56C	109085.00	√	2,103	4D17WC5	47	90	115	7.5	15.37	S, US, 13
3/4	1750	S56C	109086.00	√	2,103	4D17WC6	48	180	230	3.7	15.37	S, US, 13
1	1750	S56C	109088.00	√	2,447	4D17WC8	51	90	115	9.5	16.37	S, US, 13
1	1750	S56C	109089.00	√	2,447	4D17WC9	50	180	230	5.0	16.37	S, US, 13

Base is welded to frame and not removable
 Note 12 - TENV

♥ Note listing on inside back flap
 Specifications are subject to change without notice



Washguard® Motors

Metric (IEC) Frame PMDC Motors
All-Stainless DC Motors - SCR Rated
IP55 Enclosure Protection



TEFC - SCR Rated 90 & 180V - C Face With Base

HP/kW	Full Load RPM	IEC Frame	Catalog Number	Stock	List Price	Model Number	App. Wgt. (lbs)	Arm. Volts DC	Control Volts AC Input	F. L. Amps DC	"C" Dim. (Inches)	♥Notes
1/3 - 0.25	1750	80D	109068.00	√	1,501	4D17VK27	44	180	230	1.9	12.81	S, US, 12
1/2 - 0.37	1750	80D	109071.00	√	1,754	4D17WK11	46	180	230	2.7	13.87	S, US, 13
3/4 - 0.55	1750	80D	109074.00	√	2,136	4D17WK15	48	180	230	3.7	15.37	S, US, 13
1 - 0.75	1750	80D	109077.00	√	2,478	4D17WK18	50	180	230	5.0	16.37	S, US, 13

Base is welded to frame and not removable
 Note 12 - TENV

♥ Note listing on inside back flap
 Specifications are subject to change without notice

TEFC - SCR Rated 90 & 180V - Metric (IEC) - All-Stainless Steel - C Face Less Base

HP/kW	Full Load RPM	IEC Frame	Catalog Number	Stock	List Price	Model Number	App. Wgt. (lbs)	Arm. Volts DC	Control Volts AC Input	F. L. Amps DC	"C" Dim. (Inches)	♥Notes
1/3 - 0.25	1750	80D	109081.00	√	1,468	4D17VC8	44	180	230	1.9	12.81	S, US, 12
1/2 - 0.37	1750	80D	109084.00	√	1,722	4D17WC4	46	180	230	2.7	13.87	S, US, 13
3/4 - 0.55	1750	80D	109087.00	√	2,103	4D17WC7	48	180	230	3.7	15.37	S, US, 13
1 - 0.75	1750	80D	109090.00	√	2,447	4D17WC10	50	180	230	5.0	16.37	S, US, 13

Note 12 - TENV

♥ Note listing on inside back flap
 Specifications are subject to change without notice

Flange And Face Kits For DC Metric (IEC) Frame Motors

The modular design concept of LEESON's other metric DC motors has been applied to the all-stainless metric motors. Any flange or face kit can mount on any motor. This allows the greatest flexibility from the smallest inventory of motors.

B5 Flange Kits (For Stainless DC Metric Motors)

IEC Frame	Catalog Number	List Price	App. Wgt. (lbs)	BD Flange Dia. (mm)	AK Register (mm)	BF Hole (mm)	AJ Bolt Circle (mm)
71	175593.00	189	2	160	110	9	130
80	175594.00	228	3	200	130	12	165
90S/90L	175594.00	228	3	200	130	12	165
100L/112M	175595.00	356	5	250	180	15	215

Specifications are subject to change without notice

B14 Flange Kits (For Stainless DC Metric Motors)

IEC Frame	Catalog Number	List Price	App. Wgt. (lbs)	BD Flange Dia. (mm)	AK Register (mm)	BF Hole (mm)	AJ Bolt Circle (mm)
71	175596.00	144	1	105	70	6	85
80	175597.00	144	1	120	80	6	100
90S/90L	175598.00	392	1	140	95	6	115
100L/112M	175599.00	356	2	160	110	6	130

Specifications are subject to change without notice



Washguard® Motors

Extreme Duck Ultra Washguard® All-Stainless Motors

Three Phase - Standard, EAct & NEMA Premium Ratings

General Specifications:

These Revolutionary Designed Stainless Steel Motors are built using our “Voice of the customer” design criteria to withstand extreme washdown and sanitation requirements of the food processing, pharmaceutical, packaging and beverage industries. Our Innovative Hydro Sealed System “HS2™” protects from the “outside-in” by reducing entrance points of contaminants and eliminates the need for drain plugs and breathers. This proven process also minimizes exterior hardware, which may trap application elements. Our unique Rotor/Cartridge Seal System, “Q-CAR™” gives quick access to the interior of the motor should the need arise. 300-Series Stainless Steel used on all exterior surfaces gives ideal protection against severe chemical-processing applications and frequent washdown processes using Salt water, Nitric Acids and Solvents.

Mechanical Protection Features:

- All exterior components are 300-Series stainless steel
- Protech Bearing isolator used for the output shaft seal
- Double Lip Viton shaft seal used on non-drive output shaft on TEFC motors
- Minimal exterior fasteners due to no through-bolt design and screw on conduit box covers reduces surface areas that may trap contaminants
- Double-sealed bearings are pre-lubricated with moisture resistant, high temperature grease for long life
- Rotor/Cartridge, “Q-CAR™,” design for quick access to motor interior (patent pending).
- O-ring sealed openings on conduit box covers and Rotor/Cartridge cover
- Rigid Cast Base for rugged applications
- Conduit box lead hole location rotatable on TEFC designs
- Full fact nameplate is laser etched to the motor frame making frame surface smooth, which eliminates areas that trap contaminants
- Ease of clean construction is BISSC certified for bakery applications and motors meet Pharmaceutical Duty specifications
- IP 66 Enclosure protection

Electrical Performance and Protection Features:

- Motors meet EAct mandates for non-exempt motors when tested without shaft seals
- Total winding encapsulation using an Epoxy Resin
- LEESON’s exclusive IRIS™ Inverter-Rated Insulation System provides extra protection and long life, especially when used in applications driven by an Inverter
- 3 year warranty
- 10:1 constant torque operation

Standards and Approvals

- Motors are UL component recognized – file number E57948, guide number PRGY2
- CSA Energy Efficiency Verification Program, report number EEV 78720-1
- Construction is CSA Certified for safety, report number LR33543 and listed under BISSC authorization number 769



Explosion Proof Motors

Automotive Duty Motors

Pump Motors

Washguard® Motors

Agricultural Duty Motors

HVAC / Fan Motors

Special Voltage Motors

Definite Purpose Motors

Brake Motors

Washguard® Motors

Extreme Duck Ultra Washguard® All-Stainless Motors
Three Phase - Standard, E Pact & NEMA Premium



NEW!



ExtremeDuck™ Ultra

300 Series stainless steel components include the frame, base, conduit box cover, endshields and bearing carrier cover. It's the perfect motor design for extreme washdown conditions.

TEFC motor design shown.

A full-face nameplate is permanently laser etched into the motor frame.

Treated rotor coating protects against corrosion.

Bearing carrier cover with O-ring sealing offers ease of assembly and maximum sealing protection.

Vacuum assisted internal epoxy encapsulation—including both endbells—reduces interior air pockets where condensation can occur. This minimizes points of entry for contaminants and eliminates the need for drain plugs and breathers.

Multiple O-rings seal against contaminants.

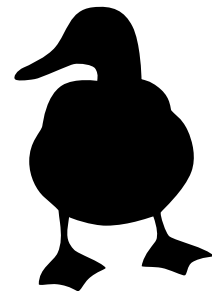
Two-piece shaft seal with a Viton® seal.

A round, stainless steel conduit box rotates 360° for convenient wire placement.

The all new Extreme. It's not your average duck.

- **Extreme** Sealing
- **Extreme** Durability
- **Extreme** Confidence

The New ExtremeDuck™ Ultra.





Washguard® Motors

Extreme Duck Ultra Washguard® All-Stainless Motors

Three Phase - Standard, EPAct & NEMA Premium Ratings

Three Phase - Totally Enclosed - C Face With Base

HP	SYN RPM 60 Hz	NEMA Frame	Catalog Number	Stock	List Price	Model Number	App. Wgt. (lbs)	Voltage	F. L. Amps @ 230 V	% F.L. Eff.	Service Factor	"C" Dim. (Inches)	♥ Notes
1/2	3600	56C	117118.00	√	1,572	CZ6T34VK16	39	230/460	1.6	82.5	1.15	10.47	S, US, 12
1/2	1800	S56C	103411.00	√	1,555	CZ4T17VK1	33	230/460	1.6	76.0	1.15	11.49	S, US, 12
1/2	1800	56C	117119.00	√	1,654	CZ6T17VK43	40	230/460	1.6	78.5	1.15	10.72	S, US, 12
1/2	1200	56C	119266.00	√	1,765	CZ6T11VK7	43	230/460	2.3	77.0	1.15	11.71	S, US, 12
3/4	3600	56C	117120.00	√	1,627	CZ6T34VK17	46	230/460	2.4	84.0	1.15	10.47	S, US, 12
3/4	1800	S56C	103412.00	√	1,654	CZ4T17WK2	39	230/460	2.3	77.0	1.15	12.50	S, US, 13
3/4	1800	56C	117121.00	√	1,717	CZ6T17VK44	47	230/460	2.3	80.0	1.15	11.22	S, US, 12
3/4	1200	56C	119267.00	√	1,823	CZ6T11VK8	50	230/460	3.0	78.5	1.15	12.69	S, US, 12
1	3600	56C	117122.00	√	1,747	CZ6T34VK18	48	230/460	2.6	85.5	1.15	10.97	S, US, 12
1	1800	56C	117123.00	D	1,758	CZ6T17VK45	50	230/460	3.0	81.5	1.15	11.97	S, US, 12
1	1800	56C	119511.00	√	1,904	CZ6T17WK51	53	230/460	3.2	85.5	1.15	11.94	S, US, 13
1	1800	143TC	121969.00	D	1,860	CZ143T17VK2	54	230/460	3.0	81.5	1.15	12.78	S, US, 12
1	1800	143TC	122219.00	√	1,929	CZ143T17VK5	55	230/460	3.2	85.5	1.15	12.00	S, US, 13
1	1200	56C	119268.00	D	1,860	CZ6T11WK9	53	230/460	4.2	78.5	1.15	12.69	S, US, 13
1	1200	56C	119513.00	√	2,089	CZ6T11WK13	55	230/460	3.8	82.5	1.15	12.69	S, US, 13
1 1/2	3600	143TC	G121748.00	D	1,854	CZ143T34WK4	54	230/460	4.0	82.5	1.15	11.00	S, US, 13
1 1/2	3600	143TC	121879.00	√	1,983	CZ143T34WK8	54	230/460	4.0	84.0	1.15	11.75	S, US, 13
1 1/2	1800	56C	117296.00	D	1,847	CZ6T17WK30	56	230/460	4.4	84.0	1.15	11.69	S, US, 13
1 1/2	1800	56C	119522.00	√	1,965	CZ6T17WK57	58	230/460	4.8	86.5	1.15	12.69	S, US, 13
1 1/2	1800	145TC	G121749.00	D	1,847	CZ143T17WK8	56	230/460	4.4	84.0	1.15	11.25	S, US, 13
1 1/2	1800	145TC	121880.00	√	1,976	CZ143T17WK13	56	230/460	4.4	86.5	1.15	12.75	S, US, 13
1 1/2	1200	56C	119269.00	D	1,904	CZ6T11WK10	59	230/460	5.4	80.0	1.15	12.69	S, US, 13
1 1/2	1200	56C	119781.00	√	2,192	CZ6T11WK14	61	230/460	5.4	87.5	1.15	12.69	S, US, 13
2	3600	145TC	G121739.00	D	2,141	CZ145T34WK10	56	230/460	5.2	84.0	1.15	12.50	S, US, 13
2	3600	145TC	121881.00	√	2,292	CZ145T34WK19	56	230/460	5.2	85.5	1.15	12.75	S, US, 13
2	1800	56C	117299.00	D	2,165	CZ6T17WK29	57	230/460	5.6	84.0	1.15	12.69	S, US, 13
2	1800	56HC	119523.00	√	2,305	CZ6T17WK53	61	230/460	5.8	86.5	1.15	13.19	S, US, 13
2	1800	145TC	G121740.00	D	2,165	CZ145T17WK25	57	230/460	5.6	84.0	1.15	12.50	S, US, 13
2	1800	145TC	121882.00	√	2,316	CZ145T17WK34	57	230/460	5.6	86.5	1.15	13.25	S, US, 13
3	3600	56C	119203.00	D	2,251	CZ6T34WK26	60	230/460	7.6	85.5	1.15	12.69	S, US, 13
3	3600	56C	119526.00	C/A	2,372	CZ6T34WK37	62	230/460	8.0	86.5	1.15	12.69	S, US, 13

230/460 volt motors are suitable for use at 208 volts

♥ Note listing on inside back flap
Specifications are subject to change without notice

Green items are Premium Efficient

D - Item to be discontinued once inventory is depleted
Note 12 - TENV



Explosion Proof Motors

Automotive Duty Motors

Pump Motors

Washguard® Motors

Agricultural Duty Motors

HVAC / Fan Motors

Special Voltage Motors

Definite Purpose Motors

Brake Motors

Washguard® Motors

Extreme Duck Ultra Washguard® All-Stainless Motors
Three Phase - Standard, EAct & NEMA Premium Ratings



Three Phase - Totally Enclosed - C Face Less Base

HP	SYN RPM 60 Hz	NEMA Frame	Catalog Number	Stock	List Price	Model Number	App. Wgt. (lbs)	Voltage	F. L. Amps @ 230 V	% F.L. Eff.	Service Factor	"C" Dim. (Inches)	♥Notes
1/3	1800	48C	103417.00	√	1,577	CZ4T17VC8	30	230/460	1.3	70.5	1.15	9.58	S, US, 12
1/2	3600	56C	117126.00	√	1,540	CZ6T34VC19	38	230/460	1.6	82.5	1.15	10.47	S, US, 12
1/2	1800	48C	103418.00	√	1,642	CZ4T17VC2	32	230/460	1.6	76.0	1.15	11.33	S, US, 12
1/2	1800	S56C	103413.00	√	1,460	CZ4T17VC1	32	230/460	1.6	76.0	1.15	11.49	S, US, 12
1/2	1800	56C	117127.00	√	1,623	CZ6T17VC53	39	230/460	1.6	78.5	1.15	10.72	S, US, 12
3/4	3600	56C	117128.00	√	1,595	CZ6T34VC20	45	230/460	2.4	84.0	1.15	10.47	S, US, 12
3/4	1800	S56C	103414.00	√	1,549	CZ4T17WC2	38	230/460	2.3	77.0	1.15	12.50	S, US, 13
3/4	1800	56C	117129.00	√	1,688	CZ6T17VC54	46	230/460	2.3	80.0	1.15	11.22	S, US, 12
1	3600	56C	117130.00	√	1,715	CZ6T34VC21	47	230/460	2.6	85.5	1.15	10.97	S, US, 12
1	1800	56C	117131.00	D	1,728	CZ6T17VC55	50	230/460	3.0	81.5	1.15	11.69	S, US, 12
1	1800	56C	119512.00	√	1,902	CZ6T17WC53	54	230/460	3.2	85.5	1.15	12.19	S, US, 13
1 1/2	3600	143TC	121750.00	D	1,824	CZ143T34WC2	53	230/460	4.0	82.5	1.15	11.00	S, US, 13
1 1/2	3600	143TC	121908.00	√	1,950	CZ143T34WC6	53	230/460	4.0	84.0	1.15	11.75	S, US, 13
1 1/2	1800	56C	117297.00	D	1,817	CZ6T17WC32	55	230/460	4.4	84.0	1.15	11.69	S, US, 13
1 1/2	1800	56C	119520.00	√	1,940	CZ6T17WC53	56	230/460	4.8	86.5	1.15	0.00	S, US, 13
1 1/2	1800	145TC	121751.00	D	1,817	CZ143T17WC5	55	230/460	4.4	84.0	1.15	11.25	S, US, 13
1 1/2	1800	145TC	121909.00	√	1,945	CZ143T17WC11	55	230/460	4.4	86.5	1.15	12.75	S, US, 13
2	3600	145TC	121742.00	D	2,113	CZ145T34WC10	55	230/460	5.2	84.0	1.15	12.50	S, US, 13
2	3600	145TC	121910.00	√	2,260	CZ145T34WC18	55	230/460	5.2	85.5	1.15	12.75	S, US, 13
2	1800	145TC	121743.00	D	2,136	CZ145T17WC22	56	230/460	5.6	84.0	1.15	12.50	S, US, 13
2	1800	145TC	121911.00	√	2,284	CZ145T17WC36	56	230/460	5.6	86.5	1.15	13.25	S, US, 13
2	1800	56C	117298.00	D	2,136	CZ6T17WC33	56	230/460	5.6	84.0	1.15	12.69	S, US, 13
2	1800	56C	119524.00	√	2,274	CZ6T17WC376	60	230/460	5.8	86.5	1.15	13.19	S, US, 13
3	3600	56C	119204.00	D	2,235	CZ6T34WC22	59	230/460	7.6	85.5	1.15	12.69	S, US, 13
3	3600	56C	119525.00	√	2,353	CZ6T34WC375	61	230/460	8.0	86.5	1.15	12.94	S, US, 13
3	1800	145TC	122119.00	D	2,259	CZ145T17WC43	61	230/460	8.6	82.5	1.15	13.19	S, US, 13

230/460 volt motors are suitable for use at 208 volts

♥ Note listing on inside back flap
 Specifications are subject to change without notice

Green items are Premium Efficient

D - Item to be discontinued once inventory is depleted
 Note 12 - TENV
 Note: No Premium Eff. replacement for model 122119.00

Explosion Proof Motors

Automotive Duty Motors

Pump Motors

Washguard® Motors

Agricultural Duty Motors

HVAC / Fan Motors

Special Voltage Motors

Definite Purpose Motors

Brake Motors





Washguard® Motors

Extreme Duck Ultra Motors with Shaft Grounding Rings (SGRs)

SGRs help prevent bearing damage when running motors with AC Controls

Three Phase - Totally Enclosed - Rigid C Face

HP	SYN RPM 60 Hz	NEMA Frame	Catalog Number	Stock	List Price	Model Number	App. Wgt. (lbs)	Voltage	F. L. Amps @ 230 V	% F.L. Eff.	Service Factor	"C" Dim. (Inches)	♥Notes
1/2	1800	56C	117906.00	√	1,746	CZ6T17VK55	40	230/460	1.6	78.5	1.15	10.72	S, US, 12
3/4	1800	56C	117907.00	√	1,807	CZ6T17VK56	47	230/460	2.3	80.0	1.15	11.22	S, US, 12
1	1800	56C	117908.00	D	1,846	CZ6T17VK57	50	230/460	3.0	81.5	1.15	11.97	S, US, 12
1	1800	56C	119527.00	√	1,976	CZ6T17FK112	55	230/460	3.2	85.5	1.15	11.97	S, US, 13
1 1/2	1800	56C	117909.00	D	1,932	CZ6T17WK41	56	230/460	4.4	84.0	1.15	11.69	S, US, 13
1 1/2	1800	56C	119528.00	√	2,019	CZ6T17WK389	58	230/460	4.8	85.5	1.15	12.69	S, US, 13
1 1/2	1800	145TC	122032.00	D	1,932	CZ143T17WK20	56	230/460	4.4	84.0	1.15	11.25	S, US, 13
1 1/2	1800	145TC	122221.00	√	2,032	CZ143T17WK23	59	230/460	4.8	86.5	1.15	12.75	S, US, 13
2	1800	56C	117910.00	D	2,240	CZ6T17WK42	57	230/460	5.6	84.0	1.15	12.69	S, US, 13
2	1800	56C	119529.00	√	2,359	CZ6T17WK55	61	230/460	5.8	86.5	1.15	13.19	S, US, 13
2	1800	145TC	122033.00	D	2,240	CZ145T17WK54	57	230/460	5.6	84.0	1.15	12.50	S, US, 13
2	1800	145TC	122222.00	√	2,359	CZ145T17WK60	62	230/460	5.8	86.5	1.15	13.25	S, US, 13
3	3600	56C	119205.00	D	2,392	CZ6T34WK27	62	230/460	7.6	85.5	1.15	12.69	S, US, 13
3	3600	56C	119530.00	√	2,459	CZ6T34WK36	64	230/460	8.0	86.5	1.15	13.19	S, US, 13

230/460 volt motors are suitable for use at 208 volts

♥ Note listing on inside back flap
Specifications are subject to change without notice

Green items are Premium Efficient

D - Item to be discontinued once inventory is depleted
Note 12 - TENV

Three Phase - Totally Enclosed - C Face Less Base

HP	SYN RPM 60 Hz	NEMA Frame	Catalog Number	Stock	List Price	Model Number	App. Wgt. (lbs)	Voltage	F. L. Amps @ 230 V	% F.L. Eff.	Service Factor	"C" Dim. (Inches)	♥Notes
3	3600	56C	119206.00	D	2,374	CZ6T34WC23	61	230/460	7.6	85.5	1.15	12.69	S, US, 13
3	3600	56C	119531.00	√	2,441	CZ6T34WC34	62	230/460	8.0	86.5	1.15	13.19	S, US, 13
3	1800	56C	122118.00	D	2,392	CZ145T17WC42	61	230/460	8.6	82.5	1.15	13.19	S, US, 13

230/460 volt motors are suitable for use at 208 volts

♥ Note listing on inside back flap
Specifications are subject to change without notice

Green items are Premium Efficient

D - Item to be discontinued once inventory is depleted
Note 12 - TENV
Note: No Premium Eff. replacement for model 122118.00



Explosion Proof Motors

Automotive Duty Motors

Pump Motors

Washguard® Motors

Agricultural Duty Motors

HVAC / Fan Motors

Special Voltage Motors

Definite Purpose Motors

Brake Motors

Explosion Proof
Motors

Automotive
Duty Motors

Pump
Motors

Washguard®
Motors

Agricultural
Duty Motors

HVAC / Fan
Motors

Special Voltage
Motors

Definite
Purpose Motors

Brake Motors



DE-FEATHERING



SCALDING



FEEDING



CUTTING



PROCESSING



SLICING



INSPECTION



DE-BONING

There's a LEESON Washguard® Motor for every location in your facility.

LEESON offers more than 200 off-the-shelf solutions to everyday washdown motor needs. What's more, LEESON offers washdown-rated gear reducers and AC and DC controls to compliment our washdown motor line. And, when you need a specially engineered custom solution to your washdown application, think LEESON. Our flexible manufacturing processes enable custom products to be manufactured in small or large quantities.



Washguard® Motors Selection Guide



Feature	White Duck	Washguard® II	SST Duck	Stainless Duck	Extreme Duck Ultra
Sealed Bearings	■	■	■	■	■
Potted Lead Entrance					■
Complete Motor Encapsulation					■
Nameplate Etched in Frame			■	■	■
Interior Corrosion Protected	■	■	■	■	
Motor Breathe Plugs/Drain Plugs	■	■	■	■	Not Needed for total encapsulation
Internally Locked Shaft-End Bearing	■	■	■	■	■
Shaft Seals on Both Ends of TEFC Motors	■	■	■	■	■
Viton® Seals Between Endbells and Frame				■	■
UL, CSA Listed	■	■	■	■	■
60Hz and 50Hz Data on Nameplate	■	■	■	■	■
CE Mark on Nameplate	■	■	■	■	■
O-Ring Sealed Openings				■	■
Standard Motors Include Inverter-Rated Insulation System and Marked on Nameplate—1HP and Higher	■	■	■	■	■
Local Inventory Support	■	■	■	■	
Rotor Cartridge Change-Out				■ ^①	■
BISSC Approved		■			■
3-Year Warranty	■ ^②	■ ^②	■ ^②	■ ^②	■
Screw On Conduit Box Cover				■ ^①	■
Pump Motor Designs	■			■	
Brakemotor Designs	■			■	
DC Motors Available	■			■	
Metric Designs Available				■	

① 56/143/145T Frame Ratings ② Premium Efficient Motors

Explosion Proof Motors

Automotive Duty Motors

Pump Motors

Washguard® Motors

Agricultural Duty Motors

HVAC / Fan Motors

Special Voltage Motors

Definite Purpose Motors

Brake Motors

General Purpose & Definite Purpose - Agricultural Duty Motors

Explosion Proof
Motors

Automotive
Duty Motors

Pump
Motors

Washguard
Motors

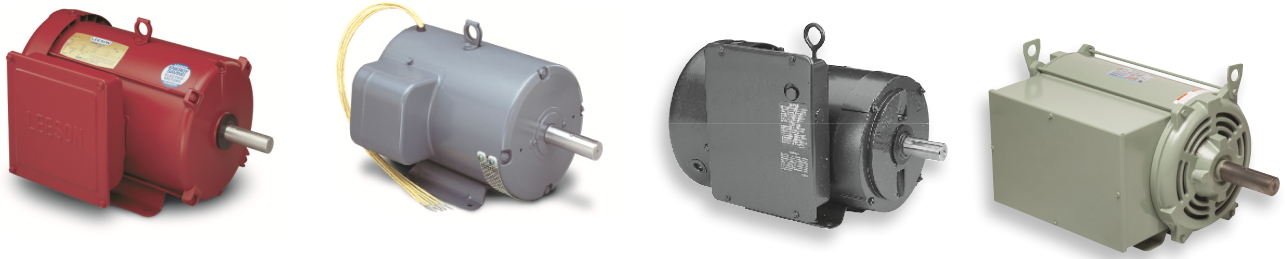
Agricultural
Duty Motors

HVAC / Fan
Motors

Special Voltage
Motors

Definite
Purpose Motors

Brake Motors



- Gasketed capacitor cases and conduit box covers
- Meets or exceeds NEMA service factors
- Single phase and three phase designs
- Double sealed ball bearings
- Double shielded ball bearings on Ag fan motors
- Condensate drains on general purpose Ag motors
- Low temperature manual overload protected
- High and extra high starting torque ratings
- UL recognized component listing and CSA certified
- 1-year warranty
- 16HP - 1 Phase crop dryer motor - [NEW page 209](#)

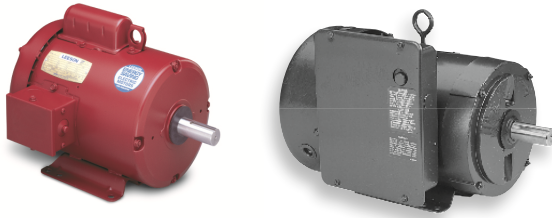
Applications:

For use where exposure to water, dust and dirt exists. Ideally suited for use Farm / Ag equipment such as feeders, conveyors, fans, grain elevators, silo unloaders, and other demanding farm duty equipment.



Agricultural Duty Motors

High Torque - General Purpose



Single Phase - TEFC - Rigid Base

HP	SYN RPM 60 Hz	NEMA Frame	Catalog Number	Stock	List Price	Model Number	App. Wgt. (lbs)	Voltage	Over-load Prot.	F. L. Amps @ 230V	Service Factor	"C" Dim. (Inches)	♥Notes
1/3	1800	56	113256.00	✓	492	M6C17FB66	20	115/208-230	Man.	3.2	1.15	10.81	S, US
1/3	1800	56	LM24789	✓	496	SRF450.33T1C6028AP7TP1	24	115/208-230	Man.	3.3	1.15	12.82	S, MX
1/2	1800	56	110086.00	✓	572	M6C17FB11	22	115/208-230	Man.	4.4	1.15	10.81	S, US
1/2	1800	56	LM24790	✓	582	SRF450.5T1C6028AP7TP1	25	115/208-230	Man.	4.4	1.15	11.82	S, MX
3/4	1800	56	110087.00	✓	676	M6C17FB9	26	115/208-230	Man.	5.4	1.15	11.31	S, US
3/4	1800	56	LM24791	✓	684	SRF450.75T1C6028AP7TP1	30	115/208-230	Man.	5.5	1.15	12.32	S, MX
1	1800	56	110088.00	✓	777	M6C17FB10	30	115/208-230	Man.	7.0	1.15	11.81	S, US
1	1800	56	LM24792	✓	782	SRF451T1C6028AP7TP1	32	115/208-230	Man.	6.7	1.15	12.82	S, MX
1	1800	143T	121569.00	✓	782	M143C17FB13	30	115/208-230	Man.	7.0	1.15	12.75	S, US
1	1800	143T	LM24793	✓	800	SSF451T1C6028AP7TP1	35	115/208-230	Man.	6.7	1.15	12.87	S, MX
1 1/2	1800	56H	110089.00	✓	866	M6K17FB3	41	115/208-230	Man.	8.6	1.15	12.61	S, US
1 1/2	1800	56H	LM24794	✓	883	SRF451.5T1B6028AP7TP1	41	115/208-230	Man.	7.6	1.15	13.82	S, MX
1 1/2	1800	56HZ	113938.00	✓	882	M6K17FB39	39	115/208-230	Man.	8.6	1.15	13.25	S, US, 3, 53
1 1/2	1800	145T	LM24795	✓	883	SSF451.5T1B6028AP7TP1	42	115/208-230	Man.	7.6	1.15	13.87	S, MX
2	1800	56HZ	110090.00	✓	1,242	M6K17FB4	43	230	Man.	9.2	1.15	13.75	S, US, 3, 53
2	1800	182T	131541.00	✓	1,324	P182C17FB12	50	115/208-230	Man.	12.4	1.15	14.46	S, MX
3	1800	184T	131542.00	✓	1,387	P184C17FB13	83	230	Man.	19.0	1.15	16.46	S, MX
3	1800	184T	LM24797	✓	1,353	SS184F453T1C66AP7TP1	92	230	Man.	19.0	1.15	16.46	S, MX
5	1800	184T	131543.00	✓	1,738	P184K17FB16	96	230	Man.	20.5	1.15	17.46	S, MX, 53
5	1800	184T	LM24798	✓	1,769	SSF455T1B66AP71TP1	90	230	Man.	20.5	1.15	17.46	S, MX, 53
7 1/2	1800	215T	140707.00	✓	2,077	P215K17FB15	144	230	Man.	32.0	1.15	20.21	S, MX, 53
7 1/2	1800	215T	LM24799	✓	2,181	SS215F457.5T1B66AP7TP1	130	230	Man.	30.0	1.15	21.09	S, MX, 53
10	1800	215T	140706.00	✓	2,432	P215K17FB16	152	230	Man.	40.0	1.15	20.71	S, MX, 53

LM Numbers are Lincoln Models
 D - Item to be discontinued once inventory is depleted
 C/A - Check Availability

♥ Note listing on inside back flap
 Specifications are subject to change without notice



Explosion Proof Motors

Automotive Duty Motors

Pump Motors

Washguard Motors

Agricultural Motors

HVAC / Fan Motors

Special Voltage Motors

Definite Purpose Motors

Brake Motors

Agricultural Duty Motors

ECO-Ag - Premium Efficient Farm Duty Motors

Features:

- Up to 22% higher efficiency than standard Ag Motors
- Sealed bearings
- Shaft flinger - output shaft
- High starting torque
- Manual overload protected
- Weep holes provide condensation drains



Single Phase - TEFC - Rigid Base

HP	SYN RPM 60 Hz	NEMA Frame	Catalog Number	Stock	List Price	Model Number	App. Wgt. (lbs)	Voltage	Over-load Prot.	F. L. Amps @ 230V	% F.L. Eff.	Service Factor	"C" Dim. (Inches)	♥Notes
1/3	1800	56	117689.00	✓	539	M6K17FB56	27	115/208-230	Man.	1.7	76.0	1.15	10.99	S, US, 53
1/2	1800	56	117690.00	✓	618	M6K17FB57	30	115/208-230	Man.	2.5	78.0	1.15	11.49	S, US, 53
3/4	1800	56	117691.00	✓	743	M6K17FB60	35	115/208-230	Man.	3.2	82.0	1.15	11.99	S, US, 53
1	1800	56	117692.00	✓	837	M6K17FB58	37	115/208-230	Man.	4.2	83.0	1.15	12.49	S, US, 53
1	1800	143T	121973.00	✓	848	M143K17FB3	38	115/208-230	Man.	4.2	83.0	1.15	12.93	S, US, 53
1 1/2	1800	56H	117693.00	✓	953	M6K17FB59	43	115/208-230	Man.	6.5	84.0	1.15	13.49	S, US, 53
1 1/2	1800	145T	121974.00	✓	969	M143K17FB4	44	115/208-230	Man.	6.5	84.0	1.15	13.93	S, US, 53
2	1800	145T	121975.00	✓	1,312	M145K17FB29	49	230	Man.	8.2	85.0	1.15	14.43	S, US, 53

Green items are Premium Efficient

♥ Note listing on inside back flap
Specifications are subject to change without notice

Three Phase Ag Duty Motors - Eco-Ag Designs

Features:

- Premium efficient designs
- Double sealed ball bearings
- Shaft flinger - output shaft
- Normally closed thermostat protected
- Weep holes provide condensation drains



Three Phase - TEFC - Rigid Base

HP	SYN RPM 60 Hz	NEMA Frame	Catalog Number	Stock	List Price	Model Number	App. Wgt. (lbs)	Voltage	Over-load Prot.	F. L. Amps @ 230V	% F.L. Eff.	Service Factor	"C" Dim. (Inches)	♥Notes
1/2	1800	56	117772.00	✓	601	C6T17FB163	30	230/460	T-stat	1.8	77.0	1.15	11.31	S, US
3/4	1800	56	117759.00	✓	659	C6T17FB160	31	230/460	T-stat	2.4	81.5	1.15	11.31	S, US
1	1800	56	117760.00	✓	807	C6T17FB161	32	230/460	T-stat	3.2	85.5	1.15	12.81	S, US
1 1/2	1800	56H	117761.00	✓	822	C6T17FB162	34	230/460	T-stat	4.8	86.5	1.15	13.31	S, US
1 1/2	1800	145T	121997.00	✓	835	C145T17FB98	35	230/460	T-stat	4.8	86.5	1.15	13.75	S, US
2	1800	145T	121998.00	✓	870	C145T17FB99	45	230/460	T-stat	5.8	86.5	1.15	14.76	S, US
3	1800	184T	132328.00	✓	982	C182T17FB54	80	230/460	T-stat	7.8	89.5	1.15	14.96	S, MX
5	1800	184T	132329.00	✓	1,078	C184T17FB67	94	230/460	T-stat	12.8	89.5	1.15	15.96	S, MX
7 1/2	1800	213T	141145.00	✓	1,381	C213T17FB22	144	230/460	T-stat	21.4	91.7	1.15	18.70	S, MX
10	1800	215T	141146.00	✓	1,669	C215T17FB23	161	230/460	T-stat	29.0	91.7	1.15	19.70	S, MX

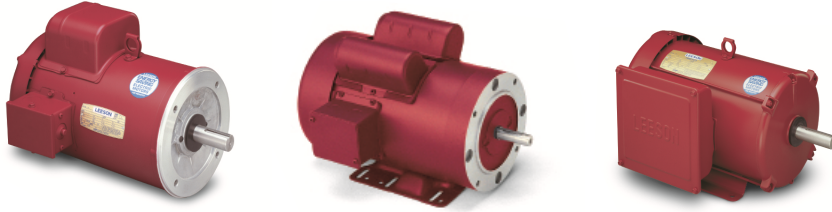
230/460 volt motors are suitable for use at 208 volts

Green items are Premium Efficient

♥ Note listing on inside back flap
Specifications are subject to change without notice

Agricultural Duty Motors

Hi-Torque and Extra Hi-Torque



Single Phase - TEFC - Rigid Base - Extra Hi-Torque - 5, 7 1/2 & 10 HP

HP	SYN RPM 60 Hz	NEMA Frame	Catalog Number	Stock	List Price	Model Number	App. Wgt. (lbs)	Voltage	Over-load Prot.	F. L. Amps @ 230V	Service Factor	"C" Dim. (Inches)	♥Notes
2	1800	182T	131541.00	√	1,324	P182C17FB12	50	115/208-230	Man.	12.4	1.15	14.46	S, MX
3	1800	184T	131542.00	√	1,387	P184C17FB13	83	230	Man.	19.0	1.15	16.46	S, MX
5	1800	184T	LM24802	√	1,707	SSF455TB6008AP8TP1	125	208-230	Man.	22.5	1.15	17.36	S, MX
5	1800	213TZ	LM24803	√	2,079	SS213F455TZB66AP8TP1-1	126	230	Man.	22.6	1.15	18.34	S, MX, 53
5	1800	215T	140203.00	√	2,117	P215K17FB3	119	230	Man.	24.0	1.15	18.71	S, MX, 53
5	1800	215TZ	140223.00	√	2,120	P215K17FB5	150	230	Man.	24.0	1.15	18.71	S, MX, 4, 53
7 1/2	1800	215T	140130.00	√	2,264	P215K17FB2	144	230	Man.	33.6	1.15	20.21	S, MX, 53
7 1/2	1800	215TZ	140209.00	√	2,439	P215K17FB4	141	230	Man.	33.6	1.15	20.21	S, MX, 4, 53
7 1/2	1800	215TZ	LM24804	√	2,310	SS215F457.5TZ1B66AP8TP1-1	125	230	Man.	30.5	1.15	21.09	S, MX, 53
10	1800	215T	140414.00	√	2,653	P215K17FB6	156	230	Man.	40.0	1.15	20.71	S, MX, 53
10	1800	215T	LM24805	√	2,606	SSF4510T1B66AP8TP1	150	230	Man.	30.5	1.00	21.09	S, MX, 53

LM Numbers are Lincoln Models

♥ Note listing on inside back flap
Specifications are subject to change without notice

Single Phase - TEFC - High Torque - C Face Less Base

HP	SYN RPM 60 Hz	NEMA Frame	Catalog Number	Stock	List Price	Model Number	App. Wgt. (lbs)	Voltage	Over-load Prot.	F. L. Amps @ 230V	Service Factor	"C" Dim. (Inches)	♥Notes
1/3	1800	56C	113290.00	√	650	M6C17FC59	28	115/208-230	Man.	3.2	1.15	10.81	S, US
1/2	1800	56C	110492.00	√	744	M6C17FC12	22	115/208-230	Man.	4.4	1.15	10.81	S, US
3/4	1800	56C	110493.00	√	871	M6C17FC13	29	115/208-230	Man.	5.4	1.15	11.31	S, US
1	1800	56C	110494.00	√	987	M6C17FC14	33	115/208-230	Man.	7.0	1.15	11.81	S, US
1 1/2	1800	56C	110495.00	√	1,122	M6K17FC3	43	115/208-230	Man.	8.6	1.15	12.31	S, US, 53
2	1800	145TC	120855.00	√	1,456	M145K17FC13	45	230	Man.	9.2	1.15	13.75	S, US, 53
3	1800	184TC	131603.00	√	1,975	P184C17FC5	104	230	Man.	19.0	1.15	16.47	S, MX
5	1800	184TC	131602.00	√	2,422	P184K17FC7	104	230	Man.	20.5	1.15	17.47	S, MX, 53

♥ Note listing on inside back flap
Specifications are subject to change without notice

Single Phase - TEFC - High Torque - C Face With Base

HP	SYN RPM 60 Hz	NEMA Frame	Catalog Number	Stock	List Price	Model Number	App. Wgt. (lbs)	Voltage	Over-load Prot.	F. L. Amps @ 230V	Service Factor	"C" Dim. (Inches)	♥Notes
1/3	1800	56C	116485.00	√	673	M6C17FK81	29	115/208-230	Man.	3.2	1.15	10.81	S, US
1/2	1800	56C	116486.00	√	773	M6C17FK80	23	115/208-230	Man.	4.4	1.15	10.81	S, US
3/4	1800	56C	116487.00	√	898	M6C17FK79	30	115/208-230	Man.	5.4	1.15	11.31	S, US
1	1800	56C	116488.00	√	1,020	M6C17FK78	34	115/208-230	Man.	7.0	1.15	11.81	S, US
1 1/2	1800	56HC	116489.00	√	1,148	M6K17FK47	44	115/208-230	Man.	8.6	1.15	12.81	S, US, 53
2	1800	145TC	121625.00	√	1,463	M145K17FK11	46	230	Man.	9.2	1.15	13.75	S, US, 53
3	1800	184TC	131994.00	√	2,012	P184C17FK10	105	230	Man.	19.0	1.15	16.47	S, MX
5	1800	184TC	131995.00	√	2,434	P184K17FK13	105	230	Man.	20.5	1.15	17.47	S, MX, 53

♥ Note listing on inside back flap
Specifications are subject to change without notice



Explosion Proof Motors

Automotive Duty Motors

Pump Motors

Washguard Motors

Agricultural Motors

HVAC / Fan Motors

Special Voltage Motors

Definite Purpose Motors

Brake Motors

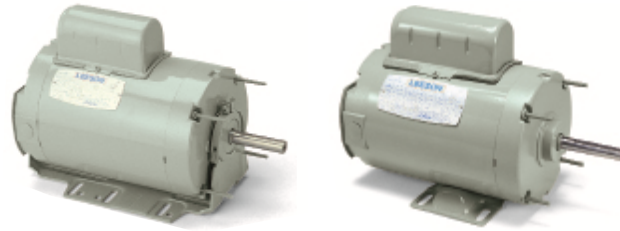
Agricultural Duty Motors

Fan Duty - Single and Three Phase

Two-Winding Variable Torque PSC Type For Shaft Mounted Fan Application

Features:

- PSC designs offer low in-rush current
- Two speed operation - most ratings
- Automatic overload protected
- Resilient mount for quiet operation
- Corrosion resistant finish



Single Phase - TEAO - Resilient Base - PSC Type

HP	SYN RPM 60 Hz	NEMA Frame	Catalog Number	Stock	List Price	Model Number	App. Wgt. (lbs)	Voltage	Over-load Prot.	F. L. Amps @ 230V	Service Factor	"C" Dim. (Inches)	♥Notes
1/4	1625	48Z	100803.00	√	381	A4P17NR1	19	115/230	Auto.	1.4	1.00	10.66	S, MX, 16, 34
1/4	1075	48Z	100824.00	√	431	A4P11NR2	20	115/230	Auto.	1.4	1.00	10.66	S, MX, 16, 34
1/4	1075	S56Z	100805.00	√	477	A4P11NJ1	22	115/230	Auto.	1.4	1.00	11.06	S, MX, 17, 34
1/3	1625	48Z	100804.00	√	396	A4P17NR2	21	115/230	Auto.	1.6	1.00	10.66	S, MX, 16, 34
1/3	1625	S56H	100767.00	√	457	A4P17NJ1	22	115/230	Auto.	1.6	1.00	10.31	S, MX, 34
1/3	1625	S6HY	111348.00	√	499	A6P17NZ6	24	115/230	Auto.	1.7	1.00	13.44	S, US, 59
1/3	1075	48Z	100825.00	√	468	A4P11NR3	25	115/230	Auto.	1.8	1.00	11.16	S, MX, 16, 34
1/3	1075	S56HZ	100806.00	√	502	A4P11NJ2	27	115/230	Auto.	1.8	1.00	11.56	S, MX, 17, 34
1/2	1625	S6HZ	111323.00	√	570	A6P17NR3	30	115/230	Auto.	2.6	1.00	12.56	S, US, 17, 34
1/2	1625	S56H	100768.00	√	470	A4P17NJ2	36	115/230	Auto.	2.2	1.00	10.81	S, MX, 34
1/2	1075	48Z	101645.00	√	505	A4P11NR6	33	115/230	Auto.	2.8	1.00	11.16	S, MX, 16, 34
1/2	1075	S6HZ	111321.00	√	592	A6P11NR1	37	115/230	Auto.	3.0	1.00	13.56	S, US, 17, 34
1/2	850	48YZ	A099836.00	√	509	A48P8NR2	24	115/230	Auto.	3.0	1.00	11.55	S, MX, 19, 34, 50
1/2	825	S6HZ	111919.00	√	664	A6P8NR2	40	115/230	Auto.	3.2	1.00	13.56	S, US, 17, 34, 50
3/4	1625	S6HZ	111324.00	√	624	A6P17NR4	34	115/230	Auto.	3.5	1.00	13.06	S, US, 17
3/4	1625	S6H	111266.00	√	624	A6P17NR1	36	115/230	Auto.	3.5	1.00	12.31	S, US
3/4	1075	S6HZ	111322.00	√	671	A6P11NR2	44	115/230	Auto.	4.0	1.00	13.56	S, US, 17, 50
1	1625	S6HZ	111267.00	√	698	A6P17NR2	39	115/230	Auto.	4.4	1.0	12.81	S, US

♥ Note listing on inside back flap
Specifications are subject to change without notice

Single Phase - TEAO - Rigid Base - PSC Type

HP	SYN RPM 60 Hz	NEMA Frame	Catalog Number	Stock	List Price	Model Number	App. Wgt. (lbs)	Voltage	Over-load Prot.	F. L. Amps @ 230V	Service Factor	"C" Dim. (Inches)	♥Notes
1/4	1750	48Y	101252.00	√	363	A4P17NB27	19	115/208-230	Auto.	1.5	1.00	10.90	S, MX, 50
1/4	1625	48Y	100699.00	√	363	A4P17NB7	19	115/230	Auto.	1.4	1.00	10.65	S, MX
1/4	1075	48Y	M099260.00	√	379	A4P11NB23	21	115/230	Auto.	1.2	1.00	10.83	S, CN
1/4	1075	48Y	A099260.00	√	379	A4P11NB52	21	115/230	Auto.	1.5	1.00	10.65	S, MX
1/3	1750	48Y	101253.00	√	412	A4P17NB28	22	115/208-230	Auto.	1.9	1.00	10.65	S, MX, 50
1/3	1625	48Y	100700.00	√	412	A4P17NB8	22	115/230	Auto.	1.6	1.00	10.65	S, MX
1/3	1625	S6Y	111202.00	√	475	A6P17NZ1	24	115/230	Auto.	1.7	1.00	12.00	S, US, 58
1/3	1140	S56Y	100604.00	√	447	A4P11NH1	23	115/230	Auto.	1.8	1.00	11.40	S, MX
1/3	1075	48Y	M099261.00	√	447	A4P11NB24	21	115/230	Auto.	1.5	1.00	11.34	S, CN
1/3	1075	48Y	A099261.00	√	481	A4P11NB53	21	115/230	Auto.	1.8	1.00	10.90	S, MX
1/2	1750	S56Y	101176.00	√	453	A4K17NH2	26	115/230	Auto.	3.5	1.00	10.40	S, MX, 50, 54
1/2	1750	48Y	100701.00	√	442	A4P17NB9	29	115/230	Auto.	2.5	1.00	12.15	S, MX
1/2	1075	48Y	A099946.00	√	463	A4P11NB54	26	115/230	Auto.	2.5	1.00	11.90	S, MX
3/4	1075	S6HZ	A099847.00	√	661	A6P11NB5	35	115/230	Auto.	3.7	1.00	13.56	S, MX

♥ Note listing on inside back flap
Specifications are subject to change without notice

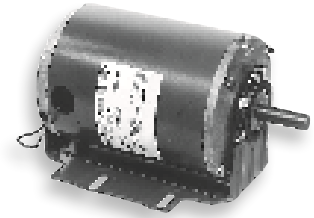
Agricultural Duty Motors

Lincoln Agricultural Fan Motors

Typically used in Poultry houses or barn exhaust fans

Features:

- TEAO designs - continuous duty
- Extended thru-bolts
- 1/2" dia. x 2 1/2" long shaft with flats, 90° apart
- Fully gasketed
- Automatic overload protected
- Must be mounted in airstream for proper cooling



Single Phase - PSC - TEAO - Resilient Base

HP	SYN RPM 60 Hz	NEMA Frame	Catalog Number	Stock	List Price	Model Number	App. Wgt. (lbs)	Voltage	Over- load Prot.	F. L. Amps @ 230V	Service Factor	"C" Dim. (Inches)	♥Notes
1/4	1625	48Z	LM24445	√	610	SPA4S0.25TZRY1A6027AP11-1	20	115/230	Auto.	1.8	1.00	11.06	S, MX
1/4	1625	48Z	LM24447	C/A	472	SPA4S0.25TZRY1A6027AP10-1	17	115/230	Auto.	1.6	1.00	10.09	S, MX
1/3	1625	48Z	LM24450	√	670	SPA4S0.33TZRY1A6027AP11-1	23	115/230	Auto.	1.9	1.00	11.81	S, MX
1/3	1625	48Z	LM24448	√	520	SPA4S0.33TZRY1A6027AP10-1	17	115/230	Auto.	2.2	1.00	10.09	S, MX
1/3	1075	48Z	LM24443	√	647	SPA6S0.33TZRY1A6027AP10-1	15	115/230	Auto.	2.1	1.00	10.84	S, MX
1/2	1625	48Z	LM24446	√	743	SPA4S0.5TZRY1A6027AP11-1	23	115/230	Auto.	2.7	1.00	11.81	S, MX
1/2	1625	48Z	LM24449	√	575	SPA4S0.5TZRY1A6027AP10-1	21	115/230	Auto.	3.0	1.00	10.84	S, MX
1/2	1075	48Z	LM24444	√	743	SPA6S0.5TZRY1A6027AP10-1	19	115/230	Auto.	3.2	1.00	10.84	S, MX

LM Numbers are Lincoln Models
C/A - Check Availability

♥ Note listing on inside back flap
Specifications are subject to change without notice

Explosion Proof
Motors

Automotive
Duty Motors

Pump
Motors

Washguard
Motors

Agricultural
Motors

HVAC / Fan
Motors

Special Voltage
Motors

Definite
Purpose Motors

Brake Motors



Agricultural Duty Motors

Aeration Fan Motors

Features:

- Belt driven fans or fan on shaft applications
- Capacitor start designs
- Must be mounted in airstream for proper cooling
- Epoxy paint to resist corrosion
- Single-phase models have built-in terminal boards



Single Phase - Capacitor Start - TEAO - Rigid Base

HP	SYN RPM 60 Hz	NEMA Frame	Catalog Number	Stock	List Price	Model Number	App. Wgt. (lbs)	Voltage	F. L. Amps @ 230V	Service Factor	"C" Dim. (Inches)	♥Notes
3/4	3450	56Z	111332.00	√	473	C6C34NB15	27	115/230	5.0	1.00	10.9	S, US, 22
1	3450	56Z	111333.00	√	562	C6C34NB16	29	115/230	6.0	1.00	10.9	S, US, 22
1 1/2	3450	56Z	111949.00	√	726	C6C34NB19	32	115/230	8.5	1.00	11.4	S, US, 22
1 1/2	3450	143TZ	120374.00	√	781	C143C34NB1	31	115/230	8.5	1.00	11.84	S, US, 22
2	3450	145TZ	120375.00	√	951	C145C34NB1	41	230	10.0	1.00	13.34	S, US, 23
3	3450	145T	120376.00	√	1,001	C145K34NB1	45	230	12.8	1.00	13.84	S, US, 53

♥ Note listing on inside back flap
Specifications are subject to change without notice



Three Phase - TEAO - Rigid Base

HP	SYN RPM 60 Hz	NEMA Frame	Catalog Number	Stock	List Price	Model Number	App. Wgt. (lbs)	Voltage	F. L. Amps @ 230V	Service Factor	"C" Dim. (Inches)	♥Notes
3/4	3450	56Z	111334.00	√	485	C6T34NB18	21	208-230/460	2.4	1.00	9.9	S, US, 22
1	3450	56Z	111335.00	√	526	C6T34NB19	22	208-230/460	3.2	1.00	9.9	S, US, 22
1 1/2	3450	143TZ	120377.00	√	604	C143T34NB2	31	208-230/460	4.2	1.00	11.34	S, US, 22
2	3450	145TZ	120378.00	√	715	C145T34NB1	34	208-230/460	5.6	1.00	11.84	S, US, 22
3	3450	145T	120379.00	√	802	C145T34NB2	38	230/460	7.6	1.00	12.34	S, US, 23

♥ Note listing on inside back flap
Specifications are subject to change without notice

Used on Crop Dryers with air over/fan on shaft designs

Features:

- Class "F" insulation system
- Overload protected
- Keyed shaft with 1/4-20 UNC tapped hole on end
- 34" long leads
- Capacitors shipped loose on 1-phase 215 Tz designs
- Motor venting protected against insects and rodents
- Double sealed ball bearings



Single Phase - Drip-Proof Air Over - Rigid Base

HP	SYN RPM 60 Hz	NEMA Frame	Catalog Number	Stock	List Price	Model Number	App. Wgt. (lbs)	Voltage	Over-load Prot.	F. L. Amps @ 230V	Service Factor	"C" Dim. (Inches)	♥Notes
3-4.5	3600	145TZ	LM24778	✓	1,267	SSD2S3-4.5TZ1B66QS10-1	46	230	Auto	13-19	1.50	13.74	S, MX
5 - 7	3600	182TZ	131847.00	✓	1,488	C182C34DB2	91	230	T-Stat	27.2-35	1.00	16.44	S, MX
7.5-10	3600	182TZ	131848.00	✓	1,654	C182K34DB4	95	230	T-Stat	31-42	1.00	16.44	S, MX
7 - 10	3600	184TZ	LM24780	✓	2,073	SSD2S7-10TZ1B66QS11-1	102	230	T-Stat	31-42	1.40	15.94	S, MX
7- 9	3600	184TZ	LM24781	C/A	1,679	SSD2S7-9TZ1C66QS11-1	88	230	T-Stat	31-42	1.30	15.50	S, MX
10-15	3600	215TZ	140640.00	✓	2,543	C215K34DB2	159	230	T-Stat	39.5-61.5	1.00	20.42	S, MX
10-15	3600	215TZ	LM24782	✓	2,633	SS215D2S10-15TZ1C66QS11-1	135	230	T-Stat	39.5-61.5	1.50	18.16	S, MX
10-15	3600	215TZ	141084.00	✓	2,543	C215K34DB3	159	230	T-Stat	40-59	1.00	20.08	S, MX, 52

LM Numbers are Lincoln Models
Note 52 - Extra High Starting Torque
C/A - Check Availability

♥ Note listing on inside back flap
Specifications are subject to change without notice

Grain Dryer / Centrifugal Fan Motor



Features:

- 268% Starting Torque
- Oversized sealed bearings
- Rodent Screen Protection
- Rolled Steel frame with cast iron endbells
- Epoxy painted
- 91.2% efficient



Single Phase - ODP - 230 Volt - Rigid Base

HP	SYN RPM 60 Hz	NEMA Frame	Catalog Number	Stock	List Price	Model Number	App. Wgt. (lbs)	Voltage	Over-load Prot.	F. L. Amps @ 230V	Service Factor	"C" Dim. (Inches)	♥Notes
16	1800	256TZ	851034.00	✓	3,837	C254K17DB1	308	230	N/A	62.9	1.15	26.52	S, MX

*Suitable for use at 208 volts

♥ Note listing on inside back flap
Specifications are subject to change without notice

Three Phase - Drip-Proof Air Over - Rigid Base

HP	SYN RPM 60 Hz	NEMA Frame	Catalog Number	Stock	List Price	Model Number	App. Wgt. (lbs)	Voltage	Over-load Prot.	F. L. Amps @ 230V	Service Factor	"C" Dim. (Inches)	♥Notes
5-7.5	3600	184TZ	131849.00	✓	1,205	C184T34DB8	70	208-230/460	T-Stat	19.0	1.00	13.94	S, MX
7.5-10	3600	184TZ	131850.00	✓	1,407	C184T34DB9	85	208-230/460	T-Stat	24.2	1.00	15.44	S, MX
10 - 15	3600	215TZ	140641.00	✓	1,697	C215T34DB3	95	208-220/440	T-Stat	40.0	1.50	17.41	S, MX

Specifications are subject to change without notice

♥ Note listing on inside back flap

Specially designed for crop dryer applications having vibration dampening centrifugal switch

Single Phase - TEFC - Rigid Base



HP	SYN RPM 60 Hz	NEMA Frame	Catalog Number	Stock	List Price	Model Number	App. Wgt. (lbs)	Voltage	Over-load Prot.	F. L. Amps @ 230V	Service Factor	"C" Dim. (Inches)	♥Notes
7 1/2	1800	215TZ	141348.00	✓	2,439	C215K17FB74	150	230	Man.	30.5	1.15	20.21	S, MX
10	1800	215T	141311.00	✓	2,653	C215K17FB73	158	230	Man.	40.0	1.15	21.72	S, MX

Specifications are subject to change without notice

♥ Note listing on inside back flap



Explosion Proof Motors

Automotive Duty Motors

Pump Motors

Washguard Motors

Agricultural Motors

HVAC / Fan Motors

Special Voltage Motors

Definite Purpose Motors

Brake Motors

Agricultural Duty Motors

Grain Dryer / Centrifugal Fan Motors



Used in Ag fan and blower applications.
Screens used to protect against entry of pests and and silage

Features:

- NEMA Premium and EPAct efficiency
- Rodent screens
- Re-greasable bearings
- Cast Iron construction
- 1" longer shaft than NEMA standard
- Inverter duty insulation system
- UL Recognized and CSA certified

Three Phase - Open Drip-Proof (ODP) - Rigid Base

HP	SYN RPM 60 Hz	NEMA Frame	Catalog Number	Stock	List Price	Model Number	App. Wgt. (lbs)	Voltage	F. L. Amps @ 230V	F.L. EFF.	"C" Dim. (Inches)	♥Notes
10	1800	215TZ	G151828.60	D	1,149	C215T17DB54	168	208-230/460	25.0	89.5	16.75	C, CN
10	1800	215TZ	171859.60	√	1,631	C215T17DB65	168	208-230/460	25.6	91.7	17.90	C, CN
15	1800	254TZ	G151540.60	D	1,692	C254T17DB12	265	208-230/460	37.6	91.0	21.89	C, CN
15	1800	254TZ	170540.60	√	2,194	C254T17DB45	279	208-230/460	37.0	93.0	20.94	C, CN
20	1800	256TZ	G151541.60	D	2,104	C256T17DB7	307	208-230/460	48.0	91.7	23.54	C, CN
20	1800	256TZ	170541.60	√	2,675	C256T17DB10	324	208-230/460	51.0	93.0	22.60	C, CN
25	1800	284TZ	G151829.60	D	2,301	C284T17DB11	388	208-230/460	59.6	91.7	23.54	C, CN
25	1800	284TZ	171857.60	C/A	3,524	C284T17DB12	388	208-230/460	59.6	93.6	23.54	C, CN
30	1800	286TZ	G151542.60	D	2,931	C286T17DB12	434	208-230/460	72.0	92.4	26.57	C, CN
30	1800	286TZ	170542.60	√	3,603	C286T17DB13	471	208-230/460	71.0	94.1	25.00	C, CN

230/460 volt motors are suitable for use at 208 volts

♥ Note listing on inside back flap
Specifications are subject to change without notice

Shaded model numbers are cast iron frame

Green items are Premium Efficient

D - Item to be discontinued once inventory is depleted
C/A - Check Availability

Grain Dryer / Centrifugal Fan Motors

Features:

- 1" longer shaft than NEMA standard
- Shaft seals both ends
- Epoxy painted
- Premium efficient
- N/C T-stats

NEW!

Three Phase - TEFC - Rigid Base

HP	SYN RPM 60 Hz	NEMA Frame	Catalog Number	Stock	List Price	Model Number	App. Wgt. (lbs)	Voltage	F. L. Amps @ 230V	F.L. EFF.	"C" Dim. (Inches)	♥Notes
3	1800	182TZ	171845.60	√	1,227	C182T17FK49	113	230/460	7.8	90.2	17.60	C, CN
5	1800	184TZ	171846.60	√	1,269	C184T17FK50	121	230/460	12.8	89.5	18.30	C, CN
7 1/2	1800	213TZ	171847.60	√	1,568	C213T17FK48	156	230/460	18.6	91.7	19.70	C, CN
10	1800	215TZ	171848.60	√	1,875	C215T17FK48	188	230/460	25.0	91.7	21.10	C, CN
15	1800	254TZ	171841.60	√	2,567	C254T17FK18	295	230/460	36.0	92.4	24.70	C, CN
20	1800	256TZ	171842.60	√	3,275	C256T17FK18	336	230/460	49.0	93.0	26.40	C, CN
25	1800	284TZ	171843.60	√	3,812	C284T17FK15	406	230/460	59.0	93.6	27.26	C, CN
30	1800	286TZ	171844.60	√	4,546	C286T17FK17	456	230/460	70.0	94.1	28.83	C, CN

230/460 volt motors are suitable for use at 208 volts

♥ Note listing on inside back flap
Specifications are subject to change without notice

Shaded model numbers are cast iron frame

Green items are Premium Efficient



Agricultural Duty Motors

Tobacco Barn Motors

Used in Tobacco Barns and other applications that require a fan motor in a high ambient condition.

Features:

- Drip-proof airover designs
- Class H insulation for high ambient conditions
- 80° C ambient rated
- 120 inch leads
- Oversized double sealed bearings
- 1/4-20 tapped hole at end of shaft



Single Phase - DPAO - Rigid Base

HP	SYN RPM 60 Hz	Frame	Catalog Number	Stock	List Price	Model Number	App. Wgt. (lbs)	Voltage	F. L. Amps @ 230V	Service Factor	"C" Dim. (Inches)	♥Notes
7.5	1800	215TVZ	140830.00	√	1,861	215TBDW17041	125	230	34.5	1.15	20.71	S, MX
10	1800	215TVZ	140816.00	√	2,773	C215K17DB13	150	230	44.0	1.15	19.70	S, MX

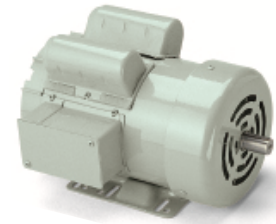
♥ Note listing on inside back flap
Specifications are subject to change without notice

Grain Stirring Motors

Used in grain stirring systems inside grain bins.

Features:

- TEFC, continuous duty
- High torque designs
- Rugged 205 bearing, shaft end
- Vertical shaft up design with drain hole
- 7/8" Dia. Shaft



Single Phase - Rigid Base - TEFC

HP	SYN RPM 60 Hz	Frame	Catalog Number	Stock	List Price	Model Number	App. Wgt. (lbs)	Voltage	Over-load Prot.	F. L. Amps @ 230V	Service Factor	"C" Dim. (Inches)	♥Notes
1 1/2	1800	56HZ	111330.00	√	924	P6K17FB18	42	115/208-230	Man.	8.6	1.00	12.31	S, US, 53
1 1/2	1800	56HZ	LM24521	C/A	926	SRF4S1.5TZ1B6028AP9-2	47	115/208-230	Man.	7.6	1.15	13.21	S, US, 53

LM Numbers are Lincoln Models
C/A - Check Availability

♥ Note listing on inside back flap
Specifications are subject to change without notice

Three Phase - Rigid Base - TEFC

HP	SYN RPM 60 Hz	Frame	Catalog Number	Stock	List Price	Model Number	App. Wgt. (lbs)	Voltage	F. L. Amps @ 230V	% F.L. EFF.	Service Factor	"C" Dim. (Inches)	♥Notes
1 1/2	1800	56HZ	111329.00	D	939	M6T17FB49	38	230/460	5.4	80.0	1.00	11.81	S, US, 53
1 1/2	1800	56HZ	119533.00	√	1,052	M6T17FB197	40	230/460	5.4	86.5	1.00	11.81	S, US, 53

230/460 volt motors are suitable for use at 208 volts

Green items are Premium Efficient

D - Item to be discontinued once inventory is depleted

♥ Note listing on inside back flap
Specifications are subject to change without notice



Explosion Proof Motors

Automotive Duty Motors

Pump Motors

Washguard Motors

Agricultural Motors

HVAC / Fan Motors

Special Voltage Motors

Definite Purpose Motors

Brake Motors

Agricultural Duty Motors

Catfish Pond Motors

Designed for outdoor pond aeration applications

Features:

- High torque designs
- Epoxy painted for corrosion protection
- Double sealed ball bearings
- Drain holes provided to purge condensation



Single Phase and Three Phase - C Face With Base - TEFC

HP	SYN RPM 60 Hz	Frame	Catalog Number	Stock	List Price	Model Number	App. Wgt. (lbs)	Voltage	Over- load Prot.	Phase	F. L. Amps @ 230V	Service Factor	"C" Dim. (Inches)	♥Notes
10	1800	215TC	140705.00	√	2,808	P215K17FK5	204	230	Man.	1	40.0	1.15	20.71	S, MX
10	1800	215TC	140833.00	C/A	1,690	C215T17FK19	169	230/460	None	3	23.6	1.15	19.7	S, MX

230/460 volt motors are suitable for use at 208 volts

Green items are Premium Efficient

♥ Note listing on inside back flap
Specifications are subject to change without notice

Irrigation Booster Pump Motors

Used in agricultural duty irrigation systems

Features:

- Threaded jet pump motor shaft
- Vertical Shaft down design
- Rain canopy provided
- Epoxy painted for corrosion protection
- Neoprene shaft flinger



Three Phase - Irrigation Booster - TEFC

HP	SYN RPM 60 Hz	NEMA Frame	Catalog Number	Stock	List Price	Model Number	App. Wgt. (lbs)	Voltage	F. L. Amps @ 460V	Service Factor	"C" Dim. (Inches)	♥Notes
2	3600	56J	112991.00	√	901	A6T34FC33	33	460	2.8	1.50	14.34	S, US
2	3600	56J	119534.00	√	1,009	A6T34FC34	35	460	2.8	1.50	14.34	S, US

Green items are Premium Efficient

♥ Note listing on inside back flap
Specifications are subject to change without notice

Irrigation Booster Pump Motors

Features:

- Double-sealed ball bearings
- Designed for vertical shaft down applications
- Rain canopy protects against water contamination



Three Phase - C Face Less Base - TEFC

HP	SYN RPM 60 Hz	NEMA Frame	Catalog Number	Stock	List Price	Model Number	App. Wgt. (lbs)	Voltage	F. L. Amps @ 460V	Service Factor	"C" Dim. (Inches)	♥Notes
1	1800	56C	111304.00	√	871	A6T17FC33	30	460	2.4	1.30	12.34	S, US
1	1800	56C	119535.00	√	974	A6T17FC35	32	460		1.30	12.34	S, US

Green items are Premium Efficient

♥ Note listing on inside back flap
Specifications are subject to change without notice

Features:

- Replacements for SURGE® milk pumps
- WASHGUARD® motor features for high pressure washdown applications
- Epoxy painted and stainless ratings available for corrosion protection
- Capacitor supplied loose with motor 113939.00
- Motors 119227.00 & 119231.00 are capacitor start -induction run motors
- Solid state encapsulated starting switch on capacitor start motors
- Three phase motor is inverter rated



Single Phase - TENV - C Face With Base

HP	SYN RPM 60 Hz	NEMA Frame	Catalog Number	Stock	List Price	Model Number	App. Wgt. (lbs)	Voltage	F. L. Amps @ 230V	Service Factor	"C" Dim. (Inches)	♥Notes
1/2	3600	56CZ	113939.00	√	604	C6P34NK5	42	230	4.5	SPEC	13.07	S, US
1	3600	56CZ	119227.00	√	812	C6C34WK24	33	115/230	6.0	1.15	13.48	S, US, 12
1	3600	56CZ	119448.00	√	812	C6C34WK29	33	115/230	6.0	1.15	13.04	S, US, 13

♥ Note listing on inside back flap
Specifications are subject to change without notice

Stainless - Milk Transfer Pump Motor

Single Phase - TENV - 230 Volt - C Face With Base

HP	SYN RPM 60 Hz	NEMA Frame	Catalog Number	Stock	List Price	Model Number	App. Wgt. (lbs)	Voltage	F. L. Amps @ 230V	Service Factor	"C" Dim. (Inches)	♥Notes
1	3600	56CZ	119231.00	√	1,720	CZ6C34VK4	49	230	6.0	1.15	14.86	S, US

♥ Note listing on inside back flap
Specifications are subject to change without notice

Three Phase Milk Transfer Pump Motor

Three Phase - TENV - C Face With Base

HP	SYN RPM 60 Hz	NEMA Frame	Catalog Number	Stock	List Price	Model Number	App. Wgt. (lbs)	Voltage	F. L. Amps @ 230V	Service Factor	"C" Dim. (Inches)	♥Notes
1	3600	56CZ	119232.00	√	780	C6T34VK23	26	230/460	2.6	1.15	11.58	S, US

230/460 volt motors are suitable for use at 208 volts

Green items are Premium Efficient

♥ Note listing on inside back flap
Specifications are subject to change without notice

Agricultural Duty Motors

Threaded Shaft Milk Pump Motor



Features:

- Replacement Motors for BouMatic Milk Pumps
- WASHGUARD® motor features for high pressure washdown applications
- Epoxy painted and stainless ratings available for corrosion protection
- Single phase motors are capacitor start - induction run designs
- Solid state encapsulated starting switch on single phase motors
- Three phase motors are inverter rated

Single Phase - TEFC - 230 Volt - C Face With Base

HP	SYN RPM 60 Hz	NEMA Frame	Catalog Number	Stock	List Price	Model Number	App. Wgt. (lbs)	Voltage	F. L. Amps @ 230V	Service Factor	"C" Dim. (Inches)	♥Notes
1/2	3600	56CZ	119233.00	√	604	C6C34WK27	24	115/230	3.8	1.15	12.62	S, US
1	3600	56CZ	119228.00	√	812	C6C34WK25	33	115/230	6.0	1.15	13.62	S, US

♥ Note listing on inside back flap
Specifications are subject to change without notice

Stainless - Threaded Shaft Milk Pump Motor

Single Phase - TENV - 230 Volt - C Face With Base

HP	SYN RPM 60 Hz	NEMA Frame	Catalog Number	Stock	List Price	Model Number	App. Wgt. (lbs)	Voltage	F. L. Amps @ 230V	Service Factor	"C" Dim. (Inches)	♥Notes
1	3600	56CZ	119230.00	√	1,767	C6C34VK5	49	115/230	6.0	1.15	12.41	S, US

♥ Note listing on inside back flap
Specifications are subject to change without notice

Threaded Shaft Milk Transfer Pump Motor

Three Phase - TEFC - C Face With Base

HP	SYN RPM 60 Hz	NEMA Frame	Catalog Number	Stock	List Price	Model Number	App. Wgt. (lbs)	Voltage	F. L. Amps @ 230V	Service Factor	"C" Dim. (Inches)	♥Notes
1	3600	56CZ	119230.00	√	780	C6T34WK29	26	230/460	3.2	1.15	12.62	S, US

230/460 volt motors are suitable for use at 208 volts

Green items are Premium Efficient

♥ Note listing on inside back flap
Specifications are subject to change without notice

Washdown Duty - Jet Pump - Tank Washer Motor

Features:

- 56J Jet pump motor
- White epoxy painted
- 303 grade stainless steel shaft
- CCW rotation facing lead end

Jet Pump - 56J - Threaded Shaft - Washdown Duty - White Epoxy

Single Phase - TEFC - C Face With Base

HP	SYN RPM 60 Hz	NEMA Frame	Catalog Number	Stock	List Price	Model Number	App. Wgt. (lbs)	Voltage	F. L. Amps @ 230V	Service Factor	"C" Dim. (Inches)	♥Notes
1	3600	56J	119234.00	√	876	C6C34WK28	25	115/230	6.0	1.15	12.37	S, US

♥ Note listing on inside back flap
Specifications are subject to change without notice



Replacement motors for poultry feed auger drive systems

Features:

- Choice of mechanical or solid state starting switch
- Mechanical switch has over-speed protection - Note 51
- Manual overload protected



Single Phase - TEFC - 60 Hertz

HP	SYN RPM 60 Hz	Frame	Catalog Number	Stock	List Price	Model Number	App. Wgt. (lbs)	Voltage	Over-load Prot.	F. L. Amps @ 230V	Service Factor	"C" Dim. (Inches)	♥Notes
1/3	1800	48YZ	101159.00	√	617	P4C17FZ11	21	115/230	Man.	3.1	1.00	10.47	S, MX, 26
1/3	1800	56YZ	117887.00	√	593	117887.00	21	115/208-230	Man.	2.9	1.00	12.00	S, MX, 26, 51, 64
1/3	1800	48N	LM24462	D	596	SPA450.33TADN1C6027TP1	23	115/230	Man.	2.5	1.50	11.31	S, MX, 26, 51
1/2	1800	48YZ	101120.00	√	695	P4C17FZ7	22	115/208-230	Man.	4.0	1.15	10.72	S, MX, 26
1/2	1800	56YZ	117888.00	√	679	117888.00	22	115/208-230	Man.	4.2	1.25	12.00	S, MX, 26, 51, 64
1/2	1800	48N	LM24463	D	679	SPA450.5TADN1C6027TP1	23	115/230	Man.	3.4	1.00	11.81	S, MX, 26, 51
3/4	1800	48YZ	101119.00	√	812	P4C17FZ6	24	115/208-230	Man.	5.4	1.00	11.47	S, MX, 26
3/4	1800	56YZ	117889.00	√	699	117889.00	28	115/208-230	Man.	4.2	1.25	12.00	S, MX, 26, 51, 64
3/4	1800	48N	LM24812	D	704	SRF450.75TZADN1C6028TP1-1	31	115/208-230	Man.	5.5	1.00	12.59	S, US, 26, 51
1	1800	56YZ	112615.00	√	898	P6C17FZ27	35	115/230	Man.	7.0	1.00	12.11	S, MX, 27
1	1800	56YZ	117883.00	√	876	117883.00	35	115/208-230	Man.	5.4	1.25	12.00	S, MX, 27, 51, 64
1	1800	56NZ	LM24813	D	876	SRF451TZADN1C6028TP-1	32	115/208-230	Man.	6.7	1.00	13.39	S, MX, 27, 51
1 1/2	1800	56YZ	113280.00	√	1,492	P6K17FZ6	47	115/208-230	Man.	6.5	1.00	13.62	S, US, 27, 53
1 1/2	1800	56YZ	117884.00	√	1,472	117884.00	44	115/208-230	Man.	6.5	1.15	14.51	S, MX, 27, 51, 53, 64
1 1/2	1800	56NZ	LM24814	D	1,474	SRF451.5TZADN1C6028TP1-1	41	115/208/230	Man.	7.6	1.00	14.38	S, MX, 27, 51, 53
1 1/2	1800	56HZ	LM24521	C/A	926	SRF451.5TZ1B6028AP9-2	47	115/208-230	Man.	7.6	1.15	13.21	S, US, 53
1 1/2	1800	56HZ	111330.00	√	924	P6K17FB18	42	115/208-230	Man.	8.6	1.00	12.31	S, US, 53

LM Numbers are Lincoln Models
 Note 64 - Stub shaft on ODE for manual jogging
 D - Item to be discontinued once inventory is depleted
 C/A - Check Availability

♥ Note listing on inside back flap
 Specifications are subject to change without notice

Single Phase - TEFC - 50 Hertz

HP	SYN RPM 60 Hz	Frame	Catalog Number	Stock	List Price	Model Number	App. Wgt. (lbs)	Voltage	Over-load Prot.	F. L. Amps @ 230V	Service Factor	"C" Dim. (Inches)	♥Notes
1/2	1800	48YZ	101643.00	√	751	M4C14FZ5	26	110/220	Man.	4.0	1.00	11.47	S, MX, 26, 51
3/4	1800	48YZ	101644.00	√	808	M4C14FZ6	30	110/220	Man.	5.8	1.00	12.22	S, MX, 26, 51
1	1800	56YZ	113906.00	√	981	M6C14FZ8	39	110/220	Man.	6.4	1.00	12.61	S, MX, 27, 51
1 1/2	1800	56YZ	113907.00	√	1,639	P6K14FZ2	48	110/220	Man.	8.6	1.00	13.61	S, MX, 27, 51

♥ Note listing on inside back flap
 Specifications are subject to change without notice



Agricultural Duty Motors

Hatchery and Incubator Fan Motors

Replacement motors for hatchery and incubator fans

Features:

- Automatic overload protected
- 15MFD, 370V. capacitor shipped loose with motor 101341.00
- Motor 114102.00 is a split phase two-speed motor
- Double shielded ball bearings



Cat. No.
101341.00



Cat. No.
114102.00

Single Phase - TEAO

HP	SYN RPM 60 Hz	NEMA Frame	Catalog Number	Stock	List Price	Model Number	App. Wgt. (lbs)	Voltage	Over- load Prot.	F. L. Amps @ 230V	Service Factor	"C" Dim. (Inches)	♥Notes
1/4	1800	48Y	101341.00	√	467	A4P17NZ24	17	115/230	Auto.	1.40	1.00	8.93	S, MX, 16, 34
1/3	1800	48Z	103878.00	√	504	L4P17NZ149	20	115/230	Auto.	1.65	1.00	9.93	S, MX, 16, 34
1/2-0.22	1800/1200	56H	114102.00	√	609	A6S46NR4	33	115	Auto.	9.3-5.6*	1.25	11.81	S, US

* Full Load amps are at high speed and low speeds, respectively at 115 volts

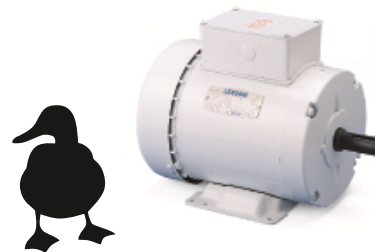
♥ Note listing on inside back flap
Specifications are subject to change without notice

Feather Picker Motors

Replacement motors used in Poultry feather picker machines

Features:

- Phosphatized or stainless steel shaft/metric shafts
- Metric motor has phosphatized shaft drilled and tapped
- Epoxy painted for corrosion protection
- Stainless motor - 122009.00
- Encapsulated stainless motor - 122010.00
- Washdown duty features including shaft seals
- USDA approved food-safe paint
- Extra high breakdown torques



Three Phase - TEFC - Rigid Base

HP	SYN RPM 60 Hz	NEMA Frame	Catalog Number	Stock	List Price	Model Number	App. Wgt. (lbs)	Voltage	Over- load Prot.	F. L. Amps @ 230V	Service Factor	"C" Dim. (Inches)	♥Notes
2	1800	145T	121934.00	√	966	C145T17FB87	54	230/460	7.0	86.5	1.25	14.76	S, US
2	1800	145T	122009.00	√	2,283	C145T17WK49	58	230/460	5.8	86.5	1.25	13.25	S, US
2	1800	145T	122010.00	D	2,316	C145T17WK50	75	230/460	5.6	84.0	1.15	12.75	S, US
2	1800	145T	122308.00	√	2,316	C145T17WK64	75	230/460	5.6	86.5	1.15	13.25	S, US
2	1200	184TZ	132246.00	√	1,471	C184T11FB24	96	230/460	7.2	88.5	1.50	15.96	S, MX
2/1.5	1200	112M	132247.00	√	1,538	C184T11FB25	96	230/460	7.2	88.5	1.50	15.96	S, MX, 29
3	1800	56HZ	115751.00	D	1,088	C6T17FB113	45	230/460	8.6	82.5	1.00	14.25	S, US, 5
3	1800	56HZ	119783.00	√	1,088	C6T17WK48	45	230/460	8.6	82.5	1.00	14.25	S, US, 5, 56
3	1800	145T	121944.00	√	1,088	C145T17FB92	45	230/460	8.6	82.5	1.00	14.25	S, US, 56

230/460 volt motors are suitable for use at 208 volts

♥ Note listing on inside back flap
Specifications are subject to change without notice

Green items are Premium Efficient

Note: White Epoxy painted motor 115751 has a 303 stainless steel shaft

Note 56 - Inverter duty only

D - Item to be discontinued once inventory is depleted



Agricultural Duty Motors Industry-AG - High Torque

General Purpose, heavy duty for industrial and agriculture applications

Features:

- Manual overload protected
- Double sealed ball bearings
- Weather resistant reset button protection
- Capacitor start provides high starting torque



Rigid Base - 115-208/230V - TEFC

HP	SYN RPM 60 Hz	NEMA Frame	Catalog Number	Stock	List Price	Model Number	App. Wgt. (lbs)	Voltage	Over-load Prot.	F. L. Amps @ 230V	Service Factor	"C" Dim. (Inches)	♥Notes
1/3	1800	56	M002256.00	D	475	M6C17FB142	24	115-208/230	Man.	2.9	1.15	11.00	S, CN
1/3	1800	56	117862.00	√	407	C6C17FB164	20	115-208/230	Man.	3.3	1.15	11.82	S, MX
1/2	1800	56	117863.00	√	464	C6C17FB165	26	115-208/230	Man.	4.4	1.15	11.82	S, MX
3/4	1800	56	117864.00	√	549	C6C17FB166	33	115-208/230	Man.	5.5	1.15	12.32	S, MX
1	1800	56	117865.00	√	596	C6C17FB167	33	115-208/230	Man.	6.7	1.15	12.82	S, MX
1 1/2	1800	56	M009089.00	D	816	M6K17FB49	41	115-208/230	Man.	9.0	1.00	12.88	S, CN
1 1/2	1800	56H	117866.00	√	716	C6K17FB61	50	115-208/230	Man.	7.6	1.15	13.82	S, MX
2	1800	56HZ	117867.00	√	820	C6K17FB62	50	115-208/230	Man.	9.4	1.15	14.87	S, MX

"M00" Series motors use C Face Kit M064076.00

D - Item to be discontinued once inventory is depleted

♥ Note listing on inside back flap
Specifications are subject to change without notice

C Face Less Base - 115-208/230 - TEFC

HP	SYN RPM 60 Hz	NEMA Frame	Catalog Number	Stock	List Price	Model Number	App. Wgt. (lbs)	Voltage	Over-load Prot.	F. L. Amps @ 230V	Service Factor	"C" Dim. (Inches)	♥Notes
1/3	1800	56C	M002290.00	D	578	M6C17FC140	24	115-208/230	Man.	2.9	1.15	10.81	S, CN
1/3	1800	56C	117878.00	√	439	C6C17FC178	23	115-208/230	Man.	3.3	1.15	11.82	S, MX
1/2	1800	56C	M009492.00	D	634	M6C17FC141	27	115-208/230	Man.	3.9	1.15	10.81	S, CN
1/2	1800	56C	117879.00	√	495	C6C17FC179	24	115-208/230	Man.	4.4	1.15	11.82	S, MX
3/4	1800	56C	M009493.00	D	715	M6C17FC142	30	115-208/230	Man.	5.0	1.15	11.31	S, CN
3/4	1800	56C	117880.00	√	577	C6C17FC180	28	115-208/230	Man.	5.5	1.15	12.32	S, MX
1	1800	56C	117881.00	√	626	C6C17FC181	30	115-208/230	Man.	6.7	1.15	12.82	S, MX

♥ Note listing on inside back flap
Specifications are subject to change without notice



Explosion Proof Motors

Automotive Duty Motors

Pump Motors

Washguard Motors

Agricultural Motors

HVAC / Fan Motors

Special Voltage Motors

Definite Purpose Motors

Brake Motors

Agricultural Duty Motors

Variable Speed - High Performance AG Fan Motors

Designed for use in agricultural fan applications where variable speed is required

Features:

- Water-tight connection end compartment
- Locked double sealed ball bearings
- All angle mounting
- Shaft seal on output shaft end
- Automatic overload protected



Single Phase - TEAO - Rigid Base - Extended Thru-Bolts

HP	SYN RPM 60 Hz	NEMA Frame	Catalog Number	Stock	List Price	Model Number	App. Wgt. (lbs)	Voltage	Over-load Prot.	F. L. Amps @ 230V	Service Factor	"C" Dim. (Inches)	♥Notes
1/4	1625	48Y	A099899.00	√	359	A4P17NZ139	19	115-208/230	Auto.	1.4	1.00	10.89	S, MX
1/4	1625	48Y	A099460.00	√	388	A4P11NB5	23	115-208/230	Auto.	1.5	1.00	11.14	S, MX
1/3	1625	48Y	A099900.00	√	383	A4P17NZ141	20	115-208/230	Auto.	1.6	1.00	10.89	S, MX
1/3	1060	48Y	A099461.00	√	415	A4P17NZ86	23	115-208/230	Auto.	1.8	1.00	11.14	S, MX
1/2	1625	48Y	A099901.00	√	425	A4P17NZ142	23	115-208/230	Auto.	2.2	1.00	11.39	S, MX
1/2	1060	48Y	A099462.00	√	453	A4P911NZ85	26	115-208/230	Auto.	2.8	1.00	11.39	S, MX

♥ Note listing on inside back flap
Specifications are subject to change without notice

Agricultural Fan Motors - Belt Drive - TEAO

Designed for use in agricultural belted fan applications

Features:

- Capacitor start / Capacitor run designs for high efficiency
- Mount in airstream for proper cooling
- Combination 56 / 140 frame stamped steel base



High-Efficiency - Single Phase

HP	SYN RPM 60 Hz	NEMA Frame	Catalog Number	Stock	List Price	Model Number	App. Wgt. (lbs)	Voltage	Over-load Prot.	F. L. Amps @ 230V	Service Factor	"C" Dim. (Inches)	♥Notes
1/2	1725	56	M009580.00	D	520	A6K17NB21	27	115/208-230	-	2.2	1.00	10.33	S, CN
1/2	1725	56	A009580.00	√	520	A6K17NB30	27	115/208-230	-	2.3	1.15	11.44	S, MX
3/4	1725	56H	A009581.00	√	551	A6K17NB29	30	115/208-230	Auto.	3.3	1.00	11.44	S, MX
1	1725	56H	A009782.00	√	573	A6K17NB33	37	115/208-230	Auto.	4.0	1.00	12.44	S, MX
1 1/2	1725	56H	A009594.00	√	683	A6K17NB32	39	115/208-230	Auto.	5.8	1.00	11.94	S, MX
2	1725	145T	A009595.00	√	758	U145K17NB2	47	230	Auto.	9.2	1.00	13.49	S, MX *

* Frame mounted conduit box.

♥ Note listing on inside back flap
Specifications are subject to change without notice

Agricultural Duty Motors

Lincoln Agriculture Fan Motors

115/230 Volts - Belt Drive - Overload Protection

Explosion Proof Motors

Automotive Duty Motors

Pump Motors

Washguard Motors

Agricultural Motors

HVAC / Fan Motors

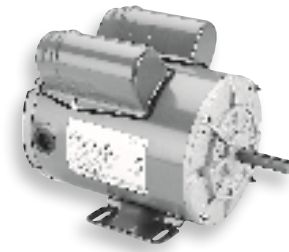
Special Voltage Motors

Definite Purpose Motors

Brake Motors

Features:

- Capacitor start/capacitor run design
- Ball bearings
- LM24777 must be mounted in airstream



Single Phase - TENV - Rigid Base

HP	SYN RPM 60 Hz	NEMA Frame	Catalog Number	Stock	List Price	Model Number	App. Wgt. (lbs)	Voltage	Over-load Prot.	F. L. Amps @ 230V	Service Factor	"C" Dim. (Inches)	♥Notes
1/2	1725	56Z	LM24776	√	732	SRN450.5TZ1B6027TP2-1	21	115/230	Auto	2.3	1.00	10.47	S, MX, 12, 53
1	1725	56Z	LM24777	√	979	SRA451TZ1B6027TP2-1	32	115/230	Auto	4.6	1.00	10.72	S, MX, 53, *

LM Numbers are Lincoln Models

* LM24777 is a TEAO design

♥ Note listing on inside back flap

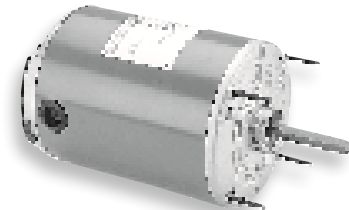
Specifications are subject to change without notice

Agriculture Fan

Direct Drive Thru-Bolt Mount

Features:

- 1/2" long thru-bolts
- 48Y - 1/2" dia., 1-1/2 long shaft with flat
- 48YZ - 1/2" dia., 2-1/2" long shaft with two flats



Single Speed - Single Phase - TEAO - Thru-Bolt Mount

HP	SYN RPM 60 Hz	NEMA Frame	Catalog Number	Stock	List Price	Model Number	App. Wgt. (lbs)	Voltage	Over-load Prot.	F. L. Amps @ 115V	Service Factor	"C" Dim. (Inches)	♥Notes
1/4	1725	48Y	LM24488	C/A	445	SPN450.25TZNY1S6001TP1-1	10	115	Auto	4.0	1.00	7.62	S, MX

LM Numbers are Lincoln Models

C/A - Check Availability

♥ Note listing on inside back flap

Specifications are subject to change without notice

Two Speed - Single Phase - TEAO - Thru-Bolt Mount

HP	SYN RPM 60 Hz	NEMA Frame	Catalog Number	Stock	List Price	Model Number	App. Wgt. (lbs)	Voltage	Over-load Prot.	F. L. Amps @ 115V	Service Factor	"C" Dim. (Inches)	♥Notes
1/4	1725	48YZ	LM24492	C/A	464	SPA4/6/150.25/0.25TZNY1S6001TP2-1	17	115	Auto	4.1	1.00	11.09	S, MX
1/3	1725	48YZ	LM24491	C/A	522	SPA4/6/150.33/0.33TZNY1S6001TP2-1	18	115	Auto	5.3	1.00	11.34	S, MX

LM Numbers are Lincoln Models

C/A - Check Availability

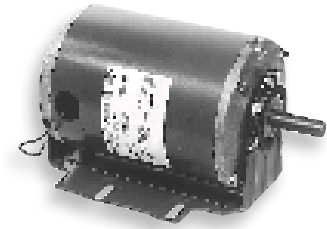
♥ Note listing on inside back flap

Specifications are subject to change without notice



Agricultural Duty Motors

Lincoln Agriculture Fan Motors



Features:

- 115 & 230 Volts - Single Phase
- Extended thru-bolts on 48Z frame motos
- 48Z - 1/2 dia. shaft, 2-1/2 long with two flats
- 56Z - 1/2 dia. shaft, 2-1/2" long shaft with keyway
- Includes 5/8" shaft adaptor sleeve with key

Single Phase - TEAO - Resilient Base

HP	SYN RPM 60 Hz	NEMA Frame	Catalog Number	Stock	List Price	Model Number	App. Wgt. (lbs)	Voltage	Over-load Prot.	F. L. Amps @ 115V	Service Factor	"C" Dim. (Inches)	♥Notes
1/4	1725	48Z	LM24487	C/A	464	SPA4S0.25TZRY1S6001TP2-1	17	115	Auto	3.5	1.00	10.09	S, MX
1/3	1725	48Z	LM24486	√	522	SPA4S0.33TZRY1S6001TP2-1	21	115	Auto	4.5	1.00	10.09	S, MX
1/2	1725	56Z	LM24809	C/A	705	SRA4S0.5TZR1S6027TP2-1	24	115/230	Auto	6.6	1.00	11.34	S, MX

LM Numbers are Lincoln Models
C/A - Check Availability

♥ Note listing on inside back flap
Specifications are subject to change without notice

Aeration Fan, HVAC

115 & 230 VOLTS - Single Phase

Features:

- Automatic overload protected
- Sealed bearings
- 18" extended leads
- Shaft has keyway and 1/4-20 UNC tapped hole on end of shaft

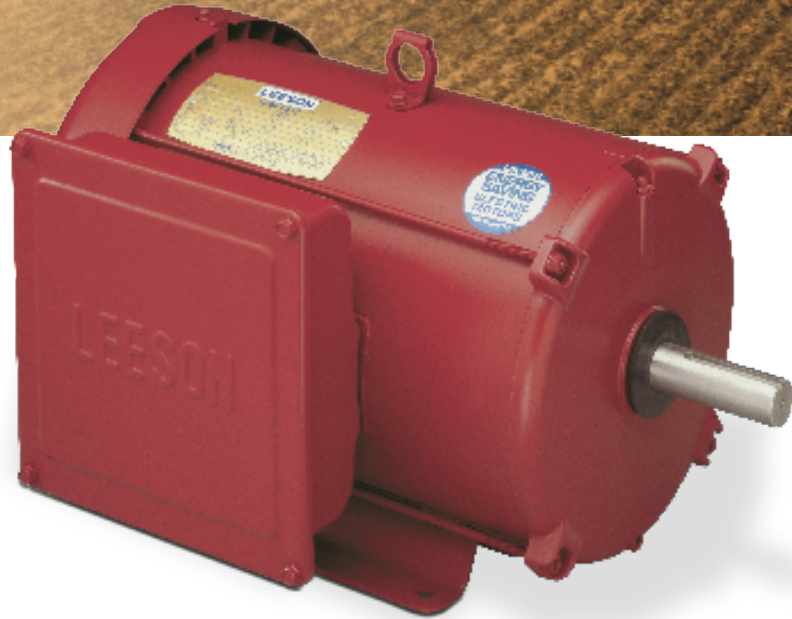
Single Phase - TEAO - Rigid Base

HP	SYN RPM 60 Hz	NEMA Frame	Catalog Number	Stock	List Price	Model Number	App. Wgt. (lbs)	Voltage	Over-load Prot.	F. L. Amps @ 230V	Service Factor	"C" Dim. (Inches)	♥Notes
1	3450	56Z	LM24786	√	566	SRA2S1TZ1C6027L10MB6TP2-1	29	115/230	Auto	5.6	1.15	10.94	S, MX
1 1/2	3475	143TZ	LM24787	√	642	SSA2S1.5TZ1C6027L10MB6TP2-1	35	115/230	Auto	8.4	1.15	11.49	S, MX
3	3510	145TZ	LM24788	√	791	SS145A2S3TZ1B66L10MB6TP2-1	52	230	Auto	11.8	1.15	13.49	S, MX

LM Numbers are Lincoln Models
C/A - Check Availability

♥ Note listing on inside back flap
Specifications are subject to change without notice

Big Red



Industry leader that performs in the demanding applications experienced daily in the Farm/AG environment. The "Big Red" and ECO-Ag Series of motors are engineered to perform in all weather conditions.

LEESON designed these motors for the agricultural industry to work the land, tend to livestock and put food on the table for consumers everywhere. They're built to last in the most demanding applications.



The "Big Red" series of Farm Duty and ECO-Ag Premium efficient motors are built to meet industry demands. These single-phase motors provide starting torque up to 400%. Designed and engineered for the hard-working people that simply cannot afford downtime in demanding applications such as: feeders, fans, grain elevators, silo unloaders and barn cleaners.

FEATURES & BENEFITS:

- Double-sealed Ball Bearings — Long life in dusty and moist conditions
- EXXON Polyrex^{EM} Grease -20°F to +350°F — Ideal for extreme temperatures
- Low Temperature Manual Overload Protector — Ensure proper motor protection in low temperatures
- Shaft Flinger — Helps prevent dirt and rain from damaging bearings
- Condensation Drains — Enable moisture or condensation draining



Explosion Proof Motors

Automotive Duty Motors

Pump Motors

Washguard Motors

Agricultural Motors

HVAC / Fan Motors

Special Voltage Motors

Definite Purpose Motors

Brake Motors

HVAC – Fan Motors



- Various voltages and mounting types available
- Single and three phase fan duty motors
- Rigid base, resilient base, pedestal base, belly band mount and extended thru-bolt mount types
- Drip-Proof, TEFC, TEAO and DPAO designs
- General purpose duty
- Agricultural duty
- UL recognized and CSA certified
- 6-pole cooling tower motors - [NEW page 243](#)
- Kiln duty motors - [NEW page 244](#)

Applications:

Ideally suited for a variety of fan applications requiring the motor to either be mounted in or out of the air stream for proper ventilation. Some motors have an epoxy finish for harsh applications and other motors have a baked on enamel finish. Industrial, commercial and agricultural fan motors available.



HVAC - Fan Motors

Resilient Base Motors - Single Phase Fan & Blower Service - Moderate Starting Torque

General Specifications:

- Drip-proof and totally enclosed designs
- Industrial quality, resilient (cradle) mounted
- Capacitor start-type
- Ball bearing designs
- Moderate starting torque to reduce machinery stresses
- Suitable for belt-driven fans or fan-on-shaft applications



Drip-Proof – Single Phase – Resilient Base

HP	SYN RPM 60 Hz	NEMA Frame	Catalog Number	Stock	List Price	Model Number	App. Wgt. (lbs)	Voltage	Over-load Prot.	F. L. Amps @ 230V	Service Factor	"C" Dim. (Inches)	♥Notes
1/4	3600	48	101434.00	✓	329	A4C34DR8	16	115/208-230	Auto.	2.0	1.00	9.39	S, MX
1/4	1800	48	100109.00	✓	387	A4C17DR1	17	115/208-230	Auto.	2.7	1.35	9.89	S, MX
1/4	1800	48	100111.00	✓	334	A4C17DR3	17	115/208-230	Auto.	2.7	1.00	9.89	S, MX
1/4	1800	48	102963.00	✓	387	A4C17DR47	17	277	Auto.	2.2*	1.35	9.89	S, MX
1/3	3600	48	101431.00	✓	339	A4C34DR11	17	115/208-230	Auto.	2.3	1.00	9.39	S, MX
1/3	1800	48	100110.00	✓	472	A4C17DR2	18	115/208-230	Auto.	3.3	1.35	9.89	S, MX
1/3	1800	48	101015.00	✓	387	A4C17DR31	18	115/208-230	Auto.	3.3	1.00	9.89	S, MX
1/3	1800	S56	E100014.00	✓	557	C4K17DJ9	20	115/208-230	None	1.9	1.35	10.77	S, MX, 53
1/3	1800	S56	100010.00	✓	472	A4C17DJ2	18	115/208-230	Auto.	3.3	1.35	10.31	S, MX
1/3	1800	S56	100063.00	✓	387	A4C17DJ9	19	115/208-230	Auto.	3.3	1.00	10.31	S, MX
1/3	1800	S56	102964.00	✓	472	A4C17DJ72	18	277	Auto.	2.8*	1.35	10.31	S, MX
1/2	3600	48	101432.00	✓	374	A4C34DR10	20	115/208-230	Auto.	3.4	1.00	9.89	S, MX
1/2	1800	S56	E100015.00	✓	574	C4K17DJ10	22	115/208-230	None	2.3	1.25	11.47	S, MX, 53
1/2	1800	S56	100045.00	✓	460	M4C17DJ17	20	115/208-230	Man.	4.4	1.00	10.81	S, MX
1/2	1800	S56	101611.00	✓	508	A4C17DJ57	22	115/208-230	Auto.	4.4	1.25	10.81	S, MX, 32
1/2	1800	S56	100011.00	✓	508	A4C17DJ3	22	115/208-230	Auto.	4.4	1.25	10.81	S, MX
1/2	1800	S56	100064.00	✓	462	A4C17DJ10	20	115/208-230	Auto.	4.4	1.00	10.81	S, MX
1/2	1800	S56	102965.00	✓	508	A4C17DJ74	22	277	Auto.	3.7*	1.25	10.81	S, MX
3/4	3600	48	101433.00	✓	439	A4C34DR9	22	115/208-230	Auto.	4.8	1.00	10.39	S, MX
3/4	3600	S56H	100603.00	✓	468	A4C34DJ7	26	115/208-230	Auto.	4.9	1.25	11.31	S, MX
3/4	1800	S56H	E119362.00	✓	662	C6K17DR44	27	115/208-230	None	3.3	1.25	13.21	S, MX, 53
3/4	1800	S56H	100046.00	✓	629	M4C17DJ18	26	115/208-230	Man.	5.4	1.25	11.81	S, MX
3/4	1800	S56H	100047.00	✓	526	M4C17DJ19	25	115/208-230	Man.	5.5	1.00	11.81	S, MX
3/4	1800	S56H	101839.00	✓	629	A4C17DJ67	28	115/208-230	Auto.	5.4	1.25	11.81	S, MX, 32
3/4	1800	S56H	100012.00	✓	629	A4C17DJ4	26	115/208-230	Auto.	5.4	1.25	11.81	S, MX
3/4	1800	S56H	100065.00	✓	521	A4C17DJ11	25	115/208-230	Auto.	5.5	1.00	11.81	S, MX
3/4	1800	S56H	102966.00	✓	629	A4C17DJ73	26	277	Auto.	4.5*	1.25	11.81	S, MX
1	3600	56H	110478.00	✓	540	A6C34DR6	28	115/208-230	Auto.	6.0	1.25	11.85	S, US
1	1800	56H	E113027.00	✓	713	C6K17DR43	31	115/208-230	None	4.2	1.15	12.88	S, MX, 53
1	1800	56H	110007.00	✓	681	A6C17DR1	29	115/208-230	Auto.	6.4	1.15	11.81	S, US
1	1800	56H	110054.00	✓	666	A6C17DR2	32	115/208-230	Auto.	6.4	1.00	11.81	S, US
1	1800	56H	116599.00	✓	681	A6C17DR54	29	277	Auto.	5.4*	1.20	11.82	S, US
1 1/2	3600	56H	110479.00	✓	695	A6C34DR7	30	115/230	Auto.	8.2	1.15	11.82	S, US
1 1/2	1800	56H	110579.00	✓	824	A6K17DR6	38	115/208-230	Auto.	7.2	1.15	12.82	S, US, 6
1 1/2	1800	56H	116600.00	C/A	824	A6K17DR41	38	277	Auto.	6.0*	1.15	12.82	S, US
2	3600	56H	113633.00	✓	870	U6C34DR21	38	115/208-230	Auto.	10.0	1.15	13.82	S, US
2	1800	56H	113608.00	✓	878	A6K17DR28	45	115/208-230	Auto.	10.0	1.15	13.81	S, US, 6
2	1800	56H	116601.00	✓	878	A6K17DR42	45	277	Auto.	8.7*	1.15	13.82	S, US

Green items are Premium Efficient

* F.L. Amps at 277V
C/A - Check Availability

♥ Note listing on inside back flap
Specifications are subject to change without notice



Explosion Proof Motors

Automotive Duty Motors

Pump Motors

Washguard Motors

Agricultural Motors

HVAC / Fan Motors

Special Voltage Motors

Definite Purpose Motors

Brake Motors

HVAC – Fan Motors

Single Phase - TEFC - Resilient Base

Features:

- Industrial quality, resilient (cradle) mounted
- High starting torque
- Automatic overload protected
- Suitable for belt-driven fans or fan-on-shaft applications



Single Phase - TEFC - Resilient Base

HP/kW	RPM 60 Hz	NEMA Frame	Catalog Number	Stock	List Price	Model Number	App. Wgt. (lbs)	Voltage	Over- load Prot.	F. L. Amps @ 230 V	Service Factor	"C" Dim. (Inches)	♥Notes
1/2	1725	56	110025.00	√	576	A6C17FR1	26	115/208-230	Auto.	4.4	1.15	11.96	S, US
3/4	1725	56	110026.00	√	690	A6C17FR2	28	115/208-230	Auto.	5.4	1.15	12.46	S, US, 6
1	1725	56H	111915.00	√	784	A6C17FR10	31	115/208-230	Auto.	6.4	1.15	12.96	S, US, 6

♥ Note listing on inside back flap
Specifications are subject to change without notice

Wattsaver® Premium Efficiency Fan Motors

Features:

- Premium efficient
- Class F insulation
- Terminal boards
- Automatic overload protected



Single Phase - Drip-Proof - Resilient Base

HP/kW	RPM 60 Hz	NEMA Frame	Catalog Number	Stock	List Price	Model Number	App. Wgt. (lbs)	Voltage	Over- load Prot.	F. L. Amps @ 230 V	Service Factor	"C" Dim. (Inches)	♥Notes
1/4	1800	48	101602.00	√	429	A4K17DR7	19	115	Auto.	2.5	1.35	71.0	10.39
1/3	1800	48	101405.00	√	507	A4K17DR5	19	115	Auto.	3.2	1.35	75.0	10.39
1/2	1800	48	101585.00	√	580	A4K17DR6	25	115	Auto.	4.6	1.35	76.0	11.39

Green items are Premium Efficient

♥ Note listing on inside back flap
Specifications are subject to change without notice

HVAC - Fan Motors

Resilient Base Motors - Three Phase

Fan & Blower Service



General Specifications:

- Industrial quality, resilient (cradle) mounted
- Ball bearing design
- Moderate starting torque to reduce fan stresses
- Suitable for belt-driven fans or fan-on-shaft applications

Three Phase - TEFC - Resilient Base

HP	RPM 60 Hz	NEMA Frame	Catalog Number	Stock	List Price	Model Number	App. Wgt. (lbs)	Voltage	Over- load Prot.	F. L. Amps @ 230V	Service Factor	% FL. EFF.	"C" Dim. (Inches)	♥Notes
1/2	1725	56	111917.00	√	541	C6T17NR1	25	208-230/460	None	1.8	1.15	78.5	11.31	S, US, 6, 12
1	1725	56	111918.00	√	609	C6T17FR1	29	208-230/460	None	3.8	1.15	77.0	12.46	S, US, 6

Note 12 - TENV

♥ Note listing on inside back flap
Specifications are subject to change without notice

Drip-Proof - Three Phase - Resilient Base

HP	SYN RPM 60 Hz	NEMA Frame	Catalog Number	Stock	List Price	Model Number	App. Wgt. (lbs)	Voltage	Over- load Prot.	F. L. Amps @ 230V	Service Factor	% FL. EFF.	"C" Dim. (Inches)	♥Notes
1/3	3450	S56	101639.00	√	393	A4T34DJ4	17	230/460	Auto.	1.7	1.35	61.0	10.31	S, US, 33
1/3	1725	S56	100210.00	D	429	C4T17DJ3	18	208-230/460	None	1.6	1.35	64.3	10.31	S, MX
1/3	1725	S56	E100210.00	√	470	C4T17DJ25	19	230/460	None	1.2	1.35	73.4	12.31	S, MX
1/3	1725	S56	101520.00	√	521	A4T17DJ18	19	208-230/460	Auto.	1.6	1.35	64.3	10.81	S, MX, 33
1/2	3450	S56	101640.00	C/A	472	A4T34DJ3	18	208-230/460	Auto.	2.4	1.25	69.0	10.31	S, US, 33
1/2	1725	S56	100145.00	D	492	C4T17DJ1	22	208-230/460	None	2.0	1.25	68.0	10.81	S, MX
1/2	1725	56	E119360.00	√	549	C6T17DR40	23	230/460	None	2.0	1.25	78.2	10.82	S, MX
1/2	1725	S56	100796.00	√	572	A4T17DJ10	22	208-230/460	Auto.	2.0	1.25	68.0	11.31	S, MX
3/4	3450	S56	E101773.00	√	494	C4T34DJ8	20	208-230/460	None	2.4	1.25	79.0	10.81	S, MX
3/4	3450	S56	101641.00	√	576	A4T34DJ5	20	230/460	Auto.	2.4	1.25	79.0	11.31	S, US, 33
3/4	1725	56	E119361.00	√	589	C6T17DR41	26	230/460	None	2.4	1.25	81.1	11.82	S, MX
3/4	1725	S56	100908.00	√	620	A4T17DJ13	26	208-230/460	Auto.	2.8	1.25	75.0	11.81	S, US, 33
1	3450	56	E114192.00	√	526	C6T34DR35	24	208-230/460	None	3.2	1.25	77.0	10.82	S, US
1	3450	56	113895.00	C/A	608	A6T34DR30	25	208-230/460	Auto.	3.2	1.25	77.0	10.82	S, US, 33
1	1725	56	E110052.00	√	741	C6T17DR37	24	230/460	None	3.2	1.15	83.5	13.32	S, US
1	1725	56H	111311.00	√	644	A6T17DR11	27	208-230/460	Auto.	4.2	1.15	78.5	11.31	S, US, 33
1 1/2	3450	56H	E114194.00	C/A	758	C6T34DR3	31	230/460	None	4.0	1.15	84.0	12.82	S, US
1 1/2	3450	56H	113896.00	C/A	689	A6T34DR31	29	208-230/460	Auto.	4.2	1.15	81.5	11.82	S, US, 33
1 1/2	1725	56H	E110433.00	√	795	C6T17DR38	33	230/460	None	4.8	1.15	86.5	13.82	S, US
1 1/2	1725	56H	113846.00	√	683	A6T17DR25	29	208-230/460	Auto.	5.6	1.15	78.5	11.81	S, US, 49
2	3450	56H	E114196.00	C/A	838	C6T34DR38	37	230/460	None	4.8	1.15	85.5	13.82	S, US
2	3450	56H	113897.00	√	799	A6T34DR32	39	208-230/460	Auto.	5.6	1.15	82.9	12.32	S, US, 33
2	1725	56H	E114197.00	√	874	C6T17DR39	38	230/460	None	5.8	1.15	86.5	14.32	S, US
2	1725	56H	113847.00	√	784	A6T17DR26	34	208-230/460	Auto.	6.2	1.15	78.5	12.31	S, US, 33
3	3450	56HZ	113926.00	√	789	U6T34DR33	40	208-230/460	Auto.	7.6	1.00	84.0	13.19	S, US, 33
3	1725	56HZ	116593.00	√	859	A6T17DR33	47	230/460	Auto.	8.6	1.15	82.5	14.19	S, US, 33

Green items are Premium Efficient

D - Item to be discontinued once inventory is depleted
C/A - Check Availability

♥ Note listing on inside back flap
Specifications are subject to change without notice



Explosion Proof
Motors

Automotive
Duty Motors

Pump
Motors

Washguard
Motors

Agricultural
Motors

HVAC / Fan
Motors

Special Voltage
Motors

Definite
Purpose Motors

Brake Motors

HVAC – Fan Motors

Fan & Blower Motors -

Multi-Speed - Single & Three Phase



Features:

- Variable torque
- PSC Type for shaft mounted fan applications
- Overload protected with a UL and CSA recognized automatic reset protector
- Listed speed or two speed operation using the proper auxiliary switch - reference drawing 005210.01
- Variable speed by using a variable voltage control
- Overload protected with a UL and CSA recognized automatic reset protector
- Must be mounted in airstream for proper motor cooling
- Extended through-bolts
- Epoxy painted motors

Single Phase - TEAO - PSC Type - Resilient Base

HP/kW	RPM 60 Hz	NEMA Frame	Catalog Number	Stock	List Price	Model Number	App. Wgt. (lbs)	Voltage	Over- load Prot.	F. L. Amps @ 230 V	Service Factor	"C" Dim. (Inches)	♥Notes
1/4	1625	48Z	100803.00	√	381	A4P17NR1	19	115/230	Auto.	1.4	1.00	10.66	S, MX, 16, 34
1/4	1075	48Z	100824.00	√	431	A4P11NR2	20	115/230	Auto.	1.4	1.00	10.66	S, MX, 16, 34
1/4	1075	S56Z	100805.00	√	477	A4P11NJ1	22	115/230	Auto.	1.4	1.00	11.06	S, MX, 17, 34
1/3	1625	48Z	100804.00	√	396	A4P17NR2	21	115/230	Auto.	1.6	1.00	10.66	S, MX, 16, 34
1/3	1625	S56H	100767.00	√	457	A4P17NJ1	22	115/230	Auto.	1.6	1.00	10.31	S, MX, 34
1/3	1625	56HY	111348.00	√	499	A6P17NZ6	24	115/230	Auto.	1.7	1.00	13.44	S, US, 59
1/3	1075	48Z	100825.00	√	468	A4P11NR3	25	115/230	Auto.	1.8	1.00	11.16	S, MX, 16, 34
1/3	1075	S56HZ	100806.00	√	502	A4P11NJ2	27	115/230	Auto.	1.8	1.00	11.56	S, MX, 17, 34
1/2	1625	56HZ	111323.00	√	570	A6P17NR3	30	115/230	Auto.	2.6	1.00	12.56	S, US, 17, 34
1/2	1625	S56H	100768.00	√	470	A4P17NJ2	36	115/230	Auto.	2.2	1.00	10.81	S, MX, 34
1/2	1075	48Z	101645.00	√	505	A4P11NR6	33	115/230	Auto.	2.8	1.00	11.16	S, MX, 16, 34
1/2	1075	56HZ	111321.00	√	592	A6P11NR1	37	115/230	Auto.	3.0	1.00	13.56	S, US, 17, 34
1/2	825	56HZ	111919.00	√	664	A6P8NR2	40	115/230	Auto.	3.2	1.00	13.56	S, US, 17, 34, 50
3/4	1625	56HZ	111324.00	√	624	A6P17NR4	34	115/230	Auto.	3.5	1.00	13.06	S, US, 17
3/4	1625	56H	111266.00	√	624	A6P17NR1	36	115/230	Auto.	3.5	1.00	12.31	S, US
3/4	1075	56HZ	111322.00	√	671	A6P11NR2	44	115/230	Auto.	4.0	1.00	13.56	S, US, 17, 50
1	1625	56HZ	111267.00	√	698	A6P17NR2	39	115/230	Auto.	4.4	1.00	12.81	S, US

♥ Note listing on inside back flap
Specifications are subject to change without notice

Single Phase - TEAO - PSC Type - Rigid Base

HP/kW	RPM 60 Hz	NEMA Frame	Catalog Number	Stock	List Price	Model Number	App. Wgt. (lbs)	Voltage	Over- load Prot.	F. L. Amps @ 230 V	Service Factor	"C" Dim. (Inches)	♥Notes
1/4	1625	48Y	100699.00	√	363	A4P17NB7	19	115/230	Auto.	1.4	1.00	10.65	S, MX
1/4	1750	48Y	101252.00	√	363	A4P17NB27	19	115/208-230	Auto.	1.5	1.00	10.40	S, MX, 50
1/3	1625	48Y	100700.00	√	412	A4P17NB8	21	115/230	Auto.	1.6	1.00	10.65	S, MX
1/3	1625	56Y	111202.00	C/A	475	A6P17NZ1	27	115/230	Auto.	1.7	1.00	12.00	S, US, 62
1/3	1750	48Y	101253.00	√	412	A4P17NB28	22	115/208-230	Auto.	1.9	1.00	10.65	S, MX, 50
1/3	1140	S56Z	100604.00	√	447	A4P11NH1	23	115/230	Auto.	1.8	1.00	11.40	S, MX
1/2	1625	48Y	100701.00	√	442	A4P17NB9	25	115/230	Auto.	2.5	1.00	12.15	S, MX
1/2	1750	S56Y	101176.00	√	453	A4K17NH2	24	115/230	Auto.	3.5	1.00	10.40	S, MX, 50, 54

Motor 101176 must be mounted within the airflow of the fan
C/A - Check Availability

♥ Note listing on inside back flap
Specifications are subject to change without notice



HVAC - Fan Motors

Two-Speed - Two-Winding - Variable Torque

Features:

- Belted or fan-on-shaft applications
- Can be mounted within or outside the fan's airstream
- Resilient mounted for quiet operation
- 3/4 HP and larger single phase are capacitor start motors; smaller single phase are split phase start
- Ball bearings



Single Phase - Drip-Proof - Resilient Base

HP	RPM 60 Hz	NEMA Frame	Catalog Number	Stock	List Price	Model Number	App. Wgt. (lbs)	Voltage	F. L. Amps High/Low	Service Factor	"C" Dim. (Inches)	♥Notes
1/4-1/12	1725	48Z	101020.00	√	409	C4S46DR1	20	115	4.2-3.2	1.00	11.64	S, US, 6, 12
1/3-0.15	1725	S56H	101021.00	√	520	C4S46DJ1	26	115	5.0-4.6	1.00	12.27	S, US, 6
1/2-1/4	1725	56H	111953.00	√	649	C6S46DR1	33	115	7.8-4.6	1.00	12.31	S, US, 6, 12
1/2-1/4	1725	56H	113643.00	√	649	C6S46DR2	33	230	3.9-2.3	1.00	12.31	S, US, 6
3/4-1/3	1725	56H	111954.00	√	942	C6C46DR2	38	115	11.6-7.4	1.00	12.81	S, US, 6, 12
3/4-1/3	1725	56H	113672.00	√	942	C6C46DR5	39	230	5.8-3.7	1.20	12.81	S, US, 6
1-0.44	1725	56H	111955.00	√	1,108	C6K46DR1	41	115	13.2-9.5	1.00	12.81	S, US, 6, 12
1-0.44	1725	56H	113373.00	√	1,108	C6K46DR3	39	230	6.5-4.6	1.00	12.81	S, US, 6

♥ Note listing on inside back flap
Specifications are subject to change without notice

Three Phase - Drip-Proof - Resilient Base

HP	RPM 60 Hz	NEMA Frame	Catalog Number	Stock	List Price	Model Number	App. Wgt. (lbs)	Voltage	F. L. Amps High/Low	Service Factor	"C" Dim. (Inches)	♥Notes
1/2-.22	1725	56H	111956.00	√	979	C6T46DR1	32	208-230	1.8-1.1	1.00	12.31	S, US
1/2-.22	1725	56H	111957.00	C/A	979	C6T46DR2	32	460	0.9-0.5	1.00	12.31	S, US
3/4-1/3	1725	56H	111958.00	√	1,032	C6T46DR3	36	208-230	2.8-1.6	1.00	13.82	S, US, 6
3/4-1/3	1725	56H	111959.00	C/A	1,032	C6T46DR4	36	460	1.4-0.8	1.00	12.81	S, US, 6
1-0.44	1725	56H	111960.00	√	1,108	C6T46DR5	40	208-230	4.0-2.4	1.00	12.81	S, US, 6
1-0.44	1725	56H	111961.00	√	1,108	C6T46DR6	40	460	1.8-1.0	1.00	12.81	S, US, 6
11/2-.67	1725	56H	111962.00	√	1,344	C6T46DR7	40	208-230	5.0-2.6	1.00	12.81	S, US, 6
11/2-.67	1725	56H	111963.00	√	1,344	C6T46DR8	40	460	2.5-1.3	1.00	12.81	S, US, 6

C/A - Check Availability

♥ Note listing on inside back flap
Specifications are subject to change without notice



Explosion Proof
Motors

Automotive
Duty Motors

Pump
Motors

Washguard
Motors

Agricultural
Motors

HVAC / Fan
Motors

Special Voltage
Motors

Definite
Purpose Motors

Brake Motors

HVAC – Fan Motors

Aeration Fan Motors

Totally Enclosed Air Over Motors (TEAO)

Features:

- Suitable for shaft mounted fans
- Capacitor start designs
- Designed to run in the airflow of the driven fan
- Epoxy enamel finish to resist corrosion
- Ball bearing designs



Single Phase - Capacitor Start - TEAO - Rigid Base

HP	RPM 60 Hz	NEMA Frame	Catalog Number	Stock	List Price	Model Number	App. Wgt. (lbs)	Voltage	F. L. Amps @ 230 V	Service Factor	"C" Dim. (Inches)	♥Notes
3/4	3450	56	111332.00	√	473	C6C34NB15	27	115/230	5.0	1.00	10.90	S, US, 22
1	3450	56	111333.00	√	562	C6C34NB16	29	115/230	6.0	1.00	10.90	S, US, 22
1 1/2	3450	56	111949.00	√	726	C6C34NB19	32	115/230	8.5	1.00	11.40	S, US, 23
1 1/2	3450	143TZ	120374.00	√	781	C143C34NB1	31	115/230	8.5	1.00	11.84	S, US, 23
2	3450	145TZ	120375.00	√	951	C145C34NB1	41	230	10.0	1.00	13.34	S, US, 23
3	3450	145T	120376.00	√	1,001	C145K34NB1	45	230	12.8	1.00	13.84	S, US, 53

♥ Note listing on inside back flap
Specifications are subject to change without notice

Three Phase - TEAO - Rigid Base

HP	RPM 60 Hz	NEMA Frame	Catalog Number	Stock	List Price	Model Number	App. Wgt. (lbs)	Voltage	F. L. Amps @ 230 V	FL. EFF.	Service Factor	"C" Dim. (Inches)	♥Notes
3/4	3450	56Z	111334.00	√	485	C6T34NB18	21	208-230/460	2.4	75.5	1.00	9.90	S, US, 22
1	3450	56Z	111335.00	√	526	C6T34NB19	22	208-230/460	3.2	77.0	1.00	9.90	S, US, 22
1 1/2	3450	143TZ	120377.00	√	604	C143T34NB2	31	208-230/460	4.2	82.5	1.00	11.34	S, US, 23
2	3450	145TZ	120378.00	√	715	C145T34NB1	34	208-230/460	5.6	82.5	1.00	11.84	S, US, 23
3	3450	145T	120379.00	√	802	C145T34NB2	38	230/460	7.6	84.0	1.00	12.34	S, US, 23

♥ Note listing on inside back flap
Specifications are subject to change without notice

HVAC – Fan Motors

Ventilation Fan Motor - Dust-Tight - Shaft Mounted

Explosion Proof Motors

Automotive Duty Motors

Pump Motors

Washguard Motors

Agricultural Motors

HVAC / Fan Motors

Special Voltage Motors

Definite Purpose Motors

Brake Motors

Features:

- Permanent split capacitor start motors
- Direct drive exhaust ventilation fans
- Extended thru-bolt designs
- Built in terminal panel for quick connections
- Motors must be mounted in the mounted fans airstream



Single Phase - PSC Type - TEAO - Thru-Bolt Mount

HP	RPM 60 Hz	NEMA Frame	Catalog Number	Stock	List Price	Model Number	App. Wgt. (lbs)	Voltage	Over-load Prot.	F. L. Amps @ 230 V	Service Factor	"C" Dim. (Inches)	♥Notes
1/3	1625	48Y	103783.00	√	402	A4P17NZ132	22	115/230	Auto	1.7	1.00	10.93	S, MX
1/2	1625	48Y	103782.00	√	434	A4P17NZ131	20	115/230	Auto	2.7	1.00	11.18	S, MX
1/2	825	56Z	114620.00	√	754	A6P8NZ2	35	115/230	Auto	3.2	1.00	12.63	S, US, 50
1/2	850	48Y	A099250.00	√	488	A4P8NZ17	24	115/230	Auto	3.2	1.00	10.80	S, MX, 20, 50

♥ Note listing on inside back flap
Specifications are subject to change without notice



Single Phase - PSC Type - TEAO - C Face Less Base

HP	RPM 60 Hz	NEMA Frame	Catalog Number	Stock	List Price	Model Number	App. Wgt. (lbs)	Voltage	Over-load Prot.	F. L. Amps @ 230 V	Service Factor	"C" Dim. (Inches)	♥Notes
1/2	850	S56C	M099251.00	D	492	A4P8NC2	24	115/230	Auto	3.0	1.00	10.40	S, CN, 25
1/2	825	S56C	A099251.00	√	492	A4P8NC3	24	115/230	Auto	3.0	1.15	10.05	S, MX, 25
1	850	S56CZ	A009644.00	√	824	A6P8NC7	45	230	Auto	4.7	1.15	16.10	S, MX, 21, 50

D - Item to be discontinued once inventory is depleted

♥ Note listing on inside back flap
Specifications are subject to change without notice

Three Phase - PSC Type - TEAO - C Face Less Base

HP	RPM 60 Hz	NEMA Frame	Catalog Number	Stock	List Price	Model Number	App. Wgt. (lbs)	Voltage	Over-load Prot.	F. L. Amps @ 230 V	Service Factor	"C" Dim. (Inches)	♥Notes
1/2	850	56C	116201.00	√	679	C6T8NC37	35	208-230/460	3.0	1.00	10.90	S, US	S, CN, 25
1	850	56C	116202.00	√	844	C6T8NC38	45	208-230/460	5.0	1.00	12.90	S, US	S, MX, 25

♥ Note listing on inside back flap
Specifications are subject to change without notice



HVAC – Fan Motors

Condenser Fan Motors

Features:

- For shaft mounted fan applications
- Belly band and rigid mount designs
- Designed for vertical shaft up applications
- Enclosed shaft end endshield protects against contaminants
- Automatic overload protection
- Double sealed ball bearings
- **NOT FOR USE WITH INVERTERS**



Three Phase - Drip-Proof - Belly Band & Rigid Mount

HP	RPM 60 Hz	NEMA Frame	Catalog Number	Stock	List Price	Model Number	App. Wgt. (lbs)	Voltage	F. L. Amps @ 230 V	FL. EFF.	Service Factor	"C" Dim. (Inches)	♥Notes
1/2	1140	56Y	116772.00	√	694	A6T11Z3	25	208-230/460	2.8	66.0	1.15	12.56	S, US, 58
3/4	1140	56Y	116773.00	√	751	A6T11Z2	31	208-230/460	3.4	75.5	1.15	13.06	S, US, 58
1	1140	56Y	111147.00	√	853	A6T11DZ1	37	208-230/460	3.6	77.0	1.15	14.06	S, US, 58
1	1140	56Y	115778.00	√	791	A6T11DB20	37	208-230/460	4	77.0	1.15	14.05	S, US, 60
1 1/2	1140	56Y	111148.00	√	931	A6T11DZ2	42	208-230/460	5.2	78.0	1.15	15.06	S, US, 58
1 1/2	1140	56HY	115779.00	√	860	A6T11DB21	39	208-230/460	5.6	79.0	1.15	15.55	S, US, 60

Note 58 - Belly Band Mount

Note 60 - Rigid Base Mount

♥ Note listing on inside back flap
Specifications are subject to change without notice

Fan & Blower Motors

Single Phase - Commercial Duty

Designed for continuous duty use in ventilation fans, blowers and other belt driven or fan-on-shaft applications.

Features:

- Split phase design motors
- Belt driven or fan-on-shaft applications
- Resilient base for quiet operation
- Automatic overload protection
- Built-in terminal panel for easy connection



Single Phase - Drip-Proof - Resilient Base

HP	RPM 60 Hz	NEMA Frame	Catalog Number	Stock	List Price	Model Number	App. Wgt. (lbs)	Voltage	Over- load Prot.	FL. Amps @ 115 V	Service Factor	"C" Dim. (Inches)	♥Notes
1/4	1725	48	103797.00	√	278	A4S17DR71	15	115/230	Auto.	2.6	1.35	9.93	S, MX, 32
1/3	1725	48	103795.00	√	299	A4S17DR69	17	115/230	Auto.	2.8	1.35	10.18	S, MX, 32
1/2	1725	48	103796.00	√	346	A4S17DR70	20	115/230	Auto.	4.6	1.25	10.18	S, MX, 32

♥ Note listing on inside back flap
Specifications are subject to change without notice

Designed for use in air conditioners, roof ventilators and exhaust fans.

Features:

- Low starting torque
- Ball bearings
- Resilient “cradle” style base
- Automatic overload protection



Single Phase - Split Phase - Drip-Proof - Resilient Base

HP	RPM 60 Hz	NEMA Frame	Catalog Number	Stock	List Price	Model Number	App. Wgt. (lbs)	Voltage	Over- load Prot.	F.L. Amps @ 115 V	Service Factor	“C” Dim. (Inches)	♥Notes
1/4	1725	48YZ	M900195.00	√	253	48S17D1301	13	115	Auto.	5.0	1.35	9.72	S, MX, 7
1/3	1725	56	M900277.00	√	488	56S17D7208	20	115	Auto.	5.3/2.9	1.35	10.78	S, MX
1/3	1725	48YZ	M900196.00	√	298	48S17D1303	15	115	Auto.	6.1	1.35	9.72	S, MX, 7
1/2	1725	56	M900599.00	C/A	610	56S17D5710	30	115	Auto.	8.4/4.5	1.25	11.85	S, US
1/2	1725	48YZ	M900197.00	√	390	48S17D1302	20	115	Auto.	7.2	1.25	10.72	S, MX, 7

Note 7 - Includes sleeve to convert shaft to 5/8 inch

♥ Note listing on inside back flap
Specifications are subject to change without notice

Premium Efficiency - Industrial / Residential - Belted Fan Motors

Designed for use in residential or industrial belted fan applications.

Features:

- High efficiency designs
- Ball bearings
- Special balanced rotors
- Spade connectors on terminal board
- Automatic overload protection
- Drop-in replacement for most standard belted-fan motors
- Extremely quiet running compared to standard fan motors
- Consumes approximately half the power of a standard fan motor



Single Phase - Drip-Proof - Resilient Base

HP	RPM 60 Hz	NEMA Frame	Catalog Number	Stock	List Price	Model Number	App. Wgt. (lbs)	Voltage	Over- load Prot.	F.L. Amps @ 115 V	Service Factor	“C” Dim. (Inches)	♥Notes
1/4	1725	48	A090602.00	√	329	A4K17DR14	15	115	Auto.	2.4	1.35	10.39	S, MX, 32, 55
1/3	1725	48	A090405.00	√	346	A4K17DR15	19	115	Auto.	3.2	1.35	10.39	S, MX, 32, 55
1/2	1725	48	A090585.00	√	425	A4K17DR13	22	115	Auto.	5.0	1.35	11.64	S, MX, 32, 53

♥ Note listing on inside back flap
Specifications are subject to change without notice

HVAC – Fan Motors

Pedestal Fan Motors - PSC Type

Designed for use where the fan is mounted directly to the motor shaft. Yoke style mount is the industry standard type mount.

Features:

- Drop-in replacement for most standard belted-fan motors
- Extremely quiet running compared to standard fan motors
- Consumes approximately half of the power of a standard fan motor
- Permanent split capacitor type
- Ball bearing design
- Heavy-gauge steel yoke is welded to the motor frame
- 10-32 mounting studs are extended 1.0" on 5.14" bolt circle
- Motors are UL and CSA recognized for both the U.S. and Canadian markets
- Automatic overload protection



Single Phase - PSC Type - TEAO - Yoke Mount

HP	RPM 60 Hz*	NEMA Frame	Catalog Number	Stock	List Price	Model Number	App. Wgt. (lbs)	Voltage	Over- load Prot.	F.L. Amps @ 230 V	Service Factor	Shaft Dia.	"C" Dim. (Inches)	♥Notes
1/4	1625	48Y	103711.00	√	278	A4P17NZ117	22	115/230	Auto.	3.6	1.00	0.50	10.81	S, MX
1/4	1625	48Y	191908.00	D	278	A4P17NZ64	14	115/230	Auto.	2.6	1.00	0.63	10.95	S, CN
1/4	1625	48Y	103712.00	√	278	A4P17NZ118	23	115/230	Auto.	3.6	1.00	0.63	10.81	S, MX
1/4	1075	48Y	191891.00	D	308	A4P11NZ26	22	115/230	Auto.	2.4	1.00	0.50	10.95	S, CN
1/4	1075	48Y	103713.00	√	308	A4P17NZ119	18	115	Auto.	3.2	1.00	0.50	10.06	S, MX
1/4	1075	48Y	191909.00	D	308	A4P11NZ27	25	115/230	Auto.	2.4	1.00	0.63	10.95	S, CN
1/4	1075	48Y	103714.00	√	308	A4P17NZ120	18	115	Auto.	3.2	1.00	0.63	10.06	S, MX
1/3	1625	48Y	103715.00	√	305	A4P17NZ121	24	115/230	Auto.	3.5	1.00	0.50	10.81	S, MX
1/3	1625	48Y	191910.00	D	305	A4P17NZ66	15	115/230	Auto.	3.4	1.00	0.63	10.95	S, CN
1/3	1625	48Y	103716.00	√	305	A4P17NZ122	20	115/230	Auto.	3.5	1.00	0.63	10.81	S, MX
1/3	1075	48Y	191892.00	D	345	A4P11NZ28	23	115/230	Auto.	3.0	1.00	0.50	11.46	S, CN
1/3	1075	48Y	103717.00	√	345	A4P17NZ123	20	115	Auto.	4.2	1.00	0.50	10.06	S, MX
1/3	1075	48Y	103718.00	√	345	A4P17NZ124	25	115	Auto.	4.2	1.00	0.63	10.06	S, MX
1/2	1625	48Y	103719.00	√	351	A4P17NZ125	25	115/230	Auto.	5.4	1.00	0.50	11.06	S, MX
1/2	1625	48Y	103720.00	√	351	A4P17NZ126	25	115/230	Auto.	5.4	1.00	0.63	11.06	S, MX
1/2	1075	48Y	103721.00	√	399	A4P17NZ127	25	115	Auto.	5.7	1.00	0.50	11.06	S, MX
1/2	1075	48Y	103722.00	√	399	A4P17NZ128	25	115	Auto.	5.7	1.00	0.63	11.06	S, MX

* Two-speed operation possible by connecting 115V power to 230V connections.
Actual speed (approx. 67% of rated speed) will depend on fan blade design.

^ - F.L. Amps at 230 V

D - Item to be discontinued once inventory is depleted

♥ Note listing on inside back flap
Specifications are subject to change without notice

HVAC - Fan Motors

Two-Speed Motors

Three Phase - Variable and Constant Torque

Variable torque motors are typically used on applications such as fans, blowers and centrifugal pumps.

Constant torque motors are typically used on mixers, compressors, conveyors, extractors, feeders and laundry machinery.

Constant horsepower motors are typically used on machine tools such as drills, lathes, punch presses and milling machines.



Features:

- Two-speed, single winding designs
- Totally enclosed fan cooled designs
- Ball bearing designs
- Single voltage designs

Variable Torque - 460 Volt - Three Phase - TEFC - Rigid Base

HP	RPM 60 Hz	NEMA Frame	Catalog Number	Stock	List Price	Model Number	App. Wgt. (lbs)	Voltage	FL. Amps @ 460V	Service Factor	"C" Dim. (Inches)	♥Notes
1/25	1800/900	143T	120945.00	C/A	1,005	C143T48FB7	36	460	1.6-0.7	1.00	12.75	S, US
1.5/37	1800/900	145T	120941.00	√	1,046	C145T48FB60	36	460	2.4-1.0	1.00	12.75	S, US
2/5	1800/900	145T	120940.00	C/A	1,219	C145T48FB48	36	460	3.2-1.3	1.00	12.75	S, US
3/7.5	1800/900	184T	131474.00	C/A	1,306	C184T48FB67	77	460	4.0-1.8	1.00	14.46	S, MX
5/1.2	1800/900	184T	131475.00	√	1,667	C184T48FB68	107	460	6.5-2.5	1.00	15.96	S, MX
7.5/1.9	1800/900	215T	140447.00	√	2,349	C215T48FB46	155	460	9.7-3.3	1.00	17.71	S, MX
10/2.5	1800/900	215T	140448.00	√	2,767	C215T48FB48	168	460	12.7-4.2	1.00	18.71	S, MX

C/A - Check Availability

♥ Note listing on inside back flap
Specifications are subject to change without notice

Variable Torque - 208-230 Volt - Three Phase - TEFC - Rigid Base

HP	RPM 60 Hz	NEMA Frame	Catalog Number	Stock	List Price	Model Number	App. Wgt. (lbs)	Voltage	FL. Amps @ 230V	Service Factor	"C" Dim. (Inches)	♥Notes
1/25	1800/900	143T	120944.00	C/A	1,005	C143T48FB6	36	208-230	3.2-1.4	1.00	12.75	S, US
1.5/37	1800/900	145T	120947.00	C/A	1,049	C145T48FB61	36	208-230	4.8-2.0	1.00	12.75	S, US
2/5	1800/900	145T	120946.00	√	1,219	C145T48FB59	35	208-230	6.3-2.6	1.00	12.75	S, US
3/7.5	1800/900	184T	131468.00	√	1,306	C184T48FB61	78	208-230	8.0-3.6	1.00	14.46	S, MX
5/1.2	1800/900	184T	131469.00	√	1,667	C184T48FB62	94	208-230	13.0-5.0	1.00	15.96	S, MX
7.5/1.9	1800/900	215T	140443.00	C/A	2,372	C215T48FB45	154	208-230	19.4-6.6	1.00	17.71	S, MX
10/2.5	1800/900	215T	140444.00	C/A	2,767	C215T48FB47	166	208-230	25.4-8.4	1.00	18.71	S, MX

C/A - Check Availability

Continued To Next Page

♥ Note listing on inside back flap
Specifications are subject to change without notice



Explosion Proof Motors

Automotive Duty Motors

Pump Motors

Washguard Motors

Agricultural Motors

HVAC / Fan Motors

Special Voltage Motors

Definite Purpose Motors

Brake Motors

HVAC – Fan Motors

Fan & Blower Motors -

Multi-Speed - Three Phase

Constant Torque - 460 Volt - Three Phase - One Winding - TEFC - Rigid Base

HP	RPM 60 Hz	NEMA Frame	Catalog Number	Stock	List Price	Model Number	App. Wgt. (lbs)	Voltage	FL. Amps @ 460V	Service Factor	"C" Dim. (Inches)	♥Notes
1/5	1800/900	143T	120943.00	C/A	1,433	C143T48FB9	36	460	1.4-1.6	1.00	13.25	S, US
2/1	1800/900	184T	131471.00	√	1,832	C184T48FB64	68	460	2.9-2.9	1.00	13.96	S, MX
3/1.5	1800/900	184T	131470.00	√	2,079	C184T48FB63	80	460	3.8-3.5	1.00	14.96	S, MX
5/2.5	1800/900	215T	140445.00	C/A	2,717	C215T48FB43	145	460	6.7-7.0	1.00	17.71	S, MX

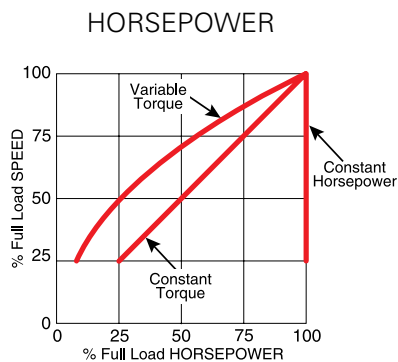
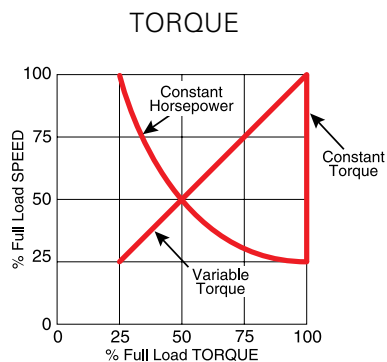
C/A - Check Availability

♥ Note listing on inside back flap
Specifications are subject to change without notice

Constant Torque - 208-230 Volt - Three Phase - One Winding - TEFC - Rigid Base

HP	RPM 60 Hz	NEMA Frame	Catalog Number	Stock	List Price	Model Number	App. Wgt. (lbs)	Voltage	FL. Amps @ 230V	Service Factor	"C" Dim. (Inches)	♥Notes
1/5	1800/900	143T	120942.00	C/A	1,433	C143T48FB8	37	208-230	3.2-4.2	1.00	12.75	S, US
2/1	1800/900	184T	131473.00	C/A	1,832	C184T48FB66	69	208-230	5.8-5.7	1.00	13.96	S, MX
3/1.5	1800/900	184T	131472.00	√	2,079	C184T48FB65	80	208-230	7.6-6.9	1.00	14.96	S, MX
5/2.5	1800/900	215T	140446.00	C/A	2,717	C215T48FB44	137	208-230	13.4-14.0	1.00	17.71	S, MX

C/A - Check Availability

♥ Note listing on inside back flap
Specifications are subject to change without notice

HVAC - Fan Motors

Agricultural Duty - Fan & Blower Motors

Two-Winding Variable Torque - PSC Type

These fan and blower duty motors are designed for dependable, energy saving performance in applications where the fan is mounted on the shaft of the motor.



Features:

- Two-winding - variable torque
- PSC Type for shaft mounted fan applications
- Overload protected with a UL and CSA recognized automatic reset protector
- Listed speed or two speed operation using the proper auxiliary switch
- Variable speed by using a variable voltage control
- Overload protected with a UL and CSA recognized automatic reset protector
- Must be mounted in airstream for proper motor cooling
- Extended thru-bolts

Single Phase - PSC - TEAO - Resilient Base

HP	RPM 60 Hz	NEMA Frame	Catalog Number	Stock	List Price	Model Number	App. Wgt. (lbs)	Voltage	Over- load Prot.	F.L. Amps @ 230 V	Service Factor	"C" Dim. (Inches)	♥Notes
1/4	1625	48Z	100803.00	√	381	A4P17NR1	19	115/230	Auto.	1.4	1.00	10.66	S, MX, 16, 34
1/4	1075	48Z	100824.00	√	431	A4P11NR2	20	115/230	Auto.	1.4	1.00	10.66	S, MX, 16, 34
1/4	1075	S56Z	100805.00	√	477	A4P11NJ1	22	115/230	Auto.	1.4	1.00	11.06	S, MX, 17, 28
1/3	1625	48Z	100804.00	√	396	A4P17NR2	21	115/230	Auto.	1.6	1.00	10.66	S, MX, 16, 34
1/3	1625	S56H	100767.00	√	457	A4P17NJ1	22	115/230	Auto.	1.6	1.00	10.31	S, MX, 34, 59
1/3	1625	56HY	111348.00	√	499	A6P17NZ6	24	115/230	Auto.	1.7	1.00	13.44	S, US, 34
1/3	1075	48Z	100825.00	√	468	A4P11NR3	25	115/230	Auto.	1.8	1.00	11.16	S, MX, 16, 34
1/3	1075	S56HZ	100806.00	√	502	A4P11NJ2	27	115/230	Auto.	1.8	1.00	11.56	S, MX, 17, 28
1/2	1625	56HZ	111323.00	√	570	A6P17NR3	30	115/230	Auto.	2.6	1.00	12.56	S, US, 17, 34
1/2	1625	S56H	100768.00	√	470	A4P17NJ2	36	115/230	Auto.	2.2	1.00	10.81	S, MX, 17
1/2	1075	48Z	101645.00	√	505	A4P11NR6	33	115/230	Auto.	2.8	1.00	11.16	S, MX, 16, 34
1/2	1075	56HZ	111321.00	√	592	A6P11NR1	37	115/230	Auto.	3.0	1.00	13.56	S, US, 17, 34
1/2	825	48YZ	A099836.00	√	509	A4P8NR2	24	115/230	Auto.	3.2	1.00	11.55	S, MX, 19, 34, 50
1/2	825	56HZ	111919.00	√	664	A6P8NR2	40	115/230	Auto.	3.2	1.15	13.56	S, US, 17, 34, 50
3/4	1625	56HZ	111324.00	√	624	A6P17NR4	34	115/230	Auto.	3.5	1.00	13.06	S, US, 17, 34
3/4	1625	56H	111266.00	√	624	A6P17NR1	36	115/230	Auto.	3.5	1.00	12.31	S, US, 34
3/4	1075	56HZ	111322.00	√	671	A6P11NR2	44	115/230	Auto.	4.0	1.00	13.56	S, US, 17, 34, 50
1	1625	56HZ	111267.00	√	698	A6P17NR2	39	115/230	Auto.	4.4	1.00	12.81	S, US, 34

♥ Note listing on inside back flap
Specifications are subject to change without notice



Explosion Proof
Motors

Automotive
Duty Motors

Pump
Motors

Washguard
Motors

Agricultural
Motors

HVAC / Fan
Motors

Special Voltage
Motors

Definite
Purpose Motors

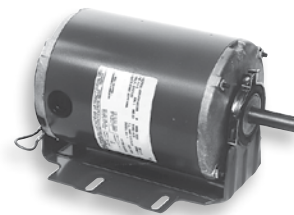
Brake Motors

HVAC – Fan Motors

PSC - Variable Speed - Resilient Base - Single Phase

Features:

- Agricultural fan duty
- Extended thru-bolts
- Totally enclosed air over (TEAO) designs



Single Phase - TEAO - Resilient Base - PSC Type

HP	RPM 60 Hz	NEMA Frame	▼ Catalog Number	Stock	List Price	Model Number	App. Wgt. (lbs)	Voltage	Over- load Prot.	FL Amps @ 230V	Service Factor	"C" Dim. (Inches)	♥Notes
1/4	1625	48Z	LM24445	√	610	SPA4S0.25TZRY1A6027AP11-1	20	115/230	Auto.	1.8	1.00	11.06	S, MX, 16
1/4	1625	48Z	LM24447	C/A	472	SPA4S0.25TZRY1A6027AP10-1	17	115/230	Auto.	1.6	1.00	10.09	S, MX, 16
1/3	1625	48Z	LM24450	√	670	SPA4S0.33TZRY1A6027AP11-1	23	115/230	Auto.	1.9	1.00	11.81	S, MX, 16
1/3	1625	48Z	LM24448	√	520	SPA4S0.33TZRY1A6027AP10-1	17	115/230	Auto.	2.2	1.00	10.09	S, MX, 16
1/3	1075	48Z	LM24443	√	647	SPA6S0.33TZRY1A6027AP10-1	15	115/230	Auto.	2.1	1.00	10.84	S, MX, 16
1/2	1625	48Z	LM24446	√	743	SPA4S0.5TZRY1A6027AP11-1	23	115/230	Auto.	2.7	1.00	11.81	S, MX, 16
1/2	1625	48Z	LM24449	√	575	SPA4S0.5TZRY1A6027AP10-1	21	115/230	Auto.	3.0	1.00	10.84	S, MX, 16
1/2	1075	48Z	LM24444	√	743	SPA6S0.5TZRY1A6027AP10-1	19	115/230	Auto.	3.2	1.00	10.84	S, MX, 16

▼ LM Numbers are Lincoln Models
C/A - Check Availability

♥ Note listing on inside back flap
Specifications are subject to change without notice



Single Phase - TEAO - Rigid Base - PSC Type

HP	RPM 60 Hz	NEMA Frame	Catalog Number	Stock	List Price	Model Number	App. Wgt. (lbs)	Voltage	Over- load Prot.	FL Amps @ 230V	Service Factor	"C" Dim. (Inches)	♥Notes
1/4	1750	48Y	101252.00	√	363	A4P17NB27	19	115/208-230	Auto.	1.5	1.00	10.90	S, MX, 50
1/4	1625	48Y	100699.00	√	363	A4P17NB7	19	115/230	Auto.	1.4	1.00	10.65	S, MX
1/4	1075	48Y	A099260.00	√	379	A4P11NB52	21	115/230	Auto.	1.5	1.00	10.65	S, MX
1/3	1750	48Y	101253.00	√	412	A4P17NB28	22	115/208-230	Auto.	1.9	1.00	10.65	S, MX, 50
1/3	1625	48Y	100700.00	√	412	A4P17NB8	22	115/230	Auto.	1.6	1.00	10.65	S, MX
1/3	1625	56Y	111202.00	C/A	475	A6P17NZ1	24	115/230	Auto.	1.7	1.00	12.00	S, US, 58
1/3	1140	S56Y	100604.00	√	447	A4P11NH1	23	115/230	Auto.	1.8	1.00	11.40	S, MX
1/3	1075	48Y	A099261.00	√	481	A4P11NB53	21	115/230	Auto.	1.8	1.00	10.90	S, MX
1/2	1750	S56Y	101176.00	√	453	A4K17NH2	26	115/230	Auto.	3.5	1.00	10.40	S, MX, 50, 54
1/2	1750	48Y	100701.00	√	442	A4P17NB9	29	115/230	Auto.	2.5	1.00	12.15	S, MX
1/2	1075	48Y	A099946.00	√	463	A4P11NB54	26	115/230	Auto.	2.5	1.00	11.90	S, MX
3/4	1075	56HZ	A099847.00	√	661	A6P11NB5	35	115/230	Auto.	3.7	1.00	13.56	S, MX

C/A - Check Availability

♥ Note listing on inside back flap
Specifications are subject to change without notice

HVAC - Fan Motors

Grain Dryer / Centrifugal Fan Motors

Used in ag fan and blower applications. Screens used to protect against entry of pests and and silage.

Features:

- NEMA Premium and EPEAct efficiency
- Rodent screens
- Re-greasable bearings
- Cast Iron construction
- 1.25 service factor
- Class F insulation
- Inverter duty insulation system
- UL recognized and CSA certified
- Shafts 1 inch longer than NEMA



Three Phase - Open Drip Proof - Rigid Base

HP	RPM 60 Hz	NEMA Frame	Catalog Number	Stock	List Price	Model Number	App. Wgt. (lbs)	Voltage	FL Amps @ 230V	% FL EFF.	"C" Dim. (Inches)	♥Notes
10	1800	215TZ	G151828.60	D	1,149	C215T17DB54	168	208-230/460	25.0	89.5	16.75	C, CN
10	1800	215TZ	171859.60	√	2,194	C215T17DB65	168	208-230/460	25.0	91.7	16.75	C, CN
15	1800	254TZ	G151540.60	D	1,692	C254T17DB12	265	208-230/460	37.6	91.0	21.89	C, CN
15	1800	254TZ	170540.60	√	2,194	C254T17DB45	279	208-230/460	37.0	93.0	20.94	C, CN
20	1800	256TZ	G151541.60	D	2,104	C256T17DB7	307	208-230/460	48.0	91.7	23.54	C, CN
20	1800	256TZ	170541.60	√	2,675	C256T17DB10	324	208-230/460	51.0	93.0	22.60	C, CN
25	1800	284TZ	G151829.60	D	2,301	C284T17DB11	388	208-230/460	59.6	91.7	23.54	C, CN
25	1800	284TZ	171857.60	C/A	3,524	C284T17DB12	388	208-230/460	59.6	93.6	23.54	C, CN
30	1800	286TZ	G151542.60	D	2,931	C286T17DB12	434	208-230/460	72.0	92.4	26.57	C, CN
30	1800	286TZ	170542.60	√	3,603	C286T17DB13	471	208-230/460	71.0	94.1	25.00	C, CN

230/460 volt motors are suitable for use at 208 volts

Shaded model numbers are cast iron frame

Green items are Premium Efficient

D - Item to be discontinued once inventory is depleted
C/A - Check Availability

♥ Note listing on inside back flap
Specifications are subject to change without notice



Explosion Proof
Motors

Automotive
Duty Motors

Pump
Motors

Washguard
Motors

Agricultural
Motors

HVAC / Fan
Motors

Special Voltage
Motors

Definite
Purpose Motors

Brake Motors

HVAC – Fan Motors

Crop Dryer Motors

Features:

- Open air over, fan-on-shaft design
- Continuous duty
- Thermostats provide overload protection
- Extra nameplate provided for remote mount
- Keyed shaft with 1/4-20 UNC tapped hole in end
- Grey epoxy painted
- Rodent screen protection
- Capacitors shipped loose with 215TZ frame motors



Single Phase - Rigid Base - Open Air Over

HP	RPM 60 Hz	NEMA Frame	▼ Catalog Number	Stock	List Price	Model Number	App. Wgt. (lbs)	Voltage	Over- load Prot.	F.L. Amps @ 230V	Service Factor	"C" Dim. (Inches)	♥Notes
3-4.5	3600	145TZ	LM24778	√	1,267	SSD2S3-4.5TZ1B66QS10-1	46	230	Auto	13.0	1.50	13.74	S, MX
5-7	3600	182TZ	131847.00	√	1,488	C182C34DB2	91	230	T-Stat	27.2-35.0	1.00	16.44	S, MX
7.5-10	3600	182TZ	131848.00	√	1,654	C182K34DB4	95	230	T-Stat	31.0-42.0	1.00	16.44	S, MX
7-10	3600	184TZ	LM24780	√	2,073	SSD2S7-10TZ1B66QS11-1	102	230	T-Stat	31.0-42.0	1.40	15.94	S, MX
10-15	3600	215TZ	140640.00	√	2,543	C215K34DB2	159	230	T-Stat	39.5-61.5	1.00	20.42	S, MX
10-15	3600	215TZ	LM24782	√	2,633	SS215D2S10-15TZ1C66QS11-1	135	230	T-Stat	39.5-61.5	1.50	18.16	S, MX
10-15	3600	215TZ	141084.00	√	2,543	C215K34DB3	159	230	T-Stat	40.0	1.00	20.08	S, MX, 52

▼ LM Numbers are Lincoln Models
Note 52 - Extra High Starting Torque

♥ Note listing on inside back flap
Specifications are subject to change without notice

Three Phase - Rigid Base - Open Air Over

HP	RPM 60 Hz	NEMA Frame	Catalog Number	Stock	List Price	Model Number	App. Wgt. (lbs)	Voltage	Over- load Prot.	F.L. Amps @ 230V	Service Factor	"C" Dim. (Inches)	♥Notes
5-7.5	3600	184TZ	131849.00	√	1,205	C184T34DB8	70	208-230/460	T-Stat	19.0	1.00	13.94	S, MX
7.5-10	3600	184TZ	131850.00	√	1,407	C184T34DB9	85	208-230/460	T-Stat	24.2	1.00	15.44	S, MX
10-15	3600	215TZ	140641.00	√	1,697	C215T34DB3	95	208-220/440	T-Stat	40.0	1.50	17.41	S, MX

♥ Note listing on inside back flap
Specifications are subject to change without notice

HVAC - Fan Motors Hatchery and Incubator Fan Motors

Features:

- Automatic overload protected
- 15MFD, 370V capacitor shipped loose with motor
- 101341.00 is a permanent split capacitor motor
- Motor 114102.00 is a split phase two-speed motor
- Double shielded ball bearings



Single Phase - TEAO

HP	RPM 60 Hz	NEMA Frame	Catalog Number	Stock	List Price	Model Number	App. Wgt. (lbs)	Voltage	Over- load Prot.	F.L. Amps @ 230V	Service Factor	"C" Dim. (Inches)	♥Notes
1/4	1625	48Y	101341.00	√	467	A4P17NZ24	17	115/230	Auto.	2.8	1.00	8.93	S, US, 16, 34, 58
1/3	1800	48Z	103878.00	√	504	L4P17NZ149	20	115/230	Auto.	1.65	1.00	9.93	S, MX, 16, 34
1/2-0.22	1725	56H	114102.00	√	609	A6S46NR4	33	115	Auto.	9.3-5.6*	1.25	11.81	S, US

* Full Load amps are at high speed and low speeds, respectively at 115 volts

♥ Note listing on inside back flap
Specifications are subject to change without notice

Variable Speed - High Performance AG Fan Motors

Features:

- Water-tight connection end compartment
- Locked double sealed ball bearings
- All angle mounting
- Shaft seal on output shaft end
- Automatic overload protection



Single Phase - PSC Type - TEAO - Rigid Base - Extended Thru-Bolts

HP	RPM 60 Hz	NEMA Frame	Catalog Number	Stock	List Price	Model Number	App. Wgt. (lbs)	Voltage	Over- load Prot.	F.L. Amps @ 230V	Service Factor	"C" Dim. (Inches)	♥Notes
1/4	1625	48Y	A099899.00	√	359	A4P17NZ139	19	115-208/230	Auto.	1.4	1.00	10.64	S, MX
1/4	1060	48Y	A099460.00	√	388	A4P11NB5	23	115-208/230	Auto.	1.5	1.00	11.14	S, MX
1/3	1625	48Y	A099900.00	√	383	A4P17NZ141	20	115-208/230	Auto.	1.6	1.00	10.89	S, MX
1/3	1060	48Y	A099461.00	√	415	A4P17NZ86	23	115-208/230	Auto.	1.8	1.00	11.14	S, MX
1/2	1625	48Y	A099901.00	√	425	A4P17NZ142	23	115-208/230	Auto.	2.7	1.00	11.39	S, MX
1/2	1060	48Y	A099462.00	√	453	A4P11NZ85	26	115-208/230	Auto.	2.8	1.00	11.39	S, MX

D - Item to be discontinued once inventory is depleted

♥ Note listing on inside back flap
Specifications are subject to change without notice

HVAC – Fan Motors

Agricultural Fan Motors - Belt Drive - TEAO

Features:

- Capacitor start / capacitor run designs for high efficiency
- Mount in airstream for proper cooling
- Combination 56 / 140 frame stamped steel base



High Efficiency - Single Phase - TEAO - Rigid Base

HP	RPM 60 Hz	NEMA Frame	Catalog Number	Stock	List Price	Model Number	App. Wgt. (lbs)	Voltage	Over- load Prot.	FL. Amps @ 230V	Service Factor	"C" Dim. (Inches)	♥Notes
1/2	1725	56	M009580.00	D	520	A6K17NB21	27	115/208-230	-	2.2	1.00	10.33	S, CN
1/2	1725	56	A009580.00	√	520	A6K17NB30	27	115/208-230	-	2.3	1.15	11.44	S, MX
3/4	1725	56H	A009581.00	√	551	A6K17NB29	30	115/208-230	Auto.	3.3	1.00	11.44	S, MX
1	1725	56H	A009782.00	√	573	A6K17NB33	37	115/208-230	Auto.	4.0	1.00	11.44	S, MX
1 1/2	1725	56H	A009594.00	√	683	A6K17NB32	39	115/208-230	Auto.	5.8	1.00	11.94	S, MX
2	1725	145T	A009595.00	√	758	U145K17NB2	47	230	Auto.	9.2	1.00	13.49	S, MX

Note * = Motor M009595.00 has a frame mounted conduit box
D - Item to be discontinued once inventory is depleted

♥ Note listing on inside back flap
Specifications are subject to change without notice

Agriculture Fan

115/230 Volts - Belt Drive - Overload Protection



LM24777 is TEAO Design - Single Phase - TENV - Rigid Base

HP	RPM 60 Hz	NEMA Frame	▼ Catalog Number	Stock	List Price	Model Number	App. Wgt. (lbs)	Voltage	Over- load Prot.	FL. Amps @ 230V	Service Factor	"C" Dim. (Inches)	♥Notes
1/2	1725	56Z	LM24776	√	732	SRN4S0.5TZ1B6027TP2-1	21	115/230	Auto	2.3	1.00	10.47	S, MX, 12, 53
1	1725	56Z	LM24777	√	979	SRA4S1TZ1B6027TP2-1	32	115/230	Auto	4.6	1.00	10.72	S, MX, 53

▼ LM Numbers are Lincoln Models

♥ Note listing on inside back flap
Specifications are subject to change without notice

HVAC - Fan Motors

Lincoln Agriculture Fan Motors

Direct Drive Thru-Bolt Mount

Explosion Proof Motors

Automotive Duty Motors

Pump Motors

Washguard Motors

Agricultural Motors

HVAC / Fan Motors

Special Voltage Motors

Definite Purpose Motors

Brake Motors

Features:

- 1/2" long thru-bolts
- 48Y - 1/2" dia., 1-1/2 long shaft with flat
- 48YZ - 1/2" dia., 2-1/2" long shaft with two flats



Single Speed - Single Phase - TEAO - Thru-Bolt Mount

HP	RPM 60 Hz	NEMA Frame	▼ Catalog Number	Stock	List Price	Model Number	App. Wgt. (lbs)	Voltage	Over- load Prot.	F.L. Amps @ 230V	Service Factor	"C" Dim. (Inches)	♥Notes
1/4	1725	48Y	LM24488	√	445	SPN4S0.25TZNY1S6001TP1-1	10	115	Auto	4.0	1.00	7.62	S, MX

▼ LM Numbers are Lincoln Models

♥ Note listing on inside back flap
Specifications are subject to change without notice

Two Speed - Single Phase - TEAO - Thru-Bolt Mount

HP	RPM 60 Hz	NEMA Frame	▼ Catalog Number	Stock	List Price	Model Number	App. Wgt. (lbs)	Voltage	Over- load Prot.	F.L. Amps @ 230V	Service Factor	"C" Dim. (Inches)	♥Notes
1/4	1725	48YZ	LM24492	√	464	SPA4/6/1S0.25/0.25TZNY1S 6001TP2-1	17	115	Auto	4.1	1.00	11.09	S, MX
1/3	1725	48YZ	LM24491	√	522	SPA4/6/1S0.33/0.33TZNY1S 6001TP2-1	18	115	Auto	5.3	1.00	11.34	S, MX

▼ LM Numbers are Lincoln Models

♥ Note listing on inside back flap
Specifications are subject to change without notice



HVAC – Fan Motors

Lincoln Agriculture Fan Motors

Features:

- Single phase - 115 & 230 Volts
- Extended thru-bolts on 48Z frame motors
- 48Z - 1/2 dia. shaft, 2-1/2 long with two flats
- 56Z - 1/2 dia. shaft, 2-1/2" long shaft with keyway
- Includes 5/8" shaft adaptor sleeve with key



Single Phase - PSC Type - TEAO - Resilient Base

HP	RPM 60 Hz	NEMA Frame	▼ Catalog Number	Stock	List Price	Model Number	App. Wgt. (lbs)	Voltage	Over- load Prot.	FL. Amps @ 230V	Service Factor	"C" Dim. (Inches)	♥Notes
1/4	1725	48Z	LM24487	C/A	464	SPA4S0.25TZRY1S6001TP2-1	17	115	Auto	3.5	1.00	10.09	S, MX
1/3	1725	48Z	LM24486	√	522	SPA4S0.33TZRY1S6001TP2-1	21	115	Auto	4.5	1.00	10.09	S, MX
1/2	1725	56Z	LM24809	C/A	705	SRA4S0.5TZR1S6027TP2-1	24	115/230	Auto	6.6	1.00	11.34	S, MX

▼ LM Numbers are Lincoln Models

♥ Note listing on inside back flap
Specifications are subject to change without notice

Aeration Fan, HVAC

115 & 230 Volts - Single Phase

Features:

- Automatic overload protected
- Sealed bearings
- 18" extended leads
- Shaft has keyway and 1/4-20 UNC tapped hole on end of shaft



Single Phase - TEAO - Rigid Base

HP	RPM 60 Hz	NEMA Frame	▼ Catalog Number	Stock	List Price	Model Number	App. Wgt. (lbs)	Voltage	Over- load Prot.	FL. Amps @ 230V	Service Factor	"C" Dim. (Inches)	♥Notes
1	3600	56Z	LM24786	√	566	SRA2S1TZ1C6027L10MB6TP2-1	29	115/230	Auto	5.6	1.15	10.94	S, MX
1 1/2	3600	143TZ	LM24787	√	642	SSA2S1.5TZ1C6027L10MB6TP2-1	35	115/230	Auto	8.4	1.15	11.49	S, MX
3	3600	145TZ	LM24788	√	791	SS145A2S3TZ1B66L10MB6TP2-1	52	230	Auto	11.8	1.15	13.49	S, MX

▼ LM Numbers are Lincoln Models

♥ Note listing on inside back flap
Specifications are subject to change without notice

NEW! 6-Pole Ratings

HVAC - Fan Motors TEAO Cooling Tower Single Speed Motors



Applications:

Cooling towers, fan and blowers, and other severe duty environments where long life and high efficiency are desired.

Features:

- Complete cast iron construction for rigidity and reduced vibration
- Epoxy painted
- Severe duty treatment of internal parts
- Class F insulation
- F-1 / F-2 capable
- Re-greaseable bearings
- Brass T-drain installed - both ends at 6:00
- Inpro Shaft seal protected
- Shaft grounding ring (SGRs) installed
- Inverter rated IRIS™ insulation system
- 10:1 constant and variable torque rated
- Extra nameplate with CE for external mounting
- Designed for shaft up mounting
- 3-year warranty
- 1.15 S.F. under sine wave power

Three Phase - TEAO - Rigid Base

HP	RPM 60 Hz	NEMA Frame	Catalog Number	Stock	List Price	Model Number	App. Wgt. (lbs)	Voltage	FL Amps @ 230V	% FL EFF.	"C" Dim. (Inches)	♥Notes
3	1800	182T	824528.00	√	1,620	182TTTN16569	123	230/460	8.0	90.2	13.82	C, US
3	1200	213T	824554.00	√	2,126	213TTTN16585	225	230/460	8.8	89.5	17.47	C, US
5	1800	184T	824529.00	√	1,727	184TTTN16542	155	230/460	12.4	90.2	15.82	C, US
5	1200	215T	824555.00	√	2,138	215TTTN16580	300	230/460	13.8	89.5	17.47	C, US
7 1/2	1800	213T	824530.00	√	2,221	213TTTN16536	225	230/460	19.2	91.7	17.47	C, US
7 1/2	1200	254T	824556.00	√	3,383	254TTTNA16580	240	230/460	19.8	91.0	22.56	C, US
10	1800	215T	824531.00	√	2,326	215TTTN16537	300	230/460	25.0	91.7	20.47	C, US
10	1200	256T	824557.00	√	3,595	256TTTNA16577	400	230/460	26.2	91.0	24.31	C, US
15	1800	254T	824532.00	√	3,023	254TTTNA14533	240	230/460	39.0	91.0	20.95	C, US
15	1200	284T	824558.00	√	3,890	284TTTNA16578	500	230/460	41.0	91.7	26.97	C, US
20	1800	256T	824533.00	√	3,195	256TTTNA14533	400	230/460	50.0	91.0	22.70	C, US
20	1200	286T	824559.00	√	4,300	286TTTNA16576	500	230/460	53.5	91.7	26.97	C, US
25	1800	284T	824534.00	√	3,799	284TTTNA14536	500	230/460	63.0	92.4	26.97	C, US
25	1200	324T	824560.00	√	5,988	324TTTS16579	550	230/460	65.0	93.0	26.14	C, US
30	1800	286T	824535.00	√	4,430	286TTTNA14531	500	230/460	74.0	92.4	26.19	C, US
30	1200	326T	824561.00	√	6,006	326TTTS16578	600	230/460	77.0	93.0	27.64	C, US
40	1800	324T	824536.00	√	5,743	324TTTNA14532	550	230/460	100.0	93.0	28.10	C, US
40	1200	364T	824562.00	√	10,179	364TTTS16576	850	230/460	100.0	94.1	29.01	C, US
50	1800	326T	824537.00	√	7,233	326TTTNA14532	600	230/460	122.0	93.0	29.60	C, US
50	1200	365T	824563.00	√	10,486	365TTTS16578	1000	230/460	123.0	94.5	30.01	C, US
60	1800	364T	824538.00	√	10,122	364TTTS14531	850	230/460	144.0	93.6	28.88	C, US
60	1200	404T	824564.00	√	13,589	404TTTS16576	1250	230/460	144.0	94.5	34.38	C, US
75	1800	365T	824539.00	√	12,601	365TTTS14533	1000	230/460	178.0	94.1	29.88	C, US
75	1200	405T	824565.00	√	14,293	405TTTS16578	1250	230/460	179.0	95.0	34.38	C, US
100	1800	405T	824540.00	√	15,604	405TTTS14531	1250	230/460	228.0	94.5	34.25	C, US
100	1200	444T	824566.00	√	20,864	444TTTN16578	1990	230/460	240.0	95.4	40.13	C, US
125	1800	444T	824541.00	√	20,088	444TTTN14531	1990	460	143*	94.5	40.03	C, US
125	1200	445T	824567.00	√	23,194	445TTTN16579	2343	460	148 *	95.4	40.05	C, US
150	1800	445T	824542.00	√	23,920	445TTTN14532	2343	460	172*	95.0	40.13	C, US
150	1200	445T	824568.00	√	26,232	445TTTN16578	2556	460	181 *	95.8	40.13	C, US
200	1800	445T	824543.00	√	28,551	445TTTN14533	2556	460	225*	95.0	40.13	C, US
200	1200	449T	824569.00	C/A	33,338	449TTTS16577	2409	460	240 *	95.8	48.62	C, US
250	1800	449T	824544.00	√	27,590	449TTTS14531	2409	460	290*	95.0	48.62	C, US
250	1200	449T	824570.00	C/A	36,931	449TTTS16576	2409	460	300 *	95.8	48.62	C, US

* - Amps at 460 Volts

♥ Note listing on inside back flap
Specifications are subject to change without notice



Explosion Proof
Motors

Automotive
Duty Motors

Pump
Motors

Washguard
Motors

Agricultural
Motors

HVAC / Fan
Motors

Special Voltage
Motors

Definite
Purpose Motors

Brake Motors

Kiln Duty Motors

TEAO - Severe Duty

NEW!

Applications:

Fans found in kilns and other high ambient environments where long life and high efficiency are desired. These TEAO motors must be mounted within the airstream for proper cooling. Suitable for use on variable frequency drives.

Features:

- Cast iron construction for rigidity and reduced vibration
- Internal and external epoxy paint
- IRIS™ Inverter duty insulation system
- Class H insulation system
- Normally closed thermostats (one per phase, Class H)
- Heat stabilized ball bearings and high temperature grease
- Suitable for inverter use for 20:1 Variable Torque with 1.0 S.F. in 90°C ambient
- Suitable for 90°C ambient at 1.15 S.F. or 100°C ambient at 1.0 S.F.
- Extended grease tubes, regreasable in service
- 8 Foot Leads
- UL Recognized and CSA Certified

Three Phase - TEAO - Rigid Base

HP	RPM 60 Hz	NEMA Frame	Catalog Number	Stock	List Price	App. Wgt. (lbs)	Voltage	FL. Amps @ 230V	% FL. EFF.	"C" Dim. (Inches)	♥Notes
2	1800	145T	824573.00	√	2,036	68	460	2.8	85.5	11.43	C, US
2	1200	184T	824574.00	√	2,816	115	460	3.0	87.5	13.71	C, US
3	1800	182T	824575.00	√	2,753	99	460	3.9	90.2	13.71	C, US
3	1200	213T	824576.00	√	2,990	175	460	4.3	89.5	15.69	C, US
5	1200	215T	824577.00	√	3,443	185	460	6.9	87.5	17.19	C, US
7 1/2	1200	254T	824578.00	√	4,223	660	460	9.8	90.2	20.60	C, US
10	1200	256T	824579.00	√	4,842	140	460	12.8	91.0	22.35	C, US
10	900	284T	824580.00	√	5,019	475	460	15.2	88.5	23.44	C, US
15	1800	254T	824581.00	√	3,985	276	460	18.2	92.4	20.60	C, US
15	1200	284T	824582.00	√	5,799	425	460	20.5	91.7	23.44	C, US
20	1200	286T	824583.00	√	6,351	520	460	27.0	91.7	24.94	C, US
20	900	324T	824584.00	C/A	7,761	536	460	29.5	90.2	26.00	C, US
25	1200	324T	824585.00	C/A	7,979	675	460	33.0	92.4	26.00	C, US
30	1200	326T	824586.00	C/A	8,449	725	460	38.0	93.0	27.50	C, US

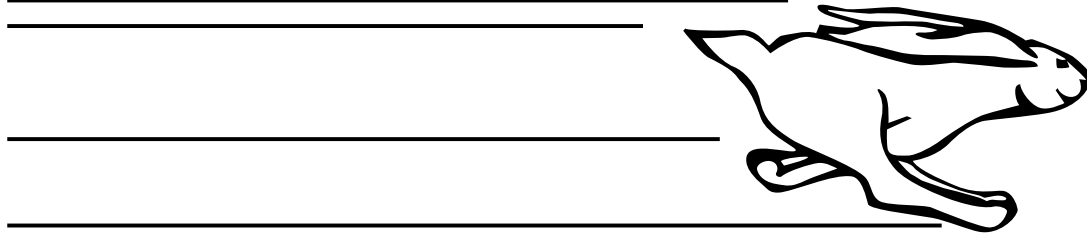
Shaded model numbers are cast iron frame

♥ Note listing on inside back flap

Specifications are subject to change without notice

C/A - Check Availability

Custom **PDQ**



PDQ Modular Production Program

Custom Multi-Speed, Low Speed and Modified Motors, one or several at a time, on a quick turnaround basis.

LEESON's "Modular Production" utilizes specially designed and standard components to make almost any imaginable NEMA frame multi-speed or low-speed motor available when you need it.

Quick Turnaround-LEESON's Custom PDQ can provide quick answers to inquiries and fast turnaround for orders of highly customized motors.

Comprehensive Catalog - Features the industry's most extensive two-speed and low speed motor selection as well as a listing of commonly requested modifications. Call for your copy of LEESON Catalog 1057 - Multi-Speed, Low-Speed and Modified Motors.

Full Fact Acknowledgement - With Custom PDQ all custom motors are promptly and fully acknowledged upon receipt of order. The acknowledgement includes the complete motor specification pricing and shipping date.

Motors of 254T frame and larger are of cast iron construction with all the rugged features of LEESON's stock single-speed motors described on pages 40 & 41 of this catalog. All two-speed designs are class F insulated and have a 1.15 S.F.



Whether for the everyday or not-so-everyday needs, Custom PDQ gives you the ability to say "Yes" to requests for customized motors.

Multi-speed

Two, three and four-speed motors

Low Speed

900, 720, 600, 450 and 300 rpm

Modified as per Catalog 1057 - Some examples are:

- Anti-condensation heaters
- Brakemotors, custom
- Cooling tower specifications
- Downsized frames
- Epoxy and fungus proofing
- 50 Hz
- Premium-efficiency, North American manufacture
- Insulation, special
- Marine duty (below deck)
- Part winding (low and high voltages)
- Shafts, modified
- Thermostats
- Thermistors
- Washdown service
- IEEE841 conversion of WATSAVER® motors
- Voltages (non-standard)

...and many more

For quotations, availability, and application assistance phone toll-free to our Canadian manufacturing facility.

CUSTOM PDQ
1-800-463-1797



Explosion Proof
Motors

Automotive
Duty Motors

Pump
Motors

Washguard
Motors

Agricultural
Motors

HVAC / Fan
Motors

Special Voltage
Motors

Definite
Purpose Motors

Brake Motors

Special Voltage Motors

**General Purpose – Totally Enclosed & Drip-Proof - 575 Volt - 200/400 Volt
50 HZ - Medium Voltage Designs
Steel Frame – Aluminum Frame – Cast Iron Frame**



- Standard, EPart and Premium efficient ratings
- Inverter rated
- Class B insulation systems – 42, 48 and 56 frames
- Class F insulation system – 140 frame and higher
- Shielded ball bearings for direct coupled applications.
Contact your local sales office for belted load applications
- Rolled steel, aluminum, and cast iron frame material designs
- Continuous duty
- Dynamically balanced rotors
- Torques exceed NEMA performance standards
- UL recognized and CSA certified

Applications:

For use where special voltages are required. Ideally suited for use on pumps, compressors, fans, blowers, conveyors, machine tools and other industrial applications



Special Voltage Motors

575 Volt - Three Phase - TEFC



Three Phase - TEFC - Rigid Base

HP	RPM 60 Hz	NEMA Frame	▼ Catalog Number	Stock	List Price	Model Number	App. Wgt. (lbs)	Voltage	FL. Amps @ 575V	% FL. Eff.	Service Factor	"C" Dim. (Inches)	♥Notes
1/2	3600	56	110714.00	√	428	C6T34NB6	25	575	0.6	82.5	1.15	10.40	S, US, 12
1/2	1800	56	110199.00	√	467	C6T17NB4	25	575	0.8	78.5	1.15	9.88	S, US, 12
1/2	1800	56	LM24154	√	487	SRF4S.5T65	22	575	0.9	70.0	1.25	10.72	S, MX
1/2	1800	S56	101051.00	√	467	C4T17FH3	24	575	0.8	68.0	1.15	9.94	S, MX
1/2	1200	56	LM24295	C/A	704	SRF6S0.5T65	24	575	1.1	68.0	1.15	11.82	S, MX
3/4	3600	56	110354.00	√	471	C6T34FB8	22	575	0.9	75.5	1.15	10.81	S, US
3/4	1800	56	110178.00	√	496	C6T17FB3	22	575	1.1	77.0	1.15	10.81	S, US
3/4	1200	56	111394.00	√	706	C6T11FB8	30	575	1.2	75.5	1.15	11.81	S, US
1	3600	56	110715.00	√	551	C6T34FB15	24	575	1.3	77.0	1.15	10.81	S, US
1	1800	56	110206.00	D	521	C6T17FB4	24	575	1.5	77.0	1.15	10.98	S, US
1	1800	56	LM25097	D	541	SRF4S1T65	27	575	1.5	77.0	1.15	12.32	S, MX
1	1800	56	119539.00	√	767	C6T17FB184	31	575	1.3	85.5	1.15	12.93	S, MX
1	1800	143T	LM24109	D	606	SSF4P1T65	36	575	1.2	82.5	1.25	12.87	S, MX
1	1800	143T	121937.00	√	794	C143T17FB29	32	575	1.1	85.5	1.15	13.25	S, US
1	1200	145T	121938.00	√	939	C145T11FB31	47	575	1.4	82.5	1.25	13.43	S, US
1 1/2	3600	145T	121939.00	√	812	C145T34FB41	33	575	1.6	84.0	1.25	13.25	S, US
1 1/2	1800	56	110893.00	D	587	C6T17FB37	30	575	2.0	78.5	1.15	11.81	S, US
1 1/2	1800	56	119540.00	√	808	C6T17FB185	33	575	1.9	86.5	1.15	12.98	S, US
1 1/2	1800	145T	LM24142	D	580	SSF4P1.5T65	48	575	1.7	84.0	1.15	14.37	S, MX
1 1/2	1800	145T	121940.00	√	824	C145T17FB90	34	575	1.8	86.5	1.15	13.43	S, US
1 1/2	1200	182T	132251.00	√	1,369	C182T11FB13	89	575	2.5	87.5	1.15	14.46	S, MX
2	3600	56H	LM25100	D	694	SRF2S2T65	39	575	2.8	80.0	1.15	11.82	S, US
2	3600	145T	LM25103	D	754	SSF2P2T65	39	575	2.1	84.0	1.25	13.37	S, US
2	3600	145T	121941.00	√	888	C145T34FB42	44	575	2.1	85.5	1.15	13.43	S, US
2	1800	145T	LM24108	D	610	SSF4PT65	45	575	2.2	84.0	1.25	13.87	S, MX
2	1800	145T	121942.00	√	858	C145T17FB91	45	575	2.2	86.5	1.15	14.43	S, US
2	1200	184T	132252.00	√	1,394	C184T11FB26	92	575	2.9	88.5	1.15	14.96	S, MX

▼ LM Numbers are Lincoln Models

Green items are Premium Efficient

Note 12 - TENV

D - Item to be discontinued once inventory is depleted

C/A - Check Availability

Other stock 575V motors are available from LEESON through our Canadian facility.

Continued To Next Page

♥ Note listing on inside back flap
Specifications are subject to change without notice



Explosion Proof
Motors

Automotive
Duty Motors

Pump
Motors

Washguard
Motors

Agricultural
Motors

HVAC / Fan
Motors

Special Voltage
Motors

Definite
Purpose Motors

Brake Motors

Special Voltage Motors

575 Volt - Three Phase - TEFC

Three Phase - TEFC - Rigid Base

HP	RPM 60 Hz	NEMA Frame	▼ Catalog Number	Stock	List Price	Model Number	App. Wgt. (lbs)	Voltage	FL. Amps @ 575V	% F.L. Eff.	Service Factor	"C" Dim. (Inches)	♥Notes
3	3600	182T	171624.60	√	1,232	C182T34FB7	66	575	3.0	86.5	1.15	13.96	C, CN
3	3600	182T	LM16383	D	908	AF2P3T65	72	575	3.0	85.5	1.25	14.19	A, US
3	3600	182T	LM33601	C/A	1,015	AF2B3T65AP26	83	575	3.1	86.5	1.25	14.96	A, MX
3	1800	182T	132253.00	√	971	C182T17FB52	80	575	3.3	89.5	1.15	14.96	S, MX
3	1800	182T	LM16384	D	818	AF4P3T65	77	575	3.4	87.5	1.25	14.19	A, US
3	1800	182T	LM33603	C/A	1,024	AF4B3T65AP26	83	575	3.4	89.5	1.25	14.19	A, MX
5	3600	184T	132254.00	√	1,101	C184T34FB24	88	575	4.8	88.5	1.15	16.46	S, MX
5	1800	184T	132255.00	√	1,067	C184T17FB64	94	575	5.2	89.5	1.15	15.96	S, MX
5	1800	184T	LM16387	D	945	AF4P5T65	88	575	5.2	87.5	1.25	15.19	A, US
5	1800	184T	LM33488	D	945	AF4P5T65AP26	88	575	5.2	87.5	1.25	14.96	A, MX
5	1800	184T	LM34215	√	1,186	AF4B5T65AP26	95	575	5.1	89.5	1.00	14.96	A, MX
5	1200	215T	LM16388	D	1,713	AF6P5T65	155	575	6.0	87.5	1.25	18.70	A, US
5	1200	215T	LM34214	√	1,943	AF6B5T65	159	575	5.5	89.5	1.00	18.84	A, US
5	900	254T	LM33171	D	2,779	AF8P5T65	165	575	6.0	85.5	1.15	23.40	A, US
5	900	254T	LM34117	C/A	2,861	AF8B5T65	165	575	6.0	86.5	1.15	23.51	A, US
7 1/2	3600	213T	170196.60	√	1,571	C213T34FB43	156	575	7.4	90.2	1.25	19.84	C, CN
7 1/2	1800	213T	141116.00	√	1,371	C213T17FB20	144	575	8.2	91.7	1.25	18.70	S, MX
7 1/2	1800	213T	141291.00	√	1,371	C213T17FB24	144	575	7.7	91.7	1.15	18.73	S, MX
7 1/2	1800	213T	LM16391	D	1,518	AF4P7.5T65	160	575	8.0	91.0	1.25	19.70	A, US
7 1/2	1800	213T	LM34216	√	1,866	AF4B7.5T65	162	575	7.7	91.7	1.00	18.84	A, US
10	3600	215T	170197.60	√	1,861	C215T34FB48	181	575	9.5	91.7	1.25	19.61	C, CN
10	1800	215T	170212.60	√	1,807	C215T17FB44	177	575	10.1	91.7	1.25	19.61	C, CN
10	1800	215T	LM16395	D	1,678	AF4P10T65	138	575	10.8	89.5	1.25	18.70	A, US
10	1800	215T	LM34217	√	1,979	AF4B10T65	165	575	10.7	91.7	1.00	18.84	A, US

Shaded model numbers are cast iron frame

Continued To Next Page

▼ LM Numbers are Lincoln Models

Green items are Premium Efficient

D - Item to be discontinued once inventory is depleted

C/A - Check Availability

Other stock 575V motors are available from LEESON through our Canadian facility.

♥ Note listing on inside back flap
Specifications are subject to change without notice



Three Phase - TEFC - Rigid Base

HP	RPM 60 Hz	NEMA Frame	▼ Catalog Number	Stock	List Price	Model Number	App. Wgt. (lbs)	Voltage	FL Amps @ 575V	% FL Eff.	Service Factor	"C" Dim. (Inches)	♥Notes
15	3600	254T	170198.60	√	2,528	C254T34FB5	282	575	13.8	92.4	1.25	23.19	C, CN
15	1800	254T	170116.60	√	2,889	C254T17FB11	280	575	14.8	92.4	1.25	23.19	C, CN
15	1800	254T	LM16400	D	2,906	AF4P15T65	240	575	15.6	91.0	1.25	23.40	A, US
15	1800	254T	LM17076	√	3,046	AF4B15T65	240	575	15.6	92.4	1.25		A, US
20	3600	256T	170199.60	√	3,091	C256T34FB11	316	575	18.4	92.4	1.25	24.92	C, CN
20	1800	256T	170117.60	√	3,060	C256T17FB5	322	575	19.2	93.0	1.25	24.92	C, CN
20	1800	256T	LM15919	D	2,557	AF4P20T65	236	575	20.0	91.0	1.25	25.15	A, US
20	1800	256T	LM17079	√	2,991	AF4B20T65	295	575	21.0	93.0	1.25	25.15	A, US
25	3600	284TS	170224.60	√	4,019	C284T34FB6	383	575	22.0	93.0	1.25	24.88	C, CN
25	1800	284T	LM16407	D	3,633	AF4P25T65	320	575	26.4	92.4	1.25	26.62	A, US
25	1800	284T	170118.60	√	3,796	C284T17FB6	385	575	23.7	93.6	1.25	26.26	C, CN
30	3600	286TS	170228.60	√	4,744	C286T34FB6	385	575	26.2	93.0	1.25	26.46	C, CN
30	1800	286T	170119.60	√	4,422	C286T17FB6	432	575	29.0	94.1	1.25	27.83	C, CN
30	1800	286T	LM19595	D	4,086	AF4P30T65Y	585	575	30.5	92.4	1.25	28.12	A, US
30	1800	286T	LM20086	√	4,658	AF4B30T65Y	585	575	30.0	93.6	1.25	27.88	A, US
40	3600	324TS	170232.60	√	5,917	C324T34FB4	504	575	36.0	93.6	1.25	28.03	C, CN
40	1800	324T	170120.60	√	5,874	C324T17FB6	528	575	38.1	94.1	1.25	29.53	C, CN
40	1800	324T	LM14408	C/A	8,930	SF4B40T65Y	504	575	42.4	94.1	1.25	28.50	S, US
50	3600	326TS	LM14398	D	6,941	SF2P50TS65Y	558	575	45.0	92.4	1.15	28.50	S, US
50	3600	326TS	LM14410	C/A	8,027	SF2B50TS65Y	558	575	45.0	93.0	1.15		S, US
50	1800	326T	170121.60	√	7,094	C326T17FB8	587	575	46.7	94.5	1.25	31.02	C, CN
50	1800	326T	LM14399	D	5,906	SF4P50T65Y	558	575	51.6	93.0	1.25	30.00	S, US
50	1800	326T	LM14411	√	9,121	SF4B50T65Y	558	575	51.6	94.5	1.25		S, US

Shaded model numbers are cast iron frame

Continued To Next Page

▼ LM Numbers are Lincoln Models

Green items are Premium Efficient

D - Item to be discontinued once inventory is depleted

C/A - Check Availability

Other stock 575V motors are available from LEESON through our Canadian facility.

♥ Note listing on inside back flap
Specifications are subject to change without notice

Special Voltage Motors

575 Volt - Three Phase - TEFC

Three Phase - TEFC - Rigid Base

HP	RPM 60 Hz	NEMA Frame	▼ Catalog Number	Stock	List Price	Model Number	App. Wgt. (lbs)	Voltage	FL Amps @ 575V	% FL Eff.	Service Factor	"C" Dim. (Inches)	♥Notes
60	3600	364TS	LM18367	D	10,371	SF2P60TS65Y	765	575	53.0	93.0	1.25	29.77	S, US
60	3600	364TS	LM18370	C/A	9,955	SF2B60TS65Y	765	575	53.0	95.0	1.25	29.77	S, US
60	1800	364T	170239.60	√	10,090	C364T17FB7	988	575	54.4	95.4	1.25	32.64	C, CN
60	1800	364T	LM18366	C/A	8,546	SF4P60T65Y	765	575	58.0	93.6	1.25	31.90	S, US
60	1800	364T	LM18369	C/A	12,326	SF4B60T65Y	765	575	58.0	95.0	1.25	31.90	S, US
75	3600	365TS	LM18373	D	10,985	SF2P75TS65Y	822	575	66.5	93.0	1.25	30.77	S, US
75	3600	365TS	LM18376	C/A	12,826	SF2B75TS65Y	822	575	66.5	95.0	1.25	30.77	S, US
75	1800	365T	170244.60	√	12,592	C365T17FB5	1050	575	68.7	95.8	1.25	33.62	C, CN
75	1800	365T	LM18372	D	10,780	SF4P75T65Y	822	575	73.0	94.1	1.25	32.90	S, US
75	1800	365T	LM18375	√	12,343	SF4B75T65Y	822	575	73.0	95.4	1.25	32.90	S, US
100	3600	405TS	LM18290	C/A	15,029	SF2B100TS65Y	1002	575	85.0	94.1	1.15	35.40	S, US
100	1800	405T	170253.60	C/A	15,658	C405T17FB5	1070	575	89.6	95.4	1.25	37.91	C, CN
100	1800	405T	LM18292	D	13,024	SF4P100T65Y	1002	575	97.5	94.5	1.15	38.40	S, US
100	1800	405T	LM18307	C/A	14,911	SF4B100T65Y	1002	575	97.5	95.4	1.15	38.40	S, US
100	1200	444T	LM15121	C/A	21,552	SF6B100T65Y	1351	575	109.0	95.4	1.15	41.58	S, US
125	3600	444TS	LM15078	D	18,304	SF2P125TS65Y	1351	575	106.0	94.5	1.15	37.49	S, US
125	3600	444TS	LM15119	C/A	23,109	SF2B125TS65Y	1351	575	106.0	95.8	1.15	37.49	S, US
125	1800	444T	LM15079	D	17,409	SF4P125T65Y	1351	575	117.0	94.5	1.15	41.58	S, US
125	1800	444T	LM15120	C/A	19,933	SF4B125T65Y	1351	575	117.0	95.4	1.15	41.58	S, US
150	3600	445TS	LM15084	D	22,652	SF2P150TS65Y	1504	575	—	94.5	1.15	—	S, US
150	3600	445TS	LM34432	C/A	24,926	SF2B150TS65Y	1504	575	—	95.0	1.15	—	S, US
150	1800	445T	LM15085	D	20,193	SF4P150T65Y	1531	575	136.0	95.0	1.15	43.56	S, US
150	1800	445T	LM15126	C/A	25,058	SF4B150T65Y	1531	575	136.0	96.2	1.15	43.56	S, US
200	3600	445TS	LM15081	D	28,706	SF2P200TS65Y	1504	575	—	95.0	1.15	—	S, US
200	3600	445TS	LM15122	C/A	30,677	SF2B200TS65Y	1531	575	—	96.2	1.15	—	S, US
200	1800	445T	LM15082	D	24,974	SF4P200T65Y	1531	575	188.0	95.0	1.15	43.58	S, US
200	1800	445T	LM15123	C/A	30,166	SF4B200T65Y	1531	575	188.0	96.2	1.15	43.58	S, US
250	3600	447TS	LM15087	D	34,675	SF2P250TS65Y	1812	575	—	95.4	1.00	—	S, US
250	3600	447TS	LM34340	C/A	36,114	SF2B250TS65Y	1812	575	—	95.8	1.00	—	S, US
250	1800	447T	LM15092	D	29,808	SF4P250T65Y	1812	575	231.0	95.0	1.15	—	S, US
250	1800	447T	LM15130	C/A	36,000	SF4B250T65Y	1812	575	226.0	96.2	1.15	47.08	S, US
300	3600	449TS	LM15098	D	42,381	S449F2P300TS65Y	2185	575	—	95.4	1.15	—	S, US
300	3600	449TS	LM15138	C/A	54,511	S449F2B300TS65Y	2185	575	—	95.8	1.15	—	S, US
300	1800	447T	LM15089	D	31,163	SF4P300T65Y	1800	575	282.0	95.4	1.00	47.08	S, US
300	1800	447T	LM15129	C/A	39,409	SF4B300T65Y	1812	575	282.0	96.2	1.15	47.08	S, US

Shaded model numbers are cast iron frame

♥ Note listing on inside back flap
Specifications are subject to change without notice

▼ LM Numbers are Lincoln Models

Green items are Premium Efficient

D - Item to be discontinued once inventory is depleted

C/A - Check Availability

Other stock 575V motors are available from LEESON through our Canadian facility.



Special Voltage Motors

575 Volt - TEFC - C Face Less Base

Three Phase - TEFC - C Face Less Base

HP	RPM 60 Hz	NEMA Frame	Catalog Number	Stock	List Price	Model Number	App. Wgt. (lbs)	Voltage	FL. Amps @ 575V	% FL. Eff.	Service Factor	"C" Dim. (Inches)	♥Notes
1/2	1800	56C	110176.00	√	496	C6T17NC10	20	575	0.8	79.0	1.15	9.94	S, US, 12
3/4	1800	56C	110177.00	√	532	C6T17FC7	21	575	1.1	77.0	1.15	10.81	S, US, 13
1	1800	56C	110204.00	D	569	C6T17FC8	30	575	1.5	77.0	1.15	11.31	S, US, 13
1	1800	56C	119542.00	√	915	C6T17FC251	34	575	1.3	85.5	1.15	12.48	S, US, 13
1	1800	143TC	G120176.00	D	586	C143T17FC22	32	575	1.2	82.5	1.15	12.25	S, US, 13
1	1800	143TC	122227.00	√	915	C143T17FC46	35	575	1.3	85.5	1.15	12.67	S, US, 13
1 1/2	1800	56C	111444.00	D	602	C6T17FC39	33	575	2.0	78.5	1.15	11.81	S, US, 13
1 1/2	1800	56C	119543.00	√	965	C6T17FC252	37	575	1.9	86.5	1.15	12.98	S, US, 13
1 1/2	1800	145TC	G120177.00	D	634	C145T17FC61	31	575	1.8	84.0	1.15	12.75	S, US, 13
1 1/2	1800	145TC	122228.00	√	965	C145T17FC134	38	575	1.9	86.5	1.15	13.75	S, US, 13
2	3600	56C	111611.00	D	665	C6T34FC26	34	575	2.2	82.5	1.15	12.31	S, US, 13
2	3600	56C	119544.00	√	962	C6T34FC133	42	575	1.9	85.5	1.15	12.98	S, US, 13
2	1800	145TC	G120178.00	D	676	C145T17FC60	45	575	2.3	84.0	1.15	13.75	S, US, 13
2	1800	145TC	122229.00	√	962	C145T17FC129	43	575	2.3	86.5	1.15	13.92	S, US, 13
3	1800	182TC	G131498.00	D	778	C182T17FC36	68	575	3.3	87.5	1.15	13.97	S, US, 13
3	1800	182TC	132461.00	√	1,087	C182T17FC43	75	575	3.1	89.5	1.15	13.97	S, US, 13
5	1800	184TC	G131499.00	D	938	C184T17FC47	76	575	5.2	87.5	1.15	14.97	S, MX, 13
5	1800	184TC	132462.00	√	1,173	C184T17FC52	99	575	5.1	89.5	1.15	15.47	S, MX, 13

Green items are Premium Efficient

D - Item to be discontinued once inventory is depleted

Note 12 - TENV

Other stock 575V motors are available from LEESON through our Canadian facility.

♥ Note listing on inside back flap
Specifications are subject to change without notice



Explosion Proof
Motors

Automotive
Duty Motors

Pump
Motors

Washguard
Motors

Agricultural
Motors

HVAC / Fan
Motors

Special Voltage
Motors

Definite
Purpose Motors

Brake Motors

Special Voltage Motors

TEFC - 575 Volt - C Face With Base

Three Phase - TEFC - C Face With Base

HP	RPM 60 Hz	NEMA Frame	Catalog Number	Stock	List Price	Model Number	App. Wgt. (lbs)	Voltage	FL Amps @ 575V	% FL Eff.	Service Factor	"C" Dim. (Inches)	♥Notes
1/2	1800	56C	LM24355	C/A	540	SRF4S0.5TC65	18	575	0.9	70.0	1.15	10.69	S, MX
3/4	1800	56C	LM24354	C/A	576	SRF4S0.75TC65	21	575	1.1	75.5	1.15	11.19	S, MX
1	3600	56C	LM25045	D	619	SRF2S1TC65	25	575	1.5	74.0	1.15	11.81	S, US
1	3600	56C	LM34221	C/A	663	SRF2B1TC65	25	575	1.3	77.0	1.15		S, US
1	1800	56C	LM25046	√	597	SRF4S1TC65	26	575	1.4	77.0	1.15	12.31	S, MX
1	1800	56C	LM34218	√	947	SRF4B1TC65	26	575	1.4	85.5	1.15		S, MX
1	1800	143TC	LM25051	D	624	SSF4P1TC65	41	575	1.2	82.5	1.25	12.87	S, MX
1	1800	143TC	LM34222	C/A	947	SSF4B1TC65	41	575	1.2	85.5	1.25		S, MX
1 1/2	3600	56C	LM25047	D	631	SRF2S1.5TC65	41	575	1.9	80.0	1.15	12.32	S, MX
1 1/2	3600	56C	LM34225	C/A	846	SRF2B1.5TC65	41	575	—	84.0	1.15		S, MX
1 1/2	1800	56HC	LM25048	D	631	SRF4S1.5TC65	31	575	1.9	80.0	1.15	12.32	S, MX
1 1/2	1800	56HC	LM34223	√	982	SRF4B1.5TC65	31	575	—	86.5	1.15		S, MX
1 1/2	1800	145TC	LM24158	D	634	SSF4P1.5TC65	49	575	1.7	84.0	1.15	14.37	S, MX
1 1/2	1800	145TC	LM34224	√	982	SSF4B1.5TC65	49	575	—	86.5	1.15		S, MX
2	3600	56HC	LM25049	D	748	SRF2S2TC65	31	575	2.4	80.0	1.15	12.32	S, US
2	3600	56HC	LM34227	C/A	851	SRF2B2TC65	31	575	—	85.5	1.15		S, US
2	1800	56HC	LM25050	D	640	SRF4S2TC65	50	575	2.3	82.5	1.15	13.82	S, US
2	1800	56HC	LM34228	√	1,026	SRF4B2TC65	50	575	—	86.5	1.15		S, US
2	1800	145TC	LM24137	D	666	SSF4P2TC65	47	575	2.3	84.0	1.15	13.87	S, MX
2	1800	145TC	LM34229	C/A	1,026	SSF4B2TC65	47	575	2.4	86.5	1.15		S, MX
3	3600	182TC	LM33612	D	993	AF2P3TC65AP26	95	575	3.0	85.5	1.25	14.19	A, MX
3	3600	182TC	LM33611	C/A	1,242	AF2B3TC65AP26	95	575	3.1	87.5	1.25	15.19	A, MX
3	1800	182TC	LM33614	D	899	AF4P3TC65AP26	95	575	3.4	87.5	1.25	14.19	A, MX
3	1800	182TC	LM33613	C/A	1,100	AF4B3TC65AP26	95	575	3.2	89.5	1.25	14.97	A, MX
5	3600	184TC	LM33616	D	1,186	AF2P5TC65AP26	104	575	5.0	87.5	1.25	15.19	A, MX
5	3600	184TC	LM33615	C/A	1,416	AF2B5TC65AP26	104	575	4.8	88.5	1.25	14.97	A, MX
5	1800	184TC	LM16593	D	1,028	AF4P5TC65	104	575	5.2	87.5	1.25	15.19	A, MX
5	1800	184TC	LM33617	C/A	1,276	AF4B5TC65AP26	104	575	5.1	89.5	1.25	14.97	A, MX
5	1200	215TC	LM16594	D	1,811	AF6P5TC65	149	575	6.0	87.5	1.25	18.70	A, US
5	1200	215TC	LM34230	C/A	2,036	AF6B5TC65	149	575	5.5	89.5	1.25	19.57	A, US

▼ LM Numbers are Lincoln Models

Continued To Next Page

Green items are Premium Efficient

D - Item to be discontinued once inventory is depleted

C/A - Check Availability

♥ Note listing on inside back flap
Specifications are subject to change without notice



Three Phase - TEFC - C Face With Base

HP	RPM 60 Hz	NEMA Frame	▼ Catalog Number	Stock	List Price	Model Number	App. Wgt. (lbs)	Voltage	FL Amps @ 575V	% FL Eff.	Service Factor	"C" Dim. (Inches)	♥Notes
7 1/2	3600	213TC	LM16595	D	1,501	AF2P7.5TC65	175	575	7.2	88.5	1.25	17.20	A, US
7 1/2	3600	213TC	LM17186	C/A	1,716	AF2B7.5TC65	138	575	7.2	91.0	1.25	17.20	A, US
7 1/2	1800	213TC	LM16596	D	1,484	AF4P7.5TC65	127	575	8.0	89.5	1.25	19.70	A, US
7 1/2	1800	213TC	LM17187	C/A	1,655	AF4B7.5TC65	138	575	8.0	91.0	1.25	19.70	A, US
10	3600	215TC	LM16598	D	1,959	AF2P10TC65	210	575	9.4	89.5	1.25	19.61	A, US
10	3600	215TC	LM17189	C/A	2,143	AF2B10TC65	149	575	9.4	91.0	1.25	19.61	A, US
10	1800	215TC	LM16599	D	1,572	AF4P10TC65	200	575	10.8	89.5	1.25	18.70	A, US
10	1800	215TC	LM17190	C/A	2,064	AF4B10TC65	149	575	10.8	91.0	1.25	18.70	A, US
15	3600	254TC	LM16601	D	2,627	AF2P15TC65	185	575	13.8	90.2	1.25	23.19	A, US
15	3600	254TC	LM17192	C/A	2,826	AF2B15TC65	221	575	13.8	91.7	1.25	23.19	A, US
15	1800	254TC	LM16602	D	2,284	AF4P15TC65	260	575	15.6	91.0	1.25	23.40	A, US
15	1800	254TC	LM17193	C/A	2,546	AF4B15TC65	221	575	15.6	92.4	1.25	23.40	A, US
20	3600	256TC	LM16604	D	2,854	AF2P20TC65	248	575	18.8	90.2	1.25	24.24	A, US
20	3600	256TC	LM17195	C/A	3,338	AF2B20TC65	248	575	18.8	91.7	1.25	24.24	A, US
20	1800	256TC	LM16605	D	2,689	AF4P20TC65	300	575	20.0	91.0	1.25	25.15	A, US
20	1800	256TC	LM17196	C/A	3,161	AF4B20TC65	248	575	21.0	93.0	1.25	25.15	A, US
25	3600	284TSC	LM16607	D	3,858	AF2P25TSC65	370	575	22.8	91.0	1.25	25.12	A, US
25	3600	284TSC	LM17198	C/A	4,676	AF2B25TSC65	370	575	22.8	93.0	1.25	25.12	A, US
25	1800	284TC	LM16608	D	3,644	AF4P25TC65	370	575	26.4	92.4	1.25	26.62	A, US
25	1800	284TC	LM17199	C/A	4,237	AF4B25TC65	370	575	26.4	94.1	1.25	26.62	A, US
30	3600	286TSC	LM19596	D	4,502	AF2P30TSC65Y	415	575	28.0	91.0	1.25	26.62	A, US
30	3600	286TSC	LM20087	C/A	5,222	AF2B30TSC65Y	415	575	26.4	93.0	1.25	26.62	A, US
30	1800	286TC	LM19597	D	4,312	AF4P30TC65Y	415	575	30.5	92.4	1.25	28.12	A, US
30	1800	286TC	LM20088	C/A	5,507	AF4B30TC65Y	415	575	30.0	94.5	1.25	28.12	A, US
40	3600	324TSC	LM14549	D	5,840	SF2P40TSC65Y	514	575	36.0	91.7	1.25	28.03	S, US
40	3600	324TSC	LM14561	C/A	6,697	SF2B40TSC65Y	514	575	36.0	94.1	1.25	28.03	S, US
40	1800	324TC	LM14550	D	5,634	SF4P40TC65Y	518	575	42.4	93.0	1.25	28.50	S, US
40	1800	324TC	LM14562	C/A	6,452	SF4B40TC65Y	514	575	42.4	94.1	1.25	28.50	S, US
50	3600	326TSC	LM14552	D	7,315	SF2P50TSC65Y	568	575	45.0	92.4	1.25	28.50	S, US
50	3600	326TSC	LM14564	C/A	8,399	SF2B50TSC65Y	568	575	45.0	94.1	1.25	28.50	S, US
50	1800	326TC	LM14553	D	6,289	SF4P50TC65Y	568	575	51.6	93.0	1.25	30.00	S, US
50	1800	326TC	LM14565	C/A	7,669	SF4B50TC65Y	568	575	51.6	95.0	1.25	30.00	S, US
60	3600	364TSC	LM19600	D	9,118	SF2P60TSC65Y	777	575	53.0	93.0	1.25	29.77	S, US
60	3600	364TSC	LM20037	C/A	10,549	SF2B60TSC65Y	777	575	53.0	95.0	1.25	29.77	S, US
60	1800	364TC	LM19603	D	9,155	SF4P60TC65Y	778	575	58.0	93.6	1.25	31.90	S, US
60	1800	364TC	LM20038	C/A	10,990	SF4B60TC65Y	778	575	58.0	95.0	1.25	31.90	S, US
75	3600	365TSC	LM19602	D	11,580	SF2P75TSC65Y	834	575	66.5	93.0	1.25	30.77	S, US
75	3600	365TSC	LM20040	C/A	13,423	SF2B75TSC65Y	834	575	66.5	95.0	1.25	30.77	S, US
75	1800	365TC	LM15921	D	11,376	SF4P75TC65Y	835	575	73.0	94.1	1.25	32.90	S, US
75	1800	365TC	LM20041	C/A	13,310	SF4B75TC65Y	834	575	73.0	95.0	1.15	32.90	S, US
100	3600	405TSC	LM19605	D	15,735	SF2P100TSC65Y	1018	575	85.0	93.6	1.15	33.87	S, US
100	3600	405TSC	LM20043	C/A	18,730	SF2B100TSC65Y	1018	575	84.0	95.8	1.15	33.87	S, US
100	1800	405TC	LM19606	D	13,748	SF4P100TC65Y	1018	575	96.0	94.5	1.15	36.87	S, US
100	1800	405TC	LM20044	C/A	16,741	SF4B100TC65Y	1001	575	97.5	95.4	1.15	36.87	S, US

▼ LM Numbers are Lincoln Models

Green items are Premium Efficient

D - Item to be discontinued once inventory is depleted

C/A - Check Availability

♥ Note listing on inside back flap

Specifications are subject to change without notice



Special Voltage Motors

575 Volt Motors - Drip-Proof - Rigid Base



Three Phase - Drip-Proof - Rigid Base

HP	RPM 60 Hz	NEMA Frame	▼ Catalog Number	Stock	List Price	Model Number	App. Wgt. (lbs)	Voltage	FL Amps @ 575V	% FL Eff.	Service Factor	"C" Dim. (Inches)	♥Notes
1/3	1800	56	LM25054	D	370	SRD4S0.33T65	15	575	0.6	65.5	1.15	9.97	S, MX
1/3	1800	56	LM34061	√	477	SRD4B0.33T65	23	575	0.48	73.4	1.15	11.22	S, MX
1/2	1800	56	LM34062	√	553	SRD4B0.5T65	26	575	0.7	78.2	1.25	11.32	S, MX
3/4	1800	56	LM34063	C/A	610	SRD4B0.75T65	29	575	2.9	81.1	1.15	11.70	S, MX
1	3600	56	LM34064	C/A	685	SRD2B1T65	27	575	1.2	77.0	1.25	11.43	S, US
1	1800	56	LM25059	D	493	SRD4S1T65	23	575	1.5	77.0	1.15	10.94	S, US
1	1800	56	LM34065	√	745	SRD4B1T65	33	575	1.2	83.5	1.15	12.07	S, US
1 1/2	3600	56	LM34066	C/A	734	SRD2B1.5T65	35	575	1.7	84.0	1.15	12.70	S, US
1 1/2	1800	56H	LM25061	D	523	SRD4S1.5T65	28	575	1.9	80.0	1.15	10.94	S, MX
1 1/2	1800	56H	LM34067	√	772	SRD4B1.5T65	37	575	1.9	86.5	1.15	14.16	S, MX
2	3600	56H	LM34068	√	857	SRD2B2T65	13	575	2.2	85.5	1.15	13.33	S, US
2	1800	56H	LM25063	D	644	SRD4S2T65	36	575	2.5	81.5	1.15	11.94	S, US
2	1800	56H	LM34069	√	873	SRD4B2T65	42	575	2.4	86.5	1.15	13.44	S, US
3	3600	145T	LM25068	D	663	SSD2P3T65	33	575	—	84.0	1.25	—	S, US
3	1800	182T	LM24227	D	638	SSD4P3T65	83	575	3.0	86.5	1.25	13.72	S, MX
5	3600	182T	LM25069	D	743	SSD2B5T65	88	575	—	86.5	1.25	—	S, MX
5	1800	184T	LM25070	D	711	SSD4P5T65	87	575	5.3	87.5	1.25	14.22	S, MX
7 1/2	3600	184T	LM25071	D	1,023	SSD2P7.5T65	88	575	7.1	87.5	1.15	14.72	S, MX
7 1/2	1800	213T	LM33247	D	1,004	SSD4P7.5T65	121	575	—	88.5	1.25	—	S, MX

▼ LM Numbers are Lincoln Models

Green items are Premium Efficient

D - Item to be discontinued once inventory is depleted

C/A - Check Availability

Continued To Next Page

♥ Note listing on inside back flap
Specifications are subject to change without notice

Special Voltage Motors

575 Volt Motors - Drip-Proof - Rigid Base

Explosion Proof Motors

Automotive Duty Motors

Pump Motors

Washguard Motors

Agricultural Motors

HVAC / Fan Motors

Special Voltage Motors

Definite Purpose Motors

Brake Motors

Three Phase - Drip-Proof - Rigid Base

HP	RPM 60 Hz	NEMA Frame	▼ Catalog Number	Stock	List Price	Model Number	App. Wgt. (lbs)	Voltage	F.L. Amps @ 575V	% F.L. Eff.	Service Factor	"C" Dim. (Inches)	♥Notes
10	1800	215T	LM24231	√	1,232	SSD4B10T65	138	575	10.0	91.7	1.25	17.29	S, MX
15	1800	254T	LM24219	D	1,782	SSD4P15T65	215	575	15.3	91.0	1.25	22.32	S, US
15	1800	254T	LM34118	C/A	2,258	SSD4B15T65	215	575	15.3	93.0	1.25		S, US
20	1800	256T	LM24232	D	2,238	SSD4P20T65	233	575	20.8	91.0	1.25	22.32	S, US
20	1800	256T	LM34123	√	3,567	SSD4B20T65	233	575	20.8	93.0	1.25		S, US
25	1800	284T	LM29581	D	3,036	CCD4P25T65Y	350	575	24.4	91.7	1.25	23.49	C, US
25	1800	284T	LM34126	C/A	3,369	CCD4B25T65Y	350	575	24.4	93.6	1.25		C, US
30	1800	286T	LM29865	D	3,521	CCD4P30T65Y	400	575	28.8	92.4	1.25	24.99	C, US
30	1800	286T	LM34119	C/A	3,905	CCD4B30T65Y	400	575	28.8	94.1	1.25		C, US
40	1800	324T	LM14402	D	5,007	SD4P40T65Y	469	575	42.5	93.0	1.25	25.82	S, US
40	1800	324T	LM34120	C/A	8,334	SD4B40T65Y	469	575	42.5	94.1	1.25		S, US
50	1800	326T	LM14405	D	5,349	SD4P50T65Y	522	575	52.0	93.0	1.25	27.32	S, US
50	1800	326T	LM34341	√	8,437	SD4B50T65Y	522	575	52.0	94.5	1.25		S, US
60	1800	364T	LM18378	D	7,537	SD4P60T65Y	712	575	58.0	93.6	1.25	28.40	S, US
60	1800	364T	LM34342	C/A	11,418	SD4B60T65Y	712	575	58.0	95.0	1.25		S, US
75	1800	365T	LM18384	D	8,216	SD4P75T65Y	763	575	75.0	94.1	1.25	29.40	S, US
75	1800	365T	LM34121	C/A	11,622	SD4B75T65Y	763	575	75.0	95.0	1.25		S, US
100	1800	404T	LM18298	D	8,730	SD4P100T65Y	882	575	96.0	94.1	1.25	31.81	S, US
100	1800	404T	LM34127	C/A	12,799	SD4B100T65Y	882	575	96.0	95.4	1.25		S, US
125	1800	405T	LM18306	C/A	10,052	SD4B125T65Y	958	575	122.0	95.4	1.25	33.31	S, US

▼ LM Numbers are Lincoln Models

Green items are Premium Efficient

D - Item to be discontinued once inventory is depleted

C/A - Check Availability

♥ Note listing on inside back flap

Specifications are subject to change without notice



Special Voltage Motors

200/400 Volt - Drip-Proof - Rigid Base



Three Phase - Drip-Proof - Rigid Base

HP	RPM 60 Hz	NEMA Frame	▼ Catalog Number	Stock	List Price	Model Number	App. Wgt. (lbs)	Voltage	FL Amps @ 200V	% FL Eff.	Service Factor	"C" Dim. (Inches)	♥Notes
1	1800	143T	LM33053	D	578	SD4P1T62	32	200/400	3.6	82.5	1.15	12.49	S, MX
1 1/2	1800	145T	LM33056	D	605	SSD4PT62	35	200/400	—	84.0	1.15	—	S, MX
2	1800	145T	LM33057	C/A	622	SSD4P2T62	48	200/400	6.7	84.0	1.15	12.99	S, MX
2	1800	145T	LM34232	C/A	829	SSD4B2T62	48	200/400	6.9	86.5	1.15	14.37	S, MX
3	1800	182T	LM33059	C/A	706	SSD4P3T62	75	200/400	10.1	86.5	1.15	12.69	S, MX
3	1800	182T	LM34233	C/A	858	SSD4B3T62	75	200/400	9.2	89.5	1.15	13.19	S, MX
5	1800	182T	LM33062	D	816	SSD4P5T62	82	200/400	15.2	87.5	1.15	13.19	S, MX
5	1800	184T	G131500.00	D	730	C184T17DB78	62	200-208/400-416	15.4	86.0	1.15	13.19	S, MX
5	1800	184T	132463.00	√	939	C184T17DB87	62	200-208/400-416	13.9	89.5	1.15	14.19	S, MX
7 1/2	1800	213T	G141124.00	√	1,039	C213T17DB15	133	200-208/400-416	22.0	84.0	1.15	17.09	S, MX
7 1/2	1800	213T	141286.00	√	1,178	C213T17DB27	133	200-208/400-416	22.1	91.0	1.15	16.30	S, MX
10	1800	215T	LM32681	C/A	1,526	SSD4P10T62	120	200/400	28.8	91.7	1.15	18.54	S, MX
10	1800	215T	G140004.00	√	1,270	C215T17DB33	138	200-208/400-416	32.0	86.5	1.15	15.76	S, MX
10	1800	215T	141287.00	√	1,392	C215T17DB63	138	200-208/400-416	30.0	91.7	1.15	17.30	S, MX
15	1800	254T	LM26334	√	1,947	SSD4P15T62	164	200/400	44.0	91.0	1.15	22.32	S, US
15	1800	254T	LM34128	C/A	2,258	SSD4B15T62	164	200/400	—	93.0	1.15	—	S, US
20	1800	256T	LM32675	C/A	2,323	SSD4P20T62	200	200/400	57.5	91.0	1.15	22.32	S, US
20	1800	256T	LM34129	C/A	2,604	SSD4B20T62	200	200/400	—	93.0	1.15	—	S, US
25	1800	284T	LM33067	C/A	3,846	SD4P25T62	278	200/400	70.0	91.7	1.15	24.93	S, US
25	1800	284T	LM34130	C/A	4,056	CCD4B25T62Y	278	200/400	73.5	93.6	1.15	24.94	S, US
30	1800	286T	LM32670	√	4,099	SD4P30T62	325	200/400	87.5	92.4	1.15	24.99	S, US
30	1800	286T	LM30696	√	4,245	CCD4B30T62Y	325	200/400	84.0	94.1	1.15	26.81	S, US
40	1800	324T	LM32680	√	8,876	SD4P40T62	378	200/400	147.0	93.0	1.15	25.82	S, US
40	1800	324T	LM34149	√	9,038	SD4B40T62	378	200/400	—	94.1	1.15	—	S, US
50	1800	326T	LM33070	D	4,830	SD4P60T62Y	444	200/400	150.0	93.0	1.15	27.32	S, US
60	1800	364T	LM33072	D	6,590	SD4P60T62	575	200/400	—	93.6	1.15	—	S, US
75	1800	365T	LM33074	D	6,890	SD4P75T62	660	200/400	211.0	94.1	1.15	29.40	S, US

Shaded model numbers are cast iron frame

♥ Note listing on inside back flap
Specifications are subject to change without notice

▼ LM Numbers are Lincoln Models

Green items are Premium Efficient

D - Item to be discontinued once inventory is depleted

C/A - Check Availability

Explosion Proof
Motors

Automotive
Duty Motors

Pump
Motors

Washguard
Motors

Agricultural
Duty Motors

HVAC / Fan
Motors

Special Voltage
Motors

Definite
Purpose Motors

Brake Motors

Explosion Proof Motors

Automotive Duty Motors

Pump Motors

Washguard Motors

Agricultural Motors

HVAC / Fan Motors

Special Voltage Motors

Definite Purpose Motors

Brake Motors

Three Phase - TEFC - Rigid Base

HP	RPM 60 Hz	NEMA Frame	▼ Catalog Number	Stock	List Price	Model Number	App. Wgt. (lbs)	Voltage	FL. Amps @ 200V	% FL. Eff.	Service Factor	"C" Dim. (Inches)	♥ Notes
1	1800	56	110255.00	D	545	C6T17FB8	30	200-208	4.4	77.0	1.15	11.31	S, US
1	1800	56	119552.00	√	784	C6T17FB195	32	200-208	3.2	85.5	1.15	12.73	S, US
1	1800	143T	G120047.00	D	596	C143T17FB28	32	200-208	4.4	82.5	1.15	12.75	S, US
1	1800	143T	122231.00	C/A	784	C143T17FB35	33	200-208	3.2	85.5	1.15	12.93	S, US
1 1/2	1800	145T	G120032.00	D	604	C145T17FB88	35	200-208	5.6	80.0	1.15	12.75	S, US
1 1/2	1800	145T	122232.00	√	814	C145T17FB106	37	200-208	—	86.5	1.15	—	S, US
2	1800	145T	G120034.00	D	639	C145T17FB89	38	200-208	7.2	81.5	1.15	12.75	S, US
2	1800	145T	122233.00	√	847	C145T17FB105	45	200-208	6.6	86.5	1.15	13.93	S, US
3	3600	182T	LM33621	C/A	992	AF2B3T62AP26	73	200/400	—	86.5	1.15	—	A, MX
3	1800	182T	LM33622	D	908	AF4P3T62AP26	78	200/400	9.1	87.5	1.15	14.96	A, MX
3	1800	182T	G131465.00	D	746	C182T17FB51	82	200-208/400-416	10.0	84.0	1.15	12.96	S, MX
3	1800	182T	132465.00	√	957	C182T17FB60	85	200-208/400-416	10.0	89.5	1.15	13.96	S, MX
5	1800	184T	G131466.00	D	860	C184T17FB63	63	200-208/400-416	15.4	86.0	1.15	13.96	S, MX
5	1800	184T	132466.00	√	1,053	C184T17FB76	87	200-208/400-416	15.4	89.5	1.15	14.97	S, MX
5	1800	184T	LM26285	C/A	1,031	AAF4P5T62	78	200/400	15.0	87.5	1.25	15.19	A, US
5	1800	184T	LM33624	C/A	1,186	AAF4B5T62AP26	80	200/400	15.0	89.5	1.25	15.19	A, MX
5	1200	215T	LM33093	D	1,635	AF6P5T62	122	200/400	17.3	87.5	1.15	18.70	A, US
7 1/2	1800	213T	G141123.00	D	1,100	C213T17FB19	144	200-208/400-416	23.0	87.0	1.15	17.58	S, MX
7 1/2	1800	213T	141289.00	√	1,353	C213T17FB25	153	200-208/400-416	22.6	91.7	1.15	18.70	S, MX
10	3600	215T	LM33099	D	1,953	AF2P10T62	124	200/400	27.6	89.5	1.15	19.70	A, US
10	1800	215T	G140013.00	D	1,337	C215T17FB29	168	200-208/400-416	29.6	87.5	1.15	18.21	S, MX
10	1800	215T	141290.00	√	1,636	C215T17FB34	172	200-208/400-416	30.5	91.7	1.15	20.23	S, MX
15	1800	254T	LM32691	D	2,561	AF4P15T62	152	200/400	43.5	91.0	1.15	23.52	A, US
15	1800	254T	LM34133	C/A	2,593	AF4B15T62	152	200/400	—	92.4	1.15	—	A, US
20	1800	256T	LM33103	D	2,909	AF4P20T62	202	200/400	55.5	91.0	1.15	26.24	A, US
20	1800	256T	LM34134	C/A	2,991	AF4B20T62	202	200/400	58.5	93.0	1.15	25.15	A, US

▼ LM Numbers are Lincoln Models

Green items are Premium Efficient

D - Item to be discontinued once inventory is depleted

C/A - Check Availability

♥ Note listing on inside back flap
Specifications are subject to change without notice



Special Voltage Motors

50 Hertz Motors - Single Phase - Rigid Base

General Specifications:

50 Hz single phase designs produce full rated HP on 50 Hz power supply. Designed for general purpose applications.

Features:

- High efficiency energy saving designs
- Centrifugal switch designed for 50 Hz service
- High torque



Single Phase - Drip-Proof - Rigid Base - IP 22

HP	RPM 50 Hz	NEMA Frame	Catalog Number	Stock	List Price	Model Number	App. Wgt. (lbs)	Voltage	F.L. Amps @ 220V	Service Factor	"C" Dim. (Inches)	♥Notes
1/3	1500	56	110394.00	√	494	C6C14DB5	22	110/220	3.2	1.35	9.88	S, US
1/2	3000	56	113901.00	√	441	C6C28DB24	25	110/220	3.8	1.25	10.34	S, US
1/2	1500	56	110395.00	√	626	C6C14DB6	25	110/220	4.1	1.25	10.38	S, US
3/4	3000	56	113902.00	√	554	C6C28DB25	27	110/220	5.6	1.25	10.34	S, US
3/4	1500	56	110396.00	√	751	C6C14DB7	30	110/220	5.9	1.25	10.88	S, US
1	3000	56	113903.00	√	615	C6C28DB26	31	110/220	6.6	1.25	10.84	S, US
1	1500	56H	110397.00	√	827	C6C14DB8	35	110/220	6.4	1.15	11.88	S, US, 6
1 1/2	3000	56H	113904.00	√	789	C6C28DB27	37	110/220	8.6	1.15	11.84	S, US
1 1/2	1500	56H	110398.00	√	933	C6K14DB1	43	110/220	8.4	1.15	12.35	S, US, 6, 53
2	3000	56H	113905.00	√	967	C6C28DB28	42	110/220	10.7	1.15	12.34	S, US
2	1500	182T	131553.00	√	1,122	C182C14DB3	70	220	11.8	1.15	13.69	S, US
3	3000	56H	113937.00	√	1,144	C6K28DB5	47	220	12.4	1.15	12.84	S, US
3	1500	184T	131554.00	√	1,282	C184C14DB2	80	220	16.8	1.15	14.69	S, MX
5	1500	184T	131555.00	√	2,622	C184K14DB9	95	220	23.2	1.15	15.69	S, MX, 53

♥ Note listing on inside back flap
Specifications are subject to change without notice



Special Voltage Motors

50 Hertz Motors - Single Phase - Rigid Base

Single Phase - TEFC - Rigid Base - IP54

HP	RPM 50 Hz	NEMA Frame	Catalog Number	Stock	List Price	Model Number	App. Wgt. (lbs)	Voltage	FL. Amps @ 220V	Service Factor	"C" Dim. (Inches)	♥Notes
1/3	3000	56	113916.00	√	456	C6C28FB25	25	110/220	3.2	1.00	10.81	S, US
1/3	1500	56	110423.00	√	576	C6C14FB6	24	110/220	3.2	1.00	10.81	S, US
1/3	1500	56	113908.00	√	582	M6C14FB22	26	110/220	3.2	1.00	10.81	S, US
1/2	3000	56	113917.00	√	487	C6C28FB26	27	110/220	3.8	1.00	11.31	S, US
1/2	1500	56	110064.00	√	661	C6C14FB1	25	110/220	4.1	1.00	11.31	S, US
1/2	1500	56	113909.00	√	661	M6C14FB23	29	110/220	4.1	1.15	11.31	S, US
3/4	3000	56	113918.00	√	554	C6C28FB27	29	110/220	5.6	1.00	11.31	S, US
3/4	1500	56	110065.00	√	756	C6C14FB2	32	110/220	5.9	1.00	11.81	S, US
3/4	1500	56	113910.00	√	784	M6C14FB24	32	110/220	5.9	1.00	11.81	S, US
1	3000	56	113919.00	√	641	C6C28FB28	32	110/220	6.6	1.00	11.81	S, US
1	1500	56H	110066.00	√	910	C6C14FB3	38	110/220	6.4	1.00	12.81	S, US, 6, 53
1	1500	56	113911.00	√	910	M6C14FB25	34	110/220	6.4	1.00	12.31	S, US
1 1/2	3000	56H	113920.00	√	845	C6C28FB29	44	110/220	8.0	1.00	13.31	S, US
1 1/2	1500	56H	110424.00	√	1,031	C6K14FB1	47	110/220	8.6	1.00	13.31	S, US, 6, 53
1 1/2	1500	56H	113929.00	√	939	P6K14FB9	49	110/220	8.6	1.00	13.31	S, US, 6, 53
2	3000	56HZ	113928.00	√	1,022	C6C28FB24	44	110/220	10.7	1.00	13.76	S, US, 3
2	1500	182T	131556.00	√	1,545	C182C14FB6	95	220	11.2	1.00	15.96	S, MX
2	1500	182T	131600.00	C/A	1,525	P182C14FB5	71	220	12.0	1.00	14.96	S, MX
3	3000	145T	121070.00	√	1,257	C145K28FB6	50	220	12.4	1.00	12.84	S, US, 53
3	3000	56H	113936.00	√	1,257	C6K28FB2	48	220	12.4	1.00	13.81	S, US, 53
3	1500	184T	131557.00	√	2,206	C184C14FB6	98	220	15.9	1.00	16.96	S, MX
3	1500	184T	131601.00	√	2,173	P184C14FB7	98	220	15.9	1.00	16.96	S, MX
5	3000	184T	131638.00	√	1,455	C184K28FB2	98	220	20.5	1.00	17.46	S, MX, 53
5	1500	184T	131578.00	√	2,800	C184K14FB5	103	220	21.0	1.00	17.46	S, MX, 53
5	1500	213TZ	140475.00	C/A	2,813	P213K14FB1	163	220	24.5	1.00	18.71	S, MX, 53

D - Item to be discontinued once inventory is depleted
 C/A - Check Availability

♥ Note listing on inside back flap
 Specifications are subject to change without notice



Explosion Proof Motors

Automotive Duty Motors

Pump Motors

Washguard Motors

Agricultural Motors

HVAC / Fan Motors

Special Voltage Motors

Definite Purpose Motors

Brake Motors

Special Voltage Motors

50 Hertz Motors - Single Phase

Single Phase - Drip-Proof - Resilient Base - IP22

HP	RPM 50 Hz	NEMA Frame	Catalog Number	Stock	List Price	Model Number	App. Wgt. (lbs)	Voltage	FL Amps @ 220V	Service Factor	"C" Dim. (Inches)	♥Notes
1/3	3000	56	114222.00	√	387	C6C28DR1	24	110/220	3.2	1.35	10.82	S, US
1/3	1500	56	114223.00	√	505	C6C14DR18	24	110/220	3.2	1.35	10.81	S, US
1/2	3000	56	114224.00	C/A	452	C6C28DR2	26	110/220	3.8	1.25	11.32	S, US
1/2	1500	56	114225.00	√	630	C6C14DR19	27	110/220	4.1	1.25	11.31	S, US
3/4	3000	56	114226.00	√	548	C6C28DR3	28	110/220	5.6	1.25	11.32	S, US
3/4	1500	56	114227.00	√	752	C6C14DR16	31	110/220	5.9	1.25	11.81	S, US
1	3000	56	114228.00	C/A	624	C6C28DR4	31	110/220	6.6	1.25	11.82	S, US
1	1500	56	114229.00	C/A	829	C6C14DR17	35	110/220	6.4	1.15	12.31	S, US
1 1/2	1500	56H	114231.00	√	931	C6K14DR12	42	110/220	8.4	1.15	13.32	S, US, 53
2	1500	56H	114233.00	√	1,135	C6K14DR13	49	220	9.6	1.15	13.82	S, US

C/A - Check Availability

♥ Note listing on inside back flap
Specifications are subject to change without notice

Single Phase - TEFC - C Face Less Base - IP54

HP	RPM 50 Hz	NEMA Frame	Catalog Number	Stock	List Price	Model Number	App. Wgt. (lbs)	Voltage	Over- load Prot.	FL Amps @ 220V	Service Factor	"C" Dim. (Inches)	♥Notes
1/3	1500	56C	113921.00	√	593	M6C14FC5	22	110/220	Man.	3.2	1.00	10.81	S, US
1/2	3000	56C	113912.00	√	509	C6C28FC3	25	110/220	None	3.8	1.00	11.31	S, US
1/2	1500	56C	113922.00	√	679	M6C14FC6	29	110/220	Man.	4.1	1.15	11.31	S, US
3/4	3000	56C	113913.00	√	566	C6C28FC4	28	110/220	None	5.6	1.00	11.31	S, US
3/4	1500	56C	113923.00	√	777	M6C14FC7	31	110/220	Man.	5.9	1.00	11.81	S, US
1	3000	56C	113914.00	√	699	C6C28FC5	32	110/220	None	6.6	1.00	11.81	S, US
1	1500	56C	113924.00	√	818	M6C14FC8	34	110/220	Man.	6.4	1.00	12.31	S, US
1 1/2	3000	56C	113915.00	√	909	C6C28FC6	43	110/220	None	8.0	1.00	13.31	S, US
1 1/2	1500	56C	113925.00	√	991	P6K14FC4	42	110/220	Man.	8.6	1.00	13.31	S, US, 53
2	3000	145TC	120990.00	√	1,049	C145K28FC2	47	110/220	None	8.6	1.15	13.75	S, US, 53
2	1500	182TC	131599.00	C/A	1,562	P182C14FC2	70	220	Man.	12.0	1.00	14.97	S, MX

C/A - Check Availability

♥ Note listing on inside back flap
Specifications are subject to change without notice

Special Voltage Motors

50 Hertz Motors - Three Phase

General Specifications:

Totally enclosed fan cooled, 12-lead motors designed specifically for 50 Hz service. These motors are intended for equipment built in North America and destined for use in 50 Hz service areas of the world.

Features:

- Suitable for 220/380 volt, 50 Hz, or 440 volt, 50 Hz, three phase power
- Torques exceed NEMA performance for Design B motors
- Construction meets IP 54 protection standards
- Class F insulation



Three Phase - TEFC - Rigid Base

KW/HP	RPM 50 Hz	NEMA Frame	Catalog Number	Stock	List Price	Model Number	App. Wgt. (lbs)	Voltage	FL Amps @ 380V	% FL Eff.	Service Factor	"C" Dim. (Inches)	♥Notes
0.18/1/4	1500	48	102685.00	√	480	C4T14FB4	19	220/380/440	1.0	56.0	1.15	9.06	S, MX
0.25/1/3	3000	48	102686.00	√	478	C4T28FB2	19	220/380/440	0.8	60.0	1.15	9.93	S, US
0.25/1/3	1500	48	102688.00	√	576	C4T14FB5	19	220/380/440	1.1	65.0	1.15	9.31	S, MX
0.25/1/3	1500	S56	102183.00	√	539	C4T14FH1	19	220/380/440	1.1	65.0	1.15	9.69	S, MX
0.37/1/2	3000	48	102690.00	C/A	554	C4T28FB1	20	220/380/440	1.0	69.0	1.15	10.43	S, US
0.37/1/2	1500	48	102692.00	√	651	C4T14FB3	20	220/380/440	1.4	72.0	1.15	9.81	S, MX
0.37/1/2	1500	S56	102693.00	√	602	C4T14FH2	20	220/380/440	1.4	72.0	1.15	10.19	S, MX
0.37/1/2	1500	56	114304.00	√	648	C6T14NB1	25	220/380/440	1.0	78.0	1.15	10.38	S, US, 12
0.55/3/4	3000	56	114306.00	√	587	C6T28FB4	24	220/380/440	1.8	72.0	1.15	10.81	S, US
0.55/3/4	1500	56	114307.00	√	690	C6T14FB7	27	220/380/440	1.9	74.0	1.15	11.31	S, US
0.75/1	3000	56	114308.00	√	702	C6T28FB5	26	220/380/440	2.4	71.0	1.15	11.31	S, US
0.75/1	1500	56	114888.00	√	698	C6T14FB8	28	220/380/440	2.0	77.0	1.15	11.31	S, US
0.75/1	1500	143T	121096.00	√	698	C143T14FB2	35	220/380/440	2.0	77.0	1.15	12.75	S, US
1.1/1 1/2	3000	145T	121097.00	C/A	722	C145T28FB4	34	220/380/440	2.9	80.0	1.15	12.76	S, US
1.1/1 1/2	1500	145T	121093.00	√	722	C145T14FB13	40	220/380/440	3.3	75.5	1.15	12.75	S, US
1.5/2	3000	145T	121094.00	C/A	782	C145T28FB5	42	220/380/440	3.6	80.0	1.15	12.76	S, US
1.5/2	1500	145T	121095.00	√	818	C145T14FB14	40	220/380/440	3.7	81.5	1.15	13.25	S, US
2.2/3	3000	182T	131480.00	√	1,009	C182T28FB3	58	220/380/440	4.8	82.5	1.15	13.46	S, MX
2.2/3	1500	182T	131459.00	√	966	C182T14FB5	64	220/380/440	4.7	84.0	1.15	13.46	S, MX
3.7/5	3000	184T	131481.00	√	1,188	C184T28FB14	76	220/380/440	7.4	84.0	1.15	14.46	S, MX
3.7/5	1500	184T	131454.00	√	1,101	C184T14FB7	82	220/380/440	8.1	85.0	1.00	15.46	S, MX

C/A - Check Availability
Note 12 - TENV

♥ Note listing on inside back flap
Specifications are subject to change without notice



Explosion Proof
Motors

Automotive
Duty Motors

Pump
Motors

Washguard
Motors

Agricultural
Motors

HVAC / Fan
Motors

Special Voltage
Motors

Definite
Purpose Motors

Brake Motors

Special Voltage Motors

50 Hertz Motors - Three Phase



Three Phase - TEFC - C Face Less Base - IP54 Enclosure Protection

KW/HP	RPM 50 Hz	NEMA Frame	Catalog Number	Stock	List Price	Model Number	App. Wgt. (lbs)	Voltage	F.L. Amps @ 380V	% F.L. Eff.	Service Factor	"C" Dim. (Inches)	♥Notes
0.18/1/4	1500	S56C	102184.00	√	509	C4T14FC2	18	220/380/440	1.0	56.0	1.15	9.44	S, MX
0.25/1/3	3000	S56C	102687.00	√	503	C4T28FC2	19	220/380/440	0.8	60.0	1.15	10.31	S, US
0.25/1/3	1500	S56C	102689.00	√	551	C4T14FC4	19	220/380/440	1.1	65.0	1.15	9.69	S, MX
0.25/1/3	1500	56C	114889.00	√	590	C6T14FC5	18	220/380/440	1.1	68.0	1.15	10.31	S, US
0.37/1/2	3000	S56C	102691.00	√	583	C4T28FC1	20	220/380/440	1.0	69.0	1.15	10.81	S, US
0.37/1/2	1500	S56C	102694.00	√	648	C4T14FC3	20	220/380/440	1.4	72.0	1.15	10.19	S, MX
0.37/1/2	1500	56C	114891.00	√	654	C6T14FC4	20	220/380/440	1.2	73.0	1.15	10.81	S, US
0.37/1/2	1200	56C	114892.00	√	722	C6T9FC1	28	220/380/440	1.5	68.0	1.15	11.31	S, US
0.55/3/4	3000	56C	114893.00	√	587	C6T28FC1	24	220/380/440	1.8	72.0	1.15	10.81	S, US
0.55/3/4	1500	56C	114894.00	√	699	C6T14FC6	27	220/380/440	1.9	74.0	1.15	11.31	S, US
0.75/1	3000	56C	114895.00	√	706	C6T28FC3	26	220/380/440	2.4	71.0	1.15	11.31	S, US
0.75/1	1500	56C	114896.00	√	728	C6T14FC7	28	220/380/440	2.0	77.0	1.15	11.31	S, US
0.75/1	1500	143TC	121272.00	√	728	C143T14FC2	31	220/380/440	2.0	77.0	1.15	11.75	S, US
0.75/1	1200	145TC	121273.00	√	837	C145T9FC3	39	220/380/440	2.7	73.0	1.15	13.25	S, US
1.1/1 1/2	3000	143TC	121274.00	C/A	751	C143T28FC1	33	220/380/440	2.9	80.0	1.15	12.25	S, US
1.1/1 1/2	1500	145TC	121275.00	√	760	C145T14FC6	37	220/380/440	3.3	75.5	1.15	12.75	S, US
1.5/2	3000	145TC	121276.00	√	752	C145T28FC1	41	220/380/440	3.6	80.0	1.15	12.75	S, US
1.5/2	1500	145TC	121277.00	√	819	C145T14FC5	40	220/380/440	3.7	81.5	1.15	13.75	S, US
2.2/3	3000	182TC	131505.00	√	1,027	C182T28FC2	59	220/380/440	4.8	82.5	1.15	13.97	S, MX
2.2/3	1500	182TC	131506.00	√	953	C182T14FC3	63	220/380/440	4.7	84.0	1.15	13.97	S, MX
3.7/5	3000	184TC	131507.00	√	1,215	C184T28FC3	75	220/380/440	7.4	84.0	1.15	14.47	S, MX
3.7/5	1500	184TC	131508.00	√	1,088	C184T14FC3	82	220/380/440	8.1	85.0	1.00	15.47	S, MX

C/A - Check Availability
Note 12 - TENV

♥ Note listing on inside back flap
Specifications are subject to change without notice

Explosion Proof
Motors

Automotive
Duty Motors

Pump
Motors

Washguard
Motors

Agricultural
Duty Motors

HVAC / Fan
Motors

Special Voltage
Motors

Definite
Purpose Motors

Brake Motors



Special Voltage Motors

Medium Voltage Motors

2300/4000 Volts - Three Phase - Foot Mount

Explosion Proof
Motors

Automotive
Duty Motors

Pump
Motors

Washguard
Motors

Agricultural
Motors

HVAC / Fan
Motors

Special Voltage
Motors

Definite
Purpose Motors

Brake Motors

Applications:

Ideally suited for applications requiring heavy duty, large horsepower electric motors. Typical uses include pulp and paper mills, mineral processing, waste management facilities, lumber and wood processing mills, automobile manufacturing plants and other severe duty environments where medium voltage power is available.

Features Frames 447T - 449T:

- Full cast iron construction
- Double shielded radial ball bearings
- Designed for direct coupled loads
(contact your local sales office about belted loads)
- Grease fittings with extended grease tubes
- Internal and external epoxy finish
- Premium Class H insulation system
- Front and rear cast iron bearing caps

Features Frames 5011 - 5013

- Full cast iron construction
- Double shielded radial ball bearings
- Designed for direct coupled loads
(contact your local Sales office about belted loads)
- Grease fittings with extended grease tubes
- Corrosion resistant breather/drains
- Oversized cast iron terminal box
- Internal and external epoxy finish
- Premium Class H insulation system
- Inpro/Seal™ bearing isolators on each end
- Front and rear cast iron bearing caps
- Provision for jacking bolts in all four feet
- Provision for dowel pins in drive end feet
- Grounding points located in terminal box and feet
- 100 ohm platinum winding RTDs as standard on sizes 400 HP and larger

Design ranges include 150 through 350 HP in 4, 6 and 8-pole designs

400 - 500 HP in 4 and 6-pole designs

600 and 700 HP ratings in 4-pole designs

Contact your local sales office for a quote



Definite Purpose Motors

NEW!
Crusher Duty Motors



Product Families Include:

- Compressor Duty Motors – page 265
- Pressure Washer Duty Motors – page 267
- Woodworking Motors – page 269
- Instant Reversing Motors – page 271
- Boat Hoist Motors – page 273
- Two-Speed Motors – page 274
- Crusher Duty Motors – page 275
- Elevator Duty Motors – page 283
- Unit Handling Motors – page 285
- Export Only General Purpose Motors – page 286



Definite Purpose Motors

Compressor Duty Motors

Compressor, Pump and Fan & Blower Duty

Explosion Proof Motors

Automotive Duty Motors

Pump Motors

Washguard Motors

Agricultural Motors

HVAC / Fan Motors

Special Voltage Motors

Definite Purpose Motors

Brake Motors

General Specifications:

Motors designed for air compressor, pump, and fan and blower duty applications which require high breakdown torque and rugged mechanical construction.

Mechanical Features:

- Double shielded ball bearings
- Designed for belted loads

Electrical Features:

- High efficient copper windings
- High starting and breakdown torque
- Dual rotation



Rigid Base - Capacitor Start - General Purpose - Drip-Proof Single Phase - Drip-Proof - Rigid Base

HP	RPM 60 Hz	NEMA Frame	▼ Catalog Number	Stock	List Price	Model Number	App. Wgt. (lbs)	Voltage	Over- load Prot.	F. L. Amps @ 230 V	Service Factor	"C" Dim. (Inches)	♥Notes
1	3600	56	110160.00	√	470	M6C34DB6	27	115/230	Man.	6.7	SPEC	11.38	S, US
1	1800	143T	120044.00	√	640	C143C17DB3	38	115/208-230	None	6.4	1.15	11.28	S, US
1	1800	143T	120003.00	√	673	M143C17DB2	33	115/208-230	Man.	6.4	1.15	11.13	S, US
1 1/2	3600	56	110161.00	√	516	P6C34DB7	33	115/230	Man.	10.0	SPEC	11.88	S, US
1 1/2	1800	145T	120042.00	√	707	C145K17DB5	38	115/208-230	None	8.6	1.15	12.28	S, US, 53
1 1/2	1800	145T	LM24687	√	742	SSD4S1.5T1C602	41	115/208-230	None	8.6	1.15	12.49	S, US
1 1/2	1800	145T	120004.00	√	898	P145K17DB3	40	115/208-230	Man.	8.6	1.15	12.28	S, US, 53
2	3600	56	110232.00	√	538	M6C34DB11	33	115/230	Man.	11.0	SPEC	11.88	S, US
2	1800	182T	131515.00	√	874	C182C17DB8	56	115/208-230	None	12.4	1.15	13.19	S, MX
2	1800	182T	131536.00	√	935	P182C17DB10	63	115/208-230	Man.	8.8	1.15	10.66	S, MX
3	3600	56Y	110222.00	√	603	M6C34DB13	38	230	Man.	15.0	1.15	12.38	S, US, 36
3	1800	184T	131534.00	√	946	C184C17DB19	69	115/230	None	16.9	1.15	14.19	S, MX
5 SPL	3600	56	116523.00	√	728	P6K34DB22	35	208-230	Man.	15.0	1.00	11.44	S, US, 53
5	3600	56Y	111275.00	√	750	P6K34DB5	44	230	Man.	20.8	1.00	13.34	S, US, 36, 53
5	3600	56Y	116789.00	√	773	P6K34DB27	45	230	Man.	20.8	1.00	12.38	S, US, 10, 53
5	3600	145T	120554.00	√	758	P145K34DB1	46	230	Man.	20.8	1.00	13.12	S, US, 53
5	1800	184T	131537.00	√	1,135	C184K17DB31	83	230	None	21.0	1.15	14.69	S, MX, 53
5	1800	184T	LM24682	√	1,160	SSD4S5T1B600	87	208-230	None	21.0	1.15	14.69	S, MX, 53
5	1800	184T	131622.00	√	1,357	P184K17DB33	82	230	Man.	21.0	1.15	14.69	S, MX, 53
7 1/2	3600	184T	132044.00	√	1,093	C184K34DB8	110	208-230	Tstat	31.0	1.15	16.69	S, MX, 53
7 1/2	3600	213T	140680.00	√	1,846	C213K34DB1	112	208-230	None	29.5	1.15	16.55	S, MX, 53
7 1/2	1800	215T	140155.00	√	1,611	C215K17DB2	113	230	None	36.0	1.15	17.26	S, MX, 53
7 1/2	1800	215T	LM24683	√	1,700	SS215D4S7.5T1B600	118	208-230	None	36.0	1.15	17.26	S, MX, 53
10	3600	215T	140681.00	√	2,334	C215K34DB1	135	208-230	None	37.0	1.15	18.05	S, MX, 53
10	1800	215TZ	140311.00	√	2,355	C215K17DB4	140	230	None	43.0	1.25	19.76	S, MX, 53
10	1800	215TZ	LM24684	√	2,413	SSD4S10T1B600	140	208-230	None	43.0	1.15	19.76	S, MX, 53

▼ LM Numbers are Lincoln Models
5 SPL - Breakdown torque of 5 HP, continuous duty as 3 HP motor

♥ Note listing on inside back flap
Specifications are subject to change without notice



Definite Purpose Motors

Compressor Duty Motors

Compressor, Pump and Fan & Blower Duty

Three Phase - Drip-Proof - Rigid Base

HP	RPM 60 Hz	NEMA Frame	▼ Catalog Number	Stock	List Price	Model Number	App. Wgt. (lbs)	Voltage	F. L. Amps @ 230 V	% FL. Eff.	Service Factor	"C" Dim. (Inches)	♥Notes
1	1800	143T	121003.00	√	689	C143T17DB10	36	230/460	3.2	85.5	1.25	12.10	S, US
1	1800	143T	LM24871	√	569	SSD4B1T6	35	230/460	3.2	85.5	1.25	12.00	S, MX
1 1/2	1800	145T	121004.00	√	719	C145T17DB32	35	230/460	4.8	86.5	1.25	12.60	S, US
1 1/2	1800	145T	LM24875	√	595	SSD4B1.5T6	45	230/460	4.4	86.5	1.25	13.00	S, MX
2	1800	145T	121005.00	√	815	C145T17DB33	37	230/460	5.8	86.5	1.25	13.60	S, US
2	1800	145T	LM24169	√	659	SSD4B2T6	48	230/460	6.0	86.5	1.25	11.50	S, MX
3	1800	182T	131519.00	√	833	C182T17DB37	75	230/460	7.8	89.5	1.25	13.70	S, MX
3	1800	182T	LM24222	√	858	SSD4B3T61	75	230/460	8.0	89.5	1.25	13.20	S, MX
5	1800	184T	131520.00	√	939	C184T17DB44	86	230/460	12.8	89.5	1.25	14.70	S, MX
5	1800	184T	LM24202	√	962	SSD4B5T61	91	230/460	12.6	89.5	1.25	14.20	S, MX
7 1/2	1800	213T	140470.00	√	1,178	C213T17DB2	133	230/460	20.6	91.0	1.25	16.30	S, MX
7 1/2	1800	213T	LM24194	√	1,355	SSD4B7.5T6	125	230/460	19.2	91.0	1.25	18.50	S, US
10	1800	215T	140472.00	√	1,392	C215T17DB15	144	230/460	26.8	91.7	1.25	17.30	S, MX
10	1800	215T	LM24193	√	1,514	SSD4B10T6	155	230/460	25.0	91.7	1.25	18.50	S, MX
20	1800	256T	170006.60	√	2,398	C256T17DB5	324	230/460	51.0	93.0	1.25	22.60	C, CN
20	1800	256T	LM24199	√	2,604	CCD4B20T6	350	230/460	48.0	93.0	1.25	24.40	C, US

230/460 volt motors are suitable for use at 208 volts

♥ Note listing on inside back flap

Shaded model numbers are cast iron frame

Specifications are subject to change without notice

Green items are Premium Efficient

▼ LM Numbers are Lincoln Models

Three Phase - TEFC - Rigid Base

HP	RPM 60 Hz	NEMA Frame	▼ Catalog Number	Stock	List Price	Model Number	App. Wgt. (lbs)	Voltage	F. L. Amps @ 230 V	% FL. Eff.	Service Factor	"C" Dim. (Inches)	♥Notes
3	1800	182T	131463.00	√	957	C182T17FB32	80	230/460	7.8	89.5	1.15	14.96	S, MX
3	1800	182T	LM32741	√	957	SSF4B3T61	77	230/460	7.8	89.5	1.15	13.96	S, MX
5	1800	182T	131464.00	√	1,053	C184T17FB42	94	230/460	12.8	89.5	1.15	15.96	S, MX
5	1800	182T	LM33266	√	1,053	SSF4B5T61	85	230/460	12.6	89.5	1.15	14.96	S, MX
7 1/2	1800	213T	140450.00	√	1,353	C213T17FB6	144	230/460	21.4	91.7	1.25	18.70	S, MX
7 1/2	1800	213T	LM32805	√	1,249	SSF4B7.5T6	115	230/460	19.4	91.7	1.25	20.23	S, US
10	1800	215T	140451.00	√	1,636	C215T17FB18	161	230/460	26.6	91.7	1.25	19.70	S, MX
10	1800	215T	LM32809	√	1,542	SSF4B10T6	135	230/460	26.0	91.7	1.25	21.48	S, US
15	1800	254T	170066.60	√	2,413	C254T17FB10	280	230/460	36.0	92.4	1.25	23.19	C, CN
15	1800	254T	LM24208	√	2,695	CCF4B15T6	322	230/460	37.5	92.4	1.25	25.27	C, US
20	1800	256T	170007.60	√	3,018	C256T17FB4	322	230/460	49.0	93.0	1.15	24.92	C, CN

230/460 volt motors are suitable for use at 208 volts

♥ Note listing on inside back flap

Shaded model numbers are cast iron frame

Specifications are subject to change without notice

Green items are Premium Efficient

▼ LM Numbers are Lincoln Models



Definite Purpose Motors

Pressure Washer Motors

Motors specially suited for hot or cold pressure washer applications and other single phase installations requiring minimum starting and running amperages.



Mechanical Features:

- Double shielded ball bearings
- Dynamically balanced rotors

Electrical Features:

- Windings dipped in heavy duty varnish system
- Capacitor start / capacitor run designs to reduce amp draw
- Manual reset overload protection
- High service factor

Single Phase - Drip-Proof - Rigid Base

HP	RPM 60 Hz	NEMA Frame	Catalog Number	Stock	List Price	Model Number	App. Wgt. (lbs)	Voltage	Over-load Prot.	F. L. Amps @ 230 V	Service Factor	"C" Dim. (Inches)	♥Notes
3/4	3600	S56	100053.00	√	460	M4C34DH3	24	115/208-230	Man.	4.9	1.25	10.49	S, MX
3/4	1800	S56	101544.00	C/A	665	M4K17DH2	28	115/208-230	Man.	4.0	1.25	11.24	S, US, 53
1	3600	56	110097.00	√	475	M6C34DB3	27	115/208-230	Man.	6.0	1.25	10.84	S, US
1	1800	56	113630.00	√	721	M6K17DB33	31	115/208-230	Man.	5.3	1.15	10.84	S, US, 53
1 1/2	3600	56	113631.00	√	631	M6K34DB15	36	115/208-230	Man.	6.2	1.15	11.34	S, US, 53
1 1/2	1800	56H	113266.00	√	841	M6K17DB30	42	115/208-230	Man.	6.7	1.15	12.38	S, US, 6, 53
1 1/2	1800	145T	120004.00	√	898	P145K17DB3	40	115/208-230	Man.	8.6	1.15	12.28	S, US, 53
2	3600	56	113632.00	√	852	P6K34DB16	36	115/208-230	Man.	8.6	1.15	11.34	S, US, 53
2	1800	56H	116704.00	√	898	P6K17DB47	45	115/208-230	Man.	8.6	1.15	12.88	S, US, 6, 53
2	1800	145T	120879.00	√	945	P145K17DB38	53	115/208-230	Man.	8.6	1.15	13.31	S, US
3	3600	56H	116706.00	√	906	M6C34DB75	39	230	Man.	15.0	1.00	12.38	S, US, 6, 53
3	1800	184T	131851.00	C/A	1,117	C184K17DB40	72	208-230	Man.	13.7	1.15	15.22	S, MX, 9
5	3600	56H	116708.00	√	926	P6K34DB26	45	230	Man.	20.8	1.00	13.34	S, US, 6, 53
5	1800	184T	131622.00	√	1,357	P184K17DB33	82	208-230	Man.	21.0	1.15	14.69	S, MX

C/A - Check Availability

♥ Note listing on inside back flap
Specifications are subject to change without notice

Single Phase - TEFC - Rigid Base

HP	RPM 60 Hz	NEMA Frame	Catalog Number	Stock	List Price	Model Number	App. Wgt. (lbs)	Voltage	Over-load Prot.	F. L. Amps @ 230 V	Service Factor	"C" Dim. (Inches)	♥Notes
3/4	3600	56	110108.00	√	485	M6C34FB7	26	115/208-230	Man.	5.0	1.15	11.31	S, US
3/4	1800	56	110022.00	√	659	M6C17FB7	29	115/208-230	Man.	5.4	1.15	11.31	S, US
1	3600	56	110142.00	√	593	M6C34FB2	28	115/208-230	Man.	6.0	1.15	11.81	S, US
1	1800	56	110023.00	√	745	M6C17FB8	29	115/208-230	Man.	6.4	1.15	11.81	S, US
1	1800	143T	120008.00	√	745	M143C17FB2	31	115/208-230	Man.	6.4	1.15	12.75	S, US
1 1/2	3600	56	110109.00	√	816	M6C34FB8	31	115/208-230	Man.	8.5	1.00	12.31	S, US
1 1/2	1800	56H	113333.00	√	844	M6K17FB32	38	115/208-230	Man.	8.6	1.00	12.81	S, US, 6, 53
1 1/2	1800	145T	120009.00	√	844	M145K17FB2	42	115/208-230	Man.	8.6	1.00	13.25	S, US, 53
2	3600	56H	110402.00	√	952	P6C34FB23	41	115/208-230	Man.	10.0	1.00	13.31	S, US, 6, 53
2	3600	145T	120395.00	√	962	P145C34FB5	44	115/208-230	Man.	10.0	1.00	13.75	S, US
2	1800	145T	120867.00	√	1,210	P145K17FB22	48	115/208-230	Man.	9.2	1.00	13.75	S, US, 53
3	3600	56H	116705.00	√	992	P6K34FB31	53	230	Man.	14.0	1.00	13.81	S, US, 6, 53
3	1800	184T	131855.00	√	1,341	P184K17FB26	88	230	Man.	13.7	1.15	16.86	S, MX, 53
5	3600	184T	132042.00	√	1,676	P184K34FB9	103	230	Man.	19.8	1.15	16.97	S, MX, 53
5	1800	184T	131856.00	√	1,559	P184K17FB25	95	230	Man.	21.0	1.00	17.86	S, MX, 53

♥ Note listing on inside back flap
Specifications are subject to change without notice



Explosion Proof Motors

Automotive Duty Motors

Pump Motors

Washguard Motors

Agricultural Motors

HVAC / Fan Motors

Special Voltage Motors

Definite Purpose Motors

Brake Motors

Definite Purpose Motors

Pressure Washer Motors

Single Phase - Drip-Proof - C Face With Base

HP	RPM 60 Hz	NEMA Frame	Catalog Number	Stock	List Price	Model Number	App. Wgt. (lbs)	Voltage	Over- load Prot.	F. L. Amps @ 230 V	Service Factor	"C" Dim. (Inches)	♥Notes
1 1/2	3600	56C	114214.00	√	672	M6K34DK8	35	115/208-230	Man.	6.2	1.15	11.34	S, US
1 1/2	1800	56HC	113700.00	√	888	M6K17DK15	38	115/208-230	Man.	7.2	1.15	11.84	S, US, 6, 53
2	3600	56C	114215.00	√	853	P6K34DK9	45	115/208-230	Man.	8.6	1.15	11.34	S, US
2	1800	56HC	113281.00	√	919	P6K17DK12	45	115/208-230	Man.	8.6	1.15	12.88	S, US, 6, 53
3	3600	56HC	116707.00	√	931	M6C34DK5	41	230	Man.	15.0	1.00	12.38	S, US, 6, 53
3	1800	184TC	131853.00	√	1,117	C184K17DK18	87	208-230	Man.	15.4	1.15	15.96	S, MX, 53
5	3600	56HC	116709.00	√	953	P6K34DK18	46	230	Man.	20.8	1.00	13.54	S, US, 6, 53
5	1800	184TC	131630.00	√	1,374	M184K17DK13	77	208-230	Man.	21.0	1.15	14.69	S, MX, 53

♥ Note listing on inside back flap
Specifications are subject to change without notice

Single Phase - TEFC - C Face With Base

HP	RPM 60 Hz	NEMA Frame	Catalog Number	Stock	List Price	Model Number	App. Wgt. (lbs)	Voltage	Over- load Prot.	F. L. Amps @ 230 V	Service Factor	"C" Dim. (Inches)	♥Notes
1/3	1800	56C	116485.00	C/A	673	M6C17FK81	29	115/208-230	Man.	3.2	1.15	10.81	S, US, 57
1/2	1800	56C	116486.00	√	773	M6C17FK80	23	115/208-230	Man.	4.4	1.15	10.81	S, US, 53
3/4	1800	56C	116487.00	√	898	M6C17FK79	30	115/208-230	Man.	5.4	1.15	11.31	S, US, 53
1	3600	56C	115877.00	√	566	M6C34FK78	28	115/208-230	Man.	6.0	1.15	11.81	S, US
1	1800	56C	115879.00	√	755	M6C17FK80	32	115/208-230	Man.	6.4	1.15	11.81	S, US
1 1/2	3600	56C	115024.00	√	770	M6K34FK16	35	115/208-230	Man.	6.2	1.15	12.31	S, US, 53
1 1/2	1800	56HC	116703.00	√	902	M6K17FK50	39	115/208-230	Man.	8.6	1.15	12.81	S, US
2	3600	56HC	114995.00	√	916	P6K34FK15	42	115/208-230	Man.	9.2	1.15	13.31	S, US, 53
2	1800	145TC	121465.00	√	1,210	P145K17FK10	44	115/208-230	Man.	9.2	1.00	13.75	S, US
3	3600	56HC	115048.00	√	1,002	P6K34FK17	53	208-230	Man.	14.0	1.00	13.81	S, US, 53
3	1800	184TC	131857.00	√	1,710	P14K17FK14	104	230	Man.	13.7	1.15	17.61	S, MX, 53
5	3600	184TC	131632.00	√	1,718	P184K34FK2	103	230	Man.	19.8	1.15	16.97	S, MX
5	1800	184TC	131633.00	√	1,790	P184K17FK11	989	230	Man.	23.0	1.00	16.97	S, MX

C/A - Check Availability

♥ Note listing on inside back flap
Specifications are subject to change without notice

Definite Purpose Motors

Woodworking Motors

Explosion Proof
Motors

Automotive
Duty Motors

Pump
Motors

Washguard
Motors

Agricultural
Motors

HVAC / Fan
Motors

Special Voltage
Motors

Definite
Purpose Motors

Brake Motors

General Specifications:

- Motors designed for woodworking equipment such as table saws, planers, etc.
- Totally enclosed
- Fully gasketed to prevent dust entry



Single Phase - TEFC - Rigid Base

HP	RPM 60 Hz	NEMA Frame	Catalog Number	Stock	List Price	Model Number	App. Wgt. (lbs)	Voltage	Over- load Prot.	F. L. Amps @ 230 V	Service Factor	"C" Dim. (Inches)	♥Notes
3/4	3600	56	110108.00	√	485	M6C34FB7	26	115/208-230	Man.	5.0	1.15	11.31	S, US
1	3600	56	110142.00	√	593	M6C34FB2	28	115/208-230	Man.	6.0	1.15	11.81	S, US
1 1/2	3600	56	110109.00	√	816	M6C34FB8	34	115/208-230	Man.	8.5	1.00	12.31	S, US
2	3600	56H	110402.00	√	952	P6C34FB23	41	115/208-230	Man.	10.0	1.00	13.31	S, US, 6
2	3600	145T	120395.00	√	962	P145C34FB5	44	115/208-230	Man.	10.0	1.00	13.75	S, US
3	3600	145T	120341.00	√	987	C145K34FB3	46	230	None	13.0	1.00	14.25	S, US, 53

♥ Note listing on inside back flap
Specifications are subject to change without notice

Single Phase - TEFC - C Face Base

HP	RPM 60 Hz	NEMA Frame	Catalog Number	Stock	List Price	Model Number	App. Wgt. (lbs)	Voltage	Over- load Prot.	F. L. Amps @ 230 V	Service Factor	"C" Dim. (Inches)	♥Notes
3	3600	145TC	120824.00	√	1,067	P145K34FC6	56	230	Man.	13.0	1.00	14.25	S, US, 53

♥ Note listing on inside back flap
Specifications are subject to change without notice

Table Saw Motor

General Specifications:

- Extra high breakdown torque
- 8 ft. cord with 115V plug
- On/off toggle switch
- Replaces Delta motor 62-042



Single Phase - TEFC - Rigid Base

HP	RPM 60 Hz	NEMA Frame	Catalog Number	Stock	List Price	Model Number	App. Wgt. (lbs)	Voltage	Over- load Prot.	F. L. Amps @ 230 V	Service Factor	"C" Dim. (Inches)	♥Notes
1 1/2	3600	56	113627.00	√	979	M6C34FB63	39	115/230	Man.	7.5	1.00	12.31	S, US

♥ Note listing on inside back flap
Specifications are subject to change without notice



Definite Purpose Motors

Contractors' Saw Motors



General Specifications:

- Motor pivots on rod for belt tensioning
- Extra high breakdown torques for maximum cutting power
- 3/4" Dia. Shaft, 1-3/4" long with keyway
- Includes 54 inch cord
- Motors 120925.00 and 120997.00 replaces Delta UNISAW® motor 83-621 (1-1/2 HP)
- Motors 120728.00 and 120998.00 replaces Delta UNISAW® motors 83-651 (3 HP)

Single Phase - TEFC - Delta UNISAW® Mounting

HP	RPM 60 Hz	NEMA Frame	Catalog Number	Stock	List Price	Model Number	App. Wgt. (lbs)	Voltage	F. L. Amps @ 230 V	Service Factor	"C" Dim. (Inches)	♥Notes
1	3600	143Y	120925.00	√	876	C143C34FB5	44	115/230	10.0	1.00	12.68	S, US
2	3600	143Y	120997.00	√	961	C143C34FB6	44	115/230	11.0	1.00	12.68	S, US
3	3600	145Y	120728.00	√	1,226	C145K34FB12	52	230	13.0	1.00	13.68	S, US, 53
4	3600	145Y	120998.00	√	1,280	C145K34FB16	48	230	17.6	1.00	13.68	S, US, 53

UNISAW® is a registered trademark of Delta International.

♥ Note listing on inside back flap
Specifications are subject to change without notice

Contractors' Power Tool Motors

General Specifications:

- Designed for woodworking applications
- Electronic starting switch
- High starting and breakdown torques
- 48 frame model has 1-1/2" long shaft by 1/2" Dia.
- 56 frame models have a 1-7/8" long shaft by 5/8" Dia.
- Shaft extensions, each end, include keyway and flat, 90° apart



Single Phase - Drip Proof - Rigid Base - Double-Shaft

HP	RPM 60 Hz	NEMA Frame	Catalog Number	Stock	List Price	Model Number	App. Wgt. (lbs)	Voltage	F. L. Amps @ 230 V	Service Factor	"C" Dim. (Inches)	♥Notes
1/2	1800	S56Z	101781.00	√	582	C4C17DH106	17	115/208-230	4.4	1.25	12.43	S, US
3/4	3600	48Z	101782.00	√	598	C4C34DB15	24	115/208-230	4.9	1.25	12.18	S, US
1	3600	56Z	114216.00	√	626	C6C34DB71	27	115/208-230	6.0	1.25	12.81	S, US

♥ Note listing on inside back flap
Specifications are subject to change without notice

Definite Purpose Motors

Instant Reversing Motors

Parking Gates, Door Operators & Slide Gates

General Specifications:

Specially designed motors for use on “instant-reversing” parking gates, doors, slide gates, or other moderate starting torque instant reversing applications. Capable of frequent reversing service.



Features:

- Instant “plug-reversing” with simple three-wire connection
- Manual overload protected
- Approx. 150% starting torque - not suitable for hard start applications

Single Phase - Drip-Proof - Resilient Base

HP	RPM 60 Hz	NEMA Frame	Catalog Number	Stock	List Price	Model Number	App. Wgt. (lbs)	Voltage	Over- load Prot.	F. L. Amps @ 115 V	Service Factor	“C” Dim. (Inches)	♥Notes
1/3	1625	S56	103794.00	√	537	M4P17DJ29	18	115	Man.	4.2	1.00	10.81	S, MX
1/2	1625	S56	100802.00	√	593	M4P17DJ7	24	115	Man.	6.1	1.00	11.31	S, MX
1/2	1625	S56	103460.00	√	439	5KCP35JNC128	22	115	Man.	5.0	1.00	9.94	S, MX
1/2	1625	S56	103821.00	√	603	M4P17DJ33	25	115	Man.	5.1	1.00	10.81	S, MX, 47
3/4	1625	56H	113642.00	√	707	M6P17DR4	33	115	Man.	8.2	1.00	11.31	S, US

Note 47 - Rated at 50 HZ at full rated HP

Continued On Next Page

♥ Note listing on inside back flap
Specifications are subject to change without notice



Explosion Proof
Motors

Automotive
Duty Motors

Pump
Motors

Washguard
Motors

Agricultural
Motors

HVAC / Fan
Motors

Special Voltage
Motors

Definite
Purpose Motors

Brake Motors

Definite Purpose Motors

Instant Reversing Motors

Features (Resilient Base and C Face):

- Instant “plug-reversing” with simple three-wire connection
- Manual overload protected
- Approx. 150% starting torque - not suitable for hard start applications



Single Phase - Drip-Proof - C Face Less Base

HP	RPM 60 Hz	NEMA Frame	Catalog Number	Stock	List Price	Model Number	App. Wgt. (lbs)	Voltage	Over- load Prot.	F. L. Amps @ 115 V	Service Factor	“C” Dim. (Inches)	♥Notes
1/3	1625	S56C	102017.00	√	529	M4P17DC29	18	115	Man.	4.2	1.00	9.99	S, MX
1/2	1625	S56C	102021.00	√	593	M4P17DC30	22	115	Man.	6.1	1.00	10.49	S, MX
1/2	1625	S56C	100704.00	√	593	M4P17DC7	16	115	Man.	4.1	1.00	10.24	S, MX, *

Note * - Motor has same electrical design as 102017, but is rated for intermittent duty.

♥ Note listing on inside back flap
Specifications are subject to change without notice

Features (Rigid Base):

- Capacitor start, induction run motors with solid state, instant reversing switch
- Manual overload protected



Single Phase - TEFC - Rigid Base

HP	RPM 60 Hz	NEMA Frame	Catalog Number	Stock	List Price	Model Number	App. Wgt. (lbs)	Voltage	Over- load Prot.	F. L. Amps @ 230 V	Service Factor	“C” Dim. (Inches)	♥Notes
3/4	1800	56	114932.00	√	759	P6C17FB113	30	115/208-230	Man.	5.4	1.15	11.31	S, MX
1	1800	56	114933.00	√	830	P6C17FB112	30	115/208-230	Man.	6.4	1.15	11.81	S, MX

♥ Note listing on inside back flap
Specifications are subject to change without notice

Definite Purpose Motors

Boat Hoist Duty Motors

Explosion Proof
Motors

Automotive
Duty Motors

Pump
Motors

Washguard
Motors

Agricultural
Motors

HVAC / Fan
Motors

Special Voltage
Motors

Definite
Purpose Motors

Brake Motors

Our Electra Gear line of Boat Hoist Duty motors provide customized features that are needed to support the Boat Hoist Industry.

Features Include:

- Stainless steel frame, base, capacitor case and conduit box cover
- 15 minute duty cycle
- Drain holes located at 6:00 position
- TENV enclosure
- Die cast Aluminum endbells
- Capacitor case located at 12:00
- 115/230 Volt – 1.15 S.F.
- UL recognized component listing and CSA approved



Single Phase - TENV - C Face With Base

HP	RPM 60 Hz	NEMA Frame	Catalog Number	Stock	List Price	Model Number	App. Wgt. (lbs)	Voltage	F. L. Amps @ 230 V	"C" Dim. (Inches)	♥Notes
1/2	1800	56C	6439191250	√	455	6439191250	23	115/208-230	4.1	10.5	S, CN
3/4	1800	56C	6439191251	√	492	6439191251	26	115/208-230	4.9	11.1	S, CN
1	1800	56C	6439191252	√	535	6439191252	33	115/208-230	6.8	11.7	S, CN
1 1/2	1800	56C	6439191253	√	624	6439191253	47	115/208-230	8.4	12.6	S, CN

♥ Note listing on inside back flap
Specifications are subject to change without notice

Single Phase - TENV - C Face Less Base

HP	RPM 60 Hz	NEMA Frame	Catalog Number	Stock	List Price	Model Number	App. Wgt. (lbs)	Voltage	F. L. Amps @ 230 V	"C" Dim. (Inches)	♥Notes
1/2	1800	56C	6439191260	√	440	6439191260	22	115/208-230	4.1	10.5	S, CN
3/4	1800	56C	6439191261	√	478	6439191261	24	115/208-230	4.9	11.1	S, CN
1	1800	56C	6439191262	√	522	6439191262	32	115/208-230	6.8	11.7	S, CN
1 1/2	1800	56C	6439191263	√	609	6439191263	46	115/208-230	8.4	12.6	S, CN
2	1800	56C	6439191264	√	687	6439191264	48	115/208-230	9.0	13.4	S, CN

♥ Note listing on inside back flap
Specifications are subject to change without notice



Definite Purpose Motors

Two-Speed Motors

Three Phase - Variable and Constant Torque Designs

General Specifications:

Two-speed, single winding design motors. See page 234 for typical characteristic speed torque curves.



Variable Torque - 460 Volt - One Winding - TEFC - Rigid Base - 1800/900 RPM

HP	RPM 60 Hz	NEMA Frame	Catalog Number	Stock	List Price	Model Number	App. Wgt. (lbs)	Voltage	F. L. Amps @ 460 V	Service Factor	"C" Dim. (Inches)	♥Notes
1/25	1800/900	143T	120945.00	C/A	1,005	C143T48FB7	36	460	1.6-0.7	1.00	12.75	S, US
1.5/37	1800/900	145T	120941.00	√	1,046	C145T48FB60	36	460	2.4-1.0	1.00	12.75	S, US
2/5	1800/900	145T	120940.00	C/A	1,219	C145T48FB48	36	460	3.2-1.3	1.00	12.75	S, US
3/7.5	1800/900	184T	131474.00	C/A	1,306	C184T48FB67	77	460	4.0-1.8	1.00	14.46	S, MX
5/1.2	1800/900	184T	131475.00	√	1,667	C184T48FB68	107	460	6.5-2.5	1.00	15.96	S, MX
7.5/1.9	1800/900	215T	140447.00	√	2,349	C215T48FB46	155	460	9.7-3.3	1.00	17.71	S, MX
10/2.5	1800/900	215T	140448.00	√	2,767	C215T48FB48	168	460	12.7-4.2	1.00	18.71	S, MX

C/A - Check Availability

♥ Note listing on inside back flap
Specifications are subject to change without notice

Variable Torque - 208-230 Volt - One Winding - TEFC - Rigid Base - 1800/900 RPM

HP	RPM 60 Hz	NEMA Frame	Catalog Number	Stock	List Price	Model Number	App. Wgt. (lbs)	Voltage	F. L. Amps @ 230 V	Service Factor	"C" Dim. (Inches)	♥Notes
1/25	1800/900	143T	120944.00	C/A	1,005	C143T48FB6	36	208-230	3.2-1.4	1.00	12.75	S, US
1.5/37	1800/900	145T	120947.00	C/A	1,049	C145T48FB61	36	208-230	4.8-2.0	1.00	12.75	S, US
2/5	1800/900	145T	120946.00	√	1,219	C145T48FB59	35	208-230	6.3-2.6	1.00	12.75	S, US
3/7.5	1800/900	184T	131468.00	√	1,306	C184T48FB61	78	208-230	8.0-3.6	1.00	14.46	S, MX
5/1.2	1800/900	184T	131469.00	√	1,667	C184T48FB62	94	208-230	13.0-5.0	1.00	15.96	S, MX
7.5/1.9	1800/900	215T	140443.00	C/A	2,372	C215T48FB45	154	208-230	19.4-6.6	1.00	17.71	S, MX
10/2.5	1800/900	215T	140444.00	C/A	2,767	C215T48FB47	166	208-230	25.4-8.4	1.00	18.71	S, MX

C/A - Check Availability

♥ Note listing on inside back flap
Specifications are subject to change without notice

Constant Torque - 460 Volt - One Winding - TEFC - Rigid Base - 1800/900 RPM

HP	RPM 60 Hz	NEMA Frame	Catalog Number	Stock	List Price	Model Number	App. Wgt. (lbs)	Voltage	F. L. Amps @ 460 V	Service Factor	"C" Dim. (Inches)	♥Notes
1/5	1800/900	143T	120943.00	C/A	1,433	C143T48FB9	36	460	1.4-1.6	1.00	13.25	S, US
2/1	1800/900	184T	131471.00	√	1,832	C184T48FB64	68	460	2.9-2.9	1.00	13.96	S, MX
3/1.5	1800/900	184T	131470.00	√	2,079	C184T48FB63	80	460	3.8-3.5	1.00	14.96	S, MX
5/2.5	1800/900	215T	140445.00	C/A	2,717	C215T48FB43	145	460	6.7-7.0	1.00	17.71	S, MX

C/A - Check Availability

♥ Note listing on inside back flap
Specifications are subject to change without notice

Constant Torque - 208-230 Volt - One Winding - TEFC - Rigid Base - 1800/900 RPM

HP	RPM 60 Hz	NEMA Frame	Catalog Number	Stock	List Price	Model Number	App. Wgt. (lbs)	Voltage	F. L. Amps @ 230 V	Service Factor	"C" Dim. (Inches)	♥Notes
1/5	1800/900	143T	120942.00	C/A	1,433	C143T48FB8	37	208-230	3.2-4.2	1.00	12.75	S, US
2/1	1800/900	184T	131473.00	C/A	1,832	C184T48FB66	69	208-230	5.8-5.7	1.00	13.96	S, MX
3/1.5	1800/900	184T	131472.00	√	2,079	C184T48FB65	80	208-230	7.6-6.9	1.00	14.96	S, MX
5/2.5	1800/900	215T	140446.00	C/A	2,717	C215T48FB44	137	208-230	13.4-14.0	1.00	17.71	S, MX

C/A - Check Availability

♥ Note listing on inside back flap
Specifications are subject to change without notice

NEW!

Crusher Duty Motors

Definite Purpose Motors

Aggregate / Crusher Duty

Design Features:

- NEMA Design C
- NEMA Premium Efficient
- Inverter-rated
- Roller bearing - drive end only for belted load applications only
- Shaft seals - both ends
- 4140 grade high strength shaft material
- Full Cast Iron Construction
- Inverter rated insulation system
- Epoxy painted
- N/C thermostats



Three Phase - TEFC - Rigid Base

HP	RPM 60 Hz	NEMA Frame	Catalog Number	Stock	List Price	Model Number	App. Wgt. (lbs)	Voltage	F. L. Amps @ 230 V	Service Factor	"C" Dim. (Inches)	♥Notes
50	1800	326T	194181.00	√	7,517	326T17WB1	686	230/460	118	1.15	33.86	C, CN
50	1200	365T	194182.00	√	12,341	365T11WB1	970	230/460	120	1.15	38.39	C, CN
60	1800	364T	194183.00	√	10,655	364T17WB1	937	230/460	138	1.15	36.61	C, CN
60	1200	404T	194184.00	√	14,622	404T11WB1	1250	230/460	144	1.15	42.72	C, CN
75	1800	365T	194185.00	√	13,326	365T17WB1	1075	230/460	171	1.15	38.39	C, CN
75	1200	405T	194186.00	√	15,370	405T11WB1	1344	230/460	178	1.15	42.72	C, CN
100	1800	405T	194187.00	√	16,564	405T17WB1	1345	230/460	114	1.15	42.72	C, CN
100	1200	444T	194188.00	√	21,860	444T11WB1	1462	460	114*	1.15	50.79	C, CN
125	1800	444T	194189.00	√	21,923	444T17WB1	1874	460	140*	1.15	50.79	C, CN
125	1200	445T	194190.00	√	24,681	445T11WB1	2061	460	142*	1.15	50.79	C, CN
150	1800	445T	194191.00	√	25,070	445T17WB1	2061	460	165*	1.15	50.79	C, CN
150	1200	447T	194192.00	√	27,829	447T11WB1	2464	460	170*	1.15	55.91	C, CN
200	1800	447T	194193.00	√	28,712	447T17WB1	2315	460	225*	1.15	55.91	C, CN
200	1200	449T	194194.00	√	36,438	449T11WB1	2513	460	228*	1.15	55.91	C, CN
250	1800	449T	194195.00	√	29,701	449T17WB1	2535	460	280*	1.15	55.91	C, CN

230/460 volt motors are suitable for use at 208 volts

Shaded model numbers are cast iron frame

▼ LM Numbers are Lincoln Models

♥ Note listing on inside back flap
Specifications are subject to change without notice

Explosion Proof Motors

Automotive Duty Motors

Pump Motors

Washguard Motors

Agricultural Motors

HVAC / Fan Motors

Special Voltage Motors

Definite Purpose Motors

Brake Motors



Definite Purpose Motors

Lincoln Hydraulic Elevator Duty Motors

Applications:

Hydraulic pump passenger, service, freight, and dumbwaiter low rise elevators. Typically hydraulic elevators travel up to 6 floors at speeds up to 200 fpm.

Features:

- Dual rated nameplates for 80 & 120 starts/hour
- Designed for belt driven pumps
- Wye Start/Delta Run
- Class F Insulated
- 40° C ambient
- F-1 mounting
- Ball bearings with grease fittings and automatic relief
- NEMA dimensions
- UL recognized component listing and CSA approved
- Constructed for low noise and low vibration



Three Phase - Drip-Proof - Rigid Base - 80 Starts Per Hour

HP	RPM 60 Hz	NEMA Frame	▼ Catalog Number	Stock	List Price	Model Number	App. Wgt. (lbs)	Voltage	% FL. Nom. EFF.	80 Starts FL. Amps	Locked Rotor Amps	♥Notes
15	3600	213T	LM30092	C/A	1,352	SSD2P10/15T61YEH2	149	230/460	88.5	36	162/81	S, US
15	1800	215T	LM28867	√	1,241	SSD4G10/15T6006YEH2	128	200	89.5	45	170	S, US
15	1800	215T	LM28868	√	1,241	SSD4S10/15T61YEH2	124	230/460	89.5	39.2/19.6	148/74	S, US
20	3600	215T	LM30093	√	1,765	SSD2P15/20T6006YEH2	135	200	90.2	53	267	S, US
20	3600	215T	LM30094	√	1,765	SSD2P15/20T61YEH2	138	230/460	90.2	46/23	232/116	S, US
20	1800	254T	LM28873	√	1,692	SSD4G15/20T6006YEH2	203	200	91.0	59	267	S, US
20	1800	254T	LM28874	√	1,692	SSD4G15/20T61YEH2	205	230/460	91.0	51.4/25.7	232/116	S, US
25	3600	254T	LM30095	√	2,238	SSD2P20/25T6006YEH2	128	200	91.0	67	334	S, US
25	3600	254T	LM30096	√	2,238	SSD2P20/25T61YEH2	134	230/460	91.0	58/29	290/145	S, US
25	1800	256T	LM28879	√	2,139	SSD4G20/25T6006YEH2	233	200	91.0	74	368	S, US
25	1800	256T	LM28880	√	2,139	SSD4G20/25T61YEH2	233	230/460	91.0	64/32	320/160	S, US
30	3600	256T	LM30097	√	2,692	SSD2P25/30T6006YEH2	235	200	91.0	80	419	S, US
30	3600	256T	LM30098	√	2,692	SSD2P25/30T61YEH2	235	230/460	91.0	69/34.5	364/182	S, US
30	1800	284T	LM29850	√	2,826	CCD4G25/30T6006YEH2	300	200	91.7	84	391	S, US
30	1800	284T	LM29851	√	2,826	CCD4G25/30T61YEH2	318	230/460	90.2	73/36.5	340/170	S, US
30	1800	284T	LM33046	√	3,235	CCD4B25/30T61YEH2	320	230/460	94.1	73/36.5	360/180	S, US

▼ LM Numbers are Lincoln Models
C/A - Check Availability

Continued On Next Page

♥ Note listing on inside back flap
Specifications are subject to change without notice

Definite Purpose Motors

Lincoln Hydraulic Elevator Duty Motors

Explosion Proof Motors

Automotive Duty Motors

Pump Motors

Washguard Motors

Agricultural Motors

HVAC / Fan Motors

Special Voltage Motors

Definite Purpose Motors

Brake Motors

Three Phase - Drip-Proof - Rigid Base - 80 Starts Per Hour

HP	RPM 60 Hz	NEMA Frame	▼ Catalog Number	Stock	List Price	Model Number	App. Wgt. (lbs)	Voltage	% F.L. Nom. EFF.	80 Starts F.L. Amps	Locked Rotor Amps	♥Notes
40	3600	284T	LM30099	√	3,467	CCD2P30/40T6006YEH2	320	200	91.7	112	460	S, US
40	3600	284T	LM30100	√	3,467	CCD2P30/40T61YEH2	322	230/460	91.7	97/48.5	400/200	S, US
40	1800	286T	LM29852	√	3,277	CCD4G30/40T6006YEH2	450	200	92.4	112	495	S, US
40	1800	286T	LM29853	√	3,277	CCD4G30/40T61YEH2	600	230/460	92.4	97/48.5	430/215	S, US
40	1800	286T	LM33048	C/A	3,752	CCD4B30/40T61YEH2	610	230/460	94.1	96/48	416/208	S, US
50	3600	286T	LM30102	C/A	4,428	CCD2P40/50T61YEH2	462	230/460	92.4	117/58.5	580/290	S, US
50	1800	324T	LM28897	√	4,386	SD4G40/50T6006YEH2	550	200	92.4	145	630	S, US
50	1800	324T	LM28898	√	4,386	SD4G40/50T61YEH2	552	230/460	92.4	126/63	548/274	S, US
50	1800	324T	LM32651	√	5,022	SD4B40/50T61YEH2	554	230/460	94.5	125/62.5	530/265	S, US
60	1800	326T	LM28903	√	4,871	SD4G50/60T6006YEH2	519	200	92.4	176	794	S, US
60	1800	326T	LM28904	C/A	4,871	SD4G50/60T61YEH2	530	230/460	92.4	153/76.5	690/345	S, US
60	1800	326T	LM32663	√	5,576	SF4B50/60T61YEH2	535	230/460	93.6	151/75.5	650/325	S, US
75	1800	364T	LM28909	C/A	7,282	SD4G60/75T6006YEH2	693	200	93.6	206	1000	S, US
75	1800	364T	LM28910	√	7,282	SD4S60/75T61YEH2	709	230/460	93.6	179/89.5	870/435	S, US
100	1800	365T	LM28914	C/A	7,689	SD4G75/100T61YEH2	754	230/460	94.1	250/125	1084/542	S, US

▼ LM Numbers are Lincoln Models
C/A - Check Availability

♥ Note listing on inside back flap
Specifications are subject to change without notice



Definite Purpose Motors

Lincoln Hydraulic Elevator Duty Motors

Three Phase - Drip-Proof - Rigid Base - 120 Starts Per Hour

HP	RPM 60 Hz	NEMA Frame	▼ Catalog Number	Stock	List Price	Model Number	App. Wgt. (lbs)	Voltage	% F.L. Nom. EFF.	120 Starts F.L. Amps	Locked Rotor Amps	♥Notes
10	3600	213T	LM30092	C/A	1,352	SSD2P10/15T61YEH2	149	230/460	88.5	36	162/81	S, US
10	1800	215T	LM28867	√	1,241	SSD4G10/15T6006YEH2	128	200	89.5	45	170	S, US
10	1800	215T	LM28868	√	1,241	SSD4S10/15T61YEH2	124	230/460	89.5	39.2/19.6	148/74	S, US
15	3600	215T	LM30093	√	1,765	SSD2P15/20T6006YEH2	135	200	90.2	53	267	S, US
15	3600	215T	LM30094	√	1,765	SSD2P15/20T61YEH2	138	230/460	90.2	46/23	232/116	S, US
15	1800	254T	LM28873	√	1,692	SSD4G15/20T6006YEH2	203	200	91.0	59	267	S, US
15	1800	254T	LM28874	√	1,692	SSD4G15/20T61YEH2	205	230/460	91.0	51.4/25.7	232/116	S, US
20	3600	254T	LM30095	√	2,238	SSD2P20/25T6006YEH2	128	200	91.0	67	334	S, US
20	3600	254T	LM30096	√	2,238	SSD2P20/25T61YEH2	134	230/460	91.0	58/29	290/145	S, US
20	1800	256T	LM28879	√	2,139	SSD4G20/25T6006YEH2	233	200	91.0	74	368	S, US
20	1800	256T	LM28880	√	2,139	SSD4G20/25T61YEH2	233	230/460	91.0	64/32	320/160	S, US
25	3600	256T	LM30097	√	2,692	SSD2P25/30T6006YEH2	235	200	91.0	80	419	S, US
25	3600	256T	LM30098	√	2,692	SSD2P25/30T61YEH2	235	230/460	91.0	69/34.5	364/182	S, US
25	1800	284T	LM29850	√	2,826	CCD4G25/30T6006YEH2	300	200	91.7	84	391	S, US
25	1800	284T	LM29851	√	2,826	CCD4G25/30T61YEH2	318	230/460	90.2	73/36.5	340/170	S, US
25	1800	284T	LM33046	√	3,235	CCD4B25/30T61YEH2	320	230/460	94.1	73/36.5	360/180	S, US
30	3600	284T	LM30099	√	3,467	CCD2P30/40T6006YEH2	320	200	91.7	112	460	S, US
30	3600	284T	LM30100	√	3,467	CCD2P30/40T61YEH2	322	230/460	91.7	97/48.5	400/200	S, US
30	1800	286T	LM29852	√	3,277	CCD4G30/40T6006YEH2	450	200	92.4	112	495	S, US
30	1800	286T	LM29853	√	3,277	CCD4G30/40T61YEH2	600	230/460	92.4	97/48.5	430/215	S, US
30	1800	286T	LM33048	C/A	3,752	CCD4B30/40T61YEH2	610	230/460	94.1	96/48	416/208	S, US
40	3600	286T	LM30102	C/A	4,428	CCD2P40/50T61YEH2	462	230/460	92.4	117/58.5	580/290	S, US
40	1800	324T	LM28897	√	4,386	SD4G40/50T6006YEH2	550	200	92.4	145	630	S, US
40	1800	324T	LM28898	√	4,386	SD4G40/50T61YEH2	552	230/460	92.4	126/63	548/274	S, US
40	1800	324T	LM32651	√	5,022	SD4B40/50T61YEH2	554	230/460	94.5	125/62.5	530/265	S, US
50	1800	326T	LM28903	√	4,871	SD4G50/60T6006YEH2	519	200	92.4	176	794	S, US
50	1800	326T	LM28904	√	4,871	SD4G50/60T61YEH2	530	230/460	92.4	153/76.5	690/345	S, US
50	1800	326T	LM32663	√	5,576	SF4B50/60T61YEH2	535	230/460	93.6	151/75.5	650/325	S, US
60	1800	364T	LM28909	C/A	7,282	SD4G60/75T6006YEH2	693	200	93.6	206	1000	S, US
60	1800	364T	LM28910	√	7,282	SD4S60/75T61YEH2	709	230/460	93.6	179/89.5	870/435	S, US
75	1800	365T	LM28914	C/A	7,689	SD4G75/100T61YEH2	754	230/460	94.1	250/125	1084/542	S, US

▼ LM Numbers are Lincoln Models
C/A - Check Availability

♥ Note listing on inside back flap
Specifications are subject to change without notice



Lincoln VVVF (Variable Voltage-Variable Frequency) Traction Elevator Hoist Motors

Applications:

Designed for Geared and Gearless Traction Elevators, 100 fpm to 500 fpm operation and up to 12 or 15 floors.

Features:

- Dynamic balanced for low vibration operation
- Normally closed thermostats, one per phase
- Low noise design
- Steel frame construction with cast iron endbells
- Class F Insulated, 40° C ambient
- EPAAct efficiency or better
- 1.0 service factor
- 1024 PPR encoder, with 1-inch shaft bore standard
- F1 mounting
- 1000:1 inverter duty capability



Three Phase - Drip-Proof - Rigid Base with Encoder - 80 Starts Per Hour

HP	SYN RPM	No. of Poles	Frame	▼ Catalog Number	Stock	List Price	Model Number	App. Wgt. (lbs)	HZ	Voltage	F.L. Amps	Rated Accel. Torque	♥Notes
7 1/2	1200	6	254T	LM28114	√	3,890	SD6P7.5T61ET1	221	60	230/460	24/12	225%	S, US
7 1/2	1200	6	254T	LM28115	√	3,890	SD6P7.5T6006ET1	221	60	200	28	225%	S, US
7 1/2	1200	4	254T	LM28116	C/A	3,815	SD4P7.5T41ET1	200	40	230/460	19/9.5	275%	S, US
7 1/2	1200	4	254T	LM28117	C/A	3,815	SD4P7.5T4006ET1	200	40	200	22	275%	S, US
7 1/2	900	4	256T	LM28118	C/A	4,236	SD4P7.5T31ET1	278	30	230/460	19.6/9.8	275%	S, US
7 1/2	900	4	256T	LM28119	C/A	4,236	SD4P7.5T3006ET1	278	30	200	23	275%	S, US
10	1200	6	256T	LM28120	√	4,323	SSD6P10T61ET1	214	60	230/460	24/12	250%	S, US
10	1200	6	256T	LM28121	√	4,323	SD6P10T6006ET1	214	60	200	28	250%	S, US
10	1200	4	256T	LM28122	C/A	4,236	SD4P10T41ET1	232	40	230/460	19/9.5	275%	S, US
10	1200	4	256T	LM28123	C/A	4,236	SSD4P10T4006ET1	232	40	200	22	275%	S, US
10	900	4	284T	LM28124	C/A	5,016	SD4P10T31ET1	280	30	230/460	19.6/9.8	330%	S, US
10	900	4	284T	LM28125	C/A	5,016	SD4P10T3006ET1	280	30	200	23	330%	S, US
12 1/2	1200	6	284T	LM31393	C/A	5,164	SD6P12.5T61ET1	338	60	230/460	42/21	300%	S, US
12 1/2	1200	6	284T	LM30676	√	5,164	SD6P12.5T6006YET1	338	60	200	48.5	300%	S, US
12 1/2	900	4	284T	LM30677	C/A	5,445	SD4P12.5T31ET1	365	30	230/460	34/17	300%	S, US
12 1/2	900	4	284T	LM30678	C/A	5,445	SD4P12.5T3006ET1	365	30	200	38.5	300%	S, US
15	1800	4	256T	LM30679	C/A	4,323	SD4P15T61ET1	233	60	230/460	—	—	S, US
15	1800	4	256T	LM30680	C/A	4,323	SD4P15T6006ET1	233	60	200	—	—	S, US
15	1200	6	284T	LM28126	√	5,195	SD6S15T61YET1	341	60	230/460	49/24.5	300%	S, US
15	1200	6	284T	LM28127	C/A	5,195	SD6G15T6006YET1	338	60	200	56.5	3	S, US
15	1200	4	284T	LM28128	C/A	5,016	SD4P15T41ET1	344	40	230/460	40/20	3.3	S, US
15	1200	4	284T	LM28129	C/A	5,016	SD4P15T4006ET1	344	40	200	46	3.3	S, US
15	900	4	286T	LM30535	C/A	5,874	SD4S15T31YET1	392	30	230/460	40/20	3	S, US
15	900	4	286T	LM28131	C/A	5,874	SD4P15T3006ET1	392	30	200	46	3	S, US
20	1800	4	256T	LM30681	C/A	4,761	SD4P20T61ET1	240	60	230/460	—	—	S, US
20	1800	4	256T	LM30682	C/A	4,761	SD4P20T6006ET1	240	60	200	—	—	S, US

▼ LM Numbers are Lincoln Models
C/A - Check Availability

Continued On Next Page

♥ Note listing on inside back flap
Specifications are subject to change without notice

Definite Purpose Motors

Lincoln VVVF (Variable Voltage-Variable Frequency) Traction Elevator Hoist Motors

Three Phase - Drip-Proof - Rigid Base with Encoder - 80 Starts Per Hour

HP	SYN RPM	No. of Poles	Frame	▼ Catalog Number	Stock	List Price	Model Number	App. Wgt. (lbs)	HZ	Voltage	F.L. Amps	Rated Accl. Torque	♥Notes
20	1200	6	286T	LM28132	C/A	6,038	SD6S20T61YET1	390	60	230/460	61/30.5	275%	S, US
20	1200	6	286T	LM28133	✓	6,038	SD6S20T6006YET1	400	60	200	68.0	275%	S, US
20	1200	4	286T	LM28134	C/A	5,874	SD4P20T41ET1	385	40	230/460	52/26	330%	S, US
20	1200	4	286T	LM28135	C/A	5,874	SD4P20T4006ET1	385	40	200	60.0	330%	S, US
20	900	4	324T	LM28136	C/A	6,693	SD4P20T31ET1	480	30	230/460	54/27	275%	S, US
20	900	4	324T	LM28137	C/A	6,693	SD4P20T3006ET1	471	30	200	62.1	275%	S, US
25	1800	4	284T	LM30720	C/A	5,195	SD4P25T61ET1	350	60	230/460	64/32	250%	S, US
25	1800	4	284T	LM30721	C/A	5,195	SD4P25T62ET1	350	60	200	73.5	250%	S, US
25	1200	6	324T	LM28138	C/A	7,305	SD6S25T61YET1	505	60	230/460	64/32	250%	S, US
25	1200	6	324T	LM28139	C/A	7,305	SD6P25T6006ET1	505	60	200	73.6	250%	S, US
25	1200	4	324T	LM28140	C/A	6,693	SD4P25T41ET1	472	40	230/460	65/32.5	275%	S, US
25	1200	4	324T	LM28141	C/A	6,693	SD4P25T4006ET1	472	40	200	74.8	275%	S, US
25	900	4	326T	LM28142	C/A	7,601	SD4P25T31ET1	538	30	230/460	64/32	275%	S, US
25	900	4	326T	LM28143	C/A	7,601	SD4P25T3006YET1	525	30	200	73.6	275%	S, US
30	1800	4	286T	LM30722	C/A	6,038	SD4P30T61ET1	400	60	230/460	72/36	250%	S, US
30	1800	4	286T	LM30723	C/A	6,038	SD4P30T62ET1	400	60	200	83.0	250%	S, US
30	1200	6	326T	LM27976	C/A	8,151	SD6S30T61YET1	535	60	230/460	76/38	225%	S, US
30	1200	6	326T	LM28144	C/A	8,151	SD6S30T6006YET1	552	60	200	87.4	225%	S, US
30	1200	4	326T	LM28145	C/A	7,461	SD4P30T41ET1	516	40	230/460	74/37	275%	S, US
30	1200	4	326T	LM28146	C/A	7,461	SD4P30T4006ET1	516	40	200	85.0	275%	S, US
30	900	4	364T	LM28147	C/A	9,131	SD4P30T31ET1	575	30	230/460	74/37	275%	S, US
30	900	4	364T	LM28148	C/A	9,131	SD4P30T3006ET1	575	30	200	85.0	275%	S, US
40	1800	4	324T	LM30724	C/A	6,915	SD4P40T61ET1	470	60	230/460	98/49	250%	S, US
40	1800	4	324T	LM30725	C/A	6,915	SD4P40T62ET1	470	60	200	113.0	250%	S, US
40	1200	6	364T	LM28149	✓	10,303	SD6S40T61YET1	755	60	230/460	98/49	250%	S, US
40	1200	6	364T	LM28150	C/A	10,303	SD6S40T6006YET1	755	60	200	113.0	250%	S, US
40	1200	4	364T	LM28151	C/A	9,131	SD4P40T41ET1	715	40	230/460	96/48	275%	S, US
40	1200	4	364T	LM28152	C/A	9,131	SD4P40T4006ET1	715	40	200	111.0	275%	S, US
40	900	4	365T	LM28153	C/A	10,173	SD4P40T31ET1	783	30	230/460	97/48.5	275%	S, US
40	900	4	365T	LM28154	C/A	10,173	SD4P40T3006ET1	783	30	200	112.0	275%	S, US
50	1800	4	326T	LM30647	C/A	7,714	SD4P50T61ET1	522	60	230/460	121/60.5	250%	S, US
50	1800	4	326T	LM30648	C/A	7,714	SD4P50T6006ET1	522	60	200	139.0	250%	S, US
50	1200	6	365T	LM28155	C/A	10,584	SD6S50T61YET1	800	60	230/460	129/64.5	275%	S, US
50	1200	6	365T	LM28156	C/A	10,584	SD6S50T6006YET1	800	60	200	148.0	275%	S, US
50	1200	4	365T	LM28157	C/A	10,173	SD4P50T41ET1	765	40	230/460	120/60	275%	S, US
50	1200	4	365T	LM28158	C/A	10,173	SD4P50T4006ET1	765	40	200	138.0	275%	S, US
50	900	4	405T	LM28159	C/A	13,521	SD4P50T31ET1	964	30	230/460	118/59	275%	S, US
50	900	4	405T	LM28160	C/A	13,521	SD4S50T3006YET1	964	30	200	136.0	275%	S, US
60	1800	4	364T	LM30649	C/A	9,498	SD4P60T61ET1	715	60	230/460	140/70	—	S, US
60	1800	4	364T	LM30650	C/A	9,498	SD4P60T6006ET1	715	60	200	161.0	—	S, US
60	1200	6	404T	LM28161	✓	11,970	SD6P60T61YET1	888	60	230/460	167/83.5	250%	S, US
60	1200	6	404T	LM28162	C/A	11,970	SD6P60T6006YET1	888	60	200	192.0	250%	S, US

▼ LM Numbers are Lincoln Models
C/A - Check Availability

♥ Note listing on inside back flap
Specifications are subject to change without notice



Three Phase - Drip-Proof - C Face Less Base - with Encoder - F1 Conduit Box 80 Starts Per Hour

HP	SYN RPM	No. of Poles	Frame	▼ Catalog Number	Stock	List Price	Model Number	App. Wgt. (lbs)	HZ	Voltage	F.L. Amps	Rated Accel. Torque	♥Notes
7 1/2	1200	6	254T	LM28200	√	4,005	SD6P7.5TCN61ET1	150	60	230/460	24/12	225%	S, US
7 1/2	1200	6	254T	LM28201	√	4,005	SD6P7.5TCN6006ET1	150	60	200	28.0	225%	S, US
7 1/2	1200	4	254T	LM30655	C/A	3,929	SD4P7.5TCN41ET1	145	40	230/460	19/9.5	275%	S, US
7 1/2	1200	4	254T	LM30663	C/A	3,929	SD4P7.5TCN4006ET1	145	40	200	22.0	275%	S, US
7 1/2	900	4	256T	LM28202	C/A	4,351	SD4P7.5TCN31ET1	225	30	230/460	19.6/9.8	275%	S, US
7 1/2	900	4	256T	LM28203	C/A	4,351	SD4P7.5TCN3006ET1	225	30	200	23.0	275%	S, US
10	1200	6	256T	LM28204	√	4,438	SSD6P10TCN61ET1	202	60	230/460	24/12	250%	S, US
10	1200	6	256T	LM28205	√	4,438	SD6P10TCN6006ET1	202	60	200	28.0	250%	S, US
10	1200	4	256T	LM30732	C/A	4,351	SD4P10TCN41ET1	230	40	230/460	19/9.5	275%	S, US
10	1200	4	256T	LM30733	C/A	4,351	SD4P10TCN4006ET1	230	40	200	22.0	275%	S, US
10	900	4	284T	LM28206	C/A	5,215	SD4P10TCN31ET1	355	30	230/460	19.6/9.8	330%	S, US
10	900	4	284T	LM28207	C/A	5,215	SD4P10TCN3006ET1	355	30	200	23.0	330%	S, US
12 1/2	1200	6	284T	LM30734	√	4,960	SD4P12.5TCN61ET1	305	60	230/460	42/21	300%	S, US
12 1/2	1200	6	284T	LM30735	√	4,960	SD4P12.5TCN6006ET1	305	60	200	48.5	300%	S, US
12 1/2	900	4	284T	LM30736	C/A	5,643	SD4P12.5TCN3006ET1	355	30	230/460	34/17	300%	S, US
12 1/2	900	4	284T	LM30737	C/A	5,643	SD4P12.5TCN3006ET1	355	30	200	38.5	300%	S, US
15	1800	4	256T	LM30748	C/A	4,438	SD4P15TCN61ET1	220	60	230/460	—	—	S, US
15	1800	4	256T	LM30749	C/A	4,438	SD4P15TCN6006ET1	220	60	200	—	—	S, US
15	1200	6	284T	LM28208	√	5,394	SD6P15TCN61ET1	330	60	230/460	49/24.5	300%	S, US
15	1200	6	284T	LM28209	√	5,394	SD6S15TCN6006YET1	330	60	200	56.5	300%	S, US
15	1200	4	284T	LM30750	C/A	5,215	SD4P15TCN41ET1	355	40	230/460	40/20	330%	S, US
15	1200	4	284T	LM30751	C/A	5,215	SD4P15TCN4006ET1	355	40	200	46.0	330%	S, US
15	900	4	286T	LM28210	C/A	6,072	SD4P15TCN31ET1	388	30	230/460	40/20	300%	S, US
15	900	4	286T	LM28211	C/A	6,072	SD4S15TCN3006ET1	388	30	200	46.0	300%	S, US
20	1800	4	256T	LM30752	C/A	4,875	SD4P20TCN61ET1	249	60	230/460	—	—	S, US
20	1800	4	256T	LM30753	C/A	4,875	SD4P20TCN6006ET1	249	60	200	—	—	S, US
20	1200	6	286T	LM28212	C/A	6,473	SD6S20TCN61YET1	379	60	230/460	61/30.5	275%	S, US
20	1200	6	286T	LM28213	√	6,473	SD6S20TCN6006YET1	379	60	200	68.0	275%	S, US
20	1200	4	286T	LM30739	C/A	6,072	SD4P20TCN41ET1	396	40	230/460	52/26	330%	S, US
20	1200	4	286T	LM30740	C/A	6,072	SD4P20TCN6006ET1	396	40	200	60.0	330%	S, US
20	900	4	324T	LM28214	C/A	7,022	SD4P20TCN31ET1	480	30	230/460	54/27	275%	S, US
20	900	4	324T	LM28215	C/A	7,022	SD4S20TCN3006YET1	480	30	200	62.1	275%	S, US
25	1800	4	284T	LM31607	C/A	5,471	SD4P25TCN61ET1	355	60	230/460	64/32	250%	S, US
25	1800	4	284T	LM30760	C/A	5,471	SD4P25TCN6006ET1	355	60	200	73.5	250%	S, US
25	1200	6	324T	LM28216	C/A	7,862	SD6S25TC61YET1	499	60	230/460	64/32	250%	S, US
25	1200	6	324T	LM28217	C/A	7,862	SD6P25TCN6006ET1	499	60	200	73.6	250%	S, US
25	1200	4	324T	LM30754	C/A	7,022	SD4P25TCN41ET1	480	40	230/460	65/32.5	275%	S, US
25	1200	4	324T	LM30755	C/A	7,022	SD4P25TCN4006ET1	480	40	200	74.8	275%	S, US
25	900	4	326T	LM28218	C/A	8,452	SD4P25TCN31ET1	533	30	230/460	64/32	275%	S, US
25	900	4	326T	LM28219	C/A	8,452	SD4P25TCN3006ET1	533	30	200	73.6	275%	S, US

▼ LM Numbers are Lincoln Models
C/A - Check Availability

♥ Note listing on inside back flap
Specifications are subject to change without notice



Definite Purpose Motors

Lincoln VVVF (Variable Voltage-Variable Frequency) Traction Elevator Hoist Motors

Three Phase - Drip-Proof - C Face Less Base - with Encoder - F1 Conduit Box

80 Starts Per Hour

HP	SYN RPM	No. of Poles	Frame	▼ Catalog Number	Stock	List Price	Model Number	App. Wgt. (lbs)	HZ	Voltage	F.L. Amps	Rated Accel. Torque	♥ Notes
30	1800	4	286T	LM30702	C/A	6,451	SD4S30TCN61YET1	397	60	230/460	72/36	250%	S, US
30	1800	4	286T	LM30762	C/A	6,451	SD4P30TCN6006ET1	397	60	200	83.0	250%	S, US
30	1200	6	326T	LM27971	√	9,026	SD6S30TCN61YET1	537	60	230/460	76/38	225%	S, US
30	1200	6	326T	LM28220	√	9,026	SD6S30TCN6006YET1	557	60	200	87.4	225%	S, US
30	1200	4	326T	LM30756	C/A	8,056	SD4P30TCN41ET1	532	40	230/460	74/37	275%	S, US
30	1200	4	326T	LM30757	C/A	8,056	SD4P30TCN4006ET1	532	40	200	85.0	275%	S, US
30	900	4	364T	LM28221	C/A	9,993	SD4P30TCN31ET1	720	30	230/460	74/37	275%	S, US
30	900	4	364T	LM28222	C/A	9,993	SD4P30TCN3006ET1	720	30	200	85.0	275%	S, US
40	1800	4	324T	LM30763	C/A	7,493	SD4P40TCN61ET1	480	60	230/460	98/49	250%	S, US
40	1800	4	324T	LM30764	C/A	7,493	SD4P40TCN6006ET1	480	60	200	113.0	250%	S, US
40	1200	6	364T	LM28223	√	10,958	SD6P40TCN61ET1	724	60	230/460	98/49	250%	S, US
40	1200	6	364T	LM28224	C/A	10,958	SD6P40TCN6006ET1	724	60	200	113.0	250%	S, US

▼ LM Numbers are Lincoln Models
C/A - Check Availability

♥ Note listing on inside back flap
Specifications are subject to change without notice

Encoder Pigtail Kits for VVVF Elevator Duty Motors

Applications:

Encoder pigtail kits are used to extend the length of the existing encoder leads.

▼ Catalog Number	Stock	Description	List Price
LM30561	√	30 ft. encoder cable kit	786
LM31752	√	40 ft. encoder cable kit	786
LM30881	√	50 ft. encoder cable kit	928

▼ LM Numbers are Lincoln Models
Specifications are subject to change without notice

Definite Purpose Motors

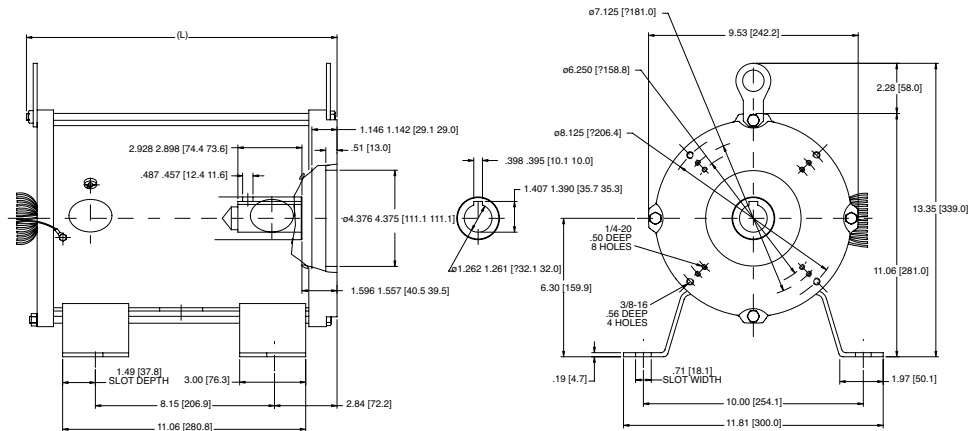
Lincoln Submersible Hydraulic Elevator Pump Motors

Applications:

These motors are designed to meet the demands in the Hydraulic Elevator Pump Industry. Our submersible hydraulic pump elevator motors are ready to be placed in elevator systems for applications in hydraulic pump passenger, service, freight and low-rise elevators. Rated up to 6 floors at speeds up to 200 fpm.

Features:

- Intermittent duty
- Suitable for Wye-Delta starters
- 1.0 service factor and 70°C ambient rated
- Three bolt circles, 12 mounting holes, and face mounting to accept both the IMO and Allweiler pumps
- 10 foot long leads, spliced 40 inches from motor to prevent wicking of hydraulic fluid
- Thermostat leads are marked P1 and P2
- Class F insulation
- Two stainless steel nameplates, one shipped separate for remote mount
- UL recognized component listing and CSA approved



See Next Page

Definite Purpose Motors

Lincoln Submersible Hydraulic Elevator Pump Motors



Three Phase - Open Submersible - Rigid Base

HP	RPM 60 HZ	Frame	▼ Catalog Number	Stock	List Price	Model Number	App. Wgt. (lbs)	Voltage	KVA Code	FL. Amps	Locked Rotor Amps	FL. EFF.	♥Notes
15	3600	160Z	LM29656	√	1,157	SD2S15Z6006YEH3	110	200	H	53.0	268	72.2	S, CN
15	3600	160Z	LM29657	√	1,157	SD2S15Z61YEH3	110	230/460	H	46/23	250/125	72.2	S, CN
15	3600	160Z	LM29658	√	1,157	SD2S15Z65YEH3	110	575	H	18.4	100	72.2	S, CN
20	3600	160Z	LM29659	√	1,185	SD2S20Z6006YEH3	112	200	G	64.5	363	76.4	S, CN
20	3600	160Z	LM29660	√	1,185	SD2S20Z61YEH3	112	230/460	G	56/28	316/158	76.4	S, CN
20	3600	160Z	LM29661	√	1,185	SD2S20Z65YEH3	112	575	G	22.4	126	76.4	S, CN
25	3600	160Z	LM29662	√	1,291	SD2S25Z6006YEH3	135	200	G	77.1	416	79.0	S, CN
25	3600	160Z	LM29663	√	1,291	SD2S25Z61YEH3	115	230/460	G	67/33.5	364/182	79.0	S, CN
25	3600	160Z	LM29664	√	1,291	SD2S25Z65YEH3	115	575	G	26.8	146	79.0	S, CN
30	3600	160Z	LM29665	√	1,440	SD2S30Z6006YEH3	119	200	G	92.0	499	79.9	S, CN
30	3600	160Z	LM29666	√	1,440	SD2S30Z61YEH3	129	230/460	G	80/40	434/217	79.9	S, CN
30	3600	160Z	LM29667	√	1,440	SD2S30Z65YEH3	119	575	G	32.0	174	79.9	S, CN
40	3600	160Z	LM29668	√	1,845	SD2S40Z6006YEH3	132	200	G	115.0	667	84.0	S, CN
40	3600	160Z	LM29669	√	1,845	SD2S40Z61YEH3	132	230/460	G	100/50	580/290	84.0	S, CN
40	3600	160Z	LM29670	√	1,845	SD2S40Z65YEH3	132	575	G	40.0	232	84.0	S, CN
50	3600	160Z	LM29671	√	2,104	SD2S50Z6006YEH3	143	200	H	140.0	550	84.0	S, CN
50	3600	160Z	LM29672	√	2,104	SD2S50Z61YEH3	143	230/460	H	122/61	478/239	84.0	S, CN
50	3600	160Z	LM29673	√	2,104	SD2S50Z65YEH3	171	575	H	48.8	191	84.0	S, CN

▼ LM Numbers are Lincoln Models

♥ Note listing on inside back flap
Specifications are subject to change without notice

Conversion Kit

L32 Kit Information:

Used to adapt the Lincoln Submersible Elevator motors to some IMO and Alweiler Pumps. Kit includes needed through-bolts to mount this kit to these motors

L32 Bracket Conversion Kit

▼ Catalog Number	Desc. Sym	App. Wgt. (lbs)	List Price
LM31777	A	12	619

▼ LM Numbers are Lincoln Models

Specifications are subject to change without notice

Definite Purpose Motors Unit Handling Motors

Explosion Proof
Motors

Automotive
Duty Motors

Pump
Motors

Washguard
Motors

Agricultural
Motors

HVAC / Fan
Motors

Special Voltage
Motors

Definite
Purpose Motors

Brake Motors

Applications:

Unit and baggage handling, conveyors, packaging equipment machine tools, elevators and door openers where a conduit box at 12:00 position is needed due to mounting size restrictions.



Features:

- Low profile conduit box at the 12:00 position
- Base includes both 56H and 143-5T mounting holes and slots

Single Phase - TEFC - Rigid C Face

HP	RPM 60 Hz	NEMA Frame	Catalog Number	Stock	List Price	Model Number	App. Wgt. (lbs)	Voltage	F. L. Amps @ 230 V	Service Factor	"C" Dim. (Inches)	♥Notes
1/2	1800	56C	117701.00	√	553	C6C17FK92	22	115/208-230	4.4	1.15	12.48	S, US
3/4	1800	56C	117702.00	√	601	C6C17FK94	26	115/208-230	5.4	1.15	12.98	S, US
1	1800	56C	117703.00	√	652	C6C17FK93	30	115/208-230	6.4	1.15	12.98	S, US

Specifications are subject to change without notice

♥ Note listing on inside back flap

Single Phase - TEFC - C Face Less Base

HP	RPM 60 Hz	NEMA Frame	Catalog Number	Stock	List Price	Model Number	App. Wgt. (lbs)	Voltage	F. L. Amps @ 230 V	Service Factor	"C" Dim. (Inches)	♥Notes
1/2	1800	56C	117704.00	√	531	C6C17FC175	21	115/208-230	4.4	1.15	10.98	S, US
3/4	1800	56C	117705.00	√	580	C6C17FC176	25	115/208-230	5.4	1.15	11.48	S, US
1	1800	56C	117706.00	√	624	C6C17FC177	29	115/208-230	6.4	1.15	11.48	S, US

Specifications are subject to change without notice

♥ Note listing on inside back flap

Three Phase - TEFC - Rigid C Face

HP	RPM 60 Hz	NEMA Frame	Catalog Number	Stock	List Price	Model Number	App. Wgt. (lbs)	Voltage	F. L. Amps @ 230 V	% F.L. Eff.	Service Factor	"C" Dim. (Inches)	♥Notes
1/2	1800	56C	117707.00	√	459	C6T17FK99	21	230/460	2.0	74.0	1.15	12.48	S, US
3/4	1800	56C	117708.00	√	485	C6T17FK100	22	230/460	2.8	77.0	1.15	12.48	S, US
1	1800	56C	117709.00	D	520	C6T17FK101	30	230/460	3.6	77.0	1.15	12.48	S, US
1	1800	56C	119553.00	√	715	C6T17FK114	34	230/460	3.4	85.5	1.15	12.81	S, US
1	1800	143TC	121982.00	√	757	C143T17FK23	32	230/460	3.4	85.5	1.15	12.92	S, US
1 1/2	1800	56C	117710.00	D	565	C6T17FK102	30	230/460	5.0	78.5	1.15	12.48	S, US
1 1/2	1800	56C	119554.00	√	778	C6T17FK115	37	230/460	5.6	86.5	1.15	13.31	S, US
1 1/2	1800	143TC	121983.00	√	800	C143T17FK24	42	230/460	5.6	86.5	1.15	13.42	S, US
2	1800	145TC	121984.00	√	882	C145T17FK65	45	230/460	5.8	86.5	1.15	13.92	S, US

230/460 volt motors are suitable for use at 208 volts

♥ Note listing on inside back flap

Green items are Premium Efficient

Specifications are subject to change without notice

D - Item to be discontinued once inventory is depleted

Three Phase - TEFC - C Face Less Base

HP	RPM 60 Hz	NEMA Frame	Catalog Number	Stock	List Price	Model Number	App. Wgt. (lbs)	Voltage	F. L. Amps @ 230 V	% F.L. Eff.	Service Factor	"C" Dim. (Inches)	♥Notes
1/2	1800	56C	117711.00	√	448	C6T17FC226	20	230/460	2.0	74.0	1.15	10.48	S, US
3/4	1800	56C	117712.00	√	478	C6T17FC227	22	230/460	2.8	77.0	1.15	10.48	S, US
1	1800	56C	117713.00	D	512	C6T17FC228	24	230/460	3.8	77.0	1.15	10.98	S, US
1	1800	56C	119555.00	√	698	C6T17FC259	34	230/460	3.4	85.5	1.15	12.81	S, US
1	1800	143TC	121985.00	D	633	C143T17FC36	36	230/460	3.1	82.5	1.15	11.92	S, US
1	1800	143TC	122234.00	√	739	C143T17FC45	36	230/460	3.4	85.5	1.15	13.25	S, US
1 1/2	3600	56C	117714.00	D	559	C6T34FC107	29	230/460	4.2	78.5	1.15	11.48	S, US
1 1/2	3600	56C	119556.00	√	764	C6T34FC139	29	230/460	4.8	86.5	1.15	13.31	S, US
1 1/2	1800	143TC	121986.00	D	661	C145T17FC114	41	230/460	4.4	84.0	1.15	12.92	S, US
1 1/2	1800	143TC	122235.00	√	782	C145T17FC138	41	230/460	4.8	86.5	1.15	13.42	S, US
2	1800	145TC	121987.00	D	679	C145T17FC115	44	230/460	5.6	84.0	1.15	13.42	S, US
2	1800	145TC	122258.00	√	866	C145T17FC136	45	230/460	6.5	86.5	1.15	13.92	S, US

230/460 volt motors are suitable for use at 208 volts

♥ Note listing on inside back flap

Green items are Premium Efficient

Specifications are subject to change without notice

D - Item to be discontinued once inventory is depleted



Definite Purpose Motors

Export Only Motors - Three Phase - EAct and Standard Efficiency

Specifications:

These motors comply to the EAct mandates of 1997, but do not comply with EISA mandates of Dec. 2010. They are not intended for use in the USA, and can be used on machinery that is exported out of the USA

Three Phase - TEFC - Rigid Base

HP	RPM 60 Hz	NEMA Frame	Catalog Number	Stock	List Price	App. Wgt. (lbs)	Voltage	% F.L. EFF.	♥Notes
1	1725	143T	EXG120014.00	√	536	31	230/460	82.5	S, US
1	1725	143T	EXG151696.60	C/A	575	49	230/460	84.0	C, CN
1 1/2	3450	145T	EXG120086.00	√	592	45	230/460	82.5	S, US
1 1/2	3450	143T	EXG151698.60	C/A	635	45	230/460	82.5	C, CN
1 1/2	1725	145T	EXG120015.00	√	542	36	230/460	84.0	S, US
1 1/2	1725	145T	EXG151702.60	C/A	581	53	230/460	85.5	C, CN
2	3450	145T	EXG120088.00	√	680	45	230/460	84.0	S, US
2	3450	145T	EXG151704.60	C/A	730	49	230/460	84.0	C, CN
2	1725	145T	EXG120016.00	√	573	46	230/460	84.0	S, US
2	1725	145T	EXG151703.60	C/A	617	56	230/460	85.5	C, CN
3	3450	145T	EXG120185.00	C/A	779	42	230/460	85.5	S, US
3	3450	182T	EXG130099.00	C/A	833	60	230/460	85.5	S, MX
3	3510	182T	EXG151563.60	C/A	895	93	230/460	85.5	C, CN
3	1740	182T	EXG130008.00	√	678	68	230/460	87.5	S, MX
3	1750	182T	EXG151320.60	C/A	874	94	230/460	87.5	C, CN
5	3500	184T	EXG150299.60	C/A	904	100	230/460	87.5	C, CN
5	3450	184T	EXG130101.00	C/A	960	73	230/460	87.5	S, MX
5	1740	184T	EXG130027.00	√	782	80	230/460	87.5	S, MX
5	1750	184T	EXG151322.60	√	927	101	230/460	87.5	C, CN
7 1/2	3450	184T	EXG131082.00	C/A	1,069	91	230/460	88.5	S, MX
7 1/2	3450	213T	EXG130103.00	C/A	1,098	101	230/460	88.5	S, MX
7 1/2	3450	213T	EXG150158.60	C/A	1,195	150	230/460	88.5	C, CN
7 1/2	1740	213T	EXG140578.00	√	1,046	144	230/460	89.5	S, MX
7 1/2	1750	213T	EXG150157.60	√	1,077	153	230/460	89.5	C, CN
10	3510	215T	EXG140686.00	C/A	1,407	126	230/460	89.5	S, MX
10	3510	215T	EXG150159.60	√	1,388	167	230/460	89.5	C, CN
10	1740	215T	EXG140489.00	√	1,134	167	230/460	89.5	S, MX
10	1750	215T	EXG150140.60	√	1,212	176	230/460	89.5	C, CN
15	3510	215T	EXG140687.00	C/A	1,765	140	230/460	90.2	S, MX
15	3510	215T	EXG151317.60	C/A	1,854	168	230/460	90.2	C, CN
15	3525	254T	EXG150062.60	√	1,856	260	230/460	90.2	C, CN
15	1770	254T	EXG150066.60	√	1,912	284	230/460	91.0	C, CN
20	3525	256T	EXG150033.60	√	2,525	296	230/460	90.2	C, CN
20	1750	256T	EXG150007.60	√	2,352	321	230/460	91.0	C, CN
25	3525	256T	EXG151318.60	C/A	2,975	307	230/460	91.0	C, CN
25	3550	284TS	EXG150035.60	C/A	3,050	349	230/460	91.0	C, CN
25	1770	284T	EXG150011.60	√	2,768	370	230/460	92.4	C, CN
30	1770	286T	EXG150015.60	√	3,366	428	230/460	92.4	C, CN
40	1780	324T	EXG150019.60	√	4,345	528	230/460	93.0	C, CN
50	1780	326T	EXG150023.60	√	5,357	561	230/460	93.0	C, CN
60	1780	364T	EXG150027.60	C/A	7,822	687	230/460	93.6	C, CN
75	1780	365T	EXG150031.60	C/A	9,031	723	230/460	94.1	C, CN
100	1780	405T	EXG150087.60	C/A	12,132	1050	230/460	94.5	C, CN
125	1780	444T	EXG151369.60	C/A	16,107	1920	460	94.5	C, CN
150	1790	445T	EXG151371.60	C/A	18,072	1900	460	95.0	C, CN
200	1790	447T	EXG150352.60	C/A	23,038	2053	460	95.0	C, CN

230/460 volt motors are suitable for use at 208 volts

♥ Note listing on inside back flap

Shaded model numbers are cast iron frame

Specifications are subject to change without notice

C/A - Check Availability



Definite Purpose Motors

Export Only Motors - Three Phase - EAct and Standard Efficiency

Explosion Proof Motors

Automotive Duty Motors

Pump Motors

Washguard Motors

Agricultural Motors

HVAC / Fan Motors

Special Voltage Motors

Definite Purpose Motors

Brake Motors

Three Phase - TEFC - C Face With Base

HP	RPM 60 Hz	NEMA Frame	Catalog Number	Stock	List Price	App. Wgt. (lbs)	Voltage	% FL. EFF.	♥Notes
1	1740	145TC	EXG121286.00	C/A	630	35	230/460	82.50%	S, US
1 1/2	1725	145TC	EXG121287.00	C/A	629	37	230/460	84.00%	S, US
2	1725	145TC	EXG120276.00	C/A	659	45	230/460	84.00%	S, US
3	1760	182TC	EXG130326.00	√	817	68	230/460	87.50%	S, MX
3	1750	182TC	EXG151565.60	C/A	947	94	230/460	87.50%	C, CN
5	1760	184TC	EXG130328.00	√	937	81	230/460	87.50%	S, MX
5	1750	184TC	EXG151566.60	C/A	1,039	101	230/460	87.50%	C, CN
7 1/2	1740	213TC	EXG140183.00	C/A	1,122	153	230/460	89.50%	S, MX
7 1/2	1760	213TC	EXG150165.60	C/A	1,185	156	230/460	89.50%	C, CN
10	1740	215TC	EXG140147.00	C/A	1,313	162	230/460	89.50%	S, MX
10	1760	215TC	EXG150167.60	C/A	1,396	178	230/460	89.50%	C, CN
15	1770	254TC	EXG150102.60	C/A	2,002	268	230/460	91.00%	C, CN
20	1770	256TC	EXG150080.60	C/A	2,444	321	230/460	91.00%	C, CN
25	1770	284TC	EXG150081.60	C/A	3,152	387	230/460	92.40%	C, CN
30	1770	286TC	EXG150082.60	C/A	3,484	433	230/460	92.40%	C, CN
40	1780	324TC	EXG150083.60	C/A	4,754	572	230/460	93.00%	C, CN
50	1780	326TC	EXG150084.60	C/A	5,511	631	230/460	93.00%	C, CN
60	1780	364TC	EXG150085.60	C/A	8,312	699	230/460	93.60%	C, CN
75	1780	365TC	EXG150086.60	C/A	10,543	757	230/460	94.10%	C, CN
100	1780	405TC	EXG151680.60	C/A	13,188	1100	230/460	94.50%	C, CN

230/460 volt motors are suitable for use at 208 volts

♥ Note listing on inside back flap

Shaded model numbers are cast iron frame

Specifications are subject to change without notice

C/A - Check Availability

Three Phase - TEFC - C Face Less Base

HP	RPM 60 Hz	NEMA Frame	Catalog Number	Stock	List Price	App. Wgt. (lbs)	Voltage	% FL. EFF.	♥Notes
1	1725	143TC	EX120024.00	C/A	521	26	230/460	77.00%	S, US
1 1/2	1725	145TC	EX120037.00	√	535	32	230/460	80.00%	S, US
2	1725	145TC	EX120038.00	√	573	35	230/460	81.50%	S, US
3	1725	145TC	EX121035.00	√	758	44	230/460	82.50%	S, US
3	1740	182TC	EX131491.00	√	728	52	230/460	82.50%	S, MX
5	1725	184TC	EX131492.00	√	832	64	230/460	82.50%	S, MX
7 1/2	1740	184TC	EX131606.00	√	1,070	66	230/460	87.00%	S, MX
7 1/2	1740	213TC	EX151346.60	C/A	1,160	162	230/460	87.90%	C, CN
7 1/2	1750	S213TC	EX131528.00	C/A	1,070	102	230/460	87.00%	S, MX
10	1740	215TC	EX140109.00	C/A	1,282	141	230/460	89.50%	S, MX
10	1750	215TC	EX151348.60	C/A	1,365	185	230/460	88.40%	C, CN
15	1760	254TC	EX151350.60	C/A	1,939	284	230/460	90.00%	C, CN
20	1760	256TC	EX151352.60	C/A	2,444	270	230/460	91.20%	C, CN
25	1760	284TC	EX151507.60	C/A	3,079	390	230/460	91.30%	C, CN
30	1760	286TC	EX151508.60	C/A	3,701	411	230/460	91.50%	C, CN
40	1760	324TC	EX151509.60	C/A	4,734	548	230/460	92.10%	C, CN
50	1760	326TC	EX151510.60	C/A	5,462	594	230/460	92.40%	C, CN
60	1760	364TC	EX151519.60	C/A	8,208	778	230/460	92.70%	C, CN

230/460 volt motors are suitable for use at 208 volts

♥ Note listing on inside back flap

Shaded model numbers are cast iron frame

Specifications are subject to change without notice

C/A - Check Availability



Brakemotors

Explosion Proof
Motors

Automotive
Duty Motors

Pump
Motors

Washguard
Motors

Agricultural
Duty Motors

HVAC / Fan
Motors

Special Voltage
Motors

Definite
Purpose Motors

Brake Motors

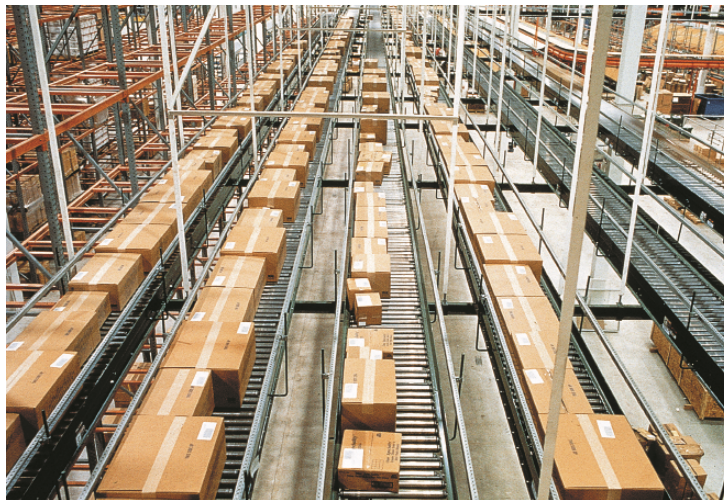


Features:

- Fail-safe positive stop and holding brakes
- Load stops automatically when power is turned off
- Manual brake release designs
- Dual voltage brake coils
- Single and three phase models
- Washdown duty models
- Brake kits available
- Coupler brake kits available
- High Cycle models available

Applications:

For use where quick response stopping and holding is required in the application, which may include conveyors, hoists, packaging equipment etc...



Single Phase - TENV/TEFC - C Face With Base

HP	SYN RPM 60 Hz	NEMA Frame	Brake Rating (ft-lbs)	Catalog Number	Stock	List Price	Model Number	App. Wgt. (lbs)	Voltage	F. L. Amps @ 230V	Service Factor	"C" Dim. (Inches)	♥Notes
1/3	1800	56C	3	114165.00	√	1,065	C6C17NK19	28	115/208-230	2.9	1.15	14.06	S, US, 12
1/2	1800	56C	3	111950.00	√	1,150	C6C17FK20	32	115/208-230	4.4	1.00	15.06	S, US, 13
3/4	1800	56C	6	114167.00	√	1,513	C6C17FK50	38	115/208-230	5.4	1.15	15.56	S, US, 13
1	1800	56C	6	111951.00	√	1,602	C6K17FK21	38	115/208-230	5.3	1.00	16.07	S, US, 13, 53
1 1/2	1800	145TC	10	121815.00	√	1,697	C145K17FK17	40	115/208-230	8.8	1.00	18.23	S, US, 13, 53
2	1800	145TC	10	121816.00	√	1,737	C145K17FK16	40	115/208-230	9.2	1.00	19.23	S, US, 13, 53

Note 12 - TENV

♥ Note listing on inside back flap
Specifications are subject to change without notice

Three Phase - Drip-Proof - Rigid Base

HP	SYN RPM 60 Hz	NEMA Frame	Brake Rating (ft-lbs)	Catalog Number	Stock	List Price	Model Number	App. Wgt. (lbs)	Voltage	F. L. Amps @ 230V	% F.L. EFF.	Service Factor	"C" Dim. (Inches)	♥Notes
1/2	1800	56	3	114162.00	C/A	1,036	C6T17DB46	28	230/460	2.0	74.0	1.25	13.56	S, US
3/4	1800	56	6	114163.00	C/A	1,209	C6T17DB47	29	230/460	2.8	77.0	1.25	14.06	S, US
1	1800	56	6	114164.00	C/A	1,317	C6T17DB48	32	230/460	4.2	78.5	1.15	14.06	S, US
1 1/2	1800	145T	10	G120370.00	D	1,511	C145T17DB64	44	230/460	4.4	84.0	1.15	16.00	S, US
1 1/2	1800	145T	10	122237.00	C/A	1,616	C145T17DB84	44	230/460	4.8	86.5	1.15	16.50	S, US
2	1800	145T	10	G120371.00	D	1,714	C145T17DB65	48	230/460	6.0	84.0	1.15	16.00	S, US
2	1800	145T		122238.00	√	1,810	C145T17DB82	52	230/460	5.8	86.5	1.15	17.00	S, US
3	1800	182T	15	G131626.00	D	2,116	C182T17DB46	65	230/460	8.4	86.5	1.15	17.39	S, MX
3	1800	182T	15	132468.00	C/A	2,236	C182T17DB64	69	230/460	8.0	89.5	1.15	16.89	S, MX
5	1800	184T	25	G131627.00	D	2,660	C184T17DB63	95	230/460	13.2	87.5	1.15	17.89	S, MX
5	1800	184TC		132469.00	C/A	2,811	C184T17DB86	101	230/460	12.6	89.5	1.15	17.89	S, MX
7 1/2	1800	213T	35	G140611.00	D	3,252	C213T17DB7	130	230/460	20.0	88.5	1.15	23.01	S, MX
7 1/2	1800	213T		140611.00	√	3,420	C213T17DB17	137	230/460	20.8	91.0	1.15	24.50	S, MX
10	1800	215T	50	G140635.00	D	4,117	C215T17DB23	138	230/460	28.0	89.5	1.15	25.01	S, MX
10	1800	215T		140635.00	√	4,322	C215T17DB35	145	230/460	26.2	91.7	1.15	24.50	S, MX

35 and 50 Ft-lb brakes - Horizontal mounting only
All 180 and 210 frame Rolled Steel motors have Class F Insulation.
Green items are Premium Efficient

♥ Note listing on inside back flap
Specifications are subject to change without notice



Three Phase - Drip-Proof - C Face Less Base

HP	SYN RPM 60 Hz	NEMA Frame	Brake Rating (ft-lbs)	Catalog Number	Stock	List Price	Model Number	App. Wgt. (lbs)	Voltage	F. L. Amps @ 230V	% F.L. EFF.	Service Factor	"C" Dim. (Inches)	♥Notes
1/2	1800	56C	3	114156.00	√	1,065	C6T17DC53	28	230/460	2.0	74.0	1.25	13.56	S, US
3/4	1800	56C	6	114157.00	√	1,241	C6T17DC55	38	230/460	2.8	77.0	1.25	14.06	S, US
1	1800	56C	6	114166.00	√	1,341	C6T17DC54	40	230/460	3.4	78.5	1.15	14.06	S, US
1	1800	143TC	6	121678.00	D	1,341	C143T17DC14	42	230/460	3.4	78.5	1.15	14.50	S, US
1	1800	143TC	6	122239.00	C/A	1,423	C143T17DC19	45	230/460	3.2	85.5	1.15	16.00	S, US
1 1/2	1800	145TC	10	120372.00	D	1,560	C145T17DC16	43	230/460	5.6	78.5	1.15	15.50	S, US
1 1/2	1800	145TC	10	122240.00	C/A	1,663	C145T17DC49	47	230/460	4.8	86.5	1.15	17.00	S, US
1 1/2	1800	56C	10	116766.00	√	1,560	C6T17DC83	43	230/460	5.6	78.5	1.15	15.50	S, US
2	1800	145TC	10	120373.00	D	1,758	C145T17DC17	47	230/460	6.2	78.5	1.15	16.00	S, US
2	1800	145TC	10	122241.00	√	1,873	C145T17DC50	52	230/460	5.8	86.5	1.15	17.50	S, US
3	1800	182TC	15	131624.00	D	2,212	C182T17DC21	56	230/460	10.0	80.0	1.15	16.40	S, MX
3	1800	182TC	15	132470.00	√	2,322	C182T17DC22	69	230/460	8.0	89.5	1.15	13.39	S, MX
5	1800	184TC	25	131625.00	D	2,745	C184T17DC18	76	230/460	14.2	84.0	1.15	17.35	S, MX
5	1800	184TC	25	132471.00	√	2,881	C184T17DC30	100	230/460	14.2	89.5	1.15	17.85	S, MX

230/460 volt motors are suitable for use at 208 volts

Green items are Premium Efficient

D - Item to be discontinued once inventory is depleted
C/A - Check Availability

♥ Note listing on inside back flap
Specifications are subject to change without notice



Brakemotors

Three Phase



Three Phase - Drip-Proof - C Face With Base

HP	SYN RPM 60 Hz	NEMA Frame	Brake Rating (ft-lbs)	Catalog Number	Stock	List Price	Model Number	App. Wgt. (lbs)	Voltage	F. L. Amps @ 230V	% F.L. EFF.	Service Factor	"C" Dim. (Inches)	♥Notes
1/2	1800	56C	3	111326.00	√	1,074	C6T17DK7	31	230/460	2.0	74.0	1.25	13.56	S, US
3/4	1800	56C	6	111327.00	√	1,258	C6T17DK8	34	230/460	2.8	77.0	1.25	14.06	S, US
1	1800	56C	6	111328.00	√	1,359	C6T17DK9	42	230/460	4.2	78.5	1.15	14.06	S, US
1 1/2	1800	145TC	10	G121053.00	D	1,563	C145T17DK15	42	230/460	4.4	84.0	1.15	16.00	S, US
1 1/2	1800	145TC	10	122242.00	C/A	1,640	C145T17DK30	44	230/460	4.8	86.5	1.15	16.50	S, US
2	1800	145TC	10	G121054.00	D	1,758	C145T17DK14	51	230/460	6.0	84.0	1.15	16.50	S, US
2	1800	145TC	10	122243.00	C/A	1,847	C145T17DK28	53	230/460	5.8	86.5	1.15	17.00	S, US
3	1800	182TC	15	G131558.00	D	2,434	C182T17DK14	84	230/460	8.4	86.5	1.15	16.90	S, MX
3	1800	182TC	15	132472.00	C/A	2,569	C184T17DK45	87	230/460	8.0	89.5	1.15	13.39	S, MX
5	1800	184TC	25	G131559.00	D	2,966	C184T17DK21	97	230/460	13.2	87.5	1.15	18.35	S, MX
5	1800	184T	25	132473.00	C/A	3,119	C184T17DK32	100	230/460	12.6	89.5	1.15	14.39	S, MX
7 1/2	1800	213TC	35	G140610.00	D	3,455	C213T17DK5	115	230/460	20.0	88.5	1.15	23.51	S, MX
7 1/2	1800	213TC	35	140610.00	C/A	3,611	C213T17DK17	118	230/460	20.0	91.0	1.15	26.89	S, MX
10	1800	215TC	50	G140638.00	D	4,320	C215T17DK4	125	230/460	28.0	89.5	1.15	25.01	S, MX
10	1800	215TC	50	140638.00	C/A	4,517	C215T17DK16	129	230/460	26.2	91.7	1.15		S, MX

230/460 volt motors are suitable for use at 208 volts

♥ Note listing on inside back flap
Specifications are subject to change without notice

Green items are Premium Efficient

35 and 50 Ft-lbs brakes - Horizontal mounting only
D - Item to be discontinued once inventory is depleted
C/A - Check Availability

Three Phase - TENV/TEFC - Rigid Base



HP	SYN RPM 60 Hz	NEMA Frame	Brake Rating (ft-lbs)	Catalog Number	Stock	List Price	Model Number	App. Wgt. (lbs)	Voltage	F. L. Amps @ 230V	% F.L. EFF.	Service Factor	"C" Dim. (Inches)	♥Notes
1/3	1800	56	3	114151.00	√	1,012	C6T17NB51	28	230/460	1.3	72.0	1.15	13.56	S, US, 12
1/2	1800	56	3	114150.00	√	1,102	C6T17NB50	33	230/460	1.8	78.5	1.15	14.06	S, US, 12
1/2	1200	56	6	114149.00	√	1,520	C6T11FB16	33	230/460	2.4	70.0	1.15	15.56	S, US
3/4	1800	56	6	114147.00	√	1,290	C6T17FB79	34	230/460	2.8	77.0	1.15	15.56	S, US
3/4	1200	56	6	114148.00	√	1,595	C6T11FB15	43	230/460	3.0	75.5	1.15	16.06	S, US
1	1800	56	6	114146.00	D	1,494	C6T17FB80	37	230/460	3.8	77.0	1.15	16.06	S, US
1	1800	56	6	119561.00	√	1,538	C6T17FB194	39	230/460	3.2	85.5	1.15	17.23	S, US
1	1800	143T	6	G121679.00	D	1,476	C143T17FB22	40	230/460	3.1	82.5	1.15	17.50	S, US
1	1800	143T	6	122244.00	√	1,542	C143T17FB34	43	230/460	3.2	85.5	1.15	17.66	S, US
1	1200	145T	10	G121050.00	D	2,104	C145T11FB18	45	230/460	3.6	80.0	1.15	17.52	S, US
1	1200	145T	10	122245.00	√	2,171	C145T11FB22	47	230/460	3.8	82.5	1.15	18.16	S, US
1 1/2	1800	56	10	116767.00	D	1,678	C6T17FB153	44	230/460	4.4	84.0	1.15	17.08	S, US
1 1/2	1800	56	10	119562.00	√	1,726	C6T17FB196	46	230/460	4.8	86.5	1.15	17.73	S, US
1 1/2	1800	145T	10	G120329.00	D	1,655	C145T17FB72	44	230/460	4.4	84.0	1.15	17.52	S, US
1 1/2	1800	145T	10	122246.00	√	1,730	C145T17FB104	48	230/460	4.8	86.5	1.15	18.16	S, US

230/460 volt motors are suitable for use at 208 volts

Continued On Next Page

Green items are Premium Efficient

Note 12 - TENV
35 and 50 Ft-lbs brakes - Horizontal mounting only
D - Item to be discontinued once inventory is depleted

♥ Note listing on inside back flap
Specifications are subject to change without notice



Three Phase - TENV/TEFC - Rigid Base

HP	SYN RPM 60 Hz	NEMA Frame	Brake Rating (ft-lbs)	Catalog Number	Stock	List Price	Model Number	App. Wgt. (lbs)	Voltage	F. L. Amps @ 230V	% F.L. EFF.	Service Factor	"C" Dim. (Inches)	Notes
2	1800	145T	10	G120330.00	D	1,694	C145T17FB73	53	230/460	5.6	84.0	1.15	18.16	S, US
2	1800	145	10	122247.00	√	1,773	C145T17FB103	55	230/460	5.8	86.5	1.15	18.66	S, US
2	1200	184T	15	G131620.00	D	2,827	C184T11FB16	80	230/460	7.2	86.5	1.15	14.82	S, MX
2	1200	184T	15	132474.00	√	2,939	C184T11FB31	83	230/460	6.4	88.5	1.15	15.82	S, MX
3	1800	182T	15	G131613.00	D	2,312	C182T17FB43	78	230/460	8.2	87.5	1.15	18.83	S, MX
3	1800	182T	15	132475.00	√	2,422	C182T17FB59	80	230/460	7.8	89.5	1.15	14.82	S, MX
3	1200	213T	35	G140601.00	D	4,195	C213T11FB2	147	230/460	12.0	87.5	1.15	26.49	S, MX
3	1200	213T	35	140601.00	√	4,396	C213T11FB6	150	230/460	8.8	89.5	1.15	26.49	S, MX
5	1800	184T	25	G131614.00	D	2,868	C184T17FB52	102	230/460	13.0	87.5	1.15	20.78	S, MX
5	1800	184T	25	132476.00	√	2,996	C184T17FB74	106	230/460	12.6	89.5	1.15	15.82	S, MX
7 1/2	1800	213T	35	G140603.00	D	3,690	C213T17FB11	162	230/460	20.4	89.5	1.15	26.49	S, MX
7 1/2	1800	213T	35	140603.00	√	3,787	C213T17FB24	166	230/460	21.3	91.7	1.15	26.49	S, MX
10	1800	215T	50	G140636.00	D	4,233	C215T17FB25	174	230/460	26.0	89.5	1.15	27.99	S, MX
10	1800	215T	50	140636.00	√	4,332	C215T17FB33	178	230/460	26.8	91.7	1.15	29.00	S, MX

230/460 volt motors are suitable for use at 208 volts

♥ Note listing on inside back flap
Specifications are subject to change without notice

Green items are Premium Efficient

Note 12 - TENV

35 and 50 Ft-lbs brakes - Horizontal mounting only

D - Item to be discontinued once inventory is depleted



Three Phase - TEFC - C Face With Base

HP	SYN RPM 60 Hz	NEMA Frame	Brake Rating (ft-lbs)	Catalog Number	Stock	List Price	Model Number	App. Wgt. (lbs)	Voltage	F. L. Amps @ 230V	% F.L. EFF.	Service Factor	"C" Dim. (Inches)	Notes
1/3	1800	56C	3	110669.00	√	1,016	C6T17NK1	30	230/460	1.3	72.0	1.15	13.56	S, US
1/2	1800	56C	3	110670.00	√	1,141	C6T17NK2	34	230/460	1.8	78.5	1.15	14.06	S, US
1/2	1800	56C	3	114154.00	√	1,141	C6T17FK49	34	230/460	2.4	74.0	1.15	15.06	S, US
1/2	1200	56C	3	114152.00	√	1,642	C6T11FK5	34	230/460	2.4	70.0	1.15	15.56	S, US
3/4	1800	56C	6	110671.00	√	1,336	C6T17NK3	34	230/460	2.5	80.0	1.15	14.56	S, US
3/4	1800	56C	6	114155.00	√	1,336	C6T17FK48	46	230/460	2.8	77.0	1.00	15.56	S, US
1	1800	56C	6	110679.00	D	1,571	C6T17FK1	32	230/460	3.6	77.0	1.15	15.56	S, US
1	1800	56C	6	119563.00	√	1,634	C6T17FK105	35	230/460	3.2	85.5	1.15	17.31	S, US
1	1800	143TC	6	G121557.00	D	1,549	C143T17FK16	43	230/460	3.1	82.5	1.15	17.50	S, US
1	1800	143TC	6	122248.00	√	1,641	C143T17FK30	45	230/460	3.2	85.5	1.15	17.66	S, US
1 1/2	1800	145TC	10	G121051.00	D	1,733	C145T17FK41	45	230/460	4.4	84.0	1.15	17.50	S, US
1 1/2	1800	145TC	10	122249.00	√	1,805	C145T17FK76	47	230/460	4.8	86.5	1.15	18.16	S, US
2	1800	145TC	10	G121052.00	D	1,785	C145T17FK42	59	230/460	5.6	84.0	1.15	18.00	S, US
2	1800	145TC	10	122250.00	√	1,866	C145T17FK75	61	230/460	5.8	86.5	1.15	18.66	S, US
3	1800	182TC	15	G131617.00	D	2,424	C182T17FK17	79	230/460	8.2	87.5	1.15	14.82	S, MX
3	1800	182TC	15	132477.00	√	2,535	C182T17FK21	82	230/460	7.8	89.5	1.15	15.82	S, MX
5	1800	184TC	25	G131618.00	D	3,028	C184T17FK19	117	230/460	13.0	87.5	1.15	14.82	S, MX
5	1800	184TC	25	132478.00	√	3,155	C184T17FK38	20	230/460	12.6	89.5	1.15	16.32	S, MX
7 1/2	1800	213TC	35	G140605.00	D	3,866	C213T17FK10	163	230/460	20.4	89.5	1.15	26.49	S, MX
7 1/2	1800	213TC	35	140605.00	√	4,043	C213T17FK46	167	230/460	21.6	91.7	1.15	28.00	S, MX
10	1800	215TC	50	G140639.00	D	4,963	C215T17FK6	175	230/460	28.0	89.5	1.15	27.99	S, MX
10	1800	215TC	50	140639.00	√	5,111	C215T17FK47	177	230/460	26.8	91.7	1.15	29.00	S, MX

Green items are Premium Efficient

35 and 50 Ft-lbs brakes - Horizontal mounting only

D - Item to be discontinued once inventory is depleted

♥ Note listing on inside back flap
Specifications are subject to change without notice



Brakemotors

Three Phase



Three Phase - TEFC - C Face Less Base

HP	SYN RPM 60 Hz	NEMA Frame	Brake Rating (ft-lbs)	Catalog Number	Stock	List Price	Model Number	App. Wgt. (lbs)	Voltage	F. L. Amps @ 230V	% F.L. EFF.	Service Factor	"C" Dim. (Inches)	♥Notes
1/3	1800	56C	3	114158.00	✓	1,032	C6T17NC194	26	230/460	1.3	72.0	1.15	13.56	S, US, 12
1/2	1800	56C	3	114159.00	✓	1,124	C6T17FC111	26	230/460	2.0	74.0	1.15	15.06	S, US
3/4	1800	56C	6	114160.00	✓	1,319	C6T17FC112	34	230/460	2.8	77.0	1.15	15.06	S, US
1	1800	56C	6	114161.00	D	1,522	C6T17FC110	31	230/460	3.6	77.0	1.15	15.56	S, US
1	1800	56C	6	119564.00	✓	1,585	C6T17FC249	32	230/460	3.2	85.5	1.15	17.31	S, US
1	1800	143TC	6	121556.00	D	1,522	C143T17FC30	37	230/460	3.8	77.0	1.15	17.00	S, US
1	1800	143TC	6	122251.00	✓	1,595	C143T17FC42	39	230/460	3.2	85.5	1.15	17.73	S, US
1 1/2	1800	56C	10	116768.00	D	1,707	C6T17FC212	40	230/460	5.0	78.5	1.15	16.56	S, US
1 1/2	1800	56C	10	119565.00	✓	1,780	C6T17FC250	42	230/460	4.8	86.5	1.15	17.81	S, US
1 1/2	1800	145TC	10	120331.00	D	1,707	C145T17FC11	40	230/460	5.0	78.5	1.15	17.00	S, US
1 1/2	1800	145TC	10	122252.00	✓	1,793	C145T17FC127	43	230/460	4.8	86.5	1.15	18.66	S, US
2	1800	145TC	10	120332.00	D	1,751	C145T17FC12	51	230/460	6.0	84.0	1.15	18.00	S, US
2	1800	145TC	10	122253.00	✓	1,842	C145T17FC126	53	230/460	5.8	86.5	1.15	18.73	S, US
3	1800	182TC	15	131610.00	D	2,425	C182T17FC28	69	230/460	9.0	84.0	1.15	18.73	S, MX
3	1800	182TC	15	132479.00	✓	2,495	C182T17FC44	72	230/460	7.8	89.5	1.15	19.98	S, MX
5	1800	184TC	25	131611.00	D	3,000	C184T17FC34	92	230/460	13.2	86.0	1.15	19.18	S, MX
5	1800	184TC	25	132480.00	✓	3,141	C184T17FC55	95	230/460	12.6	89.5	1.15	16.32	S, MX
7 1/2	1800	S213TC	35	131612.00	D	3,837	C184T17FC36	149	230/460	19.6	87.0	1.15	25.29	S, MX
7 1/2	1800	213TC	35	141308.00	✓	4,009	C213T17FC43	152	230/460	21.6	91.7	1.15	28.00	S, MX
10	1800	215TC	50	140637.00	D	4,872	C215T17FC8	170	230/460	28.0	89.5	1.15	27.99	S, MX
10	1800	215TC	50	141309.00	C/A	5,078	C215T17FC11	175	230/460	26.8	91.7	1.15	29.00	S, MX

Green items are Premium Efficient

Note 12 - TENV

35 and 50 Ft-lbs brakes - Horizontal mounting only

D - Item to be discontinued once inventory is depleted

C/A - Check Availability

♥ Note listing on inside back flap

Specifications are subject to change without notice





Washdown Duty Brakemotors

White Epoxy Painted

Explosion Proof
Motors

Automotive
Duty Motors

Pump
Motors

Washguard
Motors

Agricultural
Motors

HVAC / Fan
Motors

Special Voltage
Motors

Definite
Purpose Motors

Brake Motors

Washguard® Brakemotors - TENV/TEFC - C Face With Base

HP	SYN RPM 60 Hz	NEMA Frame	Brake Rating (ft-lbs)	Catalog Number	Stock	List Price	Model Number	App. Wgt. (lbs)	Voltage	F. L. Amps @ 230V	% F.L. EFF.	Service Factor	"C" Dim. (Inches)	♥Notes
1/3	1800	56C	3	116466.00	C/A	1,459	C6T17VK28	40	230/460	1.3	72.0	1.15	14.00	S, US, 12
1/2	1800	56C	3	116467.00	✓	1,488	C6T17VK30	42	230/460	1.8	78.5	1.15	14.50	S, US, 12
3/4	1800	56C	6	116468.00	✓	1,765	C6T17VK29	44	230/460	2.5	80.0	1.15	15.00	S, US, 12
1	1800	56C	6	116469.00	D	1,824	C6T17VK27	48	230/460	3.2	80.0	1.15	15.50	S, US, 12
1	1800	56HC	6	119486.00	✓	1,915	C6T17WK47	53	230/460	3.2	85.5	1.15	17.50	S, US, 13
1	1800	143TC	6	121616.00	D	1,824	C143T17VK7	49	230/460	3.2	80.0	1.15	16.06	S, US, 12
1	1800	143TC	6	122193.00	✓	1,933	C143T17WK14	53	230/460	3.2	85.5	1.15	17.50	S, US, 13
1 1/2	1800	145TC	10	G121617.00	✓	2,528	C145T17WK22	50	230/460	4.4	84.0	1.15	19.01	S, US, 13
1 1/2	1800	145TC	10	122195.00	D	2,636	C145T17WK55	55	230/460	4.8	86.5	1.15	18.50	S, US, 13
2	1800	145TC	10	G121618.00	D	2,622	C145T17WK21	62	230/460	5.6	84.0	1.15	19.01	S, US, 13
2	1800	145TC	10	122197.00	C/A	2,716	C145T17WK56	67	230/460	5.8	86.5	1.15	19.00	S, US, 13

230/460 volt motors are suitable for use at 208 volts

♥ Note listing on inside back flap
Specifications are subject to change without notice

Green items are Premium Efficient

Note 12 - TENV

D - Item to be discontinued once inventory is depleted

C/A - Check Availability

Washguard® Brakemotors - TENV/TEFC - C Face Less Base

HP	SYN RPM 60 Hz	NEMA Frame	Brake Rating (ft-lbs)	Catalog Number	Stock	List Price	Model Number	App. Wgt. (lbs)	Voltage	F. L. Amps @ 230V	% F.L. EFF.	Service Factor	"C" Dim. (Inches)	♥Notes
1/3	1800	56C	3	116462.00	✓	1,408	C6T17VC43	39	230/460	1.3	72.0	1.15	14.00	S, US, 12
1/2	1800	56C	3	116463.00	✓	1,443	C6T17VC42	41	230/460	1.8	78.5	1.15	14.50	S, US, 12
3/4	1800	56C	6	116464.00	✓	1,717	C6T17VC44	43	230/460	2.5	80.0	1.15	15.00	S, US, 12
1	1800	56C	6	116465.00	D	1,778	C6T17VC45	45	230/460	3.2	80.0	1.15	15.50	S, US, 12
1	1800	56C	6	119485.00	✓	1,893	C6T17WC54	50	230/460	3.2	85.5	1.15	15.50	S, US, 13
1	1800	143TC	6	121613.00	D	1,778	C143T17VC8	46	230/460	3.2	80.0	1.15	15.56	S, US, 12
1	1800	143TC	6	122192.00	✓	1,906	C143T17VC9	52	230/460	3.2	85.5	1.15	17.50	S, US, 13
1 1/2	1800	145TC	10	121614.00	D	2,464	C145T17WC20	49	230/460	5.0	78.5	1.15	18.01	S, US, 13
1 1/2	1800	145TC	10	122194.00	✓	2,603	C145T17WC44	55	230/460	4.8	86.5	1.15	18.50	S, US, 13
2	1800	145TC	10	121615.00	D	2,534	C145T17WC19	61	230/460	6.2	81.5	1.15	18.51	S, US, 13
2	1800	145TC	10	122196.00	✓	2,670	C145T17WC45	65	230/460	5.8	86.5	1.15	19.00	S, US, 13

230/460 volt motors are suitable for use at 208 volts

♥ Note listing on inside back flap
Specifications are subject to change without notice

Green items are Premium Efficient

Note 12 - TENV

D - Item to be discontinued once inventory is depleted

Stainless Steel Brakemotors

Three Phase - TENV/TEFC - C Face With Base



HP	SYN RPM 60 Hz	NEMA Frame	Brake Rating (ft-lbs)	Catalog Number	Stock	List Price	Model Number	App. Wgt. (lbs)	Voltage	F. L. Amps @ 230V	% F.L. EFF.	Service Factor	"C" Dim. (Inches)	♥Notes
1/2	1800	56C	3	116483.00	C/A	5,503	CZ6T17VK31	59	230/460	1.6	78.5	1.15	15.85	S, US, 12
1	1800	56C	6	116484.00	D	5,797	CZ6T17VK32	69	230/460	3.0	81.5	1.15	15.85	S, US, 12
1	1800	56C	6	119785.00	✓	6,197	CZ6T17VK61	73	230/460	3.2	85.5	1.15	15.56	S, US, 13

230/460 volt motors are suitable for use at 208 volts

♥ Note listing on inside back flap
Specifications are subject to change without notice

Green items are Premium Efficient

Note 12 - TENV

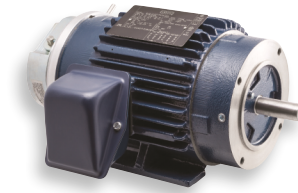
D - Item to be discontinued once inventory is depleted

C/A - Check Availability



Brakemotors

High Cycle Brakemotors



Applications:

For use in applications that require frequent starting and stopping such as conveyors and unit and baggage handling equipment.

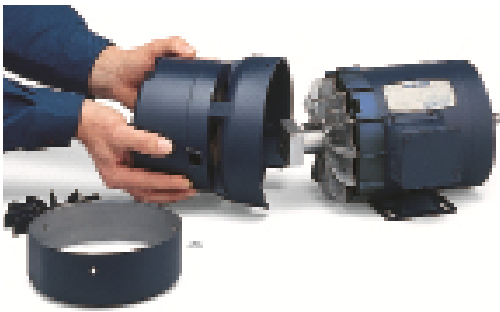
Features:

- All cast iron construction
- Stearns® high cycle brakes
- Manual release lever on brakes
- UL and CSA recognized construction

Three Phase - TENV - C Face Less Base

HP	SYN RPM 60 Hz	NEMA Frame	Brake Rating (ft-lbs)	Catalog Number	Stock	List Price	Model Number	App. Wgt. (lbs)	Voltage	F. L. Amps @ 230V	% F.L. EFF.	Service Factor	"C" Dim. (Inches)	♥Notes
1/2	1800	56C	6	117698.00	√	1,317	C6T17NC332	60	230	1.6	82.5	1.00	15.10	C, US
3/4	1800	56C	6	117699.00	√	1,520	C6T17NC333	65	230	2.2	85.5	1.00	16.10	C, US
1	1800	56C	6	117700.00	D	1,711	C6T17NC334	80	230	2.8	84.0	1.15	16.10	C, US
1	1800	56C	6	119566.00	√	1,865	C6T17NC343	82	230	3.0	85.5	1.15	16.10	C, US
1.5	1800	143TC	12	121979.00	D	1,870	C145T17NC29	90	230	4.4	84.0	1.25	16.16	C, US
1.5	1800	143TC	12	122254.00	√	2,037	C145T17NC33	93	230	4.6	86.5	1.15	16.16	C, US
2	1800	145TC	12	121980.00	D	2,044	C145T17NC30	95	230	6.6	85.5	1.15	16.16	C, US
2	1800	145TC	12	122255.00	√	2,145	C145T17NC31	98	230	6.0	86.5	1.15	16.16	C, US

♥ Note listing on inside back flap
Specifications are subject to change without notice



- Kit of components to convert 56 through 256T frame stock TEFC motors to fail-safe brakemotors.
- Kit mounts on fan end of motor. Kits for 56-184T steel frame motors include totally enclosed Stearns AC brake, replacement cast fan cover, shaft extension, fan and hardware. Kits for 213T-256T cast iron frame motors do not include brake, but are designed for Stearns 87,000 series brake.
- Two 1/2" NPT holes with 18" leads are provided for connections. The BRAKEKIT adds 5-1/8" to the overall length of 56 and 143-5T frame, and 5-7/8" to the overall length of 182-184T frame.

Brakekits™

Brake Rating (ft-lbs)	Mounts to NEMA Frame	Max. HP @1725 RPM	Cat. No. 115/230V Brake Coil Voltage	List Price	Cat. No. 230/460V	List Price	Cat.No. 575V	List Price	App. Wt. (lbs.)
3	48/S56	1	---		175615.00▲	742	---	---	10
3	56/143-5T	1	175762.00◇	742	175765.00◇	742	175768.00◇	721	10
6	56/143-5T	2	175763.00◇	853	175766.00◇	853	175769.00◇	829	10
10	56/143-5T	3	175764.00◇	977	175767.00◇	977	175770.00◇	949	10
15	182-4T	3	---		175696.00	1,822	175698.00	1,822	12
25	182-4T	5	---		175697.00	2,065	175699.00	2,065	12

56/143-5T frame Brakekits cannot be used on S56 frame motors.

All brake coils are single phase. You can use a 230/460 V coil on a single phase motor by using the 230 volt motor connection and the 230 V brake connection.

For motors having a "P" or "K" for the suffix letter on the date code and having a face mount fan guard.

◇ For 56/145 frame motors having a "B" for the suffix letter for the date code and having a face mount fan guard.

Brake Selection

In this table, brake torque ratings are no less than 140% of the motor full load torque. Match HP & frame size of motor with appropriately rated brake kit.

HP	Brakemotor RPM Torque Rating		
	3450	1725	1140
1/3	3	3	3
1/2	3	3	3
3/4	3	6	6
1	3	6	6
1 1/2	6	10	10
2	6	10	15
3	10	15	25
5	15	25	35
7.5	25	35	50
10	25	50	75
15	35	75	105
20	50	105	-

Brake Adapter Kits

Brake Rating (ft-lbs)	Mounts to NEMA Frame	Max. HP @ 1725 RPM	Catalog Number	List Price	App. Wt. (lbs.)
6-105	213-5T	10	175710.60	338	30
6-105	254-6T	20	175711.60	478	40

- Brake Adapter Kits include adapter casting/fan guard, brake fan, adapter shaft and hardware needed to mount a Stearns' 87,000 series brake (sold separately by Stearns').
- Shaded frame sizes are for use with cast iron motors.
- For use with Wattsaver and "G" Prefix cast iron motors



Brakemotors

Washguard® Brakekits™

Kits include a Stearns NEMA 4X brake to convert 56 thru 145T frame stock TEFC only motors to fail-safe brakemotors. Food safe white epoxy finish. BISSC Certified. Adds 5-1/8" to the overall length of 56 thru 145T WASHGUARD® TEFC motors.



For 230/460V Three Phase and 230V Single Phase Motors

Brake Rating (ft-lbs)	Mounts to NEMA Frame	Max. HP @ 1725 RPM	Catalog Number	List Price	App. Wt. (lbs.)
3	56/143-5T	1	175771.00	1,433	24
6	56/143-5T	2	175772.00	1,511	36
10	56/143-5T	3	175773.00	1,592	43

* For 56/145 frame motors having a "B" for the suffix letter for the date code and having a face mount fan guard.

Specifications are subject to change without notice

Coupler Brakes

Double C Face Coupler Brakes

- A new and expanded line of coupler brakes designed for applications where mounting the brake between the motor and driven load is the preferred, or most convenient, location. They are an excellent problem solver for applications where a brake needs to be added to existing equipment – without replacing the motor.
- Rugged cast aluminum or cast iron construction Stearns brakes are well suited to most industrial applications. Coupler brakes are designed to be C-face connected on both ends – these brakes are not suited for overhung loads to be applied to the output shaft.
- A wide range of voltages and brake torque ratings in both NEMA 2 and NEMA 4X enclosures are available from stock. NEMA 2 brakes are best suited for use with standard ODP and TEFC motors. NEMA 4X brakes are designed for use with LEESON WASHGUARD® motors.

General Purpose Coupler Brakes

- Mounts directly to the face and shaft of NEMA 56 through 215T-frame C-face motors to create a fail-safe brakemotor.
- The 6 ft.lb. brake mounts to NEMA 56C or 143-5TC motors using an optional adaptor sleeve, which is included with the brake. Output shaft can be either 56C or 143-5TC depending on the location of the provided adaptor sleeve. A 1/2 NPT threaded lead exit hole is provided for power connections.



Stearns®

Brakemotors
General Purpose Coupler Brakes

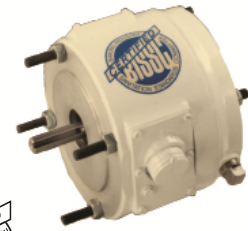
General Purpose (NEMA 2) Coupler Brakes
For Both Single and Three Phase Motors

Brake Rating (ft-lbs)	Max.HP@ 1725 RPM	Motor Voltage 115/208-230V	Motor Voltage 208-230/460V	Motor Voltage 575V	List Price	Mounts to NEMA Frame	Coupler Brake Output Shaft and Face	Add to Motor "C" Dim.	App. Wt. (lbs.)
3	1	175563.00	175564.00	175565.00	713	56C	5/8", 56C	4.91	13
6	2	175569.00	175570.00	175571.00	818	56C/143-5TC	5/8" or 7/8", 56C	4.91	14
10	3	175575.00	175576.00	175577.00	857	143-5TC	7/8", 143-5TC	4.91	15
15	3	—	175581.00	—	979	143-5TC	7/8", 143-5TC	4.91	16
15	3	—	175583.00	—	3,482	182-4TC	1 1/8", 182-4TC	8.38	58
25	5	—	175585.00	—	3,641	213-5TC	1 3/8", 213-5TC	8.88	58
35	7 1/2	—	175587.00	—	3,996	213-5TC	1 3/8", 213-5TC	8.88	60
50	10	—	175589.00	—	4,423			8.88	62

Specifications are subject to change without notice

Washguard® Coupler Brakes

Solid die-cast Aluminum Stearns NEMA 4X coupler brake converts any TEFC or TENV 56C thru 215TC motor to a fail-safe brakemotor by mounting between the C-face motor and driven equipment. Food safe white epoxy finish. BISSC Certified. Adds 5" to the overall length of 56C thru 145TC WASHGUARD® TEFC or TENV motors. Includes all mounting components.



Washguard® (NEMA 4X) Coupler Brakes
For Both Single and Three Phase Motors

Brake Rating (ft-lbs)	Max.HP@ 1725 RPM	Motor Voltage 115/208-230V	Motor Voltage 208-230/460V	Motor Voltage 575V	List Price	Mounts to NEMA Frame	Coupler Brake Output Shaft and Face	Add to Motor "C" Dim.	App. Wt. (lbs.)
3	1	175566.00	175567.00	175568.00	1,289	56C	5/8", 56C	4.94	13
6	2	175572.00	175573.00	175574.00	1,387	56C/143-5TC	5/8" or 7/8", 56C	4.94	14
10	3	175578.00	175579.00	175580.00	1,429	143-5TC	7/8", 143-5TC	4.94	15
15	3	—	175582.00	—	1,663	143-5TC	7/8", 143-5TC	4.94	16
15	3	—	175584.00	—	4,501	182-4TC	1 1/8", 182-4TC	8.38	58
25	5	—	175586.00	—	4,588	182-4TC	1 1/8", 182-4TC	8.38	58
35	7 1/2	—	175588.00	—	4,759	213-5TC	1 3/8", 213-5TC	8.88	60
50	10	—	175590.00	—	5,315	213-5TC	1 3/8", 213-5TC	8.88	62

Specifications are subject to change without notice



Explosion Proof Motors

Automotive Duty Motors

Pump Motors

Washguard Motors

Agricultural Motors

HVAC / Fan Motors

Special Voltage Motors

Definite Purpose Motors

Brake Motors

IEC Motors

LEESON Passport Series

Stock standard solutions ready to deliver from locations across the country.



Mount: IM B3/B5



Mount: IM B3



Mount:
IM B3/450 Frame
(custom)



IEC Motors

Aluminum Frame AC

Frame AC

Permanent Magnet DC

Commercial Duty DC

Stainless

Enclosure Type	TEFC	TEFC	TENV - TEFC	TENV	TENV - TEFC
Range	0.18 kW–2.2 kW	1.5 kW–37 kW	0.06 kW–2.2 kW	0.050–0.125 kW	0.25–1.5 kW
Voltage	230/460 & 575	230/460 & 575	24 & 180 Volts DC	12, 24 & 90 Volts DC	230/460 Volts
Speed	2, 4 & 6-Pole	2, 4 & 6-Pole	3000 & 1800 RPM	3000	1800 RPM
Frequency	60 Hz (50 Hz derated to next lowest HP)	60 Hz (50 Hz derated to next lowest HP)	DC	DC	60 Hz (50 Hz derated to next lowest HP)
IEC Frame	63–90	100–250	56, 63, 80, 90, 112	56	71–90
Mounting Flanges	B3, B5 and B14	B3, B5 and B14	B3, B5 & B14	B14	B5 & B14
Ambient	40°C	40°C	40°C	40°C	40°C
Insulation	Class F Class B Rise	Class F Class B Rise	Class F	Class F	Class F Class B Rise
NEMA Design B Breakdown Torque	175–300%	175–300%	N/A	N/A	NEMA Design B Breakdown Torque 175–300%
IEC Design N Breakdown Torque	160–200%	160–200%	N/A	N/A	IEC Design N Breakdown Torque 160–200%
NEMA Design B Lock Rotor Torque	70–275%	70–275%	N/A	N/A	NEMA Design B Lock Rotor Torque 70–275%
IEC Design N Lock Rotor Torque	75–275%	75–275%	N/A	N/A	IEC Design N Lock Rotor Torque 75–275%
Service Factor	1.15	1.15	1.0	1.0	1.15
Inverter Duty	10:1	10:1	SCR 10:1	SCR 10:1	6:1
Warranty	3 Years—Premium Efficient Models	3 Years	1 Year	1 Year	3 Years
Accessories	B5 & B14 Flange Kits	B5 & B14 Flange Kits	B5 & B14 Flange Kits	N/A	N/A
Shaft Seals	Yes	Yes	Yes	Yes	Yes
Terminals Boards	Yes	Yes	N/A	N/A	N/A
IP Construction	IP55	IP55	IP54	IP44	IP56 (Encapsulated designs available)
Efficiency	IE2, IE3 (90 Frame) EPACT and NEMA Premium	IE3—NEMA Premium	Varies by HP	Varies by HP	Standard and EPACT
Removable Base	Yes	No	Yes	No Base	No



IEC Motors

AC Metric – Three Phase – 230/460 Volt – 575 Volt



These motors meet North American performance standards and Premium energy efficiency mandates, and have 1.15 service factors.

Typically used for replacement on machine tools, textile tools, textile machinery and other equipment with metric dimensions but requiring the high torque and performance of motors designed for use in North America.

Features:

- Aluminum frame and cast iron frame construction
- DC and stainless steel IEC motors available
- 60/50 Hz interchangeability
- B3, B5, B14 mounting flanges
- Flange kits available
- Inverter rated (IRIS™) insulation system on cast iron AC models
- 3-year warranty on premium efficiency models
- 1-year warranty on DC and AC standard efficiency models
- UL listed and CSA certified





ALUMINUM FRAME

CSA: File number LR33543

UL: File number E57948 for motors produced January 2004 and later



LEESON's Inverter Rated Insulation System, (IRIS™) provides superior protection against voltage spikes induced by variable frequency drives.



IP55 weatherproof enclosure allows for use in a wide range of applications.

Terminal Boards included.

- 230/460V motors have 9 leads.
- 575V motors have 3 leads.
- All terminal boards have 6 posts.

Conduit box with neoprene gaskets. Reposition metric "PG" tapped lead exit hole by rotating box in 90 degree increments. Move box to F1 or F2 position by relocating motor feet.

Special design steel fan cover and low-noise fan maximize airflow efficiency.

External grounding provision.

Multi-mount repositionable feet allow for three conduit box positions (F2, F1, F3).

Aluminum "full fact" nameplate with information on motor efficiency and power factor. Stamped with 60 Hz and 50 Hz data.

Class F insulation system with Class B temperature rise or lower.

Removable feet.

High efficiency design utilizes low-loss steel laminations for optimum power and performance.

V – seals on both the drive end and non drive end.

Drilled and tapped shaft.

"Captive Shaft" keyway.

D flange (B5) and C face (B14) models available. Field conversion kits also offered.

Drain Hole locations in four quadrants can be drilled-out for multi-position condensate drainage.



CAST IRON FRAME

CSA: File number LR62104

UL: File number E57948 for motors produced June 2003 and later



Terminal Boards included.

- 230/460V motors, 132-frame and larger have 12 leads and 9 post terminal boards.
- 230/460V motors, smaller than 132-frame have 9 leads and 6 post terminal boards.
- 575V motors have 3 leads and 6 post terminal boards.

Conduit box with neoprene gaskets. Reposition metric "PG" threaded lead exit by rotating box in 90 degree increments. Motors 132 frame and larger have second lead exit hole for auxiliary box. Box is fixed at F3 location.

Heavy-duty cast iron construction includes frame, endbells and conduit box.

IP55 weatherproof enclosure allows for use in a wide range of applications.

High efficiency design utilizes low-loss steel laminations for optimum power and performance.

D flange (B5) and C face (B14) models available. Field conversion kits also offered.

Non-sparking fan. Small size reduces noise and enhances efficiency.

Drilled and tapped shaft.

Steel fan cover.

Oil seals on both the drive end and non drive end.

Stainless steel "full fact" nameplate with information on motor efficiency and power factor. Stamped with 60 Hz and 50 Hz data

Cast iron mounting feet are precision machined for accurate alignment.

Class F insulation system with Class B temperature rise or lower.



- IEC Motors
- DC Motors
- Gearmotors
- AC / DC Controls
- Accessories / Kits
- Mods / Factory Options
- X-Ref / Index
- Tech Information
- Terms / Warnings

IEC Metric Motors

AC Metric (IEC) Motors - B3 Flange - Three Phase - Rigid Base



Three Phase - TEFC - B3 Flange - Rigid Base - IP55

HP/kW	SYN RPM 60 Hz	IEC Frame	Catalog Number	Stock	List Price	Model Number	App. Wgt. (lbs)	Voltage	F. L. Amps @ 230 V	% FL. Eff.	Service Factor	"C" Dim. (Inches)	Notes
1/4-0.18	3600	D63	192010.30	√	281	C63T34FZ13	10	230/460	1.0	65.5	1.15	8.35	A, CN
1/4-0.18	1800	D63	192011.30	√	292	C63T17FZ7	11	230/460	1.3	52.5	1.15	8.35	A, CN
1/4-0.18	1200	D71	192012.30	√	499	C71T11FZ13	12	230/460	1.1	62.4	1.15	9.65	A, CN
1/3-0.25	3600	D63	192020.30	√	323	C63T34FZ2	11	230/460	1.1	72.0	1.15	8.55	A, CN
1/3-0.25	1800	D71	192021.30	√	342	C71T17FZ13	13	230/460	1.1	62.4	1.15	9.65	A, CN
1/3-0.25	1200	D80	192022.30	√	533	C80T11FZ19	17	230/460	1.5	61.3	1.15	11.61	A, CN
1/2-0.37	3600	D71	192030.30	√	351	C71T34FZ13	13	230/460	1.7	67.3	1.15	9.46	A, CN
1/2-0.37	1800	D71	192031.30	√	356	C71T17FZ14	14	230/460	1.9	71.5	1.15	9.46	A, CN
1/2-0.37	1200	D80	192032.30	√	558	C80T11FZ20	19	230/460	2.2	61.8	1.15	11.61	A, CN
3/4-0.55	3600	D71	192040.30	√	366	C71T34FZ14	15	230/460	2.3	74.5	1.15	9.65	A, CN
3/4-0.55	1800	D80	192041.30	√	387	C80T17FZ13	18	230/460	2.5	73.9	1.15	11.61	A, CN
3/4-0.55	1200	D80	192042.30	√	597	C80T11FZ21	22	230/460	3.0	63.0	1.15	11.61	A, CN
1-0.75	3600	D80	192050.00	D	415	C80T34FZ1	21	230/460	2.8	75.5	1.15	11.11	A, CN
1-0.75	3600	D80	192050.30	√	415	C80T34FZ13	21	230/460	3.1	80.0	1.15	11.61	A, CN
1-0.75	1800	D80	192051.30	D	424	C80T17FZ14	26	230/460	3.2	80.0	1.15	11.61	A, CN
1-0.75	1800	D80	192241.30	√	480	C80T17FZ49	26	230/460		85.5	1.15		A, CN
1-0.75	1200	D90S	192200.30	√	716	C90T11FZ19	33	230/460	3.3	82.5	1.15	13.39	A, CN
1 1/2-1.1	3600	D80	192060.30	D	460	C80T34FZ14	27	230/460	4.3	82.5	1.15	11.61	A, CN
1 1/2-1.1	3600	D80	192242.30	√	517	C80T34FZ41	27	230/460		84.0	1.15		A, CN
1 1/2-1.1	1800	D90S	192202.30	√	541	C90T17FZ23	37	230/460	3.9	86.5	1.15	13.39	A, CN
2-1.5	3600	D90S	192208.30	√	564	C90T34FZ21	33	230/460	5.0	85.5	1.15	13.39	A, CN
2-1.5	1800	D90L	192205.30	√	583	C90T17FZ24	38	230/460	5.3	86.6	1.15	13.39	A, CN
2-1.5	1200	DF100L	193300.60	√	972	C100T11FZ20	82	230/460	6.0	88.5	1.15	16.34	C, CN
3-2.2	3600	D90L	192209.30	√	813	C90T34FZ22	39	230/460	7.3	86.5	1.15	13.39	A, CN
3-2.2	1800	DF100L	193301.60	√	943	C100T17FZ41	84	230/460	8.0	90.2	1.15	16.34	C, CN
3-2.2	1200	DF112M	193302.60	√	1,367	C112T11FZ21	100	230/460	9.6	89.5	1.15	18.43	C, CN
4-3	3600	DF100L	193303.60	√	1,005	C100T34FZ20	71	230/460	9.2	88.5	1.15	18.43	C, CN
4-3	1800	DF100L	193304.60	√	1,023	C100T17FZ42	84	230/460	10.0	89.5	1.15	16.34	C, CN
4-3	1200	DF132S	193305.60	√	1,657	C132T11FZ58	154	230/460	12.6	89.5	1.15	18.27	C, CN
5 1/2-4	3600	DF112M	193306.60	√	1,291	C112T34FZ24	104	230/460	12.6	89.5	1.15	16.14	C, CN
5 1/2-4	1800	DF112M	193307.60	√	1,244	C112T17FZ21	104	230/460	14.0	89.5	1.15	16.14	C, CN
5 1/2-4	1200	DF132M	193308.60	√	1,915	C132T11FZ59	176	230/460	17.0	89.5	1.15	19.76	C, CN
7 1/2-5.5	3600	DF132S	193309.60	√	1,619	C132T34FZ45	152	230/460	18.0	89.5	1.15	18.27	C, CN
7 1/2-5.5	1800	DF132S	193310.60	√	1,619	C132T17FZ43	150	230/460	18.4	92.4	1.15	18.27	C, CN
7 1/2-5.5	1200	DF132M	193311.60	√	2,302	C132T11FZ60	180	230/460	21.6	91.0	1.15	19.76	C, CN

230/460 volt motors are suitable for use at 208 volts

Continued On Next Page

Shaded model numbers are cast iron frame

♥ Note listing on inside back flap Specifications are subject to change without notice

Green items are Premium Efficient

D - Item to be discontinued once inventory is depleted





IEC Metric Motors

AC Metric (IEC) Motors - B3 Flange - Three Phase - Rigid Base

Three Phase - TEFC - B3 Flange - Rigid Base - IP55

HP/kW	SYN RPM 60 Hz	IEC Frame	Catalog Number	Stock	List Price	Model Number	App. Wgt. (lbs)	Voltage	F. L. Amps @ 230 V	% FL. Eff.	Service Factor	"C" Dim. (Inches)	♥Notes
10-7.5	3600	DF132S	193312.60	√	1,732	C132T34FZ46	163	230/460	24.0	90.2	1.15	18.27	C, CN
10-7.5	1800	DF132M	193313.60	√	1,920	C132T17FZ44	174	230/460	24.0	91.7	1.15	19.76	C, CN
10-7.5	1200	DF160M	193314.60	√	2,985	C160T11FZ39	251	230/460	28.8	92.1	1.15	23.62	C, CN
15-11	3600	DF160M	193315.60	√	2,806	C160T34FZ59	260	230/460	35.0	91.0	1.15	23.62	C, CN
15-11	1800	DF160M	193316.60	√	2,806	C160T17FZ43	264	230/460	36.0	92.4	1.15	23.62	C, CN
15-11	1200	DF160L	193317.60	√	3,833	C160T11FZ40	330	230/460	40.0	91.7	1.15	26.57	C, CN
20-15	3600	DF160M	193318.60	√	3,291	C160T34FZ60	269	230/460	47.0	91.0	1.15	23.62	C, CN
20-15	1800	DF160L	193319.60	√	3,470	C160T17FZ44	311	230/460	50.0	93.0	1.15	25.39	C, CN
20-15	1200	DF180L	193320.60	√	5,373	C180T11FZ20	385	230/460	53.5	92.4	1.15	28.27	C, CN
25-18.5	3600	DF160L	193321.60	√	4,006	C160T34FZ61	319	230/460	58.0	91.7	1.15	25.39	C, CN
25-18.5	1800	DF180M	193322.60	√	4,409	C180T17FZ41	381	230/460	58.5	93.6	1.15	26.77	C, CN
25-18.5	1200	DF200L	193323.60	√	6,740	C200T11FZ39	517	230/460	66.0	93.5	1.15	29.53	C, CN
30-22	3600	DF180M	193324.60	√	4,761	C180T34FZ19	355	230/460	69.0	91.7	1.15	26.77	C, CN
30-22	1800	DF180L	193325.60	√	4,957	C180T17FZ42	427	230/460	70.0	94.1	1.15	28.27	C, CN
30-22	1200	DF200L	193326.60	√	7,635	C200T11FZ40	467	230/460	77.0	93.8	1.15	29.53	C, CN
40-30	3600	DF200L	193327.60	√	6,777	C200T34FZ37	522	230/460	91.0	92.4	1.15	29.53	C, CN
40-30	1800	DF200L	193328.60	√	7,297	C200T17FZ21	531	230/460	95.0	94.1	1.15	29.53	C, CN
40-30	1200	DF225M	193329.60	√	11,468	C225T11FZ21	633	230/460	95.0	94.1	1.15	32.95	C, CN
50-37	3600	DF200L	193330.60	√	8,889	C200T34FZ38	546	230/460	112.0	94.1	1.15	29.53	C, CN
50-37	1800	DF225S	193331.60	√	10,121	C225T17FZ21	632	230/460	118.0	94.5	1.15	31.97	C, CN
50-37	1200	DF250M	193332.60	√	11,755	C250T11FZ19	1089	230/460	120.0	94.1	1.15	36.42	C, CN
60-45	3600	225M	193416.60	√	9,162	C225T34FZ1A	756	230/460	136	93.6	1.15	32.95	C, CN
60-45	1800	225M	193417.60	√	10,265	C225T17FZ5A	758	230/460	140	95.0	1.15	32.95	C, CN
60-45	1200	280S	193418.60	√	12,274	C280T11FZ1A	1213	230/460	146	94.5	1.15	38.39	C, CN
75-55	3600	250M	193419.60	√	10,429	C250T34FZ1A	988	230/460	170	93.6	1.15	36.46	C, CN
75-55	1800	250M	193420.60	√	10,786	C250T17FZ2A	1076	230/460	174	95.4	1.15	36.46	C, CN
75-55	1200	280M	193421.60	√	12,592	C280T11FZ2A	1353	230/460	180	94.5	1.15	40.39	C, CN
100-75	3600	280S	193422.60	√	11,105	C280T34FZ1A	1157	230/460	224	94.1	1.15	38.39	C, CN
100-75	1800	280S	193423.60	√	11,262	C280T17FZ3A	1338	230/460	226	95.4	1.15	38.39	C, CN
100-75	1200	315S	193424.60	√	15,870	C315T11FZ1A	2020	230/460	234	95.0	1.15	48.82	C, CN

230/460 volt motors are suitable for use at 208 volts

Shaded model numbers are cast iron frame

Green items are Premium Efficient

♥ Note listing on inside back flap
Specifications are subject to change without notice



IEC Metric Motors

AC Metric (IEC) Motors - B3 / B5 Flange - Three Phase - Rigid Base



Three Phase - TEFC - B3 / B5 Flange - Rigid Base - IP55

HP/kW	SYN RPM 60 Hz	IEC Frame	Catalog Number	Stock	List Price	Model Number	App. Wgt. (lbs)	Voltage	F. L. Amps @ 230 V	% F.L. Eff.	Service Factor	"C" Dim. (Inches)	♥Notes
1/4-0.18	3600	D63D	192014.30	√	323	C63T34FZ15	10	230/460	1.0	65.5	1.15	8.35	A, CN
1/4-0.18	1800	D63D	192015.30	√	334	C63T17FZ8	11	230/460	1.3	52.5	1.15	8.35	A, CN
1/4-0.18	1200	D71D	192016.30	√	571	C71T11FZ14	12	230/460	1.1	62.4	1.15	9.65	A, CN
1/3-0.25	3600	D63D	192024.30	√	372	C63T34FZ16	11	230/460	1.3	67.9	1.15	8.35	A, CN
1/3-0.25	1800	D71D	192025.30	√	385	C71T17FZ15	13	230/460	1.4	65.6	1.15	9.65	A, CN
1/3-0.25	1200	D80D	192026.00	D	616	C80T11FZ7	17	230/460	1.3	70.0	1.15	11.10	A, CN
1/3-0.25	1200	D80D	192026.30	√	616	C80T11FZ22	17	230/460	1.4	70.0	1.15	11.61	A, CN
1/2-0.37	3600	D71D	192034.00	D	384	C71T34FZ5	13	230/460	1.6	74.0	1.15	9.45	A, CN
1/2-0.37	3600	D71D	192034.30	√	384	C71T34FZ15	13	230/460	1.7	67.3	1.15	9.65	A, CN
1/2-0.37	1800	D71D	192035.30	√	396	C71T17FZ16	14	230/460	1.9	71.5	1.15	11.61	A, CN
1/2-0.37	1200	D80D	192036.30	√	637	C80T11FZ23	19	230/460	2.2	61.8	1.15	11.61	A, CN
3/4-0.55	3600	D71D	192044.30	√	404	C71T34FZ16	15	230/460	2.3	74.5	1.15	9.65	A, CN
3/4-0.55	1800	D80D	192045.30	√	430	C80T17FZ15	18	230/460	2.5	73.9	1.15	11.61	A, CN
3/4-0.55	1200	D80D	192046.30	√	677	C80T11FZ24	22	230/460	3.0	63.0	1.15	11.61	A, CN
1-0.75	3600	D80D	192054.30	√	446	C80T34FZ15	21	230/460	3.1	80.0	1.15	11.61	A, CN
1-0.75	1800	D80D	192055.30	D	467	C80T34FZ15	26	230/460	3.1	76.5	1.15	11.61	A, CN
1-0.75	1800	D80D	192244.30	√	525	C80T34FZ50	26	230/460	3.1	85.5	1.15		A, CN
1-0.75	1200	D90SD	192201.30	√	820	C90T11FZ20	35	230/460	3.3	82.5	1.15	13.39	A, CN
1 1/2-1.1	3600	D80D	192064.30	D	506	C80T34FZ16	30	230/460	4.3	77.9	1.15	11.61	A, CN
1 1/2-1.1	3600	D80D	192245.30	√	569	C80T34FZ43	30	230/460	4.3	84.0	1.15		A, CN
1 1/2-1.1	1800	D90SD	192203.30	√	594	C90T17FZ25	37	230/460	3.9	86.5	1.15	13.39	A, CN
2-1.5	3600	D90SD	192210.30	√	648	C90T34FZ23	33	230/460	5.0	85.5	1.15	13.39	A, CN
2-1.5	1800	D90LD	192206.30	√	666	C90T17FZ26	38	230/460	5.3	86.6	1.15	13.39	A, CN
2-1.5	1200	DF100LD	193333.60	√	1,117	C100T11FZ21	82	230/460	6.0	88.5	1.15	16.34	C, CN
3-2.2	3600	D90LD	192211.30	√	916	C90T34FZ24	39	230/460	7.3	86.5	1.15	13.39	A, CN
3-2.2	1800	DF100LD	193334.60	√	1,084	C100T17FZ43	84	230/460	8.0	89.5	1.15	16.34	C, CN
3-2.2	1200	DF112MD	193335.60	√	1,529	C112T11FZ22	100	230/460	9.6	89.5	1.15	16.14	C, CN

230/460 volt motors are suitable for use at 208 volts

Continued On Next Page

Shaded model numbers are cast iron frame

♥ Note listing on inside back flap
Specifications are subject to change without notice

Green items are Premium Efficient

D - Item to be discontinued once inventory is depleted

Note: Aluminum motors have removable feet for round-body applications.
Larger HP B3 Foot-Mounted metric motors on page 303 can be converted to B3/B5 Flange-Mount by installing B5 Flange Kits.





Three Phase - TEFC - B3 / B5 Flange - Rigid Base - IP55

HP/kW	SYN RPM 60 Hz	IEC Frame	Catalog Number	Stock	List Price	Model Number	App. Wgt. (lbs)	Voltage	F. L. Amps @ 230 V	% F.L. Eff.	Service Factor	"C" Dim. (Inches)	♥Notes
4-3	3600	DF100LD	193336.60	√	1,148	C100T34FZ21	71	230/460	9.2	88.5	1.15	16.34	C, CN
4-3	1800	DF100LD	193337.60	√	1,166	C100T17FZ44	84	230/460	10.0	89.5	1.15	16.34	C, CN
4-3	1200	DF132SD	193338.60	√	1,870	C132T11FZ61	154	230/460	12.4	89.5	1.15	18.27	C, CN
5 1/2-4	3600	DF112MD	193339.60	√	1,446	C112T34FZ25	104	230/460	12.6	88.5	1.15	16.14	C, CN
5 1/2-4	1800	DF112MD	193340.60	√	1,400	C112T17FZ22	104	230/460	14.0	89.5	1.15	16.14	C, CN
5 1/2-4	1200	DF132MD	193341.60	√	2,130	C132T11FZ62	176	230/460	17.0	89.5	1.15	19.76	C, CN
7 1/2-5.5	3600	DF132SD	193342.60	√	1,826	C132T34FZ47	152	230/460	18.0	89.5	1.15	18.27	C, CN
7 1/2-5.5	1800	DF132SD	193343.60	√	1,826	C132T17FZ45	150	230/460	18.4	91.7	1.15	18.27	C, CN
7 1/2-5.5	1200	DF132MD	193344.60	√	2,519	C132T11FZ63	180	230/460	21.6	91.0	1.15	19.76	C, CN
10-7.5	3600	DF132SD	193345.60	√	1,950	C132T34FZ48	163	230/460	24.0	90.2	1.15	19.76	C, CN
10-7.5	1800	DF132MD	193346.60	√	2,137	C132T17FZ46	174	230/460	24.0	91.7	1.15	19.76	C, CN
10-7.5	1200	DF160MD	193347.60	√	3,394	C160T11FZ41	251	230/460	28.8	91.0	1.15	23.62	C, CN
15-11	3600	DF160MD	193348.60	√	3,216	C160T34FZ62	260	230/460	35.0	91.0	1.15	23.62	C, CN
15-11	1800	DF160MD	193349.60	√	3,216	C160T17FZ45	264	230/460	37.0	92.4	1.15	23.62	C, CN
15-11	1200	DF160LD	193350.60	√	4,242	C160T11FZ42	330	230/460	40.0	91.7	1.15	26.57	C, CN
20-15	3600	DF160MD	193351.60	√	3,468	C160T34FZ63	269	230/460	47.0	91.0	1.15	23.62	C, CN
20-15	1800	DF160LD	193352.60	√	3,657	C160L17FZ46	311	230/460	50.0	93.0	1.15	25.39	C, CN
20-15	1200	DF180LD	193353.60	√	5,563	C180T11FZ21	385	230/460	53.5	91.7	1.15	28.27	C, CN
25-18.5	3600	DF160LD	193354.60	√	4,170	C160T34FZ64	319	230/460	58.0	91.7	1.15	25.39	C, CN
25-18.5	1800	DF180MD	193355.60	√	4,655	C180T17FZ43	381	230/460	58.5	93.6	1.15	26.77	C, CN
30-22	3600	DF180MD	193356.60	√	4,984	C180T34FZ20	355	230/460	69.0	93.0	1.15	26.77	C, CN
30-22	1800	DF180LD	193357.60	√	5,171	C180T17FZ44	427	230/460	70.0	94.1	1.15	28.27	C, CN

230/460 volt motors are suitable for use at 208 volts

♥ Note listing on inside back flap
Specifications are subject to change without notice

Shaded model numbers are cast iron frame

Green items are Premium Efficient

Note: Aluminum motors have removable feet for round-body applications.
Larger HP B3 Foot-Mounted metric motors on page 303 can be converted to B3/B5 Flange-Mount by installing B5 Flange Kits.



IEC Metric Motors

AC Metric (IEC) Motors - B3 / B14 Flange - Three Phase - Rigid Base



Three Phase - TEFC - B3 / B14 Flange - Rigid Base - IP55

HP/kW	SYN RPM 60 Hz	IEC Frame	Catalog Number	Stock	List Price	Model Number	App. Wgt. (lbs)	Voltage	F. L. Amps @ 230 V	% F.L. Eff.	Service Factor	"C" Dim. (Inches)	♥Notes
1/4-0.18	3600	D63C	192017.30	√	316	C63T34FZ17	10	230/460	1.0	65.5	1.2	8.35	A, CN
1/4-0.18	1800	D63C	192018.30	√	328	C63T17FZ9	11	230/460	1.3	52.5	1.15	8.35	A, CN
1/4-0.18	1200	D71C	192019.00	D	571	C71T11FZ2	12	230/460	1.2	64.0	1.15	9.46	A, CN
1/4-0.18	1200	D71C	192019.30	√	571	C71T11FZ15	12	230/460	1.3	62.4	1.15	9.70	A, CN
1/3-0.25	3600	D63C	192027.30	√	369	C63T34FZ16	11	230/460	1.3	67.9	1.15	9.65	A, CN
1/3-0.25	1800	D71C	192028.30	√	374	C71T17FZ17	13	230/460	1.4	65.6	1.15	9.65	A, CN
1/3-0.25	1200	D80C	192029.00	D	616	C80T11FZ4	17	230/460	1.3	70.0	1.15	11.11	A, CN
1/3-0.25	1200	D80C	192029.30	√	616	C80T11FZ25	17	230/460	1.5	61.3	1.15	11.61	A, CN
1/2-0.37	3600	D71C	192037.30	√	375	C71T34FZ17	13	230/460	1.7	67.3	1.15	9.65	A, CN
1/2-0.37	1800	D71C	192038.00	D	390	C71T17FZ4	14	230/460	1.8	74.0	1.15	9.46	A, CN
1/2-0.37	1800	D71C	192038.30	√	390	C71T17FZ18	14	230/460	1.9	71.5	1.15	9.65	A, CN
1/2-0.37	1200	D80C	192039.00	D	637	C80T11FZ5	19	230/460	1.9	72.0	1.15	11.11	A, CN
1/2-0.37	1200	D80C	192039.30	√	637	C80T11FZ26	19	230/460	2.2	61.8	1.15	11.61	A, CN
3/4-0.55	3600	D71C	192047.00	D	396	C71T34FZ4	15	230/460	2.4	74.0	1.15	9.46	A, CN
3/4-0.55	3600	D71C	192047.30	√	396	C71T34FZ18	15	230/460	2.3	74.5	1.15	9.65	A, CN
3/4-0.55	1800	D80C	192048.30	√	425	C80T17FZ17	18	230/460	2.5	73.9	1.15	11.61	A, CN
3/4-0.55	1200	D80C	192049.30	√	677	C80T11FZ27	22	230/460	3.0	63.0	1.15	11.61	A, CN
1-0.75	3600	D80C	192057.30	√	434	C80T34FZ17	21	230/460	3.1	80.0	1.15	11.61	A, CN
1-0.75	1800	D80C	192058.30	D	456	C80T17FZ18	26	230/460	3.2	80.0	1.15	11.61	A, CN
1-0.75	1800	D80C	192247.30	√	512	C80T17FZ51	27	230/460		85.5	1.15		A, CN
1-0.75	1200	D90SC	192212.30	√	820	C80T11FZ21	35	230/460	3.3	82.5	1.15	13.39	A, CN
1 1/2-1.1	3600	D80C	192067.30	D	496	C80T34FZ18	27	230/460	4.3	82.5	1.15	11.61	A, CN
1 1/2-1.1	3600	D80C	192248.30	√	558	C80T34FZ45	28	230/460		84.0	1.15		A, CN
1 1/2-1.1	1800	D90SC	192204.30	√	582	C90T17FZ27	37	230/460	3.9	86.5	1.15	13.39	A, CN
2-1.5	3600	D90SC	192213.30	√	633	C90T34FZ25	33	230/460	5.0	85.5	1.15	13.39	A, CN
2-1.5	1800	D90LC	192207.30	√	648	C90T17FZ28	38	230/460	5.3	86.6	1.15	13.39	A, CN
2-1.5	1200	DF100LC	193358.60	√	1,117	C100T11FZ22	82	230/460	6.0	88.5	1.15	14.97	C, CN

230/460 volt motors are suitable for use at 208 volts

Continued On Next Page

Green items are Premium Efficient

D - Item to be discontinued once inventory is depleted

Note: Aluminum motors have removable feet for round-body applications. Larger HP B3 Foot-Mounted metric motors on page 303 can be converted to B3/B5 Flange-Mount by installing B5 Flange Kits.

♥ Note listing on inside back flap Specifications are subject to change without notice





IEC Metric Motors

AC Metric (IEC) Motors - B3 / B14 Flange - Three Phase - Rigid Base

Three Phase - TEFC - B3 / B14 Flange - Rigid Base - IP55

HP/kW	SYN RPM 60 Hz	IEC Frame	Catalog Number	Stock	List Price	Model Number	App. Wgt. (lbs)	Voltage	F. L. Amps @ 230 V	% F.L. Eff.	Service Factor	"C" Dim. (Inches)	♥Notes
3-2.2	3600	D90LC	192214.00	D	916	C90T34FZ18	39	230/460	72	87.5	1.15	12.61	A, CN
3-2.2	3600	D90LC	192214.30	√	916	C90T34FZ26	39	230/460	73	86.5	1.15	13.39	A, CN
3-2.2	1800	DF100LC	193359.60	√	1,084	C100T17FZ45	84	230/460	8.0	90.2	1.15	16.34	C, CN
3-2.2	1200	DF112MC	193360.60	√	1,529	C112T11FZ23	84	230/460	9.6	89.5	1.15	18.43	C, CN
4-3	3600	DF100LC	193361.60	√	1,148	C100T34FZ22	71	230/460	9.2	88.5	1.15	16.34	C, CN
4-3	1800	DF100LC	193362.60	√	1,166	C100T17FZ46	84	230/460	10.0	89.5	1.15	16.34	C, CN
4-3	1200	DF132SC	193363.60	√	1,870	C132T11FZ64	154	230/460	12.4	89.5	1.15	18.27	C, CN
5 1/2-4	3600	DF112MC	193364.60	√	1,446	C112T34FZ26	104	230/460	12.6	88.5	1.15	16.34	C, CN
5 1/2-4	1800	DF112MC	193365.60	√	1,400	C112T17FZ23	104	230/460	14.0	89.5	1.15	16.34	C, CN
5 1/2-4	1200	DF132MC	193366.60	√	2,130	C132T11FZ65	176	230/460	17.0	89.5	1.15	19.76	C, CN
7 1/2-5.5	3600	DF132SC	193367.60	√	1,826	C132T34FZ49	152	230/460	18.0	89.5	1.15	18.27	C, CN
7 1/2-5.5	1800	DF132SC	193368.60	√	1,826	C132T17FZ47	150	230/460	18.4	91.7	1.15	18.27	C, CN
7 1/2-5.5	1200	DF132MC	193369.60	√	2,519	C132T11FZ66	180	230/460	21.6	91.0	1.15	19.76	C, CN
10-7.5	3600	DF132SC	193370.60	√	1,950	C132T34FZ50	163	230/460	24.0	90.2	1.15	19.76	C, CN
10-7.5	1800	DF132MC	193371.60	√	2,137	C132T17FZ48	174	230/460	24.0	91.7	1.15	19.76	C, CN
10-7.5	1200	DF160MC	193372.60	√	3,394	C160T11FZ43	251	230/460	28.8	92.1	1.15	23.62	C, CN
15-11	3600	DF160MC	193373.60	√	3,216	C160T34FZ65	260	230/460	35.0	91.0	1.15	23.62	C, CN
15-11	1800	DF160MC	193374.60	√	3,216	C160T17FZ47	264	230/460	37.0	92.4	1.15	23.62	C, CN
15-11	1200	DF160LC	193375.60	√	4,242	C160T11FZ44	330	230/460	40.0	91.7	1.15	26.57	C, CN
20-15	3600	DF160MC	193376.60	√	3,676	C160T34FZ66	269	230/460	47.0	91.0	1.15	23.62	C, CN
20-15	1800	DF160LC	193377.60	√	3,877	C160T17FZ48	311	230/460	50.0	93.0	1.15	25.39	C, CN
25-18.5	3600	DF160LC	193378.60	√	4,419	C160T34FZ67	319	230/460	58.0	91.7	1.15	25.39	C, CN

230/460 volt motors are suitable for use at 208 volts

Continued On Next Page

Shaded model numbers are cast iron frame

♥ Note listing on inside back flap
Specifications are subject to change without notice

Green items are Premium Efficient

D - Item to be discontinued once inventory is depleted

Note: Aluminum motors have removable feet for round-body applications.
Larger HP B3 Foot-Mounted metric motors on page 303 can be converted to B3/B5 Flange-Mount by installing B5 Flange Kits.



IEC Metric Motors

575 Volt Metric Motors

AC Metric (IEC) Motors - B3 Flange - Three Phase - Rigid Base



Three Phase - TEFC - B3 Flange - Rigid Base - IP55

HP/kW	SYN RPM 60 Hz	IEC Frame	Catalog Number	Stock	List Price	Model Number	App. Wgt. (lbs)	Voltage	F. L. Amps @ 575 V	% F.L. Eff.	Service Factor	"C" Dim. (Inches)	♥Notes
1/4-0.18	3600	D63	192088.00	D	281	C63T34FZ7	10	575	0.3	72.0	1.15	8.54	A, CN
1/4-0.18	3600	D63	192088.30	√	281	C63T34FZ19	10	575	0.4	65.5	1.15	8.35	A, CN
1/4-0.18	1800	D63	192089.00	D	292	C63T17FZ4	11	575	0.4	68.0	1.15	8.54	A, CN
1/4-0.18	1800	D63	192089.30	√	292	C63T17FZ10	11	575	0.5	52.5	1.15	8.35	A, CN
1/3-0.25	3600	D63	192097.30	√	328	C63T34FZ20	11	575	0.5	67.9	1.15	9.65	A, CN
1/3-0.25	1800	D71	192098.30	√	342	C71T17FZ19	13	575	0.6	65.6	1.15	9.65	A, CN
1/2-0.37	3600	D71	192106.00	D	351	C71T34FZ7	13	575	0.7	74.0	1.15	9.45	A, CN
1/2-0.37	3600	D71	192106.30	√	351	C71T34FZ19	13	575	0.7	67.3	1.15	9.65	A, CN
1/2-0.37	1800	D71	192107.00	D	356	C71T17FZ10	14	575	0.7	74.0	1.15	9.45	A, CN
1/2-0.37	1800	D71	192107.30	√	356	C71T17FZ20	14	575	0.8	71.5	1.15	9.65	A, CN
3/4-0.55	3600	D71	192115.00	D	366	C71T34FZ10	15	575	0.9	74.0	1.15	9.45	A, CN
3/4-0.55	3600	D71	192115.30	√	366	C71T34FZ20	15	575	0.9	74.5	1.15	11.61	A, CN
3/4-0.55	1800	D80	192116.00	D	387	C80T17FZ7	18	575	1.0	73.0	1.15	11.10	A, CN
3/4-0.55	1800	D80	192116.30	√	387	C80T17FZ19	18	575	0.9	73.9	1.15	11.61	A, CN
1-0.75	3600	D80	192124.00	D	415	C80T34FZ7	21	575	1.1	75.5	1.15	11.10	A, CN
1-0.75	3600	D80	192124.30	√	415	C80T34FZ19	21	575	1.3	76.5	1.15	11.61	A, CN
1-0.75	1800	D80	192125.00	D	424	C80T17FZ10	26	575	1.4	82.5	1.15	11.10	A, CN
1-0.75	1800	D80	192125.30	D	424	C80T17FZ20	26	575	1.3	78.0	1.15	11.61	A, CN
1-0.75	1800	D80	192250.30	√	480	C80T17FZ52	26	575	1.3	85.5	1.15		A, CN
1 1/2-1.1	3600	D80	192133.30	D	460	C80T34FZ20	27	575	1.7	77.9	1.15	11.61	A, CN
1 1/2-1.1	3600	D80	192251.30	√	517	C80T34FZ47	27	575	1.7	84.0	1.15		A, CN
1 1/2-1.1	1800	D90S	192230.00	D	470	C90T17FZ19	37	575	1.8	86.5	1.15	12.83	A, CN
1 1/2-1.1	1800	D90S	192230.30	√	470	C90T17FZ30	37	575	1.6	86.5	1.15	13.20	A, CN
2-1.5	3600	D90S	192231.00	D	491	C90T34FZ19	33	575	2.2	86.5	1.15	12.83	A, CN
2-1.5	3600	D90S	192231.30	√	491	C90T34FZ27	33	575	2.0	86.5	1.15	13.20	A, CN
2-1.5	1800	D90L	192232.30	√	506	C90T17FZ29	38	575	2.1	85.5	1.15	14.20	A, CN
3-2.2	3600	D90L	192233.30	√	705	C90T34FZ28	39	575	3.0	86.5	1.15	14.20	A, CN
3-2.2	1800	DF100L	193379.60	√	943	C100T17FZ47	84	575	3.2	89.5	1.15	16.34	C, CN
4-3	3600	DF100L	193380.60	√	1005	C100T34FZ23	71	575	3.1	88.5	1.15	16.34	C, CN
4-3	1800	DF100L	193381.60	√	1023	C100T17FZ48	84	575	4.0	89.5	1.15	16.34	C, CN
5 1/2-4	3600	DF112M	193382.60	√	1,291	C112T34FZ27	104	575	5.1	88.5	1.15	16.14	C, CN
5 1/2-4	1800	DF112M	193383.60	√	1,244	C112T17FZ24	104	575	5.6	89.5	1.15	16.14	C, CN
7 1/2-5.5	3600	DF132S	193384.60	√	1,619	C132T34FZ51	152	575	7.0	89.5	1.15	18.27	C, CN
7 1/2-5.5	1800	DF132S	193385.60	√	1,619	C132T17FZ49	150	575	7.9	91.7	1.15	18.27	C, CN
10-7.5	3600	DF132S	193386.60	√	1,732	C132T34FZ52	163	575	9.6	90.2	1.15	18.27	C, CN
10-7.5	1800	DF132M	193387.60	√	1,920	C132T17FZ50	174	575	9.6	91.7	1.15	19.76	C, CN

Shaded model numbers are cast iron frame

Continued On Next Page

Green items are Premium Efficient

♥ Note listing on inside back flap

D - Item to be discontinued once inventory is depleted

Specifications are subject to change without notice

Note: Aluminum motors have removable feet for round-body applications.
Larger HP B3 Foot-Mounted metric motors on page 303 can be converted to B3/B5 Flange-Mount by installing B5 Flange Kits.





IEC Metric Motors

575 Volt Metric Motors

AC Metric (IEC) Motors - B3 Flange - Three Phase - Rigid Base

IEC Motors

DC Motors

Gearmotors

AC / DC Controls

Accessories / Kits

Mots / Factory Options

X-Ref / Index

Tech Information

Terms / Warnings

Three Phase - TEFC - B3 Flange - Rigid Base - IP55

HP/kW	SYN RPM 60 Hz	IEC Frame	Catalog Number	Stock	List Price	Model Number	App. Wgt. (lbs)	Voltage	F. L. Amps @ 230 V	% F.L. Eff.	Service Factor	"C" Dim. (Inches)	♥Notes
15-11	3600	DF160M	193388.60	√	2,806	C160T34FZ68	260	575	14.0	91.0	1.2	23.62	C, CN
15-11	1800	DF160M	193389.60	√	2,806	C160T17FZ49	264	575	14.5	92.4	1.15	23.62	C, CN
20-15	3600	DF160M	193390.60	√	3,291	C160T34FZ69	269	575	18.4	91.0	1.15	23.62	C, CN
20-15	1800	DF160L	193391.60	√	3,470	C160T17FZ50	311	575	20.0	93.0	1.15	25.39	C, CN
25-18.5	3600	DF160L	193392.60	√	4,006	C160T34FZ70	319	575	23.2	91.7	1.15	25.39	C, CN
25.85	1800	DF180M	193393.60	√	4,409	C180T17FZ45	381	575	23.0	93.6	1.15	26.77	C, CN
30-22	3600	DF180M	193394.60	√	4,761	C180T34FZ21	355	575	27.4	91.7	1.15	26.77	C, CN
30-22	1800	DF180L	193395.60	√	4,957	C180T17FZ46	427	575	28.0	93.6	1.15	28.27	C, CN
40-30	3600	DF200L	193396.60	√	6,777	C200T34FZ39	522	575	28.4	92.4	1.15	29.53	C, CN
40-30	1800	DF200L	193397.60	√	7,297	C200T17FZ22	531	575	38.0	94.7	1.15	29.53	C, CN
50-37	3600	DF200L	193398.60	√	8,889	C200T34FZ40	546	575	45.0	93.0	1.15	29.53	C, CN
50-37	1800	DF225S	193399.60	√	10,121	C225T17FZ22	632	575	47.5	94.5	1.15	31.97	C, CN

Shaded model numbers are cast iron frame

Green items are Premium Efficient

♥ Note listing on inside back flap
Specifications are subject to change without notice



IEC Metric Motors

Metric Motor Kits - B5 & B14 Flanges

Specifications:

- Includes parts to convert B3 rigid motors to either a B5 or B14 flange

Flange Kits - IEC Motors

IEC Frame	RPM	B5 Flange Kit	List Price	B14 Flange Kit	List Price
63	3600	175850.00	76	175851.00	68
63	3600	175850.30	76	175851.30	68
63	1800	175850.00	76	175851.00	68
63	1800	175850.30	76	175851.30	68
63	1200	175850.00	76	175851.00	68
63	1200	175850.30	76	175851.30	68
71	3600	175852.00	90	175853.00	73
71	3600	175852.30	90	175853.30	73
71	1800	175852.00	90	175853.00	73
71	1800	175852.30	90	175853.30	73
71	1200	175852.00	90	175853.00	73
71	1200	175852.30	90	175853.30	73
80	3600	175854.00	100	175855.00	83
80	3600	175854.30	100	175855.30	83
80	1800	175854.00	100	175855.00	83
80	1800	175854.30	100	175855.30	83
80	1200	175854.00	100	175855.00	83
80	1200	175854.30	100	175855.30	83
90	3600	175856.00	103	175857.00	92
90	3600	175856.30	103	175857.30	92
90	1800	175856.00	103	175857.00	92
90	1800	175856.30	103	175857.30	92
90	1200	175856.00	103	175857.00	92
90	1200	175856.30	103	175857.30	92
100	3600	175810.60	146	175817.60	129
100	1800	175810.60	146	175817.60	129
100	1200	175810.60	146	175817.60	129
112	3600	175811.60	155	175818.60	141
112	3600	175827.60Δ	155	175832.60Δ	141
112	1800	175811.60	155	175818.60	141
112	1800	175827.60Δ	155	175832.60Δ	141
112	1200	175810.60	146	175817.60	129
132	3600	175812.60	207	175819.60	189
132	3600	175828.60Δ	207	175833.60Δ	189
132	1800	175812.60	207	175819.60	189
132	1200	175812.60	207	175819.60	189
160	3600	175990.60	364	175991.60	362
160	3600	175829.60Δ	390	175834.60Δ	362
160	1800	175990.60	364	175991.60	362
160	1200	175990.60	364	175991.60	362
180	3600	175890.60	454		
180	3600	175830.60Δ	454		
180	1800	175890.60	454		
180	1200	175890.60	454		
200	3600	175994.60	631		
200	3600	175831.60Δ	631		
200	1800	175994.60	631		
200	1200	175994.60	631		
225	3600	175995.60	808		
225	1800	175995.60	808		
225	1200	175995.60	808		
250	1200	175619.60	808		



Note: "-30" Kit Numbers to be used with the -30 Series IEC AL frame motors

Δ For IEC motors built after June 2011

Includes parts to convert a B3 rigid mount motor to either a B5 or B14 Flange

Specifications are subject to change without notice

IEC Metric Motors

Reduced Diameter Metric Flanges

Specifications:

Used to convert a Metric motor to have a reduced B14 flange mount. Example, you can change an 80 frame IEC motor to have a 71 frame B14 flange. Comes complete with necessary hardware and oil seals for easy field mounting



IEC Motor Frame	B14 Flange Frame	Catalog Number	List Price
63	56	175900.00	66
71	63	175901.00	73
80	71	175902.00	83
90	80	175903.00	86

Used to convert ".00" design motors only

IEC Motors

DC Motors

Gearmotors

AC / DC Controls

Accessories / Kits

Mods / Factory Options

X-Ref / Index

Tech Information

Terms / Warnings



IEC Metric Motors

IEC Washguard® All-Stainless AC Motors



IEC B5 Flange - Round Body

IEC B5 Flange - Round Body - Three Phase - TENV/TEFC

HP/kW	SYN RPM 60 Hz	IEC Frame	Catalog Number	Stock	List Price	Model Number	App. Wgt. (lbs)	Voltage	F. L. Amps @ 230 V	% F.L. Eff.	Service Factor	"C" Dim. (Inches)	♥Notes
1/3-0.25	1800	71	103403.00	√	1,455	CZ4T17VZ16	30	230/460	1.3	70.5	1.15	9.87	S, US, 12
1/3-0.25	1800	80	103405.00	√	1,455	CZ4T17VZ17	30	230/460	1.3	70.5	1.15	9.87	S, US, 12
1/2-0.37	1800	71	103404.00	√	1,504	CZ4T17VZ6	32	230/460	1.6	76.0	1.15	11.62	S, US, 12
1/2-0.37	1800	80	103406.00	√	1,504	CZ4T17VZ7	32	230/460	1.6	76.0	1.15	11.62	S, US, 12
3/4-0.55	1800	80	103407.00	√	1,595	CZ4T17WZ9	38	230/460	2.3	77.0	1.15	12.26	S, US, 13
1- 0.75	1800	90	117516.00	D	1,695	CZ6T17WC44	45	230/460	3.1	82.5	1.15	11.84	S, US, 13
1- 0.75	1800	90	119507.00	√	1,855	CZ6T17WC55	47	230/460	3.2	85.5	1.15	12.59	S, US, 13
1.5 - 1.1	1800	90	117517.00	D	1,788	CZ6T17WC46	49	230/460	4.4	84.0	1.15	13.63	S, US, 13
1.5 - 1.1	1800	90	119508.00	√	1,942	CZ6T17WC60	52	230/460	4.8	86.5	1.15	13.09	S, US, 13
2 - 1.5	1800	90	117518.00	D	1,986	CZ6T17WC45	49	230/460	5.6	84.0	1.15	13.34	S, US, 13
2 - 1.5	1800	90	119509.00	√	2,117	CZ6T17WC59	49	230/460	5.8	86.5	1.15	13.84	S, US, 13

230/460 volt motors are suitable for use at 208 volts

Green items are Premium Efficient

Note 12 - TENV

D - Item to be discontinued once inventory is depleted

♥ Note listing on inside back flap

Specifications are subject to change without notice

IEC B14 Flange - Round Body

IEC B14 Flange - Round Body - Three Phase - Totally Enclosed

HP/kW	SYN RPM 60 Hz	IEC Frame	Catalog Number	Stock	List Price	Model Number	App. Wgt. (lbs)	Voltage	F. L. Amps @ 230 V	% F.L. Eff.	Service Factor	"C" Dim. (Inches)	♥Notes
1/3-0.25	1800	71	103395.00	√	1,455	CZ4T17VZ13	30	230/460	1.3	70.5	1.15	9.83	S, US, 12
1/3-0.25	1800	80	103397.00	√	1,455	CZ4T17VZ14	30	230/460	1.3	70.5	1.15	9.72	S, US, 12
1/2-0.37	1800	71	103396.00	√	1,504	CZ4T17VZ3	32	230/460	1.6	76.0	1.15	11.58	S, US, 12
1/2-0.37	1800	80	103398.00	√	1,504	CZ4T17VZ4	32	230/460	1.6	76.0	1.15	11.58	S, US, 12
3/4-0.55	1800	80	103399.00	√	1,595	CZ4T17WZ7	38	230/460	2.3	77.0	1.15	12.48	S, US, 13

230/460 volt motors are suitable for use at 208 volts

Note 12 - TENV

♥ Note listing on inside back flap

Specifications are subject to change without notice

IEC B5 Flange - Rigid Base

IEC B3/ B5 Flange - Rigid Base - Three Phase - Totally Enclosed

HP/kW	SYN RPM 60 Hz	IEC Frame	Catalog Number	Stock	List Price	Model Number	App. Wgt. (lbs)	Voltage	F. L. Amps @ 230 V	% F.L. Eff.	Service Factor	"C" Dim. (Inches)	♥Notes
1/3-0.25	1800	80	103408.00	√	1,480	CZ4T17VZ18	30	230/460	1.3	70.5	1.15	9.50	S, US, 12
1/2-0.37	1800	80	103409.00	√	1,526	CZ4T17VZ8	32	230/460	1.6	76.0	1.15	12.75	S, US, 12
3/4-0.55	1800	80	103410.00	√	1,627	CZ4T17WZ10	38	230/460	2.3	77.0	1.15	12.26	S, US, 13

230/460 volt motors are suitable for use at 208 volts

Note 12 - TENV

♥ Note listing on inside back flap

Specifications are subject to change without notice

IEC B14 Flange - Rigid Base

IEC B3 / B14 Flange - Rigid Base - Three Phase - Totally Enclosed

HP/kW	SYN RPM 60 Hz	IEC Frame	Catalog Number	Stock	List Price	Model Number	App. Wgt. (lbs)	Voltage	F. L. Amps @ 230 V	% F.L. Eff.	Service Factor	"C" Dim. (Inches)	♥Notes
1/3-0.25	1800	80	103400.00	√	1,504	CZ4T17VZ15	31	230/460	1.3	70.5	1.15	9.72	S, US, 12
1/2-0.37	1800	80	103401.00	√	1,662	CZ4T17VZ5	33	230/460	1.6	76.0	1.15	11.58	S, US, 12
3/4-0.55	1800	80	103402.00	√	1,722	CZ4T17WZ8	39	230/460	2.3	77.0	1.15	12.48	S, US, 13

230/460 volt motors are suitable for use at 208 volts

Note 12 - TENV

♥ Note listing on inside back flap

Specifications are subject to change without notice





IEC Metric Motors

Metric (IEC) Frame PMDC Motors - All-Stainless DC Motors - SCR Rated

IP55 Enclosure Protection

TEFC - SCR Rated 90 & 180V - C Face With Base

HP/kW	Full Load RPM	IEC Frame	Catalog Number	Stock	List Price	Model Number	App. Wgt. (lbs)	Arm. Volts DC	Control Volts AC Input	FL. Amps DC	"C" Dim. (Inches)	♥Notes
1/3 - 0.25	1750	80D	109068.00	√	1,501	4D17VK27	44	180	230	1.9	12.81	S, US, 12
1/2 - 0.37	1750	80D	109071.00	√	1,754	4D17WK11	46	180	230	2.7	13.87	S, US, 13
3/4 - 0.55	1750	80D	109074.00	√	2,136	4D17WK15	48	180	230	3.7	15.37	S, US, 13
1 - 0.75	1750	80D	109077.00	√	2,478	4D17WK18	50	180	230	5.0	16.37	S, US, 13

Base is welded to frame and not removable.
Note 12 - TENV

♥ Note listing on inside back flap
Specifications are subject to change without notice

TEFC - SCR Rated 90 & 180V - C Face With Base

HP/kW	Full Load RPM	IEC Frame	Catalog Number	Stock	List Price	Model Number	App. Wgt. (lbs)	Arm. Volts DC	Control Volts AC Input	FL. Amps DC	"C" Dim. (Inches)	♥Notes
1/3 - 0.25	1750	80D	109081.00	√	1,468	4D17VC8	44	180	230	1.9	12.81	S, US, 12
1/2 - 0.37	1750	80D	109084.00	√	1,722	4D17WC4	46	180	230	2.7	13.87	S, US, 13
3/4 - 0.55	1750	80D	109087.00	√	2,103	4D17WC7	48	180	230	3.7	15.37	S, US, 13
1 - 0.75	1750	80D	109090.00	√	2,447	4D17WC10	50	180	230	5.0	16.37	S, US, 13

Note 12 - TENV

♥ Note listing on inside back flap
Specifications are subject to change without notice

Flange And Face Kits for Stainless Steel DC Metric (IEC) Frame Motors

The modular design concept of LEESON's other metric DC motors has been applied to the all-stainless metric motors. Any flange or face kit can mount on any motor. This allows the greatest flexibility from the smallest inventory of motors.

B5 Flange Kits (For Stainless DC Metric Motors)

IEC Frame	Catalog Number	List Price	App. Wgt. (lbs)	BD Flange Dia. (mm)	AK Register (mm)	BF Hole (mm)	AJ Bolt Circle (mm)
71	175593.00	189	2	160	110	9	130
80	175594.00	228	3	200	130	12	165
90S/90L	175594.00	228	3	200	130	12	165
100L/112M	175595.00	356	5	250	180	15	215

Specifications are subject to change without notice

B14 Flange Kits (For Stainless DC Metric Motors)

IEC Frame	Catalog Number	List Price	App. Wgt. (lbs)	BD Flange Dia. (mm)	AK Register (mm)	BF Hole (mm)	AJ Bolt Circle (mm)
71	175596.00	144	1	105	70	6	85
80	175597.00	144	1	120	80	6	100
90S/90L	175598.00	392	1	140	95	6	115
100L/112M	175599.00	356	2	160	110	6	130

Specifications are subject to change without notice



IEC Metric Motors

DC Metric Motors

Metric (IEC) Frame - SCR Rated - IP54



Application Notes:

Please note that one or more of the mounting kits must be used with IEC motors of these frame sizes. See listing on next page for B5 flange and B14 face kits. B3 rigid base kits are listed below.

General Specifications:

- Built to IEC 34-1 electrical and mechanical standards
- IEC 63 and smaller frames supplied with an integral B5 Flange or B14 face
- Optional B3 Rigid base kit available
- IEC 71 frame and larger can be field modified for B3 Rigid Base, B5 Flange, or B14 face construction using conversion kits
- Tachometer mounting kits available for 71 frame only

Features:

- Terminal board provided for connections
- All metric fasteners
- Easy brush access for field service
- Oversize brushes for extended life
- High strength rolled steel frame
- Die cast aluminum endshields with steel bearing inserts
- Permanently lubricated sealed ball bearings
- Reversible rotation
- Simple 2 lead connection
- Convenient wiring access
- Tachometer mounting kits available for 71 frame only



180 Volts - Totally Enclosed - B5 Flange

kW/HP	Full Load RPM	IEC Frame	Catalog Number	Stock	List Price	Model Number	App. Wgt. (lbs)	DC Voltage	Control Volts AC Input	FL. Amps @ 180 VDC	"C" Dim. (Inches)	♥Notes
0.06/1/12	1750	56	M1130146.00	C/A	475	CIM34D18ND1	8	180	230	0.5	6.24	S, US, 12
0.09/1/8	3000	56	M1130150.00	√	475	CIM34D30ND1	9	180	230	0.7	6.74	S, US, 12
0.09/1/8	1750	56	M1130147.00	√	509	CIM34D18ND2	10	180	230	0.7	7.55	S, US, 12
0.12/1/6	3000	56	M1130151.00	√	493	CIM34D30ND2	9	180	230	0.9	7.55	S, US, 12
0.12/1/6	1750	63	M1130148.00	√	583	CIM34D18FD1	7	180	230	0.9	8.30	S, US, 13
0.18/1/4	3000	63	M1130152.00	√	538	CIM34D30ND3	11	180	230	1.3	8.78	S, US, 12
0.18/1/4	1750	63	M1130149.00	√	626	CIM34D18FD2	13	180	230	1.3	9.50	S, US, 13
0.25/1/3	3000	63	M1130153.00	√	597	CIM34D30FD1	11	180	230	1.7	9.50	S, US, 13

These motors have accommodations for B3 base mountings with the kits - see page 316

♥ Note listing on inside back flap
Specifications are subject to change without notice

Note 12 - TENV

C/A - Check Availability





IEC Metric Motors

DC Metric Motors

Metric (IEC) Frame - SCR Rated - IP54

180 volts - Totally Enclosed - B14 Flange

kW/HP	Full Load RPM	IEC Frame	Catalog Number	Stock	List Price	Model Number	App. Wgt. (lbs)	DC Voltage	Control Volts AC Input	F.L. Amps @ 180 VDC	"C" Dim. (Inches)	♥Notes
0.06/1/12	3000	56	M1110024.00	✓	425	980.542	6	180	230	0.4	6.34	S, US, 12
0.06/1/12	1750	56	M1130136.00	✓	475	CIM34D18NC5	8	180	230	0.5	6.24	S, US, 12
0.09/1/8	3000	56	M1130140.00	✓	475	CIM34D30NC1	9	180	230	0.7	6.74	S, US, 12
0.09/1/8	1750	56	M1130137.00	✓	509	CIM34D18NC6	14	180	230	0.7	7.55	S, US, 12
0.12/1/6	3000	56	M1130141.00	✓	493	CIM34D30NC2	10	180	230	0.9	7.55	S, US, 12
0.12/1/6	1750	63	M1130138.00	✓	583	CIM34D18FC1	8	180	230	0.9	8.30	S, US, 13
0.18/1/4	3000	63	M1130142.00	✓	538	CIM34D30NC3	10	180	230	1.3	8.78	S, US, 12
0.18/1/4	1750	63	M1130139.00	✓	626	CIM34D18FC2	10	180	230	1.3	9.50	S, US, 13
0.25/1/3	3000	63	M1130143.00	✓	597	CIM34D30FC1	10	180	230	1.7	9.50	S, US, 13

Except for M1110024.00, these motors have accommodations for B3 base mountings with the kits - see page 316

♥ Note listing on inside back flap Specifications are subject to change without notice

Note 12 - TENV



TEFC - SCR Rated 180 Volts - Round Body

kW/HP	Full Load RPM	IEC Frame	Catalog Number	Stock	List Price	Model Number	App. Wgt. (lbs)	DC Voltage	Control Volts AC Input	F.L. Amps @ 180 VDC	"C" Dim. (Inches)	♥Notes
0.25/1/3	1750	71	098014.00	✓	623	42D17FT1	23	180	230	1.7	11.28	S, US
0.37/1/2	3000	71	098016.00	✓	665	42D34FT1	21	180	230	2.5	10.78	S, US
0.37/1/2	1750	71	098015.00	✓	706	42D17FT2	26	180	230	2.5	11.78	S, US
0.55/3/4	3000	71	098017.00	✓	765	42D34FT2	24	180	230	3.6	11.78	S, US
0.55/3/4	1750	80	108369.00	✓	874	4D17FT1	34	180	230	3.5	14.64	S, US
0.75/1	3000	80	108372.00	✓	874	4D34FT1	45	180	230	4.9	14.64	S, US
0.75/1	1750	80	108370.00	✓	1,079	4D17FT2	48	180	230	4.6	17.14	S, US
1.1/11/2	3000	80	108373.00	✓	967	4D34FT2	47	180	230	7.1	16.14	S, US
1.1/11/2	1750	80	108371.00	✓	1,424	4D17FT3	52	180	230	7.0	17.14	S, US
1.1/11/2	1750	90L	118007.00	✓	2,121	Cl6D17FT1	64	180	230	7.5	18.97	S, US
1.5/2	3000	90L	118009.00	✓	2,121	Cl6D34FT1	72	180	230	10.0	18.47	S, US
1.5/2	1750	90L	118008.00	✓	2,545	Cl6D17FT2	84	180	230	9.5	20.47	S, US
2.2/3	3000	90L	118010.00	✓	2,545	Cl6D34FT2	82	180	230	16.0	19.47	S, US
2.2/3	1750	112M	118014.00	✓	3,552	Cl6D17FK1	90	180	230	14.0	21.79	S, US

IMPORTANT: These round body motors require either a B3 rigid base, B14 face or B5 flange kit - see page 316. Catalog number 118014.00 comes complete with IEC 112 B14 face and B3 foot; shaft diameter is 24mm.

♥ Note listing on inside back flap Specifications are subject to change without notice



IEC Metric Motors

Metric (IEC) Frame - SCR Rated

(For DC Metric Motors Only)

All motors are stocked with provisions to accommodate B3 foot mountings with the packages noted below.

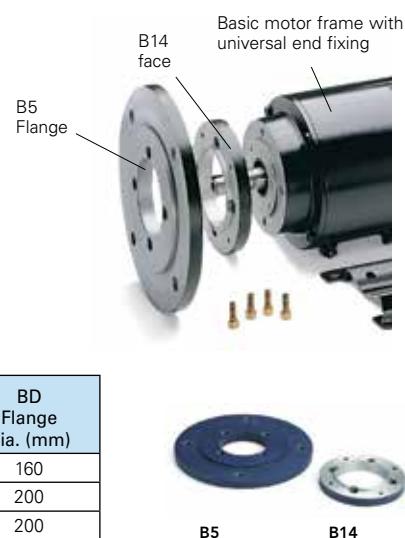
B3 Foot Mounting Kits

IEC Frame	Catalog Number	List Price
56	175142.00	70
63	175143.00	70
71	175144.00	76
80	175145.00	82
80	175784.00†	82
90	175146.00	52

† For endshield mounted brush cover motors

Flange Kits

Flange and Face Kits for DC Metric (IEC) Frame Motors. An advantage of LEESON'S modular design concept is the possible use of a different diameter B5 flange or B14 face than is normally assigned to a motor by IEC dimensional standards. This flexibility makes it possible to accommodate a wide variety of gear reducers, pumps and similar close coupled motor mounted loads.



B5 Flange Kits (For DC Metric Motors Only)

IEC Frame	Catalog Number	List Price	App. Wgt. (lbs)	AK Register (mm)	BF Hole (mm)	AJ Bolt Circle (mm)	BD Flange Dia. (mm)
71	175106.00	84	2	110	9	130	160
80	175108.00	84	3	130	12	165	200
90S/90L	175108.00	84	3	130	12	165	200
100L/112M	175137.00	206	5	180	15	215	250

Specifications are subject to change without notice

B14 Face Kits (For DC Metric Motors Only)

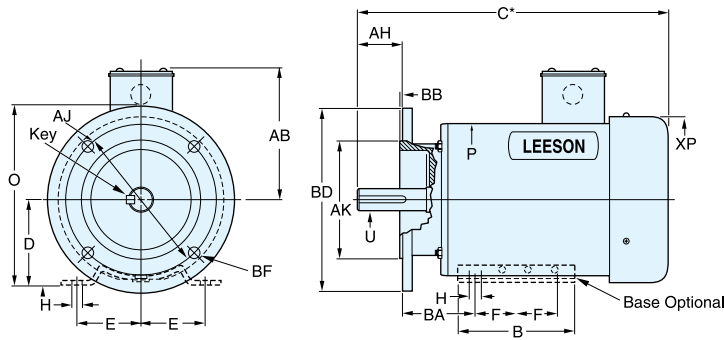
IEC Frame	Catalog Number	List Price	App. Wgt. (lbs)	AK Register (mm)	BF Hole (mm)	AJ Bolt Circle (mm)	BD Flange Dia. (mm)
71	175107.00	84	1	70	6	85	105
80	175109.00	84	1	80	6	100	120
90S/90L	175129.00	84	1	95	6	115	140
100L/112M	175130.00	206	2	110	6	130	160

Specifications are subject to change without notice

IEC Metric Motors

DC Metric Motors

Metric (IEC) Frame • SCR Rated



*For overall length, see motor listing.

IEC Frame Dimensions (Millimeters)

IEC Frame	Mounting					Shaft					B14 Face/B5 Flange					General				
	2E	2F	BA	D	H	U	AH [†]	KEY	S	R	TAP	AJ	AK	BD	BF	BB	AB	XP	B	O
56	90	71	36	56	6	9	20	15	3	7.0	M3	65	50	80	M5	2.5	83	96	90	99
63	100	80	40	63	7	11	23	19	4	9.0	M4	75	60	90	M5	2.5	116	96	96	108
71	112	90	45	71	7	14	30	26	5	11.5	M5	85	70	105	M6	2.5	114	130	105	132
80	125	100	50	80	10	19	40	33	6	16.0	M6	100	80	120	M6	3.0	124	149	127	151
90S	140	100	56	90	10	24	50	36	8	20.5	M8	115	95	140	M8	3.0	135	182	152	173
90L	140	125	56	90	10	24	50	36	8	20.5	M8	115	95	140	M8	3.0	135	182	152	173
100L	160	140	63	100	12	28	60	41	8	24.5	M10	130	110	160	M8	3.5	135	182	176	173
112M	190	140	70	112	12	28	60	41	8	24.5	M10	130	110	160	M8	3.5	162	231	176	225

[†] Without face or flange AH shaft dimension is 12mm longer.

Specifications are subject to change without notice

IEC Metric Motors

DC Metric Motors

Low Voltage - DC Metric - IP 54



General Specifications:

- Built to IEC 34-1 electrical and mechanical standards
- IEC 63 and smaller frames supplied with an integral B5 Flange or B14 face
- Optional B3 Rigid base kit available
- IEC 71 frame and larger can be field modified for B3 Rigid Base, B5 Flange, or B14 face construction using conversion kits
- Tachometer mounting kits available for 71 and 80 frames only

Features:

- Cast aluminum conduit box
- Terminal board provided for connections
- All metric fasteners
- Easy brush access for field service
- Oversize brushes for extended life
- High strength rolled steel frame
- Die cast aluminum endshields with steel bearing inserts
- Permanently lubricated sealed ball bearings
- Reversible rotation
- Simple 2 lead connection
- Convenient wiring access
- Tachometer mounting kits available for 71 and 80 frames only



24 Volt - TEFC/TENV - Modular Design

HP/kW	Full Load RPM	IEC Frame	Catalog Number	Stock	List Price	Model Number	App. Wgt. (lbs)	DC Voltage	FL. Amps DC	"C" Dim. (Inches)	♥Notes
1/12/0.06	3000	56	M1110025.00	√	388	980.543	5	24	3.3	5.34	S, US, 12, >
1/12/0.06	1750	56	M1110026.00	√	437	980.544	6	24	3.4	6.34	S, US, 12, >
1/4/0.18	3000	63	M1130206.00	√	494	CIM34D30FD2	13	24	11.0	7.75	S, US, □
1/4/0.18	3000	63	M1130296.00	√	494	CIM34D30FC7	9	24	11.0	7.75	S, US, >
1/4/0.18	1750	63	M1130207.00	√	565	CIM34D18FD6	13	24	10.0	8.75	S, US, □
1/4/0.18	1750	63	M1130297.00	√	565	CIM34D18FC10	9	24	10.0	8.75	S, US, >
1/4/0.18	1750	71	098065.00	√	677	42D17FT6	19	24	11.0	10.77	S, US
1/2/0.37	3000	71	098066.00	√	700	42D34FT7	23	24	20.0	11.27	S, US
1/2/0.37	1750	71	098067.00	√	741	42D17FT7	23	24	20.0	12.27	S, US
1/0.75	3000	80	108456.00	√	814	4D34FT5	33	24	40.0	14.14	S, US, 35
1/0.75	1750	80	108455.00	√	951	4D17FT6	52	24	39.0	14.64	S, US, 35
1 1/2/1.1	3000	80	108457.00	√	903	4D34FT6	33	24	65.0	15.64	S, US, 35
2/1.5	3000	80	108458.00	√	1,039	4D34FT7	43	24	78.0	17.14	S, US, 35

Note 12 - TENV

Note 35 - Terminal bolts at 12:00

IMPORTANT: IEC 71 and 80 frame motors in this chart are round body and require either B14 face, B5 flange or B3 foot from kits shown on page 316.

□ Dedicated B5 Flange

> Dedicated B14 Face

♥ Note listing on inside back flap

Specifications are subject to change without notice



IEC Metric Motors

DC Metric Motors

Low Voltage Commercial Duty Metric (IEC) Frame Motors

Features:

- Specially designed low voltage DC for use in OEM applications
- Combination of features and low cost make these ideal for many uses
- IP44(TENV) enclosure
- Dedicated B14 face mount
- Rated S1 for continuous duty



12, 24 & 90 Volt - TENV - B14 Mount

HP	Full Load RPM	IEC Frame	Catalog Number	Stock	List Price	Model Number	App. Wgt. (lbs)	DC Voltage	F.L. Amps DC	♥Notes
1/15	3000	56	980.159	C/A	198	980.159	2.3	12	6.4	S, US
1/15	3000	56	980.143	C/A	198	980.143	2.3	24	3.2	S, US
1/15	3000	56	980.549	C/A	189	980.549	2.3	90	0.8	S, US
1/8	3000	56	970.600	√	228	970.600	3.0	12	12.0	S, US
1/8	3000	56	970.601	C/A	228	970.601	3.0	24	5.3	S, US
1/8	3000	56	970.576	C/A	228	970.576	3.0	90	1.2	S, US
1/6	3000	56	970.620	√	247	970.620	3.5	12	13.1	S, US
1/6	3000	56	970.621	C/A	247	970.621	3.5	24	6.8	S, US
1/6	3000	56	970.577	C/A	235	970.577	3.5	90	1.6	S, US

C/A - Check Availability

♥ Note listing on inside back flap
Specifications are subject to change without notice



DC Motors

IEC Motors

DC Motors

Gearmotors

AC / DC Controls

Accessories / Kits

Mods / Factory Options

X-Ref / Index

Tech Information

Terms / Warnings



- NEMA DC, explosion proof, SUB-FHP, washdown, IEC and low voltage motors available
- Permanent magnet designs
- PWM or SCR rated and low voltage input voltage designs
- Removable bolt-on base
- Oversized brushes for long brush life
- Easy access to brushes
- Constant torque throughout speed range
- DC Controls available to change the speed of the motors

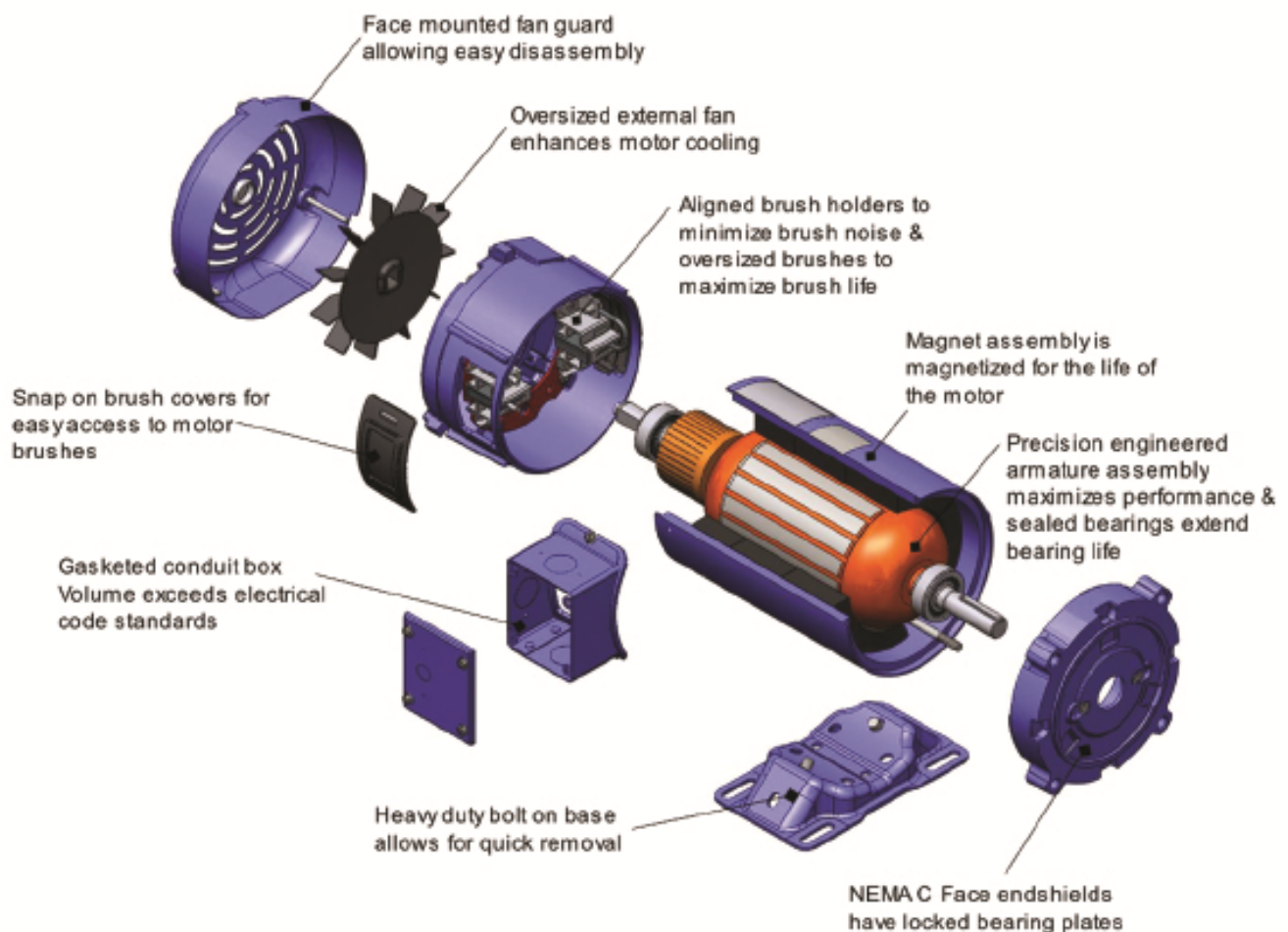
Applications:

DC motors are typically used in applications requiring motor speed adjustment, constant torque throughout the speed range and reversing capabilities. Applications would include: pumps, conveyors, turntables, textile machinery, treadmills, reeling equipment, sports equipment and medical equipment.



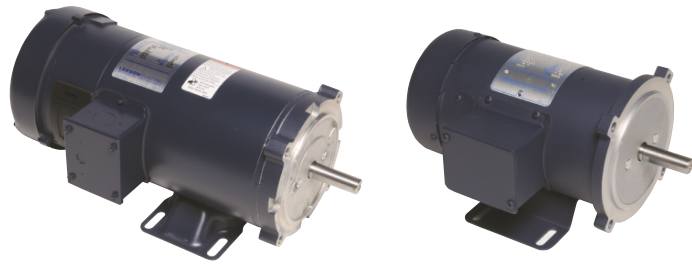
Mechanical / Electrical Features:

- Brush holder design provides easy access to brushes
- Large oversized brushes assure long brush life
- Removable bolt-on base
- NEMA C face designs
- 115 or 230 volt input power ratings – 90 / 180 volt output
- Capable of dynamic braking
- PWM or SCR type controller rated
- High starting torque
- Permanently lubricated sealed bearings
- LEESON SCR controls available to power motors
- High starting torque
- Higher HP and speed achievable using PWM type DC controls
- UL and CSA listed
- Meets NEMA MG1 standards
- Dynamically balanced armatures
- 30:1 constant torque operation



DC Motors

NEMA Frame - SCR Rated



TEFC - SCR Rated 90 & 180 Volts

NEMA 56C - C Face With Removable Base

HP	Full Load RPM	NEMA Frame	Catalog Number	Stock	List Price	Model Number	App. Wgt. (lbs)	Arm. Volts DC	Control Volts AC Input	F.L. Amps DC	"C" Dim. (Inches)	♥Notes
1/4	1750	SS56C	098002.00	√	666	42D17FK2	19	90	115	2.5	10.81	S, US
1/4	1750	SS56C	098003.00	√	666	42D17FK3	22	180	230	1.4	11.31	S, US
1/3	1750	SS56C	098004.00	√	706	42D17FK4	23	90	115	3.5	11.31	S, US
1/3	1750	SS56C	098005.00	√	706	42D17FK5	23	180	230	1.7	11.31	S, US
1/3	1140	S56C	109098.00	C/A	866	4D11FK5	32	90	115	3.5	12.81	S, US
1/2	2500	SS56C	098006.00	√	706	42D28FK1	22	90	115	5.0	10.81	S, US
1/2	2500	SS56C	098007.00	√	706	42D28FK2	22	180	230	2.5	10.81	S, US
1/2	1750	SS56C	098000.00	√	785	42D17FK1	26	90	115	5.0	11.81	S, US
1/2	1750	S56C	108014.00	√	824	4D17FK1	29	90	115	5.0	12.82	S, US
1/2	1750	SS56C	098008.00	√	785	42D17FK6	25	180	230	2.5	11.81	S, US
1/2	1750	S56C	108015.00	√	824	4D17FK2	30	180	230	2.5	12.82	S, US
1/2	1140	S56C	109099.00	√	910	4D11FK6	40	90	115	5.0	14.32	S, US
3/4	2500	SS56C	098009.00	√	846	42D28FK3	26	90	115	7.6	11.81	S, US
3/4	2500	S56C	108016.00	√	890	4D28FK3	29	90	115	7.6	12.82	S, US
3/4	2500	SS56C	098010.00	√	846	42D28FK4	25	180	230	3.8	11.81	S, US
3/4	2500	S56C	108017.00	√	890	4D28FK4	29	180	230	3.8	12.82	S, US
3/4	1750	SS56C	098032.00	√	954	42D17FK7	36	90	115	7.6	13.81	S, US
3/4	1750	S56C	108018.00	√	1,004	4D17FK3	38	90	115	7.6	13.82	S, US
3/4	1750	SS56C	098069.00	√	954	42D17FK11	36	180	230	3.8	13.81	S, US
3/4	1750	S56C	108019.00	√	1,004	4D17FK4	35	180	230	3.8	13.82	S, US
3/4	1140	S56C	109100.00	√	1,229	4D11FK7	49	90	115	7.5	15.82	S, US
1	2500	S56C	108020.00	√	954	4D28FK5	34	90	115	10.0	13.32	S, US
1	2500	S56C	108021.00	√	954	4D28FK6	38	180	230	5.0	13.82	S, US
1	1750	S56C	108022.00	√	1,168	4D17FK5	47	90	115	10.0	14.82	S, US
1	1750	S56C	108023.00	√	1,168	4D17FK6	39	180	230	5.0	14.81	S, US
1	1140	145TC	128023.00	C/A	2,327	C145D11FK1	82	90	115	11.0	18.84	S, US
1 1/2	2500	S56C	108265.00	√	1,413	4D28FK11	43	180	230	7.5	15.32	S, US
1 1/2	1750	S56C	108092.00	√	1,458	4D17FK10	53	180	230	7.6	16.82	S, US
1 1/2	1750	S56/145TC	108262.00	√	1,458	4D17FK19	54	180	230	7.6	17.39	S, US, 8
1 1/2	1750	145TC	128000.00	√	2,214	C145D17FK2	70	180	230	7.5	18.34	S, US
2	2500	S56/145TC	108266.00	√	2,214	4D28FK12	51	180	230	8.6	17.89	S, US, 8
2	1750	145TC	128010.00	√	2,644	C145D17FK3	83	180	230	9.5	19.34	S, US
2	1750	182/145TC	128001.00	√	2,644	C182D17FK3	84	180	230	9.5	19.34	S, US, 61
3	1750	182/145TC	108502.00	√	3,681	182D17FK2	88	180	230	14.0	21.75	S, US, 61

If base is removed, do not reinstall bolts without using washers to compensate for thickness of base.

♥ Note listing on inside back flap
Specifications are subject to change without notice

C/A - Check Availability





TEFC - SCR Rated 90 & 180 Volts
NEMA 56C - C Face Less Base*

HP	Full Load RPM	NEMA Frame	Catalog Number	Stock	List Price	Model Number	App. Wgt. (lbs)	Arm. Volts DC	Control Volts AC Input	F.L. Amps DC	"C" Dim. (Inches)	Notes
1/4	1750	SS56C	098377.00	√	642	42D17FC29	19	90	115	2.5	10.81	S, US
1/3	1750	SS56C	098378.00	√	684	42D17FC30	23	90	115	3.5	11.31	S, US
1/2	1750	SS56C	098379.00	√	762	42D17FC31	29	90	115	5.0	11.81	S, US
3/4	1750	SS56C	098380.00	√	931	42D17FC32	38	90	115	7.6	13.81	S, US
1	1750	S56C	109096.00	√	1,142	4D17FC42	47	90	115	10.0	14.82	S, US
1	1750	S56C	109097.00	√	1,142	4D17FC43	39	180	230	5.0	14.82	S, US

No tapped holes provided for attaching a bolt-on base.

♥ Note listing on inside back flap
Specifications are subject to change without notice

All necessary parts to mount listed tachometers to stock TEFC SCR motors. Consists of machined cast fan cover, coupling and hardware. Does not include tachometer. Tach adapter kit is not suitable for catalog number 108502.00.

Tachometer Mounting Kits For DC Motors

Tachometer Type	NEMA Frame	IEC Frame	Catalog Number	List Price	App. Wgt. (lbs)
GE 5PY Series	SS56	71	175156.00	301	5
GE 5PY Series	56/145	90	175158.00	617	5
Servo-tek	SS56	71	175157.00	317	8
SA740 Series	56/145	90	175159.00	704	8

No Kit available for S56C motors

Specifications are subject to change without notice



Motors with S56C or SS56C frame sizes may be converted to 42/48 C face using the following:

Modification Kits

Frame	Catalog Number	List Price
S56C	175080.00*	40

* Addition of base kit will result in non-NEMA BA dimension of 2 3/4".
Addition of C face kit will result in conduit box located at 1 o'clock facing lead end.

† For S56 frame endshield mounted brush cover motors
Specifications are subject to change without notice

DC motors in NEMA S56C frame may be converted to 48 base using the following:

Frame	Catalog Number	List Price
S56C	175082.00*	51
S56C	175082.00*†	51

* Addition of base kit will result in non-NEMA BA dimension of 2 3/4". Addition of C face kit will result in conduit box located at 1 o'clock facing lead end

† For S56 frame endshield mounted brush cover motors
Specifications are subject to change without notice

DC Motors

Explosion-Proof - SCR Rated

Application Notes:

These motors must be applied in accordance with the National Electrical Code, Article #500. For a listing of explosive agents, consult NFPA Publication 497M.

General Specifications:

- Approved for application in hazardous environments where certain explosive gases or materials are present



Features:

- Rugged mechanical construction
- Meets all safety requirements
- UL and CSA listed
- Leads exit thru 3/4"-14NPT Pipe nipple at top of frame opposite shaft end
- Optional Conduit box available - use Kit 175026.00
- Pilot duty thermostats - standard (connect to SCR control)
- Thermostats rated for continuous duty with full wave SCR (thyristor) controls
- Double shielded, pre-lubricated ball bearings - standard
- Easy brush access for field service

Explosion-Proof - Class I, Groups C & D – Class II, Groups F & G 90 & 180 Volt - TEFC - C Face With Removable Base

HP	Full Load RPM	NEMA Frame	Catalog Number	Stock	List Price	Model Number	App. Wgt. (lbs)	Arm. Volts DC	Control Volts AC Input	F.L. Amps DC	"C" Dim. (Inches)	♥Notes
1/3	1750	S56C	118015.00	√	2,556	C6D17EK1	27	90	115	3.5	13.41	S, US
1/2	1750	S56C	118016.00	√	2,886	C6D17EK2	30	90	115	4.7	14.41	S, US
1/2	1750	S56C	118017.00	√	2,886	C6D17EK3	32	180	230	2.5	14.41	S, US
3/4	1750	S56C	118018.00	√	3,576	C6D17EK4	40	90	115	7.1	16.41	S, US
3/4	1750	S56C	118019.00	√	3,576	C6D17EK5	36	180	230	3.3	16.41	S, US

♥ Note listing on inside back flap
Specifications are subject to change without notice

Low Voltage DC Explosion Proof Motors

- Division 1 and 2, Class 1 (Groups C and D, Class II (Groups F and G) and Class III
- Removable base
- Class H insulation
- Optional conduit box available - use kit 175026.00

NEW!

12 and 24 Volts - TENV - Rigid C Face

HP	Full Load RPM	NEMA Frame	Catalog Number	Stock	List Price	Model Number	App. Wgt. (lbs)	Arm. Volts DC	F.L. Amps DC	Torque (lb-in)	"C" Dim. (Inches)	♥Notes
1/3	1750	56C	118054.00	√	3,359	C6D17EK6	19	12	28.0	12.0	10.38	S, US
1/3	1750	56C	118055.00	√	3,359	C6D17EK7	24	24	13.4	12.0	10.38	S, US
3/4	1750	56C	118056.00	√	4,258	C6D17EK8	33	24	28.2	27.0	13.38	S, US

♥ Note listing on inside back flap
Specifications are subject to change without notice



General Specifications:

- Extended life in wet, high humidity applications - IP 55
- Design repels water from entering motor
- Internal components protected against rust and corrosion
- Frame, base, endshields, armature and interior components protected by enamel and polyester compounds of outstanding adhesion and resistance to moisture, acids, alkalies and oil



Features:

- 303 Stainless steel shaft resists corrosion
- Lubricated spring loaded contact seals prevent moisture from entering the motor
- Patented "V" ring forsheda seal deflects water
- Double sealed, oversize bearings with high temp lubricant
- Exterior and interior components protected against moisture, acids, alkalies and oil
- Cast conduit box for superior sealing includes:
 - Threaded entrance
 - Drain holes
 - Nitrile gaskets
- 304 stainless steel conduit box cover and fan cover
- Re-positionable drain plugs for use in multiple mounting positions
- Nylon seals at bolt heads for superior sealing
- Machined fits throughout
- Stainless steel data plate
- Chemically inert, static free fan with positive mounting insures it won't move
- Stainless steel fan guard
- USDA approved white epoxy finish

90 & 180 Volts - Totally Enclosed - C Face With Removable Base

HP	Full Load RPM	NEMA Frame	Catalog Number	Stock	List Price	Model Number	App. Wgt. (lbs)	Arm. Volts DC	Control Volts AC Input	F.L. Amps DC	"C" Dim. (Inches)	♥Notes
1/4	1750	S56C	108423.00	√	854	C4D17VK9	23	90	115	2.7	10.69	S, US
1/4	1750	S56C	098375.00	CA	854	C42D17VK1	21	180	230	1.4	10.22	S, US
1/3	1750	S56C	108424.00	√	903	C4D17VK10	26	90	115	3.5	11.69	S, US
1/3	1750	S56C	098376.00	C/A	903	C42D17VK2	22	180	230	1.7	10.22	S, US
1/2	1750	S56C	108226.00	√	1,013	C4D17VK1	38	90	115	4.9	13.69	S, US
1/2	1750	S56C	108227.00	√	1,013	C4D17VK2	43	180	230	2.4	13.69	S, US
3/4	1750	S56C	108228.00	√	1,229	C4D17VK3	53	90	115	7.0	15.69	S, US
3/4	1750	S56C	108229.00	√	1,229	C4D17VK4	50	180	230	3.5	15.69	S, US
1	1750	S56C	108230.00	√	1,497	C4D17WK1	45	90	115	10.0	15.81	S, US
1	1750	S56C	108231.00	√	1,497	C4D17WK2	42	180	230	5.0	14.81	S, US
1 1/2	1750	S56C	108232.00	√	1,913	C4D17WK3	50	180	230	7.6	15.81	S, US

C/A - Check Availability

♥ Note listing on inside back flap Specifications are subject to change without notice

Washguard® - IEC Frame - TENV IP55

180 Volts - TENV - B5 Flange With Removable Base

HP	Full Load RPM	NEMA Frame	Catalog Number	Stock	List Price	Model Number	App. Wgt. (lbs)	Arm. Volts DC	Control Volts AC Input	F.L. Amps DC	"C" Dim. (Inches)	♥Notes
1/2 - .37	1750	71	098040.00	C/A	895	42D17VD1	22	180	230	2.5	10.69	S, US
3/4 - .55	1750	80	108407.00	C/A	1,213	4D17VD1	52	180	230	3.5	16.02	S, US

If base is removed, do not reinstall bolts without using washers to compensate for the thickness of base. These WASHGUARD motors are modular design but stocked with B5 flange and B3 foot. The foot is removable. The B5 flange can be replaced with a B14 face or other diameter B5 flanges noted on page 330.

♥ Note listing on inside back flap Specifications are subject to change without notice

C/A - Check Availability



DC Motors

Sub-FHP - SCR Rated

General Specifications:

Precision subfractional horsepower DC permanent magnet motors designed for use with full wave non-filtered SCR controls for adjustable speed applications requiring dynamic braking and constant torque throughout the speed range.

Features:

- Compact, space saving design
- Ball bearing construction
- Long life brushes
- External access to brushes allows for easy replacement further prolonging motor life
- Conduit box standard on 31 and 34 frame models
- Continuous duty with full wave un-filtered rectified SCR (thyristor) controls
- Linear speed torque characteristics throughout the speed range
- High starting torques
- Reversible rotation



90 & 180 Volt - TENV/TEFC - Square Flange or C Face

HP	Full Load RPM	NEMA Frame	Catalog Number	Stock	List Price	Model Number	App. Wgt. (lbs)	Arm. Volts DC	Control Volts AC Input	F.L. Amps DC	♥Notes
1/25	3500	25AS	M1110014.00	√	298	980.533	3	90	115	0.5	S, US
1/25	1750	25CS	M1110003.00	√	309	980.535	3	90	115	0.5	S, US
1/15	3500	25CS	M1110015.00	√	319	980.539	5	90	115	0.7	S, US
1/15	1750	31BS	M1120013.00	√	331	CM31D17NZ1	5	90	115	0.8	S, US
1/15	1750	31BS	M1120039.00	√	331	CM31D17NZ5	7	180	230	0.4	S, US
1/10	3500	31BS	M1120060.00	√	331	CM31D35NZ4	5	90	115	1.3	S, US
1/10	1750	31CS	M1120014.00	√	392	CM31D17NZ2	7	90	115	1.1	S, US
1/10	1750	31CS	M1120041.00	√	392	CM31D17NZ7	7	180	230	0.6	S, US
1/8	3500	31CS	M1120059.00	√	392	CM31D35NZ3	6	90	115	1.5	S, US
1/8	1750	31ES	M1120027.00	√	424	CM31D18NZ10	7	90	115	1.3	S, US
1/8	1750	31ES	M1120045.00	√	424	CM31D17NZ11	7	180	230	0.7	S, US
1/8	1750	34D42CZ	M1130053.00	√	439	CM34D17NC5	8	90	115	1.4	S, US
1/8	1750	34D42CZ	M1130118.00	√	439	CM34D17NC8	7	180	230	0.7	S, US
1/6	3500	31ES	M1120058.00	√	424	CM31D35NZ6	9	90	115	1.9	S, US
1/6	1750	31GS	M1120042.00	√	428	CM31D17NZ8	9	90	115	1.8	S, US
1/6	1750	31GS	M1120043.00	√	428	CM31D17NZ9	11	180	230	0.9	S, US
1/6	1750	34E56C	M1130054.00	√	448	CM34D17NC6	11	90	115	1.7	S, US
1/6	1750	34E56C	M1130119.00	C/A	448	CM34D17NC9	11	180	230	0.9	S, US
1/4	3500	31GS	M1120062.00	√	447	CM31D35NZ5	9	90	115	2.6	S, US
1/4	1750	34G56C	M1130055.00	√	464	CM34D17FC2	13	90	115	2.7	S, US
1/4	1750	34G56C	M1130120.00	√	464	CM34D17FC4	13	180	230	1.3	S, US

25 frame motors have provisions for an optional conduit box catalog number M1760000.00, see page 372.

C/A = Check Availability

♥ Note listing on inside back flap
Specifications are subject to change without notice



Application Notes:

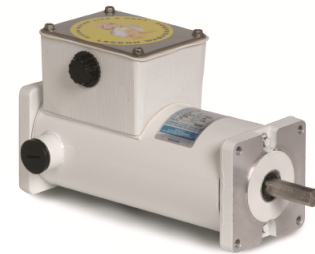
LEESON Washguard® motors are designed for extended life in applications requiring regular washdown or otherwise wet environments. Washguard® motors retard the entrance of water. Extra protection for the motor's interior prevents rust and corrosion build-up and releases trapped moisture to insure a longer life than possible with a standard motor.

General Specifications:

Precision subfractional horsepower DC permanent magnet motors. Designed for use with fullwave nonfiltered SCR controls or battery supplied low voltage for adjustable speed applications requiring constant torque throughout the speed range.

Features:

- 303 Stainless steel shaft resists corrosion
- Lubricated spring loaded contact seals prevent moisture from entering the motor
- Double sealed, oversize bearings with high temp lubricant
- Exterior and interior components protected against moisture, acids, alkalis and oil
- Cast conduit box for superior sealing includes:
 - Threaded entrance
 - Drain holes
 - Nitrile gaskets
- 304 stainless steel conduit box cover
- Stainless steel hardware
- USDA approved white epoxy finish
- Nylon seals at bolt heads for superior sealing
- O ring sealed brush covers



90 Volt - TENV - Square Flange or C Face

HP	Full Load RPM	NEMA Frame	Catalog Number	Stock	List Price	Model Number	App. Wgt. (lbs)	Arm. Volts DC	Control Volts AC Input	F.L. Amps DC	♥Notes
1/8	1750	31S	M1120181.00	√	531	CM31D17V21	11	90	115	1.5	S, US
1/6	1750	31S	M1120183.00	√	538	CM31D17V23	11	90	115	1.9	S, US
1/4	2500	32F42CZ	M1120185.00	√	586	CM32D25VC1	13	90	115	1.9	S, US

♥ Note listing on inside back flap Specifications are subject to change without notice



12 Volt - TENV - Square Flange or C Face

HP	Full Load RPM	NEMA Frame	Catalog Number	Stock	List Price	Model Number	App. Wgt. (lbs)	Arm. Volts DC	F.L. Amps DC	♥Notes
1/8	1750	31S	M1120182.00	√	553	CM31D17VZ2	7	12	11	S, US
1/6	1750	31S	M1120184.00	√	560	CM31D17VZ4	11	12	15	S, US
1/4	2500	32F42CZ	M1120186.00	√	608	CM32D25VC2	13	12	20	S, US

♥ Note listing on inside back flap Specifications are subject to change without notice



DC Motors

METRIC (IEC) Frame - SCR Rated - IP54



Application Notes:

Please note that one or more of the mounting kits must be used with IEC motors of these frame sizes. See listing on next page for B5 flange and B14 face kits. B3 rigid base kits are listed below.

General Specifications:

- Built to IEC 34-1 Electrical and Mechanical standards
- IEC 63 and smaller frames supplied with an integral B5 Flange or B14 face
- Optional B3 Rigid base kit available
- IEC 71 frame and larger can be field modified for B3 Rigid Base, B5 Flange, or B14 face construction using conversion kits
- Tachometer mounting kits available for 71 frame only

Features:

- Cast aluminum conduit box
- Terminal board provided for connections
- All Metric fasteners
- Easy brush access for field service
- Oversize brushes for extended life
- High strength rolled steel frame
- Die cast aluminum endshields with steel bearing inserts
- Permanently lubricated sealed ball bearings
- Reversible rotation
- Simple 2 lead connection
- Convenient wiring access
- Tachometer mounting kits available for 71 frame only



180 Volts - Totally Enclosed - B5 Flange

kW/HP	Full Load RPM	IEC Frame	Catalog Number	Stock	List Price	Model Number	App. Wgt. (lbs)	Arm. Volts DC	Control Volts AC Input	F.L. Amps DC	"C" Dim. (Inches)	♥Notes
0.06/1/12	1800	56	M1130146.00	C/A	475	CIM34D18ND1	8	180	230	0.5	6.24	S, US, 12
0.09/1/8	3000	56	M1130150.00	√	475	CIM34D30ND1	9	180	230	0.7	6.74	S, US, 12
0.09/1/8	1800	56	M1130147.00	√	509	CIM34D18ND2	10	180	230	0.7	7.55	S, US, 12
0.12/1/6	3000	56	M1130151.00	√	493	CIM34D30ND2	9	180	230	0.9	7.55	S, US, 12
0.12/1/6	1800	63	M1130148.00	√	583	CIM34D18FD1	7	180	230	0.9	8.30	S, US, 13
0.18/1/4	3000	63	M1130152.00	√	538	CIM34D30ND3	11	180	230	1.3	8.78	S, US, 12
0.18/1/4	1800	63	M1130149.00	√	626	CIM34D18FD2	13	180	230	1.3	9.50	S, US, 13
0.25/1/3	3000	63	M1130153.00	√	597	CIM34D30FD1	11	180	230	1.7	9.50	S, US, 13

These motors have accommodations for B3 base mountings with the kits listed on page 330.

♥ Note listing on inside back flap
Specifications are subject to change without notice

Note 12 - TENV
C/A - Check Availability





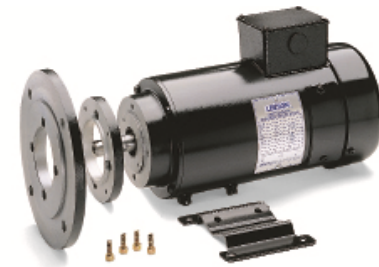
180 volts - Totally Enclosed - B14 Flange

kW/HP	Full Load RPM	IEC Frame	Catalog Number	Stock	List Price	Model Number	App. Wgt. (lbs)	Arm. Volts DC	Control Volts AC Input	F.L. Amps DC	"C" Dim. (Inches)	♥Notes
0.06/1/12	3000	56	M1110024.00	√	425	980.542	6	180	230	0.4	6.34	S, US, 12
0.06/1/12	1800	56	M1130136.00	√	475	CIM34D18NC5	8	180	230	0.5	6.24	S, US, 12
0.09/1/8	3000	56	M1130140.00	√	475	CIM34D30NC1	9	180	230	0.7	6.74	S, US, 12
0.09/1/8	1800	56	M1130137.00	√	509	CIM34D18NC6	14	180	230	0.7	7.55	S, US, 12
0.12/1/6	3000	56	M1130141.00	√	493	CIM34D30NC2	10	180	230	0.9	7.55	S, US, 12
0.12/1/6	1800	63	M1130138.00	√	583	CIM34D18FC1	8	180	230	0.9	8.30	S, US, 13
0.18/1/4	3000	63	M1130142.00	√	538	CIM34D30NC3	10	180	230	1.3	8.78	S, US, 12
0.18/1/4	1800	63	M1130139.00	√	626	CIM34D18FC2	10	180	230	1.3	9.50	S, US, 13
0.25/1/3	3000	63	M1130143.00	√	597	CIM34D30FC1	10	180	230	1.7	9.50	S, US, 13

Except for M1110024.00, these motors have accommodations for B3 base mountings with kits - see page 330.

♥ Note listing on inside back flap Specifications are subject to change without notice

Note 12 - TENV



TEFC - SCR Rated 180 Volts - Round Body

kW/HP	Full Load RPM	IEC Frame	Catalog Number	Stock	List Price	Model Number	App. Wgt. (lbs)	Arm. Volts DC	Control Volts AC Input	F.L. Amps DC	"C" Dim. (Inches)	♥Notes
0.25/1/3	1800	71	098014.00	√	623	42D17FT1	23	180	230	1.7	11.28	S, US
0.37/1/2	3000	71	098016.00	√	665	42D34FT1	21	180	230	2.5	10.78	S, US
0.37/1/2	1800	71	098015.00	√	706	42D17FT2	26	180	230	2.5	11.78	S, US
0.55/3/4	3000	71	098017.00	√	765	42D34FT2	24	180	230	3.6	11.78	S, US
0.55/3/4	1800	80	108369.00	√	874	4D17FT1	34	180	230	3.5	14.64	S, US
0.75/1	3000	80	108372.00	√	874	4D34FT1	45	180	230	4.9	14.64	S, US
0.75/1	1800	80	108370.00	√	1,079	4D17FT2	48	180	230	4.6	17.14	S, US
1.1/1 1/2	3000	80	108373.00	√	967	4D34FT2	47	180	230	7.1	16.14	S, US
1.1/1 1/2	1800	80	108371.00	√	1,424	4D17FT3	52	180	230	7.0	17.14	S, US
1.1/1 1/2	1800	90L	118007.00	√	2,121	Cl6D17FT1	64	180	230	7.5	18.97	S, US
1.5/2	3000	90L	118009.00	√	2,121	Cl6D34FT1	72	180	230	10.0	18.47	S, US
1.5/2	1800	90L	118008.00	√	2,545	Cl6D17FT2	84	180	230	9.5	20.47	S, US
2.2/3	3000	90L	118010.00	√	2,545	Cl6D34FT2	82	180	230	16.0	19.47	S, US
2.2/3	1800	112M	118014.00	√	3,552	Cl6D17FK1	90	180	230	14.0	21.79	S, US

IMPORTANT: These round body motors require either a B3 rigid base, B14 face or B5 flange kit - see page 330. Catalog number 118014.00 comes complete with IEC 112 B14 face and B3 foot; shaft diameter is 24mm.

♥ Note listing on inside back flap Specifications are subject to change without notice



DC Motors

Metric (IEC) Frame - SCR Rated

(For DC Metric Motors Only)

All motors are stocked with provisions to accommodate B3 foot mountings with the packages noted below.

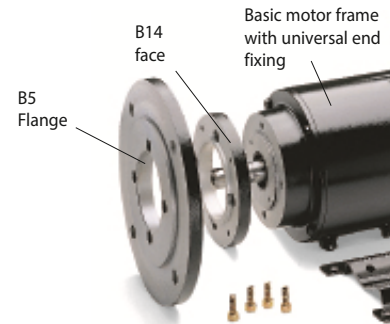
B3 Foot Mounting Kits

IEC Frame	Catalog Number	List Price
56	175142.00	70
63	175143.00	70
71	175144.00	76
80	175145.00	82
80	175784.00†	82
90	175146.00	52

† For endshield mounted brush cover motors

Flange Kits

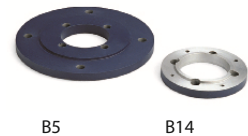
Flange and face kits for DC Metric (IEC) frame motors. An advantage of LEESON'S modular design concept is the possible use of a different diameter B5 flange or B14 face than is normally assigned to a motor by IEC dimensional standards. This flexibility makes it possible to accommodate a wide variety of gear reducers, pumps and similar close coupled motor mounted loads.



B5 Flange Kits (For DC Metric Motors Only)

IEC Frame	Catalog Number	List Price	App. Wgt. (lbs)	AK Register (mm)	BF Hole (mm)	AJ Bolt Circle (mm)	BD Flange Dia. (mm)
71	175106.00	84	2	110	9	130	160
80	175108.00	84	3	130	12	165	200
90S/90L	175108.00	84	3	130	12	165	200
100L/112M	175137.00	206	5	180	15	215	250

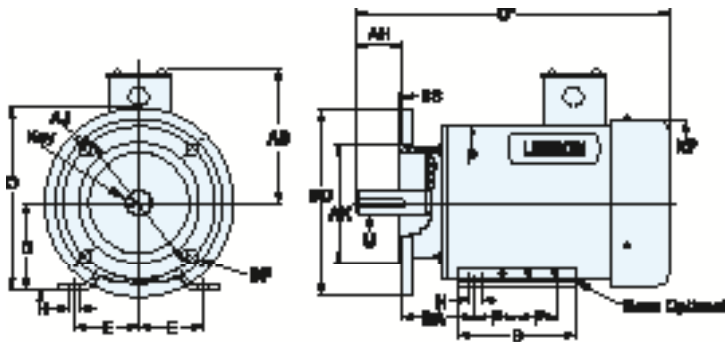
Specifications are subject to change without notice



B14 Face Kits (For DC Metric Motors Only)

IEC Frame	Catalog Number	List Price	App. Wgt. (lbs)	AK Register (mm)	BF Hole (mm)	AJ Bolt Circle (mm)	BD Flange Dia. (mm)
71	175107.00	84	1	70	6	85	105
80	175109.00	84	1	80	6	100	120
90S/90L	175129.00	84	1	95	6	115	140
100L/112M	175130.00	206	2	110	6	130	160

Specifications are subject to change without notice



IEC Frame Dimensions (Millimeters)

IEC Frame	Mounting					Shaft							B14 Face/B5 Flange					General			
	2E	2F	BA	D	H	U	AH [◇]	KEY	S	R	TAP	AJ	AK	BD	BF	BB	AB	XP	B	O	
56	90	71	36	56	6	9	20	15	3	7.0	M3	65	50	80	M5	2.5	83	96	90	99	
63	100	80	40	63	7	11	23	19	4	9.0	M4	75	60	90	M5	2.5	116	96	96	108	
71	112	90	45	71	7	14	30	26	5	11.5	M5	85	70	105	M6	2.5	114	130	105	132	
80	125	100	50	80	10	19	40	33	6	16.0	M6	100	80	120	M6	3.0	124	149	127	151	
90S	140	100	56	90	10	24	50	36	8	20.5	M8	115	95	140	M8	3.0	135	182	152	173	
90L	140	125	56	90	10	24	50	36	8	20.5	M8	115	95	140	M8	3.0	135	182	152	173	
100L	160	140	63	100	12	28	60	41	8	24.5	M10	130	110	160	M8	3.5	135	182	176	173	
112M	190	140	70	112	12	28	60	41	8	24.5	M10	130	110	160	M8	3.5	162	231	176	225	

◇ Without face or flange AH shaft dimension is 12mm longer.

Specifications are subject to change without notice



DC Motors

NEMA Frame - Low Voltage 12, 24, 36 & 48 VOLTS

General Specifications:

- Low voltage PMDC design suitable for battery, solar powered or generator supplied low voltage applications

Features:

- Oversized brushes for long life
- External access to brushes allows for easy replacement further prolonging motor life
- Heavy-duty, stamped steel, bolt on base (Removable)
- NEMA C face mounting flange at no additional cost
- High strength rolled steel frame
- Rugged die cast endshields with steel bearing inserts
- Permanently lubricated sealed ball bearings
- Convert to NEMA 48 frame base dimensions or NEMA 42/48 frame C face dimensions with modification kits shown below
- High starting torques for heavy load applications
- Linear speed torque characteristics throughout the speed range
- Capable of dynamic braking for faster stops
- Reversible rotation
- Simple two lead connection



12, 24, 36 & 48 Volts - TENV / TEFC - C Face With Removable Base

HP	Full Load RPM	NEMA Frame	Catalog Number	Stock	List Price	Model Number	App. Wgt. (lbs)	Arm. Volts DC	F.L. Amps DC	"C" Dim. (Inches)	♥Notes
1/4	1800	S56C	108045.00	√	713	4D17NK5	21	12	21.0	10.27	S, US, 12, 15
1/3	1800	S56C	108046.00	√	784	4D17NK6	24	12	27.0	10.77	S, US, 12, 15
1/3	1800	S56C	108050.00	√	751	4D17NK9	22	24	13.5	10.77	S, US, 12, 15
1/2	1800	S56C	108047.00	√	816	4D17NK7	29	12	39.0	11.77	S, US, 12, 15
1/2	1800	S56C	108051.00	√	778	4D17NK10	29	24	20.0	11.77	S, US, 12, 15
1/2	1800	S556C	098381.00	√	741	42D18FK6	29	36	13.5	10.81	S, US
1/2	1800	S556C	098382.00	√	716	42D18FK7	29	48	11.0	10.81	S, US
3/4	1800	S56C	108048.00	√	899	4D17FK7	30	12	58.0	13.82	S, US, 35
3/4	1800	S56C	108052.00	√	815	4D17FK8	30	24	29.0	12.82	S, US
1	1800	S56C	108322.00	√	1,072	4D17FK28	39	12	80.0	13.81	S, US, 35
1	1800	S56C	108053.00	√	987	4D17FK9	37	24	39.0	13.82	S, US, 35
1	1800	S56C	109101.00	√	946	4D18FK1	37	36	25.5	13.81	S, US
1	1800	S56C	109102.00	√	912	4D18FK2	37	48	18.5	13.81	S, US
1 1/2	1800	S56CZ	109103.00	√	1,440	4D18FK3	39	24	60.0	15.25	S, US, 35, 9
1 1/2	1800	S56CZ	109104.00	√	1,422	4D18FK4	37	36	36.0	17.38	S, US, 35, 9
1 1/2	1800	S56CZ	109105.00	√	1,373	4D18FK5	37	48	27.0	17.38	S, US, 35, 9
2	1800	S56CZ	109106.00	√	1,803	4D18FK6	42	24	70.0	16.74	S, US, 35, 9
2	1800	S56CZ	109107.00	√	1,667	4D18FK7	42	36	49.0	16.74	S, US, 35, 9
2	1800	S56CZ	109108.00	√	1,602	4D18FK8	42	48	38.0	16.74	S, US, 35, 9

If base is removed, do not reinstall bolts without using washers to compensate for thickness of base.

♥ Note listing on inside back flap
Specifications are subject to change without notice

Note 12 - TENV

Note 15 - Built in conduit box

Note 35 - Terminal studs at 12:00

General Specifications:

- Extended life in wet, high humidity applications - IP 55
- Design repels water from entering motor
- Internal components protected against rust and corrosion
- Frame, base, end shields, armature and interior components protected by enamel and polyester compounds of outstanding adhesion and resistance to moisture, acids, alkalies and oil

Features:

- 303 Stainless steel shaft resist corrosion
- Lubricated spring loaded contact seals prevent moisture from entering the motor
- Patented "V" ring forsheda seal deflects water
- Double sealed, oversize bearings with high temp lubricant
- Exterior and interior components protected against moisture, acids, alkalies and oil
- TENV designs have built in conduit box, Motor 109301.00 has terminal box. Other TEFC models utilize watertight terminal posts
- 304 stainless steel conduit box cover and fan cover
- Re-positionable drain plugs for use in multiple mounting positions
- Nylon seals at bolt heads for superior sealing
- Machined fits throughout
- Stainless steel data plate
- Chemically inert, static free fan on TEFC designs with positive mounting insures it won't move
- Stainless steel fan guard
- USDA approved white epoxy finish

DC - Low Voltage Rated 12 & 24 Volts - TENV IP55- C Face with Removable Base

HP	Full Load RPM	NEMA Frame	Catalog Number	Stock	List Price	Model Number	App. Wgt. (lbs)	Arm. Volts DC	F.L. Amps DC	"C" Dim. (Inches)	♥Notes
1/4	1800	S56C	109296.00	√	854	C4D18WK12	23	12	21.0	10.27	S, US, 12
1/3	1800	S56C	109297.00	√	903	C4D18WK13	26	12	27.0	10.77	S, US, 12
1/2	1800	S56C	109298.00	√	1,013	C4D18WK14	38	12	39.0	11.77	S, US, 12
1/2	1800	S56C	109299.00	√	983	C4D18WK15	43	24	20.0	11.77	S, US, 12
3/4	1800	S56C	109300.00	√	1,229	C4D18WK16	53	12	58.0	13.82	S, US, 12
3/4	1800	S56C	109301.00	√	1,197	C4D18WK17	50	24	29.0	12.82	S, US, 13
1	1800	S56C	109302.00	√	1,497	C4D18WK18	45	12	80.0	13.81	S, US, 13
1	1800	S56C	109303.00	√	1,453	C4D18WK19	42	24	39.0	13.82	S, US, 13
1 1/2	1800	S56C	109304.00	√	1,913	C4D18WK20	50	24	60.0	15.25	S, US, 13

Note 12 - TENV

Note 13 - TEFC designs

♥ Note listing on inside back flap
Specifications are subject to change without notice



DC Motors

Low Voltage - DC Metric - IP 54

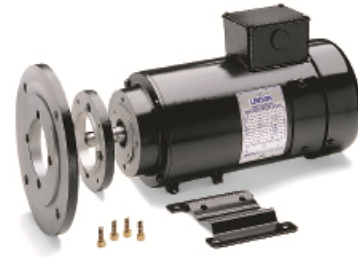


General Specifications:

- Built to IEC 34-1 electrical and mechanical standards
- IEC 63 and smaller frames supplied with an integral B5 Flange or B14 face
- Optional B3 Rigid base kit available
- IEC 71 frame and larger can be field modified for B3 Rigid Base, B5 Flange, or B14 face construction using conversion kits
- Tachometer mounting kits available for 71 and 80 frames only

Features:

- Terminal board provided for connections
- All Metric fasteners
- Easy brush access for field service
- Oversize brushes for extended life
- High strength rolled steel frame
- Die cast aluminum endshields with Steel bearing inserts
- Permanently lubricated sealed ball bearings
- Reversible rotation
- Simple 2 lead connection
- Convenient wiring access
- Tachometer mounting kits available for 71 and 80 frames only



24 Volt - TEFC/TENV - Modular Design

kW/HP	Full Load RPM	IEC Frame	Catalog Number	Stock	List Price	Model Number	App. Wgt. (lbs)	DC Voltage	F.L. Amps DC	"C" Dim. (Inches)	♥Notes
0.06/1/12	3000	56	M1110025.00	√	388	980.543	5	24	3.3	5.34	S, US, 12,>
0.06/1/12	1800	56	M1110026.00	√	437	980.544	6	24	3.4	6.34	S, US, 12,>
0.18/1/4	3000	63	M1130206.00	√	494	CIM34D30FD2	13	24	11	7.75	S, US, ♣
0.18/1/4	3000	63	M1130296.00	√	494	CIM34D30FC7	9	24	11	7.75	S, US, >
0.18/1/4	1800	63	M1130207.00	√	565	CIM34D18FD6	13	24	10	8.75	S, US, ♣
0.18/1/4	1800	63	M1130297.00	√	565	CIM34D18FC10	9	24	10	8.75	S, US, >
0.18/1/4	1800	71	098065.00	√	677	42D17FT6	19	24	11	10.77	S, US
0.37/1/2	3000	71	098066.00	√	700	42D34FT7	23	24	20	11.27	S, US
0.37/1/2	1800	71	098067.00	√	741	42D17FT7	23	24	20	12.27	S, US
0.75/1	3000	80	108456.00	√	814	4D34FT5	33	24	40	14.14	S, US, 35
0.75/1	1800	80	108455.00	√	951	4D17FT6	52	24	39	14.64	S, US, 35
1.1/1/2	3000	80	108457.00	√	903	4D34FT6	33	24	65	15.64	S, US, 35
1.5/2	3000	80	108458.00	√	1,039	4D34FT7	43	24	78	17.14	S, US, 35

IMPORTANT: IEC 71 and 80 frame motors in this chart are round body and require either B14 face, B5 flange or B3 foot from kits shown on page 330.

♥ Note listing on inside back flap Specifications are subject to change without notice

Note 12 - TENV

Note 35 - Terminal bolts at 12:00

Note ♣ - Dedicated B5 Flange

Note > - Dedicated B14 Face

General Specifications:

- Low voltage PMDC design suitable for battery, solar powered or generator supplied low voltage applications

Features:

- Compact, space saving design
- Standard conduit box simplifies connections
- Ball bearing construction
- Long life brushes
- External access to brushes allows for easy replacement further prolonging motor life
- High starting torques
- Linear speed torque characteristics throughout the speed range
- Capable of dynamic braking for faster stops
- Reversible rotation
- Simple two lead connection
- Class F insulated with high temperature welded commutators



12 & 24 Volts - TENV - Square Flange

HP	Full Load RPM	Frame	Catalog Number	Stock	List Price	Model Number	App. Wgt. (lbs)	Arm. Volts DC	F.L. Amps DC	♥Notes
1/20	1750	25CS	M1110006.00	√	282	980.536	3	12	4.4	S, US, *
1/10	4200	25CS	M1110006.00	√	282	980.536	3	24	4.4	S, US, *
1/14	1750	31AS	M1120040.00	√	331	M31D17NZ6	4	12	7.7	S, US
1/7	4200	31AS	M1120040.00	√	331	M31D17NZ6	4	24	7.7	S, US
1/7	1750	31ES	M1120044.00	√	437	M31D17NZ10	9	12	13.0	S, US
1/4	3500	31ES	M1120044.00	√	437	M31D17NZ10	9	24	13.0	S, US
1/6	1750	31GS	M1120046.00	√	463	M31D17NZ26	8	12	14.0	S, US
1/3	3900	31GS	M1120046.00	√	463	M31D17NZ26	8	24	14.0	S, US

These motors may be operated at 12, 24V, or at intermediate voltages between 12 and 24V, within horsepower ranges noted.

♥ Note listing on inside back flap
Specifications are subject to change without notice

Note * - Provision for optional conduit box - M1760000.00



DC Motors

Low Voltage Commercial Duty Metric (IEC) Frame Motors



Features:

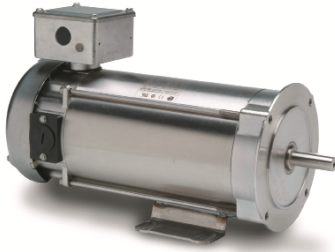
- Specially designed low voltage DC for use in OEM applications
- Combination of features and low cost make these ideal for many uses
- IP44 (TENV) enclosure
- Dedicated B14 face mount
- Continuous duty



12, 24V & 90 Volt - TENV - B14 Mount

HP	Full Load RPM	IEC Frame	Catalog Number	Stock	List Price	Model Number	App. Wgt. (lbs)	Arm. Volts DC	F.L. Amps DC	♥Notes
1/15	3000	56	980.159	√	198	980.159	2.3	12	6.4	S, US
1/15	3000	56	980.143	√	198	980.143	2.3	24	3.2	S, US
1/15	3000	56	980.549	√	189	980.549	2.3	90	0.8	S, US
1/8	3000	56	970.600	√	228	970.600	3.0	12	12.0	S, US
1/8	3000	56	970.601	√	228	970.601	3.0	24	5.3	S, US
1/8	3000	56	970.576	√	228	970.576	3.0	90	1.2	S, US
1/6	3000	56	970.620	√	247	970.620	3.5	12	13.1	S, US
1/6	3000	56	970.621	√	247	970.621	3.5	24	6.8	S, US
1/6	3000	56	970.577	√	235	970.577	3.5	90	1.6	S, US

♥ Note listing on inside back flap
Specifications are subject to change without notice



DC Motors - Washguard® Motors

NEMA and IEC Washguard® IP55
All-Stainless DC Motors - SCR Rated

IEC Motors

DC Motors

Gearmotors

AC / DC Controls

Accessories / Kits

Mods / Factory Options

X-Ref / Index

Tech Information

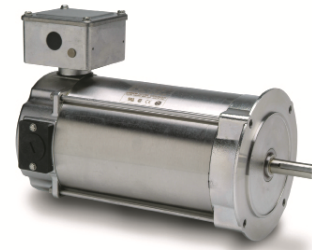
Terms / Warnings

TEFC - SCR Rated 90 & 180V - NEMA - C Face With Base

HP	Full Load RPM	NEMA Frame	Catalog Number	Stock	List Price	Model Number	App. Wgt. (lbs)	Arm. Volts DC	Control Volts AC Input	F.L. Amps DC	"C" Dim. (Inches)	♥Notes
1/4	1750	S56C	109065.00	√	1,420	4D17VK24	38	90	115	3.1	11.81	S, US, 12
1/3	1750	S56C	109066.00	√	1,501	4D17VK25	44	90	115	3.8	12.81	S, US, 12
1/3	1750	S56C	109067.00	√	1,501	4D17VK26	44	180	230	1.9	12.81	S, US, 12
1/2	1750	S56C	109069.00	√	1,754	4D17WK9	46	90	115	5.2	13.87	S, US, 13
1/2	1750	S56C	109070.00	√	1,754	4D17WK10	46	180	230	2.7	13.87	S, US, 13
3/4	1750	S56C	109072.00	√	2,136	4D17WK13	47	90	115	7.5	15.37	S, US, 13
3/4	1750	S56C	109073.00	√	2,136	4D17WK14	48	180	230	3.7	15.37	S, US, 13
1	1750	S56C	109075.00	√	2,478	4D17WK16	51	90	115	9.5	16.37	S, US, 13
1	1750	S56C	109076.00	√	2,478	4D17WK17	50	180	230	5.0	16.37	S, US, 13

Base is welded to frame and not removable
Note 12 - TENV

♥ Note listing on inside back flap
Specifications are subject to change without notice



TEFC - SCR Rated 90 & 180V - NEMA - C Face Less Base

HP	Full Load RPM	NEMA Frame	Catalog Number	Stock	List Price	Model Number	App. Wgt. (lbs)	Arm. Volts DC	Control Volts AC Input	F.L. Amps DC	"C" Dim. (Inches)	♥Notes
1/4	1750	S56C	109078.00	√	1,386	4D17VC5	38	90	115	3.1	11.81	S, US, 12
1/3	1750	S56C	109079.00	√	1,468	4D17VC6	44	90	115	3.8	12.81	S, US, 13
1/3	1750	S56C	109080.00	√	1,468	4D17VC7	44	180	230	1.9	12.81	S, US, 13
1/2	1750	S56C	109082.00	√	1,722	4D17WC2	46	90	115	5.2	13.87	S, US, 13
1/2	1750	S56C	109083.00	√	1,722	4D17WC3	46	180	230	2.7	13.87	S, US, 13
3/4	1750	S56C	109085.00	√	2,103	4D17WC5	47	90	115	7.5	15.37	S, US, 13
3/4	1750	S56C	109086.00	C/A	2,103	4D17WC6	48	180	230	3.7	15.37	S, US, 13
1	1750	S56C	109088.00	√	2,447	4D17WC8	51	90	115	9.5	16.37	S, US, 13
1	1750	S56C	109089.00	√	2,447	4D17WC9	50	180	230	5.0	16.37	S, US, 13

Note 12 - TENV
C/A - Check Availability

♥ Note listing on inside back flap
Specifications are subject to change without notice



DC Motors - Washguard® Motors

Metric (IEC) Frame PMDC Motors IP55



IEC Motors

DC Motors

Gearmotors

AC / DC Controls

Accessories / Kits

Mods / Factory Options

X-Ref / Index

Tech Information

Terms / Warnings

TEFC - SCR Rated 90 & 180V - All Stainless Steel - C Face With Base

HP/kW	Full Load RPM	IEC Frame	Catalog Number	Stock	List Price	Model Number	App. Wgt. (lbs)	Arm. Volts DC	Control Volts AC Input	F.L. Amps DC	"C" Dim. (Inches)	♥Notes
1/3 - 0.25	1750	80D	109068.00	√	1,501	4D17VK27	44	180	230	1.9	12.81	S, US, 12
1/2 - 0.37	1750	80D	109071.00	√	1,754	4D17WK11	46	180	230	2.7	13.87	S, US, 13
3/4 - 0.55	1750	80D	109074.00	√	2,136	4D17WK15	48	180	230	3.7	15.37	S, US, 13
1 - 0.75	1750	80D	109077.00	√	2,478	4D17WK18	50	180	230	5.0	16.37	S, US, 13

Base is welded to frame and not removable
Note 12 - TENV

♥ Note listing on inside back flap
Specifications are subject to change without notice

TEFC - SCR Rated 90 & 180V - Metric (IEC) - All-Stainless Steel - C Face Less Base

HP/kW	Full Load RPM	IEC Frame	Catalog Number	Stock	List Price	Model Number	App. Wgt. (lbs)	Arm. Volts DC	Control Volts AC Input	F.L. Amps DC	"C" Dim. (Inches)	♥Notes
1/3 - 0.25	1750	80D	109081.00	√	1,468	4D17VC8	44	180	230	1.9	12.81	S, US, 12
1/2 - 0.37	1750	80D	109084.00	√	1,722	4D17WC4	46	180	230	2.7	13.87	S, US, 13
3/4 - 0.55	1750	80D	109087.00	√	2,103	4D17WC7	48	180	230	3.7	15.37	S, US, 13
1 - 0.75	1750	80D	109090.00	√	2,447	4D17WC10	50	180	230	5.0	16.37	S, US, 13

Note 12 - TENV

♥ Note listing on inside back flap
Specifications are subject to change without notice

Flange And Face Kits for DC Metric (IEC) Frame Motors

The modular design concept of LEESON's other metric DC motors has been applied to the all-stainless metric motors. Any flange or face kit can mount on any motor. This allows the greatest flexibility from the smallest inventory of motors.

B5 Flange Kits (For Stainless DC Metric Motors)

IEC Frame	Catalog Number	List Price	App. Wgt. (lbs)	BD Flange Dia. (mm)	AK Register (mm)	BF Hole (mm)	AJ Bolt Circle (mm)
71	175593.00	189	2	110	9	130	160
80	175594.00	228	3	130	12	165	200
90S/90L	175594.00	228	3	130	12	165	200
100L/112M	175595.00	356	5	180	15	215	250

B14 Flange Kits (For Stainless DC Metric Motors)

IEC Frame	Catalog Number	List Price	App. Wgt. (lbs)	BD Flange Dia. (mm)	AK Register (mm)	BF Hole (mm)	AJ Bolt Circle (mm)
71	175596.00	144	1	70	6	85	105
80	175597.00	144	1	80	6	100	120
90S/90L	175598.00	392	1	95	6	115	140
100L/112M	175599.00	356	2	110	6	130	160





1. Disconnect power to the motor before performing service or maintenance.
2. Discharge all capacitors before servicing motor.
3. Always keep hands and clothing away from moving parts.
4. Be sure required safety guards are in place before starting equipment.

Problem	Likely Causes	What To Do
Motor fails to start upon initial installation.	Motor is miswired.	Verify that the motor is wired correctly.
	No output power from controller.	Measure voltage coming from the controller.
	Motor damaged and the fan guard is contacting the cooling fan.	Replace fan guard.
	Motor damaged and the armature is rubbing against the magnets.	Disassemble motor and see if the armature can be realigned by reassembly. Motor may have to be replaced.
Motor runs in the wrong direction.	Incorrect wiring.	Interchange the two motor leads.
Motor runs ok but has a clicking noise.	Suspect a burr on the commutator.	Stone the armature commutator with a commutator stone to remove burr.
Motor has been running, then fails to start.	Fuse or circuit breaker is tripped	Replace the fuse or reset the breaker
	Armature is shorted or went to ground. Motor may make a humming noise and the circuit breaker or fuse will trip.	Disassemble motor and inspect the armature for a burnt coil. Inspect the commutator for burnt bars. If this condition exists, the motor needs to be replaced. To test, set your OHM to the RX1 scale, touch probes to bars 180 degrees apart all around the commutator. The reading should be equal.
	The brushes may be worn down too far and no longer make contact with the commutator.	Inspect the brushes to make sure that they are still making contact with the commutator. Refer to manufacturer's recommended brush length chart.
Motor runs but loses power.	Load has increased.	Verify the load has not changed. Measure the amp draw of motor against the full load amp rating of the motor. If the amp draw is higher than rating, motor is undersized for application.
	Motor controller not properly set.	Check controller manual for adjustments. The torque and/or IR compensation settings may need adjustment.
	Motor may have an open connection.	Inspect the armature for an open connection.
	Brushes may not be seated properly or worn beyond their useful length.	Verify that the brushes are properly seated and measure their length against the recommended brush length chart.
Motor takes too long to accelerate.	Motor controller not properly set.	The accel trim pot of the controller should be adjusted.
	Brushes are worn.	Verify brush length.
	Bearings may be defective.	Inspect bearings for proper service. Noisy or rough bearings should be replaced.

Gearmotors

Quick Reference – Stock Sub-FHP Gearmotors

IEC Motors

DC Motors

Gearmotors

AC / DC Controls

Accessories / Kits

Mods / Factory Options

X-Ref / Index

Tech Information

Terms / Warnings

AC Single & Three Phase

DC SCR & Low Voltage



Parallel Shaft
PZ Series
Gearmotors

Single Phase 115V
12-100 In-Lbs
Output Torque
Page 362

BODINE/BISON/DRYTON
DIRECT INTERCHANGE

DC SCR 90 & 180V
10-100 In-Lbs
Output Torque
Low Voltage (12V)
36-100 In-Lbs torque
Page 342



P240 & P300 Series
Gearmotors

Single Phase
115/230V
43-391 In-Lbs
Output Torque
Page 364

BISON/DRYTON
DIRECT INTERCHANGE

DC SCR 90 & 180V
27-353 In-Lbs
Output Torque
Low Voltage (12V)
113-353 In-Lbs torque
Page 344



OS300 Series
Gearmotors

DC SCR 90V
and
Low Voltage (12V)
Output Torque
130-268 In-Lbs
Page 346



PE350 Series
Gearmotors

Single Phase 115/230V
25-341 In-Lbs
Output Torque
Three Phase 230/460V
55-320 In-Lbs
Output Torque
Page 366

BODINE
DIRECT
INTERCHANGE

DC SCR 90 & 180V
25-371 In-Lbs
Output Torque
Low Voltage (12V)
155-341 In-Lbs torque
Page 348



P1100 Series
Gearmotors

Single Phase 115/230V
70-1105 In-Lbs
Output Torque
Three Phase 230/460V
70-1105 In-Lbs
Output Torque
Page 368

BISON/DRYTON
DIRECT INTERCHANGE

DC SCR 90V
105-1112 In-Lbs
Output Torque
Low Voltage (12V)
320-1087 In-Lbs torque
Page 350



Right-Angle
Worm Type
10 & 13 Series
Gearmotors

Single Phase
115/230V
14-113 In-Lbs
Output Torque
Page 370

BODINE/DRYTON
DIRECT INTERCHANGE

DC SCR 90 & 180V
5-135 In-Lbs
Output Torque
Low Voltage (12V)
25-135 In-Lbs torque
Page 352



Bravo Right Angle
Worm Type
12 Series
Gearmotors

DC SCR 90V
and
Low Voltage (12V)
Output Torque
46-134 In-Lbs
Page 354





P300 Series Gearmotors

DC SCR 90V and Low Voltage (12V)
Output Torque
44-353 In-Lbs
Page 357



PE350 Series Gearmotors

DC SCR 90V and Low Voltage (12V)
Output Torque
25-341 In-Lbs
Page 359



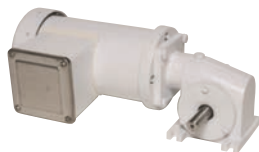
Right-Angle 13 Series Gearmotors

DC SCR 90V and Low Voltage (12V)
Output Torque
50-135 In-Lbs
Page 361



P240 Series Gearmotors

AC – Single Phase & Three Phase
Washdown Duty
60-391 In-Lbs
Output Torque
Page 365



Right-Angle Worm Type 10 & 13 Series Gearmotors

AC – Single Phase & Three Phase
Washdown Duty
23-220 In-Lbs
Output Torque
Page 371



Stock Sub-FHP Three Phase Inverter Rated Gearmotors



Includes gearmotor series PZ, P240, PE350 and 13 series right-angle

Three Phase 230V
12-391 In-Lbs
Output Torque
Page 374



Gearmotors

Parallel Shaft - PZ Series - DC

SCR Rated - 10-100 In-Lbs Torque

Low Voltage - 36-100 In-Lbs Torque



General Specifications - SCR Rated Gearmotors:

- Performance matched for continuous duty service over 60:1 speed range
- Constant torque throughout the range when powered by a full-wave unfiltered SCR-type adjustable speed control having a typical form factor of 1.3 to 1.4

General Specifications - Low Voltage Gearmotors:

- Performance matched for continuous duty service
- Designed for battery power or can be used with a low voltage controller with form factor up to 1.05

Features:

- Precision machined in-line steel gears
- First stage steel helical gear followed by spur-type gears
- Lubrication is permanent semi-fluid grease, reducing possibility of leakage
- Output shafts have needle bearings for high load capacities
- Shafts are hardened steel
- Optional conduit box and PZ gearmotor mounting bracket available, see page 372.

Application Notes:

- These gearmotors are designed for mounting at any angle, but motor below the reducer should be avoided to prevent leakage of lubricant into the motor should the motor shaft seal fail
- Motor's stall torque could exceed recommended full load torques. A current limiting device such as an SCR control should be used to prevent damage. This issue is even more critical for low voltage motors, typically no controller is used since motor is connected directly to a battery, so some type of current limit or fusing should be considered
- Overhung load capacities shown are at center of output shaft
- Model PZ gearmotors have the same mounting dimensions as Bodine model D and Z, Baldor/Boehm, Bison 100 gearmotors, and a number of Dayton gearmotors
- For additional information, see Bulletin 1830
- **Bodine/Baldor/Boehm/Bison/Dayton direct interchange**

SCR Rated - 10-100 In-Lbs Torque
Low Voltage - 36-100 In-Lbs Torque

90 & 180 Volts - TENV - PZ Series

Output RPM	F.L. Torque (Lb In.)	Input HP	Catalog Number	Stock	List Price	Model Number	Gearmotor Type & Frame	Ratio to 1	Arm. Volts DC	F.L. Amps DC	Over-hung Load (lb.)	Dimensions (inches)				♥Notes
												P	X	XL	XH	
4	40	1/40	M1115002.00	√	542	985.620	PZ5-30A	450	90	0.5	155	3.00	3.25	9.28	7.72	S, US
4	40	1/40	M1125046.00	√	542	985.623	PZ5-30A	450	180	0.2	155	3.00	3.25	9.30	7.74	S, US
10	100	1/20	M1115001.00	√	542	985.621	PZ4-30E	180	90	0.5	155	3.00	3.25	9.28	7.72	S, US
19	100	1/20	M1125047.00	C/A	542	985.624	PZ4-30A	180	180	0.3	155	3.00	3.25	9.30	7.74	S, US
20	100	1/20	M1115000.00	√	542	985.622	PZ4-30E	90	90	0.5	155	3.00	3.25	9.28	7.72	S, US
20	100	1/20	M1125048.00	C/A	542	985.625	PZ4-30A	90	180	0.3	155	3.00	3.25	9.30	7.74	S, US
30	100	1/17	M1125002.00	√	590	985.627	PZ3-30B	60	90	0.8	155	3.00	2.68	8.74	7.18	S, US
30	100	1/17	M1125037.00	√	590	985.635	PZ3-30B	60	180	0.4	155	3.00	2.68	8.74	7.18	S, US
60	56	1/17	M1125003.00	√	590	985.628	PZ3-30B	30	90	0.8	171	3.00	2.68	8.74	7.18	S, US
60	56	1/17	M1125036.00	√	590	985.634	PZ3-30B	30	180	0.4	171	3.00	2.68	8.74	7.18	S, US
100	36	1/17	M1125004.00	√	590	985.626	PZ3-30B	18	90	0.8	171	3.00	2.68	8.74	7.18	S, US
100	36	1/17	M1125035.00	√	590	985.631	PZ3-30B	18	180	0.4	171	3.00	2.68	8.74	7.18	S, US
150	24	1/17	M1125005.00	√	560	985.629	PZ2-30B	12	90	0.8	180	3.00	2.40	8.46	6.90	S, US
150	24	1/17	M1125034.00	√	560	985.633	PZ2-30B	12	180	0.4	180	3.00	2.40	8.46	6.90	S, US
300	10	1/17	M1125006.00	√	560	985.630	PZ2-30B	6	90	0.8	180	3.00	2.40	8.46	6.90	S, US
300	10	1/17	M1125033.00	√	560	985.632	PZ2-30B	6	180	0.4	180	3.00	2.40	8.46	6.90	S, US

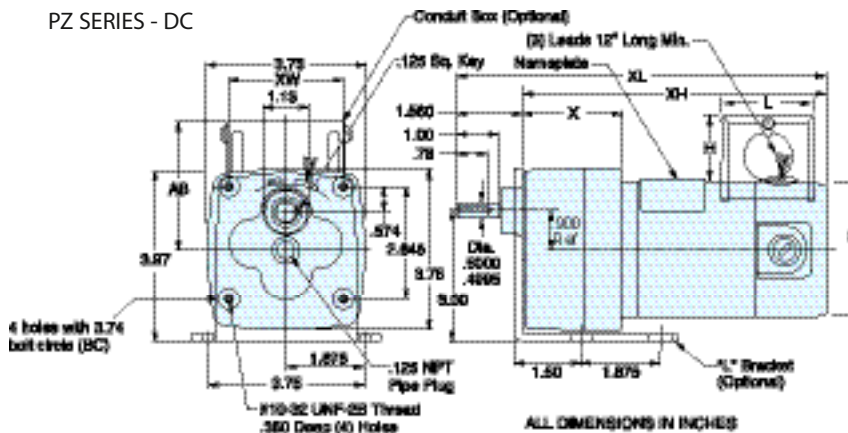
C/A - Check Availability

♥ Note listing on inside back flap
Specifications are subject to change without notice

12 Volts - TENV - PZ Series

Output RPM	F.L. Torque (Lb In.)	Input HP	Catalog Number	Stock	List Price	Model Number	Gearmotor Type & Frame	Ratio to 1	Arm. Volts DC	F.L. Amps DC	Over-hung Load (lb.)	Dimensions (inches)				♥Notes
												P	X	XL	XH	
10	100	1/20	M1125213.00	√	600	985.653	PZ4-30	180	12	2.7	155	3.00	3.25	9.28	7.72	S, US
30	100	1/17	M1125214.00	√	637	985.654	PZ3-30	60	12	5.2	155	3.00	2.68	8.74	7.18	S, US
55	56	1/17	M1125215.00	√	637	985.655	PZ3-30	30	12	5.6	171	3.00	2.68	8.74	7.18	S, US

PZ SERIES - DC



Conduit Box Dimensions (IN)

Frame	XW	AB	H	L
30/31	2.63	3.47	1.90	3.13

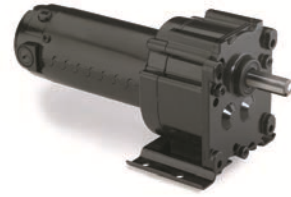


Gearmotors

Parallel Shaft - P300 Series - DC

SCR Rated - 27-353 In-Lbs. Torque

Low Voltage - 113-353 In-Lbs Torque



General Specifications - SCR Rated Gearmotors:

- Performance matched for continuous duty service over 60:1 speed range
- Constant torque throughout the range when powered by a full-wave unfiltered SCR-type adjustable speed control having a typical form factor of 1.3 to 1.4

General Specifications - Low Voltage Gearmotors:

- Performance matched for continuous duty service
- Designed for battery power or can be used with a low voltage controller with form factor up to 1.05

Features:

- Precision machined in-line steel gears
- First stage steel helical gear followed by spur-type gears
- Lubrication is permanent semi-fluid grease, reducing possibility of leakage
- Output shafts have needle bearings for high load capacities
- Shafts are hardened steel
- Optional conduit box available, see page 372

Application Notes:

- These gearmotors are designed for mounting at any angle, but motor below the reducer should be avoided to prevent leakage of lubricant into the motor should the motor shaft seal fail
- Motor's stall torque could exceed recommended full load torques. A current limiting device such as an SCR control should be used to prevent damage. This issue is even more critical for low voltage motors, typically no controller is used since motor is connected directly to a battery, so some type of current limit or fusing should be considered
- Overhung load capacities shown are at center of output shaft
- For additional information, see Bulletin 1830
- **Bison/Dayton direct interchange**

90 & 180 Volts - TENV - P300 Series

Output RPM	F.L. Torque (Lb In.)	Input HP	Catalog Number	Stock	List Price	Model Number	Gearmotor Type & Frame	Ratio to 1	Arm. Volts DC	F.L. Amps DC	Over-hung Load (lb.)	Dimensions (inches)				♥Notes
												P	X	XL	XH	
5	353	1/20	M1115024.00	✓	777	985.602	P303-30E	336	90	0.5	565	3.00	3.54	10.07	8.57	S, US
9	268	1/20	M1115025.00	✓	777	985.603	P303-30E	216	90	0.5	474	3.00	3.54	10.07	8.57	S, US
18	150	1/20	M1115026.00	✓	777	985.604	P303-30E	103	90	0.5	385	3.00	3.54	10.07	8.57	S, US
20	140	1/20	M1125092.00	✓	796	985.607	P303-31E	90	180	0.3	370	3.11	3.54	10.07	8.57	S, US
24	280	1/8	M1125069.00	✓	796	985.611	P303-30E	76	90	1.3	353	3.00	3.54	11.54	10.04	S, US
31	220	1/8	M1125070.00	✓	796	985.612	P303-30E	58	90	1.3	327	3.00	3.54	11.54	10.04	S, US
31	220	1/8	M1125038.00	✓	796	985.617	P303-30E	58	180	0.7	327	3.00	3.54	11.54	10.04	S, US
34	82	1/20	M1115027.00	✓	777	985.605	P303-30E	52	90	0.5	318	3.00	3.54	10.07	8.57	S, US
51	130	1/8	M1125071.00	✓	733	985.615	P302-30E	35	90	1.3	277	3.00	3.54	11.54	10.04	S, US
51	130	1/8	M1125039.00	✓	733	985.614	P302-30E	35	180	0.7	277	3.00	3.54	11.54	10.04	S, US
51	55	1/20	M1115028.00	✓	715	985.606	P302-30E	35	90	0.5	281	3.00	3.54	10.07	8.57	S, US
61	113	1/8	M1125072.00	✓	733	985.610	P302-30E	29	90	1.3	267	3.00	3.54	11.54	10.04	S, US
60	45	1/20	M1125093.00	✓	733	985.609	P302-31E	29	180	0.3	267	3.11	3.54	10.07	8.57	S, US
94	77	1/8	M1125073.00	✓	733	985.613	P302-30E	19	90	1.3	236	3.00	3.54	11.54	10.04	S, US
94	77	1/8	M1125040.00	✓	733	985.618	P302-30E	19	180	0.7	236	3.00	3.54	11.54	10.04	S, US
109	27	1/20	M1115029.00	✓	715	985.601	P302-30E	16	90	0.5	224	3.00	3.54	10.07	8.57	S, US
106	26	1/20	M1125094.00	C/A	715	985.608	P302-31E	16	180	0.3	222	3.11	3.54	10.07	8.57	S, US
167	43	1/8	M1125074.00	✓	733	985.616	P302-30E	11	90	1.3	197	3.00	3.54	11.54	10.04	S, US
170	43	1/8	M1125041.00	✓	733	985.619	P302-30E	11	180	0.7	196	3.00	3.54	11.54	10.04	S, US

C/A - Check Availability

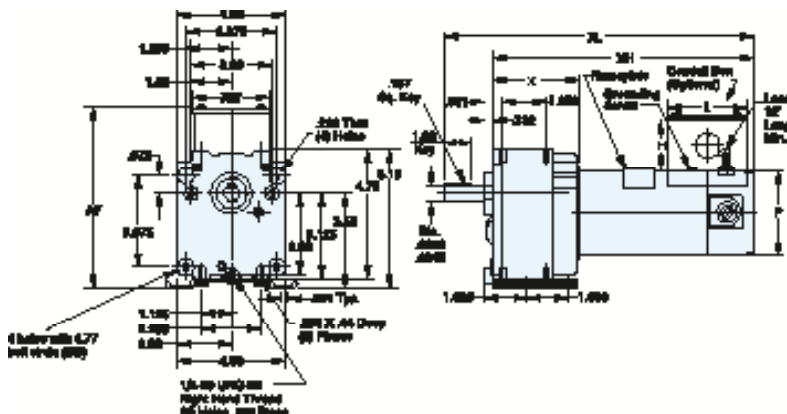
♥ Note listing on inside back flap
Specifications are subject to change without notice

12 Volt - TENV - P300 Series

Output RPM	F.L. Torque (Lb In.)	Input HP	Catalog Number	Stock	List Price	Model Number	Gearmotor Type & Frame	Ratio to 1	Arm. Volts DC	F.L. Amps DC	Over-hung Load (lb.)	Dimensions (inches)				♥Notes
												P	X	XL	XH	
5	353	1/20	M1125217.00	✓	796	985.657	P303-30	336	12	5.6	565	3.00	3.85	10.07	8.57	S, US
31	220	1/8	M1125218.00	✓	816	985.658	P303-30	58	12	10.6	327	3.00	3.54	11.54	10.04	S, US
51	130	1/8	M1125219.00	✓	750	985.659	P302-30	35	12	10.3	277	3.00	3.23	11.54	10.04	S, US
61	113	1/8	M1125220.00	✓	750	985.660	P302-30	29	12	10.4	267	3.00	3.23	11.54	10.04	S, US

♥ Note listing on inside back flap
Specifications are subject to change without notice

P300 SERIES



Conduit Box Dimensions (IN)

Frame	XW	AB	H	L
30/31	2.63	3.47	1.90	3.13

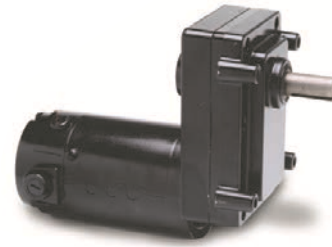


Gearmotors

Off-Set Shaft Gearmotors - OS300 Series - DC

SCR Rated - 130-268 In-Lbs. Torque

Low Voltage - 130-268 In-Lbs. Torque



General Specifications - SCR Rated Gearmotors:

- Performance matched for continuous duty service over 60:1 speed range
- Constant torque throughout the range when powered by a full-wave unfiltered SCR-type adjustable speed control having a typical form factor of 1.3 to 1.4

General Specifications - Low Voltage Gearmotors:

- Performance matched for continuous duty service
- Designed for battery power or can be used with a low voltage controller with form factor up to 1.05

Features:

- Precision machined in-line steel gears
- First stage steel helical gear followed by spur-type gears
- Lubrication is permanent semi-fluid grease, reducing possibility of leakage
- Output shafts have needle bearings for high load capacities
- Shafts are hardened steel
- Optional conduit box available, see page 372

Application Notes:

- These gearmotors are designed for mounting at any angle, but motor below the reducer should be avoided to prevent leakage of lubricant into the motor should the motor shaft seal fail
- Motor's stall torque could exceed recommended full load torques. A current limiting device such as an SCR control should be used to prevent damage. This issue is even more critical for low voltage motors, typically no controller is used since motor is connected directly to a battery, so some type of current limit or fusing should be considered
- Overhung load capacities shown are at center of output shaft

SCR Rated - 130-268 In-Lbs. Torque
Low Voltage - 130-268 In-Lbs. Torque

90 Volts - TENV - OS300 Series

Output RPM	F.L. Torque (Lb In.)	Input HP	Catalog Number	Stock	List Price	Model Number	Gearmotor Type & Frame	Ratio to 1	Arm. Volts DC	F.L. Amps DC	Over-hung Load (lb.)	Dimensions (inches)				♥Notes
												P	X	XL	XH	
9	268	1/20	M1125251.00	C/A	655	985.692	OS303-30	210	90	0.5	474	3.00	2.81	4.50	8.52	S, US
19	150	1/20	M1125250.00	√	655	985.691	OS303-30	103	90	0.6	385	3.00	2.81	4.50	8.52	S, US
24	280	1/8	M1125249.00	√	672	985.690	OS303-30	76	90	1.3	353	3.00	2.81	6.42	10.45	S, US
31	220	1/8	M1125248.00	√	672	985.689	OS303-30	58	90	1.4	327	3.00	2.81	6.42	10.45	S, US
51	130	1/8	M1125247.00	√	672	985.688	OS303-30	35	90	1.4	277	3.00	2.81	6.42	10.45	S, US

C/A - Check Availability

♥ Note listing on inside back flap
Specifications are subject to change without notice

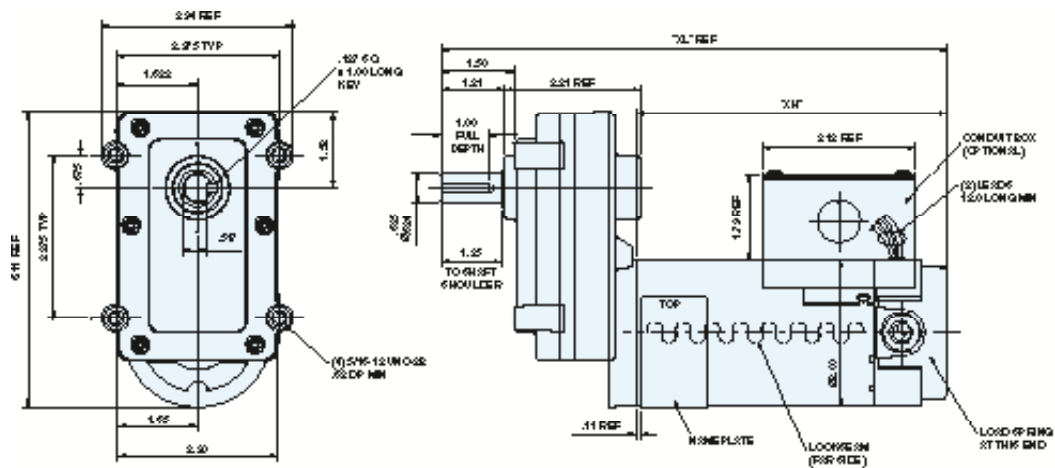
12 Volts - TENV - OS300 Series

Output RPM	F.L. Torque (Lb In.)	Input HP	Catalog Number	Stock	List Price	Model Number	Gearmotor Type & Frame	Ratio to 1	Arm. Volts DC	F.L. Amps DC	Over-hung Load (lb.)	Dimensions (inches)				♥Notes
												P	X	XL	XH	
9	268	1/20	M1125256.00	C/A	672	985.697	OS303-30	210	12	4.5	474	3.00	2.81	4.50	8.52	S, US
18	150	1/20	M1125255.00	C/A	672	985.696	OS303-30	103	12	5.0	385	3.00	2.08	4.50	8.52	S, US
24	280	1/8	M1125254.00	√	688	985.695	OS303-30	76	12	10.6	353	3.00	2.81	6.42	10.45	S, US
31	220	1/8	M1125253.00	√	688	985.694	OS303-30	58	12	10.6	327	3.00	2.81	6.42	10.45	S, US
51	130	1/8	M1125252.00	√	688	985.693	OS303-30	35	12	10.3	277	3.00	2.81	6.42	10.45	S, US

C/A - Check Availability

♥ Note listing on inside back flap
Specifications are subject to change without notice

OS300 SERIES



ALL DIMENSIONS IN INCHES



Gearmotors

PE350 Series - Parallel Shaft - DC

SCR Rated - 25-371 In-Lbs. Torque

Low Voltage - 155-341 In-Lbs Torque



General Specifications - SCR Rated Gearmotors:

- Performance matched for continuous duty service over 60:1 speed range
- Constant torque throughout the range when powered by a full-wave unfiltered SCR-type adjustable speed control having a typical form factor of 1.3 to 1.4

General Specifications - Low Voltage Gearmotors:

- Performance matched for continuous duty service
- Designed for battery power or can be used with a low voltage controller with form factor up to 1.05

Features:

- Rugged die cast aluminum gear housing for maximum gear and bearing support
- Precision machined gearing, hardened for maximum load capability
- All gearing designed and rated to AGMA class 9 standards, and to withstand momentary shock overload of 200%
- Oversized output bearings for greater overhung load capacity and long life
- High carbon alloy output shaft provides maximum strength and rigidity
- All needle bearing journals are precision ground after heat treating to provide maximum fit and finish
- Heavy duty industrial oil seals keep lubricant in and dirt out
- Gears and bearings are splash lubricated with permanent, heavy duty gear oil
- Optional conduit box available, see page 372

Application Notes:

- These gearmotors are designed for mounting at any angle, but motor below the reducer should be avoided to prevent leakage of lubricant into the motor should the motor shaft seal fail
- Motor's stall torque could exceed recommended full load torques. A current limiting device such as an SCR control should be used to prevent damage. This issue is even more critical for low voltage motors, typically no controller is used since motor is connected directly to a battery, so some type of current limit or fusing should be considered
- Overhung load capacities shown are at center of output shaft
- **Bodine/Baldor direct interchange**

SCR Rated - 25-371 In-Lbs. Torque
Low Voltage - 155-341 In-Lbs Torque

90 & 180 Volts - TENV - PE350 Series

Output RPM	F.L. Torque (Lb In.)	Input HP	Catalog Number	Stock	List Price	Model Number	Gearmotor Type & Frame	Ratio to 1	Arm. Volts DC	F.L. Amps DC	Over-hung Load (lb.)	Dimensions (inches)		♥Notes
												XL	XH	
7	330	1/8	M1135106.00	√	785	M34D25NZ62	P353-34	336	90	0.7	565	11.31	9.31	S, US
7	330	1/8	M1135139.00	√	785	M34D25NZ71	P353-34	336	180	0.4	565	11.31	9.31	S, US
14	341	1/8	M1135107.00	√	785	M34D25NZ61	P353-34	180	90	1.0	465	11.31	9.31	S, US
14	341	1/8	M1135140.00	√	785	M34D25NZ72	P353-34	180	180	0.5	465	11.31	9.31	S, US
21	371	1/4	M1135117.00	√	822	M34D25NZ52	P353-34	124	90	1.1	413	13.31	11.31	S, US
21	371	1/4	M1135141.00	√	822	M34D25NZ73	P353-34	124	180	0.6	413	13.31	11.31	S, US
27	305	1/4	M1135115.00	√	822	M34D25NZ51	P353-34	91	90	1.5	374	13.31	11.31	S, US
27	305	1/4	M1135142.00	√	822	M34D25NZ74	P353-34	91	180	0.8	374	13.31	11.31	S, US
42	280	1/4	M1135108.00	√	822	M34D25NZ53	P353-34	58	90	2.3	327	13.31	11.31	S, US
42	280	1/4	M1135143.00	√	822	M34D25NZ75	P353-34	58	180	1.2	327	13.31	11.31	S, US
50	250	1/4	M1135109.00	√	822	M34D25NZ54	P353-34	50	90	2.3	315	13.31	11.31	S, US
50	250	1/4	M1135144.00	√	822	M34D25NZ76	P353-34	50	180	1.2	315	13.31	11.31	S, US
62	220	1/4	M1135110.00	√	822	M34D25NZ55	P353-34	43	90	2.3	303	13.31	11.31	S, US
62	220	1/4	M1135145.00	√	822	M34D25NZ77	P353-34	43	180	1.2	303	13.31	11.31	S, US
83	155	1/4	M1135114.00	√	777	M34D25NZ57	P352-34	29	90	2.3	267	13.31	11.31	S, US
83	155	1/4	M1135146.00	√	777	M34D25NZ78	P352-34	29	180	1.2	267	13.31	11.31	S, US
125	100	1/4	M1135111.00	√	777	M34D25NZ56	P352-34	23	90	2.0	256	13.31	11.31	S, US
125	100	1/4	M1135147.00	√	777	M34D25NZ79	P352-34	23	180	1.0	256	13.31	11.31	S, US
165	70	1/4	M1135112.00	√	777	M34D25NZ58	P352-34	15	90	2.0	232	13.31	11.31	S, US
165	70	1/4	M1135148.00	√	777	M34D25NZ80	P352-34	15	180	1.0	232	13.31	11.31	S, US
250	45	1/4	M1135116.00	√	777	M34D25NZ60	P352-34	10	90	2.0	201	13.31	11.31	S, US
250	45	1/4	M1135149.00	√	777	M34D25NZ81	P352-34	10	180	1.0	201	13.31	11.31	S, US
500	25	1/4	M1135113.00	√	777	M34D25NZ59	P352-34	5	90	2.0	194	13.31	11.31	S, US
500	25	1/4	M1135150.00	√	777	M34D25NZ82	P352-34	5	180	1.0	194	13.31	11.31	S, US

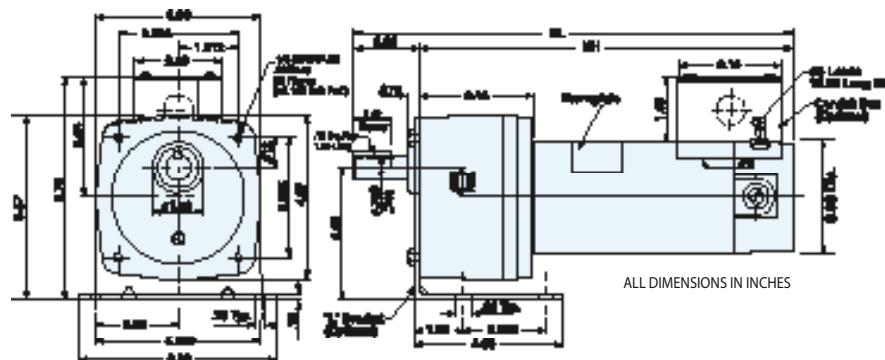
♥ Note listing on inside back flap
Specifications are subject to change without notice

12 Volts - TENV - PE350 Series

Output RPM	F.L. Torque (Lb In.)	Input HP	Catalog Number	Stock	List Price	Model Number	Gearmotor Type & Frame	Ratio to 1	Arm. Volts DC	F.L. Amps DC	Over-hung Load (lb.)	Dimensions (inches)		♥Notes
												XL	XH	
14	341	1/8	M1135243.00	√	801	M34D25NZ154	P353-34	180	12	8.7	465	11.05	9.05	S, US
42	325	1/4	M1135244.00	√	840	M34D25NZ155	P353-34	58	12	21.0	327	13.31	11.31	S, US
62	220	1/4	M1135245.00	√	840	M34D25NZ156	P353-34	43	12	21.0	303	13.31	11.31	S, US
83	155	1/4	M1135246.00	√	796	M34D25NZ157	P352-34	29	12	21.0	267	13.31	11.31	S, US

♥ Note listing on inside back flap
Specifications are subject to change without notice

PE350 SERIES - DC



Gearmotors

Parallel Shaft - P1100 Series - DC

SCR Rated - 105-1112 In-Lbs. Torque

Low Voltage - 320-1087 In-Lbs. Torque



General Specifications - SCR Rated Gearmotors:

- Performance matched for continuous duty service over 60:1 speed range
- Constant torque throughout the range when powered by a full-wave unfiltered SCR-type adjustable speed control having a typical form factor of 1.3 to 1.4

General Specifications - Low Voltage Gearmotors:

- Performance matched for continuous duty service
- Designed for battery power or can be used with a low voltage controller with form factor up to 1.05

Features:

- Rugged die cast aluminum gear housing for maximum gear and bearing support
- Precision machined gearing, hardened for maximum load capability
- All gearing designed and rated to AGMA class 9 standards, and to withstand momentary shock overload of 200%
- Oversized output bearings for greater overhung load capacity and long life
- High carbon alloy output shaft provides maximum strength and rigidity
- All needle bearing journals are precision ground after heat treating to provide maximum fit and finish
- Heavy duty industrial oil seals keep lubricant in and dirt out
- Gears and bearings are splash lubricated with permanent, heavy duty gear oil
- Conduit box included as standard

Application Notes:

- These gearmotors are designed for mounting at any angle, but motor below the reducer should be avoided to prevent leakage of lubricant into the motor should the motor shaft seal fail
- Motor's stall torque could exceed recommended full load torques. A current limiting device such as an SCR control should be used to prevent damage. This issue is even more critical for low voltage motors, typically no controller is used since motor is connected directly to a battery, so some type of current limit or fusing should be considered
- Overhung load capacities shown are at center of output shaft
- For additional information, see Bulletin 1830
- [Bison/Dayton direct interchange](#)

SCR Rated - 105-1112 In-Lbs. Torque
Low Voltage - 320-1087 In-Lbs. Torque

90 Volts - Totally Enclosed - Rigid Base - P1100 Series

Output RPM	F.L. Torque (Lb In.)	Input HP	Catalog Number	Stock	List Price	Model Number	Gearmotor Type & Frame	Ratio to 1	Arm. Volts DC	F.L. Amps DC	Over-hung Load (lb.)	Dimensions (inches)		♥Notes
												XL	XH	
8	1087	1/4	108700.00	√	1,338	4D17NZ17	P1103-48	212	90	2.7	700	14.24	12.74	S, US, 12
12	1030	1/4	108701.00	√	1,338	4D17NZ18	P1103-48	143	90	2.7	700	14.24	12.74	S, US, 12
18	750	1/4	108702.00	√	1,338	4D17NZ19	P1103-48	95	90	2.7	700	14.24	12.74	S, US, 12
42	353	1/4	108703.00	√	1,305	4D17NZ20	P1102-48	42	90	2.7	650	14.24	12.74	S, US, 12
60	238	1/4	108704.00	√	1,305	4D17NZ21	P1102-48	29	90	2.7	625	14.24	12.74	S, US, 12
92	160	1/4	108705.00	√	1,305	4D17NZ22	P1102-48	19	90	2.7	575	14.24	12.74	S, US, 12
135	105	1/4	108706.00	√	1,305	4D17NZ23	P1102-48	13	90	2.7	525	14.24	12.74	S, US, 12
18	1112	1/2	108707.00	√	1,446	4D17FZ23	P1103-48	95	90	5.0	700	16.49	14.99	S, US
33	822	1/2	108708.00	√	1,446	4D17FZ24	P1103-48	53	90	5.0	650	16.49	14.99	S, US
42	705	1/2	108709.00	√	1,419	4D17FZ25	P1102-48	42	90	5.0	650	16.49	14.99	S, US
60	476	1/2	108710.00	√	1,419	4D17FZ26	P1102-48	29	90	5.0	625	16.49	14.99	S, US
92	320	1/2	108711.00	√	1,419	4D17FZ27	P1102-48	19	90	5.0	575	16.49	14.99	S, US
135	210	1/2	108712.00	√	1,419	4D17FZ28	P1102-48	13	90	5.0	525	16.49	14.99	S, US

Note 12 - TENV

♥ Note listing on inside back flap
Specifications are subject to change without notice

12 Volts - Totally Enclosed - Rigid Base - P1100 Series

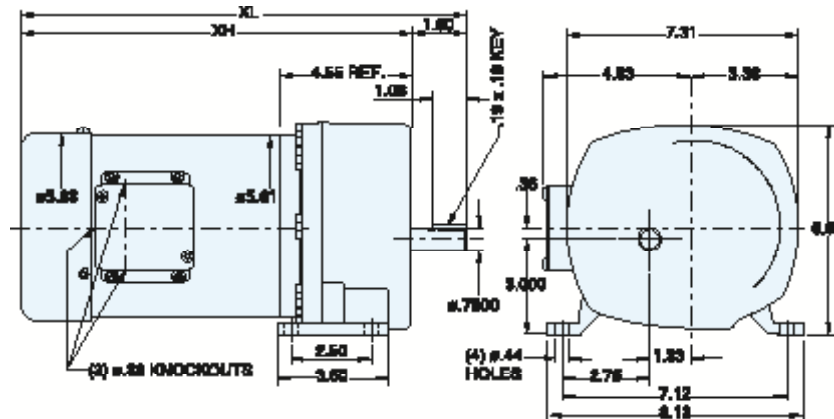
Output RPM	F.L. Torque (Lb In.)	Input HP	Catalog Number	Stock	List Price	Model Number	Gearmotor Type & Frame	Ratio to 1	Arm. Volts DC	F.L. Amps DC	Over-hung Load (lb.)	Dimensions (inches)		♥Notes
												XL	XH	
8	1087	1/4	108729.00	√	1,367	4D17NZ43	P1103-48	212	12	21	700	13.74	12.24	S, US, 12
60	238	1/4	108730.00	√	1,337	4D17NZ44	P1102-48	29	12	21	625	13.74	12.24	S, US, 12
42	705	1/2	108731.00	√	1,446	4D17FZ52	P1102-48	42	12	40	650	15.99	14.49	S, US
92	320	1/2	108732.00	C/A	1,446	4D17FZ53	P1102-48	19	12	40	575	15.99	14.49	S, US

Note 12 - TENV

C/A - Check Availability

♥ Note listing on inside back flap
Specifications are subject to change without notice

P1100 SERIES - DC



ALL DIMENSIONS IN INCHES



Gearmotors

Right-Angle DC Gearmotors

SCR Rated - 5-135 In-Lbs. Torque
 Low Voltage - 25-135 In-Lbs. Torque



General Specifications - SCR Rated Gearmotors:

- Performance matched for continuous duty service over 60:1 speed range
- Constant torque throughout the range when powered by a full-wave unfiltered SCR-type adjustable speed control having a typical form factor of 1.3 to 1.4

General Specifications - Low Voltage Gearmotors:

- Performance matched for continuous duty service
- Designed for battery power or can be used with a low voltage controller with form factor up to 1.05

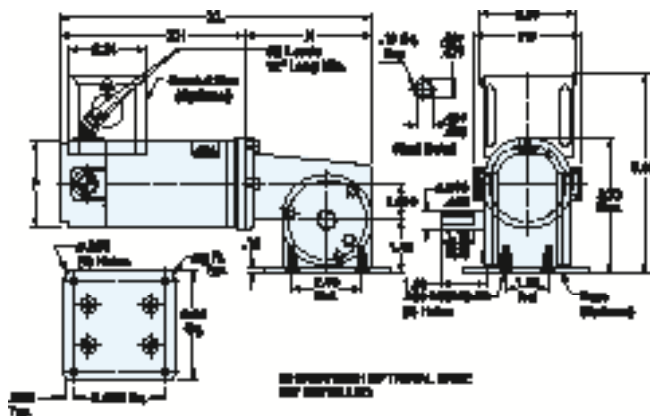
Features:

- Worm-type right-angle gearing features hardened, steel worm with bronze worm wheel for long life and quiet operation
- Precision machined aluminum gear housing
- Lubrication is permanent with an oil bath
- Gearbox has all ball bearings
- Output shaft is field interchangeable from left hand to right hand style by reassembly
- Double output shaft available as a factory option
- Optional conduit box available, see page 372
- Optional gearbox base available (10 Series only), see page 372

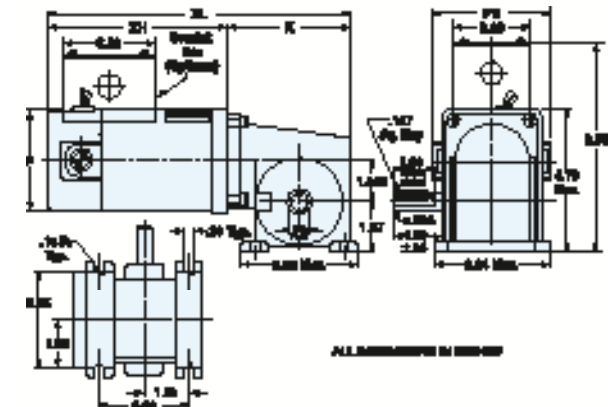
Application Notes:

- These right-angle gearmotors have a lubrication breather positioned for horizontal mounting. For other mountings, the breather plug must be reoriented by using a 90 deg 1/8" NPT taper pipe elbow (See drawing). Elbow not available from LEESON
- These gearmotors are designed for mounting at any angle, but motor below the reducer should be avoided to prevent leakage of lubricant into the motor should the motor shaft seal fail
- Overhung load capacities shown are at center of output shaft
- For additional information, see Bulletin 1830

10 SERIES - DC



13 SERIES - DC



SCR Rated - 5-135 In-Lbs. Torque &
Low Voltage - 25-135 In-Lbs. Torque

90 & 180 Volts - TENV - Right-Angle

Out-put RPM	F.L. Torque (Lb In.)	Input HP	Catalog Number	Stock	List Price	Model Number	Gearmotor Type & Frame	Ratio to 1	Arm. Volts DC	F.L. Amps DC	Over-hung Load (lb.)	Dimensions (inches)					♥Notes
												P	PB	X	XL	XH	
42	22	1/17	M1115018.00	√	608	985.504	10F60-25D	60	90	0.9	185	2.5	3	3.6	8.79	5.19	S, US
62	19	1/17	M1115019.00	√	608	985.505	10F40-25D	40	90	0.9	185	2.5	3	3.6	8.79	5.19	S, US
125	16	1/17	M1115020.00	√	608	985.506	10F20-25D	20	90	0.9	185	2.5	3	3.6	8.79	5.19	S, US
250	10	1/17	M1115021.00	√	608	985.509	10F10-25D	10	90	1.0	185	2.5	3	3.6	8.79	5.19	S, US
500	5	1/17	M1115022.00	√	608	985.507	10F05-25D	5	90	1.0	185	2.5	3	3.6	8.79	5.19	S, US
42	30	1/12	M1135053.00	√	608	M34D25NZ30	13F60-34A	60	180	0.5	235	3.38	4	4.5	9.64	5.14	S, US
62	35	1/12	M1135054.00	C/A	608	M34D25NZ31	13F40-34A	40	180	0.5	235	3.38	4	4.5	9.64	5.14	S, US
125	18	1/12	M1135055.00	√	608	CM34D25NZ32	13F20-34A	20	180	0.5	235	3.38	4	4.5	9.64	5.14	S, US
250	10	1/12	M1135056.00	C/A	608	M34D25NZ47	13F10-34A	10	180	0.5	235	3.38	4	4.5	9.64	5.14	S, US
500	5	1/12	M1135057.00	C/A	608	M34D25NZ48	13F05-34A	5	180	0.5	235	3.38	4	4.5	9.64	5.14	S, US
42	80	1/8	M1135069.00	√	701	M34D25NZ18	13F60-34C	60	90	1.4	235	3.38	4	4.5	10.64	6.14	S, US
62	70	1/8	M1135038.00	√	701	M34D25NZ6	13F40-34C	40	90	1.4	235	3.38	4	4.5	10.64	6.14	S, US
62	70	1/8	M1135058.00	√	701	M34D25NZ26	13F40-34C	40	180	0.7	235	3.38	4	4.5	10.64	6.14	S, US
125	45	1/8	M1135039.00	√	701	M34D25NZ7	13F20-34C	20	90	1.4	235	3.38	4	4.5	10.64	6.14	S, US
125	45	1/8	M1135059.00	√	701	M34D25NZ27	13F20-34C	20	180	0.7	235	3.38	4	4.5	10.64	6.14	S, US
250	25	1/8	M1135040.00	√	701	M34D25NZ8	13F10-34C	10	90	1.4	235	3.38	4	4.5	10.64	6.14	S, US
250	25	1/8	M1135060.00	√	701	M34D25NZ28	13F10-34C	10	180	0.7	235	3.38	4	4.5	10.64	6.14	S, US
500	13	1/8	M1135041.00	√	701	M34D25NZ9	13F05-34C	5	90	1.4	235	3.38	4	4.5	10.64	6.14	S, US
500	13	1/8	M1135061.00	C/A	701	M34D25NZ29	13F05-34C	5	180	0.7	235	3.38	4	4.5	10.64	6.14	S, US
62	135	1/4	M1135042.00	√	755	M34D25NZ10	13F40-34G	40	90	2.3	235	3.38	4	4.5	12.64	8.14	S, US
62	135	1/4	M1135062.00	√	755	M34D25NZ33	13F40-34G	40	180	1.3	235	3.38	4	4.5	12.64	8.14	S, US
83	125	1/4	M1135043.00	√	755	M34D25NZ11	13F30-34G	30	90	2.3	235	3.38	4	4.5	12.64	8.14	S, US
83	125	1/4	M1135063.00	√	755	M34D25NZ34	13F30-34G	30	180	1.3	235	3.38	4	4.5	12.64	8.14	S, US
125	90	1/4	M1135044.00	√	755	M34D25NZ12	13F20-34G	20	90	2.3	235	3.38	4	4.5	12.64	8.14	S, US
125	90	1/4	M1135064.00	√	755	M34D25NZ35	13F20-34G	20	180	1.3	235	3.38	4	4.5	12.64	8.14	S, US
250	50	1/4	M1135045.00	√	755	M34D25NZ13	13F10-34G	10	90	2.3	235	3.38	4	4.5	12.64	8.14	S, US
250	50	1/4	M1135065.00	√	755	M34D25NZ36	13F10-34G	10	180	1.3	235	3.38	4	4.5	12.64	8.14	S, US
500	30	1/4	M1135046.00	√	755	M34D25NZ14	13F05-34G	5	90	2.3	235	3.38	4	4.5	12.64	8.14	S, US
500	30	1/4	M1135066.00	√	755	M34D25NZ37	13F05-34G	5	180	1.3	235	3.38	4	4.5	12.64	8.14	S, US

C/A - Check Availability

♥ Note listing on inside back flap
Specifications are subject to change without notice

12 Volts - TENV - Right-Angle Series

Out-put RPM	F.L. Torque (Lb In.)	Input HP	Catalog Number	Stock	List Price	Model Number	Gearmotor Type & Frame	Ratio to 1	Arm. Volts DC	F.L. Amps DC	Over-hung Load (lb.)	Dimensions (inches)					♥Notes
												P	PB	X	XL	XH	
42	80	1/8	M1135249.00	C/A	715	M34D25NZ158	13F60-34	60	12	11.0	235	3.38	4.21	4.5	10.39	5.89	S, US
250	25	1/8	M1135250.00	√	715	M34D25NZ159	13F10-34	10	12	11.0	235	3.38	4.21	4.5	10.39	5.89	S, US
62	135	1/4	M1135251.00	√	766	M34D25NZ160	13F40-34	40	12	21.0	235	3.38	4.21	4.5	12.64	8.14	S, US
125	90	1/4	M1135252.00	√	766	M34D25NZ161	13F20-34	20	12	21.0	235	3.38	4.21	4.5	12.64	8.14	S, US

C/A - Check Availability

♥ Note listing on inside back flap
Specifications are subject to change without notice



Gearmotors

IEC Motors

DC Motors

Gearmotors

AC / DC Controls

Accessories / Kits

Mods / Factory Options

X-Ref / Index

Tech Information

Terms / Warnings

Bravo™ Series 12 SUB-FHP - DC
Right-Angle Gearmotors



General Specifications - SCR Rated Gearmotors:

- Performance matched for continuous duty service over 60:1 speed range
- Constant torque throughout the range when powered by a full-wave unfiltered SCR-type adjustable speed control having a typical form factor of 1.3 to 1.4

General Specifications - Low Voltage Gearmotors:

- Performance matched for continuous duty service
- Designed for battery power or can be used with a low voltage controller with form factor up to 1.05

Features:

- Worm-type right-angle gearing features hardened, steel worm with bronze worm wheel for long life and quiet operation
- Single piece die cast aluminum alloy housing is vacuum impregnated with Resinol RT for protection and sealing
- Light weight gearbox combines high tensile strength along with being precision machined for alignment of bearings and gearing
- High temperature Nitrile seals for optimum seal life
- Gearbox provided with solid output shaft, but can be converted to a hollow output shaft. Simply remove the solid shaft by removing the Snap rings
- T-base feet provided are removable to convert to face mounting
- Optional conduit box available, see page 372

90 Volts - Totally Enclosed - Right-Angle

Output RPM	F.L. Torque (Lb.In.)	Input HP	Catalog Number	Stock	List Price	Model Number	Enclosure	Gearmotor Type & Frame	Ratio to 1	Arm. Volts DC	F.L. Amps. DC	♥Notes
28	125	1/8	M1135292.00	√	716	M34D17NZ31	TENV	12B60-34D	61.0	90	1.6	S, US, 12
45	87	1/8	M1135291.00	C/A	716	M34D17NZ30	TENV	12B39-34D	39.0	90	1.6	S, US, 12
58	158	1/4	M1135290.00	√	756	M34D17FZ7	TEFC	12B30-34G	30.0	90	2.8	S, US
90	100	1/4	M1135289.00	√	756	M34D17FZ6	TEFC	12B19-34G	19.0	90	2.6	S, US
115	85	1/4	M1135288.00	C/A	756	M34D17FZ5	TEFC	12B15-34G	15.0	90	2.6	S, US
167	61	1/4	M1135287.00	√	756	M34D17FZ4	TEFC	12B11-34G	10.6	90	2.6	S, US
167	61	1/4	M1135287.00	√	756	M34D17FZ4	TEFC	12B11-34G	10.6	90	2.6	S, US

C/A - Check Availability

♥ Note listing on inside back flap
Specifications are subject to change without notice

12 Volt - TENV - Right-Angle

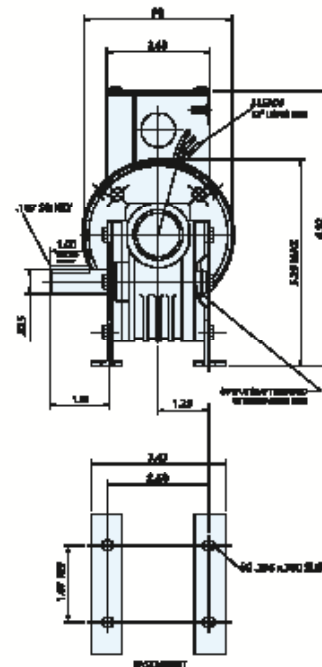
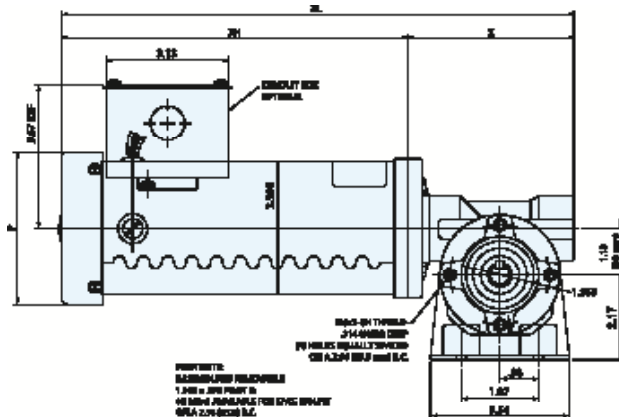
Output RPM	F.L. Torque (Lb.In.)	Input HP	Catalog Number	Stock	List Price	Model Number	Enclosure	Gearmotor Type & Frame	Ratio to 1	Arm. Volts DC	F.L. Amps. DC	♥Notes
27	134	1/8	M1135285.00	C/A	745	M34D17NZ29	TENV	12B60-34C	61.0	12	14.0	S, US
45	94	1/8	M1135284.00	√	745	M34D17NZ28	TENV	12B39-34C	39.0	12	15.0	S, US
58	158	1/4	M1135297.00	√	780	M34D17NZ36	TENV	12B30-34F	30.0	12	24.0	S, US
90	100	1/4	M1135296.00	C/A	780	M34D17NZ35	TENV	12B19-34F	19.0	12	24.0	S, US
115	85	1/4	M1135295.00	C/A	780	M34D17NZ34	TENV	12B15-34F	15.0	12	23.0	S, US
167	61	1/4	M1135294.00	C/A	780	M34D17NZ33	TENV	12B11-34F	10.6	12	21.0	S, US
250	46	1/4	M1135293.00	√	780	M34D17NZ32	TENV	12B7-34F	7.0	12	23.0	S, US

C/A - Check Availability

♥ Note listing on inside back flap
Specifications are subject to change without notice

Notes:

- Conduit box not supplied with the gearmotor. Mounting provisions are provided and can use conduit box kit catalog number M1760007.00 found on page 372.
- For solid double output shaft, consult factory.



SCR 90 Volt Rated (IN)

P	X	XL	XH	PB
3.38	4.32	11.07	6.75	4.00
3.38	4.32	11.07	6.75	4.00
3.88	4.32	13.16	8.84	3.76
3.88	4.32	13.16	8.84	3.76
3.88	4.32	13.16	8.84	3.76
3.88	4.32	13.16	8.84	3.76
3.88	4.32	13.16	8.84	3.76

Low Voltage 12V (IN)

P	X	XL	XH	PB
3.38	4.32	10.57	6.25	4.21
3.38	4.32	10.57	6.25	4.21
3.38	4.32	11.82	7.50	4.21
3.38	4.32	11.82	7.50	4.21
3.38	4.32	11.82	7.50	4.21
3.38	4.32	11.82	7.50	4.21
3.38	4.32	11.82	7.50	4.21



Gearmotors

IP55 Washguard® Gearmotors - P300 Series - DC



General Specifications - SCR Rated Gearmotors:

- Performance matched for continuous duty service over 60:1 speed range
- Constant torque throughout the range when powered by a full-wave unfiltered SCR-type adjustable speed control having a typical form factor of 1.3 to 1.4

General Specifications - Low Voltage Gearmotors:

- Performance matched for continuous duty service
- Designed for battery power or can be used with a low voltage controller with form factor up to 1.05

Features:

- Gearbox output shafts are coated with Mirolon 3300 fortified Teflon for superior corrosion resistance
- Frame, endshields, armature and interior components protected by enamel and polyester compounds for resistance to moisture, acids, alkalis and oil
- Precision machined in-line steel gears
- First stage steel helical gear followed by spur-type gears
- Lubrication is permanent semi-fluid grease, reducing possibility of leakage
- Output shafts have needle bearings for high load capacities
- Gearbox Shafts are hardened steel
- Cast conduit box with threaded conduit holes and Nitrile gaskets keep water out
- Conduit box cover is made from 304 stainless steel
- For any condensation that may accumulate inside the motor, a one-way stainless steel vapor vent is provided
- All hardware is stainless steel
- Painted with white epoxy for superior corrosion resistance and protection
- Machined fits between the endbells and motor frame are sealed with gaskets
- Thru-bolt heads and nuts sealed with fiber washers
- O-rings under each threaded brush cover

Application Notes:

- Extended life in wet, high humidity applications
- Design repels water from entering motor
- Internal components protected against rust and corrosion
- These gearmotors are designed for mounting at any angle, but motor below the reducer should be avoided to prevent leakage of lubricant into the motor should the motor shaft seal fail
- Overhung load capacities shown are at center of output shaft
- Motor's stall torque could exceed recommended full load torques. A current limiting device such as an SCR control should be used to prevent damage. This issue is even more critical for low voltage motors, typically no controller is used since motor is connected directly to a battery, so some type of current limit or fusing should be considered
- USDA Approved white epoxy finish
- **Bison/Dayton direct interchange**



Gearmotors

IP55 Washguard® Gearmotors - P300 Series - DC

IEC Motors

DC Motors

Gearmotors

AC / DC Controls

Accessories / Kits

Mods / Factory Options

X-Ref / Index

Tech Information

Terms / Warnings

90 Volts - TENV - P300 Series

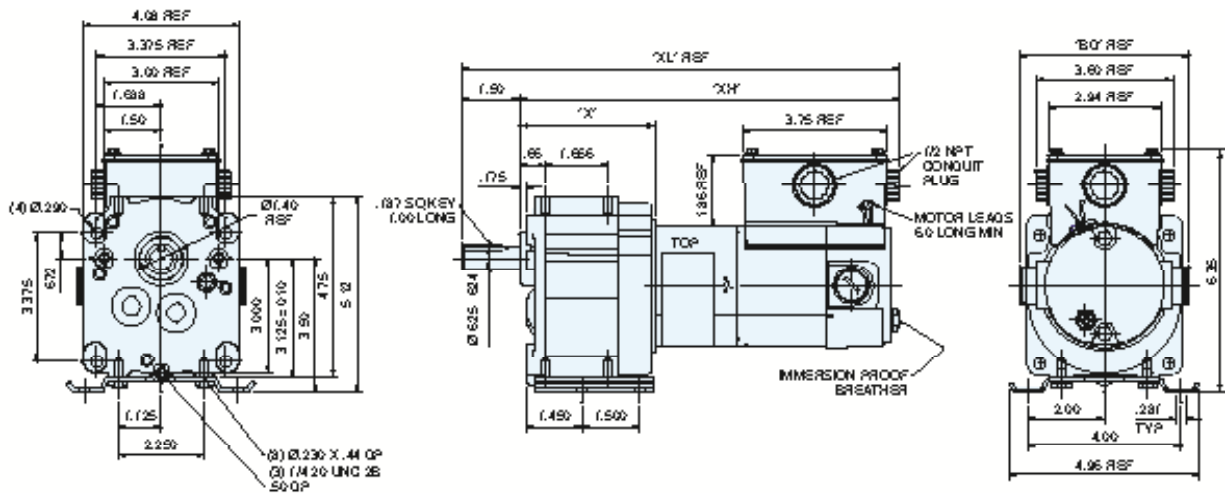
Output RPM	F.L. Torque (Lb In.)	Input HP	Catalog Number	Stock	List Price	Model Number	Gearmotor Type & Frame	Ratio to 1	Arm. Volts DC	F.L. Amps DC	Over-hung Load (lb.)	Dimensions (inches)					♥Notes
												P	PB	X	XL	XH	
5	353	1/20	M1125261.00	✓	902	M31D17VZ5	P303-31	336	90	0.8	565	3.13	3.8	3.54	10.44	8.94	S, US
31	220	1/8	M1125262.00	✓	927	M31D17VZ6	P303-31	58	90	1.6	327	3.13	3.8	3.54	11.94	10.44	S, US
51	130	1/8	M1125263.00	✓	857	M31D17VZ7	P302-31	35	90	1.6	277	3.13	3.8	3.54	11.94	10.44	S, US
94	77	1/8	M1125264.00	✓	857	M31D17VZ8	P302-31	19	90	1.6	236	3.13	3.8	3.54	11.94	10.44	S, US
167	43	1/8	M1125265.00	✓	857	M31D17VZ9	P302-31	11	90	1.6	197	3.13	3.8	3.54	11.94	10.44	S, US

♥ Note listing on inside back flap
Specifications are subject to change without notice

12 Volts - TENV - P300 Series

Output RPM	F.L. Torque (Lb In.)	Input HP	Catalog Number	Stock	List Price	Model Number	Gearmotor Type & Frame	Ratio to 1	Arm. Volts DC	F.L. Amps DC	Over-hung Load (lb.)	Dimensions (inches)					♥Notes
												P	PB	X	XL	XH	
5	353	1/20	M1125266.00	✓	927	M31D17VZ10	P303-31	336	12	6.4	565	3.13	3.8	3.54	10.44	8.94	S, US
31	220	1/8	M1125267.00	✓	950	M31D17VZ11	P303-31	58	12	11	327	3.13	4.43	3.54	11.44	9.94	S, US

♥ Note listing on inside back flap
Specifications are subject to change without notice



Gearmotors

IP55 Washguard® Gearmotors - PE350 - DC



General Specifications - SCR Rated Gearmotors:

- Performance matched for continuous duty service over 60:1 speed range
- Constant torque throughout the range when powered by a full-wave unfiltered SCR-type adjustable speed control having a typical form factor of 1.3 to 1.4

General Specifications - Low Voltage Gearmotors:

- Performance matched for continuous duty service
- Designed for battery power or can be used with a low voltage controller with form factor up to 1.05

Features:

- Gearbox output shafts are coated with Mirolon 3300 fortified Teflon for superior corrosion resistance
- Frame, endshields, armature and interior components protected by enamel and polyester compounds for resistance to moisture, acids, alkalies and oil
- Precision machined in-line steel gears
- First stage steel helical gear followed by spur-type gears
- Lubrication is permanent semi-fluid grease, reducing possibility of leakage
- Output shafts have needle bearings for high load capacities
- Gearbox Shafts are hardened steel
- Cast conduit box with threaded conduit holes and Nitrile gaskets keep water out
- Conduit box cover is made from 304 stainless steel
- For any condensation that may accumulate inside the motor, a one-way stainless steel vapor vent is provided
- All hardware is stainless steel
- Painted with white epoxy for superior corrosion resistance and protection
- Machined fits between the endbells and motor frame are sealed with gaskets
- Thru-bolt heads and nuts sealed with fiber washers
- O-rings under each threaded brush cover

Application Notes:

- Extended life in wet, high humidity applications
- Design repels water from entering motor
- Internal components protected against rust and corrosion
- These gearmotors are designed for mounting at any angle, but motor below the reducer should be avoided to prevent leakage of lubricant into the motor should the motor shaft seal fail
- Overhung load capacities shown are at center of output shaft
- Motor's stall torque could exceed recommended full load torques. A current limiting device such as an SCR control should be used to prevent damage. This issue is even more critical for low voltage motors, typically no controller is used since motor is connected directly to a battery, so some type of current limit or fusing should be considered
- USDA Approved white epoxy finish
- **Bodine/Baldor direct interchange**





Gearmotors

IP55 Washguard® Gearmotors - PE350 - DC

IEC Motors

DC Motors

Gearmotors

AC / DC Controls

Accessories / Kits

Mods / Factory Options

X-Ref / Index

Tech Information

Terms / Warnings

90 Volts - TENV - PE350 Series - Parallel Shaft

Output RPM	F.L. Torque (Lb In.)	Input HP	Catalog Number	Stock	List Price	Model Number	Gearmotor Type & Frame	Ratio to 1	Arm. Volts DC	F.L. Amps DC	Over-hung Load (lb.)	Dimensions (inches)					♥Notes
												P	PB	X	XL	XH	
14	341	1/8	M1125268.00	✓	934	M31D25VZ1	P353-31	180	90	1.5	465	3.13	3.8	3.45	11.84	9.84	S, US
42	280	1/4	M1125269.00	✓	967	M32D25VZ1	P353-32	58	90	2.6	327	3.25	3.8	3.45	13.84	11.84	S, US
83	155	1/4	M1125270.00	✓	942	M32D25VZ2	P353-32	29	90	2.6	267	3.25	3.8	3.45	13.84	11.84	S, US
250	45	1/4	M1125271.00	✓	942	M32D25VZ3	P352-32	10	90	2.6	201	3.25	3.8	3.45	13.84	11.84	S, US
500	25	1/4	M1125272.00	✓	942	M32D25VZ4	P352-32	5	90	2.6	194	3.25	3.8	3.45	13.84	11.84	S, US

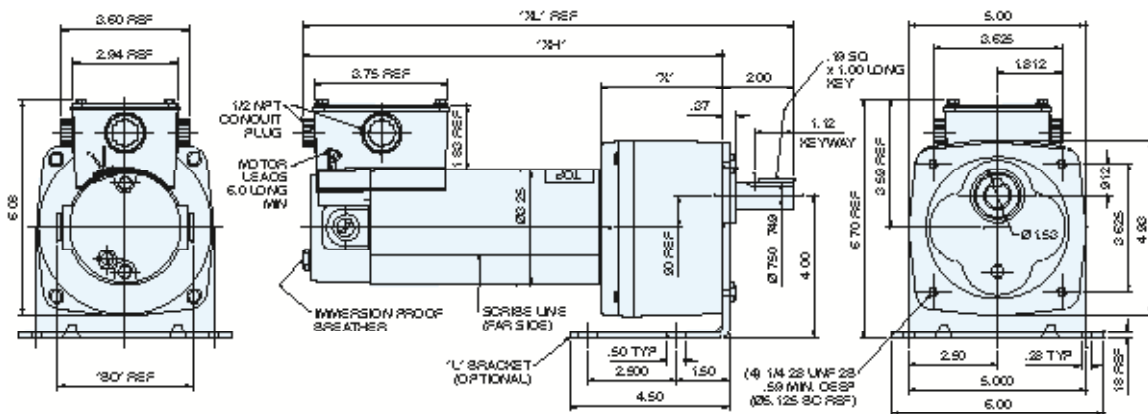
♥ Note listing on inside back flap
Specifications are subject to change without notice

12 Volts - TENV - PE350 Series - Parallel Shaft

Output RPM	F.L. Torque (Lb In.)	Input HP	Catalog Number	Stock	List Price	Model Number	Gearmotor Type & Frame	Ratio to 1	Arm. Volts DC	F.L. Amps DC	Over-hung Load (lb.)	Dimensions (inches)					♥Notes
												P	PB	X	XL	XH	
14	341	1/8	M1125273.00	C/A	957	M31D25VZ2	P353-31	180	12	12	465	3.13	4.43	3.45	11.58	9.58	S, US
42	325	1/4	M1125274.00	C/A	1,012	M32D25VZ5	P353-32	58	12	20	327	3.25	4.43	3.45	13.84	11.84	S, US

C/A - Check Availability

♥ Note listing on inside back flap
Specifications are subject to change without notice



Gearmotors

IP55 Washguard® Gearmotors - Right-Angle - DC



General Specifications - SCR Rated Gearmotors:

- Performance matched for continuous duty service over 60:1 speed range
- Constant torque throughout the range when powered by a full-wave unfiltered SCR-type adjustable speed control having a typical form factor of 1.3 to 1.4

General Specifications - Low Voltage Gearmotors:

- Performance matched for continuous duty service
- Designed for battery power or can be used with a low voltage controller with form factor up to 1.05

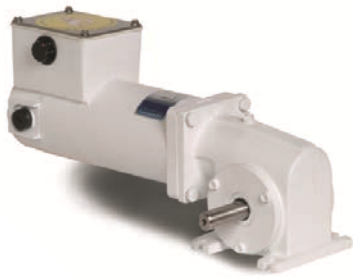
Features:

- 303 Stainless Steel gearbox output shaft
- Frame, endshields, armature and interior components protected by enamel and polyester compounds for resistance to moisture, acids, alkalis and oil
- Cast conduit box with threaded conduit holes and Nitrile gaskets keep water out
- Conduit box cover is made from 304 stainless steel
- For any condensation that may accumulate inside the motor, a one-way stainless steel vapor vent is provided
- All hardware is stainless steel
- Painted with white epoxy for superior corrosion resistance and protection
- Machined fits between the endbells and motor frame are sealed with gaskets
- Thru-bolt heads and nuts sealed with fiber washers
- O-rings under each threaded brush cover
- Worm-type right-angle gearing features hardened, steel worm with bronze worm wheel for long life and quiet operation
- Precision machined aluminum gear housing
- Lubrication is permanent with an oil bath
- Gearbox has all ball bearings
- Output shaft is field interchangeable from left hand to right hand style by reassembly
- Double output shaft available as a factory option

Application Notes:

- These right-angle gearmotors have a lubrication breather positioned for horizontal mounting. For other mountings, the breather plug must be reoriented by using a 90 deg 1/8" NPT taper pipe elbow. Elbow not available from LEESON
- These gearmotors are designed for mounting at any angle, but motor below the reducer should be avoided to prevent leakage of lubricant into the motor should the motor shaft seal fail
- Overhung load capacities shown are at center of output shaft
- For additional information, see Bulletin 1830





Gearmotors

IP55 Washguard® Gearmotors - Right-Angle - DC

IEC Motors

DC Motors

Gearmotors

AC / DC Controls

Accessories / Kits

Mods / Factory Options

X-Ref / Index

Tech Information

Terms / Warnings

90 Volt - TENV - Right-Angle

Output RPM	F.L. Torque (Lb In.)	Input HP	Catalog Number	Stock	List Price	Model Number	Gearmotor Type & Frame	Ratio to 1	Arm. Volts DC	F.L. Amps DC	Over-hung Load (lb.)	Dimensions (inches)					♥Notes
												P	PB	X	XL	XH	
42	80	1/8	M1125275.00	√	934	M31D25VZ3	13F60-31	60	90	2.2	235	3.13	3.8	4.5	10.86	6.36	S, US
250	25	1/8	M1125276.00	√	934	M31D25VZ4	13F10-31	10	90	2.2	235	3.13	3.8	4.5	10.86	6.36	S, US
62	135	1/4	M1125277.00	√	942	M32D25VZ6	13F40-32	40	90	3.7	235	3.25	3.8	4.5	12.86	8.36	S, US
125	90	1/4	M1125278.00	√	942	M32D25VZ7	13F20-32	20	90	3.7	235	3.25	3.8	4.5	12.86	8.36	S, US
250	50	1/4	M1125279.00	√	942	M32D25VZ8	13F10-32	10	90	3.7	235	3.25	3.8	4.5	12.86	8.36	S, US

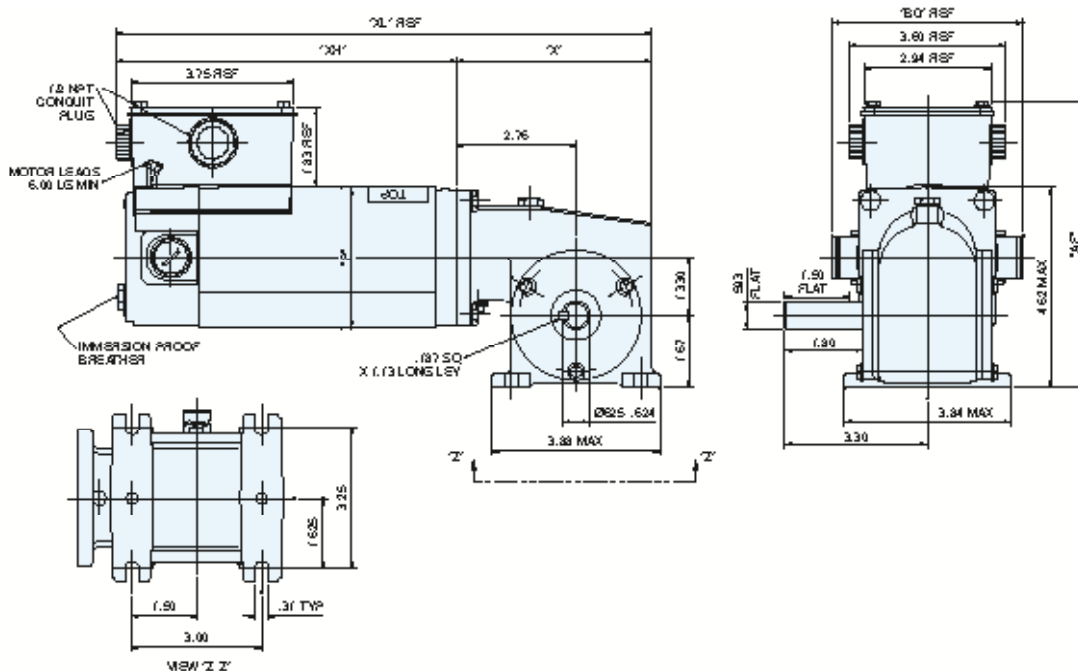
♥ Note listing on inside back flap
Specifications are subject to change without notice

12 Volts - TENV - Right-Angle

Output RPM	F.L. Torque (Lb In.)	Input HP	Catalog Number	Stock	List Price	Model Number	Gearmotor Type & Frame	Ratio to 1	Arm. Volts DC	F.L. Amps DC	Over-hung Load (lb.)	Dimensions (inches)					♥Notes
												P	PB	X	XL	XH	
62	135	1/4	M1125280.00	√	894	M32D25VZ9	13F40-32	40	12	28	235	3.25	4.43	4.5	12.36	7.86	S, US
125	90	1/4	M1125281.00	√	894	M32D25VZ10	13F20-32	20	12	28	235	3.25	4.43	4.5	12.36	7.86	S, US

♥ Note listing on inside back flap
Specifications are subject to change without notice

13 SERIES - DC



Gearmotors

Parallel Shaft - SUB-FHP - AC Gearmotors

12-100 In-Lbs. Output Torque



Features:

- Permanent split capacitor design rated for 115VAC 60 HZ input
- Precision machined in-line steel gears
- First stage steel helical gear followed by spur-type gears
- Lubrication is permanent semi-fluid grease, reducing possibility of leakage
- Output shafts have needle bearings for high load capacities
- Shafts are hardened steel
- Optional conduit box and PZ gearmotor mounting bracket available

Application Notes:

- These gearmotors are designed for mounting at any angle, but motor below the reducer should be avoided to prevent leakage of lubricant into the motor should the motor shaft seal fail
- The motor's stall torque could exceed recommended full load torques causing gearhead damage, especially in ratios of 60:1 and higher. Provisions to limit the torque are recommended
- The torque values listed are the recommended full load torque values
- Overhung load capacities shown are at center of output shaft
- For additional information, see Bulletin 1830
- All PZ Series gearmotors are supplied with continuous duty "run" capacitor
- Optional conduit box available, see page 372
- For additional information, see Bulletin 1830
- **Bodine/Bison/Dayton direct interchange**

IEC Motors

DC Motors

Gearmotors

AC / DC Controls

Accessories / Kits

Mods / Factory Options

X-Ref / Index

Tech Information

Terms / Warnings

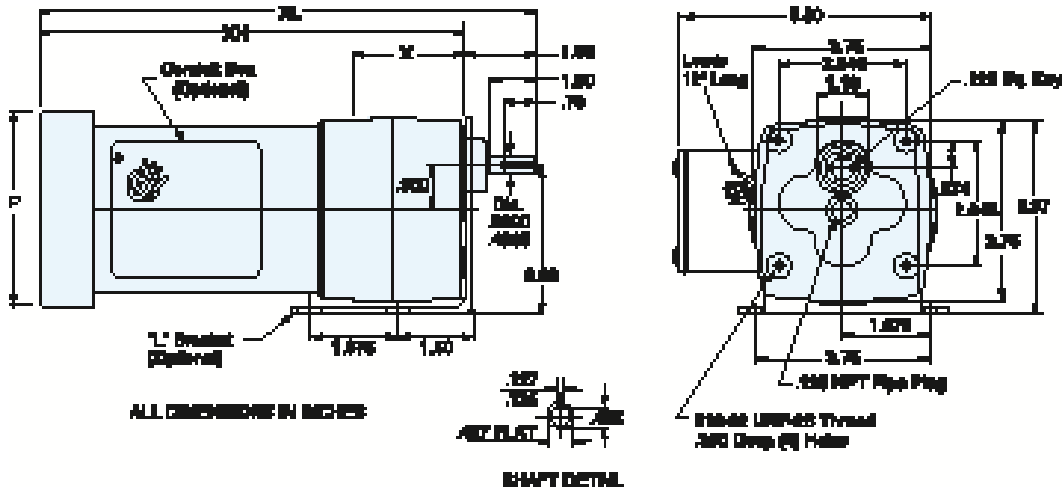
115 Volts - TEFC - Single Phase

Output RPM	F.L. Torque (Lb. In.)	Input HP	Catalog Number	Stock	List Price	Model Number	Gearmotor Type & Frame	Ratio to 1	F.L. Amps 115	Over-hung Load (lb.)	Dimensions (inches)				Caacitor Mfd. 240 VAC	♥Notes
											P	X	XL	XH		
2	100	1/150	M1125050.00	✓	565	M31P17NZ1	PZ5-31	900	0.4	155	3.07	3.23	8.71	7.15	3	S, US, 12
9	100	1/15	M1125127.00	✓	565	M31P17FZ1	PZ4-31	180	0.9	155	3.88	3.23	10.42	8.86	10	S, US, 13
19	100	1/15	M1125128.00	✓	565	M31P17FZ2	PZ4-31	90	0.9	155	3.88	3.23	10.42	8.86	10	S, US, 13
28	100	1/15	M1125129.00	✓	565	M31P17FZ3	PZ3-31	60	0.9	155	3.88	2.43	9.62	8.06	10	S, US, 13
57	56	1/15	M1125130.00	✓	543	M31P17FZ4	PZ3-31	30	0.9	171	3.88	2.43	9.62	8.06	10	S, US, 13
94	36	1/15	M1125131.00	✓	543	M31P17FZ5	PZ3-31	18	0.9	171	3.88	2.43	9.62	8.06	10	S, US, 13
142	24	1/15	M1125132.00	✓	526	M31P17FZ6	PZ2-31	12	0.9	180	3.88	2.13	9.32	7.76	10	S, US, 13
283	12	1/15	M1125133.00	✓	526	M31P17FZ7	PZ2-31	6	0.9	180	3.88	2.13	9.32	7.76	10	S, US, 13

Note 12 - TENV

♥ Note listing on inside back flap
Specifications are subject to change without notice

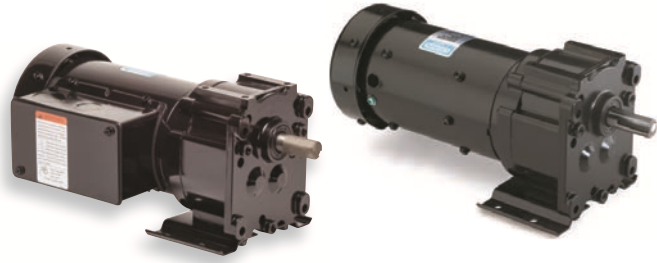
PZ SERIES - AC



Gearmotors

P240 Series - SUB-FHP - AC Gearmotors

Output Torque - 43-391 In-Lbs.



Features:

- Permanent split capacitor design rated for 115/230VAC 60/50 HZ input
- Precision machined in-line steel gears
- First stage steel helical gear followed by spur-type gears
- Lubrication is permanent semi-fluid grease, reducing possibility of leakage
- Output shafts have needle bearings for high load capacities
- Shafts are hardened steel
- Optional conduit box available, see page 372

Application Notes:

- These gearmotors are designed for mounting at any angle, but motor below the reducer should be avoided to prevent leakage of lubricant into the motor should the motor shaft seal fail
- The motor's stall torque could exceed recommended full load torques causing gearhead damage, especially in ratios of 60:1 and higher. Provisions to limit the torque are recommended
- Overhung load capacities shown are at center of output shaft
- All P240 Series gearmotors are supplied with continuous duty "run" capacitor
- For additional information, see Bulletin 1830
- **Bison/Dayton direct interchange**

Single Phase - 115/230 Volts - TEFC - P240 Series

Out-put RPM	F.L. Torque (Lb. In.)	Input HP	Catalog Number	Stock	List Price	Model Number	Gear-motor Type & Frame	Ratio to 1	F.L. Amps 115	Over-hung Load (lb.)	Dimensions (inches)				Caacitor Mfd. 240 VAC	♥Notes
											P	X	XL	XH		
8	345	1/15	M1145029.00	√	845	M38P17NZ26	P243-38D	216	1.0	491	3.85	3.5	10.46	8.96	7.5	S, US, 12
15	250	1/15	M1145023.00	√	845	M38P17NZ20	P243-38D	114	1.0	407	3.85	3.5	10.46	8.96	7.5	S, US, 12
16	391	1/6	M1145030.00	√	917	M38P17FZ9	P243-38F	103	2.1	399	4.43	3.5	12.13	10.63	15	S, US, 13
30	135	1/15	M1145024.00	√	768	M38P17NZ21	P242-38D	52	1.0	330	3.85	3.5	10.46	8.96	7.5	S, US, 12
30	295	1/6	M1145031.00	√	917	M38P17FZ10	P243-38F	58	2.1	330	4.43	3.5	12.13	10.63	15	S, US, 13
40	219	1/6	M1145032.00	√	917	M38P17FZ11	P243-38F	43	2.1	303	4.43	3.5	12.13	10.63	15	S, US, 13
45	92	1/15	M1145025.00	C/A	768	M38P17NZ22	P242-38D	35	1.0	292	3.85	3.5	10.46	8.96	7.5	S, US, 12
60	157	1/6	M1145033.00	√	841	M38P17FZ12	P242-38D	29	2.1	268	4.43	3.5	12.13	10.63	15	S, US, 13
70	61	1/15	M1145026.00	√	768	M38P17NZ23	P242-38D	23	1.0	256	3.85	3.5	10.46	8.96	7.5	S, US, 12
90	103	1/6	M1145034.00	√	841	M38P17FZ13	P242-38D	19	2.1	237	4.43	3.5	12.13	10.63	15	S, US, 13
97	43	1/15	M1145027.00	√	768	M38P17NZ24	P242-38D	16.5	1.0	232	3.85	3.5	10.46	8.96	7.5	S, US, 12
139	30	1/15	M1145028.00	√	768	M38P17NZ25	P242-38D	11.5	1.0	208	3.85	3.5	10.46	8.96	7.5	S, US, 12
156	60	1/6	M1145035.00	√	841	M38P17FZ14	P242-38D	10.6	2.1	201	4.43	3.5	12.13	10.63	15	S, US, 13

Note 12 - TENV
C/A - Check Availability

♥ Note listing on inside back flap
Specifications are subject to change without notice

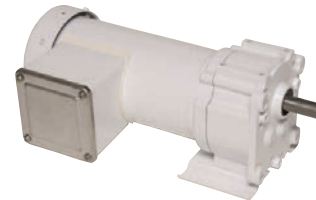
Gearmotors

P240 Series - SUB-FHP - AC Gearmotors IP55 AC Washguard® Gearmotors



General Specifications - SCR Rated Gearmotors:

Single and Three-phase washdown duty gearmotors rated for continuous duty applications. Permanent split designed single-phase motors include capacitor in conduit box. Motors are designed for extended life in applications requiring regular washdown or otherwise wet environments. Avoid shaft up applications, with motor below, should shaft seal fail.



Features:

- Shaft material coated with Teflon/Ceramic plating
- White epoxy painted motors
- O-rings and gaskets used for sealing
- Hardened Worm-type gearing used
- Interior components protected against corrosion
- Ball bearings used in gear housing
- Sealed output shafts
- Output shafts have needle bearings for high load capacities
- UL listed and CSA certified

115/230 Volts - 1 & 3-Phase - TEFC - P240 Series

Out-put RPM	F.L. Torque (Lb. In.)	Input HP	Catalog Number	Stock	List Price	Model Number	Gear-motor Type & Frame	Ratio to 1	F.L. Amps 230V	Over-hung Load (lb.)	Dimensions (inches)				Caacitor Mfd. 240 VAC	♥Notes
											P	X	XL	XH		
16	391	1/6	M1145138.00	√	962	M38P17FZ39	P240	103	115/230	1.05	1	399	10.46	8.96	7.5	S, US, 12
40	219	1/6	M1145139.00	√	962	M38P17FZ40	P240	43	115/230	1.00	1	303	10.46	8.96	7.5	S, US, 12
156	60	1/6	M1145140.00	√	883	M38P17FZ41	P240	10.6	115/230	1.00	1	201	12.13	10.63	15	S, US, 13
16	391	1/6	M1145144.00	√	962	M38T17FZ20	P240	103	230	0.72	3	237	10.46	8.96	7.5	S, US, 12
30	295	1/6	M1145145.00	√	962	M38T17FZ21	P240	58	230	0.72	3	237	12.13	10.63	15	S, US, 13

♥ Note listing on inside back flap
Specifications are subject to change without notice



Gearmotors

PE350 Series - Parallel Shaft - AC Gearmotors

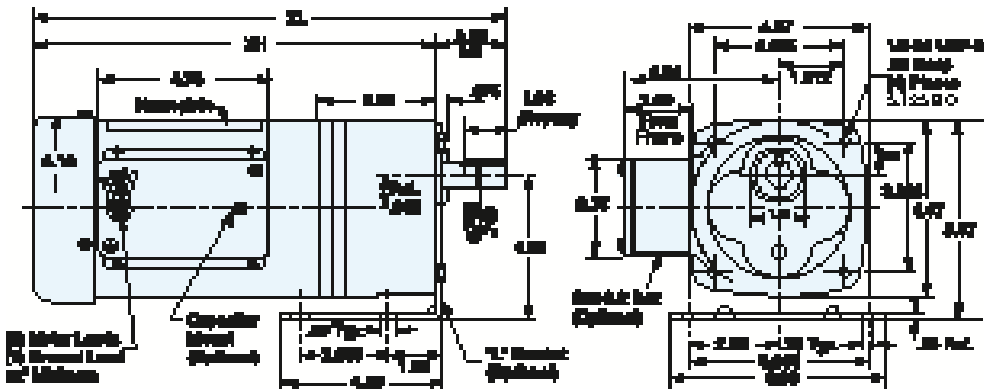
Output Torque - 25-341 In-Lbs



Features:

- All rated for 60/50 Hz operation except hi-torque single-phase which are 60 Hz only
- Rugged die cast aluminum gear housing for maximum gear and bearing support
- Precision machined gearing, hardened for maximum load capability
- All gearing designed and rated to AGMA class 9 standards, and to withstand momentary shock overload of 200%
- Oversized output bearings for greater overhung load capacity and long life
- High carbon alloy output shaft provides maximum strength and rigidity
- All needle bearing journals are precision ground after heat treating to provide maximum fit and finish
- Heavy duty industrial oil seals keep lubricant in and dirt out
- Gears and bearings are splash lubricated with permanent, heavy duty gear oil
- Run capacitor supplied at no additional cost for single phase designs
- Three phase and hi-torque single phase models include conduit box, other single phase models do not
- These gearmotors are designed for mounting at any angle, but motor below the reducer should be avoided to prevent leakage of lubricant into the motor should the motor shaft seal fail
- Overhung load capacities shown are at center of output shaft
- Optional conduit box available, see page 372
- **Bodine/Baldor/Boehm direct interchange**

PE350 SINGLE PHASE



Single Phase - 115/230 Volts - TEFC - PE350 Series - Parallel Shaft

Output RPM	F.L. Torque (Lb.In.)	Input HP	Catalog Number	Stock	List Price	Model Number	Gearmotor Type & Frame	Ratio to 1	F.L. Amps @115V	Overhung Load (lb.)	Dimensions (inches)		Capacitor Mfd. 240 VAC	♥Notes
											XL	XH		
5	310	1/12	096000.00	√	804	42P17NZ1	PE353-42	336	1.3	565	11.36	9.36	10	S, US, 12
9	341	1/12	096001.00	√	804	42P17NZ2	PE353-42	180	1.3	491	11.36	9.36	10	S, US, 12
14	330	1/12	096002.00	√	804	42P17NZ3	PE353-42	124	1.3	459	11.36	9.36	10	S, US, 12
19	250	1/12	096003.00	√	804	42P17NZ4	PE353-42	91	1.3	374	11.36	9.36	10	S, US, 12
29	270	1/6	096004.00	√	845	42P17FZ1	PE353-42	58	3.2	327	13.32	11.32	15	S, US, 13
34	250	1/6	096005.00	√	845	42P17FZ2	PE353-42	50	3.2	330	13.32	11.32	15	S, US, 13
40	180	1/6	096006.00	C/A	845	42P17FZ3	PE353-42	43	3.2	303	13.32	11.32	15	S, US, 13
59	135	1/6	096007.00	√	797	42P17FZ4	PE352-42	29	3.2	267	13.32	11.32	15	S, US, 13
75	90	1/6	096008.00	√	797	42P17FZ5	PE352-42	23	3.2	256	13.32	11.32	15	S, US, 13
113	68	1/6	096009.00	√	797	42P17FZ6	PE352-42	15	3.2	222	13.32	11.32	15	S, US, 13
160	45	1/6	096010.00	C/A	797	42P17FZ7	PE352-42	10	3.2	196	13.32	11.32	15	S, US, 13
340	25	1/6	096011.00	√	797	42P17FZ8	PE352-42	5	3.2	190	13.32	11.32	15	S, US, 13
Hi-Torque Single Phase PE350 Gearmotors With Capacitor Start Motors														
58	320	1/3	096049.00	√	935	42C17FZ4	PE353-42	30	7.2	300	14.56	12.56	...	S, US, 13
85	218	1/3	096050.00	√	878	42C17FZ5	PE353-42	20	7.2	300	14.56	12.56	...	S, US, 13
173	109	1/3	096051.00	√	878	42C17FZ6	PE353-42	10	7.2	300	14.56	12.56	...	S, US, 13
345	55	1/3	096052.00	√	878	42C17FZ7	PE353-42	5	7.2	300	14.56	12.56	...	S, US, 13

♥ Note listing on inside back flap
 Specifications are subject to change without notice
 Note 12 - TENV
 C/A - Check Availability

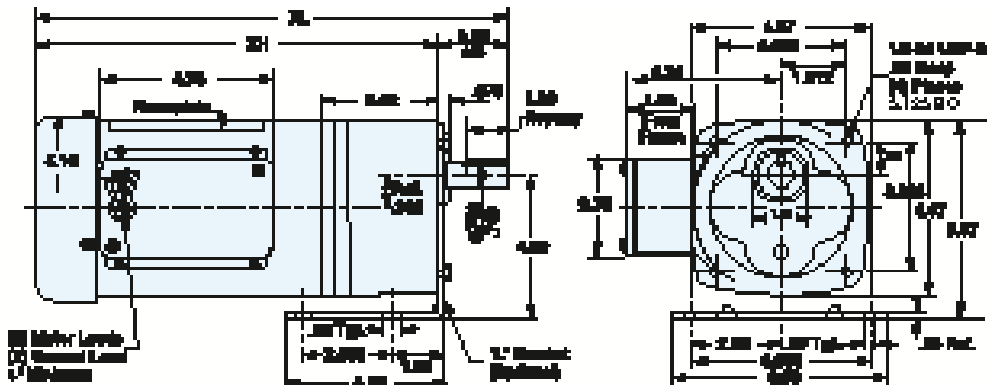


Three Phase - 230/460 Volt - PE350 Series - Parallel Shaft - TEFC

Output RPM	F.L. Torque (Lb.In.)	Input HP	Catalog Number	Stock	List Price	Model Number	Gearmotor Type & Frame	Ratio to 1	F.L. Amps @230V	Overhung Load (lb.)	Dimensions (inches)		♥Notes
											XL	XH	
58	320	1/3	096013.00	√	928	42T17FZ14	PE353-42	30	1.6	300	13.81	11.81	S, US, 13
85	218	1/3	096014.00	√	872	42T17FZ15	PE352-42	20	1.6	300	13.81	11.81	S, US, 13
173	109	1/3	096015.00	√	872	42T17FZ16	PE352-42	10	1.6	300	13.81	11.81	S, US, 13
345	55	1/3	096016.00	√	872	42T17FZ17	PE352-42	5	1.6	300	13.81	11.81	S, US, 13

♥ Note listing on inside back flap
 Specifications are subject to change without notice

PE350 THREE PHASE



Gearmotors

P1100 Series - AC Gearmotors - Parallel Shaft

Output Torque - 70-1105 In-Lbs

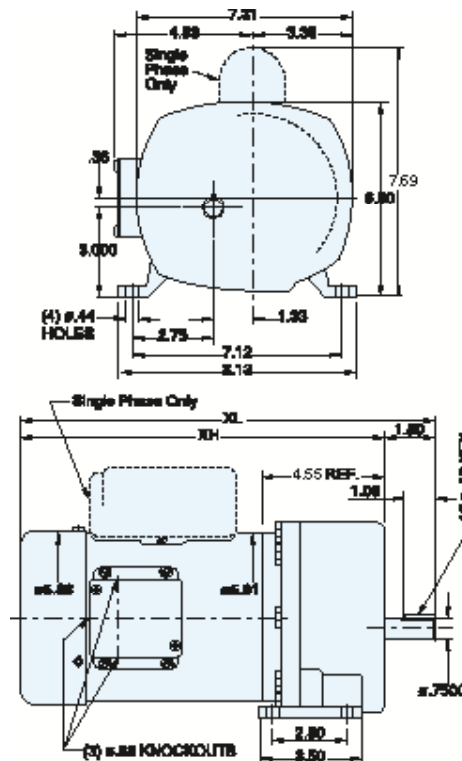


Features:

- Capacitor start designs rated for 115/230VAC 60 HZ input
- Rugged die cast aluminum gear housing for maximum gear and bearing support
- Precision machined gearing, hardened for maximum load capability
- All gearing designed and rated to AGMA class 9 standards, and to withstand momentary shock overload of 200%
- Oversized output bearings for greater overhung load capacity and long life
- High carbon alloy output shaft provides maximum strength and rigidity
- All needle bearing journals are precision ground after heat treating to provide maximum fit and finish
- Heavy duty industrial oil seals keep lubricant in and dirt out
- Gears and bearings are splash lubricated with permanent, heavy duty gear oil
- Conduit box included as standard

Application Notes:

- These gearmotors are designed for mounting at any angle, but motor below the reducer should be avoided to prevent leakage of lubricant into the motor should the motor shaft seal fail
- Overhung load capacities shown are at center of output shaft
- For additional information, see Bulletin 1830
- **Bison/Dayton direct interchange**



Single Phase - 115/230 Volt - TEFC - P1100 Series

Output RPM	F.L. Torque (Lb.In.)	Input HP	Catalog Number	Stock	List Price	Model Number	Gearmotor Type & Frame	Ratio to 1	F.L. Amps @115V	Overhung Load (lb.)	Dimensions (inches)		♥Notes
											XL	XH	
8	975	1/4	107000.00	√	1,134	4C17FZ24	P1103-48	212	5.4	700	13.42	11.92	S, US
12	1030	1/4	107004.00	√	1,134	4C17FZ28	P1103-48	143	5.4	700	13.42	11.92	S, US
18	800	1/4	107003.00	√	1,134	4C17FZ27	P1103-48	95	5.4	700	13.42	11.92	S, US
26	569	1/4	107002.00	√	1,134	4C17FZ26	P1103-48	66	5.4	650	13.42	11.92	S, US
59	248	1/4	107005.00	√	1,108	4C17FZ29	P1102-48	29	5.4	625	13.42	11.92	S, US
133	114	1/4	107001.00	√	1,108	4C17FZ25	P1102-48	13	5.4	525	13.42	11.92	S, US
18	1089	1/3	107006.00	√	1,146	4C17FZ30	P1103-48	95	6.2	700	13.67	13.17	S, US
26	752	1/3	107012.00	√	1,146	4C17FZ36	P1103-48	66	6.2	650	13.67	13.17	S, US
41	461	1/3	107011.00	√	1,123	4C17FZ35	P1102-48	42	6.2	650	13.67	13.17	S, US
59	330	1/3	107010.00	√	1,123	4C17FZ34	P1102-48	29	6.2	625	13.67	13.17	S, US
91	224	1/3	107009.00	√	1,123	4C17FZ33	P1102-48	19	6.2	575	13.67	13.17	S, US
157	125	1/3	107008.00	√	1,123	4C17FZ32	P1102-48	11	6.2	500	13.67	13.17	S, US
288	70	1/3	107007.00	√	1,123	4C17FZ31	P1102-48	6	6.2	400	13.67	13.17	S, US
22	1105	1/2	107013.00	√	1,249	4C17FZ37	P1103-48	79	8.8	700	14.17	12.67	S, US
41	700	1/2	107017.00	√	1,225	4T17FZ41	P1102-48	42	8.8	650	14.17	12.67	S, US
59	496	1/2	107016.00	√	1,225	4C17FZ40	P1102-48	29	8.8	625	14.17	12.67	S, US
91	336	1/2	107015.00	√	1,225	4C17FZ39	P1102-48	19	8.8	575	14.17	12.67	S, US
133	229	1/2	107014.00	√	1,225	4C17FZ38	P1102-48	13	8.8	525	14.17	12.67	S, US

♥ Note listing on inside back flap
Specifications are subject to change without notice



Three Phase - 230/460 Volt - TEFC - P1100 Series

Output RPM	F.L. Torque (Lb.In.)	Input HP	Catalog Number	Stock	List Price	Model Number	Gearmotor Type & Frame	Ratio to 1	F.L. Amps @115V	Overhung Load (lb.)	Dimensions (inches)		♥Notes
											XL	XH	
18	1089	1/3	107025.00	√	1,220	4T17FZ47	P1103-48	95	1.6	700	12.92	11.42	S, US
26	752	1/3	107026.00	√	1,220	4T17FZ53	P1103-48	66	1.6	650	12.92	11.42	S, US
41	461	1/3	107027.00	√	1,193	4T17FZ54	P1102-48	42	1.6	650	12.92	11.42	S, US
59	330	1/3	107028.00	√	1,193	4T17FZ55	P1102-48	29	1.6	625	12.92	11.42	S, US
91	224	1/3	107029.00	√	1,193	4T17FZ56	P1102-48	19	1.6	575	12.92	11.42	S, US
157	125	1/3	107030.00	√	1,193	4T17FZ57	P1102-48	11	1.6	500	12.92	11.42	S, US
288	70	1/3	107031.00	√	1,193	4T17FZ58	P1102-48	6	1.6	400	12.92	11.42	S, US
22	1105	1/2	107032.00	√	1,287	4T17FZ48	P1103-48	79	2.0	700	13.42	11.92	S, US
41	700	1/2	107033.00	√	1,268	4T17FZ49	P1102-48	42	2.0	650	13.42	11.92	S, US
59	496	1/2	107034.00	√	1,268	4T17FZ50	P1102-48	29	2.0	625	13.42	11.92	S, US
91	336	1/2	107035.00	√	1,268	4T17FZ51	P1102-48	19	2.0	575	13.42	11.92	S, US
133	229	1/2	107036.00	√	1,268	4T17FZ52	P1102-48	13	2.0	500	13.42	11.92	S, US
288	100	1/2	107037.00	√	1,268	4T17FZ46	P1102-48	6	2.0	400	13.42	11.92	S, US

♥ Note listing on inside back flap
Specifications are subject to change without notice



Gearmotors

Right-Angle - AC Gearmotors



Output Torque - 14-113 In-Lbs

Features:

- Permanent split capacitor design rated for 115/230VAC 60/50 HZ input
- Worm-type right-angle gearing features hardened, steel worm with bronze worm wheel for long life and quiet operation
- Precision machined aluminum gear housing
- Lubrication is permanent with an oil bath
- Gearbox has all ball bearings
- Output shaft is field interchangeable from left hand to right hand style by reassembly
- Double output shaft available as a factory option
- Optional conduit box available, see page 372
- Optional gearbox base available (10 Series only), see page 372

Application Notes:

- These right-angle gearmotors have a lubrication breather positioned for horizontal mounting. For other mountings, the breather plug must be reoriented by using a 90 deg 1/8" NPT taper pipe elbow. Elbow not available from LEESON
- These gearmotors are designed for mounting at any angle, but motor below the reducer should be avoided to prevent leakage of lubricant into the motor should the motor shaft seal fail
- Overhung load capacities shown are at center of output shaft
- Continuous duty run capacitor supplied as standard
- For additional information, see Bulletin 1830
- **Bodine/Dayton direct interchange**

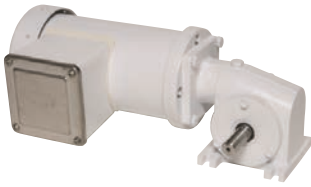
Single Phase - 115/230 Volt - TEFC - Right-Angle

Out-put RPM	F.L. Torque (Lb. In.)	Input HP	Catalog Number	Stock	List Price	Model Number	Gear-motor Type & Frame	Ratio to 1	F.L. Amps @115V	Over-hung Load (lb.)	Dimensions (inches)				Capacitor Mfd. 240 VAC	♥Notes
											P	X	XL	XH		
28	37	1/15	M1125080.00	√	697	M31P17NZ19	10F60-31C	60	0.9	185	3.07	3.63	8.94	5.31	10.0 [□]	S, US, 12
43	34	1/15	M1125081.00	√	697	M31P17NZ18	10F40-31C	40	0.9	185	3.07	3.63	8.94	5.31	10.0 [□]	S, US, 12
58	40	1/15	M1125082.00	√	697	M31P17NZ17	10F30-31C	30	0.9	185	3.07	3.63	8.94	5.31	10.0 [□]	S, US, 12
85	24	1/15	M1125083.00	√	697	M31P17NZ16	10F20-31C	20	0.9	185	3.07	3.63	8.94	5.31	10.0 [□]	S, US, 12
173	14	1/15	M1125084.00	√	697	M31P17NZ15	10F10-31C	10	0.9	185	3.07	3.63	8.94	5.31	10.0 [□]	S, US, 12
29	110	1/6	M1145037.00	√	945	M38P17FZ16	13F60-38F	60	2.0	235	3.85	4.5	12.31	7.81	15.0 [◊]	S, US, 13
43	113	1/6	M1145038.00	√	945	M38P17FZ17	13F40-38F	40	2.0	235	3.85	4.5	12.31	7.81	15.0 [◊]	S, US, 13
57	95	1/6	M1145082.00	√	945	M38P17FZ23	13F30-38F	30	2.0	235	3.85	4.5	12.31	7.81	15.0 [◊]	S, US, 13
83	75	1/6	M1145039.00	√	945	M38P17FZ18	13F20-38F	20	2.0	235	3.85	4.5	12.31	7.81	15.0 [◊]	S, US, 13
170	43	1/6	M1145040.00	√	945	M38P17FZ19	13F10-38F	10	2.0	235	3.85	4.5	12.31	7.81	15.0 [◊]	S, US, 13
340	23	1/6	M1145041.00	√	945	M38P17FZ20	13F05-38F	5	2.0	235	3.85	4.5	12.31	7.81	15.0 [◊]	S, US, 13

□ 250 VAC
 ◊ 300 VAC
 Note 12 - TENV

♥ Note listing on inside back flap
 Specifications are subject to change without notice





Gearmotors

IP55 AC Washguard® Gearmotors
Right-Angle - Single & Three Phase

General Specifications:

Single and Three-phase washdown duty gearmotors rated for continuous duty applications. Permanent split designed single-phase motors include capacitor in conduit box. Motors are designed for extended life in applications requiring regular washdown or otherwise wet environments. Avoid shaft up applications, with motor below, should shaft seal fail.

Features:

- Shaft material is coated with Teflon/Ceramic plating
- White epoxy painted motors
- O-rings and gaskets used for sealing
- Hardened Worm-type gearing used
- Interior components protected against corrosion
- Ball bearings used in gear housing
- Sealed output shafts
- Output shafts have needle bearings for high load capacities
- UL listed and CSA certified

Single & Three Phase - TEFC - Right-Angle

Output RPM	F.L. Torque (Lb.In.)	Input HP	Catalog Number	Stock	List Price	Model Number	Gearmotor Type & Frame	Ratio to 1	Voltage	F.L. Amps @ 230V	Phase	Over-hung Load (Lbs)
43	113	1/6	M1145141.00	√	808	M38P17FZ42	40	115/230	1.0	1	235	235
83	75	1/6	M1145142.00	√	991	M38P17FZ43	20	115/230	1.0	1	235	235
340	23	1/6	M1145143.00	√	991	M38P17FZ44	5	115/230	1.0	1	235	235
29	220	3/8	M1145146.00	√	991	M38T17FZ22	60	230	1.3	3	235	235
172	105	3/8	M1145147.00	√	991	M38T17FZ23	10	230	1.3	3	235	235

Specifications are subject to change without notice



Gearmotors

SUB-FHP Accessories

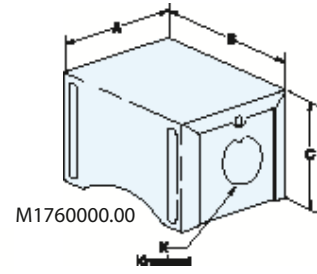
SUB-FHP Gearmotor Conduit Boxes

Optional steel conduit or junction boxes are available. The boxes are painted and mount in holes using screws provided with all stock gearmotors.

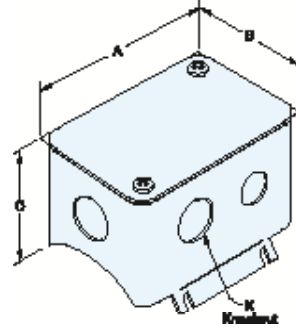
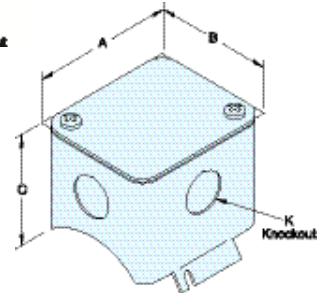
Catalog Number	Frame	List Price	Dimensions (inches)			
			A	B	C	K
M1760000.00*	25	44	2.09	2.45	2.23	0.875
M1760021.00*	30/31	44	3.13	2.63	2.28	0.875
M1760007.00	34	44	3.13	2.63	2.28	0.875
M1760012.00	38	46	4.75	2.75	2.00	1.125
175893.00	42	46	4.75	2.75	2.00	1.125

Note: * For any gearmotor catalog number beginning with M1115XXX, must clarify from gearmotor type and frame columns as listed on catalog pages 343, 345 and 353. For example, if gearmotor type and frame lists P303-30E, then use 30 frame conduit box kit M1760021. If gearmotor type and frame lists 10F60-25, then use conduit box kit M1760000.

Specifications are subject to change without notice

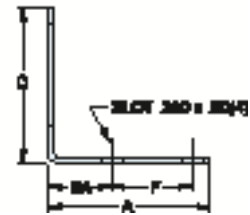
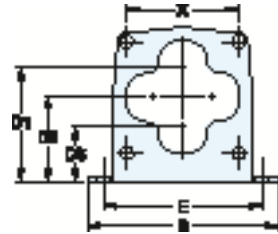


M1760000.00

M1760012.00
&
175893.00M1760007.00
&
M1760021.00

SUB-FHP Gearmotor "L" Mounting Bracket

Optional "L" brackets can be used to mount parallel shaft type PZ or PE350 gearmotors. Of steel construction, they are painted and include screws for mounting to the motor, but not the application.



Catalog Number	Frame	List Price	Dimensions (inches)									
			A	B	C	1D1	1D2	1D3	X	BA	F	E
M1760003.00	PZ Gearmotors	56	3.75	4.5	3.94	3	2.3	1.5	2.6	1.5	1.88	3.75
M1760011.00**	PE350 Gearmotors	68	4.50	6	5.52	4	3.1	2.2	3.6	1.5	2.50	5.00
M1760029.00Δ	PE350 Gearmotors	71	4.50	6	5.52	4	3.1	2.2	3.6	1.5	2.50	5.00

*Maximum radial load no greater than 50 lbs. This bracket can also be used on DC motors in the 34 frame having the style C mounting.

Specifications are subject to change without notice

**Maximum radial load no greater than 200 lbs.

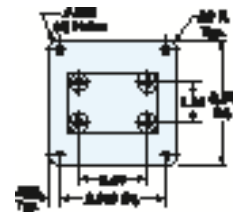
Δ Washguard PE350 L-Bracket

SUB-FHP Gearmotor Right-Angle Base Kit

This Optional Base Kit can be used with the 10 Series right-angle gearmotors. (Includes screws for mounting to gearbox, but not the application.)

Catalog Number	List Price
M1760006.00	61

Specifications are subject to change without notice



For SUB-FHP Right-Angle AC Gearmotors

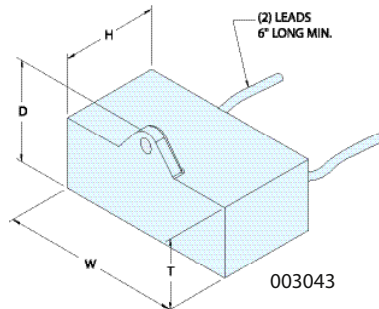
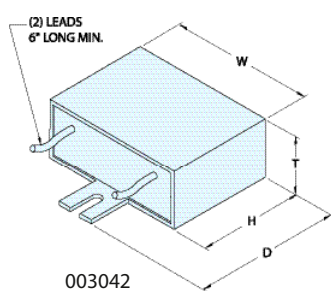
MFD Rating	Voltage Rating	Catalog Number	List Price	Dimensions (inches)			
				W	H	T	D
10	250	003043.05	51	1.89	1.14	0.75	1.14
15	300	003042.05	57	2.28	1.61	1.14	2.48

For SUB-FHP P240 & PE350 AC Gearmotors

Gearmotor Type	MFD Rating	Voltage Rating	Catalog Number	List Price	Dimensions (inches)			
					W	H	T	D
P240	7.5	250	003042.02	57	1.89	1.14	0.75	2.01
PE350	10	250	003042.06	51	1.89	1.24	0.89	2.11
P240	15	300	003042.05	57	2.28	1.61	1.14	2.48
PE350	15	250	003042.04	67	2.28	1.46	0.93	2.33

For SUB-FHP AC PZ Series gearmotors

MFD Rating	Voltage Rating	Catalog Number	List Price	Dimensions (inches)			
				W	H	T	D
3	250	003043.01	57	1.22	0.93	0.57	0.97
10	250	003043.05	51	1.89	1.14	0.75	1.14



Gearmotors

Inverter Rated - PZ Series - AC Gearmotors

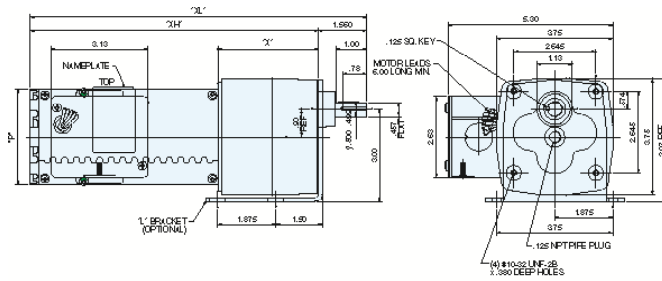
Features:

- Designed with the exclusive Inverter Rated Insulation System (IRIS)
- Provides superior protection against voltage spikes induced by variable frequency drives
- Double shielded motor ball bearings
- Needle bearings in the parallel shaft gearboxes
- Ball bearings in the Right angle (worm) gearboxes
- Steel conduit box provided as Standard
- Finished in high gloss hardened black enamel paint

Application Notes:

- Designed with high temperature insulation (Class F) to prevent overheating when operated with a PWM inverter down to a 10:1 speed range from the printed Gearmotor RPM
- These gearmotors are designed for mounting at any angle, but motor below the reducer should be avoided to prevent leakage of lubricant into the motor should the motor shaft seal fail
- Overhung load capacities shown are at center of output shaft
- For additional information, see Bulletin 1830

pz SERIES - AZ



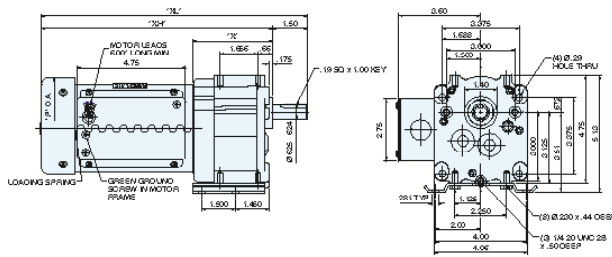
Three Phase - 230 Volt - TENV - PZ Series

Output RPM	F.L. Torque (Lb. In.)	Input HP	Catalog Number	Stock	List Price	Model Number	Gear-motor Type & Frame	Ratio to 1	F.L. Amps @230V	Over-hung Load (lb.)	Dimensions (inches)				♥Notes
											P	X	XL	XH	
19	100	1/15	M1125282.00	C/A	723	M31T17NZ26	PZ4-31	90	0.4	155	3.07	3.23	10.83	9.27	S, US
57	56	1/15	M1125283.00	✓	653	M31T17NZ27	PZ3-31	30	0.4	155	3.07	2.43	10.03	8.47	S, US
142	24	1/15	M1125284.00	✓	600	M31T17NZ28	PZ2-31	12	0.4	155	3.07	2.13	9.73	8.17	S, US
283	12	1/15	M1125285.00	✓	600	M31T17NZ29	PZ2-31	6	0.4	155	3.07	2.13	9.73	8.17	S, US

C/A - Check Availability

♥ Note listing on inside back flap Specifications are subject to change without notice

P240 SERIES - AC

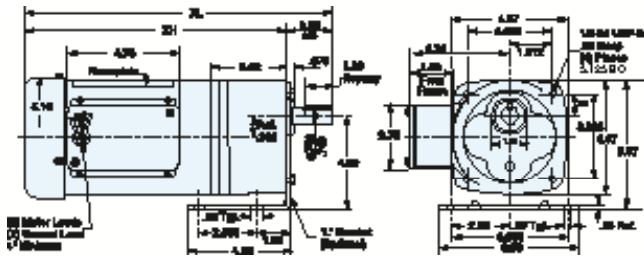


Three Phase - 230 Volt - TEFC - P240 Series

Output RPM	F.L. Torque (Lb. In.)	Input HP	Catalog Number	Stock	List Price	Model Number	Gear-motor Type & Frame	Ratio to 1	F.L. Amps @230V	Over-hung Load (lb.)	Dimensions (inches)				♥Notes
											P	X	XL	XH	
16	391	1/6	M1145122.00	✓	732	M38T17FZ12	P243-38	103	0.7	237	4.43	3.5	11.63	10.13	S, US
30	295	1/6	M1145123.00	✓	732	M38T17FZ14	P243-38	58	0.7	237	4.43	3.5	11.63	10.13	S, US
60	157	1/6	M1145124.00	✓	676	M38T17FZ15	P242-38	29	0.7	237	4.43	3.5	11.63	10.13	S, US
90	103	1/6	M1145125.00	✓	676	M38T17FZ16	P242-38	19	0.7	237	4.43	3.5	11.63	10.13	S, US
156	60	1/6	M1145126.00	✓	676	M38T17FZ17	P242-38	10.6	0.7	237	4.43	3.5	11.63	10.13	S, US

♥ Note listing on inside back flap Specifications are subject to change without notice

PE350 THREE PHASE

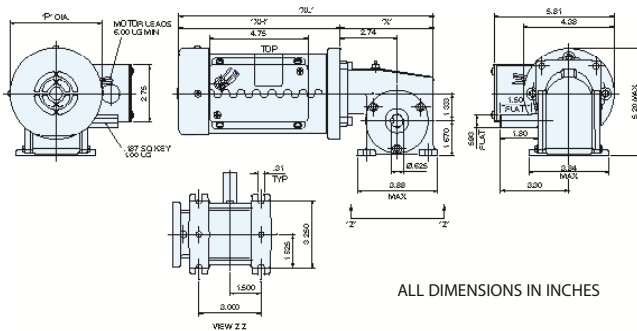


Three Phase - 230-460 Volt - TEFC - PE350 Series

Output RPM	F.L. Torque (Lb. In.)	Input HP	Catalog Number	Stock	List Price	Model Number	Gear-motor Type & Frame	Ratio to 1	F.L. Amps @230V	Over-hung Load (lb.)	Dimensions (inches)				♥Notes
											P	X	XL	XH	
9	341	1/6	096065.00	✓	739	C42T17FZ34	PE353-42	180	1.0	327	5.16	3.32	12.57	10.57	S, US
29	300	1/4	096066.00	✓	745	C42T17FZ29	PE353-42	58	1.2	327	5.16	3.32	13.07	11.07	S, US
58	244	1/4	096067.00	✓	745	C42T17FZ30	PE353-42	30	1.2	327	5.16	3.32	13.07	11.07	S, US
85	165	1/4	096068.00	✓	732	C42T17FZ31	PE352-42	20	1.2	327	5.16	3.32	13.07	11.07	S, US
173	92	1/4	096069.00	✓	732	C42T17FZ32	PE352-42	10	1.2	327	5.16	3.32	13.07	11.07	S, US
325	50	1/4	096070.00	✓	732	C42T17FZ33	PE352-42	5	1.2	327	5.16	3.32	13.07	11.07	S, US

♥ Note listing on inside back flap
Specifications are subject to change without notice

13 SERIES – AC



ALL DIMENSIONS IN INCHES

Three Phase - 230 Volt - TEFC - Right-Angle Series

Output RPM	F.L. Torque (Lb. In.)	Input HP	Catalog Number	Stock	List Price	Model Number	Gear-motor Type & Frame	Ratio to 1	F.L. Amps @230V	Over-hung Load (lb.)	Dimensions (inches)				♥Notes
											P	X	XL	XH	
29	238	3/8	M1145127.00	✓	894	M38T17FZ7	13F60-38	60	1.3	235	4.43	4.5	12.31	7.81	S, US
43	228	3/8	M1145128.00	✓	894	M38T17FZ8	13F40-38	40	1.3	235	4.43	4.5	12.31	7.81	S, US
86	138	3/8	M1145129.00	✓	894	M38T17FZ9	13F20-38	20	1.3	235	4.43	4.5	12.31	7.81	S, US
172	105	3/8	M1145130.00	✓	894	M38T17FZ10	13F10-38	10	1.3	235	4.43	4.5	12.31	7.81	S, US
345	54	3/8	M1145131.00	✓	894	M38T17FZ11	13F05-38	5	1.3	235	4.43	4.5	12.31	7.81	S, US

♥ Note listing on inside back flap
Specifications are subject to change without notice

AC / DC Controls

Quick Reference

IEC Motors

DC Motors

Gearmotors

AC / DC Controls

Accessories / Kits

Mods / Factory Options

X-Ref / Index

Tech Information

Terms / Warnings



DC Adjustable Speed Drives

Speedmaster® DC drives for use with SCR rated motors. Models range from sub-FHP through 3 HP. NEMA 1, NEMA 4/12 and NEMA 4X enclosures available. Low voltage controls available through 120 amps @12/24 V and 100 amps @ 36/48 V.



SM2/SM4 Series Flux Vector Sub-Micro AC Inverters

Speedmaster® sensorless vector drives with “big drive” features and ultra-compact size. SM2 - 1/2 through 25 HP. IP31 enclosure — NEMA 1 Type. SM4 - 1/2 through 10HP IP65 NEMA 4.



SM Series Sub-Micro AC Inverters

Speedmaster® adjustable speed drives for simpler applications not requiring the advanced features of the SM-Plus Series. Models range from 1/3 through 25 HP. IP 20 enclosure — chassis mount.



Micro Series NEMA Enclosed AC Inverters

Speedmaster® adjustable speed drives with plain-English programming and read-out. Models range from 1/4 through 150 HP. NEMA 1 enclosure.



Micro Series WASHGUARD AC Inverters

Speedmaster® adjustable speed drives in NEMA 4/12 and NEMA 4X enclosures. Plain-English programming and read-out. Models range from 1/4 through 125 HP.



Platinum Series AC Inverters

Platinum Series Drives are for use with an AC induction motor or a PMAC motor. IP 20 enclosure protection. 1/3 HP through 30 HP.

NEW!



LEESON Speedmaster® inverters are feature rich controls offering great process control and operating efficiency for your AC Motors. Our broad family of controls have the solution for your application needs at a competitive price.



Basic Features	Micro Series	SM-Plus	SM-Basic	SM2 Vector	SM4 Vector	Platinum VSD	Platinum VSD - Plus
Enclosure Type	IP 31 & IP65/54	IP20	IP20	IP31	IP 65	IP21	IP21
Enclosure Material	Steel	Plastic	Plastic	Plastic	Plastic	Plastic	Plastic
Number Pre-set Speeds	4	7	7	8	8	16	16
Washdown Duty	Yes	No	No	No	Yes	No	No
FWD & REV	Yes	Yes	Yes	Yes	Yes	Yes	Yes
Password Protected	Yes	Yes	Yes	Yes	Yes	Yes	Yes
Dynamic Brake Kits	Yes	Yes	Yes	No	No	No	Yes
Relays	Yes	Yes	Yes	Yes	Yes	Yes	Yes
EPM Programmable	No	Yes	Yes	Yes	Yes	Yes	Yes
Open Loop Vector	No	No	No	Yes	Yes	Yes	Yes
Closed Loop Vector	No	No	No	No	No	No	Yes
PMAC Motor Control	No	No	No	No	No	Yes	Yes
PID Software	Yes	No	No	Yes	Yes	Yes	No
Remote Keypads	Yes	Yes	Yes	Yes	Yes	Yes	Yes
Slip Compensation	Yes	Yes	Yes	Yes	Yes	Yes	Yes
Speed Reference Signals	Yes	Yes	Yes	Yes	Yes	Yes	Yes
Display - Words or codes	Words	3- digit	3 - digit	4 - digit	4 - digit	Words & Codes	Words & Codes
Adjustable carrier frequency	2.5 - 14 kHz	4 - 10 kHz	4 - 10 kHz	4 - 10 kHz	4 - 10 kHz	2 - 16 kHz	2 - 16 kHz
DC Braking	Yes	Yes	Yes	Yes	Yes	Yes	Yes
Fault History	Yes	Yes	Yes	Yes	Yes	Yes	Yes
Max. HP @ 460 Volts	150	30	15	60	30	3	30
Max. HP @ 230 Volts	60	20	15	20	20	3	3
1 Phase Input / 3 Phase Output	Yes	Yes	Yes	Yes	Yes	Yes	Yes
Output frequency	120	240 Hz	240 Hz	500 Hz	500 Hz	599 Hz	599 Hz

AC / DC Controls

DC Adjustable Speed Drives

SCR Thyristor Controls



LEESON Speedmaster DC Control information

PWM and SCR Controls

General Specifications:

- General purpose for permanent magnet or shunt wound DC motors
- NEMA 4X and 4/12 suitable for washdown applications
- Dual voltage capable on most designs – see HP range
- 115 / 230 volt single-phase input voltage – DC 90 volt or 180 volt output
- Adjustable minimum and maximum speed
- Speed pot included on chassis controls
- Adjustable IR compensation
- Heat sinks required as noted
- PWM controls provide quieter operation, lower motor temperature and greater motor overload capacity

Regenerative Controls

General Specifications:

- Four quadrant controls for precise motion control
- NEMA 4X or chassis style
- Motoring and braking torque regulation ¼ HP through 2 HP

For NEMA Frame Motors & Gearmotors

SCR Controls - Enclosed - Single Phase Input 50/60 Hz

Description	Catalog Number	List Price	Output Amps	HP Range		App. Wgt. (lbs.)
				115V	230V	
NEMA 1 General Purpose						
— Non-Reversing	174307.00	460	10	1/8 to 1 Δ	1/4 to 2 Δ	5
— Reversing with dynamic braking	174308.00	629	10	1/8 to 1 Δ	1/4 to 2 Δ	5
— Heat Sink Δ	174316.00	103	—	—	—	1
NEMA 4X Washdown — Dust-Tight						
— Non-Reversing, Plastic Enclosure	174102.00	626	10	1/8 to 1 H	1/4 to 2	6
— Non-Reversing, Plastic Enclosure with Signal Follower	174103.00	911	10	1/8 to 1 H	1/4 to 2	7
— Reversing, Plastic Enclosure*	174107.00	850	10	1/8 to 1 H	1/4 to 2	7
NEMA 4						
— Non-Reversing 3HP	174709.00	1,203	15	—	3	8

See footnotes on page 381

Specifications are subject to change without notice

LEESON Speedmaster DC Control information

SCR Controls - Open Chassis

Description	Catalog Number	List Price	Output Amps	HP Range		App. Wgt. (lbs.)
				115V	230V	
Chassis with Speed Pot-Non Reversing	174311.00	255	10	1/8 to 1 ■	1/4 to 2 ■	1
Chassis Heat Sink ■	174314.00	76	—	—	—	1

Specifications are subject to change without notice

Regenerative SCR Drives - Four Quadrant - Full Wave

Description	Catalog Number	List Price	Output Amps	HP Range		App. Wgt. (lbs.)
				115V	230V	
NEMA 4X Washdown ▲	175720.00	1,313	10	1/4 to 1 ▼	1/2 to 2 ▼	8
Open Chassis with Speed Pot ▲	175721.00	847	10	1/4 to 1 ▼	1/2 to 2 ▼	2
Chassis Heat Sink ▼	175722.00	147	—	—	—	2



Specifications are subject to change without notice

For Subfractional HP Motors & Gearmotors

PWM & SCR Controls - Enclosed - Single Phase Input 50/60 Hz

Description	Catalog Number	List Price	Output Amps	HP Range		App. Wgt. (lbs.)
				115V	230V	
NEMA 1 General Purpose						
—SCR Non-Reversing	M1740005.00	441	3	1/40 to 1/8	1/40 to 1/4	5
—SCR Reversing With Dynamic Braking	M1740006.00	596	3	1/40 to 1/8	1/40 to 1/4	5
—PWM Non-Reversing	M1740008.00	383	3	1/40 to 1/8	1/40 to 1/4	2

Specifications are subject to change without notice

PWM & SCR Controls - Open Chassis

Description	Catalog Number	List Price	Output Amps	HP Range		App. Wgt. (lbs.)
				115V	230V	
Open Chassis SCR Type						
—Chassis with Speed Pot-Non Reversing	M1740007.00	245	1.5	1/40 to 1/8	1/40 to 1/4	1
Open Chassis PWM Type						
—Chassis with Speed Pot-Non Reversing	M1740009.00	285	2	1/40 to 1/8	—	1

* Drive does not have dynamic braking. Motor shaft must be at zero speed before reversing.

Δ Heat sink #174316 is required for NEMA 1 type 3/4 and 1HP 115V and 11/2 and 2HP 230V when the amp draw of the motor exceeds 5 amps.

■ Chassis Heat Sink #174314 required for 3/4 and 1HP 115V and 11/2 and 2HP 230V when the amp draw of the motor exceeds 5 amps.

▼ Chassis Heat sink #175722 required for 1HP and above when the amp draw of the motor exceeds 5 amps.

▲ Regenerative drives are reversible and have regenerative braking.

Specifications are subject to change without notice



AC / DC Controls

DC Adjustable Speed Drives - SCR Controls

15 Series

General Specifications:

- 0-90 / 0-180 volts DC
- Adjustable min. and max. speed
- Adjustable IR compensation
- Fixed acceleration - 5 seconds
- 5K ohm speed potentiometer included
- 25:1 speed range and 1% speed regulation



NEMA 4/12
Non-Reversing



Figure 1

Figure 2

Description	Catalog Number	List Price	Output Amps	HP Range		App. Wgt. (lbs.)
				115V	230V	
NEMA 4/12 Non-Reversing	174696.00	297	3	1/3	2/3	1
Chassis - Figure 1	174695.00	171	2	1/6	1/6	1
Chassis - Figure 2	174694.00	171	2	1/6	1/6	1

Specifications are subject to change without notice

Low Voltage Adjustable Speed Controllers

General Specifications:

- Chassis type design
- DC input / DC output
- Speed potentiometer shipped loose
- High efficient designs increase battery life



Features:

- 40:1 speed range
- Holds speed control as battery discharges
- Adjustable min. and max. speeds
- IR compensation
- 200% current limit overload protection
- Inhibit pins provide optional start-stop
- Power on LED indicator

For NEMA Frame Motors & Gearmotors

SCR Controls - Enclosed - Single Phase Input 50/60 Hz

Input Voltage	Catalog Number	List Price	Output Amps	Dimensions (inches)			App. Wgt. (lbs.)
				Length	Width	Height	
12/24	175290.00	551	16	6.90	4.44	2.19	2
12/24	175291.00	671	60	7.78	6.90	3.25	4
36/48	175292.00	671	60	7.78	6.90	3.25	4

Specifications are subject to change without notice



General Specifications:

- Chassis type design
- DC input / DC output
- Speed potentiometer shipped loose
- High efficient designs increase battery life



Features:

- Sleep mode feature
- Accepts switch closure for reversing and braking
- Built-in short circuit protection
- 1.01 Form factor
- Built-in temperature sensor
- On board trim pots for calibration, speed and forward and reverse settings

Four Quadrant Control

Input Voltage	Catalog Number	List Price	Output Amps	Dimensions (inches)			App. Wgt. (lbs.)
				Length	Width	Height	
12/24	174298.00	1,191	120	6.90	5.00	2.50	3
36/48	174299.00	1,191	100	6.90	5.00	2.50	3

Specifications are subject to change without notice

Dual Mode - Dual Speed Controllers

- SCR Control designed to run two DC motors at the same time in either Independent mode or Slave/ Master mode
- Open chassis design
- Dual voltage, 115-230 VAC input with jumper
- Selectable 90/180 VDC output
- Jumper selectable speed and torque mode
- Two trim pots each for the minimum speed, maximum speed, IR compensation, current limit and acceleration/deceleration
- Comes standard with two potentiometers



HP	Input Voltage	Output Amps	Output Voltage	Catalog Number	List Price	App. Wgt. (lbs)
1 HP @ 90 VDC	115/230	10*	0-90/0-180	174422.00	396	3
2 HP @ 180 VDC						

* Heat sink 174314.00 is required if one side provides more than 5A or the output on both sides is more than 6.5A. Specifications are subject to change without notice

Control Accessories

Description	Catalog Number	List Price
Inhibit Plug	900282.01	52
Speed Pot (10k/5w pot, washers & nut)	006708.01	66

Specifications are subject to change without notice



AC / DC Controls

FHP Series AC Controls

AC Adjustable Speed Drives

General Specifications:

The FHP Series volts/hertz-type AC drives are as simple to set-up and calibrate as an SCR-type DC drive.

Compact chassis design maintain industry standard mounting hole locations.

Features:

Common features for chassis and enclosed units:

- Compact size – (4.30" x 3.70")
- Output voltage on dual voltage models is jumper selectable and has voltage doubler
- Acceleration and deceleration trim pots
- Torque, maximum speed and torque limit trim pots
- Torque 'foldback' feature – Allows up to 200% torque for short periods
- 16kHz switching frequency, with option to change between 4 and 16kHz
- Adjustable torque boost for startup – Up to 200%
- Color-coded on-board LEDs for power, fault and torque limit
- Easy start/stop and direction control with enable and direction terminal connections
- Accepts speed reference from 0-5VDC isolated signal
- Speed potentiometer shipped loose
- Plug-in Process Control Module (PCM) kit available to accept 0-5VDC, 0-10VDC or 4-20mA input
- UL listed

Special features of the NEMA 4X drive:

- NEMA 4X enclosure
- Jumper selectable DC injection braking or coast to stop
- Brake time and current are adjustable
- Built-in isolation card to accept a speed reference signal
- Min speed adjustment
- Auto or manual restart after power loss

PARAMETER	SPECIFICATIONS FOR ALL FHP MODELS
Max load	150% for 5 minutes
Output frequency	0-120Hz
Output type	6 step PWM
Switching frequency	4-16kHz range* with 16kHz as factory default
Speed regulation and range	±3% of base speed; up to 50:1
On-board adjustable trim pots	Max speed, accel, decel, boost & torque limit
Adjustable maximum frequency range	32-120Hz
Adjustable accel and decel time range	1-12 seconds
Torque boost range	0-200%
LED indicators	Power (green), Fault‡ (red), Torque Limit (yellow)
Instantaneous over-current trip time	3 µsec
Analog reference input and impedance	0-5VDC isolated, ~100Kohm
Plug-in PCM isolator card input	0-5 VDC, 0-10VDC, 4-20mA
Ambient temperature range	0-40°C
Weight (Chassis Models)	1.2 lbs.
Vibration (>50Hz)	0.5G max (20-50Hz); 0.1G max
Approvals	UL, cUL

* Plug-in capacitor kit (175325.00) for field adjustments to less than 16khz

‡ Faults are Over-voltage, Under-voltage and Instantaneous Over Current trip





Single Phase Input / Single or Three Phase Output

HP	Input Voltage	Output Amps	Output Voltage	Catalog Number	List Price	App. Wgt. (lbs)
1/4	115	2.4	115	175320.00	404	3
1/2	230	2.4	230	175321.00	404	3
1/2	115/230	2.4	230	175310.00	513	3
1/2	115	4.0	115	175322.00	502	4
1	230	4.0	230	175323.00	497	4
1	115/230	4.0	230	175311.00	650	4

Specifications are subject to change without notice

FHP Series AC Drives - Accessories

Description	Catalog Number	List Price	App. Wgt. (lbs)
Process Control Module (PCM) Kit*	175324.00	125	2
Carrier Frequency Capacitor Kit	175325.00	30	1

* PCM Kit is for use with chassis drives only.
 Specifications are subject to change without notice

AC / DC Controls
FHP Series AC Drives - NEMA 4X (IP65)

- NEMA 4X enclosure
- Min speed adjustment
- Jumper selectable features:
 - DC injection braking or coast to stop
 - Brake time and current are adjustable
 - Auto or manual restart after power loss
- Built-in isolation card to accept a speed reference signal



Single Phase Input / Three Phase Output

HP	Input Voltage	Output Amps	Output Voltage	Catalog Number	List Price	App. Wgt. (lbs)
1/6 - 1	115/230	4.0	230	175326.00	914	7

Specifications are subject to change without notice



AC / DC Controls

Micro Series AC Inverters

NEMA 1, IP31 Enclosure Protection

Features:

- Full feature, English read-out parameters
- 16 bit Intel microprocessor
- Choice of using factory “Quick Start” program settings
- Output frequency to 120 Hz. Higher frequency available
- 150% overload capacity for one minute
- Speed reference signals - potentiometer, 0-10 VDC or 4-20mA inputs
- Output signal, 0-10 VDC, speed or load
- Two auxiliary contacts, one form C relay and two open collector outputs
- 4 preset speeds
- Slip compensation
- Adjustable carrier frequency
- Adjustable acceleration and deceleration times
- Forward and reverse
- Time and voltage adjustable DC braking
- Password protected
- Constant torque-with adjustable current limit
- Steel enclosure with Aluminum heat sinks
- Dynamic braking kits available
- Remote keypads available
- PID software built-in for motor feedback
- UL Listed

PDF file of Manual available at
www.leeson.com/Technical Information



NEMA 1



NEMA 1 (IP31) - Single Phase Input / 230V Three Phase Output (Use with three phase 230V motor)

HP	Output Amps @ 230 Volts	Input Voltage	Catalog Number	List Price	App. Wgt. (lbs)	Dimension Key
1/4	1.4	115/230	174930.00	1,091	5	A
1/2	2.2	115/230	174997.00	1,315	7	AC
1	4.0	115/230	174931.00	1,326	7	D
1 1/2	5.2	115/230	174932.00	1,469	7	D
2	6.8	200-230	174933.00	1,401	9	E
3	9.6	200-230	174934.00	1,542	9	E

Specifications are subject to change without notice

Dimension Table see page 404-405



NEMA 1, IP31 Enclosure Protection

Voltage	HP	Output Amps	Input Voltage	Catalog Number	List Price	App. Wgt. (lbs)	Dimension Key
200-240 Volts	1/2	2.2	200-240	174914.00	1,156	6	B
	1	4.0	200-240	174915.00	1,213	6	C
	1.5	5.2	200-240	174916.00	1,271	6	C
	2	6.8	200-240	174917.00	1,358	9	E
	3	9.6	200-240	174918.00	1,460	9	E
	5	15.2	200-240	174919.00	1,726	11	F
	7.5	25.0	200-240	174545.00	2,553	13	M
	10	28.0	200-240	174551.00	3,304	15	L
	15	42.0	200-240	174557.00	4,360	19	N
	20	54.0	200-240	174560.00	5,916	21	P
	25	68.0	200-240	174569.00	7,166	38	T
30	80.0	200-240	174571.00	8,598	44	T	
400-480 Volts	1	2.0	400-480	174920.00	1,455	6	B
	2	3.4	400-480	174921.00	1,596	7	D
	3	4.8	400-480	174922.00	1,726	9	E
	5	7.6	400-480	174923.00	1,942	9	E
	10	14.0	400-480	174552.00	3,583	13	M
	15	21.0	400-480	174558.00	4,601	15	L
	20	27.0	400-480	174561.00	6,104	17	N
	25	34.0	400-480	174563.00	7,197	21	P
	30	40.0	400-480	174565.00	7,836	21	P
	40	52.0	400-480	174567.00	9,031	35	T
	50	65.0	400-480	174593.00	11,007	44	W
	60	77.0	400-480	174572.00	12,094	67	W
	75	96.0	400-480	174580.00	15,331	185	AG
	100	124.0	400-480	174582.00	18,642	250	AH
	125	156.0	400-480	174584.00	20,946	260	AH
150	180.0	400-480	174586.00	28,575	360	AL	
480-590 Volts	1	1.6	480-590	174925.00	1,613	6	B
	2	2.7	480-590	174926.00	1,783	7	D
	3	3.9	480-590	174927.00	1,970	9	E
	5	6.1	480-590	174928.00	2,149	9	F
	7.5	9.0	480-590	174929.00	2,626	11	I
	10	11.0	480-590	174553.00	4,002	13	R
	15	17.0	480-590	174559.00	5,283	17	N
	20	22.0	480-590	174562.00	6,710	19	O
	25	27.0	480-590	174564.00	7,924	21	P
	30	32.0	480-590	174566.00	8,875	22	S
	40	41.0	480-590	174599.00	9,844	38	T
	50	52.0	480-590	174594.00	11,941	45	W
60	62.0	480-590	174573.00	13,358	51	W	

Specifications are subject to change without notice
 Dimension Table see page 404-405



IEC Motors

DC Motors

Gearmotors

AC / DC Controls

Accessories / Kits

Mods / Factory Options

X-Ref / Index

Tech Information

Terms / Warnings

AC / DC Controls

Washguard® Micro Series AC Inverters

NEMA 4/12 (IP65/IP54)

Epoxy Coated

General Specifications:

- Food-safe white epoxy finish
- No external cooling fan required
- Water, oil and dust-tight enclosure protected
- Same features as Micro Series inverters as shown on previous page



WASHGUARD NEMA 4/12

Three Phase Input / Output

Voltage	HP	Output Amps	Input Voltage □	Catalog Number	List Price	App. Wgt. (lbs)	Dimension Key
200-240 Volts	1/2	2.2	200-240	174935.00	1,636	8	G
	1	4.0	200-240	174936.00	1,777	8	G
	1 1/2	5.2	200-240	174482.00	1,801	8	Y
	2	6.8	200-240	174937.00	1,903	10	H
	3	9.6	200-240	174938.00	2,059	11	J
	5	15.2	200-240	174730.00	2,538	11	K
	7 1/2	22.0	200-240	174734.00	3,520	27	Q
	10	28.0	200-240	174737.00	4,441	32	U
	15	43.0	200-240	174740.00	5,355	40	V
	20	54.0	200-240	174743.00 □	6,876	42	AA
	25	68.0	200-240	174595.00 □	9,422	53	Z
30	80.0	200-240	174596.00 □	9,983	53	Z	
400-480 Volts	1	2.0	400-480	174939.00	2,001	8	G
	2	3.4	400-480	174940.00	2,208	10	H
	3	4.8	400-480	174941.00	2,367	10	H
	5	7.6	400-480	174942.00	2,616	11	J
	10	14.0	400-480	174554.00	4,421	11	Q
	15	21.0	400-480	174749.00	5,508	32	U
	20	27.0	400-480	174752.00	7,062	36	V
	25	34.0	400-480	174755.00 □	8,154	42	AA
	30	40.0	400-480	174757.00 □	8,912	53	AA
	40	52.0	400-480	174513.00 □	10,309	54	Z
	50	65.0	400-480	174511.00 □	11,963	75	AB
	60	77.0	400-480	174574.00 □	13,470	98	AB
	75	96.0	400-480	174581.00 □	16,628	200	AJ
	100	124.0	400-480	174583.00 □	20,083	300	AO
125	156.0	400-480	174585.00 □	22,819	310	AO	
480-590 Volts	1	1.6	480-590	174943.00	2,177	8	G
	2	2.7	480-590	174944.00	2,428	10	H
	3	3.9	480-590	174945.00	2,649	10	H
	5	6.1	480-590	174946.00	2,851	11	J
	7.5	9.0	480-590	174549.00	3,918	13	K
	10	11.0	480-590	174556.00	5,141	17	Q
	15	17.0	480-590	174763.00	6,210	38	U
	20	22.0	480-590	174766.00	7,560	40	V
	25	27.0	480-590	174769.00 □	9,016	42	AA
	30	32.0	480-590	174597.00 □	9,894	53	AA
	40	41.0	480-590	174512.00 □	11,455	54	Z
	50	52.0	480-590	174510.00 □	13,374	75	AB
	60	62.0	480-590	174575.00 □	14,960	98	AB

□ Enclosures are NEMA 12 only – others are NEMA 4/12
 ■ User programmable for 50Hz and other voltage inputs

Specifications are subject to change without notice

Dimension Table see page 404-405



AC / DC Controls

Washguard® Micro Series AC Inverters

**NEMA 4X (IP65)
Stainless Steel**



WASHGUARD NEMA 4X

General Specifications:

- 300-Series stainless steel
- No external cooling fans
- Must be protected from caustic agents
- Same features as NEMA 1 Micro Series inverters

Three Phase Input / Output

Voltage	HP	Output Amps	Input Voltage ▣	Catalog Number	List Price	App. Wgt. (lbs)	Dimension Key
200-240 Volts	1/2	2.2	200-240	174527.00	1,921	8	G
	1	4.0	200-240	174528.00	2,061	8	G
	1 1/2	5.2	200-240	174529.00	2,157	8	Y
	2	6.8	200-240	174530.00	2,286	10	H
	3	9.6	200-240	174531.00	2,402	11	J
	5	15.2	200-240	174732.00	3,344	11	K
	7 1/2	22.0	200-240	174735.00	4,116	27	Q
	10	28.0	200-240	174738.00	5,134	32	U
400-480 Volts	15	43.0	200-240	174741.00	6,273	40	V
	1	2.0	400-480	174532.00	2,264	8	G
	2	3.4	400-480	174533.00	2,566	10	H
	3	4.8	400-480	174534.00	2,752	10	H
	5	7.6	400-480	174535.00	3,142	11	J
	10	14.0	400-480	174747.00	5,277	11	Q
	15	21.0	400-480	174750.00	6,315	32	U
480-590 Volts	20	27.0	400-480	174753.00	7,795	36	V
	1	1.6	480-590	174536.00	2,460	8	G
	2	2.7	480-590	174537.00	2,746	10	H
	3	3.9	480-590	174538.00	2,971	10	H
	5	6.1	480-590	174539.00	3,362	11	J
	7 1/2	9.0	480-590	174759.00	4,545	13	K
	10	11.0	480-590	174761.00	5,832	17	Q
	15	17.0	480-590	174764.00	7,005	38	U
20	22.0	480-590	174767.00	8,470	40	V	

▣ User programmable for 50Hz and other voltage inputs

Specifications are subject to change without notice

Dimension Table see page 404-405



AC / DC Controls

Washguard® Micro Series AC Inverters

NEMA 4X (IP65)

Stainless Steel

Washguard® NEMA 4X (IP65) Stainless Steel - Single Phase Input - 230 Volt Three Phase Output

(Use with three phase 230V motor)

HP	Output Amps	Input Voltage ▣	Catalog Number	List Price	App. Wgt. (lbs)	Dimension Key
1/4	1.4	115/230	174519.00	1,879	8	AD
1/2	2.2	115/230	174520.00	2,089	8	X
1	4.0	115/230	174521.00	2,239	11	H
1 1/2	5.2	115/230	174517.00	2,752	11	H
2	6.8	208-230	174525.00	2,354	11	H
3	9.6	208-230	174526.00	2,469	12	J

Specifications are subject to change without notice

Dimension Table see page 404-405

Washguard® NEMA 4 (IP65) Epoxy Coated - Single Phase Input - 230 Volt Three Phase Output

(Use with three phase 230V motor)

HP	Output Amps	Input Voltage ▣	Catalog Number	List Price	App. Wgt. (lbs)	Dimension Key
1/4	1.4	115/230	174996.00	1,481	8	AD
1/2	2.2	115/230	174998.00	1,617	8	X
1	4.0	115/230	174999.00	1,770	11	H
1 1/2	5.2	115/230	174515.00	2,080	11	H
2	6.8	208-230	174475.00	1,884	11	H
3	9.6	208-230	174729.00	1,995	12	J

Specifications are subject to change without notice

Dimension Table see page 404-405



NEW!

AC / DC Controls Platinum VSD Series IP 20 Enclosure Protection Available September 2016

General Specifications:

- New state of the art inverter designs
- Space saving design: 2.36 in. (60 mm) wide, 5.12 in. (130 mm) deep, also zero-clearance mounting
- RoHS2-Compliance
- Fulfills IE2 according to new EN 50598-2
- Out of the box commissioning
- Easy commissioning with memory module
- Improved usability for easy commissioning
- Parameterization with USB module without external power supply
- Innovative interface options enable set-up times faster than ever before
- The wide-ranging modular system enables various product configurations depending on machine requirements
- Spring loaded control terminals (fixed)
- More functionalities for advanced application
- Fieldbus - CANopen/Modbus (optional)
- VFC Eco mode for more energy savings
- The Platinum VSD is recommended in applications for pumps and fans, conveyors, formers, winders and machine tools

Features: Three set-up methods

- Keypad - If you only need to set up a few parameters, such as acceleration time, this can be done quickly from the keypad
- Smart Keypad for use with an Android App. Enables adjustment to a simple application such a conveyor
- Easy Starter - For use if the function is needing a potentiometer or control for a positioning application needs to be set.



IEC Motors

DC Motors

Gearmotors

AC / DC Controls

Accessories / Kits

Mods / Factory Options

X-Ref / Index

Tech Information

Terms / Warnings



NEW!

AC / DC Controls

Platinum VSD Series

IP 20 Enclosure Protection

Available September 2016

For Use With Three Phase Induction or PMAC Motors

Fieldbus	Input Voltage	HP	Output Amps	Catalog Number	List Price	App. Wgt. (lbs)	Dimensions H x W x D (in)
N/A	230/240 Volts - 1 or 3 Phase	1/3	1.7	176105.00	315	2	6.1 x 2.36 x 5.12
		1/2	2.4	176106.00	370	2	6.1 x 2.36 x 5.12
		3/4	3.2	176107.00	411	2	7.09 x 2.36 x 5.12
		1	4.2	176108.00	438	2	7.09 x 2.36 x 5.12
		1 1/2	6.0	176109.00	507	3	9.84 x 2.36 x 5.12
		2	7.0	176110.00	589	3	9.84 x 2.36 x 5.12
		3	9.6	176111.00	671	3	9.84 x 2.36 x 5.12
CANopen/Modbus	230/240 Volts - 1 or 3 Phase	1/3	1.7	176112.00	397	2	6.1 x 2.36 x 5.12
		1/2	2.4	176113.00	452	2	6.1 x 2.36 x 5.12
		3/4	3.2	176114.00	493	2	7.09 x 2.36 x 5.12
		1	4.2	176115.00	520	2	7.09 x 2.36 x 5.12
		1 1/2	6.0	176116.00	589	3	9.84 x 2.36 x 5.12
		2	7.0	176117.00	671	3	9.84 x 2.36 x 5.12
		3	9.6	176118.00	753	3	9.84 x 2.36 x 5.12
N/A	400/480 Volts - 3 Phase	1/2	1.3	176120.00	658	2	6.1 x 2.36 x 5.12
		3/4	1.8	176121.00	684	2	7.09 x 2.36 x 5.12
		1	2.4	176122.00	712	2	7.09 x 2.36 x 5.12
		1 1/2	3.2	176123.00	753	3	9.84 x 2.36 x 5.12
		2	3.9	176124.00	807	3	9.84 x 2.36 x 5.12
		3	5.6	176125.00	890	3	9.84 x 2.36 x 5.12
CANopen/Modbus	400/480 Volts - 3 Phase	1/2	1.3	176127.00	740	2	6.1 x 2.36 x 5.12
		3/4	1.8	176128.00	766	2	7.09 x 2.36 x 5.12
		1	2.4	176129.00	794	2	7.09 x 2.36 x 5.12
		1 1/2	3.2	176130.00	835	3	9.84 x 2.36 x 5.12
		2	3.9	176131.00	890	3	9.84 x 2.36 x 5.12
		3	5.6	176132.00	972	3	9.84 x 2.36 x 5.12

Specifications are subject to change without notice

Accessories	Catalog Number	List Price
Keypad Interface	174356.00	95
USB Interface	174357.00	69
WiFi Direct Interface Module	174358.00	221
Blank Interface Cover (4-pack)	174359.00	35

Specifications are subject to change without notice



NEW!

AC / DC Controls Platinum VSD - Plus Series IP 20 Enclosure Protection Available September 2016

General Specifications:

- New state of the art inverter designs
- Space saving design: 2.36 in. (60 mm) wide, 5.12 in. (130 mm) deep, also zero-clearance mounting
- RoHS2-Compliance
- Fulfills IE2 according to new EN 50598-2
- Out of the box commissioning
- Easy commissioning with memory module
- Improved usability for easy commissioning
- Parameterization with USB module without external power supply
- The wide-ranging modular system enables various product configurations depending on machine requirements
- The wide-ranging modular system enables various product configurations depending on machine requirements
- The Platinum VSD is recommended in applications for pumps and fans, conveyors, formers, winders and machine tools
- Pluggable control terminal
- More functionalities for advanced application
- Fieldbus - EtherCAT, EtherNet/IP, Profinet, CANopen, Modbus, Profibus, (options)
- VFC Eco mode for more energy savings
- Innovative interface options enable set-up times faster than ever before
- Safety torque off (STO) option

Features: Three set-up methods

- Keypad - If you only need to set up a few parameters, such as acceleration time, this can be done quickly from the keypad
- Smart Keypad for use with an Android App. Enables adjustment to a simple application such a conveyor
- Easy Starter - For use if the function is needing a potentiometer or control for a positioning application needs to be set



IEC Motors

DC Motors

Gearmotors

AC / DC Controls

Accessories / Kits

Mods / Factory Options

X-Ref / Index

Tech Information

Terms / Warnings

AC / DC Controls

Platinum VSD - Plus Series

IP 20 Enclosure Protection

Available September 2016

For Use With Three Phase Induction or PMAC Motors - Power Units

Input Voltage	HP	Output Amps	Catalog Number	List Price	App. Wgt. (lbs)	Dimensions H x W x D (in)
230/240 Volts - 1 or 3 Phase	1/3	1.7	176133.00	329	2	6.1 x 2.36 x 5.12
	1/2	2.4	176134.00	383	2	6.1 x 2.36 x 5.12
	3/4	3.2	176135.00	424	2	7.09 x 2.36 x 5.12
	1	4.2	176136.00	478	2	7.09 x 2.36 x 5.12
	1 1/2	6.0	176137.00	561	3	9.84 x 2.36 x 5.12
	2	7.0	176138.00	671	3	9.84 x 2.36 x 5.12
	3	9.6	176139.00	807	3	9.84 x 2.36 x 5.12
400/480 Volts - 3 Phase	1/2	1.3	176140.00	658	2	6.1 x 2.36 x 5.12
	3/4	1.8	176141.00	725	2	7.09 x 2.36 x 5.12
	1	2.4	176142.00	794	2	7.09 x 2.36 x 5.12
	1 1/2	3.2	176143.00	931	3	9.84 x 2.36 x 5.12
	2	3.9	176144.00	1,067	3	9.84 x 2.36 x 5.12
	3	5.6	176145.00	1,247	3	9.84 x 2.36 x 5.12
	5	9.5	176146.00	1,630	5	9.84 x 3.54 x 5.12
	7 1/2	13.0	176147.00	1,957	5	9.84 x 3.54 x 5.12
	10	16.5	176148.00	2,586	8	10.83 x 4.72 x 5.12
	15	23.5	176149.00	3,355	8	10.83 x 4.72 x 5.12
	20	32.0	176150.00	4,463	23	13.78 x 8.07 x 9.06
	25	40.0	176151.00	5,463	23	13.78 x 8.07 x 9.06
	30	47.0	176152.00	5,954	23	13.78 x 8.07 x 9.06

Specifications are subject to change without notice

Control Units

Type	Catalog Number	List Price
Standard I/O	174362.00	136
Application I/O	174363.00	219
CANopen - Standard I/O	174364.00	219
Modbus-RTU - Standard I/O	174365.00	219
Profibus-DP - Standard I/O	174366.00	275
EtherCat - Standard I/O	174367.00	355
Profinet - Standard I/O	174368.00	383
EtherNet/IP - Standard I/O	174369.00	355

Specifications are subject to change without notice

Accessories	Catalog Number	List Price
Keypad Interface	174356.00	95
USB Interface	174357.00	69
WiFi Direct Interface Module	174358.00	221
Blank Interface Cover (4-pack)	174359.00	35
Remote Keypad Kit	174370.00	180

Specifications are subject to change without notice



General Specifications:

- Designed to be used with Vector duty rated AC motors
- Open Loop Flux Vector designs
- Typical applications would include: food processing, machinery, material handling and HVAC systems
- Enclosure: NEMA1, IP31, -10 to 55°C, 2.5% derate per °C above 40°C

Standard Features:**Easy Set-up and Operation: Program the Vector control in one of four convenient ways:**

- From the front of the drive
- The optional remote keypad
- A PC using TechLink software
(Available free from www.leeson.com)
- The innovative EPM programmer

Modes of operation:

- Open loop flux vector (speed or torque)
- V/Hz (constant or variable)
- Enhanced V/Hz with auto-tuning

Easy to Use Keypad & Display**6-Button Interface:**

- Start
- Stop
- Forward/reverse
- Scroll up
- Scroll down
- Enter/mode

Vivid Illumination:

- 4 digit LED display
- Easy to read from a distance
- Movable decimal point

Acceleration/Deceleration Profiles:

- Two Independent accel ramps
- Two Independent decel ramps
- Linear or S-type
- Auxiliary ramp-to-stop

Output Frequency:

- 500 Hz Std., 1000 Hz optional

Selectable Logic Assertion:

- Positive logic input (PNP current sourcing)
- Negative logic input (NPN current sinking)



AC / DC Controls

SM2 Series Flux Vector Series AC Inverters

NEMA 1 IP31 Enclosure Protection

Multiple Braking Functions

- Loss of follower management
- Speed commands: keypad, jog, floating point control
- Voltage: Scalable 0-10 VDC
- Current: Scalable 4-20 mA, potentiometer
- 8 preset speeds
- Process control: PID modes: direct or reverse acting
- PID sleep mode
- Voltage monitoring
- Current monitoring
- Real time monitoring: 8 register fault history, software version drive network ID, DC bus
- Voltage (V), motor voltage (V), output current (%)
Motor current (A), motor torque (%), power (kW)
Energy consumption (kWh), heatsink
- Temperature (°C), 0-10 VDC input (user defined), 4-20 mA input (user defined) PID feedback (user defined), analog output (% load, % torque, kW), network speed (baud rate), terminal continuity, keypad status
- Elapsed run time (hours), elapsed power on time (hours)
- Standards: UL (USA), cUL (Canada), CE (Europe), GOST (Russia/Ukraine) C-Tick (Australia/New Zealand)

Single Phase Input / 230 Volt Three Phase Output

Voltage	HP	Output Amps	Input Voltage ■	Catalog Number	List Price	App. Wgt. (lbs)	Dimensions H x W x D (in.)
115-230 Volts	1/3	1.7	115/230	174603.00	571	3	7.5 x 3.9 x 4.35
	1/2	2.4	115/230	174604.00	587	3	7.5 x 3.9 x 4.35
	1	4.2	115/230	174605.00	654	3	7.5 x 3.9 x 4.35
	1 1/2	6.0	115/230	174651.00	824	5	7.5 x 3.9 x 5.45

Specifications are subject to change without notice

Single or Three Phase Input / 230 Volt Three Phase Output

Voltage	HP	Output Amps	Input Voltage ■	Catalog Number	List Price	App. Wgt. (lbs)	Dimensions H x W x D (in.)
208-240 Volts	1/3	1.7	208/240	174606.00£	520	3	7.5 x 3.9 x 4.35
	1/2	2.4	208/240	174607.00	546	3	7.5 x 3.9 x 4.35
	1	4.2	208/240	174608.00	577	3	7.5 x 3.9 x 4.35
	1 1/2	6.0	208/240	174609.00	643	4	7.5 x 3.9 x 5.45
	2	7.0	208/240	174610.00	699	4	7.5 x 3.9 x 5.45
	3	9.6	208/240	174611.00	885	4	7.5 x 3.9 x 5.45

- £ LEESON model 174606.00 is single-phase input only
- User programmable for 50Hz and other voltage inputs

Specifications are subject to change without notice



AC / DC Controls

SM2 Series Flux Vector Series AC Inverters

NEMA 1 IP31 Enclosure Protection

Three Phase Input / Output

Voltage	HP	Output Amps	Input Voltage [■]	Catalog Number	List Price	App. Wgt. (lbs)	Dimensions H x W x D (in.)
200-240 Volts	1 1/2	6.0	200/240	174612.00	615	4	7.5 x 3.9 x 5.45
	2	7.0	200/240	174613.00	661	4	7.5 x 3.9 x 5.45
	3	9.6	200/240	174614.00	830	4	7.5 x 3.9 x 5.45
	5	16.5	200/240	174615.00	991	4	7.5 x 3.9 x 5.8
	7 1/2	23.0	200/240	174616.00	1,323	7	9.83 x 5.12 x 6.3
	10	29.0	200/240	174617.00	1,634	7	9.83 x 5.12 x 6.3
	15	42.0	200/240	174618.00	2,540	20	12.33 x 6.88 x 8.08
	20	54.0	200/240	174619.00	3,122	20	12.33 x 6.88 x 8.08
400-480 Volts	1/2	1.1	400/480	174620.00	631	3	7.5 x 3.9 x 4.35
	1	2.1	400/480	174621.00	677	3	7.5 x 3.9 x 4.35
	1 1/2	3.0	400/480	174622.00	734	4	7.5 x 3.9 x 5.45
	2	3.5	400/480	174623.00	783	4	7.5 x 3.9 x 5.45
	3	4.8	400/480	174624.00	922	4	7.5 x 3.9 x 5.45
	5	8.2	400/480	174625.00	1,043	4	7.5 x 3.9 x 5.8
	7 1/2	11.0	400/480	174626.00	1,321	7	9.83 x 5.12 x 6.3
	10	14.0	400/480	174627.00	1,632	7	9.83 x 5.12 x 6.3
	15	21.0	400/480	174628.00	2,547	20	12.33 x 6.88 x 8.08
	20	27.0	400/480	174629.00	3,131	20	12.33 x 6.88 x 8.08
	25	35.0	400/480	174630.00	3,886	20	12.33 x 6.88 x 8.08
	30	45.0	400/480	174991.00	4,613	14	12.5x6.92x8.09
	40	59.0	400/480	174992.00	5,129	24	14.19x8.72x10.07
	50	74.0	400/480	174710.00	7,045	31	17.19x8.72x10.07
60	87.0	400/480	174711.00	8,572	35	20.19x8.72x10.07	
480-590 Volts	1	1.7	480/590	174631.00	780	3	7.5 x 3.9 x 4.35
	2	2.7	480/590	174632.00	870	4	7.5 x 3.9 x 5.45
	3	3.9	480/590	174633.00	1,005	4	7.5 x 3.9 x 5.45
	5	6.1	480/590	174634.00	1,136	4	7.5 x 3.9 x 5.8
	7 1/2	9.0	480/590	174635.00	1,418	7	9.83 x 5.12 x 6.3
	10	11.0	480/590	174636.00	1,749	7	9.83 x 5.12 x 6.3
	15	17.0	480/590	174637.00	2,806	20	12.33 x 6.88 x 8.08
	20	22.0	480/590	174638.00	3,614	20	12.33 x 6.88 x 8.08
	25	27.0	480/590	174639.00	4,185	20	12.33 x 6.88 x 8.08

■ User programmable for 50Hz and other voltage inputs

Specifications are subject to change without notice



IEC Motors

DC Motors

Gearmotors

AC / DC Controls

Accessories / Kits

Mots / Factory Options

X-Ref / Index

Tech Information

Terms / Warnings

AC / DC Controls

SM4 Series Flux Vector Series AC Inverters NEMA 4 IP65 Enclosure Protection



General Specifications:

- Indoor use only inverter that is designed to be used with vector duty motors
- Typical applications would include: packaging machinery, food processing, conveying systems, machinery and HVAC systems
- Enclosure: NEMA 4, IP65, -10 to 55°C, derate per °C above 40°C

Standard Features:

Easy Set-up and Operation: Program the Vector control in one of four convenient ways:

- From the front of the drive
- The optional remote keypad
- A PC Using TechLink software (Available free from www.leeson.com)
- The innovative EPM programmer

Modes of operation:

- Open Loop Flux Vector (speed or torque)
- V/Hz (constant or variable)
- Enhanced V/Hz with auto-tuning

Easy to Use Keypad & Display

6-Button Interface:

- Start
- Stop
- Forward/reverse
- Scroll up
- Scroll down
- Enter/mode

Vivid Illumination:

- 4 digit LED display
- Easy to read from a distance
- Movable decimal point

Acceleration/Deceleration Profiles:

- Two independent accel ramps
- Two independent decel ramps
- Linear or S-type
- Auxiliary ramp-to-stop

Output Frequency:

- 500 Hz Std., 1000 Hz optional

Selectable Logic Assertion:

- Positive logic input (PNP current sourcing)
- Negative logic input (NPN current sinking)

Multiple Braking Functions

- Loss of follower management
- Speed commands: keypad, jog, floating point control
- Voltage: scalable 0-10 VDC
- Current: scalable 4-20 mA, potentiometer
- 8 Preset speeds
- Process control: PID modes: direct or reverse acting
- PID sleep mode
- Voltage monitoring
- Current monitoring
- Real time monitoring: 8 register fault history, software version drive network ID, DC bus
- Voltage (V), motor voltage (V), output current (%), motor current (A), motor torque (%), power (kW), energy consumption (kWh), heatsink
- Temperature (°C), 0-10 VDC input (user defined), 4-20 mA input (user defined) PID feedback (user defined), analog output (% load, % torque, kW), network speed (baud rate), terminal continuity, keypad status
- Elapsed run time (hours), elapsed power on time (hours)
- Standards: UL (USA), cUL (Canada), CE (Europe), GOST (Russia/Ukraine) C-Tick (Australia/New Zealand)



AC / DC Controls

SM4 Series Flux Vector Series AC Inverters

NEMA 4 IP65 Enclosure Protection

IEC Motors

DC Motors

Gearmotors

AC / DC Controls

Accessories / Kits

Mods / Factory Options

X-Ref / Index

Tech Information

Terms / Warnings

Single Phase Input / Three Phase Output

(Use with three phase 230V motor)

Voltage	HP	Output Amps	Input Voltage \blacksquare	Catalog Number	List Price	App. Wgt. (lbs)	Dimensions H x W x D (in.)
115/230 Volts	1/2	2.4	115/230	174652.00	758	4	8.0 x 6.28 x 4.47
	1	4.2	115/230	174653.00	864	4	8.0 x 6.28 x 4.47
	1 1/2	6.0	115/230	174654.00	1,052	4	8.0 x 6.28 x 4.47

\blacksquare User programmable for 50Hz and other voltage inputs

Specifications are subject to change without notice

Single or Three Phase Input / Three Phase Output

(Use with three phase 230V motor)

Voltage	HP	Output Amps	Input Voltage \blacksquare	Catalog Number	List Price	App. Wgt. (lbs)	Dimensions H x W x D (in.)
208-240 Volts	1/2	2.4	208-240	174655.00	682	4	8.0 x 6.28 x 4.47
	1	4.2	208-240	174656.00	731	4	8.0 x 6.28 x 4.47
	1 1/2	6.0	208-240	174657.00	855	6	8.0 x 6.28 x 6.31
	2	7.0	208-240	174658.00	927	6	8.0 x 6.28 x 6.31
	3	9.6	208-240	174659.00	1,109	7	8.0 x 7.12 x 6.77

\blacksquare User programmable for 50Hz and other voltage inputs

Specifications are subject to change without notice

Three Phase Input / Three Phase Output

Voltage	HP	Output Amps	Input Voltage \blacksquare	Catalog Number	List Price	App. Wgt. (lbs)	Dimensions H x W x D (in.)
208-240 Volts	5	16.5	208-240	174660.00	1,378	12	10.0 x 8.96 x 8.0
	7 1/2	23.0	208-240	174661.00 \int	1,853	11	10.0 x 8.04 x 8.0
	10	29.0	208-240	174662.00 \int	2,339	11	10.0 x 8.04 x 8.0
	15	42.0	208-240	174699.00 \int	3,297	25	14.5 x 9.42 x 9.45
	20	54.0	208-240	174700.00 \int	4,495	26	14.5 x 9.42 x 9.45
400-480 Volts	1/2	1.1	400-480	174671.00	817	4	8.0 x 6.28 x 4.47
	1	2.1	400-480	174672.00	879	4	8.0 x 6.28 x 4.47
	1 1/2	3.0	400-480	174673.00	951	6	8.0 x 6.28 x 6.31
	2	3.5	400-480	174674.00	1,036	6	8.0 x 6.28 x 6.31
	3	4.8	400-480	174675.00	1,181	6	8.0 x 6.28 x 6.31
	5	8.2	400-480	174676.00	1,464	12	10.0 x 8.96 x 8.0
	7 1/2	11.0	400-480	174677.00	1,844	12	10.0 x 8.96 x 8.0
	10	14.0	400-480	174678.00 \int	2,204	11	10.0 x 8.04 x 8.0
	15	21.0	400-480	174701.00 \int	3,181	25	14.5 x 9.42 x 9.45
	20	27.0	400-480	174702.00 \int	4,261	26	14.5 x 9.42 x 9.45
	25	34.0	400-480	174703.00 \int	5,332	26	14.5 x 9.42 x 9.45
30	40.0	400-480	174704.00 \int	6,152	31	18.5 x 9.42 x 9.45	
480-590 Volts	1	1.7	480-590	174663.00	951	4	8.0 x 6.28 x 4.47
	2	2.7	480-590	174664.00	1,125	6	8.0 x 6.28 x 6.31
	3	3.9	480-590	174665.00	1,301	6	8.0 x 6.28 x 6.31
	5	6.1	480-590	174666.00	1,608	12	10.0 x 8.96 x 8.0
	7 1/2	9.0	480-590	174667.00	2,035	12	10.0 x 8.96 x 8.0
	10	11.0	480-590	174668.00 \int	2,425	11	10.0 x 8.04 x 8.0

\blacksquare User programmable for 50Hz and other voltage inputs

Specifications are subject to change without notice

\int = Fan cooled - other controls are convection cooled



AC / DC Controls

SM Plus Sub-Micro AC Inverters

IP 20 Enclosure Protection



SM PLUS

General Specifications:

- Ultra-compact designs include 18 isolated I/O terminals plus
- RS485 Modbus® serial communication

Features:

- Removable electronic programming module
- Input line voltage calibration—optimizes over and under voltage trip levels
- Current limit to 180% with frequency foldback
- Adjustable carrier frequency (4 to 10 kHz)
- Adjustable V/Hz
- Output frequency to 240 Hz
- Seven preset speeds
- Automatic restart after fault
- Control via drive face, terminal strip or optional remote keypad
- Coast or ramp to stop
- Independent accel and decel adjustment
- Forward only or forward and reverse direction
- Adjustable DC injection braking
- Speed reference: Keypad, 0-10 VDC, or 4-20 mA
- Speed reference calibration
- Speed and load indicating output signal selection: 0-10 VDC or 4-20mA
- Output signal calibration
- Fixed boost for high starting torque
- Accel boost for high torque accelerating at any speed
- Slip compensation
- Three-digit LED display
- Password protection
- Fault history: Stores eight previous trips
- Terminal status indication
- IP20 enclosure with finger safe terminals
- Dynamic braking and remote keypad kits available on page 407

Single Phase Input / Three Phase Output

(Use with three phase 230V motor)

Voltage	HP	Output Amps	Input Voltage ■	Catalog Number	List Price	App. Wgt. (lbs)	Dimensions H x W x D (in.)
115/230 Volts	1	4.2	115/230	174492.00	1,021	4	B1
	1.5	6.0	115/230	174445.00	1,151	5	B1

■ User programmable for 50Hz and other voltage inputs

Specifications are subject to change without notice

AC / DC Controls

SM Plus Sub-Micro AC Inverters

IP 20 Enclosure Protection

Single or Three Phase Input / Three Phase Output

(Use with three phase 230V motor)

Voltage	HP	Output Amps	Input Voltage <input type="checkbox"/>	Catalog Number	List Price	App. Wgt. (lbs)	Dimensions H x W x D (in.)
200-240 Volts	1/4	1.4	200-240	174452.00	732	2	A1
	1/2	2.2	200-240	174453.00	765	2	A1
	1	4.2	200-240	174454.00	821	3	A2
	1 1/2	6.0	200-240	174493.00	977	4	B1
	2	6.8	200-240	174494.00	1,080	5	B2
	3	9.6	200-240	174495.00	1,309	5	B2
	5	15.2	200-240	174444.00	1,797	8	C1

■ User programmable for 50Hz and other voltage inputs

Specifications are subject to change without notice

Three Phase Input / Three Phase Output

Voltage	HP	Output Amps	Input Voltage <input type="checkbox"/>	Catalog Number	List Price	App. Wgt. (lbs)	Dimensions H x W x D (in.)
200-240 Volts	1	4.2	200-240	174455.00	756	3	A2
	1 1/2	6.0	200-240	174456.00	888	3	A3
	2	6.8	200-240	174457.00	981	4	A3
	3	9.6	200-240	174458.00	1,169	4	A3
	5	15.2	200-240	174446.00	1,504	4	B2
	7 1/2	22.0	200-240	174438.00	2,057	8	C1
	10	28.0	200-240	174439.00	2,456	8	C1
	15	42.0	200-240	174429.00	3,180	13	D1
	20	54.0	200-240	174430.00	3,901	14	D1
400-480 Volts	1/2	1.1	400-480	174459.00	852	2	A1
	1	2.1	400-480	174460.00	917	3	A2
	1 1/2	3.0	400-480	174461.00	1,003	3	A3
	2	3.4	400-480	174462.00	1,106	4	A3
	3	4.8	400-480	174463.00	1,235	4	A3
	5	7.6	400-480	174447.00	1,574	5	B2
	7 1/2	11.0	400-480	174440.00	2,057	8	C1
	10	14.0	400-480	174441.00	2,456	8	C1
	15	21.0	400-480	174431.00	3,118	13	D1
	20	27.0	400-480	174432.00	3,819	14	D1
	25	34.0	400-480	174433.00	4,545	14	D1
480-590 Volts	1	1.7	480-590	174464.00	981	3	A2
	2	3.0	480-590	174491.00	1,175	4	A3
	3	4.2	480-590	174497.00	1,395	5	B2
	5	6.6	480-590	174448.00	1,707	5	B2
	7 1/2	9.9	480-590	174442.00	2,216	8	C1
	10	12.2	480-590	174443.00	2,626	8	C1
	15	19.0	480-590	174434.00	3,440	8	D1
	20	24.0	480-590	174435.00	4,206	14	D1
	25	27.0	480-590	174436.00	4,976	14	D1

■ User programmable for 50Hz and other voltage inputs

Specifications are subject to change without notice
Dimension Table see page 403



IEC Motors

DC Motors

Gearmotors

AC / DC Controls

Accessories / Kits

Mods / Factory Options

X-Ref / Index

Tech Information

Terms / Warnings

AC / DC Controls

SM Series Sub-Micro AC Inverters

IP 20 Enclosure Protection



SM SERIES

General Specifications:

- For applications that require less control features that you may find in the SM-Plus series inverters
- Provides 11 isolated I/O terminals with one Form A relay output

Features:

- Removable electronic programming module
- Input line voltage calibration—optimizes over and under voltage trip levels
- Current limit to 180% with frequency foldback
- Adjustable carrier frequency (4 to 10 kHz)
- Adjustable V/Hz
- Output frequency to 240 Hz
- Seven preset speeds
- Automatic restart after fault
- Control via drive face, terminal strip or optional remote keypad
- Coast or ramp to stop
- Independent accel and decel adjustment
- Forward only or forward and reverse direction
- Adjustable DC injection braking
- Speed reference: Keypad, 0-10 VDC, or 4-20 mA
- Speed reference calibration
- Fixed boost for high starting torque
- Accel boost for high torque accelerating at any speed
- Slip compensation
- Three-digit LED display
- Password protection
- Fault history: Stores eight previous trips
- Terminal status indication
- Default parameter reset
- IP20 enclosure with finger safe terminals
- Dynamic braking and remote keypad kits available on page 407

AC / DC Controls

SM Series Sub-Micro AC Inverters

IP 20 Enclosure Protection

IEC Motors

DC Motors

Gearmotors

AC / DC Controls

Accessories / Kits

Mods / Factory Options

X-Ref / Index

Tech Information

Terms / Warnings

Single Phase Input / Three Phase Output

(Use with three phase 230V motor)

Voltage	HP	Output Amps	Input Voltage ■	Catalog Number	List Price	App. Wgt. (lbs)	Dimensions H x W x D (in.)
110-120 Volts	1/3	1.7	110-120	174263.00	498	2	A5
	1/2	2.4	110-120	174264.00	540	2	A5
	1	4.2	110-120	174265.00	717	3	B5
	1 1/2	6.0	110-120	174266.00	814	3	B5

■ User programmable for 50Hz and other voltage inputs

Specifications are subject to change without notice

Single Phase Input / Three Phase Output

(Use with three phase 230V motor)

Voltage	HP	Output Amps	Input Voltage ■	Catalog Number	List Price	App. Wgt. (lbs)	Dimensions H x W x D (in.)
200-240 Volts	1/3	1.7	200-240	174267.00	460	2	A5
	1/2	2.4	200-240	174268.00	485	2	A5
	1	4.2	200-240	174270.00	540	3	A6
	1 1/2	6.0	200-240	174271.00	650	4	B5
	2	7.0	200-240	174272.00	766	5	B5
	3	9.6	200-240	174273.00	899	5	B6

■ User programmable for 50Hz and other voltage inputs

Specifications are subject to change without notice

Three Phase Input / Three Phase Output

Voltage	HP	Output Amps	Input Voltage ■	Catalog Number	List Price	App. Wgt. (lbs)	Dimensions H x W x D (in.)
200-240 Volts	1/2	2.4	200-240	174274.00	460	2	A5
	1	4.2	200-240	174276.00	511	2	A6
	1 1/2	6.0	200-240	174277.00	608	3	A7
	2	7.0	200-240	174278.00	694	3	A7
	3	9.6	200-240	174279.00	769	3	B6
	5	15.2	200-240	174288.00	980	5	B2
	7 1/2	22.0	200-240	174280.00	1,354	8	C1
	10	28.0	200-240	174290.00	1,377	8	C1
	15	42.0	200-240	174292.00	2,476	14	D1
400-480 Volts	1/2	1.1	400-480	174281.00	617	2	A1
	1	2.1	400-480	174282.00	659	3	A2
	1 1/2	3.0	400-480	174283.00	715	3	A3
	2	3.4	400-480	174284.00	765	4	A3
	3	4.8	400-480	174286.00	837	4	B1
	5	7.8	400-480	174287.00	1,002	5	B2
	7 1/2	11.0	400-480	174285.00	1,301	5	B2
	10	14.0	400-480	174291.00	1,550	8	C1
	15	21.0	400-480	174293.00	1,832	8	C1

■ User programmable for 50Hz and other voltage inputs

Specifications are subject to change without notice
Dimension Table see page 403



AC / DC Controls

AC Control Kits

Dynamic Braking Components For The Micro Series Drives Micro Series Drives can be modified to include dynamic braking. The modifications involve replacing board(s) inside of the drive as well as adding a Dynamic Braking Resistor in a separate enclosure. Larger drives require a combination of Dynamic Braking Board and an additional Form C Relay Board. Instructions are included with the boards. Also available as a modification, see Mod Squad section, see page 434.

Dynamic Braking Boards*

Drive HP	Drive Voltage Rating	Catalog Number	List Price	App. Wgt. (lbs)
1/2-3	All	174184.00	454	2
5	200-230V	174185.00	494	2
	460-480V	174185.00	494	2
	550-575V	174184.00	454	2

* Dynamic braking resistors are required with the dynamic braking boards
Specifications are subject to change without notice

Dynamic Braking Boards With Form C Relay Board*

Drive HP	Drive Voltage Rating	Catalog Number	List Price	App. Wgt. (lbs)
7 1/2	200-230V	174192.00	436	2
10-60	All	174192.00	436	2

* Dynamic braking resistors are required with the dynamic braking boards
Specifications are subject to change without notice

Dynamic Braking Resistors**

Drive HP	Drive Voltage Rating	Catalog Number	List Price	App. Wgt. (lbs)
1/2	200-230V	174178.00	200	1
1	200-230V	174179.00	200	1
	460-480V	174179.00	200	1
	550-575V	174178.00	200	1
1 1/2	200-230V	174179.00	200	1
2	200-230V	174180.00	200	1
	460-480V	174180.00	200	1
	550-575V	174179.00	200	1
3	200-230V	174182.00	282	1
	460-480V	174182.00	282	1
	550-575V	174181.00	282	1
5	200-230V	174183.00	282	1
	460-480V	174183.00	282	1
	550-575V	174182.00	282	1
7 1/2	200-230V	174143.00	327	1
	460-480V	174143.00	327	1
	550-575V	174148.00	327	1
10	200-230V	174143.00	327	1
	460-480V	174143.00	327	1
	550-575V	174148.00	327	1
15-20	200-230V	174144.00	498	1
	460-480V	174144.00	498	1
	550-575V	174149.00	510	1
25-30	200-230V	174145.00	840	1
	460-480V	174145.00	840	1
	550-575V	174140.00	861	1
40	460-480V	174146.00	1,096	1
	550-575V	174141.00	1,096	1
50-60	460-480V	174147.00	1,267	1
	550-575V	174142.00	1,267	1

** Dynamic braking Resistors are provided with mounting brackets
Specifications are subject to change without notice

AC Control Kits



Cable and Keypad are purchased separately. Installing the remote keypad and cable involves partially dis-assembling the drive. Instructions are included with the keypad. Also available as a modification, see Mod Squad section.

Remote Keypads & Cables

(For Micro Series, NEMA 1, Drives*)

Item	Catalog Number	List Price	App. Wgt. (lbs)
Keypad	174177.00	262	2
2.5 ft. Cable	174174.00	77	2
5 ft. Cable	174175.00	111	2
10 ft. Cable	174176.00	180	2

* Compatible with any Micro Series, NEMA 1, drive.

NOTE: Using the remote keypad on a WASHGUARD Duty Inverter is not recommended, for the control will no longer meet NEMA 4/12 sealing requirements.

Specifications are subject to change without notice

AC / DC Controls

Micro Series Dimension Information

Techlink Programming and Monitoring Software

IEC Motors

DC Motors

Gearmotors

AC / DC Controls

Accessories / Kits

Mods / Factory Options

X-Ref / Index

Tech Information

Terms / Warnings

Techlink Software is a powerful Drive Configuration tool that works in a Microsoft Windows environment. TechLink supports the following drives sold by LEESON: Micro Series, SM Plus Series and SM Vector Series. TechLink allows a drive program to be created off line and to access the drive directly while connected over RS232 or RS485 (depending on the drive). RS485 supports several drives on one drive network but will require an RS232 to RS485 converter for most personal computers.

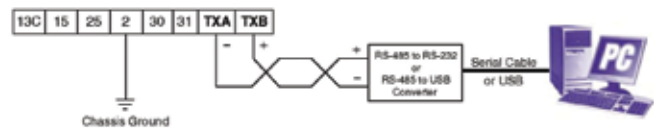
First time users visit LEESON's website, under "Links and Downloads" to download TechLink Software. LEESON frequently updates Techlink software and the Models files to keep current with our expanding product offering and upgrades to our existing lines. If you have Techlink software installed on your computer and would like to check to see if you have the most current version of the TechLink program or the Models data, check the versions on the opening TechLink screen to the versions below. You will only need to download the program that has been updated. Each program below is a self extracting zip file; after expanding, run setup.exe to install.

The diagrams below illustrate how to connect the LEESON Micro Series, SM Plus and SM Vector Series drives to a computer in order to use the TechLink software.

Note 1: When using serial communications, terminal 2 on the drive MUST be connected to chassis ground.

SM Plus & SM Vector Series

The SM Plus and SM Vector Series drives are RS-485, so a RS-232 to RS-485 or USB to RS-485 converter is required. The converter connects to the computer using a standard serial connection. A twisted pair connects the converter to the drive.

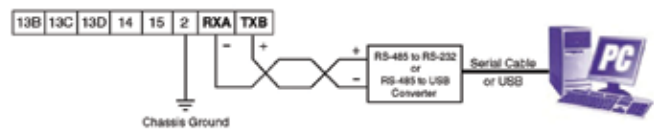


SM Plus & SM Vector Series Control Strip

Note 2: Refer to the converter manufacturer's instructions for proper converter configuration. The converter is not supplied by LEESON.

Micro Series

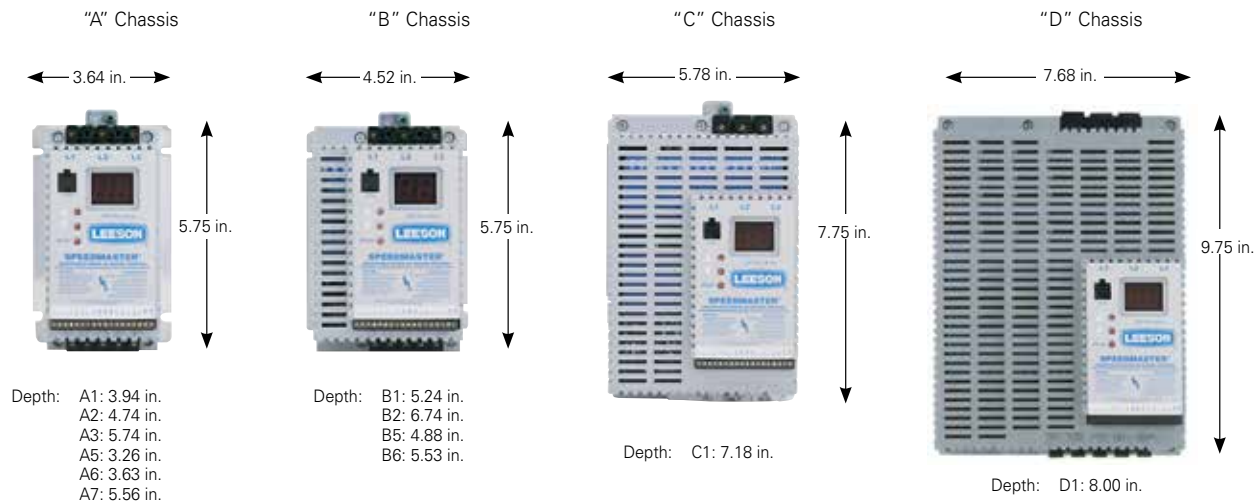
The Micro Series is RS-485, so a RS-232 to RS-485 or USB to RS-485 converter is required. The converter connects to the computer using a standard serial or USB connection. A twisted pair connects the converter to the drive.



Micro Series Control Strip

Note 3: Refer to the converter manufacturer's instructions for proper converter configuration. The converter is not supplied by LEESON.

DIMENSIONS: SM AND SM PLUS SERIES INVERTERS



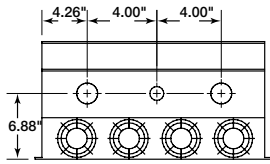
Dimensions shown for reference only. Contact LEESON for detailed drawing
PDF file of Manual available at www.leeson.com/Technical Information
 Specifications are subject to change without notice



AC / DC Controls

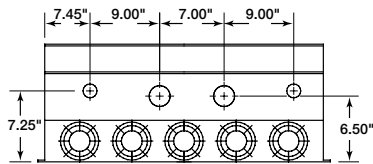
Dimension Information for Micro Series Drives

CONDUIT HOLES FOR 174578.00



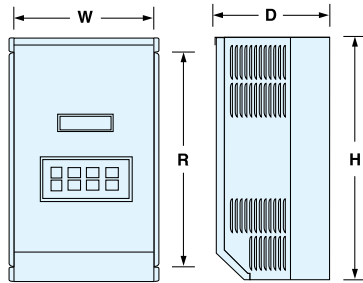
Conduit Holes: Large holes = 1.75"
Small hole = 1.13"

CONDUIT HOLES FOR 174586.00

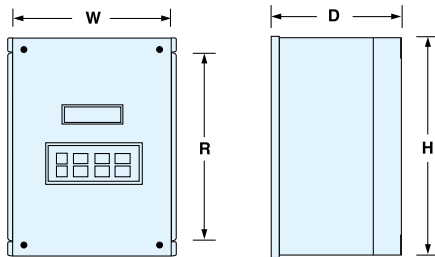


Conduit Holes: Large holes = 3.00"
Small holes = 1.13"

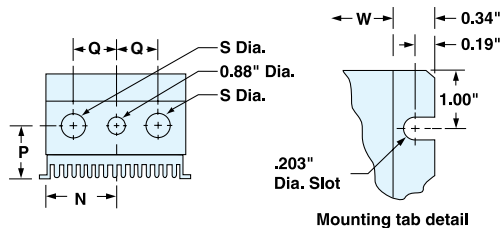
NEMA 1 ONLY



NEMA 4/12
WASHGUARD ONLY



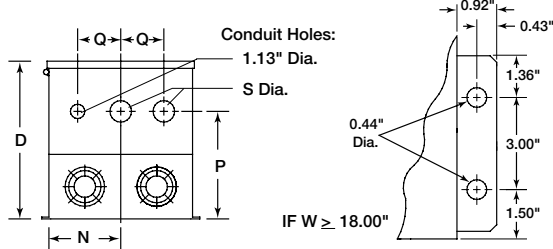
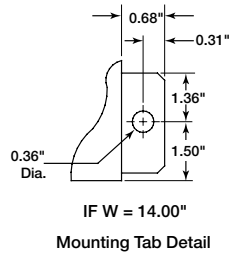
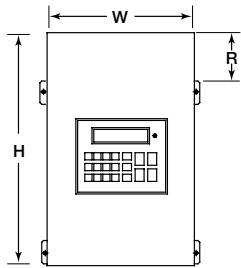
NEMA 1 & NEMA 4/12



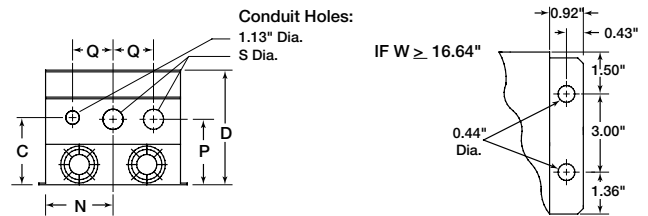
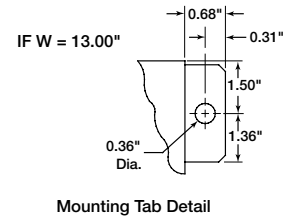
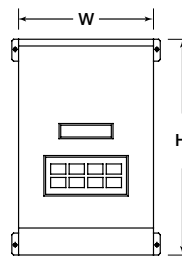
Micro Series Inverter - Dims. (Inches) -
NEMA 1, NEMA 4/12 & NEMA 4X

Dimension Key	H	W	D	N	P	Q	R	S
A	7.50	4.70	3.33	2.35	1.60	1.37	5.50	0.88
B	7.50	4.70	3.63	2.35	1.90	1.37	5.50	0.88
C	7.50	4.70	4.33	2.35	2.60	1.37	5.50	0.88
D	7.50	6.12	4.22	3.77	2.40	1.37	5.50	0.88
E	7.50	6.12	5.12	3.77	3.30	1.37	5.50	0.88
F	7.88	7.86	5.94	5.13	3.95	1.50	5.88	1.13
G	7.88	6.12	4.35	3.06	2.70	1.37	5.88	0.88
H	7.88	7.86	4.90	4.80	3.25	1.37	5.88	0.88
I	9.38	7.86	6.25	5.13	3.95	1.50	7.38	1.13
J	7.88	7.86	5.90	4.80	4.25	1.37	5.88	0.88
K	9.75	10.26	7.20	5.13	5.25	2.00	7.75	1.13
L	11.25	7.86	6.84	3.93	4.19	2.00	7.75	1.38
M	9.38	7.86	6.84	3.93	4.19	2.00	5.88	1.13
N	12.75	7.86	6.84	3.93	4.19	2.00	9.25	1.38
O	12.75	7.86	7.40	3.93	4.19	2.00	9.25	1.38
P	12.75	10.26	7.74	5.13	5.00	2.50	9.25	1.38
Q	11.75	10.26	8.35	5.13	5.75	2.00	9.75	1.13
R	9.38	7.86	7.40	3.93	4.19	2.00	5.88	1.13
S	12.75	10.26	8.25	5.13	5.00	2.50	9.25	1.38
T	15.75	10.26	8.35	5.13	5.75	2.50	12.25	1.38
U	13.75	10.26	8.35	5.13	5.75	2.00	11.75	1.38
V	15.75	10.26	8.35	5.13	5.75	2.00	13.75	1.38
W	19.75	10.26	8.55	5.13	5.75	2.50	16.25	1.75
X	7.88	7.86	3.75	4.80	2.10	1.37	5.88	0.88
Y	7.88	6.12	5.25	3.06	3.60	1.37	5.88	0.88
Z	20.25	10.26	8.35	5.13	5.75	2.00	16.25	1.38
AA	15.75	10.26	8.35	5.13	5.75	2.00	11.75	1.38
AB	21.00	13.72	8.35	5.13	6.10	2.00	16.25	1.38
AC	7.50	6.12	3.63	3.77	1.80	1.37	5.50	0.88
AD	7.88	6.12	3.63	3.06	2.00	1.37	5.88	0.88
AE	25.00	13.00	10.50	5.56	6.50	2.62	-	1.38
AF	47.00	16.64	11.85		SEE CHART			
AG	29.00	16.64	11.85	7.14	6.88	3.12	-	1.75
AH	29.00	24.42	11.85	11.12	6.50	4.50	-	2.50
AI	29.00	36.66	11.85	11.50	9.00	4.50	-	2.50
AJ	37.00	18.00	13.30	7.50	8.00	3.13	7.14	1.75
AK	39.00	26.00	13.30	11.50	9.00	4.50	9.14	2.50
AL	29.00	36.66	11.85		SEE CHART			
AM	31.00	14.00	11.86	6.00	7.50	2.62	5.64	1.38
AN	49.00	18.00	13.30	7.50	8.00	3.13	7.14	1.75
AO	39.00	26.00	13.30	11.50	9.00	4.50	9.14	2.50

Type 12 Dimensions for models rated above 30HP at 240/200 VAC and 60 HP at 400/480 VAC



Type 1 Dimensions for models rated above 30HP at 240/200 VAC and 60 HP at 590/480/400 VAC



Electronic Programming Unit

Electronic Programming Unit allows off-line set-up and replication of the drive's plug-in electronic programming module (shown at right). Excellent for multi-drive applications. Keypad input and alphanumeric display simplify programming. RS-232 serial port allows downloading of configuration files from personal computer.



Catalog Number	List Price	App. Wgt. (lbs)
174189.00	909	2

EPM Bulk Pack

Plug-in electronic programming modules (EPM). Allow off-line set-up and replication of program using Electronic Programming Unit. Set of 10.

Catalog Number	List Price	App. Wgt. (lbs)
174190.00	201	1

Specifications are subject to change without notice



Inverter Accessory Parts

Discriptor	Catalog Number	List Price
Micro Series Keypad	006707.01	63
Speed Pot (10k/5w pot, washers & nut)	006708.01	66

Specifications are subject to change without notice



AC / DC Controls

AC Control Kits

Accessories For The SM, SM-Plus & SM Vector Series Drives

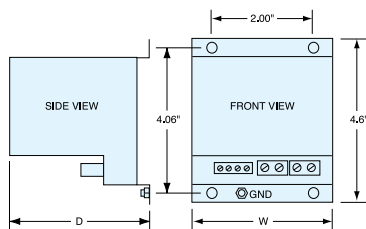


Dynamic Braking Modules With Built-in Dynamic Braking Resistors*

Dynamic Braking Components for the SM, SM-Plus & SM Vector Series Drives Dynamic braking is available for the SM, SM-Plus and SM Vector series drives as a separate Dynamic Braking Module. Lower HP modules have the control electronics and the dynamic braking resistor in one convenient package. Larger units require a separate resistor. The modules can be panel or DIN rail mounted.

Drive HP	Motor Voltage Rating	Catalog Number	List Price	App. Wgt. (lbs)
1/4-1/2	208-230V	174400.00	338	2
	400-480V	174406.00	338	2
1 - 1 1/2	208-230V	174401.00	392	3
	400-480V	174407.00	392	3
1 - 1 1/2	480-590V	174412.00	392	3
2 -3	208-230V	174402.00	532	4
	400-480V	174408.00	532	4
	480-590V	174413.00	532	4
5	208-230V	174403.00	695	5
	400-480V	174409.00	695	5
	480-590V	174414.00	695	5
7 1/2	208-230V	174404.00	878	6
	400-480V	174410.00	878	6
	480-590V	174415.00	878	6
10	208-230V	174405.00	1,060	8
	400-480V	174411.00	1,060	8
	480-590V	174416.00	1,060	8

o Braking Resistors are included with the module and not purchased separately
Specifications are subject to change without notice



Dynamic Braking Modules Without Resistors*

Drive HP	Motor Voltage Rating	Catalog Number	List Price	App. Wgt. (lbs)
15-20	208-230V	174417.00	454	10
15-30	400-480V	174418.00	454	10
15-25	480-590V	174419.00	454	10

*Dynamic Braking Resistors are purchased and mounted separately
Specifications are subject to change without notice

Accessories For The SM2 Flux Vector Series Drives

Dynamic Braking Components for the SM2 Vector Series Drives



Dynamic Braking Modules With Built-in Dynamic Braking Resistors*

Dynamic Braking Components for the SM2 Vector Series Drives Dynamic braking is available for the SM2 Vector Series drives as a separate Dynamic Braking Module. 10 HP and lower modules have control electronics and the dynamic braking resistor in one convenient package. Larger units require a separate resistor. The modules can be panel or DIN rail mounted.

Drive HP	Motor Voltage Rating	Catalog Number	List Price	App. Wgt. (lbs)
1/3-1/2	208 - 230V	174157.00	328	2
	400 - 480V	174158.00	328	2
1 - 1 1/2	208 - 230V	174151.00	384	3
	400 - 480V	174152.00	384	3
	480 - 590V	174153.00	384	3
2 - 3	208 - 230V	174154.00	523	4
	400 - 480V	174155.00	523	4
	480 - 590V	174156.00	523	4
5	208 - 230v	174159.00	681	5
	400 - 480V	174160.00	681	5
	480 - 590V	174161.00	681	5
7 1/2	208 - 230V	174162.00	860	6
	400 - 480V	174163.00	860	6
	480 - 590V	174164.00	860	6
10	208 - 230V	174165.00	1,039	8
	400 - 480V	174166.00	1,039	8
	480 - 590V	174167.00	1,039	8

o Braking Resistors are included with the module and not purchased separately
Specifications are subject to change without notice

Dynamic Braking Resistors**

Drive HP	Motor Voltage Rating	Catalog Number	List Price	App. Wgt. (lbs)
15-20	208-230V	174144.00	498	1
	400-480V	174144.00	498	1
	480-590V	174149.00	510	1
25-30	400-480V	174145.00	840	1
25	480-590V	174140.00	861	1

**Dynamic Braking Resistors are provided with mounting brackets
Specifications are subject to change without notice

DIN Rail - Mounting Kits

Steel plates and fasteners for mounting drives on standard 35mm DIN rails for panel building. Set of six.
 174186 for "A" chassis drives.
 174187 for "B" chassis drives.
 174188 for "C" chassis drives.
 Refer to SM Plus and SM Series Dimension Tables for A, B & C listing information.

Catalog Number	List Price	App. Wgt. (lbs)
174186.00	186	3
174187.00	209	3
174188.00	249	3

Specifications are subject to change without notice



SM4 Remote Keypad

Potentiometer Kit takes the place of the up/down buttons on the drive's keypad gives operators hands-on speed control over the Inverter's speed range

Use with Width (W) dim. of:	Catalog Number	List Price	App. Wgt. (lbs)
6.28 or 7.12	174693.00	251	2
8.04 or 8.96	174697.00	263	2

Specifications are subject to change without notice



EPM Bulk Pack

Plug-in electronic programming modules (EPM). Allow off-line set-up and replication of program using Electronic Programming Unit. Set of 10.

Catalog Number	List Price	App. Wgt. (lbs)
174190.00	201	1

Specifications are subject to change without notice

Remote Keypad

Remote keypad kit includes eight-foot connecting cable and gasket. Mounted in proper enclosure, the keypad kit will provide up to NEMA 4 protection.

Drive Type	Catalog Number	List Price	App. Wgt. (lbs)
SM Plus	174191.00	270	2
SM Series	174194.00	219	2
SM2 Vector	174150.00	264	2

Specifications are subject to change without notice



Accessories / Kits

NEMA D Flange Kits - LEESON Motors Only



Motor Accessories - Field Installed Steel and Cast Iron Frame Motors

Includes parts to convert a rigid base mounted motor to NEMA D face with base.

Shaded frame indicates cast iron motor kits for 150 and 170 series motors.

NOTE: The D Flange Kits can only be used on rigid base motors. They will not fit NEMA C face motors.

NEMA Frame	Enclosure	D Flange Kit Catalog Number	List Price	App. Wgt. (lbs)	♥Notes
143T-145T	Enclosed	163115.60	149	6	
182T-184T*	Open / Enclosed	175694.00	290	12	D
	Open	175101.00	277	13	G
	Enclosed	175658.60	308	12	G
	Enclosed	175807.60	308	14	
213T-215T	Open	175114.60	454	14	
	Enclosed	175115.60	454	14	G
	Enclosed	175959.60	454	14	
254T-256T	Open	175116.60	581	25	
	Enclosed	175192.60	581	25	
284T/TS-286T/TS	Open	175118.60	695	42	
	Enclosed	175119.60	695	52	
324T/TS-326T/TS	Open	175120.60	890	57	G
	Enclosed	175121.60	890	57	
	Open	175455.60	1,205	57	
364T/TS-365T/TS	Open	175955.60	1,050	72	
	Enclosed	175657.60	1,050	72	
	Open	175602.60	1,310	72	
	Enclosed	175604.60	1,310	72	
404T/TS-405T/TS	Open 4 & 6-pole	175956.60	1,457	90	I
	Enclosed	175957.60	1,457	90	
444T/TS-445T/TS	Open 4 & 6-pole	175607.60	1,688	106	I
	Enclosed 4 & 6-pole	175608.60	1,688	106	I
447T/TS-449T/TS	Enclosed 4 & 6-pole	163104.60	1,750	115	I
	Enclosed 2-pole	163126.60	1,750	115	

Green items Are For Premium Efficient Motors Only

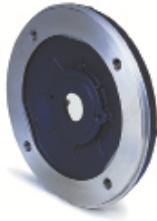
Shaded frames are for Cast Iron Motors

Specifications are subject to change without notice

♥Notes:

- D Use this kit for 182-4T and S213T motors with catalog numbers 131454.00 and higher, or with a G prefix
- F For use with 213T-215T 3600 RPM motors only
- G Not for use with Premium efficient motors
- H WATTSAVERe™ II design built 2007 and later
- I For use with 1200 and 1800 RPM motors only





Includes parts to convert a rigid base mounted motor to NEMA C face with base.
 The C Face Kits cannot be used as replacements on a factory-produced C face motor.
 For motors with Catalog Numbers 092000–140999

NEMA Frame	Enclosure	D Flange Kit Catalog Number	List Price	App. Wgt. (lbs)	♥Notes
42	Open / Enclosed	175661.00	61	2	
48	Open / Enclosed	175969.00	61	2	A
		175646.00	61	2	B
556	Open	175000.00	61	2	
	Enclosed	175180.00	61	2	
	Open / Enclosed	175297.00	61	2	A
	Open / Enclosed	175647.00	61	2	B
56	Open	175075.00	72	2	
	Enclosed	175076.00	72	2	
	Enclosed	LM24808	72	2	G
	Enclosed	LM24810	72	2	H
143T-145T	Open	175181.00	72	2	
	Enclosed	175077.00	72	2	
182T-184T	Open / Enclosed	175691.00	86	3	D
182T-184T Special	Open / Enclosed	175294.00	86	5	E
S213T	Open / Enclosed	175693.00	165	2	D
213T-215T	Open	175845.00	165	19	
(1750,1140, & 850 RPM)	Enclosed	175844.00	165	15	
213T-215T	ODP	175303.00	154	15	F
(3450 RPM)	Enclosed	175304.00	154	15	F

Specifications are subject to change without notice

- 1) When changing a rigid mount motor to C Face motor, a non-NEMA BA dimension may result.
- 2) Some larger HP 56-frame motors have larger shaft-end bearings and require a 143T-145T C Face kit.

♥Notes:

- A For use with motors having "K" or "P" suffix on date code.
- B For motors manufactured after January 1, 2007, having a "B" suffix letter after the motor's date code.
- D Use this kit for 182-4T and S213T motors with catalog numbers 131454 and higher, or with a G prefix.
- E Converts a 182T-184T frame motor to the C-face dimensions of a 143T-145T or 182U184U frame motor –
- F For use with 213T-215T 3600 RPM motors only.
- G For use with new Industrial AG motors that start with "117"
- H For use with 56HZ Industrial AG motor 117867.00



Accessories / Kits

NEMA C Face Kits

Motor Accessories - Field Installed

Lincoln - Steel Frame Motors

NEMA C Face Kits

Models - SREW, SSEW, SRD, SSD, SRF, SSF, SF

NEMA Frame	SYN RPM	Enclosure	Catalog Number	List Price	App. Wgt. (lbs.)	♥ Notes
56	All	SREW, SRD	LM24631	72	2	1
56	All	SREW, SRD	LM24807	72	2	2
56	All	SRF	LM24808	72	2	1
56	All	SRF	LM24810	72	2	2
143T-145T	All	SSEW, SSD	LM24807	72	2	2
143T-145T	All	SSF	LM24810	72	2	2
182T-184T	All	SSF	LM25736	139	12	
182T-184T	All	SSEW, SRD, SSF	175691.00	86	3	4
213T-215T	All	SSEW, SSD	LM25737	164	15	
213T-215T	All	SSF	LM25738	164	12	
254T-256T	All	SSD	LM25740	210	13	
284T/TS-286T/TS	2 & 6-Pole	SD	LM24062	391	20	3
324T/TS-326T/TS	All	SD	LM24063	508	47	
324T/TS-326T/TS	All	SF	LM24057	565	33	
364T/TS-365T/TS	All	SD	LM24064	852	53	
404T/TS-405T/TS	All	SD	LM24065	1,122	55	
404T/TS-405T/TS	All	SF	LM24059	1,225	53	
444T/TS-445T/TS	3600	SD	LM24066	1,225	80	
444T/TS-445T/TS	1200 & 1800	SD	LM24067	1,356	88	
444T/TS-449T/TS	3600	SF	LM24060	1,356	98	
444T/TS-449T/TS	1800 & 1200	SF	LM24061	1,356	98	
447T/TS-449T/TS	3600	SD	LM24068	1,356	98	
447T/TS-449T/TS	1200 & 1800	SD	LM24069	1,318	98	

Specifications are subject to change without notice

When changing a rigid mount motor to C Face motor, a non-NEMA BA dimension may result

♥ Notes:

- 1 56 frames with 203 drive end bearing
- 2 56 & 143/5T frame motors with a 205 drive end bearing
- 3 For 2-Pole and 6-Pole motors
- 4 Motors built having the letter "M" after the date code



Motor Accessories - Field Installed
LEESON - Ultimate E Cast Iron Motors

Includes parts to convert a rigid base mounted motor to NEMA C face with base.
The C Face Kits cannot be used as replacements on a factory-produced C face motor.
LEESON Ultimate E "19" Series Cast Iron and Rolled Steel Motors.

NEMA Frame	Enclosure	Catalog Number	List Price	App. Wgt. (lbs.)	♥ Notes
182T-184T	TEFC	176024.00	197	14	A
182T-184T	ODP	176064.00	83	14	A
213T-215T	TEFC	176025.00	197	22	A
213T-215T	ODP	176065.00	132	22	A
213T-215T	TEFC	B176025.00	197	22	A1
213T-215T	ODP	B176065.00	132	22	A1
254T-256T	TEFC	176026.00	300	32	B
254T-256T	TEFC	176027.00	300	32	C
254T-256T	TEFC	B176026.00	300	32	B1
254T-256T	TEFC	B176027.00	300	32	C1
254TS-256TS	ODP	176066.00	271	32	B
254T-256T	ODP	176067.00	271	32	C
254TS-256TS	ODP	B176066.00	271	32	B1
254T-256T	ODP	B176067.00	271	32	C1
284TS-286TS	TEFC	176028.00	417	38	B
284T-286T	TEFC	176029.00	417	38	C
284TS-286TS	TEFC	B176028.00	417	38	B1
284T-286T	TEFC	B176029.00	417	38	C1
284TS-286TS	ODP	176068.00	419	38	B
284T-286T	ODP	176069.00	419	38	C
284TS-286TS	ODP	B176068.00	419	38	B1
284T-286T	ODP	B176069.00	419	38	C1
324TS-326TS	TEFC	176030.00	540	45	B
324T-326T	TEFC	176031.00	540	45	C
324TS-326TS	ODP	176070.00	540	45	B
324T-326T	ODP	176071.00	540	45	C
364TS-365TS	TEFC	176032.00	738	85	B
364T-365T	TEFC	176033.00	738	85	C
364TS-365TS	ODP	176072.00	726	85	B
364T-365T	ODP	176073.00	726	85	C
404TS-405TS	TEFC	176034.00	929	175	B
404T-405T	TEFC	176035.00	929	175	C
404TS-405TS	ODP	176074.00	673	95	B
404T-405T	ODP	176075.00	673	95	C
444TS-445TS	TEFC	176036.00	1,300	225	B
444T-445T	TEFC	176037.00	1,300	225	C
444TS-445TS	ODP	176076.00	1,179	140	B
444T-445T	ODP	176077.00	1,228	140	C
447TS	TEFC	176038.00	1,438	250	B
447T-449T	TEFC	176039.00	1,438	225	C

Specifications are subject to change without notice

When changing a rigid mount motor to C Face motor, a non-NEMA BA dimension may result

♥ Notes:

- A All Poles
- B 2-pole only
- C 4 & 6-pole only
- A1 All Poles with Catalog numbers starting with B
- B1 All Poles with Catalog numbers starting with B
- C1 All Poles with Catalog numbers starting with B



Accessories / Kits

NEMA C Face Kits

Motor Accessories - Field Installed

LEESON - Cast Iron Motors

Includes parts to convert a rigid base mounted motor to NEMA C face with base.
The C Face Kits cannot be used as replacements on a factory-produced C face motor.
For 150, G150 and 170 Series Cast Iron Motors Only

NEMA C Face Kits

NEMA Frame	Enclosure	Catalog Number	List Price	♥ Notes
143T-145T	Enclosed	163116.60	149	
182T-184T	Enclosed	175805.60	197	
182T-184T	Enclosed	175804.60	197	E
213T-215T	Open	175066.60	197	
	Enclosed	175068.60	197	G
	Enclosed	175869.60	197	
254T-256T	Open	175067.60	300	
	Enclosed	175191.60	300	
284T/TS-286T/TS	Open	175058.60	417	
	Enclosed	175061.60	417	
324T/TS-326T/TS	Open	175059.60	540	G
	Open	175454.60	540	
	Enclosed	175062.60	540	
364T/TS-365T/TS	Open	175060.60	903	
	Enclosed	175063.60	903	
	Open	175601.60	903	H
	Enclosed	175603.60	903	H
404T/TS-405T/TS	Open	175605.60	1,187	
	Enclosed	175199.60	1,187	
444T/TS-445T/TS	Open	175606.60	1,300	
	Enclosed	175664.60	1,300	
447T/TS-449T	Enclosed 4 & 6-pole	175958.60	1,438	
	Enclosed 2-pole	176004.60	1,438	

Green items Are For Premium Efficient Motors Only

Specifications are subject to change without notice

When changing a rigid mount motor to C Face motor, a non-NEMA BA dimension may result

♥ Notes:

- E For use to replace the C-Face on a 182/184TC frame motor only
- G Not for use with Premium efficient motors
- H For 364T/TS -365T/TS frame motors built 2007 and later



NEMA C Face Kits

NEMA Frame	Catalog Number	List Price	App. Wgt. (lbs.)	♥ Notes
143T - 145T	175787.00	207	7	
182T-184T	175788.00	309	10	
213T-215T	175789.00	369	16	
254T-256T	175790.00	437	35	
284T/TS-286T/TS	175791.00	571	47	
324T/TS-326T/TS	175794.00	661	89	
364T-365T	175795.00	1,040	95	
364TS-365TS	175796.00	912	91	
404T-405T	175797.00	1,162	129	
444T-445T	176056.00	2,000	175	Model #s containing THFS
444TS-445TS	176057.00	2,000	108	Model #s containing TSHFS
444T-445T	176058.00	2,000	201	Model #s containing THFN
444TS-445TS	176059.00	2,000	199	Model #s containing TSHFN

Specifications are subject to change without notice

When changing a rigid mount motor to C Face motor, a non-NEMA BA dimension may result

NEMA C Face Kits - Lincoln Cast Iron Frame

NEMA Frame	SYN RPM	Enclosure	Catalog Number	List Price	App. Wgt. (lbs.)	♥ Notes
143T	All	CCN, CCF, CCS	LM24811	72	7	
145T	All	CCN, CCF, CCS	LM24815	85	7	
182T-184T	All	CCF, CCS	LM25736	139	12	
182T-184T	All	CCF	175805.60	197	12	5
213T-215T	All	CCF, CCS	LM25739	164	20	
213T-215T	All	CCF	175869.60	197	15	5
254T-256T	All	CCF, CCS	LM27681	282	36	
254T-256T	All	CCD	LM31014	210	15	
254T-256T	All	CCF	175191.60	300	25	5
284T-286T	All	CCF, CCS	LM27576	391	42	
284T/TS-286T/TS	All	CCD	LM31019	391	35	
284T/TS-286T/TS	All	CCF	175061.60	417	42	5
324T/TS-326T/TS, 324U/US-326U/US	All	CCF, CCS	LM28624	565	78	
324T/TS-326T/TS	All	CCF	175062.60	540	57	5
364T-365T	All	CCF, CCS	LM32284	852	78	
364T/TS-365T/TS	All	CCF	175603.60	903	75	5
364TS-365TS	All	CCF, CCS	LM32285	895	78	
364U-365U	All	CCF, CCS	LM32286	895	78	
404T-405T, 404U-405U	All	CCF, CCS	LM28501	1,122	85	
404TS-405TS	All	CCF, CCS	LM32288	1,178	85	
404T/TS-405T/TS	All	CCF	175199.60	1,187	60	5
444T-445T	All	CCF, CCS	LM32290	1,215	96	
444TS-445TS	All	CCF, CCS	LM32291	1,215	96	
444T/TS-445T/TS	All	CCF	175664.60	1,300	115	5
447T-449T	1800 & 1200	CCF, CCS	LM32292	1,343	98	
447TS-449TS	3600	CCF, CCS	LM32293	1,343	98	
447T-449T	1800 & 1200	CCF	175958.60	1,438	112	5
447TS-449TS	3600	CCF	176004.60	1,438	112	5

Green items Are For Premium Efficient Motors Only

Specifications are subject to change without notice

When changing a rigid mount motor to C Face motor, a non-NEMA BA dimension may result

♥Notes: 5 For Lincoln CI motors that start with LM6 and model numbers ending with AP21



Accessories / Kits

NEMA C Face Kits

Motor Accessories - Field Installed

Lincoln - Aluminum Frame Motors

NEMA Frame	SYN RPM	Enclosure	Catalog Number	List Price	App. Wgt. (lbs.)	♥ Notes
182T-184T	All	AAF	LM26679	164	10	
182T-184T	All	AAF	175691.00	86	10	6
213T-215T	All	AAF	LM30146	190	15	
254T-256T	All	AF/AAF	LM30147	282	26	
284T/TS-286T/TS	All	AF/AAF	LM20116	391	28	

Specifications are subject to change without notice

When changing a rigid mount motor to C Face motor, a non-NEMA BA dimension may result

♥Notes:

6 For Lincoln AL motors where the model numbers end with AP26

Kits and Accessories

Rodent Screen Kits

NEMA Frame	Enclosure	Catalog Number	List Price	App. Wgt. (lbs.)
182T-184T	Open	175872.00	142	1
213T-215T	Open	175871.00	255	1
254T-256T	Open	175873.00	366	2
284T-286T	Open	175874.00	366	3
324T	Open	175894.00	859	5
326T	Open	175875.00	859	5

Specifications are subject to change without notice

Shaded frames are for Cast Iron Motors

Wattsaver "17" Series Rolled Steel motors that have the suffix letter "M" in date code

Chemical Service/ Severe Duty Conversion Kits



WATTsaver^e

For use with LEESON Cast Iron Wattsaver e motors and "G15" Series motors. Cast iron fan covers for cast iron motors. Designed to easily convert TEFC motors to all cast iron construction. All these motors have inert, corrosion resistant fiber filled thermoplastic fan as standard. Kit includes one cast iron fan cover.

NEMA Frame	IEC Frame	Catalog Number	List Price	App. Wgt. (lbs.)
182T-184T	---	175663.60	233	10
213T-215T	---	175050.60	339	12
254T-256T	160	175051.60	455	18
284T-286T	180	175052.60	794	22
324T-326T	200	175053.60	829	29
364T-365T	225	175054.60	1,239	39
404T-405T	250	175055.60	1,349	49
444T-445T	280	175056.60	1,528	59
447T-449T	---	175891.60	1,528	112

Specifications are subject to change without notice





Each kit includes one drip-cover. Designed to protect drip-proof motors from rain, snow and ice when mounted outdoors in a vertical position.

Frame	Catalog Number	List Price	App. Wgt. (lbs.)	♥ Notes
48-S56	175003.00	57	2	
	175298.00	57	2	A
56	175004.00	66	2	
143T-145T	175792.00	66	2	A
182T-184T	175614.00	82	3	
182T-184T	175961.00	76	3	
213T-215T	175846.00	116	12	
213T-215T	175305.00	116	12	F
213T-215T	175962.00	116	4	
254T-256T	175963.00	148	7	

♥Notes:

- A For use with motors having "K" or "P" suffix on date code
- F For use with 213T-215T 3600 RPM motors only

Specifications are subject to change without notice
Shaded frames are for Cast Iron Motors

Lint-Cover / Drip-Cover Kit

For TEFC Motors - LEESON Motors Only

Frame	Catalog Number	List Price	App. Wgt. (lbs.)	♥ Notes
56-143T-145T	175024.00	102	2	B
	175778.00	102	2	B, J
182T-184T	175695.00	197	3	D
213T-215T	175849.00	116	12	K

♥Notes:

- B For motors having the letter "B" after the date code
- D Use this kit for 182-4T and S213T motors with catalog numbers 131454 and higher or with a G prefix
- J For motors having face mounted fan guard
- K For use with 1800 RPM motors only

Specifications are subject to change without notice
For Steel Frame Motors Only

Lint-Cover / Drip-Cover Kit

For Cast Iron - TEFC Motors - LEESON Motors Only

Wattsaver and "G15" Series Motors



NEMA Frame	Catalog Number	List Price	Add. Motor Length (Inches)
TEFC 210 frame	176044.60	174	2.0
TEFC 250 frame	176045.60	248	2.0
TEFC 280 frame	176046.60	334	2.0
326T - 2-pole	176053.60	456	2.2
TEFC 320 frame 4 & 6-pole	176047.60	456	2.2
TEFC 360 frame (small stator)	176048.60	554	2.4
TEFC 360 frame (Motors built after 2007)	176049.60	742	2.8
TEFC 400 frame	176050.60	742	2.8
TEFC 440 frame 2-pole	176051.60	843	3.2
440 - 4 & 6-pole	176054.60	843	3.2
TEFC 447/9 frame 2 pole	176052.60	907	3.6
447/9T - 4 & 6-pole	176055.60	907	3.6

Specifications are subject to change without notice
For use with Catalog numbers that begin with "17" or "G15."



Accessories / Kits

JP Pump Drip Cover Kits

NEMA Frame	Enclosure	Catalog Number	List Price	♥ Notes
56-145JP	ODP or TEFC	175932.00	36	
182JP-184JP	ODP	175614.00	40	
213JP-215JP	ODP	175305.00	116	L

Specifications are subject to change without notice

♥Notes:

L For use with 213T-215T (213JP-215JP) 3600 RPM motors only

Motor Accessories - Blower Fan Kits Field Installed LEESON Motors Only



These kits are used for converting LEESON motors to totally enclosed blower cooled motors. Cooling per MG1.6 (IC46) The kits are designed for inverter and vector drive applications where continuous cooling is required regardless of motor shaft speed. The kit is mounted on the back of the motor after removing the fan guard and fan. Modifying the shaft is not required.

Blower Fan Kits

For use with Rolled Steel TEFC Motors only

Blower Voltage	Blower Motor Phase	NEMA Frame	Catalog Number	List Price	CFM	App. Wt. (lbs.)
115	1	56-145T	175775.00 [^]	867	892	4
115	1	182-4T	175895.00 [♣]	972	1,000	4
115	1	213-5T	175896.00 [♣]	1,015	1,044	5

Specifications are subject to change without notice

[^] For 56/145T motors having face mounted (plastic) fan guards

[♣] For rolled steel motors having the letter "M" after the date code

Blower Fan Kits

For use with 150, G150 & 170 Series Cast Iron TEFC Motors only

Blower Voltage	Blower Motor Phase	NEMA Frame	Catalog Number	List Price	CFM	App. Wt. (lbs.)
115	1	182-4T	175674.00	1,000	260	10
115	1	213-5T	175675.00	1,044	260	11
115	1	254-6T	175676.00	1,122	260	17
115	1	284-6T	175677.00	1,347	500	24
115	1	324-6T	175678.00	1,436	500	28
230/460	3	360T	175879.00	2,981	500	35
230/460	3	360T	176002.00 [◇]	3,308	500	35
230/460	3	400T	175880.00	3,308	500	45
230/460	3	444T/445T	175558.00	3,786	500	55

Specifications are subject to change without notice

[◇] Use with 360T frame motors built 2007 and later





Specifications:

These kits include the parts and encoder for field assembly of slim-line, through-shaft encoder designed to slip over the motor's fan end shaft. Blower kit sold separately.

Features:

- Output is 1024 pulses per revolution
- 5 to 28 VDC line driver output. Short-circuit protection is standard. Inputs are over voltage and reverse voltage protected. Electrical noise immunity exceeds international standards. Encoders are isolated from shaft currents using hard anodized sleeves and non metallic anti-rotation hardware. Designed for long-life in industrial environments using an all-metal, shock resistant code disk. The encoder is protected by the motor's fan cover after mounting. Using a blower fan kit is suggested for proper motor cooling.
- Short circuit protection
- Isolated from shaft currents
- Shock resistant code disks
- Use with blower kits to protect and cool motors

Encoder Kits - Cast Iron Watsaver Motors

For use with 150, G150 & 170 series cast iron TEFC motors only

NEMA Frame	Catalog Number	List Price
182-4T	175684.00	1,555
213-5T	175685.00	1,555
254-6T	175686.00	2,510
284-6T	175687.00	2,510
320T	175641.00	2,559
360T	175642.00	2,559
400T	175643.00	2,559
440T (2 pole)	175644.00	2,559
440T (4/6 pole)	175645.00	2,559

Specifications are subject to change without notice

Encoder Kits

For use with rolled steel, TEFC motors only

NEMA Frame	Catalog Number	List Price
56-145T	175960.00	1,253
182-4T	175897.00	1,815
213-5T	175898.00	1,815

Specifications are subject to change without notice

Speedmaster Motors

For use with LEESON Speedmaster® 2000:1, 810000 series inverter duty motors only

Encoder Description	Enclosure	Frame	Brand / Mod	PPR	Catalog Number	List Price
Modular Mount, 5-15 VDC, with EPIC connector	TENV	143-256T	Northstar SL56	1024	E175927.00	3,505
Shaft Mount, 5-26 VDC, with 10 pin connector	TENV	143-256T	Dynapar HS35	1024	E175928.00	2,251
Shaft Mount, 5-26 VDC, with 10 pin connector	TENV	143-256T	BEI HS35	1024	E175929.00	2,251
Shaft Mount, 5-26 VDC, with 10 pin connector	TENV	143-256T	Dynapar HS35	2048	E175930.00	2,251
Shaft Mount, 5-26 VDC, with 10 pin connector	TENV	143-256T	BEI HS35	2048	E175931.00	2,251
Modular Mount, 5-15 VDC (Encoder Conduit Box Required)	TEBC	284-449T	Northstar SL56	1024	E175921.00	3,505
Shaft Mount, 5-26 VDC (Encoder Conduit Box Required)	TEBC	284-449T	Dynapar HS35	1024	E175922.00	2,251
Shaft Mount, 5-26 VDC (Encoder Conduit Box Required)	TEBC	284-449T	BEI HS35	1024	E175923.00	2,251
Shaft Mount, 5-26 VDC (Encoder Conduit Box Required)	TEBC	284-449T	Dynapar HS35	2048	E175924.00	2,251
Shaft Mount, 5-26 VDC (Encoder Conduit Box Required)	TEBC	284-449T	BEI HS35	2048	E175925.00	2,251
Conduit Box Required for all TEBC Units	—	—	—	—	ECB175926.00	250

Specifications are subject to change without notice



Accessories / Kits

Terminal Block Kits



Terminal block kits for 150 and 170 Series NEMA Frame Cast Iron motors. Can also be used for replacement on 193 Series Cast Iron and 192 Series aluminum IEC metric motors.

NEMA Frame	IEC Frame	Catalog Number	List Price	App. Wgt. (lbs.)
—	63-90L	175881.00≠	19	1
180/210T	100/112/132	175668.60	40	2
250/280T	160/180	175667.60	44	3
320/360T	200/225	175666.60	68	4
400/440T	250/280	175665.60	105	5

Specifications are subject to change without notice

≠ Replacement terminal board for Aluminum frame IEC motors

Accessories / Kits

Die Cast Aluminum Conduit Box Conversion Kit LEESON Motors Only



56/140-frame kit (pictured) includes die cast aluminum conduit box, cover, gaskets, grounding screw, mounting hardware and adapter plate for mounting box on existing holes in motor. 180 and 210-frame kits include all parts required to replace the conduit box including the die cast conduit box, plug, cover, gaskets and mounting hardware. No adapter plate is required because these kits mount on existing holes. All conduit boxes have 1/2-NPT tapped lead exit holes on two adjacent sides with one hole plugged. Note: the kit will not work with larger HP single-phase 210-frame motors.

Die Cast Aluminum Conduit Box

NEMA Frame	Catalog Number	List Price	App. Wgt. (lbs.)
56-140T	175892.00 ^	83	2
182-4T	175649.00 *	101	2
213-5T	175847.00 *	121	11

Specifications are subject to change without notice

^ - For use with motors having the letter "B" after the date code

* - For use with motors having the letter "M" after the date code



Ex-Proof Conduit Box

UL and CSA listed for Class I, Group C & D, and Class II, Groups E, F & G locations. Has grounding screw and all hardware provided. Mounts to motor by 3/4"-14NPT opening at rear of box. For NEMA 56 & 143-5T frame motors only. Box number 175755.00 has a 1" NPT thread.

Catalog Number	List Price	App. Wgt. (lbs.)
175026.00	113	2
175755.00 (1)	113	2

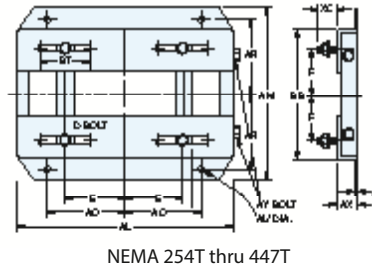
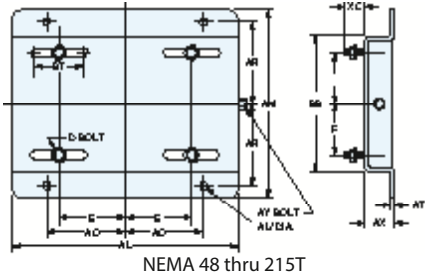
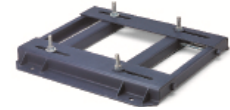
Specifications are subject to change without notice

(1) For motors having a letter P after the date code.

Adjustable Motor Bases - NEMA 48-447T Frames

Heavy gauge steel mounting bases simplify the installation of motors and make the tensioning, maintenance and replacement of belts a simple efficient task. Fabricated from sheet or steel plate, then primed and finished in a gray rust and corrosion resistant oven-baked finish. Gussets and reinforcing channels on larger units and continuous seam welding on all units give these bases

strength and durability for a long life. A single (215T frame and smaller) or double (NEMA 254T frame and larger) zinc plated adjusting screw is provided. Motor mounting bolts are included. Adjustable motor bases are designed to mount to your existing motor's base.



Frame	List Price	Catalog Number	AL	AM	AX	BB	E	F	AO	AR	AU**	BT	AT	XC	D* Bolt	AY Bolt	App. Wgt. (lbs.)
48	85	175032.00	10	61/4	11/8	21/8	13/8	31/2	23/4	3/8	3.00	0.08	7/8	5/16 x 1	3/8 x 4	2	2
56	85	175033.00	105/8	61/2	11/8	27/16	11/2	313/16	27/8	3/8	3.00	0.08	7/8	5/16 x 1	3/8 x 4	3	3
143T	102	175034.00	101/2	71/2	11/8	23/4	2	33/4	33/8	3/8	3.00	0.12	13/16	5/15 x 1	3/8 x 4	5	5
145T	102	175035.00	101/2	81/2	11/8	23/4	21/2	33/4	37/8	3/8	3.00	0.12	13/16	515 x 1	3/8 x 4	6	6
182T	132	175036.00	123/4	91/2	11/2	33/4	21/4	41/2	41/4	1/2	3.00	0.13	11/2	3/8 x 13/4	1/2 x 5	9	9
184T	132	175037.00	123/4	101/2	11/2	33/4	23/4	41/2	43/4	1/2	3.00	0.13	11/2	3/8 x 13/4	1/2 x 5	9	9
213T	163	175038.00	15	11	13/4	41/4	23/4	51/4	43/4	1/2	31/2	0.16	11/2	3/8 x 13/4	1/2 x 5	13	13
215T	163	175039.00	15	121/2	13/4	41/4	31/2	51/4	51/2	1/2	31/2	0.16	11/2	3/8 x 13/4	1/2 x 5	15	15
254T	248	175040.00	173/4	151/8	2	5	41/8	61/4	65/8	5/8	4.00	3/16	17/16	1/2 x 13/4	5/8 x 6	17	17
256T	248	175041.00	173/4	167/8	2	5	5	61/4	71/2	5/8	4.00	3/16	17/16	1/2 x 13/4	5/8 x 6	18	18
284T	270	175042.00	193/4	167/8	2	51/2	43/4	7.0	71/2	5/8	41/2	3/16	111/16	1/2 x 2	5/8 x 6	21	21
286T	270	175043.00	193/4	183/8	2	51/2	51/2	7.0	81/4	5/8	41/2	3/16	111/16	1/2 x 2	5/8 x 6	22	22
324T	356	175044.00	223/4	191/4	21/2	61/4	51/4	8.0	81/2	3/4	51/4	3/16	23/16	5/8 x 21/2	3/4 x 9	31	31
326T	356	175045.00	223/4	203/4	21/2	61/4	6	8.0	91/4	3/4	51/4	3/16	231/6	5/8 x 21/2	3/4 x 9	32	32
364T	469	175046.00	251/2	201/2	21/2	7	55/8	9.0	91/8	3/4	6.00	1/4	21/16	5/8 x 21/2	3/4 x 9	44	44
365T	469	175047.00	251/2	211/2	21/2	7	61/8	9.0	95/8	3/4	6.00	1/4	21/16	5/8 x 21/2	3/4 x 9	45	45
404T	844	175048.00	283/4	223/8	3	8	61/8	10.0	97/8	7/8	7.00	1/4	21/2	3/4 x 3	3/4 x 11	60	60
405T	844	175049.00	283/4	237/8	3	8	67/8	10.0	105/8	7/8	7.00	1/4	21/2	3/4 x 3	3/4 x 11	61	61
444T	1,044	175088.00	311/4	245/8	3	9	71/4	11.0	11.0	7/8	71/2	1/4	21/2	3/4 x 3	3/4 x 11	68	68
445T	1,044	175089.00	311/4	265/8	3	9	81/4	11.0	12.0	7/8	71/2	1/4	21/2	3/4 x 3	3/4 x 11	73	73
447T	1,151	175090.00	311/4	301/8	3	9	10	11.0	133/4	7/8	71/2	5/16	3	3/4 x 31/2	3/4 x 11	92	92
449T	1,151	175302.00	311/4	351/8	3	9	121/2	11.0	161/4	7/8	71/2	5/16	3	3/4 x 31/2	3/4 x 11	95	95

* Motor mounting bolt diameter and length, four supplied with each base
 ** Base mounting bolts, four required—not supplied with base

Specifications are subject to change without notice
 NOTE: These bases are not suitable for vertical mounting
 All dimensions in inches

Transition Bases

Transition bases compensate for the difference in mounting dimensions and shaft height of a rigid base NEMA T frame to the next higher NEMA U frame. This makes it possible, for example, to replace a 10 HP NEMA 254U frame motor with a 10 HP NEMA 215T frame motor without modifying the basic installation. Made of the same high-quality materials and construction as the

adjustable motor bases above. They are for horizontal mountings, shimming may be needed for direct coupled loads. Thread size listed is for mounting transition base to the "T" frame motor. Dimensions listed are for one piece—two are supplied, one for each side of the motor's foot.

Converts T Frame	To U Frame	Catalog Number	List Price	App. Wgt. (lbs.)	Height (Inches)	Width (Inches)	Length (Inches)	Thread
143T/145T	182/184	175091.00	86	2	1	2 1/4	516-18	516-18
182T/184T	213/215	175092.00	126	3	3/4	1 3/4	3/8-16	3/8-16
213T/215T	254U/256U	175093.00	148	5	1	2 7/16	3/8-16	3/8-16
254T/256T	284U/286U	175094.00	208	8	3/4	2 3/4	1/2-13	1/2-13
284T/286T	324U/326U	175095.00	277	10	1	3 1/4	1/2-13	1/2-13
324T/326T	364U/365U	175097.00	351	13	1	3 11/16	5/8-11	5/8-11
364T/365T	404U/405U	175098.00	469	22	1	4 1/4	5/8-11	5/8-11
404T/405T	444U/445U	175127.00	600	24	1	4 1/4	3/4-10	3/4-10



Specifications are subject to change without notice



Accessories / Kits

CE Field Conversion Kits

Lincoln Motors Only

Three Phase Motors Only

Model Numbers Beginning With:	Model Efficiency Code(s)	Frame Size	Catalog Number	List Price	App. Wgt. (lbs.)	♥ Notes
SD & SSD	P, B	143T-184T	LM22093	214	2	
		213T-215T	LM22188	214	2	
		254T-256T	LM25632	214	2	
		284T-326T	LM12429	236	2	2
		364T-365T	LM12430	710	2	1
		404T-405T	LM12454	1,146	35	1
		444T-445T	LM12463	1,483	40	1
AF & SF (also includes AB, AN & SB)	S, H	143T-145T	LM08476	214	2	
		182T-184T	LM08478	214	2	
		213T-215T	LM08582	310	2	
		254T-256T	LM08664	310	5	
		284T-286T	LM08665	310	2	3
		324T-326T	LM08709	310	2	3
		364T-365T	LM08720	353	2	3
AF, AAF & SSF	S,PB	143T-145T	LM18872	168	2	
		182T-184T	LM18873	214	2	
AF & SF	P, B	213T-215T	LM18874	214	1	
		254T-256T	LM18875	214	2	
		284T-286T	LM18876	310	1	
		324T-326T	LM18866	310	3	
		364T-365T	LM18868	780	35	1
		404T-405T	LM18869	353	3	
		444T-445T	LM18870	470	4	
CS, CCF & CCS (excludes those motors with NN in NOTES column)	P, B	143T-184T	LM18864	214	2	
		213T-256T	LM18865	214	2	
		284T-326T	LM18866	310	3	
		364T-405T	LM18867	353	3	
		444T-445T	LM18870	470	4	
MD & SE	S	284T-286T	LM12429	236	2	
		324T-365T	LM16572	303	2	
		404T-405T	LM16574	882	40	1
		404T-405T	LM12454	1,146	35	1
		444T-445T	LM16577	1,242	40	1

Specifications are subject to change without notice

Notes: P=EPAct, B=Preimum, S=Standard Eff., G=U-Frame Standard

1. Kit includes larger than standard terminal box.

2. Terminal box is heavy gauge steel CS models normally have cast iron box

3. Blower motor on TEBC CTAC models, 284T frames and larger, is not CE compliant

* Multiguard mtrs

Usable on 380 to 575V (for others, contact Lincoln). Price includes terminal strip suitable for six

connections and grounding lug. Contact Customer Service regarding nameplate with CE Mark.

Copies of Lincoln's Declaration of Conformity for the Low Voltage Declaration of Conformity for the

Low Voltage Directive and Manufacturer's Declaration for the Machinery Directive are available on request



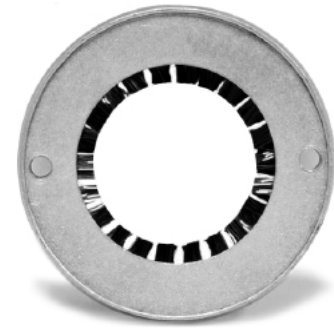
For use with Lincoln rolled steel, aluminum and cast iron frame US built motors
 For use with LEESON Inverter Duty, 800000 Series cast iron motors
 For Use with LEESON IEEE-841 duty motors
 Note - will not meet DIV 2 certification with SGRs

Shaft grounding is recommended (NEMA MG1 31.4.4.3) as an effective means of bearing protection for motors operated from inverter power. One grounding device is adequate to bleed down inverter-sourced shaft voltages, thereby protecting both bearings for motors as large as 6085 frame. Kits includes grounding ring, mounting hardware and instructions. Shaft ground rings fit these NEMA shaft extension frames listed below, they are designed to mount on the shaft end.

Shaft Grounding Ring (SGR)

Note: Cannot Be Used On Explosion Proof Motors

NEMA Frame	Catalog Number	Stock	List Price
48	LM32396	√	189
56	LM32397	√	189
143-145T	LM32398	√	189
182-184T	LM32399	√	221
213-215T	LM32401	√	251
254-256T	LM32402	√	315
284-286T	LM32403	√	563
284-286TS	LM32402	√	315
324-326T	LM32405	√	441
324-326TS	LM32403	√	563
364-365T	LM32407	√	504
364-365TS	LM32403	√	563
404-405	LM32409	√	751
404-405TS	LM32405	√	441
444-445T	LM32411	√	1,320
444-445TS	LM32407	√	504
447/449T	LM32411	√	1,320
447/449TS	LM32407	√	504



Specifications are subject to change without notice

For Use with CI Wattsaver Motors "17" Series Shaft Grounding Ring (SGR)

NEMA Frame	Motor Poles	Catalog Number	List Price
182-4T	2-4	176090.60	122
213-5T	2-4-6	176091.60	146
254-6T	2-4-6	176092.60	181
284-6T/TS	2-4-6	176093.60	190
324-6T/TS	2-4-6	176094.60	203
364-5T/TS	2-4-6	176095.60	220
404-5T/TS	2-4-6	176096.60	327
444-5T	4-6	176097.60	512
447-9T	4-6	176098.60	512

Specifications are subject to change without notice

Note: TEFC Motors produced after August 2015 have holes available for mounting these kits. April 2016 on ODP Models. Not available on 180 and 210 frame ODP motor



Types of Motor Mounts

IEC Motors

DC Motors

Gearmotors

AC / DC Controls

Accessories / Kits

Mods / Factory Options

X-Ref / Index

Tech Information

Terms / Warnings



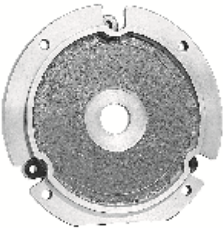
Rigid base is bolted, welded, or cast on main frame and allows motor to be rigidly mounted on equipment.



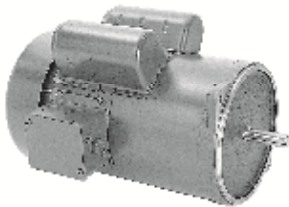
Resilient base has isolation or resilient rings between motor mounting hubs and base to absorb vibrations and noise. A conductor is imbedded in the ring to complete the circuit for grounding purposes.



NEMA C face mount is a machined face with a pilot on the shaft end which allows direct mounting with the pump or other direct coupled equipment. Bolts pass through mounted part to threaded hole in the motor face.



NEMA D flange mount is a machined flange with rabbet for mountings. Bolts pass through motor flange to a threaded hole in the mounted part. NEMA C face motors are by far the most popular and most readily available. NEMA D flange kits are stocked by some manufacturers, including LEESON.

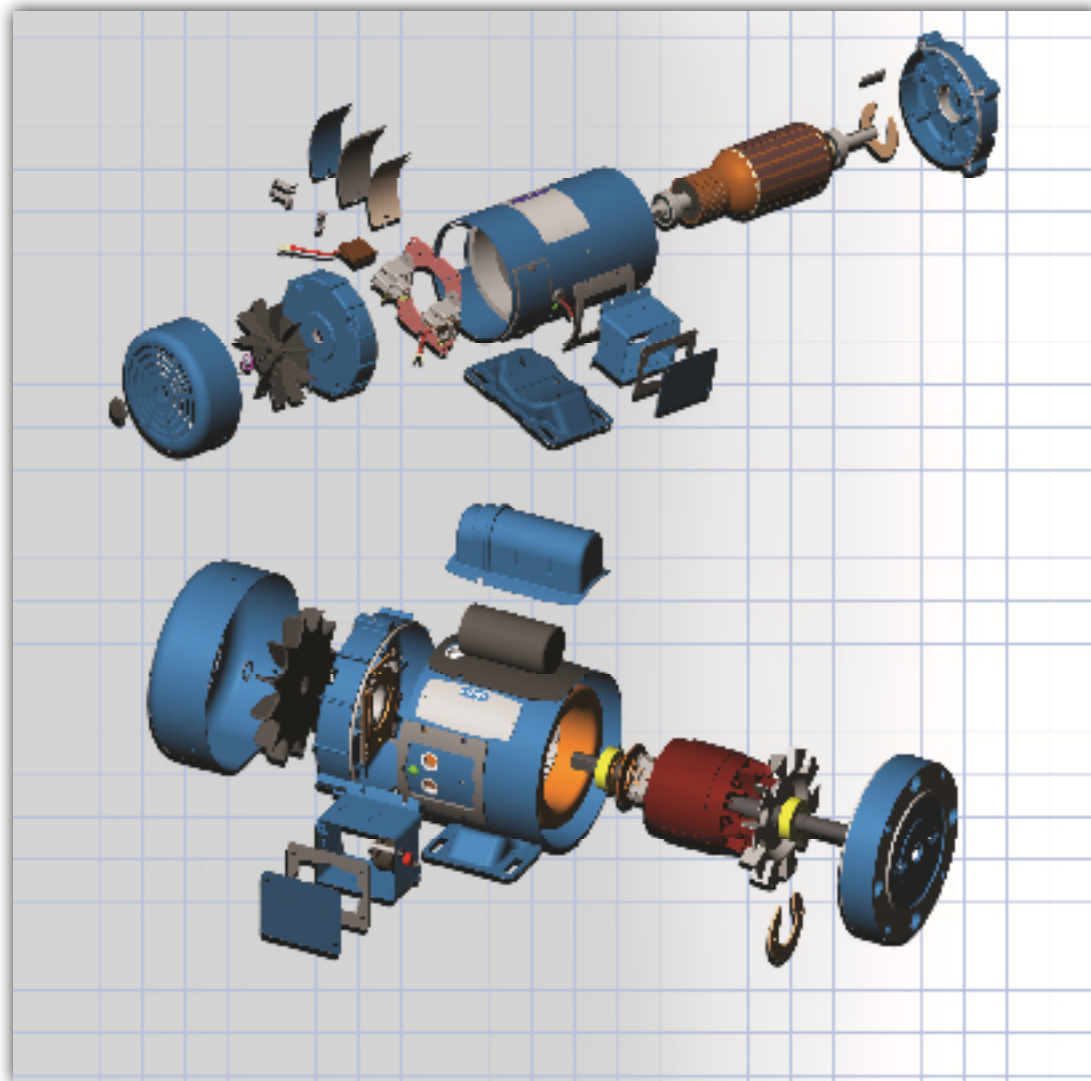


Type M or N mount has special flange for direct attachment to fuel atomizing pump on an oil burner. In recent years, this type of mounting has become widely used on auger drives in poultry feeders.



Extended through-bolt motors have bolts protruding from the front or rear of the motor by which it is mounted. This is usually used on small direct drive fans or blowers.





Contact your local LEESON Sales office for genuine replacement motor parts.



Mod-Squad Stock Motor Modification Program

Your motor, your way...now

The Mod-Squad stands on alert ready to tailor a LEESON or Lincoln stock motor to meet your modified motor needs in a few days or less. From one modified motor up to a few—there is no faster, more versatile source for mechanically or electrically “customerized” motors.

Starting with an off-the-shelf LEESON or Lincoln motor selected from the nearly 6,000 LEESON or Lincoln stock motors, the modifications listed here can be completed in the time frame noted for each item.

Ordering Information

To order please specify the catalog number of the LEESON or Lincoln stock motor to be modified and the Mod-Squad modification catalog number or numbers desired.

An inventory of popular motors is maintained by the Modification Center for fast delivery. However, delivery of the modified motor is governed by availability of the stock motor. If a stock motor is shipped from a District Warehouse, delivery of the mod will be extended.

Modification list prices are subject to the same discounts that apply to the motor. (Some motors, such as explosion-proof, may not be modified.) Days noted are working days excluding holidays and weekends—larger quantities may require additional leadtime.

MOD-SQUAD Cancellation Policy

Modified motors may not be returned for credit or re-stocking. If a modification order is cancelled before shipment, a cancellation charge of double the modification charge will be invoiced to the customer. Any Mod-Squad order cancelled before modification is completed is subject to cancellation charges of 10% of total charges for that item.

Terms are net 30 days, FOB Indianapolis, IN, with freight prepaid on single shipments of 1,500 pounds or 3,000 dollars or more to the first destination within the continental United States, excluding Alaska.

Index to Motor Modifications

Description	Mod-Squad Number	Page
Bearing Modifications	L2	425
Blower Fan Kits - WATTSAYER®	L30	435
Brakemotor Modifications - LEESON Only	L3	426
CE Marking	L24	433
Condensate Drains - Totally Enclosed Motors	L8	427
Cords, Plugs & Grounding Provisions	L5	426
Drip Cover - Open, Drip-Proof Motors	L9	428
Dynamic Braking Boards - Micro Series - LEESON Only	L28	434
Encoder Kits - WATTSAYER® & SPEEDMASTER®	L29	435
Fungus Proofing and Tropicalization	L19	432
Larger Size Conduit Box - Lincoln Only	L31	435
Leads - Reconnect, Remark or Extend	L10	428
Lint-Proof Textile Service Motors - LEESON Only	L17	432
Marine Service Motors - Three Phase, Totally Enclosed	L21	433
Motor Protection	L18	432
Mountings	L12	429
Nameplates	L13	431
Paint	L14	431
Remote Keypad Option - Micro Series - LEESON Only	L25	434
Rodent Screens - LEESON Only	L15	431
Severe Duty - Cast Iron Fan Covers - LEESON Only	L7	427
Shaft Grounding Ring (SGR) modification	L32	435
Shaft Modification	L22	433
Shaft Seals	L11	428
Space Heaters, Anti-Condensation	L16	431
Switches - Power or Electronic Starting	L6	427
Tachometer Mounting Provisions - DC Motors - LEESON Only	L23	433
Terminal Blocks - NEMA Motors	L27	434
Totally Enclosed Air Over Conversion	L22	433
Weatherproofing - Three Phase, Totally Enclosed Motors	L20	432

NEW!
Shaft Grounding Ring Modification



L2 Bearing Modifications

Two Days

#L2a Changing shielded bearings to sealed bearings on stock motors. 48-449T, Agricultural motors as well as all Washguard duty and Wash-Thru motors have sealed bearings as standard. Note: Adding sealed bearings to motors having grease fittings may not make the bearings regreasable. Grease fittings will be removed and plugged.

NEMA Frame	Catalog Number	List Price
42	L2A42	198
48	L2A48	198
56	L2A56	198
143T-145T	L2A140	203
182T-184T	L2A180	221
213T-215T	L2A210	235
254T-256T	L2A250	413
284T-286T	L2A280	525
324T-326T	L2A320	690
364T-365T	L2A360	1,223
404T-405T	L2A400	1,267
444T-449T	L2A440	1,688

#L2c Change bearing grease on cast iron motors with open-type regreasable bearings. Endbells and bearings are purged and repacked with low-temperature grease (Beacon #325 or equivalent) with a temperature range of -75°F to +250°F or high-temperature grease (Dow Corning DC44M or equivalent) with a temperature range of -40°F to +400°F. Specify grease to be used. Check with LEESON to verify the motor can operate in the temperature range required! LEESON Only.

NEMA Frame	IEC Frame	Catalog Number	List Price
254T-256T	-	L2C250	379
284T-286T	160	L2C280	423
324T-326T	180	L2C320	591
364T-365T	200	L2C360	632
404T-405T	225	L2C400	1,012
444T-449T	250	L2C440	1,390

#L2b Stock motors with shielded or sealed bearings – replace standard bearings with ones having low-temperature lubricant (Beacon #325 or equivalent), with a temperature range of -75°F to +250°F. Standard lubricant has a temperature range of -20°F to +300°F and is considered a high temp lubricant for these motors. Explosion proof motors can only be rated to a -13°F temperature.

NEMA Frame	Catalog Number	List Price
42	L2B42	198
48	L2B48	198
56	L2B56	198
143T-145T	L2B140	203
182T-184T*	L2B180	221
213T-215T*	L2B210	235

*Rolled steel, cast iron or aluminum motors
Note! Not available on Washdown Duty Motors

#L2d Install insulated bearings to protect inverter-driven motors from inverter-sourced shaft voltages. May not be installed on Division 1 or Division 2 hazardous locations. Contact factory for lead time on installing insulated bearings.

NEMA Frame	Catalog Number	List Price
143T-145T	L2D140	490
182T-184T	L2D180	587
213T-215T	L2D215	1,725
254T-256T	L2D250	1,836
284T-286T	L2D280	1,836
324T-326T	L2D320	1,994
364T-365T	L2D360	2,038
404T-405T	L2D400	2,062
444T-449T	L2D440	2,285

Mods / Factory Options

L3 Brakemotor Modifications

"Motors and BrakeKits sold separately"

Leadtimes subject to availability

#L3a Convert brakemotors (TENV only) with standard enclosure brakes to weatherproof brakes by changing the disc brake. Weatherproof brakes have additional sealing and protection. Price includes cost of weatherproof brake.

Lead time = 3 days

#L3b Change the standard brake to one with a different torque rating. Specify torque rating. Standard enclosure brakes only—not weatherproof. Some torque limitations apply, specify torque rating.

Catalog Number L3B. List price - \$169

Lead time = 3 days

#L3c Change Brake Coil Voltage. Change from standard coil voltage to 115 volts (for Stearns brand brakes only).

Catalog Number L3C. List Price \$169

L3c - Break coil sold separately, contact LEESON for pricing. **Leadtime = 14 days**

#L3d Install a LEESON BrakeKit. See brakemotor section for BrakeKits available and motors that can be converted. Specify the catalog number of both the stock motor and the BrakeKit.

List Price \$345

Lead time = 3 days

#L3e Remove brake from stock brakemotor for customers supplying their own brake. Specify Catalog Number L3E. List Price \$345

Lead time = 3 days

#L3f Assemble double C-face coupler brake on C-face motor. MOD charge is for assembly only. Brake and motor are purchased separately. Specify the catalog number of the stock motor and coupler brake.

Catalog Number L3F56140 - 56C, 143TC, or 145TC motors. List Price \$345

Catalog Number L3F180210 - 182TC, 184TC, 213TC, or 215TC motors. List Price \$494

Lead time = 3 days

#L3g Change Brake Coil Voltage. Change from standard coil voltage to 200 volts (for Stearns brand brakes only).

Catalog Number L3G1.5-3 - 1.5 & 3 lb-ft brakes. List Price \$409

Catalog Number L3G6-10 - 6 & 10 lb-ft brakes. List Price \$409

Lead time = 14 days

Catalog Number	List Price
L3A3	864
L3A6	864
L3A10	882
L3A15	909
L3A25	1,000



BrakeKit Installation

L5 Cords, Plugs and Grounding Provisions

Three Days

#L5a For single phase motors, install grounded line cord of type S.O., three-conductor oil resistant cord, connected in the conduit box or terminal panel, with strain relief. No plug. **Specify cord length, voltage and shaft rotation (clockwise or counterclockwise) viewed from the drive shaft end of the motor.**

Wire Gauge	Max Amp Rating Single Phase	Catalog Number 6 ft. or Less	List Price 6 ft. or Less	Catalog Number Each Add'l. Foot	List Price Each Add'l Foot to 10 ft. Max.
16	13	L5A16	165	L5A16ADD	3
14	18	L5A14	173	L5A14ADD	3
12	25	L5A12	181	L5A12ADD	4

#L5b Install 6-foot grounded type S.O. cord with plug, 115VAC single phase only. **Specify cord length, shaft rotation (clockwise or counterclockwise) viewed from the drive shaft end of the motor.**

HP	Catalog Number 6 ft. or Less	List Price 6 ft. or Less	Catalog Number Each Add'l. Foot
1 and smaller	L5B	164	L5BADD

#L5c Add an additional grounding screw to the endbell of drip-proof or totally enclosed non-ventilated NEMA 48 or 56 frame motors. Meets UL 1081 swimming pool motor grounding provisions (includes slinger) Catalog Number L5C. List Price \$140



Grounded Cord w/Plug



L6 Switches – Power or Electronic Starting

Three Days

#L6a On-off switch for 2 HP and smaller single phase motors only. Install double-pole, single-throw switch in the conduit box, with switch guard and a 6-foot type S.O. cord with grounded plug, **115 VAC or 230 VAC—please specify. Also specify shaft rotation (clockwise or counterclockwise) viewed from the drive shaft end of the motor.**

Rating	Catalog Number	List Price
16-20A/115V or 230V	L6A	365



On-Off Switch w/Guard

#L6b Replace mechanical centrifugal switch on single phase motors 2HP and smaller with solid-state, encapsulated, electronic starting switch. Capacitor-start, induction-run motors only. **Subject to engineering approval.** Catalog Number L6B. List Price \$355

L7 Severe Duty – Cast Iron Fan Covers – LEESON Only

Three Days

#L7a Remove steel fan guard and install a cast iron fan guard on LEESON 150, G150 and 170 series NEMA and 193 series IEC TEFC cast iron motors to meet severe duty, mill and chemical duty specifications. Note: These motors have cast iron endbells, frame, and conduit box as standard. **Lincoln Motors has a line of Severe Duty motors that include a cast iron fan guard. See page 106.**

NEMA Frame	IEC Frame	Catalog Number	List Price
182T-184T	–	L7A180	366
213T-215T	–	L7A210	412
254T-256T	–	L7A250	503
284T-286T	160	L7A280	784
324T-326T	180	L7A320	813
364T-365T	200	L7A360	1,145
404T-405T	225	L7A400	1,241
444T-445T	250	L7A445	1,249
447T-449T	280	L7A449	1,274



Cast Iron Fan Cover

L8 Condensate Drains – Totally Enclosed Motors

Two Days

#L8a 215T and smaller steel frame motors. Drill one or two condensation drain holes on the periphery or in the face of each endbell of steel frame 215T frame and smaller totally enclosed motors. **Specify location in both the shaft end and opposite endbell using a drawing or clockface analogy.** When specified, a drain can be added to the face of one endbell for shaft up or down mounting.

NEMA Frame	Catalog Number	List Price
215T and smaller	L8A40210	257
254T-365T	L8A250360	357
404T-449T	L8A400440	428



Condensate Drain

#L8b 182T and larger cast iron frame motors. Provides an additional one-way, cross-drilled stainless steel condensation drain on the periphery or in the face of each endbell. Provide a drawing or clockface analogy for position in each endbell.

NEMA Frame	Catalog Number	List Price
215T and smaller	L8B40210	257
254T-365T	L8B250360	357
404T-449T	L8B400440	428

#L8c Add brass drains and breather on all non-explosion proof and non-washdown duty motors 56 - 449T frame.

NEMA Frame	Catalog Number	List Price
215T and smaller	L8C56210	257
254T-365T	L8C250360	357
404T-449T	L8C400440	428



Mods / Factory Options

L9 Drip Cover – Open, Drip-Proof Motors

Two Days

#L9a Install a drip cover on steel frame motors. Price includes drip cover.

LEESON Only

NEMA Frame	Catalog Number	List Price
48-145T ^	L9A40140	169
182T-184T *	L9A180	183
213T-215T *	L9A210	203



Drip Cover

* Not for explosion proof motors

^ For motors having the date suffix letter of B, P or K.

* For motors having the date code suffix letter of M

#L9b Install a drip cover on cast iron motors. Price includes drip cover.

LEESON Only

NEMA Frame	Catalog Number	List Price
182T-184T	L9B180	183
213T-215T	L9B210	203
254T-256T	L9B250	243

For LEESON Wattsaver cast iron motors - "17" Series

#L9c Install a drip cover on SPD, SRD and SSD Model Numbers. Not suitable for use on motors having NN in Notes column.

Lincoln Only

NEMA Frame	Catalog Number	List Price
48-56*	L9C4856	169
56-145T	L9C56145	169
182T-184T	L9C182184	183
213T-215T	L9C213215	203

* Motors having a 2.18 inch bolt circle for the mounting holes

L10 Leads – Reconnect, Remark or Extend

Two Days

#L10a Re-Connect leads in the conduit box to a single voltage and/or for wye or delta connection. Most motors 444T frame and above are single voltage. Specify voltage and connection.

NEMA Frame	Catalog Number	List Price
48-145T	L10A40140	186
182T-184T	L10A180	295
213T-215T	L10A210	392
254T-256T	L10A250	439
284T-286T	L10A280	581
324T-326T	L10A320	657
364T-365T	L10A360	657
404T-405T	L10A400	736
444T-449T	L10A440	820

Not for IEC - Metric Motors

#L10c Extend leads up to 42 inches longer than standard by splicing. **Specify additional length required.**

NEMA Frame	Catalog Number	List Price
48-145T	L10C40140	186
182T-184T	L10C180	295
213T-215T	L10C210	392
254T-256T	L10C250	439
284T-286T	L10C280	581
324T-326T	L10C320	657
364T-365T	L10C360	657
404T-405T	L10C400	736
444T-449T	L10C440	736

#L10b Remark leads using metal markers. Any size motor. **Specify markings, letters or numbers. Specify Catalog Number L10B.** List Price \$198

#L10d Add crimp-type terminal lugs – steel frame motors. Lugs standard on LEESON cast iron motors. **Specify Catalog Number L10D.** List Price \$153

L11 Shaft Seals

Three Days

#L11a Install an oil seal on the shaft end of 215T and smaller steel frame LEESON motors. May be installed on single, three phase or direct current motors, but not explosion-proof motors.

Catalog Number	List Price
L11A	491



L12 Mountings

#L12a Add a stamped steel rigid base to steel frame motors. For 182-4T frame motors, minimum 8.50" (TEFC, rigid, C face) or 8" (ODP, rigid, C face) frame length is required. **LEESON Only**

NEMA Frame	Catalog Number	List Price
42-48	L12A4248	198
56	L12A56	201
143T-145T	L12A140	201
182T-184T	L12A180	242
213T-215T	L12A210	295

Note: It is not possible to add a base to some three phase motors as the resulting rigid base motor will be subject to EISA mandated efficiency values. Contact the factory.

This Mod. cannot be done on an explosion proof motor for an F2 conduit box location, cannot add to stainless steel motors.

#L12b Remove stamped steel rigid base from steel frame motors.

NEMA Frame	Catalog Number	List Price
42-56	L12B4256	304
143T-145T	L12B140	304

Excludes Explosion Proof and Stainless Steel motors

#L12c Install a NEMA C face on steel frame motors 215T and smaller. Specify if the rigid base is to be removed. If so, add for modification #L12b listed above. List Price includes C face Kit. **LEESON Only**

NEMA Frame	Catalog Number	List Price
42-56*	L12C4256	256
143T-145T	L12C140	256
182T-184T	L12C180	277
182T-184T**	L12C180U	277
213T-215T	L12C210	343

*Adding a 48 C-Face results in a non-NEMA BA dimension.
 ** Convert a 182T-184T frame motor to have a C-face dimensions of a 143T-145T or 182U-184U frame motor (AJ = 5 7/8 ", AK = 4 1/2"). The shaft dimensions and base location will not change.

#L12d Install a NEMA C face to 150, 170 or 199 series cast iron motors. The rigid base cannot be removed from these cast iron frame motors. List Price includes C Face Kit. **LEESON Only**

NEMA Frame	Catalog Number	List Price
182T-184T	L12D180	460
213T-215T	L12D210	501
254T-256T	L12D250	634
284T-286T	L12D280	767
324T-326T	L12D320	994
364T-365T	L12D360	1,080
404T-405T	L12D400	1,180
444T-445T	L12D440	1,451
447T-449T	L12D4479	1,533

#L12e Install a NEMA D flange to open or totally enclosed motors of steel frame construction in 182-4T frame and cast iron 150 and 170 series motors in 213T frames through 445T frame. Steel rigid base can be removed from steel frame 182-4T frame motors. Specify and add for modification L12b. Rigid base cannot be removed from cast iron frame motors. List Price includes D Flange. **LEESON Only**

NEMA Frame	Catalog Number	List Price
182T-184T	L12E180	460
213T-215T	L12E210	501
254T-256T	L12E250	634
284T-286T	L12E280	767
324T-326T	L12E320	994
364T-365T	L12E360	1,080
404T-405T	L12E400	1,448
444T-445T	L12E440	1,884

#L12f Convert standard F1 motors to F2, sidewall or ceiling mounting. Consists of repositioning the endbell vents and condensation drains where applicable and the conduit box lead hole. Note: If brakemotor, brake knob will be located at 6 o'clock. Note: Only the 56/140 frame motors can have the motor bases removed where needed. **LEESON or Lincoln Branded** motors where applicable. Excludes DC motors.

NEMA Frame	Catalog Number	List Price
56-184T	L12F56180	392
213T-215T	L12F210	425
254T-326T	L12F250320	507
364T-449T	L12F360449	657

* Three phase only; single phase motors cannot be converted. Please contact factory for Explosion proof motor approval for this modification. Washdown and DC motors cannot be converted to F2.

#L12g Rotate standard conduit box position by 90° increments. Specify by clock face, i.e. 9 o'clock, 12 o'clock, etc. for position (viewed from shaft end). Consists of repositioning the endbell vents and condensation drains where applicable and the conduit box lead hole. Note: If brakemotor, brake knob will be rotated 90° from conduit box. This mod. can no longer be offered on the 180 and 210 frame motors for the bases of these motors can no longer be removed without damaging the motor. List Price includes D Flange.

NEMA Frame	Catalog Number	List Price
56-145T	L12G56140	392

* Three phase rolled steel only; single phase motors cannot be converted.



#L12h Install a metric (IEC) B5 flange to 190 series cast aluminum or cast iron AC motors and DC steel frame motors. List Price includes B-5 Kit.

LEESON Only

IEC Frame	Catalog Number	List Price
63	L12H63	268
71	L12H71	309
71 (DC)	L12HD71	349
80	L12H80	501
80 (DC)	L12HD80	268
90	L12H90	501
90 (DC)	L12HD90	268
100	L12H100	707
112	L12H112	903
100/112/(DC)	L12HD100112	309
132	L12H132	349
160	L12H160	501
180	L12H180	570
200	L12H200	707
225	L12H225	903

#L12i Install C Face kit to an IEE-841 motor. Modification includes C Face kit and new Inpro shaft seal. Bases cannot be removed from these motors.

NEMA Frame	Catalog Number	List Price
143T-145T	L12I140	323
182T-184T	L12I180	460
213T-215T	L12I210	501
254T-256T	L12I250	634
284T/TS-286T/TS	L12I280	767
324T/TS-326T/TS	L12I320	994
364T-365T	L12I360	1,652
404T-405T	L12I400	1,694
447T-449T	L12I440	1,694

#L12j Install a metric (IEC) B14 face to 190 series cast aluminum or cast iron AC motors and DC steel frame motors. List Price includes B-14 Kit. **LEESON Only**

IEC Frame	Catalog Number	List Price
63	L12J63	268
71	L12J71	309
71 (DC)	L12JD71	349
80	L12J80	501
80 (DC)	L12JD80	268
90	L12J90	501
90 (DC)	L12JD90	268
100	L12J100	707
112	L12J112	903
100/112/(DC)	L12JD100112	309
132	L12J132	349
160	L12J160	501

#L12k Reposition feet and nameplate (to relocate conduit box) on AC aluminum-frame IEC motors (63 thru 90L frame). **LEESON Only**

IEC Frame	Catalog Number	List Price
63	L12K63	175
71	L12K71	185
80	L12K80	198
90	L12K90	247

#L12l Install C Face. For motors having AF/AAF in the model number. List Price includes C Face Kit. **Lincoln Only**

NEMA Frame	Catalog Number	List Price
182T-184T	L12L182184	277
213T-215T	L12L213215	343
254T-256T	L12L254256	387
284T-286T	L12L284286	434

#L12m Install C Face. For motors having SRF in the model number. List Price includes C Face Kit. **Lincoln Only**

NEMA Frame	Catalog Number	List Price
56 (203 brg)	L12M56203	256
56 (205 brg)	L12M56205	256

#L12n Install C Face. For motors having SSF in the model number. List Price includes C Face Kit. **Lincoln Only**

NEMA Frame	Catalog Number	List Price
143T-145T	L12N143145	256
182T-184T	L12N182184	277
213T-215T	L12N213215	343

#L12o Install C Face. For motors having SF in the model number, having a cast iron endbell. List Price includes C Face Kit. **Lincoln Only**

NEMA Frame	Catalog Number	List Price
324T/TS-326T/TS	L12O324326	994
364T/TX-365T/TS	L12O364365	1,080
404T/TS-405T/TS	L12O404405	1,180
444T/TS-445T/TS	L12O444445	1,451
447T/TS-449T/TS	L12O447449	1,533

#L12p Install C Face. For motors having CCN in the model number. List Price includes C Face Kit. **Lincoln Only**

NEMA Frame	Catalog Number	List Price
143-145T	L12P143145	256



#L12q Install C Face. For motors having CCF in the model number. List Price includes C Face Kit. **Lincoln Only**

NEMA Frame	Catalog Number	List Price
143T-145T	L12Q143145	256
182T-184T	L12Q182184	460
213T-215T	L12Q213215	501
254T-256T	L12Q254256	634
284T-286T	L12Q284286	767
342T-326T	L12Q324326	994

#L12r Install C Face. For motors having CCS in the model number. List Price includes C Face Kit. **Lincoln Only**

NEMA Frame	Catalog Number	List Price
143T-145T	L12R143145	256
182T-184T	L12R182184	460
213T-215T	L12R213215	501
254T-256T	L12R254256	634
284T/TS-286T/TS	L12R284286	767
342T/TS-326T/TS	L12R324326	994
364T/TS-365T/TS	L12R364365	1,080
404T/TS-405T/TS	L12R404405	1,180
444T/TS-445T/TS	L12R444445	1,451

L13 Nameplates

Three Days

#L13a Provide an extra motor nameplate-unmounted. (Nameplate only) Add customer part number or change to other voltage or frequency service. **Unmounted nameplates are not available for explosion-proof motors.**

Note: Markings for UL and CSA cannot be included on unmounted nameplates that are shipped loose and not installed on a motor.

Ⓛ Add \$1 (net) for each additional Aluminum or Mylar nameplate.Ⓜ Add \$2 (net) for each additional stainless steel nameplate.Ⓨ Catalog Number L13A. List Price per motor \$138 60Hz single phase motors cannot be re-rated to 50Hz **Must Provide Date Code Information.**

#L13b Replace, existing nameplate on provided motor. Add customer part number or change to other voltage or frequency service and mount to motor. Ⓛ List Price per motor \$160

Note: Not available for motors that are all stainless steel construction.

#L13c Replace standard aluminum nameplate with stainless steel nameplate. LEESON cast iron, WASHGUARD and severe duty motors have stainless steel nameplates as standard.Ⓛ Add \$2 (net) for each additional stainless steel nameplate. Ⓜ List Price per motor \$164

Ⓛ Must specify catalog number and date code of motor's existing nameplate. Nameplates changed to a single voltage connection does not mean motors would be re-connected to this connection unless the L10 Mod is also requested. Ⓜ Additional nameplates must be identical.

L14 Paint

Two Days*

#L14a Repaint motor to another LEESON or Lincoln stock paint color. A sample of choices include LEESON blue, white epoxy, farm duty red, light gray epoxy, black, or black epoxy. Powder coat paint is not available as a modification. For Lincoln motors, your choices include: Lincoln gray, severe duty blue, black or gloss white. Not available on Lincoln Wash-thru motors. **Specify color.**

	Frame	Catalog Number	List Price
NEMA	42-215T	L14A40210	169
NEMA	254T-365T	L14A250360	342
NEMA	404T-449T	L14A400440	546
IEC	63-90	L14A6390	169
IEC	100-225	L14A100225	343

***Note: Epoxy paint requires extra curing time. Please allow one additional day.**

L15 Rodent Screens – LEESON Only

Two Days

#L15a Add rodent screens to open drip-proof motors, cast iron and steel frame, 326T and smaller.

NEMA Frame	Catalog Number	List Price
182T-S213T	L15A40210	269
254T-286T	L15A250280	613
324T-326T	L15A320	822

L16 Space Heaters, Anti-Condensation

Five Days

#L16a Add anti-condensation space heaters to totally enclosed or open motors. Standard space heater voltage is 115 VAC. **Heaters for 230 or 460 VAC are available. Specify circuit voltage.** May be installed in single, three phase or direct current motors. Explosion proof motors are not included. Washdown duty motors are **not** included.

NEMA Frame	Catalog Number	List Price
145T and smaller	L16A40140	374
182T-215T	L16A180210	471
254T-365T	L16A250360	704
404T-449T	L16A400440	924



Mods / Factory Options

L17 Lint-Proof Textile Service Motors – LEESON Only

Two Days

#L17a Convert a standard totally enclosed-fan cooled motor to textile service by modifying the fan cover to reduce “snagging” of lint and reduction in cooling air for the motor. Price includes kit cost.



Lint-Proof Kit

NEMA Frame	Catalog Number	List Price
56-145T	L17A40140	342
182T-184T	L17A180	446

L18 Motor Protection

Two Days

#L18a Thermostats on the winding. Install one or more thermostats in the windings of NEMA frame AC motors on the brush plate of DC motors or on the inside of frame on Sub-FHP DC motors. These are pilot or signal devices only, to be used in series with a motor controller or starter to remove power from the motor. Red color leads are brought into the conduit box. **Specify normally open or closed contacts.** Normally closed thermostats connected in series. **Thermostats cannot be installed in explosion-proof or Washdown duty motors.**

Type	NEMA Frame	Catalog Number	No. of Devices	List Price
Single Phase	All	L18AS40210	1	213
Three Phase	42-215T	L18AT40210	2	242
Three Phase	254T-365T	L18AT250360	2	657
Three Phase	404T-449T	L18AT400440	2	820
Direct Current	42-56	L18AD4056	1	242

#L18c Thermistors on the winding. As standard, three (3) thermistors are furnished, one per phase. As the critical temperature of the motor’s winding is reached, the resistance of the thermistor changes radically, causing operation of a control relay. Not available on washdown duty motors, explosion proof motors or medium voltage motors.

Type	NEMA Frame	Catalog Number	No. of Devices	List Price
Three Phase	42-215T	L18CT40210	3	273
Three Phase	254T-365T	L18CT250360	3	687
Three Phase	404T-449T	L18CT400440	3	851

Note: Thermostat and Thermistor Descriptions:

Thermostats are made of two or three different metal strips that each expand at different rates when heated. They are sandwiched together to make a laminated strip, with a set of electrical contacts at one end securely mounted to a platform. When the strip is heated it warps and the contacts open as a threshold temperature is exceeded. Thermostats are reliable, noise immune and easily configured into control schemes. Typically, inverter-duty motors have thermostats as standard equipment.

Thermistors are conductive ceramic materials, whose resistance remains relatively constant over a broad temperature range, then changes abruptly at a design threshold point, creating essentially a solid-state thermal switch. Attached control modules register this abrupt resistance change and produce an amplified output signal, usually a contact closure or fault trip annunciation. Thermistors are more accurate and faster responding than thermostats.

L19 Fungus Proofing and Tropicalization

Two Days

#L19a Special treatment of the motors windings and mechanical parts to resist tropical environments. Not available on brakemotors, washguard duty motors and explosion proof motors.
** AC or DC Motors

NEMA Frame	Catalog Number	List Price
42-215T**	L19A40210	282
254T-365T	L19A250360	410
404T-449T	L19A400440	654

L20 Weatherproofing – Three Phase, Totally Enclosed Motors*

Five Days

#L20a Treatment of mechanical and electrical components of LEESON steel frame totally enclosed motors to resist weather in application outside or in high-moisture conditions. NOTE: LEESON 150 and 170 series cast iron motors are weatherproofed as standard. LEESON WASHGUARD motors are also well-suited for outside and high-moisture applications. Not available on brakemotors or explosion proof motors.
** AC or DC Motors.

NEMA Frame	Catalog Number	List Price
42-215T**	L20A40210	276

* For single phase weatherproofed motors, see Washguard motors on pages 159 and 182.



L21 Marine Service (IEEE 45) Motors – Three Phase, Totally Enclosed – LEESON Only

Five Days

- #L21a In order for a motor to be approved for the L21 MOD, the motor must meet:
- IP 54 minimum protection
 - Motor frame, conduit box and endbells must be cast iron construction - cast iron fan cover must be added
 - Motor's temperature rise must meet 70 degrees C or less and must be rated at 1.15 or higher Service Factor (S.F)

NEMA Frame	Catalog Number	List Price
56-215T**	L21A40210	282
254T-365T	L21A250360	474
404T-405T	L21A400	704
444T-449T	L21A440	890

Contact your local sales office for more information

L22 Shaft Modifications

Five Days

- #L22a Drill and tap one hole in either end of motors shaft or mill a flat on the drive end shaft extension. **Provide details of hole, thread size or flat with the order.** List price is per modification. For example, a motor modified by adding a tapped hole and flat would be priced by adding the list price twice. 3 inches maximum depth hole. Does not include keyway modification.

NEMA Frame	Catalog Number	List Price
42-145T	L22A40140	255
182T-184T	L22A180	269
213T-215T	L22A210	420
250T-280T	L22A250280	469

- #L22b TEFC to air-over service. Convert a motor from totally enclosed, fan cooled construction to totally enclosed, air-over service by removing fan cover and fan and cutting off the fan end shaft. The modified motor must be mounted in the air stream of the driven fan for cooling purposes.

NEMA Frame	Catalog Number	List Price
42-145T	L22B40140	255
182T-184T	L22B180	269
213T-215T	L22B210	374

- #L22c Machine to "TS" shaft dimensions. All products. Frames 284T-449T

NEMA Frame	Catalog Number	List Price
284/286T	L22C280	1,625
324/326T	L22C320	1,625
364/365T	L22C360	1,761
404/405T	L22C400	1,966
444-449T	L22C440	1,966



L23 Tachometer Mounting Provisions – DC Motors - LEESON Only

Five Days

- #L23a Add a tachometer mounting kit to NEMA frame size Direct Current motors. See page 323 for availability of tachometer mounting kits. Does not include tachometer.

NEMA Frame	Catalog Number	List Price
S56	L23AS56	491
SS56	L23ASS56	609
56/145T	L23A56140	631



Tach Kit Adaptor

L24 CE Marking*

Five Days

- #L24 Modify provided motor to comply with the nameplate designation, lead markings and connection diagrams required by the IEC34 motor specification. Modification includes a nameplate with the CE logo or a separate CE decal and a CE Declaration of Conformity document. Not available on DC motors below 75 V.D.C. **LEESON Only**
 Add \$1 (net) for each additional aluminum or mylar nameplate.
 Add \$2 (net) for each additional stainless steel nameplate.

Catalog Number	List Price
L24	236



- #L24b CE Marking Kit - Includes new nameplate only with data in IEC34 format, lead markers for IEC lead designations, a connection diagram, and a CE Declaration of Conformity document. The nameplate will have the CE logo, or a CE decal will be provided. **LEESON Only** UL will not be stamped on nameplate - Must provide motors date code.
 Add \$1 (net) for each additional aluminum or mylar nameplate.
 Add \$2 (net) for each additional stainless steel nameplate.

Catalog Number	List Price
L24B	142

* Explosion proof motors cannot be built or modified to meet CE.



Mods / Factory Options

L25 Micro Series Inverter – Remote Keypad Option – LEESON Only

Two Days

#L25 A remote keypad for Micro Series inverters is available only as a factory installed option. The keypad is mounted in a gasketed steel faceplate that must be mounted in an enclosure for protection. An inverter modified for remote operation can only be operated from the remote keypad. Price includes remote keypad, faceplate, cable and factory modification charges. Not available on Washguard Duty Inverters. See page 407 for Remote Keypad kits for the Sub-Micro Series Inverters.

Description	Catalog Number	List Price
Keypad with 2.5 foot cable	L25A25	573
Keypad with 5 foot cable	L25A50	626
Keypad with 10 foot cable	L25A100	732



L27 Terminal Blocks – NEMA Motors – LEESON Only

Five Days

#L27a Add a terminal block in the conduit box of rolled steel motor from 56 to 215T-frame. Install ring terminals on the motor leads.

- Conduit box on 56-frame motors will be changed to a longer version to accommodate the terminal board
- Use with single-phase or three-phase motors with no protector
- Specify connection voltage and direction of rotation for single-phase
- Not intended for 56, 143T & 145T-frame TENV or ODP motors that have a built-in conduit box. Contact LEESON for the suitability of adding a terminal board to one of these motors
- Cannot be added to WASHGUARD Duty motors

NEMA Frame	Catalog Number	List Price
56/143T/145T	L27A56140	276
182T/184T/S213T	L27A180	309
213T/215T	L27A210	340

#L27b Install a terminal block kit in the conduit box of a cast iron NEMA frame motor. Price includes kit. (IEC motors have a terminal block installed as standard.)

NEMA Frame	Catalog Number	List Price
180/210T	L27B180210	340
250/280T	L27B250280	401
320/360T	L27B320360	460
400/440T	L27B400440	604

L28 Dynamic Braking Board – Micro Series Drives – LEESON Only

Two Days

#L28 Install Dynamic Braking board in Micro Series drive. Note: Does not include Dynamic Braking resistor, which is ordered as a separate line item. See Micro Series accessory section of catalog for resistor selection. See page 402 for Dynamic Brake kits for the Sub-Micro Series inverters.

HP Rating	Voltage	Catalog Number	List Price
1/2 - 3HP	All	L28A174184	1,106
5HP	200-230V	L28A174185	1,160
5HP	460-480V	L28A174185	1,160
5HP	550-575V	L28A174184	1,106
7 1/2HP	200-230V	L28A174192	1,090
7 1/2HP	460-480V	L28A174193	1,090
7 1/2HP	550-575V	L28A174193	1,090
10-60HP	All	L28A174192	1,090



L29 Encoder Kits – WATTSAYER® & SPEEDMASTER® Motors

Two Days

#L29a Assemble a stock Encoder Kit on a WATTSAYER® motor. Price is for assembly only. Motor and kit are purchased separately. **Specify motor and kit numbers.**

Note: The assembly of an encoder kit on a WATTSAYER® motor requires the removal of the external fan. The use of a Blower Fan Kit is strongly encouraged for proper cooling!

NEMA Frame	Catalog Number	List Price
56-215T	L29A56215	296
254T-324T	L29A250320	478
360T-405T	L29A360400	540

#L29b Assemble a stock Encoder Kit on a SPEEDMASTER® motor. Includes assembly of conduit box kit ECB175926 on 215T-449T frame motors. Price is for assembly only. Motor and kits are purchased separately. **Specify motor and kit numbers.** **LEESON Only**

NEMA Frame	Catalog Number	List Price
143T-215T	L29B140210	210
254T-365T	L29B250360	446
404T-449T	L29B400440	682

#L29c Available on Inverter Duty CTAC Motors that have Model Number ending with Q10. Price is for assembly only. Encoder kit, Mounting kit and Motor sold separately. **Lincoln Only**

NEMA Frame	Catalog Number	List Price
56-215T	L29C56210	210
254T-365T	L29C250360	446
404T-445T	L29C400440	682

L30 Blower Fan Kits – WATTSAYER® Motors

Two Days

#L30b Install a blower fan kit on a WATTSAYER® motor. Price is for assembly only. Motor and kit are purchased separately. **Specify motor and kit numbers.** **LEESON Only**

NEMA Frame	Catalog Number	List Price
56-215T	L30B56210	210
254T-326T	L30B250320	363
360T-440T	L30B360440	537

L31 Conduit Box Kits – Larger Size – Lincoln Only

#L31a Install larger size conduit box. AF, MD, SD and SF Model Numbers, S and H Efficiency Codes

NEMA Frame	Catalog Number	List Price
213T-215T	L31A213215	181
254T-256T	L31A254256	203
284T-286T	L31A284286	219
324T-326T	L31A324326	249
364T-365T	L31A364365	291
404T-405T	L31A404405	381

#L31b Install larger size conduit box. AF, MD, SD and SF Model Numbers, S and H Efficiency Codes

NEMA Frame	Catalog Number	List Price
143T-184T	L31B143184	166
213T-215T	L31B213215	181
254T-256T	L31B254256	203
284T-286T	L31B284286	219
324T-326T	L31B324326	249
364T-365T	L31B364365	291
404T-405T	L31B404405	381
444T-445T	L31B444449	533

L32 Shaft Grounding Rings – 48-449T Frame

Two Days

#L32a Add shaft grounding rings to LEESON cast iron WATTSAYER® motors. Cost includes kit and installation costs. Motors sold separate.

Not available on 182T, 184T, 213T and 215T ODP WATTSAYER® motors.

NEW!

NEMA Frame	Motor Poles	Catalog Number	List Price
182-4T	2-4	L32A180	309
213-5T	2-4-6	L32A210	332
254-6T	2-4-6	L32A250	438
284-6T/TS	2-4-6	L32A280	478
324-6T/TS	2-4-6	L32A320	522
364-5T/TS	2-4-6	L32A360	561
404-5T/TS	2-4-6	L32A400	610
444-5T	4-6	L32A440	808
447-9T	4-6	L32A447449	836



CUSTOMIZED AND MODIFIED PRODUCTS

CUSTOM MOTORS, GEARBOXES & GEARMOTORS

LEESON is a leading designer and manufacturer of application-specific AC and DC motors and gearmotors in sub-fractional, fractional and integral horsepower sizes. We offer a database of over 30,000 custom designs, experienced application and design engineering teams, to ensure the best, most cost-effective custom motor solution.

CUSTOM MULTI-SPEED & LOW-SPEED MOTORS

LEESON's PDQ Modular Production Program utilizes specially designed and standard components to make almost any imaginable NEMA frame multi-speed or low-speed motor available when you need it. We pride ourselves on fast turnaround times on highly customized motors.

Custom motors include two, three and four-speed motors and speed ranges of 900, 720, 600, 450 and 300 RPMs. We also specialize in non-standard shaft designs.

For quotations, availability and application assistance, phone toll-free to our Canadian manufacturing facility at 1-800-463-1797.



Below is a listing of a few of our Factory “Build-up” options. Please contact our local Sales office for more information.

ADDITIONAL LEAD LENGTH	GROUND PROVISIONS
HIGH ALTITUDE	HARDWARE
AMBIENT	HIGH INERTIA LOAD
CONDUIT BOXES	INSULATION
BALANCE	LEADS
BEARINGS	LUBRICATION
ROLLER BEARINGS	MARINE DUTY
INSULATED BEARINGS	NAMEPLATES
BLOWER TYPES	PAINT
BRAKES	SCREENS
CONNECTIONS / CORDS	SEALS & SLINGERS
WYE DELTA	SEVERE DUTY
PART WIND START	SERVICE FACTOR
DOCUMENTATION - SUBMITTAL DATA	SHAFTS
DOWELING	SPACE HEATERS
DRAINS	TACHOMETERS - SEE ENCODERS
ENCODERS	TACONITE DUTY - SEE INPRO SEALS
END TURN BRACING	TERMINAL BLOCKS / STRIPS
END BRACKETS - FACES & FLANGES	TESTS
FREQUENCY - Other than 60HZ	THERMAL PROTECTION
GREASE FITTINGS	VERTICAL MODIFICATION
GREASE: LOW TEMP	VIBRATION DETECTOR
GREASE: HIGH TEMP	VOLTAGE - SPECIAL

Cross Reference

Baldor to Leeson and Lincoln

Competitor Catalog #	LEESON Catalog #	Exception Code(s) To LEESON	Lincoln Catalog #
1309-50	113903.00		
AFL3520A	111332.00		
AFL3521A	111333.00		
AFL3522A	120374.00		
AFL3523A	120375.00		
AFL3524A	120376.00		
AFL3525A	111949.00		
AFM3528	111334.00		
AFM3529	111335.00		
AFM3530	120377.00		
AFM3532	120379.00		
ANFL3501M	101435.00		LM24462
ANFL3504M	101436.00		LM24463
ANFL3507M	101437.00		LM24812
ANFL3510M	113302.00		LM24813
ANFL3514M	113301.00		LM24814
Baldor	096068.00		
BM3108	114162.00		
BM3112	114163.00		
BM3116	114164.00		
BM3154T	G120370.00		
BM3157T	G120371.00		
BM3248T	G131627.00		
BM3538	114150.00		
BM3539	114149.00		
BM3542	114147.00		
BM3543	114148.00		
BM3546	114146.00		
BM3546T	G121679.00		
BM3554	116767.00		
BM3554T	G120329.00		
BM3556T	G121050.00		
BM3558T	G120330.00		
BM3569	114151.00		
BM3611T	G131613.00		
BM3614T	G131620.00		
BM3615T	G131614.00		
BM3704T	G140601.00		
BM3710T	G140603.00		
BM3714T	G140636.00		
BM3730T	G140603.00		
CBM3546T	G121557.00		
CBM3554T	G121051.00		
CBM3558T	G121052.00		
CBM3611T	G131617.00		
CBM3615T	G131618.00		
CBM3710T	G140605.00		
CBM3714T	G140639.00		
CDP3410-V12	108045.00	F02	
CDP3420-V12	108046.00	F02	
CDP3420-V24	108050.00	F02	
CDP3430-V12	108047.00		
CDP3430-V24	108051.00	F02	
CDP3436	108019.00	F02	
CDP3440-V12	108048.00	F02	
CDP3440-V24	108052.00	F02	
CDP3443	108016.00	F02	
CDP3445	108022.00	F02	
CDP3445-V12	108322.00	F02	

Competitor Catalog #	LEESON Catalog #	Exception Code(s) To LEESON	Lincoln Catalog #
CDP3445-V24	108053.00	F02	
CDP3450	108020.00	F02	
CDP3455	108023.00	F02	
CDP3455	128023.00		
CDP3460	108021.00	F02	
CDP3575	108092.00	F02	
CDP3575	128000.00		
CDP3580	108265.00	F02	
CDP3585	128010.00		
CDP3604	108502.00		
CDPSWD3410	109065.00		
CDPSWD3426	109070.00		
CDPSWD3430	109069.00		
CDPSWD3545	109075.00		
CDPSWD3555	109076.00		
CDPWD3310	108423.00	F02	
CDPWD3320	108424.00	F02	
CDPWD3326	108227.00	F02	
CDPWD3330	108226.00	F02	
CDPWD3440	108228.00		
CDPWD3445	108230.00	F02	
CDPWD3455	108231.00	F02	
CDPWD3575	108232.00	F02	
CDPX3420	118015.00	F02	
CDPX3426	118017.00	F02	
CDPX3430	118016.00	F02	
CDPX3436	118019.00	F02	
CDPX3440	118018.00	F02	
CECP83769T4	811550.00		
CEM2333T	171587.60		LM16762
CEM2333T	199060.00		
CEM2334T	171589.60		LM62032
CEM2334T	199062.00		
CEM2394T	171586.60		LM16761
CEM2394T	199059.00		
CEM2513T	199743.00		
CEM2514T	199744.00		
CEM2515T	199745.00		
CEM2516T	199746.00		
CEM2531T	199747.00		
CEM2535T	199749.00		
CEM2539T	199751.00		
CEM2547T	199755.00		
CEM2551T	199816.00		
CEM2555T	199759.00		
CEM3116T	121935.00		LM32762
CEM3154T	121675.00		
CEM3157T	121676.00		LM32768
CEM3158T	121928.00		LM32770
CEM3211T	132081.00		LM32771
CEM3211T	199735.00		
CEM3212T	132242.00		LM32773
CEM3212T	199736.00		
CEM3218T	132082.00		LM32774
CEM3218T	199737.00		
CEM3219T	132244.00		LM32776
CEM3219T	199738.00		
CEM3311T	140767.00		LM32666
CEM3311T	199739.00		
CEM3312T	141111.00		LM32778
CEM3312T	199740.00		
CEM3313T	140768.00		LM32649
CEM3313T	199741.00		
CEM3314T	141119.00		
CEM3314T	199742.00		
CEM3543T	199753.00		
CEM3546	116745.00		
CEM3546T	121179.00		LM32822
CEM3550T	121672.00		LM32824
CEM3554	116746.00		

Cross Reference Exception Codes

LEESON Product Construction Exceptions

- C10 LEESON motor is capacitor start/induction run design
- C15 LEESON motor is premium efficiency design
- C47 LEESON motor is 208-230/460V
- C55 LEESON motor has a solid-state switch

LEESON Product Frame Size Exceptions

- F02 LEESON frame size is S56
- F29 LEESON frame size is 56HC

This information is furnished as a guide only. Always check specific motor to determine suitability for direct replacement



Cross Reference

Baldor to Leeson and Lincoln

Competitor Catalog #	LEESON Catalog #	Exception Code(s) To LEESON	Lincoln Catalog #
CEM3554T	121180.00		LM32825
CEM3555T	121673.00		LM32828
CEM3558	116747.00		
CEM3558T	121181.00		LM32829
CEM3559T	121929.00		
CEM3610T	132079.00		LM16741
CEM3611T	131504.00		LM16742
CEM3613T	132080.00		LM16745
CEM3615T	131502.00		LM16747
CEM3660T	171564.60		LM16741
CEM3660T	199051.00		
CEM3661T	171565.60		LM16742
CEM3661T	199052.00		
CEM3663T	171446.60		LM16745
CEM3663T	199053.00		
CEM3664T	132243.00		LM32830
CEM36665T	171566.60		LM62020
CEM36665T	199054.00		
CEM3704T	140834.00		LM32833
CEM3709T	140770.00		LM16750
CEM3710T	140521.00		LM32838
CEM3714T	140522.00		LM32841
CEM3768T	171116.60		LM32835
CEM3769T	170166.60		LM16750
CEM3769T	199055.00		
CEM3770T	170165.60		
CEM3770T	199056.00		
CEM37711T	170168.60		LM62025
CEM37711T	199057.00		
CEM4103T	171591.60		LM62035
CEM4103T	199064.00		
CEM4104T	171592.60		LM16744
CEM4104T	199066.00		
CEM4106T	171588.60		LM62031
CEM4106T	199061.00		
CEM4107T	171590.60		LM32659
CEM4107T	199063.00		
CEM4108T	170108.60		LM16773
CEM4108T	199065.00		
CEM4109T	170110.60		LM13725
CEM4109T	199067.00		
CEM4110T	171593.60		LM62041
CEM4110T	199068.00		
CEM4114T	170112.60		LM13727
CEM4114T	199069.00		
CEM4115T	171594.60		LM62044
CEM4115T	199070.00		
CEM4198T	171591.60		LM62035
CEM4310T	170114.60		LM15562
CEM4310T	199071.00		
CEM4313T	171115.60		LM15566
CEM4313T	199073.00		
CEM4314T	171595.60		LM62047
CEM4314T	199072.00		
CEM4316T	171596.60		LM15567
CEM4316T	199074.00		
CEM4400T	171597.60		LM15263
CEM4400T	199076.00		
CEM7053T	825076.00		
CEM7054T	825077.00		
CEM7058T	825081.00		
CEM7059T	825078.00		
CEM7060T	825082.00		
CEM7062T	825083.00		
CEM7063T	825080.00		
CEM7064T	825084.00		
CEM7170T	825075.00		
CEM7174T	825074.00		
CESSWDM3550T	121874.00	F02	
CESSWDM3554T	121873.00		

Competitor Catalog #	LEESON Catalog #	Exception Code(s) To LEESON	Lincoln Catalog #
CESSWDM3558T	121877.00		
CESSWDM3559T	121878.00		
CESSWDM3613T	132207.00		
CESSWDM3615T	132208.00		
CESSWDM3709T	140825.00		
CESSWDM3710T	140826.00		
CESSWDM3711T	140827.00		
CESSWDM3714T	140828.00		
CESWDM35554T	121912.00		
CESWDM3558T	121913.00		
CEWDBM3615T	G121618.00		
CEWDM3546T	121867.00		
CEWDM3558T	121868.00		
CEWDM3559T	121870.00		
CEWDM3611T	132198.00		
CEWDM3613T	132200.00		
CEWDM3615T	132201.00		
CEWDM3709T	141120.00		
CEWDM3710T	140822.00		
CEWDM3711T	140823.00		
CEWDM3714T	140821.00		
CFDL3501M	116485.00		
CFDL3504M	116486.00		
CFDL3507M	116487.00		
CFDL3516TM	121625.00		
CFM3156A	111147.00		
CFM3166A	111148.00		
CHC144A	100803.00		LM2447
CHC164A	100824.00		LM24442
CHC244A	100804.00		LM24448
CHC264A	100825.00		LM24443
CHC3413A	100803.00		LM2447
CHC3414A	100824.00		LM24442
CHC3416A	100804.00		LM24448
CHC3417A	100825.00		LM24443
CHC345A	111323.00		
CHC3524A	101645.00		LM24444
CHC3524A	111323.00		
CHC3525A	111321.00		
CHC3526A	111919.00		
CHC3528A	111322.00		
CHC364A	101645.00		LM24444
CHC365A	111321.00		
CHC445A	111324.00		
CHC465A	111266.00		
CHC545A	111267.00		
CJL3504A	113637.00		
CJL3507A	113638.00		
CJM3107	102199.00		
CJM3111	101776.00		
CJM3115	101775.00		
CJM3120	114203.00		
CJM3155	114202.00		
CJM3158	114201.00		
CJM3542	113028.00		
CL1301	103023.00		
CL1303	103024.00		
CL1304	101651.00		LM24697
CL1307	101650.00		LM24699
CL1310	113930.00		LM24700
CL1408TM	131629.00		
CL1408TM	131853.00		
CL1410TM	131630.00		
CL1430TM	131630.00		
CL3403	102916.00	F02	LM24723
CL3405	102929.00	F02	LM24724
CL3501	102930.00	F02	LM24600
CL3503	102903.00		LM24725
CL3504	102907.00		LM24628
CL3506	112135.00		LM24726

IEC Motors

DC Motors

Gearmotors

AC / DC Controls

Accessories / Kits

Mods / Factory Options

X-Ref / Index

Tech Information

Terms / Warnings



Cross Reference

Baldor to Leeson and Lincoln

Competitor Catalog #	LEESON Catalog #	Exception Code(s) To LEESON	Lincoln Catalog #
----------------------	------------------	-----------------------------	-------------------

CL3507	110905.00		LM24615
CL3509	110180.00		LM24727
CL3510	110908.00		LM24616
CL3513	110909.00		LM24539
CL3514	110910.00		LM24728
CL3515	113931.00		LM24729
CL3515T	121008.00		LM24730
CL3612TM	131633.00		
CL3619TM	131631.00		
CL3711T	140695.00		
CL5001A	116606.00		
CM2333T	G150102.60		
CM2334T	G150080.60		
CM3104	100599.00	F02	LM24277
CM3107	100600.00	F02	LM24879
CM3108	100601.00	F02	LM24880
CM3112	100602.00		LM24267
CM3116T	G121650.00		
CM3154T	121674.00		
CM3154T	G121651.00		
CM3155	114218.00		
CM3157T	G120275.00		
CM3211T	G130325.00		
CM3212T	G131249.00		
CM3218T	G130327.00		
CM3219T	G131250.00		
CM3311T	G140589.00		
CM3312T	G140692.00		
CM3313T	G140146.00		
CM3314T	G140693.00		
CM3534	102922.00		LM24114
CM3537	114142.00		LM24129
CM3538	102917.00		LM24074
CM3539	110914.00		LM24104
CM3541	110915.00		LM24134
CM3542	110916.00		LM24076
CM3543	116340.00		LM24140
CM3545	110181.00		LM24126
CM3546	110912.00		LM24079
CM3546T	121936.00		
CM3550	110917.00		LM24135
CM3550T	G121290.00		
CM3554	110918.00		LM24095
CM3554T	G121287.00		
CM3555	113927.00		LM24121
CM3555T	G121510.00		
CM3556T	G120428.00		
CM3557	114198.00		
CM3558T	G120276.00		
CM3559T	G120991.00		
CM3607T	116592.00		
CM3610T	G131899.00		
CM3611T	G130326.00		
CM3614T	G131497.00		
CM3615T	G130328.00		
CM3616T	G130990.00		
CM3660T	G151564.60		
CM3661T	G151565.60		
CM3663T	G151446.60		
CM3665T	G151566.60		

Competitor Catalog #	LEESON Catalog #	Exception Code(s) To LEESON	Lincoln Catalog #
----------------------	------------------	-----------------------------	-------------------

CM3704T	G140602.00		
CM3708T	G140482.00		
CM3709T	G131774.00		
CM3710T	G140183.00		
CM3711T	G140696.00		
CM3714T	G140147.00		
CM3769T	G150166.60		
CM3770T	G150165.60		
CM3771T	G150168.60		
CM3773T	G140697.00		
CM3774T	170167.60	C15	LM62026
CM3774T	199058.00		
CM3774T	G150167.60		LM62026
CM4103T	G150081.60		
CM4104T	G150082.60		
CM4106T	G150079.60		
CM4107T	G150106.60		
CM4108T	G150108.60		
CM4109T	G150110.60		
CM4110T	G150083.60		
CM4114T	G150112.60		
CM4115T	G150084.60		
CM4310T	G150114.60		
CM4313T	G150115.60		
CM4314T	G150085.60		
CM4316T	G150086.60		
CM4400T	G151680.60		
CM7006A	114628.00		
CM7009A	114629.00		
CM7010A	114630.00		
CM7013	114631.00		
CM7014T	G121541.00		
CM7037T	G121182.00		
CM7053T	G850591.00		
CM7054T	G850621.00		
CM7056T	G850622.00		
CM7058T	G850623.00		
CM7059T	G850592.00		
CM7060T	G850624.00		
CM7062T	G850625.00		
CM7063T	G850593.00		
CM7064T	G850626.00		
CM7170T	G850620.00		
CM7174T	G850590.00		
CNM3538	102919.00	F02	
CP4400T-4	LM32896		
CP4402T	LM14644		
CP4406T-4	LM32902		
CP4407T-4	LM32905		
CP4408T-4	LM14643		
CP4410T-4	LM32899		
CP44256T-4	LM15723		
CP44304T	LM14642		
CP44354T-4	LM14645		
CSSEWDM3537	117118.00		
CSSEWDM3538	117119.00		
CSSEWDM3541	117120.00		
CSSEWDM3542	117121.00		
CSSEWDM3544	117296.00		
CSSEWDM3545	117122.00		
CSSEWDM3546	117123.00		
CSSEWDM3550T	121879.00		
CSSEWDM3550T	121908.00		
CSSEWDM3554T	121880.00		
CSSEWDM3554T	121909.00		
CSSEWDM3555T	121881.00		
CSSEWDM3555T	121910.00		
CSSEWDM3558T	117299.00		
CSSEWDM3558T	121882.00		
CSSEWDM3558T	121911.00		

Cross Reference Exception Codes

LEESON Product Construction Exceptions

- C10 LEESON motor is capacitor start/induction run design
- C15 LEESON motor is premium efficiency design
- C47 LEESON motor is 208-230/460V
- C55 LEESON motor has a solid-state switch

LEESON Product Frame Size Exceptions

- F02 LEESON frame size is S56
- F29 LEESON frame size is 56HC

This information is furnished as a guide only. Always check specific motor to determine suitability for direct replacement



Cross Reference

Baldor to Leeson and Lincoln

Competitor Catalog #	LEESON Catalog #	Exception Code(s) To LEESON	Lincoln Catalog #
CSSSWDM3537	117118.00		
CSSSWDM3538	117119.00		
CSSSWDM3541	117120.00		
CSSSWDM3542	117121.00		
CSSSWDM3544	117296.00		
CSSSWDM3545	117122.00		
CSSSWDM3546	117123.00		
CSSSWDM3550T	121879.00		
CSSSWDM3550T	G121748.00		
CSSSWDM3554T	121880.00		
CSSSWDM3554T	G121749.00		
CSSSWDM3555T	121881.00		
CSSSWDM3555T	G121739.00		
CSSSWDM3558T	117299.00		
CSSSWDM3558T	121882.00		
CSSSWDM3558T	G121740.00		
CSSWDM3538	103387.00	F02	
CSSWDM3538	103411.00	F02	
CSSWDM3542	103388.00	F02	
CSSWDM3542	103412.00	F02	
CSSWDM3555T	G121812.00		
CSSWDM3559T	G121528.00		
CSSWDM3611T	G131900.00		
CSSWDM3613T	G131901.00		
CSSWDM3615T	G131902.00		
CSSWDM3709T	G140698.00		
CSSWDM3710T	G140675.00		
CSSWDM3711T	G140699.00		
CSSWDM3714T	G140676.00		
CSSWDM3554T	121875.00		
CSWDM3537	114560.00		
CSWDM3538	191204.00		
CSWDM3542	114561.00		
CSWDM3542	191207.00		
CSWDM3546	114562.00		
CSWDM3546	191291.00		
CSWDM3546T	121165.00		
CSWDM3558T	G191224.00		
CWDL3504	112527.00	C55	
CWDL3507	112528.00	C55	
CWDL3509	113583.00	C55	
CWDL3510	112529.00	C55	
CWDL3513	113584.00	C55	
CWDL3514	113300.00	C55 F29	
CWDM3537	113588.00		
CWDM3538	113586.00		
CWDM3539	115743.00		
CWDM3541	113589.00		
CWDM3542	113587.00		
CWDM3545	113590.00		
CWDM3546	112627.00		
CWDM3554T	121871.00		
CWDM3558	112644.00		
CWDM3558T	121868.00		
CWDM3558T	G120588.00		
CWDM3559T	G120911.00		
CWDM3611T	G130664.00		
CWDM3613T	G131167.00		
CWDM3615T	G131171.00		
CWDM3616T	132199.00		
CWDM3616T	G132016.00		
CWDM3709T	G131165.00		
CWDM3710T	G140466.00		
CWDM3711T	G140700.00		
CWDM3713T	G140701.00		
CWDM3714T	G140464.00		
CWSSWDM3610T	132206.00		
DGC1301M	191742.00		
DGC1304M	100802.00		
DGC1307M	113642.00		

Competitor Catalog #	LEESON Catalog #	Exception Code(s) To LEESON	Lincoln Catalog #
ECP2276T	171636.60		
ECP2276T	LM16656		
ECP2276T-4	199011.00		
ECP2294T	171620.60		
ECP2332T	171637.60		
ECP2332T-4	199014.00		
ECP2333T	171632.60		
ECP2333T	LM32873		
ECP2333T-4	199016.00		
ECP2334T	171633.60		
ECP2334T	LM32876		
ECP2334T-4	199019.00		
ECP2394T-4	199015.00		
ECP3581T	LM32856		
ECP3582T	LM32587		
ECP3661T	171623.60		
ECP3661T	LM16644		
ECP3661T-4	199004.00		
ECP3663T	LM32864		
ECP3664T	171634.60		
ECP3665T	171630.60		
ECP3665T	LM16650		
ECP3665T4	171630.60		
ECP3764T	171634.60		
ECP3764T-4	199005.00		
ECP3768T	171635.60		
ECP3768T	LM32867		
ECP3768T-4	199008.00		
ECP3769T	171616.60		
ECP3769T-4	199009.00		
ECP3770T	171622.60		
ECP3770T	LM32869		
ECP3770T-4	199010.00		
ECP3771T	171617.60		
ECP3771T-4	199012.00		
ECP3774T	171631.60		
ECP3774T	LM16919		
ECP3774T-4	199013.00		
ECP4100T	171638.60		
ECP4100T	LM32874		
ECP4100T-4	199017.00		
ECP4102T	171639.60		
ECP4102T	LM32877		
ECP4102T-4	199020.00		
ECP4103T	171779.60		
ECP4103T	LM32879		
ECP4103T-4	199022.00		
ECP4104T	171782.60		
ECP4104T	LM32882		
ECP4104T-4	199025.00		
ECP4106T	171621.60		
ECP4106T-4	199018.00		
ECP4107T-4	199021.00		
ECP4108T	171781.60		
ECP4108T-4	199024.00		
ECP4109T	171784.60		
ECP4109T-4	199027.00		
ECP4110T	171785.60		
ECP4110T-4	199028.00		
ECP4111T	171780.60		
ECP4111T-4	199023.00		
ECP4114T	LM32685		
ECP4114T-4	199030.00		
ECP4115T	171788.60		
ECP4115T	LM32887		
ECP4115T-4	199031.00		
ECP4117T	171783.60		
ECP4117T-4	199026.00		
ECP4308T	171786.60		
ECP4308T-4	199029.00		

IEC Motors

DC Motors

Gearmotors

AC / DC Controls

Accessories / Kits

Mods / Factory Options

X-Ref / Index

Tech Information

Terms / Warnings



Cross Reference

Baldor to Leeson and Lincoln

Competitor Catalog #	LEESON Catalog #	Exception Code(s) To LEESON	Lincoln Catalog #
----------------------	------------------	-----------------------------	-------------------

ECP4310T	171790.60		
ECP4310T-4	199033.00		
ECP4312T	171789.60		
ECP4312T	LM32888		
ECP4312T-4	199032.00		
ECP4313T	171793.60		
ECP4313T-4	199036.00		
ECP4314T	171791.60		
ECP4314T-4	199034.00		
ECP4316T	171794.60		
ECP4316T	LM32893		
ECP4316T-4	199037.00		
ECP4400T-4	199040.00		
ECP4402T	171796.60		
ECP4402T	LM32895		
ECP4402T-4	199039.00		
ECP4403T	171792.60		
ECP4403T-4	199035.00		
ECP4404T	171795.60		
ECP4404T-4	199038.00		
ECP4406T-4	171803.60		LM13707
ECP4406T-4	199046.00		
ECP4407T-4	171806.60		LM16230
ECP4407T-4	199049.00		
ECP4409T-4	171798.60		LM13702
ECP4409T-4	199041.00		
ECP4410T-4	171800.60		LM60065
ECP4410T-4	199043.00		
ECP4411T-4	171801.60		LM13705
ECP4411T-4	199044.00		
ECP4412T-4	171799.60		
ECP4413T-4	171802.60		
ECP44156T-4	171804.60		LM16231
ECP4416T-4	171805.60		
ECP44206T-4	171807.60		LM60072
ECP44206T-4	199050.00		
ECP64314T-4	811567.00		
ECP82333T-4	811555.00		
ECP82334T-4	811557.00		
ECP82394T-4	811554.00		
ECP83581T-4	811541.00		
ECP83583t-4	811542.00		
ECP83584T-4	811543.00		
ECP83586T-4	811544.00		
ECP83587T-4	811545.00		
ECP83660T	811546.00		
ECP83661T	811547.00		
ECP83663T	811548.00		
ECP83665T-4	811549.00		
ECP83769T-4	811550.00		
ECP83770T-4	811551.00		
ECP83774T-4	811553.00		
ECP8377IT-4	811552.00		
ECP84103T-4	811559.00		
ECP84104T-4	811561.00		
ECP84106T-4	811556.00		
ECP84107T-4	811558.00		
ECP84108T-4	811560.00		
ECP84109T-4	811562.00		
ECP84110T-4	811563.00		
ECP84114-T	811564.00		

Competitor Catalog #	LEESON Catalog #	Exception Code(s) To LEESON	Lincoln Catalog #
----------------------	------------------	-----------------------------	-------------------

ECP84115T-4	811564.00		
ECP84310T-4	811566.00		
ECP84313T-4	811568.00		
ECP84400T-4	811571.00		
ECP84402T-4	811570.00		
ECP94316T-4	811569.00		
EFM2513T	199699.00		
EFM2515T	199702.00		
EFM2531T	199705.00		
EFM2535T	199708.00		
EFM2539T	199711.00		
EFM2543T	199714.00		
EFM2547T	199717.00		
EFM3211T	G131240.00		LM60026
EFM3218T	199007.00		
EFM3218T	G131239.00		LM24195
EFM3311T	199693.00		
EFM3311T	G140609.00		
EFM3313T	199696.00		
EJMM2333T	199976.00		
EJMM2334T	199978.00		
EJMM2394T	199975.00		
EJMM2513T	199964.00		
EJMM2514T	199965.00		
EJMM2534T	199969.00		
EJMM2535T	199970.00		
EJMM2538T	199971.00		
EJMM2539T	199972.00		
EJMM2542T	199973.00		
EJMM2543T	199974.00		
EJMM3116T	122115.00		
EJMM3211T	199589.00		
EJMM3212T	199763.00		
EJMM3218T	199590.00		
EJMM3219T	199765.00		
EJMM3311T	199775.00		
EJMM3312T	199090.00		
EJMM3313T	199777.00		
EJMM3314T	199091.00		
EJMM3546T	122083.00		
EJMM3550T	122085.00		
EJMM3554T	122087.00		
EJMM3555T	122089.00		
EJMM3558T	122091.00		
EJMM3559T	199766.00		
EJMM3611T	199767.00		
EJMM3613T	199768.00		
EJMM3615T	199769.00		
EJMM3616T	199769.00		
EJMM3616T	199779.00		
EJMM3709T	199780.00		
EJMM3711T	199781.00		
EJMM3714T	199782.00		
EJMM4103T	199980.00		
EJMM4104T	199982.00		
EJMM4106T	199977.00		
EJMM4107T	199979.00		
EJMM4108T	199981.00		
EJMM4109T	199983.00		
EJMM4110T	199984.00		
EJMM4114T	199985.00		
EJMM4115T	194127.00		
EJMM4115T	199986.00		
EJPM2334T	194119.00		
EJPM2394T	199998.00		
EJPM2513T	199987.00		
EJPM2514T	199988.00		
EJPM2515T	199989.00		
EJPM2516T	199990.00		
EJPM2531T	199991.00		

Cross Reference Exception Codes

LEESON Product Construction Exceptions

- C10 LEESON motor is capacitor start/induction run design
- C15 LEESON motor is premium efficiency design
- C47 LEESON motor is 208-230/460V
- C55 LEESON motor has a solid-state switch

LEESON Product Frame Size Exceptions

- F02 LEESON frame size is S56
- F29 LEESON frame size is 56HC

This information is furnished as a guide only. Always check specific motor to determine suitability for direct replacement



Cross Reference

Baldor to Leeson and Lincoln

Competitor Catalog #	LEESON Catalog #	Exception Code(s) To LEESON	Lincoln Catalog #
EJPM2534T	199992.00		
EJPM2535T	199993.00		
EJPM2538T	199994.00		
EJPM2539T	199995.00		
EJPM2542T	199996.00		
EJPM2543T	199997.00		
EJPM3312T	199784.00		
EJPM3313T	199785.00		
EJPM3314T	199786.00		
EJPM3714T	199789.00		
EJPM4103T	194121.00		
EJPM4104T	194123.00		
EJPM4106T	194118.00		
EJPM4107T	194120.00		
EJPM4108T	194122.00		
EJPM4109T	194124.00		
EJPM4110T	194125.00		
EJPM4114T	194126.00		
EL1307	101544.00	F02	LM24504
EL1310	113630.00		
EL1408T	131851.00		LM24680
EM2276T	170122.60		LM15892
EM2332T	170123.60		LM15675
EM2333T	170066.60		LM24208
EM2334T	170007.60		LM24207
EM2394T	170062.60		LM15890
EM2506T	199694.00		
EM2511T	199697.00		
EM2514T	199701.00		
EM2516T	199704.00		
EM2524T	199700.00		
EM2528T	199703.00		
EM2532T	199706.00		
EM2534T	199707.00		
EM2536T	199709.00		
EM2538T	199710.00		
EM2540T	170147.60		LM13924
EM2540T	199712.00		
EM2542T	199713.00		
EM2544T	170148.60		LM13927
EM2544T	199715.00		
EM2546T	199716.00		
EM2548T	199718.00		
EM2549T	199719.00		
EM2550T	199722.00		
EM2551T	199720.00		
EM2552T	199721.00		
EM2554T-4	199725.00		
EM2555T	199723.00		
EM2556T-4	199728.00		
EM2557T-4	170155.60	C47	LM13946
EM2557T-4	170259.60		LM13946
EM2557T-4	199727.00		
EM2558T-4	171522.60		LM13817
EM2558T-4	199729.00		
EM2560T-4	171576.60		LM13818
EM2560T-4	199730.00		
EM2562T-4	171573.60		LM13819
EM2562T-4	199731.00		
EM2563T-4	171523.60		LM13820
EM2563T-4	199732.00		
EM2564T-4	171577.60		LM16239
EM2564T-4	199733.00		
EM2583T-4	170255.60		LM13815
EM2583T-4	199724.00		
EM3115	116128.00		
EM3116T	121003.00		LM24871
EM3120T	121514.00		LM32727
EM3154T	121004.00		LM24875
EM3155T	121515.00		LM33137

Competitor Catalog #	LEESON Catalog #	Exception Code(s) To LEESON	Lincoln Catalog #
EM3156T	121517.00		LM24872
EM3157T	121005.00		LM24169
EM3158T	121516.00		LM32731
EM3207T	131971.00		
EM3207T	199685.00		
EM3211T	131519.00		LM24222
EM3211T	199687.00		
EM3212T	199689.00		
EM3215T	131972.00		
EM3218T	131520.00		LM24202
EM3218T	199690.00		
EM3219T	131988.00		LM32737
EM3219T	199692.00		
EM32IIT-8	LM33056		
EM3305T	199688.00		
EM3309T	199691.00		
EM3311T	140470.00		LM24194
EM3312T	140753.00		LM32740
EM3313T	140472.00		LM24193
EM3314T	140754.00		LM32743
EM3314T	199698.00		
EM3545	116129.00		
EM3546	116757.00		
EM3546T	120921.00		LM32796
EM3546T-5	120122.00		
EM3546T-5	121937.00		
EM3550	116758.00		
EM3550T	121518.00		LM33122
EM3550T-5	121939.00		LM25102
EM3554	116759.00		
EM3554T	120922.00		LM33123
EM3554T-5	121940.00		LM24142
EM3555	116760.00		
EM3555T	121519.00		LM33124
EM3555T-5	121941.00		LM25103
EM3556T	121520.00		LM33121
EM3556T-5	121938.00		
EM3558T	120923.00		LM33125
EM3581T	171640.60		LM32796
EM3582T	171643.60		LM33121
EM3583T	171642.60		
EM3584T	171646.60		LM33123
EM3586T	171648.60		LM33124
EM3587T	171647.60		LM33125
EM3607T-5	132251.00		LM17059
EM3610T	131985.00		LM15646
EM3610T	199003.00		
EM3611T	131463.00		LM32741
EM3611T-5	132253.00		LM16384
EM3613T	131987.00		LM15649
EM3613T	199006.00		
EM3613T-5	132254.00		LM16386
EM3614T	131981.00		
EM3614T	199002.00		
EM3614T-5	132252.00		LM17062
EM3615T	131464.00		LM15650
EM3615T-5	132255.00		LM17067
EM3661T	171320.60		LM60026
EM3665T	171322.60		LM24195
EM3667T	199001.00		
EM3709T	140756.00		LM32804
EM3710T	140450.00		LM16029
EM3710T-5	141116.00		LM16391
EM3711T	140755.00		LM32808
EM3714T	140451.00		LM32809
EM3714T-5	170212.60		
EM3764T	171378.60		LM60027
EM3768T	171379.60		LM15883
EM3769T	170158.60		LM15878
EM3770T	170157.60		LM24209



IEC Motors

DC Motors

Gearmotors

AC / DC Controls

Accessories / Kits

Mods / Factory Options

X-Ref / Index

Tech Information

Terms / Warnings

Cross Reference

Baldor to Leeson and Lincoln

IEC Motors

DC Motors

Gearmotors

AC / DC Controls

Accessories / Kits

Mods / Factory Options

X-Ref / Index

Tech Information

Terms / Warnings

Competitor Catalog #	LEESON Catalog #	Exception Code(s) To LEESON	Lincoln Catalog #
----------------------	------------------	-----------------------------	-------------------

EM3771T	170159.60		LM15861
EM3774T	170140.60		LM60036
EM4100T	170068.60		LM15793
EM4102T	170001.60		LM15796
EM4103T	170011.60		LM15792
EM4104T	170015.60		LM13964
EM4106T	170033.60		LM15673
EM4107T	170035.60		LM13960
EM4108T	170037.60		LM60046
EM4109T	170039.60		LM19749
EM4110T	170019.60		LM13699
EM4111T	170003.60		LM13696
EM4114T	170041.60		LM60052
EM4115T	170023.60		LM19753
EM4117T	170005.60		LM60048
EM4308T	170096.60		LM13918
EM4310T	170043.60		LM14808
EM4312T	170097.60		LM19754
EM4313T	170045.60		LM14810
EM4314T	170027.60		LM14809
EM4316T	170031.60		LM14811
EM4400T	170087.60		LM19762
EM4402T-4	170160.60		LM13939
EM4403T	170098.60		LM13938
EM4404T	170099.60		LM60060
EM4406T-4	170371.60		LM13707
EM4407TR-4	170352.60		LM16230
EM4409T-4	170256.60		LM13702
EM4410T-4	170369.60		LM60065
EM4411T-4	170260.60		LM13705
EM4412T-4	171580.60		LM60064
EM4412T-4	199042.00		
EM4413T-4	171578.60		LM13706
EM4413T-4	199045.00		
EM44156T-4	171315.60		LM16231
EM4416T-4	171579.60	C15	LM16229
EM4416T-4	199048.00		
EM44206T	171316.60		LM60072
EM7037T	121917.00		
EM7053T	825092.00		
EM7054T	825093.00		
EM7056T	825095.00		
EM7058T	825097.00		
EM7059T	825094.00		
EM7060T	825099.00		
EM7062T	825101.00		
EM7063T	825096.00		
EM7064T	825103.00		
EM7066T	825105.00		
EM7067T	825100.00		
EM7068T	825107.00		
EM7075T	121918.00		
EM7081T	825102.00		
EM7083T	825098.00		
EM7142T	825085.00		
EM7144T	825087.00		
EM7145T	825088.00		
EM7147T	825089.00		
EM7170T	825091.00		
EM7172T	825086.00		

Competitor Catalog #	LEESON Catalog #	Exception Code(s) To LEESON	Lincoln Catalog #
----------------------	------------------	-----------------------------	-------------------

EM7174T	825090.00		
EM74154T	825113.00		
EM74204T	825115.00		
EMM2333	193316.60		
EMM2334	193319.60		
EMM3559	192209.00		
EMM3611	193301.60		
EMM3613	193306.60		
EMM3615	193307.60		
EMM3709	193309.60		
EMM3710	193310.60		
EMM3711	193312.60		
EMM3714	193313.60		
EMM4103	193322.60		
EMM4104	193325.60		
EMM4110	193328.60		
EMM5700	192208.00		
EMM5700-5	192231.00		
EMM5750	192205.00		
EMM5750-5	192232.00		
EWDM3558T	121866.00		
EWDM3611T	132196.00		
EWDM3615T	132197.00		
EWDM3710T	140819.00		
EWDM3714T	140820.00		
FDL3501M	113256.00		LM24789
FDL3501M	M002256.00		LM24789
FDL3504M	110086.00		LM24790
FDL3504M	M009086.00		LM24790
FDL3507M	110087.00		LM24791
FDL3507M	M009087.00		LM24791
FDL3510TM	121569.00		LM24793
FDL3510TM	M009088.00		LM24793
FDL3510TM	M009089.00		LM24793
FDL3514TM	M009089.00		LM24793
FDL3516TM	110090.00		
FDL3610TM	131542.00		LM24801
FDL3611TM	131541.00		LM24796
FDL3612TM	131543.00		LM24798
FDL3619TM	131542.00		LM24801
FDL3712TM	140414.00		LM24805
FDL3731M	140203.00		LM24798
FDL3733TM	140130.00		
FDL3733TM	140707.00		LM24799
FDL3737TM	140414.00		LM24805
FDL3737TM	140706.00		
FM3211T	G131240.00		LM60026
FM3218T	G131239.00		LM24195
FM3311T	G140609.00		
FM3611T	G131237.00		
FM3615T	G131236.00		
FM3710T	G140604.00		
GDM2333T	171841.60		
GDM2334T	171842.60		
GDM3611T	171845.60		
GDM3615T	171846.60		
GDM3710T	171847.60		
GDM3714T	171848.60		
GDM4103T	171843.60		
GDM4104T	171844.60		
GLP3330	096049.00		
GLP3332	096050.00		
GLP3336	096051.00		
GMP3330	096013.00		
GMP3332	096014.00		
GMP3336	096015.00		
GMP3338	096016.00		
GPP12503	M1125004.00		
GPP12545	M1125072.00		
GPP12547	M1125070.00		

Cross Reference Exception Codes

LEESON Product Construction Exceptions

- C10 LEESON motor is capacitor start/induction run design
- C15 LEESON motor is premium efficiency design
- C47 LEESON motor is 208-230/460V
- C55 LEESON motor has a solid-state switch

LEESON Product Frame Size Exceptions

- F02 LEESON frame size is S56
- F29 LEESON frame size is 56HC

This information is furnished as a guide only.
Always check specific motor to determine
suitability for direct replacement



Cross Reference

Baldor to Leeson and Lincoln

Competitor Catalog #	LEESON Catalog #	Exception Code(s) To LEESON	Lincoln Catalog #
GPP231108	M1115001.00		
GPP231109	M1115002.00		
GPP232110	M1115000.00		
GPP233111	M1115028.00		
GPP233112	M1115027.00		
GPP233120	M1125048.00		
GPP233121	M1125036.00		
GPP7451	M1135116.00		
GPP7452	M1135112.00		
GPP7453	M1135111.00		
GPP7454	M1135114.00		
GPP7455	M1135110.00		
GPP7456	M1135108.00		
GPP7457	M1135117.00		
GPP7458	M1135107.00		
GPP7459	M1135106.00		
GPP7460	M1135109.00		
GPP7461	M1135115.00		
GPP7470	M1135150.00		
GPP7471	M1135149.00		
GPP7472	M1135148.00		
GPP7473	M1135147.00		
GPP7474	M1135146.00		
GPP7475	M1135145.00		
GPP7476	M1135143.00		
GPP7477	M1135141.00		
GPP7478	M1135140.00		
GPP7479	M1135139.00		
GSL3509M	111330.00		
HM3112	100030.00		LM24099
HM3116	115827.00		
HM3154	115825.00		
HM3157	115826.00		
HM3218TA	G130565.00		
IDGMP2500	096070.00		
IDGMP2501	096069.00		
IDGMP2503	096068.00		
IDGMP2505	096067.00		
IDM4102T	810001.00		
IDM4103T	810011.00		
IDM4104T	810015.00		
IDM4110T	810019.00		
IDM4115T	810023.00		
IDM4117T	810005.00		
IDM4312T	810097.00		
IDM4314T	810027.00		
IDM4316T	810031.00		
IDM4400T-4	810087.00		
IDM4404T	810099.00		
IDM4406T-4	811371.00		LM03564
IDM4407T-4	810503.00		LM3596
IDM4409T-4	811367.00		
IDM4410T-4	811369.00		LM03516
IDNM2333T	810066.00		LM06135
IDNM3581T	810548.00		LM26359
IDNM3587T	810546.00		LM06113
IDNM3661T	811320.00		LM06119
IDNM3665T	811322.00		
IM3540A	111304.00		
IR3507M	114932.00		
JL1303A	100207.00		
JL1303A	101527.00		
JL1306A	100208.00		
JL1306A	101528.00		
JL1307A	100723.00		
JL1309A	100723.00		
JL1309A	101529.00		
JL1313A	110292.00		
JL1313A	113687.00		
JL1317A	110293.00		

Competitor Catalog #	LEESON Catalog #	Exception Code(s) To LEESON	Lincoln Catalog #
JL1323A	110286.00		
JL325A	100207.00		
JL3503A	113955.00		
JL3506A	113956.00		
JL3509A	113639.00		
JL3513A	113640.00		
JL3515A	113641.00		
JL425A	100208.00		
JL5003A	116188.00		
JL5006A	116186.00		
JL5009A	116185.00		
JL5030	116183.00		
JL5031	116181.00		
JL525A	100723.00		
JL625A	110292.00		
JL725A	110293.00		
JL825A	110286.00		
JM225	102197.00		
JM3006	102197.00		
JM3107	102198.00		
JM3111	101637.00		
JM3115	101638.00		
JM3120	113891.00		
JM3155	113892.00		
JM3158	113893.00		
JM3460	114931.00		
JM3463	114208.00		
JM3545	114207.00		
JM3550	114206.00		
JM3555	114205.00		
JM3559	114204.00		
JM625	113891.00		
JML1406T	131640.00		
JML1408T	131604.00		
JML1409T	131641.00		
JML1509T	140642.00		
JML1510T	140665.00		
JML1512T	140666.00		
JMM2333T	151568.60		
JMM2334T	151570.60		
JMM2394T	151567.60		
JMM2513T	G151361.60		
JMM3116T	121850.00		
JMM3154T	121851.00		
JMM3155T	121853.00		
JMM3157T	121852.00		
JMM3158T	121854.00		
JMM3211T	131562.00		
JMM3212T	131574.00		
JMM3218T	131563.00		
JMM3219T	131576.00		
JMM3311T	140618.00		
JMM3312T	131577.00		
JMM3313T	140619.00		
JMM3314T	151380.60		
JMM3546T	121855.00		
JMM3550T	121858.00		
JMM3554T	121856.00		
JMM3555T	121859.00		
JMM3558T	121857.00		
JMM3559T	121860.00		
JMM3611T	131579.00		
JMM3613T	131580.00		
JMM3615T	131581.00		
JMM3616T	131582.00		
JMM3709T	132027.00		
JMM3710T	140622.00		
JMM3711T	131583.00		
JMM3713T	140764.00		
JMM3714T	140623.00		



IEC Motors

DC Motors

Gearmotors

AC / DC Controls

Accessories / Kits

Mods / Factory Options

X-Ref / Index

Tech Information

Terms / Warnings

Cross Reference

Baldor to Leeson and Lincoln

Competitor Catalog #	LEESON Catalog #	Exception Code(s) To LEESON	Lincoln Catalog #
JMM4103T	151418.60		
JMM4104T	151422.60		
JMM4106T	151569.60		
JMM4107T	151417.60		
JMM4108T	151420.60		
JMM4109T	151424.60		
JMM4110T	151426.60		
JMWDM3550T	121580.00		
JMWDM3555T	121582.00		
JMWDM3555T	G121582.00		
JMWDM3558T	121583.00		
JMWDM3558T	G121583.00		
JMWDM3559T	121584.00		
JMWDM3599T	G121584.00		
JMWDM3611T	131967.00		
JMWDM3611T	G131967.00	C15	
JMWDM3613T	131968.00		
JMWDM3613T	G131968.00	C15	
JMWDM3615T	131969.00		
JMWDM3615T	G131969.00		
JMWDM3616T	G131970.00		
JMWDM3710T	140733.00		
JMWDM3710T	G140733.00		
JMWDM3711T	140734.00		
JMWDM3711T	G140734.00		
JMWDM3713T	G140736.00	C15	
JMWDM3714T	G140735.00		
JPL1409T	131881.00		
JPL1509T	140646.00		
JPM2333T	G151747.60		
JPM2334T	G151749.60		
JPM2513T	801051.00		
JPM2514T	801056.00		
JPM2515T	801052.00		
JPM2515T	G801056.00		
JPM2516T	801057.00		
JPM2531T	801053.00		
JPM3154T	121846.00		
JPM3157T	121847.00		
JPM3158T	121849.00		
JPM3158T	G121849.00		
JPM3211T	131882.00		
JPM3212T	131884.00		
JPM3218T	131883.00		
JPM3218T	G131883.00		
JPM3219T	131885.00		
JPM3311T	140667.00		
JPM3312T	140655.00		
JPM3313T	140668.00		
JPM3314T	140656.00		
JPM3558T	G151737.60		
JPM3610T	G151738.60		
JPM3611T	G151739.60		
JPM3613T	G151740.60		
JPM3615T	G151741.60		
JPM3709T	G151742.60		
JPM3710T	G151743.60		
JPM3711T	G151744.60		
JPM3713T	G151746.60		
JPM3714T	G151745.60		

Competitor Catalog #	LEESON Catalog #	Exception Code(s) To LEESON	Lincoln Catalog #
JPM4103T	G151751.60		
JPM4104T	G151753.60		
JPM4106T	G151748.60		
JPM4107T	G151750.60		
JPM4108T	G151752.60		
JPM4109T	G151754.60		
JPM4110T	G151755.60		
JPM4114T	G151756.60		
JSL1303A	MST1052.00		
JSL1306A	MST1072.00		
JSL1309A	MST1102.00		
JSL1313A	MST1152.00		
JSL1317A	MST1202.00		
JSL325A	MST1052.00		
JSL425A	MST1072.00		
JSL525A	MST1102.00		
JSL625A	MST1152.00		
JSL725A	MST1202.00		
K3403	102866.00	F02	
K3405	102870.00	F02	LM24736
KBL3406	114165.00		
KBL3409	111950.00		
KBM3458	114158.00		
KL3403	102866.00		
KL3405	102870.00		LM24736
KM3003	103014.00	F02	
KM3006	100375.00	F02	LM24909
KM3454	101767.00	F02	LM24964
KM3454-50	102184.00		
KNM3454	101648.00	F02	
KNM3534	102863.00	F02	
L1203M	101423.00	...	LM24458
L1205	100336.00	F02	LM24467
L1206M	100588.00	F02	LM24550
L1208	100184.00		LM24465
L1209	100338.00		
L1209M	100004.00	F02	LM24553
L1301	100006.00		LM24570
L1301M	100588.00		LM24550
L1302	110001.00		LM24540
L1303	100337.00	F02	
L1304	100007.00	F02	LM24551
L1304A	100002.00	F02	LM24552
L1304M	100004.00	F02	LM24553
L1306	100340.00		LM24674
L1306-50	113902.00		
L1307	100008.00	F02	LM24502
L1307-50	110396.00		
L1307A	100003.00	F02	LM24503
L1307M	100005.00	F02	
L1308	110003.00	F02	LM24543
L1309	110360.00		LM24525
L1309-50	113903.00		
L1310	110004.00		LM24580
L1313-50	113904.00		
L1313T	120107.00		LM24676
L1317-50	113905.00		
L1318-50	110397.00		
L1318T	120044.00		LM24675
L1319	110005.00		LM24583
L1319-50	110398.00		
L1319M	110006.00		LM24585
L1319T	120004.00		
L1319T	120042.00		LM24583
L1320T	120106.00		LM24806
L1321TM	120004.00		
L1322T	120067.00		LM24677
L1322TM	120879.00		LM24685
L1405T	131515.00		LM24678
L1405T-50	131553.00		

Cross Reference Exception Codes

LEESON Product Construction Exceptions

- C10 LEESON motor is capacitor start/induction run design
- C15 LEESON motor is premium efficiency design
- C47 LEESON motor is 208-230/460V
- C55 LEESON motor has a solid-state switch

LEESON Product Frame Size Exceptions

- F02 LEESON frame size is S56
- F29 LEESON frame size is 56HC

This information is furnished as a guide only. Always check specific motor to determine suitability for direct replacement



Cross Reference

Baldor to Leeson and Lincoln

Competitor Catalog #	LEESON Catalog #	Exception Code(s) To LEESON	Lincoln Catalog #
L1406T	131636.00		LM24679
L1408T	131534.00		LM24680
L1408T-50	131554.00		
L1408TM	131561.00		
L1408TM	131851.00		LM24680
L1409T	131616.00		LM24681
L1410T	131537.00		LM24682
L1410TM	131622.00		
L1430T	131537.00		LM24682
L1430TM	131622.00		
L1508T-50	131555.00		
L1509T	140680.00		
L1510T	140155.00		LM24683
L1511T	140681.00		
L1512T	140311.00		LM24684
L206	100006.00		LM24570
L3351	092111.00		LM24208
L3353	092114.00		LM19754
L3355	092116.00		
L3356	092112.00		LM19754
L3400	102012.00		
L3401	102013.00		
L3403	102014.00		LM24606
L3403M	101446.00		
L3404	102015.00		
L3405	102016.00		LM24705
L3406	100955.00		
L3406M	102018.00		
L3407	102019.00		
L3408	102020.00		
L3409	100956.00		
L3500	114617.00		LM24545
L3501	102931.00		LM24597
L3501M	102933.00		LM24602
L3502	110009.00		LM24546
L3503	102905.00		LM24706
L3503-50	113917.00		
L3504	102906.00		LM24627
L3504-50	110064.00		
L3504A	102908.00		LM24603
L3504M	102909.00		LM24604
L3505	110011.00		LM24496
L3506	110276.00		LM24707
L3506-50	113918.00		
L3507	110013.00		LM24607
L3507-50	110065.00		
L3507A	110017.00		LM24608
L3507M	110022.00		
L3508	110400.00		LM24497
L3509-50	113919.00		
L3510T	120025.00		LM24709
L3510TM	120008.00		
L3513T	120130.00		LM24710
L3514	110253.00		LM24513
L3514A	110019.00		LM24514
L3514M	113333.00		LM24515
L3514T	120026.00		LM24711
L3514TM	120009.00		LM24746
L3515	110352.00		LM24534
L3515M	110402.00		LM24534
L3515T	120036.00		LM24712
L3516T	121507.00		
L3516TM	110090.00		
L3605T	131509.00		LM24713
L3605T-50	131556.00		
L3606T	131637.00		LM24715
L3608T	131549.00		LM24717
L3609T	131533.00	C10	LM24716
L3609T-50	131557.00		
L3613T	131526.00		

Competitor Catalog #	LEESON Catalog #	Exception Code(s) To LEESON	Lincoln Catalog #
L3709T	140684.00		LM24719
L3710T	140120.00		LM24720
L3711T	140685.00		LM24721
L3712T	140581.00		LM24722
M1504T	120942.00		
M1506T	131473.00		
M1508T	140446.00		
M1554T	120944.00		
M1556T	120946.00		
M1558T	131469.00		
M1559T	140443.00		
M1704T	120943.00		
M1706T	131471.00		
M1707T	131470.00		
M1708T	140445.00		
M1756T	120940.00		
M1758T	131475.00		
M1760T	140448.00		
M2276T	G150122.60		
M2280T	151355.22		
M2280T	G151355.22		
M2332T	G150123.60		
M2333T	G150066.60		
M2333T-50	LM16400		
M2333T-50	170062.60		LM15890
M2333T-8	LM32691		
M2334T-12	G150007.60		
M2334T-5	LM15919		
M2394T	G150062.60		
M2395T	150261.22		
M2395T	G150261.22		
M2401T	151356.22		
M2401T	G151356.22		
M2402T	150282.22		
M2402T	G150282.22		
M2513T	G140579.00		
M2513T-5	LM24219		
M2513T-8	LM26334		
M2515T-5	LM24232		
M2515T-8	LM32675		
M2531T-5	LM29581		
M2531T-8	LM33067		
M2535T-5	LM29865		
M2535T-8	LM32670		
M2539T-5	LM14402		
M2539T-8	LM32680		
M2543T-5	LM14405		
M2543T-8	LM33070		
M2547T-5	LM18378		
M2551T-5	LM18384		
M2555T-5	LM18298		
M2557T-4	170259.60	C15	LM13946
M2560T-4	171576.60	C15	LM13818
M2562T-4	171573.60	C15	LM13819
M2563T-4	G151523.60		
M2564T-4	171577.60	C15	LM16239
M2566T-4	151524.60		
M2566T-4	G151524.60		
M2569T-4	151525.60		
M2569T-4	G151525.60		
M2583T	170255.60	C15	LM13815
M3003	100027.00	F02	LM24866
M3006	101447.00		LM24867
M3007	100446.00		
M3104	100028.00		LM24152
M3105	110425.00		LM24868
M3107	101448.00		LM24869
M3108	100029.00		LM24098
M3109	110027.00		LM24146
M3111	101449.00		LM24870



IEC Motors

DC Motors

Gearmotors

AC / DC Controls

Accessories / Kits

Mods / Factory Options

X-Ref / Index

Tech Information

Terms / Warnings

Cross Reference

Baldor to Leeson and Lincoln

Competitor Catalog #	LEESON Catalog #	Exception Code(s) To LEESON	Lincoln Catalog #
----------------------	------------------	-----------------------------	-------------------

M3112	100030.00		LM24099
M3115	110426.00		LM24155
M3116	110029.00		LM24111
M3116T	G120010.00		
M3116T-5	LM24170		
M3116T-5	LM25066		
M3116T-8	LM33053		
M3120	110429.00		LM24874
M3120T	G120103.00		
M3153	110028.00		LM24162
M3154	110430.00		LM24117
M3154	111309.00		
M3154	115825.00		
M3154A	111309.00		
M3154T	G120011.00		
M3154T-8	LM33056		
M3155	113292.00		LM24877
M3155T	G120076.00		
M3156T	G120089.00		
M3157	111310.00		
M3157	113025.00		
M3157	115826.00		
M3157T	G120012.00		
M3157T-5	LM24124		
M3157T-8	LM33057		
M3158	113293.00		LM24878
M3158T	G120077.00		
M3207T	G130010.00		
M3211T	G130000.00		
M3211T/36	G130000.00		
M3211T-5	LM24227		
M3211T-50	131519.00		LM24222
M3211T-8	LM33059		
M3211TA	G131338.00		
M3212T	G130282.00		
M3215T	G130012.00		
M3218T	G130004.00		
M3218T-5	LM25070		
M3218T-8	131500.00		
M3218TA	G130565.00		
M3219T	G130284.00		
M3305T	G140550.00		
M3306T	G151809.22		
M3309T	G140122.00		
M3311T	G140471.00		
M3311T-5	LM24229		
M3311T-50	140470.00		LM24194
M3311T-8	131547.00		
M3312T	G140682.00		
M3313T	G140490.00		
M3313T-5	LM24231		
M3313T-8	140004.00		
M3314T	G140683.00		
M3454	101646.00		LM24929
M3457	102684.00		
M3457	102864.00		
M3458	101647.00		LM24930
M3460	100905.00		
M3461	100905.00		
M3463	100960.00		

Competitor Catalog #	LEESON Catalog #	Exception Code(s) To LEESON	Lincoln Catalog #
----------------------	------------------	-----------------------------	-------------------

M3534	101079.00		LM24107
M3535	110441.00		LM24931
M3537	110143.00		LM24869
M3538	100913.00		LM24073
M3538-50	102693.00		
M3539	110353.00		LM24105
M3541	110313.00		LM24133
M3541-5	110354.00		LM24110
M3541-50	114306.00		
M3542	110034.00		LM24075
M3542-5	110178.00		LM25095
M3543	121009.00		LM24136
M3543-5	111394.00		
M3543T	121009.00		LM24136
M3545	110145.00		LM24094
M3545-5	110715.00		LM25096
M3545-50	114308.00		
M3546	110035.00		LM24078
M3546-5	110206.00		LM25097
M3546T	G120014.00		
M3546T-5	LM24109		
M3546T-50	121096.00		
M3546T-8	120047.00		
M3550	110745.00		LM24144
M3550T	G120086.00		
M3550T-50	121097.00		
M3554	110444.00		LM24118
M3554T-50	121093.00		
M3554T-8	120032.00		
M3555T	G120088.00		
M3555T-50	121094.00		
M3556T	G120087.00		
M3557	114930.00		
M3558	113026.00		LM24097
M3558T	G120016.00		
M3558T-5	LM24108		
M3558T-50	121095.00		
M3558T-8	120034.00		
M3559T	G120185.00		
M3607T	G130015.00		
M3607T	G131479.00		
M3610T	G130099.00		
M3610T-50	131480.00		
M3611T	G130008.00		
M3611T/36	G130008.00		
M3611T-5	LM16384		
M3611T-50	131459.00		
M3611T-8	131465.00		
M3613T	G130101.00		
M3613T-50	131481.00		
M3614T	G130016.00		
M3615T	G130027.00		
M3615T-5	LM16387		
M3615T-50	131454.00		
M3615T-8	131466.00		
M3616T	G131082.00		
M3617T	131478.00		
M3617T	G131478.00		
M3618T	131479.00		
M3660T	G151563.60		
M3661T	G151320.60		
M3663T	G150299.60		
M3665T	G151322.60		
M3702T	140516.00		
M3702T	G140516.00		
M3705T	140518.00		
M3708T	G140126.00		
M3709T	G130103.00		
M3710T	G140578.00		
M3710T-5	140593.00		

Cross Reference Exception Codes

LEESON Product Construction Exceptions

- C10 LEESON motor is capacitor start/induction run design
- C15 LEESON motor is premium efficiency design
- C47 LEESON motor is 208-230/460V
- C55 LEESON motor has a solid-state switch

LEESON Product Frame Size Exceptions

- F02 LEESON frame size is S56
- F29 LEESON frame size is 56HC

This information is furnished as a guide only. Always check specific motor to determine suitability for direct replacement



Cross Reference

Baldor to Leeson and Lincoln

Competitor Catalog #	LEESON Catalog #	Exception Code(s) To LEESON	Lincoln Catalog #
M3710T-8	131467.00		
M3711T	G140686.00		
M3713T	G140687.00		
M3714T	G140489.00		
M3714T-5	LM16395		
M3714T-50	140451.00		LM32809
M3714T-8	140013.00		
M3750T	G151809.22		
M3769T	G150158.60		
M3770T	G150157.60		
M3771T	G150159.60		
M3774T	G150140.60		
M4100T	G150068.60		
M4102T	G150001.60		
M4103T-12	G150011.60		
M4103T-5	LM16407		
M4104T-12	G150015.60		
M4104T-5	LM19595		
M4104T-8	170015.60		LM13964
M4106T	G150033.60		
M4107T	G150035.60		
M4108T	G150037.60		
M4109T	G150039.60		
M4110T-12	G150019.60		
M4110T-5	LM14396		
M4111T	G150003.60		
M4112T	150263.22		
M4112T	G150263.22		
M4114T	G150041.60		
M4115T-12	G150023.60		
M4115T-5	LM14399		
M4116T	150265.22		
M4117T	G150005.60		
M4118T	G151318.60		
M4308T	G150096.60		
M4310T	G150043.60		
M4312T	G150097.60		
M4313T	G150045.60		
M43145T-5	LM18366		
M4314T-12	G150027.60		
M4316T-12	G150031.60		
M4316T-5	LM18372		
M4400T	LM18292		
M4400T-12	G150087.60		
M4402T-4	G150160.60		
M4403T	G150098.60		
M4404T	G150099.60		
M4406T-4	G151371.60		
M4407T-4	G150352.60		
M4409T	G151367.60		
M4410T-4	G151369.60		
M4411T-4	G151370.60		
M4412T-4	G151368.60		
M44156T-4	171315.60	C15	LM16231
M44206T-4	171316.60	C15	LM60072
M44304T-4	151529.60		
M44304T-4	G151529.60		
M44354T	G151530.60		LM13720
M44354T-4	151530.60		
M7009A	111937.00		
M7010A	111923.00		
M7013	111942.00		
M7018T	G120489.00		
M7034T	121915.00		
M7034T	G120490.00		
M7037T	G120391.00		
M7053T	G158000.00		
M7054T	G158001.00		
M7056T	G158010.00		
M7058T	G825047.00		

Competitor Catalog #	LEESON Catalog #	Exception Code(s) To LEESON	Lincoln Catalog #
M7059T	G825039.00		
M7060T	G825041.00		
M7062T	G825043.00		
M7063T	G825046.00		
M7064T	G825045.00		
M7066T	G825002.00		
M7067T	G825042.00		
M7068T	G825005.00		
M7071T	121916.00		
M7071T	G120491.00		
M7075T	G120387.00		
M7081T	G825044.00		
M7083T	G825040.00		
M7090T	G825008.00		
M7142T	G158362.00		
M7144T	G158366.00		
M7147T	G158157.00		
M7170T	G158140.00		
M7174T	G158159.00		
M74124T-4	G825011.00		
M74154T-4	G825014.00		
MM2333	193131.60		
MM2334	193141.60		
MM3554	192061.00		
MM3555	192070.00		
MM3558	192071.00		
MM3559	192080.00		
MM4103	193151.60		
MM4104	193161.60		
MM4110	193171.60		
MM5100	192010.00		
MM5100-5	192088.00		
MM5150	192011.00		
MM5150-5	192089.00		
MM5200	192020.00		
MM5200-5	192097.00		
MM5250	192021.00		
MM5250-5	192098.00		
MM5300	192030.00		
MM5300-5	192106.00		
MM5350	192031.00		
MM5350-5	192107.00		
MM5400	192040.00		
MM5400-5	192115.00		
MM5450	192041.00		
MM5450-5	192116.00		
MM5500	192050.00		
MM5500-5	192124.00		
MM5550	192051.00		
MM5550-5	192125.00		
MM5600	192060.00		
MM5600-5	192133.00		
MM5650	192061.00		
MM5650	192202.00		
MM5650-5	192134.00		
MM5650-5	192230.00		
MM5650D	192203.00		
MM5700	192070.00		
MM5700-5	192142.00		
MM5750	192071.00		
MM5750-5	192143.00		
MVM2613D	193336.60		
MVM3457D	192024.00		
MVM3458C	192028.00		
MVM3458D	192025.00		
MVM3460C	192037.00		
MVM3460D	192034.00		
MVM3461C	192038.00		
MVM3461D	192035.00		
MVM3463C	192047.00		



IEC Motors

DC Motors

Gearmotors

AC / DC Controls

Accessories / Kits

Mods / Factory Options

X-Ref / Index

Tech Information

Terms / Warnings

Cross Reference

Baldor to Leeson and Lincoln

IEC Motors

DC Motors

Gearmotors

AC / DC Controls

Accessories / Kits

Mods / Factory Options

X-Ref / Index

Tech Information

Terms / Warnings

Competitor Catalog #	LEESON Catalog #	Exception Code(s) To LEESON	Lincoln Catalog #
MVM3463D	192044.00		
MVM3542C	192048.00		
MVM3542D	192045.00		
MVM3545C	192057.00		
MVM3545D	192054.00		
MVM3546C	192058.00		
MVM3546D	192055.00		
MVM3550C	192067.00		
MVM3550D	192064.00		
MVM3554C	192068.00		
MVM3554D	192065.00		
MVM3555C	192077.00		
MVM3555D	192074.00		
MVM3558C	192078.00		
MVM3558D	192075.00		
MVM3559C	192087.00		
MVM3559D	192214.00		
MVM3559D	192084.00		
MVM3559D	192211.00		
MVM3611C	193088.60		
MVM3611C	193359.60		
MVM3611D	193334.60		
MVM3613C	193107.60		
MVM3615D	193337.60		
MVM3709D	193342.60		
MVM3710D	193343.60		
MVM3711D	193345.60		
MVM5100C	192017.00		
MVM5100D	192014.00		
MVM5150C	192018.00		
MVM5150D	192015.00		
MVM5200C	192027.00		
MVM5200D	192024.00		
MVM5250C	192028.00		
MVM5250D	192025.00		
MVM5300C	192037.00		
MVM5300D	192034.00		
MVM5350C	192038.00		
MVM5350D	192035.00		
MVM5400C	192047.00		
MVM5400D	192044.00		
MVM5450C	192048.00		
MVM5450D	192045.00		
MVM5500C	192057.00		
MVM5500D	192054.00		
MVM5550C	192058.00		
MVM5550D	192055.00		
MVM5600C	192067.00		
MVM5600D	192064.00		
MVM5650C	192068.00		
MVM5650C	192204.00		
MVM5650D	192065.00		
MVM5700C	192077.00		
MVM5700C	192213.00		
MVM5700D	192074.00		
MVM5700D	192210.00		
MVM570C	192207.00		
MVM5750C	192078.00		
MVM5750D	192075.00		
MVM5750D	192206.00		
NM3542	114309.00		

Cross Reference Exception Codes

LEESON Product Construction Exceptions

- C10 LEESON motor is capacitor start/induction run design
- C15 LEESON motor is premium efficiency design
- C47 LEESON motor is 208-230/460V
- C55 LEESON motor has a solid-state switch

LEESON Product Frame Size Exceptions

- F02 LEESON frame size is S56
- F29 LEESON frame size is 56HC

Competitor Catalog #	LEESON Catalog #	Exception Code(s) To LEESON	Lincoln Catalog #
NM3546T	121098.00		
PCL1313M	114214.00		
PCL1317M	114215.00		
PCL3513M	115024.00		
PL1313M	113631.00		LM24524
PL1317M	113632.00		
PL1319M	113266.00		
PL1327M	116708.00		
PL3513M	110109.00		LM24532
PSC3413A	100699.00		
PSC3413A	100701.00		
PSC3413A	M099801.00		
PSC3416A	100700.00		
PSC3416A	M090253.00		
PSC3524A	100701.00		
RHM3104	100210.00		
RHM3108	100145.00		
RHM3108A	100796.00		
RHM3111	101773.00		
RHM3111A	101641.00		
RHM3112A	100908.00		
RHM3115	114192.00		
RHM3116	110052.00		
RHM3116A	111311.00		
RHM3120A	113896.00		
RHM3154	110433.00		
RHM3154A	113846.00		
RHM3155A	113897.00		
RHM3157	114197.00		
RHM3157A	113847.00		
RHM3158	113926.00		
RHM3158TA	113926.00		
RHM3161TA	116593.00		
RHM3162TA	121665.00		
RL1301A	100110.00		
RL1301A277	102964.00		
RL1304A	100011.00		
RL1304A277	102965.00		
RL1307A	100065.00		
RL1307A277	102966.00		
RL1309A	110478.00		
RL1310A	110054.00		
RL1310A277	116599.00		
RL1313A	110479.00		
RL1317A	113633.00		
RL1319A	110579.00		
RL1319A277	116600.00		
RL1323A	100064.00		
RL144A	100109.00		
RL345A	100011.00		
RL425A	100603.00		
RM3104	100210.00		
RM3108	100145.00		
RM3108A	100796.00		
RM3111	101773.00		
RM3111A	101641.00		
RM3112	100146.00		
RM3112A	100908.00		
RM3115	114192.00		
RM3115A	113895.00		
RM3116	110052.00		
RM3116A	111311.00		
RM3120	114194.00		
RM3120A	113896.00		
RM3154	110433.00		
RM3154A	113846.00		
RM3155	114196.00		
RM3155A	113897.00		
RM3157	114197.00		
RM3157A	113847.00		

This information is furnished as a guide only.
Always check specific motor to determine
suitability for direct replacement



Cross Reference

Baldor to Leeson and Lincoln

Competitor Catalog #	LEESON Catalog #	Exception Code(s) To LEESON	Lincoln Catalog #
RM3158TA	113926.00		
RM3161TA	116593.00		
RSP1441A	191868.00		
RSP1442A	191868.00		
RSP2441A	191869.00		
RSP2442A	191869.00		
RSP3441A	191870.00		
RSP3442A	191870.00		
UCL1015	140640.00		LM24782
UCL1015	141084.00		LM24782
UCL570	131847.00		
UCL710	131848.00		LM24780
UCL710	140640.00		LM24782
UCM1014	140641.00		LM24785
UCM575	131849.00		LM24783
UCM713	131850.00		LM24784
UCME1014	140641.00		LM24785
UCME570	131849.00		LM24783
V2I325A	MK1052.00		
V2L425A	MK1072.00		
V2L525A	MK1102.00		
VBM3108	114156.00		
VBM3112	114157.00		
VBM3116	114166.00		
VBM3116T	121678.00		
VBM3154	116766.00		
VBM3154T	120372.00		
VBM3157T	120373.00		
VBM3211T	131624.00		
VBM3218T	131625.00		
VBM3248T	131625.00		
VBM3546	114161.00		
VBM3546T	121556.00		
VBM3554	116768.00		
VBM3554T	120331.00		
VBM3558T	120332.00		
VBM3611T	131610.00		
VBM3615T	131611.00		
VBM3710T	131612.00		
VBM3714T	140637.00		
VEFWDM3554T	G121655.00		
VEJMM3116T	122073.00		
VEJMM3154T	122077.00		
VEJMM3157T	122080.00		
VEJMM3546T	122084.00		
VEJMM3554T	122088.00		
VEJMM3558T	122092.00		
VEM3542	114213.00		
VEM3545	116748.00		
VEM3546	114638.00		
VEM3550	116750.00		
VEM3554	116743.00		
VEM3554T	121066.00		
VEM3555	116744.00		
VEM3555	116751.00		
VEM3556	116749.00		
VEM3558	116744.00		
VEM3558T	121065.00		
VEM3610T	199082.00		
VEM3610T	G131513.00		
VEM3615T	131501.00		LM16825
VEM3710T	140486.00		LM16826
VEM3714T	140484.00		
VFDL3501M	113290.00		
VFDL3501M	M002290.00		
VFDL3504M	110492.00		
VFDL3504M	M009492.00		
VFDL3507M	110493.00		
VFDL3507M	M009493.00		
VFDL3510M	110494.00		

Competitor Catalog #	LEESON Catalog #	Exception Code(s) To LEESON	Lincoln Catalog #
VFDL3510M	M009494.00		
VFDL3516TM	120855.00		
VL1303A	100204.00		
VL1303A	101524.00		
VL1306A	100205.00		
VL1306A	101525.00		
VL1309A	100722.00		
VL1309A	101526.00		
VL1313A	110288.00		
VL1313A	113686.00		
VL1317A	110289.00		
VL1323A	110280.00		
VL325A	100204.00		
VL3501	101766.00	F02	
VL3503	102864.00		
VL3503-50	113912.00		
VL3504-50	113922.00		
VL3505	110411.00		LM24737
VL3506	110413.00		LM24738
VL3506-50	113913.00		
VL3507	110057.00		LM24613
VL3507-50	113923.00		
VL3508	110414.00		LM24739
VL3509	110416.00		LM24740
VL3509-50	113914.00		
VL3510	110058.00		LM24614
VL3510-50	113924.00		
VL3510T	121001.00		LM24741
VL3513	110419.00		LM24535
VL3513T	120101.00		
VL3514	110420.00		LM24622
VL3514-50	113925.00		
VL3514T	120017.00		
VL3515	110422.00		LM24530
VL3515T	120102.00		
VL3605T	131516.00		
VL3609T	131545.00		
VL4005A	111095.00		
VL425A	100205.00		
VL5003A	111098.00		
VL5004A	111085.00		
VL5006A	111097.00		
VL5007A	111086.00		
VL5009A	111096.00		
VL5023A	110852.00		
VL5030	114424.00		
VL525A	100722.00		
VL625A	110288.00		
VL725A	110289.00		
VL825A	110280.00		
VM2333T	151350.60		
VM2333T	G151350.60		
VM2334T	151352.60		
VM2334T	G151352.60		
VM2513T	G151682.60		
VM2514T	G151683.60		
VM2515T	G151684.60		
VM2516T	G151685.60		
VM2531T	G151686.60		
VM2534T	G151687.60		
VM3104	100048.00	F02	LM24910
VM3107	100056.00	F02	LM24911
VM3108	100049.00		LM24912
VM3109	110434.00		LM24913
VM3111	100378.00	F02	LM24914
VM3112	100050.00	F02	LM24915
VM3115	110111.00		LM24916
VM3116T	G120172.00		
VM3120	110437.00		LM24919
VM3120T	121668.00		



IEC Motors

DC Motors

Gearmotors

AC / DC Controls

Accessories / Kits

Mods / Factory Options

X-Ref / Index

Tech Information

Terms / Warnings

Cross Reference

Baldor to Leeson and Lincoln

Competitor Catalog #	LEESON Catalog #	Exception Code(s) To LEESON	Lincoln Catalog #
----------------------	------------------	-----------------------------	-------------------

VM3153	116728.00		
VM3153T	120063.00		
VM3154	110044.00		LM24160
VM3154T	120081.00		
VM3154T	G120081.00		
VM3155	113894.00		LM24921
VM3155T	121670.00		
VM3155T	G121670.00		
VM3156T	120082.00		
VM3156T	G120082.00		
VM3157	115553.00		LM24131
VM3157T	120035.00		
VM3157T	G120035.00		
VM3158	114420.00		LM24923
VM3158T	121187.00		
VM3158T	G121187.00		
VM3159T	121669.00		
VM3159T	G121669.00		
VM3161T	121405.00		
VM3161T	G131489.00		
VM3211T	131489.00		
VM3211T	131518.00		
VM3212T	131779.00		
VM3212T	G131779.00		
VM3215T	132059.00		
VM3215T	G132059.00		
VM3218T	131490.00		
VM3218T	G131490.00		
VM3219T	131780.00		
VM3219T	G131780.00		
VM3305T	140765.00		
VM3305T	G140765.00		
VM3311T	131527.00		
VM3311T	G140580.00		
VM3312T	140688.00		
VM3313T	140108.00		
VM3313T	G140108.00		
VM3314T	140689.00		
VM3314T	G140689.00		
VM3534	101769.00	F02	LM24093
VM3534-50	102689.00		
VM3535	113311.00		LM24858
VM3537	114176.00		LM24138
VM3537-50	102691.00		
VM3538	102860.00		LM24083
VM3538-50	102694.00		
VM3539	110163.00		LM24128
VM3541	110448.00		LM24151
VM3541-50	114893.00		
VM3542	110047.00		LM24077
VM3542-5	110177.00		
VM3542-50	114894.00		
VM3543	112378.00		LM24153
VM3543T	120097.00		
VM3545	110112.00		LM24139
VM3545-50	114895.00		
VM3546	110048.00		LM24080
VM3546-5	110204.00		
VM3546T	120024.00		
VM3546T	G120024.00	C15	

Competitor Catalog #	LEESON Catalog #	Exception Code(s) To LEESON	Lincoln Catalog #
----------------------	------------------	-----------------------------	-------------------

VM3546T-5	120176.00		
VM3546T-5	G120176.00		
VM3546T-50	121272.00		
VM3550	110192.00		LM24096
VM3550T	120105.00		
VM3550T	G120105.00	C15	
VM3550T-50	121274.00		
VM3554	110125.00		LM24112
VM3554-5	111444.00		
VM3554T	120037.00		
VM3554T	G120037.00	C15	
VM3554T-5	120177.00		
VM3554T-5	G120177.00		
VM3554T-50	121275.00		
VM3555	111273.00		LM24132
VM3555-5	111611.00		
VM3555T	120061.00		
VM3555T	G120061.00		
VM3555T-50	121276.00		
VM3556	112379.00		LM24130
VM3556T	120098.00		
VM3556T	G120098.00	C15	
VM3557	113634.00		
VM3557T	120161.00		
VM3558	110451.00		LM24084
VM3558T	120038.00		
VM3558T	G120038.00		
VM3558T-5	120178.00		
VM3558T-50	121277.00		
VM3559	111630.00		LM24975
VM3559T	120993.00		
VM3559T	G120993.00		
VM3610T	131513.00		
VM3611T	131491.00		
VM3611T	199083.00		
VM3611T	G131491.00		
VM3611T-5	131498.00		
VM3611T-5	G131498.00		
VM3613T	131514.00		
VM3613T	199084.00		
VM3613T	G131514.00		
VM3614T	131525.00		
VM3614T	G131525.00		
VM3615T	131492.00		
VM3615T	199085.00		
VM3615T	G131492.00		
VM3615T-5	131499.00		
VM3615T-5	G131499.00		
VM3616T	131510.00		
VM3616T	G131510.00		
VM3704T	131642.00		
VM3704T	G131642.00		
VM3708T	140535.00		
VM3708T	G140535.00		
VM3709T	131912.00		
VM3709T	G131912.00		
VM3710T	131528.00		
VM3710T	G141113.00		
VM3711T	140690.00		
VM3711T	G140690.00		
VM3713T	140691.00		
VM3713T	G140691.00		
VM3714T	140109.00		
VM3714T	G140109.00	C15	
VM3774T	199089.00		
VM3774T	G151348.60		LM16301
VM37770T	199087.00		
VM37770T	G151346.60		
VM4103T	151507.60		

Cross Reference Exception Codes

LEESON Product Construction Exceptions

- C10 LEESON motor is capacitor start/induction run design
- C15 LEESON motor is premium efficiency design
- C47 LEESON motor is 208-230/460V
- C55 LEESON motor has a solid-state switch

LEESON Product Frame Size Exceptions

- F02 LEESON frame size is S56
- F29 LEESON frame size is 56HC

This information is furnished as a guide only. Always check specific motor to determine suitability for direct replacement



Cross Reference

Baldor to Leeson and Lincoln

Competitor Catalog #	LEESON Catalog #	Exception Code(s) To LEESON	Lincoln Catalog #
VM4103T	G15150760		
VM4104T	151508.60		
VM4104T	G151508.60		
VM4106T	151351.60		
VM4106T	G151351.60		
VM7009A	111936.00		
VM7010A	111935.00		
VM7037T	121178.00		
VMDM3554	116647.00		
VMDM3558	114616.00		
VNM3537	110144.00		
VNM3538	102861.00	F02	
VSSEWDM3537	117126.00		
VSSEWDM3538	117127.00		
VSSEWDM3541	117128.00		
VSSEWDM3542	117129.00		
VSSEWDM3545	117130.00		
VSSEWDM3546	117131.00		
VSSEWDM3550T	121750.00		
VSSEWDM3554	117297.00		
VSSEWDM3554T	121751.00		
VSSEWDM3555T	121742.00		
VSSEWDM3558	117298.00		
VSSEWDM3558T	121743.00		
VSSFWD3542	103390.00		
VSSSWDM3537	117126.00		
VSSSWDM3538	103413.00		
VSSSWDM3538	117127.00		
VSSSWDM3541	117128.00		
VSSSWDM3542	103414.00		
VSSSWDM3542	117129.00		
VSSSWDM3545	117130.00		
VSSSWDM3546	117131.00		
VSSSWDM3550T	121750.00		
VSSSWDM3554	117297.00		
VSSSWDM3554T	121751.00		
VSSSWDM3555T	121742.00		
VSSSWDM3558	117298.00		
VSSSWDM3558T	121743.00		
VSSWDM3537	117279.00		
VSSWDM3538	116166.00		
VSSWDM3538	117270.00		
VSSWDM3541	117280.00	F02	
VSSWDM3542	116168.00		
VSSWDM3542	117272.00		
VSSWDM3545	116318.00		
VSSWDM3545	117281.00		
VSSWDM3546	116170.00		
VSSWDM3548	117274.00		
VSSWDM3554T	G121525.00		
VSSWDM3558T	G121527.00		
VSSWDM3559T	121562.00		
VSSWDM3559T	G121562.00		
VSSWDM355T	G121561.00		
VSSWDM3611T	131923.00		
VSSWDM3611T	G131923.00		
VSSWDM3613T	131949.00		
VSSWDM3613T	G131949.00		
VSSWDM3615T	131924.00		
VSSWDM3615T	G131924.00		
VSWDM3536	114437.00		
VSWDM3538	114394.00		
VSWDM3538	191205.00		
VSWDM3542	114395.00		
VSWDM3542	191208.00		
VSWDM3546	191290.00		
VSWDM3546T	121109.00		
VSWDM3546T	191214.00		
VSWDM3554	114581.00		
VSWDM3554	191219.00		

Competitor Catalog #	LEESON Catalog #	Exception Code(s) To LEESON	Lincoln Catalog #
VSWDM3554T	191220.00		
VSWDM3558T	191226.00		
VWDL3504	114313.00	C55	
VWDL3507	114315.00	C55	
VWDL3510	114317.00	C55	
VWDL3514	114319.00	C55	
VWDM2714T	G140465.00		
VWDM3538	113473.00		
VWDM3542	113019.00		
VWDM3546	113020.00		
VWDM3546T	120760.00		
VWDM3554	113021.00		
VWDM3554T	120761.00		
VWDM3558	114616.00		
VWDM3558T	120762.00		
VWDM3558T	G120762.00		
VWDM3559	115976.00		
VWDM3611T	131596.00		
VWDM3611T	G131596.00		
VWDM3615T	131597.00		
VWDM3615T	G131597.00		
VWDM3710T	140467.00		
VWDM3714T	140465.00		
WDM3558T	G120586.00		
WDM3558TP	G121191.00		
WDM3558TP9	121934.00		
WDM3561TP	115751.00		
WDM3561TP9	121944.00		
WDM3611T	G130662.00		
WDM3615T	G130663.00		
WDM3710T	G140280.00		
WDM3710T	G140467.00		
WDM3714T	G140281.00		
WWL3606	120728.00		
YPC144A	191872.00		
YPC164A	191891.00		
YPC244A	191871.00		
YPC245A	191910.00		
YPC264A	191892.00		
YPC265A	191911.00		
YPC344A	191873.00		
YPC345A	191875.00		
YPC364A	191893.00		
YPC365A	191912.00		



IEC Motors

DC Motors

Gearmotors

AC / DC Controls

Accessories / Kits

Mods / Factory Options

X-Ref / Index

Tech Information

Terms / Warnings

Leeson Catalog Number Index

Motors, Sub-FHP Gearmotors, Drives and Accessories

Catalog No.	Page #	List \$
003042.02	373	57
003042.04	373	67
003042.05	373	57
003042.06	373	51
003043.01	373	57
003043.05	373	51
006707.01	405	63
006708.01	381, 405	66
092011.00	36	363
092012.00	36	385
092013.00	36	390
092014.00	83	442
092015.00	83	484
092016.00	83	468
092111.00	29	338
092112.00	29	389
092114.00	29	350
092116.00	29	384
096000.00	367	804
096001.00	367	804
096002.00	367	804
096003.00	367	804
096004.00	367	845
096005.00	367	845
096006.00	367	845
096007.00	367	797
096008.00	367	797
096009.00	367	797
096010.00	367	797
096011.00	367	797
096013.00	367	928
096014.00	367	872
096015.00	367	872
096016.00	367	872
096049.00	367	935
096050.00	367	878
096051.00	367	878
096052.00	367	878
096065.00	375	739
096066.00	375	745
096067.00	375	745
096068.00	375	732
096069.00	375	732
096070.00	375	732
098000.00	322	785
098002.00	322	666
098003.00	322	666
098004.00	322	706
098005.00	322	706
098006.00	322	706
098007.00	322	706
098008.00	322	785
098009.00	322	846
098010.00	322	846
098014.00	315, 329	623
098015.00	315, 329	706
098016.00	315, 329	665
098017.00	315, 329	765
098032.00	322	954
098040.00	169, 325	895
098065.00	318, 334	677
098066.00	318, 334	700
098067.00	318, 334	741
098069.00	322	954
098375.00	169, 325	854
098376.00	169, 325	903
098377.00	323	642

Catalog No.	Page #	List \$
098378.00	323	684
098379.00	323	762
098380.00	323	931
098381.00	332	741
098382.00	332	716
100000.00	17	374
100001.00	17	440
100002.00	17	496
100003.00	17	606
100004.00	17	522
100005.00	17	623
100010.00	26, 223	472
100011.00	26, 223	508
100012.00	26, 223	629
100015.00	26	480
100018.00	20	459
100019.00	20	519
100020.00	20	507
100021.00	20	626
100023.00	20	365
100027.00	43	327
100028.00	43	346
100029.00	43	394
100045.00	26, 223	460
100046.00	26, 223	629
100047.00	26, 223	526
100048.00	49	362
100052.00	17	365
100053.00	17, 25	460
100054.00	20	363
100055.00	20	475
100063.00	26, 223	387
100064.00	26, 223	462
100065.00	26, 223	521
100109.00	26, 223	387
100110.00	26, 223	472
100111.00	26, 223	334
100115.00	17	327
100116.00	17	374
100123.00	83	367
100145.00	58, 225	492
100184.00	17	338
100204.00	127	356
100205.00	127	469
100207.00	127	343
100208.00	127	446
100210.00	58, 225	429
100336.00	17	306
100355.00	20	338
100361.00	36	374
100362.00	36	359
100366.00	36	412
100443.00	83	407
100449.00	69	440
100486.00	69	497
100588.00	17	442
100599.00	51	413
100603.00	26, 223	468
100604.00	206, 226	447
100699.00	206, 226	363
100700.00	206, 226	412
100701.00	206, 226	442
100704.00	272	593
100722.00	127	506
100723.00	127	468
100767.00	206, 226	457
100768.00	206, 226	470

Catalog No.	Page #	List \$
100796.00	58, 225	572
100802.00	271	593
100803.00	206, 226	381
100804.00	206, 226	396
100805.00	206, 226	477
100806.00	206, 226	502
100824.00	206, 226	431
100825.00	206, 226	468
100905.00	61	421
100908.00	58, 225	620
100913.00	61	449
100955.00	29	414
100956.00	29	474
100960.00	61	462
100961.00	61	501
101013.00	83	352
101015.00	26, 223	387
101020.00	227	409
101021.00	227	520
101051.00	247	467
101079.00	61	392
101119.00	215	812
101120.00	215	695
101159.00	215	617
101176.00	206, 226	453
101252.00	206, 226	363
101253.00	206, 226	412
101291.00	69	635
101341.00	216, 239	467
101405.00	23, 224	507
101423.00	17	395
101431.00	26, 223	339
101432.00	26, 223	374
101433.00	26, 223	439
101434.00	26, 223	329
101446.00	29	430
101448.00	43	357
101520.00	58, 225	521
101521.00	20	396
101522.00	20	448
101523.00	20	620
101544.00	17, 25	665
101585.00	23, 224	580
101602.00	23, 224	429
101611.00	26, 223	508
101637.00	129	453
101638.00	129	502
101639.00	58, 225	393
101640.00	58, 225	472
101641.00	58, 225	576
101643.00	215	751
101644.00	215	808
101645.00	206, 226	505
101646.00	61	357
101647.00	61	427
101648.00	69	380
101649.00	83	367
101765.00	32	426
101766.00	32	459
101767.00	69	380
101769.00	69	407
101775.00	129	505
101776.00	129	453
101780.00	69	612
101781.00	270	582
101782.00	270	598
101839.00	26, 223	629



IEC Motors

DC Motors

Gearmotors

AC / DC Controls

Accessories / Kits

Mods / Factory Options

X-Ref / Index

Tech Information

Terms / Warnings

Leeson Catalog Number Index

Motors, Sub-FHP Gearmotors, Drives and Accessories

IEC Motors

DC Motors

Gearmotors

AC / DC Controls

Accessories / Kits

Mods / Factory Options

X-Ref / Index

Tech Information

Terms / Warnings

Catalog No.	Page #	List \$
101965.00	69	448
101966.00	69	387
101981.00	69	387
102012.00	29	381
102013.00	29	540
102014.00	29	374
102015.00	29	575
102016.00	29	357
102017.00	272	529
102018.00	29	474
102019.00	29	634
102020.00	29	407
102021.00	272	593
102024.00	73	626
102183.00	261	539
102184.00	262	509
102197.00	129	357
102198.00	129	376
102199.00	129	393
102661.00	32	374
102662.00	69	342
102663.00	32	440
102664.00	69	394
102665.00	32	513
102666.00	69	475
102684.00	61	359
102685.00	261	480
102686.00	261	478
102687.00	262	503
102688.00	261	576
102689.00	262	551
102690.00	261	554
102691.00	262	583
102692.00	261	651
102693.00	261	602
102694.00	262	648
102695.00	49	456
102696.00	69	571
102697.00	73	581
102792.00	86	367
102793.00	86	417
102794.00	86	456
102795.00	86	509
102860.00	69	475
102861.00	69	495
102862.00	32	526
102863.00	69	418
102864.00	32	409
102865.00	32	557
102866.00	32	424
102867.00	32	456
102868.00	32	424
102869.00	32	480
102870.00	32	363
102871.00	32	549
102872.00	32	435
102873.00	32	363
102903.00	34	431
102904.00	29	434
102905.00	29	405
102906.00	29	470
102907.00	34	553
102908.00	29	564
102909.00	29	551
102910.00	34	460
102911.00	36	469
102912.00	36	414

Catalog No.	Page #	List \$
102913.00	36	473
102914.00	36	378
102915.00	36	426
102916.00	34	433
102917.00	73	525
102918.00	83	473
102919.00	73	525
102920.00	83	405
102921.00	73	456
102922.00	73	454
102929.00	34	430
102930.00	34	460
102931.00	29	412
102932.00	29	486
102933.00	29	470
102963.00	26, 223	387
102964.00	26, 223	472
102965.00	26, 223	508
102966.00	26, 223	629
103014.00	49	329
103019.00	61	573
103020.00	61	608
103024.00	22	395
103082.00	34	460
103083.00	22	435
103084.00	22	526
103085.00	34	553
103086.00	22	609
103387.00	187	1,408
103388.00	187	1,460
103389.00	188	1,391
103390.00	188	1,423
103393.00	188	1,191
103394.00	188	1,216
103395.00	192, 312	1,455
103396.00	192, 312	1,504
103397.00	192, 312	1,455
103398.00	192, 312	1,504
103399.00	192, 312	1,595
103400.00	192, 312	1,504
103401.00	192, 312	1,662
103402.00	192, 312	1,722
103403.00	192, 312	1,455
103404.00	192, 312	1,504
103405.00	192, 312	1,455
103406.00	192, 312	1,504
103407.00	192, 312	1,595
103408.00	192, 312	1,480
103409.00	192, 312	1,526
103410.00	192, 312	1,627
103411.00	197	1,555
103412.00	197	1,654
103413.00	198	1,460
103414.00	198	1,549
103417.00	198	1,577
103418.00	198	1,642
103460.00	271	439
103520.00	132	210
103521.00	132	224
103522.00	132	251
103523.00	132	301
103530.00	132	221
103531.00	132	230
103711.00	232	278
103712.00	232	278
103713.00	232	308
103714.00	232	308

Catalog No.	Page #	List \$
103715.00	232	305
103716.00	232	305
103717.00	232	345
103718.00	232	345
103719.00	232	351
103720.00	232	351
103721.00	232	399
103722.00	232	399
103723.00	129	389
103724.00	129	422
103725.00	129	498
103726.00	129	435
103727.00	129	513
103756.00	98	498
103757.00	98	588
103758.00	98	707
103759.00	98	756
103760.00	98	820
103761.00	98	1,320
103782.00	229	434
103783.00	229	402
103794.00	271	537
103795.00	230	299
103796.00	230	346
103797.00	230	278
103821.00	271	603
103878.00	216, 239	504
104008.00	98	997
107000.00	369	1,134
107001.00	369	1,108
107002.00	369	1,134
107003.00	369	1,134
107004.00	369	1,134
107005.00	369	1,108
107006.00	369	1,146
107007.00	369	1,123
107008.00	369	1,123
107009.00	369	1,123
107010.00	369	1,123
107011.00	369	1,123
107012.00	369	1,146
107013.00	369	1,249
107014.00	369	1,225
107015.00	369	1,225
107016.00	369	1,225
107017.00	369	1,225
107025.00	369	1,220
107026.00	369	1,220
107027.00	369	1,193
107028.00	369	1,193
107029.00	369	1,193
107030.00	369	1,193
107031.00	369	1,193
107032.00	369	1,287
107033.00	369	1,268
107034.00	369	1,268
107035.00	369	1,268
107036.00	369	1,268
107037.00	369	1,268
108014.00	322	824
108015.00	322	824
108016.00	322	890
108017.00	322	890
108018.00	322	1,004
108019.00	322	1,004
108020.00	322	954
108021.00	322	954



Leeson Catalog Number Index

Motors, Sub-FHP Gearmotors, Drives and Accessories

IEC Motors

DC Motors

Gearmotors

AC / DC Controls

Accessories / Kits

Mods / Factory Options

X-Ref / Index

Tech Information

Terms / Warnings

Catalog No.	Page #	List \$
108022.00	322	1,168
108023.00	322	1,168
108045.00	332	713
108046.00	332	784
108047.00	332	816
108048.00	332	899
108050.00	332	751
108051.00	332	778
108052.00	332	815
108053.00	332	987
108092.00	322	1,458
108226.00	169, 325	1,013
108227.00	169, 325	1,013
108228.00	169, 325	1,229
108229.00	169, 325	1,229
108230.00	169, 325	1,497
108231.00	169, 325	1,497
108232.00	169, 325	1,913
108262.00	322	1,458
108265.00	322	1,413
108266.00	322	2,214
108322.00	332	1,072
108369.00	315, 329	874
108370.00	315, 329	1,079
108371.00	315, 329	1,424
108372.00	315, 329	874
108373.00	315, 329	967
108407.00	169, 325	1,213
108423.00	169, 325	854
108424.00	169, 325	903
108455.00	318, 334	951
108456.00	318, 334	814
108457.00	318, 334	903
108458.00	318, 334	1,039
108502.00	322	3,681
108700.00	351	1,338
108701.00	351	1,338
108702.00	351	1,338
108703.00	351	1,305
108704.00	351	1,305
108705.00	351	1,305
108706.00	351	1,305
108707.00	351	1,446
108708.00	351	1,446
108709.00	351	1,419
108710.00	351	1,419
108711.00	351	1,419
108712.00	351	1,419
108729.00	351	1,367
108730.00	351	1,337
108731.00	351	1,446
108732.00	351	1,446
109065.00	193, 337	1,420
109066.00	193, 337	1,501
109067.00	193, 337	1,501
109068.00	194, 313	1,501
109069.00	193, 337	1,754
109070.00	193, 337	1,754
109071.00	194, 313	1,754
109072.00	193, 337	2,136
109073.00	193, 337	2,136
109074.00	194, 313	2,136
109075.00	193, 337	2,478
109076.00	193, 337	2,478
109077.00	194, 313	2,478
109078.00	193, 337	1,386
109079.00	193, 337	1,468

Catalog No.	Page #	List \$
109080.00	193, 337	1,468
109081.00	194, 313	1,468
109082.00	193, 337	1,722
109083.00	193, 337	1,722
109084.00	194, 313	1,722
109085.00	193, 337	2,103
109086.00	193, 337	2,103
109087.00	194, 313	2,103
109088.00	193, 337	2,447
109089.00	193, 337	2,447
109090.00	194, 313	2,447
109096.00	323	1,142
109097.00	323	1,142
109098.00	322	866
109099.00	322	910
109100.00	322	1,229
109101.00	332	946
109102.00	332	912
109103.00	332	1,440
109104.00	332	1,422
109105.00	332	1,373
109106.00	332	1,803
109107.00	332	1,667
109108.00	332	1,602
109296.00	333	854
109297.00	333	903
109298.00	333	1,013
109299.00	333	983
109300.00	333	1,229
109301.00	333	1,197
109302.00	333	1,497
109303.00	333	1,453
109304.00	333	1,913
110000.00	18	648
110004.00	18	573
110006.00	18	812
110007.00	26, 223	681
110009.00	29	634
110011.00	29	902
110013.00	30	564
110017.00	30	688
110018.00	30	770
110019.00	30	915
110022.00	30, 37	659
110023.00	30, 37	745
110025.00	37, 224	576
110026.00	37, 224	690
110029.00	44	497
110034.00	61	478
110035.00	62	501
110036.00	20	650
110037.00	21	782
110040.00	32	660
110041.00	33	752
110042.00	33	846
110047.00	69	515
110048.00	70	549
110054.00	26, 223	666
110057.00	32	626
110058.00	33	720
110059.00	30	531
110064.00	259	661
110065.00	259	756
110066.00	259	910
110086.00	203	572
110087.00	203	676
110088.00	203	777

Catalog No.	Page #	List \$
110089.00	203	866
110090.00	203	1,242
110094.00	30	697
110097.00	18, 25	475
110108.00	30, 37	485
110109.00	30, 37	816
110110.00	18	623
110111.00	49	492
110112.00	70	542
110125.00	70	581
110142.00	30, 37	593
110143.00	83	407
110144.00	69	440
110145.00	62	540
110160.00	24, 265	470
110161.00	24, 265	516
110163.00	69	687
110167.00	18	673
110176.00	251	496
110177.00	251	532
110178.00	247	496
110180.00	34	566
110181.00	73	586
110182.00	73	457
110192.00	70	598
110199.00	247	467
110204.00	251	569
110206.00	247	521
110209.00	30	647
110220.00	20	617
110222.00	24, 265	603
110232.00	24, 265	538
110253.00	30	735
110255.00	257	545
110275.00	61	665
110276.00	30	456
110288.00	127	665
110289.00	127	857
110292.00	127	650
110308.00	32	650
110313.00	61	462
110352.00	31	909
110353.00	61	665
110354.00	247	471
110362.00	18	846
110363.00	18	812
110388.00	21	745
110394.00	258	494
110395.00	258	626
110396.00	258	751
110397.00	258	827
110398.00	258	933
110400.00	30	1,044
110402.00	31, 37	952
110411.00	32	927
110412.00	32	499
110413.00	32	480
110414.00	32	1,044
110415.00	33	616
110416.00	33	562
110418.00	33	757
110419.00	33	722
110420.00	33	812
110421.00	33	952
110422.00	33	919
110423.00	259	576
110424.00	259	1,031



Leeson Catalog Number Index

Motors, Sub-FHP Gearmotors, Drives and Accessories

IEC Motors

DC Motors

Gearmotors

AC / DC Controls

Accessories / Kits

Mods / Factory Options

X-Ref / Index

Tech Information

Terms / Warnings

Catalog No.	Page #	List \$
110425.00	43	559
110429.00	44	542
110433.00	58	660
110441.00	61	616
110444.00	63	563
110446.00	69	378
110448.00	69	462
110451.00	71	618
110478.00	26, 223	540
110479.00	26, 223	695
110492.00	205	744
110493.00	205	871
110494.00	205	987
110495.00	205	1,122
110579.00	26, 223	824
110669.00	291	1,016
110670.00	291	1,141
110671.00	291	1,336
110679.00	291	1,571
110714.00	247	428
110715.00	247	551
110745.00	63	591
110852.00	114	1,268
110893.00	247	587
110902.00	51	638
110905.00	34	667
110908.00	34	755
110909.00	34	734
110910.00	34	897
110912.00	73	602
110914.00	73	707
110915.00	73	494
110916.00	73	565
110917.00	74	657
110918.00	74	635
110934.00	114	1,066
110961.00	114	1,210
111074.00	114	819
111075.00	114	903
111084.00	114	903
111085.00	114	1,002
111086.00	114	1,111
111095.00	114	861
111096.00	114	1,002
111097.00	114	934
111098.00	114	871
111147.00	230	853
111148.00	230	931
111202.00	206, 226	475
111266.00	206, 226	624
111267.00	206, 226	698
111273.00	71	680
111275.00	24, 265	750
111304.00	212	871
111309.00	44	633
111310.00	45	731
111311.00	58, 225	644
111321.00	206, 226	592
111322.00	206, 226	671
111323.00	206, 226	570
111324.00	206, 226	624
111326.00	290	1,074
111327.00	290	1,258
111328.00	290	1,359
111329.00	211	939
111330.00	211	924
111332.00	208, 228	473

Catalog No.	Page #	List \$
111333.00	208, 228	562
111334.00	208, 228	485
111335.00	208, 228	526
111348.00	206, 226	499
111394.00	247	706
111444.00	251	602
111611.00	251	665
111630.00	71	774
111915.00	37, 224	784
111916.00	64	665
111917.00	84, 225	541
111918.00	84, 225	609
111919.00	206, 226	664
111922.00	115	1,097
111923.00	115	1,009
111926.00	117	1,210
111929.00	115	870
111930.00	117	1,136
111931.00	117	1,072
111932.00	115	837
111933.00	117	1,040
111934.00	115	955
111935.00	117	1,154
111936.00	117	1,072
111937.00	115	1,000
111938.00	115	1,271
111939.00	117	1,277
111940.00	115	1,201
111941.00	117	1,303
111942.00	115	1,055
111943.00	117	1,123
111944.00	117	999
111949.00	208, 228	726
111950.00	289	1,150
111951.00	289	1,602
111953.00	227	649
111954.00	227	942
111955.00	227	1,108
111956.00	227	979
111957.00	227	979
111958.00	227	1,032
111959.00	227	1,032
111960.00	227	1,108
111961.00	227	1,108
111962.00	227	1,344
111963.00	227	1,344
112135.00	34	492
112136.00	33	1,087
112378.00	69	719
112379.00	70	706
112427.00	161	711
112428.00	161	742
112429.00	162	742
112430.00	162	859
112431.00	159	690
112432.00	159	812
112483.00	163	742
112484.00	163	859
112520.00	163	665
112521.00	163	688
112522.00	163	895
112523.00	162	665
112524.00	162	895
112526.00	159	690
112527.00	159	715
112528.00	159	811
112529.00	159	933

Catalog No.	Page #	List \$
112547.00	162	732
112615.00	215	898
112626.00	159	930
112627.00	161	780
112643.00	162	935
112644.00	162	1,071
112991.00	212	901
113019.00	160	838
113020.00	160	874
113021.00	160	911
113022.00	160	733
113023.00	160	854
113024.00	160	906
113026.00	64	612
113028.00	130	563
113029.00	130	575
113030.00	130	593
113031.00	130	743
113032.00	130	811
113256.00	203	492
113266.00	18, 25	841
113280.00	215	1,492
113281.00	22, 268	919
113290.00	205	650
113300.00	159	1,188
113311.00	69	635
113333.00	30, 37	844
113334.00	21	891
113335.00	21	875
113336.00	21	677
113337.00	20	519
113373.00	227	1,108
113473.00	160	723
113580.00	159	681
113581.00	159	690
113582.00	159	700
113583.00	159	702
113584.00	159	1,027
113586.00	162	742
113587.00	162	859
113588.00	162	663
113589.00	162	728
113590.00	162	852
113591.00	162	939
113592.00	162	1,044
113593.00	160	1,035
113608.00	26, 223	878
113627.00	269	979
113630.00	18, 25	721
113631.00	18, 25	631
113632.00	18, 25	852
113633.00	26, 223	870
113634.00	70	805
113637.00	128	463
113638.00	128	494
113639.00	128	583
113640.00	128	694
113641.00	128	820
113642.00	271	707
113643.00	227	649
113649.00	160	661
113672.00	227	942
113700.00	22, 268	888
113765.00	29, 36	571
113766.00	29, 36	634
113767.00	30, 36	748
113768.00	30, 36	858



Leeson Catalog Number Index

Motors, Sub-FHP Gearmotors, Drives and Accessories

Catalog No.	Page #	List \$
113769.00	30, 36	975
113770.00	31, 36	1,341
113846.00	58, 225	683
113847.00	58, 225	784
113890.00	71	825
113891.00	129	600
113892.00	129	713
113893.00	129	843
113895.00	58, 225	608
113896.00	58, 225	689
113897.00	58, 225	799
113901.00	258	441
113902.00	258	554
113903.00	258	615
113904.00	258	789
113905.00	258	967
113906.00	215	981
113907.00	215	1,639
113908.00	259	582
113909.00	259	661
113910.00	259	784
113911.00	259	910
113912.00	260	509
113913.00	260	566
113914.00	260	699
113915.00	260	909
113916.00	259	456
113917.00	259	487
113918.00	259	554
113919.00	259	641
113920.00	259	845
113921.00	260	593
113922.00	260	679
113923.00	260	777
113924.00	260	818
113925.00	260	991
113926.00	58, 225	789
113927.00	74	743
113928.00	259	1,022
113929.00	259	939
113931.00	35	961
113933.00	62	688
113936.00	259	1,257
113937.00	258	1,144
113938.00	203	882
113939.00	213	604
113954.00	160	702
113955.00	128	402
113956.00	128	478
113957.00	128	598
113958.00	128	711
113959.00	128	838
113971.00	117	1,233
114102.00	216, 239	609
114142.00	73	457
114146.00	290	1,494
114147.00	290	1,290
114148.00	290	1,595
114149.00	290	1,520
114150.00	290	1,102
114151.00	290	1,012
114152.00	291	1,642
114154.00	291	1,141
114155.00	291	1,336
114156.00	289	1,065
114157.00	289	1,241
114158.00	292	1,032

Catalog No.	Page #	List \$
114159.00	292	1,124
114160.00	292	1,319
114161.00	292	1,522
114162.00	289	1,036
114163.00	289	1,209
114164.00	289	1,317
114165.00	289	1,065
114166.00	289	1,341
114167.00	289	1,513
114176.00	69	440
114192.00	58	526
114198.00	74	852
114201.00	129	864
114202.00	129	734
114203.00	129	615
114204.00	130	794
114205.00	130	735
114206.00	130	580
114207.00	130	558
114208.00	130	469
114213.00	69	659
114214.00	22, 268	672
114215.00	22, 268	853
114216.00	270	626
114222.00	260	387
114223.00	260	505
114224.00	260	452
114225.00	260	630
114226.00	260	548
114227.00	260	752
114228.00	260	624
114229.00	260	829
114231.00	260	931
114233.00	260	1,135
114304.00	261	648
114306.00	261	587
114307.00	261	690
114308.00	261	702
114309.00	83	515
114310.00	159	677
114311.00	159	687
114312.00	159	687
114313.00	159	705
114314.00	159	690
114315.00	159	815
114316.00	159	695
114317.00	159	924
114318.00	159	1,026
114319.00	159	1,184
114394.00	180	860
114395.00	180	995
114419.00	118	1,590
114424.00	114	1,241
114425.00	114	1,361
114437.00	180	1,033
114560.00	180	870
114561.00	180	1,005
114562.00	180	1,044
114581.00	180	1,084
114582.00	180	1,230
114614.00	64	774
114615.00	75	827
114616.00	160	1,063
114617.00	29	606
114618.00	61	991
114620.00	229	754
114624.00	73	672

Catalog No.	Page #	List \$
114625.00	119	1,009
114626.00	119	1,090
114627.00	119	1,052
114628.00	119	1,140
114629.00	119	1,087
114630.00	119	1,163
114631.00	119	1,136
114632.00	119	1,234
114633.00	119	1,289
114634.00	119	1,320
114635.00	119	1,276
114636.00	119	1,598
114637.00	159	1,184
114638.00	70	915
114888.00	261	698
114889.00	262	590
114891.00	262	654
114892.00	262	722
114893.00	262	587
114894.00	262	699
114895.00	262	706
114896.00	262	728
114930.00	63	790
114931.00	130	425
114932.00	272	759
114933.00	272	830
114995.00	35, 38	916
115024.00	34, 38	770
115048.00	35, 38	1,002
115635.00	187	1,597
115743.00	162	928
115744.00	162	1,009
115745.00	162	1,079
115746.00	162	1,140
115751.00	216	1,088
115778.00	230	791
115779.00	230	860
115826.00	45	545
115827.00	44	474
115828.00	64	567
115829.00	63	542
115830.00	62	531
115877.00	34, 38	566
115878.00	35	961
115879.00	34, 38	755
115976.00	160	1,264
116106.00	74	678
116107.00	75	859
116128.00	44	613
116129.00	62	715
116180.00	117, 130	1,171
116181.00	114, 128	1,385
116182.00	117, 130	1,121
116183.00	114, 128	1,273
116184.00	117, 130	1,093
116185.00	114, 128	993
116186.00	114, 128	926
116187.00	117, 130	1,016
116188.00	114, 128	822
116190.00	119	1,433
116191.00	119	1,461
116201.00	229	679
116202.00	229	844
116340.00	73	740
116343.00	190	1,574
116344.00	190	1,558
116345.00	190	1,597



IEC Motors

DC Motors

Gearmotors

AC / DC Controls

Accessories / Kits

Mods / Factory Options

X-Ref / Index

Tech Information

Terms / Warnings

Leeson Catalog Number Index

Motors, Sub-FHP Gearmotors, Drives and Accessories

IEC Motors

DC Motors

Gearmotors

AC / DC Controls

Accessories / Kits

Mods / Factory Options

X-Ref / Index

Tech Information

Terms / Warnings

Catalog No.	Page #	List \$
116346.00	190	1,688
116347.00	190	1,767
116348.00	190	1,755
116349.00	190	1,540
116350.00	190	1,570
116351.00	190	1,654
116352.00	190	1,712
116388.00	75	859
116462.00	165, 293	1,408
116463.00	165, 293	1,443
116464.00	165, 293	1,717
116465.00	165, 293	1,778
116466.00	165, 293	1,459
116467.00	165, 293	1,488
116468.00	165, 293	1,765
116469.00	165, 293	1,824
116482.00	190	1,851
116483.00	191, 293	5,503
116484.00	191, 293	5,797
116485.00	38, 205	673
116486.00	38, 205	773
116487.00	38, 205	898
116488.00	205	1,020
116489.00	205	1,148
116523.00	24, 265	728
116591.00	63	801
116592.00	74	852
116593.00	58, 225	859
116594.00	64	671
116595.00	45	650
116599.00	26, 223	681
116600.00	26, 223	824
116601.00	26, 223	878
116605.00	114	891
116606.00	114	931
116607.00	114	1,066
116608.00	114	898
116609.00	114	1,032
116610.00	114	1,156
116611.00	114	961
116612.00	114	1,141
116613.00	114	1,032
116614.00	114	1,257
116615.00	114	1,463
116616.00	114	1,793
116640.00	160	682
116641.00	162	704
116642.00	160	702
116643.00	160	704
116644.00	160	723
116645.00	160	838
116646.00	160	874
116647.00	160	911
116698.00	129	924
116699.00	129	949
116703.00	34, 38	902
116704.00	18, 25	898
116705.00	31, 37	992
116706.00	19, 25	906
116707.00	22, 268	931
116708.00	19, 25	926
116709.00	22, 268	953
116738.00	43	502
116739.00	61	638
116740.00	49	757
116741.00	49	790
116742.00	50	889

Catalog No.	Page #	List \$
116743.00	70	965
116744.00	71	1,014
116745.00	73	947
116746.00	74	982
116747.00	74	1,026
116748.00	70	733
116749.00	70	962
116750.00	70	831
116751.00	71	962
116752.00	44	689
116757.00	62	784
116758.00	63	812
116759.00	63	800
116760.00	64	888
116761.00	64	847
116766.00	289	1,560
116767.00	290	1,678
116768.00	292	1,707
116769.00	22	492
116772.00	230	694
116773.00	230	751
116774.00	131, 164	735
116775.00	131, 164	854
116776.00	131, 164	909
116777.00	131, 164	1,039
116778.00	131, 164	1,090
116779.00	131, 164	754
116780.00	131, 164	876
116781.00	131, 164	950
116782.00	131, 164	1,056
116783.00	131, 164	1,125
116785.00	51	610
116789.00	24, 265	773
116919.00	190	1,765
116922.00	34	667
117118.00	197	1,572
117119.00	197	1,654
117120.00	197	1,627
117121.00	197	1,717
117122.00	197	1,747
117123.00	197	1,758
117126.00	198	1,540
117127.00	198	1,623
117128.00	198	1,595
117129.00	198	1,688
117130.00	198	1,715
117131.00	198	1,728
117266.00	187	1,504
117267.00	187	1,561
117269.00	187	1,404
117270.00	188	1,475
117271.00	187	1,454
117272.00	188	1,522
117273.00	187	1,591
117274.00	188	1,571
117275.00	187	1,876
117276.00	187	1,939
117277.00	187	1,986
117278.00	187	2,065
117279.00	188	1,378
117280.00	188	1,425
117281.00	188	1,562
117282.00	188	1,602
117283.00	188	1,944
117284.00	187	1,679
117285.00	187	1,986
117286.00	187	1,642

Catalog No.	Page #	List \$
117287.00	188	1,571
117296.00	197	1,847
117297.00	198	1,817
117298.00	198	2,136
117299.00	197	2,165
117516.00	192, 312	1,695
117517.00	192, 312	1,788
117518.00	192, 312	1,986
117689.00	204	539
117690.00	204	618
117691.00	204	743
117692.00	204	837
117693.00	204	953
117698.00	294	1,317
117699.00	294	1,520
117700.00	294	1,711
117701.00	39, 285	553
117702.00	39, 285	601
117703.00	39, 285	652
117704.00	39, 285	531
117705.00	39, 285	580
117706.00	39, 285	624
117707.00	285	459
117708.00	285	485
117709.00	285	520
117710.00	285	565
117711.00	285	448
117712.00	285	478
117713.00	285	512
117714.00	285	559
117715.00	127	876
117716.00	127	827
117759.00	204	659
117760.00	204	807
117761.00	204	822
117762.00	187	1,504
117770.00	151	875
117772.00	204	601
117813.00	149	466
117814.00	149	404
117815.00	149	564
117816.00	149	531
117817.00	149	557
117818.00	149	557
117819.00	150	596
117820.00	150	596
117821.00	150	617
117822.00	150	627
117848.00	115	1,080
117849.00	115	1,323
117850.00	119	1,216
117851.00	119	1,300
117852.00	117	1,120
117853.00	117	1,138
117854.00	117	1,195
117855.00	117	1,283
117856.00	115	820
117857.00	115	853
117858.00	115	992
117859.00	119	1,073
117860.00	117	1,056
117862.00	217	407
117863.00	217	464
117864.00	217	549
117865.00	217	596
117866.00	217	716
117867.00	217	820



Leeson Catalog Number Index

Motors, Sub-FHP Gearmotors, Drives and Accessories

Catalog No.	Page #	List \$
117872.00	129	531
117873.00	129	627
117874.00	129	716
117875.00	129	544
117876.00	129	648
117878.00	217	439
117879.00	217	495
117880.00	217	577
117881.00	217	626
117883.00	215	876
117884.00	215	1,472
117887.00	215	593
117888.00	215	679
117889.00	215	699
117901.00	189	1,602
117902.00	189	1,656
117903.00	189	1,734
117904.00	189	1,770
117905.00	189	2,067
117906.00	199	1,746
117907.00	199	1,807
117908.00	199	1,846
117909.00	199	1,932
117910.00	199	2,240
117913.00	132	800
117914.00	132	812
117915.00	132	987
117916.00	132	1,107
117925.00	149	466
117926.00	149	466
117927.00	149	466
117928.00	149	404
117929.00	149	404
117930.00	149	404
117931.00	149	564
117932.00	149	564
117933.00	149	564
117934.00	149	531
117935.00	149	531
117936.00	149	531
117937.00	149	557
117938.00	149	557
117939.00	149	557
117940.00	149	557
117941.00	149	557
117942.00	149	557
117943.00	150	596
117944.00	150	596
117945.00	150	596
117946.00	150	596
117947.00	150	596
117948.00	150	596
117949.00	150	617
117950.00	150	617
117951.00	150	617
117952.00	150	627
117953.00	151	627
117954.00	151	627
118007.00	315, 329	2,121
118008.00	315, 329	2,545
118009.00	315, 329	2,121
118010.00	315, 329	2,545
118014.00	315, 329	3,552
118015.00	324	2,556
118016.00	324	2,886
118017.00	324	2,886
118018.00	324	3,576

Catalog No.	Page #	List \$
118019.00	324	3,576
118054.00	324	3,359
118055.00	324	3,359
118056.00	324	4,258
119090.00	127	546
119091.00	127	738
119092.00	127	754
119203.00	197	2,251
119204.00	198	2,235
119205.00	199	2,392
119206.00	199	2,374
119227.00	213	812
119228.00	214	812
119229.00	214	1,767
119230.00	214	780
119231.00	213	1,720
119232.00	213	780
119233.00	214	604
119234.00	214	876
119266.00	197	1,765
119267.00	197	1,823
119268.00	197	1,860
119269.00	197	1,904
119286.00	92	609
119287.00	92	763
119289.00	92	910
119395.00	62	772
119396.00	64	950
119414.00	71	1,053
119416.00	74	846
119417.00	74	851
119418.00	75	1,041
119419.00	84	784
119420.00	117	1,353
119421.00	115	1,314
119422.00	117	1,231
119423.00	117	1,336
119424.00	117	1,240
119425.00	115	1,181
119426.00	115	1,314
119427.00	117	1,369
119428.00	117	1,277
119429.00	117, 130	1,244
119430.00	117	1,353
119431.00	117	1,270
119433.00	115	1,323
119434.00	117, 130	1,280
119435.00	118	1,590
119436.00	119	1,282
119437.00	119	1,369
119438.00	119	1,354
119439.00	119	1,289
119440.00	119	1,405
119441.00	119	1,397
119442.00	119	1,290
119443.00	119	1,610
119448.00	213	812
119452.00	130	693
119453.00	130	667
119454.00	130	859
119455.00	130	841
119456.00	130	889
119457.00	130	900
119458.00	131, 164	1,003
119459.00	131, 164	983
119460.00	131, 164	1,222
119461.00	131, 164	1,240

Catalog No.	Page #	List \$
119462.00	131, 164	1,252
119463.00	131, 164	1,269
119466.00	149	797
119468.00	160	936
119469.00	160	963
119471.00	160	1,158
119472.00	160	1,139
119473.00	160	1,425
119475.00	161	960
119476.00	162	993
119478.00	162	1,241
119479.00	163	993
119480.00	162	1,142
119482.00	162	1,230
119483.00	162	1,248
119485.00	165, 293	1,893
119486.00	165, 293	1,915
119487.00	180	1,126
119488.00	180	1,180
119489.00	180	1,342
119490.00	180	1,128
119491.00	187	1,832
119492.00	187	2,032
119494.00	187	1,906
119495.00	187	2,239
119497.00	188	1,790
119498.00	188	1,880
119499.00	188	2,192
119500.00	189	1,873
119501.00	189	1,948
119502.00	189	2,274
119507.00	192, 312	1,855
119508.00	192, 312	1,942
119509.00	192, 312	2,117
119511.00	197	1,904
119512.00	198	1,902
119513.00	197	2,089
119520.00	198	1,940
119522.00	197	1,965
119523.00	197	2,305
119524.00	198	2,274
119525.00	198	2,353
119526.00	197	2,372
119527.00	199	1,976
119528.00	199	2,019
119529.00	199	2,359
119530.00	199	2,459
119531.00	199	2,441
119533.00	211	1,052
119534.00	212	1,009
119535.00	212	974
119539.00	247	767
119540.00	247	808
119542.00	251	915
119543.00	251	965
119544.00	251	962
119552.00	257	784
119553.00	285	715
119554.00	285	778
119555.00	285	698
119556.00	285	764
119561.00	290	1,538
119562.00	290	1,726
119563.00	291	1,634
119564.00	292	1,585
119565.00	292	1,780
119566.00	294	1,865



IEC Motors

DC Motors

Gearmotors

AC / DC Controls

Accessories / Kits

Mods / Factory Options

X-Ref / Index

Tech Information

Terms / Warnings

Leeson Catalog Number Index

Motors, Sub-FHP Gearmotors, Drives and Accessories

IEC Motors

DC Motors

Gearmotors

AC / DC Controls

Accessories / Kits

Mods / Factory Options

X-Ref / Index

Tech Information

Terms / Warnings

Catalog No.	Page #	List \$
119736.00	115	1,331
119737.00	115	1,396
119752.00	149	797
119753.00	149	797
119754.00	149	797
119755.00	150	822
119756.00	150	822
119757.00	150	822
119758.00	150	822
119759.00	150	822
119760.00	150	822
119761.00	150	822
119762.00	150	822
119763.00	150	866
119764.00	150	866
119765.00	150	866
119766.00	150	866
119767.00	150	875
119768.00	150	875
119769.00	151	875
119770.00	151	875
119781.00	197	2,192
119783.00	216	1,088
119785.00	191, 293	6,197
119796.00	89	870
119797.00	89	938
120000.00	18	672
120001.00	18	898
120003.00	18, 24	673
120004.00	18, 24	898
120008.00	30, 37	745
120009.00	30, 37	844
120017.00	33	924
120025.00	30	713
120026.00	30	735
120036.00	31	915
120042.00	18, 24	707
120043.00	30	1,196
120044.00	18, 24	640
120060.00	33	1,111
120063.00	49	671
120067.00	18	844
120073.00	21	846
120097.00	69	719
120101.00	33	817
120102.00	33	953
120106.00	18	874
120107.00	18	613
120130.00	30	697
120274.00	35	1,210
120331.00	292	1,707
120332.00	292	1,751
120341.00	31, 269	987
120372.00	289	1,560
120373.00	289	1,758
120374.00	208, 228	781
120375.00	208, 228	951
120376.00	208, 228	1,001
120377.00	208, 228	604
120378.00	208, 228	715
120379.00	208, 228	802
120395.00	31, 37	962
120485.00	73	740
120554.00	24, 265	758
120589.00	159	930
120590.00	159	1,184
120728.00	270	1,226

Catalog No.	Page #	List \$
120760.00	160	874
120761.00	160	911
120824.00	33, 269	1,067
120855.00	205	1,456
120867.00	31, 37	1,210
120879.00	18, 25	945
120921.00	62	784
120922.00	63	814
120923.00	64	847
120925.00	270	876
120940.00	233, 274	1,219
120941.00	233, 274	1,046
120942.00	234, 274	1,433
120943.00	234, 274	1,433
120944.00	233, 274	1,005
120945.00	233, 274	1,005
120946.00	233, 274	1,219
120947.00	233, 274	1,049
120990.00	260	1,049
120992.00	22	804
120994.00	135	883
120995.00	135	885
120996.00	135	876
120997.00	270	961
120998.00	270	1,280
121001.00	33	817
121002.00	20	667
121003.00	44, 57	689
121004.00	44, 57	719
121005.00	45, 57	815
121008.00	35	961
121009.00	61	678
121039.00	162	1,044
121040.00	160	1,035
121060.00	35	1,077
121063.00	49	790
121064.00	49	757
121065.00	71	1,014
121066.00	70	965
121067.00	70	915
121070.00	259	1,257
121071.00	50	901
121075.00	163	1,071
121093.00	261	722
121094.00	261	782
121095.00	261	818
121096.00	261	698
121097.00	261	722
121098.00	83	590
121099.00	83	617
121109.00	180	1,033
121165.00	180	1,044
121179.00	73	947
121180.00	74	982
121181.00	74	1,026
121184.00	21	853
121190.00	135	903
121199.00	61	1,142
121272.00	262	728
121273.00	262	837
121274.00	262	751
121275.00	262	760
121276.00	262	752
121277.00	262	819
121465.00	35, 38	1,210
121507.00	31	1,201
121514.00	44	682

Catalog No.	Page #	List \$
121515.00	45	804
121516.00	45	814
121517.00	44	802
121518.00	63	812
121519.00	64	888
121520.00	62	927
121556.00	292	1,522
121569.00	203	782
121613.00	165, 293	1,778
121614.00	165, 293	2,464
121615.00	165, 293	2,534
121616.00	165, 293	1,824
121622.00	190	1,824
121623.00	190	2,022
121624.00	190	1,739
121625.00	205	1,463
121632.00	190	2,104
121633.00	190	2,000
121672.00	74	866
121673.00	74	888
121674.00	51	766
121675.00	51	792
121676.00	51	896
121678.00	289	1,341
121680.00	34	755
121681.00	34	897
121742.00	198	2,113
121743.00	198	2,136
121750.00	198	1,824
121751.00	198	1,817
121795.00	187	1,597
121796.00	188	1,571
121815.00	289	1,697
121816.00	289	1,737
121825.00	35	1,015
121865.00	161	981
121866.00	161	1,222
121867.00	162	1,031
121868.00	162	1,328
121869.00	161	983
121870.00	162	1,569
121871.00	162	1,074
121873.00	187	1,888
121874.00	187	1,904
121875.00	187	1,931
121876.00	187	2,260
121877.00	187	2,283
121878.00	187	2,719
121879.00	197	1,983
121880.00	197	1,976
121881.00	197	2,292
121882.00	197	2,316
121908.00	198	1,950
121909.00	198	1,945
121910.00	198	2,260
121911.00	198	2,284
121912.00	180	1,199
121913.00	180	1,401
121914.00	115	1,172
121915.00	115	1,304
121916.00	115	1,208
121917.00	115	1,448
121918.00	115	1,428
121919.00	119	1,345
121920.00	119	1,393
121921.00	119	1,552
121922.00	119	1,535



Leeson Catalog Number Index

Motors, Sub-FHP Gearmotors, Drives and Accessories

Catalog No.	Page #	List \$
121928.00	52	825
121929.00	75	1,090
121934.00	216	966
121935.00	51	704
121936.00	73	927
121937.00	247	794
121938.00	247	939
121939.00	247	812
121940.00	247	824
121941.00	247	888
121942.00	247	858
121944.00	216	1,088
121968.00	64	1,024
121969.00	197	1,860
121973.00	204	848
121974.00	204	969
121975.00	204	1,312
121979.00	294	1,870
121980.00	294	2,044
121982.00	285	757
121983.00	285	800
121984.00	285	882
121985.00	285	633
121986.00	285	661
121987.00	285	679
121997.00	204	835
121998.00	204	870
122009.00	216	2,283
122010.00	216	2,316
122023.00	117	1,353
122024.00	115	1,286
122025.00	115	1,429
122029.00	189	1,691
122030.00	189	2,014
122031.00	189	2,354
122032.00	199	1,932
122033.00	199	2,240
122035.00	149	744
122036.00	149	744
122037.00	149	744
122038.00	149	744
122039.00	150	693
122040.00	150	693
122041.00	150	693
122042.00	150	693
122043.00	150	787
122044.00	150	787
122045.00	150	787
122046.00	150	787
122047.00	151	838
122048.00	151	838
122049.00	151	838
122050.00	151	838
122073.00	137	717
122074.00	137	789
122075.00	137	789
122076.00	137	772
122077.00	137	772
122078.00	137	898
122079.00	137	898
122080.00	137	870
122081.00	137	994
122082.00	137	994
122083.00	139	777
122084.00	139	777
122085.00	139	801
122086.00	139	801

Catalog No.	Page #	List \$
122087.00	139	848
122088.00	139	848
122089.00	139	961
122090.00	139	961
122091.00	139	847
122092.00	139	847
122093.00	133	572
122094.00	133	572
122095.00	133	698
122096.00	133	698
122097.00	133	684
122098.00	133	684
122099.00	133	713
122100.00	133	701
122101.00	133	701
122102.00	133	890
122103.00	133	890
122105.00	141	807
122106.00	141	807
122107.00	141	832
122108.00	141	832
122109.00	141	885
122110.00	141	885
122111.00	141	1,002
122112.00	141	1,002
122113.00	141	893
122114.00	141	893
122115.00	137	717
122118.00	199	2,392
122119.00	198	2,259
122129.00	92	935
122130.00	92	1,083
122131.00	92	1,135
122132.00	92	1,462
122162.00	49	808
122163.00	50	859
122164.00	50	819
122165.00	70	962
122166.00	70	831
122167.00	71	962
122171.00	71	1,053
122174.00	117	1,482
122175.00	117	1,467
122179.00	160	952
122180.00	160	972
122182.00	160	1,204
122183.00	160	1,172
122184.00	160	1,451
122185.00	162	1,240
122186.00	163	1,276
122187.00	163	1,418
122188.00	163	1,378
122189.00	163	1,561
122190.00	163	1,477
122191.00	163	1,691
122192.00	165, 293	1,906
122193.00	165, 293	1,933
122194.00	165, 293	2,603
122195.00	165, 293	2,636
122196.00	165, 293	2,670
122197.00	165, 293	2,716
122198.00	180	1,126
122199.00	180	1,180
122200.00	180	1,342
122201.00	180	1,128
122202.00	188	1,796
122203.00	188	1,885

Catalog No.	Page #	List \$
122204.00	188	2,198
122205.00	188	2,210
122206.00	188	2,665
122207.00	188	1,873
122208.00	191	1,782
122209.00	191	1,818
122210.00	191	1,780
122211.00	191	2,142
122212.00	191	2,119
122213.00	191	2,558
122214.00	49	746
122215.00	189	1,929
122219.00	197	1,929
122221.00	199	2,032
122222.00	199	2,359
122227.00	251	915
122228.00	251	965
122229.00	251	962
122231.00	257	784
122232.00	257	814
122233.00	257	847
122234.00	285	739
122235.00	285	782
122237.00	289	1,616
122238.00	289	1,810
122239.00	289	1,423
122240.00	289	1,663
122241.00	289	1,873
122242.00	290	1,640
122243.00	290	1,847
122244.00	290	1,542
122245.00	290	2,171
122246.00	290	1,730
122247.00	291	1,773
122248.00	291	1,641
122249.00	291	1,805
122250.00	291	1,866
122251.00	292	1,595
122252.00	292	1,793
122253.00	292	1,842
122254.00	294	2,037
122255.00	294	2,145
122258.00	285	866
122308.00	216	2,316
122313.00	149	816
122314.00	149	816
122315.00	149	816
122316.00	149	816
122317.00	150	839
122318.00	150	839
122319.00	150	839
122320.00	150	839
122321.00	150	890
122322.00	150	890
122323.00	150	890
122324.00	150	890
122325.00	151	948
122326.00	151	948
122327.00	151	948
122328.00	151	948
122329.00	137	870
122330.00	163	1,328
122337.00	89	877
122338.00	89	952
128000.00	322	2,214
128001.00	322	2,644
128010.00	322	2,644



IEC Motors

DC Motors

Gearmotors

AC / DC Controls

Accessories / Kits

Mods / Factory Options

X-Ref / Index

Tech Information

Terms / Warnings

Leeson Catalog Number Index

Motors, Sub-FHP Gearmotors, Drives and Accessories

- IEC Motors
- DC Motors
- Gearmotors
- AC / DC Controls
- Accessories / Kits
- Mods / Factory Options
- X-Ref / Index
- Tech Information
- Terms / Warnings

Catalog No.	Page #	List \$
128023.00	322	2,327
131454.00	261	1,101
131459.00	261	966
131463.00	64, 84	957
131464.00	65, 84	1,053
131468.00	233, 274	1,306
131469.00	233, 274	1,667
131470.00	234, 274	2,079
131471.00	234, 274	1,832
131472.00	234, 274	2,079
131473.00	234, 274	1,832
131474.00	233, 274	1,306
131475.00	233, 274	1,667
131480.00	261	1,009
131481.00	261	1,188
131501.00	72	1,173
131502.00	75	1,200
131503.00	71	1,087
131504.00	75	1,107
131505.00	262	1,027
131506.00	262	953
131507.00	262	1,215
131508.00	262	1,088
131509.00	31	1,053
131515.00	18, 24	874
131516.00	33	1,448
131517.00	50	1,120
131518.00	50	953
131519.00	45, 57	833
131520.00	45, 57	939
131526.00	30	1,939
131530.00	19	1,119
131533.00	31	1,242
131534.00	19, 24	946
131535.00	18	930
131536.00	18, 24	935
131537.00	19, 24	1,135
131538.00	31	1,511
131539.00	21	1,370
131540.00	33	1,776
131541.00	203, 205	1,324
131542.00	203, 205	1,387
131543.00	203	1,738
131544.00	21	984
131545.00	33	1,706
131549.00	31	1,502
131553.00	258	1,122
131554.00	258	1,282
131555.00	258	2,622
131556.00	259	1,545
131557.00	259	2,206
131560.00	19	1,135
131561.00	19	1,119
131571.00	159	1,717
131578.00	259	2,800
131599.00	260	1,562
131600.00	259	1,525
131601.00	259	2,173
131602.00	205	2,422
131603.00	205	1,975
131604.00	135	1,229
131605.00	135	1,746
131610.00	292	2,425
131611.00	292	3,000
131612.00	292	3,837
131616.00	19	1,196
131622.00	19, 24	1,357

Catalog No.	Page #	List \$
131624.00	289	2,212
131625.00	289	2,745
131629.00	22	1,119
131630.00	22, 268	1,374
131631.00	35	1,710
131632.00	35, 38	1,718
131633.00	35, 38	1,790
131636.00	19	1,005
131637.00	31	1,087
131638.00	259	1,455
131640.00	135	1,069
131641.00	135	1,520
131777.00	21	1,317
131778.00	33	1,712
131781.00	22	1,322
131847.00	209, 238	1,488
131848.00	209, 238	1,654
131849.00	209, 238	1,205
131850.00	209, 238	1,407
131851.00	19, 25	1,117
131853.00	22, 268	1,117
131855.00	31, 37	1,341
131856.00	31, 37	1,559
131857.00	35, 38	1,710
131881.00	133	1,480
131971.00	44	945
131972.00	45	960
131980.00	63	1,351
131981.00	64	1,375
131985.00	64	1,102
131986.00	45	892
131987.00	65	1,232
131988.00	45	1,290
131994.00	205	2,012
131995.00	205	2,434
132042.00	31, 37	1,676
132043.00	22	1,371
132044.00	19, 24	1,093
132073.00	135	924
132079.00	75	1,230
132080.00	75	1,267
132081.00	52	970
132082.00	52	1,137
132083.00	22	1,049
132196.00	161	1,641
132197.00	161	1,877
132198.00	162	1,779
132199.00	162	1,804
132200.00	162	2,229
132201.00	162	2,009
132202.00	161	1,877
132203.00	187	2,782
132204.00	161	2,341
132205.00	162	2,763
132206.00	187	2,868
132207.00	187	3,251
132208.00	187	3,181
132232.00	59	846
132233.00	59	939
132234.00	59	1,004
132235.00	59	1,127
132236.00	83	1,053
132237.00	83	957
132242.00	52	892
132243.00	74	1,171
132244.00	52	1,347
132246.00	216	1,471

Catalog No.	Page #	List \$
132247.00	216	1,538
132251.00	247	1,369
132252.00	247	1,394
132253.00	248	971
132254.00	248	1,101
132255.00	248	1,067
132293.00	98	3,116
132294.00	98	3,979
132306.00	161	2,341
132313.00	75	1,377
132328.00	204	982
132329.00	204	1,078
132345.00	151	1,145
132346.00	151	1,120
132347.00	151	1,266
132348.00	151	1,196
132356.00	151	1,145
132357.00	151	1,145
132359.00	151	1,120
132360.00	151	1,120
132362.00	151	1,266
132363.00	151	1,266
132365.00	151	1,196
132366.00	151	1,196
132388.00	161	1,673
132425.00	50	1,320
132426.00	50	877
132427.00	50	960
132428.00	62	1,478
132429.00	63	1,757
132430.00	71	1,435
132431.00	70	1,415
132433.00	71	1,196
132434.00	72	1,240
132435.00	74	1,435
132439.00	160	1,610
132440.00	161	1,857
132441.00	161	1,905
132442.00	163	1,879
132443.00	163	2,198
132444.00	163	2,010
132446.00	163	2,421
132447.00	188	2,789
132448.00	188	3,118
132449.00	188	3,169
132450.00	191	2,713
132451.00	191	2,992
132452.00	191	2,993
132457.00	136	1,300
132458.00	136	1,374
132461.00	251	1,087
132462.00	251	1,173
132463.00	256	939
132465.00	257	957
132466.00	257	1,053
132468.00	289	2,236
132469.00	289	2,811
132470.00	289	2,322
132471.00	289	2,881
132472.00	290	2,569
132473.00	290	3,119
132474.00	291	2,939
132475.00	291	2,422
132476.00	291	2,996
132477.00	291	2,535
132478.00	291	3,155
132479.00	292	2,495



Leeson Catalog Number Index

Motors, Sub-FHP Gearmotors, Drives and Accessories

Catalog No.	Page #	List \$
132480.00	292	3,141
132548.00	151	1,250
132549.00	151	1,250
132550.00	151	1,250
132551.00	151	1,250
132552.00	151	1,250
132553.00	151	1,250
132554.00	151	1,382
132555.00	151	1,382
132556.00	151	1,382
132557.00	151	1,306
132558.00	151	1,306
132559.00	151	1,306
132561.00	72	1,336
132563.00	162	1,585
132565.00	187	2,809
132595.00	71	1,087
132596.00	70	1,415
140120.00	31	1,959
140130.00	205	2,264
140155.00	19, 24	1,611
140203.00	205	2,117
140209.00	205	2,439
140223.00	205	2,120
140311.00	19, 24	2,355
140414.00	205	2,653
140443.00	233, 274	2,372
140444.00	233, 274	2,767
140445.00	234, 274	2,717
140446.00	234, 274	2,717
140447.00	233, 274	2,349
140448.00	233, 274	2,767
140450.00	65, 84	1,353
140451.00	66, 84	1,636
140470.00	45, 57	1,178
140472.00	46, 57	1,392
140475.00	259	2,813
140483.00	50	1,240
140484.00	72	1,646
140485.00	50	1,401
140486.00	72	1,364
140521.00	75	1,371
140522.00	76	1,655
140581.00	31	2,248
140601.00	291	4,396
140603.00	291	3,787
140605.00	291	4,043
140610.00	290	3,611
140611.00	289	3,420
140635.00	289	4,322
140636.00	291	4,332
140637.00	292	4,872
140638.00	290	4,517
140639.00	291	5,111
140640.00	209, 238	2,543
140641.00	209, 238	1,697
140642.00	135	2,161
140644.00	135	2,434
140646.00	133	1,758
140647.00	133	2,370
140665.00	135	2,302
140666.00	135	2,848
140678.00	35	2,331
140680.00	19, 24	1,846
140681.00	19, 24	2,334
140684.00	31	1,930
140685.00	31	2,369

Catalog No.	Page #	List \$
140694.00	35	2,017
140695.00	35	2,406
140705.00	212	2,808
140706.00	203	2,432
140707.00	203	2,077
140747.00	31	2,874
140753.00	46	1,359
140754.00	46	1,806
140755.00	66	1,724
140756.00	65	1,485
140767.00	52	1,250
140768.00	52	1,418
140769.00	76	1,769
140770.00	75	1,564
140806.00	22	1,412
140807.00	35	2,060
140816.00	211	2,773
140819.00	161	2,382
140820.00	161	2,849
140821.00	162	2,944
140822.00	162	2,590
140823.00	162	3,336
140825.00	187	4,525
140826.00	187	5,107
140827.00	187	4,652
140828.00	187	5,260
140830.00	211	1,861
140831.00	59	1,178
140832.00	83	1,353
140833.00	212	1,690
140834.00	75	1,582
140840.00	98	4,825
140841.00	98	5,042
141084.00	209, 238	2,543
141111.00	52	1,494
141116.00	248	1,371
141119.00	52	1,930
141120.00	162	2,826
141145.00	204	1,381
141146.00	204	1,669
141156.00	151	2,276
141157.00	151	2,206
141158.00	152	2,558
141159.00	152	2,307
141170.00	151	2,276
141171.00	151	2,276
141173.00	151	2,206
141174.00	151	2,206
141176.00	152	2,558
141177.00	152	2,558
141179.00	152	2,307
141180.00	152	2,307
141228.00	50	1,453
141229.00	50	1,876
141231.00	71	1,524
141232.00	72	1,743
141233.00	72	1,538
141234.00	72	1,517
141235.00	72	2,187
141266.00	161	2,351
141267.00	161	2,341
141268.00	161	2,814
141269.00	161	2,830
141270.00	163	2,707
141271.00	163	3,270
141272.00	163	3,099
141273.00	191	4,665

Catalog No.	Page #	List \$
141274.00	191	4,608
141275.00	191	4,813
141276.00	191	4,824
141281.00	136	1,621
141282.00	136	1,883
141286.00	256	1,178
141287.00	256	1,392
141289.00	257	1,353
141290.00	257	1,636
141308.00	292	4,009
141309.00	292	5,078
141311.00	209	2,653
141312.00	64	2,310
141336.00	151	2,486
141337.00	151	2,486
141338.00	151	2,409
141339.00	152	2,781
141340.00	152	2,781
141341.00	152	2,509
141342.00	151	2,486
141343.00	151	2,409
141344.00	151	2,409
141345.00	152	2,781
141346.00	152	2,509
141347.00	152	2,509
141348.00	209	2,439
163104.60	408	1,750
163115.60	408	149
163116.60	412	149
163126.60	408	1,750
170000.60	46	3,997
170001.60	66	5,420
170002.60	46	4,760
170003.60	66	6,343
170004.60	46	4,964
170005.60	66	7,119
170006.60	46, 57	2,398
170007.60	66, 84	3,018
170009.60	46	3,027
170011.60	66	3,796
170013.60	46	3,281
170015.60	66	4,422
170017.60	47	4,323
170019.60	67	5,874
170021.60	47	5,222
170023.60	67	7,094
170025.60	47	5,750
170027.60	67	10,090
170029.60	47	7,090
170031.60	67	12,592
170032.60	46	2,439
170033.60	66	3,091
170034.60	46	3,027
170035.60	66	4,019
170036.60	46	3,515
170037.60	66	4,744
170038.60	47	4,625
170039.60	67	5,917
170040.60	47	5,642
170041.60	67	7,186
170042.60	47	6,747
170043.60	67	10,658
170044.60	47	8,915
170045.60	67	13,056
170062.60	66	2,528
170064.60	46	1,943
170065.60	46	1,963



IEC Motors

DC Motors

Gearmotors

AC / DC Controls

Accessories / Kits

Mods / Factory Options

X-Ref / Index

Tech Information

Terms / Warnings

Leeson Catalog Number Index

Motors, Sub-FHP Gearmotors, Drives and Accessories

IEC Motors

DC Motors

Gearmotors

AC / DC Controls

Accessories / Kits

Mods / Factory Options

X-Ref / Index

Tech Information

Terms / Warnings

Catalog No.	Page #	List \$
170066.60	66, 84	2,413
170067.60	46	3,237
170068.60	66	4,334
170070.60	52	2,707
170071.60	52	2,757
170073.60	53	3,483
170087.60	67	15,658
170096.60	67	9,758
170097.60	67	11,711
170098.60	67	13,813
170099.60	67	14,560
170104.60	76	4,709
170108.60	76	4,473
170110.60	77	6,597
170112.60	77	6,788
170114.60	77	11,097
170116.60	249	2,889
170117.60	249	3,060
170118.60	249	3,796
170119.60	249	4,422
170120.60	249	5,874
170121.60	249	7,094
170122.60	65	2,208
170123.60	66	3,159
170138.60	75	2,836
170139.60	76	3,161
170140.60	66	1,783
170142.60	45	1,250
170143.60	46	1,446
170144.60	46	1,475
170145.60	45	1,973
170146.60	46	2,458
170147.60	47	7,078
170148.60	47	8,096
170149.60	47	8,962
170150.60	47	10,621
170151.60	47	10,078
170152.60	47	9,701
170154.60	48	11,650
170155.60	48	12,277
170157.60	65	1,493
170158.60	65	1,571
170159.60	66	1,861
170160.60	67	16,076
170165.60	75	1,471
170166.60	75	1,557
170167.60	76	1,683
170168.60	76	1,823
170170.60	52	1,214
170171.60	52	1,621
170172.60	52	1,587
170173.60	52	2,239
170175.60	52	2,266
170196.60	248	1,571
170197.60	248	1,861
170198.60	249	2,528
170199.60	249	3,091
170212.60	248	1,807
170224.60	249	4,019
170228.60	249	4,744
170232.60	249	5,917
170239.60	250	10,090
170244.60	250	12,592
170253.60	250	15,658
170256.60	67	20,726
170259.60	48	16,308
170260.60	67	23,418

Catalog No.	Page #	List \$
170269.60	47	12,546
170352.60	68	27,242
170369.60	67	20,789
170371.60	68	23,786
170378.60	53	5,053
170379.60	53	5,985
170540.60	210, 237	2,194
170541.60	210, 237	2,675
170542.60	210, 237	3,603
170615.60	66	2,340
170619.60	76	3,791
170620.60	76	4,473
171115.60	77	13,322
171116.60	75	1,970
171315.60	68	26,407
171316.60	68	34,589
171320.60	64	1,074
171322.60	65	1,117
171349.60	72	2,708
171352.60	72	3,372
171377.60	53	3,987
171378.60	64	1,521
171379.60	65	1,695
171446.60	75	1,322
171449.60	48	14,373
171479.60	72	2,809
171480.60	72	3,303
171507.60	72	4,308
171508.60	72	5,137
171509.60	72	6,771
171510.60	72	7,424
171516.60	68	31,512
171518.60	48	23,762
171519.60	72	8,856
171522.60	48	14,498
171523.60	48	16,720
171524.60	48	18,767
171525.60	48	21,530
171529.60	68	35,475
171530.60	68	36,585
171564.60	75	1,271
171565.60	75	1,234
171566.60	75	1,280
171573.60	48	19,115
171574.60	45	1,246
171575.60	45	1,575
171576.60	48	17,495
171577.60	48	22,998
171578.60	68	23,690
171579.60	68	27,284
171580.60	67	19,194
171586.60	76	2,798
171587.60	76	2,893
171588.60	76	3,437
171589.60	76	3,454
171590.60	76	4,319
171591.60	76	4,469
171592.60	76	5,385
171593.60	77	6,960
171594.60	77	7,645
171595.60	77	12,125
171596.60	77	13,950
171597.60	77	17,081
171616.60	103	1,708
171617.60	103	2,026
171620.60	103	2,754
171621.60	103	3,365

Catalog No.	Page #	List \$
171622.60	103	1,648
171623.60	103	1,188
171624.60	248	1,232
171630.60	103	1,230
171631.60	103	1,965
171632.60	103	2,664
171633.60	103	3,326
171634.60	103	1,676
171635.60	103	1,875
171636.60	103	2,438
171637.60	103	3,486
171638.60	103	4,719
171639.60	103	5,896
171640.60	62	841
171642.60	63	870
171643.60	62	990
171646.60	63	868
171647.60	64	904
171648.60	64	949
171682.60	50	2,114
171683.60	50	2,647
171684.60	50	2,639
171685.60	50	3,246
171686.60	50	3,300
171687.60	50	3,578
171688.60	53	3,388
171689.60	53	7,512
171690.60	53	9,123
171691.60	53	11,612
171778.60	103	4,108
171779.60	103	3,880
171780.60	103	6,483
171781.60	103	4,849
171782.60	103	4,520
171783.60	103	7,277
171784.60	103	6,048
171785.60	103	6,005
171786.60	103	9,976
171787.60	104	7,345
171788.60	104	7,253
171789.60	104	11,973
171790.60	104	10,896
171791.60	104	10,315
171792.60	104	14,121
171793.60	104	13,347
171794.60	104	12,872
171795.60	104	14,884
171796.60	104	16,434
171797.60	104	16,008
171798.60	104	21,189
171799.60	104	19,623
171800.60	104	21,254
171801.60	104	23,941
171802.60	104	24,219
171803.60	104	24,316
171804.60	104	26,997
171805.60	104	27,893
171806.60	104	27,850
171807.60	104	35,361
171815.60	105	1,274
171816.60	105	1,797
171817.60	105	1,319
171818.60	105	2,010
171819.60	105	1,767
171820.60	105	2,614
171821.60	105	2,106
171822.60	105	3,737



Leeson Catalog Number Index

Motors, Sub-FHP Gearmotors, Drives and Accessories

Catalog No.	Page #	List \$
171823.60	105	2,856
171824.60	105	5,059
171825.60	105	3,565
171826.60	105	6,321
171827.60	105	4,159
171828.60	105	6,950
171829.60	105	4,845
171830.60	105	7,801
171831.60	105	6,437
171832.60	105	10,694
171833.60	105	7,775
171834.60	105	12,835
171835.60	105	11,058
171836.60	105	15,138
171837.60	105	13,799
171838.60	105	15,956
171839.60	105	17,161
171840.60	105	22,715
171841.60	210	2,567
171842.60	210	3,275
171843.60	210	3,812
171844.60	210	4,546
171845.60	210	1,227
171846.60	210	1,269
171847.60	210	1,568
171848.60	210	1,875
171851.60	72	1,426
171852.60	72	1,509
171853.60	72	1,460
171854.60	72	1,570
171857.60	210, 237	3,524
171859.60	210	1,631
174102.00	378	626
174103.00	378	911
174107.00	378	850
174140.00	402, 406	861
174141.00	402	1,096
174142.00	402	1,267
174143.00	402, 406	327
174144.00	402, 406	498
174145.00	402, 406	840
174146.00	402	1,096
174147.00	402	1,267
174148.00	402, 406	327
174149.00	402, 406	510
174150.00	407	264
174151.00	406	384
174152.00	406	384
174153.00	406	384
174154.00	406	523
174155.00	406	523
174156.00	406	523
174157.00	406	328
174158.00	406	328
174159.00	406	681
174160.00	406	681
174161.00	406	681
174162.00	406	860
174163.00	406	860
174164.00	406	860
174165.00	406	1,039
174166.00	406	1,039
174167.00	406	1,039
174174.00	402	77
174175.00	402	111
174176.00	402	180
174177.00	402	262

Catalog No.	Page #	List \$
174178.00	402	200
174179.00	402	200
174180.00	402	200
174181.00	402	282
174182.00	402	282
174183.00	402	282
174184.00	402	454
174185.00	402	494
174186.00	407	186
174187.00	407	209
174188.00	407	249
174189.00	405	909
174190.00	405, 407	201
174191.00	407	270
174192.00	402	436
174194.00	407	219
174263.00	401	498
174264.00	401	540
174265.00	401	717
174266.00	401	814
174267.00	401	460
174268.00	401	485
174270.00	401	540
174271.00	401	650
174272.00	401	766
174273.00	401	899
174274.00	401	460
174276.00	401	511
174277.00	401	608
174278.00	401	694
174279.00	401	769
174280.00	401	1,354
174281.00	401	617
174282.00	401	659
174283.00	401	715
174284.00	401	765
174285.00	401	1,301
174286.00	401	837
174287.00	401	1,002
174288.00	401	980
174290.00	401	1,377
174291.00	401	1,550
174292.00	401	2,476
174293.00	401	1,832
174298.00	381	1,191
174299.00	381	1,191
174307.00	378	460
174308.00	378	629
174311.00	379	255
174314.00	379	76
174316.00	378	103
174341.00	154	405
174342.00	154	346
174344.00	154	249
174345.00	154	154
174346.00	154	154
174347.00	154	154
174348.00	154	154
174356.00	390, 392	95
174357.00	390, 392	69
174358.00	390, 392	221
174359.00	390, 392	35
174361.00	392	110
174362.00	392	136
174363.00	392	219
174364.00	392	219
174365.00	392	219

Catalog No.	Page #	List \$
174366.00	392	275
174367.00	392	355
174368.00	392	383
174369.00	392	355
174370.00	392	180
174400.00	406	338
174401.00	406	392
174402.00	406	532
174403.00	406	695
174404.00	406	878
174405.00	406	1,060
174406.00	406	338
174407.00	406	392
174408.00	406	532
174409.00	406	695
174410.00	406	878
174411.00	406	1,060
174412.00	406	392
174413.00	406	532
174414.00	406	695
174415.00	406	878
174416.00	406	1,060
174417.00	406	454
174418.00	406	454
174419.00	406	454
174422.00	381	396
174429.00	399	3,180
174430.00	399	3,901
174431.00	399	3,118
174432.00	399	3,819
174433.00	399	4,545
174434.00	399	3,440
174435.00	399	4,206
174436.00	399	4,976
174438.00	399	2,057
174439.00	399	2,456
174440.00	399	2,057
174441.00	399	2,456
174442.00	399	2,216
174443.00	399	2,626
174444.00	399	1,797
174445.00	398	1,151
174446.00	399	1,504
174447.00	399	1,574
174448.00	399	1,707
174452.00	399	732
174453.00	399	765
174454.00	399	821
174455.00	399	756
174456.00	399	888
174457.00	399	981
174458.00	399	1,169
174459.00	399	852
174460.00	399	917
174461.00	399	1,003
174462.00	399	1,106
174463.00	399	1,235
174464.00	399	981
174475.00	388	1,884
174482.00	386	1,801
174491.00	399	1,175
174492.00	398	1,021
174493.00	399	977
174494.00	399	1,080
174495.00	399	1,309
174497.00	399	1,395
174500.00	399	5,282



IEC Motors

DC Motors

Gearmotors

AC / DC Controls

Accessories / Kits

Mods / Factory Options

X-Ref / Index

Tech Information

Terms / Warnings

Leeson Catalog Number Index

Motors, Sub-FHP Gearmotors, Drives and Accessories

IEC Motors

DC Motors

Gearmotors

AC / DC Controls

Accessories / Kits

Mods / Factory Options

X-Ref / Index

Tech Information

Terms / Warnings

Catalog No.	Page #	List \$
174510.00	386	13,374
174511.00	386	11,963
174512.00	386	11,455
174513.00	386	10,309
174515.00	388	2,080
174517.00	388	2,752
174519.00	388	1,879
174520.00	388	2,089
174521.00	388	2,239
174525.00	388	2,354
174526.00	388	2,469
174527.00	387	1,921
174528.00	387	2,061
174529.00	387	2,157
174530.00	387	2,286
174531.00	387	2,402
174532.00	387	2,264
174533.00	387	2,566
174534.00	387	2,752
174535.00	387	3,142
174536.00	387	2,460
174537.00	387	2,746
174538.00	387	2,971
174539.00	387	3,362
174545.00	385	2,553
174549.00	386	3,918
174551.00	385	3,304
174552.00	385	3,583
174553.00	385	4,002
174554.00	386	4,421
174556.00	386	5,141
174557.00	385	4,360
174558.00	385	4,601
174559.00	385	5,283
174560.00	385	5,916
174561.00	385	6,104
174562.00	385	6,710
174563.00	385	7,197
174564.00	385	7,924
174565.00	385	7,836
174566.00	385	8,875
174567.00	385	9,031
174569.00	385	7,166
174571.00	385	8,598
174572.00	385	12,094
174573.00	385	13,358
174574.00	386	13,470
174575.00	386	14,960
174580.00	385	15,331
174581.00	386	16,628
174582.00	385	18,642
174583.00	386	20,083
174584.00	385	20,946
174585.00	386	22,819
174586.00	385	28,575
174593.00	385	11,007
174594.00	385	11,941
174595.00	386	9,422
174596.00	386	9,983
174597.00	386	9,894
174599.00	385	9,844
174603.00	394	571
174604.00	394	587
174605.00	394	654
174606.00	394	520
174607.00	394	546
174608.00	394	577

Catalog No.	Page #	List \$
174609.00	394	643
174610.00	394	699
174611.00	394	885
174612.00	395	615
174613.00	395	661
174614.00	395	830
174615.00	395	991
174616.00	395	1,323
174617.00	395	1,634
174618.00	395	2,540
174619.00	395	3,122
174620.00	395	631
174621.00	395	677
174622.00	395	734
174623.00	395	783
174624.00	395	922
174625.00	395	1,043
174626.00	395	1,321
174627.00	395	1,632
174628.00	395	2,547
174629.00	395	3,131
174630.00	395	3,886
174631.00	395	780
174632.00	395	870
174633.00	395	1,005
174634.00	395	1,136
174635.00	395	1,418
174636.00	395	1,749
174637.00	395	2,806
174638.00	395	3,614
174639.00	395	4,185
174651.00	394	824
174652.00	397	758
174653.00	397	864
174654.00	397	1,052
174655.00	397	682
174656.00	397	731
174657.00	397	855
174658.00	397	927
174659.00	397	1,109
174660.00	397	1,378
174661.00	397	1,853
174662.00	397	2,339
174663.00	397	951
174664.00	397	1,125
174665.00	397	1,301
174666.00	397	1,608
174667.00	397	2,035
174668.00	397	2,425
174671.00	397	817
174672.00	397	879
174673.00	397	951
174674.00	397	1,036
174675.00	397	1,181
174676.00	397	1,464
174677.00	397	1,844
174678.00	397	2,204
174693.00	407	251
174694.00	380	171
174695.00	380	171
174696.00	380	297
174697.00	407	263
174699.00	397	3,297
174700.00	397	4,495
174701.00	397	3,181
174702.00	397	4,261
174703.00	397	5,332

Catalog No.	Page #	List \$
174704.00	397	6,152
174709.00	378	1,203
174710.00	395	7,045
174711.00	395	8,572
174729.00	388	1,995
174730.00	386	2,538
174732.00	387	3,344
174734.00	386	3,520
174735.00	387	4,116
174737.00	386	4,441
174738.00	387	5,134
174740.00	386	5,355
174741.00	387	6,273
174743.00	386	6,876
174747.00	387	5,277
174749.00	386	5,508
174750.00	387	6,315
174752.00	386	7,062
174753.00	387	7,795
174755.00	386	8,154
174757.00	386	8,912
174759.00	387	4,545
174761.00	387	5,832
174763.00	386	6,210
174764.00	387	7,005
174766.00	386	7,560
174767.00	387	8,470
174769.00	386	9,016
174914.00	385	1,156
174915.00	385	1,213
174916.00	385	1,271
174917.00	385	1,358
174918.00	385	1,460
174919.00	385	1,726
174920.00	385	1,455
174921.00	385	1,596
174922.00	385	1,726
174923.00	385	1,942
174925.00	385	1,613
174926.00	385	1,783
174927.00	385	1,970
174928.00	385	2,149
174929.00	385	2,626
174930.00	384	1,091
174931.00	384	1,326
174932.00	384	1,469
174933.00	384	1,401
174934.00	384	1,542
174935.00	386	1,636
174936.00	386	1,777
174937.00	386	1,903
174938.00	386	2,059
174939.00	386	2,001
174940.00	386	2,208
174941.00	386	2,367
174942.00	386	2,616
174943.00	386	2,177
174944.00	386	2,428
174945.00	386	2,649
174946.00	386	2,851
174991.00	395	4,613
174992.00	395	5,129
174996.00	388	1,481
174997.00	384	1,315
174998.00	388	1,617
174999.00	388	1,770
175000.00	409	61



Leeson Catalog Number Index

Motors, Sub-FHP Gearmotors, Drives and Accessories

Catalog No.	Page #	List \$
175003.00	128, 415	57
175004.00	128, 138	66
175024.00	415	102
175026.00	418	113
175032.00	419	85
175033.00	419	85
175034.00	419	102
175035.00	419	102
175036.00	419	132
175037.00	419	132
175038.00	419	163
175039.00	419	163
175040.00	419	248
175041.00	419	248
175042.00	419	270
175043.00	419	270
175044.00	419	356
175045.00	419	356
175046.00	419	469
175047.00	419	469
175048.00	419	844
175049.00	419	844
175050.60	414	339
175051.60	414	455
175052.60	414	794
175053.60	414	829
175054.60	414	1,239
175055.60	414	1,349
175056.60	414	1,528
175058.60	412	417
175059.60	412	540
175060.60	412	903
175061.60	412, 413	417
175062.60	412, 413	540
175063.60	412	903
175066.60	412	197
175067.60	412	300
175068.60	412	197
175075.00	409	72
175076.00	409	72
175077.00	409	72
175080.00	323	40
175082.00	323	51
175088.00	419	1,044
175089.00	419	1,044
175090.00	419	1,151
175091.00	419	86
175092.00	419	126
175093.00	419	148
175094.00	419	208
175095.00	419	277
175097.00	419	351
175098.00	419	469
175101.00	408	277
175106.00	316, 330	84
175107.00	316, 330	84
175108.00	316, 330	84
175109.00	316, 330	84
175114.60	408	454
175115.60	408	454
175116.60	408	581
175118.60	408	695
175119.60	408	695
175120.60	408	890
175121.60	408	890
175127.00	419	600
175129.00	316, 330	84

Catalog No.	Page #	List \$
175130.00	316, 330	206
175137.00	316, 330	206
175142.00	316, 330	70
175143.00	316, 330	70
175144.00	316, 330	76
175145.00	316, 330	82
175146.00	316, 330	52
175156.00	323	301
175157.00	323	317
175158.00	323	617
175159.00	323	704
175180.00	409	61
175181.00	409	72
175191.60	412, 413	300
175192.60	408	581
175199.60	412, 413	1,187
175290.00	380	551
175291.00	380	671
175292.00	380	671
175294.00	409	86
175297.00	409	61
175298.00	128, 415	57
175302.00	419	1,151
175303.00	409	154
175304.00	409	154
175305.00	134, 138	116
175310.00	383	513
175311.00	383	650
175320.00	383	404
175321.00	383	404
175322.00	383	502
175323.00	383	497
175324.00	383	125
175325.00	383	30
175326.00	383	914
175454.60	412	540
175455.60	408	1,205
175558.00	416	3,786
175563.00	297	713
175564.00	297	713
175565.00	297	713
175566.00	166, 297	1,289
175567.00	166, 297	1,289
175568.00	166, 297	1,289
175569.00	297	818
175570.00	297	818
175571.00	297	818
175572.00	166, 297	1,387
175573.00	166, 297	1,387
175574.00	166, 297	1,387
175575.00	297	857
175576.00	297	857
175577.00	297	857
175578.00	297	1,429
175579.00	297	1,429
175580.00	297	1,429
175581.00	297	979
175582.00	297	1,663
175583.00	297	3,482
175584.00	297	4,501
175585.00	297	3,641
175586.00	297	4,588
175587.00	297	3,996
175588.00	297	4,759
175589.00	297	4,423
175590.00	297	5,315
175593.00	194, 313	189

Catalog No.	Page #	List \$
175594.00	194, 313	228
175595.00	194, 313	356
175596.00	194, 313	144
175597.00	194, 313	144
175598.00	194, 313	392
175599.00	194, 313	356
175601.60	412	903
175602.60	408	1,310
175603.60	412, 413	903
175604.60	408	1,310
175605.60	412	1,187
175606.60	412	1,300
175607.60	408	1,688
175608.60	408	1,688
175614.00	134, 138	82
175615.00	295	742
175619.60	310	808
175641.00	417	2,559
175642.00	417	2,559
175643.00	417	2,559
175644.00	417	2,559
175645.00	417	2,559
175646.00	409	61
175647.00	409	61
175649.00	418	101
175657.60	408	1,050
175658.60	408	308
175661.00	409	61
175663.60	414	233
175664.60	412, 413	1,300
175665.60	418	105
175666.60	418	68
175667.60	418	44
175668.60	418	40
175674.00	416	1,000
175675.00	416	1,044
175676.00	416	1,122
175677.00	416	1,347
175678.00	416	1,436
175684.00	417	1,555
175685.00	417	1,555
175686.00	417	2,510
175687.00	417	2,510
175691.00	409, 410	86
175693.00	409	165
175694.00	408	290
175695.00	415	197
175696.00	295	1,822
175697.00	295	2,065
175698.00	295	1,822
175699.00	295	2,065
175710.60	295	338
175711.60	295	478
175720.00	379	1,313
175721.00	379	847
175722.00	379	147
175755.00	418	113
175762.00	295	742
175763.00	295	853
175764.00	295	977
175765.00	295	742
175766.00	295	853
175767.00	295	977
175768.00	295	742
175769.00	295	853
175770.00	295	977
175771.00	166, 296	1,433



IEC Motors

DC Motors

Gearmotors

AC / DC Controls

Accessories / Kits

Mods / Factory Options

X-Ref / Index

Tech Information

Terms / Warnings

Leeson Catalog Number Index

Motors, Sub-FHP Gearmotors, Drives and Accessories

IEC Motors

DC Motors

Gearmotors

AC / DC Controls

Accessories / Kits

Mods / Factory Options

X-Ref / Index

Tech Information

Terms / Warnings

Catalog No.	Page #	List \$
175772.00	166, 296	1,511
175773.00	166, 296	1,592
175775.00	416	892
175778.00	415	102
175784.00	316, 330	82
175787.00	413	207
175788.00	413	309
175789.00	413	369
175790.00	413	437
175791.00	413	571
175792.00	415	66
175794.00	413	661
175795.00	413	1,040
175796.00	413	912
175797.00	413	1,162
175802.00	323	51
175804.60	412	197
175805.60	412, 413	197
175807.60	408	308
175810.60	310	146
175811.60	310	155
175812.60	310	207
175817.60	310	129
175818.60	310	141
175819.60	310	189
175827.60	310	155
175828.60	310	207
175829.60	310	390
175830.60	310	454
175831.60	310	631
175832.60	310	141
175833.60	310	189
175834.60	310	362
175844.00	409	165
175845.00	409	165
175846.00	134, 138	116
175847.00	418	121
175849.00	415	116
175850.00	310	76
175850.30	310	76
175851.00	310	68
175851.30	310	68
175852.00	310	90
175852.30	310	90
175853.00	310	73
175853.30	310	73
175854.00	310	100
175854.30	310	100
175855.00	310	83
175855.30	310	83
175856.00	310	103
175856.30	310	103
175857.00	310	92
175857.30	310	92
175869.60	412	197
175871.00	414	255
175872.00	414	142
175873.00	414	366
175874.00	414	366
175875.00	414	859
175879.00	416	2,981
175880.00	416	3,308
175881.00	418	19
175890.60	310	454
175891.60	414	1,528
175892.00	418	83
175893.00	372	46

Catalog No.	Page #	List \$
175894.00	414	859
175895.00	416	1,000
175896.00	416	1,044
175897.00	417	1,815
175898.00	417	1,815
175900.00	311	66
175901.00	311	73
175902.00	311	83
175903.00	311	86
175932.00	134	36
175933.00	416	40
175955.60	408	1,050
175956.60	408	1,457
175957.60	408	1,457
175958.60	412	1,438
175959.60	408	454
175960.00	417	1,253
175961.00	415	76
175962.00	415	116
175963.00	138	148
175969.00	409	61
175990.60	310	364
175991.60	310	362
175994.60	310	631
175995.60	310	808
176002.00	416	3,308
176004.60	412, 413	1,438
176024.00	411	197
176025.00	411	197
176026.00	411	300
176027.00	411	300
176028.00	411	417
176029.00	411	417
176030.00	411	540
176031.00	411	540
176032.00	411	738
176033.00	411	738
176034.00	411	929
176035.00	411	929
176036.00	411	1,300
176037.00	411	1,300
176038.00	411	1,438
176039.00	411	1,438
176044.60	415	174
176045.60	415	248
176046.60	415	334
176047.60	415	456
176048.60	415	554
176049.60	415	742
176050.60	415	742
176051.60	415	843
176052.60	415	907
176053.60	415	456
176054.60	415	843
176055.60	415	907
176056.00	413	2,000
176057.00	413	2,000
176058.00	413	2,000
176059.00	413	2,000
176064.00	411	83
176065.00	411	132
176066.00	411	271
176067.00	411	271
176068.00	411	419
176069.00	411	419
176070.00	411	540
176071.00	411	540

Catalog No.	Page #	List \$
176072.00	411	726
176073.00	411	726
176074.00	411	673
176075.00	411	673
176076.00	411	1,179
176077.00	411	1,228
176090.60	421	122
176091.60	421	146
176092.60	421	181
176093.60	421	190
176094.60	421	203
176095.60	421	220
176096.60	421	327
176097.60	421	512
176098.60	421	512
176105.00	390	315
176106.00	390	370
176107.00	390	411
176108.00	390	438
176109.00	390	507
176110.00	390	589
176111.00	390	671
176112.00	390	397
176113.00	390	452
176114.00	390	493
176115.00	390	520
176116.00	390	589
176117.00	390	671
176118.00	390	753
176120.00	390	658
176121.00	390	684
176122.00	390	712
176123.00	390	753
176124.00	390	807
176125.00	390	890
176127.00	390	740
176128.00	390	766
176129.00	390	794
176130.00	390	835
176131.00	390	890
176132.00	390	972
176133.00	392	329
176134.00	392	383
176135.00	392	424
176136.00	392	478
176137.00	392	561
176138.00	392	671
176139.00	392	807
176140.00	392	658
176141.00	392	725
176142.00	392	794
176143.00	392	931
176144.00	392	1,067
176145.00	392	1,247
176146.00	392	1,630
176147.00	392	1,957
176148.00	392	2,586
176149.00	392	3,355
176150.00	392	4,463
176151.00	392	5,463
176152.00	392	5,954
191200.00	183	705
191200.40	183	705
191201.40	183	789
191202.40	184	783
191203.40	183	721
191204.40	183	814



Leeson Catalog Number Index

Motors, Sub-FHP Gearmotors, Drives and Accessories

Catalog No.	Page #	List \$
191205.40	184	801
191206.00	183	792
191206.40	183	792
191207.40	183	936
191208.40	184	934
191209.00	183	930
191211.00	183	977
191213.00	184	973
191215.00	183	1,025
191217.00	183	1,018
191219.00	184	1,016
191221.00	183	1,136
191223.00	183	1,163
191225.00	184	1,157
191290.40	184	973
191291.40	183	977
191414.40	183	885
191415.40	183	1,018
191417.00	183	1,065
191419.40	184	874
191420.40	184	1,016
191421.00	184	1,062
191474.00	182	736
191475.00	182	829
191476.00	182	810
191477.00	182	957
191478.00	182	951
191479.00	182	999
191480.00	182	1,046
191481.00	182	1,043
191482.00	182	1,349
191483.00	182	1,323
191486.00	183	1,160
191487.00	183	1,217
191488.00	183	1,281
191489.00	183	1,269
191490.00	183	1,533
191491.00	183	1,505
191492.00	183	1,645
191507.00	184	801
191508.00	184	934
191528.00	183	1,069
191542.00	184	1,312
191543.00	182	684
191544.00	182	693
191545.00	182	706
191546.00	182	718
191547.00	182	732
191548.00	182	766
191558.00	183	1,204
191560.00	183	1,255
191561.00	183	1,245
191562.00	183	1,513
191563.00	183	1,477
191564.00	184	1,163
191565.00	184	1,186
191567.00	184	1,204
191568.00	184	1,230
191569.00	184	1,420
191570.00	184	1,467
191891.00	232	308
191892.00	232	345
191908.00	232	278
191909.00	232	308
191910.00	232	305
191949.00	183	814
191950.00	183	936

Catalog No.	Page #	List \$
192010.30	302	281
192011.30	302	292
192012.30	302	499
192014.30	304	323
192015.30	304	334
192016.30	304	571
192017.30	306	316
192018.30	306	328
192019.00	306	571
192019.30	306	571
192020.30	302	323
192021.30	302	342
192022.30	302	533
192024.30	304	372
192025.30	304	385
192026.00	304	616
192026.30	304	616
192027.30	306	369
192028.30	306	374
192029.00	306	616
192029.30	306	616
192030.30	302	351
192031.30	302	356
192032.30	302	558
192034.00	304	384
192034.30	304	384
192035.30	304	396
192036.30	304	637
192037.30	306	375
192038.00	306	390
192038.30	306	390
192039.00	306	637
192039.30	306	637
192040.30	302	366
192041.30	302	387
192042.30	302	597
192044.30	304	404
192045.30	304	430
192046.30	304	677
192047.00	306	396
192047.30	306	396
192048.30	306	425
192049.30	306	677
192050.00	302	415
192050.30	302	415
192051.30	302	424
192054.30	304	446
192055.30	304	467
192057.30	306	434
192058.30	306	456
192060.30	302	460
192064.30	304	506
192067.30	306	496
192088.00	308	281
192088.30	308	281
192089.00	308	292
192089.30	308	292
192097.30	308	328
192098.30	308	342
192106.00	308	351
192106.30	308	351
192107.00	308	356
192107.30	308	356
192115.00	308	366
192115.30	308	366
192116.00	308	387
192116.30	308	387

Catalog No.	Page #	List \$
192124.00	308	415
192124.30	308	415
192125.00	308	424
192125.30	308	424
192133.30	308	460
192200.30	302	716
192201.30	304	820
192202.30	302	541
192203.30	304	594
192204.30	306	582
192205.30	302	583
192206.30	304	666
192207.30	306	648
192208.30	302	564
192209.30	302	813
192210.30	304	648
192211.30	304	916
192212.30	306	820
192213.30	306	633
192214.00	307	916
192214.30	307	916
192230.00	308	470
192230.30	308	470
192231.00	308	491
192231.30	308	491
192232.30	308	506
192233.30	308	705
192241.30	302	480
192242.30	302	517
192244.30	304	525
192245.30	304	569
192247.30	306	512
192248.30	306	558
192250.30	308	480
192251.30	308	517
193300.60	302	972
193301.60	302	943
193302.60	302	1,367
193303.60	302	1,005
193304.60	302	1,023
193305.60	302	1,657
193306.60	302	1,291
193307.60	302	1,244
193308.60	302	1,915
193309.60	302	1,619
193310.60	302	1,619
193311.60	302	2,302
193312.60	303	1,732
193313.60	303	1,920
193314.60	303	2,985
193315.60	303	2,806
193316.60	303	2,806
193317.60	303	3,833
193318.60	303	3,291
193319.60	303	3,470
193320.60	303	5,373
193321.60	303	4,006
193322.60	303	4,409
193323.60	303	6,740
193324.60	303	4,761
193325.60	303	4,957
193326.60	303	7,635
193327.60	303	6,777
193328.60	303	7,297
193329.60	303	11,468
193330.60	303	8,889
193331.60	303	10,121



IEC Motors

DC Motors

Gearmotors

AC / DC Controls

Accessories / Kits

Mods / Factory Options

X-Ref / Index

Tech Information

Terms / Warnings

Leeson Catalog Number Index

Motors, Sub-FHP Gearmotors, Drives and Accessories

IEC Motors

DC Motors

Gearmotors

AC / DC Controls

Accessories / Kits

Mods / Factory Options

X-Ref / Index

Tech Information

Terms / Warnings

Catalog No.	Page #	List \$
193332.60	303	11,755
193333.60	304	1,117
193334.60	304	1,084
193335.60	304	1,529
193336.60	305	1,148
193337.60	305	1,166
193338.60	305	1,870
193339.60	305	1,446
193340.60	305	1,400
193341.60	305	2,130
193342.60	305	1,826
193343.60	305	1,826
193344.60	305	2,519
193345.60	305	1,950
193346.60	305	2,137
193347.60	305	3,394
193348.60	305	3,216
193349.60	305	3,216
193350.60	305	4,242
193351.60	305	3,468
193352.60	305	3,657
193353.60	305	5,563
193354.60	305	4,170
193355.60	305	4,655
193356.60	305	4,984
193357.60	305	5,171
193358.60	306	1,117
193359.60	307	1,084
193360.60	307	1,529
193361.60	307	1,148
193362.60	307	1,166
193363.60	307	1,870
193364.60	307	1,446
193365.60	307	1,400
193366.60	307	2,130
193367.60	307	1,826
193368.60	307	1,826
193369.60	307	2,519
193370.60	307	1,950
193371.60	307	2,137
193372.60	307	3,394
193373.60	307	3,216
193374.60	307	3,216
193375.60	307	4,242
193376.60	307	3,676
193377.60	307	3,877
193378.60	307	4,419
193379.60	308	943
193380.60	308	1,005
193381.60	308	1,023
193382.60	308	1,291
193383.60	308	1,244
193384.60	308	1,619
193385.60	308	1,619
193386.60	308	1,732
193387.60	308	1,920
193388.60	309	2,806
193389.60	309	2,806
193390.60	309	3,291
193391.60	309	3,470
193392.60	309	4,006
193393.60	309	4,409
193394.60	309	4,761
193395.60	309	4,957
193396.60	309	6,777
193397.60	309	7,297
193398.60	309	8,889

Catalog No.	Page #	List \$
193399.60	309	10,121
194000.00	183	2,683
194001.00	183	2,730
194002.00	183	3,099
194003.00	183	3,056
194004.00	183	4,243
194005.00	183	4,672
194006.00	183	4,455
194007.00	183	4,749
194118.00	142	3,688
194119.00	142	4,103
194120.00	142	4,183
194121.00	142	4,634
194122.00	142	4,791
194123.00	142	4,851
194124.00	142	6,060
194125.00	142	6,151
194126.00	142	7,076
194127.00	142	7,112
194128.00	81	2,031
194181.00	275	7,517
194182.00	275	12,341
194183.00	275	10,655
194184.00	275	14,622
194185.00	275	13,326
194186.00	275	15,370
194187.00	275	16,564
194188.00	275	21,860
194189.00	275	21,923
194190.00	275	24,681
194191.00	275	25,070
194192.00	275	27,829
194193.00	275	28,712
194194.00	275	36,438
194195.00	275	29,701
194228.00	82	2,979
194229.00	82	5,232
194230.00	82	3,466
194231.00	82	5,612
194232.00	82	4,559
194233.00	82	7,765
194234.00	82	5,596
194235.00	82	8,826
194236.00	82	7,636
194237.00	82	10,340
194238.00	82	9,382
194239.00	82	12,173
194240.00	82	11,467
194241.00	82	17,950
194242.00	82	16,071
194243.00	82	18,731
194244.00	82	18,871
194245.00	82	23,816
194246.00	82	22,951
194247.00	82	25,365
194255.00	303	9,162
194256.00	303	10,265
194257.00	303	12,274
194258.00	303	10,429
194259.00	303	10,786
194260.00	303	12,592
194261.00	303	11,105
194262.00	303	11,262
194263.00	303	15,870
194264.00	303	16,018
199001.00	78	788
199002.00	78	950

Catalog No.	Page #	List \$
199003.00	78	837
199004.00	78	788
199005.00	78	1,292
199006.00	78	970
199007.00	78	877
199008.00	78	1,604
199009.00	78	1,342
199010.00	78	1,137
199011.00	78	2,122
199012.00	78	1,333
199013.00	78	1,292
199014.00	78	2,591
199015.00	78	2,097
199016.00	78	1,970
199017.00	78	3,372
199018.00	79	2,548
199019.00	79	2,476
199020.00	79	3,862
199021.00	79	3,139
199022.00	79	2,893
199023.00	79	5,079
199024.00	79	3,666
199025.00	79	3,365
199026.00	79	5,449
199027.00	79	4,836
199028.00	79	4,426
199029.00	79	7,538
199030.00	79	5,520
199031.00	79	5,433
199032.00	79	8,568
199033.00	79	7,504
199034.00	79	7,414
199035.00	79	10,039
199036.00	79	9,321
199037.00	79	9,109
199038.00	79	11,818
199039.00	79	11,308
199040.00	79	11,133
199041.00	79	17,427
199042.00	79	15,795
199043.00	79	15,603
199044.00	79	18,186
199045.00	79	19,402
199046.00	79	18,321
199047.00	79	23,123
199048.00	79	22,655
199049.00	79	22,283
199050.00	79	24,626
199051.00	81	921
199052.00	81	910
199053.00	81	1,024
199054.00	81	877
199055.00	81	1,342
199056.00	81	1,274
199057.00	81	1,566
199058.00	81	1,533
199059.00	81	2,204
199060.00	81	2,123
199061.00	81	2,599
199062.00	81	2,540
199063.00	81	3,280
199064.00	81	3,023
199065.00	81	3,772
199066.00	81	3,631
199067.00	81	5,016
199068.00	81	4,633
199069.00	81	6,151



Leeson Catalog Number Index

Motors, Sub-FHP Gearmotors, Drives and Accessories

Catalog No.	Page #	List \$
199070.00	81	5,687
199071.00	81	8,157
199072.00	81	7,765
199073.00	81	9,544
199074.00	81	9,356
199075.00	81	12,344
199076.00	81	11,235
199082.00	80	912
199083.00	80	901
199084.00	80	1,012
199085.00	80	983
199086.00	80	1,423
199087.00	80	1,245
199088.00	80	1,503
199089.00	80	1,464
199090.00	137	1,749
199091.00	137	2,314
199092.00	141	1,346
199093.00	141	1,245
199094.00	141	1,417
199095.00	141	1,423
199096.00	142	1,733
199097.00	133	1,077
199589.00	137	1,059
199590.00	137	1,196
199685.00	54	769
199686.00	54	782
199687.00	54	679
199688.00	54	1,072
199689.00	54	716
199690.00	54	765
199691.00	54	1,248
199692.00	54	881
199693.00	54	989
199694.00	54	1,561
199695.00	54	1,130
199696.00	54	1,168
199697.00	54	1,946
199698.00	54	1,655
199699.00	54	1,893
199700.00	54	2,562
199701.00	54	1,907
199702.00	54	2,001
199703.00	54	3,122
199704.00	55	2,427
199705.00	55	2,362
199706.00	55	3,719
199707.00	55	3,003
199708.00	55	2,725
199709.00	55	4,359
199710.00	55	3,614
199711.00	55	3,425
199712.00	55	5,595
199713.00	55	4,405
199714.00	55	4,081
199715.00	55	6,441
199716.00	55	5,272
199717.00	55	4,852
199718.00	55	7,750
199719.00	55	6,964
199720.00	55	5,811
199721.00	55	9,526
199722.00	55	8,522
199723.00	55	7,577
199724.00	55	11,826
199725.00	55	10,196
199726.00	55	9,590

Catalog No.	Page #	List \$
199727.00	55	15,518
199728.00	55	11,930
199729.00	55	12,875
199730.00	55	15,957
199731.00	55	18,558
199732.00	55	16,155
199733.00	55	20,346
199735.00	56	787
199736.00	56	827
199737.00	56	925
199738.00	56	1,004
199739.00	56	1,158
199740.00	56	1,340
199741.00	56	1,358
199742.00	56	1,894
199743.00	56	2,208
199744.00	56	2,390
199745.00	56	2,652
199746.00	56	2,803
199747.00	56	3,083
199748.00	56	3,448
199749.00	56	3,724
199750.00	56	4,139
199751.00	56	4,336
199752.00	56	5,036
199753.00	56	4,987
199754.00	56	6,035
199755.00	56	6,691
199756.00	56	7,935
199758.00	56	9,707
199759.00	56	9,539
199763.00	137	1,266
199765.00	137	1,365
199766.00	139	992
199767.00	139	1,016
199768.00	139	1,383
199769.00	139	1,345
199770.00	133	934
199772.00	133	1,052
199773.00	134	1,347
199775.00	137	1,565
199777.00	137	1,767
199779.00	140	1,647
199780.00	140	1,836
199781.00	140	2,102
199782.00	140	2,263
199783.00	134	1,718
199784.00	134	1,618
199785.00	134	1,961
199786.00	134	2,019
199787.00	142	1,806
199788.00	142	1,987
199789.00	142	1,956
199816.00	56	7,049
199964.00	137	2,542
199965.00	137	3,128
199966.00	137	3,767
199967.00	137	3,799
199968.00	137	4,357
199969.00	138	4,404
199970.00	138	4,883
199971.00	138	4,946
199972.00	138	5,672
199973.00	138	5,938
199974.00	138	6,048
199975.00	140	3,228
199976.00	140	3,267

Catalog No.	Page #	List \$
199977.00	140	3,512
199978.00	140	4,103
199979.00	140	4,183
199980.00	140	4,635
199981.00	140	4,427
199982.00	140	4,851
199983.00	140	5,736
199984.00	140	5,842
199985.00	140	6,090
199986.00	140	6,889
199987.00	134	3,621
199988.00	134	3,128
199989.00	134	3,761
199990.00	134	3,340
199991.00	134	4,358
199992.00	134	4,068
199993.00	134	4,884
199994.00	134	4,408
199995.00	134	5,672
199996.00	134	5,354
199997.00	134	5,967
199998.00	142	3,228
199999.00	142	3,267
6439191250	273	455
6439191251	273	492
6439191252	273	535
6439191253	273	624
6439191260	273	440
6439191261	273	478
6439191262	273	522
6439191263	273	609
6439191264	273	687
810001.00	90	11,599
810003.00	90	13,646
810005.00	90	15,017
810007.00	90	6,247
810011.00	90	7,785
810015.00	90	8,573
810019.00	90	10,843
810023.00	90	12,789
810027.00	90	16,461
810031.00	90	19,738
810066.00	90	4,584
810068.00	90	9,682
810087.00	90	24,047
810096.00	90	18,109
810097.00	90	21,709
810098.00	90	24,084
810099.00	90	29,344
810140.00	90	3,824
810157.00	90	3,236
810503.00	90	40,728
810546.00	89	1,817
810547.00	89	1,740
810548.00	89	1,580
811130.00	154	7,579
811131.00	154	7,472
811132.00	154	7,645
811133.00	154	6,968
811134.00	154	6,968
811135.00	154	6,968
811139.00	154	6,968
811320.00	89	2,171
811322.00	90	2,406
811367.00	90	33,362
811369.00	90	30,326
811371.00	90	34,407



IEC Motors

DC Motors

Gearmotors

AC / DC Controls

Accessories / Kits

Mods / Factory Options

X-Ref / Index

Tech Information

Terms / Warnings

Leeson Catalog Number Index

Motors, Sub-FHP Gearmotors, Drives and Accessories

IEC Motors

DC Motors

Gearmotors

AC / DC Controls

Accessories / Kits

Mods / Factory Options

X-Ref / Index

Tech Information

Terms / Warnings

Catalog No.	Page #	List \$
811516.00	90	53,959
811529.00	90	68,399
811530.00	90	83,430
811541.00	101	944
811542.00	101	1,170
811543.00	101	1,083
811544.00	101	1,228
811545.00	101	1,135
811546.00	101	1,778
811547.00	101	1,508
811548.00	101	1,910
811549.00	101	1,760
811550.00	101	2,255
811551.00	101	2,135
811552.00	101	2,636
811553.00	101	2,585
811554.00	101	3,267
811555.00	101	3,106
811556.00	101	4,036
811557.00	101	3,862
811558.00	101	5,010
811559.00	102	4,576
811560.00	102	6,151
811561.00	102	5,575
811562.00	102	8,168
811563.00	102	7,632
811564.00	102	10,525
811565.00	102	9,138
811566.00	102	12,659
811567.00	102	12,047
811568.00	102	15,963
811569.00	102	15,478
811570.00	102	21,621
811571.00	102	18,877
811586.00	102	24,614
811587.00	102	22,918
811588.00	102	29,567
811589.00	102	25,409
811590.00	102	37,403
811591.00	102	30,902
811592.00	102	47,171
811593.00	102	44,586
811594.00	102	45,479
811595.00	102	70,116
811596.00	102	57,811
811618.00	92	2,243
811619.00	92	1,944
811621.00	92	2,763
811622.00	92	3,047
811624.00	92	3,361
811625.00	92	2,322
811627.00	92	4,521
811628.00	92	3,645
811630.00	92	5,117
811631.00	92	4,338
811633.00	92	6,332
811635.00	92	6,888
811637.00	92	7,767
811639.00	93	7,920
811640.00	93	8,832
811643.00	101	1,175
811644.00	101	1,210
821135.00	153	5,123
824528.00	243	1,620
824529.00	243	1,727
824530.00	243	2,221
824531.00	243	2,326

Catalog No.	Page #	List \$
824532.00	243	3,023
824533.00	243	3,195
824534.00	243	3,799
824535.00	243	4,430
824536.00	243	5,743
824537.00	243	7,233
824538.00	243	10,122
824539.00	243	12,601
824540.00	243	15,604
824541.00	243	20,088
824542.00	243	23,920
824543.00	243	28,551
824544.00	243	27,590
824545.00	243	2,126
824555.00	243	2,138
824556.00	243	3,383
824557.00	243	3,595
824558.00	243	3,890
824559.00	243	4,300
824560.00	243	5,988
824561.00	243	6,006
824562.00	243	10,179
824563.00	243	10,486
824564.00	243	13,589
824565.00	243	14,293
824566.00	243	20,864
824567.00	243	23,194
824568.00	243	26,232
824569.00	243	33,338
824570.00	243	36,931
824573.00	244	2,036
824574.00	244	2,816
824575.00	244	2,753
824576.00	244	2,990
824577.00	244	3,443
824578.00	244	4,223
824579.00	244	4,842
824580.00	244	5,019
824581.00	244	3,985
824582.00	244	5,799
824583.00	244	6,351
824584.00	244	7,761
824585.00	244	7,979
824586.00	244	8,449
825071.00	119	1,964
825072.00	119	2,949
825073.00	119	2,920
825074.00	119	3,097
825075.00	119	3,074
825076.00	119	3,918
825077.00	119	4,591
825078.00	119	5,263
825079.00	119	5,235
825080.00	119	5,449
825081.00	119	5,390
825082.00	119	6,124
825083.00	119	7,958
825084.00	119	9,794
825085.00	115	1,746
825086.00	115	1,840
825087.00	115	1,809
825088.00	115	2,823
825089.00	115	2,791
825090.00	115	2,962
825091.00	115	2,949
825092.00	115	3,994
825093.00	115	3,978

Catalog No.	Page #	List \$
825094.00	115	4,185
825095.00	115	4,153
825096.00	116	5,400
825097.00	116	4,851
825098.00	116	5,510
825099.00	116	5,465
825100.00	116	7,620
825101.00	116	7,341
825102.00	116	9,586
825103.00	116	9,524
825104.00	116	13,696
825105.00	116	13,114
825106.00	116	15,827
825107.00	116	15,624
825108.00	116	21,410
825109.00	116	19,037
825110.00	116	29,555
825111.00	116	24,834
825112.00	116	34,592
825113.00	116	28,943
825114.00	116	42,213
825115.00	116	34,208
825116.00	118	1,820
825125.00	119	1,840
825126.00	119	1,840
825127.00	119	1,964
825128.00	118	1,952
825190.00	118	1,952
825192.00	118	2,905
825193.00	118	3,080
825194.00	118	3,056
825196.00	118	4,572
825198.00	118	5,218
825201.00	98	5,775
825202.00	98	6,145
825203.00	98	7,374
825204.00	98	7,544
825339.00	116	40,563
825348.00	118	2,930
825387.00	98	9,170
825403.00	64	3,749
825404.00	115	1,487
825405.00	115	1,683
825406.00	115	2,156
825407.00	115	2,763
825408.00	115	3,308
825409.00	115	3,990
825410.00	115	5,542
825411.00	115	6,462
825412.00	116	9,511
825413.00	116	10,340
825414.00	116	12,434
825415.00	116	13,453
825416.00	116	16,799
825417.00	116	19,562
825418.00	116	27,952
825419.00	116	32,135
825420.00	116	34,541
825421.00	116	49,114
825431.00	116	43,265
825432.00	116	47,553
850788.00	152	4,890
850789.00	152	3,757
850790.00	152	5,307
850791.00	152	4,268
850792.00	153	5,450
850793.00	153	4,838



Leeson Catalog Number Index

Motors, Sub-FHP Gearmotors, Drives and Accessories

Catalog No.	Page #	List \$
850794.00	153	6,095
850795.00	153	5,123
850796.00	154	6,811
850797.00	154	5,322
850798.00	154	7,130
850799.00	154	6,498
850820.00	152	4,826
850821.00	152	4,727
850822.00	152	4,890
850823.00	152	3,757
850824.00	152	3,757
850825.00	152	3,757
850826.00	152	5,244
850827.00	152	5,144
850828.00	152	5,307
850829.00	152	4,268
850830.00	152	4,268
850831.00	152	4,268
850832.00	153	5,387
850833.00	153	5,173
850834.00	153	5,450
850835.00	153	4,838
850836.00	153	4,838
850837.00	153	4,838
850838.00	153	6,032
850839.00	153	5,933
850840.00	153	6,095
850841.00	153	5,123
850842.00	153	5,123
850843.00	153	5,123
850844.00	154	6,747
850845.00	154	6,648
850846.00	154	6,811
850847.00	154	5,322
850848.00	154	5,322
850849.00	154	5,322
850850.00	154	7,067
850851.00	154	6,967
850852.00	154	7,130
850853.00	154	6,498
850854.00	154	6,498
850855.00	154	6,498
851034.00	209	3,837
851041.00	152	4,085
851042.00	152	4,641
851043.00	154	5,707
851110.00	152	5,317
851111.00	152	5,247
851112.00	152	5,140
851113.00	152	5,317
851114.00	152	4,085
851115.00	152	4,085
851116.00	152	4,085
851117.00	152	5,610
851118.00	152	5,610
851119.00	152	5,610
851120.00	152	5,610
851121.00	152	4,641
851122.00	152	4,641
851123.00	152	4,641
851124.00	153	5,680
851125.00	153	5,680
851126.00	153	5,680
851127.00	153	5,680
851128.00	153	5,260
851129.00	153	5,260
851130.00	153	5,260

Catalog No.	Page #	List \$
851131.00	153	5,260
851132.00	153	6,095
851133.00	153	6,095
851134.00	153	6,095
851136.00	154	7,304
851137.00	154	7,235
851138.00	154	7,129
851139.00	154	7,304
851140.00	154	5,707
851141.00	154	5,707
851142.00	154	5,707
900282.01	381	52
970.576	319, 336	228
970.577	319, 336	235
970.600	319, 336	228
970.601	319, 336	228
970.620	319, 336	247
970.621	319, 336	247
980.143	319, 336	198
980.159	319, 336	198
980.549	319, 336	189
A009580.00	218, 240	520
A009581.00	218, 240	551
A009594.00	218, 240	683
A009595.00	218, 240	758
A009644.00	229	824
A009782.00	218, 240	573
A090405.00	231	346
A090585.00	231	425
A090602.00	231	329
A099250.00	229	488
A099251.00	229	492
A099260.00	206, 236	379
A099261.00	206, 236	481
A099460.00	218, 239	388
A099461.00	218, 239	415
A099462.00	218, 239	453
A099836.00	206, 235	509
A099847.00	206, 236	661
A099899.00	218, 239	359
A099900.00	218, 239	383
A099901.00	218, 239	425
A099946.00	206, 236	463
B176025.00	411	197
B176026.00	411	300
B176027.00	411	300
B176028.00	411	417
B176029.00	411	417
B176065.00	411	132
B176066.00	411	271
B176067.00	411	271
B176068.00	411	419
B176069.00	411	419
B199005.00	78	1,245
B199008.00	78	1,515
B199009.00	78	1,152
B199010.00	78	1,114
B199011.00	78	2,102
B199012.00	78	1,297
B199013.00	78	1,269
B199014.00	78	2,557
B199015.00	78	2,013
B199016.00	78	1,923
B199017.00	78	3,372
B199018.00	79	2,451
B199019.00	79	2,406
B199020.00	79	3,773

Catalog No.	Page #	List \$
B199021.00	79	3,030
B199022.00	79	2,814
B199024.00	79	3,583
B199025.00	79	3,291
B199055.00	81	1,318
B199056.00	81	1,248
B199057.00	81	1,516
B199058.00	81	1,498
B199059.00	81	2,178
B199060.00	81	2,097
B199061.00	81	2,562
B199062.00	81	2,506
B199063.00	81	3,239
B199064.00	81	2,984
B199065.00	81	3,737
B199066.00	81	3,596
B199086.00	80	1,332
B199087.00	80	1,164
B199088.00	80	1,404
B199089.00	80	1,368
B199688.00	54	1,072
B199691.00	54	1,248
B199693.00	54	989
B199694.00	54	1,561
B199695.00	54	1,130
B199696.00	54	1,168
B199697.00	54	1,848
B199698.00	54	1,655
B199699.00	54	1,799
B199700.00	54	2,435
B199701.00	54	1,811
B199702.00	54	1,902
B199703.00	54	2,966
B199704.00	55	2,306
B199705.00	55	2,243
B199707.00	55	2,852
B199708.00	55	2,589
B199710.00	55	3,519
B199739.00	56	1,158
B199740.00	56	1,340
B199741.00	56	1,358
B199742.00	56	1,894
B199743.00	56	2,098
B199744.00	56	2,271
B199745.00	56	2,519
B199746.00	56	2,663
B199747.00	56	2,929
B199748.00	56	3,275
B199749.00	56	3,538
E100006.00	17	499
E100007.00	17	547
E100014.00	26, 223	557
E100015.00	26, 223	574
E100023.00	20	470
E100024.00	20	546
E100025.00	20	565
E100027.00	43	424
E100056.00	49	477
E100184.00	17	422
E100210.00	58, 225	470
E100336.00	17	392
E100337.00	17	433
E100338.00	17	547
E100340.00	17	518
E100354.00	20	413
E100356.00	20	449
E100357.00	20	547



IEC Motors

DC Motors

Gearmotors

AC / DC Controls

Accessories / Kits

Mods / Factory Options

X-Ref / Index

Tech Information

Terms / Warnings

Leeson Catalog Number Index

Motors, Sub-FHP Gearmotors, Drives and Accessories

IEC Motors

DC Motors

Gearmotors

AC / DC Controls

Accessories / Kits

Mods / Factory Options

X-Ref / Index

Tech Information

Terms / Warnings

Catalog No.	Page #	List \$
E100375.00	49	442
E100378.00	49	482
E100446.00	43	456
E100600.00	51	507
E101447.00	43	435
E101448.00	43	468
E101449.00	43	477
E101651.00	22	586
E101773.00	58, 225	494
E102695.00	49	456
E102971.00	51	511
E103014.00	49	426
E103017.00	43	462
E103021.00	51	478
E103023.00	22	545
E103024.00	22	455
E103025.00	22	549
E104018.00	17	678
E110002.00	17	1,026
E110003.00	17	1,070
E110004.00	18	726
E110005.00	18	943
E110027.00	43	762
E110028.00	43	797
E110052.00	58, 225	741
E110111.00	49	492
E110220.00	20	735
E110360.00	18	557
E110361.00	18	776
E110363.00	18	1,018
E110381.00	20	1,049
E110382.00	20	1,128
E110384.00	20	596
E110387.00	21	809
E110388.00	21	946
E110390.00	21	1,043
E110425.00	43	722
E110426.00	44	485
E110433.00	58, 225	795
E110434.00	49	777
E110437.00	49	737
E113027.00	26, 223	713
E113293.00	45	835
E113894.00	50	819
E113930.00	22	746
E113932.00	22	926
E114192.00	58, 225	526
E114194.00	58, 225	758
E114196.00	58, 225	838
E114197.00	58, 225	874
E114218.00	51	831
E114420.00	50	851
E114934.00	49	522
E115825.00	44	719
E115826.00	45	815
E115827.00	44	614
E116728.00	49	814
E116738.00	43	502
E116740.00	49	757
E116741.00	49	790
E116742.00	50	889
E116752.00	44	689
E116753.00	44	682
E116754.00	44	719
E116755.00	45	804
E116756.00	45	815
E116762.00	51	535

Catalog No.	Page #	List \$
E116763.00	51	766
E116764.00	51	792
E116765.00	51	896
E116769.00	22	598
E116770.00	22	808
E116771.00	22	1,025
E116784.00	51	516
E116785.00	51	752
E119348.00	17	632
E119349.00	20	653
E119350.00	22	650
E119351.00	43	496
E119352.00	49	515
E119353.00	51	529
E119360.00	58, 225	549
E119361.00	58, 225	589
E119362.00	26, 223	662
E175921.00	91, 417	3,505
E175922.00	91, 417	2,251
E175923.00	91, 417	2,251
E175924.00	91, 417	2,251
E175925.00	91, 417	2,251
E175927.00	91, 417	3,505
E175928.00	91, 417	2,251
E175929.00	91, 417	2,251
E175930.00	91, 417	2,251
E175931.00	91, 417	2,251
ECB175926.00	91, 417	250
EX120024.00	287	521
EX120037.00	287	535
EX120038.00	287	573
EX121035.00	287	758
EX131491.00	287	728
EX131492.00	287	832
EX131528.00	287	1,070
EX131606.00	287	1,070
EX140109.00	287	1,282
EX151346.60	287	1,160
EX151348.60	287	1,365
EX151350.60	287	1,939
EX151352.60	287	2,444
EX151507.60	287	3,079
EX151508.60	287	3,701
EX151509.60	287	4,734
EX151510.60	287	5,462
EX151519.60	287	8,208
EXG120014.00	286	536
EXG120015.00	286	542
EXG120016.00	286	573
EXG120086.00	286	592
EXG120088.00	286	680
EXG120185.00	286	779
EXG120276.00	287	659
EXG121286.00	287	630
EXG121287.00	287	629
EXG130008.00	286	678
EXG130027.00	286	782
EXG130099.00	286	833
EXG130101.00	286	960
EXG130103.00	286	1,098
EXG130326.00	287	817
EXG130328.00	287	937
EXG131082.00	286	1,069
EXG140147.00	287	1,313
EXG140183.00	287	1,122
EXG140489.00	286	1,134
EXG140578.00	286	1,046

Catalog No.	Page #	List \$
EXG140686.00	286	1,407
EXG140687.00	286	1,765
EXG150007.60	286	2,352
EXG150011.60	286	2,768
EXG150015.60	286	3,366
EXG150019.60	286	4,345
EXG150023.60	286	5,357
EXG150027.60	286	7,822
EXG150031.60	286	9,031
EXG150033.60	286	2,525
EXG150035.60	286	3,050
EXG150062.60	286	1,856
EXG150066.60	286	1,912
EXG150080.60	287	2,444
EXG150081.60	287	3,152
EXG150082.60	287	3,484
EXG150083.60	287	4,754
EXG150084.60	287	5,511
EXG150085.60	287	8,312
EXG150086.60	287	10,543
EXG150087.60	286	12,132
EXG150102.60	287	2,002
EXG150140.60	286	1,212
EXG150157.60	286	1,077
EXG150158.60	286	1,195
EXG150159.60	286	1,388
EXG150165.60	287	1,185
EXG150167.60	287	1,396
EXG150299.60	286	904
EXG150352.60	286	23,038
EXG151317.60	286	1,854
EXG151318.60	286	2,975
EXG151320.60	286	874
EXG151322.60	286	927
EXG151369.60	286	16,107
EXG151371.60	286	18,072
EXG151563.60	286	895
EXG151565.60	287	947
EXG151566.60	287	1,039
EXG151680.60	287	13,188
EXG151696.60	286	575
EXG151698.60	286	635
EXG151702.60	286	581
EXG151703.60	286	617
EXG151704.60	286	730
G120024.00	70	625
G120032.00	257	604
G120034.00	257	639
G120035.00	50	673
G120037.00	70	652
G120038.00	71	670
G120047.00	257	596
G120061.00	71	750
G120081.00	49	616
G120082.00	49	792
G120098.00	70	775
G120105.00	70	680
G120172.00	49	575
G120176.00	251	586
G120177.00	251	634
G120178.00	251	676
G120329.00	290	1,655
G120330.00	291	1,694
G120370.00	289	1,511
G120371.00	289	1,714
G120762.00	160	1,156
G120987.00	160	1,364



Leeson Catalog Number Index

Motors, Sub-FHP Gearmotors, Drives and Accessories

Catalog No.	Page #	List \$
G120993.00	71	849
G121050.00	290	2,104
G121051.00	291	1,733
G121052.00	291	1,785
G121053.00	290	1,563
G121054.00	290	1,758
G121178.00	117	1,371
G121187.00	50	722
G121350.00	180	1,084
G121351.00	180	1,230
G121525.00	188	1,602
G121527.00	188	1,944
G121557.00	291	1,549
G121560.00	188	1,572
G121561.00	188	1,929
G121562.00	188	2,320
G121579.00	163	1,197
G121580.00	163	1,291
G121581.00	163	1,325
G121582.00	163	1,458
G121583.00	163	1,368
G121584.00	163	1,564
G121617.00	165, 293	2,528
G121618.00	165, 293	2,622
G121626.00	191	1,635
G121627.00	191	1,636
G121628.00	191	1,669
G121629.00	191	1,944
G121630.00	191	1,964
G121631.00	191	2,337
G121652.00	160	895
G121655.00	160	935
G121659.00	188	1,571
G121664.00	50	762
G121668.00	49	626
G121670.00	50	702
G121679.00	290	1,476
G121739.00	197	2,141
G121740.00	197	2,165
G121748.00	197	1,854
G121749.00	197	1,847
G121846.00	133	596
G121847.00	133	622
G121849.00	133	782
G121850.00	137	608
G121851.00	137	659
G121852.00	137	683
G121853.00	137	760
G121854.00	137	844
G121855.00	139	659
G121856.00	139	719
G121857.00	139	715
G121858.00	139	664
G121859.00	139	815
G121860.00	139	863
G131465.00	257	746
G131466.00	257	860
G131478.00	62	1,408
G131479.00	63	1,673
G131489.00	50	779
G131490.00	50	819
G131491.00	71	830
G131492.00	72	956
G131498.00	251	778
G131499.00	251	938
G131500.00	256	730
G131510.00	72	1,218

Catalog No.	Page #	List \$
G131513.00	71	936
G131514.00	72	992
G131525.00	71	986
G131558.00	290	2,434
G131559.00	290	2,966
G131562.00	137	902
G131563.00	137	1,040
G131574.00	137	1,110
G131576.00	137	1,219
G131579.00	139	876
G131580.00	139	1,172
G131581.00	139	1,140
G131582.00	140	1,335
G131594.00	161	2,361
G131595.00	161	1,905
G131596.00	160	1,522
G131597.00	161	1,717
G131613.00	291	2,312
G131614.00	291	2,868
G131617.00	291	2,424
G131618.00	291	3,028
G131620.00	291	2,827
G131626.00	289	2,116
G131627.00	289	2,660
G131779.00	50	800
G131780.00	50	1,169
G131882.00	133	813
G131883.00	133	933
G131884.00	133	938
G131885.00	134	1,124
G131912.00	72	1,251
G131923.00	188	2,338
G131924.00	188	2,667
G131949.00	188	2,650
G131967.00	163	1,739
G131968.00	163	2,075
G131969.00	163	1,882
G131970.00	163	2,274
G131996.00	191	2,472
G131997.00	191	2,726
G131998.00	191	2,741
G132027.00	140	1,474
G132059.00	50	861
G132249.00	70	904
G132250.00	49	828
G140004.00	256	1,270
G140013.00	257	1,337
G140108.00	50	1,334
G140109.00	72	1,372
G140465.00	161	2,474
G140467.00	161	2,177
G140516.00	64	2,310
G140535.00	72	1,617
G140580.00	50	1,085
G140601.00	291	4,195
G140603.00	291	3,690
G140605.00	291	3,866
G140610.00	290	3,455
G140611.00	289	3,252
G140618.00	137	1,298
G140619.00	137	1,484
G140622.00	140	1,556
G140623.00	140	1,918
G140635.00	289	4,117
G140636.00	291	4,233
G140638.00	290	4,320
G140639.00	291	4,963

Catalog No.	Page #	List \$
G140655.00	134	1,445
G140656.00	134	1,787
G140667.00	134	1,534
G140668.00	134	1,753
G140688.00	50	1,333
G140689.00	50	1,846
G140690.00	72	1,538
G140691.00	72	2,067
G140733.00	163	2,538
G140734.00	163	3,127
G140735.00	163	2,952
G140736.00	163	3,574
G140737.00	161	2,805
G140738.00	161	3,452
G140740.00	191	4,152
G140741.00	191	4,242
G140742.00	191	4,297
G140743.00	191	4,375
G140764.00	140	2,137
G141113.00	72	1,187
G141114.00	71	1,401
G141121.00	137	1,442
G141122.00	140	1,782
G141123.00	257	1,100
G141124.00	256	1,039
G150261.22	66	6,135
G150263.22	66	7,377
G150265.22	66	8,602
G150282.22	66	5,584
G151345.60	72	1,338
G151346.60	72	1,242
G151347.60	72	1,570
G151348.60	72	1,460
G151349.60	72	2,192
G151350.60	72	2,093
G151351.60	72	2,782
G151352.60	72	2,577
G151355.22	65	4,034
G151356.22	65	4,807
G151361.60	137	2,230
G151362.60	137	2,348
G151380.60	137	2,067
G151381.60	137	2,247
G151382.60	137	2,811
G151417.60	140	3,368
G151418.60	140	3,312
G151420.60	140	3,996
G151422.60	140	3,931
G151424.60	140	4,979
G151426.60	140	4,823
G151507.60	72	3,331
G151508.60	72	3,975
G151509.60	72	5,074
G151510.60	72	5,874
G151516.60	68	29,451
G151518.60	48	23,762
G151519.60	72	8,856
G151524.60	48	18,767
G151525.60	48	21,530
G151529.60	68	33,124
G151530.60	68	34,515
G151540.60	210, 237	1,692
G151541.60	210, 237	2,104
G151542.60	210, 237	2,931
G151567.60	140	2,493
G151568.60	140	2,425
G151569.60	140	2,720



IEC Motors

DC Motors

Gearmotors

AC / DC Controls

Accessories / Kits

Mods / Factory Options

X-Ref / Index

Tech Information

Terms / Warnings

Leeson Catalog Number Index

Motors, Sub-FHP Gearmotors, Drives and Accessories

IEC Motors

DC Motors

Gearmotors

AC / DC Controls

Accessories / Kits

Mods / Factory Options

X-Ref / Index

Tech Information

Terms / Warnings

Catalog No.	Page #	List \$
G151570.60	140	2,942
G151682.60	50	1,953
G151683.60	50	2,349
G151684.60	50	2,386
G151685.60	50	2,731
G151686.60	50	2,908
G151687.60	50	3,185
G151736.60	141	625
G151737.60	141	644
G151738.60	141	1,171
G151739.60	141	1,073
G151740.60	141	1,202
G151741.60	141	1,186
G151742.60	142	1,445
G151743.60	142	1,358
G151744.60	142	1,684
G151745.60	142	1,638
G151746.60	142	2,359
G151747.60	142	2,505
G151748.60	142	3,126
G151749.60	142	2,961
G151750.60	142	3,729
G151751.60	142	3,745
G151752.60	142	4,060
G151753.60	142	3,933
G151754.60	142	5,136
G151755.60	142	4,895
G151756.60	142	6,318
G151809.22	64	3,607
G151828.60	210, 237	1,149
G151829.60	210, 237	2,301
G191214.00	184	1,002
G191220.00	184	1,045
G191226.00	184	1,192
G191542.00	184	1,312
G801028.00	137	3,484
G801029.00	138	3,654
G801030.00	138	4,774
G801040.00	138	3,524
G801041.00	138	4,045
G801042.00	138	5,498
G801051.00	134	2,167
G801052.00	134	2,619
G801053.00	134	3,521
G801054.00	134	3,654
G801055.00	134	3,932
G801056.00	134	2,252
G801057.00	134	2,653
G801058.00	134	3,534
G801059.00	134	3,896
G801060.00	134	5,174
G825071.00	116	42,353
G825072.00	116	34,998
G825116.00	118	1,785
G825128.00	118	1,930
G825188.00	118	2,867
G825190.00	118	1,909
G825192.00	118	2,837
G825193.00	118	3,010
G825194.00	118	2,988
G825195.00	118	3,808
G825196.00	118	4,462
G825197.00	118	5,115
G825198.00	118	5,088
G850818.00	116	37,330
G850819.00	116	41,136
LM03189	93	7,920

Catalog No.	Page #	List \$
LM03237	93	8,832
LM03285	93	11,264
LM03333	93	12,425
LM03377	93	14,256
LM03425	93	16,475
LM03473	93	23,971
LM03517	93	31,272
LM03614	107	3,886
LM03616	109	TBD
LM03618	107	3,956
LM03623	109	TBD
LM03625	110	TBD
LM03631	107	8,335
LM03632	109	TBD
LM03633	109	TBD
LM03636	107	5,545
LM03637	107	5,545
LM03643	109	TBD
LM03644	110	TBD
LM03650	107	5,576
LM03651	107	5,576
LM03669	107	5,766
LM03670	107	5,766
LM03673	109	6,203
LM03674	110	6,503
LM03675	110	6,503
LM03681	107	5,922
LM03683	107	6,002
LM03686	109	6,674
LM03687	110	6,873
LM03691	107	6,840
LM03709	108	7,147
LM03711	109	8,199
LM03713	109	8,199
LM03714	110	8,342
LM03715	110	8,342
LM03718	108	11,920
LM03729	108	7,596
LM03730	109	9,195
LM03733	109	9,195
LM03735	110	8,789
LM03736	110	8,789
LM03739	108	12,202
LM03761	108	15,152
LM03763	109	16,003
LM03764	110	16,930
LM03771	110	19,674
LM03773	108	18,491
LM03776	109	19,343
LM03779	108	19,327
LM03780	108	19,327
LM03791	108	10,109
LM03792	109	10,799
LM03794	109	10,794
LM03795	110	11,379
LM03797	108	14,010
LM03799	108	11,256
LM03808	108	11,478
LM03809	108	11,478
LM03810	109	12,165
LM03812	109	12,165
LM03813	110	12,748
LM03815	108	14,094
LM03987	93	3,680
LM04003	93	4,294
LM06103	89	1,713
LM06105	89	2,137

Catalog No.	Page #	List \$
LM06113	89	1,824
LM06119	89	2,121
LM06121	89	3,383
LM06125	90	2,434
LM08476	420	214
LM08478	420	214
LM08582	420	310
LM08664	420	310
LM08665	420	310
LM08709	420	310
LM08720	420	353
LM08738	420	353
LM08827	420	1,063
LM10336	89	598
LM10338	89	818
LM10339	89	777
LM10340	89	1,494
LM10346	93	2,258
LM10347	93	2,357
LM10349	93	2,438
LM10350	93	3,325
LM12429	420	236
LM12430	420	710
LM12454	420	1,146
LM12463	420	1,483
LM12479	420	1,483
LM13556	68	34,675
LM13557	68	29,808
LM13559	68	42,380
LM13560	68	31,163
LM13562	68	47,002
LM13563	68	32,278
LM13564	68	57,410
LM13565	68	42,689
LM13699	67	9,234
LM13701	67	9,121
LM13704	67	19,933
LM13707	68	23,121
LM13709	68	36,245
LM13710	68	28,594
LM13712	68	36,407
LM13713	68	36,000
LM13714	68	40,429
LM13715	68	54,511
LM13716	68	39,409
LM13719	68	59,357
LM13720	68	40,676
LM13721	68	72,490
LM13724	76	8,887
LM13726	77	9,443
LM13728	77	9,484
LM13730	77	23,987
LM13731	77	20,963
LM13733	77	29,607
LM13734	77	24,141
LM13736	77	37,122
LM13737	77	29,643
LM13761	48	23,813
LM13762	48	21,964
LM13764	48	27,780
LM13765	48	23,189
LM13767	48	31,444
LM13770	48	35,572
LM13771	48	33,338
LM13795	53	23,226
LM13811	47	8,334
LM13813	47	8,437



Leeson Catalog Number Index

Motors, Sub-FHP Gearmotors, Drives and Accessories

Catalog No.	Page #	List \$
LM13814	47	7,686
LM13817	48	16,586
LM13820	48	20,399
LM13822	48	29,777
LM13825	48	35,079
LM13826	48	29,564
LM13831	48	45,899
LM13832	48	44,540
LM13837	53	8,616
LM13838	53	7,963
LM13839	53	8,620
LM13840	53	7,670
LM13940	67	14,911
LM13942	48	13,631
LM13943	47	12,799
LM13960	66	4,773
LM13961	66	4,058
LM13964	66	4,658
LM13969	47	7,857
LM14398	249	6,941
LM14399	249	5,906
LM14402	255	5,007
LM14405	255	5,349
LM14408	249	8,930
LM14410	249	8,027
LM14411	249	9,121
LM14535	53	5,933
LM14549	253	5,840
LM14550	253	5,634
LM14552	253	7,315
LM14553	253	6,289
LM14561	253	6,697
LM14562	253	6,452
LM14564	253	8,399
LM14565	253	7,669
LM14642	106	36,959
LM14643	106	34,489
LM14645	106	40,911
LM14809	67	12,326
LM14811	67	12,343
LM14812	47	12,412
LM14813	47	11,418
LM14814	47	11,224
LM14815	47	11,622
LM15078	250	18,304
LM15079	250	17,409
LM15081	250	28,706
LM15082	250	24,974
LM15084	250	22,652
LM15085	250	20,193
LM15087	250	34,675
LM15089	250	31,163
LM15092	250	29,808
LM15098	250	42,381
LM15119	250	23,109
LM15120	250	19,933
LM15121	250	21,552
LM15122	250	30,677
LM15123	250	30,166
LM15126	250	25,058
LM15129	250	39,409
LM15130	250	36,000
LM15138	250	54,511
LM15159	48	26,685
LM15263	77	15,743
LM15563	77	12,455
LM15565	77	10,439

Catalog No.	Page #	List \$
LM15567	77	13,025
LM15568	77	12,509
LM15569	53	12,240
LM15570	53	11,547
LM15572	53	12,574
LM15646	64	1,403
LM15647	64	1,128
LM15648	63	1,140
LM15649	65	1,570
LM15650	65	1,254
LM15651	64	1,166
LM15670	66	2,696
LM15671	66	2,384
LM15672	65	2,854
LM15673	66	3,143
LM15674	66	2,991
LM15675	66	3,355
LM15869	65	1,570
LM15919	249	2,557
LM15921	253	11,376
LM16029	65	1,866
LM16030	64	1,675
LM16031	66	1,966
LM16032	66	1,979
LM16033	65	1,943
LM16222	68	36,407
LM16226	48	33,021
LM16235	48	28,354
LM16237	48	41,693
LM16239	48	22,871
LM16301	72	1,680
LM16302	72	2,528
LM16383	248	908
LM16384	248	818
LM16387	248	945
LM16388	248	1,713
LM16391	248	1,518
LM16395	248	1,678
LM16400	249	2,906
LM16407	249	3,633
LM16572	420	303
LM16574	420	882
LM16577	420	1,242
LM16593	252	1,028
LM16594	252	1,811
LM16595	253	1,501
LM16596	253	1,484
LM16598	253	1,959
LM16599	253	1,572
LM16601	253	2,627
LM16602	253	2,284
LM16604	253	2,854
LM16605	253	2,689
LM16607	253	3,858
LM16608	253	3,644
LM16644	106	1,241
LM16650	106	1,357
LM16719	77	18,730
LM16739	74	1,249
LM16741	75	1,253
LM16744	75	1,776
LM16745	75	1,628
LM16747	75	1,258
LM16748	75	2,036
LM16752	75	1,925
LM16753	75	2,787
LM16755	76	2,065

Catalog No.	Page #	List \$
LM16757	76	2,035
LM16759	76	3,483
LM16762	76	2,868
LM16767	76	3,118
LM16769	76	6,199
LM16772	76	4,237
LM16774	76	5,507
LM16828	72	2,789
LM16919	106	2,236
LM17076	249	3,046
LM17079	249	2,991
LM17186	253	1,716
LM17187	253	1,655
LM17189	253	2,143
LM17190	253	2,064
LM17192	253	2,826
LM17193	253	2,546
LM17195	253	3,338
LM17196	253	3,161
LM17198	253	4,676
LM17199	253	4,237
LM17382	53	6,062
LM17384	53	7,922
LM17388	53	16,101
LM17389	53	12,967
LM17390	53	18,950
LM17594	106	34,489
LM17953	68	31,163
LM17956	68	39,409
LM18290	250	15,029
LM18292	250	13,024
LM18298	255	8,730
LM18306	255	10,052
LM18307	250	14,911
LM18366	250	8,546
LM18367	250	10,371
LM18369	250	12,326
LM18370	250	9,955
LM18372	250	10,780
LM18373	250	10,985
LM18375	250	12,343
LM18376	250	12,826
LM18378	255	7,537
LM18384	255	8,216
LM18864	420	214
LM18865	420	214
LM18866	420	310
LM18867	420	353
LM18868	420	780
LM18869	420	353
LM18870	420	470
LM18871	420	1,282
LM18872	420	168
LM18873	420	214
LM18874	420	214
LM18875	420	214
LM18876	420	310
LM19530	124	12,277
LM19532	124	12,275
LM19534	124	23,370
LM19535	124	21,976
LM19595	249	4,086
LM19596	253	4,502
LM19597	253	4,312
LM19600	253	9,118
LM19602	253	11,580
LM19603	253	9,155

IEC Motors

DC Motors

Gearmotors

AC / DC Controls

Accessories / Kits

Mods / Factory Options

X-Ref / Index

Tech Information

Terms / Warnings



Leeson Catalog Number Index

Motors, Sub-FHP Gearmotors, Drives and Accessories

IEC Motors

DC Motors

Gearmotors

AC / DC Controls

Accessories / Kits

Mods / Factory Options

X-Ref / Index

Tech Information

Terms / Warnings

Catalog No.	Page #	List \$
LM19605	253	15,735
LM19606	253	13,748
LM20029	124	5,429
LM20030	124	7,936
LM20037	253	10,549
LM20038	253	10,990
LM20040	253	13,423
LM20041	253	13,310
LM20043	253	18,730
LM20044	253	16,741
LM20086	249	4,658
LM20087	253	5,222
LM20088	253	5,507
LM20116	414	391
LM20389	123	3,853
LM20390	123	3,217
LM20391	123	2,166
LM20392	123	2,015
LM20393	123	1,952
LM20394	123	2,977
LM20655	167	1,110
LM20657	168	1,168
LM20658	167	1,151
LM20660	168	1,207
LM20662	168	1,259
LM20664	168	1,316
LM20666	168	1,596
LM20669	168	1,259
LM20670	167	1,256
LM20672	168	1,316
LM20673	167	1,503
LM20675	168	1,559
LM20676	167	1,962
LM20679	167	2,232
LM20707	123	1,463
LM20708	123	1,322
LM20709	123	1,577
LM21031	167	1,030
LM21033	168	1,086
LM21034	167	1,093
LM21036	168	1,149
LM21037	167	1,187
LM21039	168	1,244
LM21040	167	1,267
LM21042	168	1,324
LM21045	168	1,466
LM21046	167	1,318
LM21048	168	1,371
LM21049	167	1,469
LM21051	168	1,523
LM21052	167	1,754
LM21055	167	2,482
LM21061	167	1,206
LM21062	167	1,256
LM21063	167	1,540
LM21084	123	1,078
LM21085	123	1,187
LM21086	123	1,622
LM21087	123	2,337
LM21088	124	4,047
LM21089	124	5,192
LM21091	124	8,177
LM21092	124	10,317
LM21093	124	16,130
LM21094	124	21,317
LM21118	96	5,929
LM21121	96	7,656

Catalog No.	Page #	List \$
LM21124	96	10,741
LM21127	96	10,785
LM21148	96	768
LM21151	96	801
LM21153	96	846
LM21157	96	958
LM21159	96	1,226
LM21162	96	1,407
LM21165	96	1,654
LM21168	96	2,361
LM21171	96	2,613
LM21180	96	5,309
LM21189	94	1,156
LM21190	94	1,066
LM21192	94	1,343
LM21193	94	1,186
LM21195	94	1,815
LM21196	94	1,683
LM21198	94	1,987
LM21199	94	1,849
LM21201	94	2,653
LM21202	94	2,514
LM21204	94	3,044
LM21205	94	2,912
LM21208	94	4,042
LM21211	94	4,474
LM21214	94	6,171
LM21217	94	6,755
LM21220	94	9,019
LM21223	94	11,458
LM21227	94	14,841
LM21230	94	18,438
LM21233	94	21,329
LM21236	94	25,373
LM21238	94	30,535
LM21239	94	33,047
LM21378	123	1,173
LM21379	123	1,247
LM21380	123	1,256
LM21381	123	1,434
LM21382	123	1,521
LM21383	123	1,749
LM21384	123	2,648
LM21385	123	3,173
LM21386	124	6,793
LM21388	124	10,463
LM21391	124	15,241
LM21392	124	18,798
LM21665	123	4,417
LM21799	124	10,317
LM21807	124	5,192
LM21810	124	6,261
LM21826	125	1,162
LM21827	125	1,256
LM21828	125	1,328
LM21829	125	1,524
LM21831	125	1,276
LM21832	125	1,406
LM21833	125	1,338
LM21836	125	1,702
LM21837	125	1,617
LM21839	125	2,048
LM21840	125	2,114
LM21841	125	2,264
LM21842	125	2,464
LM21843	125	2,778
LM21844	125	3,139

Catalog No.	Page #	List \$
LM21845	125	3,103
LM21846	125	3,345
LM21848	125	4,643
LM21850	125	4,269
LM21851	125	5,649
LM21853	125	7,163
LM21854	125	6,728
LM21856	125	8,305
LM21857	125	8,138
LM21859	125	11,061
LM21862	125	12,874
LM21866	125	15,952
LM21869	125	19,676
LM21872	125	24,243
LM21877	125	17,008
LM21880	125	6,635
LM21883	125	8,773
LM21886	125	10,915
LM21890	125	12,981
LM21893	125	5,567
LM21896	125	22,192
LM22093	420	214
LM22188	420	214
LM22423	167	3,090
LM22426	167	3,686
LM22435	167	2,841
LM22438	167	3,245
LM22645	95	670
LM22649	95	765
LM22653	95	687
LM22655	95	776
LM22657	95	911
LM22659	95	776
LM22660	94	743
LM22661	95	796
LM22664	94	819
LM22665	95	874
LM22758	48	23,189
LM22759	48	33,338
LM22826	95	1,241
LM22827	95	1,151
LM22830	95	1,276
LM22833	95	1,596
LM22836	95	1,849
LM22839	95	2,646
LM22841	95	3,045
LM22909	106	36,959
LM23781	124	1,256
LM23782	124	1,406
LM23783	124	1,338
LM23784	124	2,778
LM23854	124	1,857
LM24057	410	565
LM24059	410	1,122
LM24060	410	1,356
LM24061	410	1,356
LM24062	410	391
LM24063	410	508
LM24064	410	852
LM24065	410	1,122
LM24066	410	1,225
LM24067	410	1,225
LM24068	410	1,356
LM24069	410	1,356
LM24072	124	2,305
LM24073	61	480
LM24074	73	533



Leeson Catalog Number Index

Motors, Sub-FHP Gearmotors, Drives and Accessories

IEC Motors

DC Motors

Gearmotors

AC / DC Controls

Accessories / Kits

Mods / Factory Options

X-Ref / Index

Tech Information

Terms / Warnings

Catalog No.	Page #	List \$
LM24075	61	516
LM24076	73	569
LM24077	69	551
LM24078	62	534
LM24079	73	589
LM24080	70	588
LM24081	74	632
LM24083	69	531
LM24084	71	665
LM24093	69	435
LM24094	62	564
LM24095	74	623
LM24096	70	624
LM24097	64	602
LM24098	43	422
LM24102	62	861
LM24103	61	711
LM24104	73	748
LM24105	61	695
LM24107	61	420
LM24108	247	610
LM24109	247	606
LM24112	70	624
LM24114	73	473
LM24118	63	567
LM24121	74	748
LM24125	71	737
LM24126	73	619
LM24127	64	967
LM24128	69	715
LM24129	73	490
LM24130	70	738
LM24132	71	711
LM24133	61	480
LM24134	73	537
LM24135	74	673
LM24136	61	711
LM24137	252	666
LM24139	70	569
LM24140	73	766
LM24142	247	580
LM24144	63	619
LM24148	70	678
LM24149	70	639
LM24151	69	480
LM24154	247	487
LM24158	252	634
LM24159	62	717
LM24165	61	434
LM24169	45, 57	659
LM24190	46	2,258
LM24193	45, 57	1,514
LM24194	45, 57	1,355
LM24199	45, 57	2,604
LM24202	45, 57	962
LM24208	66, 84	2,695
LM24209	65	1,593
LM24219	255	1,782
LM24222	45, 57	858
LM24227	254	638
LM24231	255	1,232
LM24232	255	2,238
LM24234	50	823
LM24258	121	707
LM24259	122	768
LM24262	122	845
LM24264	89	689

Catalog No.	Page #	List \$
LM24265	73	1,240
LM24266	121	783
LM24268	121	927
LM24271	122	677
LM24273	73	766
LM24276	61	1,184
LM24277	51	392
LM24291	61	1,034
LM24295	247	704
LM24349	73	773
LM24354	252	576
LM24355	252	540
LM24443	207, 236	647
LM24444	207, 236	743
LM24445	207, 236	610
LM24446	207, 236	743
LM24447	207, 236	472
LM24448	207, 236	520
LM24449	207, 236	575
LM24450	207, 236	670
LM24457	17	387
LM24462	215	596
LM24463	215	679
LM24486	220, 242	522
LM24487	220, 242	464
LM24488	219, 241	445
LM24491	219, 241	522
LM24492	219, 241	464
LM24497	30	1,093
LM24503	17	634
LM24504	17	688
LM24507	21	878
LM24513	30	768
LM24515	30	883
LM24521	211	926
LM24530	33	711
LM24531	30	728
LM24532	30	853
LM24534	31	1,000
LM24535	33	624
LM24539	34	767
LM24546	29	665
LM24550	17	460
LM24552	17	520
LM24597	29	434
LM24598	32	440
LM24599	32	523
LM24600	34	481
LM24602	29	496
LM24604	29	582
LM24606	29	508
LM24607	30	589
LM24610	30	679
LM24613	32	558
LM24614	33	596
LM24615	34	700
LM24616	34	790
LM24622	33	632
LM24627	29	496
LM24628	34	583
LM24631	410	72
LM24677	18	883
LM24681	19	1,226
LM24682	265	1,160
LM24682	19, 24	1,160
LM24683	19, 24	1,700
LM24684	19, 24	2,413

Catalog No.	Page #	List \$
LM24687	18, 265	742
LM24687	24	742
LM24706	29	426
LM24709	30	747
LM24710	30	728
LM24711	30	768
LM24712	31	950
LM24713	31	1,089
LM24714	31	1,023
LM24716	31	1,273
LM24718	31	1,519
LM24719	31	2,080
LM24720	31	2,008
LM24721	31	2,552
LM24722	31	2,606
LM24723	34	455
LM24725	34	456
LM24726	34	512
LM24727	34	590
LM24728	34	934
LM24729	35	1,006
LM24731	35	1,267
LM24733	32	405
LM24734	32	403
LM24735	32	673
LM24736	32	459
LM24738	32	480
LM24739	32	759
LM24740	33	569
LM24743	29	456
LM24744	30	504
LM24745	30	624
LM24746	30	883
LM24776	219, 240	732
LM24777	219, 240	979
LM24778	209, 238	1,267
LM24780	209, 238	2,073
LM24781	209	1,679
LM24782	209, 238	2,633
LM24786	220, 242	566
LM24787	220, 242	642
LM24788	220, 242	791
LM24789	203	496
LM24790	203	582
LM24791	203	684
LM24792	203	782
LM24793	203	800
LM24794	203	883
LM24795	203	883
LM24797	203	1,353
LM24798	203	1,769
LM24799	203	2,181
LM24802	205	1,707
LM24803	205	2,079
LM24804	205	2,310
LM24805	205	2,606
LM24807	410	72
LM24808	409, 410	72
LM24809	220, 242	705
LM24810	409, 410	72
LM24811	413	72
LM24812	215	704
LM24813	215	876
LM24814	215	1,474
LM24815	413	85
LM24858	69	665
LM24871	44, 57	569



Leeson Catalog Number Index

Motors, Sub-FHP Gearmotors, Drives and Accessories

IEC Motors

DC Motors

Gearmotors

AC / DC Controls

Accessories / Kits

Mods / Factory Options

X-Ref / Index

Tech Information

Terms / Warnings

Catalog No.	Page #	List \$
LM24875	44, 57	595
LM24877	45	665
LM24929	61	376
LM24946	73	428
LM24949	73	1,089
LM24964	69	402
LM24965	69	1,089
LM24967	69	1,240
LM25045	252	619
LM25046	252	597
LM25047	252	631
LM25048	252	631
LM25049	252	748
LM25050	252	640
LM25051	252	624
LM25054	254	370
LM25059	254	493
LM25061	254	523
LM25063	254	644
LM25068	254	663
LM25069	254	743
LM25070	254	711
LM25071	254	1,023
LM25097	247	541
LM25100	247	694
LM25103	247	754
LM25112	122	783
LM25113	121	616
LM25114	122	768
LM25115	121	619
LM25116	121	840
LM25117	122	677
LM25119	122	704
LM25121	122	845
LM25123	121	582
LM25124	121	523
LM25125	122	783
LM25126	121	562
LM25127	121	830
LM25128	122	680
LM25129	121	723
LM25131	122	640
LM25133	121	642
LM25134	122	986
LM25135	122	892
LM25136	122	640
LM25139	122	702
LM25149	122	680
LM25151	122	619
LM25153	122	583
LM25154	122	619
LM25158	122	583
LM25632	420	214
LM25637	63	919
LM25736	410, 413	139
LM25737	410	164
LM25738	410	164
LM25739	413	164
LM25740	410	210
LM25962	95	955
LM25991	94	878
LM26008	95	897
LM26081	95	891
LM26097	94	833
LM26098	94	844
LM26109	93	3,325
LM26233	89	1,680

Catalog No.	Page #	List \$
LM26278	93	3,572
LM26285	257	1,031
LM26323	95	1,063
LM26334	256	1,947
LM26359	89	1,514
LM26679	414	164
LM27576	413	391
LM27681	413	282
LM27884	110	6,873
LM27971	282	9,026
LM27976	280	8,151
LM28114	279	3,890
LM28115	279	3,890
LM28116	279	3,815
LM28117	279	3,815
LM28118	279	4,236
LM28119	279	4,236
LM28120	279	4,323
LM28121	279	4,323
LM28122	279	4,236
LM28123	279	4,236
LM28124	279	5,016
LM28125	279	5,016
LM28126	279	5,195
LM28127	279	5,195
LM28128	279	5,016
LM28129	279	5,016
LM28131	279	5,874
LM28132	280	6,038
LM28133	280	6,038
LM28134	280	5,874
LM28135	280	5,874
LM28136	280	6,693
LM28137	280	6,693
LM28138	280	7,305
LM28139	280	7,305
LM28140	280	6,693
LM28141	280	6,693
LM28142	280	7,601
LM28143	280	7,601
LM28144	280	8,151
LM28145	280	7,461
LM28146	280	7,461
LM28147	280	9,131
LM28148	280	9,131
LM28149	280	10,303
LM28150	280	10,303
LM28151	280	9,131
LM28152	280	9,131
LM28153	280	10,173
LM28154	280	10,173
LM28155	280	10,584
LM28156	280	10,584
LM28157	280	10,173
LM28158	280	10,173
LM28159	280	13,521
LM28160	280	13,521
LM28161	280	11,970
LM28162	280	11,970
LM28200	281	4,005
LM28201	281	4,005
LM28202	281	4,351
LM28203	281	4,351
LM28204	281	4,438
LM28205	281	4,438
LM28206	281	5,215
LM28207	281	5,215

Catalog No.	Page #	List \$
LM28208	281	5,394
LM28209	281	5,394
LM28210	281	6,072
LM28211	281	6,072
LM28212	281	6,473
LM28213	281	6,473
LM28214	281	7,022
LM28215	281	7,022
LM28216	281	7,862
LM28217	281	7,862
LM28218	281	8,452
LM28219	281	8,452
LM28220	282	9,026
LM28221	282	9,993
LM28222	282	9,993
LM28223	282	10,958
LM28224	282	10,958
LM28501	413	1,122
LM28624	413	565
LM28867	276, 278	1,241
LM28868	276, 278	1,241
LM28873	276, 278	1,692
LM28874	276, 278	1,692
LM28879	276, 278	2,139
LM28880	276, 278	2,139
LM28897	277, 278	4,386
LM28898	277, 278	4,386
LM28903	277, 278	4,871
LM28904	277, 278	4,871
LM28909	278	7,282
LM28909	277	7,282
LM28910	277, 278	7,282
LM28914	277, 278	7,689
LM28968	65	1,776
LM29576	46	3,369
LM29577	46	3,905
LM29579	96	3,432
LM29581	255	3,036
LM29656	284	1,157
LM29657	284	1,157
LM29658	284	1,157
LM29659	284	1,185
LM29660	284	1,185
LM29661	284	1,185
LM29662	284	1,291
LM29663	284	1,291
LM29664	284	1,291
LM29665	284	1,440
LM29666	284	1,440
LM29667	284	1,440
LM29668	284	1,845
LM29669	284	1,845
LM29670	284	1,845
LM29671	284	2,104
LM29672	284	2,104
LM29673	284	2,104
LM29850	276, 278	2,826
LM29851	276, 278	2,826
LM29852	278	3,277
LM29852	277	3,277
LM29853	277, 278	3,277
LM29865	255	3,521
LM29936	96	3,905
LM30092	276, 278	1,352
LM30093	276, 278	1,765
LM30094	276, 278	1,765
LM30095	276, 278	2,238



Leeson Catalog Number Index

Motors, Sub-FHP Gearmotors, Drives and Accessories

Catalog No.	Page #	List \$
LM30096	276, 278	2,238
LM30097	276, 278	2,692
LM30098	276, 278	2,692
LM30099	278	3,467
LM30099	277	3,467
LM30100	277, 278	3,467
LM30102	277, 278	4,428
LM30146	414	190
LM30147	414	282
LM30535	279	5,874
LM30561	282	786
LM30572	93	5,370
LM30647	280	7,714
LM30648	280	7,714
LM30649	280	9,498
LM30650	280	9,498
LM30655	281	3,929
LM30663	281	3,929
LM30676	279	5,164
LM30677	279	5,445
LM30678	279	5,445
LM30679	279	4,323
LM30680	279	4,323
LM30681	279	4,761
LM30682	279	4,761
LM30696	256	4,245
LM30702	282	6,451
LM30720	280	5,195
LM30721	280	5,195
LM30722	280	6,038
LM30723	280	6,038
LM30724	280	6,915
LM30725	280	6,915
LM30727	96	10,937
LM30732	281	4,351
LM30733	281	4,351
LM30734	281	4,960
LM30735	281	4,960
LM30736	281	5,643
LM30737	281	5,643
LM30739	281	6,072
LM30740	281	6,072
LM30748	281	4,438
LM30749	281	4,438
LM30750	281	5,215
LM30751	281	5,215
LM30752	281	4,875
LM30753	281	4,875
LM30754	281	7,022
LM30755	281	7,022
LM30756	282	8,056
LM30757	282	8,056
LM30760	281	5,471
LM30762	282	6,451
LM30763	282	7,493
LM30764	282	7,493
LM30826	68	39,252
LM30881	282	928
LM31014	413	210
LM31019	413	391
LM31393	279	5,164
LM31463	93	5,103
LM31607	281	5,471
LM31752	282	786
LM31777	284	619
LM32143	48	26,072
LM32284	413	852

Catalog No.	Page #	List \$
LM32285	413	895
LM32286	413	895
LM32288	413	1,178
LM32290	413	1,215
LM32291	413	1,215
LM32292	413	1,343
LM32293	413	1,343
LM32396	421	189
LM32397	421	189
LM32398	421	189
LM32399	421	221
LM32401	421	251
LM32402	421	315
LM32403	421	563
LM32405	421	441
LM32407	421	504
LM32409	421	751
LM32411	421	1,320
LM32649	52	1,635
LM32651	277, 278	5,022
LM32652	77	9,443
LM32653	77	13,025
LM32654	76	4,214
LM32655	53	8,620
LM32656	53	11,509
LM32657	53	12,967
LM32659	77	15,743
LM32660	77	29,643
LM32663	277, 278	5,576
LM32665	77	12,455
LM32669	67	9,174
LM32670	256	4,099
LM32671	67	7,689
LM32672	67	12,343
LM32674	47	8,437
LM32675	256	2,323
LM32677	53	20,443
LM32678	71	815
LM32679	68	23,121
LM32680	256	8,876
LM32681	256	1,526
LM32682	47	7,686
LM32686	67	9,234
LM32687	46	6,528
LM32691	257	2,561
LM32731	45	741
LM32740	46	1,436
LM32741	64, 84	957
LM32743	46	1,919
LM32746	46	3,567
LM32748	46	3,369
LM32749	46	3,905
LM32750	47	7,857
LM32751	47	8,334
LM32752	47	7,914
LM32753	47	11,418
LM32754	47	12,412
LM32755	47	11,622
LM32756	47	11,224
LM32757	47	12,799
LM32758	48	13,631
LM32759	48	12,946
LM32760	48	16,586
LM32761	48	20,399
LM32778	52	1,573
LM32781	52	2,569
LM32783	52	3,812

Catalog No.	Page #	List \$
LM32785	53	3,693
LM32786	53	4,278
LM32787	53	11,547
LM32788	53	12,421
LM32789	53	16,614
LM32793	50	837
LM32796	62	775
LM32798	63	1,561
LM32799	64	1,851
LM32802	65	1,673
LM32803	65	2,755
LM32805	65, 84	1,249
LM32807	65	3,260
LM32808	66	1,869
LM32809	66, 84	1,542
LM32811	66	4,773
LM32813	66	5,209
LM32815	67	9,121
LM32819	67	14,911
LM32820	67	19,933
LM32822	73	799
LM32823	73	953
LM32825	74	836
LM32828	74	928
LM32829	74	907
LM32831	74	1,970
LM32835	75	1,788
LM32836	75	2,913
LM32839	75	3,423
LM32840	76	1,986
LM32841	76	1,641
LM32842	76	5,507
LM32843	77	9,484
LM32844	77	20,963
LM32845	77	24,141
LM32846	70	845
LM32848	71	929
LM32856	106	917
LM32857	106	1,142
LM32862	106	1,021
LM32869	106	1,770
LM32873	106	2,801
LM32876	106	3,611
LM32879	106	4,251
LM32882	106	5,022
LM32885	106	6,631
LM32887	106	7,723
LM32890	106	12,486
LM32893	106	14,166
LM32896	106	17,133
LM32899	106	21,818
LM32902	106	28,325
LM32905	106	32,226
LM33046	276, 278	3,235
LM33048	277, 278	3,752
LM33053	256	578
LM33056	256	605
LM33057	256	622
LM33059	256	706
LM33062	256	816
LM33067	256	3,846
LM33070	256	4,830
LM33072	256	6,590
LM33074	256	6,890
LM33093	257	1,635
LM33099	257	1,953
LM33103	257	2,909



IEC Motors

DC Motors

Gearmotors

AC / DC Controls

Accessories / Kits

Mods / Factory Options

X-Ref / Index

Tech Information

Terms / Warnings

Leeson Catalog Number Index

Motors, Sub-FHP Gearmotors, Drives and Accessories

IEC Motors

DC Motors

Gearmotors

AC / DC Controls

Accessories / Kits

Mods / Factory Options

X-Ref / Index

Tech Information

Terms / Warnings

Catalog No.	Page #	List \$
LM33121	62	889
LM33122	63	812
LM33123	63	814
LM33124	64	888
LM33125	64	733
LM33171	248	2,779
LM33247	254	1,004
LM33262	64	1,102
LM33266	84, 266	1,053
LM33337	71	830
LM33484	75	1,276
LM33485	75	1,101
LM33486	64	1,015
LM33487	65	1,186
LM33488	248	945
LM33489	72	994
LM33492	89	2,121
LM33561	63	1,140
LM33562	63	1,667
LM33563	64	1,181
LM33564	64	1,403
LM33565	65	1,503
LM33566	73	1,526
LM33567	74	1,130
LM33569	74	1,249
LM33570	75	1,253
LM33571	75	1,628
LM33573	71	1,087
LM33574	71	888
LM33575	72	1,243
LM33591	89	1,824
LM33595	93	3,680
LM33601	248	1,015
LM33603	248	1,024
LM33611	252	1,242
LM33612	252	993
LM33613	252	1,100
LM33614	252	899
LM33615	252	1,416
LM33616	252	1,186
LM33617	252	1,276
LM33621	257	992
LM33622	257	908
LM33624	257	1,186
LM33803	68	53,361
LM34006	64	1,292
LM34048	43	439
LM34049	43	472
LM34050	43	500
LM34051	43	512
LM34052	44	597
LM34053	44	730
LM34054	45	829
LM34055	51	533
LM34056	51	777
LM34057	51	809
LM34058	51	904
LM34059	20	566
LM34060	21	1,133
LM34061	254	477
LM34062	254	553
LM34063	254	610
LM34064	254	685
LM34065	254	745
LM34066	254	734
LM34067	254	772
LM34068	254	857

Catalog No.	Page #	List \$
LM34069	254	873
LM34097	48	32,162
LM34101	106	36,450
LM34108	123	1,800
LM34109	124	7,439
LM34110	124	21,053
LM34112	125	1,858
LM34113	125	1,957
LM34114	125	2,212
LM34115	123	1,656
LM34117	248	2,861
LM34118	255	2,258
LM34119	255	3,905
LM34120	255	8,334
LM34121	255	11,622
LM34123	255	3,567
LM34126	255	3,369
LM34127	255	12,799
LM34128	256	2,258
LM34129	256	2,604
LM34130	256	4,056
LM34133	257	2,593
LM34134	257	2,991
LM34139	62	784
LM34140	62	772
LM34141	62	601
LM34142	63	800
LM34144	64	847
LM34145	64	2,341
LM34149	256	9,038
LM34153	71	1,014
LM34154	70	965
LM34155	71	1,014
LM34158	70	915
LM34159	70	915
LM34160	71	962
LM34161	70	965
LM34162	70	962
LM34163	71	962
LM34165	71	1,053
LM34166	72	1,978
LM34167	73	947
LM34168	73	953
LM34169	73	663
LM34170	74	982
LM34171	74	846
LM34172	74	1,026
LM34173	74	851
LM34174	74	2,403
LM34178	121	775
LM34180	122	849
LM34181	122	849
LM34214	248	1,943
LM34215	248	1,186
LM34216	248	1,866
LM34217	248	1,979
LM34218	252	947
LM34221	252	663
LM34222	252	947
LM34223	252	982
LM34225	252	846
LM34227	252	851
LM34228	252	1,026
LM34229	252	1,026
LM34230	252	2,036
LM34232	256	829
LM34233	256	858

Catalog No.	Page #	List \$
LM34263	63	966
LM34264	64	967
LM34333	124	6,950
LM34334	125	2,760
LM34335	125	4,909
LM34336	125	7,643
LM34337	125	20,462
LM34340	250	36,114
LM34341	255	8,437
LM34342	255	11,418
LM34353	71	1,087
LM34354	123	1,889
LM34355	123	2,186
LM34356	124	1,857
LM34358	107	N/A
LM34359	107	N/A
LM34360	107	N/A
LM34361	107	N/A
LM34362	107	N/A
LM34363	107	N/A
LM34364	107	N/A
LM34365	107	9,694
LM34366	107	9,679
LM34367	107	12,833
LM34368	107	10,930
LM34369	107	13,448
LM34370	108	12,825
LM34371	108	23,008
LM34372	108	13,541
LM34373	108	19,239
LM34374	108	21,832
LM34375	108	13,618
LM34376	108	20,984
LM34377	108	14,898
LM34378	108	14,898
LM34379	108	21,492
LM34380	108	17,470
LM34381	108	21,320
LM34382	108	22,284
LM34383	108	22,284
LM34384	109	N/A
LM34385	109	N/A
LM34386	109	N/A
LM34387	109	N/A
LM34388	109	N/A
LM34389	109	9,818
LM34390	109	10,750
LM34391	109	13,953
LM34392	109	13,953
LM34393	109	14,485
LM34394	109	14,485
LM34395	109	14,810
LM34396	109	14,810
LM34397	109	15,157
LM34398	109	15,157
LM34399	109	18,435
LM34400	109	22,283
LM34401	110	N/A
LM34402	110	N/A
LM34403	110	11,358
LM34404	110	10,763
LM34405	110	12,603
LM34406	110	12,603
LM34407	110	15,214
LM34408	110	15,214
LM34409	110	15,970
LM34410	110	15,970



Leeson Catalog Number Index

Motors, Sub-FHP Gearmotors, Drives and Accessories

Catalog No.	Page #	List \$
LM34411	110	14,938
LM34412	110	15,385
LM34413	110	22,664
LM34414	110	19,503
LM34416	167	1,358
LM34417	167	1,294
LM34418	167	1,513
LM34419	167	1,549
LM34420	167	1,807
LM34421	168	1,637
LM34422	167	2,299
LM34423	167	3,183
LM34424	167	2,926
LM34425	167	3,796
LM34426	167	3,343
LM34427	168	1,322
LM34428	168	1,440
LM34429	168	1,382
LM34430	168	1,599
LM34431	167	2,556
LM34432	250	24,926
LM34528	68	40,676
LM80018	148	29,153
LM80020	148	30,192
LM80022	148	62,634
LM80027	147	5,165
LM80028	147	7,160
LM80029	147	5,799
LM80030	147	8,628
LM80031	147	7,995
LM80032	147	10,276
LM80033	147	10,084
LM80034	147	14,058
LM80035	147	12,184
LM80036	147	17,122
LM80037	147	16,285
LM80039	148	18,889
LM80041	148	23,360
LM80043	148	27,883
LM80045	148	29,153
LM80047	148	30,192
LM80049	148	62,634
LM80050	146	985
LM80051	146	985
LM80052	146	1,069
LM80053	146	1,069
LM80054	146	1,134
LM80055	146	1,134
LM80056	146	1,169
LM80057	146	1,169
LM80058	146	1,582
LM80059	146	1,582
LM80060	146	1,556
LM80061	146	1,556
LM80062	146	1,675
LM80063	146	1,675
LM80064	146	1,733
LM80065	146	1,733
LM80066	146	2,361
LM80067	146	2,361
LM80068	146	2,264
LM80069	146	2,264
LM80070	146	2,852
LM80071	146	2,852
LM80072	146	2,429
LM80073	146	2,429
LM80074	146	3,690

Catalog No.	Page #	List \$
LM80075	146	3,690
LM80076	146	2,949
LM80077	146	2,949
LM80078	147	4,380
LM80079	147	4,380
LM80080	147	3,526
LM80081	147	3,526
LM80082	148	64,388
LM80083	148	64,388
LM80084	147	6,133
LM80085	147	6,133
LM80086	147	5,165
LM80087	147	7,160
LM80088	147	5,799
LM80089	147	8,628
LM80090	147	7,995
LM80091	147	10,276
LM80092	147	10,084
LM80093	147	14,058
LM80094	147	12,184
LM80095	147	17,122
LM80096	147	16,285
LM80098	148	18,889
LM80100	148	23,360
LM80102	148	27,883
LM80103	143	1,870
LM80104	143	1,870
LM80105	143	2,625
LM80106	143	2,625
LM80107	143	2,812
LM80108	143	2,812
LM80109	143	3,094
LM80110	143	3,094
LM80111	143	3,137
LM80112	143	3,137
LM80113	143	3,481
LM80114	143	3,481
LM80115	143	3,481
LM80116	143	3,481
LM80117	143	3,320
LM80118	143	3,320
LM80119	143	3,709
LM80120	143	3,709
LM80121	143	3,709
LM80122	143	3,709
LM80123	144	3,699
LM80124	144	3,699
LM80125	144	7,010
LM80126	144	7,016
LM80127	144	7,016
LM80128	144	7,016
LM80129	144	6,853
LM80130	144	7,284
LM80131	144	7,301
LM80132	144	7,301
LM80133	144	7,301
LM80134	144	7,301
LM80135	144	7,133
LM80136	144	7,133
LM80137	144	8,976
LM80138	144	8,976
LM80139	144	8,976
LM80140	144	8,976
LM80141	144	8,500
LM80142	144	8,500
LM80143	144	9,600
LM80144	144	9,600

Catalog No.	Page #	List \$
LM80145	144	9,600
LM80146	144	9,600
LM80147	144	8,762
LM80148	144	8,762
LM80149	144	11,222
LM80150	144	11,222
LM80151	144	11,222
LM80152	144	11,222
LM80153	144	11,341
LM80154	144	11,341
LM80155	144	12,056
LM80156	144	12,056
LM80157	144	12,056
LM80158	144	12,056
LM80159	144	12,118
LM80160	144	12,118
LM80161	144	13,275
LM80162	144	13,275
LM80163	144	13,275
LM80164	144	13,275
LM80165	145	16,261
LM80166	145	16,261
LM80167	145	17,088
LM80168	145	17,088
LM80169	145	17,088
LM80170	145	17,088
LM80171	145	16,941
LM80172	145	16,941
LM80173	145	17,047
LM80174	145	17,047
LM80175	145	17,047
LM80176	145	17,047
LM80178	145	19,076
LM80180	145	25,309
LM80182	145	27,629
LM80183	147	5,165
LM80184	147	5,165
LM80185	147	7,995
LM80186	147	5,799
LM80187	147	5,799
LM80188	147	7,995
LM80189	147	10,084
LM80190	147	10,084
LM80191	147	12,184
LM80192	147	12,184
LM80193	147	16,285
LM80194	147	16,285
LM80195	148	18,889
LM80196	148	18,889
LM80197	148	23,360
LM80198	148	23,360
LM80199	148	27,883
LM80200	148	27,883
LM80201	148	29,153
LM80202	148	29,153
LM80203	148	30,192
LM80204	148	30,192
M002256.00	217	475
M002290.00	217	578
M009089.00	217	816
M009492.00	217	634
M009493.00	217	715
M009580.00	218, 240	520
M099251.00	229	492
M099260.00	206	379
M099261.00	206	447
M1110003.00	326	309

IEC Motors

DC Motors

Gearmotors

AC / DC Controls

Accessories / Kits

Mods / Factory Options

X-Ref / Index

Tech Information

Terms / Warnings



Leeson Catalog Number Index

Motors, Sub-FHP Gearmotors, Drives and Accessories

IEC Motors

DC Motors

Gearmotors

AC / DC Controls

Accessories / Kits

Mods / Factory Options

X-Ref / Index

Tech Information

Terms / Warnings

Catalog No.	Page #	List \$
M1110006.00	335	282
M1110014.00	326	298
M1110015.00	326	319
M1110024.00	315, 329	425
M1110025.00	318, 334	388
M1110026.00	318, 334	437
M1115000.00	343	542
M1115001.00	343	542
M1115002.00	343	542
M1115018.00	353	608
M1115019.00	353	608
M1115020.00	353	608
M1115021.00	353	608
M1115022.00	353	608
M1115024.00	345	777
M1115025.00	345	777
M1115026.00	345	777
M1115027.00	345	777
M1115028.00	345	715
M1115029.00	345	715
M1120013.00	326	331
M1120014.00	326	392
M1120027.00	326	424
M1120039.00	326	331
M1120040.00	335	331
M1120041.00	326	392
M1120042.00	326	428
M1120043.00	326	428
M1120044.00	335	437
M1120045.00	326	424
M1120046.00	335	463
M1120058.00	326	424
M1120059.00	326	392
M1120060.00	326	331
M1120062.00	326	447
M1120181.00	170, 327	531
M1120182.00	170, 327	553
M1120183.00	170, 327	538
M1120184.00	170, 327	560
M1120185.00	170, 327	586
M1120186.00	170, 327	608
M1125002.00	343	590
M1125003.00	343	590
M1125004.00	343	590
M1125005.00	343	560
M1125006.00	343	560
M1125033.00	343	560
M1125034.00	343	560
M1125035.00	343	590
M1125036.00	343	590
M1125037.00	343	590
M1125038.00	345	796
M1125039.00	345	733
M1125040.00	345	733
M1125041.00	345	733
M1125046.00	343	542
M1125047.00	343	542
M1125048.00	343	542
M1125050.00	363	565
M1125069.00	345	796
M1125070.00	345	796
M1125071.00	345	733
M1125072.00	345	733
M1125073.00	345	733
M1125074.00	345	733
M1125080.00	370	697
M1125081.00	370	697

Catalog No.	Page #	List \$
M1125082.00	370	697
M1125083.00	370	697
M1125084.00	370	697
M1125092.00	345	796
M1125093.00	345	733
M1125094.00	345	715
M1125127.00	363	565
M1125128.00	363	565
M1125129.00	363	565
M1125130.00	363	543
M1125131.00	363	543
M1125132.00	363	526
M1125133.00	363	526
M1125213.00	343	600
M1125214.00	343	637
M1125215.00	343	637
M1125217.00	345	796
M1125218.00	345	816
M1125219.00	345	750
M1125220.00	345	750
M1125247.00	347	672
M1125248.00	347	672
M1125249.00	347	672
M1125250.00	347	655
M1125251.00	347	655
M1125252.00	347	688
M1125253.00	347	688
M1125254.00	347	688
M1125255.00	347	672
M1125256.00	347	672
M1125261.00	172, 357	902
M1125262.00	172, 357	927
M1125263.00	172, 357	857
M1125264.00	172, 357	857
M1125265.00	172, 357	857
M1125266.00	172, 357	927
M1125267.00	172, 357	950
M1125268.00	174, 359	934
M1125269.00	174, 359	967
M1125270.00	174, 359	942
M1125271.00	174, 359	942
M1125272.00	174, 359	942
M1125273.00	174, 359	957
M1125274.00	174, 359	1,012
M1125275.00	176, 361	934
M1125276.00	176, 361	934
M1125277.00	176, 361	942
M1125278.00	176, 361	942
M1125279.00	176, 361	942
M1125280.00	176, 361	894
M1125281.00	176, 361	894
M1125282.00	374	723
M1125283.00	374	653
M1125284.00	374	600
M1125285.00	374	600
M1130053.00	326	439
M1130054.00	326	448
M1130055.00	326	464
M1130118.00	326	439
M1130119.00	326	448
M1130120.00	326	464
M1130136.00	315, 329	475
M1130137.00	315, 329	509
M1130138.00	315, 329	583
M1130139.00	315, 329	626
M1130140.00	315, 329	475
M1130141.00	315, 329	493

Catalog No.	Page #	List \$
M1130142.00	315, 329	538
M1130143.00	315, 329	597
M1130146.00	314, 328	475
M1130147.00	314, 328	509
M1130148.00	314, 328	583
M1130149.00	314, 328	626
M1130150.00	314, 328	475
M1130151.00	314, 328	493
M1130152.00	314, 328	538
M1130153.00	314, 328	597
M1130206.00	318, 334	494
M1130207.00	318, 334	565
M1130296.00	318, 334	494
M1130297.00	318	565
M1130297.00	334	565
M1135038.00	353	701
M1135039.00	353	701
M1135040.00	353	701
M1135041.00	353	701
M1135042.00	353	755
M1135043.00	353	755
M1135044.00	353	755
M1135045.00	353	755
M1135046.00	353	755
M1135053.00	353	608
M1135054.00	353	608
M1135055.00	353	608
M1135056.00	353	608
M1135057.00	353	608
M1135058.00	353	701
M1135059.00	353	701
M1135060.00	353	701
M1135061.00	353	701
M1135062.00	353	755
M1135063.00	353	755
M1135064.00	353	755
M1135065.00	353	755
M1135066.00	353	755
M1135069.00	353	701
M1135106.00	349	785
M1135107.00	349	785
M1135108.00	349	822
M1135109.00	349	822
M1135110.00	349	822
M1135111.00	349	777
M1135112.00	349	777
M1135113.00	349	777
M1135114.00	349	777
M1135115.00	349	822
M1135116.00	349	777
M1135117.00	349	822
M1135139.00	349	785
M1135140.00	349	785
M1135141.00	349	822
M1135142.00	349	822
M1135143.00	349	822
M1135144.00	349	822
M1135145.00	349	822
M1135146.00	349	777
M1135147.00	349	777
M1135148.00	349	777
M1135149.00	349	777
M1135150.00	349	777
M1135243.00	349	801
M1135244.00	349	840
M1135245.00	349	840
M1135246.00	349	796



Leeson Catalog Number Index

Motors, Sub-FHP Gearmotors, Drives and Accessories

Catalog No.	Page #	List \$
M1135249.00	353	715
M1135250.00	353	715
M1135251.00	353	766
M1135252.00	353	766
M1135284.00	355	745
M1135285.00	355	745
M1135286.00	355	756
M1135287.00	355	756
M1135288.00	355	756
M1135289.00	355	756
M1135290.00	355	756
M1135291.00	355	716
M1135292.00	355	716
M1135293.00	355	780
M1135294.00	355	780
M1135295.00	355	780
M1135296.00	355	780
M1135297.00	355	780
M1140171.00	85, 97	372
M1140172.00	85, 97	431
M1140173.00	85, 97	401
M1145023.00	365	845
M1145024.00	365	768
M1145025.00	365	768
M1145026.00	365	768
M1145027.00	365	768
M1145028.00	365	768
M1145029.00	365	845
M1145030.00	365	917
M1145031.00	365	917
M1145032.00	365	917
M1145033.00	365	841
M1145034.00	365	841
M1145035.00	365	841
M1145037.00	370	945
M1145038.00	370	945
M1145039.00	370	945
M1145040.00	370	945
M1145041.00	370	945
M1145082.00	370	945
M1145122.00	374	732
M1145123.00	374	732
M1145124.00	374	676
M1145125.00	374	676
M1145126.00	374	676
M1145127.00	375	894
M1145128.00	375	894
M1145129.00	375	894
M1145130.00	375	894
M1145131.00	375	894
M1145138.00	177, 365	962
M1145139.00	177, 365	962
M1145140.00	177, 365	883
M1145141.00	178, 371	808
M1145142.00	178, 371	991
M1145143.00	178, 371	991
M1145144.00	177, 365	962
M1145145.00	177, 365	962
M1145146.00	178, 371	991
M1145147.00	178, 371	991
M1740005.00	379	441
M1740006.00	379	596
M1740007.00	379	245
M1740008.00	379	383
M1740009.00	379	285
M1760000.00	372	44
M1760003.00	372	56

Catalog No.	Page #	List \$
M1760006.00	372	61
M1760007.00	372	44
M1760011.00	372	68
M1760012.00	372	46
M1760021.00	372	44
M1760029.00	372	71
M900195.00	231	253
M900196.00	231	298
M900197.00	231	390
M900277.00	231	488
M900599.00	231	610

IEC Motors

DC Motors

Gearmotors

AC / DC Controls

Accessories / Kits

Mods / Factory Options

X-Ref / Index

Tech Information

Terms / Warnings



MOTOR SELECTION

Electric motors are the workhorses of industry. Many applications exist where more than one motor can be used and/or the exact replacement is not available. LEESON makes every effort to maximize interchangeability, mechanically and electrically, where compromise does not interfere with reliability and safety standards. If you are not certain of a replacement condition, contact any LEESON Authorized Distributor or the LEESON District Sales Office.

SELECTION

Identifying a motor for replacement purposes or specifying a motor for new applications can be done easily if the following information is known:

1. Nameplate Data
2. Motor Type
3. Electrical and Performance Characteristics
4. Mechanical Construction

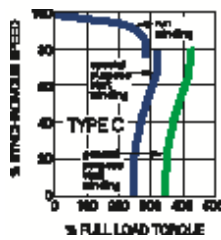
NAMEPLATE DATA

Nameplate data is the most important first step in determining motor replacement. Much of the information needed can generally be obtained from the nameplate of the motor to be replaced. Take time to record all the nameplate information because it can save time, avoid confusion and MISAPPLICATION.

MOTOR TYPE

Alternating current (AC) induction motors are divided into two electrical categories, based on power source—single phase and polyphase (three phase). Direct current (DC) motors are used in applications where precise speed control is required or when battery or generated direct current is the available power source.

TYPICAL SPEED TORQUE CURVES



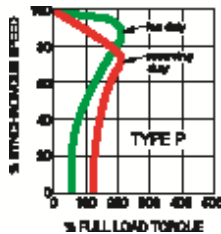
Capacitor Start/Induction Run

A single phase general purpose design, with an electrolytic capacitor in series with the start winding, offering maximum starting torque per ampere.

A centrifugal switch removes the auxiliary winding and capacitor when the motor approaches full load speed. The design is a heavy-duty unit which has approximately 300% (of full load) starting torque. Common applications include compressors, pumps, conveyors and other "hard-to-start" applications.

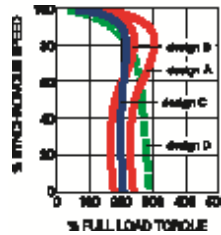
Capacitor Start/Capacitor Run

This design has two capacitors of different values. A centrifugal switch is used to remove the electrolytic capacitor when the motor approaches full load speed. A second run capacitor remains in series with the auxiliary winding during full load operation. This type of design has lower full-load amps as a result of the run capacitor and is consequently used on most higher horsepower single phase motors.



Permanent Split Capacitor (PSC)

This design has an auxiliary winding with a "run" capacitor, but unlike the capacitor start/induction run motor, the capacitor and auxiliary winding remain in the circuit under running conditions. (There is no centrifugal switch on this type motor.) A permanent split capacitor design has low starting torque and low starting current. They are generally used on direct-drive fans and blowers. They can also be designed for higher starting torque and intermittent applications, where rapid reversing is desired.

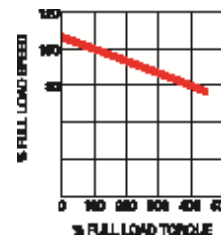


Three Phase or Polyphase

General purpose three phase motors have different electrical design classifications as defined by NEMA. NEMA Design A and B motors are of normal starting torque with normal starting current. NEMA Design C motors have higher starting torque with normal starting current. All three types have slip of less than 5%. ("Slip" being a term which expresses, as a percentage, the difference between synchronous motor speed and full load motor speed, for example, 1800 rpm synchronous versus a full load speed of 1740 rpm.

NEMA's Design B and C standards are minimum performance standards. In practice, some manufacturers (including LEESON) build small integral HP Design B motors with locked rotor and breakdown torque levels equalling NEMA Design C standards.

NEMA T frame motors 1 through 200 HP covered by EAct (identified with a "G" catalog prefix) are labeled Design B, exceed NEMA Design B performance levels, and have efficiencies equal to EAct mandated levels. EAct exempt three phase, base-mounted motors are labeled Design C and have performance characteristics meeting NEMA's Design C standards, with standard motor efficiencies. Motors 250 HP and larger are exempt from EAct legislation.



Permanent Magnet DC

This design has linear speed/torque characteristics over the entire speed range. SCR rated motor features include high starting torque for heavy load applications and dynamic braking, variable speed and reversing capabilities. Designs are also available for use on generated low voltage DC power or remote applications requiring battery power.

ELECTRICAL AND PERFORMANCE CHARACTERISTICS

One of the best ways to guarantee economical performance and long motor life is to make sure your motors operate at nameplate voltage. Applying too high a voltage may reduce the motor's efficiency and increase operating temperatures. The net result is shorter motor life.

Under-voltage can also shorten motor life. Operating on too low a voltage reduces the motor's effective horsepower. The motor will attempt to drive the load it was intended to drive, become overloaded, draw more current than normal, and overheat. Again, the result will be premature failure.

ENCLOSURES AND ENVIRONMENT

DRIP-PROOF: Venting in end frame and/or main frame located to prevent drops of liquid from falling into motor within a 15° angle from vertical. Designed for use in areas that are reasonably dry, clean, and well ventilated (usually indoors). If installed outdoors, it is recommended that the motor be protected with a cover that does not restrict the flow of air to the motor.

TOTALLY ENCLOSED AIR OVER (TEAO): Dust-tight fan and blower duty motors designed for shaft mounted fans or belt driven fans. The motor must be mounted within the airflow of the fan.

TOTALLY ENCLOSED NON-VENTILATED (TENV): No vent openings, tightly enclosed to prevent the free exchange of air, but not airtight. Has no external cooling fan and relies on convection for cooling. Suitable for use where exposed to dirt or dampness, but not for hazardous (explosive) locations.

TOTALLY ENCLOSED FAN COOLED (TEFC): Same as the TENV except has external fan as an integral part of the motor, to provide cooling by blowing air around the outside frame of the motor.

TOTALLY ENCLOSED, HOSTILE AND SEVERE ENVIRONMENT MOTORS: Designed for use in extremely moist or chemical environments, but not for hazardous locations.

TOTALLY ENCLOSED BLOWER COOLED MOTORS (TEBC): Used to extend the safe speed range of inverter-fed motors. Similar to TEFC except a small, constant-speed fan provides uniform airflow regardless of the drive motor's operating speed.

EXPLOSION-PROOF MOTORS: These motors meet Underwriters Laboratories and Canadian Standards Association standards for use in hazardous (explosive) locations, as indicated by the UL label affixed to the motor. Locations are considered hazardous because the atmosphere desor may contain gas, vapor, or dust in explosive quantities.

NEMA SERVICE FACTORS

HP	Enclosure	RPM		
		3600	1800	1200
1/4 - 1/3	Open	1.35	1.35	1.35
1/2 - 3/4	Open	1.25	1.25	1.25
1 & Larger	Open	1.15	1.15	1.15
All	Totally Enclosed	1.00	1.00	1.00

Most LEESON Totally Enclosed Motors have 1.15 Service Factor. Refer to the Service Factor information on each page to identify specific totally enclosed motors with NEMA 1.00 Service Factor or LEESON 1.15 Service Factor. All drip-proof motors have NEMA Service Factors of 1.15 or higher. **All three phase totally enclosed motors have NEMA Service Factors of 1.15 except when noted (ä).**

SCR PM DC MOTORS ON PWM POWER SUPPLIES

Pulse width modulated DC controls have a voltage output similar to pure direct current which has a form factor of 1.00. SCR thyristor drives, such as the SPEEDMASTER® controls listed on page 117, have a form factor of 1.4.

LEESON stock SCR rated motors can also be used with PWM controls. In fact, the motor's HP rating can be increased because of less heating in the motor. In addition, the motor will operate quieter and the brush life will be extended.

Rated HP 1.40 FF	Rated RPM	Rated Volts	Catalog Number	Rated HP 1.05 FF
1/4	1750	90	098002	0.40
1/4	1750	180	098003	0.50
1/3	1750	90	098004	0.50
1/3	1750	90	108424	0.56
1/3	1750	180	098005	0.50
1/2	2500	90	098006	0.75
1/2	2500	180	098007	0.70
1/2	1750	90	098000	0.70
1/2	1750	90	108014	0.75
1/2	1750	90	108226	0.75
1/2	1750	180	098008	0.56
1/2	1750	180	108015	0.70
1/2	1750	180	108227	0.70
3/4	2500	90	098009	1.00
3/4	2500	90	108016	1.00
3/4	2500	180	098010	1.00
3/4	2500	180	108017	0.86
3/4	1750	90	098032	1.00
3/4	1750	90	108018	1.00
3/4	1750	90	108228	1.25
3/4	1750	180	098069	1.00
3/4	1750	180	108019	1.00
3/4	1750	180	108229	1.25
1	2500	90	108020	1.50
1	2500	180	108021	1.50
1	1750	90	108022	1.25
1	1750	90	108230	1.25
1	1750	180	108023	1.25
1	1750	180	108231	1.25
1 1/2	2500	180	108265	2.00
1 1/2	1750	180	108092	1.75
1 1/2	1750	180	108262	1.75
1 1/2	1750	180	108232	1.75
1 1/2	1750	180	128000	-
2	2500	180	108266	3.00
2	1750	180	128001	-
2	1750	180	128010	-
3	2500	180	128008	-
3	1750	180	108502	-

METRIC (IEC) DESIGNATIONS

The International Electrotechnical Commission (IEC) is a European-based organization that publishes and promotes worldwide mechanical and electrical standards for motors, among other things. In simple terms, it can be said that IEC is the international counterpart to the National Electrical Manufacturers Association (NEMA), which publishes the motor standards used in the United States.

IEC standards are expressed in metric units.

IEC ENCLOSURE PROTECTION INDEXES

Like NEMA, IEC has designations indicating the protection provided by a motor's enclosure. However, where NEMA designations are word descriptive, such as Open Drip-Proof or Totally Enclosed Fan Cooled, IEC uses a two-digit Index of Protection (IP) designation. The first digit indicates how well-protected the motor is against the entry of solid objects, the second digit refers to water entry.

By way of general comparison, an IP22 motor relates to Open Drip-Proof, IP54 to totally enclosed.

Protection Against Solid Objects		Protection Against Liquids	
No.	Definition	No.	Definition
0	No protection	0	No protection
1	Protected against solid objects of over 50 mm (e.g. accidental hand contact)	1	Protected against water vertically dripping (condensation)
2	Protected against solid objects of over 12 mm (e.g. finger)	2	Protected against water dripping up to 15° from the vertical
3	Protected against solid objects of over 2.5 mm (e.g. tools, wire)	3	Protected against rain falling at up to 60° from the vertical
4	Protected against solid objects of over 1 mm (e.g. thin wire)	4	Protected against water splashes from all directions
5	Protected against dust	5	Protected against jets of water from all directions
6	Totally protected against dust	6	Protected against jets of water comparable to heavy seas
			Protected against the effects of immersion to depths of between 0.15 and 1m
			Protected against the effects of prolonged immersion at depth

IEC DESIGN TYPES

The electrical performance characteristics of IEC Design N motors in general mirror those of NEMA Design B—the most common type of motor for industrial applications. By the same token, the characteristics of IEC Design H are nearly identical to those of NEMA Design C. There is no specific IEC equivalent to NEMA Design D.

MOTOR EFFICIENCY TEST METHODS

Performance data of single phase motors is determined by using I.E.E.E. Std. 114 (Method B), three phase motors by I.E.E.E. Std. 112 (Method B). Motor efficiency is calculated using CSA C390. These testing methods meet the requirements of EPAct of 1992 and most utility companies.

For complete performance data on all LEESON motors, please review the Find-A-Product section on www.leeson.com.



Technical Information

IEC Motors

Motors Designed For Use In The Automotive Industry
Automotive Duty 56 frame and U Frame motors (pages 233-240) are designed to meet automotive industry specifications from General Motors (GM-7EQ, GM-7EH), Ford (EM1) and Chrysler (NPEM-100). Actual qualifications for individual ratings are indicated in the footnotes on the price pages.

DC Motors

Automotive Duty T Frame motors (pages 233-240) are designed to meet or exceed Ford EM1-1996 specification(see footnotes on the price pages).

UL Recognized Component Listing

Low voltage (< 600 V) motors in frames 48-449T and 182U-445U listed in this catalog (excludes REW, SREW, SEW, SSEW, MD and SE models) carry UL Recognized Component Listing (contact Lincoln for file number).

Web: www.ul.com

NAFTA

A NAFTA (North American Free Trade Agreement) Certificate of Origin can be supplied on request.

Canadian Standards Association (CSA)

Low voltage (< 600 V) motors in frames 48-449T and 182U-445U listed in this catalog have Canadian Standards Association approval (contact Lincoln for file number).



Web: www.csa-international.org

CE (Conformité Européene)

Lincoln offers a variety of CE-compliant motors. Copies of Lincoln's Declaration of Conformity for the Low Voltage Directive and Manufacturer's Declaration for the Machinery Directive are available on request.

Motors for Hazardous Locations

NEMA defines an explosion-proof motor as follows: "a totally-enclosed machine designed and constructed to withstand an explosion of a specified gas or vapor which may occur within it and to prevent ignition of specified gas or vapor surrounding the machine by sparks, flashes or explosions of the specified gas or vapor which may occur within the machine casing".

Typical applications include petroleum and chemical plants or pipelines, gasoline pumps and natural gas compressors.

A dust-ignition-proof motor is "a totally enclosed machine whose enclosure is designed and constructed in a manner which will exclude ignitable amounts of dust or amounts which might affect performance or rating, and which will not permit arcs, sparks, or heat otherwise generated or liberated inside of the enclosure to cause ignition of exterior accumulations or atmospheric suspensions of a specific dust on or in the vicinity of the enclosure. Successful operation of this type of machine requires avoidance of overheating from such causes as excessive overloads, stalling, or accumulation of excessive quantities of dust on the machine".

Typical applications include grain elevators, coal handling equipment, feed and cereal mills, sugar refineries and chemical plants. Both types of motors are submitted to Underwriters Laboratories (UL) for approval.

The following is a brief description of the hazardous locations of both gaseous and dusty atmospheres as classified by the National Fire Protection Association's (NFPA) National Electrical Code (NEC) and printed from the 1996 Handbook. Consult the National Electrical Code for more information on explosion proof regulations.

Class 1 Group Classifications:

Class C - Atmospheres containing ethyl ether, ethylene, or gases or vapors of equivalent hazard.

Class D - Atmospheres such as acetone, ammonia, benzene, butane, cyclopropane, ethanol, gasoline, hexane, methanol, methane, natural gas, naphtha, propane, or gases or vapors of equivalent hazard.

Class 2 Group Classifications:

Group F - atmospheres containing carbonaceous dusts, including carbon black, charcoal, coal or coke dusts that have more than 8% total entrapped volatiles, or dusts that have been sensitized by other materials so that they present an explosion hazard.

Group G - atmospheres containing combustible dusts not included in Group E or F, including flour, grain, wood, plastic, and chemicals.

BAKING INDUSTRY SANITATION STANDARDS COMMITTEE

WASHGUARD II, stainless steel washdown duty motors, NEMA frames 56, 143T, 145T, 182T and 184T are certified to Standard No. 29 for Electric Motors and Accessory Equipment, authorization number 769. The WBMQ Series of gear reducers are BISSC certified to Standard No. 29 for Electric Motors and Accessory Equipment, authorization number 941.

SAUDI ARABIAN STANDARDS ORGANIZATION

SCCP Ref. No.: R-100157

U.S. DEPARTMENT OF ENERGY (DOE)

Compliance Certification (CC) number: CC005A

Gearmotors

AC / DC Controls

Accessories / Kits

Motors / Factory Options

X-Ref / Index

Tech Information

Terms / Warnings

The CE Mark

CE is an acronym for the French phrase "Conformite Europeene" and is similar to the UL or CSA marks of North America. However, unlike UL or CSA which require independent laboratory testing, the CE mark can be applied by the motor manufacturer through "self certifying" that its products are designed to the appropriate standards. The European Union has issued 24 directives related to the CE mark. Three Directives apply to electric motors.

Low Voltage Directive (2006/95/EC) This directive applies to electrical equipment operating in the voltage range of 50-1000 volts AC or 75-1500 volts DC. Virtually all LEESON motors (except low voltage DC) are included in this directive.

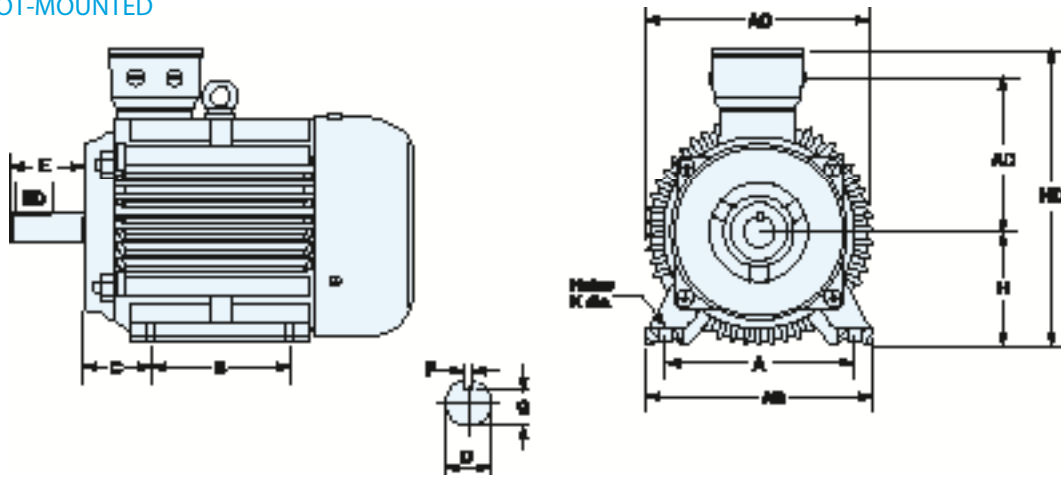
Based on our testing to the applicable electrical and mechanical standards EN60034 and IEC 34, LEESON certifies conformity to this directive. All three phase 50 Hz stock motors comply with the nameplate designations, lead markings and connection diagrams required. A "Declaration of Conformity" accompanies these motors and a CE label is applied.

Machinery Directive (89/3392/EEC) This directive applies to machinery that may contain certain motors. This is an issue with equipment manufacturers and requires the use of a motor meeting the Low Voltage Directive and requires a "Declaration of Incorporation" document which means that only the motor complies with the requirements of the Low Voltage Directive. A CE label is applied to the motor but it remains the responsibility of the equipment manufacturer to obtain certification for the finished product.

Electromagnetic Compatibility (EMC) Directive (2004/108/EC) This directive addresses the final product and is again a concern for the equipment manufacturer. Since this Directive addresses electromagnetic interference (EMI) concerns, it does not affect three phase AC motors because they do not produce EMI. DC motors, however, do produce EMI. How much of the "noise" is emitted outside the machine depends on a host of factors. LEESON's Engineering Department can assist OEM's in applying DC motors in machinery destined for Europe and requiring certification to the EMC Directive.



B3 FOOT-MOUNTED

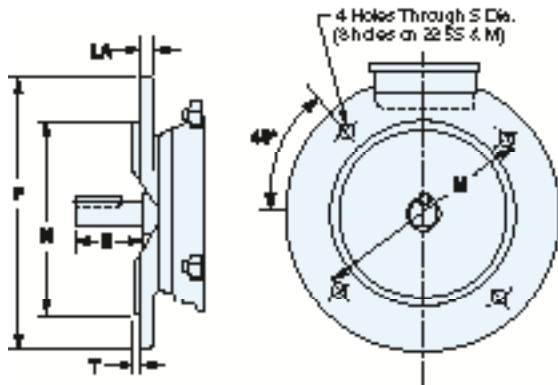


METRIC (IEC) FRAME DIMENSIONS (Millimeters)

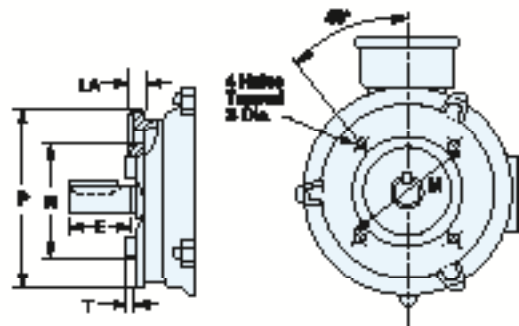
Frame	Mounting						Shaft						General			B5 Flange					B14 Face						
	A	B	C	H	AB	K	D	E	F	G	ED	DH	AC	AD	HD	M	N	P	S	T	LA	M	N	P	S	T	LA
D56	90	71	36	56	107	6	9	20	3	7.5	8	M3 x 8	-	-	-	100	80	120	7	2.5	7	65	50	80	M5	2.5	7
D63	100	80	40	63	122	7	11	23	4	8.5	10	M4 x 10	126	84	171	115	95	140	10	3.0	7	75	60	90	M5	2.5	7
D71	112	90	45	71	136	7	14	30	5	11.0	20	M5 x 12.5	141	94	191	130	110	160	10	3.5	7	85	70	105	M6	2.5	9
D80	125	100	50	80	154	10	19	40	6	15.5	25	M6 x 16	159	102	206	165	130	200	12	3.5	12	100	80	120	M6	3.0	9
D90S	140	100	56	90	172	10	24	50	8	20.0	32	M8 x 19	180	112	229	165	130	200	12	3.5	12	115	95	140	M8	3.0	9
D90L	140	125	56	90	172	10	24	50	8	20.0	32	M8 x 19	180	112	229	165	130	200	12	3.5	12	115	95	140	M8	3.0	9
DF100L	160	140	63	100	205	12	28	60	8	24.0	40	M10 x 22	205	130	270	215	180	250	15	4.0	11	130	110	160	M8	3.5	14
DF112M	190	140	70	112	230	12	28	60	8	24.0	40	M10 x 22	240	150	300	215	180	250	15	4.0	12	130	110	160	M8	3.5	11
DF132S	216	140	89	132	270	12	38	80	10	33.0	56	M12 x 28	275	180	345	265	230	300	15	4.0	12	165	130	200	M10	3.5	14
DF132M	216	178	89	132	270	12	38	80	10	33.0	56	M12 x 28	275	180	345	265	230	300	15	4.0	12	165	130	200	M10	3.5	14
DF160M	254	210	108	160	320	15	42	110	12	37.0	80	M16 x 36	330	210	420	300	250	350	19	5.0	13	215	180	250	M12	4.0	13
DF160L	254	254	108	160	320	15	42	110	12	37.0	80	M16 x 36	330	210	420	300	250	350	19	5.0	13	215	180	250	M12	4.0	13
DF180M	279	241	121	180	355	15	48	110	14	42.5	80	M16 x 36	360	236	455	300	250	350	19	5.0	15	-	-	-	-	-	-
DF180L	279	279	121	180	355	15	48	110	14	42.5	80	M16 x 36	360	236	455	300	250	350	19	5.0	15	-	-	-	-	-	-
DF200L	318	305	133	200	395	19	55	110	16	49.0	100	M20 x 42	420	260	505	350	300	400	19	5.0	18	-	-	-	-	-	-
DF225S	356	286	149	225	435	19	55*/60	110*/140	16*/18	49*/53	100*/125	M20 x 42	450	275	580	400	350	450	19	5.0	18	-	-	-	-	-	-
DF225M	356	311	149	225	435	19	55*/60	110*/140	16*/18	49*/53	100*/125	M20 x 42	450	275	580	400	350	450	19	5.0	18	-	-	-	-	-	-
DF250M	406	349	168	250		24	60*/65	140*/140	18*/18	53*/58	125*/125	M20 x 42	508	300	625	-	-	-	-	-	-	-	-	-	-	-	-

* 2 Pole Dimensions

The overall length dimension for each catalog item is listed on pages 148-151 of this catalog. Frames DF100L through DF132M, conduit box is located in the center of the frame.



B5 FLANGE

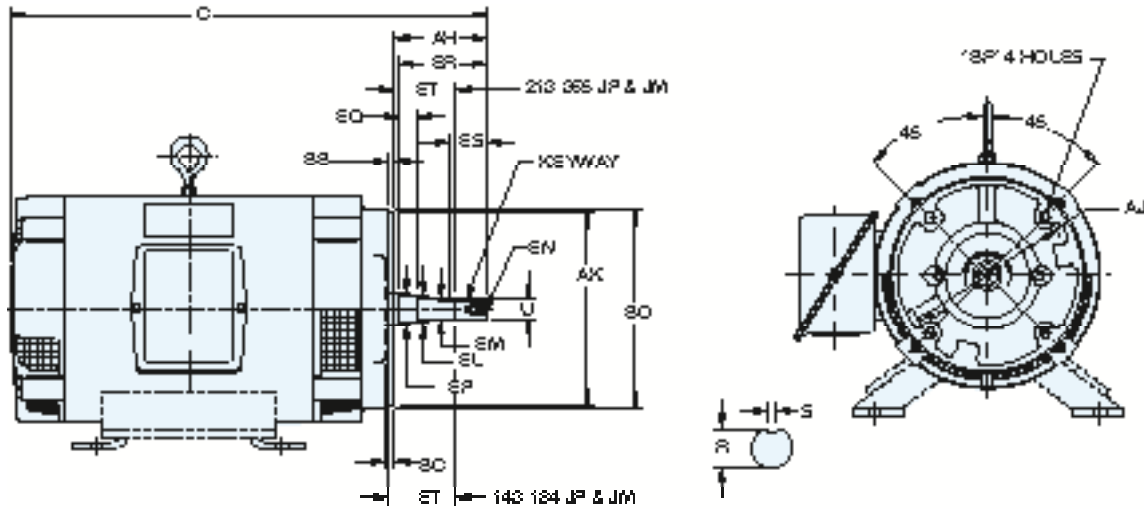


B14 FACE

Technical Information

Dimensions - Definite Purpose - Close Coupled Pump Motors

TYPICAL CLOSE COUPLED PUMP MOTOR



For standard NEMA base dimensions, see pages 280 and 282.

Dimensions for Type JM

Frame Desig.	U	AH	AJ	AK	BB	BD Max.	No.	BF		EL	EM	Tap Size	Tap Drill Depth Max.	Bolt Pen. Allow.	EP Min.	EQ	ER Min.	Keyseat			ET
								Tap Size	Bolt Pen. Allow.									R	ES Min.	S	
143 & 145JM	0.8745 0.8740	4.15 4.10	5.890 5.860	4.500 4.497	0.150 0.10	6.62	4	3/8-16	0.56	1.156 1.154	1.0000 0.9995	3/8-16	1.12	0.75	1.156 0.610	0.640 0.610	4.25	0.771 0.756	1.65 0.188	0.190 0.188	2.890 2.860
182 & 184JM	0.8745 0.8740	4.13 4.09	5.89 5.86	4.500 4.497	0.16 0.125	6.62	4	3/8-16	0.56	1.250 1.248	1.0000 0.9995	3/8-16	1.12	0.75	1.250 0.610	0.640 0.610	4.25	0.771 0.756	1.65 0.188	0.190 0.188	2.890 2.860
213 & 215JM	0.8750 0.8745	4.25 4.235	7.265 8.497	8.500 8.497	0.312 0.250	9.00	4	1/2-13	0.75	1.250 1.248	1.0000 0.9995	3/8-16	1.12	0.75	1.750 0.610	0.640 0.610	4.25	0.771 0.756	1.65 0.188	0.190 0.188	2.890 2.860
254 & 256JM	1.2495 1.2490	5.25	7.250	8.500 8.497	0.312 0.250	10.00	4	1/2-13	0.75	1.750 1.748	1.3750 1.3745	1/2-13	1.50	1.00	1.750 0.610	0.640 0.610	5.25	1.112 1.097	2.53 0.250	0.252 0.250	3.015 2.985
284 & 286JM	1.2495 1.2490	5.281 5.219	11.00	12.500 12.495	0.312 0.250	14.00	4	5/8-11	0.94	1.750 1.748	1.3750 1.3745	1/2-13	1.50	1.00	2.125 0.605	0.645 0.605	5.25	1.112 1.097	2.53 0.250	0.252 0.250	3.020 2.980
324 & 326JM	1.2495 1.2490	5.281 5.219	11.00	12.500 12.495	0.312 0.250	14.00	4	5/8-11	0.94	1.750 1.478	1.3750 1.3745	1/2-13	1.50	1.00	2.125 0.605	0.645 0.605	5.25	1.112 1.097	2.53 0.250	0.252 0.250	3.020 2.980

Dimensions for Type JP

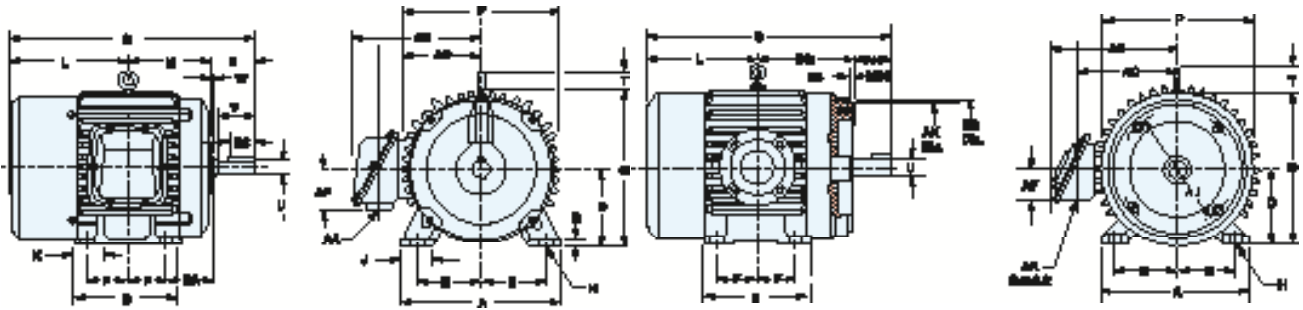
Frame Desig.	U	AH	AJ	AK	BB	BD Max.	No.	BF		EL	EM	Tap Size	Tap Drill Depth Max.	Bolt Pen. Allow.	EP Min.	EQ	ER Min.	Keyseat			ET
								Tap Size	Bolt Pen. Allow.									R	ES Min.	S	
143 & 145JP	0.8745 0.8740	7.19 7.15	5.890 5.860	4.500 4.497	0.156 0.125	6.62	4	3/8-16	0.56	1.156 1.154	1.0000 0.9995	3/8-16	1.12	0.75	1.156 1.548	1.578 1.548	7.312	0.771 0.756	1.65 0.188	0.190 0.188	5.952 5.922
182 & 184JP	0.8745 0.8740	7.21 7.15	5.890 5.860	4.500 4.497	0.156 0.100	6.62	4	3/8-16	0.56	1.250 1.248	1.0000 0.9995	3/8-16	1.12	0.75	1.250 1.548	1.578 1.548	7.312	0.771 0.756	1.65 0.188	0.190 0.188	5.952 5.922
213 & 215JP	1.2495 1.2490	8.12	7.250	8.500 8.497	0.312 0.250	9.00	4	1/2-13	0.75	1.750 1.748	1.3750 1.3745	1/2-13	1.50	1.00	1.750 2.360	2.390 2.360	8.125	1.112 1.097	2.53 0.250	0.252 0.250	5.890 5.860
254 & 256JP	1.2495 1.2490	8.156 8.094	7.250	8.500 8.497	0.312 0.250	10.00	4	1/2-13	0.75	1.750 1.748	1.3750 1.3745	1/2-13	1.50	1.00	1.750 2.360	2.390 2.360	8.125	1.112 1.097	2.53 0.250	0.252 0.250	5.890 5.855
284 & 286JP	1.2495 1.2490	8.156 8.094	11.00	12.500 12.495	0.312 0.250	14.00	4	5/8-11	0.94	1.750 1.748	1.3750 1.3745	1/2-13	1.50	1.00	2.125 2.360	2.390 2.360	8.125	1.112 1.097	2.53 0.250	0.252 0.250	5.895 5.860
324JP & 326JP	1.2495 1.2490	8.12	11.00	12.500 12.495	0.312 0.250	14.00	4	5/8-11	0.94	1.750 1.748	1.3750 1.3745	1/2-13	1.50	1.00	2.125 2.355	2.395 2.355	8.125	1.112 1.097	2.53 0.250	0.252 0.250	5.895 5.855
364JP & 365JP	1.6245 1.6240	8.12	11.00	12.500 12.495	0.312 0.250	14.00	4	5/8-11	0.94	2.125 2.13	1.7500 1.7495	1/2-13	1.50	1.00	2.500 2.355	2.395 2.355	8.125	1.416 1.401	2.53 0.375	0.377 0.375	5.895 5.855

All dimensions are measured in inches. For "C" dimensions, refer to the appropriate catalog page. Certified drawings are available upon request - contact LEESON for details.



RIGID MOUNT 158 SERIES

C FACE 158 SERIES



NEMA EXPLOSION-PROOF • 158 SERIES • RIGID MOUNT DIMENSIONS (Inches)

Frame Size	A	B	D	E	F	G	H	J	K	L	M	N	O	P	T	U	V	N-W	ES	AA	AB	AC	AF	BA	KEY
182T	9	6/7	4 1/2	3 3/4	2 1/4 / 2 3/4	7/16	7/16	1 3/4	1 7/8	6 13/16 / 7 5/16	4 15/16 / 5 7/16	2 13/16 / 2 15/16	9 1/8	9 1/4	—	1.125	2 1/2	2 3/4	1 7/8	3/4	7 13/16	6 9/16	3 1/8	2 3/4	
213T	10 1/2	7/8 1/2	5 1/4	4 1/4	2 3/4 / 3 1/2	7/16	7/16	2	1 7/8	8 1/8 / 8 7/8	6 7/16 / 6 15/16	3 7/16	10 1/2	10 1/2	2 5/16	1.375	3 1/8	3 1/4	2 7/16	1	9 1/4	7 5/8	3 1/2	3 1/2	5/16
215T																									
254T	12 1/2	10 1/4 / 12	6 1/4	5	4 1/8 / 5	5/8	9/16	2 1/2	2 5/8	10 3/8 / 11 1/4	8 7/16 / 9 1/16	4 1/16	12 1/2	12 1/2	2 5/16	1.625	3 3/4	3 7/8	2 15/16	1 1/4	10 1/4	8 7/8	3 7/8	4 1/4	
284T		11 1/2		4 3/4						11 13/16	9 7/16	4 11/16 / 3 5/16				1.875	4 3/8	4 1/2	3 1/4						1/2
284TS	13 3/4		7	5 1/2		5/8	9/16	2 1/2	2 3/4			3 5/16	14	14	2 7/16	1.625	3	3 1/8	1 15/16	1 1/2	12 1/8	10	4 7/16	4 3/4	3/8
286T		13		5 1/2						12 9/16	10 3/16	4 11/16 / 3 5/16				1.875	4 3/8	4 1/2	3 1/4						1/2
286TS												3 5/16				1.625	3	3 1/8	1 15/16						3/8
324T		13 1/4		5 1/4						13 3/16	10 7/16	5 5/16 / 3 13/16				2.125	5	5 1/8	4						
324TS	15 1/2		8	6 1/4		5/8	1 1/16	2 3/4	3 1/8			3 13/16	16	16	2 3/8	1.875	3 1/2	3 5/8	2	2	14 3/8	11 3/4	5 3/8	5 1/4	
326T		14 3/4		6						13 15/16	11 3/16	5 5/16 / 3 13/16				2.125	5	5 1/8	3						
326TS												3 13/16				1.875	3 1/2	3 5/8	2 1/16						
364T				5 5/8						16 1/16	11 3/8	6 / 3 7/8				2.375	5 3/8	5 3/4	4 1/4						5/8
364TS	17	15	9	7		7/8	1 1/16	2 3/4	3 7/8			3 7/8	18 1/2	19	12 7/8	1.875	3 1/2	3 5/8	2 1/16	3	16 1/16	13 3/16	6 7/8	5 7/8	1/2
365T				6 1/8						15 9/16	11 7/8	6 / 3 7/8				2.375	5 3/8	5 3/4	4 1/4						5/8
365TS												3 7/8				1.875	3 1/2	3 5/8	2 1/16						1/2
405T	19	16	10	8	6 7/8	1 1/8	1 3/16	3 1/4	3 1/4	17 9/16	13 1/8	7 7/8 / 4 5/8	21 5/16	22 5/16	2 15/16	2.875	7	7 1/8	5 11/16	4	16 3/8	13 1/4	7 1/2	6 5/8	3/4
405TS												4 5/8				2.125	4	4 1/8	2 7/8						1/2

NEMA EXPLOSION-PROOF • 158 SERIES • C FACE DIMENSIONS (Inches)

FRAME SIZE	A	B	D	E	F	H	L	O	P	T	U	V	AH	AJ		BB	AK	BD	BG	AA	AB	AC	AF	KEYWAY
														DIA.	BARR.									
182T	9	6/7	4 1/2	3 3/4	2 1/4	7/16	6 5/8	9 1/8	9 1/4	—	1.1250	2 1/2	2 5/8	7 1/4	4	9/32	8.500	8 3/4	5 7/8	3/4	9 3/8	7 1/8	2 1/2	1/4
184T		7		2 3/4	2 3/4	7/16	7 1/8											6 3/8						

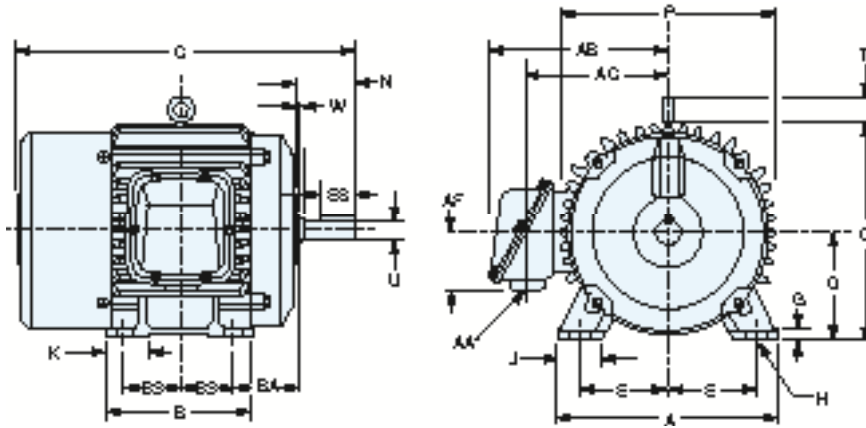
The condensed dimensions shown on these pages are for general reference only and are not for construction. The overall length or "C" dimension for each catalog item is included in this catalog. [Certified drawings of all ratings are available for construction purposes.](#)



Technical Information

Dimensions - NEMA Explosion Proof - G Series

RIGID MOUNT G-SERIES



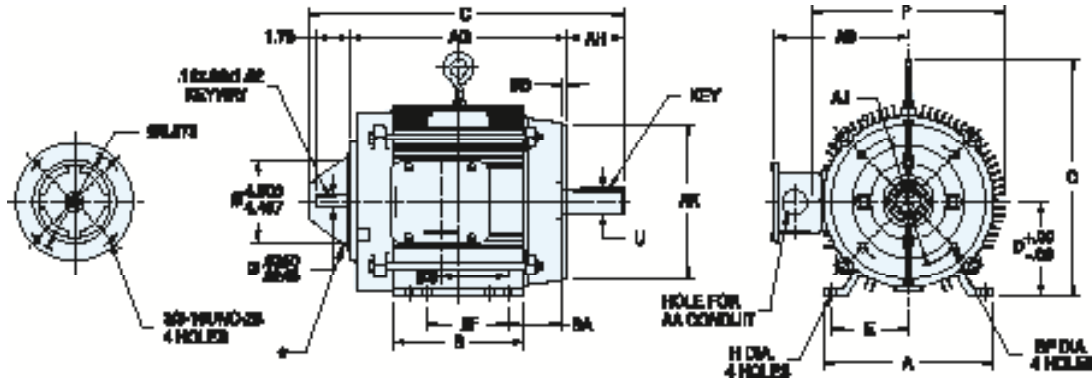
NEMA EXPLOSION-PROOF • G-SERIES • RIGID MOUNT DIMENSIONS (Inches)

Frame Size	A	B	D	E	2F*	G	H	J	K	N	O	P	T	U	N-W	ES	AA	AB	AC	AF	BA	BS	KEY	C Dim
182T 184T	8.88	7.75	—	3.75	6.75	0.45	0.41-0.46	1.56	—	2.78	9.36	9.76	2.62	1.125	2.75	1.75	0.75	9.73	7.13	—	2.75	3.37	0.25	17.12
213T 215T	10.38	8.50	5.19 5.25	4.25	7.00	0.60	0.44	1.87	—	3.41	10.60	11.50	2.62	1.375	3.38	2.38	0.75	10.94	8.32	2.55	3.50	3.50	0.31	20.18
254T 256T	12.12	10.25	6.19 6.25	5.00	8.25 10.00	0.55	0.53-0.58	2.08	—	4.19	14.07	14.12	—	1.625	4.00	2.88	1.25	13.67	10.65	3.12	4.25	4.12 5.00	0.38 0.38	23.52 25.27
284T 284TS 286T 286TS	13.00	11.50 13.00	6.94 7.00	5.50 11.00	9.50	0.88	0.53-0.58	2.50	2.50	—	14.74	15.50	3.25	1.875 1.625 1.875 1.625	5.25 4.62	3.88 1.88 3.25 1.88	2.00	15.33	11.44	5.38	4.75	4.75 5.50	0.50 0.38 0.50 0.38	26.30 24.94 27.80 26.44
324T 324TS 326T 326TS	15.75	13.00 14.50	7.94 8.00	6.25 12.00	10.50	0.86	0.66-0.71	3.50	—	—	17.10	16.00	3.25	4.00 5.50 4.00	3.75 5.25 3.75	2.00 3.88 2.00	2.00	16.50	12.64	5.38	5.25	5.25 6.00	0.50 0.50	28.87 27.37 30.37 28.87
364T 364TS 365T 365TS	17.75	13.25 14.25	8.94 9.00	7.00 12.25	11.25	1.12	0.66-0.71	4.00	3.25	—	19.00	20.00	3.62	6.12 4.00 6.12 4.00	5.88 3.75 5.88 3.75	4.24	2.50	19.75	14.50	5.38	5.88	5.62 0.62 6.12	0.62	31.50 29.38 32.50 30.38
405T 405TS	19.25	16.25	—	8.00	13.75	1.12	0.81-0.86	4.25	3.75	—	20.87	21.75	3.62	7.50 4.50	7.25 4.25	5.62 2.75	2.50	21.50	16.38	5.38	6.62	6.88	0.75 0.50	37.12 34.12
444T 444TS 445T 445TS 449T 449TS	21.50	18.00 19.75 28.25	10.94	9.00	14.50 16.50 25.00	1.25 1.22 1.25	0.81-0.86	3.75	4.50 5.12 9.88	—	23.12 24.11 24.19	24.25 26.31 26.31	3.62 2.44 0.77	8.75 5.00 8.75 5.00	8.50 4.75 8.50 4.75	6.88 3.00 6.88 3.00	2.50 3.00	22.75 27.24 26.09	17.50 20.06 18.88	5.38	7.50	7.25 8.25 1.78	0.88 0.62 0.88 0.62	41.25 37.50 43.19 39.44 51.69 47.97

* 182-4T and 213-5T frames have eight-hole bases, 449T and TS frames have six-hole bases. Others have four-hole bases.



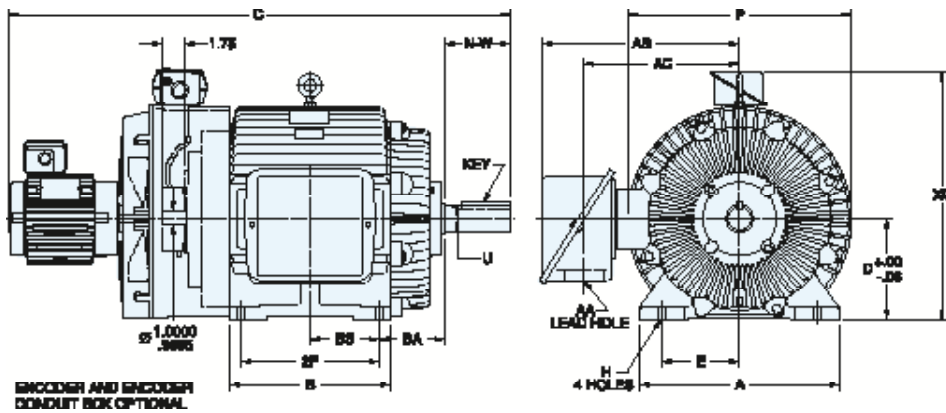
TENV—C FACE, RIGID BASE



TENV • C FACE • RIGID BASE • DIMENSIONS (Inches)

Frame Size	D	E	2F	H	O MAX.	P MAX.	U	AA	AB MAX.	AG MAX.	AH	AJ	AK	BA	BB	BF	BS	KEY
143TC	3.50	2.75	4.00	.38	7.45	7.98	.875	1.09	7.04	9.25	2.12	5.875	4.50	2.62	.13	3/8-16	2.81	.19 x .19 x 1.38
145TC	3.50	2.75	5.00	.35	7.45	7.98	.875	1.09	7.04	10.25	2.12	5.875	4.50	2.62	.13	3/8-16	3.81	.19 x .19 x 1.38
182TC	4.50	3.75	4.50	.41	9.36	9.76	1.125	1.09	8.08	11.75	2.62	7.250	8.50	3.50	.27	1/2-13	2.25	.25 x .25 x 1.75
184TC	4.50	3.75	5.50	.41	9.36	9.76	1.125	1.09	8.08	12.75	2.62	7.250	8.50	3.50	.27	1/2-13	2.75	.25 x .25 x 1.75
213TC	5.25	4.25	5.50	.44	10.97	11.50	1.375	1.09	9.31	15.12	3.12	7.250	8.50	4.25	.27	1/2-13	3.50	.31 x .31 x 2.38
215TC	5.25	4.25	7.00	.44	10.97	11.50	1.375	1.09	9.31	17.31	3.12	7.250	8.50	4.25	.27	1/2-13	6.18	.31 x .31 x 2.38
254TC	6.25	5.00	8.25	.53	14.09	14.27	1.625	1.25	9.83	19.06	3.75	7.250	8.50	4.75	.27	1/2-13	6.31	.38 x .38 x 2.88
256TC	6.25	5.00	10.00	.56	14.09	14.27	1.625	1.25	11.08	18.82	3.75	7.250	8.50	4.75	.27	1/2-13	5.00	.38 x .38 x 2.88
284TC	7.00	5.50	9.50	.56	14.16	14.32	1.875	1.50	12.31	20.57	4.38	9.000	10.50	4.75	.27	1/2-13	5.50	.50 x .50 x 3.25

TBEC—TOTALLY ENCLOSED BLOWER COOLED, RIGID BASE



TBEC • TOTALLY ENCLOSED BLOWER COOLED • RIGID BASE • DIMENSIONS (Inches)

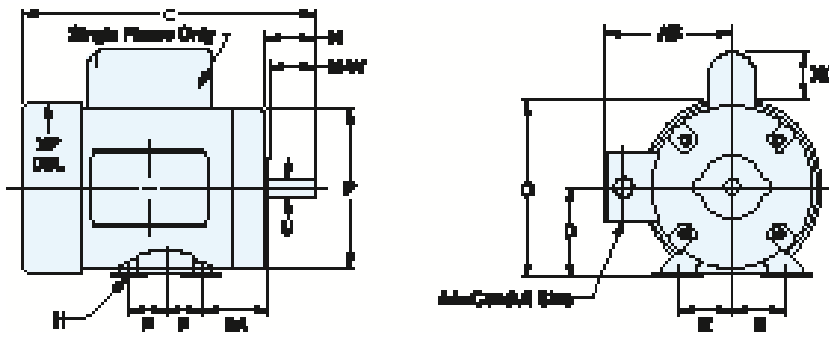
Frame Size	D	E	2F	H	O MAX.	P MAX.	U	AA	AB MAX.	AC MAX.	BA	BS	FU	N-W	KEY
325T	8.00	6.25	10.50	.66	16.00	15.88	2.12	2.00	13.69	10.69	5.25	5.25	1.00	5.25	.50 x .50 x 3.88
326T	8.00	6.25	12.00	.66	16.00	15.88	2.12	2.00	13.69	10.69	5.25	6.00	1.00	5.25	.50 x .50 x 3.88
364T	9.00	7.00	11.25	.66	19.00	20.00	2.38	3.62	17.85	14.56	5.88	5.62	1.00	5.88	.62 x .62 x 4.25
365T	9.00	7.00	12.25	.66	19.00	20.00	2.38	3.62	17.85	14.56	5.88	6.12	1.00	5.88	.62 x .62 x 4.25
404T	10.00	8.00	12.25	.81	20.88	21.75	2.88	3.62	18.75	14.75	6.62	6.12	1.00	7.25	.75 x .75 x 5.62
405T	10.00	8.00	13.75	.81	20.88	21.75	2.88	3.62	19.75	16.25	6.62	6.88	1.00	7.25	.75 x .75 x 5.62
444T	11.00	9.00	14.50	.81	24.19	25.31	3.38	3.62	20.94	17.38	7.50	7.25	1.00	8.50	.88 x .88 x 6.88
445T	11.00	9.00	16.50	.81	24.19	26.31	3.38	3.62	20.94	17.38	7.50	8.25	1.00	8.50	.88 x .88 x 6.88
449T	11.00	9.00	25.00	.81	24.22	26.31	3.38	4.62	25.90	19.31	7.50	1.78	1.00	8.50	.88 x .88 x 6.88



Technical Information

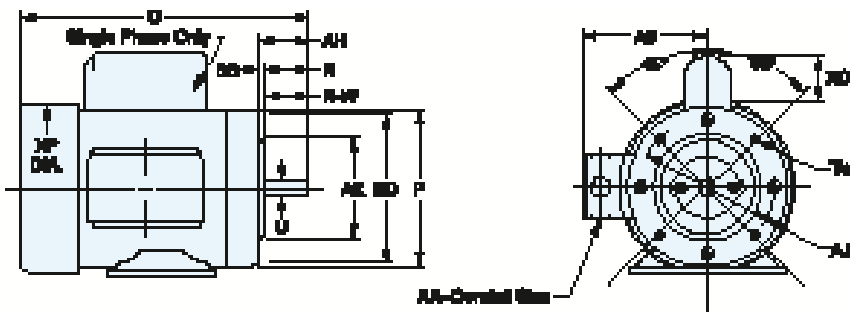
Dimensions - NEMA Steel Frame Motors

RIGID MOUNT



The condensed dimensions shown on these pages are for general reference only and are not for construction. The overall length or "C" dimension for each catalog item is included in this catalog. **Certified drawings of all ratings are available for construction purposes.**

C FACE



NEMA SHAFT AND KEYWAY DIMENSIONS (Inches)

NEMA SHAFT (U)	KEYWAY DIMENSIONS		NEMA SHAFT (U)	KEYWAY DIMENSIONS	
	(R)	(S)		(R)	(S)
3/8	21/64	FLAT	1-7/8	1-19/32	1/2
1/2	29/64	FLAT	2-1/8	1-27/32	1/2
5/8	33/64	3/16	2-3/8	2-1/64	5/8
7/8	49/64	3/16	2-1/2	2-3/16	5/8
1-1/8	63/64	1/4	2-7/8	2-29/64	3/4
1-3/8	1-13/64	5/16	3-3/8	2-7/8	7/8
1-5/8	1-13/32	3/8	3-7/8	3-5/16	1

S is keyway width.
U minus R is keyway depth.

NEMA STEEL FRAME DIMENSIONS (Inches)

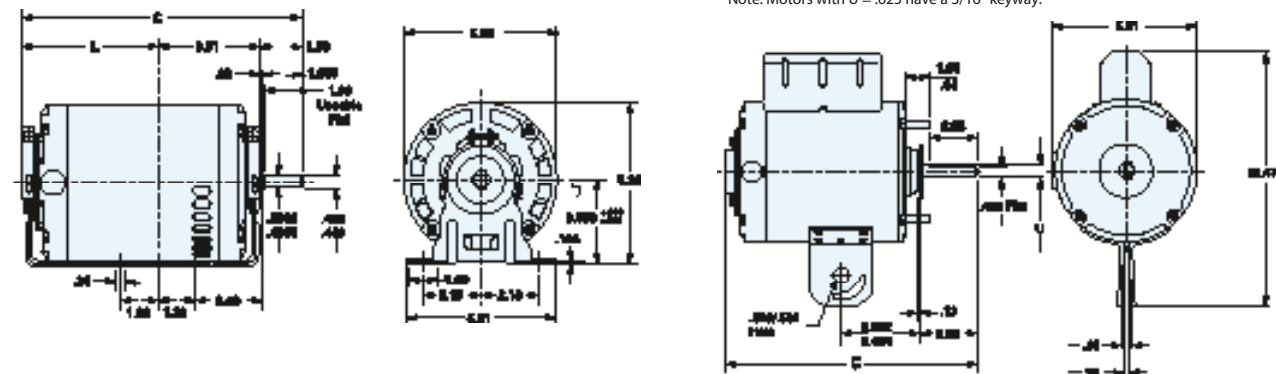
Frame Size	D	E	F	H	N	O	P	U	N-W	AA	AB	AH	AJ	AK	BA	BB	BD	XO	XP	TAP **	KEY	
42	2 ⁵ / ₈	1 ³ / ₄	27/32	9/32 Slot	1 ³ / ₁₆	5 ¹ / ₁₆	4 ⁷ / ₈	3/8	1 ¹ / ₈	3/8	4 ¹ / ₂	1 ⁵ / ₁₆	3 ³ / ₄	3	2 ¹ / ₁₆	1/8	4 ⁷ / ₈	1 ⁵ / ₈	5 ¹ / ₈	1/4-20	3/64 Flat	
48	3	2 ¹ / ₈	1 ³ / ₈	11/32 Slot	1 ⁹ / ₁₆	5 ¹³ / ₁₆	5 ¹⁹ / ₃₂	1/2	1 ¹ / ₂	1/2	4 ⁷ / ₈	1 ¹¹ / ₁₆	3 ³ / ₄	3	2 ¹ / ₂	1/8	5	2 ¹ / ₄	5 ⁷ / ₈	1/4-20	3/64 Flat	
556	3 ¹ / ₂	2 ⁷ / ₁₆	1 ¹ / ₂	11/32 Slot	1 ¹⁵ / ₁₆	6 ⁵ / ₁₆	5 ¹⁹ / ₃₂	5/8	1 ⁷ / ₈	1/2	4 ⁷ / ₈	2 ¹ / ₁₆	5 ⁷ / ₈	4 ¹ / ₂	2 ³ / ₄	1/8	6 ¹ / ₂	2 ¹ / ₄	5 ⁷ / ₈	3/8-16	3/16	
56						6 ¹³ / ₁₆	6 ¹⁹ / ₃₂				5 ⁵ / ₁₆								7 ⁵ / ₁₆			
143T	3 ¹ / ₂	2 ³ / ₄	2	11/32	2 ³ / ₈	6 ¹³ / ₁₆	6 ¹⁹ / ₃₂	7/8	2 ¹ / ₄	3/4	5 ⁵ / ₁₆	2 ¹ / ₈	5 ⁷ / ₈	4 ¹ / ₂	*2 ¹ / ₄	1/8	6 ¹ / ₂	2 ¹ / ₄	7 ⁵ / ₃₂	3/8-16	3/16	
145T			2 ¹ / ₂																			
182T	4 ¹ / ₂	3 ³ / ₄	2 ¹ / ₄	13/32	2 ⁷ / ₈	8 ³ / ₄	8 ¹⁵ / ₃₂	1 ¹ / ₈	2 ³ / ₄	3/4	6 ⁷ / ₁₆	2 ⁵ / ₈	7 ¹ / ₄	8 ¹ / ₂	*2 ³ / ₄	1/4	8 ⁷ / ₈	2 ¹ / ₄	9 ⁷ / ₃₂	1/2-13	1/4	
184T			2 ³ / ₄																			
S213T	5 ¹ / ₄	4 ¹ / ₄	2 ³ / ₄	13/32	3 ¹ / ₂	9 ²⁷ / ₃₂	8 ¹³ / ₃₂	1 ³ / ₈	3 ³ / ₈	3/4	7 ⁷ / ₁₆	3 ¹ / ₈	7 ¹ / ₄	8 ¹ / ₂	*3 ¹ / ₂	1/4	8 ⁷ / ₈	2 ¹ / ₄	9 ⁷ / ₃₂	1 ¹ / ₂ -13	5/16	
213T			2 ³ / ₄		—	10 ⁵ / ₈	9 ²¹ / ₃₂										8 ⁵ / ₈					10 ¹³ / ₁₆
215T			3 ¹ / ₂		—	10 ⁵ / ₈	9 ²¹ / ₃₂										8 ⁵ / ₈					10 ¹³ / ₁₆

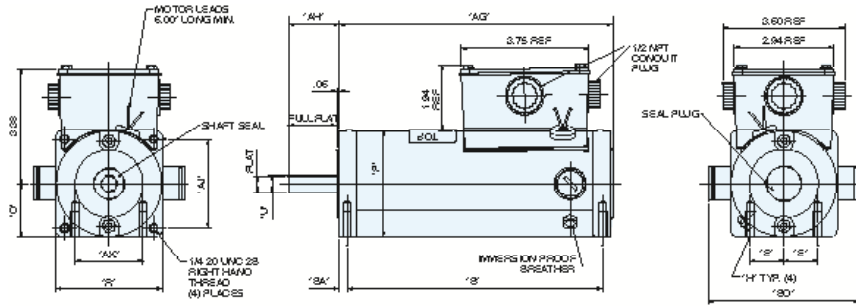
* 143-5TC NEMA C face BA dimension is 2³/₄". 182-4TC NEMA C face BA dimension is 3¹/₂". 213-5TC NEMA C face BA dimension is 4¹/₄".
 ** 326TC and smaller have 4 mounting holes in NEMA C face, 364TC and larger have 8 mounting holes.
 Blue shading denotes dimensions established by NEMA standard MG1, others are unique to LEESON, and will vary with each manufacturer.

Split-Phase Motors - 191868, 191869 & 191870 (page 111)

Pedestal Fan Motors (page 111)

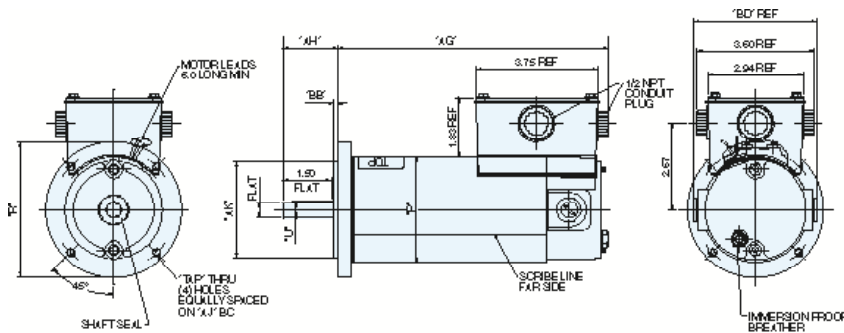
Note: Motors with U = .625 have a 3/16" keyway.





WASHGUARD 31 FRAME SQUARE FLANGE MOUNT STYLE DIMENSIONS (Inches)

Catalog Number	Frame	AG	P	BD	U	AH	AH-BB	AJ	Tap	R	AK	BB	D	BA	E	F	H
M1120181	31S	7.07	3.13	3.80	.50000	1.5	1.44	2.63	1/4-20	3.16	1.99	.07	1.57	.235	1.000	6.55	1/4-20
M1120182	31S	6.57	3.13	4.45	.50000	1.5	1.44	2.63	1/4-20	3.16	1.99	.07	1.57	.235	1.000	6.05	1/4-20
M1120183	31S	8.57	3.13	3.80	.50000	1.5	1.44	2.63	1/4-20	3.16	1.99	.07	1.57	.235	1.000	8.05	1/4-20
M1120184	31S	8.07	3.13	4.45	.50000	1.5	1.44	2.63	1/4-20	3.16	1.99	.07	1.57	.235	1.000	7.55	1/4-20



WASHGUARD 42C FACE MOUNT STYLE DIMENSIONS (Inches)

Catalog Number	Frame	AG	P	U	AH	AH-BB	KEY	AJ	TAP	AK	R	BD
M1120185	32F42CZ	8.36	3.25	.500	1.69	1.50	.13 SQ	3.750	1/4-20	3.00	4.19	3.80
M1120186	32F42CZ	7.86	3.25	.500	1.69	1.50	.13 SQ	3.750	1/4-20	3.00	4.19	4.43

ALL DIMENSIONS IN INCHES

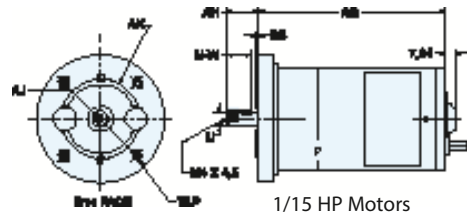
Technical Information

Dimensions

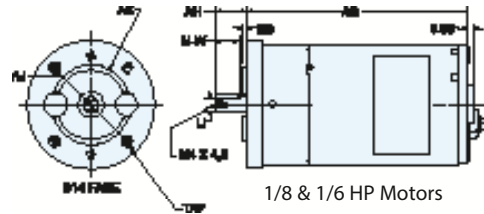
Commercial Duty Metric (IEC) Frame Motors

DIMENSIONS (Inches)

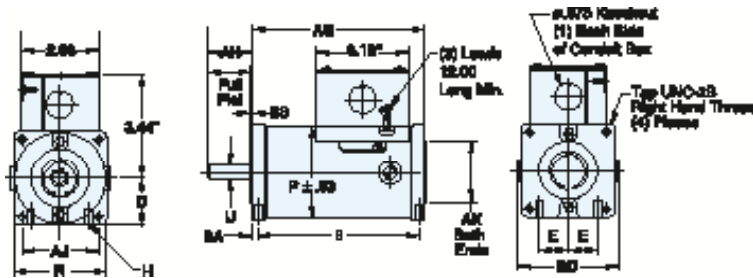
Frame Voltage	AG	P	U	AH	N-W	AJ	TAP	AK	BB
12	4.59	2.50	.35	.787	.591	2.56	M5x.8	1.97	.10
2.50	24	4.59	2.50	.35	.787	.591	M5x.8	1.97	.10
90	4.59	2.50	.35	.787	.591	2.56	M5x.8	1.97	.10
12	5.53	3.00	.35	.787	.591	2.56	M5x.8	1.97	.10
3.00	24	5.53	3.00	.35	.787	.591	M5x.8	1.97	.10
90	5.53	3.13	.35	.787	.591	2.56	M5x.8	1.97	.10
12	5.87	3.00	.35	.787	.591	2.56	M5x.8	1.97	.10
3.00	24	5.87	3.00	.35	.787	.591	M5x.8	1.97	.10
90	5.87	3.13	.35	.787	.591	2.56	M5x.8	1.97	.10



1/15 HP Motors



1/8 & 1/6 HP Motors



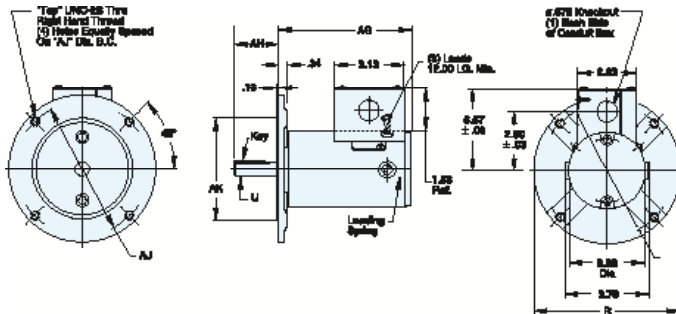
Note: Optional conduit box not included on 25 frame models.

Conduit box dimensions shown here are for 31 frame only.

25 & 31 FRAME SQUARE FLANGE MOUNT DIMENSIONS (Inches)

Frame & Type	AG	P	BD	U	AH	AH-BB	AJ	TAP	R	AK	BB	D	BA	E	B	H
25 AS	4.08	2.50	3.00	.312	1.5	1.00	1.73	8-32	2.62	.997	.03	1.28	.125	.625	3.83	8-32
25 CS	4.94	2.50	3.00	.312	1.5	1.00	1.73	8-32	2.62	.997	.03	1.28	.125	.625	4.69	8-32
31 BS	5.39	3.07	3.45	.5000	1.5	1.00	2.63	1/4-20	3.16	1.99	.07	1.57	.235	1.000	4.92	1/4-20
31 CS**	5.89	3.07	3.45	.5000	1.5	1.00	2.63	1/4-20	3.16	1.99	.07	1.57	.235	1.000	5.42	1/4-20
31 ES**	6.89	3.07	3.45	.5000	1.5	1.00	2.63	1/4-20	3.16	1.99	.07	1.57	.235	1.000	6.42	1/4-20
31 GS	7.89	3.07	3.45	.5000	1.5	1.00	2.63	1/4-20	3.16	1.99	.07	1.57	.235	1.000	7.42	1/4-20

**Catalog numbers M1120041 & M1120044 have an 'AG' & 'F' dimension that is .5" longer than stated in table.



42C FACE MOUNT DIMENSIONS (Inches)

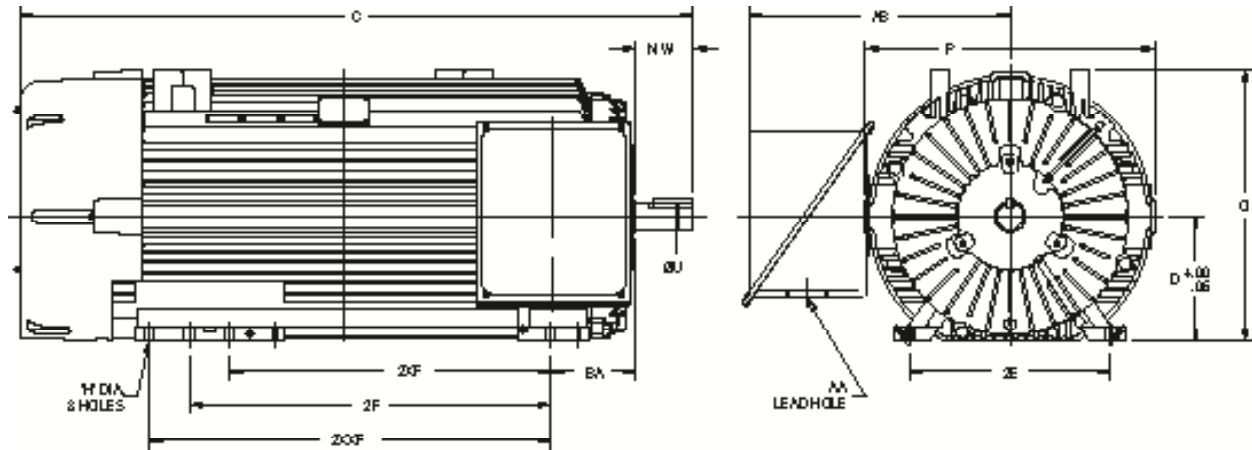
Frame	AG	P	U	AH	AH-BB	KEY	AJ	TAP	AK	R
34D42C	6.43	3.38	.500	1.38	1.25	.13 SQ	3.750	1/4-20	3.00	4.25

56C FACE MOUNT DIMENSIONS (Inches)

Frame	AG	P*	U	AH	AH-BB	KEY	AJ	TAP	AK	R
34E56C	6.87	3.38	.625	2.06	1.93	.19 SQ	5.875	3/8-16	4.50	6.50
34G56C	8.59	3.38	.625	2.06	1.93	.19 SQ	5.875	3/8-16	4.50	6.50

*For 1/4 HP 34 frame TEFC designs. Fan cover diameter is 3.88".





FRAME	H	BA	2XF	2F	2XXF	N-W	U	AB (MAX.)	P (MAX.)	O (MAX.)	D	2E	AA
5010LS	1.062 1.077	8.50	32.00	—	—	5.75	2.875 2.874	26.05	28.88	27.08	12.470 12.410	20.00	4.00 NPT
5011LS	1.062 1.077	8.50	—	36.00	—	5.75	2.875 2.874	26.05	28.88	27.08	12.470 12.410	20.00	4.00 NPT
5012LS	1.062 1.077	8.50	—	—	40.00	5.75	2.875 2.874	26.05	28.88	27.08	12.470 12.410	20.00	4.00 NPT
5013LS	1.062 1.077	8.50	45.00	—	—	5.75	2.875 2.874	26.05	28.88	27.08	12.470 12.410	20.00	4.00 NPT
5010LX	1.062 1.077	8.50	32.00	—	—	12.00	3.875 3.874	26.05	28.88	27.08	12.470 12.410	20.00	4.00 NPT
5011LX	1.062 1.077	8.50	—	36.00	—	12.00	3.875 3.874	26.05	28.88	27.08	12.470 12.410	20.00	4.00 NPT
5012LX	1.062 1.077	8.50	—	—	40.00	12.00	3.875 3.874	26.05	28.88	27.08	12.470 12.410	20.00	4.00 NPT
5013LX	1.062 1.077	8.50	45.00	—	—	12.00	3.875 3.874	26.05	28.88	27.08	12.470 12.410	20.00	4.00 NPT
5010L	1.062 1.077	8.50	32.00	—	—	9.50	4.000 3.999	26.05	28.88	27.08	12.470 12.410	20.00	4.00 NPT
5011L	1.062 1.077	8.50	—	36.00	—	9.50	4.000 3.999	26.05	28.88	27.08	12.470 12.410	20.00	4.00 NPT
5012L	1.062 1.077	8.50	—	—	40.00	9.50	4.000 3.999	26.05	28.88	27.08	12.470 12.410	20.00	4.00 NPT
5013L	1.062 1.077	8.50	45.00	—	—	9.50	4.000 3.999	26.05	28.88	27.08	12.470 12.410	20.00	4.00 NPT
5010S	1.062 1.077	8.50	32.00	—	—	5.75	2.625 2.624	26.05	28.88	27.08	12.470 12.410	20.00	4.00 NPT
5011S	1.062 1.077	8.50	—	36.00	—	5.75	2.625 2.624	26.05	28.88	27.08	12.470 12.410	20.00	4.00 NPT
5012S	1.062 1.077	8.50	—	—	40.00	5.75	2.625 2.624	26.05	28.88	27.08	12.470 12.410	20.00	4.00 NPT
5013S	1.062 1.077	8.50	45.00	—	—	5.75	2.625 2.624	26.05	28.88	27.08	12.470 12.410	20.00	4.00 NPT

All dimensions are measured in inches. For "C" dimensions, refer to the appropriate catalog page. Certified drawings are available upon request - contact LEESON Electric for details.

ALL QUOTATIONS ARE OFFERED AND ALL PURCHASE ORDERS ARE ACCEPTED BY SELLER SUBJECT ONLY TO THESE TERMS AND CONDITIONS

1. **DEFINITIONS:** "Buyer" means the entity to which Seller is selling Products or Services under a Contract. "Contract" means the agreement between Buyer and Seller governing the sale of Products and/or Services by Seller to Buyer. These Terms and Conditions, the Quotation (if one is issued by Seller), any purchase order acknowledgement (if one is issued by Seller), and Buyer's purchase order (except to the extent that it conflicts with these Terms and Conditions, the Quotation, and/or the order acknowledgement) constitute the Contract. "Products" means the equipment, parts, materials, supplies, and other goods that Seller has agreed to supply under the Contract. References in these Terms and Conditions to the purchase and sale of Products may mean, where applicable, the licensing of Software loaded on or provided with the Products. "Quotation" means Seller's statement identifying the Products and Services, together with any quantity, price, delivery schedule, and/or other terms and conditions (in addition to or different from these Terms and Conditions), offered by Seller for sale to Buyer. A Quotation that incorporates these Terms and Conditions by reference shall be deemed to include these Terms and Conditions, whether or not Seller provides a complete copy of these Terms and Conditions to Buyer with the Quotation, with a purchase order acknowledgement, or with an invoice. Where there is a conflict between these Terms and Conditions and other provisions of the Quotation, the latter shall control. "Services" means the services that Seller has agreed to provide under the Contract. "Software" means software loaded on or provided with the Products. "Seller" means the Regal entity - whether Regal Beloit Corporation ("RBC") or an RBC subsidiary - supplying Products and/or providing Services under the Contract. "Terms and Conditions" means these Terms and Conditions of Sale.

2. **CONTRACT FORMATION:** No agreement or understanding, oral or written, purporting to modify these Terms and Conditions shall be binding on Seller unless it is made in writing, specifically stating that it is a modification of these Terms and Conditions and it is signed by Seller's authorized representative. No course of dealing, usage of trade, or course of performance shall be relevant to explain or supplement any of these Terms and Conditions. If these Terms and Conditions are deemed an offer, Buyer's acceptance of Seller's offer is expressly limited to acceptance of these Terms and Conditions. Fulfillment of Buyer's order does not constitute acceptance of any of Buyer's terms and conditions and does not modify or amend these Terms and Conditions. Buyer's purchase order for the purchase of Products and/or for the performance of Services shall constitute Buyer's assent to these Terms and Conditions. Any terms and conditions contained in Buyer's purchase order or other form of communication from Buyer that are additional to or different from these Terms and Conditions, shall be deemed rejected by Seller, unless expressly accepted in writing by Seller's authorized representative. Alternatively, if these Terms and Conditions are deemed to be a response to, an acceptance of, or a written confirmation of, Buyer's offer, whether provided in the form of a purchase order or otherwise, Seller's acceptance is expressly conditioned upon Buyer's assent to these Terms and Conditions. Buyer's acceptance of Products tendered to Buyer by Seller shall constitute Buyer's express assent to all of the terms and conditions contained in these Terms and Conditions. All proposals, negotiations and representations, if any, made prior to or with reference to these Terms and Conditions, shall be superseded by these Terms and Conditions. In this Section to "these Terms and Conditions" shall be deemed to mean these Terms and Conditions and Seller's Quotation, if Seller has issued a Quotation.

3. **ACCEPTANCE OF PURCHASE ORDERS:** No Buyer purchase order shall be binding on Seller until accepted in writing by Seller, and Seller shall have no liability to Buyer with respect to purchase orders that are not accepted. Shipment against a purchase order shall be deemed to constitute Seller's acceptance thereof, subject to these Terms and Conditions. All purchase orders shall be subject to these Terms and Conditions, whether or not the purchase orders so state. Purchase orders accepted by Seller may not be cancelled or modified by Buyer without the prior written consent of Seller.

4. **QUOTATIONS:** Quotations shall expire and shall be void thirty (30) days from date of the Quotation, unless otherwise specified in the Quotation. The Quotation may be modified or withdrawn by Seller at any time before Seller's receipt of Buyer's conforming acceptance.

5. PRICES/PRICE CHANGES:

(a) Products. The price of the Products sold pursuant to the Contract shall be as set forth in the Quotation. If price is not specified in the Quotation, price shall be based upon Seller's prices in effect at the time of shipment. Published prices are for Products of Seller's current standard design and constructed of standard materials. Variation from the standard design and/or materials requires special pricing. Seller reserves the right at any time, and without incurring any obligation, to discontinue the manufacture of any model, to withdraw products from sale, to make changes in design, and/or to add improvements to products. Price also shall be based on freight rates in effect at the time of shipment. Where applicable, in the event of an increase in the applicable freight rates before the shipment of Products, such changes will be for the account of Buyer. Price advances, discounts, extras and other terms and conditions are subject to change without notice. Unless otherwise provided in the Quotation, price is based on delivery in accordance with the "Delivery" section below. Prices include Seller's standard packing. (b) Services. Services prices are based on normal business hours (8 AM to 5 PM Monday through Friday). Overtime and Saturday hours will be billed at one and one-half (1.5) times the normal business hours hourly rate. Sunday hours will be billed at two (2) times the normal business hours hourly rate; holiday hours will be billed at three (3) times the normal business hours hourly rate.

6. **TAXES, DUTIES AND FEES:** Seller shall be responsible for taxes measured on Seller's net income based upon performance of, or payment for, work under the Contract ("Seller Taxes"). Buyer shall be responsible for all other taxes, duties, fees or other charges of any kind (including, but not limited to any manufacturer's tax, retailer's occupation tax, use tax, sales tax, excise tax, duty, custom, inspection or testing fee, value added tax, or any other tax, fee or charge of any nature whatsoever) imposed by any governmental authority against Buyer, Seller or Seller's suppliers and/or contractors, based upon the Contract between Seller and Buyer. In the event Seller is required to pay any such tax, fee or charge, regardless whether such tax, fee or charge is imposed before or after Seller's delivery of the Products and/or Buyer's payment under the Contract, Buyer shall reimburse Seller therefor. In lieu of such reimbursement, Buyer shall provide Seller, at the time the order is submitted, with an exemption certificate or other document acceptable to the authority imposing such tax, fee or charge. If Seller's prices include any taxes, duties or fees (other than Seller Taxes), any change in such taxes, duties and/or fees shall be the basis for a price adjustment.

7. TERMS OF PAYMENT:

(a) Terms. Terms of payment are cash in full, without set-off or discount, in U.S. dollars, and by wire transfer, no later than thirty (30) days from date of invoice. (b) Payment Default. If Buyer defaults in any payment when due, or in the event that any voluntary or involuntary bankruptcy or insolvency proceedings involving Buyer are initiated by or against Buyer, then the whole Contract price shall immediately become due and payable upon demand, or Seller, at its option and without prejudice to its other lawful remedies, may defer delivery or cancel the Contract. Where delivery is deferred and Seller does not demand immediate payment of the full Contract price, pro-rata payments shall become due as shipments are made. (c) Buyer Financial Condition. If, during the period of performance of the Contract, the financial condition of Buyer is determined by Seller not to justify the terms of payment specified, Seller may demand full or partial payment in advance before proceeding with the work, or satisfactory security or guarantees that invoices will be promptly paid when due, or, at its option, without prejudice to other lawful remedies, may defer delivery or cancel the Contract. (d) Delay. If delivery is delayed by Buyer, which delay must be consented to by Seller, Seller may store the Products in accordance with subsection 8(e) "Storage" below and Seller may submit a new estimate of cost for completion based on prevailing conditions. Payments shall become due from the date on which Seller is prepared to deliver the Products and storage shall be the Buyer's risk and expense as provided in subsection 8(e) "Storage" below. If manufacture is delayed by Buyer for any cause, a partial payment based upon the proportion of the order completed shall become due from the date on which Seller is notified of the delay. (e) Late Payment Charge. Buyer shall pay a late payment charge on all amounts not paid in full when due at the rate of one and one half percent (1.5%) per month or at the maximum legally permissible rate, whichever is lower. (f) Exceptions. Supplement A to these Terms and Conditions lists Seller business units for which payment terms vary from payment terms set forth in this Section 7.

8. DELIVERY/TITLE TRANSFER/RISK OF LOSS/DAMAGE:

(a) Delivery - U.S. Buyer. For sales in the U.S. that do not involve export from the U.S., Seller shall deliver Products to Buyer EXW Seller's U.S. point of shipment (Incoterms® 2010). The point of shipment shall be the shipping dock of Seller's factory, warehouse or other facility that Seller designates as its discretion as point of shipment from time to time. (b) Sales Involving Exports from U.S. (1) Delivery - U.S. Buyer; Subsequent Drop Shipment to Location Outside U.S. For sales in the U.S. to a U.S. Buyer, that involve drop shipment at Buyer's request and/or on Buyer's behalf, to a location outside the U.S. Seller shall

deliver the Products to Buyer EXW Seller's U.S. point of shipment (Incoterms® 2010). The point of shipment shall be the shipping dock of Seller's factory, warehouse or other facility that Seller designates at its discretion as its point of shipment from time to time. In a "Routed Export Transaction" as defined in the U.S. Census regulations, 15 CFR Section 303.3, where Buyer is a non-U.S. entity, Buyer shall authorize Buyer's designated freight forwarder or Seller to facilitate the export of the Products from the U.S. and to prepare and file export documentation with respect to such export transaction (hereafter, to "Facilitate the Export"). If Buyer authorizes its designated freight forwarder to Facilitate the Export, Buyer's freight forwarder shall provide Seller with a copy of the final export documentation and proof of filing. If Buyer authorizes Seller to Facilitate the Export, Buyer shall cause Buyer's freight forwarder to provide Seller the information needed by Seller to Facilitate the Export. Buyer shall give timely notice to Seller identifying whom it has designated to Facilitate the Export. (c) Delivery Dates. Delivery dates are approximate, are not guaranteed and are based upon prompt receipt by Seller from Buyer of all necessary shipping and other information. Seller may deliver in advance of the delivery schedule. Seller reserves the right to make delivery in installments, with all installments to be separately invoiced and paid for by Buyer when due per invoice, without regard to subsequent deliveries. Delivery of the Products to a commercial carrier at the shipping point shall constitute delivery to Buyer. (d) Title Transfer. Title to Products shall pass to Buyer upon the earlier of delivery of the Products to the carrier or Buyer at the point of shipment in accordance with subsection (a) above, except that, for Routed Export Transactions, title shall transfer to Buyer upon delivery to Buyer's designated freight forwarder. Subject to applicable law, Seller, upon notice to Buyer, may retain title to the Products until such time as Seller receives payment in full from Buyer. Title to Software shall not pass to Buyer and is subject to the applicable license. (e) Risk of Loss/Damage. Risk of loss and/or damage shall pass to Buyer upon delivery in accordance with subsection (a) above, except that, for Routed Export Transactions, risk of loss and/or damage shall pass upon delivery of the Products to Buyer's designated freight forwarder. (f) Delivery by Seller's Carrier. Where the parties agree that delivery shall be made at a location other than Seller's point of shipment, where Seller will deliver using its carrier or Seller's privately owned or leased trucks, unloading at the agreed location shall constitute delivery to Buyer. Freight and handling charges by Seller may not reflect actual freight charges prepaid to the carrier by Seller due to incentive discounts earned by Seller based upon Seller's aggregate volume of freight tendered to a carrier or when a carrier must be used which charges a rate which is different than the rate upon which Seller's freight and handling charges were based. When shipment is made in Seller's privately owned or leased trucks, Buyer will be charged an amount approximating the prevailing commercial carrier rate. (g) Storage. In the event that Buyer is unable to accept delivery of the Products at time of shipment, Seller shall invoice Buyer for the full purchase price as if shipment had been made and: (i) if Seller is able to store such Products in its own facilities, Buyer will pay Seller the reasonable handling and storage charges for the period of such storage; or (ii) if Seller is unable to store such goods at its own facility, Seller reserves the right to arrange handling and storage in a suitable bonded warehouse for Buyer at Buyer's expense. In cases where handling and storage become necessary, it shall be Buyer's responsibility to notify Seller when shipment is to be made. Seller will make necessary arrangements for shipment at Buyer's expense.

9. **EXCUSABLE DELAYS; FORCE MAJEURE:** (a) Excuse of Performance. Seller shall not be liable for any ordinary, incidental, or consequential loss or damage as a result of Seller's delay in or failure of delivery, or installation of Products or performance of Services due to (i) any cause beyond Seller's reasonable control, (ii) an act of God, act of war, embargo or other government act, authority, regulation or restriction, fire, theft, accident, strike, slowdown or other labor disturbance, war, armed conflict, act or threat of terrorism, riot, epidemic, delay in transportation, or (iii) inability to obtain necessary labor, materials, components, or facilities. Should any of the aforementioned events occur, Seller, at its option, may cancel Buyer's order with respect to any undelivered Products or incomplete Services or extend the delivery date for a period equal to the time lost because of delay. Notice of such election shall be given promptly to Buyer. In the event Seller elects to so cancel the Contract, Seller shall be released of and from all liability for failure to deliver the Products or to perform the Services, including, but not limited to, any and all claims on behalf of Buyer for lost profit, or any other claim of any nature which Buyer might have. If shipping or progress of the work is delayed or interrupted by Buyer, directly or indirectly, Buyer shall pay Seller for all additional charges resulting therefrom. (b) Allocation. If Seller determines that its ability to meet the demand for products, including the Products, or to obtain labor, materials, components or facilities is hindered, limited or made impracticable due to causes set forth in subsection (a) above, Seller may allocate its available supply of products, including the Products, among itself and its purchasers on such basis as Seller determines to be equitable without liability for any failure of performance which may result therefrom.

10. LIMITED WARRANTY.

(a) Scope and Period. (1) Products. Seller warrants that the Products shall be delivered free from defects in material, workmanship and title and shall conform to Seller's specific title agreed upon in a written and signed agreement by Buyer and Seller, if applicable, for the Products. This warranty shall expire twelve (12) months from first use of the Product or eighteen (18) months from date of manufacture of the Product, whichever occurs first. (2) Repaired or Replaced Products or Parts of Products. Seller warrants that the repaired or replaced Products or parts of Products shall be delivered free from defects in material, workmanship and title. In the case of repaired or replaced Products or parts of Products comprising warranty remedies for Products, this warranty shall expire upon expiration of the warranty period applicable to the Products originally supplied by Seller. In the case of other repaired or replaced Products or parts of Products, this warranty shall expire twelve (12) months from the date of repair or manufacture of the Product or parts of the Products. (3) Services. Seller warrants that the Services shall be performed in a competent and diligent manner in accordance with any mutually agreed specific title. This warranty shall expire ninety (90) days from the date of completion of such Services. (4) Software. Seller warrants that the Software shall execute, at time of delivery, in accordance with the specific title agreed upon in a written and signed agreement by Buyer (as licensee) and Seller (as licensor) when properly installed in the Products. The warranty shall expire six (6) months from date of manufacture of the first Product in which the Software is loaded. (5) Applicability. This warranty shall apply to any Products and/or Software bought, acquired, and/or used by an entity that, or person who, acquires the Products and/or Software from Buyer (a "Transferee"), except that any claim made against Seller pursuant to this warranty shall be made by Buyer only. Seller shall not be bound by this Section 10 to satisfy a claim under this Section made against Seller by a Transferee, whether such Transferee is a direct or indirect Transferee of Buyer. Buyer shall provide any Transferee of a Product or Software written conspicuous notice of Sections 10 and 11 hereof. (6) Exceptions. Supplement B to these Terms and Conditions lists Seller Products, parts, Services and Software for which Seller's warranties vary from the warranties set forth in this subsection 10(a).

(b) Remedies.

(1) Products. If, prior to expiration of the warranty period set forth in subsection 10(a)(1), above, any Products shall be proved to Seller's satisfaction to be defective or nonconforming with the warranty set forth therein, Seller will repair or replace such defective Products or components thereof, FCA Seller's factory, warehouse or other facility that Seller designates at its discretion as point of shipment from time to time (Incoterms® 2010), or will refund or provide Buyer with a credit in the amount of the purchase price paid therefor by Buyer, at Seller's sole option. Buyer's exclusive remedy and Seller's sole obligation under this warranty shall be limited to such repair or replacement, FCA factory, warehouse or other facility that Seller designates at its discretion as point of shipment from time to time (Incoterms® 2010), or refund or credit by Seller, and shall be conditioned upon Seller's receiving written notice of any defect and/or nonconformance within a reasonable period of time, but no event more than thirty (30) days, after it was discovered or by reasonable care should have been discovered. All claims not made in writing and received by Seller within such thirty (30) day period shall be deemed waived. In no event shall Seller's liability for such defective or nonconforming Products exceed the purchase price paid by Buyer for such Products. With prior approval from Seller, Buyer shall return the alleged defective Product or part, freight prepaid, for Seller's inspection, and no other Products shall be returned to any Seller office, factory, warehouse, authorized service center or other facility, without Seller's written consent. (2) Replacement Products and Parts of Products. If prior to the expiration of the applicable warranty period set forth in subsection 10(a)(2) above, any replacement Products and/or parts of Products shall be proved to Seller's satisfaction to be defective or nonconforming



with the warranty set forth therein, the remedy set forth in subsection 10(b)(2) above shall apply to such replacement Products and/or parts of Products. (3) Services. If, prior to expiration of the warranty period set forth in subsection 10(a)(3), above, any Seller shall be deemed to be in nonconformance with the warranty set forth therein, Seller will re-perform such nonconforming Services. If the Services cannot be re-performed, Seller, at its option, shall refund or credit monies paid by Buyer for such nonconforming Services. (4) Software. If, prior to expiration of the warranty period set forth in subsection 10(a)(4) above, (i) Buyer provides, in writing, a complete description of the claimed nonconformance in the Software, and (ii) the Software is proven to Seller's satisfaction to be so nonconforming with the warranty set forth therein, Seller will correct the nonconformance by, at its option: (i) modifying or making available to Buyer instructions for modifying the program causing such nonconformance, or (ii) making available a corrected or replacement program FCA Seller's factory, warehouse or other facility that Seller designates at its discretion as point of shipment from time to time (Incoterms® 2010).

(c) Exclusions - The warranties set forth in this Section 10 do not cover:

(1) shipping expenses to and from Seller's office, factory, warehouse, authorized service center or other destination designated by Seller for repair or replacement of defective Products or any tax, duty, custom, inspection or testing fee, or any other charge of any nature related thereto; (2) costs of removing defective Products from and/or disassembling, equipment in which Products are assembled or reinstalling Products and/or reassembling such equipment, or testing repaired or replaced Products and/or the equipment; (3) field service travel and living costs and expenses; (4) Products subjected to abuse, neglect, negligence, misuse, misapplication, accident, damages by circumstances beyond Seller's control, improper installation (if by anyone other than Seller), improper operation (including, but not limited to, operation in excess of rated capacity or otherwise not in accordance with installation, maintenance, or operating instructions or requirements) improper maintenance, improper storage, and/or any other than normal use or service; (5) Products maintained, serviced, repaired or altered by anyone other than Seller or Seller's authorized service agencies; (6) Products and/or parts not manufactured by Seller; for Products furnished by Seller, but manufactured by others, Seller will assign to Buyer the written warranty, if any, of the manufacturer, if assignment is reasonably practicable; however, Seller does not adopt or guarantee or represent that the manufacturer will comply with any of the terms of the warranty of such manufacturer; but, in no event shall Seller's obligations be greater than those provided under Seller's warranty set forth in this Section 10; and (7) failures of the Software to be interruption-free or error-free or to meet Buyer's or any other party's requirements; and, problems caused by use of the Software in conjunction with third-party software, hardware, or products.

(d) DISCLAIMER: THE FOREGOING WARRANTIES ARE IN LIEU OF ALL OTHER EXPRESS AND IMPLIED WARRANTIES, ARISING BY OPERATION OF LAW OR OTHERWISE, INCLUDING, WITHOUT LIMITATION, THE IMPLIED WARRANTIES OF MERCHANTABILITY AND FITNESS FOR A PARTICULAR PURPOSE, WHETHER OR NOT THE PURPOSE OR USE HAS BEEN DISCLOSED TO SELLER IN SPECIFICATIONS, DRAWINGS, OR OTHERWISE AND WHETHER OR NOT SELLER'S PRODUCTS ARE SPECIFICALLY DESIGNED AND/OR MANUFACTURED BY SELLER FOR BUYER'S USE OR PURPOSE. NO EMPLOYEE, REPRESENTATIVE, OR AGENT OF SELLER OTHER THAN AN OFFICER OF SELLER IS AUTHORIZED TO ALTER OR MODIFY ANY PROVISION OF THIS SECTION 10 OR TO MAKE ANY GUARANTEE, WARRANTY, OR REPRESENTATION, EXPRESS OR IMPLIED, ORALLY OR IN WRITING, WHICH IS CONTRARY TO THE FOREGOING. Except where Buyer and Seller agree in a written and signed agreement upon the specific terms applicable to the Products, Software, and/or Services, any description of the Products, Software, and/or Services, whether in writing or made orally by Seller or Seller's agents, specific tions, samples, models, bulletins, drawings, diagrams, engineering sheets or similar materials used in connection with Buyer's order are for the sole purpose of identifying the Products and shall not be construed as an express or implied warranty. Any suggestions by Seller or Seller's agents regarding use, application or suitability of the Products shall not be construed as an express or implied warranty unless confined to be such in writing by Seller's authorized officer.

11. LIMITATIONS OF REMEDY AND LIABILITY:

(a) Breach of Warranty Claims. Buyer's only remedy for breach of any warranty under the Contract, other than the warranty provided under Section 13 "Intellectual Property Indemnity" shall be the applicable remedy set forth in Section 10 "Limited Warranty" above. Seller's total liability for any and all breach of warranty claims under the Contract shall not exceed the purchase price allocable to the Product, Software or Service giving rise to the claim. (b) Other Claims. Seller's liability for any claim other than a breach of warranty claim under Section 10 "Limited Warranty" whether in contract, negligence, tort, strict liability, indemnity or otherwise for any loss or damage arising out of, connected with, or resulting from the Contract or the performance or breach thereof, or from the design, manufacture, sale, delivery, resale, repair, replacement, installation, technical direction of installation, inspection, operation or use of any Products covered by or furnished under the Contract or from Services rendered under the Contract, shall in no case (except as provided in Section 13 "Intellectual Property Indemnity") exceed five percent (5%) of the purchase price allocable to the Products or part thereof or Services giving rise to the claim. (c) Consequential Damage Disclaimer. SELLER SHALL NOT BE LIABLE FOR AND DISCLAIMS ALL CONSEQUENTIAL, INCIDENTAL, CONTINGENT, SPECIAL OR PUNITIVE DAMAGES WHATSOEVER. Seller shall not be liable for lost profits or revenues, loss of use of the Products, Software or any related equipment or systems, cost of capital, cost of substitute products, cost of facilities or services, business interruption, downtime, shutdown, or slowdown costs, any other types of economic loss, penalties, special or punitive damages, and claims of Buyer's customers for any such damages. (d) Expiration of Claims. All claims against Seller arising out of or related to the Contract or the performance or breach thereof shall expire unless made and presented to Seller in writing by Buyer before expiration of the applicable warranty period. (e) Precedence. The limitations of this Section shall apply regardless of whether a claim is based in contract, tort (including negligence), warranty, strict liability, intellectual property, or otherwise, and shall take precedence over any conflict terms and conditions, except where the limitations of liability of such conflict terms limit Seller's liability further.

12. INDEMNITY:

(a) Third party claims. Each of Buyer and Seller (each an "Indemnifying Party" and an "Indemnified Party") shall indemnify the other party from and against claims brought by a third party, for bodily injury or damage to the third party's tangible property, to the extent such injury and/or damage is caused by the negligence of the Indemnifying Party, provided that the Indemnified Party gives the Indemnifying Party prompt notice of any such claim and all necessary information and assistance so that the Indemnifying Party, at its option, may defend or settle such claim and the Indemnified Party does not take any adverse position in connection with such claim. In the event that the injury or damage is caused by joint or concurrent negligence of Buyer and Seller, the loss or expense shall be borne by each party in proportion to its degree of negligence. For purposes of Seller's indemnity obligations hereunder, Products shall not be considered third party property and the facility in which a Product or Software is used and/or the Services are performed shall not be considered third party property. (b) Indemnity by Buyer for Third Party Warranty Claims. If Buyer supplies Products or Services to a third party, uses Products or Services at a facility owned by a third party, and/or transfers Products and/or Software to a third party, Buyer shall indemnify and defend Seller from and against any and all claims by, and liability to, any such third party in excess of the limitations set forth in Sections 10 "Limited Warranty" and 11 "Limitations of Remedy and Liabilities". For purposes of this subsection (b), "Seller" means Seller, its affiliates, suppliers, contractors, licensors and their employees.

13. INTELLECTUAL PROPERTY INDEMNITY: Seller warrants that, to the best of its knowledge, Products, Services and/or Software furnished hereunder, and any part thereof, (each a "Delivered Item") shall be delivered free of any rightful claim of any third party not affiliated with Buyer for infringement of any U.S. patent, any trademark registered in the U.S. Patent and Trademark Office and/or any copyright registered in the U.S. Copyright Office. Seller will, at its own expense, defend or settle any suits that may be instituted against Buyer for alleged infringement by the Delivered Item of any U.S. patent, any trademark registered in the U.S. Patent and Trademark Office and/or any copyright registered in the U.S. Copyright Office provided that: (a) such alleged infringement consists of the use of the Delivered Item for (i) any of the purposes for which Buyer informed Seller such Delivered Items would be used, or (ii) if Buyer did not so inform Seller, any of the purposes for which Buyer reasonably believed such Delivered Items would be used; (b) Buyer shall have made all payments for such Delivered Items then due hereunder; (c) Buyer shall give Seller immediate notice in writing of any such suit and transmit to Seller immediately upon receipt of all processes and papers served upon Buyer; (d) Buyer does not take any position adverse to Seller in connection with such claim; and (e) Buyer shall permit Seller through Seller's counsel, either in the name of Buyer or in the name of Seller, to defend such suit(s) and give all needed information, assistance and authority to enable Seller to do so.

In case of a final award of damages in any such suit, Seller will pay such award but will not be responsible for any compromise or settlement made without its written consent. In case the Delivered Item itself is in such suit held to infringe any valid patent issued in the United States and/or a trademark and/or copyright registered in the United States, and its use is enjoined, or in the event of a settlement or compromise approved by Seller which shall preclude future use of the Delivered Item, Seller shall, at its own expense and at its sole option, either: (a) procure rights to continue using such Delivered Item; (b) modify the Delivered Item to render it non-infringing; (c) replace the Delivered Item with a non-infringing Product and/or Software; or (d) refund the purchase price paid by Buyer for the Delivered Item after return of the Delivered Item to Seller (less reasonable depreciation for any period of use). Notwithstanding the foregoing, Seller shall not be held responsible for infringement of claims of

any patents covering the use of the Delivered Item in combination with other goods or materials not furnished by Seller.

The foregoing states the entire liability of Seller for intellectual property infringement, and IN NO EVENT SHALL SELLER BE LIABLE FOR CONSEQUENTIAL OR INCIDENTAL DAMAGES ATTRIBUTABLE TO AN INTELLECTUAL PROPERTY INFRINGEMENT. Buyer, at its own expense, shall defend Seller against, and/or settle, (a) any patent, trademark, copyright or other intellectual property infringement claim pertaining to a Delivered Item furnished by Seller to Buyer manufactured in accordance with designs, drawings or other descriptions proposed or furnished by Buyer; and (b) any claim against Seller of contributory infringement resulting from the use or resale by Buyer of a Delivered Item sold hereunder. Buyer shall indemnify Seller for any award against Seller or settlement by Seller regarding any such claims and attorneys' fees and defense costs incurred in defense of such claims.

14. SOFTWARE LICENSE:

(a) License Grant: Seller grants Buyer a nonexclusive, royalty-free, perpetual, limited license to use the Software in the U.S. and solely in conjunction with (a) the operation of the Products purchased and sold under the Contract and/or other product meeting Seller's specific tions; and (b) any other purpose agreed upon in a written and signed agreement between Buyer and Seller. (b) Scope of License: Upon Seller's prior written approval, Buyer may make a reasonable number of copies of Software as necessary for backup, configuration, installation, and restoration of the Products. Also upon Seller's prior written approval, Buyer may authorize a third-party contractor or service provider to exercise these rights on Buyer's behalf and for Buyer's benefit. Buyer may transfer possession of Software and its media to another party only in conjunction with the transfer of the Products on which the Software is loaded and only upon agreement of the other party to the terms and conditions of the Contract. Upon such transfer, Buyer shall destroy all Buyer's copies of Software and related documentation. All licenses and grants pursuant to the Contract shall immediately terminate once Buyer no longer rightfully owns or possesses the Products. No other rights under this license shall be granted. Upon Seller's request, Buyer shall provide Seller with written notice of any such transfer providing the name, address, and contact information of the subsequent Buyer within 15 days of such transfer. (c) Use Restrictions: Buyer shall not (a) copy, display, transfer, adapt, modify, or distribute in any form the Software except as set forth in the Contract or in Seller documentation provided by Seller to Buyer with the Software; (b) reverse engineer, disassemble, decompile, or otherwise translate the Software's object code, unless expressly permitted by applicable law without the possibility of contractual waiver; or (c) sublicense or lease the Software or any copy thereof except with the transfer of the Products on which the Software is loaded. Except as provided under the terms of Seller's standard escrow agreement between Seller and Buyer, if applicable, Buyer shall not to make available to any party, without prior written consent from Seller or its authorized agent, source code for the Software. Buyer shall not, directly or indirectly, export or re-export, or knowingly permit the export or re-export of, the Products, or any technical information about the Products, to any country for which the United States Export Administration Act, any regulation thereunder, or any similar United States law or regulation, requires an export license or other United States Government approval, unless Buyer obtains the appropriate export license and obtains written approval from Seller. (d) Maintenance and Support: Seller may offer to Buyer the option to purchase from Seller annual Software maintenance and support services under the terms and conditions of Seller's then-current maintenance and support agreement. Buyer may renew this maintenance term at Seller's then-standard maintenance rates. In the event Buyer purchases additional Software licenses, maintenance fees for such licenses shall be prorated to be coterminous with Buyer's existing maintenance period. In no event shall Seller be responsible for providing maintenance services for a period during which maintenance coverage is lapsed.

15. SECURITY AGREEMENT AND FINANCING STATEMENTS: As security for payment of the purchase price under the Contract, Buyer hereby irrevocably grants Seller a security interest in the Products purchased by Buyer, together with all accessories, attachments and replacement parts and all substitutions, replacements and proceeds thereof to secure payment of the purchase price and of all monies which may be due under the Contract. Buyer hereby authorizes Seller to file all financing statements, any amendments and continuations thereof, or any other documents necessary or reasonably required, for the perfection and protection of a security interest under applicable law, and to deliver notice to prior holders of security interests, of Seller's security interest in the Products to protect its interest.

16. INSURANCE: Until payment in full of the purchase price, Buyer shall maintain insurance covering all Products sold by Seller to Buyer in such amounts and against such risks as is customary by companies engaged in the same or similar business and similarly located, and shall, upon Seller's request, furnish evidence of such insurance satisfactory to Seller.

17. DRAWINGS; OTHER DESIGN DATA: All specific tions, drawings, designs, data, information, ideas, methods, tools, gages, dies, fixtures, patterns and/or inventions made, conceived, developed or acquired by Seller in connection with procuring and/or executing the Contract will vest in and inure to Seller's sole benefit notwithstanding any charges therefor which may have been or may be imposed by Seller on Buyer. Buyer shall not give, loan, exhibit, sell or transfer to any person who is not a Buyer employee and authorized to receive such information, or to any organization or entity, any drawing, photograph or specific tion furnished by Seller or reproduction thereof which may enable such person, organization or entity to furnish similar products or parts therefor.

18. RETURN OF PRODUCTS: No Product or part shall be returned to Seller without written authorization and shipping instructions first having been obtained from Seller.

19. ASSIGNMENT AND SUBCONTRACTING: None of Buyer's rights under the Contract shall be assigned by Buyer to any other person, whether by operation of law or otherwise, without Seller's prior written approval. Seller may, without the necessity of obtaining Buyer's prior written consent, assign the Contract or subcontract the production of all or any portion of the Products and/or performance of the Services.

20. CANCELLATION: No purchase order submitted to Seller may be cancelled by Buyer without the prior written consent of Seller, which consent will at all times be conditioned on Buyer's agreement to pay Seller's cancellation charge. For a finished Product that, in Seller's judgment, is readily resalable to others, the cancellation charge shall be 15% of the invoice price of the Product. For all other cancellations, the cancellation charge shall amount to all cost and expenses incurred by Seller and arising out of or in connection with Buyer's purchase order plus reasonable profit. In no event shall the cancellation charge be less than 10% of the invoice price of the Product or more than the invoice price.

21. NUCLEAR USE DISCLAIMER: Products sold by Seller are not intended for use in connection with any nuclear facility or activity. If so used, Seller disclaims all liability for any nuclear damage, injury or contamination, and Buyer shall indemnify and hold Seller, its officers, agents, employees, successors, assigns and customers harmless from and against any and all losses, damages or expenses of whatever form or nature (including attorneys' fees and other costs of defending any action) which they or any of them may sustain or incur, whether as a result of breach of contract, warranty, tort (including negligence) or otherwise, by reason of such use.

22. GOVERNING LAW; VENUE: These Terms and Conditions and the Contract shall be governed by and construed in accordance with the laws of the State of Wisconsin. Seller and Buyer irrevocably submit to the exclusive jurisdiction of the state courts located in Rock County, State of Wisconsin and the federal courts located in the State of Wisconsin, and Seller and Buyer waive any objection to venue or forum non conveniens, for the resolution of any dispute relating to these Terms and Conditions or the Contract. The rights and obligations of Seller and Buyer shall not be governed by the provisions of the United Nations Convention on Contracts for the Internal Sale of Goods.

23. EXPORT/IMPORT: Buyer shall comply, in the receipt and use of the Products and the Software, with all applicable import and export control laws, regulations, orders and requirements of the jurisdictions in which the Seller and Buyer are established or from which Products and Software are provided. Buyer shall not transfer, release, import, or export Products and/or Software in violation of such applicable laws, regulations or other legal requirements. Buyer shall provide a completed end-user certificate in a form satisfactory to Seller upon Seller's request.

24. ATTORNEYS' FEES: Buyer agrees to pay all of Seller's costs and expenses of collection and related litigation, including but not limited to attorneys' fees and costs.

25. SALVATORY CLAUSE: The invalidity, in whole or in part, of any of the provisions of these Terms and Conditions, shall not affect the enforceability of any of the other provisions thereof.

26. APPLICABILITY: These Terms and Conditions as stated herein are applicable as of the date of this printing and until such time as changed by Seller.Regal STCS Rev 8-13

For the full version of the Terms and Conditions of Sales with Supplements A and B - Visit <http://www.regalbeloit.com/what-we-do/products-brands/>

Regal STCS Rev 8-13







Warnings and Cautions

Electrical

IMPORTANT INFORMATION PLEASE READ CAREFULLY

This catalog is not intended to provide operational instructions. Appropriate LEESON Electric instructions provided with the motor and precautions attached to the motor should be read carefully prior to installation, operation and/or maintenance of the equipment. Injury to personnel or motor failure may be caused by improper installation, maintenance or operation.

The following  **WARNING**  **CAUTION** is supplied to you for your protection and to provide you with many years of trouble free and safe operation of your LEESON Electric product:

-  **WARNING**
 - Disconnect power and lock out driven equipment before working on a motor.
 - Always keep hands and clothing away from moving parts.
 - The lifting support on the motor is not to be used to lift the entire machine. Only the motor attached directly to the support may be safely lifted by the support.
 - Install and ground per local and national codes.
 - Discharge all capacitors before servicing a single phase motor.
 - Misapplication of a motor in hazardous environments can cause fire or an explosion and result in serious injury. Only the end user, local authority having jurisdiction, and/or insurance underwriter are qualified to identify the appropriate class(es), group(s), division and temperature code LEESON Electric personnel cannot evaluate or recommend what motors may be suitable for use in hazardous environments. If a motor is name plated for hazardous locations, do not operate the motor without all of the grease and drain plugs installed.
 - Never attempt to measure the temperature rise of a motor by touch. Temperature rise must be measured by thermometer, resistance, resistance, imbedded detector or thermocouple.
 - Motors with automatic reset thermal protectors will automatically restart when the protector temperature drops sufficiently. Do not use motors with automatic reset thermal protectors in applications where automatic restart will be hazardous to personnel or equipment.
 - Motors with manual reset thermal protectors may start unexpectedly after the protector trips when the surrounding air is at +20° Fahrenheit or lower. If the manual reset protector trips, disconnect motor from its power supply. After the protector cools (five minutes or more), it can be reset and power may be applied to the motor.
 - Connect all protective device leads, marked P1, P2, etc., per instructions supplied with the motor.
 - Operation of a motor at other than its nameplate rating may result in fire, damage to equipment or serious injury to personnel.
 - For safety, Buyer or User should provide protective guards over all shaft extensions and any moving apparatus mounted thereon. The User is responsible for checking all applicable safety codes in his area and providing suitable guards. Failure to do so may result in bodily injury and/or damage to equipment.
-  **CAUTION**
 - Consult qualified personnel with questions and all electrical repairs must be performed by trained and qualified personnel only.
 - For motors nameplated as "belted duty only", do not operate the motor without belts properly installed.
 - Motors and/or driven equipment should not be operated faster than their rated speed.
 - For inverter applications, follow the inverter manufacturer's installation guidelines.
 - Make sure the motor is properly secured and aligned before operation.

In the event of the resale of any of the goods, in whatever form, Resellers/Buyers will include the following language in a conspicuous place and in a conspicuous manner in a written agreement covering such sale:

The manufacturer makes no warranty or representations, express or implied, by operation of law or otherwise, as to the merchantability or fitness for a particular purpose of the goods sold hereunder. Buyer acknowledges that it alone has determined that the goods purchased hereunder will suitably meet the requirements of their intended use. In no event will the manufacturer be liable for consequential, incidental or other damages. Even if the repair or replacement remedy shall be deemed to have failed of its essential purpose under Section 2-719 of the Uniform Commercial Code, the manufacturer shall have no liability to Buyer for consequential damages.

Resellers/Buyers agree to also include this entire document including the warnings and cautions above in a conspicuous place and in a conspicuous manner in writing to instruct users on the safe usage of the product.



This information should be read together with all other printed information supplied by LEESON Electric.

For more information contact: LEESON Electric, 1051 Cheyenne Avenue, Grafton, Wisconsin 53024



Phone: 262-377-8810 or Fax: 262-377-3440



IMPORTANT INFORMATION PLEASE READ CAREFULLY

The following  **WARNING**  **CAUTION** is supplied to you for your protection and to provide you with many years of trouble free and safe operation of your LEESON Electric product:

Read ALL instructions prior to operating reducer. Injury to personnel or reducer failure may be caused by improper installation, maintenance or operation.

-  **WARNING**
- Written authorization from LEESON Electric is required to operate or use reducers in man lift or people moving devices.
 - Check to make certain application does not exceed the allowable load capacities published in the current catalog.
 - Buyer shall be solely responsible for determining the adequacy of the product for any and all uses to which Buyer shall apply the product. The application by Buyer shall not be subject to any implied warranty of fitness for a particular purpose.
 - For safety, Buyer or User should provide protective guards over all shaft extensions and any moving apparatus mounted thereon. The User is responsible for checking all applicable safety codes in his area and providing suitable guards. Failure to do so may result in bodily injury and/or damage to equipment.
 - Hot oil and reducers can cause severe burns. Use extreme care when removing lubrication plugs and vents.
 - Make certain that the power supply is disconnected before attempting to service or remove any components. Lock out the power supply and tag it to prevent unexpected application of power.
 - Reducers are not to be considered fail safe or self-locking devices. If these features are required, a properly sized, independent holding device should be utilized. Reducers should not be used as a brake.
 - Any brakes that are used in conjunction with a reducer must be sized or positioned in such a way so as to not subject the reducer to loads beyond the catalog rating.
 - Lifting supports including eyebolts are to be used for vertically lifting the gearbox only and no other associated attachments or motors.
 - Use of an oil with an EP additive on units with backstops may prevent proper operation of the backstop. Injury to personnel, damage to the reducer or other equipment may result.
 - Overhung loads subject shaft bearings and shafts to stress which may cause premature bearing failure and/or shaft breakage from bending fatigue, if not sized properly.
-  **CAUTION**
- Test run unit to verify operation. If the unit tested is a prototype, that unit must be of current production.
 - If the speed reducer cannot be located in a clear and dry area with access to adequate cooling air supply, then precautions must be taken to avoid the ingestion of contaminants such as water and the reduction in cooling ability due to exterior contaminants.
 - Mounting bolts should be routinely checked to ensure that the unit is firmly anchored for proper operation.

In the event of the resale of any of the goods, in whatever form, Resellers/Buyers will include the following language in a conspicuous place and in a conspicuous manner in a written agreement covering such sale:

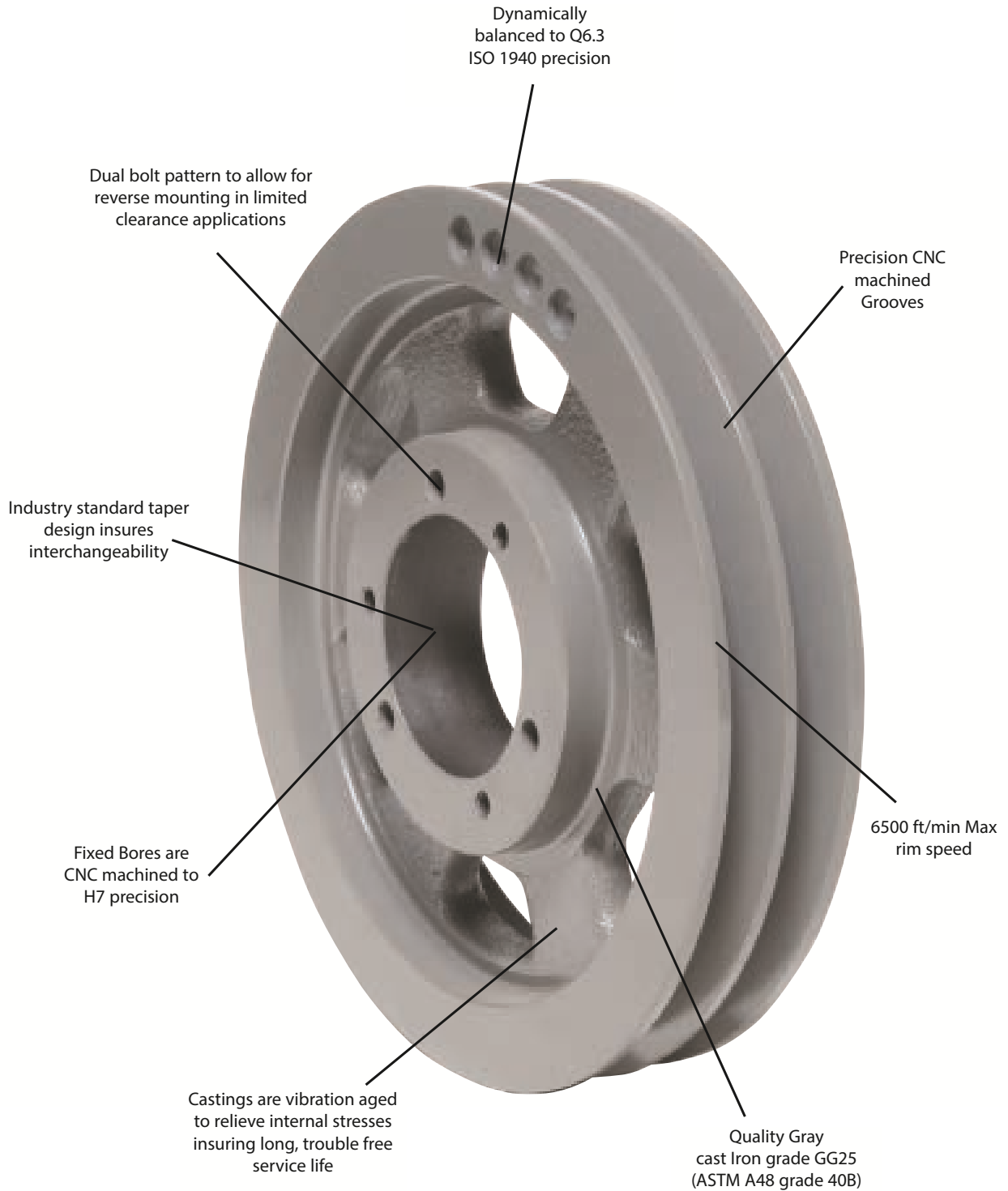
The manufacturer makes no warranties or representations, express or implied, by operation of law or otherwise, as to the merchantability or fitness for a particular purpose of the goods sold hereunder. Buyer acknowledges that it alone has determined that the goods purchased hereunder will suitably meet the requirements of their intended use. In no event will the manufacturer be liable for consequential, incidental or other damages. Even if the repair or replacement remedy shall be deemed to have failed of its essential purpose under Section 2-719 of the Uniform Commercial Code, the manufacturer shall have no liability to Buyer for consequential damages.

Resellers/Buyers agree to also include this entire document including the warnings and cautions above in a conspicuous place and in a conspicuous manner in writing to instruct users on the safe usage of the product.

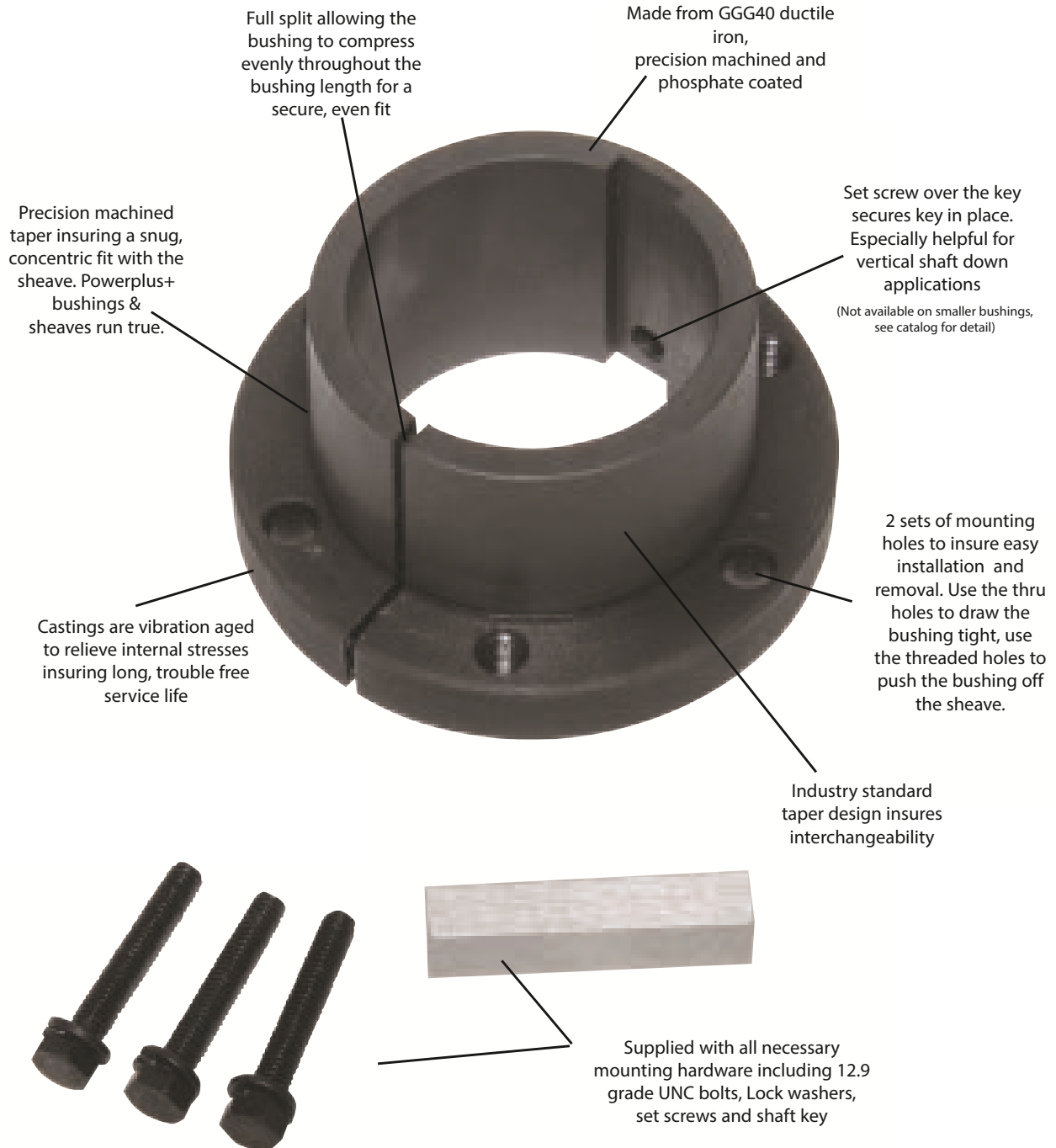
This information should be read together with all other printed information supplied by LEESON Electric.

INDUSTRY STANDARD POWER TRANSMISSION SOLUTIONS!

ISO9001 certified manufacturing facility



STANDARDIZED TAPER BUSHINGS & SHEAVES FOR ALL YOUR POWER TRANSMISSION NEEDS!



Training

LEESON University. It's everything you need to know.

Subjects Covered:

Regal Overview



AC Electric Motor Principles

DC Electric Motor Principles

PMAC Electric Motor Principles

Motor Applications

Power Transmission

Gear Reducer Principles

LEESON.com review

Manufacturing Plant Workshop

Contact your local LEESON Sales office for more information



District Sales Offices and Warehouses

LEESON District Sales Offices & Warehouses can provide complete information including price and availability on both standard stock and special motors.

United States

- **ARKANSAS, Little Rock**
District Mgr.,
Kevin Springstead
800/444-7609
Fax: 972/245-2328
- **CALIFORNIA, Los Angeles**
Bob Schwing
323/278-7979
Fax: 323/728-7955
- **CALIFORNIA, San Francisco**
District Mgr.,
Dave Richardson
925/371-8125
Fax: 925/371-5673
- **COLORADO, Denver**
District Mgr.,
Kevin Springstead
800/444-7609
Fax: 972/245-2328
- **NEW ENGLAND / Metro Boston, MA**
District Mgr.,
Dave Manning
888/479-7875
Fax: 508/987-1173
- **FLORIDA, Tampa**
District Mgr.,
Bill Taylor
813/740-2571
Fax: 813/663-9104
- **GEORGIA, Atlanta**
District Mgr.,
Walter Brooks
770/933-0453
Fax: 770/933-0549
- **ILLINOIS, Chicago**
Co-District Mgrs.,
Mike Miller,
Robert Sheppard
630/458-9511
Fax: 630/458-1923
- **INDIANA, Indianapolis**
District Mgr.,
Matt Simko
800/331-2911
Fax: 440/975-3575
- **IOWA, Des Moines**
District Mgr.,
John Marshalla
952/935-8271
Fax: 952/935-8399
- **KANSAS, Kansas City**
District Mgr.,
Pat Donnelly
913/599-6983
Fax: 913/599-6987
- **MARYLAND/Baltimore**
District Mgr., Craig Brisbane
570/325-3684
Fax: 570/325-3870
- **MICHIGAN, Grand Rapids**
District Mgr.,
Greg Norris
616/249-8430
Fax: 616/249-8628
- **MINNESOTA, Minneapolis**
District Mgr., John Marshalla
952/935-8273
Fax: 952/935-8399
- **MISSOURI, St. Louis**
District Managers
Pat and Ken Anvender
314/714-1460
Fax: 314/714-1461
- **NEW JERSEY/METRO NEW YORK/LONG ISLAND**
(Plainfield, NJ 18229)
Contact: Dan Brisbane
570/325-3684
Fax: 570/325-3870
- **NEW YORK, Syracuse**
District Mgr.,
Chris Brisbane
866/505-8796
Fax: 570/325-3870
- **NORTH CAROLINA, Charlotte**
District Mgr.,
Doug Landgraf
sales@landgraf-mcabee.com
803/396-8200
Fax: 803/396-8208
- **OHIO, Cincinnati**
District Mgr., Ken Simko
513/755-1000
Fax: 513/755-1081
- **OHIO, Cleveland**
District Mgr., Matt Simko
440/951-5117
Fax: 440/975-3575
800/331-2911 (W.PA, WV)
- **PENNSYLVANIA, Allentown/Philadelphia**
District Mgr.,
Craig Brisbane
570/325-3684
Fax: 570/325-3870
- **TEXAS, Dallas**
District Mgr.,
Kevin Springstead
800/444-7609
Fax: 972/245-2328
- **TEXAS, Houston**
Contact:
Donnie Heckler
800/444-7609
Fax: 972/245-2328
- **UTAH, Salt Lake City**
District Mgr.,
Kevin Springstead
800/444-7609
Fax: 972/245-2328
- **WASHINGTON, Seattle**
District Mgr.,
Amorette Gent
sales@gentcomponents.com
206/767-2780
Fax: 206/767-2851
- **WISCONSIN, Milwaukee**
District Mgr.,
Brian Birtic
414/475-9222
Fax: 414/475-9267

International

- International Sales Administrator,
Lori Volkert
WISCONSIN, Grafton
(+1) 262/377-8810
Fax: (+1) 262/377-3440
- **ASIA**
Mr. Say Jou Yap
Singapore
(+65) 6863-3473
Fax: (+65) 6863-3476
sales@regalbeloit.com
- **CENTRAL AMERICA, MEXICO, SOUTH AMERICA & CARIBBEAN FLORIDA, Miami**
Mr. Paulo Martin
(+1) 813/621-3030
Fax: (+1) 813/252-3910
sales@cidela.com
- **EUROPE**
Mr. Amit Luske
Mors 1-5, Eibergen
Netherlands 7151MX
Mobile: (+31) 6-13-12-15-92
(+31) 545-46-4640
Fax: (+31) 545-47-50-65
amit.luske@regalbeloit.com
- **MIDDLE EAST**
Al Shibl Global (FZC)
PO Box No 52298
Hamriyah Free Zone
Sharjah
United Arab Emirates
(+971) 05 5337 3239
Fax: (971) 06 7314 965
info@alshiblinH.com
- **UNITED KINGDOM**
Amy Rachel Robinson
Droitwich
(+44) 1 299 250 859
(+44) 1 299 251 493
sales@motovario.co.uk

Regal Beloit Canada

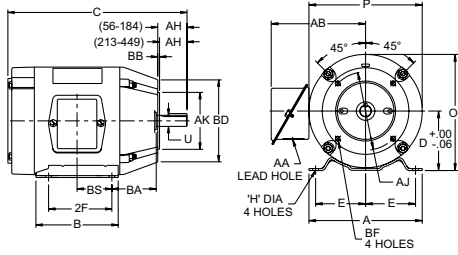
- **ALBERTA, Edmonton**
Branch Mgr.,
Mike Strenkowski
780/437-3380
Fax: 780/434-3448
- **BRITISH COLUMBIA, Vancouver**
Branch Mgr.,
Keary Bott
888-599-1177
Fax: 604-888-0337
- **MANITOBA, Winnipeg**
Branch Mgr.,
Charlie Vogel
204/786-6802
Fax: 204/786-6934
- **ONTARIO, Toronto**
905/670-4770
Fax: 905/670-8971
- **ONTARIO, Hanover**
Branch Mgr.,
Tracey McMeeken
800/463-1797
Fax: 800/225-9007
- **QUEBEC, Canada**
Branch Mgr.,
Michael Jenkins
514/337-8020
Fax: 514/337-0773

Footnotes

S	Steel frame	27	Shaft is 5/8" Dia. X 1.97" long with 3/16" keyway
A	Aluminum frame	28	1/4" long extended through-bolts
C	Cast Iron frame	29	IEC Frame - See IEC dimension chart in back of catalog for dimension information
US	Made in the USA		
MX	Made in Mexico	30	CW rotation only, from lead end of motor
CA	Made in Canada	31	For motors having a "P" suffix letter in the date code
CN	Made in China	32	Motor has terminal board connection
2	These combination 56H base motors have mounting holes for 56 and 143-5T, and 1/2 diameter shaft with flat 1.5" long	33	Automatic overload - cannot use with VFD
3	Combination 56 H base has mounting holes for NEMA 56 and 143-5T and a standard MA 145T frame shaft of 7/8" Dia.	34	1" long extended through-bolts
4	These motors have a NEMA 215T base mounting pattern and shaft height of 5.25"; with usable length of 3 3/8 and diameter of 1 1/8 with standard key	35	Terminal studs at 12:00
5	Combination 56 H base has mounting holes for NEMA 56, and has a standard NEMA 145T frame shaft of 7/8" Dia.	36	Special BA dimension 2.31 for belt guard clearance
6	Combination 56H base has mounting holes for NEMA 56 and NEMA 143-5T and a standard NEMA 56 shaft of 5/8"	37	Uses drip cover kit 175305.00
7	48YZ motors have std. 48-frame base with 1/2" dia. X 1 7/8 long shaft ext. with flat. Also includes sleeve to convert shaft to 5/8" dia. With 3/16" square key"	38	Uses drip cover kit 175004.00
8	NEMA 145TC shaft, 7/8" X 2 1/4" and NEMA 56 removable base	39	Uses drip cover kit 175932.00
9	S56CZ motors have mounting bases with NEMA 56 mounting holes, NEMA 56/143-5T C-face and a NEMA 143-5T shaft extension (7/8" dia x 2 1/4" long)	40	Uses drip cover kit 175933.00
10	Motor has mounting base with 182T mounting holes, shaft height is 4.5". Shaft is std. NEMA 56-5/8" dia. X 1 7/8 long	41	Uses drip cover kit 175846.00
11	TEBC totally enclosed blower cooled	42	Uses drip cover kit 175849.00
12	TENV totally enclosed non-vented	43	Uses drip cover kit 175962.00
13	TEFC totally enclosed fan cooled	44	Uses drip cover kit 175963.00
14	F1 mounting only	45	Uses drip cover kit 175614.00
15	Built-in conduit box located at 12:00	46	50 Hz operation at rated HP
16	1/2" diameter shaft - 2 1/4" long	47	Rated at 50Hz at full rated HP
17	5/8" diameter shaft - 2 5/8" long	48	190/380V, 50Hz at next lowest HP @1.15 S.F.
18	Shaft extension has keyway and flat 180° apart for ease of mounting	49	Class F insulated
19	Shaft is 5/8" Dia.by 2.0" long	50	Suitable for single speed operation only
20	Shaft is 5/8" Dia.by 2 5/8" long	51	Mechanical centrifugal starting switch with overspeed protection, others have electronic start switch
21	Shaft is 3/4" Dia.by 3 1/2" long	52	Extra high starting torque
22	Standard 5/8" diameter shaft with keyway plus 3/4" deep hole drilled and tapped to 1/4-20 UNC in end of shaft to facilitate mounting of some fan blades	53	Capacitor start/capacitor run design for reduced amperage, others are capacitor start/induction run
23	Standard 7/8" diameter shaft with keyway plus 3/4" deep hole drilled and tapped to 1/4-20 UNC in end of shaft to facilitate mounting of some fan blades	54	Split phase start, capacitor run is suitable for belt drive within the airflow of the fan
24	Motor's shaft is 1 inch longer than standard	55	Split phase start, capacitor run
25	Shaft extension has keyway and flat 180° apart for ease of mounting. Useable shaft is 1 1/2" long by 1/2 Dia., 1/8" keyway	56	Designed for inverter duty operation
26	Shaft is 1/2" Dia. X 1 1/2" long with flat	57	Rated for farm duty service
		58	Provision for belly band mount, no base
		59	Resilient base with provision for belly band mount
		60	Rigid base
		61	Nema 145TC face mounting with removable NEMA 182T rigid base
		62	Provision for belly band and pedestal fan mounting, no rigid base
		63	Resilient base
		64	Stub shaft on ODE for manual jogging

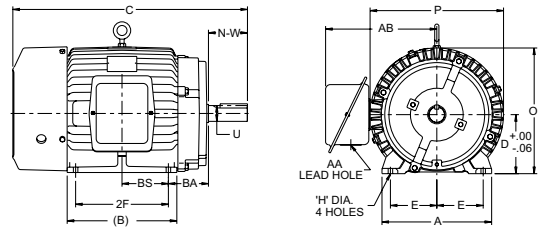
NEMA Quick Reference Dimensional Chart

Typical C-Face Motor



NEMA C-Face	BA Dimensions
143-5TC	2-3/4
182-4TC	3-1/2
213-5TC	4-1/4
254-6TC	4-3/4

Typical Rigid Base Motor



Contact your LEESON sales representative for "AB", "O", & "P" Dimensions.

Refer to your LEESON catalog for "C" Dimensions.

Frame	D	E	2F	H	U	N-W	AA	AH	AJ	AK	BA	BBk (MIN)	BD (MAX)	BF
48	3.00	2.12	2.75	.34 SLOT	.5000	1.50	1/2	1.69	3.750	3.000	2.50	.13	5.62	1/4-20
56	3.50	2.44	3.00	.34 SLOT	.6250	1.88	1/2	2.06	5.875	4.500	2.75	.13	6.50	3/8-16
56H	3.50	2.44	5.00	.34 SLOT	.6250	1.88	1/2	2.06	5.875	4.500	2.75	.13	6.50	3/8-16
143T	3.50	2.75	4.00	.34	.8750	2.25	3/4	2.12	5.875	4.500	2.25	.13	6.50	3/8-16
145T	3.50	2.75	5.00	.34	.8750	2.25	3/4	2.12	5.875	4.500	2.25	.13	6.50	3/8-16
182	4.50	3.75	4.50	.41	.8750	2.25	3/4	2.12	5.875	4.500	2.75	.13	6.50	3/8-16
184	4.50	3.75	5.50	.41	.8750	2.25	3/4	2.12	5.875	4.500	2.75	.13	6.50	3/8-16
182T	4.50	3.75	4.50	.41	1.125	2.75	3/4	2.62	7.250	8.500	2.75	.25	9.00	1/2-13
184T	4.50	3.75	5.50	.41	1.125	2.75	3/4	2.62	7.250	8.500	2.75	.25	9.00	1/2-13
213	5.25	4.25	5.50	.41	1.125	3.00	1	2.75	7.250	8.500	3.50	.25	9.00	1/2-13
215	5.25	4.25	7.00	.41	1.125	3.00	1	2.75	7.250	8.500	3.50	.25	9.00	1/2-13
213T	5.25	4.25	5.50	.41	1.375	3.38	1	3.12	7.250	8.500	3.50	.25	9.00	1/2-13
215T	5.25	4.25	7.00	.41	1.375	3.38	1	3.12	7.250	8.500	3.50	.25	9.00	1/2-13
254U	6.25	5.00	8.25	.53	1.375	3.75	1-1/4	3.50	7.250	8.500	4.25	.25	10.00	1/2-13
256U	6.25	5.00	10.00	.53	1.375	3.75	1-1/4	3.50	7.250	8.500	4.25	.25	10.00	1/2-13
254T	6.25	5.00	8.25	.53	1.625	4.00	1-1/4	3.75	7.250	8.500	4.25	.25	10.00	1/2-13
256T	6.25	5.00	10.00	.53	1.625	4.00	1-1/4	3.75	7.250	8.500	4.25	.25	10.00	1/2-13
284U	7.00	5.50	9.50	.53	1.625	4.88	1-1/2	4.62	9.000	10.500	4.75	.25	11.25	1/2-13
286U	7.00	5.50	11.00	.53	1.625	4.88	1-1/2	4.62	9.000	10.500	4.75	.25	11.25	1/2-13
284T	7.00	5.50	9.50	.53	1.875	4.62	1-1/2	4.38	9.000	10.500	4.75	.25	11.25	1/2-13
286T	7.00	5.50	11.00	.53	1.875	4.62	1-1/2	4.38	9.000	10.500	4.75	.25	11.25	1/2-13
284TS	7.00	5.50	9.50	.53	1.625	3.25	1-1/2	3.00	9.000	10.500	4.75	.25	11.25	1/2-13
286TS	7.00	5.50	11.00	.53	1.625	3.25	1-1/2	3.00	9.000	10.500	4.75	.25	11.25	1/2-13
324U	8.00	6.25	10.50	.66	1.875	5.62	2	5.38	11.000	12.500	5.25	.25	14.00	5/8-11
326U	8.00	6.25	12.00	.66	1.875	5.62	2	5.38	11.000	12.500	5.25	.25	14.00	5/8-11
324T	8.00	6.25	10.50	.66	2.125	5.25	2	5.00	11.000	12.500	5.25	.25	14.00	5/8-11
326T	8.00	6.25	12.00	.66	2.125	5.25	2	5.00	11.000	12.500	5.25	.25	14.00	5/8-11
324TS	8.00	6.25	10.50	.66	1.875	3.75	2	3.50	11.000	12.500	5.25	.25	14.00	5/8-11
326TS	8.00	6.25	12.00	.66	1.875	3.75	2	3.50	11.000	12.500	5.25	.25	14.00	5/8-11
364U	9.00	7.00	11.25	.66	2.125	6.38	2-1/2	6.12	11.000	12.500	5.88	.25	14.00	5/8-11
365U	9.00	7.00	12.25	.66	2.125	6.38	2-1/2	6.12	11.000	12.500	5.88	.25	14.00	5/8-11
364T	9.00	7.00	11.25	.66	2.375	5.88	2-1/2	5.62	11.000	12.500	5.88	.25	14.00	5/8-11
365T	9.00	7.00	12.25	.66	2.375	5.88	2-1/2	5.62	11.000	12.500	5.88	.25	14.00	5/8-11
364TS	9.00	7.00	11.25	.66	1.875	3.75	2-1/2	3.50	11.000	12.500	5.88	.25	14.00	5/8-11
365TS	9.00	7.00	12.25	.66	1.875	3.75	2-1/2	3.50	11.000	12.500	5.88	.25	14.00	5/8-11
404U	10.00	8.00	12.25	.81	2.375	7.12	3	6.88	11.000	12.500	6.62	.25	15.50	5/8-11
405U	10.00	8.00	13.75	.81	2.375	7.12	3	6.88	11.000	12.500	6.62	.25	15.50	5/8-11
404T	10.00	8.00	12.25	.81	2.875	7.25	3	7.00	11.000	12.500	6.62	.25	15.50	5/8-11
405T	10.00	8.00	13.75	.81	2.875	7.25	3	7.00	11.000	12.500	6.62	.25	15.50	5/8-11
404TS	10.00	8.00	12.25	.81	2.125	4.25	3	4.00	11.000	12.500	6.62	.25	15.50	5/8-11
405TS	10.00	8.00	13.75	.81	2.125	4.25	3	4.00	11.000	12.500	6.62	.25	15.50	5/8-11
444U	11.00	9.00	14.50	.81	2.875	8.62	3	8.38	14.000	16.000	7.50	.25	18.00	5/8-11
445U	11.00	9.00	16.50	.81	2.875	8.62	3	8.38	14.000	16.000	7.50	.25	18.00	5/8-11
444T	11.00	9.00	14.50	.81	3.375	8.50	3	8.25	14.000	16.000	7.50	.25	18.00	5/8-11
445T	11.00	9.00	16.50	.81	3.375	8.50	3	8.25	14.000	16.000	7.50	.25	18.00	5/8-11
444TS	11.00	9.00	14.50	.81	2.375	4.75	3	4.50	14.000	16.000	7.50	.25	18.00	5/8-11
445TS	11.00	9.00	16.50	.81	2.375	4.75	3	4.50	14.000	16.000	7.50	.25	18.00	5/8-11
447T	11.00	9.00	20.00	.81	3.375	8.50	3	8.25	14.000	16.000	7.50	.25	18.00	5/8-11
449T	11.00	9.00	25.00	.81	3.375	8.50	3	8.25	14.000	16.000	7.50	.25	18.00	5/8-11
447TS	11.00	9.00	20.00	.81	2.375	4.75	4 NPT	4.50	14.000	16.000	7.50	.25	18.00	5/8-11
449TS	11.00	9.00	25.00	.81	2.375	4.75	4 NPT	4.50	14.000	16.000	7.50	.25	18.00	5/8-11



Leeson Electric

1051 Cheyenne Ave
Grafton, WI 53024

Customer Service: 262-377-8810

Fax: 262-377-9025

www.leeson.com

APPLICATION CONSIDERATIONS

The proper selection and application of power transmission products and components, including the related area of product safety, is the responsibility of the customer. Operating and performance requirements and potential associated issues will vary appreciably depending upon the use and application of such products and components. The scope of the technical and application information included in this publication is necessarily limited. Unusual operating environments and conditions, lubrication requirements, loading supports, and other factors can materially affect the application and operating results of the products and components and the customer should carefully review its requirements. Any technical advice or review furnished by Regal Beloit America, Inc. and its affiliates with respect to the use of products and components is given in good faith and without charge, and Regal assumes no obligation or liability for the advice given, or results obtained, all such advice and review being given and accepted at customer's risk.

For a copy of our Standard Terms and Conditions of Sale, Disclaimers of Warranty, Limitation of Liability and Remedy, please contact Customer Service at 1-262-377-8810. These terms and conditions of sale, disclaimers and limitations of liability apply to any person who may buy, acquire or use a Regal Beloit America Inc. product referred to herein, including any person who buys from a licensed distributor of these branded products.

Regal and Leeson are trademarks of Regal Beloit Corporation or one of its affiliated companies.

©2016 Regal Beloit Corporation, All Rights Reserved. MCC16083E • Form# L1050E • Printed in USA

The Regal logo features the word "REGAL" in a bold, white, sans-serif font, set against a dark gray trapezoidal background that tapers to the right. A registered trademark symbol (®) is located at the top right corner of the logo.

REGAL