

ADAPTO FURNITURE.
ADAPTABLE AND
STYLISH.







For decades, we have been serving architects, contractors, trade partners, and plumbers worldwide with pioneering products such as the rimless toilet or the ultra-flat shower tray. But the market has never been more demanding than it is today. Clients and end-users demand improved sustainability and advanced performance. They demand beauty and simplicity in design.

We design our products with the demands of modern life in mind: pushing ourselves to achieve new levels of efficiency, offering elegant and inspirational design. Meanwhile, our decades of experience have taught us that there is always a better, more intelligent solution; and we never stop until we have found a way to offer you and your clients a product of higher standard.

ADAPTO FURNITURE. ADAPTABLE AND STYLISH.

We are aware that there is an infinite number of ways to create the perfect bathroom. Whether you prefer a modern design or timeless classical forms, we will provide the best solution for your project. The ADAPTO Collection was designed to ensure the ultimate freedom to match the individual elements so it can meet the highest requirements of your customers.





UTILITY

We are well aware that quality of life is better in a well-arranged room. This is why ADAPTO was designed with a view to keeping each item in the right and most convenient place regardless of the space. The modular furniture, the choice of various sizes and coatings, and the wide range of accessories allow the perfect arrangement of the available space without compromising its flawless style.

HIGH QUALITY AND ELEGANCE

We pay special attention to the design of all our products because the high quality of our production technologies is worth the perfect shape of every detail. Not only is the collection made of high-quality FSC-certified materials, but it also has a markedly modern appearance that is well suited for a wide range of living spaces.

ADAPTO is suitable for both classic and more creative and original configurations.



MODULARITY

ADAPTO is the result of our desire to offer a complete modular washbasin system designed for bathrooms in residential buildings as well as for luxury hotel projects. The collection includes basin units, basin structures, additional modules, worktops, and accessories. All components are designed to fit an infinite number of configurations and to complement various bathroom decors in an elegant and functional way for any project that requires a practical and high-quality solution.



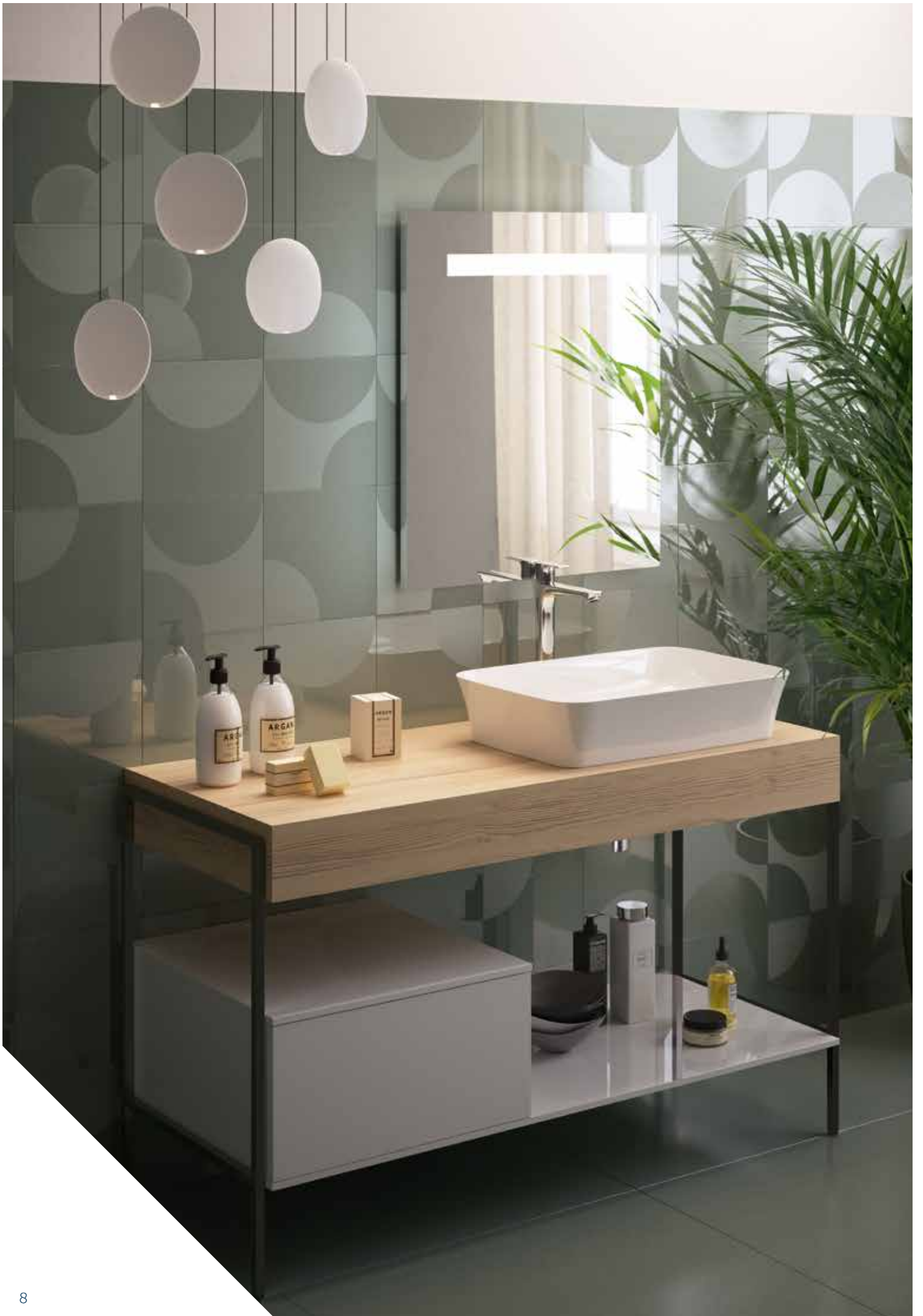
COMPATIBILITY

The versatility of the ADAPTO collection provides endless possibilities for combinations of basin units, basin structures, worktops and accessories.

ADAPTO's design is compatible with our main collections of ceramic products, including vessels, countertops and under-countertop basins as well as traditional wall-mounted washbasins.







ADAPTO IN NEGOTIATIONS

The ADAPTO collection is intended to provide designers with solutions to even the biggest challenges in a project.

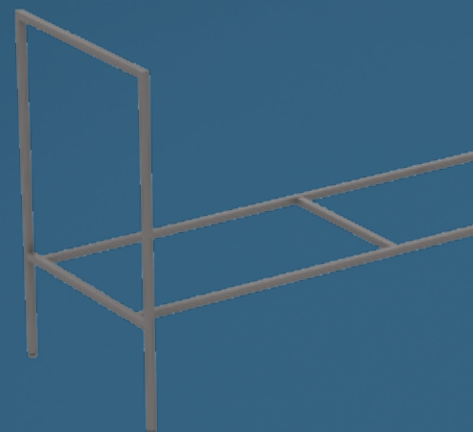
Due to its modern design, outstanding configuration versatility, and safety- and quality-certified products, ADAPTO meets all contract requirements and the high standards that apply in hotels, spa centres and public facilities.



PRODUCT RANGE

All items in the collection are FSC-certified and can be freely combined to create the configuration that best suits your idea or project. Our basin units, structures and worktops, available in four finishes, as well as the various connecting brackets and towel rails provide your imagination with endless possibilities.

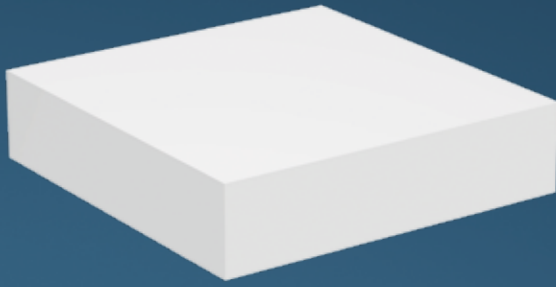
ADAPTO's ease of installation is another aspect we are proud of because it considerably reduces the installation time for all new projects as well as for refurbishing of existing bathrooms.



TOWEL RAILS



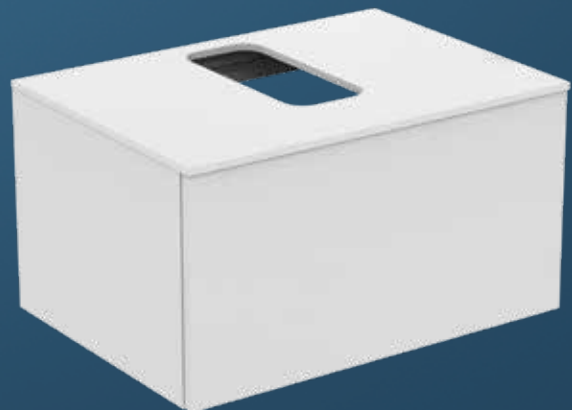
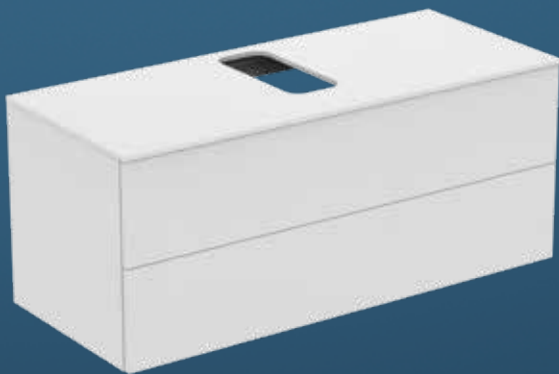
WORKTOPS



BASIN STRUCTURES



LEGS AND CONNECTING
BRACKETS FOR
FREESTANDING FRAMES



BASIN UNITS

GUIDE FOR COMPOSITION



①

Choose basin structure.



②

Choose basin model
and mixer.



③

Integrate any base units and
combines with worktops.

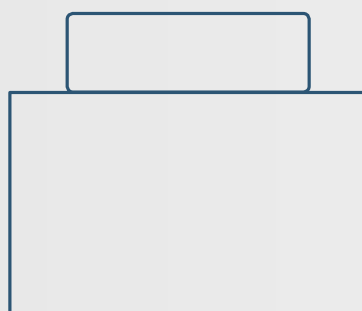
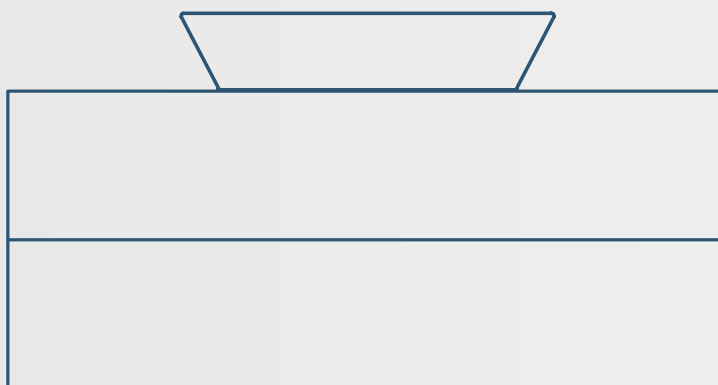
Complete the composition
with towel rails and leg
frame floor standing.



EXAMPLES OF COMPOSITIONS

Basin Unit with
2 drawers 120 cm.

Connect Air vessel basin
rectangular 60x40 cm.

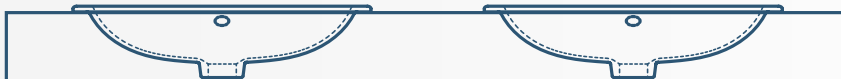
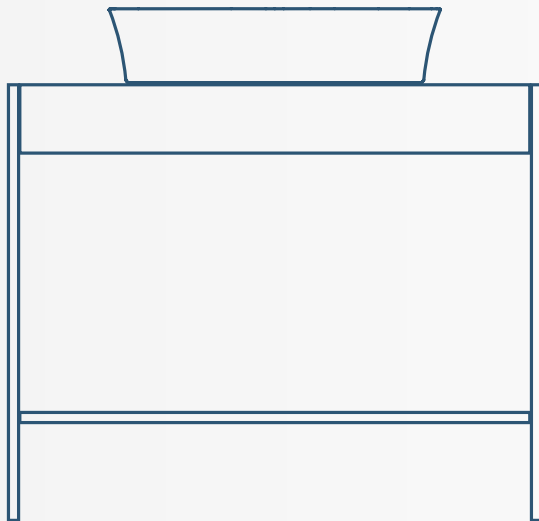


Basin Unit with
1 drawer 60 cm.

Vessel basin square
STRADA II 40x40 cm

Basin structure 85 cm with Leg for
frame and Frame bar 85 cm for
floor standing installation.

Vessel basin Ipolyss® 55x38 cm



Basin structure 150 cm.

Rectangular Countertop basin
Connect 50x40 cm.

ADAPTO FURNITURE AND WASHBASINS: COMPATIBILITY BETWEEN COLLECTIONS

Vessel basins

Basin structure		IPALYSS			TONIC II			
		E1392 550x380 mm	E1393 550x380 mm	E1394 550x380 mm	K0833 550x400 mm Asimmetrico	K0834 550x400 mm Simmetrico	K0776* 500x420mm	K0781 610x420 mm
ADAPTO	U8405 600x122x505 mm							
	U8406 700x122x505 mm							
	U8407 850x122x505 mm							
	U8408 1050x122x505 mm							
	U8409 1200x122x505 mm							
	U8593 1500x122x505 mm							

Vessel basins

Basin structure		CONNECT					
		E8040 430x430 mm	T2998 600x400mm	T2999 600x400 mm	T2965 500x400 mm	T2966 500x400 mm	T2967 500x400 mm
ADAPTO	U8405 600x122x505 mm						
	U8406 700x122x505 mm						
	U8407 850x122x505 mm						
	U8408 1050x122x505 mm						
	U8409 1200x122x505 mm						
	U8593 1500x122x505 mm						

Countertop basin

Basin structure		STRADA							
		K0780* 600x340 mm	E5038 480x400 mm	E5039 550x330 mm	E5040 620x460mm	E5041 380x380 mm	E5042 480x480 mm	E5043 500x390 mm	E5044 580x420 mm
ADAPTO	U8405 600x122x505 mm								
	U8406 700x122x505 mm								
	U8407 850x122x505 mm								
	U8408 1050x122x505 mm								
	U8409 1200x122x505 mm								
	U8593 1500x122x505 mm								

* Mixer installed on the side.





























STRADA						DEA		Connect AIR	
K0783* Ø420 mm	K0784* 600x420 mm	K0785* 750x430 mm	K0792 410x340 mm	K0793 Ø340 mm	K0795 Ø410 mm	T0443 520x320 mm	T0445 602x430 mm	E0347 400x400 mm	E0348 600x400 mm

STRADA II							
T2980 Ø750 mm	T2981 Ø600 mm	T3604 Ø600 mm	T2929 380x380 mm	T2959* 450x450 mm	T2961* 450x450mm	T2962 400 mm	T2963 400 mm































CONNECT										ULYSSE	TEMPO
E5045 480x350 mm	E5047 550x380 mm	E5049 620x410 mm	E5051 380x380 mm	E5053* 480x480 mm	E5055 420x350 mm	E5057 500x380 mm	E5059 580x410 mm	E7978 550x460 mm	W5048 570x460 mm	T0592 500x430 mm	

1. ADAPTO FURNITURE AND WASHBASINS: COMPATIBILITY BETWEEN COLLECTIONS

Vessel basins

Basin units		DEA	STRADA			CONNECT		
		T0445 602x430 mm	K0776 500x420mm	K0781 610x420 mm	T2998 600x400 mm	T2999 600x400 mm	T2965 500x400 mm	T2966 500x400 mm
ADAPTO	U8594 600x380x505 mm							
	U8595 700x380x505 mm							
	U8597 1050x502x505 mm							
	U8598 1200x502x505 mm							

Traditional wall mounted basins

Basin units		CONNECT							
		Cube				Arc			
		E7730 650x460 mm	E7738 700x460 mm	E7945 600x460mm	E7844 550x460 mm	E7884 500x460 mm	E7854 550x460 mm	E7875 600x460 mm	E7733 650x460 mm
ADAPTO	U8594 600x380x505 mm								
	U8595 700x380x505 mm								
	U8597 1050x502x505 mm								
	U8598 1200x502x505 mm								

STRADA II

T2967 500x400 mm	T2980 Ø750 mm	T2981 Ø600 mm	T3604 Ø600 mm	T2929 380x380 mm	T2959 450x450 mm	T2961 450x450 mm	T2962 400x400 mm	T2963 400x400 mm

		STRADA					STRADA II			
Sphere										
E7741 700x460 mm	E7864 550x460 mm	K0777 500x420 mm	K0778 600x420 mm	K0782 710x420 mm	K0786 910x420 mm	T2928 500x430 mm	T3000 600x430 mm	T3001 800x430 mm	T3002 1000x430 mm	

FURNITURE FINISHES

ADAPTO furniture is made of different finishes*.

LACQUERED

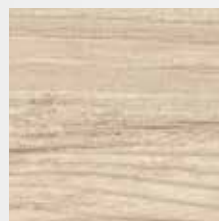


GLOSSY WHITE **WG**

MELAMINE



DARK WOOD **FW**



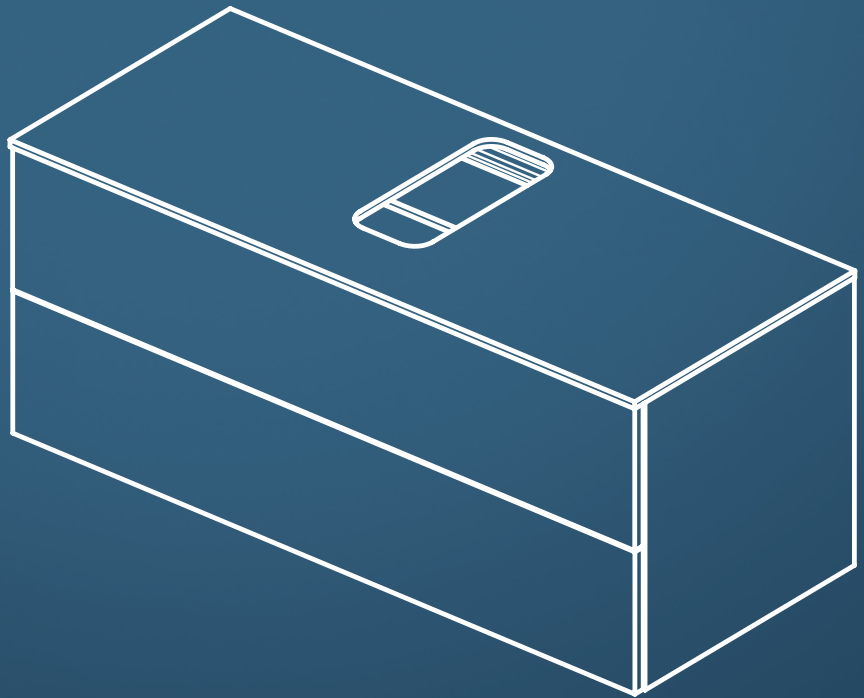
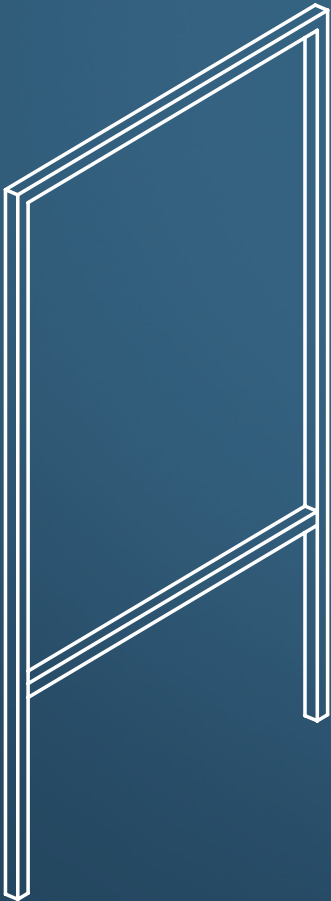
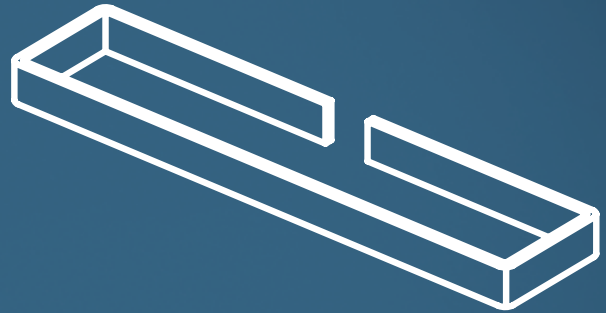
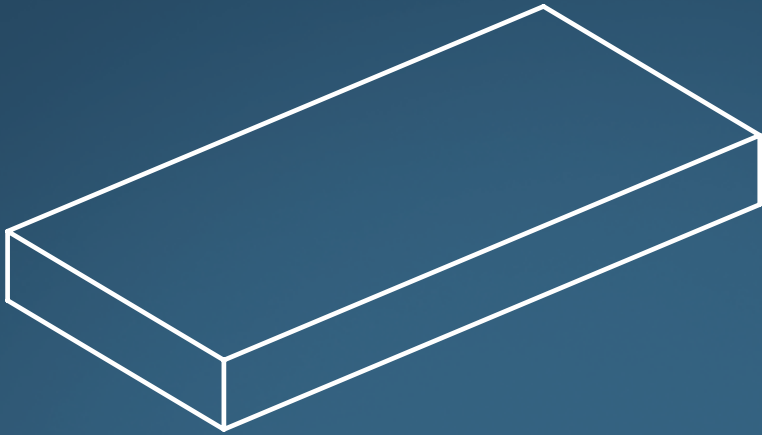
WOOD LIGHT BROWN **FF**



GREY STONE **FX**

* All the published images and furniture finishes are illustrative only and may not show the products accurately in its full details.

ADAPTO

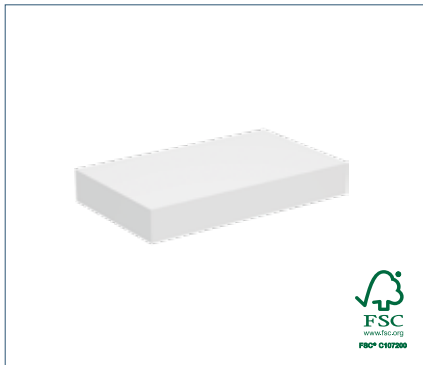


TECHNICAL SPECIFICATIONS

ADAPTO

TECHNICAL SPECIFICATIONS

Basin structures



Model	Ref.
Basin structure 600x120x505 mm	U8405
Basin structure 700x120x505 mm	U8406
Basin structure 850x120x505 mm	U8407

- Compatible with ADAPTO Base Units (U8419 or U8421) and ADAPTO towel rails (U8425AA, U8426AA, U8427AA or U8615AA)
 - Wall mounted installation with brackets for basin structure (U842867): 2 pcs needed (order separately)
 - Freestanding installation with legs for frame + frame bar (order separately)
 - Basin structure supplied without cut
- For exact combinations: Please refer to Furniture/Basins compatibility matrix.

Basin structures



Model	Ref.
Basin structure 1050x120x505 mm	U8408
Basin structure 1200x120x505 mm	U8409
Basin structure 1500x120x505 mm	U8593

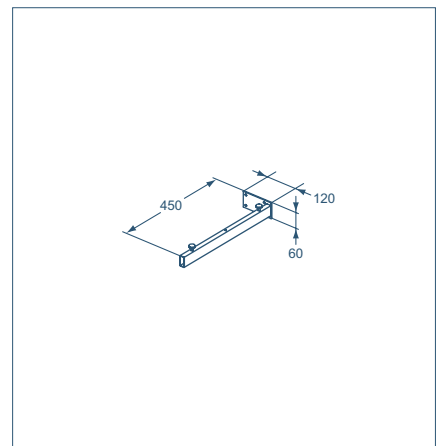
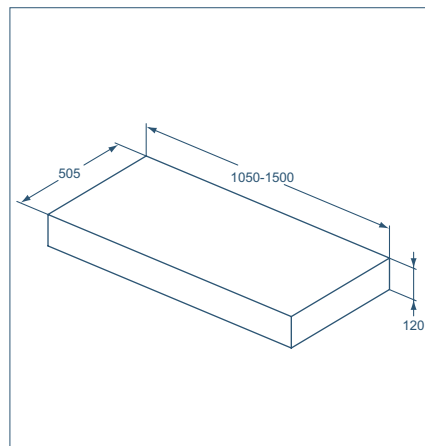
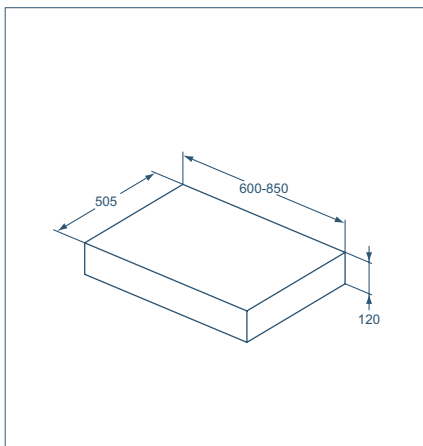
- Compatible with ADAPTO Base Units (U8419 or U8421) and ADAPTO towel rails (U8425AA, U8426AA, U8427AA or U8615AA)
 - Wall mounted installation with brackets for basin structure (U842867): 3 pcs needed (order separately)
 - Freestanding installation with legs for frame + frame bar (order separately)
 - Basin structure supplied without cut
- For exact combinations: Please refer to Furniture/Basins compatibility matrix.

Mounting bracket for basin structure

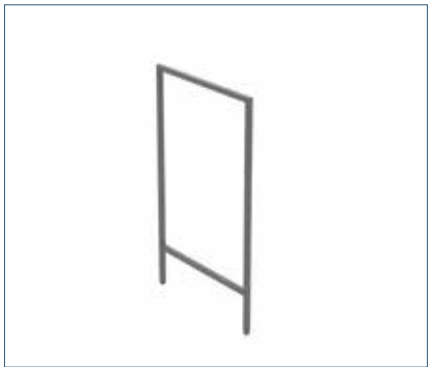


Model	Ref.
Mounting bracket (1pc in set)	U842867

- For basin's structure - wall mounted installation
- 2 pcs needed for 60, 70, 85 cm basin structures
- 3 pcs needed for 105, 120, 150 cm basin structures



Support Leg frame



Model	Ref.
Leg for frame (1 pc)	U8599FY

- For floor standing basin structure's and worktop's installation with frame bars (U860xxx) - to be chosen according to the size
- 2 pcs need to be ordered

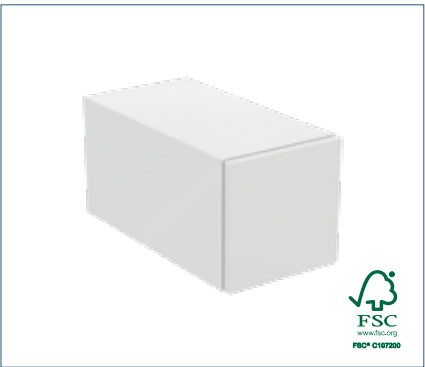
Frame bars



Model	Ref.
Frame bar 600 mm	U8600FY
Frame bar 850 mm	U8601FY
Frame bar 1050 mm	U8602FY
Frame bar 1200 mm	U8603FY

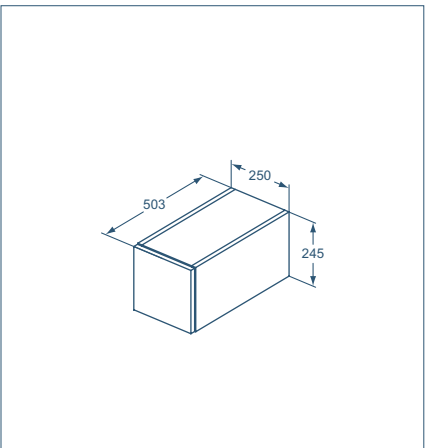
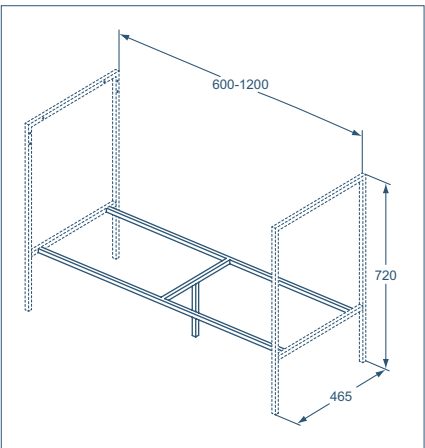
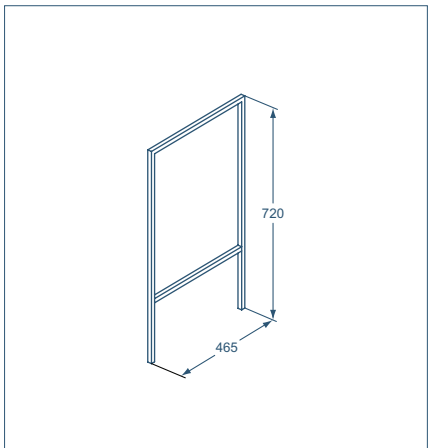
- To combine with Legs for frame for floor standing, basin structure's and worktop's installation

Base Unit - wall mounted



Model	Ref.
Base units 250x245x503 mm	U8419

- 1 drawer with push to open system (no handle)
- Can be combined with worktops or installable individually completing it with the appropriate worktops



ADAPTO

TECHNICAL SPECIFICATIONS

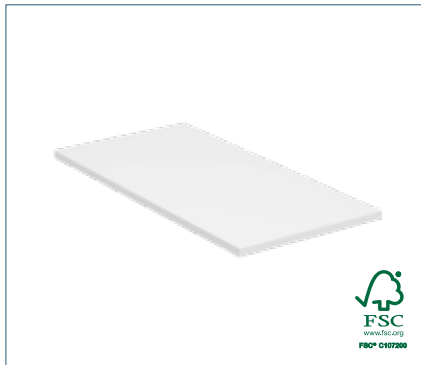
Base Unit - wall mounted



Model	Ref.
Base units 500x245x503 mm	U8421

- 1 drawer with push to open system (no handle)
- Can be combined with worktops or install able individually completing it with the appropriate worktops.

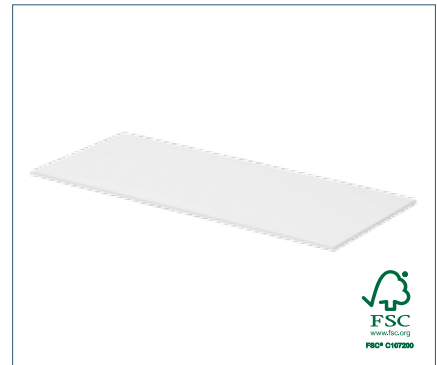
Worktop



Model	Ref.
Worktop 250x12x505 mm	U8410
Worktop 500x12x505 mm	U8412
Worktop 600x12x505 mm	U8413
Worktop 700x12x505 mm	U8414

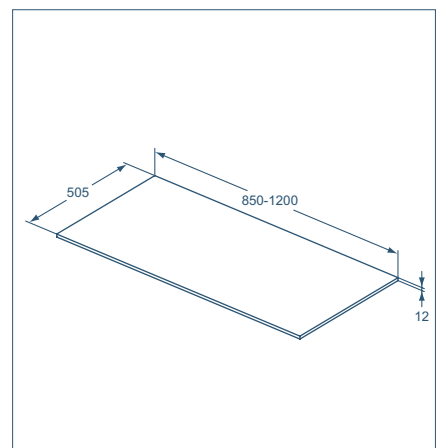
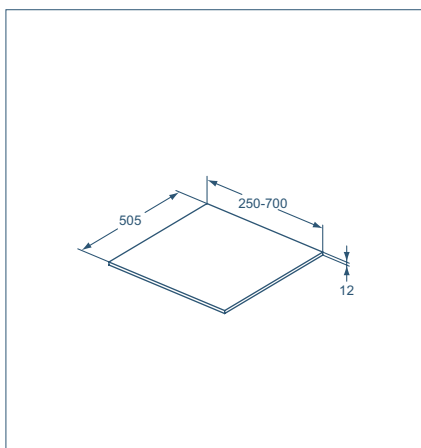
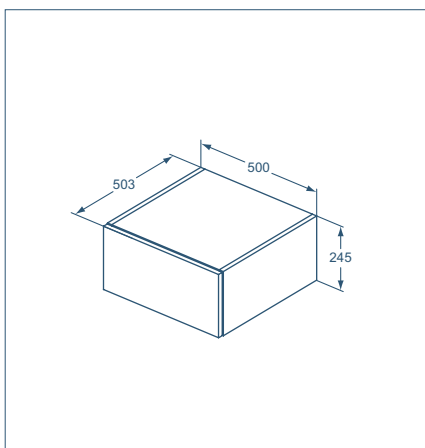
- Compatible with Base units or with frame bar + support legs frame

Worktop



Model	Ref.
Worktop 850x12x505 mm	U8415
Worktop 1050x12x505 mm	U8416
Worktop 1200x12x505 mm	U8417

- Compatible with base units or with frame bar + support legs frame



Towel rail - Onda



Model	Ref.
Towel rail	U8425AA

- Chrome

Towel rail - Bordo



Model	Ref.
Towel rail	U8426AA

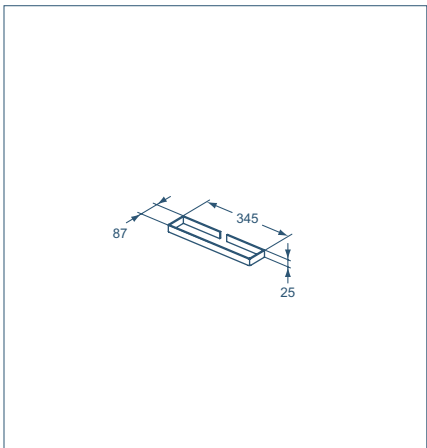
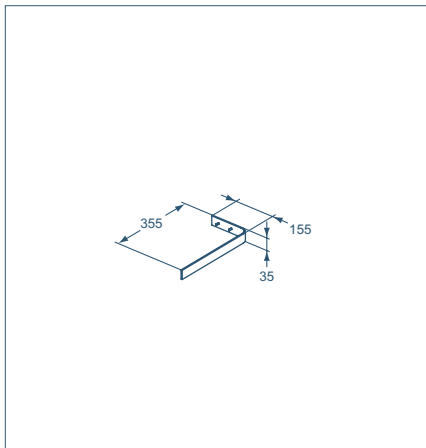
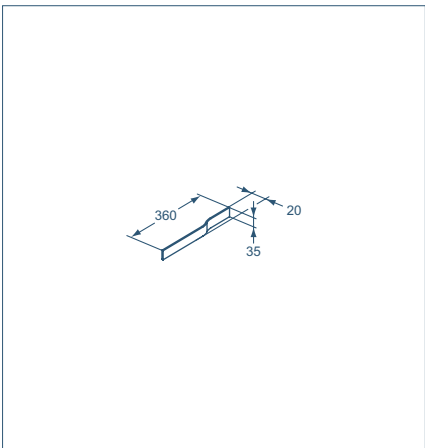
- Chrome

Towel rail - Cubo



Model	Ref.
Towel rail	U8427AA

- Chrome



ADAPTO

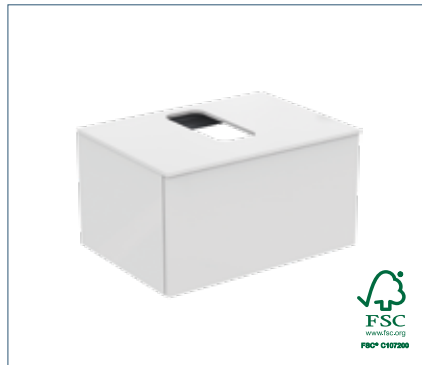
TECHNICAL SPECIFICATIONS

Towel rail - Cubo



Model	Ref.
Towel rail	U8615AA
<ul style="list-style-type: none"> • Chrome 	

Basin units - 1 drawer



Model	Ref.
Basin unit 600x380x505 mm	U8594
Basin unit 700x380x505 mm	U8595

- 1 drawer with push to open system (no handle)
- Worktop with cut - for combination with vessel basins and traditional wall mounted basins

For exact combinations: Please refer to Furniture/Basins compatibility matrix

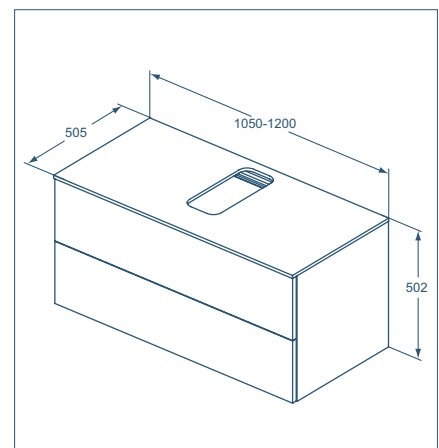
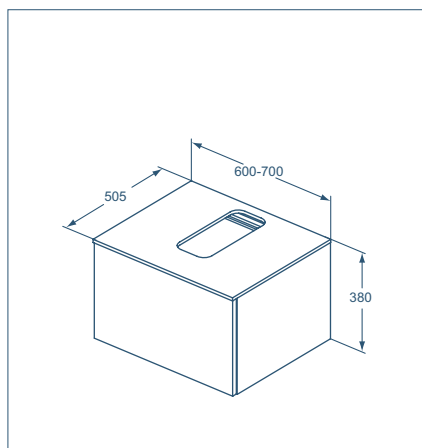
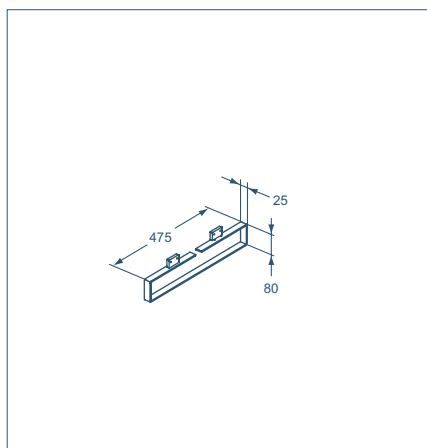
Basin units - 2 drawers



Model	Ref.
Basin unit 1050x502x505 mm	U8597
Basin unit 1200x502x505 mm	U8598

- 2 drawers with push to open system (no handle)
- Worktop with cut - for combination with vessel basins and traditional wall mounted basins

For exact combinations: Please refer to Furniture/Basins compatibility matrix



Ideal Standard Polska Sp. z o.o.
Ul. Ostrowskiego 7
53-238 Wrocław, Polska

Tel: +48 71 78 68 301
Fax: +48 71 78 68 303
Infolinia: 0801 906 333

e-mail: dzialhandlowy@idealstandard.pl
www.idealstandard.pl



Ideal Standard

www.idealstandardinternational.com