

# BARTON HILL

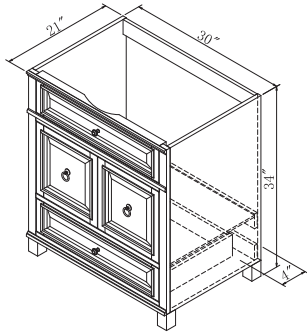


# BARTON HILL Collection

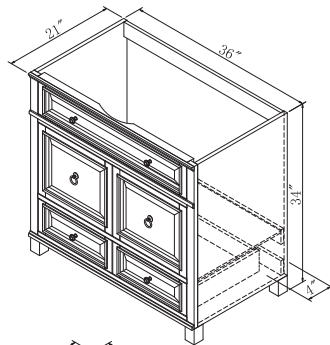
## BUILT-TO-LAST FEATURES:

The Barton Hill Collection is designed for today's bath environment, you won't need to compromise on style, quality and function when you choose fine bath furnishings from Sunny Wood. Ample storage, quality materials construction are complemented by a beautiful hand-rubbed finish.

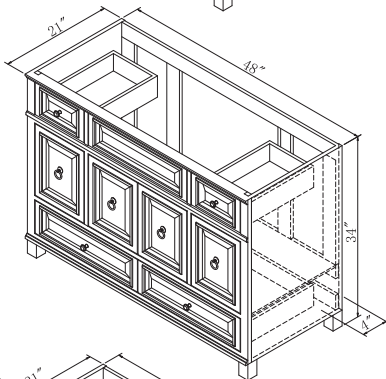
### VANITY BASES



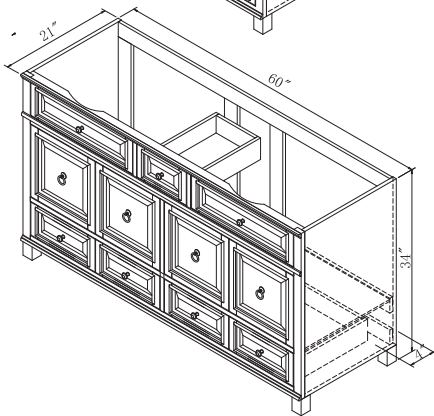
**BH3021D**  
2 Doors  
1 Bottom Drawer



**BH3621D**  
2 Doors  
2 Bottom Drawers

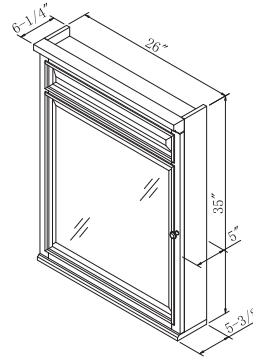


**BH4821D**  
4 Doors  
2 Top Drawers  
2 Bottom Drawers



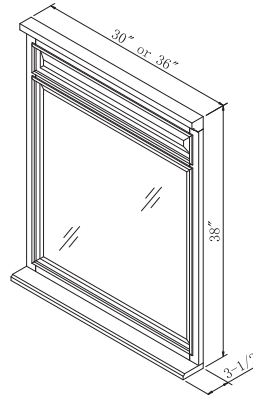
**BH6021D**  
4 Doors  
1 Top Drawer  
4 Bottom Drawers

### MEDICINE CABINET



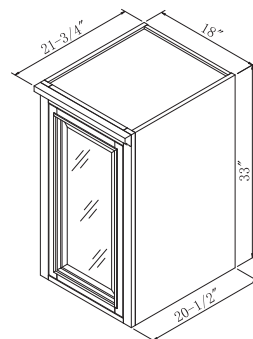
**BH2635M**  
Single Medicine Cabinet

### MIRRORS

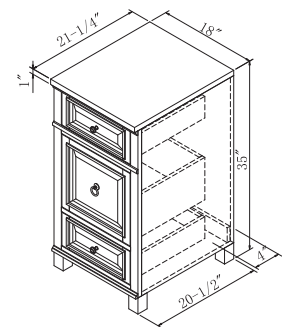


**BH3038MR**  
**BH3638MR**  
Mirror

### LINEN HUTCH



**BH1821T**  
Linen Hutch



**BH1821B**  
Linen Base

## SUNNY WOOD PRODUCTS COMPANY, INC.

14108 Artesia Blvd. Cerritos, CA 90703

Order Desk/Customer Service: (800) 888-6533

General Business: (562) 926-6533

FAX: (562) 926-0561

[www.sunnywood.biz](http://www.sunnywood.biz)



Note: Printed finish representations are for general reference only. Contact your dealer to view actual finish samples.  
As our policy is to continually improve design, we reserve the right to modify details or change specifications without prior notice.  
Copyright 2009 Sunny Wood Products Company, Inc.

