




**DOORS & SPECIALTIES Co.**  
COMMERCIAL DOORS • FRAMES • HARDWARE



1951 South Parco Ave., Unit A  
Ontario, California 91761

Phone: 1-877-930-1192    Local: 909-930-1192  
FAX: 909-923-2372

[bids@doorsandspecialties.com](mailto:bids@doorsandspecialties.com)

[accounting@doorsandspecialties.com](mailto:accounting@doorsandspecialties.com)

[info@doorsandspecialties.com](mailto:info@doorsandspecialties.com)

[sales@doorsandspecialties.com](mailto:sales@doorsandspecialties.com)

## Access Control Products

Alarm Lock	1-3
Camden	1-6
Command Access	1-5
Kaba Access Control	1-5
Schlage CO Locks	39-41
Yale inTouch	2-4

## Access Panels

Babcock Davis	1
---------------	---

## Astragals

National Guard	7
Pemko	6-8
Residential	1

## Bath Accessories

Bobrick	1-8
Head West	1-2
Moen/CSI/Donner	1-4
Zaca (Med Cabinets)	1-2

## Bolts Manual/ Automatic

Deltana	1-3
Doormerica	32-33, 38
Hager	15
Ives	2, 5, 13
Rockwood	8, 9, 12
Taymor	3

## Catch Ball/Roller

Deltana	11-12
Ives	6-7, 21
Rockwood	10, 13
Taymor	1

## Closers

Calibre	1-2
Doormerica	2-6
Falcon	25-26
Jackson	1-2
LCN	1-5
Norton	1-5
Rixson	1-2

## Closet Hardware

Taymor	2
--------	---

## Continuous Hinges

Hager/ Roton	8-10
Pemko	12

## Coordinators

Doormerica	1
Rockwood	9, 11

## Cylinders

Calibre	5
Falcon	10
Ilco	4-6
Schlage	34-35
Weslock	8

## Deadbolts

Doormerica	22
Falcon	2
Schlage	1, 9-11, 13, 15-16
Weslock	1, 3, 5

## Door Bottoms

National Guard	4-6
Pemko	3, 5

## Door Guards

Doormerica	31
Pro-Lok	16

## Door Viewers

Deltana	16
Doormerica	31
Hager	12
Ives	8
Pro-Lok	16
Rockwood	10

## Double Acting Spring Hinge

Bommer	1
Deltana	18

## Electric Accessories/ Supplies

Adams Rite	4
Command Access	2-4
Falcon	26
Schlage	42
Von Duprin	18-20

## Electric Hinges

Command Access	2
Rixson	3

## Electric Locks

Command Access	1
Schlage	13-14, 39-41

## Electric Strikes

Adams Rite	1-2
HES	1-4
Trine	1-6
Von Duprin	20

## Exit Alarms/ Controls

Alarm Lock	2-3
Detex	1
Doormerica	9, 14
Falcon	19
Von Duprin	4-5, 18

## Exit Devices/Trim

Adams Rite	3-4
Command Access	2
Doormerica	7-14
Falcon	11-22
Jackson	4
Schlage	41
Von Duprin	1-17
Yale	9-10

## Filler Plates

Don Jo	4-5
Pro-Lok	15

## Flush Pulls

Deltana	13-14
Doormerica	37
Ives	4-5
Taymor	5

## Gasketing / Seals

National Guard	7-8
Pemko	9-11

## Gate Boxes

Keedex	2
--------	---

## Hand Rail Brackets

Doormerica	37
Hager	16
Ives	2
Taymor	5

## Hasps

Abus	5
Pro-Lok	16

## Hinges

Bommer	1-3
Deltana	20-21
Doormerica	26-30
Hager	2-11
Ives	10-12
SOSS	1

## Interconnected Locks

Doormerica	21
Schlage	3, 32-33
Weslock	7
Yale	1

## Key Blanks

Abus	6
Ilco-Automotive	22-29
Ilco-Domestic	9-21
Ilco-Look Alike	7-8
Schlage	36

## Key Machines

Ilco	1-3
Pro-Lok	4

## Keying Product

Lab	1-6
Lucky Line(Tags and Rings)	1-10
Schlage	37
Weslock	9

## Key Safe

Supra	1
-------	---

## Kick Plates

Don Jo	10
Doormerica	33
Ives	9

## Latches

Doormerica	20
Falcon	9
Schlage	8, 19, 26
Weslock	8

## Lock Guard Plates/ Latch Plates

Don Jo	6-8
Ives	20
Keedex	1
Pro-Lok	12-13

## Locksets

Calibre (Storefront)	4
Doormerica	15-19
ML Series	23-25
Falcon	1, 3-8
Fusion	1-5
Schlage Residential	
Dexter	1-5
B250, B500	9, 15
BE/FE	13-14
Nexia	14
F Series	21-28
Schlage Commercial	
A, AL	6-8
B60, B600	10-12, 16
ND Series	17-19
L Series	29-30
S Series	31
CO Series	39-41
CS Series	32
Weslock	1-9
Yale	3-8

## Locksmith Tools and Accessories

Keedex	1-3
Pro-Lok	1-17

## Low Energy Operators

Falcon	24
Norton	2

## Magnetic Door Holders

Doormerica	1
LCN	6
Rixson	8

## Mail Slots

Deltana	15
---------	----

## Mullions

Falcon	23
Von Duprin	18

## Overhead Holders

Glynn Johnson	1-4
---------------	-----

## Padlocks

Abus	1-4
Schlage	38

## Patio Locks

Pro-Lok	17-18
---------	-------

## Pivots

Bommer	2-3
Calibre	6-7
Jackson	5-7
Rixson	3-7

## Plates Push/Pull/Remodel

Don Jo	2, 5
Doormerica	36
Hager	16
Ives	1
Rockwood	1-3

## Pocket Door Locks

Deltana	16-17
Ives	8
Residential (Kwikset)	3
Taymor	5

## Power Supplies

Alarm Lock	3
Adams Rite	2
Command Access	5
Trine	6
Von Duprin	20

## Residential Section

Astragal	1
Sills	2
Seals	3
Pocket Locks	3

## Screws For Hinges

Hager	1
-------	---

## Signs

Don Jo	9
Doormerica	39

## Silencers

Rockwood	10
----------	----

## Sill Nosing

Pemko	6
-------	---

## Stops and Holders

Deltana	4-10
Don-Jo	1
Doormerica	34-35, 37
Hager	12-14, 16
Ives	3-4, 14-19
Perfect Products	1
Rockwood	4-7
Taymor	4

## Storefront Hardware

Adams Rite	5-14
Calibre	1-8
Jackson	1-8
Rixson	1-8
Rockwood	1-2

## Storm/Screen Locks

Deltana	15
---------	----

## Strikes

Don Jo	2-3
Doormerica	21
Pro-Lok	14
Rockwood (Dust Proof)	9
Schlage	12, 16, 19, 26, 30

## Sweeps

National Guard	5
Pemko	4

## Thresholds

Columbia	1
National Guard	2-3
Pemko	1-2

## Wardrobe Hooks

Ives	7
------	---

## Window Casement Lock

Deltana	18-19
Ives	1

## Wrap Arouds

Don Jo	11-12
Pro-Lok	7-11

## Finish Chart

ANSI/MHMS Code	US Code	Finish Description	Base Material	Common Names
600	USP	Primed for painting	Steel	
601	US1B	Bright black japanned	Steel	
603	US2G	Zinc plated	Steel	
604		Zinc plated and dichromate sealed	Steel	
605	US3	Bright brass, clear coated	Brass	Polished Brass
606	US4	Satin brass, clear coated	Brass	Brushed/Satin Brass
609	US5	Satin brass, blackened, satin relieved, clear coated	Brass	Antique Brass
610	US7	Satin brass, blackened, bright relieved, clear coated	Brass	
611	US9	Bright bronze, clear coated	Bronze	Polished Bronze
612	US10	Satin bronze, clear coated	Bronze	Brushed/Satin Bronze
613	US10B	Dark oxidized, satin bronze, oil rubbed	Bronze	Duro, Duranodic
616	US10A	Satin bronze, blackened, satin relieved, clear coated	Brass, Bronze	
“”	US11	SAME AS ABOVE	Brass, Bronze	
618	US14	Bright nickel plated, clear coated	Brass, Bronze	Polished Nickel
619	US15	Satin nickel plated, clear coat	Brass, Bronze	Brushed/Satin Nickel
620	US15A	Satin nickel plated, blackened, satin relieved, clear coated	Brass, Bronze	Antique Nickel
621	US17A	Nickel, blackened, relieved, clear coated	Brass, Bronze	
622	US19	Flat Black Coated	Brass, Bronze	
624	US20A	Dark oxidized, statuary bronze, clear coated	Bronze	
625	US26	Bright chromium plated	Brass, Bronze	Polished Chrome
626	US26D	Satin Chromium plated	Brass, Bronze	Brushed/Satin Chrome
627	US27	Satin aluminum, clear anodized aluminum	Aluminum	
628	US28	Satin aluminum, clear anodized	Aluminum	
629	US32	Bright Stainless Steel	Stainless Steel	Polished Stainless
630	US32D	Satin stainless steel	Stainless Steel	Brushed/Satin Stainless
631	US19	Flat Black Coated	Steel	
632	US3	Bright brass, clear coated	Steel	
633	US4	Satin brass, clear coated	Steel	
636	US7	Satin brass, blackened, bright relieved, clear coated	Steel	
637	US9	Bright bronze, clear coated	Steel	
638	US5	Satin brass, blackened, satin relieved, clear coated	Steel	
639	US10	Satin bronze, clear coated	Steel	
640	US10B	Dark oxidized, satin bronze, oil rubbed	Steel	
643	US10A	Satin bronze, blackened, satin relieved, clear coated	Steel	
“”	US11	SAME AS ABOVE	Steel	
643E	US11	Aged Bronze (Schlage Commercial)		
645	US14	Bright nickel plated, clear coated	Steel	
646	US15	Satin nickel plated, clear coat	Steel	
647	US15A	Satin nickel plated, blackened, satin relieved, clear coated	Steel	
648	US17A	Nickel, blackened, relieved, clear coated	Steel	
651	US26	Bright chromium plated	Steel	
652	US26D	Satin Chromium plated	Steel	
716		Aged Bronze		

## Standard Powder Coated Finishes

689	Aluminum
690	Dark Statuary Bronze
691	Light Bronze (Dull Bronze)
692	Tan
693	Black
695	Medium Amber
696	Brass (Gold)

## Misc

1B	Black
1D	Black
1DM	Black-bright brass bearings & tips
2C	Zinc plated, commercial
2CD	Brushed zinc plated
2D	Brass tone dichromate
3LB	Light brass
9A	Bright bronze, no lacquer
10A	Antique bronze, lacquered
10D	Light Bronze (Dull Bronze)
10R	Matt lacquer antique bronze
14A	Bright nickel, oxidized & highlighted
14B	Black nickel, bright
17A	Black nickel, dull
20	Statuary bronze, light
BY	White enamel
GP/BGA	Gold polished (bright gold anodized)
GY	Grey enamel
L1	Luma color-black
L2	Luma color-dark bronze
L3	Luma color-med bronze
LS	Luma color-alum paint
P	Prime coat, beige

# Keying Information

## Commercial Keying

- 9LAB001**     Keying of commercial locks, deadbolts,  
 \$4.00 **NET**     & cylinders, including interchangeable cores.
  
- 9LAB002**     Master keying of commercial locks, deadbolts,  
 \$5.00 **NET**     & cylinders, including interchangeable cores to  
                          any multi level system.
  
- 9LAB003**     Cutting commercial keys, I/C core keys,  
 \$1.20 **NET**     control keys, and master keys.

## Residential Keying

- 9LAB001R**     Keying of residential locks and deadbolts.  
 \$2.00 **NET**
  
- 9LAB002R**     Master keying of residential locks and deadbolts.  
 \$3.00 **NET**
  
- 9LAB003R**     Cutting of residential keys and master keys.  
 \$1.00 **NET**

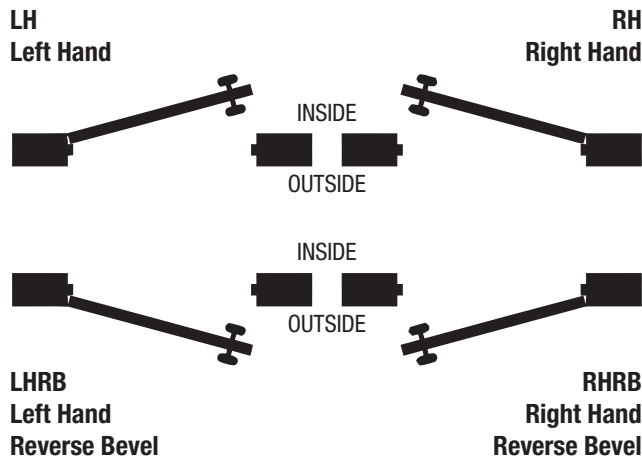
**KEYING NOTES:**

If we can use keys from the units you are buying we will use them and not charge you for keys. If not, we will charge you for the key blanks we need to use and the labor charge to cut them. Our standard is to provide two keys per change.

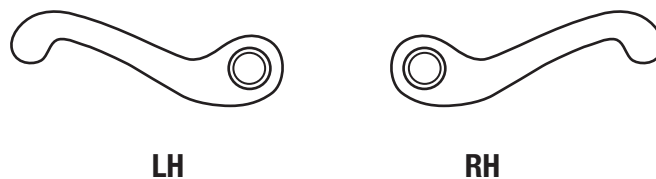
**STAMPING:**

Visual Key Codes (VKC) can be stamped on any cut key for an additional \$1.00 NET cost per key. Limited to three symbols per key.

## How to Determine Hand of Door



## How to Determine Hand of Parts (Handed Levers)



## ABUS - Padlocks



**24/70**

2- 3/4" width

140 Series hasp recommended

### Extreme Weather Protection - 24 Series

- Stainless-steel lock body and shackle for maximum corrosion protection
- All internal components made of brass and stainless steel
- Anti-pick mushroom pins
- Dust cover to protect keyway
- Also available in a rekeyable version that accepts a Master M1 cylinder or ABUS RH-5

#### Stocked Product

24/70C	Carded	KD
24/70B	KA	0198
24/70B	KA	0249

Uses ABUS keyblank 24/41 KBR4 pin



**28/70**

2- 3/4" width

140 Series hasp recommended

### Buffo - 28 Series

- Stainless-steel lock body
- Hardened steel shackle
- Anti-pick mushroom pins

#### Stocked Product

28/70C	Carded	KD
28/70B	KA	0025
28/70B	KA	0026

Uses ABUS keyblank 24/41 KBR4 pin

## ABUS - Locks

### 83 Series Locks

- Z-Bar® feature for conversion from key-retaining to non-key-retaining in seconds
- New Pinning Window™ makes rekeying faster and easier than ever before
- Solid brass body
- Brass Cylinder
- Quick Change Shackle



**83/45 RK**  
 1-3/4" Width



**83/45 300RK**  
 Less shackle

#### Stocked Product

83/45-100RK	Yale Keyway
83/45-200RK	Kwikset Keyway
83/45-300RK	Schlage C Keyway
83/45-300RKWO	Less shackle, Schlage C Keyway
83/45-323RK	Schlage Everest Keyway
83/45-700RK	Sargent LA-LC Keyway
83/45-800RK	Weiser Keyway
83/45-3000RK	Schlage C-L Keyway
83/45-M1RK	Master M1 Keyway



**83CS/50**  
 2" Width

- Brass or Chrome Cylinder
- Hardened Special Alloy Shackle
- Quick Shackle Change

#### Stocked Product

83/CS/50-300RK	Schlage C Keyway
83/CS/50-3000RK	Schlage C-L Keyway

## ABUS - 83 Series Lock



1-3/4" Width

**83KnK/45**

### Key-in-Knob Padlocks

- Hardened Special Alloy Shackle
- All Drivers included
- Long shackle versions are available in Special Alloy, Brass and Stainless Steel
- Accepts all of these OEM Cylinders: ASSA, KABA, Lori, Medeco #20W2000, Schlage C, Schlage Everest, Schlage Primus

#### **Stocked Product**

83KnK/45      Key in Knob Padlock



1-3/4" Width

**83IC/45**

### Interchangeable Core Padlocks

- Hardened Special Alloy Shackle
- Z-Bar feature for conversion from key-retaining to non-key-retaining in seconds
- Accepts all major IC cylinders (5, 6 & 7 pin)
- All Drivers included
- Accepts these OEM small format IC Cores: Arrow, Best, Eagle, Falcon, KSP, Lori, Keymark, Medeco, Peaks
- Less Cylinder

#### **Stocked Product**

83IC/45 Interchangeable Core Padlock



### Shackles Only for 83 Series

- 5/16" diameter, Special Alloy Shackle

#### **Stocked Product**

2" Shackle	8002-2
3" Shackle	8003-3
4" Shackle	8004-4
6" Shackle	8009-6



## ABUS - Locks



2" Width

**83WP/53**

### Weather Proof Solid Hardened Steel Zinc Plated

- Chrome Plated Brass Cylinder
- Hardened Special Alloy Shackle
- Protective cover over keyway
- Longer shackle versions are available in Special Alloy
- Ideal for harsh outdoor conditions
- 5/16" diameter Shackle

#### **Stocked Product**

83WP/53-300RK Schlage C Keyway  
 83WP/53-3000RK Schlage C-L Keyway



2" Width

**180/50**

### 180 Series Resettable Combination Padlocks

- Solid brass body
- Internal brass components
- Stainless-steel shackle
- 10,000 possible combinations
- Resetting tool included

#### **Stocked Product**

180/50 C	Standard Shackle	5/16" diameter, 1" Shackle
180HB/50 C	Long Shackle	5/16" diameter, 2-1/4" Shackle



2" Width

**180HB/50**

## ABUS - Hasps



110/155 EC



110/195 EC

### 110 Series

- Hardened steel for extra strength
- Seamless eye loop prevents prying
- Center-lock pin resists being driven out at end
- Coach bolts included

#### Stocked Product

110/155 EC	6-1/4" length	Carded
110/195 EC	7-3/4" length	Carded



140/120 EC



140/190 EC

### 140 Series

- Stainless steel for extra strength
- Concealed seams on eye loop
- Center-lock pin resists being driven out at end
- Includes 3 carriage bolts (5mm x 50mm) and 6 wood screws (10mm x 26mm)
- Designed for the Diskus® Padlock

#### Stocked Product

140/120 EC	4-3/4" length	Carded
140/190 EC	7-1/2" length	Carded



### File Cabinet Bars

- Available in 1-, 2-, 3-, 4-, and 5-drawer versions
- Meets the DOD's Industrial Security Manual
- Constructed of heavy 16-gauge formed steel
- Built-in spring-loaded hinge
- Self-tapping mounting screws included
- 10 bars per factory pack
- Largest diameter 5/16" padlock will fit

#### Stocked Product

File Bar 1	1 Drawer	11" length
File Bar 2	2 Drawer	21.5" length
File Bar 3	3 Drawer	33.5" length
File Bar 4	4 Drawer	45" length
File Bar 5	5 Drawer	56" length

## ABUS - Key Blanks



**Stocked Product**

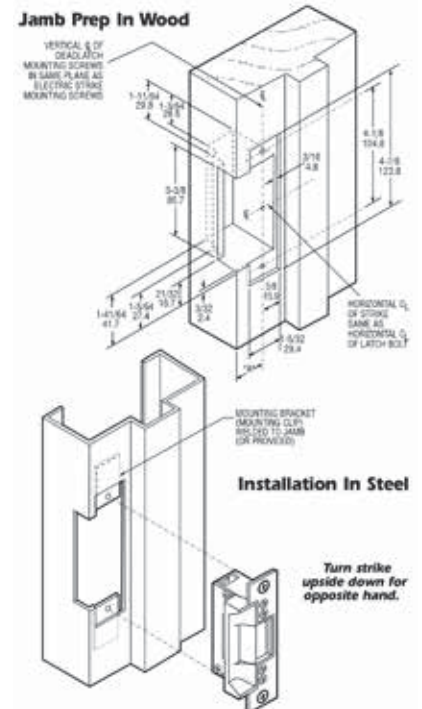
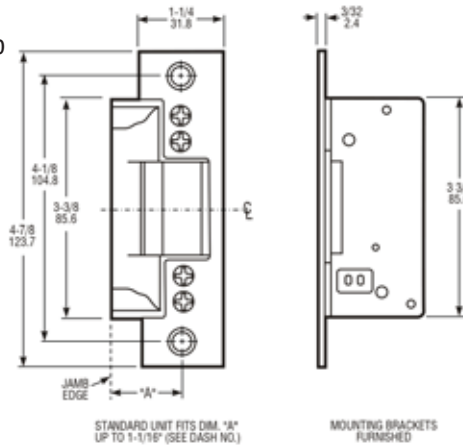
24/41	KBR
24/41	KBL
85/40	KBR

## Adams Rite - *Electric Strikes*

### 7140 Series

#### Product Description & Features

- For use with key-in lever latches
- **Lip Extension:** 1.06" from door line to jamb edge
- Faceplate measure 1-1/4" x 4-7/8"
- ANSI/BHMA E09321 Grade 1
- **Strike Opening:** 5/8" x 1-7/16" x 1/2" deep bolt retainer jaw is made of stainless steel.
- **Case:** Approximately 1" x 3-3/8" x 1-5/8" deep
- Fail secure operation
- **Voltage:** 24 VAC / 24 DC continuous, 24 VAC / 24VDC intermittent



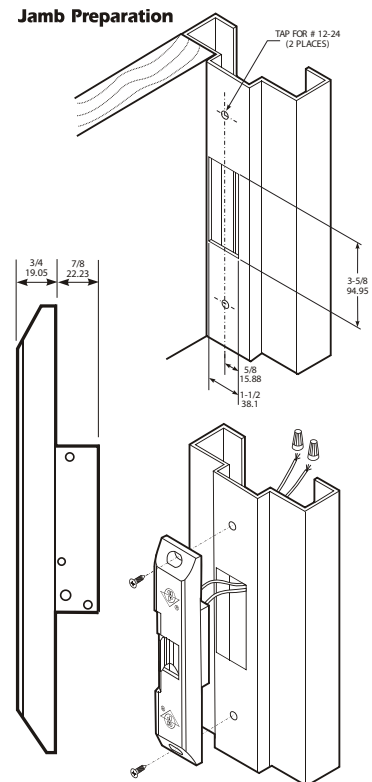
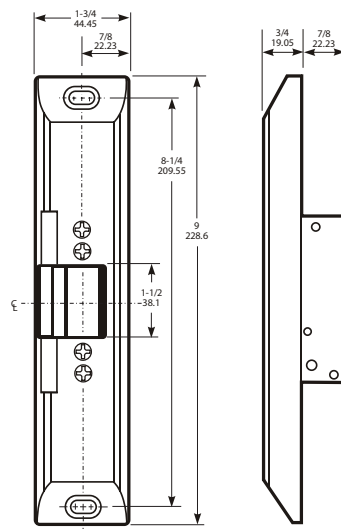
#### Stocked Product:

Finishes: Aluminum, Dark Bronze

### 74R1 Series

#### Product Description & Features

- For use with Von Duprin, Monarch, Precision and Pullman latches
- **Lip Extension:** 1.06" from door line to jamb edge
- Faceplate measure 1-3/4" x 9-3/4"
- ANSI/BHMA E09321 Grade 1
- **Strike Opening:** 5/8" x 1-7/16" x 9/16" deep bolt retainer jaw is made of stainless steel.
- **Case:** Approximately 1" x 3-3/8" x 1-5/8" deep
- Fail secure operation
- **Voltage:** 24 VAC / 12 VDC intermittent, 24 VAC / 24 DC continuous

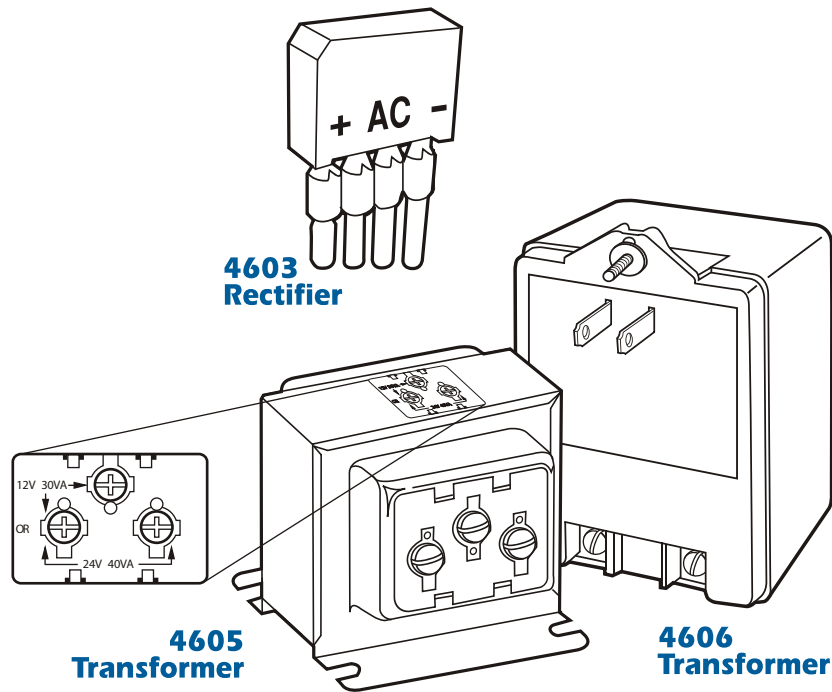


#### Stocked Product:

Finishes: Aluminum, Dark Bronze

## Adams Rite - *Electric Strikes*

### *Accessories*



### *4603 Rectifier*

Converts low voltage AC current to DC of same voltage. Installs in low voltage line between transformer and strike. Full hyphen bridge type. Rated 2 amps. (200 PIV).

#### **AC CONTINUOUS**

AC Continuous duty strikes are supplied with a 4603 Rectifier attached to the solenoid leads. These are silent operation strikes -- without the buzzing sound. They use a DC solenoid, but the externally attached full-wave bridge rectifier allows them to be connected to AC power.

### *4605 Transformer*

Converts 120VAC to 12VAC/24VAC. Rated 40 Volt-amp output assures plenty of power for strike release.

### *4606 Transformer*

Converts 120VAC current to 24VAC. Plugs into standard wall outlet.

## Adams Rite - Exit Devices

### 8600 - Series Narrow Stile Concealed Vertical Rod Device

**DIMENSIONS & SPECIFICATIONS:**

- ANSI/BHMA E09321 Grade 1
- **Handing:** Device is non-handed
- **Bar Height:** Adjustable from 30" to 44"
- **Projection:** 2-5/8" when fully projected 1-5/8" when dogged
- **Stile Width:** 2" minimum
- **Door Height:** Adjustable for doors up to 66" above selected bar height

**Stocked Product:**

Sizes: for 36" width door  
Finishes: Aluminum, Duro

### Accessories

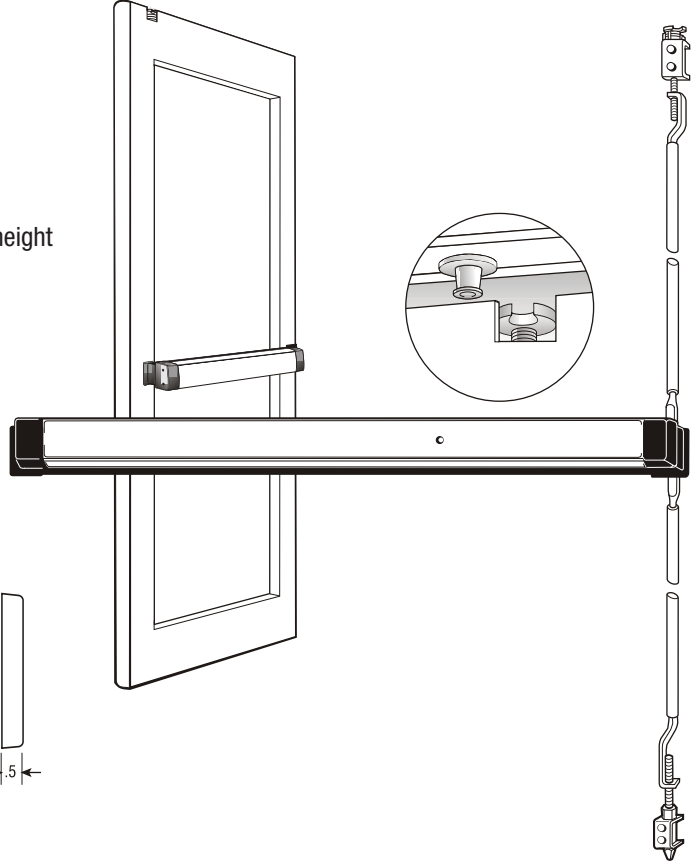
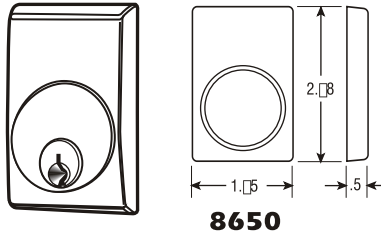
#### 8650 - Escutcheon

Required to mount any make standard Mortise cylinder, with MS cam, on outside of door.

- Less Mortise Cylinder

**Stocked Product:**

Finishes: Aluminum, Duro



### 8800 - Series Rim Exit Device For Aluminum Doors

**DIMENSIONS & SPECIFICATIONS:**

- ANSI/BHMA E09321 Grade 1
- **Handing:** Device is non-handed
- **Door Thickness:** Suits 1-3/4" up to 2-1/4"
- **Projection:** 2-5/8" when fully projected 1-5/8" when dogged
- **Stile Width:** 2" minimum
- **Door Height:** Adjustable for doors up to 66" above selected bar height
- **Stile Width:** 8800 - 2" for aluminum style

**Features**

- Patented "standard" bolt interlocks door to frame.
- Push bar is anodized or clad not plated.
- Unobstrusive design for clean sight lines.

**Stocked Product:**

Sizes: for 36" width door  
Finishes: Aluminum, Duro

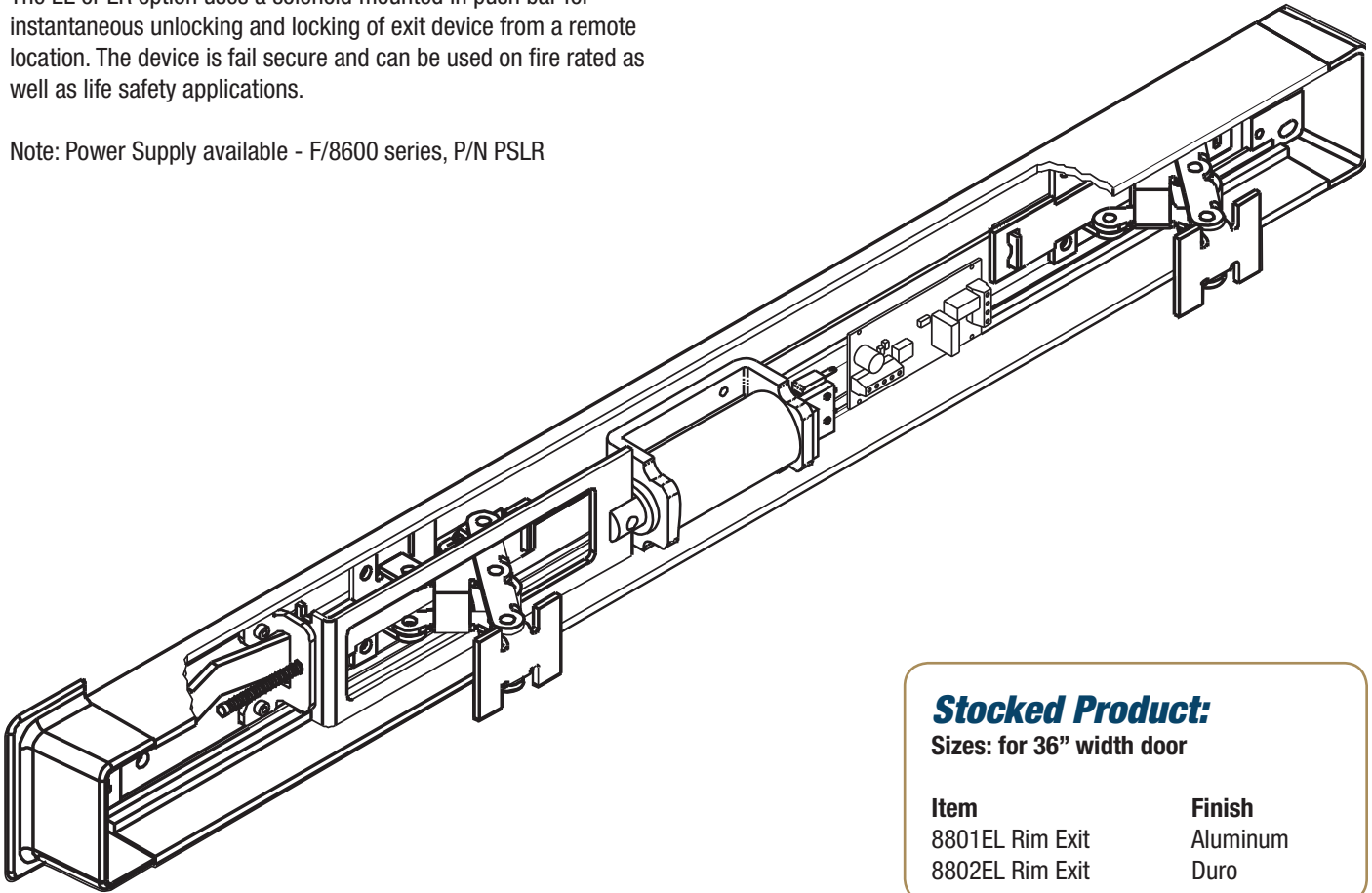


## Adams Rite - *Exit Device Options & Accessories*

### Electric Latch Retraction - *For all Adams Rite Exit Devices*

The EL or LR option uses a solenoid mounted in push bar for instantaneous unlocking and locking of exit device from a remote location. The device is fail secure and can be used on fire rated as well as life safety applications.

Note: Power Supply available - F/8600 series, P/N PSLR



#### **Stocked Product:**

Sizes: for 36" width door

Item	Finish
8801EL Rim Exit	Aluminum
8802EL Rim Exit	Duro

## Adams Rite - *Store Front Hardware Accessories*

### MS4043 Series - Cylinder Guard

#### **SECURITY RING**

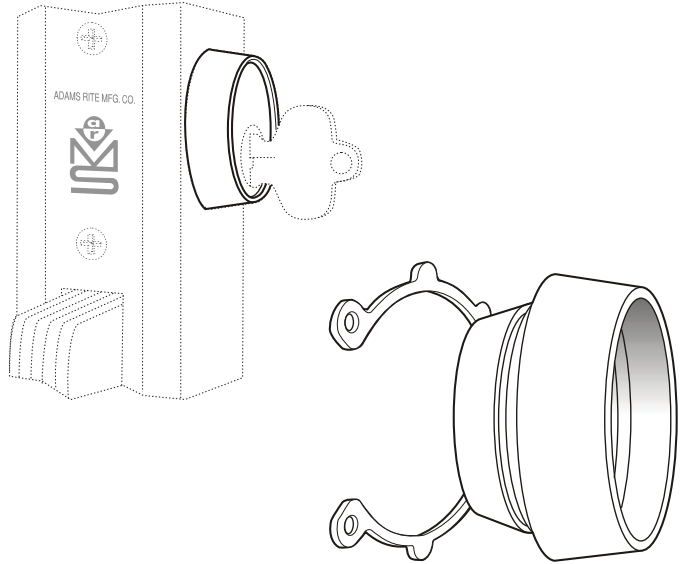
Made of hardened steel. Free-swiveling when properly installed.

#### **RETAINER RING**

Hardened steel, plated for corrosion resistance.  
Permits security ring to swivel.

**Stocked Product:**

**Finishes:** Aluminum, Dark Bronze



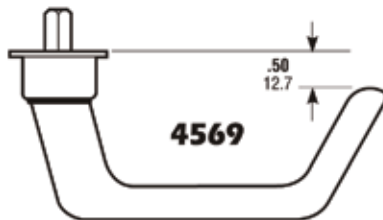
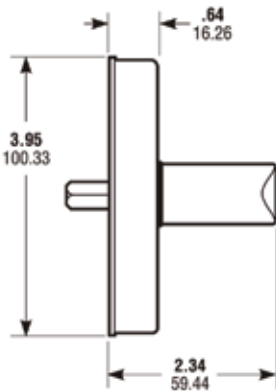
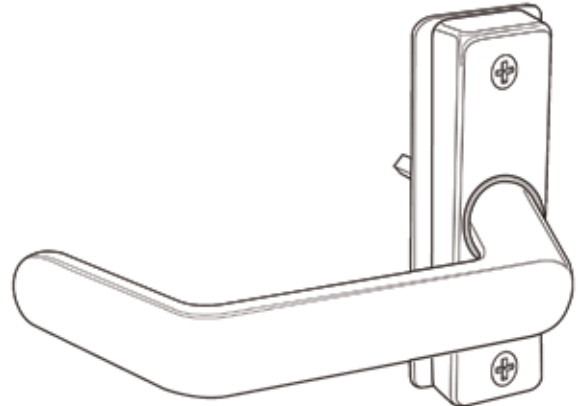


# Adams Rite - Store Front Hardware Accessories

## 4569 - Eurostyle Deadlatch Handle

### Product Description & Features

- **Escutcheons:** 1-3/8" x 4", designed to match the narrow stile door's clean lines. Steel mounted base is secured by hidden screws and has two large helical compression springs. (One becomes a "spare" once handling is given.) A 1/4" square heat-treated spindle is part of escutcheon assembly, which interlocks with the cam plug. Finished to match lever.
- **Function:** Designed to operate 4500/4700/4900 Series latches by a natural downward hand movement. These handles incorporate an activator cam disc that mounts on the handle escutcheon and fits solidly into the cylinder hole of the latch. Not intended for use as a door pull.
- **Cam Plugs:** Secured in latch body by cylinder setscrew, plug is also rigidly tied to handle escutcheon by hardened steel pins. Handing can be reversed by removing a spring clip, "flopping" the cam and replacing the clip.
- **Levers:** Lever of cast aluminum, in choice of 130 Satin Aluminum or 121 Dark "Bronze". Modern European styling offers a generous hand grip with shank offset away from the narrow stile jamb for hand safety. 4569 has return end to meet anti-snag code requirements.



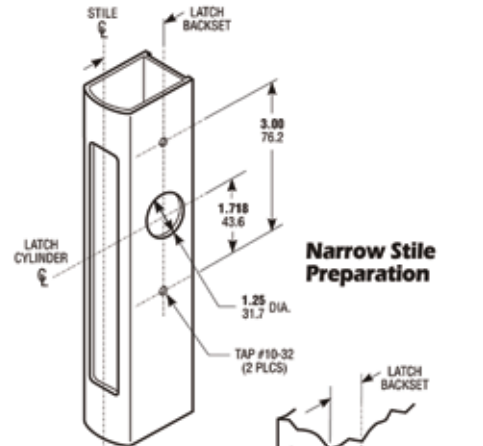
REVERSIBLE 4580  
Cam Disc INCLUDED  
(REQUIRED TO OPERATE  
4500/4700/4900  
SERIES LATCHES)

Stocked in Sacramento only

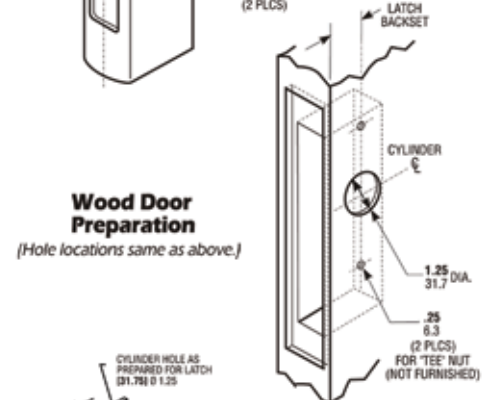
### Stocked Product:

Item #	Handing	Door Thickness	Finish
4569-501-130	LH	1-3/4" - 2"	Satin Aluminum
4569-601-130	RH	1-3/4" - 2"	Satin Aluminum
4569-501-121	LH	1-3/4" - 2"	Bronze
4569-601-121	RH	1-3/4" - 2"	Bronze

- Pre-handing can be specified LH or RH although re-handing in the field is easily accomplished. Standard handles are for 1-3/4" thick doors.
- Packed individually with cam plug handed LH or RH as specified.
- Two 10-32 mounting screws furnished.

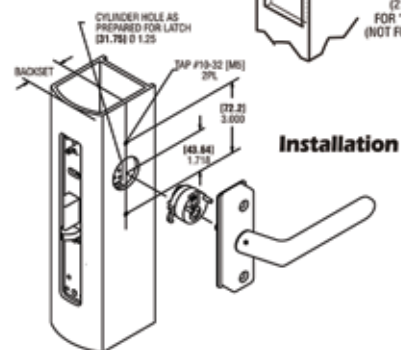


**Narrow Stile Preparation**



**Wood Door Preparation**

(Hole locations same as above.)



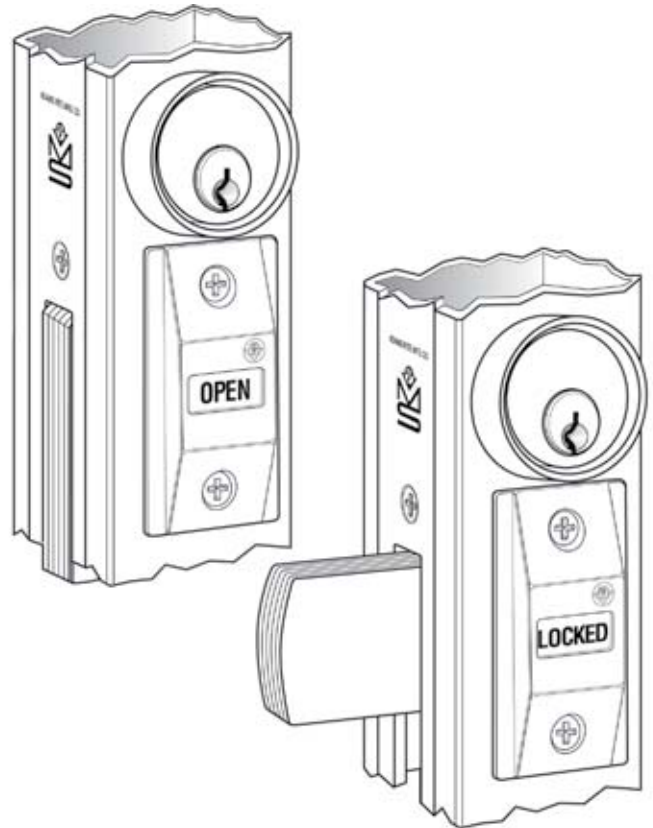
**Installation**

## Adams Rite - Store Front Hardware Accessories

### 4089 - Exit Indicator

#### **Product Description & Features**

- **Function:** Provides unmistakable notification of an exit door's "locked" or "open" condition. Under many local building safety codes, this allows the use, in certain occupancies, of a security deadlock instead of less secure panic devices. It includes two permanent adhesive header signs: "THIS DOOR TO REMAIN UNLOCKED DURING BUSINESS HOURS." (That wording is according to Uniform Building Code.) The second sign for NFPA and other local codes reads: "THIS DOOR TO REMAIN UNLOCKED WHEN THE BUILDING IS OCCUPIED."
- **Message Panel:** "OPEN" appears in black letters on white background when lock is retracted and "LOCKED" in red letters when actuated. Also available with red (locked) and green (unlocked) wordless panels.
- **Material/Finish:** Indicator escutcheon is zinc alloy with 130 (Satin Aluminum) Ritecoat finish. Header sign is clear aluminum match with black letters.



#### **COMPATIBLE LOCKS:**

- 1830
- 1870
- MS1837
- MS1850S
- MS1850S-505
- MS1850SN
- MS1850SN-505
- MS1860
- MS+1890
- SCH1850S
- SCH1850SN

#### **Stocked Product:**

Item#	Finish
4089	Aluminum, Duro

## Adams Rite - Store Front Hardware Accessories

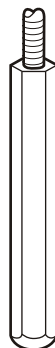
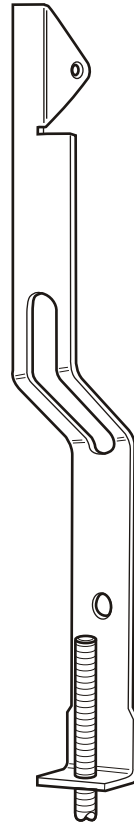
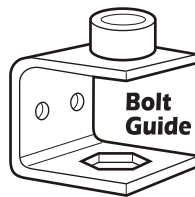
### 4015 - Threshold Bolt for Aluminum Stile Doors

#### Product Description & Features

- **Cylinder Height:** Standard threshold bolt rod is sufficient for cylinder height up to 53-7/16". It is fully threaded and can be cut off for low cylinder heights. Also available to volume users, cut and threaded only for specific cylinder heights.
- **Adjustment:** Exact adjustment of threaded rod to cylinder height is locked in place by hexagonal threshold bolt.
- **Function:** Adding the 4015 bolt to a pivoted bolt MS deadbolt allows Maximum Security for pairs of doors by the turn of a single key. Simultaneously dropping steel hexbolt into the threshold and pivoting the massive MS® bolt into the mating door's stile, the two-point lock secures the entire double door entrance. The 4015 threshold bolt is harnessed to the rear of the pivoted bolt. It may be added to any basic MS1850S or MS1850SN deadbolt.
- **Threshold Bolt:** Hexagonal 3/8" flat to flat. Made of stainless steel.
- **Operation:** 360° turn of key or thumbturn in basic MS lock throws counterbalanced bolt into opposite door and drop-bolt into threshold. Key can be removed only when bolts are in a positively locked or unlocked position.
- **Options:** For "universal" application, specify 4015-18 with fully threaded rod for cut off to any cylinder height below 53".

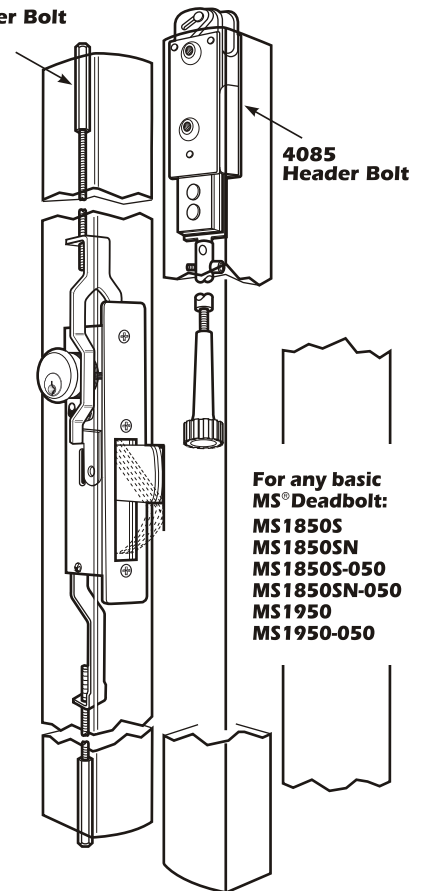
#### Stocked Product:

Item#  
4015



ANSI/BHMA Type E8241 (Grade 1)

4016  
Header Bolt



For any basic MS® Deadbolt:  
 MS1850S  
 MS1850SN  
 MS1850S-050  
 MS1850SN-050  
 MS1950  
 MS1950-050

## Adams Rite - Store Front Hardware Accessories

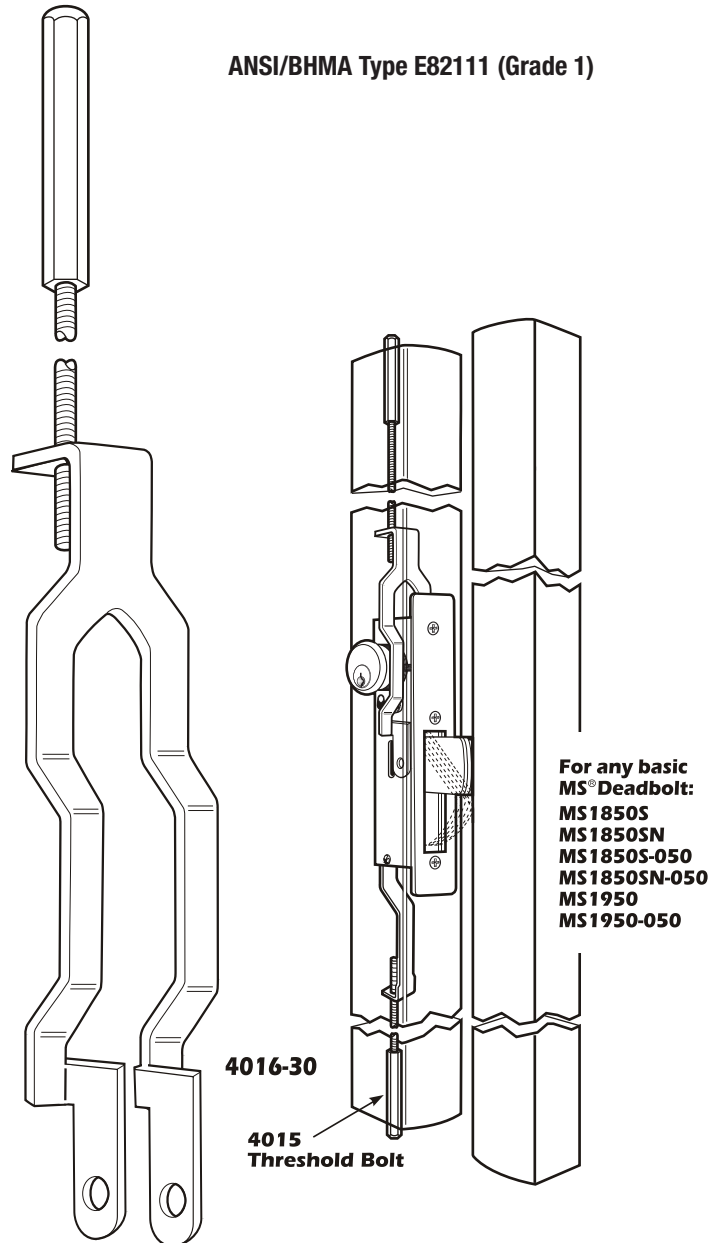
### 4016 - Header Bolt for Aluminum Stile Doors

#### Product Description & Features

- **Strike:** For header bolt a 1/2" diameter hole in metal frame is suitable, or for non metal installations, 4005 strike is available
- **Adjustment:** Exact adjustment of threaded rod to cylinder height is locked in place by hexagonal threshold bolt.
- **Door/Cylinder Height:** The standard version is designed for a 7' door height with cylinder height as low as 35". Can also be ordered for up to 10' door with additional extension.
- **Function:** Adding the 4016 Header Bolt and the 4015 Threshold Bolt to a pivoted MS® deadbolt allows for Maximum Security for pairs of doors by the turn of a single key. Simultaneously extending the stainless steel hexbolts top and bottom and pivoting the massive MS® deadbolt into the mating stile, the three-point lock secures the entire double door entrance. The 4016 can be added to any basic MS1850S, MS1850SN or for two-points top and bottom use with 1870/1870HM Cylinder-Operated Flushbolt. Not applicable to 7/8" backset locks.
- **Header Bolt:** Hexagonal 3/8" flat to flat. Made of stainless steel.
- **Threshold Bolt:** Hexagonal 3/8" flat to flat. Made of stainless steel.
- **Operation:** 360° turn of key or thumbturn in basic MS lock throws counterbalanced bolt into opposite door and hexagonal bolt into header strike.
- **Options:** For "universal" application, specify 4015-18 with fully threaded rod for cut off to any cylinder height below 53".

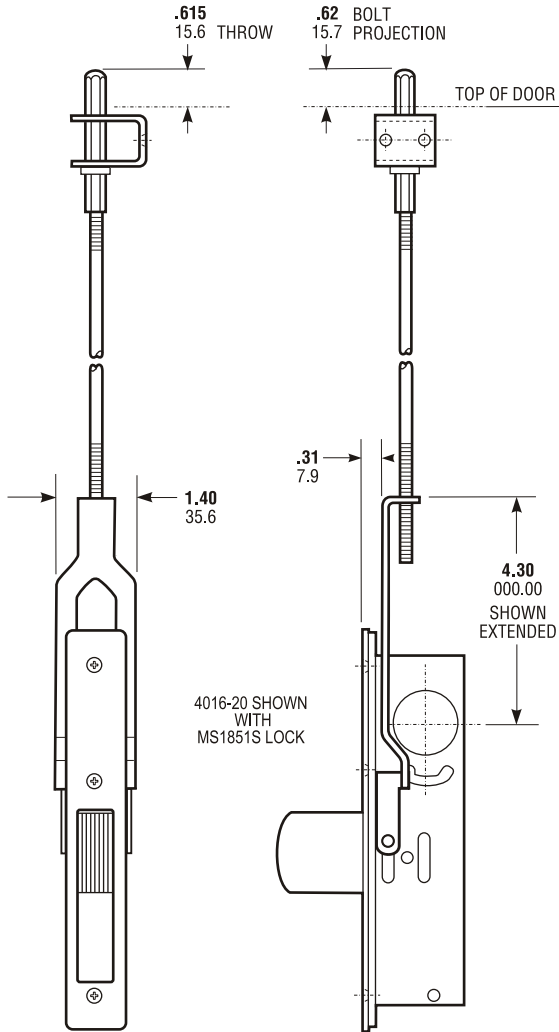
#### Stocked Product:

Item#	Backset
4016-2001	31/32"
4016-3001	1-1/8"

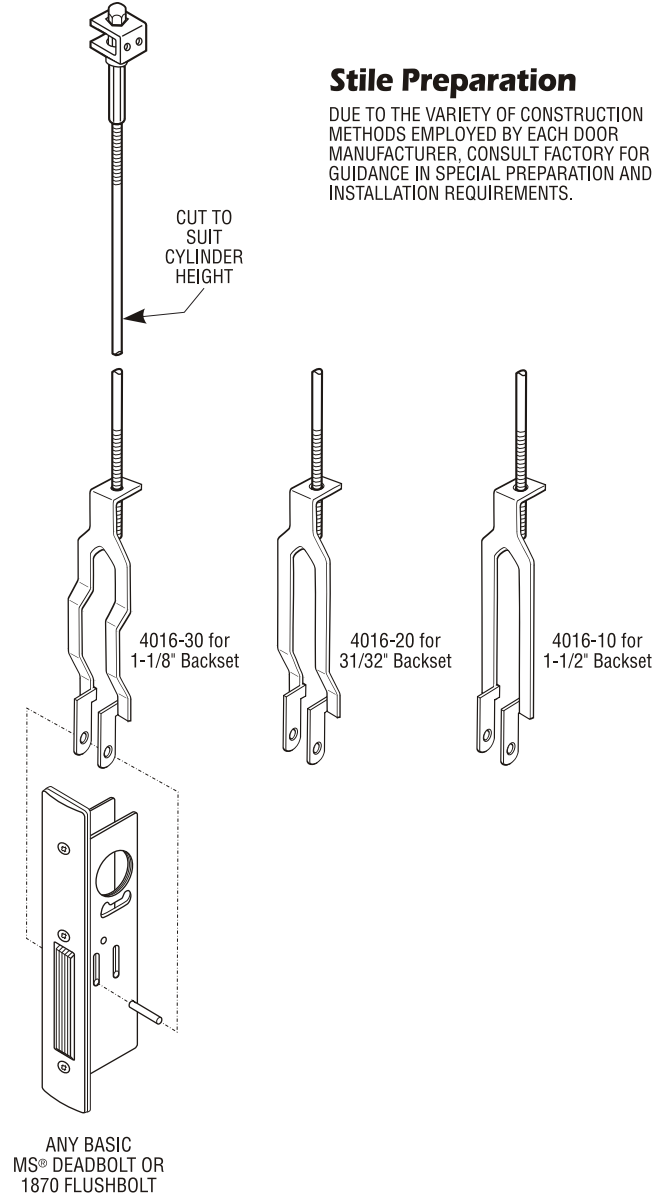


# Adams Rite - Store Front Hardware Accessories

**INCHES**  
MILLIMETERS  
*Nominal, subject to tolerance extremes.*



INSTALL ADAPTOR ARM TO LOCK FROM TOP WITH BOLT RETRACTED AS SHOWN. INSTALL PIN THROUGH SLOTS IN LOCK SIDE PLATES, PASSING THROUGH HOLES IN BOTH SIDES OF THE ADAPTOR ARM.



## Stile Preparation

DUE TO THE VARIETY OF CONSTRUCTION METHODS EMPLOYED BY EACH DOOR MANUFACTURER, CONSULT FACTORY FOR GUIDANCE IN SPECIAL PREPARATION AND INSTALLATION REQUIREMENTS.

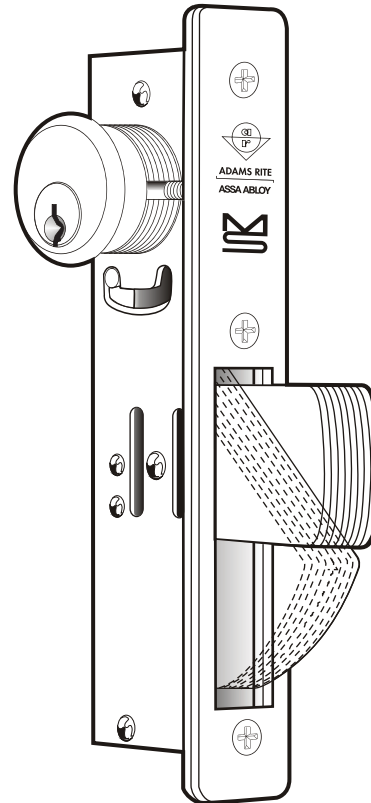
## Adams Rite - Store Front Hardware Accessories

### MS1850S - Deadbolt for Aluminum Stile Doors (1' x 6-7/8" Faceplate)

#### Product Description & Features

- **Cylinder Backset:** 31/32", 1-1/8" or 1-1/2" only
- **Case:** Steel with corrosion-resistant plating. 1" x 6" x depth. (Depth varies by backset.)
- **Function:** A huge bolt of laminated stainless steel, nearly three inches long, activated by an uncomplicated pivot mechanism, has made this basic MS® Deadbolt the standard of the narrow stile door industry. The length of this bolt provides maximum security for a single leaf door, even a very tall and flexible one or an installation where the gap between door and jamb is greater than it should be.
- **Bolt:** 5/8" x 1-3/8" with 13/16" throw. Eight ply laminated stainless steel with Alumina Ceramic core defeats any hacksaw attack (including rod-type "super" hacksaws) while hook shape repels prybar attempts to "spread" door from its jamb or lift it off its track.
- **Strike:** See next page for dimensions of strike slot which can be cut in metal jamb. Trim plate, box strike, and armored strike are also available.
- **Operation:** 360° turn of key or thumbturn throws or retracts the counterbalanced bolt. Key can be removed only when bolt is in a positively locked or unlocked position. Lock accepts any standard 1-5/32" diameter mortise cylinder or thumbturn from either or both sides. Cylinder must have MS® dimensioned cam.

ANSI/BHMA Type E8211, Grade 1

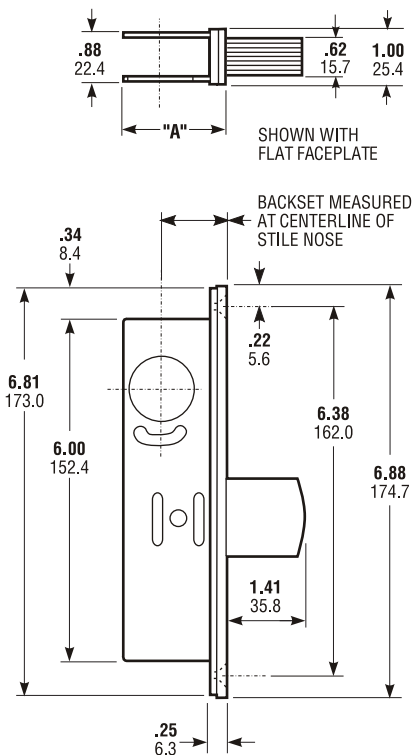


#### Stocked Product:

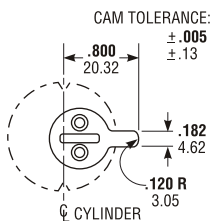
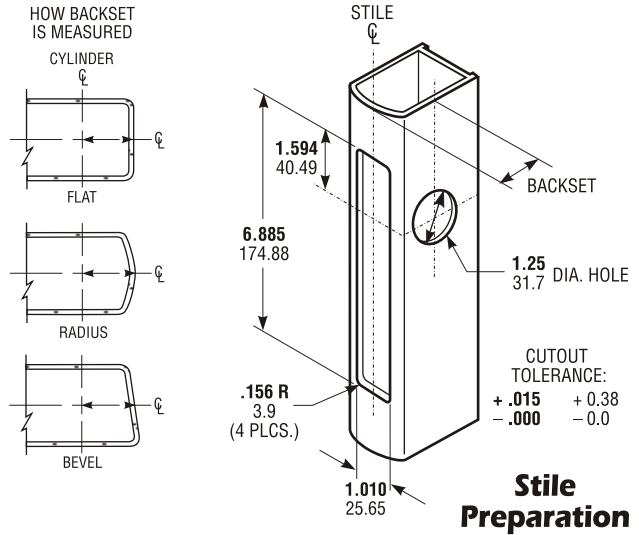
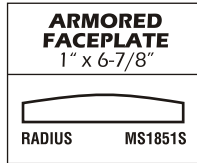
Item#	Backset	Finish
MS1850S	31/32"	628 Clear Anodized
	1-1/8"	313 Dark Bronze Anodized

# Adams Rite - Store Front Hardware Accessories

**INCHES**  
MILLIMETERS  
*Nominal, subject to tolerance extremes.*

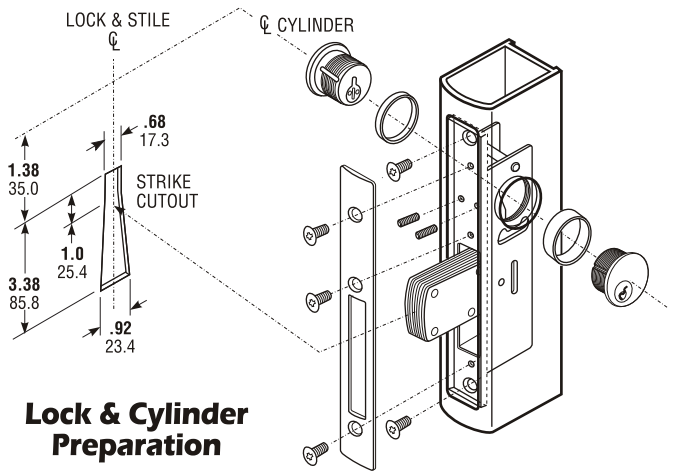


BACKSET	"A"
31/32" 24.6	1.63 41.4
1-1/8" 28.6	1.78 45.2



### Cylinder Cam

MS1850S Series locks are operable by any standard 1-5/32" diameter mortise cylinder with special MS® cam dimensioned as shown. Cylinders with MS® cams can be readily obtained from most cylinder manufacturers.



### Stocked Product:

Item#	Backset	Finish
1851S210	31/32"	628/313
1851S310	1-1/8"	628/313
1851S-050-250	31/32"	628/313
1851S-050-350	1-1/8"	628/313

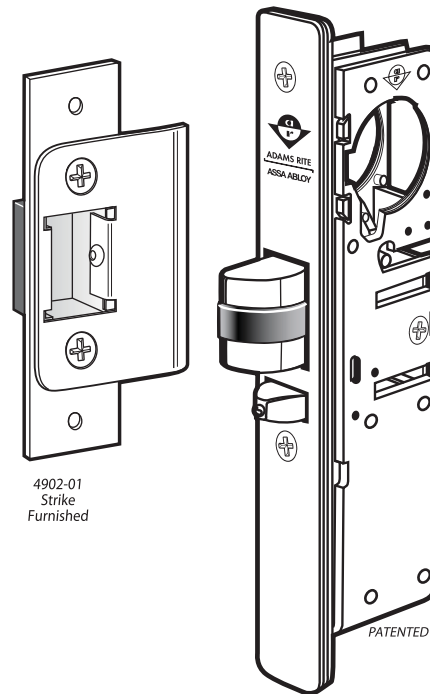
## Adams Rite - Store Front Hardware Accessories

### 4510 - Series Deadlatch Deadbolt for Aluminum Stile Doors

#### Product Description & Features

- **Cylinder Backset:** 31/32", 1-1/8" or 1-1/2" only
- **Case:** Steel with corrosion-resistant plating. 1" x 5-13/16" x depth. (Depth varies by backset.)
- **Function:** Flexibility of traffic control during and after business hours is offered by 4510 Series Deadlatches. A reverse turn of the key while bolt is held retracted retains the bolt, to allow two-way traffic for hospitals, banks, stores and other buildings which require free entrance at certain times and exit-only at other times. Interchangeable, without stile modification, with any MS1850A or MS1850S deadbolt of same backset and faceplate shape. (They do not, however, provide the same maximum security level as the MS Deadbolt.
- **Latch Bolt:** 1/2" x 1" x 1/2" throw. All metal with hardened steel internal pins. Handing is reversible without special tools.
- **Auxiliary Bolt:** All metal. Deadlocks latch bolt to prevent "loiding" or case-knife entry.
- **Strike:** Standard strike furnished is 4902-01 for flat jamb where door closes flush or nearly flush. Also available: radius strike for opposite stile in paired doors; longer strike (4901) to cover slot strike of MS® lock; long lip strikes for centerhung doors.
- **Operation:** Turn key or operate handle to retract spring-loaded latch bolt. To hold bolt retracted, push it in and secure by reverse turn of key. Uses any standard mortise cylinder with MS®cam.

ANSI/BHMA Type E823, Grade 1



#### Options

Backset, Faceplate Shape, Finish, Strike and Handing must be specified when ordering.

#### STANDARD PACKAGE

Individually boxed with strike and machine screws for mounting. Cylinders, paddle or handle available at extra cost. Shipping weight: 1-1/4 lbs. Also available in a 25 unit pack for volume users.

#### Stocked Product:

Item#	Backset	Handing	Finish
4510-510	31/32"	LH or RHR	628/313
4510-610	1-1/8"	RH or LHR	628/313





## Alarm Lock

### *T2 - DL2700 Series - Stand Alone Digital Locks*

#### *Features:*

- Clutch mechanism offers long lasting performance
- Heavy duty trim design with self contained, fully programmable, 12 digit key pad
- Non handed
- Key bypass capability
- Multi level user, up to 15 different codes
- Individual, group or total lockout codes

#### *Specifications:*

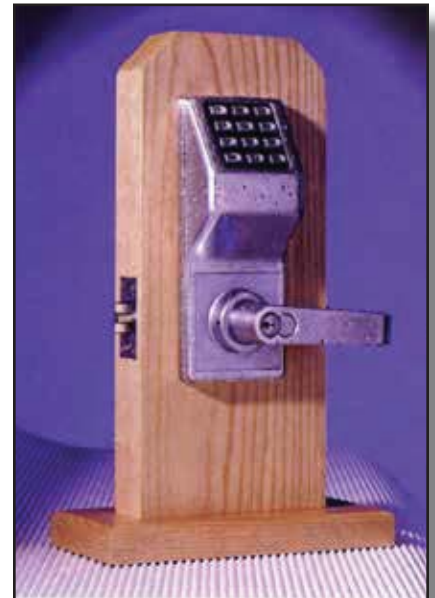
- Fits 1-5/8" to 1-7/8" door thickness
- 2-3/4" backset
- Power 5 AA alkaline batteries (included)
- Standard ANSI A115 series prep
- Compliance grade 1 heavy duty lockset
- Furnished standard Schlage C keyway for all override locks
- IC model - **supplied less core**

#### *Options*

- "WP" Weatherproof with operated temperature Range -20F to 151F

#### **Stocked Product**

- **Finishes:** 26D (Schlage Override Only)
- **Key Override:** Best LC (less Core), Schlage C Keyway



### *T3 - PDL3000 Series - Digital Lock with Prox and Audit*

#### *Features:*

- Accepts most HID proximity cards
- 2000 user codes including master, manager, supervisor & basic user
- May use card, code or card and code
- User data can be added to software via the lock, card reader module or PC
- Fingertip keypad or windows PC programmable
- Real time clock enables up to 500 schedule events and holiday schedules
- Rhodes/Saturn type design

#### *Specifications:*

- Keypad           Weatherproof all metal
- Backset           2-3/4" standard
  
- Door Thickness   1-5/8" to 1-7/8"
- Door Prep        ANSI A115 modified by additional throughbolt holes
- Strike            1-1/8" x 2-3/4" T strike and 1-1/4" x 4-7/8" ASA strike included
- Compliance     Grade 1, UL listed

#### **Stocked Product**

- **Finishes:** 26D
- **Key Override:** Schlage C Keyway
- **Lever type:** Rhodes/Saturn



## Alarm Lock

### PG Series - Door Alarms

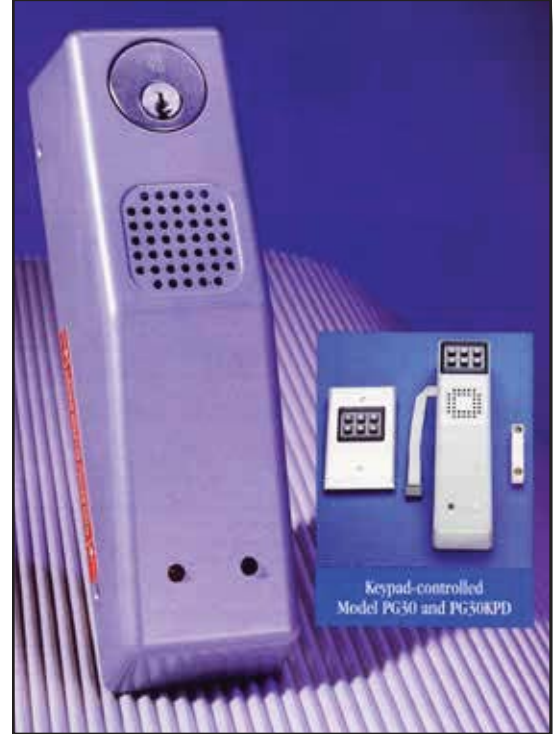
#### Features:

- Max flex terminals that provide:
  - continuous power with additional external power supply
  - multiple door monitoring with external reed switches
  - form C relay output permits remote monitoring
- Conventional plug in
- Improved 95db siren
- Visual magnetic alignment mode
- **Supplied less cylinder** - requires 1-1/4" mortise cylinder

**Note:** PG21 same as PG21E but without max flex terminals

#### Stocked Product

- PG21
- **Finish:** Metallic Silver



### Model 700 / 715 - Alarm Exit Device



#### Stocked Product

- For 36" width door
- 700 and 715 models
- **Finish:** Aluminum

#### Features:

- Model 700 has changable 2 minute alarm cut off of manual reset
- Non handed
- Audible low battery warning and cam for exterior key control
- Includes door warning sign and bar dogging function
- Power 9VDC alkaline battery
- Lock bolt: 1" throw - heavy die cast zinc alloy with steel inserts
- Sound level 95db
- **Supplied less cylinder**, requires rim cylinder

#### Model 715:

- Stand alone delayed egress panic. 15 second delayed latch, instant egress in case of emergency or fire. Meets NFPA 101 Lite Safety code. Includes monitoring output for secondary siren. CCTV or remote monitoring
- **Supplied less cylinder**, requires rim cylinder

## Door & Exit Alarms

### *General Accessories*

### 241 - Transformers



241 - 24VDC - 500ML

---

### 271 - Armored Door Loop

- For use with electrified locks. An easy means for bringing electric current from the hinge side of a door frame to the door. 18" flexible armored cable. End brackets are deep drawn anodized aluminum to conceal wire connections.



***Stocked Product***

• **Finish:** Metallic Silver



## Babcock Davis

### ITK Series Access Panel / Fire Rated

#### Features:

- Fire rated walls and ceilings
- Wall rating U.L. 1-1/2 hour B door
- Ceiling rating Warnock Hersey 3 hour
- Continuous hinge
- Insulation 2" thick and fire retardant
- Frame 16 gauge cold rolled steel
- Door 20 gauge cold rolled steel
- Flange 1" wide
- Flush key / knurled knob
- Gray prime finish with baked on rust inhibitor
- Rough opening 1/4" over

#### Options:

1551 hardware pack includes screws, Key and Knob

#### Stocked Product

##### Sizes:

08 x 08, 12 x 12, 14 x 14, 16 x 16, 18 x 18, 22 x 30, 24 x 24, 24 x 30, 24 x 36

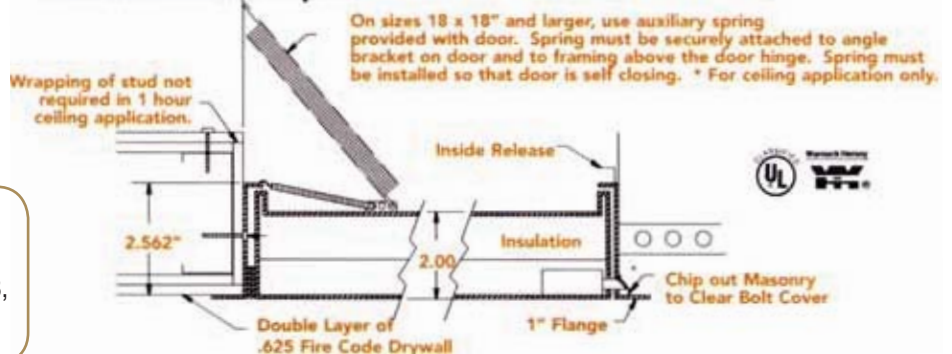


#### K - Knurled knob/key operated latch bolt

Patented ball bearing latch bolt operated by a screw-in type knurled knob or flush key. This is the standard latching mechanism on our fire rated models.



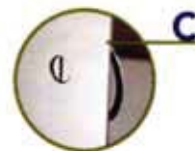
#### IT: Fire Rated All Purpose



### NTC Series Access Panel / Non Fire Rated

#### Features:

- All purpose flush access panel for walls and ceilings
- Concealed spring pin hinge on sizes up to 24" x 36"
- Frame 16 gauge cold rolled steel
- Door 14 gauge cold rolled steel
- Flange 1" wide exposed
- Screwdriver cam latch
- Gray prime finish with baked on rust inhibitor
- Rough opening 1/4" over

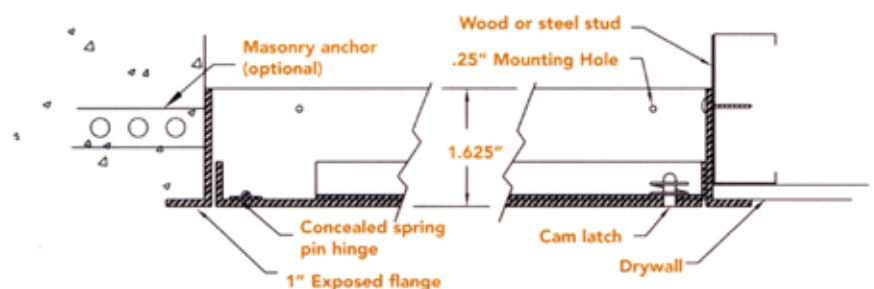


#### C - Screwdriver operated cam latch

Most commonly used for standard applications.



#### NT: Non-rated flush panel with 1" flange for installation in any application.





## *Bobrick – Washroom Accessories*



### **PRESTIGE BUILDINGS**

Corporate Headquarters  
 Class A Office Projects  
 Civic Center Icons  
 Universities

***Restroom Usage and  
 Accessory Requirements:***

Low to moderate traffic  
 Minimal use and abuse  
 Architectural design excellence  
 Quality materials and equipment



### **HEAVY TRAFFIC BUILDINGS**

Heavy Traffic Buildings  
 K–12 Schools  
 Retail Malls  
 Amusement, Recreation  
 Transportation Centers

***Restroom Usage and  
 Accessory Requirements:***

Periods of extreme traffic flows  
 Vandal-prone use and abuse  
 Equipment durability over design  
 Extra-large capacities



### **STANDARD USE BUILDINGS**

Commercial Office Facilities  
 Healthcare Centers  
 Hospitality Projects  
 Manufacturing Plants

***Restroom Usage and  
 Accessory Requirements:***

Moderate to heavy traffic  
 Some heavy use and abuse  
 Equipment durability important  
 Budget-sensitive specifications

## *Conversion Chart*

ASI #	Bobrick#	Moen/CSI
0185	7120	
0030	2888	
0332	822	
0469	3944	
0620	165	
3700	5806	
0210	262	
0347	2111	
0477SM	221	
0462AD	369	
0828	279	
0535	293	
0852	254	
0345	2112	
0710		110CH
7305-S		P1780



## Bobrick – Washroom Accessories

### B5806 - Series

#### GRAB BARS - CONCEALED MOUNTING WITH SNAP FLANGE

##### FEATURES

- Constructed of 18-gauge (1.2mm), type 304 satin-finish stainless steel tubing in 1 1/4" diameters.
- Concealed mounting flange 1/8" (3mm) thick, type 304 stainless steel plate, 2" W x 3 1/8" H (50 x 80mm), with screw holes for concealed anchors.
- Cover is 22-gauge (0.8mm), type 304 stainless steel with satin finish, 3 1/4" (85mm) diameter.
- Cover snaps over mounting flange to conceal screws.
- Peened nonslip gripping surface available.
- Optional mounting kits and anchor devices are available.

##### GRAB BAR BARRIER-FREE WASHROOM GUIDELINES:

Diameter of grab bars should be 1 1/4" to 1 1/2" (32–38mm) with 1 1/2" (38mm) clearance from the wall. Grab bars should not rotate in their fittings. The required mounting height is universally 33" to 36" (840–915mm) from the centerline of the grab bar to the finish floor. The structural strength of all grab bars and their mounting devices should withstand more than 250 pounds of force (1112 N). For all Barrier-Free toilet compartments, individual toilet rooms and guest bathrooms, it is recommended that a 36" (915mm) minimum horizontal grab bar be installed on the back wall over the toilet and a 42" (1065mm) minimum horizontal grab bar be installed on the side wall or partition nearest the toilet. This can also be accomplished with a single horizontal two-wall grab bar.



##### Stocked Product

1 1/4" (32MM) DIA. STRAIGHT/SATIN

- B-5806x18" (457mm)
- B-5806x24" (610mm)
- B-5806x36" (915mm)
- B-5806x42" (1065mm)
- B-5806x48" (1220mm)
- B-25230 SHEET METAL SCREW PK



### B293 - Series

#### FIXED-POSITION TILT MIRRORS

##### FEATURES

Provide visibility for wheelchair patients. Frame is type 304 stainless steel, satin finish. Beveled edges of frame hug mirror; provides gapless fit for improved appearance, and safety when cleaning mirror. No. 1 quality, 1/4" (6mm) glass mirror electrolytically copper plated. Mirror extends 4" (100mm) from wall at top and tapers to 1" (25mm) at bottom.

##### Stocked Product

B-293 1830 - 18" x 30"



### B165 - Series

#### CHANNEL-FRAME MIRRORS

##### FEATURES

- One-piece, roll-formed 3/4" x 3/4" (19 x 19mm) angle-frame
- Type 304 stainless steel angle with satin finish
- Corners heliarc welded, ground and polished smooth
- Beveled frame edge at mirror for improved appearance
- No. 1 quality, 1/4" (6mm) glass mirror; warranted against silver spoilage for 15 years
- Galvanized steel back
- Secured to concealed wall hanger with theft-resistant mounting

##### Stocked Product

B-165 2436 - 24" x 36"

B-165 1830 - 18" x 30"



## *Bobrick – Washroom Accessories*

### *B221 - Classic Series*

#### **SURFACE MOUNTED SEAT-COVER DISPENSER**

##### **FEATURES**

Satin-finish stainless steel. Dispenses 250 single- or half-fold toilet seat covers. Fills from bottom. Unit 15 3/4" W, 11" H, 2" D (400 x 280 x 50mm). Av. Mtg. Ht.: 45–59" (1145–1500mm) to top of unit, Barrier-Free, 30–48" (760–1220mm). Allow 5" (125mm) minimum clearance from bottom of dispenser to top of any horizontal projection for filling dispenser from below unit.



**Stocked Product**

B-221



### *B2888 - Classic Series*

#### **SURFACE-MOUNTED MULTI-ROLL TOILET TISSUE DISPENSER**

##### **FEATURES**

Satin-finish stainless steel unit with stainless steel dispensing mechanism. Door has flat face with protruding tumbler lock. Holds two rolls up to 5 1/4" (135mm) diameter (1800 sheets). Extra roll automatically drops in place when bottom roll is depleted. Theft-resistant, heavy-duty spindles. Unit 6 1/16" W, 11" H, 5 15/16" D (155 x 280 x 150mm). Av. Mtg. Ht.: 28–36" (710–915mm) to top of unit; Barrier-Free, 28" (710mm).



**Stocked Product**

B-2888



### *B262 - Classic Series*

#### **SURFACE-MOUNTED PAPER TOWEL DISPENSER**

##### **FEATURES**

Satin-finish stainless steel. Dispenses 400 C-fold or 525 multifold towels measuring 3 1/8" to 3 13/16" (79–97mm) deep without adjustment or adapters. Door has tumbler lock and piano-hinge. Cabinet slots indicate refill time. Unit 10 3/4" W, 14" H, 4" D (275 x 355 x 100mm). Av. Mtg. Ht.: 66–70" (1675–1780mm) to top of unit; Barrier-Free, 54" (1370mm).



**Stocked Product**

B-262



## Bobrick – Washroom Accessories

### B264

#### **SINGLE-ROLL TOILET TISSUE DISPENSER WITH CONTROLLED DELIVERY**

##### **FEATURES**

Heavy-gauge chrome-plated steel with bright polished finish. Mounting bracket is 18-gauge (1.2mm). Equipped with a vandalresistant self-locking mechanism and two heavy-duty brake springs. Heavy-duty brake springs provide controlled delivery. Toilet tissue roll will not spin freely. Eliminates waste. Accommodates one standard-core toilet tissue roll up to 4-1/2" (115mm) diameter. Toilet tissue roll cannot be removed from holder until empty.



**Stocked Product**

B-264

### B265

#### **DOUBLE-ROLL TOILET TISSUE DISPENSER WITH CONTROLLED DELIVERY**

##### **FEATURES**

Heavy-gauge chrome-plated steel with bright polished finish. Mounting bracket is 18-gauge (1.2mm). Equipped with vandalresistant self-locking mechanisms and four heavy-duty brake springs. Heavy-duty brake springs provide controlled delivery. Toilet tissue rolls will not spin freely. Eliminates waste. Accommodates two standard-core toilet tissue rolls up to 4-1/2" (115mm) diameter. Toilet tissue rolls cannot be removed from holder until empty.



**Stocked Product**

B-265

### B369 - Classic Series

#### **RECESSED PAPER TOWEL DISPENSER AND WASTE RECEPTACLE**

##### **FEATURES**

**Cabinet** -18-8 S, type-304, 22-gauge (0.8mm) stainless steel. All-welded construction. Exposed surfaces have satin finish.

**Flange** -18-8 S, type-304, 22-gauge (0.8mm) stainless steel with satin finish. Drawn and beveled, one-piece, seamless construction.

**Door** -18-8 S, type-304, 22-gauge (0.8mm) stainless steel with satin finish.

Secured to cabinet with a full-length stainless steel piano-hinge. Equipped with a knob latch.

**Paper Towel Dispenser** -18-8 S, type-304, 22-gauge (0.8mm) stainless steel with satin finish.

**Capacity:** 350 C-fold or 475 multifold paper towels.

**Waste Receptacle** -18-8 S, type-304, Heavy-gauge stainless steel with satin finish.

Top edges are hemmed for safe handling. Friction catch.

**Capacity:** 2-gal. (7.6-L).



**Stocked Product**

B-369

## Bobrick – Washroom Accessories

### B279 - Classic Series

#### **SURFACE MOUNTED WASTE RECEPTACLE**

##### **FEATURES**

Satin-finish stainless steel. Bottom edges hemmed for safety. Hooks hold furnished reusable vinyl liner; removable for servicing. Capacity: 6.4-gal. (24.2-L). Unit 14" W, 18" H, 6" D (355 x 455 x 150mm).

#### **Stocked Product**

B-279



### B72974

#### **SURFACE-MOUNTED PLASTIC, AUTOMATIC, UNIVERSAL ROLL TOWEL DISPENSER**



Introducing Bobrick's new addition to a complete line of Automatic, Universal Roll Towel Dispensers:

**Surface-Mounted Plastic, Automatic Roll Towel Dispenser, Model No. B-72974**

The new Surface-Mounted Plastic Automatic Roll Towel Dispenser is a perfect complement to our stainless steel line of dispensers where budget is a concern, yet the building owner wants to maintain a high level of design, function, and flexibility.

#### **Stocked Product**

B-72974

##### **FEATURES**

- Automatic, hygienic, hands free operation.
- Universal roll towel dispenser offers flexibility and freedom from expensive proprietary paper.
- Dispenses universal, 1-1/2" to 2" diameter core, up to 8" diameter, 8" wide, nonperforated, non-proprietary rolls.
- Four paper saving features allow building owner to control cost of paper towels and comply with US EPA Reduce & Reuse Resource Conservation Initiative
  - Adjustable towel lengths set at 9", 12", or 15"
  - Adjustable time delays on second activation set at 1, 2, or 3 seconds
  - Paper Saver Feature with two optional sheet lengths on second activation: 25% or 12.5% shorter
  - Stub roll dispensing accommodates up to 3-1/2" diameter stub-roll with automatic transfer to full roll
- Extended 300,000-cycle, 1-year battery life with low battery indicator light; AC adapter available.
- Easy access battery compartment located in the front of cabinet.
- Durable beige body made with high-impact resin plastic and a navy translucent cover that allows view of the paper supply.

### B3944 - Classic Series

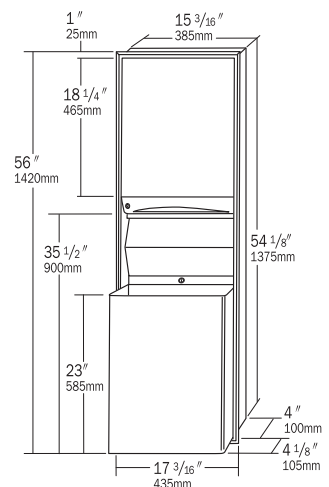
#### **RECESSED CONVERTIBLE PAPER TOWEL DISPENSER/WASTE RECEPTACLE**

##### **FEATURES**

Unit includes convertible folded paper towel module and 12-gallon waste receptacle module which can be interchanged with a universal touch-free roll towel module and 18-gallon waste receptacle module, respectively. Cabinet is not replaced when changing modules. Satin-finish stainless steel. Seamless beveled flange. Dispenses 600 C-fold or 800 multifold towels. Removable waste receptacle is locked into cabinet. Receptacle is 8" (205mm) deep with capacity of 12-gal. (45.4-L); extends 4 1/8" (105mm) from wall. Rough Wall Opening: 16" W, 54 3/4" H, 4" min. depth (405 x 1390 x 100mm). Av. Mtg. Ht.: 67-74" to top of unit; Barrier-Free, 601/2".

#### **Stocked Product**

B-3944



## Bobrick - Washroom Accessories

### B822 - Series

#### SOAP DISPENSERS

#### Stocked Product

B-822



B-822

#### FEATURES

For ease of maintenance and labor savings • Vandal-resistant locking cover and free-turning spout • Corrosion-resistant • Bright-polished spout, cover and escutcheon • High-impact-resistant ABS body and shank • Shatter-resistant polyethylene container • Patented • 34 fl. oz. capacity, 4" spout

### B2112 - Classic Series

#### SURFACE MOUNTED SOAP DISPENSER

#### Stocked Product

B-2112



#### FEATURES

Horizontal tank is satin-finish stainless steel. Valve dispenses all-purpose hand soaps. Capacity: 40-fl oz (1.2-L). Soap refill window. Concealed wall fastening. Hinged filler-top requires special key to open. Vandal-resistant. Unit 8 1/8" W, 4 3/4" H (205 x 120mm); wall to pushbutton, 3 1/2" (90mm). Universal/Barrier-Free Mtg. Ht.: 47 1/2" (1205mm) to top of unit with pushbutton 44" (1120mm) above floor. Patented.

### B2111 - Classic Series

#### SURFACE MOUNTED SOAP DISPENSER

#### Stocked Product

B-2111



#### FEATURES

Vertical tank is satin-finish stainless steel. Valve dispenses all-purpose hand soaps. Capacity: 40-fl oz (1.2-L). Soap refill window. Concealed wall fastening. Hinged filler-top requires special key to open. Vandal-resistant. Unit 4 3/4" W, 8 1/8" H (120 x 205mm); wall to pushbutton, 3 1/2" (90mm). Universal/Barrier-Free Mtg. Ht.: 50 7/8" (1290mm) to top of unit with pushbutton 44" (1120mm) above floor. Patented.

### B4112 Contura Series

#### SURFACE MOUNTED SOAP DISPENSER

#### FEATURES

Corrosion-resistant valve dispenses commercially available all-purpose hand soaps. Container is satin-finish stainless steel. Capacity: 40-fl oz (1.2-L). Soap refill window. Concealed wall fastening. Hinged filler-top requires special key to open. Vandal-resistant. Unit 7" W, 6 1/8" H (180 x 155mm); wall to push-button, 3 5/16" (90mm). Universal/Barrier-Free Mtg. Ht.: 49" (1245mm) to top of unit with push-button 44" (1120mm) above floor.

**DISCONTINUED**  
Call for availability and special pricing



#### Stocked Product

B-4112



## Bobrick - Washroom Accessories

### B7120 - Series

#### **SURFACE-MOUNTED HAND DRYER**

#### **FEATURES**

Surface-Mounted Warm-Air Hand Dryers featuring a 4" projection for ADA and barrier-free compliance and low-profile, architectural styling. 70% recycled satin-finish stainless steel (B-7128) or white-coated steel (B-7120) covers with black trim and side panels are available. Features include an optimum balance of fast drying time and a moderate sound level (73 dBA). Dual parallax air flow delivers a broad warm air pattern for a comfortable hand dry. Paper towels are eliminated reducing costs by 95%, operation is energy-efficient. Motor and brushes are warranted for 3 years, all other parts for 10 years.

#### **Stocked Product**

B-7120



### B4369 - Contura Series

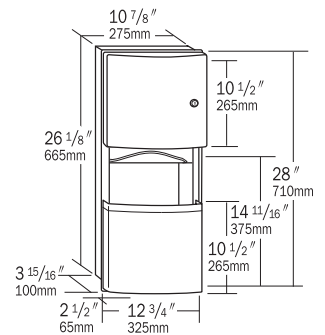
#### **RECESSED PAPER TOWEL DISPENSER/WASTE RECEPTACLE**

#### **FEATURES**

Satin-finish stainless steel. Flush tumbler lock. Dispenses 350 C-fold or 475 multifold towels. Waste receptacle has 2.6-gal. (9.8-L) capacity; extends 2 1/2" (65mm) from wall. Removable front panel for easy cleaning. Rough Wall Opening: 11 3/8" W, 26 5/8" H, 4" min. depth (290 x 675 x 100mm). Av. Mtg. Ht.: 71" (1805mm) to top of unit; Barrier-Free, 52 3/4" (1340mm).

#### **Stocked Product**

B-4369



### B43644 - Contura Series

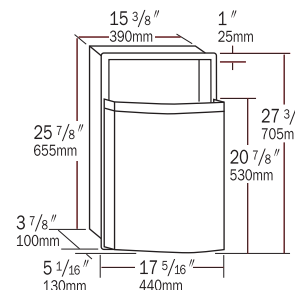
#### **RECESSED WASTE RECEPTACLE**

#### **FEATURES**

Satin-finish stainless steel. Removable front panel for easy cleaning. Capacity: 11.2-gal. (42.2-L). Rough Wall Opening: 15 7/8" W, 26 1/4" H, 4" min. depth (405 x 665 x 100mm). Universal/Barrier-Free Mtg. Ht.: 43-47" (1090-1195mm) to top of unit.

#### **Stocked Product**

B-43644



### B4288 - Contura Series

#### **SURFACE MOUNTED MULTI-ROLL TOILET TISSUE DISPENSER**

#### **FEATURES**

Satin-finish stainless steel unit with stainless steel dispensing mechanism. Flush tumbler lock. Holds two rolls up to 5 1/4" (135mm) diameter (1800 sheets). Extra roll automatically drops in place when bottom roll is depleted. Theft-resistant, heavy-duty spindles. Unit 6 1/16" W, 11" H, 5 15/16" D (155 x 280 x 150mm). Av. Mtg. Ht.: 28-36" (710-915mm) to top of unit; Barrier-Free, 28" (710mm).

#### **Stocked Product**

B-4288



## Bobrick – Washroom Accessories

### *B4262 - Contura Series*

#### **SURFACE-MOUNTED PAPER TOWEL DISPENSER**

##### **FEATURES**

Satin-finish stainless steel. Tumbler lock on top of cabinet. Door swings down for loading towels. Dispenses 400 C-fold or 525 multifold towels measuring 3 1/8" to 3 13/16" (79–97mm) deep without adjustment or adapter. Furnished with internal towel tray adapter kit for dispensing narrower towels 2 1/2" to 3 1/8" (64–79mm) deep. Cabinet slots indicate refill time. Unit 10 13/16" W, 13 1/4" H, 4 11/16" D (275 x 335 x 120mm).

#### **Stocked Product**

B-4262



### *B4221 - Contura Series*

#### **SURFACE MOUNTED SEAT-COVER DISPENSER**

##### **FEATURES**

Satin-finish stainless steel. Dispenses 250 single- or half-fold toilet seat covers. Fills from bottom. Unit 15 3/4" W, 11 1/4" H, 2 1/16" D (400 x 285 x 55mm). Av. Mtg. Ht.: 45–59" (1145–1500mm) to top of unit, Barrier-Free, 30–48" (760–1220mm). Allow 5" (125mm) minimum clearance from bottom of dispenser to top of any horizontal projection for filling dispenser from below unit.

#### **Stocked Product**

B-4221



### *B270 - Contura Series*

#### **SURFACE MOUNTED SANITARY NAPKIN DISPOSAL**

##### **FEATURES**

Satin-finish stainless steel. Cover is drawn, one-piece construction; secured to cabinet with full-length stainless steel piano-hinge. Capacity: 1.0-gal. (3.8-L). Unit 7 1/2" W, 10" H, 3 13/16" D (190 x 255 x 95mm). Universal/Barrier-Free Mtg. Ht.: 25–30" (635–760mm) to top of unit.

#### **Stocked Product**

B-270



# Bommer - Hinges & Pivots

## 3029 ANSI K81041 Double Action Spring Hinge

### Features:

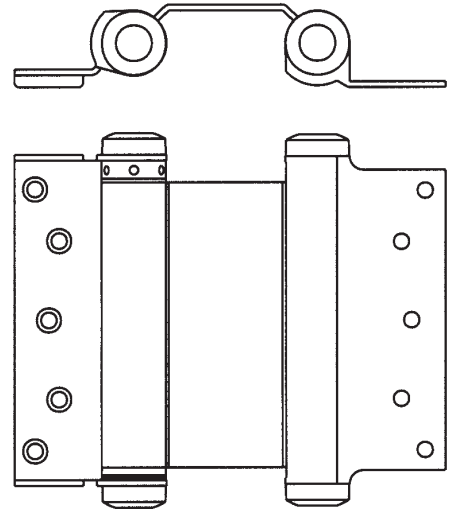
- Door flange is mortise into edge of door
- Jamb flange is surface applied to jamb
- Mortised
- Steel material
- Non templated
- Non handed
- All wood screws
- Do not use on doors with hinge edge beveled

### Stocked Product

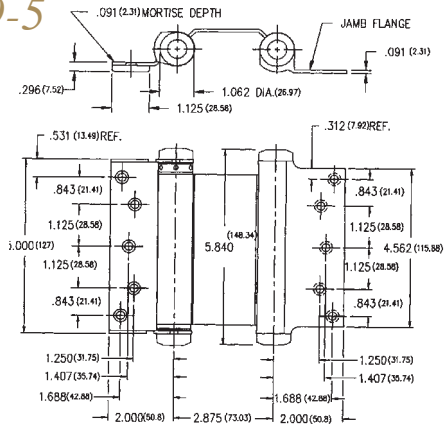
Sizes:		Door Thickness:
3029 - 5"	16 per case	1 1/8" - 1 1/2"
3029 - 6"	12 per case	1 1/4" - 1 3/4"
3029 - 8"	6 per case	1 1/2" - 2"
3029 - 6" x 4.5"	12 per case	1 3/4" only

### Finishes:

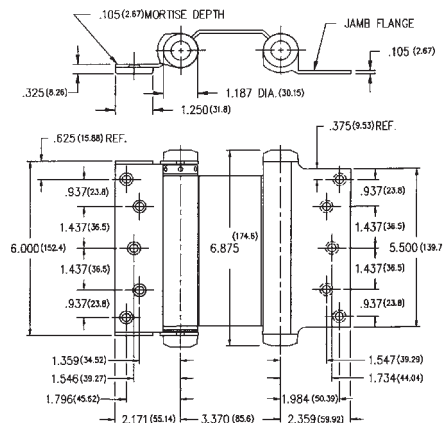
US15 (646), US26D (652), US4 (633), USP (600)



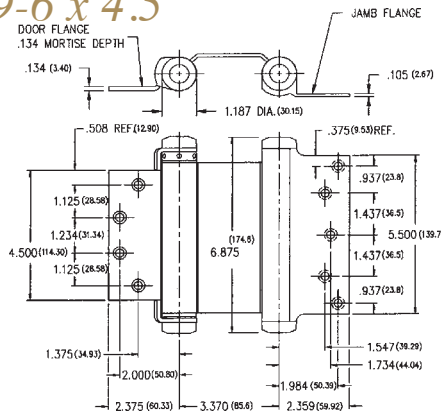
### 3029-5



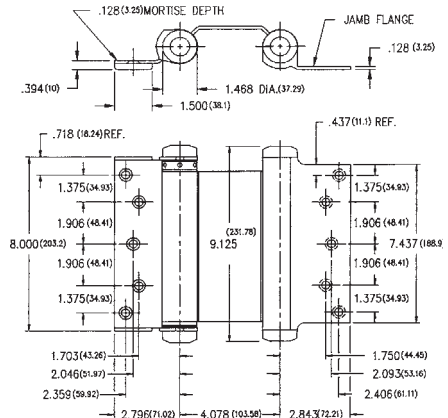
### 3029-6



### 3029-6 x 4.5



### 3029-8



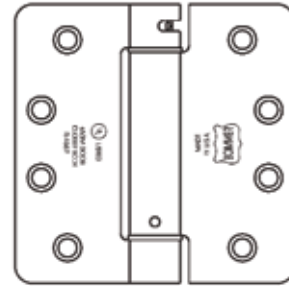


## Bommer - Hinges & Pivots

### LB4311 Single Acting Grade 1 Spring Hinge

**Features:**

- LB for lube bearing
- Non handed - steel material
- UL listed Grade 1, BHMA certified
- Easily adjustable spring tension for 1 million cycle
- Templated screw hole pattern
- Meets ANSI A156 17
- Pivot point aligns with residential Butt hinges from .085 to .109 gauge
- UL rated for openings up to 3 hour A label
- 4" size .096 gauge



		<b>WOOD SCREWS</b>			<b>MACHINE</b>	<b>CASE</b>
<b>LB4311</b>	4"	packed 8 ea	#12 x 1-1/4"	8 ea	#12-24 x 1/2"	40

**LB4311 1/4" RADIUS**

**Stocked Product**

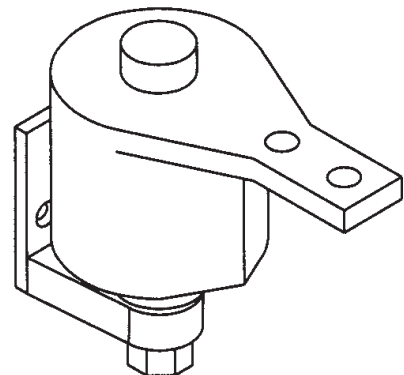
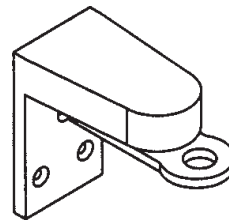
**Finishes:**

US10B (640), US15 (646), US26D (652), US3 (632), US4 (633)

### 7112 Surface Pivot

**Features:**

- ANSI K63201
- Cast steel base
- Double acting, ball bearing
- Non handed
- Adjustable Spring Tension
- 8 pivots per case
- 75 pound max load



Includes:	QTY	Description
	1	Pivot
	1	Jamb & door bracket
	1	7890 top pivot assembly with bracket
	8	#12 x 1-1/4" flat head wood screws
	2	#10 x 1" flat head wood screws

**Stocked Product**

**Finishes:**

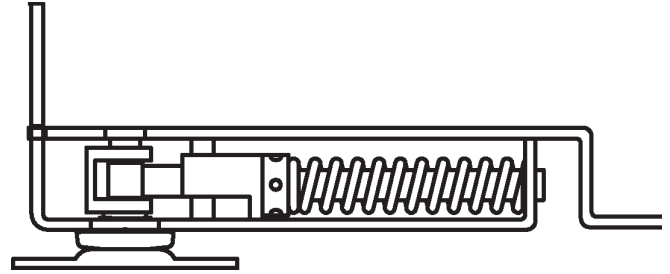
US26D (652) and USP (600)

## Bommer - Hinges & Pivots

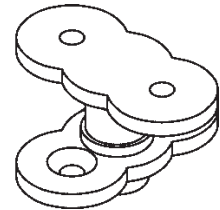
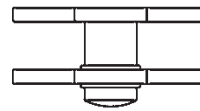
### 7811 & 7813HD Spring Pivots Horizontal Type

**Features:**

- Floor plate
- Ball bearing
- Door thickness 1-3/8" to 1-3/4"
- Double acting
- Steel mechanism with steel trim
- Hold open at 85° to 90° - 7811 model only
- Adjustable spring tension
- Non handed
- Packed with wood screws 8 per case
- Includes 7890 top pivot

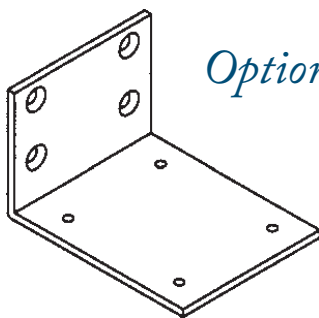


- 7811**      Maximum door weight 90 lbs; 3' door width hold open  
**7813HD**    Maximum door weight 150 lbs; 3' door width non hold open



**7890 TOP PIVOT INCLUDED IN PRICE**

### 7805 Jamb Bracket



*Optional Extra*

**Stocked Product**

Item	Finish
7811	US10B (640), US15 (646), US4 (633) US26 (651), US3 (632)
7813HD	US10B (640), US15 (646), US4 (633) US26 (651), US3 (632)
7805	US10B (640), US15 (646), US4 (633) US26 (651), US3 (632)



# Calibre - Overhead Concealed Closers

## CA2200 OHC Series

### Product Description & Features

Underwriters' Laboratories Inc. Listed for units without hold open feature. UL10C for positive pressure and certified to conform to UBC 7.2 (1997) BS476 for Fire Safety.

**Center Hung Door Application :**

Double or Single Acting (applied door stop renders unit Single Acting). Adjustable 'S' type side loading or 'A' type and 'K' type end loading arms are available for center pivoted door applications.

**Offset Hung Door Application :**

Single Acting Offset 'JO' and 'VO' type top arms are available for butt hung or offset pivoted applications.

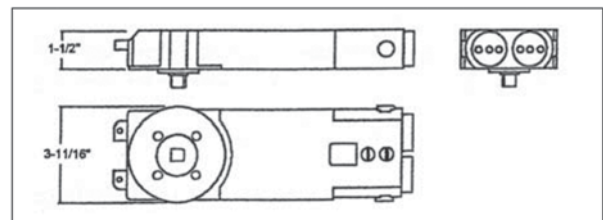


**DOOR CLOSER FUNCTIONS**

- Built-in positive Back Stop and Hold-Open positions are available:
- 105° Back Stop with Hold-Open
- 105° Back Stop -no Hold-Open
- 90° Back Stop with Hold-Open
- 90° Back Stop -no Hold-Open
- Handicap (ADA) spring tensions available for use on center pivoted door applications :
  - 8.5 lb. Opening Force (Center Hung door)
- Standard Fixed spring tensions available:
  - Medium
- Dual Speed Control Valves :
  - Closing and Latching speeds controlled by separate regulating valves, fully adjustable after installation.
- Adjustable CA3010-DP dual purpose radial ball-bearing bottom pivot set is provided for floor or threshold mounted (Side or End Loading) center pivoted installation. CA3010-GE bottom pivot sets are optional, and must be ordered separately.
- Universal application. Non-handed for left or right door application.
- Installs in an aluminum storefront header or transom as small as 1-3/4" x 4"
- Positive cam centering for alignment and to hold door closed against normal wind or draft conditions.
- Stable hydraulic door check fluid for any climatic operation and provides constant lubrication.

'S' type side loading top arm, CA3010-DP adjustable dual purpose pivot set, and the CA3010-FS anchor set will be furnished unless otherwise specified by the customer. 'A' type or 'K' type end loading, and 'JO' or 'VO' type offset arms are optional, but must be specified. Sold Separately.

Offset Hung Doors : Complete units for offset pivoted or butt hung aluminum doors and frames are furnished with a 'JO' or 'VO' type offset arm and CA3010-FS anchor set with all fasteners. (Offset pivots or butt hinges not included. Note: Top Door Stop / Arm Cover by others)



### Stocked Product

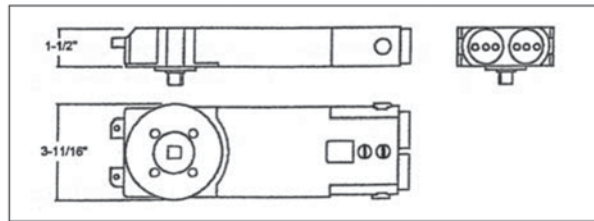
Part #	Description
2230	105° Back Stop with Hold-Open
2231	105° Back Stop -no Hold-Open
2232	90° Back Stop with Hold-Open
2233	90° Back Stop -no Hold-Open

# Calibre - Overhead Concealed Closers

## CA3300 OHC Series

### Product Description & Features

- Handicap (ADA) multi-sized closers with adjustable spring power for a range of sizes after installation.
- Underwriters' Laboratories Inc. Listed for units without hold open feature. UL10C for positive pressure and certified to conform to UBC 7.2 (1997) BS476 for Fire Safety.
- Center Hung Door Application :  
Double or Single Acting (applied door stop renders unit Single Acting). Adjustable 'S' type side loading or 'A' type and 'K' type end loading arms are available for center pivoted door applications.
- Offset Hung Door Application:  
Single Acting Offset 'JO' and 'VO' type top arms are available for butt hung or offset pivoted applications.  
Note : Offset arm application geometry increases the effective spring tension in some instances thereby possibly exceeding the 5 lb. and 8-1/2 lb. Opening Force requirements.



### DOOR CLOSER FUNCTIONS

- Built-in positive Back Stop and Hold-Open positions. are available :  
Models CA3310, CA3311, CA3312, CA3313  
105° Back Stop with Hold-Open  
105° Back Stop -no Hold-Open  
90° Back Stop with Hold-Open  
90° Back Stop -no Hold-Open
- Dual Speed Control Valves :  
Closing and Latching speeds controlled by separate regulating valves, fully adjustable after installation.
- Adjustable CA3010-DP dual purpose radial ball-bearing bottom pivot set is provided for floor or threshold mounted (Side or End Loading) center pivoted installation. CA3010-GE bottom pivot sets are optional, and must be ordered separately.
- Universal application. Non-handed for left or right door application.
- Installs in an aluminum storefront header or transom as small as 1-3/4" x 4"
- Positive cam centering for alignment and to hold door closed against normal wind or draft conditions.
- Stable hydraulic door check fluid for any climatic operation and provides constant lubrication.

'S' type side loading top arm, CA3010-DP adjustable dual purpose pivot set, and the CA3010-FS anchor set will be furnished unless otherwise specified by the customer. 'A' type or 'K' type end loading, and 'JO' or 'VO' type offset arms are optional, but must be specified.

Offset Hung Doors : Complete units for offset pivoted or butt hung aluminum doors and frames are furnished with a 'JO' or 'VO' type offset arm and CA3010-FS anchor set with all fasteners. (Offset pivots or butt hinges not included. Note: Top Door Stop / Arm Cover by others).

### Stocked Product

Part #	Description
3310	105° Back Stop with Hold-Open
3311	105° Back Stop -no Hold-Open
3312	90° Back Stop with Hold-Open
3313	90° Back Stop -no Hold-Open

## Calibre

### CA2200 & CA3300 SERIES PARTS and ACCESSORIES

#### **Stocked Product**



CA3010-S

“S” Type Side Loading Top Arm Assembly (1/2” Depth Top Rail)



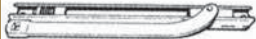
CA3010-A

“A” Type End Loading Top Arm Assembly (1” Depth Top Rail)



CA3010-K

“K” Type End Loading Top Arm Assembly (5/8” Depth Top Rail)



CA3010-JO

“JO” Type Offset Top Arm Assembly (Mortised Type, Cut down into 9/16” Depth Top Rail)



CA3020-VO

“VO” Type Offset Top Arm Assembly (Surface Type, Requires 7/8” Depth Top Rail)



CA3010-FS

Anchor Set (Standard - for Snap together Header)



CA3010-DP

Adjustable Dual Purpose Bottom Pivot Set (Standard)



CA3010-GE

Adjustable Threshold Mount Bottom Pivot Set (Optional)

## Calibre - Storefront Locks

### LS-1000 & LS-2000

#### Product Description & Features

- Precision die cast A380 aluminum alloy is used for aluminum hardware castings.
- Quality, homogenized steel used for all steel stampings for all locks, and security hardware product.
- All machining is performed with state of the art equipment for precision and uniformity throughout all phases of production.
- All painted surfaces are either baked enamel, or powder coating (depending on the product) for durability and long lasting finishes.
- Bolts made of 5-ply laminated steel with a hardened roller pin inserted in a case hardened center ply for maximum security.
- Locks use standard 1-5/32" Mortise Key or Thumbturn Cylinders with AR MS-Type cam.



#### Stocked Product

Part #	Description	Finish
LS-1000	Long Throw Deadlock only (throw 1-3/8")	
LS-2000	Hook Bolt Deadlock only (throw 1-3/16")	
LS-1001	Long Throw Deadlock w/ faceplate	AL, DU
LS-2001	Hook Bolt Deadlock w/ faceplate	AL, DU



### LO-1000 - Standard Lock Indicator Set

#### Product Description & Features

- Designed for use with the LS-1000, LS-2000 and LS-3000 type Deadlocks.
- "OPEN" in green and "LOCKED" in red letters on a white background.
- Includes the adhesive backed SI-2000 Header Sign "THESE DOORS TO REMAIN UNLOCKED WHENEVER THE BUILDING IS OCCUPIED".
- Includes all installation hardware (screws and pins).

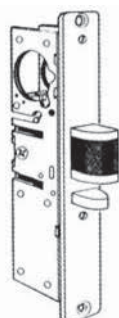
#### Stocked Product

Part #	Finish
LO-1000	AL, DU

### LS-4000 - Deadlatch Lock

#### Product Description & Features

- Cylinder backsets available: 1-1/8"  
Latchbolt has 1/2" throw, and is chrome plated with a Delrin insert for quiet latching.
- Locks use standard 1-5/32" Mortise Key or Thumbturn Cylinders with AR MS-Type cam.
- Deadlatch Lock provides key controlled dogging.
- Standard ST-5000 Strike included (US 26D finish).



Deadlatch Lock  
(LH Shown)

#### Stocked Product

Part #	Finish	Handing
LS-4000	AL, DU	RH, LH
LS-4001	AL, DU	RH, LH
	w/Faceplate	

## Calibre

### Lock Faceplates

#### Product Description & Features

Faceplates measure 1" x 6-7/8", are ordered separately, and include faceplate screws.



#### Stocked Product

For Use With the following Locks:

		Flat	Radius Weatherstripped
<b>LS-1000</b>	Long Throw	FA-1001 AL, DU	FA-1003 AL, DU
<b>LS-2000</b>	Hook Bolt	FA-2001 AL, DU	FA-2003 AL, DU
<b>LS-3000</b>	Short Throw		
<b>LS-4000</b>	Deadlatch Lock	FA-4001 AL, DU	

### Cylinders

- Zinc Die Cast cylinders, with core faces, keys, and thumbturn T-Turn US 26D. Cylinder faces (scalps) anodized aluminum.
- Mortise Key Cylinder and Mortise Thumbturn with AR MS Type cam.
- Mortise Key Cylinder with Schlage "C" Keyway. Specify cylinder pairs as KA-2 or KA (keyed alike in maximum of 50 pairs each).
- Standard 3/16" cylinder trim ring furnished.
- Finishes available:  
AL - Anodized Satin Aluminum  
DU - Anodized Storefront Bronze



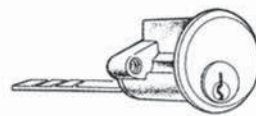
Mortise Key Cylinder



Mortise Dummy Cylinder



Mortise Thumbturn Cylinder



Rim Cylinder

#### Stocked Product

Part #	Description	Finish
<b>CL-1000</b>	Mortise Key Cylinder	AL, DU
<b>DM-1000</b>	Mortise Dummy Cylinder	AL, DU
<b>TH-1000</b>	Mortise Thumbturn Cylinder	AL, DU
<b>RM-1000</b>	Rim Cylinder	AL, DU



## Calibre - Pivots

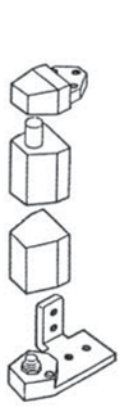
### Offset Pivot Sets

#### Product Description & Features

- A380 aluminum alloy precision die cast pivot portions.
- Oilite bronze bushing in top frame pivot portion.
- Case hardened, spring loaded pin in Top Door pivot portion.
- Case hardened pivot stud in Floor/Jamb pivot portion.
- Full race ball bearing in Bottom Door Pivot portion.
- Steel reinforcement plates for door portions provided with PV-5000.
- Floor/Jamb portion with 1/8" vertical height adjustment.
- Finishes available:

#### Stocked Product

Part #	Description	Handing	Finish
<b>PV-3000</b>	For use on Flush Doors	RH,LH	AL, BK, DU
<b>PV-4000</b>	For use on Flush Doors	RH,LH	AL, BK, DU
<b>PV-6000</b>	For use on 7/64" Recessed Doors	RH,LH	AL, DU
<b>PV-7000</b>	For use on 1/8" Recessed Doors (Kawneer 50-300 Type) (includes Door Reinforcement Plates)	RH,LH	AL, BK, DU



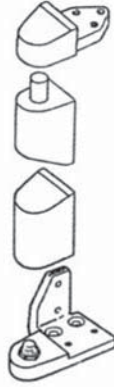
**PV-3001**  
(LH Flush Door)  
**J-30 Type**

**PV-3002**  
(RH Flush Door)  
**J-30 Type**  
(RH Shown)



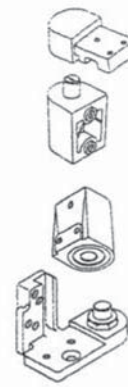
**PV-4001**  
(LH Flush Door)  
**J-34 Type**

**PV-4002**  
(RH Flush Door)  
**J-34 Type**  
(RH Shown)



**PV-6001**  
(LH 7/64" Recess)  
**J-40 Type**

**PV-6002**  
(RH 7/64" Recess)  
**J-40 Type**  
(RH Shown)



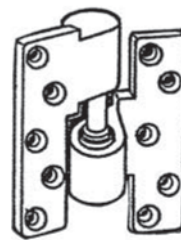
**PV-7001**  
(LH 1/8" Recess)  
**Kawneer Type**

**PV-7002**  
(RH 1/8" Recess)  
**Kawneer Type**  
(LH Shown)

### Intermediate Pivot Sets

#### Product Description & Features

- Full race ball bearing backed by an oilite bronze bushing in the Door Portion.
- Case hardened steel pin in Jamb Portion, fully retractable for ease of installation and easy vertical adjustment.
- IN-8000 - Precision A380 aluminum die cast.
- IN-9000 - Precision aluminum extrusion, or die cast.
- Standard Baked Enamel Finishes available:



IN-8000



IN-9000

#### Stocked Product

Part #	Description	Finish
<b>IN-8001</b>	Mortise Type (LEFT Hand)	AL, BK, DU
<b>IN-8002</b>	Mortise Type (RIGHT Hand)	AL, BK, DU
<b>IN-9001</b>	Slotted Type (LEFT Hand)	AL, BK, DU
<b>IN-9002</b>	Slotted Type (RIGHT Hand)	AL, BK, DU

## Calibre - Retro Pivot Sets

### NDC-100 Kit

#### **Product Description & Features**

C/H Floor Check Conversion

- Retrofit Kit for center-hung concealed Floor Checks of the Rixon, Doromatic, and Pittco type.



### NDC-101 Kit

#### **Product Description & Features**

Floor Check Conversion

- Retrofit Kit for 3/4" offset Floor Checks of the Rixon, Doromatic, and Pittco type.
- Handed Kit: Specify for Left Hand, or Right Hand door.



### NDC-102EL

#### **Product Description & Features**

OHC Closer End Load Conversion

- Retrofit Kit for End Load top arm configured Overhead Concealed door closers as Kawneer Husky (Shot Gun Barrel type & the Husky II), Jackson, International, and Dorma.



### NDC-102SL

#### **Product Description & Features**

OHC Closer Side Load Conversion

- Retrofit Kit for Side Loading arm configured Overhead Concealed door closers as Kawneer Husky II, Jackson, and Dorma.
- Handed Kit: Specify for use with Left Hand, or Right Hand door (to keep clamp bar inside the building for security).



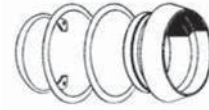
#### **Stocked Product**

Part #	Handing
NDC-100 Kit	
NDC-101 Kit	RH, LH
NDC-102EL	
NDC-102SL	RH, LH

## Calibre

### Cylinder Guard Set

- Security Ring is made from Hardened Steel.
- For use with Standard Face 5 pin Mortise Cylinder that fits into a free-spinning beveled collar.
- GU-1000 furnished with retaining clip and 2 spacers. High security with Security Ring fastened from inside of the door stile.



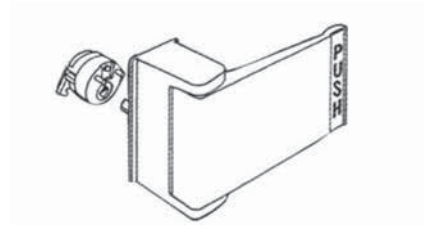
**GU-1000**

#### **Stocked Product**

Part #	Description	Finish
GU-1000	Cylinder Guard Set (w/ Retaining Clip)	AL, DU

### Paddle Handle Sets

- For use with LS-4000 Deadlatch Lock. Includes field reversible Cam Plug.
- Complete unit is field reversible for either PUSH or PULL function, and for opposite handing with both PUSH and PULL Plates included.
- Extruded, anodized Aluminum paddle plate for long lasting wear and use.



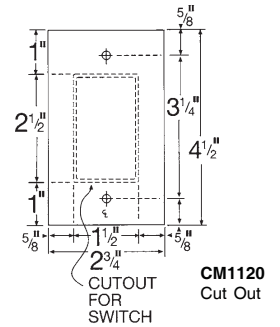
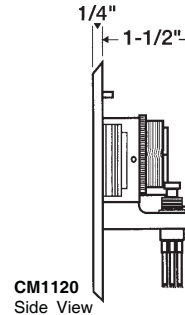
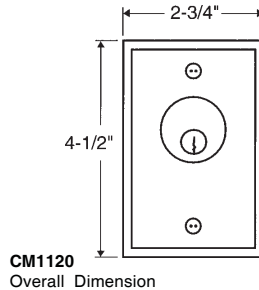
#### **Stocked Product**

Part #	Description	Finish
PA-1000	Paddle Handle Set (Push to the LEFT)	AL, DU
PA-2000	Paddle Handle Set (Push to the RIGHT)	AL, DU

## Camden - Key Switches

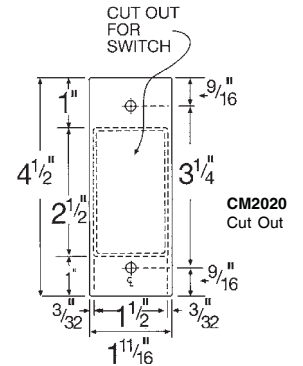
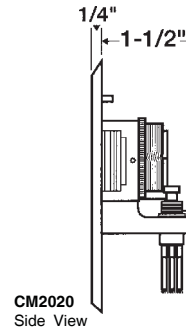
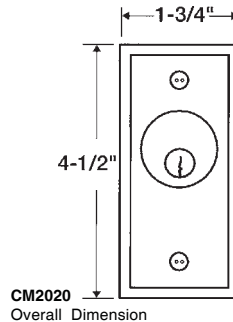
**CM1120 - Flush Mount Key Switch 1 SPDT Momentary**

**CM1130 - Flush Mount Key Switch 1 SPDT Maintained**



**CM2020 - Narrow Style Key Switch 1 SPDT Momentary**

**CM2030 - Narrow Style Key Switch 1 SPDT Maintained**



### Features:

Keyswitches are supplied with aluminum face plate, cylinder locking ring, 2 socket / slotted screws, 2 tamper proof screws.

CM2020 supplied with rubber gasket. Designed to use 1", 1-1/8", or 1-1/4" mortise cylinders.

MORTISE CYLINDER NOT SUPPLIED

### Stocked Product

- CM1120 - SPDT Momentary, Aluminum Finish
- CM2020 - Narrow SPDT Momentary, Aluminum Finish
- CM1130 - SPDT Maintained, Aluminum Finish
- CM2030 - Narrow SPDT Maintained, Aluminum Finish

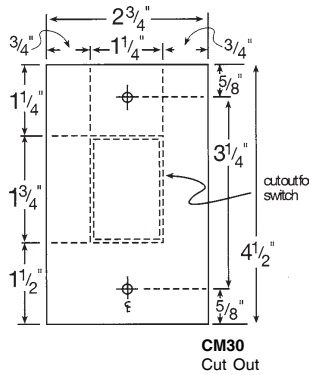
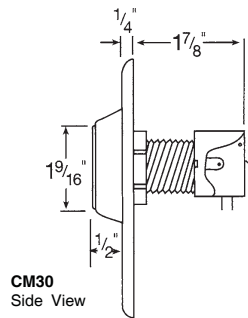
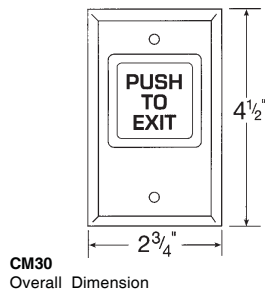
## Camden

### CM30 - Series Illuminated Key Switches

**Features:**

- SPDT Momentary
- EE option with 30 Second Integrated Timer

CM30 illuminated exit switches come with 2" square button (green or blue) mounted on a single gang stainless steel face plate, 2 socket / slotted screws and 2 tamper proof screws.



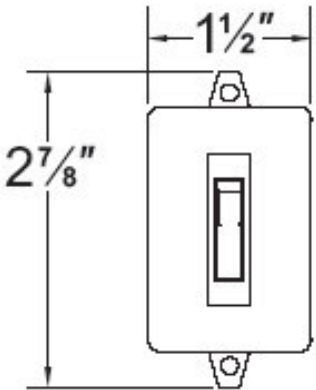
**Stocked Product**  
CM30E - Green "Push To Exit"

### CM830 - Remote Door Release Switch

**Features:**

- SPDT momentary version
- 20A @ 125/250 VAC
- Surface mounted
- Ideal for desk mounting in reception area

**Stocked Product**  
CM830 - Rocker Switch, Black



## Camden

### All Active Switches

*CM40 - 4 -1/2" Round*

*CM41 - 4-1/2" Round with Square back plate*

*CM45 - 4-1/2" Square*

*CM60 - 6" Round*

#### Stocked Product

CM40-4 - 4-1/2" Round Handicap / Push to Open

CM41-4 - 4-1/2" Round Handicap  
with Square Back Plate / Push to Open

CM45-4 - 4-1/2" Square Handicap / Push to Open

CM60-2 - 6" Round Handicap  
CM60-3 - 6" Round Handicap / Push to Open, Black



CM40



CM41



CM45



CM60

### Stand Alone Digital Keypad

#### Features:

- Weather proof and vandal proof
- Heavy duty indoor and outdoor application
- Used with access control devices
- EE prom Memory
- Lifetime warranty
- Voltage 12VAC, 12-24 VDC
- CM 626- 200 users

#### Specifications:

Input voltage ..... 12 Volt or 24 Volt AC/DC  
 Dimension ..... 4-1/2" H x 2-3/4" W x 7/8" D  
 Maximum users ..... 120  
 Single gang mounted  
 Keypad programming

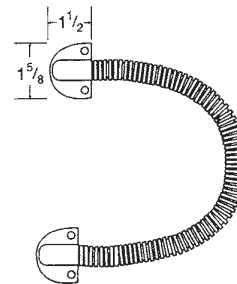


#### Stocked Product

CM626S - Surface Mount

### Accessories

#### PTSS Series



Heavy duty armoured  
power transfer cable

#### Stocked Product

CMPTSS - 7", 12" and 18"

## Camden

### Magnetic Locks CS91 Series

#### *CX 91S-06 - 600 Lbs Surface Mounted Single Door*



- 9-7/8" x 1-7/8" x 1"
- 500mA @ 12V  
250mA @ 24V
- UL Listed



*CX 1001*  
Adjustable L bracket  
for 1200 lb magnets

*CX 1011*  
Adjustable L bracket  
for 600 lb magnets

#### *CX 91S-12 - 1200 Lbs Surface Mounted Single Door*



- 10-1/2" x 2-7/8" x 1-9/16"
- 500mA @ 12V  
250mA @ 24V
- UL Listed

#### **Stocked Product**

CX91S-6 - 600 lbs Magnetic Lock  
 CX91S-12 - 1200 lbs Magnetic Lock  
 CX1001 - Adjustable Brackets F/1200 lbs  
 CX1003 - Angle Bracket

### Access Control

#### *CV 32H Kit*

- Online distributed processing system up to 64 doors
- Includes control panel with software, power supply, plug in transformer, 2 HID mullion proximity readers, 10 cards



#### *CM419W Request to Exit Sensor*

- Passive infra-red sensor
- Dual pyros for increased stability
- Ceiling, wall or frame mount
- Adjustable coverage for single or double door
- Adjustable - .25 to 60 second timer
- 12-24 V AC/DC
- Fail safe or fail secure operation

#### **Stocked Product**

CV32H Kit  
 CM419W Sensor

## Camden

### RF Controls



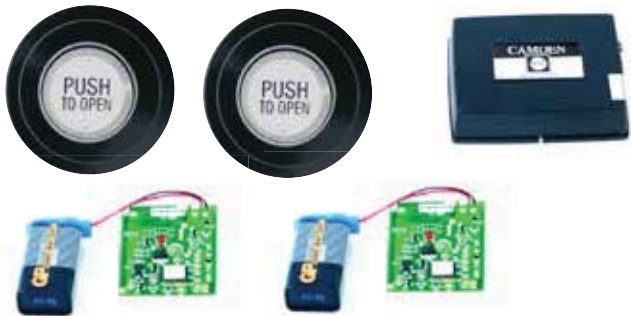
#### *CM-RX-7*

- One million unique transmitter codes pre-programmed at factory
- Auto-learn receivers accept from 10 to 480 codes
- 1, 2, 3, 4, or 5 channel handheld transmitters
- Fullsize or key chain formats
- Wireless keypad models
- Exclusive wall switch ready transmitter
- 5 Wire receiver with form c relay output
- IRM option for TX-7 & TX-8 improves accuracy of transmission



#### *RX/TX Series*

transmitters and receivers are ideal for varied commercial and handicap applications. Wireless operation eliminates the need to run wiring to the key switch or push button. Digital technology provides maximum range. Camden has full size and key chain transmitters, as well as wall-switch-ready and keypad models. Our receiver features the latest “push and learn” technology, and form C relay output. Camden exclusives include transmitter with Instant Response Module (pulse extender) and receivers with adjustable time delays.



#### *CM-RFP-404*

#### **INCLUDES THE FOLLOWING**

- 2-EA CM49
- 2-EA CM-TX-7IRM
- 1-EA CM-RX-7

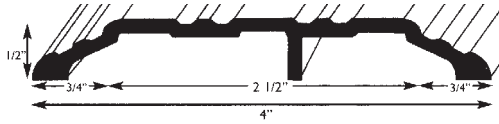
#### ***Stocked Product***

- CMTX-1 - Hand Hold, One Channel
- CMTX-1M - Key Chain, One Channel
- CMTX-2 - Hand Hold, Two Channel
- CM-RFP404 Kit
- CM-RX-7 Receiver
- CM-RX-7TD One Channel Receiver, 30 Second Adjustable Timer





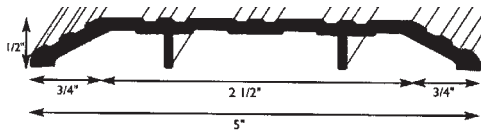
## Columbia - Saddle Thresholds



**276**



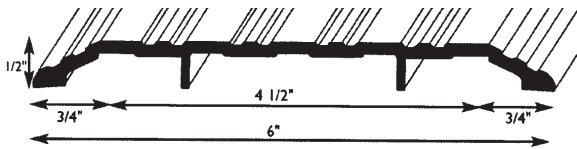
2760 Aluminum  
2769 Bronze



**278**



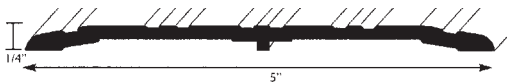
2780 Aluminum  
2789 Bronze



**279**



2790 Aluminum



**280**



2800 Aluminum  
2809 Bronze



**281**



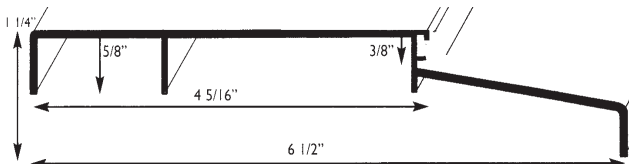
2810 Aluminum  
2819 Bronze



**282**



2820 Aluminum  
2829 Bronze

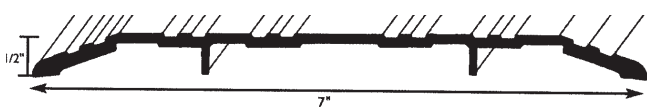


For 1 3/8" or 1 3/4" doors wider wall conditions.

**298**



Residential Outswing Sills  
2980 Aluminum  
2989 Bronze



**490**



4900 Aluminum

### Stocked Product

#### Sizes Aluminum:

276 Series - 36", 48", 72"  
278 Series - 36", 48", 72"  
279 Series - 36"  
280 Series - 36", 48", 72"  
281 Series - 36", 72"  
282 Series - 36"  
298 Series - 36"  
490 Series - 36", 72"

#### Sizes Bronze:

276 Series - 36", 72"  
278 Series - 36", 48", 72"  
280 Series - 36"  
281 Series - 48"  
282 Series - 36"  
298 Series - 36", 72"



## Command Access Technologies

### Electrified Mortise Lock

*ML9080EU* **Modified Schlage Chassis 24 VAC/DC - Fail Secure**

*ML9080EL* **Modified Schlage Chassis 24 VAC/DC - Fail Safe**

#### Features:

- 12V and 24V Models Available
- Current Draw: 12V – 600 MA, 24V – 300 MA
- Built in Rectifier for AC or DC operation
- Optional REX (request to exit) switch available
- 3 Year warranty

#### **Stocked Product:**

- ML9080 EU 24V
- ML9080 EL 12V and 24V
- ML9080 EU 24V with REX switch



### Electrified Cylindrical Locks

*ND80PEU* **Modified Schlage ND Lock - 24 VAC/DC - Fail Secure**

*ND80PEL* **Modified Schlage ND Lock - 24 VAC/DC - Fail Safe**

#### Features:

- 24V Models
- Current draw 12V – 600 MA, 24V – 300 MA
- Optional REX (request to exit available/special order)
- 3 Year warranty

#### Options / Special Orders

- Sparta Design
- REX Switch

#### **Stocked Product**

- Finishes 613, 625, 626
- Design Schlage Rhodes
- ND80 12V EL (fail safe)
- ND80 24V EU (fail secure)
- ND80 24V EL (fail safe)



#### Notes:

- Available in all Schlage Designs and Finishes
- Current Draw 300mA @ 24V

## Command Access Technologies

### Electrified Exit Device Trim

#### Features:

- Modified Von Duprin 996L
- Continuous duty solenoid
- 12 Volts & 24 Volts Models AC or DC available
- Current draw 300mA @ 24V / 580mA @ 12V
- Handed
- **Less Rim Cylinder**

#### Stocked Product

- EU (fail secure) 24VDC, 26D Finish



### Energy Transfer / Monitor Hinges

#### Features:

- 3 Year warranty
- 4' Leads on all hinges
- ETH x 2 WH – 2 wire 18 gauge 5 amps (16 amp in rush for 300 MS)
- ETH x 4 W – 4 wire 26 gauge 1.0 amp (per pair)
- ETH x 8 W – 8 wire 28 gauge
- Center located wire access holes for easy installation (5 Knuckle)
- All hinges are Hager brand
- UL - 60 LK Flexible connection all hinges
- Transfer pivot – 2 wire

#### Notes:

- 2 wire hinges come with 18 gauge wire for use with high current exit device
- All hinges are Hager unless specified other
- All hinges come with a 4' lead for quick install



#### Stocked Product

- ETH 2 wire, 4.5 x 4.5 613, 625, 626 finishes
- ETH 4 wire, 4.5 x 4.5 613, 625, 626 finishes
- ETH 8 wire, 4.5 x 4.5 613, 625, 626 finishes

### Accessories

#### PM200

- Voltage range: 22 to 30 VDC
- Locally (at exit bar) supplies necessary 13-16 amp. in rush current to energize the latch-pull back exit device with most 1 amp. or greater power supply.
- The PM1's surge allows up to 700' wire run from the exit device with 18 gauge wire
- 2 year warranty



# Command Access Technologies

## EZ-REX Switches

### *Features:*

Field Installable Request-to-Exit or AE switch (for Schlage L9000 and Command Access ML1 series mortise locks) - sends a signal to alert the control panel that the door is about to be opened by someone intending to exit from within the secured area



---

## Command Access Concealed Door Loop (CDL)

### *Features:*

for 3/4" offset Pivots

- Offset Pivot Applications (3/4" only)
- Easy Installation
- Supports up to 105 degree swing
- 3-Year Warranty



This patented Concealed Door Loop (CDL) is a low cost method of transferring low voltage power from the door frame to the locking device. Whereas typical door loops are surface mounted and remain constantly visible, the CDL slides into the frame completely concealing itself when the door is closed. Commonly used in storefront or main entrance applications with 3/4" offset pivots that swing up to 105°. The CDL's aesthetic appeal will benefit retrofits and new installations alike.

## Command Access Technologies

### EL Device Kit for Von Duprin



The electrified latch pullback kit is a simple, cost effective way to convert a non-electrified Von Duprin exit device to an electrified latch pullback exit device by simply replacing the standard mechanical Von Duprin baseplate with the Command Access modified EL baseplate contained in the kit. The kit also contains the PM200 power booster module as the standard solenoid interface module. Besides performing the basic coil switching this module allows up to a 700' wire run from the power supply with 18/2 wire and gives the user the option of using our PS series power supplies, Von Duprin's or most standard DC 1.5 Amp or higher power supplies. Once installed the exit device maintains the same appearance of the original manufacturers non-electrified mechanical device but can be remotely controlled via a card reader, prox reader, biometric reader, keypad or by an ordinary switch. The electrified latch-pullback devices are commonly used in high-occupancy/high-traffic conditions such as hospitals, airports, schools and they are commonly used with double doors with automatic openers.

#### Features

- High performance custom solenoid designed for strong latch-pullback and continuous duty applications.
- Standard high performance interface module (the PM200) ensures solid solenoid performance and may extend solenoid life.
- The standard PM200 interface module allows wire runs up to 700' with 18/2 wire from the power supply to the exit device, when used with PS1 or PS2..
- The kit works with most 1.5 A or greater switching, linear, or non-regulated DC power supplies\* (see specs for output fuse and Relay requirements).
- Latch bolt monitoring (LBM) available Special Order
- Request-to-exit (REX) switch available Special Order
- Precision machined parts make for years of trouble free operation.
- "No-hassle" 3-year warranty
- UL Listed

#### Specifications

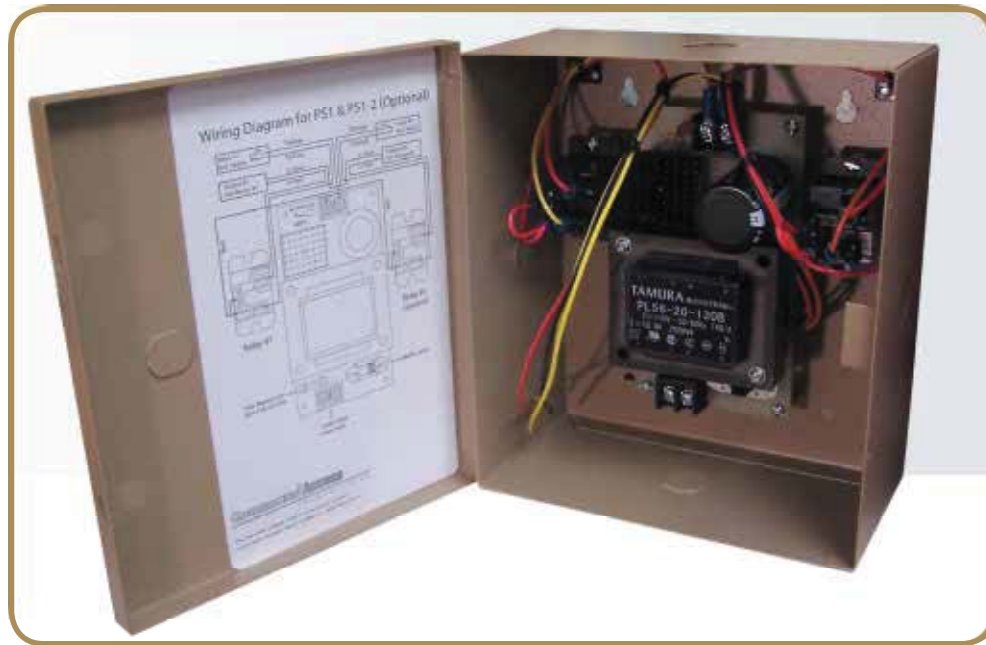
- Operating Voltage 24VDC + or - 10%
- Amperage – Surge current 12A for 150ms  
Holding current: 270 mA
- Coil Resistance  
Primary Coil: 2 ohms Holding Coil: 125 ohm
- Output fuse requirement – glass type fuse = 3.5 A or greater  
Resetable type = 1.0 A trip or greater
- Relay requirement – 5A or greater
- Solenoid Temp Max  
(outer solenoid housing) – 57° C (135 ° F)

#### **Stocked Product**

VLP KIT 36"  
VLP KIT 48"

## Command Access Technologies

### PS1/PS1-2 Power Supply Unit



#### *Application:*

The PS1 and the PS1-2 are a heavy-duty low cost solution for powering electric latch-retracting exit devices. The PS1 offers a single heavy duty 20 amp relay while the PS1-2 includes a pair of these 20 amp relays. These power supplies offer raw, unregulated DC current which is ideal for the extreme inrush requirement of most solenoid-driven electric latch retracting exit devices. The power supply is housed in a sturdy yet metal enclosure.

#### *Features*

- Power supply delivers the necessary high current in-rush for Von Duprin
- Solid-state design eliminates problems associated with mechanical relays
- Single input/output
- No hassle 3-Year Warranty
- UL Listed

#### *Specifications*

- 110VAC input voltage
- 2.3 continuous @ 24VDC (56VA transformer) output current
- Onboard surge supply to provide 16A in rush current for 300ms.
- Heavy duty 20A relay (PS1-2 includes 20A relay X 2)
- Dimensions: 7" x 8" x 3.5"
- 2 year warranty

#### ***Stocked Product***

- PS1, PS2





## Deltana-Bolts

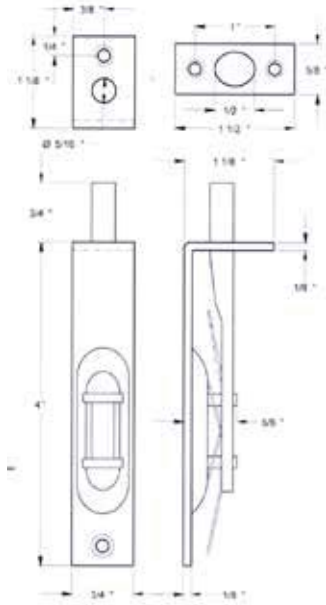
### 4FBS Series 4" Flush Bolt Square Corner

**Specifications:**

DIMENSIONS: 4"x3/4"x 1/8"  
CORNER: SQUARE  
BOX QTY: 10 PC  
CASE QTY: 200 PC

**Stocked Product**

- Finishes: US3, 10B, 15, 15A



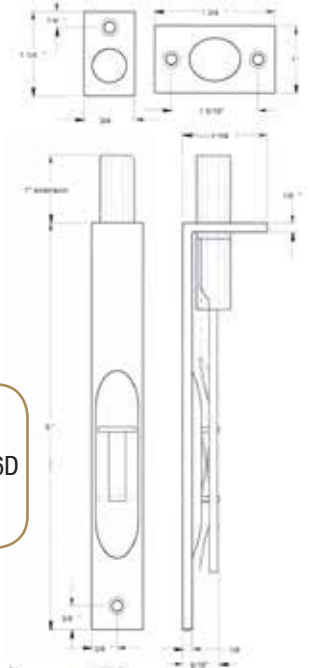
### 6FBS Series 6" Flush Bolt Square Corner

**Specifications:**

DIMENSIONS: 6"x3/4"x 1/8"  
CORNER: SQUARE  
BOX QTY: 5 PC  
CASE QTY: 150 PC

**Stocked Product**

- Finishes: US3, 10B, 15, 26D
- Ives Equal# 262



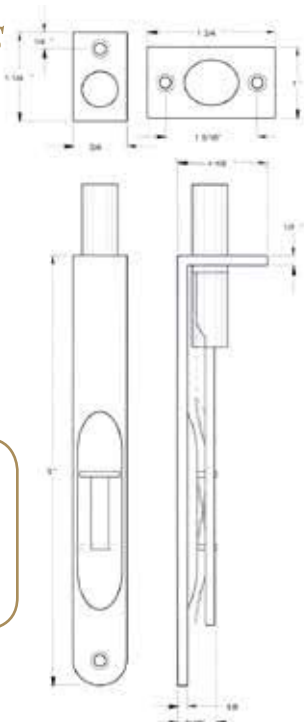
### 6FBR Series 6" Flush Bolt Radius Corner

**Specifications:**

DIMENSIONS: 6"x3/4"x 1/8"  
CORNER: ROUND  
BOX QTY: 5 PC  
CASE QTY: 150 PC

**Stocked Product**

- Finishes:  
US3, 10B, 15, 19, 26, 26D
- Ives Equal# 265



### 7FBR Series 7" Heavy Duty, Solid Brass Radius Corner

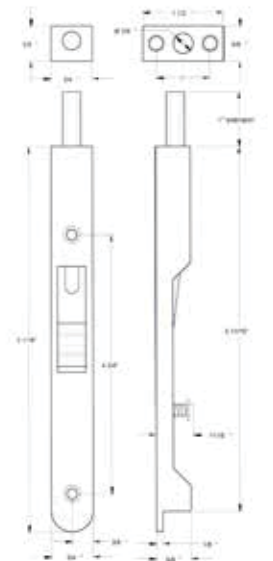
**Specifications:**

DESCRIPTION: 7" FLUSH BOLT  
DIMENSIONS: 7"x 3/4"x1/8"  
CORNER: ROUND  
BOX QTY: 15 PC  
CASE QTY: 150 PC

**Stocked Product**

- Finishes:  
US3, 10B, 15, 19, 26, 26D

Packaging: 1 flush bolt, #6 3/4" flat head Phillips screws, and 1 mortise strike packed in individual poly bag.



## Deltana-Bolts

### 4SBCS & 6SBCS Series - Concealed Screw, Surface Bolts

**Specifications:**

Concealed screw surface bolts are packaged individually in poly bags. Strikes and screws are included and packed in separate poly bags.

Each concealed screw surface bolt is supplied with 3 strikes: Universal, Mortise, and Angle strike with matching solid brass Phillips's head screws.

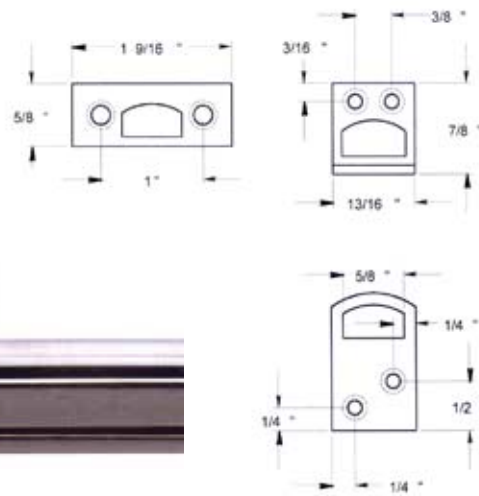
Knob diameter: 5/8"

Fully concealed screw design improves security and appearance.

The surface bolt is designed with a unique ball bearing tension system that holds the bolt in any position, prevents scratching of the bolt, and ensures a smooth sliding action.

**Stocked Product**

- 4SBCS 4" x 9/16": US3, 10B, 15, 15A, 26, 26D
- 6SBCS 6" x 9/16": 3, 10B, 15, 15A, 26, 26D
- Ives Equal# 40



### 6SB, 8SB, 12SB, 18SB Series - Surface Bolts, Heavy Duty, Solid Brass

**Specifications:**

Solid brass bolt includes solid brass guides.

Each surface bolt is supplied with 3 strikes: Universal, Mortise, & Angle strike with matching solid brass Phillips head screws.

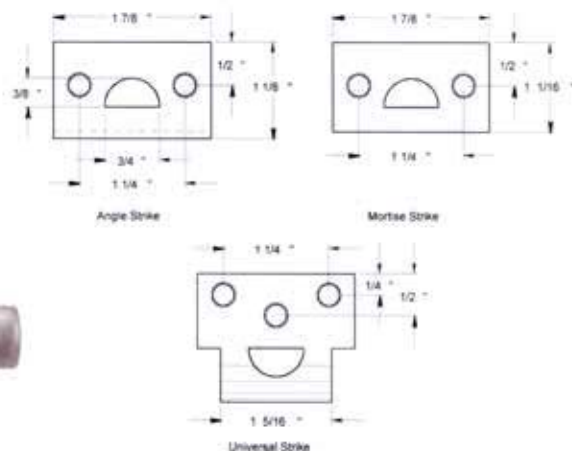
Rod resistance = 109 lbs.

Each strike and screws are individually-packed in poly bags.

Guides are held in place with a unique ball bearing system that eliminates scratches on the barrel of the bolt, prevents rattling of the bolt, holds the bolt in any position, and ensures a smooth sliding action.

**Stocked Product**

- 6SB 6" x 5/8": 10B, 15
- 8SB 8" x 5/8": 10B, 15
- 12SB 12" x 5/8": 10B, 15, 15A, US3
- 18SB 18" x 5/8": 10B, 15, 15A, US3
- Ives Equal# 253



## Deltana-Bolts

### *DDB425 Series - 4" Dutch Door Bolts*

**Specifications:**

SIZE: 4"x1 1/2"  
 BOX QTY.: 10 PC  
 CASE QTY.: 100 PC  
 CASE WEIGHT: 36 LB

- Solid brass bolt includes solid brass guides.
- Size: Width of bolt: 5/8" diameter half round rod  
 Width of guides: 1-1/2"  
 Diameter of knob: 1-15/16"
- Individually packed in poly bag with strike and matching screws.

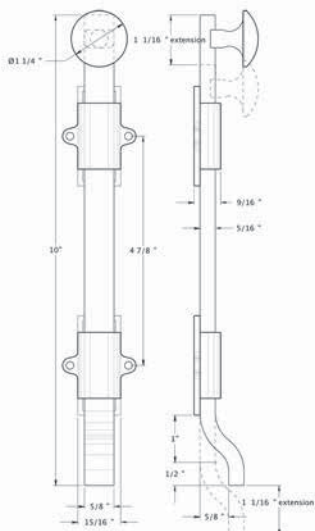


**Stocked Product**  
 • Finishes: 3, 10B, 15, 26D

### *FPG10 Series - 10" Surface Bolt w/ Off-set, HD*

**Specifications:**

ROD DIMENSIONS: 10" x 5/8"  
 BOX QTY.: 10 PC  
 CASE QTY.: 30 PC



**Stocked Product**  
 • Finishes: 10B, 15, 15A, 3

## Deltana - Bumpers & Stops

### MDH30 Series - Magnetic Door Holder/Stop 3", Solid Brass

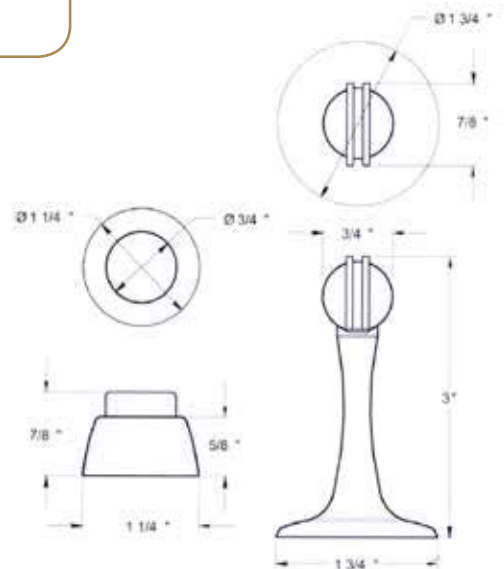
**Specifications:**

DESCRIPTION: MAGNETIC DOOR  
 HOLDER 3" SB  
 SIZE: 3"  
 BOX QTY: 10 PC  
 CASE QTY: 100 PC

**Stocked Product**

- Finishes: US3, 10B, 15, 26

Concealed screw  
 mounting for an  
 elegant installation.



### MDH35 Series - Magnetic Door Holder/Stop 3-1/2", Heavy Duty Magnet

**Specifications:**

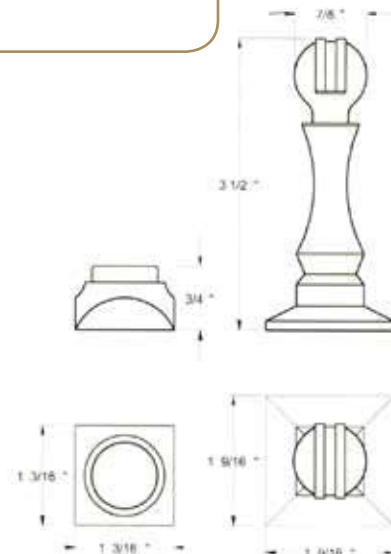
MAGNETIC DOOR  
 HOLDER 3-1/2" SB  
 SIZE: 3-1/2"  
 BOX QTY: 5 PC  
 CASE QTY: 50 PC

**Stocked Product**

- Finishes: US3, 10B, 15, 26

Receptor piece  
 is spring-loaded  
 to absorb shock.

Extra strong magnet for  
 heavy duty doors and  
 spring hinges.

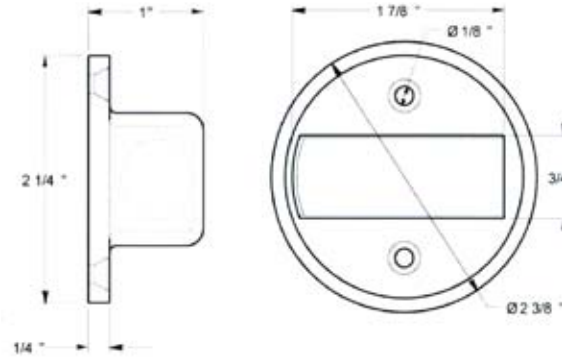


## Deltana - Bumpers & Stops

### MDHF25 Series - Magnetic Door Holder Flush 2-1/2" Diameter

**Specifications:**

BOX QTY: 10 PC  
CASE QTY: 100 PC



**Stocked Product**

- Finishes: US3, 10B, 15, 26

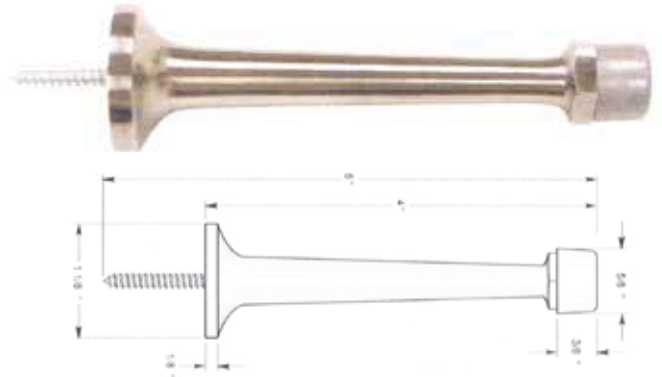
### BDS425 Series - 4" Baseboard Door Bumpers, Solid Brass

**Specifications:**

PROJECTION 4"  
BOX QTY: 10 PC  
CASE QTY: 200 PC  
CASE WEIGHT: 50 LB  
INCLUDED: Packed in individual poly bag with two rubber tips.



Gray & white rubber tips included.



**Stocked Product**

- Finishes: US3, 10B, 15, 15A, 19, 26, 26D
- Ives Equal# 62MB

### BDS30 Series - 3-1/4" Baseboard Door Bumpers, Solid Brass

**Specifications:**

PROJECTION: 3-1/4"  
BOX QTY: 10 PC  
CASE QTY: 200 PC  
CASE WEIGHT: 60 LB  
INCLUDED: Packed in individual poly bag with two rubber tips.



Gray & white rubber tips included.



**Stocked Product**

- Finishes: 3, 10B, 15, 15A 19, 26, 26D
- Ives Equal# 61MB

## Deltana - Bumpers & Stops

### *SDS375 Series - 3 3/4" Baseboard Door Bumpers, Steel Spring, Heavy Duty*

**Specifications:**

PROJECTION: 3-3/4"  
BOX QTY: 50 PC  
CASE QTY: 500 PC



**Stocked Product**

- Finishes: US3, 10B, 15, 26
- Ives Equal# 061

---

### *UFB4505 Series - Round Universal Floor Bumper Height 1-1/2"*

**Specifications:**

DIAMETER: 1-1/8"  
BOX QTY: 20 PC  
CASE QTY: 120 PC  
CASE WEIGHT: 49 LB  
HEIGHT: 1-1/2"  
INCLUDED: Packed in individual poly bag with mounting hardware .

**Stocked Product**

- Finishes: 10B, 15, 26, 26D



---

### *UFB5000 Series - Round Universal Floor Bumper Height 2"*

**Specifications:**

DIAMETER: 1-1/8"  
BOX QTY: 20 PC  
CASE QTY: 100 PC  
CASE WEIGHT: 54 LB  
HEIGHT: 2"  
INCLUDED: Packed in individual poly bag with mounting hardware .

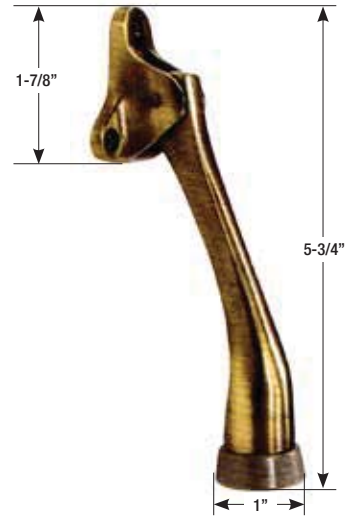
**Stocked Product**

- Finishes: 10B, 15, 26, 26D



## Deltana - Bumpers & Stops

### *DHK5 Series - 5" Kick Down Holders, Solid Brass*



#### **Stocked Product**

- **Finishes:** 3, 10B, 15, 26, 26D
- **Ives Equal#** FS452

### *DSM125 Series - Magnetic Dome Stop & Catch*

With spring bumper and holder action and concealed screw mounting.

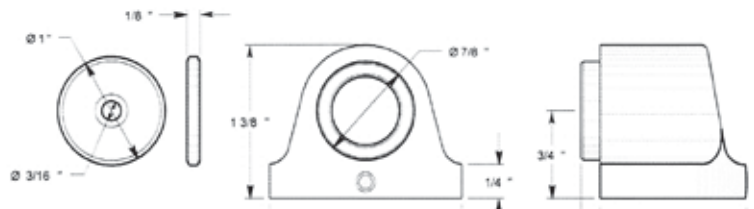
#### **Specifications:**

HEIGHT: 1-3/8"  
 BOX QTY: 10 PC  
 CASE QTY: 100 PC  
 CASE WEIGHT: 31 LB  
 INCLUDED: Packed in individual poly bag with screws.



#### **Stocked Product**

- **Finishes:** 10B, 15, 19, 26, 26D





## Deltana - Bumpers & Stops

### *HP70 Series - Hinge Pin Stops, Hinge Mounted*

#### **Specifications:**

PROJECTION: 2-1/2" x 1-15/16"

BOX QTY: 30 PC

CASE QTY: 300 PC

CASE WEIGHT: 25 LB

INCLUDED: Packed in individual poly bag.



#### **Stocked Product**

- **Finishes:** US3, 10B, 15, 19, 26
- **Ives Equal# 70**

---

### *HPA69 Series - Adjustable Hinge Pin Stops, Hinge Mounted*

#### **Specifications:**

PROJECTION: 2-1/2" x 1-15/16"

BOX QTY: 30 PC

CASE QTY: 300 PC

CASE WEIGHT: 25 LB

INCLUDED: Packed in individual poly bag.



#### **Stocked Product**

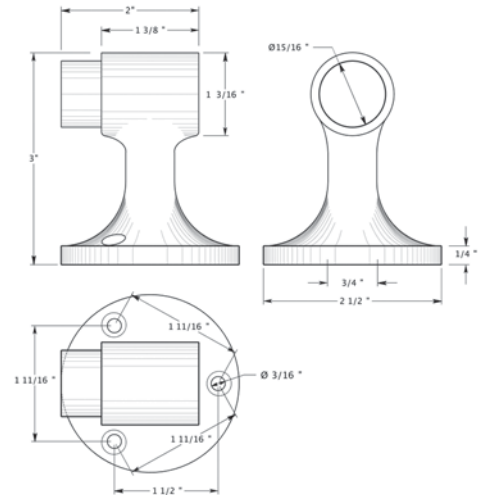
- **Finishes:** US3, 10B, 15, 19, 26, 26D
- **Ives Equal# 69**

## Deltana - Bumpers & Stops

### DSF3225 - Floor Mount, Bumper, HD

**Specifications:**

BOX QTY: 5 PC  
 CASE QTY: 50 PC  
 CASE WEIGHT: 48 LB  
 INCLUDED: Packed In Individual Poly Bag With Mounting Hardware.



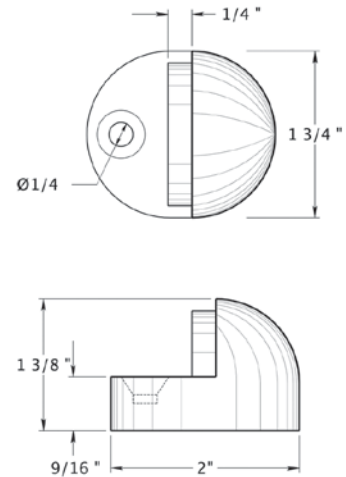
**Stocked Product**

Finishes: 3, 10B, 26D

### DSHP916 - Dome Stop High Profile

**Specifications:**

BOX QTY: 10 PC  
 CASE QTY: 200 PC  
 CASE WEIGHT: 38 LB  
 INCLUDED: Packed In Individual Poly Bag With Mounting Hardware.



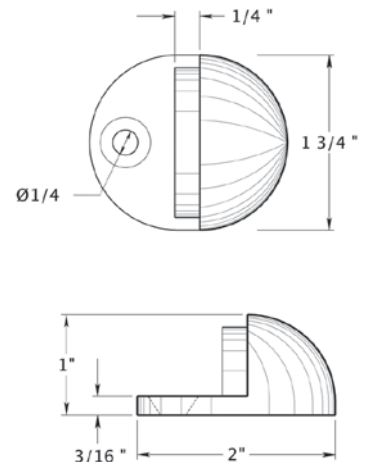
**Stocked Product**

Finishes: 3, 10B, 26D

### DSL316 - Dome Stop Low Profile

**Specifications:**

BOX QTY: 10 PC  
 CASE QTY: 200 PC  
 CASE WEIGHT: 48 LB  
 INCLUDED: Packed In Individual Poly Bag With Mounting Hardware.



**Stocked Product**

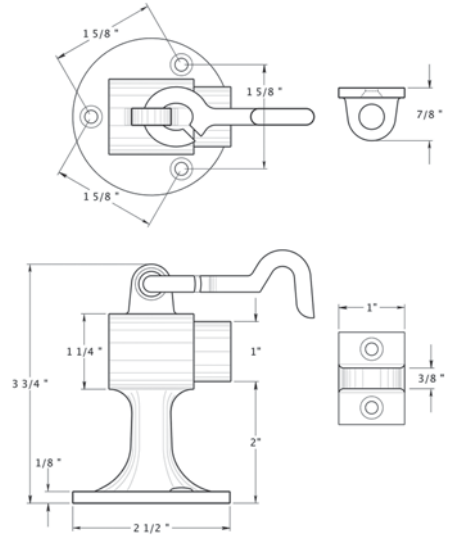
Finishes: 3, 10B, 26D

## Deltana - Bumpers & Stops

### SAHF358 - Floor Mount Bumper w/ Holder

**Specifications:**

BOX QTY: 5 PC  
 CASE QTY: 50 PC  
 CASE WEIGHT: 62 LB  
 INCLUDED: Packed In Individual Poly Bag With Matching Screws.



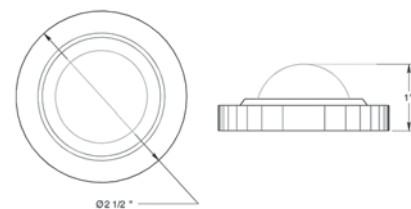
**Stocked Product**

Finishes: 10B, 26D

### WBC238 - Convex Flush Bumper 2 3/8" Diameter

**Specifications:**

BOX QTY: 50 PC  
 CASE QTY: 150 PC  
 CASE WEIGHT: 40 LB  
 INCLUDED: Packed In Individual Poly Bag With Mounting Hardware.



**Stocked Product**

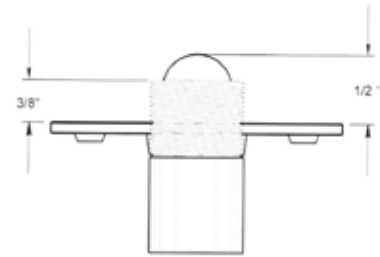
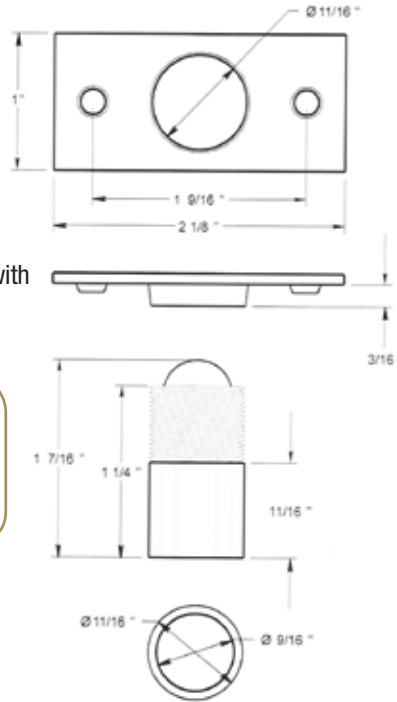
Finishes: 10B, 26D

## Deltana - Catches

### BC218 Series - Ball Catches, Solid Brass

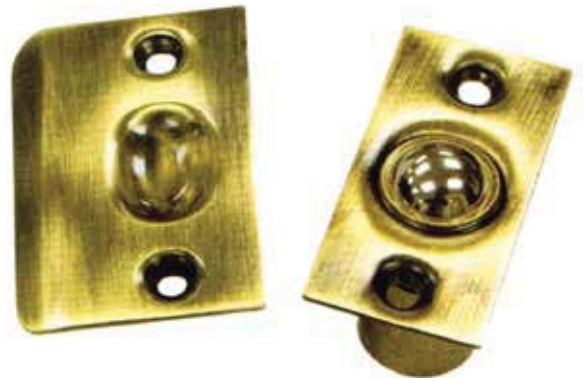
**Specifications:**

SIZE: 2-1/8" x 1"  
 STRIKE: 2-1/8" x 1-3/8"  
 BOX QTY: 20 PC  
 CASE QTY: 200 PC  
 CASE WEIGHT: 42 LB  
 INCLUDED: Packed in individual poly bag with strike plate and matching screws.



**Stocked Product**

- Finishes: US3, 10B, 15, 19, 26, 26D
- Ives Equal# 347



### BC218R Series - Ball Catch, Round Corners, Solid Brass

**Specifications:**

SIZE: 2-1/8" x 1"  
 STRIKE: 2-1/8" x 1-3/8"  
 BOX QTY: 20 PC  
 CASE QTY: 200 PC  
 CASE WEIGHT: 42 LB  
 INCLUDED: Packed in individual poly bag with strike plate and matching screws.

**Stocked Product**

- Finishes: 10B, 15
- Ives Equal# 349



Face of plate = 2 1/8" x 1"



Strike Plate = 2 1/8" x 1 3/8"

## Deltana - Catches

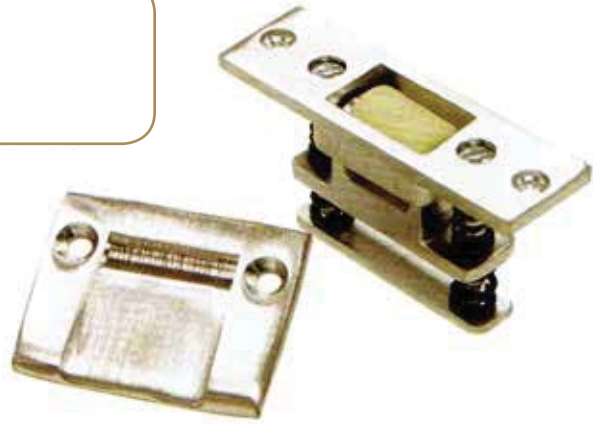
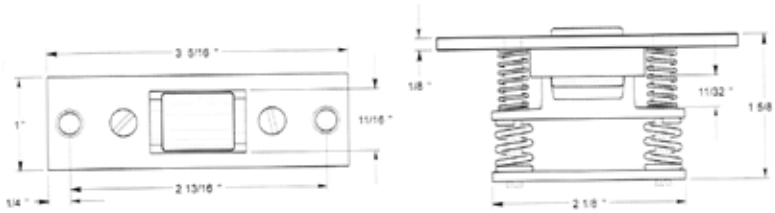
### RCA430 Series - Heavy Duty, Roller Catches, Solid Brass

**Specifications:**

SIZE: 3-5/16" x 1"  
 BOX QTY: 10 PC  
 CASE QTY: 100 PC  
 CASE WEIGHT: 56 LB  
 INCLUDED: Packed with strike plate and matching screws.

**Stocked Product**

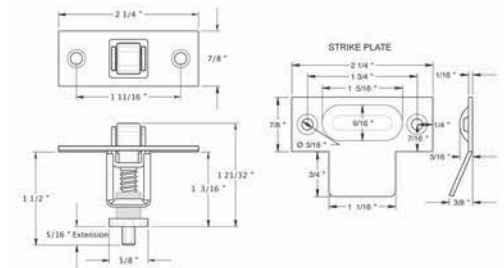
- Finishes: 10B, 15, 26D
- Ives Equal# RL30



### RCA336 - Roller Catch

**Specifications:**

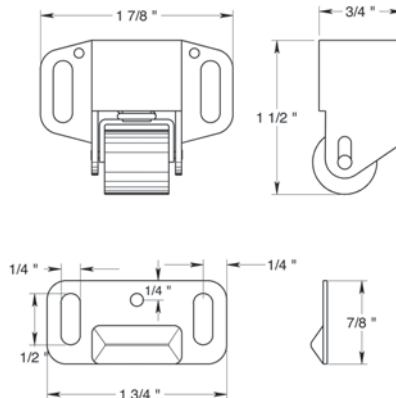
SIZE: 2-1/4" x 7/8"  
 BOX QTY: 20 PC  
 CASE QTY: 200 PC  
 CASE WEIGHT: 46 LB  
 INCLUDED: Packed with strike plate and matching screws.



**Stocked Product**

Finishes: 10B, 19, 26D, 3

### RCS338 - Roller Catch, Surface Mounted



**Stocked Product**

Finishes: 10B, 15, US3

## Deltana - Knobs & Pulls

### FP221R Series

**Specifications:**

DESCRIPTION: ROUND  
 DIMENSIONS: 2-1/8" DIAMETER  
 BOX QTY: 50 PC  
 CASE QTY: 500 PC  
 CASE WT: 21 LB



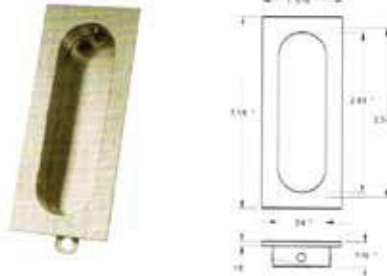
**Stocked Product**

- Finishes: US3, 5, 10B, 15, 15A, 19, 26, 26D
- Ives Equal# 221

### FP222 Series

**Specifications:**

DESCRIPTION: RECTANGLE  
 DIMENSIONS: 3-1/8" x 1-5/16" x 7/16"  
 BOX QTY: 20 PC  
 CASE QTY: 200 PC  
 CASE WT: 30 LB



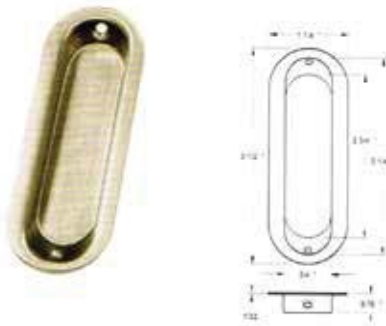
**Stocked Product**

- Finishes: US3, 10B, 15, 26, 26D
- Ives Equal# 222

### FP223 Series

**Specifications:**

DESCRIPTION: OBLONG  
 DIMENSIONS: 3-1/2" x 1-1/4" x 5/16"  
 BOX QTY: 40 PC  
 CASE QTY: 400 PC  
 CASE WT: 21 LB



**Stocked Product**

- Finishes: US3, 10B, 15, 19, 26, 26D
- Ives Equal# 223

## Deltana - Knobs & Pulls

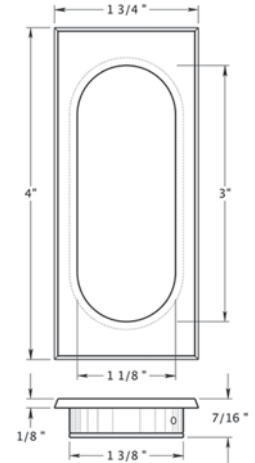
### FP413 - Flush Pull

**Specifications:**

SIZE: 4"x 1 3/4"x7/16"  
 BOX QTY: 20 PC  
 CASE QTY: 200 PC  
 CASE WEIGHT: 30 LB

**Stocked Product**

Finishes: 3, 10B, 15



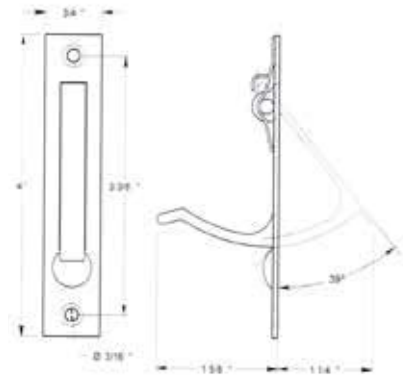
### EP475 Series - Edge Pulls, Solid Brass

**Specifications:**

BOX QTY: 20 PC  
 CASE QTY: 200 PC  
 CASE WEIGHT: 40 LB  
 INCLUDED: Packed in individual poly bag.

**Stocked Product**

- Finishes: 3, 5, 10B, 15
- Ives Equal# 230



## Deltana - Accessories

### SDL688 Series - Screen Door Latch, Mortise Lock, Solid Brass

**Specifications:**

Mortise case: 1-7/8" x 2" x 21/32"  
Extruded brass escutcheon plates: 6" x 1-1/2"  
Face size: 3-1/4" x 3/4"  
Backset: 1-1/2"  
Door thickness range: 1" to 2"



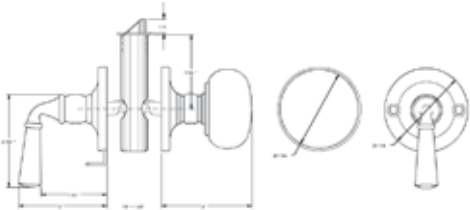
**Stocked Product**

• Finishes: 15

### SDL980 - Storm Door Latch, Round, Tubular Lock

**Specifications:**

BOX QTY.: 1 PC  
CASE QTY.: 50 PC  
CASE WEIGHT: 35 LB  
DOOR THICKNESS: 7/8" - 1-3/8"  
HANDING: Reversible



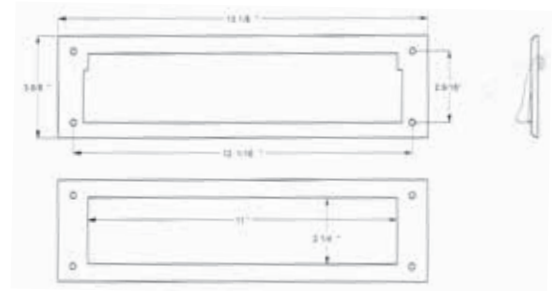
**Stocked Product**

Finishes: 10B, 15, 3

### MS211 Series - Mail Slots, Solid Brass

**Specifications:**

SIZE: 3-5/8" x 13-1/8"  
BOX QTY: 1 PC  
CASE QTY: 25 PC  
CASE WEIGHT: 29 LB  
INCLUDED: Packed in individual poly bag with matching screws.



### MSS005 - Mail Box Sleeve

**Specifications:**

SIZE: 11-1/2" x 2-3/4" x 1-3/4" depth  
BOX QTY: 5 PC  
CASE QTY: 30 PC  
INCLUDED: Packed in individual poly bag with mounting screws.

Compatible with MS211



**Stocked Product**

Item	Finish
MS211	3, 10B, 15, 19, 26
• Ives Equal# 620	
MSS005	US32D



## Deltana - Accessories

### DKV630 Series - Door Knocker - Viewer, 1800

#### Specifications:

SIZE: 6" x 3"  
MOUNTING CENTERS: 3-3/4"  
MAX DOOR THICKNESS: 1-3/4"  
BOX WEIGHT: 1 LB  
PACKAGING: 1 pc / box with glass lens viewer, 1" diameter, 9/16"  
bore shaft  
CASE QTY: 100 PC  
CASE WEIGHT: 42 LB

#### Stocked Product

- Finishes: US3, 10B, 15, 19,26



### SDP25 Series - Sliding Door Pocket Locks, Solid Brass - Passage

#### Specifications:

SIZE: 2-1/2" x 2-3/4"  
BOX QTY: 10 PC  
CASE QTY: 50 PC  
CASE WT: 44 LB

#### Stocked Product

- Finishes: 3, 5, 10B, 15, 15A, 26, 26D
- Ives Equal# 990



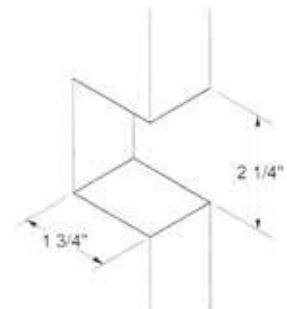
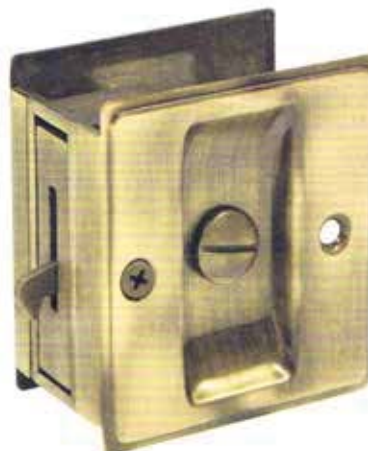
### SDL25 Series - Sliding Door Pocket Locks, Solid Brass - Privacy

#### Specifications:

SIZE: 2-1/2" x 2-3/4"  
BOX QTY: 10 PC  
CASE QTY: 50 PC  
CASE WT: 52 LB

#### Stocked Product

- Finishes: 3, 5, 10B, 15, 15A, 26, 26D
- Ives Equal# 991

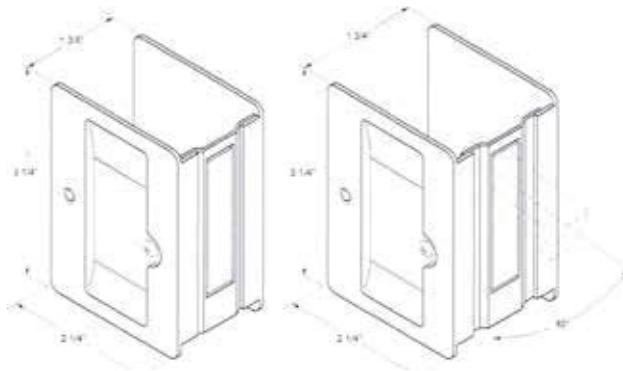


## Deltana - Accessories

### *SDPA325 Series - Heavy Duty Pocket Locks, Adjustable, Solid Brass - Passage*

**Specifications:**

SIZE: 3-1/4" x 2-1/4"  
 BOX QTY: 10 PC  
 CASE QTY: 50 PC  
 CASE WT: 56 LB



**Stocked Product**

- **Finishes:** US3, 10B, 15, 19, 26, 26D

### *SDLA325 Series - Heavy Duty Pocket Locks, Adjustable, Solid Brass - Privacy*

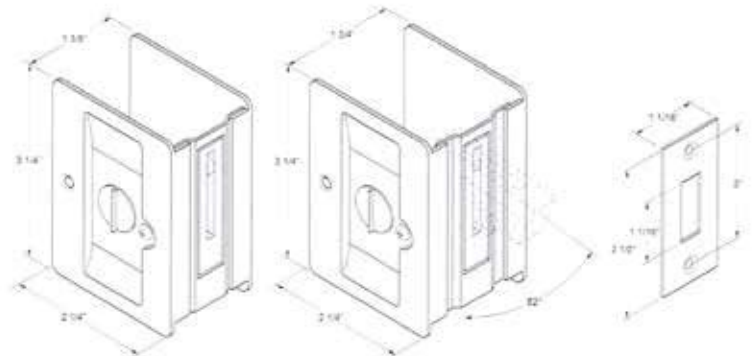
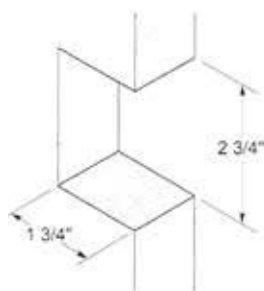
**Specifications:**

SIZE: 3-1/4" x 2-1/4"  
 BOX QTY: 10 pc  
 CASE QTY: 50 PC  
 CASE WT: 62 LB  
 Solid brass knob projection: 1-3/4"



**Stocked Product**

- **Finishes:** US3, 10B, 15, 19, 26, 26D



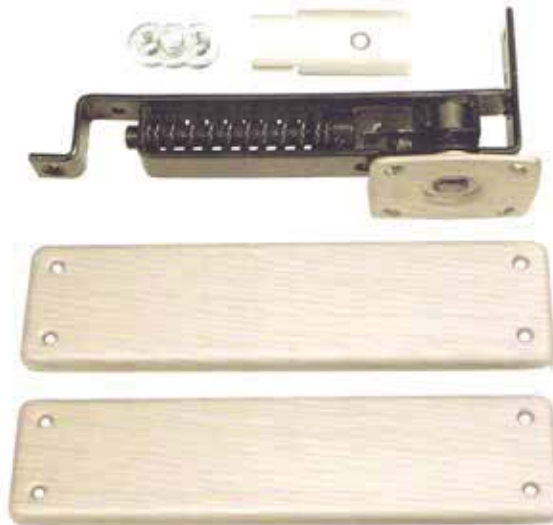
## Deltana - Accessories

### *DASH95 Series - Spring Hinge, Double Action, Floor*

**Specifications:**

DOOR THICKNESS: 1-3/8" x 1-3/4"  
 BOX QTY: 1 PC  
 CASE QTY: 10 PCS  
 CASE WT: 40 LB

- Ball bearing
- Double-acting
- Holds open at approximately 850
- 90 LBS Load
- Adjustable tension Non-handed
- Packed one set per box with wood screws, side plates, back plate, and top pivot.



**Stocked Product**

DASH95

- **Finishes:** US3, 10B, 15, 26

JB DASH95 - Jamb Bracket only

- **Finishes:** US3, 10B, 15, 26

*JB DASH95*  
**Jamb Bracket**

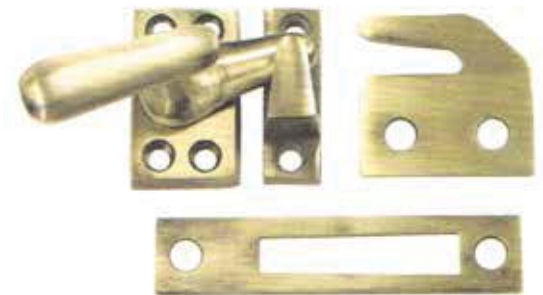


**Remember:**  
Jam Bracket  
is sold separately.

### *CF066 Series - Window Lock Casement Fastener, Solid Brass* **SMALL**

**Specifications:**

SIZE: 1-5/8" x 7/8" , PROJ. 1-3/8"  
 BOX QTY.: 20 PC  
 CASE QTY.: 200 PC  
 CASE WEIGHT: 38 LB  
 INCLUDED: Packed in individual poly bag with  
 three strikes and matching screws.



**Stocked Product**

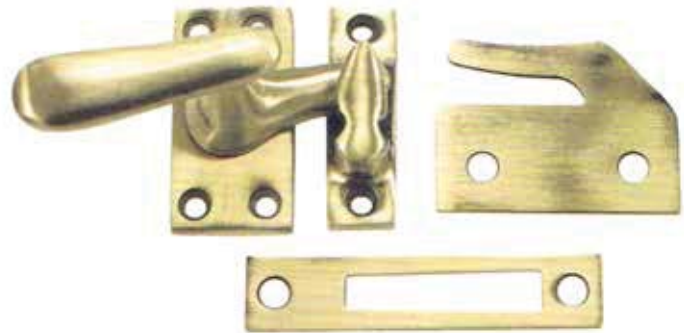
- **Finishes:** US3, 10B, 15, 19, 26D
- **Ives Equal#** 066MB

## Deltana - Accessories

### CF66 Series - Window Lock Casement Fastener, Solid Brass MEDIUM

**Specifications:**

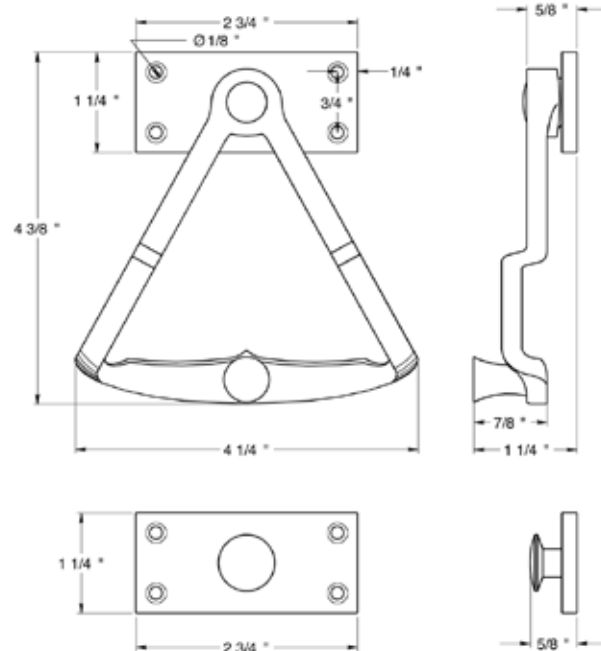
SIZE: 2-1/16" x 1-1/16", PROJ. 1-7/8"  
 BOX QTY.: 10 PC  
 CASE QTY.: 100 PC  
 CASE WEIGHT: 40 LB  
 INCLUDED: Packed in individual poly bag with three strikes and matching screws.



**Stocked Product**

- Finishes: US3, 10B, 15, 26, 26D
- Ives Equal# 66MB

### DDQ56 Series - Dutch Door Quadrant



**Stocked Product**

- Finishes: US3, 10B, 15

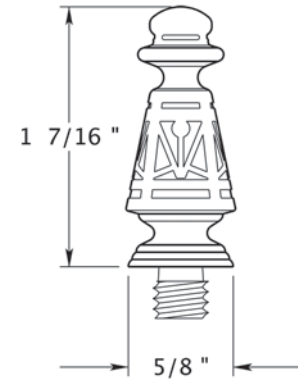
## Deltana - Accessories

### *DSPUT* - Ornate Tip

Deltana Solid Brass hinges come in an array of fine finish and maintain a superior finish due to its ability to resist oxidation.

#### *Specifications:*

BOX QTY.: 1 PC  
 CASE QTY.: N/A  
 WEIGHT: 100 EA., 8 LB  
 DOOR THICKNESS: 7/8" - 1-3/8"  
 HANDING: Reversible



#### **Stocked Product**

**Finishes:** 10B, 15, 15A, 3

### *CSBP, DSBP* - Ornate Hinges



#### *Specifications:*

BOX QTY.: 1 PR  
 CASE QTY.: 30 PR  
 CORNERS: SQUARE  
 THICKNESS: .168  
 WOOD SCREW: #12 x 1-1/4"  
 MACHINE SCREW: N/A

#### **Stocked Product**

Item#	Size	Finish
CSBP	4 X 4, 4.5 X 4.5	US3
DSBP	4 X 4, 4.5 X 4.5	10B, 15, 15A

## Deltana - Accessories

### *CSB66BB, DSB Series* - Square Hinges

Deltana Solid Brass hinges come in an array of fine finish and maintain a superior finish due to its ability to resist oxidation.



DSB55B with 10B finish

**Specifications:**

BOX QTY:	1 PAIR	
CORNERS:	SQUARE	
MACHINE SCREW:	N/A	
THICKNESS:	6 X 6	.205
	4.5 X 6, 5 X 5	.145
	4 X 6	.129



DSB4060U with 10B finish

**Stocked Product**

Item#	Size	Finish
CSB66BB	6 X 6	US3 Discontinued
DSB	4.5 X 6, 5 X 5, 6 X 6, 4 X 6	10B
DSB	5 X 5, 6 X 6	15, 15A
DSB	5 X 5	US3



DSB66BB with 15A finish



## DETEX

### *ECL 230D* – Exit Control

**Features:**

- Single point deadbolt locking device, 1” throw
- Unauthorized pressing of exit bar emits high decibel, 100db alarm
- Inside key control allows alarm bypass
- Accepts rim cylinder
- UL listed panic hardware
- 9 volt standard battery included
- Required Cylinder: Rim (not included)



**Stocked Product**

- 230D

### *V40EB* – Exit Control

**Features:**

- 100db alarm
- Powered by 9 volt battery included
- Low battery alert
- Red flashing LED alert when not armed
- Inside key control allows alarm bypass
- Accepts 1-1/8” mortise cylinder
- Latch bolt monitoring standard
- Required Cylinder: Mortise (not included)

**Code Compliance:**

- Grade 1 UL listed panic
- Fire exit hardware
- UL listed for 3 hours
- UBC97 standard 7-2
- Exceeds ADA, CA title 19 ANSI / BHMA requirements



**Stocked Product**

- V40EB for 36” door
- V40EBL for 48” door

### *EAX-500*

**Features:**

- Low cost, self contained door alarm with piezo horn
- Surface door mount only
- Patented plastic template allows for fool proof alignment of internal magnetic door contact
- Temper resistant housing
- Taper cover allows installation on 2” minimum stile doors
- Inside key control requires 1-1/8” mortise cylinder with standard Yale cam (supplied less cylinder)
- For outside key control (optional) use RIM cylinder (not supplied)

**Stocked Product**

- EAX500

**EAX-500 - Is designed for applications that require an alarmed exit device on secured doors. Replaces old model EA-500**







## Don-Jo Wall Bumpers

**1400**

1" Diameter

With Anchor Screw - Cast Brass



### **Stocked Product**

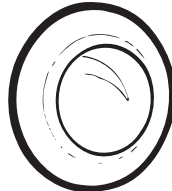
1400 - 613, 626

1406 - 625

1407 - 619

**1406**

2 1/2" Diameter

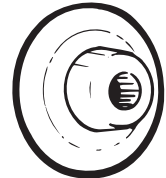


Plastic Anchor & Plastic Dry Wall Anchor

Wrought Material

**1407**

2 1/2" Diameter



## Floor Stops

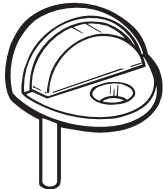
**1440**

Low Style

1/8" H x 1 3/4"

Diameter Base

W/S & MS & Exp Shield & Plastic Anchor



### **Stocked Product**

1440 - 619

1442 - 619

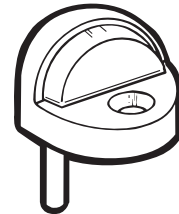
**1442**

High Style

3/8" H x 1 3/4"

Diameter Base

W/S & MS & Exp Shield & Plastic Anchor



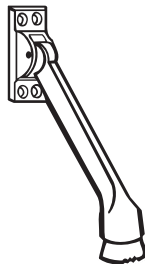
## Door Holder

**1467**

5" Projection

Solid Brass Material

SMS Fastener



### **Stocked Product**

1467 - 605, 613, 626

# Don-Jo

## Push & Pull Plates, Pull Handles

### 35 Door Pull

5 1/2" CTC

• Dimensions - Overall x Projection x Clearance  
7 1/2" x 1 7/8" x 1 1/2"



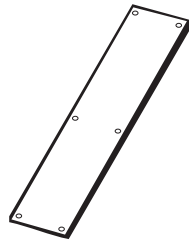
#### Stocked Product

35 - 605, 613, 630  
70 - 605  
71 - 605, 613, 629, 630  
7015 - 605, 613, 630  
7115 - 605, 629

### 70,71 Push Plate

70 - 3 1/2" x 15"

71 - 4" x 16"



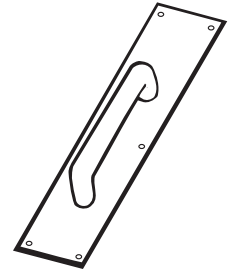
### 7015, 7115 Pull Plate

7015 - 3 1/2" x 15"

7115 - 4" x 16"

6" CTC

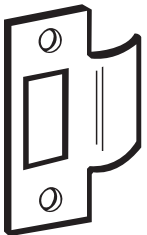
3/4" diameter pull



## Strikes

### 9234

2 3/4" x 1 1/8"



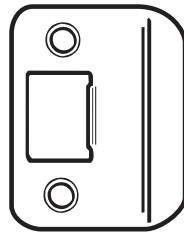
### ST161

4 7/8" x 1 1/4"



### ST214

2 1/4" x 1 1/4"



#### Stocked Product

9234 - 605, 630  
ST161 - 605, 613, 626  
ST214 - 605, 630

### 2-SDS

4 7/8" x 1 1/4"



### TS-100-CP Thimble strike

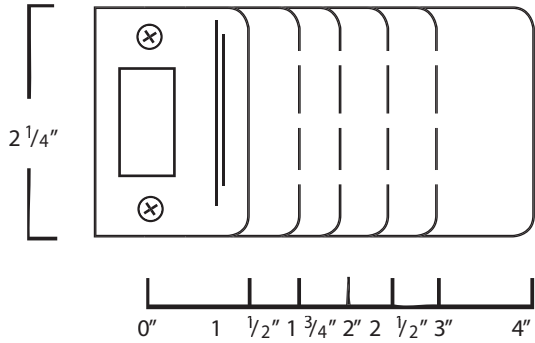
1" Diameter



#### Stocked Product

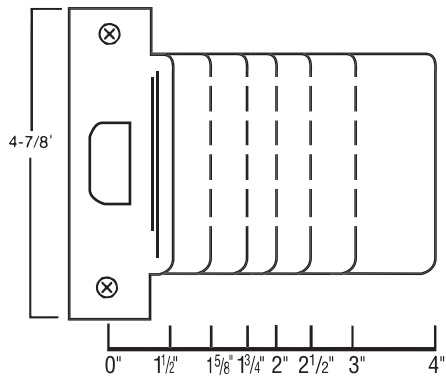
2-SDS-BP (Steel Brass Plated)  
2-SDS-SL (Steel Silver Coated)  
TS-100-CP (Chrome Plated)

## *Don-Jo - Extended Lip Strikes*



### **2-1/4" Extended Lip Strike**

Number	....	Dimension
EL102	.....	2-1/4" X 2"
EL115	.....	2-1/4" X 1-1/2"
EL125	.....	2-1/4" X 2-1/2"
EL175	.....	2-1/4" X 1-3/4"



### **4-7/8" Extended Lip ANSI Strike**

Number	....	Dimension
EST102	.....	4-7/8" X 2"
EST115	.....	4-7/8" X 1-1/2"
EST125	.....	4-7/8" X 2-1/2"
EST158	.....	4-7/8" X 1-5/8"
EST175	.....	4-7/8" X 1-3/4"

### ***Stocked Product***

#### **2-1/4" Extended Lip Strike**

EL102 - DU, 605, 619, 630  
 EL115 - DU, 605, 619, 630  
 EL125 - DU, 630  
 EL175 - DU, 605, 619, 630

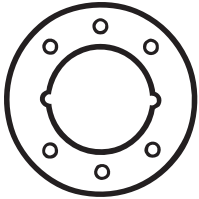
#### **4-7/8" Extended Lip ANSI Strike**

EST102 - 630  
 EST115 - 630  
 EST125 - 630  
 EST158 - 630  
 EST175 - 630

## Don-Jo - Architectural Accessories

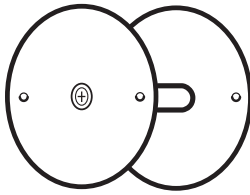
### *AR335630*

Use with levers on 1 3/8" door  
(2 per pack)  
3-1/2" Diameter  
Finish - 630



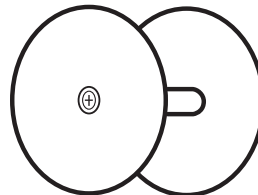
### *BF161SL*

Covers up to 2 1/8" Hole  
2-5/8" Diameter  
Finish - Silver Coated



### *BF178SL*

Covers up to 1 1/2" Hole  
1-7/8" Diameter  
Finish - Silver Coated



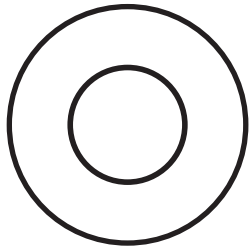
### *CV86PC*

Converts 86  
Cut out to 161  
8" x 1-1/4"  
Finish - Prime Coated



### *DSP135630*

Scar Plate  
Fits under Deadbolt  
Collars 3-1/2" OD, 1-1/2" ID  
Finish 630



### *EF86PC*

86 cut out  
8" x 1 1/4" x 3/16"  
Finish - Prime Coated



### *EF161*

Filler Plate  
2-1/4" x 1-1/8"



### *EF161SPC*

Filler Plate  
2-3/4" x 1-1/8"  
Cut out  
Finish - Prime Coated

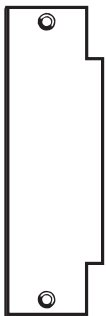
### *FF45PC*

Frame hinge cut out  
4-1/2" x 1-5/8"  
Finish - Prime Coated



### *FS260PC*

ANST strike cut out  
Finish - Prime Coated  
4-7/8" X 1-1/4"



### *HF45PC*

Door hinge cut out  
4-1/2" x 1-3/4"  
Finish - Prime Coated

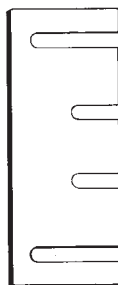


### *HS060*

16 (.060) Gauge Hinge shime

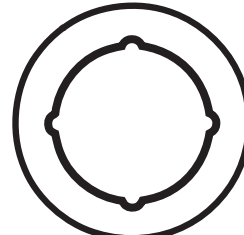
### *HS090*

13 (.090) Gauge Hinge shime  
Finish - Prime Coated



### *SP135630*

Scar Plate  
Fits under Rose or  
Key in knob or Deadbolt  
3-1/2" OD, 2-1/8" ID  
Finish 630



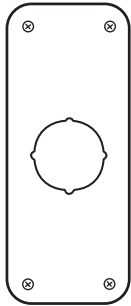
### *TB215*

TAB  
Finish - Zinc Plated  
1" X 1-1/2"

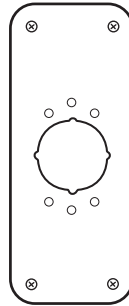


## Don-Jo - Remodel Plates

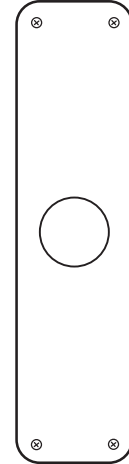
*RP-13509*



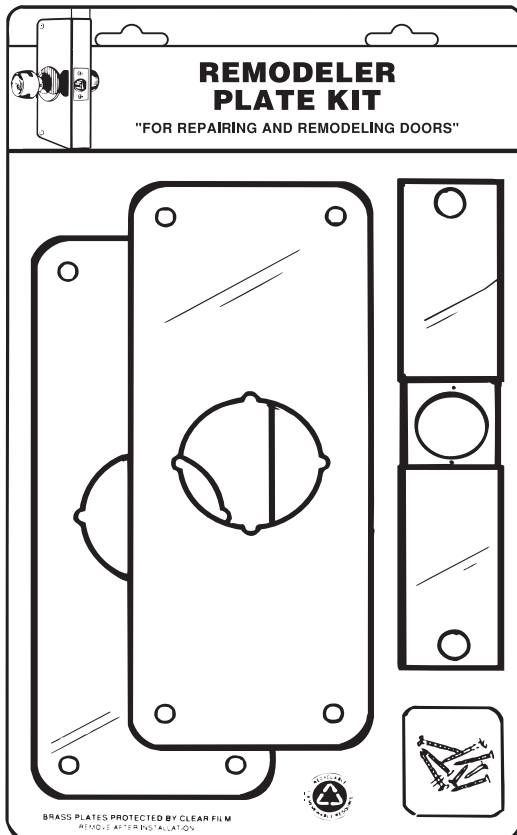
*RP-13509-2*



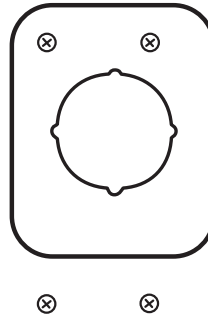
*RP-13515*



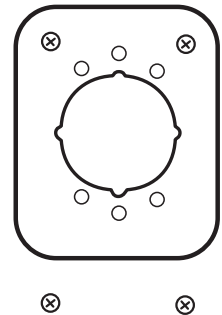
*RPK-109*



*RP-13545*



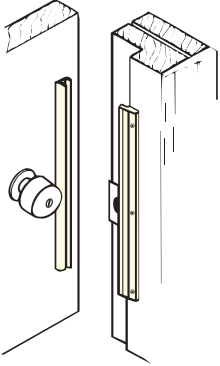
*RP-13545-2*



### Stocked Product

Item	Size	Finishes
RP-13509	3-1/2" x 9"	630 (stainless)
RP-13509-2	3-1/2" x 9"	630 (stainless)
RP-13515	3-1/2" x 15"	630 (stainless)
RP-13545	3-1/2" x 4-1/2"	630 (stainless)
RP-13545-2	3-1/2" x 4-1/2"	630 (stainless)
RPK-109	3-1/2" x 9"	605 (polished brass) 630 (stainless steel)

## Don-Jo Lock Guard Plates



### *ILP206 / ILP212*

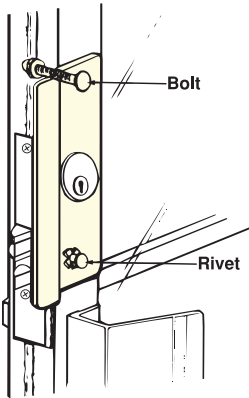
#### The INTERLOCK for inswinging doors

- 6" version for use with key-in-knob and deadbolt locks
- 12" version for use with Mortise Locks, Simplex 1000 series, Alarm Lock DL-2500, DL-2700 & 3000, Card Access Systems, etc.

#### **Stocked Product**

ILP206 6"  
ILP212 12"

Finishes:  
DU (Duro Coated)  
SL (Silver Coated)



### *LP307*

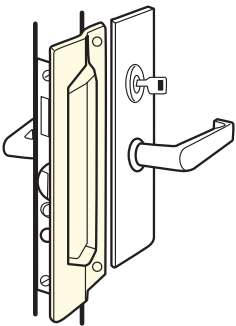
#### For ALUMINUM ENTRANCE doors

- Reversible
- Fits over cylinder - lock removal NOT required
- Hand carriage bolt and rivet supplied
- No specific tools required
- 3/8" offset, Display Package Size - 4" x 12"

#### **Stocked Product**

LP307 2-5/8" x 7" x 3/8"

Finish:  
SL (Silver Coated)



### *MLP111 / MLP211*

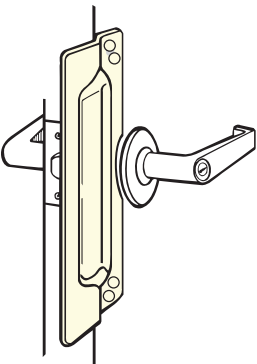
#### For OUTSWINGING DOORS - completely covers the strike plate

- Furnished with carriage bolts, washers & acorn cap nuts for safety and strengths

#### **Stocked Product**

MLP111 3" x 11"  
Finish: 630 (Stainless)

MLP211 3" x 11"  
Finish: SL (Silver Coated)



### *LP111 / LP211*

#### For Outswinging Doors Completely Covers Strike Pate

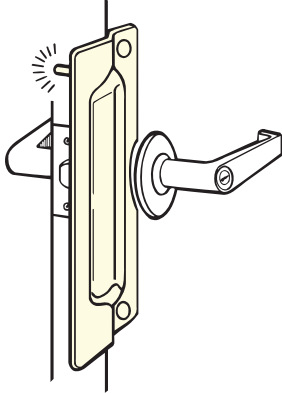
- Furnished with carriage bolts, washers & acorn cap nuts for safety and strength
- Fits 2 3/4" and 2 3/8" backsets

#### **Stocked Product**

LP111 3" x 11"  
Finish: 630 (Stainless)

LP211 3" x 11"  
Finish: DU (Duro Coated)  
Finish: SL (Silver Coated),

## Don-Jo *Lock Guard Plates*



### *PLP111 / PLP211*

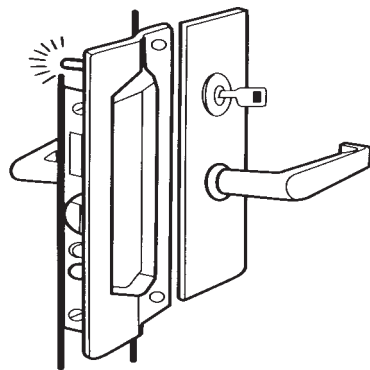
#### **Pin Latch protectors for OUTSWINGING DOORS**

- Solid steel pin prevents spreading of door from frame
- Pin is welded on back leaving no visible point of attack from outside
- Fits 2 3/4" and 2 3/8" backsets

#### ***Stocked Product***

PLP111 3" x 11"  
Finish: 630 (Stainless)

PLP211 3" x 11"  
Finish: 626



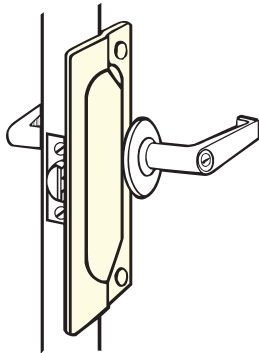
### *PMLP111*

#### **Pin Latch protectors for OUTSWINGING DOORS**

- Solid steel pin prevents spreading of door from frame
- Pin is welded on back leaving no visible point of attack from outside

#### ***Stocked Product***

PMLP111 3" x 11"  
Finish: 630 (Stainless)



### *LP107 / LP207*

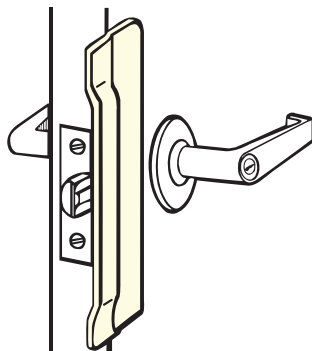
#### **For OUTSWINGING DOORS**

- Furnished with carriage bolts, washers & acorn cap nuts for safety and strength

#### ***Stocked Product***

LP107 2-3/4" x 7"  
Finish: 630 (Stainless)

LP207 2-3/4" x 7"  
Finishes:  
DU (Duro Coated)  
SL (Silver Coated)



### *CLP110*

#### **For COMMERCIAL TYPE for outswinging doors**

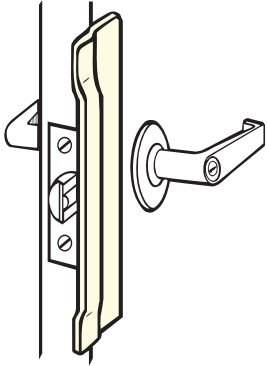
- 6" for key-in-knobs
- 10" for Mortise Locks
- Architectural design
- Concealed welded studs with fasteners

#### ***Stocked Product***

CLP110 2-1/8" x 10"  
Finish: 630 (Stainless)



## Don-Jo *Lock Guard Plates*



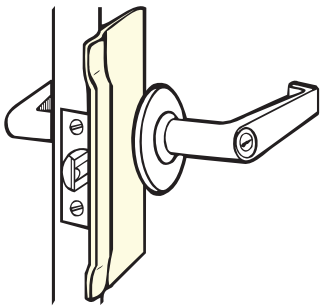
### *NLP-210* **NARROW COMMERCIAL TYPE** for outswinging doors

- 6" for key-in-knobs
- 10" for Mortise Locks
- Narrow type for outswinging doors

#### **Stocked Product**

NLP210 1-1/2" x 10"

Finish: SL (Silver Coated)



### *BLP107/BLP207* For KEY-IN-LEVER Locks with up to 3-3/4" **ESCUTCHEON**

- Works with up to 3 3/4" rose
- Concealed welded studs with fasteners

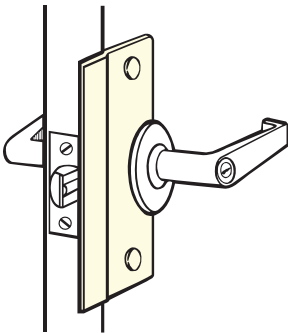
#### **Stocked Product**

BLP107 3-1/4" x 7"

Finish: 630 (Stainless)

BLP207 3-1/4" x 7"

Finish: SL (Silver Coated)



### *SLP206* **SHORT TYPE** for outswinging doors

- Furnished with carriage bolts, washers & acorn cap nuts for safety and strength
- May be used on hollow metal door/frame using ANSI strike
- Works with up to 3 3/4" roses

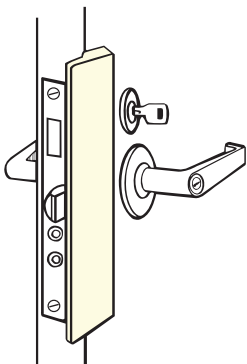
#### **Stocked Product**

SLP206 2 5/8" x 6"

Finishes:

DU (Duro Coated)

SL (Silver Coated)



### *LP2878* **SLIMLINE** for outswinging doors

- Fasteners included
- Sleek appearance

#### **Stocked Product**

LP2878 1-1/2" x 8-7/8"

Finish:

SL (Silver Coated)

## Don-Jo - Decal

### Decal



HD-1  
4" x 4"  
White on Blue

**THIS DOOR TO REMAIN UNLOCKED DURING BUSINESS HOURS**

DD-1/DD-2

**THESE DOORS TO REMAIN UNLOCKED DURING BUSINESS HOURS**

DD-3/DD-4

1 1/2" x 24"

DD1 Black on Clear  
DD2 White on Black

DD3 Black on Clear  
DD4 White on Black

**THIS DOOR TO REMAIN UNLOCKED WHILE BUILDING IS OCCUPIED**

DD-5/DD-6

**THESE DOORS TO REMAIN UNLOCKED WHILE BUILDING IS OCCUPIED**

DD-7/DD-8

1 1/2" x 24"

DD5 Black on Clear  
DD6 White on Black

DD7 Black on Clear  
DD8 White on Black

## Don-Jo - Architectural Accessories

### #K0050

**ANSI J102 Metal**

**Used on doors subject to marring  
or damage from foot traffic.**

**ANSI**

### COMMERCIAL KICK PLATES

- Individually packaged with screws
- Fully threaded to the head stainless steel sheet metal screws plated to finish
- Beveled, 4 edged (B4E)
- Commercial grade thickness
- Kick plate screws only  
Specify 9DJOKPS + FINISH

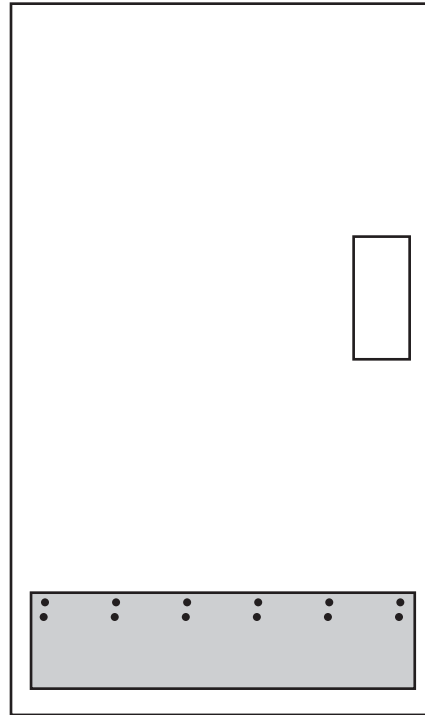
#### Stocked Product

P/N	Size	Finishes
K0050	6" x 34"	630
K0050	8" x 30"	630
K0050	8" x 34"	605, 613, 630
K0050	10" x 30"	630
K0050	10" x 32"	630
K0050	10" x 34"	605, 613, 628, 630
K0050	10" x 40"	605, 613, 630
K0050	10" x 46"	630
K0050	12" x 34"	630
K0050	36" x 34"	630
KPS605	Kickplate screws 605, 613, 630	

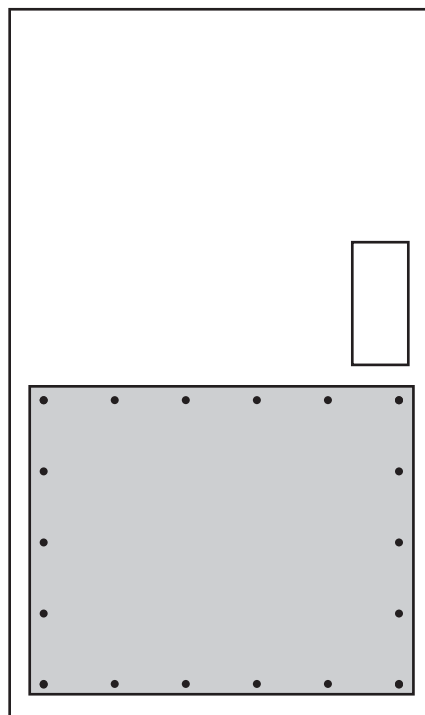
### ARMOR PLATES

- Commercial grade thickness
- Stainless Steel 630
- 36"x 34" Stock

### KICK PLATE



### ARMOR PLATE



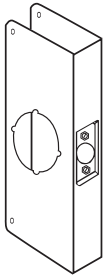
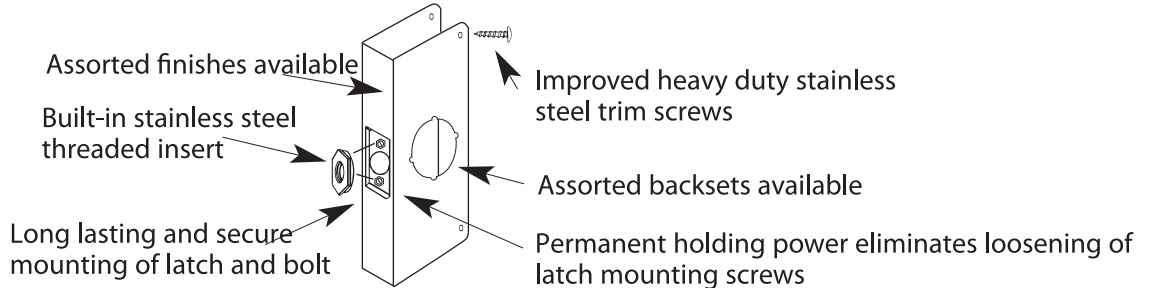
# Don-Jo

## Wrap Around

The Classic Wrap-Around advantage

**22(.32) Gauge**

includes:

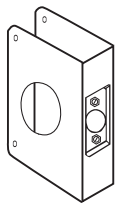


### Model 3, 4

For **CYLINDRICAL DOOR LOCKS** with 2 1/8" hole

#	BACKSET	DOOR	DIMENSIONS
3	2-3/4"	1-3/8"	4-1/4" x 9"
4	2-3/4"	1-3/4"	4-1/4" x 9"

**Stocked Product**  
Finishes:  
Polished Brass (PB)  
Stainless Steel (S) (Model 3 only)

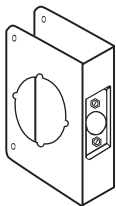


### Model 8

For **DEADBOLTS** with 1 1/2" hole

BACKSET	DOOR	DIMENSIONS
2-3/4"	1-3/4"	4-1/4" x 4-1/2"

**Stocked Product**  
Finishes:  
Polished Brass (PB)  
Stainless Steel (S)

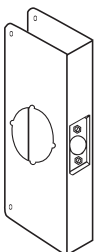


### Model 61, 81

For **CYLINDRICAL DOOR LOCKS** with 2 1/8" hole

#	BACKSET	DOOR	DIMENSIONS
61	2-3/8"	1-3/4"	4" x 4-1/2"
81	2-3/4"	1-3/4"	4-1/4" x 4-1/2"

**Stocked Product**  
Finishes:  
Polished Brass (PB)  
Stainless Steel (S)



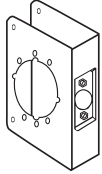
### Model 12

For **CYLINDER DOOR LOCKS** with 2 1/8" hole,  
**12" height**

BACKSET	DOOR	DIMENSIONS
2-3/4"	1-3/4"	4-1/4" x 12"

**Stocked Product**  
Finishes:  
Polished Brass (PB)  
Stainless Steel (S)

# Don-Jo *Wrap Around*



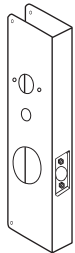
## *Model 81-2*

**For use with HEAVY DUTY GRADE 1 & GRADE 2  
 key-in-levers**

BACKSET	DOOR	DIMENSIONS
2-3/4"	1-3/4"	4-3/4" x 4-1/2"

### ***Stocked Product***

**Finishes:**  
 Polished Brass (PB)  
 Stainless Steel (S)



## *Model 15*

**Fits SIMPLEX/UNICAN 1000 SERIES  
 & 4000 SERIES**

BACKSET	DOOR	DIMENSIONS
2-3/4"	1-3/4"	5" x 15"

### ***Stocked Product***

**Finishes:**  
 Stainless Steel (S)



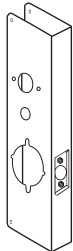
## *Model 5000*

**Fits SIMPLEX/UNICAN 5000 SERIES**

BACKSET	DOOR	DIMENSIONS
2-3/4"	1-3/4"	5" x 15"

### ***Stocked Product***

**Finishes:**  
 Stainless Steel (S)



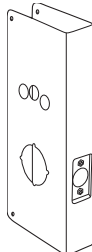
## *Model 27*

**Fits ALARM LOCK 2700/T2 & 3000 SERIES  
 TRYOLOGY LOCK**

BACKSET	DOOR	DIMENSIONS
2-3/4"	1-3/4"	5" x 15"

### ***Stocked Product***

**Finishes:**  
 Stainless Steel (S)



## *Model 18*

**Fits SCHLAGE COBRA LOCKS**

BACKSET	DOOR	DIMENSIONS
2-3/4"	1-3/4"	5" x 15"

### ***Stocked Product***

**Finishes:**  
 Stainless Steel (S)



## *Model 504*

**MORTISE LOCK wrap-around plate for  
 86 cut-out**

BACKSET	DOOR	DIMENSIONS
–	1-3/4"	5" x 12"

### ***Stocked Product***

**Finishes:**  
 Stainless Steel (S)

<b>CATEGORY</b>	<b>PRODUCT/DESCRIPTION</b>	<b>PAGE</b>
LOCKS	Touch Screen Digital Lock.....	2-3
	Heavy Duty Commercial Cylindrical LHV Locks - Grade 1 .....	4
	Standard Duty Commercial Cylindrical LSV Locks - Grade 2.....	5
	Medium Duty Commercial Cylindrical LDV Locks - Grade 2 .....	6
	Residential Cylindrical ECL Latchset - Grade 3 .....	7
	General Lock Information.....	8
LOCK/ACC.	Deadlatches and Spring Latches.....	9
	Strikes and Accessories.....	9
LOCKS	ASIL Adjustable - Simultaneous Retraction Interconnected Locks - Grade 2 .....	10
	Deadbolts - Standard Duty Commercial Deadbolts - Grade 2 .....	11
	Deadbolts - Standard Duty Solid Brass Deadbolts - Grade 2.....	12
	Heavy Duty Commercial Mortise Locks .....	13
	Mortise Locks - Function Chart.....	14
HANDING CHART	Handing Chart.....	15
EXITS	Heavy Duty Exit Device 700 Series - Grade 1 .....	16
	Heavy Duty Vertical Rod Exit Device 700 Series - Grade 1 .....	17
	Heavy Duty Vertical Rod Fire Rated Less Bottom Rod 700 Series - Grade 1 .....	18
EXIT/TRIM	Escutcheon Levers.....	19
	Pull & Thumbpiece.....	19
EXIT/ACC. 700	Glass Bead Shim Kit - 700 Series.....	20
	Overlapping Strike - 700 Series .....	20
	Firebolt - 700 Series .....	20
	Exit Alarm Kit - 700 Series .....	20
EXITS	Exit Device - Standard Duty Commercial Rim 500 Series .....	21
	Exit Device - Standard Duty Commercial Surface Vertical Rod 500 Series .....	22
EXIT/TRIM	Exit Device Trim .....	23
	Pull Trim .....	23
EXIT/ACC. 500	Exit Device Alarm Kit - 500 Series.....	23
	Exit Device Vertical Rod Extension - 500 Series.....	23
	Exit Device Vertical Rod Back Plate - 500 Series .....	23
MULLIONS	Mullions.....	24
CLOSERS	Heavy Duty Door Closers - DC40.....	25
	Heavy Duty Door Closers - DC851.....	26
	Standard Duty Door Closers - DC70 .....	27
	Standard Duty Door Closer - DC161 .....	28
	Standard Duty Door Closer - DC50.....	29
ELECT. HOLDER	Door Holder - Electro Magnetic .....	30
COORDINATORS	Coordinators & Mounting Brackets.....	31
AUTO FLUSH	Automatic Flushbolts - For Metal and Wood Doors .....	32
MANUAL FLUSH	Manual Flushbolts.....	33
DUST STRIKES	Dust Proof Strikes.....	34
HINGES	Full Line of Commercial and Residential Hinges .....	35-39
PLATES	Pushes and Pulls .....	40
	Kick Plates.....	40
GEN. H/W	Door Guards - Swing Bar Lock, Door Angle Protector, Door Guard Shim.....	41
	Viewers - Solid Cast Brass .....	41
	Door Holders.....	42
	Wall Stops .....	42
	Floor Stops .....	43
	Roller Latches.....	44
	Ball Catches .....	45
	Signs .....	45
SIGNS	Wall & Door Signs / ADA.....	46
WARRANTY	Doormerica Warranty .....	47

## Doormerica

### DMH Touch - Touch Screen Digital Lock with Smart+ Prox Card



#### Features:

- Stand-alone Touchscreen responds to human touch enabling convenient entrance or access to programming menu. After operation has been completed, the lock reverts to sleep mode.
- Grade 1 lockset with electronic modern touch screen.
- Easy programmable menu.
- Smart+ Prox card compatible - slim "no slot" design.
- Convenient wake-up button illuminates and activates easy to read key pad.
- Low battery indicator.
- Allows up to 1,000 individual user codes and credentials.
- Free wheeling lever mechanism.
- 9 volt battery terminal for emergency power supply.
- Saturn lever design.
- Allows continuous entry for non-restricted traffic.
- Non-handed, field reversible.
- Wake-up Button activates and illuminates the number pad for PIN code and Prox Card entry.
- Includes 2 Smart+ Prox Cards. Additional cards available.

#### CODE COMPLIANCE:

- ANSI/BHMA - Certified ANSI/BHMA A156.2 Series 4000, Grade 1 strength and operational requirements.
- A.D.A. - All levers conformed to ADA requirement for barrier-free accessibility.
- UL/cUL - UL listed to USA and Canadian safety standards listed for 3 hour doors. Letter F and UL symbol latch fronts indicate listing.
- Positive Pressure - Meets UL 10C and UBC 7-2(1997)
- California State Reference Code - Levers with less than 1/2"(13mm) returns comply : Levers returns to within 1/2"(13mm) door face.

#### WARRANTY - ONE YEAR FROM DATE OF INSTALLATION

#### Stocked Product

Item	Finish
DMH Touch Lock	10A, 26D
DMH Smart+ Prox Card	

Continue to next page

## DMH Touch - Touch Screen Digital Lock (Continued from previous page)

### Specifications:

- **User PIN Code**  
1,000 individual users codes + credentials
- **Smart+ Prox Card**
  - Compatible with existing MIFARE infrastructures
  - Operates at 13.56 MHz in accordance with ISO14443A
  - Inductive Distance up to 1-3/16" (~30mm)
  - PVC 1/32" x 2-1/8" x 3-3/8" (.076mm x 54mm x 85.6mm)
- **Handing**  
Non-Handed, Field reversible levers
- **Lever mechanism**  
Free wheeling lever mechanism. When the outside lever is locked, it will rotate freely up and down while remaining securely locked.
- **Door thickness**  
1-3/8" ~2" (35mm~51mm) standard
- **Backset**  
2-3/4" (70mm) standard or 2-3/8" (60mm) special order
- **Face plate**
  - 1-1/8" x 2-1/4" (28mm x 57mm) square corner, beveled, for 2-3/4" (70mm) backset standard
  - 1" x 2-1/4" (25mm x 57mm) square corner, beveled, for 2-3/8" (60mm) backset optional
- **Strike**  
ANSI Curved lip strike 1-1/4" x 4-7/8" x 1-3/16" (32mm x 124mm x 30mm) lip to center standard. Optional ("T", "Full-lip") strike available on request.
- **Exposed Trim**  
Lever: pressure cast zinc, plated to match finish symbols. All metal escutcheon provide quality and durability.
- **Latch bolt**  
1/2" (13mm) throw solid brass, deadlocking on keyed function.
- **Lever design**  
Saturn
- **Cylinder**  
6-pin solid brass "Schlage C" keyway standard with two brass keys per lock.
- **Finish**  
US10A/US26D  
Other finishes available with lead time.
- **Power source**  
Powered by 4 AA Alkaline battery with optional hardware. 9 volt battery terminal for emergency power supply.
- **Environmental performance**  
Weather resistant  
Temperature ranging from -30°F~150°F(-30°C~+66°C) at 85% relative humidity.

### Programming Functions:

- **Master PIN code**  
It is used for programming and register some kinds of PIN codes. It can open door and factory default setting.
- **User PIN code**  
It can open door and registered up to 1,000 codes, 3-6 digits.
- **One-time user PIN code**  
It can only be used once and the PIN code information is deleted automatically after use.  
It can be registered up to 3 different codes, 3-6 digits.
- **Manager PIN code**  
It can open the door with lockout mode and be used like User PIN code.  
It can be registered up to 3 different codes, 3-6 digits.
- **Smart+ Prox Card**  
It can be registered with each registration number(No.1~999) consecutively by Master PIN code.  
If not needed anymore, delete registration number only.
- **Passage Mode**  
Enabling Passage mode allows continuous entry for non-restricted traffic. Passage mode enabled or disabled through feature programming by either the Master or Manager PIN code. When the unit is in Passage Mode, the unlocked padlock icon will appear on the screen.
- **Lock-out Mode**  
This feature is enabled by either the Master or Manager PIN Codes. When enabled, it restricts all User PIN Code access except Master and Manager PIN Codes. When the unit is in Lock-out, the padlock will appear on the screen.
- **Low Battery**  
When battery power is low, the low battery icon will begin blinking. If battery power is completely lost, the key and cylinder can be used or the 9 volt battery terminal can be used for emergency power.
- **Auto Re-lock time**  
After successful code entry and the units unlocks, it will automatically re-lock in a default of five (5) seconds. RE-lock time can be changed by either Master or Manager PIN code.
- **Sound Volume**  
Can be changed by either Master or Manager PIN code. The factory default is 2 Level. ( Min1- Max3, Mute4).

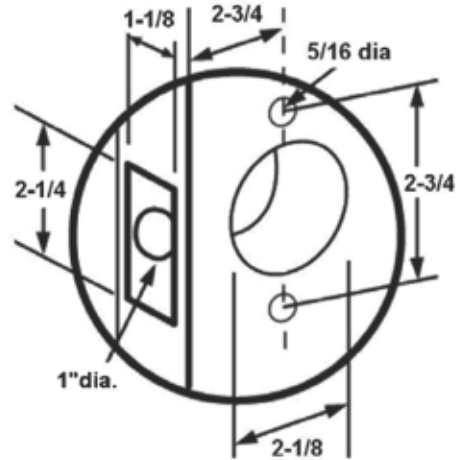
### Stocked Product

Item	Finish
DMH Touch Lock	10A, 26D
DMH Smart+ Prox Card	



## Doormerica

### LHV - Heavy Duty Commercial Cylindrical Locks-Grade 1



#### Features:

- Non-Handed and Reversible.
- 2-3/4" Backset, 1-1/8" x 2-1/4" Face Plate, UL 3 Hour Fire Listed Stainless Steel Latch or Dead-latch.
- 1-1/4" x 4-7/8" ANSI Strike.
- Schlage "C" 6 Pin Keyway Standard.
- Saturn Lever Trim.
- Barrier Free and Returns within 1/2" from the Door Face.
- Door Thickness 1-3/4" -2"

#### Options:

- CL -Clutch Function -Lever Rotates without Unlatching Lock.
- IC -Small format Interchangeable Core available. Core NOT included.
- PLKLHVSL238 -2-3/8" Backset, Spring Latch. (SOLD SEPERATELY)
- PLKLHVDL238 -2-3/8" Backset. Dead Latch. (SOLD SEPERATELY)



#### CODE COMPLIANCE:

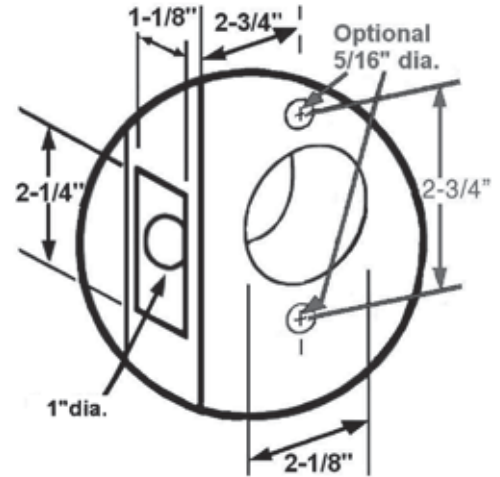
- ANSI A156.2 Grade 1. UL10C and UBC 7.2 for positive pressure.
- ANSIA117.1 and ADA for barrier-free accessibility
- C-UBC -California Amended Uniform Builders Code -2001
- NFPA-80 -National Fire Protection -1999
- NFPA-101 National Fire Protection-Life Safety 2000

#### LIMITED LIFETIME WARRANTY

#### Stocked Product

Item	Style	Finish
LHV10, LHV40, LHV50, LHV53, LHV70, LHV80, LHV170	Saturn	10B, 26D
LHV10, LHV40, LHV50, LHV53, LHV70, LHV80, LHV170	Sparta	10B, 26D
LHV53, LHV70, LHV80 IC core less core	Saturn	26D
LHV50, LHV53, LHV70, LHV80 IC core less core	Sparta	26D
LHVCL53, LHVCL70, LHVCL80 Clutch	Saturn	10B, 26D
LHVCL53, LHVCL70, LHVCL80 Clutch	Sparta	26D
LHVCL53, LHVCL70, LHVCL80 IC With clutch	Saturn	26D
LHVCL53, LHVCL70, LHVCL80 IC With clutch	Sparta	26D

## LSV - Standard Duty Commercial Cylindrical Locks-Grade 2



### Features:

- Non-Handed and Reversible.
- 2-3/4" Backset, 1-1/8" x 2-1/4" Face Plate, UL 3 Hour Fire Listed Stainless Steel Latch or Dead-latch.
- 1-1/4" x 4-7/8" ANSI Strike.
- Schlage "C" 6 Pin Keyway Standard.
- Barrier Free & Returns within 1/2" from Door Face.
- Saturn and Sparta Lever Trim.
- Door Thickness 1-3/8" -1-3/4"
- RTB-Removable thru bolts supplied but NOT installed.

### Options:

- CL -Clutch Function -Lever Rotates without unlatching the door
- IC -Small format Interchangeable Core available. Core NOT included.
- PLSVSL238 2-3/8" Backset Spring Latch. (SOLD SEPERATELY)
- PLSVDL238 2-3/8" Backset Dead Latch. (SOLD SEPERATELY)
- Suffix "1" -1" x 2-1/4" Latch Face Plate.
- PLKEXT5 -Extension for 5" Backset.



### CODE COMPLIANCE:

- ANSI A156.2 Grade 2. UL10C and UBC 7.2 for positive pressure.
- ANSIA117.1 and ADA for barrier-free accessibility
- C-UBC -California Amended Uniform Builders Code -2001
- NFPA-80 National Fire Protection Assoc.-1999
- NFPA-101 National Fire Protection-Life Safety 2000

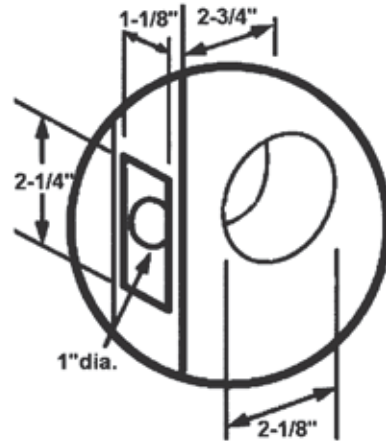
### LIMITED LIFETIME WARRANTY

### Stocked Product

Item	Style	Finish
LSV10, LSV20, LSV40, LSV53, LSV70, LSV80, LSV170	Saturn/Sparta	26D
LSV10, LSV40, LSV53, LSV80	Saturn/Sparta	US3, 10B, 26
LSV20	Saturn	10B
LSV53, LSV70, LSV80 IC core less core	Saturn	26D
LSV53, LSV70, LSV80 clutch	Saturn	10B, 26D
LSV70	Saturn	10B, 26
LSV70	Sparta	US3, 10B, 26
LSV170	Saturn	US3, 10B, 26
LSV170	Sparta	10B, 26

## Doormerica

### LDV - Medium Duty Commercial Cylindrical Locks-Grade 2



#### Features:

- Non-handed and reversible
- 2-3/4" backset, 1-1/8" x 2-1/4" face plate
- PLKASA -4-7/8" x 1-1/4" ANSI strike
- Schlage "C" 6 pin keyway standard
- Saturn lever trim
- Barrier free and returns within 1/2" from the door face
- Door thickness 1-3/8" - 1-3/4"



#### CODE COMPLIANCE:

- ANSI A156.2 Grade 2. UL10C and UBC 7.2 for positive pressure.
- ANSIA117.1 and ADA for barrier-free accessibility
- C-UBC -California Amended Uniform Builders Code -2001
- NFPA-80 National Fire Protection Assoc.-1999
- NFPA-101 National Fire Protection-Life Safety 2000

#### Options:

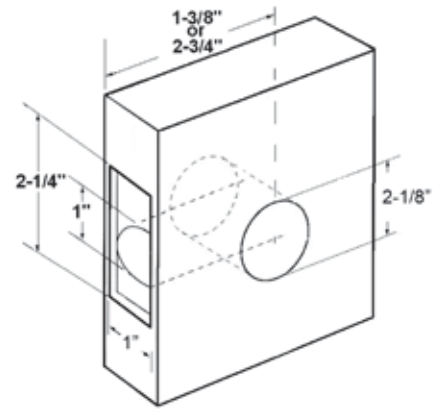
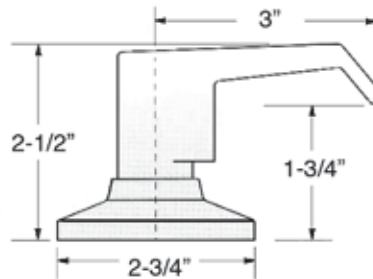
- PLSVSL238 -2-3/8" backset, spring latch (SOLD SEPERATELY)
- PLSVDL238 -2-3/8" backset, dead latch (SOLD SEPERATELY)
- 1" x 2-1/4" latch & dead-latch available
- PLKFL -2-1/4" x 1-1/4" full lip strike (SOLD SEPERATELY)
- PLKT -2-3/4" x 1-1/4" - "T" strike (SOLD SEPERATELY)

#### 1 YEAR LIMITED WARRANTY

#### Stocked Product

Item	Style	Finish
LDV10,LDV20,LDV40,LDV53,LOV70,LDV80,LDV170	Saturn/Sparta	26D

## ECL - Residential Cylindrical Latchset-Grade 3



### Features:

- Non-handed and reversible
- PECL-SIADJ -Adjustable backset, 2-3/8" or 2-3/4"
- 1" x 2-1/4" faceplate spring latch
- PLKT-2-3/4" x 1-1/4" -"1" strike
- LEV lever trim only
- Barrier free
- Door thickness 1-3/8" -1-3/4"

### Options:

- PLKFL -2-1/4" x 1-1/4" full lip strike (SOLD SEPERATELY)
- PLKASA -4-7/8" x 1-1/4" ASA strike (SOLD SEPERATELY)

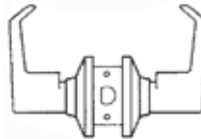


### CODE COMPLIANCE:

- ANSIA117.1 and ADA for barrier-free accessibility
- NFPA101 National Fire Protection-Life Safety 2000

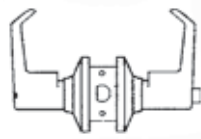
**1 YEAR LIMITED WARRANTY**

### Functions:



#### ECL10 Passage

- Latch by lever either side.
- Both levers always free.



#### ECL40 Privacy

- Latch by lever either side.
- Outside lever locked by push button.
- Outside lever unlocked by emergency release or by rotating inside lever.
- Inside lever always free.



#### ECL170 Dummy

- Lever acts as pull only.
- No operation.

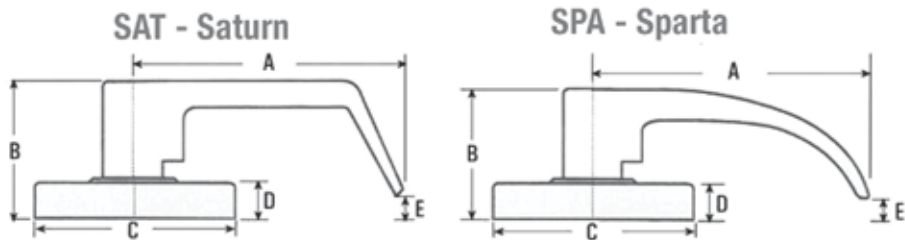
### Stocked Product

Item	Design	Finish
ECL10, ECL40, ECL170	LEV	10B, 26D, US3

# Doormerica

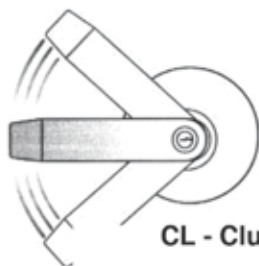
## Lock - General Information

LEVER DIMENSIONS		A	B	C	D	E
LHV - SAT - SATURN	Grade 1	4-15/16	2-1/2	3-9/16	5/8	1/2
LHV - SPA - SPARTA	Grade 1	4-31/32	2-17/32	3-1/2	5/8	1/2
LSV - SAT - SATURN	Grade 2	4-5/8	2-1/2	3-3/8	11/16	1/2
LSV - SPA - SPARTA	Grade 2	4-17/32	2-7/16	3-5/16	11/16	1/2
LDV - SAT - SATURN	Grade 2	4-5/16	2-1/2	2-15/16	1/2	1/2
LDV - SAT - SPARTA	Grade 2	4-17/32	2-7/16	3-5/16	11/16	1/2

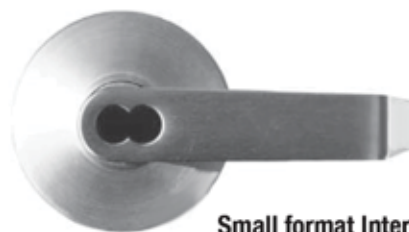


	FUNCTION	ANSI	DESCRIPTION	GRADE 1	GRADE 2
	10	Passage F75	Both levers always free	LHV10	LSV10
	20	Exit	Blank plate on outside. Inside lever always free	LHV20	LSV20
	40	Privacy F76	Push button locking from inside. Lock can be opened from outside with narrow flat-head screw driver or rotating inside lever	LHV40	LSV40
	50	Office	Entrance/Office Lock. Push-button locking. Push-button locks outside lever until unlocked with key or by rotating inside lever.	N/A	LSV50
	53	Entrance F82	Pushing inside button locks outside trim requiring key to unlock. Pushing and twisting button locks outside lever and always requires a key to unlatch. Inside lever always allows free egress	LHV53	LSV53
	70	Class-room F84	Outside lever locked or unlocked by key. Inside lever always allows free egress	LHV70	LSV70
	80	Store-room F86	Outside lever always locked. Key unlatches only. Inside lever always allows free egress	LHV80	LSV80
	170	Dummy	Dummy trim for one side of door	LHV170	LSV170

**Options:**



**CL - Clutching Lever**



**Small format Interchangeable available. Core NOT included.**

## Lock - General Accessories Deadlatches and Spring Latches



**PLSVSL238**  
 GRADE 2

**PLHVSL238**  
 GRADE 1  
 2-3/8" Backset  
 Spring Latch



**PLSVDL238**  
 GRADE 2

**PLHVDL238**  
 GRADE 1  
 2-3/8" Backset  
 Dead Latch



**PLSVSL234**  
 GRADE 2

**PLHVSL234**  
 GRADE 1  
 2-3/4" Backset  
 Spring Latch



**PLSVDL234**  
 GRADE 2

**PLHVDL234**  
 GRADE 1  
 2-3/4" Backset  
 Dead Latch

### Stocked Product

Item	Finish
PLHV latches	10B,26D
PLSV latches	US3,10B,26D
Faceplate	Standard 1-1/8" x 2-1/4"
Optional Faceplate	1" x 2-1/4" stocked for LSV (DL and SL) In 2-3/4" and 2-3/8" BS PLEASE SPECIFY

## Strikes and Accessories



**PLKASA**  
 4-7/8" x 1-1/4"  
 ASA



**PLKT**  
 2-3/4" x 1-1/4"  
 "T" Strike



**PLKFL**  
 2-1/4" x 1-1/4"  
 Full Lip Strike



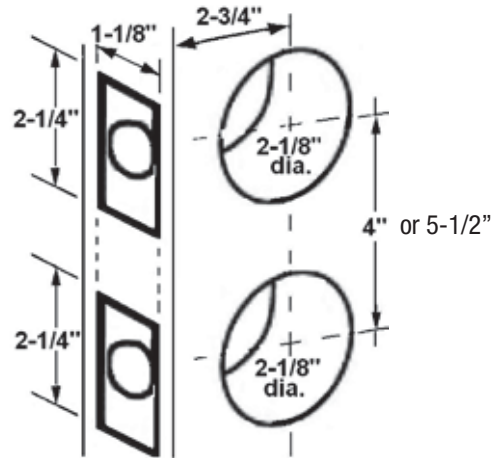
**PLSVEXT5**  
 Extension for Backset

### Stocked Product

Item	Finish
Strikes	US3, 10B, 26D

## Doormerica

### ASIL Adjustable - Simultaneous Retraction Interconnected Grade 2 Locks



#### Features:

- LEVER -Saturn (SAT) Style with 4 -1/2" Length and Returns 1/2" from Door Face.
- ESCUTCHEON -6-7/8" x 2-5/8" Brass Interconnecting Plate
- LATCHBOLT -2-3/4" Backset, UL 3 Hour Fire Listed with 1/2" Throw. (2-3/8" Backset Optional) (SOLD SEPERATELY)
- DEADBOLT -2-3/4" Backset, 1" Throw Brass with Hardened Steel Pins.  
DEADBOLT ADJ. 2-3/8 -2 3/4
- PLKT -TLockset Strikes & 2-3/4 x 1-1/8" Latch Strike.
- PDBS -Deadbolt Strikes & 2-3/4 x 1-1/8" Deadbolt Strike.
- Schlage "C" 6 Pin Keyway. Other Keyways Available.
- ASIL CTC 4" or 5-1/2"



#### CODE COMPLIANCE:

- ANSI A156.12 Grade 2. UL10C and UBC 7.2 for positive pressure.
- ANSIA 117.1 and ADA for barrier-free accessibility.
- C-UBC -California Amended Uniform Builders Code-2001.
- NFPA-80-National Fire Protection Association 1999.
- NFPA101 National Fire Protection Association Life Safety -2000

#### LIMITED LIFETIME WARRANTY

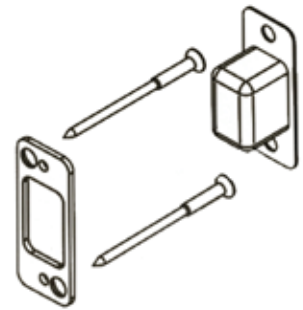
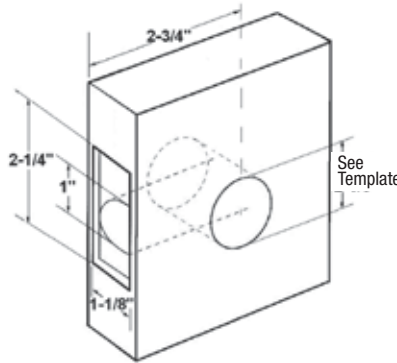
#### Functions:

- SIL10 -Single Locking  
Deadbolt thrown or retracted by dead bolt key or inside thumb turn. Outside lever always retracts latch. Inside lever simultaneously retracts deadbolt and latch for immediate egress.
- SIL53 -Double Locking Deadbolt may be thrown or retracted by outside key or inside thumb turn. The lever may be locked or unlocked by key or rotating inside turn button. Turning inside lever always simultaneously retracts both deadbolt and latch for immediate egress.

#### Stocked Product

Item	Lever	Finish
ASIL10	Saturn	10B, 26D
ASIL10	Sparta	10B, 26D
ASIL53	Saturn	10B, 26D
ASIL53	Sparta	10B, 26D

## 700 Series - Standard Duty Commercial Deadbolt - Grade 2



**Wood Door Frame Reinforcer**  
(Concealed under strike/deeply anchored to jamb with 2 3" screws)

### Features:

- Tested to exceed 150,000 operational cycles ANSI Grade 2 requirements for durability.
- 3" steel screws provide the added strength to prevent against break-in attacks for Wood Door. (Exclusive concealed wood frame reinforcer protects wood jambs from kick-in attacks.)
- 1" throw, high-strength deadbolt with hardened steel roller resists sawing and kick-in attacks.
- Standard dust box includes additional space inside strike box for true deadlatch. Provides deep anchoring and added strength.
- Concealed screws on double cylinder deadbolts for enhanced security and safety.

### Specifications:

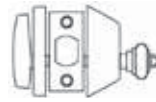
- Handing Non-handed
- Door Thickness 1-3/8" - 1-3/4"
- Backset 2-3/4" standard, 2-3/8" optional
- Faceplate 1-1/8" x 2-1/4" standard
- Dead bolt 1" throw with saw resistant hardened steel roller inserted
- Strike 1-1/8" x 2-3/4" metal and wood strikes with strike reinforcement supplied standard
- Cylinder 5 & 6 pin solid brass "Schlage C" keyway standard with two brass keys per lock
- Keyways Available for all keyways of most major manufacturers

### Options:

- SFIC (small format) interchangeable core and high security cylinders
- Compatible 6 or 7 pin cores with Best style
- Master keying, Grand master keying and construction keying

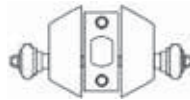
### Functions:

DB751 Single Cylinder



- Deadbolt thrown or retracted by key from outside or by turning inside turn.
- Bolt automatically deadlocks when fully thrown.

DB760 Double Cylinder



- Deadbolt thrown or retracted by key from either side.
- Bolt automatically deadlocks when fully thrown.

DB780 - Door Bolt



- Deadbolt thrown or retracted by turn only.
- **No through holes in door. Designed for half door preparation.**
- **Half bore is 1-5/8" (Do not bore through)**



### CODE COMPLIANCE:

Meets ADA Requirements specifically designed for Barrier Free Application  
ANSI/BHMA A 156.5 Series 4000, Grade 2 strength and operational requirements  
UL listed to USA and Canadian safety standards listed for 3 hour doors  
Meets UL 10C and UBC 7-2 (1997) Positive Pressure

### LIMITED LIFETIME WARRANTY

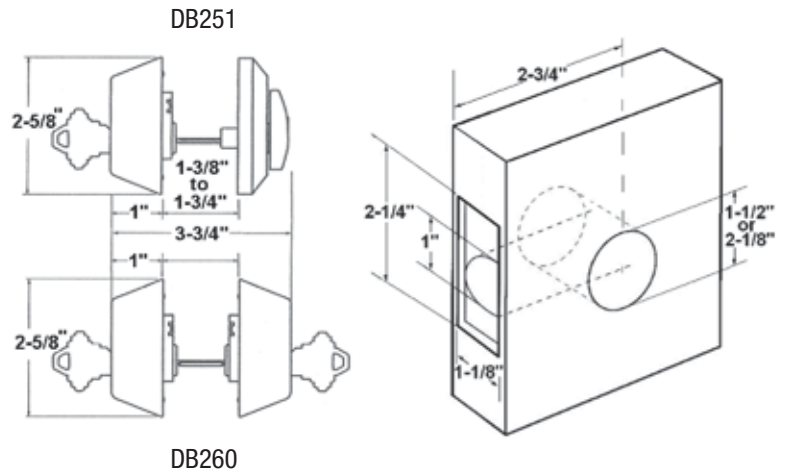
#### Stocked Product

Item	Finish
DB751	US3, 10B, 15, 26, 26D
DB751 IC less core	10B, 26, 26D
DB760 (DBL CYL)	US3, 10B, 15, 26, 26D
DB760 (DBL CYL) IC less core	10B, 26, 26D
DB780	US3, 10B, 26, 26D



## Doormerica

### Solid Brass Standard Duty Deadbolts - Grade 2



#### Features:

- Deadbolt has Hardened Steel Inserts to Prevent Sawing Through.
- Full 1" Throw Deadbolt.
- Adjustable Backset 2-3/8" or 2-3/4" Steel Bolt.
- PDB-S -2-3/4" x 1-1/8" Deadbolt Strike
- Schlage "C" 6 Pin Keyway Standard.
- Door thickness 1-3/8" -1-3/4"
- 1/4" Heavy Duty Gauge Thru Bolts.

#### Options:

- IC -Small format Interchangeable Core available. Core NOT included.
- NDBADJ Adjustable Deadbolt only.

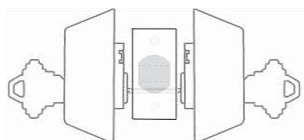
#### Functions:

##### DB251 - Single Cylinder



- Deadbolt thrown or retracted by key from outside or by turning inside turn.
- Bolt automatically deadlocks when fully thrown.

##### DB260 - Double Cylinder



- Deadbolt thrown or retracted by key from either side.
- Bolt automatically deadlocks when fully thrown.

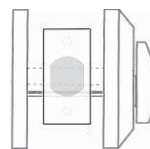
#### Functions:

##### DB280 - Door Bolt



- Deadbolt thrown or retracted by turn only.
- No through holes in door. Designed for half door preparation.
- Half bore is 1-5/8" (Do not bore through)

##### DB290 - Bolt & Plate



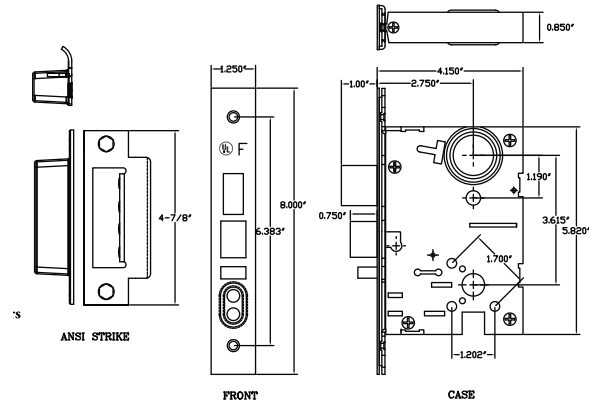
- Deadbolt thrown or retracted by turn only.
- Outside plate covers and mounts over standard deadbolt door Preparation.

#### 1 YEAR LIMITED WARRANTY

#### Stocked Product

Item	Finish
DB251	US3,10B,26D,32D
DB251 IC less core	26D,32D
DB260 (DBL CYL)	32D
DB280	US3,10B,26,32D
DB290	US3,10B,32D
DBADJ (ADJ. BOLT ONLY)	10B, 26D

## Heavy Duty Commercial Mortise Locks



### Features:

- Non Handed
- Stock 6 pin Schlage “C” keyway, drilled for construction keying
- Door thickness 1-3/4” standard, other thicknesses available when specified
- Backset 2-3/4 “
- Lock case Heavy gauge plated steel
- Armored Front Wrought stainless steel or brass-adjustable angle and attached by screws to the lock case front
- Dead bolt 1” throw, stainless steel with hardened anti-saw pins
- Latch bolt Stainless steel latch and anti-friction insert
- Guard bolt Stainless steel
- Stop works Push buttons- chrome plated brass
- Strike Stainless steel or brass, 4-7/8” x 1-1/4” curved lip ANSI strike
- Handing Handed, reversible in field
- UL Listings UL listed, 3 hour fire doors, single and pairs
- ANSI Specification Meets all Grade 1 security, operational, dimensional and cycling requirements of ANSI/BHMA A156.13 Series 1000, Lock body conforms to Federal Standard FF-H-106 Type 86/87

### Specifications:

Mortise Locks – ML series.

All locks or latches are provided with 3 hour listed stainless steel dead latch or spring latch. Lock chassis shall be stainless steel, steel bar and cold rolled steel case with ball-bearing roller retractors.

### Options:

- Trim: 06, 17, 03, specify “A” for sectional trim
- Finish: US26D
- Available with “clutch type” lever, Specify ML “C”.  
Note: Different template required.  
Clutch only available with 06 lever.

### CODE COMPLIANCE:



- ANSI A156.13 Series 1000 Grade 1
- Listed UL10C and UBC 7.2 for positive pressure.
- ANSI A117.1 ADA Barrier-free Accessibility
- C-UBC California Uniform Builders Code -2001
- NFPA-80 National Fire Protection -1999
- NFPA-101 National Fire Protection-Life Safety-2000

### LIMITED LIFETIME WARRANTY

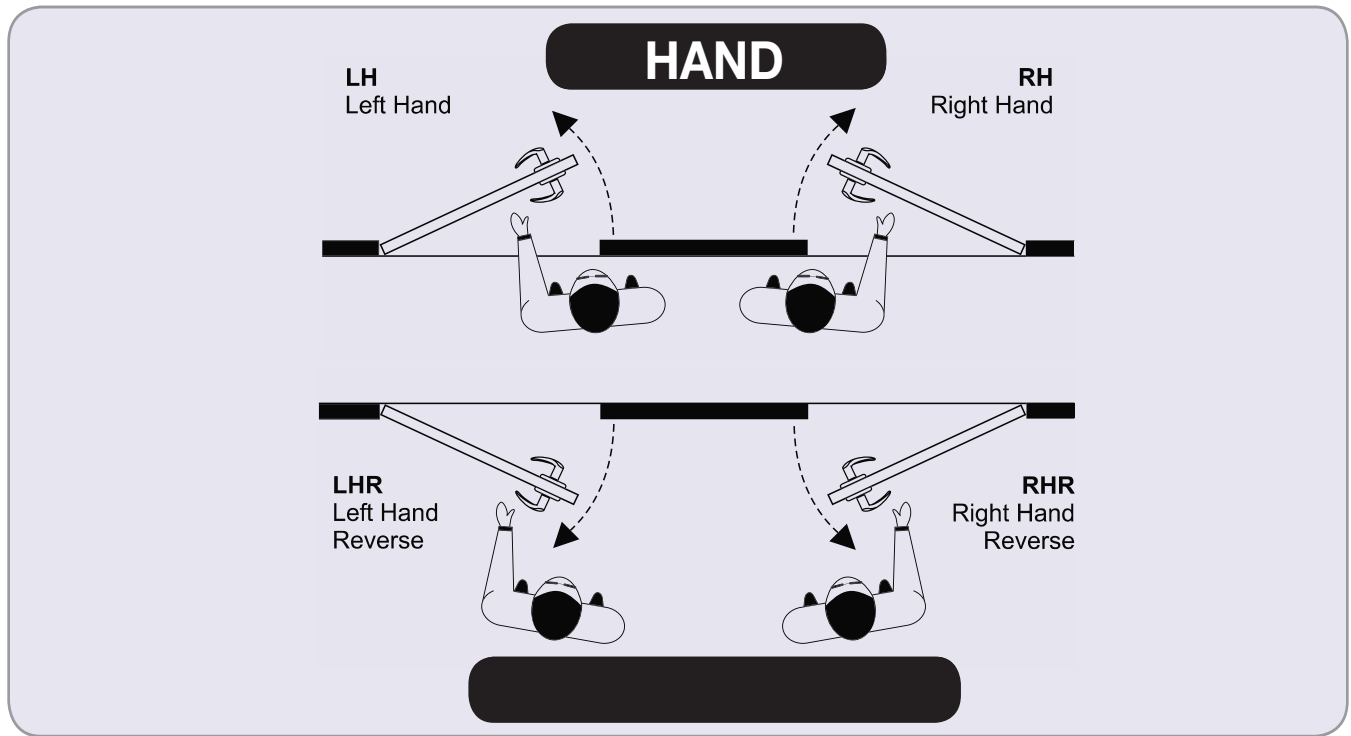
# Doormerica

## Heavy Duty Commercial Mortise Locks



PICTURE	SERIES	FUNCTION	ANSI NUMBER	FUNCTION DESCRIPTION
	ML9010	Passage or Closet	F01	Latch bolt operated by lever from either side at all times.
	ML9040	Privacy or Bathroom	F19	Latch bolt operated by lever from either side. Dead bolt operated by turn from inside and emergency release from outside. Operating inside lever retracts both bolts.
	ML9050	Entry/ Office	F04	Latch bolt operated by lever from either side, except when outside lever is made inoperative by a stop or mechanical means other than key. When outside lever is locked, latch bolt is retracted by key from outside or by operating inside lever. ***Auxiliary dead bolt latch.
	ML9070	Classroom	F05	Latch bolt operated by lever from either side, except when outside lever is locked from outside by key or push button mechanism. When outside lever is locked, latch bolt may be retracted by key, or by operating key or push button mechanism and outside lever from outside or by operating inside lever. ***Auxiliary dead bolt latch.
	ML9080	Storeroom or Closet	F07	Latch bolt operated by key from outside or by rotating inside lever. Outside lever is always inoperative. ***Auxiliary dead bolt latch.
	ML9453	Entranca/ Apartment/ Dormitory	F20	Latch bolt operated by lever from either side, except when outside lever is made inoperative by bush button rocker. Dead bolt projected by key from outside and by thumb turn from inside. Key outside operates both bolts. Operating inside lever retracts both bolts and outside remains locked. Latch bolt is deadlocked when outside lever is made inoperative or when the dead bolt is projected. When dead bolt is retracted, lever is unlocked by stop or mechanical means other than key.

## Handing Chart



## Doormerica

### EDR701 / EDFR701 - Heavy Duty Grade 1 Rim Exit Device



#### Features:

- Chassis mounted unit construction.
- Minimum style 4-1/2”.
- Standard door thickness 1-3/4”.
- For all doors up to 36”.
- Universal design retrofits on Von Duprin 99 series & Sargent 88 Series.
- Material: Cover, and cap and rail are made of brass, bronze or stainless steel.
- 161 ANSI cutout.
- Mounting: Furnished with wood & machine screws. Thru bolts, standard on fire rated devices.
- Non Handed.
- Latch Bolt: Stainless Steel 3/4”

#### Dimensions:

Touchbar	Height to finish floor .... 41” at center
Touchbar	Projection
	Neutral ..... 2-1/2”
	Depressed ..... 1-3/4”
Center case	..... 8-1/2” x 2-1/2” x 2”
Device Length	Standard ..... 2’2” - 3’
	Long (L)..... 2’9” - 4’

#### Options:

- Stocked 48” length, specify “L”
- Available different functions. Lever escutcheon trims are Grade 1 construction with clutch free wheeling mechanism. Covers 161 cutout, see page 11.
- ALRMKIT700 Alarm Kit available for 3’ & 4’ applications.
- Glass Bead Kits available.

#### Specifications:

- All exit devices shall be of touch bar design with smooth operation and be operative over 2/3 of the door’s clear opening width.
- All exit devices must be listed under “Panic Hardware” in the Accident Equipment List of Underwriter’s Laboratories, Inc. Where labeled doors are used as exits, they must be equipped with labeled Fire Exit Hardware and UL 10C, UBC 7-2-1997 codes.
- All exit devices shall be of chassis mounted unit construction.



#### CODE COMPLIANCE:

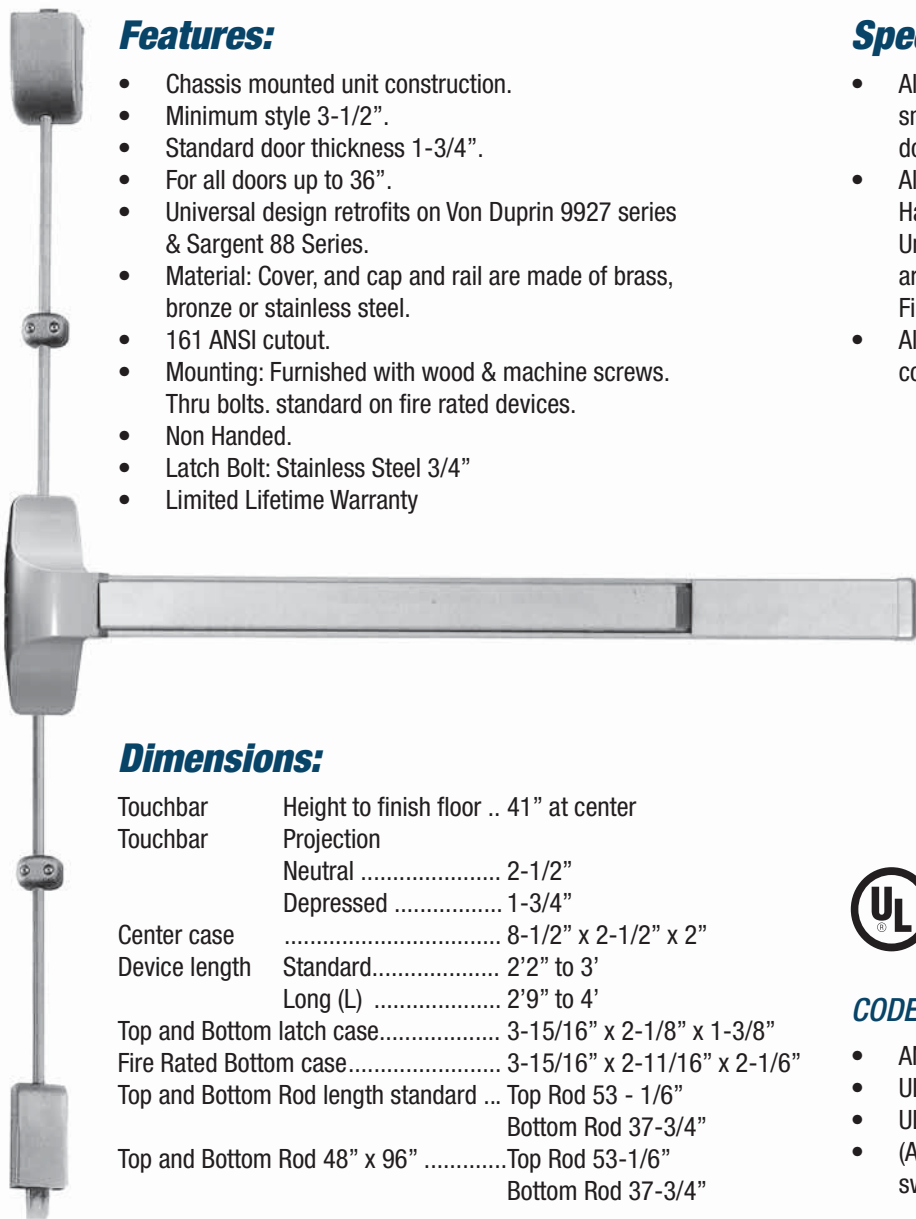
- ANSI A165.3, Grade 1
- UL listed for Panic and UL 10C, UBC 7-2-1997 codes.
- UL listed for Fire Exit Hardware. 3 Hours.
- (A) label rating on pairs of doors up to 8’0” x 8’0” swinging in same or opposite directions.

#### LIMITED LIFETIME WARRANTY

#### Stocked Product

Item	Finish
EDR701	10B, 28, 32D 36” & 48” length applications
EDFR701	10B, 28, 32D 36” & 48” length applications

## EDV701 / EDFV701 - Heavy Duty Grade 1 Vertical Rod Exit Device



### Features:

- Chassis mounted unit construction.
- Minimum style 3-1/2".
- Standard door thickness 1-3/4".
- For all doors up to 36".
- Universal design retrofits on Von Duprin 9927 series & Sargent 88 Series.
- Material: Cover, and cap and rail are made of brass, bronze or stainless steel.
- 161 ANSI cutout.
- Mounting: Furnished with wood & machine screws. Thru bolts. standard on fire rated devices.
- Non Handed.
- Latch Bolt: Stainless Steel 3/4"
- Limited Lifetime Warranty

### Specifications:

- All exit devices shall be of touch bar design with smooth operation and be operative over 2/3 of the door's clear opening width.
- All exit devices must be listed under "Panic Hardware" in the Accident Equipment List of Underwriter's Laboratories, Inc. Where labeled doors are used as exits, they must be equipped with labeled Fire Exit Hardware and UL 10C, UBC 7-2-1997 codes.
- All exit devices shall be of chassis mounted unit construction.

### Dimensions:

Touchbar	Height to finish floor .. 41" at center
Touchbar	Projection
	Neutral ..... 2-1/2"
	Depressed ..... 1-3/4"
Center case	..... 8-1/2" x 2-1/2" x 2"
Device length	Standard..... 2'2" to 3'
	Long (L) ..... 2'9" to 4'
Top and Bottom latch case.....	3-15/16" x 2-1/8" x 1-3/8"
Fire Rated Bottom case.....	3-15/16" x 2-11/16" x 2-1/6"
Top and Bottom Rod length standard ...	Top Rod 53 - 1/6"
	Bottom Rod 37-3/4"
Top and Bottom Rod 48" x 96" .....	Top Rod 53-1/6"
	Bottom Rod 37-3/4"

### Options:

- Stocked 48" x 96" length, specify "L"
- Available different functions. Lever escutcheon trims are Grade 1 construction with clutch free wheeling mechanism.
- Covers 161 cutout.
- Alarm Kit available for 3' & 4' applications.
- Glass Bead Kits available.



### CODE COMPLIANCE:

- ANSI A165.3, Grade 1
- UL listed for Panic and UL 10C, UBC 7-2-1997 codes.
- UL listed for Fire Exit Hardware. 3 Hours.
- (A) label rating on pairs of doors up to 8'0" x 8'0" swinging in same or opposite directions.

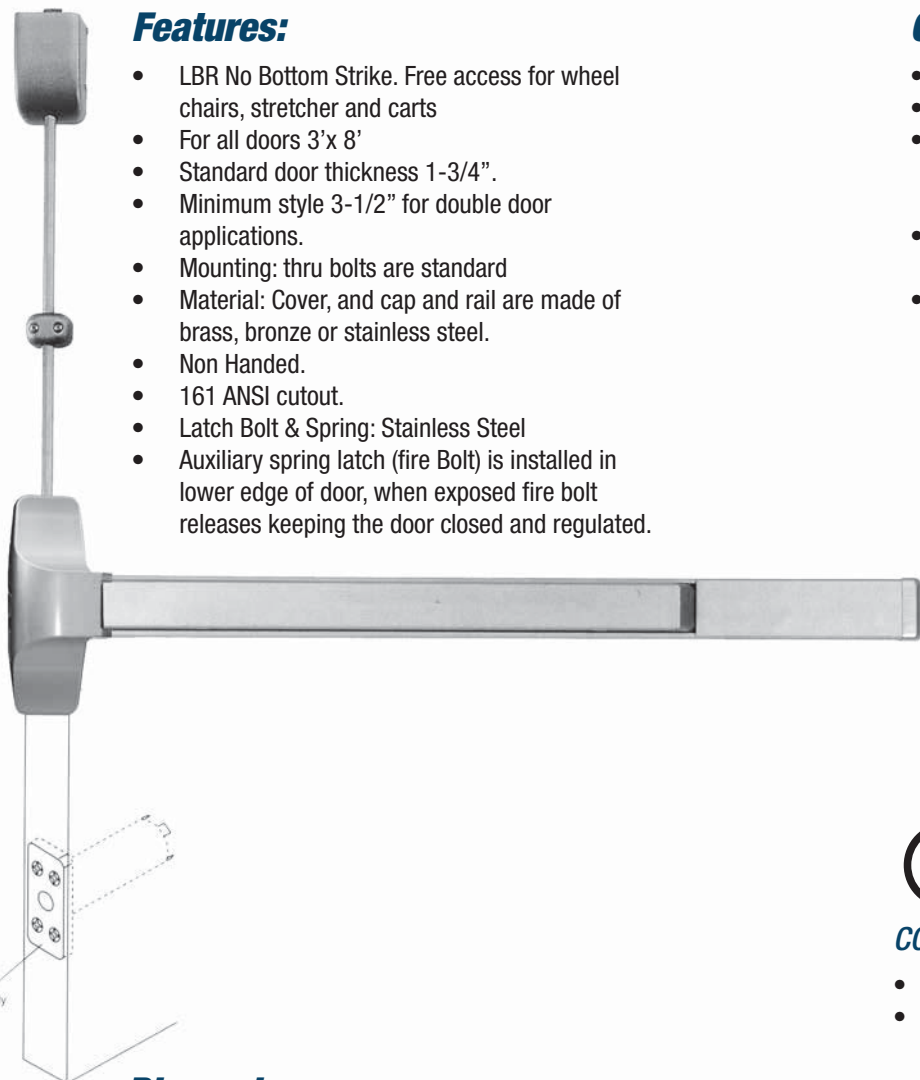
### LIMITED LIFETIME WARRANTY

#### Stocked Product

Item	Finish
EDV701	10B, 28, 32D 36" x 96", 48" x 96"
EDFV701	10B, 28, 32D 36" x 96", 48" x 96"

## Doormerica

### EDFV701 x LBR - Heavy Duty Grade 1 Vertical Rod Fire Rated - Less Bottom Rod



#### Features:

- LBR No Bottom Strike. Free access for wheel chairs, stretcher and carts
- For all doors 3' x 8'
- Standard door thickness 1-3/4".
- Minimum style 3-1/2" for double door applications.
- Mounting: thru bolts are standard
- Material: Cover, and cap and rail are made of brass, bronze or stainless steel.
- Non Handed.
- 161 ANSI cutout.
- Latch Bolt & Spring: Stainless Steel
- Auxiliary spring latch (fire Bolt) is installed in lower edge of door, when exposed fire bolt releases keeping the door closed and regulated.

#### Options:

- Stocked 48" x 96" length, specify "L"
- Fire bolt separate part number FB385
- Available different functions. Lever escutcheon trims are Grade 1 construction with clutch free wheeling mechanism. Covers 161 cutout.
- ALRMKIT700 Alarm Kit available for 3' & 4' applications.
- Glass Bead Kits available.

#### Dimensions:

Touchbar height to finished floor.....	41" at center
Touchbar Projection	
Neutral .....	2-1/2"
Depressed .....	1-3/4"
Center case .....	8-1/2" x 2-1/2" x 2"
Device length Short 3' .....	2'2" to 3'
Long 4' .....	2'9" to 4'
Panic grade top latch case .....	3-15/16" x 2-1/8" x 1-3/8"
Fire grade top latch case .....	3-15/16" x 2-11/16" x 2-1/16"
Top rod length for 36" x 84" doors.....	Top rod 43-1/4"
Top rod length for 48" x 96" doors.....	Top rod 53-1/16"
Vertical rod .....	1/2" Round tubing



#### CODE COMPLIANCE:

- ANSI A165.3, Grade 1
- UL & ULC listed. LBR series for fire exit hardware for all types of 8' x 8' double doors including double egress for up to 3 hour metal, H/2 hour wood doors fire labeled installations. Conforms to standard UL 1DC, UBC 7-2-1997 codes.

#### LIMITED LIFETIME WARRANTY

#### Stocked Product

Item	Finish
EDFV701 x LBR	10B, 28, 32D
36" x 96", 48" x 96"	

## Escutcheon Lever Design

### Features:

- Grade 1, thrubolted design, clutch freewheeling. Non handed design. Easily field reversible.
- Hardened steel heavy duty tailpiece. Available for fire and non fire rated rim and vertical rod exit devices.
- Keyed functions stock "C" keyway, 1-1/8" mortise cylinder
- Door thickness 1-3/4"
- Escutcheon dimensions: 2-5/16" width x 8 1/2" length, lever 3/4". Fits & covers 2-1/8" 161 cutout.

### Functions:

Entry (L)	ETL Key locks and unlocks lever	ANSI 13
Passage (BE)	ETLBE Trim always free operable	ANSI 15
Dummy (DT)	ETLDT Dummy trim, One sided	ANSI 10
Store Room (NL)	ETLNL Key retracts latch bolt otherwise locked	ANSI 04



### Stocked Product

Item	Finish
ETL	10B, 26D
ETLBE	10B, 26D
ETLDT	10B, 26D
ETLNL	10B, 26D

Lever: Rhodes type

For Concealed Applications

Item	Finish
ETL06CV	10B, 26D
ETLBE06CV	10B, 26D
ETLDT06CV	10B, 26D
ETLNL06CV	10B, 26D

### Options:

Available with SFIC less core cylinder  
contact sales department

## Pull & Thumbpiece Design



### Dummy

- ETDT Outside by pull only, pull when dogged.
- ANSI Function 02.
- covers 161 cutout.



### Store Room

- ETNL Outside by pull key retracts latchbolt.
- ANSI Function 03.
- covers 161 cutout.



### Entrance

- ETPP Key locks and unlocks thumb piece.
- ANSI Function 13.
- covers 161 cutout.

### Stocked Product

Item	Finish
ETDT	10B, 32D
ETNL	10B, 32D
ETPP	10B, 32D

"C" keyway  
Cylinder type: ETPP mortise, ETNL rim



# Doormerica

## Glass Bead Shim Kits

- GBKR for rim devices, 1/8" thick
- GBKV for vertical rod devices, 1/8" thick
- GBKVF for fire rated devices, 1/8" thick

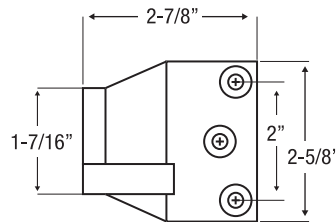
Note: When exit devices use both trim and shim kits then spindle length on thumb pieces and thru bolts must be increased accordingly

### Stocked Product

Item	Finish
GBKR	ZN
GBKV	ZN
GBKVF	ZN

## 254ZN Overlapping Strike

- Surface applied. Used on inactive leaf for device on active leaf of pair of doors without mullion.



### Stocked Product

Zinc Dichromate Finish ZN

## FB385 Firebolt



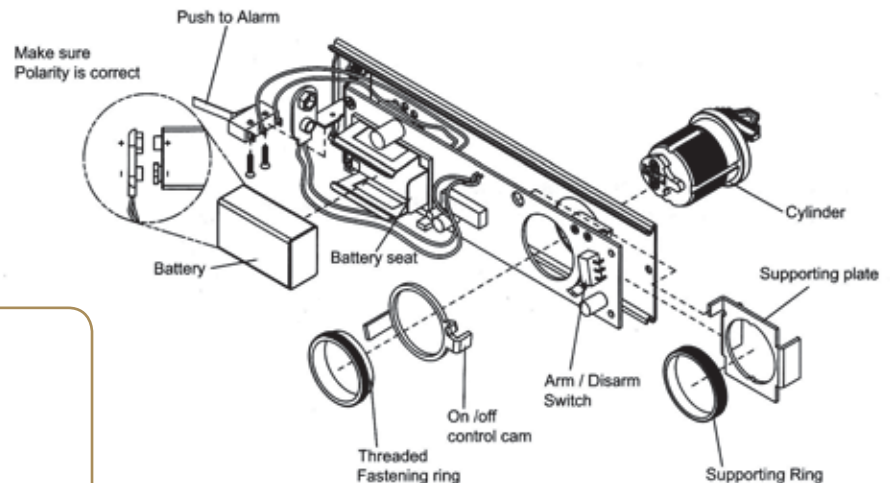
### Stocked Product

Item	Finish
FB385	32D

## Exit Alarm Kit

Specify ALARM KIT

- Used with 700 series exit devices
- Length 3' door
- Specify "L" for 4' door
- Type: Rim or vertical rod
- Key "C" keyway furnished



### Stocked Product

Item	Finish
ALMRKIT700 (FOR 36" DEVICE)	10B, 28
ALMRKIT700L (FOR 48" DEVICE)	10B, 28

## ED501 / EDF501 - Standard Duty Commercial Rim Exit Device



### Features:

- Deadlatching and Non-Handed.
- Dogging Standard Only on NON-UL listed Device.
- Baked Enamel Aluminum (AL) and Durodonic (DU) Finish.
- For all doors up to 36".
- PEDPS01 & PEDSS01 -Standard Strike and Shim.
- PEDFP161 & PEDFP-ANSI -Latch & Strike Filler Plate.
- PEDSNB -Standard with Sex Bolts.
- EDF501 -UL Listed for Fire and Egress -Listed for 1-1/2 Hour for Doors Under 38" (3'-2") x 86" (7'-2").

### Options:

- EDS551 -Exit Device made from Stainless Steel.
- ALRMKIT500 -Alarm Kit. Mortise Cylinder NOT Included
- ETLHL500 -Entry Function -Lever -161 Cylindrical Prep.
- ETLHL580 -Storeroom Function -Lever -161 Cylindrical Prep.
- ETTP05 -Pull Plate with Cylinder cut-out, Rim Cylinder NOT Included.
- ETTP06 -Pull Plate Only.



### CODE COMPLIANCE:

- ANSI A 156.3 Grade 2. UL 1 OC and UBC 7.2 for positive pressure.
- ANSIA117.1 and ADA for barrier-free accessibility
- C-UBC -California Amended Uniform Builders Code -2001
- NFPA-80 -National Fire Protection Association 1999
- NFPA-101 National Fire Protection Association Life Safety -2000

### 1 YEAR LIMITED WARRANTY

### Stocked Product

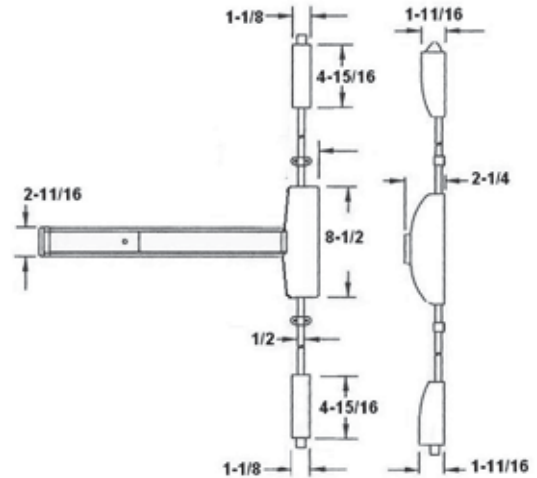
Item	Finish
ED501	Aluminum, Duro
EDF501	Aluminum, Duro
EDS551	Stainless Steel

## Doormerica

### EDVR531 / EDFVR531 - Standard Duty Commercial Surface Vertical Rod Exit Device

#### Features:

- Deadlatching and Non-Handed. Dogging Standard Only on NON-UL listed Device.
- Interlocking Top and Pullman Bottom Latch.
- Baked Enamel Aluminum (AL) and Duronodic (DU) Finish.
- PEDPS03 & PEDPS11 -Standard Top & Bottom Strike.
- PEDFP161 & PEDFP-ANSI -Latch & Strike Filler Plate.
- PEDSNB -Standard with Sex Bolts.
- For all doors up to 36" (3') x 84" (7').
- EDFVR531 -UL Listed for Fire and Egress  
-Listed for 1-1/2 Hour Fire doors under 38" (3'2") x 86" (7'2")



#### Options:

- ALRMKIT500 -Alarm Kit. Cylinder NOT Included, See Cylinder Section.
- ETLHL500 -Entry Function Lever #161 cylindrical preparation.
- ETLHL580 -Storeroom Function Lever #161 cylindrical Prep.
- ETPP05 Pull Plate with Cylinder cut-out, Rim Cylinder NOT Included.
- ETPP06 -Pull Plate Only.



#### CODE COMPLIANCE:

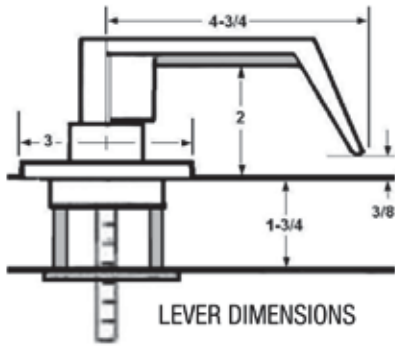
ANSI A 156.3 Grade 2. UL 1 OC and UBC 7.2 for positive pressure.  
ANSIA117.1 and ADA for barrier-free accessibility  
C-UBC -California Uniform Builders Code 2001  
NFPA-80 -National Fire Protection Association 1999  
NFPA101 National Fire Protection -Ufe Safety 2000

#### 1 YEAR LIMITED WARRANTY

#### Stocked Product

Item	Finish
EDVR531	Alumnum and Duro
EDFVR531	Alumnum and Duro

## Exit Device Trim

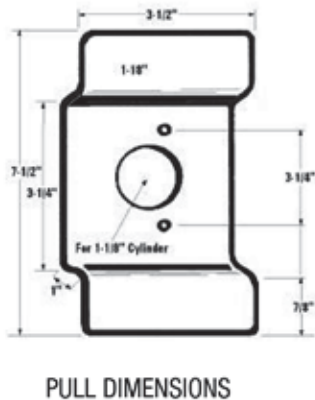


- ETLHL500** - ENTRY FUNCTION
- ETLHL510** - PASSAGE LEVER TRIM
- ETLHL580** - STOREROOM LEVER TRIM

### Stocked Product

Item	Finish
ETLHL500	10B, 26D
ETLHL510	10B, 26D
ETLHL580	10B, 26D

## Pull Trim



**ETPP05**  
RIM CYLINDER  
NOT INCLUDED



**ETPP06**

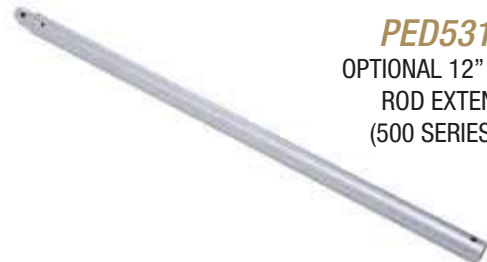
## Accessories



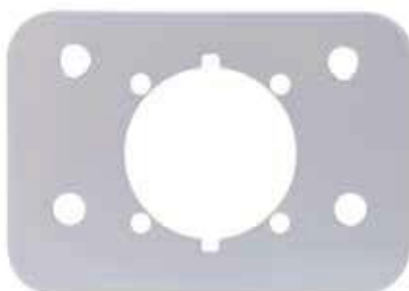
**PEDMP161**  
ANSI 161 2-1/8" BORE  
TRIM MOUNTING PLATE



**ALRMKIT500 - ALARM KIT**  
USED WITH 500 SERIES EXIT DEVICES  
1-1/8 MORTISE CYLINDER  
NOT INCLUDED



**PED531EXT**  
OPTIONAL 12" VERTICAL  
ROD EXTENSION  
(500 SERIES ONLY)



**PEDBPVR**  
BACK PLATE FOR USE WITH  
VERTICAL ROD TRIM

### Stocked Product

Item	Finish
ALRMKIT500	Aluminum, Duro
ETPP05/ETPP06	Aluminum, Duro
PED531EXT	Aluminum, Duro
PEDBPVR	Aluminum
PEDMP161	Non-Finished

## Doormerica

### *Mullion 7100 - For use with Non-Rated Rim Exit Devices on non-rated pairs of doors*

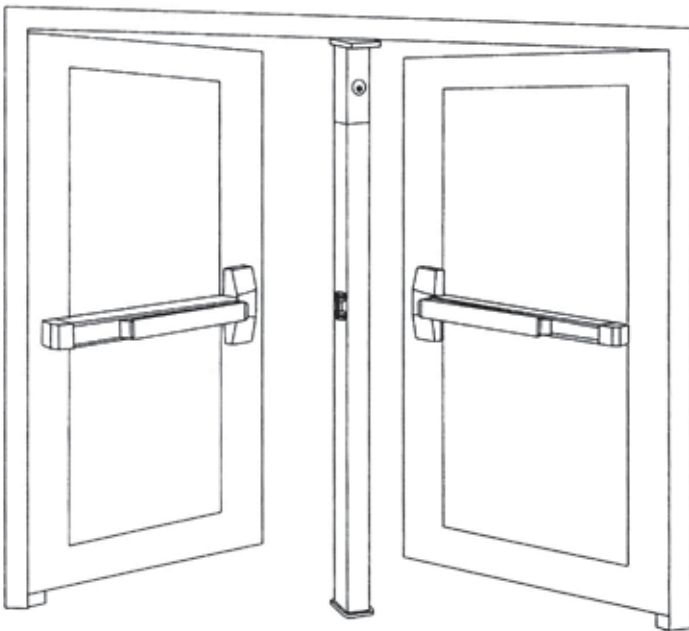
**Specifications:**

- Mullion Size ..... 2" x 3" x 96" Steel Tube. Mullion may be field cut to fit proper size.
- Rim Cylinder ..... Use 1-1/4" Rim Cylinder, cylinder not included.
- Top Bracket ..... Steel, using key allows the mullion to be removed in seconds.  
Mullion can be locked in top bracket easily without using the key.
- Bottom Bracket..... Steel, fixed by 4 hex bolts with stainless steel anchors.
- Strike..... Use two standard Rim Strikes, not included
- Finish..... Gray baked powder coating only

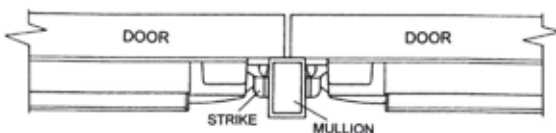
### *Mullion 7100F - For use with Fire-Rated Rim Exit Devices on fire-rated pairs of doors*

**Specifications:**

- Mullion Size ..... 2" x 3" x 96" Steel Tube. Mullion may be field cut to fit proper size.
- Rim Cylinder ..... Use 1-1/4" Rim Cylinder, cylinder not included.
- Top Bracket ..... Stainless Steel, using key allows the mullion to be removed in seconds.  
Mullion can be locked in top bracket easily without using the key.
- Bottom Bracket..... Stainless Steel, fixed by 4 hex bolts with stainless steel anchors.
- Strike..... Use two (2) sets of Mullion Strikes (688) & Strike Hooks (689)
- Finish..... Gray baked powder coating only



The removable Mullion is used for with two Rim Devices on double doors.



FOR USE WITH FIRE-RATED

FOR USE WITH NON-RATED



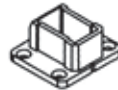
Top Bracket



Top Bracket



Bottom Bracket



Bottom Bracket



Mullion Strike



Rim Strike

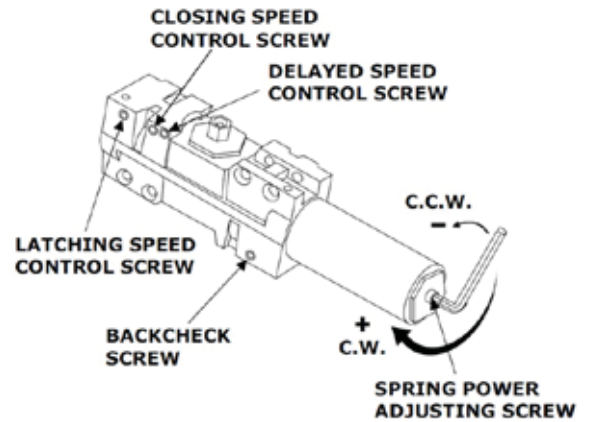


Strike Hook

**Stocked Product**

Item	Description
MULL700	Mullion Non-Rated
MULL700F	Mullion Fire-Rated

## DC40 / DC40BF - Heavy Duty Commercial Door Closer



### Features:

- Same hole pattern as LCN 4040/4041.
- Tri-Pack with regular, parallel and top-jamb mounting, instructions and full size template.
- Spring adjustment from size 1 to 6.
- DC40 also conforms to the minimum opening force requirements of the ADA and ANSI/BHMA Standard A117.1
- Non handed
- Standard with adjustable sweep, latch and back check.
- Full plastic cover
- SNB -Sex Nuts and Bolts
- Limited Lifetime Warranty
- 4 closers per shipping carton

### Options:

- BF: Barrier free spring adjustment from size 1 to 4
- CUSH: Heavy Duty Cush Arm
- DA: Delayed Action
- EDA: Extra Duty Arm
- H: Hold Open Arm
- HCUSH: Hold Open Cush Arm
- HEDA: Hold Open Extra Duty Arm
- SCUSH: Spring Cush Arm
- SHCUSH: Spring Hold Open Cush Arm



### CODE COMPLIANCE:

- ANSI A156.4 Grade 1. UL10C and UBC 7.2 for positive pressure.
- C-UBC -California Amended Uniform Builders Code -2001
- California State Fire Marshall (CSFM) approved
- ADA compliant

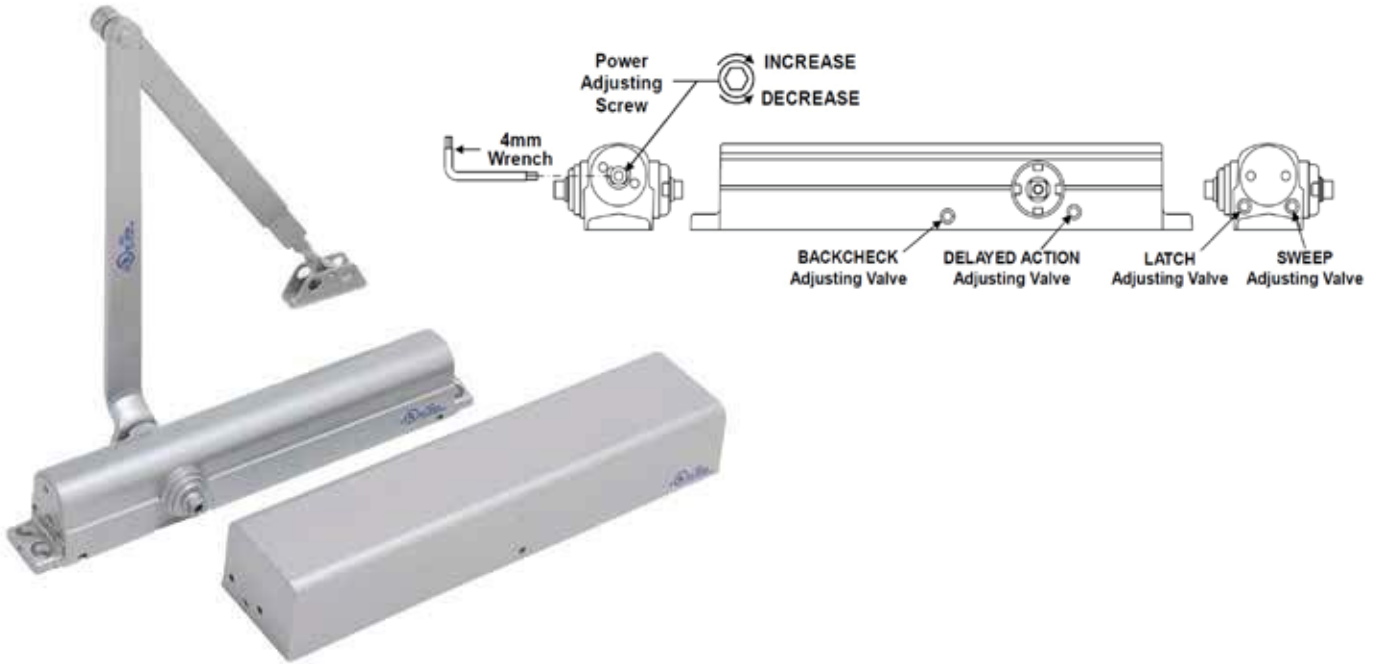
### LIMITED LIFETIME WARRANTY

### Stocked Product

Item	Finish
DC40 Regular Arm	Aluminum, Duro, US3, US26, Gold
DC40 Barrier Free Cush Arm	Aluminum, Duro
Delayed Action EDA Arm	Aluminum, Duro
H Cush Arm	Aluminum, Duro
H EDA Arm	Aluminum, Duro
Hold Open Arm	Aluminum, Duro
S Cush Arm	Aluminum, Duro
SH Cush Arm	Aluminum, Duro

# Doormerica

## DC851 - Heavy Duty Commercial Door Closer



### Features:

- Same hole pattern as Norton 8301/8501.
- Tri-Pack with regular, parallel, and top-jamb mounting, instructions and full size template
- Standard Spring adjustment Size BF-6
- Non handed
- Standard with adjustable sweep, latch, and back check
- Full plastic cover
- SNB: Sex nuts and bolt fasteners

### Options:

- CUSH: Heavy Duty Parallel Mount Cush arm
- DA: Delayed Action
- EDA: Extra Duty Arm
- H: Friction Hold-Open non handed arm
- HCUSH: Hold Open Cush Arm
- HEDA: Hold Open Extra Duty Arm
- SCUSH: Spring Cush Arm
- SHCUSH: Spring Hold Open Cush Arm
- PDC831: Slimline Cover Only - Special Order



### CODE COMPLIANCE:

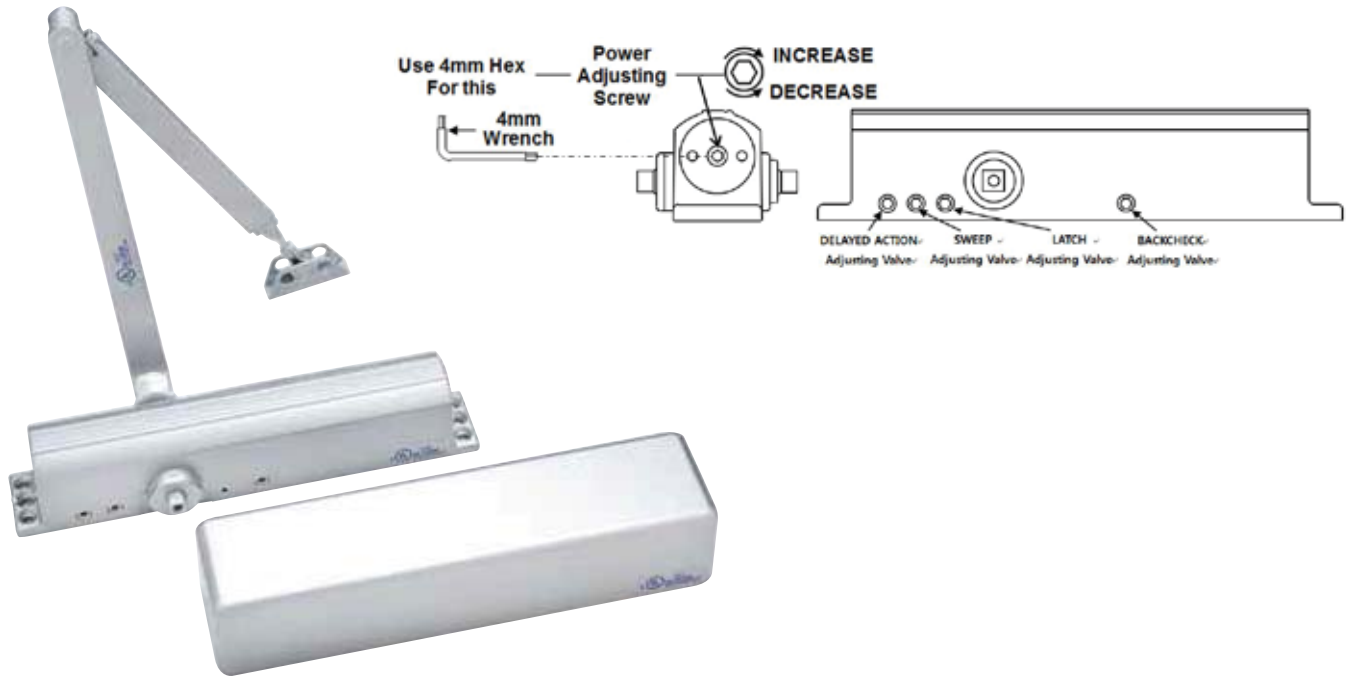
- ANSI A156.4 Grade 1 UL1DC and UBC 7.2 for positive pressure.
- ANSI A117.1 and ADA for barrier-free accessibility
- C-UBC -California Uniform Builders Code -2001
- California State Fire Marshall (CSFM) approved.

### LIMITED LIFETIME WARRANTY

### Stocked Product

Item	Finish
DC851 Regular Arm	Aluminum, Duro
Cush Arm	Aluminum, Duro
Delayed Action	Aluminum, Duro
EDA Arm	Aluminum, Duro
H Cush	Aluminum, Duro
H EDA	Aluminum, Duro
Hold Open Arm	Aluminum, Duro
S Cush	Aluminum, Duro
SH Cush	Aluminum, Duro

## DC70 / DC70BF - Standard Duty Commercial Door Closer



### Features:

- Tri-Pack with regular, parallel and top-jamb mounting, instructions and full size template.
- Standard spring adjustment from size 1 to 6
- Non handed
- Standard with adjustable sweep, latch and back check.
- Full plastic cover
- SNB -Sex Nuts and Bolts
- Standard hole pattern and mounting location.
- Limited Lifetime Warranty
- 6 closers per shipping carton

### Options:

- BF: Barrier free spring adjustment from size 1 to 4
- CUSH: Heavy Duty Parallel Mount Cush Arm.
- DA: Delay Closing Action.
- H: Friction Hold Open Non-Handed Arm.
- HCUSH: Hold Open Parallel Mount Cush Arm.



### CODE COMPLIANCE:

- ANSI A 156.4 Grade 1. UL 1 OC and UBC 7.2 for positive pressure.
- ANSIA 117.1 and ADA for barrier-free accessibility C-UBC  
 -California Amended Uniform Builders Code -2001
- California State Fire Marshall (CSFM) approved

### LIMITED LIFETIME WARRANTY

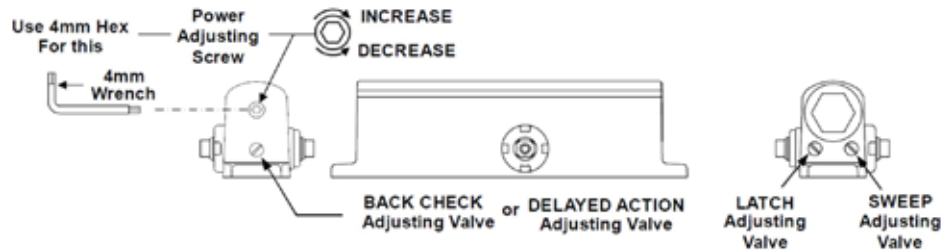
### Stocked Product

Item	Finish
DC70 Regular Arm:	Aluminum, Duro, Gold, US3, US26
BF Spring option:	Aluminum, Duro, Gold
Cush Arm:	Aluminum, Duro
Delayed Action:	Aluminum, Duro
H Cush:	Aluminum, Duro
Hold Open	Aluminum, Duro, Gold



# Doormerica

## DC161 / DC161BF - Standard Duty Commercial Door Closer



### Specifications:

Full rack and pinion type with cast aluminum alloy body. All closers shall be provided with non-critical valves adjustment to independently regulate the sweep, latch and back-check. Closer shall have full spring adjustment from size 1 to size 4 for barrier free (BF) size and size 2 to size 6 for standard size. The closer shall be pre-adjusted at the factory to size 2 for the DC161BF and size 3 for DC161. Closer shall be non-handed with slim line cover with a projection of 3" from the surface of the door. All closers shall be mounted to allow the maximum degree of swing.

### Features:

- Same hole pattern as Norton 1600.
- Tri-Pack with regular, parallel and top-jamb mounting, instructions and full size template.
- Standard spring adjustment from size 2 to 6
- Non handed
- Standard with adjustable sweep, latch and back check.
- Slimline Plastic Cover
- SNB -Sex Nuts and Bolts

### Options:

- BF: Barrier free spring adjustment from size 1 - 4
- H: Hold Open Arm



### CODE COMPLIANCE:

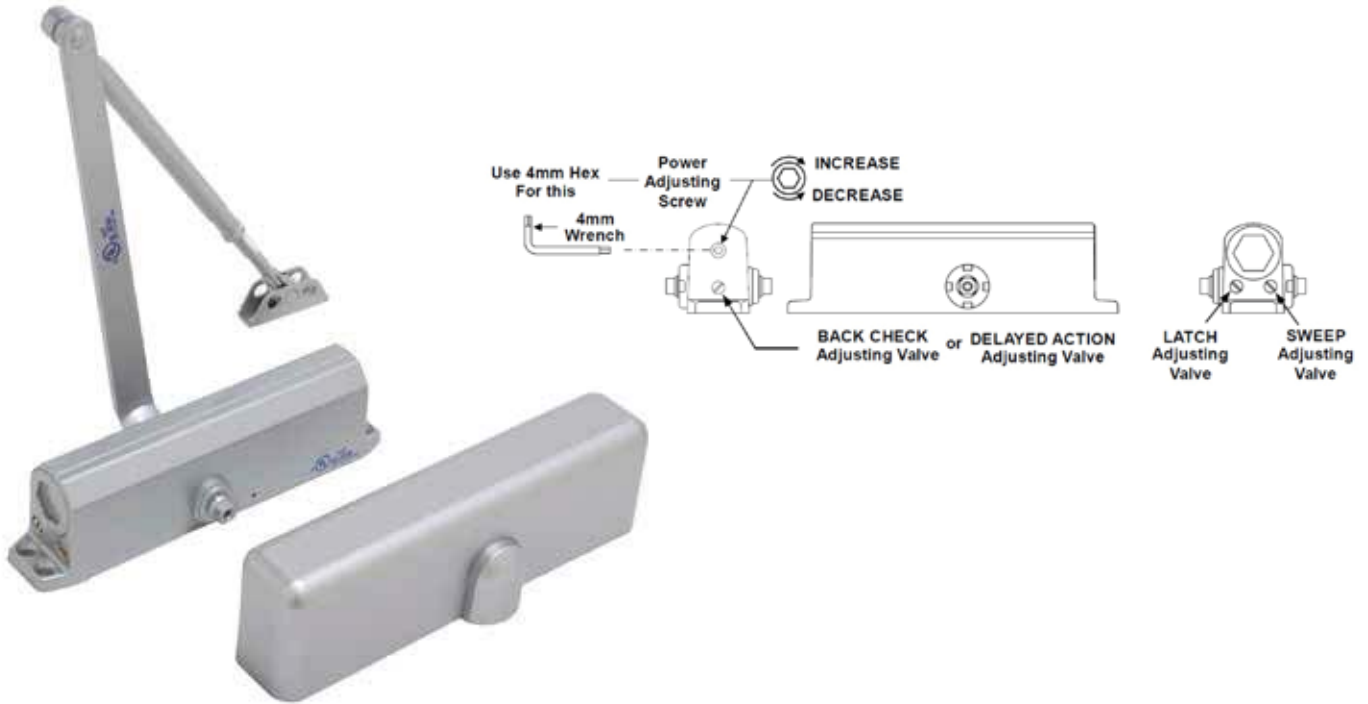
- ANSI A156.4 Grade 1 UL10C and UBC 7.2 for positive pressure.
- ANSI A117.1 and ADA for barrier-free accessibility
- C-UBC -California Uniform Builders Code -2001
- California State Fire Marshall (CSFM) approved

### 10 YEAR LIMITED WARRANTY

### Stocked Product

Item	Finish
DC161	Aluminum, Duro
DC161BF	Aluminum, Duro
DC161H	Aluminum, Duro

## DC50 - Standard Duty Commercial Door Closer



### Features:

- 54 series fits Norton 1600 series hole pattern and mounting location
- Tri-Pack with regular, parallel and top-jamb mounting. instructions and full size template.
- Standard Closer Spring Sized to 3, 4 with NO adjustment.
- Non handed
- Standard with adjustable sweep, latch.
- Slim line Plastic Cover
- SNB -Sex Nuts
- 10 year warranty
- 10 closers per shipping carton

### Options:

- BC: Backcheck adjustment valve



### CODE COMPLIANCE:

- ANSI A156.4 Grade 2. UL10C and UBC 7.2 for positive pressure.
- C-UBC -California Amended Uniform Builders Code -2001
- California State Fire Marshall (CSFM) approved
- NOTE: May need to consider other closer if barrier free required. Please discuss with sales associate.

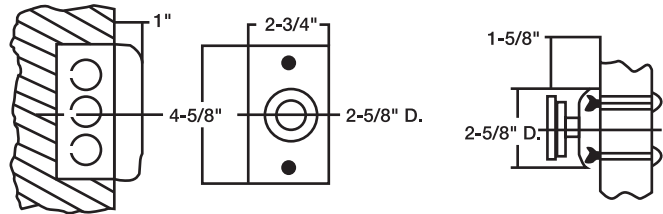
### 10 YEAR LIMITED WARRANTY

### Stocked Product

Item	Finish
DC53	Aluminum, Duro
DC54	Aluminum, Duro
DC54BC	Aluminum, Duro

# Doormerica

## 2100 Series - Electro Magnetic Door Holder



### Specifications:

The 2100 Series Electro-magnetic Door Holder is stocked Tri Voltage. It can be wired to 12V DC, 24VAC/DC or 120VAC. Units can be used on fire/smoke barrier doors hold open until released by a remote switching device. They can also be used to just hold a door open. The armature is thru-bolted to the door for security. Extensions available for different projection requirements.

### Features:

- Multiple voltages standard 24VAC, 24VDC, 120VAC
- Recessed wall mounted fits inside standard single gang electrical box.
- Includes 1/2" extension with product.
- 1/2" and 3/4" extensions available.

### CODE COMPLIANCE:

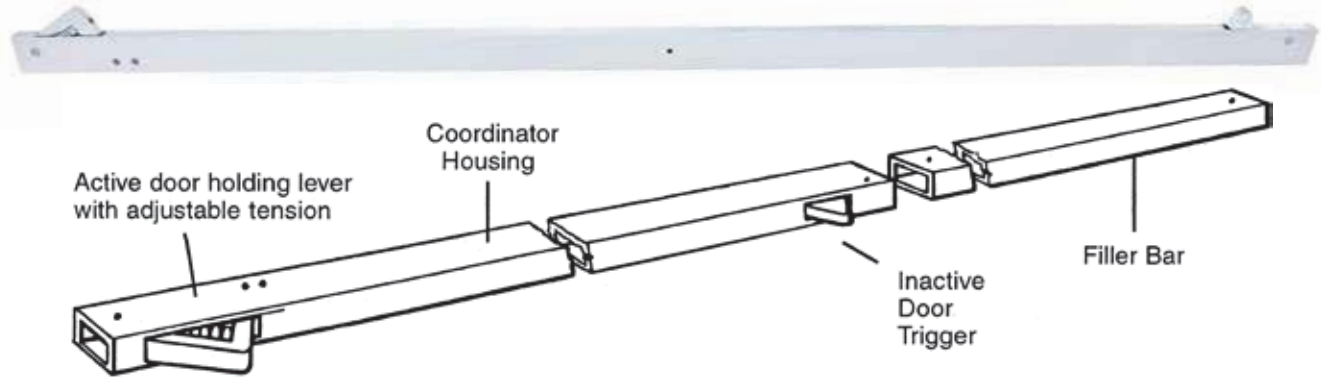


Under Writers US and Canada Listed  
 California State Fire Marshal Listed  
 Meets ANSI 156.15

### Stocked Product:

Item	Finish
MH2100	Aluminum, Duro
PMH20050	1/2" AL extension
PMH20075	3/4" AL extension

## COR 60 / COR 72 / COR 84 - Coordinator and Accessories



### Features:

- Extruded Aluminum Housing.
- Adjustable Tension Override Spring.
- Filler Bar provided allowing an even, unbroken line the full width of the opening.
- Mounting Screws #12 x 24 x 1-1/4" MS.
- For use on Fire Rated Openings.

### Options:

	Opening Width	Coordinator Size	Filler Size
COR 60	5'	42"	18"
COR 72	6'	52"	20"
COR 84	7'	52"	32"

### Specifications:

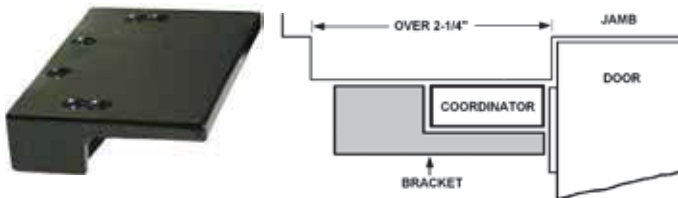
Coordinator – Coordinator shall be by Doormerica model number COR flat bar type and made from extruded Aluminum. Coordinator shall control the closing sequence so the active door is held open until the inactive door closes, triggering the release of the active door allowing for proper latching. Filler bar shall be provided allowing an even, unbroken line the full width of the opening. Optional PCORMB434 or PCORMB414 shall be ordered for each piece of hardware to be mounted over the bar coordinator.



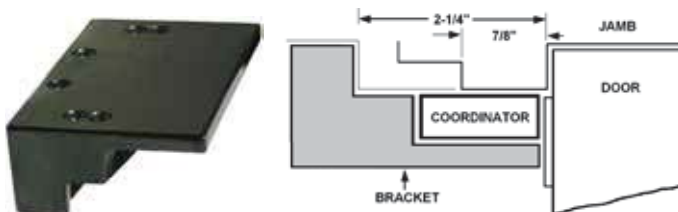
### CODE COMPLIANCE:

- ANSI 156.3 Type 21A.
- Conforms to UL10C and UBC 7-2.
- ANSI A117.1 and ADA for barrier-free accessibility.
- C-UBC - California Uniform Builders Code.
- NFPA 80 - National Fire Protection Association.
- NFPA 101 - National Fire Protection, Life Safety .

### 1 YEAR LIMITED WARRANTY



PCORMB414 Mounting Bracket (1 step)  
Jamb Depth 4-1/4" Min.  
5/8" Stop Height - For Stop over 2-1/4"



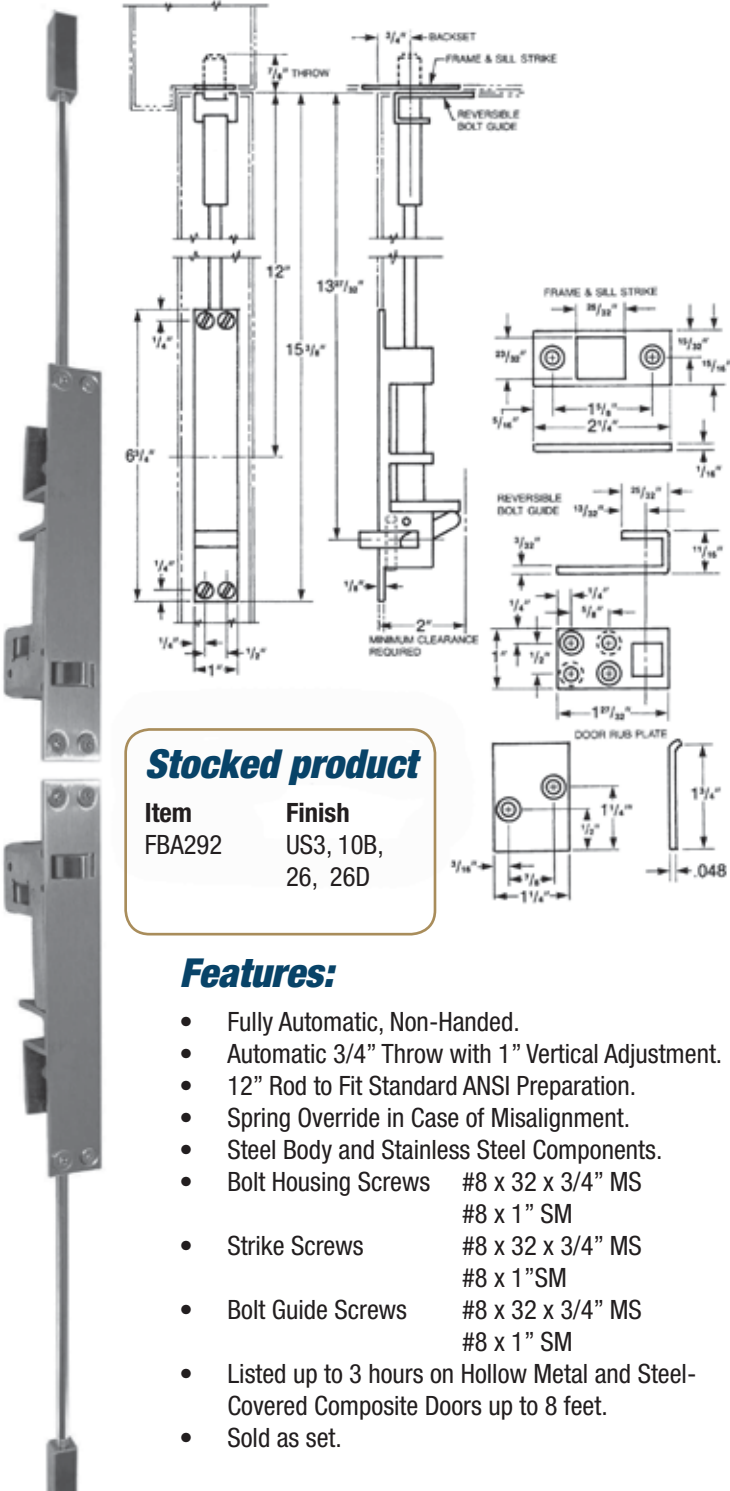
PCORMB434 Mounting Bracket (2 step)  
Jamb Depth 4-3/4" Min.  
5/8" Stop Height - For Stop Width 7/8" to 2-1/4"

### Stocked Product

Item	Finish
COR 60	Aluminum
COR 72	Aluminum
COR 84	Aluminum
PCORMB414	Black
PCORMB434	Black

# Doormerica

## FBA292 - Automatic Flush Bolts For Metal Doors



### Stocked product

Item	Finish
FBA292	US3, 10B, 26, 26D

### Features:

- Fully Automatic, Non-Handed.
- Automatic 3/4" Throw with 1" Vertical Adjustment.
- 12" Rod to Fit Standard ANSI Preparation.
- Spring Override in Case of Misalignment.
- Steel Body and Stainless Steel Components.
- Bolt Housing Screws #8 x 32 x 3/4" MS #8 x 1" SM
- Strike Screws #8 x 32 x 3/4" MS #8 x 1" SM
- Bolt Guide Screws #8 x 32 x 3/4" MS #8 x 1" SM
- Listed up to 3 hours on Hollow Metal and Steel-Covered Composite Doors up to 8 feet.
- Sold as set.

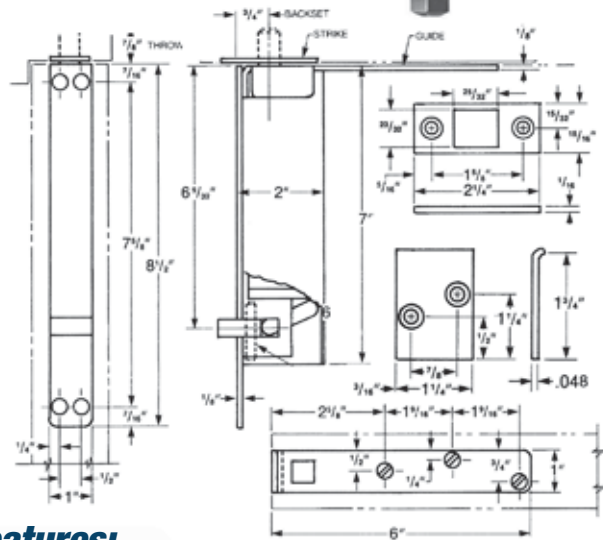
**1 YEAR LIMITED WARRANTY**

## FBA291 - Automatic Flush Bolts For Wood Doors



### Stocked product

Item	Finish
FBA291	US3, 10B, 26, 26D



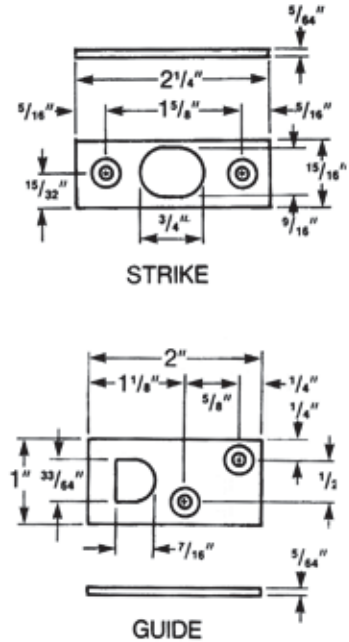
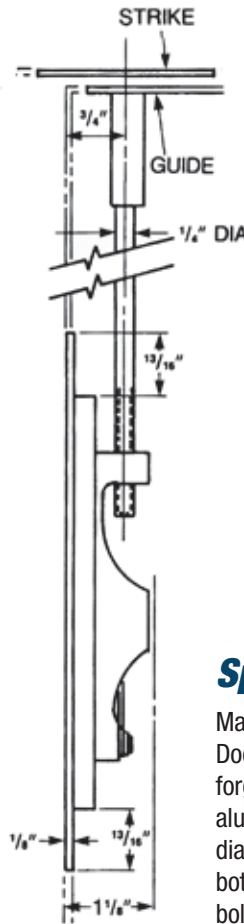
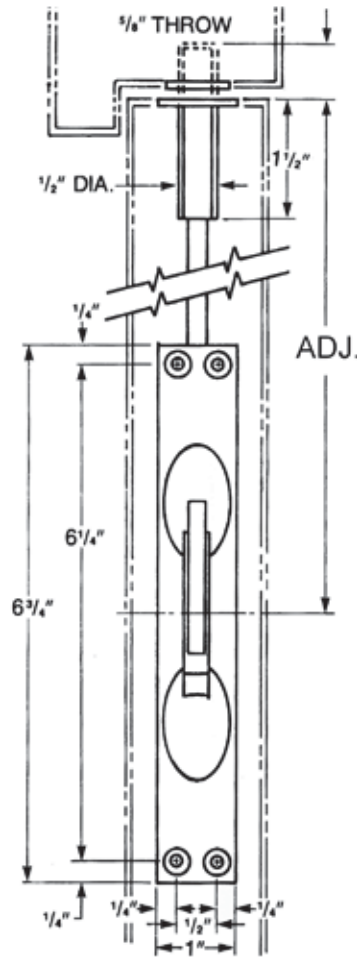
### Features:

- Fully Automatic, Non-Handed.
- Automatic 3/4" Throw and 3/4" Vertical Adjustment.
- Spring Override in Case of Misalignment.
- Steel Body and Stainless Steel Components.
- Bolt Housing Screws #8 x 3/4" SM #8 x 32 x 1/4" MS
- Strike Screws #8 x 3/4" SM
- Bolt Guide Screws #10 x 7/8" SM
- Rub Plate Screws #8 x 3/4" SM
- Listed up to 1-1/2 hours on Composite Wood Doors up to 8 Feet.
- Sold as set.

### CODE COMPLIANCE:



## Manual Flush Bolts



### Features:

- FB197 -Forged Brass.
- FB197AL -Extruded Aluminum.
- Non-Handed.
- 5/8" Throw with 7/8" Vertical Adjustment.
- 12" Rod to Fit Standard ANSI Preparation.
- Spring Loaded Lever to Project or Retract Bolt.
- Forged Brass Construction.
- Bolt Housing Screws #8 x 32 x 1/2" MS  
#8 x 1" SM
- Strike Screws #8 x 32 x 1/2" MS  
#8 x 1" SM
- Bolt Guide Screws #8 x 32 x 1/2" MS  
#8 x 1" SM
- Listed up to 3 hours on Hollow Metal and Steel-Covered Composite Doors up to 8 feet.

### Specifications:

Manual Flush Bolt -Manual flush bolts shall be by Doormerica model number FB197 series made from forged brass or FB197AL series made from extruded aluminum. Flush bolts shall be provided with 1/2" diameter brass bolts and project 5/8" from the top or bottom edge of door with 7/8" vertical adjustment. Flush bolts shall have spring loaded lever to project or retract the bolts.



### CODE COMPLIANCE:

- FED. SPEC. -1049
- ANSI-A156.16.
- BHMA -LI4081
- NFPA 80 -National Fire Protection Association

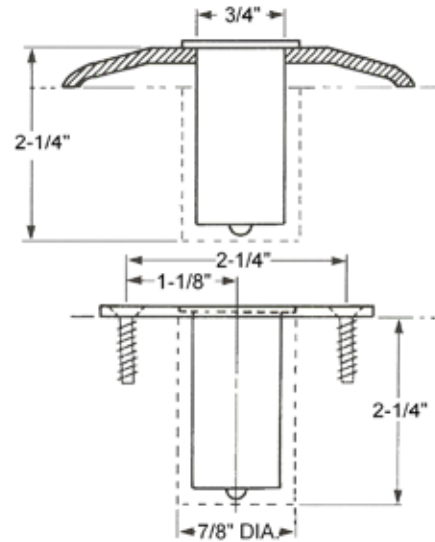
### 1 YEAR LIMITED WARRANTY

### Stocked Product

Item	Finish
FB197	US3, 10B, 26
FB197AL	ALUMINUM

## Doormerica

### DPS280 - Dust Proof Strike



#### Features:

- Spring Loaded 3/4" Plunger.
- Both Floor and Threshold Installation.
- Face Plate 3" x 1-1/2".
- Body Diameter 15/16".
- Over all Depth 2-1/4"
- Strike Screws #12 x 1-1/2"
- Plastic Anchors
- Listed for use up to 3 Hours.

#### Specifications:

**Dust Proof Strike** – Dust Proof Strike shall be by Doormerica model number DPS280 series and made from extruded brass. All dust proof strikes shall be provided with 3/4" diameter spring loaded plunger that returns to the floor level when the flush bolt is retracted.



#### CODE COMPLIANCE:

- ANSI - A156.16.
- BHMA – L14011 - L14012
- Conforms to UL10C and UBC 7-2.
- ANSI A117.1 and ADA for barrier-free accessibility.
- C-UBC - California Uniform Builders Code.
- NFPA-80- National Fire Protection Association.
- NFPA-101- National Fire Protection, Life Safety.

#### 1 YEAR LIMITED WARRANTY

#### Stocked Product

Item	Finish
DPS280	US3, 10B, 26, 26D

## *DH179 / DHBB179 - 4 x 4, 4-1/2 x 4, 4-1/2 x 4-1/2, 5 x 4-1/2*

### Full Mortise, Standard Weight Hinge



#### **Features:**

- Full mortise, square corner, standard weight steel template hinge.
- Material Gauge
  - 4" = .123
  - 4-1/2" = .134
  - 5" = .145
- Plain Bearing or Ball Bearing
- Screw packages
  - All Machine Screws (AMS) and
  - All Wood Screws (AWS).
- Machine Screws
  - Phillips(#1) Flat-head
  - 12 x 24 x 1/2"
- Wood Screws
  - Phillips(#1) Flat-head
  - 12 x 1-1/4"
- Also available NRP (Non Removable Pin)

#### **Options:**

- NRP -Non Removable Pin with set screw.
- DHBB179SS -Stainless Steel Base Metal. (32D).
- DHBB179BR (brass based)

#### **Stocked Product**

Item	Finish
DH179 4" x 4" and 4-1/2" x 4-1/2"	US3,US4,10B,15,15A,26,26D
DH179 4-1/2" x 4"	US3,US4,26
DHBB179 4" x 4"	US3,US4,10B,15,26,26D
DHBB179 4-1/2" x 4"	US3,US4,10B,26
DHBB179 4-1/2" x 4-1/2"	USP,US3,US4,10B,15,26,26D,32D
DHBB179 5" x 4-1/2"	US3,10B,26,26D
DHBB179 5" x 5"	26D
DHBB179BR 4-1/2' x 4-1/2"	10B,26D
DHBB179BR 5" x 4-1/2"	10B,26D
DHBB179SS 5" x 4-1/2"	32D

#### **PACKAGING INFORMATION:**

- Size 4" & 4-1/2" -3 Hinges per BOX and 48 per Carton.
- Size 5" -3 Hinges per BOX and 24 per Carton.

**Note: NRP (Non Removable Pin) available on most sizes. Contact sales department for availability**

## *DHRC179 / DHRCBB179 - 3-1/2 x 3-1/2, 4 x 4*

### 1/4" Radius Corner Standard Weight Plain & Ball Bearing Hinge

#### **Features:**

- Full mortise, 1/4" Radius Corner, Standard Weight Steel Template Hinge.
- Material Gauge -3-1/2" =.119, 4" =.129
- Plain Bearing
- Ball Bearing Available Only in 4 x 4.
- Screw packages -All Machine Screws (AMS) and All Wood Screws (AWS).
- 3-1/2" AMS (10 x 24 x 1/2) and AWS (9 x 1 ")
- 4" - AMS (12 x 24 x 1/2) and AWS (12 x 1-1/4")
- NRP - Non Removable Pin stocked 4 x 4 size only RC179 and RCBB179



#### **Stocked Product**

Item	Finish
DHRC179 3-1/2" x 3-1/2" and 4" x 4"	US3, US4,10B,15, 26, 26D
DHRCBB179 4" x 4"	US3, US4,10B,15, 26, 26D



## Doormerica

### DHBB168 - 4-1/2 x 4-1/2, 5 x 4-1/2

#### Full Mortise, Heavy Weight Hinge

#### Features:

- Full Mortise, Square Corner, Heavy Weight Steel Template Hinge.
- Material Gauge      4-1/2" = .180  
                                 5" = .190
- Four Ball Bearings
- Stock Sizes 4-1/2" x 4-1/2" and 5" x 4-1/2"
- Screw packages -All Machine Screws (AMS) and Half Wood Screws (1/2 WS).
- Machine Screws -Phillips(#1) Flat-head -12 x 24 x 1/2"
- Wood Screws -Phillips(#1) Flat-head -12 x 1-1/4"
- Available NRP non removable pin
- Also available in SS (stainless steel) and BR (brass based)



#### Stocked Product

Item	Finish
DHBB168 4-1/2" x 4-1/2"	US3,10B, 26, 26D
DHBB168 5" x 4-1/2"	US3,10B, 26D
DHBB168BR 4-1/2" x 4-1/2"	US3,10B, 26D
DHBB168BR 5" x 4-1/2"	US3,10B, 26D
DHBB168SS 4-1/2" x 4-1/2"	32D
DHBB168SS 5" x 4-1/2"	32D

### DHSP179 - Commercial Weight Spring Hinge 4-1/2 x 4-1/2

### DHRCSP179 - Commercial Weight Spring Hinge 4 x 4

#### Features:

- UL Listed
- Material Gauge -.134
- Adjustable Spring Tension
- Screw Packages -All Machine Screws (AMS) and All Wood Screws (AWS).
- Machine screws Phillips(#1) Flat-head -12 x 24 x 1/2"
- Wood Screws Phillips(#1) Flat-head -12 x 1-1/4"



Full Mortise, Square Corner, Spring Hinges, Steel Template Hinge.



Full Mortise, 1/4" Radius Corner, Spring Hinges, Steel Hinge.

#### Stocked Product

Item	Finish
DHRCSP179 4" x 4"	US3, US4,10B,15, 26, 26D
DHSP179 4-1/2" x 4-1/2"	US3, US4,10B, 15, 26, 26D

## *DHC700 / DHCB700* Standard Weight 3 Knuckle Plain & Concealed Bearing Hinge

### **Features:**

- Full mortise, square corner, standard weight template hinge
- Material gauge - 4-1/2" = .134  
5" = .145
- Plain bearing or concealed bearing
- Screw packages -all machine screws (AMS) and all wood screws (AWS)
- Machine screws -Phillips (#1) flat-head -12 x 24 x 1/2"
- Wood screws -Phillips (#1) flat-head -12 x 1-1/4"



### **CODE COMPLIANCE:**

- ANSI type A8133-3 (DHSC700) AND ABI12-3 (DHCB700)
- Meet USA federal spec. #FF-H-116C
- C-UBC -California Amended Uniform Builders Code-2001.
- NFPA-80-National Fire Protection Association -1999.
- NFPA-101 National Fire Protection Association Life Safety -2000

### **Stocked Product**

Item	Finish
DHC700 4-1/2" x 4-1/2" Brass	10B, 26D
DHC700 4-1/2" x 4-1/2" SS	32D
DHCB700 4-1/2" x 4-1/2"	26D
DHCB700 4-1/2" x 4-1/2" Brass	10B, 26D
DHCB700 4-1/2" x 4-1/2" SS	32D
DHCB700 5" x 4-1/2"	26D
DHCB700 5" x 4-1/2" Brass	26D

## *DHCB800 - Heavy Weight 3 Knuckle Concealed Bearing Hinge*

### **Features:**

- Full mortise, square corner, heavy weight steel template hinge
- Material Gauge 4-1/2" = .180  
5" = .190
- Screw packages -all machine screws (AMS) and half wood screws (AWS)
- Machine screws -Phillips (#1) flat-head -12 x 24 x 1/2"
- Wood screws -Phillips (#1) flat-head -12 x 1-1/4"



### **CODE COMPLIANCE:**

- ANSI type A8111-3 (DHCB800)
- Meet USA federal spec. #FF-H-116C
- C-UBC California Amended Uniform Builders Code-2001.
- NFPA-80-National Fire Protection Association -1999.
- NFPA-101 National Fire Protection Association Life Safety -2000

### **Stocked Product**

Item	Finish
DHCB800 4-1/2" x 4-1/2" Brass	10B
DHCB800 4-1/2" x 4-1/2" SS	32D
DHCB800 5" x 4-1/2" SS	32D

## Doormerica

### *DHRC114 / DHRC158 - 3-1/2 x 3-1/2, 4 x 4*

1/4" and 5/8" Radius Corner Residential Hinge



**Features:**

- Full Mortise, 1/4" or 5/8" Radius Corner NonTemplate Steel hinge.
- Material Gauge -.085
- Plain Bearing
- Screw packages -All Wood Screws (AWS)
- Wood Screws for 3-1/2" -Phillips(#1) Flat-head -9 x 3/4"
- Wood Screws for 4" -Phillips(#1) Flat-head -9 x 1"
- NRP (Non Removable Pin) Stocked in 4" x 4" only

**PACKAGING INFORMATION:**

- Bulk only
- 100 hinges per shipping carton

**Stocked Product**

Item	Finish
DHRC114 3.5" x 3.5"	US3, US4,10B, 15, 26D
DHRC114 4" x 4"	US3, US4,10B, 15, 26, 26D
DHRC158 3.5" x 3.5"	US3, US4,10B, 15, 26, 26D
DHRC158 4" x 4"	US3, US4,10B, 15, 26D
NRP stocked in RC114 4" x 4" size only	

### *DHRCSP114 / DHRCSP158 - 4 x 4*

1/4" and 5/8" Radius Corner Residential Spring Hinge

**Features:**

- Full Mortise, 1/4" or 5/8" Radius Corner, Spring Hinge.
- UL Listed
- Material Gauge -.097
- Adjustable Spring Tension
- Screw Packages -All Wood Screws (AWS)
- Wood Screws for 4" -Phillips(#1) Flat-head -9 x 1"



**Stocked Product**

Item	Finish
DHRCSP114	US4, 15, 26, 26D
DHRCSP158	US4, 10B, 15, 26D

## DHTM214 - 3-1/2 x 3-1/2, 4 x 4

1/4" Radius Corner, Light Weight Commercial Hinge



### Features:

- Full Mortise, 1/4" Radius Corner Hinge Designed for Prefinished Steel Frames.
- Material Gauge -.085
- Plain Bearing.
- Screw packages -All Machine Screws (AMS) and Half Wood Screws (1/2 WS).
- 3-1/2" -AMS (10 x 24 x 1/2) and 1/2 WS (9 x 1")
- 4" -AMS (12 x 24 x 1/2) and 1/2 WS (12 x 1-1/4")

\*NRP- Non Removable Pin stocked in 4" x 4" only

### PACKAGING INFORMATION:

- Size 3-1/2 x 3-1/2 -2 hinges per box and 100 per carton
- Size 4 x 4 -3 hinges per box and 48 per carton

### Stocked Product

Item	Finish
DHTM214 3-1/2" x 3-1/2"	10B, 26D
DHTM214 4" x 4"	10B, 26D
NRP stocked in 4" x 4" size only	

## DHTS214 - 4 x 4

1/4" Radius Corner Light Weight Commercial Spring Hinge

### Features:

- Full Mortise, 1/4" Radius Corner Hinge Designed for Prefinished Steel Frames
- UL Listed
- Material Gauge -.097
- Adjustable Spring Tension.
- Screw packages -All Machine Screws (AMS) and -Half Wood Screws (1/2WS).
- 4" -AMS (12 x 24 x 1/2") and 1/2 WS 12 x 1-1/4"

### PACKAGING INFORMATION:

- 2 hinges per box and 80 per carton



### Stocked Product

Item	Finish
DHTS214 4" x 4"	10B, 26D

## Doormerica

### Pushes and Pulls



PPN4016R

PPN4016

#### Features:

- All Plate Goods are 16 Gauge (.050) Thick.
- Stainless Steel SS430, no Nickel.
- Plates individually wrapped with Mounting Screws.
- Pull Plates and Handles have Mounting Screws for 1-3/4" Thick Door.
- All Plates Packed with Stainless Steel Sheet Metal Screws Plated to Match Finish.

#### Options:

- PPN4016 - 4" x 16", Push Plate.
- PPN4016R - 4" x 16" Plate with Round Pulls.
  - R -Round Pull 6-3/4" Overall, 6" C to C and 2-1/8" Projection.
- 4016 push plate and 4016R pull plates stocked in SS430 Stainless (less nickel) Size 4"x 16" only. Specify PPN.

#### Specifications:

Plate Goods -Plate goods shall be by Doormerica model number PPN and made from stainless steel. All plates to be a minimum of 16 gauge (.050) and beveled on four sides. All Plates to be provided with stainless steel Phillips sheet metal screws plated to match finish. Each plate shall be individually wrapped with mounting screws.  
Stocked Product

#### Stocked product

Item	Finish
PPN4016	32D
PPN4016R	32D
"No Nickel" SS430 Stainless Steel Only	

### Kick Plates



KPN1034 - 10" x 34" Kick Plate

#### Features:

- All Plate Goods are 16 Gauge (.050) Thick.
- Stainless Steel SS430, no Nickel.
- Plates individually wrapped with Mounting Screws.
- All Plates Packed with Stainless Steel Sheet Metal Screws Plated to Match Finish.
- Kickplates are not beveled.

#### Options:

- KPN0834 - 8" x 34" Kick Plate.
- KPN1034 -10" x 34" Kick Plate.
- KPN1234 -12" x 34" Kick Plate.

#### Specifications:

Plate Goods -Plate goods shall be by Doormerica model number KPN made from plate brass or stainless steel. All plates to be a minimum of 16 gauge (.050), All Plates to be provided with stainless steel Phillips sheet metal screws plated to match finish. Each plate shall be individually wrapped with mounting screws  
Stocked Product  
"No Nickel" SS430 Stainless Steel Only

#### Stocked product

Item	Finish
KPN0834	32D
KPN1034	32D
KPN1234	32D
"No Nickel" SS430 Stainless Steel Only	

## Door Guards



### Features:

- DG128BR -solid forged brass.
- Positive projection lock ball not allowing forced entry.
- Swing bar folds out of place when not used.
- Maximum 4" door opening when engaged.
- Cannot be disengaged unless door is fully closed.

### Options:

- DGDEP128 - Door Angle Protector
- DGS128 - Door Guard Shim

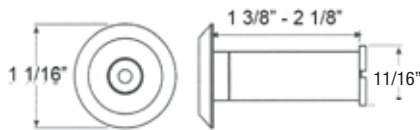
### Stocked Product

Item	Finish
DG128BR	US3,10B,15,26,26D
DGDEP128	10B,15,26,26D
DGS128	Black

## Viewers

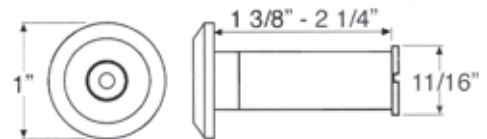
### DV190

Door Viewer  
9/16" Bore Diameter



### DV3315

UL Listed Door Viewer  
9/16" Bore Diameter



### Features:

- DV190 -190 Degrees Viewing Area.  
-Polished Plastic Lenses.
- DV3315 -200 Degrees Viewing Area.  
-Polished Plastic Lenses.
- All Viewers Solid Cast Brass.

### Stocked Product

Item	Finish
DV190	US3,10B,15,26,26D
DV3315	US3,10B,15,15A,26,26D

# Doormerica

## Door Holders



**SH1135**

Drop Down Door Holder

### Stocked Product

Item	Finish
SH1135	Duro

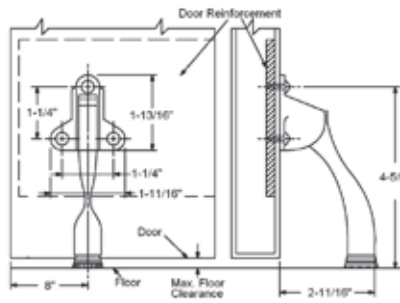
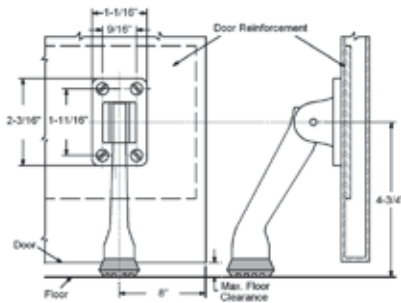


**SH1235BR**

Drop Down Door Holder

### Stocked Product

Item	Finish
SH1235BR	US3, 10B, 26D



### Features:

- SH1135 - 5" Cast Alloy Holder.
- SH1235BR - 5" Cast Brass Holder.
- Stops individually wrapped with mounting screws.
- Polybagged with 3 or 4 sheet metal screws.

## Wall Stops

**SH401**

Concave Wall Stop



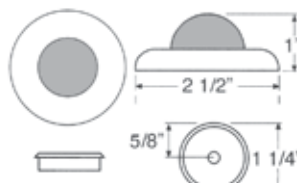
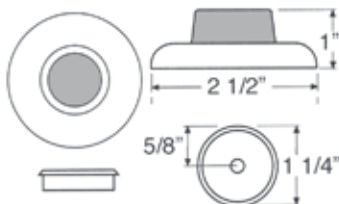
**SH406**

Convex Wall Stop



### Features:

- SH401 - Concave Wall Stop.
- SH406 - Convex Wall Stop.
- All Wall Stops Are Wrought Steel.
- Stops Individually Wrapped With Mounting Screws.
- Polybagged With: 1 Plastic Anchor  
1 Sheet Metal Screw



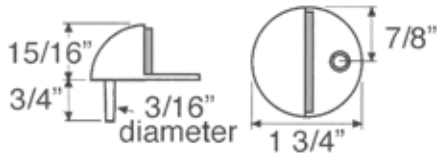
### Stocked Product

Item	Finish
SH401	US3, 10B, 15, 26, 26D
SH406	10B, 15, 26D

## Floor Stops

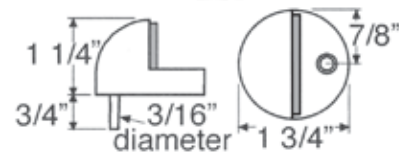
### SH436

Low Dome Stop



### SH438

High Dome Stop



### Features:

- SH436 -1/4" Rise x 1" Low Dome Stop.
- SH438 -1/2" Rise x 1-1/4" High Dome Stop.
- All Floor Stops are Cast Brass
- Stops Individually wrapped with Mounting Screws.
- Polybagged with: 1 Plastic Anchor  
1 Sheet Metal Screw  
1 Lead Anchor

### Stocked Product

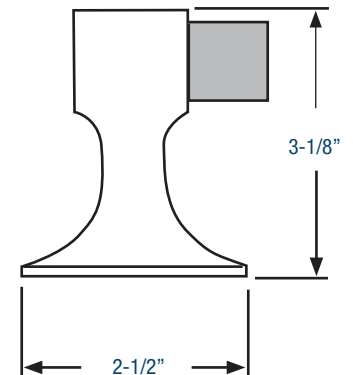
Item	Finish
SH436	US3, 10B, 15, 26, 26D
SH438	US3, 10B, 15, 26, 26D

### Features:

- SH444 -3-1/8" High Floor Stop.
- Solid Cast Brass.
- Stops Individually wrapped with Mounting Screws.
- Polybagged with: 1 Plastic Anchor  
1 Sheet Metal Screw  
1 Lead Anchor

### SH444

Floor Mount Stop



### Specifications:

Stops -Stops shall be by Doormerica model number SH444 and made from solid cast brass. All stops to be provided with steel Phillips sheet metal screws plated to match finish. Each Stop shall be individually wrapped with mounting screws.

### Stocked Product

Item	Finish
SH444	US3, 10B, 26, 26D



## Doormerica

### RL300 / RL320 - Roller Latches

**Features:**

- Actuation is simple, closing of the door causes the roller to fall in the depression of the strike, thereby holding the door closed.
- The projection of the roller is easily adjusted using adjusting screws on the face of the unit.
- Maximum projection of the roller is 3/8" allowing for variance in the door clearance.
- Nylon Roller Standard.
- Forged Brass Construction.
- Meets ANSI/BHMA A156.16, E19091.
- Finishes US10B, US26D other finishes available special order only



**RL300**

**Dimensions:**

Body: 1" Wide x 3-3/8" Long x 1-5/8" Deep  
Strike: 1-11/16" Wide x 2-3/16" Long x 5/32" Thick

**Stocked Product**

Item	Finish
RL300	10B, 26D

**Features:**

- Actuation is simple, closing of the door causes the roller to fall in the depression of the strike, thereby holding the door closed.
- The projection of the roller is easily adjusted by turning knurled knob on back of latch.
- Maximum projection of the roller is 1/2" allowing for variance in the door clearance.
- Fits heavy-duty cylindrical lock cutout.
- Nylon Roller Standard.
- Non-handed.
- Brass or Stainless Steel Construction.
- Meets ANSI/BHMA A156.16, E19101.
- Finishes US10B, US26D other finishes available special order only



**RL320**

**Dimensions:**

Body: 1-1/8" Wide x 2-1/4" Long x 1-3/4" Deep  
Strike: 1-1/8" Wide x 2-3/4" Long x 1/16" Thick

**Stocked Product**

Item	Finish
RL320	26D

## BC2950 / BC2955 - Ball Catches



**BC2950 - Ball Catch**



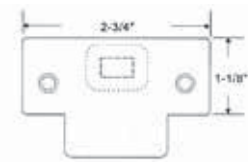
**BC2955 - Roller Catch**

### Features:

- BC2950 - Ball Catch.
- BC2955 - Roller Catch.
- Dual Adjustment for Door Clearance and Holding Strength.
- Lip Strike Designed for Jamb Mounting.
- Ball Catch Individually wrapped with Mounting Screws.

### Option:

- BC2955T - with 2-3/4" x 1-1/8" T Strike  
Packed with #8 x 32 metal screws



### Specifications:

Ball Catches – Ball catches shall be by Doormerica model number BC2950 and BC2955 are all ball catches provided with high tension steel compression springs to provide solid engagement with strike. All ball catches provided with Phillips sheet metal screws, plated to match finish for proper ball and strike mounting. Each ball catch shall be individually wrapped.

**1 YEAR LIMITED WARRANTY**

### Stocked Product

Item	Finish
BC2950	US3, 10B, 15
BC2955	US3, 10B, 15
BC2955T	US3, 10B, 15

# Doormerica

## Signs



HS1M



HS2W



HS3R

### Stocked Product

Item	Description	Size
HS1M	Men's Restroom No Braille	12" x 12" x 12"
HS2W	Women's Restroom No Braille	12" Diameter
HS3R	Unisex Restroom No Braille	12" Diameter

## ADA Signs



HS69M



HS69W



HS69R



HS10E

### Stocked Product

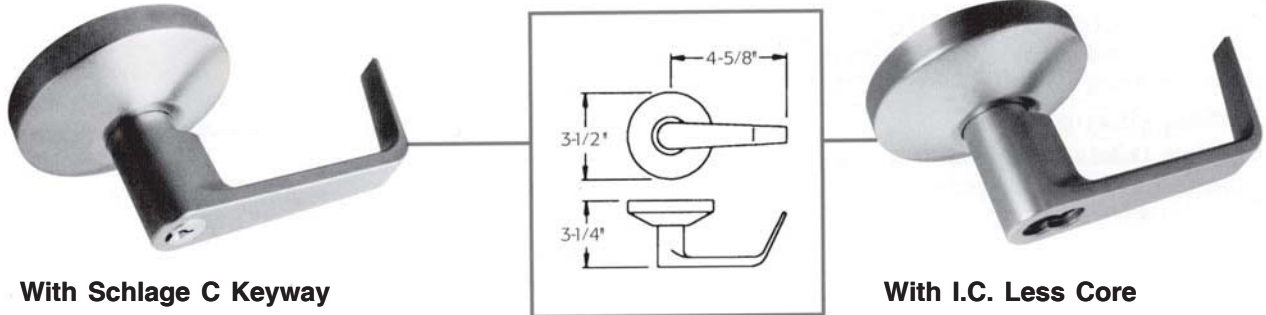
Item	Description	Size
HS69M	ADA Men's With Braille	8" x 8"
HS69W	ADA Women's With Braille	8" x 8"
HS69R	ADA Unisex With Braille	8" x 8"
HS10E	ADA Exit With Braille	6" x 6"



# Doormerica

## Falcon

### B Series - Dane Design



With Schlage C Keyway

With I.C. Less Core

#### Features:

- **Door Thickness** 1-3/8" to 2" standard.
- **Backset** 2-3/4" BS standard, available 2-3/8" BS.
- **Specifications** Trim has heavy duty springs for lever return.  
Trim is through-bolted with screws coated with thread sealant to provide strength & resistance to loosening.
- **Keyways** Available Schlage C or I.C. less core.
- **Trim** Roses are 3-1/2" diameter
- **Strike** 4-7/8" x 1-1/4" ANSI strike standard
- **ANSI / BHMA** A156.2, series 4000 grade 2
- **UL** 1-1/2 hour B label

#### FUNCTIONS

			<b>ANSI</b>
B101		<b>Passage/Closet Latchset</b> Latch bolt by levers at all times.	F75-2
B301		<b>Privacy Lock</b> Latch bolt by levers. Outside lever locked by push button in inside lever. Rotating inside lever or closing door releases push button. Emergency release in outside lever unlocks door.	F76-2
B511		<b>Entry/Office Lock</b> Turn/push button locking. Pushing and turning button locks outside lever requiring use of key until button is manually unlocked. Push button locking. Pushing button locks outside lever until unlocked by key or by rotating inside lever. Inside lever always free. Deadlocking latch bolt.	F109-2
B581		<b>Storeroom Lock</b> Deadlocking latch bolt by lever inside or key outside. Outside lever is rigid. Inside lever is always free.	F86-2

#### Options

- 2 3/8" Backset Specify A57420 (SL), A57620 (PL), A57420D (DL)
- 5065 "T" Strike

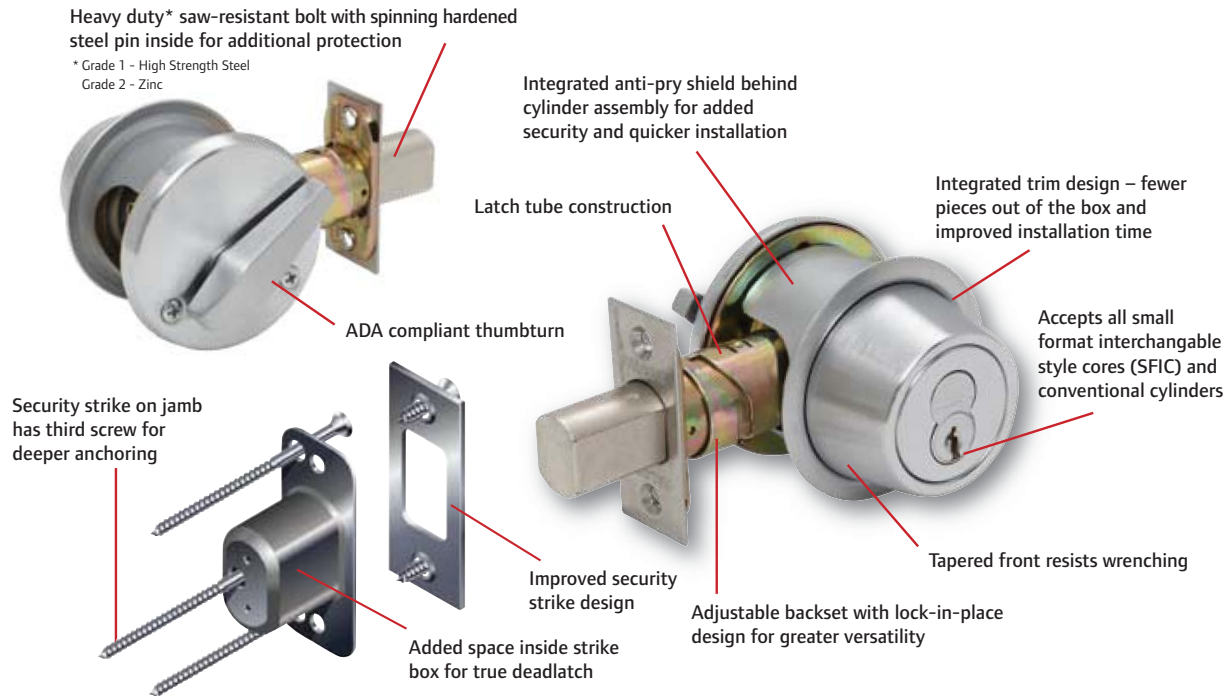
#### Stocked Product

- Finish 626
- B101 Schlage C Keyway
- B301 Schlage C Keyway
- B511 Schlage C Keyway or Best prep I. C. core less core
- B581 Schlage C Keyway or Best prep I. C. core less core

# Falcon

## D200 - Series

The new D Series deadbolt from Falcon will fit on virtually any door, thanks to an adjustable backset with an innovative lock-in-place design. Available in a Grade 1 or Grade 2 configuration, our new D Series deadbolt can be fitted with virtually any Falcon cylinder, enhances lock strength on the jamb side of the door and is easier to install than any deadbolt you've ever worked with.



### Features:

Certification	Grade 1 BHMA - ANSI A156.5, 2001, Grade 1 auxiliary lock, Available UL Listed for 3-Hour fire door Grade 2 BHMA - ANSI A156.5, 2001, Grade 2 auxiliary lock, Available UL Listed for 3-Hour fire door
Deadbolt	1-1/8" x 2-1/4", Square corner faceplate, 1" housing diameter, 1" throw
Strike	1-1/8" x 2-3/4", lipless, with box
Door Range	1-3/8" - 1-3/4" standard
Reinforcement	Metal dust box reinforcer with three - 3" screws
Trim Ring	1" Wrought brass or bronze, reinforced with security insert
Backset	2-3/8" and 2-3/4" adjustable

### D231 Double Cylinder

Deadbolt thrown or retracted by key from either side. Bolt automatically deadlocks when fully thrown.



#### Stocked Product

Finish.....626  
Keyway...Schlage C, I.C. Core less Core

### D241 Single Cylinder x Turn

Deadbolt thrown or retracted by key or by turn. Bolt automatically deadlocks when fully thrown.



#### Stocked Product

Finish.....613, 626  
Keyway...Schlage C, I.C. Core less Core

### D271 Thumbturn x Occupancy Indicator

Deadbolt thrown or retracted by turn unit only. Occupancy indicator on outside (reads either in use or vacant with color coding). Bolt automatically deadlocks when fully thrown.



#### Stocked Product

Finish.....613, 626  
Indicator Key 61-509

# Falcon - Heavy Duty Levers

## MA - Series

### Features:

**Door thickness:** Standard accommodates thickness of 1-3/4" to 2-1/4".

**Backset:** 2-3/4" only.

**Case:** Cold formed steel, zinc dichromate plated, .090" thick. Optional lead wrapping available.

**Hubs:** Hardened steel.

**Handing:** Right hand is standard; left hand optional. Reversible in the field.

**Cylinders:** Furnished with Schlage "C" key way . IC cylinders available as an option

**Bind Resistant Trim:** Heavy-duty through-bolted inserts clamp the trim on the door assuring proper alignment. Designed to bottom out on 1-3/4" doors to prevent door collapse. Provided with 10-32 screws for strength and thread sealant to prevent loosening.

**Latch Bolt:** Two-piece brass, mechanical anti-friction bolt. 3/4" projection.

**Dead Bolt:** 1" throw, brass with a 1/4" thick hardened steel, freeturning, saw-resistant roller.

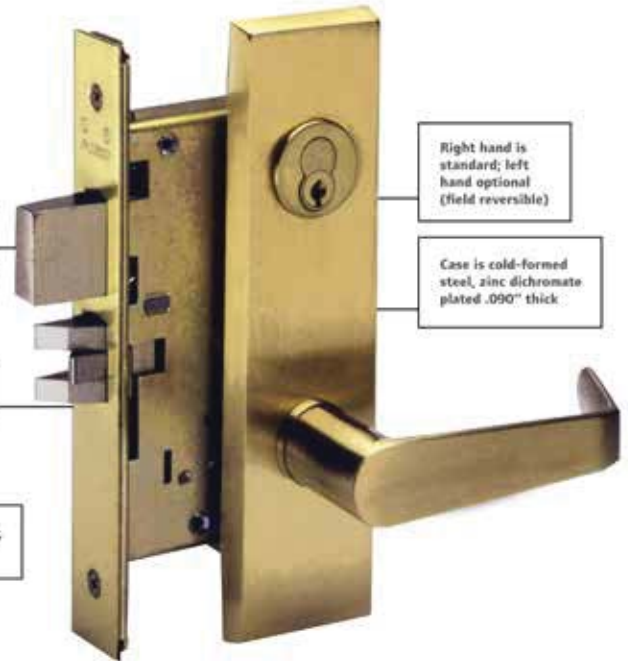
**Faceplates:** (Armored Front) 1-1/4" x 8" brass, bronze and stainless steel adjustable for door bevel. Reinforced by heavy gauge steel with stabilizing ribs.

**Strike:** Brass, bronze or stainless steel. Meets ANSI A115.1 for frame preparation. Strike is handed. Optional 1-1/8" lip-to-center reversible flat lip available.

**ANSI/BHMA:** Meets ANSI/BHMA 156.13, Series 1000. UL: 3 hour A label.

**Warranty:** 1 Year Limited

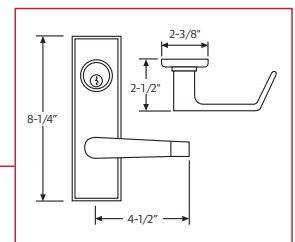
### FEATURES



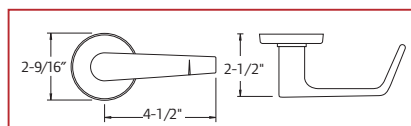
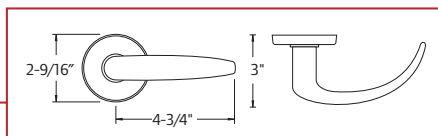
### Stocked Product

Finish: 626

### DESIGNS



**QG**  
Quantum-Gala



**DG**  
Dane-Gala








## Falcon - Heavy Duty Levers

### MA - Series

#### FUNCTIONS

#### ANSI

<b>MA101</b>		Passage/Closet Latchset Latch bolt by knobs/levers at all times.	F01-1 F01-2
<b>MA311</b>		Privacy, Bedroom or Bath Lock Latch bolt by knobs/levers. Dead bolt by turn from inside and emergency key (012727-000-30) outside furnished with lock. Rotating inside knob/lever retracts both bolts.	F19-1 F19-2
<b>MA531</b>		<b>Entry/Office Lock</b> Latch bolt by knobs/levers except when outside knob/lever is made inoperative by buttons in face. Dead bolt by key outside and turn inside. Rotating inside knob/lever retracts both bolts. Deadlocking latch.	F10-1, F10-2 F12-1, F12-2 F20-1,
<b>MA561</b>		<b>Classroom Lock</b> Deadlocking latch bolt by knobs/levers. Outside knob/lever locked by key outside. Inside knob/lever always free.	
<b>MA581</b>		<b>Storeroom Lock/Exit Lock</b> Deadlocking latch bolt by inside knob/lever or key outside. Outside knob/lever rigid.	F07-1 F07-2

### Cylinder Guards

#### Stocked Product

A08790/ A08794 - 000 9/32"  
- 001 13/32"  
- 002 17/32"

626 finish



A08790



A08794

#### Cylinder Guard Application Chart\*\*

Door Thickness	985 1-1/8" (cyl.)	986 1-1/4" (cyl.)	987 1-3/8" (cyl.)	988 1-1/2" (cyl.)
1-1/2"	A08794-001 (13/32")	A08794-002 (17/32")		
1-3/4"	A08794-000(9/32")	A08794-001 (13/32")	A08794-002 (17/32")	
2"		A08794-000 (9/32")	A08794-001 (13/32")	A08794-002 (17/32")
2-1/4"		A08794-000 (9/32")	A08794-001 (13/32")	
2-1/2"			A08794-000 (9/32")	

Note: Dimensions listed for A08794 also apply to A08790.

\*\* Cylinder guards measure 3/16" from shoulder to top. A wavy spring washer is furnished with either cylinder guard.

\*\* Single cylinder functions.

## Falcon - Heavy Duty Levers

### T - Series

#### Features:

**Door Thickness:** 1-3/4" to 2-1/8" standard. Thin door adapter kit (A30775-000-00) available for doors thinner than 1-3/4", please specify door thickness.

#### Special Order

**Backset:** 2-3/4" standard. 2-3/8" also available. Link (A22161-005-10) available for 5" backset.

#### 5" backset Special Order

**Mechanism:** Parts constructed of brass or cold formed steel, zinc plated and dichromated for rust resistance. Springs are stainless steel.

**Attachment:** Lock chassis secured to door by threaded mounting nuts. Completely preassembled outer trim and inner spindle assembly are through-bolted over chassis using (2) 10-32 screws. Adding rose and lever to inner spindle assembly completes installation.

**Handing:** Locks are non-handed.

**Cylinders:** Furnished with Schlage "C" keyway and IC prep options.

**Trim:** Roses are heavy wrought brass or bronze, installed over pressure cast rose inserts which are through-bolted through door. Levers are pressure cast (solid levers—no inserts) material finished to match mating parts.

**Latches:** 9/16" bolt projection, UL listed with latch faceplates 2-1/4" x 1-1/8" with square corners standard. 3/4" projection, UL listed latch with 2-3/4" backset also available. Adjustable front standard.

**Strikes:** 4-7/8" x 1-1/4" ANSI strike with curved lip to meet ANSI A115.2 door frame preparation standard.

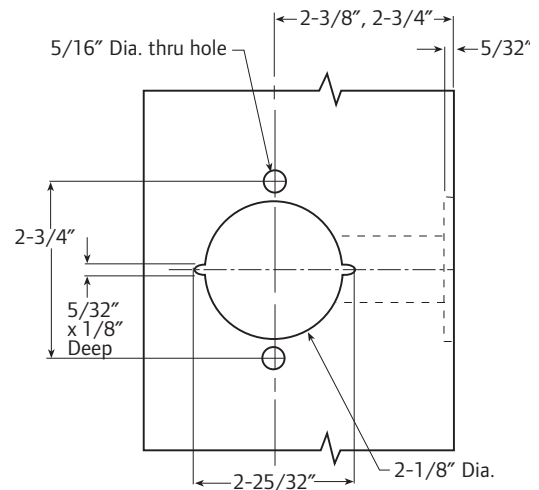
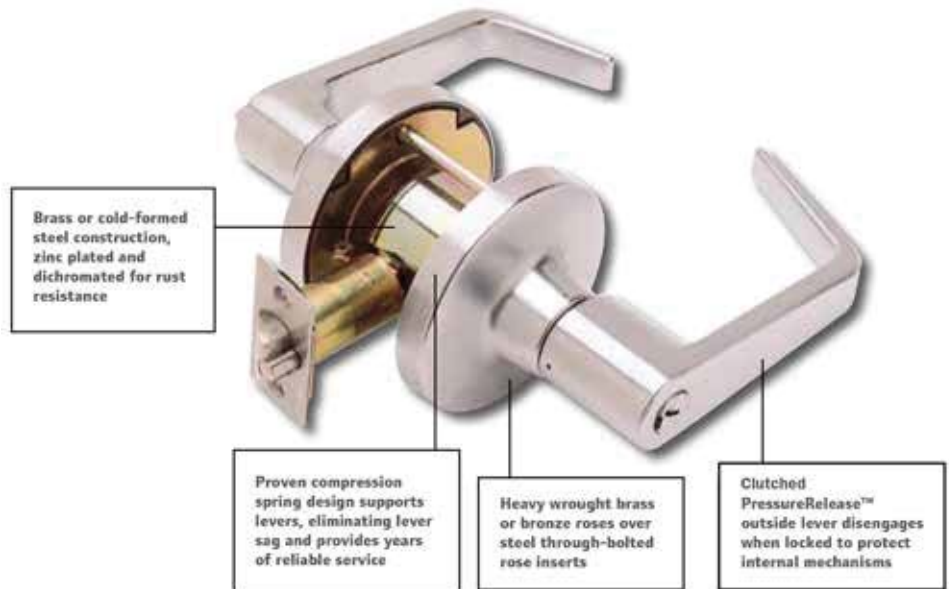
**Screws:** Furnished with combination screws for use in wood or metal doors and frames.

**Electrified Functions:** Available in 24 VDC .185 AMP.

ANSI/BHMA: Meets ANSI/BHMA A156.2, Series 4000, Grade 1.

**UL:** 3 hour A label.

**Warranty:** 1 Year Limited



Elevation

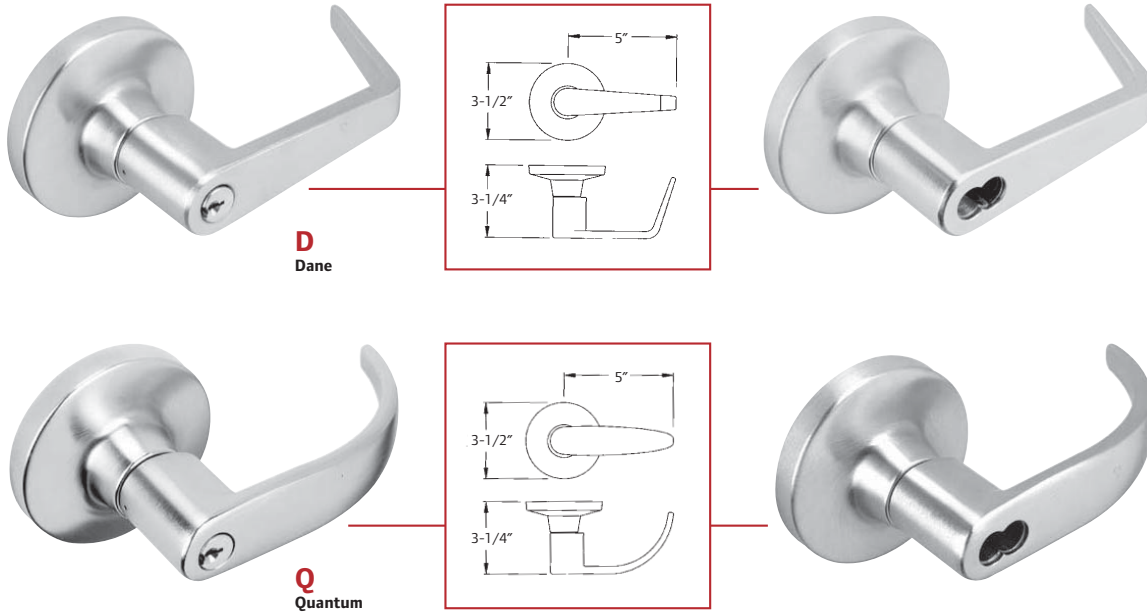
#### Stocked Product

Design ..... Dane, Quantum  
 Finish ..... 626, (613 Dane SCH "C" Only)  
 Keyway ..... Schlage C, (IC Except 581)  
 Backset ..... 2-3/4" Standard, also available 2-3/8"

## Falcon - Heavy Duty Levers

### T - Series

#### DESIGNS



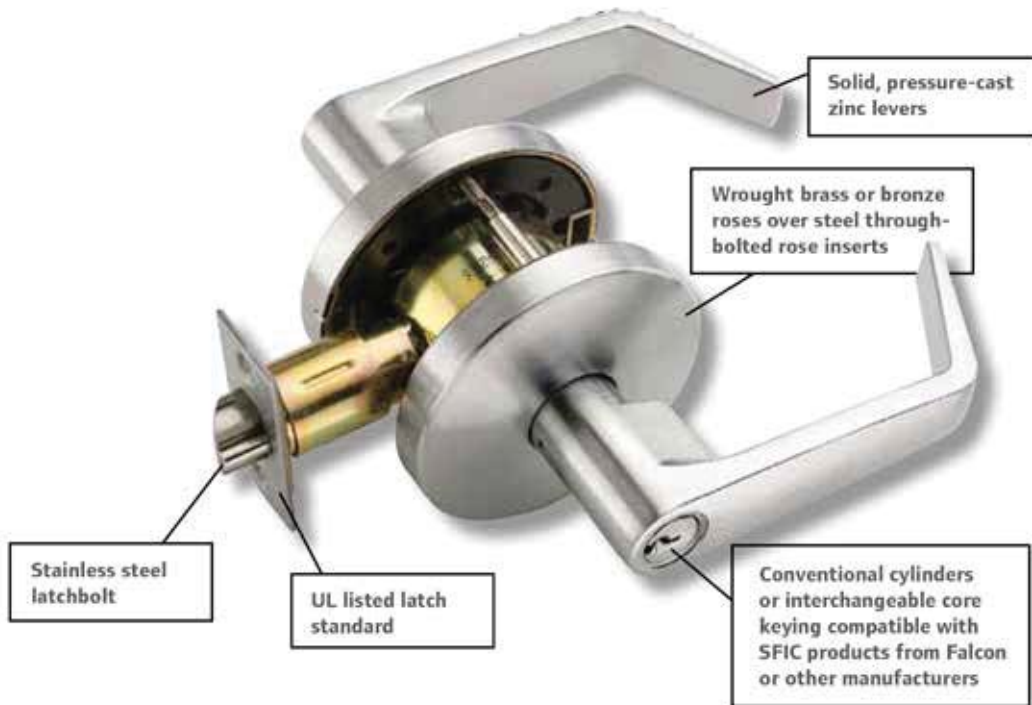
#### FUNCTIONS

#### ANSI

T101		<p>Passage/Closet Latchset Latch bolt by levers at all times.</p>	F75-1
T301		<p>Privacy Lock Latch bolt by levers. Outside lever locked by push button in inside lever. Rotating inside lever or closing door releases push button. Emergency release in outside lever unlocks door.</p>	F76-1
T511		<p>Entry/Office Lock Turn/push button locking. Pushing and turning button locks outside lever requiring use of key until button is manually unlocked. Push button locking. Pushing button locks outside lever until unlocked by key or by rotating inside lever. Inside lever always free. Deadlocking latch bolt.</p>	F109-1
T581		<p>Storeroom Lock Deadlocking latch bolt by lever inside or key outside. Outside lever is inoperable. Inside lever always free.</p>	F86-1

## Falcon - Medium Duty Levers

### W - Series Grade 2 Cylindrical Lever and Knob Locks



#### Features:

- Reliable and proven Grade 2 construction
- Heavy duty springs for better lever return and to prevent sagging
- Non-handed for easy field assembly
- Abrasive lever coating option available
- Priced to fit your opening price point
- Schlage C Masterkey available
- Manufactured to Ingersoll Rand's industry-leading quality standards

#### Lever Styles



**Dane**



**Quantum**

Can be suited with a variety of Falcon locks such as mortise, tubular, grade 1 cylindrical and interconnect.

#### Rose Diameters



**Large Rose**



**Small Rose**  
(Only available in Dane Lever)

The Falcon W comes in different rose diameters to meet your customer needs. The Large Rose 3-1/2" diameter and a Small Rose 2 9/16" diameter to meet your narrow stile door requirements.

## Falcon - *Medium Duty Levers*

### W - Series

#### DESIGNS

##### Dane



##### Quantum



#### FUNCTIONS

\*W101



Passage latchset—Latch bolt by levers at all times.

ANSI

F75

\*W301



Privacy lock—Latch bolt by levers. Outside lever is locked by push button on inside lever. Rotating inside lever or closing door releases push button and frees outside lever. Inside lever is always free. Emergency release in outside lever unlocks door.

F76

W501



Entry lock—Push button locking. Button on inside locks outside lever until unlocked by key or by rotating inside lever. Closing door release push button and unlocks door. Inside lever always free. Deadlock latchbolt.

F82

\*W511



Entry/office lock—Deadlocking latch bolt by levers. Turn/push button locking. Pushing and turning button locks outside lever, requiring use of a key for unlocking the door until button is manually unlocked. Pushing button locks outside lever until unlocked by key or by rotating inside lever. Inside lever is always free.

F109

\*W561



Classroom lock—Deadlocking latch bolt by levers. Outside lever is locked by key in outside lever. Inside lever is always free.

F84

\*W581



Storeroom lock—Deadlocking latch bolt by lever inside or key outside. Outside lever is always locked. Inside lever is always free.

F86

\*W12



Single dummy trim—Single trim, surface-mounted rigid lever.

\*Available as small rose

**Small Rose - stocked**  
**Only available in Dane Lever**

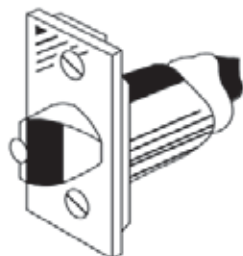
#### **Stocked Product**

Design	Keyway	Finish
Dane:	Schlage C, IC core stocked 626	605, 613, 625, 626
Quantum:	Schlage C	626, 613

**Backset**  
 2-3/4" Standard, also available 2-3/8"

## Falcon - Latches

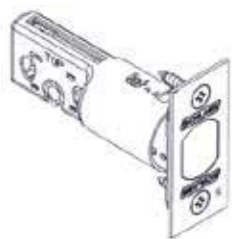
### *B - Series*



#### **Stocked Product**

P/W	DESCRIPTION	FINISH
A57420	SL, 2-3/8"BS, 1"Face Plate	626
A57420D	DL, 2-3/8"BS, 1"Face Plate	626
A57435	SL, 2-3/4"BS, 1-1/8"Face Plate	626
A57435D	SL, 2-3/4"BS, 1-1/8"Face Plate	626
A57620	SL, 2-3/6"BS, 1" Face Plate F/301	626

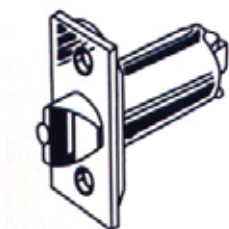
### *D200 - Series*



#### **Stocked Product**

P/W	DESCRIPTION	FINISH
Q330-253	ADJ, Square Corner, 1-1/8" x 2-1/4" FP	613, 626

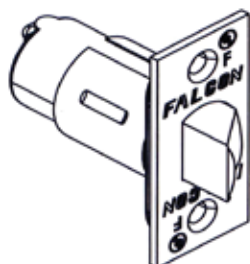
### *T - Series*



#### **Stocked Product**

P/W	DESCRIPTION	FINISH
A92320	SL, 2-3/8"BS, 1"Face Plate	613
A92320D	DL, 2-3/8"BS, 1"Face Plate	613
A98535D	SL, 2-3/4"BS, 1-1/8"Face Plate	613

### *W - Series*

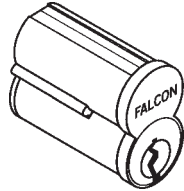


#### **Stocked Product**

P/W	DESCRIPTION	FINISH
Q330197	DL, 2-3/4"BS, 1-1/8"Face Plate	605, 613, 626
Q330201	DL, 2-3/8"BS, 1"Face Plate	613, 626
Q330203	DL, 2-3/8"BS, 1-1/8"Face Plate	613, 626
Q330206	SL, 2-3/4"BS, 1-1/8"Face Plate	605, 613, 626
Q330207	SL, 2-3/8"BS, 1"Face Plate	613, 626
Q330209	SL, 2-3/8"BS, 1-1/8"Face Plate	613, 626

## Falcon - Cylinders & Keys

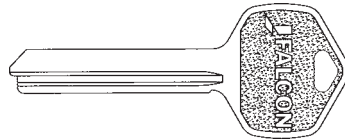
Interchangeable Standard IC core uses a single spring cover.  
Core Stocked uncombined without pins, springs, or keys.  
Stock keyways A & B  
Note C606ACC does not include control & operating keys



### Stocked Product

C646 Uncombined core, 6 pin, Keyways A & B, Finish 626  
C647 Uncombined core, 7 pin, Keyways A & B, Finish 626  
C606ACC Temporary core  
C607 Combined core, 7pin, Keway A, Finish 626  
KB6322A Operating Key for Temp core Blank  
KB6092A Control Key for temp core Blank  
KB6322AC Cut Operating Key F/C607  
KB6092AC Cut Control Key F/C607

### Key Blanks Standard

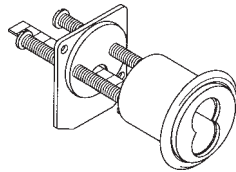


### Stocked Product

KB577G Standard G Key  
KB628 A & B Keyway I. C.  
KB608 A & B Control Blank

### C953 Rim Cylinder Housing

Horizontal tailpiece standard. May be changed to vertical

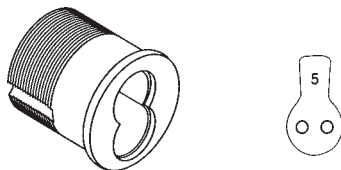


### Stocked Product

C953 613, 626 Finish 6 pin or 7 pin I. C. Less core  
C987 613, 626 Finish 1-3/8" F/ 6 or 7pin I. C. Less core  
C988 613, 626 Finish, 1-1/2" for 6 pin or 7 pin I. C. Less core

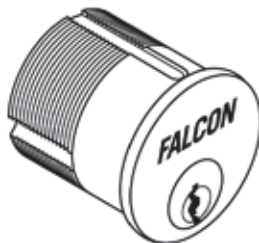
### Cylinders for IC Less Core

C987 mortise cylinder housing  
Furnished with standard #5 cam



### 985C & 986C Mortise Cylinder

900 Series cylinders are furnished with #4 straight cam and 250 Series with #1 cloverleaf cam unless otherwise specified.



### Stocked Product

985C	1-1/8"	626 Finish
986C	1-1/4"	626 Finish

### CAMS Only



A09894



A09897

### Stocked Product

A09894 for M531  
A09897 for M561 and M581

## Monarch by Falcon - Exits

### 19 Series - Rim Device



**Features:**

- Part number: 19RE0 X Finish
- Function stocked: “EO” exit only
- Trims Separately: Note: Lever trim is handed
  - 1906T Thumb piece ( new number 910)
  - 1909NL Night latch ( new number 910NL)
  - 1910L Entry Lever Dane ( new number 912L)
  - 914KIL BE Key in Lever( sectional) Blank Escutcheon
  - 914KIL IC Key in Lever ( sectional) Lever Entry X IC core
  - 914KIL KD Key in Lever ( sectional) Lever Entry
  - 914KIL NL Key in Lever ( sectional) Lever Night Latch
- Finishes: Aluminum and Duro
- Length: 36” and 48”
- ANSI A156.3-2001 Grade 1 standards, UL Listed
- Cut out: 161

The Monarch 19-R Series rim device that delivers superior panic hardware with modern touchbar styling. This non-handed device covers a 161 cutout and may be used on 13/4” narrow stile aluminum doors.

### F19 Series - Fire Rated Rim Device



**Features:**

- Part number: F19RE0 X finish
- Function Stocked “EO” exit only
- Trims Separately: See page
  - 1906T Thumb piece ( new number 910)
  - 1909NL Night latch ( new number 910NL)
  - 1910L Entry Lever Dane ( new number 912L)
  - 914KIL BE Key in Lever( sectional) Blank Escutcheon
  - 914KIL IC Key in Lever ( sectional) Lever Entry X IC core
  - 914KIL KD Key in Lever ( sectional) Lever Entry
  - 914KIL NL Key in Lever ( sectional) Lever Night Latch
- Finishes: Aluminum and Duro
- Length: 36” and 48”
- ANSI A156.3 Grade 1
- UL for 1-1/2” hour door
- Cut out 161

The F–19 Rim fire exit device is an excellent addition to the touchbar. This device is non-handed and is listed by UL for B label fire door installations on 4’0” x 7’2” single doors and/or 8’0” x 7’2” double doors with an F–4023 removable mullion or CRF-4023.



## Monarch by Falcon - Exits

### 19 Series - Vertical Rod Device

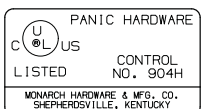


3788  
Strike

Manufactured to the same exacting standards as the 19 Rim, the 19-V Exit Device complies with most exit door requirements, and is fully reversible and surface applied. This device is regularly furnished with deadlocking top latch with latch retention and square bolt at bottom.



2789  
Dogging Key



Latch retention hold is in the top latch. Retainer is released when it engages the strike.



2130  
Strike

#### Features:

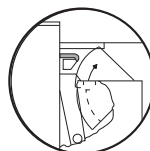
- Part number 19VE0 X Finish
- Function Stocked: Exit only
- Trims Separately: Note: Lever trim is handed See Trim page
  - 1906T Thumb piece ( new number 910)
  - 1909NL Night latch ( new number 910NL)
  - 1910L Entry Lever Dane ( new number 912L)
  - 914KIL BE Key in Lever( sectional) Blank Escutcheon
  - 914KIL IC Key in Lever ( sectional) Lever Entry X IC core
  - 914KIL KD Key in Lever ( sectional) Lever Entry
  - 914KIL NL Key in Lever ( sectional) Lever Night Latch
- Finishes: Aluminum and Duro
- Lengths: 36" X 84" and 48" X 84"
- ANSI A156.3 2001 Grade 1 Standard; UL Listed

### F19 Series - Fire Rated Vertical Rod Device



3788  
Strike

Manufactured to the same exacting standards as the F-19 Rim, the F-19-V Fire Exit Device complies with most exit door requirements, and is fully reversible and surface applied. This device is regularly furnished with deadlocking top latch retention and square bolt at bottom. (This device is listed by UL for B label fire door installations.)



Latch retention hold is in the top latch. Retainer is released when it engages the strike. The door is in the closed position.



2130  
Strike

#### Features

- Part number F19VE X Finish
- Function Stocked: "EO" exit only
- Trims Separately: Note: Lever trim is handed See trim page
  - 1906T Thumb piece ( new number 910)
  - 1909NL Night latch ( new number 910NL)
  - 1910L Entry Lever Dane ( new number 912L)
  - 914KIL BE Key in Lever( sectional) Blank Escutcheon
  - 914KIL IC Key in Lever ( sectional) Lever Entry X IC core
  - 914KIL KD Key in Lever ( sectional) Lever Entry
  - 914KIL NL Key in Lever ( sectional) Lever Night Latch
- Finishes Aluminum and Duro
- Lengths: 36" X 84" and 48" X 84"
- ANSI A156.3 Grade 1 standard
- UL "B" labeled 1-1/2 hour door

## Falcon

### 19 Series - Trim Designs

All Trims Supplied Less Cylinder

1910L (912) L Trim  
Mortise Cylinder  
1-1/8" Required



1909NL (910NL)  
Rim Cylinder  
Required



1906T (910TP)  
Mortise Cylinder  
1-1/8" Required



**Stocked Product**

Aluminum, Duro

914 KIL KD Entry



914 KIL BE Blank Escutcheon



914 KIL IC Entry



914 KIL NL Night Latch



**Stocked Product**

Aluminum, Duro

## Falcon - Exits

### 25 R Series - Rim Exit Device



299 Strike



2789  
Dogging Key



Cylinder Dogging

#### Features

- Non handed
- 299 strike standard, other strikes available on special order
- Latch bolt: Stainless Steel, 3/4" throw
- Dogging Feature: 1/2 turn hex dogging standard, No thread parts to wear out
- Stock sizes: 36" and 48" width doors,
- ANSI: Certified ANSI A156.3-2001 Grade 1
- Sex Bolts: ( optional) Recommended when device is used with hollow core wood, composite or light gauge hollow metal doors, For EO device specify eight (8) #2729 sex bolts. With Trim specify four (4) 2729 sex bolts
- EL function : Can be interfaced with Building security systems.

#### Options:

Cylinder Dogging kit: Specify 25CDK  
1-1/8" Mortise cylinder not included.

#### Stocked Product

36" door width US3, US26, 313AN, US26D  
48" door width 313AN, US26D

EL Function stocked: 36" door width 26D

### F25-R Series - Fire Rim Exit Device



299F Strike



#### Features

- Non Handed
- "A" label 3 hours 4' 0" X 8' 0"; 8' 0" X 8' 0" with F4023 Mullion
- "B" label 1-1/2" hour for 8' 0" X 8' ) with KRF4023 Mullion
- 299F strike standard, other strikes available on special order
- Latch bolt: stainless Steel, 3/4 " throw
- Deadlocking latch bolt standard
- Stock sizes: 36" and 48" width doors
- Mounting Height: 40-1/4" form CL to finished floor
- Fasteners: All mounting screws are concealed, All machine screws standard
- Sex Bolts: ( optional) Required when device is used with hollow core wood, composite or light gauge hollow metal doors, For EO device specify eight (8) #2729 sex bolts. With Trim specify four (4) 2729 sex bolts
- ANSI: Certified ANSI A156.3 2001 Grade 1 Standards

- EL function : Can be interfaced with Building security systems.

#### Stocked Product

36" door width US3, US26, 313AN, US26D  
48" door width :313AN, 26D

EL Function stocked : 36" door width, 26D

## Falcon - Exits

### 25 V Series - Vertical Rod Exit Device

#### Features:

- Hand: Field Reversible
- Strikes: 3788 Top strike is surface applied; 2130 bottom strike is mortised into the floor
- Latch bolt: Top stainless steel  $\frac{3}{4}$  throw; Bottom bolt is  $\frac{1}{2}$ " throw
- Latch Retention Hold: Standards with top latch
- Sex Bolts: ( Optional) Recommended when device is used with hollow core wood, composite or light gauge hollow metal doors, For EO device, specify twelve (12) #2729 sex bolts,, For devices with trim specify eight (8) #2729 sex bolts'
- ANSI : Certified ANSI A156.3-2001 Grade 1 standard
- EL function : Can be interfaced with Building security systems.

#### Options:

Cylinder Dogging kit: Specify 25CDK  
1-1/8" Mortise cylinders not included.  
12" & 36" Extension rods Available.

#### Stocked Product

36" X 96" door size US3, US26, 313AN, US26D  
48" X 96" door size 313AN, US26D

EL function stocked: 36" X 96" door size 26D



### F25 V Series - Fire Vertical Rod Device

#### Features

- Hand: Field Reversible
- UL: "A" Label 3 hour; 8' X 10' 90 minute same egress, 8' X 10'
- Wood Door: 20 minute 8' X 10'; 90 minute 8' X 9'
- Strikes: 3788 Top strike is surface applied; 2130 bottom strike is mortised into the floor
- Latch bolt: Top stainless steel  $\frac{3}{4}$  throw; Bottom bolt is  $\frac{1}{2}$ " throw
- Deadlocking Latch bolt: Standard in top latch
- Latch Retention Hold: standard with top latch
- F25-V LBR; Less bottom rod vertical device; "A" Label 3 hour- 8' X 8' 90 minute same egress' Wood Door 20 minute 8' X 8' openings. (F-LBR Must be ordered in pairs)
- Fasteners: All mounting screws area concealed machine screws
- Sex Bolts: ( Optional) Required when device is used with hollow core wood, composite or light gauge hollow metal doors, Fro EO device, specify twelve (12) #2729 sex bolts,, For deices with rim specify eight (8) #2729 sex bolts'
- ANSI: Certified ANSI A156.3 Grade 1 standard
- EL function : Can be interfaced with Building security systems.

#### Options:

12" & 36" Extension rods Available.

#### Stocked Product

F25 V Stock Finishes: 36" X 96" 313AN, US26D  
48" X 96" 313 AN, US26D

F25 V LBR Stocked : 36" X 96" and 48" X 96" 313AN,US26D  
(Must be ordered in pairs)

EL Function stocked: 36" X 96" 26D

## Falcon - Exits

### 25 M Series - Mortise Exit Device



#### Features:

- Hand: Field Reversible
- Strike: 1279 standards
- Latch bolt: Stainless steel, 3/4 throw
- Deadlocking Latch bolt: Standard
- Dogging Feature: 1/2 hex turn, no thread parts to wear out
- Fasteners: All mounting screws are concealed metal screws.
- Sex Bolts: ( optional) Recommended when device is used with hollow core wood, composite or light gauge hollow metal doors, For EO device specify six (6) #2729 sex bolts. With Trim specify two (2) 2729 sex bolts
- ANSI: Certified ANSI A156.3 2001 Grade 1
- Mortise Lock: Heavy wrought lock case with cast or sintered steel parts. Locks are designed to fit standard ANSI A115.1 preparation for 1-1/34" thick doors Deadlocked when auxiliary bolt is depress 5/6"

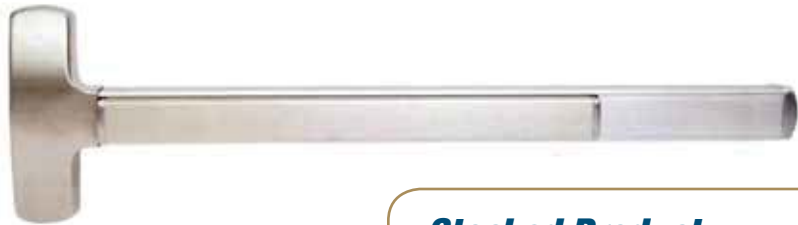
#### Options:

Cylinder Dogging kit :Specify 25CDK  
1-1/8" Mortise Cylinder not included.

#### Stocked Product

36" Width door in 26D

### F25 M Series - Fire Mortise Exit Device



#### Stocked Product

36" Width door in 26D

#### Features:

- Hand: Field Reversible
- UL: "A" label 3 hour, 4' X 10" single doors, 8' X 10' pair of doors . (F25M X F25V) "B" Label ( 1-1/2 hour) with F1280 open back strike
- Strike: 1279 standard
- Latch bolt: Stainless steel, 3/4 throw
- Deadlocking Latch bolt: Standard
- Fasteners: All mounting screws are concealed metal screws.
- Sex Bolts: ( optional) Required when device is used with hollow core wood, composite or light gauge hollow metal doors, For EO device specify six (6) #2729 sex bolts. With Trim specify two (2) 2729 sex bolts

## Falcon - Exits

### 25-C Series - Concealed Vertical Rod Device



#### Features:

- Hand: Field Reversible
- Strikes: 4188 mortised top, 2130 bottom standard
- Latch bolt: Top Stainless steel 3/4" throw, Bottom bolt 1/2" throw
- Deadlocking Latch bolt: Standard in top latch
- Latch Retention Hold; Standard in top latch
- Dogging Feature: 1/2 turn hex dogging standard, no threaded parts to wear out
- Fasteners: All mounting screws are concealed metal
- Sex Bolts: ( optional) Recommended when device is used with hollow core wood, composite or light gauge hollow metal doors, For EO device specify six (6) #2729 sex bolts. With Trim specify two (2) 2729 sex bolts
- ANSI: Certified ANSI A156.3-2001 Grade 1 standards.
- Vertical Rods Furnished to length based on 40-1/4" horizontal CL to finished floor and a 7'0" door

#### Options:

Options: Cylinder Dogging kit: Specify 25CDK  
 1-1/8" Mortise Cylinder not included.  
 12" & 36" Extension Rods Available.



**Stocked Product**  
 36" X 84" US26D

## Falcon - Exits

### *F25-C Series - Fire Concealed Vertical Rod Device* *F25C-WDC Series Fire Wood Door Concealed Vertical Rod Device*



#### Features

- Hand: Field Reversible
- UL: "A" Label 3 hour- 8' X 10' 90 minute same egress, 8' X 10' Wood Door: 20 minute 8' X 9' 90 minute 8' X 8'
- Strikes: 4188 mortise top; 2130 flush strike bottom
- Latch bolt: Top Stainless steel 3/4" throw, Bottom bolt 1/2" throw
- Deadlocking Latch bolt: Standard in top latch
- Fasteners: All mounting screws are concealed metal
- Sex Bolts: ( optional) Required when device is used with hollow core wood, composite or light gauge hollow metal doors, For EO device specify six (6) #2729 sex bolts. With Trim specify two (2) 2729 sex bolts
- ANSI: Certified ANSI A156.3-2001 Grade 1 standards
- WDC-20: Reinforced plates supplies standard for 20 minute doors only
- Vertical Rods Furnished to length based on 40-1/4" horizontal CL to finished floor and a 7'0" door

#### **Stocked Product**

F25C	36" X 84" US26D
F25C-WDC	36" X 96" US26D, US3, US26

## Falcon - Exits

### Exit Alarm - EAK Retrofit for 25 Series devices.

#### Features:

The Exit Alarm/ Hardwire (EA/ HWEA) feature provides a battery powered exit alarm to allow for a simple and effective means of monitoring the use of exits while still maintaining means of egress (for code requirements). When the touch bar is depressed the alarm will sound continuously, indicating that the exit has been engaged. The exit alarm can only be reset by way of a standard 1-1/8" mortise cylinder with standard "A" (5/16" wide x 3/4" long) cam. The design of the unit will allow the single 9V battery to last for at least six months (on standby mode).



- All solid state circuitry.
- Powered by one 9V alkaline battery (supplied).
- LED indicator showing armed status of alarm.
- 10 second delay (during arming) permitting egress.
- Outside key entry without activating alarm (will not work when set up as DM option to activate EA).
- Works with rim, mortise, concealed, surface vertical rod.
- EAK retrofit kit available for your existing devices.
- Alarm sounds continuously at 90 db level for approximately
- 10 minutes prior to automatic reset. Low decibel beeping will continue at intervals until manual reset (HWEA only).
- Low battery power indication.
- UL listed.

\* For applications on surface vertical rod devices, specify DM (Device Monitor).

\*\* Not recommended as a retrofit kit for your existing surface vertical.



EAK  
Exit Alarm Kit

**Stocked Product**

EAK 36" & 48" AL



## Falcon - Exits

### Lever Trim Only

**510 L - Entry Lock/Unlock, 1-1/4 Mortise Cylinders Not Included.**

**510 NL - Night Latch, Store Room, 1-1/4 Mortise Cylinders Not Included.**

**510 BE - Blank Escutcheon, 1-1/4 Mortise Cylinders Not Included.**

**511 L - Entry Vandal Resistant, 1-1/4 Mortise Cylinders Not Included.**

**510 L FSE - Entry Electrical Unlock, 1-1/4 Mortise Cylinders Not Included.**

**510 DT - Dummy Trim**

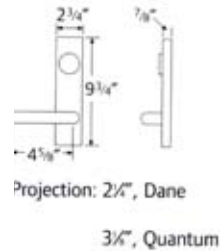


**510L**  
510L-NL



**510L-DT**  
510L-BE

#### Lever Designs



**Dane**  
Projection: 2<sup>1</sup>/<sub>8</sub>"

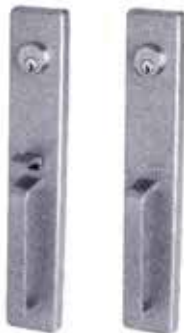


**Quantum**  
Projection: 3<sup>1</sup>/<sub>2</sub>"

### Pull Trims

**512TP - 1-1/4 Mortise Cylinders Not Included.**

**512TP-NL - Night Latch, 1-1/4 Mortise Cylinders Not Included.**



**512TP**    **512TP-NL**

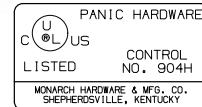
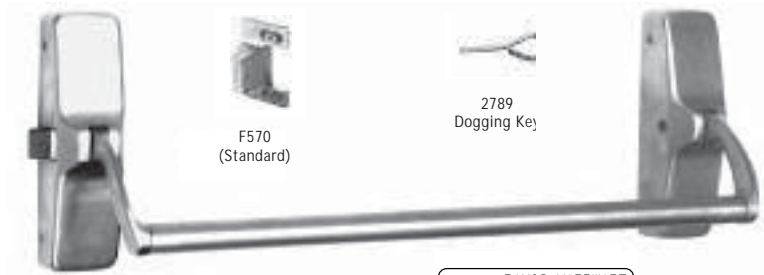
Escutcheon: 2-1/4" x 16"  
Grip: 6-1/4" C-C  
Projection: 2-11/16"  
Brass and Stainless Steel

#### **Stocked Product**

510L, 510BE, 510NL	Dane	US3, US26, SP313, 26D
	Quantum	SP313, 26D
510DT	Dane	26D, SP313
511L	Dane	SP313, 26D
	Quantum	SP313, 26D
510L-FSE	Dane	26D
	Quantum	26D
512TP, 512TP-NL		26D only

## Falcon - Exits

### XX Series - Rim Device



- Part number XXREO X finish
- Handed Specify LHR or RHR
- Trim available See page 6, Same trim as 18 series
- Finishes: US3, 10B and 32D
- Lengths: 48" stock; can be cut down
- Cross Bars: 1" OD
- Projections: 5" Maximum; 4" when dogged
- ANSI A156.3-2001 Grade 1 standards

The Monarch XX-R Series Rim Device is produced to meet the demanding requirements of higher traffic installations. This device is a single point, rim type latch with the traditional crossbar design.

### XX series - Vertical Rod Device

- Part number XXVEO X finish
- Handed: Specify LHR or RHR
- Trim available; See page 6, same trim as 18 series
- Finishes: US3, 10B, 32D

The Monarch XX-V Series Vertical Rod Device is designed to meet the demanding requirements of higher traffic installations. The XX-V device is a surface-applied (including strikes) vertical rod type with the traditional crossbar design.

## Falcon - Exits

### XX - Trim Designs

All Trims Supplied Less Cylinder

#### 812L Trim

812L Dane  
Rim Cylinder Required



812L Quantum  
Rim Cylinder Required



812L BE Dane



Specify:  
812LR - Rim  
812LV - Vertical

**Stocked Product**

10B, 32D  
US3 DANE ENTRY

#### 820 NL Vanguard and Trim Rim Cylinder Required



**Stocked Product**

10B, 32D

## Falcon

### 19, 25, and XX Accessories and Options



### Removable Mullion

- The F4023, KRF-4023 and KR-4023 steel mullions are for use with the 19-R, 25-R, and XX-R devices on double door openings. Advantage: Increased security and tighter closure. Minimizes door warpage and sag. Regulates the flow of in-and-out traffic.
- Falcon removable mullions are easily removed and reinstalled for full width access.
- Rim devices are used on both leaves, attaining a perfectly symmetrical opening.
- The mullion assembly consists of a mullion, top and bottom mounting brackets and a screw pack.
- The F4023 and KRF-4023 fire-rated mullions also include four stabilizer blocks as required for labeled installations.
- Mullions may be cut on the job for doors under stock lengths.
- KR Mullions require 1 1/4" mortise cylinder with standard A cam.

#### Features

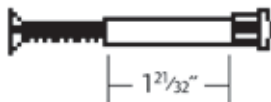
- Mullion fittings – ductile iron.
- F4023, 4023, KRF-4023 and KR-4023– 2" x 3" x height.
- 2923 mullion - 1-1/2' x 2-1/2' x height.
- Prime coat only.
- 7' or 8' door opening standard, other door opening as specified.

#### Cylinders

- Cylinder supplied only when specified.
- Cylinders keyed different unless specified keyed alike.

#### Sex Bolts

- 325 (1/4"-20 Thread)
- 425 (#10-24 Thread)



#### DOUBLE DOOR APPLICATION

Strike	Installed With	Min. Stile	B *
299	2923 mullion	4 1/8"	3"
299	4023 mullion	4 3/8"	3 1/4"
299-F	F-4023 mullion	4 3/8"	3 1/4"
499-F	F-4023 mullion	4 1/2"	3 5/16"
264	2923 mullion	4"	2 7/8"
264	4023 mullion	4 1/4"	3 1/8"
1439	2923 mullion	3 7/8"	2 3/4"
1439	4023 mullion	4 1/8"	3"
1606	2923 mullion	4 1/4"	2 5/8"
1606	4023 mullion	4 1/2"	2 7/8"
1609	Surface 25-V	4"	2 3/8"

\*Backset to vertical center line on the device.

#### Stocked Product

4023,F4023      7'2" & 8'0" Prime Coat  
KR4023,KRF4023      7'2" & 8'0" Prime Coat

## Falcon

### 8200 Series - Low Energy Operator








#### Designed to fit perfectly.

The small footprint and elegant design of the Falcon 8200 Series make it a perfect solution for a range of applications.

- Assisted living      • Hospitality
- Retail                    • Small office
- Restaurants         • Ambulatory care

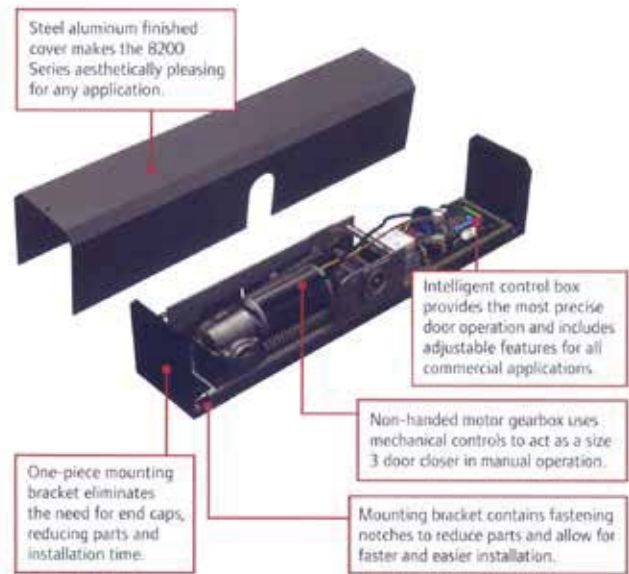


#### Features:

-  **SmartLatch** – Senses and overcomes external pressure conditions with a graduated energy assist for secure latching.
-  **Push 'n' Go** – Selectable feature allows door to open automatically as soon as it feels pressure.
-  **Open Position Learning** – Automatically sets the opening position to eliminate wall and door damage.
-  **Obstacle Obstruction Detection** – Safety feature stops and reverses door direction when distress or an obstruction is sensed.
-  **Pre-Load Strike Assist** – Removes load on strike lip with a one second delay allowing the door to release and automatically open.
-  **LED Light Illumination** – Light illumination on control box signals accurate installation and helps with connection diagnostics.
-  **On Board Power Supply (12 VAC)** – Powers the accessories without the need to install an external power supply.

#### Adjustable features:

- |                          |                       |
|--------------------------|-----------------------|
| Hold-open time delay     | Backcheck speed       |
| Backcheck/latch position | Opening/closing speed |



#### **Stocked Product**

- 8231 Pull side operation
- 8242 Push side operation

**Finish:** aluminum

## Dor-O-Matic by Falcon - Closers

### SC61 Series - Light to Medium Duty Closer

#### Features:

- Meets ANSI A1117.1
- ANSI/BHMA A156.4, Grade 1
- UL Listed
- 1-3/8" diameter piston
- Closer mounts hinge side, top jamb or parrallel arm when either the Rw/PA or Hw/PA arm is specified.
- Adjustable sizes 1-4
- Single piece cast aliminum body
- Staked valves
- Non-handed left or right swinging doors
- Separate adjustable general speed, latch speed, and backcheck
- Heat-treated steel piston
- Heat-treated pinion
- UL 10C approved fluid
- Universal screw pack
- 10-year warranty



#### **Stocked Product**

SC61    Aluminum, Dark Bronze

### SC80 Series - Medium Duty Closer

#### Features:

- Meets A156.4, Grade 1 Standard
- 1-3/8" diameter piston
- Ready to mount hinge side, top jamb or parrallel arm configurations
- Arm options: regular
- Suitable for interior doors up to 48" (1219 mm) wide, exterior doors up to 36" (914 mm) and can be adjusted to meet the ADA accessibility requirements
- Single piece cast aliminum body
- Staked valves
- Non-handed left or right swinging doors
- Separate adjustable general speed, latch speed, and backcheck
- Heat-treated steel piston
- Heat-treated pinion
- Cover is high-impact UL listed fire retardant plastic that meets UL 10C and UBC-7-2 (1997) fire test
- UL 10C approved fluid
- Universal screw pack
- 10-year warranty



#### **Stocked Product**

SC81    Aluminum, Dark Bronze

## Dor-O-Matic by Falcon - Closers

### SC90 Series - Light Duty Closer

#### Features:

- Meets A156.4, Grade 1
- Ready to mount hinge side, top jamb or parallel arm configurations
- Arm options: regular
- Single piece cast aluminum body
- Non-handed left or right swinging doors
- Separate adjustable general speed and latch speed
- Heat-treated steel piston
- Heat-treated pinion
- UL 10C approved fluid
- Universal screw pack
- 10-year warranty

#### **Stocked Product**

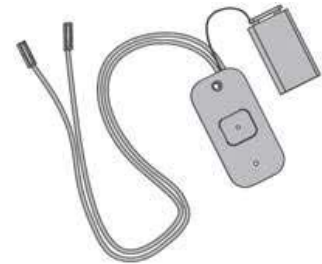
SC91 Aluminum, Dark Bronze



## Falcon - Actuators

### 8310-844 - Series

#### Transmission Kit



### 8310-856T - Series

#### Round Surface 4-1/2" Actuator



### 8310-865 - Series

#### Wireless Receiver



### 8310-868S - Series

#### 4-1/2" Box only



# Glynn Johnson

## 90 Series Surface Heavy Duty Overhead Door Holders/Stops

90 series door holders and stops provide long lasting protection for doors, frames and hardware. All models incorporate a heavy-duty channel/slide-arm design and offset jamb bracket. This design allows for simple field modification.

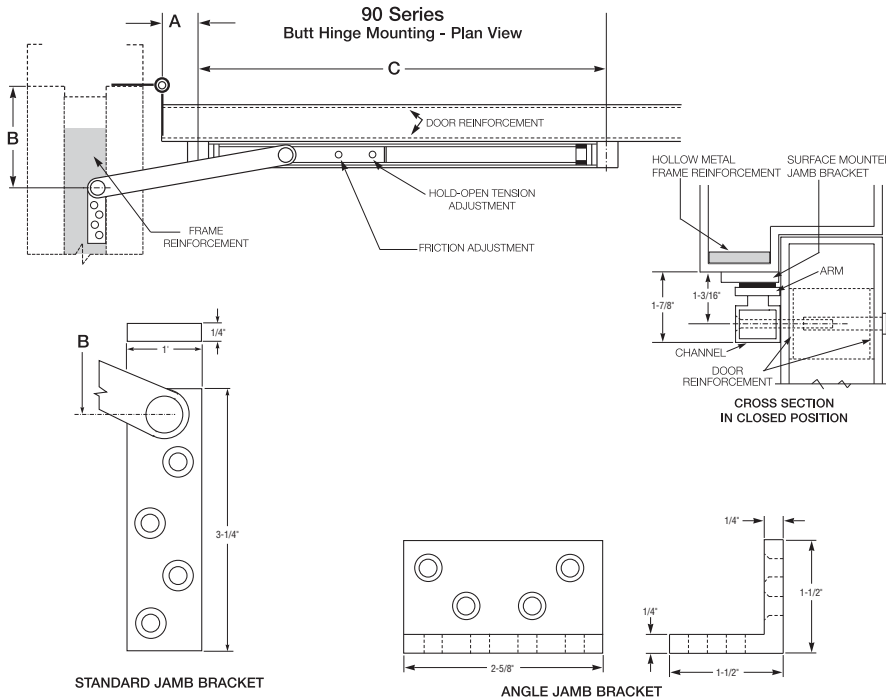
When the Hold-Open function is not a requirement, the Stop only model provides a reliable method of door control. The Stop only models may be used on fire doors.



### Stocked Product

Item #	Size	Finish
904S	4	32D
905S	5	32D

Optional Functions: Hold Open (H), Friction (F)  
Special Order: Sizes 2,3,6



90 Series Sizing Chart								
BUTTS/OFFSET PIVOTS					CENTER HUNG			
SIZE	DOOR OPENING	STOP ONLY	HOLD OPEN	FRICTION	DOOR OPENING	STOP ONLY	HOLD OPEN	FRICTION
1	----	----	----	----	----	----	----	----
2	23-1/16"-27"	902S	902H	902F	27-1/16"-33"	902S	902H	902F
3	27-1/16"-33"	903S	903H	903F	33-1/16"-39"	903S	903H	903F
4	33-1/16"-39"	904S	904H	904F	39-1/16"-45"	904S	904H	904F
5	39-1/16"-45"	905S	905H	905F	45-1/16"-51"	905S	905H	905F
6	45-1/16"-51"	906S	906H	906F	51-1/16"-59"	906S	906H	906F

Note: This chart illustrates the most common types of hinging and door opening sizes.  
For unusual door details, contact Glynn-Johnson for availability.

BHMA/ANSI, A156.8 & FED. Spec. Cross Reference		
G-J Model	BHMA*	FED. Spec.
902 - 906H	C02511	1161
902 - 906S	C02541	1161A
902 - 906F	C02531	—

\* First numeral (0) designates optional material.

To specify:

Brass material, change 0 to 1 (i.e. C12511)

Stainless Steel material, change 0 to 5 (i.e. C52511)

Steel material, change 0 to 8 (i.e. C82511)



# Glynn Johnson

## 100 series Heavy Duty Concealed Overhead Door Holders/Stops

100 series provide a wide range of optional features and are ideal for use on entrance and vestibule doors, large doors, or door subject to abuse. These models are also furnished with an offset style jamb bracket designed for heavy duty applications, 100 series models will provide long lasting protection to doors, frames, hinges and other hardware. Templates provided allow for variable mounting positions, ranging from 85 degrees to 110 degrees of opening.

100 series is non handed

When the Hold-Open function is not required, the Stop-Only function provides the same effective door control. Can be used on fire doors. The friction tension is adjusted using an allen wrench and an open end wrench.



### Stocked Product

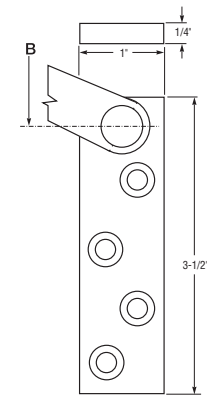
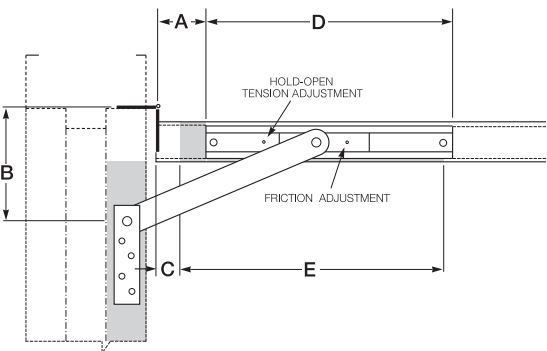
S Series Stop only

Item #	Size	Finish
102S	2	32D
103S	3	32D
104S	4	32D

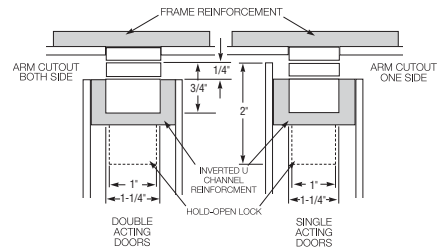
Optional Functions: Hold Open (H), Friction (F)

Special Order: Sizes 1,5,6

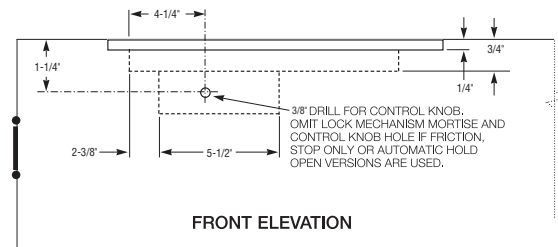
Contact sales department for other finishes



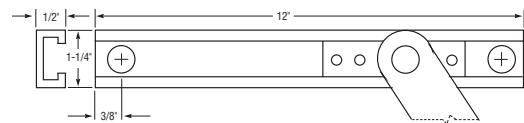
STANDARD JAMB BRACKET



100 Series



FRONT ELEVATION



OPTIONAL JAMB BRACKET "ADJ"

100 Series Sizing Chart									
BUTTS/OFFSET PIVOTS					CENTER HUNG				
SIZE	DOOR OPENING	STOP ONLY	HOLD OPEN	FRICTION	DOOR OPENING	STOP ONLY	HOLD OPEN	FRICTION	
1	18"-23"	101S*	101H*	101F*	----	----	----	----	
2	23-1/16"-27"	102S*	102H*	102F*	----	----	----	----	
3	27-1/16"-33"	103S	103H	103F	33-1/16"-39"	103S	103H	103F	
4	33-1/16"-39"	104S	104H	104F	39-1/16"-45"	104S	104H	104F	
5	39-1/16"-45"	105S	105H	105F	45-1/16"-51"	105S	105H	105F	
6	45-1/16"-54"	106S	106H	106F	51-1/16"-59"	106S	106H	106F	

Note: This chart illustrates the most common types of hinging and door opening sizes. For unusual door details, contact Glynn-Johnson for availability.

\*These sizes are not available for use with offset pivots. Also not available with the ADJ option.

BHMA/ANSI, A156.8 & FED. Spec. Cross Reference		
G-J Model	BHMA*	FED. Spec.
101-106 H	C01511	1160
101-106 S	C01541	----
101-106 F	C01531	----

\* First numeral (0) designates optional material.

To specify:

Brass material, change 0 to 1 (i.e. C11511)

Stainless Steel material, change 0 to 5 (i.e. C51511)

### BHMA

All 100 series models are designed for heavy-duty applications and far exceed BHMA cycle test and force test requirements for Grade 1 holders and stops.

# Glynn Johnson

## 410 Series Medium Concealed Overhead Door Holders/Stops

410 series holders and stops are designed for medium to light duty applications, They are ideal for openings that are subject to normal activity, providing protection for the door, frame and hinges

All models incorporate the popular channel/slide-arm design and offset jamb brackets.

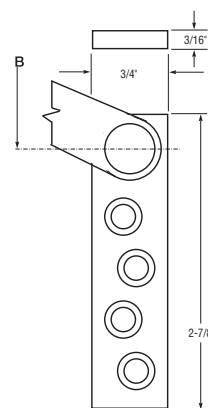
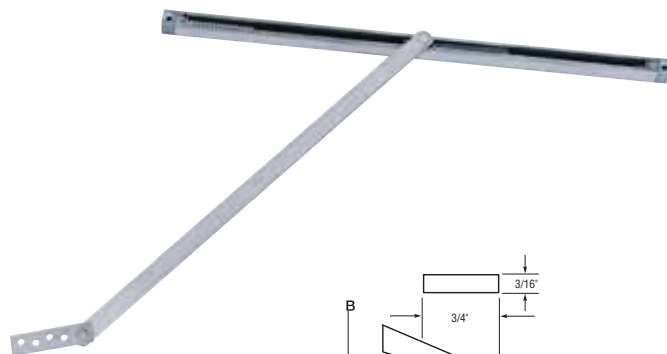
Non handed

When Hold-Open function is not a requirement, may be used on fire doors.

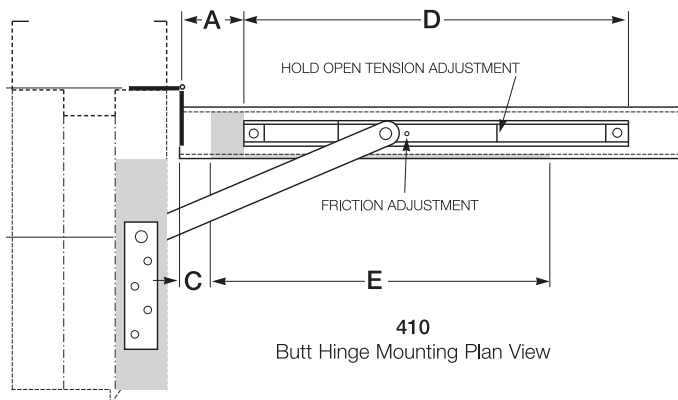
### Stocked Product

Item #	Size	Finish
412S	2	32D
413S	3	32D
414S	4	32D

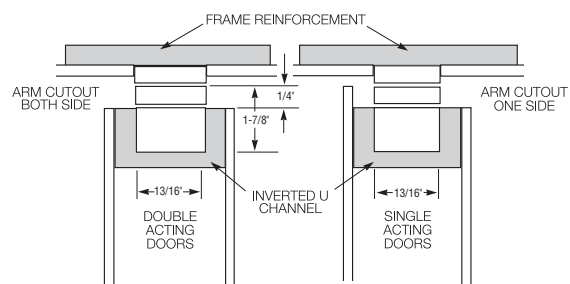
Optional Functions: Hold Open (H), Friction (F)  
Special Order: Sizes 1,5,6



STANDARD JAMB BRACKET



410  
Butt Hinge Mounting Plan View



CROSS SECTION IN CLOSED POSITION

410 Series Sizing Chart

SIZE	BUTTS/OFFSET PIVOTS				CENTER HUNG			
	DOOR OPENING	STOP ONLY	HOLD OPEN	FRICTION	DOOR OPENING	STOP ONLY	HOLD OPEN	FRICTION
1	18"-23"	411S	411H	411F	----	----	----	----
2	23-1/16"-27"	412S	412H	412F	----	----	----	----
3	27-1/16"-33"	413S	413H	413F	33-1/16"-39"	413S	413H	413F
4	33-1/16"-39"	414S	414H	414F	39-1/16"-45"	414S	414H	414F
5	39-1/16"-45"	415S	415H	415F	45-1/16"-51"	415S	415H	415F

BHMA/ANSI, A156.8 & FED. Spec. Cross Reference		
G-J Model	BHMA*	FED. Spec.
411-415 H	C04511	1166
411-415 S	C04541	1166A
411-415 F	C04531	1164

\* First numeral (0) designates optional material.  
To specify:  
Brass material, change 0 to 1 (i.e. C14511)  
Stainless Steel Material, change 0 to 5 (i.e. C54511)  
Steel material, change 0 to 8 (i.e. C84511)

Note: This chart illustrates the most common types of hinging and door opening sizes.  
For unusual door details, contact Glynn-Johnson for availability.

The template information on this page is for reference only and is not intended to serve as an installation template.  
For complete dimensional information, refer to Glynn-Johnson template book.

# Glynn Johnson

## 450 series Medium Duty Surface Overhead Door Holders/Stops

450 series holders and stops are designed for medium to light duty applications, They are ideal for openings that are subject to normal activity, providing protection for the door, frame and hinges

All models incorporate the popular channel/slide-arm design and offset jamb brackets. The improved design makes it easier to change functions in the field.

Non handed

450 F Friction Hold-Open models provide an alternative holding method ideal for patient room doors, closet doors or similar applications where multiple Hold-Open positions are desired.

450S Stop only is used when Hold-Open function is not required. The Stop-Only function provides the same effective door control without keeping the door held open. May be used on fire doors.



### Stocked Product

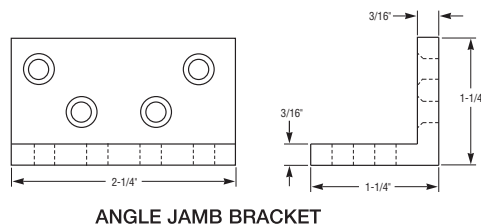
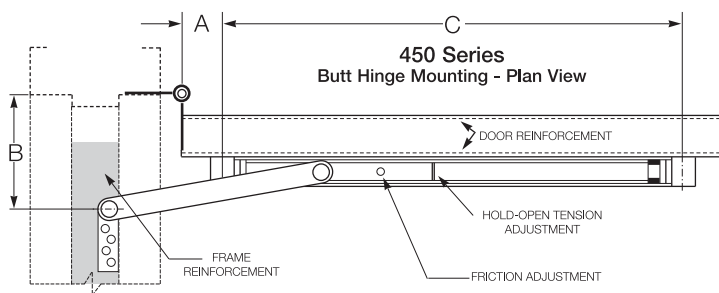
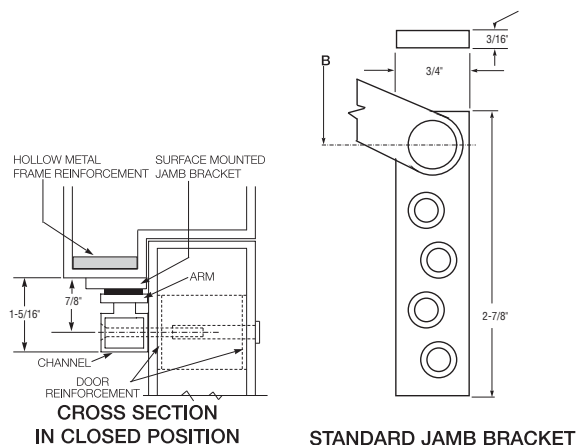
450 S (Stop-Only) and F (Friction Hold Open)

Item #	Size	Finish
452	2	32D
453	3	32D
454	4	32D

Optional Functions: Hold Open (H),

Special Order: Sizes 1, 5, 6

Contact sales department for other finishes



450 Series Sizing Chart								
BUTTS/OFFSET PIVOTS					CENTER HUNG			
SIZE	DOOR OPENING	STOP ONLY	HOLD OPEN	FRICITION	DOOR OPENING	STOP ONLY	HOLD OPEN	FRICITION
1	18"-23"	451S	451H	451F	23-1/16"-27"	451S	451H	451F
2	23-1/16"-27"	452S	452H	452F	27-1/16"-33"	452S	452H	452F
3	27-1/16"-33"	453S	453H	453F	33-1/16"-39"	453S	453H	453F
4	33-1/16"-39"	454S	454H	454F	39-1/16"-45"	454S	454H	454F
5	39-1/16"-45"	455S	455H	455F	45-1/16"-51"	455S	455H	455F

BHMA/ANSI, A156.8 & FED. Spec. Cross Reference		
G-J Model	BHMA*	FED. Spec.
451-455 H	C05511	1166
451-455 S	C05541	1166A
451-455 F	C05531	1164

\* First numeral (0) designates optional material.

To specify:

Brass/bronze material, change 0 to 1 (e.e. C15511)

Stainless Steel Material, change 0 to 5 (i.e. C55511)

Steel material, change 0 to 8 (i.e. C85511)

Note: This chart illustrates the most common types of hinging and door opening sizes.

For unusual door details, contact Glynn-Johnson for availability.

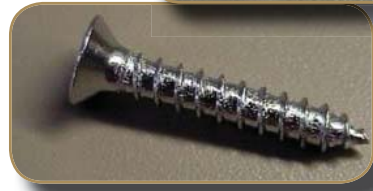
The template information on this page is for reference only and is not intended to serve as an installation template.

For complete dimensional information, refer to Glynn-Johnson template book.

## Hager

### Commercial Screws For 1279 Series

<b>Stocked Product</b>	<b>Finishes</b>	<b>Quantity Per Box/Bag</b>
MS050 Machine Screw 1/2" x 12-24	US11 (10A), 26D, US3, 13P	100
WS075 Wood Screw 3/4" x 12 FPHW	US11 (10A), US2C (26D), US3, US4, 15, 26, 13P	400
WS125 Wood Screw 1 1/4" x 12 FPHW	US11 (10A), 15, 26, 26D, US3, US4	100
WS200 Wood Screw 2" x 12 FPHW	US11 (10A), 15, US3, US2C (26D)	400




---

### Residential Wood & Machine Screws

<b>Stocked Product</b>	<b>Finishes</b>	<b>Quantity Per Box/Bag</b>
1300 Machine Screw 1/2" x 10-24	US3	1,200
*2617 Wood Screw 3/4" x 9	10A, 10B, 15, 15A, 26, 26D, 1D, 2D, 3, 4, 5 (ABA)	600
2817 Wood Screw 3/4" x 9	10A, 15, 15A, 26, 26D, 1D, 2D, 3, 4, 5 (ABA)	800
2817-1 Wood Screw 1" x 9	10A, 10B, 15, 15A, 26, 26D, 1D, 2D, 3, 4, 5 (ABA)	800



## Hager

### 700 - 3 Knuckle Commercial Hinges

Plain Bearing - Standard Weight

For use on medium weight doors or door requiring low frequency service

Gauge of Metal: 0.134  
Hole Count: 8  
Screw Size: Machine 1/2 x 12-24  
Wood 1-1/4 x 12  
ANSI A2133

**Stocked Product**  
4-1/2 x 4-1/2 10B, 26D



### AB700 - 3 Knuckle Commercial Hinges

Concealed Anti-Friction Bearing - Standard Weight

For use on medium weight doors or door requiring medium frequency service

Hinge size: Inches 4-1/2 x 4-1/2  
mm 114 x 114  
Gauge of Metal: 0.134  
Hole Count: 8  
Screw Size: Machine 1/2 x 12-24  
Wood 1-1/4 x 12  
ANSI A8112

**Stocked Product**  
4-1/2 x 4-1/2 10B, 26D



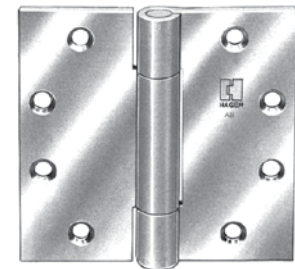
### AB750 - 3 Knuckle Commercial Hinges

Concealed Anti-Friction Bearing - Heavy Weight

For use on heavy weight doors or door requiring high frequency service

Hinge size: Inches 4-1/2 x 4-1/2  
mm 114 x 114  
Gauge of Metal: 0.180  
Hole Count: 8  
Screw Size: Machine 1/2 x 12-24  
Wood 1-1/4 x 12  
ANSI A8111

**Stocked Product**  
4-1/2 x 4-1/2 10B, 26D



### BB1168 - Full Mortise Hinge

Template Hole Pattern

Full Mortise Hinge

Ball Bearing Heavy Weight

Steel with Steel Pin

ANSI A8111

Hinge Thickness .180 4-1/2" x 4-1/2"  
.190 5" x 4-1/2"

Screw Size: Machine 1/2 x 12-24  
Wood 1-1/4 x 12

Case lot 24 each

Packaging All machine, 1/2 wood screws

**Stocked Product**

- BB1168 4 1/2" x 4 1/2" 10B, 26D
- BB1168 5" x 4 1/2" 10B, 26D
- Above sizes available NRP



## Hager

### 1191 - Full Mortise Hinge

**Stocked Product**

- 1191 3-1/2" x 3-1/2" 3 pk.      10D
- 1191 4" x 4" 3 pk.                10D, 32D

**Features:**

- 5 Knuckle
- Plain Bearing
- Standard Weight
- Brass with Brass Pin: ANSI A2133
- Stainless Steel with Stainless Steel Pin: ANSI A5133



### BB1191 - Full Mortise Hinge

**Stocked Product**

- BB1191 4 1/2" x 4 1/2"            26D, 32D
- Also available NRP

Case lot            48 each  
Packaging        All machine, 1/2 wood screws

**Features:**

- Template Hole Pattern
- Full Mortise Hinge
- Ball Bearing Medium Weight
- Brass with Brass Pin
- ANSI A2112
- Stainless Steel with Stainless Steel Pin
- Screw Size:        Machine 1/2 x 12-24
- Wood 1-1/4 x 12
- ANSI A5112
- Hinge Thickness .134



### BB1129 - Half Mortise Hinge

**Stocked Product**

- NBB1129 4 1/2"                    26D with NRP

**Features:**

- Half Mortise Hinge
- Ball Bearing Standard Weight
- Steel with Steel Pin
- Hinge Thickness .134
- Screw Size:        Machine 1/2 x 12-24
- ANSI A8212 screws



### BB1173 - Half Surface Hinge

**Stocked Product**

- BB1173 4 1/2"                    26D with NRP

**Features:**

- Full Mortise Hinge
- Ball Bearing Standard Weight
- Steel with Steel Pin
- Hinge Thickness .134
- Screw Size:        Machine 1/2 x 12-24
- Wood 2 x 1/4-20
- ANSI A8212 screws



### BB1199 - Full Mortise Hinge

**Stocked Product**

- BB1199 4 1/2" x 4 1/2"            10B, 26D, 32D
- BB1199 5" x 4 1/2"                10B, 26D
- Above sizes stocked NRP

Case lot            24 each  
Packaging        All machine, 1/2 wood screws

**Features:**

- Template Hole Pattern
- Full Mortise Hinge
- Ball Bearing Heavy Weight
- Brass with Stainless Steel Pin
- 5 Knuckle 4 Ball Bearing
- Hinge Thickness .180 4-1/2" x 4-1/2"
- .190 5" x 4-1/2"
- Screw Size:        Machine 1/2 x 12-24
- Wood 1-1/4 x 12



## Hager

### 1250 - Full Mortise Spring Hinge

#### Stocked Product

- 1250 4" x 4"                    10B, 15, 26D
- 1250 4 1/2" x 4 1/2"        US10A, US10B, US15, US26D, US3, US4, USP

Case lot            48 each  
Packaging        All wood,  
                         All machine screws

#### Features:

Template Hole Pattern  
Full Mortise Spring Hinge  
Square Corner  
Steel ANSI K81071F  
Hinge Thickness .134  
Screw Size:     Machine 1/2 x 12-24  
                         Wood 1-1/4" x 12



### 1251 - Full Mortise Spring Hinge

#### Stocked Product

- RC1251 3 1/2" x 3 1/2"    US3, US4, US10D, US15, US26D
- RC1251 4" x 4"            US10B, US10D, US15, US15A, US26D, US3, US4

Case lot            48 each  
Packaging        All wood, 1/2 machine screws

#### Features:

Template Hole Pattern  
1/4" Radius  
Steel ANSI K81071F  
Hinge Thickness .134  
Screw Size:     Machine 1/2 x 12-24  
                         Wood 1-1/4 x 12



### 1279 - Full Mortise Hinge

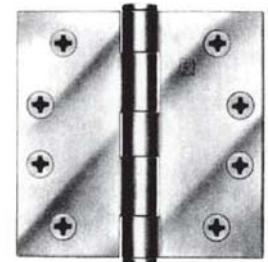
#### Stocked Product

- 1279 3 1/2" x 3 1/2"    10B, 10D, 15, 15A, 26, 26D, US3, USP, WHT
- 1279 4" x 4"            10A, 10B, 10D, 15, 15A, 26, 26D, US3, US5, USP, WHT, L1
- 1279 4 1/2" x 4 1/2"    10A, 10B, 10D, 15, 15A, 26, 26D, US3, US4, USP

- Above sizes 4" x 4", 4 1/2" x 4 1/2", available NRP
- 1279 special H2H Finish (Galvanized)  
3 1/2" x 3 1/2", 4" x 4", 4 1/2" x 4 1/2" NRP only

#### Features:

Template Hole Pattern  
Plain Bearing Standard Weight  
Steel with Steel Pin  
ANSI A8133  
Hinge Thickness 3-1/2 x 3-1/2 .119  
                         4 x 4 .129  
                         4-1/2 x 4-1/2 .134  
Case lot            48 each 4 x 4, 4-1/2 x 4-1/2, 100 per case 3-1/2 x 3-1/2  
Packaging        All wood, 1/2 machine screws  
Screw Size for 3-1/2 x 3-1/2 :     Machine 1/2 x 10-24  
                         Wood 1 x 9  
Screw Size for 4 x 4, 4-1/2 x 4-1/2"     Machine 1/2 x 12-24  
                         Wood 1-1/4 x 12



### BB1279 - Full Mortise Hinge

#### Stocked Product

- BB1279 4" x 4"            10A, 10B, 10D, 15, 15A, 26, 26D, US3, USP
  - BB1279 4 1/2" x 4 1/2"    10A, 10B, 10D, 15, 15A, 26, 26D, US3, US4, USP
  - BB1279 5" x 4 1/2"        10B, 26D
  - BB1279 5" x 5"            10B, 26D
- Above sizes available NRP

Case lot            48 each  
Packaging        All wood, 1/2 machine screws

#### Features:

Template Hole Pattern  
Ball Bearing Standard Weight  
Steel with Steel Pin  
ANSI A8112  
Hinge Thickness 4 x 4 .129  
                         4-1/2 x 4-1/2 .134  
Screw Size for 4 x 4, 4-1/2 x 4-1/2:     Machine 1/2 x 12-24  
                         Wood 1-1/4 x 12



## Hager

### RC1279 - Full Mortise Hinge



#### Stocked Product

- RC1279 3 1/2" x 3 1/2" 10A, 10B, 10D, 15, 15A, 26, 26D, US3, US4, US5, USP
- RC1279 4" x 4" 10A, 10D, 10B, 15, 15A, 26, 26D, US3, US4, US5, USP, L1, WHT
- 4" x 4" NRP stocked 10A, 15, 26D, US3, US4, 10B

Case lot 3-1/2 x 3-1/2 100 each  
4 x 4 48 each

Packaging All wood, 1/2 machine screws

#### Features:

Template Hole Pattern  
Plain Bearing 1/4" Radius  
Available with NRP (non removable pin)  
Hinge Thickness 3-1/2 x 3-1/2 .119  
4 x 4 .129

Screw Size for 3-1/2 x 3-1/2 : Machine 1/2 x 10-24  
Wood 1 x 9

Screw Size for 4 x 4 , 4-1/2 x 4-1/2: Machine 1/2 x 12-24  
Wood 1-1/4 x 12

### BBRC1279 - Full Mortise Hinge



#### Stocked Product

- BBRC1279 4" x 4" 10A, 10B, 10D, 15, 26, 26D, US3, US4, L2
- Above stocked NRP 10A, 26D

Case lot 48 each

Packaging All wood, 1/2 machine screws

#### Features:

Template Hole Pattern  
Ball Bearing 1/4" Radius  
Available with NRP (non removable pin)  
Hinge Thickness 4 x 4 .129

Screw Size: Machine 1/2 x 12-24  
Wood 1-1/4 x 12

### SQ1541/RC1541/RC1542- Full Mortise Hinge



#### Stocked Product

- SQ1541 3-1/2" x 3-1/2" 2 pk. 32D
- SQ1541 4" x 4" 2 pk. 32D
- RC1541 1/4" RAD 3-1/2" x 3-1/2" 2 pk. 3, 32D
- RC1541 1/4" RAD 4" x 4" 2 pk. 3, 32D
- RC1542 5/8" RAD 3-1/2" x 3-1/2" 2 pk. 3, 32D
- RC1542 5/8" RAD 4" x 4" 2 pk. 3, 32D

#### Features:

5 Knuckle  
Plain Bearing  
Reversible  
Removable Pin  
Brass: ANSI A2134  
Stainless Steel: ANSI A5134



## Hager

### RC1741/1741 - Full Mortise Residential Hinge

#### Stocked Product

- RC1741 3 1/2" x 3 1/2" 10A, 10B, 15, 15A, 1D, 26, 26D, 2D, US3, US4, US5, 3LB, USP
- RC1741 4" x 4" 10A, 10B, 15, 15A, 1D, 26, 26D, 2D, US3, US4, US5, 3LB, USP

- Most sizes stocked, boxed or bulk
- NRP stocked 4" x 4" only RC1741
- SQ 1741 boxed 3 1/2" x 3 1/2" 10B, 15, 26D, US3
- SQ1741 boxed 4" x 4" 10B, 15, 26D, US3

#### Features:

- Template Hole Pattern
- Plain Bearing - Residential Weight
- Non Template - 1/4" Radius Corner; Square Corner
- Five Knuckle - Removable Pin
- Hinge Thickness .085
- Case lot 100 each
- Packaging All wood
- Screw Size: Wood 3/4 x 9



### RC1744 - Residential Spring Hinge

**FULL MORTISE TEMPLATE FOR AUTOMATIC CLOSING OF DOOR**

#### Stocked Product

- RC1744 4" x 4" 10A, 26D, 2D, US3, L2

- Case lot 80 each
- Packaging All machine, 1/2 wood screws
- Maximum door size - 4" x 4" 3/0 x 7/0

#### Features:

- Template Hole Pattern
- 1/4" Radius 4" x 4"
- Light weight for residential use only
- Use with Timely style frames
- All machine and 1/2" wood screws
- Adjustable tension, three knuckle, adjusting tool included
- Hinge Thickness .085
- Screw Size: Machine 1/2 x 12-24  
Wood 1-1/4 x 12



#### Note:

1. For maximum versatility use all spring hinges
2. Full spring tension may not be required on all hinges.

## Hager

### RC1748 - Full Mortise Residential Hinge

**Stocked Product**

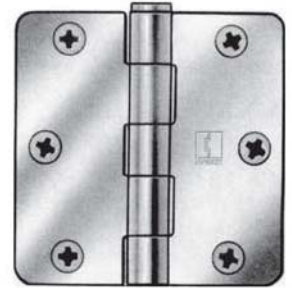
- RC1748 3 1/2" x 3 1/2"  
10A, 26D, 2D, US3, L2, USP

**Template Hole Pattern:**

Case lot            100 each  
 Packaging         All machine, 1/2 wood screws #9  
 Box                 2 Each, Sold in Boxes Pack only

**Features:**

For Timely Frames  
 Plain Bearing - Residential Weight  
 Template - 1/4" Radius Corner  
 Five Knuckle - Reversible - Removable Pin  
 Hinge Thickness .085  
 Screw Size:        Machine 1/2 x 10-24  
                            Wood 1 x 9



### RC1749 - Full Mortise Residential Hinge

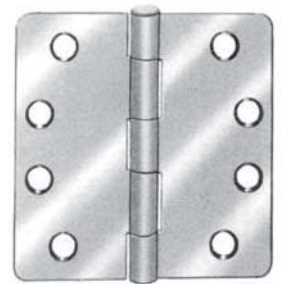
**Stocked Product**

- RC1749 4" x 4"  
10A, 26, 26D, 2D, US3, US5, L1, L2, LS
- RC1749 NRP 4" x 4"  
10A, 26D, US3, L2

Case lot            48 each  
 Packaging         All machine, 1/2 wood screws #12 head  
 Box                 3 Each, Sold in Boxes Pack only

**Features:**

Template Hole Pattern  
 For Timely Frames  
 Plain Bearing - Residential Weight  
 Template - 1/4" Radius Corner  
 Five Knuckle - Removable Pin  
 Template Hole Pattern  
 Hinge Thickness .085  
 Screw Size:        Machine 1/2 x 12-24  
                            Wood 1-1/4 x 12



### RC1751, RC1752, SQ1750 - Residential Spring Hinge

**Stocked Product**

- RC1751 3 1/2" x 3 1/2"  
10A, 10B, 26D, 2D, US3, US5, 15, 15A, 1D
- RC1752 3 1/2" x 3 1/2"  
10A, 10B, 26D, 26, 2D, US3, US5, 15, 15A, 1D
- RC1751 4" x 4"  
10A, 10B, 26D, 26, 2D, US3, US4, US5, 15, 15A, 1D, US4, US5, USP
- RC1752 4" x 4"  
10A, 10B, 26D, 26, 2D, US3, US5, 15, 15A, 1D, US4, US5
- SQ1750 4" x 4"  
10B, 26D

Case lot            80 each  
 Packaging         All wood screws

**Features:**

Full Mortise - Non Template  
 RC1751 1/4" Radius  
 RC1752 5/8" Radius  
 Size                 3-1/2 x 3-1/2  
 Hinge Thickness .097  
 Screw Size:        Wood 3/4 x 9  
 Size                 4" x 4"  
 Hinge Thickness .097  
 Screw Size:        Wood 1 x 9



# Hager

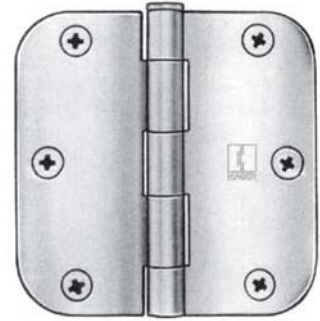
## RC1841 - Full Mortise Residential Hinge

### Stocked Product

- RC1841 3 1/2" x 3 1/2"  
10A,10B, 26D, 26, 2D, US3, 15,15A, 1D, US4, US5,LS, USP
- RC1841 4" x 4"  
10A,10B, 26D, 26, US3, 15,15A, 1D, US4, US5,LS, USP,3LB
- Above sizes stocked bulk, for boxed specify RC1842
- NRP option stocked RC1842 4" x 4" only

### Features:

- Full Mortise - Non Template Residential Weight
- 5/8" Radius Corner - Bulk Assembled
- Steel Material with Steel Pin
- 5 Knuckle - Reversible
- Hinge Thickness .085
- Screw Size: Wood 3/4 x 9



Case lot            100 each  
Packaging        All wood screws

## Roton by Hager - Continuous Hinges

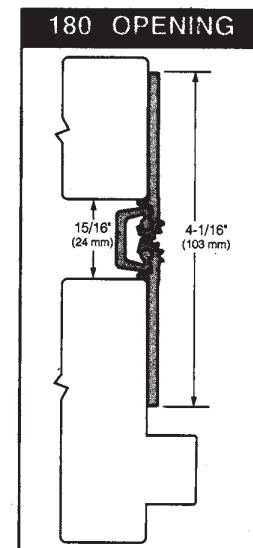
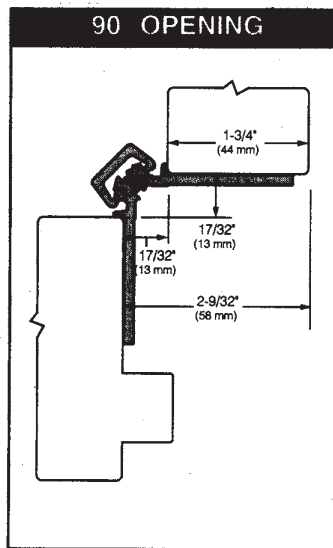
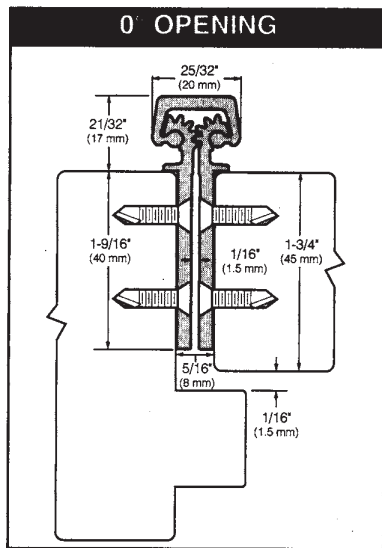
### 780-112 HD

### Stocked Product

- 780-112 83" and 95" Clear

### Features:

- Individually packed
- Clearance - 5/16" hinge side
- Fasteners - Drill-kwick screws included
- Length - Stock 83", 95"
- Special order 79", 85", 119"
- Door reinforcement - None up to 200 lbs, use 16 gauge channel
- Frame reinforcement - None up to 200 lbs, use 16 gauge channel
- Fire rating - Up to 3 hours
- HD - Heavy duty



## Roton by Hager - *Continuous Hinges*

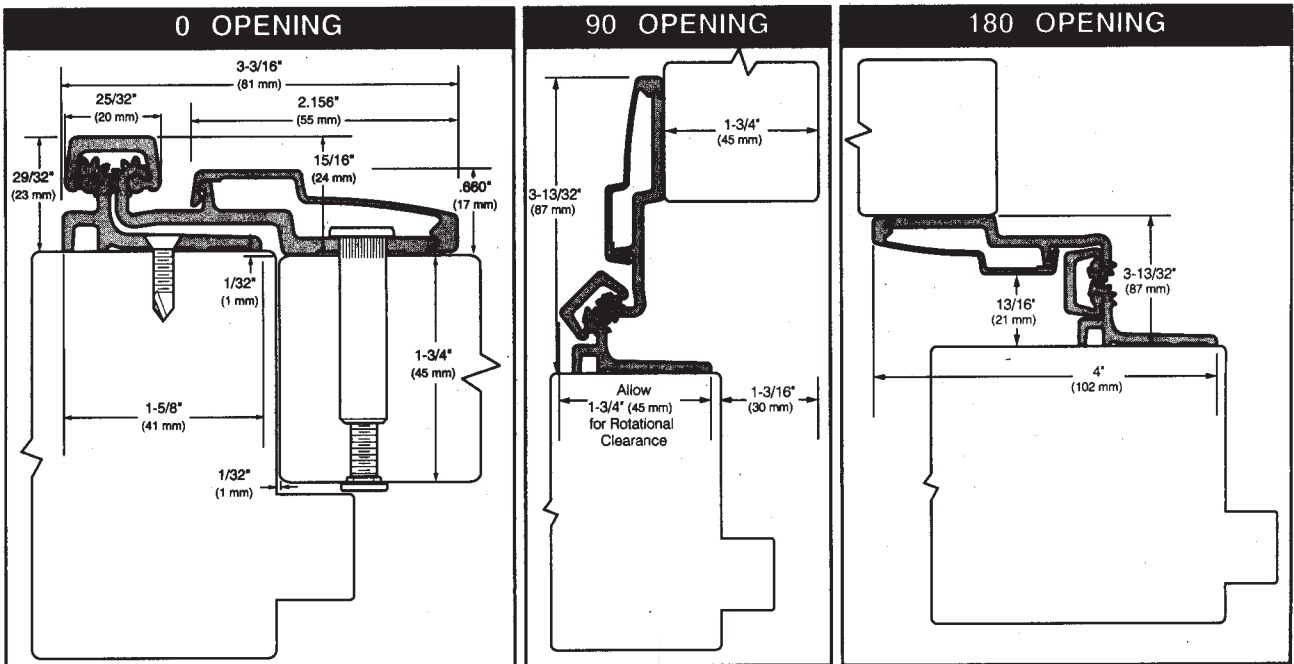
### 780-210 HD Full Surface

**Stocked Product**

- 780-210HD 83" and 95" Clear, 83" Dark Bronze

**Features:**

- Individually packed
- Clearance - None required for hinge side, 1-5/8" minimum frame face required plus 3/16" rotational clearance
- Fasteners - Dril-kwikk screws and sexbolts included
- Length - Stock 83", 95"
- Special order 79", 85", 119"
- Door reinforcement - None required
- Frame reinforcement - None required up to 200 lbs, use 16 gauge channel
- Special features - Zero clearance required for hinge side. Can be used with any door and frame material
- HD - Heavy duty, Fire Rated



## Roton by Hager - *Continuous Hinges*

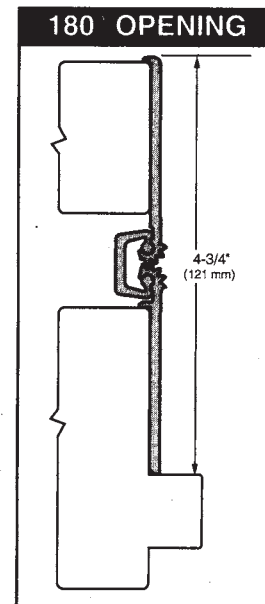
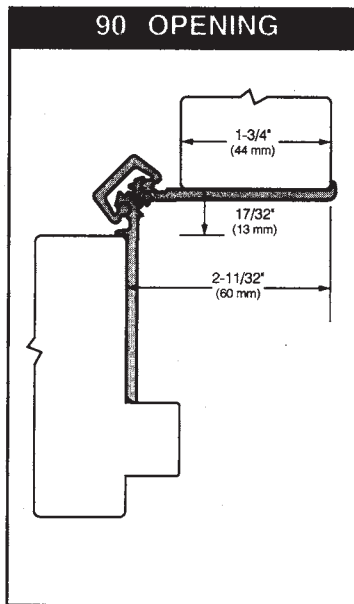
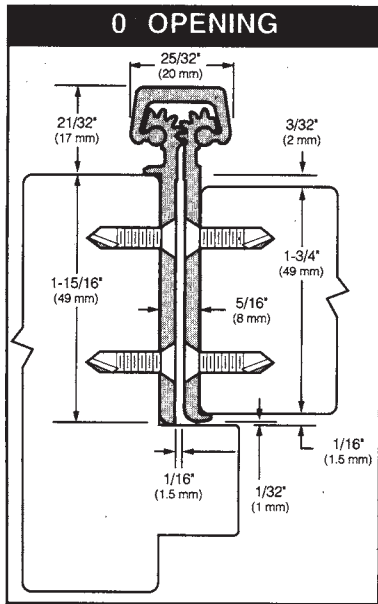
### 780-224 HD Mortised

**Stocked Product**

- 780-224HD 83" and 95" Clear

**Features:**

- Individually packed
- Clearance - 5/16" hinge side
- Fasteners - Drill-kwick screws included
- Length - Stock 83", 95"
- Special order 79", 85", 119"
- Door reinforcement - None up to 200 lbs, use 16 gauge channel
- Frame reinforcement - None up to 200 lbs, use 16 gauge channel
- Fire rating - Up to 3 hours
- HD - Heavy duty



## Hager - *Ecco Line*

### *EC1100* - Steel with Steel pin

Plain Bearing - Standard Weight

For use on medium weight doors or door requiring low frequency service

Gauge of Metal: 0.134  
Hole Count: 8  
Screw Size: Machine 1/2 x 12-24  
Wood 1-1/4 x 12  
ANSI A8133

**Stocked Product**

4-1/2 x 4-1/2 26D



### *ECBB1100* - Steel with Steel pin

Ball Bearing - Standard Weight

For use on medium weight doors or door requiring medium frequency service

Gauge of Metal: 0.134  
Hole Count: 8  
Screw Size: Machine 1/2 x 12-24  
Wood 1-1/4 x 12  
ANSI A8133

**Stocked Product**

4-1/2 x 4-1/2 26D



### *ECRCBB1100* - Steel with Steel pin

Ball Bearing - Standard Weight

For use on medium weight doors or door requiring medium frequency service

- \* Two ball bearings
- \* Non-rising removable pin with button tip and plug
- \* Round corner with 1/4" radius standart

Gauge of Metal: 0.129  
Hole Count: 8  
Screw Size: Machine 1/2 x 12-24  
Wood 1-1/4 x 12  
ANSI A8112

**Stocked Product**

4 x 4 10B, 26D



### *EC1105* - Steel Spring

For automatic closing of door. Meets codes for hotels, motels, institutions and commercial buildings.

- \* For use on 1-3/4" doors
- \* For maximum versatility use all spring hinges or a combination of spring and ball bearing hinges. Do not use plain bearing hinges.
- \* Full spring tension may not be required on all hinges
- \* Strong wind conditions, carpeting drag, twisted/misaligned frames, or weatherstripping on doors may require additional spring hinges

Gauge of Metal: 0.129  
Hole Count: 8  
Screw Size: Machine 1/2 x 12-24  
Wood 1-1/4 x 12  
ANSI K81071F

**Stocked Product**

4-1/2 x 4-1/2 26D



## Hager

### 1756 - 200 Degree Door Viewer

#### Features:

- Requires 9/16" (14 mm) hole for viewer
- For doors 1-3/8" (35 mm) to 2-1/8" (54 mm) thick, adjustable
- Tamper resistant
- 90 minute fire rated
- One way viewer
- Brass
- Meets ANSI A156.16 for L03221



#### **Stocked Product**

##### Finishes:

US3, US10A, US15, US15A, US26

### 232W - Convex Wall Stop

#### Features:

- Meets ANSI A156.16 for L02101
- Diameter: 2-7/16" (62 mm)
- Projection: 1" (25 mm)
- Wrought brass, bronze, stainless steel with grey rubber bumper
- Fasteners: One (1) #10 x 1-1/2" PPHWS with plastic and toggle anchor

#### Notes:

- Specify 232T for machine screw and toggle nut screw pack (10 pk)
- BL232W is 232W case quantity 50
- Concealed tamper proof mounting
- Easy installation by inserting screwdriver through small hole in bumper



#### **Stocked Product**

##### Finishes:

US3, US10B, US26, US32D

### 236W - Concave Wall Stop

#### Features:

- Meets ANSI A156.16 for L02101
- Diameter: 2-7/16" (75 mm)
- Projection: 1" (25 mm)
- Wrought brass, bronze, stainless steel with grey rubber bumper
- Fasteners: One (1) #10 x 1-1/2" PPHWS with plastic and toggle anchor for drywall

#### Notes:

- Specify 230T for machine screw and toggle nut screw pack (10 pk) for concrete
- BL236W is 236W case quantity 50
- Easy installation by inserting screwdriver through small hole in bumper
- Concave rubber bumper prevents damage to locksets with projecting buttons
- Concealed tamper proof mounting



#### **Stocked Product**

##### Finishes:

US3, US10B, US26, US32D

## Hager

### 241F - Dome Stop - Low

#### Features:

- Meets ANSI A156.16 for L02141
- Diameter: 1-11/16" (43 mm)
- Base Thickness: 1/8" (3 mm)
- Overall Height: 1" (25 mm)
- Cast brass with grey rubber bumper
- Fasteners: One (1) #14 x 1-1/2" FPHWS, one (1) 1/4-20 x 3/4" FPHMS, one (1) 1/4-20 lead anchor, and one (1) plastic anchor

#### Notes:

- To be used independently or in conjunction with 246B
- BL241F is 241F case quantity 50
- For use when no threshold is used (door not undercut)
- For use with wood or concrete floors



#### **Stocked Product**

##### Finishes:

US3, US10B, US26, US26D

### 246B - Dome Stop Riser Plate

#### Features:

- Diameter: 1-3/4" (45 mm)
- Base Thickness: 3/8" (10 mm)
- Cast brass
- Fasteners: One (1) 1/4-20 x 1" FPHMS

#### Notes:

- For use with 241F on undercut doors, doors with thresholds, and carpeted flooring



#### **Stocked Product**

##### Finishes:

US3, US10B, US26, US26D

### 250W - Convex Wall Stop

#### Features:

- Diameter: 1" (25 mm)
- Projection: 9/16" (14 mm)
- Cast brass
- Fasteners: One (1) #6 x 3/4" screw with anchor and one (1) .052" diameter nail

#### Notes:

- Concealed mounting screw prevents vandalism
- For use on drywall
- Compact design



#### **Stocked Product**

##### Finishes:

US3, US10B, US26



## Hager

### 257F - Floor Stop

#### Features:

- Base: 1-9/16" x 2-15/32" (40 mm x 63 mm)
- Overall Height: 2" (51 mm)
- Cast Brass With Black Rubber Bumper
- Fasteners: One (1) #14 x 1-1/2" FPHWS, one (1) 1/4-20 x 3/4" FPHMS, one (1) 5/16-18 lead anchor, one (1) 1/4-20 lead anchor, one (1) plastic anchor, one (1) 5/16-18 x 2-1/2" threaded stud, and one (1) 5/16-18 x 2-1/2" combo threaded stud
- Meets ANSI A156.16 for L02131



#### Notes:

- 1-3/8" (35 mm) max door to floor clearance
- Heavy duty - for use in high traffic area
- For use on wood or concrete floors

#### Stocked Product

**Finishes:**  
US3, US10B, US26, US26D

### 270D - Kick Down Door Holder

#### Features:

- Base: 1-19/32" x 1-25/32" (41 mm x 45 mm)
- Arm: 3-1/2" (89 mm)
- Cast Brass With Rubber Tip
- Fasteners: Three (3) #6 x 3/4" OPHWS
- Meets ANSI A156.16 for L01381



#### Notes:

- Provides simple hold and release with a touch of the foot
- 2-1/4" (57 mm) max door to floor clearance

#### Stocked Product

**Finishes:**  
US3, US10B, US26, US26D

### 271D - Kick Down Door Holder

#### Features:

- Base: 1-19/32" x 1-25/32" (41 mm x 45 mm)
- Arm: 4-7/16" (87 mm)
- Cast Brass With Rubber Tip
- Fasteners: Three (3) #6 x 3/4" OPHWS
- Meets ANSI A156.16 for L01381



#### Notes:

- Provides simple hold and release with a touch of the foot
- 3-1/4" (83 mm) max door to floor clearance

#### Stocked Product

**Finishes:**  
US26D

## Hager

### 281D - Slide Flush Bolt

**Features:**

- Faceplate: 3/4" x 6" (19 mm x 153 mm)
- Bolt Diameter: 1/2" (13 mm)
- Strike: 7/8" x 1-3/4" (22 mm x 45 mm)
- Bolt Backset: 7/16" (11 mm)
- Bolt Throw: 1" (25 mm)
- Brass, Bronze faceplate with steel components
- Fasteners: Four (4) #6 x 3/4" FPHWS
- Meets ANSI 156.16 for L04201

**Notes:**

- Double action spring design provides automatic holding of bolt in projected or retracted position



**Stocked Product**

**Finishes:**

US3, US5, US10B, US15, US15A, US26D

### 282D - Manual Flush Bolt

**Features:**

- Faceplate: 1" x 6-3/4" (25 mm x 172 mm)
- Flattened Round Bolt Head: 1/2" (13 mm) square
- Bolt Throw: 3/4" (19 mm)
- Standard Rod Length: 12" (305 mm) (from center of face to corner of door)
- Bolt Backset: 3/4" (19 mm)
- Guide Plate: 1" x 2" (25 mm x 51 mm)
- Mortise strike: 15/16" x 2-1/4" (24 mm x 57 mm)
- Optional Rod Length: 18" (457 mm)  
     25" (636 mm)  
     30" (762 mm)  
     Specify 282R
- Brass faceplate with steel components
- Fasteners: Eight (8) #8 x 3/4" combo screws, Eight (8) #8 x 1-1/2" combo screws
- Meets ANSI 156.16 for L14251

**Notes:**

- 3-hour fire rating for metal doors up to 4 feet wide by 10 feet tall
- 282S strike plate bag and 282P bolt head available
- For use on hollow metal/fire rated doors
- 282R optional rod length available: 18" (457 mm) , 25" (635 mm), and 30" (762 mm) (bolt head not included) - no charge
- Non-handed
- Bolt head rods are adjustable



**Stocked Product**

**Finishes:**

US3, US10B, US26D

## Hager

### 324W - Light Duty Wall Bumper

**Features:**

- Diameter: 1-1/4" (32 mm)
- Projection: 3-1/4" (83 mm)
- Cast Brass, Bronze With White Rubber Tip
- Tip Diameter: 5/8" (16 mm)
- Fasteners: #10 x 7/8" Wood Thread
- Meets ANSI A156.16 for L02031

**Notes:**

- Replaceable rubber tip available. Part # 1-269-3073
- Hex shape near the tip allows usage of a wrench for easier installation



**Stocked Product**

**Finishes:**

US3, US10B, US15, US15A, US26, US26D

### 30S - Square Corner - Beveled Push Plate

**Features:**

- Gauge: .050" (1 mm)
- Aluminum, Brass, Bronze, Stainless Steel
- Fasteners: Six (6) #6 x 5/8" OPH Tapping Screws
- Meet ANSI A156.6 for J301 push plate

**Notes:**

- May be ordered cut for cylinder (CFC) or engraved "PUSH"

**Stocked Product**

**Finishes:**

US3, US10B, US32D



### 36N - Pull Plate - Square Corner

**Features:**

- Gauge: 0.050" (1.3 mm)
- Aluminum, Brass, Bronze, Stainless Steel
- Fasteners: Six (6) #6 x 5/8" OPH Tapping Screws
- Meets ANSI A156.6 for J405 Pull Plate



**Stocked Product**

**Finishes:**

US3, US10B, US32D

### 6601 - Handrail Bracket

**Features:**

- Base to center of rail: 2-3/4" (70 mm)
- Projection: 3-1/4" (83 mm)
- Cast aluminum
- Fasteners: - Three (3) #8 x 1-1/2" OPHWS, Two (2) #8 x 3/4" OPHWS
- Polybag (1 each) with wood screws and rail bracket



**Stocked Product**

**Finishes:**

US3, US5, US10A, US15

## Head West - *Plastic Bodied Medicine Cabinets*

### Model 7009 (7023 Single Pack)

#### Features

- 16"x26" Stainless Steel Frame Mirror or Select Glass
- A 14"x24" Rough in Size Body
- High Quality High Impact Polystyrene Plastic Body with a Smooth and clean Interior, Straight Sides, for Clean Installation
- Three Adjustable Glass Shelves for More Light In Cabinet

#### **Stocked Product**

7023      Single Pack



### Model 7012

#### Features

- 16"x26" Beveled (1/2") Edge Mirror
- A 14"x24" Rough in Size Body
- High Quality High Impact Polystyrene Plastic Body with a Smooth and clean Interior, Straight Sides, for Clean Installation
- Three Adjustable Glass Shelves for More Light In Cabinet

#### **Stocked Product**

7012



### Model 7015

#### Features

- 16"x26" Polished Edge Mirror
- A 14"x24" Rough in Size Body
- High Quality High Impact Polystyrene Plastic Body with a Smooth and clean Interior, Straight Sides, for Clean Installation
- Three Adjustable Glass Shelves for More Light In Cabinet

#### **Stocked Product**

7015



## Head West - *Metal Bodied Medicine Cabinets*

### Model 7010

#### Features

- 16"x36" Stainless Steel Frame Mirror or Select Glass
- A 14"x34" Rough in Size Body
- Galvanized Steel Body with Heavy Powder Coat Finish for Lasting Rust Protection
- Three Adjustable Glass Shelves for More Light In Cabinet

**Stocked Product**

7010



### Model 7013

#### Features

- 16"x36" Bevel (1/2") Edge Mirror
- A 14"x34" Rough in Size Body
- Galvanized Steel Body with Heavy Powder Coat Finish for Lasting Rust Protection
- Three Adjustable Glass Shelves for More Light In Cabinet

**Stocked Product**

7013



### Model 7016

#### Features

- 16"x36" Polished Edge Mirror
- A 14"x34" Rough in Size Body
- Galvanized Steel Body with Heavy Powder Coat Finish for Lasting Rust Protection
- Three Adjustable Glass Shelves for More Light In Cabinet

**Stocked Product**

7016



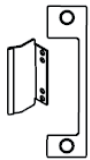
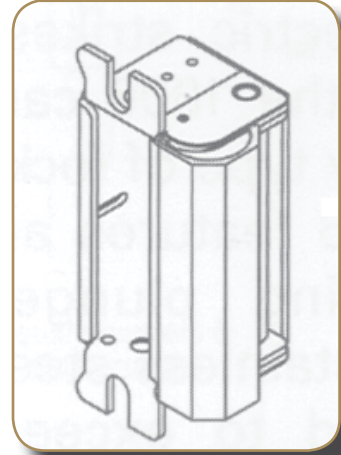
# HES

## 1006 - Series Electric Strike

### Features:

- Innovative dual interlocking plunger
- Stainless steel construction
- Electrical .45 amps @ 12 VDC  
.25 amps @ 24 VDC
- 3000 lb static strength
- Dual voltage, field selectable, 12 or 24 VDC
- Internally mounted solenoid fail secure
- Non handed

### Face Plate Options:



#### AD

For Use with mortise locksets with a normally extended 1" deadbolt without a deadlatch.  
Compatible Locksets: Sargent (7700 & 8100 series), Schlage, Yale (8700)



#### KD

For use with Schlage, Sargent (8100), Yale mortise locks.  
Mortise locksets with deadlatch positioned above the latch bolt.



#### ND

For use with Schlage, Sargent (8100), Yale mortise locks.  
Mortise locks where the deadbolt is used for night latch function only.



#### J

For use with cylindrical locksets up to 3/4" throw and all locksets with center lined belts.  
Compatible with Arrow, Best, Corbin, Falcon, Russwin, Sargent, Schlage, Yale



#### KM

For use with Best, Corbin, Falcon, Sargent (8200).  
Mortise locks with a deadlatch positioned below the latch bolt.



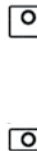
#### NM

For use with Corbin, Falcon, Sargent (8200).  
Mortise locksets with a deadlatch positioned below the latch bolt and where dead bolt is used for night latch function only.



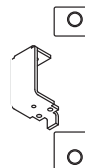
#### J-2

For use with cylindrical locksets with up to a 3/4" throw, in wood frame applications.



#### TD

For use with mortise locks with a normally extended 1" deadbolt and a center-liner.  
For SCH, SGT, YALE



#### HD

For use with: Mortise locksets with a 1" deadbolt without a deadlatch. Strike will not release when deadbolt is extended. Compatible locksets: Sargent (7700 & 8100 series), Yale (8700)

### Stocked Product

Item	Finish
1006 Body	630
1006 Face plate	630
1006 AD	613, 630
1006 J	630
1006 J2	613, 630
1006 KD	630
1006 KM	630
1006 HD	613,630
1006 ND	630
1006 NM	630

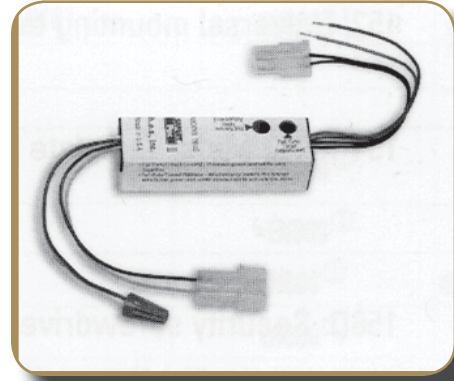
# HES

## 2005 Smart / Pac III

2005 is an in-line power control that is able to receive input voltages from 12 or 24 VAC or VDC. Has a built-in bridge rectifier and provides 12 to 24 VDC output.

### Features:

- Inline fuse
- MOV to protect against surges
- 2 to 8 second adjustable timer



## 4500 - Series Low Profile Fire Rated Strike



### Features:

- 1-3/8" depth for installation in 2" frames with 1/2" drywall penetration
- 3000 lb static strength
- Heavy duty stainless steel construction
- 5 year limited warranty

### Specifications:

- UL 10C 3 hour fire rated in fail secure mode
- BHMA 156.31 Grade 1

### Stocked Product

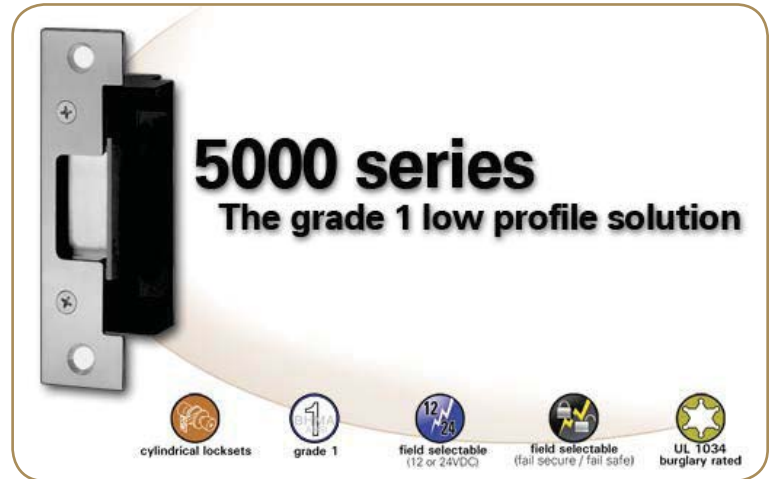
Item	Finish
4500	630

# HES

## 5000/5200 - Series Electric Strike

### Features:

- Dual voltage 12 or 24 VDC/VAC
- Field selectable fail secure / fail safe
- Forcing strength rating 1,500 lbs
- Dynamic force rating 70ft-lbs
- Endurance rating 250,000 cycles (factory tested to over 1,000,000)
- Internally mounted solenoid
- Non-handed
- Trim enhancer (goof plate) included
- Five year warranty
- Strike Body Depth 1-1/16"



(NOTE: Shown with optional 501 Faceplate)

- In-frame horizontal adjustability
- Heavy duty - for use with up to 3/4" latchbolts
- Dual voltage 12 or 24 VDC/VAC
- Field selectable fail secure / fail safe
- Forcing strength rating 1,500 lbs
- Dynamic force rating 70ft-lbs
- Endurance rating 250,000 cycles (factory tested to over 1,000,000)
- Internally mounted solenoid
- Non-handed
- Trim enhancer (goof plate) included
- Five year warranty
- Strike Body Depth 1-3/16"



(NOTE: Shown with optional 501 Faceplate)

### Stocked Product

Item	Finish
5000 and 5200	630
501 face plate	630
501A face plate	613, 630
503 face plate	613, 630



### 503

For use with cylindrical locksets. For use with latchbolts up to 1/2" throw. Includes universal mounting tabs. Aluminum frames.



### 501

Square corner, flat face plate. For use with cylindrical locksets in ANSI metal jambs. For use with latch bolts up to 1/2" throw



### 501A

Radius corner, flat face plate. For use with cylindrical locksets. For use with latch bolts up to 1/2" throw includes universal mounting tabs. Aluminum frames



# HES

## Electric Strike

### 8000 - Series

This field selectable fail safe/fail secure unit requires no cutout on the frame for fast, easy installation. It accommodates 1/2-5/8" latchbolts (with 1/8" door gap). With patented vertical adjustability to accommodate door sag or misalignment, the 5900 sets the standard for concealed electric strikes.



#### Specifications

- ANSI/BHMA 156.31, Grade 1
- UL Pending
- Patented design

#### Electrical

- .24 Amps @12VDC
- .12 Amps @ 24VDC
- DC Continuous Duty/AC Intermittent Duty

#### Standard Features

- No cutting on frame required
- Vertical adjustability to accommodate door sag
- Tamper resistant

#### Stocked Product

Item	Finish
8000	630
Faceplate Options:	
801 - 4-7/8" x 1-1/4" square corner	
Finish: 613, 630	

(NOTE: Shown with optional 801 Faceplate)

### 9500 - Series (Fire Rated)

9500 series is the fire rated version of the 9600 series. Designed for use with 3' or 4' exit devices



#### Specifications:

- NFPA 252, ASTM E152
- UL 10C fire rated, 90 minutes (fail secure only)
- UL305
- Warnock Hersey UBC 7-297, UBC 7-294
- Electrical .45 Amps @ 12VDC  
.25 Amps @ 24VDC
- ANSI / BHMA 156.31 Grade 1
- NFPA Specification 252

#### Features of both:

- Dual voltage 12/24 VDC
- Heavy duty designed for 3' or 4' exit device
- Field selectable fail secure / fail safe
- Tamper resistant - heavy duty
- Completely surface mounted
- Non handed
- Horizontal lockdown screws
- Accommodates up to a 3/4" throw pullman latch
- 5 year warranty

### 9600 - Series (Non Fire Rated)

Designed for use with 3' or 4' exit devices



#### Specifications:

- UL1034 burglary-resistant rated
- ANSI/BHMA, 156.31 Grade 1 (#E09731, #E09732)
- Patented Design



#### Stocked Product

Item	Finish
9500	630
9600	613, 630

## Kaba Ilco – Key Machines

### *BRAVO III* Lever Operated Duplicator



#### *Features*

- Wide spacing between vise jaws accommodates new longer keys and large headed keys.
- Versatile four-position reversible vise jaws securely hold residential, commercial, padlock, and automotive keys including double-sided types, without adapters.
- Carriage is spring loaded, provides consistent cutting pressure, and reduces potential for miscuts.
- Automatic cutter start feature controlled by micro-switch is activated by raising or lowering the carriage.
- Precise adjustments. A tracer point with micrometer dial regulation makes it quick and easy to adjust depth of cut; simple to replace when worn.
- Carriage release button can only be activated when the key gauges are in the down position, preventing potential cutter contact.
- Two carriage shafts ensure sensitivity and precision in the cutting movement.
- Features a “soft-touch” deburring nylon brush.

#### *Specifications*

- Motor:** 110V standard; 1/4 hp capacitor start  
Vise Jaws: D507215BA
- Cutter:** CU50A milling cutter, flat left side, cobalt steel
- Brush:** D925102ZR
- Dimensions:** 15”W x 20” D x 10” H (38cm x 51cm x 25cm)
- Weight:** 47 lbs. (21.4kg)

#### Duplicates Cylinder and Automotive Keys



## Kaba Ilco – Key Machines

### 044 HD Lever Operated Duplicator



#### Features

- Super Jaw 3, “secure grip”, four-position vise jaws; securely clamps most residential, padlock or automotive keys without the need for adapters, including double-sided types.
- Permanently lubricated cutter spindle shaft ball bearings rather than bushings; bearings are usually found on more expensive models.
- Hardened carriage shaft and cutter spindle provide extended service life
- Fast spindle speed provides smoother cuts
- Titanium coated P-CU20 milling cutter; made from quality, hardened tool steel
- Wide spacing between vise jaws, accommodates longer key types.
- Dial type depth adjustment system greatly simplifies calibration and improves accuracy.
- Ideal for mobile use, efficient 1/4 hp motor will operate with most inverters and generators that supply 500 watts (continuous) or higher output (115 VAC)
- Special device guards against cutter contact with vise jaws.
- Circuit breaker protected.

#### Specifications

- Motor:** 110V standard; also 220V; all 1/4 HP, 1725 rpm
- Vise Jaws:** Super Jaw 3, four position
- Brush:** 814-00-51
- Cutter:** P-CU20 milling cutter, flat left side
- Dimensions:** 14 1/2”W x 16”D x 10”H (32cm x 35cm x 25cm)
- Weight:** 28.3 lbs. (12.84 kg)



**Meets OSHA and CSA/NRTL/C\* requirements**

*\*Applies to 110 Volt model only*

**Duplicates Cylinder and Automotive Keys**



## Kaba Ilco - Key Machines

### 045 HD



#### Features

- Super Jaw 3, “secure grip”, four-position vise jaws; securely clamps most residential, padlock, or automotive keys without the need for adapters, including doublesided types.
- Permanently lubricated cutter spindle shaft ball bearings rather than bushings; bearings are usually found on more expensive models.
- Hardened carriage shaft and cutter spindle provide extended service life.
- Wide spacing between vise jaws; accommodates longer key types.
- Dial type depth adjustment system greatly simplifies calibration and improves accuracy.
- Ideal for shop or mobile use; efficient 1/4 HP motor will operate with most inverters and generators that supply 500 watts (continuous) or higher output (115 Volt AC).
- Special depth limit device guards against cutter contact with vise jaws.
- Features a “soft-touch” deburring brush.
- Cutter is made of high speed tool steel, coated with titanium nitride for longer cutting life.
- Built in circuit breaker protection.

#### Specifications

- Motor:** 110V-AC standard; also 220V; all 1/4 hp, 1725 rpm
- Vise Jaws:** Super Jaw 3, four-position
- Cutter:** P-X23MC; titanium coated
- Brush:** 814-00-51
- Dimensions:** 14 1/2”W x 17 1/2” D x 8 3/4”H  
(36.8cm x 44.5cm x 22.2cm)
- Weight:** 26.1 lbs. (11.85 kg)



**Meets OSHA and CSA/NRTL/C\* requirements.**

*\* Applies to 110 Volt model only*

**Duplicates Cylinder and Automotive Keys**



## ILCO - Replacement Cylinders

### 15995 -Key-in-Knob / Deadbolt Combination Replacement Cylinders Universal Knob / Lever Locksets Plus Arrow & Schlage Deadbolts (Arrow Knob Designs TA,BD,DD use 1539 knob cylinder)

- 32 Available Keyways
- Arrow D, E, F, K, Schlage B100, B200, B400, H Series deadlock
- Operates most Grade 1 & 2 knob cylinder locksets and levers
- CL3900 Corbin Lever and Falcon T Series with tailpieces below
- 560 and 660 Schlage Deadbolts
- Screw Cap Retainer
- US4 and 26D Finish
- Solid Brass

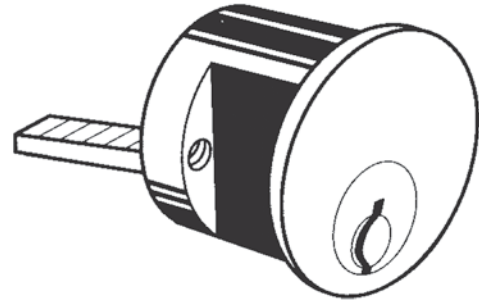


<b>Stocked Keyways</b>	<b>Stocked Finishes</b>
Kwikset	US4, 26D
Schlage C	US4, 26D
Schlage C-K	US4, 26D
Schlage E	US4, 26D
Sargent LA-LC	26D
Weiser	26D

### Rim Cylinders

#### 7015 - Rim Cylinders

Solid brass cylinders are ideal for use on 1-3/8" to 2-1/4" thick door.  
 Each cylinder is furnished with trim ring, mounting plate & break off screws.  
 All cylinders drilled 6 pin - 5 pin keyed.



<b>Stocked Keyways</b>	<b>Stocked Finishes</b>
KS = KWIKSET	US3, US26D
WA = WEISER	US26D
SC = SCHLAGE C	US3, US10B, US26D
SE = SCHLAGE E	US10B, US26D
SX = SCHLAGE C-K	US10B, US26D

### Dummy Mortise Cylinders

#### **Stocked Products**      **Stocked Finishes**

- |                               |          |
|-------------------------------|----------|
| • Dummy Rim Part # 7010       | 10B, 26D |
| • Dummy 1-1/8" Mortise # 7180 | 10B, 26D |
| • Dummy 1-1/4" Mortise # 7200 | 10B, 26D |



## ILCO - Replacement Cylinders

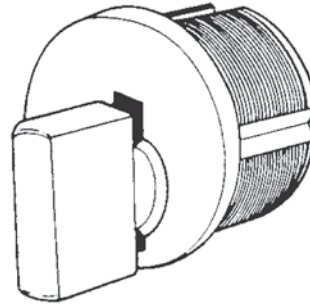
### Thumb-turn Mortise Cylinders

#### Stocked Products

- 7181 1-1/8" Length
- 7201 1-1/4" Length

#### Stocked Finishes

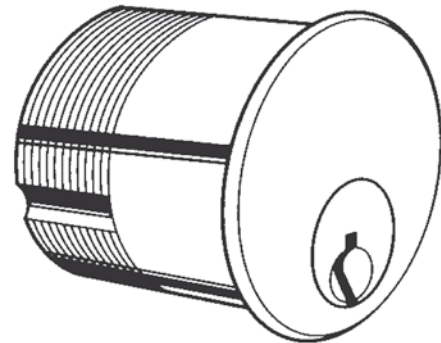
- 10B, 26D
- 26D



### Mortise Cylinders

- 7165 1" Mortise Cylinder with AR cam attached
- 7185 1-1/8" Mortise Cylinder with Standard AR cam attached
- 7205 1-1/4" Mortise Cylinder with Standard cam attached

Machined from solid bar brass. This line offers a broad selection of keyways. Threadsize is 1.150" x 32 UNS. All cylinders drilled 6 pin - 5 pin keyed with standard cam



### 7165 - 1" Mortise Cylinders

#### Stocked Keyways

KWIKSET  
 SCHLAGE C  
 SCHLAGE C-K  
 WEISER

#### Stocked Finishes

10B, 26D  
 10B, 26D  
 10B, 26D  
 26D

### 7185 - 1-1/8" Mortise Cylinders

#### Stocked Keyways

SCHLAGE C  
 SCHLAGE E  
 SCHLAGE C-K  
 YALE 8  
 KWIKSET

#### Stocked Finishes

US3, 10B, 26D  
 10B, 26D  
 10B, 26D  
 26D  
 US3, 10B, 26D

### 7205 - 1-1/4" Mortise Cylinders

#### Stocked Keyways

SCHLAGE C  
 SCHLAGE C-K  
 SCHLAGE E  
 KWIKSET

#### Stocked Finishes

10B, 26D  
 10B, 26D  
 10B, 26D  
 US3

# ILCO

## Adjustable Spring Collars

- 861A 5/16"-13/32" Adjustment, Brass Material, Satin Chrome

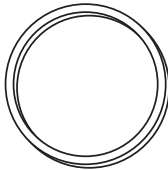


861A



## Solid Collars

- 861D 1/8" Aluminum
- 861F 1/4" Aluminum
- 861Q 3/8" Aluminum
- 861R 1/2" Aluminum



### Stocked Products

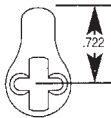
- 861A Adjustable Spring Collar
- 861D Solid Collar 1/8"
- 861F Solid Collar 1/4"
- 861Q Solid Collar 3/8"
- 861R Solid Collar 1/2"

### Stocked Finishes

- 26D
- ALUM , DURO, US3
- ALUM , DURO
- ALUM , DURO,
- ALUM , DURO

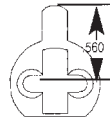
## CAMS

- Mortise Cylinder Cam



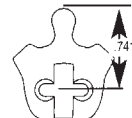
6 (863)

Standard Yale Cam



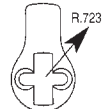
2 (863A)

Adams Rite Cam



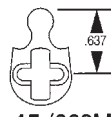
3 (863D)

LKWD/MARKS  
CLVRLF



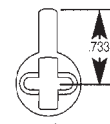
1 (863G)

Standard Cam



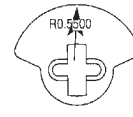
15 (863M)

Schlage L Cam



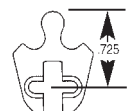
16 (863N)

Sargent/Yale



18 (863R)

Lori Deadlock














19 (863S)

CORB/RUSS CLVRLF

### Stocked Cams

- 863 Standard Yale Cam
- 863A Adams Rite Cam
- 863D Lockwood/Marks Cloverleaf Cam
- 863G Standard Cam
- 863M Schlage Lock Cam
- 863N Sargent/Yale Cam
- 863R Lori Deadlock Cam
- 863S Corbin/Russwin Cloverleaf Cam

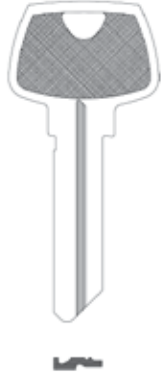
## Kaba Ilco - Look Alike Key Blanks

<p><b>FALCON</b> <i>1A1A1</i> NS</p> 	<p>1A1B1 1A1J1            1A1C1 1A1K1            1A1D1 1A1L1            1A1E1 1A1M1            1A1F1 1A1Q1            1A1G1 1A1R1            1A1H1</p>	<p><b>GENERAL MOTORS</b> <i>GMA</i> NP</p> 	<p><b>GENERAL MOTORS</b> <i>GMB</i> NP</p> 
<p><b>GENERAL MOTORS</b> <i>GMC</i> NP</p> 	<p><b>GENERAL MOTORS</b> <i>GMD</i> NP</p> 	<p><b>GENERAL MOTORS</b> <i>GME</i> NP</p> 	<p><b>KWIKSET/TITAN</b> <i>08260KW</i> NS</p> 
<p><b>KWIKSET/TITAN</b> <i>1063KW</i> NP</p> 	<p><b>MEDECO®</b> <i>1515</i> NS</p> 	<p><b>MEDECO®</b> <i>1542</i> NS</p> 	<p><b>MEDECO®</b> <i>A1515</i> NS</p> 



## Kaba Ilco - Look Alike Key Blanks

**SARGRNT**  
**6275LA**  
NS



**SCHLAGE**  
**100C-NP**  
**100C-NS**



**SCHLAGE**  
**101C-NP**  
**101C-NS**



**SCHLAGE**  
**101E**  
NS



## Kaba Ilco - Domestic

**ABUS**  
**AB23**  
 NP



**ABUS**  
**AB62E**  
 NP



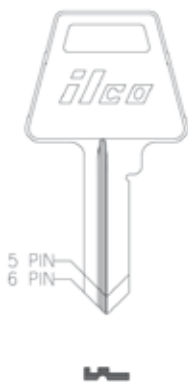
**ADAMS RITE**  
**IN8**  
 BR



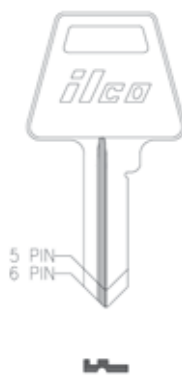
**ALMET/ARROW**  
**1179**  
 NP



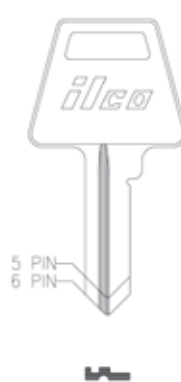
**AMERICAN LOCK**  
**AM3**  
 BR



**AMERICAN LOCK**  
**A1045 6-Pin**  
 NP



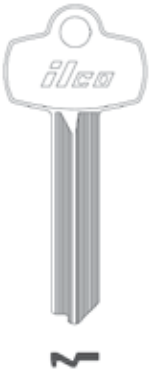
**AMERICAN LOCK**  
**1045**  
 NP



**ARROW**  
**AR1**  
 BR



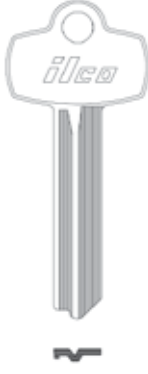
**BEST**  
*A1114A*  
 NP



**BEST**  
*A1114B*  
 NP



**BEST**  
*A1114C*  
 NP



**BEST**  
*A1114D*  
 NP



**BEST**  
*A1114DD*  
 NP



**BEST**  
*A1114E*  
 NP



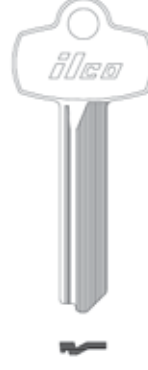
**BEST**  
*A1114F*  
 NP



**BEST**  
*A1114FM*  
 NP



**BEST**  
*A1114G*  
 NP



**BEST**  
*A1114H*  
 NP



**BEST**  
*A1114J*  
 NP



**BEST**  
*A1114K*  
 NP



**BEST**  
*A1114L*  
 NP



**BEST**  
*A1114M*  
 NP



**BEST**  
*A1114Q*  
 NP



**BEST**  
*A1114R*  
 NP



**BEST**  
*A1114TB*  
 NP



## Kaba Ilco - Domestic

**BOMMER**  
*R1003M*  
 NP



**CCL**  
*1000G* 5-Disc  
*1000H* 4-Disc  
 NP



4 DISC  
 5 DISC  
 6 DISC



**CCL**  
*1000V* 6-Pin  
 NP



5 DISC  
 6 DISC



**CESSNA**  
*O1122A*  
 NP



**CHICAGO**  
*100AM* 6-DISC  
 NP



**CHICAGO**  
*101AM* 6-DISC  
 NP



**CHICAGO**  
*102AM* 6-DISC  
 NP



**CHICAGO**  
*103AM* 6-DISC  
 NP



**CHICAGO**  
*104AM* 6-DISC  
 NP



**CHICAGO**  
*1041G*  
 NP



**CHICAGO**  
*1041H*  
 NP



**CHICAGO**  
*1041T*  
 NP



**CHICAGO**  
*1041Y*  
 NP

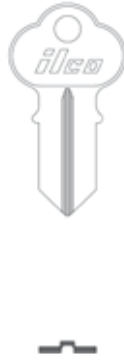


## Kaba Ilco - Domestic

**CHICAGO**  
*1137B / 1137S*  
 ST



**CHICAGO**  
*CG1*  
 BR



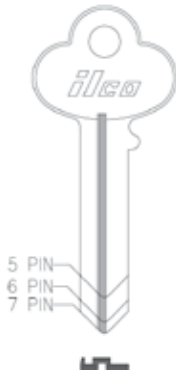
**CHICAGO**  
*CG16*  
 BR



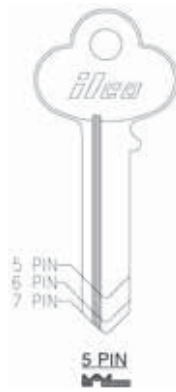
**CHICAGO**  
*S1041JA*  
 NP



**CORBIN**  
*1000* 5-Pin  
*1000AB* 6-Pin  
 NP



**CORBIN**  
*1001EB* 5-Pin  
 NP



**CORBIN**  
*1001EG* 6-Pin  
 NP



**DEXTER / MASTER**  
*D1098B*  
 NP



**DEXTER / MASTER**  
*DE6*  
*DE6-250*  
 BR



**DIEBOLD**  
*1028*  
 NS



## Kaba Ilco - Domestic

**ESP**  
*1502*  
 NP



**ESP**  
*1502M*  
 NP



**ESP**  
*1531*  
 NP



**FALCON**  
*1045WC* 5-Pin  
 NP



5 PIN  
 6 PIN  
 7 PIN



**FALCON**  
*A1054WC* 6-Pin  
 NP



5 PIN  
 6 PIN  
 7 PIN



**FALCON**  
*A1054WD* 6-Pin  
 NP



5 PIN  
 6 PIN  
 7 PIN



**FORT**  
*L1054G* 6-Pin  
 NP



4 PIN  
 5 PIN  
 6 PIN



**HAYWORTH**  
*1597*  
 NP



**HAYWORTH**  
*1598*  
 NP



**HAYWORTH**  
*1599*  
 NP



## Kaba Ilco - Domestic

**HUDSON**  
*1003M* 5-Pin  
 NP



**HUDSON, NCL**  
*1069*  
 NP



**HUDSON, NCL**  
*1069B*  
 NP



**HUDSON, NCL**  
*1069G*  
 NP



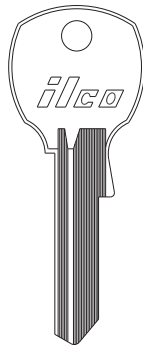
**HUDSON, NCL**  
*1069H*  
 NP



**HUDSON, NCL**  
*1069L*  
 NP



**HUDSON, NCL**  
*1069LA*  
 NP



**HUDSON, NCL**  
*1069LB*  
 NP



**HUDSON, NCL**  
*1069M* 6-Disc  
 NP



**HUDSON, NCL**  
*1069N*  
 NP



**HUDSON**  
*CO106*  
 BR



**HUDSON**  
*S1000V*  
 NP



## Kaba Ilco - Domestic

**HURD**  
*O1122B*  
 NP



**ILCO**  
*1054*  
 NP



**ILCO**  
*10545G* 5-Pin  
 NP



4 PIN  
 5 PIN  
 6 PIN



**ILCO**  
*1054UN*  
 NP



**ILCO**  
*1335S*  
 .060T x .375"W  
 NS



**ILCO**  
*K1054B*  
 NP



**ILCO**  
*L1054B*  
 NP



**ILLINOIS**  
*1043B*  
 NP



**ILLINOIS**  
*1043J*  
 NP



**KIMBALL**  
*1649*  
 BR





## Kaba Ilco - Domestic

**KWIKSET**  
*A1176*  
 NP



**KWIKSET**  
*A1176KT*  
 NP



**TITAN / KWIKSET**  
*A1176ST*  
 NP



**KWIKSET**  
*1176*  
 NP



**KWIKSET**  
*KW1-BR*  
*KW1-BR-250*  
*KW1-NP*  
*KW1-NP-250*

**KWIKSET**  
*KW10-BR-250*  
 NP



**MASTER**  
*M1-250*  
 BR



**MASTER**  
*M1*  
 BR



**MASTER**  
*MD1054K*  
 NP



## Kaba Ilco - Domestic

**MASTER PADLOCK**  
*1092*  
 NP



**MASTER PADLOCK**  
*1092-6000*  
 NP



**MASTER PADLOCK**  
*1092-900*  
 NP



**MASTER PADLOCK**  
*1092C*  
 NP



**MASTER PADLOCK**  
*1092D*  
 NP



**MASTER PADLOCK**  
*1092DS*  
 NP



**MASTER PADLOCK**  
*1092N*  
 NP



**MASTER PADLOCK**  
*1092R*  
 NP



**MASTER PADLOCK**  
*1092V*  
 NP



**MASTER PADLOCK**  
*1092VM*  
 NP



**MOSLER**  
*1323*  
 .060”T x .380”W



## Kaba Ilco - Domestic

### NCL / NATIONAL CABINET

**N1069B**

NP



**NA12**

BR



**NA14**

BR



**R1069L**

NP



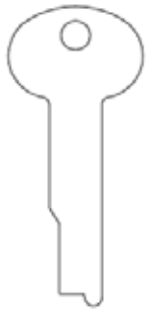
**RO3**

BR



**S&G  
1063B**

NS



.070" - 1.8mm  
.375" - 9.5mm

**S&G  
1063E**

NS



.070" - 1.8mm  
.320" - 8.1mm

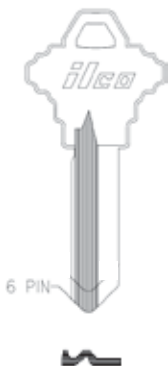
**SARGENT  
N1007RMA**

NS



**SCHLAGE  
1145A** 6-Pin

NP



**SCHLAGE  
1145-HNNS**

AVAILABLE:

**"Do not Duplicate"**  
specify 1145HNNSDND

**"Plain both Sides"**  
specify 1145HNNSPLAIN

**SCHLAGE  
A1145L** 6-Pin

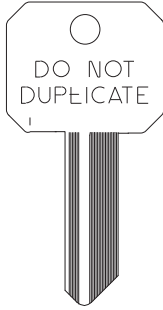
NP



## Kaba Ilco - Domestic

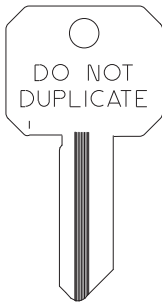
**SCHLAGE**  
*DND-KW1*

BR



**SCHLAGE**  
*DND-SC8*

BR

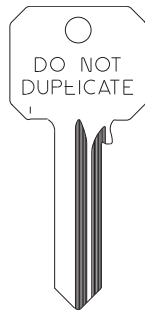


**SCHLAGE**  
*SC1-BR*  
*SC1-BR-250*  
*SC1-NP*  
*SC1-NP-250*



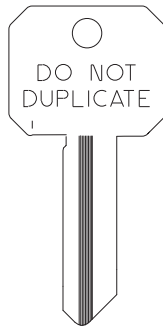
**SCHLAGE**  
*DND-RU46*

BR



**SCHLAGE**  
*DND-SC9*

BR

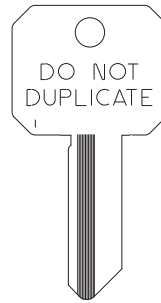


**SCHLAGE**  
*SC4-BR*  
*SC4-NP*  
*SC4-BR-250*



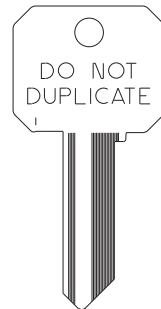
**SCHLAGE**  
*DND-SC1*

BR



**SCHLAGE**  
*DND-WR3*

BR



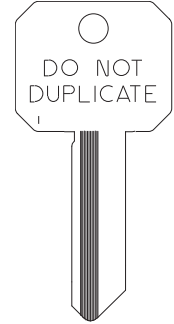
**SCHLAGE**  
*SC8*

BR



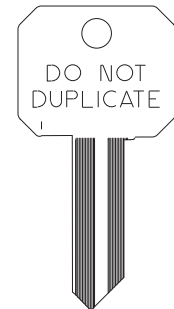
**SCHLAGE**  
*DND-SC4*

BR



**SCHLAGE**  
*DND-Y1*

BR



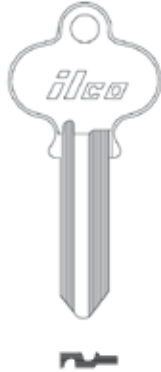
**SCHLAGE**  
*SC9*

BR



## Kaba Ilco - Domestic

**SEGAL**  
*1022* 5-Pin  
 NP



**SENTRY SAFES**  
*1626*  
 NP



**TOOL BOX**  
*1527*  
 NP



**TOOL BOX**  
*1605*  
 NP



**USPS MAILBOX**  
*1646*  
 NP



**USPS MAILBOX**  
*1646R*  
 BR



**WEISER**  
*WR5*  
*WR5-250*  
 BR



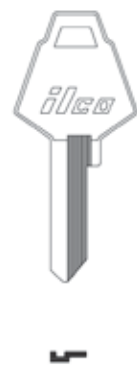
**WESLOCK**  
*WK2*  
*WK2-250*  
 BR



**XL LOCK**  
*1180S*  
 NP



**XL LOCK**  
*XL7*  
 BR

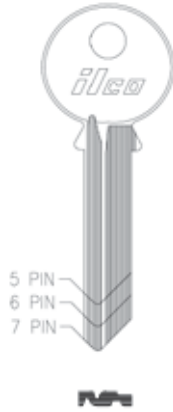


## Kaba Ilco - Domestic

**YALE**  
**997X**  
 NP



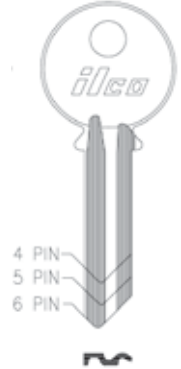
**YALE**  
**998GA** 6-Pin  
 NP



**YALE**  
**999** 5-Pin  
 NP



**YALE**  
**999A** 6-Pin  
 NP



**YALE**  
**O1122**  
 NP



**YALE**  
**O1122AR**  
 NP



**YALE**  
**O1122BE**  
 NP



**YALE**  
**O1122BER**  
 NP



**YALE**  
**O1122R**  
 NP



**YALE**  
**Y1**  
**Y1-250**  
 BR



**YALE**  
**Y11**  
**Y11-250**  
 BR



**YALE**  
**Y12**  
 BR



**YALE**  
**Y13**  
 BR

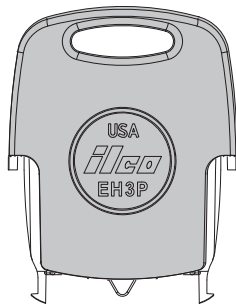
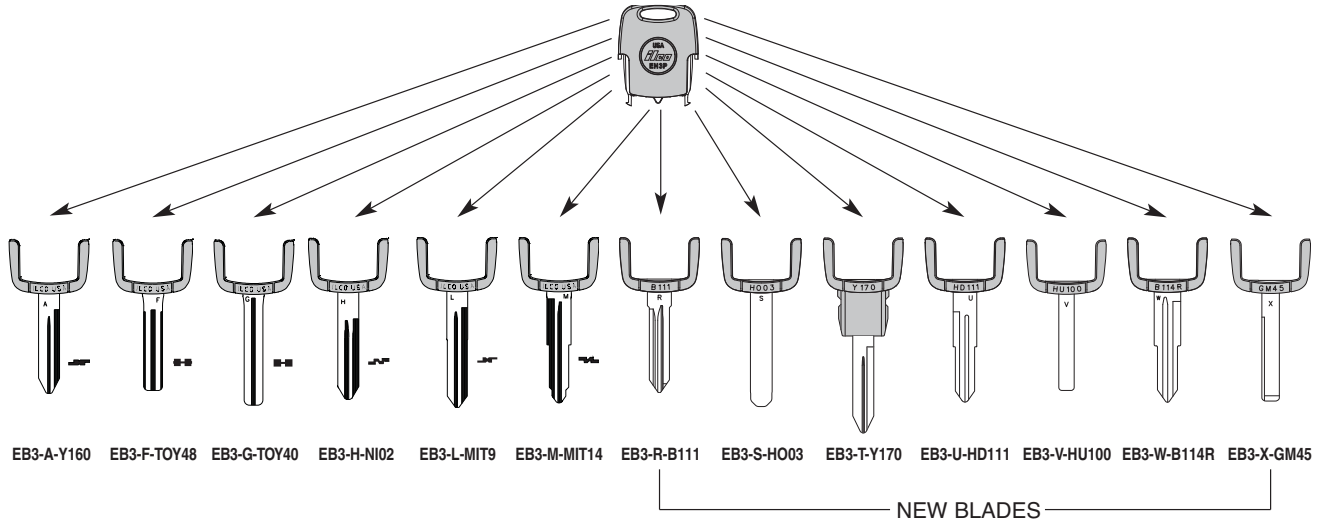


**YALE**  
**Y14**  
 BR



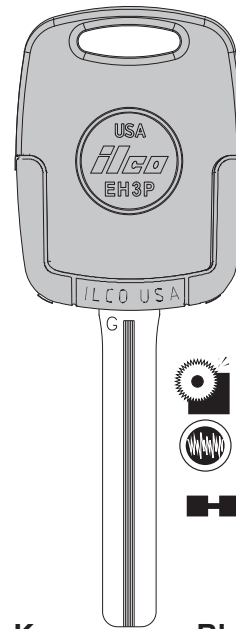
# Kaba Ilco - Auto Electronic Key System

## Ilco®Philips Electronic Cloneable Key System EH3P



**EH3P Electronic Key Head**

1/Bag, 5/Box



**Complete Key**  
EK3P-KK9

1/Bag, 5/Box

**Blade Only**  
EB3-G-TOY40

1/Bag, 5/Box

### Stocked Products

AY160	Chrysler Electronic Key Blade
BH72	Ford Electronic Key Blade
CH73	Ford Electronic Key Blade
DH84	Ford Electronic Key Blade
ET0Y	43 Toyota Electronic Key Blade
FT0Y	48 Toyota Electronic Key Blade
GTOY	40 Toyota Electronic Key Blade
HN102	Nissan Electronic Key Blade
JMAZ24	Mazda Electronic Key Blade
KMIT8	Mitsubishi Electronic Key Blade
LMIT9	Mitsubishi Electronic Key Blade
MMIT14	Mitsubishi Electronic Key Blade

**Application:**

KIA	Amanti	2007-2009
	Borrego	2009-2010
	Sorento	2010-2011

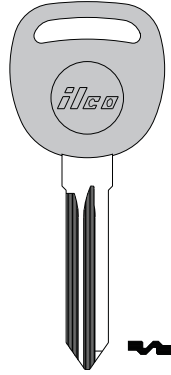
## Kaba Ilco - Auto Transponder

### RW4 PLUS



**RW4 PLUS**

RW4 PLUS detects, reads, generates, archives and clones many transponder keys and electronic cloneable keys.



### B111-PT

Applications for B111-PT:

<b>Buick</b>		Silverado -	
Lucerne CX, CXL	2006-07	Classic SS	2007
<b>Cadillac</b>		Silverado - 1500	2007
DTS (replaces	2006-07	Suburban	2007
Escalade	2007	Tahoe	2007
Escalade, ESV, EXT	2007	<b>GMC</b>	
SRX	2004-07	Acadia	2007
STS, STS V	2005-06	Sierra, Yukon	2007
XLR	2004-07	<b>Pontiac</b>	
<b>Chevrolet</b>		G5	2007
Cobalt	2006-07	G6	2005-07
Impala	2006-07	Solstice	2006-07
Monte Carlo	2006-07	Torrent	2007
Malibu/Malibu Max	2004-07	<b>Saturn</b>	
Avalanche	2007	Aura	2007
Equinox	2007	Outlook	2007
HHR	2006-07	Sky	2007

**FORD  
H72-PT  
CLEAR**



**FORD  
H73-PT  
NP**



**FORD  
H74-PT  
BR**



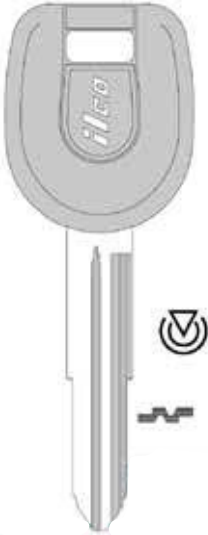
**FORD  
H86-PT  
BR**



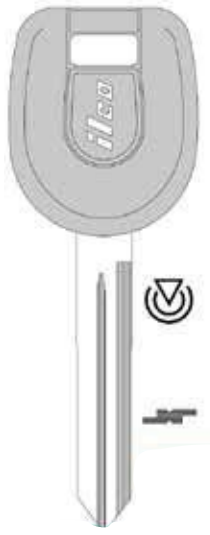


## Kaba Ilco - Auto Transponder

**mitsubishi**  
*MIT8-PT*  
NP



**mitsubishi**  
*MIT9-PT*  
NP



**NISSAN**  
*NIO2T*  
NS



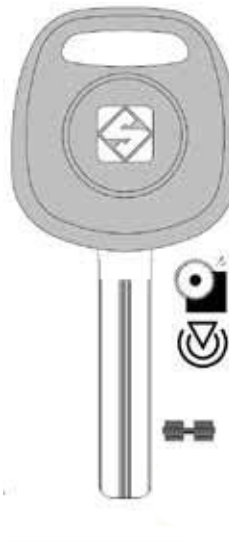
**NISSAN**  
*NIO4T*  
NS



**TOYOTA**  
*TOY43AT4*  
NP



**TOYOTA**  
*TOY48BT4*  
BR



# Kaba Ilco - Auto

## AMERICAN MOTORS / JEEP / RENAULT

*RA4*

NP



## BRIGGS & STRATTON / STRATTEC

*1098M*

NP



## CHRYSLER

*MIT1*

NS



*P1794*

NP



*Y154*

NP



*Y157-P*

NP



*Y157*

NP



*Y159*

NP



*Y159-P*

NP



## FORD

*H50*

NP



*H75*

NP



*H75-P*

NP



## FREIGHTLINER

*1588*

NP



# Kaba Ilco - Auto

## GAS CAP LOCK / HITCHLOCK

*1098GX*  
NS



*1611*  
NP



*1617*  
NP



*1611R*  
NP



## GENERAL MOTORS

*B110*  
NP



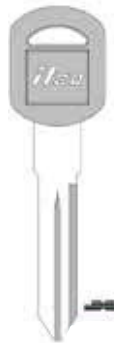
*B110P*  
NP



*B86*  
NP



*B86-P*  
NP



*B89*  
NP



*B89-P*  
NP



*B91*  
NP



*B92*  
NP



*B102*  
NP



*B102-P*  
NP



*B110*  
NP



*S1098H*  
NP



# Kaba Ilco - Auto

## HONDA (AUTOMOBILES)

## HONDA (MOTORCYCLES)

*B65*  
NP



*HD103*  
NS



*HD103-P*  
NP



*HD109*  
NP



*HD74*  
NP



*HD75*  
NP



## HYUNDAI

## KAWASAKI

*HY12*  
NP



*HY14*  
NP



*KA14*  
NP



*KW14* — *KW15-BP*  
*KW14-R* —  
NP



*KW16CP-SI*  
ST



**KENWORTH**  
*K1994*  
NP



**MAZDA**  
*H54*  
NP 250



**MITSUBISHI**  
*MIT1-NP*  
*MIT1-NS*



**NISSAN**  
*DA25*  
NP



**NISSAN**  
*DA34*  
NP



**OPEL**  
*YS2*  
NP



# Kaba Ilco - Auto

## SATURN

*B96*  
NP



*B106-P*  
NS



## SUBARU

*DA25*  
NP



*DA31*  
NP



*SUB1*  
NP



## SUZUKI AUTOMOBILES *SUZ18* NP



## TITAN / KWIKSET TRIMARK

*1601*  
NP



*1602*  
NP



*1603*  
NP

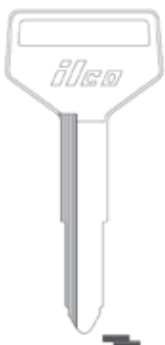


*1604*  
NP

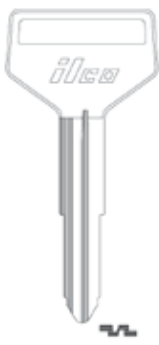


## TOYOTA

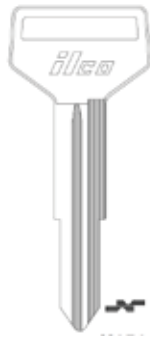
*TR33*  
NP



*TR37*  
NP



*TR39*  
NP



*TR40*  
NP



*TR40-P*  
NP



*TR47*  
NP



*TR47-P*  
NP



# Kaba Ilco - Auto

## TRIMARK

1621  
NS



1622  
NP



1623  
NP



**VOLKSWAGEN**  
*X132*  
NP



**YAMAHA**  
*YM63*  
NP





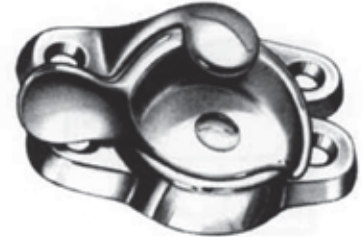
## Ives - Residential

### 07 WINDOW LOCKS

- Material Brass or Aluminum
- Vertical and horizontal cam action for snug non rattling fit
- Heavy gauge spring for long wearing action
- Meets ANSI A156.16
- Include screws

#### **Stocked Product**

07A3 Bright Brass  
07A92 Aluminum  
07MB 605, 619, 625, 626



Base 15/16" x 2-5/8"  
Strike 5/8" x 2-5/8"

### 2 ELBOW CATCH

Plate 1-3/8" X 5/8"  
Strike 1-3/16" X 5/8"  
Material Brass or Aluminum

#### **Stocked Product**

2A3 Bright Brass  
2A92 Aluminum



### 25 SCREEN DOOR PULL

CTC 4-1/8"  
Material Aluminum  
Overall length 4-7/8"  
Projection 1-5/32"

#### **Stocked Product**

25A92 Aluminum



### 026 BAR WINDOW LIFT

Base 1-1/8" x 4"  
Material Aluminum

#### **Stocked Product**

026A3 Bright Brass





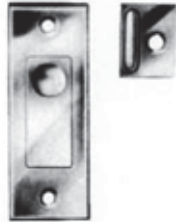
## Ives - Residential

### 42 POCKET DOOR BOLT

Plate size 3-1/16" x 1-1/8"  
Mortise depth 5/8"  
Material Solid brass

**Stocked Product**

Finishes: 605, 613, 625, 626

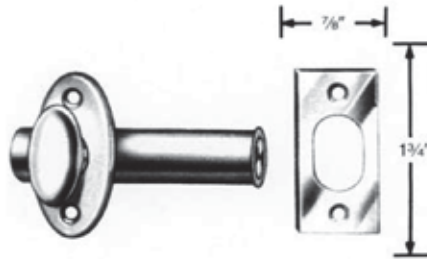


### S48 MORTISE BOLT

Backset 1-3/4"  
Throw 1/2"  
Material Solid brass

**Stocked Product**

Finishes: 605



### 059 HAND RAIL BRACKET

Base 2-1/4" (H) x 1-3/8" (W)  
Base to center of rail 2-7/16"  
Material Solid brass or aluminum

**Stocked Product**

059A14 Bright Nickel  
059A3 Bright Brass  
059A5 Satin Brass  
Blackened  
059A92 Aluminum  
059B Solid Brass  
Satin Nickel



### 59 HAND RAIL BRACKET

Base 2-13/16" (H) x 1-1/2" (W)  
Base to center of rail 2-3/4"  
Material Solid brass or aluminum

**Stocked Product**

59A3 Bright Brass  
59A5 Satin Brass Blackened  
59A92 Aluminum



## Ives – Residential

### 060 FLEXIBLE DOOR STOP

Projection 3"  
Material Steel

#### **Stocked Product**

060 F14	Bright Nickel
060 F3	Bright Brass
060 F5	Satin Brass Blackened
060 F10B	Duro



### 60 DOOR STOP

Projection 3-3/4"  
Material Solid brass or aluminum

#### **Stocked Product**

60A3	Bright Brass
60A92	Aluminum
60MB	605, 609, 613, 619, 625, 626

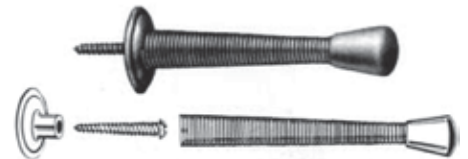


### 061 FLEXIBLE DOOR STOP

Projection 4"  
Material Steel

#### **Stocked Product**

061 F14	Bright Nickel
061 F3	Bright Brass



### 61 DOOR STOP

Projection 3"  
Material Solid brass (SB), aluminum (M), or steel material

#### **Stocked Product**

61A92	Aluminum
61A3	Bright Brass
61A14	Bright Nickel
61A10B	Oil Rubbed Bronze
61MB	619, 625, 626



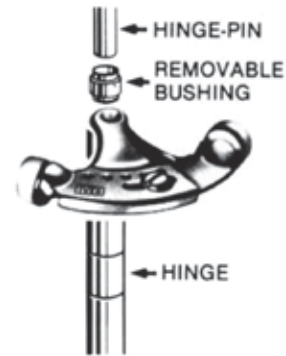
## Ives – Residential

### 69 HINGE PIN DOOR STOP

Door opening adjustments 70° to 100° Material Steel

#### **Stocked Product**

69F10B	Oil Rubbed Bronze
69F14	Bright Nickel
69F15	Satin Nickel
69F3	Bright Brass
69F5	Satin Brass Blackened



### 70 HINGE PIN DOOR STOP

Door opening adjustments 85° to 125°  
Material Brass (B) or aluminum (A)

#### **Stocked Product**

70A14	Bright Nickel
70A5	Satin Brass Blackened
70A3	Bright Brass
70A92	Aluminum
70B	619, 605



### 221 FLUSH PULL

Bore 2-1/8"  
Overall Diameter 2-7/16"  
Material Solid brass

#### **Stocked Product**

221B: 605, 609, 613, 619, 625, 626



## Ives – Residential

### 223 FLUSH PULL

Size 3-9/16" x 1-5/16" x 1/2"  
 Material Solid brass

**Stocked Product**

223B: 619, 626



### 227 FLUSH PULL

Overall size 3-5/8" x 1-3/4" x 9/16"  
 Material Solid brass

**Stocked Product**

227B: 613, 626



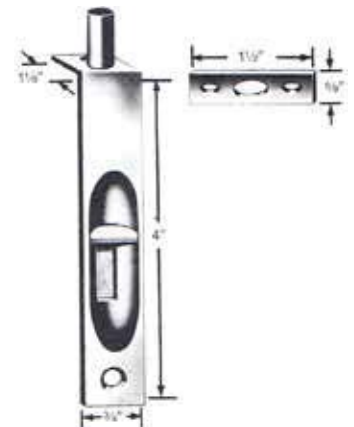
### 261 Flush Bolt

- Polished cast brass.
- A compact flush bolt of high quality incorporating most of the features of the superb No. 262 Flush Bolt.
- Deep cup provides good finger hold, allows easy operation.
- Brass bolt automatically held in retracted or projected position by unique spring design.
- Features sharp, crisp lines and superior finish.
- Packed with screws for bolt and strike.

P/N 261  
 Rod Backset 15/32"  
 Dia. of Bolt Head 5/16"  
 Throw 3/4"

**Stocked Product**

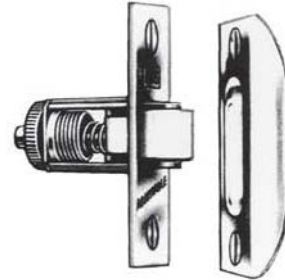
605, 613, 619, 620



## Ives – Residential

### 335 Heavy Duty Roller Catch

Face plate 2-1/4" x 7/8"  
 Bore 3/4" x 1-3/4"  
 Strike 2-1/4" x 1-5/8"  
 Material Solid brass or steel

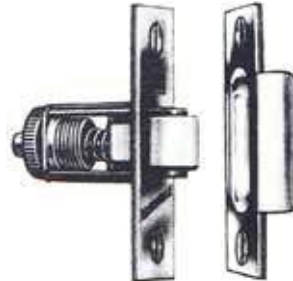


**Stocked Product**

335B 605, 613, 619, 625, 626

### 336 Heavy Duty Roller Catch

P/N 336  
 Face Plate 2-1/4" x 7/8"  
 Bore 3/4" x 1-3/4"  
 Strike 2-1/4" x 7/8"  
 Lip 1-1/8" to Center

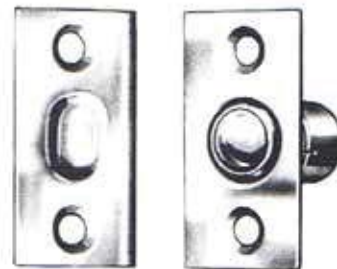


**Stocked Product**

605, 613, 619, 626

### 345 Adjustable Ball Catch

P/N 345  
 Face Plate 1-1/2" x 3/4"  
 Bore 9/16" x 7/8"  
 Strike 1-1/2" x 25/32"  
 Lip 13/32" to Center



**Stocked Product**

605, 613, 619

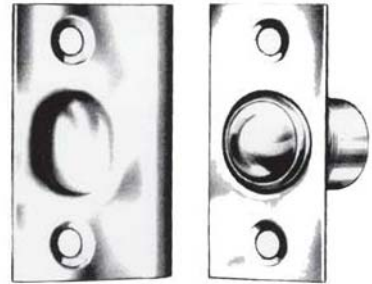
## Ives - Residential

### 347 BALL CATCH

Face plate 2-1/8" x 1"  
 Bore 7/8" x 1-1/4"  
 Strike 2-1/8" x 1-3/8"  
 Material Solid brass

**Stocked Product**

347B 605, 609, 613, 619, 625, 626

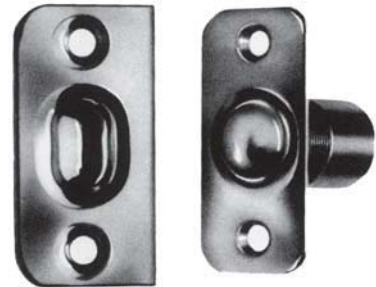


### 348 / 349 BALL CATCH

348	Face Plate 2-1/8" X 1"	349	Face Plate 2-1/8" X 1"
	Bore 7/8" X 1-1/4"		Bore 7/8" X 1-1/4"
	Strike 2-1/8" X 1-1/16"		Strike 2-1/8" X 1-3/8"
	Lip 9/16" to Center		Lip 7/8" to Center

**Stocked Product**

348B 626  
 349B 605, 613, 619, 625, 626



### 571 COAT & HAT HOOK

Projection 3"  
 Base 1-3/4" (H) x 1-7/32" (W)  
 Material Aluminum

**Stocked Product**

A3 Bright Brass



### 581 WARDROBE HOOK

Projection 1-11/16"  
 Base 1-1/8" (H) x 1-1/8" (W)  
 Material Brass or aluminium

**Stocked Product**

581A92 Aluminum  
 581MB 605, 613, 619, 626



## Ives - Residential

### 698 DOOR VIEWER / U698 UL

190° for 1-3/8" - 2-1/8" door  
9/16" hole size

**Stocked Product**

698	605, 626
U698	605, 626



---

### 990 PASSAGE

- Solid brass body
- Fits door 1-3/8" to 1-1/2"
- Pre-assembled for doors opening left to right. Plates are reversible for opening left to right
- Solid brass strike plate
- Decorative coined edges

**Stocked Product**

605, 613, 619, 625



---

### 991 PRIVACY

- Solid brass body
- Fits door 1-3/8" to 1-1/2"
- Pre-assembled for doors opening left to right.
- Solid brass strike plate and turn knob
- Decorative coined edges

**Stocked Product**

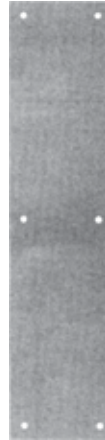
605, 613, 619, 625



## Ives – Commercial

### Architectural Door Trim 8200 SERIES PUSH PLATE

- Made from the finest architectural aluminum, brass, and stainless steel.
- All aluminum, brass, and stainless steel Push Plates meet ANSI A156.6 requirements for .050" thickness.
- Each Push Plate is packaged individually wrapped with mounting screws.



8200 Push Plate

#### **Stocked Product**

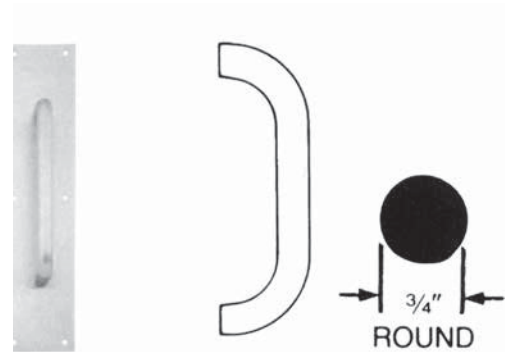
Finishes: 10B, 32D

Size: 4" x 16"

Contact our sales department for availability of other finishes and sizes.

### 8300 PULL PLATES

- Made from the finest architectural aluminum, brass and stainless steel.
- All aluminum, brass, and stainless steel Pull Plates meet ANSI A156.6 requirements for .050" thickness.
- Each Pull Plate is packaged individually wrapped with mounting screws.



8302 Pull Plate 6" C to C

8302 Pull Plate 8" C to C

#### **Stocked Product**

Finishes: 10B, 32D

Size: 4" x 16"

6" Pull Center to Center, 8" Pull Center to Center

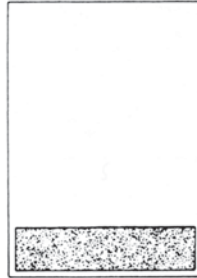


## *Ives – Commercial*

### *Series 8400 DOOR PROTECTION PLATES* **.050" Thickness (Commercial Kick plates)**

**Features:**

- Door Protection Plates are fabricated from the finest architectural brass, and stainless steel.
- All aluminum, brass, bronze and stainless steel Door Protection Plates meet ANSI A156.6 requirements for .050" thickness.
- Optional Beveling-For beveling of top and two sides of plates suffix with B3E, and for beveling of four sides suffix with B4E, Special order only
- Each plate is packaged carefully wrapped in strong kraft paper with #6 x 5/8" oval head, undercut sheet metal screws plated to match, for easy installation on hollow metal, laminate, or wood doors. All plates are packaged in heavy duty corrugated cardboard.



Kick Plates

- Protect the bottom of the push side of doors subject to scuffing from foot traffic.
- Recommended for all doors subject to normal use (especially doors using a closer).

**Stocked Product**

8" x 34", 10" x 34", 12" x 34"	10B, 32D
6" x 34"	10B

## Ives – Commercial

### Full Mortise Hinges - 3 Knuckle

**3PB1 Steel with steel pin.**

**3PB1 Stainless Steel with stainless steel pin. (630 finish only)**

**PLAIN BEARING • LOW FREQUENCY • STANDARD WEIGHT**

For use on Medium Weight Doors with Low Frequency Usage, not intended for use with door closing devices

- Hinges tested to ANSI - A156.1.
- Dimensions & tolerances conform to ANSI - A156.7.
- 3PB1 Steel Description conforms to ANSI - A8133.
- 3PB1 Stainless Description conforms to ANSI - A5133.
- Packed with wood and machine screws.



Size (Inches)	Size (MM)	Gauge
4.5 x4.5	114x114	.134

**Stocked Finishes**

26D, 32D, USP  
4 1/2" x 4 1/2" size only

**3CB1 Steel with steel pin.**

**3CB1 Stainless Steel with Stainless Steel pin. (630 finish only)**

**Non- Removable Pin suffix "NRP"**

**CONCEALED BEARING • MEDIUM FREQUENCY • STANDARD WEIGHT**

For use on Medium Weight Doors with Medium Low Frequency Usage

- Hinges tested to ANSI - A156.1.
- Dimensions & tolerances conform to ANSI - A156.7.
- 3CB1 Steel description conforms to ANSI - A8112.
- 3CB1 Stainless description conforms to ANSI - A5112.
- Packed with wood and machine screws.



Size (Inches)	Size (MM)	Gauge
4.5 x4.5	114x114	.134

**Stocked Finishes**

26D, 32D, USP  
4 1/2" x 4 1/2" size only  
**Also stocked NRP**

**Special order**

- Contact sales department for other sizes & finishes.

## Ives – Commercial

### Full Mortise Hinges - 3 Knuckle

**5PB1** Steel with steel pin

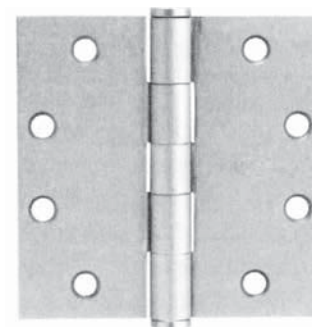
**5PB1** Stainless Steel with stainless steel pin (630 finish)

**Non-Removable Pin Suffix “NRP”**

**PLAIN BEARING • LOW FREQUENCY • STANDARD WEIGHT**

For use on Medium Weight Doors with Low Frequency Usage, not intended for use with door closing devices.

- Hinges tested to ANSI - A156.1.
- Dimensions & tolerances conform to ANSI - A156.7.
- Packed with wood and machine screws.



Size (Inches)	Size (MM)	Gauge
4.5 x 4.5	114 x 114	.134

**Stocked Finishes**

26D, 32D, USP  
4 1/2" x 4 1/2" size only  
Also stocked NRP

**5BB1** Steel with steel pin

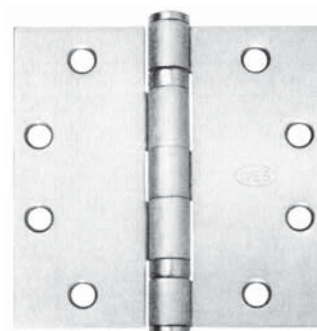
**5BB1** Stainless Steel with stainless steel pin (630 finish only)

**Non-Removable Pin suffix "NRP"**

**2 BALL BEARING • MEDIUM FREQUENCY • STANDARD WEIGHT**

For use on Standard Weight Doors with Medium Frequency Usage

- Hinges tested to ANSI - A156.1.
- Dimensions & tolerances conform to ANSI - A156.7.
- 5BB1 Steel description conforms to ANSI - A8112.
- 5BB1 Stainless description conforms to ANSI - A5112.
- Packed with wood and machine screws.



Size (Inches)	Size (MM)	Gauge
4.5 x 4.5	114 x 114	.134
4.5 x 4	114x102	.134
5 x 4 1/5	127 x 114	.134

**Stocked Finishes**

4 -1/2" x 4"                      USP, 26D, 32D  
4 1/2" x 4 1/2"                  USP, 26D, 32D  
4 1/2" x 4 1/2" NRP            USP, 26D, 32D  
5" x 4-1/2"                        26D, 32D

## *Ives – Commercial*

### Full Mortise Hinges - 5 Knuckle

**5BB1HW Steel with steel pin**

**5BB1HW Stainless Steel with stainless steel pin (630 finish only)**

**Non-Removable Pin suffix “NRP” strike**

**4 BALL BEARING • HIGH FREQUENCY • HEAVY WEIGHT**

For use on Heavy Weight Doors or High Frequency Usage

- Hinges tested to ANSI - A156.1.
- Dimensions & tolerances conform to ANSI- A156.7.
- 5BB1 HW Steel description conforms to ANSI - A8111.
- 5BB1 HW Stainless description conforms to ANSI - A5111.
- Packed with wood and machine screws.

Size (Inches)	Size (MM)	Gauge
4.5 x 4.5	114 x 114	.180



***Stocked Finishes***

26D, 32D, USP  
 4 1/2" x 4 1/2" size only  
**Also stocked NRP**

## Ives – Commercial

### *FB358* (old number *FB6W*)

#### MANUAL FLUSH BOLT WOOD

##### Dimensions:

Body Size: 1" x 6-3/4" x 1-3/8" Deep

Guide Size: 1" x 2-1/2" x 5/64" Thick

Strike Size: 15/16" x 2-1/4" x 5/64" Thick

##### **Stocked Product**

10B, 26D

##### Top or bottom bolts

- UL Listed 90 minutes on 8'0" x 10'0" opening
- Non-handed.
- Bolts have 3/4" throw with a 7/8" vertical adjustment.
- Meets ANSI/BHMA A156.16, L04261.



### *FB458* (old number *FB6*)

#### MANUAL FLUSH BOLT METAL

##### Dimensions:

Body Size: 1" x 6-3/4" x 1-13/8" Deep

Guide Size: 1" x 2" x 5/64" Thick

Strike Size: 15/16" x 2-1/4" x 5/64" Thick

Rod: 1/4-20 threaded rod

##### **Stocked Product**

10B, 15, 26D, US3

##### Top or bottom bolts

- FB458 UL Listed fire doors up to 3 hours
- Bolt tip is 1/2" diameter
- Bolts have 3/4" throw with a bolt backset of 3/4"
- Standard rod length is 12"
- Meets ANSI/BHMA A156.6, L04251.



### *DP2* - Dust proof strike

Face plate 1-5/8" x 3-1/2" x 1/8" Thick

##### **Stocked Product**

10B, 26, 26D, US3



## Ives – Commercial

### FLUSH BOLT



#### AUTOMATIC FOR METAL *FB31P* PAIR

Top and bottom bolts  
Both bolts are non-handed, but are not identical. The top bolt has no spring tension, resulting in lower actuation force with a smoother operation.

#### Dimensions:

Body Size: 1" x 6-3/4" x 2" Deep  
Guide Size: 1" x 1-27/32" x 27/32" x 3/32" Thick  
Strike Size: 15/16" x 2-1/4" x 1/16" Thick  
Rub Plate Size: 1-1/4" x 1-11/16" 3/64" Thick  
Auxiliary Fire Latch Size: 1" x 1-3/4" x 3-1/4" Deep

**Stocked Product**

10B, 32D



#### AUTOMATIC FOR WOOD *FB41P* PAIR

Top and bottom bolts  
Both bolts are non-handed, but are not identical. The top bolt has no spring tension, resulting in lower actuation force with a smoother operation.

#### Dimensions:

Body Size: 1" x 8-1/2" x 2" Deep  
Guide Size: 1" x 6" x 1/8" Thick  
Strike Size: 15/16" x 2-1/4" x 1/16" Thick  
Rub Plate Size: 1-1/4" x 1-11/16" 3/64" Thick  
Auxiliary Fire Latch Size: 1" x 1-3/4" x 3-1/4" Deep

**Stocked Product**

10B, 32D



#### CONSTANT LATCH FLUSH BOLTS *FB51P* PAIR

Top and bottom bolts  
FB51P combines FB51T constant latching top bolt with FB31B automatic bottom bolt. Non-handed.

#### Dimensions:

Body Size: 1" x 6-3/4" x 2" Deep  
Guide Size: 1" x 1-27/32" x 11/16" x 3/32" Thick  
Strike Size: 15/16" x 2-1/4" x 1/16" Thick  
Rub Plate Size: 1-1/4" x 1-11/16" 3/64" Thick  
Auxiliary Fire Latch Size: 1" x 1-3/4" x 3-1/4" Deep

**Stocked Product**

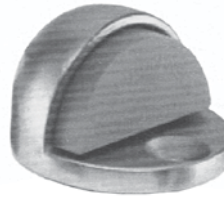
10B, 32D

## Ives – Floor Stops & Holders

### FS13 Dome Stop

- Standard FS13 for use where no threshold is used.
- Heavy-Duty Cast Dome Stops constructed of brass.
- Unique riser design of R14 (below) allows easy conversion to threshold application.
- Units are packed with fasteners sufficient for mounting in all types of floor construction, including concrete.
- Meets ANSI/BHMA 156.6, L12141.

Overall Height 1”  
Base Height .. 5/32”  
Base Diameter 1-3/4” Round



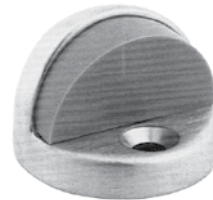
**Stocked Product**

605, 613, 625, 626

### FS17 Dome Stop

- One piece dome stop for use with thresholds.
- Heavy-Duty Cast Dome Stops constructed of brass.
- Units are packed with fasteners sufficient for mounting in all types of floor construction, including concrete.
- Meets ANSI/BHMA 156.1, L12161.

Overall Height 1-11/32”  
Base Height .. 1/2”  
Base Diameter 1-3/4” Round



**Stocked Product**

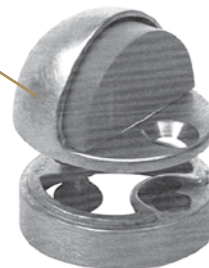
605, 613, 625, 626

### R14 Riser only

- Adapts the FS13 Dome Stop to threshold use.
- Brass Die Cast Construction.
- Meets ANSI/BHMA 156.1, L12161 when used with FS13 Dome Stop.

Riser Height .. 5/16”  
Base Diameter 1-3/4” Round

Not Included



**Stocked Product**

605, 613, 625, 626

## Ives – Floor Stops & Holders

### FS436/FS438 Floor Dome Stop

- FS436 For doors without threshold
- FS438 For doors with threshold or undercut doors
- Heavy Duty cast dome stops constructed of brass, bronze, or aluminum
- Meets ANSI A156.6 L12141 for brass and L32141 for aluminum
- Packed with wood screw and plastic anchor



FS436  
Overall height: 1”  
Base height: 3/16”  
Base diameter: 1-3/4” x 2” oval



FS438  
Overall height: 1-3/8”  
Base height: 9/16”  
Base diameter: 1-3/4” x 2” oval

**Stocked Product**

FS436	10B, 26, 26D
FS438	10B, 26, 26D

### FS441 Floor Door Stop

- Cast material
- Accommodates doors undercut up to 1-1/2”
- Designed for commercial applications
- Non-marring rubber tip
- Conforms to ANSI A156.16  
L12131 for brass and  
L32161 for aluminum
- Packed with expansion shield and Tampin
- 2-11/16” x 1-5/8” x 2-1/8” (L x W x H)



**Stocked Product**

605, 613, 619, 625, 626

### FS444 / FS448 Heavy Duty Floor Stops

- Cast material
- Accommodates doors undercut up to 2-1/2”
- Designed for commercial applications
- Non-marring rubber tip
- Conforms to Fed. Spec. No. 1328E
- Conforms to ANSI A156.16  
L12131 for brass and  
L32131 for aluminum
- FS444 Packed with expansion shield and lead shield, for masonry type mounting
- FS448 Packed with wood screws, for drywall mounting

FS444



FS448



**Stocked Product**

FS444	605, 613, 619, 625, 626
FS448	613, 626



## Ives – Floor Stops & Holders

### FS446 / FS450 HD Floor Door Stop & Holders

- Cast material
- Accommodates doors undercut up to 2-1/2"
- Designed for high traffic areas in commercial applications
- Resilient, non marring rubber tip
- Conforms to Fed. Spec. No. 1329E
- FS446 Conforms to ANSI A156.16 L11371 for brass and L31371 for aluminum
- FS446 Packed with expansion shield and lead shield, for masonry type mounting
- FS450 Packed with wood screws, for drywall mounting



**Stocked Product**  
10B, 26D

### FS455 Door Holder

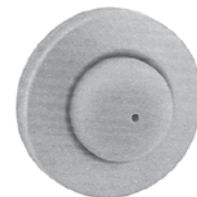
- Cast brass or aluminum construction.
- Non-marring rubber shoes have corrugated bottoms to provide secure grip and a shank which forms its own thread when screwed into threaded cavity of holder. When worn, shoes are easily replaced.
- Door-to-floor clearances of 2' or less.
- Meets ANSI/BHMA 156.16, L11382 for brass and L31382 for aluminum.
- Plate Height 1" x 3/4"
- Plate Width 1" x 3/4"



**Stocked Product**  
605, 613, 619, 625, 626

### WS401 CVX & CCV Wall Bumpers

- Constructed in heavy-duty cast brass or aluminum base.
- Special retainer cup makes rubber tamper resistant.
- The WS401 CVX unit is designed with a convex rubber bumper, packed with wood screw and plastic anchor.
- The WS401 CCV unit is designed with a concave rubber bumper which avoids damage to locks with projecting buttons, packed with wood screw and plastic anchor.
- Designed with a convex rubber bumper packed with screw and drywall anchor.
- Unit is designed with a concave rubber bumper which avoids damage to locks with projecting buttons and is packed with screw and drywall anchor.
- WS401 CVX meets ANSI/BHMA 156.16 L12101 for brass and L32101 for aluminum.
- WS401 CCV meets ANSI/BHMA 156.16 L12251 for brass and L32251 for aluminum.



WS401CVX



WS401CCV

**Stocked Product**

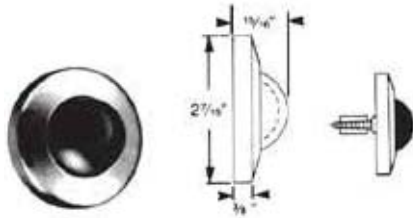
WS401CCV 26, 26D, 3, 15  
WS401CVX 10B

## *Ives – Floor Stops & Holders*

### *WS406CVX*

#### **Convex Wall Door Stop with Plastic Anchor**

- Wrought material
- Factory assembled backplate
- Concealed mounting
- Easy installation by inserting screw through small hole in rubber
- Conforms to ANSI A156.16 L22101 for brass, L42101 for aluminum and L52101 for stainless steel
- Packed with wood screw and plastic anchor



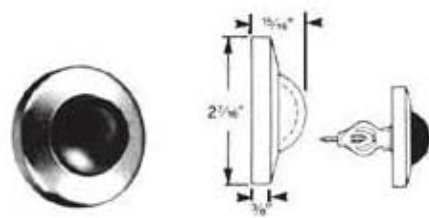
**Stocked Product**

613, 625, 630

### *WS407CVX*

#### **Convex Wall Door Stop with Plastic Drywall Anchor**

- Wrought material
- Factory assembled backplate
- Concealed mounting
- Easy installation by inserting screw through small hole in rubber
- Conforms to ANSI A156.16 L22101 for brass, L42101 for aluminum and L52101 for stainless steel
- Packed with wood screw and plastic anchor

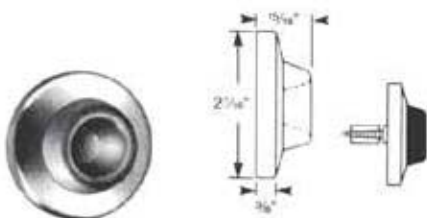


**Stocked Product**

613, 625, 630

### *WS406CCV Concave Wall Door Stop with Plastic Anchor*

- Wrought material
- Concave rubber permits knob to strike stop without damaging or engaging lock mechanism
- Factory assembled backplate
- Concealed mounting
- Easy installation by inserting screw through small hole in rubber
- Conforms to ANSI A156.16 L22251 for brass, L42251 for aluminum and L52251 for stainless steel
- Packed with wood screw and plastic anchor

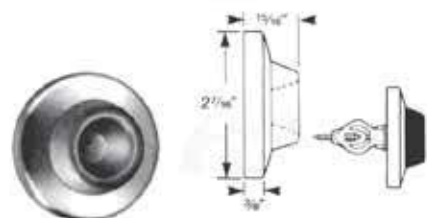


**Stocked Product**

613, 625, 630

### *WS407CCV Concave Wall Door Stop with Plastic Drywall Anchor*

- Wrought material
- Concave rubber permits knob to strike stop without damaging or engaging lock mechanism
- Factory assembled backplate
- Concealed mounting
- Easy installation by inserting screw through small hole in rubber
- Conforms to ANSI A156.16 L22251 for brass, L42251 for aluminum and L52251 for stainless steel
- Packed with plastic drywall anchor and screw



**Stocked Product**

613, 625, 630

## Ives – Floor Stops & Holders

### WS443 HD Wall Door Stop

- Cast material
- Designed for commercial applications
- Non-marring rubber tip
- Conforms to Fed. Spec. No. 1320E
- Conforms to ANSI A156.16 L12021 for brass and L32021 for aluminum
- Packed with expansion shield and lead shield
- 2-1/4" x 3-5/8" (Dia. x Proj.)



**Stocked Product**  
626

### WS445 HD Wall Door Stop & Holder

- Cast material
- Heavy duty for high traffic areas
- Resilient, non-marring rubber tip
- Conforms to Fed. Spec. No. 1321
- Conforms to ANSI A156.16 L11341 for brass and L31341 for aluminum
- Packed with expansion shield and lead shield for masonry type mounting
- 2-1/4" x 3-5/8" (Dia. x Proj.)



**Stocked Product**  
626

### WS447 HD Wall Door Stop

- Cast material
- Designed for commercial applications
- Non-marring rubber tip
- Conforms to Fed. Spec. No. 1320
- Conforms to ANSI A156.16 L12011 for brass and L32011 for aluminum
- Packed with wood screw
- 2-1/4" x 3-5/8" (Dia. x Proj.)



**Stocked Product**  
625, 626

### WS449 HD Wall Door Stop & Holder

- Cast material
- Heavy duty for high traffic areas
- Resilient, non-marring rubber tip
- Conforms to Fed. Spec. No. 1321
- Conforms to ANSI A156.16 L11341 for brass and L31341 for aluminum
- Packed with wood screw
- 2-1/4" x 3-5/8" (Dia. x Proj.)

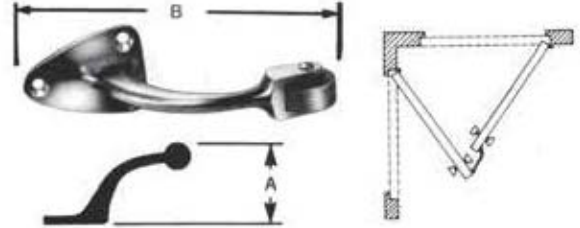


**Stocked Product**  
626

## Ives – Roller Bumpers

### RB470 Roller Bumper

- Cast material
- Designated to eliminate the possibility of interfering doors striking each other or of interlocking knobs
- For use where two right-hand or two left-hand doors interfere, meeting at odd angles in a corner
- Conforms to ANSI A156.16 L12212
- Packed with sheet metal screws
- (1-5/8" x 2-1/4") x 2-3/4" x 2-3/4" (base x A x B)



**Stocked Product**

626

### RB471 4-1/2" Length Roller Bumper

- Cast material
- Designated to eliminate the possibility of interfering doors striking each other or of interlocking knobs
- For use where doors in a corner are of opposite hand
- Nos. 471 and 472 conform to Fed. Spec. No. 1341
- No. 471 conforms to ANSI A156.16 L12192
- Packed with sheet metal screws
- 471 2" dia. x 4-1/2" (base x Proj. A)



**Stocked Product**

626

## Ives – Door Silencers

### SR64

- For use on metal frames featuring pneumatic design that, once installed, forms an air pocket to absorb shock and reduce noise of door closing.
- Tamper-proof once installed on the frame.
- Proper installation also eliminates door rattle and provides constant tension for door latches or locks.
- Packed in bags of 100.
- Each bag has an installation tool included.
- Meets ANSI/BHMA 156.16, L03011
- Finish: gray



### SR65

- For use on wood frames, also features pneumatic design to cushion shock and absorb noise.
- To prevent removal, a small brad should be driven into stop strip and through stem of silencer, as shown in the detail.
- Packed in bags of 100.
- Each bag has an installation tool included.
- Meets ANSI/BHMA 156.16, L03021
- Finish: gray

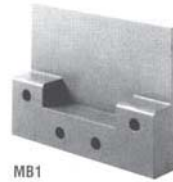


## Ives – Commercial

### MB1 & MB2 MOUNTING BRACKETS

Product	Jamb Depth	Stop Width
MB1	4-3/4" Min.	Over 2-1/2"
MB2	4-3/4" Min.	Up to 2-1/2"

- Allows stop mounted hardware to be properly installed without damaging the coordinator.



MB1



MB2

**Stocked Product**  
 USP

### COR SERIES BAR COORDINATOR

- The COR series coordinators are designed for use on pairs of doors when one door needs to close before the other.
- All COR units function easily. The active door lever, located nearest to the active stop, holds the active door open until the trigger mechanism is released by the closing of the inactive leaf.
- All COR units are equipped with an override feature which allows the active door to close under extreme pressure.
- All COR units are compatible with flush bolts.
- The COR series does not cover the entire length of the stop, so a filler bar can be provided to maintain architecturally clean lines.
- Cor series coordinator channels and fillers are made of aluminum and are normally furnished US28 finish.
- Meets ANSI/BHMA A156.3, type 21A

Dimensions: 1-5/8" Wide x 5/8" Deep x Ordered Length



**Stocked Product**  
 COR52 x FL20 Filler Plate

### LG1 LOCK GUARDS

- Units are non-handed and incorporate security frame pin to prevent separation of the door and frame.
- Unit covers the latch bolt area of the door and lock, thereby providing added protection from burglars, vandals or normal abuse.
- Ideal for use with mortise or cylindrical locks.
- Easy installation.
- Through bolted with carriage bolts and nuts.
- Finishes: Stainless steel - US32D, Steel - US2G



**Stocked Product**  
 US32D, US26

## Ives- Commercial Roller Latches

### RL30

- Actuation is simple, closing of the door causes the roller to fall in the depression of the strike, thereby holding the door closed.
- The projection of the roller is easily adjusted using adjusting screws on the face of the unit.
- Maximum projection of the roller is 3/8" allowing for variance in the door clearance.
- Nylon Roller Standard.
- Forged Brass Construction.
- Meets ANSI/BHMA A156.16, E19091.
- Finishes: US3, US4, US10, US10B, US26, US26D.
- Optional Roller-F- Nylon covered brass roller.
- Optional Strike-A-ASA



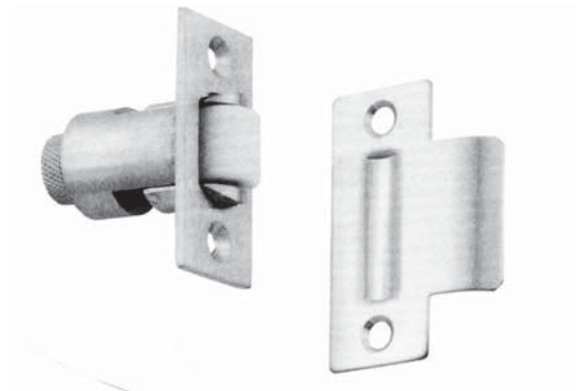
Dimensions:  
 Body: 1 1/2" Wide x 3-3/8" Long x 1-11/16" Deep  
 Strike: 1-11/16" Wide x 2-1/4" Long x 5/32" Thick  
 Optional ASA Strike: STK726 (not shown): 1-1/4" wide x 4-7/8" long x 3/32" thick

**Stocked Product**

US3, 10B, US26, 32D

### RL32

- Actuation is simple, closing of the door causes the roller to fall in the depression of the strike, thereby holding the door closed.
- The projection of the roller is easily adjusted by turning knurled knob on back of latch.
- Maximum projection of the roller is 1/2" allowing for variance in the door clearance.
- Fits heavy-duty cylindrical tock cutout.
- Nylon Roller Standard.
- Non-handed.
- Brass or Stainless Steel Construction.
- Meets ANSI/BHMA A156.16, E191 01.
- Finishes: US3, US4, US10, US10B, US32, US32D.
- Optional Roller-F- Nylon covered brass roller.
- Optional Strike-A-ASA.



Dimensions:  
 Body: 1-1/8" Wide x 2-1/4" Long x 2-1/4" Deep  
 Strike: 1-1/8" Wide x 2-3/4" Long x 3/32" Thick  
 Optional ASA Strike: STK726 (not shown): 1-1/4" wide x 4-7/8" long x 3/32" thick

**Stocked Product**

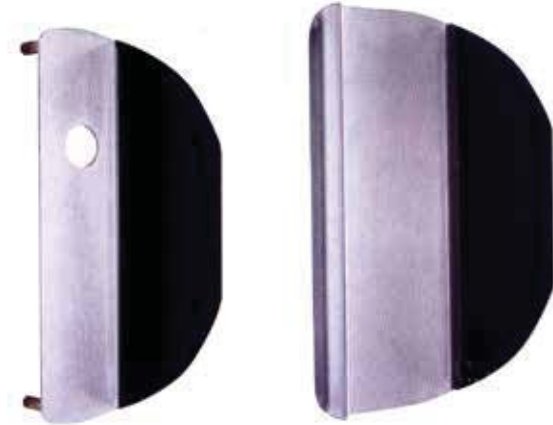
10B, 32D

## *Ives – Vandal Resistant Trim*

### **VR900 Vandal Resistant Trim**

#### **Features:**

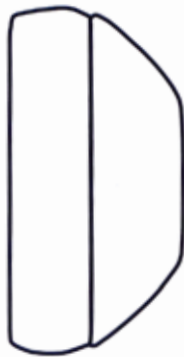
- Stainless Steel construction, 11 gage (0.120" thick).
- Thru-bolts and rugged mounting screws for maximum fastening strength.
- 1/4-20 screws and stainless steel finishing washers supplied with VR900 models; 10-24 screws supplied with VR910 models.
- Built-in lock protector prevents vandalism to mortise latchbolt (available on certain models).
- Extra-tough stainless steel cylinder collar prevents pipe wrench or similar tool from damaging cylinder. Tapered design prevents side impacts from transferring directly to cylinder. Collar spins freely.
- Sleek, attractive design.
- Furnished with mounting screws for door thicknesses of 1-3/4" to 2-1/4".
- Finish: US32D.
- Grip coated in black plastisol for softer touch and resilience to temperature extremes. Grip designed for comfortable operation.
- Meets ANSI/BHMA 156.13, Trim Security Test and California State Accessibility Standards Title 24.



### **VR910-DT**

- For use with Von Duprin 98/99 Series Rim and Vertical exit devices.
- Thru-bolts directly to device.
- Pull operation only. No cylinder cutout.

Width	5-1/4"
Height	11"
Thru-bolt pattern	1-3/8" W X 7" H
Clearance to Door	1-1/2"
Proj.	1-7/8"



**Stocked Product**

32D

### **VR910-NI**

- For use with Von Duprin 98/99 Series Rim and Vertical exit devices.
- Thru-bolts directly to device.
- Includes cylinder cutout.
- Tailpiece guide and cylinder cup provided.

Width	5-1/4"
Height	11"
Thru-bolt pattern	1-3/8" W X 7" H
Clearance to Door	1-1/2"
Proj.	1-7/8"



**Stocked Product**

32D

## Jackson - Overhead Closers

### 20101M01 - Overhead Concealed Closer

Application: aluminum doors exterior and interior

#### Features

- 1/2" spindle length
- Regular duty spring size
- Available in 90 and 105 degree swing hold or no hold options
- Dual valve closing control – sweep and latch speeds are adjustable
- Cushioned tri-polymer backstop protects the closer
- Non handed
- Single or double acting
- Suitable for both center hung and offset applications
- UL Listed, UL 228 (non-hold only)

#### Options

- 7/8" and 1-13/64" spindle lengths
- Extra Light, Light, and Heavy Duty Spring Sizes



#### Stocked Product

Item #	Description
20101M01	105 NH
20101M02	105 HO
20101M03	90 NH
20101M04	90 HO

### 20101M17 - Adjustable Spring Power Overhead Concealed Closer

Applications: ADA compliant entrances and where HVAC stack pressure is an issue

#### Features

- Meets ADA requirements
- Adjustable Spring Power for regulating opening force most accurately sizes 2-4
- Fully adjustable independent valves for sweep and latching functions
- Full ball bearing operation for increased efficiency
- Cushioned tri-polymer backstop protects the closer
- Non handed
- Single or double acting
- Suitable for both center hung and offset applications
- 1/2" spindle length
- UL Listed, UL 228 (non-hold only)

#### Options

- 7/8" and 1-13/64" spindle lengths
- End load arms
- Side load arms
- Bottom pivots
- 3/4" off set and intermediate pivots
- Off set arms and slide tracks
- Mounting Clips



#### Stocked Product

Item #	Description
20101M17	105NH
20101M18	105 HO
20101M19	90 NH
20101M20	90 HO



## Jackson - Overhead Closers

### 20104M04 - Overhead Closer

Application: All glass herculite-type doors with patch or rail hardware and aluminum doors

#### Features

- Extended spindle 7/8" spindle length
- Regular duty spring size
- Available in 90 and 105 degree swing hold or no hold options
- Dual valve closing control – sweep and latch speeds are adjustable
- Cushioned tri-polymer backstop protects the closer
- Non handed
- Single or double acting
- Suitable for both center hung and offset applications
- UL Listed, UL 228 (non-hold only)

#### Options

- 1/2" and 1-13/64" spindle lengths
- Extra Light, Light, and Heavy Duty Spring Sizes



#### Stocked Product

Item #	Description
20104M01	105 NH 7/8"
20104M02	105 HO 7/8"

## Jackson - Center Hung Closer Accessories

### 202000 - End Load Arm for Top Rail

#### Features

- For 1" deep top rail
- Includes mounting hardware
- Forged steel



---

### 20219 - Mounting Clip Package

#### Features

- Mounting clip package
- Center Hung



---

### 20400B - Side Load Arm

#### Features

- For 1/2" deep top rail
- Includes mounting hardware
- Forged steel



## Jackson - Exits

### 2086 - Concealed Vertical Rod Exit Device

Application: Narrow, Medium, Wide stile aluminum doors (min 1 3/4")

#### Features

- Handed – Not reversible
- Dogging from inside manual operation or outside cylinder
- Optional cylinder dogging available
- Independent top and bottom bolt action with 1/2" throw
- Includes Humpback Top Strike TM to ensure secure closing
- Trigger action, positive bolt release
- Adjustable bolt guides allow bolt adjustment with door installed
- Concealed silencers quiet rod operation
- Field sizable to 30"
- Listed ANSI/UL 305 panic hardware and ANSI 156.3 Grade 1 panic hardware
- Available as an Electrified Unit – 312086E requires 302616 power supply



#### Stocked Product

Item #	Handing	Finish
2086L	LHR	313, 628
2086R	RHR	313, 628

## Jackson - Pivots

### 201060 - Type P Pivot

#### Features

- For Floor Installation
- For 1-9/16" deep bottom rail



### 201570- GW Center Hung Pivot

#### Features

- For Floor Installation
- For 1-9/16" deep bottom rail



### 20902 - G Type Pivot

#### Features

- For floor installation
- For 1-1/2" deep bottom rail
- Height adjustable



### 20944 - Ge Type Pivot

#### Features

- For threshold installation
- For 1-1/2" deep bottom rail
- Height adjustable



## Jackson - Pivots

### 3/4" Offset Intermediate Pivots

#### J-14 - Pivot Package

##### Features

- For aluminum doors and frames
- Max weight 125lbs.
- Reversible – non handed
- Jamb slot-in
- Extruded aluminum
- 5/8" vertical adjustment
- Full race ball-bearing and iolite bronze bushing
- Fully retractable pin for easy installation



##### Stocked Product

Part #	Description	Finish
41J14S313	Short Leg	Dark Bronze
41J14S628	Short Leg	Clear Aluminum

### J-19 - Intermediate Pivot

##### Features

- For aluminum or metal doors and frames
- Max weight 150lbs.
- Full mortise – Handed
- Made from aluminum
- Also available: 41J190HD
- Max weight 1,000lbs.
- Made from Brass or Bronze or Stainless Steel
- 5/8" vertical adjustment
- Full race ball-bearing and iolite bronze bushing
- Fully retractable pin for easy installation



##### Stocked Product

Part #	Description	Finish
41J190L313	Left	Dark Bronze
41J190R313	Right	Dark Bronze
41J190L628	Left	Aluminum
41J190R628	Right	Aluminum

## Jackson - Pivots

### 3/4" Offset Pivot Package

#### Features

- For aluminum frames and doors up to 125lbs.
- Extruded or Cast aluminum
- Full race ball-bearing and iolite bronze bushing
- Fully retractable pin for easy installation
- 1/8" vertical adjustment

#### Stocked Product

Item #	Description	Finish
41J25L313	Left	Dark Bronze
41J25R313	Right	Dark Bronze
41J25L628	Left	Aluminum
41J25R628	Right	Aluminum



### Offset Pivot Set

#### Stocked Product

Item #	Description	Finish
41LH DU	Left	Dark Bronze
41RH DU	Right	Dark Bronze
41LH A	Left	Aluminum
41RH A	Right	Aluminum



### 689628 - Non-Handed Offset Top and Bottom Pivot Set

For Use With 1-3/4" Aluminum Doors

The CRL J689 Offset Pivot Sets are designed to be used with standard 1-3/4 inch (44 millimeter) storefront aluminum doors weighing not more than 125 pounds (57 kilograms). These Pivots are perfect for new or retrofit applications. Finish: ALUMINUM



## Jackson - Panic Accessories

### 301084 - Hump Back Strike™ package for Jackson top bolt exit devices

#### **Product Description & Features**

- Prevents “bottom-bolt-drag”
- Use with all Jackson top bolt panics
- Ensures smooth, secure, action



#### **Stocked Product**

Item #	Finish
301084313	Dark Bronze
301084628	Aluminum

### 30821 - Mortise cylinder mountingpad for Jackson concealed vertical rod exit devices

#### **Features**

- For use with 1” outside cylinder
- Use MS type cam



#### **Stocked Product**

Item #	Finish
30821J313	Dark Bronze
30821J628	Aluminum

## Jackson - Offset Closer Accessories

### 201134LC628

#### Features

- 201133 Forged Steel Offset arm
- 201129 slide track assembly for 5/8" shallow rail



---

### 201376 - Mounting "D" Clip Package - Special Mount



---

### 20900LC - Offset Arm Assembly

#### Features

- 20942 Forged Steel Offset Arm
- 20368 Slide Channel Assembly For 7/8" Deep Rail



---

### 20951 - Mounting "D" Clip Package - Offset Hung



**Stocked Product**

Finish

628





# KABA Access Control

## *L1000 - Series Lever*

### *Application:*

- The L1000 series provides full mechanical push button access with no electrical wiring, electronics or batteries. Exterior access is by combination. Interior egress is free at all times. The lock meets ADA standards

### *Specifications*

- ANSI A156.2 grade 1
- ASA strike
- Backset 2-3/4"
- Door thickness 1-3/8" - 1-3/4"
- Installation ASA 161 door prep. with additional through bore holes required
- Handed not field reversible

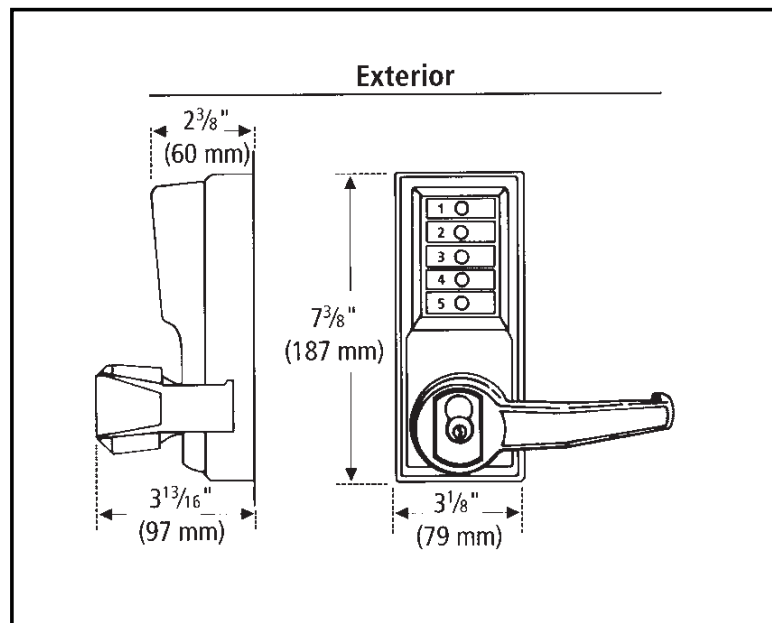
### *Optional Features:*

- Key override - can be used to over ride combination and gain access using a key - **supplied less cylinder**
- Key override is prepped for I.C. cylinders only



### **Stocked Product**

PART No.	DESCRIPTION	FINISH
L1011	Lever only	26D
L1021B	Lever with Best Override Less Core	26D
L1021C	Lever with Corbin Override Less Core	26D
L1021S	Lever with Schlage Override Less Core	26D



## KABA Access Control

### LP1000 - Series Lever

#### Operation:

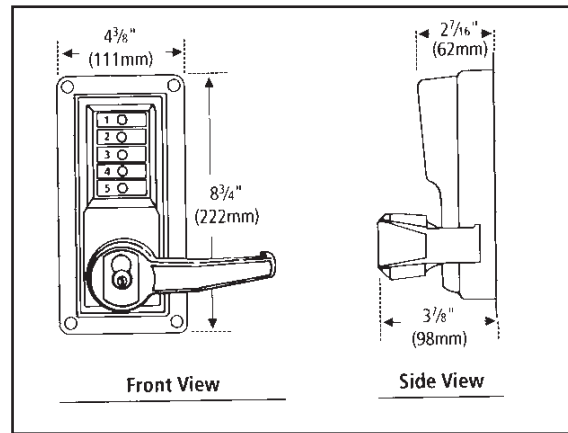
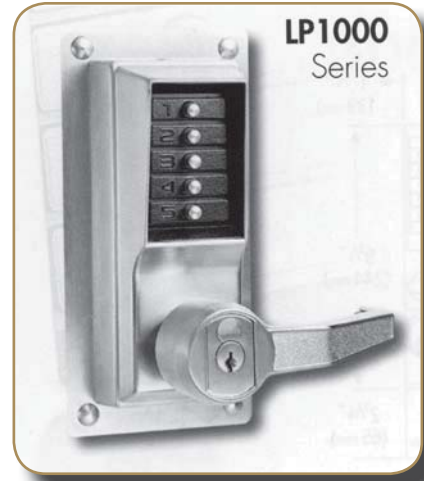
- Designed to operate surface mounted exit devices from the outside. Exit device not supplied. Exterior access is by combination. Egress is by interior exit device and is free at all times

#### Specifications

- ANSI A156.2 grade 1
- Strike not supplied
- Door thickness up to 2-1/4"
- Handed not field reversible
- Exit device compatibility, Von Duprin E0 or E0-F for 22, 88NL, 98, 99, 9857, 9957, Detex Advantex 10, 20, 40 series

#### Optional Features:

- Key override - can be used to override combination and gain access using a key - **supplied less cylinder**
- Key override is prepped for I.C. cylinders only



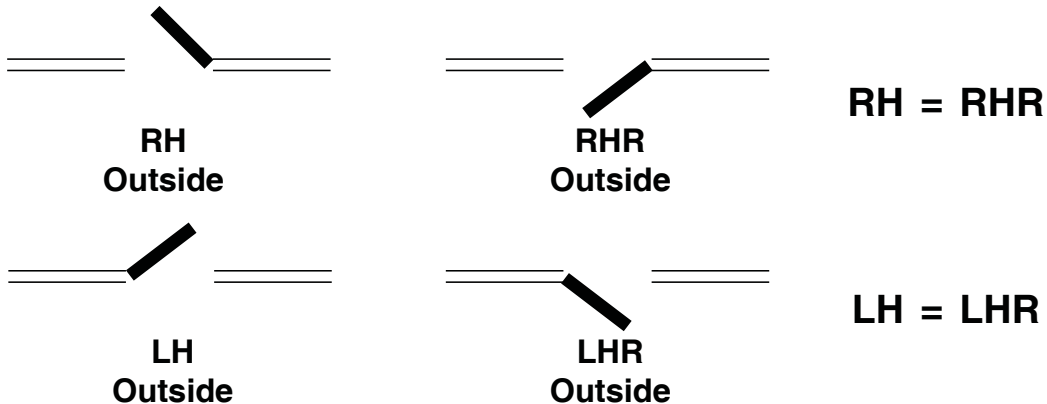
#### Stocked Product

PART No.	DESCRIPTION	FINISH
LP1020B	Lever with Best IC Override Less Core	26D
LP1020S	Lever with Schlage IC Override Less Core	26D

#### L1000 & LP1000 Series Door Handing:

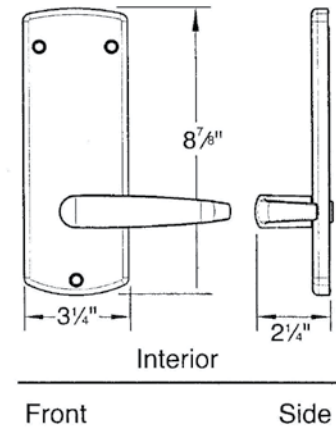
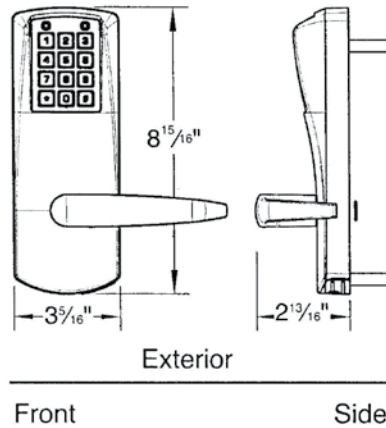
You must specify the handing of your door! Look at the door in its closed position standing on the outside (exterior push button side)

Note: LP1000 are either LHR or RHR



## KABA Access Control

### *E2031 - Series* Cylindrical electronic pushbutton Lock



#### *Features*

- Cylindrical latch with UL10C Fire Rating
- 100 access codes per door, over 100 million possible code combinations
- Locks are easily programmed via keypad
- Non-handed
- Service codes programs for one time access or “come and go” access for 1 to 24 hours
- Code length is adjustable to accept 4 to 8 digits
- Anti-tamper lockout is adjustable from 3 to 9 invalid attempts with an adjustable period of 0 to 90 seconds
- Re-Lock time is adjustable from 2 to 20 seconds
- Batteries located in exterior housing. AAA provides more than 100,000 cycles.
- No wiring to or through the door- no risk of pinched wires
- Backset 2-3/4”; Special order 2-3/8”
- Door Thickness: 1-3/8” to 2-1/2”
- Warranty: 2 year from installation
- With Schlage C keyway override or I/C Best Format

#### ***Stocked Product***

E2031XS Schlage C: 26D

US26D only also available in US4 special order

E2031BS Schlage IC less Core: 26D

# KABA Access Control

## 5000 - Series Simplex

### Features

- Keyless convenience
- Combination can be quickly changed
- Easy to install on wood or metal doors
- 3 year warranty
- Non handed, one lock for both right and left hand door applications
- Easy to maintain - no batteries
- Mechanical key override available in:
  - Schlage C keyway
  - Best I.C. less core
  - Schlage RC less core

### Specifications

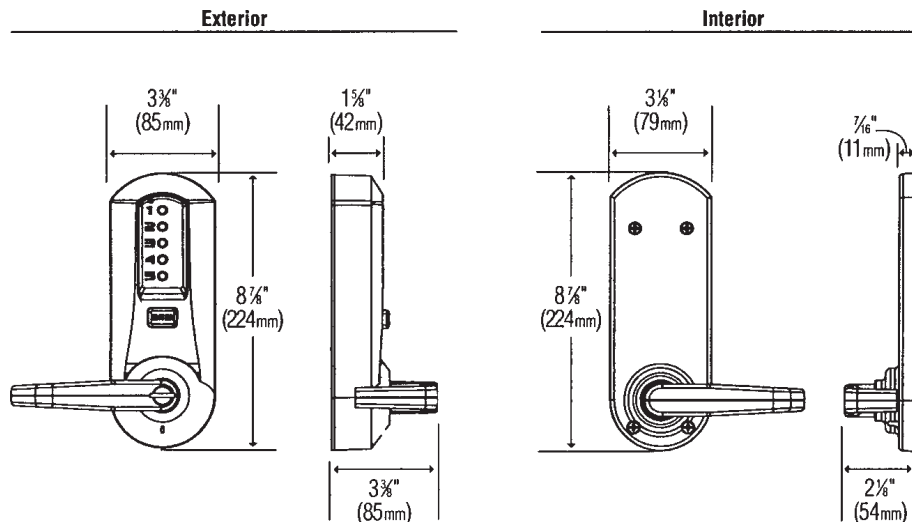
- Certified - ANSI / BHMA A156.2 Grade 1
- Compliance - 3 hour UL / ULC fire door rating
- ASA strike
- Backset 2-3/4"
- Door thickness 1-3/8" - 2-1/4"
- Installation ASA 161 with two additional bore holes

Simplex 5000



### Stocked Product

PART No.	DESCRIPTION	FINISH
5021XS	Lever with Schlage C Keyway Override	26D
5021B	Lever with Best Prep Override	26D
5021S	Lever with Schlage RC prep Less Core	26D



# KABA Access Control

## *E5031 - Series Lever*

### *Features*

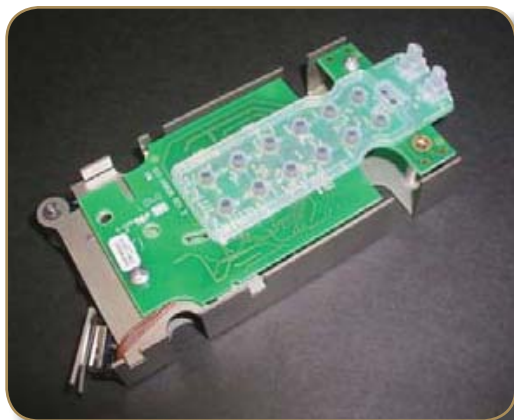
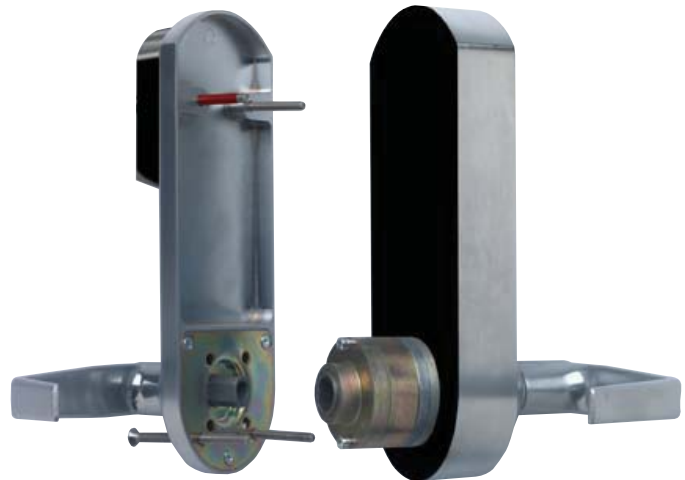
- Accommodates both indoor & outdoor application
- Retrofits to any standard 161 prep
- 3 year warranty from lock activation date
- ADA compliant lever Grade 1
- 100 access codes, programmable passage mode
- Extensive audit trail
- Non handed

### **Stocked Product**

PART No.	DESCRIPTION	FINISH
E5031XS	Lever with Schlage C Keyway override	26D
E5031B	Lever with Best Prep Override Less Core	26D
E5031S	Lever with Schlage RC Prep Less Core	26D



- Installation requires no wires through the door



- Fully contained electronics module in exterior housing



## Keedex

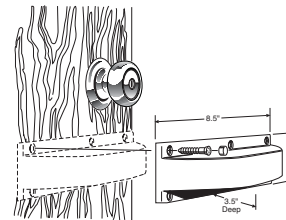
### K-6 Master Follower



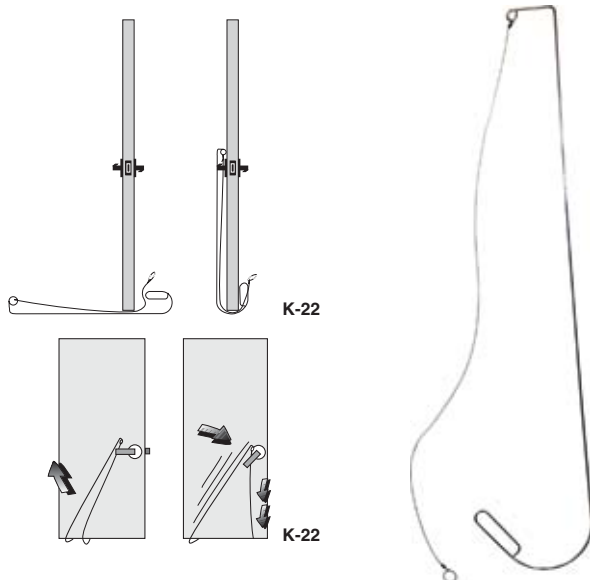
This remarkable follower is a wise choice for either the newcomer or master locksmith. Made of solid brass, it will out last those made of plastic or aluminum. The capabilities of this machined follower far exceed any follower on the market today. It can be used as a regular follower, or as a master pin remover and follower on Schlage, Sargent, Kwikset, Weiser, Almont padlocks and many others. Special taper allows smooth operation and better control over sticking pins.

### K-12, K-12D Protect-A-Lok

Finally a product designed to protect locks and other hardware from impact damage. The Keedex K-12 Protect-A-Lok, made from Lexan polycarbonate, is virtually indestructible. Designed for use in areas where locks may have a chance of getting hit by carts, forklifts or vehicles. Can be used with levers, knobs, panic hardware and more. Installs in minutes. Guaranteed for 5 years. Available in Cream (K-12) and Duranodic (K-12D).



### K-22 Lever Opening Tool

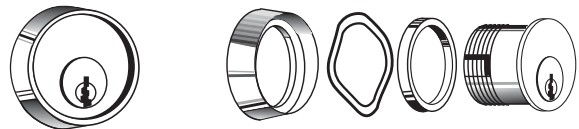


**IF YOU CAN SLIDE THIS TOOL UNDER THE DOOR, YOU WILL OPEN IT!**  
This tool is to be sold only to locksmiths and law enforcement agencies.

This tool is not to be used unlawfully. Keedex will not be responsible for the misuse of this tool.

Replacement Cable Available: Part# K-22CABLE (Special Order)

### K-24 Hardened Cylinder Guards



When installed, these free spinning Cylinder Guard rings prevent would-be burglars or intruders from forcibly unscrewing the lock cylinder with channel locks, vise grips, or other burglary tools

#### Stocked Product

PART No.	Finish	Cylinder Length	
K-24A1	Aluminum	1-1/8"	1 pack
K-24A	Aluminum	1-1/8"	6 pack
K-24B	Duranodic	1-1/8"	6 pack
K-24-26D	Satin Chrome	1-1/8"	1 pack
K-24LA	Aluminum	1-1/4"-1-3/8"	Large size
K-24LB	Duranodic	1-1/4"-1-3/8"	Large size

**All packed ring, washer & spacer**



## Keedex

### KBX Weldable Gate Boxes



K-BXA/R



K-BXMOR1



KBXRHO



KBXSGL



KBXDBL

#### **Stocked Product**

<b>PART No.</b>	<b>Description</b>
K-BXA/R	Adams Rite 1 1/8"
K-BXDBL234	Double Hole, 2 3/4" BS, 2 1/8" Hole
K-BXES3A	Hess, 5000 Series, Aluminum
K-BXMOR1	Schlage Mortise, Aluminum 10 gauge
K-BXRHO	Schlage ND, 2 3/4" BS, 2 1/8" Hole
K-BXSGL	Single Hole, 2 3/8" BS, 2 1/8" Hole
K-BXSGL234	Single Hole, 2 3/4" BS, 2 1/8" Hole
K-BXSGL234AL	Single Hole, 2 3/4" BS, 2 1/8" Hole, Aluminum
K-BXSIM	Kaba 1000, 5000 Series, Alarm Lock DL2700
K-BXSIMAL	Kaba 1000 Series, Alarm Lock DL2500, Aluminum

## Keedex

Use these door loops when you need to transfer low-voltage electrical current from the door frame to the door.

### Stainless Steel Door Loop

All stainless steel design.  
Flexible stainless steel conduit and stainless steel end pieces and mounting screws



K-DS

#### Stocked Product

PART No.	Description	
K-DS	1/4" x 18"	Stainless

### Armored Door Loop

Entire assembly has an attractive and durable powder coat finish.



K-DLB

#### Stocked Product

PART No.	Description	
K-DLA	1/4" x 18"	Aluminum
K-DLA24	1/4" x 24"	Aluminum
K-DLB	1/4" x 18"	Duranodic
K-DL38A	3/8" x 18"	Aluminum
K-DL38A24	3/8" x 24"	Aluminum
K-DL38B	3/8" x 18"	Duranodic

## Tamper Resistant Screwdriver - TAMPER

Keedex has a new Tamper Resistant Screwdriver. This screwdriver comes with eleven interchangeable tips. Includes the following:

- Six tamper resistant torx tips (T10, T15, T20, T25, T27 & T30).
- Three tamper resistant hex tips (5/32", 3/16" & 7/32").
- Two Spanner Tips (#6 & #8).



All tips fit into the screwdriver's storage handle.



Invaluable For:  
Commercial & Institutional Locksmithing  
Automotive Work  
Access Control





## LAB - Pins, Springs, Shims, Caps

### LAB Pins (S1)



#### SMARTPAC

Separates pins into two tamper proof, safety sealed compartments with large increment identification. Clear package allows view of content. 150 per pack.

#### **Stocked Product**

**.003 increments except where indicated**

Available top pins:

024, 027, 030, 036, 039, 042, 045, 051, 054, 057, 060, 063, 069, 072, 075, 081, 084, 087, 090, 093, 099, 105, 108, 111, 114, 120, 126, 135, 138,

**155\*, 160\*, 165\*, 200\*, 235\***

Available bottom pins:

135, 147, 156, **160\***, 165, 168, 171, 174, 180, 183, 186, 192, 195, 201, 204, 207, 210, 216, 219, 222, 225, 231, 234, 240, 246, 249, 255, 258, 261, 264, 270, 276, 279, 282, 285, 288, 291, 294, 297, 300, 306, 309, 312, 315, 330, 333, 351, 354

\* indicates .005 increment

### LAB Brand Interchangeable Core Pins (for BEST only)

Best I.C. Core Pins for A2. systems for use with Best Interchangeable Cores. A3, A4 available as a special order.



#### **Stocked Product**

Top pins: Brass

.025-2B, .037-3B, .050-4B, .062-5B, .075-6B, .087-7B, .100-8B, .150-12B, .175-14B, .200-16B, .225-18B

Bottom pins: Nickel Silver

.110-0A, 122-1A, .135-2A, .147-3A, .160-4A, .172-5A, .185-6A, .210-8A, .222-9A

P1 Poly Bagged, 100 per bag

### Curved Shims

.0015 Stainless Steel  
100 per pack



#### **Stocked Product**

LSMOV100 Curved Shims

### Cylinder Springs (P1)

#### **Stocked Product**

Universal .115

115LP1	.115L	Long
115SP1	.115S	Short



.115S



.115L

P1 Poly Bagged, 100 per bag

## LAB - Pins, Springs, Shims, Caps

### Springs for Best

108 Long  
Packed V1 100 per Vial



**Stocked Product**

108BV1 Best Springs

### Springs for Falcon

108 Short  
Packed P1 100 per Poly Bag



**Stocked Product**

108FP1 Falcon Springs

### Springs for Schlage

F Series Compressible Cylinder Springs  
Stainless Steel  
Packed V1 100 per Vial



**Stocked Product**

SPGSCHV1 Schlage Springs

### Original Designed I.C. Core Caps

100 per Pack  
Stamped Brass



**Stocked Product**

I027S1 IC Core Caps

### Springs for Schlage

Cylinder Cap Springs, Stainless Steel  
Packed V1 100 per Vial



**Stocked Product**

SP74V1 SCH Cap Retainer Spring

### Original Design Brass Covers

100 per Pack



**Stocked Product**

FSC6V100 6 Pin Brass Covers  
FSC7V100 7 Pin Brass Covers

## LAB - Kits



### Wedge Pro

.003 Increments  
 124 sizes      Tops: .010 - .200  
                          Bottoms: .156 - .360  
 Size: 21-1/2" x 7-3/4" x front 2" Back 3"

- Comes with Color Passport Pin Chart
- Steel Construction with emerald green metallic paint

EPK005 available as a special order

#### **Stocked Product**

EPK003      Wedge Pro

### Steel Mini Kits

- Measures 8"x 6"x 1-1/16"
- Small enough for a toolbox



#### **LMK003**

.003 Increments  
 81 Sizes  
 Masters: .024 - .090  
 Drivers: .093 - .235  
 Bottoms: .156 - .354  
 Cylinder Springs



#### **LMK005**

.005 Increments  
 81 Sizes  
 Masters: .010 - .090  
 Drivers: .095 - .200  
 Bottoms: .155 - .360  
 Cylinder Springs

#### **Stocked Product**

LMK003      Steel Mini Kit      .003 Increments  
 LMK005      Steel Mini Kit      .005 Increments

## LAB - Kits

### Mini Dur-X Pinning Kits

#### LMDOIC

A2 INTERCHANGEABLE CORE CYLINDERS  
(Falcon, Schlage Small Format, Medeco KeyMark)

- 15 Top/Master Pins
- 10 Nickel Silver Bottom Pins
- Long & Short Springs
- Caps

#### LMDBIC

A2 INTERCHANGEABLE CORE  
BEST CYLINDERS (BEST only)

- 15 Brass Top/Master Pins
- 10 Nickel Silver Bottom Pins
- BEST Springs Long
- BEST Caps

#### LMDKWK

Mini DUR-X Kit For:  
KWIKSET CYLINDERS

- 6 Master Pins
- 2 Standard Driver Pins
- 2 Anti-Pick Driver Pins
- 6 Bottom Pins
- Cylinder Springs
- Color-coded to Industry Standards

#### LMDSCH

Mini DUR-X Kit For:  
SCHLAGE CYLINDERS

- 8 Master Pins (Brass)
- 4 Driver Pins (Brass)
- 10 Bottom Pins (Nickel-Silver)
- Cylinder Cap Pins and Springs
- Cylinder Springs



#### Stocked Product

LMDOIC	A2 Interchangeable Pin Kit
LMDBIC	A2 Best Pin Kit
LMDKWK	Kwikset Pin Kit
LMDSCH	Schlage Best Pin Kit

**Features:** “A unique and revolutionary departure from the plastic breakable pinning kits.” These very handy Mini-DUR-X Pinning Kits contain only LAB BRAND PINS for original lock manufacturer’s cylinders. Made of Super-Tough polyethylene, each kit features a platform insert with a reusable protective cover to protect contents. Contains location chart and only those size pins and springs required to re-pin specific lock companies’ cylinders.

## LAB - Tools

### Plug Followers

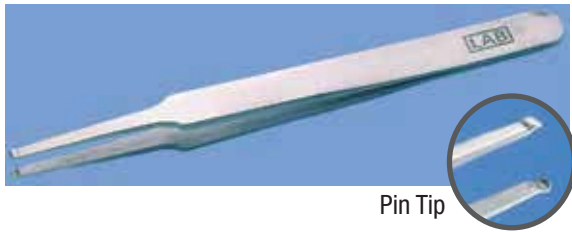


- Light weight
- Very Durable
- White Delrin®

#### **Stocked Product**

- LFT000 Schlage (.500) Diameter
- LFT001 Universal (.498) Diameter
- LFT002 Weslock (.500) Diameter
- LFT008 Kwikset (.500) Diameter
- LFT005 5 Piece set includes LFT000, LFT001, LFT002, LFT003 (Corbin), LFT004 (Small Diameter)

### Formed End Tweezers



- Curved Ends for Positive Grip
- Made of Stainless Steel

#### **Stocked Product**

LZT001 Tweezers

### Cylinder Cap Removal Tool



Tool to remove the cylinder caps from Schlage and Falcon cylinders.  
Tool accommodates extended tailpieces for Schlage cylinders.

#### **Stocked Product**

LCR005 Cap Removal Tool

### Kwikset Cylinder Removal Tool



- Used on Standard 400 Series cylinder assemblies
- Made from 0.080" thick cold rolled steel
- Yellow dichromate coated to resist corrosion

#### **Stocked Product**

CRT001 Cylinder Removal Tool

### Key Gauges

#### 5-N-1 GAUGE



LKG001

- For Kwikset, Schlage, Weiser, Weslock, Master Lock

#### 2-N-1 GAUGE



LKGKS

- 2-N-1 Gauge for Kwikset, Schlage

#### **Stocked Product**

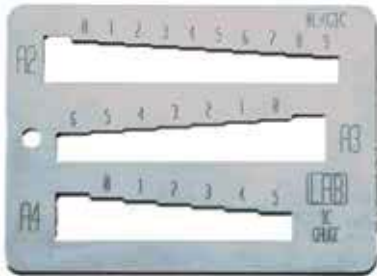
LKG001 5-N-1 Gauge  
LKGKS 2-N-1 Gauge



## LAB - Tools

### Key Gauge

#### *I Core Key Gauge*



- A2, A3, and A4 Systems
- .20 gauge thick 304 stainless steel
- 2-3/4" x 2" size

#### **Stocked Product**

LKGIC IC Key Gauge

### LAB Lube



1.0 oz.  
 Made of Dupont® Teflon powder.  
 A dry lubricant that will not "cake-up"  
 like graphite.

#### **Stocked Product**

LLT001 LAB Lube

### Mini Pick Set



- 10 Piece Set
- 2-1/4" x 5"
- Contains: LPT002 (Shallow Hook), LPT003 (Deep Hook)  
 LPT004 (Shallow Hook), LPT005 (Medium Rake)  
 LPT007 (Small Rake), LTTM01 Turning Tool (.075)  
 LTTM02 Turning Tool (.093), LTTM03 Turning Tool (.125),  
 LTT005 Auto Disc Turning Tool

#### **Stocked Product**

LPT015 Mini Pick Set

## LCN - Closers

### 1250 - Series Closers

*The 1250 Series cast aluminum closer is designed for low-frequency and low abusive traffic areas. This cast aluminum closer is ideal for aluminum storefronts, interior offices and many other applications. Combining dependable operation, low maintenance and a patented stylish look - with or without the optional slim line cover. And with the most common hole pattern in the industry, the 1250 Series is the perfect choice for easy aftermarket replacement.*



CLOSER MOUNTS  
\*HINGE (PULL) SIDE  
TOP JAMB (PUSH SIDE)  
PARALLEL ARM (PUSH SIDE)

#### Features:

- Tested and certified under ANSI Standard A156.4, grade one.
  - Cast Aluminum
  - All weather fluid
  - Non-handed
  - Peel-n-stick templates for fast and accurate installation
  - UL and cUL listed
  - Adjustable spring size 1-5
- 
- Standard 1250 Series closer shipped with tri-pack arms: regular, parallel and top jamb, universal screw pack: self-reaming and tapping: 1-3/4" thru bolts; machine screws and wood screws.
  - Non-sized (1-5) cylinder is adjustable for interior doors to 4'6" and exterior doors to 3'6".
  - Closer mounts hinge side, top jamb and parallel arm on either right or left swinging doors.
  - Mounts to most common commercial footprint (3/4" x 9-1/16").
  - Closer meets ADA requirements.
  - Optional SRI primer for installations in corrosive conditions. (Special order only)
  - Optional slim line plastic cover. (Special order only)

#### **Stocked Product**

1250

Aluminum, Dark Bronze

## LCN - Closers

### 1260 - Series Closers

*The LCN 1260 Series combines the best features from the previous 1070 and 1370 into a single versatile and economical cast iron closer, with dual mounting capability. The 1260 is adjustable spring sizes 1-5 and mounts to the most common commercial footprint. The 1260 also features a complete line of regular and extra duty arms, LCN's peel-n-stick installation templates, a convenient spring adjust pointer, and an optional Quick Fix™ bracket kit.*

UL and cUL listed for self-closing doors without hold-open. Tested and certified under ANSI Standard A156.4, grade one.

CLOSER MOUNTS  
\*HINGE (PULL) SIDE  
TOP JAMB (PUSH SIDE)  
PARALLEL ARM (PUSH SIDE)



#### Features:

- Standard 1260 series closer shipped with regular arm, a shaft cover, and self reaming and tapping screws.
- Non-sized (1-5) cylinder is adjustable for interior doors to 4'6" and exterior doors to 3'6".
- Closer mounts hinge side, top jamb and parallel arm on either right or left swinging doors.
- Mounts to most common commercial footprint (3/4" x 9 1/16").
- Closer meets ADA requirements.
- Optional Quick Fix™ bracket kit.
- Optional SRI primer for installations in corrosive conditions.
- Optional Slim Line cover. ( Special Order Only)

#### **Stocked Product:**

1261 RW/PA: AL (689) & DRK BRZ (695)

## LCN - Closers

### 1450 - Series Closers

*The 1450 Series cast aluminum closer was specially designed to deliver consistent, dependable, long-term performance in frequently-used, low-abusive traffic areas. The patented design, featuring the industry's most common hole pattern, is an excellent choice for a range of applications - from aftermarket replacement to aluminum store fronts, to new construction projects - anywhere quality, reliability and value are important.*



CLOSER MOUNTS  
\*HINGE (PULL) SIDE  
TOP JAMB (PUSH SIDE)  
PARALLEL ARM (PUSH SIDE)



#### Features:

- Cast Aluminum
  - All weather fluid
  - Non-handed
  - Peel-n-stick templates for fast and accurate installation
  - UL and cUL listed
  - Adjustable spring size 1-6
  - Full plastic cover included
- 
- Standard 1450 series closer shipped with tri-pack arms; regular, parallel and top jamb arms, universal screw pack: self-reaming and tapping; 1 3/4" thru bolts; machine screws and wood screws.
  - Non-sized (1-6) cylinder is adjustable for interior doors to 5'0" and exterior doors to 4'0".
  - Closer mounts hinge side, top jamb and parallel arm on either right or left swinging doors.
  - Closer meets ADA requirements.
  - Optional plated finish full metal cover, arm and fasteners. (Special order only)
  - Tested and certified under ANSI Standard A156.4, grade one.
  - Optional SRI primer for installations in corrosive conditions. (Special order only)

**Stocked Product**

1450

Aluminum, Dark Bronze

## LCN - Closers

### 1461-Series Closers

*The 1460 SUPER STOCK is a double lever arm, slim line closer designed for use on narrow head frames and top rails. A wide choice of options, mounting accessories and ease of installation offers maximum versatility.*



UL and ULC listed for self-closing doors without hold-open. Tested and certified under ANSI Standard A156.4, grade one.

#### Features:

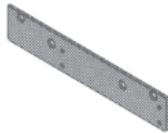
- Standard 1460 series closer shipped with regular arm (non-hold-open), a slim line non-metallic cover, and thru bolts with machine screw packs.
- Non-sized cylinders adjustable for interior doors to 5'0" and exterior doors to 4'0"
- Closer mounts hinge side, top jamb, and parallel arm on either right or left swinging doors. All closers are stocked tri pack with parallel arm bracket.
- Closers meet ADA requirement.

#### Stocked Product

- Hold open (H) Non handed arm mounts hinge side or top jamb
- H CUSH -Non handed parallel arm features solid forged steel main arm and forearm with stop in soffit shoe
- DEL -Delay closing from 110° to 65° or 160° to 75° depending on templating. Delay time up to 1 minute
- EDA -Extra duty arm non handed parallel arm features forged solid steel main arm and forearm for potentially abusive installations
- **Finishes:** Aluminum and Dark Bronze

#### 1460-18

Drop plate used with standard slim line cover

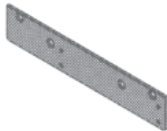


#### Drop plate used with standard slim line cover

- Required for hinge side mount where top rail is less than 2-1/2"
- Required for top jamb mount where head frame is less than 1-3/4"
- Plate requires minimum 1-1/2" top rail or 1-1/4" head frame

#### 1460-18PA

Drop plate used with standard slim line cover

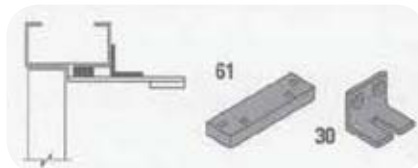


#### Drop plate used with standard slim line cover

- Required for parallel arm mounting where top rail is less than 4-3/8"
- Plate requires 1-3/4" minimum top rail.

#### 1460-30

Provides anchor for fitting screw used with CUSH arms where reveal is less than 3-1/16"

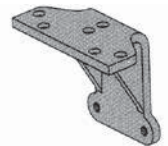


#### 1460-61

Lowers parallel arm shoe to clear 1/2"

#### 1460-62A

Optional shoe replaces -62PA for parallel arm mounting of regular arm with Glynn-Johnson overhead holder stop. Special templating required.



#### Stocked Product

1460-18	Aluminum
1460-18PA	Aluminum
1460-30	Aluminum
1460-61	Aluminum
1460-62A	Aluminum

## LCN - Closers

### 2030-Series Closers

*The concealed 2030 Series PACER® is a heavy duty closer designed to fit in a narrow, minimum 1 3/4" aluminum transom. The single lever arm and roller assembly provide smooth, quiet door control and the choice of finishes and track functions meet virtually all architectural requirements. The 2030 Series is UL & cUL listed for self-closing doors, without hold-open. Tested and certified under ANSI Standard A156.4, grade 1.*



#### Features:

- Standard 2030 series closer shipped with standard arm, standard track, mounting/finish plate, and wood and machine screw pack.
- Sized cylinders for interior doors to 4'6" and exterior doors to 3'6".
- Handed for right or left swinging doors.
- Aluminum frame requires minimum 1 3/4" (44 mm) x 4" (102 mm) tube.
- Closer 2031 to meet ADA requirements.
- Standard or optional custom powder coat finish.
- Optional plated finish on arm, fasteners and finish plate.

#### Stocked Product

<i>Part#</i>	<i>Description</i>	<i>Finish</i>
2031	LH (ADA)	AL
2031	RH (ADA)	AL
2033	LH Size 3	AL
2033	RH Size 3	AL
2034	LH Size 4	AL
2034	RH Size 4	AL

## LCN - Closers

### 4040XP-Series Closers

*The 4040XP is a heavy duty, double lever arm closer designed for institutional and other high traffic applications. The wide choice of options, installation accessories and ease of installation offers maximum versatility. UL and ULC listed for self-closing doors without hold-open. Tested and certified under ANSI Standard A156.4, grade one.*



#### Features:

- Standard 4040XP series closer shipped with regular arm (non-hold-open), standard non-metallic cover, and thru bolts with machine screw packs.
- Non-sized cylinders adjustable for interior doors to 5'0" and exterior doors to 4'0"
- Closer mounts hinge side, top jamb, and parallel arm on either right or left swinging doors. All closers are stocked tri pack with parallel arm bracket.
- Closers are packed 4 per case, packed with thru-bolt (TB) and self reaming, tapping screws (SRT)

#### Stocked Product:

- CUSH option - parallel arm feature with solid forged steel main arm and forearm with stop in soffit shoe. - AL, DB
- HCUSH option - hold open function with templated stop / hold open point. Handle in arm controls hold open function. - AL
- Extra Duty (EDA) option - parallel arm features forged, solid steel main arm and forearm for high frequency doors. - AL, DURO
- Delayed Action (DA) - delays closing from 120° to 80°. Delay time adjustable up to 1 minute. - AL
- Hold Open - arm mounts pull side or top jamb with shallow reveal hold open adjustable shoe. - AL, DB
- SCUSH: Optional non handed parallel arm for abusive applications, features solid forged steel main arm and forearm with spring loaded stop in the soffit shoe. Handle in arm controls hold open function. - AL
- SH CUSH: Optional non handed parallel arm for abusive applications; features solid forged steel main arm and forearm with spring loaded stop in the soffit shoe. Hand controls hold-open function. - AL

### 4040XP - Series Accessories



#### PLATE 4040XP-18

Required for hinge side mount where top rail is less than 3-3/4". Plate requires minimum 2" top rail.



#### PLATE 4040XP-18G

Locates top jamb mounted closer flush with top of head frame face in flush ceiling condition. Plates requires 1-3/4" minimum head frame.



#### PLATE 4040XP-18PA

Required for parallel arm mounting where top rail is less than 5-1/2" (140mm), measured from the stop. Plate requires 2" (51mm) minimum top rail.



#### PLATE 4040XP-18TJ

Centers top jamb mounted closer vertically on head frame face in flush ceiling condition. Plate requires 1-3/4" minimum head frame.

#### Stocked Product

Finish: Aluminum, Dark Bronze

#### Stocked Product

Finish: Aluminum, Dark Bronze

#### Stocked Product

Finish: Aluminum, Dark Bronze

#### Stocked Product

Finish: Aluminum, Dark Bronze

## LCN - Closers

### PA SHOE 4040-62



Finish: Aluminum

### Thru Bolt Only

For 1-3/4" door (less screw)



Finish: Aluminum, Dark Bronze

### ADAFG

Force Gauge



## 4010 -Series Closers

### Features:

- Regular arm with non metallic cover
- Non sized cylinder adjustable
- Hinge size mounting
- Designed for high traffic applications

### Specifications

- Meets ANSI A156.4 Grade 1
- Handed
- 10 year warranty



### Stocked Product:

Item #	Handing	Finish
4011	LH, RH	Aluminum

## 4110-Series Closers

*The 4110 SMOOTHIE is a heavy duty, parallel arm closer designed for institutional and other high traffic applications. This handed closer is specifically designed for parallel arm mounting and has passed 10,000,000 cycles in independent testing. The wide choice of options, installation accessories and ease of installation offers maximum versatility.*

The 4110 Series is UL and ULC listed for self-closing doors without hold-open. Tested and certified under ANSI Standard A156.4, grade one.

### Features:

- Standard 4110 series closer shipped with non-hold-open Extra Duty (EDA) arm, standard non-metallic cover, 4110-201 FIFTH SCREW SPACER and thru bolts with machine screw packs.
- Sized cylinders adjustable for interior doors to 5'0" and exterior door to 4'0".
- Non-sized cylinder adjustable for interior doors to 4'6" and exterior doors to 3'6".
- Closer mounts parallel arm, specify right or left swinging door.
- 4111 cylinder meets ADA requirements.
- Stocked Aluminum, Dark Bronze



### Stocked Product:

Item #	Handing	Finish
4111	LH, RH	Aluminum, Dark Bronze

## 4110 - Series Accessories

### PLATE, 4110-18

Required for push side mount where top rail is less than 5-1/8", measured from the stop. Plate requires minimum 2" minimum top rail. Plate also used with Cush Arm installation.



### Stocked Product

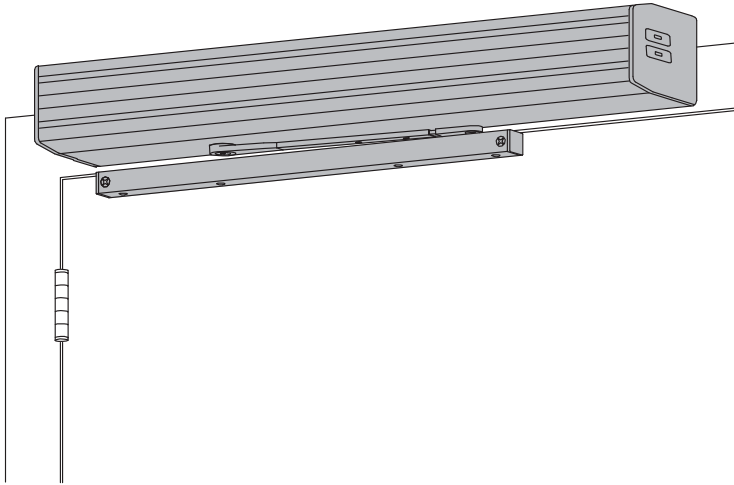
Finish: Aluminum, Dark Bronze



## LCN - Closers

### 4630 -Series Closers

#### TOP JAMB (PULL SIDE) MOUNTING

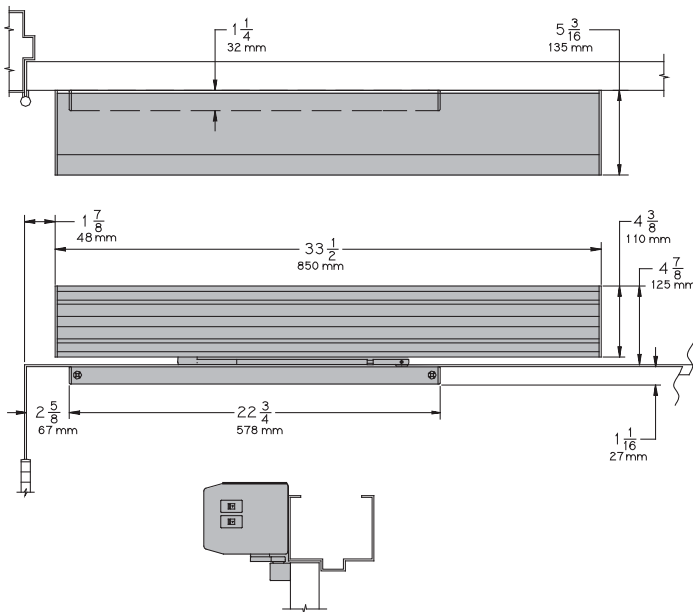


#### Features:

- Electrically powered low-energy power operator.
- Designed primarily for manual opening applications that occasionally required automatic opening.
- Standard, top jamb (pull side) mounted 4630 series closer shipped with single lever (standard) arm, metal cover, standard track, and wood and machine screw pack.
- Meets ADA requirements (power mode).
- Non-sized cylinders for interior doors to 4'0" and exterior doors to 3'0". Non-handed for either right or left swinging door.
- 4630 has easily accessible switches to provide on/off and continuous hold open functions. 4630CS provides concealed on/off power switch. Control module provides all timing and sequential door functions, electric strike controls and adjustments for opening speed and force.
- Standard or optional custom powder coated finish, end caps are black. Optional plated finish on cover, arm, and fasteners.

#### Specifications

- 4630 Series is UL and cUL listed with standard arm for self-closing doors and meets the provisions of ANSI Standards A117.1, A156.19, and the Americans with Disabilities Act.



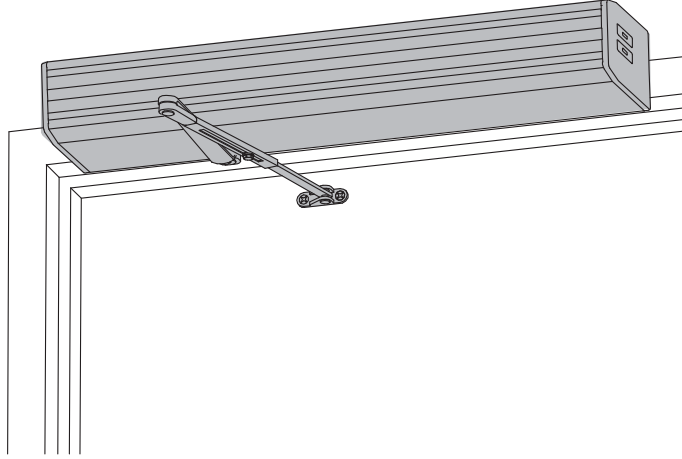
#### Stocked Product

4631 Aluminum

## LCN - Closers

### 4640 -Series Closers

#### TOP JAMB (PUSH SIDE) MOUNTING

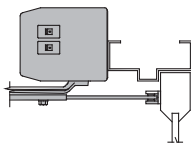
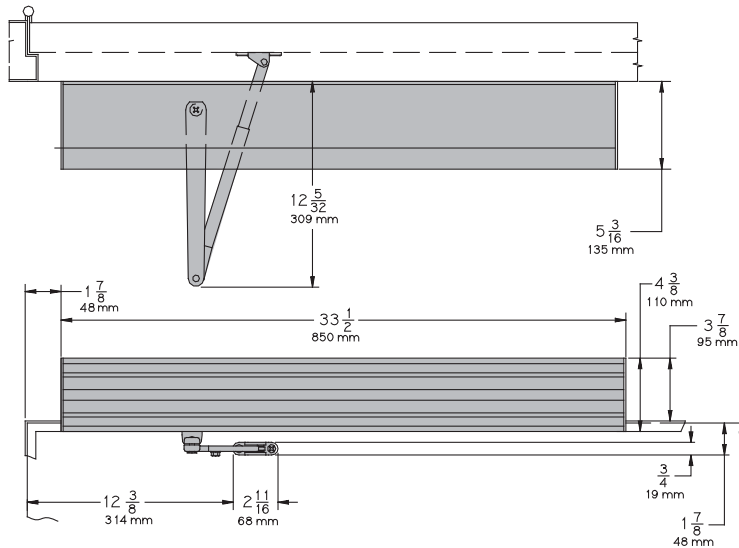


#### Features:

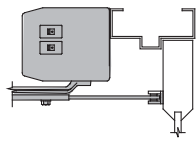
- Electrically powered low-energy power operator.
- Designed primarily for manual opening applications that occasionally required automatic opening.
- Standard, top jamb (push side) mounted 4640 series closer shipped with regular arm, metal cover, and wood and machine screw pack. Meets ADA, requirements (power mode).
- Non-sized cylinders for interior doors to 4'6" and exterior doors to 3'6". Non-handed for either right or left swinging door.
- 4640 has easily accessible switches to provide on/off and continuous hold open functions. Control module provides all timing and sequential door functions, electric strike controls and adjustments for opening speed and force.

#### Specifications

- The 4640 Series is UL and cUL listed with regular arm for self-closing doors and meets the provisions of ANSI Standards A117.1, A156.19, and the Americans with Disabilities Act.



Standard Mount



Flush Ceiling Mount

#### Stocked Product

4642

Aluminum

## LCN - SEM 7800 Series

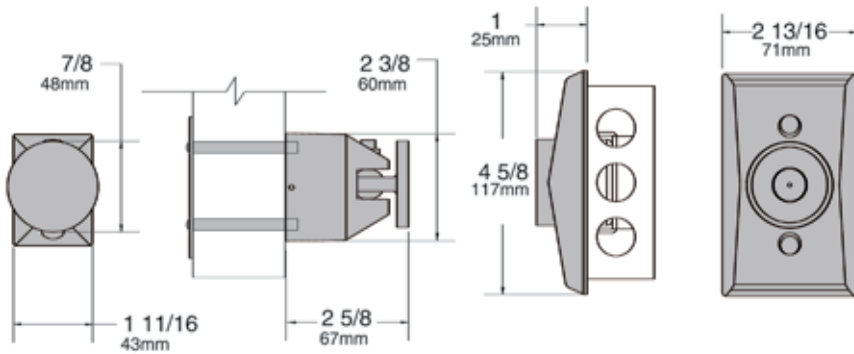
### 7850 - Series Magnets

Standard profile recessed wall mount.  
2" (51 mm) x4" (102 mm) x 1 1/2" (38mm).  
Outlet box not included.  
Also available 1980 plastic housing.

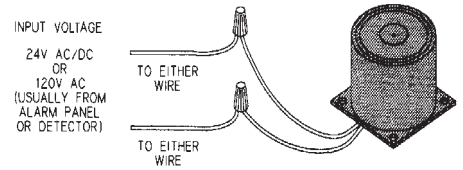
#### SEM 7850



**Total Projection = 3 5/8" (92 mm)**



#### ELECTRICAL DATA



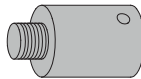
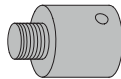
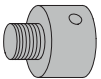
24V AC/DC or 120V AC input.  
Heavy duty electromagnet is protected against transients and voltage surges up to 600 volts.  
24V AC/DC nominal  
+10%- 15% @ .110 amp. maximum.  
120V AC nominal  
+10% -15% @ .020 amp. maximum.  
An SED transformer (4040SED-321 0) can be used to reduce line voltage where desired. It will power up to three magnets.  
Primary 120V AC 50-60 Hz  
Secondary 24V AC @ .400 amp. maximum.

#### SEM 7810 - Extensions

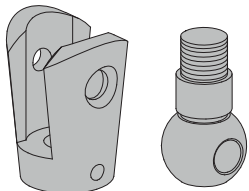
SEM 7810E050 1/2"

SEM 7810E075 3/4"

SEM 7810E100 1"



#### SEM 7810-514 - Assembly Kit



Assembly Kit is required for each door needing extensions. Kit includes coupler link and ball pivot (alone serves as a 1-1/2" extension).

#### Stocked Product

SEM 7850	689, 695
SEM 7810E050 1/2" extension	689, 695
SEM 7810E075 3/4" extension	689, 695
SEM 7810E100 1" extension	689, 695
SEM 7810-514 assembly	689, 695

## Lucky Line

### 4-Key Tag Rack

- Rugged plastic rack keeps key tags organized.
- Supplied with four tags and adhesive strips to mount anywhere.
- Key tags come with jump ring to help keys lie flat.



Size: 5"W x 2-1/2"L x 1/2"H

**Stocked Product**

60540 - 1 per Card

### 6-Key Tag Rack

- Scalloped design adds style to a popular item.
- Organize keys for home, office, cars, school, family.
- Store keys in one convenient location.
- Easy to install - includes adhesive tape for mounting.
- No. 60560 supplied in white with six assorted colors with No. 605 tags



Size: 8"W x 2-1/2"L x 1/2"H

**Stocked Product**

60560 - 1 per Card

### 8-Key Tag Rack

- Rugged plastic rack keeps key tags organized.
- Mount with adhesive strips or screws (included).
- No. 605 key tags come with jump ring to help keys lie flat.



Size: 10"W x 2-1/2"L x 1/2"H

**Stocked Product**

60580 - 1 per Card

### Key Tag with Ring

- Flexible, colored plastic tag ideal for multi-key systems.
- Paper insert slides out easily.
- Clear plastic insert protects writing from the elements.



Insert Size: 5/8" x 1-3/8"

Tag Size: 7/8" x 2" (with 3/4" overlapping ring)

**Stocked Product**

16900 - 1 Box of 200

## Lucky Line

### Key Tag with Split Ring

- Open/close flap over paper insert for identification with keys attached.
- Durable tag for keys. Made of tough polypropylene.
- Paper insert comes out for easy writing.
- No. 605 has 7/8" tempered steel split key ring, and additional jump ring to help tag lie flat.



Tag Size: 1-1/8" x 2-1/4"  
Imprint Area: 1-7/8" x 7/8"

#### **Stocked Product**

60500 - 100 per Box  
60502 - 2 per Card

### Key Tag with Swivel Ring

- Flexible tag with metal swivel.
- Paper insert slides out easily.
- Clear plastic insert protects writing from the elements.



Insert Size: 5/8" x 1-3/8"  
Tag Size: 7/8" x 2" (with 3/4" overlapping ring and swivel)

#### **Stocked Product**

16800 - 200 per Box  
16802 - 2 per Card

### Key Tag

- Durable, transparent tag for key or luggage.
- Paper insert slides out easily.
- Heavy-duty 4-1/2" nickel-plated steel ball chain.



Size: 15/16" x 2-1/4"

#### **Stocked Product**

10100 - 100 per Box  
10102 - 2 per Card

## Lucky Line

### Key Identifiers



164  
Small: 13/16"



167  
Medium: 1"



166  
Large: 1-3/16"

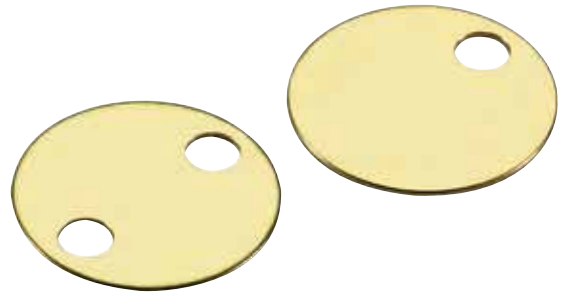
- Available in small, medium and large sizes.
- Keeps similar keys separated by color.
- Will stretch to fit over most standard key heads for easy key identification.
- Rubber-like vinyl resists cracking and color fading. Superior material; pliable, but won't break.
- Not recommended for ignition keys.

#### Stocked Product

16400	Small	100 per Box	Assorted
16404	Small	4 per Card	Assorted
16700	Medium	200 per Box	Assorted
16704	Medium	4 per Card	Assorted
16706	Medium	4 per Card	Neon
16603	Large	3 per Card	Assorted
16615	Large	150 per Box	Assorted

### Solid Brass Tags

- Solid brass tags for heavy-duty applications.
- Can be stamped or engraved by you.
- Perfect for pet tags, long term site I.D., or industrial use.
- .040" thick.



#### Stocked Product

26006	3/4" tag	100 per Box
26010	1" tag	100 per Box
26011	1-1/8" tag	100 per Box
26012	1-1/4" tag	100 per Box
26013	1-3/8" tag	100 per Box
26017	1-7/8" tag	100 per Box

### Key Cap

- Keeps similar keys separated by color.
- Provides a firm grip on key head.
- Will stretch to fit over most standard key heads for easy key ID.
- Rubber-like vinyl resists tearing and color fading. Superior material; pliable, but won't break.



Size: 1" x 3/4"

#### Stocked Product

16500	200 per Box	Assorted
16504	4 per Card	Assorted
16506	4 per Card	Neon
16507	200 per Box	Neon
16525	200 per Small Jar	Assorted
16526	200 per Small Jar	Neon

### House Key Caps

- Makes a house key easy to find and easy to grip.
- Unique design inside cap accommodates Schlage, Kwikset and Weiser key heads.
- Vinyl resists tearing and color fading.
- Superior material; pliable, but won't break.



Size: 1-1/4" x 1"

#### Stocked Product

16202	2 per card	Assorted
-------	------------	----------

## Lucky Line

### Give Away Ring

- Ideal as giveaway with cut keys.
- Made of zinc-plated steel spring wire with a 1/4 turn overlap.



#### Stocked Product

75600	3/4"	1,000 per Display Box
75900	1"	1,000 per Display Box

### Pull Apart Ring

- Sturdy steel key ring holds numerous keys, can hang on hook for storage.
- Tension closure sleeve permits ring to lock together.
- To open, pull ends up and apart.
- Ideal for extra keys, or temporary storage of customer's key rings.
- Made of 1/8" diameter cadmium-plated steel.



#### Stocked Product

74305	3-1/2"	5 per Pkg.
-------	--------	------------

### Binder Ring

- Holds multiple documents together.
- Made of nickel-plated steel.
- Available in 1" and 2"



#### Stocked Product

24302	1"	2 per Card
24602	2"	2 per Card

### Twisty® Key Ring

- Can be crimped for permanent closure.
- Strong, flexible, corrosion-resistant aircraft cable key ring.
- Unique patented locking mechanism assures keys stay put.
- Use as key ring or binder ring to hold products or documents together.
- Available in these finishes: brass-plated stainless steel, nylon coated cable



#### Stocked Product

81101	5"	1 per Card	Nylon Coated
81124	5"	24 per Card	Nylon Coated
82901	9"	1 per Card	Brass Plated

### Nickel-Plated Tempered Steel Rings

- Key rings hold multiple keys securely.
- Resilient tempered steel won't lose shape even after repeated use.
- Made of nickel-plated tempered steel.



#### Stocked Product

76402	1"	2 per Card
76602	1-1/4"	2 per Card
77001	2"	1 per Card
79101	3"	1 per Card
76000	1/2"	100 per Box
76100	5/8"	100 per Box
76200	3/4"	100 per Box
76300	7/8"	100 per Box
76400	1"	100 per Box
76500	1-1/8"	100 per Box
76600	1-1/4"	100 per Box
76700	1-3/8"	100 per Box
76800	1-1/2"	50 per Box
76900	1-3/4"	50 per Box
77000	2"	50 per Box
79100	3"	25 per Box

## Lucky Line

### Flex-o-loc®

- Strong, flexible, corrosion-resistant aircraft cable key ring.
- Unique patented ball-knob and socket closure locks and unlocks easily.
- Use as key ring or binder ring to hold products or documents together.

#### Stocked Product

71101 5" 1 per Card Nylon Coated Cable Assorted



Standard Size: 5" length

### C-Clip

- Spring-loaded gate makes it easy to open and close with one hand.
- Clips to belt or purse.
- Made of anodized aluminum.
- No. 460 has a 7/8" nickel-plated tempered split key ring.
- No. 461 has a 1-1/8" ring.
- Angled edge for easy grab on belt loop.
- Not made for climbing.

Sizes: 460 - 2-3/8"

461 - 3-1/8" (without split ring)



#### Stocked Product

46001 1 per Card Small Assorted  
46101 1 per Card Large Assorted

### Anodized Oval Key Ring

- Sleek, colored aluminum key ring keeps keys easily in pocket or purse.
- Brass screw closure makes taking keys on and off simple and fast.

#### Stocked Product

73701 1 per Card Assorted



Size: 2-3/8" long

### Turn Sleeve & Spring Sleeve

- Compact key ring with screw or spring-loaded closures.
- No. 702: Unscrew to open, screw to close.
- No. 704: Pull to open, release to close.

702 Turn Sleeve



704 Spring Sleeve

#### Stocked Product

70201 1 per Card  
70401 1 per Card

Size: 3/4" x 2"

### Wrist Coil

- Superior quality coil always springs back and never loses its shape.
- Fits comfortably over wrist for work, exercise, water sports, etc.
- Supplied with 7/8" nickel-plated tempered steel split ring.



Size: 2" dia. (stretches to 12" dia)

#### Stocked Product

41001 1 per Card Assorted  
41006 1 per Card Neon  
41027 50 per Medium Jar Assorted

### Plastic Key Clip

- Strong plastic key clip snaps on and off belt loop, book bag or purse strap.
- Bottom swivel rotates for added durability, helps keys lie flat.
- Supplied in assorted colors with 7/8" nickel-plated tempered steel split ring.



Size: 3-1/2" (without split ring)

#### Stocked Product

41501 1 per Card Assorted

### Coil with Trigger Snap

- Superior quality coil always springs back and never loses its shape.
- Small nickel-plated trigger snap keeps keys on belt loop, book bag or purse strap.
- Clip trigger snap to key ring to create a convenient wrist coil for carrying keys.



Size: 4" (stretches to 24")

#### Stocked Product

41301 1 per Card Assorted



## Lucky Line

### Designer Key Coil

- New and improved!
- Excellent for use with magnetic cards in restaurants or casinos, or for supervisors with multiple keys.
- Key Coil with handy matching plastic key clip attached.
- Supplied with two 7/8" split rings.



#### Stocked Product

41601 1 per Card Assorted Size: 10" (stretches to 48")

### Lanyard

- Fits around neck comfortably.
- Perfect to attach whistle or for keeping house keys secure.
- Metal swivel allows clip to lie flat against chest.
- Made of strong woven nylon.



#### Stocked Product

41401 1 per Card Assorted Size: 21-1/2" length

### Ball Chain

- Spools of ball chain and couplings



#### Stocked Product

31700	#6	1/8" Diameter	Nickel-Plated Steel	100 ft.
31900	#6	Coupling	Nickel-Plated Brass	100 per Pkg.

### Mity-Mite® Key Ring

- Flexible, flat link stainless steel.
- Collapses to fit easily in a pocket.
- Measures 5-3/8" in length.



#### Stocked Product

43201 1 per Card Size: 5-3/8" long

### 18" Pocket Chain w/ Trigger Snap

- Trigger snap secures chain to belt loop or purse strap.
- Tough nickel finish steel link chain.
- 1-1/8" nickel-plated tempered steel split key ring holds keys or can attach to a wallet for security.



#### Stocked Product

40101 1 per Card Size: 18-1/4" (overall length)

### 6-1/2" Pocket Chain

- Use with Secure-A-Key® or Belt Hook to keep keys safely inside pocket.
- Supplied with two nickel-plated tempered steel split key rings: 3/4" and 1-1/8".

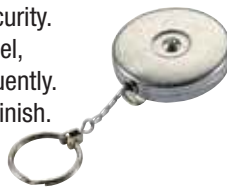


#### Stocked Product

40301 1 per Card Size: 6-1/2" (overall length)

### Key Bak®

- High-quality key reel with 24" retractable pull of flat, linked steel chain.
- "The Original" Key Bak®, since 1949.
- Clip on belt or slip through belt for added security.
- Extremely durable. Ideal for security personnel, custodial staff and those who use keys frequently.
- Available in textured chrome finish or black finish.
- Includes a Lifetime Service Policy
- No. 433 & No. 434 models fit 2" width belt.
- No. 435 & No. 436 models have a 2" long clip.



Size: 2-1/2" diameter

#### Stocked Product

43301	1 per Card	Chrome	Slip Through
43401	1 per Card	Black	Slip Through
43501	1 per Card	Chrome	Clip On
43601	1 per Card	Black	Clip On

### Super 48 Key Bak®

- Very high-quality key reel with 48" retractable pull.
- Kevlar® cord provides strength and a smooth draw.
- Clip on belt only.
- Unique ball-and-socket locking mechanism holds multiple keys. Carry more keys, small tools or phone.
- Heavy-duty polycarbonate case will not rust.



Size: 2-1/2" diameter

#### Stocked Product

43651 1 per Card Black

## Lucky Line

### Mini Bak®

- Durable, high-impact plastic case and 3-strand nylon cord with a badge-holder or split ring.
- 3 ft. extension.
- Holds up to 2 oz.
- Model 428 comes with badge holder.



#### Stocked Product

42801 1 per Card Assorted

Size: 1" diameter

### Key Safe

- Simple design makes keys easily accessible.
- Slips through belt so it won't pull off.
- 1-1/8" nickel-plated tempered steel split ring snaps in and out with ease.
- Fits 2" width belt.
- Made of nickel-plated steel.



#### Stocked Product

47601 1 per Card Nickel Plated

Size: 2" (without split ring)

### Key Pal

- Can be worn right side up or upside down for additional key security.
- Slips through belt so it won't pull off.
- Made of powder-coated steel.
- 1-1/8" nickel-plated tempered steel split ring snaps in and out with ease.
- Fits 2" width belt.



#### Stocked Product

47901 1 per Card

Size: 2-1/2"  
(without split ring)

### Secure-A-Key® Clip On

- "The Original". We take special pride in the construction of this key carrier.
- Spring stainless steel won't rust, adds strength so product stays securely clipped to a belt.
- Patented double-locking arm prevents accidental key loss.
- Quickly clips onto belt, holds up under heavy use.
- Supplied with 1-1/8" nickel-plated tempered steel split ring.
- Fits 1-3/4" width belt.



#### Stocked Product

40401 1 per Card

Size: 2" (without split ring)

### Secure-A-Key® Slip On

- "The Original". We take special pride in the construction of this key carrier.
- Spring stainless steel won't rust.
- Patented double-locking arm prevents accidental key loss.
- Preferred by law enforcement, slides through belt and holds up under heavy use.
- Supplied with 1-1/8" nickel-plated tempered steel split ring.
- Fits 1-3/4" width belt.



#### Stocked Product

40501 1 per Card

Size: 2" (without split ring)

### Belt Hook

- Slips easily over belt, holds firmly.
- Made of nickel-plated steel.
- 1-1/8" nickel-plated tempered steel split ring snaps in and out with ease.



#### Stocked Product

40601 1 per Card

Size: 2-7/8" (without split ring)

## Lucky Line

### Quick Release

- Pull-apart key holder makes it easy to leave keys with valets, family, friends, etc.
- Made of tough nickel-plated brass with two 7/8" nickel-plated tempered steel split rings.
- No. 706 is available in assorted colors.
- No. 707 is available in nickel.



#### Stocked Product

70601 1 per Card Assorted  
70701 1 per Card Nickel

Size: 3" (overall length)

### 3-Way Pull Apart

- Pull-apart key holder makes it easy to leave keys with valets, family, friends, etc.
- Additional ring helps to organize keys into three groups.
- Supplied with three 7/8" nickel-plated tempered steel split key rings.
- No. 715 supplied in bright nickel-plated brass.
- No. 717 supplied with a steel body and red and blue anodized aluminum ends.



#### Stocked Product

71501 1 per Card Nickel-plated brass  
71701 1 per Card Assorted

Size: 3" (overall length)

### Trigger Snap

- Strong trigger snap opens wide to attach securely to belt loop, purse or other straps.
- Bottom loop rotates so keys lie flat.
- Solid brass trigger snap supplied with 1" brass split ring.
- Nickel-plated zinc trigger snap supplied with 1-1/8" nickel-plated tempered steel split ring.



#### Stocked Product

44001 1 per Card Solid brass  
44101 1 per Card Nickel-plated zinc

Sizes: (without split ring):  
2-1/2" (zinc), 2-5/8" (brass)

### Bolt Snaps

- Strong nickel-plated zinc and solid brass bolt snaps. Snaps easily to belt loop, book bag or purse strap.
- Bottom loop rotates so keys lie flat.



#### Stocked Product

44501 1 per Card Small with 7/8" ring  
45101 1 per Card with 1-1/8" ring

Sizes (without split ring)  
445: 2-1/8" 451: 3-1/8"

### Heavy-Duty Boat Snap

- Large, heavy-duty boat snap attaches easily to belt loop or purse strap.
- Bottom loop rotates so keys lie flat.
- Spring-loaded gate opens with light pressure.
- Made of nickel-plated zinc, comes with 1-1/2" nickel-plated tempered steel split ring.



#### Stocked Product

44701 1 per Card

Size: 3-1/4" (without split ring)

### Small Trigger Snap

- Smaller nickel-plated zinc trigger snap keeps keys accessible.
- Clips to belt loop or purse hardware.
- Made of nickel-plated zinc.
- 7/8" nickel-plated tempered steel split ring.



#### Stocked Product

44301 1 per Card

Size: 1-1/2" (without split ring)

### Heavy-Duty Bolt Snap

- Large solid brass bolt snap.
- Bottom loop rotates so keys lie flat.
- Supplied with 1" solid brass split ring.



#### Stocked Product

44801 1 per Card

Size: 3-1/8" (without split ring)

## Lucky Line

### Rock Key Hider

- Use in gardens next to house or garage.
- Slot in bottom of rock holds spare keys.
- Large enough to accommodate larger keys.
- Unique swivel rotating plastic cover holds key securely.
- Sturdy molded plastic resists damage in all weather conditions.



Size: 4" (overall length)

#### Stocked Product

90601 1 per Card

### Sprinkler Key Hider™

(patent pending)

- This novel and unique key hider looks like a regular sprinkler head.
- Unscrew to open and close.
- Tough water-tight plastic case; push it into the dirt around shrubs or walkways.
- Holds multiple keys.
- Keeps spare keys safe and never get locked out again!



#### Stocked Product

91901 1 per Card  
91961 Display Box/6

Size: 2" dia. x 3-3/4" H

### Large & Extra Large Magnetic Key Hider

- Large key hider is made of rugged black plastic and holds two large keys.
- Extra Large key hider is made of rugged black plastic and holds large rubber-headed keys.
- Will not rust.
- 2 heavy-duty, superior magnets hold to any steel surface.
- Ideal for use on all vehicles, or any magnetic surface where you want to hide a key for emergencies.



910 Size:  
3" x 1-7/8" x 5/8"  
912 Size:  
3-7/8" x 2-1/8" x 5/8"

#### Stocked Product

91001	1 per Card	Large
91012	12 per Display Box	Large
91200	6 per Display Box	Extra Large
91201	1 per Card	Extra Large

### Plastic Coin Holder

- Coin holder doubles as a key chain.
- Flexible plastic opens with a simple squeeze to accept coins, closes tight when released.
- Supplied with 4-1/2" nickel-plated steel ball chain.
- Made from rugged plastic.



#### Stocked Product

94101 1 per Card Assorted

Size: 2" x 3"

### Pouch Key Hider

- Tear-resistant nylon pouch attaches keys or cash to non-magnetic surfaces.
- Water-resistant adhesive anchors mounting pad to any clean surface.
- Effective hook and loop system secures pouch to pad, makes pouch removal easy.



#### Stocked Product

91301 1 per Card Extra Large  
91401 1 per Card Large

913 Size: 2-3/4" x 4" x 1/8"  
914 Size: 2" x 4" x 1/8"

### Key Savers (patent protected)

- Designed to carry a spare office, house and/or car key to prevent lock-outs.
- Clear sleeves.
- Same size as a credit card to fit in your wallet.
- No. 916 holds two standard keys.
- No. 917 holds one large and one standard key.



#### Stocked Product

91701 1 per Card 1 Standard Key/1 Large Key

## Lucky Line

### LED Light

- Slim profile, easy to use.
- Sleek design won't add bulk to keys.
- LED light makes finding a keyhole in the dark easy.
- Push button style on/off.
- Batteries included.



#### Stocked Product

63601 1 per Card Assorted

Size: 2-1/8" length

### Key Light with Replaceable Battery

- Slim-profile, easy to use.
- Replacement battery allows for continued use.
- Key fits into plastic body of key light to easily find keyhole in the dark.



#### Stocked Product

90801 1 per Card Assorted

Size: 2" x 1-1/4"

### Graphite Lubricant

- A high-quality dry lubricant.
- Needle-nosed tube makes small applications easy.
- Use on wood, metal, plastic or rubber, wherever two surfaces rub together.
- Keep locks working smoothly when used sparingly.
- 3.25 grams



#### Stocked Product

95001 1 per Card

Size: 3.25 gram tube

### Key Buoy

- Durable key holder floats up to 5 keys easily.
- High visibility red and white sections make it easy to find on water or snow.
- Bottom half separates to provide a watertight storage compartment for identifications, fishing license or cash.
- Made of tough plastic with a 6" nickel-plated brass ball chain that won't rust



#### Stocked Product

92101 1 per Card

Size: 4" long x 1-1/4" diameter  
Ball Chain Length: 6"

### Soft Key Float

- Soft foam key holder floats up to 5 keys easily.
- Neon colors make it highly visible and easy to find on water or snow.
- Made of vinyl-coated foam that won't break or crumble under stress.
- Includes a 6" nickel-plated brass ball chain that won't rust.



#### Stocked Product

92401 1 per Card Neon Orange

Size: 3-1/2" x 1-3/8" x 1"

# MOEN/CSI/DONNER - Bathroom Accessories

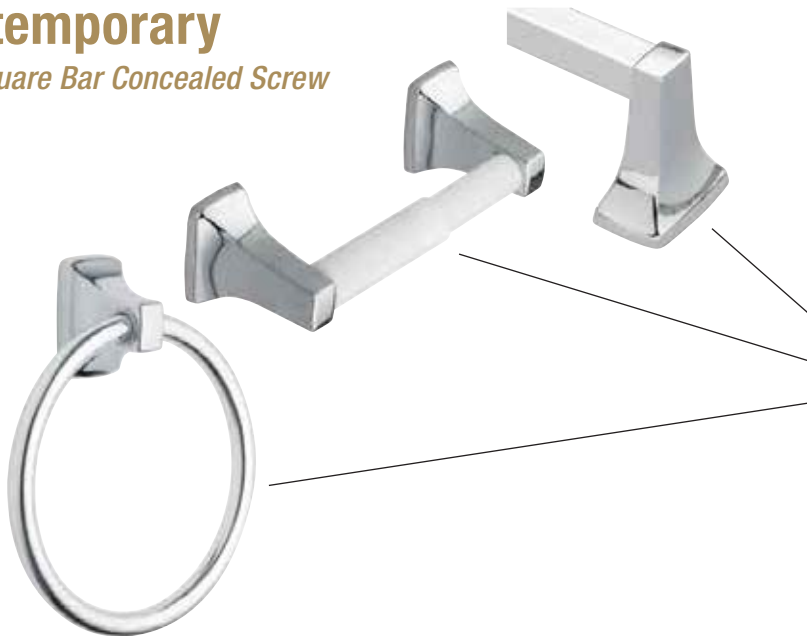
## 54-5 - 5' Donner Shower Rod w/Adj Flange



**Stocked Finish:**  
 Chrome (CH) only

## Contemporary

*3/4" Square Bar Concealed Screw*



- P5124** 24" Bar x 3/4" Square
- P5080** Paper Holder with White Roller
- P5860** Towel Ring with Metal Ring

**Stocked Finish:**  
 Chrome (CH) only

## Brighton Design

*Concealed Screw*



**DISCONTINUED**  
 Call for availability and special pricing

- BP324** 24" Bar x 3/4" Round
- BP308** Paper Holder
- BP386** Towel Ring

**Stocked Finish:**  
 Chrome (CH),  
 Pewter (PW) only

## MOEN - Bathroom Accessories



### Madison Design

*Concealed Screw*

- BP6924** 24" Bar x 3/4" Round
- BP6908** Paper Holder
- BP6986** Towel Ring

#### **Stocked Finish:**

Chrome (CH)  
 Special Order Finishes: Pewter (PW)



### Brantford Design

*Concealed Screw*

- YB2224** 24" Bar x 3/4" Round
- YB2208** Paper Holder
- YB2286** Towel Ring

#### **Stocked Finish:**

Chrome (CH)  
 Special Order Finishes: Oil Rubbed Bronze (ORB)

# MOEN/CSI/DONNER - Bathroom Accessories



## Eva Design

- YB2824** 24" Bar x 3/4" Round
- YB2808** Paper Holder
- YB2886** Towel Ring

### **Stocked Finish:**

Chrome (CH), Brushed Nickel (BN),  
 Special Order Finishes: Oil Rubbed Bronze (ORB)



## Kingsley Design

### *Concealed Screw*

- YB5424** 24" Bar x 3/4" Round
- YB5408** Paper Holder
- YB5486** Towel Ring

### **Stocked Finish:**

Chrome (CH), Brushed Nickel (BN), Oil  
 Rubbed Bronze (ORB)  
 Special Order Finishes: Antique Nickel (AN),  
 Wrought Iron (WR)  
 Optional Special Order: ADA Grab Bars in  
 Matching Design



## MOEN/CSI/DONNER - Bathroom Accessories



### Mason

*With PRO-FIT Installation System*

**YB8094** 24" Bar x 3/4" Round (Bar only)

**YB8000** Post (Pair)

**YB8099** Paper Holder

**YB8000** Post (Pair)

**YB8086** Towel Ring

**YB8081** PRO FIT Installation System Template



#### **Stocked Finish:**

Chrome (CH), Satin Nickel (SN),  
Old World Bronze (OWB)

Special Order Finishes: Brushed Chrome (BC),  
Polished Brass (PB), Chrome/Polished Brass (CP)

# National Guard Products

## *Symbols/Legend*



**UL10B & CAN4-S104-80M CLASSIFIED**, complies with NFPA 80 and NFPA 252 for application to Steel fire doors rated up to 3 Hrs., and Wood type fire doors rated up to 1 1/2 hrs. (Rating on some items vary and are noted.)



**POSITIVE PRESSURE UL10C CLASSIFIED**, Category 'J' listed. Complies with **IBC**, UBC7-2 (1997) NFPA 80 and NFPA 252 for application to Positive Pressure Steel fire doors rated up to 3 Hrs., and Wood type fire doors rated up to 1-1/2 Hrs. (Ratings on some items vary and are noted.)



**NGP-EDGE<sup>®</sup> SEALING SYSTEM**, Category 'G' listed. Required for Category B listed wood type fire doors to meet positive pressure requirements complying with **IBC**, UBC7-2 (1997) Part 1, and NFPA 252. See individual products for maximum door size and ratings.



**SMOKE & DRAFT CONTROL GASKETING**, Category 'H' listed. Complies with **IBC**, UBC7-2 1997) Part 2, UL1784 , NFPA 105 for use on '**S**' labeled Positive Pressure Steel fire doors rated up to 3 hours , and wood type fire doors rated up to 1-1/2 hrs. (Ratings on some items vary and are noted.)



**ACOUSTICAL TESTED** to ASTM E90 and ASTM E413, by Riverbank Acoustical Laboratories in Geneva, IL. Refer to chart on page G5 for test result data.



**AIR INFILTRATION TESTED** to ASTM E283, Standard Test Method for Determining Rate of Air Leakage Through Exterior Windows, Curtain Walls, and Doors.



**ANSI/BHMA CERTIFIED**. Certified gasketing complies with A156.22-2005, and is listed in the BHMA Certified Products Directory.



Online product listings: [www.ul.com/database](http://www.ul.com/database)



**ADA COMPLIANT** Barrier Free Thresholds meet the requirements of the AMERICANS WITH DISABILITIES ACT Accessibility Guidelines for Buildings and Facilities (ADAAG)-September 2002, and ICC/ANSI A117.1-2003 Accessible and Usable Building and Facilities.



**SLIP-RESISTANT** NGP 'SIA' (Slick-it-Ain't) textured surface is available on all thresholds. Our process embeds and fuses bits of hot nickel and titanium into the surface of the threshold. This technology originally developed for use on aircraft carrier decks is very skid resistant and will not wear off.

# National Guard Products



## Saddle Thresholds

**413** .58 lbs./ft.  
**413DKB** .58 lbs./ft.

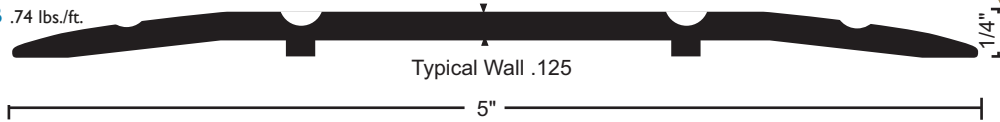


**DISCONTINUED**  
 Call for availability and special pricing

413

**Stocked Product**  
 36", 48", 72"  
 Aluminum, Dark Bronze

**513** .74 lbs./ft.  
**513DKB** .74 lbs./ft.



513

**Stocked Product**  
 36", 48", 72"  
 Aluminum, Dark Bronze

**613** .88 lbs./ft.  
**613DKB** .88 lbs./ft.



**DISCONTINUED**  
 Call for availability and special pricing

613

**Stocked Product**  
 Aluminum 36", 48", 72"  
 Dark Bronze 36", 48", 72"

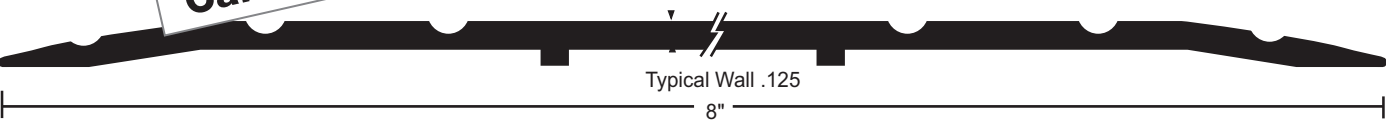
**713** 1.01 lbs./ft.  
**713DKB** 1.01 lbs./ft.



713

**Stocked Product**  
 36", 48", 72"  
 Aluminum, Dark Bronze

**813** 1.20 lbs./ft.



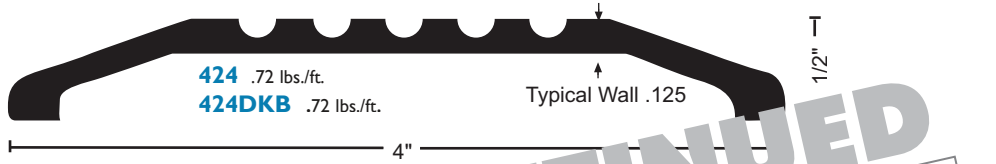
813

**Stocked Product**  
 Aluminum 36", 48", 72"  
 Dark Bronze 36", 48", 72"

# National Guard Products



## Saddle Thresholds

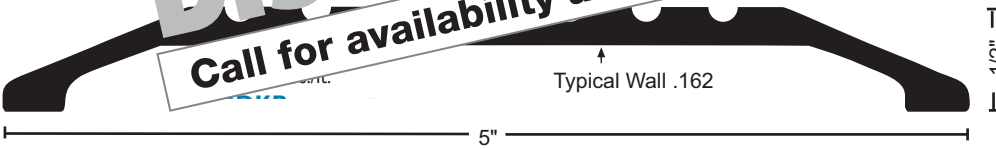


424

**Stocked Product**

36", 48", 72"  
Aluminum, Dark Bronze

**DISCONTINUED**  
Call for availability and special pricing



425

**Stocked Product**

36", 48", 72"  
Aluminum, Dark Bronze



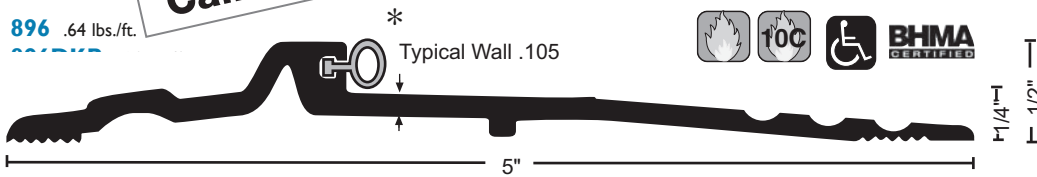
426

**Stocked Product**

Aluminum 36", 48", 72"  
Dark Bronze 36", 48", 72"

**DISCONTINUED**  
Call for availability and special pricing

896 .64 lbs./ft.



986V

**Stocked Product**

36", 72"  
Aluminum, Dark Bronze

## Half Saddle Thresholds



**DISCONTINUED**  
Call for availability and special pricing



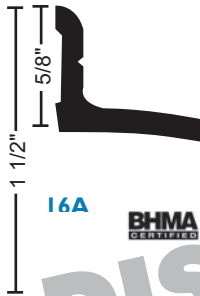
350

**Stocked Product**

36", 48"  
Aluminum

# National Guard Products

## Drip Strip

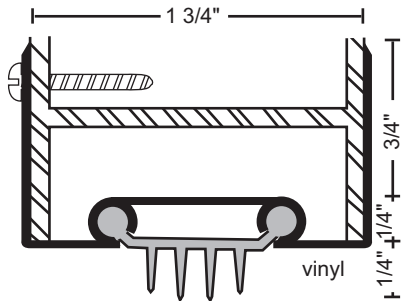


**DISCONTINUED**  
 Call for availability and special pricing

**16**  
**Stocked Product**  
 Aluminum 36", 40", 72", 76"



## Door Shoes



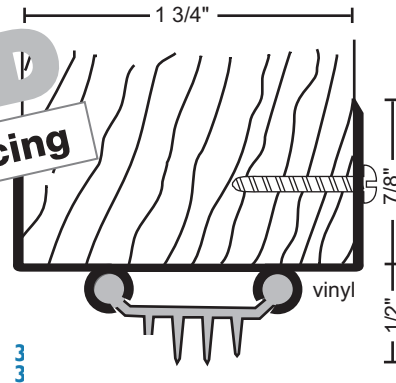
35EV

**35EV**  
**Stocked Product**  
 36", 48"  
 Aluminum, Dark Bronze

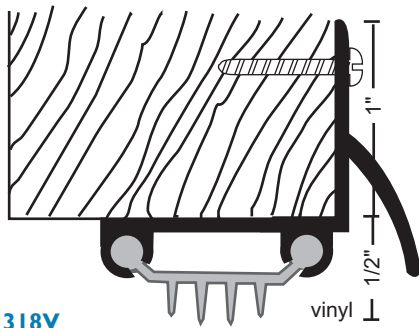
**36EV**  
**Stocked Product**  
 36", 48"  
 Aluminum, Dark Bronze

**DISCONTINUED**  
 Call for availability and special pricing

**318V**  
**Stocked Product**  
 36", 48"  
 Aluminum, Dark Bronze

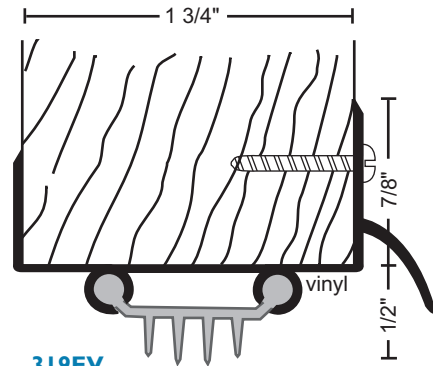


33



318V

**319EV**  
**Stocked Product**  
 36", 48"  
 Aluminum, Dark Bronze



319EV

# National Guard Products

## Door Shoes



**DISCONTINUED**  
Call for availability and special pricing

99V

**Stocked Product**  
36", 48"  
Aluminum, Dark Bronze

## Nylon Brush Sweeps

C627



**DISCONTINUED**  
Call for availability and special pricing

C627

**Stocked Product**  
36", 48"  
Aluminum, Dark Bronze

## Door Sweeps

neoprene is black



200N

**Stocked Product**

36", 48"  
Aluminum, Dark Bronze

## Door Sweeps



**DISCONTINUED**  
Call for availability and special pricing

101V

**Stocked Product**  
36"  
Aluminum

# National Guard Products

## Automatic Door Bottoms - Surface



**222N**

**Stocked Product**

36", 42", 48"  
 Aluminum, Dark Bronze



**420N**

**Stocked Product**

36", 48"  
 Aluminum



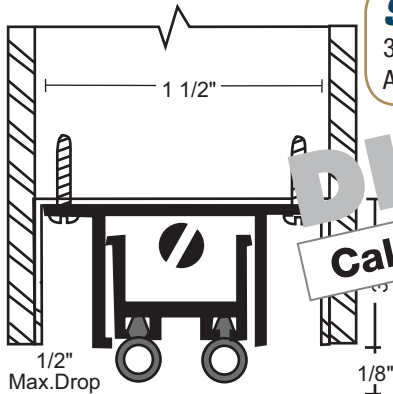
**680**

**Stocked Product**

36", 48"  
 Aluminum, Dark Bronze

**DISCONTINUED**  
 Call for availability and special pricing

## Automatic Door Bottoms - Mortise



**320N**

**Stocked Product**

36", 48"  
 Aluminum

Mortise required  
 11/16" x 1 5/8"  
 9/16"



**55N**

**Stocked Product**

36", 48"  
 Aluminum

**DISCONTINUED**  
 Call for availability and special pricing

# National Guard Products

## Silicone Perimeter Seals



156S

156S

**Stocked Product**

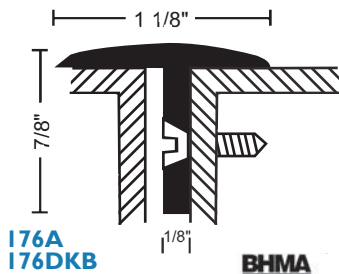
36" x 84", 72" x 84", 84" (set of 2), 96" (set of 2)  
Aluminum, Dark Bronze

160S (Pemko 303)

**Stocked Product**

36" x 84", 72" x 84", 84" (set of 2), 96" (set of 2)  
Aluminum, Dark Bronze

## Overlapping Metal Astragals



176A  
176DKB

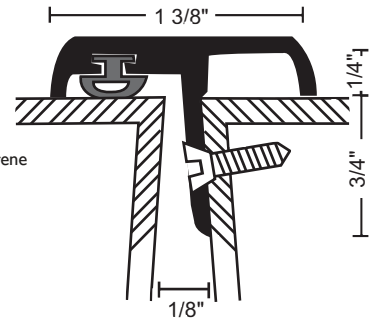
Maximum height 120"  
Fits square edge doors.  
#10 X 3/4" SMS furnished.

176 (Pemko 359)

**Stocked Product**

84"  
Aluminum, Dark Bronze

158NA neoprene  
158NDKB neoprene



Fits square edge doors.  
#10 X 3/4" SMS furnished.

Silicone (Pemko 355)

**Stocked Product**

84", 96", 108"  
Aluminum, Dark Bronze

**DISCONTINUED**  
Call for availability and special pricing



139SP (Pemko 357)

**Stocked Product**

84", 96" Steel Prime



## National Guard Products

### Gasketing



**DISCONTINUED**  
Call for availability and special pricing

9850 (Pemko HSS2000)



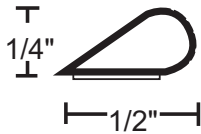
9800 (Pemko HSS2000)

**Stocked Product**  
17', 21'  
Bronze, White

## Silicone Bulb Fire and Smoke Seal



Up to 3 hours steel fire doors  
Up to 1 1/2 hours wood fire doors



5050 (Pemko S88)

**Stocked Product**  
17', 20', 25'  
Black, Brown, White

**Edge Sealing System - Category "G"**  
**for 20 minute rated category B**  
**wood doors perimeter application up to:**  
single swing 4'0" x 8'0"  
pairs 8'0" x 8'0"  
use 9550 at the meeting edge of door

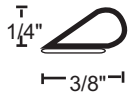
**DISCONTINUED**  
Call for availability and special pricing

## Self-Adhesive Gasketing

Adhesive specifications: Acrylic pressure sensitive adhesive protected by polyethylene release liner. Provides high initial adhesion and long term holding power for permanent mounting in exterior or interior locations. Resistant to aging, weathering, UV radiation, water, detergent, alcohol and the influence of chemicals. End use temperature range is -40°F up to 250°F. Shelf life of adhesive prior to installation is one year when stored at 40°F to 80°F and 60% relative humidity or less.

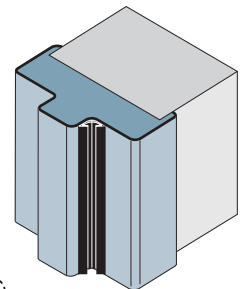
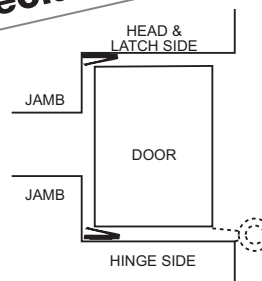
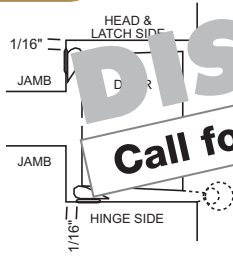
2525 (Pemko PK33)

**Stocked Product**  
17', 20', 25'  
Black, White, Bronze



5040 (Pemko S44)

**Stocked Product**  
17', 20', 25'  
Bronze, White



## Norton

### 1601 Series Multi-Sized Closers - Packed 6 per case

#### Features

##### Two Power Ranges:

Each series can be adjusted through a range of sizes:  
 Series 1601 Normal Power Range Closers, sizes 3 thru 6. Series  
 1601BF Accessibility Code Closers, sizes 1 thru 4.

##### Booster Spring:

Specially designed booster spring is engineered into each unit to provide additional and necessary closing force for doors which travel beyond 110° of swing.

##### Tri-Style Installation:

Packaged for regular arm, top jamb or parallel arm installation.

##### Aluminum Alloy Shell:

Norton closer shells are constructed of a special aluminum alloy which is lightweight and offers proven durability.

##### Rack & Pinion Operation:

Provides a smooth transmission of power, for control of the door through its full opening and closing cycle.

##### Adjustable Sweep Speed:

An independent regulating valve, hex-key-operated, permits adjustment of the general closing speed.

##### Adjustable Latch Speed:

An independent regulating valve, hex-key-operated, permits adjustment of the door's speed for approximately the last 10° of the closing cycle.

##### Adjustable Backcheck Cushioning:

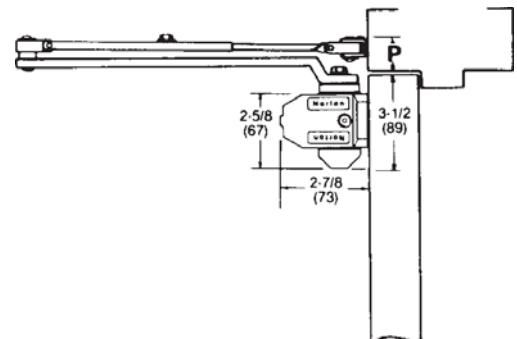
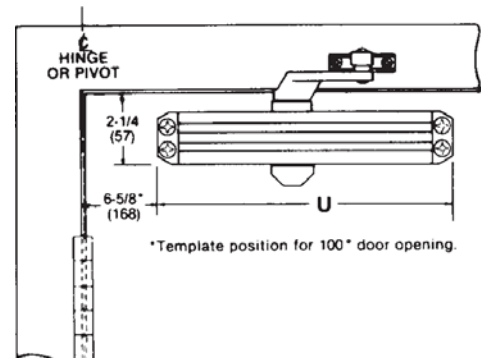
An independent regulating valve, hex-key-operated, provides an adjustable hydraulic cushion to the door opening speed toward the end of the opening cycle.

##### Adjustable Delayed Action:

Available in place of backcheck. Adds a third closing speed range at the beginning of the door's closing cycle.

**Note:** Norton Series 1601BF door closers will meet the requirements of the Americans With Disabilities Act (A.D.A.), and will comply with industry standards for opening and closing forces as established by the Builders Hardware Manufacturing Association (B.H.M.A.).

**Option H:** Hold open arm function

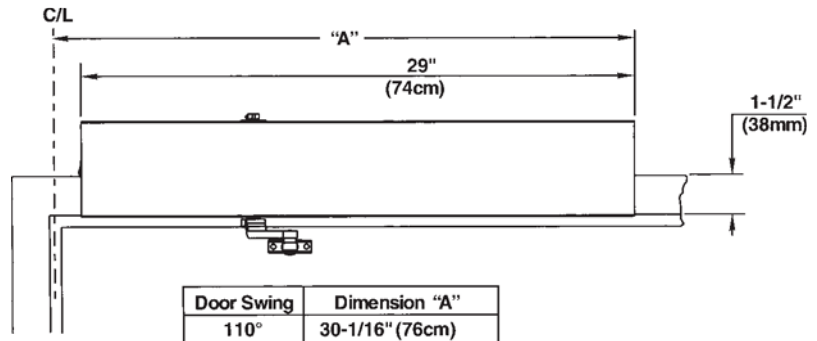
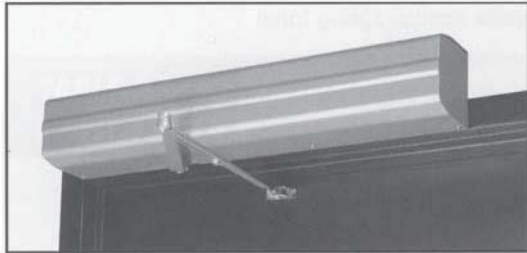


#### Stocked Product

Regular, BF, DA,  
 H stocked in 689 only  
 689 (aluminum)  
 690 (dark bronze)

# Norton

## 5740 - Low Energy Operator



### Features

- Universal push or pull side mounting
- Acceptable for fire rated doors
- Door can be manually operated if desired
- 1600 closer has adjustable spring power, back check, latch and sweep valves
- Hold open options 0-30 seconds
- Motor stops if door is obstructed during an opening
- UL Listed and ANSI A156.19 meets ANSI A156.4
- When door is manually opened, the drive train and motor are not engaged
- 5710 pull side
- 5730 push side

## Signage Supplied Standard



# 428 (2 per Operator)



# 429 (1 per switch)



# 433 (1 per switch)

**Stocked Product**  
689 (aluminum)

## Norton

### 5740 - Accessories

#### 539 - Radio Frequency Receiver

- 433 MHz



**Stocked Product**

539

#### 505 - Activating Door Switch

- 6" W. x 6" H.
- 9 volt battery
- 15 amp @ 125VAC
- Flush mounted
- Stainless steel with blue letters



**Stocked Product**

505

555 - 6" square surface mount box

#### 548 - Transmitter

- Converts existing hard wired push plates to work with RF receivers offered after June 2013
- Single channel
- 9 volt



**Stocked Product**

548

## Norton

### 7500 Series

#### Applications

Series 7500 closers are narrow projection door controls: projection is just 2 1/8" from the surface of the door or jamb. They are complete with covers finished to suit the decor of other hardware. They are available with sprayed covers or BHMA plated finishes. Norton Series 7500 closers are non-handed and are packaged with both a mounting shoe and soffit plate. Any Series 7500 can be installed Regular Arm or Parallel Arm. It can also be installed top jamb where frame face and frame reveal permit, it can be installed on either right or left hand doors.

#### Options

**BF:** No longer need to specify. All 7500's have new spring for size 1-6

**CLP:** Built in stop effective at one point at installation from 85°-110°.

Parallel arm application only

**DA:** Delayed Action Closing

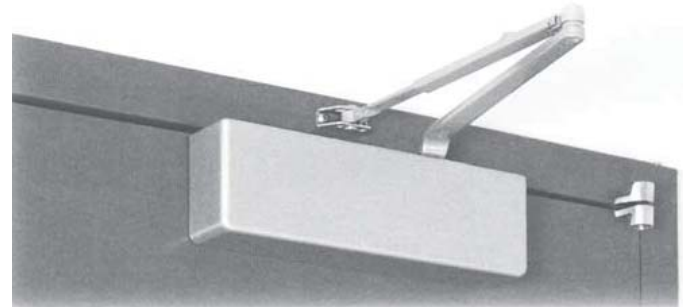
**H:** Hold open arm function

**PR:** Parallel rigid arm (heavy duty)

**SNB:** All closers packed with sex nuts and bolts

#### U.L. Listing

All Norton Series 7500 Closers with non-hold-open arms are listed by Underwriters Laboratories, Inc. for use on labeled fire doors. Series 7500 are Accessibility Code Closers and are adjustable in a 1 thru 6 size range.



#### Regular Arm

This is the only pull side application where a double lever arm is used. It is the most power efficient application for a door closer. Sufficient frame, door and/or ceiling clearance must be considered. Since the arm assembly projects directly out from the frame, this application may present an aesthetic issue or be prone to vandalism.

**All closers are stocked, packed tri-pack with parallel arm bracket**

#### Stocked Product

Options Stocked: H, Regular, CLP

689 (aluminum)

690 (dark bronze)

### 8500 Series

#### Features

This series incorporates independent sweep and latch speed adjustments. In addition, adjustable spring power and adjustable backcheck cushioning are standard features. Adjustable delayed action closing is available as an option in addition to the adjustable backcheck cushioning feature. Norton also offers a Multi-Size Door Closer Series which features adjustable spring power thru a range of sizes. Series 8501 has adjustable power in the Normal Power Range of sizes 1 thru 6. These closers offer low opening resistance for handicapped accessibility but still provide acceptable door control.

#### Options

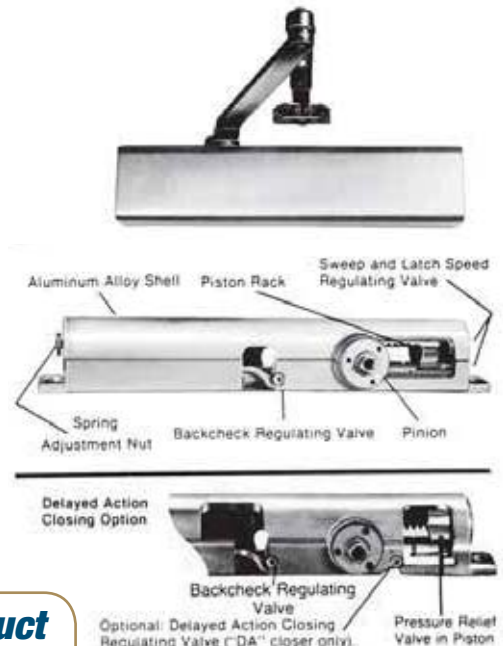
**BF:** No longer needed. all 8500's have new spring for size 1 thru 6

**CLP:** Built in stop effective at one point at installation from 85°-110°. Parallel arm application only

**DA:** Delayed action closing

**H:** Hold open arm function

**SNB:** All closers packed with sex nuts and bolts



#### Stocked Product

Options Stocked: CLP, DA, H

689 (aluminum)

690 (dark bronze)

## Norton - Parts & Accessories

### Sex Nuts only (bolts excluded)(SN) *SB/SN-134*



### Grommet Nuts and Bolts (TBGN) *TBGN 134-38* F1600 & 1800 only



### Complete Mounting Screw Parts For 8501 *MSP 689*

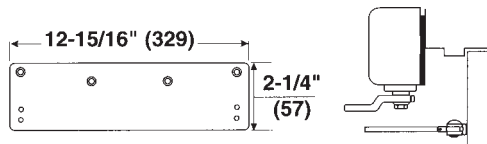


**Stocked Product**

689 ( aluminum)  
690 (dark bronze)

1601 MSP    690  
7500 MSP    690

## 8501 Series Top Jamb Closer: Closer Mounting Plates

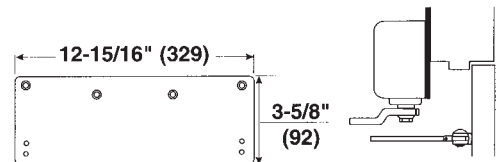


### Low Ceiling Clearance - #8146 Drop Plate

For use where low ceiling clearance prevents normal top jamb mounting. This plate is used when clearance is from 1-7/8" to 2-7/8" (48mm to 73mm). Where ceiling clearance is less than 1- 7/8 (48mm) see #8148 Drop Plate detailed in the following text.

### Overhead Door Holder - #8146 Drop Plate

For use where a surface or concealed overhead door holder prevents normal top jamb mounting. This plate drops the closer and allows arm mounting screws to clear the bottom of the door holder. This places the centerline of the arm mounting screws at 2-7/8 (73mm) from the top of the door.



### Low Ceiling Clearance - #8148 Drop Plate

For use where the ceiling clearance is between 1- 1/2" and 1- 3/4" (38mm and 44mm).

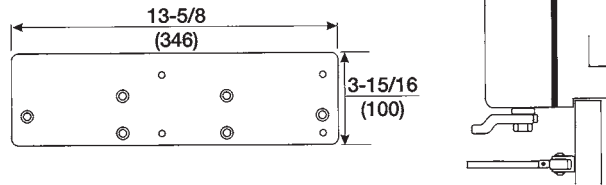
**Stocked Product**

689 ( aluminum)  
690 (dark bronze)

## Norton - Parts & Accessories

### 7500 Series

#### Closer Mounting Plates - Top Jamb Arm



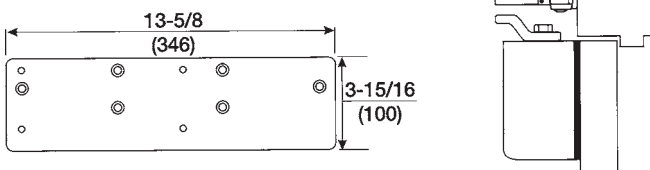
#### Narrow Frame - #7786 Back Plate

For use where a narrow frame face prevents the closer from being mounted directly to the frame. This Back Plate must be used for closer mounted on a frame between 1-7/8 and 3-1/8 (48mm and 79mm) in height.

#### **Stocked Product**

689 (aluminum)  
690 (dark bronze)

#### Closer Mounting Plates - Regular Arm



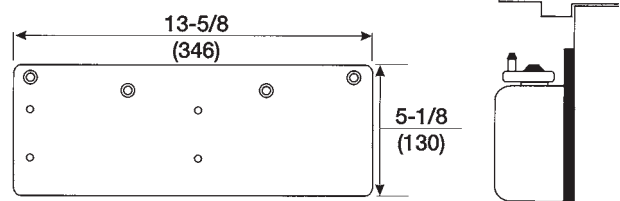
#### Narrow Top Rail - #7786 Drop Plate

For use where the narrow top rail of the door prevents the closer from being mounted directly to the door surface. This drop plate must be used for closer mounted on a top rail between 1-7/8" and 3-3/8" (48mm and 86mm) in height.

#### **Stocked Product**

689 (aluminum)  
690 (dark bronze)

#### Closer Mounting Plates - Parallel Arm



#### Narrow Top Rail - #7788 Drop Plate

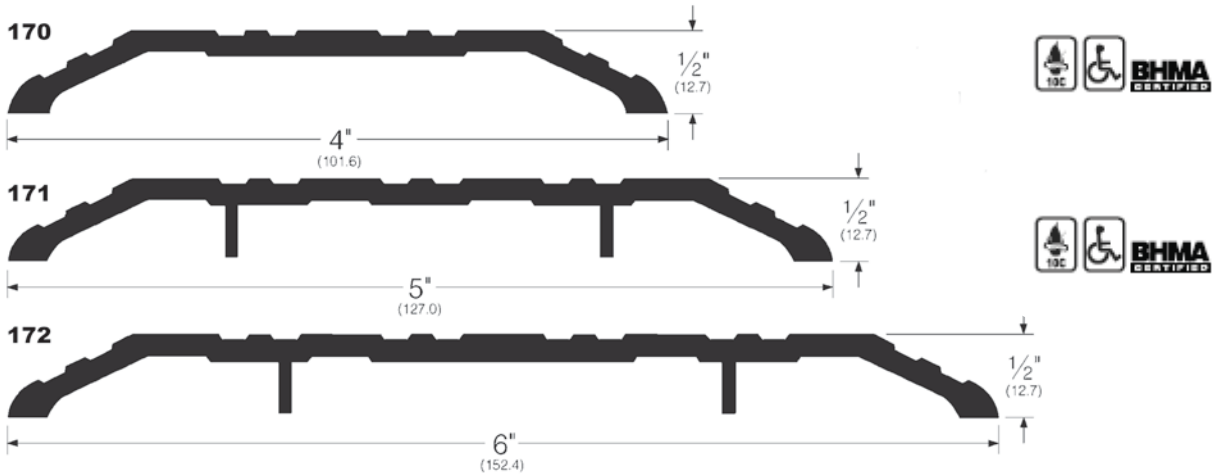
For use where a narrow top rail prevents the closer from being mounted directly to the door surface. This drop plate can be used to mount a closer on a top rail as narrow as 2-1/2" (64mm) in height.

#### **Stocked Product**

689 (aluminum)

# Pemko

## Saddle Thresholds



### Stocked Product

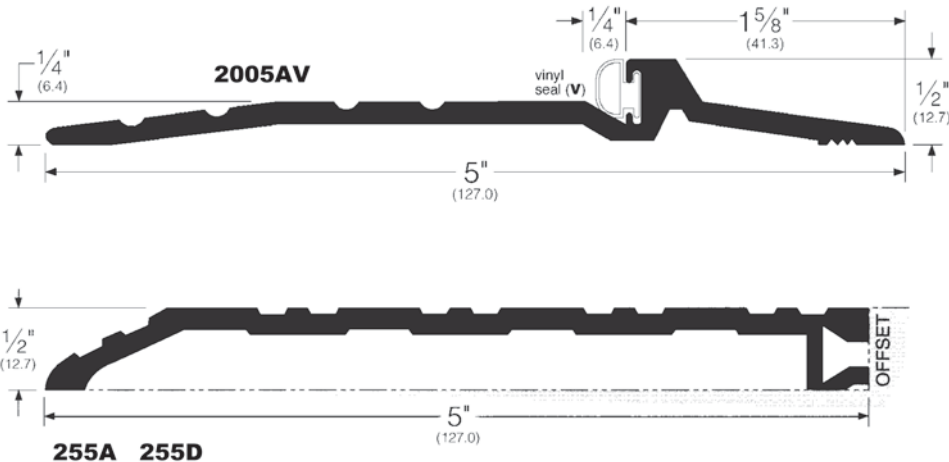
**Finish Key**  
A: Aluminum  
D: Dark Bronze  
SN: Satin Nickel

Model	Size	Finishes
170	36", 48", 72"	Aluminum,
170	36", 48", 72"	Dark Bronze
171	36"	Aluminum, Dark Bronze, Satin Nickel
171	48"	Aluminum, Dark Bronze
171	72"	Aluminum, Dark Bronze, Satin Nickel
172	36", 48", 72", 96"	Aluminum,
172	36", 48", 72"	Dark Bronze
172	36", 72"	Satin Nickel

### Stocked Product

**Finish Key**  
2005AV Aluminum  
2005DV Dark Bronze  
255A Aluminum  
255D Dark Bronze

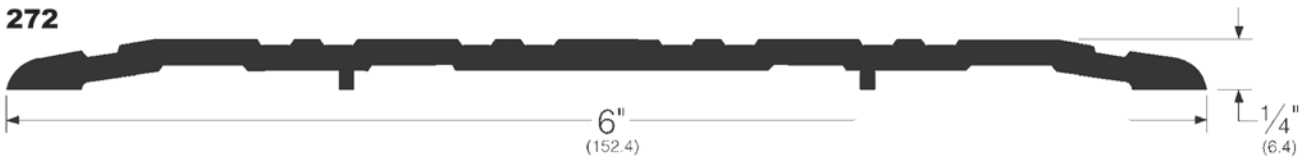
Model	Size	Finish
2005	36", 48", 72"	Aluminum (AV), Dark Bronze (DV)
255	36", 48"	Aluminum, Dark Bronze





# Pemko

## Thresholds



### Stocked Product

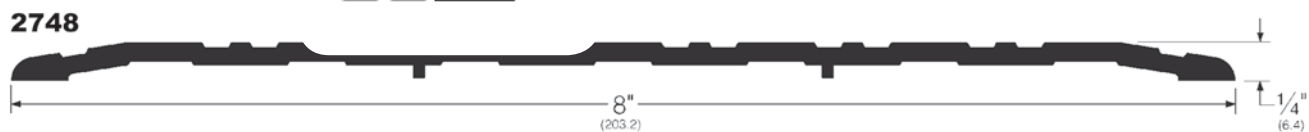
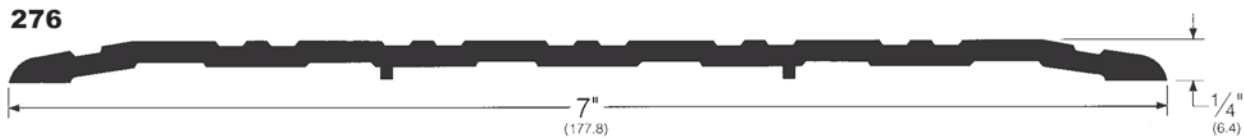
**Finish Key**     A: Aluminum  
                      D: Dark Bronze  
                      SN: Satin Nickel

Model	Size	Finish
270	36", 48", 72"	Aluminum, Dark Bronze
271	36", 48", 72"	Aluminum, Dark Bronze
272	36", 48", 72"	Aluminum, Dark Bronze
272	96"	Aluminum

### Stocked Product

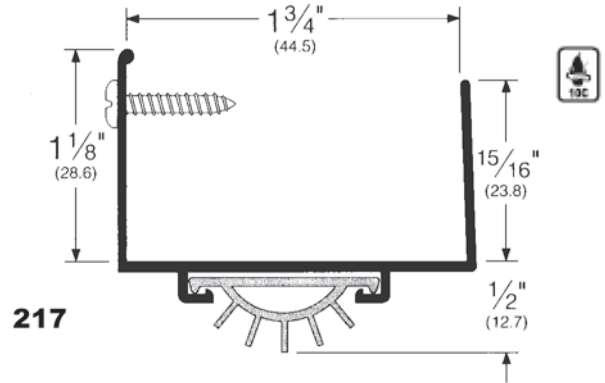
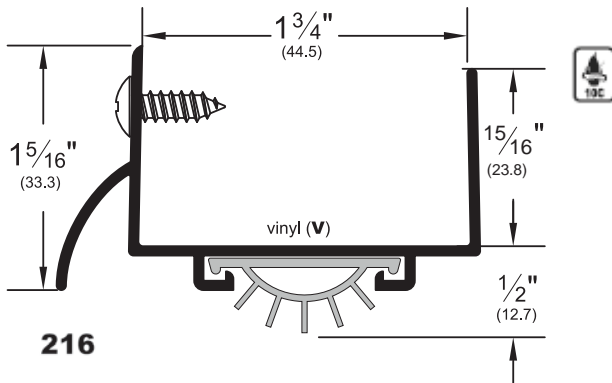
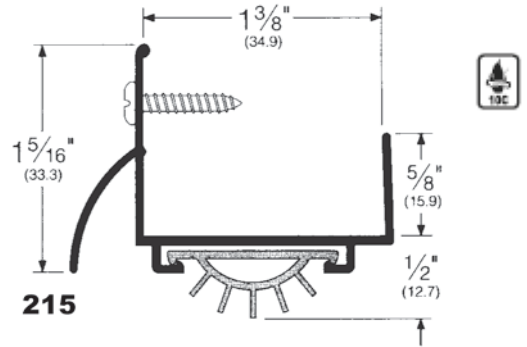
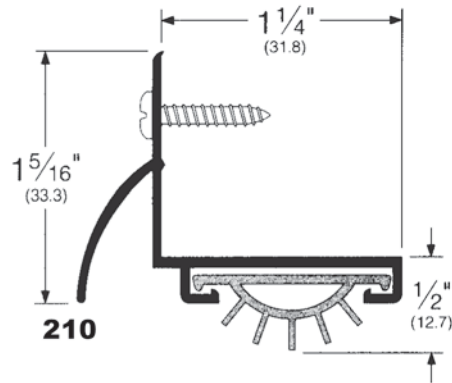
**Finish Key**     A: Aluminum  
                      D: Dark Bronze

Model	Size	Finish
276	36", 48", 72"	Aluminum, Dark Bronze
2748	36", 48", 72"	Aluminum, Dark Bronze
2748	96"	Aluminum



# Pemko

## Door Bottoms, Shoes & Sweeps

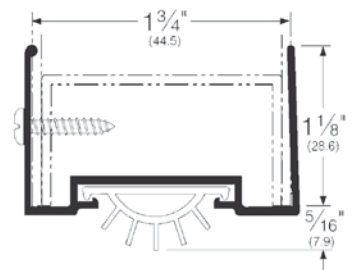


### Stocked Product

Finish Key		Model	Size	Finish
AV: Aluminum		210	36", 48"	Aluminum, Dark Bronze
DV: Dark Bronze		215	36", 48"	Aluminum, Dark Bronze
SN: Satin Nickel		216	36", 48"	Aluminum, Dark Bronze, Satin Nickel
		217	36", 48"	Aluminum, Dark Bronze



**222**  
DOOR SHOE

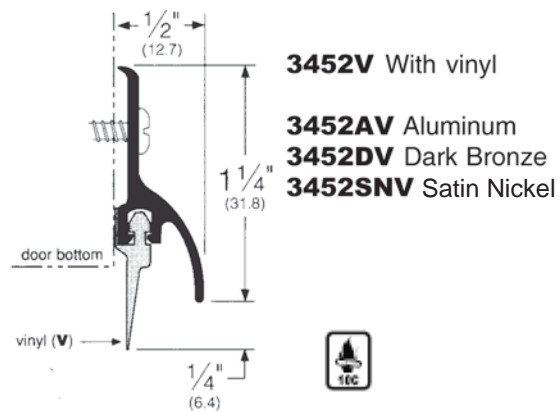
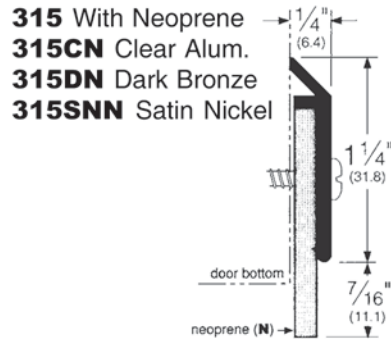
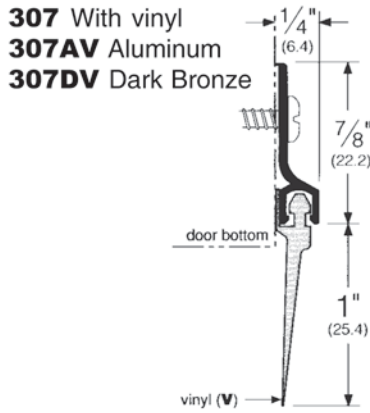


### Stocked Product

Finish Key		Model	Size	Finish
A: Aluminum		221	36", 48"	Aluminum, Dark Bronze
D: Dark Bronze		222	36", 48"	Aluminum, Dark Bronze

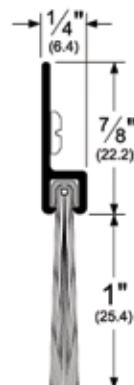
# Pemko

## Surface Sweeps



### Stocked Product

Model	Size	Finish
307	36", 48"	Aluminum, Dark Bronze
315	36", 48"	Aluminum, Dark Bronze, Satin Nickel (36" only)
345	36", 48"	Aluminum, Dark Bronze
3452NB	36", 48"	Aluminum, Dark Bronze
3452V	36", 48"	Aluminum, Dark Bronze, Satin Nickel
18100NB	36"	Aluminum, Dark Bronze

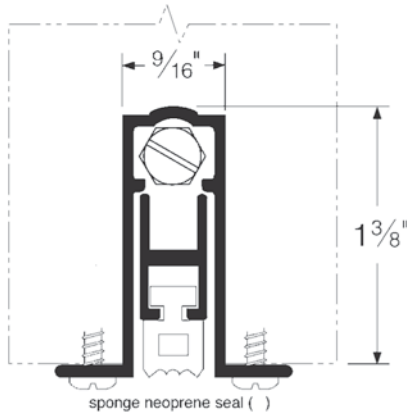


**18100NB**  
With Nylon Brush

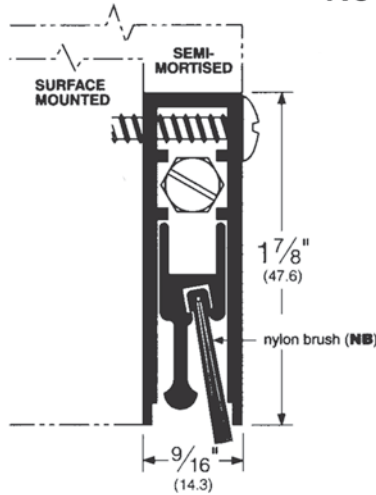
# Pemko

## Door Bottoms

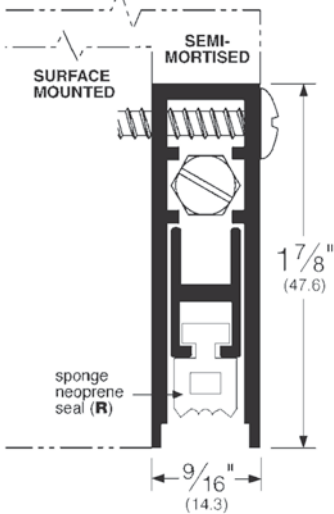
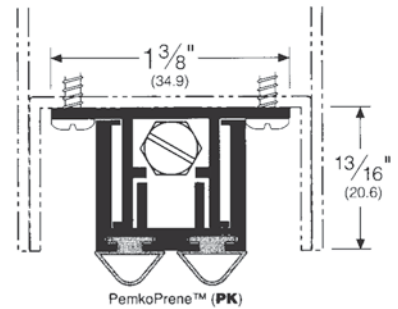
**411ARL**



**4131**



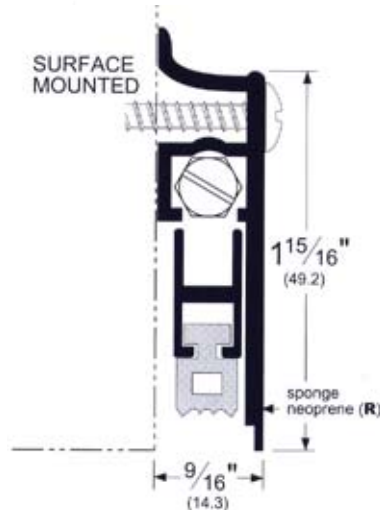
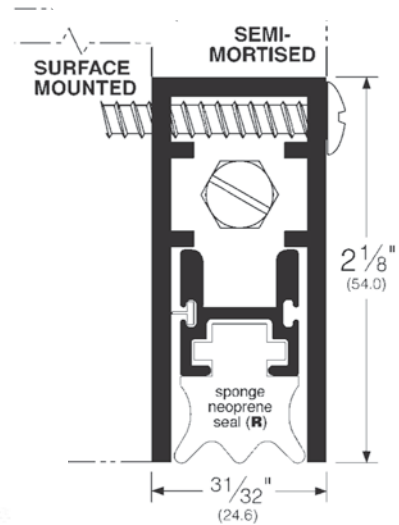
**420AVL**



**Automatic Door Bottom  
4131CRL  
4131DRL**



**Automatic Door Bottom  
4301CRL36  
4301DRL36**



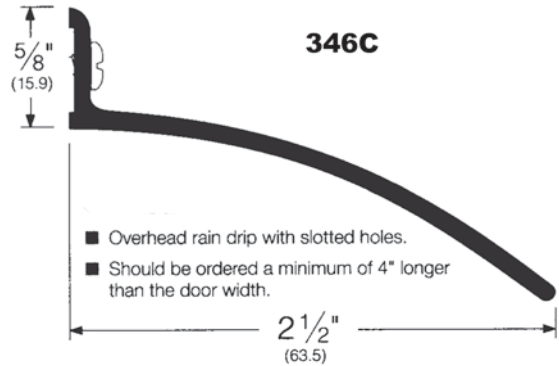
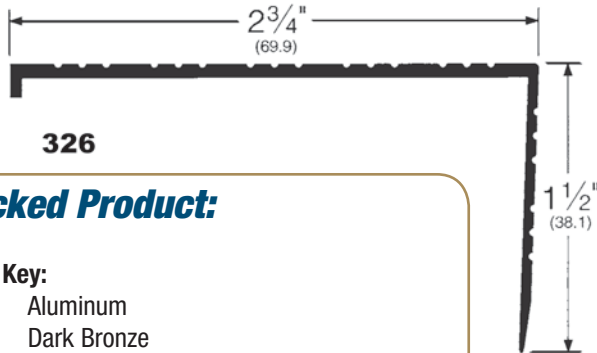
**Automatic Door Bottom  
412 RL Clear Aluminum,  
Dark Bronze**

### Stocked Product

Model	Size	Finish
411RL	32", 36", 48"	Aluminum
412RL	36"	Aluminum, Dark Bronze
4131RL	36", 42", 48"	Aluminum, Dark Bronze
4131NBL	36", 48"	Aluminum, Dark Bronze
420VL	36", 48"	Aluminum
4301RL	36", 48"	Aluminum, Dark Bronze

# Pemko

## Door Top Weatherseal & Sill Nosing



### Stocked Product:

#### Finish Key:

- 326A Aluminum
- 326D Dark Bronze
- 346C Clear Aluminum

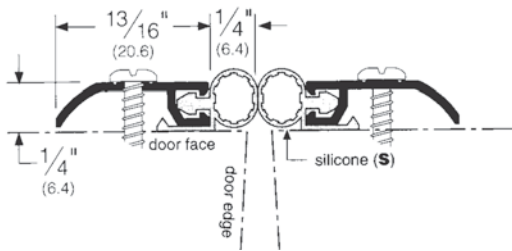
Model	Size	Finish
326	36", 48", 72"	Aluminum, Dark Bronze
346C	36", 40", 72", 76"	Clear Aluminum

- Overhead rain drip with slotted holes.
- Should be ordered a minimum of 4" longer than the door width.

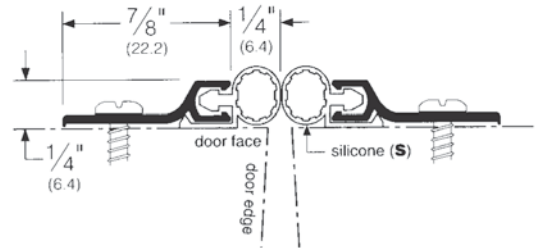


## Split Astragals & Gasketing

**297S - With silicone**



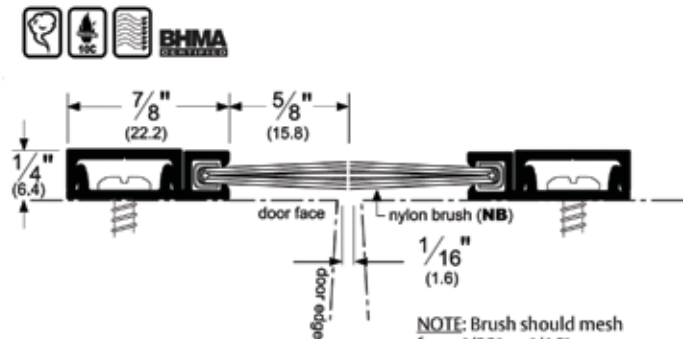
**303S - With silicone**



### Stocked Product

Model	Size	Finish
297	36" X 84"	Aluminum, Dark Bronze
297	36" X 96"	Aluminum, Dark Bronze
297	72" X 84"	Aluminum, Dark Bronze
297	72" X 96"	Aluminum, Dark Bronze
297	84", 96"	Aluminum, Dark Bronze
303	36" X 84"	Aluminum, Dark Bronze, Satin Nickel
303	72" X 84"	Aluminum, Dark Bronze
303	84", 96" pair	Aluminum, Dark Bronze, Satin Nickel
303	120" pair	Aluminum, Dark Bronze
29326	96" pair	Aluminum, Dark Bronze

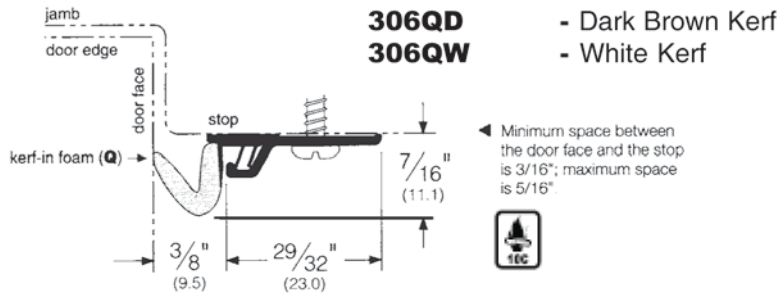
**29326**



NOTE: Brush should mesh from 1/32" to 1/16".

# Pemko

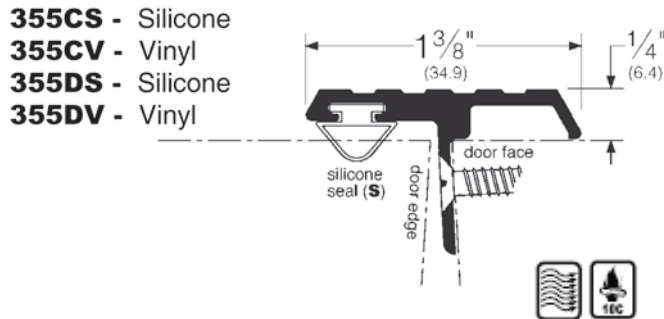
## Split Astragals & Gasketing



### Stocked Product

Model	Size	Finish
306AQD	36" X 80"	Aluminum
306AQD	36" X 84"	Aluminum
306AQW	36" X 80"	Aluminum

## "T" & Overlapping Astragal



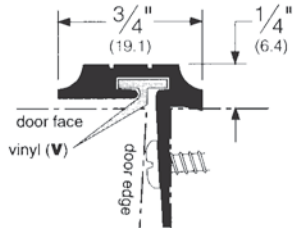
### Stocked Product

Model	Size	Finish
355CS/DS	84", 96", 108", 120"	Aluminum, Dark Bronze
355CV/DV	84"	Aluminum, Dark Bronze

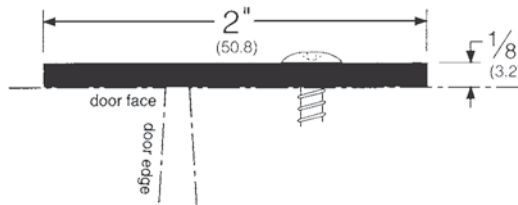
## Pemko

### “T” & Overlapping Astragals & Brush Weatherstrip

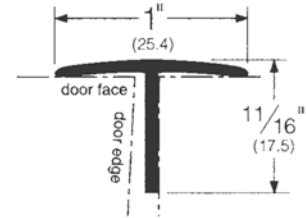
**356 - Astragal**



**357 - Astragal**



**359 - Astragal**

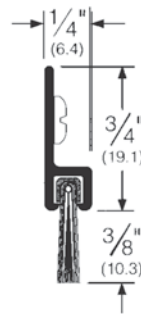


#### Stocked Product:

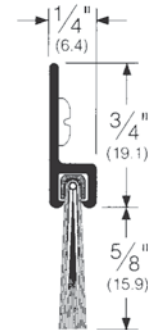
**Finish Key**  
AV: Aluminum  
DV: Dark Bronze  
SP: Galvanized Steel

Model	Size	Finish
356	84"	Aluminum, Dark Bronze
357	84", 96"	Galvanized Steel, Dark Bronze
359	84"	Aluminum, Dark Bronze
18041	84"	Clear Aluminum, Dark Bronze
18061	84"	Clear Aluminum, Dark Bronze

**18041- CNB/DNB**



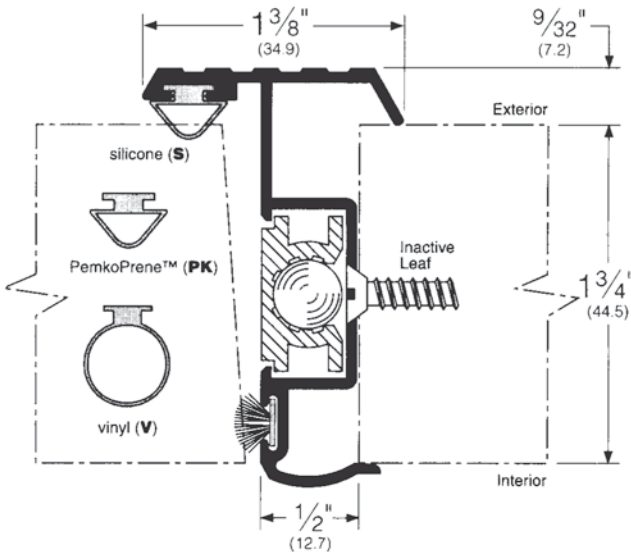
**18061- CNB/DNB**



### Locking Astragals Slimline Style

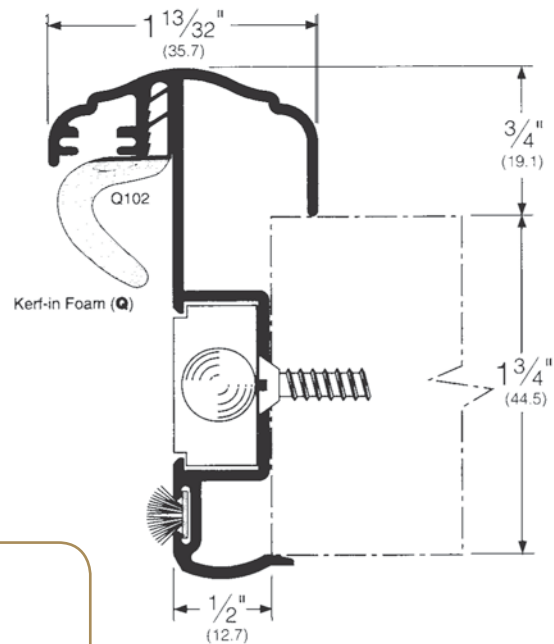
**3493 S**

With silicon style insert  
slide bolt action



**3496 Q**

Kerf in foam  
Colonial style with slide bolt



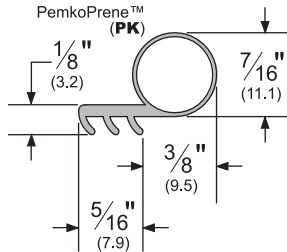
#### Stocked Product

Model	Size	Finish
3493S	80", 84"	Clear Aluminum, Dark Bronze
3496Q	80", 84"	Clear Aluminum, Dark Bronze

# Pemko

## Smoke Gasketing Pemko Prene

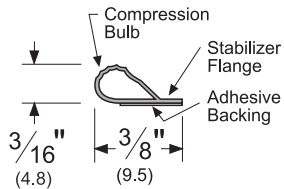
### PK52



Minimum space between the door face and the stop is 1/16"; maximum space is 3/8".  
Positive Pressure rated up to 20 minutes.



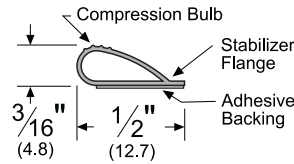
### PK33



- Designed for tighter frames.
- Demonstrates extremely low closing force.
- Seal begins compressing at 3/16"; compresses to seal up to a 1/16" gap.



### PK55



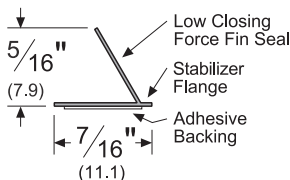
- Designed for tighter frames.
- Demonstrates extremely low closing force.
- Seal begins compressing at 3/16"; compresses to seal up to a 1/16" gap.

### Stocked Product

Finish key:	Model	Size	Finish
BL	PK52	18', 20'	Black, White
D	PK33	17', 20', 25'	Black, White, Dark Bronze
W	PK55	17', 20', 25'	Black, White, Dark Bronze

## Gasketing & Edge Seal Products

### S44



- Designed for tighter frames.
- Demonstrates extremely low closing force.
- Seal begins compressing at 5/16"; compresses to seal up to a 1/16" gap.

### Stocked Product

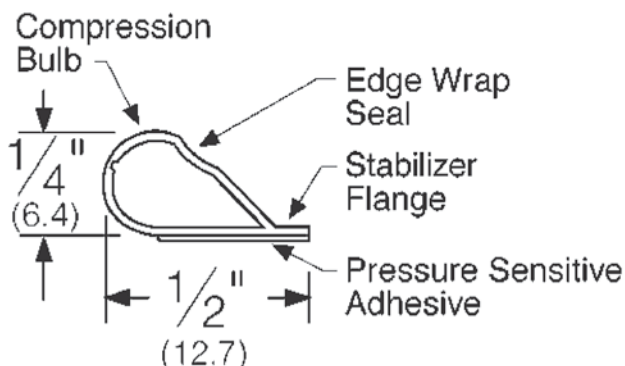
<b>Finish Key</b>	D	Dark Bronze
	W	White
<b>Model</b>	<b>Size</b>	<b>Finish</b>
S44	17', 21', 25"	White, Dark Bronze



## Pemko

### Locking Astragals Slimline Style

**S88 - Silicone Seal**  
S88 is air infiltration tested



**S88D - Dark Brown**  
Also available for special order in black, clear, tan, and white



#### **SiliconSeal Adhesive Backed Fire / Smoke Gasketing**

- Seals begin compressing at 3/16", and both can be compressed sufficiently to seal openings with 1/16" gaps, making door latching easy.
- Excellent resistance to compression set, particularly at elevated temperatures and for extended periods of times.
- Stays flexible between 70° F and 250° F with very high resistance to flex fatigue.
- Outstanding ozone resistance rating.
- Smoke tested by WYLE Laboratories in accordance with UL 1784-90; meets the requirements of NFPA 105 "Installation of Smoke Control Door Assemblies".

#### **Stocked Product**

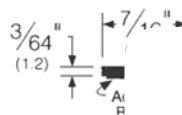
<b>Finish Key</b>	D	Dark Bronze
	W	White
<b>Model</b>	<b>Size</b>	<b>Finish</b>
S88	17', 21', 20', 25'	Dark Bronze, White

## Gasketing - EDGE SEAL PRODUCTS

#### **Edge Sealing Products for Positive Pressure Door System**

- The new positive pressure building codes require stopping the passage of smoke, flames and hot gasses
- Pemko's intumescent and fire / smoke gasketing products have assisted numerous door and frame manufacturers in complying with the new stringent positive pressure standards UL10C and UBC7-2, Parts I and II, UBC7-2, Part I (for fire) and UBC7-2, Part II (for smoke).
- Many fire rated door assemblies (currently listed for UL10B) can now be listed for positive pressure (UL10C) by using Hot Smoke Seal in combination with SiliconSeal. Consult individual door and / or frame manufacturers for specific listing information.

**HSS2000 - Hot Smoke Seal**



#### **Stocked Product**

<b>Model</b>	<b>Size</b>	<b>Finish</b>
HSS2000	18', 21', 24'	White, Black
HSS2000 X S44	18', 21', 24'	Black
HSS2000 X S88	18', 20', 21', 24'	Black

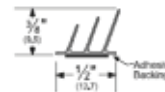
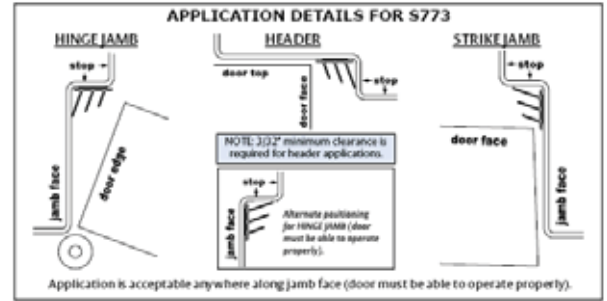
## Pemko

### S773 on Frame with Beveled Edge Door

- Pemko's S773 is a utility gasket that can be used in virtually any application requiring insulation from sound, smoke and weather conditions.
- Pemko's S773 can seal larger gaps than traditional seals and allows for warped doors and frames.
- Pemko's S773 fins help to absorb the door's closing impact.
- Pemko's S773 mounted on the rabbet (on the latch side jamb) means more clearance and easier operation of latches and deadbolts.

The S773 is typically used as a perimeter gasket when sound transmission is an issue. It is an effective seal against heat loss and drafts. Common installation locations include hotel rooms, theaters, offices, etc. The S773 allows a low door closing force so it is particularly well suited to locations where ADA compliance is necessary. S773 can be effectively installed on both interior and exterior doors.

The S773 has an adhesive back and should only be installed on clean, dry and cured surfaces. On the "latch side" door jamb and the door header, the S773 should be installed on the frame rabbet with the tallest fin toward the door stop. On the "hinge side" the S773 should be installed on the door stop with the tallest fin toward the frame rabbet.



- Triple-fin design effectively blocks light and sound from infiltrating a room.
- Product designed as hospitality gasketing (see more hospitality products in the Hospitality Products section).

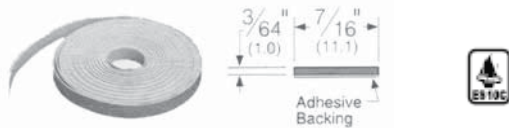


#### Stocked Product

17', 20', 25', Dark brown

ANSI NUMBER: ROE154

## Fire Glazing Products



#### FG3000S45-14

FG3000S45 in 20 and 45 minute sidelite / borrowed lite / transom lite on hollow metal frame (screen)

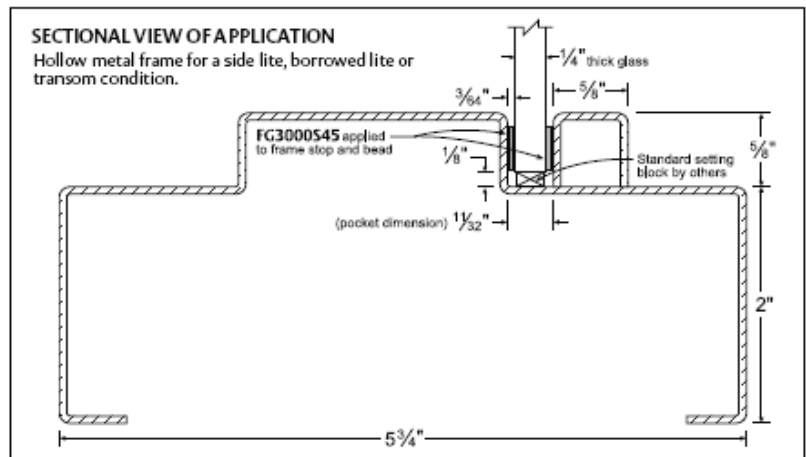
**FG3000S45 has successfully passed 20 minutes (with hose stream) and 45 minutes on wood and metal doors with vision lites installed.**

- Maximum wood door size with FG3000S45 48" x 96" single and/or pairs approved
- Maximum hollow metal door size with FG3000S45 48" x 120" single and/or pairs approved

**Note:** verify all applications with your door and/or frame manufacturer

#### Stocked Product

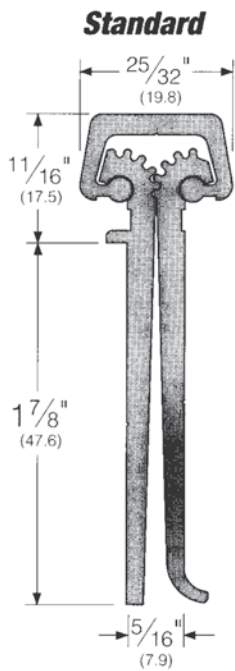
FG3000S      45 Minute X 14 Foot



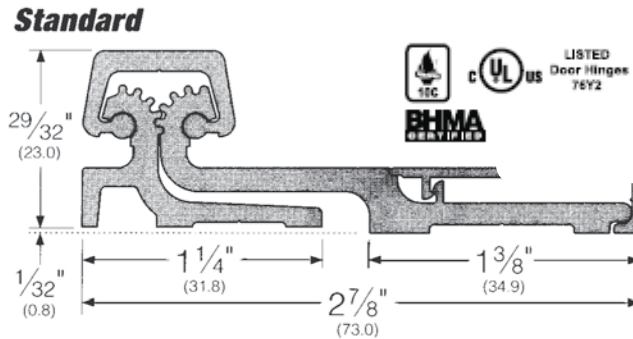
# Pemko

## Continuous Hinges

### Full Mortise



### Full Surface



**CFS83** - Full surface units are designed primarily for retrofit work and are applied to the exposed surface of the door & frame

### Stocked Product

Model	Size	Finish
CFM83	83"	Clear Anodized Aluminum
CFS83	83"	Clear Anodized Aluminum

## Pemko

### W60 Series - Stainless Steel Sliding Track Hardware System for Wood Doors



#### Features:

- Made of 304 stainless steel
- Nylon coated stainless steel wheel for smooth operation
- For Sliding Panels up to 176 lbs. capacity
- 5 year warranty

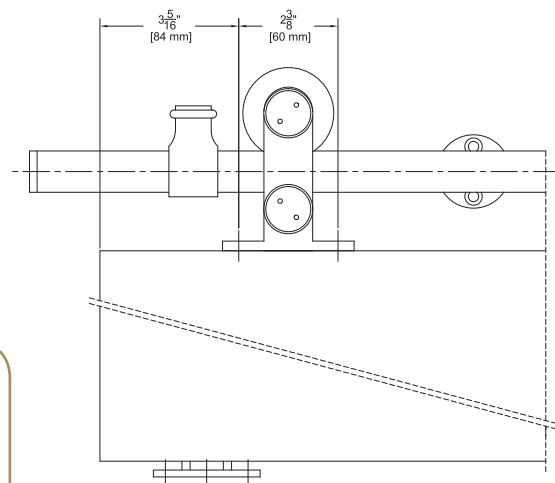
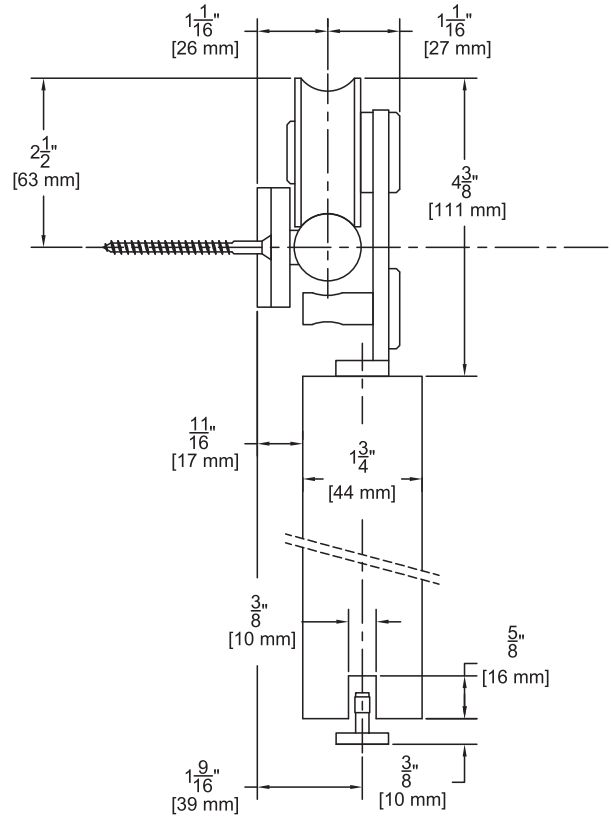
#### Configurations:

- Bi-parting
- Single

**Installation:** Side Wall Mount (only)

#### Kits Include:

- BAR/\_ Stainless Steel Track (1 ea)
- BRACKET2 Stainless Steel Wall Brackets (1 ea)
- 62 Stainless Steel Hangers (2 ea)
- WOODGUIDE Stainless Steel Guide (1 ea)
- STOP2 Stainless Steel Stops (2 ea)
- Mounting Hardware



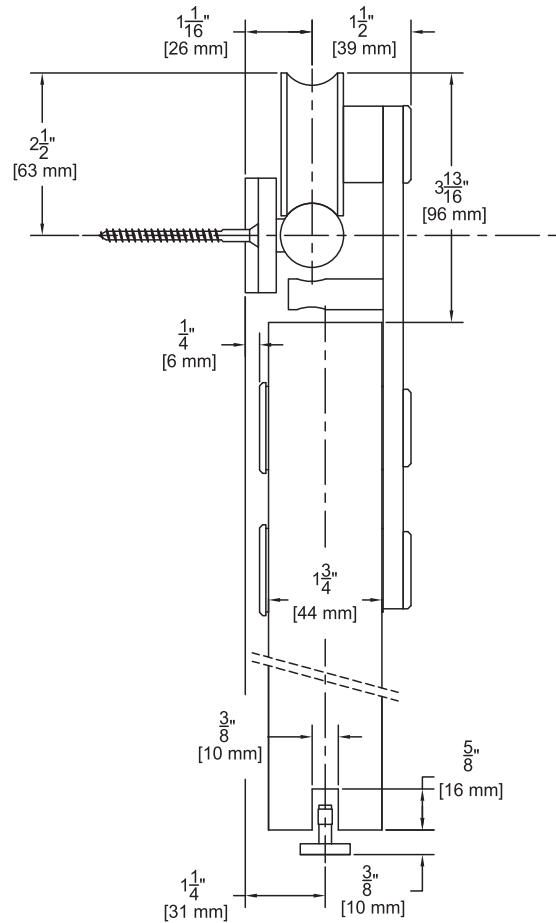
#### Stocked Product

Model	Track Length	Door Width	Finish
W60/6	78-3/4"	36"	Brushed Stainless Steel
W60/8	98-7/16"	48"	Brushed Stainless Steel
W60D/6	78-3/4"	36"	Dark Bronze
W60D/8	98-7/16"	48"	Dark Bronze

SPLICEROD Required for bi-parting

## Pemko

### W100 Series - Stainless Steel Sliding Track Hardware System for Wood Doors



#### Features:

- Made of 304 stainless steel
- Nylon coated stainless steel wheel for smooth operation
- For Sliding Panels up to 198 lbs. capacity
- 5 year warranty

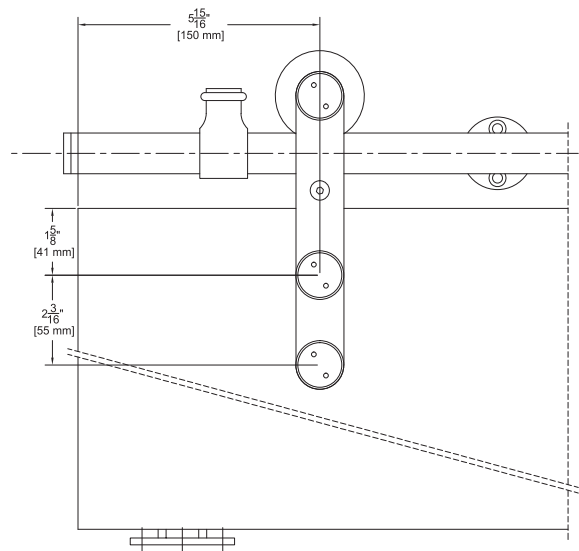
#### Configurations:

- Bi-parting
- Single

**Installation:** Side Wall Mount (only)

#### Kits Include:

- BAR/\_ Stainless Steel Track (1 ea)
- BRACKET2 Stainless Steel Wall Brackets (1 ea)
- 111 Stainless Steel Hangers (2 ea)
- WOODGUIDE Stainless Steel Guide (1 ea)
- STOP2 Stainless Steel Stops (2 ea)
- Mounting Hardware



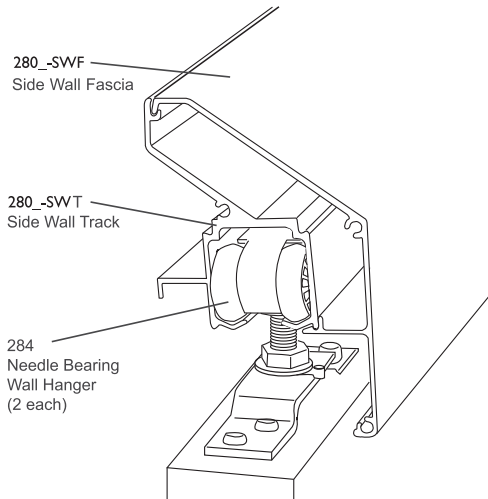
#### Stocked Product

Model	Track Length	Door Width	Finish
W100/6	78-3/4"	36"	Brushed Stainless Steel
W100/8	98-7/16"	48"	Brushed Stainless Steel
W100D/6	78-3/4"	36"	Dark Bronze
W100D/8	98-7/16"	48"	Dark Bronze

SPLICEROD Required for bi-parting

# Pemko

## 280SWT - Side Wall Track (SWT) System



### Features:

- Unique mounting bracket extruded into track
- Supports up to 200 lbs per door
- Quick, easy attachment
- No additional shims needed
- New construction or retrofit
- Innovative wall mounted bottom guide assembly allows carpet to be replaced without removing the door.

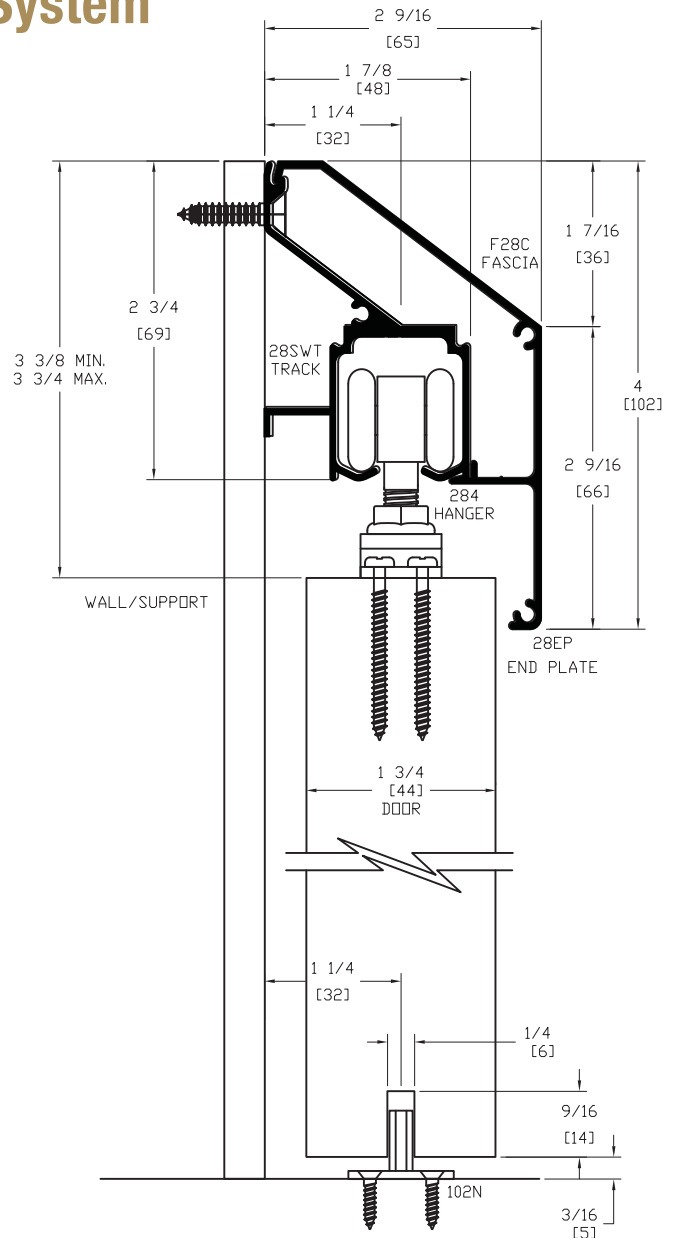
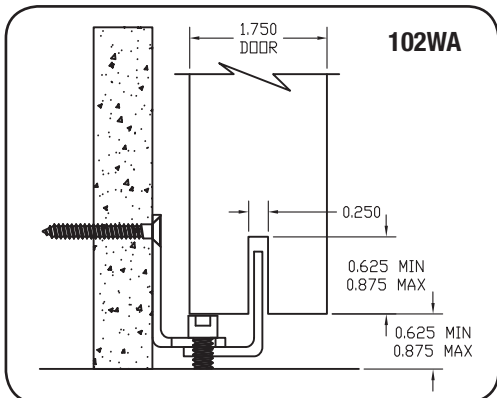
### Configurations:

- Single
- Bi-parting

### Kits Include:

- Side Wall Track
- Side Wall Fascia
- Hangers (284) (2 ea)
- Sidewall Mount Mortise Guide (102WA)(1 ea) Stops (286) (2 ea)
- Side Wall End Plates (K28-SWEP) (2 ea)
- Bottom Guide (102N) - Nylon Door (1 ea)

### OPTION: Mortise Guide (102WA)



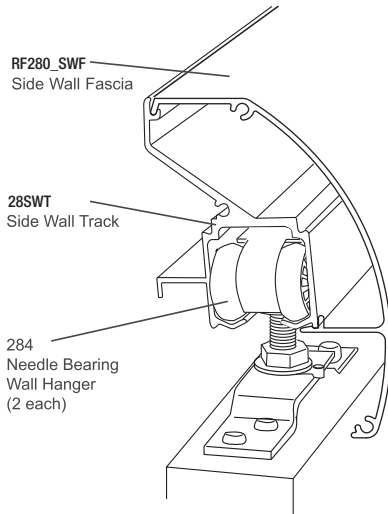
### Stocked Product

Model	Track Length	Door Width	Finish (Fascia/End Plates)
280CSWTKIT/6	72"	30"	Aluminum
280CSWTKIT/8	96"	36"	Aluminum
280CSWTKIT/12*	144"	48"	Aluminum
280DSWTKIT/6	72"	30"	Dark Bronze Anodized
280DSWTKIT/8	96"	36"	Dark Bronze Anodized
280DSWTKIT/12*	144"	48"	Dark Bronze Anodized
102WA	Wall Mount Mortise Guide		

\* NOTE: 280\_SWTKIT/12 comes with enough hardware for two doors.

# Pemko

## RF280 - Side Wall Track (SWT) System



### Features:

- Unique mounting bracket extruded into track
- Supports up to 200 lbs per door
- Quick, easy attachment
- No additional shims needed
- New construction or retrofit
- Innovative wall mounted bottom guide assembly allows carpet to be replaced without removing the door.

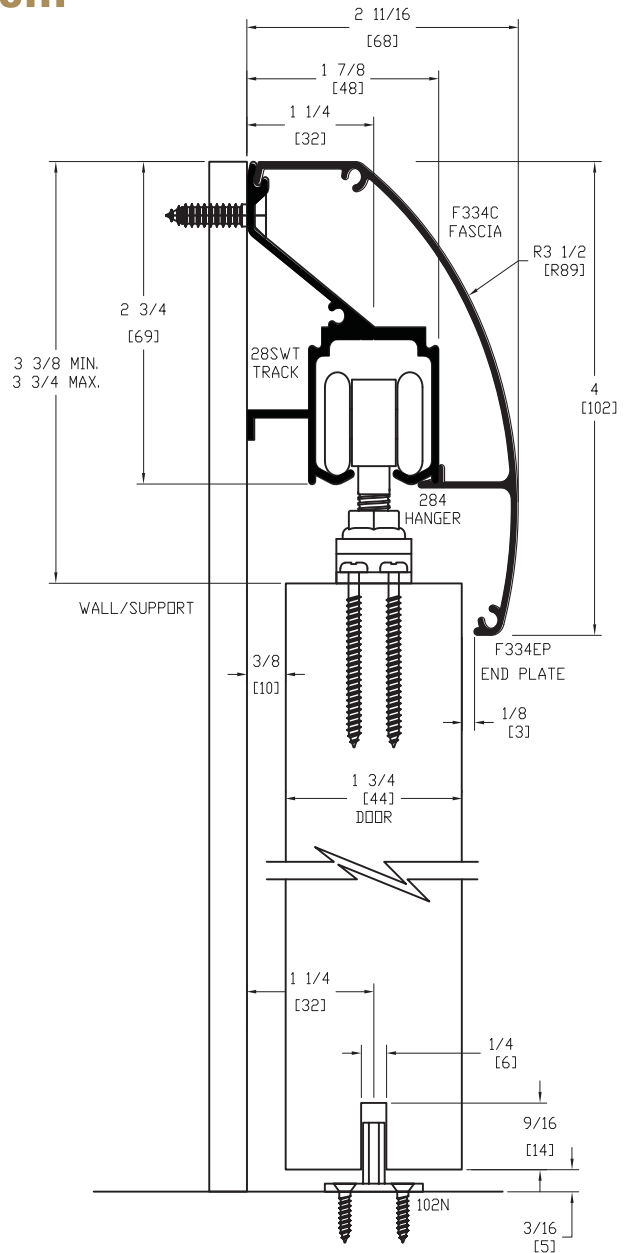
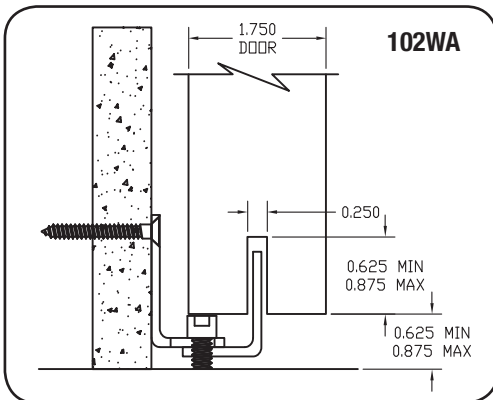
### Configurations:

- Single
- Bi-parting

### Kits Include:

- Side Wall Track
- Side Wall Fascia
- Hangers (284) (2 ea)
- Sidewall Mount Mortise Guide (102WA)(1 ea) Stops (286) (2 ea)
- Side Wall End Plates (KF334-SWEP) (2 ea)
- Bottom Guide (102N) - Nylon Door (1 ea)

**OPTION:** Mortise Guide (102WA)



### Stocked Product

Model	Track Length	Door Width	Finish (Fascia/End Plates)
RF280CSWTK/6	72"	30"	Aluminum
RF280CSWTK/8	96"	36"	Aluminum
RF280CSWTK/12*	144"	48"	Aluminum
RF280DSWTK/6	72"	30"	Dark Bronze Anodized
RF280DSWTK/8	96"	36"	Dark Bronze Anodized
RF280DSWTK/12*	144"	48"	Dark Bronze Anodized

\* NOTE: RF280\_SWTK/12 comes with enough hardware for two doors.

102WA Wall Mount Mortise Guide

## Rustic Sliding Barn Door Hardware



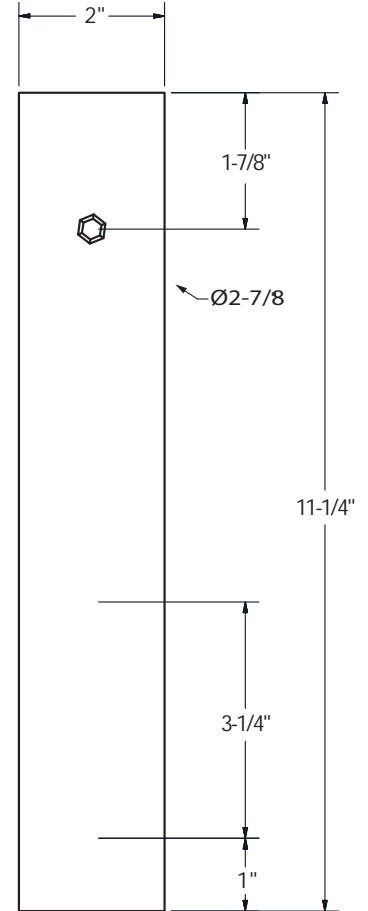
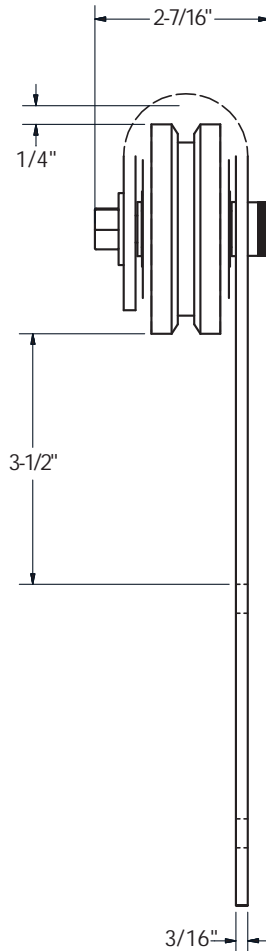
Barn Door Hardware with an Industrial Make. A true rustic style, the Industrial Hanger is characterized by its metal hanger strap that loops completely over the top of the wheel, leaving the sides of the wheel visible as it rolls along the track. A substantial looking roller strap with a straight bottom edge and unique industrial look. The hanger mounts to the face of the door.

### Features:

- Color/Finish: Flat Black
- Wheel Type: Black Nylon
- Track & Hardware Pack is for 1 door.
- Weight Limit: 500 pounds Per Hanger Pair

### Kits Include:

- Hanger Assembly
- Track pre-drilled for mounting hardware
- Stops
- Floor mount door guide
- Mounting Hardware



### Stocked Product

Model	Track Length	Finish
RUSBARN BLK 6	6'	Black
RUSBARN BLK 8	8'	Black



## Perfect

### DoorSaver II



DoorSaver II catches both the front and back side of the hinge for total protection. Its truly unique design means no damage. No hinge pin creeping up. And no bumper. All you see is the beautiful, ultra-low profile and damage-free doors and trim.

#### **Features:**

- Bumperless design eliminates damage to doors and trim
- Ultra-low profile in four designer finishes
- Installs in seconds – no tools required
- Hinge mounted to fit 3 1/2" OR 4" residential hinges
- Won't work up like conventional hinge-mounted products
- Made from strong carbon steel



#### **Stocked Product**

<b>No.</b>	<b>Finish</b>
01271	609 - Antique Brass
01272	605 - Bright Brass
01273	625 - Chrome (Dull finish)
01274	619 - Satin Nickel
01275	620 - Antique Nickel
01276	613 - Oil Rubbed Bronze
01278	622 - Black

## Perfect

### DoorSaver 3 Commercial

DoorSaver 3 Commercial provides a stop that does not contact the casing or door. It's ultra-low-profile design utilizes the existing hinge pin to create bumperless protection for doors and trim.

DoorSaver 3 Commercial is simple to install, looks great and stays in place without "working up." Designed to fit a variety of commercial hinges with standard or non-standard diameter hinge pins. Includes a vinyl bushing to assist in accommodating the various pin diameters.

#### **Features:**

- Bumperless design eliminates damage to doors and trim.
- Ultra-low profile in three designer finishes.
- Installs in seconds. No tools required.
- Hinge mounted to fit all doors.
- Won't work up like conventional hinge-mounted products.
- Made from strong carbon steel.



#### **Stocked Product**

<b>No.</b>	<b>Finish</b>
01204	619 - Satin Nickel
01206	613 - Oil Rubbed Bronze

## Pro-Lok - Auto Openers

### A004 - Gas Cap Key



Use this tool to open almost any locked gas cap. Designed to be used like a rocker pick.

**Stocked Product**

A004

### A034 - MCOT-Narrow

The original Multi-Car Opening Tool. Narrow width and short reach. Xacto-Grip Flattened.



**Stocked Product**

A034

### A010 - The Original Slim Jim



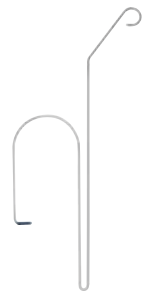
This is the Original Slim Jim and still the best. 3/4" x 22-1/2" x .032 thickness. Stainless steel.

**Stocked Product**

A010

### A035 - MCOT-Wide

The wide MCOT is for cars with wide door panels. Xacto-Grip Flattened.



**Stocked Product**

A035

### A011 - Super Slim Jim



Wider and stiffer than the original. 1-1/4" x 25" x .032 thickness. Stainless steel..

**Stocked Product**

A011

### A036 - MCOT-Long

Stretched for maximum reach. Long and narrow MCOT tool. For hard to reach activators. Xacto-Grip Flattened.



**Stocked Product**

A036

### A025 - E-Z Jim



Medium thickness Slim Jim. 1" x 25" x .040 thickness. Stainless steel.

**Stocked Product**

A025

### A037 - MCOT-Button Finger

The MCOT modified to operate vertical button cars. Remove the protective cap to use the precision ground tip. Xacto-Grip Flattened.



**Stocked Product**

A037

### A030 - Long Slim Jim



Be able to reach even the deepest linkages. Just like the original, only longer. 3/4" x 29-1/2" x .032 thickness. Stainless steel.

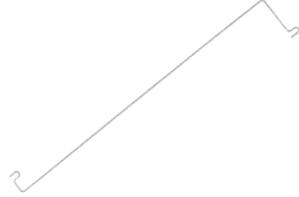
**Stocked Product**

A030

## Pro-Lok - Auto Openers

### A038 - Double Slide Tool

Double ended tool. Short reach for narrow doors combined with reverse tip for reaching under horizontal rods. Very wide usage. Xacto-Grip Knurled & Flattened.



**Stocked Product**

A038

### A042 - Long Reach Tool



Across the car entry tool. Allows you to reach inside a car to an activator on the opposite side of the car or to retrieve the keys. Extends up to 76" with use of middle section.

**Stocked Product**

A042

### A042-LA - 58" Long Arm Tool



The A042-LA -Long Arm Tool is approximately 58" in length. Offers the versatility to open a wide range of vehicles. Designed to enter into the passenger compartment of the vehicle through the door using wedges and/or door jack type tools and reaching across the vehicle to manipulate interior lock mechanisms. The tool is powder coated with a soft vinyl tip.

**Stocked Product**

A042-LA

### A042-LAXL - 76" Long Arm Tool

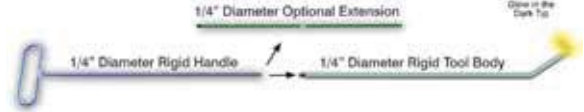


The A042-LAXL Long Arm Tool is approximately 76" in length. Offers the versatility to open a wide range of vehicles. Designed to enter into the passenger compartment of the vehicle through the door using wedges and/or door jack type tools and reaching across the vehicle to manipulate interior lock mechanisms. The tool is powder coated with a soft vinyl tip.

**Stocked Product**

A042-LAX

### A042-QC1 - Quick Change™ Long Reach Tool



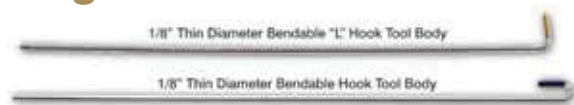
The A042-QC1 gives you the versatility to unlock many vehicles on the road. The multi-piece Quick Change tool is designed to enter into the passenger compartment of the vehicle through the door using wedges and/or door jack type tools. The specialty formulated Glow-in-the-Dark tip comes in handy on some openings at night.

When extra length is needed, simply use the 18" "extension" between the rigid "handle" and rigid tool "body". Our seamless design, not needing a bulky coupler, can reach up to 67" and can be stored easily. The A042-QC2 is a convenient accessory offering more accessibility.

**Stocked Product**

A042-QC1

### A042-QC2 - Quick Change™ Long Reach Tool



The A042-QC2 is a convenient addition to the A042-QC1. The thin diameter tool bodies screw directly into the rigid "handle" or 18" "extension" without the use of a bulky coupler. The thinner material may provide less wedging or stress on the vehicle. It is easier to slightly bend the thin diameter bodies to pull or push on the desired unlocking feature.

**Stocked Product**

A042-QC2

### A060 - Double Sided Wedge

Made of high impact plastic. Different height on each side allows you to adjust to doors with varying flexibility.



**Stocked Product**

A060

### A061 - Grey Rubber Wedge

Made of heavy-duty but soft non-marking high grade rubber.



**Stocked Product**

A061

## Pro-Lok - Auto Openers

### A065 - Pump Wedge



Bag only 6"x 6-1/2"  
w/Pump 13"x 6-1/2"

Window wedge for auto opening. The pump wedges is an inflatable wedge made of non-marring vinyl material. Rounded corners for easy entry.

**Stocked Product**

A065

### AL15500 - 3 AA Cell Hardbody Light

4.5v car opening light powered by 3 AA batteries\*. Brighter gas filled Krypton slim bulb, switch-less light, heavy-duty aluminum body, durable black gloss powder coat finish, suction cup clip, flexible wand. Use AL12110 bulb only! Suction clip, storage case and bulb included. Lifetime warranty (excluding bulb).



**Stocked Product**

AL15500 - 3 AA Cell Hardbody Light  
AL12110 - 4.5v Krypton Bulb for AL15500

\*Batteries  
not included

### AKUC - Ultra Combo Kit

18 Piece Combo Kit  
The combo kit is a mix of the most popular traditional car opening tools snugly fit into the lid of the case as well as our assortment of "Quick Change" Long Reach Tools custom fit into the bottom of the specialty molded case. The selection of traditional tools includes our most popular stainless steel round edged Slim Jim, three of our most popular patented Xacto Grip tools including our Double Ended Hook and Lift Tool, Double Ended Slide Lock Tool, Wide Panel MCOT Under the Window Tool, Protective Tool Sleeve, 52 page Tool Usage and Instruction Booklet, and Wedge Starter and Window Protector.

The Long Reach Tools custom fit into the bottom of the case include the 5-pc Long Reach Set featuring the 1/4" heavy duty Handle, 1/4" heavy duty rigid Tool Body, 1/8" bendable Hook Tool Body, 1/8" bendable "L" Hook Tool Body, heavy duty extension (when longer reach is needed), 2 rubber wedges, 2 plastic wedges, heavy duty Pump Wedge and Plastic Tool Sleeve.

Tools: A025, A035, A038, A039, A042-QC1 (Consisting of : A042-QC1-01, A042-QC1-02, A042-QC1-03), A042-QC2 (Consisting of : A042A, A042B), A042SL, A064, A065-A1  
Book: A095 Wedge: A065, Set of A064, A067 (2)



Case Size  
28" L x 9" W x 4-1/2" H

**Stocked Product**

AKUC

## Pro-Lok - Blue Punch/Key decoders

### BP201- BLUE PUNCH



#### Stocked Product

BP201 - BLUE PUNCH  
BP201IC - I-CORE A2 SYSTEM  
BP201KW - KWIKSET  
BP201SC - SCHLAGE-CLASSIC  
BP -CASE

#### BP201IC - I-CORE A2 SYSTEM

A2 Standard Interchangeable Core (I/C) -  
\*will cut A3 & A4 w/purchase of code bar Best, Falcon & Arrow  
Small Format I/C Key Sections A-R, TA-TE, W Arrow 1A-4D  
Exclusions: Arrow Flexcore, Kaba Peaks, Insta-Key

#### BP201KW - KWIKSET

Kwikset Standard - \*Titan - (\*Will Not Cut Square 1st Cut) Yale residential

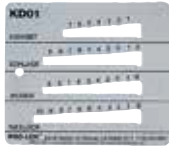
#### BP201SC - SCHLAGE-CLASSIC

Schlage Classic (Including I/C) Obverse Key Sections Only C, CE, E, EF, F, FG, G, H, J, K, L (Aftermarket L Blanks Only)  
Primus - Same Key Sections As Obverse Except A "P" Has Been Added To Keyway # (ie: CP, CEP, EP, .... Etc.)  
Schlage Everest - C Key Sections (I.E. C123, C124, C126, C135, C145..... etc.) (Including I/C)  
Everest Primus - Uses Same Names  
Exclusions: Numbered Key Sections, Quad Key Sections, Reverse Key Sections, Everest-B (B+3 Digits), Everest-D (D+3 Digits)

#### BP -CASE

Take your Blue Punch™ almost anywhere with this specialty constructed Blue Punch™ case.

### KD01 - Key Decoder



Decoder for Kwikset, Schlage, Weiser, & Weslock

#### Stocked Product

KD01

### KD98 - Key Decoder

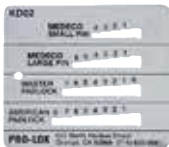


Decoder for ASSA

#### Stocked Product

KD98

### KD02 - Key Decoder



Decoder for Medeco small pin, Medeco large pin, Master Padlock, & American Padlock

#### Stocked Product

KD02

### KDIC - Key Decoder



Decoder for Best/Falcon & other I/C keys using standard A2 increments

#### Stocked Product

KDIC

### KD03 - Key Decoder



Decoder for GM, Ford, Chrysler, & Ford 10 Cut

#### Stocked Product

KD03

### KDSC - Key Decoder



Decoder for all Schlage & other (Schlage type) keys using factory increments.

#### Stocked Product

KD01

## Pro-Lok - Locksmith Tools/Key Tags

### LT1202 - Lock & Safe Scope

This scope throws a strong beam of light, great for reading wafers and safe work. Made of impact resistant plastic. Comes with 3 tips, carrying case, batteries, and bulb. Put one in each truck.



#### Stocked Product

LT1202  
LT1202B - Replacement Bulb

### LT1240 HeadSpecs

Multi-Purpose Head-Wearing Magnification Glasses with Dual Light Sources. 4 different magnifying choices and 2 lights built all in one HEADSPEC. Just flip the lens of your choice in any combination to achieve the necessary magnification level. Magnifications available: 1.8x, 2.3x, 3.7x & 4.8x. Ideal for impressing, close observations, precision inspections, miniature parts, assembly, coins, stamps, checking circuit boards, reading resistors, detail work, reading and much more! Uses 2 AAA batteries (not included) per light.



#### Stocked Product

LT1240

### LT340 - IC Reykey/Decoder Dump Tool

Several tools in one. Clear chambers and decode. Chamber cap and retainer sleeve staking feature. Holds the key cylinder and provides a place to dump the pins for decoding or disposal. Also acts as a holding fixture for rekeying.



#### Stocked Product

LT340

### LT370 - Follower Master Pin



A versatile follower that can be used for removal of upper chamber master pins (up to .100) with a quick twist. Can also be used for standard rekeying tasks. Red anodized, machined aluminum to exacting tolerances.

#### Stocked Product

LT370

### LT371 - Follower Set - 4 Piece

4 different colored aluminum follower tools to easily identify diameter. Two standard size followers, one small and one large diameter combine to offer a set that will service almost any pin tumbler lock. Also available individually.



#### Stocked Product

LT371

### LT422 - White Blank Tag System

Make your own key tags. Goes behind the hooks on your keyboard. Set contains 96 blank tags for you to fill out.



#### Stocked Product

LT422

### LT430 - Service Call/Dispatch Book

Make it easy to track service calls for dispatch and billing. 3-copy NCR with wraparound cover. Give one copy to dispatcher, one to service tech, and retain permanent copy in book. 200 tickets per book individually numbered.



#### Stocked Product

LT430

### LT470 - 8 Piece Driver Set

Heat treated, chrome plated, chrome vanadium steel shafts with magnetic tips. High visibility handle, easy to locate. Net weight 3/4 lbs. (.34kg).



- Curved Hook
- Offset 45° Hook
- 90° Hook
- Straight Pick
- 1/8" Flat Screwdriver
- #0 Phillips Screwdriver
- SD-15 Star Screwdriver
- SD-20 Star Screwdriver

#### Stocked Product

LT470

## Pro-Lok - Lock Picking Tools/Safe Bits

### LT700 - Standard Impressioning Tool

Impression tool for pin tumbler and wafer locks using a true centerline action. Easy to grip, fits hands comfortably, securely holds the head of the key.

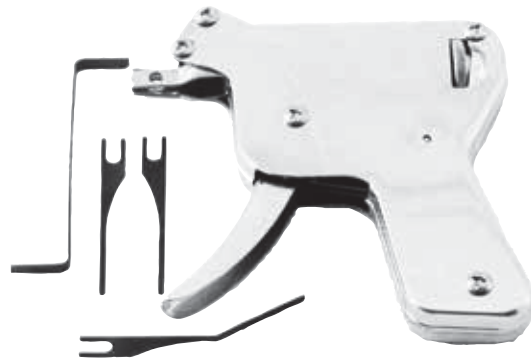


**Stocked Product**

LT700

### PKXGUN-M - Pick-Gun-Manual

The PKX-GUN-M, Manual Pick Gun, is the best pick gun available. Used by locksmiths everywhere, the pick gun allows you to pick a wide variety of locks. Included with the Manual Pick Gun are three tips and a tension wrench.



**Stocked Product**

PKXGUN-M

### PKX-TW-R - Pick-Tension Wrench-Rigid

The superior quality PKX-TW-R, Rigid Tension Wrench, is manufactured of tempered stainless steel; deburred and burnished to a soft luster. We use the newest high technology steels and construction methods. Our picks are rust proof, full hard spring stainless steel with smooth rivetless construction making them the strongest most durable picks available.



**Stocked Product**

PKX-TW-R

### Safe Bits

May be used on safes and other materials that are difficult to drill such as concrete and stainless steel etc. Made in England exclusively for Pro-Lok®

**Stocked Product**

SB01	3/16" x 31/2"	
SB05	1/4" x 4"	
SB06	1/4" x 6"	
SB11	5/16" x 5"	
SB15	3/8" x 5"	



## Entry Armor by Pro-Lok- *Wrap Plates*



### **Stocked Product**

**1-1/2" BORE**

ITEM #	BACKSET	DOOR THICKNESS	OVERALL SIZE
EWP-111-S	2-3/4"	1-3/4"	4-1/4" x 4-1/2"



### **Stocked Product**

**2-1/8" BORE**

ITEM #	BACKSET	DOOR THICKNESS	OVERALL SIZE
EWP-160-S	2-3/4"	1-3/4"	4-3/4" x 4-1/2"



EWP-161-S	2-3/4"	1-3/4"	4-3/4" x 9"
EWP-163-S	2-3/4"	1-3/4"	4-3/4" x 12"



EWP-164-PB	2-3/4"	1-3/4"	5" x 14"
EWP-164-S	2-3/4"	1-3/4"	5" x 14"

### **Stocked Finishes**

PB = POLISHED BRASS  
 S = STAINLESS STEEL

\*Stock Finishes Are Listed Under Each Part Number

\*\* Most wrap plates are provided in a clamshell packaging, with full color graphics for retail display.

## Entry Armor by Pro-Lok – *Wrap Plates*



### **Stocked Product**

**2-1/8" BORE**

ITEM #	BACKSET	DOOR THICKNESS	OVERALL SIZE
EWP-120-PB	2-3/8"	1-3/8"	4" x 4-1/2"
EWP-120-S	2-3/8"	1-3/8"	4" x 4-1/2"
EWP-122-AB	2-3/8"	1-3/8"	4" x 4-1/2"
EWP-122-PB	2-3/8"	1-3/4"	4" x 4-1/2"
EWP-122-S	2-3/8"	1-3/4"	4" x 4-1/2"
EWP-130-PB	2-3/4"	1-3/8"	4" x 4-1/2"
EWP-130-S	2-3/4"	1-3/8"	4" x 4-1/2"
EWP-132-PB	2-3/4"	1-3/4"	4-1/4" x 4-1/2"
EWP-132-S	2-3/4"	1-3/4"	4-1/4" x 4-1/2"

EWP-121-PB	2-3/8"	1-3/8"	4" x 9"
EWP-121-S	2-3/8"	1-3/8"	4" x 9"
EWP-123-AB	2-3/8"	1-3/4"	4" x 9"
EWP-123-PB	2-3/8"	1-3/4"	4" x 9"
EWP-123-S	2-3/8"	1-3/4"	4" x 9"
EWP-131-PB	2-3/8"	1-3/8"	4-1/4" x 9"
EWP-131-S	2-3/8"	1-3/8"	4-1/4" x 9"
EWP-133-AB	2-3/4"	1-3/4"	4-1/4" x 9"
EWP-133-PB	2-3/4"	1-3/4"	4-1/4" x 9"
EWP-133-S	2-3/4"	1-3/4"	4-1/4" x 9"
EWP-134-S	2-3/4"	1-3/4"	5" x 12"

EWP-135-S	2-3/4"	1-3/4"	5" x 14"
EWP-136-PB	2-3/4"	1-3/4"	5" x 20"
EWP-136-S	2-3/4"	1-3/4"	5" x 20"
EWP-151-PB	5"	1-3/4"	6-1/2" x 9"

### **Stocked Finishes**

AB = ANTIQUE BRASS  
PB = POLISHED BRASS  
S = STAINLESS STEEL

\*Stock Finishes Are Listed Under Each Part Number

\*\* Most wrap plates are provided in a clamshell packaging, with full color graphics for retail display.

## Entry Armor by Pro-Lok – Wrap Plates



### **Stocked Product**

#### **1-1/2" TOP BORE, 2-1/8" BOTTOM BORE**

ITEM #	BETWEEN HOLES	BACKSET	DOOR THICKNESS	OVERALL SIZE
EWP-200-S	4"	2-3/8"	1-3/8"	4" x 9"
EWP-210-PB	4"	2-3/8"	1-3/4"	4-1/4" x 9"
EWP-210-S	4"	2-3/8"	1-3/4"	4-1/4" x 9"

#### **2-1/8" TOP BORE, 2-1/8" BOTTOM BORE**

ITEM #	BETWEEN HOLES	BACKSET	DOOR THICKNESS	OVERALL SIZE
EWP-221-PB	3-5/8"	2-3/8"	1-3/4"	4" x 9"
EWP-225-PB	3-5/8"	2-3/4"	1-3/4"	4-1/4" x 9"

#### **EDGE GUARDS**

ITEM #	DOOR THICKNESS	OVERALL SIZE
EWP-230-PB	1-3/8"	4-1/2" x 1"

**\* Not Retail Packaged**

### **Stocked Finishes**

PB = POLISHED BRASS  
S = STAINLESS STEEL

\*Stock Finishes Are Listed Under Each Part Number PB = POLISHED BRASS S = STAINLESS STEEL

\*\* Most wrap plates are provided in a clamshell packaging, with full color graphics for retail display.

## Entry Armor by Pro-Lok - *Wrap Plates*



EWP-251



EWP-252



BLANK

### **Stocked Product**

ITEM #	HOLE SIZE	BACKSET	DOOR THICKNESS	OVERALL SIZE	DESCRIPTION
EWP-251-S	1-1/2"	2-3/4"	1-3/4"	5" x 12"	1-1/4" x 8" face plate, 1-5/8" x 7-5/16" side prep
EWP-252-PB	Blank	N/A	1-3/4"	5" x 12"	86 cut out, 1-1/4" x 8" face plate, blank
EWP-252-S	Blank	N/A	1-3/4"	5" x 12"	86 cut out, 1-1/4" x 8" face plate, blank

### **BLANKS**

ITEM #	HOLE SIZE	BACKSET	DOOR THICKNESS	OVERALL SIZE
EWP-291-PB	N/A	N/A	1-3/4"	4-1/4" x 4-1/2"
EWP-291-S	N/A	N/A	1-3/4"	4-1/4" x 4-1/2"
EWP-293-PB	N/A	N/A	1-3/4"	4-1/4" x 9"
EWP-293-S	N/A	N/A	1-3/4"	4-1/4" x 9"
EWP-294-S	N/A	N/A	1-3/4"	5" x 12"

### **Stocked Finishes**

PB = POLISHED BRASS  
 S = STAINLESS STEEL

## Entry Armor by Pro-Lok – Specialty Wrap Plates

### Alarm Lock T2 & T3

1-3/4" Door Thickness  
 2-3/4" Backset  
 5" x 14"



#### **Stocked Product**

EWP-300-PB

### Simplex & Kaba from Knob Mortise

1-3/4" Door Thickness  
 2-3/4" Backset  
 5" x 9"



#### **Stocked Product**

EWP-661-S

### Medeco & Marks Levers

1-3/4" Door Thickness  
 2-3/4" Backset  
 4-3/4" x 5-1/2"



#### **Stocked Product**

EWP-541-S

### Sargent 6500 Series

1-3/4" Door Thickness  
 2-3/4" Backset  
 4-3/4" x 9"



#### **Stocked Product**

EWP-671-S

### Marks I-Q

1-3/4" Door Thickness  
 2-3/4" Backset  
 5" x 15"



#### **Stocked Product**

EWP-542-S

### Schalge Cobra

1-3/4" Door Thickness  
 2-3/4" Backset  
 5" x 12"



#### **Stocked Product**

EWP-680-S

### Simplex & Kaba from Knob Lock

1-3/4" Door Thickness  
 2-3/4" Backset  
 5" x 9"



#### **Stocked Product**

EWP-660-S

#### **Stocked Finishes**

PB = POLISHED BRASS  
 S = STAINLESS STEEL

## Entry Armor by Pro-Lok - Latch Protectors



### Latch Protector - 7" Interlocking

- Designed for in-opening doors
- Deters spreading the door from the frame
- Compatible with deadbolts and locksets
- Size: 7" x 5/8"
- 10/box

#### Stocked Product

ELP-100-B  
ELP-100-C  
ELP-100-DU



### Latch Protector - 11" x 3" Center Rose

- Designed for out-opening doors
- Accepts up to a 3-1/2" rose
- For right or left handed doors
- For all backsets, deadbolts, and locksets
- 10/box

#### Stocked Product

ELP-220-AL      ELP-220-B  
ELP-220-DU      ELP-220-S



### Latch Protector - 12" Interlocking

- Designed for in-opening doors
- Deters spreading the door from the frame
- Compatible with deadbolts and locksets
- Size: 12" x 5/8"
- 10/box

#### Stocked Product

ELP-110-B  
ELP-110-C  
ELP-110-DU



### Latch Protector - 11" x 3" Left Handed

- Designed for out-opening doors
- Accepts up to a 3-1/2" rose
- For left handed doors
- For all backsets, deadbolts, and locksets
- 10/box

#### Stocked Product

ELP-221-DU  
ELP-221-S

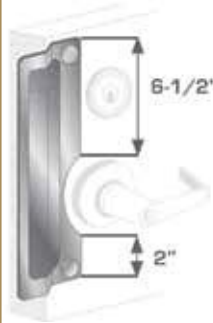


### Latch Protector - T Style

- Designed for use on in and out-opening doors
- Deters tampering of bolt and latch
- Size: 6" x 1-13/16"
- 10/box

#### Stocked Product

ELP-120-AL



### Latch Protector - 11" x 3" Right Handed

- Designed for out-opening doors
- Accepts up to a 3-1/2" rose
- For right handed doors
- Compatible with deadbolts and locksets
- 10/box

#### Stocked Product

ELP-222DU  
ELP-222S



### Latch Protector - 6" Center Rose

- Protect the latch or deadbolt
- For out-opening doors
- Compatible with deadbolts, and locksets
- Size: 6" x 1-13/16"
- 10/box

#### Stocked Product

ELP-200-AL  
ELP-200-C



### Latch Protector - Narrow Stile Door

- Designed for out-opening doors
- 10/box

#### Stocked Product

ELP-310-AL  
ELP-310-DU



### Latch Protector - 7" x 3" Center Rose

- Designed for out-opening doors
- Accepts up to a 3-1/2" rose
- For right or left handed doors
- Compatible with deadbolts, and locksets
- 22/box

#### Stocked Product

ELP-210-AL      ELP-210-B  
ELP-210-DU      ELP-210-S

### Stocked Finishes

AL = ALUMINUM    B = BRASS    C = CHROME  
DU = DURONODIC    S = STAINLESS STEEL

## Entry Armor by Pro-Lok - *Latch Protectors*

### Latch Protector w/ no pin 13" x 3-5/8"

- Accommodates a wide variety of locks
- Includes 1 spacer to adjust offset between door and jamb
- Designed for out-opening doors
- 15/box

#### **Stocked Product**

ELP-240-DU  
ELP-240-S



### Latch Protector w/ no pin 11" x 3"

- Accommodates a wide variety of locks
- Includes 1 spacer to adjust offset between door and jamb
- Designed for out-opening doors
- 15/box

#### **Stocked Product**

ELP-250-AL  
ELP-250-DU  
ELP-250-S



### Latch Protector w/ 1 pin 13" x 3-5/8"

- Accommodates a wide variety of locks
- Includes 1 spacer to adjust offset between door and jamb
- Designed for out-opening doors
- 15/box

#### **Stocked Product**

ELP-240-1-DU  
ELP-240-1-S



### Latch Protector w/ 1 pin 11" x 3"

- Accommodates a wide variety of locks
- Includes 1 spacer to adjust offset between door and jamb
- Designed for out-opening doors
- 15/box

#### **Stocked Product**

ELP-250-1-DU  
ELP-250-1-S



### Latch Protector w/ 2 pins 13" x 3-5/8"

- Accommodates a wide variety of locks
- Includes 1 spacer to adjust offset between door and jamb
- Designed for out-opening doors
- 15/box

#### **Stocked Product**

ELP-240-2-DU  
ELP-240-2-S

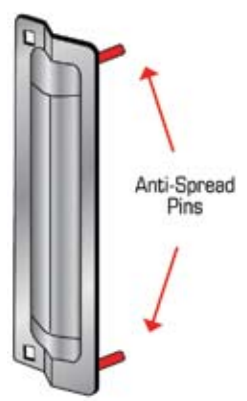


### Latch Protector w/ 2 pins 11" x 3"

- Accommodates a wide variety of locks
- Includes 1 spacer to adjust offset between door and jamb
- Designed for out-opening doors
- 15/box

#### **Stocked Product**

ELP-250-2-DU  
ELP-250-2-S



#### **Stocked Finishes**

AL = ALUMINUM  
DU = DURONODIC  
S = STAINLESS STEEL

## Entry Armor by Pro-Lok – *Strike Plates*



### Strike Plate - "T"

- Size: 1-1/8" x 2-3/4"
- Replaces old strike plates
- Fits in standard "T" cut out
- Screws provided
- 10/box

#### **Stocked Product**

ESP-100-B      Brass



### Strike Plate - 7-3/4" Security

- Size: 7-3/4" x 1-5/8"
- Reinforces door jamb for added strength and security
- Deters tampering and kick-ins
- Includes 1-1/4" and 3" long screws
- 10/box

#### **Stocked Product**

ESP-141-B      Brass



### Strike Plate - Full Lip

- Size: 2-1/4" x 1-1/8"
- Replaces standard strike plates
- Fits in standard residential holes
- Wood screws provided
- 25/box

#### **Stocked Product**

ESP-104-AB      Antique Brass  
ESP-104-B      Brass  
ESP-104-C      Chrome



### Strike Plate - 6" Security

- Size: 6" x 1-1/8"
- Reinforces door jamb for added strength and security
- Deters tampering and kick-ins
- Includes 1-1/4" and 3" long screws
- 10/box

#### **Stocked Product**

ESP-142-B      Brass



### Strike Plate - Large Lip

- Size: 4-7/8" x 1-1/4"
- Covers smaller strike plate holes
- 2-1/2" long screws for added security
- 10/box

#### **Stocked Product**

ESP-120-C      Chrome  
ESP-120-B-BULK      Brass (poly-bagged)



### Strike Plate - 4-7/8" Security

- Size: 4-7/8" x 1-1/4"
- Reinforces door jamb for added strength and security
- Deters tampering and kick-ins
- Includes 1-1/4" and 3" long screws
- 10/box

#### **Stocked Product**

ESP-143-B      Brass



### Strike Plate - 6" Security

- Size: 6" x 1-1/8"
- Six 1-1/2" long screws included for additional holding power
- 10/box

#### **Stocked Product**

ESP-140-C      Chrome



### Strike Plate - Mortise

- Size: 4-7/8" x 1-1/4"
- Bulk packaged 1/poly bag
- 50/box

#### **Stocked Product**

ESP-170-C-BULK      Chrome (poly-bagged)

### **Stocked Finishes**

AB = ANTIQUE BRASS  
B = BRASS  
C = CHROME



### Strike Plate - Small Adjustable

- Size: 2-3/4" x 1-1/8"
- Adjustable plate allowing for a tighter fit of the door to the frame and weather stripping
- 10/box

#### **Stocked Product**

ESP-180-B      Brass



## Entry Armor by Pro-Lok – Security Hardware



### Adaptor Plate - 2-5/8"

- Covers up wood damage around lock
- For mortise and rim cylinders
- 1-1/4" inside hole diameter
- 2-5/8" outside diameter
- Includes 1 part
- 10/box

#### Stocked Product

EAP-100-B      Brass



### Filler Plate - 8" x 1-1/4"

- Converts 86 cut out to 161 prep
- 3/8" off center line
- Bulk packaged, 1/poly bag
- 25/box

#### Stocked Product

EFP-100-PC      Prime Coat



### Adaptor Plate - 2-3/4"

- Changes 2-1/8" bore to 1-1/2" bore
- Covers up wood damage around lock
- 1-1/2" inside hole diameter
- 2-3/4" outside diameter
- Includes 2 parts
- 25/box

#### Stocked Product

EAP-110-B      Brass  
EAP-110-C      Chrome



### Filler Plate - 4-7/8" x 1-1/4"

- Size 4-7/8" x 1-1/4"
- Bulk packaged, 1/poly bag
- 25/box

#### Stocked Product

EFP-110-PC      Prime Coat  
EFP-110-B      Brass



### Adaptor Plate - 3-1/2"

- Covers up wood damage around lock
- For locks with a 2-1/8" bore
- Convert 2-3/8" to 2-3/4" backset
- Allows for use on Grade 1 key-in-lever locks on 1-3/8" door
- 2-1/8" inside hole diameter
- 3-1/2" outside diameter
- Includes 2 part
- 25/box

#### Stocked Product

EAP-120-AB      Antique Brass  
EAP-120-B      Brass  
EAP-120-C      Chrome



### Filler Plate - 2-1/4" x 1-1/8"

- Size 2-1/4" x 1-1/8"
- Filler plates for 161 cut-out
- Bulk packaged, 1/poly bag
- 25/box

#### Stocked Product

EFP-120-PC      Prime Coat



### Hole Cover - 2-5/8"

- Hole cover for 1-1/2" or 2-1/8" holes
- 5/box

#### Stocked Product

EHC-100-B      Brass  
EHC-100-PC      Prime Coat



### Filler Plate - 8" x 1-1/4"

- Size 8" x 1-1/4"
- Filler plates for 86 mortise lock cut-out
- Bulk packaged, 1/poly bag
- 25/box

#### Stocked Product

EFP-130-PC      Prime Coat



### Knob Set - Brass w/Spindle

- Solid brass knob set
- Spindle included
- 5/box packaged

#### Stocked Product

EDK-100-PB      Polished Brass



### Filler Plate - 2-1/4" x 1"

- Size 2-1/4" x 1"
- Filler plates for 160 cut-out
- Bulk packaged, 1/poly bag
- 25/box

#### Stocked Product

EFP-131-PC      Prime Coat

## Entry Armor by Pro-Lok – Security Hardware



### Door Guard - Swing Bar

- Size: 2-1/2" x 4"
- Works on in-opening doors
- 10/box

#### Stocked Product

EDL-100-B	Brass
EDL-100-C	Chrome



### Door Viewer - 190° 1/2" Medium

- Wide angle clear lens
- Scratch proof lens
- Moist/water proof
- For doors 1-3/8" to 2" thick
- 1/2" barrel diameter
- 10/box

#### Stocked Product

EDV-120-C	Chrome
EDV-120-PB	Polished Brass



### Door Guard - Chain 3-5/8"

- Size: 2-1/4" x 4-1/4"
- For wood or metal doors
- Extra long screws included
- 10/box

#### Stocked Product

EDL-110-AB	Antique Brass
EDL-110-B	Brass



### Door Viewer - 160° 1" Large

- Super wide view lens
- Scratch proof lens
- Moist/water proof
- For doors 1-3/8" to 2" thick
- 1" barrel diameter
- 10/box

#### Stocked Product

EDV-130-PB	Polished Brass
------------	----------------



### Door Guard - Key Locked

- Size: 2-1/4" x 4-1/4"
- Lock and unlock from the inside and outside
- Key lock with 2 keys included
- 7/box

#### Stocked Product

EDL-130-B	Brass
-----------	-------



### Hasp Lock - 4-1/2

- Size: 4-1/2" x 1-1/2"
- For in-opening doors
- Left or right handed doors
- Available keyed alike or keyed different
- 10/box

#### Stocked Product

ELK-110-C	Chrome
-----------	--------



### Door Viewer - 160° 1/2" Small

- Clear lens
- Scratch proof lens
- Moist/water proof
- For doors 1-3/8" to 2" thick
- 1/2" barrel diameter
- 10/box

#### Stocked Product

EDV-100-PB	Polished Brass
------------	----------------



### Hasp Lock - 2-1/2

- Size: 2-1/2" x 1-1/2"
- Use on doors, gates, trunks, or boxes
- Keyed for additional protection
- Available keyed alike or keyed different
- 10/box

#### Stocked Product

ELK-111-C	Chrome
-----------	--------

## Entry Armor by Pro-Lok – Security Hardware



### Patio Door Lock - Lever

- 2" X 5/8"
- Inside and outside sliding doors
- Locks door in fully closed and ventilation position
- 10/box

#### **Stocked Product**

EPL-100-AL      Aluminum



### Patio Door Lock - Keyed Large Rectangle

- Size: 6" x 1-1/8"
- Heavy-duty steel bolt
- Use on inside and outside sliding doors
- Key lock with 2 keys
- 10/box

#### **Stocked Product**

EPL-106-AL      Aluminum  
 EPL-106-W      White



### Patio Door Lock - Top Knob

- Size: 1-1/2" x 2-1/4"
- Inside and outside sliding doors
- Locks door in fully closed and ventilation position
- 10/box

#### **Stocked Product**

EPL-101-AL      Aluminum  
 EPL-101-W      White



### Patio Door Lock - No Key Large Rectangle

- Size: 6" x 1-1/8"
- Heavy-duty steel bolt
- Use on inside and outside sliding doors
- No key required
- 10/box

#### **Stocked Product**

EPL-108-W      White



### Patio Door Lock - Pull Pin

- Size: 2" x 1-3/4"
- Inside and outside sliding doors
- Locks door in fully closed and ventilation position
- 10/box

#### **Stocked Product**

EPL-102-AL      Aluminum

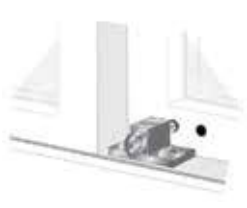


### Patio Door Lock - Pin

- 3-1/4" length
- Lock and unlock door quickly
- Pin locks in place
- Cut to length
- 10/box

#### **Stocked Product**

EPL-110-AL      Aluminum



### Patio Door Lock - Keyed

- Size: 1-1/8" x 1-3/4"
- Inside and outside sliding doors
- Locks door in fully closed and ventilation position
- Keyed lock with 2 keys
- 10/box

#### **Stocked Product**

EPL-104-AL      Aluminum



### Patio Door Lock - Side Knob

- Size: 2" x 2-1/4"
- Inside and outside sliding doors
- Locks door in fully closed and ventilation position
- 20/box

#### **Stocked Product**

EPL-111-AL      Aluminum

## Entry Armor by Pro-Lok - *Window Locks*



### ***EWL-100***

- Window Lock - Single Wing Nut
- Works on top and bottom tracks
  - 1 wing nut
  - Aluminum
  - 10/box

***Stocked Product***

EWL-100



### ***EWL-120***

- Window Lock - Lever
- Easy to use lever
  - Works on most sliding windows
  - No tools required for installation
  - Aluminum
  - 10/box

***Stocked Product***

EWL-120

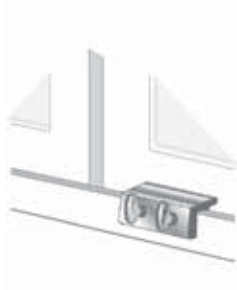


### ***EWL-111***

- Window Lock - Wood Sash Keyed
- Key locking prevents breaking the glass and easily unlocking the window
  - Locks and unlocks quickly
  - 2 keys included
  - Brass
  - 10/box

***Stocked Product***

EWL-111



### ***EWL-150***

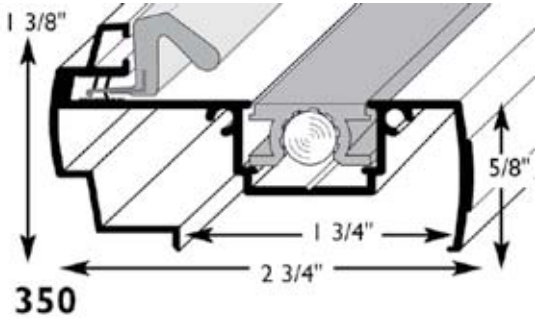
- Window Lock - Double Wing Nut
- Works on top and bottom tracks
  - 2 wing nuts
  - Aluminum
  - 10/box

***Stocked Product***

EWL-150

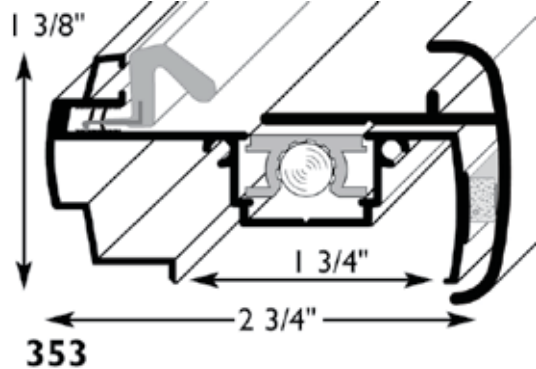
## Residential-Astragals

350

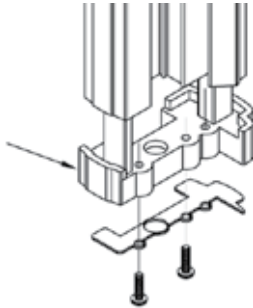


353

Double Door Astragal Outswing



T-ASTRAGAL SHOE



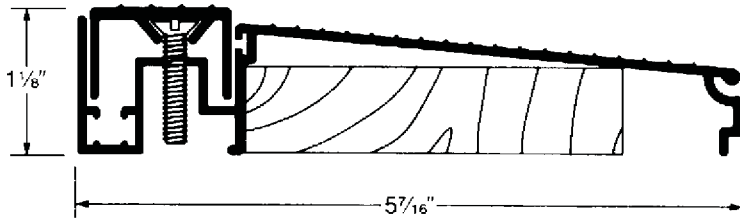
CORNER SEAL PAD

### Stocked Product

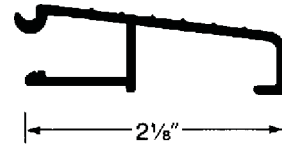
Part #	Description	Finish
10304	T Astragal with Flush Bolt 6'8"	Aluminum
10305	T Astragal with Flush Bolt 6'8"	Bronze
10283	T Astragal with Flush Bolt 6'8"	White
10303	T Astragal with Flush Bolt 6'8"	Bright Gold
10313	T Astragal with Flush Bolt 8'	Bronze
10311	T Astragal with Flush Bolt 8'	White
10312	T Astragal with Flush Bolt 8'	Aluminum
10316	T Astragal with Flush Bolt 8'	Bright Gold
06558	T Astragal Shoe Left	
06560	T Astragal Shoe Right	
10272	Corner Seal pad	White
10287	Astragal 6' 8" 353	Aluminum
10288	Astragal 8' 353	Aluminum
10290	Astragal 6' 8" 353	Bronze
10291	Astragal 8' 353	Bronze
10294	Astragal 6' 8" 353	White
10296	Astragal 8' 353	White

## Residential-Sills

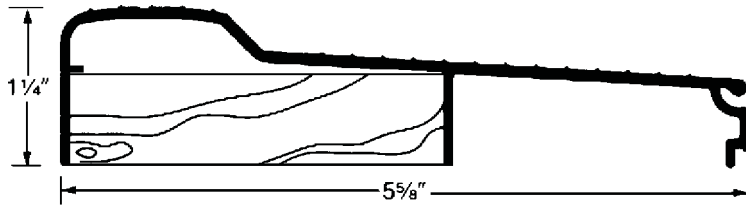
### ADJUSTABLE SILL



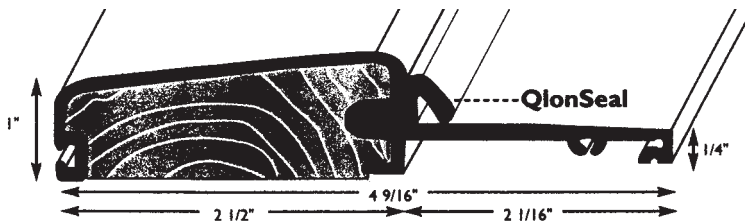
### SILL EXTENDER



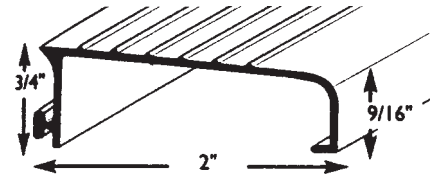
### FIXED SILL



### OUTSWING SILL



### O/S SILL EXTENDER



### Stocked Product

Description	Finish	Sizes
1-1/8" X 5-5/8" Adjustable Sill	Aluminum	2/6, 2/8, 3/0, 6/0
1-1/8" X 5-5/8" Adjustable Sill	Bronze	2/6, 2/8, 3/0, 6/0
1" X 4-9/16" Out Swing Sill	Aluminum	2/6, 2/8, 3/0, 6/0, 12/4
1" X 4-9/16" Out Swing Sill	Bronze	2/6, 2/8, 3/0, 6/0, 12/4
3/4" X 2" O/S Sill Extender	Aluminum	2/8, 3/0, 6/0, 12/4
3/4" X 2" O/S Sill Extender	Bronze	2/8, 3/0, 6/0, 12/4
1-1/4" X 5-5/8" Fixed Sill	Aluminum	2/6, 2/8, 3/0, 6/0, 12/4
1-1/4" X 5-5/8" Fixed Sill	Bronze	2/6, 2/8, 3/0, 6/0, 12/4
1-1/4" X 5-5/8" Fixed Sill	Bright Gold	3/0, 6/0, 12/4
1-1/4" X 5-5/8" Fixed Sill	White	3/0, 6/0, 12/4
2-1/8" Sill Extender	Aluminum	3/0, 6/0, 12/4
2-1/8" Sill Extender	Bronze	3/0, 6/0, 12/4
2-1/8" Sill Extender	Bright Gold	3/0, 6/0, 12/4
2-1/8" Sill Extender	White	3/0, 12/4

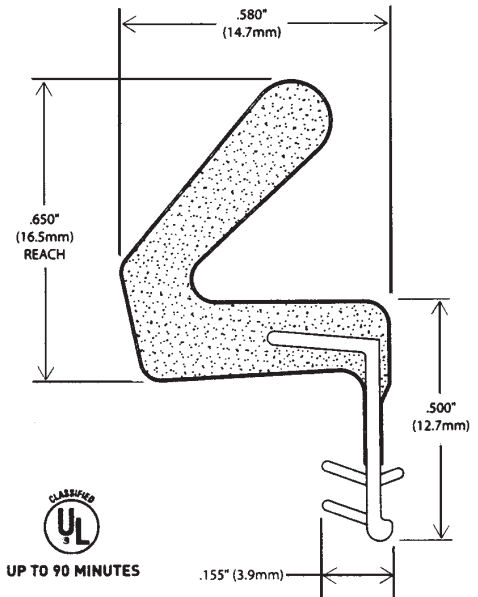
## Residential-Weatherseals

### For Metal or Wood Entry Doors and French-type Patio Doors

#### Model *QEBD 650*

Schlegel Q-LON weatherseal mounts easily and outperforms other kerf-fitted doorseals

- Highly engineered embossed polyethylene liner resists paint and varnish, lasts longer and maintains an attractive appearance.
- UV stabilized to withstand sunlight with no visible degradation
- Open-celled urethane foam core maintains shape and resiliency over time, offers excellent all-temperature sealing performance, prevents corner leaks and allows seal to conform to uneven surfaces.
- Tri-fin insert allows for easy installation and maximum retention. Can be easily removed and reinserted without damaging jamb or seal.
- **Schlegel Q-LON - the most recognized, most asked for name in kerf-fitted weatherseals.**



#### Stocked Product

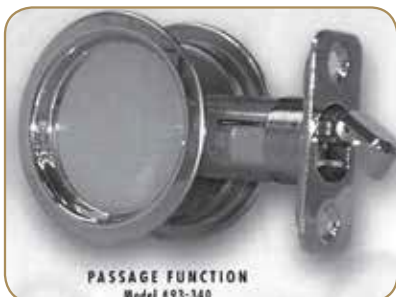
Part #	Description	Finish
10314	Weather Strip 3/0	Bronze
10310	Weather Strip 6/8	Bronze
10317	Weather Strip 8/0	Bronze
10318	Weather Strip 3/0	White
10325	Weather Strip 6/8	White
10320	Weather Strip 8/0	White

#### Box Quantities Only

6/8 Uprights sold as 75 pair (150 pieces) per box  
8/0 Uprights sold as 60 pair (120 pieces) per box  
Heads sold as 300 each to a box

## Kwickset

### 334 Passage, 335 Privacy – Pocket Door Locks



#### Specifications:

Bore	2-1/8" face, 1" edge
Backset	2-3/8"
Door Thickness	1-3/8" - 1-3/4"
Warranty	Lifetime mechanical, 10 year finish
Latchbolt	1" x 2-1/4" round corner
Strike	1-1/8" x 2-1/4" square corner with strike box, brass
Aluminum	1-1/8" X 5-5/8" Adjustable Sill
Bronze	1-1/8" X 5-5/8" Adjustable Sill

#### Features:

- Installs with standard lockset boring - no notching
- Deep cups for easy access
- Keeps door warranty
- Large privacy turn piece

#### Stocked Product

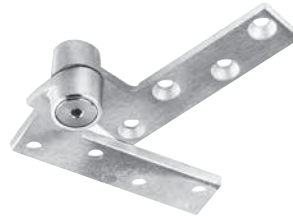
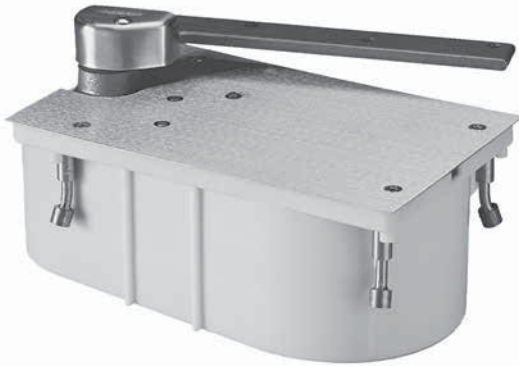
334	US3,10B,15, 15A, 3x26 Disc.
335	US3,10B,15





## Rixson

### 27 3/4" Offset - Heavy-Duty Offset Hung Floor Closers



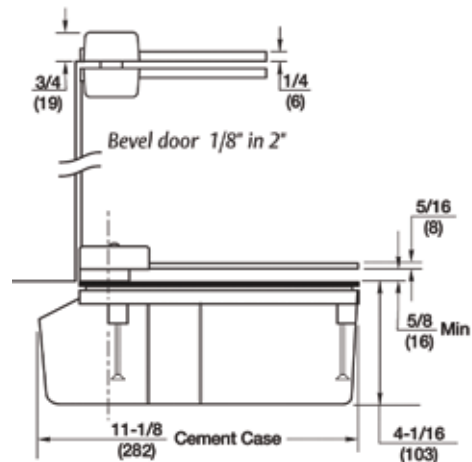
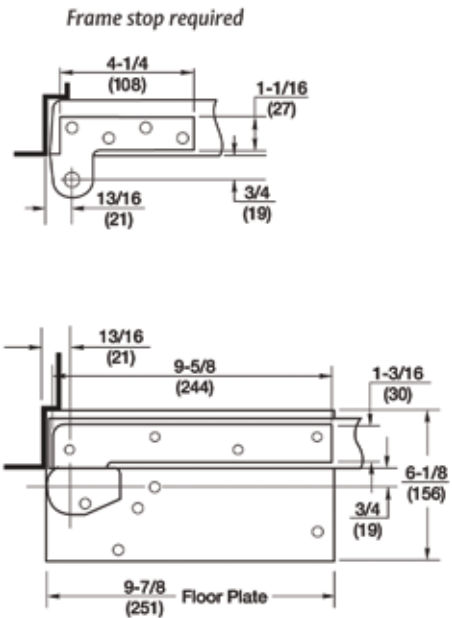
**Application**

- Single Acting, Handed
- Exterior or Interior Doors
- Weight to 450 lbs.\*
- Door Width up to 4'0" (1219mm)

#### Product Description & Features

- Built-in positive dead stop prevents door from swinging beyond the desired opening degree (specify 90°, 105°)
- Separate and independent valves for closing speed, latch speed and backcheck
- Available selective hold open (S) at same degree as dead stop
- Models available to meet ICC/ANSI 117.1 low opening force requirements, prefix "PH". (For 8-1/2 lbs. of opening force prefix PH and suffix 8-1/2 lbs.) Special Order.
- Available 1-1/2" offset, for doors with cladding or frames with applied molding, maximum door weight 250 lbs. Special Order.
- Cylcolac, rustproof cement case
- Vertical door adjustment
- Standard top pivot: #180 included
- Intermediate pivot(s) required: M19 (order separately)
- Doors up to 90" (2286mm) in height should use one intermediate pivot. Each additional 30" (762mm) warrants another intermediate pivot
- Furnished with wood and machine screws

#### Technical Information



#### Stocked Product

Part #	Opening	Option	Description
27	90	*S	RH Less all parts
27	90	*S	LH Less all parts
27	90	*S	RH 626 Finish complete
27	90	*S	LH 626 Finish complete
27	105	*S	RH 626 Finish complete
27	105	*S	LH 626 Finish complete

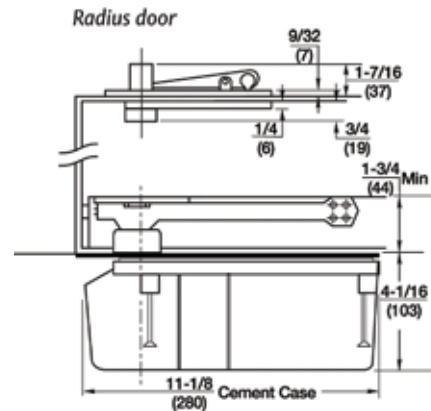
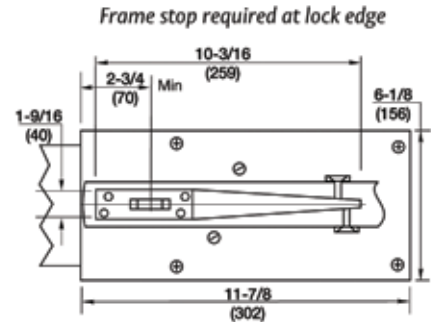
\*Selected Hold Open - Suffix S. these closers can be set to hold open or non hold open.  
 Complete Closers include: closer body, top pivot (180) arm package, floor cover plate, and cement case

## Rixson

# Model 28 - Heavy-Duty Single-Acting Center Hung Floor Closers

### Application

- Single Acting, Handed
- Exterior or Interior Doors
- Weight to 350 lbs.
- Centering Arm
- Sizes up to 4'0" x 8'6"\*
- (1219mm x 2591mm)



### Product Description & Features

- Centering arm with adjustment screws in faces of door
- Built-in positive dead stop prevents door from swinging beyond the desired opening degree (90°)
- Separate and independent valves for closing speed, latch speed and backcheck
- Selective hold open (S) at same degree as dead stop
- Delayed action option – prefix “DA” (non-hold open closers only)
- Models available to meet ICC/ANSI A117.1 low opening force requirements, prefix “PH”. (For 8-1/2 lbs. of opening force prefix “PH” and suffix “8-1/2 lbs.”)
- Cold weather fluid option – specify “CWF” (not available for closers with “DA”)
- Sealed closer option – specify “SC”
- Available with floor plate or threshold installation (floor plate shown)
- Cicolac, rustproof cement case
- Arm reinforcement bracket for wood doors – prefix “W”
- Standard top pivot: #340 included
- Not allowed for fire rated doors
- Frame stop required on the header at the lock side. If not supplied by frame manufacturer, recommend use of 60131
- Furnished with wood and machine screws
- Extended spindles available in 1/2” increments up to 2” longer than standard

### Stocked Product

Part #	Description
28S LAP HD	90 FLR CLSR BODY RH
28S LAP HD	90 FLR CLSR BODY LH

## Rixson

### Model M19 - Intermediate Pivots

**Application**

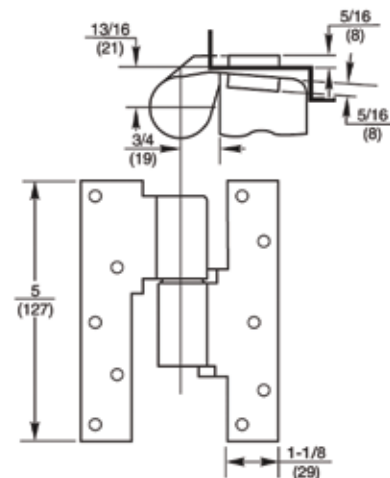
- Full Mortise
- Handed

#### Product Description & Features

- M19, bushing, not load-bearing
- Maintains door alignment
- Aids in installing floor closers and bottom pivots
- Non-ferrous base material
- 3/4" offset standard
- On labeled for fire doors NFPA80 requires an intermediate every additional 30" (762mm) of door height over 60"
- For 20-minute label suffix "-20" to the part number
- Furnished with wood and machine screws



#### Technical Information



#### Stocked Product

Part #	Description	Finish
M19	RH	626
M19	LH	626

Also available electrified:

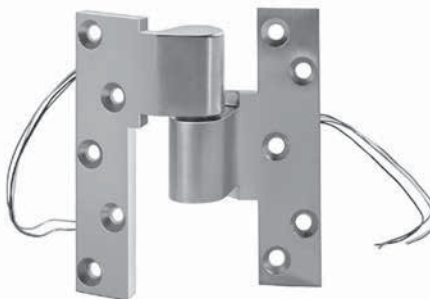
### Model E-M19 - 3/4" Offset Power Transfer Pivot - 4 Wire

**Application**

- Offset Hung
- Electric Pivot for Power Transfer
- Handed

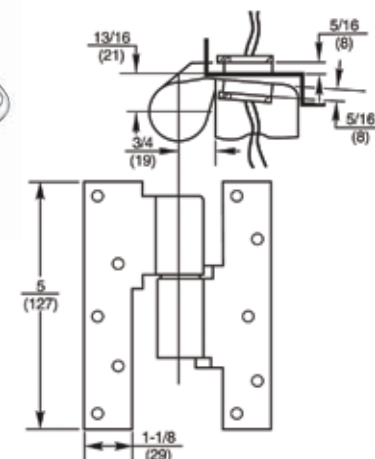
#### Product Description & Features

- Not load-bearing
- Door and jamb portion are factory assembled and cannot be separated
- Always use M19 intermediate pivot to install door
- Specify four, six, eight or twelve wires
- 24-gauge wire is rated at 2 amps for low voltage, class II wiring applications
- 3/4" (19mm) offset
- Available 1-1/2" offset Special Order.
- Furnished with wood and machine screws
- 4 wire



*Whenever power transfer pivots are used, the leaves must not be separated*

#### Technical Information



#### Stocked Product

Part #	Description	Finish
EM19	RH	626
EM19	LH	626

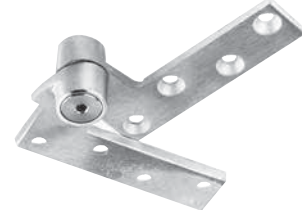
Hardwiring Made Easy™



## Rixson

### Model 117

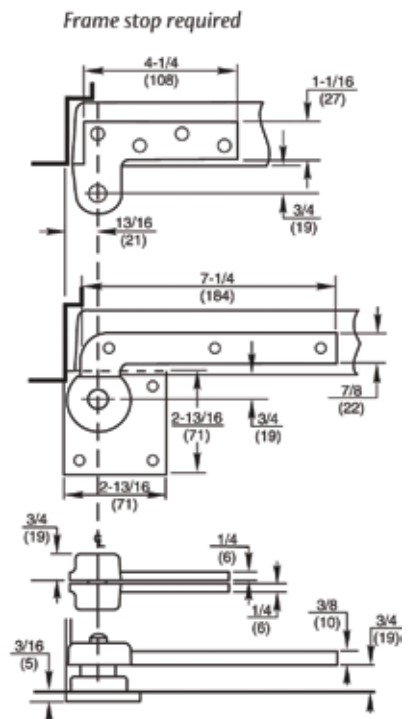
Application  
 Interior Doors  
 Weight to 300 lbs.\*  
 Door Width up to 3'6" (1067mm)  
 Handed



#### Product Description & Features

- Standard top pivot 180 included
- 119 intermediate pivot recommended (order separately)
- Bottom pivot mortised into floor
- Available for fire door assemblies up to three hours – specify F117. Intermediate pivot required by UL. Specify FM19, (order separately)
- For 20-minute label suffix “-20” to the part number
- Non-ferrous base material
- Doors up to 90" (2286mm) in height should use one intermediate pivot. Each additional 30" (762mm) of door height warrants another intermediate pivot
- 3/4" (19mm) offset (measured from centerline of pivot to face of door)
- Available for 1-1/2" (38mm) offset (door weight 150lbs) for doors with cladding or frame molding.
- Door edges must be beveled 1/8" in 2"
- Furnished with wood and machine screws
- Extended spindles available in 1/2" (13mm) increments up to 2" (51mm) longer than standard
- Doors will swing 180°, trim permitting

#### Technical Information



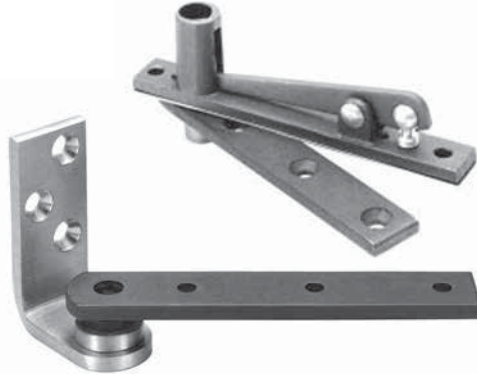
#### Stocked Product

Part #	Description	Finish
117	RH	626
117	LH	626

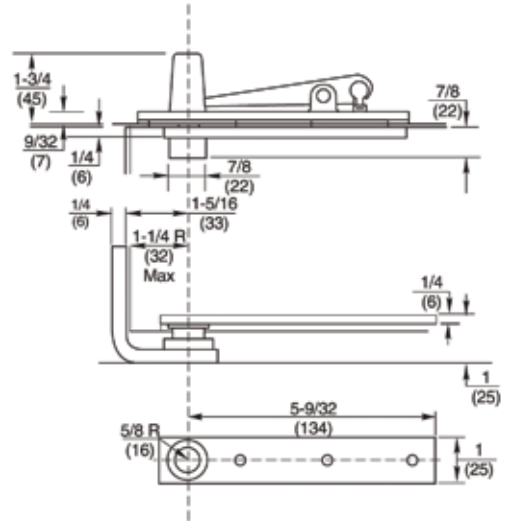
## Rixson

### Model 127-3/4 - Center Hung Pivot Set

Application  
Interior Doors  
Weight to 200 lbs.  
Door Sizes up to 3'6" x 8'6"  
Non-handed



#### Technical Information



#### Product Description & Features

- Standard top pivot 320 included
- Bottom pivot mortised into side jamb
- Weight of door borne by floor
- Pivot point centered in thickness of door
- Door must have radius on pivot edge
- Not allowed for use on labeled doors and frames
- Furnished with wood and machine screws

#### Stocked Product

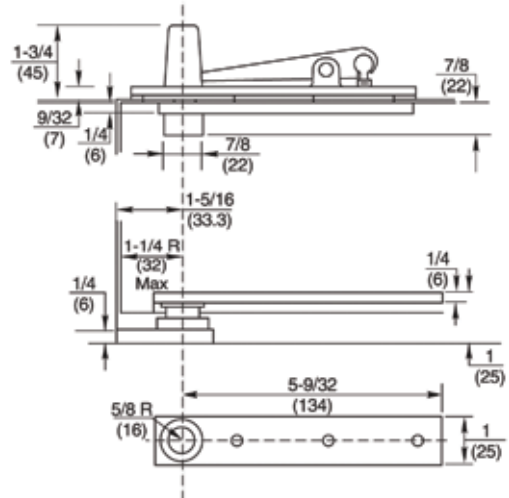
Part #	Finish
127	626

### Model 128-3/4 - Center Hung Pivot Set

Application  
Interior Doors  
Weight to 250 lbs.  
Door Sizes up to 3'6" x 8'6"  
Non-handed



#### Technical Information



#### Product Description & Features

Identical to the 127-3/4 except:

- Bottom pivot mounts directly to floor

#### Stocked Product

Part #	Finish
128	626

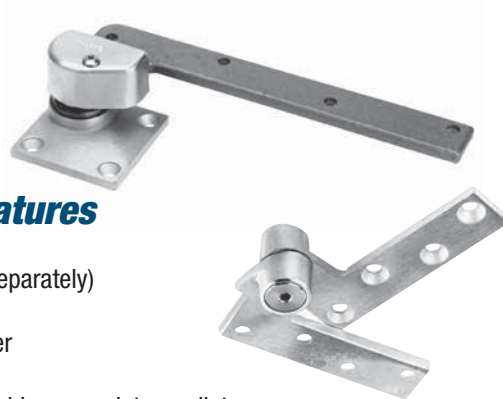
## Rixson

### Model 147 - Offset Hung Pivot Sets

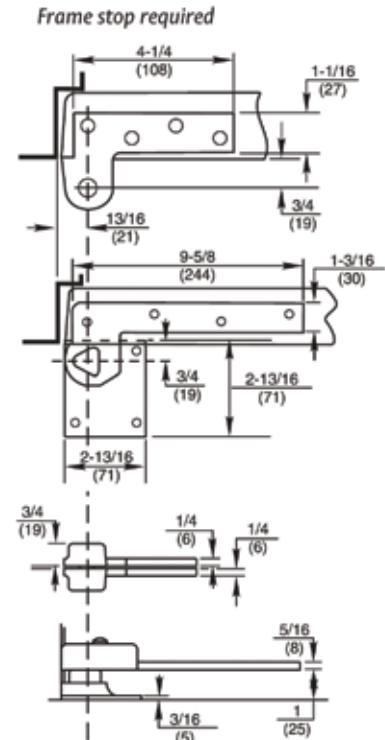
Application  
Exterior or Interior Doors  
Weight to 600 lbs.\*  
Door Width up to 4'0" (1219mm)  
Handed

#### Product Description & Features

- Standard top pivot 180 included
- M19 intermediate pivot required (order separately)
- Bottom pivot mounts directly to floor
- Uses same arm and cap as 27 floor closer
- Non-ferrous base material
- Doors up to 90" (2286mm) in height should use one intermediate pivot. Each additional 30" (762mm) of door height warrants another intermediate pivot
- 3/4" (19mm) offset (measured from centerline of pivot to face of door)
- Door edges must be beveled 1/8" in 2"
- Furnished with wood and machine screws
- Doors will swing 180°, trim permitting



#### Technical Information

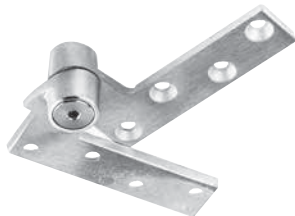


#### Stocked Product

Part #	Description	Finish
147	RH	626
147	LH	626

### Model 180 - Offset Hung Top Pivots

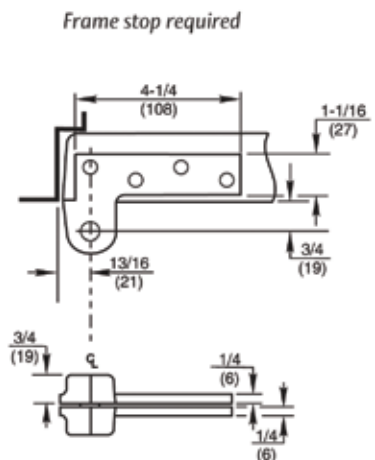
Application  
Full Mortise  
Non-handed



#### Product Description & Features

- Standard top pivot for most offset pivot sets and floor closers
- Oil-impregnated sintered bronze bushing
- Non-ferrous base material
- For 20-minute label suffix "-20" to the part number
- 3/4" (19mm) offset (measured from centerline of pivot to face of door)
- Furnished with wood and machine screws

#### Technical Information



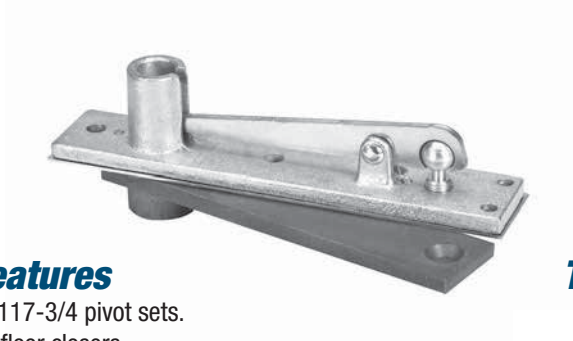
#### Stocked Product

Part #	Finish
180	626

## Rixson

### Model 340 - Center Hung Top Pivots

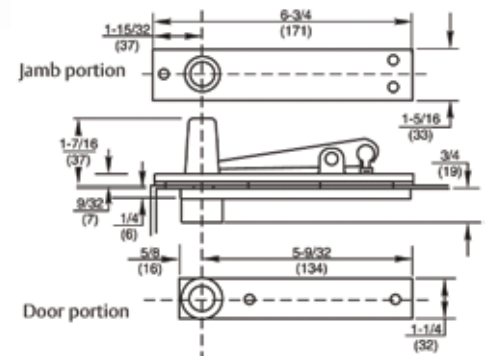
Application  
 Fully Concealed  
 Non-handed



#### **Product Description & Features**

- Standard top pivot for Models 370 and 117-3/4 pivot sets.  
Also used for 28, 30, 40 and 50 Series floor closers
- Walking beam-type pivot – 1/2" (13mm) diameter pivot pin with 3/4" (19mm) engagement
- Oil-impregnated sintered bronze bushing
- Completely concealed when door is closed
- Furnished with wood and machine screws

#### **Technical Information**



#### **Stocked Product**

Part #	Finish
340	626

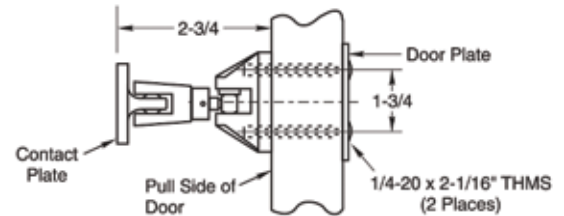
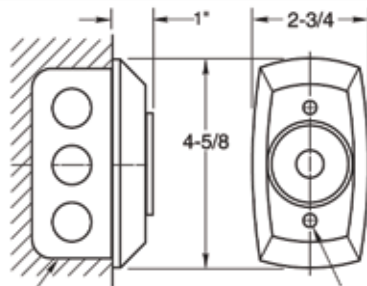
## Rixson

### Model 996 - Electromagnetic Door Holder

Application  
Wall Mount  
Adjustable Armature  
Concealed Wiring  
ANSI/C00011

#### Product Description & Features

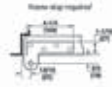
- Total Projection: 3-3/4" (95mm)
- Adjustable armature rotation up and down back and forth for better alignment.
- Cannot be use with 900 base or spacers.
- Can be used without adjustment piece making it a model 997
- Mounting Requirements:  
2" x 4" x 2-1/2" (51 x 102 x 64mm) outlet box
- Wall must be properly reinforced and outlet box adequately fastened



10-32 x 1-1/2" Flat Head Self-Tapping Screws (2 Places)

#### Technical Information

- Voltage and Current:  
120VAC, 60Hz., .020 amp  
24VAC/DC, 60Hz., .020 amp  
12VDC, .040 amp
- For 50-55 lbs. of holding force, specify voltage  
120VAC, 60Hz. .017 amp  
24VAC, 60Hz. .080 amp  
24VDC, .068amp  
12VDC, .180amp  
240VAC, 50/60Hz. .009 amp
- Shipping Weight: 2 lbs. (0.9 kg)



#### Stocked Product

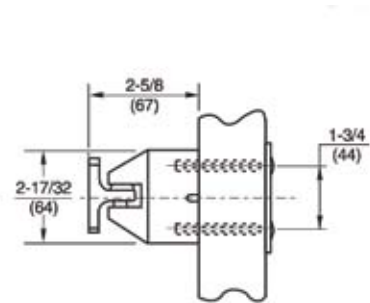
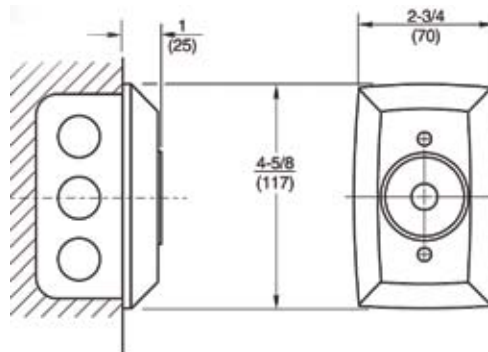
Part #	Finish
996	689

### Model 998 - Electromagnetic Door Holder

Application  
Wall Mount  
Concealed Wiring  
ANSI/C00011

#### Product Description & Features

- Total Projection: 3-5/8" (92mm)
- Mounting Requirements:  
2" x 4" x 1-3/4" (51 x 102 x 45mm) outlet box
- Wall must be properly reinforced and outlet box adequately fastened



#### Technical Information

- Voltage and Current:  
120VAC, 60Hz., .020 amp  
24VAC/DC, 60Hz., .020 amp  
12VDC, .040 amp
- For 50-55 lbs. of holding force, specify voltage  
120VAC, 60Hz. .017 amp  
24VAC, 60Hz. .080 amp  
24VDC, .068amp  
12VDC, .180amp  
240VAC, 50/60Hz. .009 amp
- Shipping Weight: 2-1/2 lbs. (1.1 kg)



#### Stocked Product

Part #	Finish
998	689



## Rockwood

### Push Plates

The push plates are a standard .050" thick. They meet ANSI 156.6 standards. Plates can be mated with most any door pull of your choice.

#### **Stocked Product**

No.	Size	Finish
70B	3-1/2" x 15"	605, 613, 630
70C	4" x 16"	605, 613, 630



### Pull Plates

These pull plates are .050" thick wrought, stocked in standard architectural finishes, and meet ANSI 156.6 standards.

#### **Stocked Product**

No.	Pull CTC	Plate Size	Finish
106x70B	6"	3-1/2" x 15"	605, 613, 630
106x70C	6"	4" x 16"	613, 630
107x70C	8"	4" x 16"	605, 613, 630
132x70C	5-1/2"	4" x 16"	613, 630



### Kick Plates

These kick plates are .050" thick and meet ANSI 156.6 standards.

#### **Stocked Product**

No.	Plate Size	Finish
K1050	8" x 34"	630
K1050	10" x 34"	630
K1050	12" x 34"	630



## Rockwood

### Straight Pulls



#### **Stocked Product**

No.	Pull CTC	Finish
110	8"	628, 313
111	10"	628, 313
112	12"	628, 313
110 BTB	8"	628, 313
111 BTB	10"	628, 313
112 BTB	12"	628, 313

### 90° Offset Pulls

Offset pulls come with a 2 1/2" clearance for enhanced ADA compliance.



#### **Stocked Product**

No.	Pull CTC	Finish
BF157	10"	628, 313
BF158	12"	628, 313
BF157 BTB	10"	628, 313
BF158 BTB	12"	628, 313

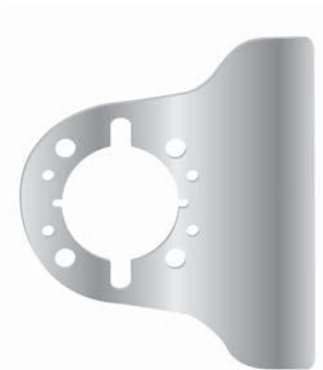
### 330 - Anti-Vandal Latch Protector

#### **Features:**

- Protects cylindrical locks from forced entry and vandalism.
- Fast and simple installation.
- Non-handed.

#### **Stocked Product**

No.	Size	Finish
330	5-3/8" x 6"	630



## Rockwood

### Push Bars



#### **Stocked Product**

Pull No.	Description	Finish
47	Push Bar, 33" CTC	628
SP47	Single Projection Push Bar, 33" CTC	628

### Straight Push Pulls



#### **Stocked Product**

Pull No.	Pull CTC	Finish
11047	8" x 33" CTC	628

### Offset Push Pulls



#### **Stocked Product**

Pull No.	Pull CTC	Finish
BF15747	10" x 33"	630
BF15847	12" x 33"	630

## Rockwood

### 406 - Wrought Wall Stops

Wrought brass, bronze, and stainless steel with DuraFlex bumper.

**Features:**

- Concealed mounting, convex bumper. Back plate prevents damage to wall.
- #8 x 1-1/4" TH SMS, plastic toggle fastener
- 3/4" Projection



**Stocked Product**

No.	Size	Finish
406	2-1/2" dia.	605, 613, 626

### 409 - Wrought Wall Stops

Wrought brass, bronze, and stainless steel with DuraFlex bumper.

**Features:**

- Concealed mounting, concave bumper. Back plate prevents damage to wall.
- #8 x 1 1/4" TH SMS, plastic toggle fastener
- 3/4" Projection



**Stocked Product**

No.	Size	Finish
409	2-1/2" dia.	605, 613, 625, 626, 630

### 441 - Low Dome Stop

Solid cast brass with DuraFlex bumper.

**Features:**

- For doors without thresholds (not undercut).
- Fastener: #12 x 1-1/4" fh ws, plastic anchor
- No. 441 is packed with both WS and MS fasteners.  
#12 - 24 x 1" FH MS, lead anchor



**Options:**

Exterior pack screw packs, stainless steel plated to match  
— use EXP suffix (440 x EXP) when ordering.

**Stocked Product**

No.	Base	Height	Finish
441	1/4" h x 1-7/8" dia.	1-1/8"	605, 613, 625, 626

## Rockwood

### 443 - High Dome Stops

Solid cast brass with DuraFlex bumper.

**Features:**

- For doors with thresholds or undercut doors.
- Fastener: #12 x 1-1/2" FH WS, plastic anchor

**Options:**

Exterior pack screw packs, stainless steel plated to match  
 — use EXP suffix (442 x EXP) when ordering.



**Stocked Product**

No.	Base	Height	Finish
443	1/4" h x 1-7/8" dia.	1-1/2"	605, 613, 625, 626

### 449 - Door Stop Riser

Aluminum.

Full size carpet riser provides sturdy base for mounting the No. 440 or No. 442 dome stop.

Specify finish and thickness; 1/4", 3/8", 1/2", 5/8", 3/4", 1".

Fastener: #12 WS, plastic anchor



**Stocked Product**

No.	Base	Height	Finish
449	1-7/8" dia.	3/8"	626

### 461L - Kick Down Door Stop

Solid cast brass with DuraFlex bumper.

**Features:**

- DuraFlex bumper provides reliable grip on floor.
- A unique assembly design that conceals the axle in the base.
- For use with doors up to 3" door-to-floor clearance.
- Uses replacement bumper No. 461B.
- Fastener: 4 ea. #8 x 3/4" OH SMS



**Stocked Product**

No.	Base	Projection	Finish
461L	2-1/4" x 1-1/4"	4-5/8"	613, 626

## Rockwood

### 463 - Heavy Duty Door Stop

Flame resistant high impact bumper.  
 5/8" x 2-1/2" **Mounting Bolt**



#### Stocked Product

No.	Size	Finish
463	2" dia. x 1-1/2" h.	626

### 470, 471 - Door Stops

Cast brass with DuraFlex bumper.

#### Features:

- For doors without thresholds (not undercut).
- Fastener: 470:3 ea. #12 x 11/4" FH WS; 3 ea. plastic anchors  
 471: 1 ea. 5/16 - 18 x 13/4" stud, lead anchor;  
 #8 x 3/4" OH SMS, plastic anchor



#### Options:

Exterior pack screw packs, stainless steel plated to match – use EXP suffix (470 x EXP) when ordering.

#### Stocked Product

No.	Size	Finish
470	2-1/2" dia. base, 3" Height	613, 626
471	2-1/2" dia. base, 3" Height	613, 626

### 473 - Door Stop with Keepers

Cast brass with DuraFlex bumper.

#### Features:

- Fastener: 5/16 - 18 x 13/4" stud, lead anchor;  
 #8 x 3/4" OH SMS, plastic anchor Keeper:  
 2 ea. #12 x 11/4" FH WS; 2 ea. plastic anchors

#### Options:

Exterior pack screw packs, stainless steel plated to match – use EXP suffix (472 x EXP) when ordering.



#### Stocked Product

No.	Size	Finish
473	2-1/2" dia. base, 3-3/4" Height	613, 626

## Rockwood

### 481H - Door Stop

Solid cast brass with DuraFlex bumper

**Features:**

- Heavy duty and ideal for use on heavy doors or in high traffic areas.
- Fastener: 3 ea. #12 - 24 x 1" FH MS, 3 ea. lead anchors
- Uses replacement bumper 461B.

**Options:**

- DuraFlex bumper available in standard gray or optional black.
- Exterior pack screw packs, stainless steel plated to match
- use EXP suffix (481H x EXP) when ordering.



**Stocked Product**

No.	Size	Finish
481H	2-1/2" x 1-3/4" base 2-1/4" Height	626

### 482 - Door Stop

Solid cast brass with DuraFlex bumper

**Features:**

- Heavy duty and ideal for use on heavy doors or in high traffic areas.
- Fastener: 5/16 - 18 x 1-3/4" stud, lead anchor; #12 x 1-1/4" FH WS, plastic anchor

**Options:**

- DuraFlex bumper available in standard gray or optional black.
- Exterior pack screw packs, stainless steel plated to match
- use EXP suffix (482 x EXP) when ordering.



**Stocked Product**

No.	Size	Finish
482	1-1/2" x 2-1/2" base 2-1/8" Height	626

### 483 - Door Stop

Solid cast brass with DuraFlex bumper

**Features:**

- Heavy duty and ideal for use on heavy doors or in high traffic areas.
- Fastener: 5/16 - 18 x 1-3/4" stud, lead anchor; #12 x 1-1/4" FH WS, plastic anchor

**Options:**

- DuraFlex bumper available in standard gray or optional black.
- Exterior pack screw packs, stainless steel plated to match
- use EXP suffix (483 x EXP) when ordering.



**Stocked Product**

No.	Size	Finish
483	1-5/8" x 2-5/8" base 2-3/4" Height	613, 626

## Rockwood

### 555 - Lever Extension Flush Bolt

Brass.

**Features:**

- For Fire Rated Hollow Metal Swinging Doors measuring up to 4'w x 10'h rated up to and including 3 Hours.
- Fits ANSI A115 door and frame preparation.
- 3/4" bolt throw, 3/4" rod backset.
- 12" rod length (center of face to bolt end - retracted).
- 1 1/2" adjustable bolt head.
- Exterior pack screw packs, stainless steel plated to match – use EXP suffix (481H x EXP) when ordering.



**Stocked Product**

No.	Size	Finish
555	Face plate: 1" x 6-3/4" Strike: 15/16" x 2-1/4" Guide: 1" x 2"	605, 613, 625, 626

### 557 - Lever Extension Flush Bolt

Cast brass.

**Features:**

- For Fire Rated Plastic & Wood Covered Doors measuring up to 4'w x 10'h rated up to and including 1-1/2 Hours.
- 3/4" bolt throw, 3/4" backset; door strength maintained by corner reinforcing plate.

**Options:**

Use No. 570 Dust Proof Strike to prevent dirt blocking bottom strike.



**Stocked Product**

No.	Size	Finish
557	Face plate: 1" x 6-3/4" Strike: 15/16" x 2-1/4"	605, 613, 625, 626



## Rockwood

### 570 - Dust Proof Strike

Brass.

**Features:**

- Works with all Rockwood manual and automatic flush bolts.
- Removable face plate for use with thresholds.
- Adjustable height for carpeted areas.
- Fastener: Adjustment nut. Spanner wrench.  
2 ea. #8 x 1 OH SMS, 2 ea. plastic anchors.  
2 ea. #8 - 32 x 3/4" OH MS, 2 ea. lead anchors.



**Stocked Product**

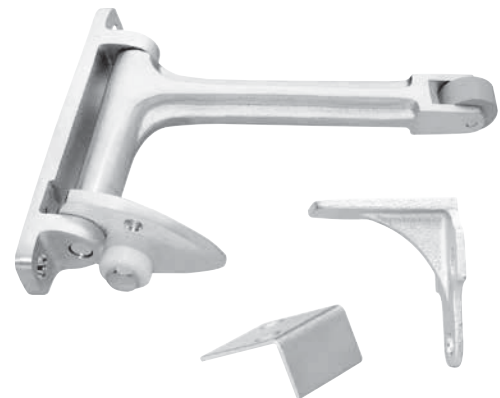
No.	Size	Finish
570	Face plate: 13/8" x 27/8" Barrel: 7/8" dia. x 2" depth	613, 625, 626

### 576 - Gravity Door Coordinator

Cast brass.

**Features:**

- Non-handed reversible. Prevents the active door from closing until the inactive door is closed.
- Fastener: Body: 2 ea. #10 x 1" FH SMS, 2 ea. #10 - 24 x 1" FH MS.  
Strike: 5 ea. #8 x 1" FH SMS.



**Stocked Product**

No.	Size	Projection	Finish
576	1" x 5-7/16"	7"	613, 626

### 580 - Surface Bolt

Steel, stainless steel.

**Features:**

- UL listed for use on inactive leaf of a pair of 3-hour labeled fire doors.
- Includes a universal top strike and a mortise bottom strike.
- Fastener: 8 ea. #10 x 1 1/4" FH SMS, 8 ea. #10 - 24 x 1" FH MS.



**Stocked Product**

No.	Bolt Length	Finish
580-8	8"	626

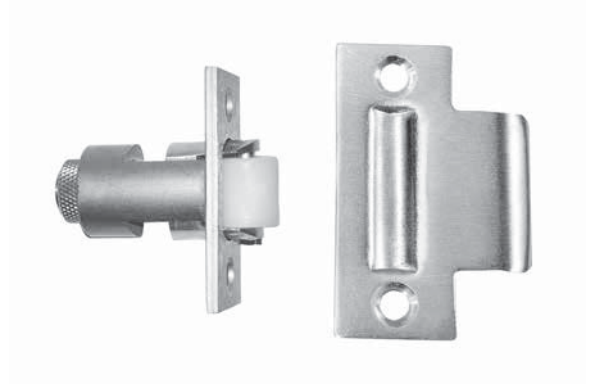
## Rockwood

### 594 - Roller Latch with No. 161 Strike

Cast brass.

**Features:**

- Solid nylon roller for durable silent operation.
- Simple adjustment for roller projection.
- Fastener: Body: 2 ea. #8 x 3/4" FH combo screws.  
Strike: 2 ea. #8 x 3/4" FH combo screws.



**Stocked Product**

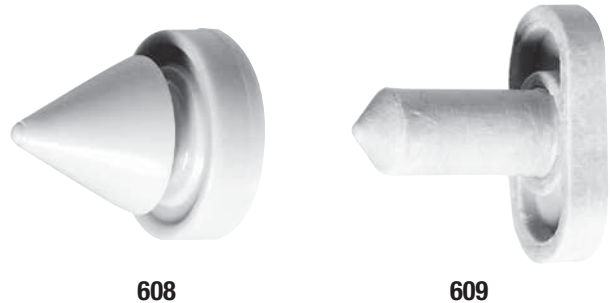
No.	Latch Face	Strike	Finish
594	1-1/8" x 2-1/4"	1-1/8" x 2-3/4"	613, 626

### 608, 609 - Door Silencers

DuraFlex gray rubber.

**Stocked Product**

No.	Size	Frame type
608	1/2" dia. x 5/8"	Metal
609	3/8" x 3/4"	Wood



608

609

### 622 - 190° Door Viewer

Brass.

For 1-3/8" to 2-1/8" Doors

**Stocked Product**

No.	Finish
622	605, 626



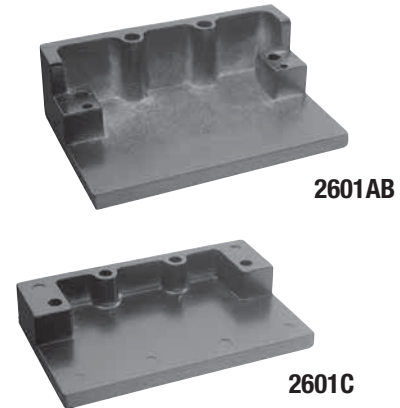
## Rockwood

### 2601AB, 2601C - Mounting Brackets (for Soffit Applied Hardware)

Aluminum.

**Features:**

- Used for stop applied hardware. Prevents the inadvertent disabling of the coordinator by fasteners passing through the housing.
- Fastener: 4 ea. 1/4 - 20 x 1/2" FH MS, 4 ea. #12 - 24 x 2" FH MS.



**Stocked Product**

No.	Soffit Size	Length	Finish
2601AB	7/8" - 2-1/4"	5"	Black prime coat
2601C	Over 2 1/4"	5"	Black prime coat

### 2672, 2696 - Door Coordinators

Steel.

**Features:**

- Non-handed. Override protection to prevent damage in case of abnormal force on door. Mechanism and filler bar completely fill width of opening and when painted to match frame it becomes virtually invisible
- Fastener: 7 ea. #12 - 24 x 11/4 TH type C tapping screws.



**Stocked Product**

No.	Opening	Finish
2672	72"	Black prime coat
2696	96"	Black prime coat

### 1700- Universal Door Coordinator

Steel, aluminum.

**Features:**

- Fastener: 6 ea. #10 x 13/4" TH SMS, 6 ea. #10 - 32 x 11/2" TH MS.



**Stocked Product**

No.	Size	Finish
1700	1-1/2" x 20-1/8" x 5/8"5"	Black prime coat

## Rockwood

### 2842 - Automatic Flush Bolt

Brass, stainless steel.

**Features:**

- For Fire Rated Metal Doors labeled A, B, C, D & E up to 4'w x 8'h.
- Non-handed.
- Fully automatic— opening active door retracts top and bottom bolts.
- Override feature prevents damage to doors or bolts if bolt heads are blocked from entering strikes.
- Bolt head rods are adjustable up to 1-1/2".
- Thermal lock automatically locks the inactive door under high heat conditions due to fire.



**Stocked Product**

No.	Size	Finish
2842	1" x 6-3/4"	613, 625, 630
ANSI A156.3: Type 25		

### 2942 - Automatic Flush Bolt

Brass, stainless steel.

**Features:**

- For Wood Doors labeled B, C, D & E up to 4'w x 9'h.
- Non-handed.
- Fully automatic—opening active door retracts top and bottom bolts.
- Override feature prevents damage to doors or bolts if bolt heads are blocked from entering strikes.
- Bolt head rods are adjustable up to 1/2".
- Thermal lock automatically locks the inactive door under high heat conditions due to fire.



**Stocked Product**

No.	Size	Finish
2942	1" x 8-1/2"	613, 625, 630
ANSI A156.3: Type 25		

## Rockwood

### 911 - Adjustable Ball Catch - Square Corners

#### **Features:**

MATERIAL: BRASS  
FASTENER: 4EA #6 x 3/4 FH SMS

OTHER: wide strike for mounting on jamb, catch in door.  
Dual adjustment for door clearance and holding strength.

BODY SIZE: 1" X 2-1/8"  
STRIKE SIZE: 1-3/8"W X 2-1/8"



#### **Stocked Product**

No.	Body Size	Strike Size	Finish
911	1" x 2-1/8"	1-3/8" x 2-1/8"	605, 626



## Schlage - *Dexter Residential*

### Deadbolt Locks - *ANSI A156.5, 1992 Grade 3*

- C keyway 5 pin, 1-3/8" - 1-3/4" thick door
- Provided double option: square corner, or 1/4" radius  
Adjustable 2-3/8" - 2-3/4" backset
- 2-1/8" bore size



#### **JD60 ANSI E2153**

Single Cylinder Deadbolt

Deadbolt thrown or retracted by key from outside or by inside turn unit. Bolt automatically deadlocks when fully thrown.

#### **JD60**

Single Cylinder Deadbolt



#### ***Stocked Product***

**Finishes:** 605,609,619,620,625,630,716

### Locks Handlesets - *ANSI A156.2, 1969, Series 4000, Grade 3*

- C keyway 5 pin, 1-3/8" - 1-3/4" thick door
- Provided double option: square corner, or 1/4" radius  
Adjustable 2-3/8" - 2-3/4" backset



#### ***JH60 - Entrance Lock***

Deadbolt thrown or retracted by key from outside or by inside turn unit. Latch retracted by thumbpiece from outside or by inside knob/lever.

#### **Consist of:**

JH58 - outside trim  
JH59 - inside trim

## Schlage - *Dexter Residential*



### *J10 ANSI F75*

#### **Passage Latch**

Both knobs/levers always unlocked.



### *J40P ANSI F76*

#### **Bath/Bedroom Privacy Lock**

Push-button locking. Can be opened from outside with small circular tool. Turning inside knob/lever releases button.



### *J18/19*

#### **Passage Lock with Keyed Deadbolt**

Deadbolt operated by key from outside or by turn unit from inside. Bolt automatically deadlocks when fully thrown. Latch retracted by lever from either side. Turning inside lever retracts deadbolt and latch simultaneously for immediate exit



### *J158/59*

#### **Keyed Entrance lock**

Deadbolt operated by key from outside or by turn unit from inside. Bolt automatically deadlocks when fully thrown. Outside lever unlocked by key from outside when locked by turn button in inside lever. Turning inside lever retracts deadbolt and latch simultaneously for immediate exit. Latch automatically deadlocks when door is closed.



### *J54 ANSI F81*

#### **Entrance Lock**

Unlocked by key from outside when outer knob is locked by turn-button in inside knob. Inside knob/lever is locked and unlocked by turn button.



### *J40 ANSI F76*

#### **Bath/Bedroom Privacy Lock**

Turn-button locking. Can be opened from outside by turning outside turn mechanism. Turning inside turn button releases inside knob/lever.



### *J170*

#### **Single Dummy Trim**

Dummy trim for one side of door. Used for door pull or as matching inactive trim.

---

## Outside Trim Handlesets Active - *JH58 outside trim only*



### **BARCELONA**

Symbol **BAR**



### **PARIS**

Symbol **PAR**



### ***Stocked Product***

**Barcelona JH58** 605,609,619,620,625,630,716

**Paris JH58** 605,619,625,630,716



## Schlage - Dexter Residential

### Handleset Inside Trim - JH59 Active only

**CORONA**  
Symbol **CNA**



**DOVER**  
Symbol **DOV**



**LASALLE**  
Symbol **LAS** (Handed)



**MARIN**  
Symbol **MAR**



**SEVILLE**  
Symbol **SEV** (Handed)



**SOLSTICE**  
Symbol **SOL**



**TORINO**  
Symbol **TOR**



**STRATUS**  
Symbol **STR**



605, 609- While Supplies Last

625- While Supplies Last

#### Stocked Products

Corona	JH59	605,609,619,620,625,630,716
Dover	JH59	630
La Salle	JH59	605,609,619,620,625,716
Marin	JH59	619
Seville	JH59	619,716
Solstice	JH59	619,625
Stratus	JH59	619,716
Torino	JH59	619,620,625,630,716

### Interconnected Lock - JI Series

#### Applications:

Single and multi-family residential, office, hotel/motel, and light commercial applications.

#### Specifications:

- Interconnected latchbolt and deadbolt chassis
- Ideal for new construction
- 5 1/2" center to center cross-bore diameter
- Both latch and deadbolt are retracted simultaneously, allowing for emergency egress
- Product exceeds all ANSI A1 56.12 Grade 3 requirements
- UL Listed for all functions
- Non-handed Levers
- Adjustable latch for 2 3/8" or 2 3/4" backset
- Dexter offers a lifetime mechanical warranty

**DOOR RANGE:** 1 3/8" to 1 3/4" (35 mm-51 mm).



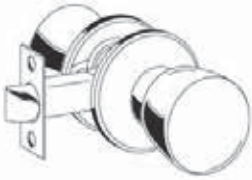
#### Stocked Products

JI18	Marin	630
JI19	Marin	630
JI58	Torino	630
JI59	Torino	630

## Schlage - *Dexter Residential*

### BYRON

Symbol **BYR**



### CORONA

Symbol **CNA**



### DOVER

Symbol **DOV**



### LASALLE

Symbol **LAS** (Handed)



620 , 625 - While Supplies Last

### MARIN

Symbol **MAR**



605- While Supplies Last

### SEVILLE

Symbol **SEV** (Handed)



### SOLSTICE

Symbol **SOL**



### STRATUS

Symbol **STR**



### TORINO

Symbol **TOR**



605 - While Supplies Last

### Stocked Product

#### DESIGNS

Byron

Corona

Dover

La Salle

Marin

Seville

Seville

Solstice

Solstice

Stratus

Torino

Torino

#### FUNCTIONS

J170, J10, J40, J54

J170, J10, J40, J54

J170, J10, J40, J54

J170, J10, J40, J54

J170, J10, J40, J54

J170, J10, J40, J54

J40P

J170, J10, J40, J54

J40P

J170, J10, J40, J54

J170, J10, J40, J54

J40P

#### FINISHES

605,630

605,609,619,620,625,630,716

630

605,609,619,620,625,716

605,619,630

605,619,625,716

619,716

619,625

619,716

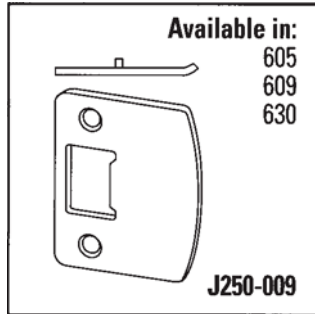
619, 716

605,619,620,625,630,716

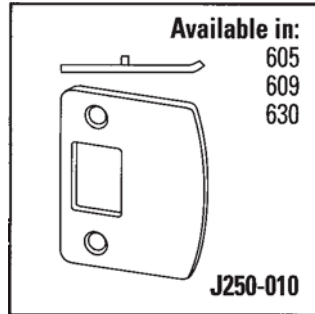
619,716

## Schlage - Dexter Residential

### Strikes & Parts



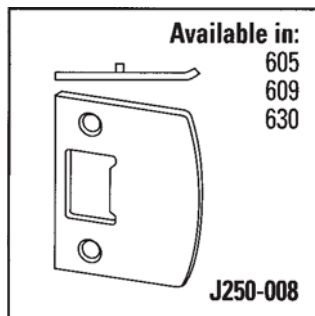
Radius corner full lip



Radius full lip for JD60



*J750-000*  
5 pin key blank  
Schlage C Keyway



Square corner full lip



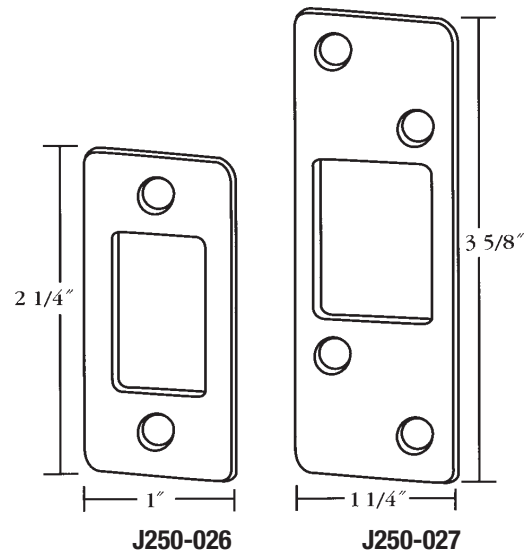
Square strike plate  
and frame reinforcer  
with 3" screws

### Radius Corner Deadbolt Strikes

#### **Stocked Products**

J250-026: 605,609,630, 716

J250-027: 605,609,620,630



## Schlage - A Series

### Light Commercial A Functions

*ANSI A156.2, Series 4000, Grade 2*

- 6 pin cylinder, keyed 5 pin C keyway
- 2-3/8" backset with 10-001 T-strike
- Optional strikes & backsets available
- 1-3/8" - 1-7/8" thick door

#### Stocked Product

<b>Levon</b>	A10S Passage	613, 626
	A40S Privacy	613, 626
<b>Orbit and Plymouth</b>	A10S Passage	605,613,626,(625-Orbit only)
	A170 Dummy	605,613, 626,(625-Orbit only)
	A40S Privacy	605,613,626,(625-Orbit only)
	A40S Privacy X 625	605, 613
	A53P Entry	605,613,626,(625-Orbit only)
	A70P Classroom	605,613,(625-Orbit only)
	A80P Storeroom	605,613,626



#### *A10S ANSI F75*

##### **Passage Latch**

Both knobs always unlocked.



#### *A40S ANSI F76*

##### **Bath/Bedroom Privacy Lock**

Push-button locking. Can be opened from outside with small screwdriver. Turning inside knob or closing door releases button.



#### *A53PD ANSI F109*

##### **Entrance Lock**

Turn/push-button locking; pushing and turning button locks outside knob, requiring use of key until button is manually unlocked. Push-button locking; pushing button locks outside knob until unlocked by key or by turning inside knob.



#### *A70PD ANSI F109*

##### **Classroom Lock**

Outside knob locked and unlocked by key. Inside knob always unlocked.



#### *A80PD ANSI F86*

##### **Storeroom Lock**

Outside knob fixed. Entrance by key only. Inside knob always unlocked.



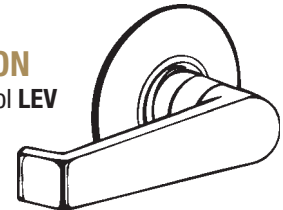
#### *A170*

##### **Single Dummy Trim**

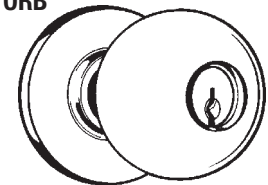
Dummy trim for one side of door. Used for door pull or as matching inactive trim.

Standard 2-3/8" BS, T strike with classic "C" keyway. Optional latches and strikes available

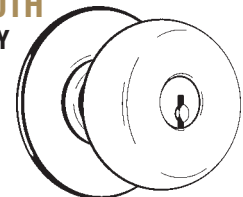
#### **LEVON** Symbol **LEV**



#### **ORBIT** Symbol **ORB**



#### **PLYMOUTH** Symbol **PLY**



## Schlage - AL Series



### *AL10S ANSI F75*

#### **Passage Latch**

Both levers always unlocked.



### *AL25D*

#### **Exit Lock**

Blank plate outside. Inside lever always unlocked.



### *AL40S ANSI F76*

#### **Bath/Bedroom Privacy Lock**

Push-button locking. Can be unlocked from outside with small screwdriver. Turning inside lever or closing door released button.



### *AL170*

#### **Simple Dummy Trim**

Dummy trim for one side of door. Used for door pull or as matching inactive trim.



### *AL50PD ANSI F82*

#### **Entrance/Office Lock**

Push-button locking. Push-button locks outside lever until unlocked with key or by rotating inside lever.



### *AL53PD ANSI F109*

#### **Entrance Lock**

Turn/push-button locking; pushing and turning button locks outside lever requiring use of key until button is manually unlocked. Push-button locking; pushing button locks outside lever until unlocked by key or by turning inside lever.



### *AL70PD ANSI F84*

#### **Classroom Lock**

Outside lever locked and unlocked by key. Inside lever always unlocked.



### *AL80PD ANSI F86*

#### **Storeroom Lock**

Outside lever fixed. Entrance by key only. Inside lever always unlocked.

### *Standard Features:*

<b>Certification</b>	ANSI A156.2, 1996, Series 4000, Grade 2, UL Listed for 3 hour fire door
<b>Latch</b>	1-1/8" x 2-1/4", Square corner faceplate, 1" housing diameter, 1/2" throw
<b>Strike</b>	1-1/4" x 4-7/8" ANSI, Square corner, no box
<b>Backset</b>	Standard 2-3/4", optional 2-3/8" BS available
<b>Door Range</b>	1-3/8" - 1-7/8"
<b>Keyed locks</b>	Classic C keyway, KD - also available Everest C123

### *Stocked Product*

Stocked Functions: AL10S, AL170, AL40S, AL50P, AL53P, AL70P, AL80P  
Stocked Finishes: 605, 613, 625, 626  
Stocked Designs: Saturn and Neptune

Stocked Functions: AL25D,  
Stocked Finishes: 626  
Stocked Designs Saturn, Neptune

Stocked Function: AL53J, for large format Recore, Less Core  
Stocked Finishes: 626  
Stocked Designs: Saturn

Stocked Function: AL53BSAT, Small format interchangeable Core, Less Core  
Stocked Finishes: 626  
Stocked Designs: Saturn

Stocked Function: AL80BSAT, Small format interchangeable Core, Less Core  
Stocked Finishes: 626  
Stocked Designs: Saturn

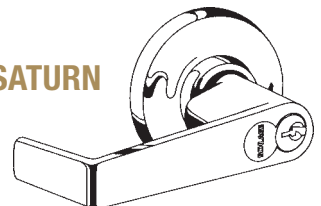
**SATURN**



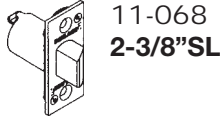
**NEPTUNE**



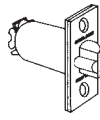
**SATURN**



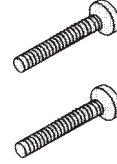
## Schlage - A & AL Parts



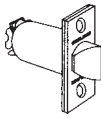
11-068  
**2-3/8"SL**



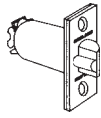
11-085  
**2-3/8"DL**



A Series  
Screws  
A501-161



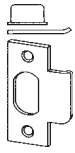
11-116  
**2-3/4"SL**



11-096  
**2-3/4"DL**



11-104  
**2-3/8" CIRCULAR DRIVE-IN DL**



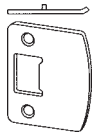
10-001  
**T - STRIKE**



10-025  
**ASA STRIKE**



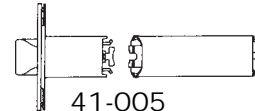
10-026  
**SQUARE CORNER FULL LIP STRIKE**



10-027  
**RADIUS CORNER FULL LIP STRIKE**



A501-878  
**FACEPLATE ADAPTER**



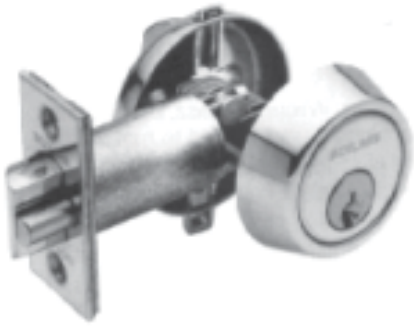
41-005  
**5" BACKSET LINK**

### **Stocked Product**

11-068	Spring Latch 2-3/8" BS, 1" X 2-1/4" Face, 7/8" hsg	605,613,626
11-116	Spring Latch 2-3/4"BS, 1-1/8" X 2-1/4" Face 1" hsg	605,613,626
11-085	Dead Latch 2-3/8" BS, 1"X 2-1/4" Face7/8" hsg	605,613,626
11-096	Dead Latch 2-3/4" BS, 1-1/8" X 2-1/4" Face 1"hsg	605,613,626
11-091	Dead Latch 2-3/4" BS, 1" X 2-1/4" Face 7/8" hsg	605,613,626
11-103	Dead Latch 3-3/4" BS, 1-1/8" X2-1/4: Face 1"hsg	626
11-104	Dead Latch, Circular, 2-3/8" BS. 1" hsg	626
11-105	Dead Latch, Circular, 2-3/4" BS. 1"hsg	626
10-001	T Strike, 1-1/8" X 2-3/4" Square Corner	605,613,619,626
10-025	ANSI no box,1-1/4" X 4-7/8" Square Corner	605,613,626,619,625
10-025	ANSI no box,1-1/2" X 4-7/8" Square Corner	613,625,626
10-026	SQ Strike, Full Lip 1-5/8" X 2-1/4"	605,613,626,619,620,609
10-027	Radius Strike, Full Lip 1-5/8" X 2-1/4"	605,613,626,619,620,609
41-005	5" Backset Link	-

# Schlage - *B250 Deadlatch Locks*

## *B250 Series*



### *B250PD*



#### **Single Cylinder Night Latch**

Deadlocking latchbolt retracted by key from outside or by inside turn unit. Rotating turn unit and activating holdback feature keeps latch retracted.

### *B252PD*



#### **Double Cylinder Deadlatch**

Deadlocking latchbolt retracted by key from either side. No hold-back feature.

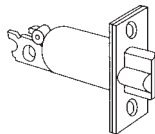
- C keyway
- 2-3/8" backset standard, optional 2-3/4" backset available
- square corner T strike 10-001 Standard

### **Stocked Product**

B250P	605,613,626	
B252P	605,613,626	
B520-086	Mounting Screw 2-1/4"	605
B520-087	Mounting Screw 2-3/8"	605
B520-267	Mounting Screw F/B	
B520-271	Drive Pin only	626

### **Stocked Product**

12-100	605,613,626
12-103	605,613,626



### *12-100*

2-3/8" BS square corner 1-1/8" x 2-1/4"

### *12-103*

2-3/4" BS square corner 1-1/8" x 2-1/4"

# Schlage - B60 Deadbolts

## B60 Series - Deadbolt

**Three-piece design**  
Ready to go out of the box for quick installation.

**Sleek** Low profile face is almost impossible to grab with a wrench and cannot be unscrewed.

**Versatile** Shield is easily removed to fit 1 1/2" cross-bore prep.

**Stronger** 1/2" of bolt left in housing when bolt is thrown for added kick-in resistance.

**Tougher** Thicker metal strike reinforcer has 3" screws for greater strength in the jamb.



**Secure** Integrated anti-pick shield with SNAP & STAY™ self-adjusting tension provides added security and simplifies installation.

**Required** 1" door prep required for larger bolt housing.

**UL Listed** Optional 3-hour UL Listed fire cup/latch available.

**Streamlined** Deep drawn housing delivers a seamless piece of steel from beginning of helix to back of bolt for maximum latch/bolt reliability. Fits both 2 3/8" and 2 3/4" backsets.

**Unprecedented** Adjustable backset has the industry's only helical design that locks into place with no adjusting during installation. Fits both 2 3/8" and 2 3/4" backsets.

**Solid** Zinc bolt has hardened steel pin inside that spins in response to sawing attack and can't be cut through.

**Code Compliant**  
ADA compliant thumbturn.

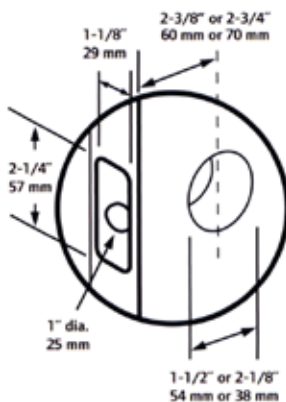
**Bigger** Bolt diameter is 10% larger than typical bolts for maximum kick-in resistance.

**Rounded** Radius corners on strike plate for more attractive installation. 1 1/8" x 2 3/4" round corner strikes come standard.

### Available Functions:

- B60 - Single cylinder dead bolt lock
- B62 - Double cylinder dead bolt lock
- B80 - Door bolt
- B81 - Door bolt with trim (Special Order)

## Designed to fit virtually any door.



### Standard Strike



10-116\*  
1 1/8" x 2 3/4"

Standard door prep for B-Series installation.



## Schlage - B

### *B Series - Deadbolt Locks - ANSI A156.5, 1992, Grade 2*



*B60 ANSI E2152*  
**Single Cylinder Deadbolt Lock**

Deadbolt thrown or retracted by key from outside or by inside turn unit. Bolt automatically deadlocks when fully thrown.



*B62N ANSI E2142*  
**DoubleCylinder Deadbolt Lock**

Deadbolt thrown or retracted by key from either side. Bolt automatically deadlocks when fully thrown.



*B80 ANSI E2192*  
**Door Bolt**

Deadbolt thrown or retracted by turn unit only. No outside trim. Bolt automatically deadlocks when fully thrown.

### *B60 - Deadbolts Series*

- C keyway 5 Pin
- Triple option face plates, square corner, round corner and circular
- Adjustable 2-3/8" or 2-3/4" BS
- Standard square corner 10-094 strike
- Door preparation 1-1/2" or 2-1/8"
- Door preparation 2-1/8" bore
- B80 - 1 1/2" Bore only

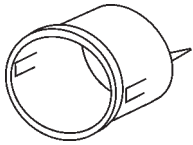


***Stocked Product:***

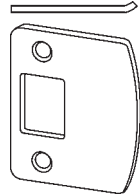
ITEM	DESCRIPTION	FINISH
B60	Single Cylinder	505, 605, 609, 613, 619, 620, 621, 622, 625, 626, 716
B62	Double Cylinder	505, 605, 609, 613, 619, 620, 622, 625, 626, 716
B80	Door Bolt	605, 609, 613, 619, 620, 622, 626, 716

## Schlage - Strikes and Parts

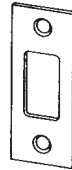
### B60 - Strikes



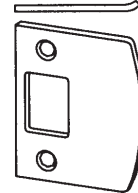
**10-064**  
Thimble strike  
circular drive-in



**10-092**  
1/4" Radius  
round corner  
Full lip, no box  
1-5/8" x 2-1/4"



**10-094** Standard  
Square corner  
1-1/8" x 2-3/4" Standard

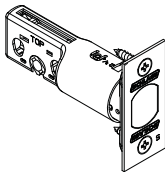


**10-095**  
Square Corner Box  
Full lip, no box  
1-5/8" x 2-1/4"

#### Stocked Product

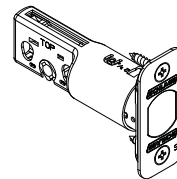
10-064	Thimble Strike 1-3/16" Diameter	626
10-092	Round Corner Full Lip Strike 1-5/8" X 2-1/4"	605, 609, 613, 619, 620, 625, 626
10-094	Square Corner Strike, 1-1/8" X 2-3/4"	605, 609, 613, 619, 620, 625, 626
10-095	Square Corner Full Lip Strike, 1-5/8" X 2-1/4"	605, 613, 619, 620, 626

### B60 Parts



**12-288** Square Corner  
Adjustable Backset

**12-288** Square Corner Bolt, 2-3/8"-2-3/4" BS,  
1" X 2-1/4" Face Plate



**12-289** 1/4" Round Corner  
Adjustable Backset

**12-289** 1/4" Round Corner Bolt, 2-3/8"-2-3/4" BS,  
1" X 2-1/4" Face Plate  
**12-633** Square Corner Bolt, 5" BS,  
1" X 2-1/4" Face Plate

#### Stocked Product

12-288	605, 626, 613, 619
12-289	605, 626, 613, 619
12-633	613, 626

## Schlage - BE/FE

### BE/FE Series - Keypad Locks



*BE365 PLY*



*BE365 CAM*



*FE595-PLY-x-FLA*



*FE285 PLY-x-FLA*

#### Security and Quality:

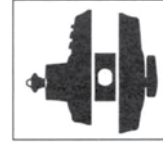
- Grade 2 ANSI/BHMA certified
- Patented commercial grade clutching motor drive ; tested to one million cycles
- Vandal resistant clutching lever and knob design ; free spinning deadbolt turn
- Code control; 6-digit programming code required to add and delete user codes
- Warning code sounds after four incorrect codes entered; keypad disabled for 30 seconds
- Mechanical key override; patent pending

#### Convenience:

- Convenient keyless access; no keys to hide , lose or forget
- Pre-set with random 6-digit programming code and two random 4-digit user codes
- 19 user code capacity ; 10,000 user code combinations
- Easily programmed right at the keypad; no need to remove inside escutcheon
- Blue LEDs illuminate the keypad on demand
- Reversible levers for left- or right -handed doors
- Emergency exit feature; allows for panic-free exit on and FE595
- Locks can be re-keyed to match existing locks
- 9-volt alkaline battery included

#### Stocked Product

<b>BE365</b>	Camelot	505,613,619,716
<b>BE365</b>	Plymouth	505,613,619,626,716
<b>FE285</b>	Camelot/Accent	505,619,716
<b>FE285</b>	Plymouth/Flair	505,613,619,716
<b>FE595</b>	Camelot/Accent	613,619,716
<b>FE595</b>	Plymouth/Flair	613,619,716



*BE365*

#### Keypad Deadbolt

Deadbolt thrown from outside by keyway turn after pressing Schlage button or by inside thumbturn.

Deadbolt retracted from outside by entering valid user code then rotating keyway turn or by inside thumbturn.

Key can be used to unlock as backup



*FE285*

#### Lower Half - Front Entry Set

Combine with BE365 Keypad Deadbolt for Front Entry Set.



*FE595*

#### Keypad Entry with Flex-Lock

Flex Locking, switch between unlocked or automatic re-locking.

Unlocked by valid user code from outside.

Inside lever always unlocked

Key can be used to unlock as back-up

## Schlage - FE Electric Lock Set

### BE369 / FE599 Series - Keypad Locks



#### Enhanced Security Featuring Wireless Encryption

- Anti-pick shield helps to prevent tampering
- Patented latch bolt design provides maximum kick-in resistance
- SSL 128-bit encryption
- Similar security used in online banking



#### Innovative Technology

- Uses Z-Wave Technology
- Automatic battery level notification
- Non-wearing Keypad, lighted for night time use



#### Easy Installation with Guaranteed Fit

- Replace your existing lock with a screwdriver in less than 30 minutes
- Fits all standard door preparations
- Reversible lever adapts to both right- and left-hand doors

#### FE599

LEVER EXTERIOR

LEVER INTERIOR

#### BE369

DEADBOLT EXTERIOR

DEADBOLT INTERIOR



Finishes



619  
Satin Nickel



505  
Bright Brass



716  
Aged Bronze

#### Stocked Product

<b>FE599</b>	Lever by Lever	505,619
<b>BE369</b>	Camelot Deadbolt	505,619,716

## Schlage - BE Touchscreen Deadbolt

### BE 468NX & BE 469NX Series - Touchscreen Deadbolt

Schlage connected locks use Z-Wave®, a wireless technology that makes your house smarter, safer, and far more convenient. When these locks are paired with a compatible Z-Wave® home automation system, homeowners can remotely control, manage, and monitor access to their home.

#### BE468NX Features:

- GRADE 2 Higher Residential Security Rating
- Durable resistive touchscreen ensures wear pattern remains undetectable.
- Slim exterior prevents interference with storm doors or other door preps.

#### BE469NX Features:

- ANSI A156.36-2010 Grade 1 BE469NX - Touchscreen Deadbolt with Alarm
- Autothrow deadbolt is activated from outside by pressing the Schlage button
- Deadbolt automatically retracted from outside by entering valid user code
- Key can be used to unlock as backup
- Built-in Alarm Technology alerts home owners to potential security threats



Camelot

Century

#### Stocked Product

<b>BE468NX</b>	Camelot	619
<b>BE469NX</b>	Camelot	619,716
<b>BE469NX</b>	Century	619,625,716

## Schlage - B500 Deadbolts

### B500 Series - Deadbolt

**Certifications:** ANSI A156.5, 2001, Grade 2. Available UL Listed for three-hour fire door.

**Door range:** 1-3/8" to 1-3/4" thick (35 mm to 44 mm) standard. Available for over 1-3/4" to 2-1/4" and over 2-1/4" to 4" assembled to order. **Special Order.**

**Backset:** 2-3/8" (60 mm) or 2-3/4" (70 mm) adjustable backset standard.

**Deadbolts:** 1" x 2-1/4" (25 mm x 57 mm) square corner.

**Strikes:** Square corner 1-1/8" x 2-3/4" (29 mm x 70 mm) strike, no lip, furnished with metal dust box standard.

**Adapter Rings:** Trim ring with anti-pry shield standard, 2-1/2" (63 mm) outer diameter. Removable to fit 1-1/2" crossbore door preps.



#### Functions:

#### ANSI A156.5, 2001, Grade 2

#### Bored Deadbolt Locks

SCHLAGE ANSI

**B560P E2152**



#### Single Cylinder Deadbolt Lock

Deadbolt thrown or retracted by key from outside or by inside turn unit. Bolt automatically deadlocks when fully thrown.

**B562P E2142**



#### Double Cylinder Deadbolt Lock\*

Deadbolt thrown or retracted by key from either side. Bolt automatically deadlocks when fully thrown.

**B580 E2192**



#### Door Bolt

Deadbolt thrown or retracted by turn unit only. No outside trim. Bolt automatically deadlocks when fully thrown.

**B571**

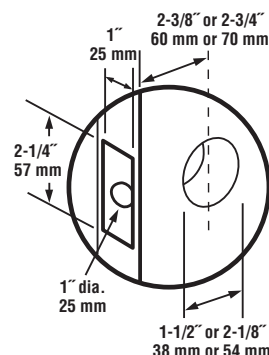


#### Door Occupancy Indicator

Deadbolt thrown or retracted by inside turn unit. Occupancy indicator on outside (reads either in use or vacant). Requires 1-1/2" cross bore prep. Not UL rated.

#### Specifications:

#### Door Preparation



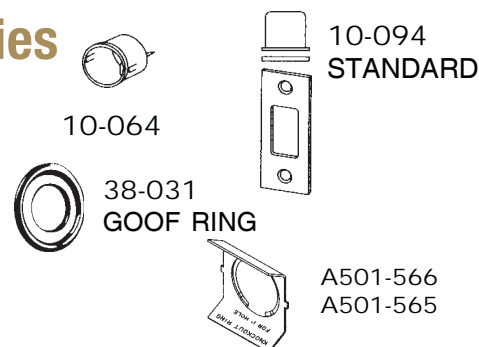
#### Stocked Product

<b>B560P</b>	605, 609, 613, 619, 625, 626
<b>B562P</b>	605, 609, 613, 625, 626
<b>B571</b>	613, 626
<b>B580</b>	605, 609, 613, 625, 626

### B 500 Series - Strikes, Bolts and Accessories

#### Stocked Product

10-064	Thimble Strike	626
10-094	Square Corner Strike 1-1/8" X 2-3/4"	605,609,613, 619,620,625,626
38-031	G00F Ring, 2-1/2" Diameter for 2-1/8" Door prep	605,609,613,625,626
A501-565	Reinforcer for 1-3/8" Thick Metal Doors	no finish



## Schlage - B600 Deadbolts

### B600 Series - Deadbolt

#### Feature:

Certification ANSI A156.5 Grade 1, UL Listed for 3 hour door  
 Deadbolt 1-1/8" x 2-1/4" square corner faceplate, 1" housing 1" throw  
 Backset Standard 2-3/4", also available 2-3/8"  
 Cylinder Standard classic "C" also available C123 Everest

#### Options:

- Available prepped for Removable Core (RC) less core; specify "J"
- Available prepped F/ Best IC Core (Small Format) less core specify "B"

For Everest keyway specify suffix EV after part number i.e. 9SCHB660P605EV  
 Door preparation 1-1/2" or 2-1/8" bore size

#### Stocked Product:

**B660P** 605,613,625,626  
**B660B** 626  
**B660J** 613,626  
**B661P** 626  
**B662P** 605,613,626  
**B662J** 626  
**B663P** 626  
**B663J** 613,626  
**B664P** 626

#### B660P ANSI E2151

##### Single Cylinder Deadbolt Lock



Deadbolt thrown or retracted by key from outside or by inside turn unit. Bolt automatically deadlocks when fully thrown.

#### B661P ANSI E2161

##### One-way Deadbolt Lock



Deadbolt thrown or retracted by key only. Blank plate inside. Bolt automatically deadlocks when fully thrown.

#### B662P ANSI E2141

##### Double Cylinder Deadbolt Lock



Deadbolt thrown or retracted by key from either side. Bolt automatically deadlocks when fully thrown.

#### B663P ANSI E2111

##### Classroom Deadbolt Lock



Deadbolt thrown or retracted by key outside. Inside turn unit will retract bolt only. Bolt automatically deadlocks when fully thrown.

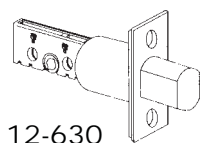
#### B664P ANSI E2101

##### Cylinder Lock

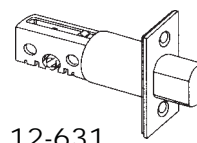


Deadbolt thrown or retracted by key from one side. No inside trim. Bolt automatically deadlocks when fully thrown.

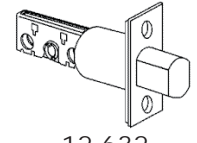
#### B660 Parts



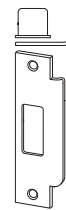
12-630



12-631



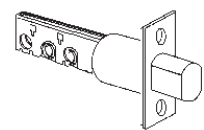
12-632



10-087



10-055



12-633

#### Stocked Product:

10-055	Square Corner Strike, 1-1/8" X 2-3/4" FP	605,613,626
10-087	ANSI Strike With 1-3/16" Lip	605,613,619, 620,625,626
12-630	Bolt, 2-3/8" BS, 1-1/8" X 2-1/4" Face Plate	605,613,626
12-631	Bolt, 2-3/4" BS, 1-1/8" X 2-1/4" Face Plate	605,613,626
12-632	Bolt, 3-3/4" BS, 1-1/8" X 2-1/4" Face Plate	626
12-633	Bolt, 5" BS, 1-1/8" X 2-1/4" Face Plate	613,626

## Schlage - ND Locks

### ND Series - Levers

#### Standard Features:

Certification	Exceeds ANSI A156.2, Series 4000, Grade 1, UL Listed for 3 hour fire door. Meets A117.1
Feature	Tested to exceed three million cycles
Latch	1-1/8" x 2-1/4", Square corner faceplate, 1" housing diameter, 1/2" throw
Strike	1-1/4" x 4-7/8", ANSI, Square corner, no box
Backset	2-3/4" standard, other backsets available
Cylinder	Classic C keyway, also available C123 Everest Keyway
Door Range	1-5/8" - 2-1/8"

#### Options:

- Available prepped for Removable Core ( RC) less core; specify "J"
- Available prepped F/ Best IC Core (Small Format) less core specify "B"

RHODES



SPARTA



OMEGA



#### ND10S ANSI F75

##### Passage Latch

Both levers always unlocked. Inside lever is always free for immediate egress.



#### ND170

##### Single Dummy Trim

Dummy trim for one side of door. Used for door pull or as matching inactive trim.



#### ND25

##### Exit Lock

Blank plate outside, Inside lever always unlocked. Inside lever is always free for immediate egress.



#### ND40S ANSI F76

##### Bath/Bedroom Privacy Lock

Push-button locking. Can be opened from outside with small screwdriver. Turning inside lever or closing door releases button. Inside lever is always free for immediate egress.



#### ND50PD ANSI F82

##### Entrance/Office Lock

Push-button locking. Push-button locks outside lever until unlocked with key or by turning inside lever. Inside lever is always free for immediate egress.



#### ND53PD ANSI F109

##### Entrance Lock

Turn/push-button locking; pushing and turning button locks outside lever, requiring use of key until button is manually unlocked. Push-button locking; pushing button locks outside lever until unlocked by key or by turning inside lever. Inside lever is always free for immediate egress.



#### ND60PD ANSI F88

##### Vestibule/Classroom Security Lock

Latch retracted by key from outside when outside lever is locked by key in inside lever. Inside lever is always unlocked. Inside lever is always free for immediate egress.



#### ND66PD ANSI F91

##### Store Lock

Key in either lever locks or unlocks both levers.



#### ND70PD ANSI F84

##### Classroom Lock

Outside lever locked and unlocked by key. Inside lever always unlocked. Inside lever is always free for immediate egress.

## Schlage - ND Locks



### *ND73PD ANSI F90*

#### **Corridor Lock**

Locked or unlocked by key from outside. Push button locking from inside. Turning inside lever or closing door releases button. When outside lever is locked by key it can only be unlocked by key. Inside lever is always unlocked. Inside lever is always free for immediate egress.



### *ND85PD*

#### **Faculti Restroom Lock**

Outside lever fixed. Entrance by key only. Push-button in inside lever activates visual "occupancy" indicator, allowing only emergency master key to operate. Turning inside lever or closing door releases visual occupancy indicator. Rotation of inside spinner-button provides lock-out feature by keeping indicator thrown. Inside lever is always free for immediate egress.



### *ND75PD ANSI F110*

#### **Classroom Security Lock**

Key in either lever locks or unlocks outside lever. Inside lever is always unlocked. Inside lever is always free for immediate egress.



### *ND91PD ANSI F82*

#### **Entrance/Office Lock**

Push-button locking. Push-button disengages outside lever until unlocked with key or by turning inside lever.



### *ND80PD ANSI F86*

#### **Storeroom Lock**

Outside lever fixed. Entrance by key only. Inside lever always unlocked. Inside lever is always free for immediate egress.



### *ND92PD ANSI F109*

#### **Entrance Lock**

Turn/push-button locking; pushing and turning button disengages outside lever, requiring use of key until button is manually unlocked. Push-button locking; pushing button disengages outside lever until unlocked by key or by turning inside lever.



### *ND80PDEL*

#### **Electrically Locked (Fail Safe)**

Outside lever continuously locked electrically. Unlocked by key outside or by switch or power failure. Auxiliary latch deadlocks latchbolt when door is closed. Inside lever always free for immediate exit. Inside lever is always free for immediate egress.



### *ND93PD ANSI F88*

#### **Vestibule Lock**

Latch retracted by key from outside when outside lever is disengaged by key in inside lever. Inside lever is always unlocked.



### *ND80PDEU*

#### **Electrically Unlocked (Fail Secure)**

Outside lever continuously locked until unlocked by key or electric current. Auxiliary latch deadlocks latchbolt when door is closed. Inside lever always free for immediate exit. Inside lever is always free for immediate egress.



### *ND94PD ANSI F84*

#### **Classroom Lock**

Outside lever disengaged and unlocked by key. Inside lever always unlocked.



### *ND82PD ANSI F87*

#### **Institution Lock**

Both levers fixed. Entrance by key in either lever.



### *ND95PD ANSI F110*

#### **Classroom Security Lock**

Key in either lever locks or unlocks outside lever. Inside lever is always unlocked.



### *ND96DP ANSI F86*

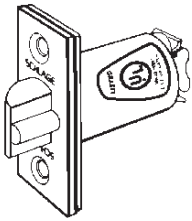
#### **Store Room**

Outside lever always disengaged. Entrance by key only. Inside lever always unlocked.



## Schlage - ND Locks

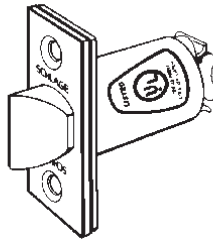
### ND Series Latches & Parts



*LATCH 13-047*

**Dead Latch**

Dimension:  
 1-1/8" x 2-1/4" square corner  
 1/2" throw  
 2-3/4 Backset

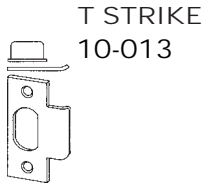


*LATCH 13-048*

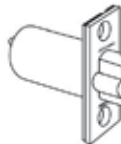
**Spring Latch**

Dimension:  
 1-1/8" x 2-1/4" square corner  
 1/2" throw  
 2-3/4 Backset

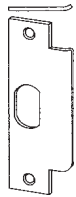
### ND SERIES PARTS



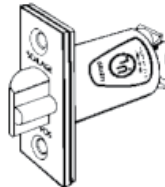
T STRIKE  
 10-013



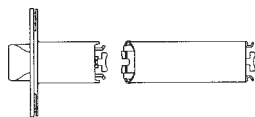
**14-028**  
 3-3/4" Square  
 Corner Deadlatch



10-025  
 ANSI Strike



140-47  
 LATCH  
 2-3/8DL



43-005 Link



K510-066  
 Dust Box

### Stocked Product:

<b>10-013</b>	<b>605,613,625,626</b>
<b>10-025</b>	<b>605,613,619,625,626</b>
<b>10-019</b>	<b>605,613,625</b>
<b>43-005</b>	<b>N/A</b>
<b>13-047</b>	<b>605,613,625,626</b>
<b>13-048</b>	<b>605,613,625,626</b>
<b>14-028</b>	<b>613,626</b>
<b>14-047</b>	<b>605,613,625,626</b>
<b>K510-066</b>	<b>N/A</b>
<b>14-001</b>	<b>605,613,626</b>

## Schlage - *ND Locks*

### Stocked Product

STYLE	FN	FINISH
<b>Rhodes</b>	170	605,613,619,625,626
	10	605,613,619,625,626
	25	626
	40	605,613,619,625,626
	50	605,613,619,625,626
	53	605,613,619,625,626
	60	626
	66	626
	70	605,613,619,625,626
	73	626
	75	626
	80	605,613,619,625,626
	82	613,626
	85	626
	91	626
	92	613,626
	93	613,626
	94	613,626
	95	626
	96	613,626

STYLE	FN	FINISH
<b>Sparta</b>	170	605,613,619,625,626
	10	605,613,619,625,626
	40	605,613,619,625,626
	50	605,613,619,625,626
	53	605,613,619,625,626
	60	626
	66	626
	70	605,613,619,625,626
	80	605,613,619,625,626
	85	626
	92	626
	93	626
	94	626
	96	626

STYLE	FN	FINISH
<b>Omega</b>	170	605,613,619,625,626
	10	605,613,619,625,626
	40	605,613,619,625,626
	50	605,613,619,625,626
	53	605,613,619,625,626
	66	626
	70	605,613,619,625,626
	80	605,613,619,625,626

Less Cylinder		
STYLE	FN	FINISH
<b>Rhodes</b>	53	613,626
	80	613,626
<b>Sparta</b>	53	626
	80	613,626

"J" PREP OPTION		
STYLE	FN	FINISH
<b>Rhodes</b>	50	613,626
	53	613,626
	70	613,626
	80	613,626
	91	626
	92	626
	94	626
	96	626
<b>Sparta</b>	50	626
	53	613,626
	70	613,626
	80	613,626
	92	626
	94	626
	96	626

"B" PREP OPTION		
STYLE	FN	FINISH
<b>Rhodes</b>	50	613,626
	53	613,626
	70	613,626
	80	613,626
	91	613,626
	92	613,626
	93	626
	94	613,626
	96	613,626

Electrified		
STYLE	FN	FINISH
<b>EL</b>		
<b>Rhodes</b>	80	626
<b>Sparta</b>	80	626
<b>EU</b>		
<b>Rhodes</b>	80	626
<b>Sparta</b>	80	626

## Schlage - NDE Locks

### NDE Series - Wireless Lock

#### Standard Features:

Certification	ANSI ANSI/BHMA A156.25-2013, A156.2-2011, Series 4000, Grade 1, UL 294, UL 10C
Latch	1-1/8" x 2-1/4", Square corner faceplate, 1" housing diameter, 1/2" throw
Strike	1-1/4" x 4-7/8", ANSI, Square corner, with DPS magnets, no box
Backset	2-3/4"
Cylinder	Classic C keyway
Door Range	1-5/8" - 2"
Users	Up to 5,000
Audits	Up to 2,000



Sparta



Rhodes

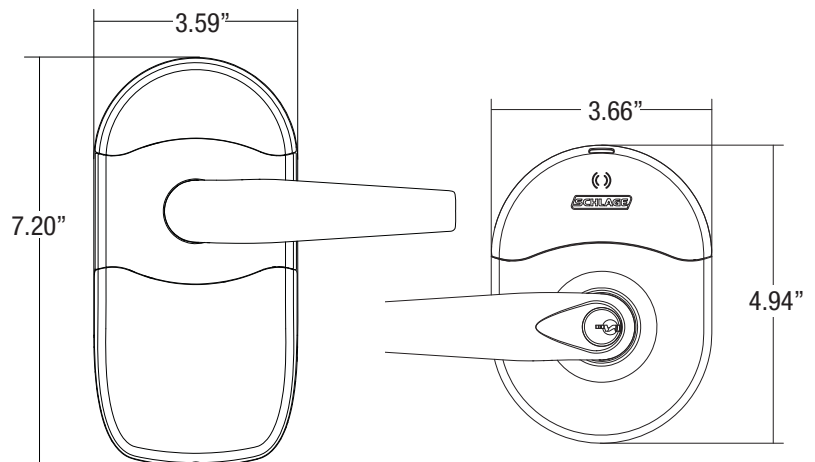


NDE Series wireless locks utilize the standard ND cylindrical door prep

#### Options:

- Available prepped for Removable Core (RC) less core; specify "J"
- Available prepped for Best IC Core (Small Format) less core specify "B"

NDE80PD F86 Storeroom Lock with Vandlgard Lockset is normally secure with outside lever disengaged. Valid credential or key momentarily unlocks door. Valid credential may be used to change to a passage or secured state. Inside lever always allows free egress.



#### Stocked Product

<b>NDE 80P</b>	Rho/Spa	626, 643E
<b>NDE 80J</b>	Rho/Spa	626, 643E
<b>NDE 80B</b>	Rho	626
<b>7410</b>	Proximity Cards	
<b>7610</b>	Proximity Key Fob	

## Schlage - *F Locks*

### *F Functions* – ANSI A156.2, Series 4000, Grade 2

- Radius and circular face plates for F10/F40 functions
- Radius, square, and circular face plates for F51, F358 function
- 6 pin solid brass cylinder, keyed 5 pin
- Universal backset either 2-3/8" or 2-3/4"
- 1-3/8" - 1-3/4" thick door



#### *F60*

##### **Entrance Lock**

Deadbolt thrown or retracted by key from outside or by inside turn unit. Latch retracted by thumbpiece from outside or by inside knob/lever.

Consists of:

**F58 Outside trim**

**F59 Inside trim**



#### *F93*

##### **Dummy Trim**

Outside and Inside Dummy Trim  
For use as door pull or as dummy trim on inactive leaf of pair of doors. Fixed thumbpiece and inside knob/lever. Dummy cylinder with inside plate.

Consists of:

**F92 Outside trim**

**F94 Inside trim**



#### *F10 ANSI F75*

##### **Passage Latch**

Both knobs/levers always unlocked.



#### *F170*

##### **Single Dummy Trim**

Dummy trim for one side of door.  
Used for door pull or as matching inactive trim.



#### *F40 ANSI F76*

##### **Bath/Bedroom**

##### **Privacy Lock**

Push-button locking. Can be opened from outside with small circular tool. Turning inside knob/lever releases button.



#### *F51 ANSI F81*

##### **Entrance Lock**

Unlocked by key from outside when outer knob is locked by turn-button in inside knob. Inside knob/lever always unlocked.

## Schlage - F Locks

### F Locks - Handlesets

F58-OUTSIDE KEYED

F92-OUTSIDE DUMY TRIM



**ADDISON**  
Symbol **ADD**

**CAMELOT**  
Symbol **CAM**

**CENTURY**  
Symbol **CEN**

**PLYMOUTH**  
Symbol **PLY**

**GREENWICH**  
Symbol **GRW**

#### **Stocked Product:**

F58	Camelot	505,605,609,613,619,620,622,625,716
F58	Century	605,619,625
F58	Greenwich	716
F58	Plymouth	505,605,609,613,619,620,625,716
F58	Addison	505,619,621,622,625,716
F92	Camelot	505,605,609,613,619,620,716
F92	Century	605,625
F92	Plymouth	505,605,609,613,619,620,625,716

## Schlage - *F Locks*

### *F Locks* - Handlesets Inside Trim

*F59* - INSIDE

*F94* - DUMMY



**ACCENT**  
Symbol **ACC** (Handed)



**LATITUDE**  
Symbol **LAT**



**FLAIR**  
Symbol **FLA** (Handed)



**SIENA**  
Symbol **SIE**



**AVANTI**  
Symbol **AVA** (Handed)



**GEORGIAN**  
Symbol **GEO**



**ORBIT**  
Symbol **ORB**



**PLYMOUTH**  
Symbol **PLY**



**MANHATTAN**  
Symbol **MNH** (Handed)

#### **Stocked Product:**

F59	Accent	605,609,613,619,620,621,622,625,716
F59	Avanti	605,613,619,620,625,716
F59	Flair	605,609,613,619, 620, 625,716
F59	Georgian	605,609,619,620,621,716
F59	Latitude	619,625
F59	Manhattan	605,619,625,626
F59	Orbit	605,613,619,620,625
F59	Plymouth	605,609,613,619,620,622,625,716
F59	Siena	605,609,613,619,620,625,716
F94	Accent	605,609,613,619,620,625,716
F94	Avanti	605,613,619,620,625,716
F94	Flair	605,609,613,619, 620, 625,716
F94	Georgian	605,609,619,620,716
F94	Manhattan	605,619,625,626
F94	Orbit	605,613,619,620,625
F94	Plymouth	605,613,619,620,625,716
F94	Siena	605,609,613,619,620,625

## Schlage - *F Locks*

### *F Locks* - Knobs & Levers



**BELL**  
Symbol **BEL**



**GEORGIAN**  
Symbol **GEO**



**ORBIT**  
Symbol **ORB**



**PLYMOUTH**  
Symbol **PLY**



**SIENA**  
Symbol **SIE**



**ACCENT**  
Symbol **ACC**



**AVANTI**  
Symbol **AVA**



**ELAN**  
Symbol **ELA**



**FLAIR**  
Symbol **FLA**



**JAZZ**  
Symbol **JAZ**



**LATITUDE**  
Symbol **LAT**



**MANHATTAN**  
Symbol **MNH**

## Schlage - *F Locks*

### Stocked Products

#### Accent

F170	605,609,613,619,620,621,622,625,716
F10	505,605,609,613,619,620,621,622,625,716
F40	605,609,613,619,620,621,622,625,716
F51A	505,605,609,613,619,620,621,622,625,716

#### Avanti

F170	605,613,619,620,625,716
F10	505,605,609,613,619,620,625,716
F40	605,609,613,619,620,625,716
F51A	505,605,613,619,620,716

#### Bell

F170	626
F10	505,605,626
F40	605,626
F51A	505,605,626

#### Elan

F170	605,609,625,626
F10	605,609,625,626
F40	605,609,625,626
F51A	505,626

#### Flair

F170	605,609,613,619,620,625,626,716
F10	505,605,609,613,619,620,625,626,716
F40	605,609,613,619,620,625,626,716
F51A	505,605,609,613,619,620,625,626,716

#### Georgian

F170	605,609,619,620,621,625,716
F10	505,605,609,619,620,621,625,716
F40	605,609,619,620,621,625,716
F51A	505,605,609,619,620,621,716

#### F40 Split Finish x 619

Siena	613
-------	-----

#### F40 Split Finish x 625

Accent	605,620
Flair	605
Georgian	605,619
Orbit	605
Siena	605,613
Plymouth	605

#### F40 Split Finish x 625

Siena	613
-------	-----

#### Jazz

F170	605,609,619,626
F10	605,609,619,626
F40	605,609,619,626

#### Latitude

F170	619,625,716
F10	619,625,716
F40	619,625,716
F51A	619,625,716

#### Manhattan

F170	605,619,625,626
F10	605,619,625,626
F40	605,619,625,626
F51A	605,619,625,626

#### Merano

F170	619,625,716
F10	619,625,716
F40	619,625,716
F51A	619,625,716

#### Orbit

F170	605,609,613,619,620,625,626
F10	505,605,609,613,619,620,625,626
F40	605,609,613,619,620,625,626
F51A	505,605,609,613,619,620,625,626

#### Plymouth

F170	505,605,613,619,620,622,625,626,716
F10	505,605,613,619,620,622,625,626,716
F40	605,613,619,620,622,625,626,716
F51A	505,605,613,619,620,622,625,626,716

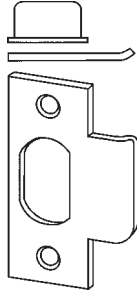
#### Siena

F170	605,609,613,619,620,625,716
F10	505,605,609,613,619,620,625,716
F40	605,609,613,619,620,625,716
F51A	505,605,609,613,619,620,625,716

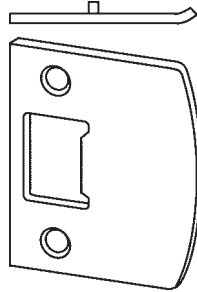


## Schlage - F Parts

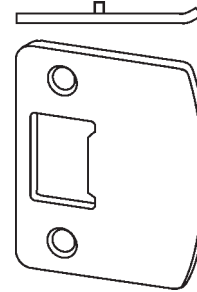
### F Lock - Strikes



10-001  
 Square corner  
 T Box Strike  
 1-1/8" x 2-3/4"

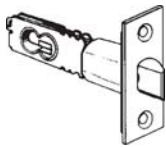


10-026  
 Square corner  
 Full lip, no box  
 1-5/8" x 2-1/4"

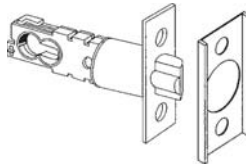


10-027  
 1/4" radius, round corner  
 Full lip, no box  
 1-5/8" x 2-1/4"

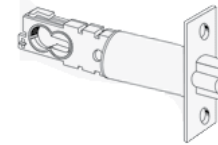
### F Series - Latches And Parts



16-200  
 Spring latch  
 Square corner  
 2-3/8" or 2-3/4" BS



16-207  
 Dead latch  
 Square corner  
 2-3/8" or 2-3/4" BS  
 with A501-878 Front Adapter



16-126  
 Dead Latch  
 Square Corner  
 5" BS



F506-237  
 For latch or strike  
 PFH wood screws

#### Stocked Products

10-001 Square Corner Strike, 1-1/8" X 2-3/4" FP  
**Finishes** 605,613,619, 625,626

10-026 Square Corner Strike, Full Lip, 1-5/8" X 2-1/4" Face Plate  
**Finishes** 605,609,613,619,620,626

10-027 Round Corner Strike, 1/4" Radius, Full Lip, 1-5/8" X 2-1/4" FP  
**Finishes** 605,609,613,619,620,626

16-200 Spring Latch, Square Corner, 2-3/8"-2-3/4" BS,  
 16-207 Dead Latch Square Corner, 2-3/8"-2-3/4" BS  
**Above Stock Finishes: 605,609,613,619,620,626**

16-126 Dead Latch, Square Corner, 5" BS 605  
 F506-237 Mounting Screws F/Strike or Latch 605,632

## Schlage - *F Locks* Collection Series



Champagne x Andover



Callington x Andover



(FA)Merano x Andover



St. Annes x Andover



Sienna x Andover



Andover x Andover



Accent x Addison



Accent x Camelot



Accent x Wakefield



Avila x Addison



Georgian x Addison



Georgian x Camelot



Latitude x Century



Flair x Brookshire



Merano x Century



Manhattan x Century



Siena x Wakefield



Georgian x Brookshire

## Schlage - F Locks Collection Series

### Stocked Products

#### Andover Rose (concealed screw)

F170 Andover	605,609,613,619,620,625,626,716
F10 Andover	605,609,613,619,620,625,626,716
F40 Andover	605,609,613,619,620,625,626,716
F51A Andover	605,609,613,619,620,626,716
F170 Champagne	605,613,619,620,625,716
F10 Champagne	605,613,619,620,625,716
F40 Champagne	605,613,619,620,625,716
F51A Champagne	505,613,619,620,625,716
F170 Callington	605,609,613,619,620,622,625,716
F10 Callington	505,605,609,613,619,620,622,625,716
F40 Callington	605,609,613,619,620,622,625,716
F51A Callington	505,613,619,622,716
F170 Sienna	605,609,613,619,620,622,625,716
F10 Sienna	605,609,613,619,620,622,625,716
F40 Sienna	605,609,613,619,620,622,625,716
F51A Sienna	505,613,619,620,622,625
FA40 Merano	622
FA51 Merano	619,622,625,626,716
F170 ST Annes	605,609,613,619,620,625,716
F10 ST Annes	605,609,613,619,620,625,716
F40 ST Annes	605,609,613,619,620,625,716
F51A ST Annes	609,613,619,716

#### Addison Rose

F170 Accent	619
F10 Accent	619
F40 Accent	619
F51A Accent	619
F170 Avila	619
F10 Avila	619
F40 Avila	619
F51A Avila	619
F170 Georgian	619,621
F10 Georgian	619,621
F40 Georgian	619,621
F51A Georgian	619,621

#### Century Rose

F170 Latitude	619, 625
F170 Merano	716
F170 Manhattan	619
F10 Latitude	619, 625
F10 Merano	716
F10 Manhattan	619
F40 Latitude	619, 625
F40 Merano	716
F40 Manhattan	619
F51A Latitude	619, 625
F51A Merano	716
F51A Manhattan	619

#### Brookshire Rose

F170 Flair	609
F10 Flair	609
F40 Flair	609
F51A Flair	609
F170 Georgian	609
F10 Georgian	609
F40 Georgian	609
F51A Georgian	609

#### Wakefield Rose

F170 Accent	619,716
F10 Accent	619,716
F40 Accent	619,716
F51A Accent	619,716
F170 Sienna	619,716
F10 Sienna	619,716
F40 Sienna	619,716
F51A Sienna	619,716

#### Camelot Rose

F170 Accent	619,716
F10 Accent	619,716
F40 Accent	619,716
F51A Accent	619,716
F170 Georgian	619
F10 Georgian	619
F40 Georgian	619
F51A Georgian	619

### Reversible Levers



Remove inside lever with release pin.



Insert key into outside lever - rotate 90°. Remove with release pin.



Rotate key back, remove key and cylinder. Reverse levers. Place cylinder in other lever.



Snap-on outside lever. Rotate key back and remove.



Snap-on inside lever.

## Schlage - L Locks

### Standard Features:

Certification	L9000: ANSI A156.13, 1994, Series 1000, Grade 1 Operational, Grade 1 Security, UL Listed for 3hour fire door (except L9076 and L9077). With Interchangeable Core Cylinders: Grade 2 Security
Case Size	L9000: 4-7/16" x 6-1/6" x 1"; L400: 4-7/16" x 3-5/8" x 1"
Armor Front	L9000: 1-1/4" x 8"; L400: 1-1/4" x 5-19/32"
Deadbolt	1" Throw stainless steel
Latchbolt	3/4" Throw stainless steel with anti-friction tongue
Strike	L9000: 1-1/4" x 4-7/8" Square Corner, 1-3/16" lip, box
Backset	2-3/4"
Cylinder	Cassic C keyway Also available in Schlage Everest C123 keyway.
Door Range	1-3/4"



### *L9010 ANSI F01*

#### **Passage Latch**

Latchbolt retracted by knob/lever from either side at all times.



### *L9040 ANSI F22*

#### **Bath/Bedroom Privacy Lock**

Latchbolt retracted by knob/lever from either side unless outside is locked by inside turn piece. Turning inside knob/lever or closing door unlocks outside knob/lever. To unlock from outside, remove emergency button, insert emergency turn (furnished in access hole and rotate.)



### *L9050 ANSI F04*

#### **Office and Inner Entry Lock**

Latchbolt retracted by knob/lever from either side unless outside is made inoperative by key outside or by turning inside thumbturn. When outside is locked, latchbolt is retracted by key outside or by knob/lever inside. Outside knob/lever remains locked until thumbturn is returned to vertical or unlocked by key. Auxiliary latch deadlocks latchbolt when door is closed.



### *L9070 ANSI F05*

#### **Classroom Lock**

Latchbolt retracted by knob/lever from either side unless outside is locked by key. Unlocked from outside by key. Inside knob/lever always free for immediate exit. Auxiliary latch deadlocks latchbolt when door is closed.



### *L9080 ANSI F07*

#### **Storeroom Lock**

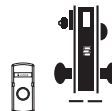
Latchbolt retracted by key outside or by knob/lever inside. Outside knob/lever always inoperative. Auxiliary latch deadlocks latchbolt when door is closed.



### *L9453 ANSI F20*

#### **Entrance Lock**

Latchbolt retracted by knob/lever from either side unless outside is locked by 20° rotation or thumbturn. Deadbolt thrown or retracted by 90° rotation of thumbturn. When locked, key outside or knob/lever inside retracts deadbolt and latchbolt simultaneously. Outside knob/lever remains locked until thumbturn is restored to vertical position. Throwing deadbolt automatically locks outside knob/lever. Auxiliary latch deadlocks latchbolt when door is closed.



### *L9456 ANSI F13*

#### **Corridor Lock**

Latchbolt retracted by knob/lever from either side. Deadbolt thrown or retracted by key outside or inside thumbturn. Throwing deadbolt locks outside knob/lever. Turning inside knob/lever simultaneously retracts deadbolt and latchbolt and unlocks outside knob/lever.



### *L9465*

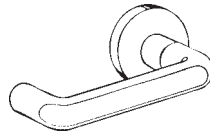
#### **Closet/Storeroom Lock**

Latchbolt retracted by knob/lever from either side. Deadbolt thrown or retracted by key outside.

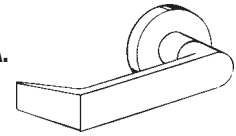
## Schlage - L Locks

### L Locks

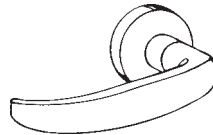
*03A*  
 A ROSE 2-1/8" DIA.



*06A*  
 A ROSE 2-1/8" DIA.



*17A*  
 A ROSE 2-1/8" DIA.

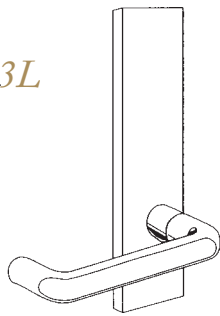


**Stocked Product**

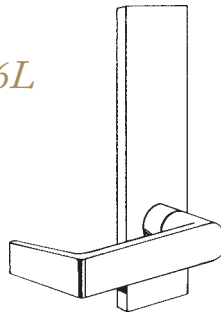
613, 625, 626

SEE PRICE PAGE FOR B ROSE (2-9/16" DIA.) SWAP

*03L*



*06L*



*17L*

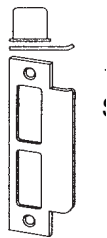


**Stocked Product**

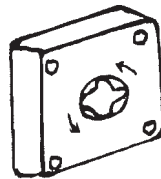
626

### L Locks - Parts

*10-072*  
 STANDARD STRIKE



*L283-040*  
 SPRING CAGE



**Stocked Products:**

10-072	Strike, 1-1/4" X 4-7/8"	605, 613, 626
10-072-1-1/2"	Strike, 1-1/2" X 4-7/8"	613, 625, 626
L283-040	Spring Cage for Levers	
L283-412	RX module w/screw	
L9090LB	Chassis only EU/EL	



*L9090*  
 EL/EU CHASSIS ONLY

## Schlage - S Locks

### S Locks – A156.2 Series 4000 Grade 2

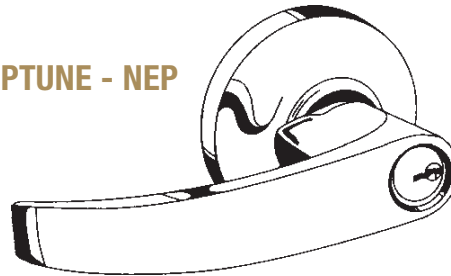
#### Standard Features:

Certification	ANSI A156.2, Series 4000, Grade 2
Latch	1" x 2-1/4", Square corner
Strike	ANSI strike 10-025
Backset	Adjustable 2-3/8" or 2-3/4"
Door Range	1-3/8" - 1-7/8" thickness
Keyway	Classic "C", Everest available upon request

**SATURN - SAT**



**NEPTUNE - NEP**



**S10S ANSI F75**

Passage Latch  
Both levers always unlocked.



**S40S ANSI F76**

Bath/Bedroom Privacy Lock  
Push-button locking. Can be opened from outside with small screwdriver. Turning inside lever or closing door releases button.



**S80PD ANSI F86**

Storeroom Lock  
Outside lever fixed. Entrance by key only. Inside lever always unlocked.



**S51PD ANSI F81**

Entrance Lock  
Unlocked by key from outside when outside lever is locked by turn-button in inside lever. Inside lever always unlocked.



**S70PD ANSI F84**

Classroom Lock  
Outside lever locked and unlocked by key. Inside lever always unlocked.

**Stocked Product:**

FUNCTION	LEVER	FINISH
S10	Neptune	605,613,626
	Saturn	605,613,626
S40	Neptune	605,613,626
	Saturn	605,613,626
S51	Neptune	605,613,626
	Saturn	605,613,626
S70	Neptune	605,613,626
	Saturn	605,613,626
S80	Neptune	605,613,626
	Saturn	605,613,626

## Schlage - CS210 Locks

### CS210PD Locks

#### Standard Features:

- Certification: ANSI/BHMA Certified A156.12-2005, Grade 2, UL listed for 3-hour fire door
- Deadbolt: 1 X 2-1/4", dual option faceplate, (square corner standard, round corner included in package), 1" housing diameter, 1" throw
- Latch 1" x 2-1/4" dual option faceplate (square corner standard, round corner included in package). 1" edge bore required
- Strikes: 1-1/8" X 2-3/4", Square corner (deadbolt) and 1-5/8" X 2-1/4", Square corner, full lip (deadlatch)
- Backset: Adjustable backset, fits 2-3/8" or 2-3/4"
- Cylinders: 6-pin upper cylinder, solid brass, keyed 6-pin, C123 keyway, keyed different (KD)
- Door Range: 1-3/4" to 2"
- Keys: Nickel silver cut keys, 6-pin, C123 section
- Center to Center: **Fits 4" or 5-1/2" center to center door preps \***  
*\* 5-1/2" center-to-center default set-up from factory*



#### CS210PD F95

Entrance, Single Locking  
Deadbolt operated by key from outside or by turn unit from inside. Bolt automatically deadlocks when fully thrown. Latch retracted by lever from either side. Turning inside lever retracts deadbolt and latch simultaneously for immediate exit.

#### **Stocked Product:**

**Design**  
Camelot x Saturn

**Finishes**  
626, 643e

## Schlage - S200 Locks

### S 200 Locks – ANSI A156.12, 1992, Grade 2



#### *S210D* ANSI F95

##### Entrance, Single Locking

Deadbolt operated by key from outside or by turn unit from inside. Bolt automatically deadlocks when fully thrown. Latch retracted by lever from either side. Turning inside lever retracts deadbolt and latch simultaneously for immediate exit.

#### *S251 NEP*



#### *S251PD* ANSI F97

##### Entrance, Double Locking

Deadbolt operated by key from outside or by turn unit from inside. Bolt automatically deadlocks when fully thrown. Outside lever unlocked by key from outside when locked by turn button in inside lever. Turning inside lever retracts deadbolt and latch simultaneously for immediate exit. Latch automatically deadlocks when door is closed.

#### *S251 SAT*



### Standard Features:

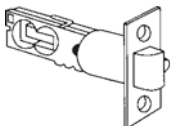
All S200 stocked standard.  
2-3/4" backset, optional 2-3/8" backset available.  
UL Listed for 3 hour fire door.  
Strike 1-1/8" x 2-1/4" square corner faceplate/T Strike  
Door Range 1-3/8" - 2" thickness  
Keyway Classic "C", Everest available upon request  
Center to Center 4" CTC

### Stocked Product

FUNCTION	DESIGN	FINISHES
S210	Neptune	626
	Saturn	613,626
S251	Neptune	626
	Saturn	613,626

### Standard Deadlatch

16-228 2-3/8" or 2-3/4" BS



### Stocked Parts 613,626 finishes

16-228 Dead Latch, Square Corner, 2-3/8"-2-3/4"BS, 1-1/8" X 2-1/4" Face Plate, 1" hsg

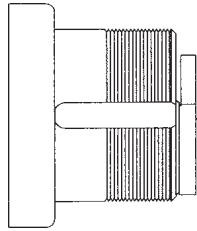


# Schlage

## Cylinders & Tools

**20-001 MORTISE CYLINDER** 1-1/8" HAS L583-476, 1-1/4" HAS L583-477

**09-485 MORTISE CYLINDER** 1-1/8" HAS L583-474, 1-1/4" HAS L583-475



**CYLINDER WITH  
COMPRESSION RING  
SPRING**

### STANDARD CAMS & VON DUPRIN CAMS

*L583-476    L583-477*



### "L" LOCK CAMS

*L583-474    L583-475*



### "A/R" CAMS

*L583-446    L583-447*



FOR 1-1/8", 1-3/8", 1-5/8"

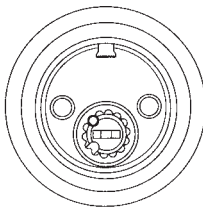
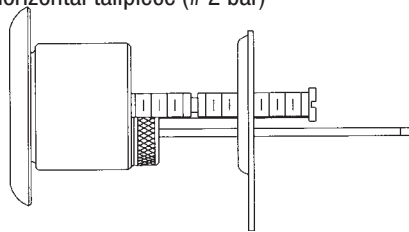
FOR 1-1/4", 1-1/2", 1-3/4"

### Stocked Product

CYLINDER TYPE	LENGTH	KEYWAY	FINISHES
20-001	1-1/8", 1-1/4"	C, E	605,613,625,626
20-001	1-3/8"	C, E	613,625
09-485	1-1/8", 1-1/4"	C, E	605,613,625,626
MCYL118EV(09-485)	1-1/8"	C123 EVEREST(EV)	605,613,625,626

## 20-022 - Rim Cylinders

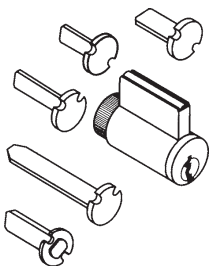
Horizontal tailpiece (# 2 bar)



### Stocked Product

CYLINDER TYPE	KEYWAY	FINISHES
20-022	C, E	605,613,626,626
20-022	C123(EV)EVEREST	613,626

## 40-100 Universal Cylinders For A, AL, D, H & ND Series



- A-series (all designs)
- AL-series
- D-series knobs
- D-series levers
- H-series knob (all designs)
- ND-series levers

Cylinders are furnished 0-bitted with two (2) blank keys

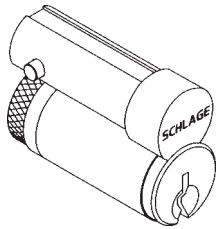
### Stocked Product

CYLINDER TYPE	KEYWAY	FINISHES
40-100	C, E, C123	605,626
40-100	CE, EF, F, FG, G	626

# Schlage

## Cylinders & Tools

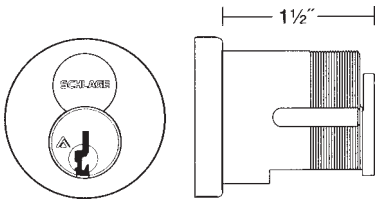
### 23-030 Interchangeable Core



#### **Stocked Product:**

23-030	Keyways C,E	606,626
23-030	Keyway C123	606,626
23-030	Keyway CE	626
23-030	Keyway E	626
23-030	Keyway F	626
23-030	Keyway G	626
23-030	A622 Temp Core	622
48-056A	Temp Control Key	
48-101A	Temp Operating Key	

### Mortise Cylinder - Full Size Interchangeable Core



#### **ITEM**

26-091  
30-007  
30-137  
80-108

#### **CONTAINS**

Complete with compression ring & spring  
Housing only with compression ring & spring  
Housing only with compression ring & spring  
and 3/8" blocking ring  
SFIC Housing only less compression ring & spring

#### **APPLICATION**

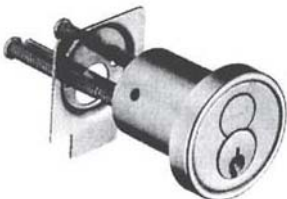
Von Duprin straight cam  
L lock, L escutcheon  
L lock, A & B rose  
  
L lock cam

#### **Stocked Product:**

26-091	Complete Cylinder, "C" "1" Bitted	613,626 Excludes Control Keys
30-007	Mortise Housing only F/Lock L Trim	613,626
30-137	Mortise Housing only F/Lock A Trim	613,625,626
80-108	Mortise Housing only, SFIC, With L Cam	613,626

### Rim Cylinder - Full Size Interchangeable Core

20-057

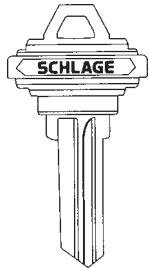


#### **Stocked Product:**

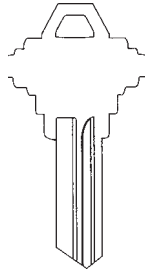
20-057	Keyway C	613,626
20-079	Rim Housing Only less core	613,626
80-129	Rim Housing Only, SFIC format	613,626

# Schlage

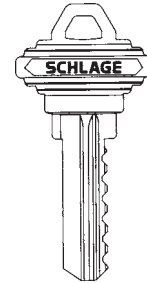
## Key Blanks



*35-100*  
**5 Pin Standard**  
*35-101*  
**6 Pin Standard**



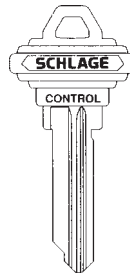
*35-130*  
**5 Pin Unembossed**  
*35-131*  
**6 Pin Unembossed**



*35-102*  
**Emergency  
 Key Blank**



*35-009*  
**Everest**



*35-056*  
**Interchangeable Core  
 Control Key Blank**

*35-003*  
**Control Keyblank  
 Everest**

### **Stocked Product**

KEYBLANK	KEYWAY
35003	C123
35100	C, E, F
35101	C, CE, E, EF, FG
35130	E
35131	C, E, F
35009	C123
35056	C, CE, E, EF, F, G
35102	C, E

## Pins & Misc.

### **Stocked Product**

34-101,102,103	Top pins (100 per bag)
34-202 thru 34-209	Master Pins (100 per bag)
34-300 thru 34-309	Bottom pins ( 100 per bag)
C503-113	Springs ( 100 per bag)
34-401	Construction Balls

# Schlage

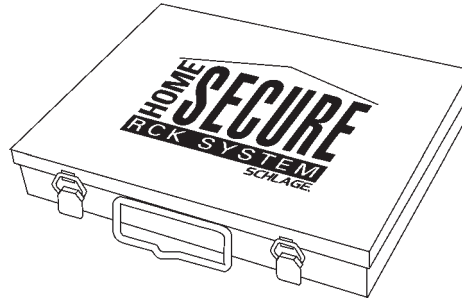
## Tools & Kits



**40-119**

**Metal keying kit with tools**

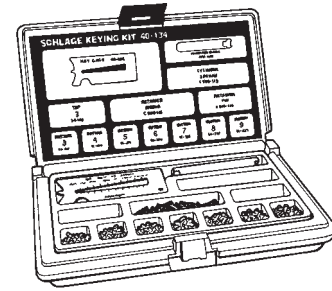
- Bottom pins
- Top pins
- Retainer caps
- Retainer cap pin springs
- Shim stock
- Follower bar
- Master pins
- Pin springs
- Retainer cap pins
- Tweezers
- Removal tool



**40-133**

**Home secure keying kit**

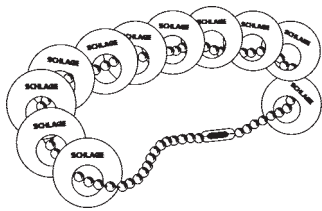
- Bottom pins
- Top pins
- Removal tool
- Cylinder springs
- Retaining rings
- Retainer cap pin springs
- B-series cylinder bars
- B-series drivers
- Construction balls
- Master pins
- Follower bar
- Key gage
- tweezers
- Retainer caps
- Shim stock
- Retainer cap pins



**40-134**

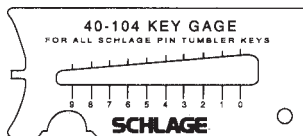
**Plastic keying kit**

- Bottom pins
- Top pins
- Follower bar
- Pin springs
- Retainer cap pins
- Key gage



**39-029**

**Finish selection kit**



**40-104**

**Standard**

**40-128 SFIC**  
Key gage



**40-080**

**Thru bolt jig**

**Stocked Product**

- |          |                          |
|----------|--------------------------|
| 40-119   | Metal Keying Kit         |
| 40-133   | Home Security Keying Kit |
| 40-134   | Plastic Keying Kit       |
| 40-104   | Standard Key Gauge       |
| 40-128   | SFIC Key Gauge           |
| 40-080   | Thru Bolt Jig            |
| 39-029   | Finish Selection Kit     |
| M540-501 | Follower Tool            |
| M540-056 | Cap Removal Tool         |

# Schlage



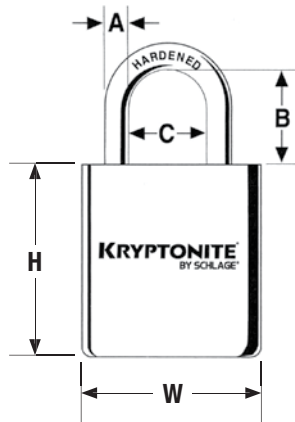
*KS23D*

## *Features & Specifications:*

- Solid Brass Body Resists Corrosion For All Weather Performance
- Molybdenum Hardened Steel Shackle Offers Greater Cut Resistance
- Double Deadbolt Locking Mechanism Provides Extra Security
- Patented Interchangeable Shackle Design Allows For Easy Disassembly

### Standard Cylinder Features Include:

- Schlage Conventional Key-In-Knob (KNK) Cylinder
- 6-Pin Solid Brass Cylinder (Pinned 5) Offers Increased Pick Resistance
- Two Nickel Silver Cut Schlage Keys



## *ASTM Standards:*

- Meets or exceeds ASTM standards for standard steel shackle, shackle cutting and corrosion resistance.

### **Body Size**

W 1-25/32"  
H 2-3/16"

### **Shackle Dimension**

A 5/16"  
B 1-1/2"  
C 3/4"

**Kryptonite Brass Padlock**  
*KS23D*

## ***Stocked Product***

KS23D  
C Keyway 606

## Schlage - *Electronic Locks*

### CO 100 - Offline Electronic Lock

#### *Standard Features:*

- Manually Programmable
- Up to 500 unique 3-6 digit PIN codes stored on the lock
- ANSI/BHMA A156.25 Grade 1 certified and UL 294 listed
- Classroom/Storeroom function and Office function available
- Chassis options include cylindrical, mortise, and exit trim
- Compatible with most major brands of key systems and exit devices
- Normal, toggle, pass through, and freeze credential attributes available



*Images shown are not to scale.*

#### **Stocked Products**

ITEM #	DESCRIPTION	FINISH
CO-100-CY-70-KP-RHO	KEYPAD, STORAGE/CLASSROOM CYLINDER	626
CO-100-CY-50-KP-RHO	KEYPAD, OFFICE CYLINDER	626
CO-100-MS-70-KP-RHO	KEYPAD, STOREROOM/CLASSROOM MORTISE	626
CO-100-MS-50-KP-RHO	KEYPAD, OFFICE MORTISE	626



## Schlage - *Electronic Locks*

### CO 200 - Offline Electronic Lock

#### Standard Features:

- Computer programmable with audit trail
  - Up to 2000 users & up to 2000 audits\*
  - Up to 32 holidays & 16 time zones\*
  - ANSI/BHMA A156.25 Grade 1 certified and UL 294 listed
  - User rights stored on the lock
  - The ability to add and delete users at the lock
  - Available in cylindrical, mortise, mortise deadbolt, and exit trim
  - Compatible with major brands of key systems and exit devices
  - Classroom/Storeroom, Office, and Privacy functions available
- \*Depending on access control software.*



*Images shown are not to scale.*

#### Stocked Products

ITEM #	DESCRIPTION	FINISH
CO-200-CY-70-PRK-RHO	PAD/PROX, STORAGE/CLASSROOM CYLINDER	626
CO-200-CY-50-PRK-RHO	PAD/PROX, OFFICE CYLINDER	626
CO-200-MS-70-PRK-RHO	PAD/PROX, STOREROOM/CLASSROOM MORTISE	626
CO-200-MS-50-PRK-RHO	PAD/PROX, OFFICE MORTISE	626



## Schlage - *Electronic Locks*

### CO-Series - Exit Trim

#### *Standard Features:*

- Multiple Credential Reader Options
- A wide variety of finishes and lever styles
- Powered by 4 AA batteries\*
- Compatible with most Standard, FSIC or SFIC keyways from major brands of master key systems including Schlage, Sargent, Corbin, Medeco and Yale
- UL 294 listed and ANSI/BHMA 156.25 Grade 1 certified\*\*

\*Excluding 993DT

\*\*UL 294 does not apply to dummy trim devices



#### ***Stocked Products***

ITEM #	DESCRIPTION	FINISH
CO-100-993R-70-KP-RHO	EXIT TRIM, RIM/CVR	626
CO-100-993S-70-KP-RHO	EXIT TRIM, SVR	626
CO-200-993R-70-PRK-RHO	EXIT TRIM, RIM/CVR	626
CO-200-993S-70-PRK-RHO	EXIT TRIM, SVR	626



## Schlage - *Electronic Locks*

### Schlage Utility Software (SUS) on the Handheld Device (HHD)

#### *Standard Features:*

- Handheld Device with Schlage Utility Software installed
- Touch Screen operation
- Initialize Lock and Accessories with SUS
- Configure and Test Devices

#### ***Stocked Products***

<b>ITEM #</b>	<b>DESCRIPTION</b>
HHD KIT	HANDHELD PROGRAMMER KIT
SXF7410SCH	100 SCHLAGE PROXIMITY CARDS





## SOSS - *Invisible Hinges*

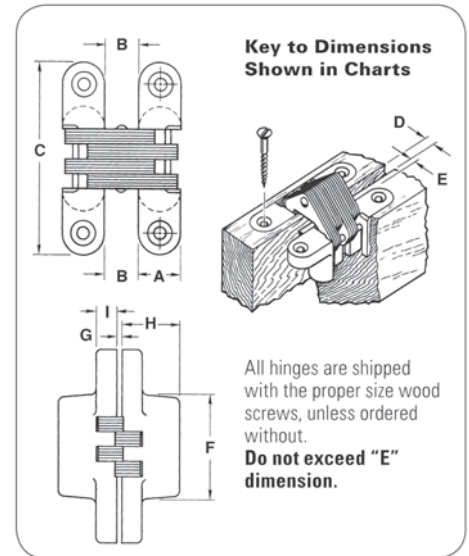
### Models 216 & 218

#### Features

- Security- When closed, the SOSS Invisible Hinge cannot be seen or tampered with. When opened, the riveted hinge pin is non-removable.
- Safety- The moving pivot point remains inside the hinge during travel until fully opened, eliminating an external pinch point on the back side of the door.
- Strength- The installed hinge is firmly anchored in a deep, full mortise, which assists the screws in supporting the door, assuring a stronger, more rigid installation.

#### Specifications

	216 - 1-3/8" Doors	218 - 1-3/4" Doors
A	1"(25.40mm)	1-1/8"(28.58mm)
B	23/32"(18.26mm)	7/8"(22.23mm)
C	4-5/8"(117.48mm)	4-5/8"(117.48mm)
D	7/32"(5.56mm)	3/8"(9.53mm)
E	1/4"(6.35mm)	1/4"(6.35mm)
F	2-19/32"(65.88mm)	2-7/16"(61.91mm)
G	1/16"(1.59mm)	1/16"(1.59mm)
H	1-7/16"(36.51mm)	1-41/64"(41.67mm)
I	15/32"(11.91mm)	13/32"(10.32mm)



#### Stocked Product

Item	Finish
216	US4, US26D
218	US4, US26D



## Supra

### KeySafe (Permanent)

#### Features:

Permanent KeySafe holds up to five keys and attaches securely to any wall or flat surface with mounting hardware included. The StrongBox design has a solid track record for unmatched quality and security.

- Easy access for family and friends
- Handy key storage for homes, outbuildings, sheds and farm implements



#### Stocked Product

PART No.	FINISH	LID TYPE
001361	Clay	Push
001365	Titanium	Push
00404	Black	Dial
001011	Titanium	Dial

### KeySafe (Portable)

#### Features:

Pushbutton or Spin-Dial version hangs easily on doorknob, fence, railing or pipe. Just open the lid, lift the shackle and hang. No tools necessary. Portable KeySafe is constructed of sturdy metal with protective rubber shell and is guaranteed never to rust.

- Provides scheduled access for cleaning personnel, pool service and household maintenance
- Change combination as often as needed
- Access to vacation properties and rentals



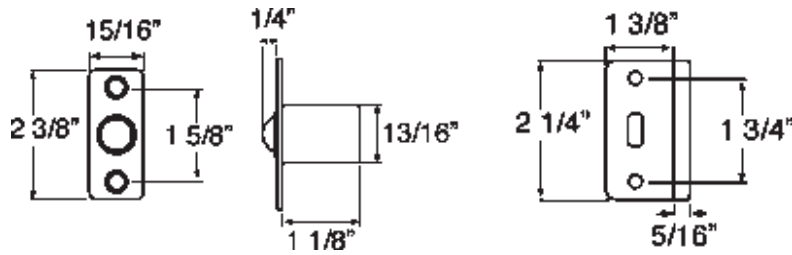
#### Stocked Product

PART No.	FINISH	LID TYPE
001352	Black	Push
001192	Titanium	Push
000394	Black	Dial
001010	Titanium	Dial

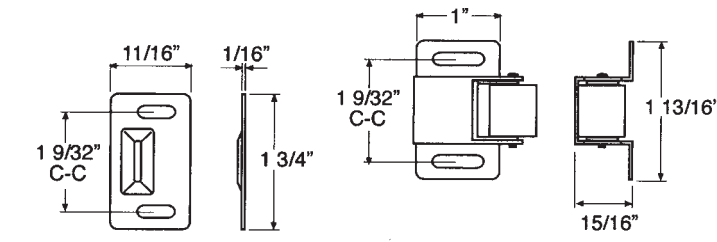


## Taymor - Cabinet Hardware

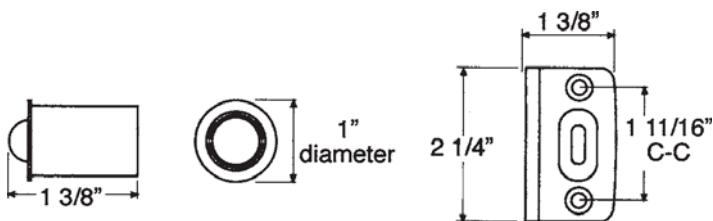
### 1412 - Bullet Catch



### 1431 - Roller Catch



### 1432 - Drive-in Bullet Catch

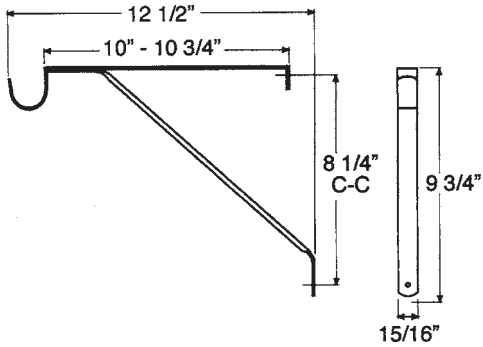


#### **Stocked Product**

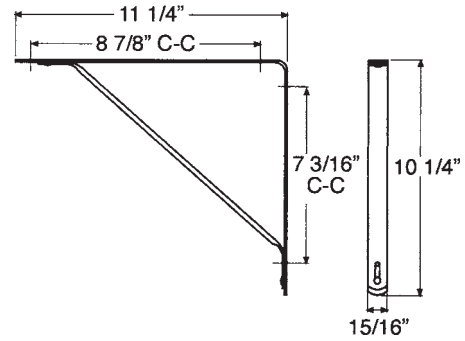
ITEM	FINISH
1412	10B, 15, 26D
1431	10B, 15, 26D
1432	US3, 10B, 15, 26D

## Taymor - Closet Hardware

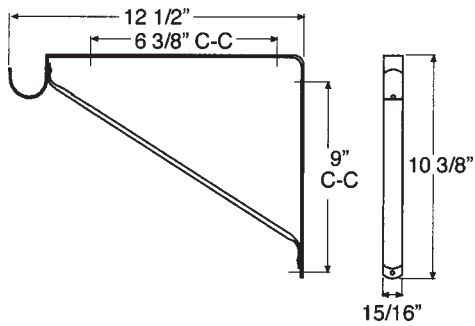
### 2800 - Shelf and Rod Support



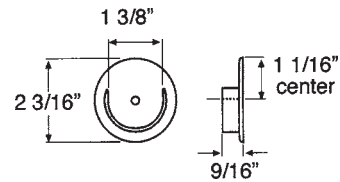
### 2815 - Fixed Shelf Support



### 2810 - Shelf and Rod Support

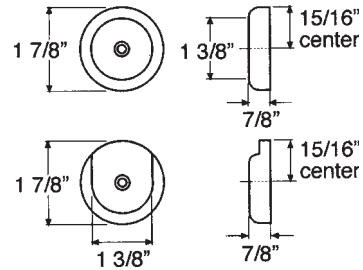
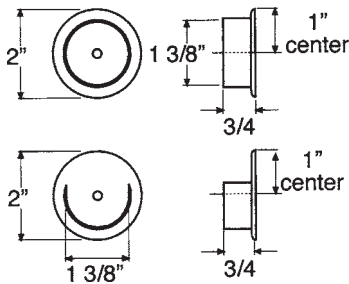


### 2830 - Pole Socket



### 2840 - Pole Socket

### 2820 - Pole Socket



### Stocked Product

ITEM	FINISH
2800, 2810 and 2815	Ivory finish
2820	White Finish
2820PB	Polished Brass
2830	White finish
2840	Wood



# Taymor - Surface Bolt & Flush Bolt

## 4035 - Surface Bolt

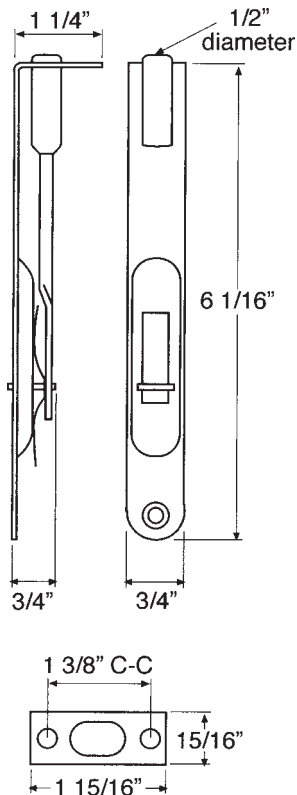


### Stocked Product

**ITEM**  
 4035 Surface Bolt: 4" and 6"

**FINISH**  
 10B, 15, 26D

## 5316 Radius End Flush Bolt



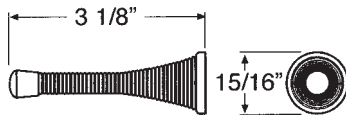
### Stocked Product

**ITEM**  
 5316 Flush Bolt:

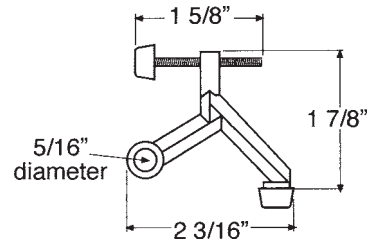
**FINISH**  
 US3, 10B, 15, 26D

## Taymor - Door Stops

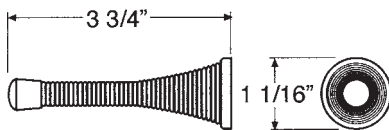
### 4671 - Spring Door Stop 3-1/8"



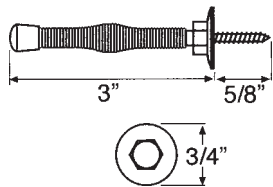
### 4614 - Hinge Pin Door Stop



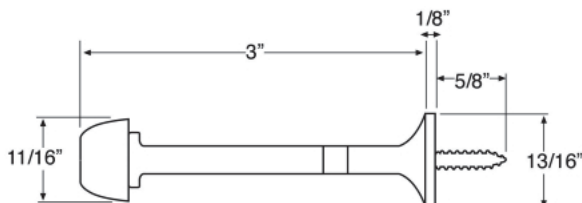
### 4674 - Extra Long Spring Door Stop



### 4675 - Spring Door Stop with Fixed Screw



### 4679 - Door Stop



#### Stocked Product

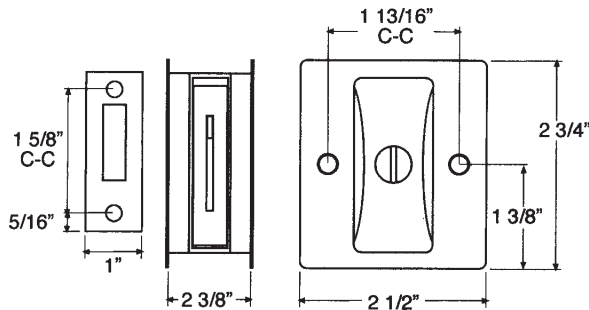
ITEM	FINISH
4614	US3, 10B, 15, 26D
4671	US3, 10B, 15, 26D
4674	US3, 10B, 15, 26D
4675	US3, 10B, 15, 26D
4679	US3, 10B, 15, 26D

## Taymor - Sliding Door Locks

### Privacy Sliding Door Lock

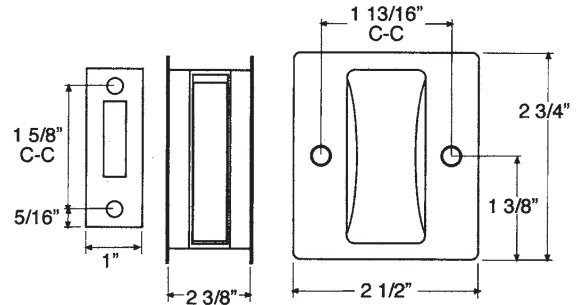
#### PH580 - Privacy

Fits 1-3/8" to 1-3/4" thick door



### PH590 Passage Sliding Door Lock

Fits 1-3/8" to 1-3/4" thick door



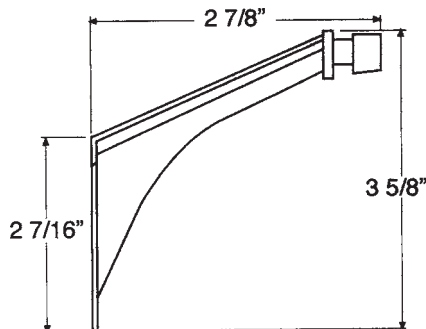
#### Stocked Product

ITEM	FINISH
PH580	US3*, 10B, 15, 26D
PH590	10B, 15, 26D

\* US3 Discontinued, call for availability

## Taymor - General Hardware

### 6390 - Deluxe Handrail Bracket

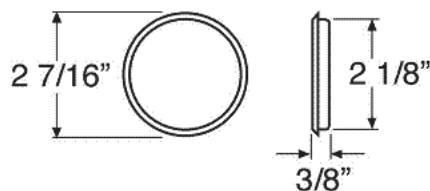


#### Stocked Product

ITEM	FINISH
6390	US3*, 10B, 15, 26D

\* US3 Discontinued, call for availability

### L2900 - Finger Pull Drive-in 2-1/8" Diameter, Snap-in Installation



#### Stocked Product

ITEM	FINISH
L2900	US3, 10B, 15, 26D

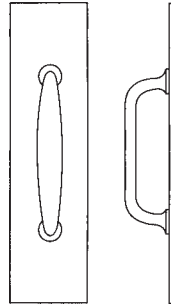


## TRIMCO - Hardware Accessories

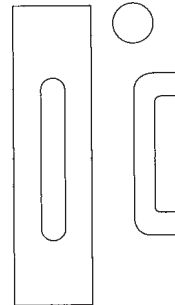
### PUSH PLATE



**1001-3**  
 Size: 4 x 16  
 BHMA: J301



**1010-3**  
 Size: 4 x 16  
 BHMA: J405  
 CTC: 5"  
 ADA compliant



**1017-3**  
 Size: 4 x 16  
 BHMA: J405  
 Round 3/4"  
 CTC: 6"  
 ADA compliant

### LOCK GUARD



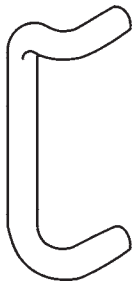
#### 1082-6 LOCK GUARD

- Install in minutes
- No drilling through bolts
- Protects cylindrical locks
- Size 6"

#### Stocked Product

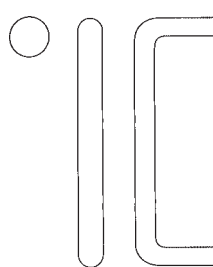
1001-3	613,619
1010-3	613,619
1017-3	613,630
1082-6	630

### 1191-3 OFFSET GRIP PULL



Size: 11"  
 Round: 1"  
 CTC: 10"  
 Clearance: 2-1/4"  
 BHMA: J402  
 ADA compliant

### 1194-3 GRIP PULL

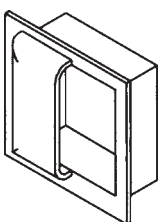


Size: 10-3/4"  
 Round: 3/4"  
 CTC: 10"  
 Clearance: 2"  
 BHMA: J401  
 ADA compliant

#### Stocked Product

1069/1069L	626
1191-3	630
1194-3	630
1111C	630

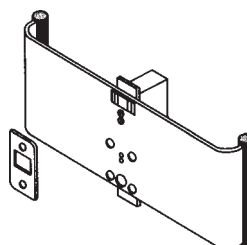
### 1111C FLUSH PULL



Size: 6" x 6"  
 Depth: 1-1/2"  
 BHMA: J403  
 Flush pull - Anti Vandal  
 Meets California access requirements  
 ADA compliant

### 1069L LATCHING (non-locking)

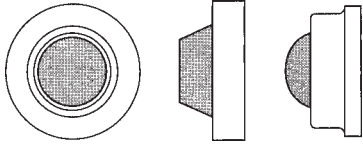
#### 1069 PASSAGE (Push/Pull)



Pocket door pull. Standard model for walls 6" thick. 1069 is passage only non-latching comes with black nylon handles. ADA compliant

## TRIMCO - Hardware Accessories

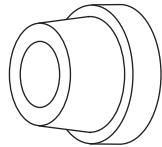
### WALL BUMPERS - 1270



Material: Wrought  
BHMA: L02251  
Mounting: CP Combo pack fastening for wood, plaster or concrete  
1270WVCP Concave  
1270WXCP Convex

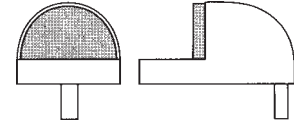
### WALL BUMPER

*1278CVCP Concave*  
*1278CXCP Convex*



BHMA: L0201  
Projection: 1"  
Outside Diameter: 1 1/2"

### DOME STOP - 1211

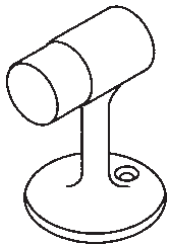


BHMA: L02141 / L02161  
Base: 1.5"  
Height: 1.43"  
Rise: .22"

#### **Stocked Product**

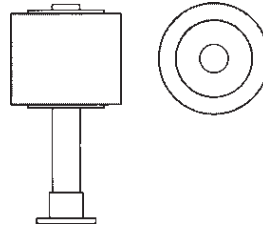
1211	605,613,626
1270WVCP	605,613,626
1270WXCP	605,613,626
1278CVCP	613, 626
1278CXCP	626

## HEAVY DUTY STOPS



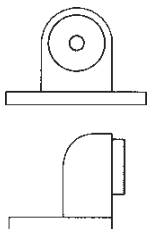
### *1201 FLOOR STOP*

Base: 2-1/4"  
Height: 3"  
BHMA: L02131



### *1209*

Base: 1-1/4"  
Height: 2"  
Requires 1-1/2" cored hole. Installs with quick set cement



### *1214CK*

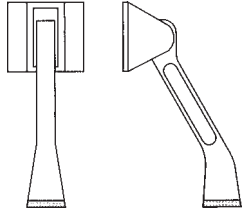
Base: 1-3/4" x 2-1/2"  
Height: 2-1/4"  
Supplied with Torx screws. Requires 3" dia. cored hole in concrete.

#### **Stocked Product**

1201	626
1209	626
1214CK	626

## TRIMCO - Hardware Accessories

### DOOR HOLDER



**1220**

BHMA: L01391  
 Base: 1-3/8" x 2"  
 Height: 5-23/32"  
 Cast material

### DOOR STOP



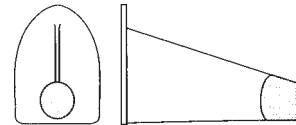
**1231**

BHMA: L02181  
 Base: 1-5/8" x 2-1/2"  
 Height: 2"  
 Cast material  
 Combo Fasteners

**1233**

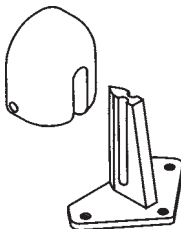
Base: 1-3/8" x 2-3/4"  
 Height: 2-7/8"

### DOOR STOP - 1298

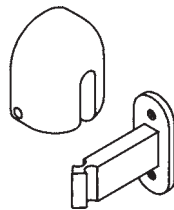


Base 2-1/4" x 2-5/8"  
 Projection 4-3/16"  
 Cast material

### FLOOR - 1283-2S



### WALL - 1283-4S



Size: 2-1/4" x 2-3/4" x 1-1/2"

Strike: 3"

"Adjustable" Holder body.

Self adjusting for door sag both vertical & horizontal

### DOOR VIEWER

**976U**

BHMA: L03221  
 180° min.

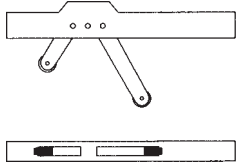


#### Stocked Products

1220	605,613,626
1231	613,626
1233	613,626
1283-2S	626
1283-4S	626
1298	626
976U	626

# TRIMCO - Hardware Accessories

## DOOR COORDINATORS - 3092



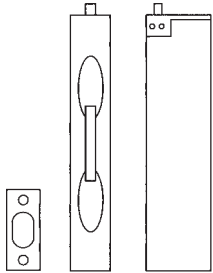
BHMA: 4.1.1 TYPE 25

## STOP MOUNTED COORDINATOR WITH FILLER BAR - 3094 B2



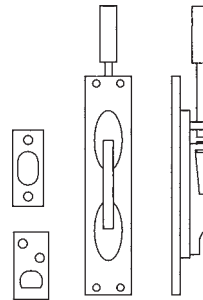
BHMA: 4.1.1 TYPE 21

## FLUSH BOLTS & STOP - 3913



1" X 6-3/4" X 2-1/2"  
 For Wood Door

## FLUSH BOLT - 3917-12

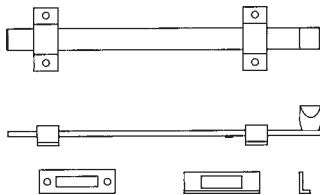


BHMA: L04081  
 1" X 6-3/4"  
 For UL Metal Door  
 12" Rod

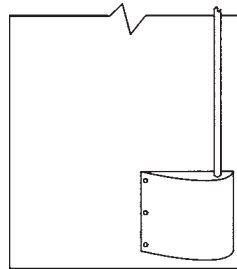
### Stocked Products

3092	
3094B2	
3913	626
3917-12	613, 626

## HEAVY DUTY SURFACE BOLT 3922 8 INCH

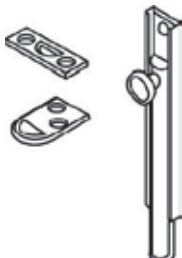


## LATCH GUARD PG8000



Size: 10" x 11-1/2"  
 Projection: 2"  
 Material .050

## SURFACE BOLTS 4873 & 4876



4873 - 3 INCH  
 BHMA: L04151  
 3" x 5/8" x 5/8"

4876 - 6 INCH  
 BHMA: L04151  
 3" x 5/8" x 1"

### Stocked Products

3922	626
PG8000	630
4873	605
4876	605



## Trine-Electric Strikes & Accessories

### S005 - Electric Strike

#### APPLICATION

For use in replacement installations in wood jambs and iron gates. Use with bored cylindrical locksets having up to 3/4" throw.\*

#### FEATURES

- FACE PLATE – 1-3/8" X 3-1/2"
- DURABILITY – 500,000 Life cycles
- HOLDING FORCE – 1000 lbs.
- NON-HANDED



**DISCONTINUED**  
Call for availability and special pricing

VOLTAGE	CURRENT/AMPS
24 VAC	1.40
24 VDC	.19

#### **Stocked Product**

Brass US4  
Satin Chrome US26D  
24 VAC  
24 VDC

## Trine-Electric Strikes & Accessories

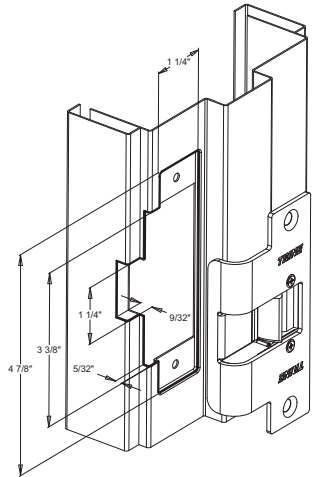
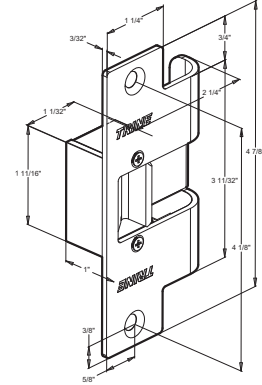
### 478X-375 - Face Plate

Introducing the Axion 478X-375 Face Plate  
 Extended ramp (.375") accommodates  
 snap-on additional frame face of Timely  
 and similar door frames

**478X-375 Faceplate**  
 (3012, 3024 or 30LC Mechanism  
 must be purchased separately.)



3012, 3024 or 30LC  
 MECHANISM IS REQUIRED  
 TO COMPLETE THE STRIKE.

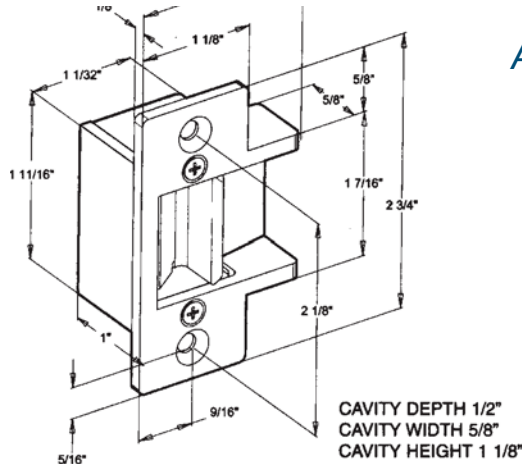


**DISCONTINUED**  
 Call for availability and special pricing

**Stocked Product**  
 10B, 32D

## Trine-Electric Strikes & Accessories

### 3234 - Compact Electric Strike



#### Application:

For use in new or replacement installation in metal frames. Use with cylindrical locksets having up to 5/8" throw, base on 1/8" door gap

#### Specifications:

- Face plate 2-3/4" x 1-1/4"
- Mortise Backset 1"
- Cavity depth 1/2"
- Cavity height 1-1/8"
- Cavity Width 5/8"
- ANSI 2-3/4' standard
- Designed for Timely applications
- 1" backset allows for installation without removal of most dust boxes
- Standard operating voltages 12VDC & 24VDC models intermittent only
- Holding Force 1200 lbs.
- Fail Secure
- All Stainless Steel Mechanism

#### Options

LC : "All in One Voltage" model with range of 12V thru 24V AC & DC, Intermittent or Continuous duty  
W: For Wood Frame Application

**DISCONTINUED**  
Call for availability and special pricing

#### Stocked Product:

Standard: 10B, 26D  
LC Option: US3, 10B, 26D  
W Option: US3, 26D

## Push Buttons



2-1/4" Body Diameter

SRP - Push Button Polished Brass with Black Center



5/8" Body Diameter

45A - Silver Rim with Pearl Center

#### Stocked Product:

SRP Brass/Black  
45A Silver/Pearl

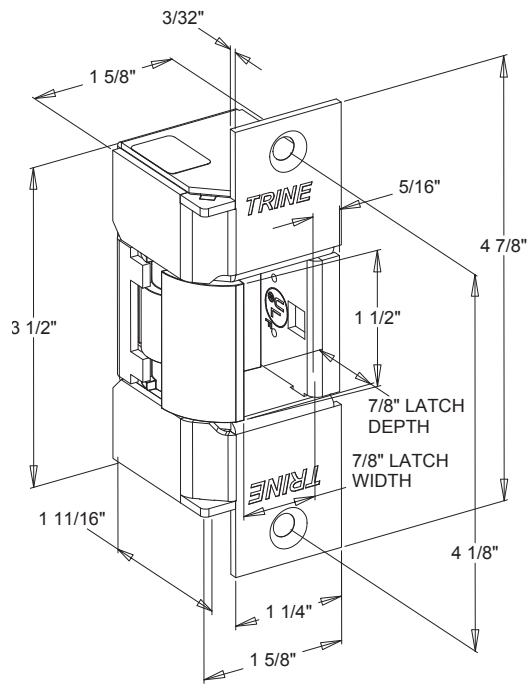
## Trine-Electric Strikes & Accessories

### 400 - Electric Strike

For use in new or replacement installation in wood or metal jobs. Use with mortise exit devices, mortise locks without dead bolts and cylindrical locksets having up to 1" throw

#### Features

- Face plate 1-1/4" X 4-7/8"
- Fail Secure/Fail Safe field reversible on DC units
- All Stainless steel construction
- 1,000,000 life cycle
- Holding Force 2,000 lbs
- Field Adjustable left or right handing in minutes
- UL Listed
- 24VDC
- Handed



**DISCONTINUED**  
 Call for availability and special pricing

**Stocked Product**

400-24VDC

10B,32D

## Trine-Electric Strikes & Accessories

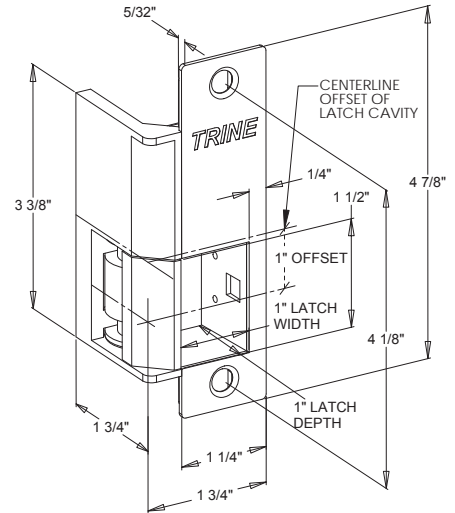
### 430 - Electric Strike

For use in new or replacement installation in metal jambs. Designed to be used with mortise locks with up to 1" throw without the needing to of relocating center line

- offset application

#### Features

- Face Plate 1-1/4" X 4-7/8"
- All Stainless steel construction
- 1,000,000 life cycle
- Holding Force 2,000 lbs
- Cavity Centerline offset 1"
- Handed specify LH or RH
- Mortise type- backset 1-3/4"
- UL Listed
- 24VDC



#### Compatible Locksets for 430

Accurate	8500 series
NT Monarch	18-M,XX-M 17-M
Sargent:	7700,8100 series
Schlage	L9000 series
Yale:	8700 series

**DISCONTINUED**  
Call for availability and special pricing

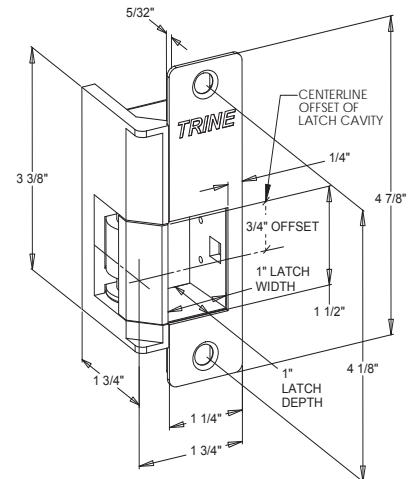
**Stocked Product**  
430-24VDC 10B,32D

### 435 - Electric Strike

For use in new or replacement installation in metal jambs. Designed to be used with mortise locks with up to 1" throw without the need of relocating the center line

#### Features

- Face Plate 1-1/4" X 4-7/8"
- All Stainless steel construction
- 1,000,000 life cycle
- Holding Force 2,000 lbs
- Cavity Centerline offset 1"
- Handed specify LH or RH
- Mortise type- backset 1-3/4"
- UL Listed
- 24VDC



#### Compatible Locksets for 435

Accurate	9000,9100
Arrow	A series
Best	34H,37H
Corbin	ML2200
Falcon	M series
Marks	5036
PDQ	ML series
Sargent	7800-8200

**DISCONTINUED**  
Call for availability and special pricing

**Stocked Product**  
435-24VDC 10B,32D

## *Trine-Electric Strikes & Accessories*

### **4800F - Electric Strike**

For use with rim exit device; no cutting required, Frame cutting is eliminated-the strike is completely surface mounted.

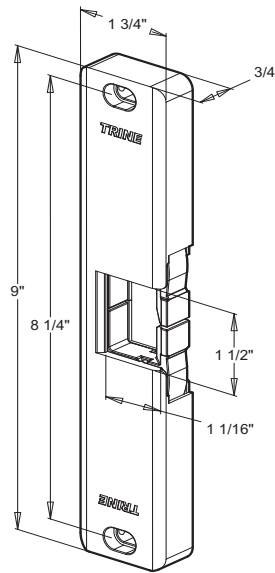
#### **Features**

- Built-in electronics, with surge and kick back protection, allows 12-24AC DC operation with no external accessory
- Holding Force 3,000 lbs
- 1,500,000 life cycle
- Field adjustable for fail secure or fail safe operation
- 1-3/4" wide X 3/4" depth X 9" height
- Surface Mounting requires drilling three (3) holes
- Stainless Steel Construction
- Steel Spacer 1/8" thick supplied for installations that require mounting the strike closer to the exit device

#### **LC Electrical Draw Chart for all LC option strikes**

- .57 Amp @ 12VDC
- .25 Amp @ 24VDC
- .51 Amp @ 12VAC
- .21 Amp @ 24V AC

**Stocked Product**  
4800F                      32D



### **5201, 5204, 5208 & 5209 - Transformers**



**DISCONTINUED**  
Call for availability and special pricing

<b>Stocked Product</b>	
ITEM	DESCRIPTION
5201	Plug-in Type 24V-20VA
5204	Plug-in Type 12V-20VA
5208	DC Plug-in Type 12VDC, 1.0 AMP
5209	DC Plug-in Type 24VDC, 0.5 AMP

## Trine-Electric Strikes & Accessories

### 323478LC Kit

Kit Includes:

- (1) 234-26D -- 2 3/4" Faceplate
- (1) 234X-375-26D -- 2 3/4" Faceplate with extended ramp
- (1) 478-32D -- 4 7/8" Faceplate
- (1) 478-CCFP - Competitor Cutout Filler Plate
- (1) 30LC - 11-29 AC&DC Mechanism



**478-32D**

Patented horizontal adjustment feature -- guaranteed not to move.



**234-26D**

For the smallest electric strike cutout.

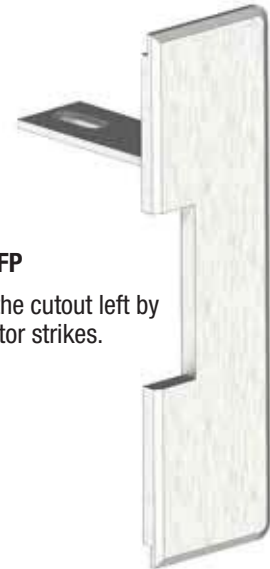


**30LC**



**234X-26D**

Designed for Timely®/Redi® Frames. Great for Wood.



**478-CCFP**

Covers the cutout left by competitor strikes.



color shown may not exactly match the color of actual item

**234X-375 \*Optional (not included)**

Smallest faceplate for Timely®Frames (or similar application) installation

**Stocked Product**

323478LC	26D
234x375 Optional Faceplate	10B

## Trine-Electric Strikes & Accessories

### EN400CMRP

The one box solution that can handle cylindrical, mortise, deadlatches, and rim panics

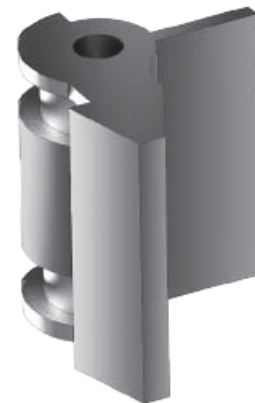
#### Features

- The EN400-12DC-32D complete in the box
- The 400RP latch - change for rim panics in the field.
- The EN400-Gatebox - Mount the strike anywhere.
- The EN-24DC-CA - change voltage in the field.
- Fail safe/fail secure field reversible.
- Always Low Current Draw



#### EN400-Gatebox

Install the EN400CMRP anywhere on the frame or post. Gatebox is unfinished.



RP Latch

**Stocked Product**

EN400CMRP

32D



## Von Duprin

### 22 - Rim Device

22 rim device for all types of single and double doors with mullion, UL listed for accident hazard installations. Covers stock hollow metal doors with 161 cutouts. Fits door stiles as narrow as 3-13/16" (97mm),.



#### Features

- Non-handed
- Latch bolt deadlocking
- Field sizeable
- Hex key dogging
- 3/4" (19mm) thrown latch bolt
- 299 strike included

#### Dimensions

Touchbar height to finished floor	39-13/16" (1011mm) at center
Touchbar projection	
neutral	3-3/4" (95mm)
depressed	3" (76mm)
Center case	4-3/16" x 2-3/8" x 2-3/4" (106mm x 60mm x 70mm)
Device	
length short 3' (914mm)	2'6" to 3' (762mm to 914mm) door size
long 4'	3'1" to 4' (940mm to 1219mm) door size

### 22-F - Fire Exit Device

22-F fire exit rim device for all types of 4' x 8' (1219mm x 2438mm) single doors and 8' x 8' (2438mm x 2438mm) double doors with 9854 or 9954 mullion, UL listed for up to 3 hour fire labeled installations. Fits door stiles as narrow as 4-3/8" (111mm)

#### Features

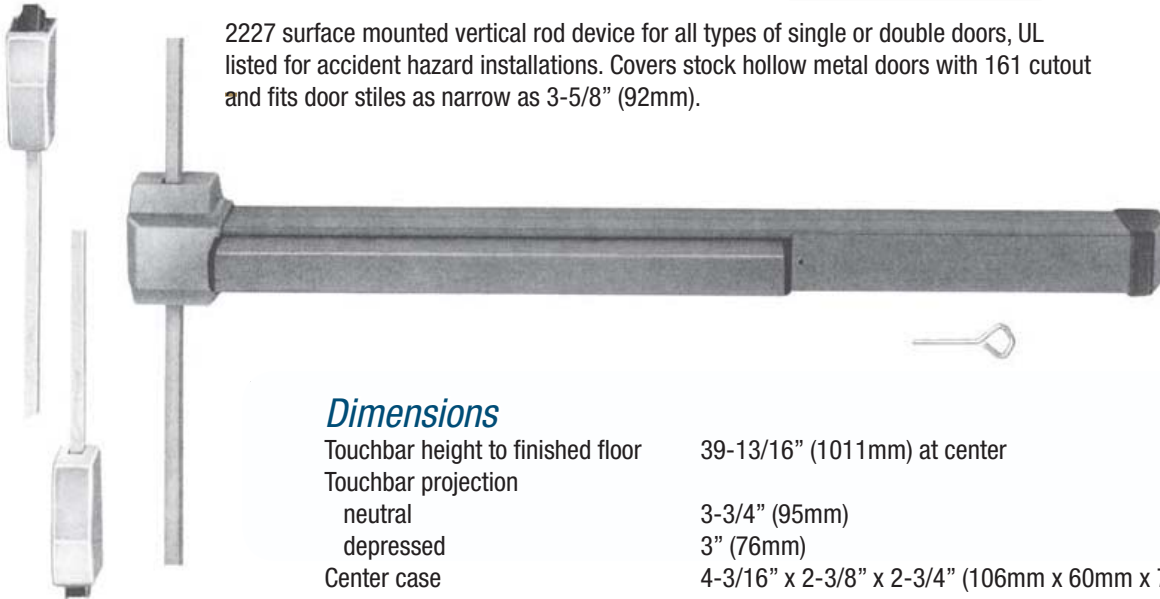
- Non-handed
- Latch bolt deadlocking
- Field sizeable
- 3/4" (19mm) throw latch bolt
- 299 strike included

#### **Stocked Product**

22E0/22E0F 3' and 4'      Sprayed Aluminum and Dark Bronze

## Von Duprin

### 2227 - Surface Mounted Vertical Rod Device



2227 surface mounted vertical rod device for all types of single or double doors, UL listed for accident hazard installations. Covers stock hollow metal doors with 161 cutout and fits door stiles as narrow as 3-5/8" (92mm).

#### Dimensions

Touchbar height to finished floor	39-13/16" (1011mm) at center
Touchbar projection	
neutral	3-3/4" (95mm)
depressed	3" (76mm)
Center case	4-3/16" x 2-3/8" x 2-3/4" (106mm x 60mm x 70mm)
Device length	
short 3' (914mm)	2'6" to 3' (762mm to 914mm) door size
long 4'	3'1" to 4' (940mm to 1219mm) door size
Top & bottom latch case	4-1/2" x 2-1/8" x 1-1/2" 114mm x 54mm x 38mm
Vertical rods	1/2" (13mm) square tubing

#### Features

- Non-handed
- Latch bolt deadlocking
- Field sizeable
- Hex key dogging
- 5/8" (16mm) thrown latch bolt

### 2227-F - Surface Mounted Vertical Rod Device

2227-F surface mounted vertical rod device for all types of 8' x 8' (2438mm x 2438mm) double doors, UL listed for use on up to 3 hour fire labeled installations. Fits door stiles as narrow as 3-5/8" (92mm)

#### Features

- Non-handed
- Latch bolt deadlocking
- Field sizeable
- 5/8" (16mm) throw latch bolt

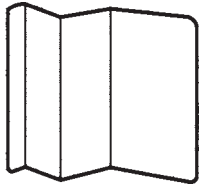
#### Stocked Product

2227E0 3' X 7' and 4' X 7'  
2227E0F 3' X 7'

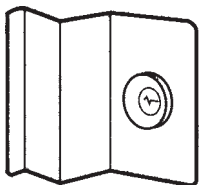
Sprayed Aluminum and Dark Bronze  
Sprayed Aluminum and Dark Bronze

# Von Duprin

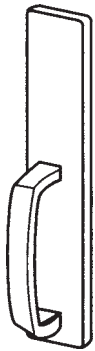
## 22 SERIES - Trim (All trim less cylinder)



**210DT**  
10 gauge stainless steel escutcheon dummy pull



**210NL**  
10 gauge stainless steel escutcheon pull trim (Rim cylinder not included)



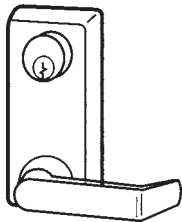
**230DT**  
Stamped 10 gauge steel dummy pull handle



**230NL**  
10 gauge stainless steel escutcheon. NL function specify (Rim cylinder not included)

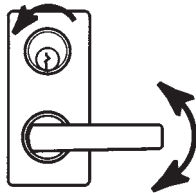


**230TP**  
Heavy 10 gauge steel thumb piece trim (1-1/4" Mortise cylinder not included)



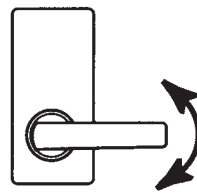
**230L**  
Lever trim has a cast aluminum 3/4" depth escutcheon 06 trim standard (pictured) standard operator key locks unlocks lever (1-1/4" Mortise cylinder not included)

**230L**



Standard Operation, key locks and unlocks lever. (1-1/4" Mortise cylinder not included)

**230L-BE**



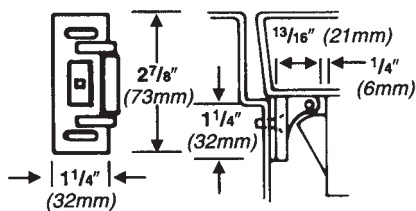
Blank escutcheon, lever always active. Use BE suffix, e.g., 230L-BE.

### Stocked Product

210DT	Sprayed Aluminum and Dark Bronze
210NL	
230DT	
230L-BE	
230L	
230NL	
230TP	

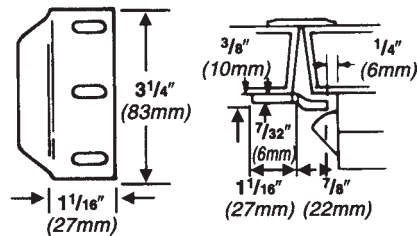
## STRIKE FOR 22 SERIES

299



Projection 13/16" (21mm)

1609



For rim / vertical rod combination - not fire rated

### Stocked Product

1609	Black, 26D
299	Black, 26D

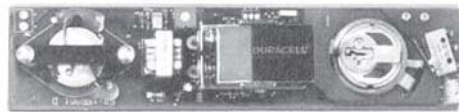
## Von Duprin

### 22 ALK - Exit Alarm Kit (supplied less cylinder)

The 22ALK battery alarm kit is a simple yet effective way to monitor the use of an exit device. While still a means of egress, the unit contains an internal horn. When the touchbar is depressed, the horn sounds to provide an audible means of signaling that the opening has been violated. The key switch uses a standard 1-1/4" (32mm) mortise cylinder. The unit operates on one standard 9-volt transistor battery. When the battery is weak the horn will emit an intermittent signal. Alarm kits are available with a choice of two switch kits, S1 or S2. S1 monitors the touch pad and is furnished standard. S2 optional latchbolt monitoring is recommended for use with surface vertical rod exit devices. Specify ALK-S2 special order.

#### Minimum Door Sizes

Device	3' (914mm) Length	4' (1219mm) Length
22 / 22-F	29" (832mm)	3'3" (989mm)
2227 / 2227-F	2'8" (813mm)	3'2" (965mm)



#### Stocked Product

Sprayed Aluminum and Dark Bronze

### 22 Series - Parts

900894



222

7/32" HEX KEY - OLD STYLE



227

5/32" HEX KEY - NEW STYLE

971974 locking nut



#### Stocked Product

900894	Tail Piece and Guide
971974	Locking Nut
222	7/32" Hex Key
227	5/32" Hex Key
22EXT	12" Extension Rod Aluminum and Dark Bronze
22EXT36	36" Extension Rod in Aluminum or Dark Bronze

F/2227 extension rods

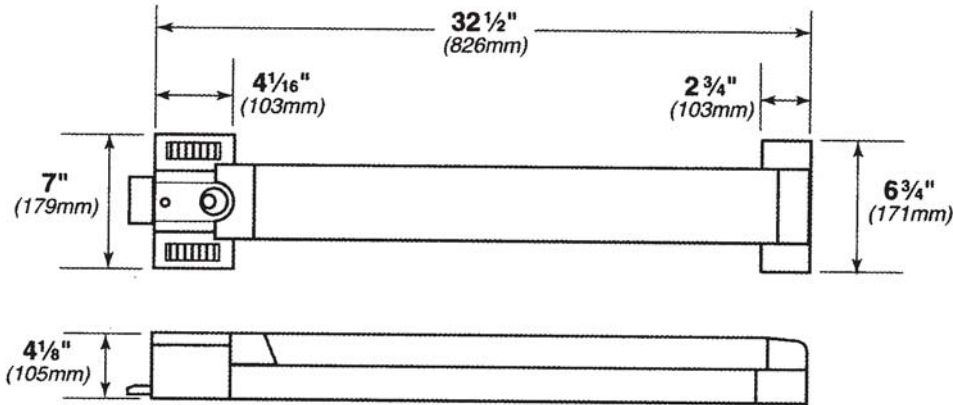


# Von Duprin

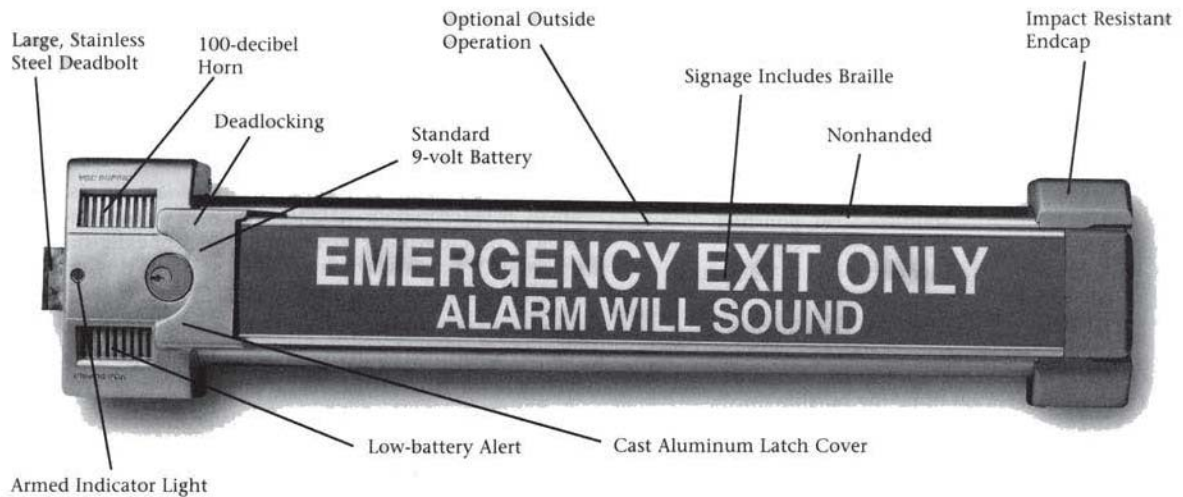
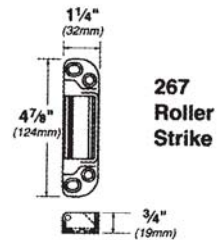
## 2670 GUARD - Exit Alarm (supplied less cylinder)

### Dimensions

#### Exit Alarm Lock



#### Strike



### Features

- Complies with NFPA101 life safety
- UL Listed for panic exit hardware ANSI A156.3 Grade 1
- Armed and unarmed by using standard rim cylinder (not supplied)
- Non handed
- Recommended exterior trim 210DT or 230DT

**Stocked Product**

US28 Aluminum

## Von Duprin

### 33A - Rim Exit Device

33A rim devices for all types of single and double doors with mullion, UL listed for Panic Exit Hardware. Fits door stiles as narrow as 1 3/4" (44mm).



1439 Roller

#### Features

- Non-handed
- Field sizeable
- 3/4" (19mm) molydag® coated latch bolt
- Hex key dogging
- Latch bolt deadlocking
- One piece center case cover

#### Strikes and Fasteners

Device is furnished standard with 1439 roller strike in dull black finish. Sex bolts are furnished for standard mounting on 1 3/4" (44mm) and 2 1/4" (57mm) thick doors.

#### Dimensions

Pushpad height to finished floor	39 13/16" (1011 mm) at center
Pushpad projection —	
neutral	3 13/16" (97 mm)
depressed	3 1/16" (78 mm)
Center case	8 3/16" x 2 13/32" x 1 9/16" (208mm x 62mm x 40mm)
Device length —	
Short 3' (914mm)	2'6" to 3' (762mm to 914mm) door size
Long 4' (1219mm)	3'1" to 4' (940mm to 1219mm) door size

#### Stocked Product

33AEO 3'      628, 313

## Von Duprin

### 3327A - Surface Mounted Vertical Rod Device

3327A surface mounted vertical rod devices for all types of single and double doors.  
 UL listed for Panic Exit Hardware. Fits door stiles as narrow as 1<sup>3</sup>/<sub>4</sub>" (44mm).



27 Top Latch



27 Bottom Latch

#### Features

- Non-handed
- Field sizeable
- 5/8" (19mm) molydag® coated latch bolt
- Hex key dogging
- Latch bolt deadlocking
- One piece center case cover

#### Strikes and Fasteners

Device is furnished standard with 266, 248L-4 and 304L strikes. Sex bolts are furnished for standard mounting on 1<sup>3</sup>/<sub>4</sub>" (44mm) and 2<sup>1</sup>/<sub>4</sub>" (57mm) thick doors.

#### Dimensions

Pushpad height to finished floor	39 13/16" (1011 mm) at center
Pushpad projection —	
neutral	3 13/16" (97 mm)
depressed	3 1/16" (78 mm)
Center case	8 3/16" x 2 13/32" x 1 9/16" (208mm x 62mm x 40mm)
Device length —	
Short 3' (914mm)	2'6" to 3' (762mm to 914mm) door size
Long 4' (1219mm)	3'1" to 4' (940mm to 1219mm) door size
Top and bottom latch case	4 1/2" x 2 1/8" x 1 1/26" (117mm x 48mm x 38mm)
Vertical Rods	1/2" (13 mm) square tubing
Undercut	1/4" (7 mm) maximum



266

Top Strike



248L-4

Bottom Strike  
for use with  
Threshold



304L

Bottom Strike

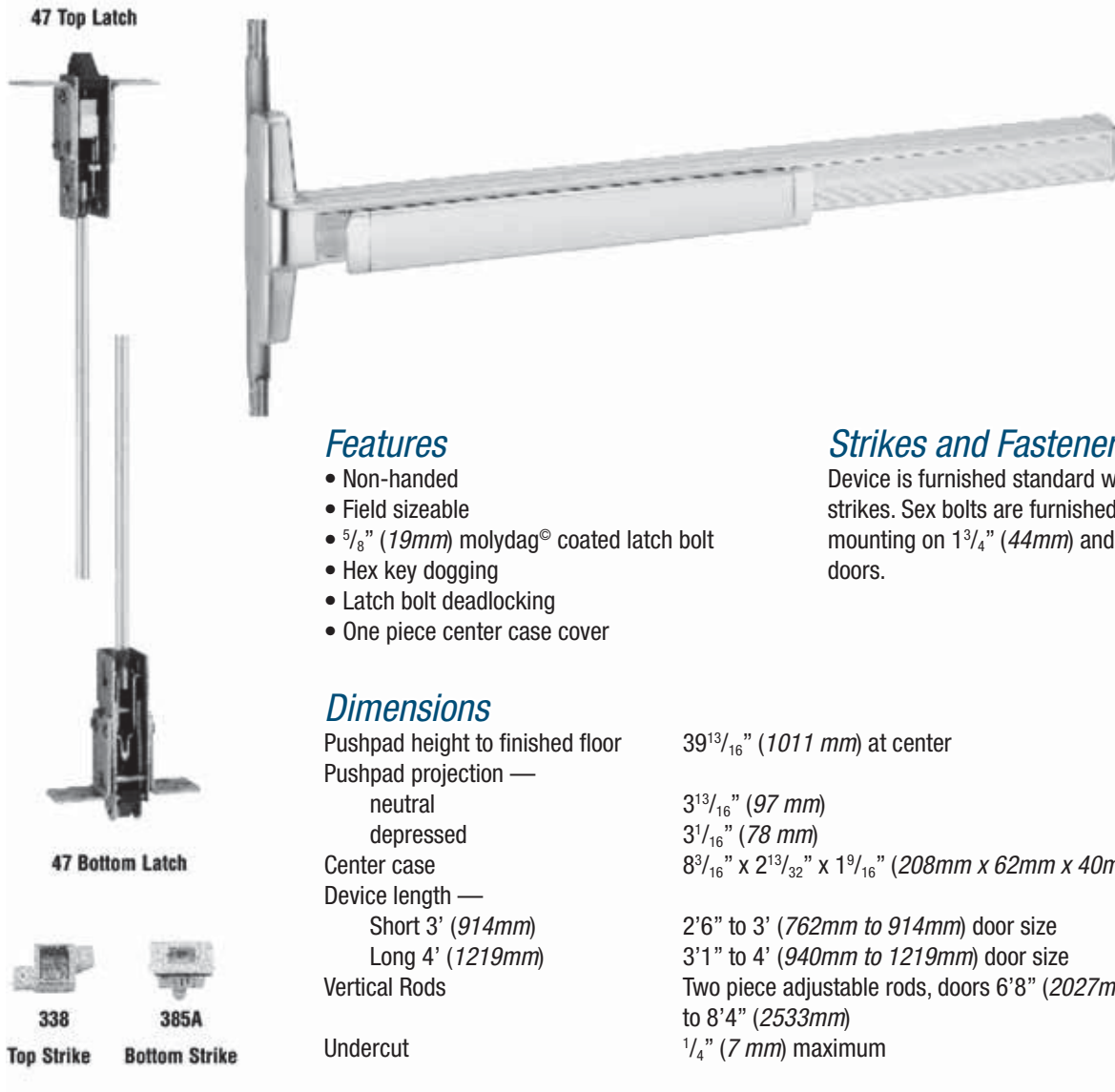
#### Stocked Product

3327AEO    3'x7'    628, 313

# Von Duprin

## 3347A - Concealed Vertical Rod Device

3347A concealed vertical devices for all types of single and double doors with mullion, UL listed for Panic Exit Hardware. Fits door stiles as narrow as 1<sup>3</sup>/<sub>4</sub>" (44mm) (wood door stile as narrow as 4").



### Features

- Non-handed
- Field sizeable
- 5/8" (19mm) molydag® coated latch bolt
- Hex key dogging
- Latch bolt deadlocking
- One piece center case cover

### Strikes and Fasteners

Device is furnished standard with 338 and 385A strikes. Sex bolts are furnished for standard mounting on 1<sup>3</sup>/<sub>4</sub>" (44mm) and 2<sup>1</sup>/<sub>4</sub>" (57mm) thick doors.

### Dimensions

Pushpad height to finished floor	39 <sup>13</sup> / <sub>16</sub> " (1011 mm) at center
Pushpad projection —	
neutral	3 <sup>13</sup> / <sub>16</sub> " (97 mm)
depressed	3 <sup>1</sup> / <sub>16</sub> " (78 mm)
Center case	8 <sup>3</sup> / <sub>16</sub> " x 2 <sup>13</sup> / <sub>32</sub> " x 1 <sup>9</sup> / <sub>16</sub> " (208mm x 62mm x 40mm)
Device length —	
Short 3' (914mm)	2'6" to 3' (762mm to 914mm) door size
Long 4' (1219mm)	3'1" to 4' (940mm to 1219mm) door size
Vertical Rods	Two piece adjustable rods, doors 6'8" (2027mm) to 8'4" (2533mm)
Undercut	1/4" (7 mm) maximum

### Stocked Product

3347AEO 3'x7' 628, 313



## Von Duprin

### 33A Series - Trim (All trim supplied less cylinder)



**386DT**  
Dummy Trim



**386NL**  
Pull trim with  
cylinder Key  
retracts bolt  
(Rim cylinder  
not included)



**388**  
Pull trim with  
thumb piece  
Key locks or  
unlocks latch  
(Rim cylinder  
not included)



**360L**  
Standard operation  
key locks or  
unlocks lever  
(Mortise cylinder  
1-1/4" not included)



**360LBE**  
With 06 lever  
Key locks &  
unlocks lever  
(Rim cylinder  
not included)

#### **Stocked Product**

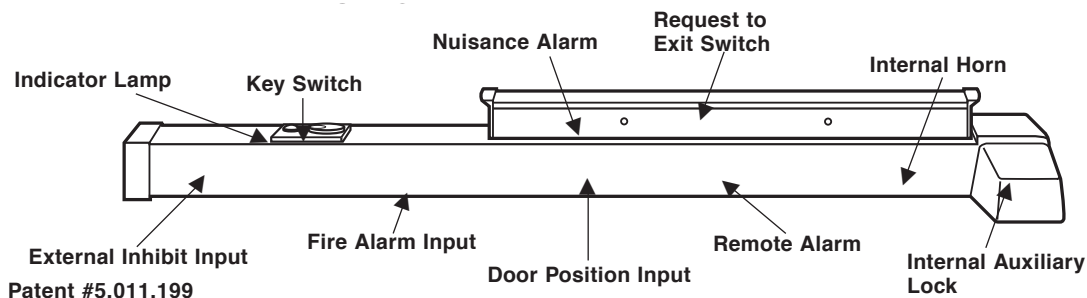
<b>Part #</b>	<b>Cylinder Required</b>	<b>Function</b>	<b>Finishes</b>
386DT	no cylinder required	Dummy	26D,10B
386NL	Rim Cylinder	NL Function Rim	26D,10B
360L	Mortise Cylinder 1-1/4"	Entry Mortise	26D,10B
388	Rim cylinder	NL Function Rim	26D,10B
360L BE	none	Entry Blank Outside	313,26D

**All lever trim stocked with 06 Lever**

## Von Duprin

### CX99 Device

CX99 rim devices for all types of single doors and double doors with mullion, UL listed for accident hazard installations. Covers stock hollow metal doors with 86 or 161 cutouts.



#### Features

- Nonhanded
- Field sizeable
- 3/4" (19mm) throw, latch bolt
- Latch bolt deadlocking

#### Stocked Product

Finishes: 313, 26D  
Sizes: 3' and 4'



**299**

#### Strikes And Fasteners

Device is furnished with standard 299 strike in dull black finish

#### Dimensions

Touchbar height to finished floor	39-13/16" (1011mm) at center
Touchbar projection	
neutral	3-13/16" (97mm)
depressed	3-1/16" (78mm)
Center case	8" x 2-1/4" x 2-3/4" (203mm x 57mm x 70mm)
Device length	
Short	3' (914mm) 2'10" to 3' (864mm to 914mm) door size
Long	4' (1219mm) 3'4" to 4' (1016mm to 1219mm) door size

#### Factory Definable Delay Time

Most jurisdictions allow 15 seconds of delay before allowing egress. In those cases where 15 seconds is not appropriate, Von Duprin can set the Chexit for any delay time between 0 and 60 seconds on 2 second increments. For delays greater than 15 seconds a letter from the local authority is required.

**Request to Exit Switch** is built into the device to detect when someone attempts to exit. Applying less than 15 pounds to the push pad when the device is armed will cause this switch to start an irreversible alarm cycle.

**Nuisance Alarm** — When a Chexit is located in a public area, it can be desirable to limit false alarms. If the Nuisance Audible and Nuisance Delay options are set to off, the device will go into alarm as soon as the push pad is touched (when armed). Turning the Nuisance Delay on will require the push pad to be pressed for 2 seconds before the Chexit goes into alarm. If the Nuisance Audible and Nuisance Delay are both on, the alarm will sound as soon as the push pad is pressed, but the alarm sequence will stop unless the push pad is held for 2 seconds or more.

**Remote Alarm** — A set of relay contacts (rated 1 ampere, 24 VDC) are provided to give external alarm indication. These contacts close when the device is in an irreversible alarm condition (if Nuisance Audible is enabled, they will not close until the push pad has been held for more than 2 seconds). These contacts can be used to drive a horn, lamp, or other indicative device.

**Key Switch** — The Key Switch provides the means to arm, disarm, or reset the Chexit. The key can be removed in either the Arm or Disarm position. In cases where the key switch is not used for controlling the device, a blank cylinder can be used.

**Indicator Lamp** — The status of the Chexit can be determined by the Indicator Lamp. A masked bezel design provides wide angle viewing in any lighting condition. When the lamp is off, this indicates the device is disarmed and is functioning as a normal exit device (no delay). A continuously on lamp indicates the device has just been armed and as soon as the selectable rearm timer expires, the device will arm. A slow flashing lamp indicates the device is armed. A fast flashing indicator lamp indicates the device is in alarm.

**Internal Horn** — Whenever the device is in alarm or the push pad is pressed the internal horn will sound. The volume level of this horn exceeds 85 db at 6 feet. The user can select whether or not this horn sounds during a fire alarm condition.

**Door Position Input** — An external door position switch can be connected to the Chexit. Doing this gives added security to the opening and is recommended. If a door position switch is used, it will cause the alarm to sound if the door is not closed when the device is armed; it will sound the alarm if the door is forced open while the device is armed; it will provide anti-pass-back by cutting short the rearm time.

**External Inhibit Input** — This optional input is provided to allow remote override of the Chexit in the armed condition. It also allows remote reset of the Chexit in an alarmed condition. Typical device connections include card readers, wall-mounted key switches, or a remote security console. This input is controlled with a Normally closed switch (open = disarmed).

**Fire Alarm Input** — This input disables the Chexit immediately upon a fire alarm. The building's fire alarm system should provide normally closed contacts which open on alarm.

**Internal Auxiliary Lock** — The Auxiliary Lock is engaged when the Chexit is armed. The locking mechanism is specifically designed to hold securely even when the exit device is struck with forceful blows. The mechanism will also release upon command irregardless of the force applied to the push pad. An override spring prevents damage to internal components when more than 75 pounds of force are exerted on the push pad.

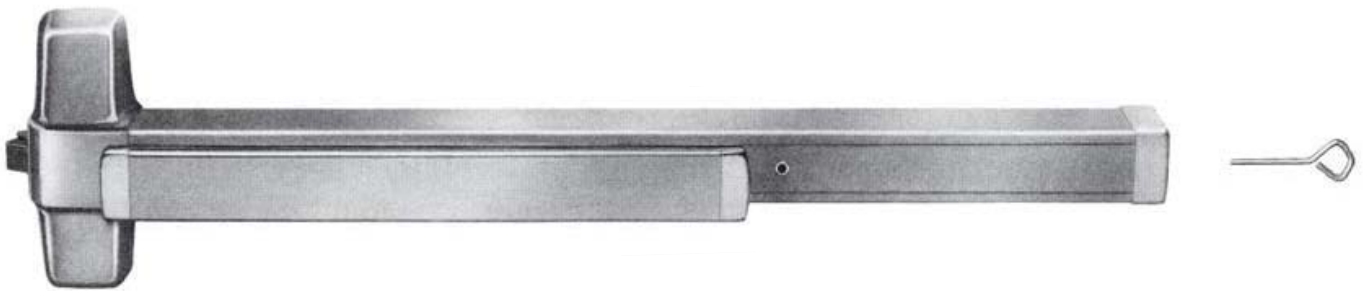
# Von Duprin

## AX Series -

**The Exit Device That Requires Only 5 Lbs. of Force to Operate.**

## AX99 - Rim Exit Device

AX99 rim exit devices for all types of single doors and double doors with mullion, UL listed for accident hazard installations. Covers stock hollow metal doors with 86 or 161 cutouts.



### Features

- Non-handed
- Latch bolt deadlocking
- Field sizeable
- Hex key dogging
- 3/4" (19mm) thrown latch bolt

### **Stocked Product**

AX99E0      3' and 4'      26D, 313

### Dimensions

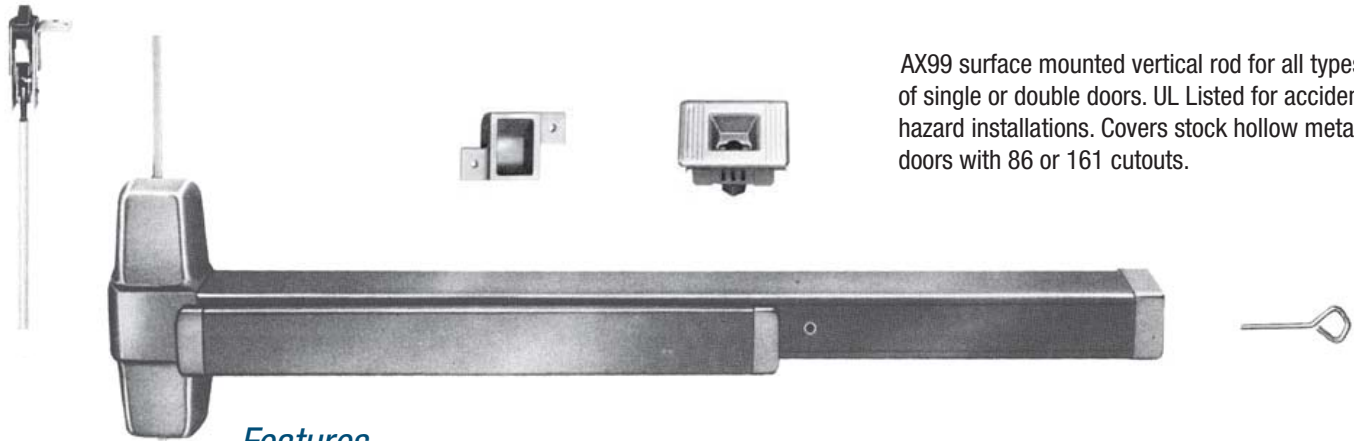
Touchbar height to finished floor	39-13/16" (935mm) at center
Touchbar projection	
neutral	3-13-16" (97mm)
depressed	3-1/16" (78mm)
Center case	8" x 2-1/4" x 2-3/4" (203mm x 57mm x 70mm)
Device length	
short 3'	2'6" to 3' (762mm to 914mm) door size
long 4'	3'1" to 4' (940mm to 1219mm) door size

## Von Duprin

### AX Series -

**The Exit Device That Requires Only 5 Lbs. of Force to Operate.**

### AX9927 - Surface Mounted Vertical Rod



AX99 surface mounted vertical rod for all types of single or double doors. UL Listed for accident hazard installations. Covers stock hollow metal doors with 86 or 161 cutouts.

#### Features

- Non-handed
- Latch bolt deadlocking
- Field sizeable
- Hex key dogging
- 5/8" (16mm) thrown, latch bolt

#### Stocked Product

AX9927E0 LBR	3' X 7'	313, 26D
AX9927E0-F LBR*	3' X 7'	313, 26D
* Less Bottom Rod, Fire Device Sold in Sets (2) only		

### AX9927-F - Fire Exit Surface Mounted Vertical Rod

AX9927-F fire exit surface mounted vertical rod devices for all types of 8' x 8' (2438mm x 2438mm) double doors, UL listed fire exit hardware, 3 hours.

#### Features

- Non-handed
- Field sizeable
- Latch bolt deadlocking
- 5/8" (16mm) anti-friction latch bolt

#### Dimensions

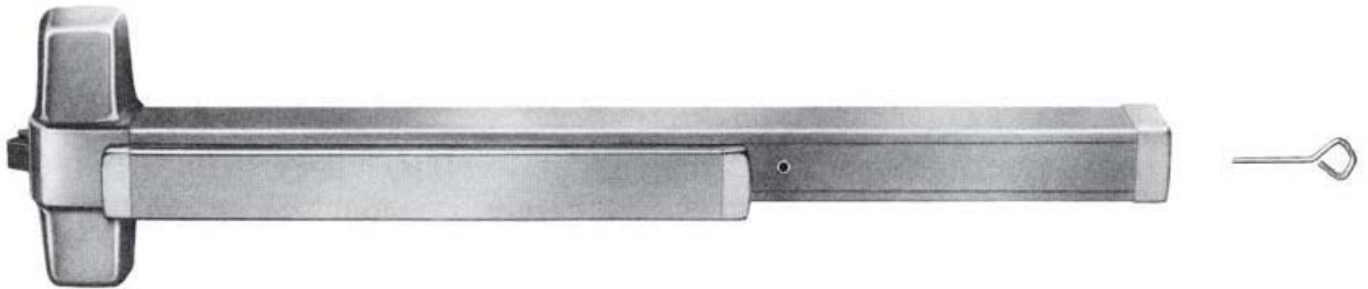
Touchbar height to finished floor	39-5/8" (1006mm) at center
Touchbar projection	
neutral	3-13/16" (97mm)
depressed	3-1/16" (76mm)
Center case	8" x 2-1/4" x 2-3/4" (203mm x 57mm x 70mm)
Device length short 3'	(914mm) 2'6" to 3' (762mm to 914mm) door size
Top & bottom latch case	4-1/2" x 2-1/8" x 1-1/2" (114mm x 54mm x 38mm)
Vertical rods	1/2" (13mm) square tubing

## Von Duprin

### 98 - Rim Exit Device Smooth Mechanism Case

### 99 - Rim Exit Device

99 rim exit devices for all types of single doors and double doors with mullion, UL listed for accident hazard installations. Covers stock hollow metal doors with 86 or 161 cutouts.



#### Features

- Non-handed
- Latch bolt deadlocking
- Field sizeable
- Hex key dogging
- 3/4" (19mm) thrown latch bolt

#### Option:

- 98/99 NLOP Night Latch Cylinder Assembly

#### Stocked Product

98E0/99E0	3' and 4'	26D
99E0	3' and 4'	313
99E0	3'	US3, US26

### 99-F - Fire Exit Rim Exit Device

98-F and 99-F fire exit rim devices for all types of 4' x 8' (1219mm x 2438mm) single door or 8' x 8' (2438mm x 2438mm) double doors with 9954 9854 mullion, UL listed for fire exit hardware, 3 hour rating.

#### Features

- Non-handed
- Field sizeable
- Latch bolt deadlocking
- 3/4" (19mm) thrown latch bolt

#### Stocked Product

98E0F/99E0F	3' and 4'	26D
99E0F	3'	313

#### Dimensions

Touchbar height to finished floor	39-13/16" (935mm) at center
Touchbar projection	
neutral	3-13-16" (97mm)
depressed	3-1/16" (78mm)
Center case	8" x 2-1/4" x 2-3/4" (203mm x 57mm x 70mm)
Device length	
short 3'	2'6" to 3' (762mm to 914mm) door size
long 4'	3'1" to 4' (940mm to 1219mm) door size

## Von Duprin

### 9827 - Surface Mounted Vertical Rod with Smooth Mechanism Case

### 9927 - Surface Mounted Vertical Rod



99 surface mounted vertical rod for all types of single or double doors. UL Listed for accident hazard installations. Covers stock hollow metal doors with 86 or 161 cutouts.

#### Features

- Non-handed
- Latch bolt deadlocking
- Field sizeable
- Hex key dogging
- 5/8" (16mm) thrown, latch bolt
- Available LBR (less bottom rod)

#### Option

Available LBR ( less bottom rod)

#### Stocked Product

9827E0/9927E0	3' X 7' and 4' X 7'	313, 26D
9927E0 LBR/9827E0 LBR	3' X 7'	26D
9827E0F/9927E0F	3' X 7' and 4' X 7'	313, 26D
* P9827E0F LBR	3' X 7'	26D
* P9927E0F LBR	3' X 7'	26D

\* Less Bottom Rod, Fire Device Sold in Sets (2) only

### 9927-F - Fire Exit Surface Mounted Vertical Rod

9827-F and 9927-F fire exit surface mounted vertical rod devices for all types of 8' x 8' (2438mm x 2438mm) double doors, UL listed fire exit hardware, 3 hours.

#### Features

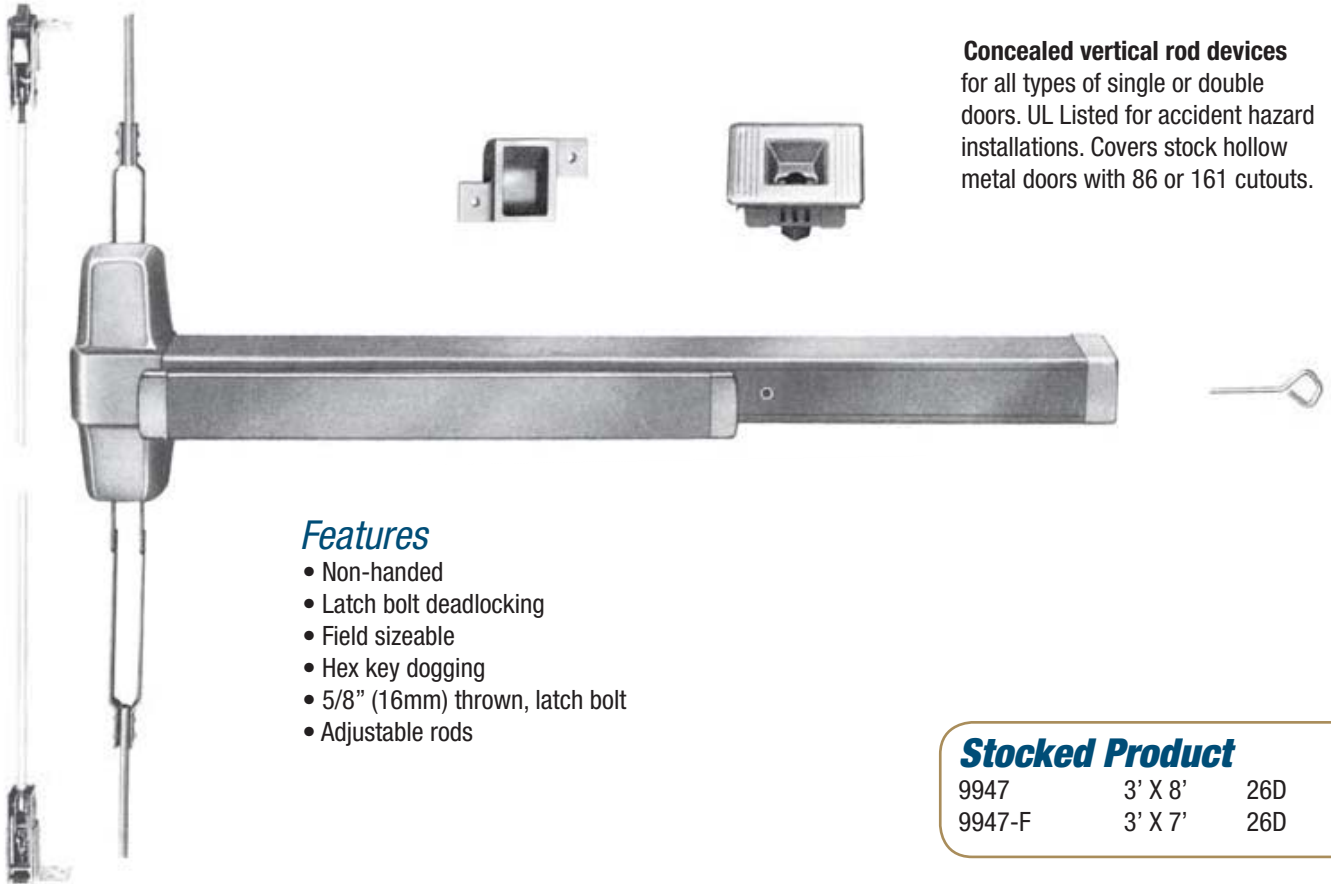
- Non-handed
- Field sizeable
- Latch bolt deadlocking
- 5/8" (16mm) anti-friction latch bolt

#### Dimensions

Touchbar height to finished floor	39-5/8" (1006mm) at center
Touchbar projection	
neutral	3-13/16" (97mm)
depressed	3-1/16" (76mm)
Center case	8" x 2-1/4" x 2-3/4" (203mm x 57mm x 70mm)
Device length	short 3' (914mm) 2'6" to 3' (762mm to 914mm) door size
long 4'	3'1" to 4' (940mm to 1219mm) door size
Top & bottom latch case	4-1/2" x 2-1/8" x 1-1/2" (114mm x 54mm x 38mm)
Vertical rods	1/2" (13mm) square tubing

## Von Duprin

### 9947 - Concealed Vertical Rod Devices



**Concealed vertical rod devices** for all types of single or double doors. UL Listed for accident hazard installations. Covers stock hollow metal doors with 86 or 161 cutouts.

#### Features

- Non-handed
- Latch bolt deadlocking
- Field sizeable
- Hex key dogging
- 5/8" (16mm) thrown, latch bolt
- Adjustable rods

#### Stocked Product

9947	3' X 8'	26D
9947-F	3' X 7'	26D

### 9947-F - Fire Exit Concealed Vertical Rod Devices

9947-F fire exit concealed vertical rod devices for use on 8' x 8' (2438mm x 2438mm) double metal doors, UL listed fire exit hardware, 3 hours.

#### Features

- Non-handed
- Field sizeable
- Adjustable rods
- 5/8" (16mm) thrown, latch bolt

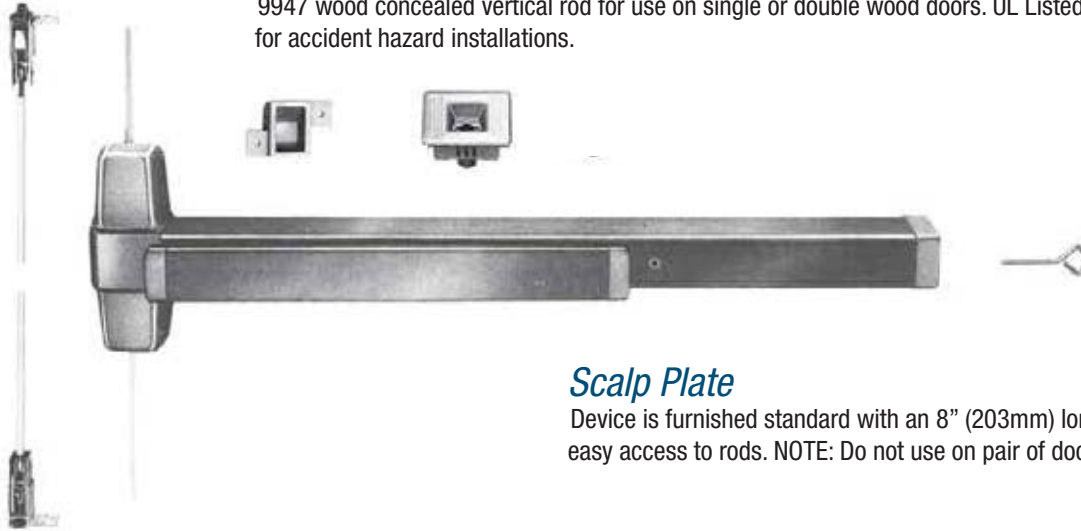
#### Dimensions

Touchbar height to finished floor	39-5/8" (1006mm) at center
Touchbar projection	
neutral	3-13/16" (97mm)
depressed	3-1/16" (76mm)
Center case	8" x 2-1/4" x 2-3/4" (203mm x 57mm x 70mm)
Device length short 3'	(914mm) 2'6" to 3' (762mm to 914mm) door size
long 4'	3'1" to 4' (940mm to 1219mm) door size
Top & bottom latch case	4-1/2" x 2-1/8" x 1-1/2" (114mm x 54mm x 38mm)
Vertical rods	Two piece adjustable rods, doors 6'8" (2027mm) to 8'4" (2533mm)

## Von Duprin

### 9947WDC - Wood Concealed Vertical Rod Devices

9947 wood concealed vertical rod for use on single or double wood doors. UL Listed for accident hazard installations.



#### Scalp Plate

Device is furnished standard with an 8" (203mm) long scalp plate for easy access to rods. NOTE: Do not use on pair of doors with 9975

#### Features

- Non-handed
- Latch bolt deadlocking
- Field sizeable
- Hex key dogging
- 5/8" (16mm) thrown, latch bolt
- Adjustable rods

#### Dimensions

Touchbar height to finished floor	39-13/16" (1011mm) at center, adjusts as low as 35-5/8" (905mm)
Touchbar projection	
neutral	3-13/16" (97mm)
depressed	3-1/16" (76mm)
Center case	8" x 2-1/4" x 2-3/4" (203mm x 57mm x 70mm)
Device length	short 3' (914mm) 2'6" to 3' (762mm to 914mm) door size
long 4'	3'1" to 4' (940mm to 1219mm) door size
Vertical Rods - round	Two piece adjustable rods, doors 6'8" (2027mm) to 8'4" (2533mm)

#### Stocked Product

9947WDC 3' X 7' 26D



# Von Duprin

## 9949 - Concealed Vertical Cable Device



Hex key dogging comes standard on 9949 Concealed Vertical Cable Devices



### Features

- Non-handed
- Latch bolt deadlocking
- Field sizeable
- Hex key dogging
- 1/2" (13mm) throw, latch bolt
- Use with 99 trims

### Dimensions

Touchbar height to finished floor	39-5/8" (1006mm) at center,
Touchbar projection	
neutral	3-13/16" (97mm)
depressed	3-1/16" (76mm)
Center case	8" x 2-3/4" x 2-3/8" (203mm x 70mm x 60mm)
Device length	
short 3'	2'4" to 3' (711 mm to 914 mm) door size
long 4'	2'10" to 4' (864 mm to 1219 mm) door size



NOTE: Fire rated openings less bottom latch. Requires Fire Pin Latch

### Stocked Product

NUMBER	DESCRIPTION	FINISH
CS49-80	CABLE SYSTEM 8"0"	
CS49-70	CABLE SYSTEM 7'0"	
CS49-68	CABLE SYSTEM 6'8"	
9949E0LSF313	9949EO F LESS CABLE	313
9949E0LS313	9949EO LESS CABLE	313
9949E0LSF26DL	9949EO F LESS CABLE 48"	26D
9949E0LS26DL	9949EO LESS CABLE 48"	26D
9949E0LSF26D	9949EO F LESS CABLE	26D
9949E0LS26D	9949EO LESS CABLE	26D
CS49LBL-80	CABLE SYSTEM LBL 8"0"	
CS49LBL-70	CABLE SYSTEM LBL 7'0"	
CS49LBL-68	CABLE SYSTEM LBL 6'8"	
49FPK	FIRE PIN KIT	

## Von Duprin

### 9975 - Mortise Lock

### 9975 F - Mortise Device, Fire Rated UL Listed for Fire Exit Hardware

9975 mortise lock device for all types of single or double doors. UL Listed for accident hazard installations. Covers stock hollow metal doors with 86 cutout and door stiles as narrow as 4-3/4"



#### Features

- Nonhanded
- Latch bolt deadlocking
- Field sizeable
- Hex key dogging 9975 only
- 3/4" (19mm) thrown, latch bolt
- Adjustable rods

#### Dimensions

Touchbar height to finished floor	39-5/8" (1006mm) at center
Latch bolt height to finished floor	40-3/32" (1018mm) at center
Touchbar projection	
neutral	3-13/16" (97mm)
depressed	3-1/16" (76mm)
Center case	8" x 2-1/4" x 2-3/4" (203mm x 57mm x 70mm)
Device length	(914mm) 2'6" to 3' (762mm to 914mm) door size
short 3'	3'1" to 4' (940mm to 1219mm) door size
long 4'	
Lock case	4-5/8" x 5-3/4" x 1" (117mm x 146mm x 25mm)
Faceplate	1-1/4" x 8" x 7/32" (32mm x 2438mm x 6mm)
Cylinder backset	2-3/4" (70mm)

#### Stocked Product

9975E0/9975E0F 3' 26D

## Von Duprin

### 99 Series - Trim (All trim supplied less cylinder)



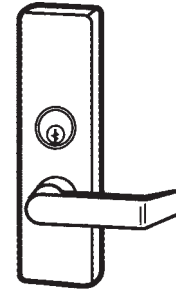
**990DT**  
Dummy Trim



**990NL**  
Pull trim with cylinder Key retracts bolt (Rim cylinder not included)



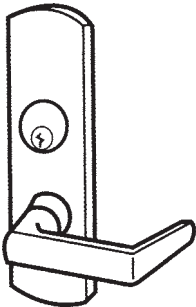
**990TP**  
Pull trim with thumb piece Key locks or unlocks latch (Rim cylinder not included)



**994L**  
Standard operation key locks or unlocks lever (Rim cylinder not included)

### 994L / 996L Series

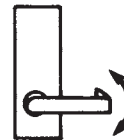
Break away lever, allows lever to break away & drop into down position when abused. It can easily be reset to operating position by up lift motion



**996L**  
With 06 lever Key locks & unlocks lever (Rim cylinder not included)



**994L-NL**  
Night latch, key retracts latch bolt. Lever or knob is rigid. Use NL suffix. (Rim cylinder not included)



**994L-BE**  
Blank escutcheon, lever or knob always active. Use BE suffix.



**994L-DT**  
Dummy trim, lever or knob rigid for pull operation. Use DT

#### Stocked Product

Part #	Cylinder Required	Function	Finishes
990DT	no cylinder required	Dummy	26D,SP313
990NLM	Mortise cylinder 1-1/4"	NL Function Mortise	26D
990NLR	Rim Cylinder	NL Function Rim	313,26D
990TPR	Rim Cylinder	TP Function Rim/vertical	313,26D
996LM	Mortise Cylinder 1-1/4"	Entry Mortise	26D
994L/996L	Rim cylinder	Entry Rim/Vertical	313,26D
996LCV	Rim Cylinder	Entry Concealed Vertical	26D
994L/996L BE	none	Entry Blank Outside	313,26D
994L/996L DT	none	Dummy	313,26D
994L/996L NL	Rim	NL function Rim/Vertical	313,26D

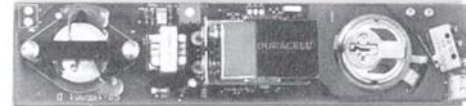
All lever trim stocked with 06 Lever  
996L also available in  
03 & 17 lever - 26D only

## Von Duprin

### 99 ALK - Exit alarm kit (supplied less cylinder)

#### Features

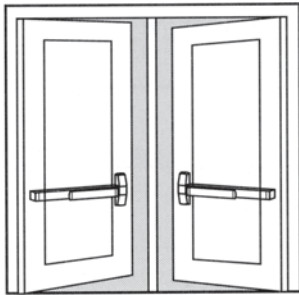
- Contains internal horn, when touch bar is depressed horn sounds
- Key switch uses a standard 1-1/4" mortise cylinder. Note: 99ALK supplied less cylinder
- 9 volt battery
- When battery is weak, the horn will sound intermittent signal
- Includes "EMERGENCY EXIT ONLY. ALARM WILL SOUND" decal



#### **Stocked Product**

Sprayed Aluminum and Dark Bronze

## Mullion



**Removable mullions** provide single door performance in double door openings with rim devices. Mullions are easily removed by loosening bottom set screw and removing top fitting cover. The top mullion fitting is attached to the frame and is concealed by the fitting cover.

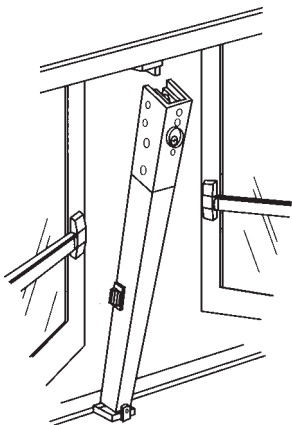
Mullions are shipped presized, with mounting screws, and prepared for strike. Strike not included.

**4954** - standard door application. Prepared for two 264 or 299 strikes for use with all Von Duprin panic rim exit devices.  
**VON DUPRIN**

#### **Stocked Product**

9954 7'3" Aluminum and Dark Bronze

### Keyed Removable Mullion (supplied less cylinder)



**Keyed Removable mullions** makes removal faster and easier by a single operation of the mortise cylinder. Mullions provide single door performance and security on double door applications. Once the mullion is removed, large equipment or furniture can freely pass through the opening. The unit will self lock when re-installed, without use of the cylinder key.

**KR 4954** - key removable option supplied less cylinder - mortise cylinder 1-1/4"

**9954** - UL Fire label mullion for up to 3 hour opening using Von Duprin fire exit rim devices.

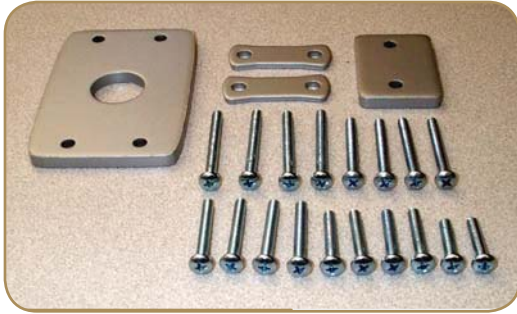
**MT54** - Wall mounted storage kit with floor and wall brackets for storage of key removable mullion description.

#### **Stocked Product**

MT54 Storage Kit Aluminum  
 4954 7'2" and 8' 2" Aluminum and Dark Bronze  
 KR4954 7' 6" and 8' 6" Aluminum  
 KR54 Removable kit for 4954  
 KR54F Removable kit for 9954

# Von Duprin

## Glass Bead Kits



Glass bead conversion kits are available for 99 and 22 series devices for use on doors with raised glass beads. Each kit consists of 1/4" shim sets

### Stocked Product

22GBK for Rim and Vertical  
99GBK for Rim and Vertical

Aluminum and Dark Bronze  
Aluminum and Dark Bronze

425 Sex Bolts  
Female only (pk. of 2)

Aluminum and Dark Bronze

98EXT 12" Extension Rod

Aluminum and Dark Bronze

98EXT36 36" Extension Rod

Aluminum and Dark Bronze

99EXT 12" Extension Rod F/99 & 33

Aluminum and Dark Bronze

99EXT36 36" Extension Rod F/99 & 33

Aluminum or Dark Bronze

110WDNL Wood Door Kit

110MDNL Metal Door Kit

## 99 Series - Parts

425  
sex bolts



F/9927  
bottom/top case less cover

## Electric Exit Devices - Electric Latch Retraction (EL)



- EL99E0
- 3/4" (19mm) thrown latch bolt

### Solenoid Specifications:

- continuous duty - 24 VDC
- current in-rush - 16 Amps
- current holding - 0.3 Amps

### To order, specify

Standard - use prefix EL, example EL99L

Hex key dogging - use prefix HD-EL, example HD-EL99L

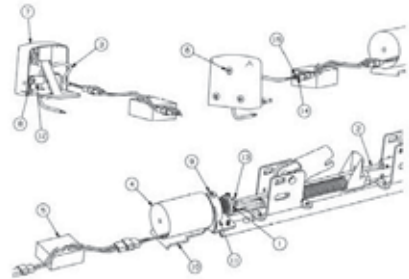
Special center case dogging - use prefix SD-EL, example SD-EL99L

### Stocked Product:

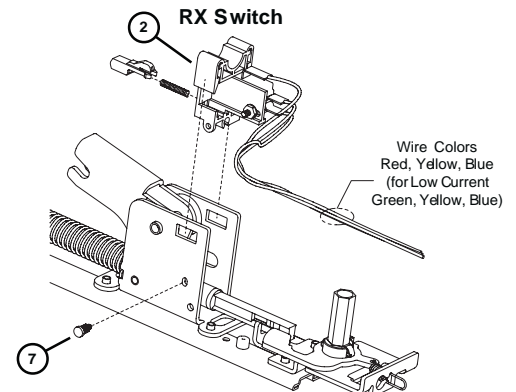
EL99E0 36" US26D  
ELCONVKIT 36" Conversion Kit  
RX Switch, request to exit

## EL Conversion Kit

The EL kit allows existing exit devices to be converted to EL devices except fire rated devices



## Request to Exit Switch



## Von Duprin

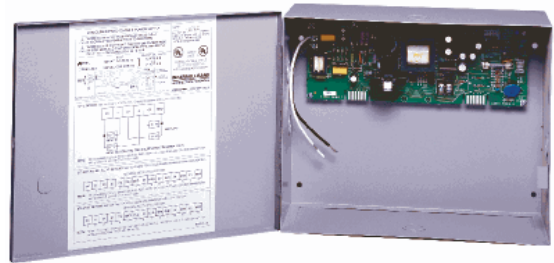
### Series PS902 - Power Supply

- The series PS902 power supply is designed for electromagnetic locks and electric strikes on single door applications. The output power is field selectable for either 24VDC @ 1 ampere or 12VDC @ 2 ampere. Standard input 120VAC @ 0.6 ampere and 240VAC @ 0.3 ampere available. Terminal block will accept up to 14 gauge stranded wire.



### Series PS9142RS - Power Supply

- The series PS9142RS power supply is designed to operate a wide variety of electrical products.
- The regulated output power is field selectable for either 24VDC @ 2 ampere or 12VDC @ 4 ampere.
- Standard input 120VAC @ 1.0 ampere
- PS9142RS complete for 2 doors.



### EPT10 - Electrical Power Transfer

- Electric power transfer provides a means of transferring electrical power from a door frame to the edge of a swinging door. The units are completely concealed when the door is in the closed position, and are ideally suited for installations involving abuse or heavy traffic.
- Door applications; up to 5" butt  
Hinges - 180° swing, 5-1/2" butt  
Hinges - 130° swing, 6" butt  
Hinges - 110° swing, and 3/4" offset pivots 180° swing.

#### Stocked Product

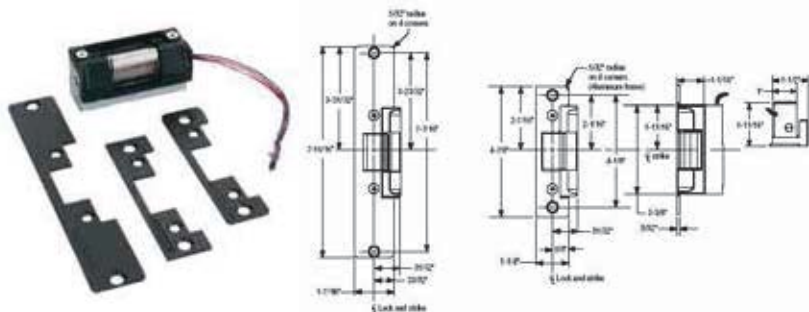
PS902  
PS9142RS  
EPT10 Aluminum and Dark Bronze



### 5100 - Electric Strike

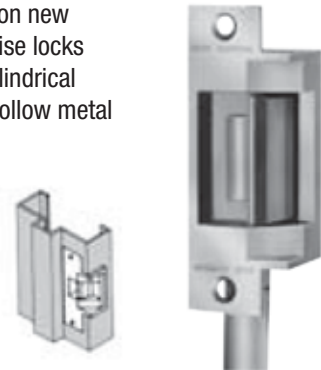
#### Features

- Three faceplates included for hollow metal, wood or aluminum frames
- Internal 12/24 VDC dual voltage solenoid
- Adjustable keeper
- Available with both fail safe / fail secure options



### 6211 - Electric Strike

Electric strike for use on new installations with mortise locks without deadbolt or cylindrical locks on single door, hollow metal frame applications.



#### Stocked Product

6211 24VDC 32D

## Weslock-Molten Bronze Collection

### Entry Handle Features

- Meets ANSI A 156.2 Grade II lock standards
- 5-pin Cylinder
- Removable knobs/levers prevents scratching during installation
- Weslock Keyway standard
- Solid Molten Bronze
- 1" throw deadbolt with two hardened steel rollers -prevents sawing
- Emergency Egress function available.

### Entry Handle Specifications

- Adjustable Latches 2-3/8" or 2-3/4" with removable faceplates
- Adjusts to door thickness from 1-3/4" to 2"
- Optional door thickness from 2" to 2-1/4"

### Stonebriar/Wiltshire

- Fits doors prepared with 1-5/8" or 2-1/8" top cross hole, 2-1/8" bottom cross hole and 1" edge hole
- 5-1/2" center to center cross hole spacing

### Entry Handle Warranty

- Limited Lifetime Mechanical Warranty

### Deadbolt Features

- 5-pin Cylinder
- 1" throw deadbolt with two hardened steel rollers
- Heavy duty security strike with 3" screws
- Weslock Keyway standard
- Removable faceplates allow for radius or square latches (drive-in latch available)

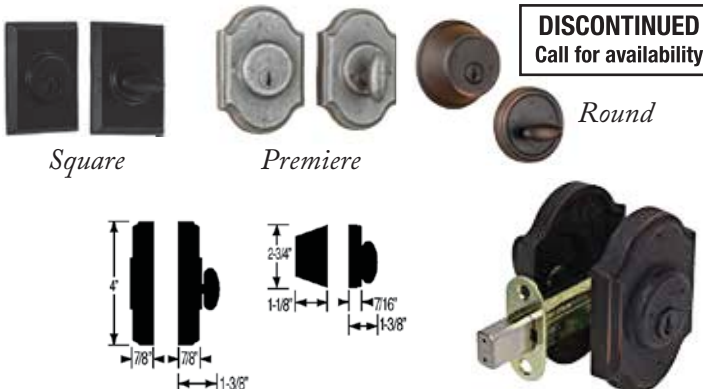
### Deadbolt Specifications

- Adjustable latches 2-3/8" or 2-3/4" with removable faceplates
- Fits doors prepared with 2-1/8" cross holes and 1" edge hole
- Adjusts to door thickness from 1-3/8" to 2"
- Optional door thickness from 2" to 2-1/4"
- Grade II design for extra strength and security
- Zinc die-cast cylinder with 5-pin tumbler security

### Deadbolt Warranty

- Limited Lifetime Mechanical Warranty parts

### DEADBOLTS



### ENTRY HANDLES



### Stocked Product

ENTRY HANDLES OUTSIDE KEYED:	Finish
7631 Stone Briar	1 (10B)
7680 Wiltshire	1 (10B)
7925 Aspen	1 (10B)
7931 Greystone	1 (10B)

INSIDE HANDLES, SINGLE CYLINDER	Finish
7600 Carlow(H), Wexford(F), Durham(M)	1 (10B)
7800 Carlow, Wexford, Durham	1 (10B)
7900 Carlow, Wexford, Durham	1 (10B)

DEADBOLTS	Finish
7571 Premire Deadbolts	1 (10B), 2 (Black) N (Satin Nickel)
7971 Square Deadbolts	1 (10B)

Call For Availability On Other Finishes & Designs

## Weslock-Molten Bronze Collection

### Knob & Lever Features

- Meets ANSI A 156.2 Grade II lock standards
- 5-pin Cylinder
- Removable knobs/levers prevents scratching during installation
- Panic-Proof Keylock/Privacy - one turn of interior knob/lever unlocks & opens door
- Push Button locking in rosette
- Weslock Keyway standard
- Solid Molten Bronze Levers, Knobs & Rosettes
- Dual spindles made of hardened steel offer bind free operation and easy alignment.
- Lever strength latch included with all lever products

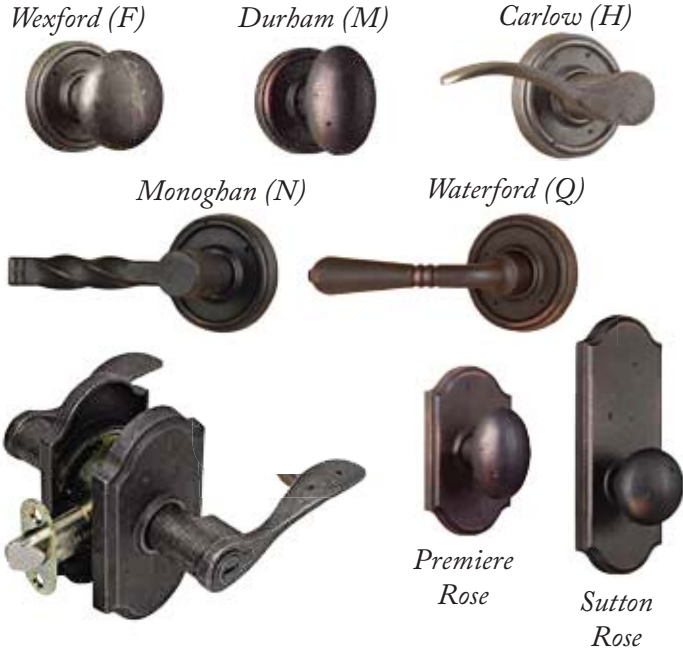
### Knob & Lever Specifications

- Adjustable Latches 2-3/8" or 2-3/4" with removable faceplates
- Fits doors prepared with 2-1/8" cross hole & 1" edge hole
- Adjusts to door thickness from 1-3/8" to 1-3/4"
- Optional door thickness from 1-3/4" to 2-1/4"
- Grade II cylindrical design for extra strength and security

### Knob & Lever Warranty

- Limited Lifetime Mechanical Warranty

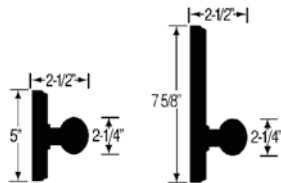
### KNOBS, LEVERS & ROSETTES



### Stocked Product

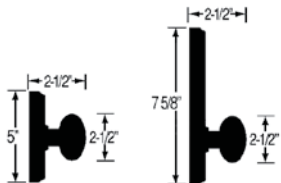
#### Wexford(F) Knob X Premiere

- |      |            |
|------|------------|
| 7100 | Passage    |
| 7105 | Dummy      |
| 7110 | Privacy    |
| 7140 | Keyed Lock |



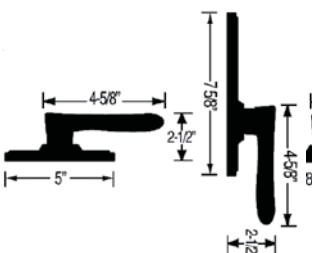
#### Durham(M)Knob X Premiere

- |      |            |
|------|------------|
| 7100 | Passage    |
| 7105 | Dummy      |
| 7110 | Privacy    |
| 7140 | Keyed Lock |



#### Carlow(H) Handed Lever Set X Premiere

- |         |            |
|---------|------------|
| R/L7100 | Passage    |
| R/L7105 | Dummy      |
| R/L7110 | Privacy    |
| R/L7140 | Keyed Lock |

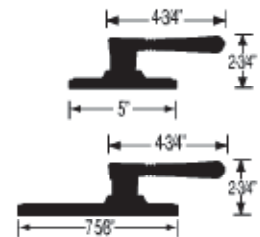


#### Carlow(H) X Sutton

- |         |            |
|---------|------------|
| R/L7100 | Passage    |
| R/L7105 | Dummy      |
| R/L7110 | Privacy    |
| R/L7140 | Keyed Lock |

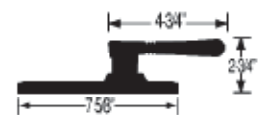
#### Waterford(Q) Lever Set X Premiere

- |      |            |
|------|------------|
| 7100 | Passage    |
| 7105 | Dummy      |
| 7110 | Privacy    |
| 7140 | Keyed Lock |



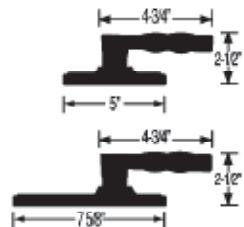
#### Monaghan(N) Lever Set X Premiere

- |      |            |
|------|------------|
| 7100 | Passage    |
| 7105 | Dummy      |
| 7110 | Privacy    |
| 7140 | Keyed Lock |



#### Monaghan(N) X Sutton, Handed

- |      |         |
|------|---------|
| 7100 | Passage |
| 7105 | Dummy   |
| 7110 | Privacy |



#### Available Finishes:

- Oil Rubbed Bronze(1)
- Black(2) Except Sutton Roses
- Pewter(P)- Discontinued, call for availability.

Call For Availability On Wexford, Durham,  
Waterford W/ Sutton Rose



## Weslock-Elegance Collection

### Entry Handle Features

- 5-pin Cylinder
- Solid Brass
- 1" throw deadbolt with two hardened steel rollers - prevents sawing
- Weslock Keyway standard
- Removable knobs/levers prevents scratching during installation
- Emergency Egress function available

### Entry Handle Specifications

- Adjustable latches 2-3/8" or 2-3/4" with removable faceplates
- Fits doors prepared with 1-5/8" or 2-1/8" top cross hole, 2-1/8" bottom cross hole and 1" edge hole
- Adjusts to door thickness from 1-3/4" to 2"
- Optional door thickness from 2" to 2-1/4"
- 5-1/2" center to center cross hole spacing

### Entry Handle Warranty

- Limited Lifetime Mechanical Warranty
- Limited Lifetime Finish Warranty
- Lifetime PVD Finish on exterior Polished Brass

### Deadbolt Features

- 5-Pin Cylinder
- 1" throw deadbolt with two hardened steel rollers - prevents sawing
- Heavy duty security strike with 3" screws
- Weslock Keyway standard

### Deadbolt Specifications

- Adjustable latches 2-3/8" or 2-3/4" with removable faceplates
- Fits doors prepared with 2-1/8" cross holes and 1" edge hole
- Adjusts to door thickness from 1-3/8" to 2"
- Optional door thickness from 2" to 2-1/4"
- Grade II design for extra strength and security

### Deadbolt Warranty

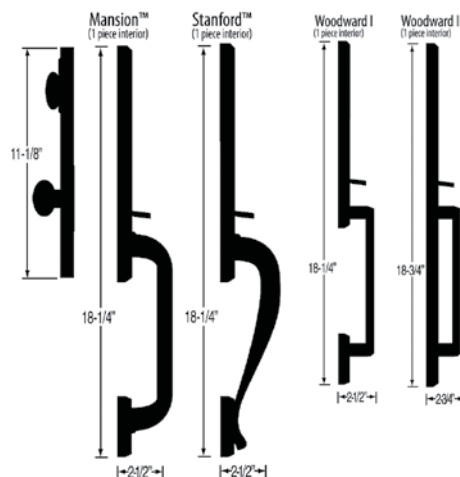
- Limited Lifetime Mechanical Warranty
- Limited Lifetime Finish Warranty
- Lifetime PVD Finish on exterior Polished Brass

### DEADBOLTS



### ENTRY HANDLES

Mansion™ Woodward I Stanford™ Woodward II



### Stocked Product

#### Outside Handle Sets: Finish

6651 Mansion	1,
6661 Stanford	1,N
6681 Woodward I	1,N
6691 Woodward II	1,N

#### Inside Handle Sets Single Cylinder

6600 Mansion	U1,J1
6400 Stanford	U1, UN, J1, JN
6200 Woodward	2N,21,PN,IN,I1,P1

#### Deadbolts: Finish

1771 Premiere	Single Cylinder	1,N
3771 Woodward	Single Cylinder	1,N
3772 Woodward	Double Cylinder	1,N

#### Discontinued Items: Call For Availability

1772 Premiere Deadbolt	Double Cylinder
2771 Oval Deadbolt	Single Cylinder
2772 Oval Deadbolt	Double Cylinder

## Weslock-Elegance Collection

### Knob & Lever Features

- Meets ANSI A 156.2 Grade II lock standards
- 5-pin Cylinder
- Removable knobs/levers prevents scratching during installation
- Panic-Proof Keylock/Privacy - one turn of interior knob/lever unlocks & opens door
- Push Button locking in rosette
- Weslock Keyway standard
- Zinc diecast levers and rosettes
- All brass knobs
- Dual spindles made of hardened steel offer bind free operation and easy alignment
- Lever strength latch included with all lever products

### Knob & Lever Specifications

- Adjustable Latches 2-3/8" or 2-3/4" with removable faceplates
- Fits doors prepared with 2-1/8" cross hole & 1" edge hole
- Adjusts to door thickness from 1-3/8" to 1-3/4"
- Optional door thickness from 1-3/4" to 2-1/4"
- Grade II cylindrical design for extra strength and security.

### Knob & Lever Warranty

- Limited Lifetime Mechanical Warranty
- Limited Lifetime Finish Warranty



### KNOBBS, LEVERS & ROSETTES



*Impresa™ Knob Woodward (I)*



*Impresa™ Knob Premiere (I)*



*Julienne Knob Premiere (J)*



*Urbana Lever Woodward (2)*



*Utica Lever Woodward (P)*



*Bordeau Lever Premiere (U)*



*Bordeau Lever Oval (U)*

*Julienne Knob Oval (J)*

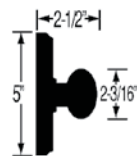
*Legacy Lever Oval (Y)*

### Stocked Product

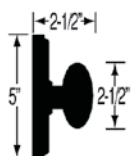
#### Impresa (I) Knob

- Premiere
- 1700 Passage
- 1705 Dummy
- 1710 Privacy
- 1740 Keyed Lock

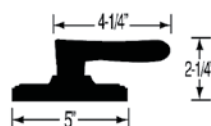
#### Impresa™ Premiere & Woodward



#### Julienne™ Premiere & Oval



#### Bordeau™ Premiere & Oval



#### Bordeau(U) Handed Levers

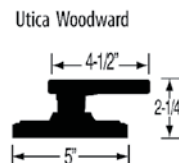
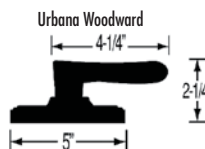
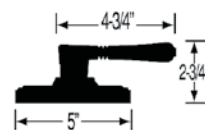
- Premiere
- R/L 1700 Passage
- R/L 1705 Dummy
- R/L 1710 Privacy
- R/L 1740 Keyed Lock

#### Urbana(2) Levers

- Woodward
- 3700 Passage
- 3705 Dummy
- 3710 Privacy
- Utica(P) Levers

- Woodward
- 3700 Passage
- 3705 Dummy
- 3710 Privacy
- 3740 Keyed Lock
- Stocked Finishes

#### Legacy™ Premiere & Oval



**Finish:** Oil Rubbed Bronze(1), Satin Nickel(N)

Call For Availability On Oval Rosettes

## Weslock-Traditionale Collection

### 2100 Series Entry Handle Features

- 5-pin Cylinder
- Solid Brass
- 1" throw deadbolt with two hardened steel rollers - prevents sawing
- Weslock Keyway standard

### 2100 Series Entry Handle Specifications

- Adjustable latches 2-3/8" or 2-3/4" with removable faceplates
- Fits doors prepared with 2-1/8" Top and 2-1/8" Bottom cross holes and 1" edge hole
- Adjusts to door thickness from 1-3/8" to 1-3/4"
- 5-1/4" minimum center to center cross hole spacing
- Optional door thickness 1-3/4" to 2-1/4"

### 2100 Series Entry Handle Warranty

- Limited Lifetime Mechanical Warranty
- Limited Lifetime Finish Warranty
- Lifetime PVD Finish on exterior Polished Brass

*LEXINGTON™*  
(2100 SERIES)



*LEXINGTON™*  
(1300 SERIES)



### 1300 Series Entry Handle Features

- 5-pin Cylinder
- Solid Brass
- 1" throw deadbolt with two hardened steel rollers -prevents sawing
- Meets 2-point locking codes

### 1300 Series Entry Handle Specifications

- Non-adjustable latches 2-3/8" or 2-3/4" with removable faceplates
- Fits doors prepared with 2-1/8" Top and 2-1/8" Bottom cross holes and 1" edge hole
- Adjusts to door thickness from 1-3/4" to 2-1/4"
- 8" minimum center to center cross hole spacing

### Deadbolt Features

- Heavy duty security strike with 3" screws
- 5-pin Cylinder
- 1" throw deadbolt with two hardened steel rollers - prevents sawing
- ADA recommended, extra large interior thumbturn
- 1/4" Diameter Through Bolt (671/672 Models)
- Rotating Collar (671/672 Models)
- Heat treated assembly housing screws (671/672 Models)
- Anti-Force Shield (671/672 Models)
- Meets ANSI A 156.2 Grade II Cylindrical lock standards

### Deadbolt Specifications

- Adjustable latches 2-3/8" or 2-3/4" with removable faceplates
- Fits doors prepared with 2-1/8" cross holes and 1" edge hole
- Adjusts to door thickness from 1-3/8" to 2"
- Optional door thickness from 2" to 2-1/4"

### DEADBOLTS



#### Stocked Product

2115 Lexington Outside Handle Set  
**Finish:** Oil Rubbed Bronze (1), Satin Nickel (N)

2100 Inside Trim Sets  
Impresa(I)  
Julienne(J)  
Bordeau(U),  
**Finish:** Oil Rubbed Bronze (1), Satin Nickel (N)

Lexington 1300 Series: Call For Availability

Deadbolts 671 & 672  
**Finish:** Lifetime Brass, Antique Brass, Stain Chrome, Oil Rubbed Bronze, Satin Nickel

DISCONTINUED - CALL FOR AVAILABILITY

## Weslock-Traditionale Collection

### Knob & Lever Features

- Cylindrical Door Locks
- Meets ANSI A 156.2 Grade II lock standards
- 5-pin Cylinder
- Locksets have pre-installed installation screws, which are concealed behind a snap-on rosette
- Removable knobs/levers prevents scratching during installation
- Panic-Proof Keylock/Privacy- one turn of interior knob/lever unlocks & opens door
- Push Button locking in Rosette
- Weslock Keyway standard
- Zinc diecasted levers
- All brass knobs & rosettes

### Knob & Lever Specifications

- Adjustable Latches 2-3/8" or 2-3/4" with removable faceplates
- Fits doors prepared with 2-1/8" cross hole & 1" edge hole
- Adjusts to door thickness from 1-3/8" to 1-3/4"

### Warranty

- Limited Lifetime Mechanical Warranty
- Limited Lifetime Finish Warranty
- Lifetime PVD Finish on exterior Polished Brass

### KNOBS & LEVERS



BALL



ELEGANTI™



JULIENNE



IMPRESA™



ACCESS™



BORDEAU™



URBANA

**DISCONTINUED**  
Call for availability



### Stocked Product

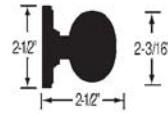
#### Ball (B) Knob

- Finish: US3  
600 Passage  
605 Dummy  
610 Privacy  
640 Keyed Lock



#### Impresa (I) Knob

- Finish: 1,N  
600 Passage  
605 Dummy  
610 Privacy  
640 Keyed Lock



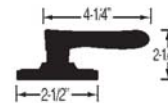
#### Julienne Knob (J)

- Finish: 3,1,N  
600 Passage  
605 Dummy  
610 Privacy  
640 Keyed Lock



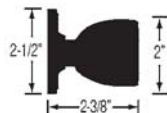
#### Bordeau (U) Handed Levers

- Finish: 1,N  
R/L600 Passage  
R/L605 Dummy  
R/L610 Privacy  
R/L640 Keyed Lock



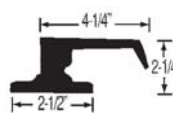
#### Eleganti (E) Knob

- Finish: A  
600 Passage  
610 Privacy  
640 Keyed Lock



#### Access (A) Levers

- Finish: D  
600 Passage  
605 Dummy  
610 Privacy  
640 Keyed Locks



- Antique Brass (A)
- Polished Brass (3)
- Satin Chrome (D)
- Satin Nickel (N)
- Oil Rubbed Bronze (1)

## Weslock-Interconnected

### 1400 Series Entry Handle Features

- 5-pin Cylinder
- 1" throw deadbolt with two hardened steel rollers - prevents sawing
- Available with any interior Traditionale Collection knob or lever style
- Solid Brass
- Textured interior Nolin plate
- Weslock Keyway standard
- Meets 2-point locking code

### 1400 Series Entry Handle Specifications

- Non-adjustable latches 2-3/8" or 2-3/4" with removable faceplates
- Fits doors prepared with 2-1/8" Top & 2-1/8" Bottom cross holes & 1" edge hole
- Adjusts to door thickness from 1-3/4" to 2-1/4"
- 2-7/8" center to center cross hole spacing

### 1400 Series Warranty

- Limited Lifetime Mechanical Warranty
- Limited Lifetime Finish Warranty
- Lifetime PVD Finish on exterior Polished Brass

### 1500 Series Unigard™ Features

- 5-pin Cylinder
- 1" throw deadbolt with two hardened steel rollers - prevents sawing
- Panic-Proof - one turn of the interior knob/lever unlocks & opens the door
- Available with any interior Traditionale Collection knob or lever style
- Smooth interior Nolin plate (on 1530/1550 styles)
- Weslock Keyway standard

### 1500 Series Unigard™ Specifications

- Non-adjustable latches 2-3/8" or 2-3/4" with removable faceplates
- Fits doors prepared with 2-1/8" Top & 2-1/8" Bottom cross holes & 1" edge hole
- Adjusts to door thickness from 1-3/4" to 2-1/4"
- 2-7/8" center to center cross hole spacing

### 1500 Series Unigard™ Warranty

- Limited Lifetime Mechanical Warranty
- Limited Lifetime Finish Warranty
- Lifetime PVD Finish on exterior Polished Brass

### LOCKSETS

*LEXINGTON™*  
(1400 SERIES)



*COLONIAL™*  
(1400 SERIES)



*WOODWARD™*  
(1400 SERIES)



WOODWARD



IMPRESSA



BORDEAU



ELEGANTI

*UNIGARD™*  
(1500 SERIES)



### Stocked Product

1444 Lexington Outside Handle Set	Finish: 1,N,
1414 Colonial Outside Handle Set	Finish: A
1424 Woodward Out Side Handle Set	Finish: 1, N,
1400 Lexinton/Colonial Inside Handle Set Trim	Finish: 1,N,A
Available with: Impressa Knobs	
Eleganti Knob (US5 only)	
Bordeau Levers	
1420 Woodward Inside Handle Set Trim	Finish: 1,N
Available with: Impressa Knobs	
Utica Levers (US15 only)	
1501EA Unigard x Eleganti	Finish: US5

## Weslock - Accessories and Parts

### MOLTEN BRONZE

**SC12987XM**

Interior Keyed Knob, Schlage C Keyway

**SC12292X**

Interior Keyed Lever, Schlage C Keyway



**DISCONTINUED**  
 Call for availability and special pricing

**SC14027XM - Handlesets**

Schlage C Keyway



**Stocked Product**  
 Oil Rubbed Bronze (1)  
 Weathered Pewter (P)  
 Black (2)

### ELEGANCE

**SC12987 - Interior Keyed**

Schlage C keyway



**DISCONTINUED**  
 Call for availability and special pricing

**SC14027 - Handlesets Keyed**

Schlage C Keyway



**Stocked Product**  
 Satin Nickel (N)  
 Oil Rubbed Bronze (1)  
 Polished Brass (3)

### LATCHES



12720 - Adjustable Spring Latch

32720 - Adjustable Lever Strength Spring Latch



12721 - Adjustable Dead Latch

32721 - Adjustable Lever Strength Dead Latch

**DISCONTINUED**  
 Call for availability and special pricing



32721 - Adjustable Lever Strength Dead Bolt

**Stocked Product**  
 All finishes

## Weslock - *Accessories and Parts*

### WS001012 - Rekeying Kit



---

### 00102 - Depth Key Set



---

### 105X6 - Plug Follower







## Yale

### 4800LN Series - Interconnected Locks

The 4800LN series meets accessibility guidelines of the Americans with Disabilities Act and the requirements of the Uniform Federal Accessibility Standards and ANSI 117.1, all requiring ease of accessibility for the handicapped.

#### **Specifications:**

**Backset:** The 4800LN series is available with a 2-3/4" or (2-3/8" special order) backset.

**Fire Listings:** 4800LN series locksets are UL listed for use on fire doors for up to 90 minutes.

**Strikes:** Lockset - T-Strike (Model 371) standard.  
Deadbolt - D245 standard, 542 optional.

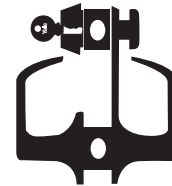
**C Keyway 6 pin**

**Warranty:** The 4800LN series carries a one-year mechanical warranty.

\* Simulated painted finish meeting ANSI/BHMA standards for wear and durability.

#### **Installation:**

4800LN series interconnected locks use a 4" center to center dimension and conform to ANSI/BHMA Specifications A156.115 which cover hardware preparations for steel doors and steel frames and A156.115-W which cover hardware preparations for wood doors with wood or steel frames.

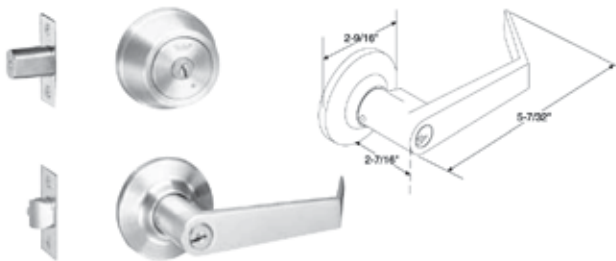


#### **4851LN (F95)**

##### **Entrance, Single Locking**

Deadbolt operated by key from outside or by thumbturn from inside and automatically deadlocks when fully thrown. Latchbolt retracted by lever from either side. Turning inside lever retracts deadbolt and latchbolt simultaneously for immediate exit.

#### **Augusta AU**



#### **Stocked Product**

No.	Function	Finish
4851LN	Entrance, Single Locking	613, 626

## Yale

### **inTouch® Stand-alone Touchscreen Access Lock**



Users benefit from an interactive touchscreen that makes day-to-day access effortless and offers voice-guided programming for fast and simple updates to user information in the event of staffing changes or security breaches.

Ideal for a wide variety of applications, *inTouch* is recommended for management offices, patient records storage, storerooms, staff lounges, restroom doors, etc. Anywhere that requires simple controlled access is an ideal place for *inTouch*!

*inTouch* is engineered for quick & easy installation and fits into the standard ANSI/BHMA A156.115 cylindrical locks with lever door prep with one additional 3/4" hole and 7 screws including latchbolt and strike.

The *inTouch* Series lever design meets accessibility guidelines of the Americans with Disabilities Act and the requirements of the Uniform Federal Accessibility Standards and ICC/ANSI A117.1

Certified ANSI/BHMA A156.2, Series 4000 Grade 1.

The *inTouch* stand-alone touchscreen access lock features the Free Wheeling lever mechanism. When the outside lever is locked, it will rotate freely up and down while remaining securely locked.

#### **Specifications:**

**Door Thickness:** 1-3/4" (44mm) door thickness standard. For use on 1-3/8" thick doors, a special thin door kit must be used. To order 1-3/8" thin door kit, specify part number 14-4761-0106. This kit includes inside and outside escutcheon spacers as well as a 2-3/8" latchbolt.

**Backset:** The 4600(LN) series cylindrical locksets are available with a 2-3/4" (70mm) standard or 2-3/8" (60mm) optional backset.

**Latchbolts:** 1/2" (13mm) throw deadlocking latchbolt supplied standard.

**Power Source:** Powered by 4 AA alkaline batteries.

**Strikes:** ANSI strike 4-7/8" x 1-1/4" x 1-1/4" (124mmx32mmx32mm)

#### **C Keyway 6 pin**

**Fire Listings:** Functions are UL - cUL Fire Listed for use on fire doors having a rating up to and including 3-hours.

**Warranty:** The *inTouch* stand-alone touchscreen access lock carries a three-year warranty. Likewise, *inTouch* carries a lifetime warranty against lever sag and lever spring breakage.

**Handing:** Locksets are non-handed.

#### **Installation:**

*InTouch* uses a cylindrical lock with levers door preparation with the addition of one 3/4" hole, therefore conforming to modified ANSI/BHMA Specifications A156.115 which cover hardware preparations for steel doors and steel frames and A156.115-W which cover hardware preparations for wood doors with wood or steel frames.

## Yale

### inTouch® Stand-alone Touchscreen Access Lock

#### Features:



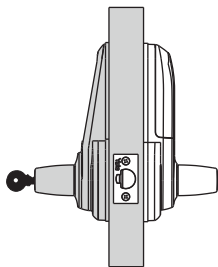
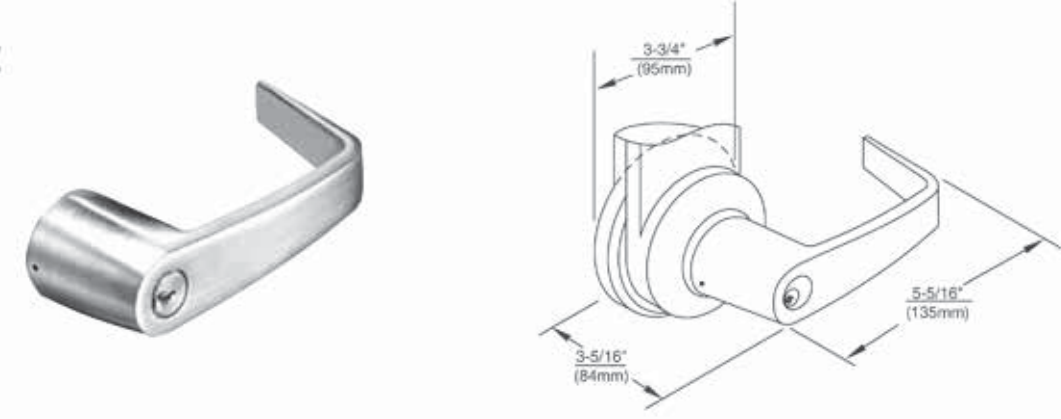
## Yale

### *inTouch*<sup>®</sup> Stand-alone Touchscreen Access Lock

**Additional Features:**

- Menu access to voice guided programming available through touchscreen.
- Pre-programmed voice options: English (default), Spanish or French.
- Visual and tone playback confirmation provides positive reassurance while operating.
- Silent mode available to disable tone playback for use in quiet areas.
- Auto re-lock time – default of 5 seconds.
- Keypad Shutdown – Deters tampering by disabling the keypad for a default of 180 seconds after five successive wrong code entries.
- Weather resistant. Operational in temperatures ranging from -40°F to +140°F (-40°C to +60°C) at 95% relative humidity.

**Lever Design**  
**Augusta AU**  
**Lever : Cast Zinc**



Outside                      Inside

**E4761LN**  
**With Cylinder Override**

- For doors that require mechanical key override.
- Latchbolt retracted by lever outside with valid PIN code; by use of mechanical key, or by operating lever inside.
- Inside lever always active.
- Deadlocking latchbolt.

***Stocked Product***

**No.**  
 E4761LN

**Finish**  
 626

## Yale

### 4700(LN) Series - Grade 1 Cylindrical Locks

The 4700LN lever designs meets accessibility guidelines of the Americans with Disabilities Act and the requirements of the Uniform Federal Accessibility Standards and ANSI A117.1, all requiring ease of accessibility for the handicapped.

Certified ANSI/BHMA A156.2, Series 4000 Grade 1.

#### **Features:**

All 4700(LN) Series locking functions feature the Free Wheeling lever mechanism. When the outside lever is locked, it will rotate freely up and down while remaining securely locked.

#### **Specifications:**

**Backset:** The 4700(LN) series cylindrical locksets are available with a 2-3/4" (70mm) standard backset.

**Fire Listings:** 4700(LN) Series locksets are UL - cUL listed for use on fire doors having a rating up to and including 3 hours.

**Strikes:** ANSI strike 4-7/8" x 1-1/4" x 1-1/4"

**Latchbolts:** 2-3/4" (70mm) backset, 1/2" (13mm) throw latchbolt

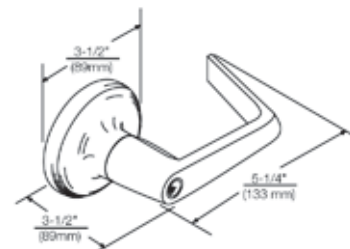
#### **C Keyway 6 pin**

**Handing:** Locksets are non-handed and easily field reversible. supplied standard.

**Warranty:** The 4700(LN) series cylindrical locks carry a five-year mechanical warranty.

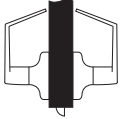


**Trim Design**  
**Augusta AU**  
**Lever : Cast Zinc**  
**Rose: Wrought Brass**



## Yale

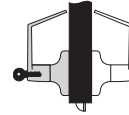
### 4700(LN) Series - Grade 1 Cylindrical Locks



Outside    Inside

**4701LN (F75)**  
**Passage or Closet Latch**

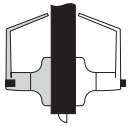
- For doors that do not require locking.
- Either lever/knob operates latchbolt at all times.



Outside    Inside

**4705LN (F86)**  
**Storeroom or Closet Lock**

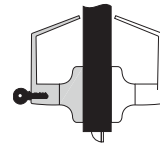
- For use on storeroom, utility, exit doors.
- Deadlocking latchbolt.
- Latchbolt operated by lever/knob inside, key in outside lever/knob.
- Outside lever/knob always rigid.
- Inside lever/knob always active.



Outside    Inside

**4702LN (F76A)**  
**Privacy, Bedroom or Bath Lock**

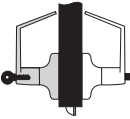
- For lavatory or other privacy doors.
- Either lever/knob operates latchbolt unless outside lever/knob is locked by pushbutton inside.
- Button automatically releases when inside lever/knob is turned or door is closed.
- Emergency release in outside lever.
- Inside lever/knob always active.



Outside    Inside

**4708LN (F84)**  
**Classroom Lock**

- For classroom or utility room doors.
- Deadlocking latchbolt.
- Either lever/knob operates latchbolt (except when outside lever is locked by key).
- Inside lever/knob always active.
- Key releases outside lever/knob.



Outside    Inside

**4704LN (F82B)**  
**Entry Lock**

- For entrance or office doors.
- Deadlocking latchbolt.
- Either lever operates latchbolt (except when outside lever is locked from inside).\*
- Pushing button in inside lever locks outside lever. (Automatically releases when inside lever is turned or key is rotated in locked outside lever.)
- Latchbolt is operated by key in outside lever or by rotating inside lever.
- Inside lever always active.

#### **Stocked Product**

No.	Function	Finish
4701LN	Passage or Closet Latch	613, 626
4702LN	Privacy, Bedroom or Bath Lock	613, 626
4704LN	Entry Lock	613, 626
4705LN	Storeroom or Closet Lock	613, 626
4708LN	Classroom Lock	613, 626

## Yale

### 4600(LN) Series - Grade 2 Cylindrical Locks

The 4600LN series lever designs meets accessibility guidelines of the Americans with Disabilities Act and the requirements of the Uniform Federal Accessibility Standards and ANSI A117.1, all requiring ease of accessibility for the handicapped.

Certified ANSI/BHMA A156.2, Series 4000 Grade 2.



#### **Specifications:**

**Backset:** The 4600(LN) series cylindrical locksets are available with a 2-3/4" (70mm) standard.

**Latchbolts:** 2-3/4" (70mm) backset, 1/2" (13mm) throw latchbolt.

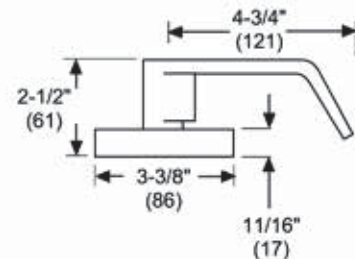
**Through-Bolts:** 4600LN cylindrical lever locks are supplied with optional through-bolts. Installation of through-bolts is at the discretion of the installer.

**Fire Listings:** 4600(LN) series locksets are UL - cUL listed for use on fire doors having a rating up to and including 3 hours.

**Warranty:** The 4600(LN) series cylindrical locks carry a three-year mechanical warranty.

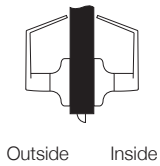
**Handing:** Locksets are non-handed and easily field reversible.

Trim Design  
Augusta AU  
Lever : Cast Zinc  
Rose: Wrought Brass



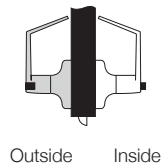
## Yale

### 4600(LN) Series - Grade 2 Cylindrical Locks



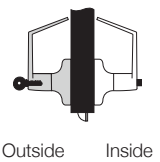
**4601LN (F75)  
Passage or Closet Latch**

- For doors that do not require locking.
- Either lever/knob operates latchbolt at all times.



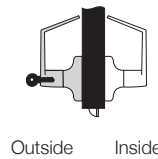
**4602LN (F76B)  
Privacy, Bedroom or Bath Lock**

- For lavatory or other privacy doors.
- Either lever/knob operates latchbolt unless outside lever/knob is locked by pushbutton inside.
- Button automatically releases when inside lever/knob is turned or door is closed.
- Emergency release in outside lever.
- Inside lever/knob always active.



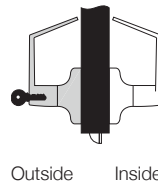
**4604LN (F82B)  
Entry Lock**

- For entrance or office doors.
- Deadlocking latchbolt.
- Either lever operates latchbolt (except when outside lever is locked from inside).\*
- Pushing button in inside lever locks outside lever. (Automatically releases when inside lever is turned or key is rotated in locked outside lever.)
- Latchbolt is operated by key in outside lever or by rotating inside lever.
- Inside lever always active.



**4605LN (F86)  
Storeroom or Closet Lock**

- For use on storeroom, utility, exit doors.
- Deadlocking latchbolt.
- Latchbolt operated by lever/knob inside, key in outside lever/knob.
- Outside lever/knob always rigid.
- Inside lever/knob always active.



**4608LN (F84)  
Classroom Lock**

- For classroom or utility room doors.
- Deadlocking latchbolt.
- Either lever/knob operates latchbolt (except when outside lever is locked by key).
- Inside lever/knob always active.
- Key releases outside lever/knob.

#### **Stocked Product**

No.	Function	Finish
4601LN	Passage or Closet Latch	613, 626
4602LN	Privacy, Bedroom or Bath Lock	613, 626
4604LN	Entry Lock	613, 626
4605LN	Storeroom or Closet Lock	613, 626
4608LN	Classroom Lock	613, 626



## Yale

### 2100 Series - Flatbar Exit Devices

The 2100(F) is a rim exit device to be used with single doors or pairs of doors constructed of metal, wood or composite materials. The 2100(F) can be paired with a wide variety of trims to meet many applications.

Certified ANSI/BHMA  
A156.3, Grade 1.

Listed for use on fire doors having a rating up to and including 3-hours unless otherwise noted.

2100 exit device lever trims feature the unique Free Wheeling lever mechanism. This Free Wheeling trim features a clutch mechanism which allows the lever to float down 60° when operated in the locked condition, greatly improving vandal resistance.

The 2100 series exit devices carry a three-year warranty. Rose trims carry a two-year warranty.

ANSI/BHMA Certified: A156.3 Type 1, Grade 1

#### Features:

- Designed for wide stile doors
- Non-handed for easy installation
- Steel interlock "E" bracket maintains door-to-mullion relationship in fire-labeled devices
- Deadlocking pullman latchbolt positively engages roller strike

#### Applications:

- Single swing doors
- Pairs of doors (mullion required)
- Metal, wood or composite door materials

#### Specifications:

##### Door Opening Width:

-36 for 30" - 36" (76cm - 91cm) doors

-48 for 42" - 48" (107cm - 122cm) doors

**Door Thickness:** 1-3/4" (44mm) standard. Optional door thicknesses available to 4-1/2"; specify door thickness when ordering.

**Minimum Stile Width:** 4-1/2" (114mm)

**Projection:** 2-1/2" (64mm) active, 1-3/4" (44mm) depressed

**Latchbolt:** 3/4" (19mm) deadlocking stainless steel pullman-type

**Strike:** 757F, 793 optional (double door application, panic only)

**Fasteners:** Machine screws and wood door fasteners standard for panic hardware. Sex nuts and bolts supplied standard for fire exit hardware.

**Trims:** 440F series rose trim with escutcheon plate

**Dogging:** Hex key dogging supplied standard on panic devices



#### Options:

MicroShield®  
Warranty: 3-year limited

UL/cUL Listed: FVSR/FVSR7 - Panic hardware  
GXHX/GXHX7 - Fire exit hardware (F)  
(4' x 8' single, 8' x 8' pairs, 3 hr.)  
ZHEM - Latching hardware  
ZHLA - Windstorm rated assemblies

#### Stocked Product

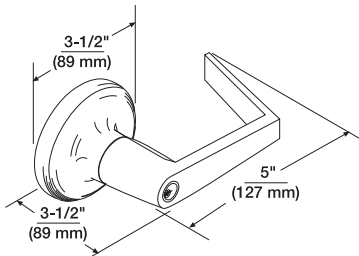
No.	Size	Function	Finish
2100	36", 48"	Exit Only	689
2100F	36", 48"	Fire Exit Only	689

# Yale

## 440F Series - Exit Device Trims

### Features:

- Certified ANSI/BHMA A156.3, Grade 1.
- 440F rose trim for stock doors (161 Prep).
- Free-Wheeling trim resists vandalism and abuse.
- 1-3/4" (44mm) door standard.
- Cylinders included, accepts 6-pin cylindrical type cylinders.
- Finishes: 689
- "S" trim prefix - Lever trim accepting Schlage® standard cylinders. 6-pin only. (Example: S-AU446F)
- 2-year limited warranty.



441F Nightlatch Access by Key	446F Classroom Cylinder Controls
-------------------------------------	--

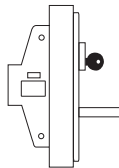
### ANSI Functions



01  
Exit Only, No Trim/Exit  
Only, Blank Plate



03  
Key Retracts  
Latchbolts (NL)  
441F2



08  
Entrance by Lever (Key  
Locks/Unlocks Lever)  
446F2

### Stocked Product

No.	Function	Finish
441F	Key Retracts Latchbolt	689
446F	Entrance by Lever	689

## Zaca

### Spacecab Regulus

STANDARD FRAME

#### Features

- Reversible, recessed mounting
- 6 Adjustable shelves included
- Float select (thin) and float plate (thick) mirror options

#### Stocked Product

Model	Mirror Type	Overall W x H	Wall Opening W x H x D	Finish
11-1-26-32	Float Select	16 x 26	14 x 24 x 3	Chrome



### Spacecab Media

POLISHED EDGE

#### Features

- Reversible, recessed mounting
- 26" Cabinet includes 6 adjustable shelves

#### Stocked Product

Model	Mirror Type	Overall W x H	Wall Opening W x H x D	Finish
21-2-26-00	Float Plate	16 x 26	14 x 24 x 3	N/A



## Zaca

### Spacecab Nunki

BEVELED EDGE

#### Features

- Reversible, recessed mounting
- 26" Cabinet includes 6 adjustable shelves



#### Stocked Product

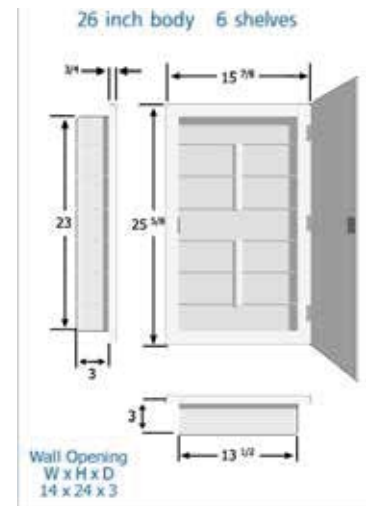
Model	Mirror Type	Overall W x H	Wall Opening W x H x D	Finish
22-2-26-00	Float Plate	16 x 26	14 x 24 x 3	N/A

### Chromeo

VALUE PRICED CABINET

#### Features

- Unique patented storage system
- Fixed shelves
- Filed replaceable mirror door
- Reversible recess installation



#### Stocked Product

Model	Mirror Type	Overall W x H	Wall Opening W x H x D	Finish
61-1-26-32	Float Select	16 x 26	14 x 24 x 3	Chrome