

Fuel Filter Assemblies & Spare Parts

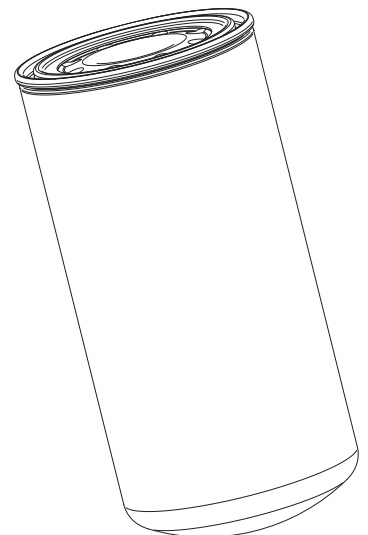
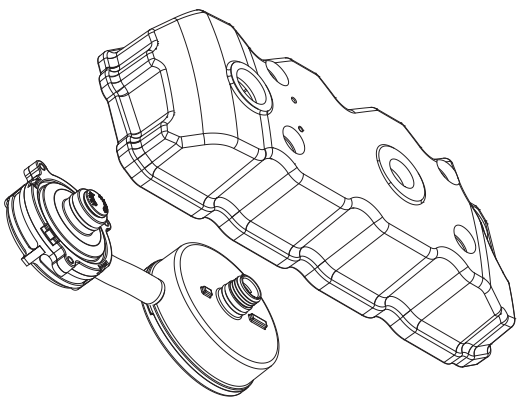
www.3gttp.com

Sales team contact details

Tel: 01709 702066

Fax: 01709 702488

Email: sales@3gttp.com



OEM Quality in the Independent Aftermarket

Racor's primary business is to design and manufacture complete engine filtration solutions for the world's leading truck manufacturers.

Racor has worked in partnership with many leading automotive OEMs to design and manufacture the product installed as first fit on the engine or truck.

The aftermarket version of those filters are also manufactured by Racor and can be found in this catalogue. They are identical to the OEM filter in fit, form, function and performance, and they will not violate or invalidate the vehicle manufacturers warranty conditions.

If you require further information or technical data on the products in this catalogue, please email:

sales@3gttp.com

How to use this catalogue

The corresponding OEM is displayed at the top of each page together with the relevant primary applications.

The table at the bottom of the page gives details on each product, including the OEM part number** and the Racor equivalent interchange.

Contents

Warning

OEM Quality in the Independent Aftermarket	2
Applications Guide	4 - 6
DAF	
Fuel	7
Ford	
Fuel	8
Iveco	
Fuel	9 - 11
MAN	
Fuel	12
Mercedes	
Fuel	13 * 15
Renault	
Fuel	16 - 18
Scania	
Fuel	19
Volvo	
Fuel	20 - 22
Cross Reference List	23 - 27

Failure or improper selection or use of the products and/or systems described herein or related items can cause death, personal injury, and property damage. This document and other information from Parker Hannifin Corporation, its subsidiaries and authorized distributors provide product and/or system options for further investigation by users having technical expertise. It is important that you analyze all aspects of your application and review the information concerning the product or system in this catalogue. Due to the variety of operating conditions and applications for the products or systems, the user, through its own analysis and testing, is solely responsible for making the final selection of the products and systems and assuring that all performance, safety, and warning requirements of the application are met. The products described herein, including with limitation, product features, specification, designs, availability and pricing, are subject to change by Parker Hannifin Corporation and its subsidiaries at any time without notice.

Any use of images or information from this document without prior approval from Parker Racor is prohibited.

Applications Guide

Referenced to 3G & Racor Part Number

Racor Part Number	3G Part Number	OEM	Application	OEM Part Number	Page #
4160DRCR02	*Special Order	Ford	Fuel: Cargo 10.2L, 9.0L, 7.3L	6C46-9155-EA	12
4160DRCR03	*Special Order	Ford	Fuel: Cargo 10.2L, 9.0L, 7.3L	DC46-9155-AB	12
LDP160R20RCR02	*Special Order	Iveco	Fuel: Euro 6 - Stralis	580 1510 524	10
LDP160R20RCR10	*Special Order	Iveco	Fuel: Euro 6 - Stralis	580 1510 519	10
4160RHHV10MTC-SLV	TN0250	Mercedes	Fuel: Euro 4/5 - Actros I, Actros I MP2 + MP3, Atego I, Atego II, Axor I, Axor II	A 000 470 04 69	28
490RP10-D-01	TN0110	Iveco	Fuel: Euro 5 - Stralis, Strator	5041 01 411	18
MD5790PRV10RCR02	*Special Order	Iveco	Fuel: Euro 5 - Eurocargo	504 192 159	20
MD5790PRV10RCR01	*Special Order	Iveco	Fuel: Euro 5 - Eurocargo	504 192 165	20
KR50013	*Special Order	Scania	Fuel: Euro 4/5 - Series 4, G, P, R, T	Racor Exclusive	43
DRK 00008	TN0075	Ford	Fuel: Cargo 10.2L, 9.0L, 7.3L	Racor Exclusive	9
DRK 00008	TN0075	Iveco	Fuel: Euro 5 - Stralis, Strator	Racor Exclusive	9
DRK 00036	TN0255	Mercedes	Fuel: Euro 4/5 - Actros I, Actros I MP2 + MP3, Atego I, Atego II, Axor I, Axor II	A 000 477 45 08	28
DRK 00037	TN0260	Mercedes	Fuel: Euro 4/5 - Actros I, Actros I MP2 + MP3, Atego I, Atego II, Axor I, Axor II	A 000 477 25 16	28
DRK 00054	TN0050	Ford	Fuel: Cargo 10.2L, 9.0L, 7.3L	DC46-9176-BA	12
DRK 00195	TN0300	Renault	Fuel: Euro 4/5 - Midlum	20900648	38
DRK 00195	TN0300	Volvo	Fuel: Euro 4/5 - FE II, FL II	7420900648	53
DRK 00230	TN0055	Ford	Fuel: Cargo 10.2L, 9.0L, 7.3L	Racor Exclusive	12
DRK 00230	TN0055	Iveco	Fuel: Euro 6 - Stralis	Racor Exclusive	19
DRK 00388	TN0350	Renault	Fuel: Euro 4/5 - Kerax, Magnum, Premium	20869391	36
DRK 00388	TN0350	Volvo	Fuel: Euro 4/5 - FH12, FH16, FL, FM	20869391	51
DRK 00391	TN0550	Volvo	Fuel: Euro 4/5 - FH12, FH16, FL, FM	21023285	51
DRK 00391	TN0550	Volvo	Fuel: Euro 4/5 - FH12, FH16, FL, FM	21870628	51
DRK 00396	TN0305	Renault	Fuel: Euro 4/5 - Kerax, Magnum, Premium	7420869391	36
DRK 00396	TN0305	Volvo	Fuel: Euro 4/5 - FH12, FH16, FL, FM	2086387	51
DRK00404	TN0355	Renault	Fuel: Euro 4/5 - Kerax, Magnum, Premium	7421023287	36
DRK00404	TN0355	Volvo	Fuel: Euro 4/5 - FH12, FH16, FL, FM	21900852	51
DRK00409	*Special Order	Ford	Fuel: Cargo 10.2L, 9.0L, 7.3L	5C46-9J294-BB	12
DRK 00055	TN0115	Iveco	Fuel: Euro 5 - Stralis, Strator	Racor Exclusive	18
DRK 00055	TN0115	Iveco	Fuel: Euro 6 - Stralis	Racor Exclusive	19
DRK 00121	TN0120	Iveco	Fuel: Euro 5 - Stralis, Strator	Racor Exclusive	18
DRK 00195	TN0300	Volvo	Fuel: Euro 4/5 - FE II, FL II	7420900648	53
DRK00405	TN0360	Renault	Fuel: Euro 6 - Magnum	21879909	37
DRK00405	TN0360	Volvo	Fuel: Euro 6 - FH16	21879911	52
DRK00407	TN0365	Renault	Fuel: Euro 6 - Magnum	21762862	21
DRK00407	TN0365	Volvo	Fuel: Euro 6 - FH16	21762862	52
DRK00408	*Special Order	Renault	Fuel: Euro 4/5 - Midlum	20591254	37
DRK00410	TN0125	Iveco	Fuel: Euro 5 - Eurocargo	42561607	20
DRK00431	TN0555	Volvo	Fuel: Euro 6 - FH16	21762800	52

Applications Guide

Referenced to 3G & Racor Part Number

Racor Part Number	3G Part Number	OEM	Application	OEM Part Number	Page #
DRK00432	TN0310	Renault	Fuel: Euro 6 - Magnum	21766617	37
DRK00432	TN0310	Volvo	Fuel: Euro 6 – FH16	21762764	52
KR 27004	*Special Order	Scania	Fuel: Euro 4/5 – Series 4, G, P, R, T	1407702	43
KR 27004-H	TN0500	Scania	Fuel: Euro 4/5 – Series 4, G, P, R, T	Racor Exclusive	43
LFS TF1006RE	TN0505	Scania	Fuel: Euro 4/5 – Series 4, G, P, R, T	176 8402	45
MD5760DTV30RCR01	TN0370	Renault	Fuel: Euro 4/5 - Midlum	21088114	38
MD5760DTV30RCR01	TN0370	Volvo	Fuel: Euro 4/5 – FE II, FL II	20591265	53
MD5760DTV30RCR02	TN0375	Renault	Fuel: Euro 4/5 - Midlum	21088121	38
MD5760DTV30RCR02	TN0375	Volvo	Fuel: Euro 4/5 – FE II, FL II	20591266	53
PFF5600	TN0200	MAN	Fuel: F2000, F2000 Evolution, FE, TGA	81.12501.0033	23
PFF5601	TN0205	MAN	Fuel: F2000, F2000 Evolution, FE, TGA	81.12503.0086	23
PFF5605	TN0510	Scania	Fuel: Euro 4/5 – Series 4, G, P, R, T	1518512	43
PFF67555	TN0270	Mercedes	Fuel: Euro 6 - Actros	A 000 090 42 51	29
PFF67605	TN0275	Mercedes	Fuel: Euro 6 - Actros	A 000 090 17 52	29
R160-D-RCR-01	TN0080	Ford	Fuel: Cargo 10.2L, 9.0L, 7.3L	3C46-9176-CA	12
R160-D-RCR-01	TN0080	Mercedes	Fuel: Euro 4/5 - Actros I, Actros I MP2 + MP3, Atego I, Atego II, Axor I, Axor II	A 000 477 01 03	28
R160G	TN0130	Iveco	Fuel: Euro 6 - Stralis	580 1620 130	19
R160P	TN0135	Iveco	Fuel: Euro 5 - Stralis, Strator	504166113	18
R160P-D-MAX	TN0315	Renault	Fuel: Euro 4/5 - Midlum	21380500	38
R260P	TN0380	Renault	Fuel: Euro 4/5 – Kerax, Magnum, Premium	74 20 998 634	36
R260P	TN0380	Volvo	Fuel: Euro 4/5 – FH12, FH16, FL, FM	20998367	51
R420PL	TN0010	DAF	Fuel: 75CF, 85CF, 95XF, 105XF	143 3649	7
R60P-D-MAX	TN0385	Renault	Fuel: Euro 4/5 - Midlum	21380403	38
R60P-D-MAX	TN0385	Volvo	Fuel: Euro 4/5 – FE II, FL II	21380408	53
R60RDRCR01	TN0320	Renault	Fuel: Euro 6 - Magnum (Standard Life)	7421764968	36
R60RDRCR01	TN0320	Renault	Fuel: Euro 6 - Magnum (Long Life)	7421764981	37
R60RDRCR01	TN0320	Renault	Fuel: Euro 4/5 – Kerax, Magnum, Premium	74 21 380 472	37
R60RDRCR01	TN0320	Volvo	Fuel: Euro 4/5 – FH12, FH16, FL, FM	21380475	51
R60RDRCR01	TN0320	Volvo	Fuel: Euro 6 – FH16 (Standard Life)	21764966	52
R60RDRCR01	TN0320	Volvo	Fuel: Euro 6 – FH16 (Long Life)	21764966	52
R90-D-RCR-01	TN0280	Mercedes	Fuel: Euro 4/5 - Actros I, Actros I MP2 + MP3, Atego I, Atego II, Axor I, Axor II	A 000 477 13 02	28
R90P	TN0515	Scania	Fuel: Euro 4/5 – Series 4, G, P, R, T	1393640	43
R90RDRCR01	TN0390	Renault	Fuel: Euro 6 - Magnum (Ultra Long Life)	7421764981	36
R90RDRCR01	TN0390	Renault	Fuel: Euro 4/5 – Kerax, Magnum, Premium	74 21 380 483	37
R90RDRCR01	TN0390	Volvo	Fuel: Euro 4/5 – FH12, FH16, FL, FM	21380490	51
R90RDRCR01	TN0390	Volvo	Fuel: Euro 6 – FH16 (Ultra Life)	21764964	52
R90T-D-MAX	TN0140	Iveco	Fuel: Euro 5 - Stralis, Strator	42549295	18
R90T-D-MAX	TN0140	Iveco	Fuel: Euro 5 - Eurocargo	504 272 431	20

Applications Guide

Referenced to 3G & Racor Part Number

Racor Part Number	3G Part Number	OEM	Application	OEM Part Number	Page #
R90T-D-MAX	TN0140	Renault	Fuel: Euro 4/5 - Midlum	21088099	38
R90T-D-MAX	TN0140	Volvo	Fuel: Euro 4/5 – FE II, FL II	21088101	53
RC-381	TN0520	Scania	Fuel: Euro 4/5 – Series 4, G, P, R, T	1411794	43
RS175RCR01	TN0395	Renault	Fuel: Euro 6 - Magnum	7421764961	37
RS175RCR01	TN0395	Volvo	Fuel: Euro 6 – FH16	21764952	52
RS250RCR01	TN0085	Ford	Fuel: Cargo 10.2L, 9.0L, 7.3L	2C46-9176-BA	12
RS250RCR01	TN0085	Renault	Fuel: Euro 6 - Magnum	7421764958	37
RS250RCR01	TN0085	Volvo	Fuel: Euro 6 – FH16	21764937	52
RS250RCR02	TN0400	Renault	Fuel: Euro 4/5 – Kerax, Magnum, Premium	21764958	36
RS250RCR02	TN0400	Volvo	Fuel: Euro 4/5 – FH12, FH16, FL, FM	21764937	51



OE Fuel Filtration
Now and into the future

- **Euro 4/5 Heavy Duty Trucks**

- Volvo - 100%
- Renault - 100%
- Mercedes - 100%
- Iveco - 50%
- Scania - 50%

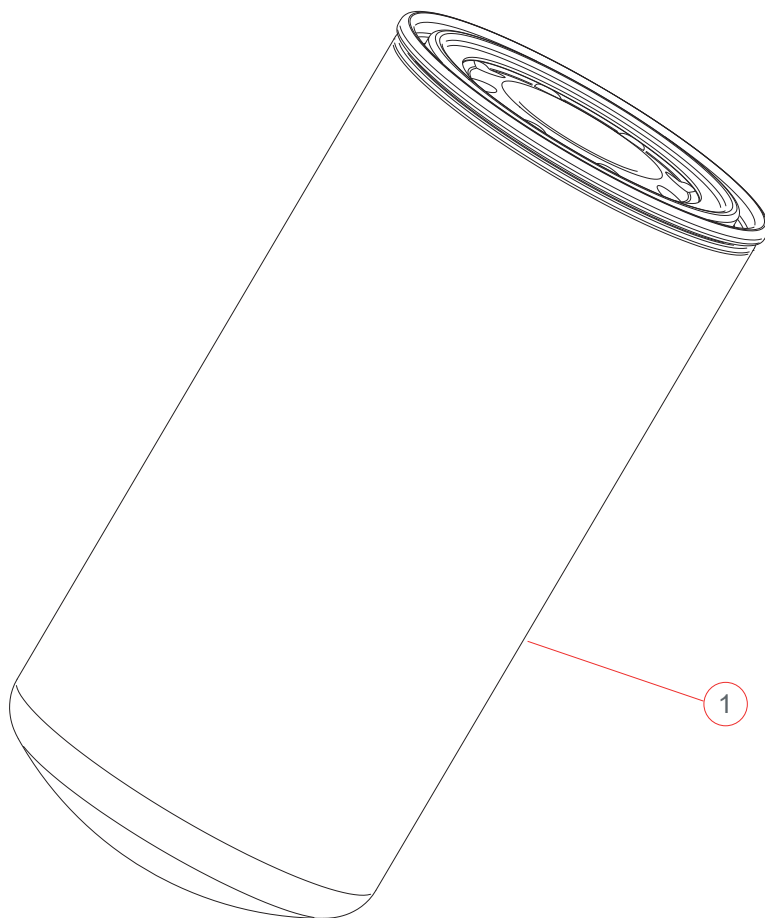
- **Euro 6 Heavy Duty Trucks**

- Volvo - 100%
- Renault - 100%
- Mercedes - 100%
- Iveco - 100%
- Scania - in progress

DAF

Fuel

Primary Applications: 75CF, 85CF, 95XF, 105XF

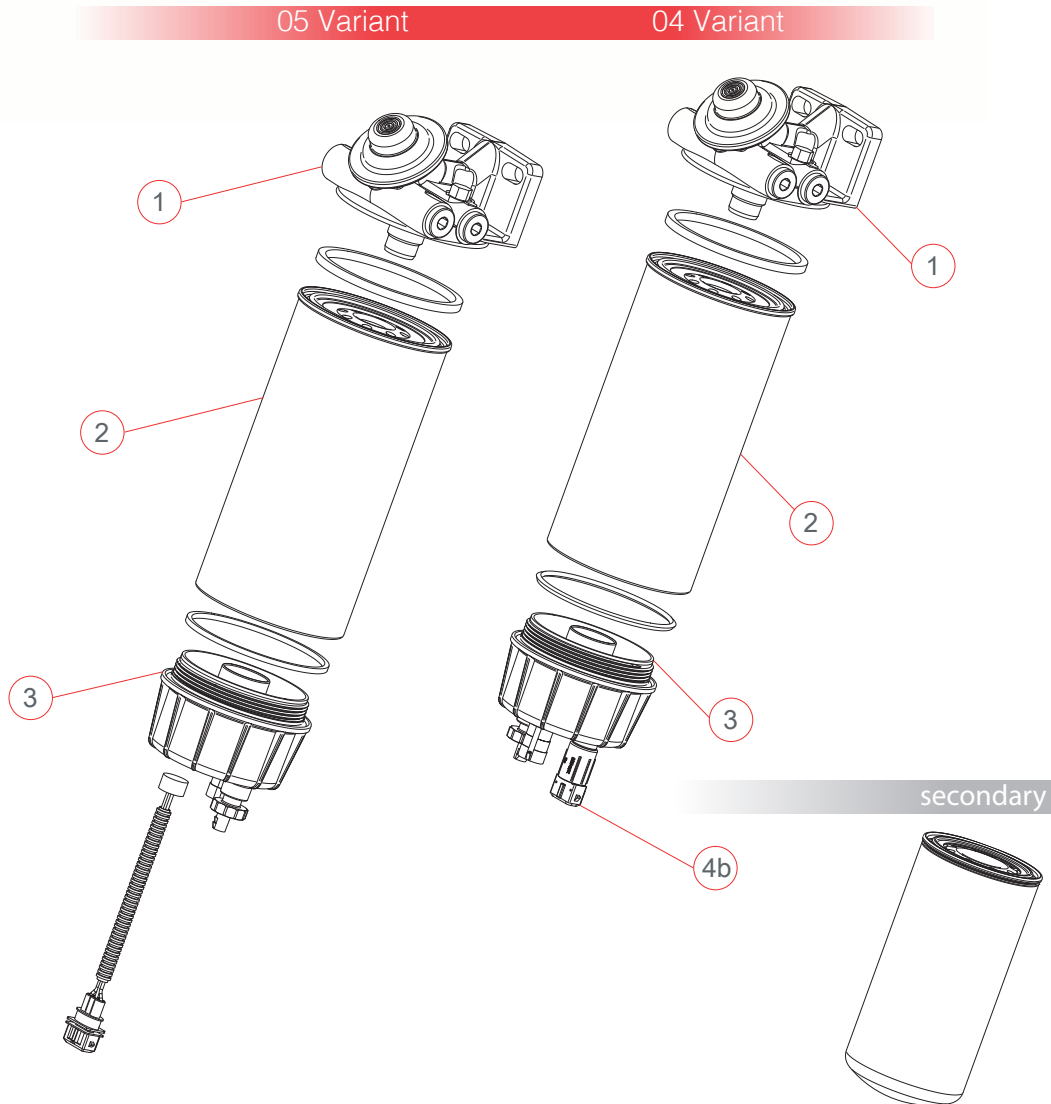


#	Description	OEM REF	Racor Ref.	3G Ref.
1	Replacement element	143 3649	R420PL	TN0010

Ford

Fuel

Primary Applications: Cargo - 10.2, 9.0, 7.2 Litres

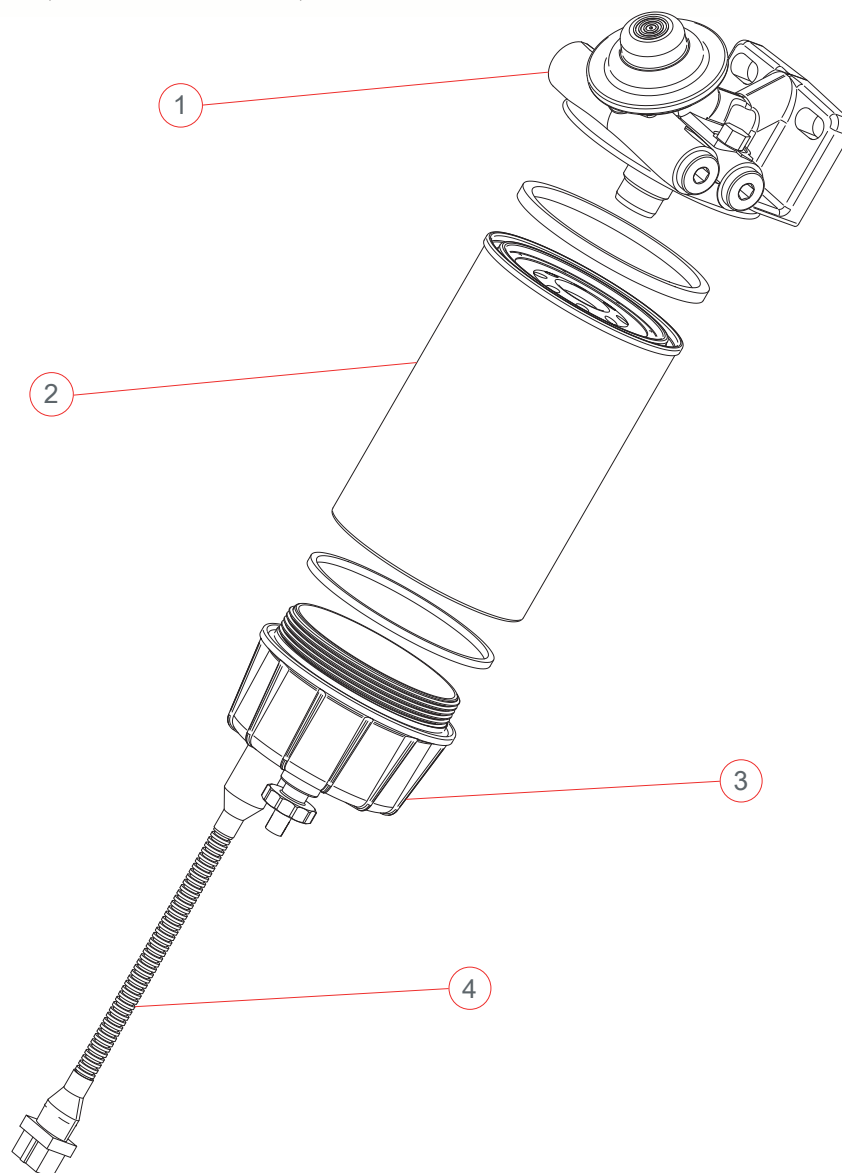


#	Description	OEM Ref.	Racor Ref.	3G Ref.
-	FFWS assembly (04)	6C46-9155-EA	4160DRCR02	*Special Order
-	FFWS assembly (05)	DC46-9155-AB	4160DRCR03	*Special Order
1	Head assembly	Racor exclusive	DRK 00008	TN0075
2	Replacement element - primary filter	3C46-9176-CA	R160-D-RCR-01	TN0080
3	Bowl assembly	5C46-9J294-BB	DRK00409	*Special Order
4a	Water sensor (04 variant)	Racor exclusive	DRK 00230	TN0055
4b	Water sensor (05 variant)	DC46-9176-BA	DRK 00054	TN0050
5	Replacement element - secondary filter	2C46-9176-BA	RS250RCR01	TN0085

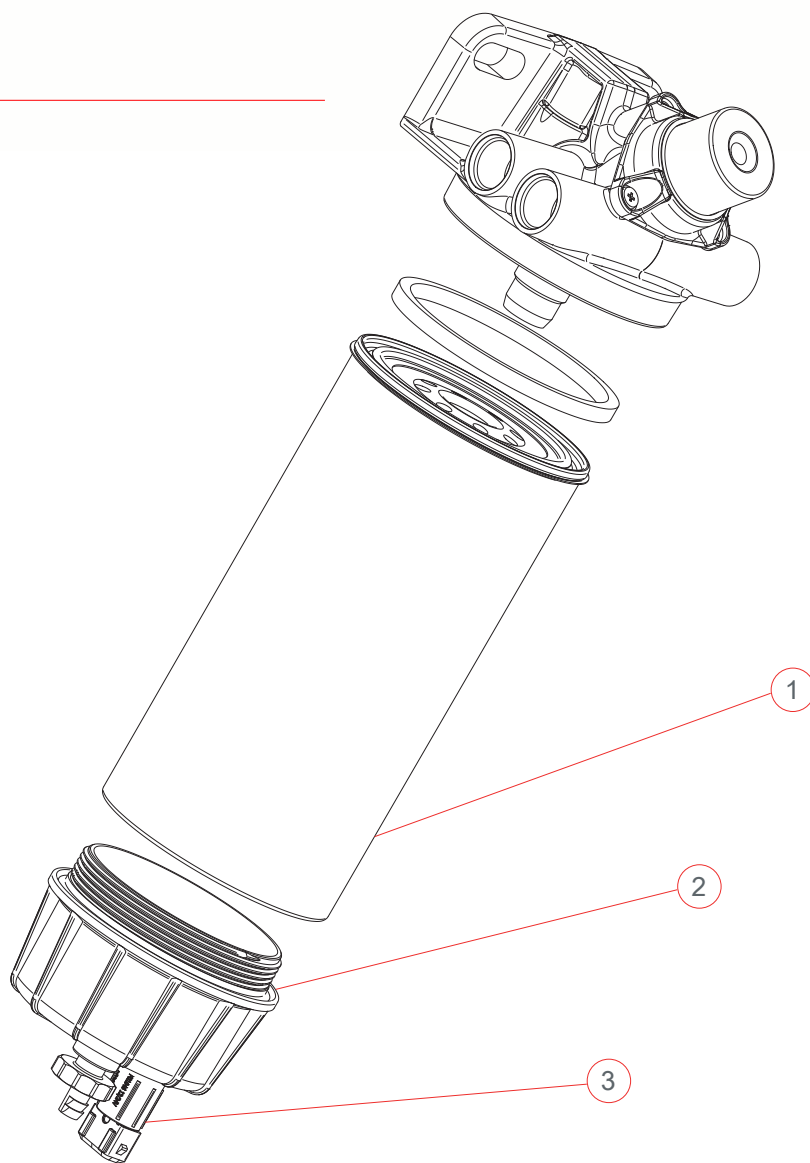
Iveco

Fuel

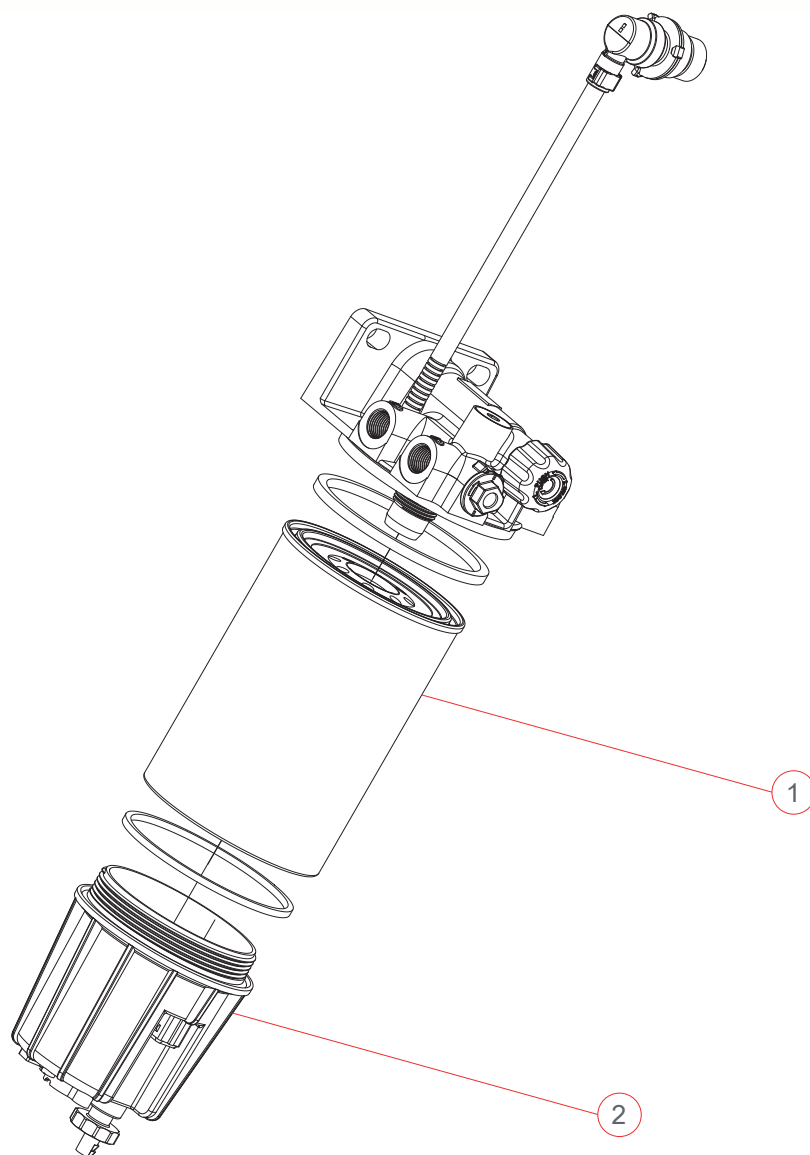
Primary applications: Strator / Stralis -
Cursor 13, Cursor 10, Cursor 8
Euro 5



#	Description	OEM Ref.	Racor Ref.	3G Ref.
-	FFWS assembly, integrated water sensor, no heater	5041 01 411	490RP10-D-01	TN0110
1	Head assembly unheated	Racor exclusive	DRK 00008	TN0075
2a	Replacement element - standard	42549295	R90T-D-MAX	TN0140
2b	Replacement element - long life	504166113	R160P	TN0135
3	Bowl assembly	Racor exclusive	DRK 00055	TN0115
4	WIF sensor assembly	Racor exclusive	DRK 00121	TN0120



#	Description	OEM Ref.	Racor Ref.	3G Ref.
-	FFWS assembly, with water sensor, no heater	580 1510 524	LDP160R20RCR02	TN0100
-	FFWS assembly, with water sensor, 12/24V heater	580 1510 519	LDP160R20RCR10	*Special Order
-	FFWS assembly, with water sensor, no heater, thermal valve 150° orientation	580 1699 334	LDP160R20RCR18	*Special Order
1	Replacement element	580 1620 130	R160G	TN0130
2	Bowl assembly	Racor exclusive	DRK 00055	TN0115
3	WIF sensor assembly	Racor exclusive	DRK 00230	TN0055

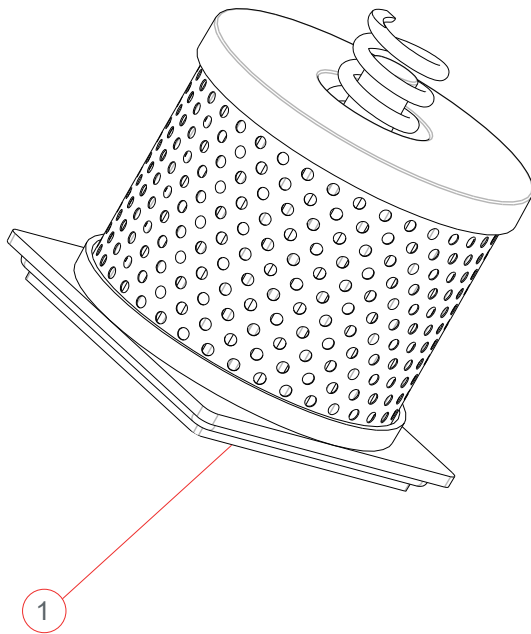


#	Description	OEM Ref.	Racor Ref.	3G Ref.
-	FFWS assembly, with water sensor, no heater	504 192 165	MD5790PRV10RCR01	*Special Order
-	FFWS assembly, with water sensor, 12/24V heater	504 192 159	MD5790PRV10RCR02	*Special Order
1	Replacement element	504 272 431	R90T-D-MAX	TN0140
2	Bowl assembly with WIF	42561607	DRK00410	TN0125

MAN

Primary applications: F2000, F2000 Evolution, FE, TGA

Fuel

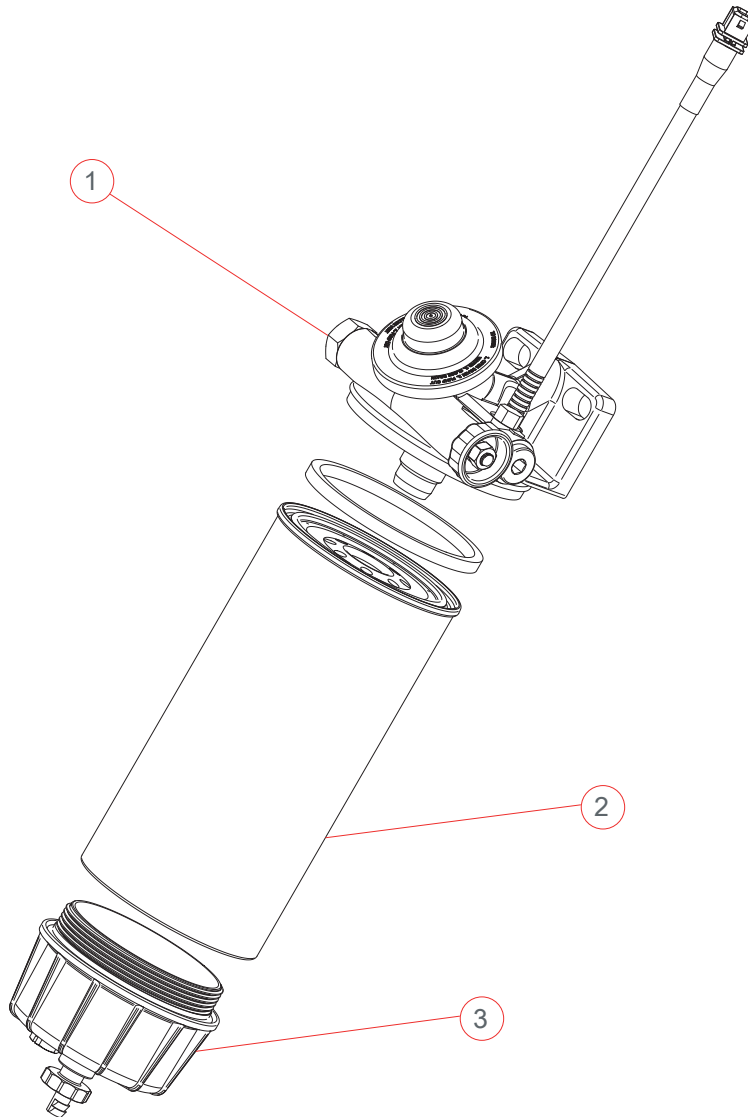


#	Description	OEM Ref.	Racor Ref.	3G Ref.
1	Replacement element - 30μ	81.12503.0086	PFF5601	TN0205
1	Replacement element - 10μ	81.12501.0033	PFF5600	TN0200

Mercedes

Fuel

Primary Applications: Actros I, Actros I
MP2/MP3 / Atego I / Atego II / Axor I / Axor II
Euro 4/5

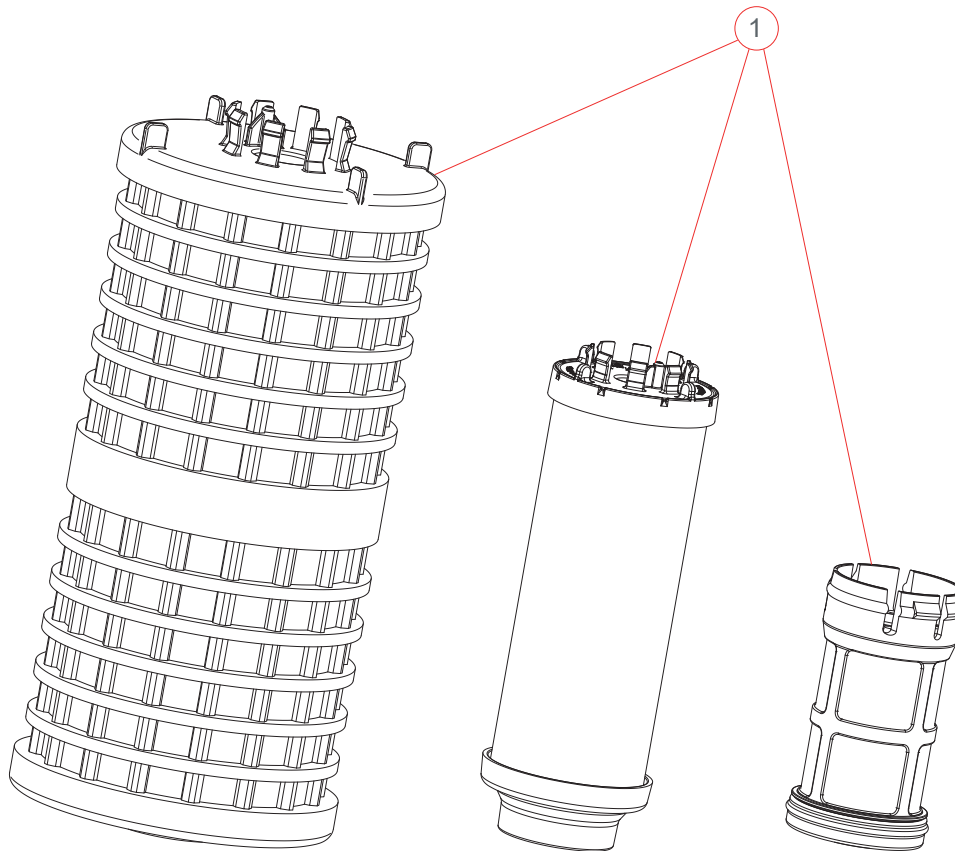


#	Description	OEM Ref.	Racor Ref.	3G Ref.
-	FFWS with heater	A 000 470 04 69 A 000 470 21 90	4160RHHV10MTC-SLV	TN0250
1	Head assembly with heater	A 000 477 45 08	DRK 00036	TN0255
2	Replacement element - standard	A 000 477 13 02	R90-D-RCR-01	TN0280
2	Replacement element - long life	A 000 477 01 03	R160-D-RCR-01	TN0080
3	Bowl assembly	A 000 477 25 16	DRK 00037	TN0260

Mercedes

Primary applications: Actros - Euro 6

Fuel

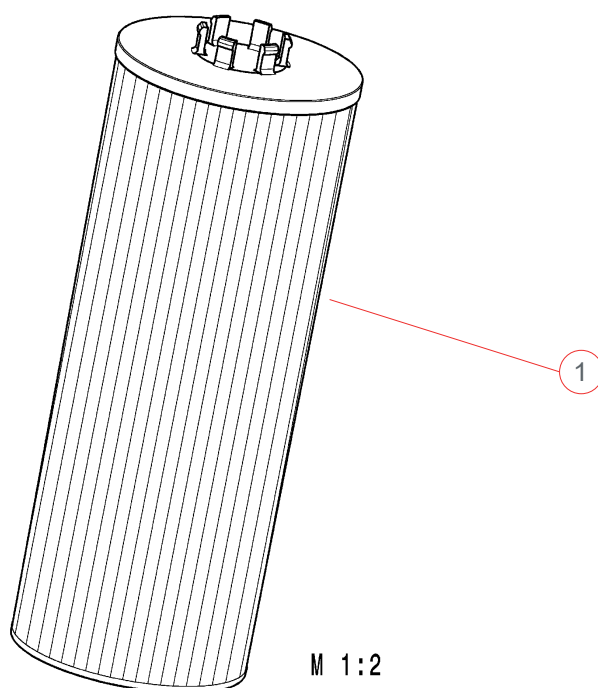


#	Description	OEM Ref.	Racor Ref.	3G Ref.
1	Replacement element kit European applications	A 000 090 17 52	PFF67605	TN0275
-	Replacement element kit North American applications	A 000 090 42 51	PFF67555	TN0270

Mercedes

Primary applications: Actros 1, MP2/MP3 - OM541LA, OM542LA

Fuel

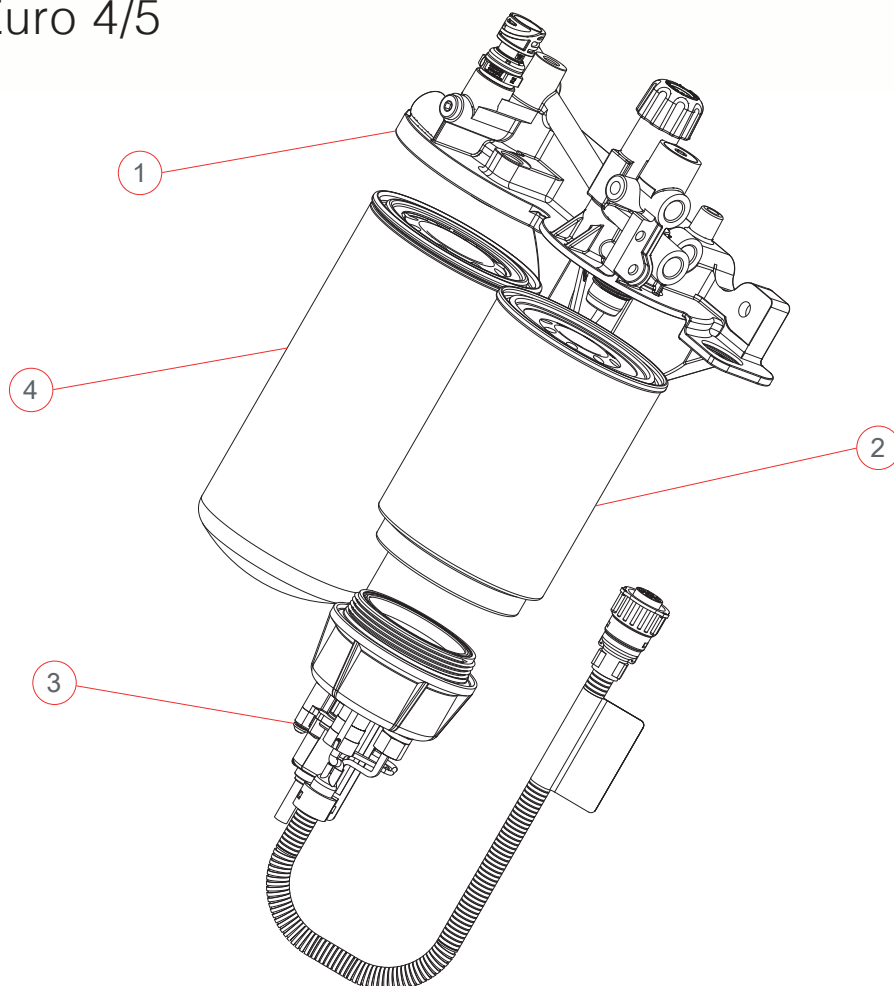


#	Description	OEM Ref.	Racor Ref.	3G Ref.
1	Replacement element - secondary filter	541 092 09 05	Under development	*Special Order

Renault

Fuel

Primary Applications: Kerax / Premium /
Magnum - Dxi12, Dxi13
Euro 4/5

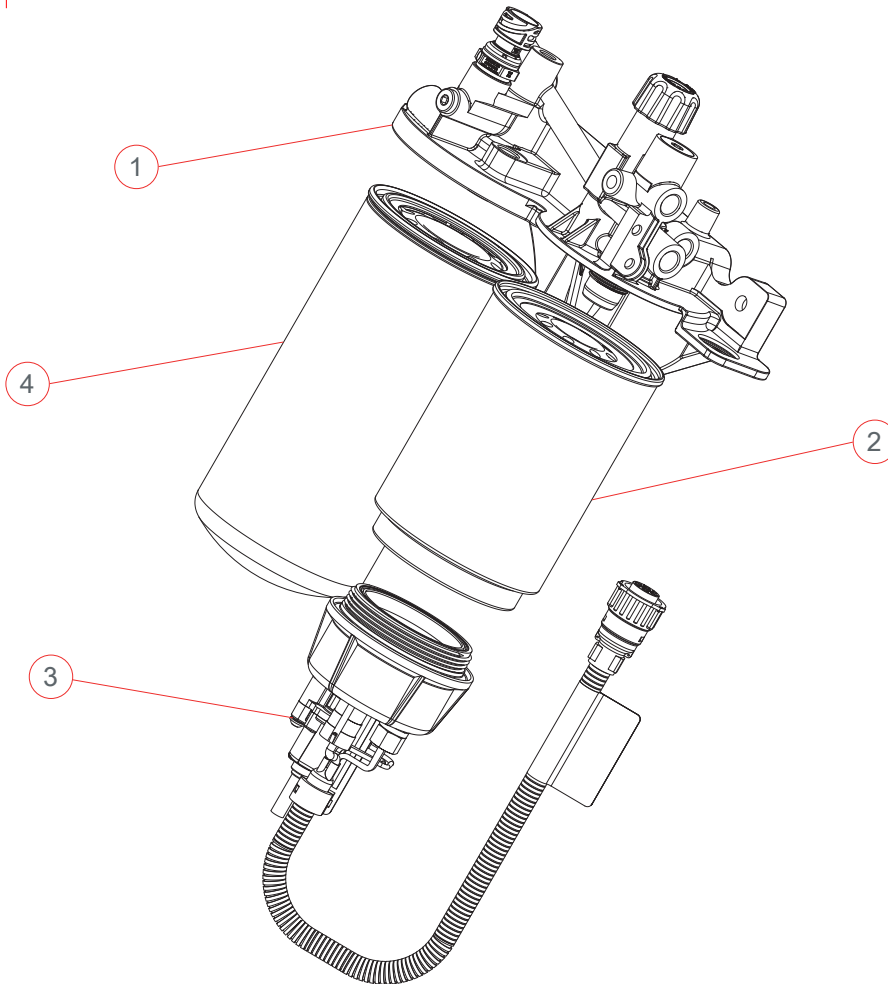


#	Description	OEM Ref.	Racor Ref.	3G Ref.
1	Filter head including pressure sensor	7421023287	DRK00404	TN0355
2a	Replacement element - primary filter	74 20 998 634	R260P	TN0380
2b	Replacement element - primary filter	74 21 380 472	R60RDRCR01	TN0320
2c	Replacement element - primary filter	74 21 380 483	R90RDRCR01	TN0390
3a	Bowl assembly 24v solenoid/WIF/24v heater	7420869391	DRK 00396	TN0305
3b	Bowl assembly 24v solenoid/WIF/No heater	20869391	DRK 00388	TN0350
4	Replacement element - secondary filter	21764958	RS250RCR02	TN0400
-	Clear bowl assembly, no heater, manual drain	Racor Exclusive	DRK 00390	*Special Order

Renault

Primary applications: Magnum - Euro 6

Fuel

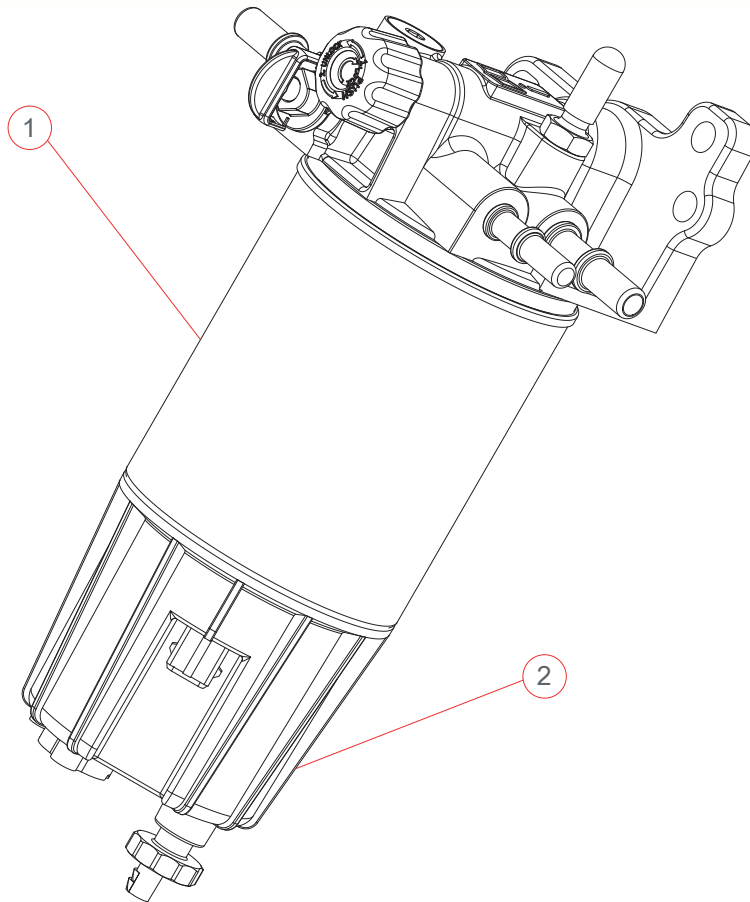


#	Description	OEM Ref.	Racor Ref.	3G Ref.
1	FFWS assembly, manual pump, with AHI	21766617	DRK00432	TN0310
1	FFWS assembly, manual pump, without AHI	21879909	DRK00405	TN0360
2a	Replacement element - primary filter	7421764968 (standard life) 7421764981 (long life)	R60RDRCR01 R60RDRCR01	TN0320 TN0320
2b	Replacement element - primary filter (ultimate long life)	7421764981	R90RDRCR01	TN0390
3	Bowl assembly	21762862	DRK00407	TN0365
4a	Replacement element - secondary filter (short height)	7421764961	RS175RCR01	TN0395
4b	Replacement element - secondary element (long height)	7421764958	RS250RCR01	TN0085

Renault

Fuel

Primary Applications: Midlum II - Dxi5, Dxi7
Euro 4/5

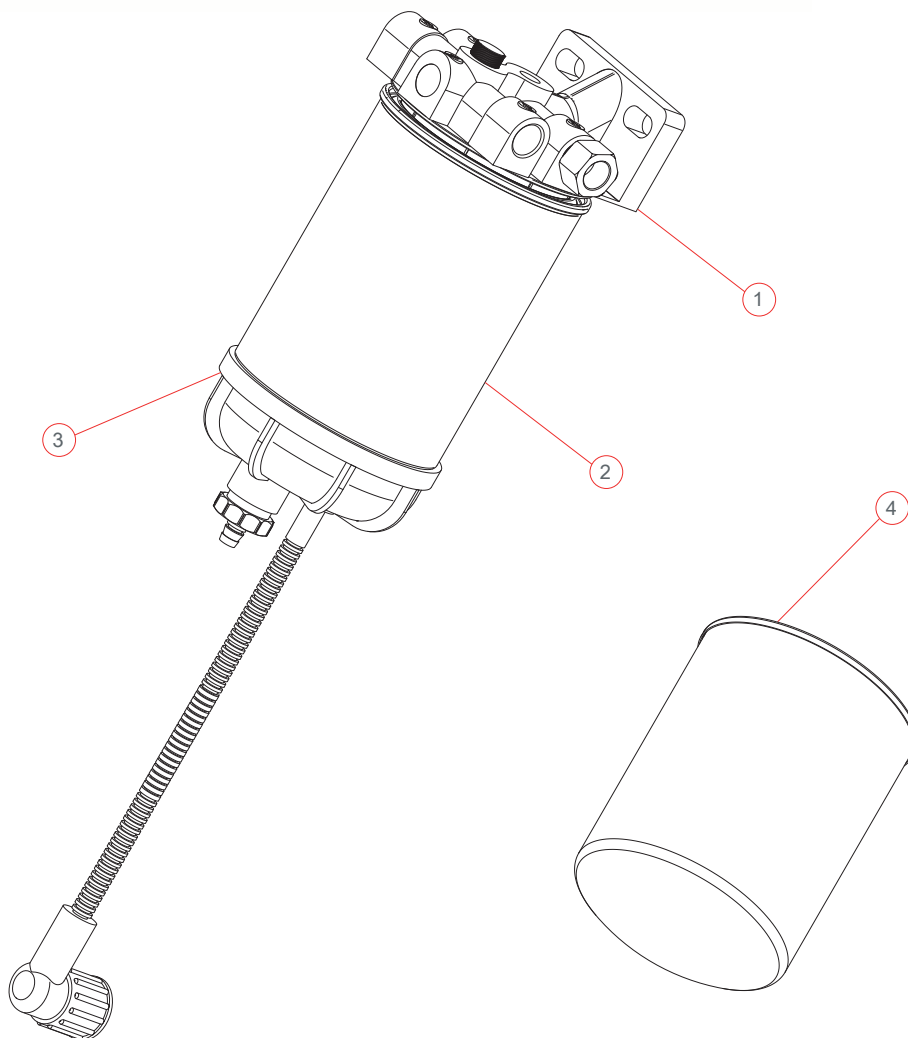


#	Description	OEM Ref.	Racor Ref.	3G Ref.
-	FFWS assembly, with water sensor, no heater (R60)	21088114	MD5760DTV30RCR01	*Special Order
-	FFWS assembly, with water sensor, with heater (R60)	21088121	MD5760DTV30RCR02	*Special Order
1a	Replacement element	21380403	R60P-D-MAX	TN0385
1b	Replacement element	21088099	R90T-D-MAX	TN0140
1c	Replacement element	21380500	R160P-D-MAX	TN0315
2	Bowl assembly	20591254	DRK00408	*Special Order
2	Bowl assembly	20900648	DRK 00195	TN0300

Scania

Primary applications: Series 4/G/P/R/T
Euro 4/5

Fuel

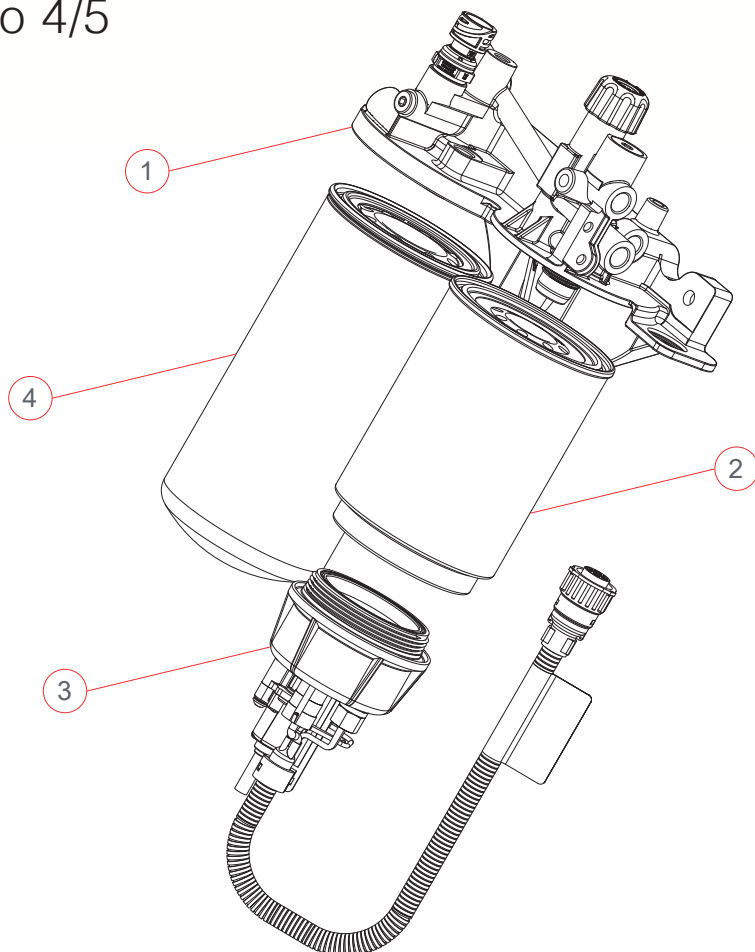


#	Description	OEM Ref.	Racor Ref.	3G Ref.
-	FFWS assembly, with bowl heat	1393642	690-30M-24	*Special Order
-	FFWS assembly, no heater	Racor exclusive	690-30M	*Special Order
1	Filter head	Racor exclusive	KR50013	*Special Order
2	Replacement element - primary filter (R90)	1393640	R90P	TN0515
2	Replacement element - primary filter (R120)	1518512	PFF5605	TN0510
3	Bowl assembly with 24V heater	Racor exclusive	KR 27004-H	TN0500
3	Bowl assembly without heater	1407702	KR 27004	*Special Order
4	Replacement element - secondary filter	1411794	RC-381	TN0520

Volvo

Fuel

Primary applications: FH12, FH16, FL, FM
Euro 4/5

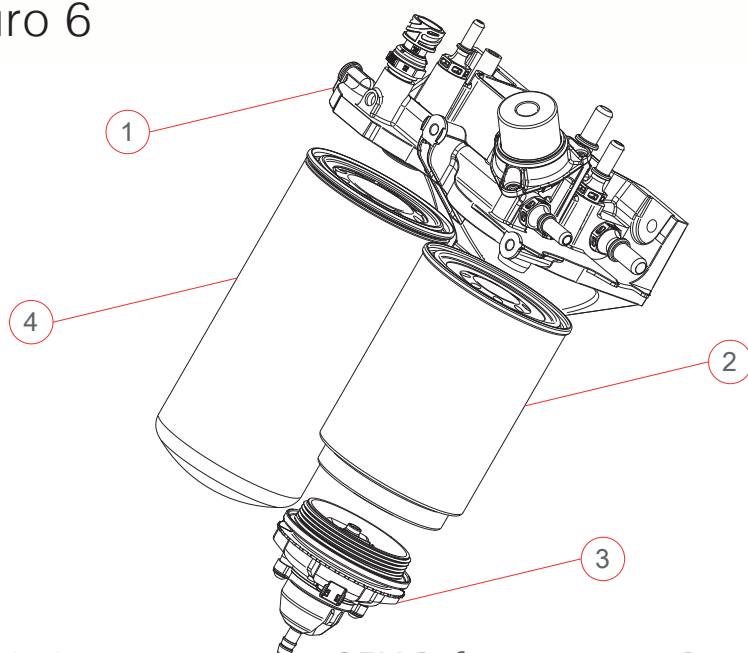


#	Description	OEM Ref.	Racor Ref.	3G Ref.
1a	Filter housing	21900852	DRK00404	TN0355
1b	Filter housing	21023285, 21870628	DRK 00391	TN0550
2a	Replacement element - primary filter	20998367	R260P	TN0380
2b	Replacement element - primary filter	21380475	R60RDRCR01	TN0320
2c	Replacement element - primary filter	21380490	R90RDRCR01	TN0390
3a	Bowl assembly 24v solenoid / WIF/ no heater	20869391	DRK 00388	TN0350
3b	Bowl assembly 24v solenoid / WIF/ 24v heater	20869387	DRK 00396	TN0305
-	Clear bowl assembly 24v solenoid / WIF / no heater	20870049	DRK00456	*Special Order
-	Clear bowl assembly 24v / WIF / 24v heater	20875073	DRK 00188-RCR	*Special Order
4	Replacement element - secondary filter	21764937	RS250RCR02	TN0400
-	Clear bowl assembly, no heater, manual drain	Racor exclusive	DRK 00390	*Special Order

Volvo

Primary Applications: FH16
Euro 6

Fuel

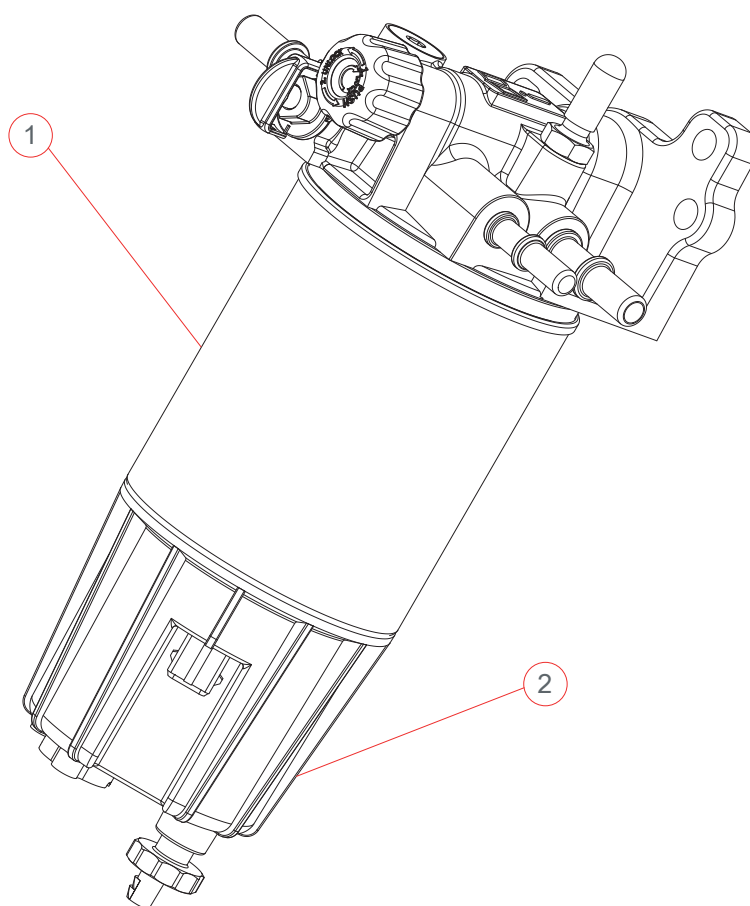


#	Description	OEM Ref.	Racor Ref.	3G Ref.
1	FFWS assembly, electric pump, with AHI	21762800	DRK00431	TN0555
1	FFWS assembly, manual pump, with AHI	21762764	DRK00432	TN0310
1	FFWS assembly, manual pump, without AHI	21879911	DRK00405	TN0360
2a	Replacement element - primary filter	21764966 (standard life) 21764964 (long life)	R60RDRCR01 R60RDRCR01	TN0320 TN0320
2b	Replacement element - primary filter (ultra life)	21764964	R90RDRCR01	TN0390
3	Bowl assembly	21762862	DRK00407	TN0365
4a	Replacement element - secondary filter	21764952	RS175RCR01	TN0395
4b	Replacement element - secondary filter	21764937	RS250RCR01	TN0085
-	Priming pump kit	22502434	DRK00489	*Special Order
-	Pressure sensor	Racor exclusive	DRK00491	*Special Order
-	Connector 8.0mm	21762883	DRK 00289-RCR	*Special Order
-	Connector 10.0mm	21762881	DRK 00288-RCR	*Special Order
-	Connector 12.0mm	21762877	DRK 00287-RCR	*Special Order
-	AHI unit	21762848	DRK00515	*Special Order
-	Bowl assembly	21762862	DRK00516	*Special Order
-	Bowl clip	21762885	DRK00517	*Special Order

Volvo

Fuel

Primary applications: FE II, FL II
Euro 4/5



#	Description	OEM Ref.	Racor Ref.	3G Ref.
-	FFWS assembly, with water sensor, no heater (R60)	20591265	MD5760DTV30RCR01	TN0370
-	FFWS assembly, with water sensor, with heater (R60)	20591266	MD5760DTV30RCR02	TN0375
1a	Replacement element	21380408	R60P-D-MAX	TN0385
1b	Replacement element	21088101	R90T-D-MAX	TN0140
2	Bowl assembly	7420900648	DRK 00195	TN0300

Cross Reference List

Sorted by OEM Part Number

Competitor Part Number	Racor Part Number	3G Part Number	Competitor Part Number	Racor Part Number	3G Part Number
1.14421	LFS TF1006RE	TN0505	6832430	R160T	*Special Request
2.12232	R90P	TN0515	6878730	R160T	*Special Request
2.12237	RS250RCR02	TN0400	8159975	R260P	TN0380
2.12239	R260P	TN0380	8159975	R90P	TN0515
2.12268	R90T-D-MAX	TN0140	10032291	R420PL	TN0010
2.12269	R60P-D-MAX	TN0385	10101998	R160T	*Special Request
6.33201	R260P	TN0380	11081663	R90T-D-MAX	TN0140
1002	PFF5600	TN0200	11110189	PFF5605	TN0510
1010	PFF5600	TN0200	11110474	PFF5605	TN0510
1030	PFF5601	TN0205	11110668	PFF5605	TN0510
29454	R160T	*Special Request	11110683	R160P	TN0135
30069	R260P	TN0380	11110683	R160T	*Special Request
33788	R90P	TN0515	11342141	R90P	TN0515
33849	PFF67555	TN0270	14514238	PFF5601	TN0205
687110	R90P	TN0515	20386080	R260P	TN0380
1292404	R160T	*Special Request	20405160	RS250RCR01	TN0085
1296851	R90P	TN0515	20430751	RS250RCR02	TN0400
1355891	PFF5605	TN0510	20480593	R260P	TN0380
1393640	R90P	TN0515	20514654	R260P	TN0380
1411794	RC-381	TN0520	20539582	RS250RCR02	TN0400
1518512	PFF5605	TN0510	20541383	R260P	TN0380
1763776	RC-381	TN0520	20745605	R90RDRCR01	TN0390
1780730	R160P-D-MAX	TN0315	20745605	R90T-D-MAX	TN0140
1780730	R160T	*Special Request	20788794	R90RDRCR01	TN0390
2041590	R90T-D-MAX	TN0140	20815011	RS250RCR02	TN0400
2113151	R160T	*Special Request	20851191	R60P-D-MAX	TN0385
2934608	R90T-D-MAX	TN0140	20863193	R60P-D-MAX	TN0385
2997374	R90T-D-MAX	TN0140	20875672	RS250RCR01	TN0085
3119822	PFF5601	TN0205	20879806	R60RDRCR01	TN0320
3322877	R90P	TN0515	20879812	R90RDRCR01	TN0390
3945966	R260P	TN0380	20972293	RS250RCR01	TN0085
4006527	R90P	TN0515	20972295	RS250RCR01	TN0085
4291642	R90T-D-MAX	TN0140	20976005	RS250RCR02	TN0400
5717961	R90T-D-MAX	TN0140	20998346	R260P	TN0380
5825009	R160T	*Special Request	20998346	R60RDRCR01	TN0320
5825010	R160T	*Special Request	20998367	R260P	TN0380

Cross Reference List

Sorted by OEM Part Number

Competitor Part Number	Racor Part Number	3G Part Number	Competitor Part Number	Racor Part Number	3G Part Number
21005832	R90RDRCR01	TN0390	70382971	R260P	TN0380
21017305	R60RDRCR01	TN0320	70382972	R260P	TN0380
21017307	R90RDRCR01	TN0390	70385346	PFF5605	TN0510
21041613	R90RDRCR01	TN0390	70385347	PFF5605	TN0510
21088099	R90T-D-MAX	TN0140	70385355	R90T-D-MAX	TN0140
21144898	R60RDRCR01	TN0320	70385356	R90T-D-MAX	TN0140
21145173	RS250RCR01	TN0085	70385370	R60P-D-MAX	TN0385
21366596	R90RDRCR01	TN0390	70385371	R60P-D-MAX	TN0385
21380408	R60P-D-MAX	TN0385	76832430	R160T	*Special Request
21380472	R60RDRCR01	TN0320	76878730	R160T	*Special Request
21380475	R60RDRCR01	TN0320	81599755	R260P	TN0380
21380479	R60RDRCR01	TN0320	81599755	R90P	TN0515
21380488	R90RDRCR01	TN0390	93297277	R90P	TN0515
21380490	R90RDRCR01	TN0390	112142225	R90P	TN0515
21380500	R160P-D-MAX	TN0315	330510016	R160T	*Special Request
21380515	R60P-D-MAX	TN0385	411900028	R90P	TN0515
21380521	R60RDRCR01	TN0320	504086268	R90T-D-MAX	TN0140
21380524	R90RDRCR01	TN0390	504166113	R160T	*Special Request
21380526	R90RDRCR01	TN0390	504272431	R90T-D-MAX	TN0140
21409660	R160T	*Special Request	511707814	PFF5601	TN0205
21707132	PFL5623	*Special Request	528200004	R90P	TN0515
21707133	PFL5620	*Special Request	528200091	R90DRCR01	TN0280
21707134	PFL5623	*Special Request	528200158	R90T-D-MAX	TN0140
21764937	RS250RCR01	TN0085	821200000	R260P	TN0380
21764937	RS250RCR02	TN0400	1092035892	R90P	TN0515
21764952	RS175RCR01	TM0395	1092035897	R90P	TN0515
21764958	RS250RCR02	TN0400	1152524302	LFS TF1006RE	TN0505
30000002	R90P	TN0515	2914807000	R90P	TN0515
42549295	R90T-D-MAX	TN0140	3211110668	PFF5605	TN0510
42554067	R160P	TN0135	3222308994	R160T	*Special Request
45056112	R90P	TN0515	3754770002	R90P	TN0515
50013650	RS250RCR02	TN0400	5112503066	R90P	TN0515
50013657	LFS TF1006RE	TN0505	5801620130	R160G	TN0130
50013658	R260P	TN0380	9020000090	R90P	TN0515
50013982	R160T	*Special Request	9020000120	R160T	*Special Request
50014194	R90T-D-MAX	TN0140	9020009000	R90T-D-MAX	TN0140

Cross Reference List

Sorted by OEM Part Number

Competitor Part Number	Racor Part Number	3G Part Number	Competitor Part Number	Racor Part Number	3G Part Number
51125030066	R90P	TN0515	74 20 514 654	R260P	TN0380
0 451 103 330	LFS TF1006RE	TN0505	74 20 541 381	RS250RCR02	TN0400
00322930450L	R160T	*Special Request	74 20 541 383	R260P	TN0380
02113151 EZ 0130-20	R160P	TN0135	74 20 745 605	R90RDRCR01	TN0390
02113151EZ013	R160P	TN0135	74 20 745 605	R90T-D-MAX	TN0140
02113151EZ0130-20	R160T	*Special Request	74 20 779 040	PFL 5621	*Special Request
04.38.005	R90P	TN0515	74 20 875 666	RS250RCR01	TN0085
10-0080	LFS TF1006RE	TN0505	74 20 972 291	RS250RCR01	TN0085
130 1696	LFS TF1006RE	TN0505	74 20 976 001	RS250RCR02	TN0400
131 9822	PFF5601	TN0205	74 20 998 346	R60RDRCR01	TN0320
13C08-33116-AA	R160T	*Special Request	74 20 998 349	R90RDRCR01	TN0280
143 3649	R420PL	TN0010	74 20 998 634	R260P	TN0380
176 8402	LFS TF1006RE	TN0505	74 21 088 101	R90T-D-MAX	TN0140
21764964 (long life)	R60RDRCR01	TN0320	74 21 380 403	R60P-D-MAX	TN0385
21764964 (ultra life)	R90RDRCR01	TN0390	74 21 380 472	R60RDRCR01	TN0320
21764966 (standard)	R60RDRCR01	TN0320	74 21 380 483	R90RDRCR01	TN0280
24.342.00	RS250RCR02	TN0400	74 21 380 500	R160P-D-MAX	TN0315
2C46-6744-AB	RL300RCR01	TN0065	74 21 561 278	PFL5620	*Special Request
2C46-6744-AC	RL300RCR01	TN0065	74 21 764 958	RS250RCR01	TN0085
2C46-6C769-AB	RLB30RCR01	TN0070	74 21 764 961	RS175RCR01	TN0395
2C46-6C769-AC	RLB30RCR01	TN0070	74 21 764 968	R60RDRCR01	TN0320
2C46-9176-BA	RS250RCR01	TN0085	74 21 764981	R90RDRCR01	TN0280
3788NAPA	R90P	TN0515	81.12501.0021	PFF5601	TN0205
3905873M91	R160P	TN0135	81.12501.0030	PFF5601	TN0205
3909638M1	R60P-D-MAX	TN0140	81.12501.0033	PFF5600	TN0200
3C46-9176-BA	R420PL	TN0010	81.12503.0086	PFF5601	TN0205
3C46-9176-CA	R160T	*Special Request	86788CARQ	R90P	TN0515
51.12501-7283	R420PL	TN0010	A 000 477 01 03	R160DRCR01	TN0080
51.12501-7288	R420PL	TN0010	A 000 477 13 02	R90DRCR01	TN0280
51.12503.0051	R160T	*Special Request	A 000 477 16 02	R90T-D-MAX	TN0140
51.12503.0053	RS250RCR02	TN0400	A 000 477 17 02	R160P	TN0135
51.12503.0066	R90P	TN0515	A 375 477 00 02	R90P	TN0515
51.12503-0052	R420PL	TN0010	A0000901752	PFF67605	TN0275
51.12503-6000	R160T	*Special Request	A0000904251	PFF67555	TN0270
65.12501.5021	R160T	*Special Request	A0000904251	PFF67555a	TN0270
7176-301	R260P	TN0380	A0004771302	R160T	*Special Request

Cross Reference List

Sorted by OEM Part Number

Competitor Part Number	Racor Part Number	3G Part Number
A210340	LFS TF1006RE	TN0505
BF 1329SP	R90P	TN0515
BF 1349	R90P	TN0515
BF-1292-0	R90T-D-MAX	TN0140
BF7908	RC-381	TN0520
DC46-9601-AA	500375000	*Special Request
DC46-9601-BB	500443000	*Special Request
E0A000557	R160T	*Special Request
E1010K	PFF5600	TN0200
E1030K	PFF5601	TN0205
	R90T-D-MAX	TN0140
FBD82	RC-381	TN0520
FBS3223	R260P	TN0380
FF5424	RC-381	TN0520
FF5507	RS250RCR02	TN0400
FF5626	RC-381	TN0520
FS19532	R90P	TN0515
FS19605	PFF5601	TN0205
FS19735	R260P	TN0380
FS19736	PFF5605	TN0510
FS19737	R160T	*Special Request
FS19753	PFF5605	TN0510
FS19769	R420PL	TN0010
FS19895	R60P-D-MAX	TN0385
FS19918	R60RDRCR01	TN0320
FS19920	R90RDRCR01	TN0390
FS19950	R90T-D-MAX	TN0140
FS19966	R60RDRCR01	TN0320
H17WK11	RC-381	TN0520
H200WDK	RS250RCR02	TN0400
H24W05	LFS TF1006RE	TN0505
H700WK	R260P	TN0380
H701WK	R160T	*Special Request
H7090WK30	R90P	TN0515
H7121WK10	PFF5605	TN0510
HC 113	LFS TF1006RE	TN0505
HDF301	R260P	TN0380

Competitor Part Number	Racor Part Number	3G Part Number
HDF302	R90P	TN0515
HDF304	R90T-D-MAX	TN0140
HDF305	R60P-D-MAX	TN0385
HDF573	RS250RCR02	TN0400
HF7535	LFS TF1006RE	TN0505
HK7120WK30	R160P	TN0135
HNM906092R112	R160P	TN0135
HU 721Y	PFL 5621	*Special Request
KC 200	R160T	*Special Request
KC 249D	R90P	TN0515
KC 251	RS250RCR02	TN0400
KC 362D	R260P	TN0380
KC 374D	R90T-D-MAX	TN0140
KC 375D	R160P	TN0135
KC 384D	R60P-D-MAX	TN0385
KT7C46-6A603-AB	DRK00419	*Special Request
LF16353	RL300RCR01	TN0065
LFF8063	R90P	TN0515
OP668	LFS TF1006RE	TN0505
P550515	RC-381	TN0520
P550730	R90P	TN0515
P550747	R90P	TN0515
PL420/1 x	R420PL	TN0010
PL420x	R420PL	TN0010
PS10678	R60RDRCR01	TN0320
PS7170	R90P	TN0515
PS9915	R260P	TN0380
PSC82	RC-381	TN0520
PSD260	R260P	TN0380
R261BR	R260P	TN0380
R90MER	R160T	*Special Request
SK3398	R90T-D-MAX	TN0140
SN 909030	R90P	TN0515
SN 909110	R90T-D-MAX	TN0140
SN 909230	R90RDRCR01	TN0390
SN 916010	R160T	*Special Request
SN 916030	R160P	TN0135

Cross Reference List

Sorted by OEM Part Number

Competitor Part Number	Racor Part Number	3G Part Number
SN 926030	R260P	TN0380
SP-1303	LFS TF1006RE	TN0505
SP1545M	R160T	*Special Request
SP926M	R420PL	TN0010
VOE11110189	PFF5605	TN0510
VOE11110474	PFF5605	TN0510
VOE11110668	PFF5605	TN0510
VOE11110683	R160P-D-MAX	TN0315
VOE30000002	R90P	TN0515
W 11 102/34	PFL5620	*Special Request
W 11 102/36	PFL5622	*Special Request
W 11 102/37	PFL5615	*Special Request
W 930/14	LFS TF1006RE	TN0505
W1160/5	RLB30RCR01	TN0070
W1170/9	RL300RCR01	TN0065
WDK 11 102/11	RS250RCR01	TN0085
WDK 11 102/9	RS250RCR02	TN0400
WK 10 006z	R60RDRCR01	TN0320
WK 1040/1 X	R60P-D-MAX	TN0385
WK 1060/3x	R90P	TN0515
WK 1070 X	R90T-D-MAX	TN0140
WK 1080/6	R160P	TN0135
WK 1080/6 X	R160P	TN0135
WK 1080/7	R160T	*Special Request
WK 1080/7 X	R160T	*Special Request
WK 11 003 Z	R90RDRCR01	TN0390
WK 1176	PFF5605	TN0510
WK 1176 X	PFF5605	TN0510
WK 940/33	R260P	TN0380
WK 940/33 X	R260P	TN0380
WK940/2	RC-381	TN0520
WK940/26	R260P	TN0380
WP 11 102/3	PFL5623	*Special Request

3G Truck & Trailer Parts Ltd

Sandbeck Way
Hellaby Industrial Estate,
Rotherham, S66 8QL

Sales team contact details:

Tel: 01709 702066

Fax: 01709 702488

Email: sales@3gttp.com

w w w . 3 g t t p . c o m

Like us on our Facebook page

Facebook.com/3gttp

Follow us on Twitter

@3gtrucktrailer

