

Product Update - Automatic Slack Adjusters

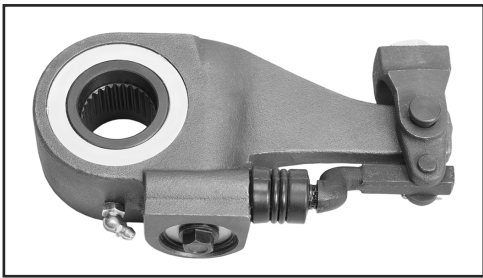
Update #2290F (added 05-586, 587, 588, 589)

Attention: Dayton Parts' Distributors and Business Partners.

Another product update to our automatic slack adjuster direct replacement program!

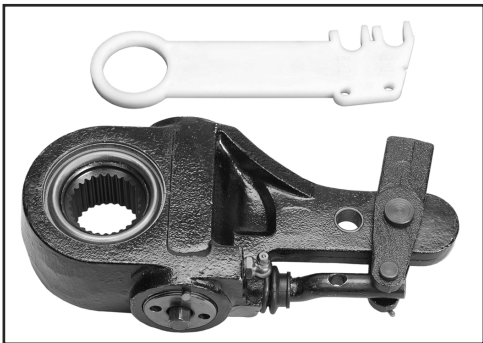
All of these automatic slack adjusters are direct replacements for the OE manufactured part and can be used in conjunction with the OEM part. We'll continue to add new part numbers to have the most complete coverage of automatic slack adjusters in the aftermarket.

Be sure to check out the new part numbers marked with an asterisk (*).



Bendix Design Replacements
(05-462 shown)

Part Number	Spine	Drilling	Bendix Reference	Automann Reference	Sirco Reference
Bendix Design Replacements					
05-460	1.5-10	6	065172	137.1030	SA2172
05-461	1.5-10	5.5	065170	137.1011	SA2170
05-462	1.5-28	6	065176	137.2830	SA2175
05-463	1.5-28	5.5	065174	137.2810	SA2174
05-585	5/8"-18 Straight Clevis Assembly				



Crewson Design Replacements
(05-562 shown)

Part Number	Spine	Drilling	Crewson Reference	Automann Reference	Euclid Reference	Sirco Reference
Crewson Design Replacements						
05-560	1.5-10	5/6	21103	136.1030	E6991A	SA21103
05-561	1.5-10	5.5/6.5	21102	136.1031	E6992A	SA21102
05-562	1.5-28	5/6	22103	136.2830	E6993A	SA22103
05-563	1.5-28	5.5/6.5	22102	136.2831	E6994A	SA22102
05-570	1.25-10	5.5	24100	136.1010	E6987A	SA24100
05-572	1.25-24	5.5	25100	136.2410	E6989A	SA25100
05-5741	1/2"-20 Straight Clevis Assembly					
05-5751	5/8"-18 Straight Clevis Assembly					
05-5761	1/2"-20 Offset Clevis Assembly					
05-5771	5/8"-18 Offset Clevis Assembly					

Call 800-233-0899 today to place your order.

Steven S. Wolf
Axle Group Product Manager

Continued on Page 2

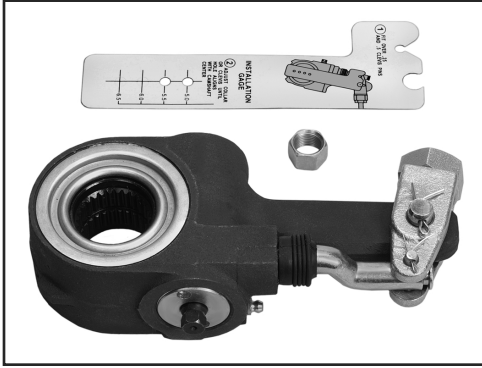
Visit us on the World Wide Web at www.daytonparts.com

Dayton Parts, LLC • PO Box 5795 • Harrisburg, PA 17110-0795 • 800-233-0899 • Fax 800-225-2159
DP/Batco Canada • 12390 184th Ave. • Edmonton, Alberta T5V 0A5 • 800-661-9861 • Fax 888-207-9064

Product Update - Automatic Slack Adjusters

Update #2290F

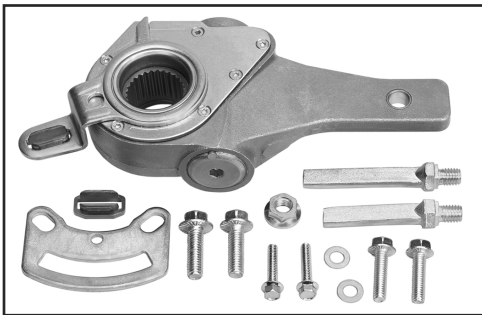
Continued from page 1



Gunite Design Replacements
(05-762 shown)

Part Number	Spine	Drilling	Gunite Reference
Gunite Design Replacements			
05-760	1.5-10	6	AS1133
05-761	1.5-10	5.5	AS1132
05-762	1.5-28	6	AS1141
05-763	1.5-28	5.5	AS1140
* 05-764	1.62-37	6	AS1144
* 05-770	1.25-10	5.5	AS1136
* 05-772	1.25-24	5.5	AS1138
* 05-590	5/8"-18 Straight Clevis Assembly		

* *New part number added*

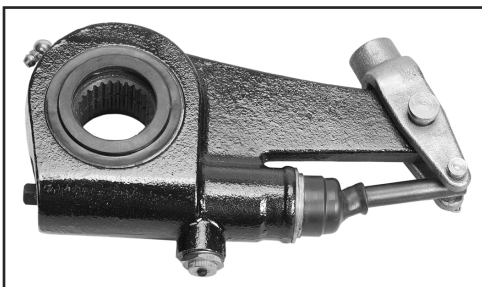


Haldex Design Replacements
(05-662 shown)

Part Number	Spine	Drilling	Haldex Reference	Automann Reference	Euclid Reference	Sirco Reference
Haldex Design Replacements						
* 05-651	1.5-28	6 Bent	400-10305		E6933	SA10305
* 05-655	1.5-28	5/6	400-10140		E6925B	SA10140
* 05-658	1.5-28	5.5/6.5	400-10146		E6919A	
05-659	1.5-28	6	400-10144	135.1030	E6918A	SA10144
05-660	1.5-10	6	400-10216	135.1041	E6936	SA10216
* 05-661	1.5-10	5.5/6.5	400-10143		E6924B	SA10143
05-662	1.5-28	6	400-10212	135.2841	E6942	SA10212
* 05-663	1.5-28	5.5/6.5	400-10141		E6927B	SA10141
05-664	1.62-37	6	400-10214	135.3741	E6946	SA10214
05-668	1.5-28	5.5	400-10211	135.1035	E6944	SA10211

- * 05-586 Fruehauf Trailer Axle Hardware Kit – Use with 05-651, 05-664, 05-668
- * 05-587 Dana/Meritor Trailer Axle Hardware Kit – Use with 05-660, 05-662
- * 05-588 Mack Drive Axle Hardware Kit – Use with 05-658, 05-659
- * 05-589 Drive Axle Hardware Kit – Use with 05-655, 05-661, 05-663

* *New part number added*



Meritor Design Replacements
(05-362 shown)

Part Number	Spine	Drilling	Meritor Reference	Euclid Reference
Meritor Design Replacements				
05-360	1.5-10	5/6	R801042	E11399
05-361	1.5-10	5.5/6.5	R801041	E11398
05-362	1.5-28	5/6	R801074	E11402
05-363	1.5-28	5.5/6.5	R801073	E11401
05-370	1.25-10	5.5	R801001	E11395
05-372	1.25-24	5.5	R801003	E11397
* 05-578	5/8"-18 Straight Clevis Assembly			

* *New part number added*

**Dayton
Parts™**

Dayton Parts, LLC
Harrisburg, PA

BATCO®

Brake & Wheel Products

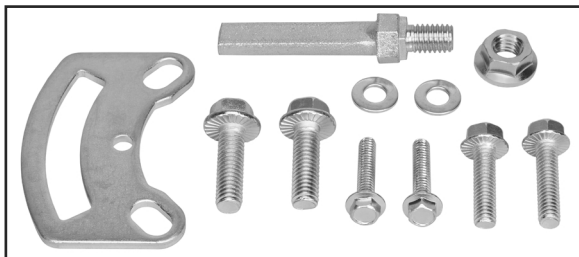
New Products
Slack Adjuster Hardware Kits & Clevis Assemblies

Update #2329

Attention: Dayton Parts' Distributors and Business Partners.

As we continue to add to our immensely popular ever expanding direct replacement auto slack program, we now have hardware kits for Haldex design auto slacks. These kits are direct replacements for the corresponding Haldex kit and will be in stock by the end of November. We've also re-sourced our replacement clevis assemblies for Gunite and Meritor design auto slacks which gave us quite a price reduction.

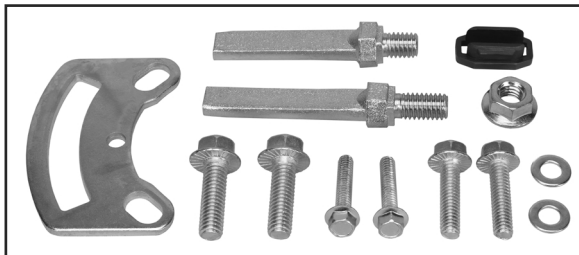
Pricing for the new hardware kits and the reduced pricing on the clevis assemblies can all be found in the quarter's Brake & Wheel Promo.



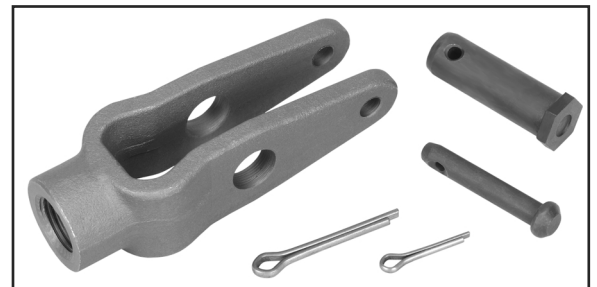
05-586 Hardware Kit



05-589 Hardware Kit



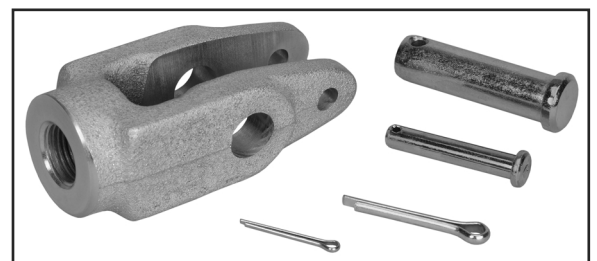
05-587 Hardware Kit



05-578 Clevis Assembly



05-588 Hardware Kit



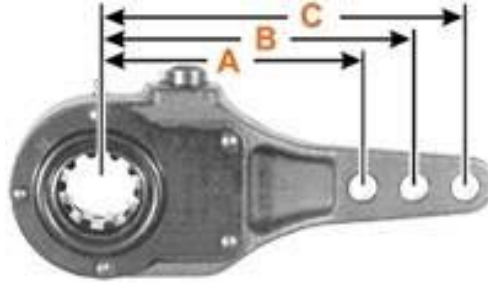
05-590 Clevis Assembly

Call 800-233-0899 today to place your order.

Steven S. Wolf
 Axle Group Product Manager

Visit us on the World Wide Web at www.daytonparts.com

Dayton Parts, LLC • PO Box 5795 • Harrisburg, PA 17110-0795 • 800-233-0899 • Fax 800-225-2159
DP/Batco Canada • 12390 184th St. • Edmonton, Alberta T5V 0A5 • 800-661-9861 • Fax 888-207-9064



MANUAL SLACK ADJUSTER LISTINGS

Spline	Part No.	Dim. "A"	Dim. "B"	Dim. "C"	Rating	Offset	Type
1.25" - 10	05-232	4.5"	5.5"	-	26,000 lbs.	5/8" Right Hand	Standard
	05-233	4.5"	5.5"	-	26,000 lbs.	5/8" Left Hand	Standard
1.25" - 24	05-254	5.5"	-	-	26,000 lbs.	None	Standard
	05-256	5.5"	-	-	26,000 lbs.	5/8" Right Hand	Standard
	05-257	5.5"	-	-	26,000 lbs.	5/8" Left Hand	Standard
1.25" - 40	05-290	4"	5"	-	26,000 lbs.	None	Standard
1.50" - 10	05-203EQ	5"	6"	7"	22,000 lbs.	None	Economy
	05-203	5"	6"	7"	26,000 lbs.	None	Standard
	05-260	5"	6"	7"	30,000 lbs.	None	Heavy Duty
	05-201EQ	5.5"	6.5"	-	22,000 lbs.	None	Economy
	05-201	5.5"	6.5"	-	26,000 lbs.	None	Standard
	05-261	5.5"	6.5"	-	30,000 lbs.	None	Heavy Duty
	05-228	4"	5"	-	26,000 lbs.	5/8" Right Hand	Standard
	05-229	4"	5"	-	26,000 lbs.	5/8" Left Hand	Standard
	05-226	4.5"	5.5"	-	26,000 lbs.	5/8" Right Hand	Standard
	05-227	4.5"	5.5"	-	26,000 lbs.	5/8" Left Hand	Standard
05-250	6"	-	-	26,000 lbs.	Bent Arm	Standard	
1.50" - 28	05-238EQ	5"	6"	-	22,000 lbs.	None	Economy
	05-238	5"	6"	-	26,000 lbs.	None	Standard
	05-262	5"	6"	-	30,000 lbs.	None	Heavy Duty
	05-237EQ	5.5"	6.5"	-	22,000 lbs.	None	Economy
	05-237	5.5"	6.5"	-	26,000 lbs.	None	Standard
	05-263	5.5"	6.5"	-	30,000 lbs.	None	Heavy Duty
	05-246	4.5"	5.5"	-	26,000 lbs.	5/8" Right Hand	Standard
	05-247	4.5"	5.5"	-	26,000 lbs.	5/8" Left hand	Standard
	05-244	6"	7"	-	26,000 lbs.	5/8" Right Hand	Standard
	05-245	6"	7"	-	26,000 lbs.	5/8" Left hand	Standard
05-251	6"	-	-	26,000 lbs.	Bent Arm	Standard	
1.50" - 48	05-294	4"	5"	-	26,000 lbs.	None	Standard
	05-295	4.5"	5.5"	-	26,000 lbs.	None	Standard
1.62" - 37	05-241	5.5"	6.5"	-	26,000 lbs.	None	Standard
	05-240EQ	6"	-	-	26,000 lbs.	None	Economy
	05-240	6"	-	-	26,000 lbs.	None	Standard