

Dayton
parts™

HITCH and COUPLING Products



WALLACE
FORGE
COMPANY

WALLACE FORGE WARRANTY POLICY

Wallace Forge Company warrants repair or replacement of any products of its manufacture, at its option. Upon delivery to its factory, which with one year after date of sale by Wallace's customer, is proved to the satisfaction of Wallace Forge Co. defective at the time of said sales; provided that all products claimed defective are returned properly identified to Wallace Forge Company.

Not covered by this warranty are:

- 1.) Products which have been altered, changed, or repaired by someone other than the Wallace Forge Co.
- 2.) Defects, damages or deterioration due to normal use, exposure or wear and tear.
- 3.) Damages or defects due to misuse, alteration, negligence, or accident.

This warrant to repair or replace the defective products is the only warranty express, implied, or statutory, upon these products manufactured by Wallace Forge Company Inc. and the liability of Wallace Forge Company Inc. is hereby expressly limited to the repair or replacement of defective products. All other damages and warranties are hereby expressly waived by the purchaser.

TO AVOID INJURY – PLEASE READ CAREFULLY

1. Follow D.O.T. regulations for installation.
 2. Do not modify or add to product.
 3. Use grade 8 bolts for mounting with proper torque.
 4. Inspect before operating for wear, deformation, damaged or missing parts and secure mounting.
 5. FOR ALL PRODUCTS: To prevent personal injury or damage, the mounting location must be capable of supporting 15% more than the maximum amount to be pulled.
 6. Do not exceed maximum capacity of product
 7. Use safety chains of proper capacity in conjunction with all towing devices at all times.
 8. Secure latch in closed position with safety pin inserted. Do not operate without safety pin in place, on pintle hooks and couplers.
 9. Use pintle hook with proper lunette.
 10. Products in our catalog are NOT for lifting.
-

Nothing herein expresses or implies any product warranty.

Wallace Forge Company is not liable if products are welded or modified.

Specifications, dimensions, or designs may be changed or improved at any time without prior notice.

Consult D.O.T. regulations for INSTALLATION instructions, and operating instructions.

WARNING: This equipment should not be used or maintained in a haphazard manner. Inspect for proper installation. Inspect before use for wear and deformation requiring replacement. Replace worn parts with Wallace Forge Company replacement parts. Clean and lubricate properly. Use proper bolts for mounting with proper torque.

The names and reference numbers of manufacturers and suppliers, other than Dayton Parts, LLC, used in this catalog are shown only to assist our customers in identifying replacement parts. Under no circumstances does Dayton Parts, LLC imply that the parts are of these OE manufacturers. Although care has been taken to ensure the accuracy of the data contained in this publication, Dayton Parts, LLC does not assume any liability for errors or omissions.

© Copyright 2013, Dayton Parts, LLC, all rights reserved. No part of this publication covered by the copyrights hereon may be reproduced or copied in any form or by any means whatsoever without the expressed prior written permission of Dayton Parts, LLC.

Item	Page	Item	Page
King Pins	2-5	Towing Accessories	
Pintle Hooks		Ball Mounts	37
Spring Mounted	6-7	Triple Ball Hitch	37
Swivel Mounted	8-9	High Low Bars	38-39
Rigid Mounted	10-15	Hitch Balls	40-41
Coupling Products		Bent Hitch Pins	42
Ball Couplers	16-18	Receiver Tubes	42
Channel	19	Receiver Adapters	43-44
Dual Purpose Hitches	20-23	Tow Hooks	44-46
Nose Plates	27	Snapper Pins	46
Gooseneck Couplers	24	Trailer Accessories	
King Pin on Pipe	25	D-Rings	47
Hideaways	26	Hitch Pins	48
Nose Plates	27	Jacks	48-51
Tow Rings	27-32	Floor Clip	52
Clevis	32	Lashing Rings	52-53
Master Links	33	Linch Pins	54
Dump Body Accessories		Outriggers	54
Grab Hooks	33	Rope Rings	55
Hinge Assemblies	33	Spring Latches	55-56
Mounting Blocks	33	Tie Downs	57
Banjo Eyes	34		
Door Hinges	34		
Hand Grips	34		
Steps	34		
Tailgate Latch Assemblies	35-36		

Since 1942, Wallace Forge has been developing quality products in the trucking industry to satisfy our customers, and expand the industry.

3700 Georgetown St. N.E.
Canton, Ohio 44704

Toll Free: (800) 328 1203
Phone: (330) 488 1203
Fax: (330) 488 1217

www.WallaceForgeCompany.com
sales@WallaceForgeCompany.com



Wallace Forge Company has been assessed and approved by Smithers Quality Assessments, Inc., to **ISO 9001:2008** quality management system standards and requirements.



King Pins



All Wallace Forge King Pins are 100% American made.

Forged out of an AISI 8630 or 4320 material, depending on the model, Wallace Forge's King Pins conform to all SAE and AAR standards. Every one of our King Pins is 100% Brinell hardness checked, magnetic particle inspected and weldable.

Wallace Forge Company King Pin Information

Standard SAE dimensional tolerances apply to all dimensions.
King Pins are made from 8630 alloy steel and heat treated to 302-363 Brinell, unless otherwise noted.

Wallace Forge King Pins will hold approximately 150,000 PSI ultimate and 115 PSI yield strength.

ALL KING PINS ARE 100% BRINELL HARDNESS CHECKED, MAGNETIC PARTICLE INSPECTED, AND WELDABLE.

Rockwell reading may be different as there may be some surface carbonization.

A Style King Pins

- Made from 8630 Alloy Steel
- Available in 4320H Steel*

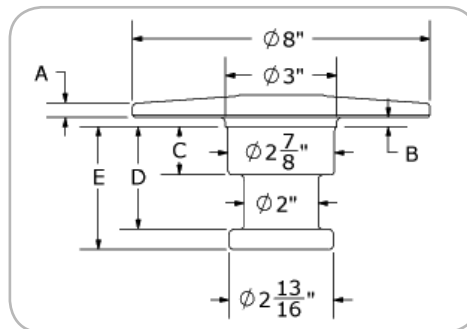
These King Pins are also known as Mushroom King Pins.

Part #	Model	Dimensions					Wt.
		A	B	C	D	E	
2084192	KP-25-A	0.38-0.58"	0.25"	1.289"	2.755"	3.305"	16
2084193	KP-31-A	0.38-0.58"	0.31"	1.289"	2.755"	3.305"	16
2084194	KP-38-A	0.38-0.58"	0.38"	1.289"	2.755"	3.305"	16
2084195	KP-50-A	0.38-0.58"	0.5"	1.289"	2.755"	3.305"	16
2084197	KP-62-A	0.38-0.58"	0.625"	1.289"	2.755"	3.305"	17
2084196	KP-75-A	0.38-0.58"	0.75"	1.289"	2.755"	3.305"	17



KP-25-A

*Minimum order for 4320H Steel 100 King Pins.









Wallace Forge King Pins are not for off the road equipment.

Warning: The use of a lube plate alters the king pin dimensions from SAE standards and may prevent proper coupling.

Drilled A Style King Pins

- Made from 8630 Alloy Steel
- Available in 4320H Steel*

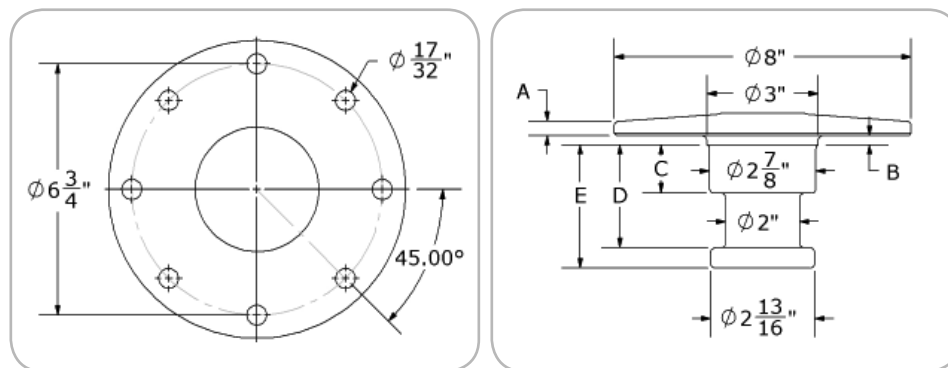
All of the below King Pins have eight 0.53 inch drilled holes spaced on a 6.75 inch diameter. *If you require different sized drilled holes, please contact Dayton Parts.*

Part #	Model	Dimensions					Wt.
		A	B	C	D	E	
 2084192H	KP-25-A Drilled	0.38-0.58	0.25	1.289	2.755	3.305	15
 2084193H	KP-31-A Drilled	0.38-0.58	0.31	1.289	2.755	3.305	15
 2084194H	KP-38-A Drilled	0.38-0.58	0.38	1.289	2.755	3.305	16
 2084195H	KP-50-A Drilled	0.38-0.58	0.5	1.289	2.755	3.305	16
 2084197H	KP-62-A Drilled	0.38-0.58	0.625	1.289	2.755	3.305	17
 2084196H	KP-75-A Drilled	0.38-0.58	0.75	1.289	2.755	3.305	17

*Minimum order for 4320H Steel 100 King Pins



KP-25-A Drilled



Wallace Forge King Pins are not for off the road equipment.

Warning: The use of a lube plate alters the king pin dimensions from SAE standards and may prevent proper coupling.

B & C Style King Pins

- Made from 8630 Alloy Steel
- Available in 4320H Steel*

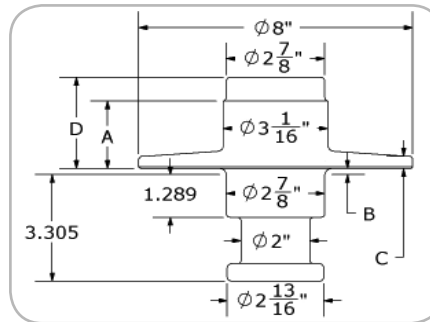
These King Pins are also known as Double Spool King Pins.

Part #	Model	Dimensions				Wt.
		A	B	C	D	
2085196	KP-25-B	2.125"	0.25"	0.38-0.58"	2.875"	19
2085197	KP-31-B	2.125"	0.31"	0.38-0.58"	2.875"	19
2085198	KP-38-B	2.125"	0.38"	0.38-0.58"	2.875"	19
2085199	KP-50-B	2.125"	0.5"	0.38-0.58"	2.875"	19
2085200	KP-25-C	2"	0.25"	0.38-0.58"	2"	17
2085201	KP-31-C	2"	0.31"	0.38-0.58"	2"	17
2085202	KP-38-C	2"	0.38"	0.38-0.58"	2"	17
2085203	KP-50-C	2"	0.5"	0.38-0.58"	2"	17



KP-25-B

*Minimum order for 4320H Steel 100 King Pins.



3 1/2" Heavy Duty King Pins

- Made from 8630 Alloy Steel
- Heat-Treated to Brinell 302-363

These King Pins are for off the road equipment and heavy duty trucks.
Drilled models feature four 1.25 inch holes on a diameter of 8.50 inch.

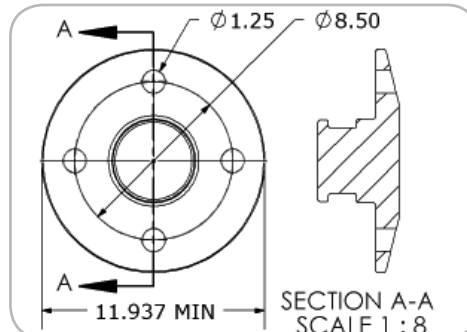
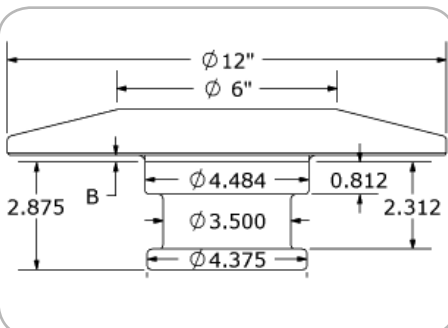
Part #	Model	Bolster Plate Thickness (B)	Wt.
2393162	KP 848-38	0.38"	43
2394163	KP 848-50	0.50"	43
2393162D	KP 848-38 Drilled	0.38"	42
2394163D	KP 848-50 Drilled	0.50"	42



KP 848-38



KP 848-38 Drilled

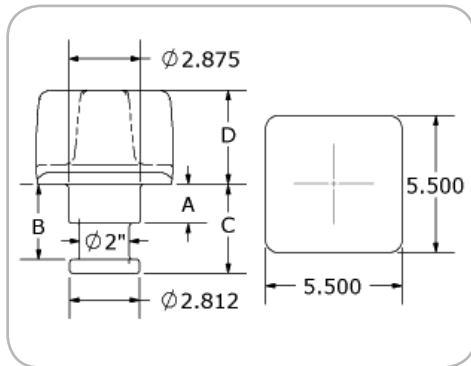


Cruciform King Pins

- Forged 4320H Steel
- Heat-Treated to Brinell 380-420

These King Pins meet all the requirements of the Association of the American Railroads, AAR, Standard M-931 when installed properly.

Part #	Model	Bolster Plate Thickness	Dimension				Wt.
			A	B	C	D	
2401170	KP-25-AR	0.25"	1.558"	3.012"	3.574"	2.437"	17
2402171	KP-31-AR	0.31"	1.62"	3.074"	3.636"	2.437"	17
2401172	KP-38-AR	0.38"	1.683"	3.137"	3.699"	2.437"	17
2402050	KP-25-ARM	0.25"	1.558"	3.012"	3.574"	3.125"	18
2402075	KP-31-ARM	0.31"	1.62"	3.074"	3.636"	3.125"	18
2402100	KP-38-ARM	0.38"	1.683"	3.137"	3.699"	3.125"	18
2401180	KP-25-AAR	0.25"	1.558"	3.012"	3.574"	3.625"	19
2401182	KP-31-AAR	0.31"	1.62"	3.074"	3.636"	3.625"	19
2401181	KP-38-AAR	0.38"	1.683"	3.137"	3.699"	3.625"	19



KP-25-AAR

King Pin Locks

The King Pin Lock comes with 2 keys.
Lunette Lock does not come with lock and key.



Lunette Lock

King Pin Lock

Part #	Model	Description	Wt.
2084164	King Pin Lock	Inside Diameter 2.90", Length 3.5"	3.75
2405176	Lunette Lock	Fits 2½" to 3" diameter eye	4

Wallace Forge King Pins are not for off the road equipment.

Warning: The use of a lube plate alters the king pin dimensions from SAE standards and may prevent proper coupling.

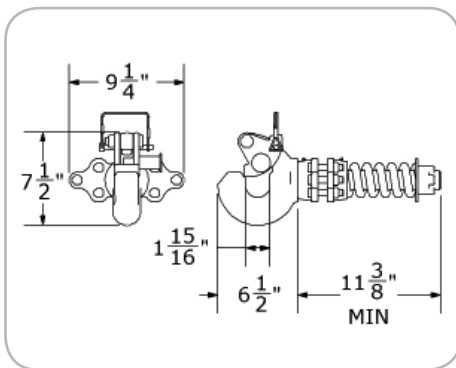
Spring Mounted Pintle Hooks

All the below Pintle Hooks are used in the Utility and Municipality Industry for over the road and off the road equipment. For use with drawbar eye dimensions: 2 $\frac{3}{8}$ " to 3" eye with a ring diameter of 1 $\frac{1}{4}$ " to 1 $\frac{5}{8}$ ". *Install with Grade 8 bolts and mount to a plate with a minimum thickness of $\frac{3}{4}$ ".*

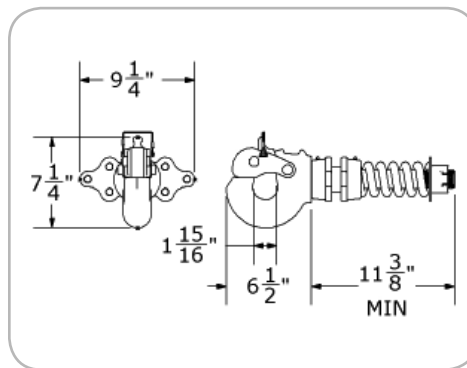
Part #	Model	Dimensions		Max Capacity		Wt.
		A	B	G.T.W.	V.L.	
2043100	15 Ton Spring	6 $\frac{1}{2}$ "	11 $\frac{3}{8}$ "	30,000	4,000	50
2044101	25 Ton Spring	6 $\frac{1}{2}$ "	11 $\frac{3}{8}$ "	50,000	6,000	55



15 Ton Spring



15 Ton Spring



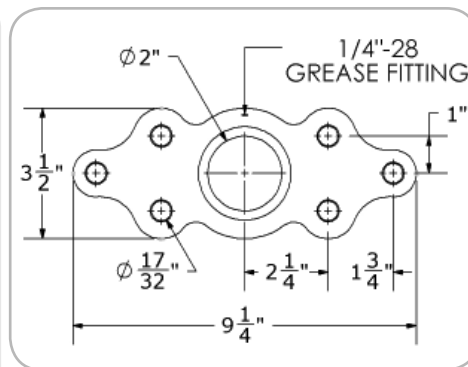
25 Ton Spring



25 Ton Spring

Replacement Parts

Part #	Description
2089176	15 Ton Latch Assembly
2090177	25 Ton Latch Assembly
2099178	15 Ton- Snapper Pin, S-Hook and Chain for Latches
2099179	25 Ton-Snapper Pin, S-Hook and Chain for Latches
2097187	15/25 Ton Cushion Spring
2102189	2043100, 2044101 Mounting Brackets (Pair)





Mounting Bracket

Wallace Forge is not liable if pintle hooks are welded or modified.

For all products: to prevent personal injury or vertical damage, the mounting location must be capable of supporting at least 15% more than the maximum amount to be pulled.

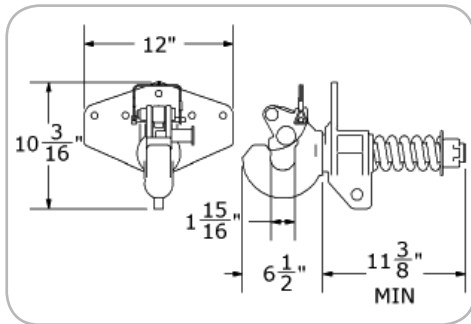
T-Bracket Spring Mounted Pintle Hooks

All the below Pintle Hooks are used in the Utility and Municipality Industry for over the road and off the road equipment. For use with drawbar eye dimensions: 2³/₈" to 3" eye with a ring diameter of 1¹/₄" to 1⁵/₈". *Install with Grade 8 bolts and mount to a plate with a minimum thickness of 3/4"*.

Part #	Description	Max Capacity		Wt.
		G.T.W.	V.L.	
 2045102	T-15 Ton, no safety chain	30,000	6,000	41
 2046103	T-25 Ton, no safety chain	50,000	6,000	42



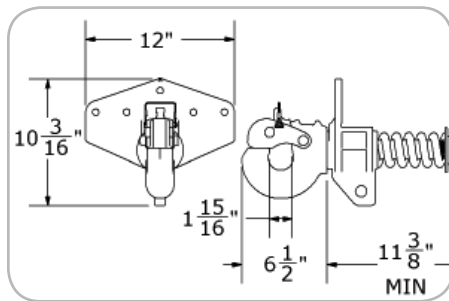
T-15 Ton No Safety Chain Attachment



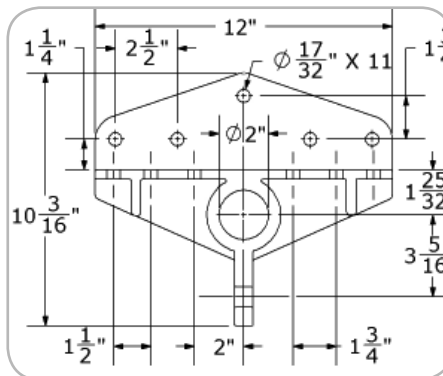
T-15 Ton No Safety Chain Attachment



T-25 Ton No Safety Chain Attachment



T-25 Ton No Safety Chain Attachment



T-Bracket

Replacement Parts

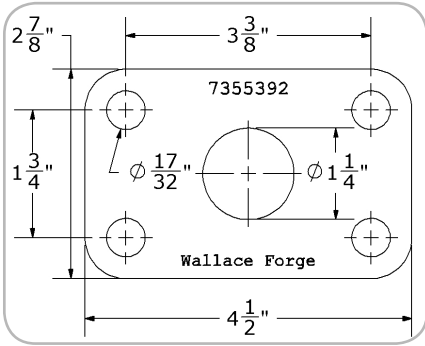
Part #	Description
2089176	15 Ton Latch Assembly
2090177	25 Ton Latch Assembly
2099178	15 Ton- Snapper Pin, S-Hook and Chain for Latches
2099179	25 Ton-Snapper Pin, S-Hook and Chain for Latches
2097187	15/25 Ton Cushion Spring

Wallace Forge is not liable if pintle hooks are welded or modified.

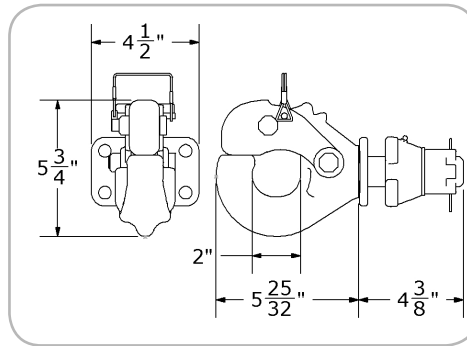
B-8 Swivel Mounted Pintle Hook

These Pintle Hooks are recommended for off the road equipment and are used with a drawbar with an eye diameter of 2³/₈" to 3".

Part #	Model	Max Capacity		Wt.
		G.T.W.	V.L.	
2047104	B-8 with Brackets	18,000	2,000	15
2052109	NB-8 No Brackets	18,000	2,000	10



Brackets



B-8



B-8 with Brackets



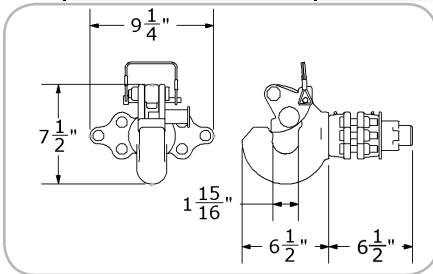
B-8 No Brackets

B-8 Replacement Parts

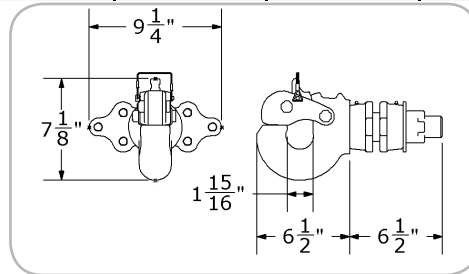
Part #	Description
2088175	Latch Assembly
2382151	Snapper Pin, S-Hook and Chain for Latches

Swivel Mounted Pintle Hooks

Part #	Model	Max Capacity		Wt.
		G.T.W.	V.L.	
2048105	B-15 Ton	30,000	4,000	27
2049106	B-25 Ton	50,000	6,000	28



B-15 Ton



B-25 Ton



B-15 Ton



B-25 Ton

15 Ton Replacement Parts

Part #	Description
2089176	15 Ton Latch Assembly
2097187	Cushion Spring
2102189	Mounting Brackets (Pair)
2099178	15 Ton- Snapper Pin, S-Hook and Chain for Latches

25 Ton Replacement Parts

Part #	Description
2090177	25 Ton Latch Assembly
2097187	Cushion Spring
2102189	Mounting Brackets (Pair)
2099179	25 Ton-Snapper Pin, S-Hook and Chain for Latches

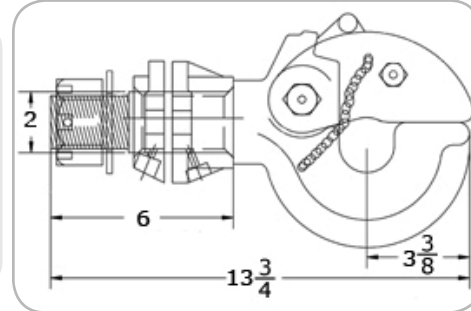
B-30 Swivel Mounted Pintle Hook

These Pintle Hooks are to be used with a drawbar with a 3" diameter eye and a ring thickness 1 5/8". Mounting holes are 6 1/2" from center to center and accept 3/4" Grade 8 bolts.

	Part #	Model	Max Capacity		Wt.
			G.T.W.	V.L.	
🇺🇸	2050107	B-30	60,000	12,200	38
🇺🇸	2053110	NB-30 No Mounting Brackets	60,000	12,200	28



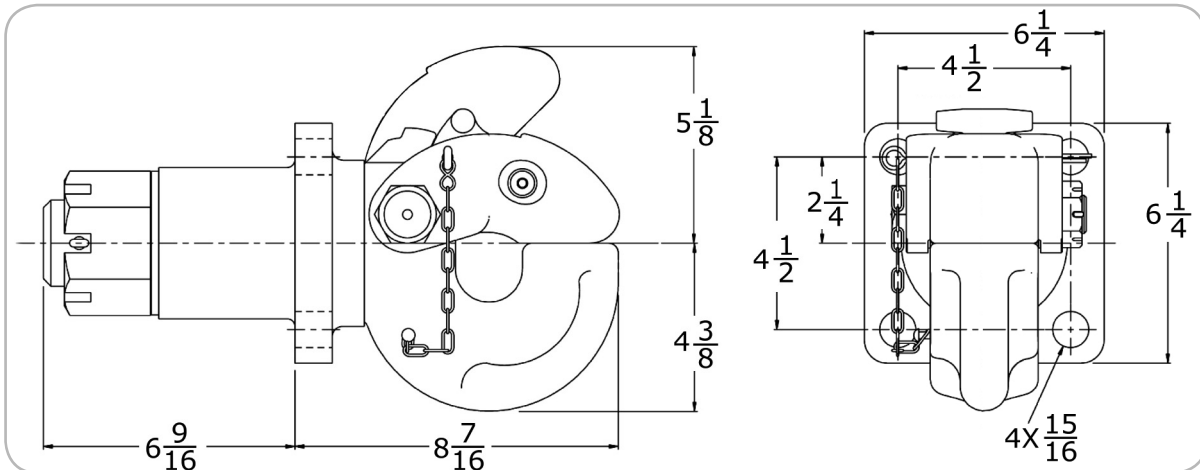
30 Ton Replacement Parts	
Part #	Description
2091178	Latch Assembly
2103190	Mounting Brackets (Pair)
2056175	Cotter Pin, S-Hook and Chain for Latch



B-50 Swivel Pintle Hook

These Pintle Hooks are to be used with a drawbar with a 3" diameter eye and a ring thickness 1 5/8". The mounting holes accept 15/16" bolts.

	Part #	Model	Max Capacity		Wt.
			G.T.W.	V.L.	
🇺🇸	2051108	B-50	100,000	20,000	61
🇺🇸	2054111	NB-50 No Mounting Brackets	100,000	20,000	42






50 Ton Replacement Parts	
Part #	Description
2093180	Latch Assembly
2104191	Mounting Bracket
2049340	Cotter Pin, S-Hook and Chain for Latch

Rigid Mount Pintle Hooks

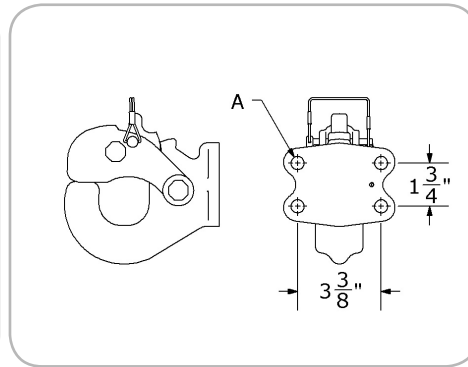
These Pintle Hooks are to be used with a drawbar with a 2 3/8"-3" diameter eye.



Part #	Model	Dimensions	Max Capacity		Wt.
		A	G.T.W.	V.L.	
IQ09331	R-5 Ton	17/32"	10,000	2,000	8
 2055112	R-8 Ton	17/32"	16,000	3,200	8.5
 2056113	R-15 Ton	17/32"	30,000	6,000	11
 2057114	R-20 Ton	19/32"	40,000	8,000	12.25

Rigid Mount Pintle Hook Replacement Parts


Part #	Description
2105205	Latch
2382151	Snapper Pin, S-Hook and Chain for Latches
2117240	R-5, R-7 and R-15 Ton Mounting Kit
2117242	R-20 Mounting Kit



R-30 Ton Rigid Mount Pintle Hook

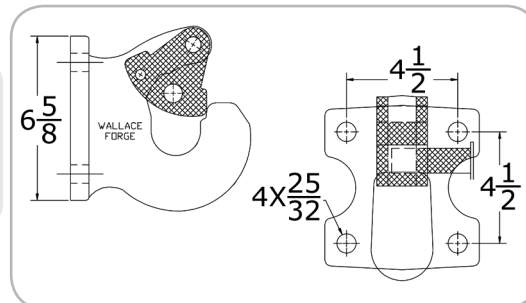
These Pintle Hooks are to be used with a drawbar with a 2 3/8"-3" diameter eye.



Part #	Model	Max Capacity		Wt.
		G.T.W.	V.L.	
 2058115	R-30 Ton	60,000	15,000	24

R-30 Ton Pintle Hook Replacement Parts

Part #	Description
2089176	Latch Assembly





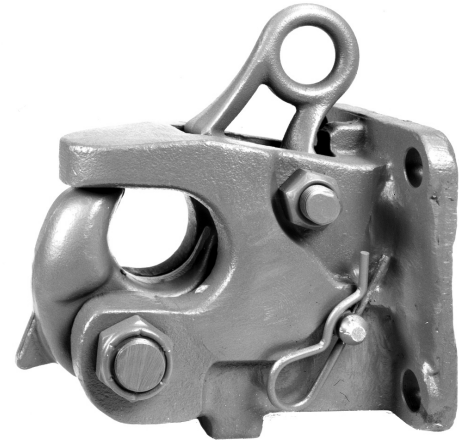
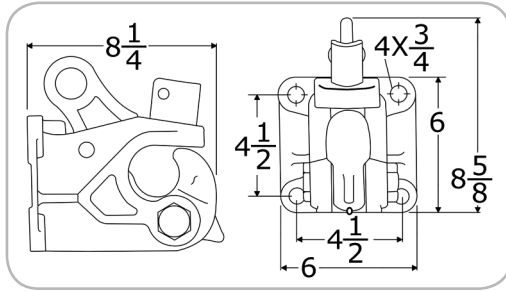
Do not weld or modify Wallace Forge Company Pintle Hooks.

Rigid Pintle Hook Capacities are reduced by 25% when used for Off the Road Purposes.

Pull Release Pintle Hooks

These Pintle Hooks are to be used with a drawbar with a 2 $\frac{3}{8}$ " to 2 $\frac{3}{4}$ " diameter eye and a ring thickness 1 $\frac{5}{8}$ ".



	Part #	Model	Max Capacity		Wt.
			G.T.W.	V.L.	
	2389158	CPR 15 Cable Pull	30,000	7,500	25
	2389158R	RPR Ring Release	30,000	7,500	25



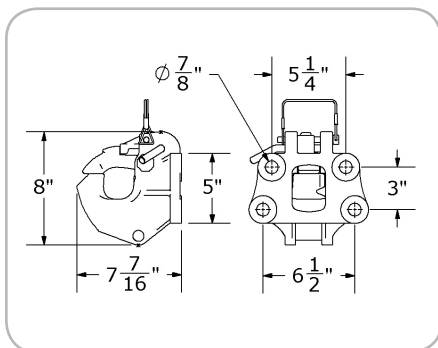
RPR Ring Release

50 Ton 4 Bolt Pintle Hook

These Pintle Hooks are to be used with a drawbar with a 2 $\frac{3}{8}$ " to 3" diameter eye and a ring thickness 1 $\frac{1}{4}$ " to 1 $\frac{5}{8}$ ". The mounting plate should be at least $\frac{7}{8}$ " thick.

	Part #	Model	Max Capacity		Wt.
			G.T.W.	V.L.	
	2354454*	R-50 Ton 4B	100,000	20,000	45
	2354454S	R-50 Ton 4B No air	100,000	20,000	30

*Includes air cylinder, mounting bracket



4 Bolt Rigid Mount Hook Replacement Parts

Part #	Description
54454L	Latch Assembly
23454P	Plunger
23454MB	Mounting Bracket
23454AC	Air Cylinder
2391T	Thimble for Air Cylinder Rod



R-50 Ton 4B



R-50 Ton 4B No air

Do not weld or modify Wallace Forge Company Pintle Hooks.

Rigid Pintle Hook Capacities are reduced by 25% when used for Off the Road Purposes.

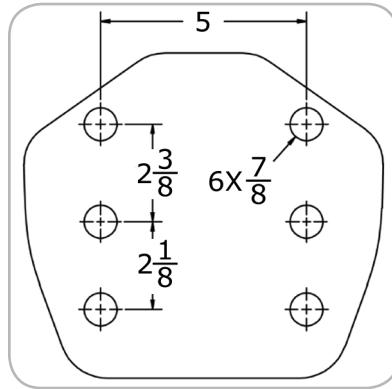
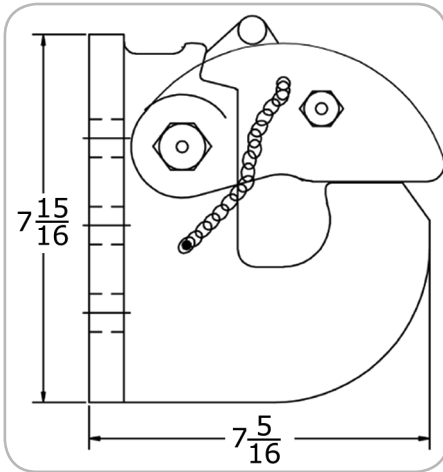
50 Ton 6 Bolt Pintle Hook

These Pintle Hooks are to be used with a drawbar with a $2\frac{3}{8}$ " to 3" diameter eye and a ring thickness $1\frac{1}{4}$ " to $1\frac{5}{8}$ ". The mounting plate should be at least $\frac{7}{8}$ " thick. *There are two different bolt patterns for the Pintle Hooks, please see drawings.*

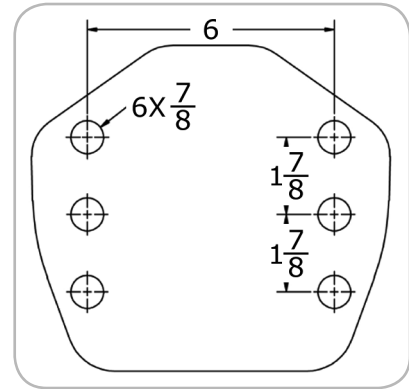


Part #	Model	Max Capacity			Wt.
		Latch	G.T.W.	V.L.	
2060117NA	R-50 Ton 6-B No Air	60,000	100,000	20,000	40
2060117*	R-50 Ton 6-B	60,000	100,000	20,000	60
2010985NA	R-50 Ton 6-B No Air	60,000	100,000	20,000	40
2010985*	R-50 Ton 6-B	60,000	100,000	20,000	60

*Include air cylinder, brackets, bolts



2010985
2010985NA
Bolt Pattern



2060117
2060117NA
Bolt Pattern

50 Ton 6 Bolt Pintle Hook Replacement Parts

Part #	Description
2091178	Latch Assembly
20117P	Plunger
20117MB	Mounting Bracket
20117AC	Air Cylinder

Do not weld or modify Wallace Forge Company Pintle Hooks.

Rigid Pintle Hook Capacities are reduced by 25% when used for Off the Road Purposes.

50 Ton Offset 6 Bolt Pintle Hook

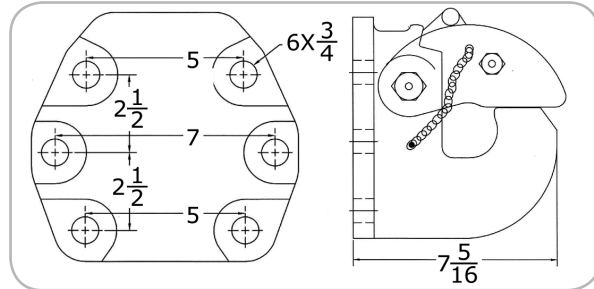
These Pintle Hooks are to be used with a drawbar with a 2 $\frac{3}{8}$ " to 3" diameter eye and a ring thickness 1 $\frac{1}{4}$ " to 1 $\frac{5}{8}$ ". The mounting plate should be at least $\frac{7}{8}$ " thick.



Part #	Description	Max Capacity			Wt.
		Latch	G.T.W.	V.L.	
2060115	Pintle Hook only	60,000	100,000	20,000	40
2059117	Pintle Hook, brackets, bolts	60,000	100,000	20,000	47
2058116	50 Ton Offset 6 Bolt complete	60,000	100,000	20,000	60

50 Ton 6 Offset Bolt Pintle Hook Replacement Parts

Part #	Description
2091178	Latch Assembly
2060P	Plunger
2060MB	Mounting Bracket
2060AC	Air Cylinder



R-50 Pintle Hook

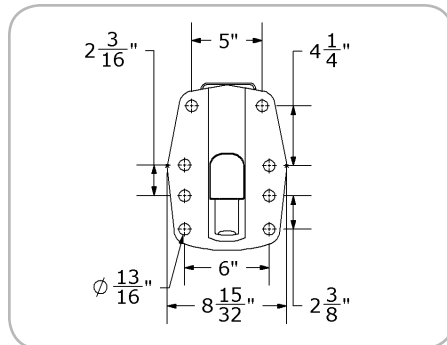
These Pintle Hooks are to be used with a drawbar with a 2 $\frac{3}{8}$ " to 3" diameter eye and a ring thickness 1 $\frac{1}{4}$ " to 1 $\frac{5}{8}$ ". The mounting plate should be at least $\frac{7}{8}$ " thick.



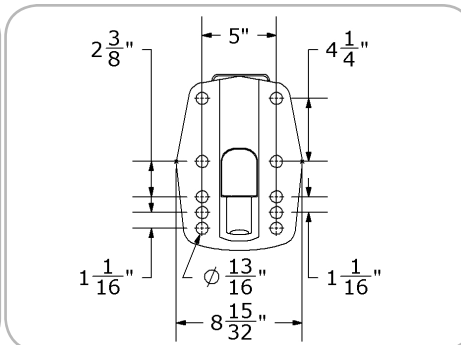
Part #	Model	Max Capacity		WT.
		G.T.W.	V.L.	
2388157	R-50-8 Bolt No Air	100,000	20,000	46
2392161	R-50-8 Bolt Complete	100,000	20,000	56
2390159	R-50-10 Bolt No Air	100,000	20,000	46
2391160	R-50-10 Bolt	100,000	20,000	56

*R-45 is an Obsolete Assembly. Shown for Replacement Parts Only.

R-45-10



R-45-8



R-45-10

R-45-8/R-45-10 Pintle Hook Replacement Parts

Part #	Description
2388LA	Latch Assembly
2388P	Plunger
2388MB	Mounting Bracket
2388AC	Air Cylinder
2391T	Thimble for Air Cylinder Rod

Do not weld or modify Wallace Forge Company Pintle Hooks.
Rigid Pintle Hook Capacities are reduced by 25% when used for Off the Road Purposes.

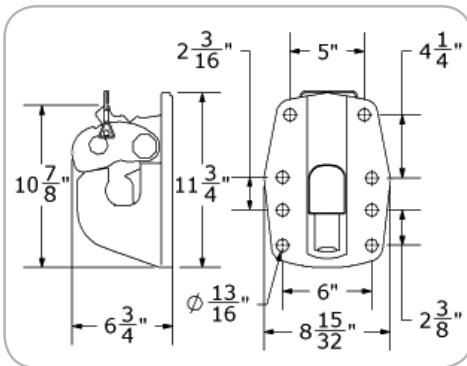
R-50 Pintle Hook

These Pintle Hooks are to be used with a drawbar with a 2³/₈" to 3" diameter eye and a ring thickness 1¹/₄" to 1⁵/₈". The mounting plate should be at least 7/8" thick. Maximum Latch Capacity: 60,000 LBS.

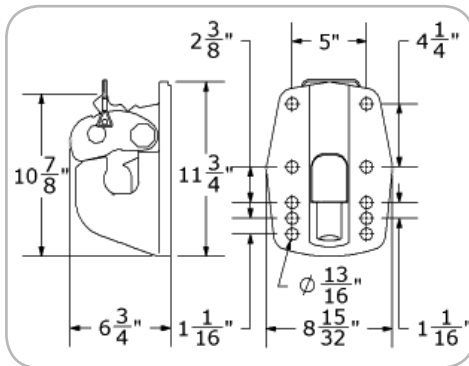
Part #	Model	Max Capacity		WT.
		G.T.W.	V.L.	
2391164	R-50-8 Bolt no air cylinder	100,000	20,000	46
2391163	R-50-8 Bolt	100,000	20,000	56
2391166	R-50-10 Bolt no air cylinder	100,000	20,000	46
2391165	R-50-10 Bolt	100,000	20,000	56



R-50-8 Bolt no air cylinder



R-50-8 Bolt



R-50-10 Bolt



R-50-10 Bolt no air cylinder

R-50-8/R-50-10 Pintle Hook Replacement Parts

Part #	Description
2091178	Latch Assembly
2391P	Plunger
2391MB	Mounting Bracket
2391AC	Air Cylinder
2391T	Thimble for Air Cylinder Rod





R-50-10 Bolt

Do not weld or modify Wallace Forge Company Pintle Hooks.

Rigid Pintle Hook Capacities are reduced by 25% when used for Off the Road Purposes.

R-75 Ton Pintle Hook

Designed for heavy duty off the road use.

Part #	Model	Max Capacity		
		Latch	G.T.W.	V.L.
 2075012	R-75 Ton Pintle Hook	60,000	150,000	30,000
 NB205411	R-75 Ton Pintle Hook- no air cylinder	60,000	150,000	30,000



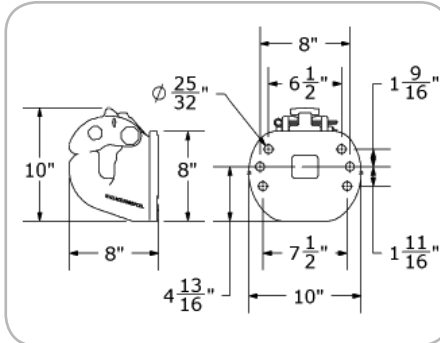
With Air Cylinder



No Air Cylinder


R-75 Ton Pintle Hook Replacement Parts

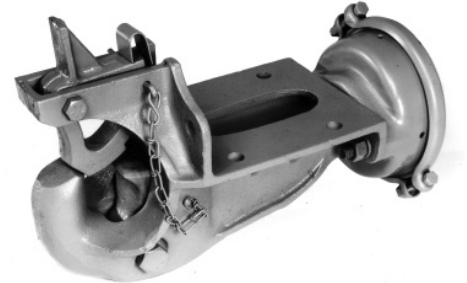
Part #	Description
2093180	Latch Assembly
2075012P	Plunger
2075012MB	Mounting Bracket
20117AC	Air Cylinder



Bolt On Pintle Hook

This Pintle Hook includes an air cylinder. It is to be used with a drawbar with a 2³/₈" to 3" diameter eye and a ring thickness 1¹/₄" to 1⁵/₈".

Part #	Model	Max Capacity		Wt.
		G.T.W.	V.L.	
 1502500	Bolt On Pintle Hook	50,000	10,000	36



Bolt On Pintle Hook Replacement Parts

Part #	Description
15710LATCH	Latch Assembly
15815	Plunger
15710SPRING	Spring
158150R	Rod Extension Pin

Do not weld or modify Wallace Forge Company Pintle Hooks.

Rigid Pintle Hook Capacities are reduced by 25% when used for Off the Road Purposes.

A-Frame Ball Couplers



These couplers are weldable and are NOT for off the road use.

Part #	Ball Size	Max Capacity		Wt.
		G.T.W.	V.L.	
2405180	2"	5,000	500	9
2405179	2 ⁵ / ₁₆ "	10,000	1,000	9



Weld-On Coupler

These couplers are weldable and are NOT for off-road use.



Part #	Ball Size	Max Capacity		Wt.
		G.T.W.	V.L.	
 2405174	1½" & 2"	7,500	750	9
 2405175	2 ⁵ / ₁₆ "	7,500	750	9



ABM Adjustable Couplers

Now comes Zinc plated to better protect against corrosion.

Coupler fits with Wallace Forge Company Channels, Coupler's holes drilled 2" apart from the center of the holes. Use Grade 8-5/8" bolts.



Part #	Model	Ball Size	Max Capacity		Wt.
			G.T.W.	V.L.	
 2402178	ABM-200 L	1 ⁷ / ₈ " & 2"	10,000	1,000	12
 2402179	ABM-2516 L	2 ⁵ / ₁₆ "	12,000	1,200	12



ABM Coupler Replacement Parts

Part #	Description
2405189	Loop Latch Assembly

Yard Dog Couplers

Part #	Model	Dimensions			Max Capacity		Wt.
		Ball Size	Inside Dia. of Ring	Ring Thickness	G.T.W.	V.L.	
 2405205	RCA48178	1 7/8" & 2"	2" to 3"	1" to 1 1/2"	3,500	350	14
 2405217	RCA48516	2 5/16"	2" to 3"	1" to 1 1/2"	3,500	350	14

Yard Dog Couplers Replacement Parts

Part #	Description
2405189	Loop Latch Assembly



Spring Loaded Adj. Ball Coupler

The spring loaded coupler provides easy opening and a continuously tight fit on the hitch ball. Coupler fits with Wallace Forge Company Channels, Coupler's holes drilled 2" apart from the center of the holes.

Part #	Ball Size	Bolt Size	Max Capacity		Wt.
			G.T.W.	V.L.	
2425162	2 5/16"	5/8"	13,000	1,200	14



Light Duty Adjustable Ball Coupler

These couplers' inner parts are heat treated. The couplers come with 3/8" detent pins for added safety. Coupler fits with Wallace Forge Company Channels, Coupler's holes drilled 2" apart from the center of the holes.

Part #	Ball Size	Bolt Size	Max Capacity		Wt.
			G.T.W.	V.L.	
2422001	2"	5/8"	10,000	1,000	9.5
2425160	2 5/16"	5/8"	14,000	1,400	9.5





Adjustable Ball Coupler Replacement Parts

Part #	Description
DTHP3840	Detent Pin

Medium Duty Adjustable Coupler

- Available for 2" and 2^{5/16}" hitch balls
- Auto-locking style provides easy attachment

Coupler fits with Wallace Forge Company Channels, Coupler's holes drilled 2" apart from the center of the holes.

	Part #	Ball Size	Bolt Size	Max Capacity		Wt.
				G.T.W.	V.L.	
	R20000	2"	5/8"	12,000	1,200	12
	R25160	2 ^{5/16} "	5/8"	20,000	2,000	12.75




20,000 Adj. Coupler Replacement Parts

Part #	Description
R20000R	R20000 Latch
R25160R	R25160 Latch

Heavy Duty Adjustable Coupler

- For 2^{5/16}" hitch balls only
- Accepts three 5/8" bolts


All three holes must be used to achieve 25,000 lb. capacity. Coupler fits with Wallace Forge Company Channels, Coupler's holes drilled 2" apart from the center of the holes.

	Part #	Ball Size	Bolt Size	Max Capacity		Wt.
				G.T.W.	V.L.	
	R25163	2 ^{5/16} "	5/8"	25,000	2,500	10



14,000 Lb. Rigid Mount Coupler

This coupler's inner parts are heat treated. The coupler comes with 3/8" detent pins for added safety.

	Part #	Ball Size	Bolt Size	Max Capacity		Wt.
				G.T.W.	V.L.	
	242516R	2 ^{5/16} "	5/8"	14,000	1,400	10




14,000 lb. Rigid Mount Coupler Replacement Parts

Part #	Description
DTHP3840	Detent Pin

20,000 Lb. Rigid Mount Coupler

- Auto-locking style coupler provides easy coupling attachment


Part #	Ball Size	Bolt Size	Max Capacity		Wt.
			G.T.W.	V.L.	
 20016	2 ⁵ / ₁₆ "	5/8"	20,000	2,000	12.75

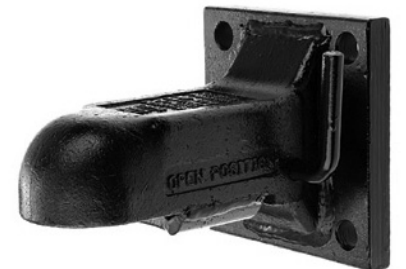
20,000 lb. Rigid Mount Coupler Replacement Parts

Part #	Description
20016R	Replacement Latch






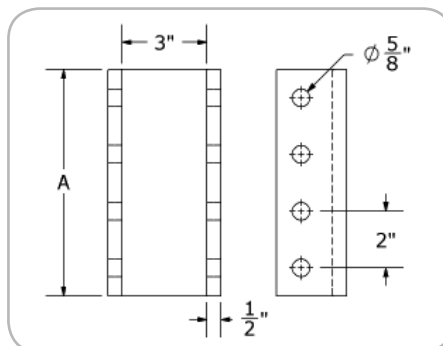
25,000 Lb. Rigid Mount Coupler

Part #	Ball Size	Bolt Size	Max Capacity		Wt.
			G.T.W.	V.L.	
 20007	2 ⁵ / ₁₆ "	5/8"	25,000	5,000	21



Channels

Part #	Model	Channel Length	Max Capacity		Wt.
			G.T.W.	V.L.	
 2373142B	3 Position	8 ¹ / ₂ "	30,000		3
 2376145B	5 Position	12 ¹ / ₂ "	30,000		5
2376146	3 Position	7 ¹ / ₂ "	20,000		3
2376148	5 Position	11 ¹ / ₂ "	20,000		5
 2376140	6 Position	14 ¹ / ₂ "	20,000		6
2376151	7 Position	16 ¹ / ₂ "	20,000		7
2395165	Grade 8 Bolt Kit; (2) 5/8" x 5" zinc-plated bolts w/nuts				4



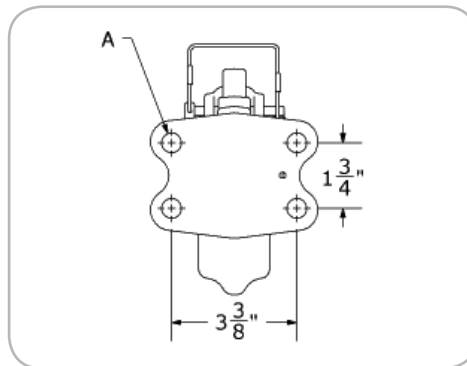
Standard Dual Purpose Hitch

Dual Purpose Hitches accept 2" and 3" Wallace Forge Company eyes. All DPH Balls are interchangeable with SDPH Balls. These hitches feature a chrome ball hitch.

Part #	Model	Dimensions		Max Capacity			Wt.
		A	Ball Size	Hitch Ball	Pintle	Vertical Load	
2306196	SDPH1780	17/32"	1 7/8"	6,000	8,000	3,000	13
2307197	SDPH2000	17/32"	2"	16,000	16,000	3,000	13
2308198	SDPH2516	17/32"	2 5/16"	16,000	16,000	3,000	14
2332224	SDPH50MM	17/32"	50 mm	10,000	12,000	3,000	13



SDPH Replacement Parts	
Part #	Description
2099184	1 7/8" Ball
2325211	2" Ball; 16,000 lbs.
2325212	2 5/16" Ball; 16,000 lbs.
2105205	Replacement Latch
2382151	Snapper Pin, S-Hook, Chain for Latches

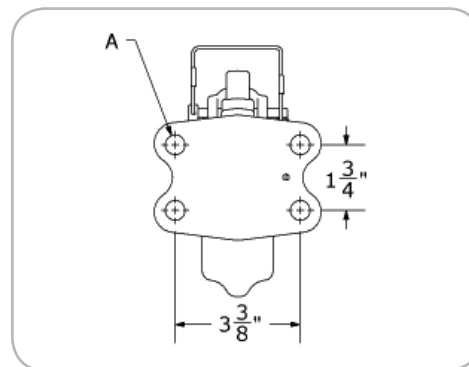


ISDPH Dual Purpose Hitch

Dual Purpose Hitches accept 2" and 3" Wallace Forge Company eyes. These hitches feature a chrome ball hitch.

Part #	Model	Dimensions		Max Capacity			Wt.
		A	Ball Size	Hitch Ball	Pintle	Vertical Load	
23061961	ISDPH1780	17/32"	1 7/8"	6,000	8,000	3,000	13
23071911	ISDPH2000	17/32"	2"	10,000	16,000	3,000	13
23081981	ISDPH2516	17/32"	2 5/16"	10,000	16,000	3,000	14

IDPH Replacement Parts	
Part #	Description
101780	1 7/8" Ball
2025103	2" Ball; 10,000 lbs.
202516	2 5/16" Ball; 10,000 lbs.
2382151	Snapper Pin, S-Hook, Chain for Latches




Dual Purpose Hitches are not to be welded or modified

Dual Purpose Hitch

- **Patented Dual Locking Assembly**
- Quality forging and precision assembly offers dependable service over the life of the hitch

All balls are interchangeable for easy replacement. Hitches are individually packaged for added convenience. Dual Purpose Hitches accept 2" and 3" Wallace Forge Company eyes. These hitches feature a chrome ball hitch.

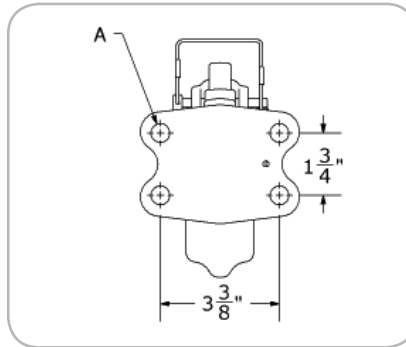
**Patent Number
4,434,996**

Part #	Model	Dimensions		Max Capacity			Wt.
		A	Ball Size	Hitch Ball	Pintle	Vertical Load	
 2076118	DPH1780	17/32"	1 7/8"	6,000	8,000	3,000	13
 2077119	DPH2000	17/32"	2"	16,000	16,000	3,000	13
 2078120	DPH2516	17/32"	2 5/16"	16,000	16,000	3,000	14
 2331223	DPH50MM	17/32"	50mm	10,000	12,000	3,000	13

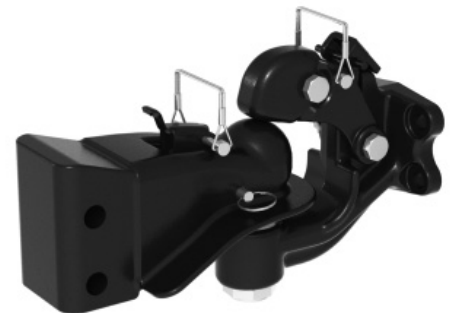


DPH Replacement Parts

Part #	Description
2099184	1 7/8" Ball
2325211	2" Ball; 16,000 lbs.
2325212	2 5/16" Ball; 16,000 lbs.
2094181	Replacement Latch
2382151	Snapper Pin, S-Hook, Chain for Latches



Pintle Hook In Use



Ball Hitch In Use




Dual Purpose Hitches are not to be welded or modified

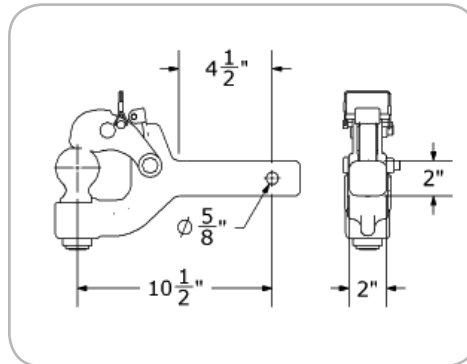
Dual Purpose Receiver

- Made for 2" receiver tubes
- Interchangeable balls
- Black finish with chrome ball

The DPR2000 and DPR2516 are the industry's ONLY dual purpose hitch with a 16,000 lb. tow ring capacity AND ball hitch capacity. Dual Purpose Receivers accept 2" and 3" Wallace Forge Company eyes.



Part #	Model	Dimensions		Max Capacity			Wt.
		A	Ball Size	Hitch Ball	Pintle	Vertical Load	
 2079121	DPR1780	4 ³ / ₁₆ "	1 ⁷ / ₈ "	6,000	8,000	3,000	17
 2079121A	DPR2000	4 ³ / ₁₆ "	2"	16,000	16,000	3,200	17
 2079121B	DPR2516	4"	2 ⁵ / ₁₆ "	16,000	16,000	3,200	18









DPR Replacement Parts

Part #	Description
2099184	1 ⁷ / ₈ " Ball
2325211	2" Ball; 16,000 lbs.
2325212	2 ⁵ / ₁₆ " Ball; 16,000 lbs.
2094181	Replacement latch
2382151	Snapper Pin, S-Hook, Chain for Latches

Heavy Duty Adjustable Magnum Hitch

- Black finish with chrome ball

These hitches are adjustable to fit to a trailer and accept 2" and 3" Wallace Forge Company eyes. Channels are weldable.

	Part #	Description	Ball Size	Max Capacity		Wt.
				G.T.W.	V.L.	
	ADJ2003	2" Adj. Magnum and 3 Position Channel	2"	20,000	2,000	27
	ADJ2513	2 ⁵ / ₁₆ " Adj. Magnum and 3 Position Channel	2 ⁵ / ₁₆ "	30,000	3,000	28
	ADJ2005	2" Adj. Magnum and 5 Position Channel	2"	20,000	2,000	31
	ADJ2515	2 ⁵ / ₁₆ " Adj. Magnum and 5 Position Channel	2 ⁵ / ₁₆ "	30,000	3,000	32
	HDM2000	2" Adjustable Magnum - Hitch Only	2"	20,000	2,000	15
	HDM2516	2 ⁵ / ₁₆ " Adjustable Magnum - Hitch Only	2 ⁵ / ₁₆ "	30,000	3,000	16





Adjustable Magnum Replacement Parts

Part #	Description
2101192	2" Ball
2101193	2 ⁵ / ₁₆ " Ball
2098189	Latch
2382151	Snapper Pin, S-Hook, Chain for Latches

Heavy Duty Rigid Mount Magnum Hitch

- Black finish with chrome ball

These have the same mounting hole location as DPHs, mounting holes accept 5/16" bolts. Accept 2" and 3" Wallace Forge Company eyes.

	Part #	Description	Ball Size	Max Capacity		Wt.
				G.T.W.	V.L.	
	2101188	2" Rigid Mount Magnum	2"	20,000	4,000	18
	2101189	2 ⁵ / ₁₆ " Rigid Mount Magnum	2 ⁵ / ₁₆ "	30,000	4,000	19



Rigid Mount Magnum Replacement Parts

Part #	Description
2101192	2" Ball
2101193	2 ⁵ / ₁₆ " Ball
2098189	Latch
2382151	Snapper Pin, S-Hook, Chain for Latches

Gooseneck Couplers

- Heavy Duty Cast Coupler Head
- Recessed Bolts for Easy Bolt Removal
- Easy Open and Close
- **All Gooseneck Couplers are for 2^{5/16}" Balls Only**

Part #	Description	Max. Gross Trailer Weight	Wt.
GC250115	Adjustable to 4 positions for a total of 8" vertical adjustment	25,000	56
GC301540	Adjustable to 3 positions for a total of 5½" vertical adjustment	30,000	58



Gooseneck Coupler Replacement Parts	
Part #	Description
2813400	Outer pipe with welded nuts, recessed bolts, hitch pin



Gooseneck Coupler Heads

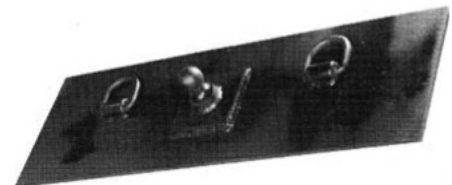
Part #	Description	Max. Gross Trailer Weight	Wt.
1025166	For 2 ^{5/16} " ball, lock pin included	30,000	7
HPL12312	½" x 3½" hitch pin only	-	1.5
1025165	For 3" ball, lock pin included	40,000	10
HPL34414	¾" x 4¼" hitch pin only	-	1.5



Gooseneck Hitch Plate with D-Rings






D-Rings connect to safety chains. *Additional bracing strongly recommended.*

Part #	Description	Plate Dimensions	Max Gross Trailer Weight	Wt.
 2516BP-1RD	2 ^{5/16} " ball with 1" rise and (2) 5/8" D-Rings	13" x 42" x 3/8"	30,000	68
 2516BPD	2 ^{5/16} " ball with no rise and (2) 5/8" D-Rings	15" x 40" x 3/8"	30,000	65



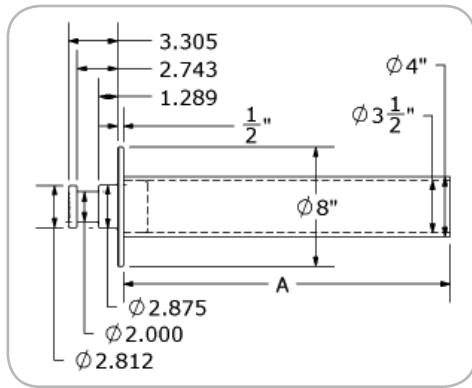
King Pin on a Pipe

This part is for Gooseneck Trailers only. Pipe has 1/4" thick walls.
When drilling holes, do not drill through the seams of the pipe.

Part #	Description	Dimension		Max. G.T.W.	Wt.
		A	Hole Size		
 2085205	4" O.D. round pipe	22"	-	30,000	40
 2085207	4" O.D. round pipe	20"	7/8"		
 2025163	4" O.D. square pipe	31"	1 1/8"	30,000	62
 2026164	4" O.D. square pipe	31"	1 21/25"		
 2026165	4" O.D. square pipe	31"	1 1/4"		



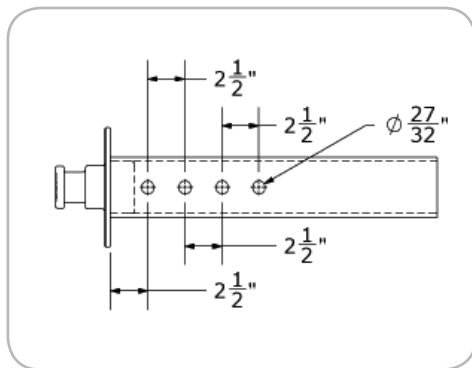
2085205



King Pin on a Round Pipe



2085207



King Pin on a Square Pipe



2025163



Hideaway

Wallace Forge's patented design enables the chrome ball to stay clean, and free of dirt when the ball is folded down. When the ball is in the up position it locks up with a self-locking pin.

- Easily greased while hitch ball is in the upright position
- **Manufactured with a 3/8" thick plate, thickest on the market by 1/8"**
- Forged chain attachments fit flush against hideaway
- Forged door hinge fits securely against hitch ball to eliminate slop and provide maximum wear resistance
- Secondary locking pin ensures that forged chrome hitch ball locks into place

Patent Numbers
5,906,387
5,432,585

Brackets and sub-assembly sold separately.

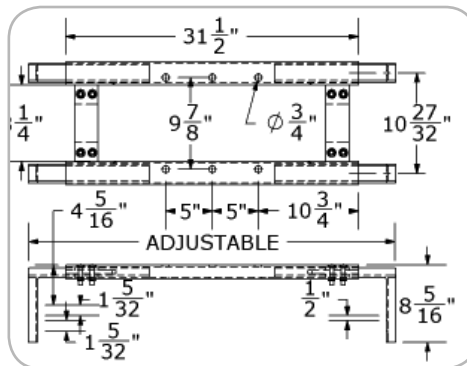
Part #	Description	Max Capacity		Wt.
		G.T.W.	V.L.	
 2025161	2 5/16" folding hitch ball with safety attachment	30,000	5,000	42
 2026666	Adjustable undercarriage, will fit most pick-up and light duty trucks	-	-	45



2025161





2026666

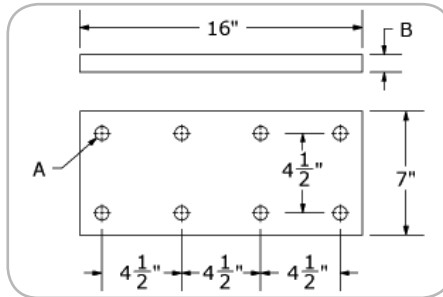


Trailer Nose Plates

- Weldable




Plates allow for 3 different mounting positions. Predrilled nose plates must be reinforced to meet capacity.

Part #	Model	Description	Hole Size (A)	Plate Thickness (B)	Wt.
 TNP7165	¾" Nose Plate	Use for R-48-A, R-49-A, R-50-A	21/32"	¾"	24
 TNP16100	1" Nose Plate	Use for R-50-B, R-51-A	25/32"	1"	32



Bolt On Tow Rings

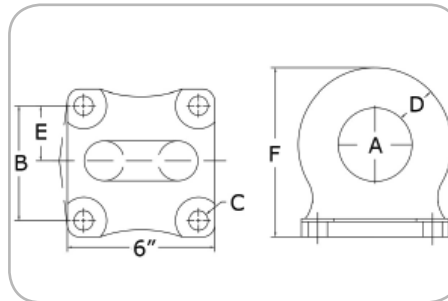
Tow Ring bases are 6"x 6" unless otherwise noted. R-50-A, R-50-B, R-51-A, R-51-B are one piece forging.

Part #	Model	Dimensions						Max Capacity		Wt.
		A	B	C	D	E	F	G.T.W.	V.L.	
 2065138	R-48-A	2½"	4½"	21/32"	1"	2¼"	5¾"	10,000	1,000	11
 IQ09330	R-49-A	2½"	4½"	21/32"	1⅜"	2¼"	6⅝"	42,000	6,000	15
2066134	R-50-A	2½"	4½"	21/32"	1⅜"	2¼"	6 ¹¹ / ₁₆ "	48,000	7,000	15
2066138	R-50-B	2½"	4½"	25/32"	1⅜"	2¼"	6 ¹¹ / ₁₆ "	66,000	19,000	15
2067135	R-51-A	3"	4½"	25/32"	1⅝"	2¼"	6⅞"	66,000	19,000	21
2067136	R-51-B	3"	4½"	57/64"	1⅝"	2¼"	6⅞"	90,000	19,000	21
 2067139*	Custom	3"	N/A	N/A	1½"	N/A	6⅝"	-	-	24

*Minimum hole size is ½", maximum capacity depends on hole size.

Tow Ring Mounting Kits

Part #	Description
BK580	⅝" Bolt Kit for R-48-A, R-49-A, R-50-A
BK340	¾" Bolt kit for R-50-B, R-51-A



Warning: Do not use pintle hooks that restrict the movement or rotation of the pintle ring. This includes, but is not excluded to, "fish mouth" style tow hooks designed strictly for on the road towing.

Tow Rings

Part #	Description	Max Capacity		Wt.
		G.T.W.	V.L.	
2067137	2 ³ / ₈ " eye diameter, heat treated, use with 2" sq. tubing or channel	100,000	15,000	11.5
2067138	2 ³ / ₈ " eye diameter, heat treated, use with 2 ¹ / ₂ " round tubing	100,000	15,000	13
WF862018	2-bolt tow ring, heat treated, 3" eye diameter, use 1 ¹ / ₄ " Gr. 8 bolts, bolt holes spaced 5 ¹ / ₄ " apart on center	60,000	20,000	16







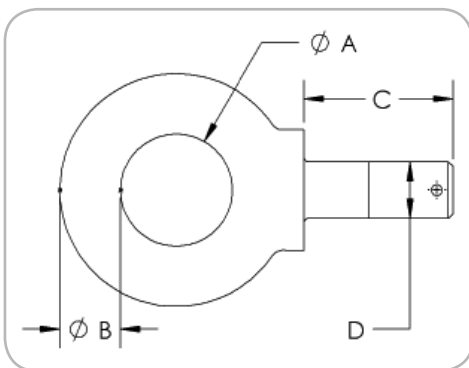
Part #2067137



Part #2067138

Swivel Tow Rings

Part #	Model	Dimensions				Max Capacity		Wt.
		A	B	C	D	G.T.W.	V.L.	
 2061127	0-50-A	2 ¹ / ₂ "	1 ¹ / ₂ "	3 ¹ / ₄ "	1 ¹ / ₂ "	20,000	3,000	10
 2062128	0-51-B	3"	1 ⁵ / ₈ "	4"	2"	50,000	6,500	16.5
 2063126	51337	3"	1 ⁵ / ₈ "	8 ¹ / ₄ "	2"	50,000	9,000	24
 2010455	51337 in Mounting Block	3"	1 ⁵ / ₈ "	8 ¹ / ₄ "	2"	50,000	9,000	40



2061127

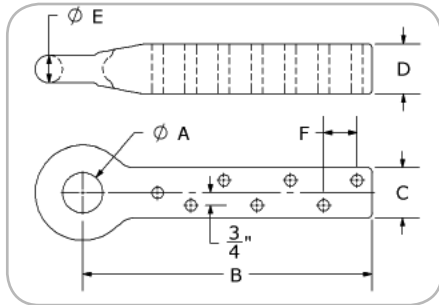


2063126
2010455

Bolt-On Drawbars

Do not weld or modify.

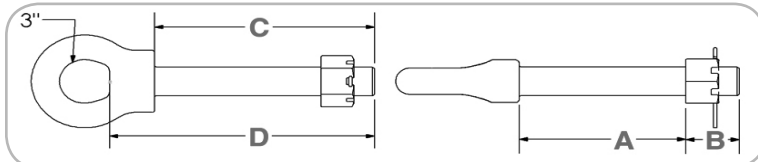
Part #	Model	Dimensions						Standard Cap.		Hinged Tongue Cap.		Wt.
		A	B	C	D	E	F	G.T.W.	V.L.	G.T.W.	V.L.	
2065137	0-43-D	2½"	17½"	3"	1¼"	1¼"	2"	20,000	4,000	100,000	500	20
1111238	0-52-D	3"	17¼"	3"	1⅝"	1⅝"	2"	22,000	4,500	100,000	500	27
1111245	0-42-D	2⅜"	17¼"	3"	3"	1⅝"	2"	40,000	8,000	100,000	500	40
2068133	0-51-E	3"	15"	3"	2½"	1⅝"	1½"	35,000	7,000	100,000	500	30
2070131	0-39-D	2¾"	15"	3"	1"	1¼"	1½"	20,000	4,000	100,000	500	16
2071132	0-39-N	2¾"	15"	3"	1"	1¼"	N/D	20,000	4,000	100,000	500	16.5
2062129	0-53-D	3"	17¼"	3⅝"	3⅝"	1⅝"	2"	40,000	8,000	100,000	500	42



3" Swivel Drawbar

Nut and cotter pin included. Drawbar Eye has 3" wide I.D.

Part #	Dimensions					Max Capacity		Wt.
	A	B	C	D	Shaft	G.T.W.	Tongue Wt.	
1064120L	9¼"	3"	12¼"	15"	2"	150,000	2,500	25
1064121S	8⅞"	3"	11⅞"	13⅞"	2"	150,000	2,500	24
1064122SE	10⅞"	3"	13⅞"	15⅞"	2"	150,000	2,500	26
1064123SM	6¼"	2½"	8¾"	12⅝"	2"	150,000	2,500	22
1064124K	8⅞"	3¼"	11⅜"	14⅞"	2¼"	150,000	2,500	28
1064125KSE	10⅞"	3¼"	13⅜"	16⅞"	2¼"	150,000	2,500	30
1064126KL	9¼"	3¼"	12½"	15¼"	2¼"	150,000	2,500	29
1064130SP	Special Shaft Dimensions Per Customer Request							-

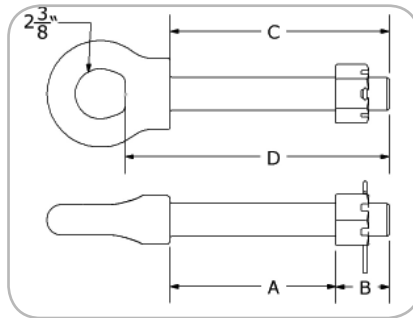


Warning: This equipment should not be used or maintained in a haphazard manner. Inspect for proper installation. Inspect before use for wear and deformation requiring replacement. Replace worn parts with Wallace Forge Company replacement parts. Clean and lubricate properly. Use proper bolts for mounting with proper torque. Wallace Forge recommends replacing all tow rings if there is ⅛" or more of wear to the tow ring.

2³/₈" Swivel Drawbar

- Nut and cotter pin included
- Drawbar Eye has 3" wide I.D.

Part #	Dimensions					Max Capacity		Wt.
	A	B	C	D	Shaft	G.T.W.	Tongue Wt.	
2064120L	9 ¹ / ₄ "	3"	12 ¹ / ₄ "	15"	2"	100,000	2,500	25
2064121S	8 ¹ / ₈ "	3"	11 ¹ / ₈ "	13 ⁷ / ₈ "	2"	100,000	2,500	24
2064122SE	10 ¹ / ₈ "	3"	13 ¹ / ₈ "	15 ⁷ / ₈ "	2"	100,000	2,500	26
2064123SM	6 ¹ / ₄ "	2 ¹ / ₂ "	8 ³ / ₄ "	12 ⁵ / ₈ "	2"	100,000	2,500	22
2064124K	8 ¹ / ₈ "	3 ¹ / ₄ "	11 ³ / ₈ "	14 ¹ / ₈ "	2 ¹ / ₄ "	100,000	2,500	28
2064125KSE	10 ¹ / ₈ "	3 ¹ / ₄ "	13 ³ / ₈ "	16 ¹ / ₈ "	2 ¹ / ₄ "	100,000	2,500	30
2064126KL	9 ¹ / ₄ "	3 ¹ / ₄ "	12 ¹ / ₂ "	15 ¹ / ₄ "	2 ¹ / ₄ "	100,000	2,500	29
2064130SP	Special Shaft Dimensions Per Customer Request							-



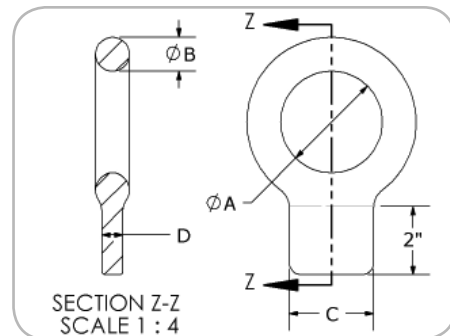
Tow Rings

Part #	Model	Dimensions				Max Capacity		Wt.
		A	B	C	D	G.T.W.	V.L.	
2065136	0-48-A	2 ¹ / ₂ "	1"	2 ¹ / ₂ "	5/8"	10,000	1,000	4
2065130	0-49-A	2 ¹ / ₂ "	1 ³ / ₈ "	2"	1"	10,000	2,000	7
2065135	H-51-A	3"	1"	2 ¹ / ₂ "	5/8"	10,000	1,000	4.5



H-51-A

Dimensions "C" and "D" should only be welded for mounting.

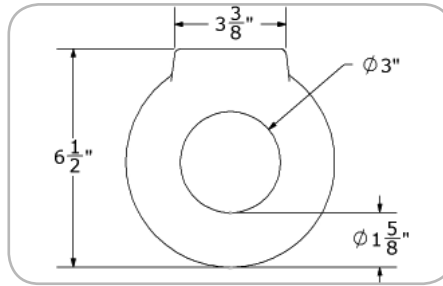


Warning: This equipment should not be used or maintained in a haphazard manner. Inspect for proper installation. Inspect before use for wear and deformation requiring replacement. Replace worn parts with Wallace Forge Company replacement parts. Clean and lubricate properly. Use proper bolts for mounting with proper torque. Wallace Forge recommends replacing all tow rings if there is 1/8" or more of wear to the tow ring.

6508 Tow Ring

- Weldable

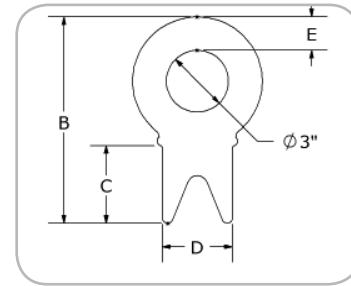
Part #	Max Capacity		Wt.
	G.T.W	V.L	
2065125	15,000	5,000	11



Fish Tail Tow Rings

Part #	Model	Dimensions					Max Capacity		Wt.
		A	B	C	D	E	G.T.W.	V.L.	
2069124	0-51 FT	3"	10"	4"	3 3/8"	1 1/8"	20,000	4,000	13.25
2069120	0-51 LT	3"	12"	6"	3 7/8"	1 1/8"	20,000	4,000	16.5

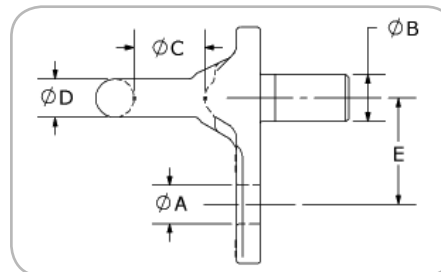
Dimensions "C" and "D" should only be welded for mounting.



LM/SM and Dynaweld[©] Rings

These rings are not weldable. All these parts include one bolt, washers and a small mounting plate.

Part #	Model	Dimensions					Max Cap.		Wt
		A	B	C	D	E	G.T.W.	V.L.	
DM00122		1 1/2"	1 1/2"	2 1/2"	1 1/2"	4 1/2"	30,000	6,000	34
DM01123		2"	2"	3"	1 1/2"	4 1/2"	50,000		42
DM01124		1 1/2"	1 1/2"	3"	1 1/2"	4 1/2"	30,000	6,000	34
2300122	R51SM	1 5/8"	1 3/4"	3"	1 5/8"	3 1/2"	30,000	6,000	36
2301123	R51LM	1 5/8"	2"	3"	1 5/8"	4 1/2"	50,000		44



LM/SM Mounting Plates





Part #	Model	Description	Wt.
2304205	R-51-SM Plate	15 5/8" height, 5 7/8" width, 1" thick, 3 1/2" center to center hole spacing	26
2305206	R-51-LM Plate	15 5/8" height, 5 7/8" width, 1" thick, 4 1/2" center to center hole spacing	26

Adjustable Forged Eye Assemblies

Assemblies include adjustable forged eye, formed steel channel and grade 8 mounting kit. Do not weld forged rings, only channel. Please note Low Vertical Capacity.

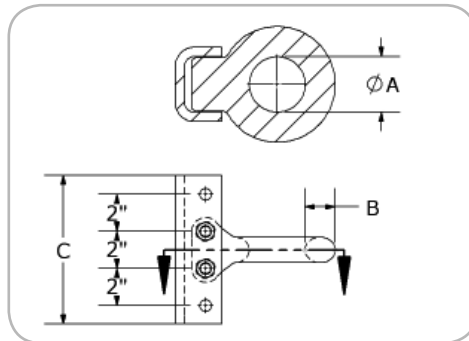


Do not overly torque or tighten nuts to try and take the play out. Bolt Failure will occur if nuts and bolts are over-torqued.

Part #	Model	Dimensions			Max Capacity		Wt.
		A	B	C	G.T.W.	V.L.	
2373142	3 Position Channel with 048 Ring	2½"	1"	8½"	20,000	1,000	19
2375144	5 Position Channel with 048 Ring	2½"	1"	12½"	20,000	1,000	23
 2374143	3 Position Channel with 049 Ring	2½"	1⅜"	8½"	30,000	2,000	22
 2376145	5 Position Channel with 049 Ring	2½"	1⅜"	12½"	30,000	2,000	26
2377303	3 Position Channel with 909330 Ring	3"	1⅜"	8½"	25,000	2,500	22
2377305	5 Position Channel with 909330 Ring	3"	1⅜"	12½"	25,000	2,500	26
 2373142E	0-48 Ring Only, No Channel	2½"	1"	N/A	20,000	1,000	8
 2374143E	0-49 Ring Only, No Channel	2½"	1⅞"	N/A	30,000	2,000	10
909330	3" Eye Diameter, No Channel	3"	1⅝"	N/A	25,000	2,500	11.25

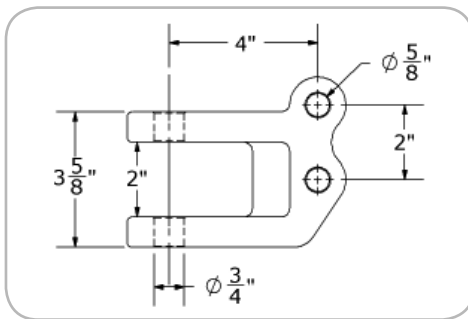
Adjustable Forged Eye Mounting Kits

Part #	Description
2395165	Mounting Kit

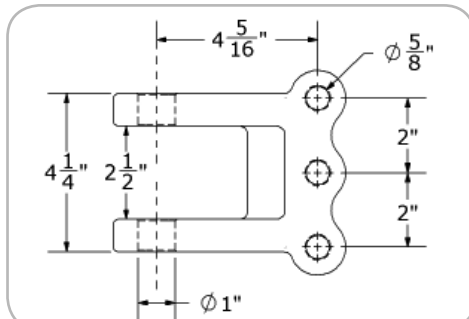


Adjustable Clevis

Part #	Dimensions				Max G.T.W.	Wt.
	A	B	C	D		
305815	2"	3⅝"	4"	¾"	16,000	7
1040724	2½"	4½"	4½"	1"	20,000	12



305815



1040724




305815



1040724

Master Link

- Weldable

Part #	Model	Dimensions		Wt.
		Hole Diameter	Ring Thickness	
 2021143	0-49-B	3"	1 5/8"	9



Aluminum Mounting Blocks

- Weldable

Part #	Bushing	Thickness	Hole Size	Wt.
1143700	No	1 1/4"	1 1/4"	1.5
1143800	No	1 1/4"	1"	1.25
1143700B	Yes	1 1/4"	1 1/4"	1.75






Aluminum Tarp Hook

- Weldable

Part #	Height	Width	Depth	Opening	Wt.
1144100	2 3/4"	7/8"	1 5/8"	1"	0.15



3/8" Chain Grab Hooks

Part #	Description	Wt.
 2386155	Grab Hook	0.5
 2387156	Grab T-Hook	2
 2385154	Round Grab Hook	1



2386155





2387156



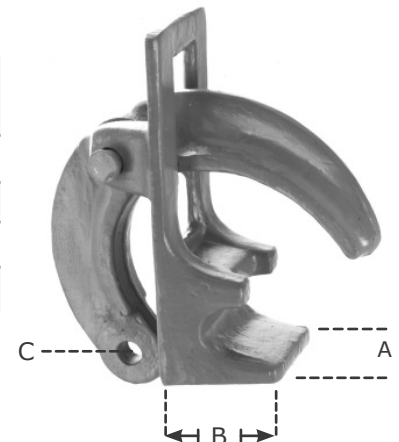
2385154

Narrow & Wide Hinge Assemblies

- Weldable
- Forged

Part #	Post	Dimensions			Wt.
		A	B	C	
223103	1 1/4"	2 1/2"	2 7/16"	4 1/64"	7.8
223104	1 1/4"	4"	2 1/2"	4 1/64"	8
 250141	1 1/4"	2 1/2"	2 1/2"	1/2"	9
 270150*	1 1/4"	2 1/4"	2 1/2"	1/2"	9.75

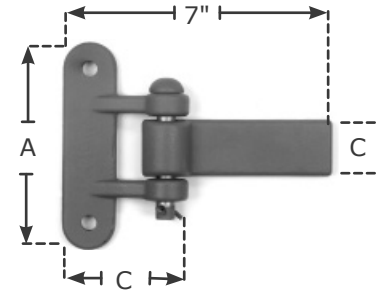
*270150 comes drilled with 4 holes that fit 5/8" bolts and is designed for application on aluminum dump bodies.



Door Hinge

- Holes sized for 3/8" Bolts

Part #	Description	Dimensions			Wt.
		A	B	C	
2024172	Forged hinge with pin, no strap	4"	3 3/8"	-	1.5
2024171	Forged strap only	-	-	1 1/2"x1 1/2"	1.25
2024170	Complete forged door hinge	4"	3 3/8"	1 1/2"x1 1/2"	2.75



Aluminum Hinge with Washer

- Weldable

Part #	Wt.
1143600	9.5



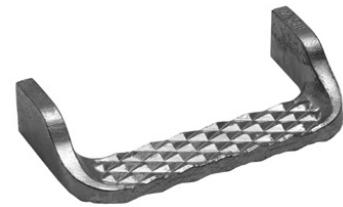
Hand Grip

Do not weld or modify. All hand grips have the same mounting hole center-line and are held in place by a flat stainless steel spring.

Part #	Description	Coating	Dimensions										Wt.
			A	B	C	D	E	F	G	H	I	J	
9572518	Small Hand Grip	Black Powder	1"	7/16"	7/8"	4"	2"	3"	4 3/8"	3 1/2"	4 5/8"	5 1/2"	2.5

Weldable Steps

Part #	Model	Wt.
1143500	Aluminum Step	1.5
1144200	Cast Steel Step	2.5



Banjo Eyes

- Weldable

Part #	Material	Thickness	Round	Shank	Wt
223100	Steel	5/16"	1 5/16"	1/2"	1
1147700	Aluminum	2"	1 1/2"	5/8"	3



Aluminum



Steel

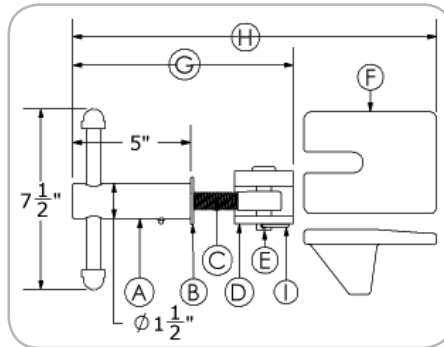
Steel Tailgate Latch Assembly

Assembly with Gusset

Item	Part #	Description	Wt.
A	TL HAND AS	Handle Assembly	2
B	TL WASHER	3/4" I.D. Washer	0.5
C	TL ROD E1	Forged Rod End - 3/4" NC	1
D	TL PLT	Weldable Clevis Plate	1
E	TL PINST	Pin Assembly	0.5
F	TL BAS	Weldable Base Plate	5
G	TL AS6	Complete Handle Assembly Includes (A, B, C, E)	4
H	WGA703	Complete Steel Assembly with Gusset's	10



Assembly with Gussets

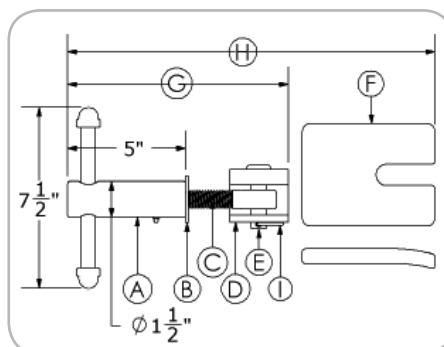


Assembly without Gusset

Item	Part #	Description	Wt.
A	TL HAND AS	Handle Assembly	2
B	TL WASHER	3/4" I.D. Washer	.5
C	TL ROD E1	Forged Rod End - 3/4" NC	1
D	TL PLT	Weldable Clevis Plate	1
E	TL PINST	Pin Assembly	0.5
F	TL BAS PL	Weldable Base Plate	4
G	TL AS6	Complete Handle Assembly Includes (A, B, C, E)	4
H	TLGA703	Complete Steel Assembly without Gusset's	9



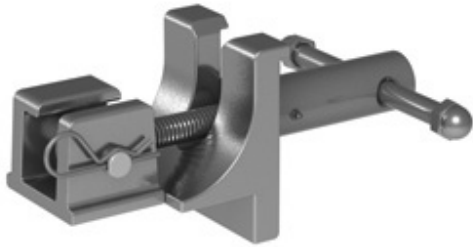
Assembly without Gussets



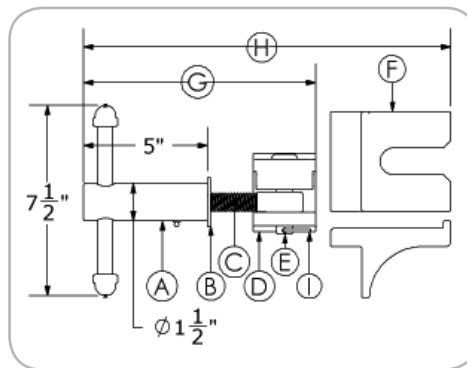
Aluminum Tailgate Latch Assembly

Assembly with Gusset

Item	Part #	Description	Wt.
A	TL HAND AS	Handle Assembly	2
B	TL WASHER	¾" I.D. Washer	0.5
C	TL ROD E1	Forged Rod End - ¾" NC	1
D	31581	Weldable Clevis Plate	1
E	TL PINAL	Pin Assembly	0.25
F	31582	Weldable Base Plate	2
G	TL AL100	Complete Handle Assembly Includes (A, B, C, E)	3.75
H	ALUGA703	Complete Aluminum Assembly with Gusset's	6.75

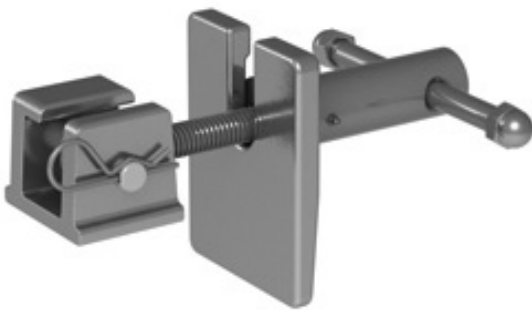


Assembly with Gussets

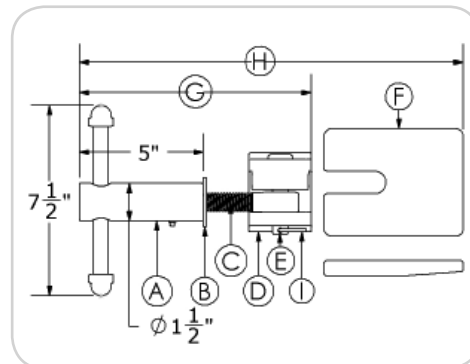


Assembly without Gusset

Item	Part #	Description	Wt.
A	TL HAND AS	Handle Assembly	2
B	TL WASHER	¾" I.D. Washer	0.5
C	TL ROD E1	Forged Rod End - ¾" NC	1
D	31581	Weldable Clevis Plate	1
E	TL PINAL	Pin Assembly	0.25
F	1413900	Weldable Base Plate	1
G	TL AL100	Complete Handle Assembly Includes (A, B, C, E)	3.75
H	ALWOG2008	Complete Aluminum Assembly without Gusset's	5.75



Assembly without Gussets



All the ball mounts on this page:

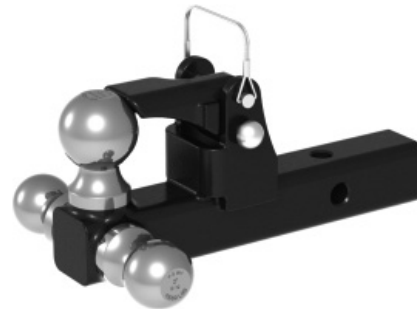
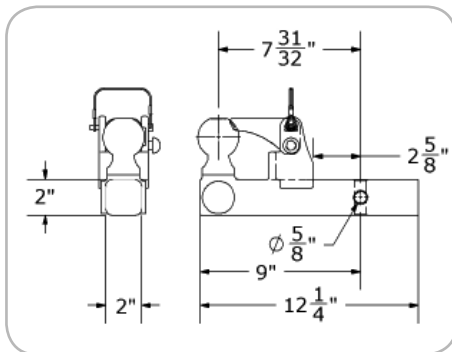
- Are welded on an 8" long by 2" solid square bar
- Have holes in the square bar to accept a 5/8" hitch pin
- Are prime-washed before ball is painted in an effort to reduce corrosion

Triple Ball Hitch

- Forged Locking Mechanism
- Dual Locking Latch

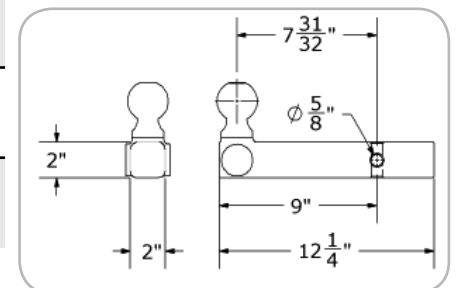
Please note hitch and coupling device should not be coupled during loading and off-loading stages.

Part #	Ball Sizes	Max Capacity G.T.W.		Finish	Wt.
		w/ Ball	w/ Pintle Hook		
BPH262150	1 7/8"	6,000	-	Black Balls	24
	2"	10,000	-		
	2 5/16"	10,000	10,000		
CPH262100	1 7/8"	6,000	-	Chrome Balls	24
	2"	10,000	-		
	2 5/16"	10,000	10,000		



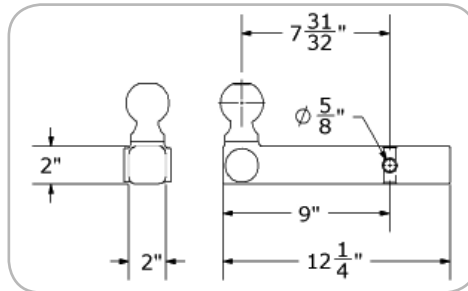
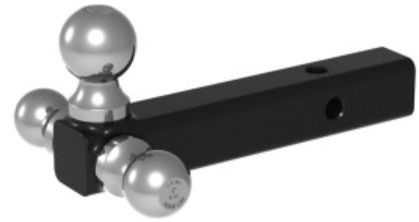
Double Ball Mounts

Part #	Ball Sizes	Ball Max Capacity G.T.W.	Finish	Wt.
2621618	1 7/8"	6,000	Black Balls	17
	2"	10,000		
2621618C	1 7/8"	6,000	Chrome Balls	17
	2"	10,000		
261217	2"	10,000	Black Balls	17
	2 5/16"	10,000		
261217C	2"	10,000	Chrome Balls	17
	2 5/16"	10,000		



Triple Ball Mounts

Part #	Ball Sizes	Ball Max Capacity G.T.W.	Finish	Wt.
2621620	1 $\frac{7}{8}$ "	6,000	Black Balls	19
	2"	10,000		
	2 $\frac{5}{16}$ "	10,000		
2621620C	1 $\frac{7}{8}$ "	6,000	Chrome Balls	19
	2"	10,000		
	2 $\frac{5}{16}$ "	10,000		



Double Ball Mount with Clevis

Part #	Ball Sizes	Finish	Wt.
2612178	2"	Black Balls	19
	2 $\frac{5}{16}$ "		



High Low Bars with Balls

- Fit 2" receiver tube
- Feature 2" and 2 $\frac{5}{16}$ " non-removable balls

Part #	Hole to Hole	Finish	Max Capacity		Wt
			G.T.W.	V.L.	
HL62516	7.87"	Black Balls	10,000	1,000	16
HL122516	10.125"	Black Balls	10,000	1,000	17.5
CL62516	7.87"	Chrome Balls	10,000	1,000	16
CL12516	10.125	Chrome Balls	10,000	1,000	17.5



Solid Forged High Low Bars

High Low Bars accept 5/8" hitch pin, and are designed for a 2" receiver tube only. Standard hole size is 1".

	Part #	Model	Hole to Hole	Appx. Drop	Finish	Max Capacity		Wt.
						G.T.W.	V.L.	
	2309199	HL62	7 7/8"	2"	Black	10,000	1,000	12
	2310200	HL102	10 1/8"	2"	Black	10,000	1,000	13.5
	2311201	HL64	7 7/8"	4"	Black	10,000	1,000	12.5
	2312202	HL104	10 1/8"	4"	Black	10,000	1,000	14.25
	2313203	HL66	9 1/2"	6"	Black	10,000	1,000	14
	2314204	HL106	12 1/2"	6"	Black	10,000	1,000	18



If you require an 1 1/4" hole please put -125 after the Part #.






(Ex. 2309199-125 would be a HL-62 with 1 1/4" hole)

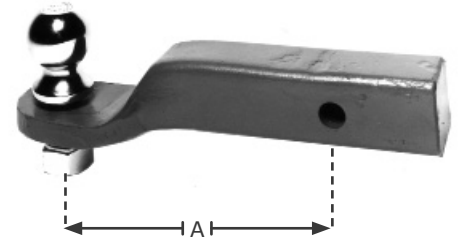
If you require a 3/4" hole please put -75 after the Part #.

(Ex. 2309199-75 would be a HL-62 with 3/4" hole)

Includes high low bar, chrome hitch ball and zinc-plated bent hitch pin.

Solid Forged High Low Bar Assembly

	Part #	Ball Size	App. Drop	Hole to Hole (A)	Max Capacity		Wt.
					G.T.W.	V.L.	
	23098A11	2"	2"	8"	10,000	1,000	15.5
	23108A11	2"	2"	10"	10,000	1,000	15.5
	23118A11	2"	4"	8"	10,000	1,000	15.5
	23128A11	2"	4"	10"	10,000	1,000	15.5
	23138A11	2"	6"	9"	10,000	1,000	15.5
	23148A11	2"	6"	12"	10,000	1,000	15.5
	23099A11	2 5/16"	2"	8"	10,000	1,000	16.5
	23109A11	2 5/16"	2"	10"	10,000	1,000	16.5
	23119A11	2 5/16"	4"	8"	10,000	1,000	16.5
	23129A11	2 5/16"	4"	10"	10,000	1,000	16.5
	23139A11	2 5/16"	6"	9"	10,000	1,000	16.5
	23149A11	2 5/16"	6"	12"	10,000	1,000	23



Hollow High Low Bars

- Hollow bar, black powder coated to reduce corrosion
- Accepts 1" shank hitch ball and 5/8" hitch pin

Catalog #	A	Appx. Drop	Finish	Max Capacity		Wt.
				G.T.W.	V.L.	
CHRM280	8"	2"	Chrome	6,000	600	5.5
CHRM210	10"	2"	Chrome	6,000	600	6.25
CHRM409	9"	4"	Chrome	6,000	600	6.5
CHRM410	10 3/4"	6"	Chrome	6,000	600	7.75
CHRM611	11 5/8"	6"	Chrome	6,000	600	9.25
BLRM280	8"	2"	Black	6,000	600	5.5
BLRM210	10"	2"	Black	6,000	600	6.25
BLRM409	9"	4"	Black	6,000	600	6.5
BLRM410	10 3/4"	6"	Black	6,000	600	7.75
BLRM611	11 5/8"	6"	Black	6,000	600	9.25
2621621*	7 1/2"	2"	Black	6,000	600	3

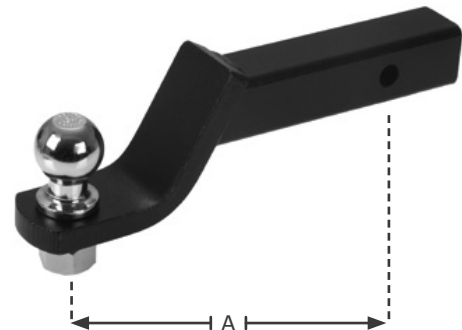


*2621621 is designed for 1 1/4" OD receiver tubes. It accepts 3/4" shank hitch balls and a 1/2" hitch pin.

High Low Bar Assembly

- Includes hollow bar ball mount, hitch ball and bent hitch pin

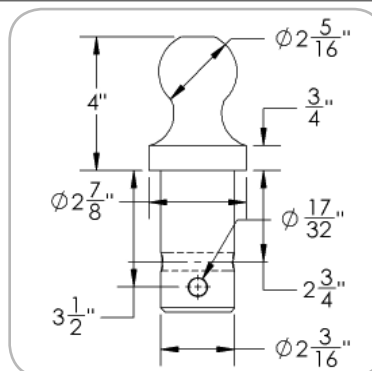
Catalog #	Ball Size	A	Appx. Drop	Max Capacity		Wt.
				G.T.W.	V.L.	
2803A11	2"	8"	2"	6,000	600	10
2103A11	2"	10"	2"	6,000	600	10
4093A11	2"	9"	4"	6,000	600	9
4103A11	2"	11"	4"	6,000	600	10.25
6113A11	2"	12"	6"	6,000	600	13
112000A	2"	7.5"	2"	6,000	600	8
2805A11	2 5/16"	8"	2"	6,000	600	10
2105A11	2 5/16"	10"	2"	6,000	600	10.5
4095A11	2 5/16"	9"	4"	6,000	600	10
4105A11	2 5/16"	11"	4"	6,000	600	11.5
6115A11	2 5/16"	12"	6"	6,000	600	13.5
112516A	2 5/16"	7.5"	2"	6,000	600	9



Smooth Shank Ball

This ball is for use on gooseneck channels with a 2 3/16" smooth shank hole.

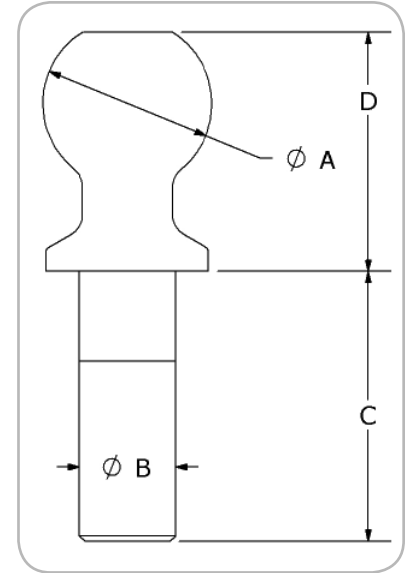
Part #	Finish	Wt.
2325223	Machine	8.5



Hitch Balls

Do not weld hitch balls.

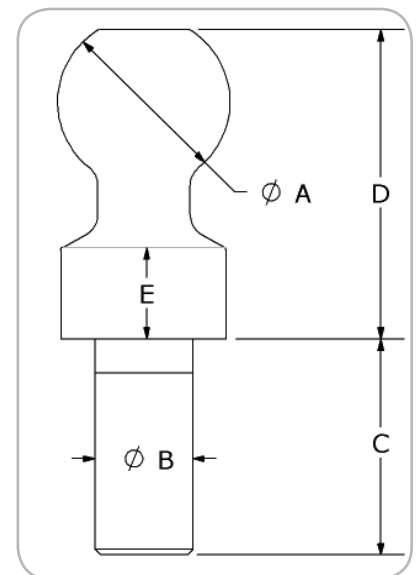
Part #	Model	Dimensions				Finish	Max Capacity G.T.W.	Wt.
		(A)	B	C	D			
2324216	CBH1A	1 ⁷ / ₈ "	³ / ₄ "	1 ³ / ₄ "	2 ⁵ / ₈ "	Chrome	2,000	1.5
2357126	CBH2A	2"	³ / ₄ "	1 ³ / ₄ "	2 ³ / ₄ "	Chrome	3,500	1.75
2325217	CBH3A	2"	1"	2"	2 ¹¹ / ₁₆ "	Chrome	6,000	2
2326218	CBH4A	2 ⁵ / ₁₆ "	1 ¹ / ₄ "	2 ⁷ / ₈ "	3 ¹ / ₈ "	Chrome	7,500	4.5
2356248	CBH5A	2 ⁵ / ₁₆ "	1"	2"	2 ⁵ / ₈ "	Chrome	6,000	3
2358127	CBH8A	2"	1"	2 ¹ / ₄ "	2 ⁵ / ₈ "	Chrome	10,000	2.5
2325200	CBH9A	2 ⁵ / ₁₆ "	1"	2 ¹ / ₄ "	2 ⁵ / ₈ "	Chrome	10,000	3
2114122		2"	1 ¹ / ₄ "	2 ³ / ₄ "	2 ³ / ₄ "	Chrome	13,000	2.5
2516114		2 ⁵ / ₁₆ "	1 ¹ / ₄ "	2 ⁷ / ₈ "	3 ¹ / ₄ "	Chrome	16,000	5
2395210		2 ⁵ / ₁₆ "	1 ¹ / ₄ "	3 ¹ / ₂ "	3 ¹ / ₄ "	Zinc	10,000	5
2395240		2 ⁵ / ₁₆ "	1 ¹ / ₂ "	3 ¹ / ₂ "	3 ³ / ₈ "	Zinc	10,000	5
2395250		2 ⁵ / ₁₆ "	2"	3 ¹ / ₂ "	3 ³ / ₈ "	Machine	10,000	9
WF94009		2 ⁵ / ₁₆ "	2"	3 ¹ / ₂ "	3 ³ / ₈ "	Machine	30,000	9
2325201	CBH10A	2 ⁵ / ₁₆ "	1 ¹ / ₄ "	3"	3 ⁷ / ₁₆ "	Machine	30,000	5
2325222	CB3A	2 ⁵ / ₁₆ "	1 ¹ / ₄ "	2 ⁵ / ₈ "	3 ³ / ₈ "	Machine	30,000	5
2083163	BH5A	3"	2"	3 ¹ / ₄ "	4 ¹ / ₂ "	Machine	40,000	11.5
WF80200		2"	1"	2"	2 ³ / ₄ "	Machine	5,000	4
WF81371		2 ⁵ / ₁₆ "	1 ³ / ₈ "	2 ¹ / ₂ "	3 ³ / ₈ "	Machine	40,000	5
WF80211		2 ⁵ / ₁₆ "	1 ³ / ₈ "	2 ¹ / ₂ "	3 ³ / ₈ "	Machine	13,000	5



High Rise & Hex Collar Hitch Balls









Do not weld hitch balls.

Part #	Dimensions					Finish	Max Capacity G.T.W.	Wt.
	(A)	B	C	D	E			
2395100	2"	1"	2"	4"	1"	Zinc	5,000	6
2395110	2"	1"	2"	4 ¹ / ₂ "	2"	Zinc	3,000	3.5
2395230	2 ⁵ / ₁₆ "	1 ¹ / ₄ "	2 ¹ / ₂ "	3 ³ / ₄ "	1"	Zinc	7,000	6
2395200	2 ⁵ / ₁₆ "	1 ¹ / ₄ "	3 ¹ / ₄ "	4 ¹ / ₁₆ "	1"	Zinc	7,000	5
2395220	2 ⁵ / ₁₆ "	1 ¹ / ₄ "	2 ¹ / ₂ "	5"	2"	Zinc	5,000	5
2325221	2 ⁵ / ₁₆ "	1 ³ / ₈ "	3 ¹ / ₄ "	4 ³ / ₁₆ "	1"	Zinc	30,000	6
2325220	2 ⁵ / ₁₆ "	1 ¹ / ₂ "	3"	5 ¹ / ₄ "	2"	Zinc	30,000	8.25
Hex Collar Hitch Balls								
251640SQ	2 ⁵ / ₁₆ "	1 ³ / ₈ "	3 ¹ / ₄ "	3 ³ / ₈ "	0"	Machine	40,000	6
212516SQ	2 ⁵ / ₁₆ "	1 ¹ / ₄ "	3 ¹ / ₄ "	4 ¹ / ₄ "	1"	Machine	30,000	8.25
212380SQ	2 ⁵ / ₁₆ "	1 ³ / ₈ "	3 ¹ / ₄ "	4 ¹ / ₄ "	1"	Machine	30,000	6



Forged Collar Receiver Tubes

- Heavy duty forged collar
- Accepts 2" square hitch bar
- Receiver tubes are drilled for a 5/8" hitch pin
- **Custom sizes are available**

	Part #	Model	Tube Length	Max Capacity G.T.W.	Wt.
	2359128	RT6	6"	10,000	4
	2360129	RT8	8"	10,000	5
	2361130	RT10	10"	10,000	7
	2361131	RT12	12"	10,000	8
	2361132	RT18	18"	10,000	10
	2361133	RT24	24"	10,000	16
	2361134	RT36	36"	10,000	24
	2361135	RT48	48"	10,000	32



Bent Hitch Pin Assembly

- White zinc plated to resist corrosion

Part #	Model	Wt.
2319210	1/2" Hitch Pin and Spring Clip	1
2319211	5/8" Hitch Pin and Spring Clip	1
2160000	9/64" X 3" Spring Clip Only	.25
2110000	3/32" X 1 5/8" Spring Clip Only	.25

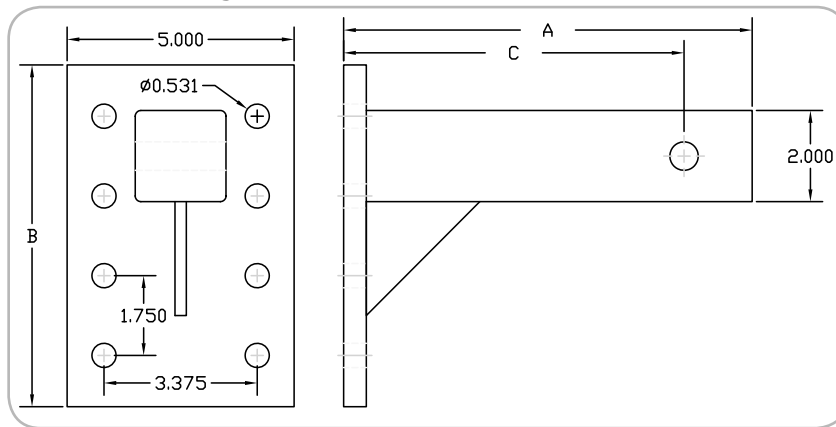


Pintle Hook Adapters

	Part #	Model	# of Holes	Dimensions			Max Cap. G.T.W.	Wt.
				A	B	C		
	2202172	RE6504	4	9"	4"	7"	12,000	
	2203173	RE8504	4	12 1/8"	4"	9"	12,000	
	2200170	RE6500	8	9"	7 1/2"	7"	12,000	
	2201171	RE8500	8	12 1/8"	7 1/2"	9"	12,000	
	2354246	RE6511	12	9"	11"	7"	12,000	
	2355247	RE8511	12	12 1/8"	11"	9"	12,000	
	2352244	RE6512	14	9"	12 1/2"	7"	10,000	
	2353245	RE8512	14	12 1/8"	12 1/2"	9"	10,000	
	2353246*	RE2500	8	12"	7 1/2"	7 3/8"	12,000	



*RE2500 is designed for 2 1/2" Receiver Tubes.



Step Bumper Hitch Box

- Black finish with Grade 5 bolts
- Class 3 – 5,000 lbs. G.T.W.
- 500 lbs. tongue weight
- Accepts 5/8" hitch pin


Do Not Exceed Bumper Rating

	Part #	Max Cap. G.T.W.	Wt.
	2362131	5,000	11.5



2" Receiver on an 8 Hole Plate




- Takes a 5/8" hitch pin

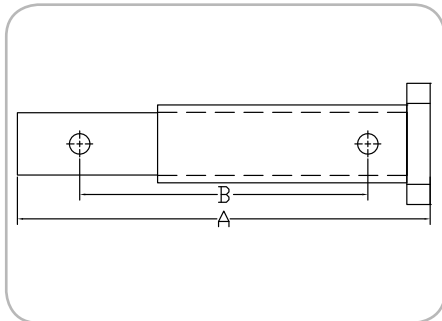
Part #	Max Cap. G.T.W.	Wt.
 2201172	10,000	11



Receiver Tube Extenders




A hitch's max capacity is reduced by 33% when a hitch extender is used.

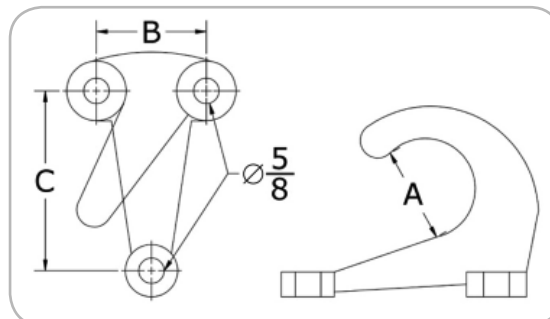
Part #	Model	Dimensions		Wt.
		A	B	
 2200007	7" Hitch Extender	12 ³ / ₄ "	7"	13
 2200014	14" Hitch Extender	19 ³ / ₄ "	14"	22
 2200018	18" Hitch Extender	22 ³ / ₄ "	18"	24



3 Hole Tow Hook

- Black Finish


Part #	Description	Dimensions			Max Cap. G.T.W.	Wt.
		A	B	C		
 2072137R	0-74 Right	2 ¹ / ₂ "	4 ¹ / ₂ "	2 ³ / ₄ "	44,000	5
 2072137L	0-74 Left	2 ¹ / ₂ "	4 ¹ / ₂ "	2 ³ / ₄ "	44,000	5
 2075140	0-76-A Straight	2 ³ / ₈ "	2 ¹ / ₂ "	2 ¹³ / ₁₆ "	20,000	4

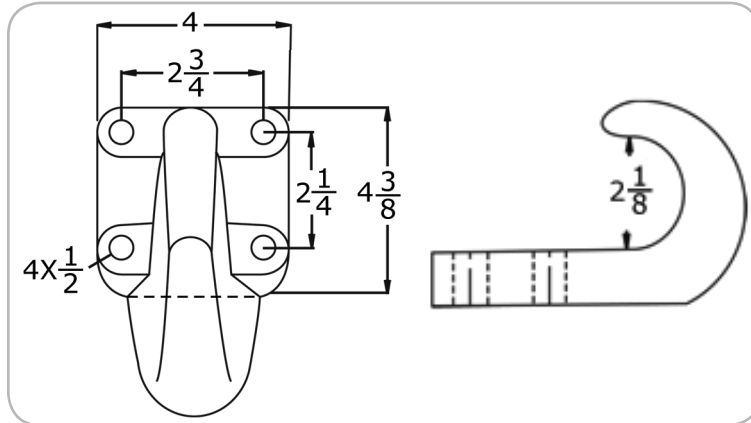


0-74 Left

0-81 Tow Hook

- Black Finish
- Forged

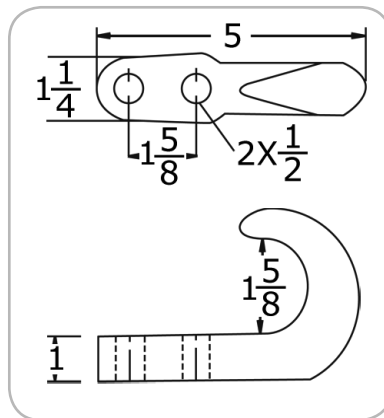
Part #	Model	Max Cap. G.T.W.	Wt.
 2315207	0-81	30,000	8



0-58 Tow Hook





- Black Finish
- Forged

Part #	Model	Finish	Max Cap. G.T.W.	Wt.
2316208	0-58	Chrome	10,000	1.75
2316208B	0-58	Black	10,000	1.75



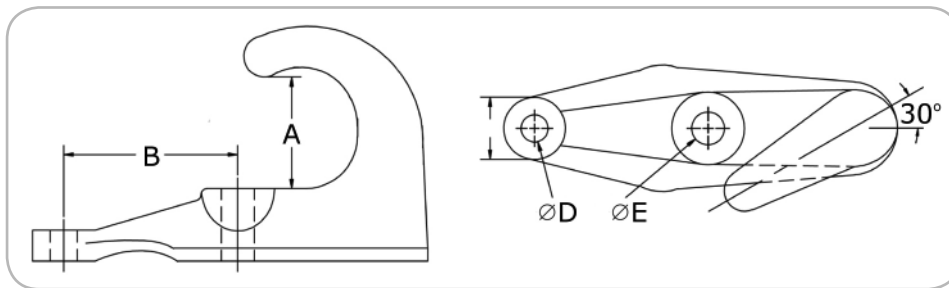
Forged Tow Hook

- Black Finish

Part #	Model	Dimensions					Max Cap. G.T.W.	Wt.
		A	B	C	D	E		
 2316209R	0-53 Right	3"	4 ³ / ₁₆ "	1 ¹ / ₂ "	2 ¹ / ₃₂ "	2 ⁵ / ₃₂ "	44,000	8
 2316209L	0-53 Left	3"	4 ³ / ₁₆ "	1 ¹ / ₂ "	2 ¹ / ₃₂ "	2 ⁵ / ₃₂ "	44,000	8
2074139R	0-55 Right	2 ¹ / ₂ "	4 ³ / ₁₆ "	1 ¹ / ₂ "	2 ¹ / ₃₂ "	2 ⁵ / ₃₂ "	15,000	5
2074139L	0-55 Left	2 ¹ / ₂ "	4 ³ / ₁₆ "	1 ¹ / ₂ "	2 ¹ / ₃₂ "	2 ⁵ / ₃₂ "	15,000	5
 2073138R	0-57 Right	1 ⁷ / ₈ "	1 ¹⁵ / ₁₆ "	1 ¹ / ₈ "	3 ³ / ₆₄ "	3 ³ / ₆₄ "	10,000	1.75
 2073138L	0-57 Left	1 ⁷ / ₈ "	1 ¹⁵ / ₁₆ "	1 ¹ / ₈ "	3 ³ / ₆₄ "	3 ³ / ₆₄ "	10,000	1.75



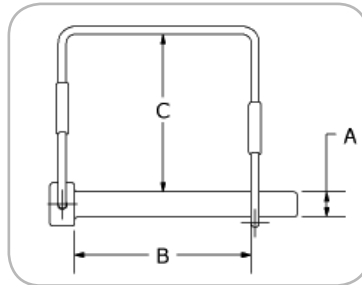
0-55 Right



Snapper Pins

- Zinc plated to reduce corrosion

Part #	Dimensions			Wt.
	A	B	C	
2312801	1/4"	1 3/4"	1 1/2"	0.01
2312802	5/16"	2 1/4"	1 5/8"	0.13
2312803	3/8"	1 1/4"	1 1/2"	0.2
2312804	3/8"	2"	1 1/2"	0.25
2312807	1/4"	2 3/8"	1 3/4"	0.25
2312808	1/4"	3"	1 1/2"	0.08
2312809	1/4"	3 1/2"	1 1/2"	0.02

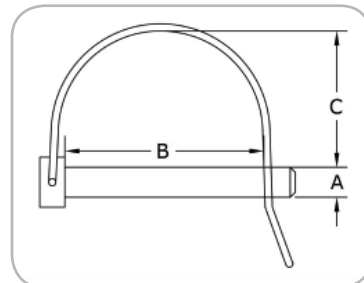


Tab Lock Snapper Pins

- Zinc plated to reduce corrosion


Lock style provides easy leverage point for removal and installation.

Part #	Dimensions			Wt.
	A	B	C	
2814200	1/4"	1 3/4"	1.625"	0.09
2814400	1/4"	2 1/2"	1.800"	
2814600	5/16"	1 3/4"	1.562"	
2814800	5/16"	2 1/2"	1.810"	
2815000	3/8"	1 3/4"	1.562"	
2815200	3/8"	2 1/2"	1.700"	

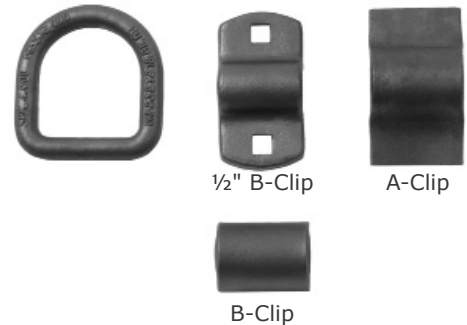
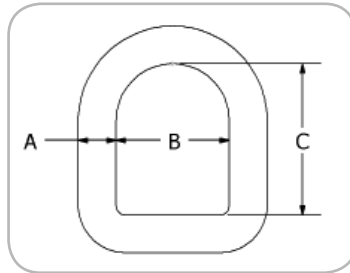


Forged D-Rings

All D-Ring Clips are weldable. All D-Rings and clips can be forged in Canton, Ohio-if this is desired please note on order. This is subject to different lead times and prices.

Part #	Model	Dimensions			Clip Style	Max. Capacity		Wt.
		A	B	C		S.W.L.	M.B.S.	
2330226	3/8" D-Ring	3/8"	2 5/8"	2"	A	3,000	-	0.5
2327219*	1/2" D-Ring	1/2"	2 1/4"	2 1/2"	A or B	4,000	12,000	1
2328220	5/8" D-Ring	5/8"	3"	3"	A or B	6,000	19,000	2
 2022167	5/8" D-Ring	5/8"	2 3/4"	3 1/2"	A or B	6,000	19,000	2.25
2022168	3/4" D-Ring	3/4"	3"	3"	A	9,000	27,000	4.25
2329221	1" D-Ring	1"	3"	3"	A or B	15,000	47,000	4.5
2330222	1" D-Ring	1"	3"	4"	A or B	15,000	47,000	5

*B-Clip for 1/2" D-Ring has two 1/2" square holes for mounting.





Bent D-Ring

- D-Ring bent to 50° Angle

Part #	Model	Max. Capacity		Clip Style	Wt.
		S.W.L.	M.B.S.		
2330223	1" 5"x6" D-Ring	15,000	47,000	A or B	5

Swivel D-Ring

Part #	Description	Max. Capacity		Wt.
		S.W.L.	M.B.S.	
 2330229D	D-Ring and Assembly	15,000	-	8
 2330229	Assembly Only NO D-RING	15,000	-	4



2330229D

Please read carefully to avoid injury.

For all products: To prevent injury or vertical damage, the mounting location must be at least capable of supporting 15% more than the maximum amount to be pulled. Installation: Consult Department of Transportation regulations for procedure.

SAFE WORK LOAD LIMIT (S.W.L.) – The maximum load in pounds which should ever be applied. Working load limit applies to a new product and assumes that the load is applied with even tension.

MAXIMUM BREAK STRENGTH (M.B.S.)– The maximum force in pounds at which the product, in the condition it leaves the factory, has been found by testing to break. This is for acceptance purposes only and the SAFE WORK LOAD LIMIT is still the greatest load that should ever be applied

Hitch Pins

Part #	Description	Usable Length	Wt.
DTHP3840	3/8" Detent Hitch Pin	4"	1
PCHP12334	1/2" Poly Coated Hitch Pin with Hairpin Clip	3 3/4"	1



DTHP3840

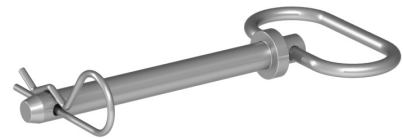
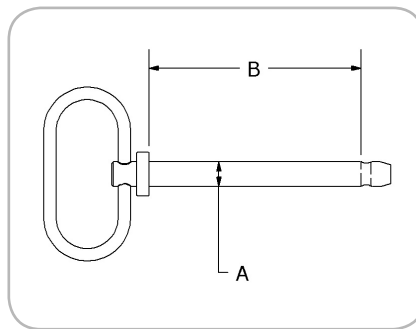


PCHP12334

Standard Hitch Pins

- Feature a swivel handle
- Zinc plated to reduce corrosion

Part #	Dimensions		Wt.
	Pin Dia. (A)	Usable Length (B)	
HPWC3840*	3/8"	4"	1
HP1200	1/2"	3 1/2"	1
HP12414	1/2"	4 1/4"	1
HP58412	5/8"	4 1/2"	1
HP58600	5/8"	6"	1
HP34412	3/4"	4 1/2"	1
HP34600	3/4"	6"	1.25
HP10600	1"	6"	2.5



*HPWC3840 includes a chain

Tubular Mount Jacks

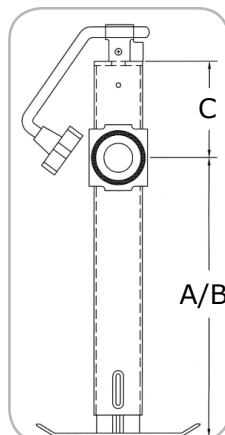
- Comes with a grease fitting and includes the male mounting mate
- Black powder coated to reduce corrosion

Weld-on tubular mount with 9/16" pin and rectangular foot.

Part #	Description	Travel	Dimensions			Max Capacity	Wt.
			Retracted (A)	Extended (B)	Clearance (C)		
WF378673	Topwind	10"	11"	21"	4"	2,000	11.5
WF398373	Topwind	15"	14 1/2"	29 3/4"	10"	5,000	16
WF378674	Topwind	15"	14 1/2"	29 1/2"	10"	2,000	14
WF398423	Sidewind	10"	10 1/2"	20 1/2"	4"	5,000	14

Topwind Mount Jacks Replacement Parts

Part #	Description
378100	Topwind Handle
378101	Detent Hitch Pin
378102	Weldable Mount for Trailer



Bracket Mount Jacks

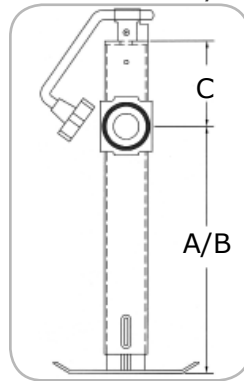
- Comes with a grease fitting and includes the male mounting mate
- Black powder coated to reduce corrosion

Weld-on L-bend swivel bracket with retaining ring. Assembled with 1/2" diameter pin and rectangular foot.

Part #	Description	Travel	Dimensions			Max Capacity	Wt.
			Retracted (A)	Extended (B)	Clearance (C)		
WF373623	Topwind	10"	11"	21"	4"	2,000	12
WF373643	Topwind	15"	14½"	29½"	10"	2,000	15
WF373644	Topwind	15"	22½"	37½"	2"	2,000	15
WF201102	Sidewind	15"	14½"	29½"	10"	2,000	16
WF374624*	Topwind	-	-	-	-	2,000	15

* This jack comes with a loose L-Bracket that allows you to weld it on any spot of the jack.

Topwind Mount Jacks Replacement Parts	
Part #	Description
378100	Topwind Handle
378101	Detent Hitch Pin
378102	Weldable Mount for Trailer



Topwind A-Frame Jacks

- Comes with a grease fitting and include the male mounting mate
- Black powder coated to reduce corrosion

White Zinc plated foot not included. Weld-on/bolt-on style bracket.

Part #	Description	Travel	Dimensions			Max Capacity	Wt.
			Retracted	Extended	Clearance		
WF357201	A-Frame	15"	8⅞"	23⅞"	9¼"	2,000	12
WF377245	A-Frame	15"	12¼"	27¼"	9¼"	2,000	12
WF397245	A-Frame	15"	12¼"	27¼"	9¼"	5,000	12
WF397244	A-Frame	15"	8½"	23½"	13"	5,000	12
FT398540	A-Frame Jacks Foot. White Zinc. Includes Snapper Pin. Base 7" long x 3⅝" wide. Hole I.D. is 2".						

A-Frame Replacement Parts	
Part #	Description
301100	Handle for A-Frame Jacks
FT398540	Foot for A-Frame Jack
301101	Hitch Pin for Securing Foot to Jack



12 Volt Electric A-Frame Jack

- 26½" Overall Height
- Black powder coated to reduce corrosion
- Manual crank override
- 18" Stroke (12" powered & 6" additional drop)
- Night lights to assist with nighttime operation
- Zinc Plated Foot



Part #	Max Capacity		Wt.
	Lift	Breakaway	
WF201095	3,500	5,000	42

Square Direct Mount Jacks

- Have a drop leg
- Dramatically increases side load strength
- Black powder coated to reduce corrosion
- Zinc plated foot

Part #	Model	Dimensions				Max Capacity		Wt.
		Travel	Retracted	Extended	Add'l Drop	Lift	Support	
WF392722	Square Topwind	15"	21½"	50"	13½"	7,000	8,000	24
WF302677	Square Sidewind	15"	24"	52"	15"	7,000	8,000	27

Square Direct Mount Jacks Replacement Parts

Part #	Description
722100	Handle for WF392722 Topwind Jack
722101	Foot for 7K Jacks
722102	Hitch Pin and Spring Clip for Jack Foot



Heavy Duty Square Mount Jacks

- Black powder coated to reduce corrosion
 - Additional drop leg is 5 position adjustable
 - Heat treated inner gears ensure increased strength and durability
- Available with or without a return spring and with or without a handle.

Jacks WITH Handle

Part #	Model	Return Spring	Dimensions				Capacity		Wt.
			Travel	Retracted	Extended	Add'l Drop	Lift	Support	
WF385822	Square Sidewind Side Pull	Yes	15"	24"	52"	15"	10,000	12,000	58
WF385215	Square Sidewind Front Pull	Yes	15"	24"	52"	15"	10,000	12,000	58
WF335037	Square Sidewind Side Pull	No	15"	24"	52"	15"	10,000	12,000	58
WF335010	Square Sidewind Front Pull	No	15"	24"	52"	15"	10,000	12,000	58

Jacks WITHOUT Handle

Part #	Model	Return Spring	Dimensions				Capacity		Wt.
			Travel	Retracted	Extended	Add'l Drop	Lift	Support	
WF410822	Square Sidewind Side Pull	Yes	15"	24"	52"	15"	10,000	12,000	58
WF410215	Square Sidewind Front Pull	Yes	15"	24"	52"	15"	10,000	12,000	58
WF410037	Square Sidewind Side Pull	No	15"	24"	52"	15"	10,000	12,000	58
WF410010	Square Sidewind Front Pull	No	15"	24"	52"	15"	10,000	12,000	58

Square Mount Jacks Replacement Parts

Part #	Description
822100	Handle for Jack



Floor Clip

Designed to secure floor boards on various trailers.

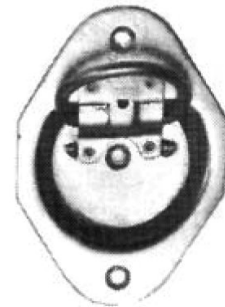
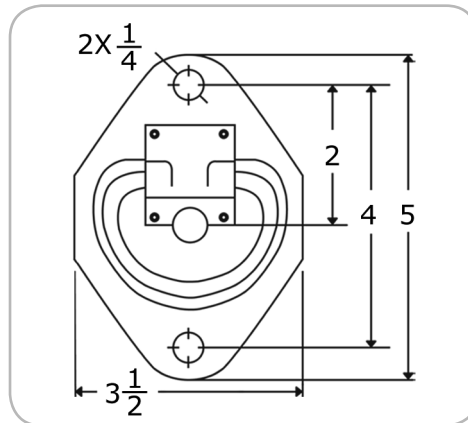
Part #	Model	Wt
2385153	Floor Clip	.25



WF601 Lashing Ring

This lashing ring requires 3" diameter mounting hole in $\frac{3}{8}$ " material or thicker.

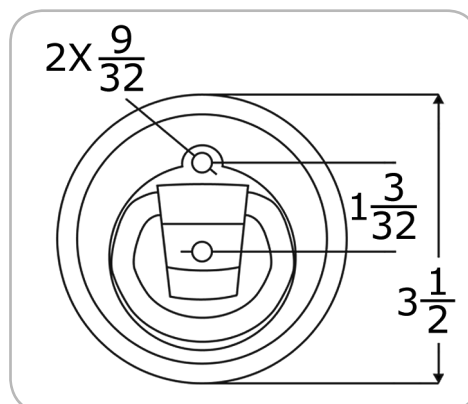
Part #	Model	Finish	Max Capacity	Wt.
2383156	WF-601	Zinc	1,000	0.25



WF701 Lashing Ring

This lashing ring requires a 3" diameter mounting hole in $\frac{1}{4}$ " material or thicker.

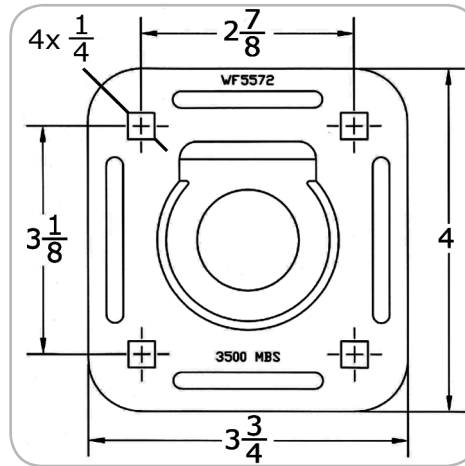
Part #	Model	Finish	Max Capacity	Wt.
2383155FL	Flush Mount 701	Zinc	1,200	0.5



WF5572 Lashing Ring

This lashing ring thickness has a diameter of $\frac{7}{16}$ ".

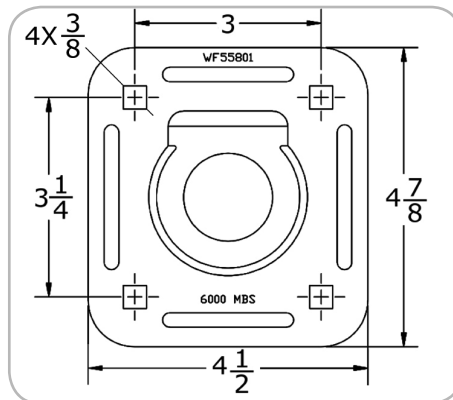
Part #	Finish	Max Capacity	Wt.
2383150	Zinc	3,500	1



WF55801 Lashing Ring

This lashing ring thickness has a diameter of $\frac{7}{16}$ ".

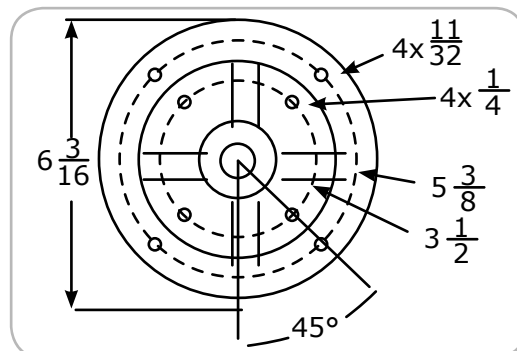
Part #	Finish	Max Cap.	Wt.
2383154	Zinc	6,000	1.25
2383154B	Zinc Plated Backing Plate		1



Rotating Lashing Ring

- Fabricated recessed ring rotates 360°
- Designed to be bolted to the floor or welded to steel cross members.

Part #	Model	Finish	Max Capacity	Wt.
2383153	WF 901	Zinc	6,000	2.5



Linch Pins

- Weldable
- Zinc plated to reduce corrosion

Part #	Dimensions		Wt.	Part #	Dimensions		Wt.
	Pin Dia. (A)	Usable Length (B)			Pin Dia. (A)	Usable Length (B)	
1201000	3/16"	1 3/8"	0.25	1207000	7/16"	1 3/4"	0.25
1202000	1/4"	1 3/4"	0.25	1208000	7/16"	2"	0.25
1203000	5/16"	1 3/4"	0.25	1209000	7/16"	1 3/8"	0.25
1204000	.354"	1 3/4"	0.25	1210000*	7/16"	1 3/4"	0.25
1205000	3/8"	1 3/4"	0.25	1211000*	1/4"	1 3/4"	0.25
1206000	.413"	1 3/4"	0.25	1212000*	5/16"	1 3/4"	0.25

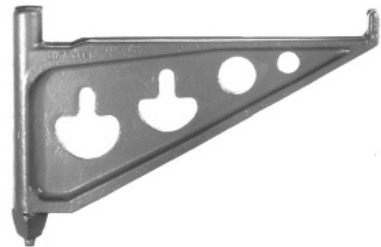
*Part # 1210000, 1211000, 1212000 have a heavier snap ring.



10" Outrigger

- Forged Construction
- Designed to lock in place
- Weldable
- Complete with brackets

Outrigger capacity is based on recommended spacing of 18" apart with a minimum of 10 outriggers per side.



Part #	Model	Max Capacity		Wt.
		per Outrigger	as a Group	
2382152	10" Outrigger	6,000	55,000	12

Outrigger

Brackets are one solid forged piece. Outrigger capacity is based on recommended spacing of 18" apart with a minimum of 10 outriggers per side.

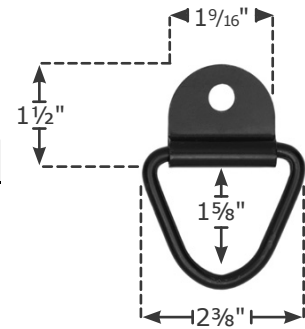


Part #	Description	A	Max Capacity		Wt.
			per Outrigger	as a Group	
2395163	Forged Outrigger Only	8 3/4"	5,000	40,000	9
2395162	Bracket for 2395163 Outrigger	-	5,000	40,000	4.25
2382153	Forged Outrigger Only	7"	4,500	35,000	8
2382154	Bracket for 2382153 Outrigger	-	4,500	35,000	3.75
2383151	Cast Outrigger Only	7"	5,000	40,000	8
2382150R	Removable Bracket for 7" Outrigger Accepts Forged or Cast Outrigger (Right)	-	5,000	40,000	3.75
2382150L	Removable Bracket for 7" Outrigger Accepts Forged or Cast Outrigger (Left)	-	5,000	40,000	3.75

Triangle Rope Ring

- 3/8" bolt hole
- 1/4" ring diameter

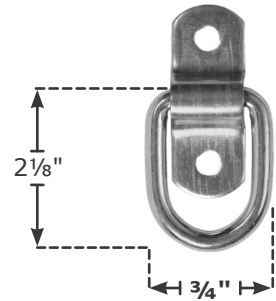
Part #	Model	Finish	Max Capacity	Wt.
2330225	Triangle Rope Ring	Black Powder Coated	600	.25



1/4" Rope Ring

- 1/4" bolt holes spaced 1 3/8" part
- 1/4" ring diameter

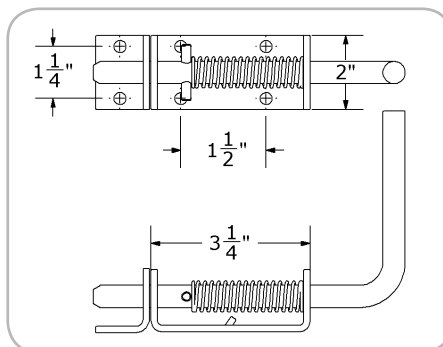
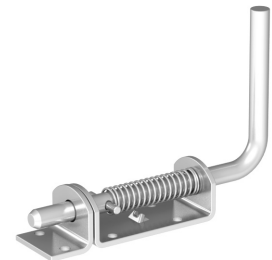
Part #	Model	Finish	Max Capacity	Wt.
2330224	1/4" Rope Ring	White Zinc	700	2



Spring Latches

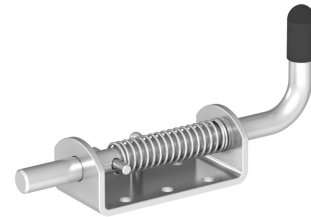
- Weldable
- Zinc plated to reduce corrosion

Part #	Description	Keeper	Wt.
2094180	1/2" Spring Latch	No	1
2094183	1/2" Spring Latch	Yes	1.5
2094185	1/2" Keeper Only	-	0.5
2094179	3/4" Spring Latch	No	2.5
2094182	3/4" Spring Latch	Yes	3
2094187	3/4" Keeper Only	-	0.5



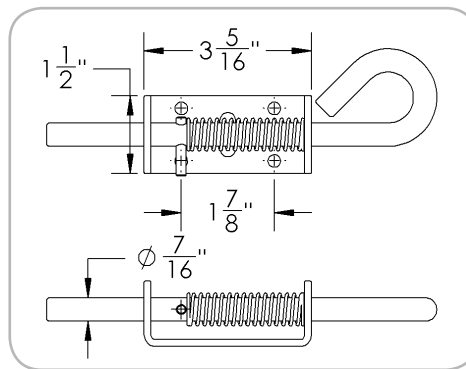
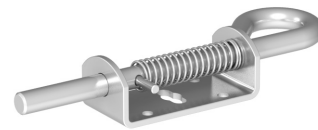
7/16" Spring Latches

Part #	Description	Material		# of Posts	Wt.
		Base	Pull Handle		
PN2094189	7/16" Spring Latch	Stainless	Stainless	2	1
2443011	7/16" Spring Latch	Aluminum	Steel	2	2



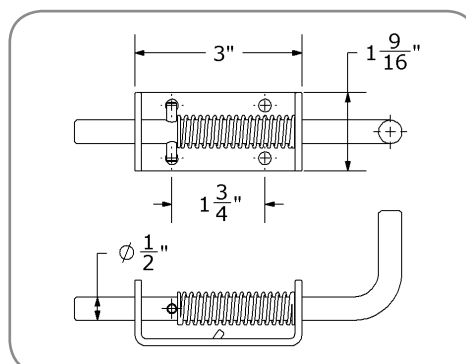
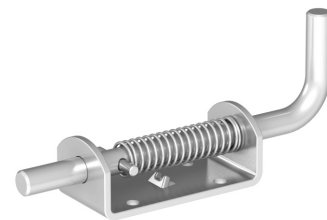
7/16" Latch

Part #	Description	Material		# of Posts	Wt.
		Base	Pull Handle		
2442911	7/16" Spring Latch	Aluminum	Steel	None	2
2094188	7/16" Spring Latch	Steel	Steel	None	1.5



1/2" Stainless Steel Latch

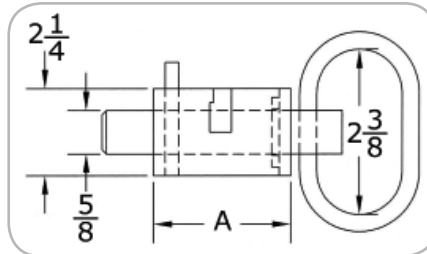
Part #	Description	Material		# of Posts	Wt.
		Base	Pull Handle		
2094193	1/2" Spring Latch	Stainless	Stainless	None	2



Weldable Spring Latch

Wallace Forge's boxed in spring latch features a zinc plated swivel handle for easy opening and closing. The casing of the latch is all steel, and 100% weldable. Slots in casing allow the latch to be locked open.

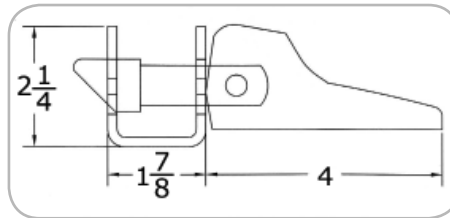
Part #	A	Wt.
2094184	2"	0.75
2094192	3"	1



Tipper Latch

Tipper latches are typically used for utility, snowmobile, and boat trailers. Tipper latches are spring loaded for an easy release. Wallace Forge's weldable zinc plated tipper latch features two 3/8" bolt holes for mounting weights.


Part #	Wt.
2457000	1.25

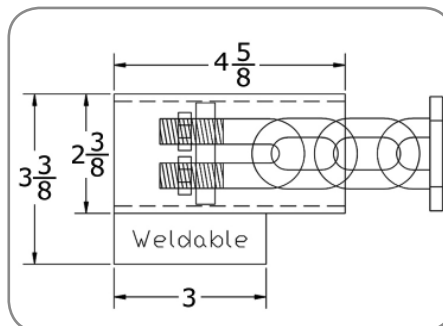


Truck Bed Tie Down Assembly

- Made with 3/8" Grade 70 Chain
- Sits flush with truck floor bed when not in use
- Easily opened with the pull of a finger

Hole in truck bed should be a minimum of 2 3/8" diameter.

Part #	Model	Max Capacity	Wt.
 2024169	Tie Down	5,400	4



**Patent Number
3865048**



Hitch and Coupling Products

PUB-228-2013 / July, 2013

Dayton Parts, LLC

www.daytonparts.com

3500 Industrial Road
Harrisburg, PA 17110
800-233-0899

16511 111th Avenue
Edmonton, Alberta
T5M 2S2
800-661-9861

1605 Lakeway Drive
Lewisville, TX 75057
800-624-4691

333 Foster Crescent
Suite 1A
Mississauga, ON L5R 3Z9
888-890-5394



WALLACE
FORGE
COMPANY



Dayton
parts[™]