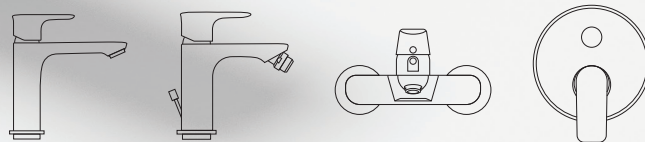




## CONNECT AIR

Elegant design on the outside,  
high performance inside.







## ELEGANCE IN THE HOME

CONNECT AIR is the latest chapter in our proud history of trend-setting innovation and water expertise. The fittings are extremely slim – they start at just 37mm diameter – which brings a new freshness and lightness to their design. As with all Ideal Standard products, the emphasis is on the marriage of form and function. This makes them the perfect choice for residential developments.

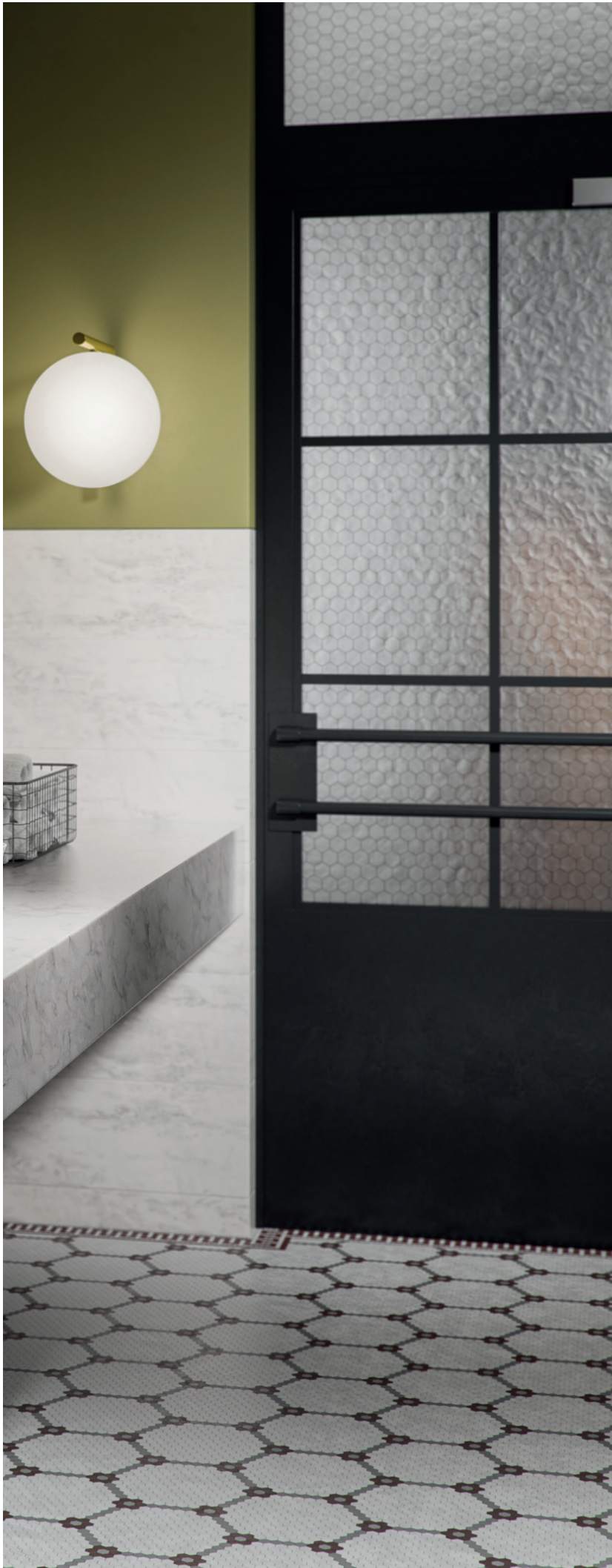
# SOLUTIONS FOR ANY SCALE

The versatile CONNECT AIR range has many options for basins, baths, and showers. Its wide variety of heights, sizes and configurations means there's a CONNECT AIR product to suit any project, from a small refurbishment to a large hotel complex. Whether you need a single fitting or a suite of solutions, our project specialists will be happy to advise you.









## MORE EFFICIENT FOR PUBLIC AREAS

CONNECT AIR also has models to suit high-usage environments such as washrooms in restaurants, offices, or museums. Many fittings in the range contain our durable and water-efficient FirmaFlow<sup>®</sup> cartridge. If you need to measure, control or manage your water usage, CONNECT AIR is a great solution.

# ELEGANCE MEETS PERFORMANCE

## BEAUTIFUL TO LOOK AT

We were inspired by the idea of infusing a classic geometric piece – the tap – with a sense of light airiness, and shapes that transition organically from each other. The base is an exquisite, elegant body with an elongated silhouette. The spout almost grows out of it – neat, smooth, with clean lines and soft edges.





## EFFICIENT AND DURABLE

CONNECT AIR features BlueStart® technology to reduce hot water usage, and all basin models are equipped with a 5l/min aerator that reduces water consumption with no loss of flow. Models for use in public areas also feature an integrated hot water limiter, and our FirmaFlow® cartridge that lasts almost twice as long as its competitors.



ADD STYLE TO  
ANY INSTALLATION



## SLIM DESIGN

The CONNECT AIR fittings range starts at just 37mm body diameter, making it one of the slimmest and most elegant on the market. All basin taps feature an extra slim aerator, so as not to disrupt the slender design.

## WIDE RANGE OF OPTIONS

CONNECT AIR fittings can be specified for differing spout heights and projections. This enables you to choose exactly the right fitting for every use and basin size: we call this Ideal Comfort.



# BUILT TO PERFORM

## DURABILITY

Selected CONNECT AIR models include a FirmaFlow® cartridge, designed to perform in the most demanding environments.

## FIRMAFLOW®



### SLIMMER

AND MORE DURABLE TOO



### 500,000

CYCLES



### 10–15

YEARS OF DAILY USE



### SMOOTH

HANDLING FOR  
EFFORTLESS PRECISION  
AND ULTIMATE COMFORT

## COMPLIANCE

FirmaFlow® cartridges meet all regional norms and regulations. This includes ACS in France, WRAS in the UK, and DVGW in Germany. Their long life gives you total peace of mind that CONNECT AIR is the perfect choice for your project.

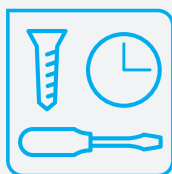
## ENGINEERED FOR QUALITY

All Ideal Standard products are manufactured to the highest standards and CONNECT AIR is no exception. The range is manufactured in Europe, featuring high-quality materials and German engineering. With this emphasis on quality, you can be confident that fittings will look good and perform well throughout their long lifespan.



## EASE OF INSTALLATION

CONNECT AIR fittings are installed using our EasyFix® method. A single stainless-steel bolt combined with a special sealing and a non-slipping metal fixation secures and centres the mixer automatically – saving up to 30% on installation time – making them fast, easy and cost-effective to fit.

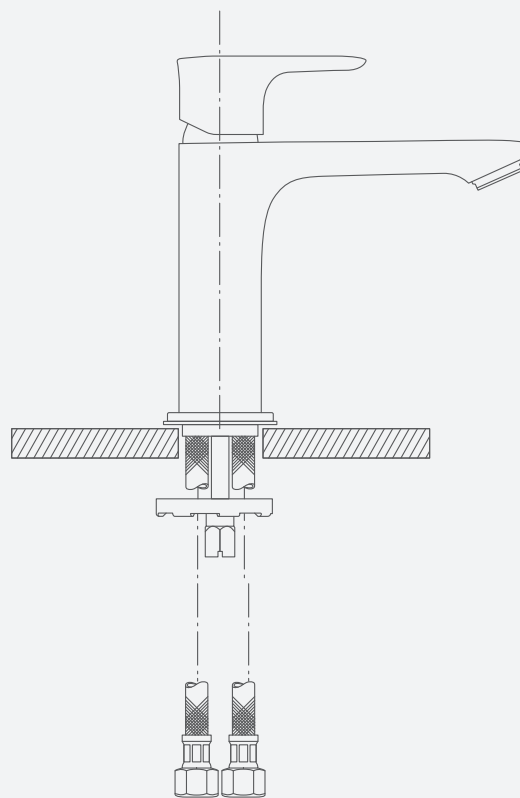


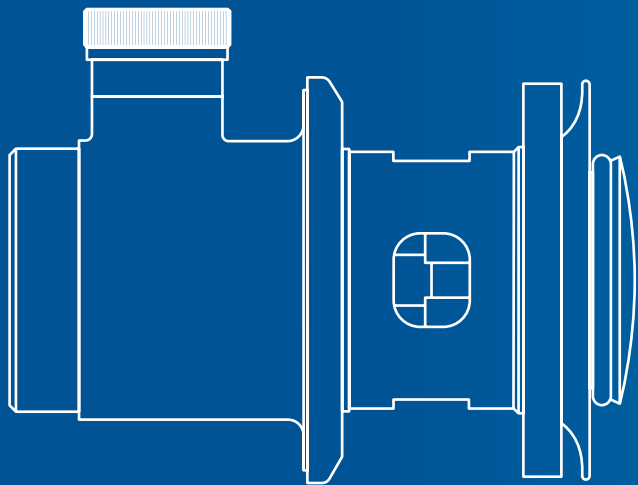
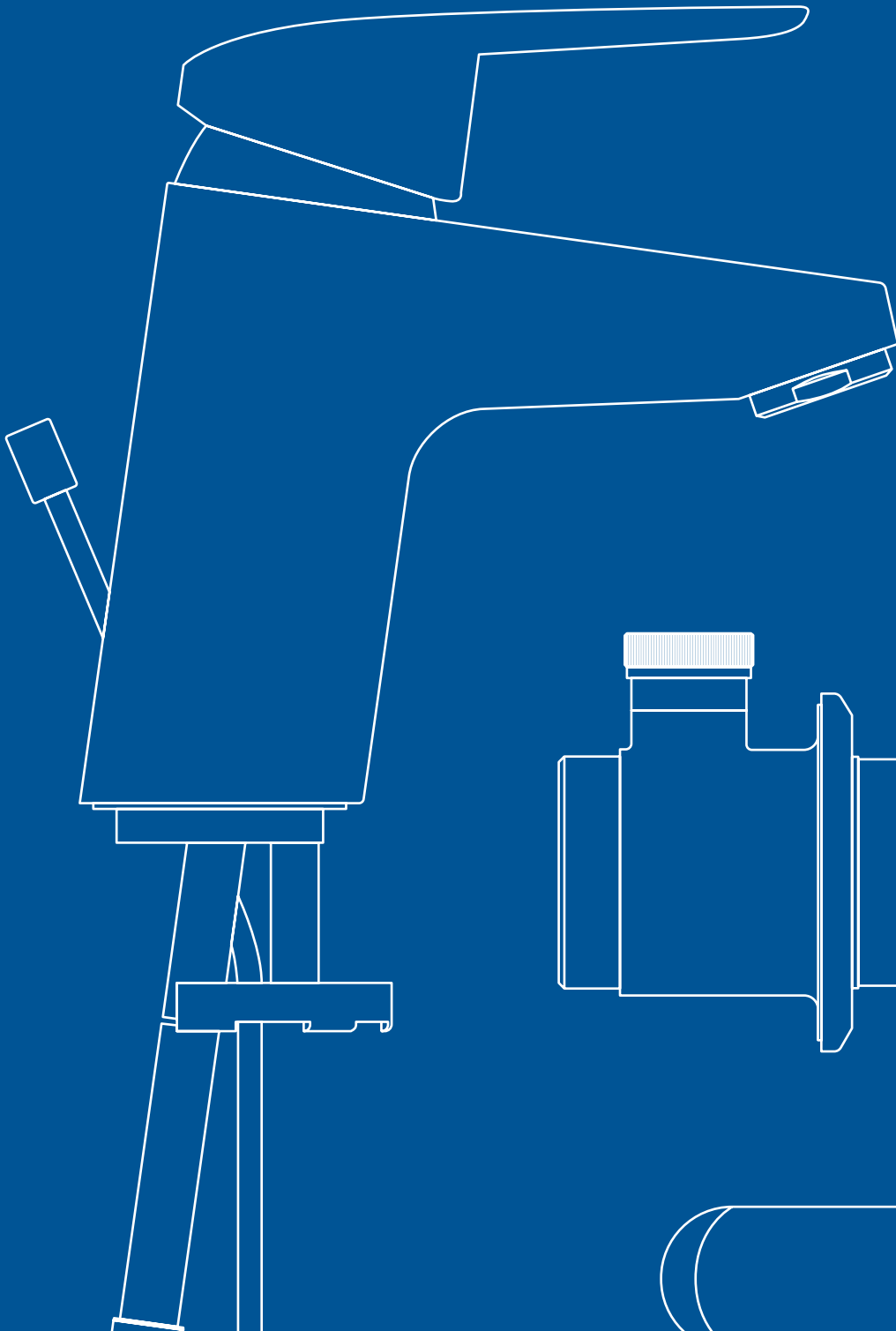
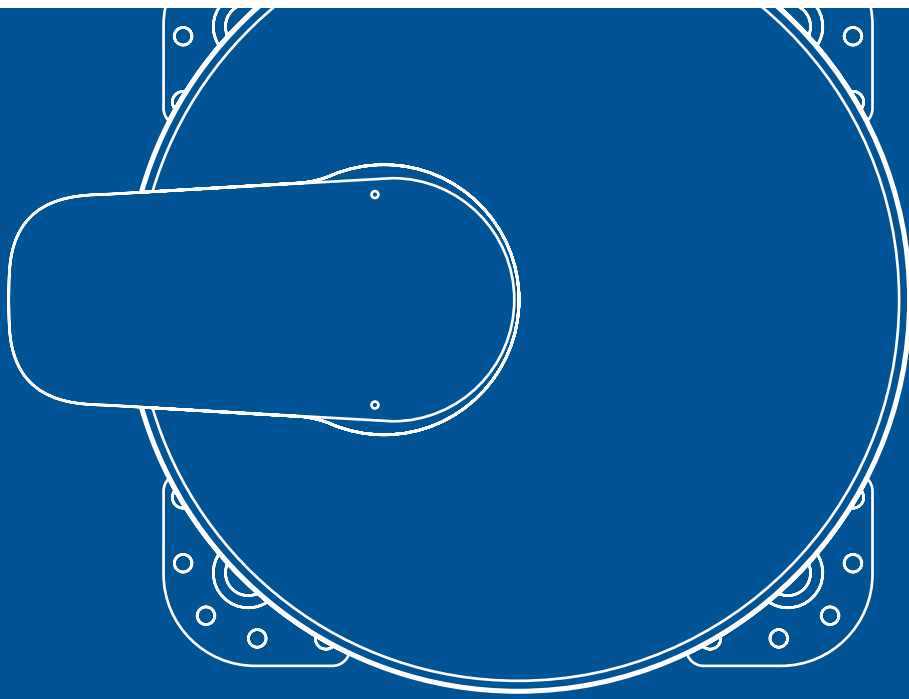
## RESOURCE EFFICIENCY

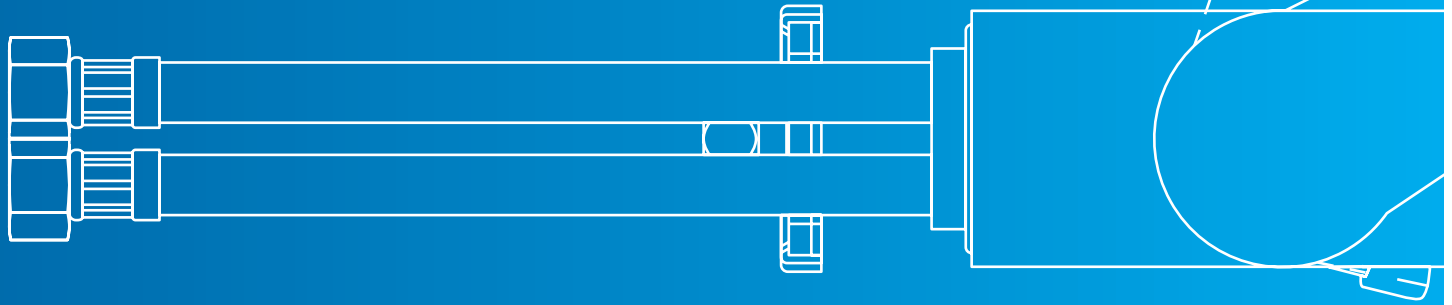
All slim basin models are available with BlueStart® technology, which saves energy by releasing unheated water when the tap is opened from the centred (and most frequently used) position, while the integrated aerator reduces water flow to 5l/min.



**5l/min**

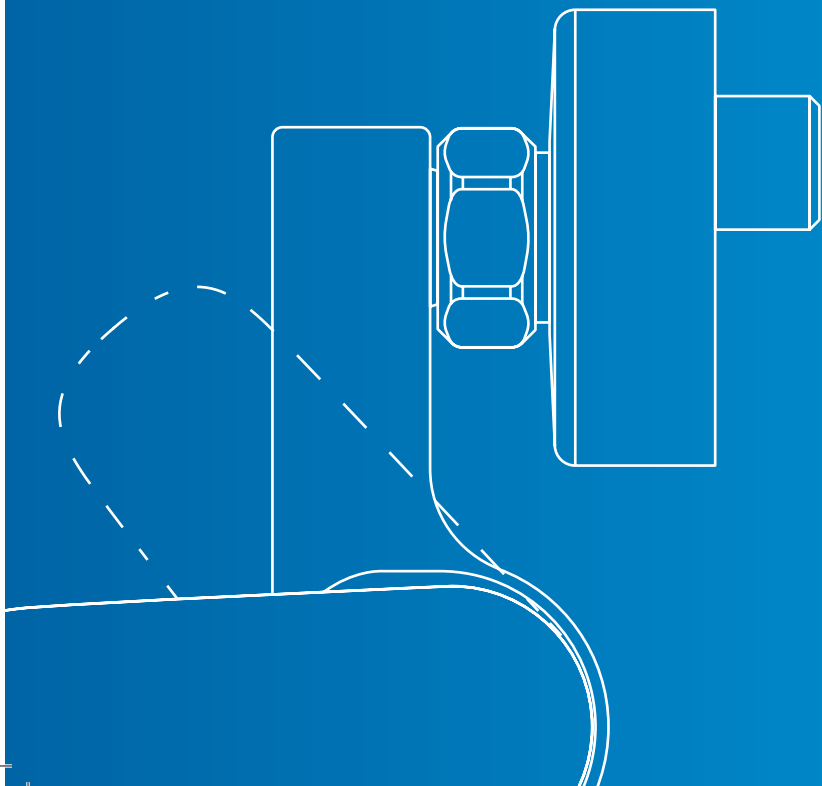
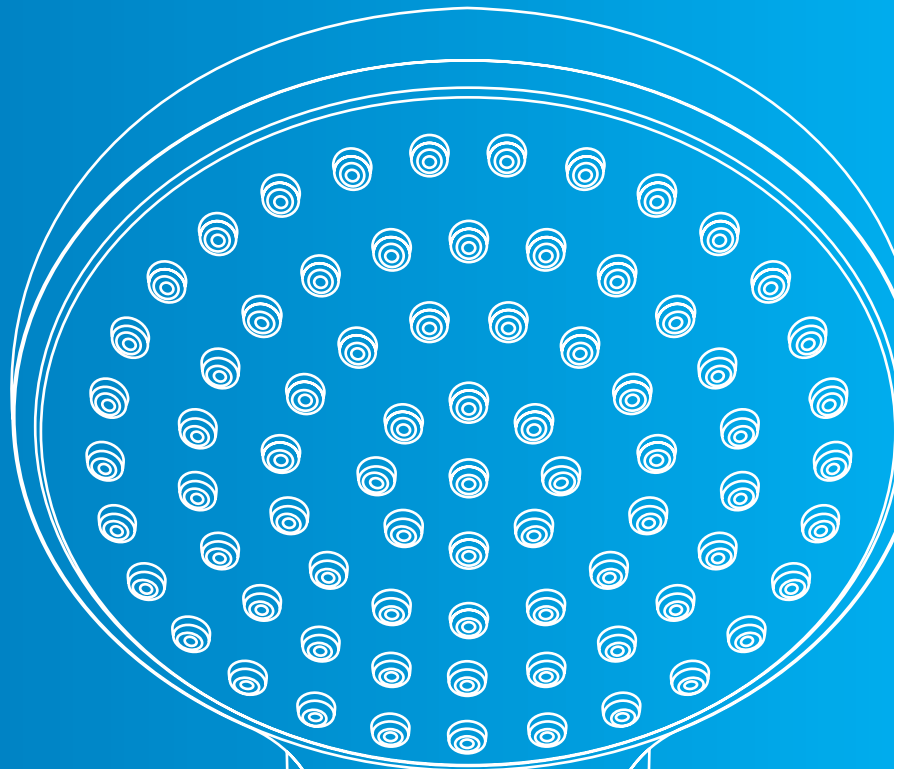
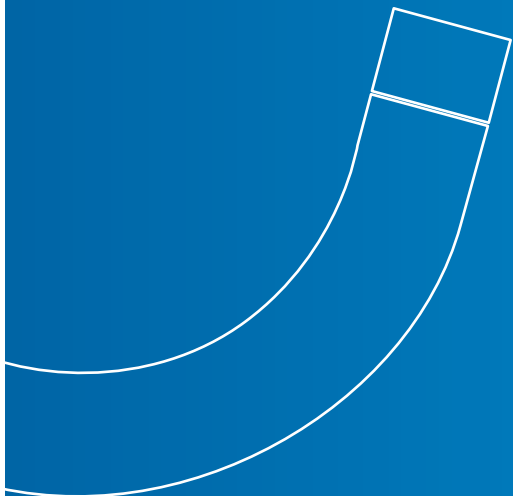






# TECHNICAL INFO

---



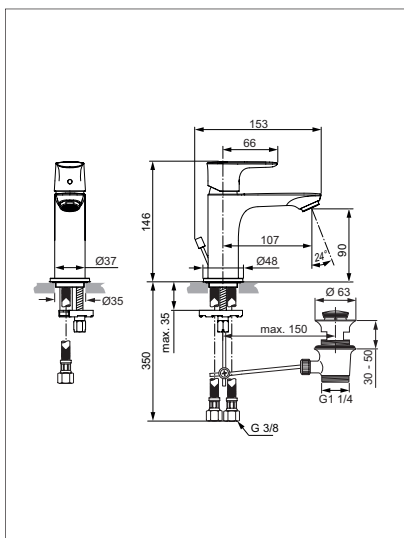
# TECHNICAL SPECIFICATIONS

SI basin mixer normal slim  
with metal pop-up waste  
5l/min



Model	Price HT €	Ref
Basin mixer	xx	A7007AA

- Slim body 37mm
- EasyFix® with centering & sealing ring
- Shorty aerator M24x1 5l/min
- 25mm cartridge
- Noise class 1
- Flexible hoses PEX G3/8"
- Metal pop-up waste with plastic plug
- Pop-up rod knob

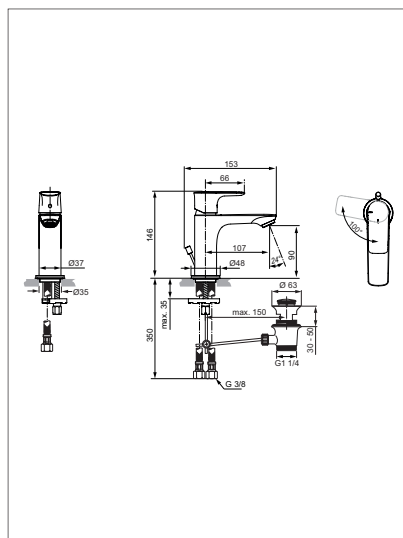


SI basin mixer normal slim  
with metal pop-up waste  
5l/min CH3



Model	Price HT €	Ref
Basin mixer	xx	A7008AA

- Slim body 37mm
- BlueStart® technology (CH3)
- EasyFix® with centering & sealing ring
- Shorty aerator M24x1 5l/min
- 25mm cartridge
- Noise class 1
- Flexible hoses PEX G3/8"
- Metal pop-up waste with plastic plug
- Pop-up rod knob

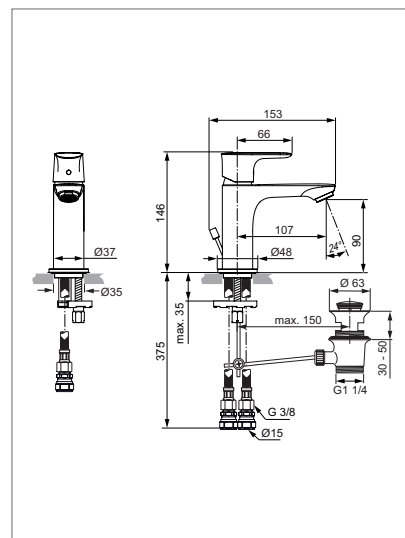


SI basin mixer normal slim  
with metal pop-up waste  
5l/min PCA



Model	Price HT €	Ref
Basin mixer	xx	A7046AA

- Slim body 37mm
- EasyFix® with centering & sealing ring
- Shorty aerator M24x1 5l/min PCA
- 25mm cartridge
- Noise class 1
- Flexible hoses UK
- Metal pop-up waste with plastic plug
- Pop-up rod knob







BlueStart®  
technology



EasyFix  
system



Flexible  
connectors



Temperature  
limit stop



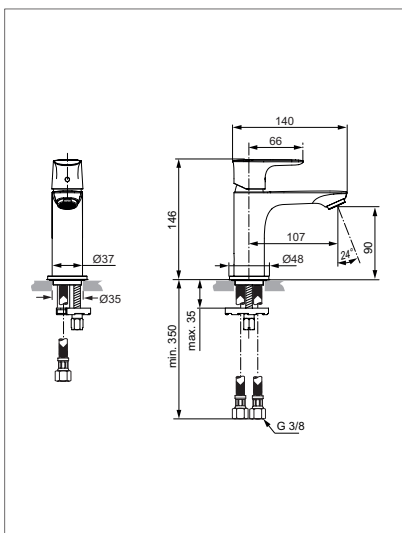
5l/min  
aerator

### Sl basin mixer normal slim without pop-up waste 5l/min



Model	Price HT €	Ref
Basin mixer	xx	A7010AA

- Slim body 37mm
- EasyFix® with centering & sealing ring
- Shorty aerator M24x1 5l/min
- 25mm cartridge
- Noise class 1
- Flexible hoses PEX G3/8"

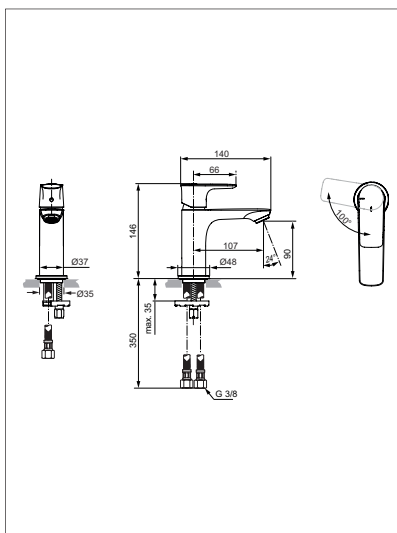


### Sl basin mixer normal slim without pop-up waste 5l/min CH3



Model	Price HT €	Ref
Basin mixer	xx	A7011AA

- Slim body 37mm
- BlueStart® technology (CH3)
- EasyFix® with centering & sealing ring
- Shorty aerator M24x1 5l/min
- 25mm cartridge
- Noise class 1
- Flexible hoses PEX G3/8"

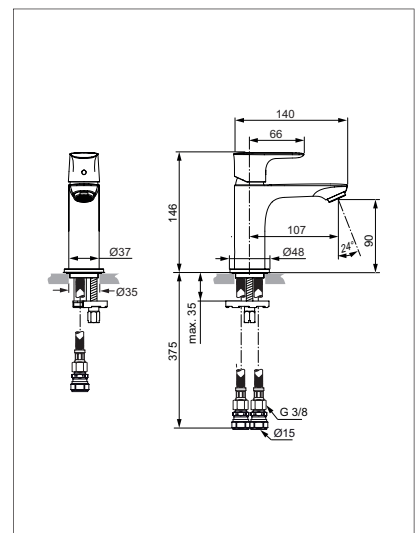


### Sl basin mixer normal slim without pop-up waste 5l/min PCA



Model	Price HT €	Ref
Basin mixer	xx	A7047AA

- Slim body 37mm
- EasyFix® with centering & sealing ring
- Shorty aerator M24x1 5l/min PCA
- 25mm cartridge
- Noise class 1
- Flexible hoses UK



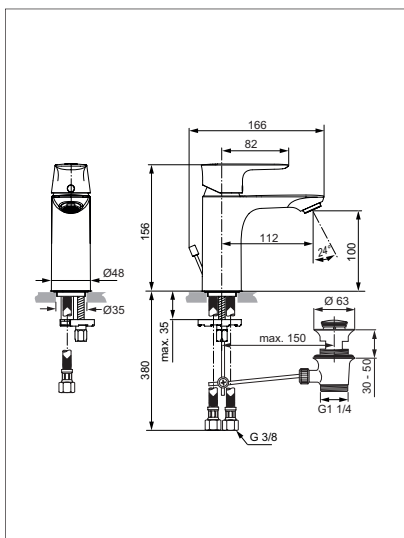
# TECHNICAL SPECIFICATIONS

## SI basin mixer normal project with metal pop-up waste 5l/min



Model	Price HT €	Ref
Basin mixer	xx	A7021AA

- EasyFix® with centering & sealing ring
- Shorty aerator M24x1 5l/min
- 38mm FirmaFlow® cartridge with hot water limiter
- Noise class 1
- Flexible hoses PEX G3/8"
- Metal pop-up waste with plastic plug
- Pop-up rod knob

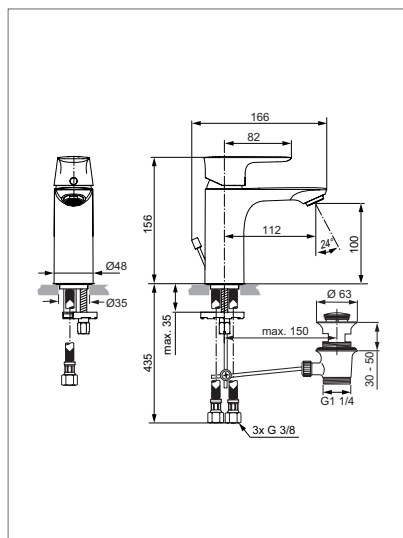


## SI basin mixer normal project with metal pop-up waste ND



Model	Price HT €	Ref
Basin mixer	xx	A7022AA

- EasyFix® with centering & sealing ring
- Flow liner M24 X 1 ND
- 38mm FirmaFlow® cartridge with hot water limiter
- Noise class 1
- Flexible hoses PEX G3/8"
- Metal pop-up waste with plastic plug
- Pop-up rod knob

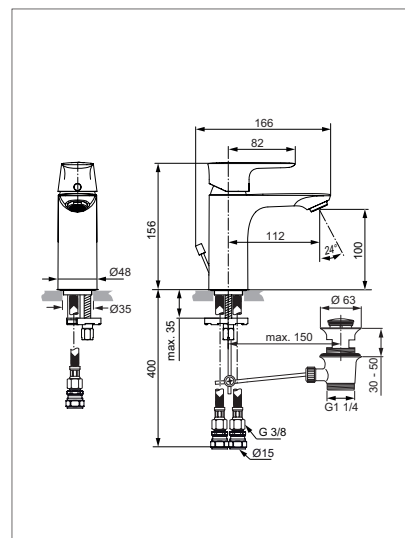


## SI basin mixer normal project with metal pop-up waste 5l/min PCA



Model	Price HT €	Ref
Basin mixer	xx	A7063AA

- EasyFix® with centering & sealing ring
- Shorty aerator M24x1 5l/min PCA
- Additional free-flow aerator incl. chromed ring in the box
- 38mm FirmaFlow® cartridge with hot water limiter
- Noise class 1
- Flexible hoses UK
- Metal pop-up waste with plastic plug
- Pop-up rod knob

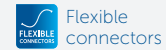




BlueStart®  
technology



EasyFix  
system



Flexible  
connectors



Temperature  
limit stop



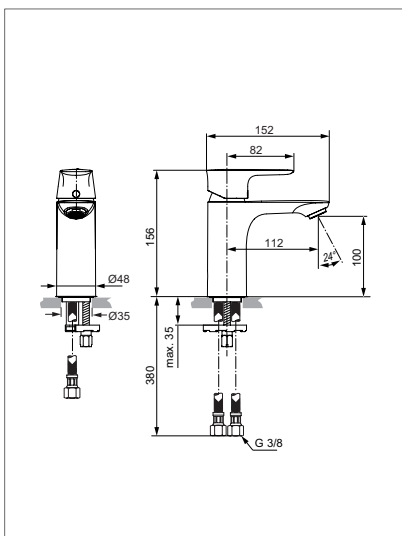
5l/min  
aerator

### SI basin mixer normal project without pop-up waste 5l/min



Model	Price HT €	Ref
Basin mixer	xx	A7024AA

- EasyFix® with centering & sealing ring
- Shorty aerator M24x1 5l/min
- 38mm FirmaFlow® cartridge with hot water limiter
- Noise class 1
- Flexible hoses PEX G3/8"

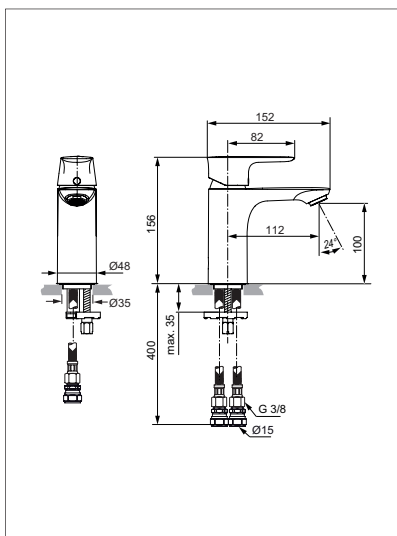


### SI basin mixer normal project without pop-up waste 5l/min PCA



Model	Price HT €	Ref
Basin mixer	xx	A7064AA

- EasyFix® with centering & sealing ring
- Shorty aerator M24x1 5l/min PCA
- Additional free-flow aerator incl. chromed ring in the box
- 38mm FirmaFlow® cartridge with hot water limiter
- Noise class 1
- Flexible hoses UK

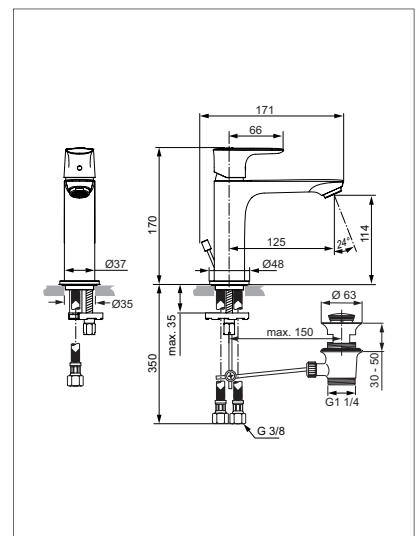


### SI basin mixer grande slim with metal pop-up waste 5l/min



Model	Price HT €	Ref
Grande basin mixer	xx	A7012AA

- Grande slim body 37mm
- EasyFix® with centering & sealing ring
- Shorty aerator M24x1 5l/min
- 25mm cartridge
- Noise class 1
- Flexible hoses PEX G3/8"
- Metal pop-up waste with plastic plug
- Pop-up rod knob



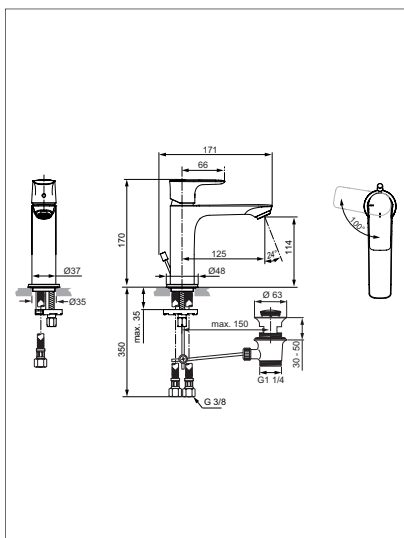
# TECHNICAL SPECIFICATIONS

## Sl basin mixer grande slim with metal pop-up waste 5l/min CH3



Model	Price HT €	Ref
Grande basin mixer	xx	A7013AA

- Grande slim body 37mm
- BlueStart® technology (CH3)
- EasyFix® with centering & sealing ring
- Shorty aerator M24x1 5l/min
- 25mm cartridge
- Noise class 1
- Flexible hoses PEX G3/8"
- Metal pop-up waste with plastic plug
- Pop-up rod knob

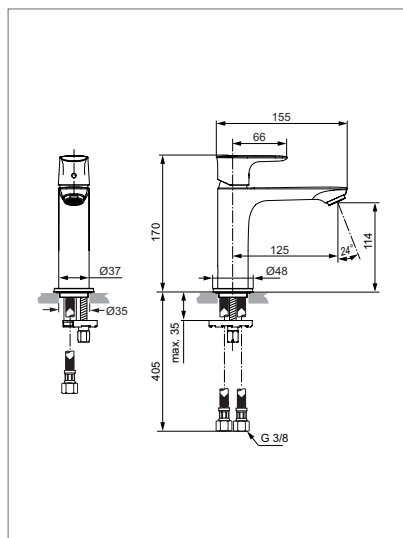


## Basin mixer grande slim without pop-up waste 5l/min



Model	Price HT €	Ref
Grande basin mixer	xx	A7015AA

- Grande slim body 37mm
- EasyFix® with centering & sealing ring
- Shorty aerator M24x1 5l/min
- 25mm cartridge
- Noise class 1
- Flexible hoses PEX G3/8"

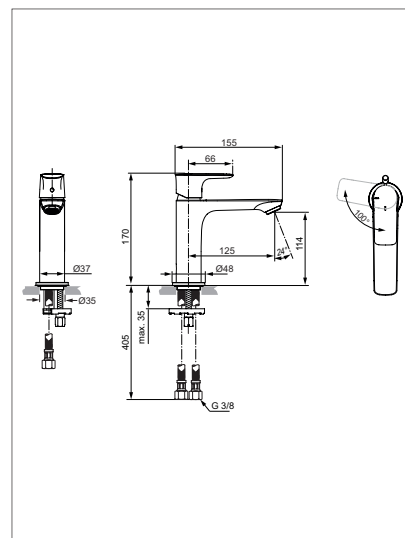


## Sl basin mixer grande slim without pop-up waste 5l/min CH3



Model	Price HT €	Ref
Grande basin mixer	xx	A7016AA

- Grande slim body 37mm
- BlueStart® technology (CH3)
- EasyFix® with centering & sealing ring
- Shorty aerator M24x1 5l/min
- 25mm cartridge
- Noise class 1
- Flexible hoses PEX G3/8"

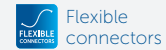




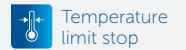
BlueStart®  
technology



EasyFix  
system



Flexible  
connectors



Temperature  
limit stop



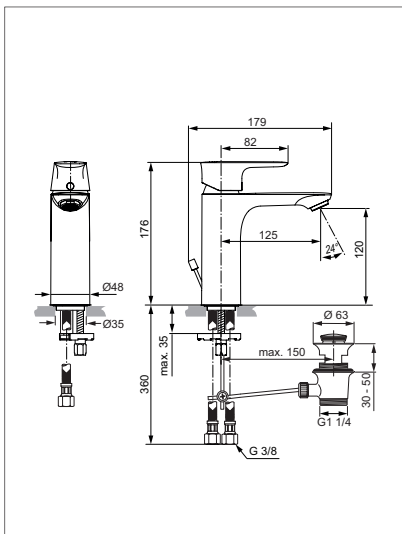
5l/min  
aerator

### SI basin mixer grande project with metal pop-up waste 5l/min



Model	Price HT €	Ref
Grande basin mixer	xx	A7053AA

- EasyFix® with centering & sealing ring
- Shorty aerator M24x1 5l/min
- 38mm FirmaFlow® cartridge with hot water limiter
- Noise class 1
- Flexible hoses PEX G3/8"
- Metal pop-up waste with plastic plug
- Pop-up rod knob

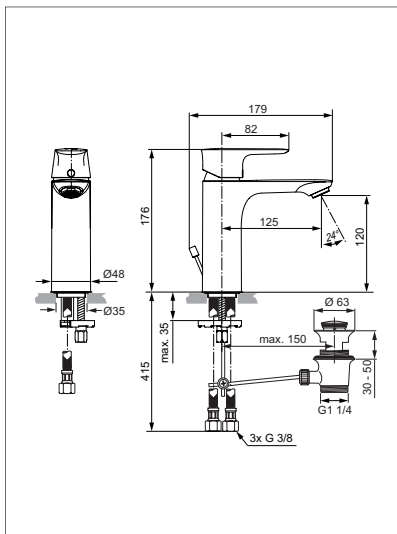


### SI basin mixer grande project with metal pop-up waste ND



Model	Price HT €	Ref
Grande basin mixer	xx	A7054AA

- EasyFix® with centering & sealing ring
- Flow liner M24 X 1 ND
- 38mm FirmaFlow® cartridge with hot water limiter
- Noise class 1
- Flexible hoses PEX G3/8"
- Metal pop-up waste with plastic plug
- Pop-up rod knob

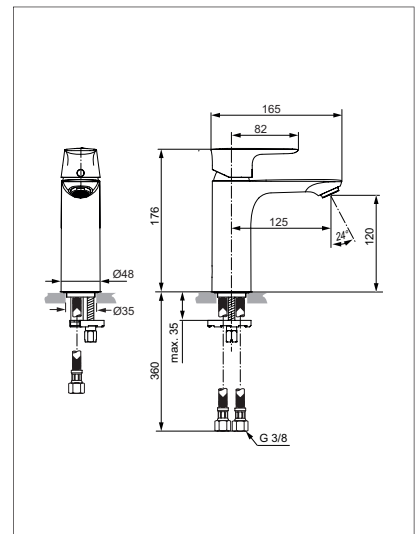


### SI basin mixer grande project without pop-up waste 5l/min



Model	Price HT €	Ref
Grande basin mixer	xx	A7055AA

- EasyFix® with centering & sealing ring
- Shorty aerator M24x1 5l/min
- 38mm FirmaFlow® cartridge with hot water limiter
- Noise class 1
- Flexible hoses PEX G3/8"



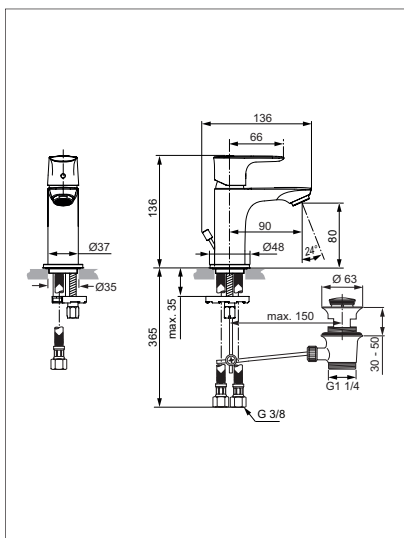
# TECHNICAL SPECIFICATIONS

SI basin mixer piccolo slim  
with metal pop-up waste  
5l/min



Model	Price HT €	Ref
Piccolo mixer xx		A7014AA

- Piccolo slim body 37mm
- EasyFix® with centering & sealing ring
- Shorty aerator M24x1 5l/min
- 25mm cartridge
- Noise class 1
- Flexible hoses PEX G3/8"
- Metal pop-up waste with plastic plug
- Pop-up rod knob

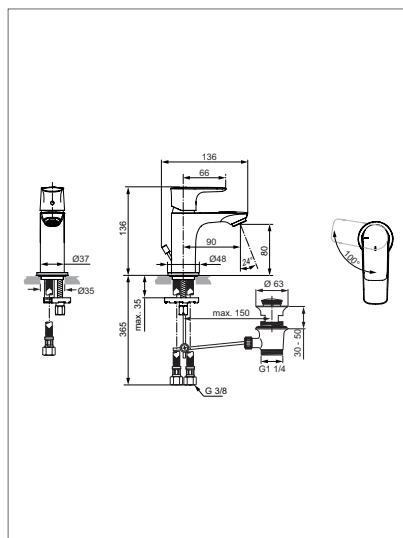


SI basin mixer piccolo slim  
with metal pop-up waste  
5l/min CH3



Model	Price HT €	Ref
Piccolo mixer xx		A7017AA

- Piccolo slim body 37mm
- BlueStart® technology (CH3)
- EasyFix® with centering & sealing ring
- Shorty aerator M24x1 5l/min
- 25mm cartridge
- Noise class 1
- Flexible hoses PEX G3/8"
- Metal pop-up waste with plastic plug
- Pop-up rod knob

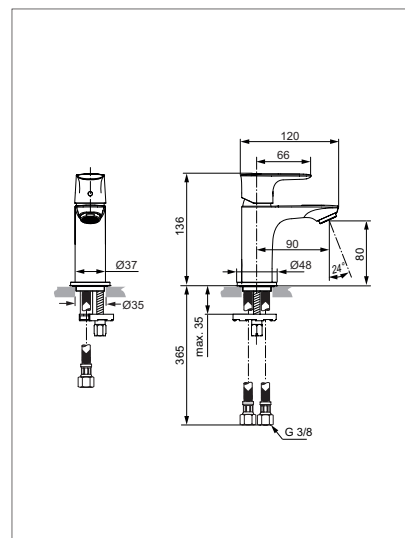


SI basin mixer piccolo slim  
without pop-up waste  
5l/min



Model	Price HT €	Ref
Piccolo mixer xx		A7018AA

- Piccolo slim body 37mm
- EasyFix® with centering & sealing ring
- Shorty aerator M24x1 5l/min
- 25mm cartridge
- Noise class 1
- Flexible hoses PEX G3/8"





BlueStart®  
technology



EasyFix  
system



Flexible  
connectors



Temperature  
limit stop



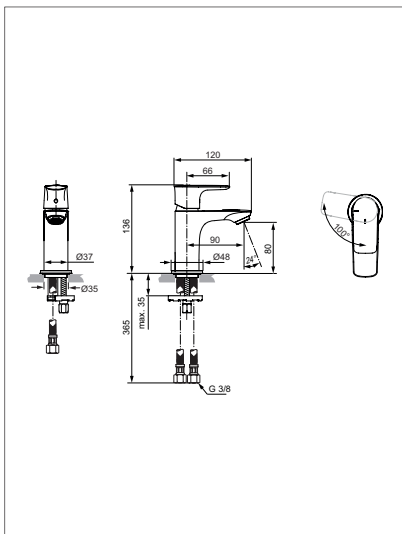
5l/min  
aerator

### Sl basin mixer piccolo slim without pop-up waste 5l/min CH3



Model	Price HT €	Ref
Piccolo mixer xx		A7019AA

- Piccolo slim body 37mm
- BlueStart® technology (CH3)
- EasyFix® with centering & sealing ring
- Shorty aerator M24x1 5l/min
- 25mm cartridge
- Noise class 1
- Flexible hoses PEX G3/8"

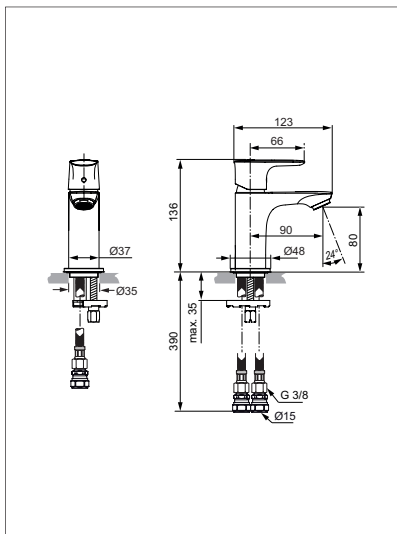


### Sl basin mixer piccolo slim without pop-up waste 5l/min PCA



Model	Price HT €	Ref
Piccolo mixer xx		A7048AA

- Slim body 37mm
- EasyFix® with centering & sealing ring
- Shorty aerator M24x1 5l/min PCA
- 25mm cartridge
- Noise class 1
- Flexible hoses UK

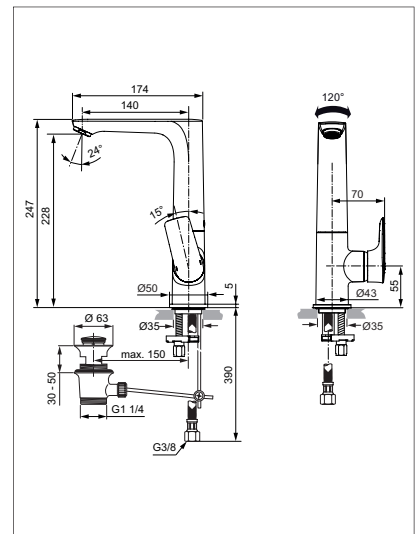


### Sl basin mixer high spout slim with metal pop-up waste 5l/min



Model	Price HT €	Ref
High spout mixer xx		A7020AA

- High cast spout, swivelling
- EasyFix® with centering & sealing ring
- Shorty aerator M24x1 5l/min
- 28mm cartridge
- Noise class 1
- Hot water limiter – separate in pack
- Flexible hoses PEX G3/8"
- Metal pop-up waste with plastic plug
- Pop-up rod knob









BlueStart®  
technology



EasyFix  
system



Flexible  
connectors



Temperature  
limit stop



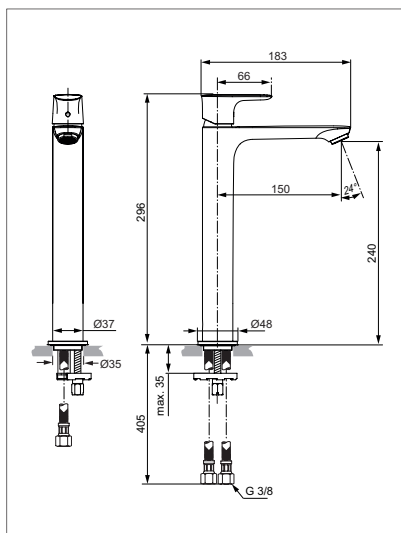
5l/min  
aerator

### SI basin vessel mixer slim without pop-up waste 5l/min



Model	Price HT €	Ref
Vessel mixer	xx	A7027AA

- Vessel slim body 37mm
- EasyFix® with centering & sealing ring
- Shorty aerator M24x1 5l/min
- 25mm cartridge
- Noise class 1
- Flexible hoses PEX G3/8"

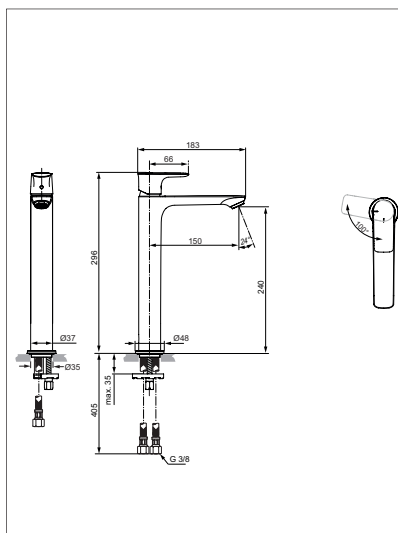


### SI basin vessel mixer slim without pop-up waste 5l/min CH3



Model	Price HT €	Ref
Vessel mixer	xx	A7028AA

- Vessel slim body 37mm
- BlueStart® technology (CH3)
- EasyFix® with centering & sealing ring
- Shorty aerator M24x1 5l/min
- 25mm cartridge
- Noise class 1
- Flexible hoses PEX G3/8"

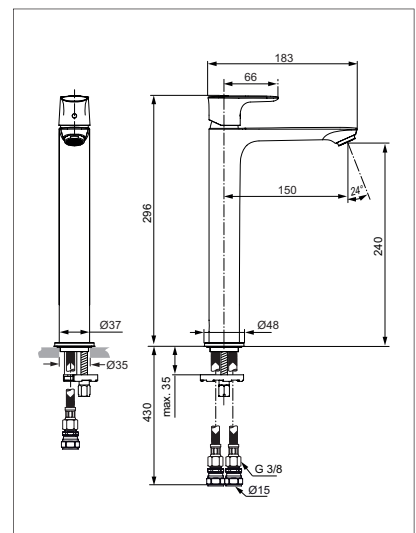


### SI basin vessel mixer slim without pop-up waste 5l/min PCA



Model	Price HT €	Ref
Vessel mixer	xx	A7049AA

- Vessel basin slim body 37mm
- EasyFix® with centering & sealing ring
- Shorty aerator M24x1 5l/min PCA
- 25mm cartridge
- Noise class 1
- Flexible hoses UK



# TECHNICAL SPECIFICATIONS

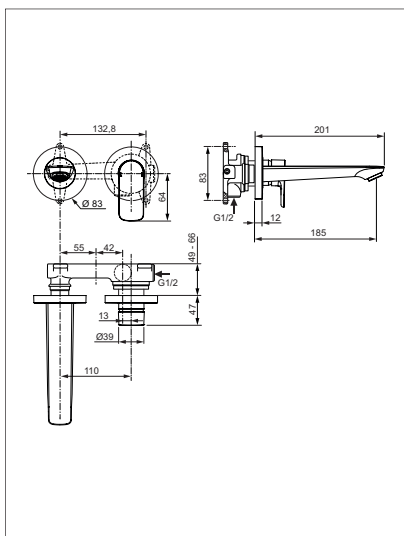
SI basin mixer built-in Kit 2,  
spout 185mm (for Kit 1 A5948NU)  
5l/min



Model	Price HT €	Ref
Built-in basin mixer	xx	A7029AA

- Kit 2 components for universal built-in kit A5948NU
- 28mm cartridge
- Cast spout 185mm
- Shorty aerator M24x1 5l/min
- Two round metal escutcheons

5l/min



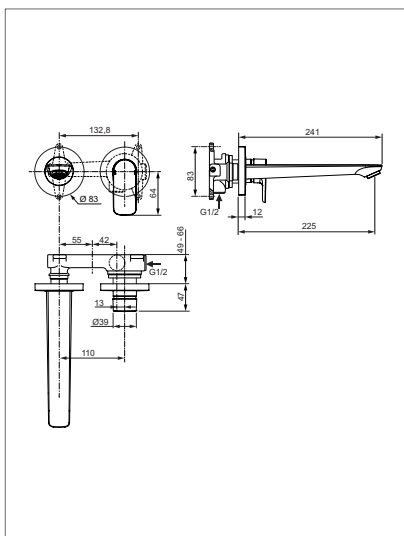
SI basin mixer built-in Kit 2,  
spout 225mm (for Kit 1 A5948NU)  
5l/min



Model	Price HT €	Ref
Built-in basin mixer	xx	A7009AA

- Kit 2 components for universal built-in kit A5948NU
- 28mm cartridge
- Cast spout 225mm
- Shorty aerator M24x1 5l/min
- Two round metal escutcheons

5l/min

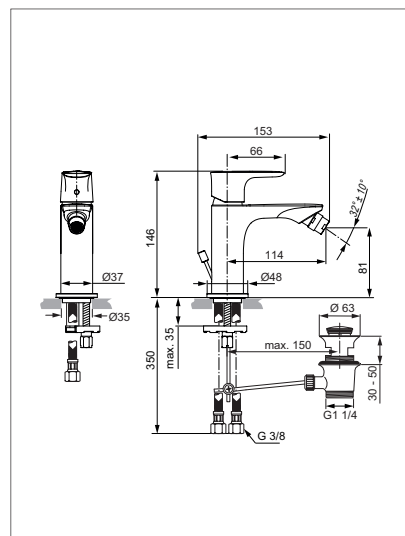


SI bidet mixer  
with metal pop-up waste  
5l/min



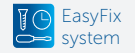
Model	Price HT €	Ref
Bidet mixer	xx	A7030AA

- Bidet slim body 37mm
- EasyFix® with centering & sealing ring
- Ball joint M18x1, 5l/min
- 25mm cartridge
- Noise class 1
- Flexible hoses PEX G3/8"
- Metal pop-up waste with plastic plug
- Pop-up rod knob





BlueStart®  
technology



EasyFix  
system



Flexible  
connectors



Temperature  
limit stop



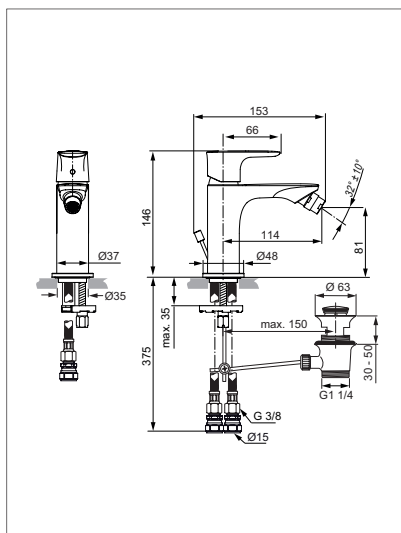
5l/min  
aerator

### Sl bidet mixer with metal pop-up waste 5l/min PCA



Model	Price HT €	Ref
Bidet mixer	xx	A7050AA

- Slim body 37mm
- EasyFix® centering & sealing ring
- Ball joint M18x1, 5l/min
- 25mm cartridge
- Noise class 1
- Flexible hoses UK
- Metal pop-up waste with plastic plug
- Pop-up rod knob

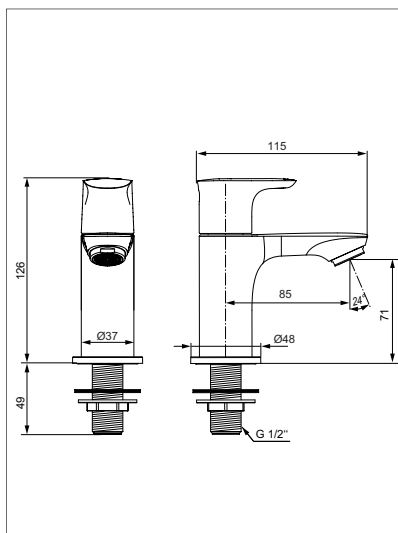


### Pillar tap slim



Model	Price HT €	Ref
Pillar tap	xx	A7031AA

- Pillar tap slim body 37mm
- Shorty aerator M24x1 5l/min
- 1/2" ceramic disc headpart
- 1/2" shank fixation

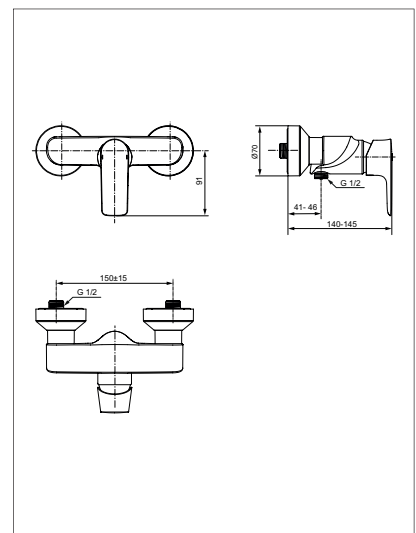


### Sl shower mixer exposed



Model	Price HT €	Ref
Exposed shower mixer	xx	A7032AA

- Body design with a shelf-like top
- 38mm FirmaFlow® cartridge with hot water limiter
- Hidden fixation (covered nuts)
- S connectors with noise reducers



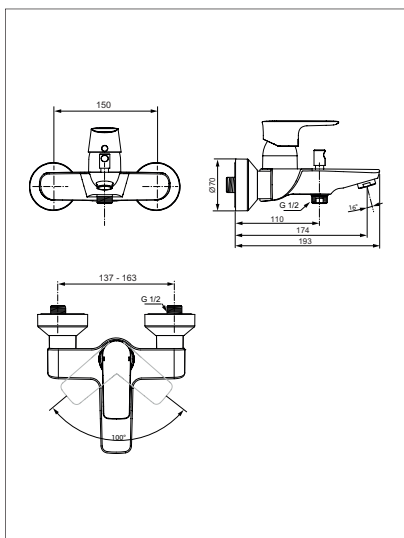
# TECHNICAL SPECIFICATIONS

## Sl bath & shower mixer exposed



Model	Price HT €	Ref
Exposed shower mixer	xx	A7033AA

- 38mm FirmaFlow® cartridge with hot water limiter
- Hidden fixation (covered nuts)
- S connectors with noise reducers
- Check valve
- Automatic pull diverter

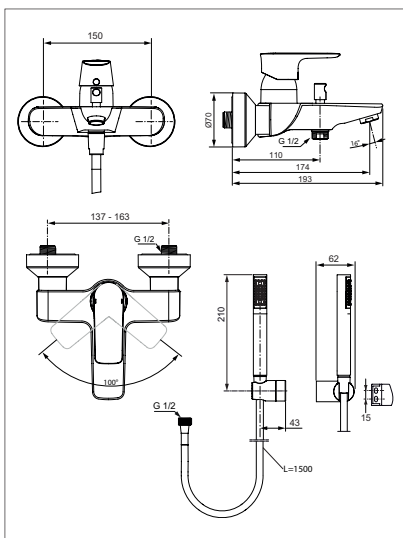


## Sl bath & shower mixer exposed with accessories



Model	Price HT €	Ref
Exposed shower mixer	xx	A7056AA

- 38mm FirmaFlow® cartridge with hot water limiter
- Hidden fixation (covered nuts)
- S connectors with noise reducers
- Check valve
- Automatic pull diverter
- Accessories:
  - Metal Stick-handspray chromed
  - IDEALFLEX shower hose 1500mm
  - Wall bracket chromed

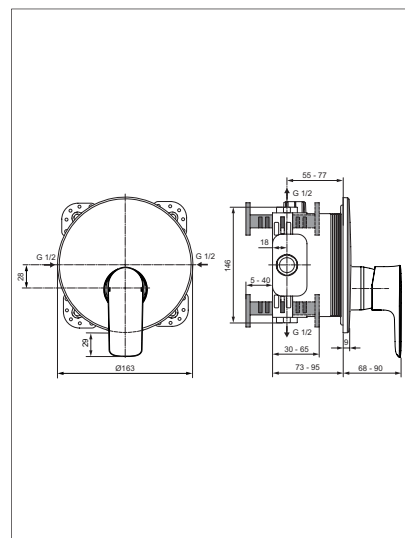


## Sl shower mixer built-in Kit2 (for Kit1 A1000NU)



Model	Price HT €	Ref
Bin shower mixer	xx	A7034AA

- Kit2 components for universal built-in Kit1 A1000NU
- Round slim shower escutcheon





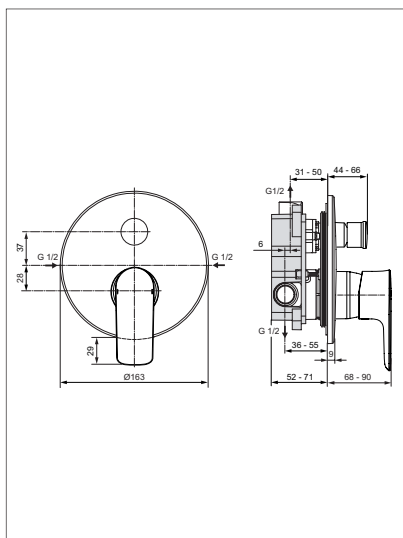
# TECHNICAL SPECIFICATIONS

## Sl bath & shower mixer built-in Kit2 (for Kit1 A1300NU)



Model	Price HT €	Ref
Bin B&S mixer xx		A7037AA

- Kit2 components for universal built-in Kit1 A1300NU
- Round slim B&S escutcheon
- Diverter knob

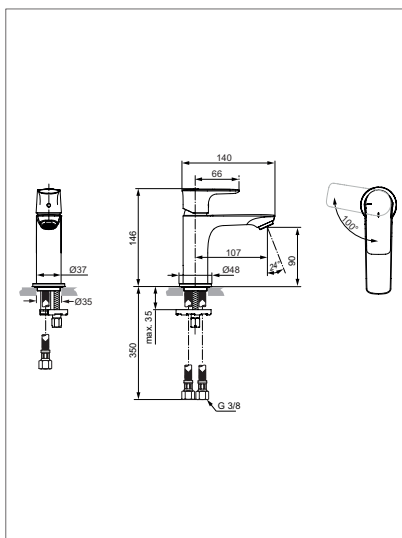


## Sl basin mixer normal slim with pushopen waste 5l/min CH3



Model	Price HT €	Ref
Basin mixer xx		F1750AA

- Basin slim body 37mm
- BlueStart® technology (CH3)
- EasyFix® with centering & sealing ring
- Shorty aerator M24x1 5l/min
- 25mm cartridge
- Noise class 1
- Flexible hoses PEX G3/8"
- Click waste G1 1/4"

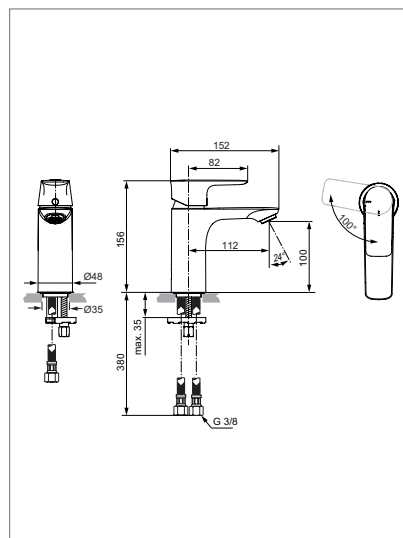


## Sl basin mixer normal project with pushopen waste 5l/min CH3



Model	Price HT €	Ref
Basin mixer xx		F1751AA

- BlueStart® technology (CH3)
- EasyFix® with centering & sealing ring
- Shorty aerator M24x1 5l/min
- 38mm FirmaFlow® cartridge with hot water limiter
- Noise class 1
- Flexible hoses PEX G3/8"
- Click waste G1 1/4"





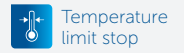
BlueStart®  
technology



EasyFix  
system



Flexible  
connectors



Temperature  
limit stop



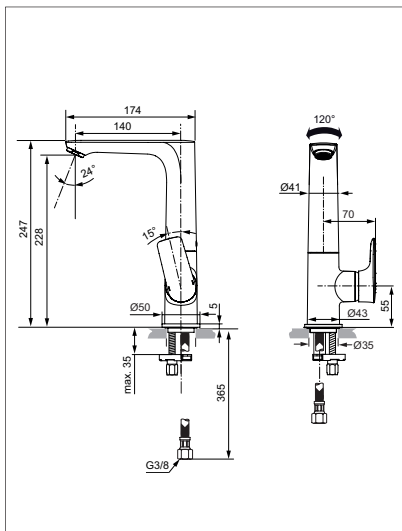
5l/min  
aerator

### SI basin mixer high spout slim with pushopen waste 5l/min



Model	Price HT €	Ref
High spout mixer	xx	F1752AA

- High cast spout, swivelling
- EasyFix® with centering & sealing ring
- Shorty aerator M24x1 5l/min
- 28mm cartridge
- Noise class 1
- Hot water limiter – separate in pack
- Flexible hoses PEX G3/8"
- Click waste G1 1/4"

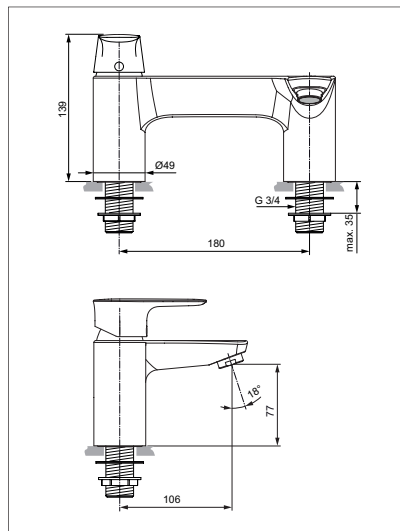


### SI 2-hole bath filler



Model	Price HT €	Ref
Bath filler	xx	A7051AA

- 2-hole asymmetric body with outlet to the right
- Flow straightener
- 38mm wet application cartridge

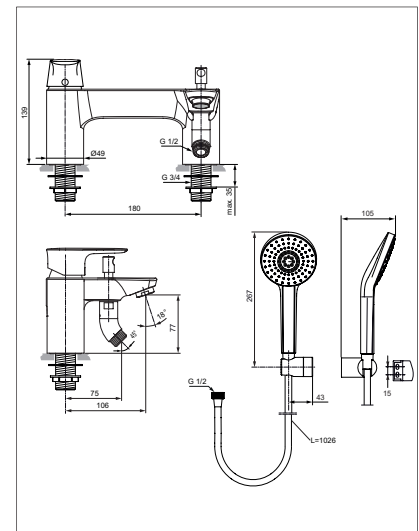


### SI 2-hole bath & shower mixer with accessories



Model	Price HT €	Ref
2-H B&S mixer xx	xx	A7052AA

- 2-hole asymmetric body with outlet to the right
- Flow straightener
- 38mm wet application cartridge
- Automatic pull-diverter through spout
- Elbow for shower outlet
- Accessories:
  - EVO 110 handspray
  - IDEALFLEX shower hose 1500mm
  - Hose bracket
  - Wall bracket



For further information on the  
CONNECT AIR range or any Ideal  
Standard product, please contact:

Ideal Standard International NV  
Corporate Village – Gent Building  
Da Vincilaan 2  
B-1935 Zaventem  
Belgium

Tel: 1234567890

Fax: 1234567890

[www.idealstandardinternational.com](http://www.idealstandardinternational.com)

