

BENCHMARKING

BROCHURE

Firestone

World's Number 1
Air Spring.



FIRESTONE INDUSTRIAL PRODUCTS COMPANY



Firestone
AIRIDE
SPRINGS



Genuine Firestone Airide™ Air Springs?

Because there is no substitute for the best.

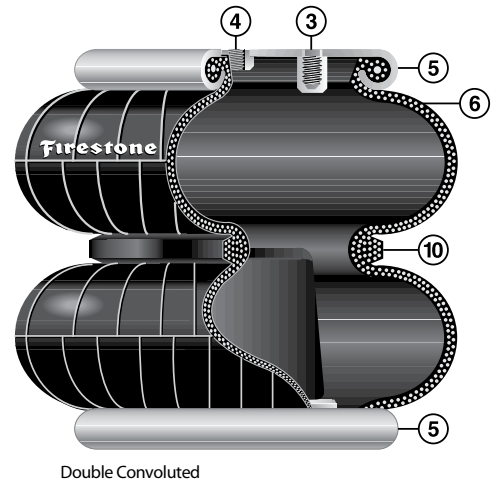
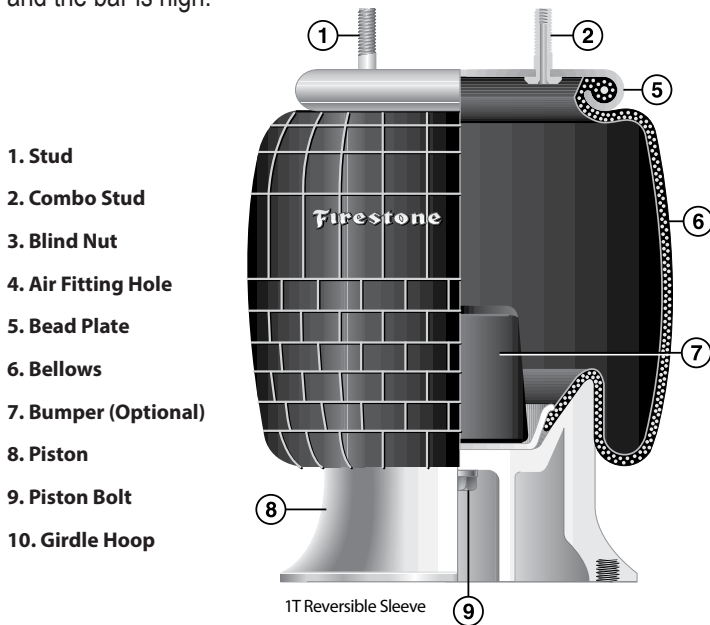


When it comes down to it, trucks are your livelihood and keeping your truck running and on the road is crucial. So you outfit them with only the best. Like Genuine Firestone Airide air springs. The very first name in air springs, and quite likely what your truck was originally built with. Truck manufacturers know and trust Airide-so should you.

Firestone patented the first air spring in 1938, other wise known as the Firestone Airide Air Spring. That's one thing about being the first, the original. We've set the standards and the bar is high.

Comprehensive testing by Firestone Industrial Products shows that Genuine Firestone air springs out perform the competition but being the best simply isn't good enough for Firestone. That's why we continually work to develop new products, with improved features, better materials and enhanced performance. Why Firestone air springs? The better question is why settle for anything less?

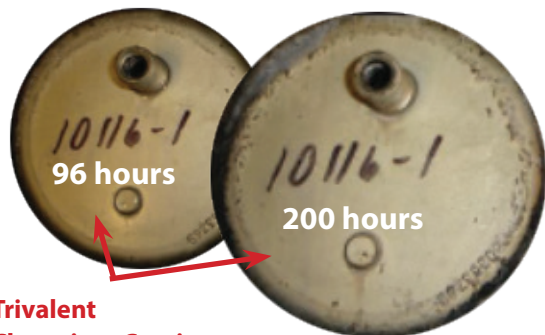
Firestone Airide is the number one heavy-duty air spring in the world and Firestone Industrial Products is the top supplier of heavy duty air springs in North America, and worldwide.



SUPERIOR CORROSION RESISTANCE



FIRESTONE GENUINE PARTS



Trivalent Chromium Coating

200 hour Salt Spray results.

2x longer than the standard 96 hour test.



BRAND X NON-GENUINE PARTS



Excessive Red Rust

Example of a failed bead plate after 96 hours salt spray.

Failed at 96 hours

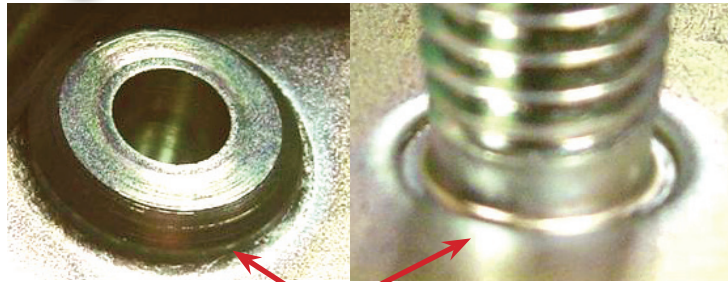
Brand "X" Issue: Poor rust prevention

Impact: Firestone's Trivalent Chromium coating on metal components provides superior rust prevention against harsh weather/environmental conditions. The inferior coating that Brand "X" uses could accelerate rusting causing the area around fittings and crimp area to leak.

ADVANCED MANUFACTURING TECHNOLOGY



FIRESTONE GENUINE PARTS



The stud braze technique used on Firestone Air springs provides a continuous seal.

Brand "X" Issue: Welded Fittings

Impact: Firestone's machined brazed fittings create a more reliable seal around our fittings. Brand "X" uses a welded fitting, resulting in a "weak spot" which can affect the integrity of the seal around the fitting joint, causing leaks.



NON-GENUINE PARTS



Example of irregular welds.

Example of a potential leak point.

STATE OF THE ART ENGINEERING



FIRESTONE GENUINE PARTS



Highly engineered rib design provides a robust piston.

Brand "X" Issue: Inferior piston strength

Impact: Firestone's commitment to quality delivers a product designed to meet our stringent performance requirements. Firestone performs extensive load testing to insure piston durability before it ever gets on your truck. Brand "X" utilizes an inferior piston design and lesser performing materials which could result to premature piston failure and reduction of the life of the air spring.



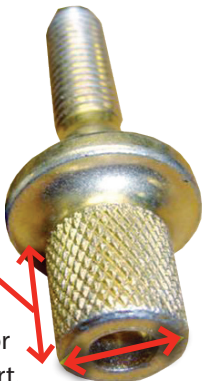
NON-GENUINE PARTS



An inferior rib design may lead to premature failure.



FIRESTONE GENUINE PARTS

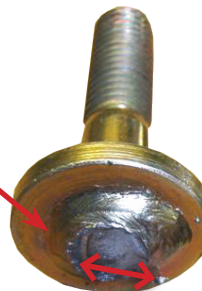


Added Strength

Firestone's piston stud is designed for strong axial support.



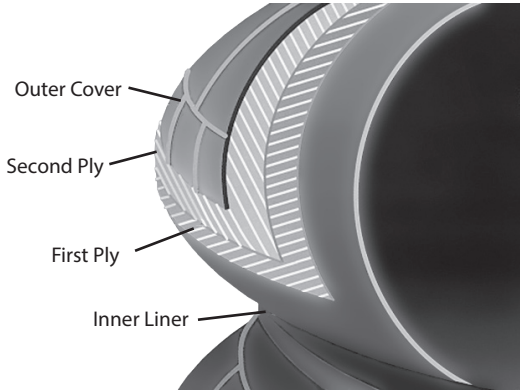
NON-GENUINE PARTS



Example of lower quality design with less support and greater possibility of bending.

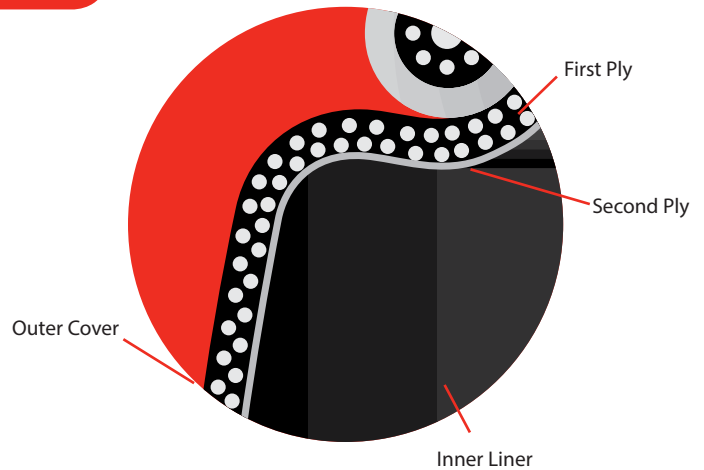
Brand "X" Issue: Inferior piston stud design
Impact: Firestone utilizes a solid one-piece design displaying optimal axial and lateral strength. Brand "X" utilizes an inferior, two-piece welded design which has less axial rigidity and could break off after extended use.

SUPERIOR RUBBER AND CORD



Cord Spacing

Proper cord spacing minimizes friction. When cords are touching, it creates added friction and leads to premature failure.



The distinctive Firestone fabric cord is something the naked eye can not easily detect, but will make a difference in air spring performance. Firestone's proprietary fabric cord and superior rubber compound utilizes the highest grade materials and best technology in the industry. Firestone's air springs meet and exceed the world's most rigorous testing standards. Our air springs don't leave the plant without first passing 190 psi proof testing.

Genuine Firestone Airide Air Springs?

Because there is no substitute for the best.

- Stronger materials for increased durability
- Superior corrosion resistance that combats harsh operating conditions
- Superior rubber and cord
- Excellent performance and quality through advanced product and manufacturing technology
- Engineered to meet OE specifications
- Meets the highest international quality and environmental standards ISO 9001, TS-16949, ISO 14001
- Only air spring manufacturer in the world with manufacturing facilities in the U.S.
- Dedicated customer service team and parts warehouse in Indianapolis, IN
- Broadest selection of heavy duty parts in the industry



Firestone

World's Number 1
Air Spring.



FIRESTONE INDUSTRIAL PRODUCTS COMPANY

World Headquarters

250 W. 96th Street • Indianapolis, IN 46260 USA

Toll-free: 1-800-247-4337 • Phone: 317-818-8600 • Fax: 317-818-8645 • www.firestoneip.com

info@firestoneip.com