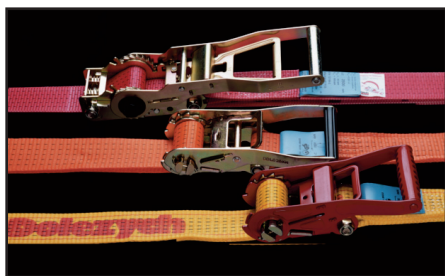


Tie Downs



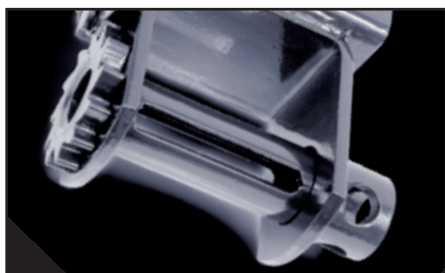
Ratchet and Winch Straps



Load Binders



Winches



Catalog Contents

	Page
Web Winches.....	2
BOA Winch	5
Winch Tracks / Bars / Straps	6
Winch Straps	6, 7
Patented Innovations	8
Load Securing Nets	9
Chains / Hooks / D-Rings	10
Load Binders / Load Anchors	11
Ratchet Straps	12
Corner Protectors	14
Anti-Slip Mats	15
Cam Buckle Straps	16
Flags / Banners / Tarp Straps	17
Track / Shoring Bars	18
Shoring Beams / Cargo Bars	19
Jack Bars & Accessories	20
Utility Tiedowns.....	21
Lifting Slings	22
Round Slings	23
Premium Slings	24
Warranty	25
Interchanges	26-29

Chains



Nets



Hardware



Slings



The names and reference numbers of manufacturers and suppliers, other than Dayton Parts, LLC, used in this catalog are only to assist our customers in identifying parts. Under no circumstances does Dayton Parts, LLC, imply that the parts are of those OE manufacturers. Although care has been taken to insure the accuracy of the data contained in this publication, Dayton Parts, LLC, does not assume any liability for errors or omissions.

© Copyright 2015, Dayton Parts, LLC and Doleco USA. All rights reserved. No part of this publication covered by the copyrights herein may be reproduced or copied in any form or by any means whatsoever without the expressed prior written permission of Dayton Parts, LLC.

Reference www.daytonparts.com for continuing updates to this publication.

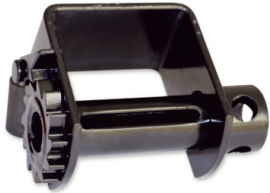
Web Winches

Web Winches

Doleco USA winches comply with WSTDA-T3 and Canadian Standard 905 regulations. Available in different frame configurations to satisfy a variety of applications and load requirements.

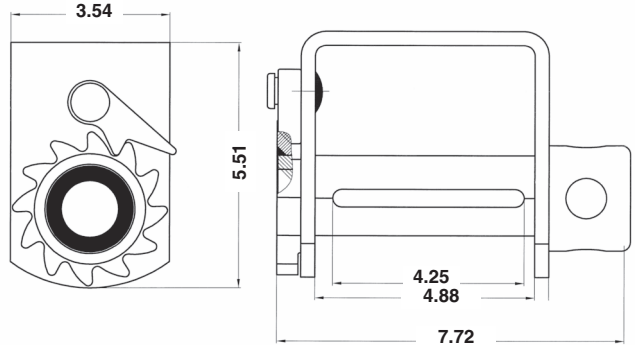
All winches shown below are bottom mount, right hand models unless otherwise specified.

- Black powder coat finishes are standard on all Doleco USA winches.
- Stamped working load limit and Doleco name certify quality.



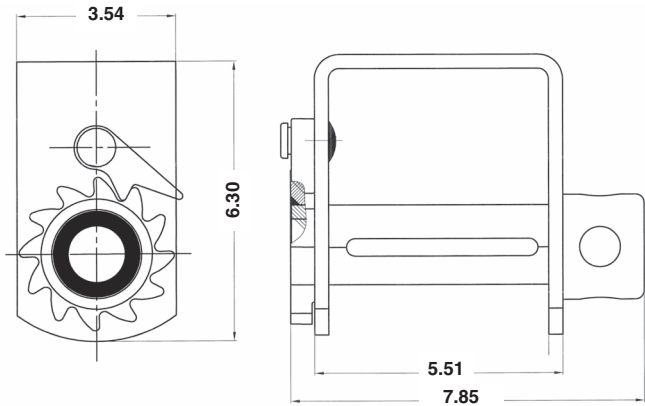
Standard Weld-On

Weight	8.6 lbs/3.9 kg
WLL	5,500 lbs/2,500 kg
Part No.	28100006



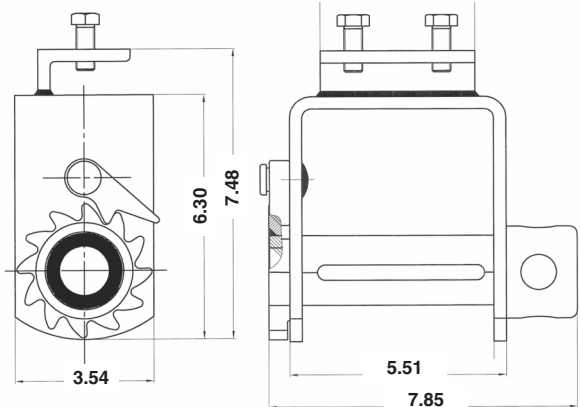
Storable Weld-on

Weight	9.1 lbs/4.13 kg
WLL	5,500 lbs/2,500 kg
Part No.	28100016



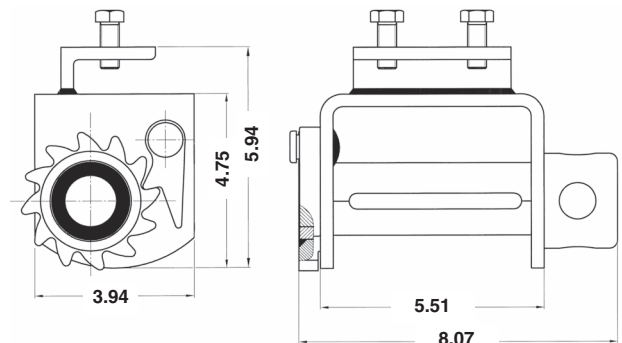
Storable Portable with 2 Set Screws

Weight	11.1 lbs/5.0 kg
WLL	5,500 lbs/2,500 kg
Part No.	28100007



Portable Side Mount Low Profile with 2 Set Screws

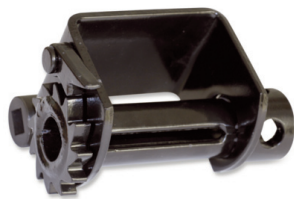
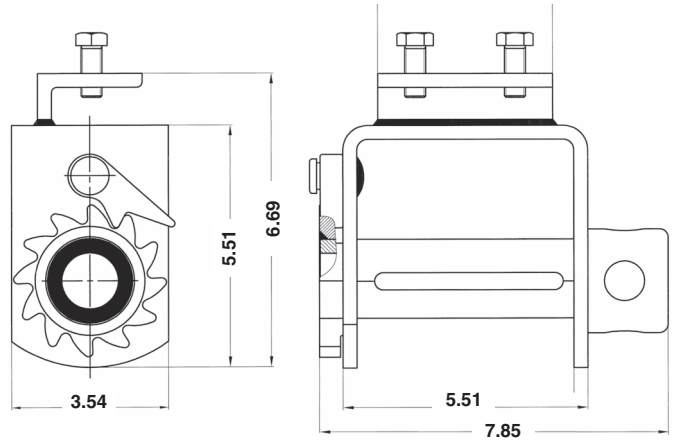
Weight	10.11 lbs/4.59 kg
WLL	5,500 lbs/2,500 kg
Part No.	28100009





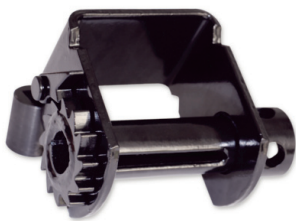
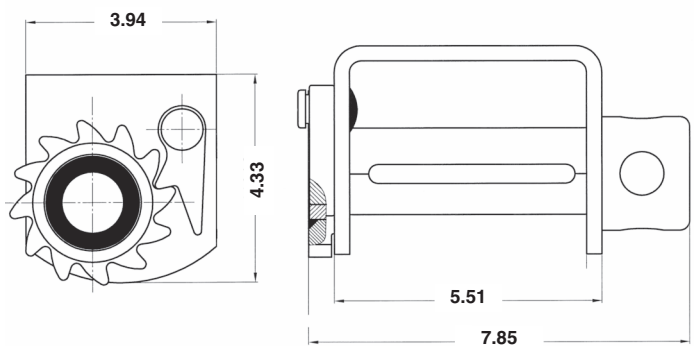
**Standard Portable
with 2 Set Screws**

Weight	10.7 lbs/4.85 kg
WLL	5,500 lbs/2,500 kg
Part No.	28100008



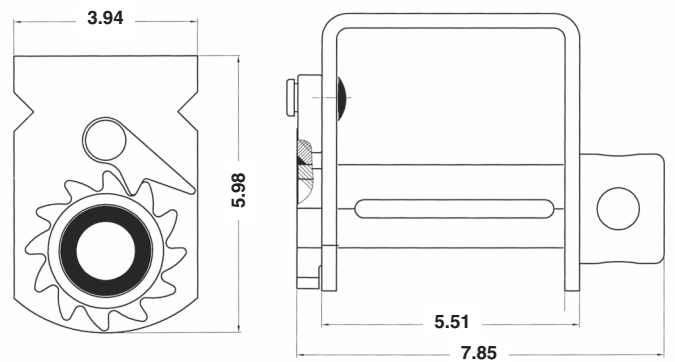
**Low Profile Side
Mount Weld-On**

Weight	7.3 lbs/3.3 kg
WLL	5,500 lbs/2,500 kg
Part No.	28100020



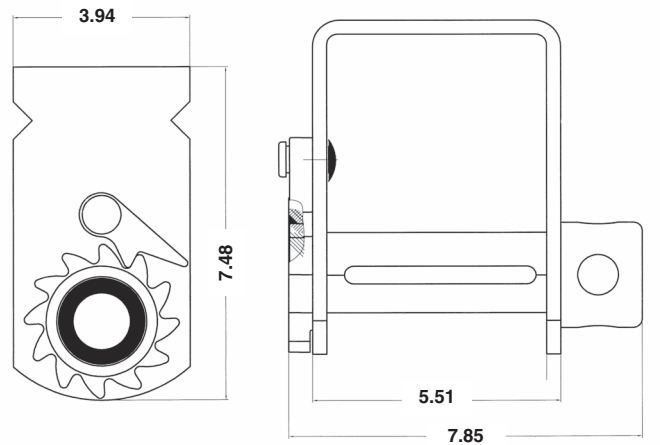
**Standard C
Track Slider**

Weight	7.7 lbs/3.5 kg
WLL	6,000 lbs/2,730 kg
Part No.	28100014



**Storable C
Track Slider**

Weight	8.3 lbs/3.8 kg
WLL	6,000 lbs/2,730 kg
Part No.	28100010

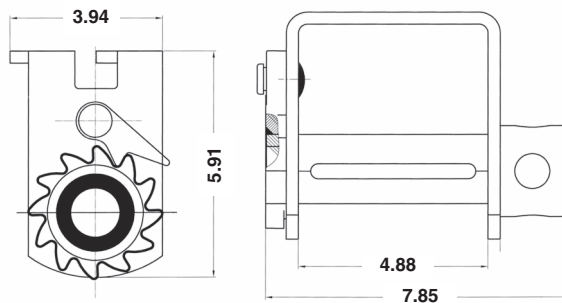


Web Winches



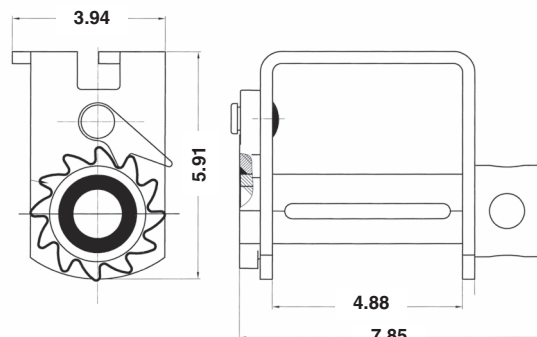
Standard Double L Track Slider

Weight	6.5 lbs/2.95 kg
WLL	5,500 lbs/2,500 kg
Part No.	28100033



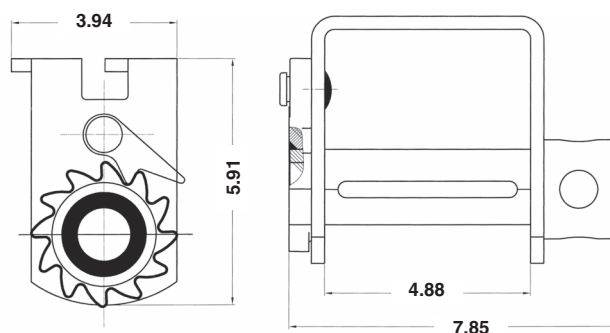
Low Profile Double L Track Slider

Weight	6.2 lbs/2.81 kg
WLL	5,500 lbs/2,500 kg
Part No.	28100035

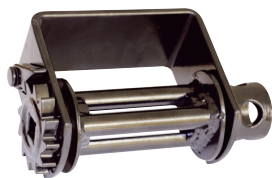


Storable Double L Track Slider

Weight	9.5 lbs/4.32 kg
WLL	5,500 lbs/2,500 kg
Part No.	28100031

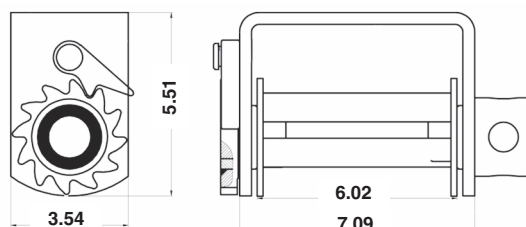


Special Application Winches



3-Bar Low Profile Side Mount Weld-on

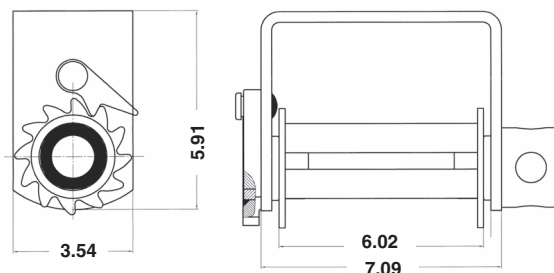
Weight	13.3 lbs/6.0 kg
WLL	6,000 lbs/2,730 kg
Part No.	28100026



Standard Combination Weld-On

Weight	10.6 lbs/4.8 kg
WLL	5,500 lbs/2,500 kg
Part No.	28100001

Standard



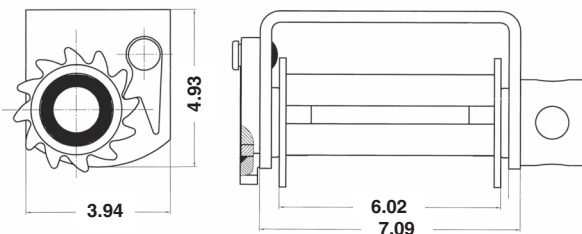
Special Application Winches Continued



Low Profile Combination Weld-On

Weight	10.6 lbs/4.8 kg
WLL	5,500 lbs/2,500 kg
Part No.	28100005

Low Profile



Boa Winch Tie-Down System

The patented BOA WINCH tie down system offers unparalleled performance and a one-year warranty against manufacturing defects.



C Track Slider

WLL: 5,500 lbs
Weight: 14.3 lbs/6.5 kg

Color	Silver Zinc
Part No.	28100040



Double L Slider

WLL: 5,500 lbs
Weight: 13.7 lbs/6.2 kg

Color	Silver Zinc
Part No.	28100039



Handle

Color	Orange
Part No.	28200008

An exciting new addition to the market, the **BOA WINCH** uses a patented 22:1 gear drive ratio to give more pretension than conventional winches.

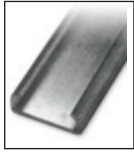
Simple to install and operate, BOA WINCH offers a safer way for users of all sizes and strengths to secure loads using either webbing straps or wire ropes. No more having to deal with ratchet winches or winch bars, the BOA WINCH utilizes a hand crank and self locking design to secure loads.

Offering performance unparalleled by competitors, the BOA WINCH comes with a one-year warranty against manufacturing defects.

Winch Track / Bars / Straps

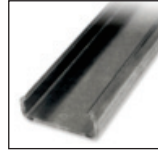
Winch Track

For standard C track and Double L track slider winches



Steel C Track – Formed from high strength 1/4' steel plate

Weight	39.0 lbs / 17.73 kg
Length	6 ft / 182.88 cm
Part No.	28300001



Aluminum C Track – High strength aluminum extrusion

Weight	19 lbs / 8.64 kg
Length	6 ft / 182.88 cm
Part No.	28300003

Aluminum Double L Track – Designed for Double L slider winches

Weight	26.25 lbs / 11.92 kg
Length	10 ft / 304.80 cm
Part No.	28300004

Winch Bars

Tapered and angled at the end for easy operation, Doleco's winch bar handles are knurled at two sections, and the mushroom tip helps keep the bar from slipping from the winch cap. They are heat-treated for extra strength and cycle tested to simulate years of heavy use. Combination winch bars can be used to release tension on chain binders.



Flanged mushroom tip helps keep the bar from slipping from the winch cap.



Use caution to avoid injury. Not to be used as a cheater bar.



Standard Painted

Weight	5.0 lbs / 2.27 kg
Part No.	28200001



Combination Box End Chrome

Weight	6.5 lbs / 2.95 kg
Part No.	28200002



Standard Chrome

Weight	5.0 lbs / 2.27 kg
Part No.	28200003



Combination Chrome

Weight	6.5 lbs / 2.95 kg
Part No.	28200004

Winch Straps

Available in many different configurations to suit your specific needs, Doleco winch and ratchet straps meet the highest standards for heavy duty wear, abrasion resistance, and strength. Meeting WSTDA T-1 Standards for Synthetic Web Tiedowns, all Doleco straps are made using the best webbing and most trusted hardware.

Standard 2" Winch Strap WLL: 3,333 lbs / 1,515 kg



with Flat Hook

Length	27 ft	30 ft
Part No.	23100227	23100230



with Wire Hook

Length	27 ft	30 ft
Part No.	23102227	23102230

Winch Straps

Standard 3" Winch Strap WLL: 5,400 lbs/2,450 kg



Length	27 ft	30 ft
Part No.	23104327	23104330



Length	27 ft	30 ft
Part No.	23105327	23105330

Standard 4" Winch Strap WLL: 5,400 lbs/2,450 kg



Length	27 ft	30 ft	40 ft
Part No.	23104427	23104430	23104440



Length	27 ft	30 ft
Part No.	23107427	23107430



Length	30 ft
Part No.	23108430



Length	27 ft	30 ft
Part No.	23105427	23105430

4" x 30' Winch Strap



WLL	5,400 lbs/2,450 kg
Part No.	23109430

Roll-On/Roll-Off Container Strap

4" x 5-ft. with Container Hook - FMCSA Compliant



Strap with Container Hook

WLL	5,400 lbs/2,450 kg
QTY	12 Per Case Available
Part No.	23104405

4" x 5-ft. with Sewn Loop - FMCSA Compliant



Strap with Container Hook and Sewn Loop

WLL	5,400 lbs/2,450 kg
QTY	12 Per Case Available
Part No.	23104499

Premium 4" DoPremium Winch Strap WLL: 5,400 lbs/2,450 kg

The ultimate winch straps for extreme applications. Doleco's new DoPremium webbing delivers greater durability, strength and abrasion resistance. Testing shows 80% retained strength over standard webbing.



with Flat Hook

Length	27 ft	30 ft
Part No.	23114427	23114430



with Delta Ring

Length	27 ft	30 ft
Part No.	23117427	23117430

Winch Straps / Patented Innovations

Premium 4" DoPremium Winch Strap Continued



with Chain Anchor

Length	30 ft
Part No.	23115430



with Twisted Loop

Length	30 ft
Part No.	23119430

DoMulti Long lever pull ratchet – the ergonomic ratchet

Zinc plated long handle ratchet with lever safety. Highly stretched Polyester fabric, 2" webbing, low elongation. Zinc plated hooks. WLL 5,511 lbs/2,500 kg.



Two-piece lashing strap with 2x Double J-Hook

Length	27 ft	30 ft
Part No.	26515034-27	26515034-30

- Long tensioner lever (350 mm) and ideal transmission ratio (20 teeth)
- Easy handling – high pretension force (1000 daN can be achieved)
- Four cog wheels instead of two
- Wear-resistant and robust
- Easy to open – safe construction

DoMulti Ratchet with DoMess tension indicator and U-Profile Hook



Two-piece lashing strap with 2x U-Profile Hook

Length	27 ft	30 ft
Part No.	26525078-27	26525078-30

- Width 2"
- WLL 5,511 lbs/2,500 kg
- Zinc plated long handle ratchet with lever safety, four cog wheels
- Highly stretched Polyester fabric, low elongation, abrasion resistant
- Zinc plated hooks

Do2Step An innovation based on the well-proven DoMulti long lever ratchets

The easy and safe way to avoid accidents that can be caused by instable, sliding, and tilting loads when opening the lashing devices.

The first step loosens the webbing without loosening the lashing devices, maintaining load security. The second step opens the lashing devices and allows removal of the load once safety has been ensured.



Two-piece lashing strap with 2x Profile Hook

Length	27 ft	30 ft
Part No.	26505434-27	26505434-30

- Width 2"
- WLL 5,511 lbs/2,500 kg
- Zinc plated long handle ratchet with lever safety
- Four cog wheels
- Pre-stretched polyester fabric
- low elongation
- Abrasion resistant
- Zinc plated hooks

Load Securing Nets

DoMess Tension Force Indicator

DoMess Tension Force Indicator allows easy reading of the tension forces applied to the lashing strap, ensuring greater user safety and overall efficiency. Accurate tension readings minimize both lashing systems and installation time used. Simply install the DoMess indicator, move the lever, and read the value.



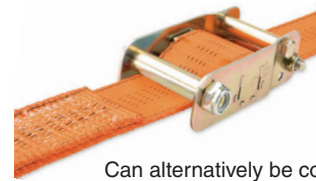
DoMess 3 – chromated mobile pretension force indicator

Part No.	06504035
----------	-----------------



DoMess 3 – chromated with case

Part No.	06504031
----------	-----------------



Can alternatively be connected to the ratchet or to the long part

DoMess 2 – for all 2 inch ratchets

Part No.	06504099
----------	-----------------

DoZurr Removable Handle Ratchet

The **DoZurr** ratchet with removable handle has several advantages over ratchets with standard handles. It is highly theft-resistant, low-weight, low-profile, and high-quality. Perfect for use on one way lashings, train loads, and export deliveries.



Standard ratchet with removable handle, 2 inch

	Ratchet body only	Handle only
Part No.	06505017	06505016

Chain Tensioner

Our Chain Tensioner is twice as fast as a regular tensioner, has a folding handle for ease of storage, and can be locked with a padlock for additional load security.



Part No.	Size	Weight (lbs)	WLL (lbs)
23505614	5/16"–3/8" G70-G80	10.91	7,100
23503814	3/8"–1/2" G70-G8	13.36	12,000
23501214	1/2"–5/8" G70-G80	17.09	18,100

DoKEP

DoKEP nets are custom designed depending on the application. Available in either one or two inch widths with an assortment of attachment options, our DoKEP nets are constructed with a patented sewing technique that gives them twice the load

security capacity of our old nets. Our nets are fast and easy to install, and are a dependable and durable way to secure your loads. Contact your Dayton Parts District Sales Manager for more information.



Chains / Hooks / D-Rings

Web Winder

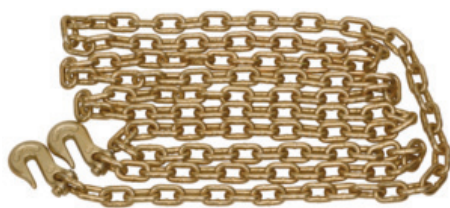
Manufactured from durable steel, the **Web Winder** is the perfect tool to help secure your loads. Designed to keep excess webbing straps neatly organized, the Web Winder works with two, three, or four inch wide straps. It is easy to install, easy to remove, and easy to disassemble. Light weight and compact means ease of storage as well.



Part No. **23700006**

Transport Chain

Grade 70 Transport Chain meets NACM standards



Chain Assemblies* with Clevis Hooks

Size	Weight	Part No.
5/16" x 16'	4,700 lbs	23505616
5/16" x 20'	4,700 lbs	23505620
5/16" x 25'	4,700 lbs	23505625
3/8" x 16'	6,600 lbs	23503816
3/8" x 20'	6,600 lbs	23503820
3/8" x 25'	6,600 lbs	23503825
1/2" x 20'	11,300 lbs	23501220
1/2" x 25'	11,300 lbs	23501225



*Chain available in pail also:

Size	Weight	Part No.
5/16" x 16'	4,700 lbs	23595616
5/16" x 20'	4,700 lbs	23595620
5/16" x 25'	4,700 lbs	23595625
3/8" x 16'	6,600 lbs	23593816
3/8" x 20'	6,600 lbs	23593820
3/8" x 25'	6,600 lbs	23593825

Bulk Chains*

Size	Weight	Part No.
5/16" x 400'	408 lbs	23505600
3/8" x 200'	296 lbs	23503800
1/4" x 400'	262 lbs	23501400
1/2" x 100'	251 lbs	23501200



Clevis Hooks

Size	Weight	Part No.
5/16"	0.85 lbs	23505604
3/8"	1.10 lbs	23503804
1/4"	0.40 lbs	23501404
1/2"	2.10 lbs	23501204

Coil Rack

Designed to be used with wood bracing to secure coils in transit.



Light Duty, 10 gauge steel

Weight	5.7 lbs/2.6 kg
Part No.	23700001

Heavy Duty D-Rings

Forged Ring Assembly



with Bolt-on Clip

Size	1/2 inch
WLL	4,000 lbs
Part No.	28400001



with Weld-on Clip

Size	1/2 inch
WLL	4,080 lbs
Part No.	28400002



with Weld-on Clip

Size	5/8 inch
WLL	6,300 lbs
Part No.	28400003



with Weld-on Clip

Size	3/4 inch
WLL	9,120 lbs
Part No.	28400004



with Weld-on Clip

Size	1 inch
WLL	15,586 lbs
Part No.	28400005

Load Binders / Load Anchors

Load Binders Drop forged steel meeting WSTDA T-6 specifications. In three popular models.



Lever Load Binders

WLL	Weight	Accepted Chain	Part No.
5,400 lbs	7.9 lbs	5/16"–3/8"	23505601
6,600 lbs	9.4 lbs	5/16"–3/8" Grade 70	23506601
9,200 lbs	11.9 lbs	3/8"–1/2"	23503801
13,000 lbs	20.8 lbs	1/2"–5/8"	23501201
2,600 lbs	3.5 lbs	1/4"–5/16"	23501401



Ratchet Load Binders

WLL	Weight	Accepted Chain	Part No.
5,400 lbs	7.9 lbs	5/16"–3/8"	23505602
6,600 lbs	9.4 lbs	5/16"–3/8" Grade 70	23506602
9,200 lbs	11.9 lbs	3/8"–1/2"	23503802
13,000 lbs	20.8 lbs	1/2"–5/8"	23501202



Recoilless Lever Load Binder

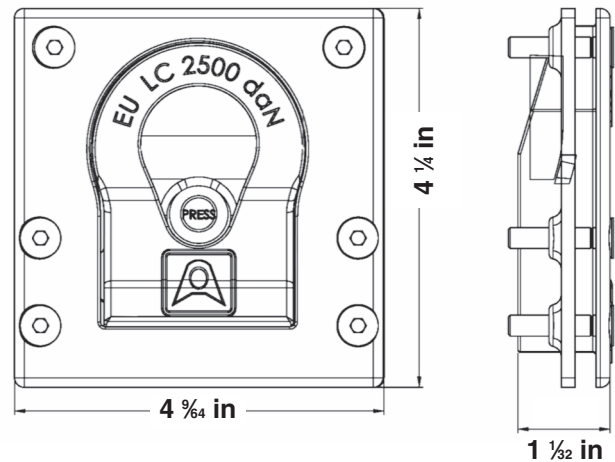
WLL	Weight	Accepted Chain	Part No.
5,400 lbs	9.0 lbs	5/16"–3/8"	23505603

Patented, innovative Load Anchor

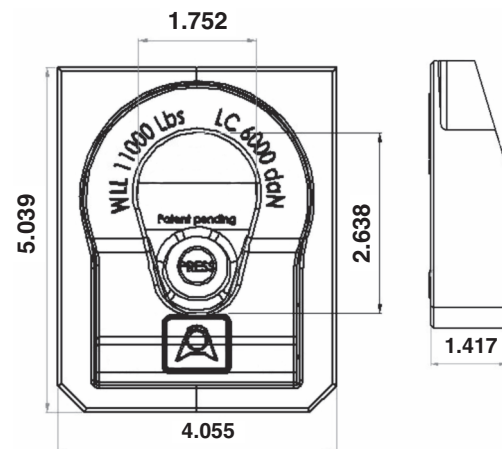
These Load Anchors are a patented new way to secure loads to truck beds. Flush fitting when not in use, Load Anchors are easy to install, easy to use, and have a self cleaning design. They will not freeze up under muddy, wet, or other poor conditions. Safer to use than alternative designs.



WLL lbs	LC daN	Width x Length	Eye Diameter	Part No.
4,400	2500	105 x 108 mm / 4.13 x 4.25 in	33 mm / 1.30 in	06003025



WLL lbs	LC daN	Width x Length	Eye Diameter	Part No.
11,000	6000	103 x 130 mm / 4.06 x 5.12 in	45 mm / 1.77 in	06003060



Ratchet Straps

Ratchet Strap Assemblies

Meets FMCSA and WSTDA T-1 standards for synthetic web tiedowns

2" Long-Wide Handle Ratchet Straps – WLL: 3,333 lbs/1,515 kg



with Flat Hooks

Length	27 ft	30 ft
Part No.	23400227	23400230



with Chain Anchors

Length	27 ft	30 ft
Part No.	23403227	23403230



with Wire Hooks

Length	27 ft	30 ft
Part No.	23402227	23402230

3" Ratchet Straps – WLL: 5,400 lbs/2,450 kg



with Flat Hooks

Length	27 ft	30 ft
Part No.	23404327	23404330



with Chain Anchors

Length	27 ft	30 ft
Part No.	23405327	23405330



with Wire Hooks

Length	30 ft	
Part No.	23406330	

4" Ratchet Straps – WLL: 5,400 lbs/2,450 kg



with Flat Hooks

Length	27 ft	30 ft
Part No.	23404427	23404430



with Chain Anchors

Length	27 ft	30 ft
Part No.	23405427	23405430



with Wire Hooks

Length	27 ft	30 ft
Part No.	23406427	23406430

DoPremium – Engineered for Strength And Durability

Doleco Ratchet Buckle Strap Assemblies have redefined the industry standard. Now with the tested and proven 80% retained strength of Doleco's **DoPremium** webbing and the integrity of our ratchet buckles, these assemblies surpass the others. A complete line of Doleco's standard and heavy-duty assemblies and accessories can meet all your specific requirements.

- Custom lengths and a wide range of end hardware are available
- Complies with WSTDA T-1 Standards
- Webbing meets or exceeds WSTDA T-4 Standards
- Standard fixed end length is 18-in. (33 in. for chain anchor) unless otherwise specified

DoPremium 2" Ratchet Straps WLL: 3,333 lbs/1,515 kg



with Flat Hooks

Length	27 ft	30 ft
Part No.	23410227	23410230



with Chain Anchors

Length	30 ft
Part No.	23413230



with Wire Hooks

Length	27 ft	30 ft
Part No.	23412227	23412230

DoPremium 3" Ratchet Straps WLL: 5,400 lbs/2,450 kg



with Flat Hooks

Length	27 ft	30 ft
Part No.	23414327	23414330



with Chain Anchors

Length	27 ft	30 ft
Part No.	23415327	23415330

DoPremium 4" Ratchet Straps WLL: 5,400 lbs/2,450 kg



with Flat Hooks

Length	27 ft	30 ft
Part No.	23414427	23414430



with Chain Anchors

Length	27 ft	30 ft
Part No.	23415427	23415430



with Wire Hooks

Length	27 ft	30 ft
Part No.	23416427	23416430

Corner Protectors

Full line of corner protectors to protect your straps and cargo



Fiber Reinforced Rubber –
For up to 3" web straps

Weight	.63 lbs/.29 kg
Part No.	23300003



Fiber Reinforced Rubber –
For up to 4" web straps

Weight	.75 lbs/.34 kg
Part No.	23300004



12" Plastic –
For up to 3" web straps

Weight	.47 lbs/.21 kg
Part No.	23300009



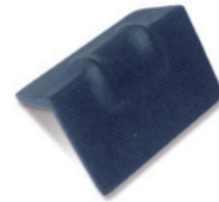
Steel – For use with chain

Weight	1.10 lbs/.50 kg
Part No.	23300006



Steel – For use with chain and straps

Weight	.126 lbs/.86 kg
Part No.	23300010



Rubber Coated Steel – For use with chain and extends 4" to protect load

Weight	1.90 lbs/.29 kg
Part No.	23300007



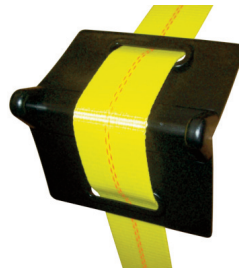
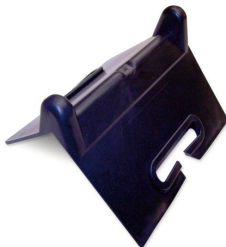
High Density Polymer – For up to 4" web straps

Weight	.06 lbs/.03 kg
Qty.	100 Per Case Available
Part No.	23300005



Tarp Protector – Yellow plastic

Weight	.63 lbs/.29 kg
Part No.	23300011



Polyethylene – Sturdy yet flexible corner protector, designed to reduce wear and tear of tiedowns and protect the load. Made of Recycled Materials. Protectors shown are for 2" web only.

	Open Slot	Closed Slot
Weight	.16 lbs/.07 kg	.16 lbs/.07 kg
Part No.	23300013	23300012



BE SURE YOU'RE SECURED

If any part of the load securement system is loose – even if the required number of straps are used per regulation but are not tensioned properly – the load is considered unsecured. It is your responsibility to ensure the cargo is secure.

DoPremium Guard

DoPremium VeeBoards® are manufactured from ultra strong, crack resistant, high-density polyethylene and have been tried and tested all over the world. They are light weight, user friendly and long lasting, making them ideal for the rough and tough trucking industry. While being strong enough to hold a load of drums in place, they are also flexible enough to bend when the cargo is not of a uniform shape.

DOT requirements specify that all loads should be secured in such a way as to assure that no pieces come loose, endangering those behind. Also, DoPremium VeeBoards MUST be used if the strap is in any danger of being cut or damaged by the freight.



- Lighter than steel
- Last 10 times longer than wood
- Stack efficiently
- Spread the pressure of the strap over 12", 24", 36" or 48"
- Unlike aluminum they will bend, then return to their original shape
- Weather resistant
- Do not crack in freezing temperatures, will not burn your hands in hot temperatures.
- Cost efficient
- Made in various colors
- Do little or no damage if they come loose



Length	8" x 12"
Weight	.8 lbs / .36 kg
Part No.	28500012



Length	8" x 24"
Weight	1.7 lbs / .78 kg
Part No.	28500024



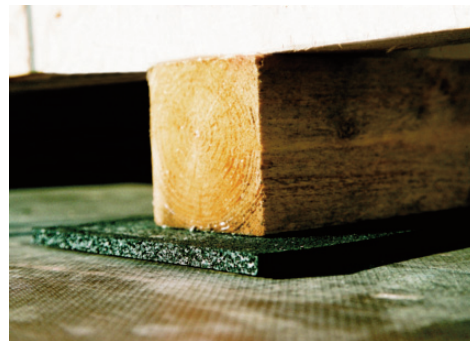
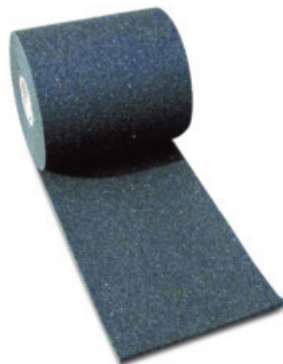
Length	8" x 36"
Weight	2.7 lbs / 1.23 kg
Part No.	28500036



Length	8" x 48"
Weight	3.6 lbs / 1.63 kg
Part No.	28500048

Anti-Slip Mats

Anti-Slip Mats increase the coefficient of friction between the load and the load bearing surface. This increases load stability and security, and reduces the number of lashing devices required to secure the load. Several sizes available to choose from.



Part No.	Dimensions	Thickness
06101108	196.85" x 9.84"	.32"
06101121	196.85" x 4.92"	.32"
06101122	23.62" x 23.62"	.32"
06101107	4.72" x 7.09"	.32"

Cam Buckle Straps

Series E Cam Buckle Straps with Spring End Fittings

Popular straps for securing light to medium loads. Comes in 3 color coded sizes. WLL: 833 lbs/378 kg.



Yellow Webbing - 12'

Length	12 ft/365.76 cm
Weight	1.65 lbs/.75 kg
Part No.	33500212

Gray Webbing - 16'

Length	16 ft/487.68 cm
Weight	1.80 lbs/.82 kg
Part No.	33500216

Blue Webbing - 20'

Length	20 ft/609.60 cm
Weight	1.95 lbs/.88 kg
Part No.	33500220

Series E Ratchet Straps with Spring End Fittings

Low profile ratchet buckle makes tensioning more convenient for securing loads. Three standard color coded sizes. WLL: 1,333 lbs/605 kg.



Yellow Webbing - 12'

Length	12 ft/365.76 cm
Weight	2.25 lbs/1.02 kg
Part No.	33500712

Gray Webbing - 16'

Length	16 ft/487.68 cm
Weight	2.40 lbs/1.09 kg
Part No.	33500716

Blue Webbing - 20'

Length	20 ft/609.60 cm
Weight	2.55 lbs/1.16 kg
Part No.	33500720

Series E Heavy Duty Ratchet Straps with Spring End Fittings

2 inch wide, heavy duty version of our Series E ratchet straps. Three standard color coded sizes. WLL: 1,333 lbs / 605 kg



Yellow Webbing - 12'

Length	12 ft/365.76 cm
Weight	3.50 lbs/1.59 kg
Part No.	35510712

Gray Webbing - 16'

Length	16 ft/487.68 cm
Weight	4.00 lbs/1.82 kg
Part No.	35510716

Blue Webbing - 20'

Length	20 ft/609.60 cm
Weight	5.00 lbs/2.27 kg
Part No.	35510720

Flags & Banners / Tarp Straps

Flags and Banners



Wide Oversized Load Banner - Yellow with 2 Ropes (vinyl-coated polyester)

Size	18"x 84"
Part No.	28000007

Wide Oversized Load Banner - Yellow with 2 Ropes (vinyl-coated polyester MESH)

Size	18"x 84"
Part No.	28000009



Red Cotton Flag with Steel Rod

Size	18"x 18"
Part No.	28000002



PVC coated Orange Flag and Wooden Dowel

Size	18"x 18"
Part No.	28000004

Other sizes and configurations available.

Tarp Straps



IMPORT	
Length	Part No.
10"	11-0185
15"	11-0186
21"	11-0187
31"	11-0188
41"	11-0189

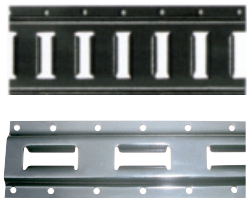
DOMESTIC	
Length	Part No.
15"	28620015
21"	28620021
31"	28620031

Track / Shoring Bars

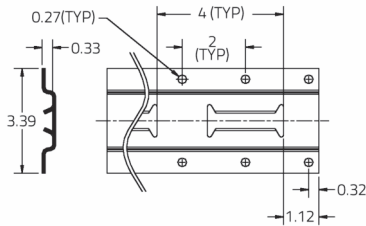
Logistic Track

Doleco Series E, A and F Track were designed to team with Doleco end fittings, Beam Sockets, and Decking/Shoring Beams for the strongest, most reliable support. Steel constructed and tested for strength, Doleco Track comes in 10 ft. (3 m) lengths for a wide range of cargo restraint applications. To withstand corrosion, Doleco galvanized track has a G-90 hot dip finish with a surface chemical treatment.

Series E Logistic Track Made with high grade 12-gauge steel

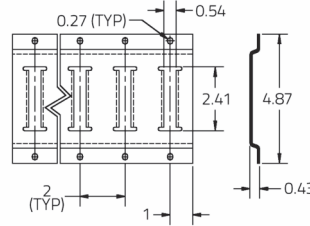


Gray Powdercoat



Horizontal	Weight	16.6 lbs/7.5 kg	8.3 lbs/7.5 kg
	Length	10 ft/3 m	5 ft/1.5 m
	Part No.	33100008	33100009

Vertical	Weight	13.5 lbs/6.1 kg
	Length	10 ft/3 m
	Part No.	33100001

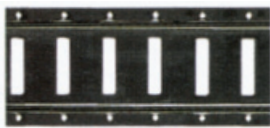


Galvanized

Horizontal	Weight	17.2 lbs/7.8 kg	8.3 lbs/7.5 kg
	Length	10 ft/3 m	5 ft/1.5 m
	Part No.	33100010	33100011

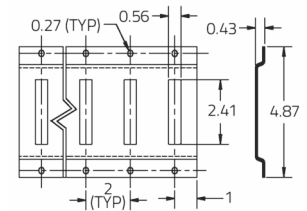
Vertical	Weight	14.0 lbs/6.4 kg
	Length	10 ft/3 m
	Part No.	33100002

Series A Logistic Track



Gray Powdercoat – 12-gauge

Weight	Length	Part No.
15.0 lbs/6.8 kg	10 ft/3 m	33100005



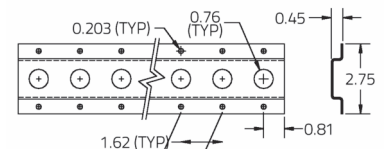
Series F Logistic Track



Galvanized

1.62" hole spacing, 3/4" hole dia.,
15-gauge

Weight	Length	Part No.
6.0 lbs/2.7 kg	10 ft/3 m	33100004



Shoring Bars F Series with new easy push button design

Square Shoring Bar

Adjustable in 2" increments with recommended install length of 81" – 117"



	for 3/4" hole diameter track (U.S.)	for 1" hole diameter track (Canada)
Shoring WLL	500 lbs/227 kg	500 lbs/227 kg
Weight	20.0 lbs/9.1 kg	20.0 lbs/9.1 kg
Part No.	33200005	33200004

Shoring Beams / Cargo Bars

Round Shoring Bar



	for 3/4" hole diameter track (U.S.)	for 1" hole diameter track (Canada)
Shoring WLL	2,200 lbs/454 kg	2,200 lbs/454 kg
Weight	28.0 lbs/12.71 kg	28.0 lbs/12.71 kg
Part No.	33200003	33200006

Clamping Bars



Telescope bars made of galvanized steel, with antiskid rubber feet on each side.

Adjustable Range	1,43 - 3,20 m/56.30-118.11 in
Part No.	06180015

Series E and A Decking/Shoring Beams

All Doleco Decking/Shoring Beams are equipped with our patented Flat Latch. The Flat Latch eliminates bent triggers, jammed beams, costly beam replacement and repairs, and out-of-service problems. The Flat Latch can't damage interior trailer walls. The flat latch channel assembly can be purchased separately to retro-fit older trigger style beams.

Standard Duty Aluminum E and A Decking Beams -
Decking & Shoring
WLL: 2,200 lbs



Adjustable Range	Weight	Part No.
85.7" – 96.6"	16.0 lbs/7.27 kg	33200007
92.9" – 103.8"	18.8 lbs/8.55 kg	33200008

Heavy Duty Aluminum E and A Decking Beams

Decking WLL: 3,000 lbs/Shoring WLL: 2,500 lbs

Adjustable Range	Weight	Part No.
84.7" – 95.6"	20.5 lbs/9.32 kg	33200009
92.9" – 103.8"	22.5 lbs/10.23 kg	33200010
96.0" – 106.9"	24.25 lbs/11.03 kg	33200011

Cargo Bars Available in Steel Bar models and Aluminum for light to medium duty applications. Bolt-On Feet.



Steel Cargo Bar –
Galvanized Steel Tubing

Length	Weight	Long Tube Diameter	Part No.
89.75" – 104.5"	11.72 lbs/5.33 kg	1.50"	33200019

Aluminum Cargo Bar – 6061 T6 Aluminum

Length	Weight	Long Tube Diameter	Part No.
89.75" – 104.5"	8.95 lbs/4.07 kg	1.50"	33200016

Jack Bars & Accessories

Jack Bars

Doleco's jack mechanism makes quick work of securing loads and is available in three models for light- to medium-duty applications.



Heavy Duty One-Piece – Galvanized finish for corrosion resistance.

Adjustable Range	Weight	Part No.
85.0" – 104.0" Black Handle	16.2 lbs/7.35 kg	33200020
85.0" – 114.0" Red Handle	16.6 lbs/7.54 kg	33200021

Heavy-Duty One-Piece Jack Bar with Hoops

Built-in hoops for restraining small items and packages. One-Piece galvanized.



Adjustable Range	Weight	Part No.
85.0" – 114.0" Red Handle	20.0 lbs/9.08 kg	33200022
85.0" – 104.0" Black Handle	19.6 lbs/9.0 kg	33200023

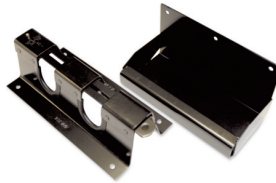
Accessories



Cargo Bar Hoop Set

Designed to help restrain the movement of small packages of cargo within your truck or trailer. For 3320 0016 and 3320 0019 round tube bars. Tube Diameter: 1.5".

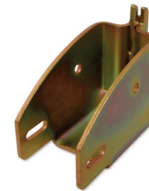
Weight	10.0 lbs/4.5 kg
Part No.	33200017



Cargo Bar Holder

Constructed of high quality steel and finished with black powder coating for corrosion resistance. Holds two standard or heavy-duty cargo bars.

Weight	6.68 lbs/3.03 kg
Part No.	33200025



Standard Beam Socket

For use w/commercial grade Douglas Fir 2"x 6" lumber.

Weight	.70 lbs/.32 kg
Part No.	33200001

Patented Reversible Channel Assembly – Can be used even if damaged by simply reversing it in the aluminum tube. With patented flat latch. 11 Gauge. For aluminum beams 3320 0007, 3320 0008, 3320 0009, 3320 0010 and 3320 0011 (previous page).



Standard version

Weight	3.8 lbs/1.73 kg
Part No.	33200032



With two latches

Weight	3.8 lbs/1.73 kg
Part No.	33200035



Series E/A Rope Tie Off

With spring actuated fitting for rope use in Series E or A track. WLL: 1,333 lbs/605 kg.

Weight	.40 lbs/.18 kg
Part No.	33300002

Utility Tiedowns

Versatile and reliable for securing a wide range of light- to medium-duty cargo.



Cam Buckle Tiedown

1" x 5 1/2' Red, vinyl coated S Hooks, Fixed End: 6"

WLL	400 lbs/181 kg
Weight	1.60 lbs/.73 kg
Part No.	38000008



Mini Ratchet Strap with D-Rings and Wire Hooks

WLL: 1,000 lbs/454 kg

Size	Weight	Part No.
1"x10'	1.60 lbs/.73 kg	38000013
1"x16'	1.56 lbs/.71 kg	38000010
1"x20'	1.69 lbs/.77 kg	38000011



Ratcheting Tiedowns

1" x 10', 2-pack, 1" black Ratchet straps with vinyl coated S Hooks in an interactive package.

WLL	550 lbs/250 kg
Weight	2.25 lbs/1.0 kg
Part No.	38000002



Retractable Ratcheting and Cam Tiedowns

Contains two each 1" multi-purpose Ratchet and Cam Buckle tie downs with scratch-resistant vinyl coating.

WLL	500 lbs/227 kg
Weight	3.20 lbs/1.45 kg
Part No.	38000006



Cam Buckle Tiedowns

1" x 8', 4-pack, 1" red Cam straps with scratch-resistant vinyl coated S Hooks in an interactive package.

WLL	400 lbs/180 kg
Weight	3.8 lbs/1.72 kg
Part No.	38000004



Ratcheting Tiedowns

1" x 10', 4-pack, 1" black Ratchet straps with vinyl coated S Hooks in an interactive package.

WLL	550 lbs/250 kg
Weight	4.6 lbs/2.1 kg
Part No.	38000005



Retractable Ratcheting Tiedowns

Contains four 1" multi-purpose Ratchet and tie downs with scratch-resistant vinyl coating.

WLL	500 lbs/227 kg
Weight	4.70 lbs/2.14 kg
Part No.	38000015



Cam Buckle Tiedowns

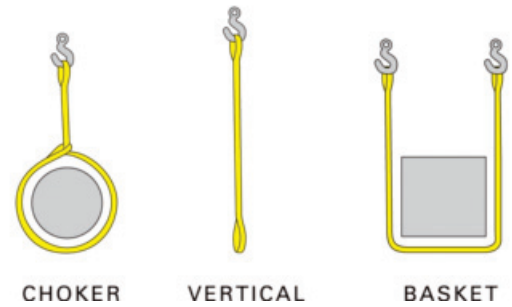
1" x 8', 2-pack, 1" Cam straps with scratch-resistant vinyl coated S Hooks in an interactive package.

WLL	400 lbs/181.44 kg
Weight	1.9 lbs/.86 kg
Part No.	38000001

Lifting Slings

Flat Eye to Eye – Polyester Slings

- Light Weight & Economical
- 9,800 lbs. Polyester Webbing
- Single-Ply & Double-Ply Styles
- Industry Compliant Sewn In Warning Tags
- Reinforced Eyes
- Tapered Eyes on 2", 3", & 4" Widths



Single-Ply 9,800 lbs Twisted Eye to Eye Slings

PartNo.	Size	Choker	Vertical	Basket
68110103	1" x 3'	1,250	1,600	3,200
68110104	1" x 4'	1,250	1,600	3,200
68110106	1" x 6'	1,250	1,600	3,200
68110110	1" x 10'	1,250	1,600	3,200
68110203	2" x 3'	2,500	3,200	6,400

PartNo.	Size	Choker	Vertical	Basket
68110204	2" x 4'	2,500	3,200	6,400
68110206	2" x 6'	2,500	3,200	6,400
68110210	2" x 10'	2,500	3,200	6,400
68110212	2" x 12'	2,500	3,200	6,400
68110214	2" x 14'	2,500	3,200	6,400

Double-Ply 9,800 lbs Twisted Eye to Eye Slings

PartNo.	Size	Choker	Vertical	Basket
68120104	1" x 4'	2,500	3,200	6,400
68120108	1" x 8'	2,500	3,200	6,400
68120203	2" x 3'	5,000	6,400	12,800
68120204	2" x 4'	5,000	6,400	12,800
68120206	2" x 6'	5,000	6,400	12,800
68120208	2" x 8'	5,000	6,400	12,800
68120210	2" x 10'	5,000	6,400	12,800
68120212	2" x 12'	5,000	6,400	12,800
68120216	2" x 16'	5,000	6,400	12,800
68120220	2" x 20'	5,000	6,400	12,800
68120230	2" x 30'	5,000	6,400	12,800

PartNo.	Size	Choker	Vertical	Basket
68120310	3" x 10'	6,900	8,600	17,200
68120312	3" x 12'	6,900	8,600	17,200
68120316	3" x 16'	6,900	8,600	17,200
68120320	3" x 20'	6,900	8,600	17,200
68120406	4" x 6'	9,200	11,500	23,000
68120408	4" x 8'	9,200	11,500	23,000
68120410	4" x 10'	9,200	11,500	23,000
68120412	4" x 12'	9,200	11,500	23,000
68120416	4" x 16'	9,200	11,500	23,000
68120420	4" x 20'	9,200	11,500	23,000
68120430	4" x 30'	9,200	11,500	23,000

Wire Rope Slings for all types of applications

Contact us for specifications and pricing.



Polyester Round Slings

- Light Weight & Durable
- Low Stretch Properties for Optimum Use in Low Headroom Applications
- Continuous Looped Polyester Load Yarns Inside
- Abrasion Resistant Double Wall Polyester Protective Cover
- Color Coded to Industry Capacity Standards
- Industry Compliant Sewn Warning Tags



Part No.	Description	Choker	Vertical	Basket
68200103	1" x 3' Purple Endless Round Sling	2,100	2,600	5,200
68200104	1" x 4' Purple Endless Round Sling	2,100	2,600	5,200
68200106	1" x 6' Purple Endless Round Sling	2,100	2,600	5,200
68200108	1" x 8' Purple Endless Round Sling	2,100	2,600	5,200
68200112	1" x 12' Purple Endless Round Sling	2,100	2,600	5,200
68200203	2" x 3' Green Endless Round Sling	4,200	5,300	10,600
68200204	2" x 4' Green Endless Round Sling	4,200	5,300	10,600
68200208	2" x 8' Green Endless Round Sling	4,200	5,300	10,600
68200212	2" x 12' Green Endless Round Sling	4,200	5,300	10,600
68200220	2" x 20' Green Endless Round Sling	4,200	5,300	10,600
68200303	3" x 3' Yellow Endless Round Sling	6,700	8,400	16,800
68200304	3" x 4' Yellow Endless Round Sling	6,700	8,400	16,800
68200308	3" x 8' Yellow Endless Round Sling	6,700	8,400	16,800
68200312	3" x 12' Yellow Endless Round Sling	6,700	8,400	16,800
68200320	3" x 20' Yellow Endless Round Sling	6,700	8,400	16,800
68200410	4" x 10' Tan Endless Round Sling	8,500	10,600	21,200
68200416	4" x 16' Tan Endless Round Sling	8,500	10,600	21,200
68200504	5" x 4' Red Endless Round Sling	10,600	13,200	24,400
68200506	5" x 6' Red Endless Round Sling	10,600	13,200	24,400
68200512	5" x 12' Red Endless Round Sling	10,600	13,200	24,400
68200520	5" x 20' Red Endless Round Sling	10,600	13,200	24,400
68200706	7" x 6' Blue Endless Round Sling	17,000	21,200	42,400

Warnings

Please read and comply with all warnings on labels and packaging. Failure to do so may result in loss of load or serious property damage and/or personal injury.

Always inspect slings for damage and excessive wear prior to using. DO NOT USE if fibers are cut, burned, melted or have been exposed to unknown chemicals. DO NOT USE if wires are broken or severely deformed or if eye crimps have become loose or broken. Discard and replace appropriately.

For Operating and Inspection Manuals for Synthetic Web Slings, see the Web Sling & Tie-Down Association Publication WSTDA-WS-2 at www.wstda.com.

For Operating and Inspection Manuals for Polyester Round Slings, see the Web Sling & Tie-Down Association Publication WSTDA-RS-2 at www.wstda.com.

For Operating and inspection Requirements for Wire Rope Slings, see OSHA Part 1910.184 Slings or Contact the Association of Wire Rope Fabricators AWRF at www.awrf.org.

Premium Slings

DoPremium Eye Slings



DoPremium Eye Slings are the highest quality Eye Slings we have to offer. Improvements over our standard Eye Slings include: higher temperature resistance (up to 150° C), higher abrasion resistance, higher compression resistance, and overall longer service life. All DoPremium Eye Slings come standard with fully reinforced eyes. Please contact us for pricing.

Part No.	WLL Single (lbs/kg)	WLL Double (lbs/kg)	Band Width x Thickness (in/mm)	Length of Eye (in/mm)	Width of Eye (in/mm)	Min. Length (in/mm)
05679602	2204/1000	4409/2000	1.97x0.24/50x6	7.87/200	.98/25	33.46/850
05679752	4409/2000	8818/4000	2.95x0.31/75x8	11.81/300	.98/25	51.18/1300
05679782	6613/3000	13227/6000	3.94x0.31/100x8	13.78/350	1.38/35	59.01/1500
05679852	8818/4000	17636/8000	4.92x0.31/125x8	16.73/425	1.77/45	62.99/1600
05670002	11023/5000	22046/10000	5.91x0.39/150x10	19.69/500	1.97/50	74.80/1900

DoPremium Wire Rope Slings



DoPremium Wire Rope Slings take the benefits of various other Wire Rope Slings and combine them all into one great product. Our DoPremium Wire Rope Slings feature better flexibility in load

handling, cone splices for easier manipulation around loads, and a color coding system for easy differentiation. All these features combine to give these slings a very high level of safety. Please contact us for pricing.

Part No.	Nominal Diameter (in/mm)	Load Capacity (lbs/kg)
62611301	.51/13	4409/2000
62611601	.63/16	6613/3000
62612001	.79/20	11023/5000

DoPremium Round Slings



DoPremium Round Slings are an improvement over our standard Round Slings. The covers are made of a thicker, improved webbing that is more abrasion resistant and less prone to wrinkling.

In addition, each Round Sling comes with the WLL woven into the fabric for easy, permanent, identification. These Round Slings offer the best performance, safety, and service life of any Round Sling we have to offer. Please contact us for pricing.

Part No.	WLL Single (lbs/kg)
05140552	2204/1000
05141552	4409/2000
05143552	6613/3000
05144552	8818/4000
05145552	11023/5000
05146052	13227/6000
05147552	17636/8000
05148052	22046/10000
05149152	26455/12000
05149352	33069/15000

Warranty

Doleco USA warrants its products to be free from defect in material or workmanship for a period of twelve (12) months from the date of shipment. During this period, Doleco USA will, at its option either repair or replace any product or part thereof found to be defective in material or workmanship. This warranty is good for all product that has not been subject to modification, abuse, misuse, accident or repair. Defective product must be returned to Doleco USA or its factory location. The Company warrants that it has the right to provide the Goods but otherwise the Goods are provided on an "as-is" basis without warranty of any kind, express or implied, oral or written including, without limitation, the implied conditions of merchantable quality, fitness for purpose and description, all of which are specifically and unreservedly excluded. In particular, but without limitation, no warranty is given that the Goods are suitable for the purposes intended by the Client. The Company warrants that the Goods will be supplied using reasonable care and skill. The Company does not warrant that the Goods supplied are error-free, accurate or complete.

Competitor Interchange

ANCRA	DAYTON PARTS
40602-18	DC33500216
41569-10	11-0185
41569-15	11-0186
41569-21	11-0187
41569-31	11-0188
41569-41	11-0189
41659-10-27	DC23100227
41659-10-30	DC23100230
41660-10-27	DC23104327
41660-10-30	DC23104330
41660-14-30	DC23105330
41660-93-30	DC23115330
41681-10	DC28100001
42313-10	DC28200001
42313-12	DC28200002
42313-17	DC28200003
42313-19	DC28200004
42357-11	DC28300001
43563-10	DC28100006
43564-14	DC28100008
43564-16	DC28100009
43565-12	DC28100010
43565-15	DC28100014
43573-10	DC28100016
43579-20	DC28100020
43638-50	DC33200007
43638-51	DC33200008
43782-15	DC33200016
43795-10-27	DC23104427
43795-10-30	DC23104430
43795-10-40	DC23104440
43795-11-27	DC23107427
43795-11-30	DC23107430
43795-13-30	DC23108430
43795-14-30	DC23109430
43795-15-27	DC23105427
43795-15-30	DC23105430
43795-90-30	DC23114430
43887-10	DC38000010
43986-10	DC23300005
44340-11	DC38000013
45801-10	DC23700006
45880-10	DC23505600
45880-11	DC23503800
45880-13	DC23501200
45881-10-20	DC23505620
45881-10-20-SP	DC23595620
45881-10-25-SP	DC23595625
45881-11-16	DC23503816
45881-11-16-SP	DC23593816

45881-11-20	DC23503820
45881-11-20-SP	DC23593820
45881-11-25	DC23503825
45881-11-25-SP	DC23593825
45881-13-20	DC23501220
45881-13-25	DC23501225
45943-10	DC23505601
45943-11	DC23503801
45943-20	DC23505602
45943-21	DC23503802
45943-23	DC23501202
45946-10	DC23505604
45946-11	DC23503804
45946-13	DC23501204
45982-10	DC23400227
45982-11	DC23400230
45982-15	DC23403227
45982-34	DC23403230
45982-42	DC23402227
45982-43	DC23402230
47971-10	DC23432227
48117-25-120.00	DC33100008
48407-10	DC33200019
48672-13	DC33500712
48672-14	DC33500716
48672-15	DC33500720
48987-20	DC23404327
48987-21	DC23404330
48987-25	DC23405330
49020-22	DC33400009
49021-21	DC35510716
49039-51	DC33200010
49205-26	DC33200021
49207-12	DC28100031
49207-137	DC28100033
49344-10	DC23700001
49346-10	DC23404427
49346-11	DC23404430
49346-13	DC23406430
49346-14	DC23405427
49346-15	DC23405430
49347-16	DC23420028
49348-11	DC33200025
49349-10	DC58200013
49368-10	DC38000015
49377-10	DC23300006
49526-10	DC23104405
49526-11	DC23104499
49706-10	DC28100037
49893-11	DC28000002
49893-13	DC28000004
49894-11	DC28000007

49897-10	WDR2328220
49899-10	WDR2330222
ALP	DAYTON PARTS
5511	DC28100020
5514	DC28100009
5515	DC28100014
5516	DC28100010
5542	DC28200001
5543	DC28200004
5544	DC28200003
5811	DC33200007
5812	DC33200008
7501	DC33100008
7514	DC28300001
7915	11-0186
7921	11-0187
7931	11-0188
7941	11-0189
8010	DC23505601
8016	DC23505620
15-E2-144	DC33500712
18-H2-324	DC23400227
18-H2-360	DC23400230
22-C2-360	DC23405330
22-H4-324	DC23404327
22-H4-360	DC23404330
25-H2-324	DC23100227
25-H2-360	DC23100230
35C2-360	DC23105330
35-H4-324	DC23104327
35-H4-360	DC23104330
45-C2-324	DC23105427
45-C2-360	DC23105430
45-D2-324	DC23107427
45-D4-360	DC23107430
45-H4-324	DC23104427
45-HA-360	DC23104430
70-C4	DC23300005
DURABILT	DAYTON PARTS
CH3/8GR-HOOK	DC23503804
CH5/16GR-HOOK	DC23505604
DDYCB-89-105	DC33200019
DDYCPP-4	DC23300005
DDYDB-III	DC23503801
DDYDR-2	DC23503802
DDYLDR-38	DC23505601
DDYLS-2-16-MW-EA	DC33500216
DDYRB-4-L	DC58200013
DDYRS-1-16-M-S-HK	DC38000010
DDYRS-2-27-LW-FH	DC23400227
DDYRS-2-27-W-WH	DC23402227

DDYRS-2-30-W-CH	DC23403230
DDYRS-3-27-L-FH	DC23404327
DDYRS-3-30-L-CH	DC23405330
DDYRS-3-30-L-WH	DC23404330
DDYRS-4-30-L-CH7	DC23405430
DDYRS-4-30-L-FH7	DC23404430
DDYRTS-15	11-0186
DDYRTS-21	11-0187
DDYRTS-31	11-0188
DDYRTS-41	11-0189
DDYRTS-9	11-0185
DDYWB-STD-EZ-SLD	DC28100014
DDYWB-STD-PORT-2S	DC28100008
DDYWB-STD-WO	DC28100006
DDYWS-2-30-FH	DC23100230
DDYWS-3-30-CH	DC23105330
DDYWS-3-30-FH4	DC23104330
DDYWS-4-30-CH	DC23105430
DDYWS-4-3-HK-J	DC23104405
SW1200	DC23505602
ITW	DAYTON PARTS
10-BMCW	DC28100001
10-BMPOR	DC28100008
10-BMPORLO	DC28100009
10-BMS	DC28100006
10-BMSD	DC28100016
10-BMSLID	DC28100010
10-SMLP	DC28100020
15-CPP	DC23300005
15-CPS	DC23300006
15-CRLD	DC23700001
15-LB38L	DC23503801
15-LB38R	DC23503802
15-LB516L	DC23503825
15-LB516L	DC23505601
15-LB516R	DC23505602
15-LBC38X25	DC23503820
15-LBC516X20	DC23700006
15-LBC516X25	DC23505620
15-TS09	11-0185
15-TS15	11-0186
15-TS21	11-0187
15-TS31	11-0188
15-TS41	11-0189
15-WBBOX	DC28200002
15-WBCC	DC28200004
15-WBSC	DC28200003
15-WBSP	DC28200001
15-WTST6	DC28300001
20-227FH	DC23100227
20-230FH	DC23100230

Competitor Interchange

ITW (Continued)	DAYTON PARTS
20-327FH	DC23104327
20-330CA	DC23105330
20-330FH	DC23104330
20-427CA	DC23105427
20-427DR	DC23107427
20-427FH	DC23104427
20-430CA	DC23105430
20-430DR	DC23107430
20-430FH	DC23104430
20-430GH	DC23109430
20-430TL	DC23108430
30-227CA	DC23403227
30-227FH	DC23400227
30-227FH-S	DC23432227
30-227NH-S	DC23402227
30-230CA	DC23403230
30-230FH	DC23400230
30-230NH-S	DC23402230
30-327FH	DC23404327
30-330CA	DC23405330
30-330FH	DC23404330
30-427CA	DC23405427
30-427FH	DC23404427
30-430CA	DC23405430
30-430FH	DC23404430
30-430NH	DC23406430
35-427FH-FE	DC23420028
40-CSSE16	DC33500216
40-RSSE12	DC33500712
40-RSSE16	DC33500716
40-RSSE20	DC33500720
50-THEP	DC33100008
60-AB102H	DC33200010
60-AB102S	DC33200008
60-AB96S	DC33200007
60-CBH1	DC33200021
60-CBHLD	DC33200025
60-CBS1BF	DC33200019
60-CBSA1BF	DC33200016
70-RS120WHP	DC38000010
80-RB4LH	DC58200013
KINEDYNE	DAYTON PARTS
808	DC58200013
1020	DC28100033
1820	DC28100006
1863	DC23300006
2210	11-0185
2215	11-0186
2221	11-0187
2231	11-0188

2241	11-0189
3606	DC28300001
3820	DC28100014
5820	DC28100010
7820	DC28100020
8656	DC23700001
9122	DC28000002
9125	DC28000007
10032	DC28200002
10034	DC23505600
10035	DC23505602
10036	DC23505601
10038	DC23503800
10050	DC23501200
10062	DC33200025
10085	DC33200019
10088	DC33200016
10094	DC23700006
13008	DC28100001
37025	DC23300005
37030	DC28200001
37031	DC28200003
37033	DC28200004
43002	DC33100008
222720	DC23100227
223020	DC23100230
322721	DC23104327
323021	DC23104330
323040	DC23105330
422710	DC23107427
422721	DC23104427
422740	DC23105427
423010	DC23107430
423021	DC23104430
423030	DC23108430
423040	DC23105430
423050	DC23109430
424021	DC23104440
511270	DC33400009
532720	DC23432227
552721	DC23404327
553021	DC23404330
553040	DC23405330
592721	DC23404427
592740	DC23405427
593021	DC23404430
593036	DC23406430
593040	DC23405430
599921	DC23420028
641201	DC33500712
641601	DC33500716
642001	DC33500720

651601	DC33500216
711045	DC38000013
10034-20BRL	DC23505620
10034-20BX	DC23595620
10034-25BX	DC23595625
10034GH	DC23505604
10035HD	DC23503802
10035XHD	DC23501202
10036HD	DC23503801
10038-16BRL	DC23503816
10038-16BX	DC23593816
10038-20BRL	DC23503820
10038-20BX	DC23593820
10038-25BRL	DC23503825
10038-25BX	DC23593825
10038GH	DC23503804
10050-20BRL	DC23501220
10050-25BRL	DC23501225
10050GH	DC23501204
1020S	DC28100031
1820P2	DC28100008
1820S	DC28100016
572720 / 512720	DC23400227
572740 / 512740	DC23403227
572784 / 512784	DC23402227
573020 / 513020	DC23400230
573040 / 513040	DC23403230
573084 / 513084	DC23402230
711681/45PK	DC38000010
7820P2	DC28100009
FE8000-12	DC33200010
FE8066-1	DC33200007
FE8066-3	DC33200008
JB101	DC33200021
MULTIPRENS	DAYTON PARTS
1100	DC28100006
1500	DC28100001
1600	DC28100008
1605	DC28100009
1700	DC28100014
1705	DC28100010
4002	DC28200004
4100	DC28200001
4101	DC28200003
4200	DC23300006
638284	DC23505620
638294	DC23503820
2032-30	DC23104330
2041-27	DC23107427
2041-30	DC23107430
2042-27	DC23104427

2042-30	DC23104430
2043-27	DC23105427
2043-30	DC23105430
4001p	DC28200002
5332-27	DC23404327
5332-30	DC23404330
5333-30	DC23405330
5822-27	DC23400227
5822-30	DC23400230
5823-27	DC23403227
5823-30	DC23403230
5826-27	DC23402227
5826-30	DC23402230
5942-27	DC23404427
5942-30	DC23404430
5943-27	DC23405427
5943-30	DC23405430
6126-16	DC33500216
6200-10	DC33100008
6226-12	DC33500712
6226-16	DC33500716
6226-20	DC33500720
982-00256	DC23300005
C01026	DC23505601
CB-301/301L	DC33200019
CB-701	DC33200016
DB-102	DC33200008
DB-96	DC33200007
DBH-102	DC33200010
EM-801/MB-101	DC33200021
H5023-4252	DC23503801
H5123-4152	DC23505602
H5123-4252	DC23503802
PACIFIC CARGO	DAYTON PARTS
3630	DC23100227
4212	DC33100008
5020	DC33200007
5025	DC33200008
5050	DC33200016
6043	DC23503820
6050	DC23503801
6052	DC23505601
6054	DC23505602
6056	DC23503802
6070	DC23505620
7002	DC28200003
7003	DC28200001
7004	DC28200004
7041	DC23300005
7590	DC28100014
8425	DC28100020

Competitor Interchange

PACIFIC CARGO (Continued)	DAYTON PARTS
8430	DC28100006
9032	DC58200013
9530	DC28100008
2350-12-SE	DC33500712
2350-16-SE	DC33500716
2350-20-SE	DC33500720
2360-16-SE	DC33500216
25027-CX	DC23403227
25027-FH	DC23400227
25030-CX	DC23403230
25030-FH	DC23400230
2530-FH	DC23100230
36227-FH	DC23404327
36230-CX	DC23405330
36230-FH	DC23404330
3627-FH	DC23104327
3630-CX	DC23105330
3630-DR	DC23104330
4527-CX	DC23105427
4527-FH	DC23104427
4527-VR	DC23107427
4530-CX	DC23105430
4530-FH	DC23104430
4530-GH	DC23109430
4530-SL	DC23108430
4530-VR	DC23107430
46227-CX	DC23405427
46227-FH	DC23404427
46230-CX	DC23405430
46230-FH	DC23404430
46230-WH	DC23406430
7005B	DC28200002
7028/ -B Black	DC23700006
7580ST	DC28300001
7590S	DC28100010
7590TB	DC28100033
8430C	DC28100001
8430S	DC28100016
95252S	DC28100009
RB09	11-0185
RB15	11-0186
RB21	11-0187
RB31	11-0188
RB41	11-0189
PRECISION	DAYTON PARTS
240	DC58200013
2000	DC28300001
2400	DC28200001
3410	11-0185
3415	11-0186

3421	11-0187
3431	11-0188
3441	11-0189
3700	DC33100008
3800	DC23700006
4100	DC28100020
4101	DC28100006
4300	DC28100009
4302	DC28100008
4502	DC28100014
4503	DC28100010
4804	DC23300005
010160	DC33500216
363820	DC23503820
363825	DC23503825
502271	DC23400227
502301	DC23400230
503271	DC23404327
503301	DC23404330
503302	DC23405330
3651620	DC23505620
011120-204	DC33500712
011160-204	DC33500716
011200-204	DC33500720
03164HD	DC38000015
03167/5FHD	DC38000010
2400C	DC28200003
2420C/2500	DC28200002
2420CT	DC28200004
302271-27	DC23100227
303271-27	DC23104327
303301-30	DC23104330
303302-30	DC23105330
304271-27	DC23104427
304274E-27	DC23107427
304272-27	DC23105427
304301-30	DC23104430
304302-30	DC23105430
304303-30	DC23109430
304304E-30	DC23107430
304309-30	DC23108430
3500L	DC23505601
3500R	DC23503801
504307HD	DC23406430
A3100	DC33200016
A3300	DC33200008
S-LINE	DAYTON PARTS
106	DC28100006
106	DC28100016
107	DC28100020
302	DC33100008
403	DC33200007

410	DC33200019
411	DC33200016
413	DC33200025
424	DC33200021
513	DC33500712
557	DC23400227
587	DC23404327
597	DC23404427
810	11-0185
815	11-0186
821	11-0187
831	11-0188
841	11-0189
10078	DC23700006
12130	DC23100230
20427	DC23107427
20430	DC23107430
21227	DC23100227
21327	DC23104327
21330	DC23104330
21427	DC23104427
21430	DC23104430
22390	DC23300006
22430	DC23108430
23330	DC23105330
23427	DC23105427
23430	DC23105430
24430	DC23109430
01WB	DC28200004
01WB-C	DC28200003
01WB-P	DC28200001
106-C	DC28100001
106-N	DC28100014
106-TC	DC28100033
107-P2	DC28100009
112-N	DC28100010
113-2	DC28100008
22105WA	DC23700001
22-48810	DC23505602
22516X20	DC23505620
22-CLB	DC23505601
312-6	DC28300001
403-W	DC33200008
403WHD	DC33200010
501-16	DC33500216
513-16	DC33500716
513-20	DC33500720
557-30	DC23400230
557-30CH	DC23403230
557CH	DC23403227
557WHK	DC23402227
587-30	DC23404330

587-30CH	DC23405330
597S	DC23420028
APS3	DC38000010
CP-4	DC23300005
SECURITY CHAIN	DAYTON PARTS
CC8409	11-0185
CC1116	DC38000010
CC2127	DC23432227
CC2327	DC23402227
CC2627	DC23400227
CC2630	DC23400230
CC3027	DC23104327
CC3030	DC23104330
CC3626	DC23404327
CC3629	DC23404330
CC3716	DC33500216
CC3812	DC33500712
CC3816	DC33500716
CC3820	DC33500720
CC4027	DC23104427
CC4030	DC23104430
CC4130	DC23108430
CC4227	DC23105427
CC4230	DC23105430
CC4527	DC23107427
CC4530	DC23107430
CC5150	DC33200016
CC5505	DC28200001
CC5506	DC28200003
CC5516	DC28200002
CC5680	DC23300005
CC5850	DC28100006
CC5854	DC28100001
CC5860	DC28100020
CC5900	DC28100014
CC5906	DC28100010
CC5955	DC28100008
CC5965	DC23700006
CC5965	DC28100009
CC8415	11-0186
CC8421	11-0187
CC8431	11-0188
CC8441	11-0189
H0314-0520	DC23505600
H0314-0620	DC23503800
H3226-5220	DC23505620
H3226-5620	DC23503820
H3226-5820	DC23503825
H5023-4152	DC23505601
H5023-4252	DC23503801
H5123-4152	DC23505602

Competitor Interchange

SECURITY CHAIN (Continued)		DAYTON PARTS	
H5123-4252		DC23503802	
H7826-0500		DC23505604	
H7826-0600		DC23503804	
SPANSET		DAYTON PARTS	
1620		DC23300005	
6231		DC23700006	
6341		DC28200001	
6351		DC28200003	
6361		DC28200002	
8110		DC28100006	
8115		DC28100001	
8120		DC28100008	
8150		DC28100014	
8310		DC28100020	
8320		DC28100009	
14101		DC33200021	
19011		DC23505601	
19012		DC23505602	
19021		DC23505620	
19023		DC23503820	
19027		DC23503825	
19031		DC23505604	
10R27CG-Y		DC23403227	
10R27FH-Y		DC23400227	
10R27JY		DC23402227	
10R30CG-Y		DC23403230	
10R30FH-Y		DC23400230	
15R27FH-Y		DC23404327	
15R30CG-Y		DC23405330	
15R30FH-Y		DC23404330	
16R27FH-Y		DC23404427	
16R30FH-Y		DC23404430	
40R15J		DC38000013	
40R15JK		DC38000010	
8250/8210		DC28100010	
CB89-104		DC33200016	
CB89-104S		DC33200019	
DS84-95		DC33200007	
DS90-101		DC33200008	
HET10		DC33100008	
RTS09		11-0185	
RTS15		11-0186	
RTS21		11-0187	
RTS31		11-0188	
RTS41		11-0189	
V30CB16E		DC33500216	
V50R12EC		DC33500712	
V50R16EC		DC33500716	
V50R20EC		DC33500720	
WS227FH-Y		DC23100227	

WS230FH-Y	DC23100230
WS-327FH-Y	DC23104327
WS330CG	DC23115330
WS330CG-Y	DC23105330
WS330FH-Y	DC23104330
WS427CG-Y	DC23105427
WS427DR-Y	DC23107427
WS427FH-Y	DC23104427
WS430	DC23108430
WS430CG-Y	DC23105430
WS430DR-Y	DC23107430
WS430FH	DC23114430
WS430FH-Y	DC23104430
WS430TH-Y	DC23109430
WS440FH-Y	DC23104440
VULCAN DAYTON PARTS	
BR-102EB	DC33200008
BR-96-EB	DC33200007
BR-LBA	DC33200016
BR-LBS	DC33200019
BT678532-20	DC23700006
LBL10	DC23503825
LBR10	DC23505602
LSEC216G	DC33500216
LSER212Y	DC33500712
LSER216G	DC33500716
LSER220B	DC33500720
PP004	DC23300005
RB424	DC58200013
RS227C12	DC23403227
RS227F12	DC23400227
RS230C12	DC23403230
RS230F12	DC23400230
RS327F15	DC23404327
RS330C15	DC23405330
RS330F15	DC23404330
RS427C24	DC23405427
RS427F20	DC23404427
RS430C24	DC23405430
RS430F20	DC23404430
T-EHP	DC33100008
TS15	11-0186
TS21	11-0187
TS31	11-0188
TS41	11-0189
T-WS6	DC28300001
W45P	DC28100008
W45W	DC28100006
W46S	DC28100010
W46W	DC28100016
WB-C	DC28200003

WBC-C	DC28200004
WBC-P	DC28200002
WB-P	DC28200001
WH227F12	DC23100227
WH230F12	DC23100230
WS330F15	DC23104330
WS427C24	DC23105427
WS427F20	DC23104427
WS430C24	DC23105430
WS430F20	DC23104430
WALCO DAYTON PARTS	
601013	DC23501200
601028	DC23505600
601029	DC23503800
601089	DC23505620
601105	DC23503816
601114	DC23503820
604110	DC23503804
604132	DC23505601
604161	DC23505602
604162	DC23503802
649012	DC38000010
649028	DC23402230
649075	DC23402227
649122	DC23105330
649202	DC23104430
649203	DC23104440
649204	DC23104427
649222	DC23105430
649301	DC23700006
649305	DC28300001
649306	DC28200001
649309	DC28200004
649315	DC28100010
649315	DC28100014
649324	DC28100009
649327	DC28100016
649329	DC23300006
649423	DC33200016
649460	DC23300005
649500	DC33500712
649501	DC33500716
649502	DC33500720
649603	11-0186
649604	11-0187
649826	DC23404330
649829	DC23404430
649202EVRAZ	DC23107430

Part Number Index

Doleco Part No.	Dayton Parts Part No.	Page No.	Doleco Part No.	Dayton Parts Part No.	Page No.	Doleco Part No.	Dayton Parts Part No.	Page No.
05140552	DC05140552	24	23114430	DC23114430	7	23501220	DC23501220	10
05141552	DC05141552	24	23115430	DC23115430	8	23501225	DC23501225	10
05143552	DC05143552	24	23117427	DC23117427	7	23501400	DC23501400	10
05144552	DC05144552	24	23117430	DC23117430	7	23501401	DC23501401	11
05145552	DC05145552	24	23119430	DC23119430	8	23501404	DC23501404	10
05146052	DC05146052	24	23300003	DC23300003	14	23503800	DC23503800	10
05147552	DC05147552	24	23300004	DC23300004	14	23503801	DC23503801	11
05148052	DC05148052	24	23300005	DC23300005	14	23503802	DC23503802	11
05149152	DC05149152	24	23300006	DC23300006	14	23503804	DC23503804	10
05149352	DC05149352	24	23300007	DC23300007	14	23503814	DC23503814	9
05670002	DC05670002	24	23300009	DC23300009	14	23503816	DC23503816	10
05679602	DC05679602	24	23300010	DC23300010	14	23503820	DC23503820	10
05679752	DC05679752	24	23300011	DC23300011	14	23503825	DC23503825	10
05679782	DC05679782	24	23300012	DC23300012	14	23505600	DC23505600	10
05679852	DC05679852	24	23300013	DC23300013	14	23505601	DC23505601	11
06003025	DC06003025	11	23400227	DC23400227	12	23505602	DC23505602	11
06003060	DC06003060	11	23400230	DC23400230	12	23505603	DC23505603	11
06101107	DC06101107	15	23402227	DC23402227	12	23505604	DC23505604	10
06101108	DC06101108	15	23402230	DC23402230	12	23505614	DC23505614	9
06101121	DC06101121	15	23403227	DC23403227	12	23505616	DC23505616	10
06101122	DC06101122	15	23403230	DC23403230	12	23505620	DC23505620	10
06180015	DC06180015	19	23404327	DC23404327	12	23505625	DC23505625	10
06504031	DC06504031	9	23404330	DC23404330	12	23506601	DC23506601	11
06504035	DC06504035	9	23404427	DC23404427	12	23506602	DC23506602	11
06504099	DC06504099	9	23404430	DC23404430	12	23593816	DC23593816	10
06505016	DC06505016	9	23405327	DC23405327	12	23593820	DC23593820	10
06505017	DC06505017	9	23405330	DC23405330	12	23593825	DC23593825	10
11-0185	11-0185	17	23405427	DC23405427	12	23595616	DC23595616	10
11-0186	11-0186	17	23405430	DC23405430	12	23595620	DC23595620	10
11-0187	11-0187	17	23406330	DC23406330	12	23595625	DC23595625	10
11-0188	11-0188	17	23406427	DC23406427	12	23700001	DC23700001	10
11-0189	11-0189	17	23406430	DC23406430	12	23700006	DC23700006	10
23100227	DC23100227	6	23410227	DC23410227	13	26505434-27	DC26505434-27	8
23100230	DC23100230	6	23410230	DC23410230	13	26505434-30	DC26505434-30	8
23102227	DC23102227	6	23412227	DC23412227	13	26515034-27	DC26515034-27	8
23102230	DC23102230	6	23412230	DC23412230	13	26515034-30	DC26515034-30	8
23104327	DC23104327	7	23413230	DC23413230	13	26525078-27	DC26525078-27	8
23104330	DC23104330	7	23414327	DC23414327	13	26525078-30	DC26525078-30	8
23104405	DC23104405	7	23414330	DC23414330	13	28000002	DC28000002	17
23104427	DC23104427	7	23414427	DC23414427	13	28000004	DC28000004	17
23104430	DC23104430	7	23414430	DC23414430	13	28000007	DC28000007	17
23104440	DC23104440	7	23415327	DC23415327	13	28000009	DC28000009	17
23104499	DC23104499	7	23415330	DC23415330	13	28100001	DC28100001	4
23105327	DC23105327	7	23415427	DC23415427	13	28100005	DC28100005	5
23105330	DC23105330	7	23415430	DC23415430	13	28100006	DC28100006	2
23105427	DC23105427	7	23416427	DC23416427	13	28100007	DC28100007	2
23105430	DC23105430	7	23416430	DC23416430	13	28100008	DC28100008	3
23107427	DC23107427	7	23501200	DC23501200	10	28100009	DC28100009	2
23107430	DC23107430	7	23501201	DC23501201	11	28100010	DC28100010	3
23108430	DC23108430	7	23501202	DC23501202	11	28100014	DC28100014	3
23109430	DC23109430	7	23501204	DC23501204	10	28100016	DC28100016	2
23114427	DC23114427	7	23501214	DC23501214	9	28100020	DC28100020	3

Part Number Index

Doleco Part No.	Dayton Parts Part No.	Page No.
28100028	DC28100028	4
28100031	DC28100031	4
28100033	DC28100033	4
28100035	DC28100035	4
28100039	DC28100039	5
28100040	DC28100040	5
28200001	DC28200001	6
28200002	DC28200002	6
28200003	DC28200003	6
28200004	DC28200004	6
28200008	DC28200008	5
28300001	DC28300001	6
28300003	DC28300003	6
28300004	DC28300004	6
28400001	DC28400001	10
28400002	DC28400002	10
28400003	DC28400003	10
28400004	DC28400004	10
28400005	DC28400005	10
28500012	DC28500012	15
28500024	DC28500024	15
28500036	DC28500036	15
28500048	DC28500048	15
28620015	DC28620015	17
28620021	DC28620021	17
28620031	DC28620031	17
33100001	DC33100001	18
33100002	DC33100002	18
33100004	DC33100004	18
33100005	DC33100005	18
33100008	DC33100008	18
33100009	DC33100009	18
33100010	DC33100010	18
33100011	DC33100011	18
33200001	DC33200001	20
33200003	DC33200003	19
33200004	DC33200004	18
33200005	DC33200005	18
33200006	DC33200006	19
33200007	DC33200007	19
33200008	DC33200008	19
33200009	DC33200009	19
33200010	DC33200010	19
33200011	DC33200011	19
33200016	DC33200016	19
33200017	DC33200017	20
33200019	DC33200019	19
33200020	DC33200020	20
33200021	DC33200021	20
33200022	DC33200022	20
33200023	DC33200023	20
33200025	DC33200025	20

Doleco Part No.	Dayton Parts Part No.	Page No.
33200032	DC33200032	20
33200035	DC33200035	20
33300002	DC33300002	20
33500212	DC33500212	16
33500216	DC33500216	16
33500220	DC33500220	16
33500712	DC33500712	16
33500716	DC33500716	16
33500720	DC33500720	16
35510712	DC35510712	16
35510716	DC35510716	16
35510720	DC35510720	16
38000001	DC38000001	21
38000002	DC38000002	21
38000004	DC38000004	21
38000005	DC38000005	21
38000006	DC38000006	21
38000008	DC38000008	21
38000010	DC38000010	21
38000011	DC38000011	21
38000013	DC38000013	21
38000015	DC38000015	21
62611301	DC62611301	24
62611601	DC62611601	24
62612001	DC62612001	24
68110103	DC68110103	22
68110104	DC68110104	22
68110106	DC68110106	22
68110110	DC68110110	22
68110203	DC68110203	22
68110204	DC68110204	22
68110206	DC68110206	22
68110210	DC68110210	22
68110212	DC68110212	22
68110214	DC68110214	22
68120104	DC68120104	22
68120108	DC68120108	22
68120203	DC68120203	22
68120204	DC68120204	22
68120206	DC68120206	22
68120208	DC68120208	22
68120210	DC68120210	22
68120212	DC68120212	22
68120216	DC68120216	22
68120220	DC68120220	22
68120230	DC68120230	22
68120310	DC68120310	22
68120312	DC68120312	22
68120316	DC68120316	22
68120320	DC68120320	22
68120406	DC68120406	22
68120408	DC68120408	22

Doleco Part No.	Dayton Parts Part No.	Page No.
68120410	DC68120410	22
68120412	DC68120412	22
68120416	DC68120416	22
68120420	DC68120420	22
68120430	DC68120430	22
68200103	DC68200103	23
68200104	DC68200104	23
68200106	DC68200106	23
68200108	DC68200108	23
68200112	DC68200112	23
68200203	DC68200203	23
68200204	DC68200204	23
68200208	DC68200208	23
68200212	DC68200212	23
68200220	DC68200220	23
68200303	DC68200303	23
68200304	DC68200304	23
68200308	DC68200308	23
68200312	DC68200312	23
68200320	DC68200320	23
68200410	DC68200410	23
68200416	DC68200416	23
68200504	DC68200504	23
68200506	DC68200506	23
68200512	DC68200512	23
68200520	DC68200520	23
68200706	DC68200706	23

CARGO RESTRAINT SYSTEMS

PUB-229-2015 / June, 2015

Dayton parts™ Dayton Parts, LLC

www.daytonparts.com

Call Centers:

3500 Industrial Road
Harrisburg, PA 17110
800-233-0899

12390 184th Street
Edmonton, AB T5V 0A5
800-661-9861

Distribution Centers:

Harrisburg, PA
Edmonton, AB
Lewisville, TX
Mississauga, ON



DOLECO
USA