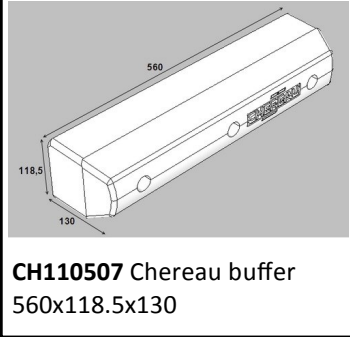
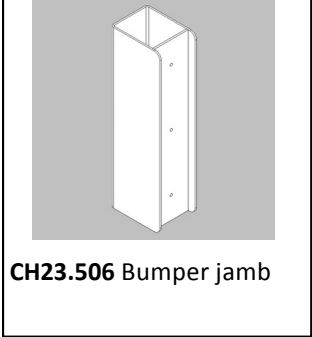
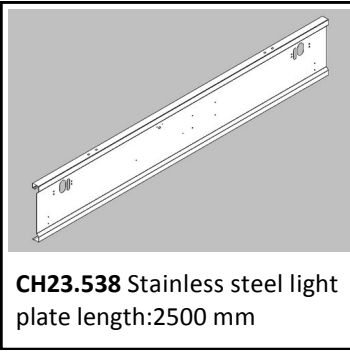
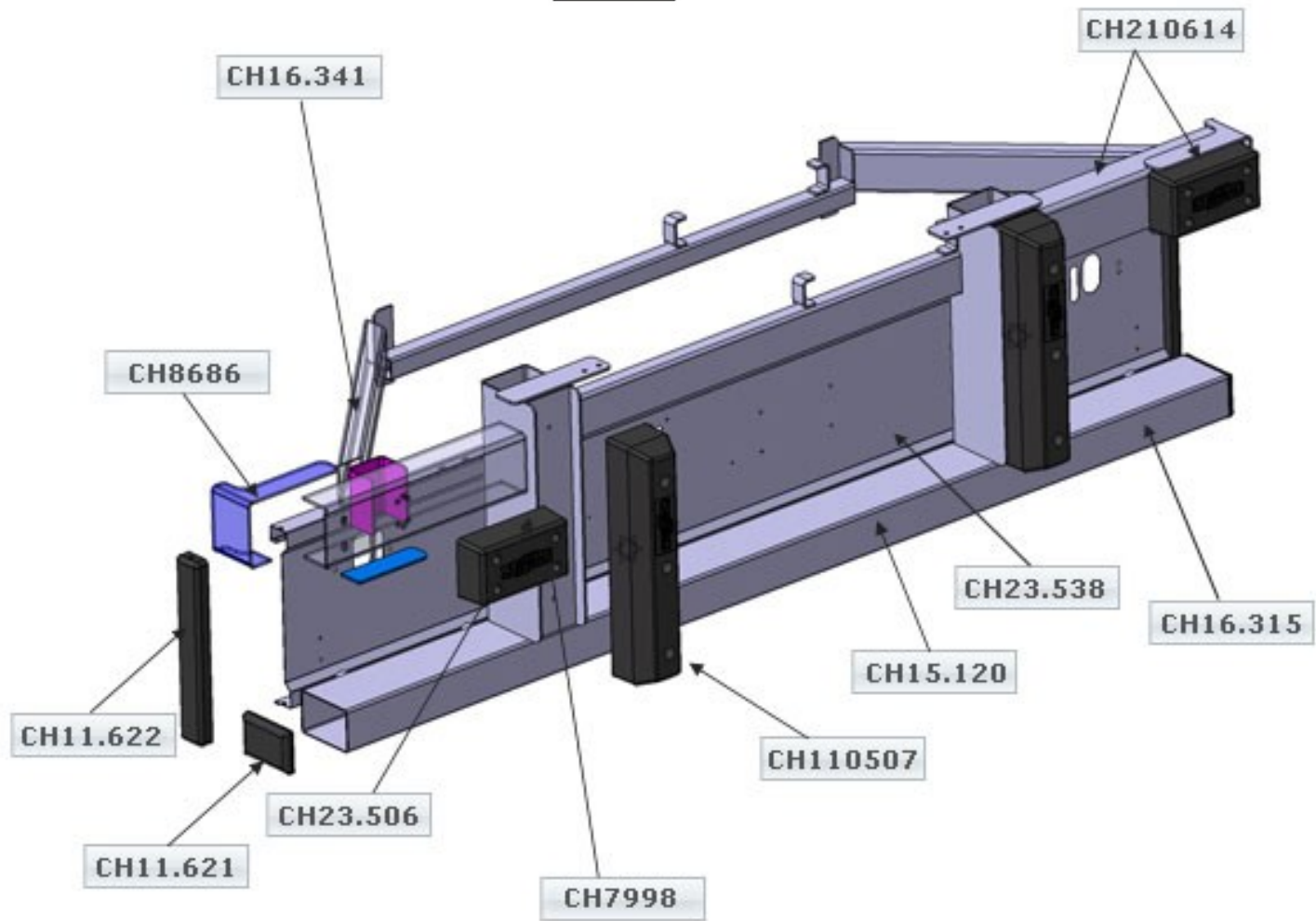
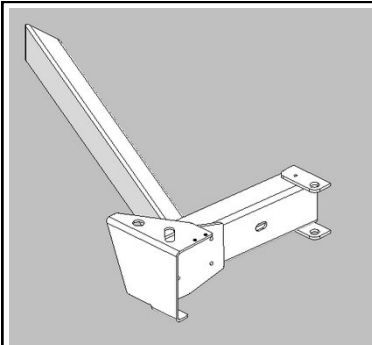
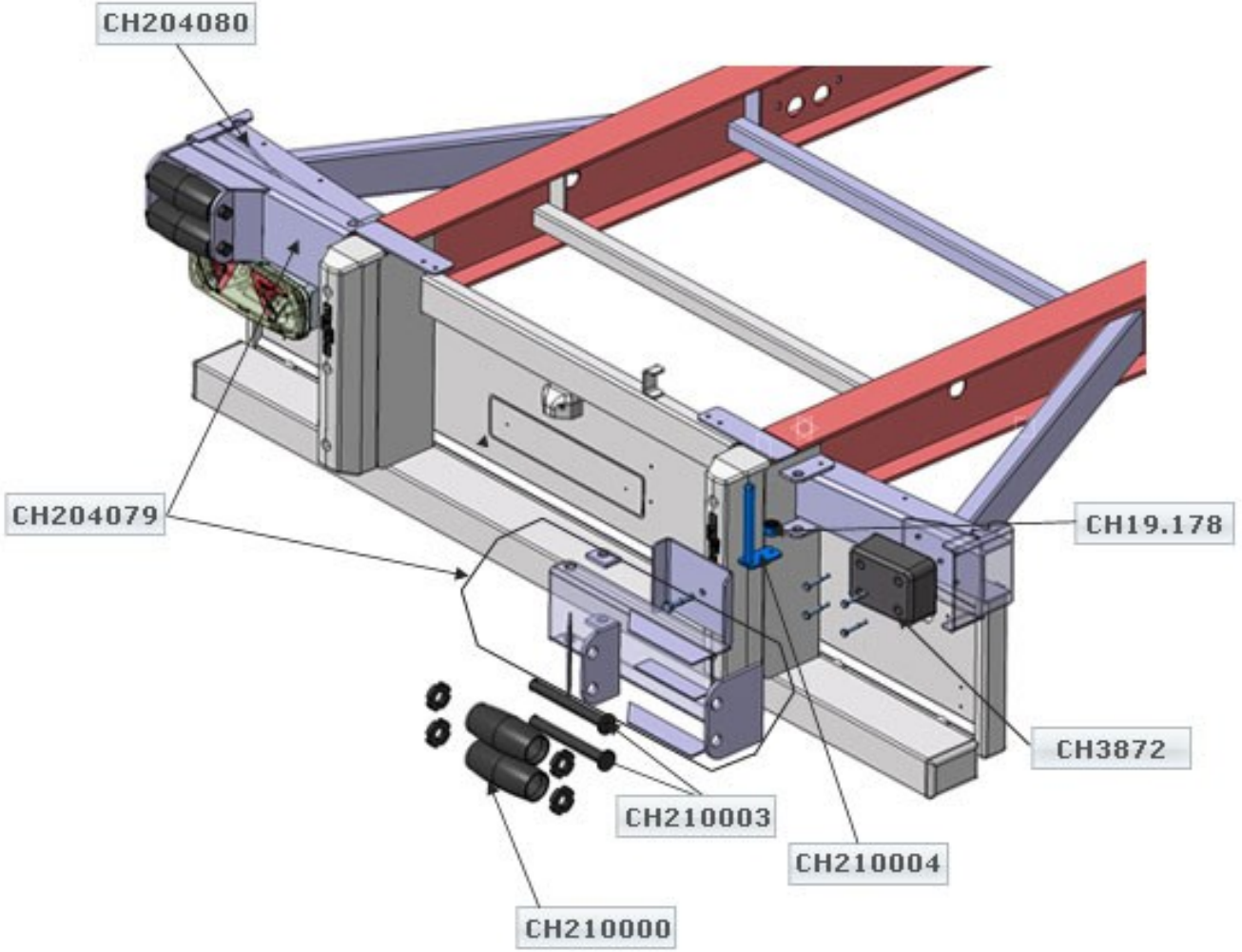


CHEREAU STANDARD REAR 01



BC REAR MODULE



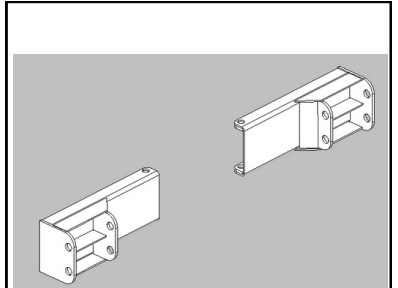
CH204080 Horizontal reinforcement for bumper BC



CH19.178 Gate Strut 03295 H 22mm



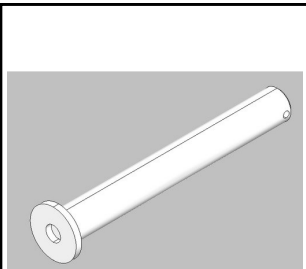
CH3872 Chereau Buffer 200x140x80



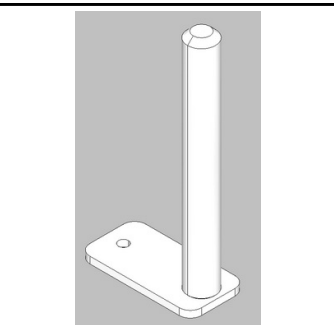
CH204079 Mobil arm for BC bumper



CH210000 Black roll for bumper BC

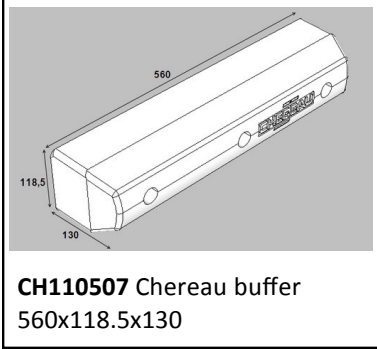
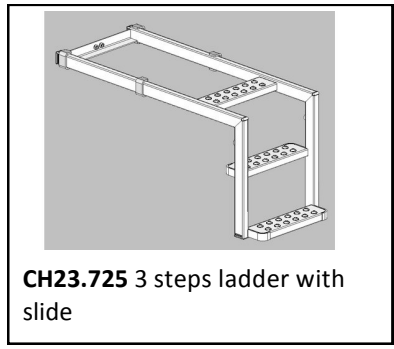
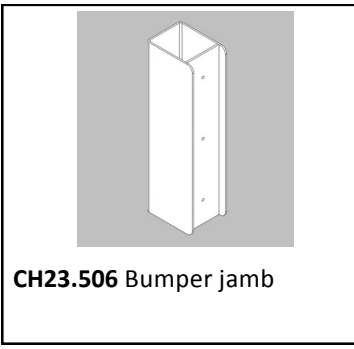
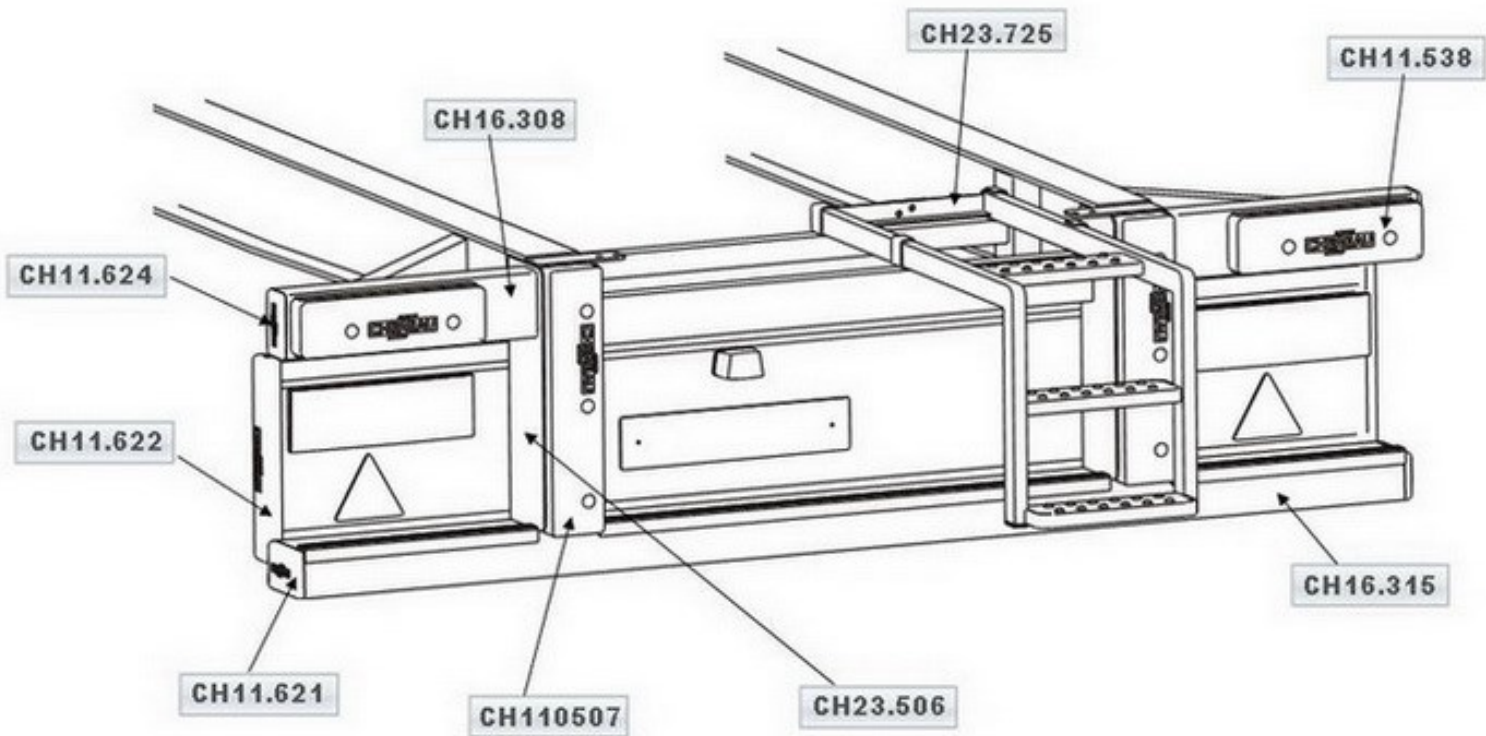


CH210003 Pin for black roller

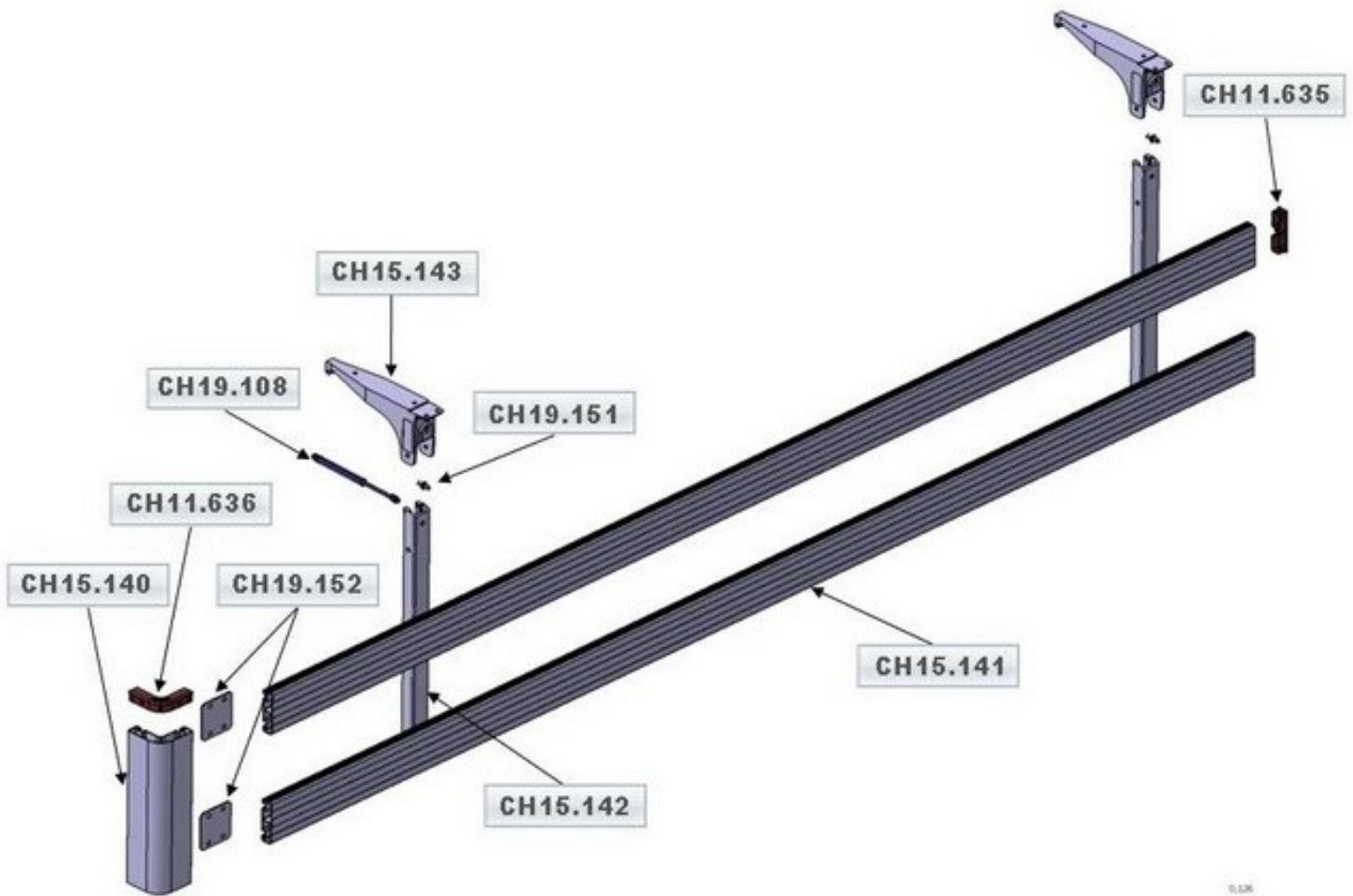


CH210004 Bracket for rear ladder

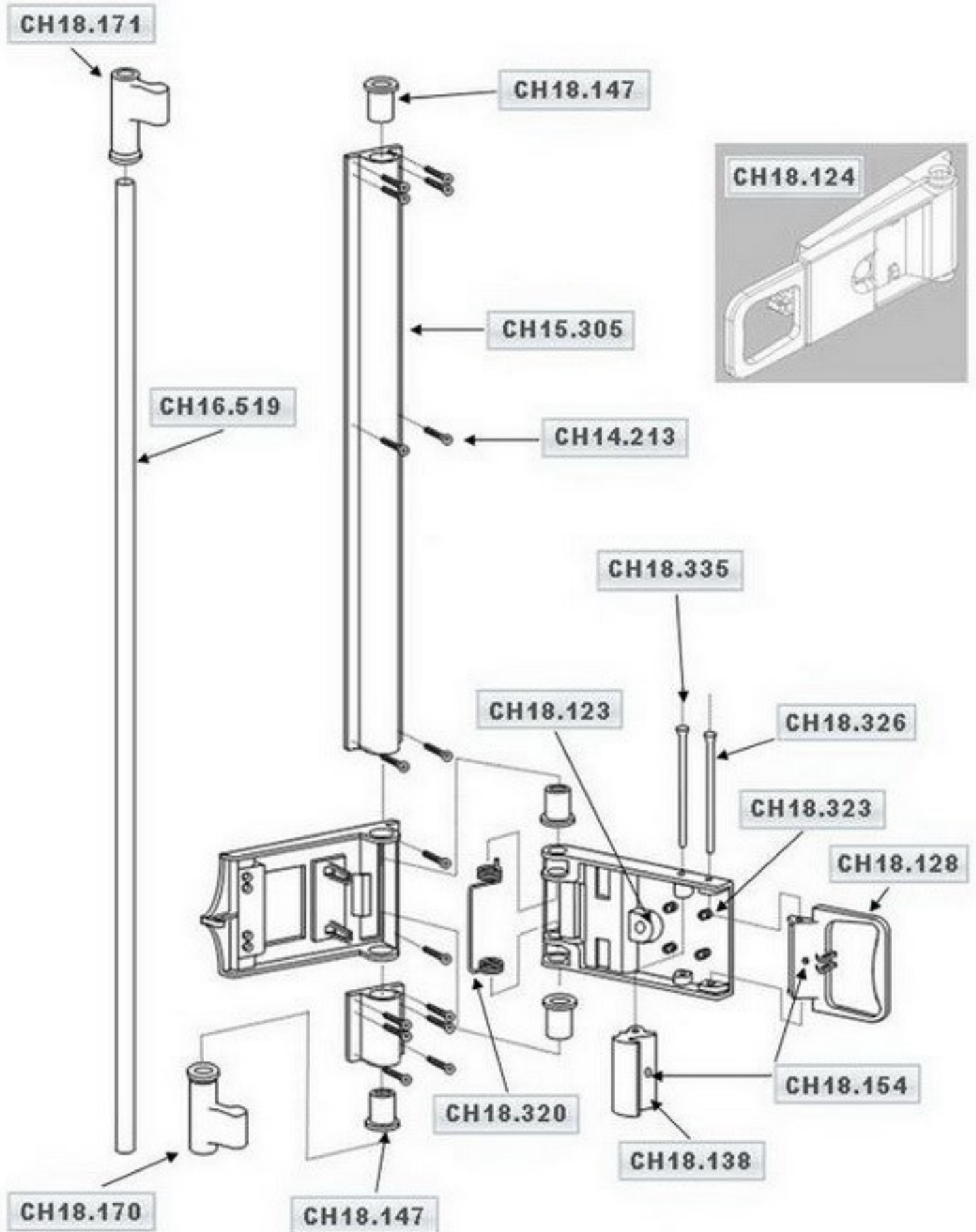
TECNOGAM BUMPER



ALUMINIUM SIDEGUARDS

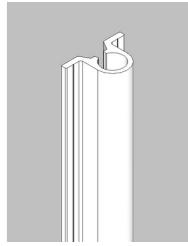


COMPLETE REAR LOCKING BAR MODEL 18

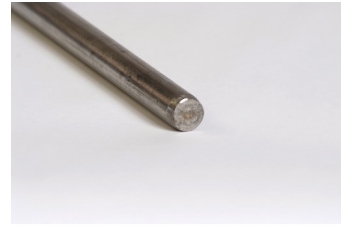




CH14.213 S/S bolt FHC 8x25



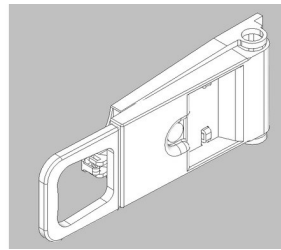
CH15.305 018 Eurogam locking gear cover



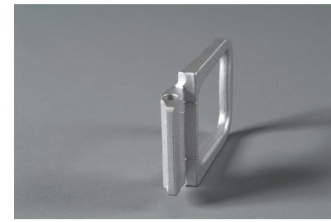
CH16.519 S/S bar 18mm



CH18.123 Locking with keys



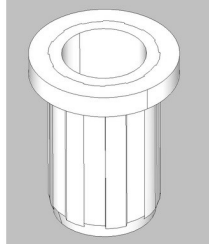
CH18.124 Door handle model 18



CH18.128 Pull Handle (small)



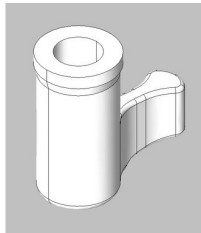
CH18.138 Bronze bolt for locking 018



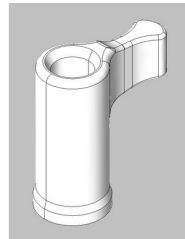
CH18.147 Bush for rear locking bar18



CH18.154 Lubrifier



CH18.170 Lower bolt for locking bar 18



CH18.171 Upper bolt for locking bar 18 Eurogam



CH18.320 Double handle spring 018



CH18.323 Handle bolt Spring 018

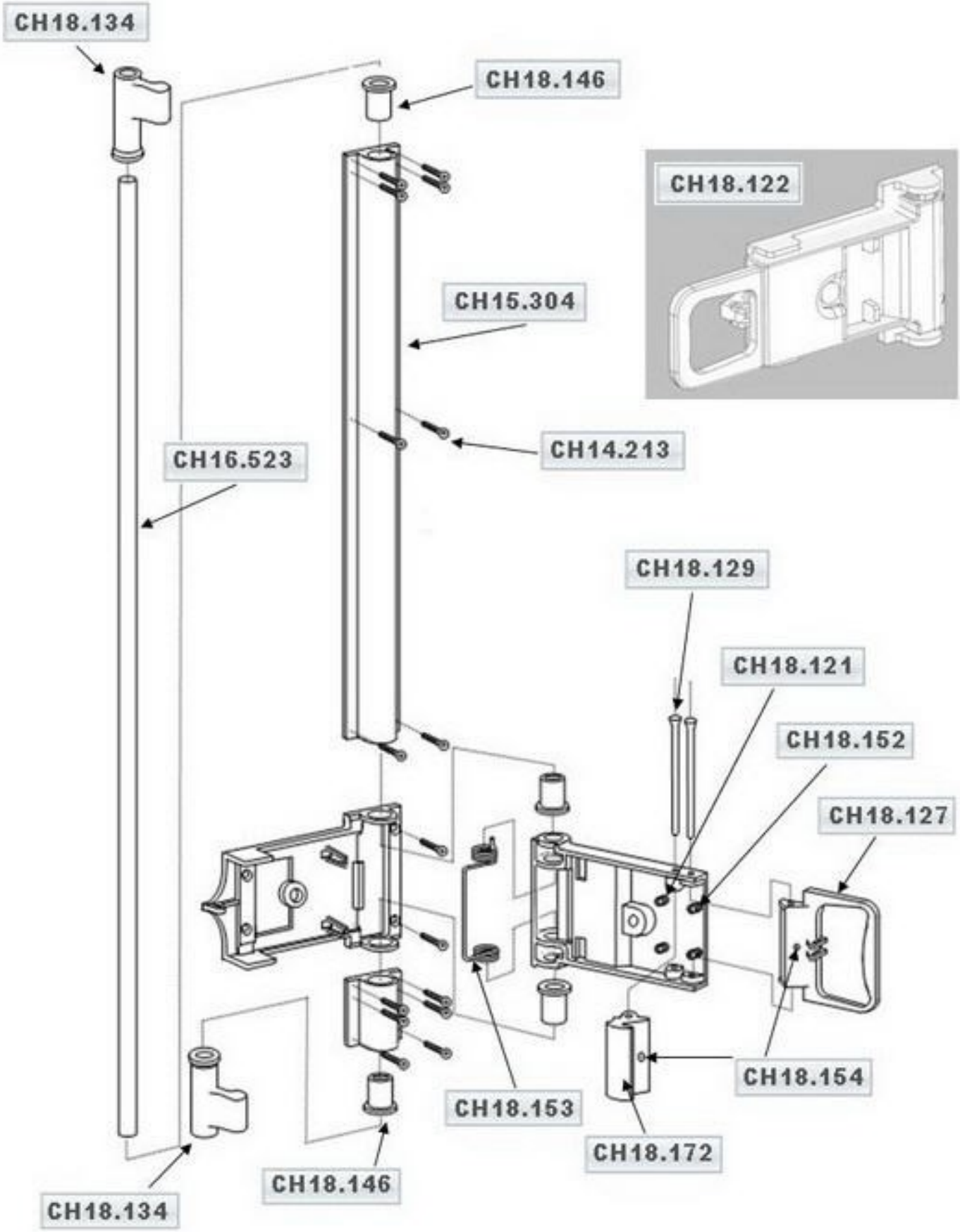


CH18.326 Stainless steel axis 018



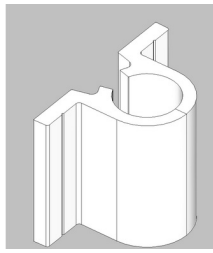
CH18.335 Lock handle pin 018

COMPLETE REAR LOCKING BAR MODEL 22





CH14.213 S/S bolt FHC 8x25



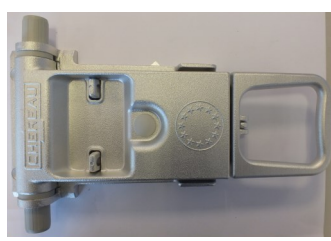
CH15.304 Eurogam locking gear cover



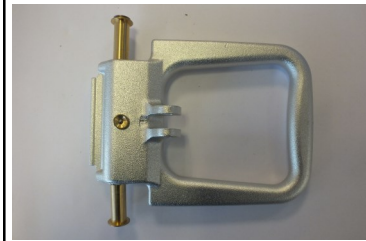
CH16.523 22mm S/S Round



CH18.121 Handle Spring 022



CH18.122 Door handle model 22



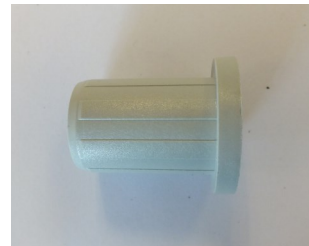
CH18.127 Pullhandle 22 (large model)



CH18.129 Pin for bi-axle handle 22-27



CH18.134 Lower bearing of locking bar model 22



CH18.146 Bush for rear locking 022



CH18.152 Handle bolt spring 022



CH18.153 Double spring 22

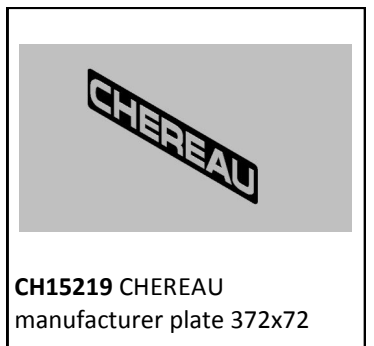
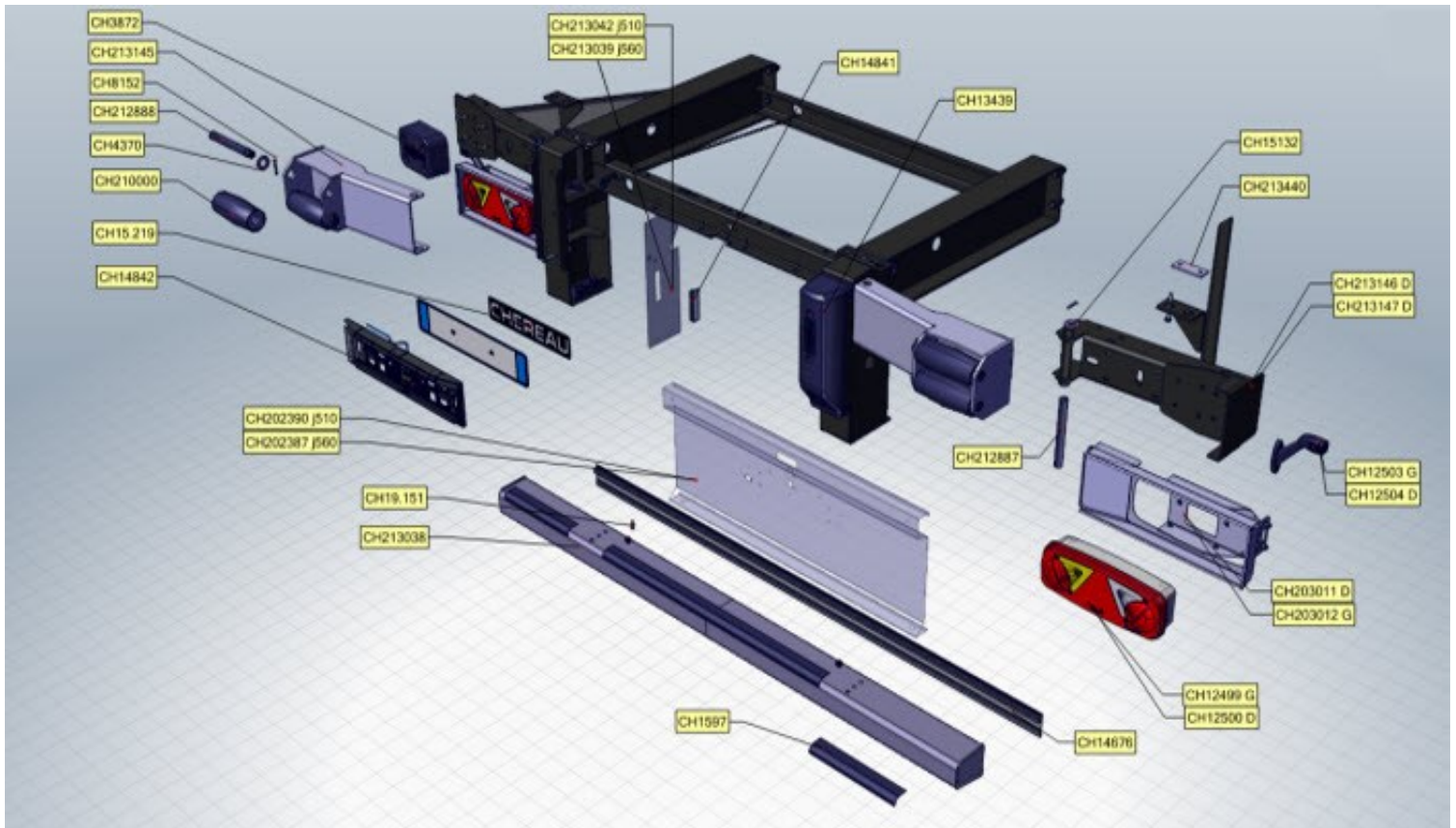


CH18.154 Lubrifier



CH18.172 Bronze bolt of lock 22

MODULAR BACK FRAME MBC

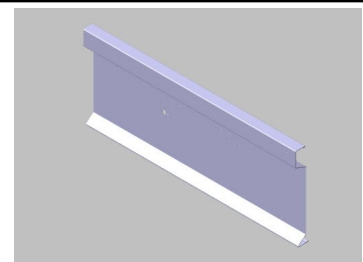




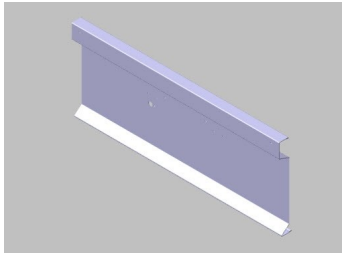
CH1597 Anti-skid adhesive



CH19.151 Side guard special screw



CH202387 Central sheet steel 560



CH202390 Central sheet steel 510



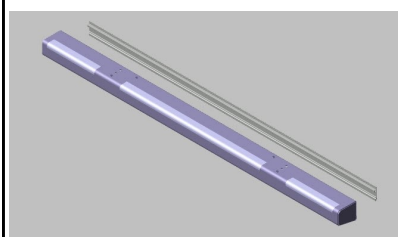
CH210000 Black roll for bumper
BC



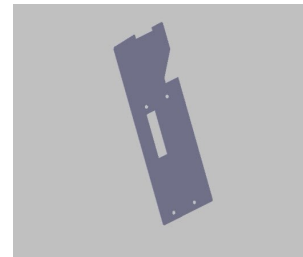
CH212887 Bracket for rear ladder
nm



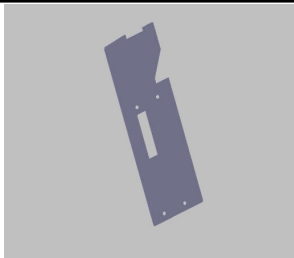
CH212888 Pin for black roller NM



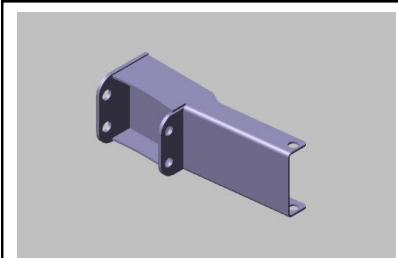
CH213038 Rear ACB bolted
complete C3 in primer



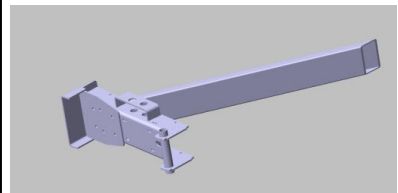
CH213039 Cover prop 560 C3



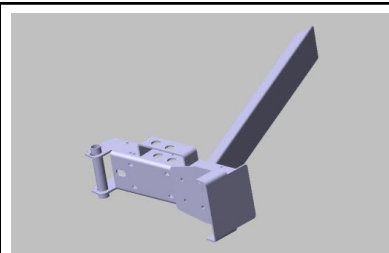
CH213042 Cover prop 510 C3



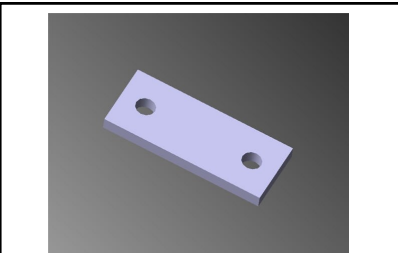
CH213145 Bumper mobile arm
complete rear m C3



CH213146 Fixed arm LH bumper
support C3

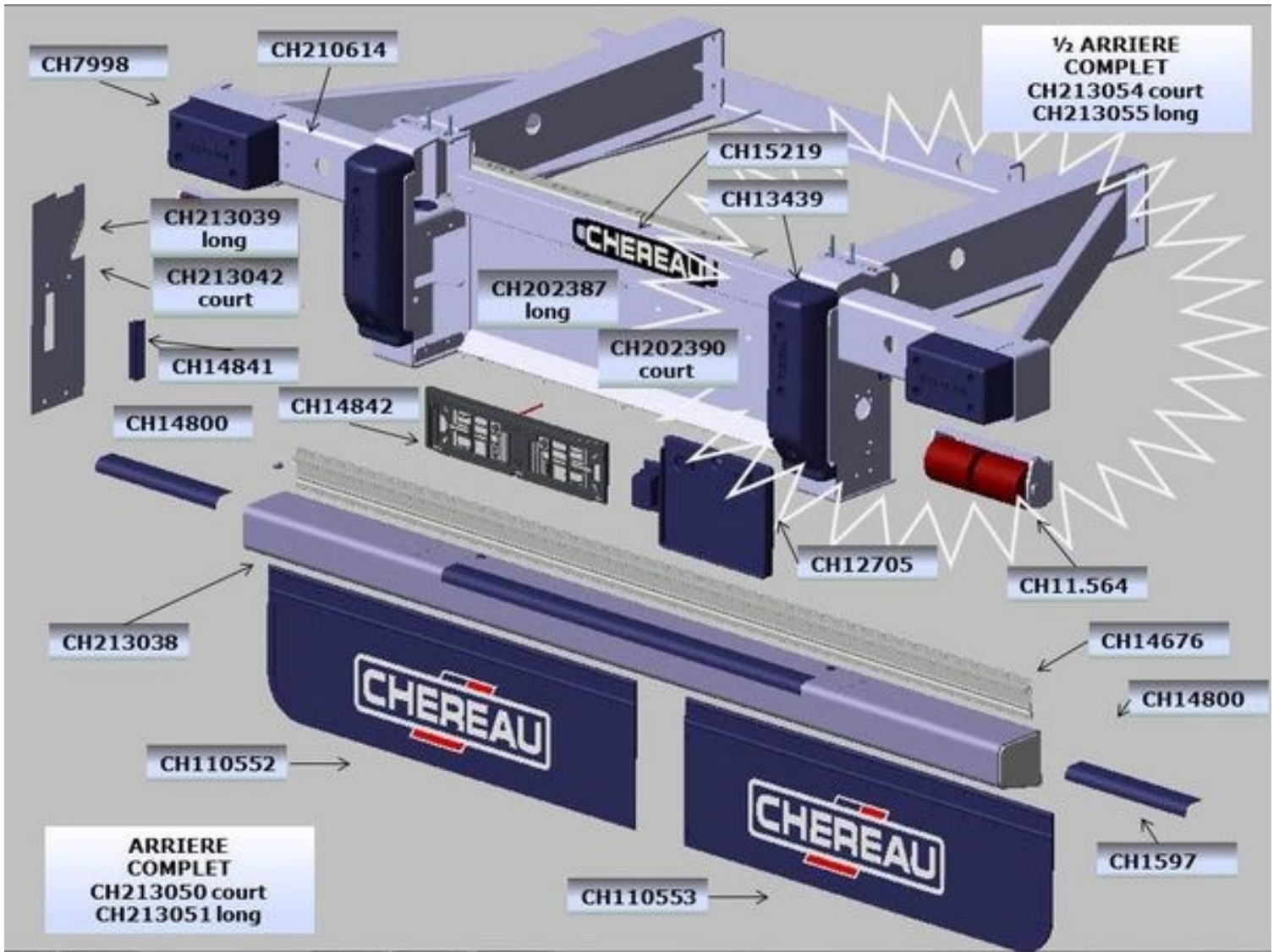


CH213147 Fixed arm RH bumper
support C3



CH213440 Flange galvanized for
bumper

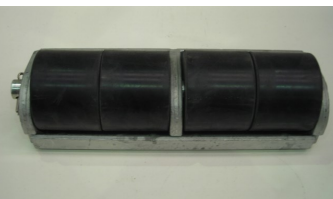
M01 REAR



CH1597 Anti-skid adhesive



CH7998 Chereau Buffer
250x140x80



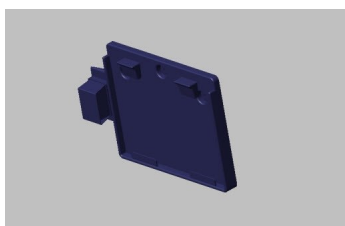
CH11.564 Roller buffer - L:370
complete



CH11052 Left new mudflap
1230mm



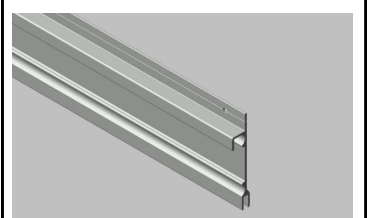
CH11053 Right new mudflap
1230mm



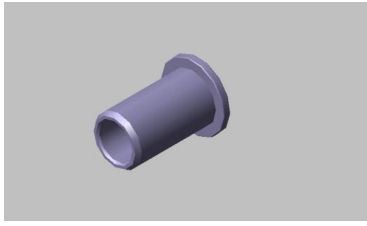
CH12705 Number plate
support 340 x 240 + LED



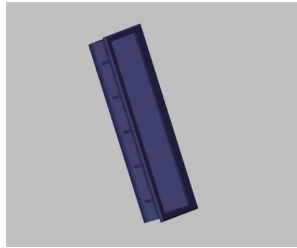
CH13439 Reversible buffer
440 x 130 x 125



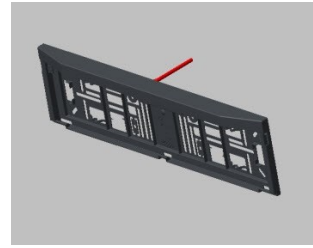
CH14676 New mudflap sup-
port MBC/M01



CH14800 S/s Rivet Nut



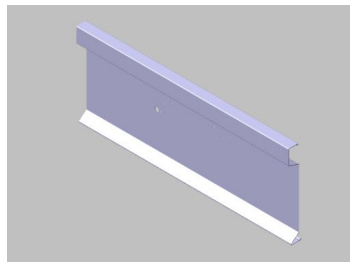
CH14841 Recessed handle



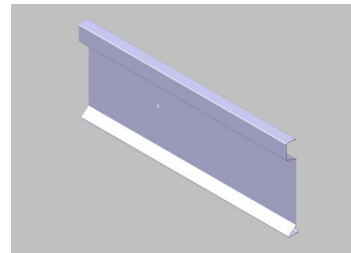
CH14842 Number Plate Holder + LED



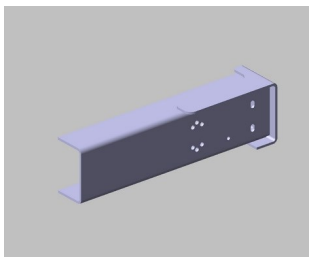
CH15219 CHEREAU manufacturer plate 372x72



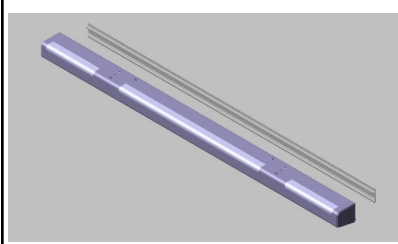
CH202387 Central sheet steel 560



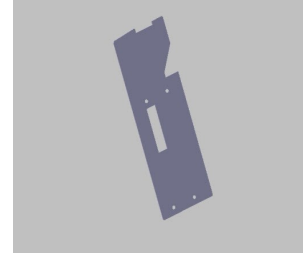
CH202390 Central sheet steel 510



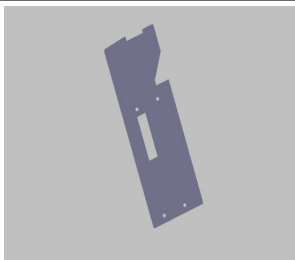
CH210614 Bumper support DC_BA2_041



CH213038 Rear ACB bolted complete C3 in primer



CH213039 Cover prop 560 C3



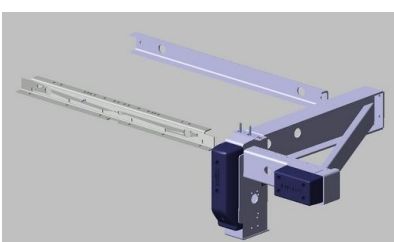
CH213042 Cover prop 510 C3



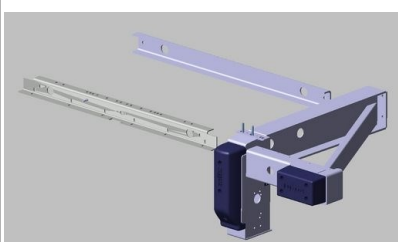
CH213050 Rear complete, M-01 J510



CH213051 Rear complete, M-01 J560

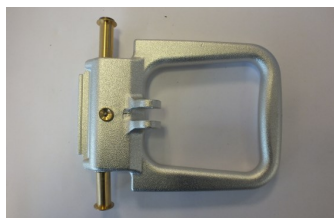
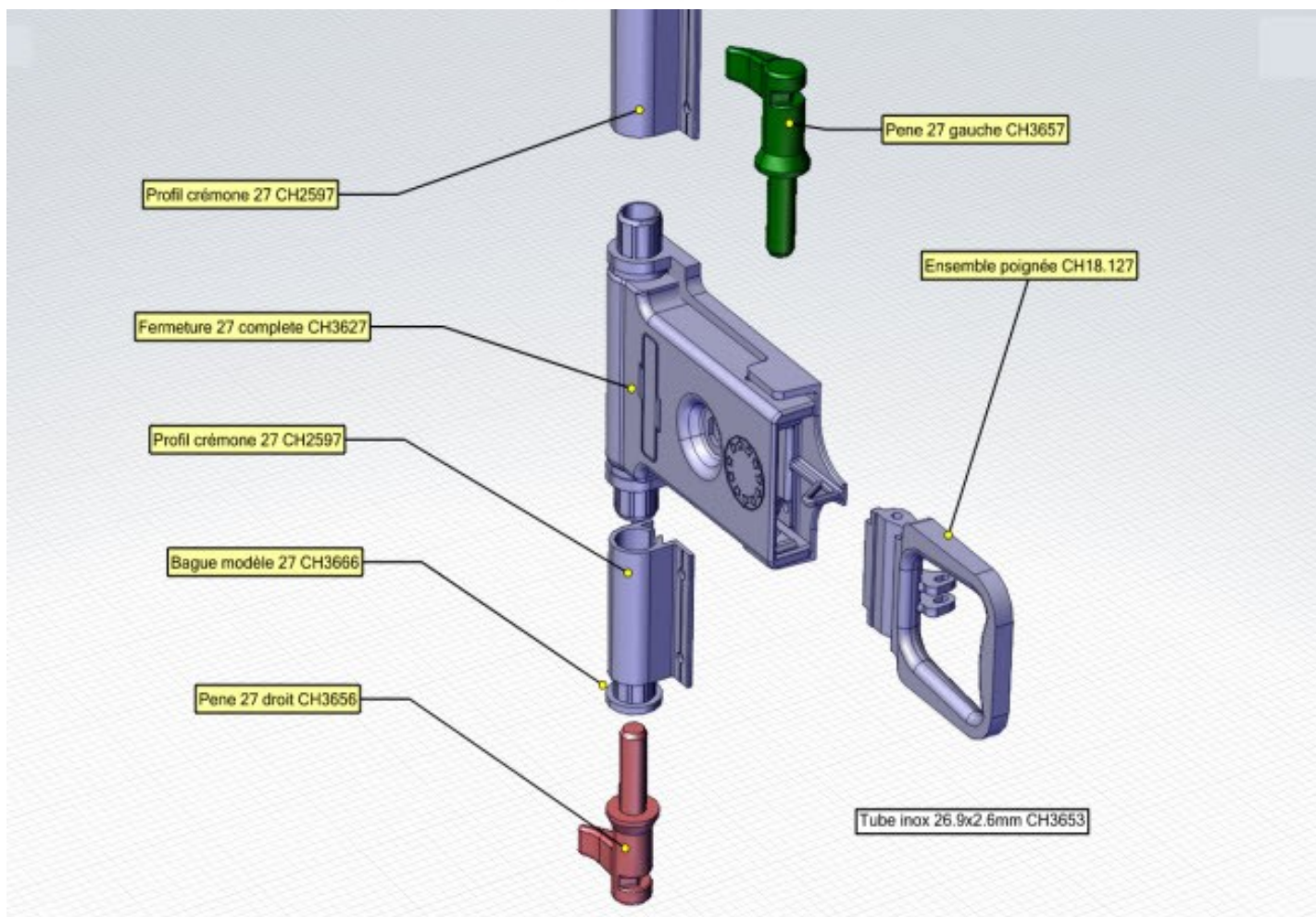


CH213054 1/2 Rear M-01 J510

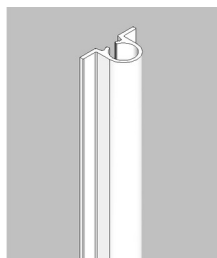


CH213055 1/2 Rear M-01 J560

REAR DOOR CLOSURE SYSTEM MODEL 27



CH18.127 Pullhandle 22 (large model)



CH2597 20 x 27 locking bearing



CH3627 Door handle model 27



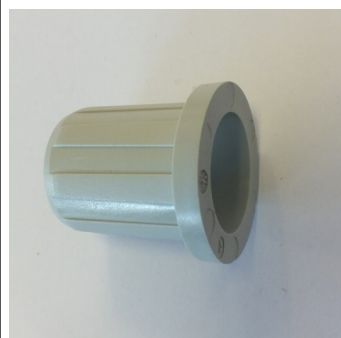
CH3653 S/s tube 304
ø26,9x2,6



CH3656 Right lower bolt 27

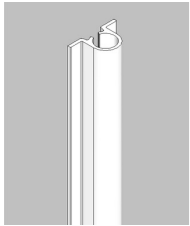
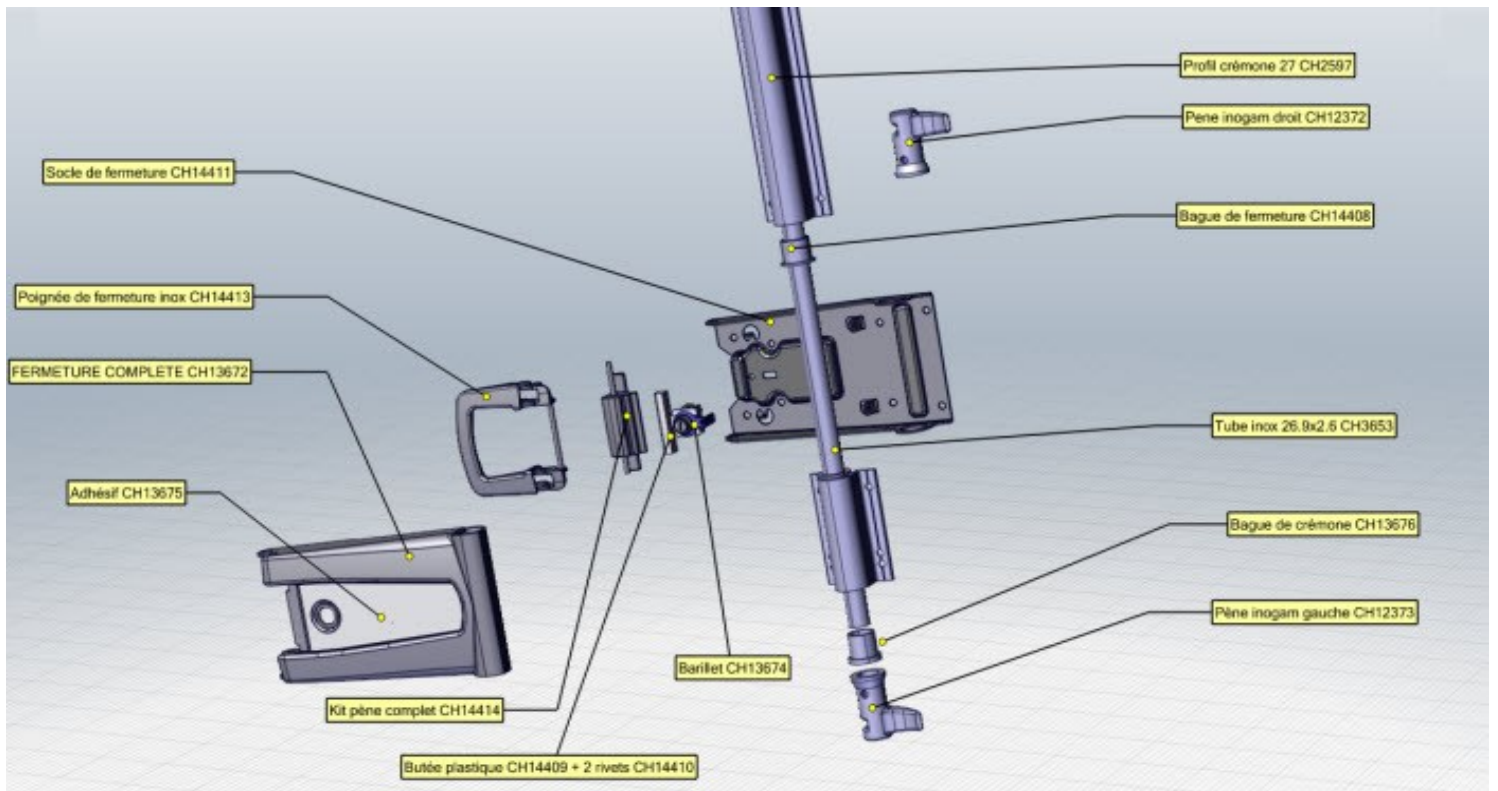


CH3657 Left lower bolt 27



CH3666 Bushes 27

REAR DOOR CLOSURE SYSTEM INOX 27



CH2597 20X27 locking bearing



CH3653 S/s tube 304
ø26,9x2,6



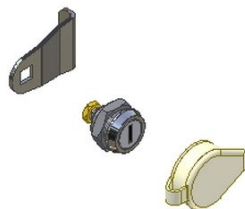
CH12372 Right lower bolt Inogam 2



CH12373 Left lower bolt Inogam 2



CH13672 Inogam stainless steel rear handle



CH13674 Barrel and cap Inogam stainless steel handle



CH13675 RAL9016 adhesive Inogam s/s handle



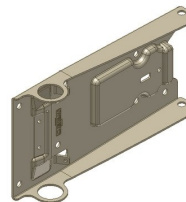
CH13676 Nylon ring for Inogam door lock bar



CH14408 Nylon ring for Inogam door



CH14410 Rivet plastic buffer s/s closer



CH14411 Base for stainless steel closer

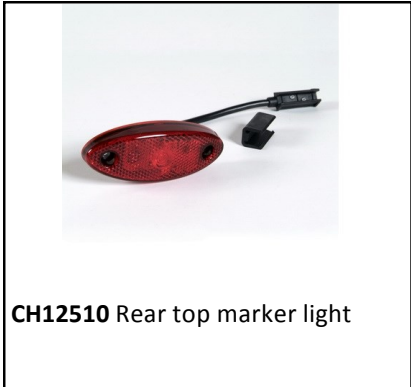
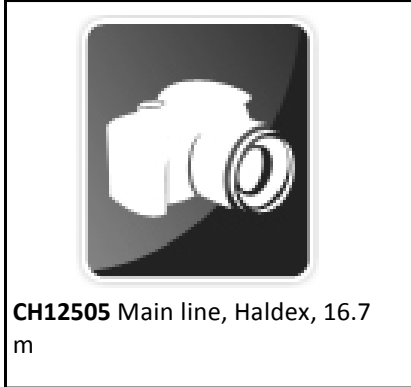
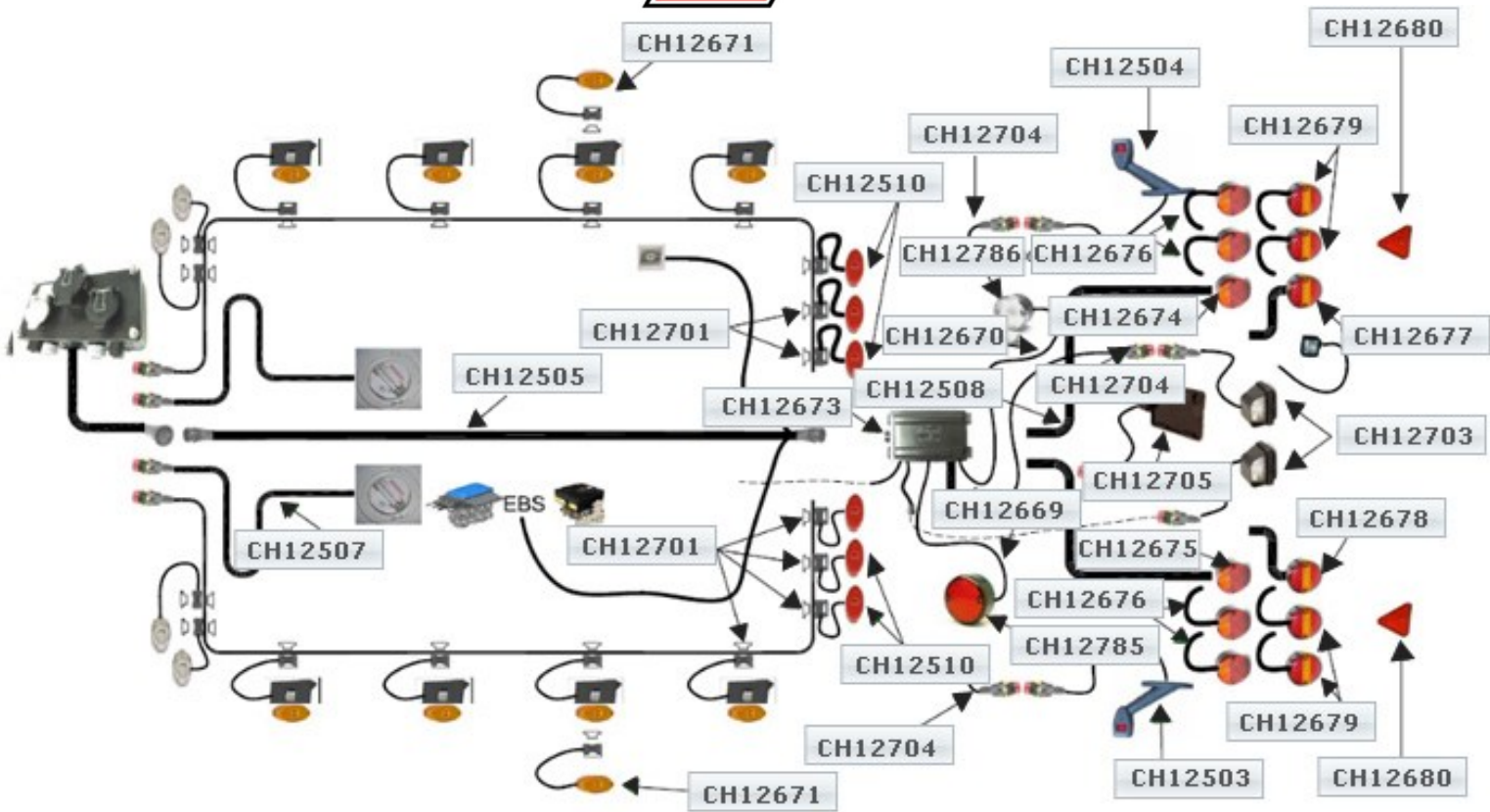


CH14413 Handle for stainless steel closer



CH14414 Bolt assembly kit stainless steel closer

WIRING DIAGRAM REAR NON-STANDARD





CH12673 Junction box, rear



CH12674 3-function lights bare wire 2.0 m right



CH12675 3-function lights, bare wire, 2.0m left



CH12676 3-function lights, bare wire, 0.5m



CH12677 3-function light LED bare wire, 2.5m right



CH12678 3-function light LED bare wire, 2.5m left



CH12679 3-function light, LED, bare wire 0.5m



CH12680 Triangular reflector



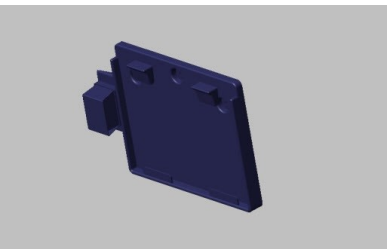
CH12701 Bolt for DCAS



CH12703 Number plate light, 2m cable



CH12704 Stalk light extension



CH12705 Number plate support 340 x 240 + LED

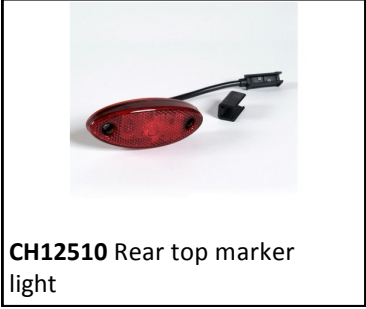
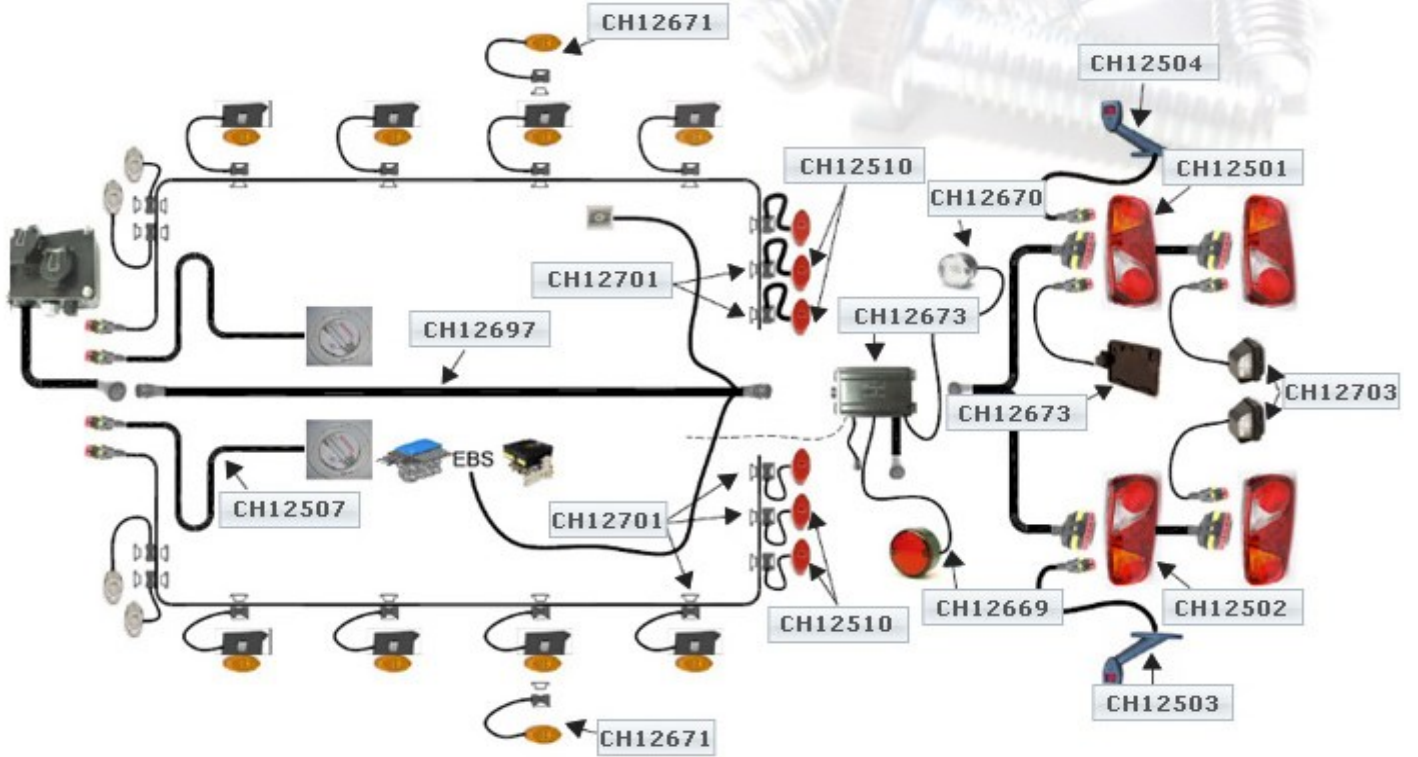


CH12785 Fog light, round, LED

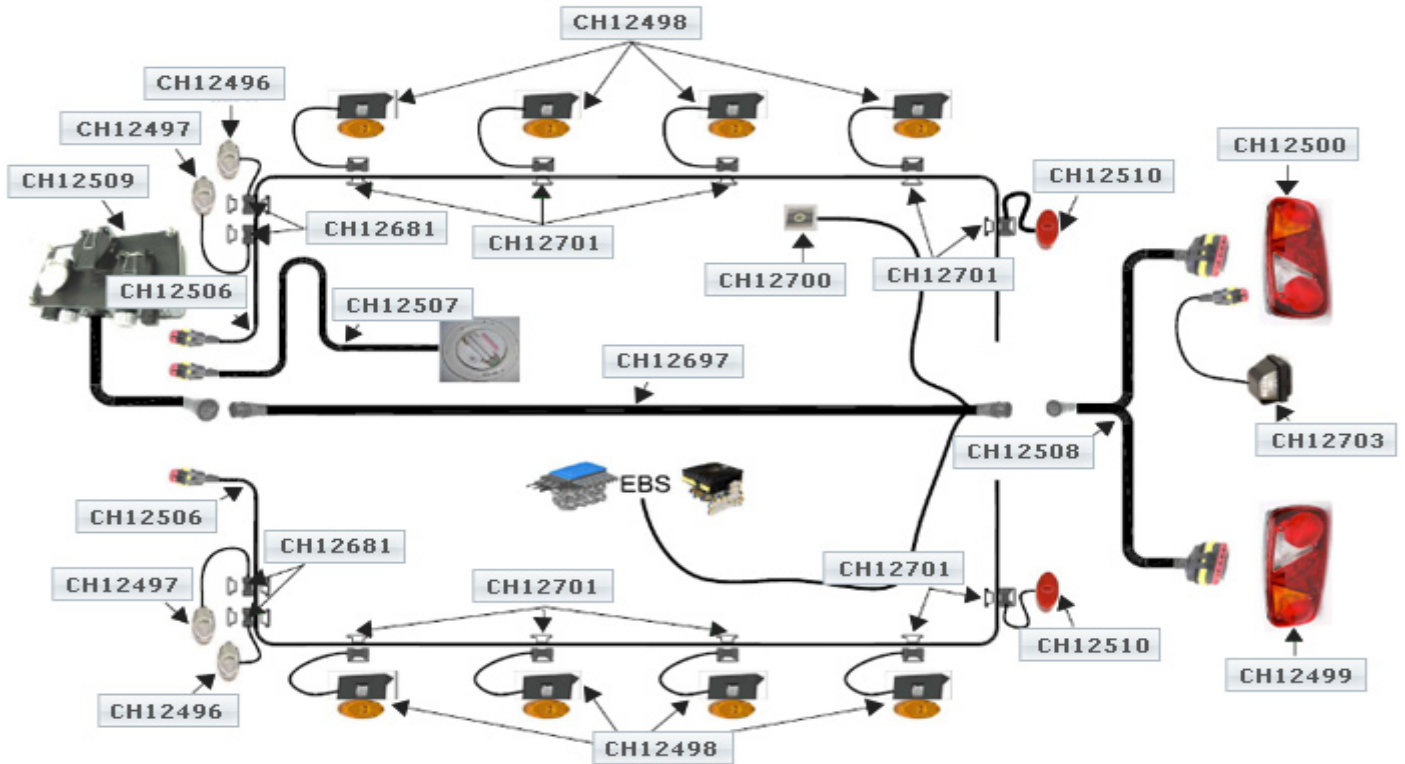


CH12786 Back up light, round

WIRING DIAGRAM STANDARD REAR OPTIONS



WIRING DIAGRAM STANDARD REAR



CH12496 Front market lamp LED



CH12497 Front top market light, bare wire, 3.5



CH12498 Side light upper connector 0.2 m



CH12499 Rear lamp left



CH12500 Rear lamp right



CH12506 Cable, side light connection, 23 m



CH12507 Cable, ceiling light, 11m



CH12509 Front electrical box with 3 pins



CH12510 Rear top market light



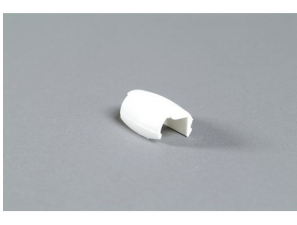
CH12681 Connector, DCAS



CH12697 Main line, Wabco, 16.7 m



CH12700 Ceiling light switch, internal

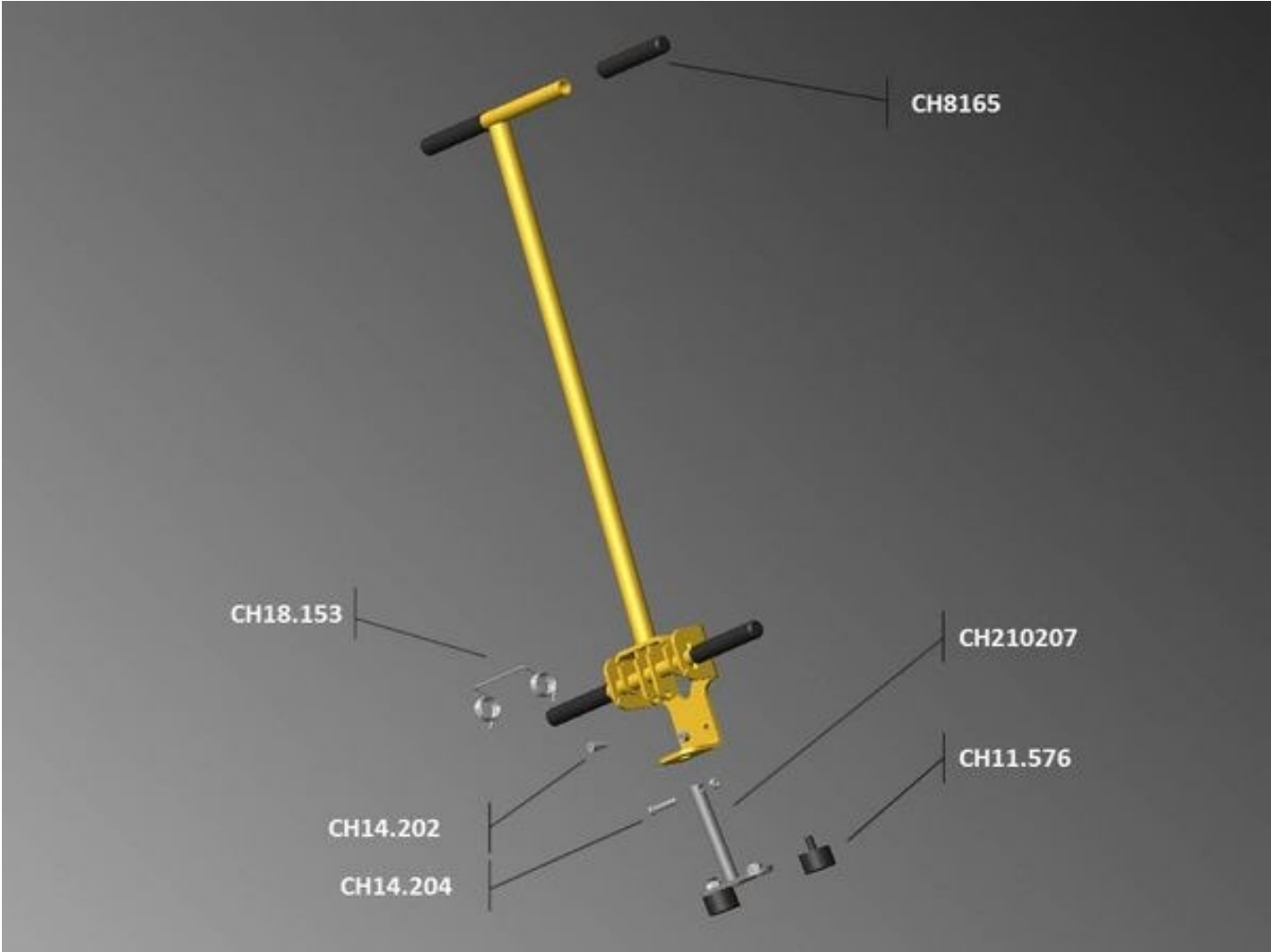


CH12701 Bolt for DCAS

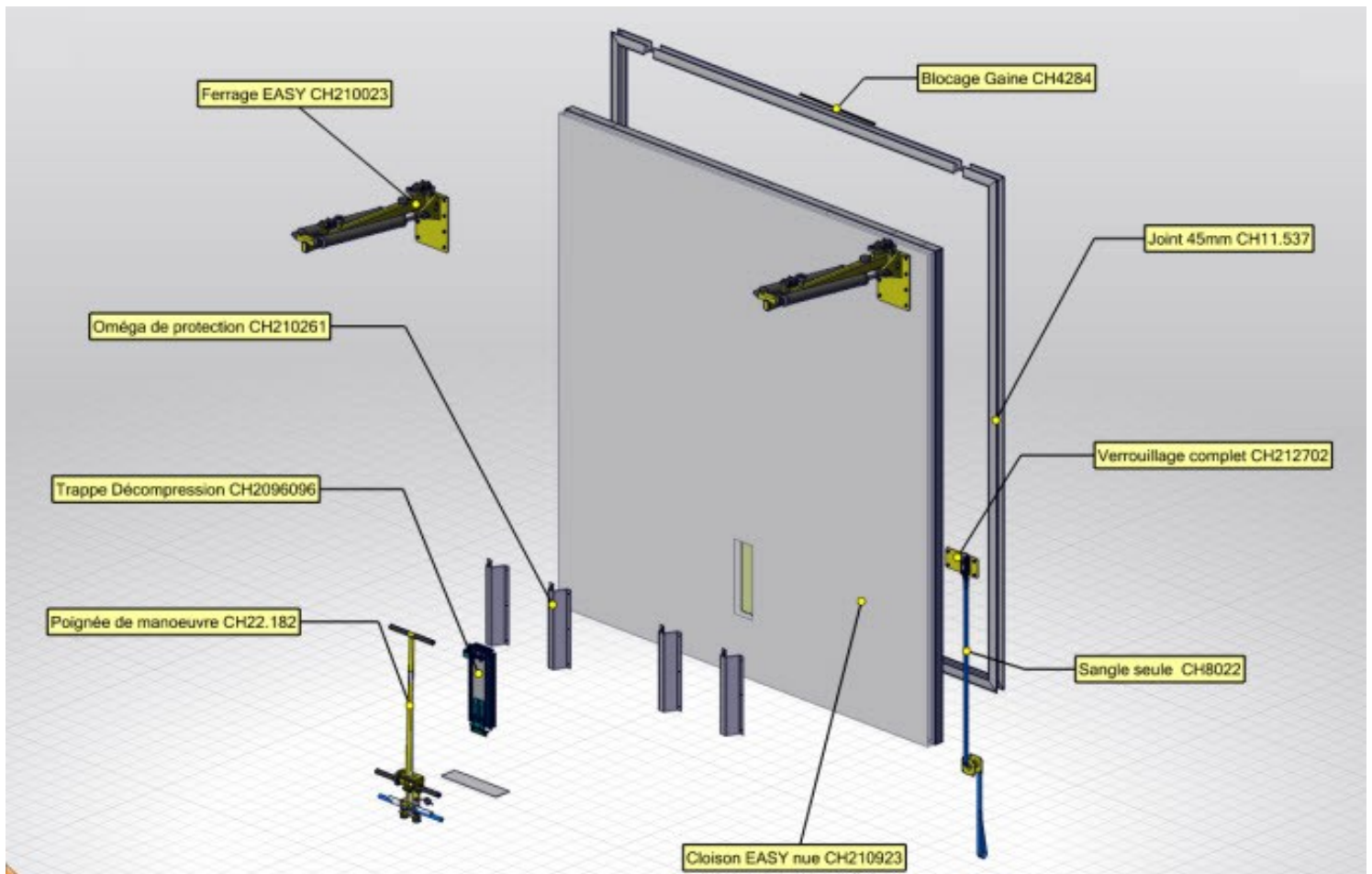


CH12703 Number plate light, 2 m cable, LED

COMPLETE HANDLE



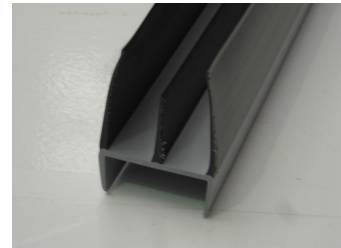
COMPLETE EASY BULKHEAD



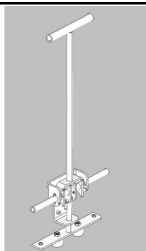
CH8022 Easy Strap



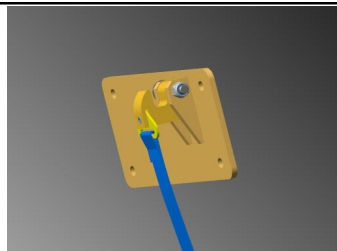
CH4284 Rubber bung 70, Shores 500 x 40 x 20



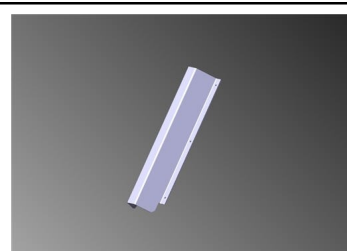
CH11.537 45mm Eurogam bulkhead 3 lipped seal



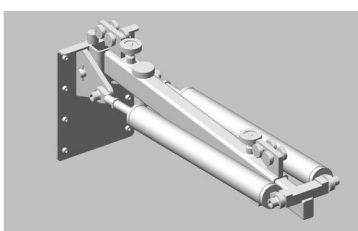
CH22.182 Complete handle



CH212702 Self locking bulkhead right



CH210261 Easy aluminium reinforcement

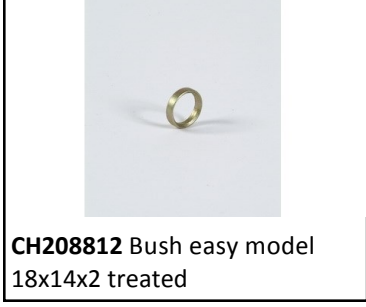
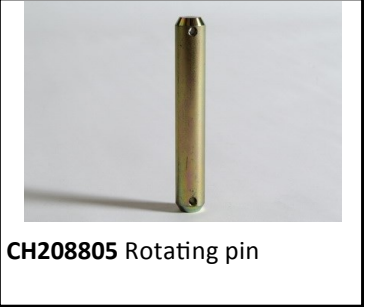
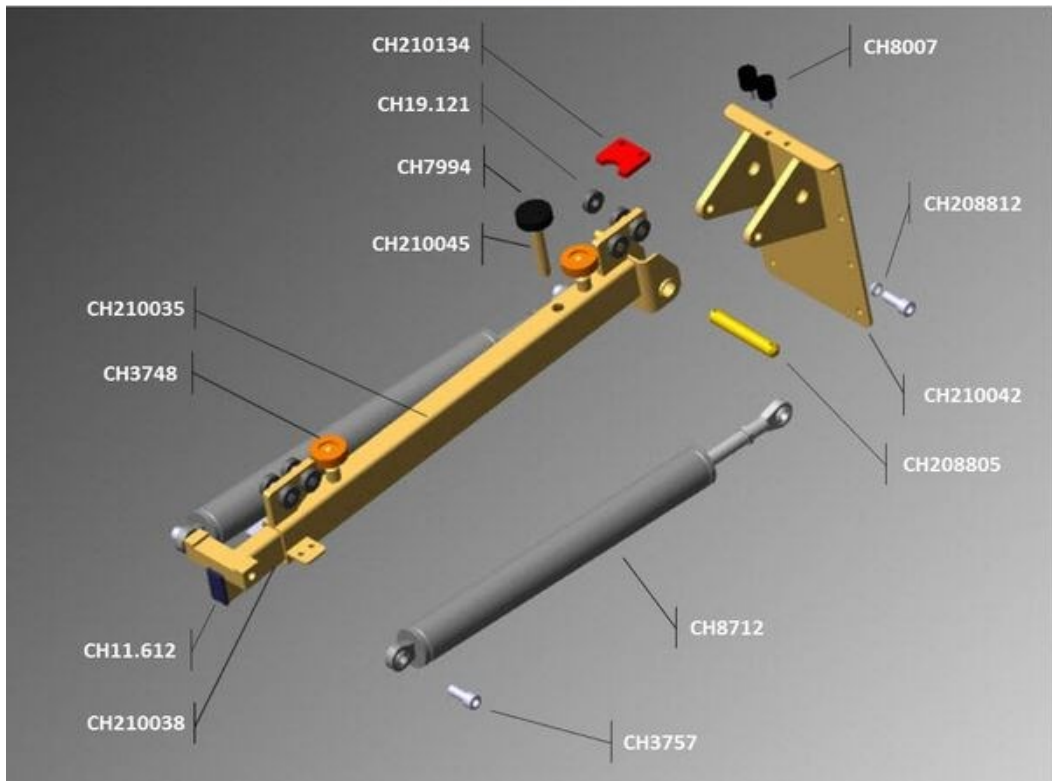


CH210023 Complete bracket for easy bulkhead

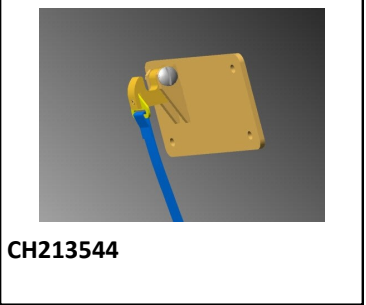
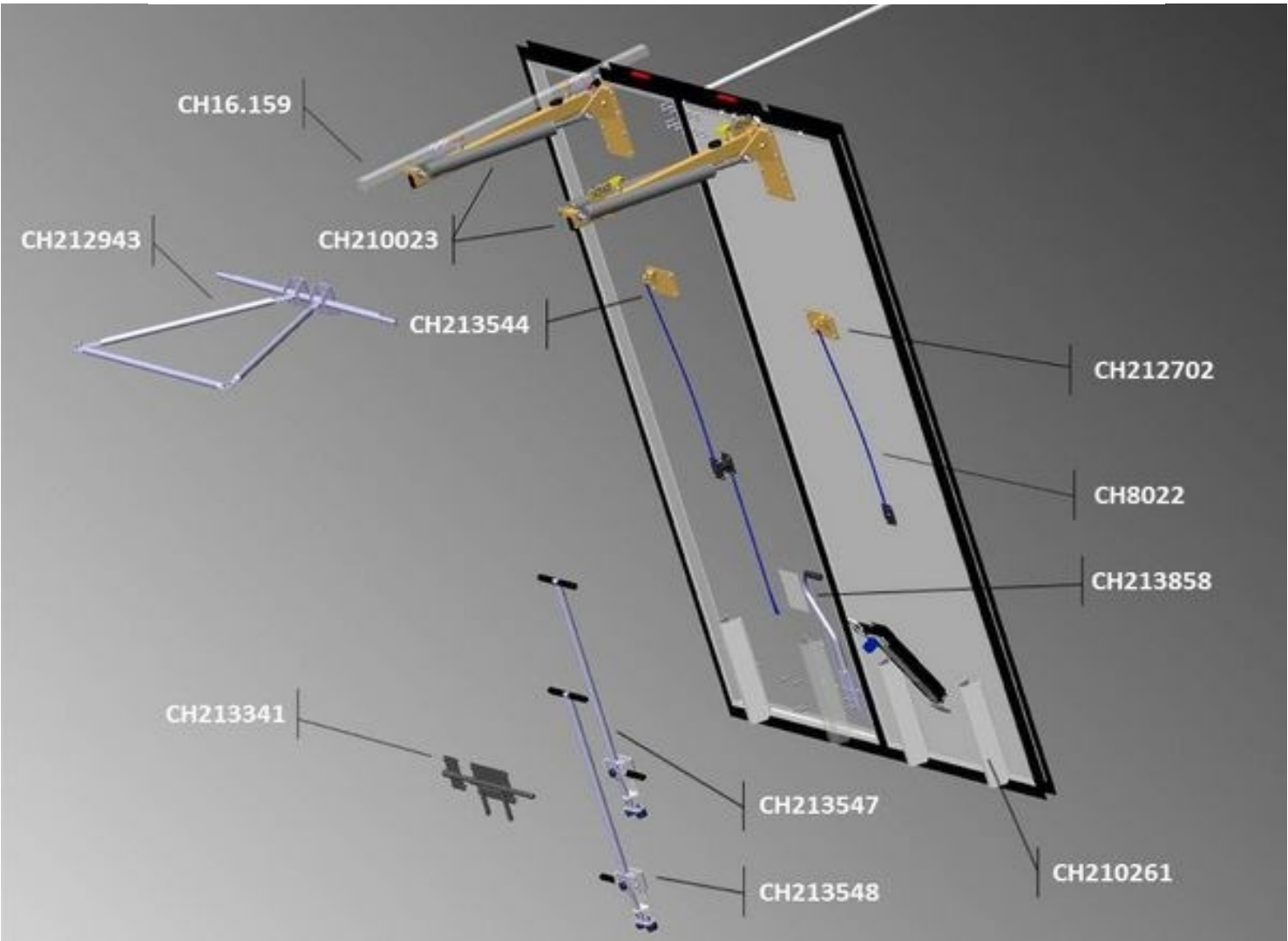


CH209606 Easy dividing wall gate

COMPLETE BRACKET FOR EASY BULKHEAD



SOLID HALF PARTITION





Choose Truckstop Group:

Great Service - Great Prices - Over £1 Million of Stock Available

3 Branches - 16 Delivery Vans - Nationwide Delivery

Newsletters - Exclusive Promotions



The Truckstop Group

Redditch Branch: Unit 9 Brook Street, Lakeside, Redditch, Worcs. B98 8NG

Worcester Branch: Unit 87a Blackpole West Trading Estate, Worcester, WR3 8TJ

Birmingham Branch: Unit 4 Tile Cross Trading Estate, Marston Green, Birmingham B33 0NW

Redditch Tel: 01527 68279 / Worcester Tel: 01905 758600 / Birmingham Tel: 0121 647 3790