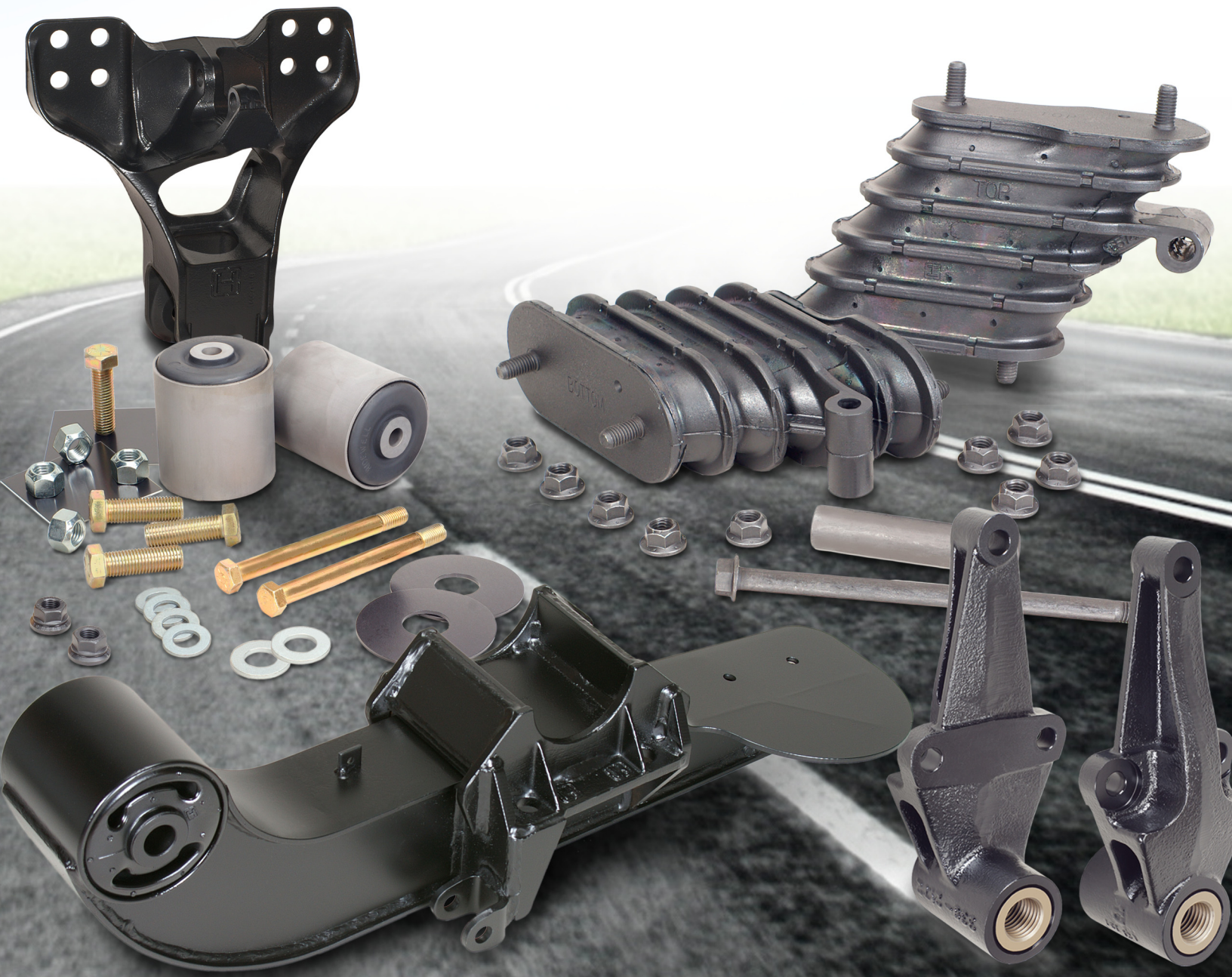


Dayton Parts®

www.daytonparts.com

SUSPENSION COMPONENTS

MEDIUM/HEAVY DUTY
TRUCKS, TRACTORS & TRAILERS



The names and reference numbers of manufacturers and suppliers, other than Dayton Parts, LLC, used in this catalog are shown only to assist our customers in identifying parts. Under no circumstances does Dayton Parts, LLC imply that the parts are of these OE manufacturers. Although care has been taken to ensure the accuracy of the data contained in this publication, Dayton Parts, LLC does not assume any liability for errors or omissions.

© Copyright 2016, Dayton Parts, LLC, all rights reserved. No part of this publication covered by the copyrights hereon may be reproduced or copied in any form or by any means whatsoever without the expressed prior written permission of Dayton Parts, LLC

Reference www.daytonparts.com for continuing updates

Table of Contents

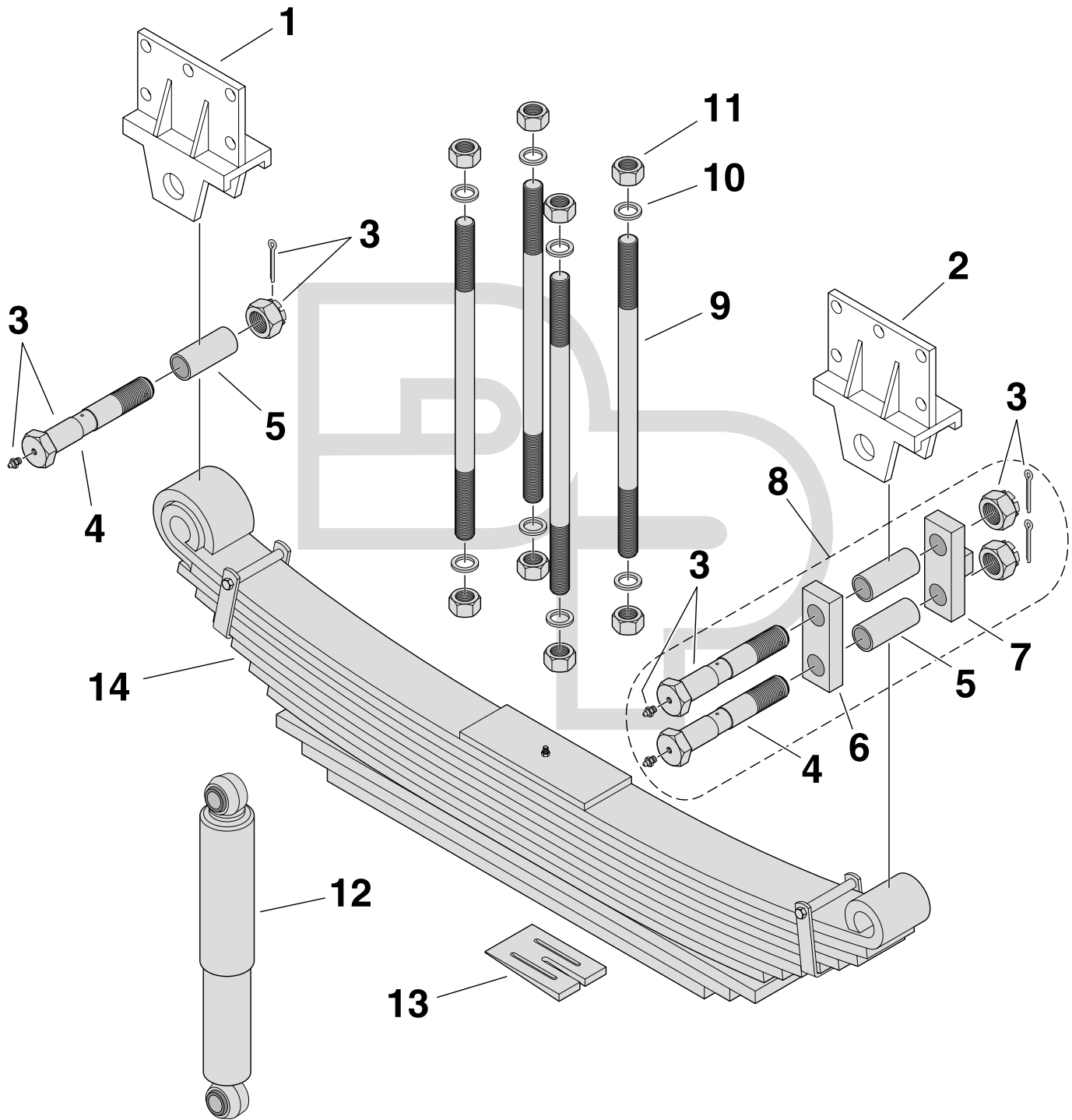
Advance Mixer	2, 3	Hendrickson Truck	229-357	Reyco	801-880
American LaFrance	4-7	Components Index	304	Hanger Information	856, 857
Autocar	8-11	HAS Information	305, 306	Complete Suspensions	858-859
Binkley	12-17	Beam Information	307-311	Ridewell	881-917
Component Information	16, 17	Haulmaax® Information	312-313	Rockwell	918-921
Bluebird	18-33	Primaax® Information	314-321	Silent Drive	922-925
Cambria	34-36	Hanger Information	322-333	Silver Eagle	926-931
Chalmers	37-57	Hino	422-430	Spicer (Dana)	65-79
City Welding (Built-Rite)	58-61	Hutch	431-473	Spartan Motors	932-937
Crane Carrier	62-64	Complete Suspensions	473	Thomas	938-947
Dana	65-79	Hyster	474-476	Todco	948-950
Dayton	80-85	Isuzu	477-502	Trailmobile	951-964
E-Z Ride	86-90	Kenworth	503-527	Volvo	965-992
Ford	91-118	Lodal	528-530	Watson and Chalin	993-1019
Ford/Sterling	104-105	Mack	531-581	Western Star	1020-1031
Freightliner	119-168	Meritor	582-591	Yard Trucks	1032-1034
Component Information	167	Mitsubishi Fuso	592-594		
Fruehauf	169-190	Navistar/International	595-654	<i>Additional Information:</i>	
GMC/Chevrolet	191-209	Neway	655-741	Component Charts	1035-1094
Granning	210-221	Nissan	742-747	Component Photos (Follows Each Manufacturers Suspension Section - Where Available)	
Great Dane	222-228	Oshkosh	748-751	Numerical Listing	1095-1116
Hendrickson Auxiliary	229 (Index), 394-421	Page	752-766	Suspension-In-A-Box	1117-1120
Hendrickson Trailer	229 (Index), 358-393	Peterbilt	767-795	DP Product Listing	1125-1128
HT Components	378-382	Raydan/Meritor/Link	796-800		
Intraax® Components	382-384				

Abbreviations and Symbols

Assy	Assembly	L	Left	RR	Radius Rod or Right Rear
Bush	Bushing	L, Lg	Length	Rad	Radius
C to C	Center to Center	L.E.	Long End	Rev	Reverse
C to E	Center to End	LCF	Low Cab Forward	S, Sq	Square
c/c	Center to Center	LF	Left Front	S.E.	Short End
c/e	Center to End	LH	Left Hand	SP	Special Order
C/L to C/L	Centerline to Centerline	LR	Left Rear	SR	Semi-Round
CL	Centerline	LW	Lock Washer	Spg	Spring
CO	Cab Over	Lb	Pound(s)	Std	Standard
COE	Cab Over Engine	Lbs	Pounds	Str	Steering
Dia	Diameter	mm	Millimeter	Susp	Suspension
Duro	Durometer	N/A	Not Available or Not Applicable	Thd	Thread
EL	Eye Leaf	NC	National Coarse Thread	Thk	Thickness
F	Front	NF	National Fine Thread	W, Wd, Wid	Width
F of R	Front of Rear	NPT	National Pipe Thread	w/	With
Frg	Forged Top	No	Number	w/o	Without
Fab	Fabricated	OA, OAL	Over All or Over All Length	WB	Wheelbase
Gd	Grade	OD, O.D.	Outside Diameter		
H, Ht, Hgt	Height	OE, OEM	Original Equipment Manufacturer	<	Before, Less Than
HD	Heavy Duty	R	Right or Rear	>	After, Greater Than
Hgr	Hanger	R of R	Rear of Rear	✓	Popular
ID, I.D.	Inside Diameter	R, Rd	Round	✓✓	Most Popular
Incl	Includes	RF	Right Front	◆	Not Serviced by Dayton Parts, LLC
k	Thousand Pound	RH	Right Hand	●	Product Photo/Illustration

Advanced Mixer

Suspension Illustration



Advanced Mixer

Advance/Terex Front Discharge Mixer Front Suspension

Key No.	Part Number	Description	No. Req.	OEM Reference	Remarks
1	◆	Hanger, Front of Front	2	13135, 13146	LH/RH
2	◆	Hanger, Rear of Front	2	13136	
3	SP	Kit, Bolt			Includes, Zerk, Cotter Pin & Nut
✓✓●	327-492	Bolt, Spring; 1 ¼"-12 x 7 ⅛"	6	4-001-003	
✓	RNI	Bushing; 1 ¼"ID x 1 ½"OD x 3 ½"Lg	6	12151	
✓●	330-201	Side Bar; Outer	2	13130	
✓●	330-202	Side Bar; Inner; w/Tab	2	13131	
8	330-203	Kit, Shackle	2		
9	8T120	Rod, Threaded; 1" x 20"	8		
10	SUW-100	Washer, U-Bolt; 1"	16		
✓✓	SLN-107	Nut, Lock; 1"-14	16		
12	M65531	Shock Absorber	2	13833, 680087	
13	See Chart	Wedge, Camber; 3 ½" wide	A/R		See Chart on Page 1091
14	Spring Assembly	Assembly, Spring	2		See Leaf Spring Web Catalog for Details

Advanced Mixer

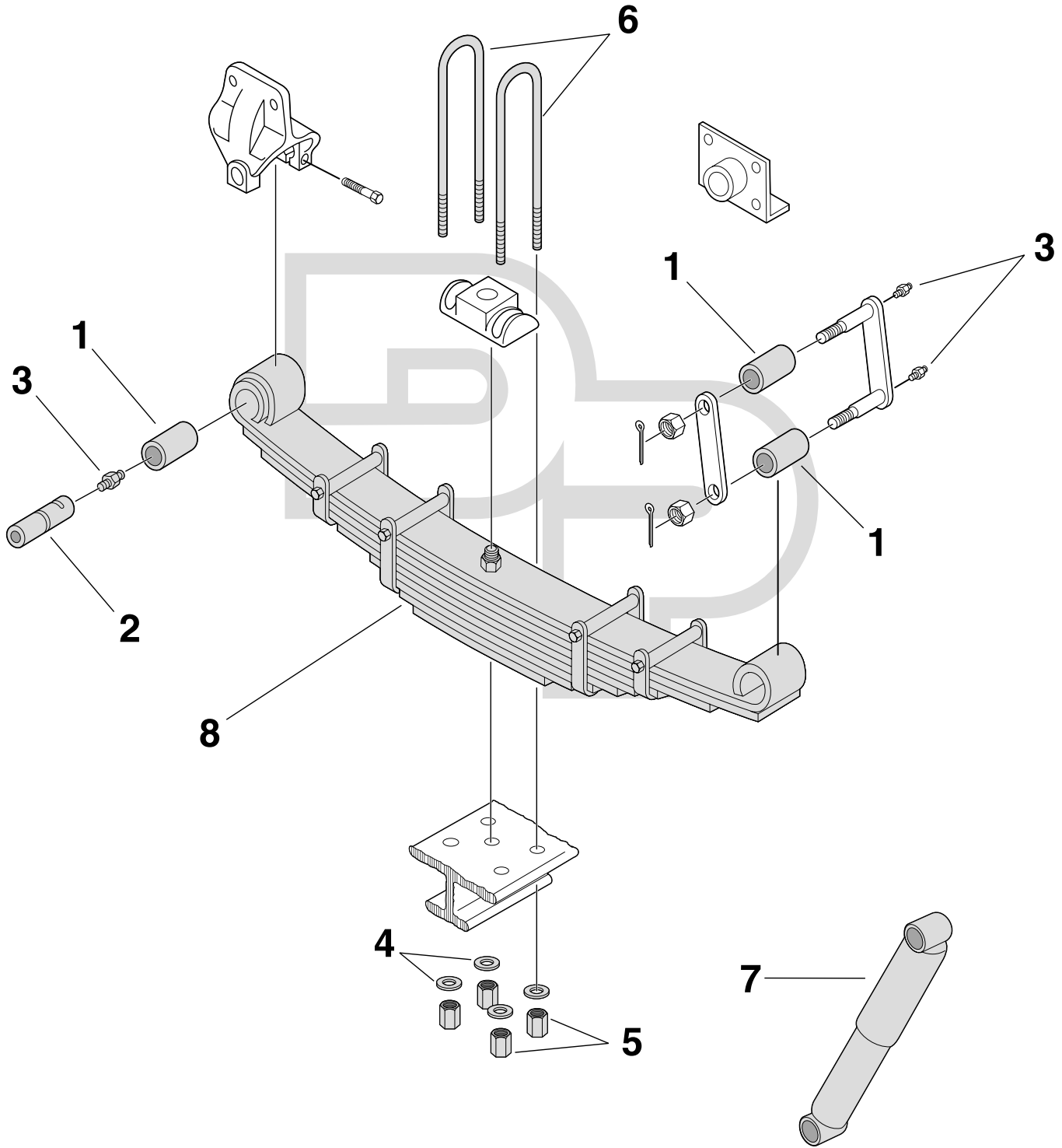
Parts Listing

Front Suspension
 (3" Springs)
 (95+ Also See Freightliner)

American LaFrance

American LaFrance

Suspension Illustration



American LaFrance

Front Suspension (3" Springs) (95+ Also See Freightliner)

Key No.	Part Number	Description	No. Req.	OEM Reference	Remarks
	NJG-BM	Bushing; 1"ID x 1 ¼"OD x 3"Lg	6		
✓✓●	327-515	Spring Pin; 1"OD x 5 ½"Lg	2	30395	Single Lock
✓	334-475	Fitting, Straight Zerk; ½"-27NPT	6		
	SUW-78	Washer, U-Bolt; ⅞"	8		
	DN-78	Nut, Deep; ⅞"-14, Grade C	8		
	SP	U-Bolt; Bent to Order	4		Specify Length, Width, Diameter and Bend
✓✓	M66860	Shock Absorber	2		24.56" Extended; 15.15" Collapsed
✓✓	M65112	Shock Absorber	2		24.70" Extended; 15.17" Collapsed
	Spring Assembly	Assembly, Spring	2		See Leaf Spring Web Catalog for Details

American LaFrance

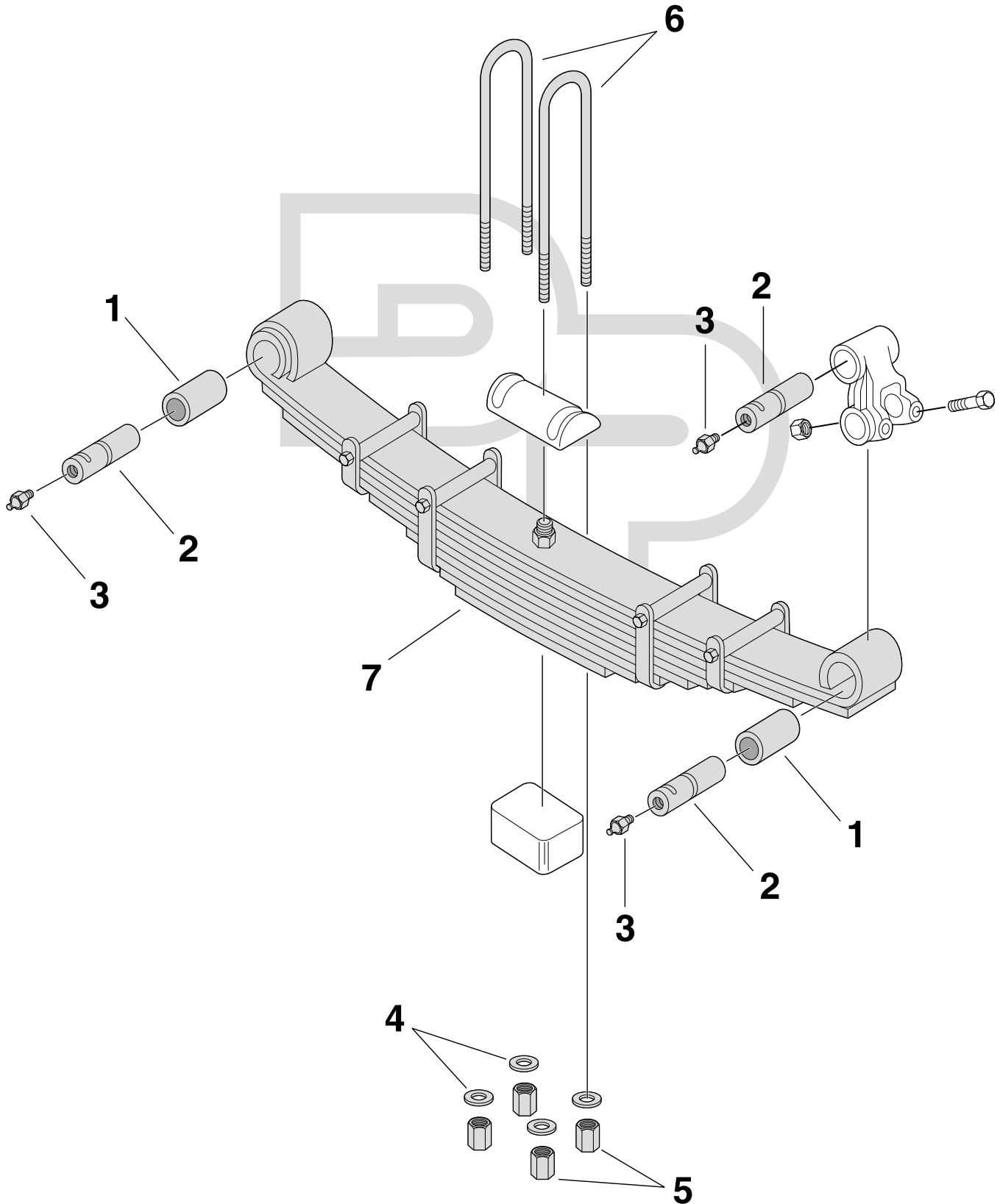
Parts Listing

Rear Suspension
 (3" Springs)
 (95+ Also See Freightliner)

American LaFrance

American LaFrance

Suspension Illustration



American LaFrance

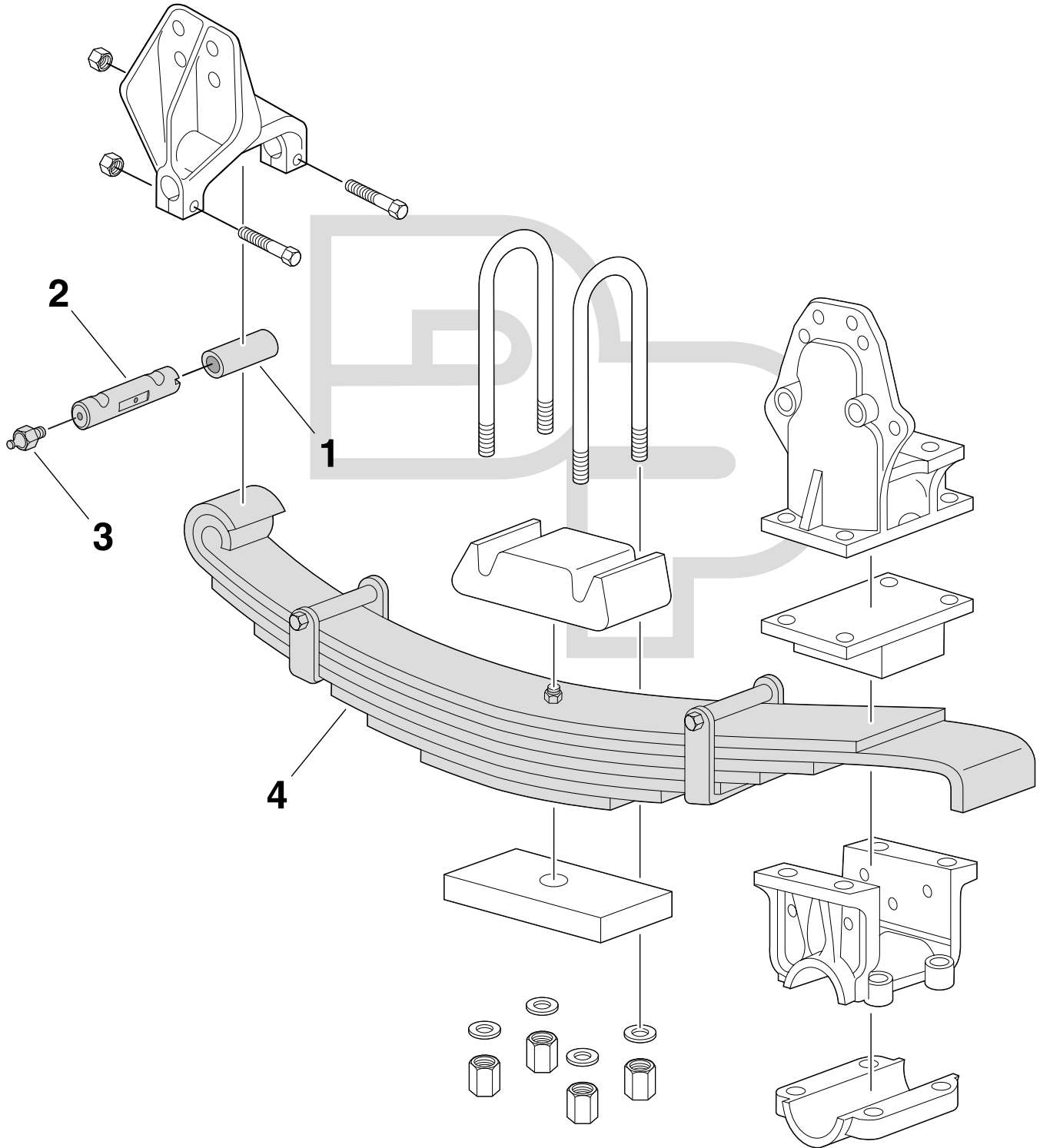
Rear Suspension (3" Springs) (95+ Also See Freightliner)

Key No.	Part Number	Description	No. Req.	OEM Reference	Remarks
1	NJG-BM	Bushing; 1"ID x 1 1/4"OD x 3"Lg	4		
✓✓●	327-515	Spring Pin; 1"OD x 5 1/16"Lg	6		Single Lock; See Spring Pin Chart
✓	334-475	Fitting, Straight Zerk; 1/8"-27NPT	6	1613B	
✓✓	334-152	Washer, Hard Flat; 1"ID x 1 3/4"OD x 7/64"Thk	4		
	DN-100	Nut, Deep; 1"-14, Grade C	8		
	SP	U-Bolt; Bent to Order	4		Specify Length, Width, Diameter & Bend
	Spring Assembly	Assembly, Spring	2		See Leaf Spring Web Catalog for Details

American LaFrance

Parts Listing

Autocar



Suspension Illustration

Key No.	Part Number	Description	No. Req.	OEM Reference	Remarks
1	PLK-BM	Bushing; 1 1/8"ID x 1 3/8"OD x 4"Lg	2	62300117	
2	327-374	Spring Pin; 1 1/8"OD x 6 5/8"Lg x 5 1/8" c/c	2	994386, 37121-0001	See Spring Pin Chart
3	334-475	Fitting, Straight Zerk; 1/8"-27NPT	2	1613B	
4	Spring Assembly	Assembly, Spring	2		See Leaf Spring Web Catalog for Details

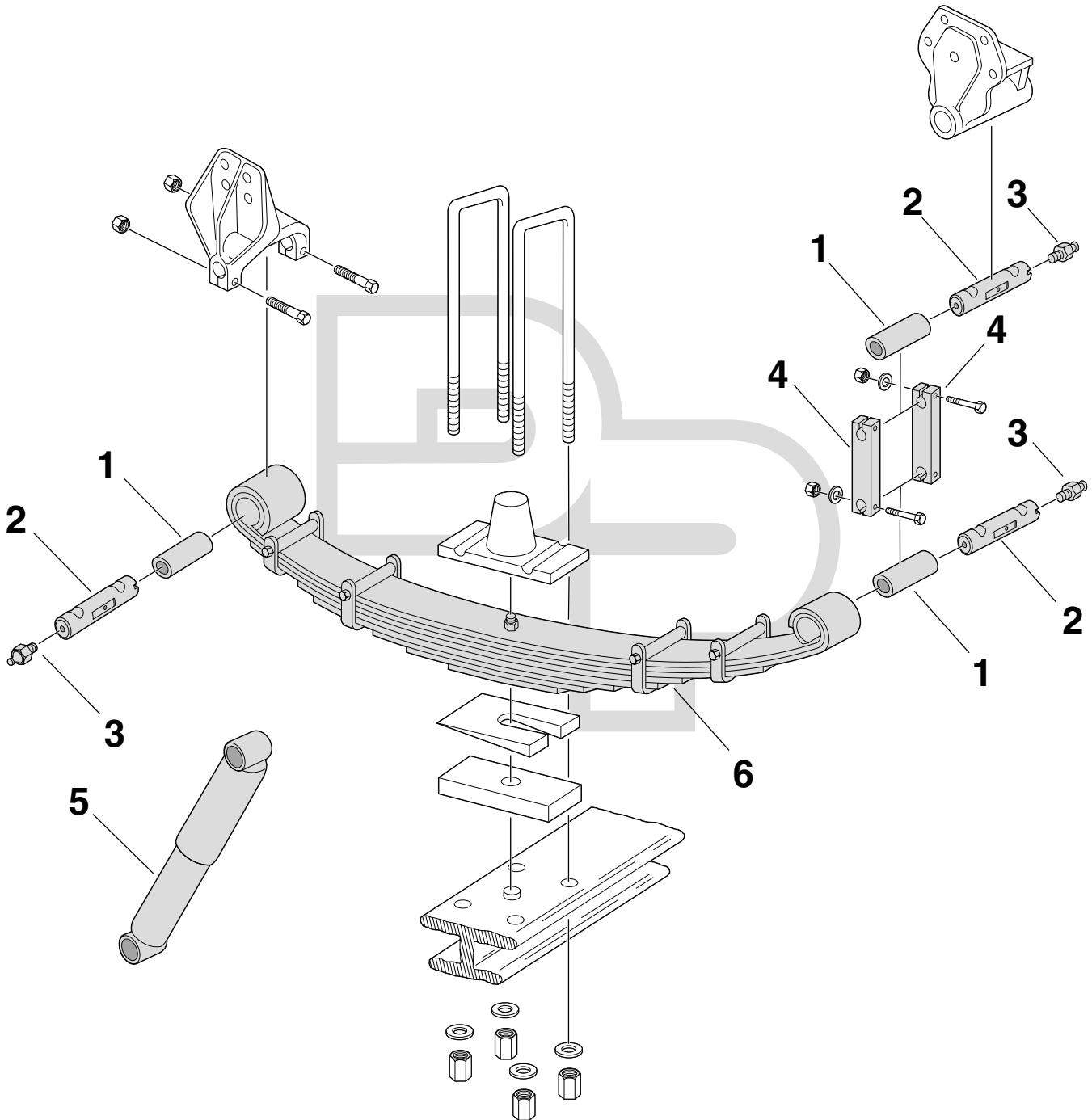
●
✓

Autocar

Parts Listing

Autocar

Suspension Illustration



Autocar

Front Suspension Fixed Rate Spring

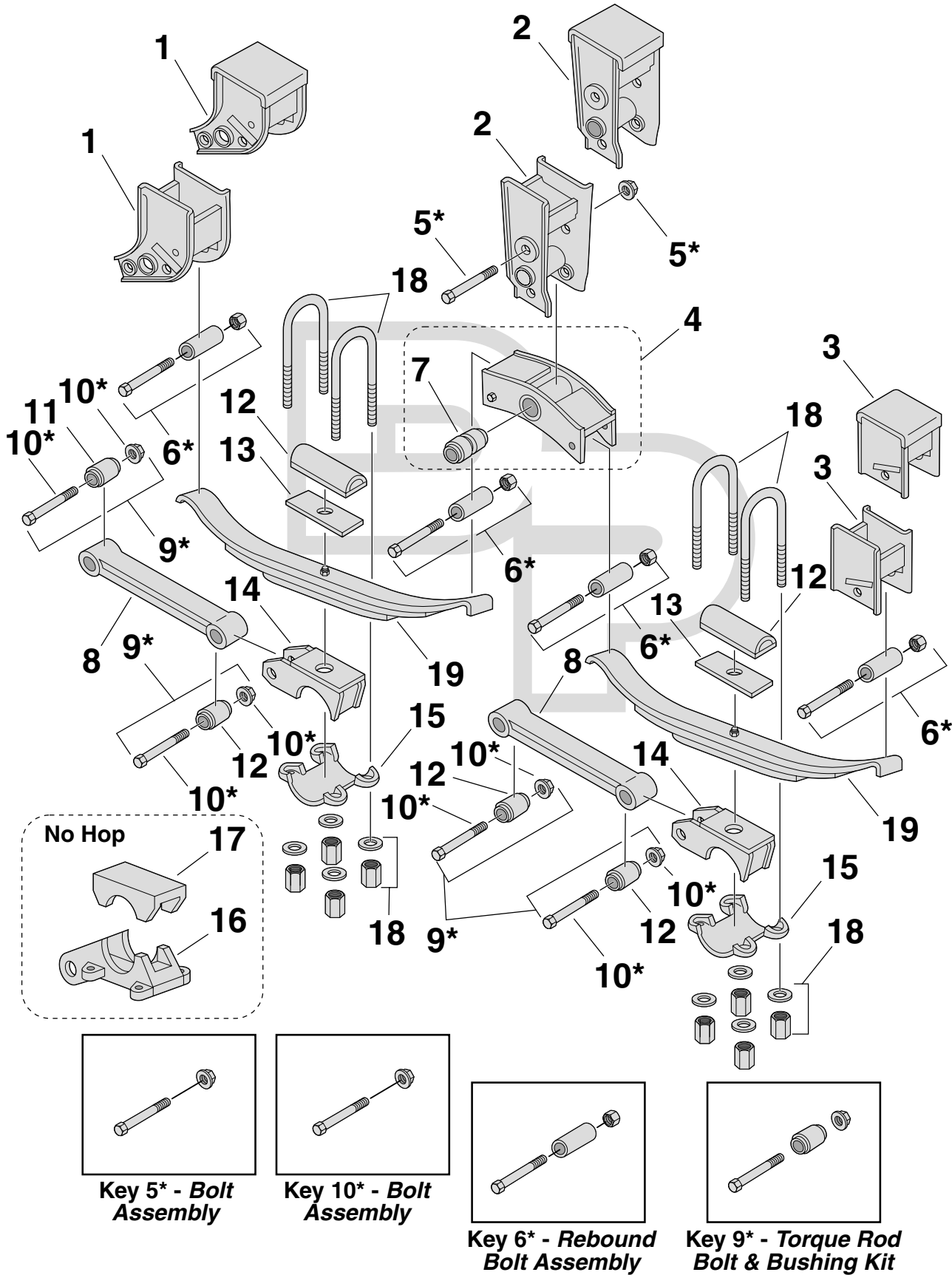
Autocar

Key No.	Part Number	Description	No. Req.	OEM Reference	Remarks
1	PLK-BM	Bushing; 1 1/8"ID x 1 3/8"OD x 4"Lg	6	62300117	
	NJK-BM	Bushing; 1"ID x 1 1/4"OD x 4"Lg	6		
2	327-372	Spring Pin; 1"OD x 6 5/8"Lg x 5 1/8" c/c	6	989787	Discontinued
	327-374	Spring Pin; 1 1/8"OD x 6 5/8"Lg x 5 1/8" c/c	6	994386	See Spring Pin Chart
	327-384	Spring Pin; 1 1/8"OD x 7"Lg x 5 1/2" c/c	6	37121-0001	See Spring Pin Chart
3	334-475	Fitting, Straight Zerk; 1/8"-27NPT	6	1613B	
4	330-133	Side Bar; 6 13/16"Lg x 4 1/8" c/c x 1 1/8"Thk, 1 1/8" Pin Holes	4	37105-0003	
	330-215	Side Bar; 8 3/16"Lg x 5 1/2" c/c x 1 1/8"Thk, 1 1/8" Pin Holes	4	37105-3201	
	◆	Side Bar	4	37105-0001	Use w/327-384
5	M66841	Shock Absorber	2	28R010	
	M66833	Shock Absorber	2	03 1106460	
	See Shocks	Shock Absorber	2	Various	Consult Shock Catalog for Model Specific Applications
6	Spring Assembly	Assembly, Spring	2		See Leaf Spring Web Catalog for Details

Parts Listing

Binkley

Suspension Illustration



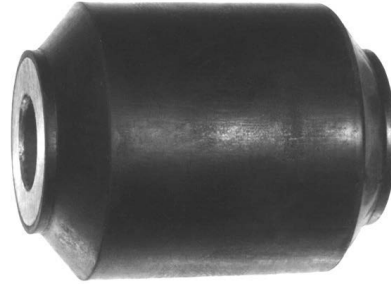
Key No.	Part Number	Description	No. Req.	OEM Reference	Remarks
✓✓ ●	1	338-1300 Hanger; Straddlemount	2	SP0100	
		338-1301 Hanger; Undermount	2	SP0162	
●	2	338-1302 Hanger; Straddlemount	2	SP0110	
✓✓ ●	3	338-1303 Hanger; Undermount	2	SP0161	
		338-1304 Hanger; Straddlemount	2	SP0120	
●		338-1305 Hanger; Undermount	2	SP0160	
✓✓ ●	4	338-1306 Assembly, Equalizer	2	SP0131	Can Use 338-378
✓	5	334-825 Assembly, Bolt; 1"-14 x 6"Lg	2	XB-SP0050-73	Incl. Bolt & Flanged Lock Nut
✓✓	6	334-343 Assembly, Bolt; Rebound; 5/8"-18 x 4 1/2"Lg	8	XB-SP0050-71	Incl. Bolt & Tube Lock Nut
✓ ●	7	321-268 Bushing; 1"ID x 4"Lg	2	XB-SP0054-05	
✓✓ ●	8	345-157 Torque Rod, Adjustable; 18 1/4"-21 1/2"Lg	2	SP0123	Incl. (2) 321-153 Bushings; Cast Ends Use 345-157
		◆ Torque Rod, Adjustable; 20 1/4" Mean Length, No Hop	2	SP0169	
		345-813 Torque Rod, Rigid; 19 1/4"Lg c/c	2	SP0143	Incl. (2) 321-153 Bushings
✓✓	9	334-826 Assembly, Bolt & Bushing	8		Incl. 321-153 Bushing & 334-827 Bolt Assy.
✓	10	334-827 Assembly, Bolt; 7/8"-14 x 4 3/4"Lg	8	XB-SP0050-75	Incl. 334-1206B Bolt & 334-373 Flanged Lock Nut
✓✓ ●	11	321-153 Bushing; 7/8"ID x 1 29/32"OD x 3"Lg	8	XB-SP0054-02	
	12	338-1851 Saddle, U-Bolt	4	SP0178	All Axles; Sq. U-Bolts; U-Bolts Down
✓✓ ●		338-381 Saddle, U-Bolt; 3"W x 7 1/2"Lg; Fabricated	4	SP0174	All Axles; Rd. U-Bolts; U-Bolts Down
	13	GL-295 Liner; 2 7/8" x 8"Lg w/ 7/8" Hole	4	SP0049	
✓ ●	14	338-1307 Bracket/Seat; 2 3/4", 5" Round Axles	4	SP0142-01	See Mounting Height Tables for Additional Spring Seat/Brackets
		338-1308 Seat; 1 1/4", 5" Round Axles	4	SP0142-02	
	338-1807 Bracket, Torque Rod/Seat; 2 3/4", 5" Round Axle	4	SP0149-05		
	See Chart Bracket/Seat	4	Various		
✓ ●	15	338-415 Plate, U-Bolt Clamp; Bottom; Fabricated	2 or 4	SP0099	
	16	338-1309 Bracket, Torque Rod/Axle; 5" Round Axles; No Hop	2	SP0170	
●	17	338-399 Seat; 3/4", 5" Round Axles; No Hop	2	SP0172-01	Rear Axle Only
		338-401 Seat; 1 3/4", 5" Round Axles; No Hop	2	SP0172-03	Rear Axle Only
		See Chart Seat, Axle	AR		See Mounting Height Tables for Additional Spring Seat/ Brackets
✓✓	18	361-292 Kit, U-Bolt; Square Bend, Grade 8	8	SP0074-G/S	3/4" x 3" x 12 3/8" S
		361-272 Kit, U-Bolt; Square Bend, Grade 8	8	SP0074-T/Y	3/4" x 3" x 18 3/8" S
		361-469 Kit, U-Bolt; Round Bend, Grade 8	8	SP0075-01/03	3/4" x 3" x 12 5/8" R; Underslung
		361-196 Kit, U-Bolt; Round Bend, Grade 8	8	SP0075-04/C	3/4" x 3" x 15 5/8" R; Underslung
✓		SP Kit, U-Bolt	8		See Mounting Height Tables for Additional U-Bolt Kits
	19	Spring Assembly Assembly, Spring	4		See Leaf Spring Web Catalog for Details

321-153



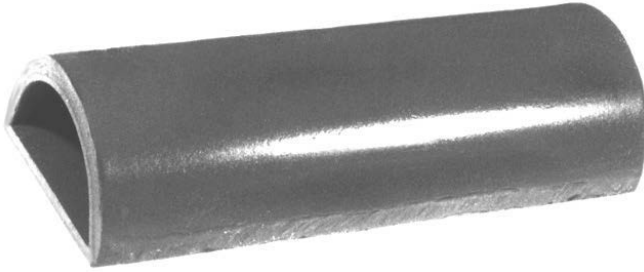
7/8" I.D. x 1 29/32" O.D. x 3" Lg.

321-268



1" I.D. x 3 1/8" O.D. x 4" Lg.

338-381



Saddle, U-Bolt; 3"W x 7 1/2"Lg. - Fabricated; Use with 3" Round U-bolts

338-399



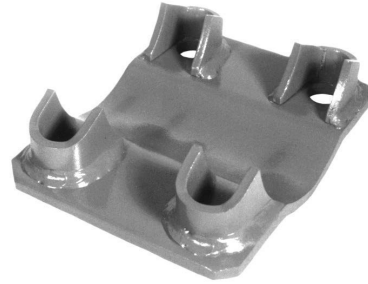
No Hop-Rear Axles, 3/4" Seat Height (See height chart after photos)

338-401



No Hop-Rear Axles, 1 3/4" Seat Height (See height chart after photos)

338-415



Plate, Bottom U-Bolt Clamp; Fabricated

338-1300



Front LH/RH Straddlemount; Use w/ 334-343 Rebound Bolt, 334-827 T/R Bolt

338-1301



Front LH/RH Undermount; Use w/ 334-343 Rebound Bolt, 334-827 T/R Bolt

338-1302



Center LH/RH Straddlemount; Use w/ 334-825 Equalizer Bolt Assy., 334-827 T/R Bolt

338-1303



Center LH/RH Undermount; Use w/ 334-825 Equalizer Bolt, 334-827 T/R Bolt

338-1304



Rear LH/RH Straddle mount; Use w/ 334-343 Rebound Bolt

338-1305



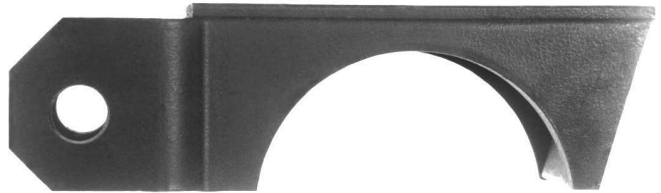
Rear LH/RH Undermount; Use w/ 334-343 Rebound Bolt

338-1306



Includes 321-268 Bushing; Use w/ 334-825 Equalizer Bolt Assy., 334-343 Rebound Bolts

338-1307



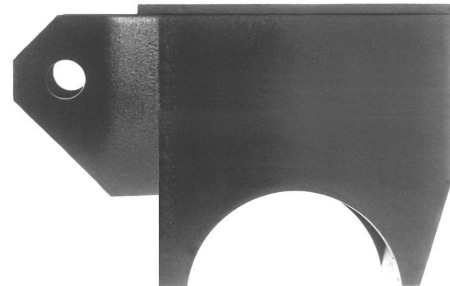
5" Round, 3/4" Seat Height (See height chart after photos)

338-1308



5" Round, 1 1/4" Seat Height (See height chart after photos)

338-1807



5" Round, 2 3/4" Seat Height (See height chart after photos)

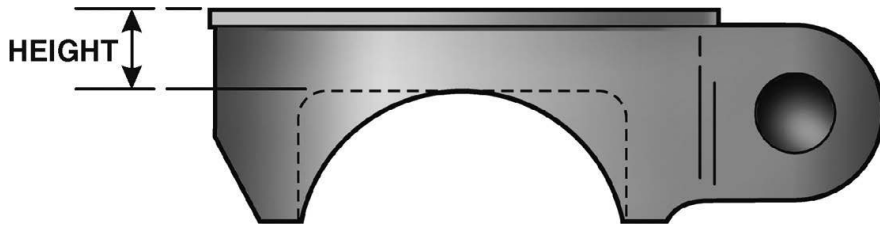
345-157



Adjustable 18 1/4" to 21 1/2" C to C; Includes 321-153 Bushings

Axle Seat Mounting Height Charts

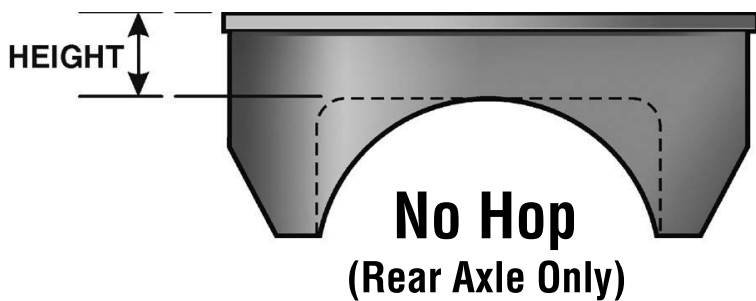
Binkley



Binkley

Spring Part No.	Seat Height	3/4"	1-1/4"	1-3/4"	2-1/4"	2-3/4"	3-1/4"	3-3/4"	4-1/4"
	Spring Seat Riser:	338-1307	338-1308	SP	SP	338-1807	SP	SP	SP
TRA-2740	Mounting Height:	15-1/2"	16"	16-1/2"	17"	17-1/2"	18"	18-1/2"	19"
TRA-2741		13-1/4"	13-3/4"	14-1/4"	14-3/4"	15-1/4"	15-3/4"	16-1/4"	16-3/4"
	U-Bolt Kit, Square	361-292	361-292	361-292	361-292	361-292	361-292	361-272	361-272
	U-Bolt Kit, Round	361-469	361-196	361-196	361-196	361-196	361-196	361-196	361-196
TRA-2726	Mounting Height:	15-1/2"	16"	16-1/2"	17"	17-1/2"	18"	18-1/2"	19"
TRA-2727		14"	14-1/2"	15"	15-1/2"	16"	16-1/2"	17"	17-1/2"
TRA-2728		13-1/4"	13-3/4"	14-1/4"	14-3/4"	15-1/4"	15-3/4"	16-1/4"	16-3/4"
	U-Bolt Kit, Square	361-292	361-292	361-292	361-292	361-292	361-292	361-292	361-272
	U-Bolt Kit, Round	361-469	361-469	361-196	3661-196	361-196	361-196	361-196	361-196
TRA-2752	Mounting Height:	15-1/2"	16"	16-1/2"	17"	17-1/2"	18"	18-1/2"	19"
TRA-2753		14"	14-1/2"	15"	15-1/2"	16"	16-1/2"	17"	17-1/2"
TRA-2754		13-1/4"	13-3/4"	14-1/4"	14-3/4"	15-1/4"	15-3/4"	16-1/4"	16-3/4"
	U-Bolt Kit, Square	361-292	361-292	361-292	361-292	361-292	361-292	361-292	361-292
	U-Bolt Kit, Round	361-469	361-469	361-469	361-196	361-196	361-196	361-196	361-196
TRA-023	Mounting Height:	15-1/2"	16"	16-1/2"	17"	17-1/2"	18"	18-1/2"	19"
TRA-024		13-1/4"	13-3/4"	14-1/4"	14-3/4"	15-1/4"	15-3/4"	16-1/4"	16-3/4"
	U-Bolt Kit, Square	361-292	361-292	361-292	361-292	361-292	361-292	361-292	361-292
	U-Bolt Kit, Round	361-469	361-469	361-469	361-469	361-196	361-196	361-196	361-196

Axle Seat Mounting Heights



Binkley

Spring Part No.	Seat Height	3/4"	1-1/4"	1-3/4"	2-1/4"
	Spring Seat	338-399	SP	338-401	SP
TRA-2740	Mounting Height:	15-1/2"	16"	16-1/2"	17"
TRA-2741		13-1/4"	13-3/4"	14-1/4"	14-3/4"
	U-Bolt Kit, Square	361-272	361-272	361-272	361-272
	U-Bolt Kit, Round	361-196	361-196	361-196	361-196
TRA-2726	Mounting Height:	15-1/2"	16"	16-1/2"	17"
TRA-2727		14"	14-1/2"	15"	15-1/2"
TRA-2728		13-1/4"	13-3/4"	14-1/4"	14-3/4"
	U-Bolt Kit, Square	361-292	361-272	361-272	361-272
	U-Bolt Kit, Round	361-196	361-196	361-196	361-196
TRA-2752	Mounting Height:	15-1/2"	16"	16-1/2"	17"
TRA-2753		14"	14-1/2"	15"	15-1/2"
TRA-2754		13-1/4"	13-3/4"	14-1/4"	14-3/4"
	U-Bolt Kit, Square	361-292	361-292	361-272	361-272
	U-Bolt Kit, Round	361-196	361-196	361-196	361-196
TRA-023	Mounting Height:	15-1/2"	16"	16-1/2"	17"
TRA-024		13-1/4"	13-3/4"	14-1/4"	14-3/4"
	U-Bolt Kit, Square	361-292	361-292	361-292	361-272
	U-Bolt Kit, Round	361-196	361-196	361-196	361-196

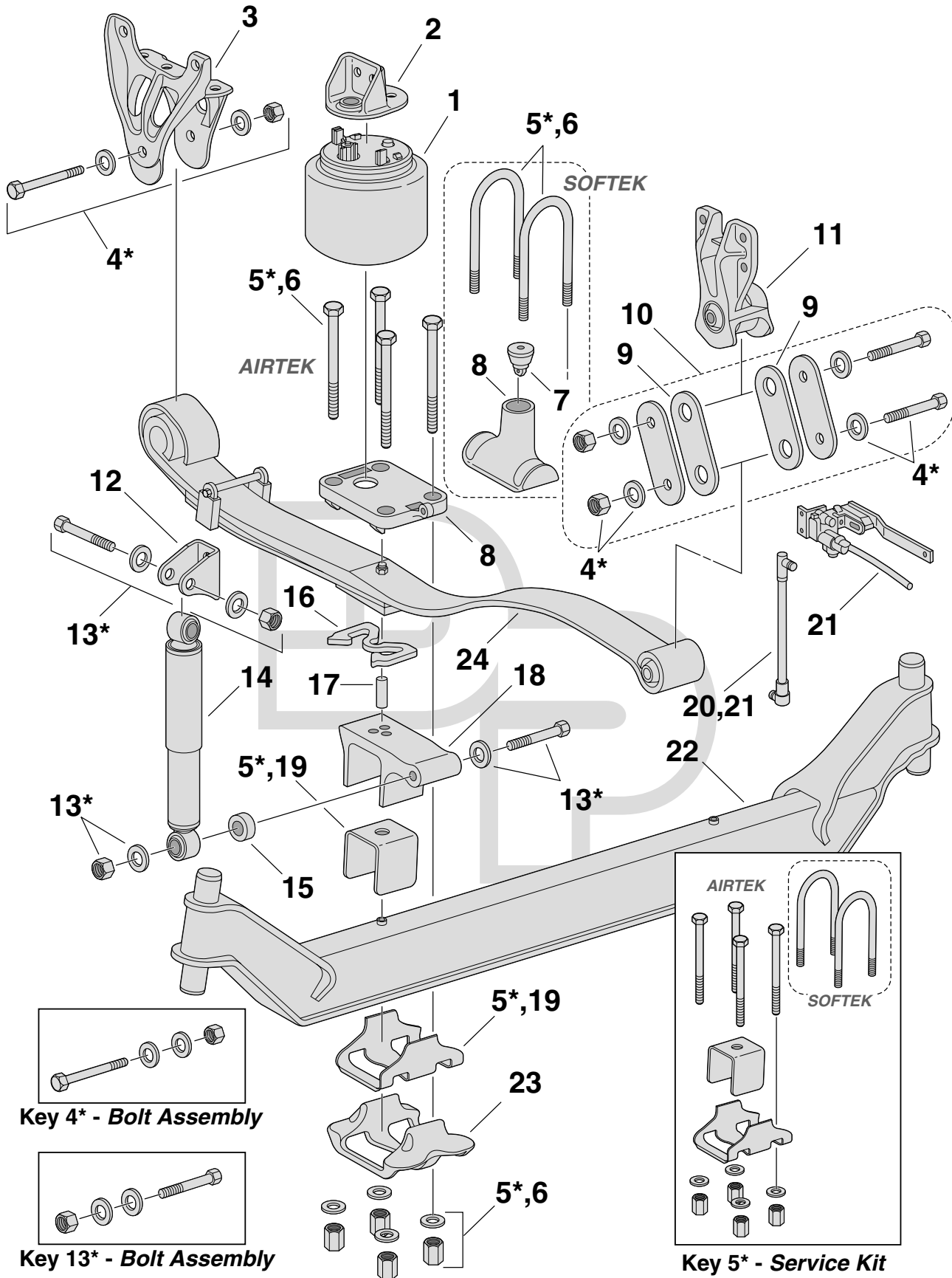
Axle Seat Mounting Heights

AIRTEK®/SOFTEK® (Hendrickson)
Vision/All American Buses
Front Suspension

Bluebird

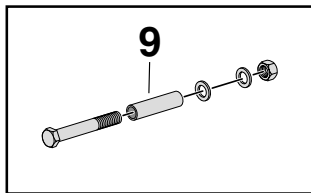
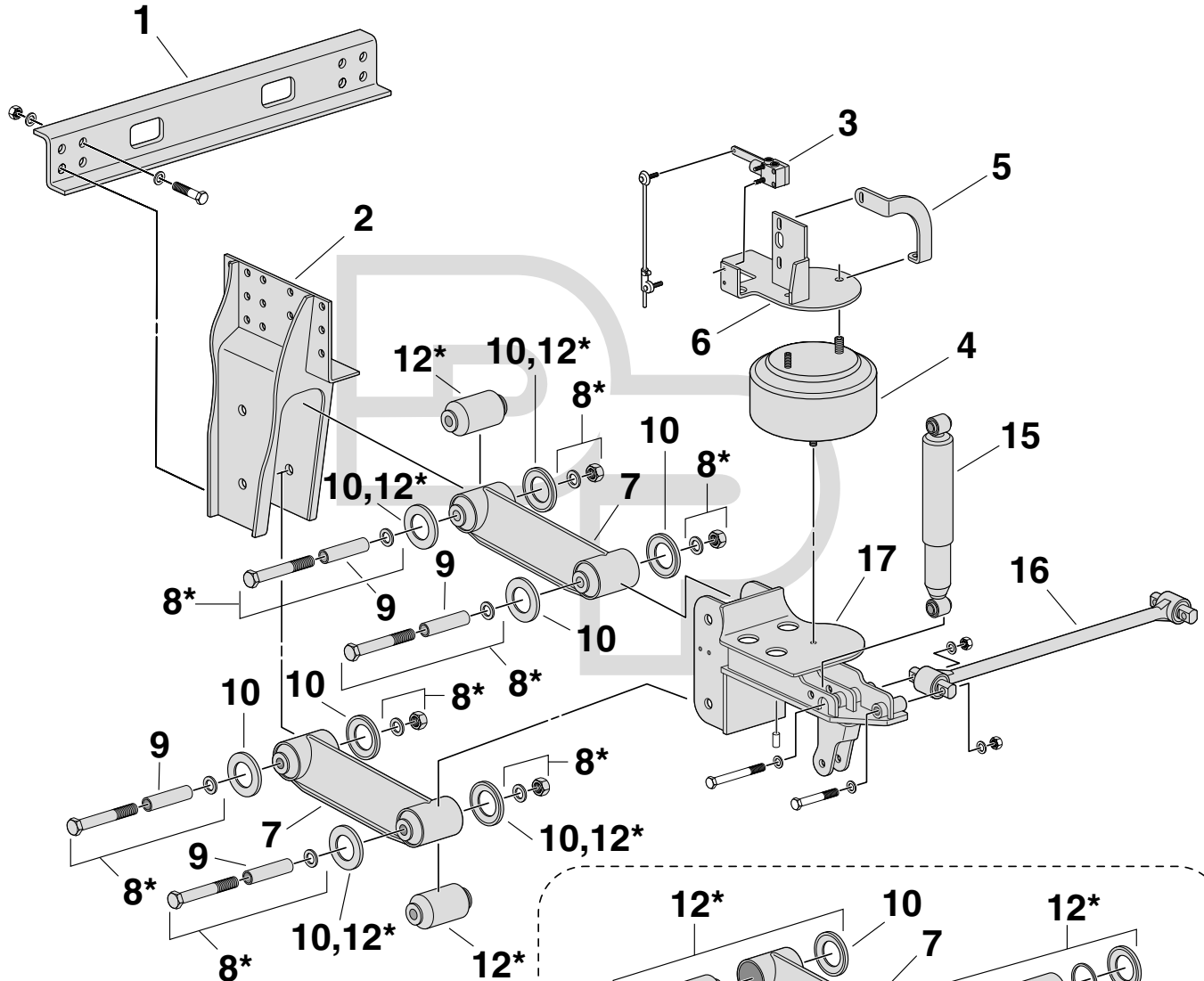
Bluebird

Suspension Illustration

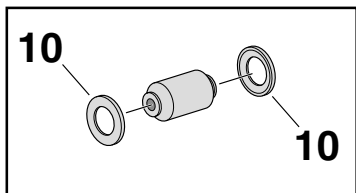


Key No.	Part Number	Description	No. Req.	OEM Reference	Remarks
	1	Air Spring	2	64075-2	AIRTEK®; 10K Vision
	66865-002L	Air Spring	2	66865-2	AIRTEK®; 14.6K All American
	2	Bracket, Air Spring	2	60850-1	AIRTEK®; 10K
	SP	Bracket, Air Spring	2	66807-1	AIRTEK®; 14.6K
	SP	Bracket, Air Spring	2	66807-002	AIRTEK®; w/Steertek, 13.2K/14.6K; All-American
	3	Hanger, Front	2	64488	AIRTEK®; 10K
	SP	Hanger, Front	2	64488-2	14.6K
✓✓	4	Assembly, Bolt; M20-2.5 x 160 Lg	6		
	5	Kit, Service; Clamp Group	2	60961-66	6 ½" Ride Hgt.; Incl 334-1731; <10/12
	334-1733	Kit, Service; Clamp Group	2	60961-67	8 ½" Ride Hgt.; Incl 334-1731; <10/12
	SP	Kit, Service; U-Bolt Clamp Group	2	Various	SOFTEK®
	SP	Kit, Service; Clamp Group	2	Various	AIRTEK®; Specify Ride Hgt., Capacity & Production Date
	SP	Kit, Service; U-Bolt	2	Various	AIRTEK®; Specify Ride Hgt., Capacity & Production Date
	6	Assembly, Bolt	8	Various	AIRTEK®; Specify Ride Hgt., Capacity & Production Date
	SP	Assembly, U-Bolt	4	Various	AIRTEK®; Specify Ride Hgt., Capacity & Production Date
✓●	7	Stop, Bump	2	64080	
	8	Plate, Top	1	Various	Specify LH/RH, Capacity
✓●	9	Washer, Thrust	4	64159	10K; <11/06
✓●	10	Kit, Shackle	2		10K; <11/06
●	11	Hanger, Shackle	2	64316	<11/06
	SP	Hanger, Shackle	2	66510-1	>11/06
	12	Bracket, Shock Absorber	2	59423-2	10K
	SP	Bracket, Shock Absorber	2	65000-2, 67463-2	14.6K
	13	Assembly, Bolt; ¾" x 4"Lg	2		AIRTEK®
	334-1738	Assembly, Bolt; ¾" x 7"Lg	2		Incl. Spacer
	334-1737	Assembly, Bolt; ¾" x 3 ¾"Lg	2		SOFTEK®
	14	Shock Absorber	2	58913-9	AIRTEK®; 10K; Replaces -7, -8
	341-58913-11	Shock Absorber	2	58913-11	AIRTEK®; 14.6K
	341-58913-7	Shock Absorber	2	58913-7	SOFTEK®
	341-58913-10	Shock Absorber	2	58913-10	SOFTEK®
	15	Spacer, Shock Absorber	2	59946-1	10K <10/12; SOFTEK® 14.6K
	SP	Spacer, Shock Absorber	2	59946-6	AIRTEK® 14.6K
	SP	Spacer, Shock Absorber	2	22962-46	AIRTEK®; 10K >10/12; .118 Thick Flat Washer
	16	Spacer	1	64536-xxx, 70105-10	AIRTEK®; Specify LH/RH, Ride Hgt. & Capacity
	17	Pin, Dowel; 2"Lg	2	18831-21	AIRTEK®; Included in Clamp/U-Bolt Service Kits
	SP	Pin, Dowel; 1 ½"Lg	2	18831-22	AIRTEK®; Included in Clamp/U-Bolt Service Kits
	SP	Pin, Dowel; 3"Lg	2	18831-23	AIRTEK®; Included in Clamp/U-Bolt Service Kits
	18	Seat	2	59952-3	10K <10/12
	SP	Seat	2	59952-26	14.6K <10/12
✓●	19	Kit, Service; Axle/Seat Liners	2	60961-15	<10/12
✓●	20	Linkage Assembly; Universal; Adjustable	1	Various	AIRTEK®; 3 ⅝"-19 ⅝" Range; Use with All Height Control Valves
	21	Kit, Replacement; Height Control Valve	1	59427-8	AIRTEK®; Incl. HCV, Linkage
	22	Assembly, Axle	1	Various	Contact Tech for Assistance
	23	Plate, Bottom	2	64722-3, 64014-3	<10/12
	24	Spring Assembly	2	Various	Specify AIRTEK®/SOFTEK®; Capacity

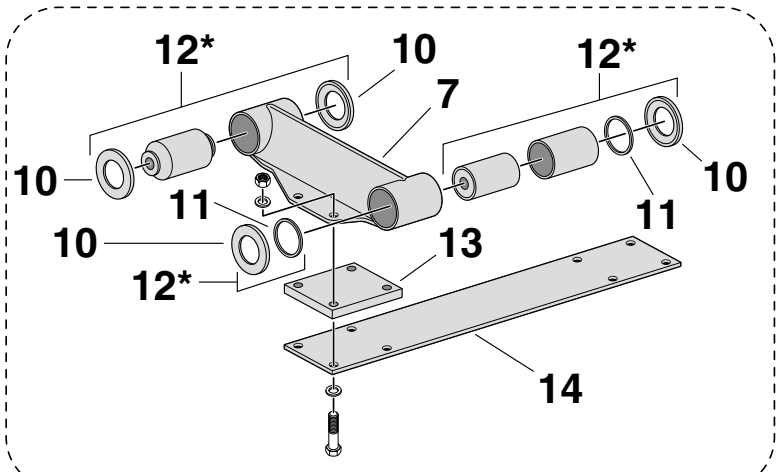
Bluebird



**Key 8* - Pivot Bolt
Kit / Axle Set**



**Key 12* - Service Kit,
Bushing; Axle Set**



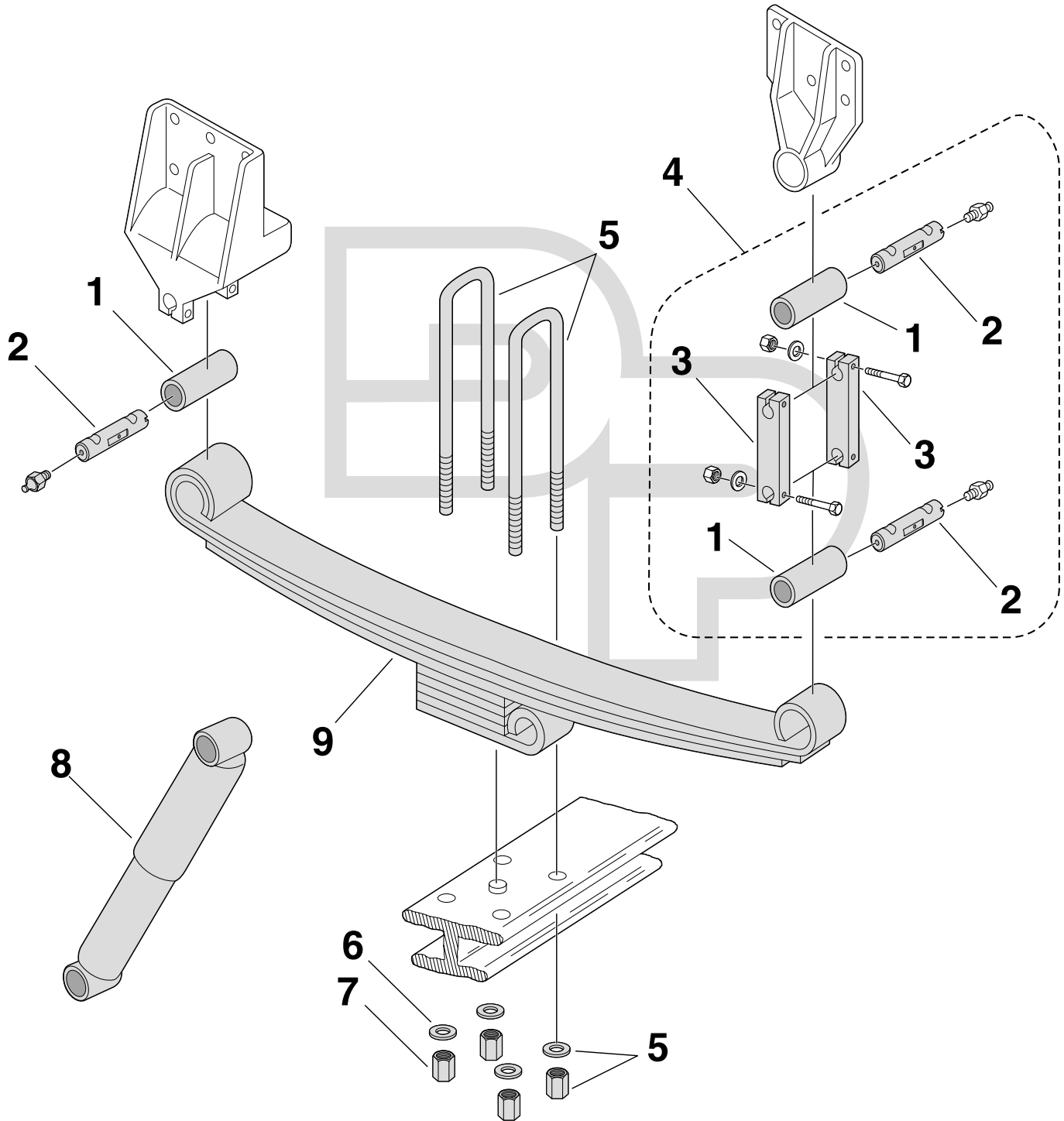
Models Built between 9/98 - 12/99

Suspension Illustration

Key No.	Part Number	Description	No. Req.	OEM Reference	Remarks
1	SP	Crossmember	1	59538	Models w/ Transverse Torque Rod; 01/00-Current
	SP	Crossmember	1	59540	Models w/Transverse Leaf; 09/98-12/99
2	SP	Hanger	1	59521-1/ -2	Specify Roadside/Curbside
●	334-1716	Valve, Height Control	2	59013	Includes Linkage
4	59484-002L	Air Spring	2	59484	
	59601-002L	Air Spring	2	59601	
5	SP	Bracket, Air Spring Reinforcement; Roadside	1	59479-3/ -4	Specify Roadside/Curbside
6	SP	Hanger, Air Spring; Upper	1	59482-1/ -2	Specify Roadside/Curbside
7	SP	Assembly, Beam	4	59521-1/ -2	Models w/Transverse T.R.; 01/00-Current; Specify Roadside/Curbside
8	334-2042	Kit, Pivot Bolt; Axle Set	1	59568-1	7/8"-9 x 7 1/2" Bolt, Lock Nut & Liner
9	SP	Liner	8	59504	
10	SP	Washer, Thrust	16	59803	
11	SP	Seal, Rubber	4	59527	9/98-12/99
●	334-2043	Kit, Service; Bushing; Axle Set		34013-105	Models w/Transverse T/R, 01/00+
✓ ●	334-2044	Kit, Service; Bushing; Axle Set		34013-100	09/98-12/99
13	SP	Plate, Spacer	AR	59524	09/98-12/99
14	SP	Leaf, Transverse	1	59485	09/98-12/99
✓	M65478	Shock Absorber	2	60665-5	09/98-12/99
	SP	Shock Absorber	2	60998-2	11/01-Current
16	345-918	Rod, Track	2	62000-745	01/00-Current
17	SP	Seat, Axle	1	Various	Specify Roadside/ Curbside & Bus Model

Bluebird

Suspension Illustration



Bluebird

Front Taper Spring Suspension

Bluebird

Parts Listing

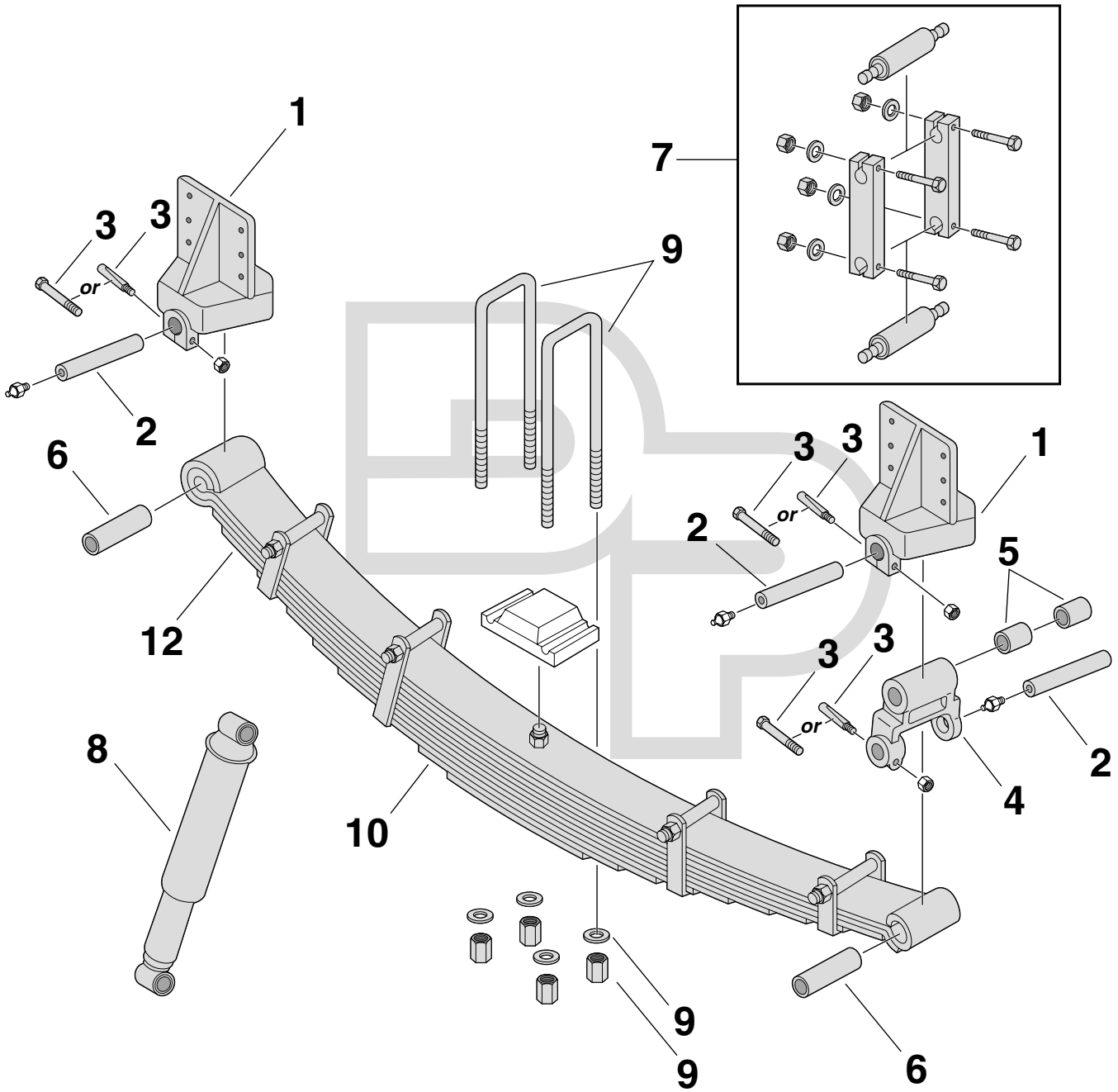
Key No.	Part Number	Description	No. Req.	OEM Reference	Remarks
	RNK-BM	Bushing; 1 1/4"ID x 1 1/2"OD x 4"Lg	6		
✓✓●	327-522	Spring Pin; 1 1/4"OD x 6 1/4"Lgx 5 1/16 c/c	6	1662774	
✓✓●	330-365	Side Bar; 6"Lg x 3 3/4" c/c, 1 1/4" pin holes	4	1661966	
	◆	Kit, Shackle	2		
	330-366U	Kit, Shackle; Urethane	2		Replaces 334-1832
✓	361-569	Kit, U-Bolt; Square Bend, Grade 8	4		3/4" x 4" x 9 7/8" S
	334-166	Washer, Hard Flat; 3/4"	8		
	DN-34	Nut, Deep; 3/4"-16, Grade C	8		
✓	M65121	Shock Absorber	2	1658525	Consult Shock Catalog for Model Specific Applications
	Spring Assembly	Assembly, Spring	2		See Leaf Spring Web Catalog for Details

Forward Control Chassis Front Multi-Leaf Suspension

Bluebird

Bluebird

Suspension Illustration



Bluebird

Forward Control Chassis Front Multi-Leaf Suspension

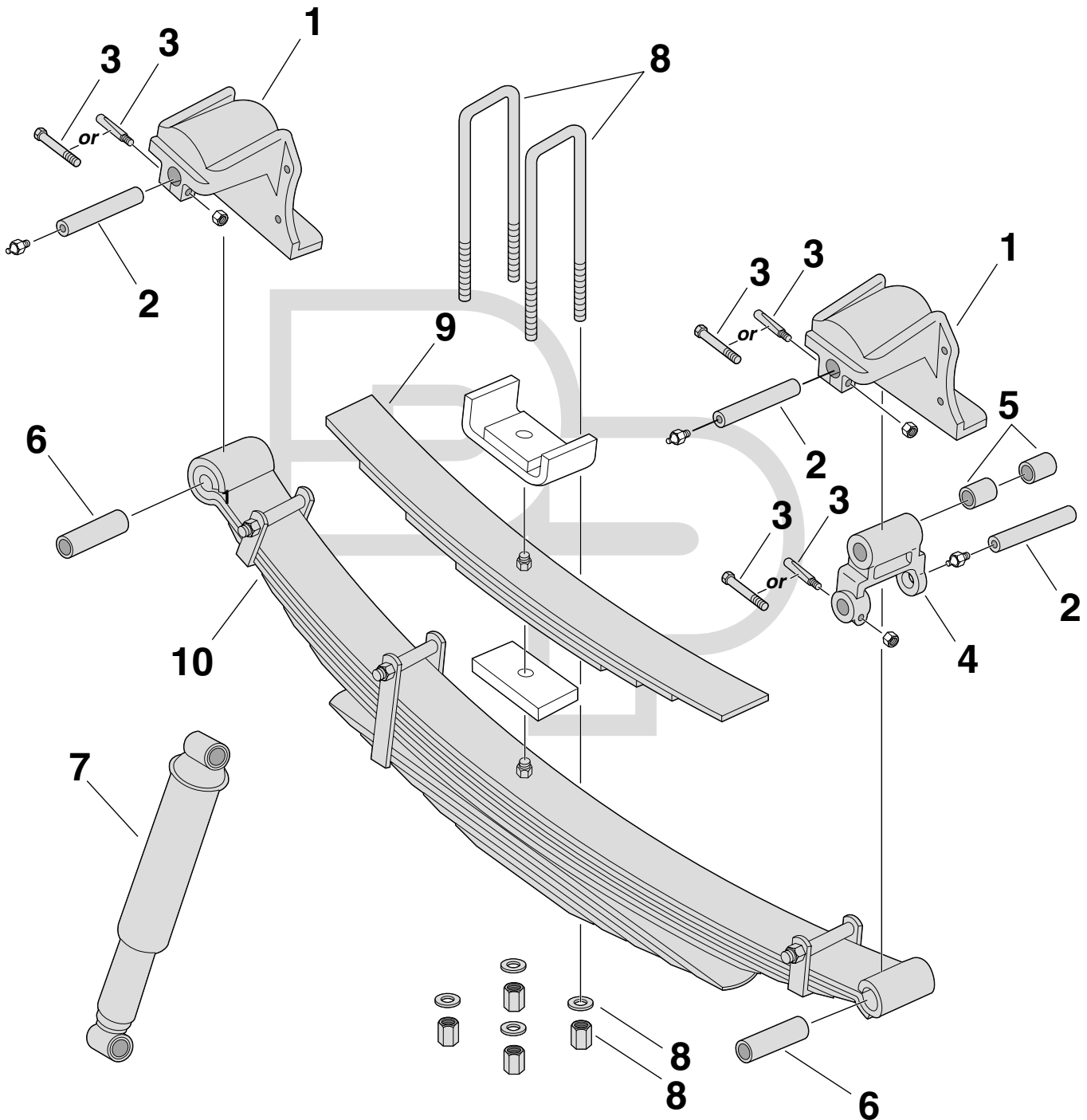
Bluebird

Parts Listing

Key No.	Part Number	Description	No. Req.	OEM Reference	Remarks	
1	◆	Hanger, Front	2	1148196	Excl. TC2000	
	◆	Hanger, Rear	2	1148204	Excl. TC2000	
	◆	Hanger, Front & Rear	4	1317726	TC2000	
✓ ●	2	327-216	Spring Pin; 1 1/8"OD x 5"Lg x 9/16" c/e	6	0663856	Single Lock
✓ ●	327-250	Spring Pin; 1 1/8"OD x 5"Lg x 19/32" c/e	6	0997056	Single Lock; TC2000 Series	
●	327-128	Spring Pin; 1 1/4"OD x 6"Lg x 1/2" c/e	6	1034271	Single Lock	
●	3	334-463	Pin, Lock; 2 3/16"Lg x 3/8"-24 Thread	6	0663849	For 327-216
	◆	Bolt, Lock; 7/16"-14 x 2 1/2"	6	0997064	For 327-250	
✓✓ ●	4	330-135	Shackle, Cast	2	1116938	4" Multileaf Suspension
	●	330-228	Shackle, Cast	2	1026475	
5	322-132	Bushing; 1 1/8"ID x 1 1/4"OD x 1 1/4"Lg	4	1147735	For 330-135	
6	PLG	Bushing; 1 1/8"ID x 1 3/8"OD x 3"Lg	4	2625482		
7	330-135U	Kit, Shackle; Urethane	2		Incl. Shackle, Urethane Pins, Bushings & Hdwe.	
✓	8	M74028	Shock Absorber	2	614996	Consult Shock Catalog for Model Specific Applications
		See Shocks	Shock Absorber	2	Various	
9	SP	Kit, U-Bolt	4	0818005, 1421395	3/4" x 3 1/16" x 9 3/8"; Use SUW-34 & DN-34	
10	Spring Assembly	Assembly, Spring	2		See Leaf Spring Web Catalog for Details	

Bluebird

Suspension Illustration



Bluebird

Forward Control Chassis Rear Suspension

Bluebird

Parts Listing

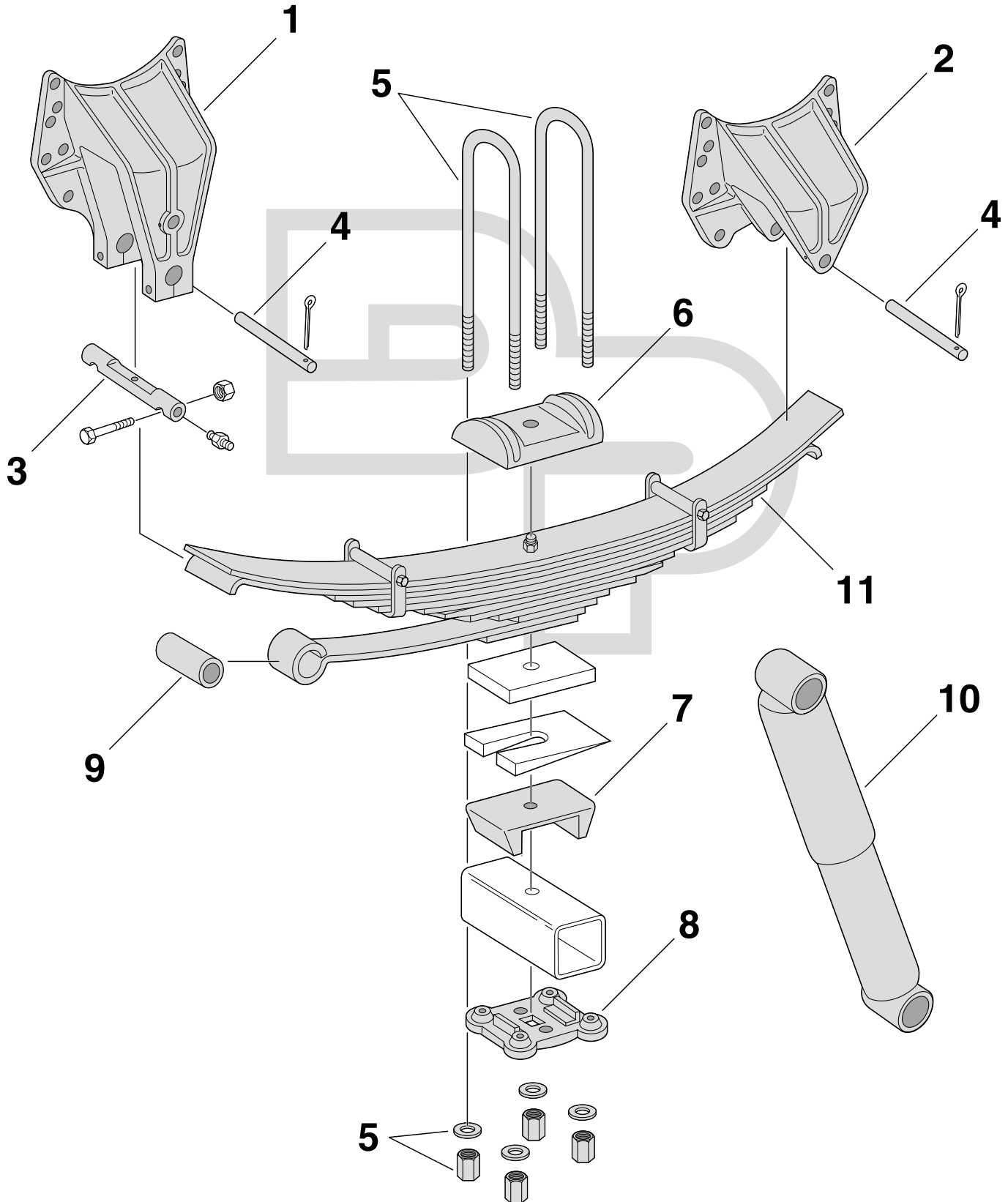
Key No.	Part Number	Description	No. Req.	OEM Reference	Remarks
	◆	Hanger, Front & Rear	2	1163393	
✓✓ ●	338-1947	Hanger, Front & Rear	2	0360222, 1148212	½" Holes
✓ ●	327-216	Spring Pin; 1 ½"OD x 5"Lg x ⅜" c/e	2	0997956	For 334-463
✓ ●	327-250	Spring Pin; 1 ½"OD x 5"Lg x ⅜" c/e	6	0997046	Optional
●	334-463	Pin, Lock; 2 ⅜"Lg x ⅜"-24 Thread	6	0997064	Use SLN-100 Lock Nut
✓✓ ●	330-135	Shackle, Cast	2	1116938	Casting No. 116946
	322-132	Bushing; 1 ½"ID x 1 ¼"OD x 1 ¼"Lg	4	1147735	For 330-135
	PLG	Bushing; 1 ½"ID x 1 ⅜"OD x 3"Lg	2	2625482	For Spring Eyes
✓	M74006	Shock Absorber	2	Various	Consult Shock Catalog for Model Specific Applications
✓	M74028	Shock Absorber	2	Various	
✓✓	M65166	Shock Absorber	2	Various	
	See Shocks	Shock Absorber	2	Various	
	361-667	Kit, U-Bolt; 3/4" x 3" x 9" Square Bend	4		
	SP	U-Bolt	4	Various	Specify Length, Width, Diameter & Bend
	14-117	Spring, Helper	2	0997007	3" Wide Spring; 6 Leaf
	Spring Assembly	Assembly, Spring	2		See Leaf Spring Web Catalog for Details

**TC2000FE Series
Variable Rate
Rear Single Axle Suspension**

Bluebird

Bluebird

Suspension Illustration



Key No.	Part Number	Description	No. Req.	OEM Reference	Remarks	
✓✓ ●	1	338-932	Hanger; Cast	2	1362060	
✓ ●	2	338-933	Hanger; Cast	2	1362078	
✓✓ ●	3	327-256	Spring Pin; 1 ¼"OD x 5 ⅞" Lg x 4" c/c	2	1353440	For Radius Leaf
●		334-964	Kit, Bushing & Pin; Urethane	2		
✓✓ ●	4	327-282	Pin, Rebound; ¾" x 5 7/8" Lg	4	1362045	
✓✓	5	361-270	Kit, U-Bolt; Special Bend, Grade 8	4	1351401	¾" x 3" x 18 ⅞" SR
	6	◆	Plate, Top	2	1317908	
		◆	Plate, Top	2	1351410	
	7	◆	Seat, Axle	2	1317916	
		◆	Seat, Axle	2	1348424	
	8	◆	Plate, Bottom	2	1317866	
		◆	Plate, Bottom	2	1351402	
	9	RNG-BM	Bushing; 1 ¼"ID x 1 ½"OD x 3" Lg	2		
✓✓	10	M66884	Shock Absorber	2	1316546	Consult Shock Catalog for Model Specific Applications
✓✓		M65459	Shock Absorber	2	1746163	
		See Shocks	Shock Absorber	2	Various	
	11	Spring Assembly	Assembly, Spring	2		See Leaf Spring Web Catalog for Details

325-244



Stop, Bump; Model Softek

327-128



Spring Pin; 1 1/4"OD x 6"Lg. x 1/2" C/E; Single Lock; Model Forward Control Chassis Front Multi-Leaf

327-216



Spring Pin; 1 1/8"OD x 5"Lg. x 9/16" C/E; Single Lock; Single Lock; Models Forward Control Chassis Front Multi-Leaf, Forward Control Chassis Rear

327-250



Spring Pin; 1 1/8"OD x 5"Lg. x 19/32" C/E; Single Lock; Models TC2000 Series, Forward Control Chassis Rear

327-282



Pin, Rebound; 3/4" x 5 7/8"Lg.; Model TC2000FE Series

327-522



Spring Pin, 1 1/4"OD x 6 1/4"Lg. x 5 1/16 c/c; Model Front Taper Spring

330-135



Shackle, Cast; Includes 322-132 Bushings; Use w/ 334-463 Lock Pin; Model Forward Control Chassis Front Multi-Leaf, Forward Control Chassis Rear

330-228



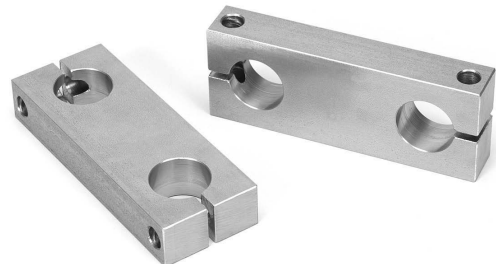
Shackle, Cast; Includes RNK Bushing; Use w/ 327-128 Spring Pin; 4" Multileaf Suspension; Model Forward Control Chassis Front Multi-Leaf

330-348



Shackle Kit; Models Airtek/Softek

330-365



Side Bar; 6"Lg x 3 3/4" c-c, 1 1/4" pin holes; Model Front Taper Spring

334-463



2 3/16" Lg. x 3/8"-24 Thread; Use w/ 327-216 Spring Pin

334-751



Linkage Assembly, Universal Adjustable; 3 5/8"-19 5/8" Range; Use w/all Height Control Valves

334-964



Urethane Bushing & Pin Kit; Replaces 327-256 Pin and RNG-BM Bushing; Model TC2000FE Series

334-1716



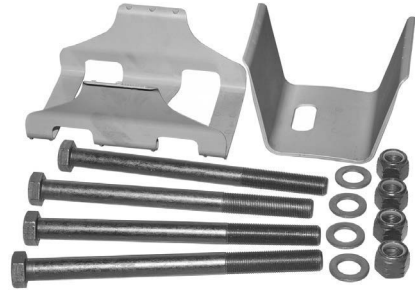
Valve, Height Control; Include Linkage; Model Parasteer

334-1731



Service Kit, Axle/Seat Liners; Models Airtek/Softek

334-1732



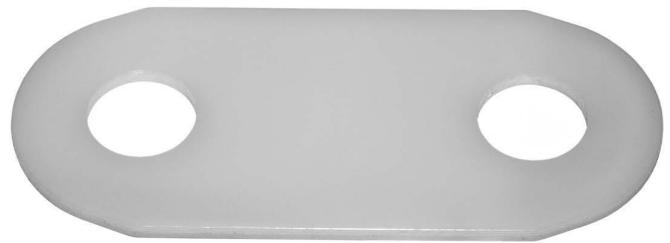
Service Kit, Clamp Group; 6 1/2" ride height; incl 334-1731 <10/12; Models Airtek/Softek

334-1733



Service Kit, Clamp Group; 8 1/2" ride height; incl 334-1731 <10/12; Models Airtek/Softek

334-1749



Washer, Thrust; 10K <11/06; Models Airtek/Softek

334-2043



Service Kit, Bushing; Axle Set; 01/00; 09/98-12/99

334-2044



Service Kit, Bushing; Axle Set; Models w/Transverse T/R; 01/00-Current

338-932



Hanger; Cast; LH/RH; Use w/ 327-282 Rebound Pin, 327-256 Spring Pin; Model TC2000FE Series

338-933



Hanger; Cast; LH/RH; Use w/ 327-282 Rebound Pin; Model TC2000FE Series

338-1940



Hanger, Shackle; <11/06; Models Airtex/Softek

338-1947



Hanger, Front and Rear; 1/2" Bolt Holes; Model Forward Control Chassis Rear

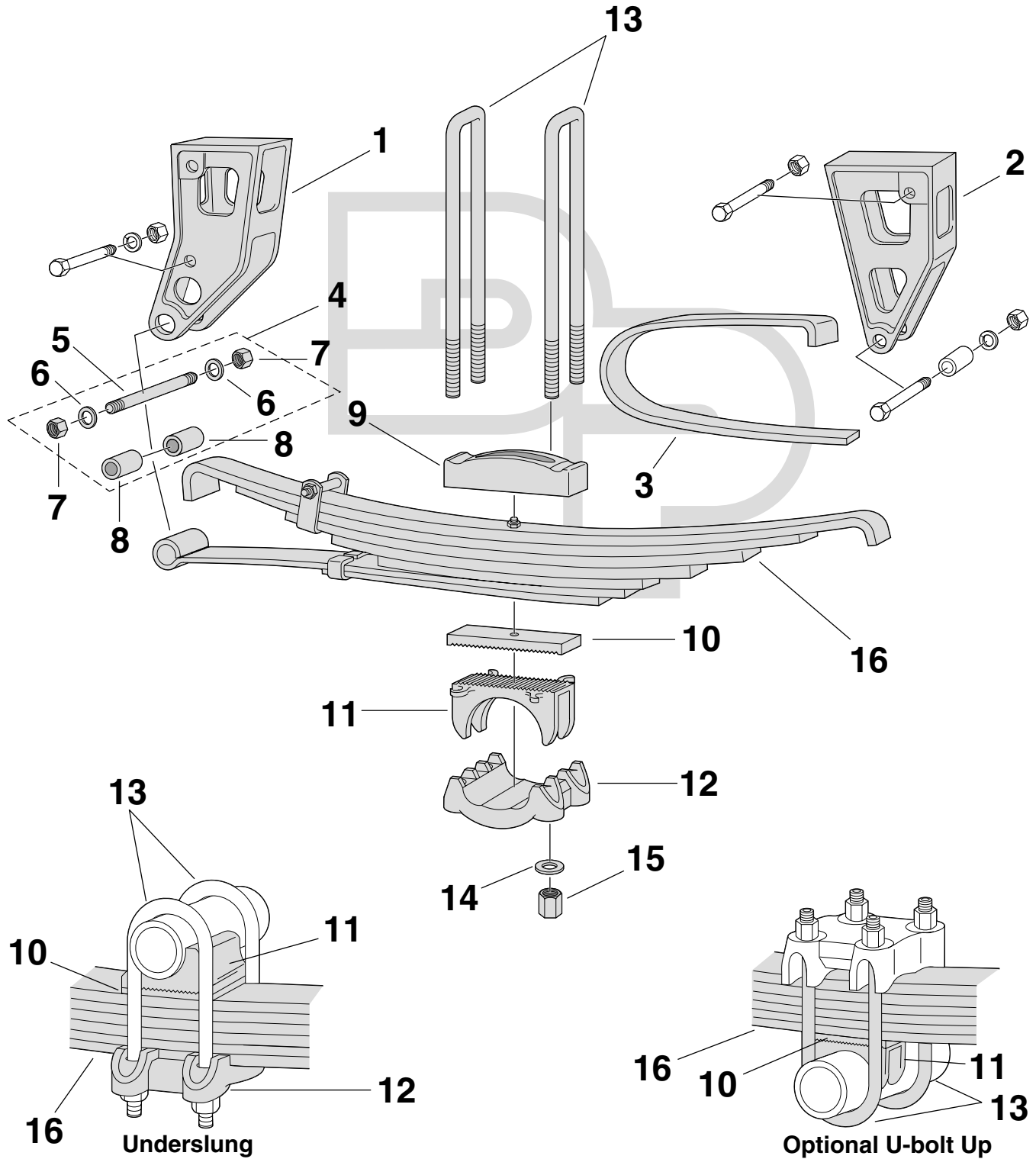
Bluebird

Notes

Bluebird

Notes

Cambria



Suspension Illustration

Key No.	Part Number	Description	No. Req.	OEM Reference	Remarks	
✓ ●	1	338-1790	Hanger, Front	2	B-1000-A	
✓ ●	2	338-1791	Hanger, Rear	2	B-1001-A	
✓✓ ●	3	334-1430	Spring, Empty Ride	2	S-1015-3	
✓✓	4	334-1428	Assembly, Stud & Bushing	2	G-12-J	Incl. Stud, Bushings & Hdwe.
	5	334-1429	Stud; 7/8"-14 x 7 3/8"Lg	2	T-1101	Threads B.E.
	6	334-237	Washer, Compression; 1 5/16"ID x 2 1/4"OD x 3/16"Thk	4	PW87, T5730	
	7	334-188	Nut, Lock; 7/8"-14	4	HF-87	
	8	320-176	Bushing; 7/8"ID x 1 1/2"OD x 2 3/4"Lg	4	R-1011-AC	Use 320-176U
●		320-176U	Bushing, Urethane	4		
●	9	338-1792	Saddle, U-Bolt	2	P-1145	Obsolete
✓ ●		338-200	Saddle, U-Bolt; 3"W x 7 3/4"Lg x 1 3/4"H	2		Round Bend U-Bolts
●	10	334-1431	Spacer; 1/2"	2	P-1006-A	
		SP	Spacer; 1 1/2"	2	P-1025	
●	11	338-1793	Seat; 1/2"Thk	2	V-1024	
		SP	Seat; 2 1/2"	2	V-1004	
	12	◆	Plate, Bottom	2	P-1111, P-1005	Obsolete; Use 338-214
	13	SP	U-Bolt; Bent to Order	4		Specify Length, Width, Diameter & Bend
	14	SUW-78	Washer, U-Bolt; 7/8"	8		
	15	DN-78	Nut, Deep; 7/8"-14, Grade C	8	HF-87-L	
	16	Spring Assembly	Assembly, Spring	2		See Leaf Spring Web Catalog for Details

320-176U



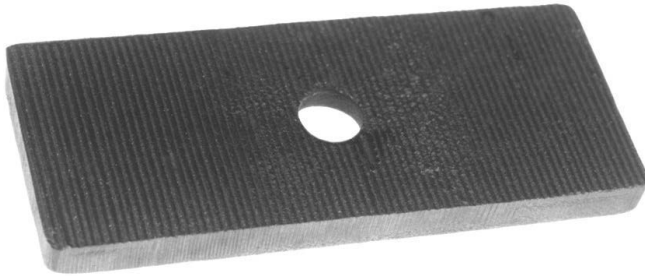
Bushing, Urethane; 7/8"ID x 1 1/2"OD x 2 3/4"Lg.

334-1430



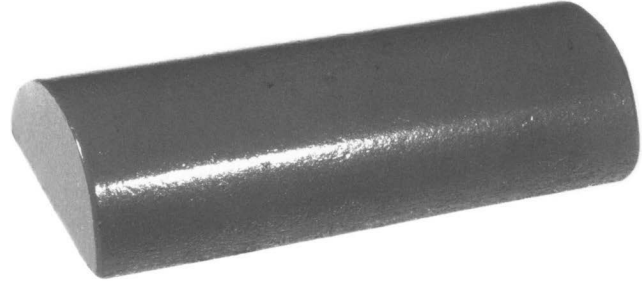
Spring, Empty Ride

334-1431



Spacer, 1/2" Thick

338-200



Saddle, U-Bolt; 3"W x 7 3/4"Lg. x 1 3/4"H; Round Bend U-Bolts: Use with 3" Wide U-bolts

338-1790



Hanger, Front; Undermount; Use w/ 334-1428 T/R Bolt and Bushing Assy.

338-1791



Hanger, Rear Undermount

338-1792



Saddle, U-Bolt; 5" Round and 4" x 6" Rectangular Axles

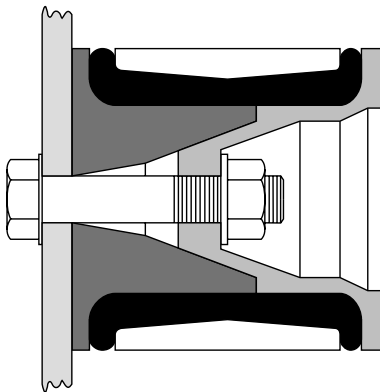
338-1793



Seat; 1/2"Thk.

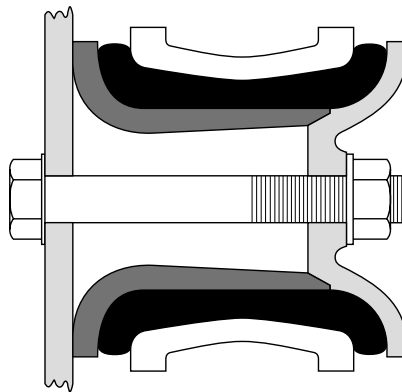
MODEL	TRUCK	TRAILER
300 Series Suspension	—	46, 47
500 Series Suspension	—	48, 49
600 Series Suspension	38, 39	—
700 Series Suspension	—	50, 51
800 Series Suspension (40-58K)	40-43	—
1000 Series Suspension	44, 45	—
Suspension Component Photos		52-57

Torque Rod Joint Identification



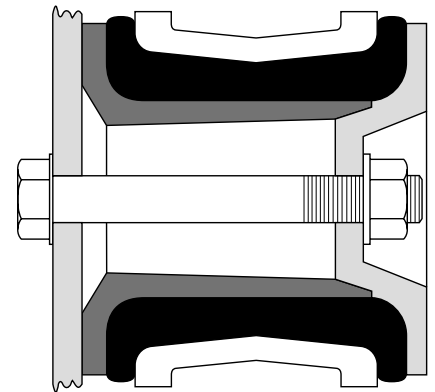
Type "0"

- 321-275** Spigot Cap
- 334-624** Bolt Assembly
- 321-273** Standard Bushing
- 321-274** Oversized Bushing



Type "1"

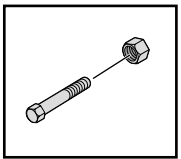
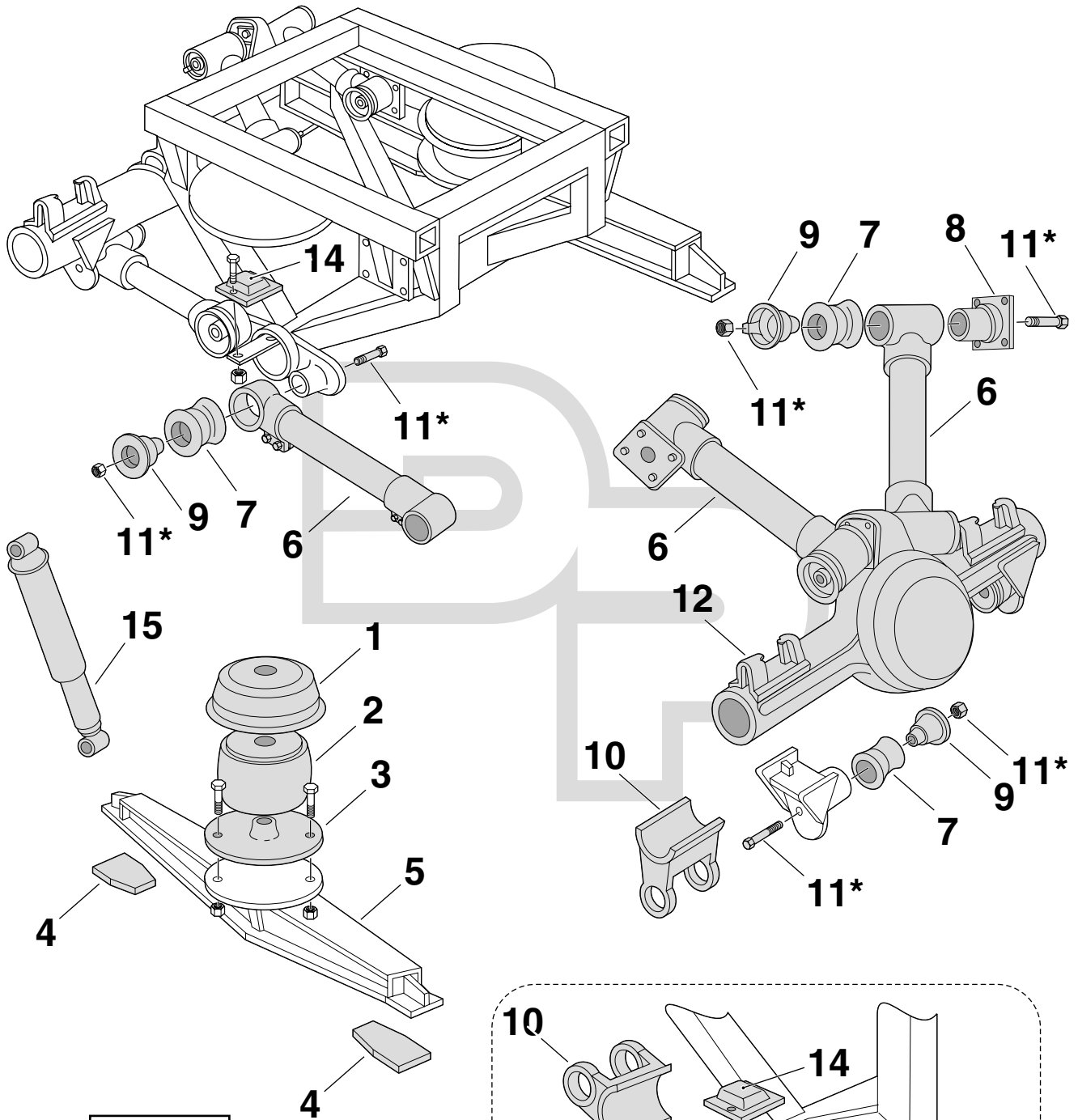
- 334-853** Spigot Cap
- 334-754** Bolt Assembly
- 321-273** Standard Bushing
- 321-274** Oversized Bushing



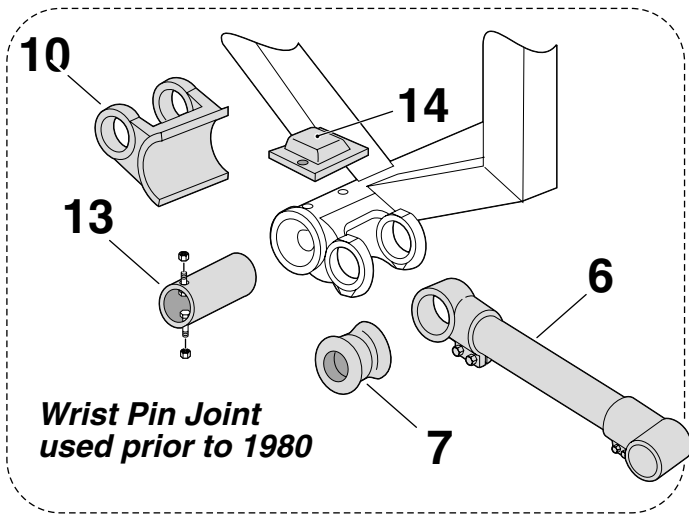
Type "2"

- 334-855** Spigot Cap
- 334-770** Bolt Assembly
- 321-276** Standard Bushing
- 321-277** Oversized Bushing

Chalmers



Key 11* - Bolt Assembly

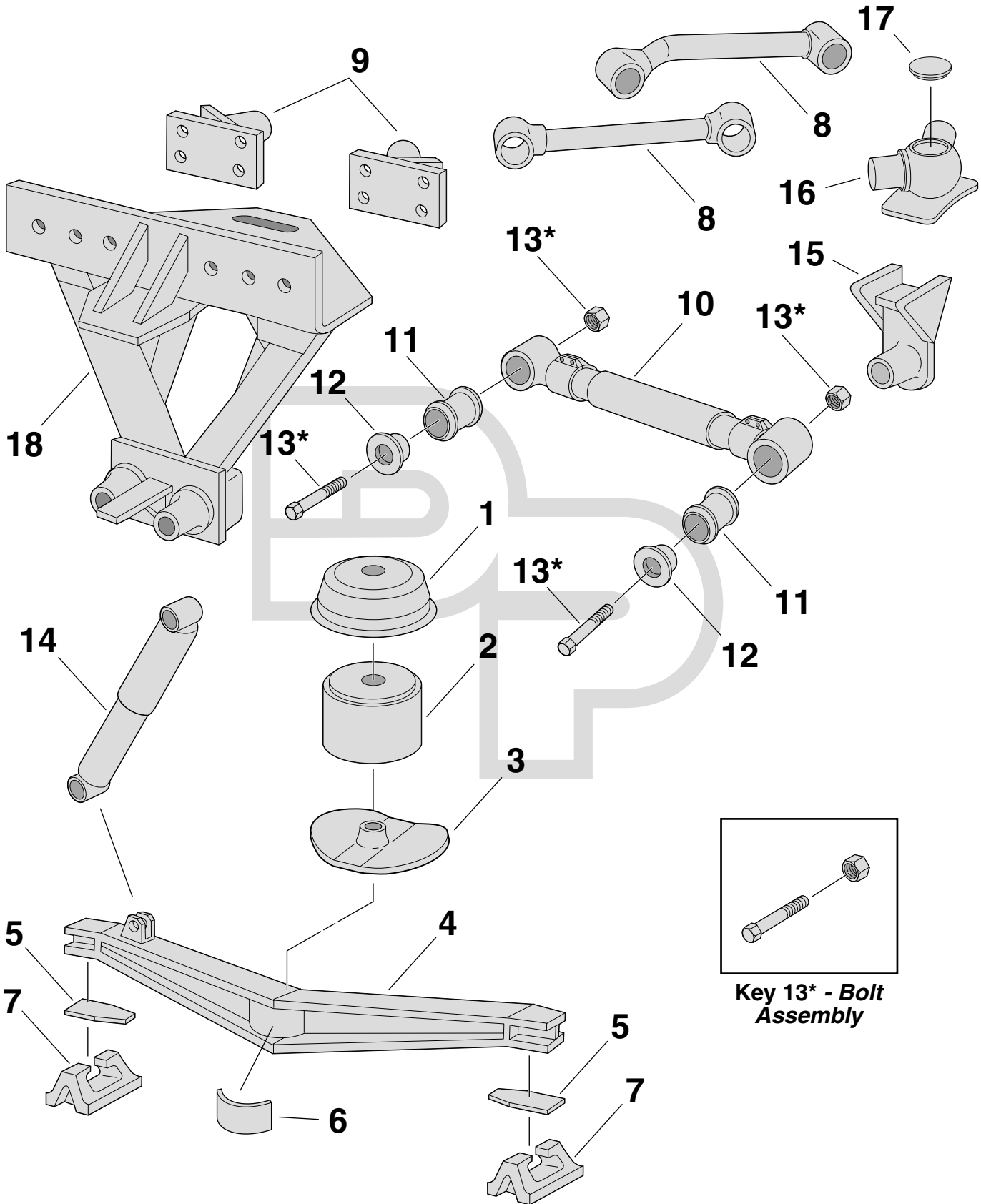


Wrist Pin Joint
used prior to 1980

Suspension Illustration

Key No.	Part Number	Description	No. Req.	OEM Reference	Remarks	
✓✓ ●	1	334-860	Can, Restrictor; 4 7/16"H x 12 5/8"Dia. x 3/16"Thk	2	373028, 373020	44k; Tandem or Widespread; w/o Hole
✓✓ ●		334-861	Can, Restrictor; 5 11/64"H x 11 5/8"Dia. x 3/16"Thk	2	373029, 373021	44k; Tandem or Widespread; No Hole in Can; w/High Center of Gravity
✓✓ ●	2	325-156	Spring, Rubber; 8"H x 9 1/2"Dia.	2	15002	20K Axle Capacity
●	3	334-864	Plate, Bottom; Spring	2	22116	
✓✓ ●	4	334-945	Plate, Beam End Repair; All Beams	4	700313	Replace Beam When Wear Exceeds .030"
	5	SP	Beam, Walking	2	Various	
●	6	345-674	Torque Rod, Rigid; 21 1/2"Lg c/c	AR	223214	Type "0" & "1" Joints
		345-676	Torque Rod, Rigid; 24"Lg c/c	AR	223240	Type "0" & "1" Joints
●		345-685	Torque Rod, Adjustable; 24" Mean Length	AR	216240	Type "0" & "1" Joints
		345-678	Torque Rod, Adjustable; 21 1/2" Mean Length	AR	216214	Type "0" & "1" Joints
✓ ●	7	321-273	Bushing; 2 3/8"ID x 3 1/8"OD x 3 25/32"Lg	16	22128, 22082	Standard OD
✓✓ ●		321-273U	Bushing, Urethane	32		
●		321-274	Bushing; 2 3/8"ID x 3 7/32"OD x 3 25/32"Lg	16	22129	Oversize OD
●	8	338-1315	Base, Spigot; 25°	2	2600010	
✓✓ ●	9	321-275	Cap	16	260002	Type "0" Joints
●	10	338-1314	Bracket, Torque Rod; 5" Round Axles	8	48017	Wrist Pin Type
	11	334-624	Assembly, Bolt; 5/8"-11 x 3 1/2"Lg	16	K880230	Type "0" Joints
	12	338-1406	Saddle; Rockwell Axles	4	248001	
		338-1407	Saddle; High	4	248027	
●	13	334-854	Pin; 2"ID x 2 3/8"OD x 6"Lg	8	22037	Used Prior to 1980
●	14	325-159	Cushion, Low Rebound	2	48045	
✓✓	15	M66636	Shock Absorber	2	665174	

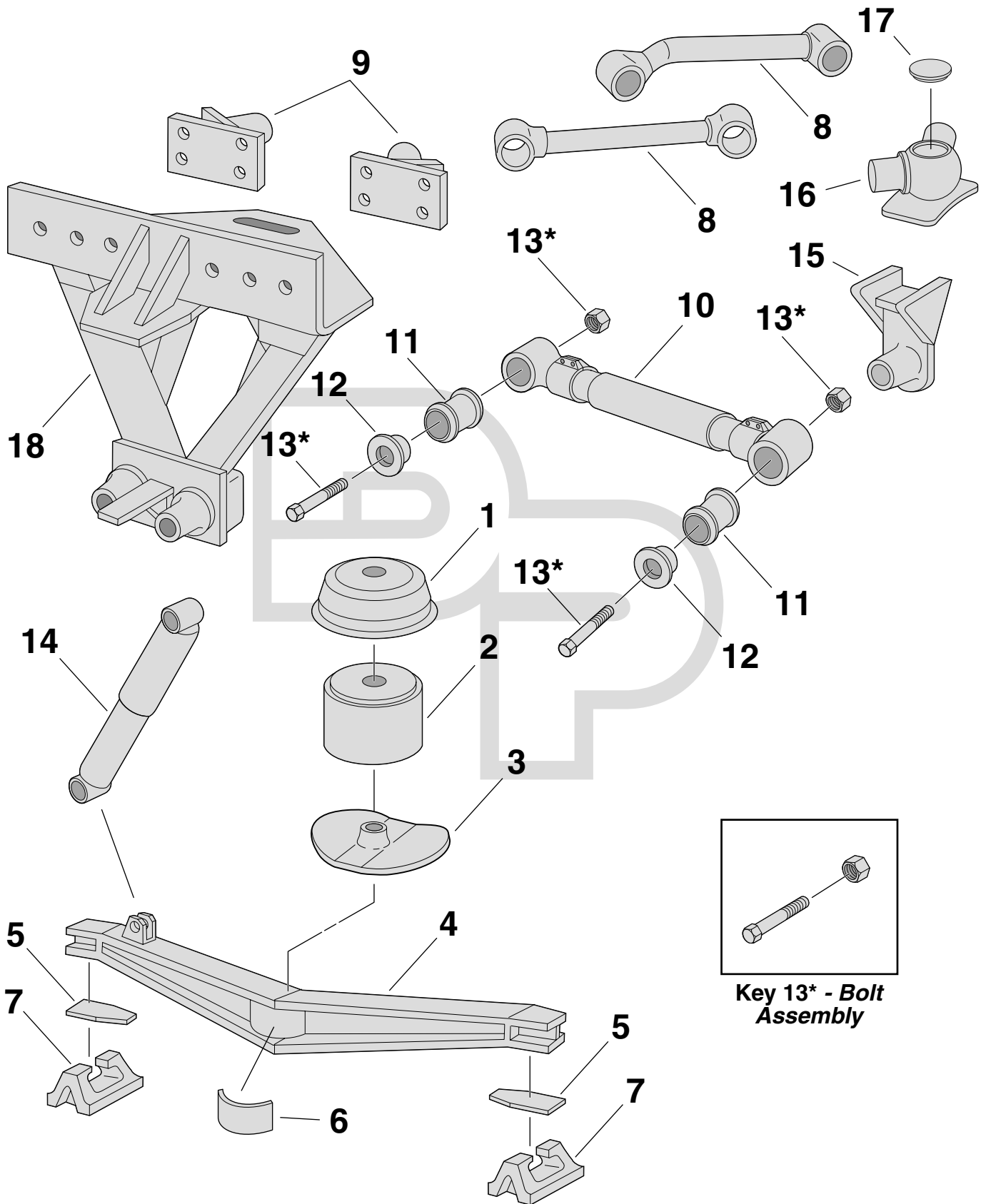
Chalmers



Suspension Illustration

	Key No.	Part Number	Description	No. Req.	OEM Reference	Remarks	
✓✓ ●	1	334-860	Can, Restrictor; 4 7/16"H x 12 5/8"Dia. x 3/16"Thk	2	373028, 373020	Tandem or Widespread; 40-58k	
✓✓ ●		334-861	Can, Restrictor; 5 1/4"H x 11 5/8"Dia. x 3/16"Thk	2	373029, 373021	Tandem or Widespread; High Stability; 40-58k	
✓✓ ●	2	325-156	Spring, Rubber; 8"H x 9 1/2"Dia.	2	15002	40-58k	
✓✓ ●	3	334-865	Plate, Bottom; Spring; 11 1/2" x 12.5 Deg.	2	800691, 800125	40-58k; 54" Low	
✓✓ ●		334-867	Plate, Bottom; Spring; 11 1/2" x 9.3 Deg.	2	800689, 800117	40-58k; 54" High	
●		334-1915	Plate, Bottom; Spring	2	800685, 800119	40-58k, 60" High; 46-58k, 72" Low	
		SP	Plate, Bottom; Spring	2	800687, 800127	40-58k; 60" Low	
		SP	Plate, Bottom; Spring	2	04S00034	X-Low	
	SP	Plate, Bottom; Spring	2	04S00086, 800417	46-58k; 72" High		
●	4	338-1991	Beam, Walking	2	800079	40k; 54" Low; 11 1/8"	
●		338-1905	Beam, Walking	2	800690	50-58k; 54" Low; 11 1/4"	
✓✓ ●		338-1958	Beam, Walking	2	800061	46k; 54" High; 10"	
●		338-2008	Beam, Walking	2	800688	50-58k; 54" High; 10"	
●		338-2009	Beam, Walking	2	800684	50-58k; 60" High, 10"	
✓ ●		338-2151	Beam, Walking	2	800087	46k; 54" Low; 11 1/4"	
		SP	Beam, Walking	2	Various	Specify Capacity, Axle Spacing & Beam Hgt.	
✓✓ ●	5	334-945	Plate, Beam End Repair; All Beams	4	700313	Replace Beam When Wear Exceeds .030"	
✓ ●	6	334-1935	Gusset, Beam Center Reinforcement	AR	800599		
	7	338-1406	Saddle; Rockwell Axles	4	248001	Rockwell Axles	
		338-1407	Saddle; High	4	248027		
✓ ●		338-1404	Saddle; 5" Round	AR	222083		
		SP	Saddle	4	31007		5" Square Drive Axles
		SP	Saddle	AR	Various		Call Tech Support For Assistance
●	8	345-677	Torque Rod, Rigid; 15 7/8"Lg c/c	4	223157	40k; Type "0" & "1" Joints; Use 321-273 Bushings, Not Included	
✓ ●		345-899	Torque Rod; Upper; Offset	2	800049	46-58k	
		SP	Torque Rod; Upper	2	Various	Call Tech Support For Assistance	
✓	9	338-2188	Bracket, Torque Rod Frame; Type "2" Joint	4	800057	46-52k; Except Western Star	
		SP	Bracket, Torque Rod Frame	4	Various	40k; >52k & Western Star; Call Tech Support For Assistance	
●	10	345-674	Torque Rod, Rigid; 21 1/2"Lg c/c	1	223214	Type "0" & "1" Joints; Use 321-273 Bushings, Not Included	
		345-676	Torque Rod, Rigid; 24"Lg c/c	1	223240	Type "0" & "1" Joints; Use 321-273 Bushings, Not Included	
●		345-685	Torque Rod, Adjustable; 24" Mean Length	1	216240	Type "0" & "1" Joints; Use 321-273 Bushings, Not Included	
		345-678	Torque Rod, Adjustable; 21 1/2" Mean Length	1	216214	Type "0" & "1" Joints; Use 321-273 Bushings, Not Included	
●		345-889	Torque Rod, Adjustable; 21 1/2" Mean Length	1	807214	Type "2" Joints; Use 321-276	
●		345-890	Torque Rod, Adjustable; 22 3/8" Mean Length	1	807223	Type "2" Joints; Use 321-276	
●		345-891	Torque Rod, Adjustable; 24" Mean Length	1	807240	Type "2" Joints; Use 321-276	
		345-917	Torque Rod Adjustable; 25" Mean Length	1	807250	Type "2" Joints; Use 321-276	
	SP	Torque Rod	1	Various	Call Tech Support For Assistance		
✓✓ ●	11	321-273	Bushing; 2 3/8"ID x 3 1/8"OD x 3 25/32"Lg	16	22128, 22082	Standard OD; Type "0" & "1" Joint	
✓✓ ●		321-273U	Bushing, Urethane	32			
✓ ●		321-274	Bushing; 2 3/8"ID x 3 7/32"OD x 3 25/32"Lg	16	22129	Oversize OD; Type "0" & "1" Joint	
✓ ●		321-276	Bushing; 2 3/16"ID x 4 1/4"OD x 4 5/32"Lg	16	800010	Standard OD; Type "2" Spigot Joint	
✓ ●		321-277	Bushing; 2 3/16"ID x 4 1/2"OD x 4 5/32"Lg	16	800009	Oversize OD; Type "2" Spigot Joint	
✓ ●	12	321-275	Cap	2	260002	Type "0" Joint; 40k Prior to 06/1/92	
✓ ●		334-853	Cap	2	800201	Type "1" Joint; 40k After 06/1/92	
✓✓ ●		334-855	Cap	2	800055	Type "2" Joint; 46k	

Chalmers

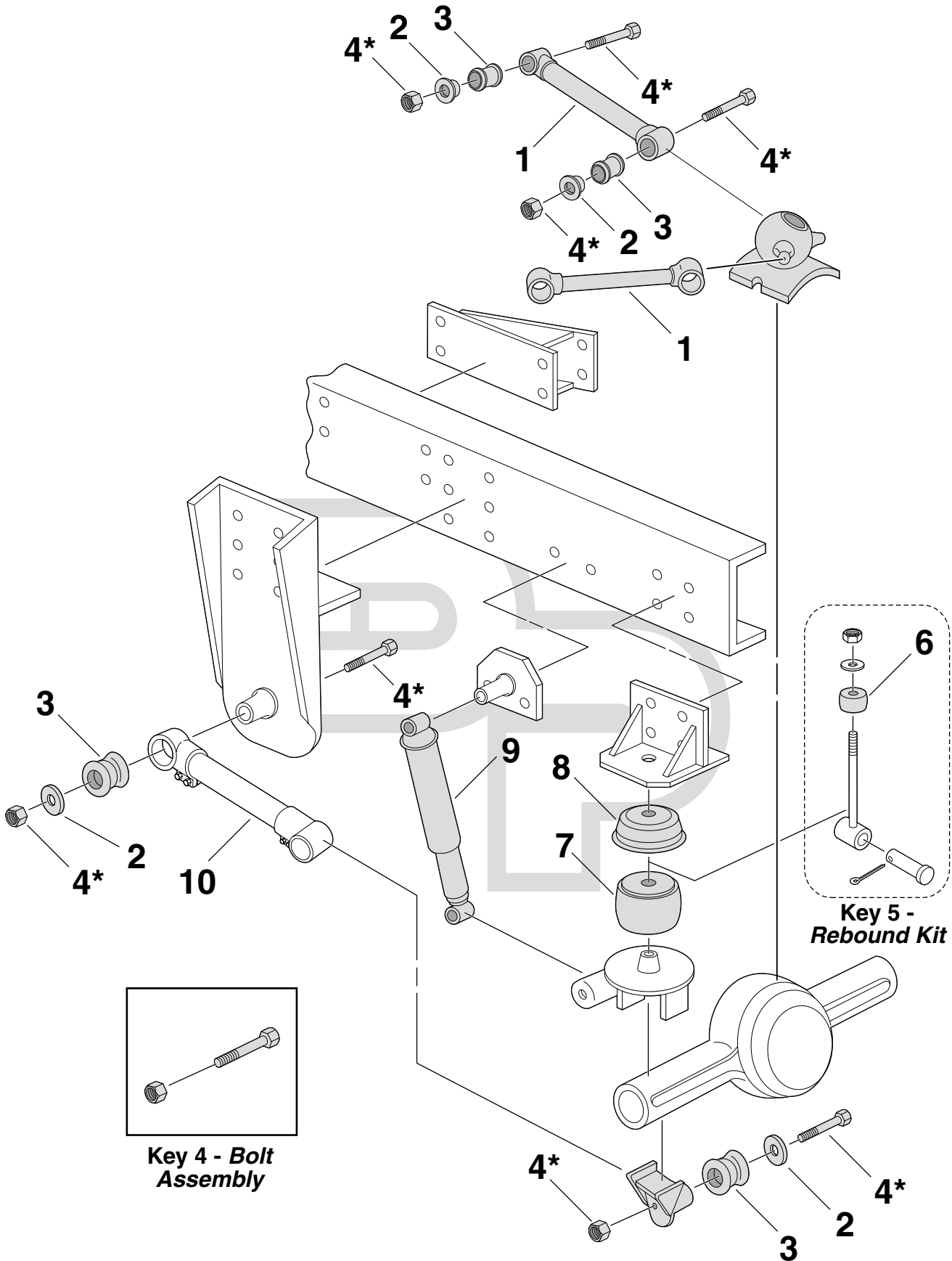


Suspension Illustration

Key No.	Part Number	Description	No. Req.	OEM Reference	Remarks
✓✓ ✓✓	13	334-624 Assembly, Bolt; 5/8"-11 x 3 1/2"Lg	16	K880230	Type "O" Joint
		334-754 Assembly, Bolt; 5/8"-18 x 5 1/2"Lg	16	K880231	Type "2" Joint
		334-770 Assembly, Bolt; 5/8"-18 x 5"Lg	16	K880640	Type "1" Joint
✓	14	M65463 Shock Absorber	2	800670	High Mount
		M65442 Shock Absorber	2	800781	Low Mount
		M66636 Shock Absorber	2	665174	
	15	SP Bracket; T/R Axle	AR		Specify Position & Axle
	16	SP Tower	AR		Call for Assistance; Specify Forward/Rear
	17	SP Plug, Tower	AR	800230	Specify Axle Mfg, Model No. & Suspension Capacity
	18	SP Bracket, Frame; Undrilled	AR	Various	Specify Model, Capacity & Axle Spread

Chalmers

Suspension Illustration



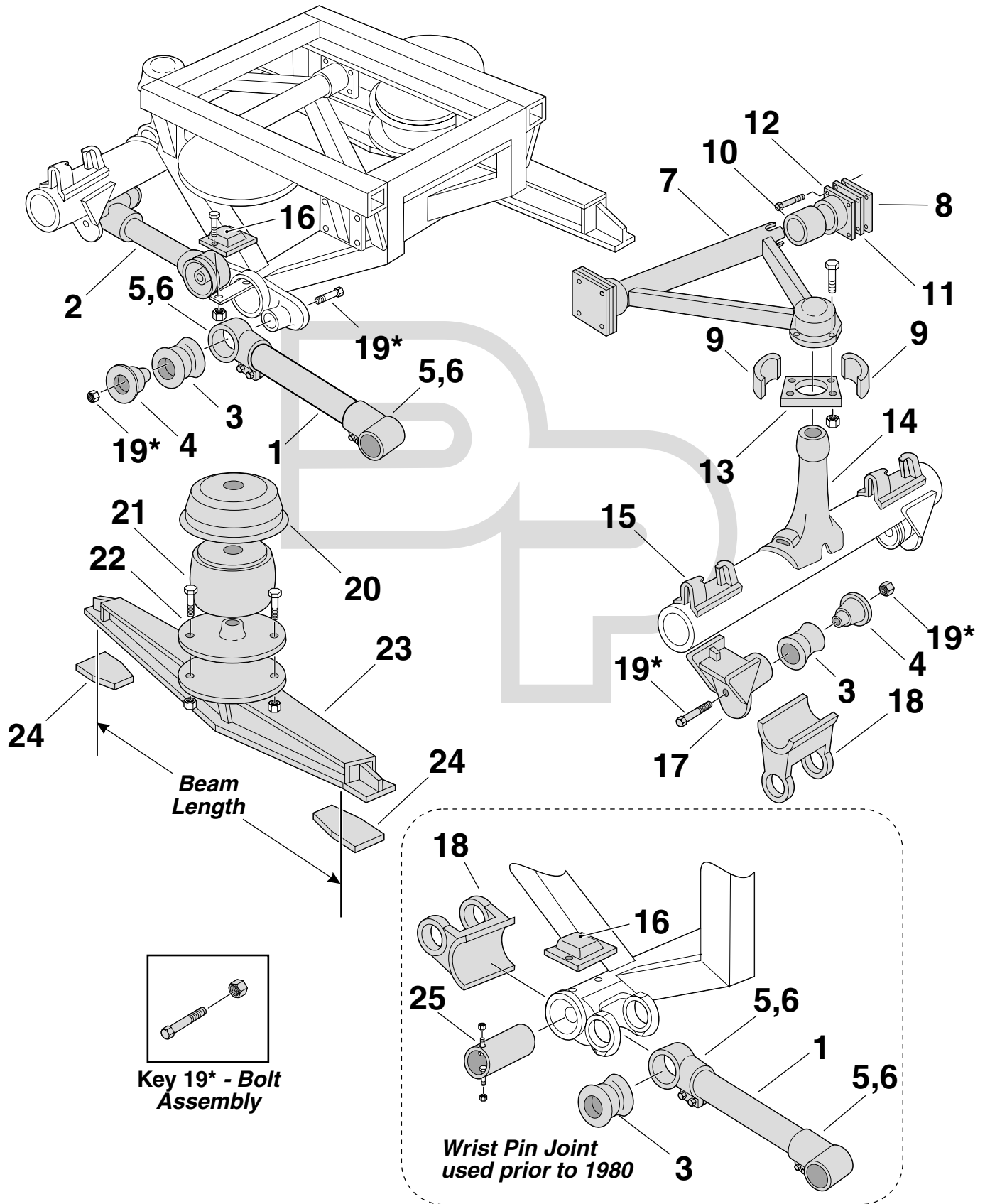
Key 4 - Bolt Assembly

Key 5 - Rebound Kit

Key Numbers with an asterisk (*) indicate a kit or assembly.

Key No.	Part Number	Description	No. Req.	OEM Reference	Remarks
	SP	Torque Rod, Rigid; 15"Lg c/c	2	223150	1023 Series; Type "1" Joint
	SP	Torque Rod, Rigid; 14 1/8"Lg c/c	2	805141	1030 Series; Type "2" Joint
✓✓ ●	334-853	Cap	8	800201	Type "1" Joint
✓ ●	334-855	Cap	8	800055	Type "2" Joint
✓ ●	321-273	Bushing; 2 3/8"ID x 3 1/8"OD x 3 25/32"Lg	8	22128, 22082	Standard OD; Wrist Pin or "O" Joint
✓✓ ●	321-273U	Bushing, Urethane	16		
●	321-274	Bushing; 2 3/8"ID x 3 7/32"OD x 3 25/32"Lg	8	22129	Oversize OD; Wrist Pin or "O" Joint
✓ ●	321-276	Bushing; 2 9/16"ID x 4 1/4"OD x 4 5/32"Lg	8	800010	Standard OD; Used w/Type "2" Spigot Joint
✓✓ ●	321-277	Bushing; 2 9/16"ID x 4 1/2"OD x 4 5/32"Lg	8	800009	Oversize OD; Used w/Type "2" Spigot Joint
	334-754	Assembly, Bolt; 5/8"-18 x 5 1/2"Lg	8	K880231	Incl. Bolt & Hdwe.
✓	334-770	Assembly, Bolt; 5/8"-18 x 5"Lg	8	K880640	Incl. Bolt & Hdwe.
●	334-944	Kit, Service; Rebound Control	2	K403017	Incl. 325-158 Rebound Cushion
●	325-158	Cushion, Rebound	2	22096	Models 500 & 1000
●	325-157	Spring, Rubber; 7"H x 8"Dia.	2	15010	10k Axle Capacity
✓✓ ●	325-156	Spring, Rubber; 8"H x 9 1/2"Dia.	2	15002	20k Axle Capacity
●	334-856	Can, Restrictor; 4 3/8"H x 9 3/8"Dia. x 1/8"Thk	2	373010	20k, Single Axle; w/o Hole
●	334-858	Can, Restrictor; 4 3/8"H x 11 3/16"Dia. x 1/8"Thk	2	373015	30k, Single Axle; w/o Hole
✓	M66636	Shock Absorber	2	665174	
	SP	Torque Rod, Rigid; 29"Lg c/c	1	223290	1023 Series
	SP	Torque Rod, Adjustable; 29" Mean Length	1	216290	1023 Series
	SP	Torque Rod, Rigid; 29"Lg c/c	1	805290	1030 Series
	SP	Torque Rod, Rigid; 29" Mean Length	1	807290	1030 Series

Chalmers



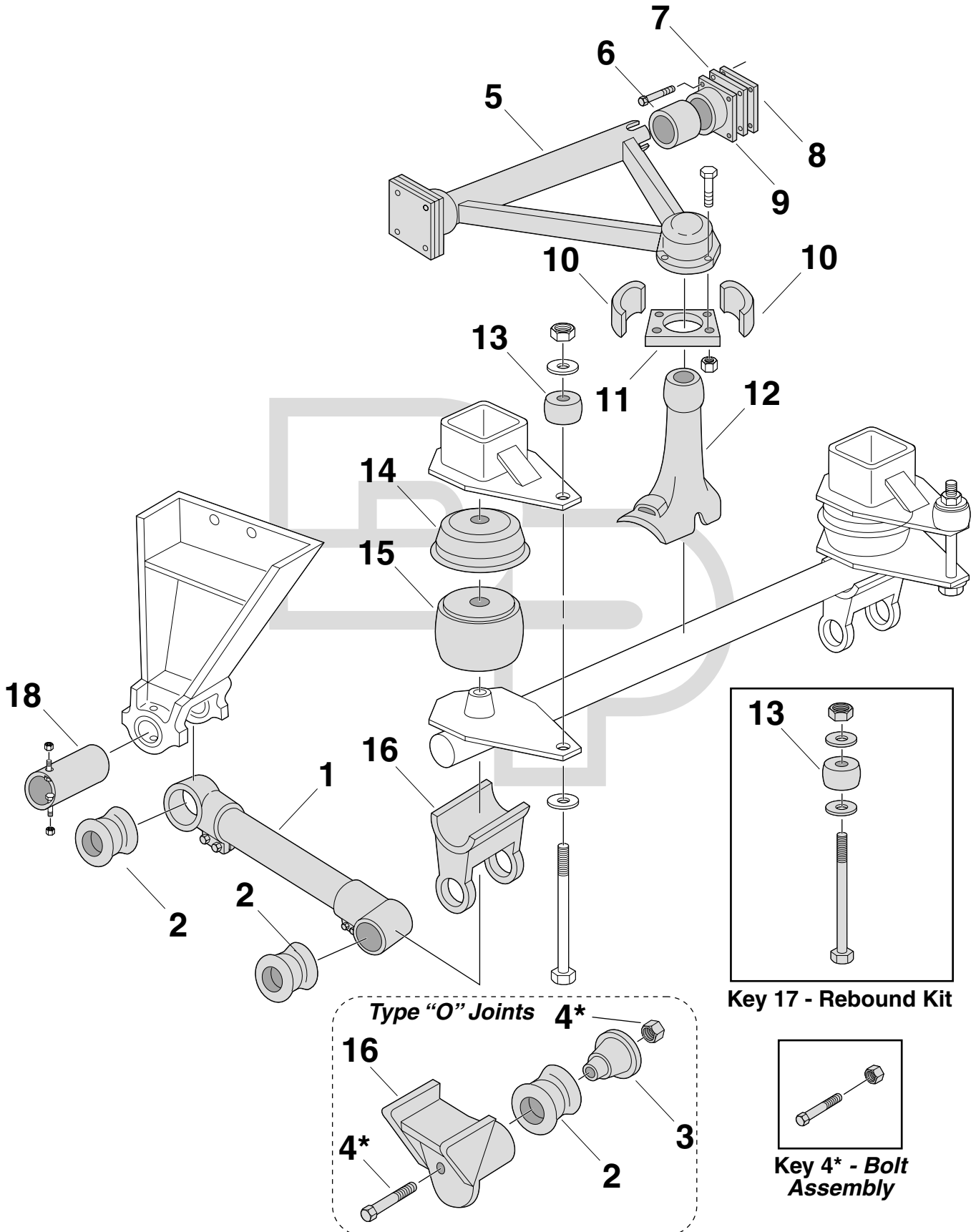
Suspension Illustration

Key 19* - Bolt Assembly

Wrist Pin Joint used prior to 1980

	Key No.	Part Number	Description	No. Req.	OEM Reference	Remarks
●	1	345-684	Torque Rod, Adjustable; 23" Mean Length	2	216230	
●	2	345-675	Torque Rod, Rigid; 23"Lg c/c	2	223230	
✓	3	321-273	Bushing; 2 3/8"ID x 3 1/8"OD x 3 25/32"Lg	8	22128, 22082	Standard OD; Wrist Pin or "O" Joint
●		321-274	Bushing; 2 3/8"ID x 3 7/32"OD x 3 25/32"Lg	8	22129	Oversize OD; Wrist Pin or "O" Joint
✓✓	●	321-273U	Bushing, Urethane	16		
✓✓	●	321-275	Cap	8	260002	
	5	345-673	End, Torque Rod; LH	AR	22046	
	6	345-672	End, Torque Rod; RH	AR	22045	
●	7	338-1403	Wishbone	2	68017	
	8	SP	Plate, Thrust; Wishbone; 1/4" Thk	4	22099	Old Models Only
●	9	334-872	Bushing, Apex; Wishbone	2	22036	Consists of 2 Halves
●	10	321-278	Bushing; 3 1/16"ID x 4 1/8"OD x 3 1/4"Lg	4	22115	Current Design
●	11	334-869	Shim; 5 7/16" x 5 7/16" x 16 Gauge	AR	22105	
●	12	334-871	Housing, End; Wishbone	4	22107	
●	13	334-950	Plate, Retainer	2	22034	
●	14	338-1408	Tower, Wishbone; 5" Round Axles	2	22114	
		SP	Tower, Wishbone; 5" Square Axles	2		
●	15	338-1404	Saddle; 5" Round	4	222083	
●		338-1405	Saddle; 5" Square	4	231026	
●	16	325-159	Cushion, Low Rebound	2	48045	
●	17	338-1313	Bracket, Torque Rod; 5" Round Axles	4	222139	For Type "O" Joint
		SP	Bracket, Torque Rod; 5" Square Axles	4	231000	For Type "O" Joint
		SP	Bracket, Torque Rod; 4" x 6" Rectangular Axles	4	900036	For Type "O" Joint
●	18	338-1314	Bracket, Torque Rod; 5" Round Axles	8	48017	Wrist Pin Type
		SP	Bracket, Torque Rod; 5" Square Axles	4	231008	Wrist Pin Type
	19	334-624	Assembly, Bolt; 5/8"-11 x 3 1/2"Lg	8	K880230	Type "O" Joint
✓✓	●	334-860	Can, Restrictor; 4 7/16"H x 12 5/8"Dia. x 3/16"Thk	2	373028, 373020	44k Tandem or Widespread; w/o Hole
✓✓	●	325-156	Spring, Rubber; 8"H x 9 1/2"Dia.	2	15002	20k Axle Capacity
●	22	334-864	Plate, Bottom; Spring	2	22116	
	23	SP	Beam, Walking; 51 3/8"Lg	2	345008	52" Axle Centers
●		338-1310	Beam, Walking; 52 3/4"Lg	2	345053, 345014	55" Axle Centers
		SP	Beam, Walking; 62"Lg	2	346015	64" Axle Centers
		SP	Beam, Walking; 69 3/4"Lg	2	347037	72" Axle Centers
		SP	Beam, Walking; 70 3/4"Lg	2	347041	73" Axle Centers
✓✓	●	334-945	Plate, Beam End Repair; All Beams	4	700313	Replace Beam When Wear Exceeds .030"
●	25	334-854	Pin; 2"ID x 2 3/8"OD x 6"Lg	8	22037	Used on Models Prior to 1980

Chalmers

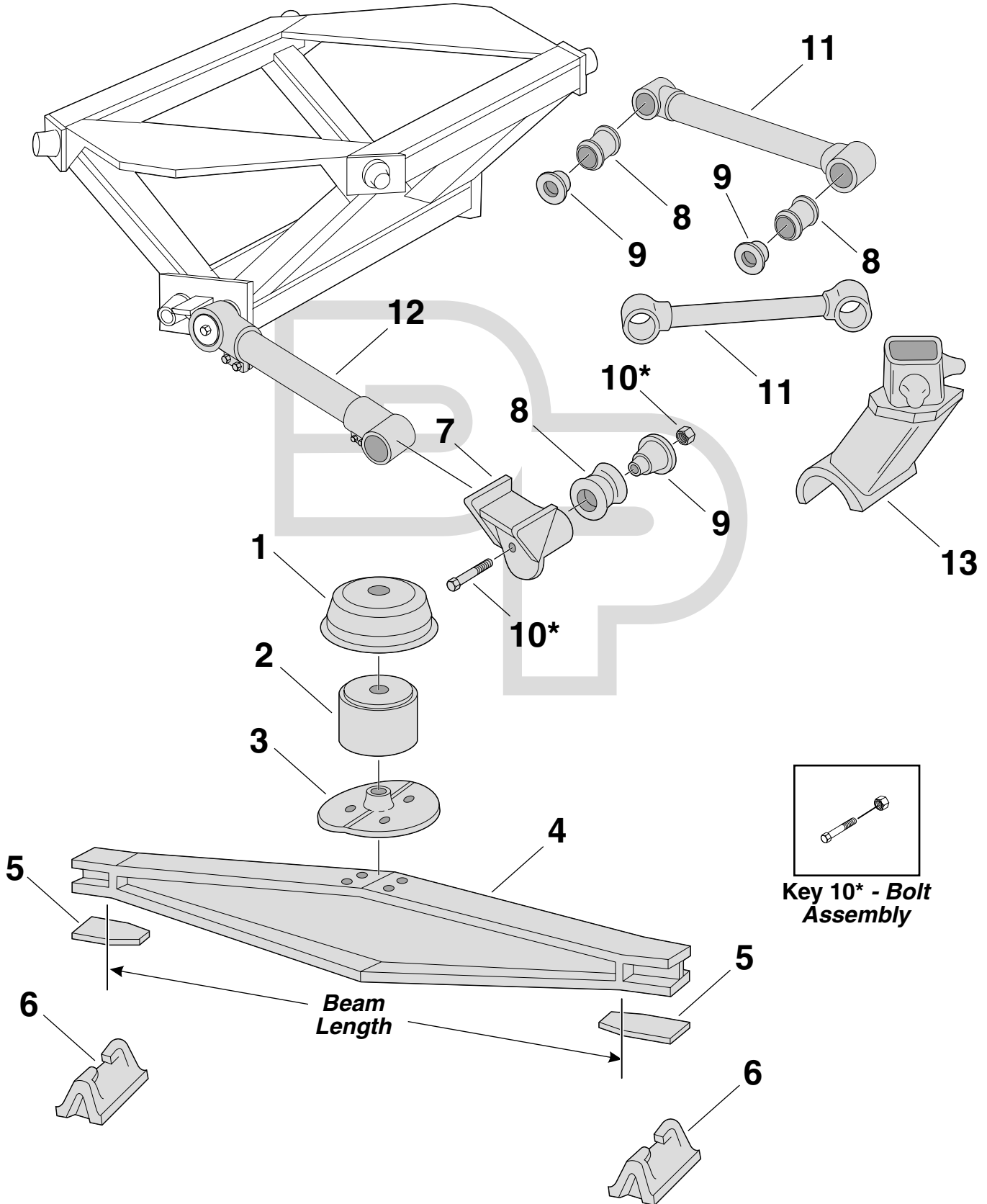


Suspension Illustration

Key No.	Part Number	Description	No. Req.	OEM Reference	Remarks
	SP	Torque Rod, Rigid; 20 1/4"Lg c/c	1	223202	
	SP	Torque Rod, Adjustable; 20 1/4" Mean Length	1	216202	
✓ ●	321-273	Bushing; 2 3/8"ID x 3 1/8"OD x 3 25/32"Lg	4	22128, 22082	Standard OD
●	321-274	Bushing; 2 3/8"ID x 3 7/32"OD x 3 25/32"Lg	4	22129	Oversize OD
✓✓ ●	321-273U	Bushing, Urethane	8		
✓✓ ●	321-275	Cap	2	260002	
●	334-624	Assembly, Bolt; 5/8"-11 x 3 1/2"Lg	4	K880230	Type "O" Joint
●	338-1403	Wishbone	1	68017	
●	321-278	Bushing; 3 9/16"ID x 4 1/8"OD x 3 1/4"Lg	2	22115	Current Design
●	334-869	Shim; 5 7/16" x 5 7/16" x 16 Gauge	AR	22105	
●	SP	Plate, Thrust; Wishbone; 1/4" Thk	2	22099	
●	334-871	Housing, End; Wishbone	2	22107	
●	334-872	Bushing, Apex; Wishbone	1	22036	Consists of 2 Halves
●	334-950	Plate, Retainer	1	22034	
●	338-1408	Tower, Wishbone; 5" Round Axles	1	22114	
●	SP	Tower, Wishbone; 5" Square Axles	1		
●	325-158	Cushion, Rebound	2	22096	
●	334-856	Can, Restrictor; 4 3/8"H x 9 3/8"Dia. x 1/8"Thk	2	373010	20k, Single Axle; w/o Hole
●	334-858	Can, Restrictor; 4 3/8"H x 11 3/16"Dia. x 1/8"Thk	2	373015	30k, Single Axle; w/o Hole
●	325-157	Spring, Rubber; 7"H x 8"Dia.	2	15010	
●	325-155	Spring, Rubber; 8"H x 8 1/2"Dia.	2	15015	
●	338-1313	Bracket, Torque Rod; 5" Round Axles	2	222139	Type "O" Joint
●	338-1314	Bracket, Torque Rod; 5" Round Axles	2	48017	Wrist Pin Type
	SP	Bracket, Torque Rod; 5" Square Axles	2	231000	Type "O" Joint
	SP	Bracket, Torque Rod; 4" x 6" Rectangular Axles	2	900036	Type "O" Joint
●	334-949	Kit, Service; Rebound Control	2	K390001	Incl. 325-158
●	334-854	Pin; 2"ID x 2 3/8"OD x 6"Lg	4	22037	Used On Models Prior To 1980

Chalmers

Suspension Illustration



	Key No.	Part Number	Description	No. Req.	OEM Reference	Remarks
✓✓ ●	1	334-860	Can, Restrictor; 4 7/16"H x 12 5/8"Dia. x 3/16"Thk	2	373028, 373020	Tandem or Widespread; w/o Hole
✓✓ ●	2	325-156	Spring, Rubber; 8"H x 9 1/2"Dia.	2	15002	
●	3	334-866	Plate, Bottom; Spring; 11 1/2" x 5"	2	700520	Before 01/88
●		334-863	Plate, Bottom; Spring	2	700204	After 01/88; 54" & 63" Axle Centers; All 60k Axles
		SP	Plate, Bottom; Spring	2	700203	72" Axle Centers
		SP	Plate, Bottom; Spring	2	04S00034, 700062	X-Low
●	4	338-1311	Beam, Walking; 51 3/4"Lg	2	700083, 700015	54" Axle Centers
		SP	Beam, Walking; 60 3/4"Lg	2	700084	63" Axle Centers
		SP	Beam, Walking; 69 3/4"Lg	2	700085	72" Axle Centers
		SP	Beam, Walking	2	700441	X-Low; 54" Axle Centers
		SP	Beam, Walking	2	700323	X-Low; 63" Axle Centers
✓✓ ●	5	334-945	Plate, Beam End Repair; All Beams	4	700313	Replace Beam When Wear Exceeds .030"
●	6	338-1404	Saddle; 5" Round	4	222083	All Except X-Low
●	7	338-1313	Bracket, Torque Rod; 5" Round Axles	4	222139	Type "0" Joints
		SP	Bracket, Torque Rod; 5" Square Axles	4	231000	Type "0" Joints
		SP	Bracket, Torque Rod; 5" Round Axles	4	700333	Type "1" Joints
		SP	Bracket, Torque Rod; 5" Round Axles	4	700189	60k
		SP	Bracket, Torque Rod; 5.75" Round Axles	4	700190	60k
		SP	Bracket/Saddle, Torque Rod	4	700496	X-Low; Standard Track
		SP	Bracket/Saddle, Torque Rod	4	700557	X-Low; Wide Track
✓ ●	8	321-276	Bushing; 2 3/16"ID x 4 1/4"OD x 4 5/32"Lg	16	800010	Standard OD; Type "2" Joint; 60k
✓✓ ●		321-277	Bushing; 2 3/16"ID x 4 1/2"OD x 4 5/32"Lg	16	800009	Oversize OD; Type "2" Joint; 60k
✓ ●		321-273	Bushing; 2 3/8"ID x 3 1/8"OD x 3 25/32"Lg	16	22128, 22082	Standard OD; Type "0" or "1" Joint
✓✓ ●		321-273U	Bushing, Urethane	32		
✓ ●		321-274	Bushing; 2 3/8"ID x 3 7/32"OD x 3 25/32"Lg	16	22129	Oversize OD; Type "0" or "1" Joint
✓ ●	9	321-275	Cap	16	260002	Type "0" Joints
✓✓ ●		334-853	Cap	16	800201	Type "1" Joints
✓✓ ●		334-855	Cap	16	800055	Type "2" Joints; 60k
✓✓	10	334-624	Assembly, Bolt; 5/8"-11 x 3 1/2"Lg	16	K880230	Incl. Bolt & Hdwe.; Type "0" Joints
✓✓		334-754	Assembly, Bolt; 5/8"-18 x 5 1/2"Lg	16	K880231	Incl. Bolt & Hdwe.; Type "2" Joints; 60k
✓✓		334-770	Assembly, Bolt; 5/8"-18 x 5"Lg	16	K880640	Incl. Bolt & Hdwe.; Type "1" Joints
●	11	345-674	Torque Rod, Rigid; 21 1/2"Lg c/c	4	223214	Upper, All Axle Centers; Type "0" & "1" Joints
		SP	Torque Rod, Rigid; 21 1/2"Lg c/c	4	805214	Upper, All Axle Centers; Type "2" Joints; 60k
		SP	Torque Rod, Rigid; Curved	4	700255	X-Low Upper; Optional
●	12	345-685	Torque Rod, Adjustable; 24" Mean Length	AR	216240	Type "0" & "1" Joints; 54" & 63" Axle Centers
		345-676	Torque Rod, Rigid; 24"Lg c/c	AR	223240	Type "0" & "1" Joints; 54" & 63" Axle Centers
●		345-683	Torque Rod, Rigid; 33"Lg c/c	AR	223330	Type "0" & "1" Joints; 63" & 72" Axle Centers
●		345-682	Torque Rod, Adjustable; 33" Mean Length	AR	216330	Type "0" & "1" Joints; 63" & 72" Axle Centers
		SP	Torque Rod, Rigid; 24"Lg c/c	AR	805240	Type "2" Joints; 60k
		SP	Torque Rod, Rigid; 33"Lg c/c	AR	805330	Type "2" Joints; 60k
		345-891	Torque Rod, Adjustable; 24" Mean Length	AR	807240	Type "2" Joints; 60k
		SP	Torque Rod, Adjustable; 33" Mean Length	AR	807330	Type "2" Joints; 60k
●	13	338-1317	Tower, Wishbone; 5" Round Axles	AR	700337	Type "0" & "1" Joints
		SP	Tower, Inboard; 5" Round Axle	AR	700336	Type "0" & "1" Joints
		SP	Tower, Inboard; 5" Round Axle	AR	700194	Type "2" Joints; 63" & 72"; 60k
		SP	Tower, Outboard; 5" Round Axle	AR	700198	Type "2" Joints; 54" & 63"; 60k
		SP	Tower, Inboard; 5.75" Round Axle	AR	700196	Type "2" Joints; 63" & 72"; 60k
		SP	Tower, Outboard; 5.75" Round Axle	AR	700199	Type "2" Joints; 54" & 63"; 60k

321-273



Bushing; 2 3/8" I.D. x 3 1/8" O.D. x 3 25/32" Lg.; Standard O.D. Wrist Pin and Type O and I Joints; All Suspensions

321-273U



Bushing, Urethane; 2 3/8"ID x 3 1/8"OD x 3 25/32"Lg.; All Suspensions

321-274



Bushing; 2 3/8" I.D. x 3 7/32" O.D. x 3 25/32" Lg.; Oversize O.D. Wrist Pin and Type O and I Joints; All Suspensions

321-275



Cap; Type O Joints; Use w/ 334-624 Bolt Assy, 321-273 Bushings; Models 600 Truck Suspensions, 300/500/700 Trailer Suspensions

321-276



Bushing; 2 9/16" I.D. x 4 1/4" O.D. x 4 5/32" Lg.; Standard O.D. Type 2 Joint; Models 800/1000 Truck Suspensions, 700 Trailer Suspension

321-277



Bushing; 2 9/16" I.D. x 4 1/2" O.D. x 4 5/32" Lg.; Oversize O.D. Type 2 Joint; Models 800/1000 Truck Suspensions, 700 Trailer Suspension

321-278



Bushing; 3 9/16" I.D. x 4 1/8" O.D. x 3 1/4" Lg.; Use w/ 338-1403 Wishbone; Models 300/500 Trailer Suspensions

325-155



Spring, Rubber; 8" H x 8 1/2" Dia.; Model 500 Trailer Suspension

325-156



Spring, Rubber; 8" H x 9 1/2" Dia.; 20K Axle; Models 600/800/1000 Truck Suspensions 300/700 Trailer Suspensions

325-157



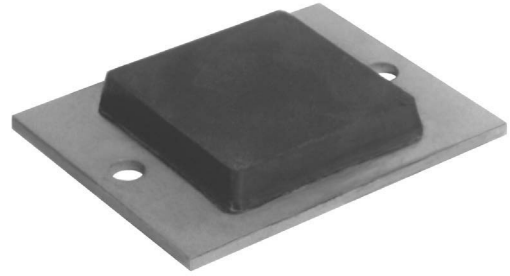
Spring, Rubber; 7" H x 8" Dia.; Models 1000 Truck Suspension, Model 500 Trailer Suspension

325-158



Cushion, Rebound; 3" O.D. x 2" Thk.; 1000 Truck Suspension, Model 500 Trailer Suspension

325-159



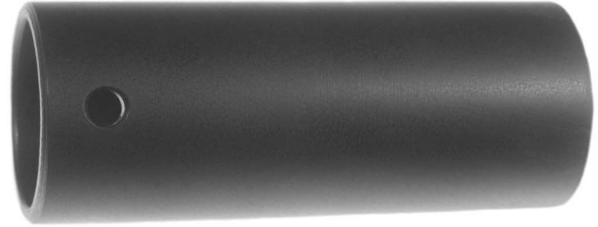
Cushion, Low Rebound; Models 600 Truck Suspension, 300 Trailer Suspension

334-853



Cap; 4" O.D. Type 1 Joint; Use w/ 334-754 Bolt Assy, 321-273 Bushings; Models 800/1000 Truck Suspensions, 700 Trailer Suspension

334-854



Pin; 2" I.D. x 2 3/8" O.D. x 6" Lg.; Use w/ 321-273 Bushings; Models 600 Truck Suspension, 300/500 Trailer Suspensions, Models prior to 1980

334-855



Cap; 4 1/2" O.D. Type 2 Joint; Use w/ 334-770 Bolt Assy., 321-276 Bushings; Models 800/1000 Truck Suspensions, 700 Trailer Suspension

334-856



Restrictor Can; 4 3/8" H x 9 3/8" Dia. x 1/8" Thk.; Models 1000 Truck Suspension, 500 Trailer Suspension

334-858



Restrictor Can; 4 3/8" H x 11 3/16" Dia. x 1/8" Thk.; Models 1000 Truck Suspension, 500 Trailer Suspension

334-860



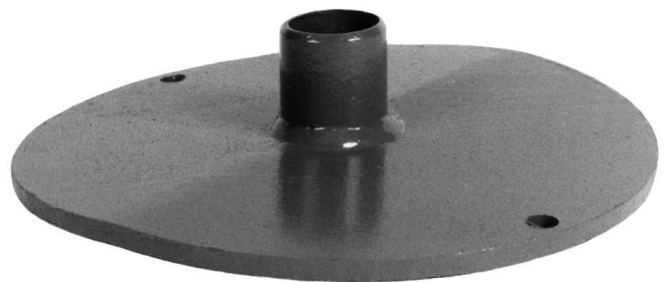
Restrictor Can; 4 7/16" H x 12 5/8" Dia. x 3/16" Thk.; Models 600/800 Truck Suspensions, 300/700 Trailer Suspensions

334-861



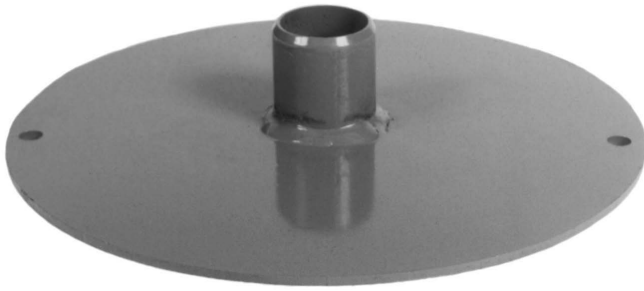
Restrictor Can; 5 11/64" H x 11 5/8" Dia. x 3/16" Thk.; Models 600/800 Truck Suspensions, 700 Trailer Suspension

334-863



Plate, Bottom Spring; 11 1/2" O.D. 3"; 54"-63" Axle Centers After 1/88; Model 700 Trailer Suspension

334-864



Plate, Bottom Spring; Models 600 Truck Suspension, 300 Trailer Suspension

334-865



Plate, Bottom Spring; 11 1/2" O.D. Low Mount 12.5°; Model 800 Truck Suspension, 54" Beams

334-866



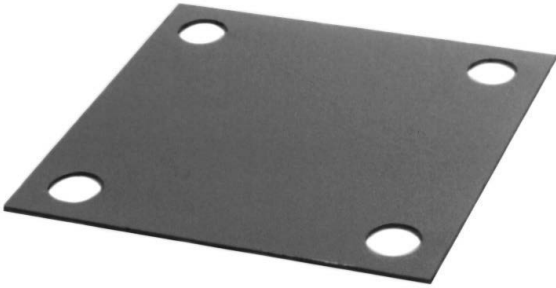
Plate, Bottom Spring; 11 1/2" O.D. 5°; 54"-63" Axle Centers; Model 700 Trailer Suspension, Before 01/88

334-867



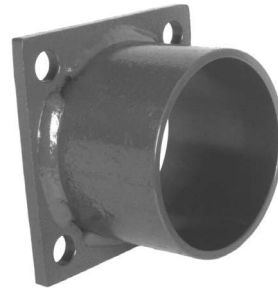
Plate, Bottom Spring; 11 1/2" O.D.; Highmount 9.3°; Model 800 Truck Suspension, 54" Beams

334-869



Shim; 5 7/16" x 5 7/16" x 16 Gage (.059) Thk.; Models 300/500 Trailer Suspensions

334-871



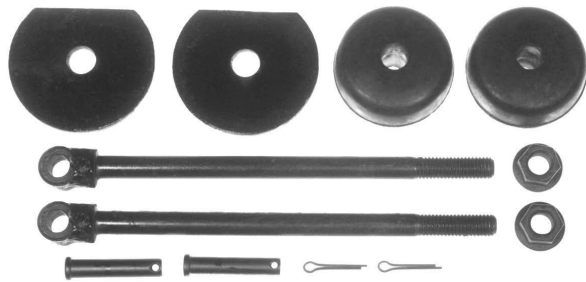
Housing, Wishbone End; Use w/ 321-278 Bushing, 338-1403 Wishbone; Models 300/500 Trailer Suspensions

334-872



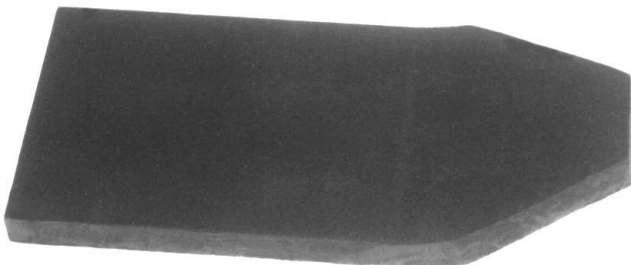
Bushing, Wishbone Apex; 2 Halves per SKU; Use w/ 338-1403 Wishbone; Models 300/500 Trailer Suspensions

334-944



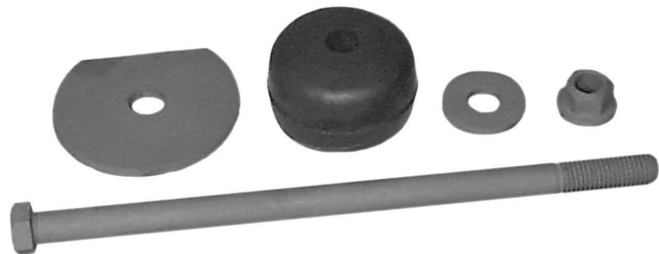
Service Kit, Rebound Control; Includes 325-158 Rebound Cushion; Model 1000 Truck Suspension

334-945



Plate, Beam End Repair - All Beams; Replace Beam When Beam Wear Exceeds .030"; Models 600/800 Truck Suspensions, 300/700 Trailer Suspensions

334-949



Service Kit, Rebound Control; Includes 325-158 Rebound Cushion; Model 500 Trailer Suspension

334-950



Plate, Retainer; Use w/ 334-871 End Housing; Models 300/500 Trailer Suspensions

334-1915



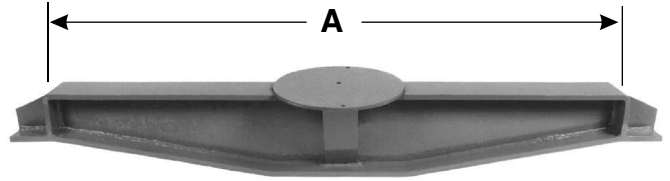
Plate, Spring Bottom; 40-58K, 60" High; 46-58K, 72" Low; Model 800 Truck Suspension

334-1935



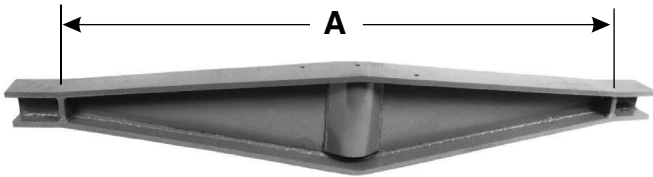
Gusset, Beam Center Reinforcement; Model 800 Truck Suspension

338-1310



Walking Beam; A = 52 3/4" Lg. (55" Axle Centers); Models 300 Trailer Suspension

338-1311



Walking Beam; A = 51 3/4" Lg. (54" Axle Centers); Models 700 Trailer Suspension

338-1313



Bracket, Torque Rod; 5" Round Axles; Type O Joint; Use w/ 321-275 Spigot Cap, 321-273 Bushings, 334-624 Bolt Assy.; Models 300/500/700 Trailer Suspensions

338-1314



Bracket, Torque Rod; 5" Round Axles Models Prior to 1980; Use w/ 334-854 Wrist Pin; Models 600 Truck Suspension, 300/500 Trailer Suspensions

338-1315



Spigot Base; 25° Type O Joint; Use w/ 321-275 Spigot Cap, 321-273 Bushings, 334-624 Bolt Assy.; Models 600 Truck Suspension

338-1317



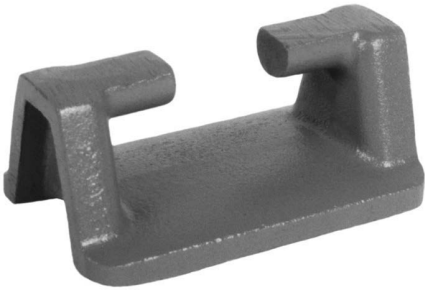
Tower, Wishbone; 5" Round Axles; Type O Joints; Outboard Mount; Use w/ 321-273 Bushings, 321-275 Spigot Cap, 334-624 Bolt Assy.; Models 700 Trailer Suspension

338-1403



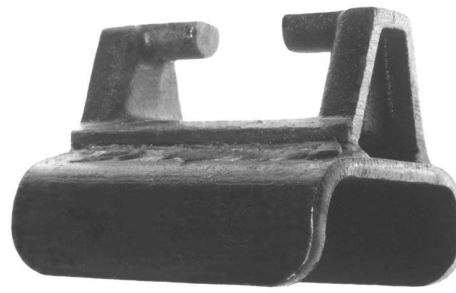
Wishbone; Use w/338-1408 Tower, 334-872 Apex Bushing, 321-278 End Bushings, 334-869 Shims, 334-871 End Housing; Models 300/500 Trailer Suspensions

338-1404



Saddle; 5" Round Axles; Models 300/700 Trailer Suspensions

338-1405



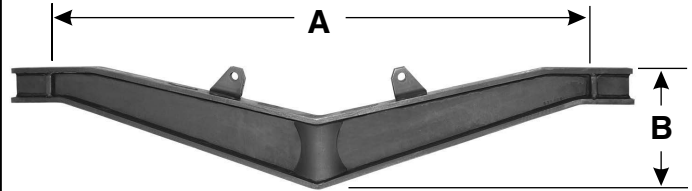
Saddle; 5" Square Axles; Models 300/700 Trailer Suspensions

338-1408



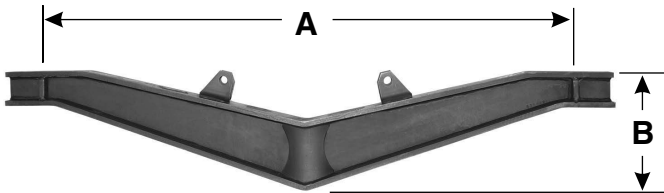
Tower, Wishbone; 5" Round Axles; Use w/ 338-1403 Wishbone; Models 300/500 Trailer Suspensions

338-1905



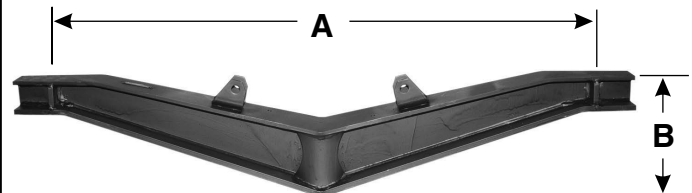
Walking Beam; **A** = 52" Long (54" Axle Centers), **B** = 11 1/4" High; Model 800 Truck Suspensions; 50-58K

338-1958



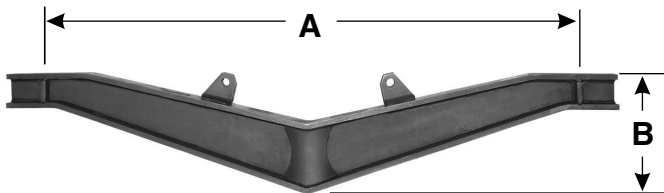
Walking Beam; **A** = 52" Long (54" Axle Centers); **B** = 10" High; Model 800 Truck Suspensions; 46K

338-1991



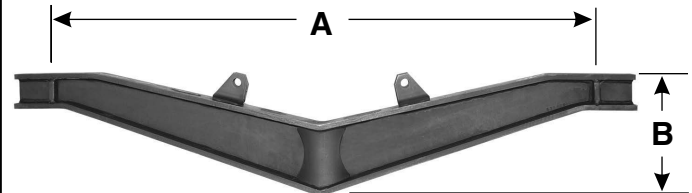
Walking Beam; **A** = 52" Long (54" Axle Centers), **B** = 11 1/8" High; Model 800 Truck Suspensions; 40K

338-2008



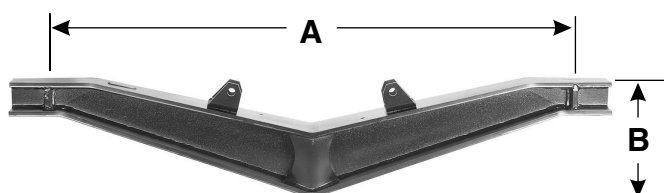
Walking Beam; **A** = 52" Long (54" Axle Centers), **B** = 10" High; Model 800 Truck Suspensions; 54K

338-2009



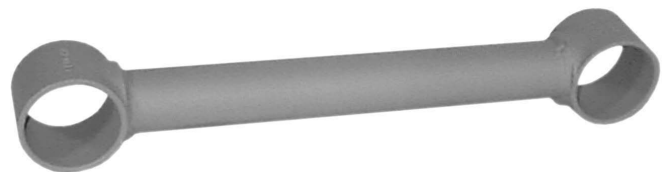
Walking Beam; **A** = 58" Long (60" Axle Centers), **B** = 10" High; Model 800 Truck Suspensions; 50-58K

338-2151



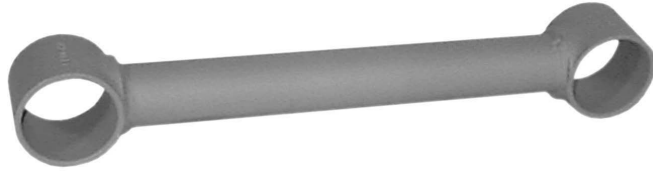
Walking Beam; **A** = 52" Long (54" Axle Centers), **B** = 11 1/4" High; Model 800 Truck Suspensions; 46K

345-674



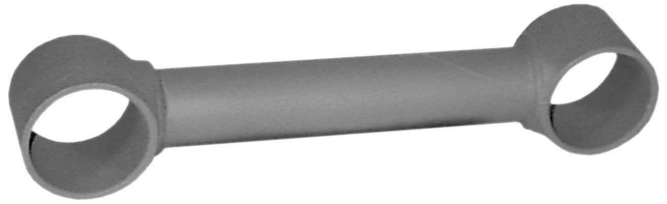
Torque Rod, Rigid; 21 1/2" Lg.; Type O and I Joints; Use w/ 321-273 Bushings; Models 600/800 Truck Suspensions, 700 Trailer Suspension

345-675



Torque Rod, Rigid; 23" Lg.; Wrist Pin and Type O Joints; Use w/ 321-273 Bushings; Model 300 Trailer Suspension

345-677



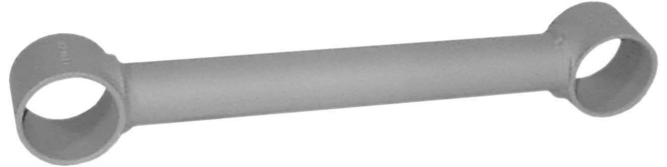
Torque Rod, Rigid; 15 7/8" Lg.; Type O and I Joints; Use w/ 321-273 Bushings; Model 800 Truck Suspension

345-682



Torque Rod, Adjustable; 33" Lg.; Type O and I Joints; Use w/ 321-275 Bushings; Model 700 Trailer Suspension

345-683



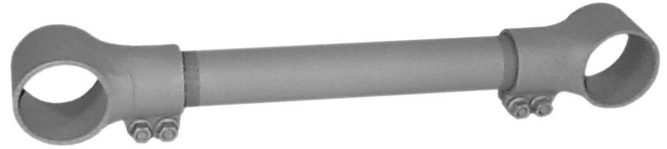
Torque Rod, Rigid; 33" Lg.; Type O and I Joints; Use w/ 321-275 Bushings; Model 700 Trailer

345-684



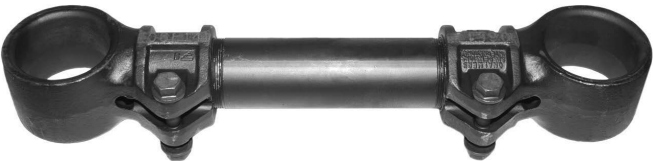
Torque Rod, Adjustable; 21 5/8" x 24 1/4" Lg.; Wrist Pin and Type O Joints; Use w/ 321-273 Bushings; Model 300 Trailer Suspension

345-685



Torque Rod, Adjustable; 22 5/8" x 25 1/4" Lg.; Type O and I Joints; Use w/ 321-273 Bushings; Models 600/800 Truck Suspensions, 700 Trailer Suspension

345-889



Torque Rod, Adjustable; 21 1/2" Lg.; Type 2 Joints; Use w/ 321-276 Bushings; Model 800 Truck Suspension

345-890



Torque Rod, Adjustable; 22 3/8" Lg.; Type 2 Joints; Use w/ 321-276 Bushings; Model 800 Truck Suspension

345-891



Torque Rod, Adjustable; 24" Lg.; Type 2 Joints; Use w/ 321-276 Bushings; Model 800 Truck Suspension

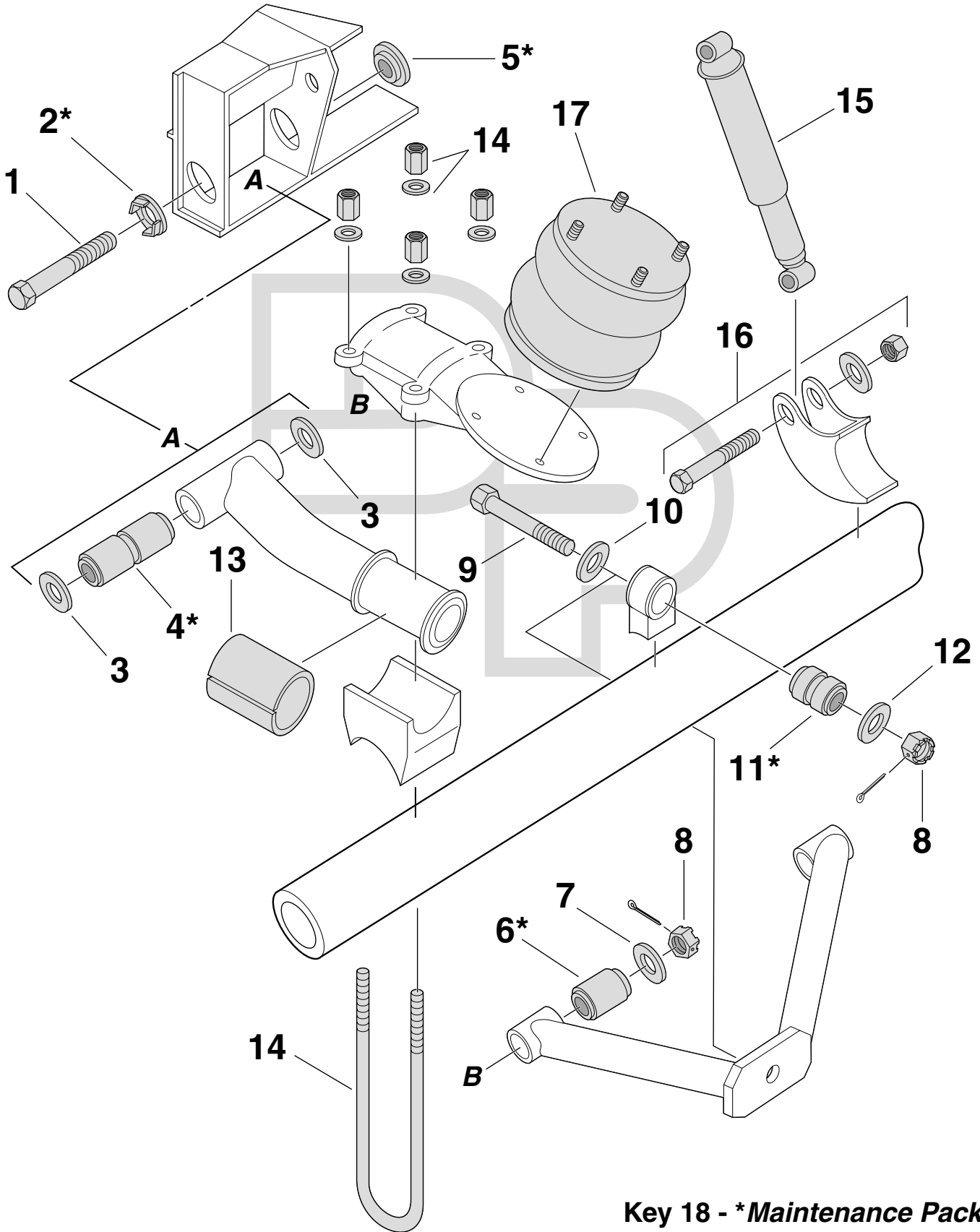
345-899



Torque Rod, Upper; Offset; 46-58K; Model 800 Truck Suspension

"Built Rite" (City Welding)

Suspension Illustration



Key 18 - *Maintenance Pack

Key Numbers with an asterisk (*) indicate a kit or assembly.

"Built Rite" (City Welding)

Trailer Air Suspension

"Built Rite" (City Welding)

Parts Listing

Key No.	Part Number	Description	No. Req.	OEM Reference	Remarks
	1	334-1198 Bolt; 1 1/4"-7 x 12"Lg	2	318-03-100	Obsolete
●	2	334-1200 Washer, Lock Tab; 1 1/4"ID x 3 1/2"OD x 7/8"Thk	2	318-02-103	Obsolete
	3	334-1199 Washer; 2 17/32"ID x 3"OD x 1/8"Thk	4	318-04-100	Obsolete
●	4	321-316 Bushing	2	318-07-100	
●	5	334-1201 Washer; 1 1/4"ID x 3 1/2"OD x 7/8"Thk	2	318-04-105	Obsolete
✓✓	6	321-234 Bushing; 1 1/4"ID x 2 3/8"OD x 2 1/2"Lg	2	318-07-101	
	7	334-847 Washer; 1 3/8"ID x 3"OD x 1/8"Thk	2		
	8	334-1202 Nut, Slotted; 1 1/4"-7	4	318-05-100	Obsolete
	9	334-1203 Bolt; 1 1/4"-7 x 7 1/2"Lg	1	318-03-101	Obsolete
	10	334-1204 Washer; 1 1/4"ID x 2 1/4"OD x 3/8"Thk	1	318-04-107	Obsolete
●	11	321-329 Bushing; 1 1/4"ID x 2 3/8"OD x 4"Lg	2	318-07-102	Obsolete
	12	334-1205 Washer; 1 1/4"ID x 2 3/4"OD x 3/8"Thk	2	318-04-103	Obsolete
	13	320-156 Bushing, Split; 3 15/32"ID x 4 3/8"OD x 6 1/2"Lg	2	318-07-103	Obsolete
	14	361-568 Kit, U-Bolt; Round Bend, Grade 8	2	318-08-100, 900 41 170	7/8" x 5 1/8" x 10 7/8" R
✓	15	M66884 Shock Absorber	2	318-06-100	
✓✓	16	334-1105 Assembly, Bolt; 3/4"-10 x 3 1/2"Lg	2	318-03-102	Incl. Bolt & Hdwe.
	17	352-9149 Air Spring	2	9149	
●	18	339-219 Kit, Maintenance; Suspension Overhaul; One Axle	1	SK-318	Obsolete

321-234



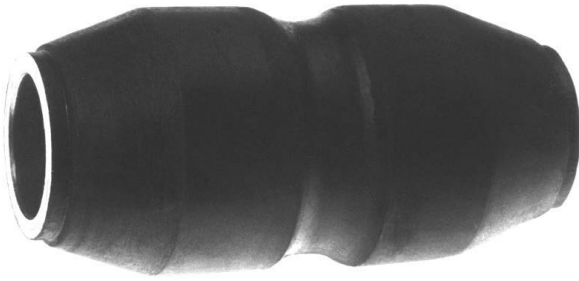
Bushing; 1 1/4"ID x 2 3/8"OD x 2 1/2"Lg

321-316



Bushing

321-329



Bushing; 1 1/4"ID x 2 3/8"OD x 4"Lg; Obsolete

334-1200



Washer, Lock Tab; 1 1/4"ID x 3 1/2"OD x 7/8"Thk.; Obsolete

334-1201



Washer, 1 1/4"ID x 3 1/2"OD x 7/8"Thk.; Obsolete

339-219



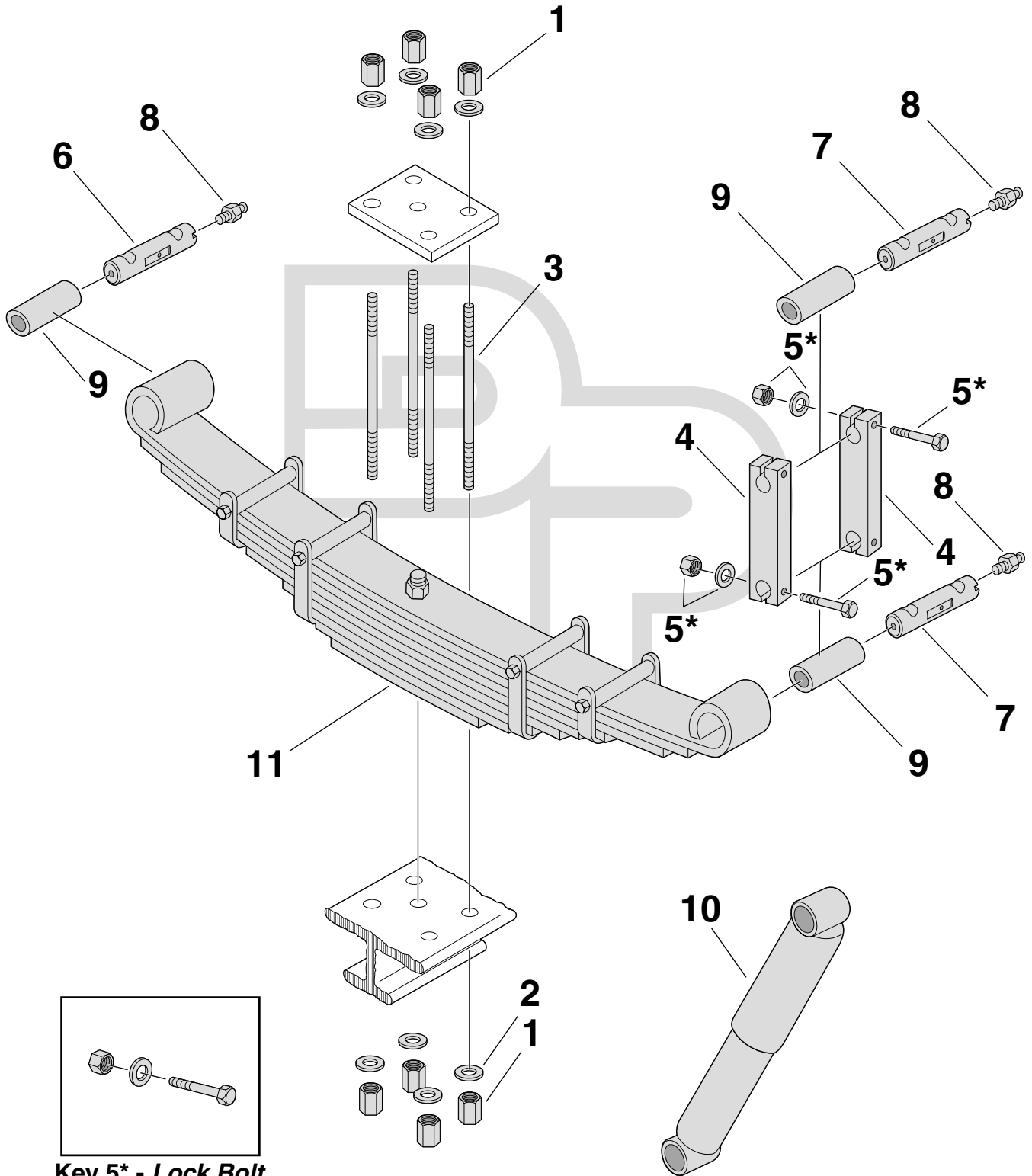
Maintenance Kit, Suspension Overhaul - One Axle; Obsolete

Front Suspension
(w/Multi-Leaf Springs)

Crane Carrier

Crane Carrier

Suspension Illustration



Key 5* - Lock Bolt Assembly

Crane Carrier

Front Suspension (w/Multi-Leaf Springs)

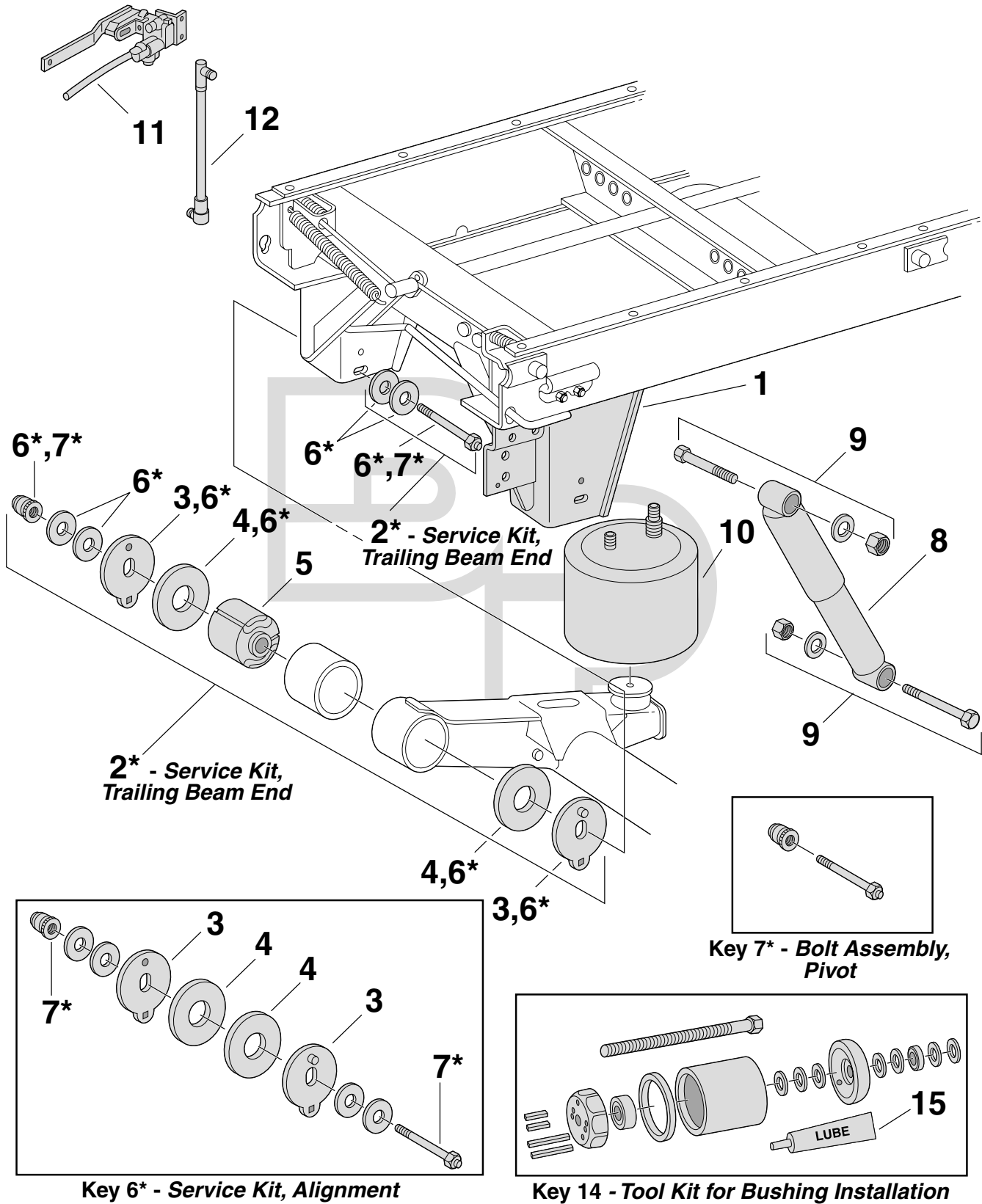
Crane Carrier

Parts Listing

Key No.	Part Number	Description	No. Req.	OEM Reference	Remarks
1	DN-78	Nut, Deep; 7/8"-14, Grade C	16	A219-205	
2	SUW-78	Washer, U-Bolt; 7/8"	16	A362-64	
3	8T7810	Rod, Threaded; 7/8" x 10", Grade 8	8		
✓	330-118	Side Bar; 5 5/8"Lg x 3 1/2" c/c x 1 5/16"Thk, 1 1/4" Pin Holes	4	B279-22	
	334-551	Assembly, Bolt; 3/8"-24 x 2 3/4"Lg	8		Incl. 334-537 Bolt & Hdwe.
	327-505	Spring Pin; 1 1/4"OD x 6 1/2"Lg, 5/8" c/e	2	A243-235	
✓✓	327-504	Spring Pin; 1 1/4"OD x 6 1/8"Lg, 5" c/c	4	A243-233	
✓	334-475	Fitting, Straight Zerk; 1/8"-27NPT	A/R	1613B	
	RNK-BM	Bushing; 1 1/4"ID x 1 1/2"OD x 4"Lg	6		
✓✓	M65449	Shock Absorber	2	277A-1, 277A-9	
	M65407	Shock Absorber	2	680091	
	M65471	Shock Absorber	2	277A-13	
	M65439	Shock Absorber	2	277A-12, 277A-14	
11	Spring Assembly	Assembly, Spring	2		See Leaf Spring Web Catalog for Details

MODEL	PAGE
RF/RS-20/23/25/30 Trailer Air Ride Suspensions	66, 67
26/36 Series Suspensions	68, 69
55 Series Suspension	70, 71
62 Series Suspension	72, 73
68 Series Suspension	74, 75
Suspension Component Photos	76-79

Dana



Suspension Illustration

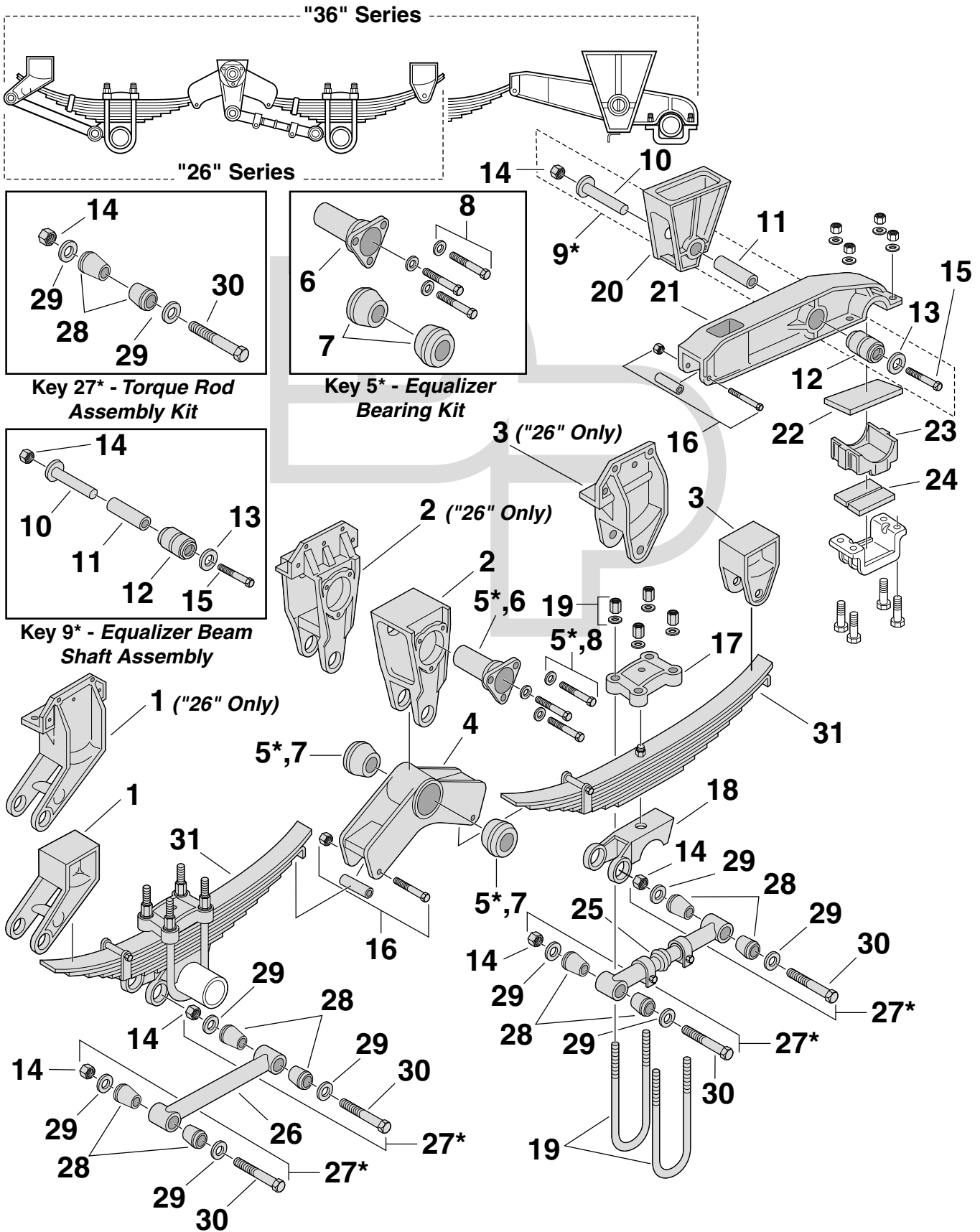
Key 6* - Service Kit, Alignment

Key 14 - Tool Kit for Bushing Installation

Key No.	Part Number	Description	No. Req.	OEM Reference	Remarks
	SP	Hanger	1	Various	Specify LH/RH, Ride Hgt.
✓ ●	334-1779	Kit, Service; Trailing Beam Pivot; Alignment	2	SR1JA112	Incl. Alignment Washer, Bushing, Spacers & Hdwe.
✓✓	334-1826	Kit, Service; Trailing Beam Pivot	2		Incl. Bushing, Spacers & Hdwe.; Reuse Factory Flat Washers
●	334-1784	Washer, Alignment	4	SR1HS100	
✓	334-898	Washer; 2 3/8"ID x 7 1/4"OD x 3/16"Thk	4	SR1HS102	
●	321-397	Bushing	2	SR1HD100-2	
✓ ●	334-1780	Kit, Service; Alignment	2	SR1JA113	
✓✓	334-837	Assembly, Bolt; Pivot; 1 1/8"-7 x 9 3/4"Lg	2	SR1JA103	Reuse Factory Flat Washers
✓✓	M65465	Shock Absorber	2	SR1VJ100	
✓✓	334-1105	Assembly, Bolt; 3/4"-10 x 3 1/2"Lg	2	M10HM303	Shock Absorber, Upper; RF Series
	334-1782	Assembly, Bolt; 3/4 x 4"Lg	2	M10HM300	Shock Absorber, Upper; RS Series
	334-1783	Assembly, Bolt; 3/4 x 9 1/2"Lg	2	M10HM301	Shock Absorber, Lower
✓✓	S-29892	Air Spring	2	SR1VA101-1, SR1VA105	
✓✓ ●	334-1580	Valve, Integral Dump Height Control	1	SR1PS100	w/Integral Dump Valve
✓ ●	334-751	Linkage Assembly; Universal; Adjustable	1	Various	3 5/8"-19 5/8" Range; Use with All Height Control Valves
	SP	Tool, Alignment Bolt Socket	AR	SR1TL100	Not Shown
●	334-936	Tool, Bushing Installation	AR		Required to Properly Service Bushings
●	334-1918	Lubricant, Extreme High Pressure	AR		Recommended Tool Thread Lubricant

Dana

Suspension Illustration

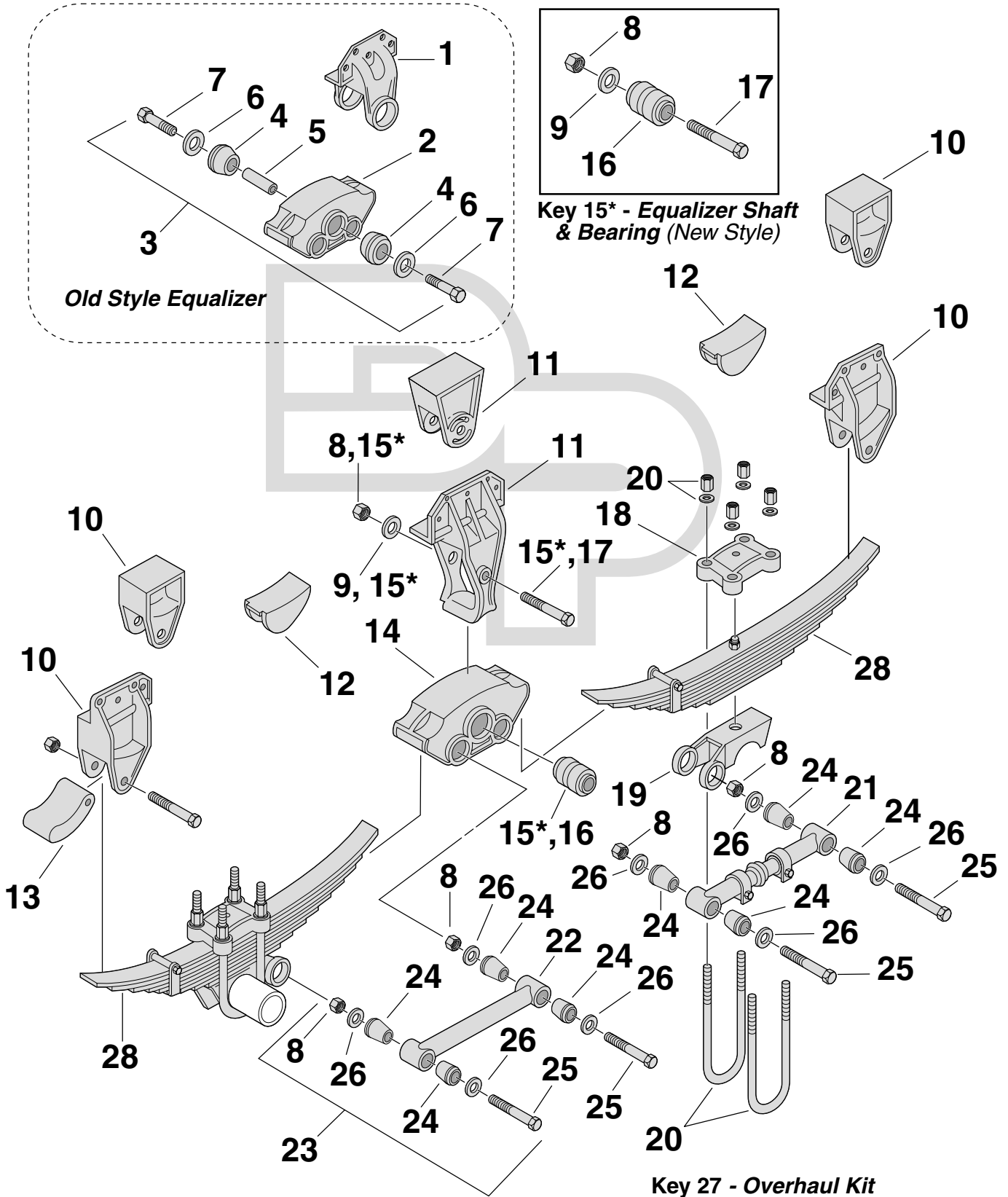


Key Numbers with an asterisk (*) indicate a kit or assembly.

Key No.	Part Number	Description	No. Req.	OEM Reference	Remarks
1	◆ 338-1700	Hanger, Front Hanger	2 2	B52617	Flangemount; 26 Series Only Undermount; Obsolete
2	◆ 338-1701	Hanger, Center Hanger	2 2	B52630	Flangemount; 26 Series Only Undermount; Obsolete
●	338-1523	Hanger, RF-LR	2	B55522	Flangemount
●	338-1522	Hanger, LF-RR	2	B55512	Flangemount
	338-1702	Hanger	2	B55517	Undermount, 26 Series Only; Obsolete
●	338-1508	Equalizer	2	B52634	
	334-1062	Assembly, Shaft & Bearing	2	L4125	
●	334-1052	Shaft	2	K1624	
●	320-155	Bushing, Equalizer	4	L1125	
	334-1053	Assembly, Bolt; 5/8"-18 x 1 1/2"Lg	6		Incl. Cap Screw & Lock Washer
	334-1067	Assembly, Shaft	2		Obsolete
●	334-1278	Tube, Equalizer	2	K1128	Obsolete
●	334-1068	Shaft; 2 1/2"ID x 3 1/2"OD x 7 7/16"Lg	2	K1127	Obsolete
●	321-313	Bearing; 3 1/2"ID x 5 7/32"OD x 5"Lg	2	L1336	Obsolete
	334-1069	Washer; 1 1/32"ID x 4 9/32"OD, 1 1/32"Thk	2	K1130, 05775	Obsolete
✓✓	14 SLN-107	Nut, Lock; 1"-14	8/10		OE Used Coarse Thread
✓✓	15 327-114	Bolt, Saddle; 1"-14 x 10"Lg	2		OE Used Coarse Thread
✓	16 334-201	Kit, Rebound; 1/2"-20 x 4 3/4"Lg	6		Incl. Tube, Bolt, Washer & Nut
●	338-202	Plate, Top Clamp; U-Bolt; 4"W x 5 3/8"Lg c/c; 4" x 6" Axle	4	K1114	Obsolete
●	338-203	Plate, Top Clamp; U-Bolt; 3 7/8"W x 5 7/8" c/c; 5" Rd. & Eaton 5" Sq. Axles	4	K1014	
●	338-1530	Plate, Top; 5" Square Axles	4	K1244	
	338-1711	Bracket, Torque Rod/Seat; 1"; 5" Round Axle	4	E550104	Obsolete
●	338-1531	Bracket, Torque Rod/Seat; 1 1/2"; 5" Round Axles	4	E550153	
	338-1532	Bracket, Torque Rod/Seat; 2 1/4"; 5" Round Axles	4	E550223	Obsolete
	361-568	Kit, U-Bolt; Round Bend, Grade 8	8	H75010	7/8" x 5 1/8" x 10 7/8" R
✓	361-258	Kit, U-Bolt; Round Bend, Grade 8	8	H75015	7/8" x 5 1/8" x 11 7/8" R
	361-559	Kit, U-Bolt; Round Bend, Grade 8	8	H75025	7/8" x 5 1/8" x 12 7/8" R
✓	361-254	Kit, U-Bolt; Round Bend, Grade 8	8	H75035	7/8" x 5 1/8" x 13 7/8" R
	361-558	Kit, U-Bolt; Round Bend, Grade 5	8	H75055	7/8" x 5 1/8" x 15 7/8" R
	361-509	Kit, U-Bolt; Round Bend, Grade 5	8		7/8" x 5 1/8" x 17 7/8" R
	◆	Hanger, Beam	2		36 Series Only
	◆	Beam, Equalizer	2		36 Series Only
	325-138	Pad; 4"W x 8 3/4"Lg x 3/4"Thk	2	L1138	
●	338-1345	Adapter, Axle; 5" Round Axles	2	K1038	
✓✓	325-140	Pad; 1 3/4"W x 5 1/4"Lg x 1 1/16"Thk	2	L1337	
✓✓	345-199	Torque Rod, Adjustable; 15"-17 1/4"Lg	2	M109101	Use 321-147 Bushings, Not Included
	345-860	Torque Rod, Adjustable; 18 1/2"-21 3/8"Lg	2	M109102	Use 321-147 Bushings, Not Included
	345-729	Torque Rod, Rigid; 20"Lg c/c	2	M209400	Obsolete
✓✓	334-253	Assembly, Bolt & Bushing	8		Incl. 334-644 Bolt, 321-147 Bushings & Hdwe.
✓✓	321-147	Bushing; 1"ID x 1 3/4"OD x 2 1/16"Lg	16	L1132	
	321-147U	Bushing, Urethane	16		
✓	334-205	Washer, Compression; 1 1/16"ID x 2 3/4"OD x 1/4"Thk	16	H231	
	334-644	Bolt; 1"-14 x 6 3/4"Lg	8		OE Used Coarse Thread
	Spring Assembly	Assembly, Spring	4		See Leaf Spring Web Catalog for Details

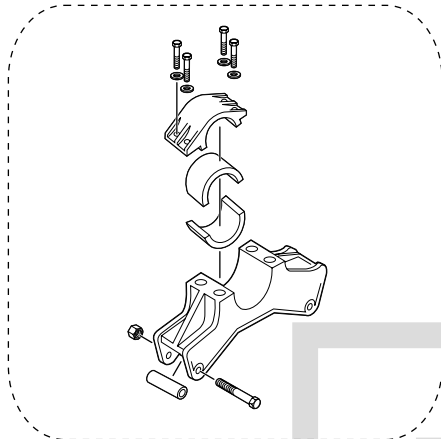
Dana

Suspension Illustration

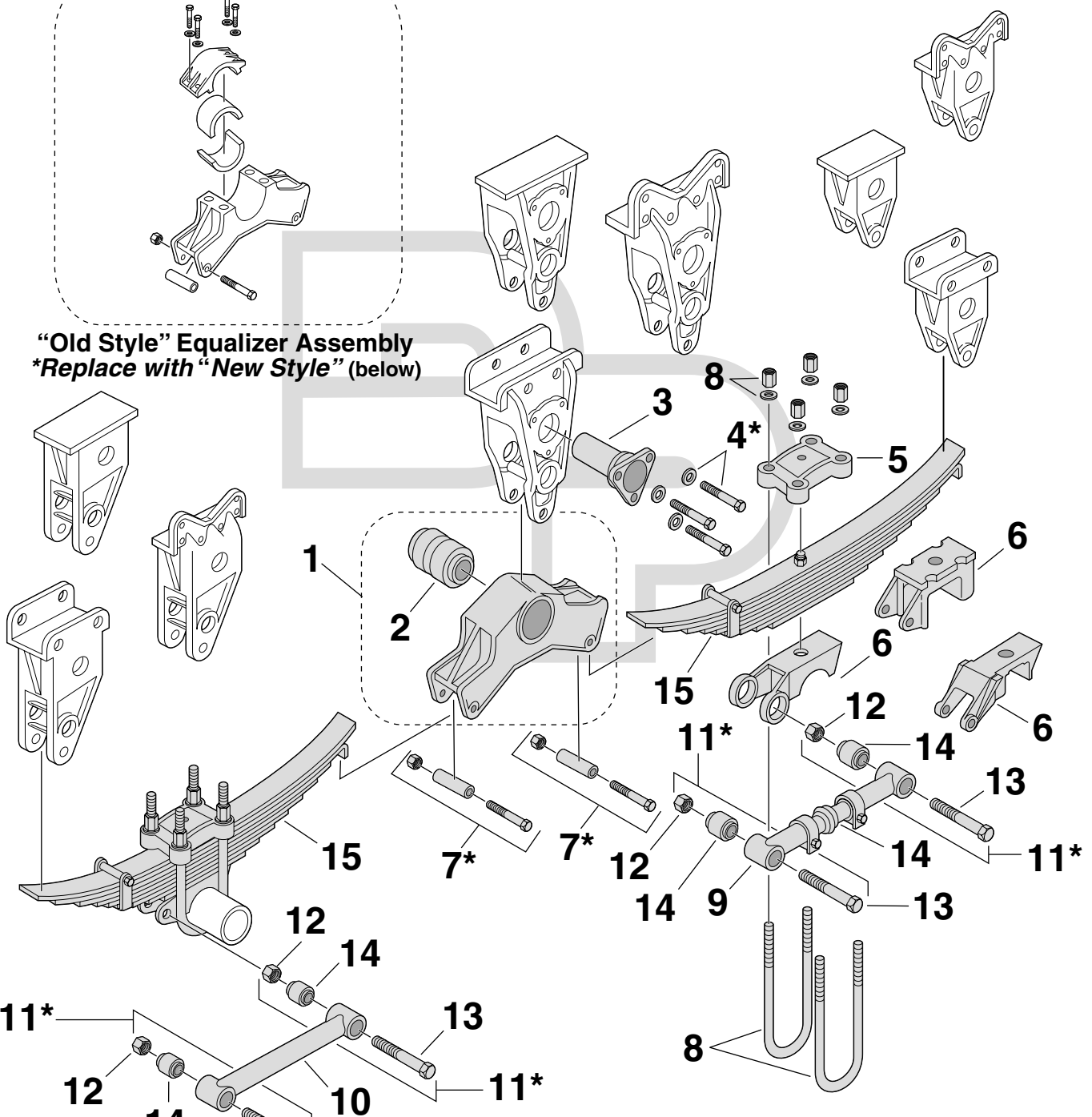


Key No.	Part Number	Description	No. Req.	OEM Reference	Remarks
	◆	Hanger, Center; Old Style	2		
●	338-1510	Equalizer; Old Style	2	B55534, 5506	
	334-1063	Shaft & Bearing; Old Style	2	L4325	
●	321-311	Bearing; Old Style	4	L1325, 5525	
	334-1054	Shaft; Old Style; 1 3/4"OD X 7 1/2"Lg	2	K1410, 5524-A	Obsolete
	334-455	Washer, Compression; 1 1/6"ID x 4"OD x 1/4"Thk	4	H241, 5522	
	334-209	Bolt; 1"-8 x 2 1/2"Lg	2	H80025, 5530A	Old Style
✓✓	SLN-107	Nut, Lock; 1"-14	10		New Style; OE Used Coarse Thread
	SFW-100	Washer, Flat; 1"ID	2	H230, 5522-1	
	338-1702	Hanger	4	B55517	Undermount; Obsolete
●	338-1522	Hanger, LF-RR	2	B55512, 5501	Flangemount
●	338-1523	Hanger, RF-LR	2	B55522, 5502	Flangemount
	338-1703	Hanger	4	B55580, 5503U-1	Undermount; Obsolete
●	338-1524	Hanger	4	B55533, 5503A-1	Flangemount; Obsolete
	◆	Pad, Wear; Replacement	4	K2303	
●	334-1066	Assembly, Retainer	4	L3049	Incl. Bolt & Retainer Pad
✓✓	338-1509	Assembly, Equalizer; New Style	2	B55536, 5506-1	
	334-1061	Shaft & Bearing; New Style	2	L4025	
●	321-312	Bearing; New Style	2	L1425	
	334-476	Bolt; 1"-14 x 8"Lg	2	H80080, 5530-1	OE Used Coarse Thread
●	338-202	Plate, Top Clamp; U-Bolt; 4"W x 5 3/8"Lg c/c; 4" x 6" Axle	4	K1114, T4069	Obsolete
●	338-203	Plate, Top Clamp; U-Bolt; 3 7/8"W x 5 7/8" c/c; 5" Rd. & Eaton 5" Sq. Axles	4	K1014, 5514	
●	338-1530	Plate, Top; 5" Square Axles	4	K1244, 5515-201	For 5" Square Axles
✓✓	338-381	Saddle, U-Bolt; Fabricated; 3"W x 7 1/2"Lg	4	K1215, 7029-00	Can Use 338-200; All Axles; U-Bolts Down
	338-1711	Bracket, Torque Rod/Seat; 1"; 5" Round Axle	4	E550104, W260-10	Obsolete
●	338-1531	Bracket, Torque Rod/Seat; 1 1/2"; 5" Round Axles	4	E550153	
	338-1532	Bracket, Torque Rod/Seat; 2 1/4"; 5" Round Axles	4	E550223	Obsolete
	338-1712	Bracket, Torque Rod/Seat; 1"; 5" Square Axles	4	E555301, 5511-22L	Obsolete
	338-1713	Bracket, Torque Rod/Seat; 1"; 4" x 6" Axles	4	E546103	Obsolete
	361-568	Kit, U-Bolt; Round Bend, Grade 8	8	H75010	7/8" x 5 1/8" x 10 7/8" R
✓	361-258	Kit, U-Bolt; Round Bend, Grade 8	8	H75015	7/8" x 5 1/8" x 11 7/8" R
	361-559	Kit, U-Bolt; Round Bend, Grade 8	8	H75025	7/8" x 5 1/8" x 12 7/8" R
✓	361-254	Kit, U-Bolt; Round Bend, Grade 8	8	H75035	7/8" x 5 1/8" x 13 7/8" R
	361-558	Kit, U-Bolt; Round Bend, Grade 5	8	H75055	7/8" x 5 1/8" x 15 7/8" R
	361-509	Kit, U-Bolt; Round Bend, Grade 5	8		7/8" x 5 1/8" x 17 7/8" R
	345-695	Torque Rod, Adjustable; 14"-18 1/2"Lg	2	M109101, 55150	Use 321-147 Bushings, Not Included
	345-860	Torque Rod, Adjustable; 18 1/2"-21 3/8"Lg	2	M109102, W260-150	Use 321-147 Bushings, Not Included
	345-784	Torque Rod, Rigid; 16 1/2"Lg c/c	2	M209465, 55139M	Use 345-695
	345-785	Torque Rod, Rigid; 16 3/4"Lg c/c	2	M209467, 55139P	Use 345-695
	345-728	Torque Rod, Rigid; 17 1/2"Lg c/c	2	M209475, 55139, 55139L	Use 345-695
	345-786	Torque Rod, Rigid; 17 3/4"Lg c/c	2	M209477, 55139H	Use 345-695
✓✓	334-253	Assembly, Bolt & Bushing	8		Incl. 334-644 Bolt, 321-147 Bushings & Hdwe.
✓✓	321-147	Bushing; 1"ID x 1 3/4"OD x 2 1/16"Lg	16	L1132, 5532	
●	321-147U	Bushing, Urethane	16		
	334-644	Bolt; 1"-14 x 6 3/4"Lg	8		OE Used Coarse Thread
✓	334-205	Washer, Compression; 1 1/16"ID x 2 3/4"OD x 1/4"Thk	8	H231, 5534	
	339-155	Kit, Maintenance; Model 55; New Style	1	H75710	Incl. (8)334-253, (2)334-1061 & (2)334-1066
	339-156	Kit, Maintenance; Model 55; Old Style	1	H87550	Obsolete
	Spring Assembly	Assembly, Spring	4		See Leaf Spring Web Catalog for Details

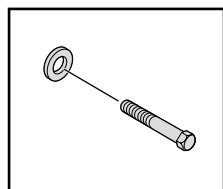
Dana



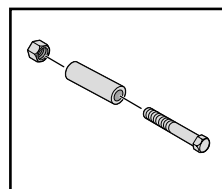
"Old Style" Equalizer Assembly
**Replace with "New Style" (below)*



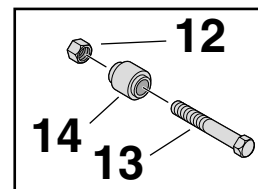
Suspension Illustration



**Key 4* - Cap
Screw Assembly**



**Key 7* - Spring
Rebound Kit**

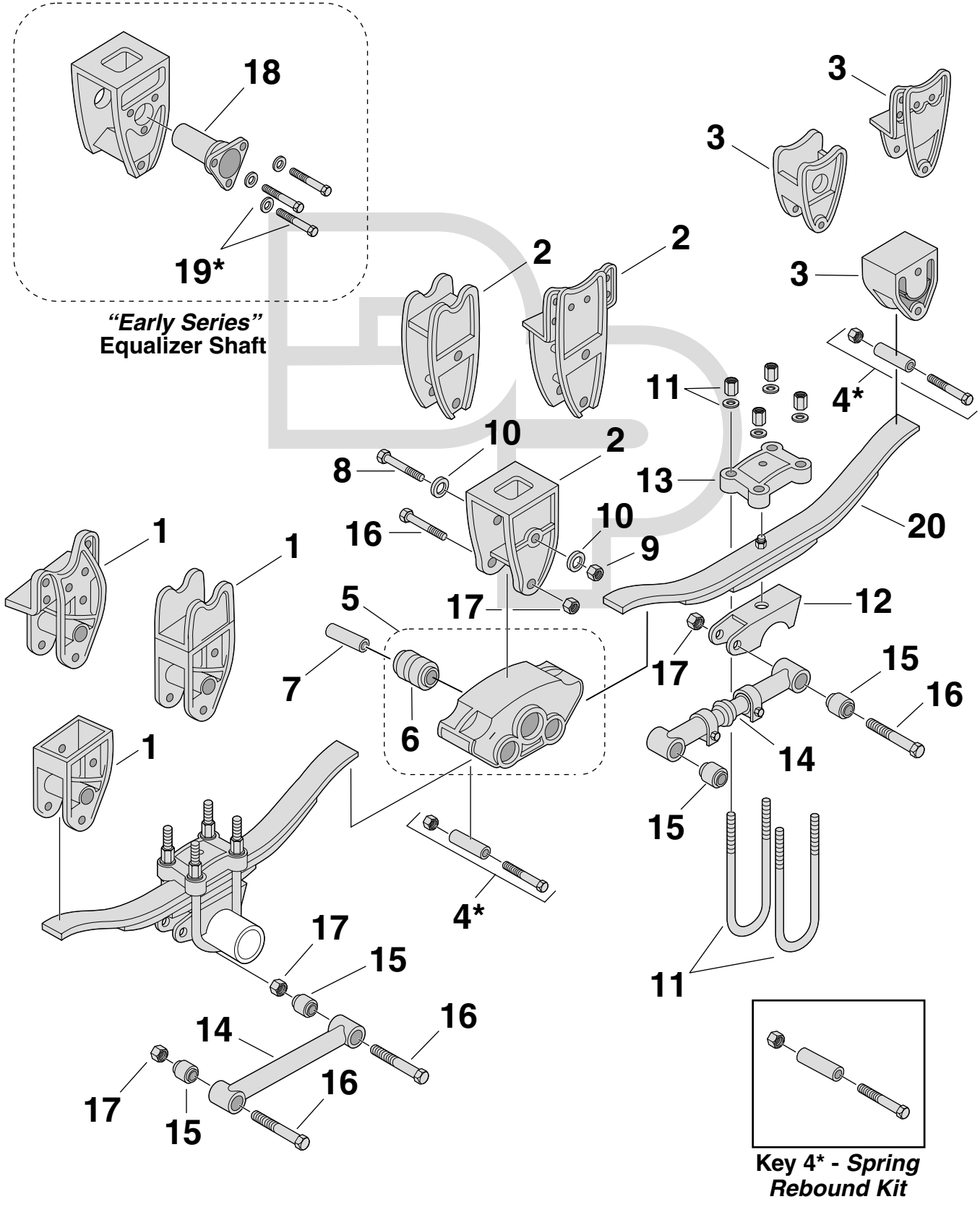


**Key 11* - Torque Rod
Bolt & Bushing Assembly**

Key No.	Part Number	Description	No. Req.	OEM Reference	Remarks		
●	1	338-1520	Assembly, Equalizer; 62 Series	2	B56634, 6606	Obsolete	
✓✓	●	2	321-154	Bushing; 2"ID x 3 1/8"OD x 4 1/4"Lg	2	L1025, 6225, 6825	
●		321-154U	Bushing, Urethane	2			
●	3	334-1056	Shaft	2	K1124, 6224C, 6624,6824U		
	4	334-1057	Assembly, Bolt; 5/8"-11 x 1 1/4"Lg	6	H86210	Incl. Cap Screw and Lock Washers; 62 & 68 Series	
●	5	338-203	Plate, Top Clamp; U-Bolt; 3 7/8"W x 5 7/8" c/c; 5" Rd. & Eaton 5" Sq. Axles	4	K1014, 5514, 6114		
	6	338-1714	Bracket, Torque Rod/Seat; 3/4"	4	E550752	Obsolete	
		338-1533	Bracket, Torque Rod/Seat; 2 3/4"; 5" Round Axles	4	E550275	Obsolete	
		338-1715	Bracket, Torque Rod/Seat; 7/8"	4	E546071	Obsolete	
		338-1716	Bracket, Torque Rod/Seat; 1 1/4"	4	E550101	Obsolete	
✓	7	334-201	Kit, Rebound; 1/2"-20 x 4 3/4"Lg	2		Incl. Tube, Bolt, Washer & Nut	
	8	361-568	Kit, U-Bolt; Round Bend, Grade 8	8	H75010	7/8" x 5 1/8" x 10 7/8" R	
✓		361-258	Kit, U-Bolt; Round Bend, Grade 8	8	H75015	7/8" x 5 1/8" x 11 7/8" R	
		361-559	Kit, U-Bolt; Round Bend, Grade 8	8	H75025	7/8" x 5 1/8" x 12 7/8" R	
✓		361-254	Kit, U-Bolt; Round Bend, Grade 8	8	H75035	7/8" x 5 1/8" x 13 7/8" R	
		361-558	Kit, U-Bolt; Round Bend, Grade 5	8	H75055	7/8" x 5 1/8" x 15 7/8" R	
		361-509	Kit, U-Bolt; Round Bend, Grade 5	8		7/8" x 5 1/8" x 17 7/8" R	
●	9	345-130	Torque Rod, Adjustable; 15"-17 1/4"Lg	2		Incl. 321-153 Bushings	
✓✓	●	345-157	Torque Rod, Adjustable; 18 1/4"-21 1/2"Lg	2	M109202	Incl. 321-153 Bushings; Cast Ends	
	10	345-730	Torque Rod, Rigid; 15 3/4"Lg c/c	2	M209657, 62139-F	Incl. 321-153 Bushings; Front Axle	
●		345-134	Torque Rod, Rigid; 19 3/8"Lg c/c	2	M209693, 62139-R	Incl. 321-153 Bushings	
✓✓	11	334-247	Assembly, Bolt & Bushing	8		Incl. 334-246 Bolt Assembly & 321-153 Bushing	
	12	334-236	Nut, Lock; 7/8"-9	8	H75809, 6235		
✓	13	334-244	Bolt; 7/8"-9 x 5 1/2"Lg	8	H88755, 6233		
✓✓	●	14	321-153	Bushing; 7/8"ID x 1 29/32"OD x 3"Lg	8	L1032, 6232	
●		321-153U	Bushing, Urethane	8			
	15	Spring Assembly	Assembly, Spring	4		See Leaf Spring Web Catalog for Details	

Dana

Suspension Illustration



Key No.	Part Number	Description	No. Req.	OEM Reference	Remarks	
1	338-1706	Hanger, RH	1	B56822, 6802-F	Flangemount; Obsolete	
	338-1707	Hanger, LH	1	B56812, 6801-F	Flangemount; Obsolete	
	338-1705	Hanger	2	B56813, 6801-S	Straddlemount; Obsolete	
	338-1525	Hanger	2	B56817	Undermount; Obsolete	
2	338-1709	Hanger	2	B56832, 6803-F	Flangemount; Obsolete	
	338-1708	Hanger	2	B56833, 6803-S	Straddlemount; Obsolete	
	338-1526	Hanger	2	B56837	Undermount; Obsolete	
3	338-1528	Hanger, RH	1	B56842, 6804-F	Flangemount; Obsolete	
	338-1529	Hanger, LH	1	B56852, 6805-F	Flangemount; Obsolete	
	338-1710	Hanger	2	B56853, 6805-S	Straddlemount; Obsolete	
	338-1527	Hanger	2	B56857	Undermount; Obsolete	
✓	4	334-201	Kit, Rebound; ½"-20 x 4 ¾"Lg	4		Incl. Tube, Bolt, Washer & Nut
●	5	338-1521	Assembly, Equalizer; 68 Series	2	B56834, 6806	Incl. 321-154 Bushing
✓✓	6	321-154	Bushing; 2"ID x 3 ½"OD x 4 ¼"Lg	2	L1025, 6225, 6825	
●		321-154U	Bushing, Urethane	2		
	7	334-1059	Shaft; 2"OD x 4 ¾"Lg	2	K1424, 6824	Obsolete
	8	334-1060	Bolt; 1"-8 x 7"Lg	2	H80070, 6830	
	9	SLNC-107	Nut, Lock; 1"-8	2		
	10	SFW-100	Washer, Flat; 1"ID	4		
✓	11	361-568	Kit, U-Bolt; Round Bend, Grade 8	8	H75010	7/8" x 5 1/8" x 10 7/8" R
		361-258	Kit, U-Bolt; Round Bend, Grade 8	8	H75015	7/8" x 5 1/8" x 11 7/8" R
✓	11	361-559	Kit, U-Bolt; Round Bend, Grade 8	8	H75025	7/8" x 5 1/8" x 12 7/8" R
		361-254	Kit, U-Bolt; Round Bend, Grade 8	8	H75035	7/8" x 5 1/8" x 13 7/8" R
		361-558	Kit, U-Bolt; Round Bend, Grade 5	8	H75055	7/8" x 5 1/8" x 15 7/8" R
	11	361-509	Kit, U-Bolt; Round Bend, Grade 5	8		7/8" x 5 1/8" x 17 7/8" R
●	12	338-1714	Bracket, Torque Rod/Seat; ¾"	4	E550752, 6210B, 6810B	Obsolete
		338-1533	Bracket, Torque Rod/Seat; 2 ¾"; 5" Round Axles	4	E550275	Obsolete
●	13	338-203	Plate, Top Clamp; U-Bolt; 3 7/8"W x 5 7/8" c/c; 5" Rd. & Eaton 5" Sq. Axles	4	K1014, 5514, 6114	U-Bolts Up
✓✓	14	345-130	Torque Rod, Adjustable; 15"-17 ¼"Lg	2		Incl. 321-153 Bushings
		345-157	Torque Rod, Adjustable; 18 ¼"-21 ½"Lg	2	M109202	Incl. 321-153 Bushings; Cast Ends
●	14	345-134	Torque Rod, Rigid; 19 3/8"Lg c/c	2	M209693, 62139-R	Incl. 321-153 Bushings
●		345-730	Torque Rod, Rigid; 15 ¾"Lg c/c	2	M209657, 62138-F	Incl. 321-153 Bushings; Front Axle
✓✓	15	321-153	Bushing; 7/8"ID x 1 29/32"OD x 3"Lg	8	L1032, 6232	
●		321-153U	Bushing, Urethane	8		
✓	16	334-244	Bolt; 7/8"-9 x 5 ½"Lg	10	H88755	
	17	334-236	Nut, Lock; 7/8"-9	8	H75809, 6235	
●	18	334-1056	Shaft	2	K1124, 6224C, 6624, 6824U	Early Series
	19	334-1057	Assembly, Bolt; 5/8"-11 x 1 ¼"Lg	6	H86210	Incl. Cap Screw & Lock Washers; 68 Series; Early Series
	20	Spring Assembly	Assembly, Spring	4		See Leaf Spring Web Catalog for Details

320-155



Bushing, Equalizer 2 1/2" I. D. x 2 3/4" Lg; Use w/ 338-1508 Equalizer; Model 26/36

321-147



Bushing; 1" I.D. x 1 3/4" O.D. x 2 11/16" Lg; Model 26/36/55

321-153



Bushing; 7/8" I.D. x 1 29/32" O.D. x 3" Lg; Included in 334-247 Bolt and Bushing Assy.; Model 62/68

321-153U



Bushing, Urethane; 7/8" I.D. x 1 29/32" O.D. x 3" Lg; Model 62/68

321-154



Bushing; 2" I.D. x 3 1/8" O.D. x 4 1/4" Lg; Included in 338-1520/1521 Equalizer; Model 62/68

321-154U



Bushing, Urethane; 2" I.D. x 3 1/8" O.D. x 4 1/4" Lg; Model 62/68

321-311



Bearing, Old Style; 1 3/4" I.D. x 4 1/16" Lg, Small O.D. 3"; Included in 334-1063 Shaft and Bushing Assy.; Use w/ 338-1510 Equalizer

321-312



Bearing, New Style; 1" I.D. x 3 1/16" O.D. x 5" Lg; Included in 338-1509 Equalizer and 334-1061 Shaft and Bushing Assy.; Model 55

321-313



Bearing; 3 1/2" I.D. x 5 7/32" O.D x 5" Lg; Included in 334-1067; Model 26/36

321-397



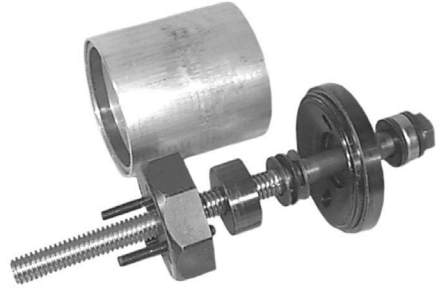
Bushing; Model RF/RS Series

334-751



Linkage Assembly, Universal Adjustable; 3 5/8"-19 5/8" Range; Use With All Height Control Valves

334-936



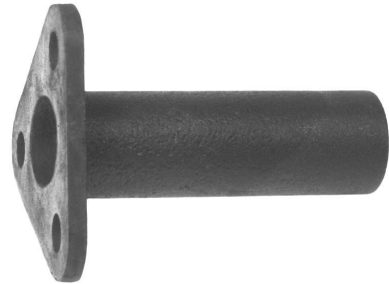
Tool, Bushing Installation; Required to Properly Service Bushings; Model RF/RS

334-1052



Shaft; 2 1/2" Dia. x 7 1/2" Lg.; Included in 334-1062; Model 26/36

334-1056



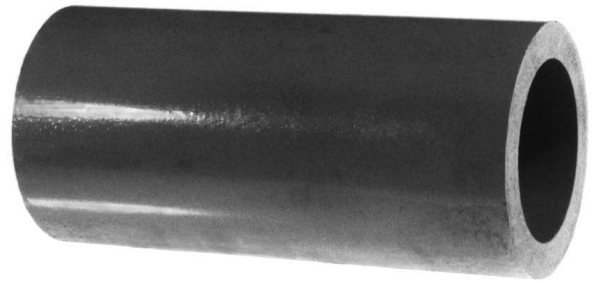
Shaft; 2" Dia. x 6" Lg.; Model 62/68

334-1066



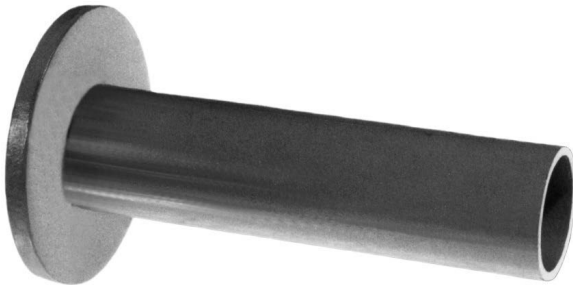
Retainer Assembly; Incl. Bolt and Retainer Pad; Use w/ 338-1523 Hangers; Model 55

334-1068



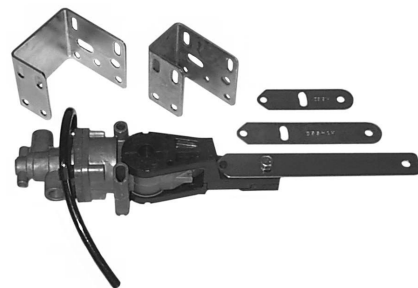
Shaft; 2 1/2" I.D. x 3 1/2" O.D. x 7 7/16" Lg.; Included in 334-1067; Model 26/36

334-1278



Tube, Equalizer; 1 29/32" Dia. x 6" Lg.; Included in 334-1067; Obsolete; Model 26/36

334-1580



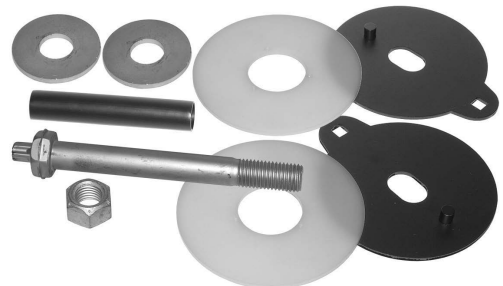
Valve, Integral Dump Height Control; w/Integral Dump Valve; Model RF/RS

334-1779



Service Kit, Trailing Beam Pivot; Alignment; Incl. Alignment Washer, Bushing, Spacers & Hardware; Model RF/RS

334-1780



Bolt Assembly, Pivot; 1 1/8"-7 x 9 3/4"Lg; Reuse Factory Flat Washers; Model RF/RS

334-1784



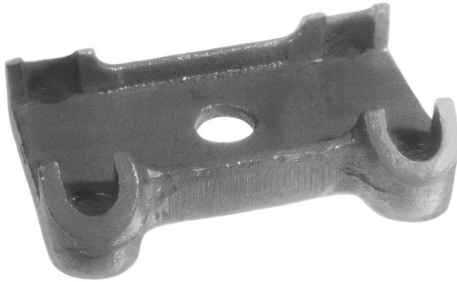
Washer, Alignment; Model RF/RS

338-202



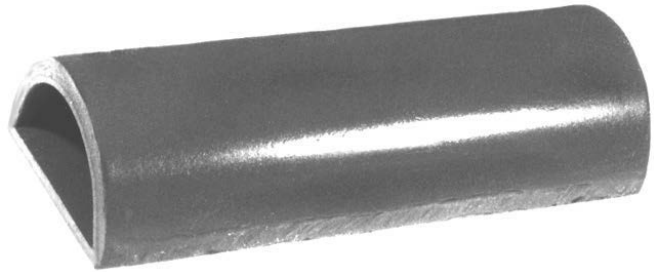
Plate, U-Bolt Top Clamp; 4" Wd. x 5 3/8" C to C; 4" x 6" Axles; Obsolete; Model 26/36/55

338-203



Plate, U-Bolt Top Clamp; 3 7/8" Wd. x 5 7/8" C to C; 5" Rd. and 5" Sq. Eaton Axles; Model 62/68

338-381



Saddle, U-Bolt; 3" Wd. x 7 1/2" Lg; All Axles; Rd. U-Bolts; U-Bolts Down; Model 55

338-1345



Adapter, Axle; 5" Round Axles; Model 36

338-1508



Equalizer; Model 26/36

338-1509



Equalizer Assembly, New Style; Includes 321-312 Bushing; Model 55

338-1510



Equalizer, Old Style; Use w/ 321-311 Bushing; Model 55

338-1520



Equalizer Assembly; Includes 321-154 Bushing; Model 62

338-1521



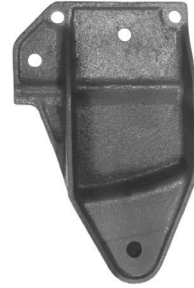
Equalizer Assembly; Includes 321-154 Bushing; Model 68

338-1522



Hanger, LF-RR; Use w/ 334-201 Rebound Bolt; Models 26RHR, 55LF/RR

338-1523



Hanger, RF-LR; Use w/ 334-201 Rebound Bolt; Models 26LHR, 55RF/LR

338-1524



Hanger; Flangemount - Obsolete; Model 55

338-1530



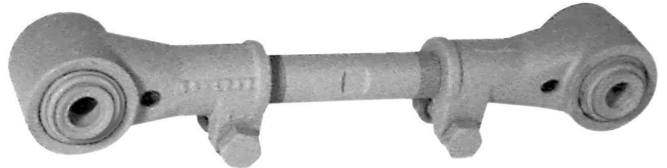
Top Plate; 5" Square Axles; Model 26/36/55

338-1531



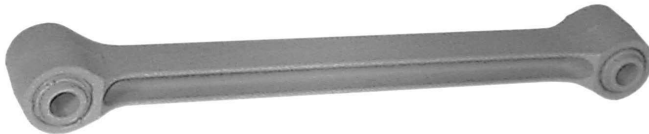
Bracket, Torque Rod/Seat; 5" Rd Axles, 1 1/2" High; Model 26/36/55

345-130



Torque Rod, Adjustable; 15" x 17 1/4" Lg; Includes 321-153 Bushings; Model 62/68

345-134



Torque Rod, Rigid; 19 3/8" Lg; Includes 321-153 Bushings; Model 62/68

345-157



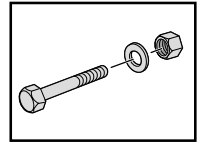
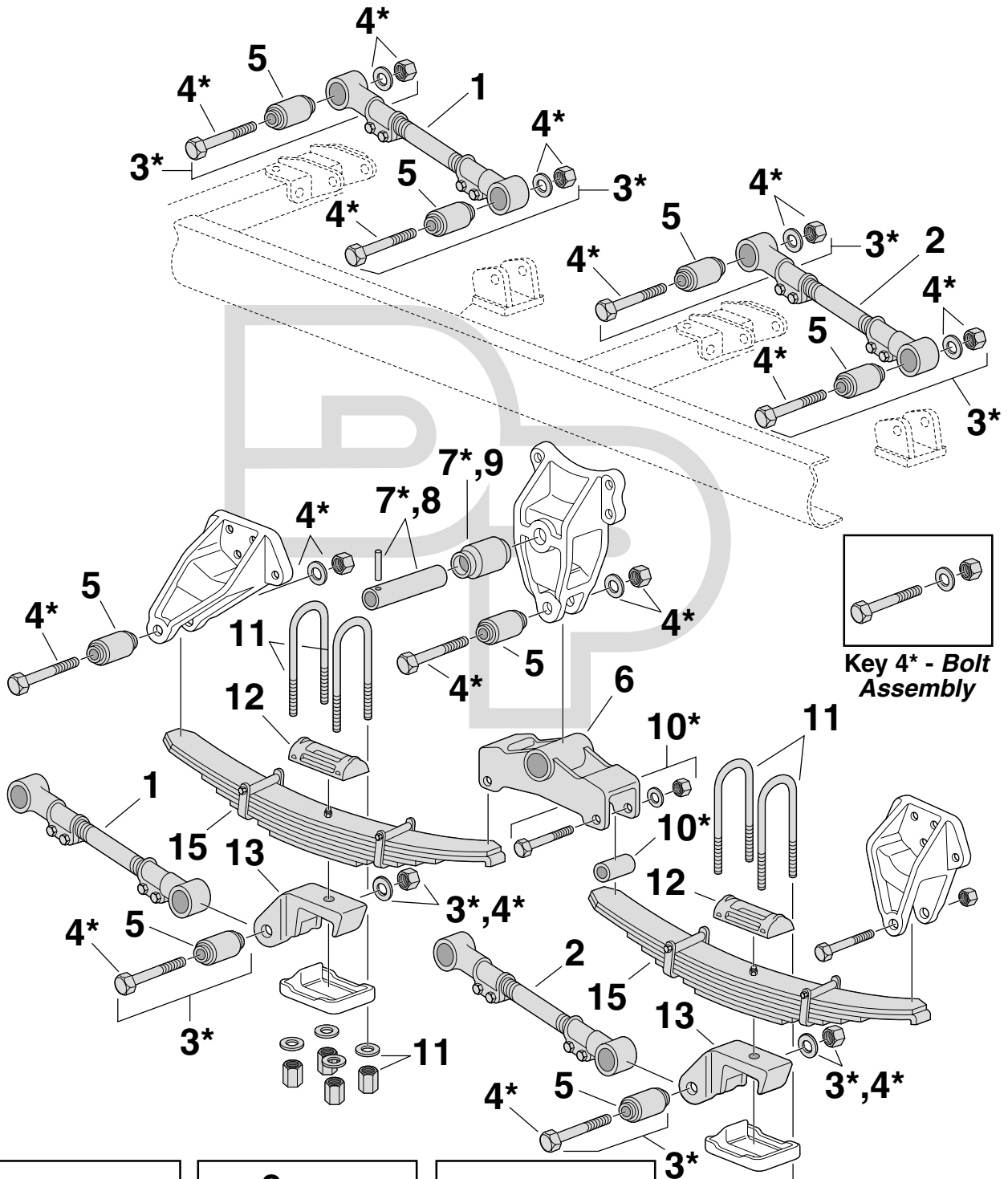
Torque Rod, Adjustable; 18 1/4" x 21 1/2" Lg; Includes 321-153 Bushings; Model 62/68

345-199

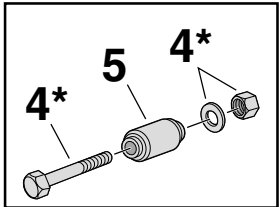


Torque Rod, Adjustable; 15" x 17 1/4" Lg; Use w/ 321-147 Bushings; Model 26/36

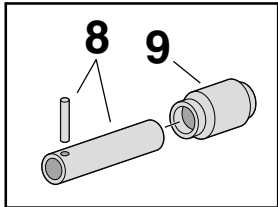
Dayton



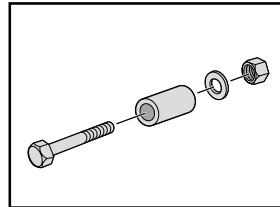
Key 4* - Bolt Assembly



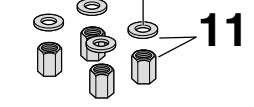
Key 3 - Torque Rod Bolt & Bushing Assembly



Key 7 - Equalizer Shaft & Bushing Assembly



Key 10* - Spring Rebound Kit

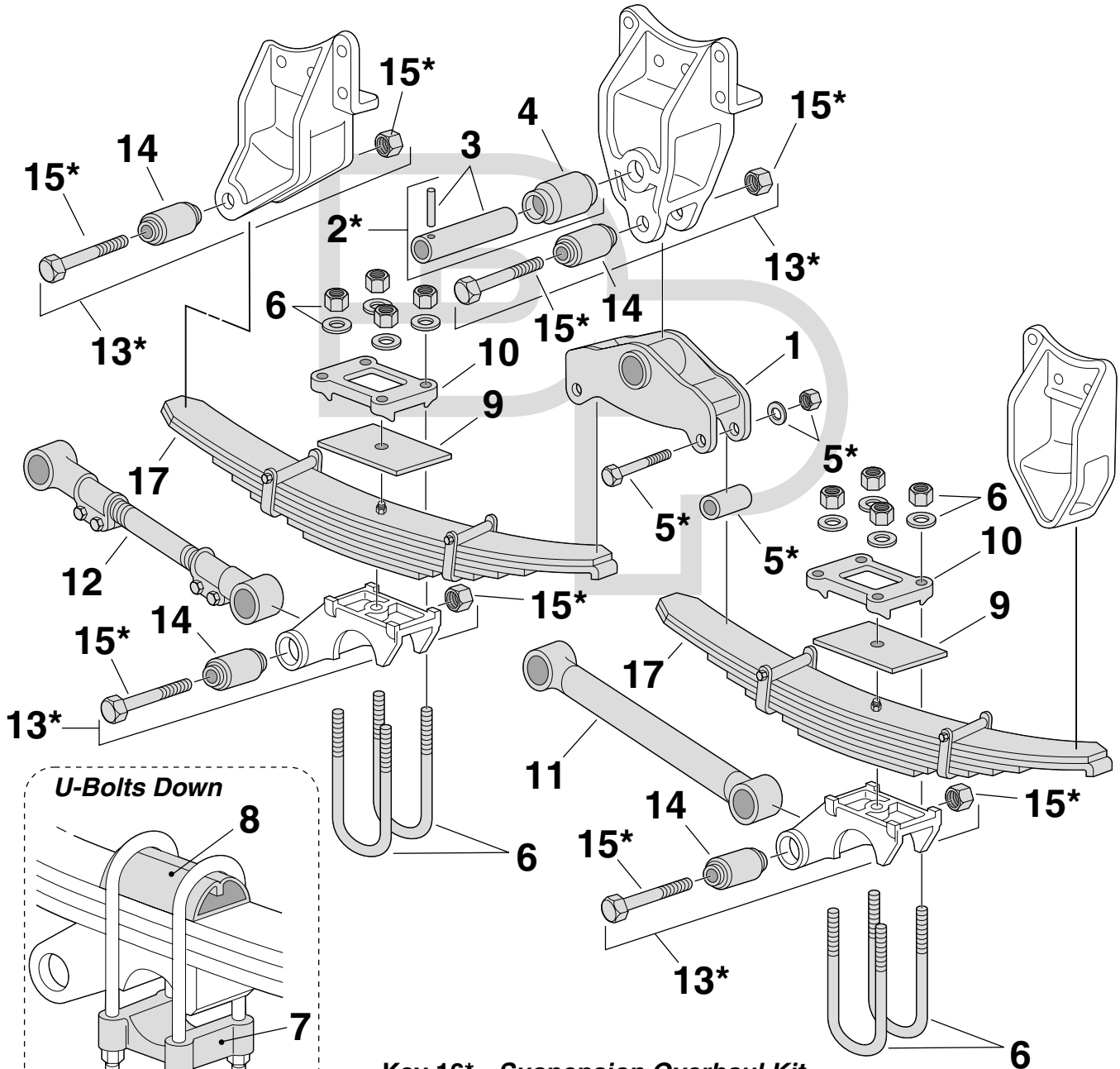


***Key 14 - Suspension Overhaul Kit**
Includes: (12) Key 3, (2) Key 7, (4) Key 10 and Hardware

Suspension Illustration

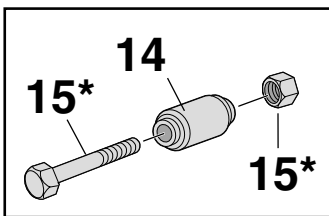
	Key No.	Part Number	Description	No. Req.	OEM Reference	Remarks
●	1	345-130	Torque Rod, Adjustable; 15"-17 ¼"Lg	4	39090033,35,29	Incl. 321-153 Bushings; Replaces 345-180
✓✓	●	345-157	Torque Rod, Adjustable; 18 ¼"-21 ½"Lg	4	39090034,36,30	Incl. 321-153 Bushings; Cast Ends; Replaces 345-182
✓✓	3	334-419	Assembly, Bolt & Bushing	12		Incl. 321-186 Bushing & 334-424 Bolt Assy.
	4	334-424	Assembly, Bolt; 7/8"-9 x 5 ½"Lg	12		Incl. Bolt, Washer & Nut
✓✓	●	321-186	Bushing; 7/8"ID x 2 3/8"OD x 3"Lg	12	39400013	
●		321-186U	Bushing, Urethane	12		
✓	●	338-699	Assembly, Equalizer; 16"Lg	2	39240007	Incl. 321-187 Bushing
✓	●	338-700	Assembly, Equalizer; 14"Lg, IHC	2	39240011, 377202C11	Incl. 321-187 Bushing
✓	7	334-420	Assembly, Shaft & Bushing	2		Incl. 321-187 Bushing & 334-423 Shaft Assy.
✓	●	334-423	Assembly, Shaft	2	39400089, 39400021	Incl. Shaft & Roll Pin
●	9	321-187	Bushing; 2"ID x 3 ½"OD x 4 ¼"Lg	2	39400014	
✓	10	334-201	Kit, Rebound; ½"-20 x 4 ¾"Lg	4		Incl. Tube, Bolt, Washer & Nut
✓✓	11	361-248	Kit, U-Bolt; Round Bend, Grade 5	8		7/8" x 3" x 12 ½" R
✓✓		361-218	Kit, U-Bolt; Round Bend, Grade 5	8		7/8" x 3" x 14 ½" R
✓		361-250	Kit, U-Bolt; Round Bend, Grade 5	8	39120118	7/8" x 3" x 18-½" R
✓		361-258	Kit, U-Bolt; Round Bend, Grade 8	8		7/8" x 5 ½" x 11 7/8" R
✓		361-254	Kit, U-Bolt; Round Bend, Grade 8	8		7/8" x 5 ½" x 13 7/8" R
✓	●	338-200	Saddle, U-Bolt; 3"W x 7 ¾"Lg x 1 ¾"H	4	39050038	7/8" or ¾" U-Bolts, Down
●		338-1107	Saddle, U-Bolt; Fabricated	4	39050021	
✓	13	338-685	Seat, Front Axle; 3°	2	39060087, 346459C1	4 ¼" x 5" Rockwell SQHD, SLHD
		338-683	Seat, Rear Axle; 11°25'	2	39060085, 346129C1	4 ¼" x 5" Rockwell SQHD, SLHD
	14	339-177	Kit, Maintenance; Truckmaster Tandem	1		Obsolete
	15	Spring Assembly	Assembly, Spring	4		See Leaf Spring Web Catalog for Details

Dayton

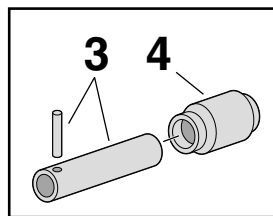


Key 16* - Suspension Overhaul Kit
Includes: (2) Key 2, (4) Key 5, (8) Key 13

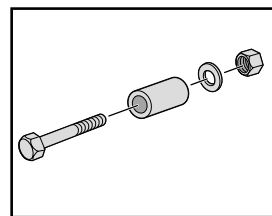
Suspension Illustration



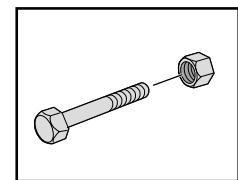
Key 13* - Torque Rod Bolt & Bushing Assembly



Key 2* - Equalizer Shaft & Bushing Assembly



Key 5* - Spring Rebound Kit



Key 15* - Torque Rod Bolt Assembly

Key No.	Part Number	Description	No. Req.	OEM Reference	Remarks
✓ ●	1 338-699	Assembly, Equalizer; 16"Lg	2	39240007	Incl. 321-187 Bushing; Casting Only: 338-749C
✓	2 334-420	Assembly, Shaft & Bushing	2		Incl. 321-187 Bushing & 334-423 Shaft Assy.
✓ ●	3 334-423	Assembly, Shaft	2	39400089, 39400021	Incl. Shaft & Roll Pin
●	4 321-187	Bushing; 2"ID x 3 1/8"OD x 4 1/4"Lg	2	39400014	
✓	5 334-201	Kit, Rebound; 1/2"-20 x 4 3/4"Lg	4		Incl. Tube, Bolt, Washer & Nut
✓✓	6 361-248	Kit, U-Bolt; Round Bend, Grade 5	8		7/8" x 3" x 12 1/2" R
✓✓	361-218	Kit, U-Bolt; Round Bend, Grade 5	8		7/8" x 3" x 14 1/2" R
✓	361-250	Kit, U-Bolt; Round Bend, Grade 5	8	39120118	7/8" x 3" x 18-1/2" R
✓	361-258	Kit, U-Bolt; Round Bend, Grade 8	8		7/8" x 5 1/8" x 11 7/8" R
✓	361-252	Kit, U-Bolt; Round Bend, Grade 5	8		7/8" x 5 1/8" x 13 7/8" R
●	7 338-214	Plate, Bottom Clamp; U-Bolt; 3 7/8"W x 5 7/8"Lg c/c; 5" Round Axle	4	39180007	
✓ ●	8 338-200	Saddle, U-Bolt; 3"W x 7 3/4"Lg x 1 3/4"H	4	39050038	7/8" or 3/4" U-Bolts Down
●	338-1107	Saddle, U-Bolt; Fabricated	4	39050021	
	9 GL-294	Liner; 2 7/8" x 7 1/2"Lg w/ 1/2" Hole	AR		
●	10 338-203	Plate, Top Clamp; U-Bolt; 3 7/8"W x 5 7/8" c/c; 5" Rd. & Eaton 5" Sq. Axles	4	39050002	
●	11 345-133	Torque Rod, Rigid; 16 1/2"Lg c/c	1	39080011	Incl. 321-153 Bushings
●	345-143	Torque Rod, Rigid; 17"Lg c/c	1	39080063	Incl. 321-153 Bushings
●	345-749	Torque Rod, Rigid; 17 1/2"Lg c/c	1	39080045	Obsolete
	345-175	Torque Rod, Rigid; 19 1/2"Lg c/c	1	39080089	Obsolete
	345-176	Torque Rod, Rigid; 20"Lg c/c	1	39080092	Obsolete
●	12 345-130	Torque Rod, Adjustable; 15"-17 1/4"Lg	1	39090029	Incl. 321-153 Bushings
✓✓ ●	345-157	Torque Rod, Adjustable; 18 1/4"-21 1/2"Lg	2	39090030	Incl. 321-153 Bushings; Cast Ends
✓✓	13 334-247	Assembly, Bolt & Bushing	8		Incl. 334-246 Bolt Assembly & 321-153 Bushing
✓✓ ●	14 321-153	Bushing; 7/8"ID x 1 29/32"OD x 3"Lg	8	39400016	
●	321-153U	Bushing, Urethane	8		
✓	15 334-246	Assembly, Bolt; 7/8"-9 x 5 1/2"Lg	8		Incl. Bolt & Lock Nut
	16 339-136	Kit, Maintenance; Tri-Lite	1		Obsolete
	17 Spring Assembly	Assembly, Spring	4		See Leaf Spring Web Catalog for Details

321-153



Bushing; 7/8" I.D. x 1 29/32" O.D. x 3" Lg.; Model Tri-Lite

321-153U



Bushing, Urethane; 7/8" I.D. x 1 29/32" O.D. x 3" Lg.; Model Tri-Lite

321-186



7/8" I.D. x 2 3/8" O.D. x 3" Lg.; Included in 334-424 Bolt and Bushing Assy.; Use w/ 345-180/182 Torque Rods; Model Tri-Lite

321-186U



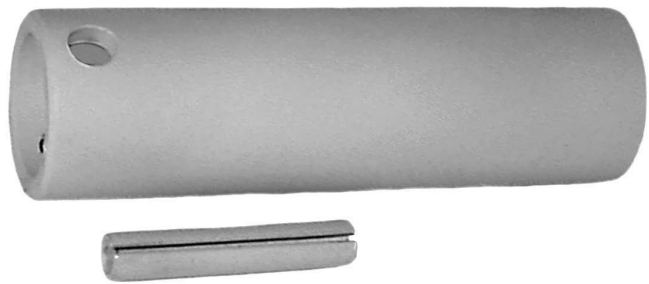
Bushing, Urethane; 7/8" I.D. x 2 3/8" O.D. x 3" Lg; Model Tri-Lite

321-187



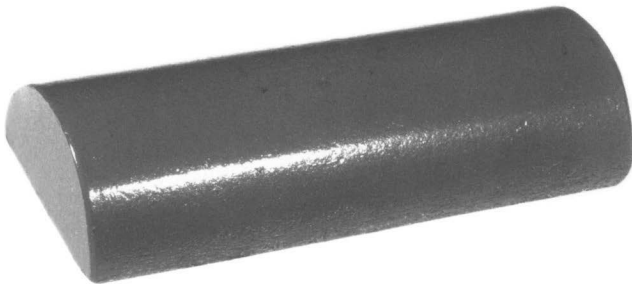
Bushing; 2" I.D. x 3 1/8" O.D. x 4 1/4" Lg.; Included in 334-420 Shaft and Bushing Assy.; Models Truckmaster, Tri-Lite

334-423



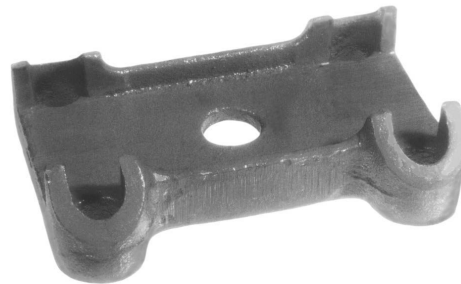
Shaft Assembly; 2" O.D. x 6 3/4" Lg.; Includes 1/2" x 2 3/4" Pin; Models Truckmaster, Tri-Lite

338-200



Saddle, U-Bolt; 3" Wd. x 7 3/4" Lg. x 1 3/4" Thk.; Models Truckmaster, Tri-Lite

338-203



Plate, U-Bolt Top Clamp; 3 7/8" Wd. x 5 7/8" C to C; Model Tri-Lite

338-214



Plate, U-Bolt Bottom Clamp; 3 7/8"W x 5 7/8"Lg. c/c - 5" Round Axle; Model Tri-Lite

338-683



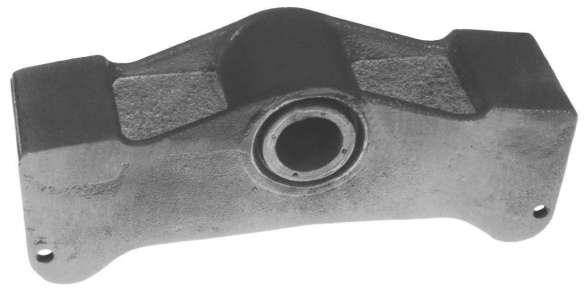
Seat, Rear Axle; 11° x 25' x 4 1/4" x 5"; Rockwell SQHD, SLHD Axles; Model Truckmaster Rear Axle

338-685



Seat, Front Axle; 3° x 4 1/2" x 5"; Rockwell SQHD, SLHD Axles; Model Truckmaster Front Axle

338-699



Equalizer Assembly; 16" Lg.; Included in 321-187; Casting Only - 338-749C; Models Truckmaster, Tri-Lite

338-700



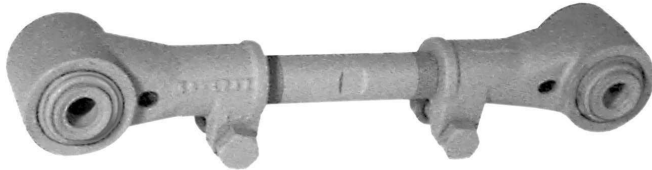
Equalizer Assembly; 14" Lg. (Navistar/IHC Only); Includes 321-187; Model Truckmaster

338-1107



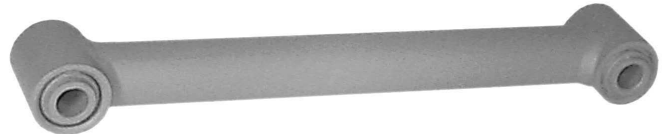
Saddle, U-Bolt; Fabricated; Models Truckmaster, Tri-Lite

345-130



Torque Rod, Adjustable; 15" x 17 1/4" Lg.; Includes 321-153 Bushings; Replaces 345-180; Models Truckmaster, Tri-Lite

345-133



Torque Rod, Rigid; 16 1/2" Lg.; Includes 321-153 Bushing; Model Tri-Lite

345-143



Torque Rod, Rigid; 17" Lg.; Includes 321-153 Bushings; Model Tri-Lite

345-157



Torque Rod, Adjustable; 18 1/4" x 21 1/2"; Includes 321-153 Bushings; Replaces 345-182; Models Truckmaster, Tri-Lite

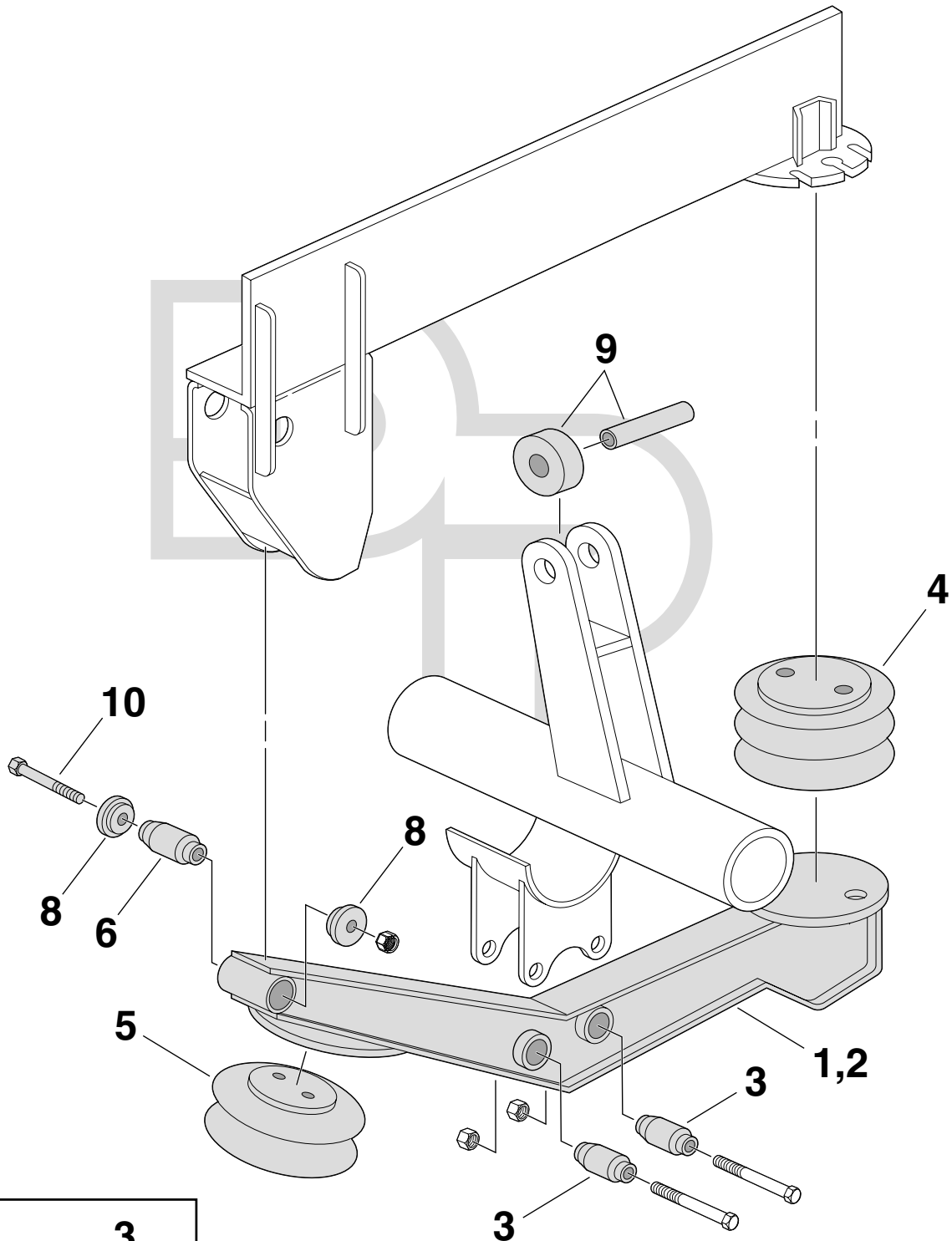
345-749



Torque Rod, Rigid; 17 1/2"; Includes 321-153 Bushings; Model Tri-Lite

E-Z Ride

Suspension Illustration



Key 7 - Bolt & Bushing Assembly

Key Numbers with an asterisk (*) indicate a kit or assembly.

E-Z Ride

CLS 2000/2050 Suspension

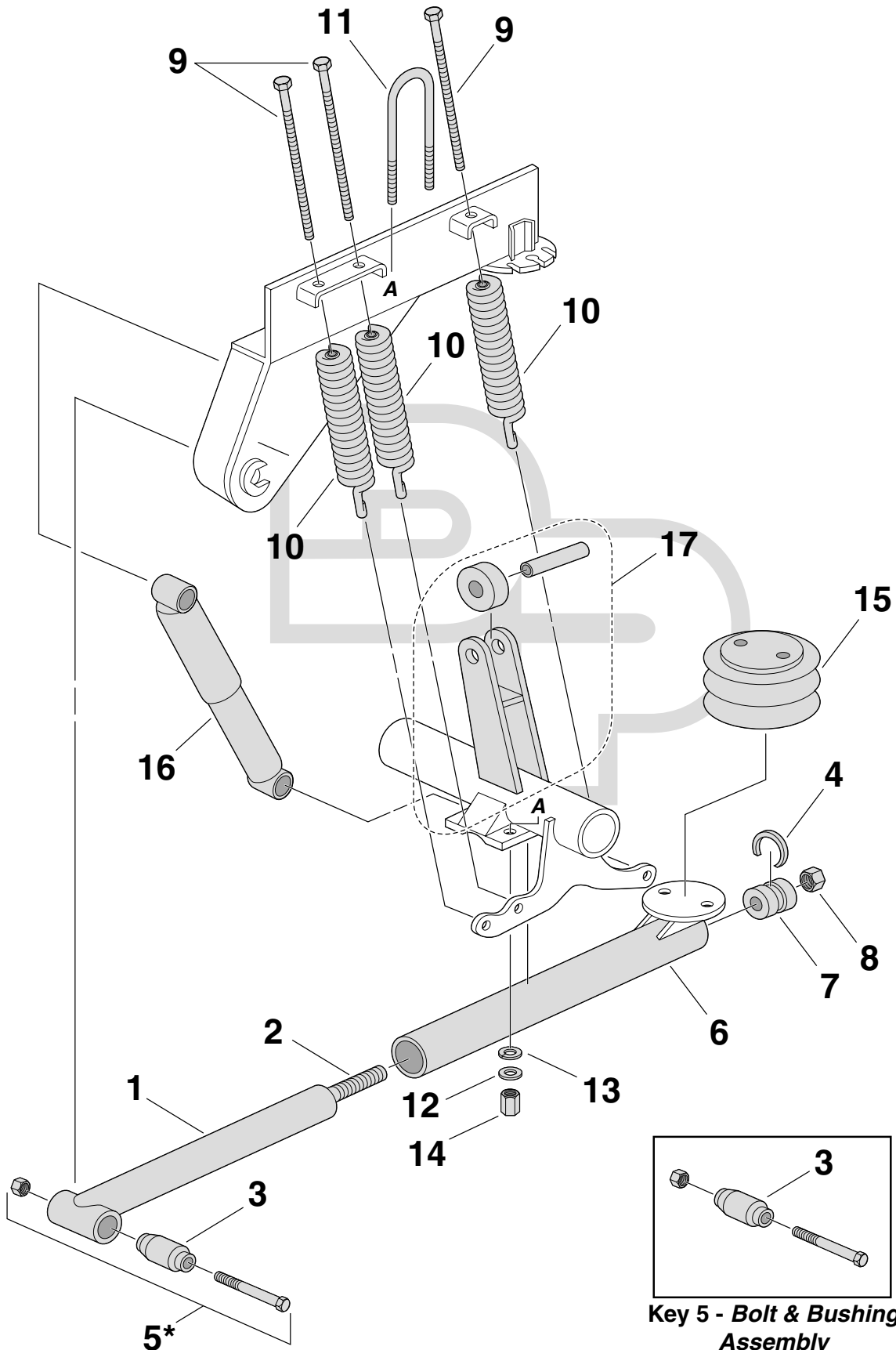
E-Z Ride

Parts Listing

Key No.	Part Number	Description	No. Req.	OEM Reference	Remarks
	SP	Trailing Arm; Roadside	1	8320250	R/B 100-50028
	SP	Trailing Arm; Curbside	1	8320255	R/B 100-50028
✓ ●	321-343	Bushing	4	8030211, 8320257	
	354-7798	Air Spring	2	8030170, 100-50002	
✓✓	354-6905	Air Spring	2	8030120, 100-50001	
	SP	Bushing	2	8320220, 100-50005	
✓	334-1457	Assembly, Bolt and Bushing	4		
	SP	Washer, Alignment	4	8320270, 100-50007	
	334-1460	Assembly, Roller & Pin	2	8385243, 100-50019	
	334-476	Bolt; 1"-14 x 8"Lg	2		

E-Z Ride

Suspension Illustration



E-Z Ride

CLS 9500/8500 Suspension

E-Z Ride

Key No.	Part Number	Description	No. Req.	OEM Reference	Remarks
1	SP	Torque Arm	2	8385202, 100-50064	
2	SP	Rod, Torque Arm	2	8385204, 100-50066	
3	SP	Bushing	2	8301115, 100-50003	
● 4	334-1458	Lock, Horseshoe	2	8301130, 100-50067	
5	334-1457	Assembly, Bolt & Bushing	2	8201002	Incl. Bolt, Bushing & Hdwe.
6	SP	Tube, Saddle	2	8385206, 100-50060	
● 7	334-1459	Nut, Machined	2	8301135, 100-50068	
8	SP	Nut, Jam; 1 1/4"-7 Threads	2	8301140, 100-50069	
✓ 9	334-1463	Bolt; 3/4"-16 x 11"Lg	6	8301150, 100-50079	
	334-808	Bolt; 3/4"-16 x 9"	6	8301150, 100-50079	
✓ ● 10	334-1462	Assembly, Lift Spring	6	8030220, 100-50078	
11	SP	U-Bolt; Bent to Order	4	8314015, 100-80036	Specify Length, Width, Diameter & Bend
12	SUW-34	Washer, U-Bolt; 3/4"	8		
13	SLW-34	Washer, Lock; 3/4"	8		
14	DN-34	Nut, Deep; 3/4"-16, Grade C	8		
15	354-7798	Air Spring	2	8030170	
✓ 16	M66886	Shock Absorber	2		
	M65106	Shock Absorber	2		
● 17	334-1461LH	Assembly, Roller; LH	1	100-50017	
●	334-1461RH	Assembly, Roller; RH	1	100-50018	

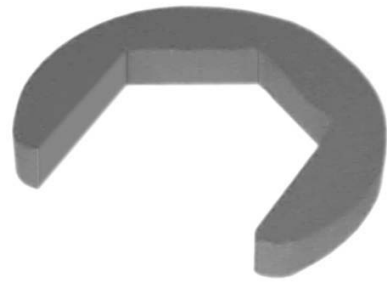
Parts Listing

321-343



Bushing; Model CLS 2000/2050

334-1458



Horseshoe Lock; Bushing; Model CLS 9500/8500

334-1459



Machined Nut; Model CLS 9500/8500

334-1461LH



Roller Assembly; LH; Model CLS 9500/8500

334-1461RH



Roller Assembly; LH; Model CLS 9500/8500

334-1462



Lift Spring Assembly; ; Model CLS 9500/8500

Ford	Index
-------------	--------------

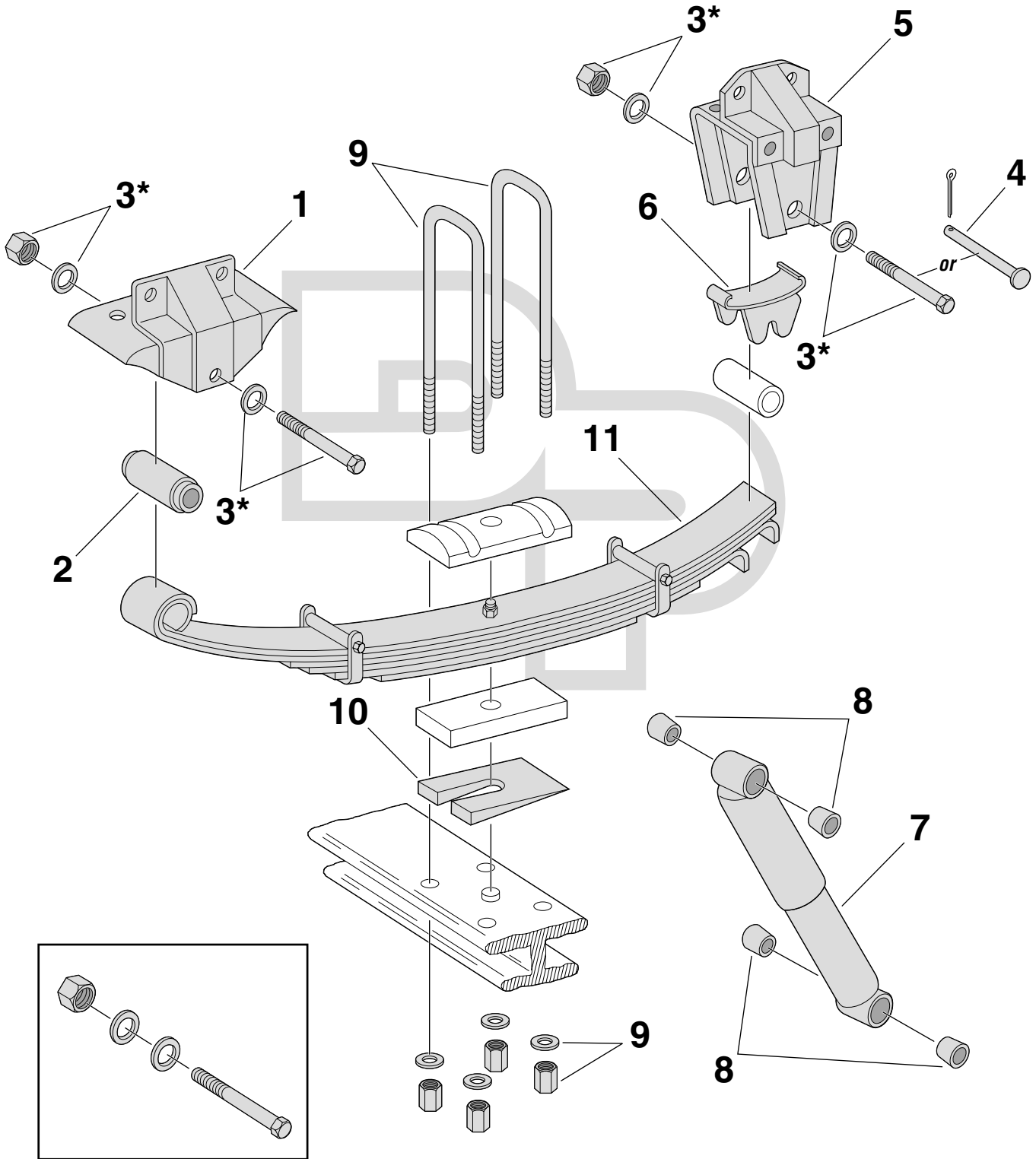
Ford

MODEL	PAGE
B600/700 (1980-95), F600/700 (1980-97) 7-9k Axles (2 1/2" Spring) Front Suspensions	92, 93
F600/700/800 (1983-98), FT800/900 (1983-98) 10-12k Axles (4" Spring) Front Suspensions	94, 95
CF/L/LA/LN/LS/LT/LLA/LNT/LTA/LTS/LTLA Front Suspensions	96, 97
LN500/600/700/750 (1970-83), LN600/700 (1984-86), LN700 (1985-86) (2 1/2" Spring) Front Suspension	98, 99
CL9000 Cab Over Front Suspension	100, 101
C500-900 Tilt Cab Front Suspensions	102, 103
A/AT/L/LT 850-950, Aeromax®/Louisville® (Ford/Sterling) (New Style - From '96) Front Suspension	104, 105
B/CF/CL/F/L/LN Rear Single Axle Suspensions	106-109
C500-900 Tilt Cab Rear Single Axle Suspension	110, 111
Suspension Component Photos	112-117

B600/700 (1980-95), F600/700 (1980-97)
7-9k Axles (2 1/2" Spring)
Front Suspensions

Ford

Ford



Suspension Illustration

Key 3* - Bolt Assembly

Ford

B600/700 (1980-95), F600/700 (1980-97) 7-9k Axles (2 1/2" Spring) Front Suspensions

Ford

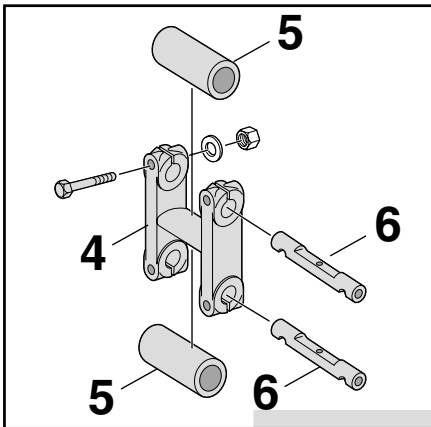
Key No.	Part Number	Description	No. Req.	OEM Reference	Remarks
●	◆ 338-909	Hanger, Front; Stamped; LH/RH	2	E0HZ5340A, E0HT5A324AA	1980 & Up w/9k Axles & Below; Use 338-909 in Pairs
		Hanger; Stamped	2	D5TZ5340A, D5TA5B312AA	1967-79 w/9k Axles & Below
	RB-100	Bushing; 3/4"ID x 1 1/16"OD x 2 3/4"OAL	2	C7TZ5348B	
	334-798	Assembly, Bolt; 3/4"-16 x 4"Lg	2	9418882	Incl. Bolt & Hdwe.
	◆	Pin, Clevis; 1/2" x 4"Lg	2	5A341A	Use 334-766 Bolt Assembly
✓ ●	338-900	Hanger; Stamped	2	E7HZ5340B	"B" & "F" Series; 9k Axles & Below; Use w/334-766 Bolt Assembly
✓✓ ●	334-501	Insulator, Spring; Rear	2	E6HZ5A342B	All Series w/9k Axles & Below w/Hydraulic Brakes
✓ ●	334-660	Insulator	2	E6HZ5A342A	All w/9k Axles & Below w/Air Brakes
✓	M66861	Shock Absorber	2	E0HT18045AA	Consult Shock Catalog for Model Specific Applications
✓✓	M66863	Shock Absorber	2	D2HF18045AA, D7HT18045CA	
	See Shocks	Shock Absorber	2	Various	
●	140149	Bushing, Shock; 3/4"ID	AR		4 Pack
	361-312	Kit, U-Bolt; Special Bend, Grade 5	4	D2TZ4544A	9/16" x 2 9/16" x 5" FR
	361-314	Kit, U-Bolt; Special Bend, Grade 8	4	E1HZ5455A	5/8" x 2 9/16" x 7 5/8" FR
	See Chart	Wedge, Camber	AR		See Chart on Page 1091
	Spring Assembly	Assembly, Spring	2		See Leaf Spring Web Catalog for Details

Parts Listing

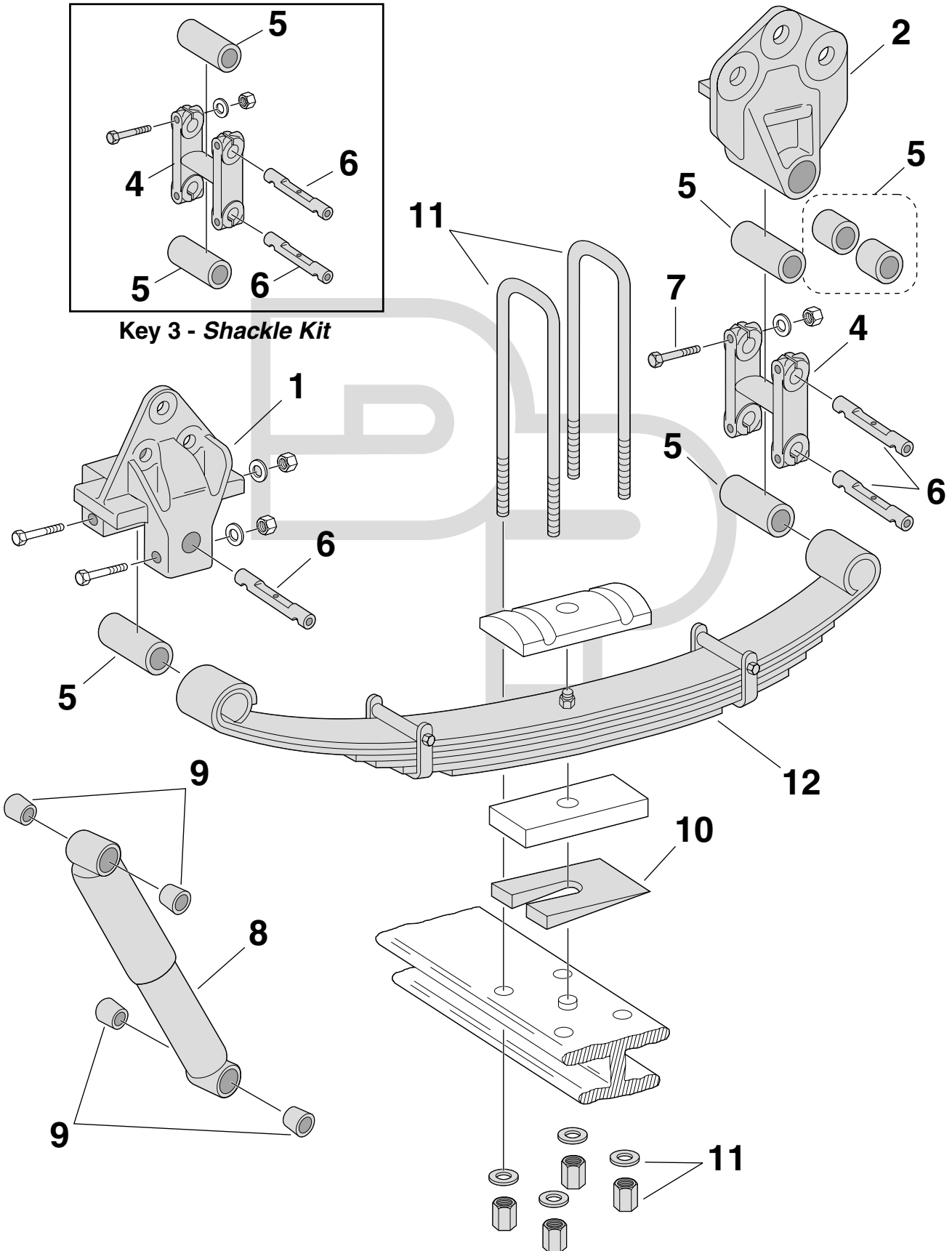
F600/700/800 (1983-98), FT800/900 (1983-98)
10-12k Axles (4" Spring)
Front Suspensions

Ford

Ford



Key 3 - Shackle Kit



Suspension Illustration

Key Numbers with an asterisk (*) indicate a kit or assembly.

Ford

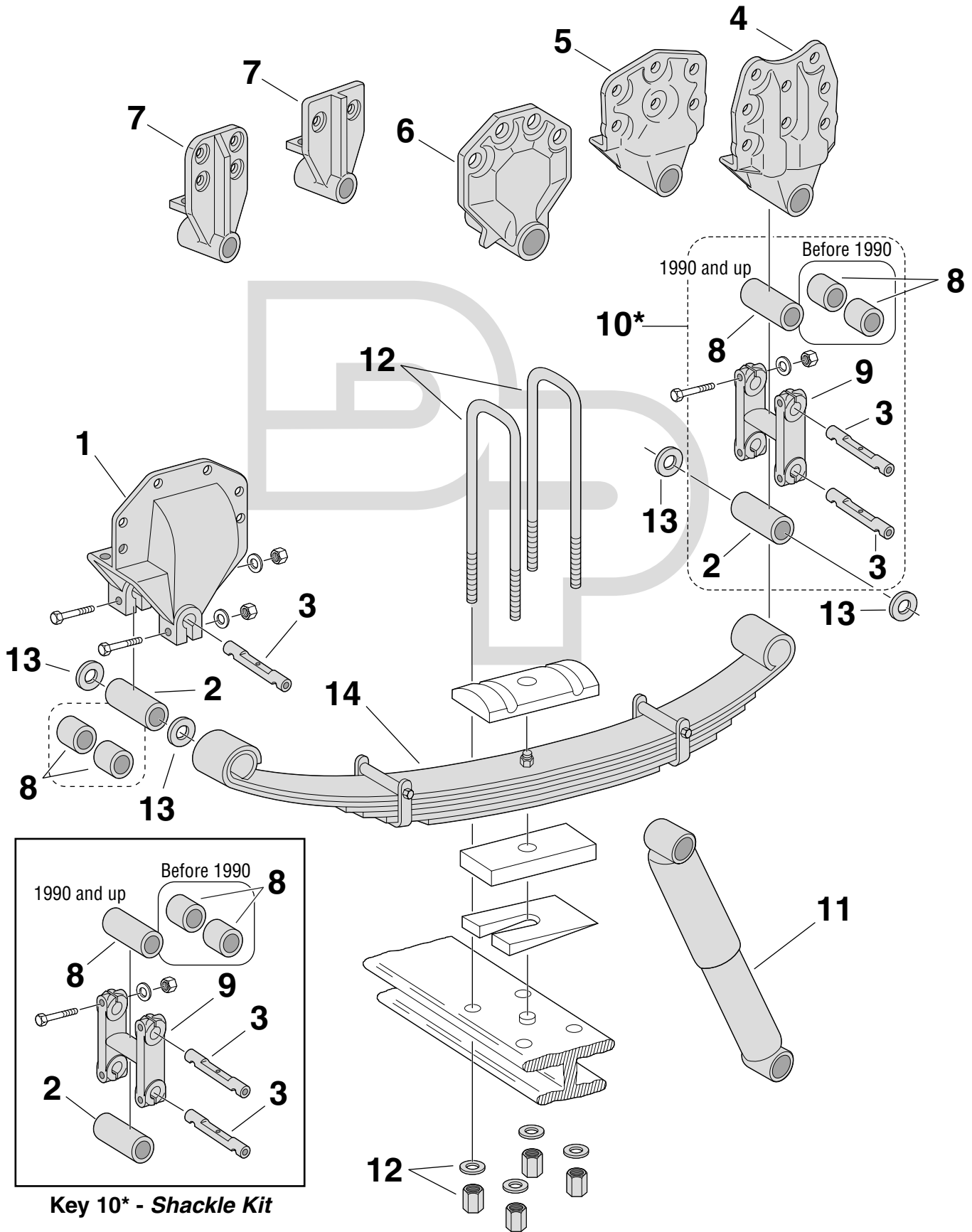
F600/700/800 (1983-98), FT800/900 (1983-98) 10-12k Axles (4" Spring) Front Suspensions

Ford

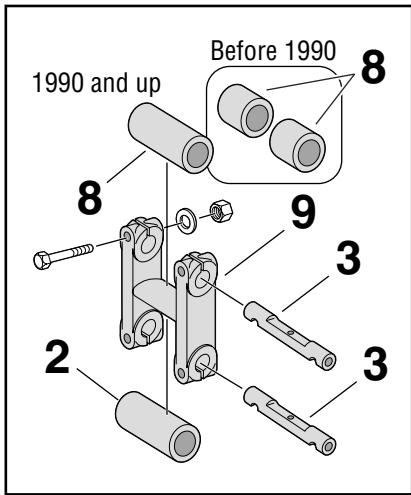
Parts Listing

Key No.	Part Number	Description	No. Req.	OEM Reference	Remarks	
1	◆	Hanger, Front	2	E3HZ5340B, E3HT4340AA	F700 & F800; 1983-1994	
	◆	Hanger, Front; LH	2	F4HZ5340B	F700, F800, FT900; 10k & 12k w/Taper Leaf Springs; 14k w/Multi-leaf Springs; 1995 Up	
	◆	Hanger, Front; RH	2	F4HZ5340A	F700, F800, FT900; 10k & 12k w/Taper Leaf Springs; 14k w/Multi-leaf Springs	
	◆	Hanger, Front; LH	2	F5HZ5340B	F700, F800, FT900; 10k & 13k w/Multi-leaf Springs	
	◆	Hanger, Front; RH	2	F5HZ5340A	F700, F800, FT900; 10k & 13k w/Multi-leaf Springs	
●	2	338-927	Hanger, Shackle; Cast	2	E5HZ5340C, E3HT5335AB	10K-12k Axles
✓✓	3	330-100	Kit, Shackle	2	E5HZ5304A	For "F" Series w/10K Axles & Up; Incl. 330-106, 324-129, NJK-BM, 327-211 & Hdwe.
●	4	330-106	Shackle; Cast; 3 3/4" c/c	2	D0HA5B311A	
	5	NJK-BM	Bushing; 1"ID x 1 1/4"OD x 4"Lg	4/6	C7TZ5348C	
		324-106	Bushing, Bronze; 1"ID x 1 1/4"OD x 1 1/2"Lg	2	E5HZ5348A	For "F" Series w/10k Axles & Up
		324-129	Bushing, Bronze; 1"ID x 1 1/4"OD x 4"Lg	4/6	F2HZ5348A	1990 & Up Shackle Hangers
✓✓	6	327-211	Spring Pin; 1"OD x 6 1/8"Lg x 4 7/8" c/c	4/6	D0HZ5780F	Double Lock
✓✓		327-209	Spring Pin; 1"OD x 6 3/4"Lg x 5 1/8" c/c	2	D0HZ5780E	Double Lock
	7	SP	Bolt; 3/8"-24 x 2 1/2"Lg	8		Incl. in Shackle Kit
✓	8	M66861	Shock Absorber	2	E0HT18045AA	
✓✓		M66863	Shock Absorber	2	D2HF18045AA, D7HT18045CA	
✓✓		M66629	Shock Absorber	2	F4HT18045CB	
		See Shocks	Shock Absorber	2	Various	Consult Shock Catalog for Model Specific Applications
●	9	140149	Bushing, Shock; 3/4"ID	2		4 Pack
	10	See Chart	Wedge, Camber	AR		See Chart on Page 1091
✓✓	11	361-316	Kit, U-Bolt; Special Bend, Grade 8	4	D0HZ5455C	3/4" x 4" x 10 1/4" FR
	12	Spring Assembly	Assembly, Spring	2		See Leaf Spring Web Catalog for Details

Ford



Suspension Illustration



Key 10* - Shackle Kit

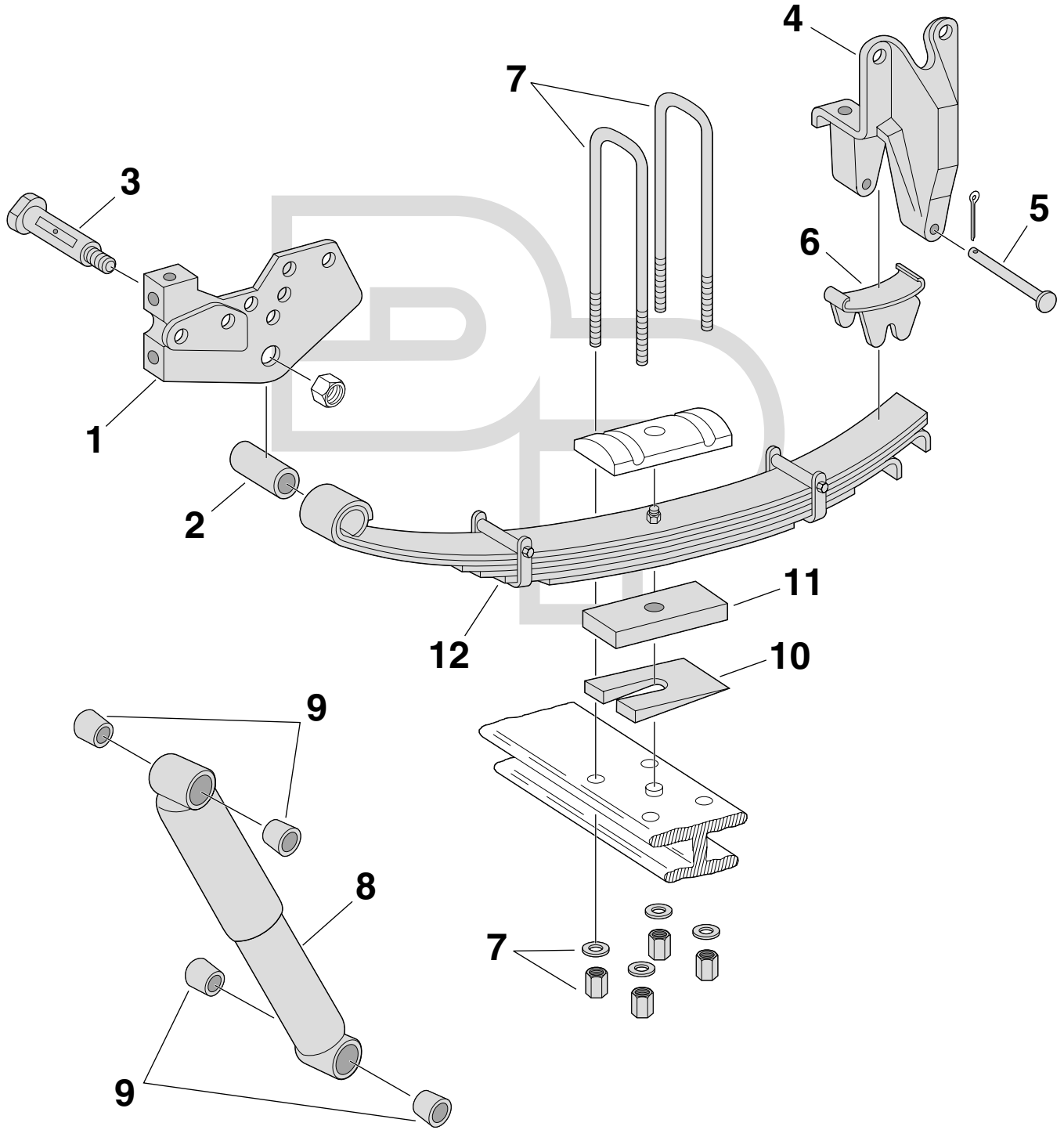
Key No.	Part Number	Description	No. Req.	OEM Reference	Remarks
	◆	Hanger, Front; LH/RH	2	Various	All Models
	NJK-BM	Bushing; 1"ID x 1 1/4"OD x 4"Lg	4/6	C7TS5384C	
✓✓●	327-209	Spring Pin; 1"OD x 6 3/4"Lg x 5 1/8" c/c	2	D0HZ5780E, E5HZ5780B	Double Lock; For 16k Axles & Up
✓✓●	327-211	Spring Pin; 1"OD x 6 1/8"Lg x 4 7/8" c/c	4/6	D0HZ5780F, E5HZ5780A	Double Lock; For 12k to 20k Axles
●	338-1196	Hanger; LH	2	F2HZ5340F	LTS, LS, LA Set Back Axle; Obsolete
●	338-1197	Hanger; RH	2	E5HZ5340E, D0HZ5340H	LTS, LS, LA Set Back Axle; Obsolete
●	338-935	Hanger, Shackle; 16-18k Axles	2	E5HZ5340D	'73-06/85; Frame: Straight w/o Reinforcement; Casting No. D0HA5335J & E4HT5335EA
✓●	338-936	Hanger, Shackle; 16-20k Axles	2	F2HZ5340D	'73-06/85; Frame: Straight & Reinforced; Casting No. D2HA5335AA & E4HT5335CA
✓✓●	338-847	Hanger, Shackle	2	E5HZ5340A, E4HT5335BA	12k Axles & Under; Casting No. E4HT5335BA & F3HT5335BA
●	338-1334	Hanger, Assembly	2	E6HZ5340B, F1HZ5340B	CF600/700; 1986 & Up
✓✓●	338-1385	Hanger, Assembly	2	F2HZ5340C, F3HT5335FA	LLA,LLS,LTS; w/ 58" Taper Springs
●	338-1903	Hanger, Shackle; 4 Hole	2	F2HZ5340F	LLA,LLS,LTS w/58" Taper Springs
	324-106	Bushing, Bronze; 1"ID x 1 1/4"OD x 1 1/2"Lg	4	E5HZ5348A	
	324-129	Bushing, Bronze; 1"ID x 1 1/4"OD x 4"Lg	2	F2HZ5348A	1990 & Up Shackle Hangers
●	330-106	Shackle; Cast; 3 3/4" c/c	2	D0HA5B311A	CF Series
●	330-196	Shackle; Cast; 4" c/c	2	F0HZ5B311A, F0HT5B311AA	
✓✓	330-100	Kit, Shackle	2	E5HZ5304A	Incl. 330-106, 324-129, NJK-BM, 327-211 & Hdwe.
	330-197	Kit, Shackle	2		Incl. 330-196, 324-129, NJK-BM, 327-211 & Hdwe.
✓	M65102	Shock Absorber	2	F4HT18080BA	
✓✓	M65111	Shock Absorber	2	F1HT18045GA	
✓✓	M65112	Shock Absorber	2	F1HT18045RA/RB	
✓	M66861	Shock Absorber	2	D2HF18045BA	
✓	M66811	Shock Absorber	2	F1HT18045DA	
✓	M65431	Shock Absorber	2		
	See Shocks	Shock Absorber	2	Various	Consult Shock Catalog for Model Specific Applications
	361-318	Kit, U-Bolt; Special Bend, Grade 8	4	D0HZ5455A	5/8" x 4" x 7 3/8" FR
	361-320	Kit, U-Bolt; Special Bend, Grade 8	4	D0HZ5455B	5/8" x 4" x 9 1/4" FR
✓✓	361-316	Kit, U-Bolt; Special Bend, Grade 8	4	D0HZ5455C	3/4" x 4" x 10 1/4" FR
	361-322	Kit, U-Bolt; Special Bend, Grade 8	4	D0HZ5455S	3/4" x 4" x 12 1/4" FR
	361-278	Kit, U-Bolt; Special Bend, Grade 8	4	465921C1	7/8" x 4" x 12 1/8" FR
	SP	U-Bolt Bent to Order	4		Specify Size & Bend
	334-901	Shim; .030"Thk	AR	F4HZ5A879A	1988 & Up "L" Series; CF/L/LS/LT/LTL/LTS
	334-902	Shim; .020"Thk	AR	F4HZ5A879B	1988 & Up "L" Series
	Spring Assembly	Assembly, Spring	2		See Leaf Spring Web Catalog for Details

**LN500/600/700/750 (1970-83), LN600/700 (1984-86)
 LN700 (1985-86) (2 1/2" Spring)
 Front Suspension**

Ford

Ford

Suspension Illustration



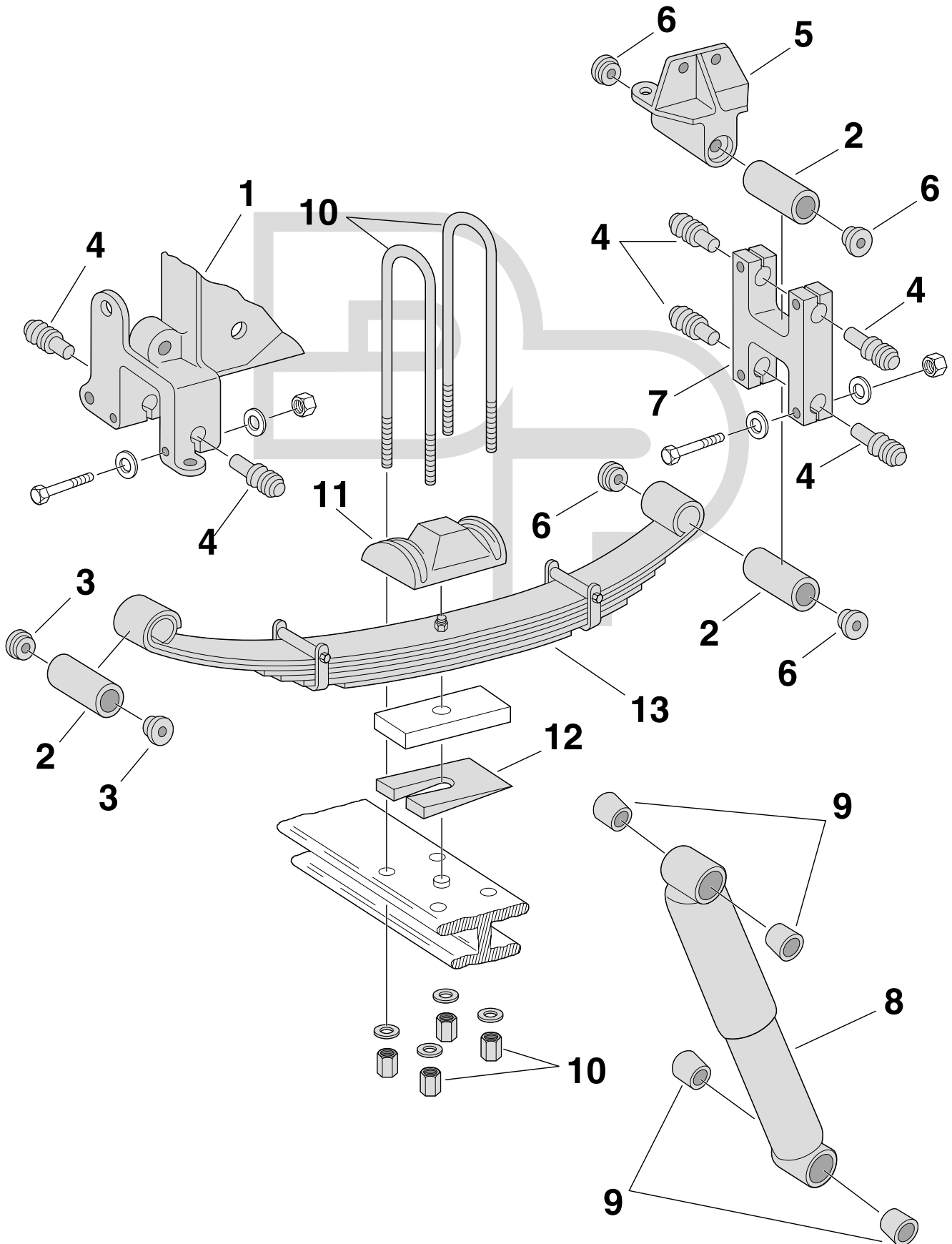
Ford
**LN500/600/700/750 (1970-83), LN600/700 (1984-86)
 LN700 (1985-86) (2 1/2" Spring)
 Front Suspension**
Ford

Key No.	Part Number	Description	No. Req.	OEM Reference	Remarks
1	◆	Hanger, Front	2	Various	
2	JFE	Bushing; 3/4"ID x 1"OD x 2 1/2"Lg	2	C1TT5384D	
● 3	327-253	Spring Pin; 3/4" x 4 1/4"Lg x 5/8"-18 Thread	2	C1TT5465E	
● 4	338-924	Hanger; Cast	2	D0HZ5340J, D0HA5338J	
5	◆	Pin, Hanger; Rear; 1/2" x 4" Clevis Pin	2	C6TZ5A341A	Use 334-766 Bolt Assembly
✓✓ ● 6	334-501	Insulator, Spring; Rear	2	E6HZ5A342B	All Series w/9k Axles & Below w/Hydraulic Brakes
7	361-312	Kit, U-Bolt; Special Bend, Grade 5	4	D2TZ4544A	9/16" x 2 9/16" x 5" FR
	361-314	Kit, U-Bolt; Special Bend, Grade 8	4	E1HZ5455A	5/8" x 2 9/16" x 7 5/8" FR
8	M66860	Shock Absorber	2	D7HT18045GA	Consult Shock Catalog for Model Specific Applications
	M66811	Shock Absorber	2	D2EF18045AA	
	See Shocks	Shock Absorber	2	Various	
● 9	401754	Bushing, Shock; 1"ID	AR		
10	See Chart	Wedge, Camber	AR		See Chart on Page 1091
11	◆	Spacer; 1 5/16" x 2 1/2" x 6 1/2"Lg	2	C7TZ5594D	Use SPA-250
12	Spring Assembly	Assembly, Spring	2		See Leaf Spring Web Catalog for Details

Parts Listing

Ford

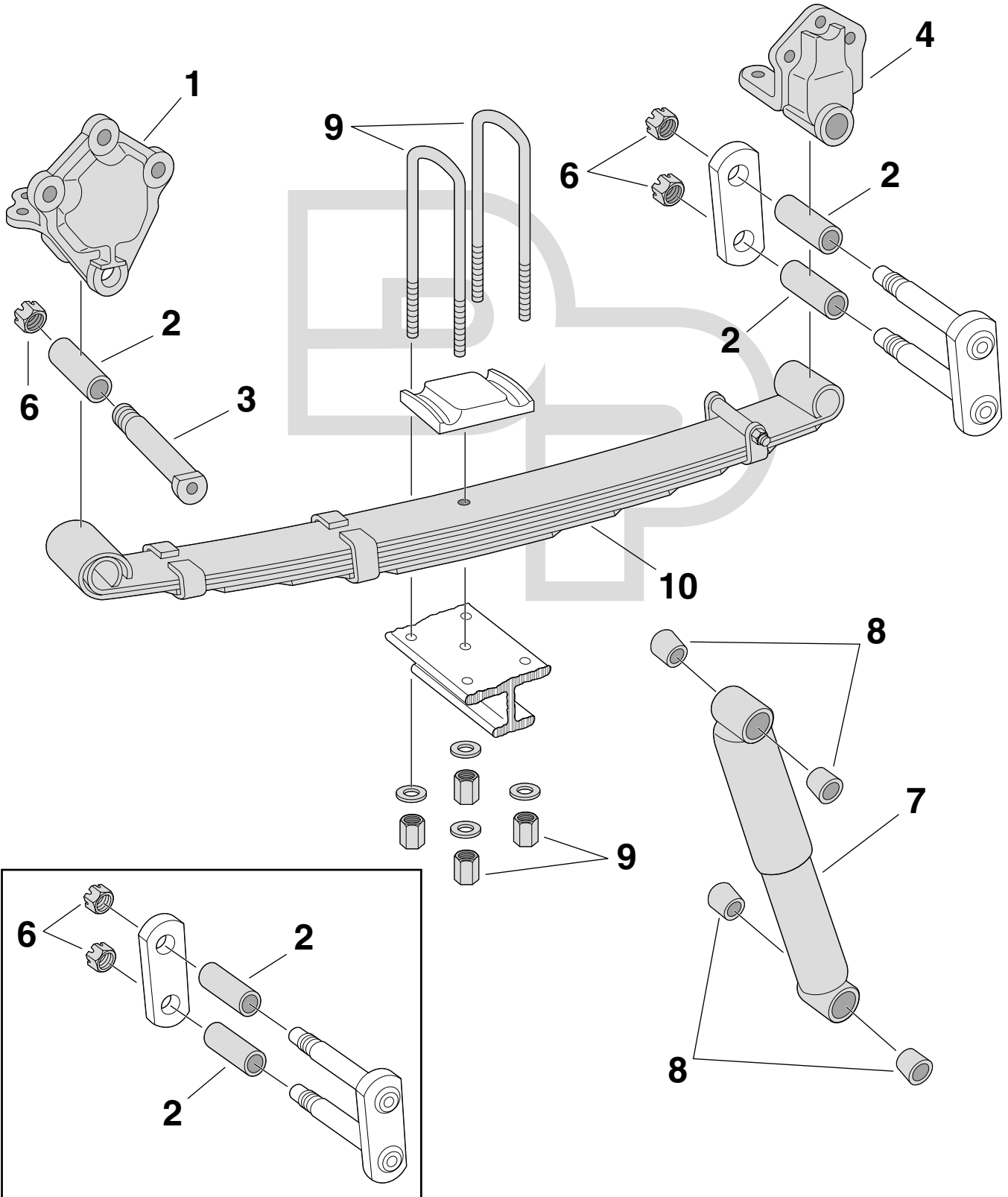
Suspension Illustration



Key Numbers with an asterisk (*) indicate a kit or assembly.

Key No.	Part Number	Description	No. Req.	OEM Reference	Remarks
1	◆	Hanger, Front; LH/RH	2		
2	NJI-BM	Bushing; 1"ID x 1 1/4"OD x 3 1/2"Lg	6	D8HZ5348A	
● 3	334-472	Washer, Thrust; Front; 2.31"OD	4	D8HZ5A331A	
✓ ● 4	327-435	Spring Pin; 1"OD x 3 1/16" c/e	12	D8HZ5B317A	
5	◆	Hanger, Rear; LH/RH	2	D8HZ5340B	
● 6	334-473	Washer, Thrust; Rear; 2.50"OD	8	D8HZ5A331B	
7	◆	Shackle; Forged Aluminum	2	D8HZ5B311A	
8	M65463	Shock Absorber	2		
● 9	401754	Bushing, Shock; 1"ID	AR		
✓✓ 10	361-324	Kit, U-Bolt; Special Bend, Grade 8	4	D0HZ5455D	3/4" x 4" x 9 1/4" FR
11	◆	Plate, Top	2	D8HZ5458A	
12	See Chart	Wedge, Camber	AR		See Chart on Page 1091
13	Spring Assembly	Assembly, Spring	2		See Leaf Spring Web Catalog for Details

Ford

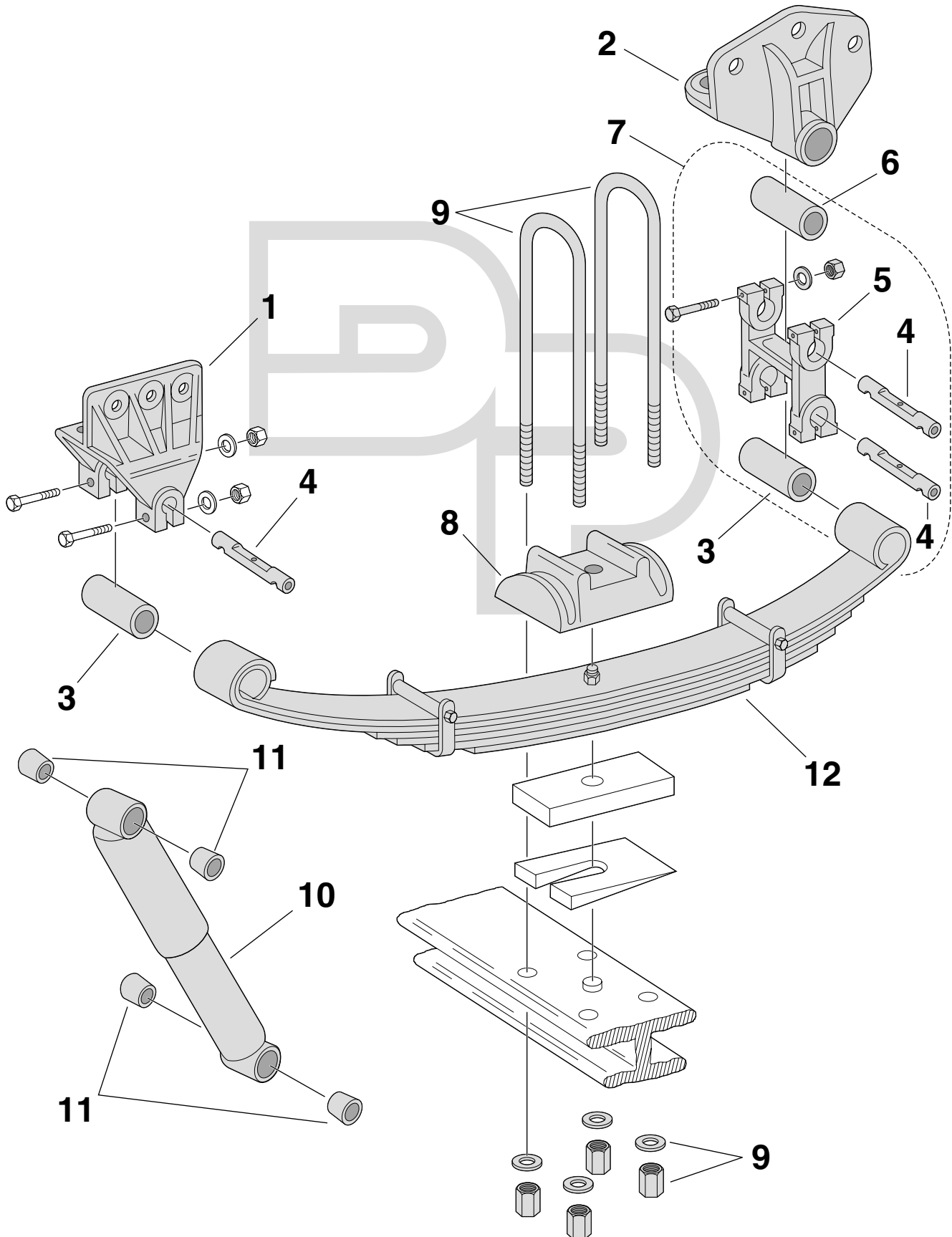


Suspension Illustration

Key 5 - Shackle Kit (New Style)

Key No.	Part Number	Description	No. Req.	OEM Reference	Remarks
1	◆	Hanger, Front	2	C6TZ5340A	C600/900; w/9 1/2" Frame; 1966 & Up
	◆	Hanger, Front	2	B7Q5340A	C800/900; w/9 3/4" Frame; 1964 & Up
2	◆ ◆	Bushing; 1"ID x 1 1/4"OD x 3"Lg	6	C7TZ5348D	For 327-148
	LHE	Bushing; 7/8"ID x 1 1/8"OD x 2 1/2"Lg	6	7EQ5348A	For 327-205
✓ ●	327-148	Bolt, Spring; 1"OD x 5 7/32"Lg x 7/8"-14 NF	2	D5HZ5465A	
●	327-205	Spring Pin; 7/8"OD x 4 1/2"Lg x 3/4"-16 Thread	6	A8TZ5465A	C500/550/600; 1957-65; Obsolete
✓✓ ●	338-1267	Hanger	2	B7Q5335A	C600/900; 1964 & Up
✓✓	330-107	Kit, Shackle	2	C6TZ5304B	C600/900; w/9 1/2" or 9 3/4" Frame; 1973 & Up
	334-809	Nut, Slotted; 7/8"-14	6	351155-S	
✓	M66811	Shock Absorber	2		
	M66841	Shock Absorber	2		
	M66860	Shock Absorber	2		
	See Shocks	Shock Absorber	2	Various	Consult Shock Catalog for Model Specific Applications
●	140149	Bushing, Shock; 3/4"ID	2		4 Pack
	361-318	Kit, U-Bolt; Special Bend, Grade 8	4	D0HZ5455A	5/8" x 4" x 7 3/8" FR
	Spring Assembly	Assembly, Spring	2		See Leaf Spring Web Catalog for Details

Ford/Sterling



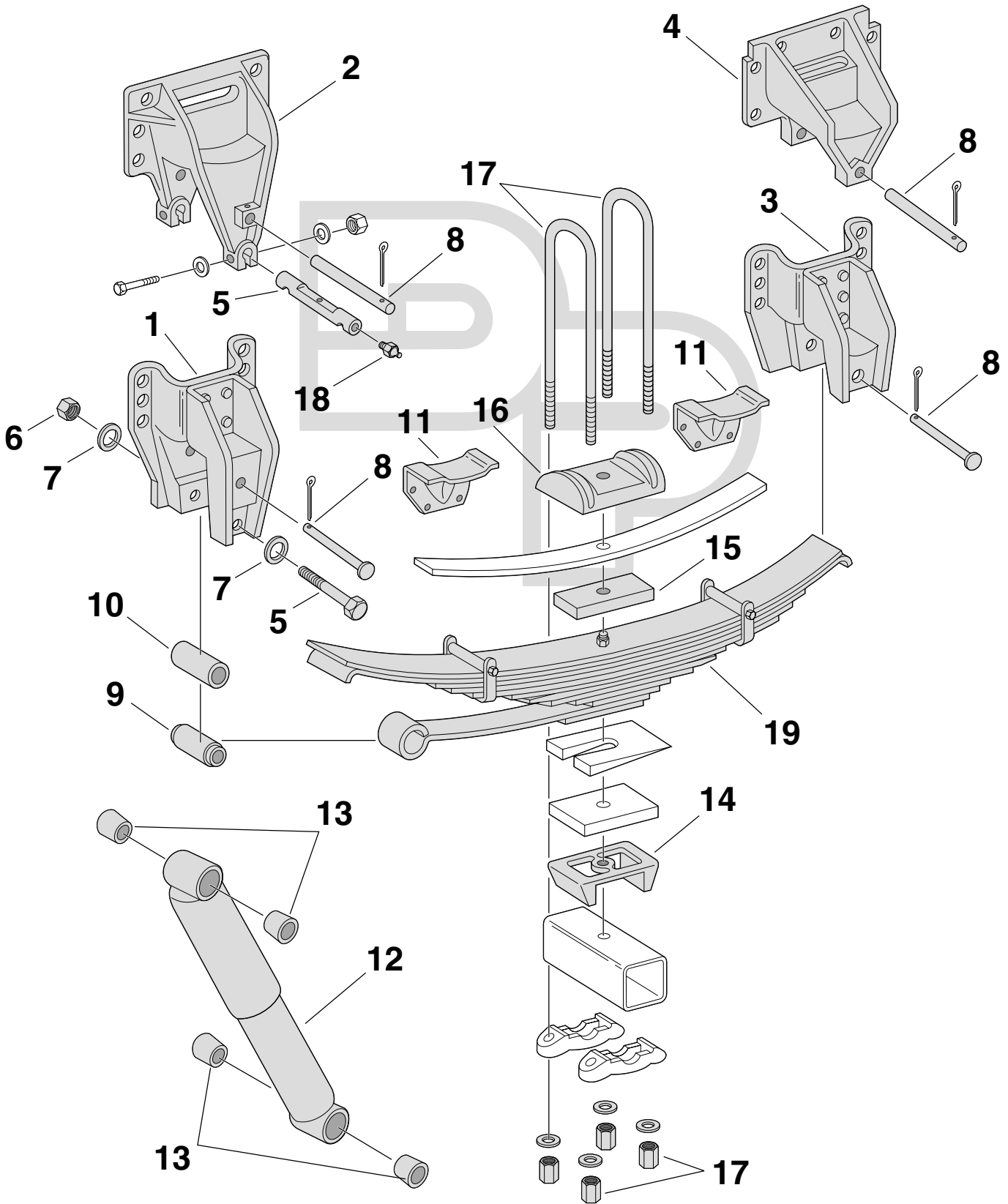
Suspension Illustration

Key Numbers with an asterisk (*) indicate a kit or assembly.

Key No.	Part Number	Description	No. Req.	OEM Reference	Remarks
	◆	Hanger, Front of Front; LH/RH	2	Various	All Models
●	338-1832	Hanger	2	F6HZ5340AA	Uses 1 ¼" Pin; w/o Frame Reinforcement
✓✓●	338-1834	Hanger	2	F6HZ5340BA	Uses 1 ¼" Pin; w/Inverted "L" Reinforcement
✓✓●	338-1848	Hanger	2	F6HZ5340CA, F6HT5335CA	18k Axles
	3	◆	4/6	F6HZ5348CA	
✓✓●	4	327-516	6	F6HZ5780BC, F7HZ5780DB	1 ¼" Pin
✓✓●	5	330-216	2	F6HZ5B311BB	
	6	◆	2	F7HZ5348AA	Rear Hanger
✓	7	330-338	2		Incl. Shackle, Pins, Bushings & Hdwe.
		330-338U	2		
	8	◆	2	F5HZ5458AA	
	9	SP	4		Specify Length, Width, Diameter & Bend
✓	10	M65123	2	F6HT18048AC	Consult Shock Catalog for Model Specific Applications
✓		M66668	2	F6HT18045CC	
✓		M65112	2	F1HT18045EA/EB	
✓		M65456	2		
		M65429	2	F6HT18045LA	
		M66670	2	F6HT18045AC	
✓		M65111	2	F1HT18045HB	
		See Shocks	2	Various	
●	11	401754	8		
	12	Spring Assembly	2		See Leaf Spring Web Catalog for Details

Ford

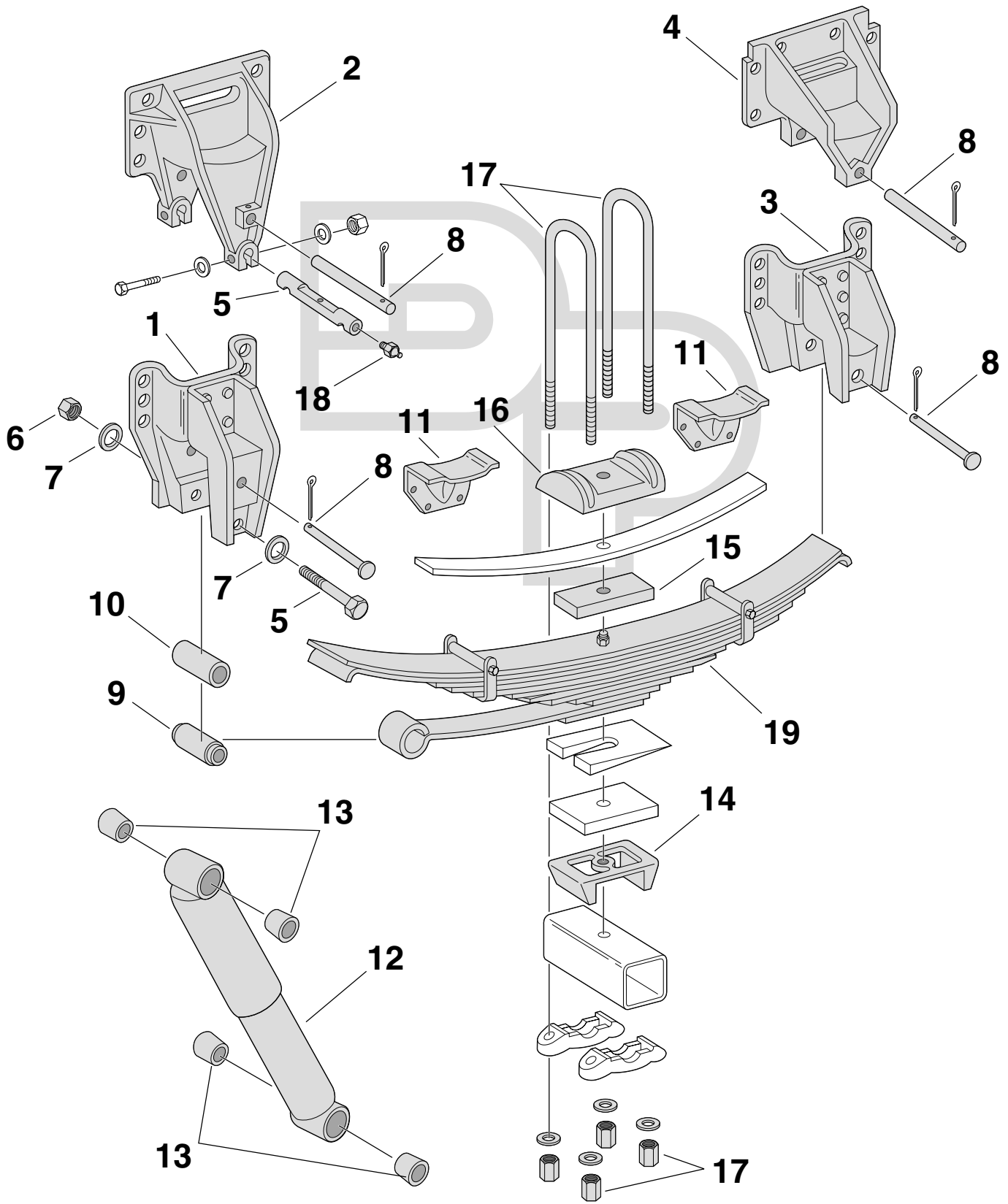
Suspension Illustration



Key No.	Part Number	Description	No. Req.	OEM Reference	Remarks	
●	1	338-1057	Hanger; Stamped; LH	1	E0HZ5775B	B & F Series
●		338-1058	Hanger; Stamped; RH	1	E0HZ5775A	B & F Series
●	2	338-1059	Hanger; Cast; LH	1	D0HZ5775B, D0HA5795D	B & F Series; w/o Frame Reinforcement; CF600/700, L,LA,LL,LN,LS800-900
●		338-1060	Hanger; Cast; RH	1	D0HZ5775A, D0HA5785D	B & F Series; w/o Frame Reinforcement; CF600/700, L,LA,LL,LN,LS800-900
		◆	Hanger, Front; Cast; LH	1	E0HZ5775H	B & F Series; w/Frame Reinforcement; CL
		◆	Hanger, Front; Cast; RH	1	E0HZ5775G	B & F Series; w/Frame Reinforcement; CL
		◆	Hanger, Front; Cast; LH	1	D5TZ5775C	LN600-700 Series; w/o Frame Reinforcement
		◆	Hanger, Front; Cast; RH	1	D5TZ5775D	LN600-700 Series; w/o Frame Reinforcement
		◆	Hanger, Front; Cast; LH	1	D5TZ5775A	LN600-700 Series; w/Frame Reinforcement
		◆	Hanger, Front; Cast; RH	1	D5TZ5775B	LN600-700 Series; w/Frame Reinforcement
		◆	Hanger, Front; Cast; LH/RH	2	E7HZ5775A	CF800 Series
●	3	338-1063	Hanger; Stamped; LH	1	E0HZ5775D	B & F Series
●		338-1064	Hanger; Stamped; RH	1	E0HZ5775C	B & F Series
●	4	338-1066	Hanger; Cast; RH	1	D8HZ5775T	B & F Series; w/o Frame Reinforcement; CL,CF, L,LA,LL,LN,LS800-900
●		338-1065	Hanger; Cast; LH	1	D8HZ5775U	B & F Series; w/o Frame Reinforcement; CL,CF,L,LA,LL,LN,LS800-900
		◆	Hanger, Rear; Cast; LH	1	E0HZ5775E	B & F Series; w/Frame Reinforcement
		◆	Hanger, Rear; Cast; RH	1	E0HZ5775F	B & F Series; w/Frame Reinforcement
		◆	Hanger, Rear; Cast; RH	1	C4TZ5775U	LN600-700
		◆	Hanger, Rear; Cast; LH	1	C4TZ5775T	LN600-700
		◆	Hanger, Rear; LH/RH	2	E7HZ5775B	CF800; 1987 & Up
✓✓	5	327-212	Spring Pin; 1 1/4"OD x 5"Lg x 4" c/c	2	D0HZ5780B	Used w/Cast Hangers; Double Lock
✓		327-187	Bolt; 1"-14 x 5 1/2"Lg	2	2317659	Stamped Hangers
✓✓	●	327-535	Spring Pin; 1 1/4"OD x 5 7/16"Lg, 4 1/8" c/c	2	F81Z5780BA	F650/750; 2000-03
●		334-964	Kit, Bushing & Pin; Urethane	2		Replaces 327-212/RNG
✓✓	6	SLN-107	Nut, Lock; 1"-14	2		Stamped Hangers
	7	SFW-100	Washer, Flat; 1"ID	2		Stamped Hangers
✓✓	●	327-208	Pin, Rebound; 3/4"OD x 5 1/8"Lg	4	C2TZ5969A	Used w/Cast Hangers
		◆	Pin, Rebound; 3/4"OD x 4 1/2"Lg	4		3/4" x 4 1/2" Clevis Pin
●		327-214	Pin, Rebound; 3/4"OD x 5 9/16"Lg	4	D8HZ5969A	CL Series; F/R; Cast Hangers
✓	9	RB-75	Bushing; 1"ID x 1 13/16"OD x 3"Lg	2	E0HZ5781A	Used w/Stamped Hangers
	10	RNG-BM	Bushing; 1 1/4"ID x 1 1/2"OD x 3"Lg	2	C2TZ5781A	Used w/Cast Hangers
✓✓	●	338-1069	Bracket, Helper	2	E0HZ5700A	
✓✓	●	338-1087	Bracket, Helper	2	C1TT5700A	23k Axles
✓	12	M66891	Shock Absorber	2	Various	
		M65104	Shock Absorber	2	E8HS18080AA	
✓		M65401	Shock Absorber	2	Various	
✓		M65110	Shock Absorber	2		
✓✓		M66957	Shock Absorber	2	Various	
✓		See Shocks	Shock Absorber	2	Various	Consult Shock Catalog for Model Specific Applications
●	13	401754	Bushing, Shock; 1"ID	8		
●	14	338-831	Seat; 4 1/2", 3"W x 7"Lg, 4 5/16" Axle	2	F3HZ5793A, E4HZ5793E	17.5k Axles; Casting No. C3TA5789A; Other Part No. C3TZ5793D
●		338-830	Seat; 4 1/2", 3"W x 7"Lg, 4 3/4" Axle	2	D7HZ5793E, E4HZ5793K	23k Axles; Casting No. D7HA5789AA & D7HT5789MA
✓	●	338-832	Seat; 5", 3"W x 7 1/2"Lg, 4 3/4" Axle	2	E4HZ5793G, C3TZ5793T	18k, 22k & 23k Axles; Casting No. C3TA5789G, E4HT5789CA & E4HT5789DA; Other No. C3TZ5793R

Ford

Suspension Illustration



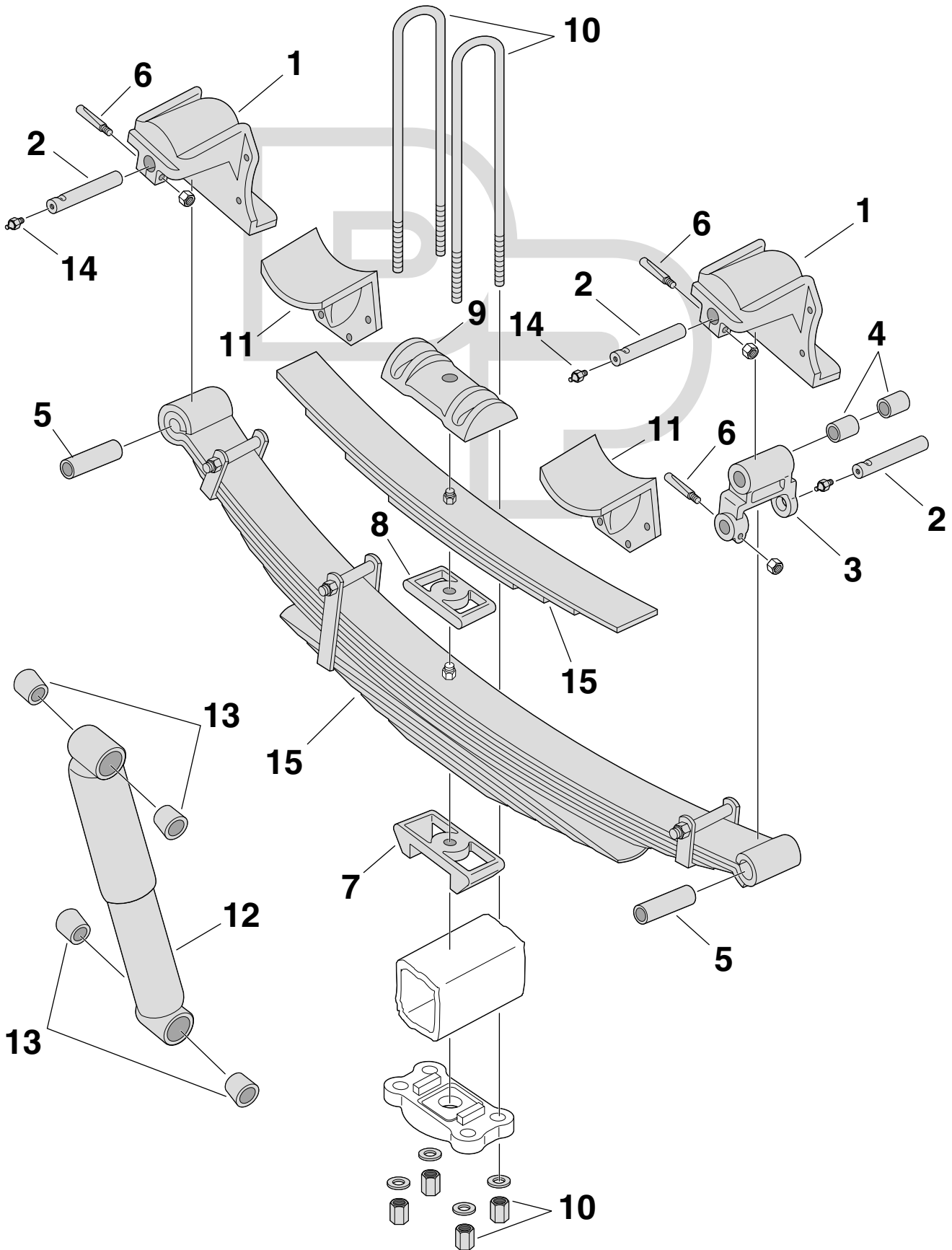
Key No.	Part Number	Description	No. Req.	OEM Reference	Remarks	
✓ ●	15	338-825	Spacer; 3"W x 7 1/2"W x 1 5/16"Thk	AR	D8HZ5594A	1" Hole x 3/4"OD Nib
✓✓ ●		338-1268	Spacer; 3"W x 7 1/2"L x 1"Thk x 1" Hole	AR		1" Hole; Universal
✓ ●	16	338-824	Saddle, U-Bolt; 3"W x 7 9/16"Lg	2	D8HZ5708B	
●		338-826	Saddle, U-Bolt; 3"W x 7 9/16"Lg	2	C3TZ5708A	W/22k Rockwell Axles
	17	361-332	Kit, U-Bolt; Special Bend, Grade 8	4	D5TZ5705A	3/4" x 3" x 14 1/2" FR; 13k-15k Axles & 17.5k Axles
		361-334	Kit, U-Bolt; Special Bend, Grade 8	4	D1HZ5705G, D8HZ5705A	3/4" x 3" x 16 1/2" FR; 13k-15k Axles & 17.5k Axles
		361-336	Kit, U-Bolt; Special Bend, Grade 8	4	D5TZ5705B, D0HZ5705F	3/4" x 3" x 18 1/2" FR
		361-326	Kit, U-Bolt; Special Bend, Grade 8	4	D1HZ5705A	7/8" x 3" x 16 3/8" FR; 17.5k, 18.5k, 22k & 23k Axles
✓		361-328	Kit, U-Bolt; Special Bend, Grade 8	4	D1HZ5705C	7/8" x 3" x 18 3/8" FR; 17.5k, 18.5k, 22k & 23k Axles
		361-330	Kit, U-Bolt; Special Bend, Grade 8	4	D1HZ5705F	7/8" x 3" x 20 3/8" FR; 17.5k, 18.5k, 22k & 23k Axles
✓	18	334-475	Fitting, Straight Zerk; 1/8"-27NPT	AR	1613B	
	19	Spring Assembly	Assembly, Spring	2		See Leaf Spring Web Catalog for Details

**C500-900
Tilt Cab
Rear Single Axle Suspension**

Ford

Ford

Suspension Illustration



Key No.	Part Number	Description	No. Req.	OEM Reference	Remarks
✓✓ ●	1	338-1947	4	C1TT5775G, C1TT5785A	½" holes
	◆	Hanger, Front & Rear; Casting D4HA5785AA	4	D5HZ5775A, D4HA5785A	w/Air Brakes; 1973-1990
✓ ✓	2	327-250	6	B7Q5780A	Single Lock; Radius Notch
		327-216	6	7EQ5780	Single Lock; "V" Notch
		327-213	6	B8QH5780A	Single Lock; Heavy Duty; Off Road
		327-249	6	B7T5780A	Single Lock; 2 ½" Wide Springs
✓✓ ●	3	330-135	2	A8TZ5776A	Incl. 322-132 Thin-Wall Bushings; Use w/327-250 Spring Pin
		◆	Shackle; Cast	2	B8QH5776A
	4	322-132	4	C0TT5791A	
	5	PLG-BM	4	B7Q5781A	
		NJE	4		2 ½" Wide Springs
		TPG	4	BBQH5781A	Heavy Duty; Off Road
●	6	334-463	6		
●	7	338-830	2	D7HZ5793E, E4HZ5793K	23k Axles; Casting No. D7HA5789AA & D7HT5789MA
✓ ●		338-832	2	E4HZ5793G, C3TZ5793T	18k, 22k, 23k Axles; Casting No. C3TA5789G, E4HT5789CA & E4HT5789DA; Other No. C3TZ5793R
✓✓ ●	8	338-1268	AR		Universal
✓ ● ●	9	338-824	2	D8HZ5708B	
		338-826	2	C3TZ5708A	w/22k Rockwell Axles
		◆	2	7EQ5708A	C600/700; w/15k & 17.5k Axles
		◆	2	D8HZ5708A	C800; w/Eaton Axles 18.5k & Up
✓	10	361-328	4	D1HZ5705C	7/8" x 3" x 18 3/8" FR
		361-330	4	D1HZ5705F	7/8" x 3" x 20 3/8" FR
	11	SHB-114	4	E0TZ5700A	4 Hole
✓✓	12	M66957	2		Consult Shock Catalog for Model Specific Applications
●	13	401754	8		
✓	14	334-475	AR	1613B	
	15	Spring Assembly	2		See Leaf Spring Web Catalog for Details

140149



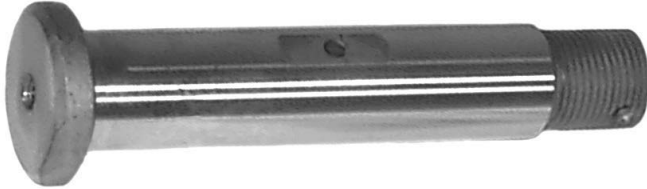
Shock Bushing; 3/4"ID; Models: Various

401754



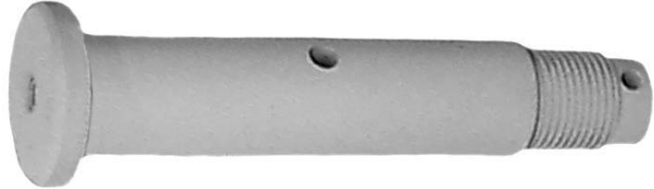
Shock Bushing; 1"ID; Models: Various

327-148



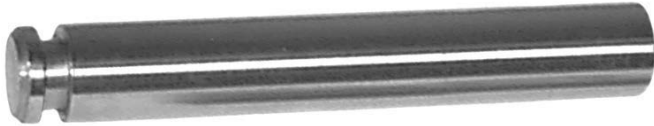
Spring Bolt; 1" O.D. x 5 1/4" Lg., 7/8" x 14" Thread; Model C Series

327-205



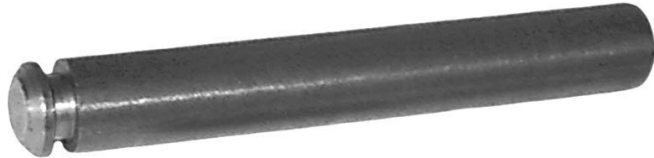
Spring Bolt; 7/8" O.D. x 4 1/2" Lg., 3/4" x 16" Thread; Model C Series

327-208



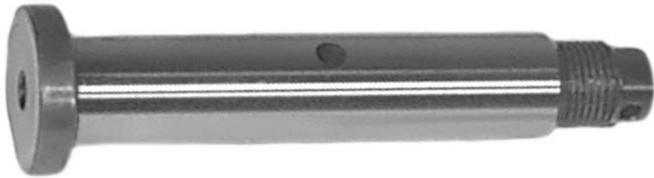
Pin, Rebound; 3/4" O.D. x 5 1/8" Lg.; Model B, F, L/LA/LL/LN/LS, w/ Cast Hangers

327-214



Pin, Rebound; 3/4" O.D. x 5 9/16" Lg.; Model CL Series, w/ Cast Hangers

327-253



Spring Pin; 3/4" O.D. x 4 1/4" Lg, 5/8"-18 Thread; Model LN Series

327-435



Spring Pin; 1"OD x 3 11/16" C/E; Model CL9000

327-535



Spring Pin; 1 1/4"OD x 5 7/16"Lg, 4 1/8" C/C; Model B/CF/CL/F/L/LN

330-106



Shackle, Cast; 1" Pin (327-211), 3 3/4" C to C, 3/8" Lockbolt; Included in 330-100 Shackle Kit; Model LA/LTA/LLA/LTLA, F-Series, LN/LNT, CF

330-135



Shackle, Cast; 3 1/2" C to C, Use w/327-250 (1 1/8" Pin)Incl. 322-132 Bushings; Model C Series

330-196



Shackle, Cast; 1" Pin (327-209/327-211), 4" C to C, 3/8" Lockbolt; Included in 330-197 Shackle Kit; Model L/LS/LT/LTS/LTL, LN/LNT

330-216



"H" Shackle; 1 1/4" Pin (327-516), 3 1/2" C to C & 7/16 Lock Bolt included in 330-338 shackle kit; Model A/AT/L, LT850/950 & Sterling

334-463



Pin, Lock; 2 3/16 Lg., 3/8"-24 Thread; Model C Series

334-472



Washer, Front Thrust; 1" I.D., 2 5/16" O.D.; Model CL9000

334-473



Washer, Rear Thrust; 1" I.D. x 2 1/2" O.D.; Model CL9000

334-501



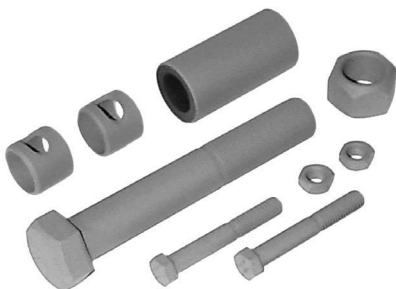
Insulator, Rear Spring; 1/2" Slot; 2 1/2" Springs, Hydraulic Brakes; Model B/F Series, LN

334-660



Insulator; 7/8" Slot; 2 1/2" Springs, Air Brakes; Model B/F Series

334-964



URO Bushing & Pin Kit; Replaces 327-212/RNG; Model B/CF/CL/F/L/LN

338-824



Saddle, U-Bolt; 3" Wd. x 7 9/16" Lg., 5 7/8" C to C; Model B/F/LN/L/CL/CF and C Series

338-825



Spacer; 3" Wd. x 7 1/2" Lg. x 15/16" Thk., 1" Hole, 3/4" O.D. Nib; Model B/F/LN/L/CL/CF

338-826



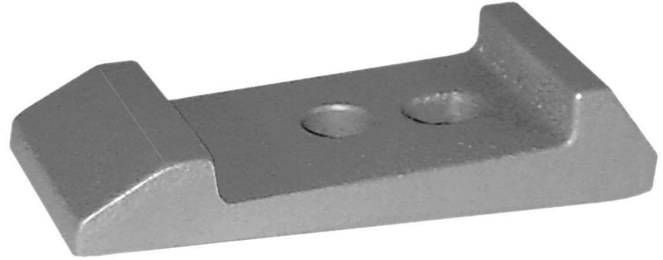
Saddle, U-Bolt; 3" Wd. x 7 9/16" Lg., 5 7/8" C to C; Model B/F/LN/L/CL/CF, L and C Series w/ 22K Rockwell Axles

338-830



Seat; 3" Wd. X 7" Lg., 4 3/4" Opening, 4.5°; 23.0 K# Single Axle; Model B/F/LN/L/CL/CF, C Series

338-831



Seat; 3" Wd. x 7" Lg., 4 5/16" Opening, 4.5°; 17.5K" Single Axle; Model B/F/LN/L/CL/CF

338-832



Seat; 3" Wd. x 7 1/2" Lg., 4 3/4" Opening, 5°; 18K, 22K, 23K Single Axle; Model B/F/LN/L/CL/CF, C Series

338-847



Hanger, Shackle; Includes NJK-BM Bushings; Use w/ 330-100/197 Shackle Kits; Model LN/LNT/LA/LTA/LLA/LTLA

338-900



Hanger; Stamped; Use w/ 334-766 Bolt Assy, 334-501/660 Insulators; Model B/F Series

338-909



Hanger; Stamped; Use w/ 334-798 Bolt Assy; Model B/F Series

338-924



Hanger; Cast; Use w/ 334-501 Insulator; Model LN Series

338-927



Hanger, Shackle; Cast; 4" Wide Springs; Use w/ 330-700 Shackle Kit; Model F Series

338-935



Hanger, Shackle; 16K, 18K Axles, Straight Frame w/o Reinforcement; Use w/ 330-196 Shackle Kit; Model CF Use w/ 330-100; Models LA/LTA/LLA/LTLA/CF/L/LS/LT/LTS/LTL. **CLEARANCE bottom frame to first hole: 1 5/8"**

338-936



Hanger, Shackle; 16K, 20K Axles, Straight Frame w/ Reinforcement; Use w/ 330-196 Shackle Kit; Model CF Use w/ 330-100; Model LN/LNT/LA/LTA/LLA/LTLA/CF/L/LS/LT/LTS/LTL. **CLEARANCE bottom frame to first hole: 2 1/4"**

338-1057



Hanger, LH; Stamped; Use w/ 327-187 Spring Bolt and 3/4" x 4 1/2" Rebound Pin; Model B/F Series, LH

338-1058



Hanger, RH; Stamped; Use w/ 327-187 Spring Bolt and 3/4" x 4 1/2" Rebound Pin; Model B/F Series, RH

338-1059



Hanger, LH; Cast; Use w/ 327-212 Spring Pin, 327-208 Rebound Pin; LH; Model B/F w/o Frame Reinforcement; Model L/LA/LL/LN/LS800-900

338-1060



Hanger, RH; Cast; Use w/ 327-212 Spring Pin, 327-208 Rebound Pin; RH; Model B/F w/o Frame Reinforcement; Model L/LA/LL/LN/LS800-900

338-1063



Hanger, LH; Stamped; Use w/ 3/4" x 4 1/2" Rebound Pin; LH; Model B/F

338-1064



Hanger, RH; Stamped; Use w/ 3/4" x 4 1/2" Rebound Pin; RH; Model B/F

338-1065



Hanger, LH; Cast; Use w/ 327-208 Rebound Pin; Model B/F w/o Frame Reinforcement; Model L/LA/LL/LN/LS800-900

338-1066



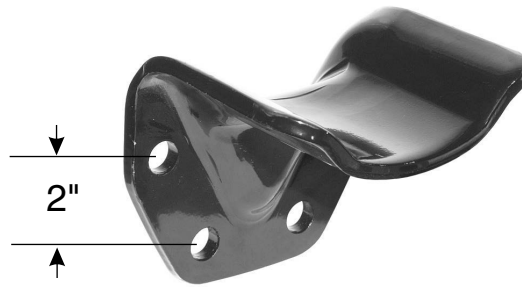
Hanger, RH; Cast; Use w/ 327-208 Rebound Pin; Model B/F w/o Frame Reinforcement; Model L/LA/LL/LN/LS800-900

338-1069



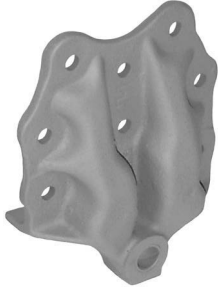
Bracket, Helper; Model B/CF/CL/F/L/LN

338-1087



Bracket, Helper; 23k Axles; Model B/CF/CL/F/L/LN

338-1196



Hanger, LH; Use w/ 330-100 Shackle Kit; Includes NJK-BM Bushing; Left; Model LTS/LS/LA w/ SBA

338-1197



Hanger, RH; Use w/ 330-100 Shackle Kit; Includes NJK-BM Bushing; Right; Model LTS/LS/LA w/ SBA

338-1267



Hanger; 330-107 Shackle Kit Incl. Model C500-900

338-1268



Spacer; 3" Wd. x 7 1/2" Lg. x 1" Thk., 1" Hole; Universal

338-1334



Hanger, Assembly; Use w/ 330-100 Shackle Kit; Includes 324-129 Bushing; Model CF600/700

338-1385



Hanger, Assembly; Use w/ 330-100 Shackle Kit; Includes 324-129 Bushings; Model LLA/LLS/LTS 1990 and Up

338-1832



Hanger; Includes RNK-BM Bushing; Use w/ 330-216 Shackle, 327-516 Spring Pin; Model L/LT/AT Aeromax w/o Frame Reinforcement. CLEARANCE bottom frame to first hole: 1 3/4"

338-1834



Hanger; Use w/ 330-216 Shackle, 327-516 Spring Pin; Includes RNK-BM Bushing; Model L/LT/AT Aeromax w/ Inverted "L" Frame Reinforcement. CLEARANCE bottom frame to first hole: 1.91"

338-1848



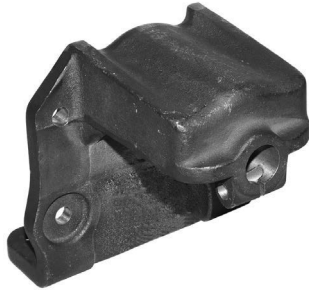
Hanger; Includes RNK-BM Bushing; Use w/330-216 Shackle, 327-516 Spring Pin; Model L/LT/AT Aeromax18K Axles

338-1903



Hanger, Shackle - 4 Hole; Model LTLA/LTLS; 1992 and Up

338-1947



Hanger, Front and Rear; 1/2" holes; Use w/327-250 Spring Pin; Model C500-900

Ford

Component Photos

Notes

Ford

Ford

Notes

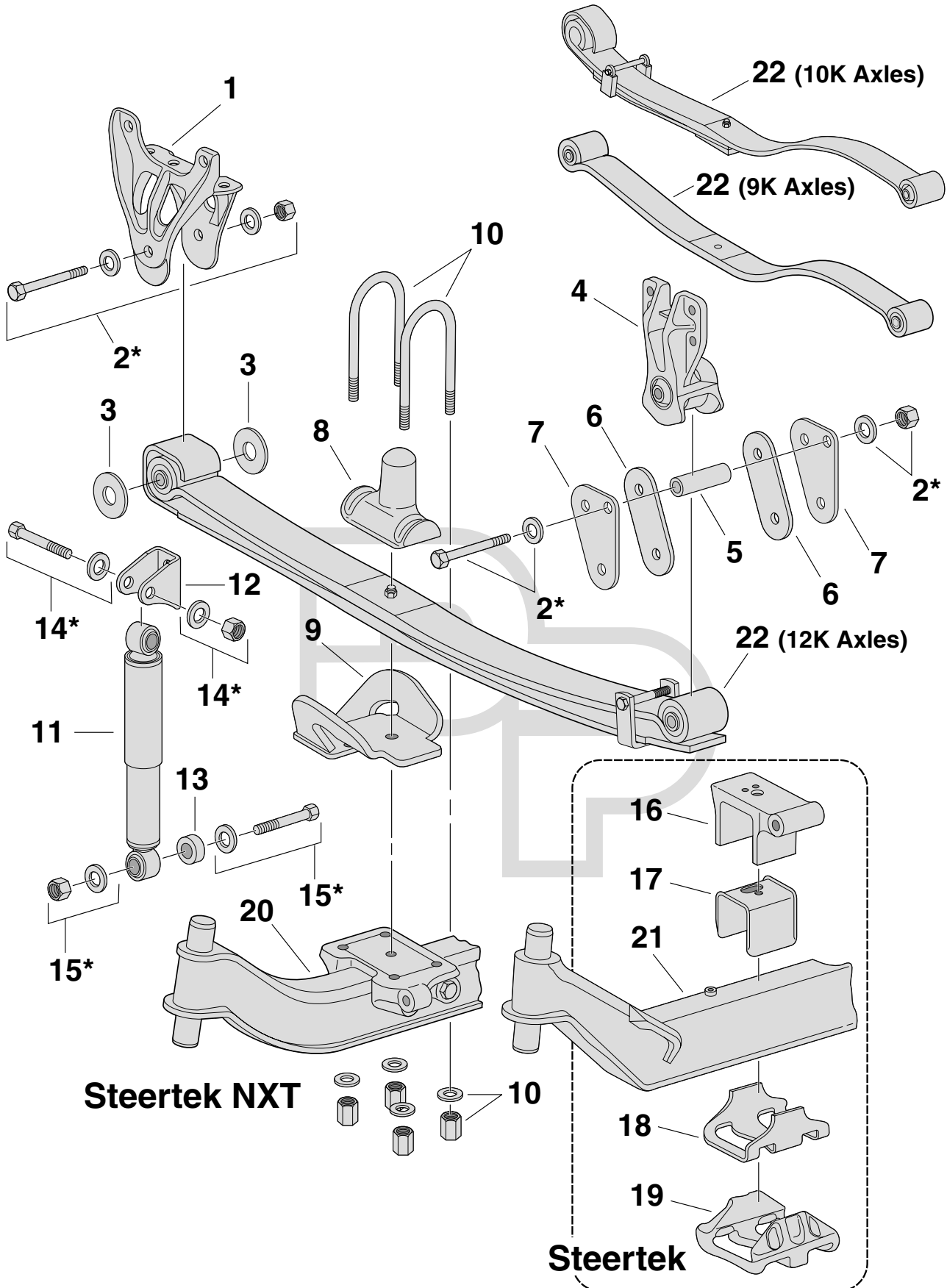
MODEL	PAGE
SOFTEK® FCCC Chassis (Hendrickson) w/Steertek, Steertek 1.5 & Steertek NXT Axles Front Suspension	120, 121
AIRTEK® (Hendrickson) Front Suspension	122-125
120 Series Conventional/COE, FLD112 Conventional Front Suspensions	126, 127
FLC112 Conventional Front Suspension	128, 129
FC/FL/FLD/MB/M2BC/MT55/Century-Columbia, Coronado, Cascadia, Argosy, Condor - Business Class/Century Class Front Suspensions	130, 131
M2 Eye/Slipper (3" & 4" Spring) Front Suspensions	132, 133
MB/FL 60/70/80/106 Rear Single Axle Suspensions	134, 135
Single Axle Rear Suspensions (2001+) (3" Spring)	136, 137
M2 Business Class & Sterling Actera (2003+) (3" Spring) Rear Suspension	138, 139
FASII Airliner (1990+) Single/Tandem Axle Air Suspension	140, 141
FAS Airliner (To 1989) Single/Tandem Axle Air Suspension	142, 143
TufTrac® Rear Suspension	144, 145
FH36-40 (3" Spring) Current Production Four Spring Suspensions	146, 147
FH32-36 (Early 4" Spring) Past Production Four Spring Suspensions	148, 149
FH34A-44A (Late 4" Spring) Past Production Four Spring Suspensions	150, 151
FASII Axle Seats	167
Suspension Component Photos	152-166

**SOFTEK® FCCC Chassis (Hendrickson)
w/Steertek, Steertek 1.5 & Steertek NXT Axles
Front Suspension**

Freightliner

Freightliner

Suspension Illustration

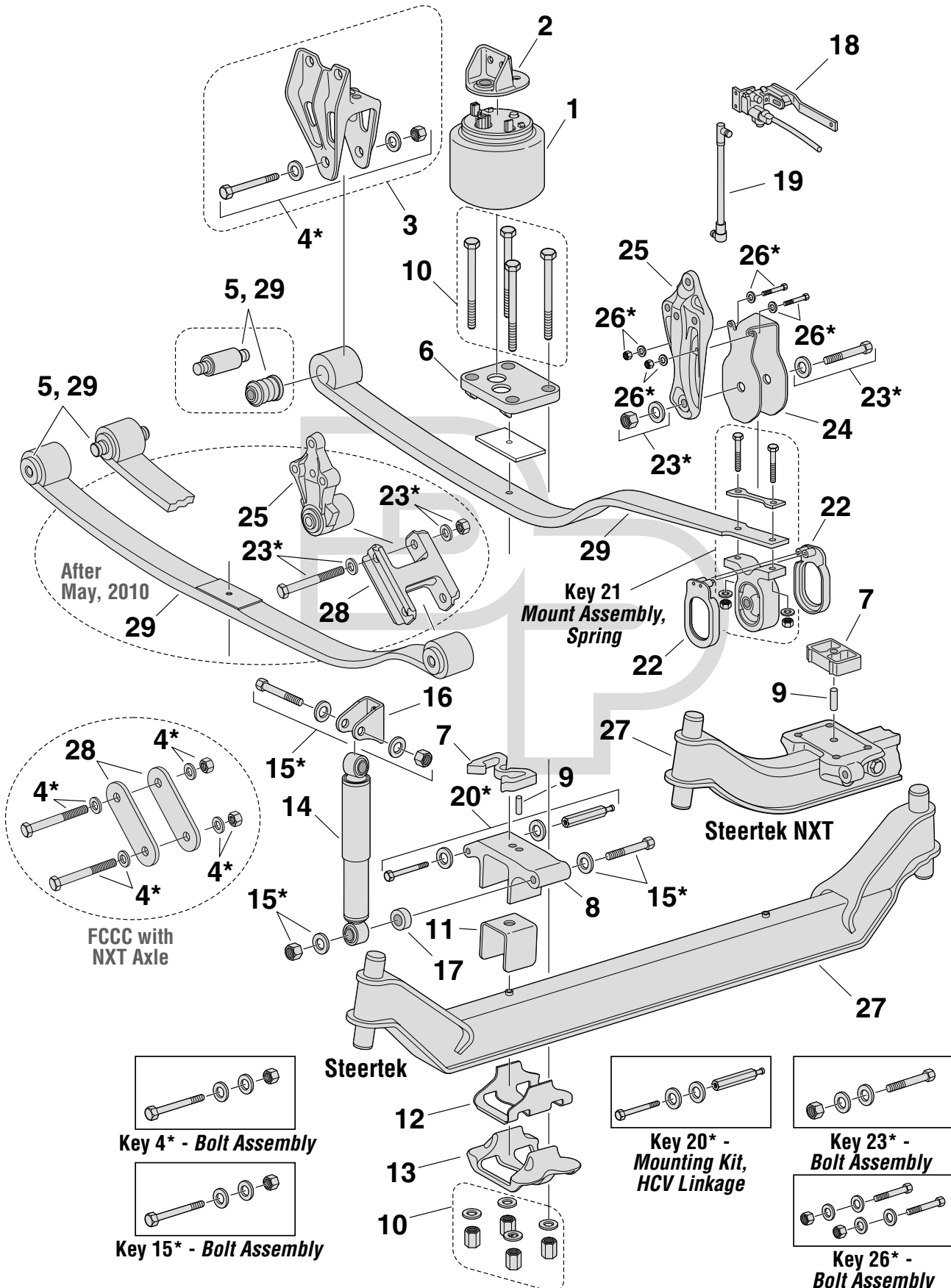


Key Numbers with an asterisk (*) indicate a kit or assembly.

Key No.	Part Number	Description	No. Req.	OEM Reference	Remarks
1	SP	Hanger	2	66297	
2	334-788	Assembly, Bolt; 3/4"-16 x 6 1/2"Lg	8		Incl. Bolt & Hdwe.
3	334-2045	Washer, Thrust	4	67493	Front Hanger
4	SP	Hanger, Rear of Front	2	64316	
5	334-1770	Tube, Stop; Shackle	2	60631	
● 6	334-1749	Washer, Thrust	4	64159	
● 7	330-389	Plate, Shackle	4	66413	
8	SP	Pad, Top	2	65925	<05/2010
	SP	Pad, Top	2	65714	>05/2010
9	SP	Bracket, Sway Bar	2	68759-3	<03/2012
	SP	Bracket, Sway Bar	2	68759-4	
10	SP	Kit, U-Bolt	2		3/4"-16 x 6.5"; NXT and 1.5
	SP	Kit, U-Bolt	2		3/4"-16 x 10"; Steertek
11	◆	Shock Absorber	2		
12	SP	Bracket, Shock	2	59423-2	
13	SP	Spacer, Shock	2	59946	
14	334-1782	Assembly, Bolt; 3/4 x 4"Lg	2		
✓✓ 15	334-626	Assembly, Bolt; 3/4"-10 x 5"Lg	2		
16	SP	Seat, Axle	2	59952-24	Steertek
17	SP	Liner, Axle Wrap; Top	2	60508	Steertek
18	SP	Liner, Axle Wrap; Bottom	2	59845	
19	SP	Plate, Bottom	2	64723-2	Steertek
20	SP	Axle; Steertek NXT & 1.5	1	64926-3	
21	SP	Axle; Steertek	1	64905-4	
22	Spring Assembly	Assembly, Spring	2	66415-2	See Leaf Spring Web Catalog for Details

Freightliner

Suspension Illustration



Key Numbers with an asterisk (*) indicate a kit or assembly.

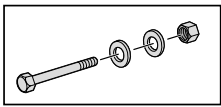
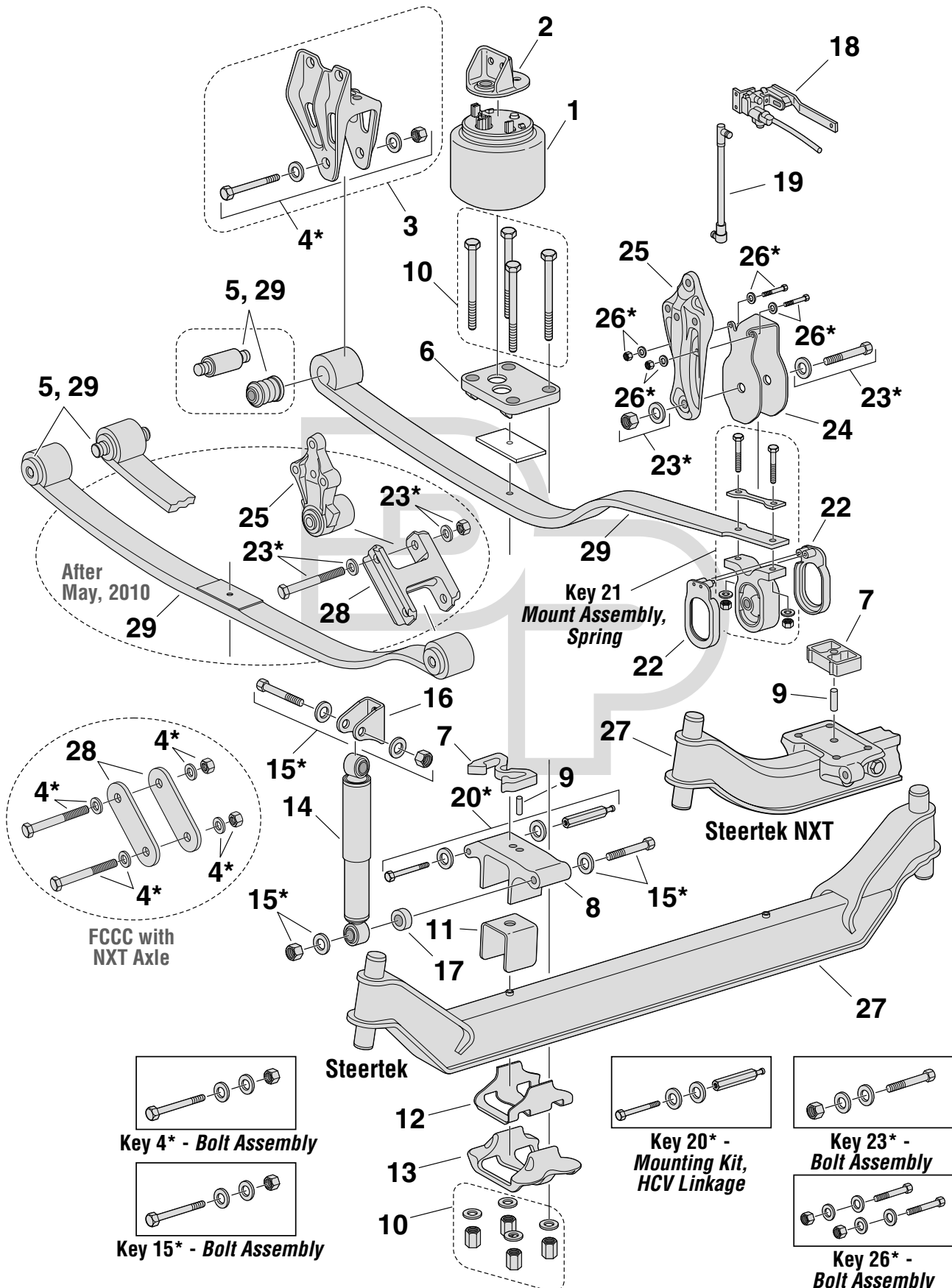
Key No.	Part Number	Description	No. Req.	OEM Reference	Remarks
1	69782-002L	Air Spring	2	69782-002L, 59823-002	<05/10
	SP	Air Spring	2	69116-2, 67874-2	>05/10
2	SP	Bracket, Air Spring	2	60850-xxx	Specify LH/RH
3	SP	Kit, Hanger; Front	2	60961-xxx	<05/10; Specify Make, Model, LH/RH; Includes Bolt Assy.
	◆	Kit, Hanger; Front	2		>05/10
4	334-756	Assembly, Bolt; ¾" x 5 ½"Lg	2		<05/10; Incl. Bolt & Hardware
	334-788	Assembly, Bolt; ¾"-16 x 6 ½"Lg	2/6		Incl. Bolt & Hdwe.
●	323-270	Bushing, Spring Eye	2	59259-2	Century Class S/T, Columbia; <05/10
●	RB-263	Bushing; 2 ¼"OD x 5 ⅝" c/c	2		Coronado; <05/10; Bushing Installed Offset
	RB-233	Bushing; ¾" ID x 2 ¼" OD x 4 ¼" Lg	2		Century, Cascadia; <05/10; Bushing Installed Offset
	SP	Bushing, Spring Eye	2		>05/10; Bushing Installed Offset
	RB-343	Bushing; 1.84" OD x 5 ⅝" c/c	2		>05/10; Bushing Installed Offset
	RB-344	Bushing; ¾" ID x 4 ¼"Lg	2		>05/10; Bushing Installed Offset
	RB-345	Bushing; ¾" ID x 2 ¼" OD	2		>05/10; Bushing Installed Offset
6	SP	Plate, Top	2	59826	
7	SP	Spacer	2	Various	<05/10; Specify Thickness
	SP	Spacer	2	Various	05/10-11/11; Specify Axle Drop & Ride Hgt.
	SP	Spacer	AR	69594-40	>11/11
8	SP	Seat, Axle	2	59952-xxx	<11/11; Specify Model, Ride Hgt., Axle Drop
9	334-1752	Pin, Dowel; 2 ⅝"Lg	2	57159-4	
	334-1753	Pin, Dowel; 4"Lg	2	57159-5	
✓	334-1734	Assembly, Bolt; ¾" x 8 ½"Lg	8	58917-16, 21867-41	<11/11
✓	334-1735	Assembly, Bolt; ¾" x 10"Lg	8	58917-17	
✓	334-1736	Assembly, Bolt; ¾" x 11 ½"Lg	8	58917-18, 21867-42	
●	334-1743	Liner, Axle Wrap	2	59449	<11/11; Top
●	334-1744	Liner, Axle Wrap	2	59845	<11/11; Bottom
	SP	Plate, Bottom	2	64722-1, 59440-1	<11/11
✓✓	341-58913-3	Shock Absorber	2	58913-3	<05/10
	341-58913-12	Shock Absorber	2	58913-12	>05/10
15	334-1782	Assembly, Bolt; ¾" x 4"Lg	2		<11/11; Upper
	334-1738	Assembly, Bolt; ¾" x 7"Lg	2		<11/11; Lower; Incl. Spacer
16	SP	Bracket, Shock	2	59423-1	
17	334-1745	Spacer, Shock Absorber	2	59946-1	<11/11
	SP	Spacer, Shock Absorber	2	22962-46	>11/11
●	334-1942	Assembly, Height Control Valve	1	59427-9, 59427-2	<05/10 Dual RH; 14.5 Linkage
●	334-1941	Assembly, Height Control Valve	1	59427-19	<05/10, Dual LH; 5/10-11/11, SBA; >11/11, 13.125 Linkage
	SP	Assembly, Height Control Valve	1	59427-5	<05/10, Dual RH; 5/10-11/11, RH; 13.125 Linkage
	SP	Assembly, Height Control Valve	1	59427-31	05/10-11/11; LH SFA
	SP	Assembly, Height Control Valve	1	59427-27	>11/11; LH; 14.5 linkage
	SP	Assembly, Height Control Valve	1	59427-34	>11/11; RH; 13.125 linkage
	SP	Assembly, Height Control Valve	1	59427-36	>11/11; RH; 14.5 linkage
✓✓ ●	334-1746	Valve, Height Control	1	59935-2, 59935	RH
	334-2003	Valve, Height Control	1	59935-13	LH
	SP	Valve, Height Control	1	59935-23	LH; Valve Only; 05/10-11/11 SFA
	SP	Valve, Height Control	1	59935-24	RH; Valve Only; >11/11

Freightliner

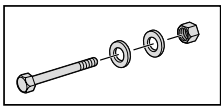
Parts Listing

Freightliner

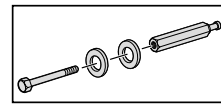
Suspension Illustration



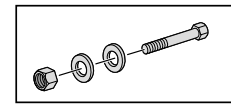
Key 4* - Bolt Assembly



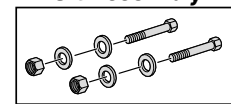
Key 15* - Bolt Assembly



Key 20* - Mounting Kit, HCV Linkage



Key 23* - Bolt Assembly



Key 26* - Bolt Assembly

Key Numbers with an asterisk (*) indicate a kit or assembly.

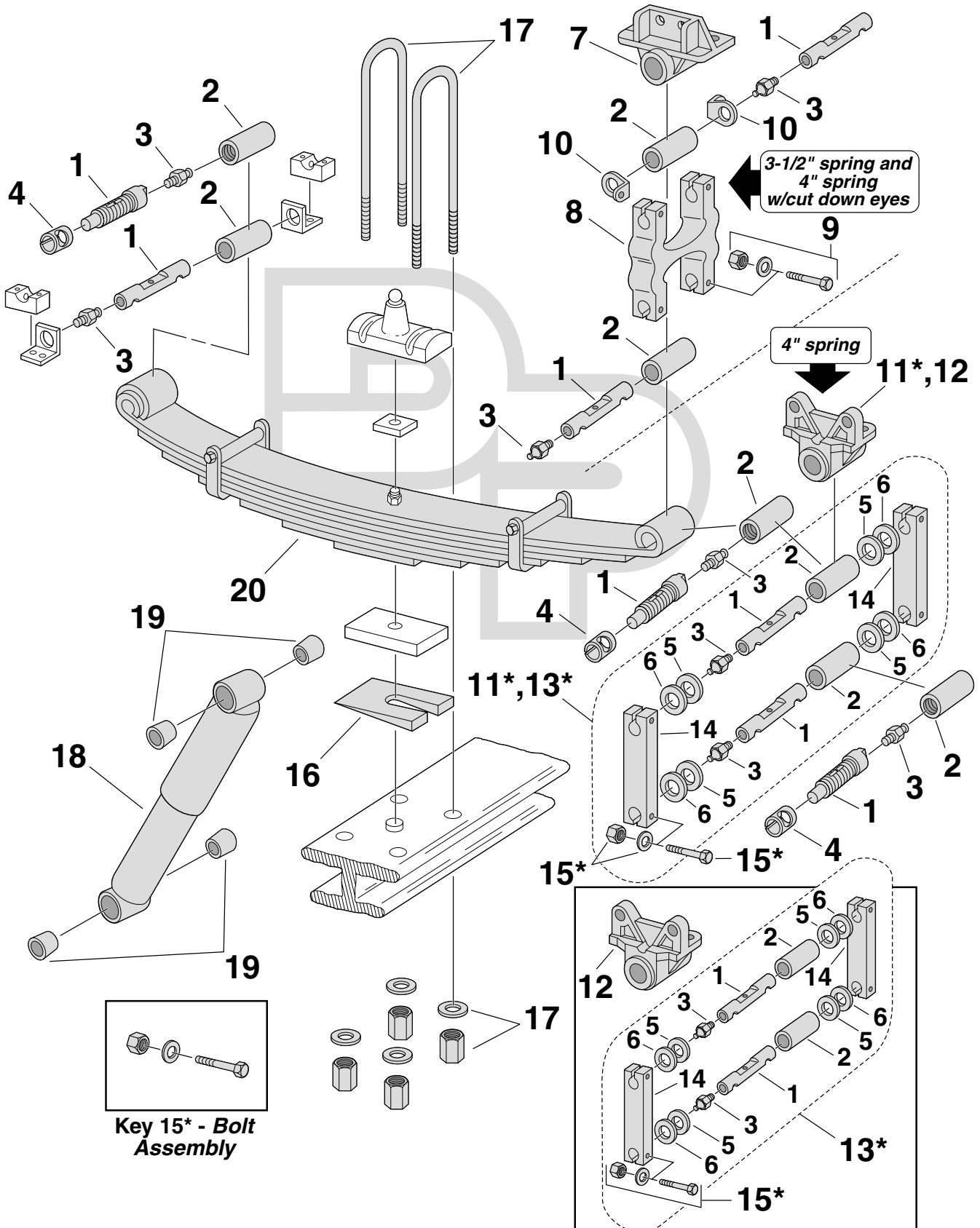
Key No.	Part Number	Description	No. Req.	OEM Reference	Remarks	
✓ ●	19	334-751	Linkage Assembly; Universal; Adjustable	1	Various	3 5/8"-19 5/8" Range; Use with All Height Control Valves
●	20	334-1742 SP	Kit, Mounting; HCV Linkage Mount, HCV Linkage	1 AR	60961-8	<05/10; Axle Set >05/10; Call Tech Support for assistance
✓✓ ●	21	325-242	Assembly, Mount; Spring	2	60961-16, 60961-2	<05/10
✓✓ ●	22	334-1748	Washer, Thrust	4	59346-1, 59346	<05/10
	23	334-1740 ◆	Assembly, Bolt; ¾ x 5"Lg Bolt; ¾-10	2 4	 50764-18	<05/10; Incl. Special Washer >05/10; "H" Style Shackle
●	24	338-1939	Clamp, Hanger	2	59830-1, 58930	<05/10
	25	SP	Hanger	2	59829-1, 59829	<05/10; Casting 59825
		SP	Hanger	2	68127-1	>05/10
	26	334-1741	Assembly, Bolt; ¾ x 1 ¼"Lg	4	56935-1	<05/10
	27	SP	Assembly, Axle	1		Call Tech Support for assistance
	28	SP	Shackle	2	67754-4	>05/10
		SP	Side Bars	4	64314	FCCC 12k w/NXT Axles
	29	Spring Assembly	Assembly, Spring	2	Various	See Leaf Spring Web Catalog for Details

**120 Series Conventional COE
FLD112 Conventional
Front Suspensions**

Freightliner

Freightliner

Suspension Illustration



Key 15* - Bolt Assembly

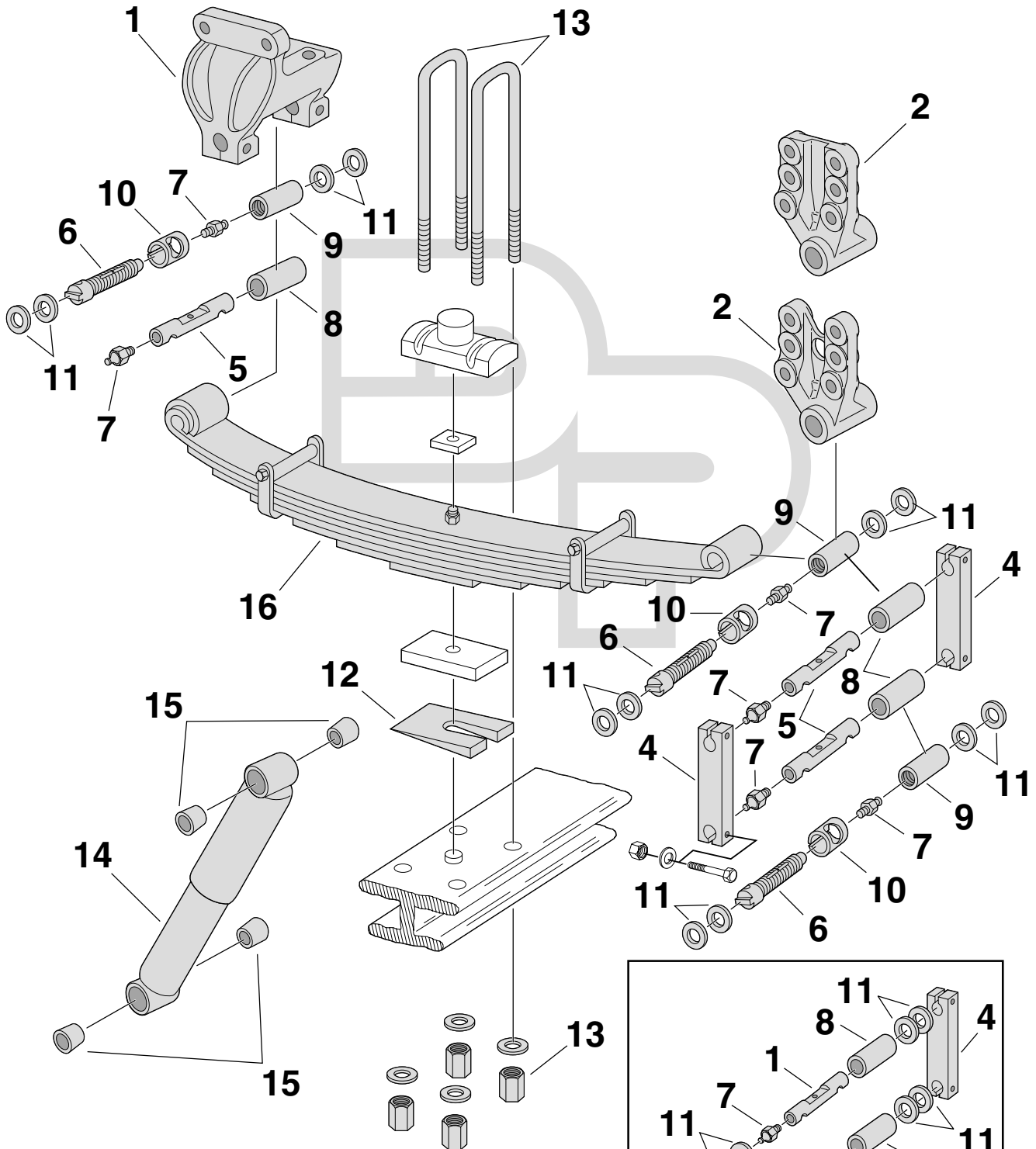
Key 11* - Shackle Kit

Key Numbers with an asterisk (*) indicate a kit or assembly.

Key No.	Part Number	Description	No. Req.	OEM Reference	Remarks
✓✓ ●	1	327-490 Spring Pin, Threaded; 1 1/4"-7 x 7.14"Lg x 5 3/8" c/c	6	16-12302-000	Used w/TB-73 Bushing
		327-175 Spring Pin; 1 1/4"OD x 6 3/8"Lg x 4 29/32" c/c	2	16-10509-000	Use w/3 1/2" Spring Eye & RNI or TNI Bushing
✓✓		327-487 Spring Pin; 1 1/4"OD x 6 7/8"Lg x 5 3/8" c/c	6	16-13470-000, 16-12373-000	Use w/4" Spring and RNK or TNK Bushing
		327-176 Spring Pin; 1 1/4"OD x 5 3/4"Lg x 4 1/2" c/c	2	16-10510-000	Use w/RNI or TNI Bushing & "H" Shackle; 3 1/2" Spring Eye
		327-489 Spring Pin; 1 1/4"OD x 7 7/8"Lg x 5 3/8" c/c	2	6813220222	Double Lock; w/ 3/8" Drill Hole in End
✓ ✓ ✓✓	2	TB-70 Bushing; 1 1/2"OD x 3 1/2"Lg x 1 1/4"-8 Thread	6		<1975; Obsolete
		TB-71 Bushing; 1 5/8"OD x 3 1/2"Lg x 1 1/4"-8 Thread	6		<1984; Obsolete
		TB-73 Bushing; 1 1/2"OD x 4"Lg x 1 1/4"-7 Thread	6	16-12301-000	Current
		RNI-BM Bushing; 1 1/4"ID x 1 1/2"OD x 3 1/2"Lg	4/6	16-01005-000	Past Production
		RNK-BM Bushing; 1 1/4"ID x 1 1/2"OD x 4"Lg	4	16-12399-001	Current
		TNI Bushing; 1 1/4"ID x 1 5/8"OD x 3 1/2"Lg	4	16-01005-001	<1984; Spring Eyes Only
		322-141 Bushing, w/Seals	6	A16-12399-001	Replaces PB-18
		TNK Bushing; 1 1/4"ID x 1 5/8"OD x 4"Lg	2		Powerliner
		334-475 Fitting, Straight Zerk; 1/8"-27NPT	6	1613B	
		334-1583 Sleeve; 1 1/4"OD x 1"ID x 1"Lg	6	16-09598-000	
	334-1584 Shim; 1 7/8"OD x 1/32"Thk x 1 1/4" Hole	AR	23-09860-012		
	334-1585 Shim; 2 1/4"OD x 5/32"Thk x 1 1/4" Hole	AR	23-11656-018		
●	338-738 Hanger, Shackle	2	16-09906-000	Use w/"H" Shackle	
●	330-142 "H" Shackle	2	16-10241-000	Use w/3 1/2" Spring and 4" Spring w/Cutdown Eye; Obsolete	
	334-551 Assembly, Bolt; 3/8"-24 x 2 3/4"Lg	8		Incl. 334-537 Bolt & Hdwe.	
✓✓ ●	334-804 Shim; 1 3/8"ID x .046"Thk	8	16-09040-001	Shim for 3 1/2" Springs	
●	339-272 Kit, Service; Shackle Assembly & Hanger	2		Incl. 338-1838	
✓✓ ●	339-272A Kit, Service; Shackle Assembly & Hanger	2		Incl. 338-758A	
✓✓ ●	338-758A Hanger, Shackle	2	16-12355-001, 16-12297	Aluminum	
✓	338-1838 Hanger, Shackle	2		Iron	
●	338-1878 Hanger, Shackle	2	16-12358-001	Iron; Incl. TB-73	
✓✓	330-219 Kit, Shackle	2		Incl. 330-123 & 327-487	
	330-219U Kit, Shackle; Urethane	2			
✓	330-345 Kit, Shackle	2		Incl. 330-344, 327-487, TNK, RNK-BM & Hdwe.	
✓ ●	330-374 Kit, Shackle	2		Incl. 330-123, 327-490 Bushings & Hdwe.	
✓✓	330-123 Side Bar; 7 3/4"Lg x 5 5/16" c/c x 1"Thk, 1 1/4" Pin Holes	4	16-11890-000	Use w/4" Springs	
✓	330-344 Side Bar; 6 3/4" Lg X 4 5/16" c/c x 1" Thk, 1 1/4" Pin Holes	4	16-13333-000		
	334-550 Assembly, Bolt; 1/2"-20 x 3"Lg	8		Incl. 334-538 Bolt & Hdwe.	
	See Chart Wedge, Camber	2		See Chart on Page 1091	
	361-186 Kit, U-Bolt; Round Bend, Grade 8	4	10-09075-105	3/4" x 3 9/16" x 10 1/2" R	
	361-188 Kit, U-Bolt; Round Bend, Grade 8	4	10-09075-125	3/4" x 3 9/16" x 12 1/2" R	
	361-190 Kit, U-Bolt; Round Bend, Grade 8	4	11-09363-110	3/4" x 4" x 11 3/8" R	
	361-192 Kit, U-Bolt; Round Bend, Grade 8	4	10-09424-120	7/8" x 3 9/16" x 12 3/8" R	
	361-194 Kit, U-Bolt; Round Bend, Grade 8	4	11-9624-120	7/8" x 4" x 12 1/4" R	
	M65103 Shock Absorber	2	10-12030-000		
	M66658 Shock Absorber	2	681-323-09-00		
	M65139 Shock Absorber	2	10-13021-000		
	See Shocks Shock Absorber	2	Various	Consult Shock Catalog for Model Specific Applications	
●	401754 Bushing, Shock; 1"ID	AR			
	Spring Assembly Assembly, Spring	2		See Leaf Spring Web Catalog for Details	

Freightliner

Suspension Illustration



Key 3 - Shackle Kit

Key Numbers with an asterisk (*) indicate a kit or assembly.

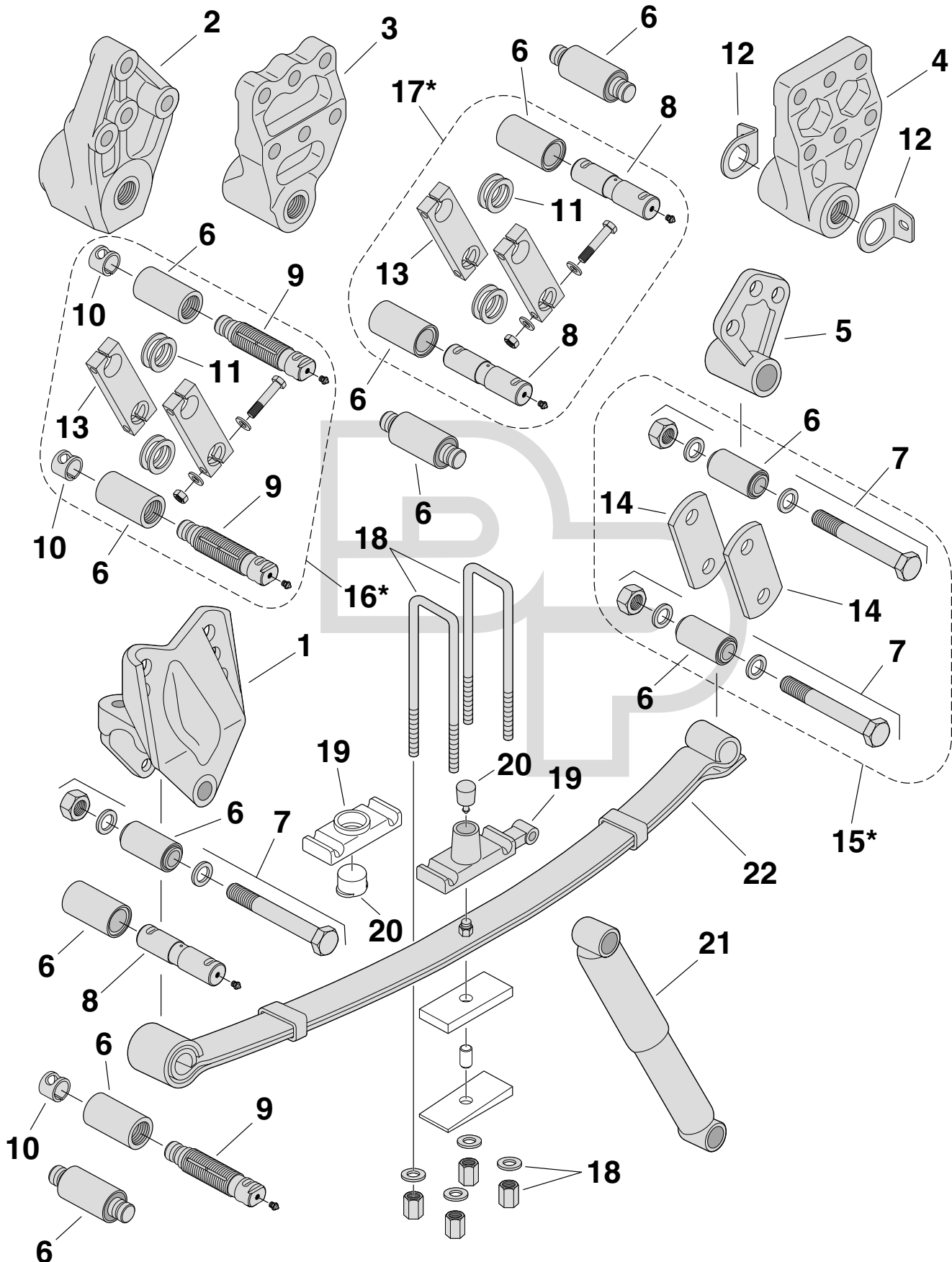
Key No.	Part Number	Description	No. Req.	OEM Reference	Remarks
	◆	Hanger, Front	2	various	
●	338-844	Hanger, Shackle; 4 Bolt	2	681 320 0470	Casting No. 6813220703; 4 Frame Bolts
●	338-888	Hanger, Shackle; 6 Bolt	2	681 320 1570	Casting No. 6813220703; 6 Frame Bolts
	◆	Hanger, Shackle; TB-73 Bushing	2	681 320 1370	Casting No. 6813220903
✓●	338-934	Hanger, Shackle; 6 Bolt	2	681 320 3670	Casting No. 6813220903
✓	330-195	Kit, Shackle	2		Incl. 330-143, 327-454, PLK & Hdwe.
	330-195U	Kit, Shackle; Urethane	2		1 3/8"OD Bushing
	330-367U	Kit, Shackle; Urethane	2		1 1/2"OD Bushing
●	330-374	Kit, Shackle	2		Incl. 330-123, 327-490 bushings & hardware
✓	330-143	Side Bar; 6 1/16"Lg x 4 1/8" c/c x 1"Thk, 1 1/8" Pin Holes	4	681 322 0020, 681 322 0120	Use w/327-454 Pins
	330-194	Side Bar; 6 1/16"Lg x 4 1/8" c/c x 1"Thk, 1 1/4" Pin Holes	4	681 322 0220, 681 322 0320	Use w/327-487 & 327-490 Pins
✓✓	330-123	Side Bar; 7 3/4"Lg x 5 5/16" c/c x 1"Thk, 1 1/4" Pin Holes	4	16-11890-001	
✓	327-454	Spring Pin; 1 1/8"OD x 6 15/16"Lg x 5 3/8" c/c	2/6	681 322 0522, 681 322 0022	
✓✓	327-487	Spring Pin; 1 1/4"OD x 6 7/8"Lg x 5 3/8" c/c	6	16-12373-000	Use w/4" Spring & RNK or TNK Bushing
	327-489	Spring Pin; 1 1/4"OD x 7 7/8"Lg x 5 3/8" c/c	6	6813220222	Double Lock
	◆	Spring Pin; 1 1/4"OD x 6 7/8"Lg x 5 3/8" c/c	6	16-13470-000	Use 327-487
	◆	Spring Pin; 1 1/4"OD x 6 5/8"Lg x 5 3/8" c/c	6	16-13079-000	Use 327-487
✓✓●	327-490	Spring Pin, Threaded; 1 1/4"-7 x 7.14"Lg x 5 3/8" c/c	6	16-12302-000	For TB-73 Bushing
✓	334-475	Fitting, Straight Zerk; 1/8"-27NPT	AR	1613B	
✓✓	PLK	Bushing; 1 1/8"ID x 1 3/8"OD x 4"Lg	6	681 322 0250	
✓✓	RNK-BM	Bushing; 1 1/4"ID x 1 1/2"OD x 4"Lg	6	681 322 0150	
✓	TB-73	Bushing; 1 1/2"OD x 4"Lg x 1 1/4"-7 Thread	6	16-12301-000	
✓✓	334-1583	Sleeve; 1 1/4"OD x 1"ID x 1"Lg	4	16-09598-000	
✓✓	334-1584	Shim; 1 7/8"OD x 1/32"Thk x 1 1/4" Hole	8	23-09860-012	
✓✓	334-1585	Shim; 2 1/4"OD x 5/32"Thk x 1 1/4" Hole	8	23-11656-018	
●	See Chart	Wedge, Camber	2		See Chart on Page 1091
	361-208	Kit, U-Bolt; Special Bend, Grade 8	4	681 322 0425	7/8" x 4" x 11" HS
✓✓	M66418	Shock Absorber	2	10-12703-000	
	M65139	Shock Absorber	2	10-12704-000	
	M65435	Shock Absorber	2	10-12542-000	
	See Shocks	Shock Absorber	2	Various	Consult Shock Catalog for Model Specific Applications
●	401754	Bushing, Shock; 1"ID	8		
	Spring Assembly	Assembly, Spring	2		See Leaf Spring Web Catalog for Details

**FC/FL/FLD/MB/M2BC/MT55/Century-Columbia,
 Coronado, Cascadia, Argosy, Condor
 Business Class/Century Class - Front Suspensions**

Freightliner

Freightliner

Suspension Illustration



Key No.	Part Number	Description	No. Req.	OEM Reference	Remarks
	◆	Hanger, Front	2	Various	
●	338-2134-01	Hanger, Shackle	2	A16-14019-000	Incl. 321-141 Bushing; Columbia, Coronado, Cascadia, Argosy & Condor
●	338-2134-02	Hanger, Shackle	2	A16-14019-001	Incl. TB-73 Bushing; Columbia, Coronado, Cascadia, Argosy & Condor
●	338-2134-03	Hanger, Shackle	2	A16-14019-002	Incl. RB-233 Bushing; Columbia, Coronado, Cascadia, Argosy & Condor
✓✓ ●	338-2133-01	Hanger, Shackle	2	A16-15402-002	Incl. 321-141 Bushing; Columbia, Coronado, Cascadia, Argosy & Condor
●	338-2133-02	Hanger, Shackle	2	A16-15402-000	Incl. RB-233 Bushing; Columbia, Coronado, Cascadia, Argosy & Condor
●	338-2133-03	Hanger, Shackle	2	A16-15402-001	Incl. RB-263 Bushing; Columbia, Coronado, Cascadia, Argosy & Condor
●	338-2133-04	Hanger, Shackle	2	A16-15402-006	Incl. TB-82 Bushing; Columbia, Coronado, Cascadia, Argosy & Condor
✓✓ ●	338-2247	Hanger, Shackle	2	16-14018-001	12k Axles; 4" Spring; w/RB
	338-1919	Hanger, Shackle	2	680 320 1070	14k-16k Axles; 4" Spring; w/RNK; Century
	338-1919-01	Hanger, Shackle		A16-14221-001	14k-16k Axles; 4" Spring; w/322-141
	338-1919-02	Hanger, Shackle		A16-14221-001	12k-20k Axles; 4" Spring; w/TB-73
	◆	Hanger, Shackle	2	680 320 0370, 680 322 0203	6k-9k Axles; 3" Spring; w/RB
✓✓	RB-212	Bushing; 20.7mm ID x 57.15mm OD x 75mm Lg	6	680 320 0202	6k-9k Axles
✓✓	RB-233	Bushing; 3/4" ID x 2 1/4" OD x 4 1/4" Lg	6	680 322 0301	12k Axles; Replaces RB-211
✓✓	RNK-BM	Bushing; 1 1/4" ID x 1 1/2" OD x 4" Lg	6	680 322 0550	14k & 16k Axles
✓✓ ●	322-141	Bushing; w/Seals		A16-12399-001	Replaces PB-18
✓ ●	RB-263	Bushing; 2 1/4" OD x 5 3/8" c/c	2		Coronando
	TB-82	Bushing, Threaded; Metric, M32 Thread	2	16-18227-000	
	TB-73	Bushing; 1 1/2" OD x 4" Lg x 1 1/4" Thread	2	16-12301-000	
✓	334-1656	Assembly, Bolt; M20-2.5 x 160	6		
✓✓	327-487	Spring Pin; 1 1/4" OD x 6 7/8" Lg x 5 3/8" c/c	6	16-13470-000, 16-12373-000	Use w/4" Spring & RNK or TNK Bushing
✓ ●	327-490	Spring Pin, Threaded; 1 1/4"-7 x 7.14" Lg x 5 3/8" c/c	6	16-12302-000	Use w/TB-73 Bushing
●	327-543	Spring Pin, Threaded; 5 3/8" c/c, 1 1/4" Thread	6	16-18213-000	Use w/TB-82 Bushing
✓✓	334-1583	Sleeve; 1 1/4" OD x 1" ID x 1" Lg	6	16-09598-000	
✓✓	334-1584	Shim; 1 7/8" OD x 1/2" Thk x 1 1/4" Hole	4	23-09860-012	
✓✓	334-1585	Shim; 2 1/4" OD x 5/8" Thk x 1 1/4" Hole	4	23-11656-018	
✓✓ ●	334-804	Shim; 1 3/8" ID x .046" Thk	2	16-09040-001	Shim for 3 1/2" Wide Springs
✓✓	330-123	Side Bar; 5 3/8" c/c x 1" Thk, 1 1/4" Pin Holes	4	16-11890-000	Use w/4" Wide Springs
✓ ●	330-217	Side Bar; 4 1/8" c/c, 3/8" Thk	4	680 322 0020	All Models; 6k-12k Axles
●	330-357	Side Bar; 5 1/4" c/c, 3/8" Thk	4	6803220320	
	330-218	Kit, Shackle	2		4 1/8" c/c; w/RB-212
✓ ●	330-346	Kit, Shackle	2		4 1/8" c/c; w/RB-233
	330-373	Kit, Shackle	2		5 1/4" c/c; w/RB-233
●	330-374	Kit, Shackle	2		Incl. 330-123, 327-490 Bushings & Hdwe.
	330-352	Kit, Shackle	2		5 3/8" c/c; w/RNK-BM
✓	361-370	Kit, U-Bolt; Square Bend, Grade 8	4	680 322 0925	5/8" x 3" x 8 3/8" S
	361-475	Kit, U-Bolt; Square Bend, Grade 8	4	680 322 0725	3/4" x 4" x 8 7/8" S
	361-200	Kit, U-Bolt; Square Bend, Grade 8	4		3/4" x 4" x 12 7/8" S
	SP	U-Bolt; Bent to Order	4		Specify Length, Width, Diameter & Bend
●	338-2391	Top Plate/Shock Mount; LH	1	A16-15214-001	
●	338-2249	Top Plate/Shock Mount; RH	1	A16-15214-000	
	◆	Plate, Top	2	681 322 0024	3" Wide
●	325-355	Bumper, Rebound	2	16-15215-000,	
	◆	Bumper, Rebound	2	681 322 0044	
✓	M66418	Shock Absorber	2	10-12703-000	
	M66613	Shock Absorber	2	680-323-0200	
	M65482	Shock Absorber	2	680-323-0300	
	M65140	Shock Absorber	2	Various	
	M66648	Shock Absorber	2	16-17684-010	
	See Shocks	Shock Absorber	2	Various	Consult Shock Catalog for Model Specific Applications
22	Spring Assembly	Assembly, Spring	2	Various	See Leaf Spring Web Catalog for Details

Freightliner

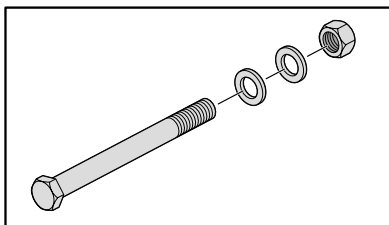
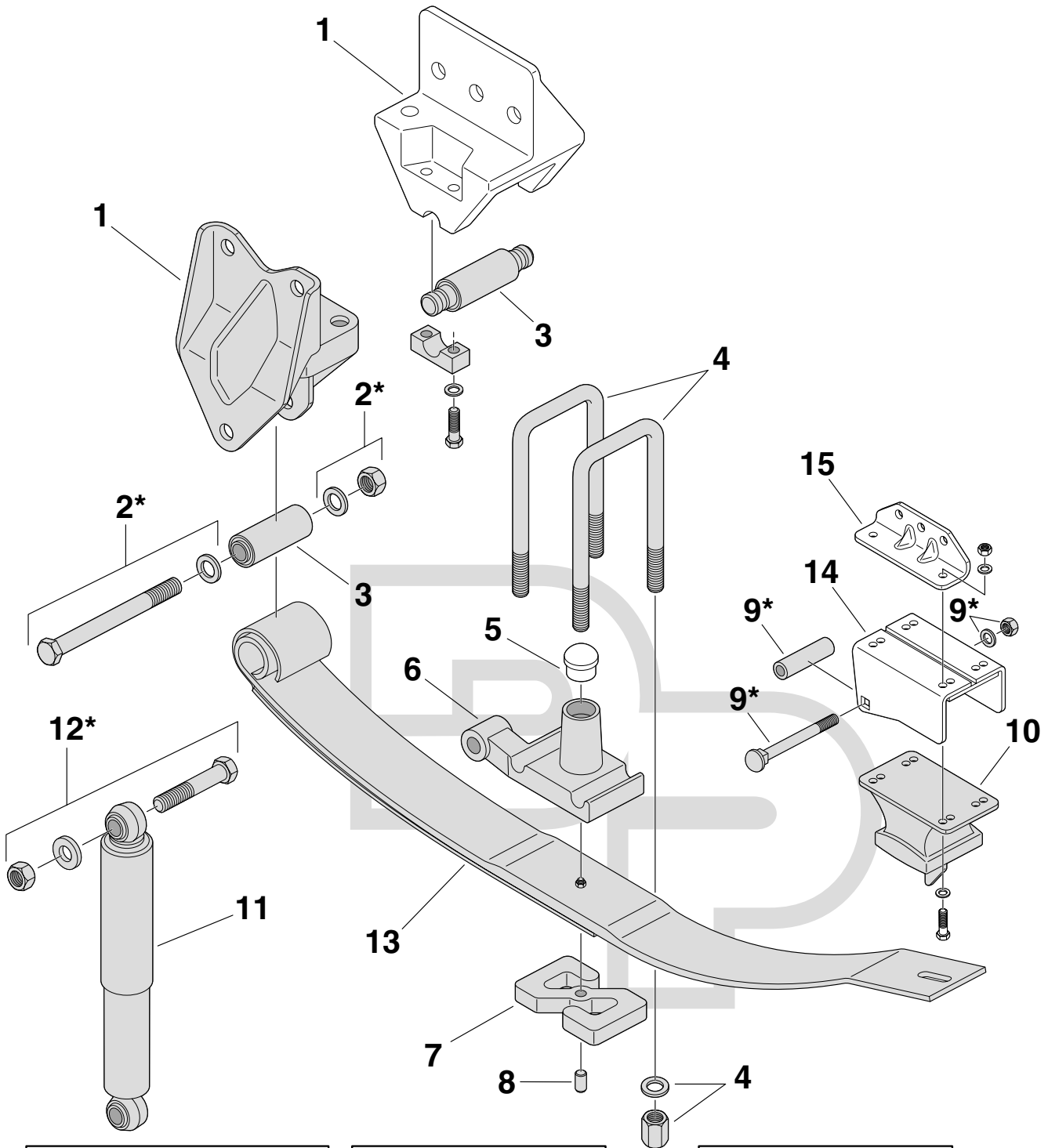
Parts Listing

**M2
Eye/Slipper (3" & 4" Spring)
Front Suspensions**

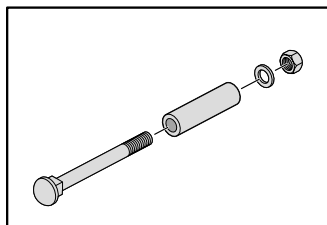
Freightliner

Freightliner

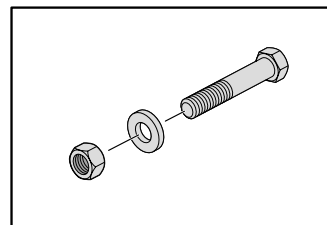
Suspension Illustration



Key 2* - Bolt Assembly



Key 9* - Rebound Assembly

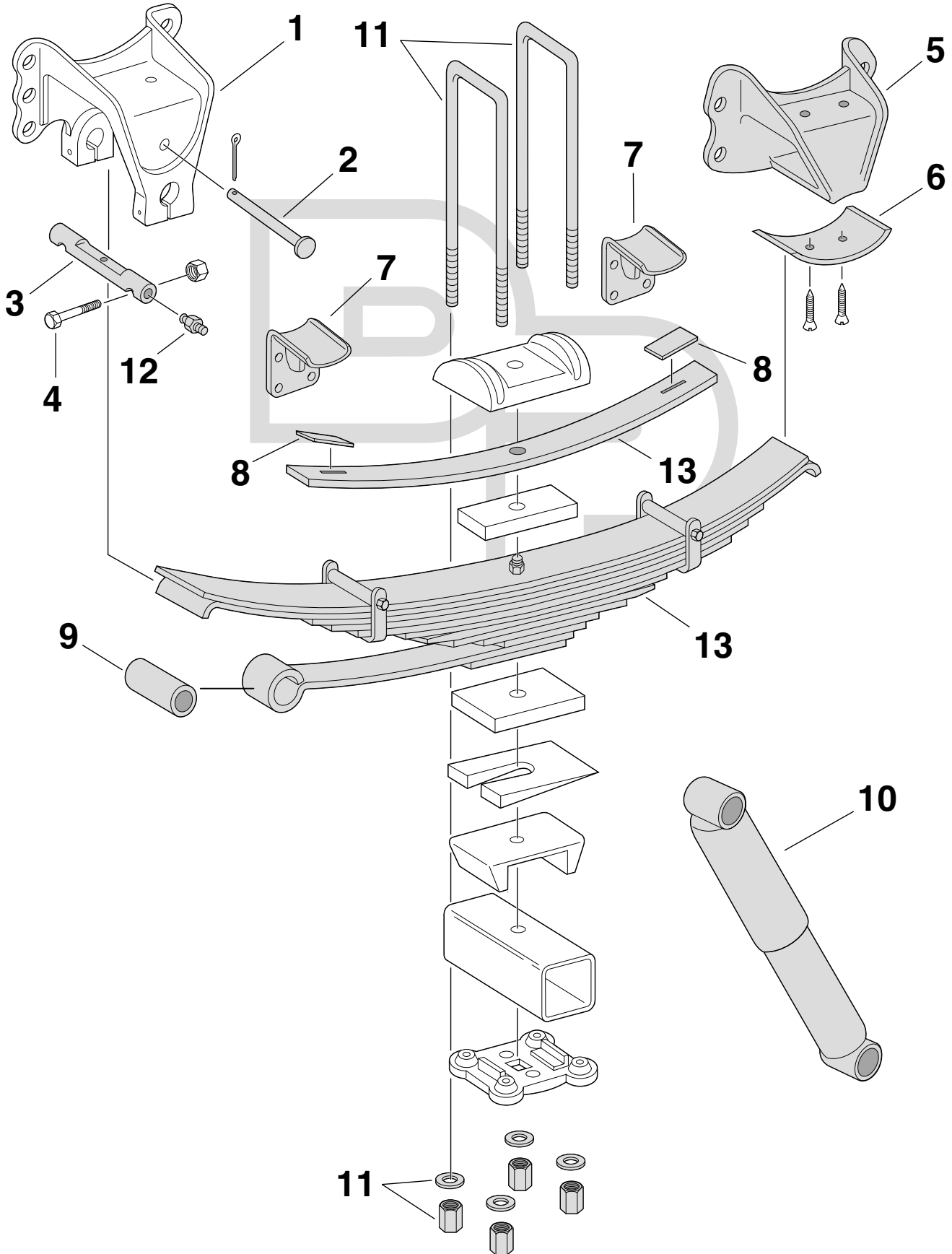


Key 12* - Bolt Assembly

Key No.	Part Number	Description	No. Req.	OEM Reference	Remarks
●	338-2248 ◆	Bracket, Frame	2	16-14307-000, 680 320 0077	Front of Front
		Assembly, Bracket	2	16-14324-000	Cast
	334-1723	Assembly, Bolt; 3/4"-16 x 6"Lg	2	23-09446-600	
✓✓ ✓●	RB-212 RB-233 RB-263	Bushing; 3/4" ID x 2 1/4"OD x 4 1/4"Lg	2	680 322 0050	3" Wide
		Bushing; 3/4" ID x 2 1/4" OD x 4 1/4"Lg	2	680 322 0150	4" Wide
		Bushing; 2 1/4"OD x 5 3/8" c/c	2	16-14603-000, 16-17770-000	4" Wide
●	361-448 361-161 361-475	Kit, U-Bolt; 5/8"	4	680 322 0025	
		Kit, U-Bolt; Square Bend, Grade 8	4	03-01661	3/4" x 4" x 5 7/8" S
		Kit, U-Bolt; Square Bend, Grade 8	4	K241-309	3/4" x 4" x 8 7/8" S
	◆	Stop, Bump; Rubber	2	16-15215-000	
●	SP 338-2249	Plate, Top; U-Bolt	2	16-16572-010	3" Wide
		Plate, Top; U-Bolt	2	A16-15214-000	4" Wide
	◆	Spacer, Axle	2	Various	
	◆	Pin, Dowel	2	23-09271-138	
●	334-2046	Assembly, Rebound	2	16-14018-001	
✓●	325-249	Insulator, Spring Mount	2	16-15773-000	
	M65140	Shock Absorber	2	10-12388-000	
	M66425	Shock Absorber	2	10-12390-000	
	334-1782	Assembly, Bolt; 3/4 x 4"Lg	2		
	Spring Assembly	Assembly, Spring	2		Consult Shock Catalog for Model Specific Applications
	◆	Bracket, Retainer	2		
	◆	Bracket, Frame	2		

Freightliner

Suspension Illustration



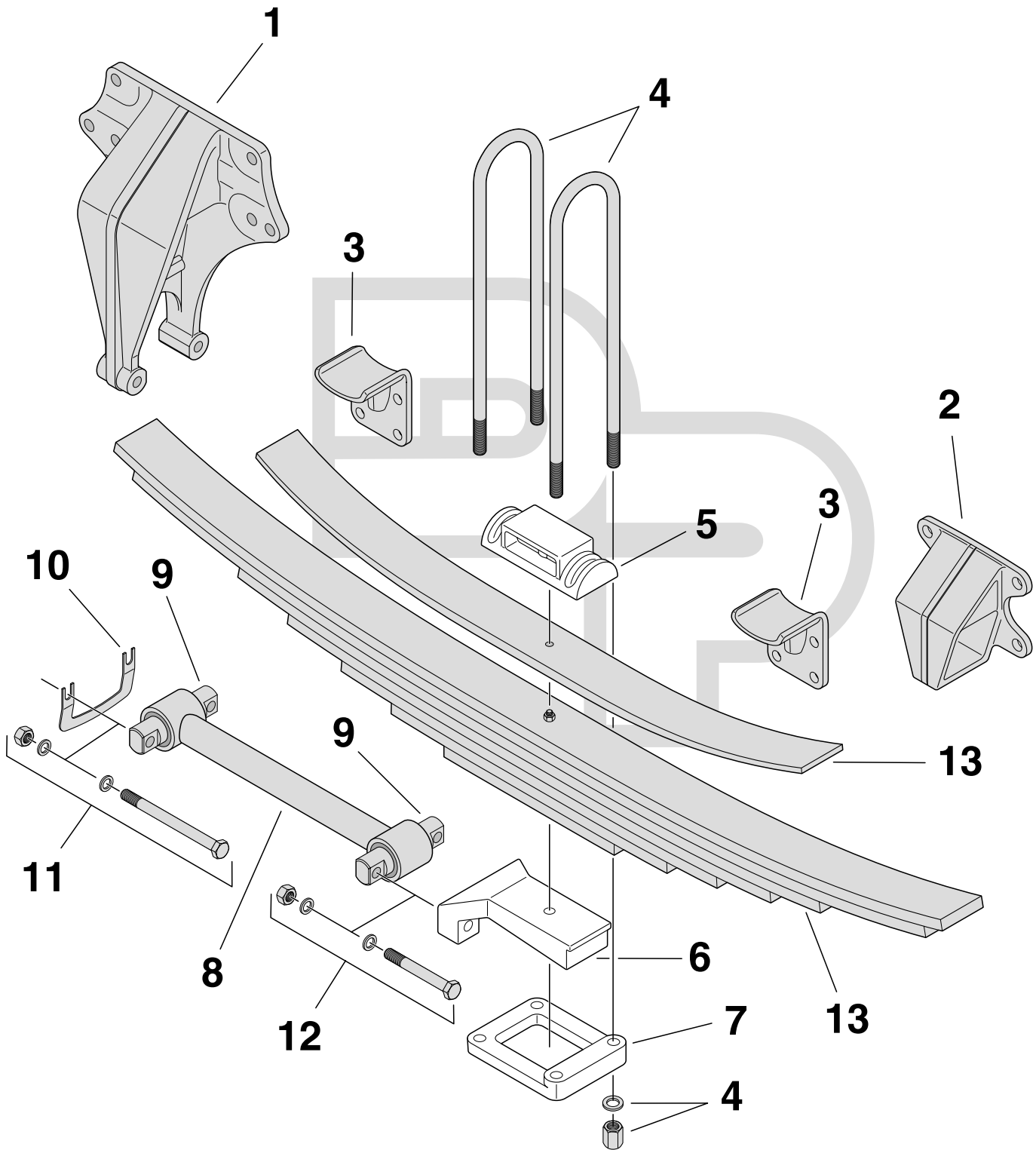
Key No.	Part Number	Description	No. Req.	OEM Reference	Remarks
	◆	Hanger, LH	1	680 320 0275	
	◆	Hanger, RH	1	680 325 0375	
✓✓●	327-514	Assembly, Pin; Rebound; 5/8" x 4 7/8"Lg	2	681 325 0174	Incl. Cotter Pin & Flat Washer
✓✓	327-491	Spring Pin; 1 3/8"OD x 6"Lg x 4 1/4" c/c	2	680 325 0074	
	◆	Bolt, Lock; 7/16" X 3 1/2"Lg	4		
●	338-1944	Hanger, LH	1	680 325 0075	
●	338-1945	Hanger, RH	1	680 320 0175	
✓✓●	334-1789	Pad, Wear	4	680 325 0009	
●	338-1946	Bracket, Helper	4	680 325 0017	
✓●	334-1790	Pad, Wear; Helper Spring	4	680 325 0109	
	TPG	Bushing; 1 3/8"ID x 1 5/8"OD x 3"Lg	2		
✓✓	M65115 See Shocks	Shock Absorber Shock Absorber	2 2	680 325 0000 Various	Consult Shock Catalog for Model Specific Applications
	SP	U-Bolt; Bent to Order	4		Specify Length, Width, Diameter & Bend
✓	334-475	Fitting, Straight Zerk; 1/8"-27NPT	AR	1613B	
	Spring Assembly	Assembly, Spring	2		See Leaf Spring Web Catalog for Details

Single Axle Rear Suspensions
(2001+) (3" Spring)

Freightliner

Freightliner

Suspension Illustration



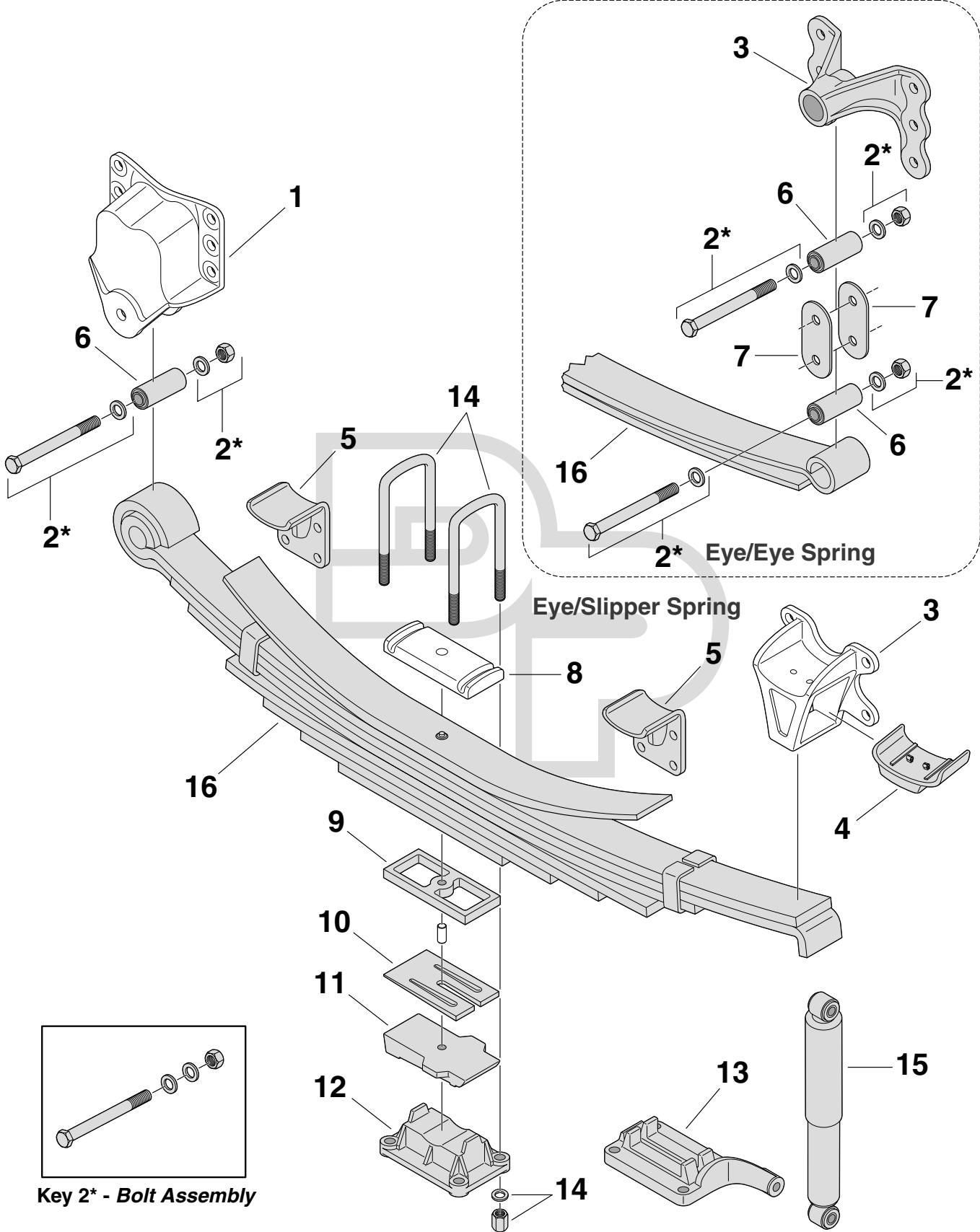
Key No.	Part Number	Description	No. Req.	OEM Reference	Remarks	
●	1	338-1416	Hanger, Front	2	16-12563-000	Ductile Iron; Replaces OE Aluminum Hanger
●	2	338-1417	Hanger, Rear	2	16-12565-000	Replaces OE Aluminum Hanger
●	3	338-1946	Bracket, Helper	4	680 325 0017	
✓✓	4	361-168	Kit, U-Bolt; Round Bend, Grade 8	4	681 322 0125	7/8" x 3" x 16 1/2" R
		361-340	Kit, U-Bolt; Round Bend, Grade 8	4	35019-0006, 7QK3147P14	7/8" x 3" x 19 1/2" R
	5	◆	Plate, Top	2	Various	
	6	◆	Seat, Axle	2	Various	
	7	◆	Plate, Bottom	2	Various	
✓●	8	345-208	Torque Rod, Rigid; 16 5/8", Tubular 1.56" OD	2	16-03053-000	Incl. 321-223 Bushings
		345-209	Torque Rod, Rigid; 16 5/8", Tubular 1.93" OD	2	16-13054-000	Heavy Duty; Incl. 321-223 Bushings
✓✓●	9	321-223	Bushing; 4 3/8" c/c x 5/8" Bolts	4		Straddlemount; 1.56 Tubular Rods Only
		321-223U	Bushing; 4 3/8" c/c X 5/8" Bolts	4		Urethane
✓✓●	10	334-526	Shim; 1/16"Thk 4 3/8" c/c	AR		
✓	11	334-1312	Assembly, Bolt; 5/8"-11 x 5 1/2"Lg	4	23-09444-000	Incl. Bolt & Hdwe.
✓	12	334-624	Assembly, Bolt; 5/8"-11 x 3 1/2"Lg	4	930 03 383	Incl. Bolt & Hdwe.
	13	Spring Assembly	Assembly, Spring	2		See Leaf Spring Web Catalog for Details

**M2 Business Class & Sterling Actera
(2003+) (3" Spring)
Rear Suspension**

Freightliner

Freightliner

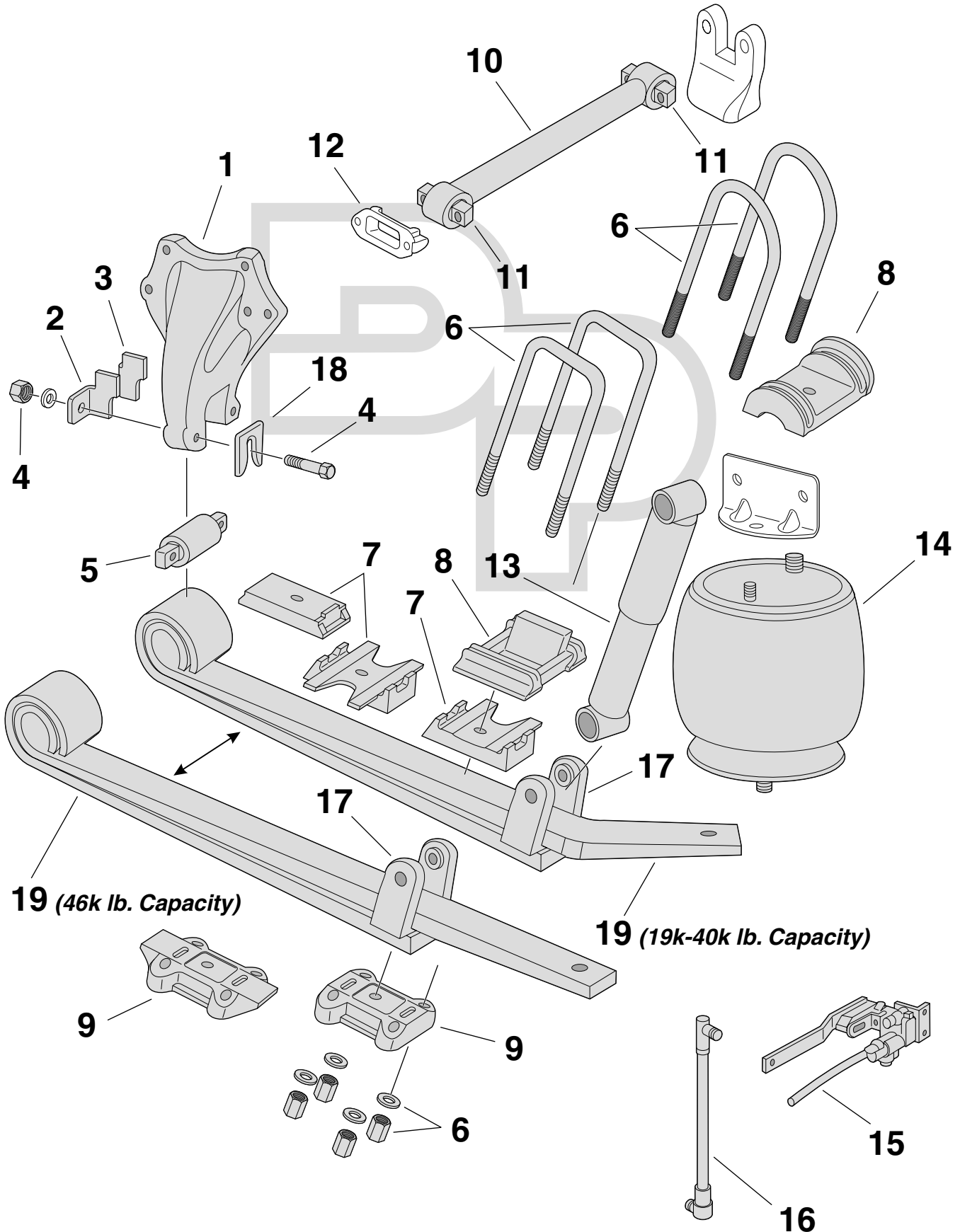
Suspension Illustration



Key No.	Part Number	Description	No. Req.	OEM Reference	Remarks
1	◆	Assembly, Hanger; Front	2	16-15931-000	
	◆	Hanger, Inner Half; Cast	2	16-15878-000	
	◆	Hanger, Outer Half; Stamped	2	16-15879-000	
2	334-990	Assembly, Bolt; 3/4"-16 x 6"Lg	2/6		
3	◆	Hanger, Rear; Eye/Slipper Springs	2	16-15880-000	Use Pad Kit 334-1981
	338-2252	Hanger	2	16-16424-000	
4	334-1981	Pad, Wear	2	16-15641-000	
5	338-1946	Bracket, Helper	4	680 3250 017	
6	RB-267	Bushing, Rubber; 1 3/4" OD x 3/4" ID x 3 9/16"Lg	2		Eye/Slipper Springs
	RB-280	Bushing, Rubber; 2" OD x 3/4" ID x 3 9/16"Lg	6	16-16133-000	Eyes Both Ends Springs
7	330-409	Side Bar	4	16-15867-001	
8	◆	Plate, Top	2	680 325 0231	Eye/Slipper Springs
	◆	Plate, Top	2	16-16163-000	Eyes Both Ends Springs
9	338-2254	Spacer; 1 1/2" x 6 3/4"Lg	AR	16-12562-005	
	338-2255	Spacer; 1/2" x 6 3/4"Lg	AR	16-12562-003	
10	See Chart	Wedge, Camber	AR		See Chart on Page 1091
11	◆	Seat, Axle	2	11-24910-000	Eyes Both Ends
12	338-2258	Plate, Bottom; 5°	2	11-24915-000	23k Axle
	338-2259	Plate, Bottom	2	16-14069-000	
13	338-2260	Bracket, Bottom Plate/Shock	1	11-23350-000	Roadside
	338-2261	Bracket, Bottom Plate/Shock	1	11-23350-001	Curbside
	◆	Bracket, Bottom Plate/Shock	1	11-24912-000	Roadside; Eyes Both Ends Springs
	◆	Bracket, Bottom Plate/Shock	1	11-24912-001	Curbside; Eyes Both Ends Springs
14	361-362	Kit, U-Bolt; Special Bend, Grade 8	4	793295	Eye/Slipper Springs
	361-328	Kit, U-Bolt; Special Bend, Grade 8	4	11-24813-000	Eyes Both Ends Springs
	SP	Kit, U-Bolt	4	Various	Specify Size & Bend
15	SP	Shock Absorber	2	Various	Consult Shock Catalog for Specific Application
16	Spring Assembly	Assembly, Spring	2		See Leaf Spring Web Catalog for Details

Freightliner

Suspension Illustration



Key Numbers with an asterisk (*) indicate a kit or assembly.

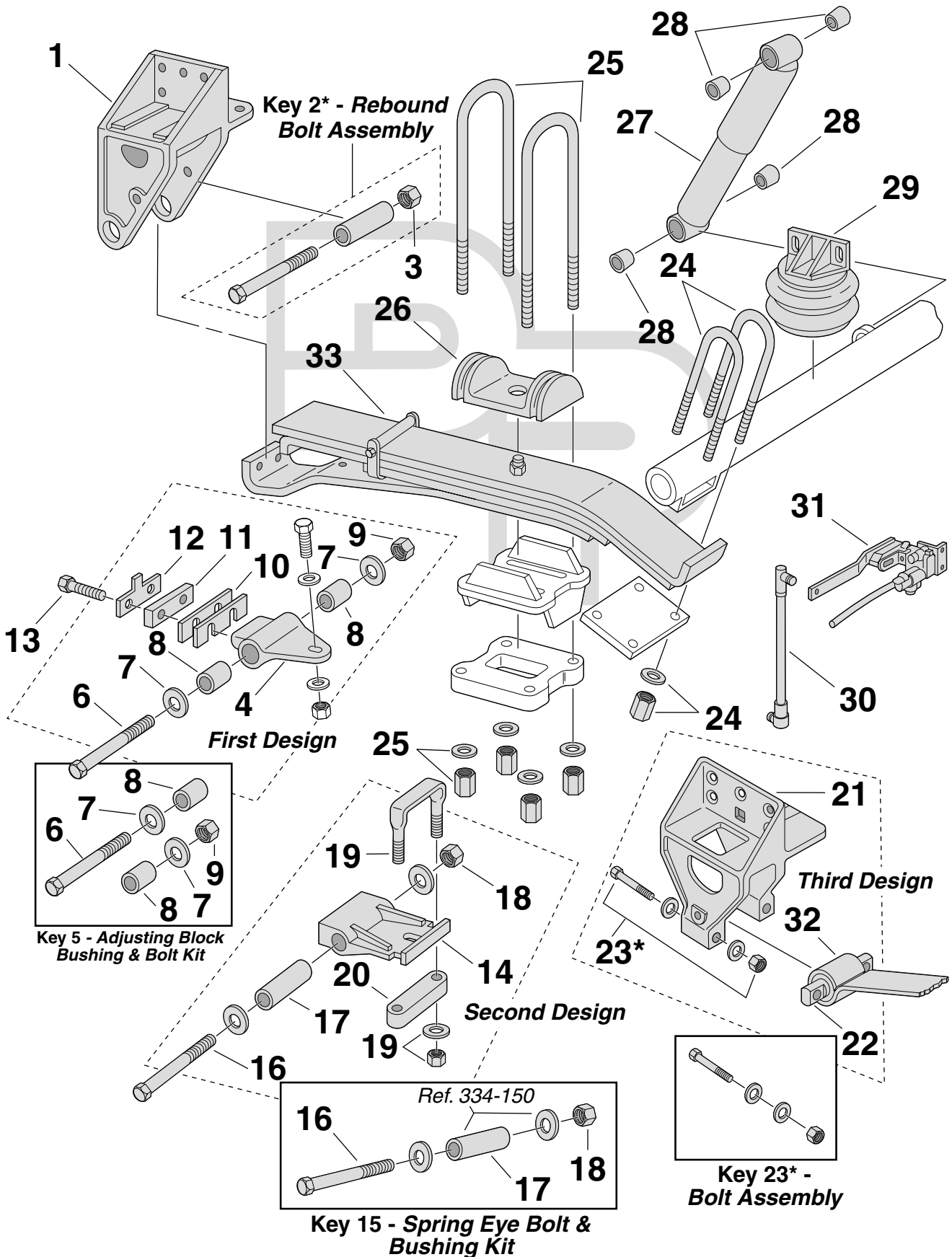
Key No.	Part Number	Description	No. Req.	OEM Reference	Remarks	
✓ ●	1	338-1419	Hanger	2	681 325 1201, 16-14031-003	Heavy Flange; Iron
		338-2278	Hanger	2	16-13901-000, 16-14031-000	Iron
✓ ●	2	334-899	Pad, Wear; Hanger; LH	2	681 325 2109	Use w/RB-268 & RB-268U
✓✓ ●		334-1993	Pad, Wear; Hanger; LH	2	16-16456-000	
✓ ●	3	334-900	Pad, Wear; Hanger; RH	2	681 325 2209	Use w/RB-268 & RB-268U
✓✓ ●		334-1994	Pad, Wear; Hanger; RH	2	16-16456-001	
✓✓	4	334-579	Assembly, Bolt; ¾"-16 x 5 ½"Lg	4		Bolt & Lock Nut
●	5	RB-205	Bushing; 2 ½"OD x 7 ½"OAL	2	681 325 0150	Replaces RB-205
●		RB-205U	Bushing, Urethane	2		
●		RB-234	Bushing; High Confinement	2	16-13962-000	
✓ ●		RB-268	Bushing; Anti-Walk	2	16-16412-001	
●		RB-268U	Bushing, Urethane; Anti-Walk	2		
	6	361-468	Kit, U-Bolt; Special Bend, Grade 8	4	681 325 0325	7/8" x 5 ¼" x 15 5/8" FS
		361-636	Kit, U-Bolt; Round Bend, Grade 8	4		1" x 5 1/8" x 17 7/8" R
	7	See Chart	Seat, Axle	2	Various	
●	8	338-2279	Plate, Top	1	16-14787-000	LH; 2.5°; Square U-Bolts
●		338-2280	Plate, Top	1	16-14787-001	RH; 2.5°; Square U-Bolts
●		338-2282	Plate, Top	2	16-14786-000	LH/RH; 0°; Square U-Bolts
●		338-2281	Plate, Top	2	16-14783-000	Round U-Bolts
●	9	338-2283	Plate, Bottom	2	16-14266-001	Square U-Bolts
●		338-2265	Plate, Bottom	2	16-14016-001	Round U-Bolts
✓✓ ●	10	345-212	Track Rod, Rigid; 23 15/16"; 0°/35°; Tubular	1	681 326 6716	Incl. 321-223 Bushings
●		345-915	Track Rod, Rigid; 23 15/16"Lg	1	A16-16749-001	Solid Spacer
●		345-213	Track Rod, Rigid; 22.89"; 0°/35°; Tubular	1	681 326 6316	Incl. 321-223 Bushings
✓ ●	11	345-868	Track Rod, Rigid; 24 ½"; 0°/35°	1	16-16749-002	Incl. 321-223 Bushings
●		345-888	Track Rod, Rigid; 24.44"	1	16-14149-002	5/8" Bolts; 7.5° Twist
✓✓ ●	11	321-223	Bushing; 4 3/8" c/c x 5/8" Bolts	2		Straddlemount
	12	◆	Bracket, Frame Mount; Torque Rod	1	16-12324-000	
✓✓	13	M65490	Shock Absorber	2	Various	Consult Shock Catalog for Specific Application
	14	352-9780	Air Spring	2	681 320 0017	40k; Composite Piston
		352-9781	Air Spring	2	16-14004-000, 16-14377-000	46k; Aluminum Piston
		352-9782	Air Spring	2	16-16773-000	Steel Piston
✓✓ ●	15	334-750	Valve, Height Control; Universal	1	H00450CA	Hadley - Model 450HCV
✓ ●	16	334-751	Linkage Assembly; Universal; Adjustable	1	HPB450-3	3 5/8"-19 5/8" Range; Use with All Height Control Valves
●	17	334-1654	Kit, Bracket; Shock Absorber	2	681 320 2535, 681 320 2435	Incl. Bracket & Spacers
✓ ●		334-1652	Bracket, Shock Absorber	2	681 325 1578	Late Model; No Spacers Required
✓✓	18	334-1318	Shim; 1/8"	AR	681 328 1384	
✓✓ ●		334-1319	Shim; 1/16"	AR	681 328 2184	
	19	Spring Assembly	Assembly, Spring	2		See Leaf Spring Web Catalog for Details

**FAS Airliner (To 1989)
Single/Tandem Axle
Air Suspension**

Freightliner

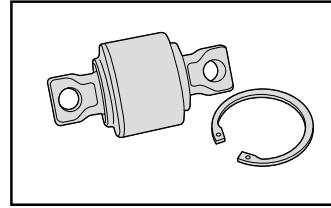
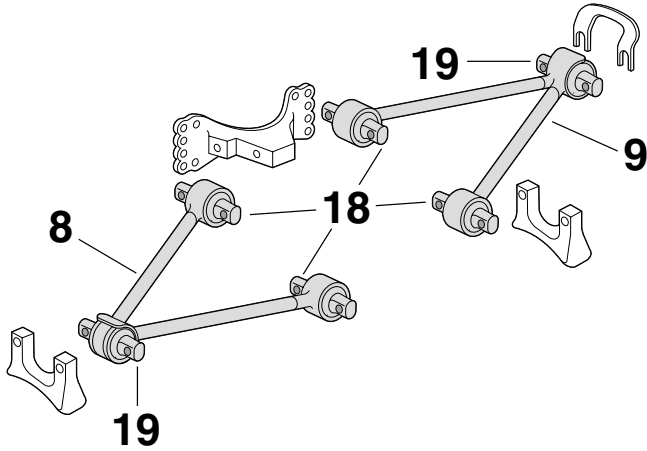
Freightliner

Suspension Illustration



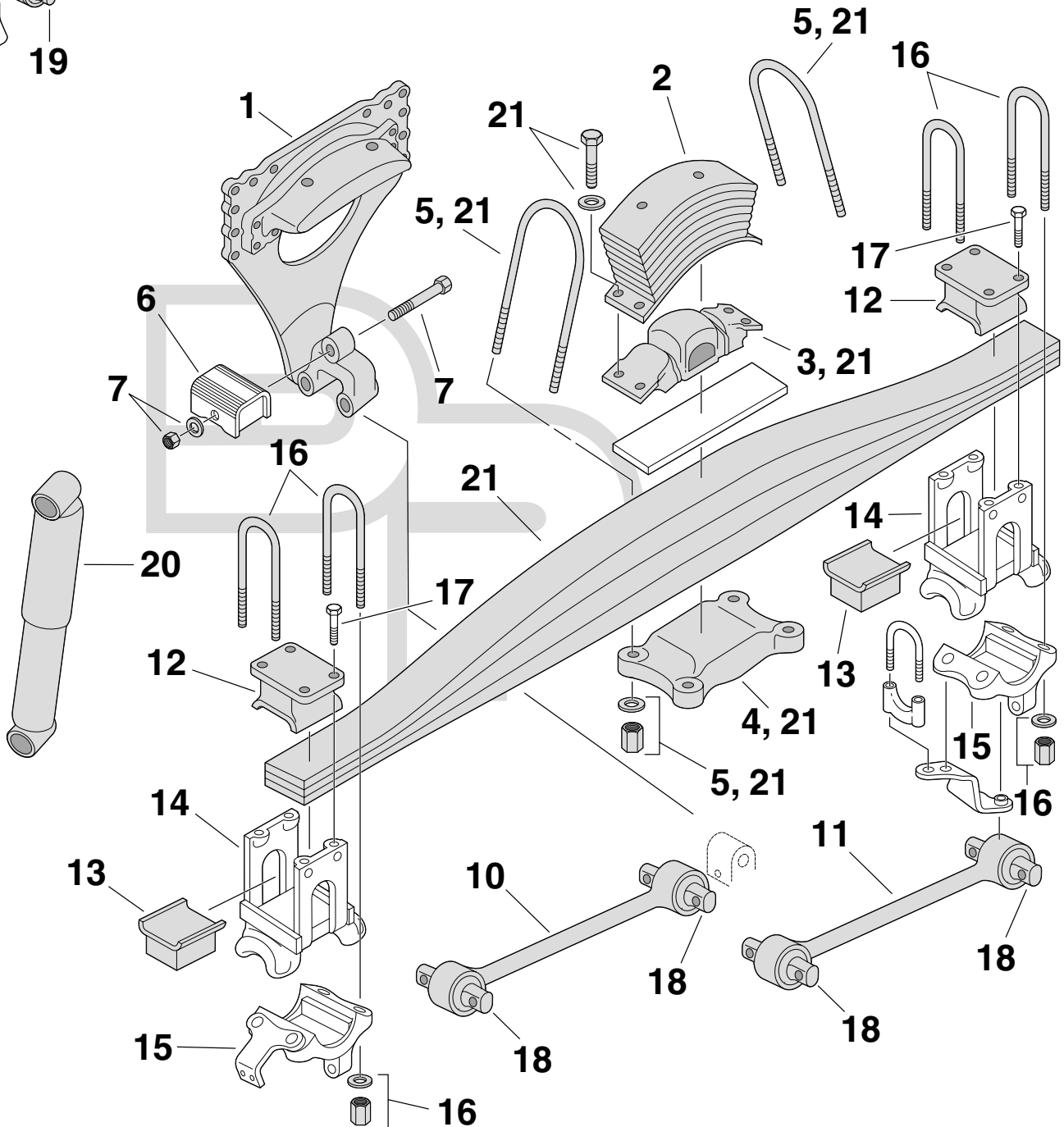
Key No.	Part Number	Description	No. Req.	OEM Reference	Remarks	
●	1	338-1819	Hanger; RH; 1 5/8" Hole; First Design, Early	1	16-11639-001	Discontinued; Drill 338-1226 to 1.630 Diameter
●		338-1750	Hanger; LH; 1 5/8" Hole; First Design, Early	1	16-11639-000	Discontinued; Drill 338-1225 to 1.630 Diameter
		◆	Spacer; 1 5/16" x 2 1/2" x 6 1/2" Lg	1	16-11639-003	Drill 338-1225 to 1.010 Diameter
		◆	Spacer; 1 5/16" x 2 1/2" x 6 1/2" Lg	1	16-11639-002	Drill 338-1226 to 1.010 Diameter
●		338-1225	Hanger; LH	1	16-11639-004	Use w/338-930 Eye Casting
●		338-1226	Hanger; RH	1	16-11639-005	Use w/338-930 Eye Casting
	2	334-1559	Assembly, Bolt & Roller; 3/4" x 7" Lg	2		Incl. Bolt, Roller & Nut
	3	SLN-105	Nut, Lock; 3/4"-16	2		
●	4	338-822	Casting, Block; Spring Eye/Alignment	2	16-10795-000	First Design; 1" Bolt; Obsolete
✓✓	5	334-478	Kit, Bushing & Bolt; Adjusting Block; First Design	2		Incl. Bushings & Hdwe.; For 338-822
	6	334-476	Bolt; 1"-14 x 8" Lg	2	16-10782-000	
	7	334-477	Washer, Compression; 1 1/8" ID x 2 1/2" OD x 5/16" Thk	4	16-10784-000	
✓	8	322-122	Bushing; 1" ID x 1 5/8" OD x 3 3/4" Thk	4	16-11376-000	Urethane
✓✓	9	SLN-107	Nut, Lock; 1"-14	2		
●	10	334-1158	Shim; 1 1/2" x 3 3/4" x .062" Thk	4	16-10790-000	
●	11	334-1151	Spacer; 2" x 3 7/8" Lg, 1" Thk	2	16-11941-002	
●	12	334-1159	Shim, Locking	2	16-10790-001	
	13	◆	Screw, Cap; 5/8"-11 x 2 3/4" Lg	4	23-09444-275	
●	14	338-930	Casting, Block; Spring Eye/Alignment	2	A16-12314-000	Second Design; 7/8" Bolt
	15	334-1571	Assembly, Bolt & Bushing	2		Second Design; Includes Bolt, Bushing & Hdwe.
✓✓	16	327-317	Bolt; 7/8"-14 x 8" Lg	2	16-11908-001	
✓	17	321-219	Bushing; 7/8" ID x 1 47/64" OD x 4 1/16" Lg	2	IPC-236840	Silent Block Type
	18	SLN-106	Nut, Lock 7/8"-14	2		
	19	361-180	Kit, U-Bolt; Square Bend, Forged Top, Grade 8	2	16-11934-000	3/4" x 4" x 3 1/4" S
●	20	334-1150	Plate, Bottom	2	16-11935-000	
●	21	338-1227	Hanger	2	16-12114-001	Third Design
	22	RB-175	Bushing; 1 3/16" ID x 1 3/4" OD x 3/4" x 3 3/16" Lg	2		Third Design
✓	23	334-770	Assembly, Bolt; 5/8"-18 x 5" Lg	2	23-09444-500	Incl. Bolt & Hdwe.
✓✓	24	361-480	Kit, U-Bolt; Round Bend, Grade 5	4	16-12450-000	1/2" x 3 1/2" x 7 5/8" R
		361-176	Kit, U-Bolt; Round Bend, Grade 8	4	16-10794-000	5/8" x 3 5/8" x 7 1/2" R
✓	25	361-178	Kit, U-Bolt; Round Bend, Grade 8	4	11-9624-160	7/8" x 4" x 16 1/4" R
●	26	338-1751	Saddle, U-Bolt	2	16-11827-000	Ductile Iron
✓✓	27	M65408	Shock Absorber	2	16-13947-000	
		M66716	Shock Absorber	2	651352	
✓✓		M65407	Shock Absorber	2	16-12177-000	
		See Shocks	Shock Absorber	2	Various	Consult Shock Catalog for Model Specific Applications
●	28	401754	Bushing, Shock; 1" ID	8		
	29	354-7400	Air Spring	2	16-10796-000	
		354-7410	Air Spring	2	16-11378-000	
✓	30	334-751	Linkage Assembly; Universal; Adjustable	1	HPB450-3	3 5/8"-19 5/8" Range; Use with All Height Control Valves
✓✓	31	334-750	Valve, Height Control; Universal	1	H00450CA	Hadley - Model 450HCV
✓	32	46-151-EL	Leaf, Eye	2		Incl. RB-175 Bushing; Third Design
	33	Spring Assembly	Assembly, Spring	2		See Leaf Spring Web Catalog for Details

Freightliner



Key 18 & 19 - V-Rod/Torque
Rod/Apex Bushing;
Service Kit

Suspension Illustration



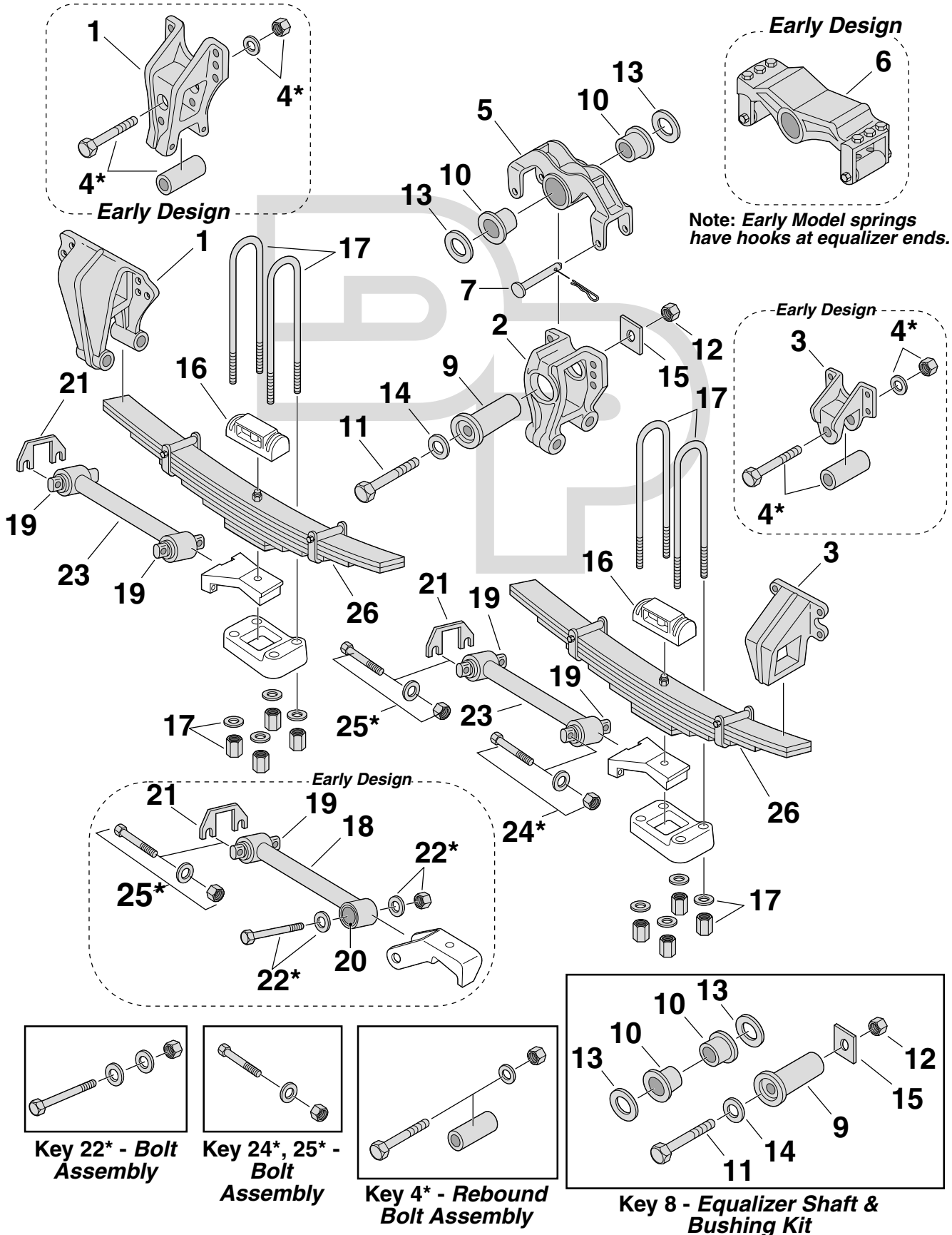
Key No.	Part Number	Description	No. Req.	OEM Reference	Remarks
1	◆	Bracket, Center	2	16-15066-000	40k
	◆	Bracket, Center	2	16-15065-000	46k-52K
●	325-243	Spring, Bolster	2	16-15010-000	
●	338-2184	Seat, Bolster/U-Bolt Saddle	2	16-15011-000	Incl. w/Spring Assembly
	338-2183	Retainer, U-Bolt/Bottom Plate	2	16-15103-000	Incl. w/Spring Assembly
	361-572	Assembly, U-Bolt	2	16-14511-002	Incl. w/Spring Assembly
6	◆	Stop, Rebound	2	Various	
7	334-131	Assembly, Bolt; ½"-13 x 4"Lg	2		Incl. Bolt & Hdwe.
✓ ●	345-874	V-Rod	1	16-15001-000	40k; F of R; 54" Axle Spacing; 25.8" Legs
✓ ●	345-876	V-Rod	1	16-15069-000	46k-52k; F of R; 56" Axle Spacing; 26.8" Legs
	◆	V-Rod	1	16-15003-000	46k-52k; F of R; 60" Axle Spacing
✓ ●	345-875	V-Rod	1	16-15001-001	40k; R of R; 54" Axle Spacing; 25.8" Legs
✓ ●	345-877	V-Rod	1	16-15069-001	46k-52k; R of R; 56" Axle Spacing; 26.8" Legs
	◆	V-Rod	1	16-15003-001	46k-52k; R of R; 60" Axle Spacing
●	345-878	Torque Rod	2	16-15002-000	F of R; 54" Axle Spacing
●	345-880	Torque Rod	2	16-14998-000	F of R; 56" Axle Spacing
	◆	Torque Rod	2		F of R; 60" Axle Spacing
●	345-879	Torque Rod	2	16-15002-001	R of R; 54" Axle Spacing
✓ ●	345-881	Torque Rod	2	16-14998-001	R of R; 56" Axle Spacing
	◆	Torque Rod	2		R of R; 60" Axle Spacing
✓ ●	325-246	Assembly, Insulator/Cap	4	11-22805-000	40k
✓ ✓ ●	325-247	Assembly, Insulator/Cap	4	11-19581-000	46k
✓ ✓ ●	325-245	Insulator, Spring Tip	4	11-20807-000	40k & 46k
14	◆	Seat, Spring/Axle; LH	2	11-22805-000	
	◆	Seat, Spring/Axle; RH	2	11-22805-001	
15	◆	Retainer, U-Bolt; Axle	2	11-22814-000	w/Shock Absorber Mount
	◆	Retainer, U-Bolt; Axle	2	11-22813-000	
16	SP	U-Bolt	8		Specify Size
17	◆	Bolt, Flanged Head; ¾"-16 x 1 ¼"Lg	16	23-11007-125	
●	334-1840	Kit, Service; V-Rod End Bushing	4		345-874, 345-875, 345-876 & 345-877
✓ ●	334-1841	Kit, Service; Torque Rod Bushing	8		345-878 & 345-879
●	334-1842	Kit, Service; Torque Rod Bushing	8		345-880 & 345-881
●	334-1843	Kit, Service; Apex Bushing	2		345-874 & 345-875
✓ ●	334-1844	Kit, Service; Apex Bushing	2		345-876 & 345-877
20	M65526	Shock Absorber	2	16-15770-000	
21	Spring Assembly	Assembly, Spring	2	Various	See Leaf Spring Web Catalog for Details

FH36-40
(3" Spring) Current Production
Four Spring Suspensions

Freightliner

Freightliner

Suspension Illustration

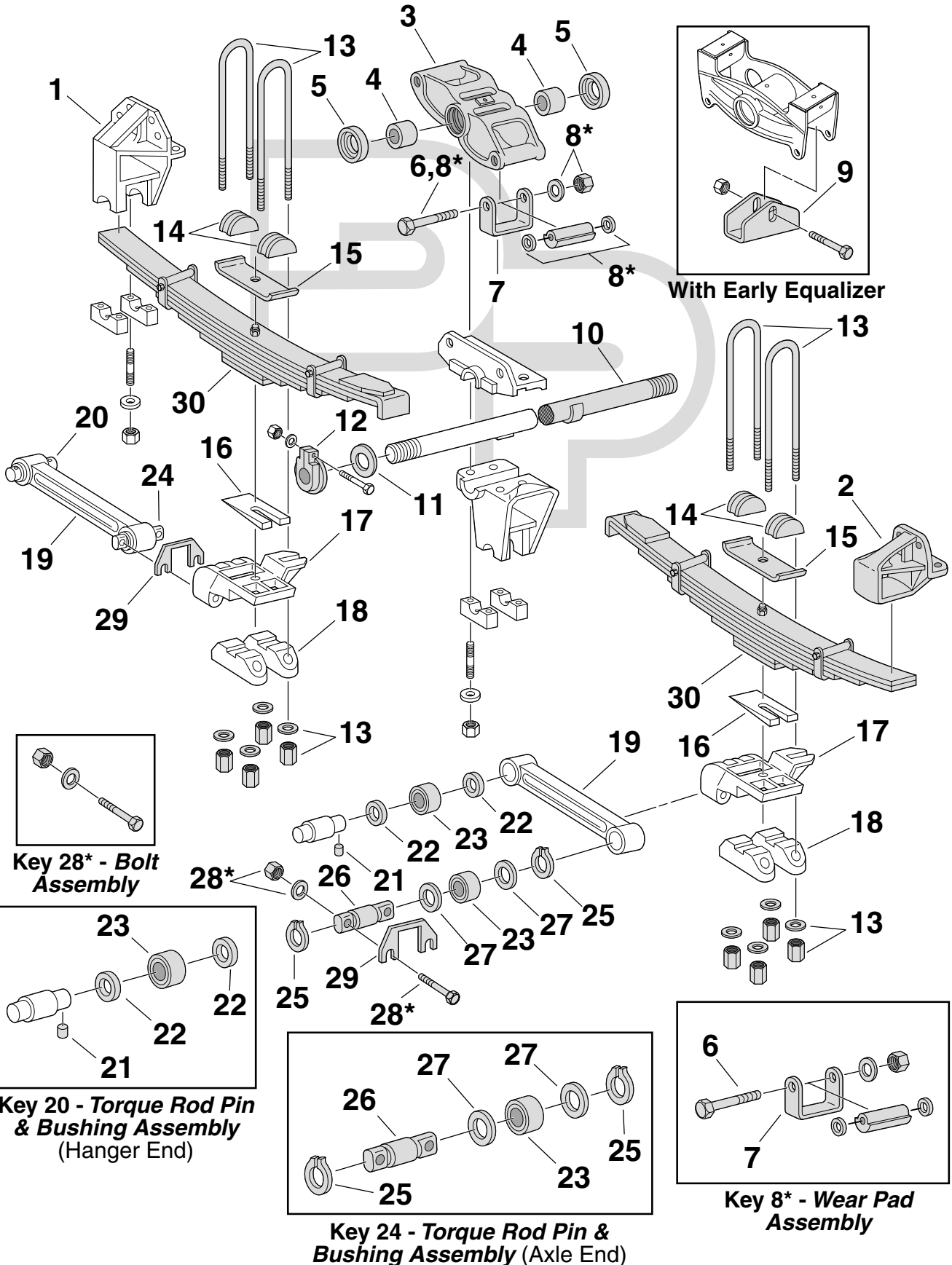


Key No.	Part Number	Description	No. Req.	OEM Reference	Remarks	
●	1	338-1400	Hanger	2	681 325 0001	
✓✓	●	338-1416	Hanger	2	16-12563-000	Ductile Iron; Replaces OE Aluminum Hanger
●	2	338-1401	Hanger	2	681 325 0005, 681 325 0805	
		338-1745	Hanger; Aluminum	2	16-13588-000	Can Use 338-1401
●	3	338-1402	Hanger	2	681 325 0003	
✓✓	●	338-1417	Hanger	2	16-12565-000	Replaces OE Aluminum Hanger
	4	334-953	Assembly, Bolt; Rebound	4	23-11011-500	Incl. 327-264 Bolt, Tube & Hdwe.; Use w/Steel Hanger
✓	●	338-1216	Equalizer	2	681 325 0127	Incl. 322-138 Bushings
	6	◆	Equalizer; w/Separate Wear Sleeve	2	681 325 0429	
		334-1315	Shoe, Wear	2	6813251109	
		◆	Bolt, Rebound; ½"-13 x 4 ¾" Flat Head SHCS	4	23-09610-475	
✓✓	●	327-514	Assembly, Pin; Rebound; ⅝" x 4 ⅞"Lg	4	681 325 0174	Incl. Cotter Pin & Flat Washer; Use w/338-1216 Equalizer
✓	8	334-806	Kit, Service; Equalizer Shaft & Bushing	2	A16-12591-000	Incl. 334-807 Shaft, 322-138 Bushings, 334-824 Plate, Thrust Washers & Hdwe.
✓✓		334-497	Kit, Service; Equalizer Shaft & Bushing	2		Incl. 322-138 Bushings, 334-491 Shaft, Thrust Washers & Hdwe; Steel Hangers Only; Can Use 334-806
●	9	334-807	Shaft, Equalizer; 1 ⅝"ID x 2 ¼"OD x 7"OA	2	16-13643-000, A16-12591-000	New Style
●		334-491	Shaft, Equalizer; 1 ⅝"ID x 2 ¼"OD x 6 ⅝"OAL	2	16-10550-000	Cap & Tube; Use w/Steel Center Hanger Only; Can Use 334-807
✓✓	●	322-138	Bushing, Urethane; 2 ¼"ID x 3 ¾"OD x 2 ¼"Lg	4	16-13568-000	
	11	334-808	Bolt; ¾"-16 x 9"Lg	2	23-09447-900	
		334-494	Bolt; ¾"-16 x 8 ½"Lg	2	23-09447-850	
	12	SLN-105	Nut, Lock; ¾"-16	2		
✓	13	334-493	Washer, Thrust; 2 ¼"ID x 3 ¾"OD x ⅛"Thk	4	16-10177-000	
	14	334-166	Washer, Hard Flat; ¾"	2	23-09114-004	
●	15	334-824	Plate, Retainer; 1 ⅜"ID x 3" Sq	2	16-12590-000	
	16	◆	Plate, Top; U-Bolt	4	681 325 0131	
✓✓	17	361-168	Kit, U-Bolt; Round Bend, Grade 8	8	681 322 0125	⅞" x 3" x 16 ½" R
		361-340	Kit, U-Bolt; Round Bend, Grade 8	8	681 322 1325, 681 322 0325	⅞" x 3" x 19 ½" R
●	18	345-207	Torque Rod, Rigid; 17"Lg c/c	4	681 326 0016	Incl. 321-223 & 321-162 Bushings; Early Design
✓	●	321-223	Bushing; 2"OD x 4 ⅝" c/c x ⅝" Bolts	4/8		Straddlemount; 1.56 Tubular Rods Only
●	20	321-162	Bushing; ⅞"ID x 2 ⅜"OD x 3"Lg	4		Axle Seat End; Early Design
✓✓	●	334-526	Shim; ⅛"Thk 4 ⅝" c/c	AR		
	22	334-528	Assembly, Bolt; ⅞"-14 x 6"	4	23-09449-550	Incl. 327-309 Bolt & Hdwe.; Axle Seat End; Early Design
✓✓	●	345-208	Torque Rod, Rigid; 16 ⅝", 12/2, Tubular 1.56" OD	4	16-03053-000	Incl. 321-223 Bushings
		345-209	Torque Rod, Rigid; 16 ⅝", -12/-2, Tubular 1.93" OD	4	16-13054-000	Heavy Duty; Incl. Bushings
	24	334-624	Assembly, Bolt; ⅝"-11 x 3 ½"Lg	4		Incl. Bolt & Hdwe.
	25	334-1312	Assembly, Bolt; ⅝"-11 x 5 ½"Lg	4	23-09444-000	Incl. Bolt & Hdwe.
	26	Spring Assembly	Assembly, Spring	4		See Leaf Spring Web Catalog for Details

FH32-36
 (Early 4" Spring) Past Production
 Four Spring Suspensions

Freightliner

Freightliner



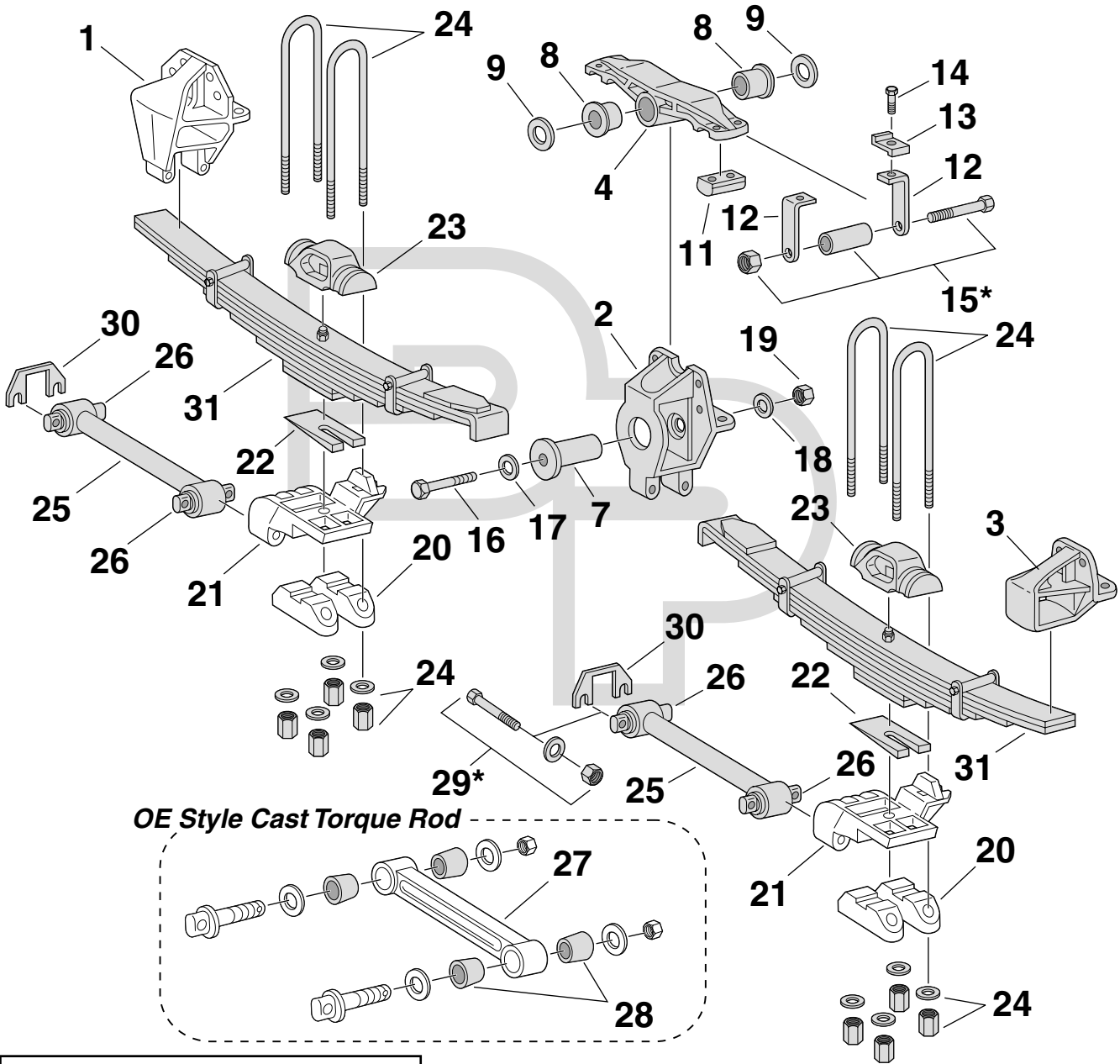
Suspension Illustration

Key No.	Part Number	Description	No. Req.	OEM Reference	Remarks
	◆	Hanger, Front of Rear	2	16-09517-000	
✓✓ ●	338-706	Hanger; Ductile Iron	2	16-09985-001	16-09985-003 is an Aluminum Hanger
	338-1589	Assembly, Equalizer	2	16-02440-005	Obsolete
	◆	Bushing, Equalizer; Ryertex; 2 1/2"OD x 2"ID x 1 1/16"Lg	4	16-09502-000	
●	322-148	Bushing, Sintered Metal; 2"ID x 2 1/2"OD x 1 1/16"Lg	4		
●	334-533	Seal; 2"ID x 2 3/8"OD x 1/2"Thk	4	NA-450360	
✓	327-371	Bolt; 1/2"-13 x 6 1/2"Lg	4	23-09471-600	
●	334-549	Stirrup	4	16-09401-000	Obsolete
●	334-1155	Assembly, Wear Pad	4		Obsolete
●	334-1157	Assembly, Wear Pad ; Early Series	2		Obsolete
	334-465	Shaft, Cross; 2"OD x 48 3/8"Lg, 1 3/4"-12 Thread	1	16-10201-001	Obsolete
	334-1322	Shaft, Cross; 2"OD x 51"Lg, 1 3/4"-12 Thread	1	16-16384-002	Obsolete
	334-679	Shim; 2 1/16"ID x 3 1/4"OD x .060"Thk	2	35043-0008	
●	334-1156	Nut, Cross Shaft; 1 3/4"-12 Threads	2	16-09503-001	Obsolete
✓	361-258	Kit, U-Bolt; Round Bend, Grade 8	8		7/8" x 5 1/8" x 11 7/8" R
	361-588	Kit, U-Bolt; Round Bend, Grade 8	8		3/4" x 4" x 16 3/8" R
✓	361-182	Kit, U-Bolt; Round Bend, Grade 8	8	11-09363-180	3/4" x 4" x 18 3/8" R
	338-1587	Saddle, U-Bolt	8	11-9034	Obsolete
●	338-1754	Plate, Saddle; U-Bolt; 6 5/8"	4	11-01408-005	Obsolete
●	338-1588	Plate, Saddle; U-Bolt; 7 3/4"	4	11-01408-001	Obsolete
	See Chart	Wedge, Camber	4		See Chart on Page 1091
	◆	Seat, Axle	4		
	◆	Retainer, U-Bolt; Lower	8		
	◆	Torque Rod	4	11-09258-000	
	334-506	Kit, Service; Torque Rod Pin & Bushing; Hanger End	4		Obsolete
	334-503	Pin, Dowel; 5/16"Dia. x 1 1/16"Lg	8	16-03406-000	Obsolete
●	334-504	Spacer; 1"ID x 1 5/8"OD x 7/16"Thk	8	11-0925000	Obsolete
●	322-123	Bushing; 1 5/16"ID x 2 27/64"OD x 1 29/32"Lg	4	11-0956-000	Urethane
	334-507	Kit, Service; Torque Rod Pin & Bushing; Axle End	4		Incl. 334-508 Pin, 322-123 Bushing, Spacer Washers & Snap Rings
●	334-510	Ring, Snap; External; 1.21"ID	8		
●	334-508	Pin, Torque Rod; Axle End	4	11-09448-000	
	334-509	Spacer; 1 11/32"ID x 1 11/16"OD x 3/32"Thk	8	11-09579-000	
	◆	Assembly, Bolt; 5/8"-18 x 2 3/4"Lg	8	23-09445-275	
✓✓ ●	334-526	Shim; 1/16"Thk 4 3/8" c/c	4	11-09528-000	
	Spring Assembly	Assembly, Spring	4		See Leaf Spring Web Catalog for Details

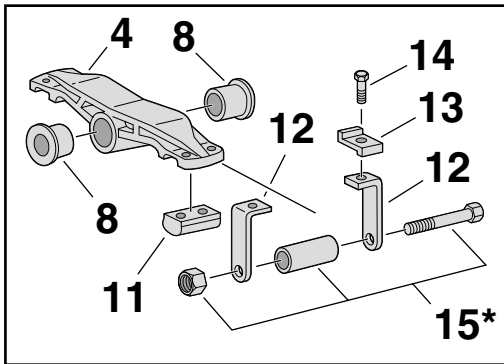
FH34A-44A
 (Late 4" Spring) **Past Production**
Four Spring Suspensions

Freightliner

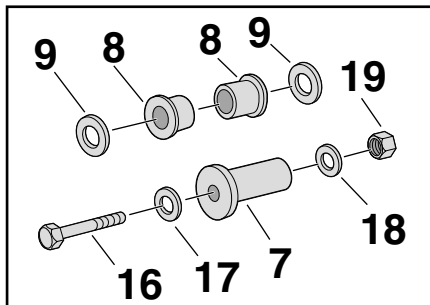
Freightliner



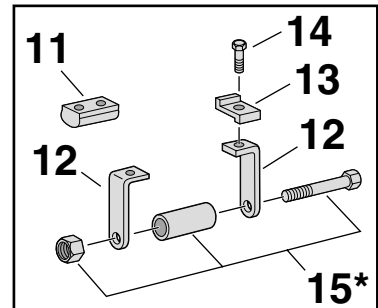
Suspension Illustration



Key 5 - Equalizer Assembly



Key 6 - Equalizer Shaft & Bushing Kit



Key 10 - Equalizer Wear Shoe & Side Restraint Kit

Key No.	Part Number	Description	No. Req.	OEM Reference	Remarks
	◆	Hanger, Front	2	16-09834-001	
●	338-737	Hanger	2	16-09830-004	Aluminum
✓✓●	338-706	Hanger; Ductile Iron	2	16-09985-001, 16-09985-003	16-09985-003 is an Aluminum Hanger
✓✓●	338-705	Equalizer	2	16-10175-000, 6813250427	Ductile Iron
	338-1755	Assembly, Equalizer; Ductile Iron	2	16-09490-000	Incl. 338-705 Equalizer, 322-138 Bushings, Restraints, Wear Shoes, Rebound Assemblies. & Hdwe.
✓✓	334-497	Kit, Service; Equalizer Shaft & Bushing	2		Incl. 322-138 Bushings, 334-491 Shaft, Washers & Hdwe.
●	334-491	Shaft, Equalizer; 1 5/8"ID x 2 1/4"OD x 6 5/8"OAL	2	16-10550-000	Cap & Tube Assembly
✓✓●	322-138	Bushing, Urethane; 2 1/4"ID x 3 3/4"OD x 2 1/4"Lg	4	16-13568-000	Built In Seal
✓	334-493	Washer, Thrust; 2 1/4"ID x 3 3/4"OD x 1/16"Thk	4	16-10177-000	
✓✓	334-482	Kit, Service; Equalizer Wear Shoe & Side Restraint	4		Incl. 334-436 Shoe, Restraints, Rebound Assy., Lock Clips & Hdwe.
✓✓●	334-436	Shoe, Wear	4	16-09895-000	
✓✓●	334-488	Restraint, Side	8	16-09893-000	
✓✓●	334-487	Clip, Lock	8	16-10414-000	
✓	334-484	Bolt; 1/2"-20 x 1 3/4"Lg	8	23-09441-175	
✓✓	334-490	Assembly, Bolt; Rebound; 1/2"-20 x 6"Lg	4		Incl. Bolt, 4 1/8"Lg Tube & Nut
	334-494	Bolt; 3/4"-16 x 8 1/2"Lg	2	23-09447-850	
	334-166	Washer, Hard Flat; 3/4"	2	23-09114-004	
	334-495	Washer; 1 3/16"ID x 2"OD x 1/8"Thk	2	23-09427-075	
	SLN-105	Nut, Lock; 3/4"-16	2	23-08901-212	
	◆	Clamp, Axle	8	16-09871-001	Rockwell, SQHD
	◆	Seat; LF/LR	2	11-09730-000	Rockwell, SQHD
	◆	Seat; RF/RR	2	11-09730-001	Rockwell, SQHD
	See Chart	Wedge, Camber	AR		See chart on page 1091
●	338-722	Saddle, U-Bolt; Iron	4	16-09499-000	OE is Aluminum; Use w/4"Spring, 3/4" or 7/8" U-Bolt
✓	361-182	Kit, U-Bolt; Round Bend, Grade 8	8	11-09363-180	3/4" x 4" x 18 3/8" R
	361-184	Kit, U-Bolt; Round Bend, Grade 8	8	11-09624-180	7/8" x 4" x 18 1/4" R
✓✓●	345-208	Torque Rod, Rigid; 16 5/8", 12/2, Tubular 1.56" OD	4	16-03053-000	Incl. 321-223 Bushings
✓✓	345-185	Torque Rod, Rigid; 18 1/8", 10/3	4	16-10420-000, IPC-927180	Tubular Design; Replaces Cast Aluminum Style; Incl. 321-223 Bushings
✓●	321-223	Bushing; 2"OD x 4 3/8" c/c x 5/8" Bolts	8		Straddlemount
	◆	Torque Rod; Cast; 18 1/8"Lg c/c	2	16-09864-000	Use 345-185
	◆	Torque Rod; Cast; 16 5/8"Lg c/c	2	16-13053-000	Use 345-208
●	320-177U	Bushing, Urethane; 1 3/8"ID x 2 3/16"OD x 1 13/16"Lg	16	16-11351-000, 16-09879-000	OE Cast Rods Only
	334-624	Assembly, Bolt; 5/8"-11 x 3 1/2"Lg	AR		Incl. Bolt & Hdwe.
✓	334-1104	Assembly, Bolt; 5/8"-18 x 2 1/2"Lg	AR		Incl. Bolt & Hdwe.
	334-796	Assembly, Bolt; 5/8"-18 x 4"Lg	AR		Incl. Bolt & Hdwe.
✓✓●	334-526	Shim; 1/16"Thk 4 3/8" c/c	AR	11-09528-000	
	Spring Assembly	Assembly, Spring	4		See Leaf Spring Web Catalog for Details

401754



Shock Bushing, 1"ID; Models: Various

320-177U



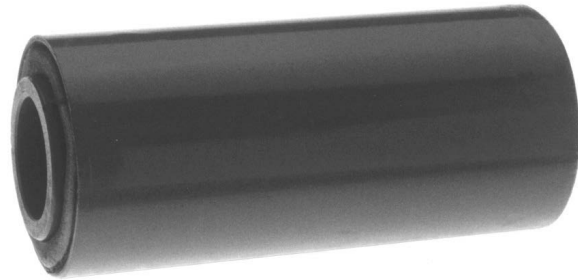
Bushing, Urethane; 1 3/8" I.D. x 2 3/16" O.D. x 1 13/16" Lg.; OE Cast Rods Only; Model FH34A-44A

321-162



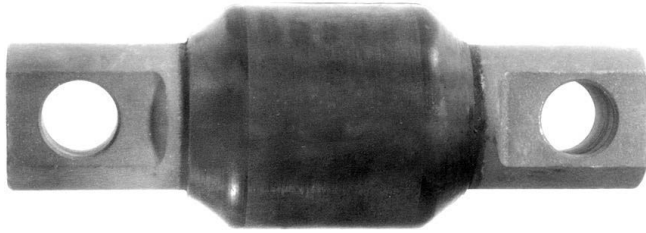
Bushing; 7/8" I.D. x 2 1/32" O.D. x 3" Lg.; Model FH36-40

321-219



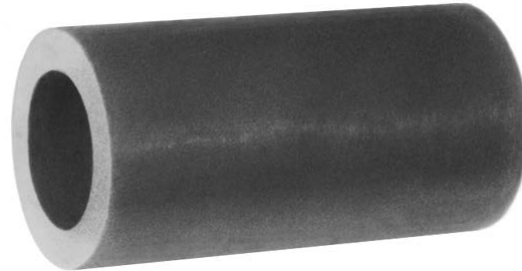
Bushing; 7/8" I.D. x 1 47/64" O.D. x 4 1/16" Lg.; Included in 334-1571 Bolt and Bushing Kit, Used w/ 338-930 Eye Casting; Model FAS (Second Design)

321-223



Bushing; 2" O.D. x 4 3/8" C to C, Drilled for 5/8" Bolts; Model FAS II, FA36-40

322-122



Bushing, Urethane; 1" I.D. x 1 9/16" O.D. x 5/16" Thk.; Included in 334-478 Bolt and Bushing Kit, Used w/ 338-872 Eye Casting; Model FAS (First Design)

322-123



Bushing, Urethane; 1 5/16" I.D. x 2 27/64" O.D. x 1 29/32" Lg.; Model FH32-36

322-138



Bushing, Urethane; 2 1/4" I.D. x 3 3/4" O.D. x 2 1/4" Lg.; Replaces 334-492; Models FH36-40, FH34A-44A

322-141



Bushing, w/Seals; 1 1/4" I.D. x 1 1/2" O.D. x 4" Lg. w/ Integral Grease Seals; Model 120/FLD112

322-148



Bushing, Sintered Metal; 2" I.D. x 2 1/2" O.D. x 1 13/16" Lg.; Model FH32-36

323-270



Bushing, Spring Eye; Century Class S/T, Columbia; <5/10; Model Airtek

325-242



Mount Assembly, Spring; <5/10; Model Airtek

325-243



Bolster Spring; Model Tuftrac

325-245



Insulator, Spring Tip; 2 1/4"; 40K/46K; Model Tuftrac

325-246



Insulator/Cap Assembly; 3 1/4"; 40K; Model Tuftrac

325-247



Insulator/Cap Assembly; 2 1/2"; Tuftrac, 46K

325-249



Insulator, Spring Mount; 2 1/2"; Model M2

325-355



Bumper, Rebound; Model Business Class/Century Class - Front

327-490



Spring Pin, Threaded; 1 1/4"-7 x 7.14; Lg. x 5 3/8" C to C; Use w/ TB-73 Bushings; Models 120, FLD112/FLC12

327-514



Pin Assembly, Rebound; 5/8" O.D. x 4 7/8" Lg.; Models FH36-40, MB/FL-60/70/80/106 Rear Single Axle

330-142



"H" Shackle; 5 1/4" C to C1 1/4" Pin Holes, 334-550 Lock Bolts, 327-176 Spring Pin; Use w/ 3 1/2" Springs and 4" Springs w/ Cut Down Eyes; Models 120/ELD112

330-357



Side Bar; 5 1/4" C to C, 3/8" Thk; Models MFC/FL/FLD/MB/M2BC/MT55/Century-Columbia, Coronado, Cascadia, Argosy, Condor

330-374



Shackle Kit; Incl. 330-123, 327-490 bushings & hardware; Models Business Class/Century Class Front

330-390



Side Bar; M2 & Actera

334-436



Wear Shoe; Included in 338-1755 Equalizer Assy. and 334-482 Restraint Kit; Model FH34-44A

330-217



Side Bar; 4 1/8" c/c, 3/8" Thk; All Models; 6K-12K Axles; Front

330-373



Shackle Kit; 5 1/4" c-c w/RB-233; Models Business Class/Century Class Front

330-389



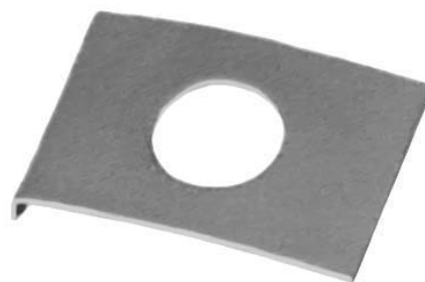
Shackle Plate; Model Softek

330-409



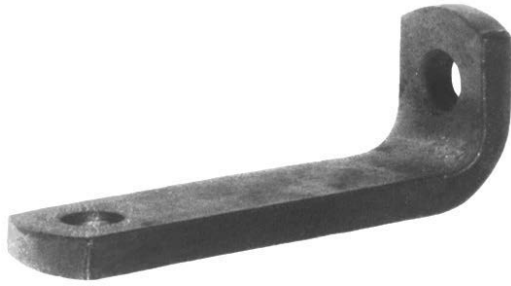
Side Bar; M2 & Actera

334-487



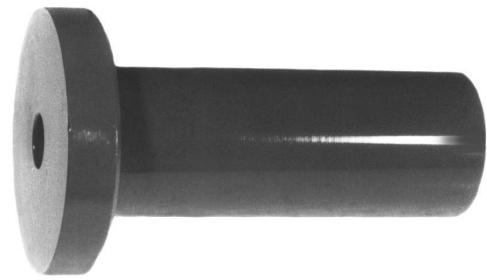
Clip, Lock; Included in 338-1755 Equalizer Assy. and 334-482 Restraint Kit; Model FH34A-44A

334-488



Restraint, Side; Included in 338-1755 Equalizer Assy. and 334-482 Restraint Kit; Model FH34A-44A

334-491



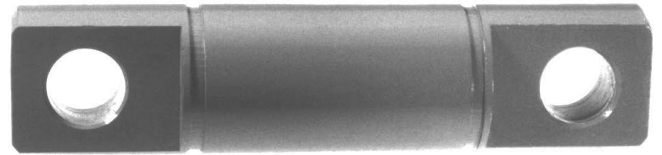
Shaft, Equalizer; 1 5/8" I.D. x 2 1/4" O.D. x 6 5/8" Lg.; Included in 334-497 Shaft and Bushing Assy.; Models FH34A-44A, FH36-40

334-504



Spacer; 1" I.D. x 1 5/8" O.D. x 7/16" Thk.; Model FH32-36

334-508



Pin, Torque Rod; Axle End; 15/16" O.D. x 5 1/2" Lg., 4 1/4" C. to C.; Drilled for 3/4" Bolts; Model FH32-36

334-510



Snap Ring, External; 1.21" I.D., For 334-508 Pin; Model FH32-36

334-526



Shim; 1/16"Thk. 4 3/8" c/c; Models FH32-36, FH34A-44A, FH36-40, Single Axle Rear

334-533



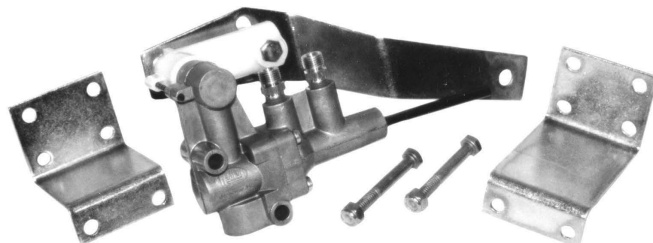
Seal; 2" I.D. x 2 5/8" O.D. x 1/2" Thk.; Model FH32-36

334-549



Stirrup; Included with 338-1589 Equalizer Assy.; Model FH32-36

334-750



Valve, Height Control; Universal; Hadley - Model 450HCV; Models FAS, FASII

334-751



Universal HCV; Adjustable Linkage; 3 5/8" - 19 5/8"; Models FAS, FASII

334-804



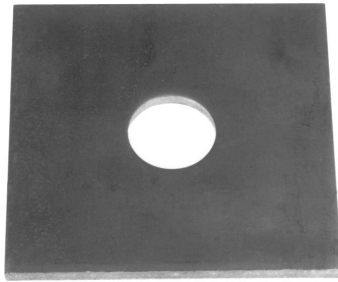
Shim; 1 3/8" I.D. x .046" Thk.; Model 120/FLD112

334-807



Shaft, Equalizer; 1 5/8" I.D. x 2 1/4" O.D. x 7" OAL; Included in 334-806 Shaft and Bushing Assy.; Model FH36-40

334-824



Plate, Retainer; 3" x 3", 13/16" Dia. Hole; Model FH36-40

334-899



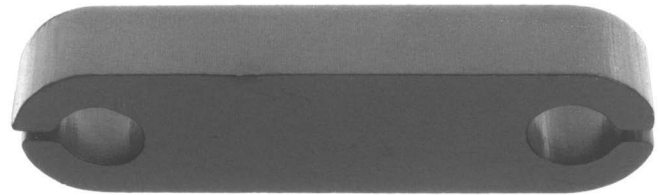
Hanger Wear Pad LH; Used w/ 338-1419 Hanger; Model FAS II

334-900



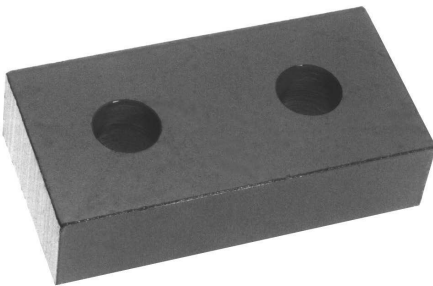
Hanger Wear Pad RH; Used w/ 338-1419 Hanger; Model FAS II

334-1150



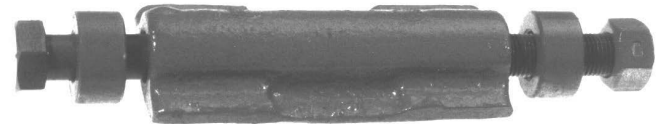
Plate, Bottom; Model FAS

334-1151



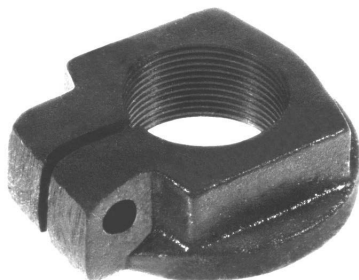
Spacer; 2" x 3 7/8" Lg. x 1" Thk.; Model FAS

334-1155



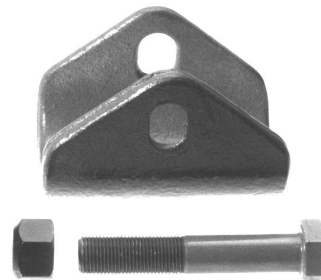
Wear Pad Assembly; Included w/ 338-1589 Equalizer Assy.; Obsolete; Model FH32-36

334-1156



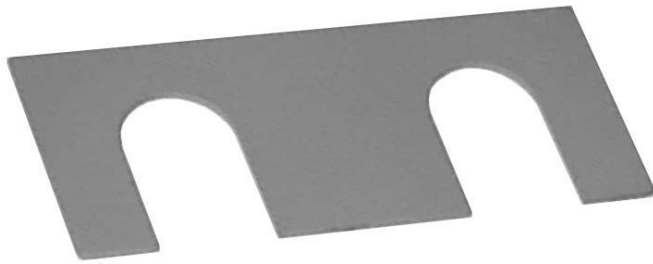
Cross Shaft Nut; 1 3/4"-12 Threads; Includes Pinch Bolt Assy.; Obsolete; Model FH32-36

334-1157



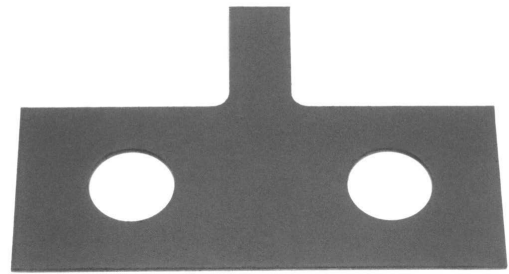
Wear Pad Assembly, Early Series; Obsolete; Model FH32-36 (Early Series)

334-1158



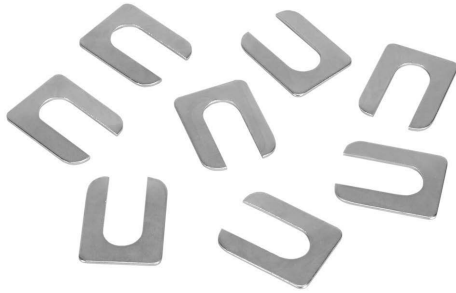
Shim; 1 1/2" X 3 3/4" X .062" Thk.; Model FAS

334-1159



Shim, Locking; Model FAS

334-1319



Shim; 1/16"; Model FASII

334-1652



Bracket, Shock Absorber; Late model - no spacers required; Model FASII

334-1654



Bracket Kit, Shock Absorber; Incl. Bracket & spacers; FASII Airliner

334-1742



Mounting Kit, HCV Linkage; Model Airtek

334-1743



Liner, Axle Wrap; Model Airtek

334-1744



Liner, Axle Wrap; Model Airtek

334-1746



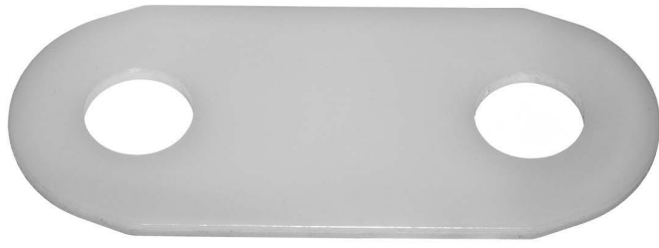
Valve, Height Control; RH, all; valve only; Model Airtek

334-1748



Washer, Thrust; <5/10; Model Airtek

334-1749



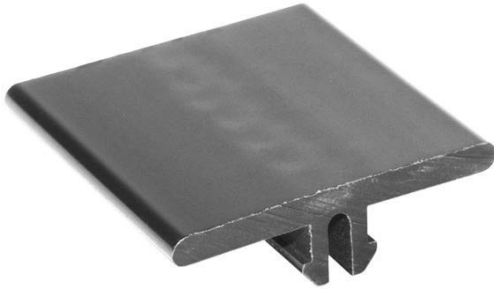
Washer, Thrust; Model SOFTEK® FCCC Chassis

334-1789



Pad, Wear; Model MB/FL Rear Single Axle Suspensions

334-1790



Pad, Helper Spring Wear; Model MB/FL Rear Single Axle Suspensions

334-1840



Service Kit; V-Rod End Bushing; 345-874/ 875/ 876/ 877; Model TufTrac

334-1841



Service Kit; Torque Rod Bushing; 345-878/879; Model TufTrac

334-1842



Service Kit; Torque Rod Bushing; 345-880/881; Model TufTrac

334-1843



Service Kit; Apex Bushing; 345-874/875; Model TufTrac

334-1844



Service Kit; Apex Bushing; 345-876/877; Model TufTrac

334-1941



Assembly, Height Control Valve; LH Dual; SBA; Model Airtek

334-1942



Assembly, Height Control Valve; <5/10 Dual RH 14.5 linkage; Model Airtek

334-1981



Pad, Wear; Model M2 & Actera

334-1993



Hanger Wear Pad (LH); Model FASII Airliner (1990+)

334-1994



Hanger Wear Pad (RH); Model FASII Airliner (1990+)

334-2046



Rebound Assembly; Model M2 Front

338-705



Equalizer; Included in 338-1755 Equalizer Assy.; Ductile Iron; Model FH34-44A

338-706



Ductile Iron; Model FH32-36, FH34A-44A

338-722



Saddle, U-Bolt; Iron; OE is Aluminum; Use w/4" Spring, 3/4" or 7/8" U-Bolt; Model FH34A-44A

338-737



Hanger; Use w/ 334-491 Equalizer Shaft; Aluminum; Model FH34A-44A

338-738



Hanger, Shackle; Use w/ 330-142 Shackle; Includes RNI-BM Bushings; Model 120/FLD112

338-758A



Hanger, Shackle; Included 332-141 Bushings; Aluminum; Model 120, FLD112

338-822



Spring Eye/Alignment Block Casting; Use w/ 334-478 Bolt and Bushing Kit; Model FAS (First Design)

338-844



Hanger, Shackle; 4 Bolt; Casting No. 6813220703; Includes RNK Bushing; Model FLC112

338-888



Hanger, Shackle; 6 Bolt; Casting No. 6813220703; Includes RNK Bushing; Model FLC112

338-930



Spring Eye/Alignment Block Casting; Includes 321-219 Bushings; Use w/ 327-317 Bolt; Model FAS (Second Design)

338-934



Hanger, Shackle; 6 Bolt; Casting No. 6813220903; Includes PLK Bushing; Model FLC112

338-1216



Equalizer; Includes 322-138 Bushings, 327-514 Rebound Pins; Model FH36-40

338-1225



Hanger, LH; Use w/338-930 Eye Casting; 7/8" Hole; LH; Model FAS (Second Design)

338-1226



Hanger, RH; Use w/338-930 Eye Casting; 7/8" Hole; RH; Model FAS (Second Design)

338-1227



Hanger; LH/RH; Model FAS (Third Design)

338-1400



Hanger; Uses 334-953 Rebound Assy.; Model FH36-40 Early Design

338-1401



Hanger; Uses 334-807 or 334-491 Shaft; Ductile Iron; Model FH36-40

338-1402



Hanger; Uses 334-953 Rebound Assy.; FH36-40 (Early Design)

338-1416



Hanger, Front; Ductile Iron; Replaces OE Aluminum Hanger; Model FH36-40

338-1417



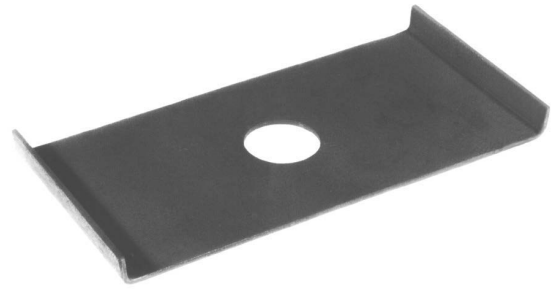
Hanger, Rear; Ductile Iron; Replaces OE Aluminum Hanger; Model FH36-40

338-1419



Hanger; Heavy Flange; Iron; Uses 334-899/900 Wear Pads; Model FAS II

338-1588



Plate, U-Bolt Saddle; 7 3/4"; Obsolete; 7 3/4" Lg.; Model FH32-36

338-1750



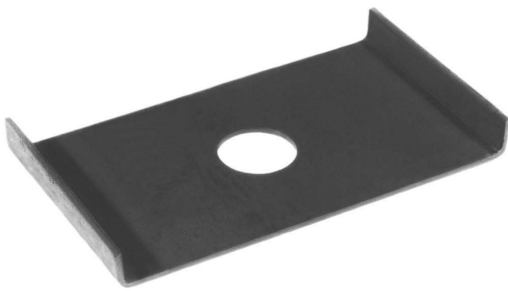
Hanger, LH; 1 5/8" Hole; LH; Discontinued - Drill 338-1225 to 1.630 Diameter; Model FAS (First Design, Early Design)

338-1751



Saddle, U-Bolt; Ductile Iron; Model FAS

338-1754



Plate, U-Bolt Saddle; 6 5/8" Lg.; Model FH32-36

338-1819



Hanger, RH; 1 5/8" Hole; RH; Discontinued; Drill 338-1226 to 1.630 Diameter; Model FAS (First Design, Early Design)

338-1878



Hanger, Shackle; Incl. TB-73 Bushing; Cast Iron; Model 120, FLD112

338-1919



Hanger, Shackle; Incl. RNK-BM Bushing; Model Century Class; 14K-16K Front Axles

338-1939



Clamp, Hanger; <05/10; Model Airtex

338-1944



Hanger; Rear of Rear, LH; Use w/334-1789 Wear Pad; Model MB/FL Rear Single Axle Suspensions

338-1945



Hanger; Rear of Rear, RH; Use w/334-1789 Wear Pad; Model MB/FL Rear Single Axle Suspensions

338-1946



Bracket, Helper; Model MB/FL Rear Single Axle Suspensions

338-2133-01



Hanger, Shackle; Incl. 321-141 bushing; Models Columbia, Coronado, Cascadia, Argosy, Condor

338-2133-02



Hanger, Shackle; Incl. RB-233 bushing; Models Columbia, Coronado, Cascadia, Argosy, Condor

338-2133-03



Hanger, Shackle; Incl. RB-263 bushing; Models Columbia, Coronado, Cascadia, Argosy, Condor

338-2133-04



Hanger, Shackle; Incl. TB-82 bushing; Models Columbia, Coronado, Cascadia, Argosy, Condor

338-2134-01



Hanger, Shackle; Incl. 321-141 bushing; Models Columbia, Coranado, Cascadia, Argosy, Condor

338-2134-02



Hanger, Shackle; Incl. TB-73 bushing; Models Columbia, Coranado, Cascadia, Argosy, Condor

338-2134-03



Hanger, Shackle; Incl. RB-233 bushing; Models Columbia, Coranado, Cascadia, Argosy, Condor

338-2248



Bracket, Frame; Model M2 Front

338-2249



U-Bolt Top Plate; 17" Lg.; 4" Wide Spring; Model M2 Front

338-2252



Hanger; Model M2 & Actera Rear (2003+)

338-2258



Bottom Plate; 5"; 23K Axle; Model M2 & Actera Rear (2003+)

338-2259



Bottom Plate; Model M2 & Actera Rear (2003+)

338-2260



Bracket, Bottom Plate/ Shock; Roadside; Model M2 & Actera Rear (2003+)

338-2261



Bracket, Bottom Plate/ Shock; Curbside; Model M2 & Actera Rear (2003+)

338-2265



Bottom Plate; Round U-Bolts; Model FASII Airliner (1990+)

338-2279



Top Plate; Square U-Bolts; LH; 2.5°; Model FASII Airliner (1990+)

338-2280



Top Plate; Square U-Bolts; RH; 2.5°; Model FASII Airliner (1990+)

338-2281



Top Plate; Tuftrac; Round U-Bolts; Model FASII Airliner (1990+)

338-2282



Top Plate; Square U-Bolts; LH & RH; 0°; Model FASII Airliner (1990+)

338-2283



Bottom Plate; 24.44"; Square U-Bolts; Model FASII Airliner (1990+)

338-2391



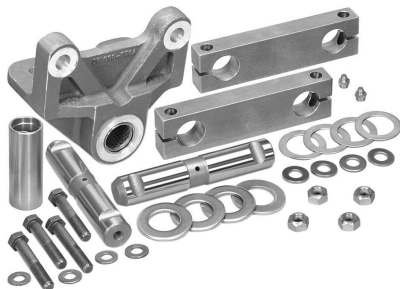
Top Plate/Shock Mount; LH; Business Class/Century Class - Front

339-272



Service Kit, Shackle Assembly & Hanger; Incl. 338-1838 Hanger; Models 120 Series, FLD112

339-272A



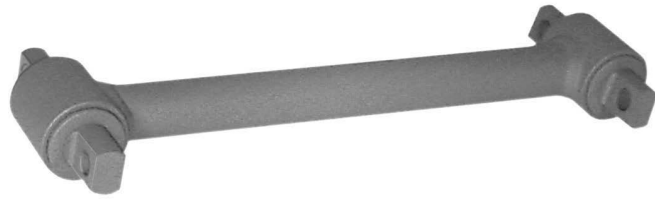
Service Kit, Shackle Assembly & Hanger; Incl. 338-758A (Aluminum) Hanger; Models 120 Series, FLD112

345-207



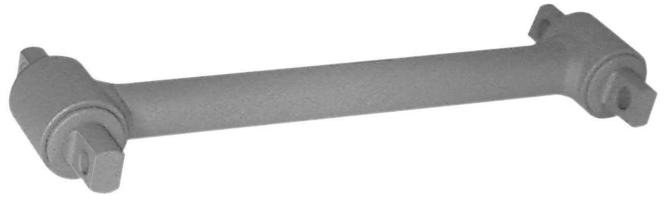
Torque Rod, Rigid; 17" Lg.; Incl. 321-223 & 321-162 Bushings; Early Design; Model FH36-40

345-208



Torque Rod, Rigid; 16 5/8" x 1 9/16" Dia. Tube; Includes 321-223 Bushings; Model FH34A-44A

345-212



Track Rod, Rigid; 23 15/16"; 0°/35°; Tubular; Incl. 321-223 Bushings; FASII Airliner (1990+)

345-868



Torque Rod, Rigid; 24 1/2", 35/0; Incl. 321-223 Bushings; Model FASII (Current Production)

345-874



V-Rod; Front of Rear; 54" Axle Spacing; 25.8" Legs; Model Tuftrac, 40K

345-875



V-Rod; Rear of Rear; 54" Axle Spacing; 25.8" Legs; Model Tuftrac, 40K

345-876



V-Rod; Front of Rear; 56" Axle Spacing; 26.8" Legs; Model Tuftrac, 46K/52K

345-877



V-Rod; Rear of Rear; 56" Axle Spacing; 26.8" Legs; Model Tuftrac, 46K/52K

345-878



Torque Rod; 23 1/4"; Tuftrac; 54" Axle Spacing, Front of Rear

345-879



Torque Rod; 23 1/4"; Tuftrac; 54" Axle Spacing, Rear of Rear

345-880



Torque Rod; 24 1/2"; Tuftrac; 56" Axle Spacing, Front of Rear

345-881



Torque Rod; 24 1/2"; Tuftrac; 56" Axle Spacing, Rear of Rear

345-888



Torque Rod, Rigid; 24.44"; 5/8" bolts, 7.5 deg twist; Model FASII Airliner (Current Production)

345-915



Track Rod, Rigid; 23 15/16"Lg; Solid Spacer; Model FASII Airliner (1990+)

RB-205



Bushing; 2 1/2"OD x 7 1/2"OAL; Model FASII Airliner (Current Production)

RB-205U



Bushing Urethane; 2 1/2"OD x 7 1/2"OAL; Model FASII Airliner (Current Production)

RB-234



Bushing, High Confinement; Replaces RB-205; Model FASII Airliner (Current Production)

RB-263



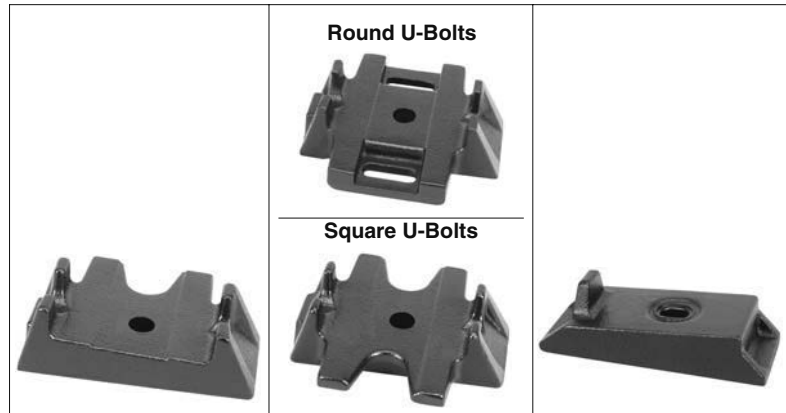
Bushing; 2 1/4"OD x 5 3/8" C to C; 4" Wide; Model 2001-2015 Front, Models Airtek, Coronado, M2

RB-268



Bushing, Anti-walk; Model FASII Airliner (Current Production)

Freightliner FASII Axle Seats



Part Number	OEM Number	Degree	Single Wing	Double Wing	Wedge	LH/RH
338-2271	16-14049-002	3°	X			LH
338-2272	16-14049-001	3°	X			RH
338-2273	16-14049-000	3°		X (Square)		LH/RH
338-2274	16-14051-000	5.5°		X (Square)		LH/RH
338-2275	16-14059-002	5°	X			LH
338-2276	16-14059-001	5°	X			RH
338-2277	16-14059-000	5°		X (Square)		LH/RH
338-2284	16-14294-000	2°		X (Round)		LH/RH
338-2285	16-14677-000	4.5°		X (Round)		LH/RH
338-2286	16-14295-000	5.5°		X (Round)		LH/RH
338-2267	16-14140-000	2°		X (Square)		LH/RH
338-2268	680 325 0019	2°			X	LH/RH
338-2269	681 328 1626	3°			X	LH/RH
338-2270	16-14071-000	5°			X	LH/RH

Freightliner

Notes

Freightliner

Freightliner

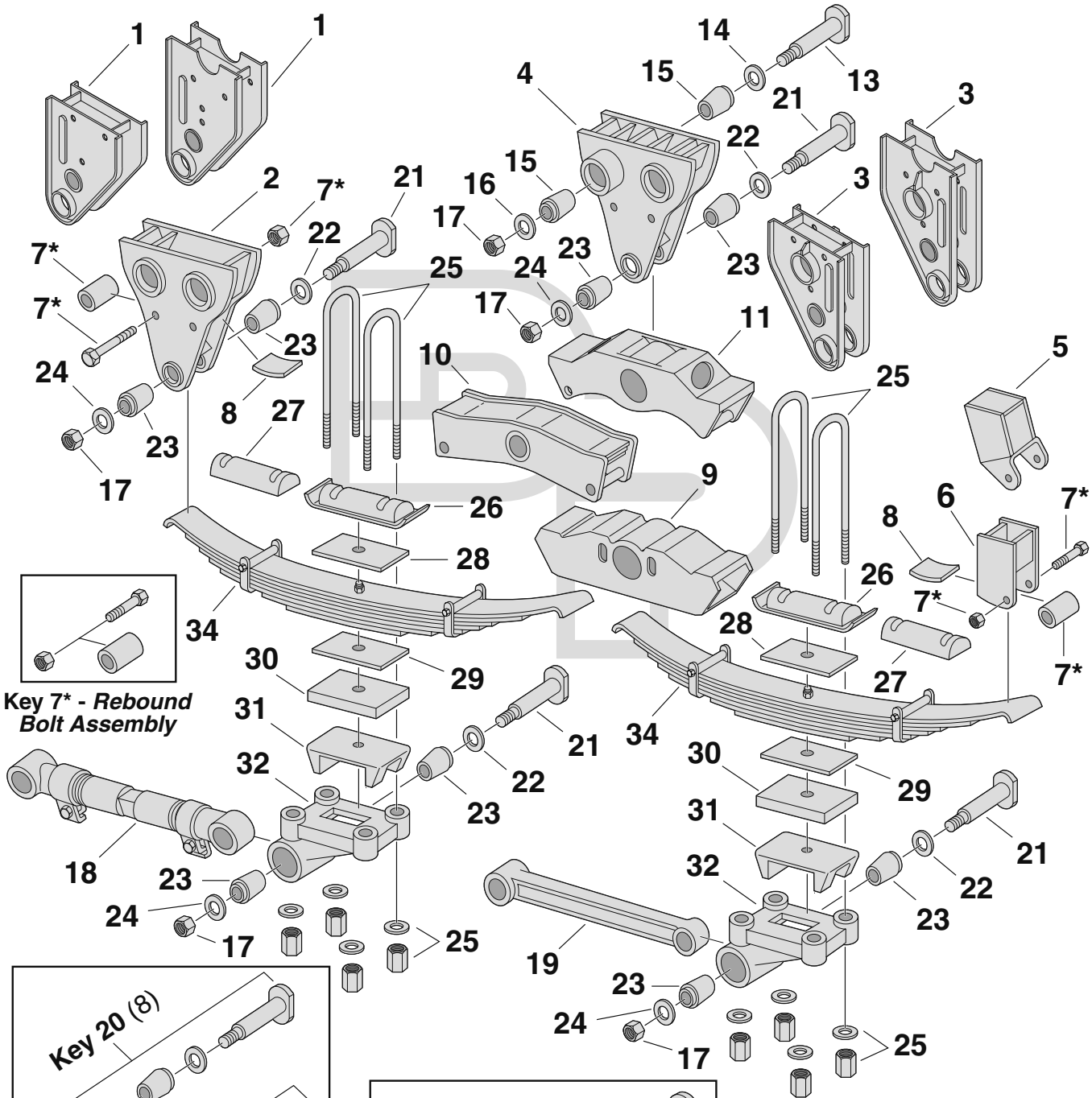
Notes

MODEL	PAGE
"F" Series Trailer Four Spring Suspension	170, 171
"J" Series Trailer Four Spring Suspension	172, 173
M-2 Trailer Single Point Suspension	174, 175
NF-2 Pro-Trac® Trailer Four Spring Suspension	176, 177
NT-2/NT-2W Pro-Trac® Single/Tandem Axle Trailer Air Suspension	178, 179
T1 Cargo Care® Single/Tandem Axle Trailer Air Suspension	180, 181
"W" Series Trailer Single Axle Suspension	182, 183
Suspension Component Photos	184-189

"F" Series Trailer Four Spring Suspension

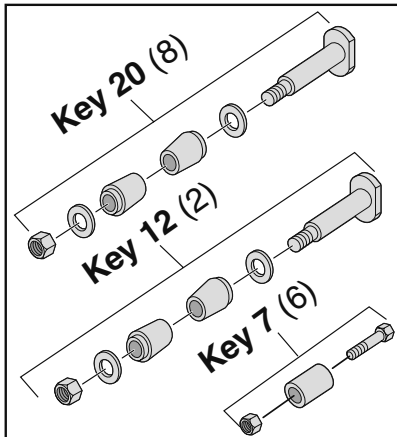
Fruehauf

Fruehauf

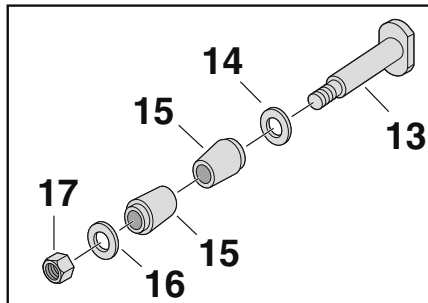


Key 7* - Rebound Bolt Assembly

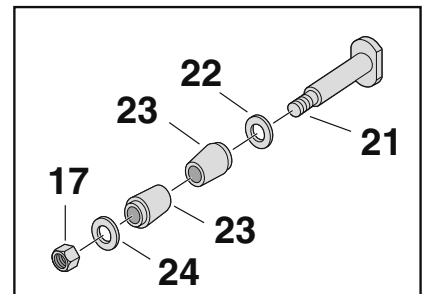
Suspension Illustration



Key 33 - Suspension Overhaul Kit ("F" and "J" Models)



Key 12 - Equalizer Shaft & Bushing Assembly (Solid Shaft)



Key 20 - Torque Arm Bolt & Bushing Assembly

Key Numbers with an asterisk (*) indicate a kit or assembly.

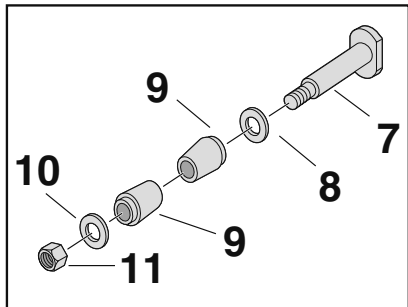
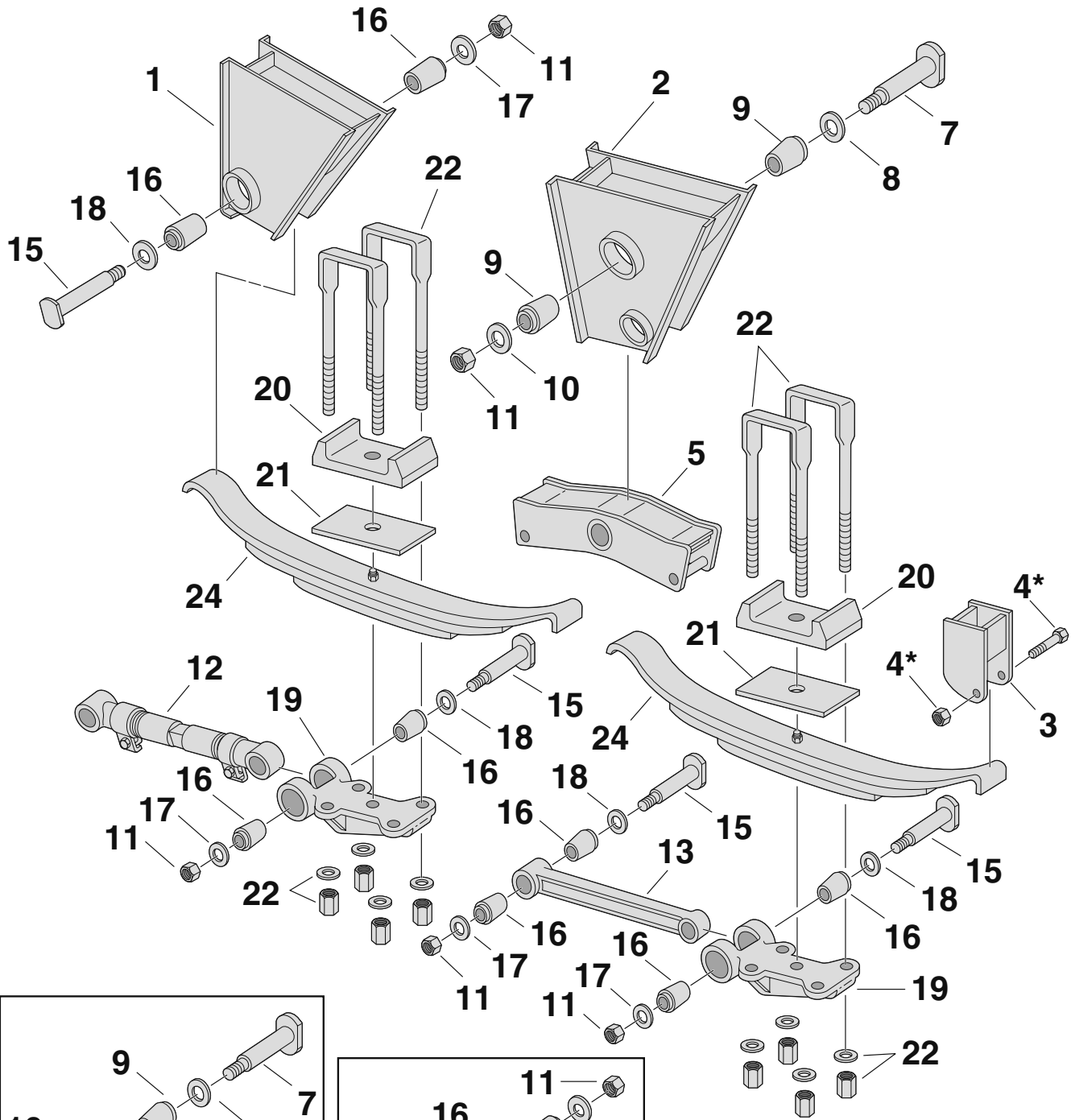
Key No.	Part Number	Description	No. Req.	OEM Reference	Remarks	
●	1	338-1097	Hanger; Straddlemount	2	UCF002473-001	
✓✓	●	338-1100	Hanger; Undermount	2	UCF002467-001	
		338-1100HD	Hanger; Undermount; Heavy Duty	2	UCF002467-901	
●	2	338-1103	Hanger; Undermount	2	UCF001466-001	Wide-Base Type
●	3	338-1098	Hanger; Straddlemount	2	UXA000021	
✓✓	●	338-1101	Hanger; Undermount	2	UXA000034	
		338-1101HD	Hanger; Undermount; Heavy Duty	2	UXA000034-900	
●	4	338-1104	Hanger; Undermount	2	UCE007746-001	Wide-Base Type
●	5	338-1099	Hanger; Straddlemount	2	UCF002471-001	
✓✓	●	338-1102	Hanger; Undermount	2	UCF002470-001	
●		338-1370	Hanger; Undermount	2	UCF005858-001	Heavy Duty Fabricated
●	6	338-1105	Hanger; Undermount	2	UCE007745-001	Wide-Base Type
✓✓	7	334-672	Assembly, Bolt; Rebound; 5/8"-18 x 5 1/4"Lg	AR		Incl. Bolt, 3 3/8"Lg Tube & Hdwe.
✓✓	●	334-998	Pad, Wear	AR	UCE007740-001	Wide Base Hangers
✓	●	338-715	Equalizer; Cast Steel	2	UXA000017	Use w/Multi Leaf Springs
✓	●	338-1106	Equalizer, Fabricated	2	UCF001463-001	Service Only
●		338-1638	Equalizer, Fabricated; 30"Lg	2	UYC005509-001	Replaces Fabricated Equalizer Assembly w/UXA00051 Cast Ends
●	11	338-1096	Assembly, Equalizer; Ductile Iron	2	UCF006963-001	Use w/1, 3 or 4 Leaf Springs Only
✓✓	12	334-452A	Assembly, Shaft & Bushing	2	UXA000004-900	Incl. 334-453A Shaft, Bushings & Hdwe.
●		334-452AU	Assembly, Shaft & Bushing	2		Urethane
●	13	334-453A	Shaft; 2"OD x 10 3/16"Lg, 1"-14 Thread	2	UXA000015-001	
●	14	334-454	Washer, Flat; 2"ID x 4"OD x 1/16"Thk	2	UXA000356-002	
✓	●	321-190	Bushing; 2"ID x 3 1/2"OD x 4 3/8"Lg	4	UXA000004	
●		321-190U	Bushing, Urethane	4		
●	16	334-455	Washer, Compression; 1 1/6"ID x 4"OD x 1/4"Thk	2	UXA000003	
✓✓	17	SLN-107	Nut, Lock; 1"-14	AR	FSP006-02PK9	
✓	18	345-201	Torque Rod, Adjustable; 14 3/4"-16 3/8"Lg	2	UCF002460-001	Use 321-177 Bushings, Not Included
		345-239	Torque Rod, Adjustable; 11 7/8"-13 3/8"Lg	2	UCF002640-004	Use 321-177 Bushings, Not Included
✓✓	19	345-202	Torque Rod, Rigid; 15 1/2"Lg c/c	2	UXA000026-001	Use 321-177 Bushings, Not Included
✓✓	20	334-565	Kit, Service; Torque Rod Bolt & Bushing	8	UXA000011-900	Incl. 321-177 Bushings, 334-566 Bolt, Washers & Hdwe.
●	21	334-566	Bolt, Torque Rod; 1 1/4" x 6", 1"-14 Thread	8	UXA000016	
●	22	334-567	Washer, Flat; 1 5/16"ID x 2 1/2"OD x 1/16"Thk	8	UXA000356-001	Can Use SFW-125
✓	●	321-177	Bushing; 1 1/4"ID x 2 3/16"OD x 1 3/4"Hgt	16	UXA000011	w/Nylon Sleeve
●		321-177U	Bushing, Urethane	16		
●	24	334-568	Washer, Compression; 1 1/16"ID x 2 1/2"OD x 1/4"Thk	8	UXA000002	
✓✓	25	361-248	Kit, U-Bolt; Round Bend, Grade 5	8	UXA000046-916	7/8" x 3" x 12 1/2" R
✓✓		361-218	Kit, U-Bolt; Round Bend, Grade 5	8		7/8" x 3" x 14 1/2" R
✓		361-250	Kit, U-Bolt; Round Bend, Grade 5	8	UXA000046-918	7/8" x 3" x 18-1/2" R
●	26	338-1107	Saddle, U-Bolt; Fabricated	4	UCE008801-001	
●	27	338-1108	Saddle, U-Bolt; Cast	4	UCC005998-001	
●		338-1635	Saddle, U-Bolt; Cast	4	UCD007607-001	Multi-Leaf Spring
●	28	GL-295	Liner; 2 7/8" x 8"Lg w/7/8" Hole	4		Install on Tension (Top) Side of Springs
●	29	334-999	Plate; 3" x 6 1/2" x 1/8"	4	UCC004365-001	Mono Leaf Spring
●	30	338-397	Spacer; 3"W x 7"Lg x 3/4"Thk, 13/16" Hole	AR	UCD004502-001	
✓✓	●	338-1109	Spacer; 1 1/2"Thk	AR	UXA000048	
✓✓	●	338-1110	Seat; 5" Round Axle	4	ACF008391-001	
●		338-1111	Seat; 5" Square Axle	4	AXA000512-001	
✓✓	●	338-1112	Bracket, Torque Rod/Axle; 5" Round Axle	4	UXA000028	
●		338-1113	Bracket, Torque Rod/Axle; 5" Square Axle	4	AXA000495-001	Standard
●		338-1636	Bracket, Torque Rod/Axle; 5" Square Axle	4	UCC004921-001	Low Mount
●		338-1238	Bracket, Torque Rod/Axle; 5" Square Axle	4	UCC004920-001	No Hop
33	339-153	Kit, Maintenance; "F" & "J" Models	1	UCC002170-901	Incl. (8)334-565, (2)334-452A & (6)334-672	
34	Spring Assembly	Assembly, Spring	4		See Leaf Spring Web Catalog for Details	

**"J" Series
Trailer Four Spring Suspension**

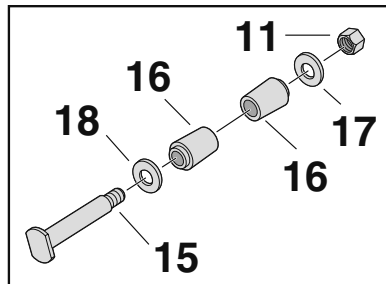
Fruehauf

Fruehauf

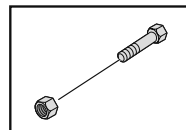
Suspension Illustration



Key 6 - Equalizer Shaft & Bushing Assembly
(Solid Shaft)



Key 14 - Torque Arm Bolt & Bushing Assembly



Key 4* - Bolt Assembly

Kit Includes:
 (8) 334-565 [Key 14]
 (2) 334-452A [Key 6]
 (6) 334-672 [Not Shown]

Key 23 - Maintenance Kit

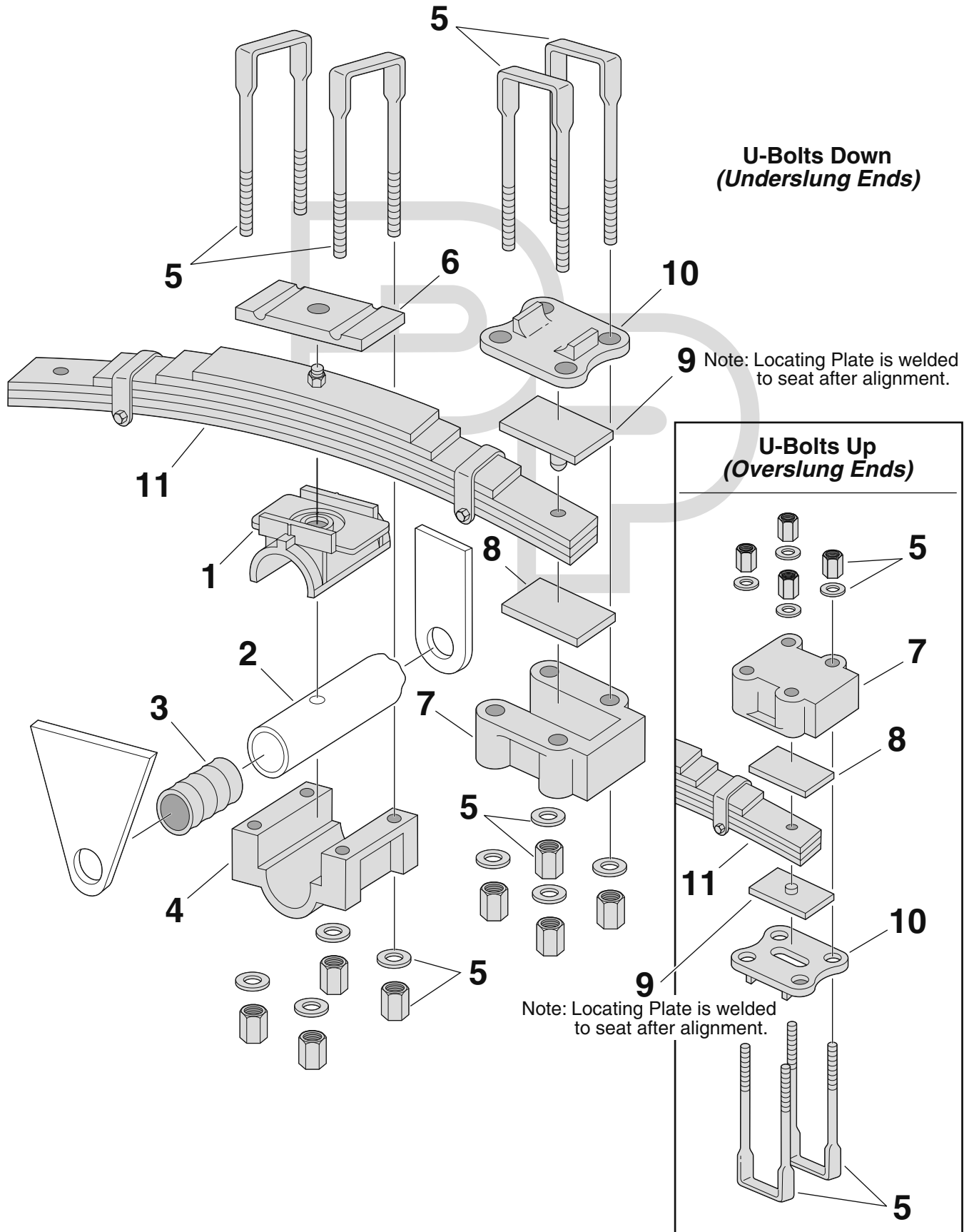
Key No.	Part Number	Description	No. Req.	OEM Reference	Remarks
	SP	Hanger, Front	2	UCE004169-002	Straight Frame
	SP	Hanger, Equalizer	2	UCE004177-002	
	SP	Hanger, Rear	2	UCE007745-002	Straight Frame
✓✓	334-754	Assembly, Bolt; 5/8"-18 x 5 1/2"Lg	2	FSP005-03-012	Incl. Bolt & Hdwe.
✓ ●	338-715	Equalizer; Cast Steel	2	UXA000017	Use w/Multi Leaf Springs
✓ ●	338-1106	Equalizer; Fabricated	2	UCF001463-001	Service Only
✓✓	334-452A	Assembly, Shaft & Bushing	2	UXA000004-900	Incl. 334-453A Shaft, Bushings & Hdwe.
●	334-452AU	Assembly, Shaft & Bushing	2		Urethane
●	334-453A	Shaft; 2"OD x 10 3/16"Lg, 1"-14 Thread	2	UXA000015-001	
	334-454	Washer, Flat; 2"ID x 4"OD x 1/16"Thk	2	UXA000356-002	
✓ ●	321-190	Bushing; 2"ID x 3 1/2"OD x 4 3/8"Lg	4	UXA000004	
●	321-190U	Bushing, Urethane	4		
	334-455	Washer, Compression; 1 1/6"ID x 4"OD x 1/4"Thk	2	UXA000003	
✓✓	SLN-107	Nut, Lock; 1"-14	10		
✓	345-201	Torque Rod, Adjustable; 14 3/4"-16 3/8"Lg	2	UCF002460-001	Use 321-177 Bushings; Not Included
	345-688	Torque Rod, Adjustable; 12 7/8"-14 5/8"Lg	2	UCF002640-002	44 1/2" Axle Spacing; Use 321-177 Bushings, Not Included
✓✓	345-202	Torque Rod, Rigid; 15 1/2"	2	UXA000026-001	Use 321-177 Bushings; Not Included
✓✓	334-565	Kit, Service; Torque Rod Bolt & Bushing	8	UXA000011-900	Incl. 321-177 Bushings, 334-566 Bolt, Washers & Hdwe.
●	334-566	Bolt, Torque Rod; 1 1/4" x 6", 1"-14 Thread	8	UXA000016	
✓ ●	321-177	Bushing; 1 1/4"ID x 2 3/16"OD x 1 3/4"Hgt.	16	UXA000011	w/Nylon Sleeve
●	321-177U	Bushing, Urethane	16		
	334-568	Washer, Compression; 1 1/16"ID x 2 1/2"OD x 1/4"Thk	8	UXA000002	
	SFW-125	Washer, Flat; 1 1/4"	8	UXA000356-001	
●	338-1425	Bracket, Torque Rod/Axle	4	UXA006632-002	
●	338-1111	Seat; 5" Square Axle	4	AXA000512-001	
	GL-295	Liner; 2 7/8" x 8"Lg w/ 7/8" Hole	4		
✓✓	361-476	Kit, U-Bolt; Square Bend, Forged Top, Grade 8	8	BXE000460-900	1" x 5" x 12 3/4" S
	339-153	Kit, Maintenance; "F" & "J" Models	1	UCC002170-901	Incl. (8)334-565, (2)334-452A & (6)334-672
	Spring Assembly	Assembly, Spring	4		See Leaf Spring Web Catalog for Details

**M-2
Trailer Single Point Suspension**

Fruehauf

Fruehauf

Suspension Illustration



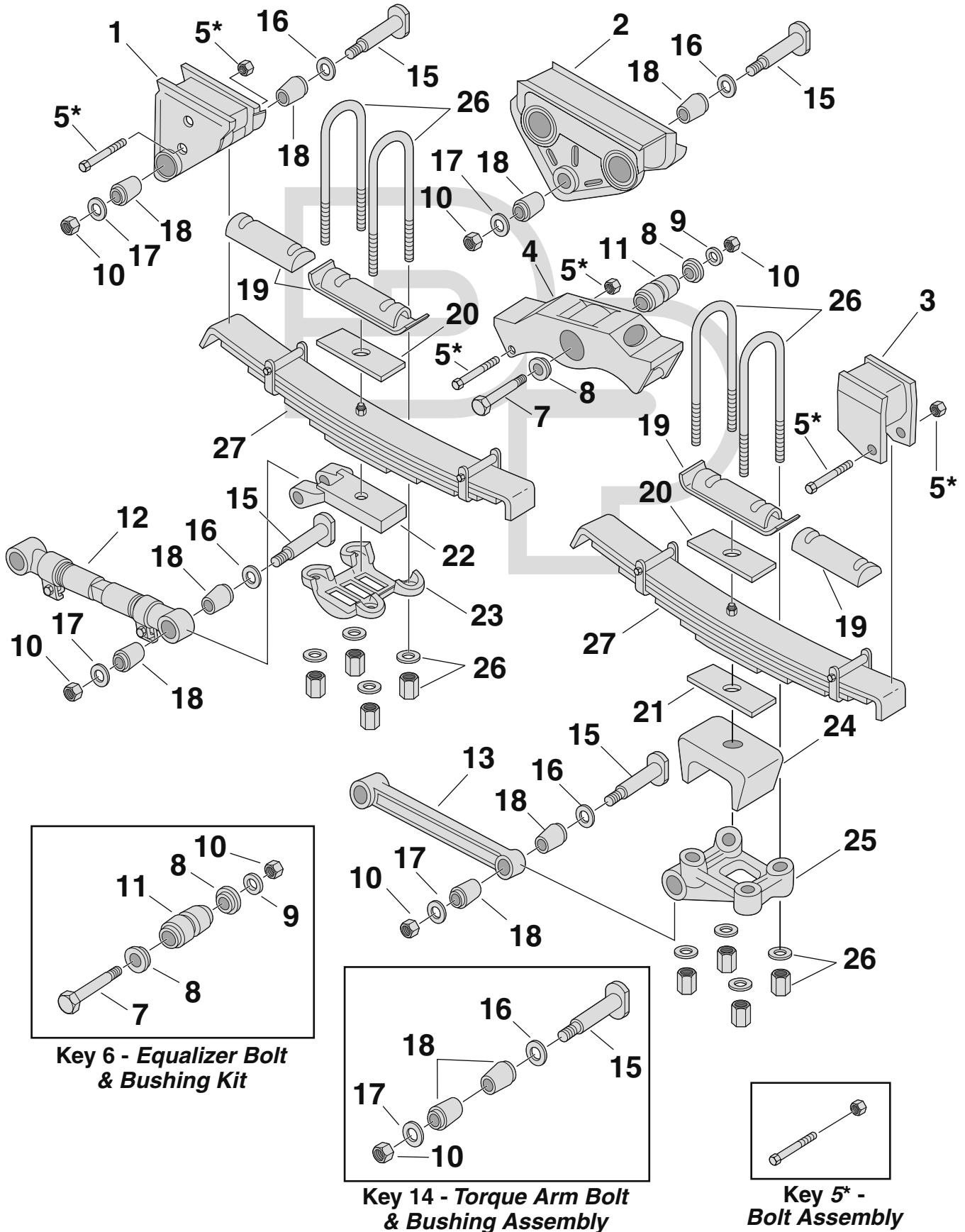
Key No.	Part Number	Description	No. Req.	OEM Reference	Remarks	
●	1	338-1114	Trunnion, Upper; Cast	2	UCD005755-001	
	2	◆	Shaft, Trunnion; w/Hanger Plates	1	UCF000036-001, UCF000036-002	Specify 71" or 77" Track
✓✓ ●	3	325-150	Bushing, Rubber; 4"ID x 5"OD x 8 5/16"Lg	2	UXA000160	Split
●		325-150U	Bushing, Urethane	2	UXA000160-SP1	
✓✓ ●	4	338-1115	Trunnion, Lower; Cast	2	UCD005631-001	
	5	◆	Assembly, U-Bolt; Square Bend, Forged Top, Grade 8	4	UCD008680-902	1 1/8" X 5 1/8" X 11 1/2" S; Taper Leaf Springs; Use 361-478
✓✓		361-478	Kit, U-Bolt; Square Bend, Forged Top, Grade 8	4	UCD005640-901	1 1/8" x 5 1/8" x 12-1/4" S; Underslung & Overslung
✓		361-338	Kit, U-Bolt; Square Bend, Forged Top, Grade 8	4	UCD008680-901	1 1/8" x 5 1/8" x 13 1/2" S; Underslung Only
●	6	338-1116	Saddle, U-Bolt	2	UCD005641-001	
✓✓ ●	7	338-1117	Cap, End	4	ACD006849-001	
✓✓	8	325-151	Pad; 1" x 4 3/4" x 7 5/8"	4	UCD005635-001	
●		325-151U	Pad, Urethane; 1" x 4 3/8" x 7 5/8"	4		
✓✓ ●	9	338-1118	Plate, Locator	4	UCE001350-001	
●	10	338-1119	Seat; 5" Square Axles	4	ACD006850-001	
	11	Spring Assembly	Assembly, Spring	2		See Leaf Spring Web Catalog for Details

NF-2 Pro-Trac®
Trailer Four Spring Suspension

Fruehauf

Fruehauf

Suspension Illustration



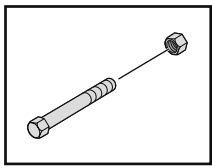
	Key No.	Part Number	Description	No. Req.	OEM Reference	Remarks	
✓✓	●	1	338-1233	Hanger; Standard	2	UCF006668-001	
	●	2	338-1234	Hanger; Standard	2	UCF006672-001	
	●	3	338-1235	Hanger; Standard	2	UCF005858-002	
✓✓	●	4	338-1126	Assembly, Equalizer	2	UCF008317-001, UCF008317-002	Incl. Bushing
✓		5	334-770	Assembly, Bolt; 5/8"-18 x 5"Lg	6	FSP005-03-049	Incl. Bolt & Hdwe.
		6	334-819	Kit, Service; Equalizer Bolt & Bushing	2		Incl. 321-266 Bushing, 334-317 Bolt, Collars & Hdwe.
		7	334-317	Bolt; 1"-14 x 6 1/2"Lg	2	FSP005-03-028	
✓✓	●	8	334-821	Collar, Equalizer Bushing	4	UCF006703-001	
		9	SFW-100	Washer, Flat; 1"ID	2		
✓✓		10	SLN-107	Nut, Lock; 1"-14	10		
	●	11	321-266	Bushing; 2"ID x 3 1/2"OD x 4"Lg	2	UCF006699-001	
✓		12	345-201	Torque Rod, Adjustable; 14 3/4"-16 3/8"Lg	2	UCF002460-001	Use 321-177 Bushings, Not Included
✓✓		13	345-202	Torque Rod, Rigid; 15 1/2"Lg c/c	2	UXA000026-001	Use 321-177 Bushings, Not Included
✓✓		14	334-565	Kit, Service; Torque Rod Bolt & Bushing	8	UXA000011-900	Incl. (2) 321-177 Bushings, 334-566 Bolt, Washers & Hdwe.
	●	15	334-566	Bolt, Torque Rod; 1 1/4" x 6", 1"-14 Thread	8	UXA000016	
		16	SFW-125	Washer, Flat; 1 1/4"	8		
		17	334-568	Washer, Compression; 1 1/16"ID x 2 1/2"OD x 1/4"Thk	8	UXA000002	
✓	●	18	321-177	Bushing; 1 1/4"ID x 2 3/16"OD x 1 3/4"Hgt.	16	UXA000011	
	●		321-177U	Bushing, Urethane	16		
	●	19	338-1107	Saddle, U-Bolt; Fabricated	4	UCE008801-001	Can Use 338-381 or 338-1367
	●		338-1108	Saddle, U-bolt; Cast	4	UCC005998-001	Can Use 338-200
		20	GL-295	Liner; 2 7/8" x 8"Lg w/ 7/8" Hole	4		Install on Tension (Top) Side of Spring
✓✓	●	21	338-1109	Spacer; 1 1/2"Thk	2	UXA000048	
✓✓	●	22	338-1236	Bracket, Torque Rod/Axle; 5" Square Axle	2	UCF006696-001	
	●	23	338-471	Plate, Bottom Clamp; U-Bolt ; 5" Square Axle; 3/4" U-Bolts	2	UCF002610-001	
	●	24	338-1111	Seat; 5" Square Axle	2	AXA000512-001	
	●	25	338-1238	Bracket, Torque Rod/Axle; 5" Square Axle	2	UCC004920-001	No Hop
✓✓		26	361-218	Kit, U-Bolt; Round Bend, Grade 5	8	UXA000046-917	7/8" x 3" x 14 1/2" R
		27	Spring Assembly	Assembly, Spring	4		See Leaf Spring Web Catalog for Details

**NT-2/NT-2W Pro-Trac®
Single/Tandem Axle
Trailer Air Suspension**

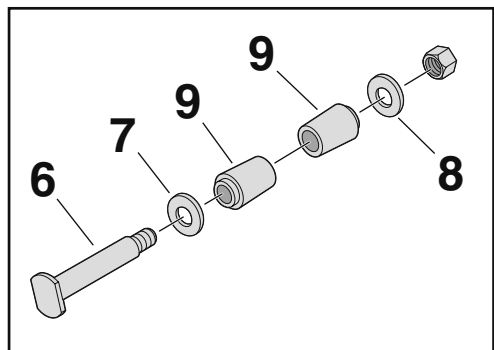
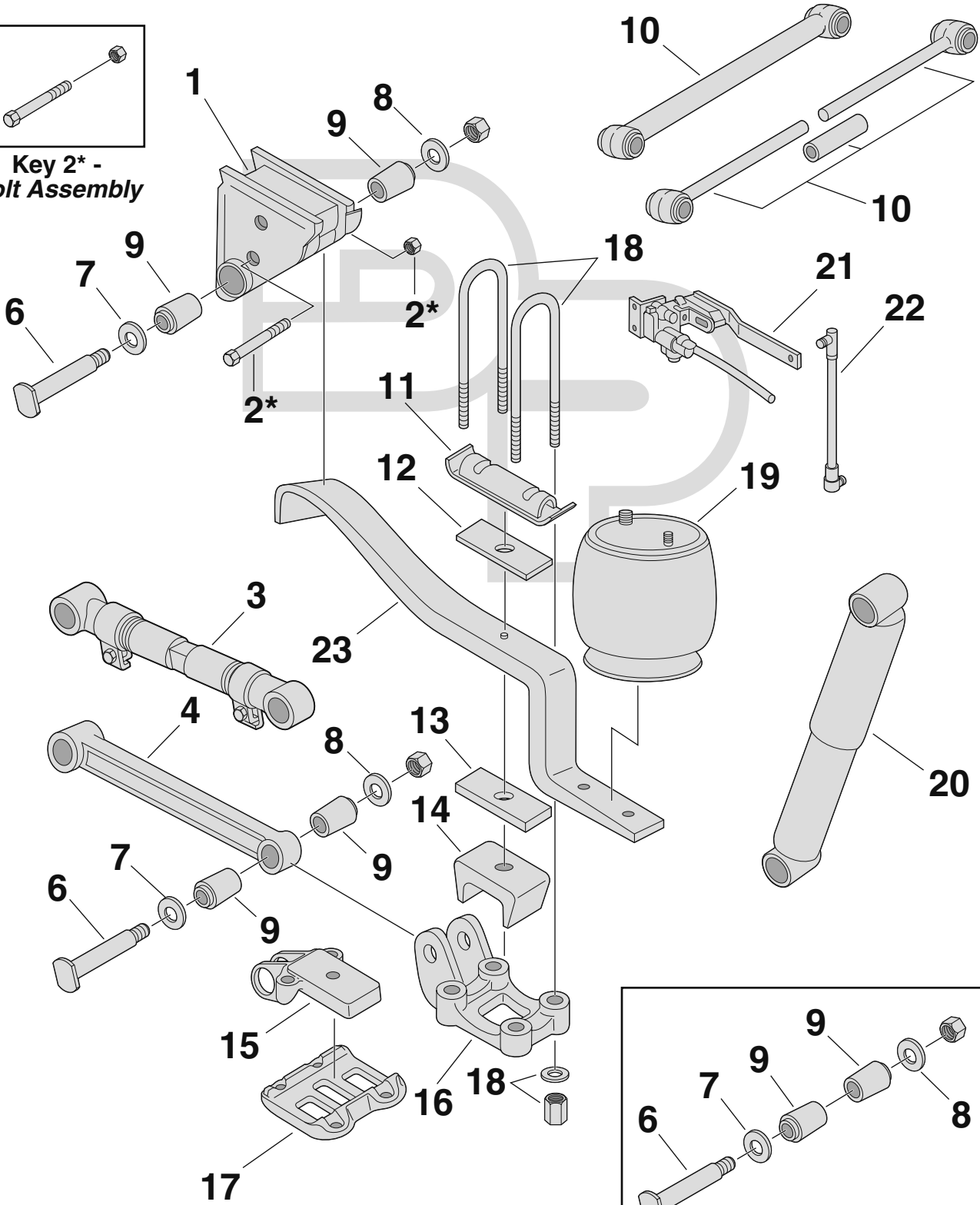
Fruehauf

Fruehauf

Suspension Illustration



**Key 2* -
Bolt Assembly**



**Key 5 - Torque Arm Bolt &
Bushing Assembly**

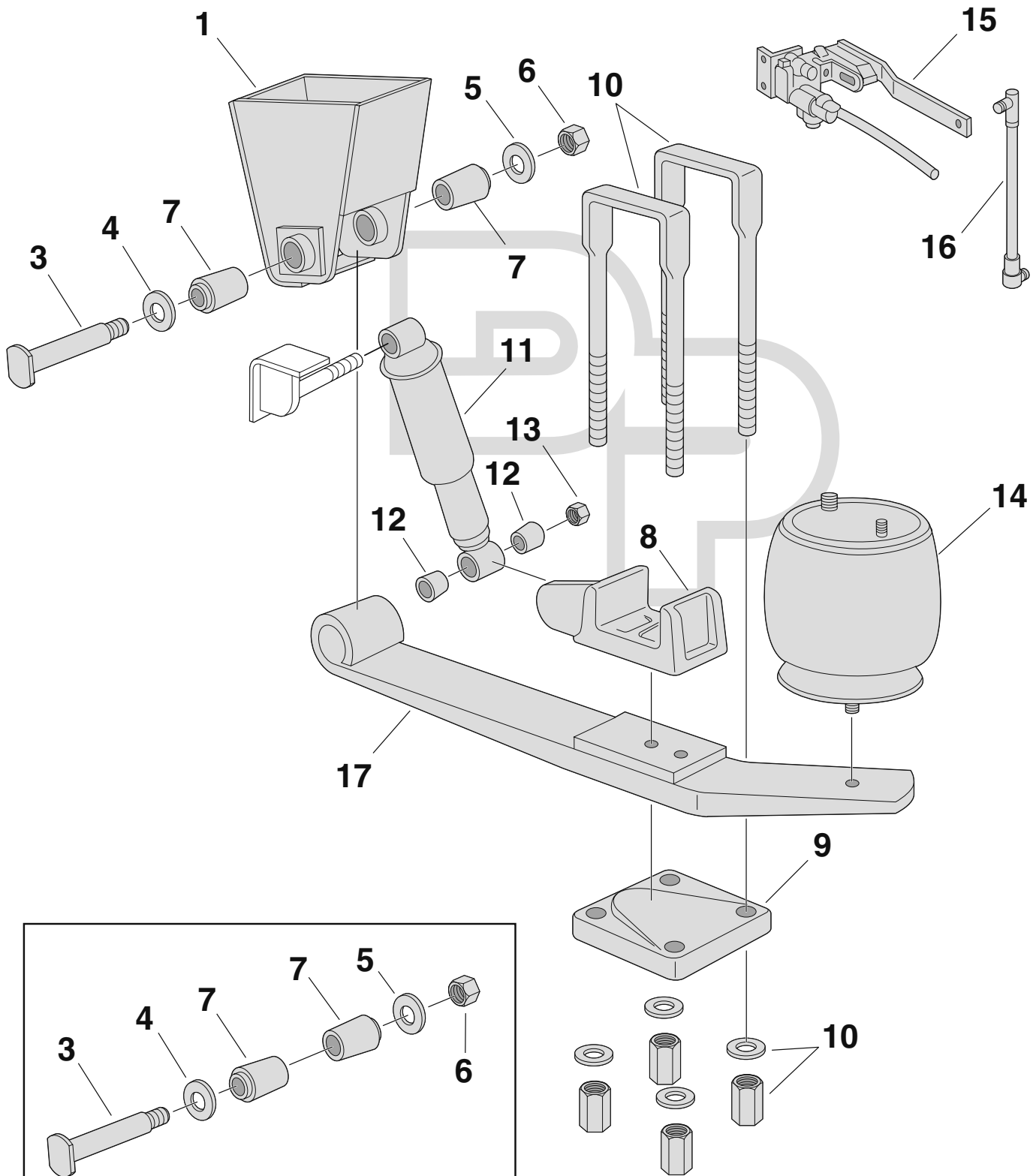
Key Numbers with an asterisk (*) indicate a kit or assembly.

	Key No.	Part Number	Description	No. Req.	OEM Reference	Remarks
✓✓●	1	338-1233	Hanger; Standard	2	UCF006668-001	
✓	2	334-770	Assembly, Bolt; 5/8"-18 x 5"Lg	2	FSP005-03-049	Incl. Bolt & Hdwe.
✓	3	345-201	Torque Rod, Adjustable; 14 3/4"-16 3/8"Lg	1	UCF002460-001	Use 321-177 Bushings, Not Included
✓✓	4	345-202	Torque Rod, Rigid; 15 1/2"Lg c/c	1	UXA000026-001	Use 321-177 Bushings, Not Included
✓✓	5	334-565	Kit, Service; Torque Rod Bolt & Bushing	4	UXA000011-900	Incl. 321-177 Bushings, 334-566 Bolt, Washers & Hdwe.
●	6	334-566	Bolt, Torque Rod; 1 1/4" x 6", 1"-14 Thread	4	UXA000016	
	7	SFW-125	Washer, Flat; 1 1/4"	4		
	8	334-568	Washer, Compression; 1 1/16"ID x 2 1/2"OD x 1/4"Thk	4	UXA000002	
✓●	9	321-177	Bushing; 1 1/4"ID x 2 3/16"OD x 1 3/4"Hgt	8	UXA000011	w/Nylon Sleeve
●		321-177U	Bushing, Urethane	8		
✓✓	10	345-811	Kit, Uni-Rod; 20"-30"Lg	1	FCF008248-902	Replaces FCF008248-001,-002,-003 & -007
		345-812	Kit, Uni-Rod; 30"-40"Lg	1	FCF008248-901	Replaces FCF008248-004 & -006
		345-759	Rod, Track	1	FCF008248-001	Use 345-811
		345-760	Rod, Track	1	FCF008248-003	Use 345-811
		◆	Torque Rod, O & S Rigid Style; 21" Lg	1	FCF008248-002	Use 345-811
		◆	Torque Rod, O & S Rigid Style; 29 1/2" Lg	1	FCF008248-007	Use 345-811
		◆	Torque Rod, O & S Rigid Style; 32 1/2" Lg	1	FCF008248-004	Use 345-812
		◆	Torque Rod, O & S Rigid Style; 35 1/2" Lg	1	FCF008248-006	Use 345-812
●	11	338-1107	Saddle, U-Bolt; Fabricated	2	UCE008801-001	
	12	GL-295	Liner; 2 7/8" x 8"Lg w/ 7/8" Hole	2		
	13	338-397	Spacer; 3"W x 7"Lg x 3/4"Thk, 13/16" Hole	2	UCF006972-003	14" to 15" Ride Heights
●	14	338-1111	Seat; 5" Square Axle	2	AXA000512-001	
✓✓●	15	338-1236	Bracket, Torque Rod/Axle; 5" Square Axle	2	UCF006696-001	High Ride; 14 3/4" to 15 1/2" Ride Hgt.
	16	◆	Bracket, Torque Rod/Axle	2	UCF006702-001	Low Ride; 13 1/4" to 14" Ride Hgt.; Discontinued
●	17	338-471	Plate, Bottom Clamp; U-Bolt ; 5" Square Axle; 3/4" U-Bolts	2	UCC002610-001	
✓✓	18	361-218	Kit, U-Bolt; Round Bend, Grade 5	4	UXA000046-917	7/8" x 3" x 14 1/2" R
✓✓	19	352-9130	Air Spring	2	UCE000993-001, UCE000993-002	
✓	20	M65421	Shock Absorber	2	UCE008339-001, UCE008339-901	
✓✓		M65410	Shock Absorber	2	UCE001295-001, UCE001295-901	
✓✓●	21	334-750	Valve, Height Control; Universal	1	H00450CA	
✓●	22	334-751	Linkage Assembly; Universal; Adjustable	1	HPB450-3	3 5/8"-19 5/8" Range; Use with All Height Control Valves
	23	TRA-082	"Z" Spring	2	UCF008314-001	Standard Duty; See Leaf Spring Web Catalog for Model Specific Applications
		TRA-086	"Z" Spring	2	UVA000092-001	Heavy Duty; See Leaf Spring Web Catalog for Model Specific Applications

**T1 Cargo Care®
Single/Tandem Axle
Trailer Air Suspension**

Fruehauf

Fruehauf



Suspension Illustration

Key 2 - Equalizer Shaft & Bushing Assembly (Solid Shaft)

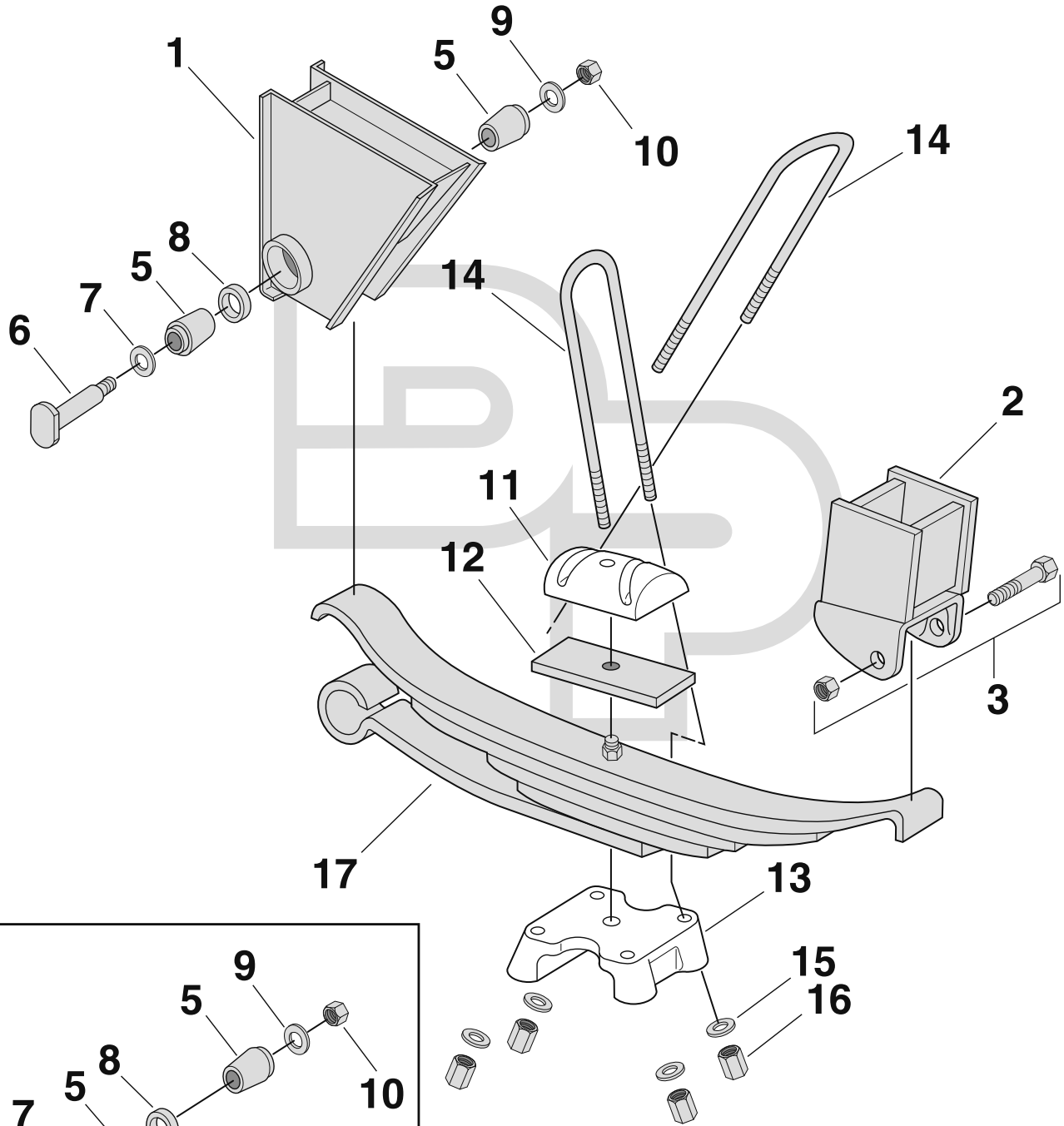
Key Numbers with an asterisk (*) indicate a kit or assembly.

Key No.	Part Number	Description	No. Req.	OEM Reference	Remarks
	SP	Hanger, Front; LH	1	UCE001177-001	
	SP	Hanger, Front; RH	1	UCE001177-002	
✓✓	334-452A	Assembly, Shaft & Bushing	2	UXA000004-900	Incl. 334-453A Shaft, Bushings & Hdwe.
●	334-453A	Shaft; 2"OD x 10 1/16"Lg, 1"-14 Thread	2	UXA000015-001	
	334-454	Washer, Flat; 2"ID x 4"OD x 1/16"Thk	2	UXA000356-002	
	334-455	Washer, Compression; 1 1/6"ID x 4"OD x 1/4"Thk	2	UXA000003	
✓✓	SLN-107	Nut, Lock; 1"-14	2		
✓ ●	321-190	Bushing; 2"ID x 3 1/2"OD x 4 3/8"Lg	4	UXA000004	
●	321-190U	Bushing, Urethane	4		
	SP	Assembly, Axle Seat; RH	1	UCE001660-001	
	SP	Assembly, Axle Seat; LH	1	UCE001660-002	
	SP	Plate, Bottom	2	UCE004461-001	
✓✓	361-476	Kit, U-Bolt; Square Bend, Forged Top, Grade 8	4	BXE000460-900	1" x 5" x 12 3/4" S
✓✓	M65410	Shock Absorber	2	UCE001295-001, UCE001295-901	
✓	M65421	Shock Absorber	2	UCE008339-001, UCE008339-901	
●	401754	Bushing, Shock; 1"ID	AR		
	SLN-106	Nut, Lock; 7/8"-14	4	FSP006-02-013	Shock Stud
	352-9096	Air Spring	2	UCE001301-001	
✓✓	352-9130	Air Spring	2	UCE009393-001, UCE009393-002	
✓✓ ●	334-750	Valve, Height Control; Universal	1	H00450CA	
✓ ●	334-751	Linkage Assembly; Universal; Adjustable	1	HPB450-3	3 5/8"-19 5/8" Range; Use with All Height Control Valves
	TRA-020	Spring, Trailing Arm; LH	1	UCE000176-001	
	TRA-081	Spring, Trailing Arm; RH	1	UCE000176-002	

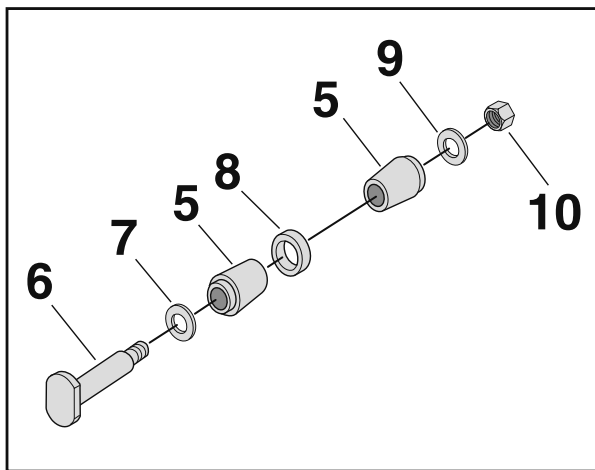
**"W" Series
Trailer Single Axle Suspension**

Fruehauf

Fruehauf



Suspension Illustration



**Key 4 - Bolt & Bushing Assembly
(Torque Leaf)**

Key No.	Part Number	Description	No. Req.	OEM Reference	Remarks
	SP	Hanger, Front	2	UCC008925-001	
✓✓ ●	338-1102	Hanger; Undermount	2	UCF002470-001	Standard Type
✓✓	334-754	Assembly, Bolt; 5/8"-18 x 5 1/2"Lg	2	FSP005-03-012	Incl. Bolt & Hdwe.
✓✓	334-1582	Assembly, Bolt & Bushing	2		Incl. 334-1247, 334-1000, 321-177 & Hdwe.
✓ ●	321-177	Bushing; 1 1/4"ID x 2 3/16"OD x 1 3/4"Hgt	4	7620-00	w/Nylon Sleeve
●	321-177U	Bushing, Urethane	4		
●	334-1247	Bolt, Stepped; 1 1/4" x 7 1/8"Lg w/1"-14 Thread	2	UXA000016-001	
	SFW-125	Washer, Flat; 1 1/4"	2	UXA000356-001	
	334-1000	Spacer; 1 1/4"ID x 1 3/4"OD x 1 1/8"Lg	2	UCC008918-001	
	334-568	Washer, Compression; 1 1/16"ID x 2 1/2"OD x 1/4"Thk	2	UXA000002	
✓✓	SLN-107	Nut, Lock; 1"-14	2		
	◆	Saddle, U-Bolt	2	UCC008920-001	
	GL-295	Liner; 2 7/8" x 8"Lg w/ 7/8" Hole	2		
	◆	Seat	2	UCC008921-001	
	8U-5310R	U-Bolt, Round Bend, Grade 8	4	UXA000046-915	7/8" x 3 1/8" x 10" R
	SUW-78	Washer, U-Bolt; 7/8"	8		
	DN-78	Nut, Deep; 7/8"-14, Grade C	8		
	Spring Assembly	Assembly, Spring	2		See Leaf Spring Web Catalog for Details

401754



Shock Bushing, 1"ID; Models: Various

321-177



Bushing, Torque Rod; 2 3/16" O.D. x 1 1/4" I.D. x 1 3/4" Lg.; Included in 334-565 Bolt and Bushing Assy.; Models F, J, NF-2, NT-2, NT2W

321-177U



Urethane Bushing, Torque Rod; 2 3/16" O.D. x 1 1/4" I.D. x 1 3/4" Lg.; Models F, J, NF-2, NT-2, NT2W

321-190



Bushing, Equalizer Trailing Arm; 2" I.D. x 3 1/2" O.D. x 4 3/8" Lg.; Included in 334-452A Bolt and Bushing Assy.; Models F, J, T-1

321-190U



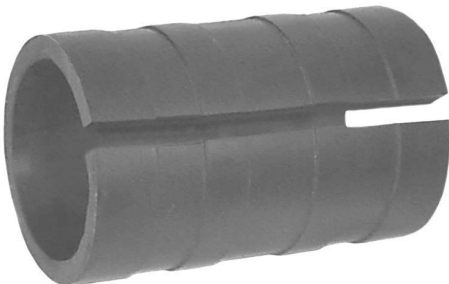
Urethane Bushing, Equalizer Trailing Arm; 2" I.D. x 3 1/2" O.D. x 4 3/8" Lg.; Included in 334-452AU Bolt and Bushing Assy.; Models F, J, T-1

321-266



Bushing; 2" I.D. x 3 1/2" O.D. x 4" Lg.; Included in 334-819 Bolt and Bushing Assy.; Model NF-2

325-150



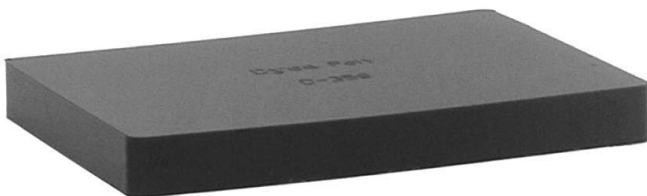
Bushing, Rubber; 4" I.D. x 5" O.D. x 8 5/16" Lg.; Model M-2

325-150U



Bushing, Urethane; 4" I.D. x 5" O.D. x 8 5/16" Lg.; Model M-2

325-151U



Pad, Urethane; 1" x 4 3/8" x 7 5/8"; Model M-2

334-452AU



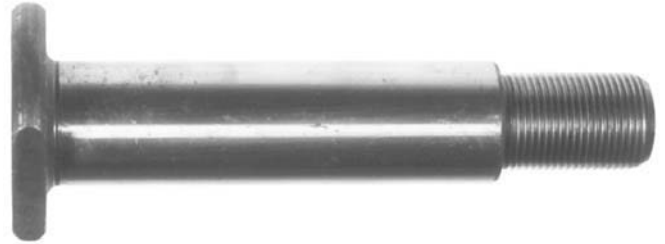
Shaft & Bushing Assembly; Urethane; Model F, J

334-453A



Shaft, Equalizer Trailing Arm; 2" O.D. x 10 9/16" Lg., 1"-14 Thread; Included In 334-452A Shaft and Bushing Assy.; Models F, J, T-1

334-566



Bolt, Torque Rod; 1 1/4" O.D. x 6" Lg., 1"-14 Thread; Included in 334-565 Bolt and Bushing Assy.; Models F, J, NF-2, NT-2W

334-750



Valve, Height Control; Universal; Models NT-2/NT-2W, T1

334-751



Linkage Assembly, Universal Adjustable; 3 5/8"-19 5/8" Range; Use with all Height Control Valves; Models NT-2/NT-2W, T1

334-821



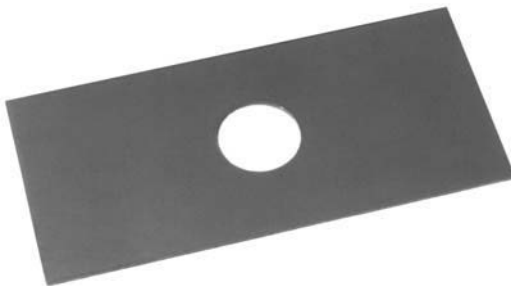
Collar, Equalizer Bushing; 1" I.D. x 3 1/8" O.D. x 1 1/8" Thk.; Included in 334-819 Bolt and Bushing Assy.; Model NF2

334-998



Wear Pad; Use w/ Wide Base Hangers; Model F

334-999



Plate; 3" x 6 1/2" x 1/8"; Mono Leaf Spring; Model F

334-1247



Bolt, Stepped; 1 1/4" O.D. x 7 1/8" Lg., 1"-14 Thread; Included in 334-1582 Bolt and Bushing Assy.; Model W

338-471



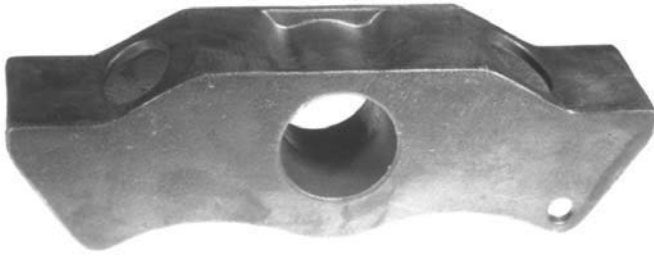
Plate, Bottom U-Bolt Clamp; 5" Square Axle, 3/4" U-Bolts Model NF-2, NT-2, NT-2W

338-715



Equalizer; Use w/ 321-190 Bushings; Cast Steel-Use w/ Multileaf Springs; Model F, J

338-1096



Equalizer Assembly; Ductile Iron; Use w/ 321-190 Bushings, 334-672 Rebound Assy.; Use w/ 1, 3, or 4 Leaf Springs Only; Model F

338-1097



Hanger, Straddlemount; Use w/ 334-672 Rebound Kit, 334-565 Torque Rod Bolt and Bushing Assy.; Model F

338-1098



Hanger, Straddlemount; Use w/ 334-452A Equalizer Shaft and Bushing Assy., 334-565 Torque Rod Bolt and Bushing Assy.; Model F

338-1099



Hanger, Straddlemount; Use w/ 334-672 Rebound Assy.; Model F

338-1100



Hanger, Undermount; Use w/ 334-672 Rebound Assy., 334-565 Torque Rod Bolt and Bushing Assy.; Model F

338-1101



Hanger, Undermount; Use w/ 334-452A Equalizer Shaft and Bushing Assy., 334-565 Torque Rod Bolt and Bushing Assy.; Model F

338-1102



Hanger, Undermount; Use w/ 334-672 Rebound Assy.; Model F, W

338-1103



Hanger, Undermount; Use w/ 334-672 Rebound Assy., 334-565 Torque Rod Bolt and Bushing Assy.; Model F (Wide Base)

338-1104



Hanger, Undermount; Use w/ 334-452A Equalizer Shaft and bushing Assy., 334-565 Torque Rod Bolt and Bushing Assy. Model F (Wide Base)

338-1105



Hanger, Undermount; Uses 334-672 Rebound Kit; Model F (Wide Base)

338-1106



Equalizer, Fabricated; Service Only; Use w/ 321-190 Bushings; Models F, J

338-1107



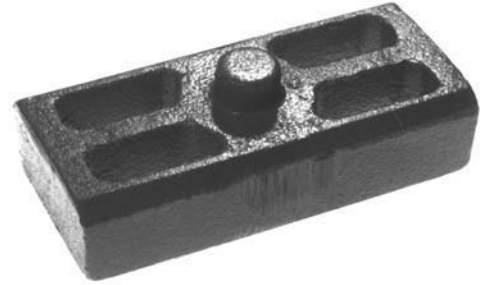
Saddle, U-Bolt; Fabricated; 3" Wd. x 8 1/2" Lg. (See 338-1635 For Cast Top Plate-Multileaf Springs); Use w/ Multileaf Springs; Models F, NF-2, NT-2, NT-2W

338-1108



Saddle, U-Bolt; Cast; 3" Wd. x 7 1/2" Lg.; Use w/ Monoleaf Springs; Model F, NF-2

338-1109



Spacer; 1 1/2" Thk.; Model NF-2

338-1110



Seat; For 5" Round Axles; Model F

338-1111



Seat; For 5" Square Axles; Models F, J, NF-2, NT-2, NT-2W

338-1112



Bracket, Torque Rod/Axle; For 5" Round Axles; Use w/ 335-565 T/R Bolt and Bushing Assy.; Model F

338-1113



Bracket, Torque Rod/Axle; (See 338-1238 No Hop, 338-1636 Lowmount); Standard for 5" Square Axles. Use w/ 334-565 T/R Bolt and Bushing Assy.; Model F

338-1114



Trunnion, Upper; Cast; Upper Half; Model M-2

338-1115



Trunnion, Lower; Cast; Lower Half; Model M-2

338-1116



Saddle, U-Bolt; 5" Wd. x 10 1/2" Lg.; Model M-2

338-1117



End Cap; Model M-2

338-1118



Plate, Locator; 5" Wd. x 10" Lg.; Weld in Place After Alignment; Model M-2

338-1119



Seat, 5" Square Axles; For 5" Square Axles; Model M-2

338-1126



Equalizer Assembly; Includes 321-266 Bushings; Use w/ 334-817 Rebound Bolt Assy., 334-821 Collar, 334-317 Bolt

338-1233



Hanger; Standard; Use w/ 334-817 Rebound Bolt Assy., 334-565 Torque Rod Bolt and Bushing Assy.; Model NF-2, NT-2, Nt-2W

338-1234



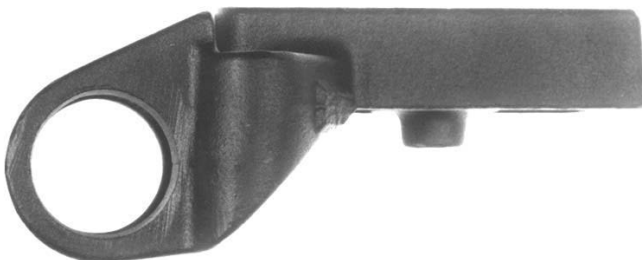
Hanger; Standard; Use w/ 334-819 Equalizer Bolt and Bushing Assy., 334-565 Torque Rod Bolt and Bushing Assy.; Model NF-2

338-1235



Hanger; Standard; Use w/ 334-817 Rebound Assy.; Model NF-2

338-1236



Bracket, Torque Rod/Axle; For 5" Square Axles; Use w/ 334-565 Torque Rod Bolt and Bushing Assy.; Model NF-2

338-1238



Bracket, Torque Rod/Axle; (See 338-1113 Standard, 338-1636 Lowmount) No Hop-5" Square Axles, Use w/ 334-565 T/R Bolt and Bushing Assy.; Model F, NF-2

338-1370



Hanger, Undermount, Heavy Duty; Obsolete - Use 338-1235; Uses 334-672 Rebound Assy.; Model F

338-1425



Bracket, Torque Rod/Axle; Use w/ 334-565 Torque Rod Bolt and Bushing Assy.; Model J

338-1635



Saddle, U-Bolt; Cast; Use w/ Multileaf Springs; Model F

338-1636



Bracket, Torque Rod/Axle; (See 338-1113 Standard, 338-1238 No Hop) Lowmount For 5" Square Axles, Use w/ 334-565 T/R Bolt and Bushing Assy.

338-1638

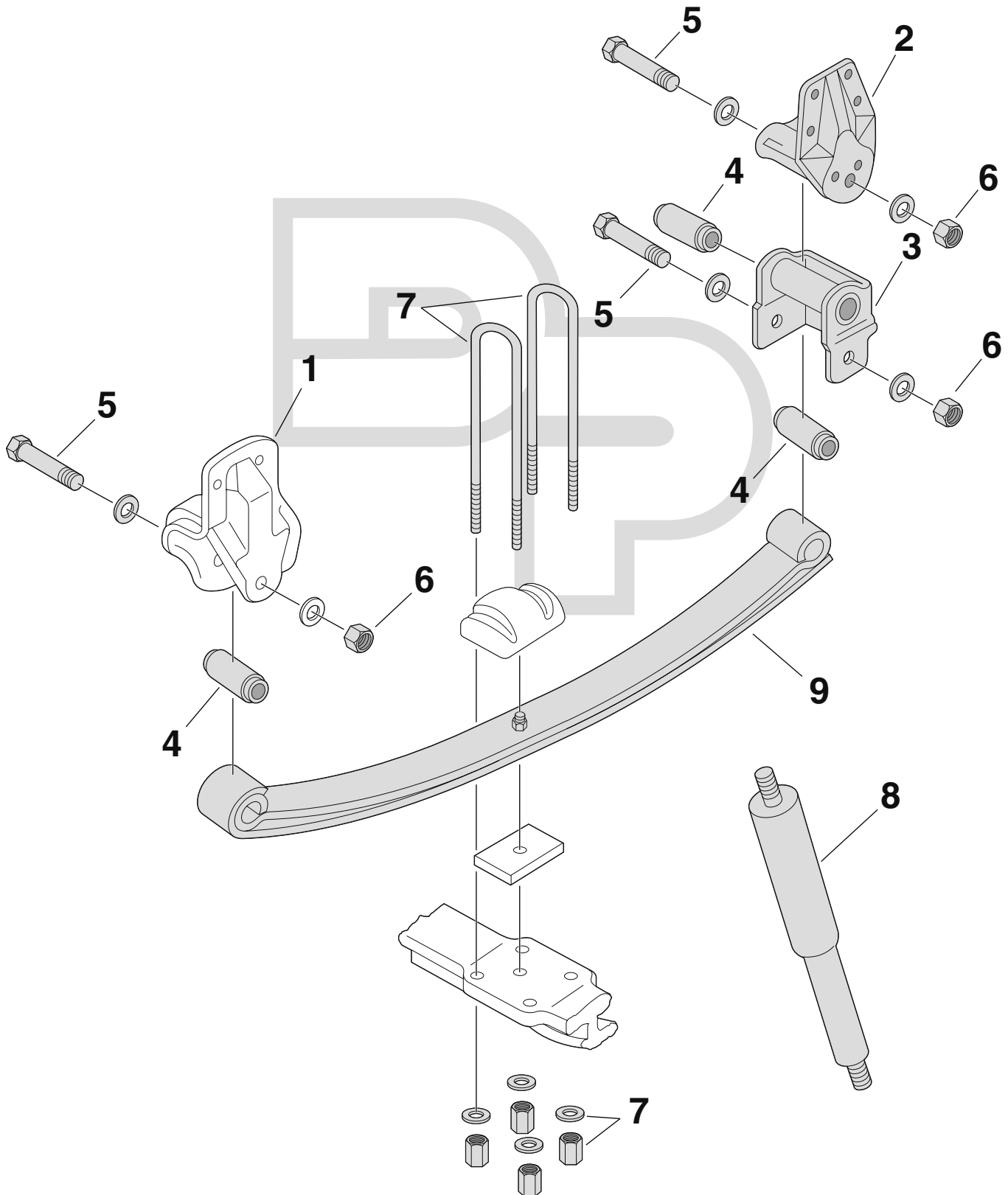


Equalizer, Fabricated; 30" Lg, Replaces Fabricated Equalizer w/ Cast Ends (UXA0051); Use w/ 321-190 Bushings; Model Y

MODEL	PAGE
TopKick®/Kodiak®/GM Tilt Cab® Front Suspension	192, 193
TopKick®/Kodiak® (From 1990), GM Tilt Cab® Rear Single Axle Suspensions	194, 195
Brigadier/General/Astro Front Suspensions	196, 197
C50/60/70 Front Suspensions	198, 199
Rear Single Axle Suspension (w/Torque Leaf)	200, 201
Rear Single Axle Suspension (w/Radius Leaf)	202, 203
Four Spring Corporate Suspension	204, 205
Suspension Component Photos	206-209

GMC/Chevrolet

Suspension Illustration

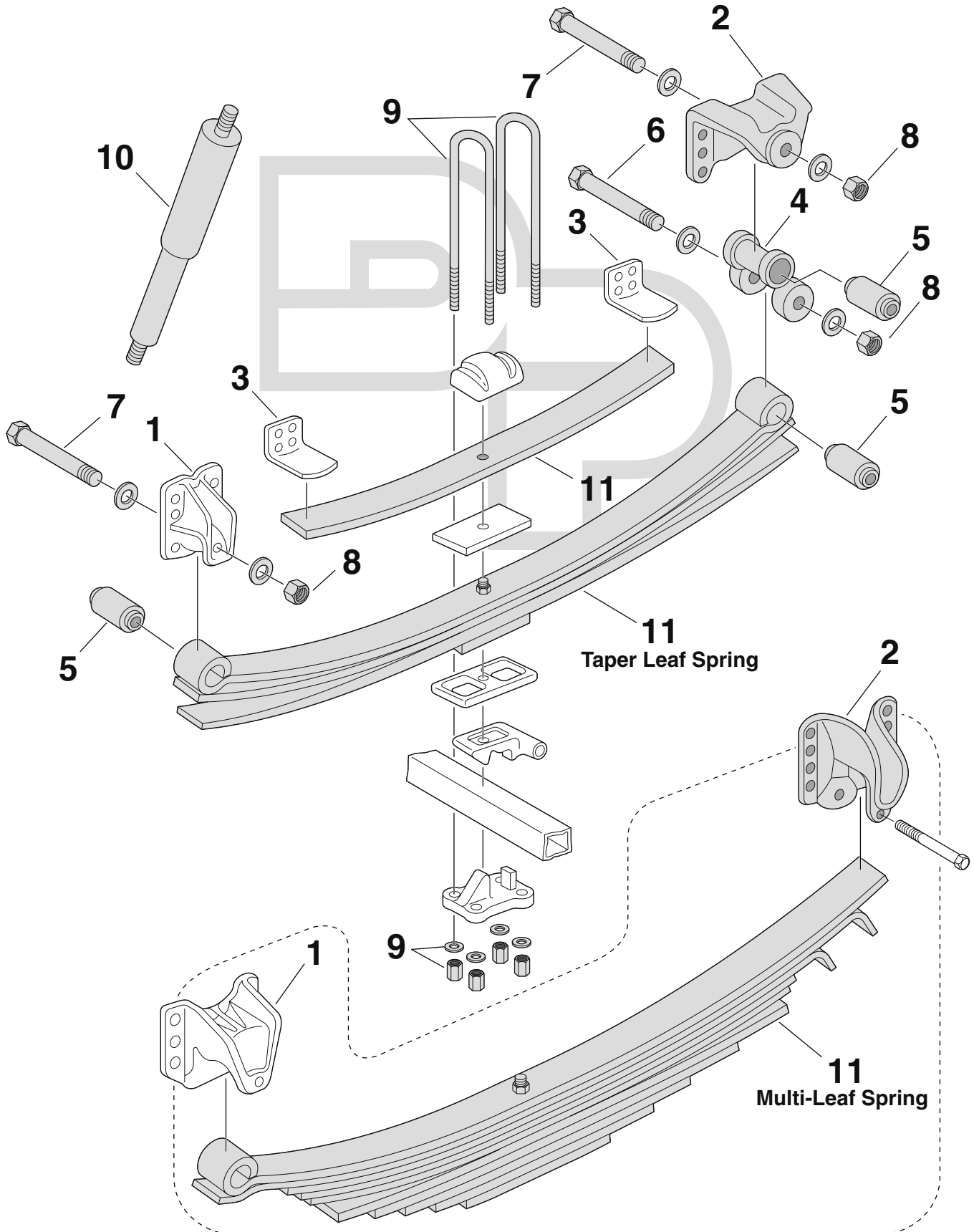


Key No.	Part Number	Description	No. Req.	OEM Reference	Remarks
1	◆	Hanger, Front	2	15608982, 15654693	w/Full Frame Depth
	◆	Hanger, Front	2	15609888	C7/F7
✓✓ ●	2	338-1959 Hanger	2	15609039	All Models
●	338-1960	Hanger; Cast	2	15609890	C7/F7; w/Inverted "L" Frame
	◆	Hanger; Cast	2	15609889	C7/F7; w/o Inverted "L" Frame
✓✓ ●	3	330-354 Assembly, Shackle	2	15587778	All Suspensions
	4	RB-190 Bushing; 20mm ID x 46mm OD x 89mm Lg	6	15588650	
✓✓	5	334-908 Bolt; M20-2.5 x 150mm Lg	6	11514454	
✓✓	6	334-906 Nut, Lock; M20-2.5	6	11501035	
	7	361-389 Kit, U-Bolt; Special Bend, Grade 8	4		5/8" x 4" x 8 1/4" CR
✓✓	361-390	Kit, U-Bolt; Special Bend, Grade 8	4		3/4" x 4" x 8 1/4" CR
✓	8	M66628 Shock Absorber	2	Various	Consult Shock Catalog for Model Specific Applications
	See Shocks	Shock Absorber	2	Various	
	9	Spring Assembly Assembly, Spring	2		See Leaf Spring Web Catalog for Details

**TopKick®/Kodiak® (From 1990)
GM Tilt Cab®
Rear Single Axle Suspensions**

GMC/Chevrolet

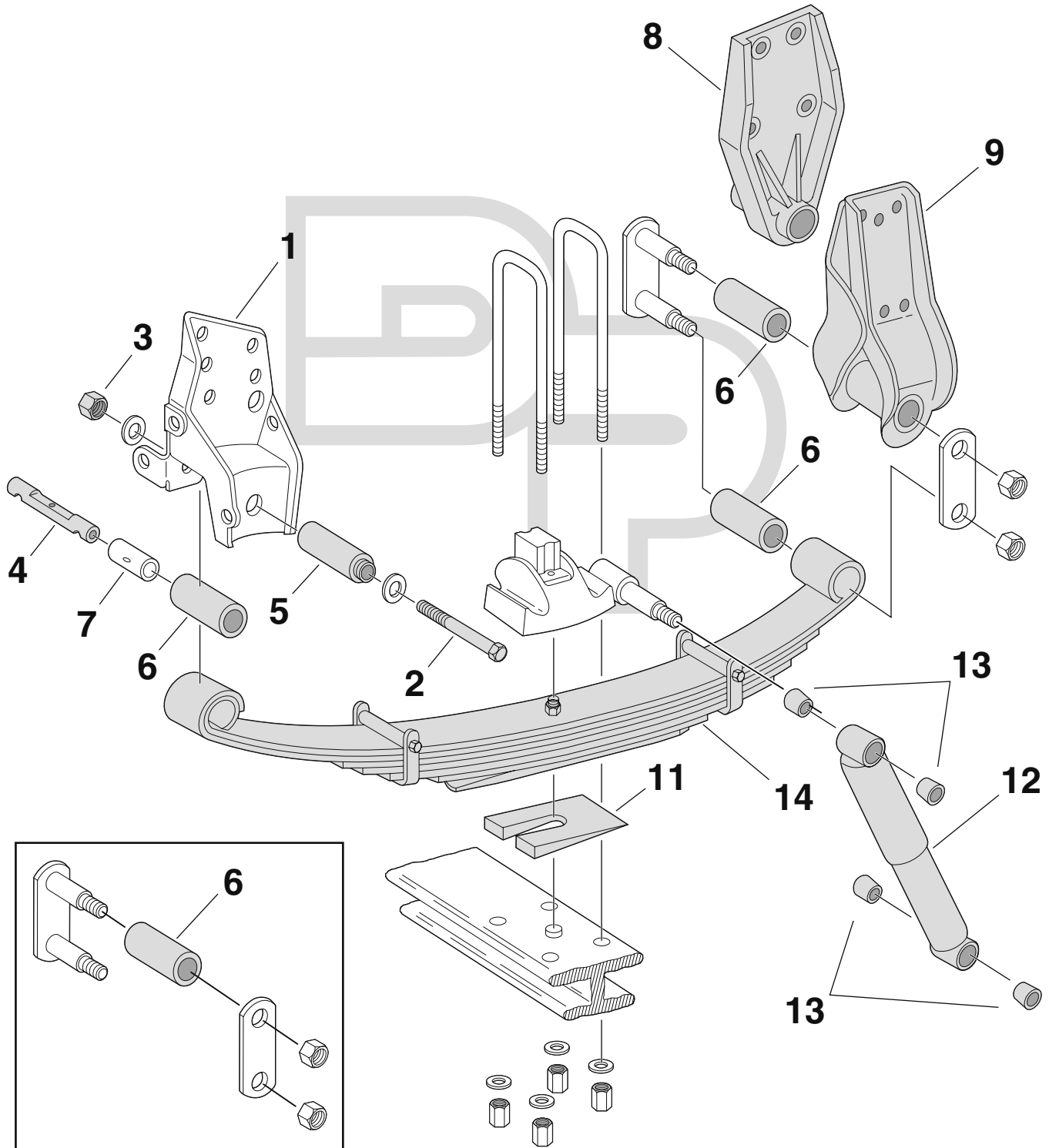
GMC/Chevrolet



Suspension Illustration

Key No.	Part Number	Description	No. Req.	OEM Reference	Remarks	
1	◆	Hanger	2	15641039	From 15k-23k; w/Tapered Spring; 10.7" Frame	
	◆	Hanger	2	15641040	15k, 19k & 21k, w/Multileaf; 16k-23k, w/Taper Leaf w/o Fr.Reinf. or Ext. Fr. & 9.5"/9.6" Frame	
	◆	Hanger	2	15641041	15K-23K, w/Multileaf; 16K-23K, w/Taper Leaf w/Fr. Reinf. or Frame Extension	
✓✓ ●	2	338-1961	Hanger	2	15641037	13.5k-23k; w/Taper Spring; 9.5" Frame
●	338-1962	Hanger; Cast	2	15641044	C7; 19k-23k; w/Taper Spring; 10.7" Frame	
	◆	Hanger	2	15641042	From 19k-21k; w/Multileaf Spring; 10.7" Frame	
	◆	Hanger	2	15641043	From 13.5k-21k; w/Multileaf Spring	
	3	◆	Bracket, Auxiliary Spring	4	15641070	
✓✓ ●	4	330-353	Assembly, Shackle	2	15641035	
	5	RB-191	Bushing; 22mm ID x 52mm OD x 74mm Lg	2 or 6	15588651	
	6	334-909	Bolt; M22-2.5 x 135mm Lg	2	15608999	
✓✓	7	334-910	Bolt; M22-2.5 x 190mm Lg	2 or 4	15641062	
✓✓	8	334-911	Nut, Lock; M22-2.5	2 or 6	15609003	
	9	361-391	Kit, U-Bolt; Special Bend, Grade 8	4	15624750, 15643019	¾" x 3" x 18 ½" CR3
✓✓		361-392	Kit, U-Bolt; Special Bend, Grade 8	4	15642864	7/8" x 3" x 20 ½" CR3
✓	10	M65415	Shock Absorber	2	22064402	
✓		M65416	Shock Absorber	2	22064489	
✓✓		M66626	Shock Absorber	2	22064232	
		See Shocks	Shock Absorber	2	Various	Consult Shock Catalog for Model Specific Applications
	11	Spring Assembly	Assembly, Spring	2		See Leaf Spring Web Catalog for Details

GMC/Chevrolet



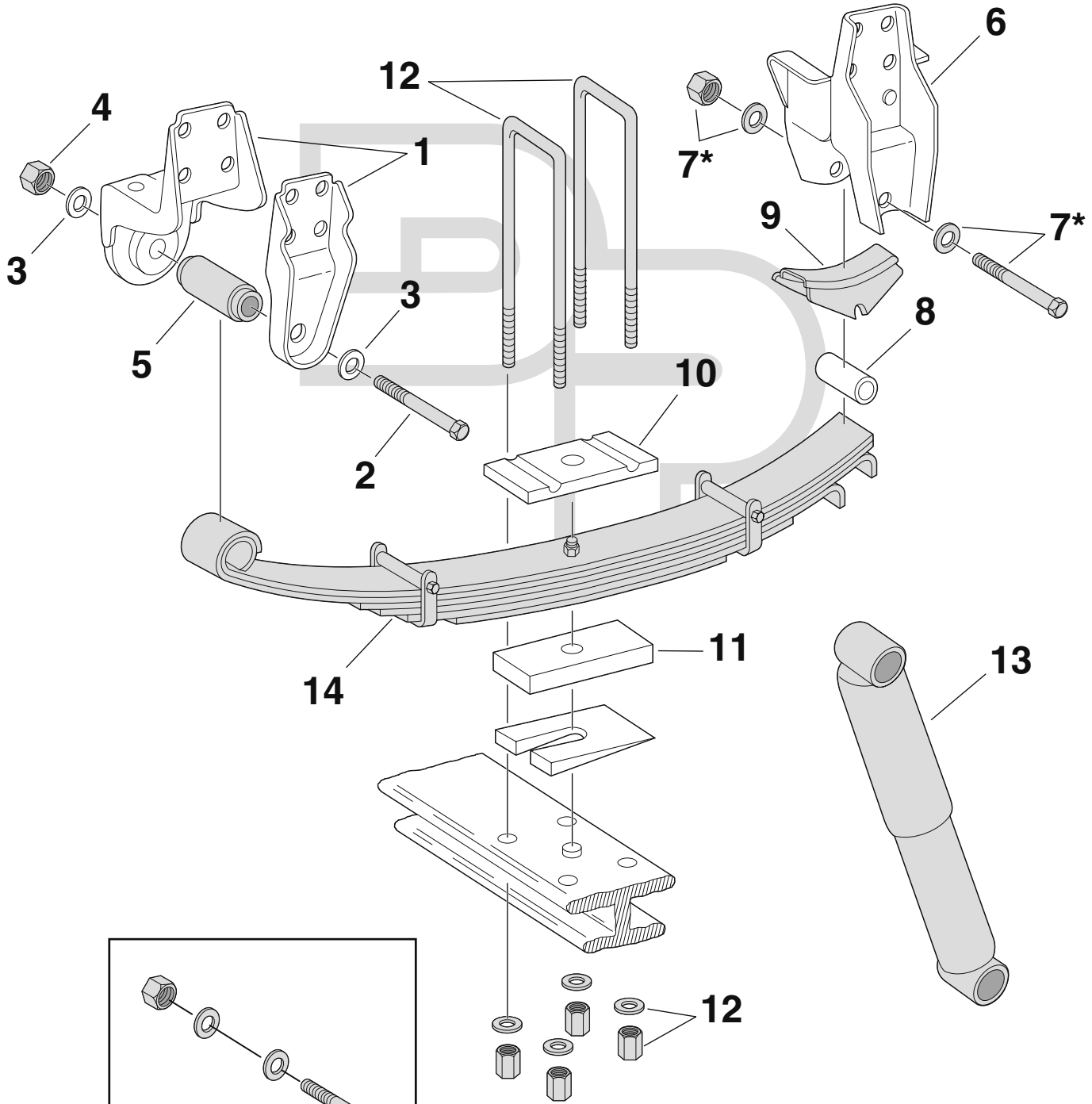
Suspension Illustration

Key 10 - Shackle Kit
(Including 1 UQK Bushing)

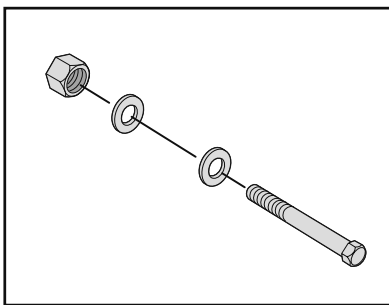
Key Numbers with an asterisk (*) indicate a kit or assembly.

Key No.	Part Number	Description	No. Req.	OEM Reference	Remarks
	◆	Hanger, Front	2		
✓✓	2	327-184 Bolt; 1 ⁵ / ₁₆ "-16 x 5 1/2"Lg	2	688898	Use w/RB-73
	327-182	Bolt, Spring; Greasable; 1 ⁵ / ₁₆ "-16 x 5 1/4"Lg	2	644249	Optional: Use w/Spacer (Key 7) & UQG Bushing
✓✓	3	334-418 Nut; 1 ⁵ / ₁₆ "-16	2	644536	
	4	327-200 Spring Pin; 1.422"OD x 5 1/8"Lg x 3 1 ⁵ / ₁₆ " c/c	2	653394	Obsolete
	327-201	Spring Pin; 1.422"OD x 6 1/2"Lg x 5 5 ⁵ / ₁₆ " c/c	2	720456	Obsolete
	5	RB-73 Bushing; 1 ⁵ / ₁₆ "ID x 1 1 ¹ / ₁₆ "OD x 3"Lg	2	3818480	
	6	UQG-BM Bushing; 1 27 ⁷ / ₆₄ "ID x 1 1 ¹ / ₁₆ "OD x 3"Lg	4/6	15513010	3" Spring Eyes
	UQK	Bushing; 1 27 ⁷ / ₆₄ "ID x 1 1 ¹ / ₁₆ "OD x 4"Lg	6	721122	4" Spring Eyes
	7	◆ Spacer, Spring Eye; Front; 1 3/8" x 1 ⁵ / ₁₆ " x 3 1/4"	2	15516436, 3827772	Optional
●	8	338-879 Hanger, Shackle; Cast	2	15605465	
✓✓●	9	338-903 Hanger, Shackle; Stamped	2	15573360	
✓✓	10	330-104 Kit, Shackle; w/UQG Bushing	2	15507482	3" Spring Eyes
✓	330-105	Kit, Shackle; w/UQK Bushing	2	720454	4" Spring Eyes
	11	See Chart Wedge, Camber	AR		See Chart on Page 1091
	12	See Shocks Shock Absorber	2	Various	See Shock Catalog for Additional Applications
●	13	401754 Bushing, Shock; 1"ID	AR		
	14	Spring Assembly Assembly, Spring	2		Consult Shock Catalog for Model Specific Applications

GMC/Chevrolet



Suspension Illustration



Key 7* - Bolt Assembly

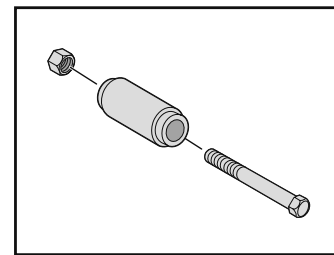
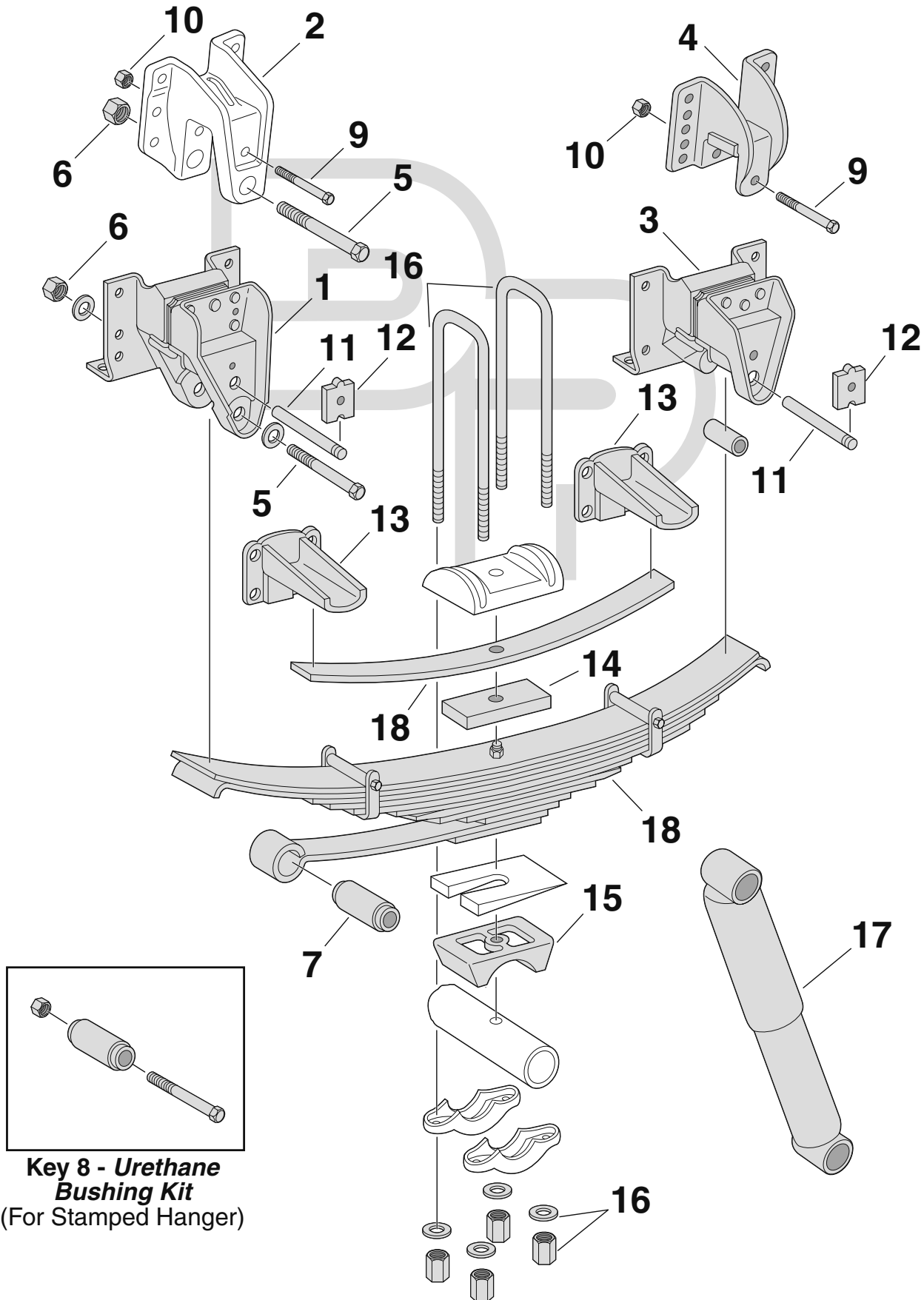
Key No.	Part Number	Description	No. Req.	OEM Reference	Remarks
✓✓	◆	Hanger, Front; Inner; LH/RR; 1975-89, 2nd Design	2	2042102	w/F050 & F055 Axles
	◆	Hanger, Front; Outer; LH/RR; 1975-89, 2nd Design	2	2040953	w/F050 & F055 Axles
	◆	Hanger, Front; Inner; LH/RR; 1975-89, 2nd Design	2	2044360	w/F070, F090 & F120 Axles
	◆	Hanger, Front; Outer; LH/RR; 1975-89, 2nd Design	2	2040956	w/F070, F090 & F120 Axles
✓✓	327-184	Bolt; 1 ⁵ / ₁₆ "-16 x 5 1/2"Lg	2	688898	3" Wide Springs
	334-798	Assembly, Bolt; 3/4"-16 x 4"Lg	2	9418882	Incl. Bolt & Hdwe.
✓✓	◆	Washer; .812" x 1 3/8" x .100"	4	2436168	Use SUW-34
	◆	Washer; .960" x 1 1/2" x .130"	4	3865187	Use SUW-100
✓✓	334-418	Nut; 1 ⁵ / ₁₆ "-16	2	644536	
✓✓	RB-90	Bushing; 3/4"ID x 2"OD x 2 1/2"Lg	2	3865740	Offset Inner Sleeve
	RB-73	Bushing; 1 ⁵ / ₁₆ "ID x 1 11/16"OD x 3"Lg	2	3818490	
	RB-94	Bushing; 1 ⁵ / ₁₆ "ID x 1 7/8"OD x 2 1/4" Oval x 3"Lg	2	3865746	
✓	◆	Hanger, Rear; LH/RR; 1975-89	2	2042161	w/F050 & F055 Axles
	◆	Hanger, Rear; LH/RR; 1973-78; 65 Series Only	2	3888496	w/F070, F090 & F120 Axles
	◆	Hanger, Rear; LH/RR; 1975-89	2	2040847	w/F070, F090 & F120 Axles
✓	334-768	Assembly, Bolt; 5/8"-18 x 4 1/2"Lg	2	955375	Incl. Bolt & Hdwe.
✓	334-770	Assembly, Bolt; 5/8"-18 x 5"Lg	2	23-09444-500	Incl. Bolt & Hdwe.
✓	◆	Spacer, Rebound; .68" x 2.898"	2	3850328	w/2 1/2" Spring
	◆	Spacer, Rebound; .68" x 3.485"	2	3865601	w/3" Spring
●	334-732	Assembly, Cushion/Retainer	2	3865198, 3865199	w/2 1/2" Springs
✓✓●	334-733	Assembly, Cushion/Retainer	2	2073778	w/3" Springs
✓	◆	Plate, Top; 2 1/2" x 4 3/16"	2	3823750	w/F050 & F070 Axles
	◆	Plate, Top; 3" x 5 3/16"	2	3823751	w/F050 & F070 Axles
	◆	Plate, Top; 3" x 6 3/16"	2	3823752	w/F090 & F120 Axles
✓	◆	Block, Spacer; 3" x 5" x 1 1/16"	AR	3894045	
	◆	Block, Spacer; 3 1/2" x 5 3/4" x 1 5/16"	AR	2085977	
	◆	Block, Spacer; 3 1/2" x 6 5/8" x 1 11/16"	AR	3894050	
✓	361-368	Kit, U-Bolt; Square Bend, Grade 5	4	2066295	9/16" x 2 9/16" x 7 5/8" S
	361-370	Kit, U-Bolt; Square Bend, Grade 8	4	2416103	5/8" x 3" x 8 3/8" S
	361-372	Kit, U-Bolt; Special Bend, Grade 8	4	3894052	3/4" x 3" x 9 3/8" CR2
✓	See Shocks	Shock Absorber	2	Various	Consult Shock Catalog for Model Specific Applications
✓	Spring Assembly	Assembly, Spring	2		See Leaf Spring Web Catalog for Details

Rear Single Axle Suspension (w/Torque Leaf)

GMC/Chevrolet

GMC/Chevrolet

Suspension Illustration



Key 8 - Urethane Bushing Kit
(For Stamped Hanger)

Key Numbers with an asterisk (*) indicate a kit or assembly.

GMC/Chevrolet

Rear Single Axle Suspension (w/Torque Leaf)

GMC/Chevrolet

Parts Listing

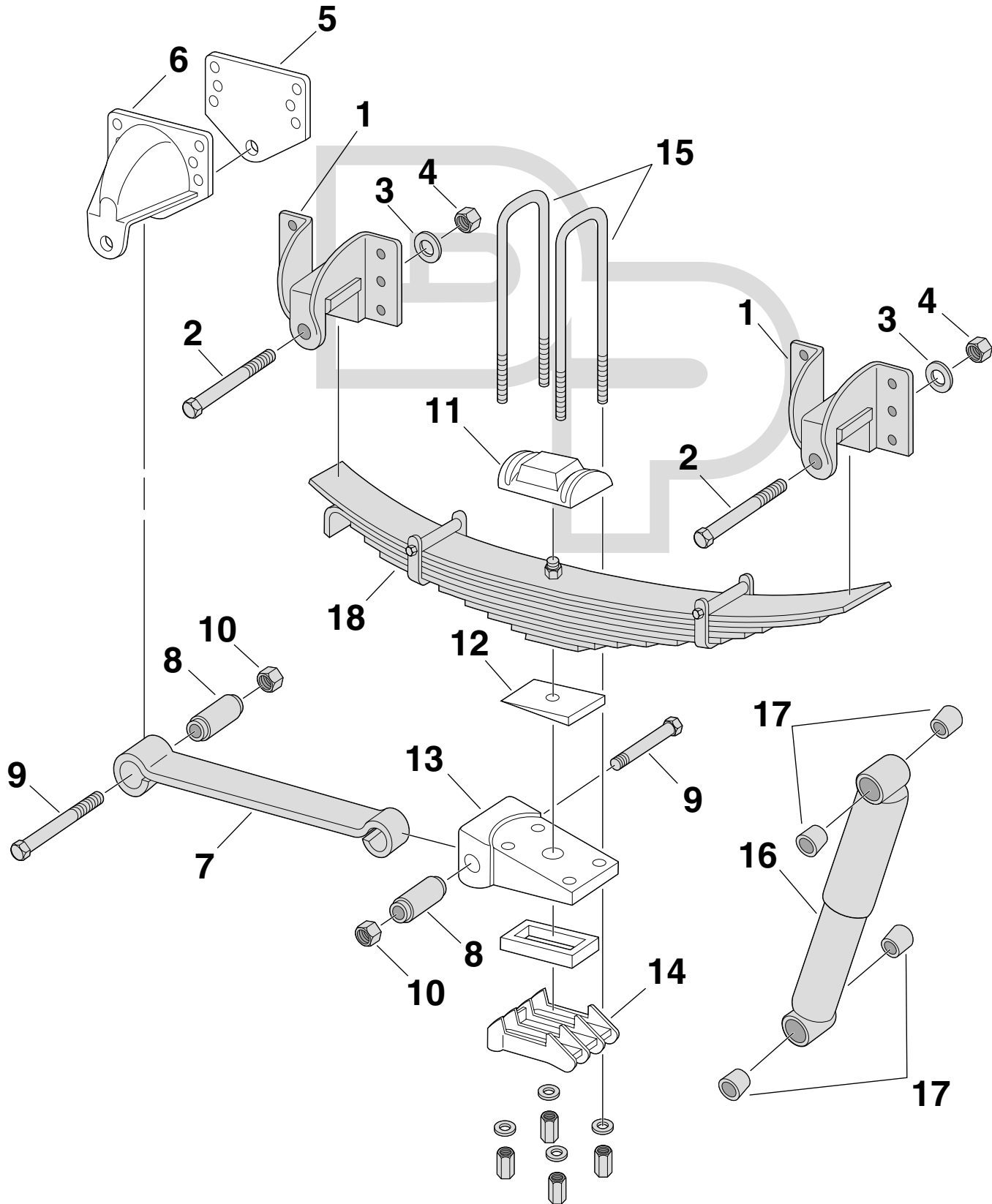
Key No.	Part Number	Description	No. Req.	OEM Reference	Remarks	
✓✓●	1	338-914	Hanger; Stamped; LH	1	8884185	1973-90; w/Frame Reinforcement; 3" Springs; 18.5k-23k Axles
✓✓●		338-915	Hanger; Stamped; RH	1	8884186	1973-90; w/Frame Reinforcement; 3" Springs; 18.5k-23k Axles
●		338-937	Hanger; Stamped; LH	1	8884183	1973-90; w/o Frame Reinforcement; 18.5k-23k Axles
●		338-938	Hanger; Stamped; RH	1	8884184	1973-90; w/o Frame Reinforcement; 18.5k-23k Axles
●		338-905	Hanger; Stamped; LH	1	8884189	1973-82; w/o Frame Reinforcement; 2 1/2" Springs; 11.5k & 17.5k Axles
●		338-906	Hanger; Stamped; RH	1	8884190	1973-82; w/o Frame Reinforcement; 2 1/2" Springs; 11.5k & 17.5k Axles
	2	◆	Hanger, Front; Cast; LH/RH; 1988-95	2	15508250	w/23k Axle; Incl. Top Kick
●	3	338-907	Hanger; Stamped; LH	1	8884191	1973-82; 3" Springs; All Axles; 3/4" Rebound Pin, 327-196
●		338-908	Hanger; Stamped; RH	1	8884192	1973-82; 3" Springs; All Axles; 3/4" Rebound Pin, 327-196
●		338-901	Hanger; Stamped; LH	1	8884193	1973-82; 2 1/2" Springs; 5/8" Rebound Pin, 327-195
●		338-904	Hanger; Stamped; RH	1	8884194	1973-82; 2 1/2" Springs; 5/8" Rebound Pin, 327-195
✓●	4	338-1160	Hanger; Stamped; 1983-89	2	15500575	With 3" Springs; All Axles
✓	5	327-187	Bolt, 1"-14 x 5 1/2"Lg	2	2317659	
		327-500	Bolt; 1"-14 x 6" Lg	2		
✓		334-768	Assembly, Bolt; 5/8"-18 x 4 1/2"Lg	2	955375	Incl. Bolt & Hdwe.; 2 1/2" Wide Springs
✓✓	6	SLN-107	Nut, Lock; 1"-14	2		
✓	7	RB-75	Bushing; 1"ID x 1 13/16"OD x 3"Lg	2	3822129	
		RB-74	Bushing; 5/8"ID x 1 3/8"OD x 2 1/2"Lg	2		
●	8	334-965	Kit, Bushing & Pin; Urethane	2		GM, IHC Bus Chassis w/Stamped Hangers
	9	327-264	Bolt; 1/2"-13 x 5"Lg	4	9427760, 274318	
	10	SLNC-102	Nut, Lock; 1/2"-13	4		
✓●	11	327-196	Pin, Rebound; 3/4"OD x 4 3/8"Lg	2	3858674	3" Wide Springs; 1973 & Up
✓✓●		327-202	Pin, Rebound; 3/4"OD x 5"Lg	2	3818491	3" Wide Springs; Early
		327-195	Pin, Rebound; 5/8" x 4"Lg	2	3858673	2 1/2" Wide Springs
✓✓●	12	334-723	Retainer, Rebound Pin	4	15523088	
	13	338-1830	Bracket	4	2045844	
✓●	14	338-829	Spacer; 1 1/4" x 3" x 8 7/16"	AR	712702	
	15	338-1174	Seat; 4°	2	15531408, 2004210	1979-89; 17k thru 22k Axles w/167", 173", 179", 189" & 203" WB
	16	361-352	Kit, U-Bolt; Special Bend, Grade 8	4	793296	3/4" x 2 9/16" x 14 5/8" CR
		361-354	Kit, U-Bolt; Special Bend, Grade 8	4	2030703	3/4" x 2 9/16" x 16 5/8" CR
		361-356	Kit, U-Bolt; Special Bend, Grade 8	4	2416110	3/4" x 3" x 16 3/8" CR1
✓✓		361-358	Kit, U-Bolt; Special Bend, Grade 8	4	793298	3/4" x 3" x 18 3/8" CR1
		361-360	Kit, U-Bolt; Special Bend, Grade 8	4	15504986	3/4" x 3" x 23 3/8" CR1
		361-362	Kit, U-Bolt; Special Bend, Grade 8	4	793295	7/8" x 3" x 18 3/8" CR1
✓✓		361-364	Kit, U-Bolt; Special Bend, Grade 8	4	8884242	7/8" x 3" x 20 3/8" CR1
		361-366	Kit, U-Bolt; Special Bend, Grade 8	4	15502708	7/8" x 3" x 23 3/8" CR1
	17	See Shocks	Shock Absorber	2	Various	Consult Shock Catalog for Model Specific Applications
	18	Spring Assembly	Assembly, Spring	2		See Leaf Spring Web Catalog for Details

Rear Single Axle Suspension (w/Radius Leaf)

GMC/Chevrolet

GMC/Chevrolet

Suspension Illustration



GMC/Chevrolet

Rear Single Axle Suspension (w/Radius Leaf)

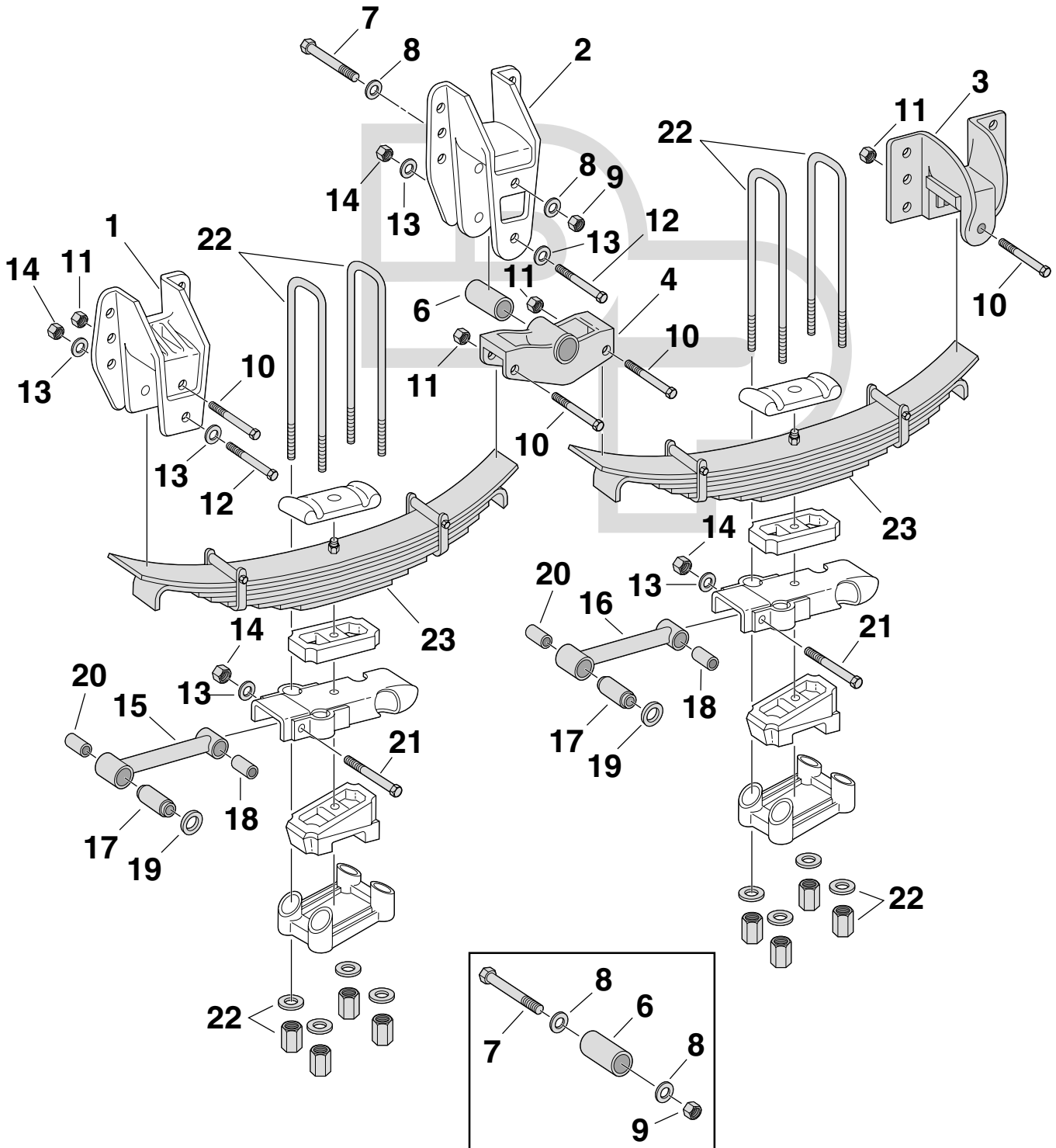
GMC/Chevrolet

Parts Listing

Key No.	Part Number	Description	No. Req.	OEM Reference	Remarks
✓ ●	338-1160 ◆	Hanger, Stamped; 1983-89	4	15500575	w/3" Springs; All Axles
		Hanger, Front and Rear; 6-Hole	4	2065635, 2474850	Use 338-1160
	327-264	Bolt; 1/2"-13 x 5"Lg	4	9427760	
	SUW-12	Washer, U-Bolt; 1/2"	4		
	SLNC-102	Nut, Lock; 1/2"-13	4		
	◆	Plate, Reinforcement	2	2096346	
	◆	Hanger, Radius Leaf	2	2474846	
	48-919 48-933	Leaf, Radius; 31 1/8"Lg	2	2482691	
		Leaf, Radius; 30 1 1/16"Lg	2	712329	
	RB-73	Bushing; 1 5/16"ID x 1 11/16"OD x 3"Lg	4		
✓✓	327-184	Bolt; 1 5/16"-16 x 5 1/2"Lg	4	688898	
✓✓	334-418	Nut; 1 5/16"-16	4	644536	
	◆	Plate, Top	2	2006472	
	◆	Shim	AR	712795	
	◆	Bracket, Radius Leaf/Axle; LH	2	712351	
		Bracket, Radius Leaf/Axle; RH	2	712352	
	◆	Plate, Bottom	2	2040190, 2004213	
	SP	U-Bolt; Bent to Order	4		Specify Length, Width, Diameter & Bend
✓✓	See Shocks	Shock Absorber	2	Various	Consult Shock Catalog for Model Specific Applications
●	401754	Bushing, Shock; 1"ID	8		
	Spring Assembly	Assembly, Spring	2		See Leaf Spring Web Catalog for Details

GMC/Chevrolet

Suspension Illustration



Key 5 - Equalizer Bolt & Bushing Assembly

GMC/Chevrolet

Four Spring Corporate Suspension

GMC/Chevrolet

Key No.	Part Number	Description	No. Req.	OEM Reference	Remarks
1	◆	Hanger, Front	2		
2	◆	Hanger, Center	2		
✓ ● 3	338-1160	Hanger; Stamped; 1983-89	2	15500575, 2065635	w/3" Springs; All Axles
● 4	338-1780	Assembly, Equalizer	2	2092264	Obsolete
5	334-1578	Assembly, Bolt; 1 1/4"-12 x 8"Lg	2		Obsolete
● 6	321-337	Bushing; 1 5/16"ID x 3"OD x 3 15/16"Lg	2	2092263	
7	334-1353	Bolt; 1 1/4"-12 x 8"Lg	2	9440068	Obsolete
8	SFW-125	Washer, Flat; 1 1/4"	4	15504371	
9	SLN-108	Nut, Lock; 1 1/4"-12	2	9414006	
10	327-264	Bolt; 1/2"-13 x 5"Lg	8	9427760	
11	SLNC-102	Nut, Lock; 1/2"-13	8		
● 12	334-1349	Bolt; 1 5/16"-16 x 6 3/4"Lg	4	15501900	Obsolete
✓✓ 13	334-152	Washer, Hard Flat; 1"ID x 1 3/4"OD x 7/64"Thk	16		
✓✓ 14	334-418	Nut, 1 5/16"-16	8	644536	
15	345-827	Torque Rod, Rigid; 13 15/16"Lg c/c	2	2092269	Obsolete
16	345-828	Torque Rod, Rigid; 20 1/4"Lg c/c	2	2092273	Obsolete
17	RB-168	Bushing; 1 3/4"ID x 3"OD x 3"Lg	4		Hanger End
18	RB-73	Bushing; 1 5/16"ID x 1 11/16"OD x 3"Lg	4		Axle End
19	334-1352	Spacer; 1 1/32"ID x 2 1/2"OD x .531"Thk	4	15501896	Obsolete
● 20	334-1348	Liner, Eccentric; 1 3/4"OD x 3"Lg	4	2079515	Obsolete
21	334-1350	Bolt; 1 5/16"-16 x 6 1/4"Lg	4	15503888	Obsolete
✓✓ 22	361-392	Kit, U-Bolt; Special Bend, Grade 8	8	15642864	7/8" x 3" x 20 1/2" CR3
23	Spring Assembly	Assembly, Spring	4		See Leaf Spring Web Catalog for Details

Parts Listing

401754



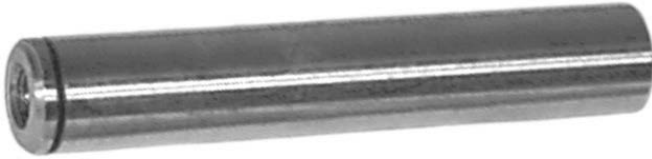
Shock Bushing, 1"ID; Models: Various

321-337



Bushing; 15/16" I.D. x 3" O.D. x 3 15/16" Lg.; Model Four Spring

327-196



Pin, Rebound; 3/4" O.D. x 4 3/8" Lg.; Use w/ 334-723; Model Rear Single Axle, 1973 and Up

327-202



Pin, Rebound; 3/4" O.D. x 5" Lg.; Use w/ 334-723; Model Rear Single Axle

330-353



Shackle Assembly; Model TopKick/Kodiak/GM Tilt Cab Rear Single Suspensions

330-354



Shackle Assembly; Model TopKick/Kodiak/GM Tilt Cab Front Suspensions

334-723



Retainer, Rebound Pin; 1 1/4" Lg. x 15/16" Wd.; Use w/ 327-196, 327-202; Model Rear Single Axle

334-732



Cushion/Retainer Assembly; 2 1/2" Wide Springs; Model C50/60/70

334-733



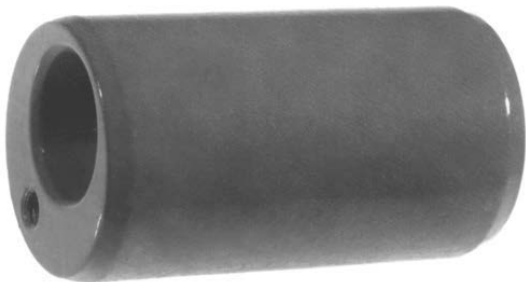
Cushion/Retainer Assembly; 3" Wide Springs; Model C50/60/70

334-965



Urethane Bushing and Bolt Kit for 3" Wide Springs/Stamped Hangers; Model Rear Single Axle

334-1348



Eccentric Liner; 1 3/4" O.D. x 3" Lg.; Use w/ RB-168; Model Four Spring

334-1349



Bolt; 15/16" -16 x 6 3/4" Lg. w/ Flat; Use w/ 334-418 Nut; Model Four Spring

338-829



Spacer; 1 1/4" x 3" x 8 7/16"; Model Rear Single Axle

338-879



Hanger, Shackle; Cast; Includes UQG Bushing; Use w/ 330-104 or 330-105 Shackle Kit; Models Brigadier, General, Astro

338-901



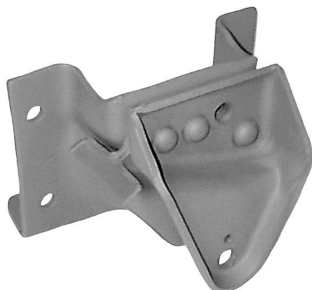
Hanger, LH; Stamped; 2 1/2" Springs 1973-82; Use w/ 327-195 Rebound Pin; Model Rear Single Axle, Rear of Rear LH

338-903



Hanger, Shackle; Stamped; Includes UQG Bushings; Use w/ 330-104 or 330-105 Shackle Kit; Models Brigadier, General, Astro

338-904



Hanger, RH; Stamped; 2 1/2" Springs 1973-82; Use w/ 327-195 Rebound Pin; Model Rear Single Axle, Rear of Rear RH

338-905



Hanger, LH; Stamped; 2 1/2" Springs; Use w/ 334-768 Spring Bolt, 327-195 Rebound Pin; Model Rear Single Axle, Front of Rear LH

338-906



Hanger, RH; Stamped; 2 1/2" Springs; Use w/ 334-768 Spring Bolt, 327-195 Rebound Pin; Model Rear Single Axle, Front of Rear RH

338-907



Hanger, LH; Stamped; 3" Springs 1973-82; Use w/ 327-196 Rebound Pin; Model Rear Single Axle, Rear of Rear LH

338-908



Hanger, RH; Stamped; 3" Springs 1973-82; Use w/ 327-196 Rebound Pin; Model Rear Single Axle, Rear of Rear

338-914



Hanger, LH; Stamped; 3" Springs; CLEARANCE to first hole: 2"; Use w/ 327-187 Spring Bolt, 327-196 Rebound Pin; Model Rear Single Axle w/ Front Reinforcement, Front of Rear

338-915



Hanger, RH; Stamped; 3" Springs; CLEARANCE to first hole: 2"; Use w/ 327-187 Spring Bolt, 327-196 Rebound Pin; Model Rear Single Axle w/ Frame Reinforcement, Front of Rear

338-937



Hanger, LH; Stamped; 3" Springs; CLEARANCE to first hole: 1 3/4"; Use w/ 327-187 Spring Bolt, 327-196 Rebound Pin; Model Rear Single Axle w/o Reinforcement, Front of Rear

338-938



Hanger, RH; Stamped; CLEARANCE to first hole: 1 3/4"; 3" Springs; Use w/ 327-187 Spring Bolt, 327-196 Rebound Pin; Model Rear Single Axle w/o Reinforcement, Front of Rear

338-1160



Hanger; Stamped (1983-89); 3" Springs, Replaces 6 Hole Hanger; Use w/ 327-264 Rebound Bolt; Models Rear Single Axle, Four Spring

338-1780



Equalizer Assembly; Includes 321-337 Bushings; Use w/ 327-264 Rebound Bolts, 334-1353 Equalizer Bolt; Model Four Spring

338-1959



Hanger; Use w/334-908 Spring Bolt, 330-354 Shackle; Model TopKick/Kodiak/Tilt Cab

338-1960



Hanger; Cast; Use w/334-908 Spring Bolt; Model TopKick/Kodiak/Tilt Cab

338-1961



Hanger; Use w/334-909 Spring Bolt, 330-353 Shackle; Model TopKick/Kodiak/Tilt Cab

338-1962



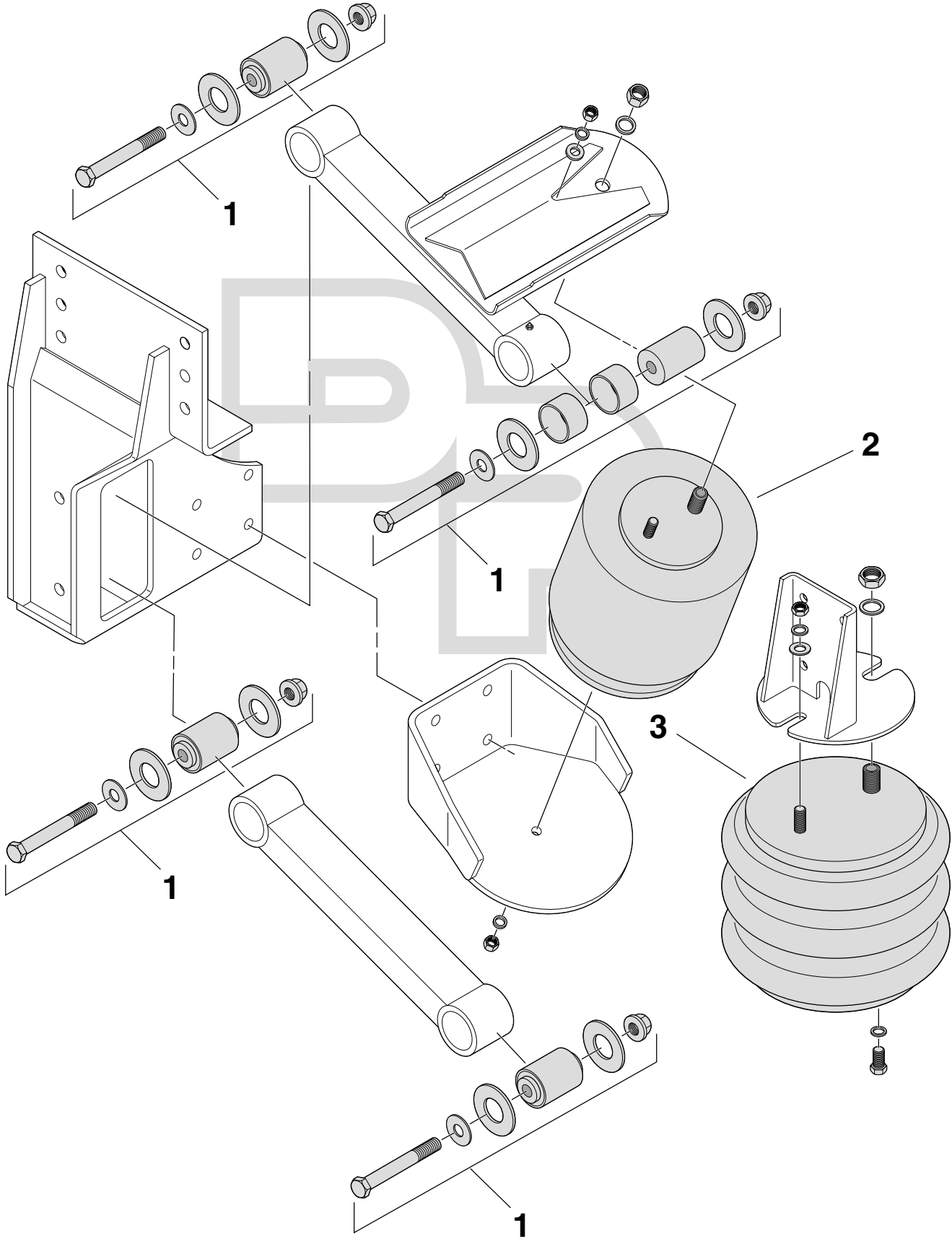
Hanger, Cast; Use w/334-909 Spring Bolt, 330-353 Shackle; Model TopKick/Kodiak/Tilt Cab

GMC/Chevrolet

Component Photos

Granning

Suspension Illustration



Granning

L120 (Late)/L130 Model Air Suspensions

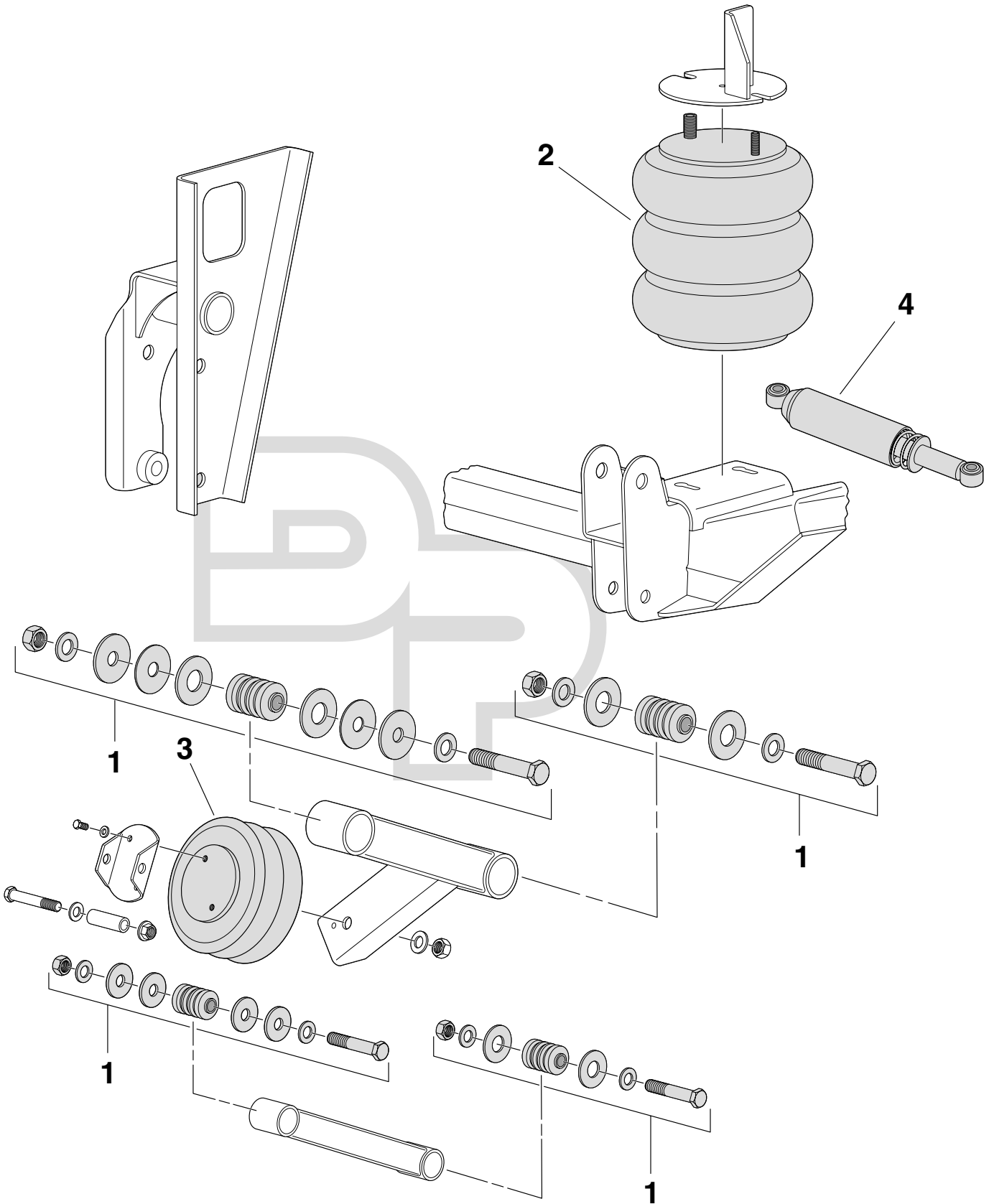
Key No.	Part Number	Description	No. Req.	OEM Reference	Remarks
1	339-326	Kit, Service; Suspension Bushing	2	K701018	3/4" Bolts
	339-327	Kit, Service; Suspension Bushing	2	K701019	1" Bolts
2	352-5423	Air Spring	2	5235	
3	354-7996	Air Spring	2	8221	

Granning

Parts Listing

Granning

Suspension Illustration



Granning

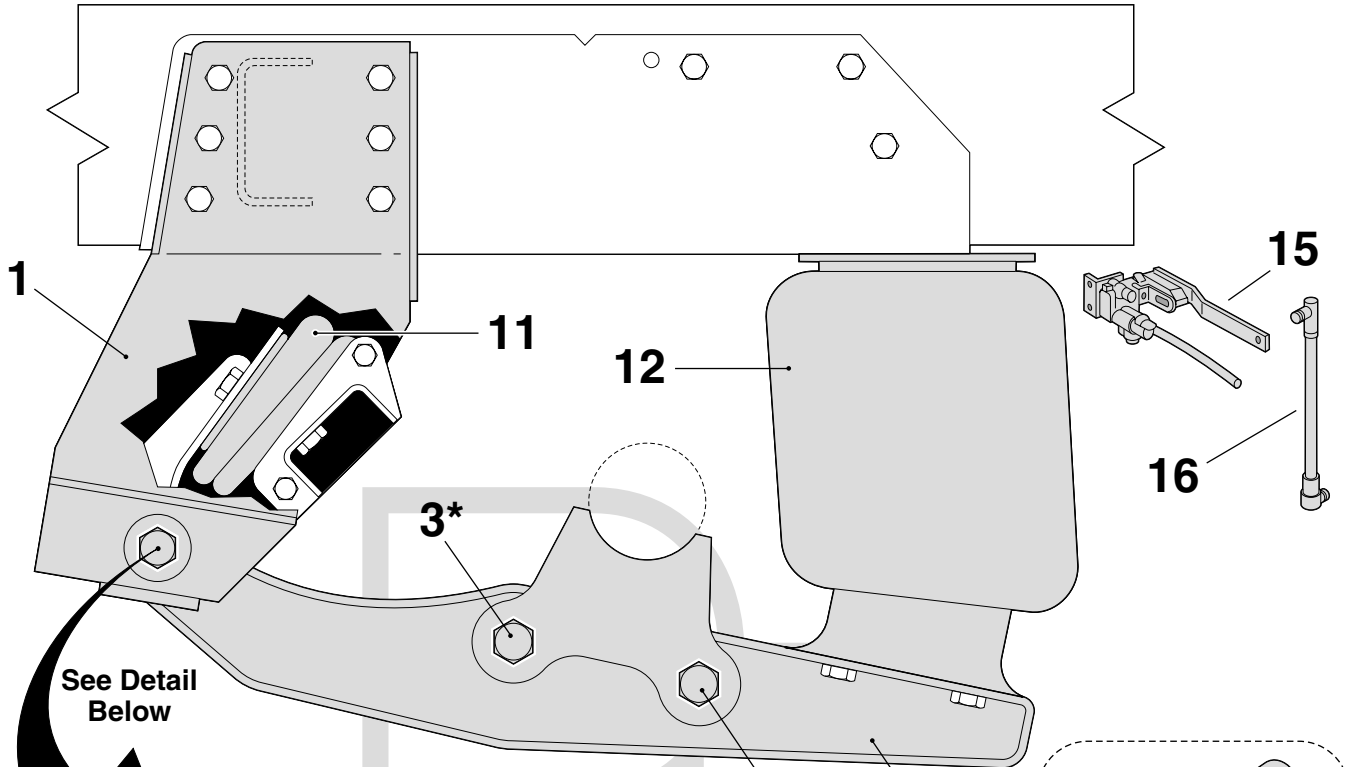
**L132LW
Lift Axle
Air Suspension**

Key No.	Part Number	Description	No. Req.	OEM Reference	Remarks
1	339-328	Kit, Service; Suspension Bushing	1	K707274	
2	354-7996	Air Spring	2	8221	
3	354-7897	Air Spring	2	704185-01	
✓ 4	M66502	Stabilizer	2		Consult Shock Catalog for Model Specific Applications

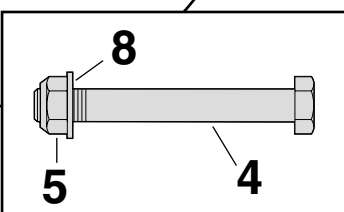
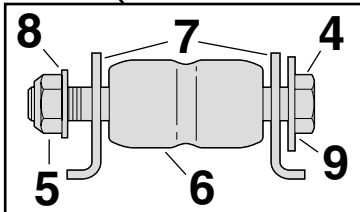
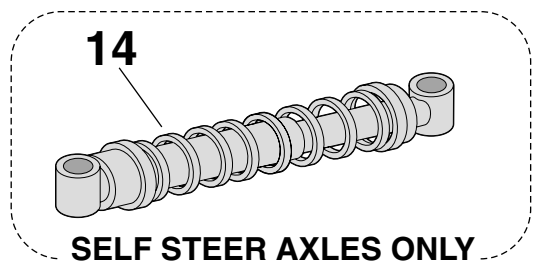
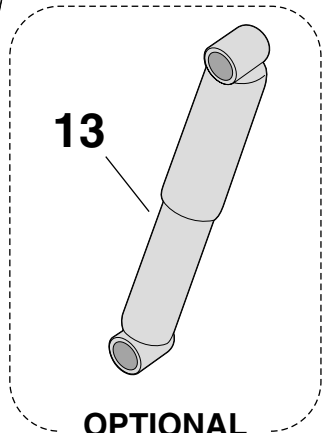
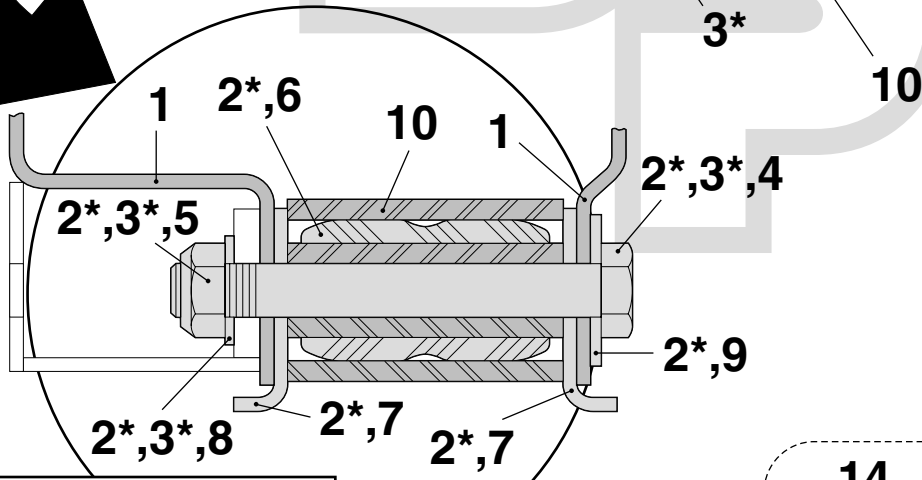
Granning

Parts Listing

Granning



See Detail Below



Key 2* - Maintenance Kit, Suspension Key 3* - Bolt Assembly

Suspension Illustration

Granning

L225 Lift Axle Air Suspension

Granning

Parts Listing

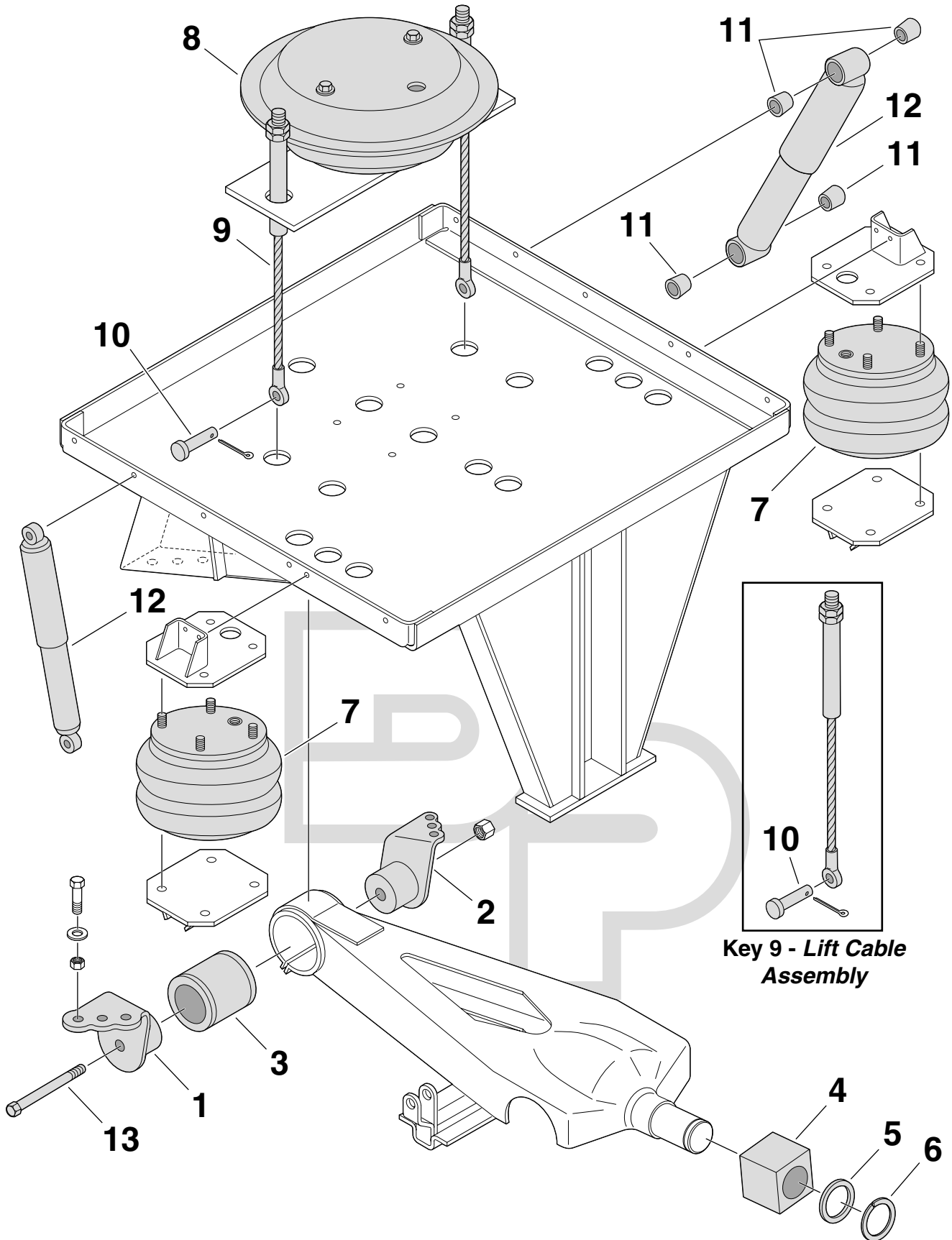
Key No.	Part Number	Description	No. Req.	OEM Reference	Remarks
	SP	Assembly, Hanger	1		Specify LH/RH
	339-258	Kit, Maintenance; Suspension	1	9636	Incl. Bushings, Thrust Washers & Hdwe.
✓✓	334-811	Assembly, Bolt; 1"-14 x 8 ½"Lg	6		Incl. Bolt & Hdwe.
	334-458	Bolt; 1"-14 x 8 ½"Lg	6	3628	
✓✓	SLN-107	Nut, Lock; 1"-14	6	89422312	
✓✓ ●	321-375	Bushing; 2 ¾"OD x 1"ID x 5 ½"Lg	6	702227-01, 4894	
✓✓ ●	334-1659	Washer, Thrust	4	4712	
✓✓	334-152	Washer, Hard Flat; 1"ID x 1 ¾"OD x 7/64"Thk	12	2571	
✓✓	334-1660	Washer, Alignment; 2 ¾"OD x .25"Thk	4	4600	
	SP	Beam; Roadside	1	4699	
	SP	Beam; Curbside	1	4700	
✓	354-6935	Air Spring	2	4848	
✓✓	352-9083	Air Spring	2	1359	
	M65410	Shock Absorber	2	680162	Optional
✓	M66502	Stabilizer	2		Self Steer Axles Only
✓✓ ●	334-750	Valve, Height Control; Universal	1		Hadley - Model 450HCV
✓ ●	334-751	Linkage Assembly; Universal; Adjustable	1		3 5/8"-19 5/8" Range; Use w/All Height Control Valves

**T100A/AT, T200/300A
Lift Axle
Air Suspensions**

Granning

Granning

Suspension Illustration



Granning

T100A/AT, T200/300A Lift Axle Air Suspensions

Granning

Parts Listing

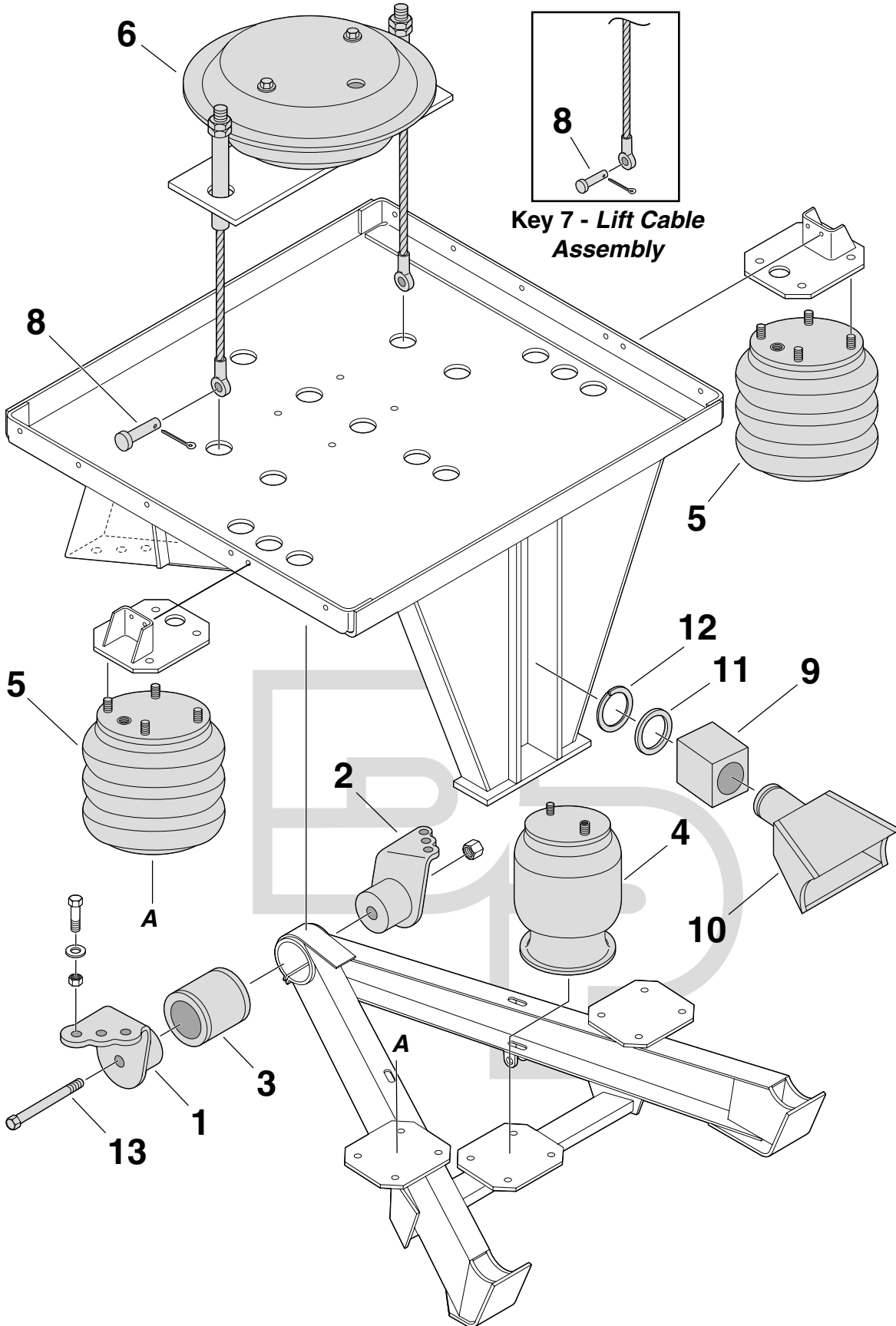
Key No.	Part Number	Description	No. Req.	OEM Reference	Remarks	
✓✓ ●	1	338-1802	Bracket, Pivot; LH	1	1029	
✓✓ ●	2	338-1803	Bracket, Pivot; RH	1	1005	
✓✓ ●	3	321-126	Bushing, Beam End; Rubber; 5 3/4"Lg	1	1003	
●		321-126U	Bushing, Beam End; Urethane	1		
✓✓ ●	4	334-1445	Block, Travel	1	1219	
●	5	334-1444	Ring, Spacer; 3"ID x 4"OD x .150 Thk	1	1010	
●	6	334-1443	Ring, Snap; External; 2 5/8"ID	1	1426	
	7	354-7140	Air Spring	2	1015	
✓✓	8	354-7443	Air Spring	1	1218	
✓ ●	9	334-1447	Assembly, Cable	2	1188	Incl. Pin & Cable
●	10	334-1448	Pin, Clevis; 3/4" x 2"Lg	2	1235	
●	11	401754	Bushing, Shock; 1"ID	8		
✓✓	12	M66957	Shock Absorber	2	1085	Consult Shock Catalog for Model Specific Applications
	13	334-1446	Bolt; 3/4"-16 x 7"Lg	1	9429901, 0302	

**T200AX
Lift Axle
Air Suspension**

Granning

Granning

Suspension Illustration



Granning

T200AX Lift Axle Air Suspension

Granning

Parts Listing

Key No.	Part Number	Description	No. Req.	OEM Reference	Remarks	
✓✓●	1	338-1802	Bracket, Pivot; LH	1	1029	
✓✓●	2	338-1803	Bracket, Pivot; RH	1	1005	
✓✓●	3	321-126	Bushing, Beam End; Rubber; 5 3/4"Lg	1	45900, 1003	
●		321-126U	Bushing, Beam End; Urethane	1		
✓✓	4	352-9083	Air Spring	1	1359	
	5	354-7140	Air Spring	2	1014	
✓✓	6	354-7443	Air Spring	1	1218	
✓●	7	334-1447	Assembly, Cable	2	1188	Incl. Pin & Cable; 25 1/2"
●	8	334-1448	Pin, Clevis; 3/4" x 2"Lg	2	1235	
✓✓●	9	334-1445	Block, Travel	1	1219	
●	10	338-1801	Spindle	1	1118	
●	11	334-1444	Ring, Spacer; 3"ID x 4"OD x .150 Thick	1	1010	
●	12	334-1443	Ring, Snap; External; 2 5/8"ID	1	1426	
●	13	334-1446	Bolt; 3/4"-16 x 7"Lg	1	9429901, 0302	

401754



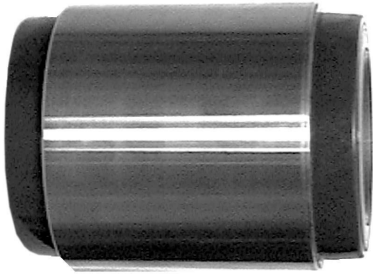
Shock Bushing, 1"ID; Models: Various

321-126



Bushing, Beam End Rubber; 5 3/4"Lg.; Models T200AX, T200A/300A, T100A/AT

321-126U



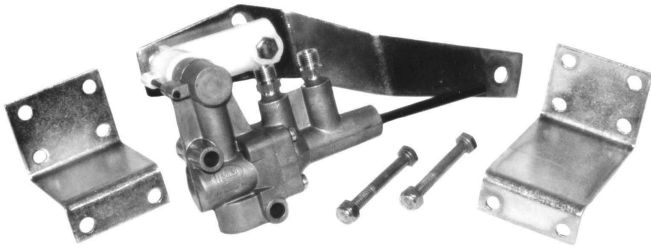
Bushing, Beam End; Urethane; 5 3/4"Lg.; Models T200AX, T200A/300A, T100A/AT

321-375



Bushing; 2 3/4" O.D. x 1" I.D. x 5 1/8" Lg.; Model L225

334-750



Valve, Height Control; Universal; Hadley - Model 450HCV; Model L225

334-751



Linkage Assembly, Universal Adjustable; 3 5/8"-19 5/8" Range; Use w/all Height Control Valves; Model L225

334-1443



Snap Ring, External; 2 5/8"ID 2 5/8" I.D.; Models T100A/AT, T200A, T300A, T200AX

334-1444



Spacer Ring; 3" I.D. x 4" O.D. x .15 Thk.; Models T100A/AT, T200A, T300A, T200AX

334-1445



Travel Block; Models T100A/AT, T200A, T300A, T200AX

334-1447



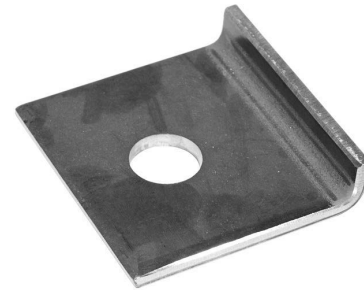
Cable Assembly; Includes Pin and Cable; Models T100A/AT, T200A, T300A, T200AX

334-1448



Pin, Clevis; 3/4" x 2"Lg.; Models T100A/AT, T200A, T300A, T200AX

334-1659



Washer, Thrust; Model L225

338-1801



Spindle; Model T200AX

338-1802



Bracket, LH Pivot; Models T100A/AT, T200A, T300A, T200AX

338-1803



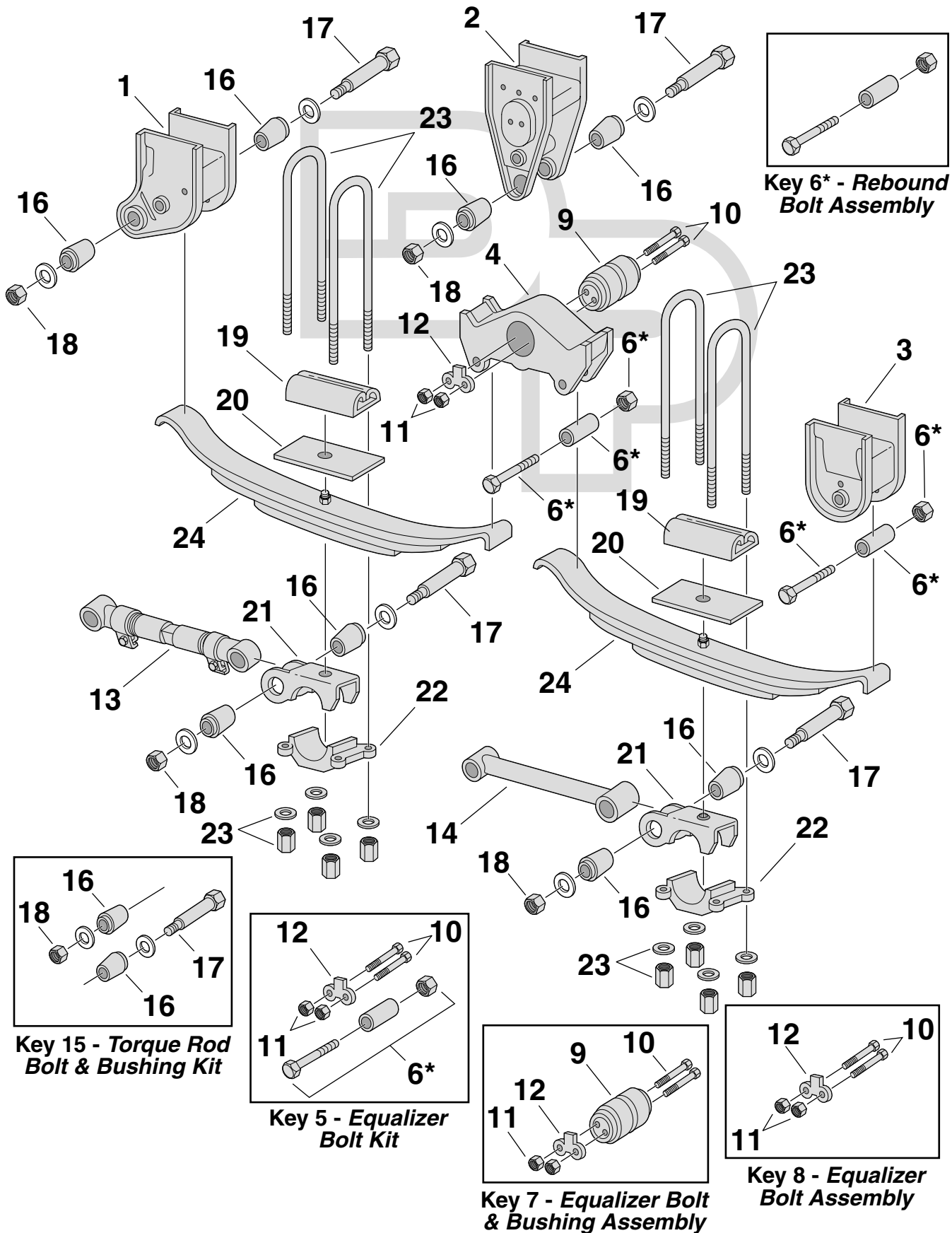
Bracket, RH Pivot; Models T100A/AT, T200A, T300A, T200AX

**Model "H"
Four Spring Suspension**

Great Dane

Great Dane

Suspension Illustration



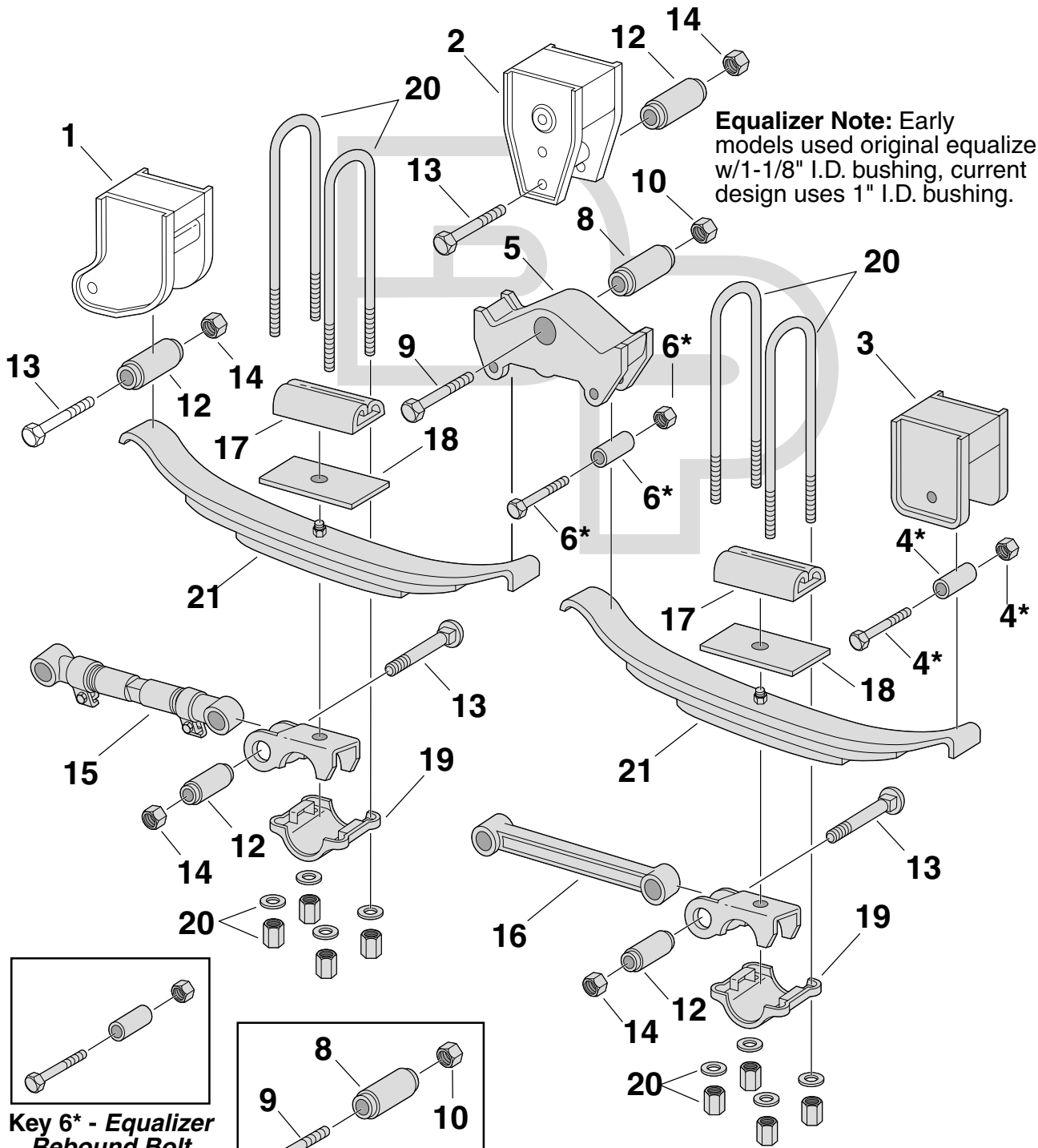
Key No.	Part Number	Description	No. Req.	OEM Reference	Remarks		
●	1	338-440	Hanger, Fabricated; Straddlemount	2	7601-01		
●		338-441	Hanger, Fabricated; Undermount	2	7601-02		
●	2	338-442	Hanger, Fabricated; Straddlemount	2	7602-01		
●		338-443	Hanger, Fabricated; Undermount	2	7602-02		
●	3	338-455S	Hanger, Fabricated; Straddlemount	2	7703-01		
✓	●	338-456S	Hanger, Fabricated; Undermount	2	7703-02		
✓✓	●	338-419S	Assembly, Equalizer; Fabricated	2	750-03	49" Axle Spacing; Incl. 321-176 Bushing	
●		338-419E	Assembly, Equalizer; Fabricated; Economy	2		Incl. Bushing	
●		338-419HD	Assembly, Equalizer; Fabricated; Heavy Duty	2		Incl. Bushing	
✓✓	5	334-639	Kit, Service; Equalizer Bolts	2		Incl. 334-342 Bolt Assy. & 334-343 Rebound Assy.	
✓✓	6	334-343	Assembly, Rebound Bolt; 5/8"-18 x 4 1/2"Lg	6	0741-00	Incl. Bolt, Tube & Lock Nut	
	7	334-341	Assembly, Bolt & Bushing	2		Incl. 321-176 Bearing & 334-342 Bolt Assy.	
✓✓	8	334-342	Assembly, Bolt	2		Incl. 334-366 Bolts, Lock Tab & Lock Nuts	
✓	●	9	321-176	Bushing; 3 1/4"OD x 3 7/8"Lg	2	7010-00	
●		321-176U	Bushing, Urethane	2			
✓✓	●	10	334-366	Bolt, Equalizer; 3/4" X 6"Lg, 5/8"-18 Thread	4	7016-01	
		11	SLN-104	Nut, Lock; 5/8"-18	4	37-01	
		12	334-360	Tab, Lock	2	729-00	
		13	345-172	Torque Rod, Adjustable; 18"-20"Lg	2	16167-04	Use 321-177 Bushings, Not Included
		14	345-170	Torque Rod, Rigid; 19 1/4"Lg c/c	2	11953-01	Use 321-177 Bushings, Not Included
✓		15	334-640	Kit, Service; Torque Rod Bolt & Bushing	8		Incl. 334-367 Bolt, 321-177 Bushings & Hdwe.
✓	●	16	321-177	Bushing; 1 1/4"ID x 2 3/16"OD x 1 3/4"Hgt	16	7620-00	w/Nylon Sleeve
●		321-177U	Bushing, Urethane	16			
		17	334-367	Bolt, Torque Rod; 1 1/4"OD x 6 1/16"Lg, 7/8"-14 Thread	8	12709-01	Use 334-640
		18	SLN-106	Nut, Lock; 7/8"-14	8		
✓✓	●	19	338-381	Saddle, U-Bolt; Fabricated; 3"W x 7 1/2"Lg	4	7029-00	Can Use 338-200; All Axles; U-Bolts Down
		20	GL-294	Liner; 2 7/8" x 7 1/2"Lg w/ 1/2" Hole	4	7052-02	
		21	338-444	Bracket, Torque Rod/Seat; 3/4"; 5" Round Axles	4	7617-01	5" Round Axles
		338-1502	Bracket, Torque Rod/Seat; 2 1/4"; 5" Round Axle	4	7617-02	5" Round Axles	
		◆	Seat, Spring; 3 1/4" High	4	7617-03	5" Round Axles	
✓	●	22	338-415	Plate, Bottom U-Bolt Clamp; Fabricated	4	710-00	5" Round Axles
		23	361-566	Kit, U-Bolt; Round Bend, Grade 5	8	7040-12	7/8" x 3" x 13 1/2" R
		361-374	Kit, U-Bolt; Round Bend, Grade 8	8	7040-13	7/8" x 3" x 14 1/2" R	
✓✓		361-168	Kit, U-Bolt; Round Bend, Grade 8	8	7040-16, 7040-18	7/8" x 3" x 16 1/2" R	
		24	Spring Assembly	Assembly, Spring	4		See Leaf Spring Web Catalog for Details

**Model "R"
Four Spring Suspension**

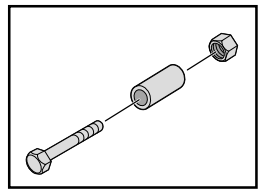
Great Dane

Great Dane

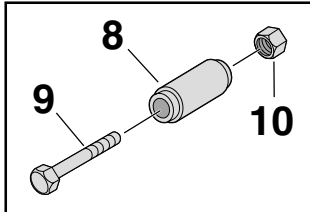
Suspension Illustration



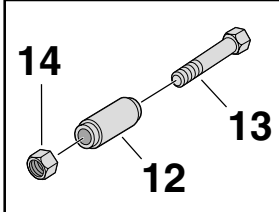
Equalizer Note: Early models used original equalizer w/1-1/8" I.D. bushing, current design uses 1" I.D. bushing.



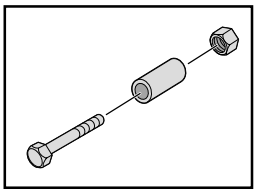
Key 6* - Equalizer Rebound Bolt Assembly



Key 7 - Equalizer Bolt & Bushing Assembly



Key 11 - Torque Arm Bolt & Bushing Assembly



Key 4* - Hanger Rebound Bolt Assembly

Key No.	Part Number	Description	No. Req.	OEM Reference	Remarks
	◆	Hanger, Front	2		
	◆	Hanger, Equalizer	2		
●	338-1453	Hanger; Straddlemount	2	0051-00, 0051-20	
✓●	338-375	Hanger; Undermount	2	0086-00	
	334-312	Assembly, Bolt; Rebound; 1/2"-20 x 5 1/2"Lg	2	741-05K	Incl. Bolt, 3 1/4" Tube & Lock Nut
✓✓●	338-378	Assembly, Equalizer; Fabricated	2	0650-00	49" Axle Spacing
✓✓	334-343	Assembly, Bolt; Rebound; 5/8"-18 x 4 1/2"Lg	4	0741-00	For Equalizer; Incl. Bolt, Tube & Lock Nut
✓	334-628	Assembly, Bolt & Bushing	2	0649-04	Incl. 321-194 Bushing, 334-317 Bolt & 334-317 Nut
●	321-194	Bushing; 1"ID x 3 29/64"OD x 4"Lg	2	0649-02	
●	321-194U	Bushing, Urethane	2		
	334-317	Bolt; 1"-14 x 6 1/2"Lg	2	0001-14	
✓	334-319	Nut, Flange Lock; 1"-14	2	0274-01	
	334-1267	Assembly, Bolt & Bushing	8		Convert to Standard Reyco Components
●	334-1266	Bushing; 1 5/16"ID x 1 15/16"OD x 3"Lg	8	GD0965-00	
	◆	Bolt; 1 5/16"-16 x 5 1/2"Lg	8	GD0963-00	Convert to Standard Reyco Components
✓✓	334-418	Nut; 1 5/16"-16	8	644536	
●	345-711	Torque Rod, Adjustable; 17 1/4"-19 1/2"Lg	2	GD0983-00	Incl. 334-1266 Bushings
	345-773	Torque Rod, Rigid; 19 1/4"Lg c/c	2	GD0984-00	Incl. 334-1266 Bushings
✓✓●	338-381	Saddle, U-Bolt; Fabricated; 3"W x 7 1/2"Lg	4	7029-00	Can Use 338-200; All Axles; U-Bolts Down
	GL-295	Liner; 2 7/8" x 8"Lg w/ 7/8" Hole	4		
✓●	338-415	Plate, Bottom Clamp; U-Bolt; Fabricated	4	710-00	5" Round Axles
	361-505	Kit, U-Bolt; Round Bend, Grade 5	8	7040-08	7/8" x 3" x 11 1/2" R
	361-589	Kit, U-Bolt; Round Bend, Grade 8	8	7040-10	7/8" x 3" x 12 1/2" R
	361-566	Kit, U-Bolt; Round Bend, Grade 5	8	7040-12	7/8" x 3" x 13 1/2" R
	361-374	Kit, U-Bolt; Round Bend, Grade 8	8		7/8" x 3" x 14 1/2" R
✓✓	361-168	Kit, U-Bolt; Round Bend, Grade 8	8		7/8" x 3" x 16 1/2" R
✓	361-250	Kit, U-Bolt; Round Bend, Grade 5	8		7/8" x 3" x 18-1/2" R
	Spring Assembly	Assembly, Spring	4		See Leaf Spring Web Catalog for Details

321-176



Bushing; 3 1/4" O.D. x 3 7/8" Lg.; Included in 334-341 Bolt and Bushing Kit; Model H

321-176U



Bushing, Urethane; 3 1/4" O.D. x 3 7/8" Lg.; Model H

321-177



Bushing; 1 1/4" I.D. x 2 3/16" O.D. x 1 3/4" Lg.; Model H

321-177U



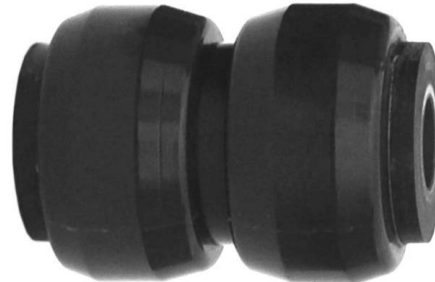
Bushing, Urethane; 1 1/4" I.D. x 2 3/16" O.D. x 1 3/4" Lg.; Model H

321-194



Bushing; 1" I.D. x 3 29/64" O.D. x 4" Lg.; Model R

321-194U



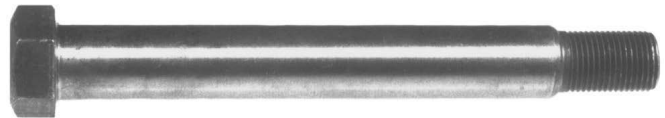
Bushing, Urethane; 1" I.D. x 3 29/64" O.D. x 4" Lg.; Model R

334-360



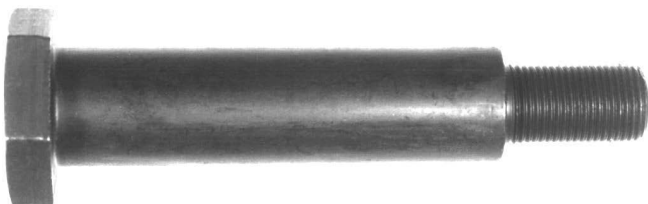
Lock Tab; Included in 334-639 Equalizer Bolt Kit, 334-341 Bolt and Bushing Assy.; 334-342 Bolt Assy.; Model H

334-366



Bolt, Equalizer; 3/4" x 6", 5/8"-18 Thread; Included in 334-341 Bolt and Bushing Assy., 334-342 Bolt Assy., 349-639 Equalizer Bolt Kit; Model H

334-367



Bolt, Torque Rod; 1 1/4" O.D. x 6 1/16" Lg., 7/8"-14 Thread; Included in 334-640 T/R Bolt and Bushing Assy.; Model H

334-1266



Bushing; 15/16" ID. x 1 15/16" x 3" Lg.; Use w/334-343; Model R

338-375



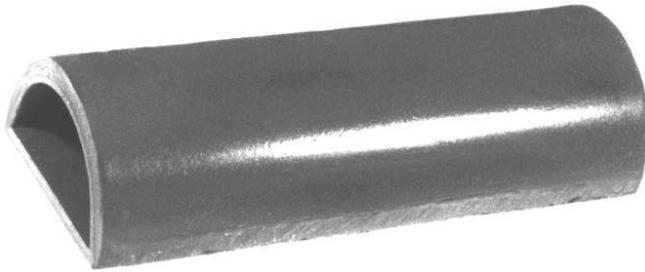
Hanger, Undermount; Use w/ 334-312 Rebound Bolt Assy.; Model R

338-378



Equalizer Assembly; Fabricated; Use w/ 334-343 Rebound Bolt Assy.; Model R

338-381



Saddle, U-Bolt; 3" Wd. x 7 1/2" Lg.; Model H, R

338-415



Plate, Bottom U-Bolt Clamp; Fabricated; 5" Round Axles; Model H, R

338-419



Equalizer Assembly; Fabricated; O.E.; Includes 321-176 Bushing; Use w/ 334-639 Equalizer Bolt Kit; Model H

338-419HD



Equalizer Assembly, Heavy Duty; Fabricated; Includes 321-376 Bushing; Use w/ 334-639 Equalizer Bolt Kit; Model H

338-440



Hanger, Straddlemount; Fabricated; Use w/ 334-640 T/R Bolt and Bushing Assy.; Model H

338-441



Hanger, Undermount; Fabricated; Use w/ 334-460 T/R Bolt and Bushing Assy.; Model H

338-442



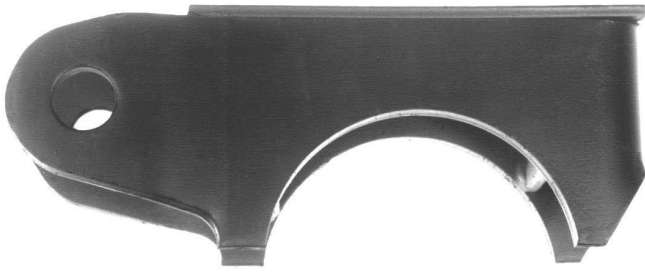
Hanger, Straddlemount; Fabricated; Use w/ 334-342 Equalizer Bolt Kit, 334-640 T/R Bolt and Bushing Assy.; Model H

338-443



Hanger, Under Mount, Fabricated; Use w/ 334-342 Equalizer Bolt Kit, 334-640 T/R Bolt and Bushing Assy.; Model H

338-444



Bracket, Torque Rod/Seat; 3/4", 5" Round Axles; Model H

338-455



Hanger, Straddlemount; Fabricated; O.E. Use w/ 334-343 Rebound Bolt Assy.; Model H

338-456



Hanger, Undermount; Fabricated; O.E.; Use w/ 334-343 Rebound Bolt Assy.; Model H

338-1453



Hanger, Straddlemount; Use w/ 334-312 Rebound Assy.; Model R

338-1502



Bracket, Torque Rod/Seat; 2 1/4", 5" Round Axle; Model H

345-170



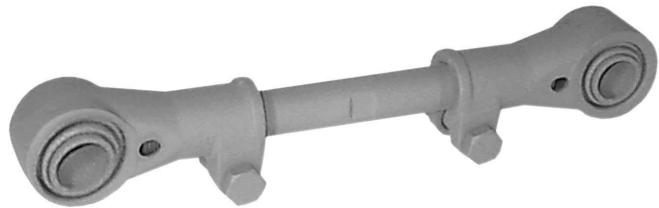
Torque Rod, Rigid; 19 1/4" Lg.; Use w/ 321-177 Bushings, 334-640 T/R Bolt and Bushing Assy.; Model H

345-172



Torque Rod, Adjustable; 18"-20" Lg.; Use w/ 321-177 Bushings, 334-640 T/R Bolt and Bushing Assy.; Model H

345-711



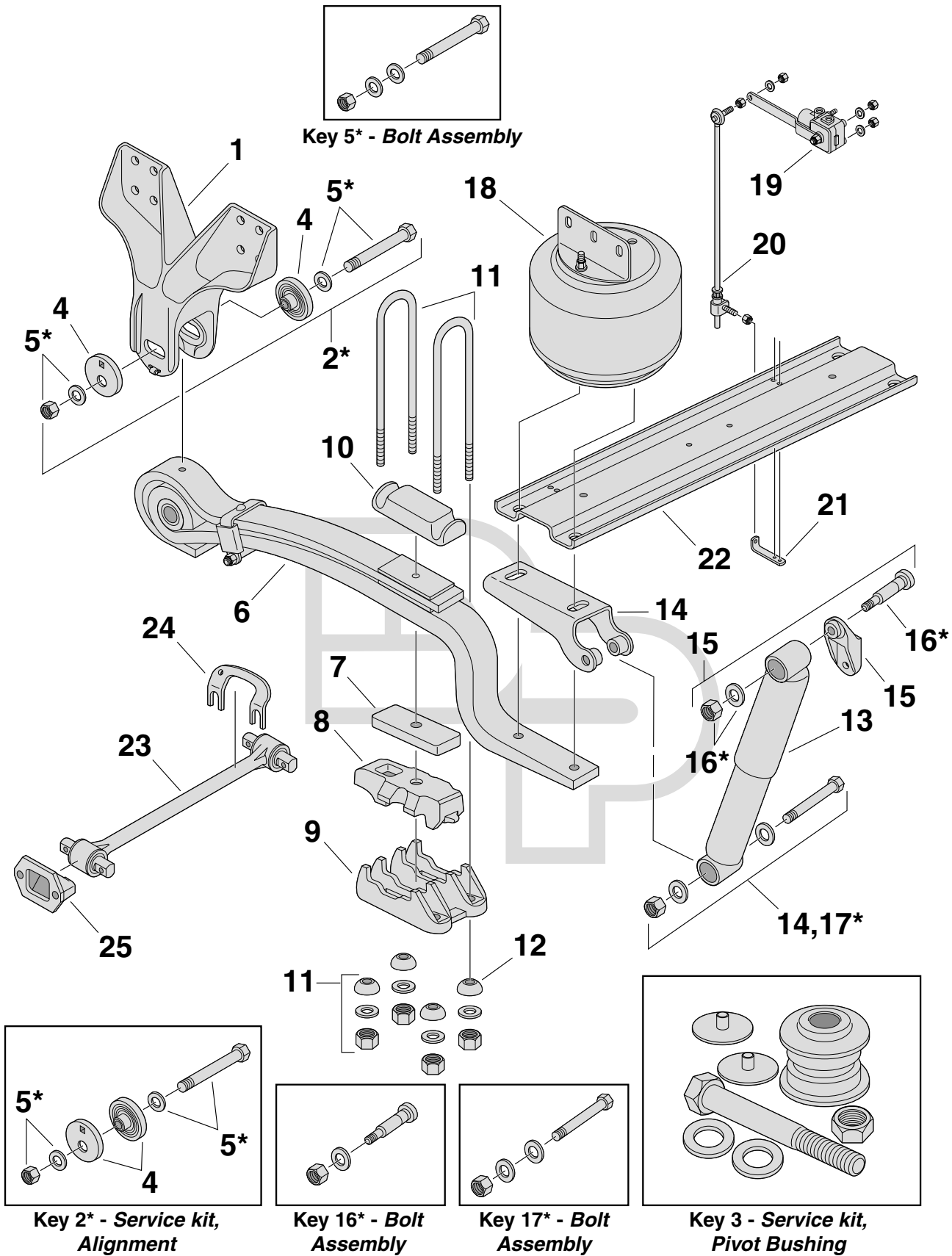
Torque Rod, Adjustable; 17 1/4"-19 1/2" Lg.; Includes 334-1266 Bushings, Use w/ 334-1035 Bolt; Model R

Truck Suspension Types:

(A) = Air Suspensions / (B) = Walking Beam Suspensions / (F) = Four Spring Suspensions / (R) = Bolster Spring Suspensions

*Note: For AIRTEK® - Steer Axle Air Suspensions, See Truck Manufacturers Sections in this Catalog.

MODEL	PAGE
Hendrickson Truck Suspensions	
(A) COMFORT AIR® Single Axle Air Suspension	230, 231
(A) HAS 120/150/190/210/230, HAS 360/400/402/40LH/460 Single/Tandem Axle Air Suspensions	232-235
(A) HA 180/200/230, HA 360/400/460 Single/Tandem Axle Air Suspensions	236-239
(A) MAXAIR® (Mack "Twisted Sister") Tandem Axle Air Suspension	240, 241
(A) PRIMAAX EX® 232/462/692, 262/522/782; FIREMAAX EX® 242/482, 272/542 Single/Tandem Axle Air Suspensions	242-245
(A) PRIMAAX® 230/460/690, 260/520/780 FIREMAAX® 240/480, 270/540 Single/Tandem Axle Air Suspension	246, 251
(A) AR2 400/460 Tandem Air Suspensions	252, 253
(A) AR 340/380 Tandem Air Suspensions	254, 255
(B) RT/RTE 340, RT2/RTE2 340 Tandem Suspension	256, 257
(B) RT/RTE 380/400/440/460, RT2/RTE2 400/460 Tandem Suspensions	258-261
(B) RT/RTE 441/480 Tandem Suspensions	262, 263
(B) RT/RTE 450/480/520 RT2/RTE2, 480/520 Tandem Suspensions	264, 265
(B) RT 650 Tandem Suspension	266, 267
(B) RU/RUE/U/UE 340, U2/UE2 340 Tandem Suspensions	268, 269
(B) RS 340 Tandem Suspension	270, 271
(B) RS 380/400/440/460 Tandem Suspensions	272-275
(B) RS 450/480/520 Tandem Suspensions	276, 277
(B) RS 500/650 Tandem Suspensions	278, 279
(B) R400/460/480/520 Tandem Suspensions	280, 281
(B) SR 340/380 Tandem Suspensions	282, 283
(B) T Series Walking Beam Suspensions	284, 285
(B) V4 340/380 Tandem Suspensions	286, 287
(R) HAULMAAX® Bolster Spring Suspension	288, 289
(R) HN 400/460 (3/96-9/97), HN402/462/522 (4/96-present) Bolster Spring Suspensions	290-293
(R) HN 400/460 Truck (11/88-2/96), HNT 460 Trailer Bolster Spring Suspensions	294, 295
(F) HTS 190/210 (Autocar & Spartan) Single Axle Spring Suspension	296, 297
(F) E4-340/360/380/400 Four Spring Suspension	298-301
(F) HFS 360/40LH/400 Truck/Tractor Four Spring Suspensions	302, 303
● Suspension Component Charts	304-333
● Suspension Component Photos	334-356
Hendrickson Trailer Suspensions	
INTRAAX® AAL/AANL/AANLS/AAEDL/HKAL/HKARL/HKANL Trailer Air Suspensions	358, 359
INTRAAX® AAT/AANT/AAEDT VANTRAAX® HKA/HKANT/HKAT Trailer Air Suspensions	360-363
HK/HS 190/230 HT 190/230/250/300 (All) Air Suspensions	364-367
T-4/6/9/15/17 Air Suspensions	368, 369
QUIK-DRAW® Pneumatic Slider Pin Systems	370, 371
TIREMAAX® Tire Inflation System	372, 373
UNDER BEAM LIFT™ (UBL™) Kits & Repair Components	374, 375
SURELOK®	376, 377
● Suspension Component Charts	378-384
● Suspension Component Photos	385-392
Hendrickson Auxiliary Suspensions	
TOUGHLIFT™ FM (HLM-2), FM W/B (HLM,HLM-1), LK Lift Axle Air Suspensions	394, 395
COMPOSILITE™ SC Steering Compliant Lift Axle Suspension	396, 397
HLN/HLP/HLU/HLUS PARALIFT™ Axle Air Suspensions	398, 399
HLUC/UCF COMPOSILITE™ ST/STS/FX Lift Axle Suspension	400, 401
HLQ-LF/Q-LF Lift Axle Air/Leaf Suspensions	402, 403
TOUGHLIFT™ FRT13 (HLR2), FRT16 (HLR3) Lift Axle Air Suspension	404, 405
MTL45/50 Lift Axle Air Suspensions	406, 407
RT/RW14, ST-031 Air Lift Axle Suspensions	408, 409
Q-TR/QS/QT/QU (Turner HLQ-AH/SR, Q-TRU) Lift Axle Air/Leaf Suspensions	410, 411
QW12A-X (Q-WM-100) Lift Axle Air/Leaf Suspension	412, 413
1400 Series (Turner/Page) Truck Lift Axle Suspension	414, 415
● Suspension Component Photos	416-421



Key 2* - Service kit, Alignment

Key 16* - Bolt Assembly

Key 17* - Bolt Assembly

Key 3 - Service kit, Pivot Bushing

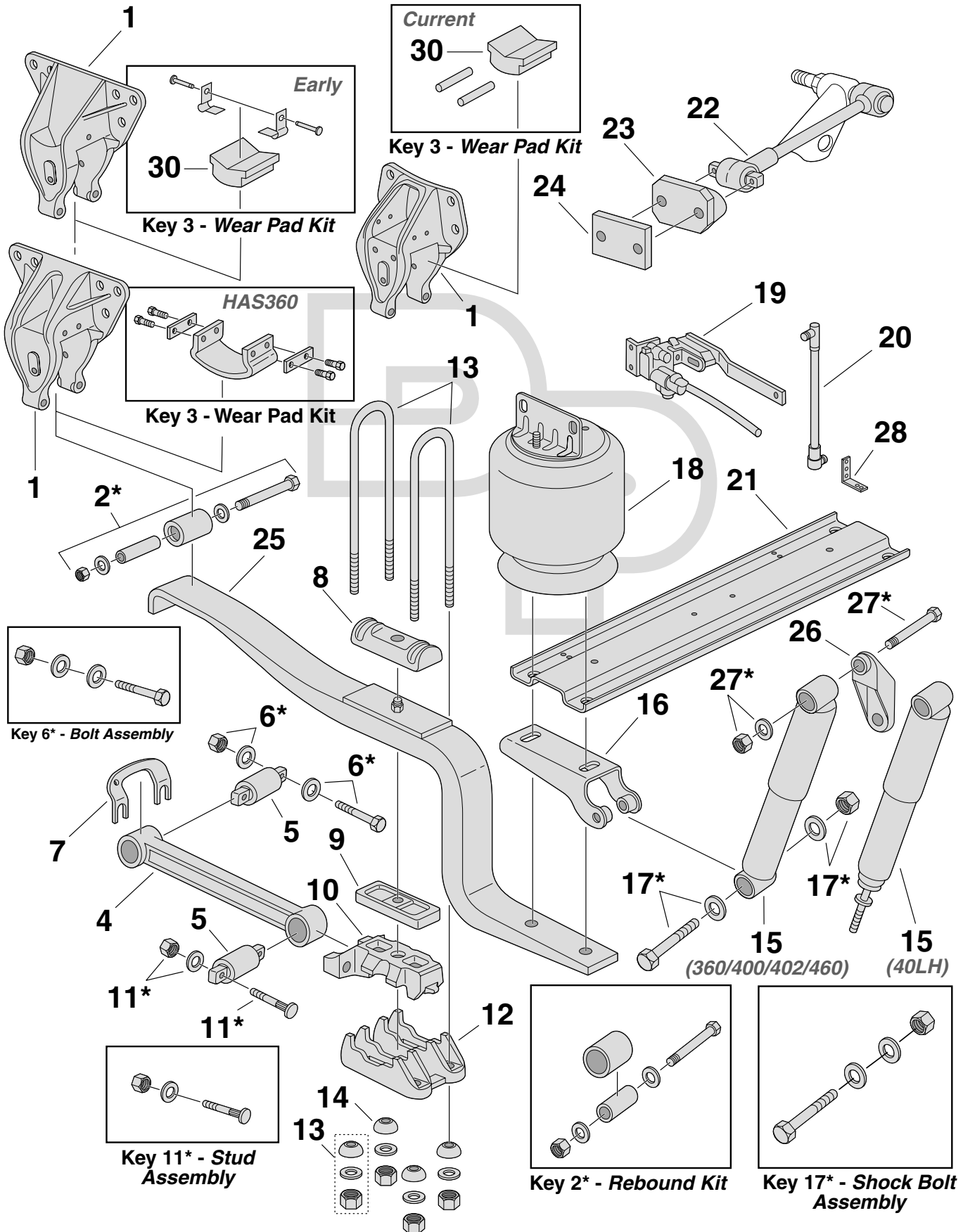
Key No.	Part Number	Description	No. Req.	OEM Reference	Remarks	
●	1	338-1930	Hanger	2	60784	
✓ ●	2	334-1710	Kit, Service; Alignment	1	60632-1	1 Kit Per Axle
✓ ●	3	334-1711	Kit, Service; Pivot Bushing	2	34013-103	Incl. Bushing, Wrapper Buttons & Hdwe.
✓ ●	4	334-1714	Collar, Concentric Alignment	3	64633, 64097	
✓ ●		334-1715	Collar, Eccentric Alignment	1	64632, 64096	
	5	334-1712	Assembly, Bolt; 1"-8 x 7 1/2"Lg	2	64107	
	6	50-457	Support Member, Main	2	60779	
	7	SP	Spacer; 1 1/2"	AR	48531-14	Model
	8	SP	Seat	2	Various	Specify Axle & Pinion Angle
	9	SP	Plate, Bottom	2	Various	Specify Axle & Pinion Angle
●	10	338-1560	Saddle, U-Bolt	2	56805	Except 15k & Hino
		SP	Saddle, U-Bolt	2	57724	15k
✓ ✓	11	361-168	Kit, U-Bolt; Round Bend, Grade 8	4	48718-2, 47417-1	7/8" x 3" x 16 1/2" R
		361-350	Kit, U-Bolt; Round Bend, Grade 8	4	48718-23, 47417-7	7/8" x 3" x 15 1/2" R; Incl. Conical Washers (Hino 22mm)
		361-628	Kit, U-Bolt; Round Bend, Grade 8	4	48718-104, 49684-14	3/4" x 3" x 16 1/2"R; 15k
	12	334-710	Washer, Conical; U-Bolt; 7/8"	8	48574	
●		334-1695	Washer, Conical; U-Bolt; 3/4"	8	49947	15k
	13	341-60998-3	Shock Absorber	2	60998-3	
●	14	334-1713	Assembly, Bracket; Shock Absorber	2	57356	All Except Hino; Incl. Hdwe.
	15	SP	Assembly, Bracket; Shock Absorber Frame	2	57322-2	All Except Hino; Incl. Hdwe.
●	16	334-1115	Assembly, Bolt; Shock Absorber	2	50368	All Except Hino (16mm); Incl. Hdwe.
✓ ✓	17	334-1117	Assembly, Bolt; 3/4"-16 x 5 1/2"Lg	2	57356	All Except Hino (20mm); Incl. Hdwe.
	18	60925-002	Air Spring	2	60925-2	Rear Engine
		60929-002	Air Spring	2	60929-2	Front Engine
●	19	334-1716	Valve, Height Control	1	59013	
✓ ●	20	334-751	Linkage Assembly; Universal; Adjustable	1		3 5/8"-19 5/8" Range; Use w/All Height Control Valves
●	21	334-1717	Bracket, HCV Linkage	1	56789	All except Hino & Rear Engine
●		334-1718	Bracket, HCV Linkage	1	58367	Rear engine
	22	SP	Channel, Cross	1	Various	Call Tech for Assistance
	23	SP	Rod, Track	1	62000-xxx	345-566 2pc. Kit
✓ ✓ ●	24	334-526	Shim; 1/16"Thk 4 3/8"Lg c/c	AR	49689	
●	25	338-181	Bracket, Track Rod/Frame	1	22186	

**HAS 120/150/190/210/230
HAS 360/400/402/40LH/460
Single/Tandem Axle Air Suspensions**

Hendrickson Truck

Hendrickson Truck

Suspension Illustration



Hendrickson Truck

HAS 120/150/190/210/230 HAS 360/400/402/40LH/460 Single/Tandem Axle Air Suspensions

Hendrickson Truck

Parts Listing

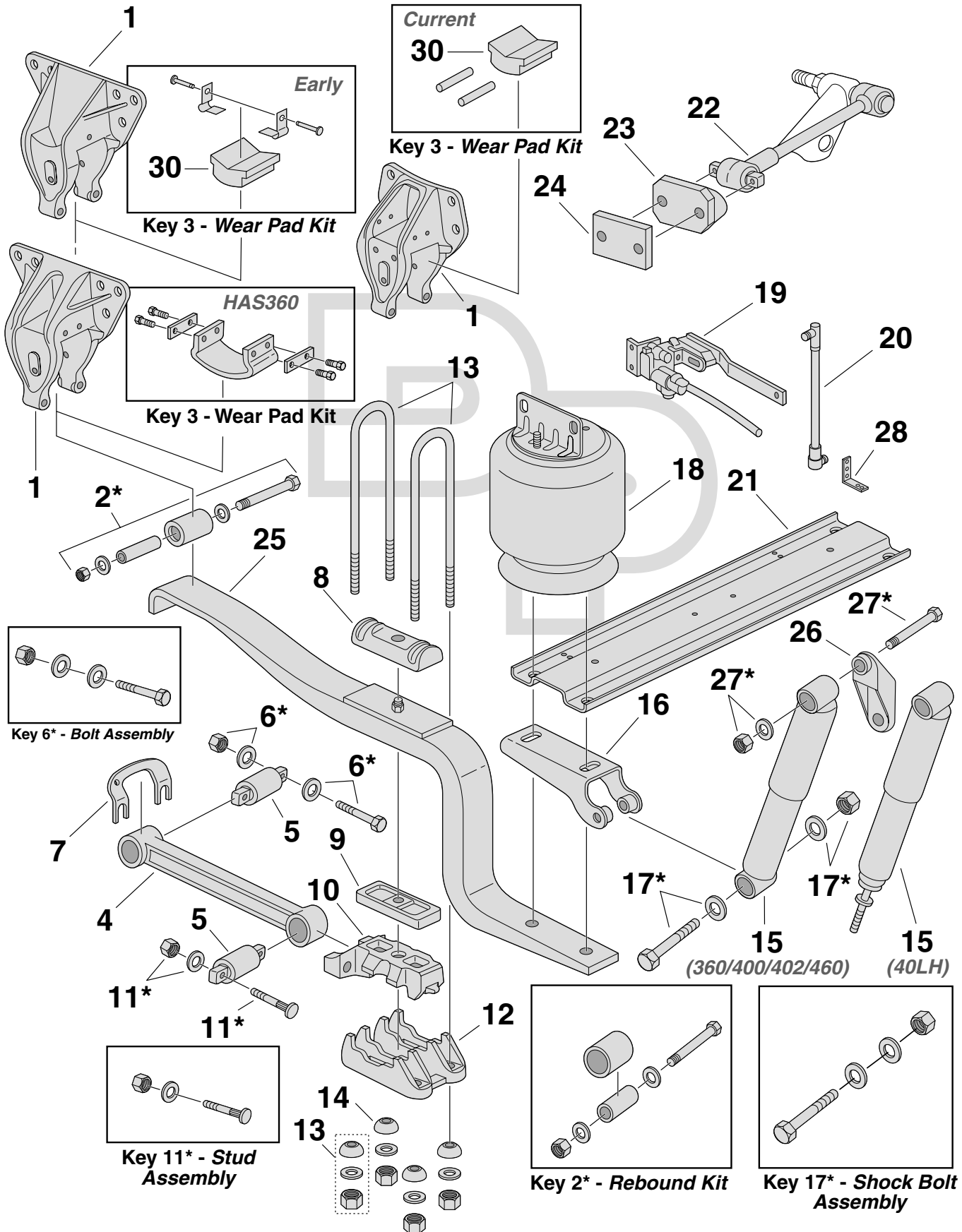
Key No.	Part Number	Description	No. Req.	OEM Reference	Remarks	
●	1	338-1257	Assembly, Hanger; HAS-360	2	50753-1	Casting No. 49848 & 56666-1; Incl. Wear Pad
		338-1828	Assembly, Hanger; Standard	2	58425-1	Casting No. 57188-1; Replaces 57190-1 & 50752-1(338-1258)
		338-2007	Hanger; 400/402/460/40LH; Reinf. Frame	2	58688-1	Casting no. 57476-1; Replaces 57478-1
		SP	Hanger	2	59045-3	Casting No. 59043-1
		338-1833	Hanger	2	57190-2	Mack Only; 16mm Bolts
		SP	Assembly, Hanger; 120/150/190/210/230	2	60636-1	Casting No. 60634-1
		SP	Assembly, Hanger; 120/150/190/210/230; Reinf. Frame	2	59052	Casting No. 59050-1
	338-2173	Hanger	2	64484-1	Mack Only; 20mm Bolts	
	2	334-527	Assembly, Rebound Bolt; ½"-13 x 5"Lg	2	49175-14, 49175-5	Incl. Bolt, Tube, Roller & Hdwe.
●	3	334-833	Kit, Service; Wear Pad; HAS360	2	56557-2	Bolt on Wear Pad & Mounting Hdwe.
●		334-1602	Kit, Service; Wear Pad; HAS400/402/460/40LH	2	56557-4	Early; Clip Type
●		334-1603	Kit, Service; Wear Pad; HAS400/402/460/40LH	2	56557-5	Current; Pin Type
		SP	Kit, Service; Wear Pad; HAS400/402/460/40LH	2	56557-6	
●	4	345-815	Torque Rod, Rigid; Cast; 14.41"Lg	2	48411-6	Incl. 321-223 Bushings
●		345-734	Torque Rod, Rigid; Forged; 14.41"Lg	2	32271-102	Incl. 321-123 Bushing; HAS460 Prior to 08/01/95
●		345-792	Torque Rod, Rigid; 14.41"Lg	2	62007-365, 50376-1	Ultrarod
●		345-906	Torque Rod, Adjustable; 14"-16"Lg	2	17QF466M	Mack AL40
✓	5	321-223	Bushing; 2"OD x 4 ¾" c/c x ¾" Bolts	4	47691	Straddlemount
✓✓		321-279	Bushing; 2.46"OD x 4 ¾" c/c	4	57256	¾" Bolts & 1 ⅝" Fabricated Rod; 2.46"OD
✓✓		321-132	Bushing; Straddlemount; 2 ¾"OD x 4 ¾" c/c	4	44695, 227720	¾" Bolts & 1 ¼" Forged Rod; 2.75"OD
✓	6	334-768	Assembly, Bolt; ⅝"-18 x 4 ½"Lg	4	49176-1	Incl. Bolt & Hdwe.
✓✓	7	334-526	Shim; ⅛"Thk 4 ¾" c/c	AR	49689	
		SP	Shim; ⅜"Thk 4 ¾" c/c	AR	57856	
●	8	338-1560	Saddle, U-Bolt	2	56805	
		SP	Saddle, U-Bolt	2	57195	40LH
		SP	Saddle, U-Bolt	2	57224	120/150
●	9	338-1140	Spacer; 1"	AR	48902	
●		338-1141	Spacer; 1 ½"	AR	48903	
		SP	Spacer; 1"	AR	48531-9	120 & 150; 6 ¼ Long
	10	See Chart	Seat, Axle	2	Various	See Chart on Page 305
●	11	334-931	Assembly, Stud; Axle Seat	4	50918	Incl. Stud, Washer & Nut
	12	SP	Plate, Bottom	2	Various	Specify Axle, Pinion Angle & Position
✓✓		338-1998	Plate, Bottom; 10°-14° Pinion	1	50221	LHR; MeritorSSHD, RT46-157; Dana D402/403/451
✓✓		338-1999	Plate, Bottom; 10°-14° Pinion	1	50222	RHR; MeritorSSHD, RT46-157; Dana D402/403/451
✓	13	361-196	Kit, U-Bolt; Round Bend, Grade 8	4	49684-3	¾" x 3" x 15 ⅝" R; 40LH
		361-350	Kit, U-Bolt; Round Bend, Grade 8	4	47417-8	⅞" x 3" x 15 ½" R; Incl. Spherical Washer
		361-517	Kit, U-Bolt; Round Bend, Grade 8	4	47417-9	⅞" x 3" x 18" R; Incl. Spherical Washer
		361-340	Kit, U-Bolt; Round Bend, Grade 8	4	47417-10	⅞" x 3" x 19 ½" R
		SP	Kit, U-Bolt; Round Bend, Grade 8	4	Various	Specify Diameter, Length, & Thread Length
●	14	334-1695	Washer, Conical; U-Bolt; ¾"	8	49947	
		334-710	Washer, Conical; U-Bolt; ⅞"	8	48574	

**HAS 120/150/190/210/230
HAS 360/400/402/40LH/460
Single/Tandem Axle Air Suspensions**

Hendrickson Truck

Hendrickson Truck

Suspension Illustration



Hendrickson Truck

HAS 120/150/190/210/230 HAS 360/400/402/40LH/460 Single/Tandem Axle Air Suspensions

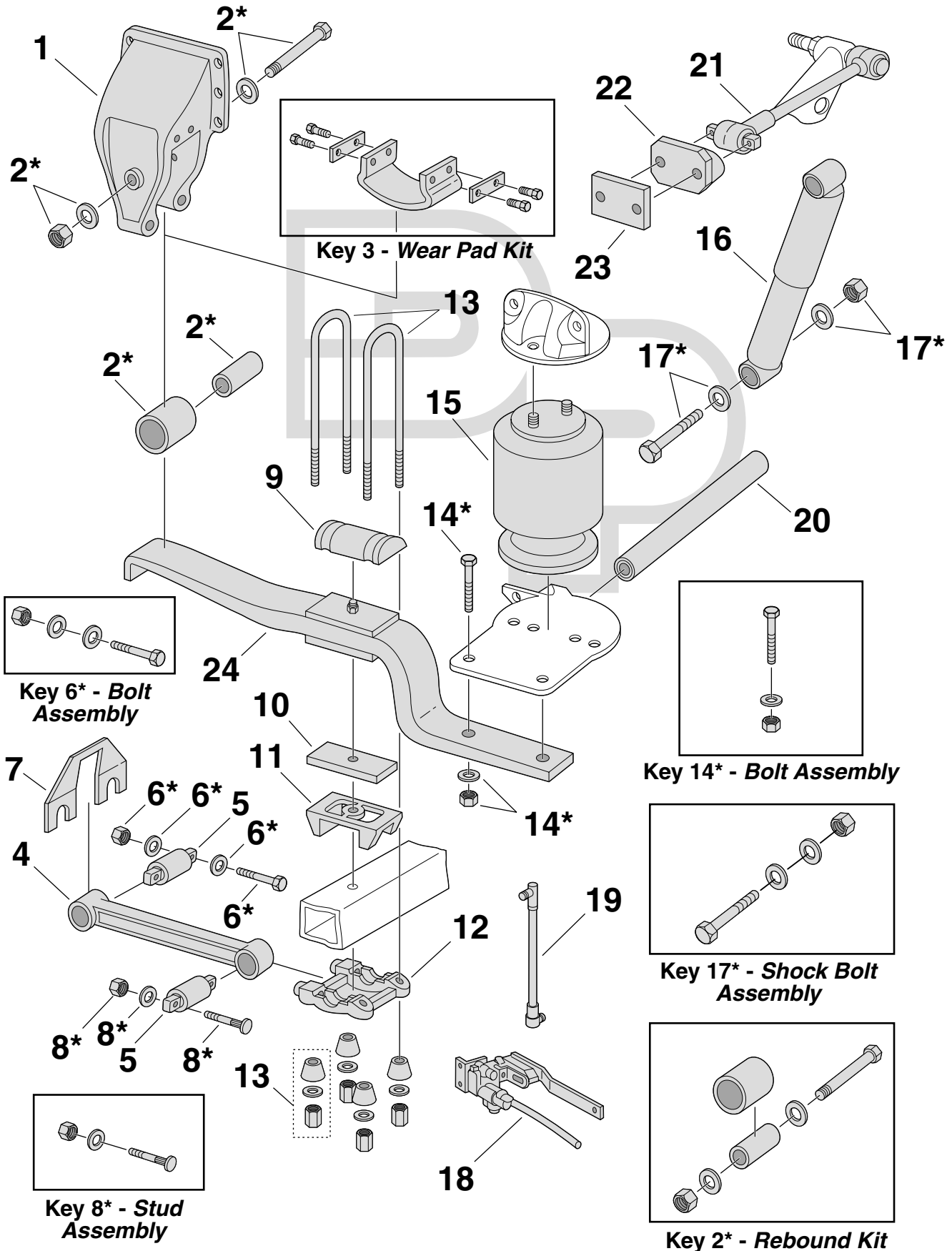
Hendrickson Truck

Parts Listing

Key No.	Part Number	Description	No. Req.	OEM Reference	Remarks	
✓✓	15	341-60685-1	Shock Absorber	2	60685-1, 60680-1	HAS 40L; (Ref. M65480)
		M66656	Shock Absorber	2	57241-4	HAS 40LH
		341-60670-3	Shock Absorber	2	60670-3	HAS 150L; High Torque; (Ref. M65479)
		M65483	Shock Absorber	2	60675-5	
		341-60670-5	Shock Absorber	2	60670-5	HAS 360/400/402/460; Standard; (Ref. M65484)
		M65485	Shock Absorber	2	59305-1	
	✓	M65411	Shock Absorber	2	47902-19	HAS 210/230L
		M65478	Shock Absorber	2	60670-7	HAS 400/402/460; Standard Inboard Rear
	✓	M65431	Shock Absorber	2	60675-6	HAS 400/402/460; High Torque Inboard Rear
		M65481	Shock Absorber	2	60670-8	HAS 400L/402L/460L
	M65479	Shock Absorber	2	60670-10	HAS 120L	
	341-60675-3	Shock Absorber	2	60675-3	High Torque Single Axle; (Ref. M65484)	
	SP	Shock Absorber	2	66153-4		
●	16	334-1713	Assembly, Bracket; Shock Absorber	2	57356	Except "L" models; Incl. Shank Bolt & Hdwe.
●		334-2008	Assembly, Bracket; Shock Absorber	2	49690-2	"L" models; Incl. Bolt & Hdwe.
✓✓	17	334-1117	Assembly, Bolt; ¾"-16 x 5 ½"Lg	2	50764-2	Incl. Bolt and Hdwe.
✓✓	18	50898-002L	Air Spring	2	50898-2	HAS 40LH
		57122-002L	Air Spring	2	57122-2	
		56917-002L	Air Spring	2	56917-2	HAS 400/402L
		57920-002L	Air Spring	2	57920-2	HAS 120
✓ ●	19	334-1648	Valve, Height Control	1	57977	
✓ ●	20	334-751	Linkage Assembly; Universal; Adjustable	1	HPB450-3	3 ⅝"-19 ⅝" Range; Use w/All Height Control Valves
●	21	338-2187-1	Channel, Cross; 40"	1	57317-1	w/Std Shock Mounting, All Except HAS 120/40LH; HCV Bracket Not Included
●		338-2187-2	Channel, Cross; 40 ¼"	1	57317-2	w/Std Shock Mounting; All Except HAS 120/40LH; HCV Bracket Not Included
		SP	Channel, Cross	1	Various	Other Lengths; w/Inboard Shock; HAS 120/40LH; Call Technical Assistance
✓✓	22	345-897	Kit, Torque Rod; Straddle/Taper Pin	2	60215	Use 345-610 & 345-681
		345-866	Kit, Torque Rod; Straddlemount	2	60218	Use 345-610 & 345-661
		345-661	End, Torque Rod; Straddlemount; Male; 22 ½"Lg	2	66661, 46661	⅝" Bolts; 4 ⅝" Spacing
		345-610	End, Torque Rod; Straddlemount; Female	2	66610, 46610	⅝" Bolts; 4 ⅝" Spacing
	✓		345-681	End, Torque Rod; Taper Stud; Male; 22 ½"Lg	2	66681, 46681
●	23	338-181	Bracket, Track Rod/Frame	2	22186	For ⅝" Bolts
●	24	334-638	Plate, Reinforcement	2	45045-3	
	25	Spring Assembly	Support Member, Main	2	Various	See Leaf Spring Web Catalog for Details
✓✓ ●	26	334-1930	Assembly, Upper Bracket; Shock Absorber	2	57322-1	Includes Hdwe.
●	27	334-1115	Assembly, Bolt; Shock Absorber	2	50368	
●	28	334-1717	Bracket, HCV Linkage	1	56789	
●	29	339-323	Kit, Service; Heavy Duty MSM	1	49175-24	Retrofit 1 axle to Heavy Duty Main Support Members; Incl. 2 HD MSM & Special Rebound Kit; Not Shown
	30	334-1597	Kit, Wear Pad	AR	56557-4	Included in 334-1602/1603 Kits

Hendrickson Truck

Suspension Illustration



Key Numbers with an asterisk (*) indicate a kit or assembly.

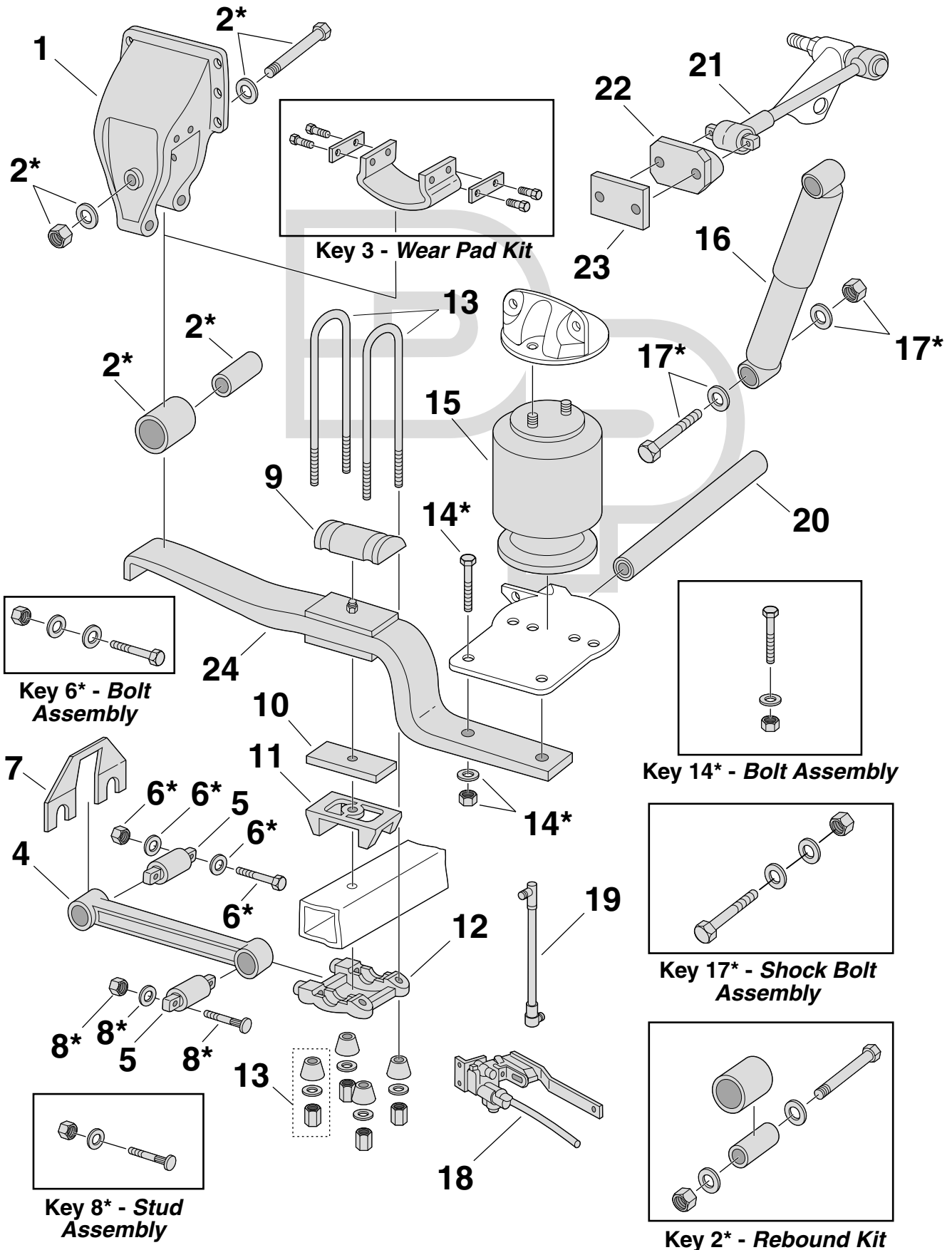
Key No.	Part Number	Description	No. Req.	OEM Reference	Remarks
●	1	338-760 SP Hanger Hanger, Front; LH/RH	2	56673-1, 49726-1	Casting No. 47431, 49723, 56672
			2	56830-XXX, 48533-XXX	Casting No. 48442; Specify OEM
	2	334-527	2	49175-5	Incl. Bolt, Tube, Roller & Hdwe.
	3	334-874	2	56557-1	Incl. Wear Pad & Self-Tap Screws
		334-1874	2	56557-3	Riveted
	4	345-204	2	48411-1	Incl. 321-223 Bushings; Casting No. 48190-1
		345-206	2	48411-3	Incl. 321-223 Bushings; Casting No. 48190-2
		345-790	2	50376-2, 32271-98	Incl. 321-279 Bushings
		345-791	2	50376-3, 32271-99	Incl. 321-279 Bushings
✓ ●	5	321-223	4	47691	Straddlemount
✓✓ ●		321-279	4	57256	For 5/8" Bolts and 1 15/16" Fabricated Rod
✓✓ ●		321-132	4	44695, 227720	For 5/8" Bolts and 1 1/4" Forged Rod
✓	6	334-768	4	49176-1	Incl. Bolt and Hdwe.
✓✓ ●	7	334-526	AR	49689	
●	8	334-711	4	49063	Incl. Stud & Hdwe.
●	9	338-1139	2	49337, 48797	Round Bend U-Bolts
●	10	338-1140	2	48902	
●		338-1141	2	48903	
	11	SP	2	Various	Specify Axle, Pinion Angle & Position
●		338-1142	2	49121	Casting No. 48657
●		338-1143	2	49122	Casting No. 48692
●		338-1144	2	49123	Casting No. 48630
●		338-1868	2	56501-7, 49158	
●		338-1145	2	49124	Casting No. 49143; Obsolete
●		338-1146	2	49125	Casting No. 48658
●		338-1147	2	49126	Casting No. 48658
●		338-1148	2	49127	Casting No. 48643
	12	SP	2	Various	Specify Axle, Pinion Angle & Position
●		338-1150	2	49064	Casting No. 48810; Incl. Hdwe.
●		338-1151	2	49134	Casting No. 48811; Obsolete
●		338-1152	2	49135	Casting No. 48812; Use 338-1150
●		338-1153	2	49138	Casting No. 48916; Incl. Hdwe.
●	338-1154	2	56854, 49139	Casting No. 48919; Incl. Hdwe.	
	13	361-350	4	48718-1	7/8" x 3" x 15 1/2" R; Incl. (2)334-710 Spherical Washers
	14	334-877	4	50369	
	15	49048-002L	2	49048	
✓✓		50405-002L	2	50405	
✓	16	M65420	2	60670-3, 47902-24/28	
✓✓		M65412	2	47902-13, 47902-8	
✓		M65411	2	47902-20	
		M65479	2	47902-29	Ford
		M65481	2	47902-9	Mack
●	17	334-1115	2	50368	Incl. 1/2"-13 Serrated Shank Bolt Washers & Nut
✓ ●	18	334-1647	1	60826, 50433-1/2	Replaces 334-714 & 334-715
✓✓ ●		334-750	1	H00450CA	Hadley - Model 450HCV
✓ ●	19	334-751	1	HPB450-3	3 5/8"-19 5/8" Range; Use w/All Height Control Valves

**HA 180/200/230
HA 360/400/460
Single/Tandem Axle Air Suspensions**

Hendrickson Truck

Hendrickson Truck

Suspension Illustration



Hendrickson Truck

HA 180/200/230

HA 360/400/460

Single/Tandem Axle Air Suspensions

Hendrickson Truck

Parts Listing

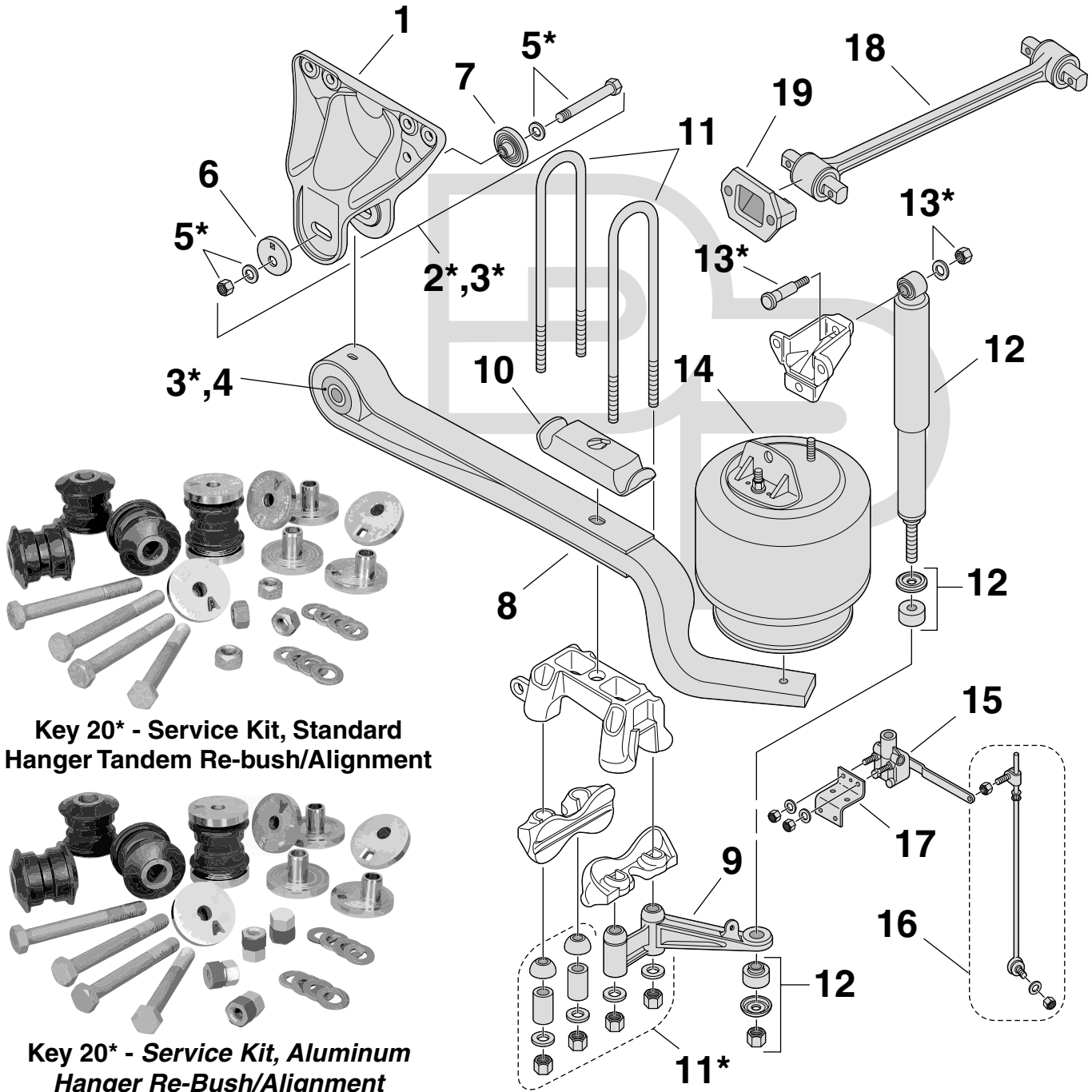
Key No.	Part Number	Description	No. Req.	OEM Reference	Remarks
20	334-716	Tube, Cross; 36 1/2"Lg	1	44642-22	
21	345-897	Kit, Torque Rod; Straddle/Taper Pin	2	60215	Use 345-610 & 345-681
	345-610	End, Torque Rod; Straddle Mount; Female	1	66610, 46610	5/8" Bolts; 4 3/8" Spacing
	345-681	End, Torque Rod; Taper Stud; Male; 22 1/2"Lg	1	66681, 46681	1 1/8"-12; 1.85" Taper
● 22	338-181	Bracket, Track Rod/Frame	1	22186	For 5/8" Bolts
● 23	334-638	Plate, Reinforcement	1	45045-3	Torque Rod Plate
24	Spring Assembly	Assembly, Spring	2		See Leaf Spring Web Catalog for Details

✓
✓

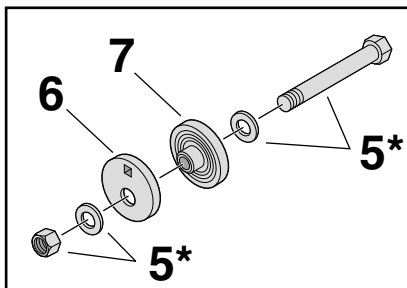
MAXAIR®
 (Mack "Twisted Sister")
Tandem Axle Air Suspension

Hendrickson Truck

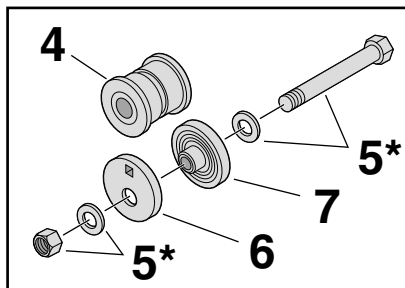
Hendrickson Truck



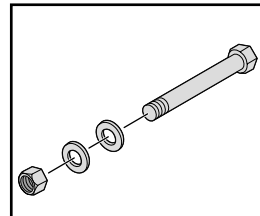
Suspension Illustration



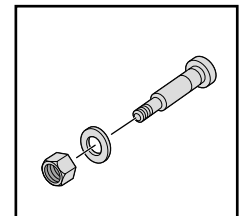
Key 2* - Service Kit, QUIK-ALIGN®



Key 3* - Service Kit, QUIK-ALIGN® w/Bushing



Key 5* - Bolt Assembly



Key 13* - Bolt Assembly

Hendrickson Truck

MAXAIR® (Mack "Twisted Sister") Tandem Axle Air Suspension

Key No.	Part Number	Description	No. Req.	OEM Reference	Remarks
● 1	338-1924	Hanger	4	58772-1	Aluminum; Discontinued; Repl. w/338-1924
✓ ● 2	334-1689	Kit, Service; QUIK-ALIGN®	2		Incl. Collars & Hdwe.
✓ ● 3	334-1690	Kit, Service; QUIK-ALIGN®; w/Bushing	2	60682-1	Incl. Collars, Bushing & Hdwe.
✓ ● 4	321-387	Bushing, Pivot	4	58648	MAXAIR® & COMFORT AIR®
✓ ● 5	334-1691	Assembly, Bolt; 7/8"-9 x 7 1/2"Lg	4		Iron Hangers
✓ ● 6	334-1693	Collar, Alignment; Eccentric	2	60662, 16QK39M	
✓ ● 7	334-1694	Collar, Alignment; Concentric	6	60661, 16QK38M	
✓ ● 8	50-433	Member, Support; Main Spring; LH	2	58691, 4QK4176M	
✓ ● 8	50-435	Member, Support; Main Spring; RH	2	58768, 4QK4175M	
● 9	338-1926	Bracket, Shock Absorber; LH	2	58701-1	
● 9	338-1927	Bracket, Shock Absorber; RH	2	58702-1	
● 10	338-1925	Saddle, U-Bolt	4	58775-2	
✓ ● 11	362-108	Kit, Service; U-Bolt	4		Incl. U-bolts, Washers, Spacers, Etc. for (1) Axle End
12	341-57241-6	Shock Absorber	4	57241-6	can use M65480
● 13	334-1115	Assembly, Bolt; Shock Absorber	4	50368	Incl. 1/2"-13 Serrated Shank Bolt Washers & Nut
✓ 14	64917-002	Air Spring	4	64917-2, 58786-2	
● 15	334-1692	Valve, Height Control	1	59899	
✓ ● 16	334-751	Linkage Assembly; Universal; Adjustable	1		3 5/8"-19 5/8" Range; Use w/All Height Control Valves
17	SP	Bracket, Height Control Valve	1	57975	
● 18	345-871	Rod, Track	2	58757-6	
● 19	338-181	Bracket, Track Rod/Frame	2	22186	
● 20	334-1875	Kit, Service; Standard Hanger Re-Bush/Alignment	1	60683-1	Tandem
● 20	334-1876	Kit, Service; Aluminum Hanger Re-Bush/Alignment	1	60683-3	Tandem

Hendrickson Truck

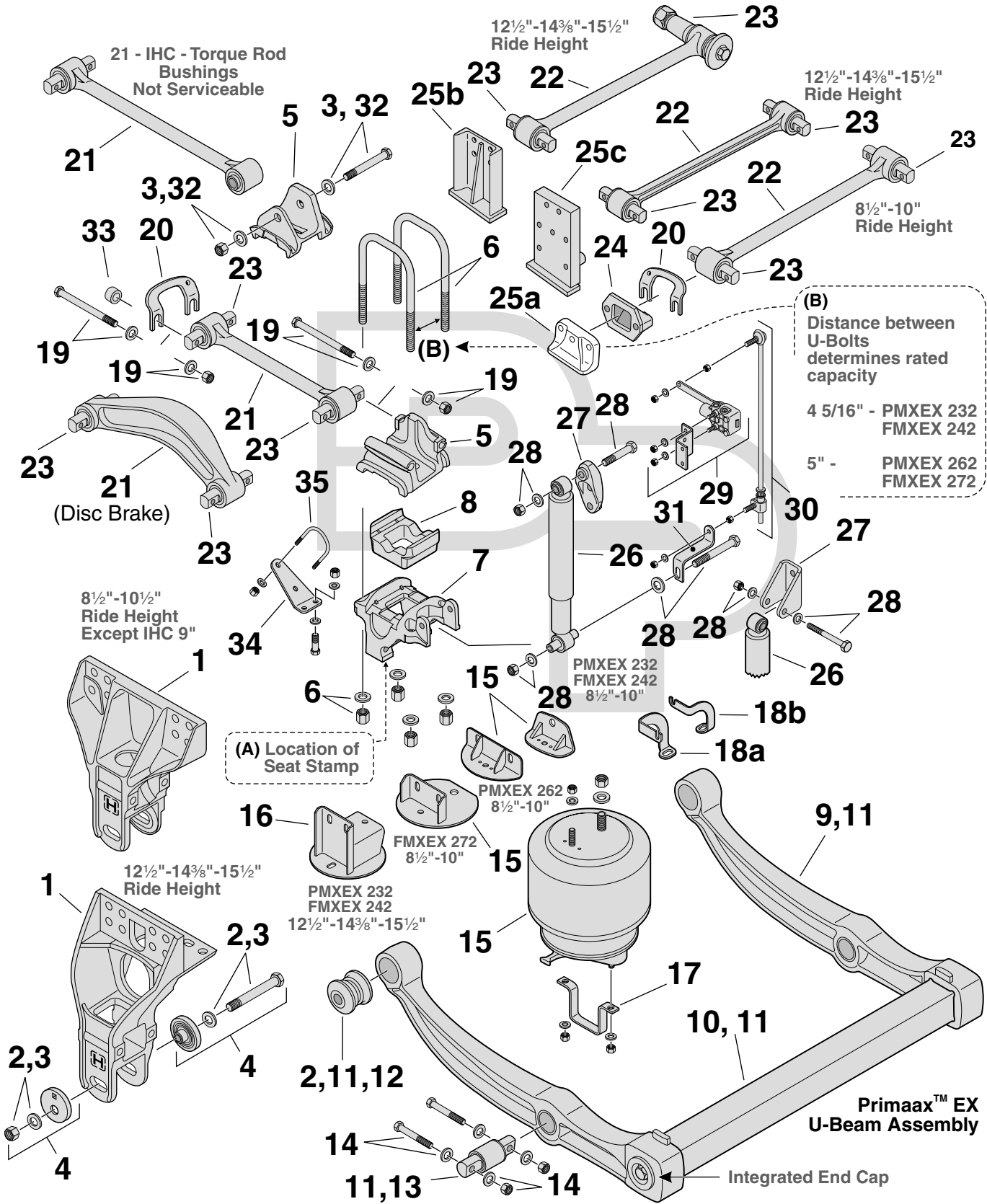
Parts Listing

PRIMAAX EX® 232/462/692, 262/522/782
FIREMAAX EX® 242/482, 272/542
Single/Tandem Axle Air Suspensions

Hendrickson Truck

Hendrickson Truck

Suspension Illustration



Key No.	Part Number	Description	No. Req.	OEM Reference	Remarks	
●	1	338-2237	Hanger	2	67706	8.5"-10.5" Ride Hgt.
		SP	Hanger	2	67222	10" Ride Hgt.; Mack & Volvo
		SP	Hanger; LH	1	67299-1	12.5", 14.4", 15.5" Ride Hgt.; IH & CAT EX232, 13" Ride Hgt.; KW EX232/262T
		SP	Hanger; RH	1	67299-2	12.5", 14.4", 15.5" Ride Hgt.; IH & CAT EX232, 13" Ride Hgt.; KW EX232/262T
✓ ●	2	334-1698	Kit, Service; Pivot Bushing	2	60632-20, 60632-8	Incl. Alignment Collars; (1) Axle
		334-1698A	Kit, Service; Pivot Bushing	2	60961-720	Incl. Alignment Collars; (1) Beam End
✓ ●	3	334-1699	Kit, Service; Alignment	2	60632-19, 60632-6	
		SP	Kit, Service; Alignment; Severe Serv.	AR	60632-15	1 ¼" Bolt
	4	334-1712	Assembly, Bolt; 1"-8 x 7 ½"Lg	2	60632-18, 60632-5	
	5	See Chart	Bracket, Top Cap	2	65289-xxx, 65210-xxx	See Chart on Page 319
	6	361-627	Kit, U-Bolt	4		¾" x 9"Lg
		361-661	Kit, U-Bolt	4		¾" x 10"Lg
		361-662	Kit, U-Bolt	4		¾" x 11"Lg
		361-663	Kit, U-Bolt	4		¾" x 12"Lg
	7	See Chart	Bracket, Bottom Cap	2	Various	See Chart on Page 317
	8	See Chart	Spacer, Axle	2	Various	See Chart on Page 318
	9	◆	Beam	2	Various	Not Available Separately; Must Order U-Beam Assembly; See Chart on Page 321
	10	◆	Tube, Cross	1	Various	Not Available Separately; Must Order U-Beam Assembly; See Chart on Page 321
	11	See Chart	Assembly, U-Beam	1	67249-xxx	See Chart on Page 321
✓ ●	12	321-387	Bushing, Pivot	2	58648	Early; Replace w/321-523
✓ ●	13	321-523	Bushing, Pivot	4	70425-1	Improved Durability; Order 334-1698 or 1698A Kit
✓ ●	13	321-388	Bushing, "D" Pin	2	60383	Use w/ ¾" Bolts
●		321-512	Bushing, "D" Pin	2	65381	Use w/ 7/8" Bolts
✓ ✓	14	334-626	Assembly, Bolt; ¾"-10 x 5"Lg	4	21867-36	Incl. Bolt & Hdwe.
✓ ✓		334-1117	Assembly, Bolt; ¾"-16 x 5 ½"	4	21777-26	Incl. Bolt & Hdwe.
		334-1701	Assembly, Bolt; 7/8"-14 x 5 ½"Lg	4	30418-9	Incl. Bolt & Hdwe.
		SP	Assembly, Bolt; 7/8"-14 x 5"Lg	4	30418-11	KW EX262, 10" Ride Hgt.
✓	15	67043-002	Air Spring	2	67043-2	PMXEX, 8.5"-10.5" Ride Hgt.; KW EX232, 10" Ride Hgt.
✓		67392-002	Air Spring	2	67392-2	FMXEX, 8.5"-10.5" Ride Hgt.
✓		67234-002	Air Spring	2	67234-2	IH EX232, 9"-10.5" Ride Hgt.
✓		67247-002	Assembly, Air Spring	2	67247-2	PMXEX262, 8.5"-10" Ride Hgt.; KW EX262, 10" Ride Hgt./EX262S, 8.5" & 10" Ride Hgt.
✓		68056-002	Assembly, Air Spring	2	68056-2	FMXEX272, 8.5"-10" Ride Hgt.; IH PMXEX262, 9" Ride Hgt.; CAT 262S
✓		67391-002	Air Spring	2	67391-2	PMXEX, 12.5", 14.4", 15.5" Ride Hgt.; KW EX232T
		67044-002	Assembly, Air Spring	2	67044-2	KW EX262T; 15.5" Ride Hgt.
	15	67923-002	Assembly, Air Spring	2	67923-2	IH & CAT EX232T; 13" Ride Hgt.
		SP	Assembly, Air Spring	4	68070-2	Caterpillar & IH
	16	SP	Bracket, Air Spring; Upper	2	65031-3	14.4" Ride Hgt.
		SP	Bracket, Air Spring; Upper	2	65031-4	15.5" Ride Hgt.
	17	SP	Bracket, Air Spring; Lower	2	60911-2	
		SP	Gusset, Air Spring	1	59479-3	(a) If Equipped
	18	SP	Gusset, Air Spring	1	59479-4	(b) If Equipped
		SP	Kit, Service; Torque Rod Fasteners	2	49176-32	5/8" x 8"; One Rod
	19	SP	Kit, Service; Torque Rod Fasteners	2		5/8" x 8", 3/4" x 6"; One Rod
✓ ✓ ●		20	334-526	Shim; 1/16"Thk 4 3/8" c/c	AR	49689
	21	See Chart	Assembly, Torque Rod	2	Various	See Chart on Page 317

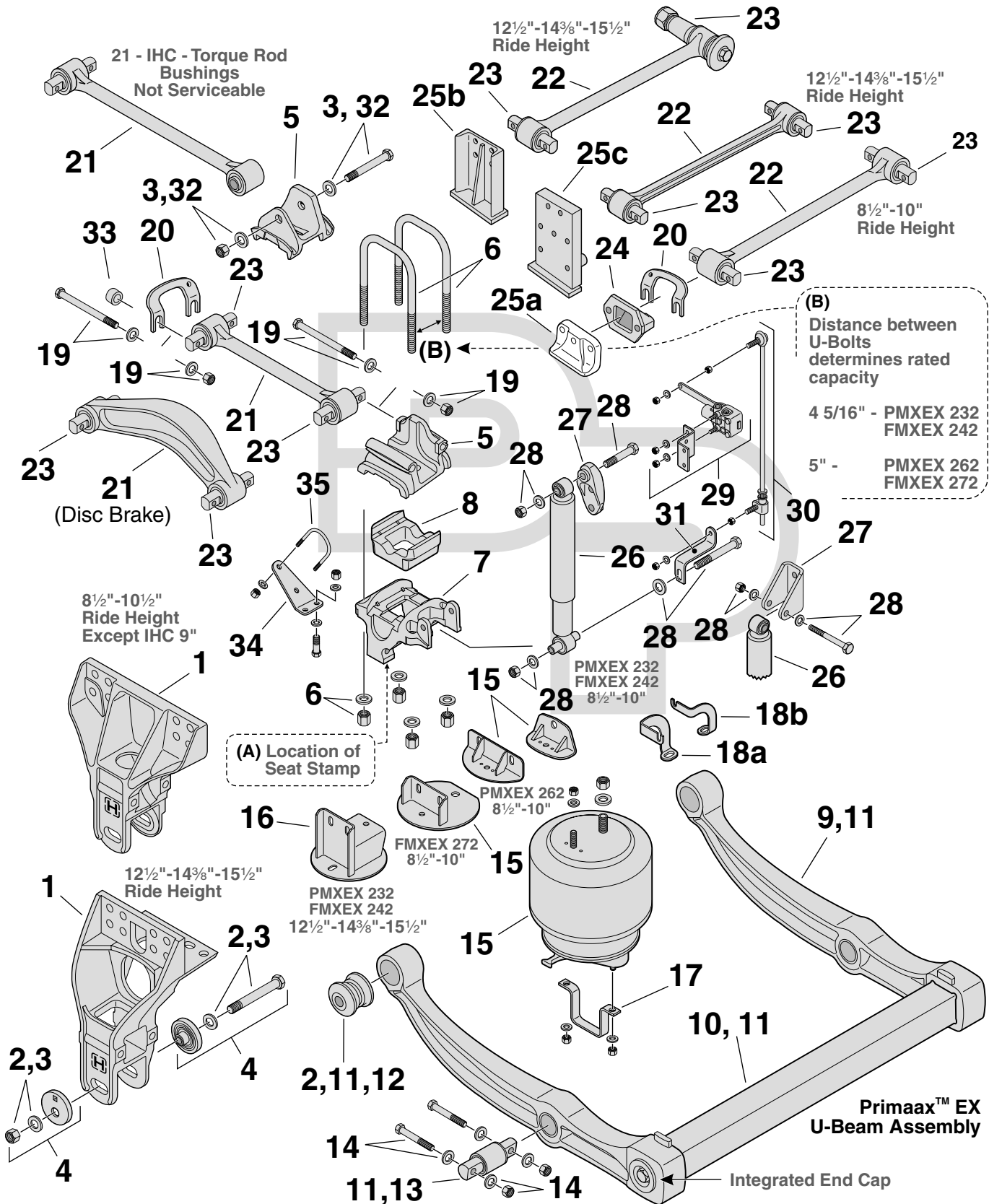
* See Pages 314-316 for Model Identification.

PRIMAAX EX® 232/462/692, 262/522/782
FIREMAAX EX® 242/482, 272/542
Single/Tandem Axle Air Suspensions

Hendrickson Truck

Hendrickson Truck

Suspension Illustration



Key No.	Part Number	Description	No. Req.	OEM Reference	Remarks	
22	SP	Rod, Track	1	72000-xxxS	Ultra-Rod Plus; Specify Length; 321-500 Bushing	
	SP	Rod, Track	1	62250-xxx	Indiana Pheonix/Terex Advance; Specify Length; 321-223 & 321-361 Bushings	
	SP	Rod, Track	1	62000-620	Oshkosh; 321-223 Bushing	
	SP	Rod, Track	1	67428-565	KW EX232; 10" Ride Hgt.	
	SP	Rod, Track	1	72000-560C	KW EX262; 10" Ride Hgt.; 262S 8.5 & 10"; 232/262T 15.5"; 321-500 Bushing	
	SP	Rod, Track	1	62011-xxxN	IH EX232T; 13" Ride Hgt.; Specify Length; 321-223 Bushing	
●	23	321-500	Bushing; 4 3/8" c/c x 5/8" Bolts	AR	64400-2	
✓ ●		321-223	Bushing; 4 3/8" c/c x 5/8" Bolts	AR	47691	
✓ ●		321-361	Bushing, Taper Pin	AR	64809	
●		321-366	Bushing; 4 3/8" c/c x 3/4" Bolts	AR	69210	EX262/272 Axle End
●	24	338-181	Bracket, Track Rod/Frame	1	22186	For 5/8" Bolts
25	SP	Stop, Axle; Frame Mounted	1	60593-1	(a) EX232; 8.5" Ride Hgt.	
	SP	Stop, Axle; Frame Mounted	1	60593	(a) Except EX232; 8.5" Ride Hgt.	
	SP	Stop, Axle; Frame Mounted	1	64692-xxx	(b), (c); Specify Fore/Aft Axle & Make; 12.5", 14.4" & 15.5" Ride Hgt.	
	SP	Stop, Axle; Frame Mounted	2	65570-1	(c) IH & CAT 232EX; 13" Ride Hgt.	
	SP	Stop, Axle; LH/RH	2	69580, 69581	(d) KW EX232/262T; 15.5" Ride Hgt.; Not Shown	
26	341-60657-4	Shock Absorber	2	60657-4	Can Use M65504	
	SP	Shock Absorber	2	60665-13, 60665-15	EX262 Specify Drum or Disc Brake	
	341-60657-3	Shock Absorber	2	60657-3	KW EX232 10" Ride Hgt.; Except Triaxle; IH 9" & 10.5"	
	341-60657-5	Shock Absorber	6	60657-5,	KW EX232 10" Ride Hgt.; Triaxle	
	M65504	Shock Absorber	4	60657-7	Mack EX232/462/692	
27	SP	Bracket, Frame; Upper Shock	2	67463-2	Cast	
	SP	Bracket, Frame; Upper Shock	2	59423-1	Stamped	
	SP	Bracket, Frame; Upper Shock	2	67463-6	Mack/Volvo	
28	SP	Kit, Service; Shock Fastener	2	50754-30	PMXEX232 & FMXEX242; 4.25/6	
	SP	Kit, Service; Shock Fastener	2	50754-29	PMXEX262/262S & FMXEX272; 4.25/7	
	SP	Kit, Service; Shock Fastener	2	50754-12	KW EX232/262T; 15.5" Ride Hgt.; 3.75/6	
✓ ●	29	334-1648	Valve, Height Control; w/Dump	1	57977	
✓ ●	30	334-751	Linkage Assembly; Universal; Adjustable	1		3 5/8"-19 5/8" Range; Use w/All Height Control Valves
31	SP	Bracket, HCV Linkage	1	60921		
32	334-1701	Assembly, Bolt; 7/8"-14 x 5 1/2"Lg	2	58821-12	Torque Rod Bolt Assembly; Axle End IH	
33	SP	Spacer, Torque Rod	4	67045-xxx	IH 232EX; 9,10.5"; Specify Spacer Thickness	
34	SP	Bracket, "S" Cam	4	64508-xxx	See Part Number on Component	
35	SP	U-Bolt, "S" Cam	4	64202		
●	36	334-2028	Tool, Replacement; Pivot Bushing	AR	66086-203	Not Shown
37	334-1918	Lubricant, Extreme High Pressure	AR		Not Shown	
38	334-1665	Lubricant, Bushing Installation	AR		Not Shown	

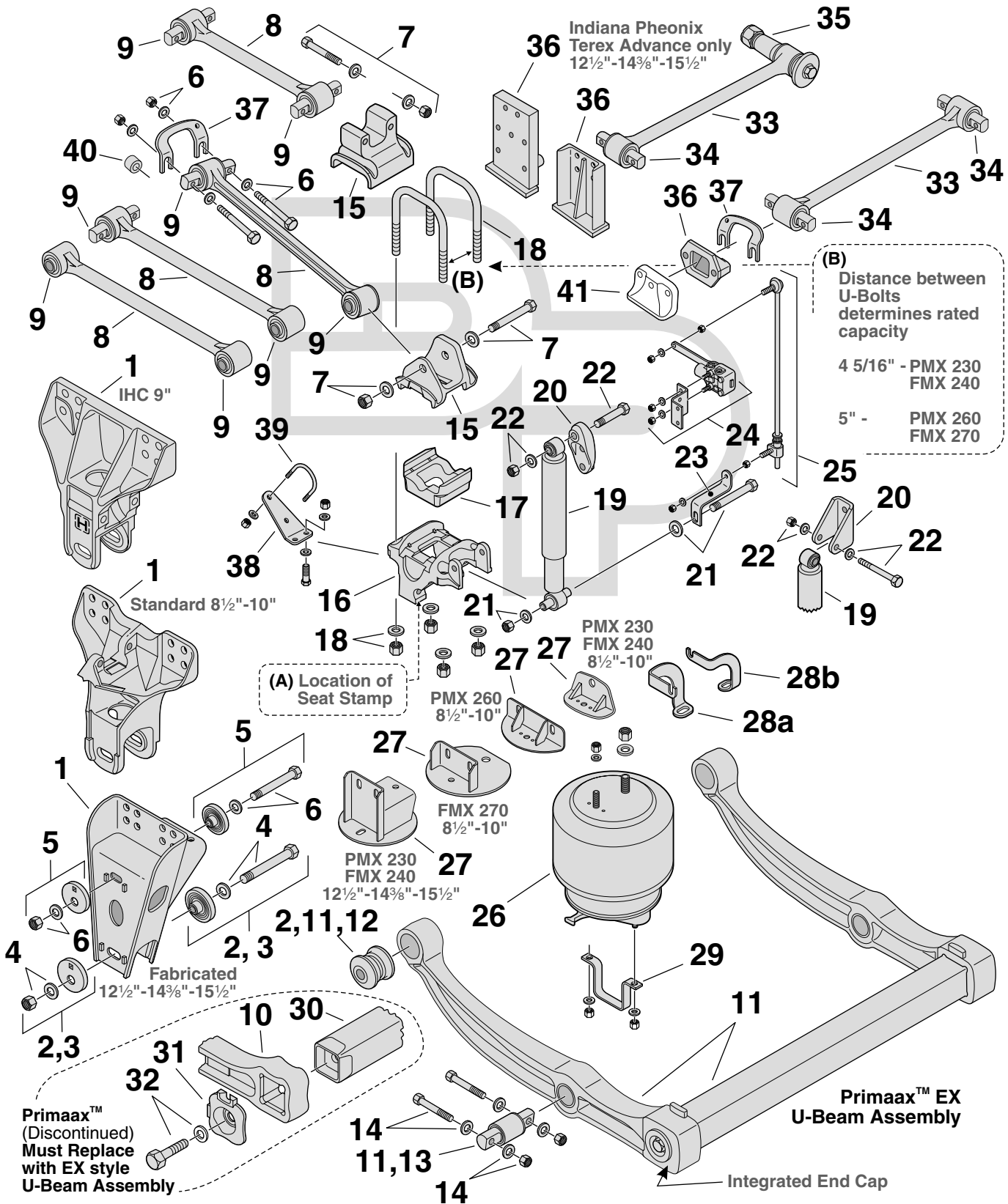
* See Pages 314-316 for Model Identification.

**PRIMAAX® 230/460/690, 260/520/780
FIREMAAX® 240/480, 270/540
Single/Tandem Axle Air Suspension**

Hendrickson Truck

Hendrickson Truck

Suspension Illustration



Key No.	Part Number	Description	No. Req.	OEM Reference	Remarks	
●	1	338-1928	Hanger	2	60821-1	Cast; Standard; 8.5-10" Ride Hgt.
●		338-2237	Hanger	2	67706, 65891	Cast; IHC; 9" Ride Hgt.
		SP	Hanger	2	65702-1	Cast; Volvo/Mack
		SP	Hanger; LH	1	64451-1	Fabricated; 14.4"-15.5" Ride Hgt.; Terex IPI
		SP	Hanger; RH	1	64451-2	Fabricated; 14.4"-15.5" Ride Hgt.; Terex IPI
		SP	Hanger; LH	1	64451-3, 64851-1	Fabricated; 14.4"-15.5" Ride Hgt.; Oshkosh
		SP	Hanger; RH	1	64451-4, 64851-2	Fabricated; 14.4"-15.5" Ride Hgt.; Oshkosh
✓ ●	2	334-1698	Kit, Service; Pivot Bushing	1	60632-8, 60632-20	Cast Hgrs; Incl. Alignment Collars; 1 axle
●		334-1705	Kit, Service; Pivot Bushing	1	60632-9, 60632-22	Fabricated Hgrs; Incl. Alignment Collars & T/R Axle Connection Bolt; 1 axle
✓ ●	3	334-1699	Kit, Service; Alignment	2	60632-6, 60632-19	Cast Hgrs; (1) Beam End, Less Bushing
●		334-1706	Kit, Service; Alignment	2	60632-7, 60632-23	Fabricated Hgrs; (1) Beam End, Less Bushing
	4	334-1700	Kit, Service; Pivot Bolt	2	60632-5, 60632-18	All
●	5	334-1707	Kit, Service; Torque Rod Alignment	2	58821-11	Fabricated Hgrs; Incl. 334-1708 & Collars; (1) Wheel End
	6	334-798	Assembly, Bolt; ¾"-16 x 4"Lg	4	21867-18	Cast Hgrs; T/R to Hanger
		334-1708	Assembly, Bolt; 7/8"-14 x 7 ¾"Lg	2	30418-2	Fabricated Hgrs; T/R to Hanger
		SP	Assembly, Bolt; 5/8"-11 x 8" Lg	8	32043-16	IHC
	7	334-1701	Assembly, Bolt; 7/8"-14 x 5 ½"Lg	2	58821-12	230/240; T/R to Axle
		334-1723	Assembly, Bolt; ¾"-16 x 6"Lg	4	58821-21	260/270; T/R to First Axle
		334-798	Assembly, Bolt; ¾"-16 x 4"Lg	2	21867-18	260/270; T/R to 2nd & 3rd Axle
✓✓ ●	8	345-900	Torque Rod; 25.20"Lg c/c	2	60641-640	230/240; 12.5"-15.5" Ride Hgt.; Forward
✓✓ ●		345-901	Torque Rod; 26.00"Lg c/c	2	60641-660	230/240; 12.5"- 15.5" Ride Hgt.; Rear
●		345-908L	Torque Rod; 23.81"Lg c/c; Left Front	1	60827-605A	230/240; 8.5-10" Ride Hgt.; Except IHC
●		345-908R	Torque Rod; 23.81"Lg c/c; Right Front	1	60827-605B	230/240; 8.5-10" Ride Hgt.; Except IHC
●		345-909L	Torque Rod; 25.38"Lg c/c; Left Rear	1	60827-645A	230/240; 8.5-10" Ride Hgt.; Except IHC
●		345-909R	Torque Rod; 25.38"Lg c/c; Right Rear	1	60827-645B	230/240; 8.5-10" Ride Hgt.; Except IHC
		SP	Torque Rod; 24.41"Lg c/c; Left/Right Rear	2	64717-620A, 64717-620B	230/240; 8.5-10" Ride Hgt.; Except IHC
		SP	Torque Rod	2	67274-510, 67274-540	IHC; 9" Ride Hgt; Specify Length; Bushings Not Servicable
		SP	Torque Rod	2	60641-640, 60641-660	230/240; w/ Fab Hgrs; Specify Length; 321-162 Bushings Both Ends
		SP	Torque Rod	2	66359-XXX	260/270; Specify Length; LH/RH; 321-366 Bushings Both Ends
●	9	321-366	Bushing; 4 3/8" c/c x 3/4" Bolts	AR	69210	230/240, 260/270
●		321-162	Bushing; 7/8"ID x 2 1/32"OD x 3"Lg	AR	47692	230/240
	10	◆	Assembly, Beam; LH/RH; Front/ Rear	1		Discontinued; Replace w/ Current Production PRIMAAX® EX U-Beam Assy.
	11	See Charts	Assembly, U-Beam	AR	60961-XXX	See Chart on Page 321
✓ ●	12	321-387	Bushing, Pivot	4	58648	Early
✓✓ ●		321-523	Bushing, Pivot	4	70425-1	Improved Durability; Included in 334-1698
✓ ●	13	321-388	Bushing, "D" Pin	4	60383	230/240; ¾" Bolts
✓✓ ●		321-512	Bushing, "D" Pin	4	65381	260/270; 7/8" Bolts
✓✓	14	334-626	Assembly, Bolt; ¾"-10 x 5"Lg	8		
✓✓		334-1117	Assembly, Bolt; ¾"-16 x 5 ½"Lg	8	57356	
		SP	Assembly, Bolt; ¾"-16 x 4 ¾"Lg	8		
		334-1701	Assembly, Bolt; 7/8"-14 x 5 ½"Lg	8	58821-12	
✓✓ ●	15	338-2057	Bracket, Top Plate	4	60877-1, 60877	230/240; w/Drum Brake; Except IH
		SP	Bracket, Top Plate	4	65290-1	IHC
		SP	Bracket, Top Plate	4	65641	230/240; w/Disc Brake
		SP	Bracket, Top Plate	4	65210-XXX	260/270; Specify Axle Mfg Bracket Location, Short or Long Side of Differential

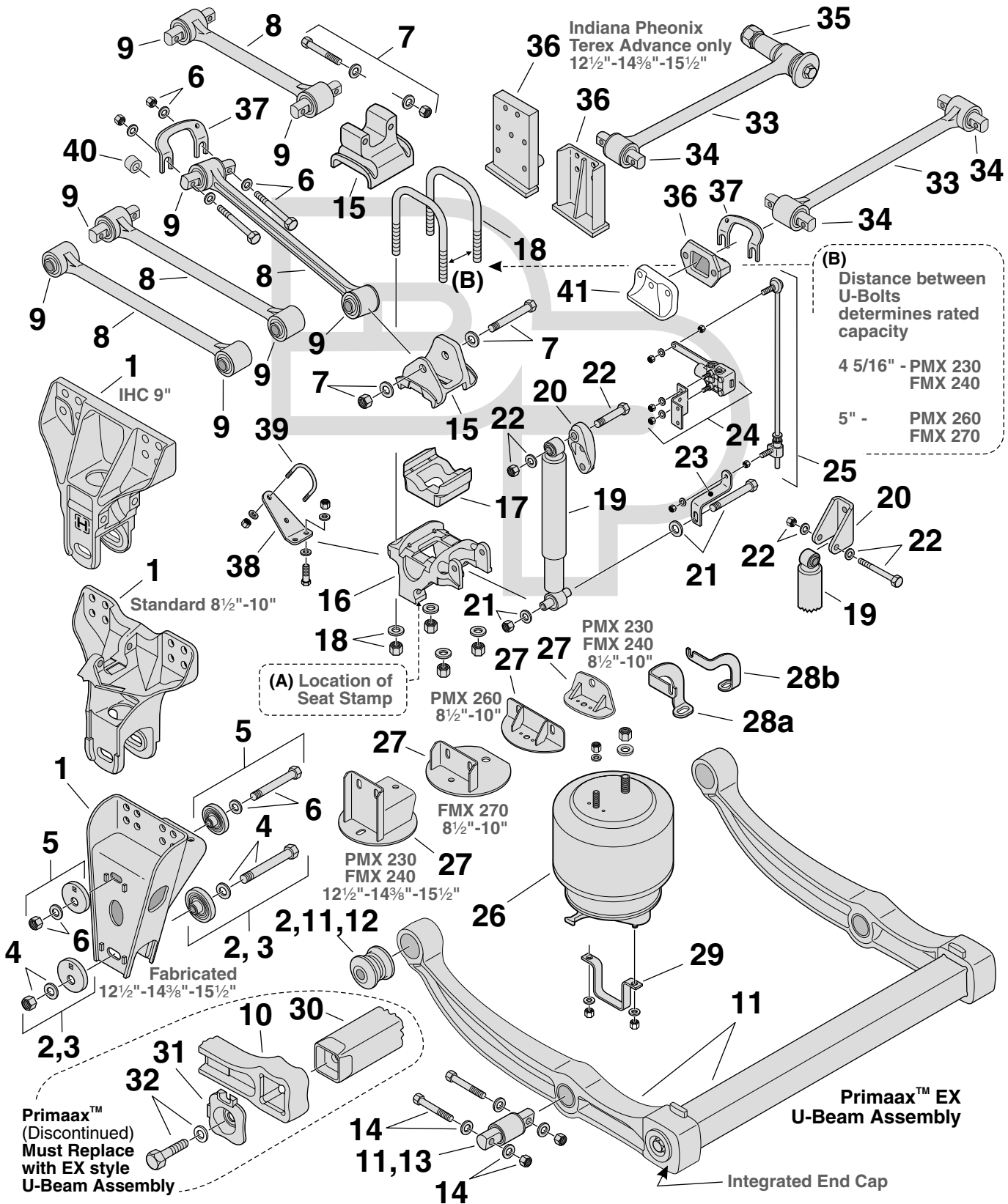
* See Pages 314-316 for Model Identification.

**PRIMAAX® 230/460/690, 260/520/780
FIREMAAX® 240/480, 270/540
Single/Tandem Axle Air Suspension**

Hendrickson Truck

Hendrickson Truck

Suspension Illustration



Hendrickson Truck

PRIMAAX® 230/460/690, 260/520/780 FIREMAAX® 240/480, 270/540 Single/Tandem Axle Air Suspension

Key No.	Part Number	Description	No. Req.	OEM Reference	Remarks
16	See Charts See Charts	Seat, Axle (338-2112-XX)	AR	60556-XXX	230/240; Specify No. Stamp as Indicated 260/270; See Chart on Page 318
		Seat, Axle	AR	65208-XXX, 67913-XXX	
17	See Charts	Spacer, Axle	AR	Various	Specify Model, Ride Hgt., Axle & Beam Cntrs.
18	361-627 361-661 361-662 361-663	Kit, U-Bolt; 3/4" x 6 3/8" x 9"Lg	4		
		Kit, U-Bolt; 3/4 x 6 3/8" x 10"Lg	4		
		Kit, U-Bolt; 3/4 x 6 3/8" x 11"Lg	4		
		Kit, U-Bolt; 3/4 x 6 3/8" x 12"Lg	4		
19	341-60657-3 341-60657-4 M65504 SP SP	Shock Absorber	4	60657-3	PMX230; 8.5"-10" Ride Hgt.
		Shock Absorber	4	60657-4, 60665-11	230/240; 12.5"-15.5" Ride Hgt.
		Shock Absorber	4	60657-4	Volvo
		Shock Absorber	4	60665-14, 60665-18	FMX240; 8.5"-10" Ride Hgt.; Specify Disc/Drum Brake
		Shock Absorber	4	60665-15, 60665-13	260/270; Specify Disc/Drum Brake
20	SP SP SP	Bracket, Shock	4	67463-2, 65000-2	Standard
		Bracket, Shock	4	59423-1	Fabricated
		Bracket, Shock	4	67463-6	Mack/Volvo
21	334-696 SP	Assembly, Bolt; 5/8"-11 x 6"Lg	4		230/240
		Assembly, Bolt; 5/8"-11 x 7" Lg	4		260/270; Use 334-764
22	334-1293	Assembly, Bolt; 3/4"-16 x 4 1/2"Lg	4		
23	SP	Bracket, HCV	1	60921	
✓ ● 24	334-1648	Valve, Height Control	1	57977	
✓ ● 25	334-751	Linkage Assembly; Universal; Adjustable	1		3 5/8"-19 5/8" Range; Use w/All Height Control Valves
✓	60271-002 65183-002 65032-002 64337-002 65282-002 69153-002 67043-002	Air Spring	4	60271-2	PMX230; 8.5"-10" Ride Hgt.
		Air Spring	4	65183-2	FMX240; 8.5"-10" Ride Hgt.
		Air Spring	4	65032-2	230/240; 12.5"-15.5" Ride Hgt.
		Assembly, Air Spring	4	64337-2	230; 14.4" Ride Hgt.; Incl Upper Bracket
		Air Spring	4	65282-2	260/270
		Air Spring	4	69153-2	260/270
		Air Spring	2	67043-2	Use on First Gen That Have Been Upgraded to EX U-Beam Assemblies
27	SP	Bracket, Frame; Air Spring	AR	Various	Specify Model & Ride Hgt.
28	SP	Gusset, Air Spring	AR	59479-3, 59479-4	Specify (a) or (b) If Equipped
● 29	334-1703	Bracket, Air Spring	4	60911	
30	SP	Beam, Cross	2	60912-XXX	Must Replace w/U-Beam Service Kit 60961-XXX; Specify Vehicle, Frame Width, Position & Hanger Type
● 31	338-1929	Cap, Cross Beam End	4	60822	
32	334-1704	Bolt; 7/8"-9 x 3 1/2"Lg	4	50104-3	
33	SP SP SP SP SP	Rod, Track	2	72000-XXX	230/240/260/270; 8.5"-10" Ride Hgt.; Specify Length; 321-500 Both Ends
		Rod, Track	2	62250-XXX	Fabricated Hangers, Specify Vehicle Manufacturer & Length
		Rod, Track; KW; 22 1/4"Lg	2	62000-565, 72000-560C	
		Rod, Track; Volvo	2	67274-XXX	Specify Length
		Rod, Track; Fabricated Hangers	2	62250-XXX, 62000-XXX	Specify Vehicle Manufacturer & Length
● 34	321-500	Bushing; 4 3/8" c/c x 5/8" Bolts	4	64400-2	230/240/260/270; 8.5"-10" Ride Hgt.
✓ ● 34	321-223	Bushing; 2"OD x 4 3/8" c/c x 5/8" Bolts	4/2	47691	12.5-15.5" Ride Hgt.
✓ ● 35	321-361	Bushing, Taper Pin	2	64809	12.5-15.5" Ride Hgt.

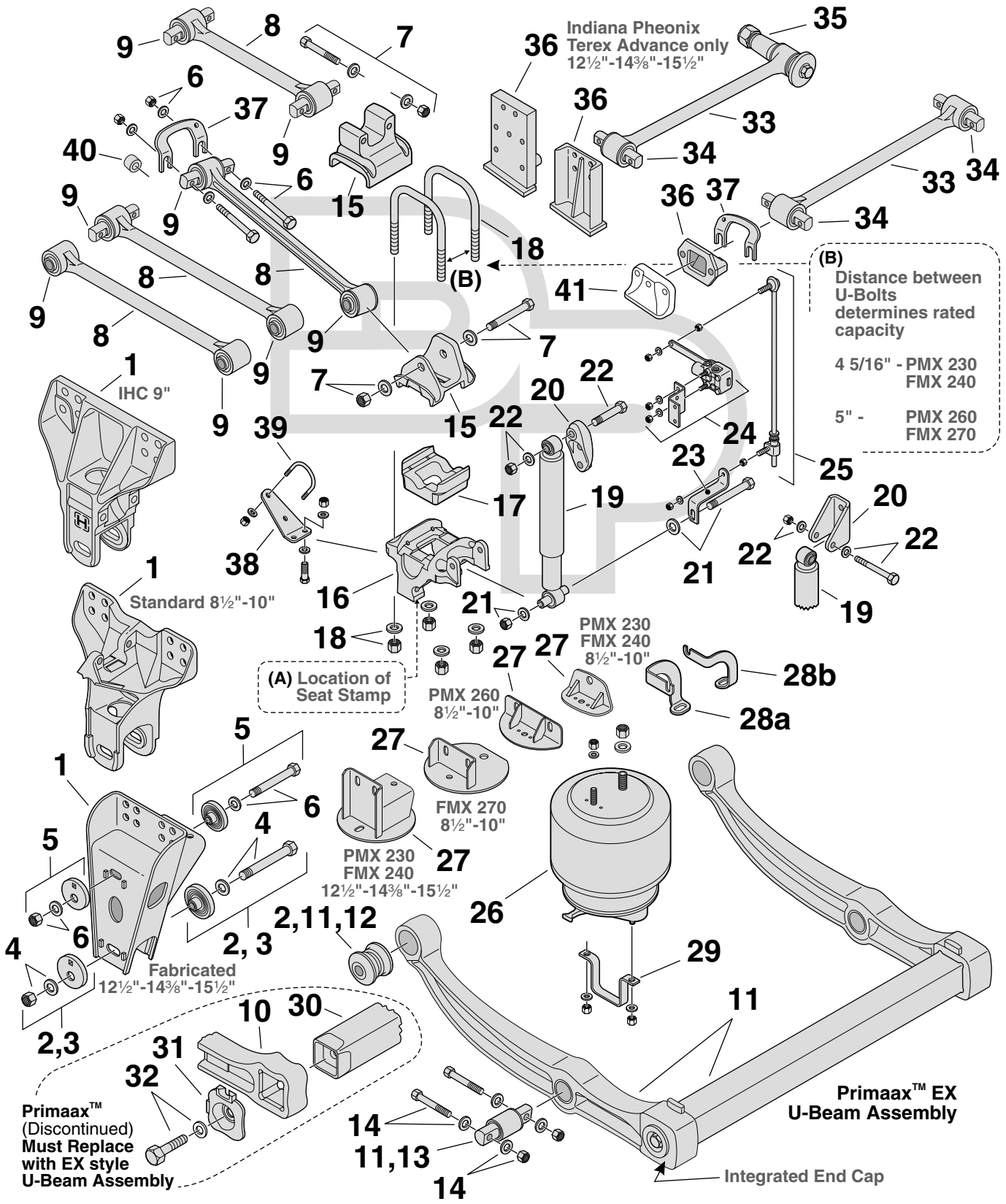
* See Pages 314-316 for Model Identification.

**PRIMAAX® 230/460/690, 260/520/780
FIREMAAX® 240/480, 270/540
Single/Tandem Axle Air Suspension**

Hendrickson Truck

Hendrickson Truck

Suspension Illustration



(B) Distance between U-Bolts determines rated capacity

4 5/16"	PMX 230 FMX 240
5"	PMX 260 FMX 270

(A) Location of Seat Stamp

Indiana Pheonix
Terex Advance only
12 1/2"-14 3/8"-15 1/2"

Primaax™
(Discontinued)
Must Replace
with EX style
U-Beam Assembly

Primaax™ EX
U-Beam Assembly

Integrated End Cap

Hendrickson Truck

PRIMAAX® 230/460/690, 260/520/780 FIREMAAX® 240/480, 270/540 Single/Tandem Axle Air Suspension

Hendrickson Truck

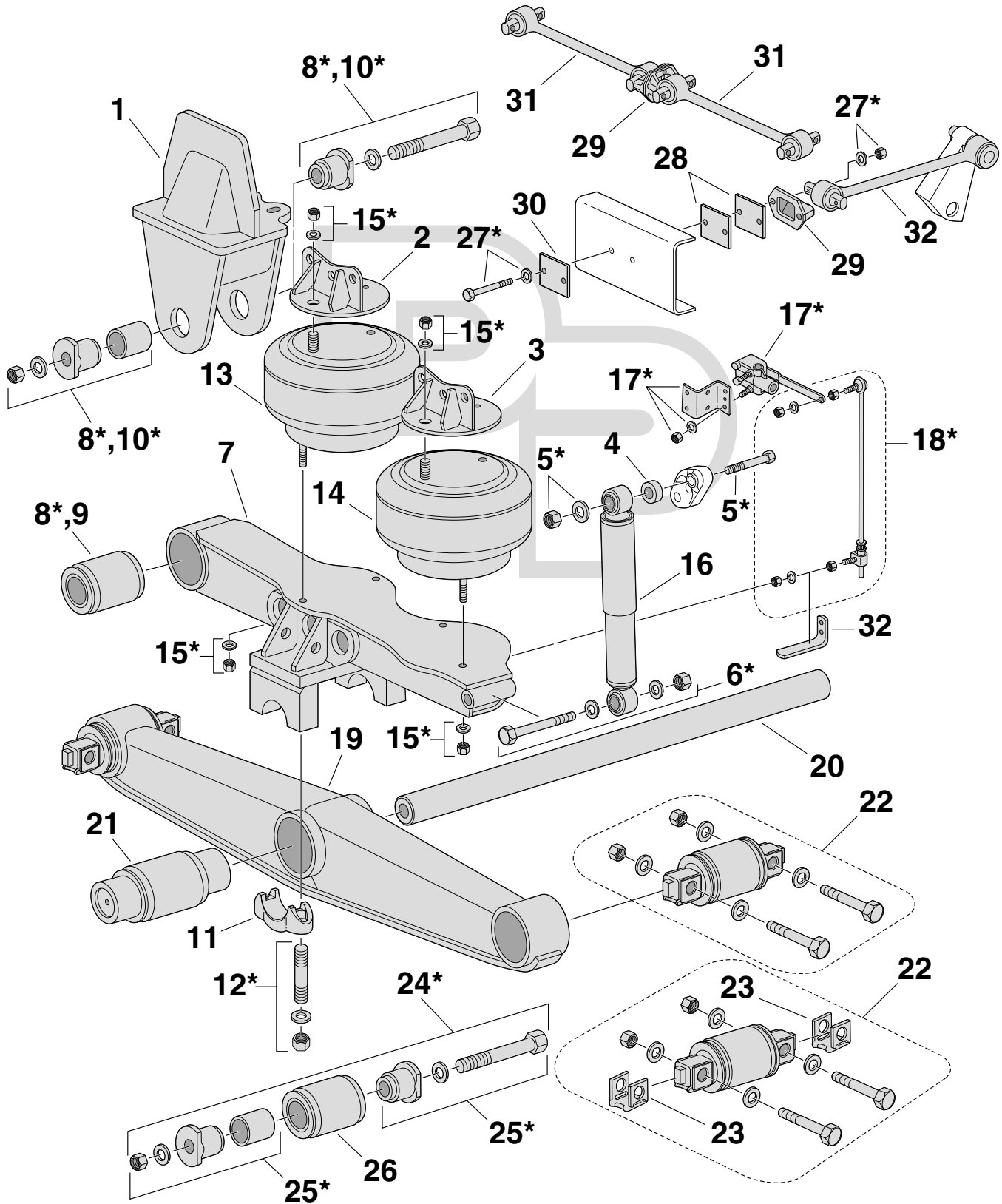
Parts Listing

Key No.	Part Number	Description	No. Req.	OEM Reference	Remarks
● 36	338-181 SP	Bracket, Track Rod/Frame	2	22186	8.5"-10.5" Ride Hgt. Specify Make, LH/RH & Front/Rear; 14.4"-15.5" Ride Hgt.
		Bracket, Track Rod/Axle Stop	1	Various	
✓✓ ● 37	334-526	Shim; 1/16"Thk, 4 3/8" c/c	AR	49659	
	SP	Bracket, S Cam Support	4	65408	230/240
	SP	U-Bolt, S Cam	4	64202	230/240
	SP	Spacer, Torque Rod	4	67045-XXX	IHC only; Specify Pinion Angle/Spacer Thickness
	SP	Stop, Axle; Frame Mounted	4	60593	
● 42	334-2028	Tool, Replacement; Pivot Bushing	AR	66086-203	Not Shown
	334-1918	Lubricant, Extreme High Pressure	AR		Not Shown
	334-1665	Lubricant, Bushing Installation	AR		Not Shown

* See Pages 314-316 for Model Identification.

Hendrickson Truck

Suspension Illustration

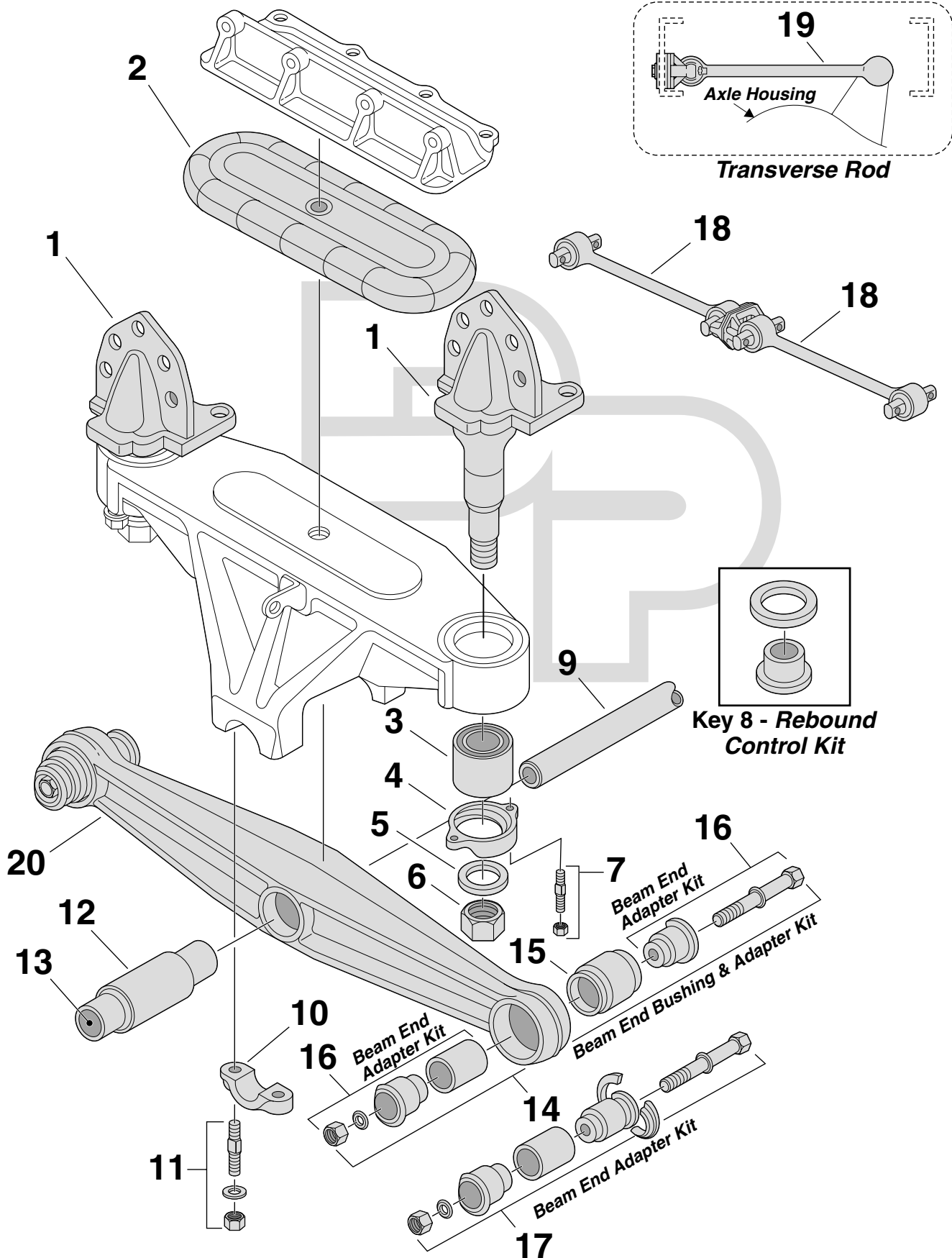


Key No.	Part Number	Description	No. Req.	OEM Reference	Remarks
	SP	Hanger	AR	Various	Specify LH/RH & Frame Width
	SP	Bracket, Air Spring; Forward	2	65426	
	SP	Bracket, Air Spring; Rear	2	65680	
	334-1745	Spacer, Shock Absorber	2	59946-1	
	SP	Assembly, Bolt; ¾"-10 x 4 ½"Lg	2	50764-10	
	SP	Assembly, Bolt; ¾"-10 x 7 ½"Lg	2	50764-13	
	SP	Assembly, Trailing Arm	AR	Various	Specify LH/RH & Ride Hgt.
	SP	Kit, Pivot Bushing & Adapter	2	34013-111	AR2-400
	SP	Kit, Pivot Bushing & Adapter	2	34013-112	AR2-460
✓✓●	321-126	Bushing, Beam End; Rubber; 5 ¾"Lg	2	45900	AR2-400
✓●	321-242	Bushing, Beam End; Rubber; 5 ¾"Lg	2	29878-1	AR2-460
	SP	Kit, Adapter	2	21140-53	
●	338-1831	Cap, Saddle	2	58795	
✓✓	334-174	Assembly, Stud; 7/8"-14 x 4 7/8"Lg	4	6696	Incl. Stud, Lock Nut & Washer
	65455-002	Air Spring	2	65455-2	Front
	65652-002	Air Spring	2	65652-2	Rear
	SP	Kit, Hardware; Air Spring Mounting	1	49177-17	Kit Incl. Hardware for Mounting (4) Springs
	SP	Shock Absorber	2	60665-12	Consult Shock Catalog for Model Specific Applications
✓●	334-1648	Valve, Height Control	2	57977	
✓●	334-751	Linkage Assembly; Universal; Adjustable	2		3 5/8"-19 5/8" Range; Use w/All Height Control Valves
	SP	Assembly, Walking Beam	2	Various	Specify Length & Bushings; See Chart on Page 308
✓✓	334-113	Tube, Cross; 2 7/16" x 44 7/8"Lg	1	44643-9	
●	321-243	Bushing, Beam Center; Rubber; Welded Plug	2	49400	AR2-400
	321-244	Bushing, Beam Center; Rubber; Loose Plug	2	49600	AR2-400
●	321-124	Bushing, Beam Center; Rubber; Welded Plug	2	29483-5	AR2-460
●	321-510	Bushing, Beam Center; Rubber; Loose Plug	2	34013-97	AR2-460
●	334-830	Kit, Service; Bar Pin Bushing; Non Shim	4	34013-87	Incl. Bar Pin Bushing & Mounting Hdwe.
✓✓●	334-831	Kit, Service; Bar Pin Bushing; Shim Type	4	34013-88	Incl. Bar Pin Bushing, Alignment Shims & Mounting Hdwe.
✓✓●	334-1957	Kit, Service; Rotating Bar Pin Bushing; Shim Type	4	34013-188	Incl. Bolts & Shims
●	334-879	Shim; 3/16"	AR	50130	
●	334-880	Shim; 1/8"	AR	50131	
✓✓	334-381	Kit, Bushing & Adapter	4	34013-49	Incl. 321-126 Bushing & 334-109 Adapter
●	334-429	Kit, Bushing & Adapter	4	34013-73	Incl. 321-126 Bushing & 334-467 Adapter
✓✓●	334-109	Kit, Adapter; Solid Adapters	4	45000-7	AR2-400
✓●	334-467	Kit, Adapter	4	21140-34	AR2-460
✓✓●	321-126	Bushing, Beam End; Rubber; 5 ¾"Lg	4	45900	
✓✓	334-754	Assembly, Bolt; 5/8"-18 x 5 ½"Lg	4		Incl. Bolt & Hdwe.
	SP	Plate, Spacer; 1/8"	4	45045-1	
	SP	Plate, Spacer; 1/4"	2	45045-2	
●	338-181	Bracket, Track Rod/Frame	2	22186	For 5/8" Bolts
●	334-638	Plate, Reinforcement	2	45045-3	
	345-866	Kit, Torque Rod; Straddlemount	2	60218	Use 345-610 & 345-661
	345-897	Kit, Torque Rod; Straddle/Taper Pin	2	60215	Use 345-610 & 345-681
✓✓	345-610	End, Torque Rod; Straddlemount; Female	AR	66610, 46610	5/8" Bolts, 4 3/8" Spacing
✓✓	345-661	End, Torque Rod; Straddlemount; Male; 22 ½"Lg	AR	66661, 46661	5/8" Bolts, 4 3/8" Spacing
✓	345-681	End, Torque Rod; Taper Stud; Male; 22 ½"Lg	AR	66681, 46681	1 1/8"-12, 1.85" Taper
	SP	Bracket, HCV Linkage Mount	2	65427	

*AR2 Retrofit Kits are Available - Call Technical Service for Assistance.

Hendrickson Truck

Suspension Illustration



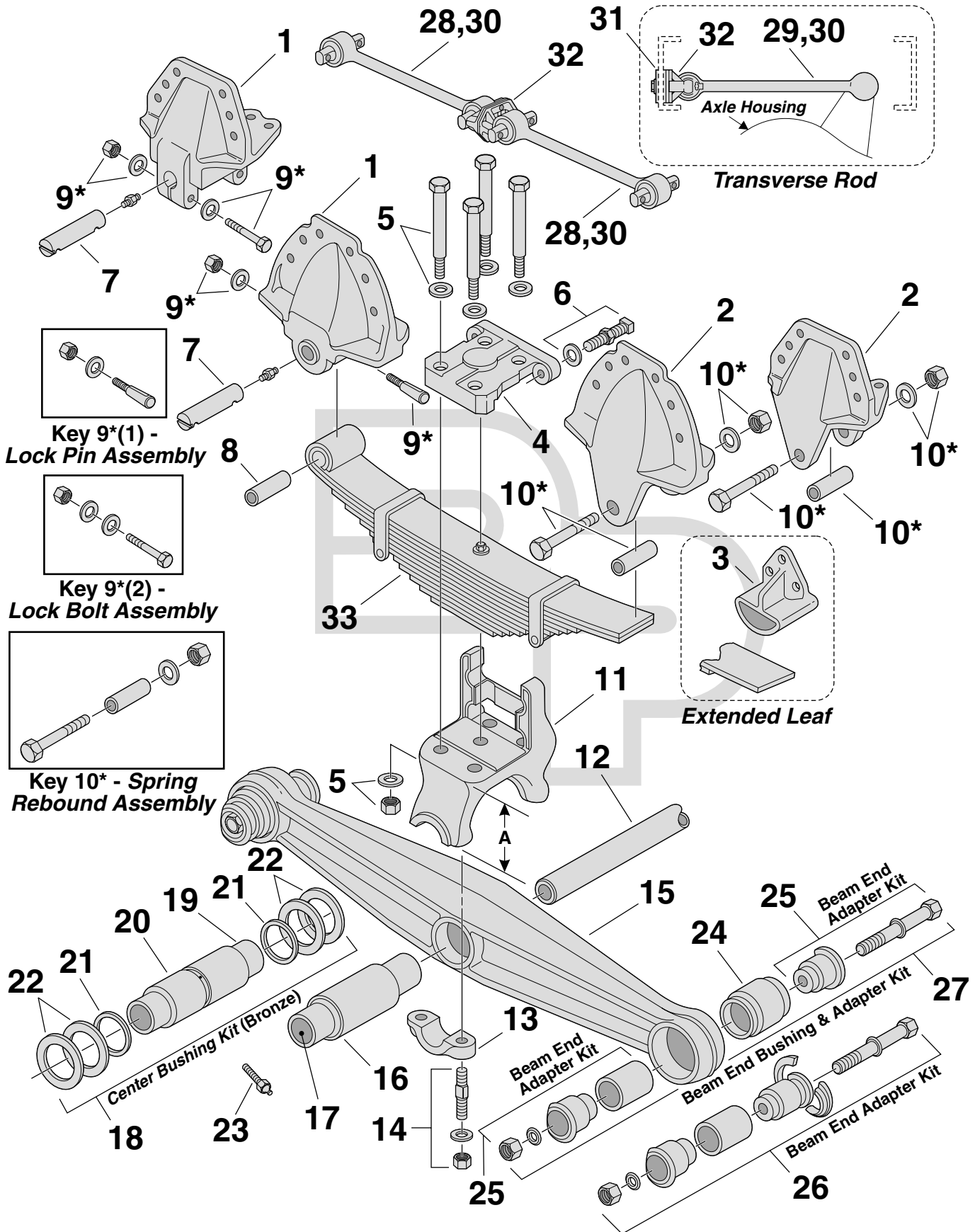
Key Numbers with an asterisk (*) indicate a kit or assembly.

Key No.	Part Number	Description	No. Req.	OEM Reference	Remarks	
	1	338-164	Hanger	4	14059-15	Obsolete
	2	◆	Assembly, Air Spring	2	13233-1	Obsolete
✓✓	3	321-125	Bushing, Saddle; 2"ID x 4 1/8"OD x 4"Lg	4	19279	
●	4	338-160	Cap, Retainer; Saddle Bushing	4	5917	
✓✓ ●	5	334-117	Washer; 1 9/16"ID x 3 1/4"OD x 3/16"Thk	4	8536	3/8" Flange
✓✓	6	334-118	Nut, Nylok; 1 1/2"-12	4	25151	
	7	334-144	Assembly, Stud; 5/8" x 3"Lg	8	19111-1	
●	8	334-145	Kit, Control; Rebound	2	31005-1	Incl. (2)Bumpers & (2)Nuts
✓✓	9	334-102	Tube, Cross; 1 15/16"x 44 7/8"Lg	1	44642-8	
✓✓		334-113	Tube, Cross; 2 7/16" x 44 7/8"Lg	1	44643-9	
●	10	338-123	Cap, Saddle; 4" c/c, x 1" Dia.	4	6662	AR340
●		338-1831	Cap, Saddle	4	58795	AR380
	11	334-151	Assembly, Stud; 7/8"-14-9 x 4 1/2"Lg	8	9029	AR340; Incl. Stud, Lock Nut & Washer
✓		334-172	Assembly, Stud; 7/8"-14-9 x 5 3/8"Lg	8	9030	AR380; Incl. Stud, Lock Nut & Washer
✓✓ ●	12	321-117	Bushing, Beam Center; Rubber; Welded Plug	2	6664	
✓✓ ●		321-118	Bushing, Beam Center; Rubber; Loose Plug	2	22279	Plug Included
✓✓		321-122	Bushing, Beam Center; Rubber; Welded Plug	2	5919	380 Series
✓✓		321-123	Bushing, Beam Center; Rubber; Loose Plug	2	22282	380 Series; Plug Included
	13	334-190	Plug, End; 1 15/16"Dia. x 3/16"Thk	2	22278	AR340
✓		334-191	Plug, End; 2 7/8"Dia. x 3/16"Thk	2	22281	AR380
✓	14	334-380	Kit, Bushing & Adapter	4	34013-48	Incl. 321-120 Bushing & 334-108 Adapter
✓✓		334-381	Kit, Bushing & Adapter	4	34013-49	Incl. 321-126 Bushing & 334-109 Adapter
✓✓ ●	15	321-120	Bushing, Beam End; Rubber; 5 1/4"Lg	4	6969	
✓✓ ●		321-126	Bushing, Beam End; Rubber; 5 3/4"Lg	4	45900	
✓✓ ●	16	334-108	Kit, Adapter; Solid Adapters	4	45000-13	Use w/5 1/4" Bushing
✓✓ ●		334-109	Kit, Adapter; Solid Adapters	4	45000-7	Use w/5 3/4" Bushing
●	17	334-110	Kit, Adapter; Solid/Split Ring Adapters	4	45000-14	Use w/5 1/4" Bushing
●		334-111	Kit, Adapter; Solid/Split Ring Adapters	4	45000-8	Use w/5 3/4" Bushing
	18	SP	Torque Rod, Rigid	2	32271-XXX	Hendrickson P/N Stamped on Rod. Provide No. for Proper Identification or Use 345-610 & 345-661
✓✓		345-610	Torque Rod End; Straddlemount; Female	2	66610, 46610	5/8" Bolts; 4 3/8" Spacing
✓✓		345-661	Torque Rod End; Straddlemount; Male; 22 1/2"	2	66661, 46661	5/8" Bolts; 4 3/8" Spacing
	19	SP	Kit, Torque Rod; Transverse	2	60215	Use 345-610 & 345-681
✓✓		345-610	End, Torque Rod; Straddlemount; Female	2	66610, 46610	5/8" Bolts; 4 3/8" Spacing
✓		345-681	End, Torque Rod; Taper Stud; Male; 22 1/2"	2	66681, 46681	1 1/8"-12; 1.85" Taper
	20	See Charts	Assembly, Beam	2		See chart on page 308

RT/RTE 340
RT2/RTE2 340
Tandem Suspension

Hendrickson Truck

Hendrickson Truck



Key 9*(1) -
Lock Pin Assembly

Key 9*(2) -
Lock Bolt Assembly

Key 10* - Spring
Rebound Assembly

Suspension Illustration

Key Numbers with an asterisk (*) indicate a kit or assembly.

Hendrickson Truck

RT/RTE 340 RT2/RTE2 340 Tandem Suspension

Hendrickson Truck

Parts Listing

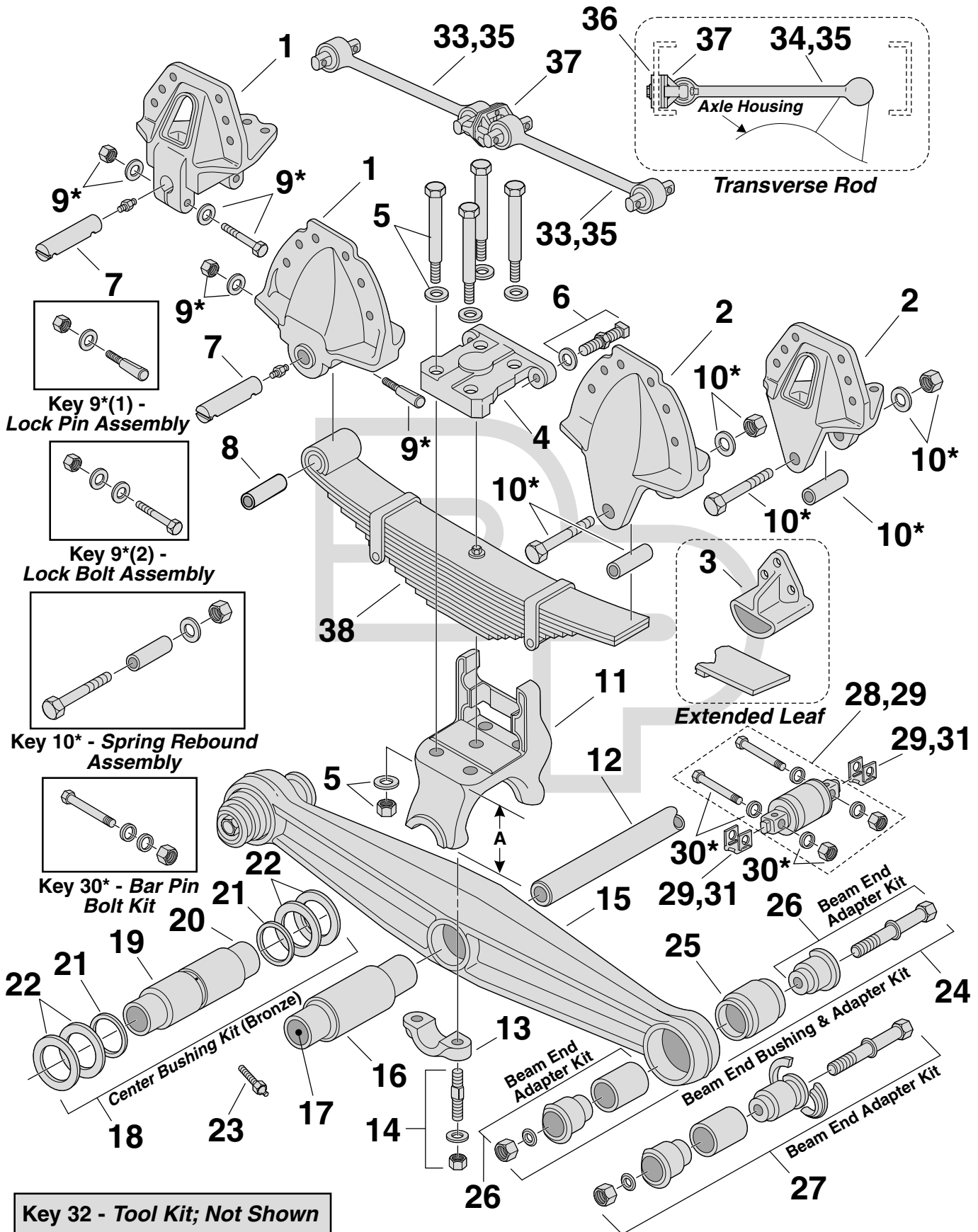
Key No.	Part Number	Description	No. Req.	OEM Reference	Remarks	
	1	See Charts	Hanger, Front	2		See Chart on Page 328
	2	See Charts	Hanger, Rear	2		See Chart on Page 330
	3	See Charts	Hanger, Extended Leaf	2		See Chart on Page 332
✓✓●	4	338-108	Pad, Top	2	35064	
	5	See Charts	Assembly, Saddle Bolt	8		Incl. Washer & Nut; See Chart on Page 307
✓✓●	6	334-101	Assembly, Set Screw; 3/4"-10 x 3 1/4"Lg	4	35370-2	Incl. Washer & Nut
✓✓	7	327-106	Spring Pin, 1 1/4"OD x 7 1/2"Lg x 5/8" c/e	2	32276	Single Lock
✓✓		327-107	Spring Pin, 1 3/8"OD x 7 1/2"Lg x 5/8" c/e	2	32277	Single Lock
✓✓		327-437	Spring Pin; 1 3/8"OD x 6 7/8"Lg x 5 3/8" c/c	2	43146	Double Lock
✓	8	322-100	Bushing; 1 1/4"ID x 1 1/2"OD x 4"Lg	2	30057-7	
✓✓		322-101	Bushing; 1 3/8"ID x 1 5/8"OD x 4"Lg	2	30057-8	
✓✓●	9	334-112	Assembly, Lock Pin	2/4	62-1	Incl. Washer & Nut
		334-131	Assembly, Bolt; 1/2"-13 x 4"Lg	2/4	46825-1	Incl. Bolt & Hdwe.
✓✓	10	334-100	Assembly, Rebound; 1/2"OD x 6 1/2"Lg	2	29828-23	Incl. Roller, Washer & Nut
●	11	338-117	Assembly, Saddle; "A" = 6 3/16"	2	31017-23	Casting No. 6611 & 46529
✓●		338-118	Assembly, Saddle; "A" = 7 3/16"	2	31017-25	Casting No. 7979 & 46138
✓✓	12	334-102	Tube, Cross; 1 15/16"x 44 7/8"Lg	1	44642-8	
●	13	338-123	Cap, Saddle 4" c/c, x 1" Dia.	4	6662	
✓	14	334-103	Kit, Stud; 7/8" x 4 1/4"	8	7002	Incl. Washer & Nut
	15	See Charts	Assembly, Beam	2		See Chart on Page 308
✓✓●	16	321-117	Bushing, Beam Center; Rubber; Welded Plug	2	6664	Welded in Plug
✓✓●		321-118	Bushing, Beam Center; Rubber; Loose Plug	2	22279	Plug Included
		321-119	Bushing, Beam Center; Rubber	2	29481-5	Repl. by 321-117
	17	334-190	Plug, End; 1 15/16"Dia. x 3/16"Thk	2	22278	
	18	322-104	Kit, Bushing; Bronze Center	1	30436	For (2) Beams
	19	334-104	Sleeve; 2"ID x 2 3/4"OD x 12"Lg	2	14684	
	20	322-105	Bushing, Bronze Center; 2 3/4"ID x 3 5/8"OD x 5 7/8"Lg	2	30240-1	Used w/Sleeve 334-104
●	21	334-105	Seal; 2 11/16"ID x 3 5/8"OD x 1/4"Thk	4	30333	
	22	334-106	Washer; 2 3/4"ID x 4 5/8"OD x 1/8"Thk	8	32364	
●	23	334-107	Fitting, Grease; 2 5/8"Lg x 1/8"-27 NPT	2	30087	
✓✓●	24	321-120	Bushing, Beam End; Rubber; 5 1/4"Lg	4	6969	
✓✓●		321-126	Bushing, Beam End; Rubber; 5 3/4"Lg	4	45900	
✓✓●	25	334-108	Kit, Adapter; Solid Adapters	4	45000-13	Use w/5 1/4" Bushing
✓✓●		334-109	Kit, Adapter; Solid Adapters	4	45000-7	Use w/5 3/4" Bushing
●	26	334-110	Kit, Adapter; Solid/Split Ring Adapters	4	45000-14	Use w/5 1/4" Bushing
●		334-111	Kit, Adapter; Solid/Split Ring Adapters	4	45000-8	Use w/5 3/4" Bushing
✓	27	334-380	Kit, Bushing & Adapter	4	34013-48	Incl. 321-120 Bushing & 334-108 Adapter
✓✓		334-381	Kit, Bushing & Adapter	4	34013-49	Incl. 321-126 Bushing & 334-109 Adapter
	28	SP	Torque Rod, Rigid	2	32271-XXX	Hendrickson P/N Stamped On Rod; Provide No. for Proper Identification; Or Use 345-610 & 345-661
	29	345-897	Kit, Torque Rod; Straddle/Taper Pin	AR	60215	Use 345-610 & 345-681
✓✓	30	345-610	Torque Rod End; Straddlemount; Female	AR	66610, 46610	5/8" Bolts; 4 3/8" Spacing
✓✓		345-661	Torque Rod End; Straddlemount; Male; 22 1/2"	AR	66661, 46661	5/8" Bolts; 4 3/8" Spacing
✓		345-681	Torque Rod End; Taper Stud; Male; 22 1/2"	AR	66681, 46681	1 1/8"-12; 1.85" Taper
●	31	334-638	Plate, Reinforcement	2	45045-3	Torque Rod Plate
●	32	338-181	Bracket, Track Rod/Frame	2	22186	For 5/8" Bolts
	33	Spring Assembly	Assembly, Spring	2		See Leaf Spring Web Catalog for Details

**RT/RTE 380/400/440/460
RT2/RTE2 400/460
Tandem Suspensions**

Hendrickson Truck

Hendrickson Truck

Suspension Illustration



Key 32 - Tool Kit; Not Shown

Hendrickson Truck

RT/RTE 380/400/440/460 RT2/RTE2 400/460 Tandem Suspensions

Hendrickson Truck

Parts Listing

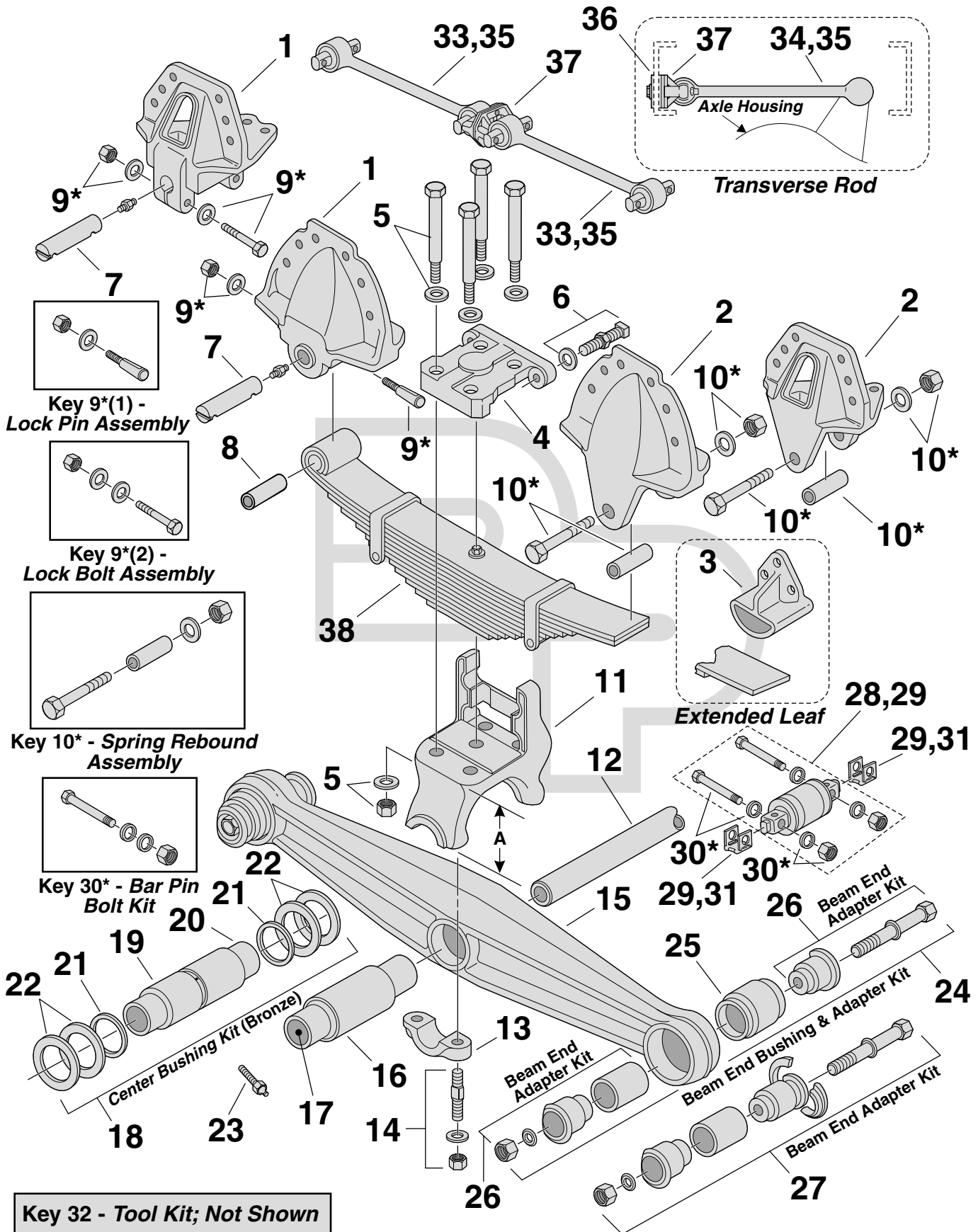
Key No.	Part Number	Description	No. Req.	OEM Reference	Remarks
	1	See Charts	Hanger, Front	2	See Chart on Page 328
	2	See Charts	Hanger, Rear	2	See Chart on Page 330
	3	See Charts	Hanger, Extended Leaf	2	See Chart on Page 332
✓✓●	4	338-108	Pad, Top	2	35064 Cast No. 47880; Replaces Cast No. 47618
	5	See Charts	Assembly, Saddle Bolt	8	Incl. Washer & Nut
✓✓●	6	334-101	Assembly, Set Screw; 3/4"-10 x 3 1/4"Lg	4	35370-2 Incl. Washer & Nut
✓✓	7	327-107	Spring Pin, 1 3/8"OD x 7 1/32"Lg x 5/8" c/e	2	32277 Single Lock
✓✓		327-437	Spring Pin; 1 3/8"OD x 6 7/8"Lg x 5 3/8" c/c	2	43146 Double Lock
✓✓	8	322-101	Bushing; 1 3/8"ID x 1 5/8"OD x 4"Lg	2	30057-8 SRI No. TPK-BM
✓✓●	9	334-112	Assembly, Lock Pin	2	62-1 Incl. Washer & Nut
		334-131	Assembly, Bolt; 1/2"-13 x 4"Lg	4	46825-1 Incl. Bolt & Hdwe.
✓✓	10	334-100	Assembly, Rebound; 1/2"OD x 6 1/2"Lg	2	29828-23 Incl. Roller, Washer & Nut
●	11	338-1398	Assembly, Saddle; High Back; "A" = 7 3/16"	2	31017-110 RT2-460; Cast No. 57155; Incl. Cap & Studs; Must Use Cast No. 47880 Top Pad
●		338-1399	Assembly, Saddle; Low Back; "A" = 7 3/16"	2	31017-109 RT2-400; Cast No. 57143; Incl. Cap & Studs; Must Use Cast No. 47880 Top Pad
●		338-143	Assembly, Saddle; Low Back; "A" = 6"	2	31017-22 RT380/400; Cast No. 57167, 6658, 42933 & 13088-2; Cast No. 57167 Must Use Cast No. 47880 Top Pad
✓✓●		338-144	Assembly, Saddle; High Back; "A" = 6"	2	31017-96 RT380/400/440/460; Cast No. 57457, 45605, 13088-2 & 35208-1; Cast No. 57457 Must Use Cast No. 47880 Top Pad
		338-142	Assembly, Saddle	2	31017-6 Cast No. 32102-1; Replaced by 338-1398 or 338-1399
✓✓	12	334-113	Tube, Cross; 2 7/16" x 44 7/8"Lg	1	44643-9
●	13	338-1831	Cap, Saddle	4	58795, 48545
✓✓	14	334-174	Assembly, Stud; 7/8"-14 x 4 7/8"Lg	8	6696 Incl. Stud, Lock Nut & Washer
	15	See Charts	Assembly, Beam	2	See Chart on Page 308
✓✓	16	321-122	Bushing, Beam Center; Rubber; Welded Plug	2	5919 380 Series
✓✓		321-123	Bushing, Beam Center; Rubber; Loose Plug	2	22282 Plug Included; 380 Series
●		321-124	Bushing, Beam Center; Rubber; Welded Plug	2	29483-5 Severe Duty; Fully Bonded, w/Transverse Rods
●		321-243	Bushing, Beam Center; Rubber; Welded Plug	2	49400 High Confinement; 400 Series, Standard
		321-244	Bushing, Beam Center; Rubber; Loose Plug	2	49600 High Confinement; 400 Series, Standard
✓	17	334-191	Plug, End; 2 7/8"Dia. x 3/16"Thk	2	22281
✓✓●	18	322-102	Kit, Bushing; Bronze Center	1	30437 Incl. Keys 19-23 for (2) Beams; RT2-400, Optional; RT2-460, Standard
		322-102A	Kit, Bushing; Bronze Center	2	34013-54 For (1) Beam
●	19	322-103	Bushing, Bronze Center; 3 1/2"ID x 4 3/4"OD x 5 7/8"Lg	2	30240-2 RT2-400, Optional; RT2-460, Standard
	20	334-114	Sleeve, Center; 2 1/2"ID x 3 1/2"OD x 12"Lg	2	14685
●	21	334-115	Seal; 3 7/16"ID x 4 3/4"OD x 1/4"Thk	4	30334
✓	22	334-116	Washer; 3 1/2"ID x 5 3/4"OD x 1/8"Thk	8	32365
●	23	334-107	Fitting, Grease; 2 5/8"Lg x 1/8"-27 NPT	2	30087
✓✓	24	334-381	Kit, Bushing & Adapter	4	34013-49 Incl. 321-126 Bushing & 334-109 Adapter
●		334-428	Kit, Bushing & Adapter	4	34013-50, 34013-73 Incl. 321-242 Bushing & 334-467 Adapter Assy.
✓✓●	25	321-126	Bushing, Beam End; Rubber; 5 3/4"Lg	4	45900 380 thru 440 Series
✓●		321-242	Bushing, Beam End; Rubber; 5 3/4"Lg	4	29878-1 460 Series
✓✓●	26	334-109	Kit, Adapter; Solid Adapters	4	45000-7 Use w/5 3/4" Bushing; 380 thru 440 Series
✓●		334-467	Kit, Adapter	4	21140-34 1" Bolt; For 5 3/4" Bushings
●	27	334-111	Kit, Adapter; Solid/Split Ring Adapters	4	45000-8
		334-127	Kit, Adapter; Split Ring Adapters; 450 & 480 Series	4	21140-28
●	28	334-830	Kit, Service; Bar Pin Bushing; Non Shim	4	34013-87 Incl. (2)334-832 Bolt Kit
✓✓●	29	334-831	Kit, Service; Bar Pin Bushing; Shim Type	4	34013-88 Incl. (2)334-832 & (2)334-879 Shims
✓✓●		334-1957	Kit, Service; Rotating Bar Pin Bushing; Shim Type	4	34013-188 Incl. Bolts & Shims

**RT/RTE 380/400/440/460
RT2/RTE2 400/460
Tandem Suspensions**

Hendrickson Truck

Hendrickson Truck

Suspension Illustration



Key 32 - Tool Kit; Not Shown

Hendrickson Truck

RT/RTE 380/400/440/460
RT2/RTE2 400/460
Tandem Suspensions

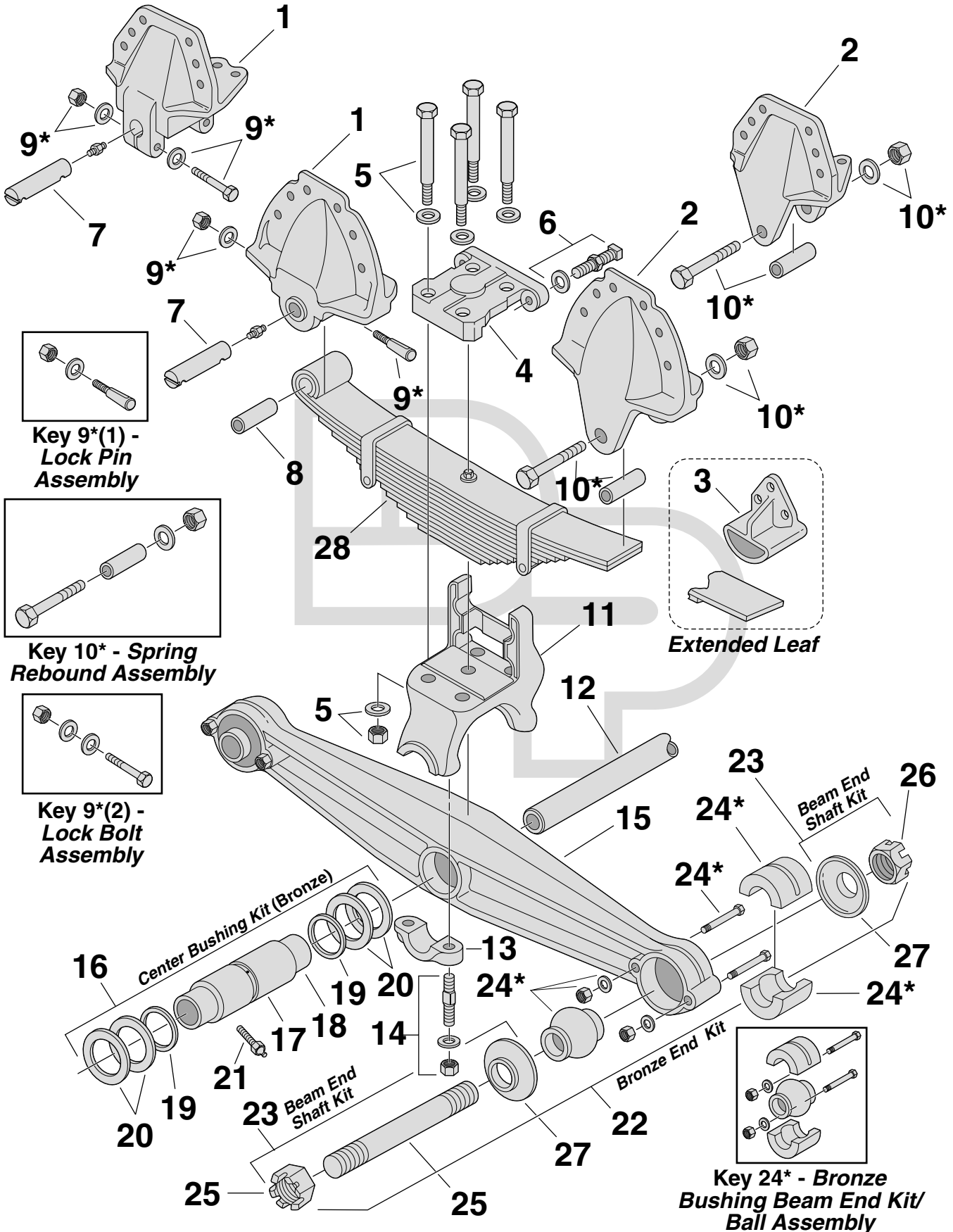
Hendrickson Truck

Parts Listing

Key No.	Part Number	Description	No. Req.	OEM Reference	Remarks
30	334-832	Assembly, Bolt; 1"-8 x 6"Lg Grade 8	8	48941	Incl. Nut & Washers
●	334-879	Shim; 3/16"	AR	50130	
●	334-880	Shim; 1/8"	AR	50131	
●	334-881	Shim; 3/8"	AR	57026	
32	SP	Kit, Tool; Bar Pin End Bushing	1	1749	Not Shown
33	SP	Torque Rod, Rigid	2	32271-XXX	Hendrickson P/N Stamped On Rod; Provide No. for Proper Identification or Use 345-610 and 345-661
34	345-897	Kit, Torque Rod; Straddle/Taper Pin	2	60215	Use 345-610 & 345-681
	345-866	Kit, Torque Rod; Straddlemount	AR	60218	Use 345-610 & 345-661
✓✓	345-610	End, Torque Rod; Straddlemount; Female	AR	66610, 46610	5/8" Bolts; 4 3/8" Spacing
✓✓	345-661	End, Torque Rod; Straddlemount; Male; 22 1/2"	AR	66661, 46661	5/8" Bolts; 4 3/8" Spacing
✓	345-681	End, Torque Rod; Taper Stud; Male; 22 1/2"	AR	66681, 46681	1 1/8"-12; 1.85" Taper
●	334-638	Plate, Reinforcement	2	45045-3	Torque Rod Plate
●	338-181	Bracket, Track Rod/Frame	2	22186	For 5/8" Bolts
38	Spring Assembly	Assembly, Spring	2		See Leaf Spring Web Catalog for Details

Hendrickson Truck

Suspension Illustration



Hendrickson Truck

RT/RTE 441/480 Tandem Suspensions

Hendrickson Truck

Parts Listing

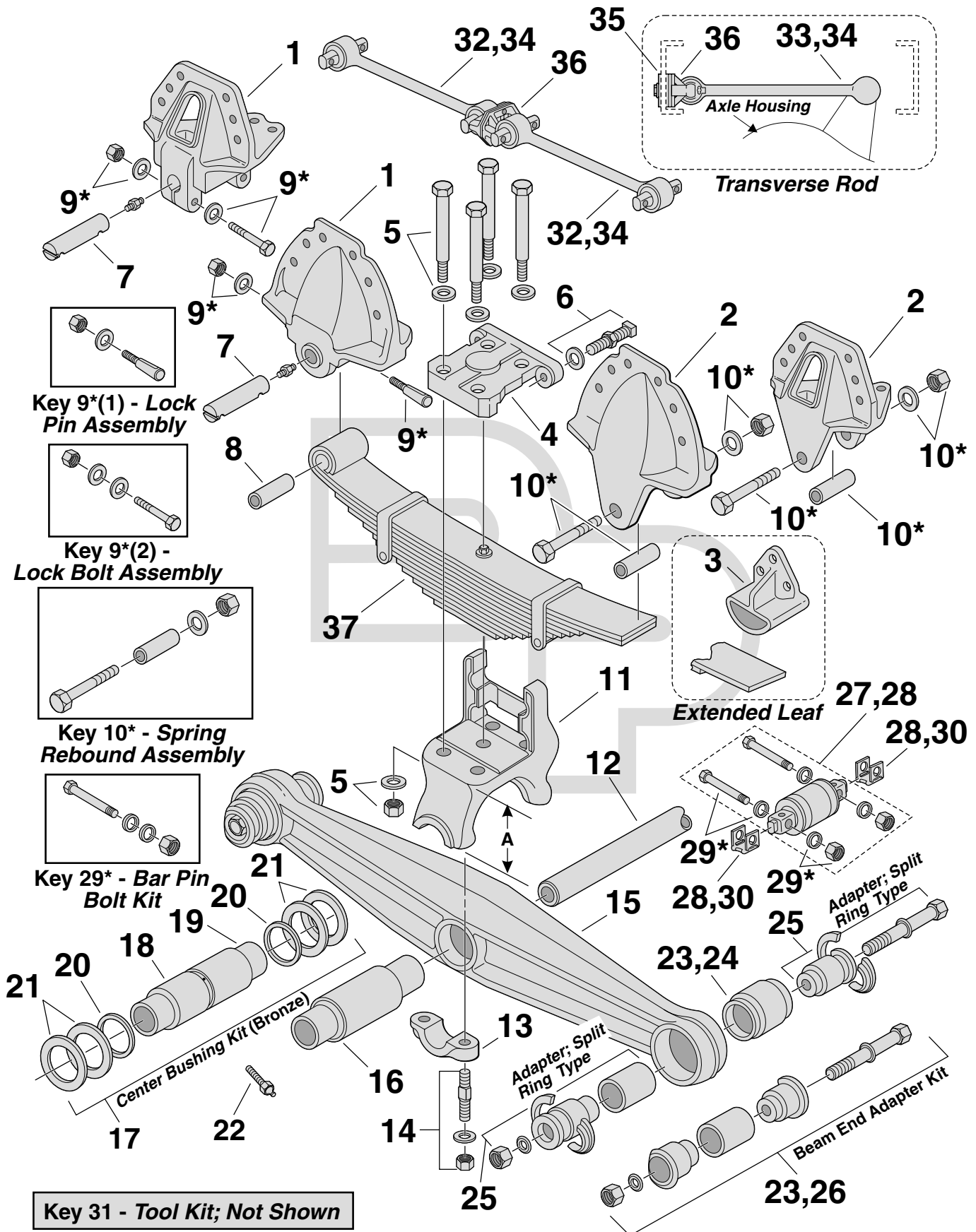
Key No.	Part Number	Description	No. Req.	OEM Reference	Remarks	
	1	See Charts	Hanger, Front	2		See Chart on Page 328
	2	See Charts	Hanger, Rear	2		See Chart on Page 330
	3	See Charts	Hanger, Extended Leaf	2		See Chart on Page 332
✓✓●	4	338-108	Pad, Top	2	35064	
	5	See Charts	Assembly, Saddle Bolt	8		Incl. Washer & Nut; See Chart on Page 307
✓✓●	6	334-101	Assembly, Set Screw; 3/4"-10 x 3 1/4"Lg	4	35370-2	Incl. Washer & Nut
✓✓	7	327-107	Spring Pin; 1 3/8"OD x 7 1/2"Lg x 5/8" c/e	2	32277	Single Lock
✓✓		327-437	Spring Pin; 1 3/8"OD x 6 7/8"Lg x 5 3/8" c/c	2	43146	Double Lock
✓✓	8	322-101	Bushing; 1 3/8"ID x 1 5/8"OD x 4"Lg	2	30057-8	
✓✓●	9	334-112	Assembly, Lock Pin	2/4	62-1	Incl. Washer & Nut
		334-131	Assembly, Bolt; 1/2"-13 x 4"Lg	2/4	46825-1	Incl. Bolt & Hdwe.
✓✓	10	334-100	Assembly, Rebound; 1/2"OD x 6 1/2"Lg	2	29828-23	Incl. Roller, Washer & Nut
●	11	338-161	Assembly, Saddle; "A" = 6"	2	31017-53	Casting No. 32796, 13088-2 & 35208-1; Reinforced
✓✓	12	334-113	Tube, Cross; 2 7/16" x 44 7/8"Lg	1	44643-9	
●	13	338-1831	Cap, Saddle	4	58795, 48545	
✓✓	14	334-174	Assembly, Stud; 7/8"-14 x 4 7/8"Lg	8	6696	Incl. Stud, Lock Nut & Washer
	15	See Charts	Assembly, Beam	2		See Chart on Page 308
✓✓●	16	322-102	Kit, Bushing; Bronze Center	1	30437	(2) Beams
		322-102A	Kit, Bushing; Bronze Center	2	34013-54	(1) Beam
●	17	322-103	Bushing, Bronze Center; 3 1/2"ID x 4 3/4"OD x 5 7/8"Lg	2	30240-2	
	18	334-114	Sleeve, Center; 2 1/2"ID x 3 1/2"OD x 12"Lg	2	14685	
●	19	334-115	Seal; 3 7/16"ID x 4 3/4"OD x 1/4"Thk	4	30334	
✓	20	334-116	Washer; 3 1/2"ID x 5 3/4"OD x 1/8"Thk	8	32365	
●	21	334-107	Fitting, Grease; 2 5/8"Lg x 1/8"-27 NPT	2	30087	
✓●	22	334-440	Kit, Service; Bronze Beam End Bushing	1	34013-40	(4) Ends
✓		334-440A	Kit, Service; Bronze Beam End Bushing	4		(1) End
✓✓	23	334-184	Kit, Shaft; Bronze Beam End	4		Incl. Shaft, Slotted Nuts & Ball Seals
✓✓	24	322-109	Kit, Bushing; Beam End/Ball Assembly	4	30625-7, 34013-57	Incl. Bushing Halves, Ball & Hdwe.
●	25	334-179	Shaft, Beam End; 1 3/8"-12 x 9 5/8"Lg	4	3350	
	26	334-180	Nut, Slotted; 1 3/8"-12	8	8582	Use w/334-179 Shaft
●	27	334-430	Seal, Ball	8	45229	
	28	Spring Assembly	Assembly, Spring	2		See Leaf Spring Web Catalog for Details

RT/RTE 450/480/520
RT2/RTE2 480/520
Tandem Suspensions

Hendrickson Truck

Hendrickson Truck

Suspension Illustration



Hendrickson Truck

RT/RTE 450/480/520 RT2/RTE2 480/520 Tandem Suspensions

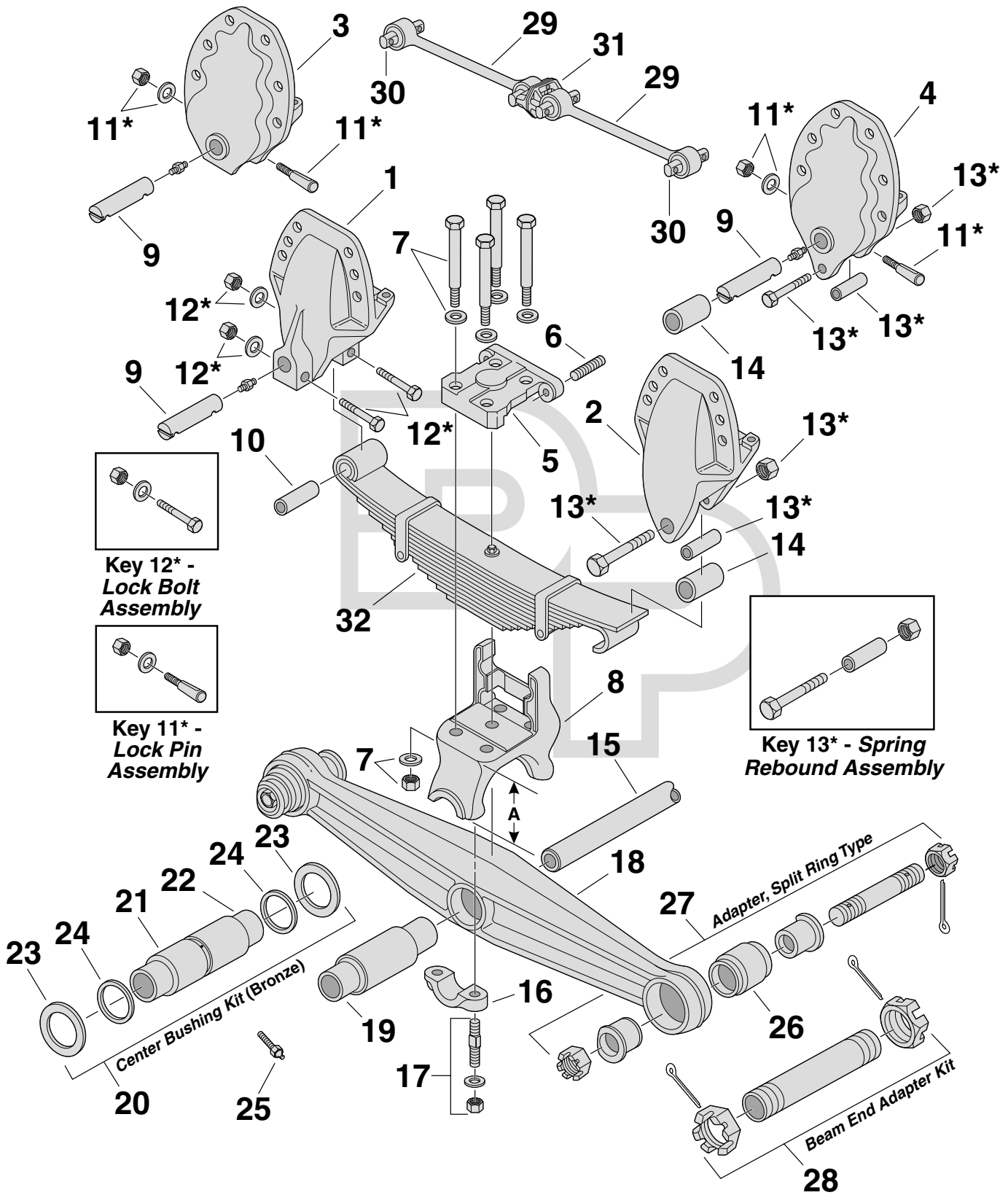
Hendrickson Truck

Parts Listing

Key No.	Part Number	Description	No. Req.	OEM Reference	Remarks	
	1	See Charts	Hanger, Front	2		See Chart on Page 328
	2	See Charts	Hanger, Rear	2		See Chart on Page 330
	3	See Charts	Hanger, Extended Leaf	2		See Chart on Page 332
✓✓●	4	338-108	Pad, Top	2	35064	
	5	See Charts	Assembly, Saddle Bolt	8		Incl. Washer & Nut; See Chart on Page 307
✓✓●	6	334-101	Assembly, Set Screw; 3/4"-10 x 3 1/4"Lg	2	35370-2	Incl. Washer & Nut
✓✓	7	327-107	Spring Pin; 1 3/8"OD x 7 1/2"Lg x 5/8" c/e	2	32277	Single Lock
✓✓		327-437	Spring Pin; 1 3/8"OD x 6 7/8"Lg x 5 3/8" c/c	2	43146	Double Lock
✓✓	8	322-101	Bushing; 1 3/8"ID x 1 5/8"OD x 4"Lg	2	30057-8	
✓✓●	9	334-112	Assembly, Lock Pin	2/4	62-1	Incl. Washer & Nut
		334-131	Assembly, Bolt; 1/2"-13 x 4"Lg	2/4	46825-1	Incl. Bolt & Hdwe.
✓✓	10	334-100	Assembly, Rebound; 1/2"OD x 6 1/2"Lg	2	29828-23	Incl. Roller, Washer & Nut
●	11	338-161	Assembly, Saddle; "A" = 6"	2	31017-53	Casting No. 32796, 13088-2 & 35208-1; Reinforced
●		338-162	Assembly, Saddle; High Back; "A" = 7 3/16"	2	31017-77	Casting No. 47665, 47476 & 32102-1
✓✓	12	334-113	Tube, Cross; 2 7/16" x 44 7/8"Lg	1	44643-9	
		334-1126	Tube, Cross; 46" Lg	1	7622-3	
●	13	338-1831	Cap, Saddle	4	58795, 48545	
✓✓	14	334-174	Assembly, Stud; 7/8"-14 x 4 7/8"Lg	8	6696	Incl. Stud, Lock Nut & Washer
	15	See Charts	Assembly, Beam	2		See Chart on Page 308
●	16	321-124	Bushing, Beam Center; Rubber; Welded Plug	2	29483-5	Severe Duty; Fully Bonded, w/Transverse Rods
●		321-510	Bushing, Beam Center; Rubber; Loose Plug	2	34013-97	R520
✓✓●	17	322-102	Kit, Bushing; Bronze Center	1	30437	(2) Beams
		322-102A	Kit, Bushing; Bronze Center	2	34013-54	(1) Beam
●	18	322-103	Bushing, Bronze Center; 3 1/2"ID x 4 3/4"OD x 5 7/8"Lg	2	30240-2	
	19	334-114	Sleeve, Center; 2 1/2"ID x 3 1/2"OD x 12"Lg	2	14685	
●	20	334-115	Seal; 3 7/16"ID x 4 3/4"OD x 1/4"Thk	4	30334	
✓	21	334-116	Washer; 3 1/2"ID x 5 3/4"OD x 1/8"Thk	8	32365	
●	22	334-107	Fitting, Grease; 2 5/8"Lg x 1/8"-27 NPT	2	30087	
●	23	334-428	Kit, Bushing & Adapter	4	34013-50	Incl. 321-242 Bushing & 334-467 Adapter Assy.
✓●	24	321-242	Bushing, Beam End; Rubber; 5 3/4"Lg	4	29878-1	450 & 480 Series
		321-127	Bushing, Beam End; Rubber; 6"Lg	4	45407	520 Series
	25	334-126	Adapter, Split Ring Type; 520 Series	4	21140-23	Use w/6" Bushing
		334-127	Adapter, Split Ring Type; 450,480 Series	4	21140-28	Use w/5 3/4" Bushing
✓●	26	334-467	Kit, Adapter	4	21140-34	450/480 Series; Incl. 1" Bolt; For 5 3/4" Bushings
●	27	334-830	Kit, Service; Bar Pin Bushing; Non Shim	4	34013-87	Incl. Bar Pin Bushing & Mounting Hdwe.
✓✓●	28	334-831	Kit, Service; Bar Pin Bushing; Shim Type	4	34013-88	Incl. Bar Pin Bushing, Alignment Shims & Mounting Hdwe.
✓✓●		334-1957	Kit, Service; Rotating Bar Pin Bushing; Shim Type	4	34013-188	Incl. Bolts & Shims
	29	334-832	Assembly, Bolt; 1"-8 x 6"Lg Grade 8	8	48941	Incl. Bolt, Lock Nut & Washers
●	30	334-879	Shim; 3/16"	AR	50130	
●		334-880	Shim; 1/8"	AR	50131	
●		334-881	Shim; 3/8"	AR	57026	
	31	SP	Kit, Adapter Tool; Bar Pin End Bushing	1	1749	Not Shown
	32	SP	Torque Rod, Rigid	2	32271-XXX	Hendrickson P/N Stamped On Rod; Provide No. for Proper Identification or Use 345-610 and 345-661
	33	345-897	Kit, Torque Rod; Straddle/Taper Pin	AR	60215	Use 345-610 & 345-681
		345-866	Kit, Torque Rod; Straddlemount	AR	60218	Use 345-610 & 345-661
✓✓	34	345-610	End, Torque Rod; Straddlemount; Female	AR	66610, 46610	5/8" Bolts; 4 3/8" Spacing
✓✓		345-661	End, Torque Rod; Straddlemount; Male; 22 1/2"	AR	66661, 46661	5/8" Bolts; 4 3/8" Spacing
✓		345-681	End, Torque Rod; Taper Stud; Male; 22 1/2"	AR	66681, 46681	1 1/8"-12; 1.85" Taper
●	35	334-638	Plate, Reinforcement	AR	45045-3	Torque Rod Plate
●	36	338-181	Bracket, Track Rod/Frame	2	22186	For 5/8" Bolts
	37	Spring Assembly	Assembly, Spring	2		See Leaf Spring Web Catalog for Details

Hendrickson Truck

Suspension Illustration



Key 12* -
Lock Bolt
Assembly

Key 11* -
Lock Pin
Assembly

Key 13* - Spring
Rebound
Assembly

Center Bushing Kit (Bronze)

Adapter, Split Ring Type

Beam End Adapter Kit

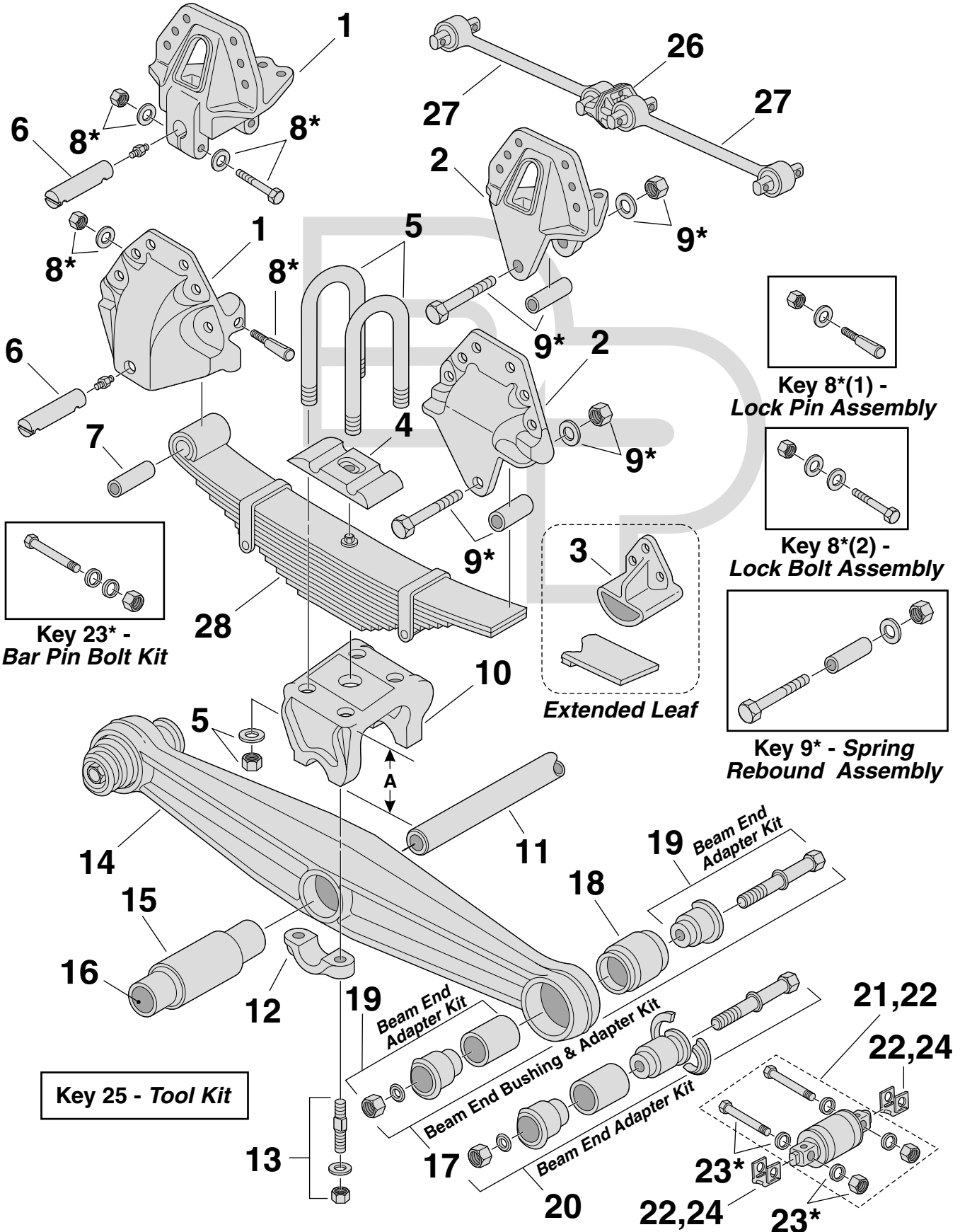
Key No.	Part Number	Description	No. Req.	OEM Reference	Remarks
1	See Charts	Hanger, Front; LH/RH	2	Various	Provide Casting No.; See Chart on Page 328
2	See Charts	Hanger, Rear; LH/RH	2	Various	Provide Casting No.; See Chart on Page 330
3	See Charts	Hanger, Front	2	Various	Provide Casting No.; See Chart on Page 328
4	See Charts	Hanger, Rear	2	Various	Provide Casting No.; See Chart on Page 330
● 5	338-167	Pad, Top	2	19199, 45112	Casting No. 35432 & 48491
● 6	334-129	Screw, Set; 3/4"-10 x 2"Lg	4	19201-2	
7	See Charts	Assembly, Saddle Bolt	8		Incl. Washer & Nut; See Chart on Page 307
● 8	338-1899	Assembly, Saddle; "A" = 7 1/8"	2	31017-4	Casting No. 15784 & 46895
	SP	Assembly, Saddle; "A" = 9 3/8"	2	31017-71	Casting No. 15784 & 46673-1
	SP	Assembly, Saddle; "A" = 10 1/8"	2	31017-70	Casting No. 15784 & 46673-2
	SP	Assembly, Saddle; "A" = 11 1/8"	2	31017-69	Casting No. 15784 & 46673-2
9	327-108	Spring Pin, 1 1/2"OD x 7 3/64"Lg x 5/8" c/e	4	00005-000	Front & Rear Hangers; Single Lock
	327-109	Spring Pin, 1 1/2"OD x 8 17/32"Lg x 7 1/8" c/c	2	45797	Front Hanger Only; Double Lock
10	322-106	Bushing; 1 1/2"ID	2	22285	Bi-Metal
11	334-130	Assembly, Lock Pin	4	81-1	Incl. Washer and Nut
12	334-131	Assembly, Bolt; 1/2"-13 x 4"Lg	4	46825-1	Incl. Bolt & Hdwe.
13	334-132	Kit, Bolt; Rebound; 3/4" x 6 1/2"Lg	2	29828-33	Incl. Spacer Tube
14	334-133	Roller, Spring Pin; 1 1/2"ID x 3"OD x 4"Lg	2	00003-0003	Use w/327-108 Pin
15	334-134	Tube, Cross; 3" x 40 3/4"Lg	1	10397-14	
	334-189	Tube, Cross; 3" x 44 3/4"Lg	1	10397-2	
● 16	338-168	Cap, Saddle; 5 1/2" c/c x 1" Bolt Holes	4	15785	
17	334-187	Assembly, Stud; 1"-14/14 X 5 7/8"Lg	8		Incl. Stud, Washer & Lock Nut
18	See Charts	Assembly, Beam	2		See Chart on Page 308
● 19	321-128	Bushing, Beam Center; Rubber; Welded Plug	2	10366	Welded in Plug
● 20	322-107	Kit, Bushing; Bronze Center	1	45374	(2) Beams
21	322-108	Bushing, Bronze Center; 4"ID x 5 1/2"OD x 8 1/16"Lg	2	30240-5	
22	334-136	Sleeve; 3"ID x 4"OD x 15"Lg	2	25102	Bronze Bushing
23	334-137	Washer, Thrust; 4"ID x 6 1/16"OD x 3/16"Thk	4	45261	
● 24	334-135	Seal; 4"ID x 5 1/2"OD x 3/8"Thk	4	31577	
● 25	334-107	Fitting, Grease; 2 5/8"Lg x 1/8"-27 NPT	2	30087	
● 26	321-129	Bushing, Beam End; Rubber; 6"Lg	4	10363	
● 27	334-138	Kit, Adapter; Solid Adapters; 2"OD x 12 5/8"Lg, 1 7/8"-12 Thread	4	21140-7	Bushing Not Included
● 28	334-141	Kit, Adapter; w/Tube & Nut; 3"OD x 9 3/4"Lg x 3"-12 Thread	4	21140-6	
29	SP	Torque Rod, Rigid	2	45577-XXX	Hendrickson P/N Stamped On Rod; Provide No. for Proper Identification
● 30	321-238	Bushing, Straddlemount Type	4	48304	
31	SP	Bracket, Torque Rod Frame	2	46015	
32	Spring Assembly	Assembly, Spring	2		See Leaf Spring Web Catalog for Details

**RU/RUE/U/UE 340
U2/UE2 340
Tandem Suspensions**

Hendrickson Truck

Hendrickson Truck

Suspension Illustration



Key Numbers with an asterisk (*) indicate a kit or assembly.

Hendrickson Truck

RU/RUE/U/UE 340 U2/UE2 340 Tandem Suspensions

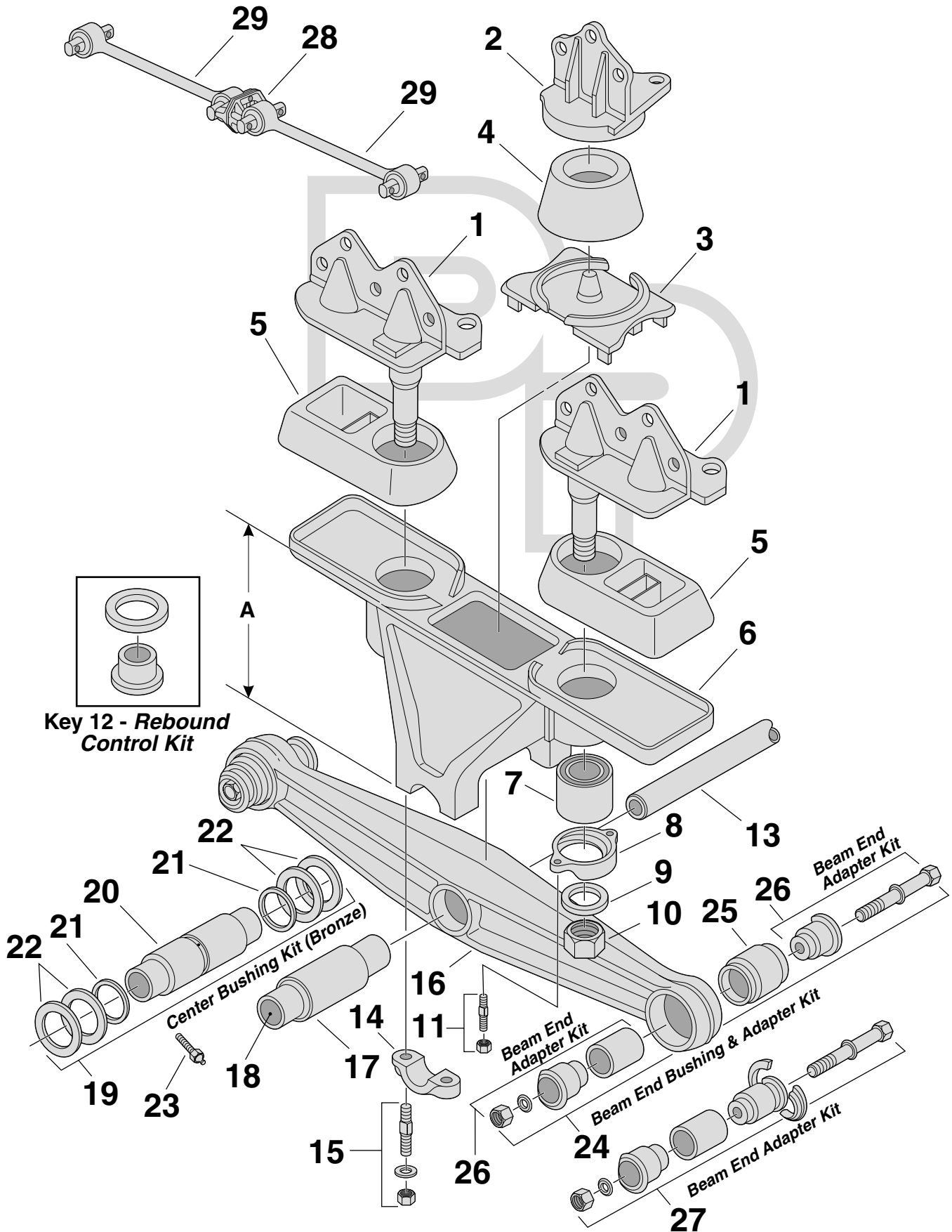
Hendrickson Truck

Parts Listing

Key No.	Part Number	Description	No. Req.	OEM Reference	Remarks	
1	See Charts	Hanger, Front	2		See Chart on Page 328	
2	See Charts	Hanger, Rear	2		See Chart on Page 330	
3	See Charts	Hanger, Extended Leaf	2		See Chart on Page 332	
●	338-124	Pad, Top	2	19281-1		
✓✓	361-100	Kit, U-Bolt; Special Bend, Grade 8	4	22303-2	7/8" x 4" X 9" HS	
✓✓	327-106	Spring Pin; 1 1/4"OD x 7 11/32"Lg x 5/8" c/e	2	32276	Single Lock	
✓✓	327-107	Spring Pin; 1 3/8"OD x 7 11/32"Lg x 5/8" c/e	2	32277	Single Lock	
✓✓	327-437	Spring Pin; 1 3/8"OD x 6 7/8"Lg x 5 3/8" c/c	2	43146	Double Lock	
✓	322-100	Bushing; 1 1/4"ID x 1 1/2"OD x 4"Lg	2	30057-7		
✓✓	322-101	Bushing; 1 3/8"ID x 1 5/8"OD x 4"Lg	2	30057-8		
✓✓	●	334-112	Assembly, Lock Pin	2	62-1	Incl. Washer & Nut
		334-131	Assembly, Bolt; 1/2"-13 x 4"Lg	2	46825-1	Incl. Bolt & Hdwe.
✓✓	334-100	Assembly, Rebound; 1/2"OD x 6 1/2"Lg	2	29828-23	Incl. Roller, Washer & Nut	
	338-131	Assembly, Saddle; A = 6 3/16"	2	31017-75	Casting No. 43184; Incl. Cap & Stud	
	338-132	Assembly, Saddle; A = 7 5/16"	2	31017-76	Casting No. 43145; Incl. Cap & Stud	
✓✓	334-102	Tube, Cross; 1 15/16" x 44 7/8"Lg	1	44642-8		
●	338-127	Cap, Saddle, 4" c/c x 1 3/16" Holes	4	19283-2		
✓	334-165	Assembly, Stud; 3/4"-16/16 x 4 1/8"Lg	8	23441-4	Incl. Stud, Washer & Lock Nut	
	See Charts	Assembly, Beam	2		See Chart on Page 308	
✓✓	●	321-117	Bushing, Beam Center; Rubber; Welded Plug	2	6664	Welded in Plug
✓✓	●	321-118	Bushing, Beam Center; Rubber; Loose Plug	2	22279	Plug Included
	334-190	Plug, End; 1 15/16"Dia. x 3/16"Thk	2	22278		
✓	334-380	Kit, Bushing & Adapter	4	34013-48	Incl. 321-120 Bushing & 334-108 Adapter	
✓✓	334-381	Kit, Bushing & Adapter	4	34013-49	Incl. 321-126 Bushing & 334-109 Adapter	
✓✓	●	321-120	Bushing, Beam End; Rubber; 5 1/4"Lg	4	6969	
✓✓	●	321-126	Bushing, Beam End; Rubber; 5 3/4"Lg	4	45900	
✓✓	●	334-108	Kit, Adapter; Solid Adapters	4	45000-13	Use w/5 1/4" Bushing
✓✓	●	334-109	Kit, Adapter; Solid Adapters	4	45000-7	Use w/5 3/4" Bushing
●	334-110	Kit, Adapter; Solid/Split Ring Adapters	4	45000-14	Use w/5 1/4" Bushing	
●	334-111	Kit, Adapter; Solid/Split Ring Adapters	4	45000-8	Use w/5 3/4" Bushing	
●	334-830	Kit, Service; Bar Pin Bushing; Non Shim	4	34013-87	Incl. Bar Pin Bushing & Mounting Hdwe.	
✓✓	●	334-831	Kit, Service; Bar Pin Bushing; Shim Type	4	34013-88	Incl. Bar Pin Bushing, Alignment Shims & Mounting Hdwe.
✓✓	●	334-1957	Kit, Service; Rotating Bar Pin Bushing; Shim Type	4	34013-188	Incl. Bolts & Shims
	334-832	Assembly, Bolt; 1"-8 x 6"Lg Grade 8	8	48941	Incl. Bolt, Lock Nut & Washers	
●	334-879	Shim; 3/16"	AR	50130		
●	334-880	Shim; 1/8"	AR	50131		
●	334-881	Shim; 3/8"	AR	57026		
	SP	Kit, Adapter Tool; Bar Pin End Bushing	1	1749	Not Shown	
●	338-181	Bracket, Track Rod/Frame	2	22186	For 5/8" Bolts	
	SP	Torque Rod, Rigid	2	32271-XXX	Hendrickson P/N Stamped On Rod; Provide No. for Proper Identification or Use 345-610 & 345-661	
✓✓	345-610	Torque Rod End, Straddlemount; Female	AR	66610, 46610	5/8" Bolts; 4 3/8" Spacing	
✓✓	345-661	Torque Rod End, Straddlemount; Male; 22 1/2"	AR	66661, 46661	5/8" Bolts; 4 3/8" Spacing	
	Spring Assembly	Assembly, Spring	2		See Leaf Spring Web Catalog for Details	

Hendrickson Truck

Suspension Illustration

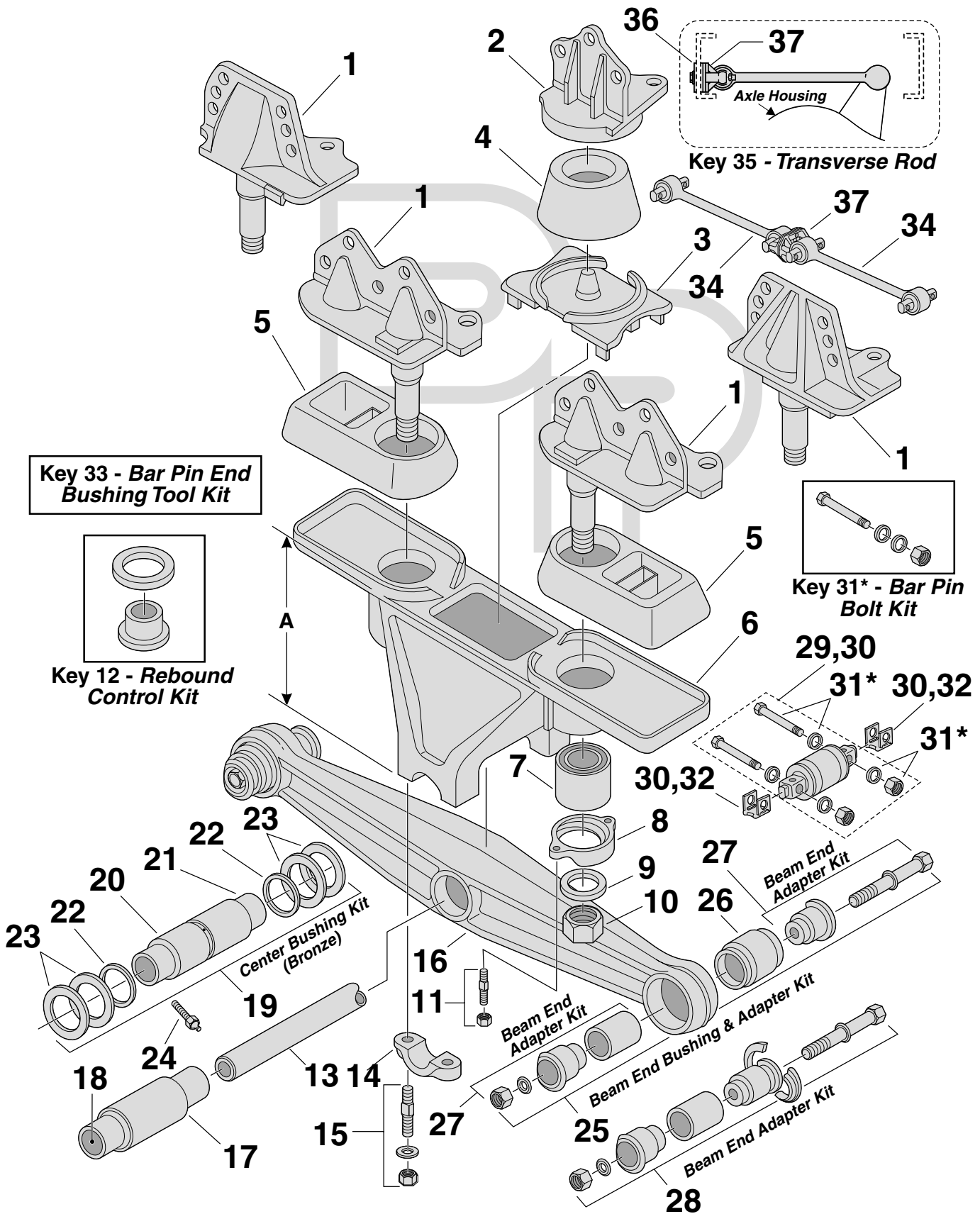


Key Numbers with an asterisk (*) indicate a kit or assembly.

Key No.	Part Number	Description	No. Req.	OEM Reference	Remarks
1	See Charts	Hanger, Front & Rear; LH/RH	4		See Chart on Page 323
●	338-156	Hanger; Overload	2	48523-1	Optional
●	338-158	Plate, Saddle; Overload Cushion	2	20781	Optional
✓✓	325-100	Cushion, Load; Oil Resistant	2	24209	Optional
✓	325-103	Cushion, Load; Color Code Orange	4	48973, 48972, 9047	60 Durometer; Oil Resistant
	SP	Assembly, Saddle	2		Specify Casting No. & Height (A); Incl. Key No. 7, 8, 11, 14 & 15
✓✓	321-125	Bushing, Saddle; 2"ID x 4 1/8"OD x 4"Lg	4	19279	
●	338-160	Cap, Retainer; Saddle Bushing	4	5917	
✓✓	334-117	Washer; 1 5/16"ID x 3 1/4"OD x 3/16"Thk	4	8536	3/8" Flange
✓✓	334-118	Nut, Nylok; 1 1/2"-12.	4	25151	
	334-144	Assembly, Stud; 5/8" x 3"Lg	8	19111-1	
●	334-145	Kit, Control; Rebound	2	31005-1	Incl. (2) Bumpers & (2) Nuts
✓✓	334-102	Tube, Cross; 1 15/16"x 44 7/8"Lg	1	44642-8	
●	338-123	Cap, Saddle; 4" c/c, x 1" Dia.	4	6662	
	334-151	Assembly, Stud; 7/8"-14-9 x 4 1/2"Lg	8	9029	Incl. Stud, Lock Nut & Washer
	SP	Assembly, Beam	2		See chart on page 308
✓✓	321-117	Bushing, Beam Center; Rubber; Welded Plug	2	6664	Welded in Plug
✓✓	321-118	Bushing, Beam Center; Rubber; Loose Plug	2	22279	Plug Included
	321-119	Bushing, Beam Center; Rubber	2	29481-5	Repl. by 321-117
	334-190	Plug, End; 1 15/16"Dia. x 3/16"Thk	2	22278	
	322-104	Kit, Bushing; Bronze Center	1	30436	Incl. Bushing & Keys 20-23; (2) Beams
	334-104	Sleeve; 2"ID x 2 3/4"OD x 12"Lg	2	14684	
●	334-105	Seal; 2 11/16"ID x 3 5/8"OD x 1/4"Thk	4	30333	
	334-106	Washer; 2 3/4"ID x 4 5/8"OD x 1/8"Thk	8	32364	
●	334-107	Fitting, Grease; 2 5/8"Lg x 1/8"-27 NPT	2	30087	
✓	334-380	Kit, Bushing & Adapter	4	34013-48	Incl. 321-120 Bushing & 334-108 Adapter
✓✓	334-381	Kit, Bushing & Adapter	4	34013-49	Incl. 321-126 Bushing & 334-109 Adapter
✓✓	321-120	Bushing, Beam End; Rubber; 5 1/4"Lg	4	6969	
✓✓	321-126	Bushing, Beam End; Rubber; 5 3/4"Lg	4	45900	
✓✓	334-108	Kit, Adapter; Solid Adapters	4	45000-13	Use w/5 1/4" Bushing
✓✓	334-109	Kit, Adapter; Solid Adapters	4	45000-7	Use w/5 3/4" Bushing
●	334-110	Kit, Adapter; Solid/Split Ring Adapters	4	45000-14	Use w/5 1/4" Bushing
●	334-111	Kit, Adapter; Solid/Split Ring Adapters	4	45000-8	Use w/5 3/4" Bushing
●	338-181	Bracket, Track Rod/Frame	2	22186	For 5/8" Bolts
	SP	Torque Rod, Rigid	2	32271-XXX	Hendrickson P/N Stamped on Rod; Provide No. for Proper Identification or Use 345-610 & 345-661
✓✓	345-610	Torque Rod End, Straddlemount; Female	AR	66610, 46610	5/8" Bolts, 4 3/8" Spacing
✓✓	345-661	Torque Rod End, Straddlemount; Male; 22 1/2"	AR	66661, 46661	5/8" Bolts, 4 3/8" Spacing

Hendrickson Truck

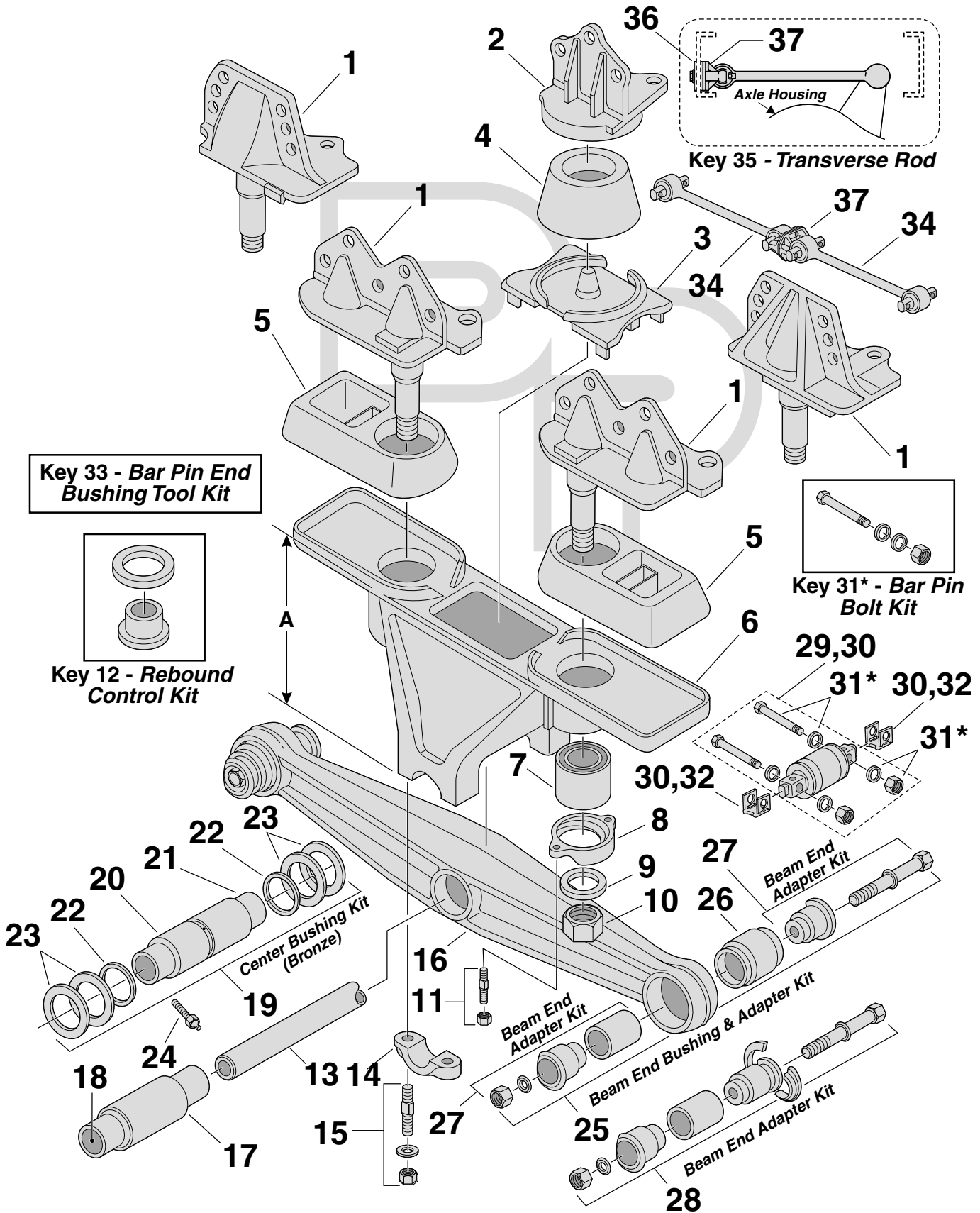
Suspension Illustration



Key No.	Part Number	Description	No. Req.	OEM Reference	Remarks	
	1	See Charts	Hanger, Front & Rear; LH/RH	4		See Chart on Page 323
●	2	338-156	Hanger; Overload	2	48523-1	Optional
●	3	338-158	Plate, Saddle; Overload Cushion	2	20781	Optional
✓✓	4	325-100	Cushion, Load; Oil Resistant	2	24209	Optional
✓	5	325-103	Cushion, Load; Color Code Orange	4	48973, 48972	60 Durometer; Oil Resistant
✓✓	6	325-104	Cushion, Load; Color Code Yellow	4	26953	70 Durometer; Oil Resistant
	7	338-743	Assembly, Saddle; "A" = 12 1/4"	2	8606-67	Casting No. 10711-1; Incl. Bush., Cap & Stud
		338-744	Assembly, Saddle; "A" = 14"	2	8606-80	Casting No. 10711-2; Incl. Bush., Cap & Stud
		338-745	Assembly, Saddle; "A" = 12 7/8"	2	8606-107	Casting No. 10711-5; Incl. Bush., Cap & Stud
		338-1978	Assembly, Saddle; "A" = 15 1/4"	2	8606-81	Incl. Bushing, Cap & Stud
✓✓	8	321-125	Bushing, Saddle; 2"ID x 4 1/8"OD x 4"Lg	4	19279	
●	9	338-160	Cap, Retainer; Saddle Bushing	4	5917	
✓✓	10	334-117	Washer; 1 1/16"ID x 3 1/4"OD x 3/16"Thk	4	8536	3/8" Flange
✓✓	11	334-118	Nut, Nylok; 1 1/2"-12.	4	25151	
	12	334-144	Assembly, Stud; 5/8" x 3"Lg	8	19111-1	
●	13	334-145	Kit, Control; Rebound	2	31005-1	Incl. (2) Bumpers & (2) Nuts
✓✓	14	334-113	Tube, Cross; 2 7/16" x 44 7/8"Lg	1	44643-9	
●	15	338-1831	Cap, Saddle	4	58795	
✓	16	334-172	Assembly, Stud; 7/8"-14/9 x 5 3/8"Lg	8	9030	Incl. Stud, Lock Nut & Washer
	17	See Charts	Assembly, Beam	2		See Chart on Page 308
✓✓	18	321-122	Bushing, Beam Center; Rubber; Welded Plug	2	5919	380 Series; Welded in Plug
✓✓	19	321-123	Bushing, Beam Center; Rubber; Loose Plug	2	22282	380 Series; Plug Included
●	20	321-124	Bushing, Beam Center; Rubber; Welded Plug	2	29483-5	Severe Duty; Fully Bonded, w/Transverse Rods
●	21	321-243	Bushing, Beam Center; Rubber; Welded Plug	2	49400	400 Series, Standard; High Confinement
●	22	321-244	Bushing, Beam Center; Rubber; Loose Plug	2	49600	400 Series, Standard; High Confinement
✓	23	334-191	Plug, End; 2 7/8"Dia. x 3/16"Thk	2	22281	
✓✓	24	322-102	Kit, Bushing; Bronze Center	1	30437	(2) Beams; Incl. Keys 20-24
●	25	322-102A	Kit, Bushing; Bronze Center	2	34013-54	(1) Beam
●	26	322-103	Bushing, Bronze Center; 3 1/2"ID x 4 3/4"OD x 5 7/8"Lg	2	30240-2	
	27	334-114	Sleeve, Center; 2 1/2"ID x 3 1/2"OD x 12"Lg	2	14685	
●	28	334-115	Seal; 3 7/16"ID x 4 3/4"OD x 1/4"Thk	4	30334	
✓	29	334-116	Washer; 3 1/2"ID x 5 3/4"OD x 1/8"Thk	8	32365	
●	30	334-107	Fitting, Grease; 2 5/8"Lg x 1/8"-27 NPT	2	30087	
✓✓	31	334-381	Kit, Bushing & Adapter	4	34013-49	Incl. 321-126 Bushing & 334-109 Adapter
●	32	334-428	Kit, Bushing & Adapter	4	34013-50, 34013-73	Incl. 321-242 Bushing & 334-467 Adapter Assy.
✓✓	33	321-126	Bushing, Beam End; Rubber; 5 3/4"Lg	4	45900	380 thru 440 Series
✓	34	321-242	Bushing, Beam End; Rubber; 5 3/4"Lg	4	29878-1	460 Series
✓✓	35	334-109	Kit, Adapter; Solid Adapters	4	45000-7	380 thru 440 Series; Use w/5 3/4" Bushing
✓	36	334-467	Kit, Adapter	4	21140-34	450/480 Series; Incl. 1" Bolt; For 5 3/4" Bushings
●	37	334-111	Kit, Adapter; Solid/Split Ring Adapters	4	45000-8	Use w/5 3/4" Bushing
●	38	334-830	Kit, Service; Bar Pin Bushing; Non Shim	4	34013-87	Incl. Bar Pin Bushing & Mounting Hdwe.
✓✓	39	334-831	Kit, Service; Bar Pin Bushing; Shim Type	4	34013-88	Incl. Bar Pin Bushing, Alignment Shims & Mounting Hdwe.
✓✓	40	334-1957	Kit, Service; Rotating Bar Pin Bushing; Shim Type	4	34013-188	Incl. Bolts & Shims
	41	334-832	Assembly, Bolt; 1"-8 x 6"Lg Grade 8	8	48941	Incl. Bolt, Lock Nut & Washers
●	42	334-880	Shim; 1/8"	AR	50131	
●	43	334-879	Shim; 3/16"	AR	50130	
●	44	334-881	Shim; 3/8"	AR	57026	
	45	SP	Kit, Adapter Tool; Bar Pin End Bushing	1	1749	Not Shown

Hendrickson Truck

Suspension Illustration



Hendrickson Truck

RS 380/400/440/460 Tandem Suspensions

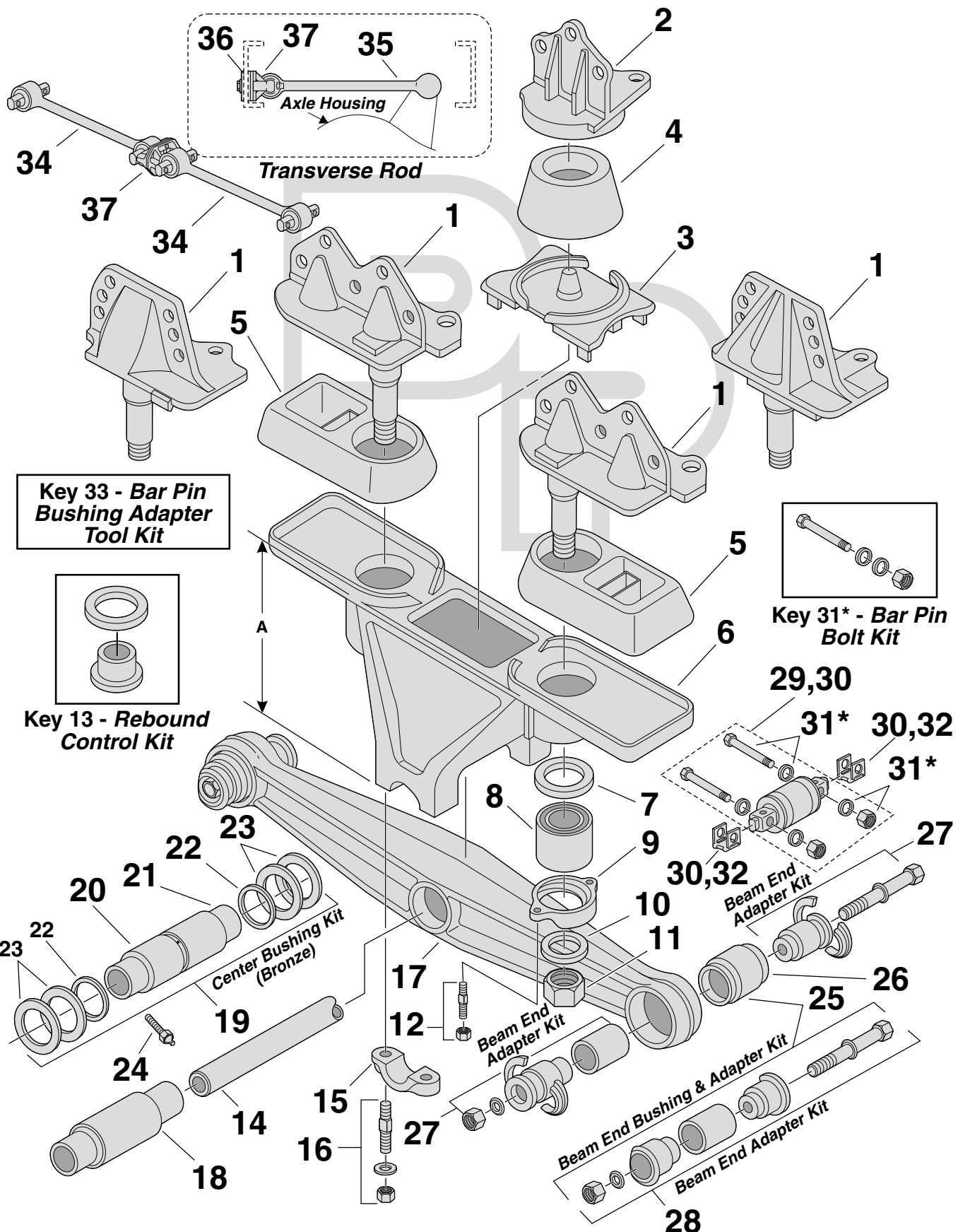
Hendrickson Truck

Parts Listing

Key No.	Part Number	Description	No. Req.	OEM Reference	Remarks
34	SP	Torque Rod, Rigid	2	32271-XXX	Hendrickson P/N Stamped on Rod. Provide No. for Proper Identification or Use 345-610 & 345-661
✓✓	345-610	End, Torque Rod; Straddlemount; Female	2	66610, 46610	5/8" Bolts; 4 3/8" Spacing
✓✓	345-661	End, Torque Rod; Straddlemount; Male; 22 1/2"	2	66661, 46661	5/8" Bolts; 4 3/8" Spacing
35	SP	Kit, Torque Rod; Transverse	2	50234-000A	Use 345-610 & 345-681
✓✓	345-610	End, Torque Rod; Straddlemount; Female	2	46610	5/8" Bolts; 4 3/8" Spacing
✓	345-681	End, Torque Rod; Taper Stud; Male; 22 1/2"	2	46681	1 1/8"-12; 1.85" Taper
●	334-638	Plate, Reinforcement	2	45045-3	Torque Rod Plate
●	338-181	Bracket, Track Rod/Frame	2	22186	For 5/8" Bolts

Hendrickson Truck

Suspension Illustration



Hendrickson Truck

RS 450/480/520 Tandem Suspensions

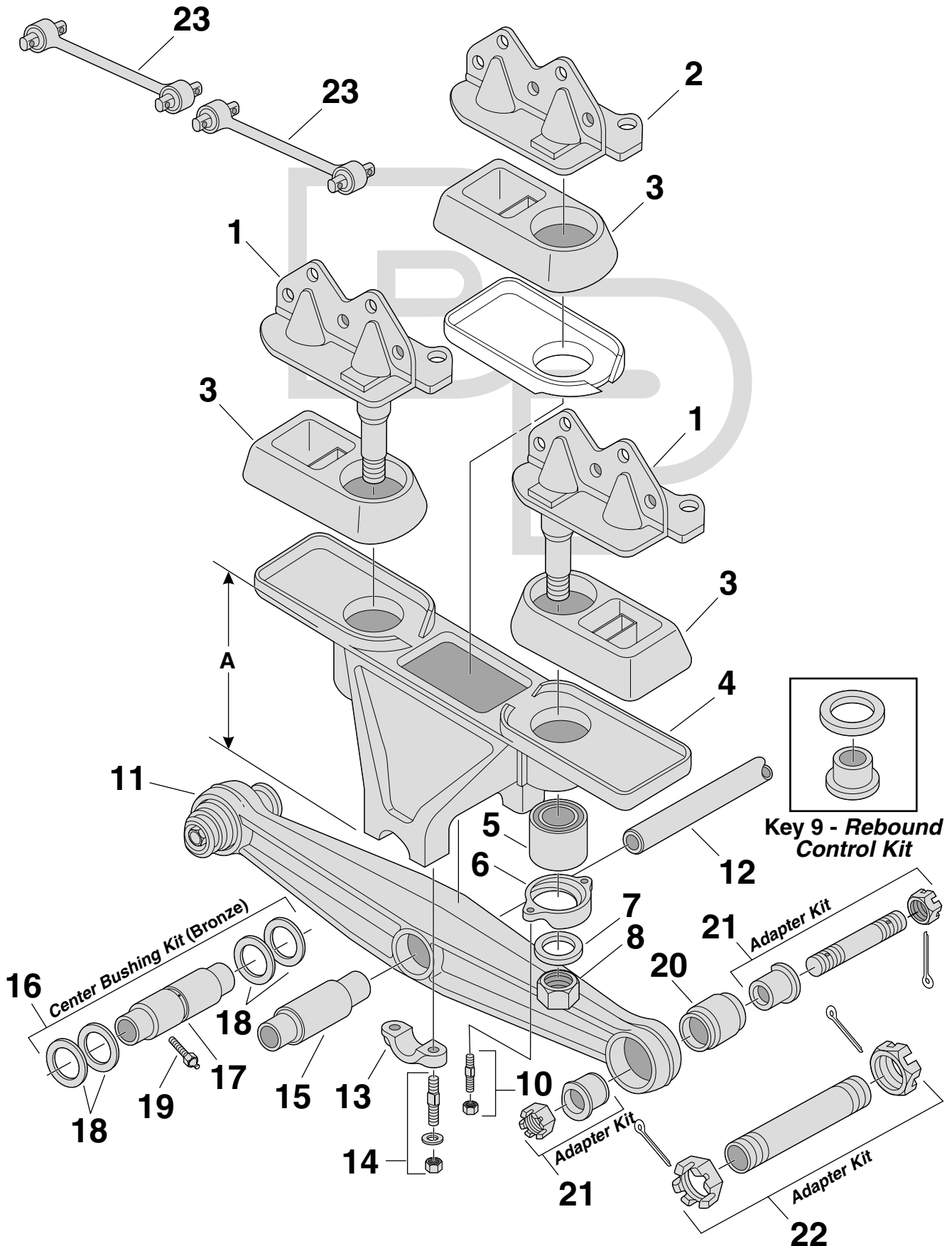
Hendrickson Truck

Parts Listing

Key No.	Part Number	Description	No. Req.	OEM Reference	Remarks		
	1	See Charts	Hanger, Front & Rear; LH/RH	4	Various	See Chart on Page 323	
●	2	338-156	Hanger; Overload	2	48523-1	w/34" Frame Width	
●		338-1208	Hanger	2	48525-1	w/34 1/2" Frame Width	
●	3	338-158	Plate, Saddle; Overload Cushion	2	20781		
✓✓	●	4	325-100	Cushion, Load; Oil Resistant	2	24209	Optional
✓✓	●	5	325-104	Cushion, Load; Color Code Yellow	4	26953	70 Durometer; Oil Resistant
	6	SP	Assembly, Saddle	2	8606-XXX	Specify Casting No. & Dim. "A"	
●	7	334-1125	Ring, Bearing	4	50780		
✓✓	8	321-125	Bushing, Saddle; 2"ID x 4 1/8"OD x 4"Lg	4	19279		
●	9	338-160	Cap, Retainer; Saddle Bushing	4	5917		
✓✓	●	10	334-117	Washer; 1 1/16"ID x 3 1/4"OD x 3/16"Thk	4	8536	3/8" Flange
✓✓	11	334-118	Nut, Nylok; 1 1/2"-12.	4	25151		
	12	334-144	Assembly, Stud; 5/8" x 3"Lg	8	19111-1		
●	13	334-145	Kit, Control; Rebound	2	31005-1	Incl. (2) Bumpers & (2) Nuts	
✓✓	14	334-113	Tube, Cross; 2 7/16" x 44 7/8"Lg	1	44643-9		
		334-1126	Tube, Cross; 46" Lg	1	7622-3		
●	15	338-1831	Cap, Saddle	4	58795		
✓	16	334-172	Assembly, Stud; 7/8"-14/9 x 5 3/8"Lg	8	9030	Incl. Stud, Lock Nut & Washer	
	17	See Charts	Assembly, Beam	2		See Chart on Page 308	
●	18	321-124	Bushing, Beam Center; Rubber; Welded Plug	2	29483-5	Severe Duty; Fully Bonded, w/Transverse Rods	
		321-510	Bushing, Beam Center; Rubber; Loose Plug	2	34013-97	R520	
✓✓	●	19	322-102	Kit, Bushing; Bronze Center	1	30437	(2) Beams; Incl. Keys 20-24
		322-102A	Kit, Bushing; Bronze Center	2	34013-54	(1) Beam	
●	20	322-103	Bushing, Bronze Center; 3 1/2"ID x 4 3/4"OD x 5 7/8"Lg	2	30240-2		
	21	334-114	Sleeve, Center; 2 1/2"ID x 3 1/2"OD x 12"Lg	2	14685		
●	22	334-115	Seal; 3 7/16"ID x 4 3/4"OD x 1/4"Thk	4	30334		
✓	23	334-116	Washer; 3 1/2"ID x 5 3/4"OD x 1/8"Thk	8	32365		
●	24	334-107	Fitting, Grease; 2 5/8"Lg x 1/8"-27 NPT	2	30087		
●	25	334-428	Kit, Bushing & Adapter	4	34013-50, 34013-73	Incl. 321-242 Bush. & 334-467 Adapter Assy.	
✓	●	26	321-242	Bushing, Beam End; Rubber; 5 3/4"Lg	4	29878-1	450 & 480 Series
		321-127	Bushing, Beam End; Rubber; 6"Lg	4	45407	520 Series	
	27	334-126	Adapter, Split Ring Type; 520 Series	4	21140-23	Use w/6" Bushing	
		334-127	Adapter, Split Ring Type; 450 & 480 Series	4	21140-28	Use w/5 3/4" Bushing	
✓	●	28	334-467	Kit, Adapter	4	21140-34	450 & 480 Series; Incl. 1" Bolt; For 5 3/4" Bush.
●	29	334-830	Kit, Service; Bar Pin Bushing; Non Shim	4	34013-87	Incl. Bar Pin Bushing & Mounting Hdwe.	
✓✓	●	30	334-831	Kit, Service; Bar Pin Bushing; Shim Type	4	34013-88	Incl. Bar Pin Bushing, Alignment Shims & Mounting Hdwe.
✓✓	●	334-1957	Kit, Service; Rotating Bar Pin Bushing; Shim Type	4	34013-188	Incl. Bolts & Shims	
	31	334-832	Assembly, Bolt; 1"-8 x 6"Lg Grade 8	8	48941	Incl. Bolt, Lock Nut & Washers	
●	32	334-880	Shim; 1/8"	AR	50131		
●		334-879	Shim; 3/16"	AR	50130		
●		334-881	Shim; 3/8"	AR	57026		
	33	SP	Kit, Adapter Tool; Bar Pin End Bushing	1	1749	Not Shown	
	34	SP	Torque Rod, Rigid	2	32271-XXX	Hendrickson P/N Stamped on Rod. Provide No. for Proper Identification or Use 345-610 & 345-661	
✓✓		345-610	End, Torque Rod; Straddlemount; Female	2	66610, 46610	5/8" Bolts; 4 3/8" Spacing	
✓✓		345-661	End, Torque Rod; Straddlemount; Male; 22 1/2"	2	66661, 46661	5/8" Bolts; 4 3/8" Spacing	
	35	345-897	Kit, Torque Rod; Straddle/Taper Pin	2	60215	Use 345-610 & 345-681	
✓✓		345-610	End, Torque Rod; Straddlemount; Female	2	66610, 46610	5/8" Bolts; 4 3/8" Spacing	
✓		345-681	End, Torque Rod; Taper Stud; Male; 22 1/2"	2	66681, 46681	1 1/8"-12; 1.85" Taper	
●	36	334-638	Plate, Reinforcement	2	45045-3	Torque Rod Plate	
●	37	338-181	Bracket, Track Rod/Frame	2	22186	For 5/8" Bolts	

Hendrickson Truck

Suspension Illustration



Hendrickson Truck

RS 500/650 Tandem Suspensions

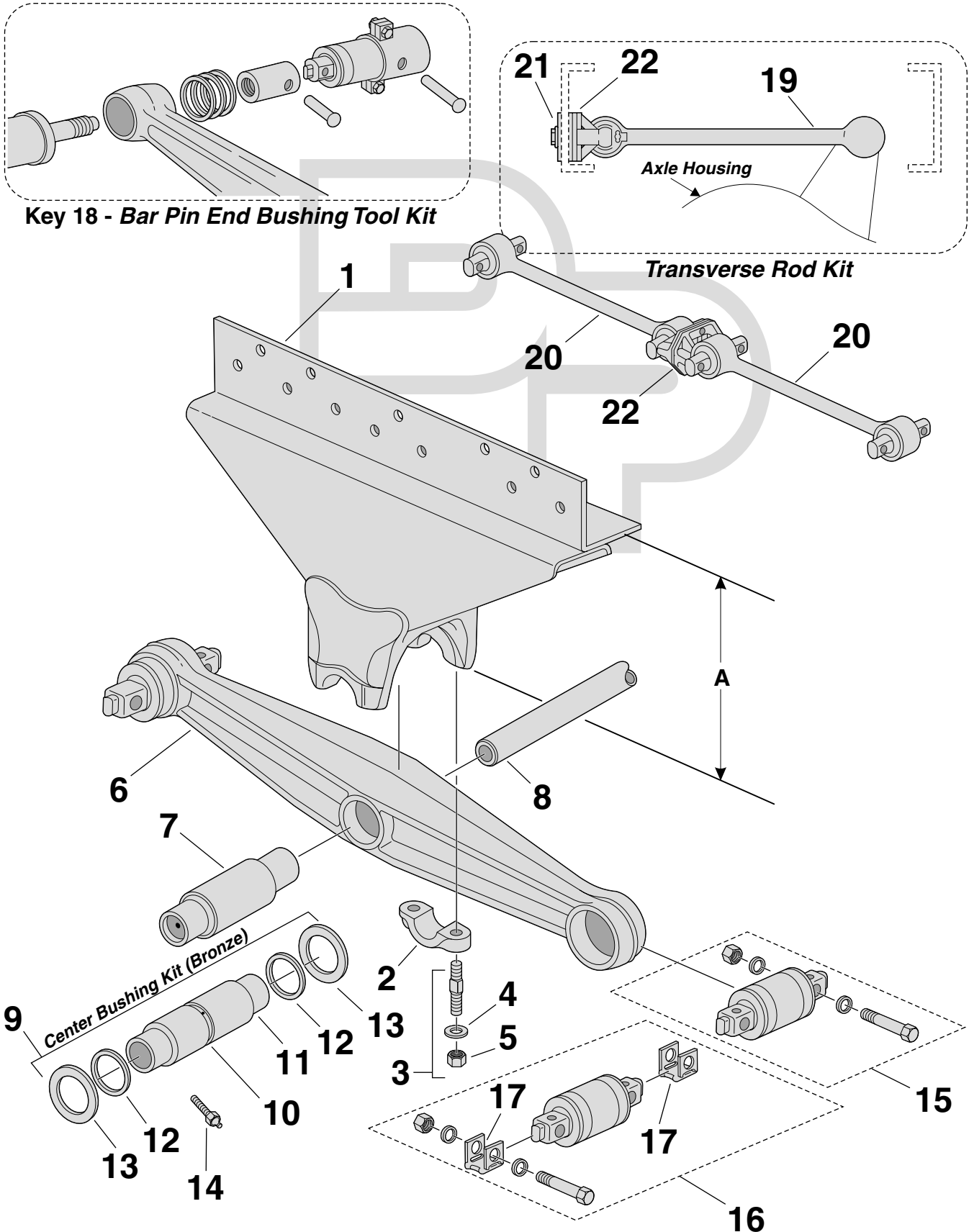
Hendrickson Truck

Parts Listing

Key No.	Part Number	Description	No. Req.	OEM Reference	Remarks
1	SP	Hanger, Front and Rear; LH/RH	4	Various	Provide Casting No., Position & OEM
2	SP	Hanger, Center	2	Various	Provide Casting No. & OEM
✓✓ ●	325-104	Cushion, Load; Color Code Yellow	6	26953	70 Durometer; Oil Resistant
4	SP	Assembly, Saddle	2	Various	Provide Casting No. & Height "A"
✓✓	321-125	Bushing, Saddle; 2"ID x 4 1/8"OD x 4"Lg	4	19279	
●	338-160	Cap, Retainer; Saddle Bushing	4	5917	
✓✓ ●	334-117	Washer; 1 1/16"ID x 3 1/4"OD x 3/16"Thk	4	8536	3/8" Flange
✓✓	334-118	Nut, Nylok; 1 1/2"-12	4	25151	
●	334-145	Kit, Control; Rebound	2	31005-1	Incl. (2) Bumpers & (2) Nuts
10	334-144	Assembly, Stud; 5/8" x 3"Lg	8	19111-1	
11	SP	Assembly, Beam	2	Various	Provide Casting No.
12	334-134	Tube, Cross; 3" x 40 3/4"Lg	1	10397-14	
	334-189	Tube, Cross; 3" x 44 3/4"Lg	1	10397-2	
●	338-168	Cap, Saddle; 5 1/2" c/c x 1" Bolt Holes	4	15785	
14	334-187	Assembly, Stud; 1-14 x 5 7/8"Lg	8		Incl. Stud, Washer & Lock Nut
●	321-128	Bushing, Beam Center; Rubber; Welded Plug	2	10366	Welded in Plug
●	322-107	Kit, Bushing; Bronze Center	1	45374	
17	322-108	Bushing, Bronze Center; 4"ID x 5 1/2"OD x 8 1/16"Lg	2	30240-5	
18	334-137	Washer, Thrust; 4"ID x 6 1/16"OD x 3/16"Thk	4	45261	
●	334-107	Fitting, Grease; 2 5/8"Lg x 1/8"-27 NPT	2	30087	
●	321-129	Bushing, Beam End; Rubber; 6"Lg	4	10363	
●	334-138	Kit, Adapter; Solid Adapters; 2"OD x 12 5/8"Lg, 1 7/8"-12 Thread	4	21140-7	
●	334-141	Kit, Adapter; w/Tube & Nut; 3"OD x 9 3/4"Lg x 3"-12 Thread	4	21140-6	
23	SP	Torque Rod, Rigid	2	45577-XXX	Hendrickson P/N Stamped on Rod. Provide No. for Proper Identification

Hendrickson Truck

Suspension Illustration



Hendrickson Truck

R 400/460/480/520 Tandem Suspensions

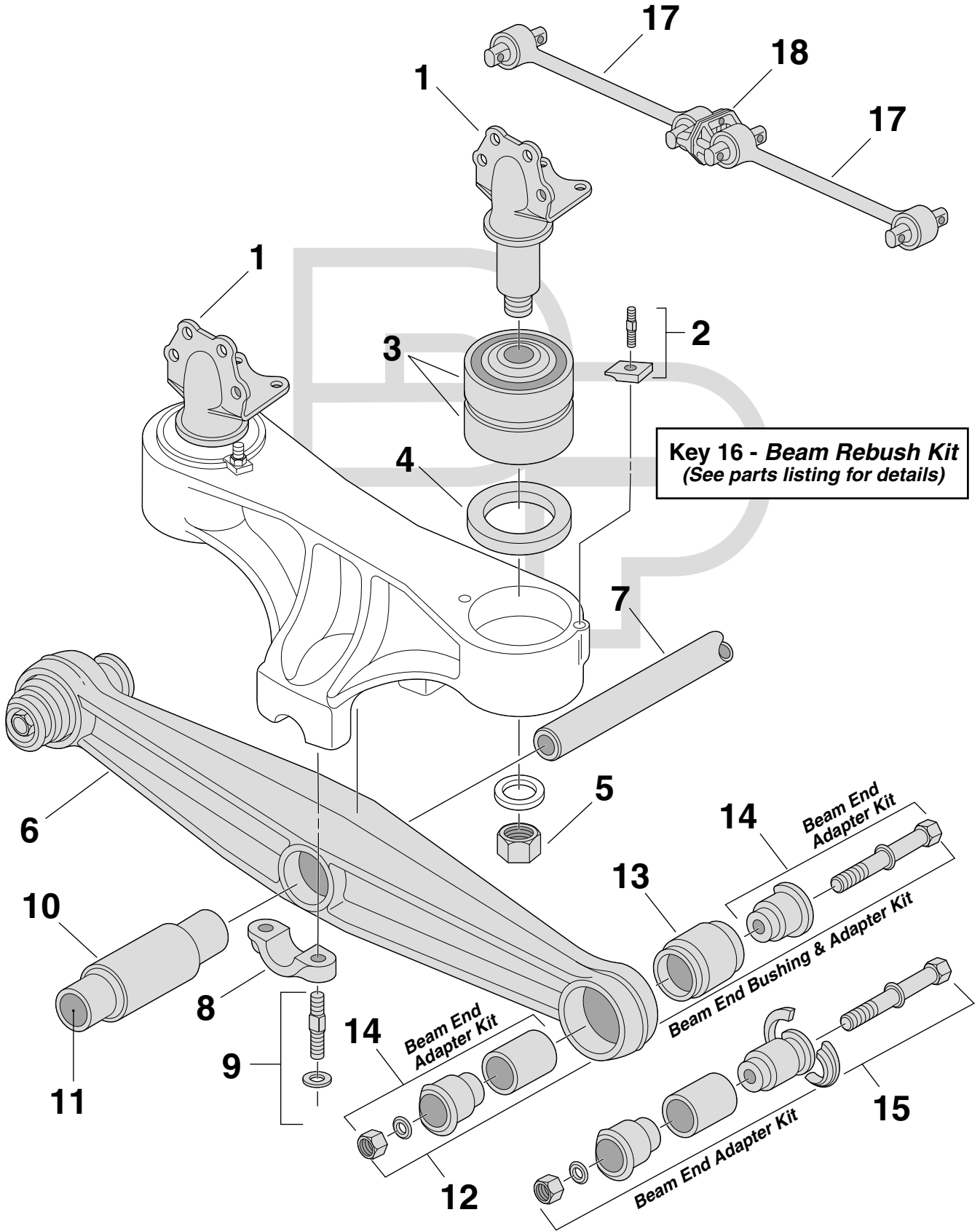
Hendrickson Truck

Parts Listing

Key No.	Part Number	Description	No. Req.	OEM Reference	Remarks
	SP	Assembly, Saddle	2	49197-000	Specify Height (A)
	SP	Assembly, Saddle	2	50207-000	Specify Height (A)
●	338-1831	Cap, Saddle	4	58795	
✓✓	334-174	Assembly, Stud; 7/8"-14 x 4 7/8"Lg	8	6696	Incl. Stud, Lock Nut & Washer
✓✓	334-150	Washer, Hard Flat; 7/8"	8	22962-2	
	SLN-106	Nut, Lock; 7/8"-14	8	0002-09	
	See Charts	Assembly, Beam	2		See Chart on Page 308
●	321-243	Bushing, Beam Center; Rubber; Welded Plug	2	49400	High Confinement; 400 Series, Standard
	321-244	Bushing, Beam Center; Rubber; Loose Plug	2	49600	High Confinement; 400 Series, Standard
●	321-124	Bushing, Beam Center; Rubber; Welded Plug	2	29483-5	Severe Duty; Fully Bonded ,w/Transverse Rods; R 460, 480 & 520 Series
●	321-510	Bushing, Beam Center; Rubber; Loose Plug	2	34013-97	R 520
✓✓	334-113	Tube, Cross; 2 7/16" x 44 7/8"Lg	1	44643-9	R 400 & 460 Series
	334-1126	Tube, Cross; 46" Lg	1	7622-3	R 480 & 520 Series
✓✓	● 322-102	Kit, Bushing; Bronze Center	1	30437	For (2) Beams; Incl. Keys 10-13
	322-102A	Kit, Bushing; Bronze Center	2	34013-54	For (1) Beam
●	322-103	Bushing, Bronze Center; 3 1/2"ID x 4 3/4"OD x 5 7/8"Lg	2	30240-2	
	334-114	Sleeve, Center; 2 1/2"ID x 3 1/2"OD x 12"Lg	2	14685	
●	334-115	Seal; 3 7/16"ID x 4 3/4"OD x 1/4"Thk	4	30334	
✓	334-116	Washer; 3 1/2"ID x 5 3/4"OD x 1/8"Thk	AR	32365	
●	334-107	Fitting, Grease; 2 5/8"Lg x 1/8"-27 NPT	2	30087	
●	334-830	Kit, Service; Bar Pin Bushing; Non Shim	4	34013-87	Incl. Bar Pin Bushing & Mounting Hdwe.
✓✓	● 334-831	Kit, Service; Bar Pin Bushing; Shim Type	4	34013-88	Incl. Bar Pin Bushing, Alignment Shims & Mounting Hdwe.
✓✓	● 334-1957	Kit, Service; Rotating Bar Pin Bushing; Shim Type	4	34013-188	Incl. Bolts & Shims
●	334-879	Shim; 3/16"	AR	50130	
●	334-880	Shim; 1/8"	AR	50131	
●	334-881	Shim; 3/8"	AR	57026	
	SP	Kit, Tool; Bar Pin End Bushing	1	1749	
	345-897	Kit, Torque Rod; Straddle/Taper Pin	1	60215	Use 345-610 & 345-681
✓✓	345-610	End, Torque Rod; Straddlemount; Female	2	66610, 46610	5/8" Bolts; 4 3/8" Spacing
✓✓	345-661	End, Torque Rod; Straddlemount; Male; 22 1/2"	2	66661, 46661	5/8" Bolts; 4 3/8" Spacing
✓	345-681	End, Torque Rod; Taper Stud; Male; 22 1/2"	2	66681, 46681	1 1/8"-12; 1.85" Taper
	SP	Torque Rod, Rigid	2	32271-XXX	
✓✓	345-610	End, Torque Rod; Straddlemount; Female	2	66610, 46610	5/8" Bolts; 4 3/8" Spacing
✓✓	345-661	End, Torque Rod; Straddlemount; Male; 22 1/2"	2	66661, 46661	5/8" Bolts; 4 3/8" Spacing
●	334-638	Plate, Reinforcement	2	45045-3	
●	338-181	Bracket, Track Rod/Frame	2	22186	For 5/8" Bolts

Hendrickson Truck

Suspension Illustration



Key 16 - Beam Rebush Kit
(See parts listing for details)

Beam End Adapter Kit

Beam End Bushing & Adapter Kit

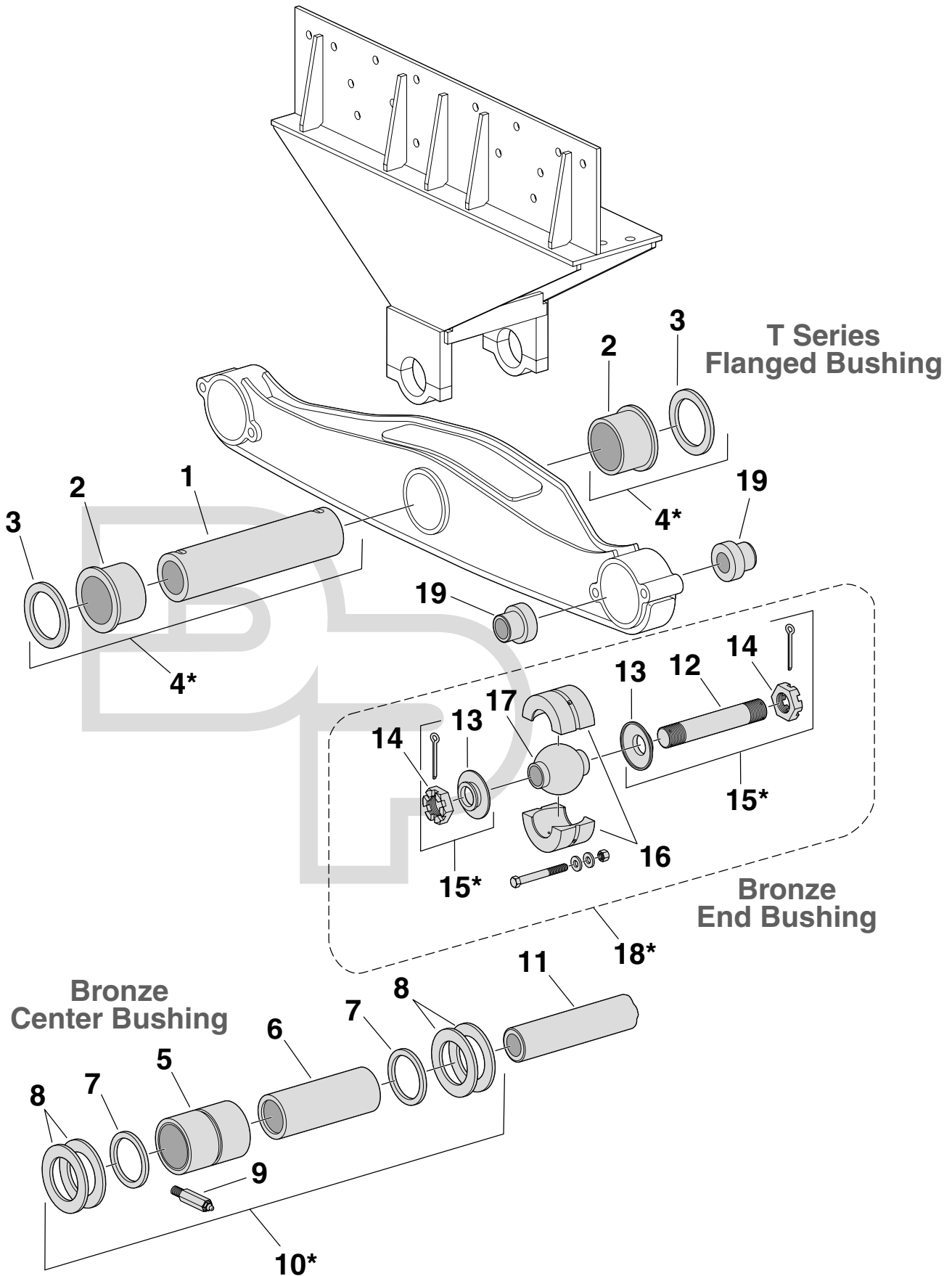
Beam End Adapter Kit

Beam End Adapter Kit

Key No.	Part Number	Description	No. Req.	OEM Reference	Remarks
● 1	338-163	Hanger; Undrilled	4	23217-13	Obsolete
	334-144	Assembly, Stud; 5/8" x 3"Lg	8	19111-1	
● 3	321-143	Bushing, Shear Spring; 6"ID x 6 15/16"OD x 3/16"Thk	8	15137	Obsolete
	334-120	Spacer; 6"ID x 6 7/8"OD x 3/16"Thk	4	21278	
✓✓	334-118	Nut, Nylok; 1 1/2"-12.	4	25151	
	See Charts	Assembly, Beam	2		Incl. Bushing; See Chart on Page 308
✓✓	334-102	Tube, Cross; 1 15/16"x 44 7/8"Lg	1	44642-8	
✓✓	334-113	Tube, Cross; 2 7/16" x 44 7/8"Lg	1	44643-9	
● 8	338-123	Cap, Saddle; 4" c/c, x 1" Dia.	4	6662	SR 340
●	338-1831	Cap, Saddle	4	58795	SR 380
	334-151	Assembly, Stud; 7/8"-14-9 x 4 1/2"Lg	8	9029	SR 340; Incl. Stud, Lock Nut & Washer
✓	334-172	Assembly, Stud; 7/8"-14-9 x 5 3/8"Lg	8	9030	SR 380; Incl. Stud, Lock Nut & Washer
✓✓ ●	321-117	Bushing, Beam Center; Rubber; Welded Plug	2	6664	Welded in Plug
✓✓ ●	321-118	Bushing, Beam Center; Rubber; Loose Plug	2	22279	Plug Included
✓✓	321-122	Bushing, Beam Center; Rubber; Welded Plug	2	5919	380 Series; Welded in Plug
✓✓	321-123	Bushing, Beam Center; Rubber; Loose Plug	2	22282	380 Series; Plug Included
	334-190	Plug, End; 1 15/16"Dia. x 3/16"Thk	2	22278	SR 340
✓	334-191	Plug, End; 2 7/8"Dia. x 3/16"Thk	2	22281	SR 380
✓	334-380	Kit, Bushing & Adapter	4	34013-48	Incl. 321-120 Bushing & 334-108 Adapter
✓✓	334-381	Kit, Bushing & Adapter	4	34013-49	Incl. 321-126 Bushing & 334-109 Adapter
✓✓ ●	321-120	Bushing, Beam End; Rubber; 5 1/4"Lg	4	6969	
✓✓ ●	321-126	Bushing, Beam End; Rubber; 5 3/4"Lg	4	45900	
✓✓ ●	334-108	Kit, Adapter; Solid Adapters	4	45000-13	Use w/5 1/4" Bushing
✓✓ ●	334-109	Kit, Adapter; Solid Adapters	4	45000-7	Use w/5 3/4" Bushing
●	334-110	Kit, Adapter; Solid/Split Ring Adapters	4	45000-14	Use w/5 1/4" Bushing
●	334-111	Kit, Adapter; Solid/Split Ring Adapters	4	45000-8	Use w/5 3/4" Bushing
	339-102	Kit, Maintenance; Walking Beam; Welded Plugs	1		Incl. (2)321-122, (4)321-126 & (4)334-109
	339-131	Kit, Maintenance; Walking Beam; Loose Plugs	1		Incl. (2)321-123, (4)321-126 & (4)334-109
	SP	Torque Rod, Rigid	2	32271-XXX	Hendrickson P/N Stamped on Rod. Provide No. for Proper Identification or Use 345-610 and 345-661
✓✓	345-610	Torque Rod End, Straddlemount; Female	AR	66610, 46610	5/8" Bolts; 4 3/8" Spacing
✓✓	345-661	Torque Rod End, Straddlemount; Male; 22 1/2"	AR	66661, 46661	5/8" Bolts; 4 3/8" Spacing
●	338-181	Bracket, Track Rod/Frame	2	22186	For 5/8" Bolts

Hendrickson Truck

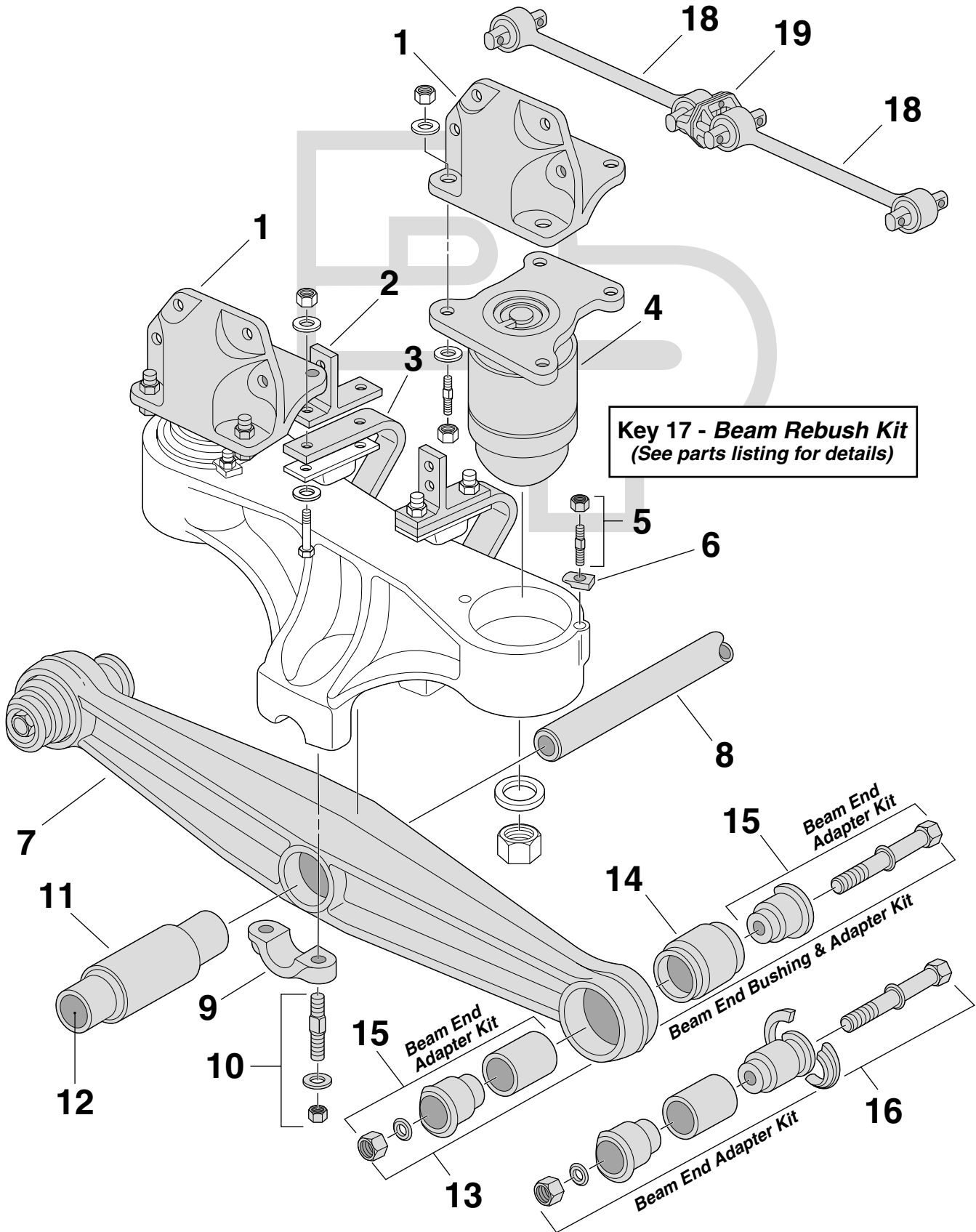
Suspension Illustration



Key No.	Part Number	Description	No. Req.	OEM Reference	Remarks		
1	334-572	Shaft; 12"Lg x 3"ID x 4"OD	2	3418	T 600; Use 334-575 Kit		
2	322-131	Bushing, Center; Bronze	4	3415	T 600; 4" ID, 1/4" Lip		
3	334-571	Washer, Thrust	4	3416	T 600 & 900		
4	334-431	Kit, Service; Beam Center	2	34013-78	T 600; Solid Shaft		
	334-575	Kit, Service; Beam Center	2	34013-79	T 600 & 900; Hollow Shaft		
●	322-103	Bushing, Bronze Center; 3 1/2"ID x 4 3/4"OD x 5 7/8"Lg	2	30240-2			
6	334-114	Sleeve, Center; 2 1/2"ID x 3 1/2"OD x 12"Lg	2	14685			
●	334-135	Seal; 4"ID x 5 1/2"OD x 3/8"Thk	4	31577			
8	SP	Washer, Thrust	4	32365-4			
●	334-107	Fitting, Grease; 2 5/8"Lg x 1/8"-27 NPT	2	30087			
✓✓	●	322-102	Kit, Bushing; Bronze Center	1	30437		
	322-102A	Kit, Bushing; Bronze Center	2	34013-54	T 440-520; Tandem		
✓✓	11	334-113	Tube, Cross; 2 7/16" x 44 7/8"Lg	1	44643-9	T 440-520	
●	12	334-179	Shaft, Beam End; 1 3/8"-12 x 9 5/8"Lg	4	3350		
●	13	334-430	Seal, Ball	8	45229		
	14	334-180	Nut, Slotted; 1 3/8"-12	8	8582	Use w/334-179 Shaft	
✓✓	15	334-184	Kit, Shaft; Beam End; Bronze	4		Incl. Shaft, Slotted Nuts & Ball Seals	
	16	334-1131	Set, Bushing; Bronze	4	5059		
	17	334-1132	Socket, Ball End; Bronze	4	4990		
✓	●	18	334-440	Kit, Service; Beam End Bushing; Bronze; 4 Ends	1	34013-40	
✓		334-440A	Kit, Service; Beam End Bushing; Bronze; 1 End	4	34013-40		
✓		334-449	Adapter, Reducer/Spacer	8	8580		

Hendrickson Truck

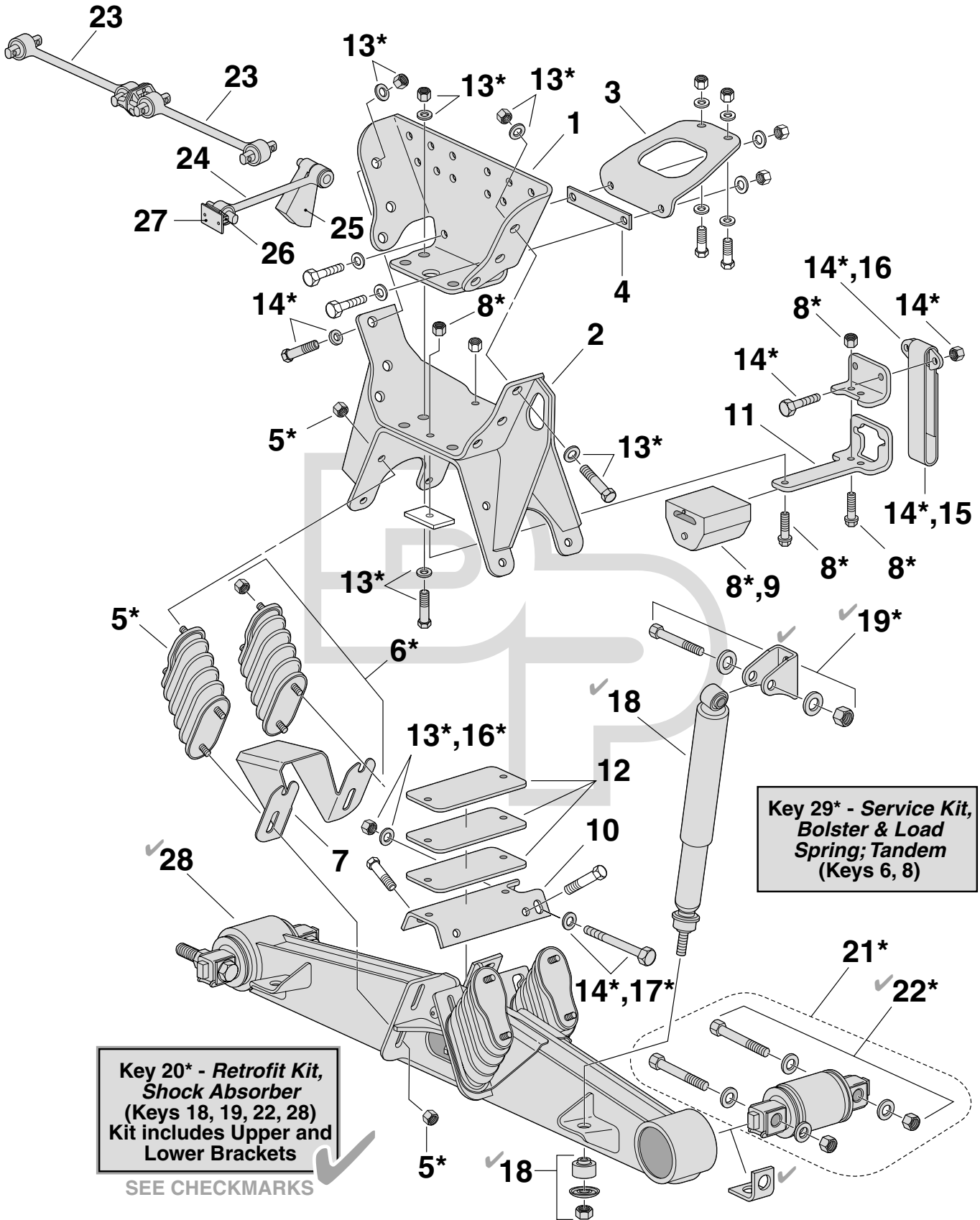
Suspension Illustration



Key No.	Part Number	Description	No. Req.	OEM Reference	Remarks
	1	338-169 Hanger	2	46202-1	Obsolete
		338-170 Hanger	2	46202-5	Obsolete
●	2	338-171 Hanger	4	46970-2	Obsolete
●	3	338-172 Stop	4	46210	Obsolete
●	4	321-130 Module, Elastic; w/Internal Jounce Stop	4	47585-85	Obsolete
	5	334-144 Assembly, Stud; 5/8" x 3"Lg	8	19111-1	Obsolete
●	6	334-119 Clamp, Module; 2"W x 1 5/8"Lg x 3/4"High w/1/16" Hole	8	21297	
	7	See Charts Assembly, Beam	2		See Chart on Page 308
✓✓	8	334-102 Tube, Cross; 1 15/16"x 44 7/8"Lg	1	44642-8	
✓✓		334-113 Tube, Cross; 2 7/16" x 44 7/8"Lg	1	44643-9	
●	9	338-123 Cap, Saddle; 4" c/c, x 1" Dia.	4	6662	V4 340
●		338-1831 Cap, Saddle	4	58795	V4 380
	10	334-151 Assembly, Stud; 7/8"-14-9 x 4 1/2"Lg	8	9029	V4 340; Incl. Stud, Lock Nut & Washer
✓		334-172 Assembly, Stud; 7/8"-14-9 x 5 3/8"Lg	8	9030	V4 380; Incl. Stud, Lock Nut & Washer
✓✓	●	321-117 Bushing, Beam Center; Rubber; Welded Plug	2	6664	Welded in Plug
✓✓	●	321-118 Bushing, Beam Center; Rubber; Loose Plug	2	22279	Plug Included
✓✓		321-122 Bushing, Beam Center; Rubber; Welded Plug	2	5919	380 Series; Welded in Plug
✓✓		321-123 Bushing, Beam Center; Rubber; Loose Plug	2	22282	380 Series; Plug Included
	12	334-190 Plug, End; 1 15/16"Dia. x 3/16"Thk	2	22278	V4 340
✓		334-191 Plug, End; 2 7/8"Dia. x 3/16"Thk	2	22281	V4 380
✓	13	334-380 Kit, Bushing & Adapter	4	34013-48	Incl. 321-120 Bushing & 334-108 Adapter
✓✓		334-381 Kit, Bushing & Adapter	4	34013-49	Incl. 321-126 Bushing & 334-109 Adapter
✓✓	●	321-120 Bushing, Beam End; Rubber; 5 1/4"Lg	4	6969	
✓✓	●	321-126 Bushing, Beam End; Rubber; 5 3/4"Lg	4	45900	
✓✓	●	334-108 Kit, Adapter; Solid Adapters	4	45000-13	Use w/5 1/4" Bushing
✓✓	●	334-109 Kit, Adapter; Solid Adapters	4	45000-7	Use w/5 3/4" Bushing
●	16	334-110 Kit, Adapter; Solid/Split Ring Adapters	4	45000-14	Use w/5 1/4" Bushing
●		334-111 Kit, Adapter; Solid/Split Ring Adapters	4	45000-8	Use w/5 3/4" Bushing
	17	339-102 Kit, Maintenance; Walking Beam; Welded Plugs	1		Incl. (2)321-122, (4)321-126 & (4)334-109
		339-131 Kit, Maintenance; Walking Beam; Loose Plugs	1		Incl. (2)321-123, (4)321-126 & (4)334-109
	18	SP Torque Rod, Rigid	2	32271-XXX	Hendrickson P/N Stamped on Rod. Provide No. for Proper Identification or Use 345-610 and 345-661
✓✓		345-610 End, Torque Rod; Straddlemount; Female	2	66610, 46610	5/8" Bolts; 4 3/8" Spacing
✓✓		345-661 End, Torque Rod; Straddlemount; Male; 22 1/2"	2	66661, 46661	5/8" Bolts; 4 3/8" Spacing
●	19	338-181 Bracket, Track Rod/Frame	2	22186	For 5/8" Bolts

Hendrickson Truck

Suspension Illustration



Key 20* - Retrofit Kit, Shock Absorber
 (Keys 18, 19, 22, 28)
 Kit includes Upper and Lower Brackets

SEE CHECKMARKS

Key 29* - Service Kit, Bolster & Load Spring; Tandem
 (Keys 6, 8)

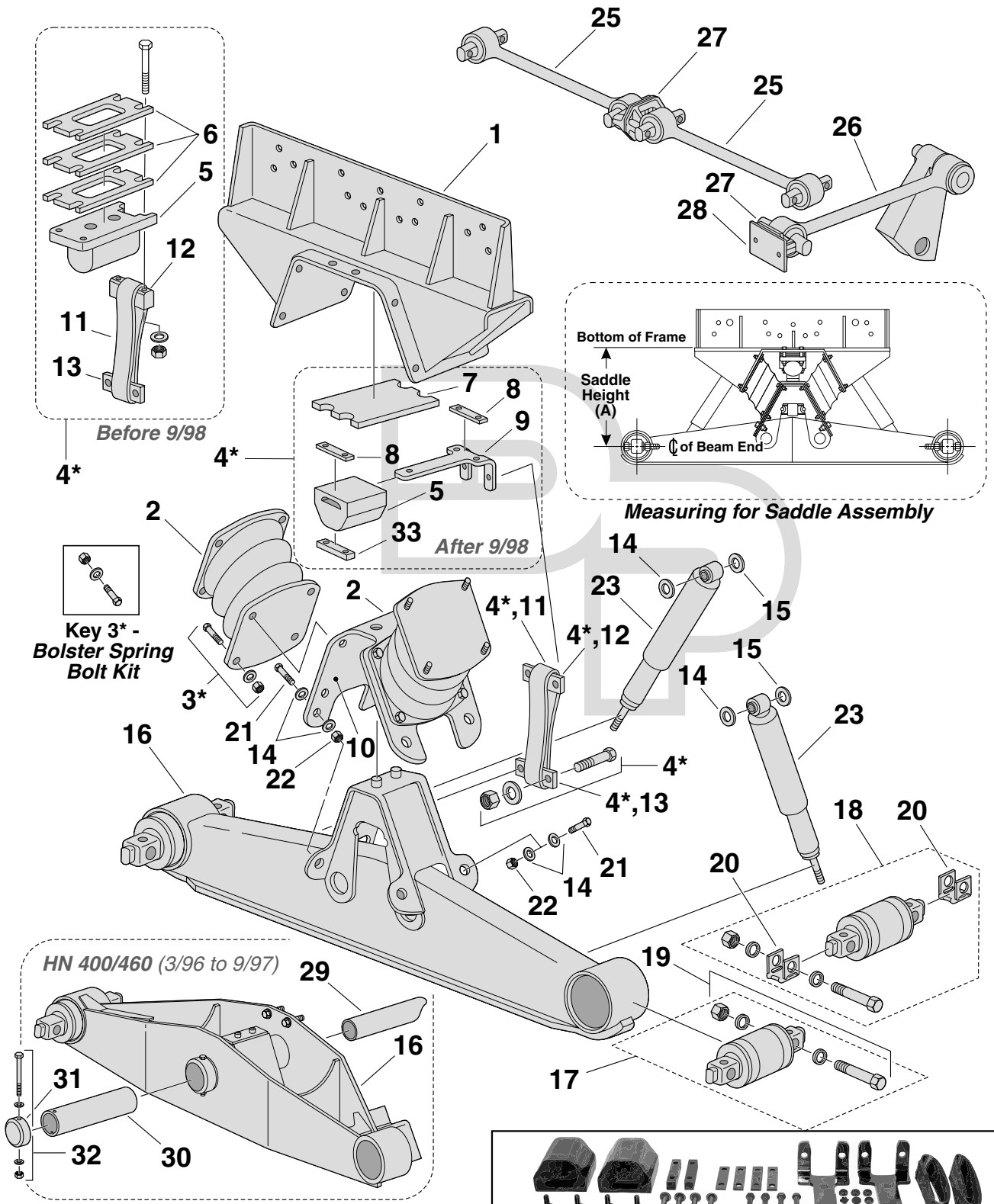
Key No.	Part Number	Description	No. Req.	OEM Reference	Remarks	
●	1	338-2288	Bracket, Frame; Outboard	2	64595-1	Western Star & Paccar; 34" Frame Width; 16.5" Saddle Hgt.
		338-2289	Bracket, Frame; Outboard	2	64636-2	Freightliner; 34"-34.5" Frame Width; 17.5" Saddle Hgt.
		338-2290	Bracket, Frame; Outboard	2	64595-101	International; 34.12"-34.25" Frame Width; 16.5" Saddle Hgt.
		338-2291	Bracket, Frame; Outboard	2	64595-104	International; 34.68"-34.94" Frame Width; 16.5" Saddle Hgt.
		See Chart	Bracket, Frame; Outboard	2	Various	Specify Make, Frame Width & Saddle Hgt.; Prior to 01/13/03 Retrofit Required; See Chart on Page 312
●	2	338-1931	Assembly, Saddle; 400 Series; After 01/13/03	2	64642	Prior to 01/13/03 Retrofit Required
✓ ●		338-1932	Assembly, Saddle; 460 Series; After 01/13/03	2	64643	Prior to 01/13/03 Retrofit Required
		SP	Kit, Retrofit; Saddle; Prior to 01/13/03	2	57974-xxx	Specify Saddle Hgt., Frame Width & Suspension Capacity; Call Tech Service for Assistance
●	3	338-2293	Bracket, Frame; Inboard	2	65078-1	CCC & Oshkosh; 34" Frame Width; 16.5" Saddle Hgt.
		338-2294	Bracket, Frame; Inboard	2	65078-3	Oshkosh, Autocar & CCC; 34" Frame Width
		338-2295	Bracket, Frame; Inboard	2	65079-1	Paccar w/o Liner; 34"-34.75" Frame Width; 16.5" Ride Hgt.
		338-2296	Bracket, Frame; Inboard	2	65079-3	Paccar w/o Liner; 34"-34.5" Frame Width; 18.5" Ride Hgt.
		See Chart	Bracket, Frame; Inboard	2	Various	Specify Make, Frame Width & Saddle Hgt.; See chart on page 313
	4	SP	Spacer (If Equipped)	AR	60618-xxx	Specify Thickness
✓ ●	5	334-1727	Kit, Service; Bolster Spring	4	64179-2	HMX 400; Repl. by 334-2035
✓ ●		334-1845	Kit, Service; Bolster Spring	4	64179-37	HMX 460; Repl. by 334-2036
✓ ●	6	334-2035	Kit, Service; w/Wear Plate	4	64179-49	HMX 400
✓ ●		334-2036	Kit, Service; Bolster Spring w/Wear Plate	4	64179-48	HMX 460
●	7	334-1719	Plate, Wear	4	64890, 64179-5	
✓ ●	8	334-1720	Kit, Auxiliary Spring	2	64179-4	Single Side Standard Replacement
✓ ●		334-1968	Kit, Service; Progressive Rate Auxiliary Spring	1	65902-4, 59310-047	Single Side Progressive Conversion
●		334-2029	Kit, Service; Progressive Load; Single	1	60961-745	Single Side Progressive Replacement
✓ ●		334-2031	Kit, Service; Progressive Load; Tandem	1	60961-747	Tandem Progressive Replacement or Conversion
●		334-2030	Kit, Service; Progressive Load; Tandem Weight Bias	1	60961-746	Tandem Standard/Progressive Replacement
✓ ●	9	334-1894	Assembly, Auxiliary Spring	1	60314	Incl. in 334-1720
		SP	Assembly, Spring; Progressive Rate	1	67778	Incl. in 334-1968
●	10	338-1933	Plate, Auxiliary Spring Contact	2	59191-1, 59191	
●	11	338-1934	Bracket, Auxiliary Spring	2	59384	
✓ ●	12	334-1728	Shim, Auxiliary Spring; ¼"Thk	6	60791	
	13	334-1721	Kit, Fastener; Saddle	1	64179-38, 64179-29	Incl. Necessary Hardware to Attach (2) Saddles to Frame Brackets
✓ ●	14	334-1722	Kit, Strap; Rebound	2	64179-28	
		SP	Kit, Service; Rebound Strap Enhancement	1	64179-45	Outrigger Applications
✓	15	334-1634	Strap, Rebound	2	57878-3	
	16	334-1729	Clip, Strap; Rebound	2	60612	
✓	17	334-1723	Assembly, Bolt; ¾"-16 x 6"Lg	2		
	18	341-60680-4	Shock Absorber	4	60680-4	16 ½" Saddle Hgt.
		341-60680-5	Shock Absorber	4	60680-5	17 ½"-18 ½" Saddle Hgt.
	19	334-1724	Assembly, Bolt; ⅝"-11 x 4 ½"Lg	4		
	20	334-1725	Kit, Retrofit; Shock Absorber	1	64178-3	16 ½" Saddle Hgt.
		334-1726	Kit, Retrofit; Shock Absorber	1	64178-4	17 ½"-18 ½" Saddle Hgt.
		SP	Kit, Retrofit; Shock Absorber	1	64178-9	16 ½" Saddle Hgt.; Mack
✓ ●	21	334-831	Kit, Service; Bar Pin Bushing; Shim Type	4	34013-88	Incl. Bushing, Shims & Hdwe.
✓ ●		334-1957	Kit, Service; Rotating Bar Pin Bushing; Shim Type	4	34013-188	Incl. Bushing, Shims & Hdwe.
✓ ✓	22	334-832	Assembly, Bolt; 1"-8 x 6"Lg Grade 8	8	56659-5	
	23	345-866	Kit, Torque Rod; Straddle/Straddle Mount	2	60218	Use 345-610 & 345-661
●	24	345-907	Rod, Track; 24.21"Lg	2	62350-615	Other Lengths Available; Specify Length Required
		345-897	Kit, Torque Rod; Straddle/Taper Pin	2	60215, 62350-xxx	Use 345-610 & 345-681
	25	338-874	Bracket, Track Rod/Axle	2	46868	Rockwell SQ100, SQHP & SL100; 4 ⅝" x 5 ¼" Axles
✓ ✓	26	338-181	Bracket, Track Rod/Frame	2	22186	
●	27	334-638	Plate, Reinforcement	2	45045-3	
●	28	338-2115	Assembly, Beam; 52" w/o Shocks	2	64847-3	Incl. 334-831 Bushings
●		338-2045	Assembly, Beam; 54" w/o Shocks	2	64847-1	Incl. 334-831 Bushings
✓ ●		338-2048	Assembly, Beam; 54" w/Shocks	2	64846-1	Incl. 334-831 Bushings
		SP	Assembly, Walking Beam	2	Various	Specify Length & w/ or w/o Shock Absorbers
	29	334-2229	Kit, Service; Bolster & Load Spring; Tandem	1	60961-712	Incl. (2)334-2036 & (1)334-2029

**HN400/460 (03/96-09/97)
HN402/462/522 (04/96-present)
Bolster Spring Suspensions**

Hendrickson Truck

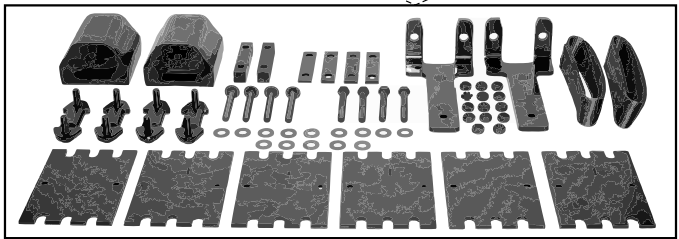
Hendrickson Truck

Suspension Illustration



**Various; Not Shown;
See Parts Listing**

**Key 24 - Retrofit Kit,
Shock Absorber**



Key 4* - Service Kit; Auxiliary Spring (After 9/98)

Key Numbers with an asterisk (*) indicate a kit or assembly.

Hendrickson Truck

HN400/460 (03/96-09/97) HN402/462/522 (04/96-present) Bolster Spring Suspensions

Hendrickson Truck

Parts Listing

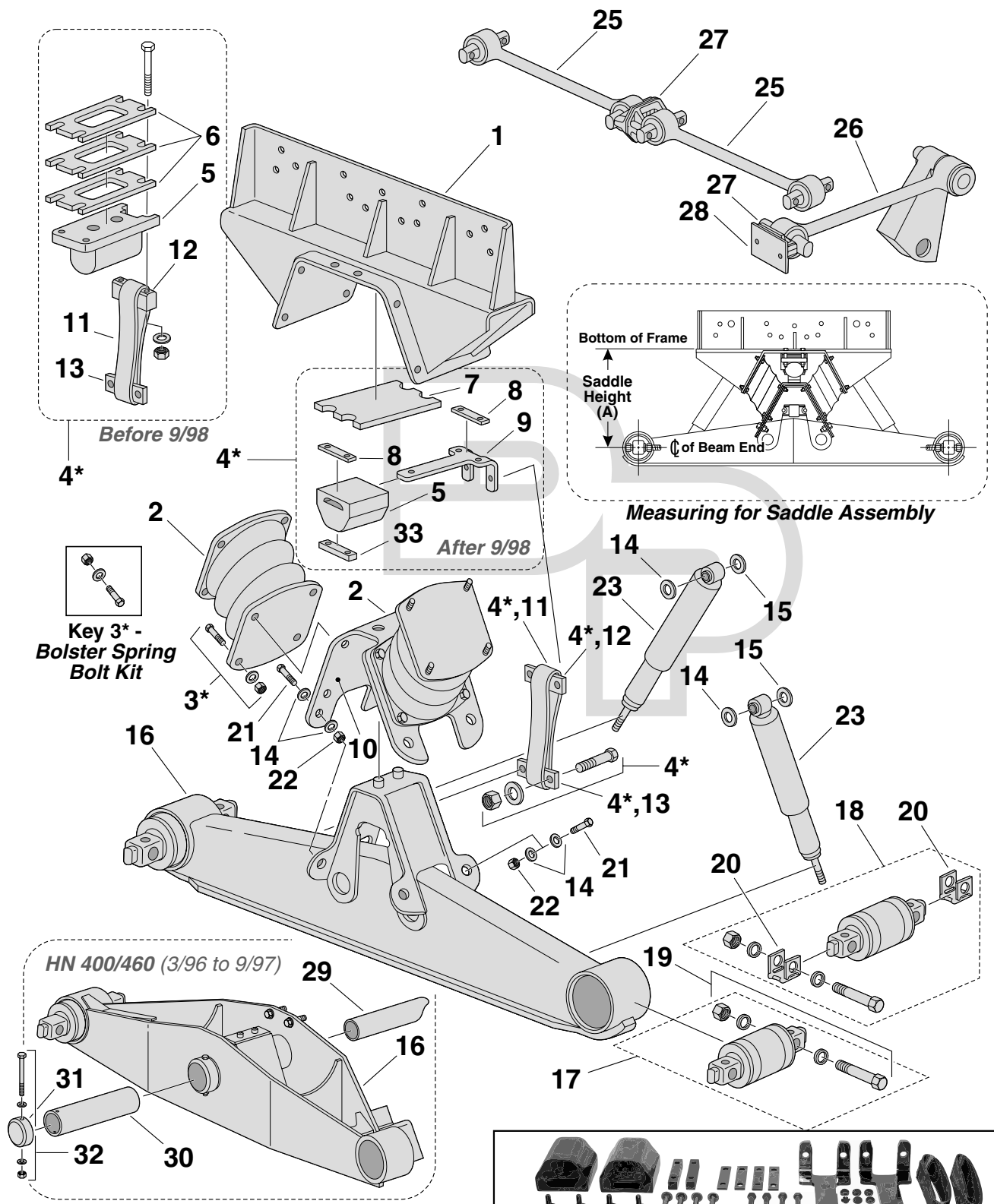
Key No.	Part Number	Description	No. Req.	OEM Reference	Remarks
●	1	338-2080 SP Assembly, Saddle Assembly, Saddle	2 2	60686-66 Various	HN462; 9.5" Specify OEM, Saddle Hgt. & Production Date
✓✓●	2	334-852A 334-1896 Spring, Bolster; Matched Pair Spring, Bolster; Matched Pair	2 2	60879, 49377 64718	(2) Pair Per Suspension; Replace in Pairs HN522; (2) Pair Per Suspension; Replace in Pairs
✓✓	3	334-1299 Assembly, Bolt; 7/16"-20 x 1 1/4"Lg	32		Incl. Bolt & Hdwe.
●	4	334-1791 SP Kit, Service; Auxiliary Spring Kit, Service; Auxiliary Spring	1 1	57974-11 57974-12	Retrofit/Replacement; >09/98 HN402/462/522; 09/98-11/00 Production
	5	SP SP Assembly, Auxiliary Spring Assembly, Auxiliary Spring	2 2	57962 58189	HN400/460; 03/96-09/97 Production HN402/462/522; 04/96-08/98; Discontinued; Replace w/334-1791 Kit
✓●		SP 334-1894 Assembly, Auxiliary Spring Assembly, Auxiliary Spring	2 2	58947 60314	HN402/462/522; 09/98-11/00 Production HN402/462/522; >11/00; Incl. in 334-1791; 3 3/8" Height
		SP Assembly, Auxiliary Spring	2	65902-3	HN FR; 2 1/8" Height
●	6	334-1798 Spacer; 1/4"	AR	57993-2	
●		334-1799 Spacer; 1/8"	AR	57993-3	
	7	SP Shim, Mounting	AR	58960-1	HN402/462/522; 09/98-11/00 Production
✓●		334-1895 Shim, Mounting	AR	58960-3	HN402/462/522; >11/00; Incl. in 334-1791
	8	SP Plate, Shim	4	58949	HN402/462/522; >09/98
	9	SP Bracket, Mounting; Auxiliary Spring	2	58948-1	HN402/462/522; >11/00; Incl. in 334-1791
✓●	10	338-1956 338-2006 Bracket, Saddle "V" Bracket, Saddle "V"	2 2	58343-1, 58343 57461	HN400/460; 03/96-03/97
✓	11	334-1634 Strap, Rebound	2	57878-3	
	12	SP Plate, Anchor	2	57787	HN400/460; 03/96-09/97 Production
●		334-1800 Plate, Anchor	2	58524	HN402/462/522; 04/96-08/98 Production
●		334-1801 Plate, Anchor	2	60639, 59779	HN402/462/522; >09/98; Incl. in 334-1791
	13	SP Plate, Anchor	2	57787	HN400/460; 03/96-09/97 Production
●		334-1801 Plate, Anchor	2	60639, 59779, 58376	HN402/462/522; >04/96; Incl. in 334-1791
	14	334-166 Washer, Hard Flat; 3/4"	4	22962-1	
	15	SFW-58 Washer, Flat; 5/8"	4	22962-4	
✓	16	338-2046 SP Assembly, Beam; 54" Assembly, Equalizing Beam	2 2	58494-2 Various	HN460; >11/00; incl. 334-831 Bushings Specify Model, Length, Bushing Type & Production Date
✓●	17	334-830 Kit, Service; Bar Pin Bushing; Non Shim	4	34013-87	Incl. Bushing & Mounting Hdwe.
✓✓●	18	334-831 Kit, Service; Bar Pin Bushing; Shim Type	4	34013-88	Incl. Bushing, Shims & Mounting Hdwe.
✓✓●		334-1957 Kit, Service; Rotating Bar Pin Bushing; Shim Type	4	34013-188	Incl. Bolts & shims
✓✓	19	334-832 Assembly, Bolt; 1"-8 x 6"Lg Grade 8	8	56659-1	Incl. Bolt, Lock Nut & Washers
✓●	20	334-879 Shim; 3/16"	AR	50130	
✓●		334-880 Shim; 1/8"	AR	50131	
✓●		334-881 Shim; 3/8"	AR	57026	
	21	SP Bolt; 3/4"-10 x 2"Lg, Grade 8	8	50764-6	
	22	SLNC-105 Nut, Lock; 3/4"-10	8	49842	
✓	23	341-60680-3 M66886 Shock Absorber Shock Absorber	4 4	60680-3 60670-2	HN402/462/522; (Ref. M66648) HN/HNT; <03/96-09/97
●	24	334-1725 334-1726 SP Kit, Retrofit; Shock Absorber Kit, Retrofit; Shock Absorber Kit, Retrofit; Shock Absorber	2 2 2	64178-3 64178-4 64178-9	16.5" Saddle Hgt.; Not Shown 17.5" & 18.5" Saddle Hgt.; Not Shown 16.5" Saddle Hgt.; Mack; Not Shown

**HN400/460 (03/96-09/97)
HN402/462/522 (04/96-present)
Bolster Spring Suspensions**

Hendrickson Truck

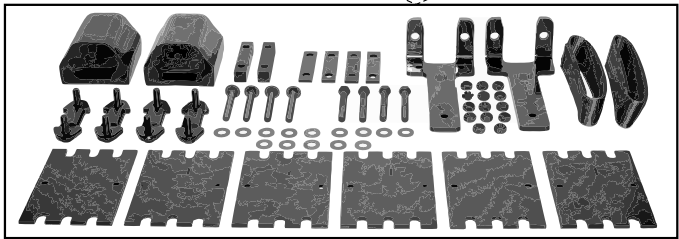
Hendrickson Truck

Suspension Illustration



**Various; Not Shown;
See Parts Listing**

**Key 24 - Retrofit Kit,
Shock Absorber**



Key 4* - Service Kit; Auxiliary Spring (After 9/98)

Key Numbers with an asterisk (*) indicate a kit or assembly.

Hendrickson Truck

HN400/460 (03/96-09/97)
HN402/462/522 (04/96-present)
Bolster Spring Suspensions

Hendrickson Truck

Parts Listing

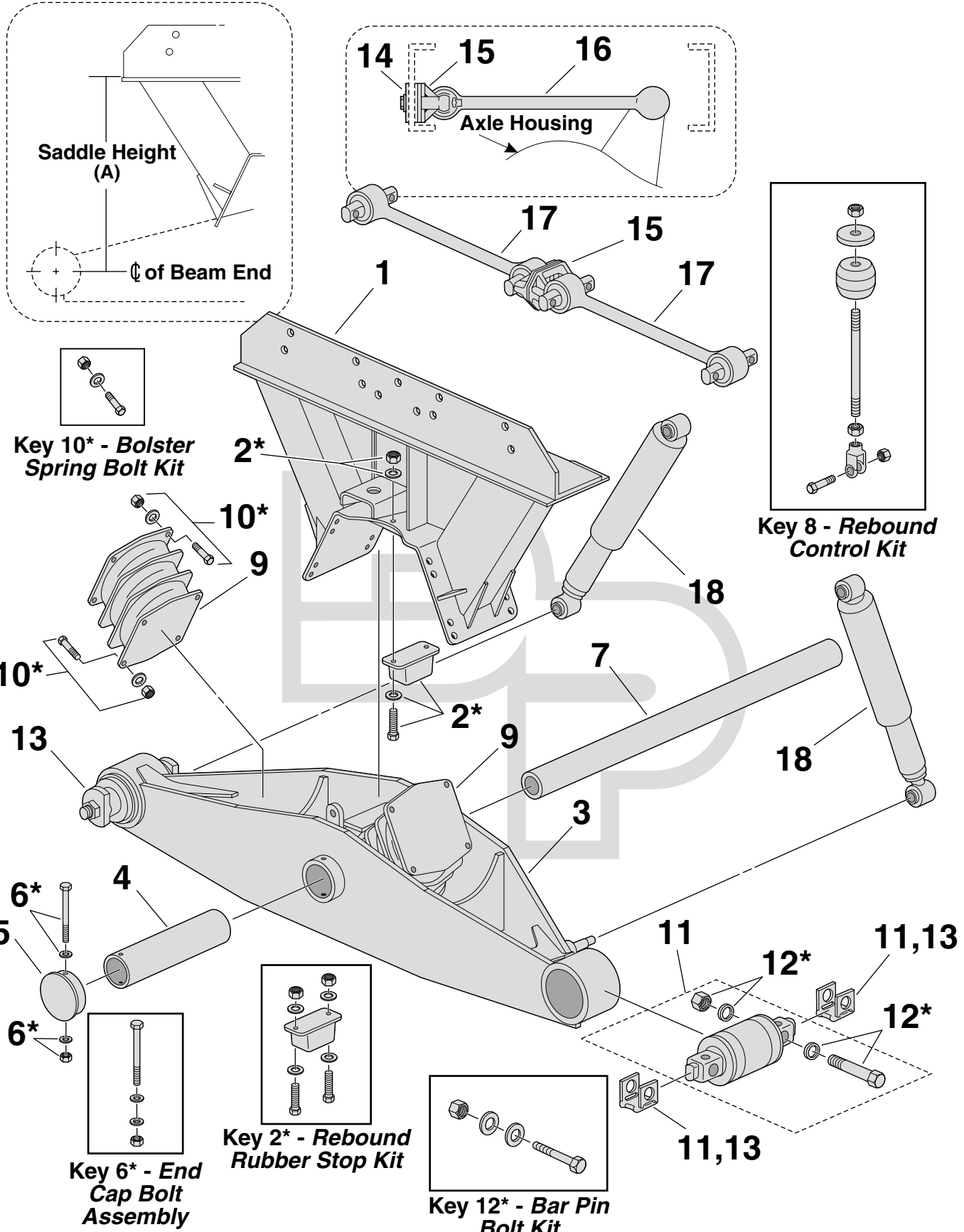
Key No.	Part Number	Description	No. Req.	OEM Reference	Remarks
✓✓	25	345-866	2	60218	27" Max; Use 345-610 & 345-661
	SP	Kit, Torque Rod; Straddlemount	2	60223	35" Max; Use 345-610 & 345-660
	345-610	Kit, Torque Rod; Straddlemount	AR	66610, 46610	5/8" Bolts; 4 3/8" Spacing
	345-661	End, Torque Rod; Straddlemount; Female	AR	66661, 46661	5/8" Bolts; 4 3/8" Spacing
✓✓	26	SP	2	60215	Use 345-610 & 345-681
	345-610	Kit, Torque Rod; Transverse	AR	66610, 46610	5/8" Bolts; 4 3/8" Spacing
	345-681	End, Torque Rod; Straddlemount; Female	AR	66681, 46681	1 1/8"-12, 1.85" Taper
	SP	End, Torque Rod; Taper Stud; Male; 22 1/2"	2	65781	HN FR; Use 345-610HD & 345-661HD
✓✓ ●	27	338-181	2	22186	5/8" Bolts; 4 3/8" Spacing
	SP	Bracket, Track Rod/Frame	2	46015	HN FR; 5 1/4" Spacing
●	28	334-638	2	45045-3	Torque Rod Plate; 5/8" Bolts; 4 3/8" Spacing
	SP	Plate, Reinforcement	2	46869-5	HN FR; 5 1/4" Spacing
	29	334-851	1	44643-11	HN400/460; 03/96-09/97 Production
●	30	334-849	2	49972	HN400/460; 03/96-09/97 Production
	31	334-1300	2	56910	HN400/460; 03/96-09/97 Production
	32	334-1301	2		HN400/460; 03/96-09/97 Production
●	33	334-1800	2	58524	HN402/462/522; 09/98-11/00 Production

**HN 400/460 Truck (11/88-02/96)
HNT 460 Trailer
Bolster Spring Suspensions**

Hendrickson Truck

Hendrickson Truck

Suspension Illustration



Key Numbers with an asterisk (*) indicate a kit or assembly.

Hendrickson Truck

HN 400/460 Truck (11/88-02/96) HNT 460 Trailer Bolster Spring Suspensions

Hendrickson Truck

Parts Listing

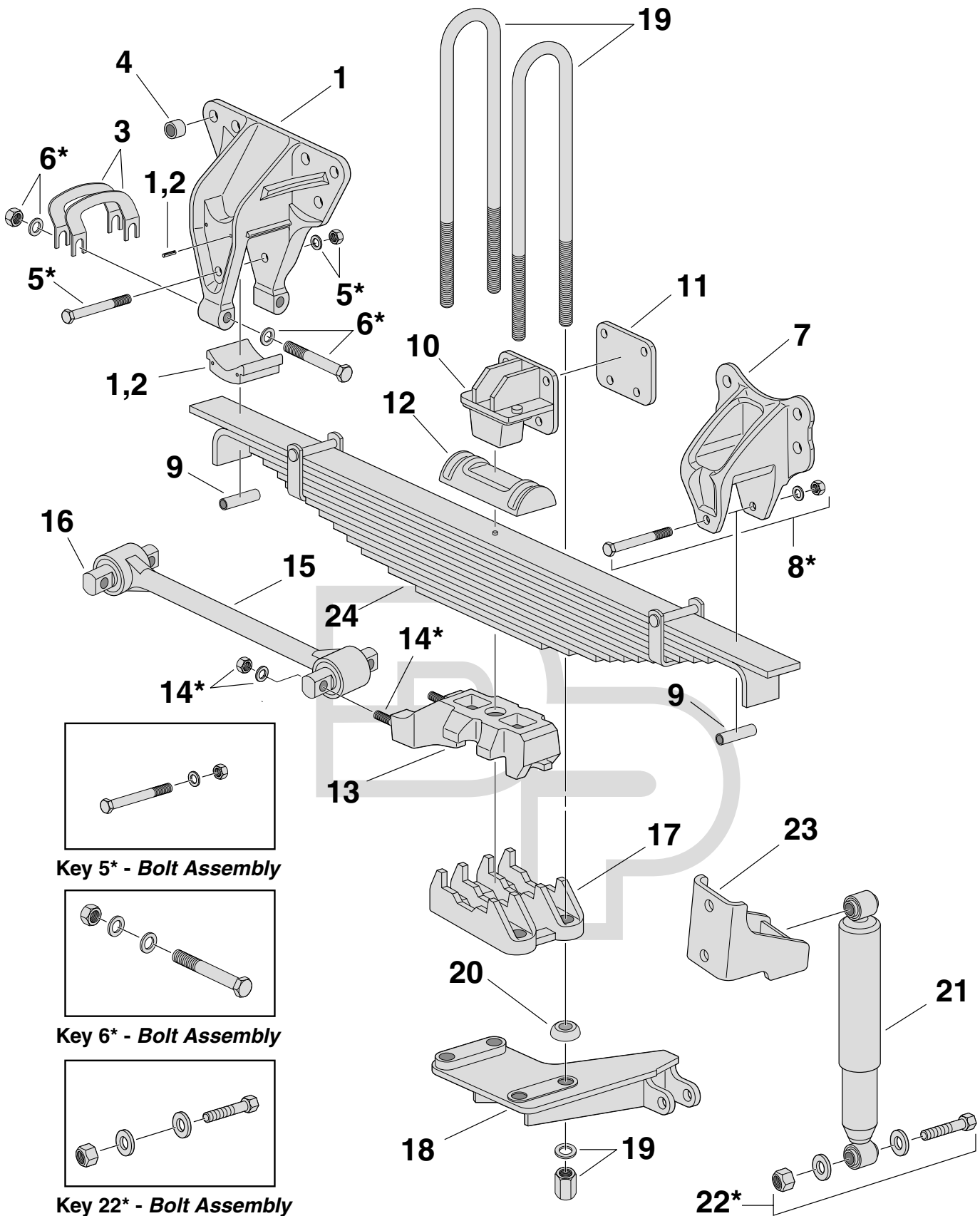
Key No.	Part Number	Description	No. Req.	OEM Reference	Remarks
	SP	Assembly, Saddle	2	50787-XXX	Specify Height & OEM
●	334-848	Kit, Service; Rebound Stop	2	49399	Incl. 49395 Stop & Mounting Hdwe.
	SP	Assembly, Equalizing Beam	2	49976-XXX	Specify Length; Includes Bar Pin, Bushings & High Rate Bolster
●	334-849	Sleeve, Nylon	2	49972	
	334-1300	Cap, Cross Tube	2	56910	
	334-1301	Assembly, Bolt; 1/4"-28 x 4 1/2"Lg	2		Incl. Bolt & Hdwe.
	334-851	Tube, Cross; 2 7/16"OD x 40 3/4"Lg	1	44643-11	
●	334-850	Kit, Service; Rebound Control	2	49768	
	334-1896	Spring, Bolster; Matched Pair	2	64718	(2) Pair Per Suspension; Replace in Pairs
✓✓	334-1299	Assembly, Bolt; 7/16"-20 x 1 1/4"Lg	32		Incl. Bolt & Hdwe.
✓ ●	334-830	Kit, Service; Bar Pin Bushing; Non Shim	4	34013-87	Incl. Bar Pin Bushing & Mounting Hdwe.
✓✓ ●	334-831	Kit, Service; Bar Pin Bushing; Shim Type	4	34013-88	Incl. Bar Pin Bushing, Alignment Shims & Mounting Hdwe.
✓✓ ●	334-1957	Kit, Service; Rotating Bar Pin Bushing; Shim Type	4	34013-188	Incl. Bolts & Shims
✓✓	334-832	Assembly, Bolt; 1"-8 x 6"Lg Grade 8	8	48941	Incl. Bolt, Lock Nut & Washers
✓ ●	334-879	Shim; 3/16"	AR	50130	
✓ ●	334-880	Shim; 1/8"	AR	50131	
✓ ●	334-881	Shim; 3/8"	AR	57026	
●	334-638	Plate, Reinforcement	2	45045-3	Torque Rod Plate
✓ ●	338-181	Bracket, Track Rod/Frame	3	22186	For 5/8" Bolts
	345-897	Kit, Torque Rod; Straddle/Taper Pin	2	60215	Use 345-610 & 345-681
✓✓	345-610	End, Torque Rod; Straddlemount; Female	2	46610, 66610	5/8" Bolts; 4 3/8" Spacing
✓	345-681	End, Torque Rod; Taper Stud; Male; 22 1/2"Lg	2	46681, 66681	1 1/8"-12; 1.85" Taper
	SP	Torque Rod, Rigid	2	32271-XXX	Hendrickson P/N Stamped on Rod; Provide No. for Proper Identification or Use 345-610 & 345-661
✓✓	345-610	End, Torque Rod; Straddlemount; Female	2	46610, 66610	5/8" Bolts, 4 3/8" Spacing
✓✓	345-661	End, Torque Rod; Straddlemount; Male; 22 1/2"Lg	2	46661, 66661	5/8" Bolts, 4 3/8" Spacing
✓	M66886	Shock Absorber	2	47902-11	
	M65478	Shock Absorber	2	47902-18	

HTS 190/210
 (Autocar & Spartan)
Single Axle Spring Suspension

Hendrickson Truck

Hendrickson Truck

Suspension Illustration



Hendrickson Truck

HTS 190/210 (Autocar & Spartan) Single Axle Spring Suspension

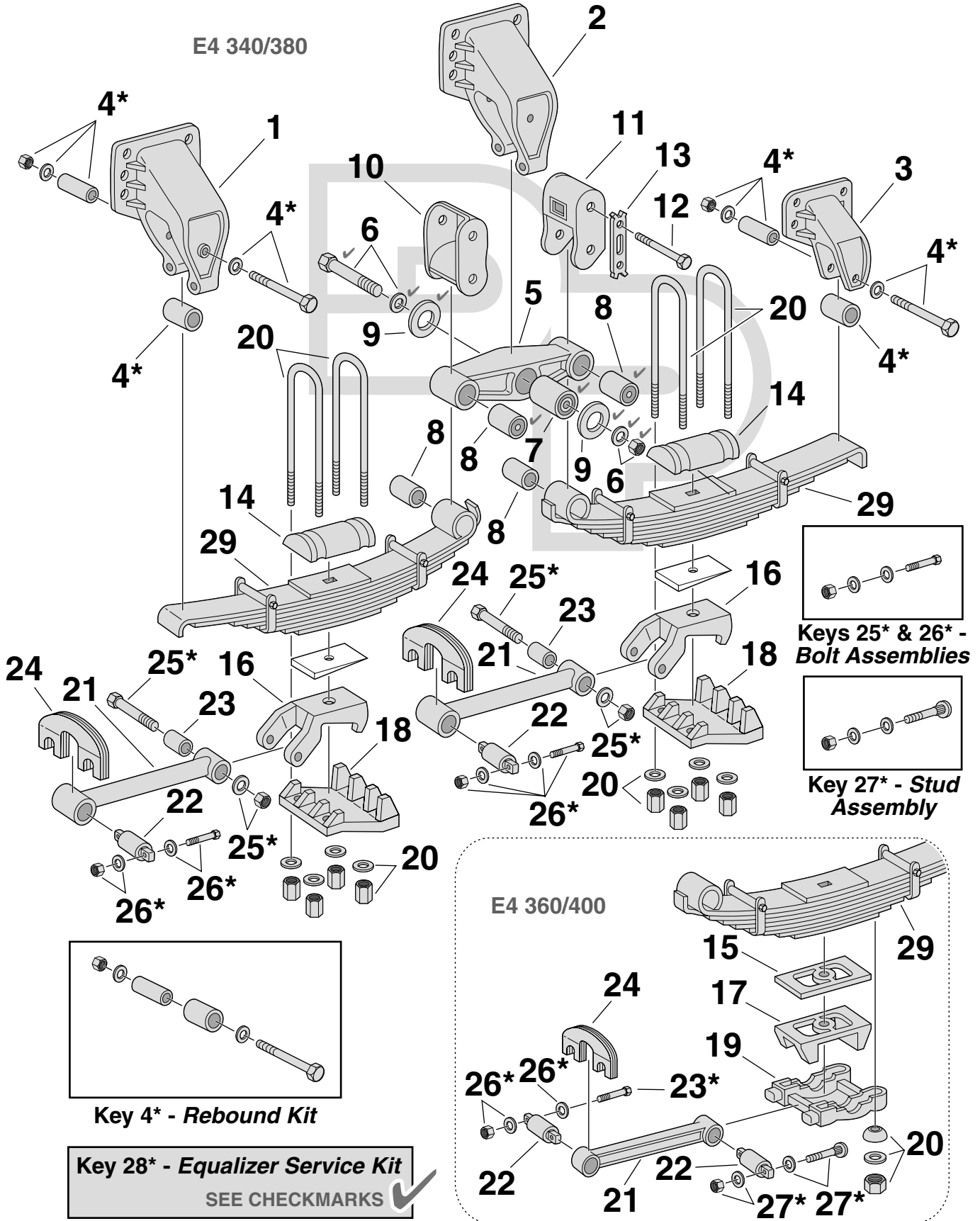
Hendrickson Truck

Parts Listing

Key No.	Part Number	Description	No. Req.	OEM Reference	Remarks
● 1	338-1828	Assembly, Hanger; Front	2	58425-1	Include Wear Pad
● 2	334-1603	Kit, Wear Pad	2	56557-5	Current; Pin Type
✓✓ ● 3	334-526	Shim; 1/16"Thk 4 3/8" c/c	AR	49689	
	SP	Spacer	4	59946-2	Autocar
	SP	Assembly, Bolt; 1/2" x 5"Lg	2		
✓ 6	334-768	Assembly, Bolt; 5/8"-18 x 4 1/2"Lg	4	955375	Incl. Bolt & Hdwe.
	SP	Hanger, Rear	2	50025-1	Casting No. 49954
	334-786	Assembly, Bolt; 1/2"-20 x 5"Lg	2		Incl. Bolt & Hdwe.
	SP	Roller, Rebound	4	58636	
	SP	Stop, Bump	2	69883	Spartan
	SP	Plate, Backing	2	69887-1	Spartan
● 12	338-766	Saddle, U-Bolt	2	48797, 47446	
	338-2103-2	Assembly, Spring Seat; 2°	2	66086-203	Confirm Pinion Angle
● 14	334-931	Assembly, Stud; Axle Seat	4	50918	Incl. Stud, Washer & Nut
	SP	Torque Rod	2	62044-495	Spartan
	SP	Torque Rod	2	62044-505	Autocar
✓ ● 16	321-223	Bushing; 4 3/8" c/c x 5/8" Bolts	4	47691	
	SP	Cap, Axle; Bottom	2	50216	Confirm Pinion Angle
	SP	Bracket, Lower Shock; Roadside	1	67556-3	
	SP	Bracket, Lower Shock; Curbside	1	67556-4	
	361-340	Kit, U-Bolt; Round Bend, Grade 8	4		7/8" x 3" x 19 1/2" R
	334-710	Washer, Conical; U-Bolt; 7/8"	4	48574	
	SP	Shock Absorber	2	60665-25	
	334-1782	Assembly, Bolt; 3/4 x 4"Lg	4	50764-4	
	SP	Bracket, Shock; Upper	2	67530	
	50-473	Assembly, Leaf Spring	2		HTS 190
	50-475	Assembly, Leaf Spring	2		HTS 210

Hendrickson Truck

Suspension Illustration



Hendrickson Truck

E4 340/360/380/400 Four Spring Suspension

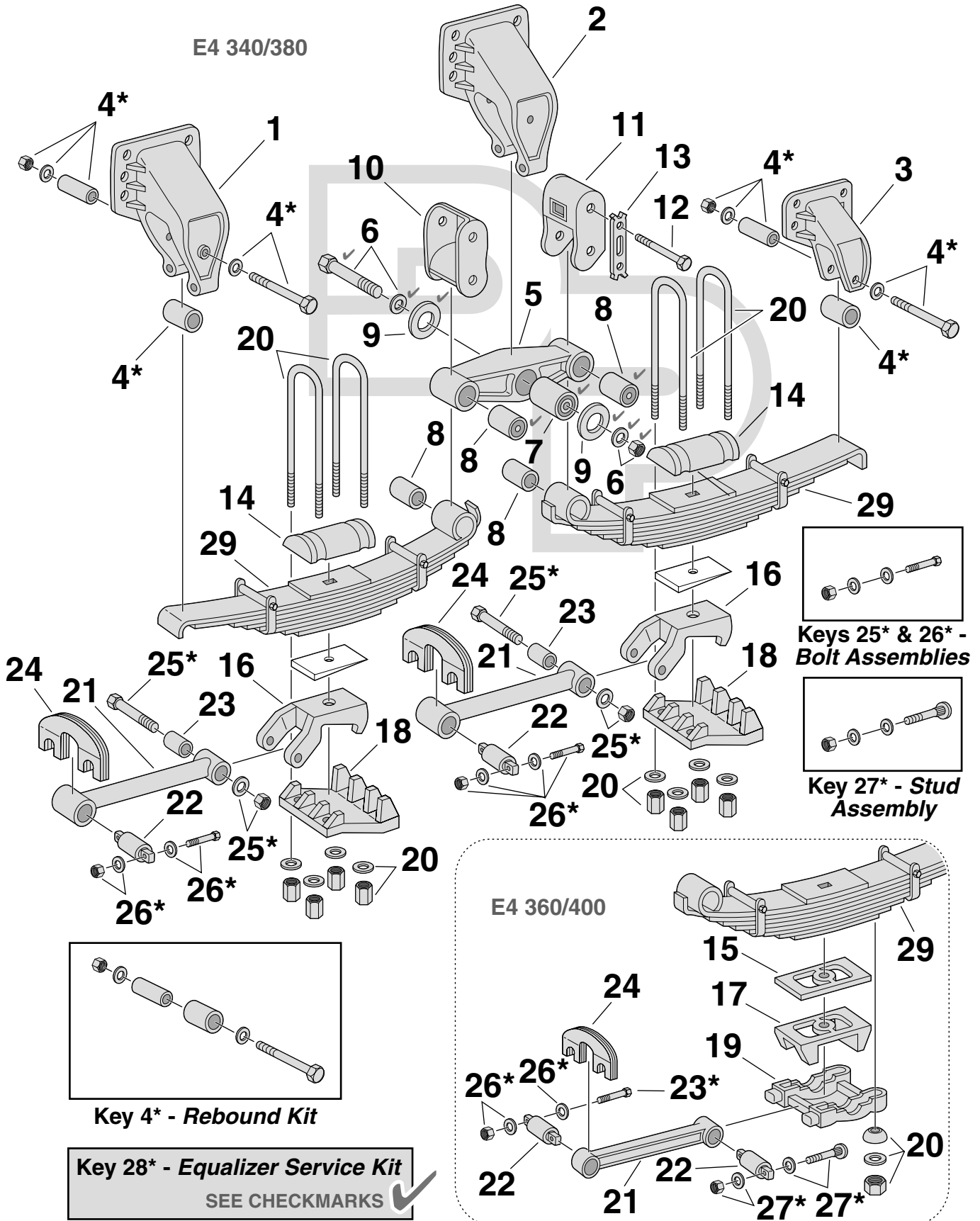
Hendrickson Truck

Parts Listing

Key No.	Part Number	Description	No. Req.	OEM Reference	Remarks
●	1 338-760 SP	Hanger, Front	2	56673-1, 49726-1	Casting No. 47431, 49723 & 56672
		Hanger, Front	2	56830-XXX	Casting No. 56829 & 48442; Specify OEM
●	2 338-761 SP	Hanger, Center	2	56833-3, 47434-2	Casting No. 47433 & 50642
		Hanger, Center	2	48839-XXX	Casting No. 48428 & 50640; Specify OEM
●	3 338-762 SP	Hanger, Rear	2	48530-4, 47436-3	Casting No. 48991
		Hanger, Rear	2	48530-XXX	Casting No. 48529; Specify OEM
	4 334-527	Assembly, Bolt; Rebound; ½"-13 x 5"Lg	4	49175-5	Incl. Bolt, Tube, Roller & Hdwe.
✓ ●	5 338-763	Assembly, Equalizer	2	47444-1	Incl. Bushings
●	338-1138	Assembly, Equalizer	2	47444-4	Replaced by 338-763
✓	6 334-522	Assembly, Bolt; 1"-14 x 7"Lg	2		Incl. 334-523 Bolt, Lock Nut & Washers
✓ ✓ ●	7 321-225 321-245	Bushing; 1"ID x 2 ¾"OD x 4 ⅝"Lg	2	47420	E4 400, Bonded Bushing
●		Bushing; 1"ID x 2 ¾"OD x 4 ⅝"Lg	2	48402	
✓ ✓ ●	8 323-167 321-246	Bushing; ⅞"ID x 2 ⅜"OD x 3 ⅛"Lg	4	47421	Used in Equalizer & Spring Eye E4 400; Bonded Bushing
●		Bushing; ⅞"ID x 2 ⅜"OD x 3 ⅛"Lg	4	48401	
✓	9 334-524	Washer, Thrust; 1 ⅞"ID x 3 ¾"OD x ⅛"Thk	4	47416	
●	10 338-764	Shackle; LF-RR	2	47440	Casting No. 47439
●	11 338-765	Shackle; RF-LR	2	47442	Casting No. 47441
	12 334-616	Bolt; ⅞"-9 x 4 ⅜"Lg	8	48728	
✓ ●	13 334-525	Strip, Lock; Shackle Bolt	4	47459	
●	14 338-766 338-1261	Saddle, U-Bolt	4	48797, 47446	
●		Saddle, U-Bolt	4	50788	
●	15 338-1140 338-1141	Spacer; 1"	AR	48902	
●		Spacer; 1 ½"	AR	48903	
●	16 338-767 338-768	Bracket, Torque Rod Seat; 5.25°	AR	47973, 47716	Casting No. 47961
●		Bracket, Torque Rod Seat; 8.00°	AR	47974, 47718	Casting No. 47982 & 47962
●	17 338-1142 338-1143 338-1144 338-1868 338-1145 338-1146 338-1147 338-1148	Seat, Front; 2.25° Pinion Angle	2	49121	Casting No. 48657
●		Seat, Front; 3.25° Pinion Angle	2	49122	Casting No. 48692; Obsolete
●		Seat, Front; 4.00° Pinion Angle	2	49123	Casting No. 48630
●		Seat, Front & Rear; 5.00° Pinion Angle	4	56501-7, 49158	
●		Seat, Rear; 6.50° Pinion Angle	2	49124	Casting No. 49143; Obsolete
●		Seat, Rear; 9.50° Pinion Angle	2	49125	Casting No. 48658
●		Seat, Rear; 10.50° Pinion Angle	2	49126	Casting No. 48658
●		Seat, Rear; 12.00° Pinion Angle	2	49127	Casting No. 48643
	18 338-769 338-770 338-771 338-772 338-773	Plate, Bottom Clamp; 1.50°-5.25° Pinion Angle	AR	48255, 47451	Housing Offset, Rigid; Obsolete
		Plate, Bottom Clamp; 1.50°-5.25° Pinion Angle	AR	48096, 47452	Housing Offset, None; Obsolete
		Plate, Bottom Clamp; 2.50°-5.25° Pinion Angle	AR	47453	Housing Offset, Left
		Plate, Bottom Clamp; 8.00°-11.00° Pinion Angle	AR	48254, 47454	Housing Offset, Left
		Plate, Bottom Clamp; 8.00°-11.00° Pinion Angle	AR	48252, 47455	Housing Offset, None; Obsolete
●	19 338-1150 338-1151 338-1152 338-1153 338-1154	Plate, Bottom; 0°-9.50° Pinion Angle; LH Front/RH Rear	2	49064	Casting No. 48810; Incl. Hdwe.
●		Plate, Bottom; 0°-9.00° Pinion Angle; RH Front	1	49134	Casting No. 48811; Obsolete
●		Plate, Bottom; 0°-9.00° Pinion Angle; LH Rear	1	49135	Casting No. 48812; Replaced by 338-1150
●		Plate, Bottom; 9.50°-12.00° Pinion Angle; LH Rear	1	49138	Casting No. 48916; Incl. Hdwe.
●		Plate, Bottom; 9.50°-12.00° Pinion Angle; RH Rear	1	56854, 49139	Casting No. 48919; Incl. Hdwe.
	20 361-350 361-168	Kit, U-Bolt; Round Bend, Grade 8	8	48718-1	⅞" x 3" x 15 ½" R; Incl. (2)334-710 Spherical Washers
✓ ✓		Kit, U-Bolt; Round Bend, Grade 8	8	47417-1	⅞" x 3" x 16 ½" R

Hendrickson Truck

Suspension Illustration



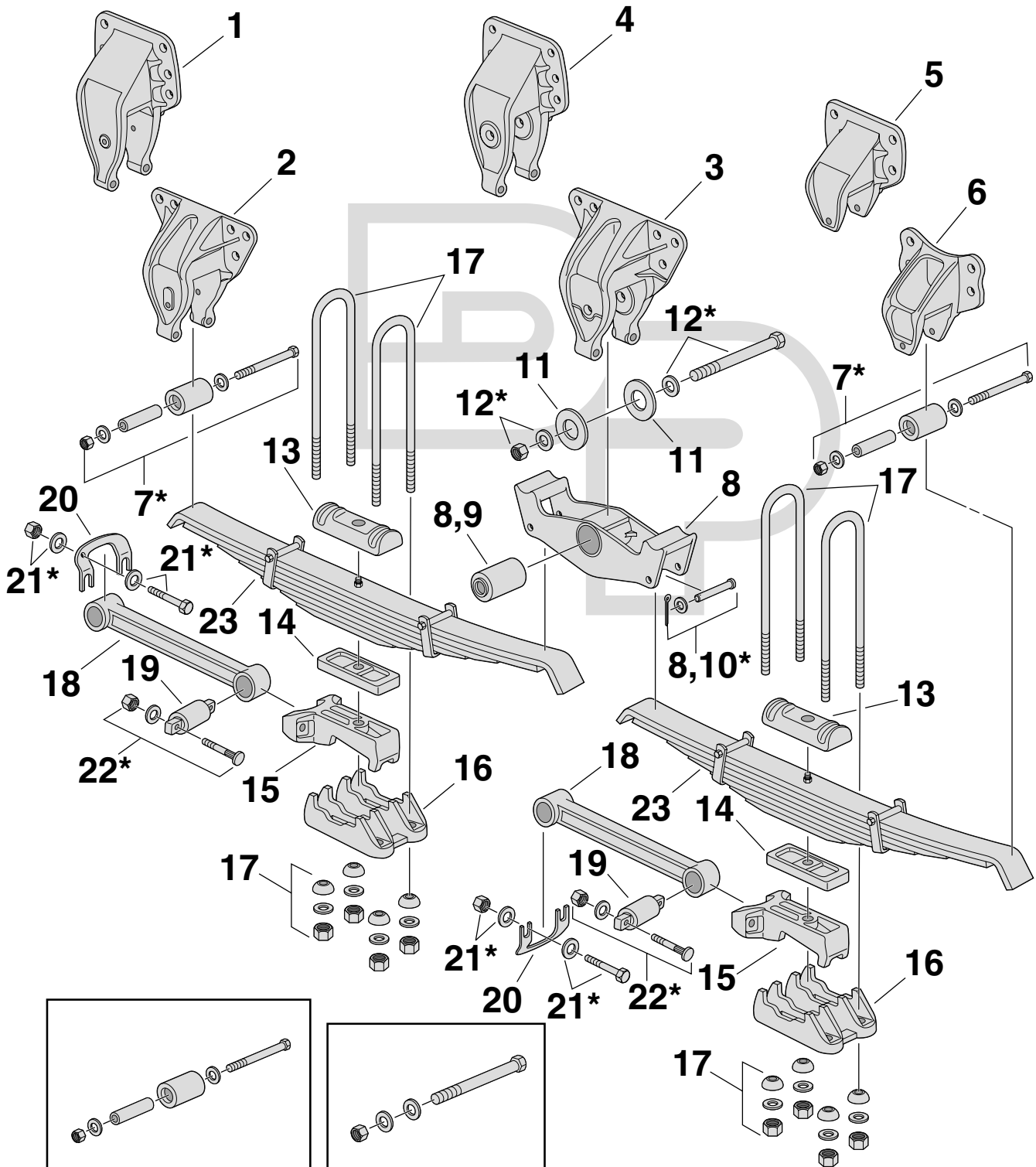
Key No.	Part Number	Description	No. Req.	OEM Reference	Remarks
	345-189	Torque Rod, Rigid; 15.85"Lg c/c	2	48158-1, 47401-1	Incl. 321-162 & (1) 321-223 Bushings; E4 360 & 380, Front; Tubular
	345-190	Torque Rod, Rigid; 21.92"Lg c/c	2	48158-2, 47401-2	Incl. 321-162 & (1) 321-223 Bushings; E4 360 & 380, Rear; Tubular
	345-204	Torque Rod, Rigid; 15.83"Lg c/c	2	48411-1	Incl. 321-223 Bushings; Cast No. 48190-1; E4 360 & 400, Front; Cast
	345-205	Torque Rod, Rigid; 21.94"Lg c/c	2	48411-2	Incl. 321-223 Bushings; Cast No. 48190-2; E4 360 & 00, Rear; Cast
✓ ●	22 321-223	Bushing; 2"OD x 4 3/8" c/c x 5/8" Bolts	4/8	47691	Straddlemount
●	23 321-162	Bushing; 7/8"ID x 2 1/32"OD x 3"Lg	4	13945-01	Bolt Style; Axle Seat End
✓✓ ●	24 334-526	Shim; 1/16"Thk 4 3/8" c/c	AR	49689	
	25 334-528	Assembly, Bolt; 7/8"-14 x 6"	4		Incl. 327-309 Bolt & Hdwe.; E4 340/380 Axle End
✓	26 334-768	Assembly, Bolt; 5/8"-18 x 4 1/2"Lg	8	49176-1	Incl. Bolt & Hdwe.; Hanger end
●	27 334-711	Assembly, Stud; 5/8"-11 x 4"Lg	8	49063	Incl. Stud & Hdwe.; E4 360/400 Axle End
	28 339-172	Kit, Service; Equalizer	1	34013-82	Incl. Bushings, Bolts & Retainers for (2) Equalizers
	29 Spring Assembly	Assembly, Spring	4		See Leaf Spring Web Catalog for Details

**HFS 360/40LH/400
Truck/Tractor
Four Spring Suspensions**

Hendrickson Truck

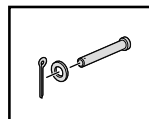
Hendrickson Truck

Suspension Illustration

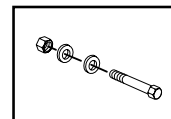


Key 7* - Rebound Kit

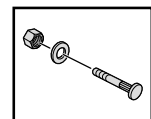
**Key 12* - Bolt
Assembly**



**Key 10* -
Rebound
Pin Assembly**



**Key 21* -
Bolt
Assembly**



**Key 22* -
Stud
Assembly**

Key Numbers with an asterisk (*) indicate a kit or assembly.

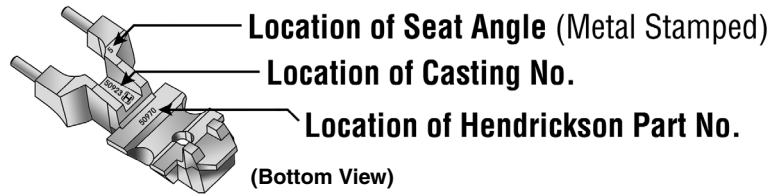
Key No.	Part Number	Description	No. Req.	OEM Reference	Remarks
● 1	338-760 SP	Hanger, Front	2	56673-1, 49726-1	Casting No. 47431, 49723 & 56672
		Hanger, Front	2	56830-XXX	Casting No. 56829; Specify OEM
● 2	338-1264 338-1265 338-1828	Hanger, Front	2	56667-1, 50027-1	HFS 360; Casting No. 49848 & 56666
		Hanger, Front	2	56670-1, 50292-1	HFS 400/40LH; Casting No. 50291 & 56669
		Assembly, Hanger; Front	2	58425-1	HFS 360; Integral Wear Pad; Replaces 338-1258 (50752-1)
● 3	338-1564 SP	Hanger, Center	2	56676-1, 50290-2	Casting No. 56675
		Hanger, Center	2	56833-1	Casting No. 56832
● 4	SP SP	Hanger, Center	2	56927-XXX	Casting No. 56926; Specify OEM
		Hanger, Center	2		
● 5	338-762 SP	Hanger, Rear	2	47436-3	Casting No. 48991
		Hanger, Rear	2	48530-XXX	Casting No. 48529; Specify OEM
● 6	338-1565	Hanger, Rear	2	50028-1	Casting No. 49954
7	334-527	Assembly, Bolt; Rebound; ½"-13 x 5"Lg	4	49175-5	Incl. Bolt, Tube, Roller & Hdwe.
● 8	338-1259 338-1260	Assembly, Equalizer	2	49803-2	HFS-360/40LH; Casting No. 49801-2; Incl. Bushing & Rebound Hdwe.
		Assembly, Equalizer	2	49803-3	Obsolete; Use 338-1259
✓✓ ● 9	321-225	Bushing; 1"ID x 2 ¾"OD x 4 ⅝"Lg	2	47420, 48402	
✓✓ ● 10	327-514	Assembly, Pin; Rebound; ⅝" x 4 ⅞"Lg	4	50432, 17800-13	Incl. Cotter Pin & Flat Washer
✓ ● 11	334-524	Washer, Thrust; 1 ⅞"ID x 3 ¾"OD x ⅛"Thk	4	47416	
✓ ● 12	334-522	Assembly, Bolt; 1"-14 x 7"Lg	2	—	Incl. 334-523 Bolt, Lock Nut & Washers
● 13	338-1261	Saddle, U-Bolt	4	50788	
● 14	338-1140	Spacer; 1"	AR	48902	
● 14	338-1141	Spacer; 1 ½"	AR	48903	
15	SP	Seat, Axle; Front/Rear	4	Various	Specify Axle, Pinion Angle & Position
16	SP	Plate, Bottom	4	Various	Specify Axle, Pinion Angle & Position
17	361-350	Kit, U-Bolt; Round Bend, Grade 8	8	48718-1	⅞" x 3" x 15 ½" R; Incl. (2)334-710 Spherical Washers
● 18	345-815 345-816	Torque Rod, Rigid; 14.41"; Cast	2	48411-6	Incl. 321-223 Bushings
		Torque Rod, Rigid; 20.31"; Cast	2	48411-7	Incl. 321-223 Bushings
✓ ● 19	321-223	Bushing; 2"OD x 4 ⅝" c/c x ⅝" Bolts	8	47691	Straddlemount
✓✓ ● 20	334-526	Shim; ¼"Thk 4 ⅝" c/c	AR	49689	
✓ ● 21	334-768	Assembly, Bolt; ⅝"-18 x 4 ½"Lg	8	49176-1	Incl. Bolt & Hdwe.
● 22	334-711	Assembly, Stud; ⅝"-11 x 4"Lg	4	49063	Incl. Stud & Hdwe.
23	50-357 50-359	Assembly, Leaf Spring	4	50795	HFS 360
		Assembly, Leaf Spring	4	50796	HFS 400

Model Identification

PRIMAAX EX 232/462/692, 262/522/782 - FIREMAAX EX 242/482, 272/542 and
 PRIMAAX 230/460/690, 260/520/780 - FIREMAAX 240/480, 270/540 Air Suspension 314-316

Component Charts:

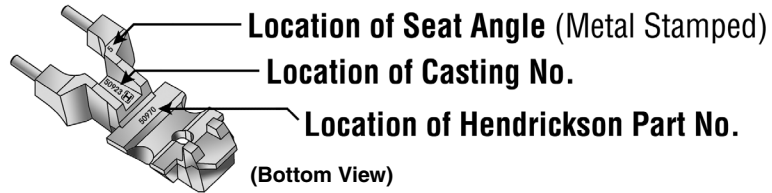
Beam Components 307-311
 HAS Axle Seats 305, 306
 HAULMAXX Inboard Frame Brackets 313
 HAULMAXX Outboard Frame Brackets 312
 HenriCam Tandem Alignment Adapter (334-1640) 311
 PRIMAAX / PRIMAAX EX Axle Spacers 318
 PRIMAAX / PRIMAAX EX Bottom Caps 317-320
 PRIMAAX / PRIMAAX EX D-Pin Service Kits 320
 PRIMAAX / PRIMAAX EX Support Beam & Cross Tube Replacement Guide 321
 PRIMAAX / PRIMAAX EX Top Pads 319
 PRIMAAX / PRIMAAX EX Torque Rod Assemblies 317, 320
 PRIMAAX / PRIMAAX EX Torque Rod Spacers 320
 RS Hangers 322-326
 RS Load Cushions 326
 RT/RU Hangers 327-333



HAS Tandem / HAS 40LH

LEFT FRONT					RIGHT FRONT							
Dana D341/402/403 404/405/454 DSP40/41 DSH40/44 DSS40/462/463 D40/46-170		Dana D461			Dana 404/405/454 DSP40/41 DSH40/44 DSS40/462/463 D40/46-170			Dana D341/402/403 Meritor SL100/SQ100,SQHF			Dana D461	
Meritor SL100/SQ100, SQHD RT40/41 /44-145 RT46/50-1 60 RT40-160 RT46-157/158,SSHD					Meritor RS21-145/160 RS23-160/161 RT40/41 /44-145 RT46/50-1 60 RT40-160, RT46-158			Meritor RT46-157, SSHD				
Casting No.	50923-000		50986-000		50923-000		50974-00		50974-000		50992-000	
Seat Angle	Hend. No	Part No.	Hend. No	Part No.	Hend. No	Part No.	Hend. No	Part No.	Hend. No	Part No.	Hend. No	Part No.
2.0°	50970-001	SP	50988-001	SP	50970-001	SP	50976-001	SP	50976-012	SP	50994-001	SP
2.5°	50970-002	338-2103-2	50988-002	338-2105-2	50970-002	338-2103-2	50976-002	SP	50976-016	SP	50994-002	338-2109-2
3.0°	50970-003	338-2103-3	50988-003	SP	50970-003	338-2103-3	50976-003	SP	50976-013	SP	50994-003	SP
3.5°	50970-004	338-2103-4	50988-004	338-2105-4	50970-004	338-2103-4	50976-004	SP	50976-017	SP	50994-004	338-2109-4
4.0°	50970-005	338-2103-5	50988-005	SP	50970-005	338-2103-5	50976-005	SP	50976-014	SP	50994-005	SP
4.5°	50970-006	338-2103-7	50988-006	SP	50970-006	338-2103-7	50976-006	SP	50976-018	SP	50994-006	SP
5.0°	50970-007	SP	50988-007	SP	50970-007	SP	50976-007	SP			50994-007	SP
5.5°	50970-008	SP	50988-008	SP	50970-008	SP	50976-008	SP			50994-008	SP
6.0°	50970-009	SP	50988-009	SP	50970-009	SP	50976-009	SP			50994-009	SP
6.5°	50970-010	SP	50988-010	SP	50970-010	SP	50976-010	SP			50994-010	SP
LEFT REAR					RIGHT REAR							
Dana 404/405/454 DSP40/41 DSH40/44 DSS40/462/463 D40/46-170		Dana D341/402/403			Dana D461			Dana D341/402/403 404/405/454 DSP40/41 DSH40/44 DSS40/462/463 D40/46-170			Dana D461	
Meritor RT40/41 /44-145 RT46/50-160 RT40-160 RT46-158		Meritor SLI 00/SQI 00, SQHP			Meritor RT46-157, SSHD			Meritor SL100/SQ100,SQHD RT40/41 /44-145 RT46/50-1 60 RT40-160 RT46-1 57/1 58,SSHD				
Casting No.	50971-000		50977-000		50977-000		50995-00		50971-000		50989-000	
Seat Angle	Hend. No	Part No.	Hend. No	Part No.	Hend. No	Part No.	Hend. No	Part No.	Hend. No	Part No.	Hend. No	Part No.
5.0°	50973-011	SP	50979-011	SP	50979-013	SP	50997-011	SP	50973-011	SP	50991-011	SP
6.5°	50973-012	SP	50979-012	SP			50997-012	SP	50973-012	SP	50991-012	SP
7.5°	50973-013	SP	50979-014	SP					50973-013	SP		SP
8.0°	50973-001	SP	50979-001	SP			50997-001	SP	50973-001	SP	50991-001	SP
8.5°	50973-002	SP	50979-002	SP			50997-002	SP	50973-002	SP	50991-002	SP
9.0°	50973-003	SP	50979-003	SP			50997-003	SP	50973-003	SP	50991-003	SP
9.5°	50973-004	SP	50979-004	SP			50997-004	SP	50973-004	SP	50991-004	SP
10.0°	50973-005	338-2104-5	50979-005	SP			50997-005	SP	50973-005	338-2104-5	50991-005	SP
10.5°	50973-006	338-2104-6	50979-006	SP	50979-020	SP	50997-006	338-2107-6	50973-006	338-2104-6	50991-006	338-2110-6
11.0°	50973-007	SP	50979-007	SP			50997-007	SP	50973-007	SP	50991-007	SP
11.5°	50973-008	338-2104-8	50979-008	SP	50979-019	SP	50997-008	338-2107-8	50973-008	338-2104-8	50991-008	338-2110-8
12.0°	50973-009	338-2104-9	50979-009	SP			50997-009	SP	50973-009	338-2104-9	50991-009	SP
12.5°	50973-010	338-2104-10	50979-010	SP	50979-015	SP	50997-010	SP	50973-010	338-2104-10	50991-010	SP
13.0°	50973-015	SP	50979-017	SP			50997-013	SP	50973-015	SP	50991-013	SP
13.5°	50973-014	SP	50979-018	SP	50979-016	SP			50973-014	SP		
14.0°	50973-016	SP							50973-016	SP		

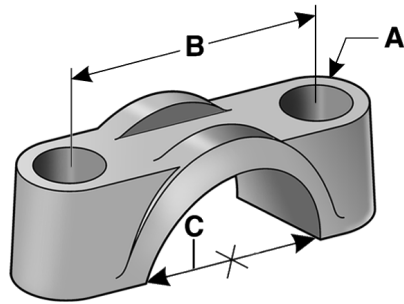
* Total of 4 spring seats are required per tandem.
One of each located at the left front, right front, left rear, right rear.



HAS Single Axle

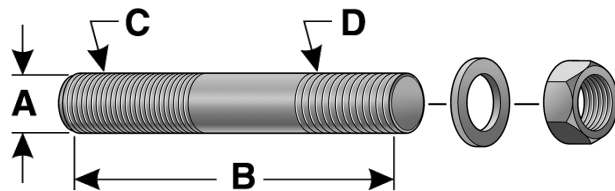
LEFT FRONT / RIGHT FRONT									
Dana 19060/21060/21080/21090/23090/ 26090, S21/23/26-170/190			Dana 23080/23105/26015					Dana RS13-120, RS15-120, RS15-210	
Meritor RS21-145/160, RS23-160/161						Meritor RS13-120, RS15-120, RS15-210			
Casting No.	50923-000		50986-000		57021-000		59793-00		
Seat Angle	Hend. No	Part No.	Hend. No	Part No.	Hend. No	Part No.	Hend. No	Part No.	
2.0°	50970-001	SP	50988-001	SP	57033-001	SP			
2.5°	50970-002	338-2103-2	50988-002	338-2105-2	57033-002	SP			
3.0°	50970-003	338-2103-3	50988-003	SP	57033-003	SP	59795-001	SP	
3.5°	50970-004	338-2103-4	50988-004	338-2105-4	57033-004	SP			
4.0°	50970-005	338-2103-5	50988-005	SP	57033-005	SP	59795-002	SP	
4.5°	50970-006	338-2103-7	50988-006	SP	57033-006	SP			
5.0°	50970-007	SP	50988-007	SP	57033-007	SP			
5.5°	50970-008	SP	50988-008	SP					
6.0°	50970-009	SP	50988-009	SP					
6.5°	50970-010	SP	50988-010	SP					

* Total of 2 spring seats are required per single suspension.
One of each located at the left front, right front.



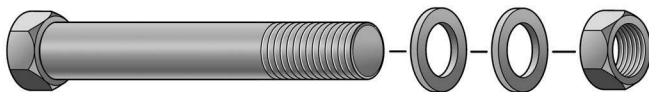
Saddle Caps

Part No.	Hendrickson No.	Series	Dia. (A)	Length (B)	Shaft Dia. (C)	Stud
338-148	6612, 48545	380 to 520	—	—	—	Replaced by 338-1831
338-127	19283-2	340	0.81	4.00	2.75	334-165
338-123	6662	340	1.00	4.00	2.75	334-103 or 334-151
338-1831	58795	380 to 520	1.00	4.75	3.50	334-172 or 334-174
338-168	15785	650	1.09	5.50	4.00	334-187



Saddle Cap Stud Assemblies

Part No.	Hendrickson No.	Dia. (A)	Length (B)	Thread (C)	Thread (D)	Washer	Nut
334-165	23441-4	0.75	4.12	3/4-16 x 1 5/8	3/4-16 x 1 1/2	334-166	SLN-105
334-103	7002	0.88	4.25	7/8-14 x 1 1/2	7/8-14 x 1 3/4	334-150	SLN-106
334-151	9029	0.88	4.50	7/8-9 x 1 5/8	7/8-14 x 1 7/8	334-150	SLN-106
334-174	6696	0.88	4.88	7/8-14 x 1 3/8	7/8-14 x 1 7/8	334-150	SLN-106
334-172	9030	0.88	5.12	7/8-9 x 1 1/2	7/8-14 x 1 3/4	334-150	SLN-106
334-187	10948	1.00	6.00	1-14 x 2	1-14 x 2	334-152	SLN-107



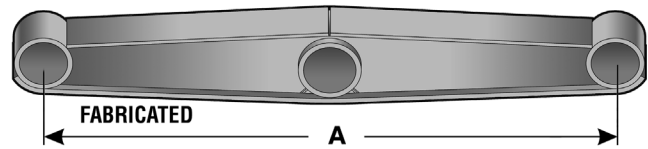
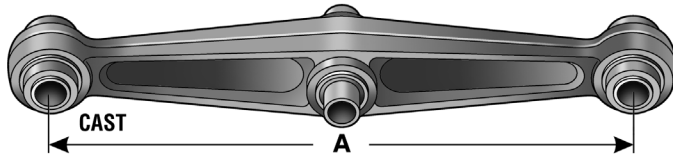
Saddle Bolt Assemblies

Part No. (Assembly)	Part No. (Bolt)	Hendrickson Part No. (Bolt)	Bolt Thread x Length	Thread Length
327-100	327-112	30550-2	1-14 N.F. x 9"	2.00
327-101	327-113	30550-4	1-14 N.F. x 9 1/2"	2.00
327-102	327-114	30550-6	1-14 N.F. x 10"	2.00
327-103	327-115	30550-8	1-14 N.F. x 10 1/2"	2.00
327-104	327-116	30550-10	1-14 N.F. x 11"	2.00
327-105	327-117	30550-12	1-14 N.F. x 11 1/2"	2.00

Beam Components

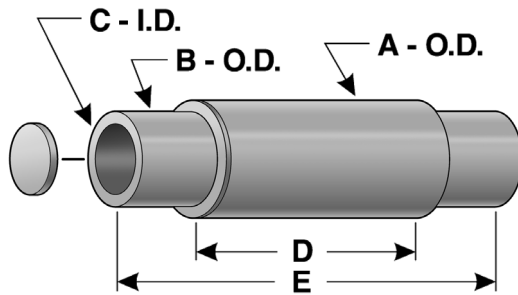
Hendrickson Truck

Hendrickson Truck



Equalizing Beam Assemblies

Appl.	Length (A)	Type	Part No.	Casting No.	Hendrickson No.	Center Bushing Part No./Type		End Bushing Part No./Type	
R	50"	FAB	SP	—	7500-592	321-117	Rubber	321-120	Rubber
R	50"	FAB	SP	—	7500-591	321-117	Rubber	321-126	Rubber
R	50"	FAB	338-145	15448, 6673	7500-458	321-122	Rubber	321-126	Rubber
R	52"	FAB	338-1391	49753	50501-15	322-103	Bronze	334-831	Bar Pin
R	52"	CAST	338-732	33967-2	30644-3	322-103	Bronze	322-109	Bronze
R	52"	FAB	338-733	49753, 43163	30247-151	322-103	Bronze	321-126	Rubber
R	52"	FAB	SP	33967-2	30247-154	322-103	Bronze	321-242	Rubber, HD
R	52"	FAB	338-1389	49753	50500-25	321-243	Rubber	334-831	Bar Pin
R	52"	FAB	338-734	49753, 43163	7500-594	321-243	Rubber	321-126	Rubber
R	52"	FAB	SP	—	7500-595	321-124	Rubber	321-126	Rubber
R	52"	FAB	338-2115	—	64847-3	not incl.	Bolster	334-831	Bar Pin
R	54"	FAB	338-1392	50543	50501-22	322-103	Bronze	334-831	Bar Pin
R	54"	FAB	338-1388	50543	30247-142	322-103	Bronze	321-242	Rubber, HD
R	54"	FAB	338-1390	50543	50500-28	321-243	Rubber	334-831	Bar Pin
R	54"	FAB	338-1387	50543	7500-597	321-243	Rubber	321-126	Rubber
R	54"	FAB	338-2044	—	50501-17	322-103	Bronze	334-831	Bar Pin
R	54"	FAB	338-1997	—	30247-153	322-103	Bronze	321-126	Rubber
HN	54"	FAB	338-2046	—	58494-2	not incl.	Bolster	334-831	Bar Pin
HMX	54"	FAB	338-2045	—	64847-1	not incl.	Bolster	334-831	Bar Pin
HMX	54"	FAB	338-2048	—	64846-1	not incl.	Bolster	334-831	Bar Pin

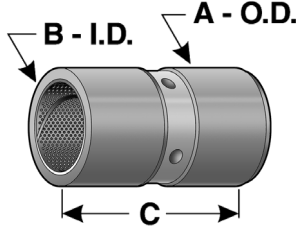


Rubber Center Bushings

Component Charts

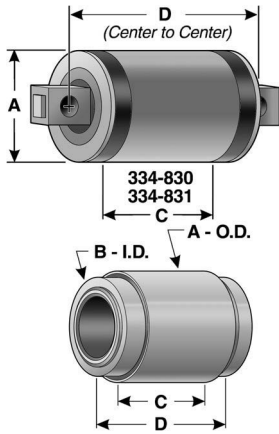
Part No.	Hendrickson No.	Series	O.D. (A)	I.D. (C)	Length (E)	Plug	Comments
321-117	6664	340	3.625	2	12	Welded	
321-118	22279	340	3.625	2	12	Loose	
321-119	29481-5	340	3.625	2	12	Welded	Heavy Duty (Bonded)
321-122	5919	380	4.75	2.5	12	Welded	
321-123	22282	380	4.75	2.5	12	Loose	
321-124	29483-5	460 to 520	4.75	2.5	12	Welded	Transverse T/R Required
321-243	49400	400	4.75	2.5	12	Welded	High Confinement
321-244	49600	400	4.75	2.5	12	Loose	High Confinement
321-510	34013-97	460 to 520	4.75	2.5	12	Loose	Transverse T/R Required
321-128	10366	650	5.5	3	14.63	Welded	
321-317	15464	850	5.5	3	18	Welded	
321-399	14110	1000	8.5	5	18.56	Welded	

Bronze Center Kits and Bushings



Part No.	Hend. No.	Series	O.D. (A)	I.D. (B)	Length (C)	Comments
322-104	30436	340	3.625	2.750	5.875	Service Kit, (2) Beams, Incl 322-105 bushing & 334-104 shaft
SP	34013-53	340	3.625	2.750	5.875	Service Kit, (1) Beams, Incl 322-105 bushing & 334-104 shaft
322-105	30240-1	340	3.625	2.750	5.875	Use w/334-104
334-575	34013-79	T600	4.500	4.000	2.750	Service Kit, (1) Beam, Incl bushings, hollow shaft
334-431	34013-78	T600	4.500	4.000	2.750	Service Kit, (1) Beam, Incl bushings, solid shaft
322-102	34013-54	380 to 520	4.750	3.500	5.875	Service Kit, (2) Beams, Incl 322-103 bushing & 334-114 shaft
322-102A	34013-54	380 to 520	4.750	3.500	5.875	Service Kit, (1) Beams, Incl 322-103 bushing & 334-114 shaft
322-103	30240-2	380 to 520	4.750	3.500	5.875	Use w/334-114
322-107	45374	650	5.500	4.000	8.688	Service Kit, (2) Beams, Incl 322-108 bushing & 334-136 shaft
SP	34013-55	650	5.500	4.000	8.688	Service Kit, (1) Beams, Incl 322-108 bushing & 334-136 shaft
322-108	30240-5	650	5.500	4.000	8.688	Use w/334-136

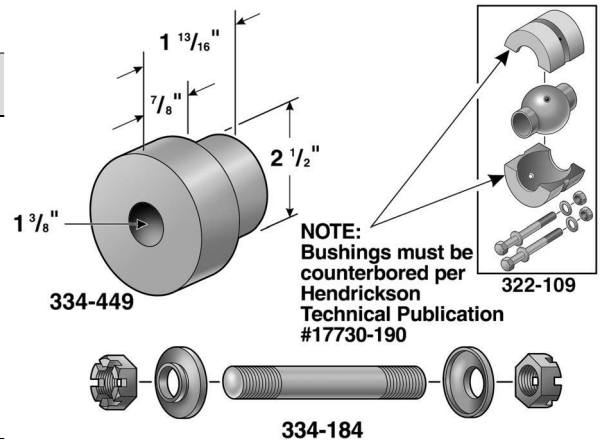
Rubber End Bushings



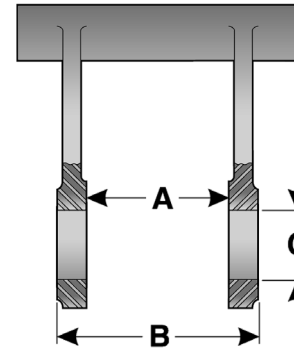
Part No.	Hendrickson No.	Series	O.D. (A)	I.D. (B)	Length (C)	Length (D)
Bar Pin						
334-830	34013-87	340 to 520	4.375	Non-Shim	4.250	8.500
334-831	34013-88	340 to 520	4.375	Shim Type	4.250	8.500
334-1957	34013-188	340 to 520	4.375	Rotating Pin	4.250	8.500
End Bushing						
321-320	6966	280	4.375	2.500	3.000	4.500
321-120	6969	340	4.375	2.500	3.500	5.250
321-126	45900	380 to 460	4.375	2.500	4.250	5.750
321-242	29878-1	480/520	4.375	2.500	4.250	5.750
321-127	45407	520	4.375	2.500	4.250	6.000
321-129	10363	650	6.000	3.000	4.000	6.000
321-318	10364	850	6.000	3.000	5.000	7.000
321-370	15424	1000	8.500	3.500	—	7.750

Bronze End Kits

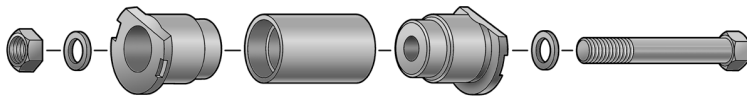
Part No.	Hendrickson No.	Description	Component
334-440	34013-40	End Kit, 4 Beam Ends	(4) 322-109, (4) 334-184
334-440A	34013-57	End Kit, 1 Beam End	(1) 322-109, (1) 334-184
SP	34013-74	End Kit, 4 Beam Ends	334-440 + (8) 334-449
322-109	30625-7	Ball/ Bushing Kit	(2) Bushings halves (4"OD x 2 7/8"Lg), (1) Ball (3"OD x 4"Lg. x 1 3/8"ID), (2) Bolts (1/2-20 x 3 1/2"), (4) Washers, (2) Nuts
SP	34013-56	Ball/ Bushing Kit	322-109 + (2) 334-449
334-184	—	Beam End Shaft & Seal Kit	(1) Shaft 334-179, (2) Seals 334-430, (2) Nuts 334-180
334-449	8580	Beam Hanger Reducer	—



Beam End Adapter Kits



Axle Bracket



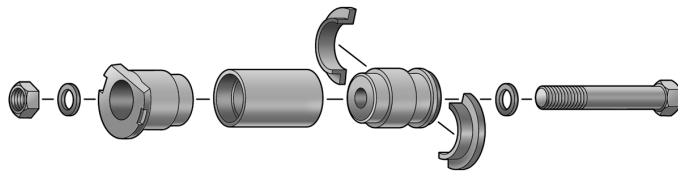
Type A

Part No.	Hendrickson No.	Bolt/Shaft Size	Beam Bushing	Adapter & Bushing Kit	Suspension Series	Dim. (A)	Dim. (B)	Dim. (C)
334-1123	45000-11	3/4 x 5 1/4	321-320	N/A	280	4 1/2	6 1/2	2 1/2
334-108	45000-13	3/4 x 6	321-120	334-380	340	5 1/4	7 1/4	2 1/2
334-109	45000-7	3/4 x 6 1/2	321-126	334-381	340/380/400	5 3/4	7 3/4	2 1/2



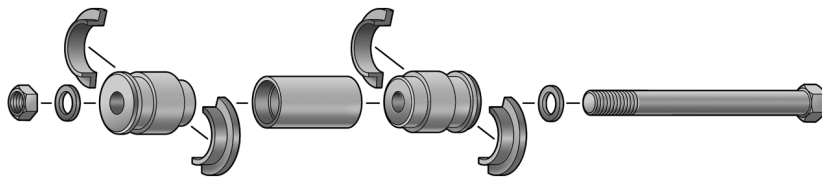
Type B

Part No.	Hendrickson No.	Bolt/Shaft Size	Beam Bushing	Adapter & Bushing Kit	Suspension Series	Dim. (A)	Dim. (B)	Dim. (C)
334-467	21140-34	1 x 10 1/2	321-126	334-429	460	5 3/4	7 3/4	2 1/2
			321-242	334-428	480/520	5 3/4	7 3/4	2 1/2
334-354	21140-33	1 x 11 1/4	321-127	334-960	480/520	6	8	2 1/2



Type C

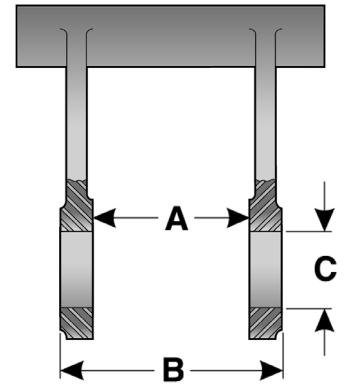
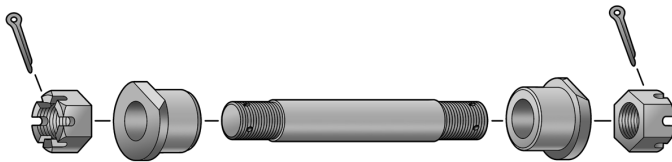
Part No.	Hendrickson No.	Bolt/Shaft Size	Beam Bushing	Adapter & Bushing Kit	Suspension Series	Dim. (A)	Dim. (B)	Dim. (C)
334-110	45000-14	3/4 x 6	321-120	—	340	5 1/4	7 1/4	2 1/2
334-111	45000-8	3/4 x 6 1/2	321-126	—	440/460/480	5 3/4	7 3/4	2 1/2



Type D

Part No.	Hendrickson No.	Bolt/Shaft Size	Beam Bushing	Adapter & Bushing Kit	Suspension Series	Dim. (A)	Dim. (B)	Dim. (C)
334-127	21140-28	1 x 10 3/4	321-242	—	460/480	5 3/4	7 3/4	2 1/2
334-126	21140-23	1 x 11 1/4	321-127	—	450/480	6	8	2 1/2

Beam End Adapter Kits

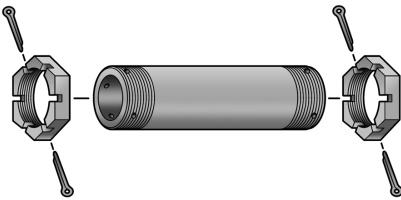


Hendrickson Truck

Type E

Axle Bracket

Part No.	Hendrickson No.	Bolt/Shaft Size	Beam Bushing	Adapter & Bushing Kit	Suspension Series	Dim. (A)	Dim. (B)	Dim. (C)
334-138	21140-7	2 x 12 5/8	321-129	334-1130	500/650	6	8	3
334-1120	21140-4	2 x 14	321-318	—	700/850 w/sleeve	7	9 1/4	3
334-1119	21140-26	2 x 14	321-318	—	700/850	7	9 1/4	3

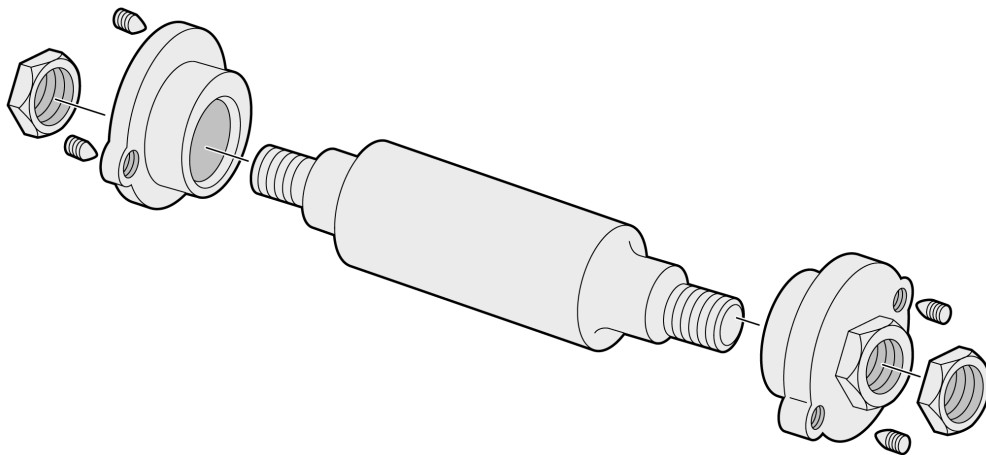


Type F

Part No.	Hendrickson No.	Bolt/Shaft Size	Beam Bushing	Adapter & Bushing Kit	Suspension Series	Dim. (A)	Dim. (B)	Dim. (C)
334-141	21140-6	3 x 9 13/16	321-129	334-1129	500/650	6	8	3

HENDRICKSON TANDEM ALIGNMENT ADAPTER

For 5 3/4" Bushings - P/N 334-1640



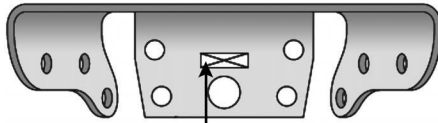
Not endorsed by Hendrickson™ Suspensions

Component Charts

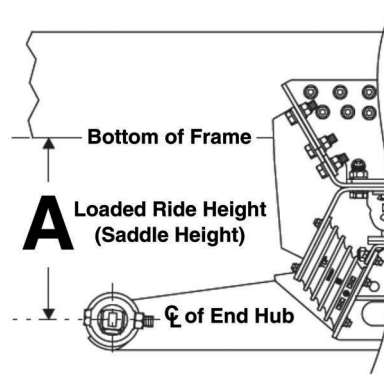
Haulmaax® 400/460 Frame Brackets

Hendrickson Truck

Hendrickson Truck



**Location of Outboard
Frame Bracket Part No.**



Outboard Frame Brackets - Vehicles built AFTER 01/13/03

Frame Wid.	HAULMAAX Saddle Height (Dim. 'A')											
	Hend. No. 16.5"	Part No. 16.5"	Hend. No. 17.5"	Part No. 17.5"	Hend. No. 18.5"	Part No. 18.5"	Hend. No. 20.25"	Part No. 20.25"	Hend. No. 22.5"	Part No. 22.5"	Hend. No. 25.5"	Part No. 25.5"
Autocar												
34"	64595-611	338-2393	64595-612	SP	64595-613	SP	—	—	—	—	—	—
CCC												
34"	64595-801	SP	—	—	—	—	—	—	—	—	—	—
Freightliner												
34.3" - 34.5"	64636-001	SP	64636-2	338-2289	64636-3	SP	—	—	—	—	—	—
GM												
34.75"	—	—	64595-701	SP	—	—	—	—	—	—	—	—
International												
34.12" - 34.25"	64595-101	338-2290	—	—	—	—	64595-105	SP	64595-107	SP	—	—
34.68" - 34.94"	64595-104	338-2291	—	—	64595-114	SP	64595-106	SP	64595-108	SP	64595-110	SP
Mack												
33.5"	64595-301	SP	64595-302	SP	64595-303	SP	—	—	—	—	—	—
Oshkosh												
34"	—	—	—	—	64595-3	338-2292	—	—	—	—	—	—
Paccar												
34"	64595-1	338-2288	64595-002	SP	64595-3	338-2292	64595-005	SP	—	—	—	—
34.75"	64595-4	SP	64595-005	SP	64595-6	SP	—	—	—	—	—	—
Volvo												
33.5"	64595-301	SP	—	—	—	—	—	—	—	—	—	—
Western Star												
34"	64595-1	338-2288	64595-002	SP	64595-3	338-2292	—	—	—	—	—	—

Outboard Frame Brackets and Saddle Assemblies; Paccar ONLY - Vehicles built PRIOR TO 01/13/03

Frame Wid.	Saddle Height	Discontinued Part Numbers				Conversion Kit Numbers			
		*Hend No. Bracket	*Part No. Bracket	**Saddle Assembly		Hend No. 40K Capty.	Part No. 40K Capty.	Hend No. 46K Capty.	Part No. 46K Capty.
34"	16.5"	59399-1	SP	Hendrickson Part No: 64829-000 (40K); 64828-000 (46K) DP Part No.: SP (40K); SP (46K)		57974-24	SP	57974-30	SP
	17.5"	59399-2	SP			57974-25	SP	57974-31	SP
	18.5"	59399-3	SP			57974-26	SP	57974-32	SP
34.75"	16.5"	59399-4	SP	Hendrickson Part No: 64829-000 (40K); 64828-000 (46K) DP Part No.: SP (40K); SP (46K)		57974-27	SP	57974-33	SP
	17.5"	59399-5	SP			57974-28	SP	57974-34	SP
	18.5"	59399-6	SP			57974-34	SP	57974-35	SP

Hend. no.: 57974-XXX Conversion Kits Contents

Component	Qty.	Component	Qty.
Outboard Frame Bracket	1	5/8"-11 UNC Locknut	14
Saddle Assembly	1	M20 x 2.5"-6G Hex Bolt 65 mm	10
5/8"-11 UNC Hex Bolt 2.25"	14	M20 Hardened Washer	20
5/8" Hardened Washer	28	M20 x 2.5"-6H Locknut	10

* If replacing a Hend. no. 59399-XXX series outboard frame bracket, you MUST also update the saddle assembly and hardware using a Hend. no. 57974-XXX series conversion kit. Two kits are required per one vehicle.

** When replacing a Hend. no. 64829-000 or 64828-000 saddle assembly, you MUST also update the outboard frame bracket and hardware. Two kits are required per vehicle.

Component Charts

Inboard Frame Brackets

Frame Wid.	HAULMAX Saddle Height											
	Hend. No. 16.5"	Part No. 16.5"	Hend. No. 17.5"	Part No. 17.5"	Hend. No. 18.5"	Part No. 18.5"	Hend. No. 20.25"	Part No. 20.25"	Hend. No. 22.5"	Part No. 22.5"	Hend. No. 25.5"	Part No. 25.5"
Autocar - Beam Length: ALL												
34"	60617-601	SP	60617-602	SP	60617-603	SP	—	—	—	—	—	—
CCC - Beam Length: ALL												
34"	65078-1	338-2293	65078-002	SP	65078-3	338-2294	—	—	—	—	—	—
Freightliner - Beam Length: ALL												
34.3" - 34.5"	60617-501	SP	60617-502	SP	60617-503	SP	—	—	—	—	—	—
GM - Beam Length: ALL												
34.75"	—	—	60617-701	SP	—	—	—	—	—	—	—	—
International - Beam Length: ALL												
34.12" - 34.25"	60617-101	SP	—	—	60617-104	SP	60617-103	SP	60617-103	SP	69681-000	SP
34.68" - 34.94"	60617-101	SP	—	—	60617-104	SP	60617-103	SP	60617-103	SP	69681-000	SP
Mack - Beam Length: 54"												
33.5"	64988-301	SP	64988-301	SP	64988-301	SP	—	—	—	—	—	—
Mack - Beam Length: 52", 60"												
33.5"	64988-311	SP	64988-311	SP	64988-311	SP	—	—	—	—	—	—
Oshkosh - Beam Length: ALL												
34"	—	—	—	—	65078-3	338-2294	—	—	—	—	—	—
Paccar w/liner - Beam Length: ALL												
34"	67545-1	SP	67545-2	SP	67545-3	SP	67545-003	SP	—	—	—	—
34.75"	67545-1	SP	67545-2	SP	67545-3	SP	67545-003	SP	—	—	—	—
Paccar wo/liner - Beam Length: ALL												
34"	65079-1	338-2295	65079-2	SP	65079-3	338-2296	—	—	—	—	—	—
34.75"	65079-1	338-2295	65079-2	SP	65079-3	338-2296	—	—	—	—	—	—
Volvo - Beam Length: 54"												
33.5"	64988-302	SP	64988-302	SP	64988-302	SP	—	—	—	—	—	—
Volvo - Beam Length: 52", 60", 72.5"												
33.5"	64988-312	SP	64988-312	SP	64988-312	SP	—	—	—	—	—	—
Western Star - Beam Length: ALL												
34"	60617-501	SP	60617-502	SP	60617-503	SP	—	—	—	—	—	—

Notes:

- * Haulmax 460 suspensions must be serviced with the new tie-bar bolster spring, kit no. **334-2036**. 400 suspensions can be serviced using the existing bolster springs, kit no: **334-2035**, or if preferred, tie-bar bolster spring kit, kit no. **334-2036**.
- ** For vehicles built prior to November 2007, when replacing the load spring contact plate or equalizing beam, Hend. kit no. 57974-046 is required. Kit includes instructions to address adjustments and the elimination of load spring spacers.
- *** Transverse rods are mandatory for the Haulmax rear suspension regardless of axle spacing.

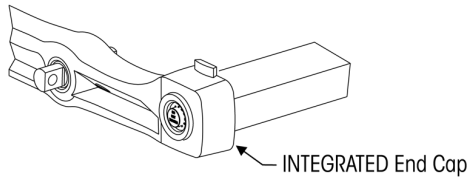
■ **Technical Notes**

The following information is intended to assist in determining which suspension is equipped on the vehicle. As an example, in Figures 1 and 2, the end cap / frame hanger help identify whether the suspension is current model PRIMAAX EX or the previous production model PRIMAAX.

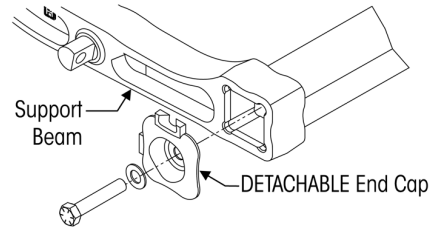
PRIMAAX EX / FIREMAAX EX or PRIMAAX / FIREMAAX

FIGURE 1

PRIMAAX EX / FIREMAAX EX | Enhanced U-beam Assembly with Integrated End Cap

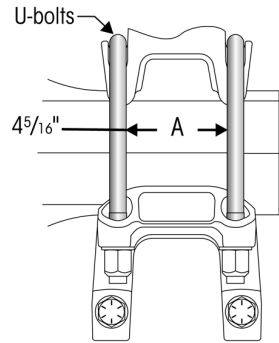


PRIMAAX / FIREMAAX | Support Beam with Detachable End Cap



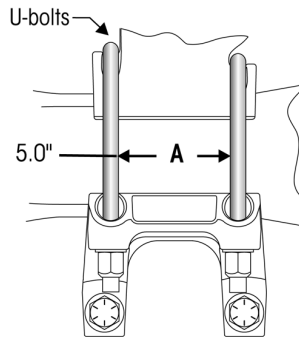
SUSPENSION RATING / CAPACITY

FIGURE 2



If the dimension is 4⁵/₁₆"
Suspension Rating is as follows:

- PRIMAAX EX • 232/462/692
- FIREMAAX EX • 242/482
- PRIMAAX • 230/460/690
- FIREMAAX • 240/480



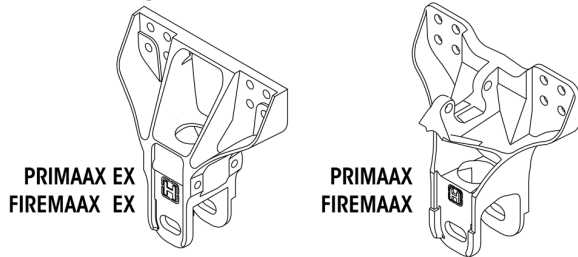
If the dimension is 5.0"
Suspension Rating is as follows:

- PRIMAAX EX • 262/522/782
- FIREMAAX EX • 272/312/542/622
- PRIMAAX • 260/520/780
- FIREMAAX • 270/540

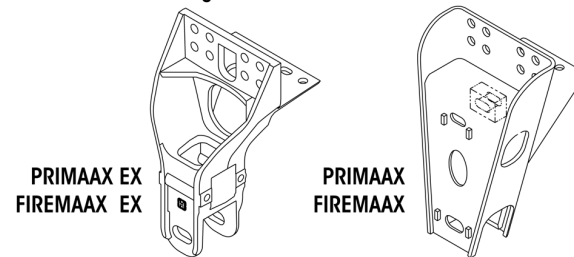
RIDE HEIGHT

FIGURE 3

Frame Hangers
8½"-10" Ride Height



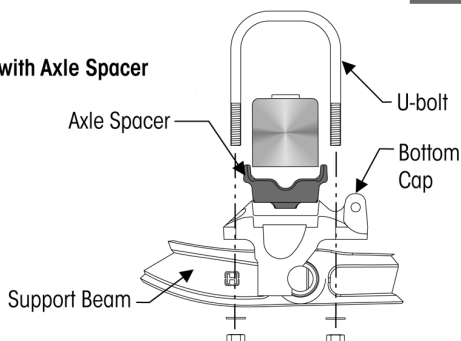
Frame Hangers
12½"-15½" Ride Height



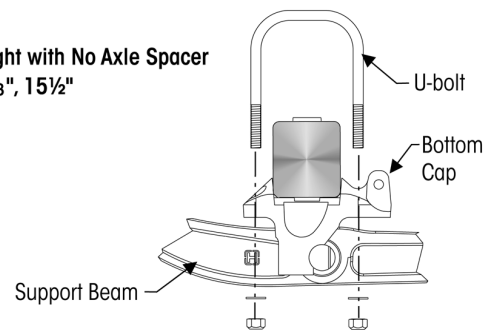
AXLE SPACER

FIGURE 4

Ride Height with Axle Spacer
8½", 12½"



Ride Height with No Axle Spacer
10", 14¾", 15½"



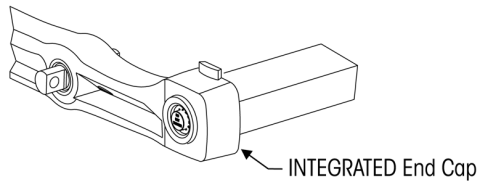
■ Technical Notes

The following information is intended to assist in determining which suspension is equipped on the vehicle. As an example, in Figure 1, the end cap / frame hanger helps identify whether the suspension is the current model PRIMAAX EX or the previous production model PRIMAAX.

FIGURE 1

PRIMAAX EX / PRIMAAX

PRIMAAX EX | Enhanced U-beam Assembly with Integrated End Cap



PRIMAAX | Support Beam with Detachable End Cap

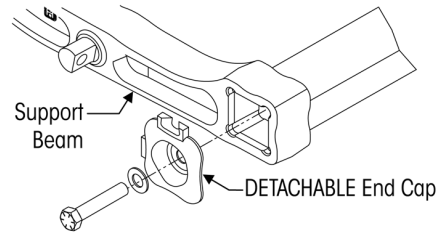
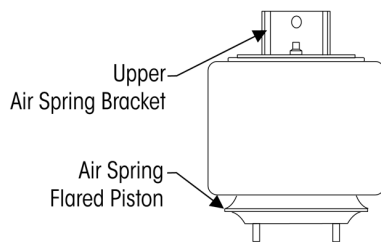


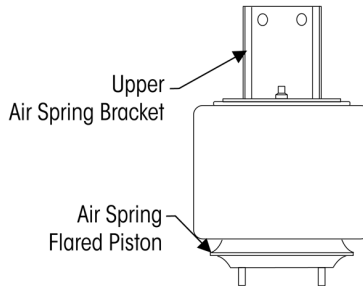
FIGURE 2

SUSPENSION RATING / CAPACITY

PRIMAAX EX 232/462/692



PRIMAAX EX 232T/462T/692T



PRIMAAX EX 262S

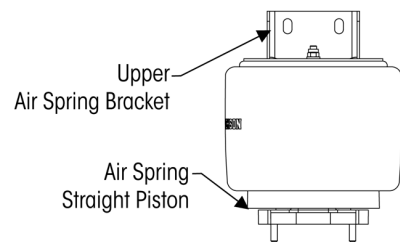
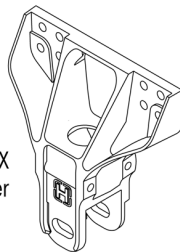


FIGURE 3

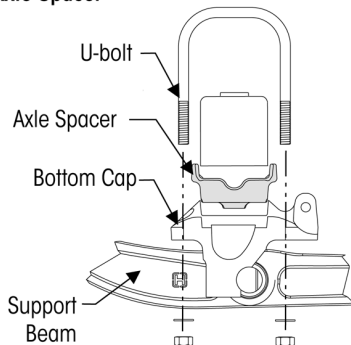
RIDE HEIGHT

9" Ride Height

PRIMAAX EX / PRIMAAX
Frame Hanger

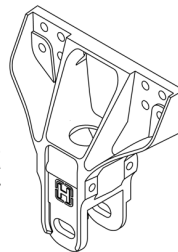


AND
Axle Spacer

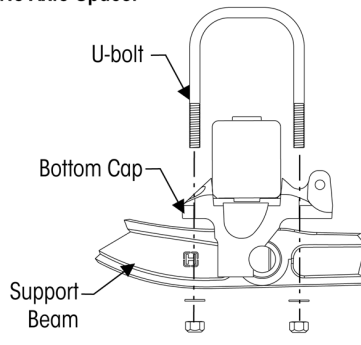


10½" Ride Height

PRIMAAX EX
Frame Hanger

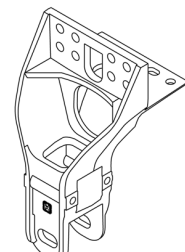


AND
No Axle Spacer

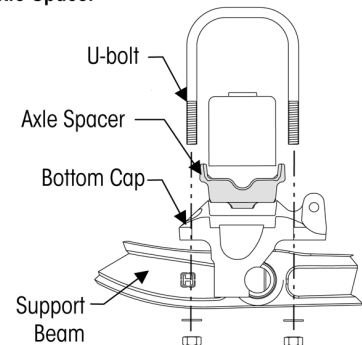


13" Ride Height

PRIMAAX EX
Frame Hanger



AND
Axle Spacer



■ **Technical Notes**

The following information is intended to assist in determining which suspension is equipped on the vehicle. As an example, in Figures 1 and 2, the end cap / frame hanger help identify whether the suspension is current model PRIMAAX EX or the previous production model PRIMAAX.

FIGURE 1 — **PRIMAAX EX or PRIMAAX**

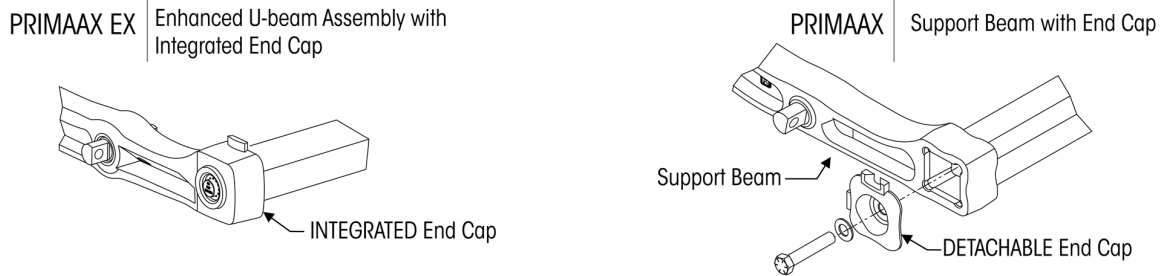


FIGURE 2 — **RIDE HEIGHT**

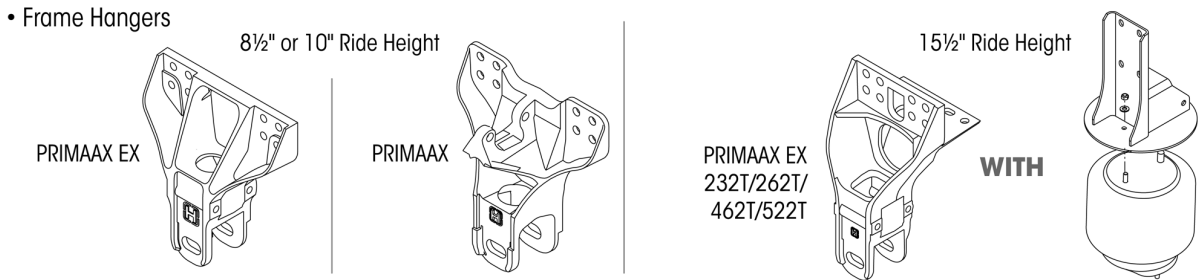
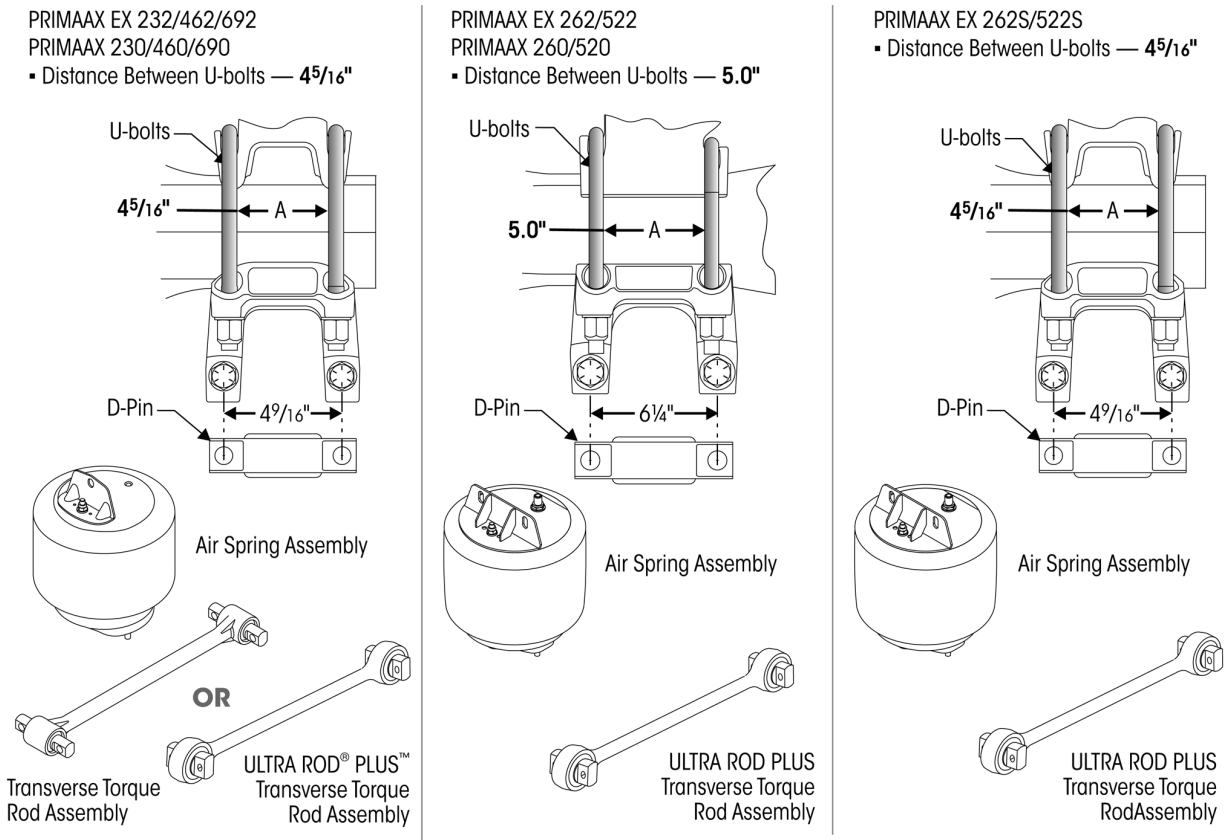


FIGURE 3 — **SUSPENSION RATING / CAPACITY**



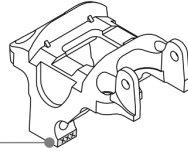
Bottom Cap and Longitudinal Torque Rod Assembly

PRIMAAX EX 232/462/692 | FIREMAAX EX 242/482 • PRIMAAX 230/460/690 | FIREMAAX 240/480

BOTTOM CAP

- Ride Heights 8½", 12½", 14¾", 15½"
Locate the part number stamped on the bottom cap 60556-XXX

Location of stamped Part No.
(last three digits)

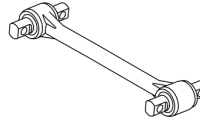


- Ride Height 10" See tables below

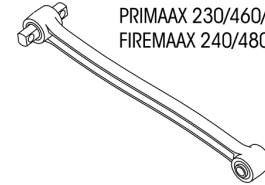
LONGITUDINAL TORQUE ROD ASSEMBLY

- Ride Heights 8½", 10" – See tables below
- All Other Ride Heights – See specific parts list in this publication

PRIMAAX EX 232/462/692
FIREMAAX EX 242/482



PRIMAAX 230/460/690
FIREMAAX 240/480



PRIMAAX EX 232/462/692 | FIREMAAX EX 242/482

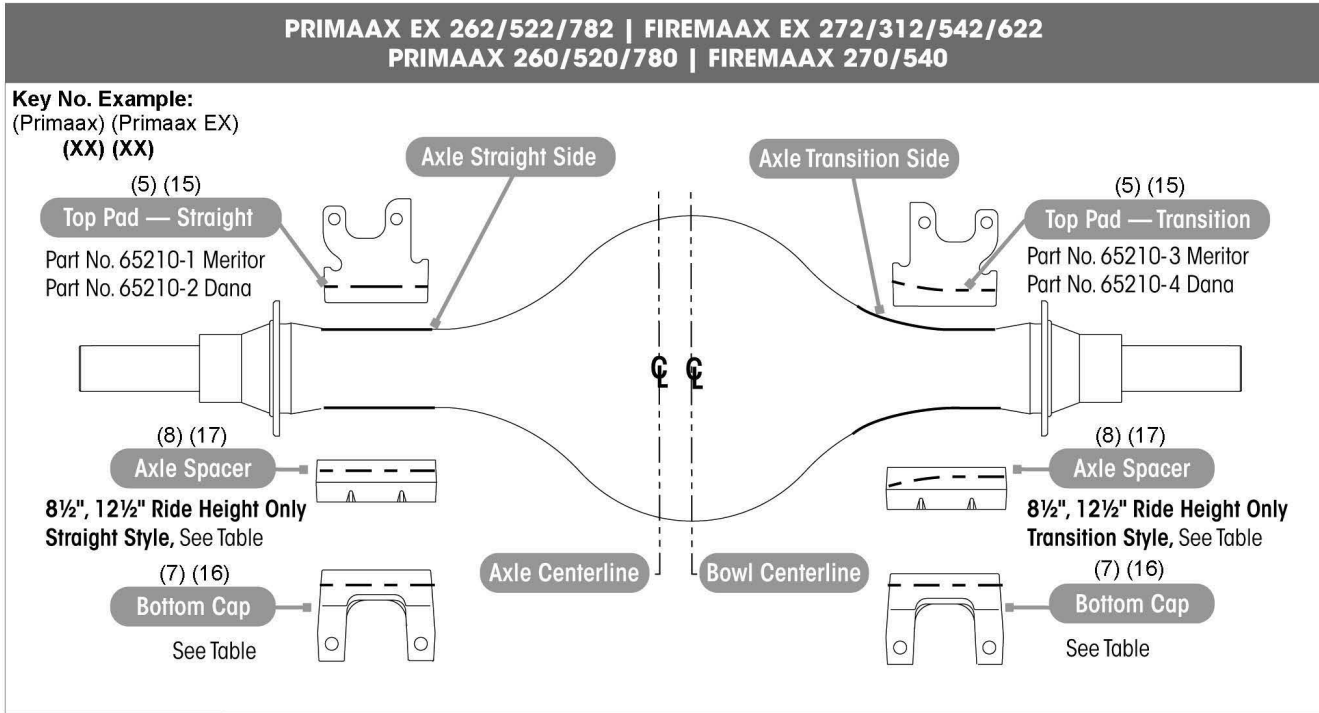
Pg. 242-245	Key No. 7	Key No. 21	Key No. 21
PINION ANGLE	10" RIDE HEIGHT Bottom Cap Part No.	8½" and 10" RIDE HEIGHT *Longitudinal Torque Rod Assembly Part No.	
		DRUM BRAKE	DISC BRAKE
		LEFT FRONT	RIGHT FRONT
	DP No. 338-2112(-XX)		
1.5	60556-035 (-03)	67428-425 16 3/4"	
2.0	60556-040 (-04)		
2.5	60556-025 (-01)		
3.0	60556-030 (-02)		
3.5	60556-035 (-03)		
4.0	60556-040 (-04)		
4.5	60556-045 (-05)	67428-435 17 1/8"	67219-435 17 1/8"
5.0	60556-050 (-06)		
5.5	60556-055 (-07)		
6.0	60556-060 SP		
6.5	60556-065 (-09)		
7.0	60556-110 (-20)	67428-450 17 3/4"	67219-435 Plus Pinion Spacer Part No.: 67045-071
7.5	60556-115 (-21)		
8.0	60556-120 (-22)		
8.5	60556-125 SP	67428-460 18 1/8"	67219-435 Plus Pinion Spacer Part No.: 67045-069
9.0	60556-130 SP		
9.5	60556-135 SP		
10.0	60556-100 (-18)	67428-475 18 3/4"	67219-475 18 3/4"
10.5	60556-105 (-19)		
11.0	60556-110 (-20)		
11.5	60556-115 (-21)		
12.0	60556-120 (-22)		
12.5	60556-125 SP		
13.0	60556-130 SP		
13.5	60556-135 SP		
14.0	60556-140 SP		
14.5	60556-145 SP		

* Non-serviceable torque rod bushings, requires replacement of complete torque rod assembly with bushings.

PRIMAAX 230/460/690 | FIREMAAX 240/480

Pg. 246-251	Key No. 16	Key No. 8	
PINION ANGLE	10" RIDE HEIGHT Bottom Cap Part No.	8½" and 10" RIDE HEIGHT Longitudinal Torque Rod Assembly Part No.	
		LEFT FRONT	RIGHT FRONT
	DP No. 338-2112(-XX)		
2.5	60556-025 (-01)	345-908L 60827-605A 23 13/16" Offset	345-908R 60827-605B
3.0	60556-030 (-02)		
3.5	60556-035 (-03)		
4.0	60556-040 (-04)		
4.5	60556-045 (-05)		
5.0	60556-050 (-06)		
5.5	60556-055 (-07)		
6.0	60556-060 SP		
6.5	60556-065 (-09)		
7.0	60556-110 (-20)	64717-620A 24 3/8"	64717-620B
7.5	60556-115 (-21)		
8.0	60556-120 (-22)		
8.5	60556-125 SP		
9.0	60556-130 SP		
9.5	60556-135 SP	345-909L 60827-645A 25 3/8" Offset	345-909R 60827-645B
10.0	60556-100 (-18)		
10.5	60556-105 (-19)		
11.0	60556-110 (-20)		
11.5	60556-115 (-21)		
12.0	60556-120 (-22)		
12.5	60556-125 SP		
13.0	60556-130 SP		
13.5	60556-135 SP		
14.0	60556-140 SP		
14.5	60556-145 SP		

■ **Bottom Cap / Axle Spacer**



PRIMAAX® EX: Pg. 242-245; Key No. 7
PRIMAAX®: Pg. 246-251; Key No. 16

BOTTOM CAP PART NUMBER

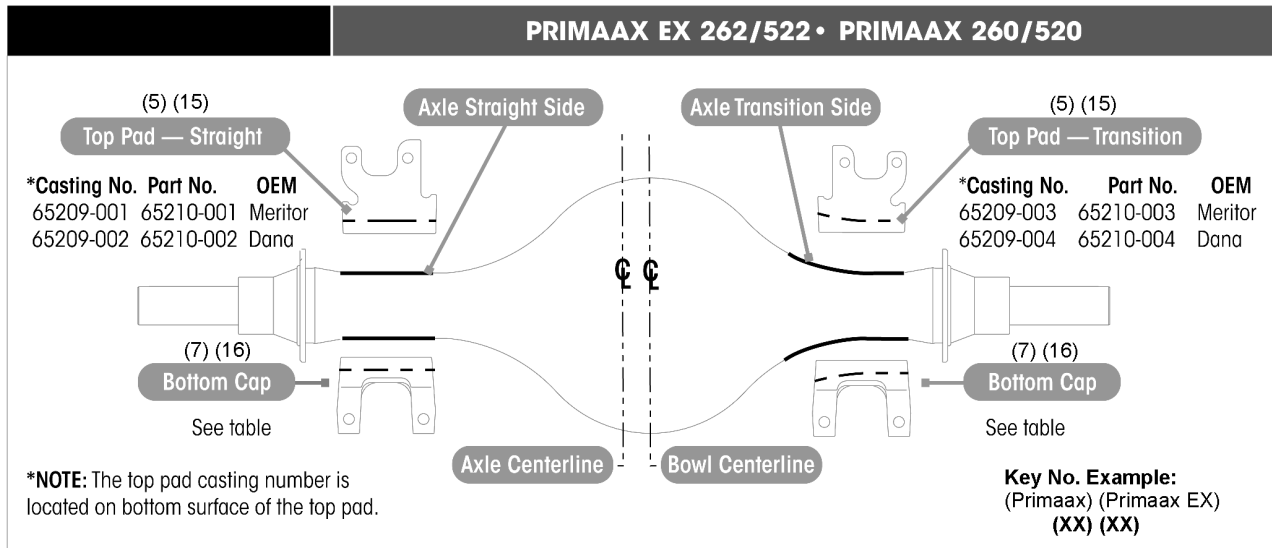
Axle Manufacturer	Beam Centers	TANDEM						SINGLE		
		Straight Side		Transition Side				Straight Side	Transition Side	
		8½", 10", 12½" Ride Height		8½", 12½" Ride Height		10" Ride Height		8½", 10", 12½" Ride Height	8½", 12½" Ride Height	10" Ride Height
		FRONT	REAR	FRONT	REAR	FRONT	REAR			
MERITOR	40.0"					65208-106	65208-109	65208-101	65208-101	65208-105
	40.5"	65208-101	65208-103	65208-101	65208-103	67913-6	67913-9			67913-5
	40.8"					67913-106	67913-109			67913-105
DANA	40.0"					65208-108	65208-111	Pg. 317	Pg. 317	
	40.5"	65208-102	65208-104	65208-102	65208-104	67913-8	67913-011			
	40.8"					67913-108	67913-111			

PRIMAAX® EX: Pg. 242-245; Key No. 8
PRIMAAX®: Pg. 246-251; Key No. 17

AXLE SPACER PART NUMBER

Axle Manufacturer	Beam Centers	8½", 12½" Ride Height		8½", 12½" Ride Height		10" Ride Height		8½", 12½" Ride Height	8½", 12½" Ride Height	10" Ride Height
		FRONT	REAR	FRONT	REAR	FRONT	REAR			
MERITOR	40.0"	65276		65277		Not equipped		65276	65277	Not equipped
	40.5"	67973-3		67973-4						
	40.8"	67973-103		67973-104						
DANA	40.0"	65274		65275				65139	65139	
	40.5"	67973-1		67973-2						
	40.8"	67973-101		67973-102						

Bottom Cap and Top Pad



PRIMAAX® EX: Pg. 242-245; Key No. 7
PRIMAAX®: Pg. 246-251; Key No. 16

BOTTOM CAP PART NUMBER

Beam Centers	Axle Manufacturer	TANDEM				SINGLE	
		Straight Side		Transition Side		Straight Side	Transition Side
		FRONT	REAR	FRONT	REAR		
40.0"	MERITOR	65208-101	65208-103	65208-106	65208-109	65208-101	65208-105
	DANA	65208-102	65208-104	65208-108	65208-111	Contact Hendrickson for Part Nos.	

Longitudinal Torque Rod • Top Pad

Key No. 21	PRIMAAX EX 262/522			
Pinion Angle	Axle Manufacturer	*Longitudinal Torque Rod Assembly	Top Pad	
			LEFT	RIGHT
FRONT REAR				
1.5°		65302-460 (18.1")	65210-1	65210-3
2.0°			65210-2	65210-4
2.5° - 3.0°	Dana Meritor	65302-470 (18.5")	65210-2	65210-4
			65210-1	65210-3
3.5°			65210-2	65210-4
4.0°	Dana Meritor	65302-475 (18.7")	65210-2	65210-4
			65210-1	65210-3
REAR REAR				
9.0° - 9.5°		65302-510 (22.1")	65210-4	65210-2
10°		65302-520 (20.5")	65210-4	65210-2
10.5°	Dana Meritor	65302-515 (20.3")	65210-4	65210-2
		65302-520 (20.5")	65210-3	65210-1
11.0°		65302-520 (20.5")	65210-3	65210-1
11.5°	Dana Meritor	65302-525 (20.7")	65210-4	65210-2
		65302-520 (20.5")	65210-3	65210-1
		65302-525 (20.7")	65210-3	65210-1
12.0°		65302-525 (20.7")	65210-3	65210-1
13.0°		65302-530 (20.9")	65210-3	65210-1

Key No. 8	PRIMAAX 260/520	
Pinion Angle	Longitudinal Torque Rod Assembly	
	LEFT	RIGHT
2.0° - 3.5°	66359-650A(25.6")	66359-650B
4.0° - 5.5°	66359-660A(26.0")	66359-660B
10.0° - 10.5°	66359-585A(23.0")	66359-585B
11.0° - 11.5°	66359-590A(23.2")	66359-590B
12.0° - 12.5°	66359-595A(23.4")	66359-595B

*Non-serviceable torque rod bushings, requires replacement of complete torque rod assembly with bushings.

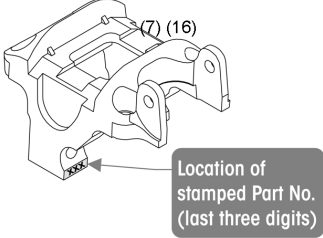
Primaax®/Firemaax® Primaax® EX/Firemaax® EX Components

Hendrickson Truck

Hendrickson Truck

Bottom Cap and Longitudinal Torque Rod Assembly and Torque Rod Spacer

PRIMAAX EX 232/462/692 • PRIMAAX 230/460/690 - International & Caterpillar

BOTTOM CAP Ride Height 9", 10½", 13" Locate the part number stamped on the bottom cap	PINION ANGLE	BOTTOM CAP PART NO. (2 per axle) Key No. 7, 16	**LONGITUDINAL TORQUE ROD ASSEMBLY PART NO. (2 per axle) Key No. 8, 21	TORQUE ROD SPACER (4 per axle) Key No. 33, 40	
				PART NO.	THICKNESS
	2.54°	338-2112-03 60556-035	SP 67274-510 (20.1")	Not Required	
	3.61°			67045-72	6.35 mm / ¼"
	4.56°			67045-71	12.7 mm / ½"
	5.72°			67045-70	19 mm / ¾"
	6.71°	67045-69	25.4 mm / 1"	Not Required	
	6.62°	338-2112-18 60556-100	SP 67274-540 (21.3")	Not Required	
	7.67°			67045-72	6.35 mm / ¼"
	8.62°			67045-71	12.7 mm / ½"
	9.77°			67045-70	19 mm / ¾"
	10.75°	67045-69	25.4 mm / 1"	Not Required	
	7.07°	338-2112-21 60556-105	SP 67274-540 (21.3")	Not Required	
	8.12°			67045-072	6.35 mm / ¼"
9.06°	67045-071			12.7 mm / ½"	
10.22°	67045-070			19 mm / ¾"	
11.20°	67045-069	25.4 mm / 1"	Not Required		

PRIMAAX EX - Volvo/Mack with Disc Brake

Selection Guide – D-pin Service Kit • Bottom Cap • Longitudinal Torque Rod • Torque Rod Shims

Pinion Angle	Brake Clocking	Key No. 13	Key No. 14	Key No. 7	Key No. 21	Key No. 20					
		D-pin Bushing	D-pin Bolt Kit (2 per Bushing)	Bottom Cap	*Longitudinal Torque Rod	Torque Rod Shims					
						8.5" Ride Height 334-526	10" Ride Height 334-526				
1.5°	92°	321-388	334-626	338-2112-01	SP 67219-435 (17 ½")	3.0 mm (x2)	3.0 mm (x2)				
2.5°				338-2112-02							
4.0°				338-2112-06							
6.0°				SP							
7.0°	95°	321-388	334-1117	334-1723	SP 77128-435 (17 ½")	6.0 mm (x4)	4.5 mm (x3)				
9.0°				SP			6.0 mm (x4)				
9.5°				SP			4.5 mm (x3)				
10.0°				SP			3.0 mm (x2)				
10.5°				SP							
11.0°				SP							
11.5°				SP							
12.0°				321-388			334-1117	SP	68801-205	4.5 mm (x3)	3.0 mm (x2)
12.5°								SP			
							321-388	334-1117	SP		6.0 mm (x4)

PRIMAAX EX - Volvo/Mack with Drum Brake

Selection Guide – Bottom Cap • Longitudinal Torque Rod

8.5" RIDE HEIGHT				10.0" RIDE HEIGHT			
*Pinion Angle	Key No. 7 Bottom Cap	Key No. 21 **Longitudinal Torque Rod		*Pinion Angle	Key No. 7 Bottom Cap	Key No. 21 **Longitudinal Torque Rod	
		Length (mm)	Part No.			Length (mm)	Part No.
2.9°	338-2112-01	530 (front) (20 ½")	67274-530	2.9°	338-2112-01	530 (front)	67274-530
6.0°	SP						
7.9°	338-2112-22	550 (front) (21 ¾")	67274-550	8.2°	338-2112-22	550 (front) (21 ¾")	67274-550
10.3°	338-2112-18						
10.7°	338-2112-19						
11.2°	338-2112-20						
11.6°	338-2112-21	575 (rear) (22 ¾")	67274-575	11.2°	338-2112-21	570 (rear)	67274-570
12.1°	338-2112-22						
13.0°	SP						
13.4°	SP						

* Measured with QUIK-ALIGN pinion set at neutral position (12 O'Clock)

** Torque rod bushings are non-serviceable, replacement requires complete torque rod assembly with bushings.

Component Charts

■ Support Beam and Cross Tube Replacement Guide

Pages: 246-251, Key No. 11

				DISCONTINUED		NEW		
				Support Beam Assembly Part Number		Cross Tube Part Number	U-beam Assembly Service Kit Number	
				60831-00X • 66435-00X		60912-XXX	60961-XXX	
Vehicle Manufacturer	Ride Height	Drive Axle	Frame Width ⁺	LEFT HAND	RIGHT HAND			
PRIMAAX 230/460/690 • FIREMAAX 240/480								
Volvo • Mack	8.5"-10.0"	Forward	33.5"	-003	-004	-005	338-2238	-237
		Rear		-001	-002		338-2239	-238
Kenworth • Western Star	8.5"-10.0"	Forward	34.0"	-003	-004	-001	338-2083	-235
		Rear		-001	-002		338-2084	-236
Freightliner • Sterling • Autocar	8.5"-10.0"	Forward	34.3"	-003	-004	-003	338-2207	-241
		Rear		-001	-002		338-2208	-242
Freightliner • Sterling	8.5"-10.0"	Forward	34.5"	-003	-004	-002	SP	-239
		Rear		-001	-002		SP	-240
International	8.5"-10.0"	Forward	34.3"	-003	-004	-003	SP	-261
		Rear		-001	-002		SP	-262
		Forward	34.5"	-003	-004	-002	338-2195	-263
		Rear		-001	-002		338-2196	-264
		Forward	34.8"	-003	-004	-009	SP	-243
		Rear		-001	-002		SP	-244
Fire / Rescue (Except Spartan)	8.5"-10.5"	Forward	34.0"	-003	-004	-001	SP	-267
		Rear		-001	-002		SP	-268
IPI • Advance • Oshkosh • Fire / Rescue	12.5"-15.5"	Forward	34.0"	-003	-004	-001	338-2146++	-247
		Rear	<i>Fab Hanger</i>	-001	-002		338-2147++	-248
PRIMAAX 260/520/780 • FIREMAAX 270/540								
Kenworth • Western Star • Fire / Rescue (Except Spartan)	8.5"-10.0"	Forward	34.0"	-007	-008	-001	SP	-253
		Rear		-005	-006		SP	-254
		+++		-001	-002		SP++	-718
Freightliner	8.5"-10.0"	Forward	34.3"	-007	-008	-003	SP	-257
		Rear		-005	-006		SP	-258
		Forward	34.5"	-007	-008	-002	SP	-255
		Rear		-005	-006		SP	-256
All 12.5"-15.5" suspensions, including Fire / Rescue	12.5"-15.5"	Forward	34.0"	-003	-004	-001	SP++	-269
		Rear		-001	-002		SP++	-270

NOTE:

- + Contact vehicle manufacturer to verify frame width.
- ++ Upper air spring bracket not included. The original bracket equipped on this vehicle can be used with the new air spring assembly included in the U-beam assembly service kit.
- +++ PRIMAAX 260 single axle only, use with Dana S26-190 axle.

This RS Frame Hanger guide is intended to aid in the proper identification of originally equipped RS drilled hangers and heavy duty center hangers for retrofit in the aftermarket. It lists common drill patterns and castings that were in use prior to 1983, 1983 to 1990, and 1990 to date. On glider kit installations, where Hendrickson did not have control of hanger usage, care should be taken in identification.

To use this guide, it is important to:

1. Identify the age of the vehicle
2. Measure the outside to outside frame width
3. Obtain the cast part number, and
4. Identify the truck manufacturer

To assist further, we have listed for your reference, the hole diameters and the distance from the bottom of the frame to the first line of holes.

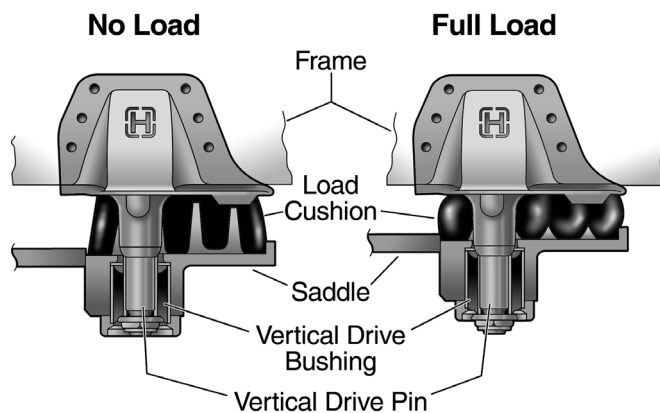
In some cases, where the manufacturer changed drill patterns, but still used the same casting number, we have tried to list the date of this changeover. Hole location dimensions should be used always as a final check.

For any casting number not shown or truck manufacturer not listed, contact our Technical Service Department.

Frame Hanger Design

The RS Series suspensions use four rubber load cushions.

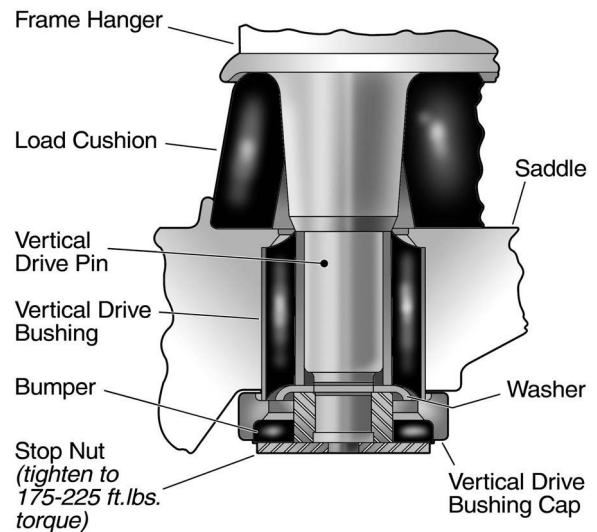
Each cushion has an inner cross bar that helps support the load when the vehicle is loaded. An empty vehicle is supported only by the outer edges of the cushions.



Vertical Drive Pin

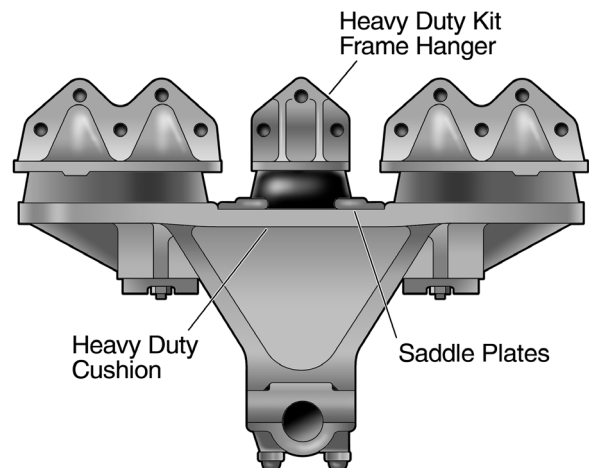
The frame hangers have vertical drive pins that extend down through the load cushions and are secured to rubber vertical drive cushions in the saddle.

A rebound control stop kit consisting of special stop nuts and elastomer bumpers is available to increase stability in high center of gravity or offset loading vehicles. It is optional for 40,000 thru 48,000 lb. capacities and standard on 52,000 lb. units.



Heavy Duty Kit

The heavy duty kit for increased stability consists of an additional round center cushion and related bracket for each side of the chassis. It is optional for 40,000 lb. capacities and standard on 46,000 thru 52,000 lb. units.



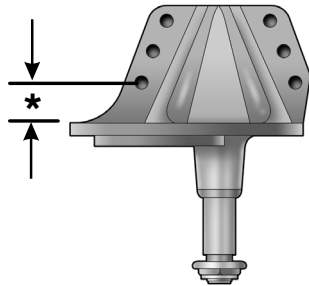
Note: Effective 1996, Hendrickson discontinued the RS Maintenance Free Hangers. RS Hangers must be replaced with the High Articulator designs.

Note: Transverse Torque Rods are mandatory for proper suspension performance on the following RS High Articulator suspensions:

Up to and including 52,000 lbs. capacity w/greater than 60" axle spacing.

Up to and including 52,000 lbs. capacity when used on front loader refuse packers.

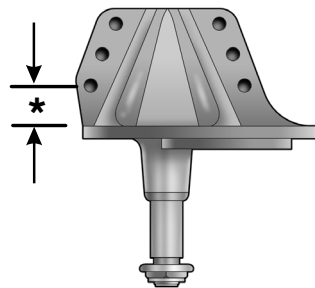
44,000 to 52,000 lbs. Capacity w/rubber center bushings.



* First Row - bottom of frame to Center Line of first hole.

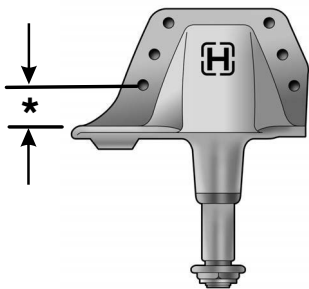
1990 to Present (High Articulator Design) Lefthand Front / Righthand Rear

Part No.	Cast. No.	Hend. No.	Bolt Dia.	First Row*	Frame Width	Comments
338-1255	57051	57053-1	.750	2.59	34.75 - 35.00	Ford, IHC; Obsolete
SP	57051	57053-2	.625	2.59	34.75 - 35.00	Osterland, Spartan; Obsolete
338-1249	57057	57059-1	.750	2.59	34.44 - 34.69	Ford
338-1250	57057	57059-2	.625	2.59	34.44 - 34.69	Mack, IHC <'97, GM, Volvo
338-1251	57057	57059-3	.625	2.59	34.44 - 34.69	Peterbilt, Western Star
SP	57057	57059-5	.625	2.59	34.44 - 34.69	IHC '97 to Present
SP	57057	57059-4	.625	2.59	34.44 - 34.69	Freightliner
338-1241	57063	57065-1	.750	2.59	33.94 - 34.19	Ford, Sterling
338-1242	57063	57065-2	.625	2.59	33.94 - 34.19	All Exc. IHC '97+, Peterbilt, Ford & Mack
338-1243	57063	57065-3	.625	2.59	33.94 - 34.19	Peterbilt
SP	57063	57065-6	.625	2.59	33.94 - 34.19	IHC '97+
338-1244	57063	57056-4	.690	2.59	33.94 - 34.19	Mack



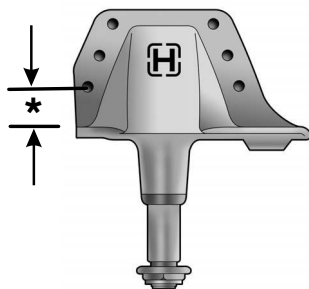
1990 to Present (High Articulator Design) Righthand Front / Lefthand Rear

Part No.	Cast. No.	Hend. No.	Bolt Dia.	First Row*	Frame Width	Comments
338-1256	57054	57056-1	.750	2.59	34.75 - 35.00	Ford, IHC; Obsolete
SP	57054	57056-2	.625	2.59	34.75 - 35.00	Osterland, Spartan; Obsolete
338-1252	57060	57062-1	.750	2.59	34.44 - 34.69	Ford, Sterling
338-1253	57060	57062-2	.625	2.59	34.44 - 34.69	Mack, IHC <'97, GM, Volvo
338-1254	57060	57062-3	.625	2.59	34.44 - 34.69	Peterbilt, Western Star
SP	57060	57062-5	.625	2.59	34.44 - 34.69	IHC '97+
SP	57060	57062-4	.625	2.59	34.44 - 34.69	Freightliner
338-1245	57066	57068-1	.750	2.59	33.94 - 34.19	Ford, Sterling
338-1246	57066	57068-2	.625	2.59	33.94 - 34.19	All Exc. IHC '97+, Peterbilt, Ford & Mack
338-1247	57066	57068-3	.625	2.59	33.94 - 34.19	Peterbilt
SP	57066	57068-6	.625	2.59	33.94 - 34.19	IHC '97+
338-1248	57066	57068-4	.690	2.59	33.94 - 34.19	Mack



Maintenance Free Design Lefthand Front / Righthand Rear

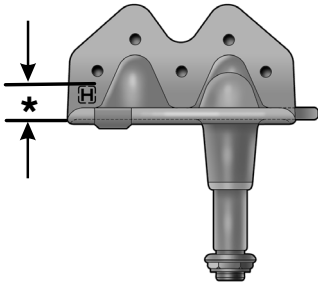
Part No.	Cast. No.	Hend. No.	Bolt Dia.	First Row*	Frame Width	Comments
Discontinued	48211	48212-1	.750	2.59	34.75 - 35.00	R/B 338-1255
Discontinued	48211	48212-2	.625	2.59	34.75 - 35.00	R/B 57053-2
Discontinued	48215	48216-1	.750	2.59	34.44 - 34.69	R/B 338-1249
Discontinued	48215	48216-2	.625	2.59	34.44 - 34.69	R/B 338-1250
Discontinued	48215	48216-3	.625	2.59	34.44 - 34.69	R/B 338-1251
Discontinued	48219	48220-1	.750	2.59	33.94 - 34.19	R/B 338-1241
Discontinued	48219	48220-2	.625	2.59	33.94 - 34.19	R/B 338-1242
Discontinued	48219	48220-3	.625	2.59	33.94 - 34.19	R/B 338-1243



Maintenance Free Design Righthand Front / Lefthand Rear

Part No.	Cast. No.	Hend. No.	Bolt Dia.	First Row*	Frame Width	Comments
Discontinued	48213	48214-1	.750	2.59	34.75 - 35.00	R/B 338-1256
Discontinued	48213	48214-2	.625	2.59	34.75 - 35.00	R/B 57056-2
Discontinued	48217	48218-1	.750	2.59	34.44 - 34.69	R/B 338-1252
Discontinued	48217	48218-2	.625	2.59	34.44 - 34.69	R/B 338-1253
Discontinued	48217	48218-3	.625	2.59	34.44 - 34.69	R/B 338-1254
Discontinued	48221	48222-1	.750	2.59	33.94 - 34.19	R/B 338-1245
Discontinued	48221	48222-2	.625	2.59	33.94 - 34.19	R/B 338-1246
Discontinued	48221	48222-3	.625	2.59	33.94 - 34.19	R/B 338-1247

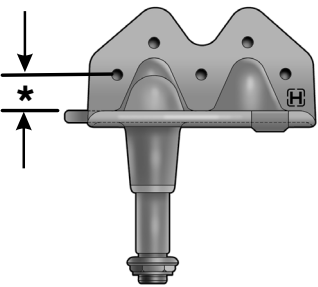
Hendrickson Truck



1983 to 1989 Heavy Duty Design
Lefthand Front / Righthand Rear**

Part No.	Cast. No.	Hend. No.	Bolt Dia.	First Row*	Frame Width	Comments
338-1200	46759	46800-1	.750	2.36	34.75 - 35.00	r/b 338-1881
338-836	46759	46800-3	.750	2.59	34.75 - 35.00	r/b 338-1882
338-1580	46759	47355-9	n/a	n/a	34.75 - 35.00	Obsolete
338-1202	47083	47084-1	.750	2.59	33.94 - 34.19	Ford
338-838	47083	47084-2	.625	2.25	33.94 - 34.19	All except IHC pre '89, Ford & Peterbilt
SP	9494	47084-6	.625	2.25	33.94 - 34.19	IHC 83-88
338-1566	47083	47084-3	.625	2.59	33.94 - 34.19	Peterbilt
338-780	47083	47355-3	n/a	n/a	33.94 - 34.19	undrilled
338-1568	47087	47088-1	.750	2.59	34.44 - 34.69	Ford
338-817	47087	47088-2	.625	2.25	34.44 - 34.69	All except IHC pre '89, Ford, Freightliner & Peterbilt
338-1570	47087	47088-3	.625	2.59	34.44 - 34.69	Freightliner, Peterbilt
338-781	47087	47355-5	n/a	n/a	34.44 - 34.69	undrilled

**Obsolete - Service parts are no longer available.



1983 to 1989 Heavy Duty Design
Righthand Front / Lefthand Rear**

Part No.	Cast. No.	Hend. No.	Bolt Dia.	First Row*	Frame Width	Comments
338-1201	46758	46801-1	.750	2.36	34.75 - 35.00	r/b 338-1883
338-837	46758	46801-3	.750	2.59	34.75 - 35.00	r/b 338-1884
338-1579	46758	47355-10	n/a	n/a	34.75 - 35.00	Obsolete
338-1204	47085	47086-1	.750	2.59	33.94 - 34.19	Ford
338-839	47085	47086-2	.625	2.25	33.94 - 34.19	All except IHC pre '89, Ford & Peterbilt
338-1567	47085	47086-3	.625	2.59	33.94 - 34.19	Peterbilt
338-782	47085	47355-4	n/a	n/a	33.94 - 34.19	undrilled
SP	9493	47086-6	.625	2.25	33.94 - 34.19	IHC 83-88
338-1569	47089	47090-1	.750	2.59	34.44 - 34.69	Ford
338-818	47089	47090-2	.625	2.25	34.44 - 34.69	All except IHC pre '89, Ford, Freightliner & Peterbilt
338-1571	47089	47090-3	.625	2.59	34.44 - 34.69	Freightliner, Peterbilt
338-783	47089	47355-6	n/a	n/a	34.44 - 34.69	undrilled

**Obsolete - Service parts are no longer available.

Component Charts

Pre 1983 Heavy Duty Design (See charts on following page)

Replacing Standard Duty with Heavy Duty

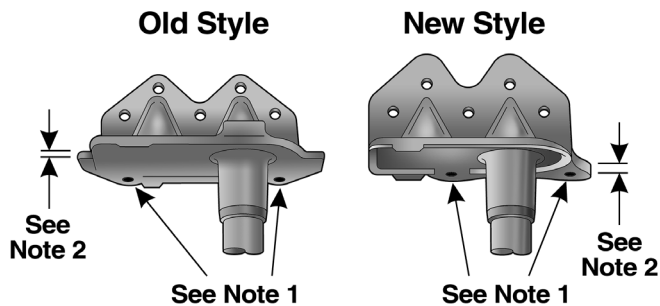
1) Vehicles Built Before 1983 - Standard Hangers

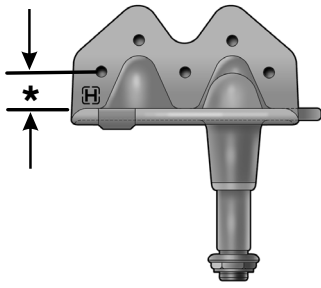
May require 2 new holes to be drilled into the frame inner gusset to accommodate the replacement RS hanger drilling pattern.

2) Replacement Hangers - Heavy Duty Design

Should be used in sets, i.e., if the right-hand front hanger is being replaced, the right-hand rear hanger should also be replaced. This is due to the mounting height difference.

The replacement hanger is 1/8" thicker than the old hanger.



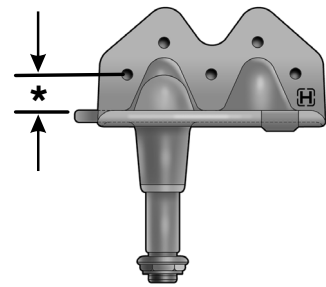


* First Row - bottom of frame to Center Line of first hole.

Pre 1983 Heavy Duty Design** Lefthand Front / Righthand Rear

Part No.	Cast. No.	Hend. No.	Bolt Dia.	First Row*	Frame Width	Comments
338-1200	34098	46800-1	.750	2.36	34.75 - 35.00	r/b 338-1881
338-1580	34098	47355-9	n/a	n/a	34.75 - 35.00	Obsolete
338-1203		47084-4	.500	1.88	33.94 - 34.19	Dodge, Reo, GM pre'76, HME, Mack/Mack Canada, Marmon, Oshkosh pre'76, Savage, White & Autocar pre'76
SP	31641	47084-5	.750	1.94	33.94 - 34.19	Ford "L" Series
SP	44116	44118-01	.625	2	33.94 - 34.19	Peterbilt pre'75
SP	44116	44118-02	.625	2.25	33.94 - 34.19	Peterbilt
SP	9494	21860-2	.500	1.81	33.94 - 34.19	Ford "C" Series
338-838	9494	47084-2	.625	2.25	33.94 - 34.19	All except Dodge, Reo, GM pre'76, HME, IHC 76-82, Mack/Mack Canada, Marmon, Oshkosh pre'76, Savage, White pre'76
SP	9494	47084-6	.625	2.25	33.94 - 34.19	IHC 76-82
338-780	9494	47355-3	n/a	n/a	33.94 - 34.19	undrilled
SP	9497	21862-2	.500	1.94	34.44 - 34.69	Ford "C" Series
338-817	9497	47088-2	.625	2.25	34.44 - 34.69	Crane Carrier, GM 76-82, Mack West, Pem Fab, White & Autocar 76-82
338-1206	9497	47088-4	.500	1.88	34.44 - 34.69	Brockway, Dodge, Reo, GM pre'76, IHC, White & Autocar pre'76
338-781	9497	47355-5	n/a	n/a	34.44 - 34.69	Undrilled

** Obsolete - Service parts are no longer available.

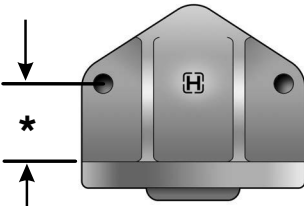


Pre 1983 Heavy Duty Design** Righthand Front / Lefthand Rear

Part No.	Cast. No.	Hend. No.	Bolt Dia.	First Row*	Frame Width	Comments
338-1201	34099	46801-1	.750	2.36	34.75 - 35.00	r/b 338-1883
338-1579	34099	47355-10	n/a	n/a	34.75 - 35.00	Obsolete
SP	31642	47086-5	.500	1.94	33.94 - 34.19	Ford "L" Series
SP	44117	44119-1	.750	2	33.94 - 34.19	Peterbilt pre'75
SP	44117	44119-2	.625	2.25	33.94 - 34.19	Peterbilt
SP	9493	21861-2	.500	1.81	33.94 - 34.19	Ford "C" Series
338-839	9493	47086-2	.625	2.25	33.94 - 34.19	All except Dodge, Reo, GM pre'76, HME, IHC 76-82, Mack Canada, Marmon, Oshkosh pre'76, Savage, White pre'76
338-1205	9493	47086-4	.500	1.88	33.94 - 34.19	Dodge, Reo, GM pre'76, HME, Mack Canada, Marmon, Oshkosh pre'76, Savage, White pre'76
SP	9493	47086-6	.625	2.25	33.94 - 34.19	IHC 76-82
338-782	9493	47355-4	n/a	n/a	33.94 - 34.19	undrilled
SP	9498	21863-2	.500	1.94	34.44 - 34.69	Ford "C" Series
338-818	9498	47090-2	.625	2.25	34.44 - 34.69	Crane Carrier, GM 76-82, Mack West, Pem Fab, White & Autocar 76-82
338-1207	9498	47090-4	.500	1.88	34.44 - 34.69	Brockway, Dodge, Reo, GM pre'76, IHC, White & Autocar pre'76
SP	9498	47090-5	.625	2.25	34.44 - 34.69	American LaFrance, Spartan
338-783	9498	47355-6	n/a	n/a	34.44 - 34.69	undrilled

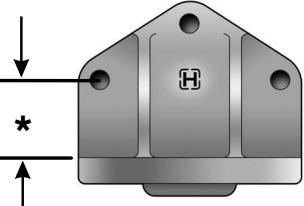
** Obsolete - Service parts are no longer available.

Hendrickson Truck



Center Hangers 2 Hole Design

Part No.	Cast. No.	Hend. No.	Bolt Dia.	First Row*	Frame Width	Comments
SP	49117	49118	.625	2.12	33.5	Mack
SP	48522	48523-4	.625	2.25	33.94 - 34.19	Oshkosh
338-1211	48522	48523-5	.625	2.38	33.94 - 34.19	Ford, Sterling
SP	48522	48523-7	.625	2.12	33.94 - 34.19	Mack
338-2109	49119	49120-1	.625	2.36	34.75 - 35.00	Ford, Sterling

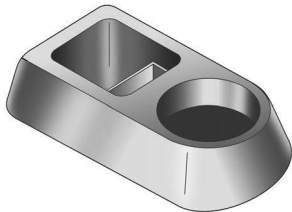


Center Hangers 3 Hole Design

Part No.	Cast. No.	Hend. No.	Bolt Dia.	First Row*	Frame Width	Comments
338-156	48522	48523-1	.625	1.88	33.94 - 34.19	Advance, Crane, Duplex, Freightliner pre'84, Mack, Marmon, IHC, Western Star pre'88
338-1576	48522	48523-2	.625	2.25	33.94 - 34.19	Kenworth, IHC, Pierce, Savage, Western Star
338-1577	48522	48523-3	.625	2.25	33.94 - 34.19	Freightliner, HME, Peterbilt
338-1208	48524	48525-1	.625	2.25	34.44 - 34.69	Freightliner, Mack, Peterbilt, Volvo/GM
338-157	48524	48525-2	.625	1.88	34.44 - 34.69	Brockway
SP	48524	48525-4	.625	2.38	34.44 - 34.69	Ford "C" Series
SP	48524	48525-5	.625	2.62	34.44 - 34.69	GMC
SP	48524	48525-6	.625	2.25	34.44 - 34.69	IHC
SP	48524	48525-8	.625	2.50	34.44 - 34.69	IHC
SP	48524	48525-9	.625	2.50	34.44 - 34.69	Peterbilt
338-1210	49119	49120-2	.625	2.25	34.75 - 35.00	Ford pre'83, Osterland, Spartan

* First Row - bottom of frame

RS Load Cushions

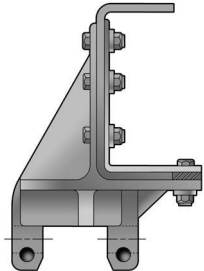


Part No.	Hendrickson No.	Durometer	Color Code	Comments
325-101	48,972.00	40	None	Replaced by 325-103
325-103	48,973.00	60	Orange	RS340/380/400 (Including transit mix up to 8 cu.yd. Capacity)
325-100	24,209.00	70	None	RS340/380/400 (Optional), RS440/450/460/480 (Standard)
325-104	26,953.00	70	Yellow	RS380/400/440/450/460/480/520/650

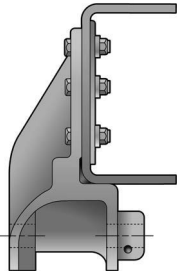
Component Charts

Design

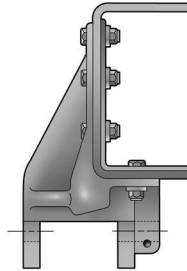
This will assist in the identification of machined spring hangers for vehicles that have the RT/RTE/RU/RUE/U/UE suspensions.



Clamp Design
Bolts inboard of the frame rail. No holes in the lower frame flange.



Web Design
Bolts into frame web only.



Flange Design
Bolts through the frame lower flange. (Do not use on high tensile steel frames.)

By identifying the hanger design (as shown on the left) and the casting number from the hanger, the available spring hanger part numbers are shown. If your hanger is not listed or no casting number can be found the following is required for our identification:

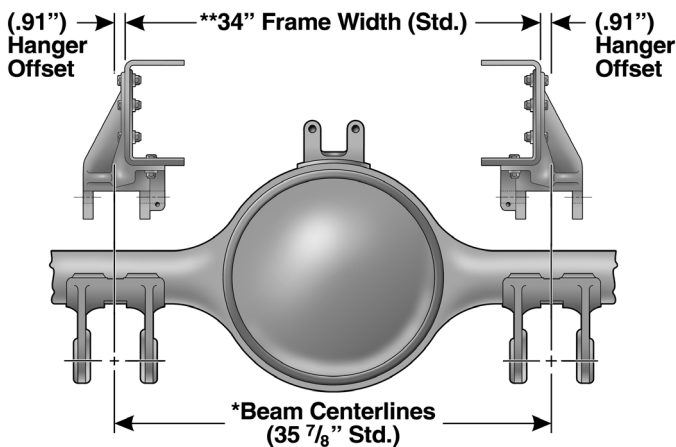
1. **Design**
2. **Frame Widths** (Is there a spacer between spring hanger and frame?)
3. **Hole Pattern Dimensions**
4. **Spring Pin Diameter**

Frame Widths

Standard width of rear tandem drive axles have a beam hanger spacing of 35 7/8". *
To maintain the correct alignment of frame and axle, spring hanger offsets vary with chassis frame widths. **
(as shown below)

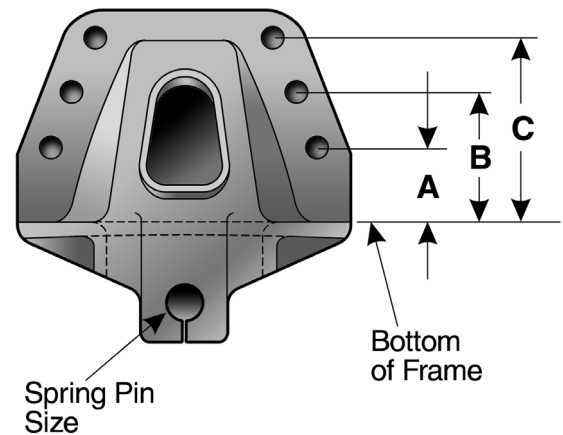
Example

Frame Widths	Spring Hanger Offsets
34"	.91
34 1/2"	.61



Hole Pattern Dimensions

(Chart Below)



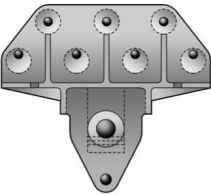
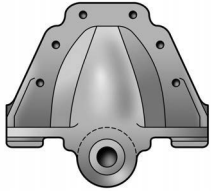
Common Hole Pattern	A	B	C
Clamp, Web and Flange, 6-Hole	2 9/16"	5 3/8"	7 5/8"
Clamp, 6-Hole	2 9/16"	4 1/2"	6 7/16"
Web, 4-Hole	2 9/16"	5 3/8"	—
Web, 3-Hole	1 7/8"	4"	—

NOTE: For clamp and web mount spring hangers Hendrickson recommends a minimum 5/8" Grade 8 bolt with Grade C locknut and hardened washers be used to attach spring hangers to the main frame of the vehicle. With older model vehicles this may require that the holes in the frame be enlarged to accommodate the 5/8" fasteners. Refer to Technical Publications covering the RT/RTE or U/UE Series suspensions for proper installation.

Note: International manufactured hangers are included in this chart. Always check spring pin diameter.
Part number stamped on hanger is not always correct. Example - 423448C1 could have 1 3/8" pin diameter.

Hendrickson Truck

Front - No. 1 Spring Hanger

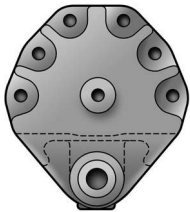


RT650

Flange Mount

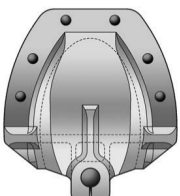
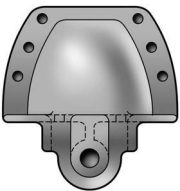
Part No.	Cast. No.	Hend. No.	Pin Dia.	Offset	Comments
338-1581	04666	47725-1	1 1/4	.72	
338-1852	04666	47725-3	1 3/8	.72	Obsolete
338-1739	05810	05810	1 1/4	.84	Obsolete
338-1740	05810	19491	1 3/8	.84	Obsolete
338-1582	09170, 19873/74, 21913, 25845	09170	1 1/4	.59	
338-1583	09170, 19873/74, 25845	25601, 27161-1/-2	1 3/8	.59	
SP	21554, 30285	30285, 34977	1 3/8	—	Obsolete
338-1741	44994	44989	1 3/8	.61	Obsolete
SP	45176	45177	1 1/4	—	Obsolete
SP	9474	42750	1 1/2	—	RT650

Web Mount



Part No.	Cast. No.	Hend. No.	Pin Dia.	Offset	Comments
SP	26741-1	26742-15	1 1/4	.61	2 7/16 hole location
338-105	26741-1	26742-3	1 1/4	.61	
SP	26741-2	26752-16	1 1/4	.61	2 7/16 hole location
338-106	26741-2	26742-4	1 1/4	.61	
SP	31013	31009-1	1 1/4	.85	
338-138	31013	31124-1	1 3/8	.85	
SP	31013	35394-1	1 3/8	.85	Dodge
338-107	31026	31128-1	1 1/4	.91	
338-1738	31026	31128-4	1 3/8	.91	
338-186	33161	33163-2	1 1/4	.50	Obsolete
338-139	33161	33163-1	1 3/8	.50	Obsolete

Clamp Mount - Single Lock



RT650

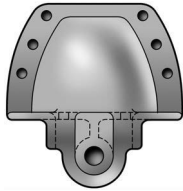
Part No.	Cast. No.	Hend. No.	Pin Dia.	Offset	Comments
SP	09474	45161-1/-2	1 1/2	—	RT650; Obsolete - Oshkosh
SP	09474	45768-1/-2	1 1/2	—	RT650; Obsolete
SP	09474	47381-1	1 1/2	—	RT650; Kenworth
SP	09474	47381-2	1 1/2	—	RT650; Kenworth
SP	09474	47383	1 1/2	—	RT650; Kenworth
338-101	20395	43181-4	1 1/4	.61	
338-104	20395	43181-3	1 3/8	.61	Discontinued; R/B 338-1822 Kit (338-1282 & 327-437)
338-100	24496	31345	1 1/4	.84	
338-137	24496	31346	1 3/8	.84	
SP	28641	30083	1 1/4	—	Obsolete
SP	33796	33789, 45416	1 1/2	—	Obsolete
SP	35434	45444	1 1/2	—	RT650; Obsolete
338-103	43180	45729-1, 34013-94	1 3/8	.81	Discontinued; R/B 338-1824 Kit (338-1280 & 327-437)
338-101	45159	43181-4	1 1/4	.61	
338-104	45159	43181-3	1 3/8	.61	Discontinued; R/B 338-1822 Kit (338-1282 & 327-437)
338-102	45527	45736-1	1 3/8	.91	Discontinued; R/B 338-1823 Kit (338-1276 & 327-437)
338-1274	45527	45228-1	1 3/8	.91	Discontinued; R/B 338-1829 Kit (338-1275 & 327-437); Ford
SP	46093-1	46094-1	1 1/2	—	RT650; Volvo, r/b 45029-1
SP	46093-2	46094-2	1 1/2	—	RT650; Volvo, r/b 45029-2
338-789	423447C1	423447C1	1 1/4	.91	Fleetstar, Transtar, Paystar

Component Charts

Chart Continues on Page 329

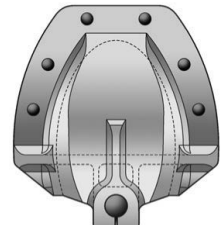
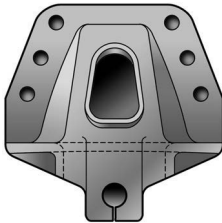
Front - No. 1 Spring Hanger *Continued*

Clamp Mount - Single Lock *Continued*



Part No.	Cast. No.	Hend. No.	Pin Dia.	Offset	Comments
338-790	423448C1	423448C1	1 1/4	.66	Fleetstar, Transtar, Paystar w/Invert. L
338-791	423449C1	423449C1	1 3/8	.66	Fleetstar, Transtar, Paystar w/Invert. L
338-792	423450C1	423450C1	1 3/8	.91	Fleetstar, Transtar, Paystar
338-793	423451C1	423451C1	1 3/8	.66	Fleetstar, Transtar, Paystar w/Dbl. C
338-794	423452C1	423452C1	1 1/4	.66	Fleetstar, Transtar, Paystar w/Dbl. C
338-795	469822C1	469822C1	1 1/4	.91	S-Series 1600-2600, 9670
338-797	469824C1	469824C1	1 3/8	.91	S-Series 1600-2600, 9670
338-796	469823C1	469823C1	1 1/4	.60	S-Series 1600-2600, 9670 Full C/Dbl C
338-798	469823C1	469825C1	1 3/8	.60	S-Series 1600-2600, 9670 Full C/Dbl C

Clamp Mount - Double Lock



RT650

Part No.	Cast. No.	Hend. No.	Pin Dia.	Offset	Comments
SP	46840	50180	1 1/4	—	
338-1213	46840	46841-1	1 3/8	.91	R/B 338-1275; Ford
338-748	46840	46841-2	1 3/8	.91	R/B 338-1276
338-842	46840	46841-3	1 3/8	.91	R/B 338-1277; Peterbilt
SP	46842	50188	1 1/4	—	
338-1212	46842	46843-1	1 3/8	.61	R/B 338-1281; Ford
338-716	46842	46843-3	1 3/8	.61	R/B 338-1282
338-1273	46842	46843-4	1 3/8	.61	R/B 338-1283; Freightliner
SP	47868	50184	1 1/4	—	
338-1272	47868	47874-1	1 3/8	.75	R/B 338-1280; Mack/Volvo
338-1275	50180	50181-1	1 3/8	.91	Ford; 3/4" Bolts
338-1276	50180	50181-2	1 3/8	.91	5/8" Bolts
338-1277	50180	50181-3	1 3/8	.91	Peterbilt
338-1278	50180	50181-4	1 3/8	.91	Navistar
338-1279	50180	50181-5	1 3/8	.91	Mack
338-1280	50184	50185-1	1 3/8	.75	Mack/Volvo
338-1921	50184	50185-2	1 3/8	.75	Freightliner
338-1975	50184	50185-3	1 3/8	.75	Mack
338-1281	50188	50189-1	1 3/8	.61	Ford
338-1282	50188	50189-3	1 3/8	.61	
338-1283	50188	50189-4	1 3/8	.61	Freightliner; Repl. by 338-1284
338-1284	50188	50189-6	1 3/8	.61	Navistar
SP	59754	59755-1	1 3/8	—	Volvo
SP	45789	45790-1	1 1/2	—	RT650; Crane Carrier, GM, Oshkosh, P'bilt, Volvo, F'liner
SP	45789	45790-2	1 1/2	—	RT650; Peterbilt
SP	45789	45790-3	1 1/2	—	RT650; Peterbilt
SP	45789	45790-4	1 1/2	—	RT650; Volvo
SP	46548	46549-1	1 1/2	—	RT650; Oshkosh, Peterbilt, Volvo
SP	46548	46549-2	1 1/2	—	RT650; Ford, GM
SP	46548	46549-3	1 1/2	—	RT650; International, Volvo
SP	46548	46549-4	1 1/2	—	RT650; Freightliner, Western Star
SP	46548	46549-5	1 1/2	—	RT650; GM, International
SP	46548	46549-6	1 1/2	—	RT650; Kenworth
SP	46548	46549-7	1 1/2	—	RT650; Volvo
SP	46548	46549-8	1 1/2	—	RT650; Peterbilt

Rear - No. 2 Spring Hanger

Flange Mount

Part No.	Cast. No.	Hend. No.	Offset	Comments
338-1584	04667	57334	.84	Obsolete
SP	05811	05811	—	Obsolete
338-1585	09171	09171	.59	Obsolete
SP	25846	25846	—	Obsolete
SP	25846	30843	—	No Holes, Bottom Flange; Obsolete
SP	45178	45179	—	Obsolete
SP	09474	—	—	RT650; Obsolete

Flange Mount - 2 Bolt Pattern

Part No.	Cast. No.	Hend. No.	Offset	Comments
338-187	27268	21655-4	.61	
SP	27268	29437-2	.61	Mack

Flange Mount Extended Leaf - 2 Bolt Pattern

Part No.	Cast. No.	Hend. No.	Offset	Comments
338-182	30173	28054-1	.61	
SP	30173	28054-3	.61	Brockway

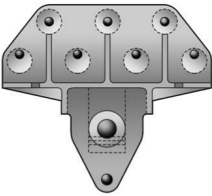
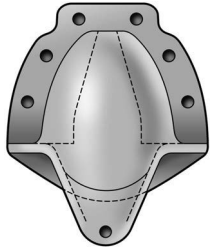
Web Mount

Part No.	Cast. No.	Hend. No.	Offset	Comments
338-150	31014	31125-1	.85	
SP	31014	35395-1	.85	Dodge
338-133	31027	31129-1	.91	
SP	31027	35910-1	.91	Dodge
338-151	33162	33164-1	.50	
SP	33162	35910-3	.50	
SP	35151-1	35152-1	—	GMC
SP	35151-1	35152-2	—	
SP	35151-1	35152-3	—	Dodge, Obsolete

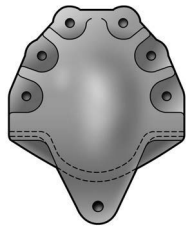
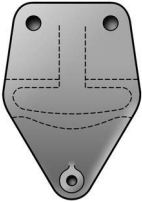
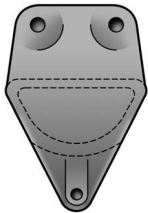
Web Mount Extended Leaf

Part No.	Cast. No.	Hend. No.	Offset	Comments
338-111	26753-1	26759-11	.61	RH
SP	26753-1	26759-3	.61	RH, 2 7/16" hole location
338-112	26753-2	26759-12	.61	LH
SP	26753-2	26759-4	.61	LH, 2 7/16" hole location
338-113	31015-1	31126-1	.91	LH
338-114	31015-2	31126-2	.91	RH

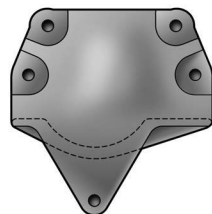
Hendrickson Truck



RT650

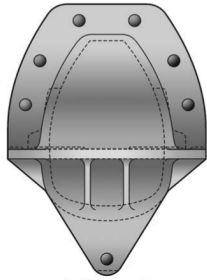
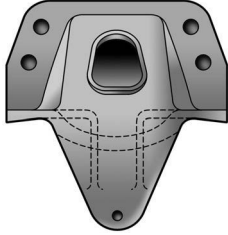


Component Charts

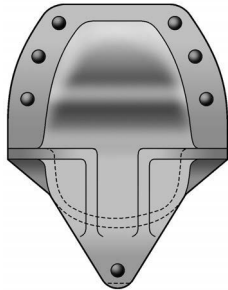


Rear - No. 2 Spring Hanger *Continued*

Clamp Mount

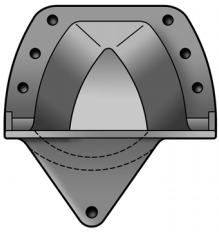


RT650



Severe Service

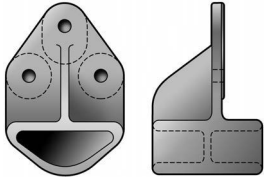
Part No.	Cast. No.	Hend. No.	Offset	Comments
338-134	20396	32517	.69	
338-135	24497	31347	.84	
SP	33796	Various	—	RT650; Obsolete
338-814	35399-1	35400-1	.91	International, Inv. L Reinf.
338-815	35399-2	35400-2	.91	International
338-816	35399-3	35400-3	.66	International, Full C Reinf.
338-129	43182, 47865, 49229-1	47875-1	.81	Mack, Volvo
338-130	45160, 46049, 47073	57625-3	.61	
338-128	45529	47076-2	.91	R/B 338-1825
SP	45529	45757-3	.91	AM General
338-1271	45529, 47075	57594-1	.91	Ford
338-1825	45529, 47075	57594-2	.91	
338-843	45529, 47075, 48581-1	57594-3	.91	Peterbilt
338-735	45732	45734	.91	International
338-736	45733	45735	.61	International
SP	45791, 50595	45792-1	—	RT650
SP	45791, 50595	45792-2	—	RT650; Peterbilt
SP	45791, 50595	45792-3	—	RT650; Peterbilt
SP	45791, 50595	45792-4	—	RT650; Volvo
338-1269	46049, 48592-1	57625-1	.61	Ford
338-1270	46049, 48592-1	57625-4	.61	Freightliner
SP	46550, 57795	46551-1	—	RT650; Oshkosh, Peterbilt, Volvo
SP	46550, 57795	46551-2	—	RT650; Ford, GM
SP	46550, 57795	46551-3	—	RT650, International, Volvo
SP	46550, 57795	46551-4	—	RT650, Freightliner
SP	46550, 57795	46551-5	—	RT650, GM International
SP	46550, 57795	46551-6	—	RT650, Kenworth
SP	46550, 57795	46551-7	—	RT650, Volvo
SP	46550, 57795	46551-8	—	RT650, Peterbilt
SP	47075	47073-3	.91	R/B 338-843
SP	47075	57594-4	.91	AM General
SP	47865	49230-1	—	Mack/Volvo, Severe Service
338-1269	48592-1, 57624-1	57625-1	.61	Ford, Severe Service
338-130	48592-1, 57624-1	57625-3	.61	Severe Service
338-1270	48592-1, 57624-1	57625-4	.61	Freightliner, Severe Service
338-1271	48581-1, 57593-1	57594-1	.91	Ford, Severe Service
338-1825	48581-1, 57593-1	57594-2	.91	Severe Service
338-843	48581-1, 57593-1	57594-3	.91	Peterbilt, Severe Service
338-129	49229-1	47875-1	.81	Mack/Volvo, Severe Service
338-1285	50182	50183-1	.91	Ford ¾" Bolts
338-1286	50182	50183-2	.91	
338-1287	50182	50183-3	.91	Peterbilt
338-1288	50182	50183-4	.91	International
338-1289	50182	50183-5	.91	Mack
338-1290	50186	50187-1	.75	Mack/Volvo
338-1742	50186	50187-2	.75	Freightliner
SP	50186	50187-3	.75	Mack
338-1291	50190, 59756	50191-1	.61	Ford ¾" Bolts
338-1292	50190, 59756	50191-3	.61	
338-1293	50190, 59756	50191-4	.61	Freightliner
338-1294	50190, 59756	50191-6	.61	International
SP	50190, 59756	59757-1	.61	Volvo



Clamp Mount Extended Leaf

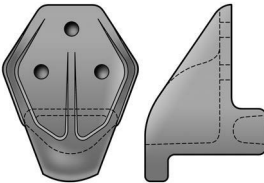
Part No.	Cast. No.	Hend. No.	Offset	Comments
338-109	24482-1, 34986-1	35016-11	.69	LH
338-110	24482-2, 34986-2	35016-12	.69	RH
SP	35401-1	35402-1	—	International
SP	35401-2	35402-2	—	International
SP	35401-3	35402-3	—	International
SP	35403-1	35404-1	—	International
SP	35403-2	35404-2	—	International
SP	35403-3	35404-3	—	International

Extended Leaf - No. 3 Spring Hanger



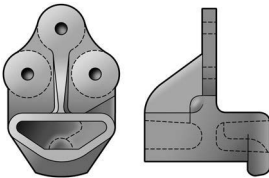
Without Axle Stop

Part No.	Cast. No.	Hend. No.	Comments
338-198	26727	27761-8	
338-115	26727, 34987	27761-6	
SP	45321	31042	Ford
SP	46278-1	46043	
SP	47313	47610	Ford



With Axle Stop Outboard

Part No.	Cast. No.	Hend. No.	Comments
338-747	46289-1	46331-1	
SP	46278-2	46331-2	Ford, GM
SP	46278-2	46331-4	Freightliner, GM
SP	46278-2	46331-6	Ford, GM
SP	46278-2	46331-8	Freightliner
SP	46278-3	46331-3	Gm, Western Star
SP	47313	46331-7	Ford, GM
SP	47313	46331-13	Peterbilt
SP	49251	46331-11	Ford, GM
SP	49251	46331-14	Peterbilt

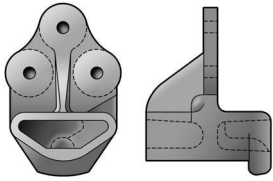


With Axle Stop Inboard

Part No.	Cast. No.	Hend. No.	Comments
SP	30248-1	30249-9	Volvo
SP	30248-2	30249-10	Volvo
SP	30248-2	30249-21	GM, Western Star
SP	30248-3	30249-11	Volvo
SP	30248-3	30249-15	Ford
SP	30248-3	30249-3	
338-116	30248-4	30249-4	
SP	30248-4	30249-7	GMC
SP	30248-5	30249-12	Volvo
SP	30248-5	30249-5	
SP	30248-6	30249-13	
SP	30248-7	30249-19	Ford
SP	35379-1	35398-1	International
SP	35379-2	35398-2	
SP	35379-3	35398-3	
SP	35379-5	35398-5	

Chart Continues on Page 333

Extended Leaf - No. 3 Spring Hanger *Continued*



With Axle Stop Inboard *Continued*

Part No.	Cast. No.	Hend. No.	Comments
SP	45812-1	45813-1	International
SP	45812-2	45813-2	
SP	45812-3	45813-3	
SP	45812-4	45813-4	
SP	45812-5	45813-5	
SP	45812-6	45813-6	
SP	45812-7	45813-7	
SP	45812-8	45813-8	

321-117



Bushing, Beam Center Rubber; Welded Plug; 2" I.D. x 3 5/8" O.D. x 12" Lg.; Models: Various

321-118



Bushing, Beam Center Rubber; Loose Plug; 2" I.D. x 3 5/8" O.D. x 12" Lg.

321-119



Bushing Beam Center; Rubber; **REPLACED by 321-117**; Model RS 340, RT/RTE 340, RT2/RTE2 340

321-120



Bushing, Beam End Rubber; 2 1/2" I.D. x 4 3/8" O.D. x 5 1/4" Lg.; Model RT340

321-124



Bushing, Beam Center Rubber; Welded Plug; 2 1/2" I.D. x 4 3/4" O.D. x 12" Lg.; Models: Various

321-126



Bushing, Beam End Rubber; 2 1/2" I.D. x 4 3/8" O.D. x 5 3/4" Lg.; RT380-460

321-128



Bushing, Beam Center Rubber; Welded Plug; 3" I.D. x 5 1/2" O.D. x 14 5/8" Lg.; Models RS 500/650, RT 650

321-129



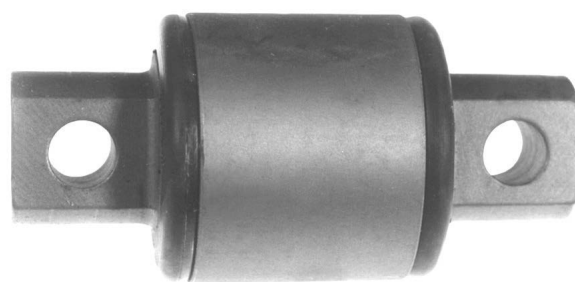
Bushing, Beam End Rubber; 3" I.D. x 4" O.D. x 6" Lg.; Model RT650

321-130



Module, Elastic; w/Internal Jounce Stop; Model V4

321-132



Bushing, Straddlemount; 2 3/4" O.D. x 4 3/8" C to C, 5/8" Bolts; Model HA, HAS

321-143



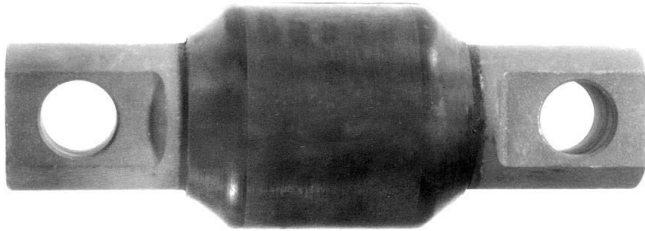
Bushing, Shear Spring; 3" I.D. x 6 15/16" O.D. x 3 5/8" Thk.; Model SR

321-162



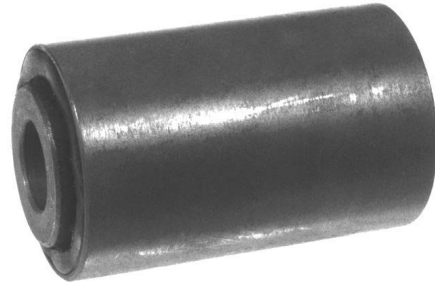
Bushing; 7/8" x 2" O.D. x 3" Lg.; Model E4, 340/380 Axle End

321-223



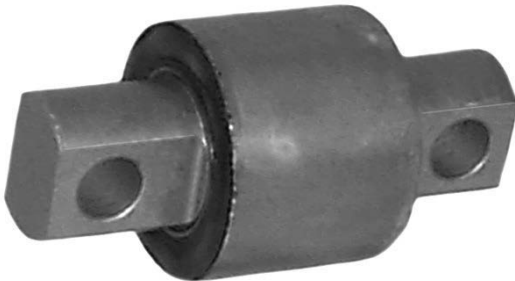
Bushing; 2" O.D. x 4 3/8" C to C, 5/8" Bolts; Model HA, HAS, E4, HFS

321-225



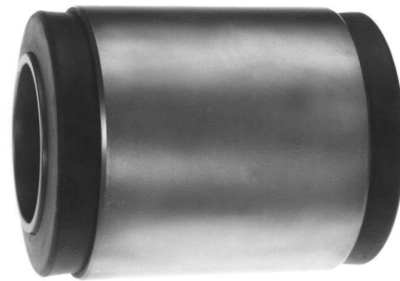
1" I.D. x 2 3/4" O.D. x 4 5/8" Lg.; Model E4, 340/360/380

321-238



3 1/2" O.D. 5 1/4" C to C, 7/8" Bolts; Model RT650

321-242



Bushing; 2 1/2" I.D. x 4 3/8" O.D. x 5 3/4" Lg.; RT480/520

321-243



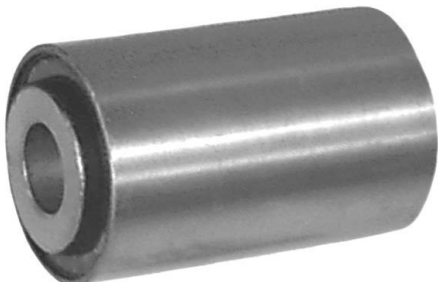
Bushing, Beam Center Rubber; Welded Plug; 2 1/2" I.D. x 4 3/4" O.D. x 12" Lg. High Confinement; Models AR2-400, R400, RS400, RT/RTE400

321-245



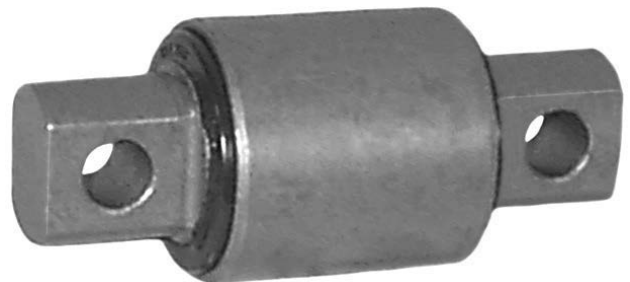
Bushing; 1" I.D. x 2 3/4" O.D. x 4 5/8" Lg.-Fully Bonded; Model E4, 400

321-246



Bushing; 7/8" I.D. x 2 3/8" O.D. x 3 1/8" Lg.-Fully Bonded; Model E4-400

321-279



Bushing; 2.46" O.D. x 4 3/8" C to C, 5/8" Bolts; Models HA, HAS

321-361



Ultra Rod Bushing, Taper Pin; OAL 6 5/8", Taper Length 1.85; Models Primaax, Primaax EX

321-366



Ultra Rod Bushing; 4 3/8" C to C, 3/4" Holes; Models Primaax, Primaax EX

321-387



Bushing, Pivot; 7/8" I.D.; Maxair "Twisted Sister"

321-388



Bushing, "D" Pin; 3/4" Holes; Models Primaax, Primaax EX

321-500



Bushing; 4 3/8" C/C x 5/8" bolts; Model Comfort Air, Primaax/Firemaxx, Primaax EX/Firemaxx EX

321-510



Bushing, Beam Center Rubber; Loose Plug; Models AR2 400/460, R400/480/520, RS 450/480/520, RT/RTE and RT2/RTE2

321-512



Bushing, "D" Pin; 7/8" bolts; 260/270; Models Primaax, Primaax EX

321-523



Bushing, Pivot; Improved durability; order 334-1698 or 1698A kit; Models Primaax, Primaax EX

322-102



Bushing Kit, Bronze Center; Model R, RS, RT/RTE, RT2/RTE2, T Series

322-103



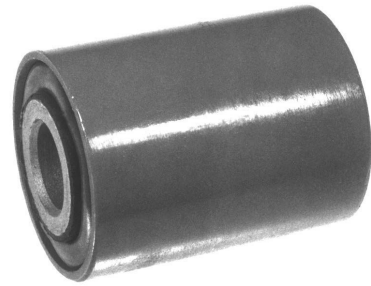
Bushing, Bronze Center; 3 1/2" ID x 4 3/4" OD x 5 7/8" Lg.; Model RT380-520; Use w/334-114

322-107



Bushing Kit, Bronze Center; 322-108 Bushing, 334-136 Sleeve; Model RS 500/650, RT650

323-167



Bushing; 7/8" I.D. x 2 3/8" O.D. x 3 1/8" Lg.; Model E4, 340/360/380

325-100



Load Cushion, Oil Resistant; 70 Durometer; Model RS 340

325-103



Load Cushion, Color Code Orange; 60 Durometer; Model RS

325-104



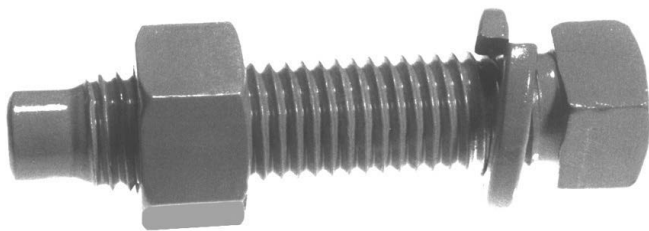
Load Cushion, Color Code Yellow; 70 Durometer; Model RS

327-514



Pin assembly, Rebound; 5/8" x 4 7/8" Lg.; Incl. Cotter Pin and Flat Washer; Model HFS

334-101



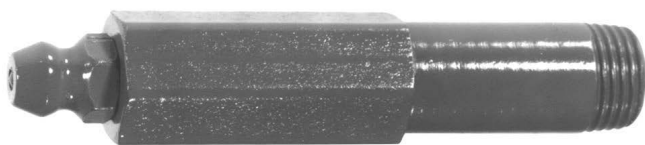
Set Screw Assembly; 3/4" x 10" x 3 1/4" Lg.; Includes Nut and Lock Washer, Use w/ 338-108 Top Pad; Model RT

334-105



Seal; 2 11/16" I.D. x 3 5/8" O.D. x 1/4" Thk.; Use w/ Bronze Center Bushings; Included in 322-104 Center Kit; Model RS 340, RT/RTE 340, RT2/RTE2 340

334-107



Fitting, Grease; 2 5/8" Lg., 1/8"-27 NPT; Use w/ Bronze Center Bushed Walking Beams; Model R, RS, RT, T Series

334-108



Adapter Kit, Solid Adapters; Use w/321-120 Bushing (5 1/4"); Model RT340

334-109



Adapter Kit, Solid Adapters; Use w/321-126 Bushing (5 3/4"); Model RT340 - 400

334-110



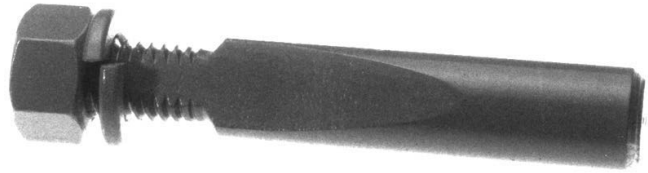
Adapter Kit, Solid/Split Ring Adapters; Use w/321-120 Bushing (5 1/4"); Model RT340

334-111



Adapter Kit, Solid/Split Ring Adapters; Use w/321-126 Bushing (5 3/4"); Model RT440 - 480

334-112



Pin Assembly, Lock; 5/8" O.D. x 3 1/8" Lg., 1/2"-13 Thread; Includes Nut and Lock Washer; Model RT

334-115



Seal; 3 7/16" I.D. x 4 3/4" O.D. x 1/4" Thk.; Use w/ Bronze Center Bushings; Included in 322-102 Center Kit; Models R, RS, RT

334-117



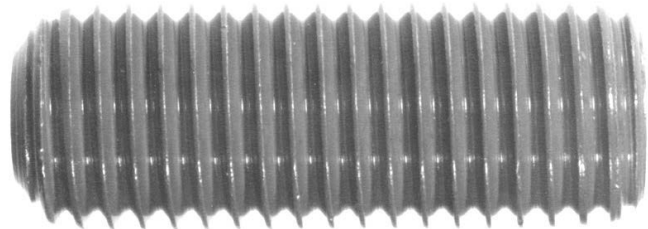
Washer; 1 9/16" I.D. x 3 1/4" O.D. x 3/16" Thk.; Model RS, AR

334-119



Clamp, Module; 2" Wd. x 1 5/8" Lg. x 3/4" Ht, 11/16" Hole; Model V4

334-129



Screw, Set; 3/4"-10 x 2" Lg.; Use w/ 338-167 Top Pad; Model RT650

334-135



Seal; 4" I.D. x 5 1/2" O.D. x 3/8" Thk.; Model T Series

334-138



Adapter Kit, Solid Adapters; Adapter Style; Use w/321-129 Bushing; RT500/650

334-141



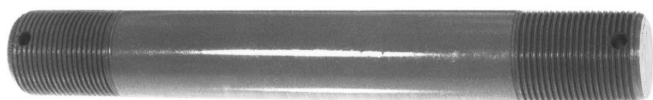
Adapter Kit w/Tube & Nut; 3"OD x 9 3/4"Lg. x 3"-12 Thread; Use w/321-129 Bushing; RT500/650

334-145



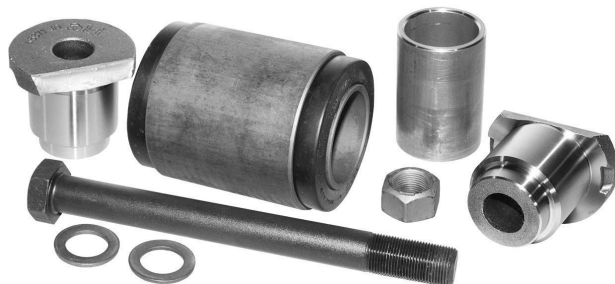
Control Kit; Rebound; Incl. (2) Bumpers, (2) Nuts; RS Series

334-179



Shaft, Beam End; 1 3/8" O.D. x 9 5/8" Lg., 1 3/8"-12 Thread; Use w/ Bronze Beam End Bushings; Included in 334-184 Shaft Kit and 334-440/440A Bronze End Kit; Model RT/RTE 441/480, T Series

334-428



Bushing & Adapter Kit; Incl. 321-242 Bushing, 334-467 Adapter; Model RS 380/400/440/460

334-429



Incl. 321-126 Bushing, 334-467 Adapter

334-430



Use w/ Bronze Beam End Bushings; Included in 334-184 Shaft Kit and 334-440/440A Bronze End Kits

334-440



Bushing & Adapter Kit; 4 Beam Ends; Use 334-440A for 1 Beam End; Model AR2

334-467



Adapter Kit; Use w/321-126 or 321-242 Bushings; 10 1/2" Bolt; Model AR2, RS, RT/RTE, RT2/RTE2

334-525



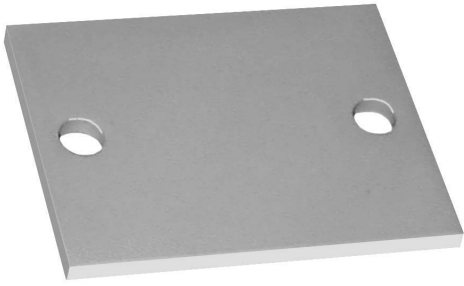
Lock Strip, Shackle Bolt; Use w/ 338-764/765 Shackles and 334-616 Bolts; Model E4

334-526



Shim; 1/16" Thk, 4 3/8" C to C; Models HA, HAS, E4, HFS

334-638



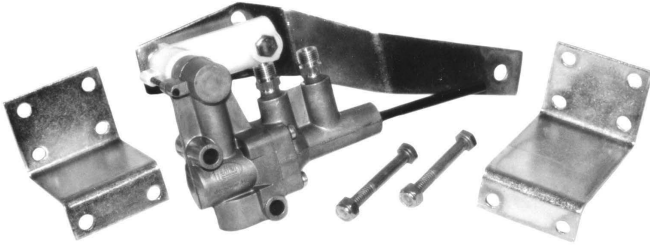
Plate, Reinforcement; Use w/ 338-181 Torque Rod Bracket; Model: Various

334-711



Stud Assembly; 5/8"-11 x 4" Lg.; Model HA, E4, 360/400, HFS

334-750



Universal Height Control Valve; Use w/ 334-751 Linkage; Models: Various

334-751



Universal Adjustable Linkage, 3 5/8"-19 5/8"; Use w/ All Height Control Valves; Models: Various

334-830



Service Kit, Bar Pin Bushing; Non Shim; Incl. Bar Pin Bushing & Mounting Hdwe.; Model: Various

334-831



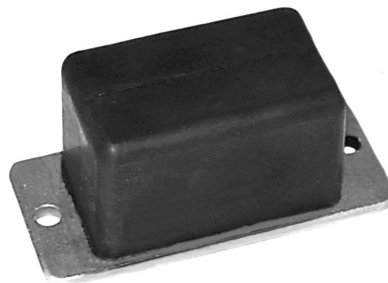
Service Kit, Bar Pin Bushing; Shim Type; Incl. Bar Pin Bushing, Alignment Shims & Mounting Hdwe.; Model: Various

334-833



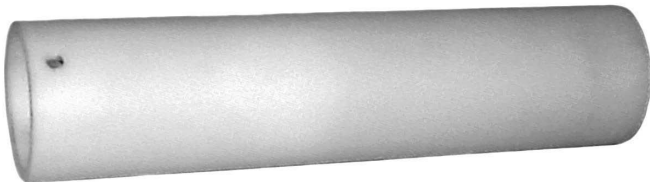
Service Kit, Wear Pad; Bolt on Wear Pad & Mounting Hdwe.; Old Style; Use w/ 338-1257 Hanger; Model HAS 360

334-848



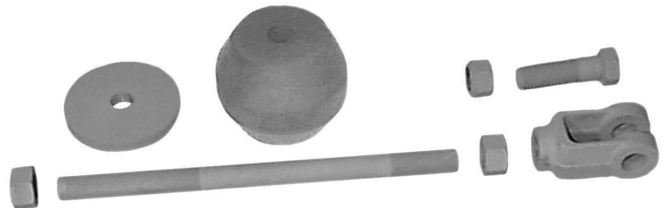
Service Kit, Rebound Stop; Includes Stop and Mounting Hardware; Model HN/HNT 460

334-849



Sleeve, Nylon; Model HN/HNT 460 - 3/96-9/97 Production

334-850



Service Kit, Rebound Control; Model HN/HNT 460

334-852A



Bolster Spring - Matched Pair; 2 pair per suspension, Replace in pairs only; Use w/ 334-1299 Bolt Assy.; Model HN

334-879



Shim; 3/16" Thk.; Included in 334-831 Bushing Kit; Model: Various

334-880



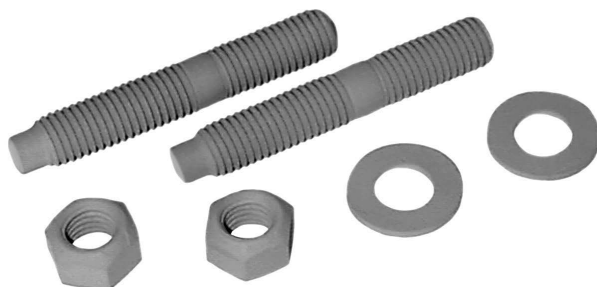
Shim; 1/8" Thk.; Included in 334-831 Bushing Kit; Model: Various

334-881



Shim; 3/8" Thk.; Included in 334-831 Bushing Kit; Model: Various

334-931



Stud Assembly, Axle Seat; 5/8"-11 Studs; Model HAS

334-1115



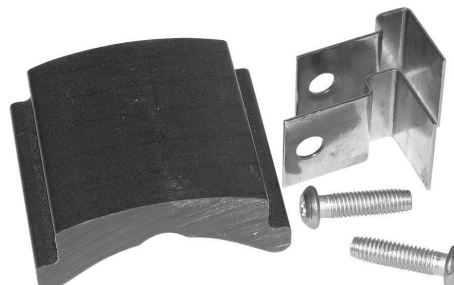
Bolt Assembly, Shock Absorber; 3/4" Dia., 1/2"-13 Threads; Model HA

334-1125



Bearing Ring; Model RS

334-1602



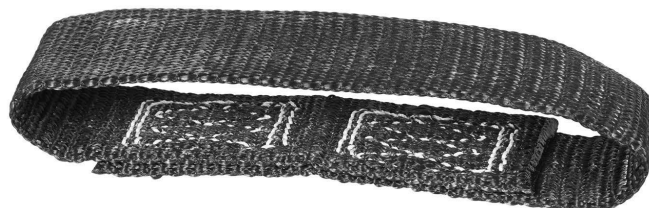
Wear Pad Kit; Early, Clip Type; Models HAS400/402/460/40LH

334-1603



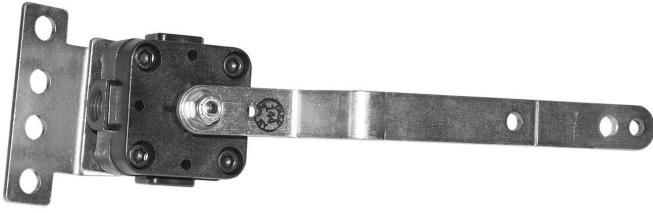
Wear Pad Kit; Current, Pin Type; Model HAS

334-1634



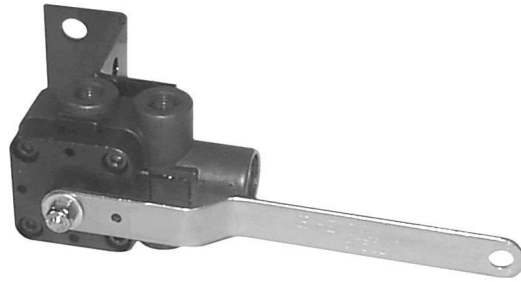
Strap, Rebound; Model Haulmax

334-1647



Valve, Height Control; Universal; Replaces 334-714/715; Models: Various

334-1648



Valve, Height Control; w/Dump; Zero Delay w/Clamp; Models: Various

334-1689



Service Kit, QUIK-ALIGN; Use w/321-387 Bushing; Model Maxair

334-1690



Service Kit, QUIK-ALIGN w/Bushing; Incl. 321-387 Bushing; Model Maxair

334-1692



Valve, Height Control; Model Maxair; Mack Only

334-1693



Collar, Eccentric Alignment; Model Maxair

334-1694



Collar, Concentric Alignment; Model Maxair

334-1695



Washer, Conical U-Bolt; 3/4"; Model HAS, Comfort Air

334-1698



Service Kit, Pivot Bushing; Cast hgrs, incl. alignment collars (1 axle); Incl.; 321-387 Bushings; Model Primaax - Standard

334-1699



Service Kit, Alignment; Cast hgrs, 1 beam end, less bushing; Use w/321-387 Bushings; Model Primaax - Standard

334-1703



Bracket, Air Spring; Model Primaax

334-1705



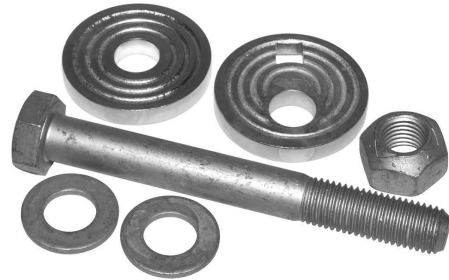
Service Kit, Pivot Bushing; Incl. 334-1706, 321-387 Bushings; Model Primaax - Fabricated Hangers

334-1706



Service Kit, Alignment; 1 beam end, less bushing; Model Primaax - Fabricated Hangers

334-1707



Service Kit, Torque Rod Alignment; incl. 334-1708 & collars - 1 wheel end; Model Primaax - Fabricated Hangers

334-1710



Service Kit, Alignment; 1 kit per axle; Model Comfort Air

334-1711



Service Kit, Torque Rod Alignment; Fabricated hangers, incl. 334-1708 & collars - 1 wheel end; Model Comfort Air

334-1713



Bracket Assembly, Shock Absorber; ex "L" models; Incl. Shank bolt, hardware; Incl. 334-1117; Model Comfort Air

334-1714



Collar, Concentric Alignment; Model Comfort Air; Concentric

334-1715



Collar, Eccentric Alignment; Model Comfort Air; Eccentric

334-1716



Valve, Height Control; Includes Linkage; Model Comfort Air

334-1717



Bracket, HCV Linkage; Model Comfort Air, Front Engine

334-1718



Bracket, HCV Linkage; Model Comfort Air, Rear Engine

334-1719



Wear Plate; Haulmaax

334-1720



Auxiliary Spring Kit; Model Haulmaax

334-1722



Strap Kit, Rebound; Model Haulmaax

334-1726



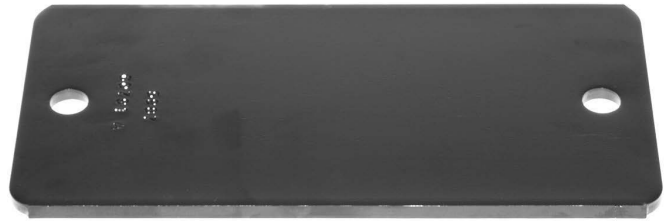
Retrofit Kit, Shock Absorber; 17 1/2" - 18 1/2" saddle ht.; Model Haulmaax

334-1727



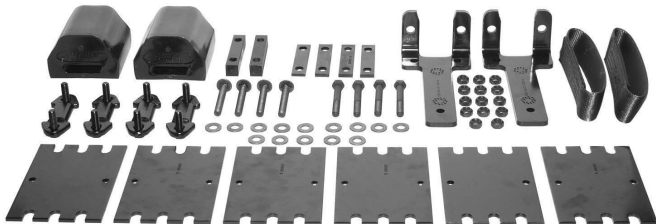
Service Kit, Bolster Spring; Model Haulmaax; HMX 400 r/b 334-2035

334-1728



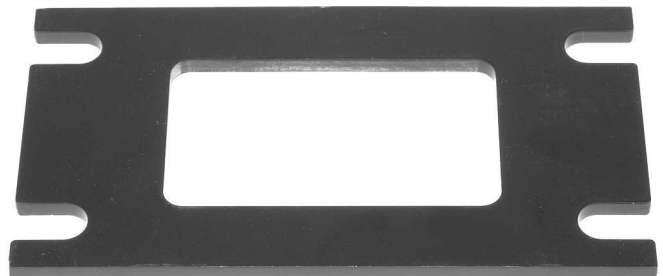
Shim, Auxiliary Spring; 1/4" Thk.; Model Haulmaax

334-1791



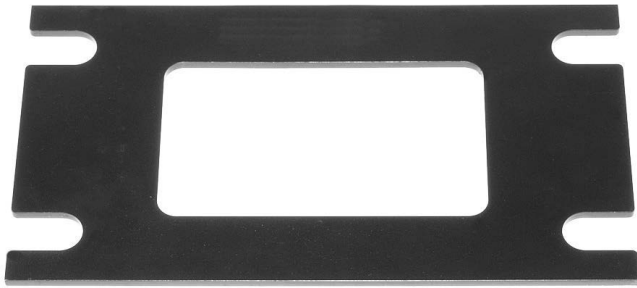
Service Kit, Auxiliary Spring; Retrofit/replacement >9/98; Model HN Series

334-1798



Spacer; 1/4"; Model HN Series (After 2/96); 1/4" Thk.

334-1799



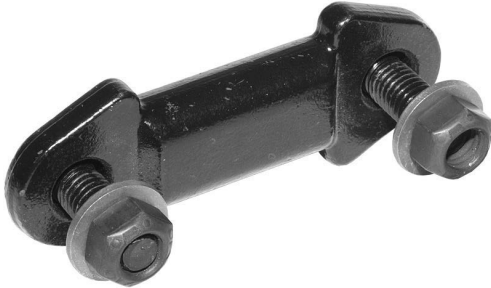
Spacer; 1/8"; Model HN Series (After 2/96)

334-1800



Plate, Anchor; Models HN402/462/522 - 4/96-8/98 Production

334-1801



Plate, Anchor; Incl in 334-1791; Models HN402/462/522 >9/98

334-1845



Service Kit, Bolster Spring; HMX 460 r/b 334-2036; Model Haulmaax

334-1875



Service Kit, Standard Hanger Re-Bush/Alignment; 7 1/2" bolt; Model Maxair

334-1876



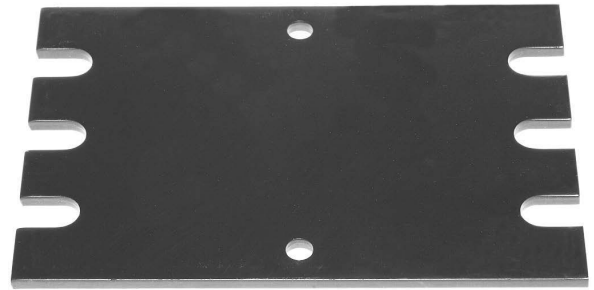
Service Kit, Aluminum Hanger Re-Bush/Alignment; 8" bolt; Model Maxair

334-1894



Auxiliary Spring Assembly; Model HN 402, Haulmaax

334-1895



Shim, Mounting; Model HN 402

334-1930



Bracket Assembly, Upper Shock Absorber; Model HAS

334-1957



Service Kit, Rotating Bar Pin Bushing; Shim Type; Models AR2, Haulmaax, HN, R400/460/480/520

334-1968



Service Kit; Progressive Rate Auxiliary Spring; Model Haulmaax

334-2008



Bracket Assembly, Shock Absorber; Model HAS

334-2028



Tool, Pivot Bushing Replacement; Model Primaax

334-2029



Service Kit, Progressive Load; Single; Single side progressive replacement; Model Haulmaax

334-2030



Service Kit, Progressive Load; Tandem Weight Bias; Tandem standard / progressive replacement; Model Haulmaax

334-2031



Service Kit, Progressive Load; Tandem; Tandem progressive replacement or conversion; Model Haulmaax

334-2035



Service Kit w/ Wear Plate; Model Haulmaax 400

334-2036



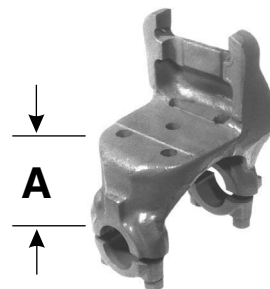
Service Kit w/ Wear Plate; Model Haulmaax 460

338-108



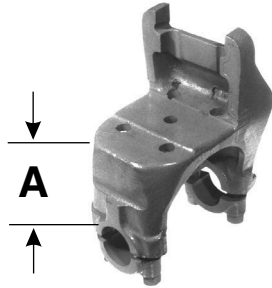
Top Pad; Use w/ 334-101 Set Screws; Model RT

338-117



Saddle Assembly; "A" = 6 3/4"; Casting Number 6611, 45629; Model RT

338-118



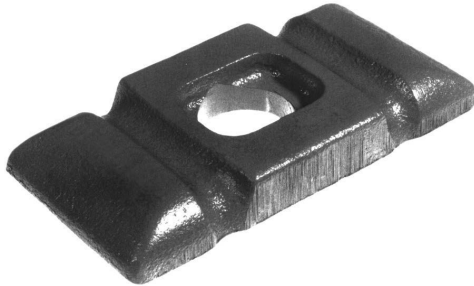
Saddle Assembly; "A" = 7 3/16"; Casting Number 7979, 46138; Model RT

338-123



Saddle Cap; 4" C/C, x 1" Dia.; Models AR, RS, RT/RTE, SR, V4; 340 Models

338-124



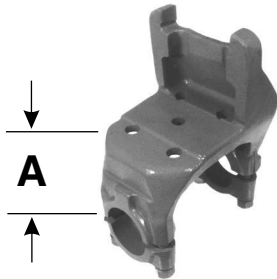
Top Pad; Model RU

338-127



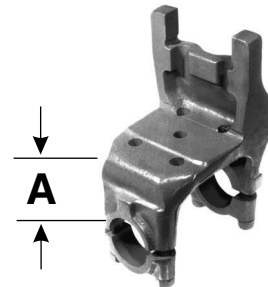
Saddle Cap, 4" C/C x 13/16" Holes; Model RU

338-143



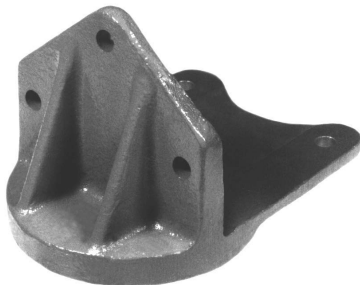
Saddle Assembly, Low Back; "A" = 6"; Includes 338-148 Cap and 334-174 Studs; Casting #6658, 42933, 13088-2; Model RT400

338-144



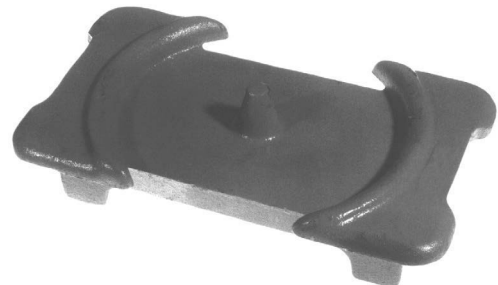
Saddle Assembly, High Back; "A" = 6"; Includes 338-148 Cap and 334-174 Studs; Casting #45605, 35208-1; Model RT460

338-156



Hanger, Overload; 34" Frames; Use w/ 325-100 Cushion; Optional; Model RS

338-158



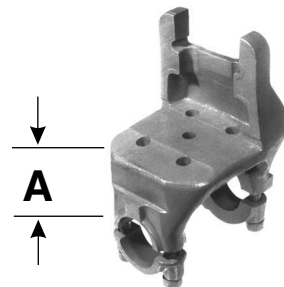
Saddle Plate, Overload Cushion; Use w/ 325-100 Cushion; Optional; Model RS

338-160



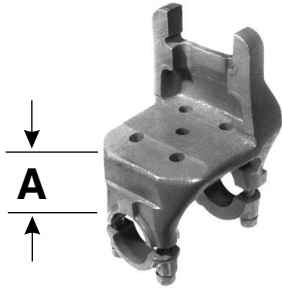
Cap, Saddle Bushing Retainer; Models AR, RS

338-161



Saddle Assembly; "A" = 6"; Reinforced Casting #32796, 3088-2, 35208-1; Includes 338-148 Cap, 334-174 Studs; Model RT441/480

338-162



Saddle Assembly, High Back; "A" = 7 3/16"; Casting #47665, 47476, 32102-1; Includes 338-148 Cap and 334-174 Studs; Model RT450/480/520

338-163



Hanger, Undrilled; Casting #21283-1; Includes Washer and Nut; Model SR

338-167



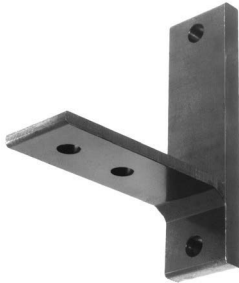
Top Pad; Use w/ 334-129 Set Screws; Model RT650

338-168



Saddle Cap; 5 1/2" C/C x 1" Bolt Holes; Model RT650

338-171



Hanger; Obsolete; Model V4

338-172



Stop; Obsolete; Model V4

338-181



Bracket, Track Rod/Frame; 4 3/8" C to C, 5/8" Bolts; Use w/ 334-638 Reinforcement Plate

338-760



Hanger, Front; Casting #47431, 49723, 56672; Use w/ 334-527 Rebound Kit, 334-874 Wear Pad Kit; Model HA, E4, HFS

338-761



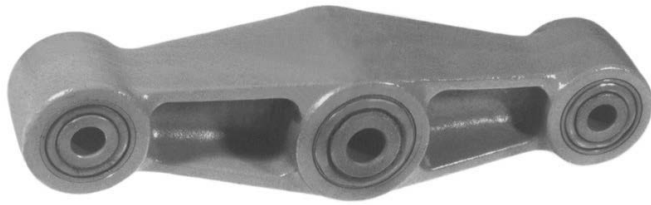
Hanger, Front; Casting #47433, 50642; Use w/ 334-522 Equalizer Bolt Assy.; Model E4

338-762



Hanger, Rear; Casting #48991; Use w/ 334-527 Rebound Kit; Model E4

338-763



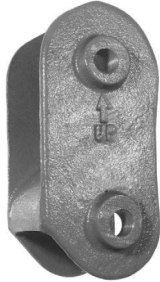
Equalizer Assembly; Includes 321-225 Center Bushing and 323-167 End Bushings; Use w/ 334-522 Equalizer Bolt Kit; Model E4 340/360/380

338-764



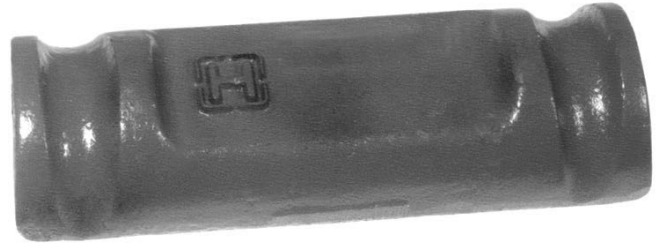
Shackle; Casting #47439; Use w/ 334-616 Bolt and 334-525 Lock Strip; LHF/RHR; Model E4

338-765



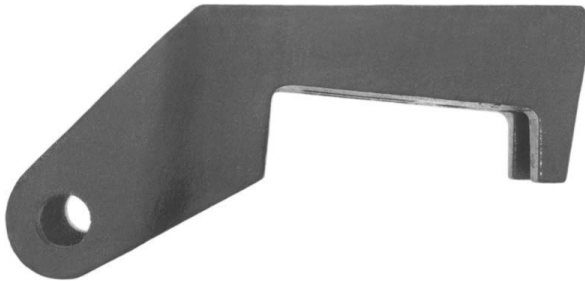
Shackle; Casting #47439; Use w/ 334-616 Bolt and 334-525 Lock Strip; LHF/RHR; Model E4

338-766



Saddle, U-Bolt; 3" Wd. x 8 1/4" Lg., 6 1/2" C to C; Model E4

338-767



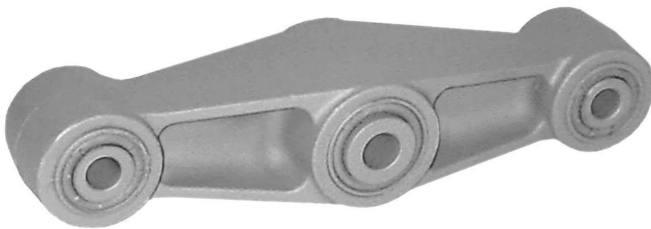
Bracket, Torque Rod Seat; Casting #47961; 5.25° Pinion Angle, Front; Model E4 340/380

338-768



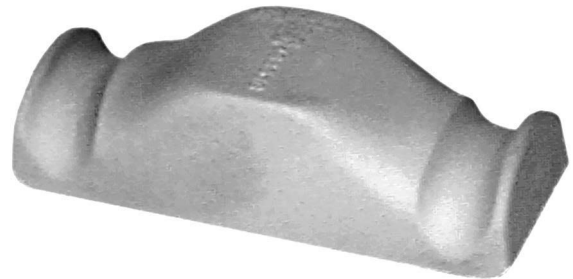
Bracket, Torque Rod Seat; Casting #47982, 47962; 8.00° Pinion Angle; Model E4 360/400

338-1138



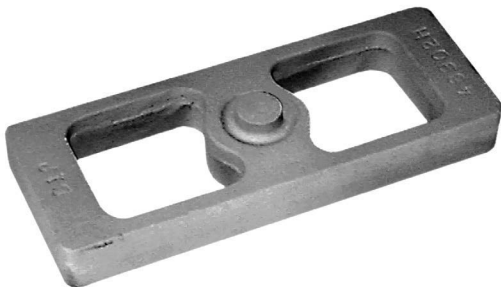
Equalizer Assembly; Includes 321-245 Center Bushing and 321-246 End Bushings; Use w/ 334-522 Equalizer Bolt Kit; Model E4 400

338-1139



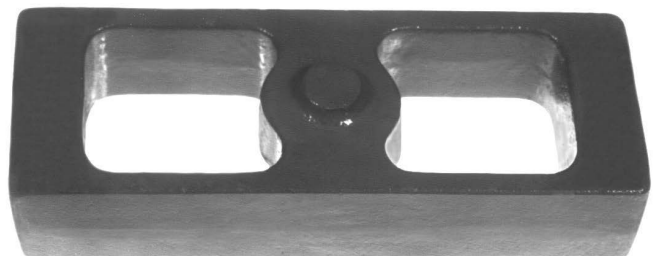
Saddle, U-Bolt; For Round Bend U-Bolts; Model HA

338-1140



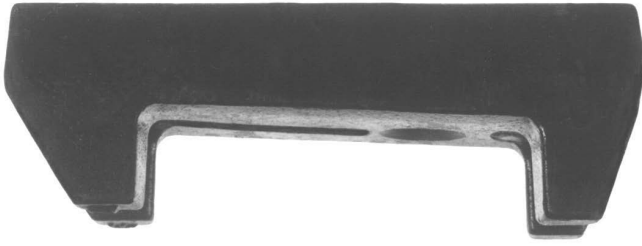
Spacer; 1" Thk.; Model HA, HAS, E4, HFS

338-1141



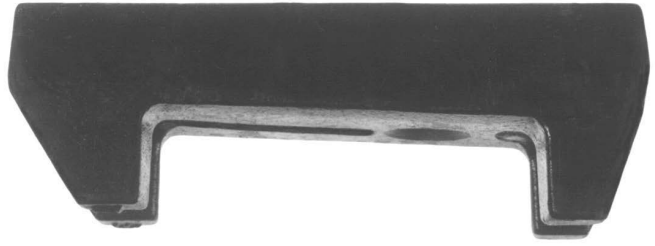
Spacer; 1 1/2" Thk.; Model HA, HAS, E4, HFS

338-1142



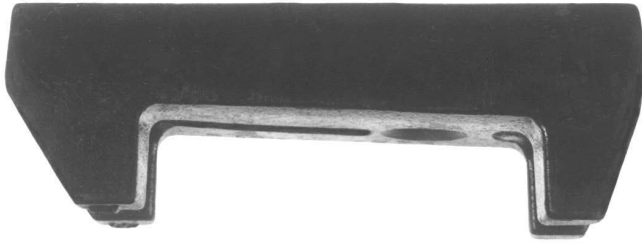
Seat; Casting #48657; 2.25° Pinion Angle, Front; Model E4, HA 360/400

338-1143



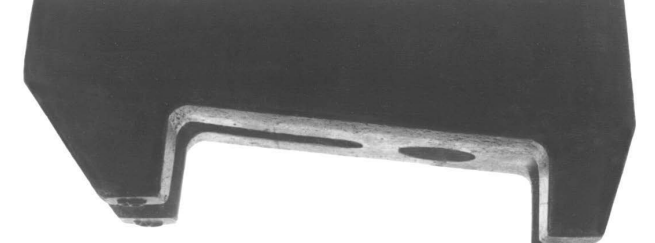
Seat; Casting #48692; 3.25° Pinion Angle, Front; Model E4, HA 360/400

338-1144



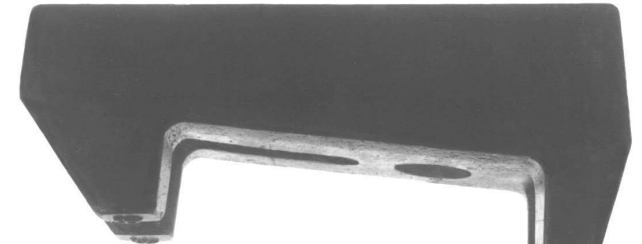
Seat; Casting #48630; 4.00° Pinion Angle, Front; Model E4, HA 360/400

338-1145



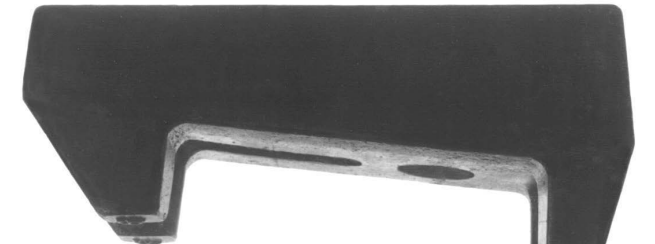
Seat; Casting #49143; 6.50° Pinion Angle, Rear; Model E4, HA 360/400

338-1146



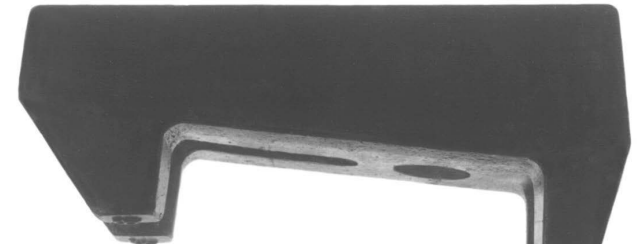
Seat; Casting #48658; 9.50° Pinion Angle, Rear; Model E4, HA 360/400

338-1147



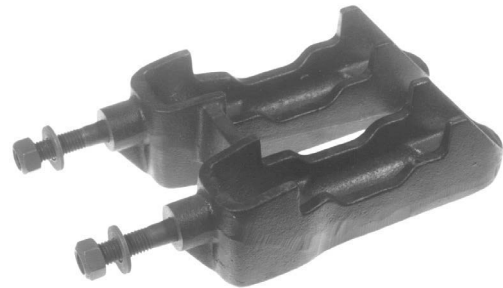
Seat; Casting #48658; 10.50° Pinion Angle, Rear; Model E4, HA 360/400

338-1148



Seat; Casting #48643; 12.00° Pinion Angle, Rear; Model E4, HA 360/400

338-1150



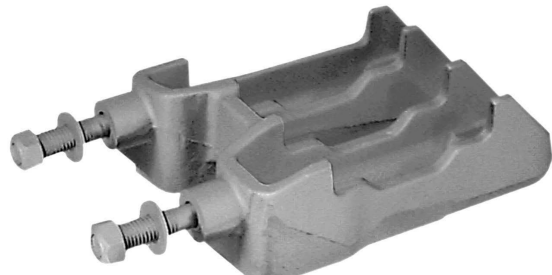
Bottom Plate; ; LHF/RHR, 0°-9° Pinion Angle, Casting #48810; Includes 334-711 Stud Assy.; Model E4, HA 360/400

338-1151



Bottom Plate; ; RHF, 0°-9° Pinion Angle, Casting #48811; Includes 334-711 Stud Assy.; Model E4, HA 360/400

338-1152



Bottom Plate; LHR, 0°-9° Pinion Angle, Casting #48812; Includes 334-711 Stud Assy.; Model E4, HA 360/400

338-1153



Bottom Plate; LHR, 9-1/2°-12° Pinion Angle, Casting #48916; Includes 334-711 Stud Assy.; Model E4, HA 360/400

338-1154



Bottom Plate; RHR, 9-1/2°-12° Pinion Angle, Casting #48919; Includes 334-711 Stud Assy.; Model E4, HA 360/400

338-1208



Hanger; Use w/ 325-100 Cushion; 34-1/2" Frames; Model RS

338-1257



Hanger Assembly; Casting #49898, 56666; Includes 334-833 Wear Pad Kit; Model HAS 360

338-1259



Equalizer Assembly; Casting #49801-2, Includes 321-225 Bushing and 334-1118 Rebound Assy.; Use w/ 334-522 Equalizer Bolt Kit; Model HFS 360-40LH

338-1260



Equalizer Assembly; Casting #49801-2, Includes 321-245 Bushing and 334-118 Rebound Assy.; Use w/ 334-522 Equalizer Bolt Kit; Model HFS 400

338-1261



Saddle, U-Bolt; 3" Wd. x 8 1/4" Lg.; Replacement for Top Plates Attached to Spring w/ Center Bolt; Model E4, HFS

338-1264



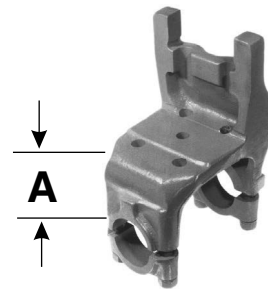
Hanger, Front; Casting #49848, 56666-1; Use w/ 334-527 Rebound Kit; Model HFS 360

338-1265



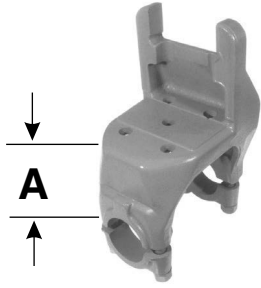
Hanger, Front; Casting #50291, 56669-1; Use w/ 334-527 Rebound Kit; Model HFS 40/40LH

338-1398



Saddle Assembly, High Back; "A" = 7 3/16"; Casting #57155; Includes 338-148 Cap and 334-174 Studs; Model RT463 w/6.57"-7.32" Spring Pack

338-1399



Saddle Assembly, Low Back; "A" = 7 3/16"; Casting #57143; Includes 338-148 Cap and 334-174 Studs; Model RT403 w/5.25"-7.00" Spring Pack

338-1560



Saddle, U-Bolt; 3" Wd. x 8 1/8" Lg.; Model HAS

338-1564



Hanger, Center; Casting #56675; Use w/ 334-522 Equalizer Bolt Assy.; Model HFS

338-1565



Hanger; Rear; Casting #49954; Use w/ 334-527 Rebound Kit; Model HFS

338-1828



Hanger Assembly, Front; Casting No. 57188-1; Replaces 57190-1 & 50752-1 (338-1258); Model HAS

338-1831



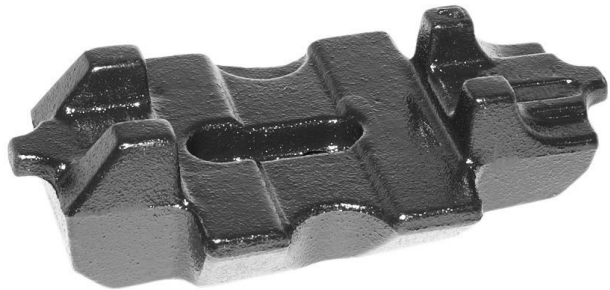
Cap, Saddle; Model AR 380

338-1833



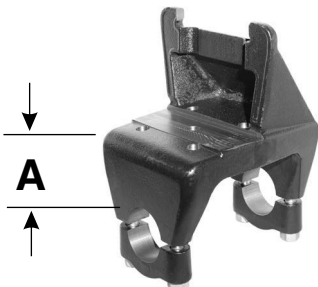
Hanger; Mack Only; 17.5 mm Holes; Model HAS

338-1868



Seat; 5° Pinion Angle, Front of Rear; Replaces 338-1149; Model E4, HA360/400

338-1899



Saddle Assembly; "A" = 7 1/8"; Casting No's 15784, 46895; Model RT650

338-1924



Hanger; Use w/334-1710 Alignment Service Kit

338-1925



Saddle, U-Bolt; Model Maxair - "Twisted Sister"

338-1926



Bracket, LH Shock Absorber; Model Maxair

338-1927



Bracket, LH Shock Absorber; Model Maxair

338-1928



Hanger; Cast, Standard 8.5-10" rd.ht.; Use w/334-1699 Alignment Service Kit; Model Primaax - Standard

338-1929



Cap, Cross Beam End; Use w/334-1704 Bolt; Model Primaax

338-1930



Hanger; Use w/334-1698 Alignment Service Kit; Model Comfort Air

338-1931



Saddle Assembly; >01/13/03; Model Haulmaax - 400 Series

338-1932



Saddle Assembly; >01/13/03; Model Haulmaax - 460 Series

338-1933



Plate, Auxiliary Spring Contact; Model Haulmaax

338-1934



Bracket, Auxiliary Spring; Model Haulmaax

338-1956



Bracket, Saddle "V"; Model HN

338-1998



Bottom Plate; 10°-14° Pinion; LHR - MeritorSSHD, RT46-157; Dana D402/403/451; Model HAS

338-1999



Bottom Plate; 10°-14° Pinion; RHR - MeritorSSHD, RT46-157; Dana D402/403/451; Model HAS

338-2028



Equalizer Assembly; Fabricated; Incl. 321-176 Bushing; 50" Axle Spacing; Replaces 338-472; Model 7600TD

338-2045



Beam Assembly; 54" w/o Shocks; Incl. 334-831 bushings; Model Haulmaax

338-2048



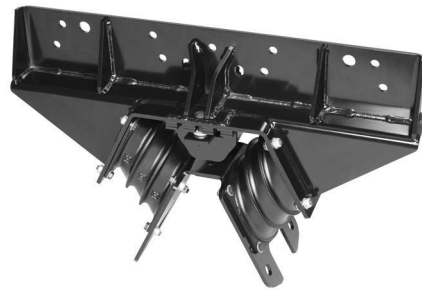
Beam Assembly; 54" w/ Shocks; Incl. 334-831 bushings; Model Haulmaax

338-2057



Bracket, Top Plate; 230/240 w/drum brake, ex IH; Model Primaax/Firemaax

338-2080



Saddle Assembly; 9.5"; Model HN462

338-2115



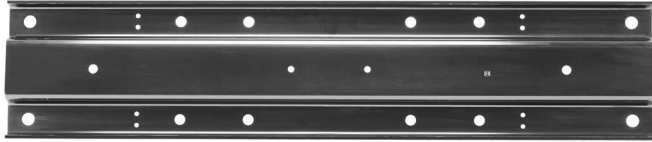
Beam Assembly; 52" w/o Shocks; Incl. 334-381 bushings; Haulmaax

338-2173



Hanger; Mack Only; 21mm Holes; Model HAS

338-2187-1



Cross Channel; 40"; w/std shock mounting, all ex 120/40LH, HCV bracket not included; Model HAS

338-2187-2



Cross Channel; 40 1/4"; w/std shock mounting, all ex 120/40LH, HCV bracket not included; Model HAS

338-2237



Hanger; 8.5"-10.5" Ride Hgt; Model Primaax EX

338-2287



Cap, Axle; Bottom; Confirm Pinion Angle; Model HTS 190/210

338-2288



Bracket; Outboard Frame; Western Star/Paccar; 34" Frame Width; 16.5" Saddle Height; Model Haulmaax

338-2293



Bracket; Inboard Frame; CCC/Oshkosh; 34" Frame Width; 16.5" Saddle Height; Model Haulmaax

339-323



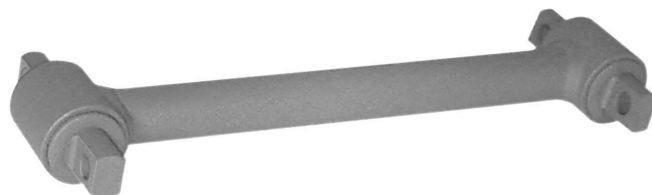
Service Kit - Heavy Duty MSM; (2)ea. 50-453 & (2)ea. 334-527; Model HAS

345-734



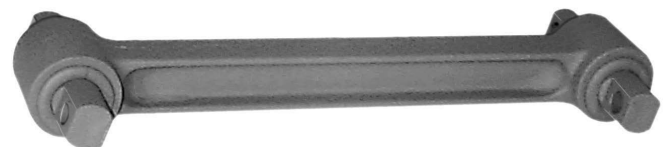
Torque Rod, Rigid; 14.41" Lg.; Forged; Includes 321-123 Bushings; Model HAS 460, After 8/1/95

345-792



Torque Rod, Rigid; 14.41" Lg.; Includes 321-279 Bushings; Model HAS 460, Prior to 8/1/95

345-815



Torque Rod, Rigid; 14.41" Lg.; Includes 321-223 Bushings; Model HAS 360/400/402/40LH, HFS

345-871



Track Rod; Maxair "Twisted Sister"

345-900



Torque Rod; 25.2"Lg. c/c; Model Primaax/Firemaax

345-901



Torque Rod; 26"Lg. c/c; Model Primaax/Firemaax

345-906



Torque Rod, Adjustable; 14"16"Lg.; Model HAS

345-907



Track Rod, 24.21"Lg.; Model Haulmaax

345-908L



Torque Rod - Left Front; 23.81"; Model Primaax/Firemaax

345-908R



Torque Rod -Right Front; 23.81"; Model Primaax/Firemaax

345-909L



Torque Rod - Left Rear; 25.38"; Model Primaax/Firemaax

345-909R



Torque Rod - Left Rear; 25.38"; Model Primaax/Firemaax

362-108



Service Kit, U-Bolt; Incl. U-Bolts, Washers, Spacers, Etc. For (1)Axle End; Model Maxair



Hendrickson Truck

Hendrickson Genuine Parts Why Genuine?

Hendrickson genuine parts are the same parts used in the original equipment system installed in new trucks, tractors, and trailers. Hendrickson follows a rigorous process of obtaining field data, generating system and component computer models, lab testing, test track testing, then followed with field evaluation units. The parts and components are designed, tested, and validate as part of the entire suspension or axle system. This is done so the behavior of the component can be measured and designed to perform as part of the whole, and not as an individual component.

**Original Parts,
Original Fit, Original
Performance. That's why.**

Hendrickson Genuine Parts provides "Peace of Mind" for maintenance conscious customers during the suspension system repair and service experience. Supported through global parts availability, and industry leading warranty and technical support. There's one sure way to deliver optimum and original system performance of the Hendrickson truck, trailer, lift axle suspension, or steer axle system; order Hendrickson genuine parts and service kits.



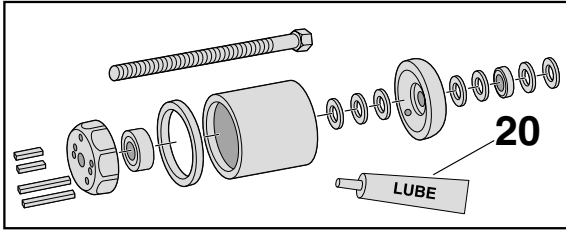
Hendrickson Genuine Parts

Replacing Hendrickson genuine parts with non-genuine parts could result in system damage, poor performance in ride, handling, roll stability, and will void any applicable warranties.

INTRAAAX®
AAL/AANL/AANLS/AAEDL/HKAL/HKARL/HKANL
Trailer Air Suspensions

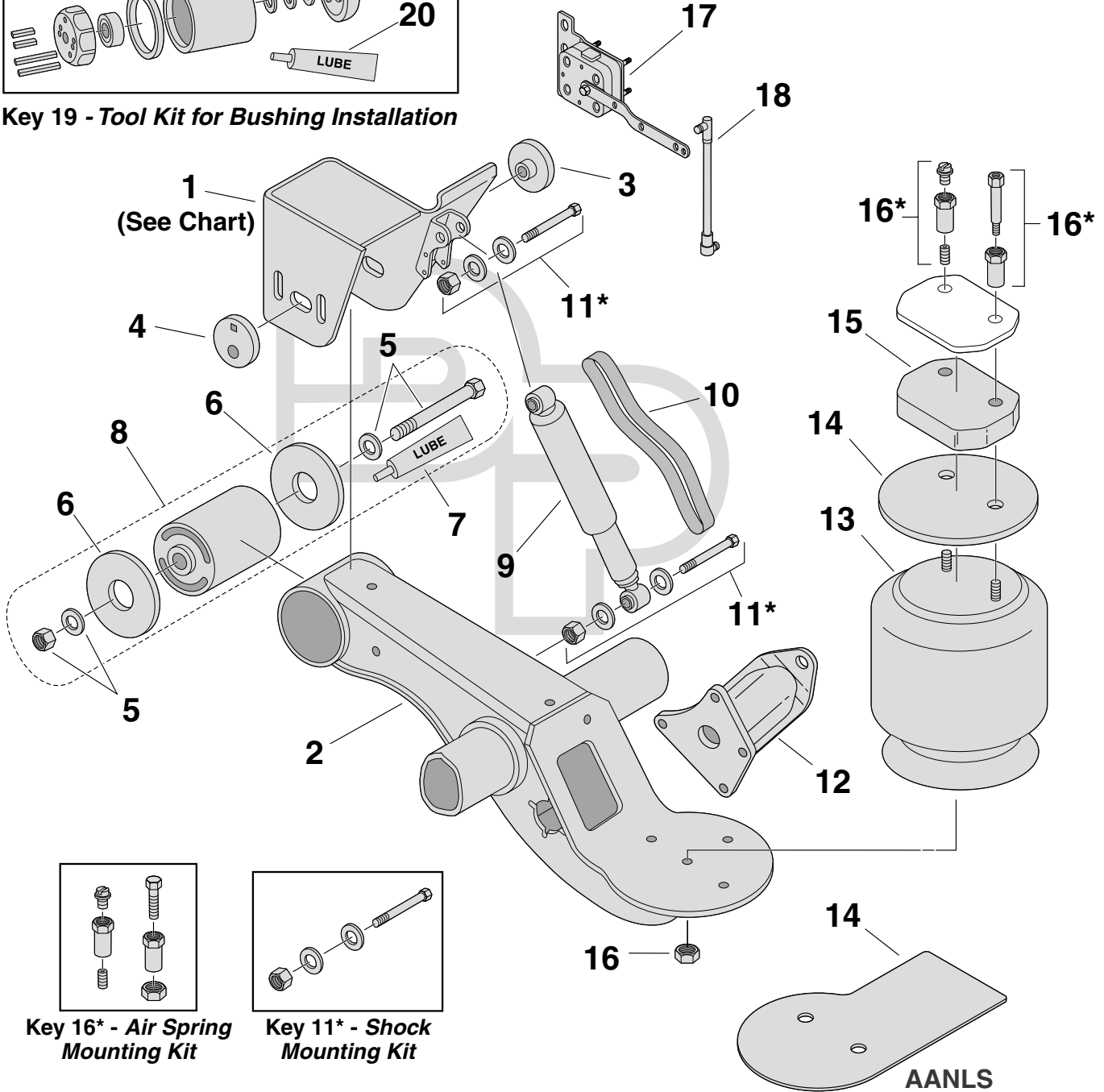
Hendrickson Trailer

Hendrickson Trailer

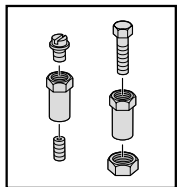


Key 19 - Tool Kit for Bushing Installation

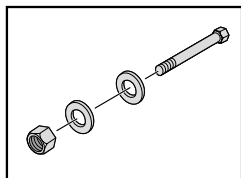
Key 21 - Under Beam Lift Kit



Suspension Illustration



Key 16* - Air Spring Mounting Kit



Key 11* - Shock Mounting Kit

Hendrickson Trailer

INTRAAX® AAL/AANL/AANLS/AAEDL/HKAL/HKARL/HKANL Trailer Air Suspensions

Hendrickson Trailer

Parts Listing

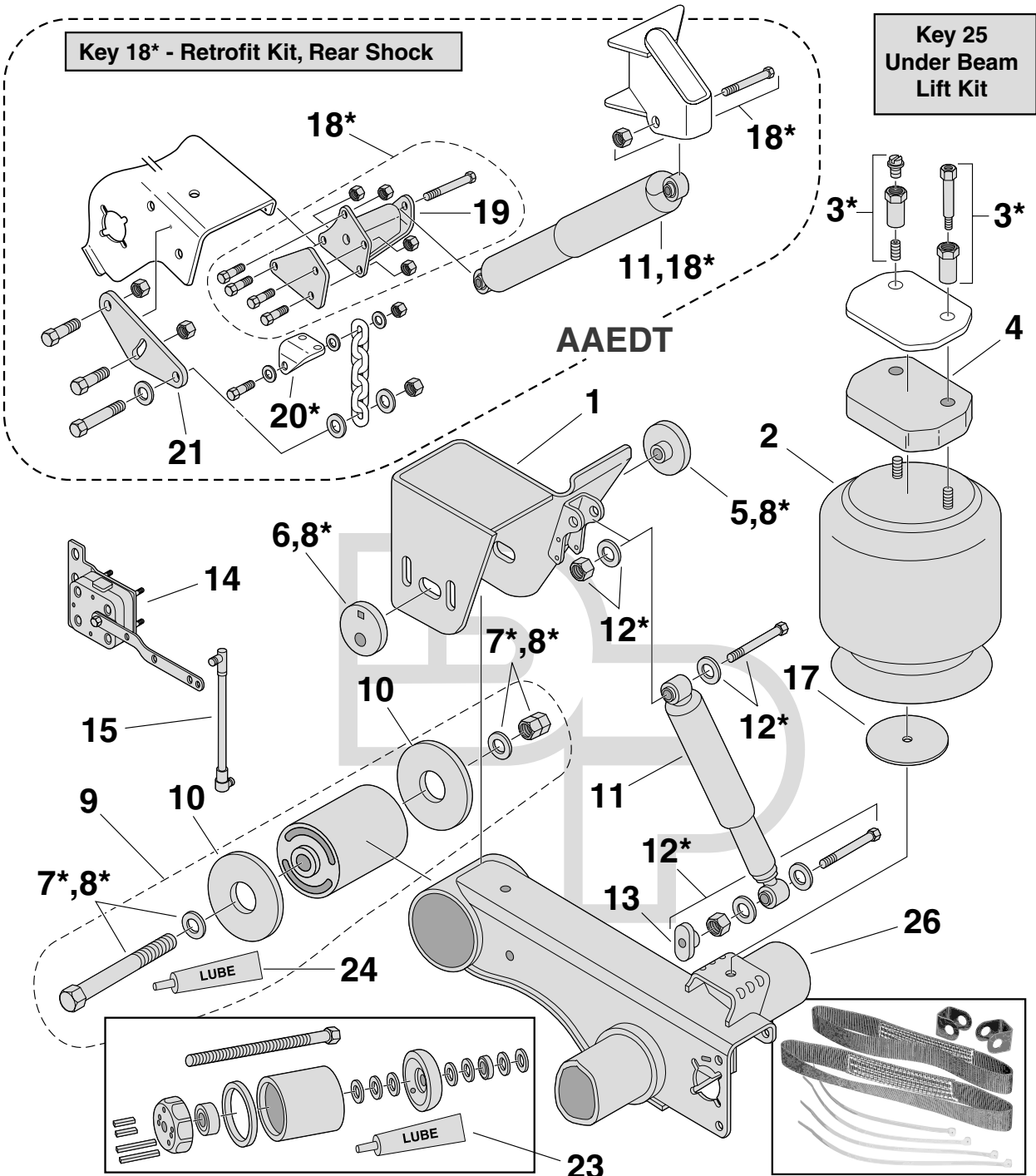
Key No.	Part Number	Description	No. Req.	OEM Reference	Remarks
1	See Chart	Bracket, Frame	2	Various	See Chart on Page 383. Specify Model, Ride Hgt., Wing/Non-Winged, Roadside/Curbside, Alignment & Weld-On/Bolt-On
2	SP	Assembly, Beam; Axle/ Trailing	1		Call For Assistance
✓ ●	334-1574	Collar, QUIK-ALIGN®; Concentric	2	C-20924	
✓ ●	334-1573	Collar, QUIK-ALIGN®; Eccentric	2	C-20925	
✓✓	334-1579	Kit, Service; Pivot Bolt; QUIK-ALIGN®; 10 ½"Lg Bolt	2	S-24679, S-22597	Incl. Bolt, Nut & Washers
	334-1637	Kit, Service; Pivot Bolt; QUIK-ALIGN®; 7"Lg Bolt	2	S-24705, S-23319	AANL, AANLS
✓	334-898	Washer; 2 ¾"ID x 7 ¼"OD x ¾"Thk	4	S-11613	
✓✓ ●	334-1810	Washer, High Control	4	S-21099, B-21099	
	334-1817	Washer, Spacer; 2.95"ID x 7"OD x ¾"Thk	4	S-26807	AANL, AANLS
	334-1665	Lubricant, Bushing Installation	AR	A-14011	
✓ ●	334-1576	Kit, Service; Pivot Bushing; QUIK-ALIGN®	2	S-24691, S-21166	Incl. Bushing, Pivot Bolt Kit & Wear Washers
●	334-1628	Kit, Retrofit; Tri-Functional® Bushing; 7"	1	S-26321	AA200NLS, AA230NL; Incl Bushings, Pivot Bolt Kit & Wear Washers; (1) Axle
	SP	Shock Absorber	2	S-20345	Standard; 6.5"-7.5" Ride Hgt.
✓	M66627	Shock Absorber	2	S-23651, S-22311	AAL; Standard; 6.5"-9" Ride Hgt.
✓	M65416	Shock Absorber	2	S-23566, S-24023	AANL; Standard; 10.5"-15" Ride Hgt.
	M65519	Shock Absorber	2	S-2212	Standard; 14"-19" Ride Hgt.
	M65511	Shock Absorber	2	S-22312, S-23651	Extended Service; 6.5"-8" Ride Hgt.
✓	M65431	Shock Absorber	2	S-25436	Extended Service; 9"-12" Ride Hgt.
	M65482	Shock Absorber	2	S-25437	Extended Service; 14"-17" Ride Hgt.
✓✓	M65465	Shock Absorber	2	S-24579	AANL; Extended Service; 6.5"-9" Ride Hgt.
	M65513	Shock Absorber	2	S-25515	AANL; Extended Service; 12"-17" Ride Hgt.
	M65433	Shock Absorber	2	S-23316	AANLS; 9" Ride Hgt.
	See Shocks	Shock Absorber	2	Various	Consult Shock Catalog for Model Specific Applications
	See Chart	Strap, Restraint; Shock	2	Various	See Chart on Page 382
✓✓	SP	Kit, Shock Mounting	2	S-24757/2	All AAL, AAEDL, HKAL
	334-1105	Assembly, Bolt; ¾"-10 x 3 ½"Lg	2	S-2157	Incl. Bolt & Hdwe.
	SP	Kit, Shock Mounting	2	Various	Specify Suspension Model
	SP	Tower, Shock; Rear	1	D-24807-1	Roadside; AANLS
	SP	Tower, Shock; Rear	1	D-24807-2	Curbside; AANLS
	See Chart	Air Springs	2	Various	See Chart on Page 384
	338-2415	Plate, Flex; Air Spring	2	S-23294	AANLS, AAT 30K, AAL, AANL & AAEDL
	SP	Plate, Flex; Air Spring	2	B-24813	AAEDT 30K & AAL w/ Bolt on Hangers
	SP	Plate, Mounting; Air Spring	1	C-26157-1L	Roadside; AANLS w/ Narrow Spring Centers
	SP	Plate, Mounting; Air Spring	1	C-26157-1R	Curbside; AANLS w/ Narrow Spring Centers
✓✓ ●	334-1805	Spacer, Plastic; Air Spring; ¾"	2	B-22510-4	
●	334-1802	Spacer, Plastic; Air Spring; 1 ⅛"	2	B-22510-1	
●	334-1803	Spacer, Plastic; Air Spring; 1 ⅞"	2	B-22510-2	
●	334-1804	Spacer, Plastic; Air Spring; 3 ⅛"	2	B-22510-3	
	SP	Spacer, Steel; Air Spring	2	Various	Specify Weld-On/Bolt-On & Thickness
✓✓ ●	334-1878	Kit, Mounting; Air Spring	2	S-22619/2	No Spacer or Steel Spacers
✓✓ ●	334-1631	Kit, Mounting; Air Spring	2	S-22635/2	Units w/ ¾" Plastic Spacer
✓✓ ●	334-1629	Kit, Mounting; Air Spring	2	S-22630/2	Units w/1 ⅛" Plastic Spacers
✓✓ ●	334-1630	Kit, Mounting; Air Spring	2	S-22631/2	Units w/1 ⅞" Plastic Spacer
✓✓ ●	334-1702	Kit, Mounting; Air Spring	2	S-22632/2	Units w/3 ⅛" Plastic Spacer
✓✓ ●	334-750	Valve, Height Control; Universal	1		Hadley
✓ ●	334-1647	Valve, Height Control; Universal	1	VS-227	
✓ ●	334-751	Linkage Assembly; Universal; Adjustable	1		
●	334-936	Tool, Bushing Installation	1	S-21307	Required To Properly Service Tri-Functional® Bushings
●	334-1655	Tool, Bushing Installation	1	S-24736	Narrow Bushing
●	334-1918	Lubricant, Extreme High Pressure	AR	S-21337	Recommended Tool Thread Lubricant
	SP	Kit, Lift; Under Beam	1		See Page 374 for Additional Information

**INTRAAX® AAT/AANT/AAEDT
VANTRAAX® HKA/HKANT/HKAT
Trailer Air Suspensions**

Hendrickson Trailer

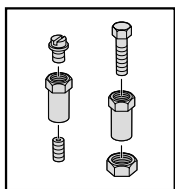
Hendrickson Trailer

Suspension Illustration

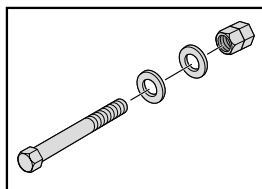


Key 16 - Tool Kit for Bushing Installation

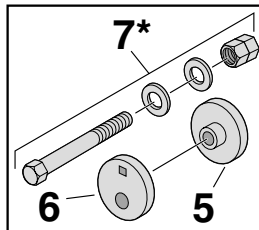
Key 22 - Kit, Shock Restraint Strap w/Clevis



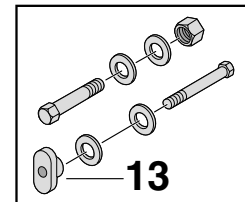
Key 3* - Air Spring Mounting Kit



Key 7* - Service Kit, Quick-Align™ Bolt Assembly



Key 8* - Service Kit, Alignment



Key 12* - Shock Mounting Kit

Key Numbers with an asterisk (*) indicate a kit or assembly.

Hendrickson Trailer

INTRAAX® AAT/AANT/AAEDT VANTRAAX® HKA/HKANT/HKAT Trailer Air Suspensions

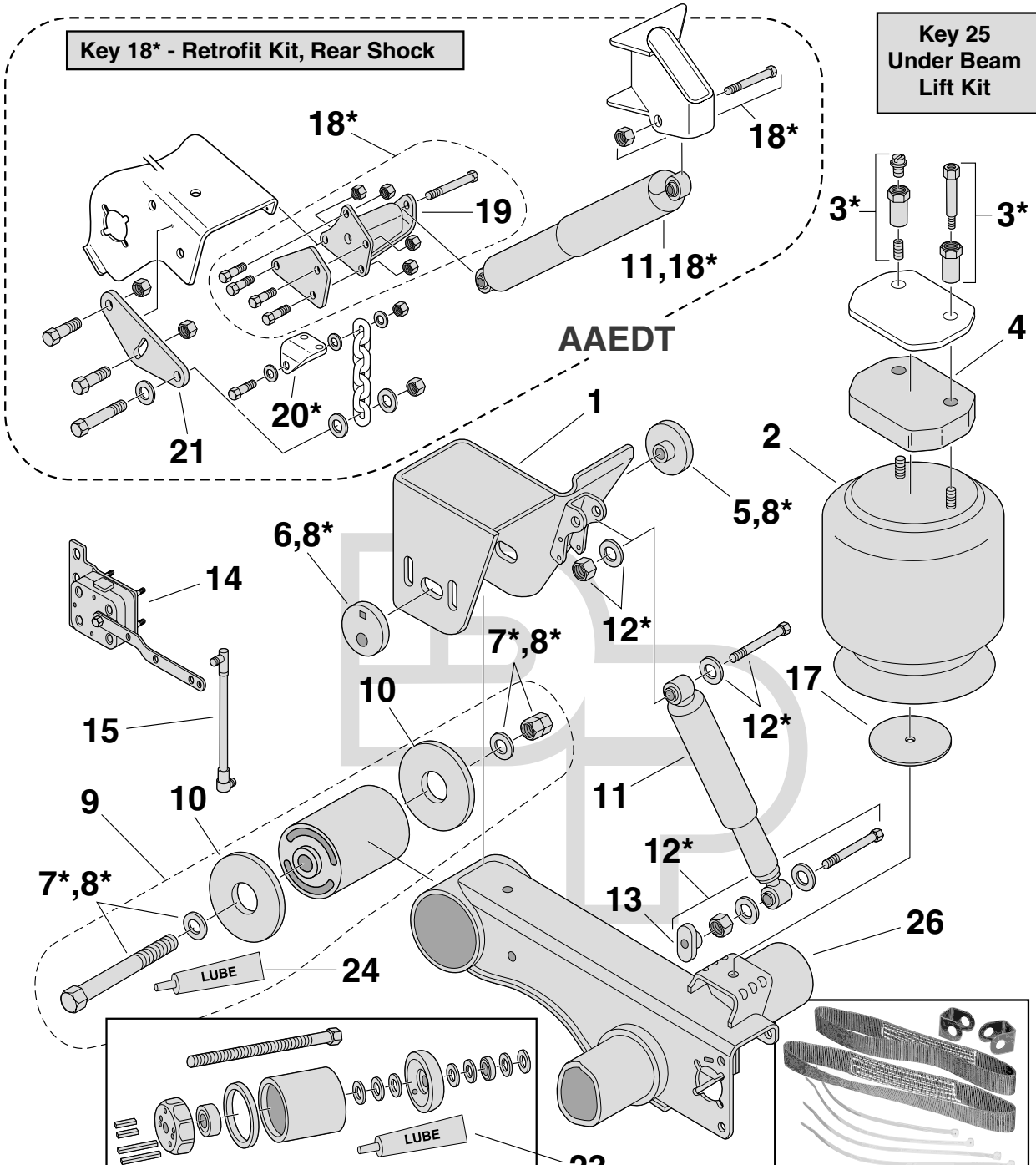
Hendrickson Trailer

Parts Listing

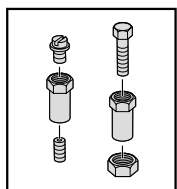
Key No.	Part Number	Description	No. Req.	OEM Reference	Remarks
	1	See Chart	2	Various	See chart on page 383. Specify Model, Ride Hgt., Wing/Non-Winged, Roadside/Curbside, Alignment & Weld/Bolt-On
	2	See Chart	2	Various	See Chart on Page 384
✓✓●	3	334-1629	2	S-22630/2	Kit, Mounting; Air Spring Use w/1 1/8" Spacers
✓✓●		334-1630	2	S-22631/2	Kit, Mounting; Air Spring Use w/1 7/8" Spacers
✓✓●		334-1631	2	S-22635/2	Kit, Mounting; Air Spring Use w/ 3/4" Spacers
✓✓●		334-1702	2	S-22632/2	Kit, Mounting; Air Spring Units w/ 3 1/8" Spacer
✓		334-1878	2	S-22619/2	Kit, Mounting; Air Spring No Spacer or Steel Spacers
		SP	2	S-4903/2	Kit, Mounting; Air Spring AAT
		SP	2	S-22907/2	Kit, Mounting; Air Spring AANT
		SP	2	S-25339/2	Kit, Mounting; Air Spring AAEDT; Standard Frame
		SP	2	S-25453/2	Kit, Mounting; Air Spring AAEDT; .09" to 1.25" Thick Frame
✓✓●	4	334-1805	2	B-22510-4	Spacer, Plastic; Air Spring; 3/4"
✓✓●		334-1802	2	B-22510-1	Spacer, Plastic; Air Spring; 1 1/8"
✓●		334-1803	2	B-22510-2	Spacer, Plastic; Air Spring; 1 7/8"
✓●		334-1804	2	B-22510-3	Spacer, Plastic; Air Spring; 3 1/8"
		SP	2	Various	Spacer, Steel; Air Spring Specify Weld-On/Bolt-On & Thickness
✓●	5	334-1574	2	S-20924	Collar, QUIK-ALIGN®; Concentric Inboard
✓●	6	334-1573	2	S-20925	Collar, QUIK-ALIGN®; Eccentric Outboard
✓✓	7	334-1579	2	S-24679, S-22597	Kit, Service; QUIK-ALIGN® Pivot Bolt; 10 1/2"Lg Bolt Incl. Bolt & Hardware
✓✓●		334-1637	2	S-24705, S-23319	Kit, Service; QUIK-ALIGN® Pivot Bolt; 7"Lg Bolt HKA180 Vantraax
		SP	2	S-26369	Kit, Service; QUIK-ALIGN® Pivot Bolt; 10"Lg Bolt AAT
	8	334-1627	2	S-24680	Kit, Service; Alignment Incl. 334-1579 & Alignment Collars
✓✓●	9	334-1576	2	S-24691, S-21166	Kit, Service; Pivot Bushing; QUIK-ALIGN® Incl. Bushing, Pivot Bolt Kit & Wear Washers
✓●		334-1628	1	S-26321	Kit, Retrofit; Tri-Functional® Bushing; 7" Narrow Beam; Incl. (2) Bushings, Pivot Bolt Kits, Washers & Lube
		SP	2	S-28654	Kit, Service; Tri-Functional® Bushing w/QUIK-ALIGN® Incl. Bushing, Pivot Bolt Kit, Wear Washers & Alignment Collars
✓✓	10	334-898	4	S-11613	Washer; 2 3/8"ID x 7 1/4"OD x 3/16"Thk
✓✓●		334-1810	4	S-21099, B-21099	Washer, High Control
✓		334-1817	4	S-26807	Washer, Spacer; 2.95"ID x 7"OD x 3/16"Thk AANT; HKA180/HKANT40; >8/1/02
✓	11	M65416	2	S-23566, S-24023	Shock Absorber AANT/AAT; 23k/25k/30k
		341-S23566	2	S-23566	Shock Absorber, O.E. AANT/AAT; 23k/25k/30k
✓		M65419	2	S-23361, S-24088	Shock Absorber AANT/AAT, 23k/25k; AAEDT
✓		M65431	2	S-25436	Shock Absorber AAEDT
		M65513	2	S-25515	Shock Absorber AAEDT
		M65433	2	S-23316	Shock Absorber AAEDT; 14" Ride Hgt.
		M65511	2	S-23651	Shock Absorber AANT
✓✓		M65465	2	S-24579	Shock Absorber AANT/ AAEDT
		M65512	2	S-23743	Shock Absorber AANT; 12" Ride Hgt.
		SP	2	S-25512	Shock Absorber AAEDT; 16"-17" Hgt.; Rear
		See Shocks	2	Various	Shock Absorber Consult Shock Catalog for Model Specific Applications
	12	334-1666	2	S-24021	Assembly, Bolt; Shock Absorber AAT23/25 >08/11/95; AAT30, Front; HKA200/250; Incl. Spacer
		SP	2	S-24049/2	Kit, Shock Mounting AANT; HKA180/HKANT40; HKANT46/HKAT46/HKA200; HKAT50/HKA250
✓		334-1103	2	S-20031/2, A-20031	Assembly, Bolt; 3/4"-10 x 3"Lg AAT30, Rear
		SP	2	S-24757/2	Kit, Shock Mounting AAEDT; Front
		SP	2	S-25449/2	Kit, Shock Mounting AAEDT; Rear
		SP	2	S-20896/2	Assembly, Bolt; Shock Absorber AAT23/25; <08/11/95
		334-1308	2	S-2157	Assembly, Bolt; 3/4"-10 x 3 1/2"Lg AAEDT 30K; Incl. Bolt & Hdwe.

**INTRAAX® AAT/AANT/AAEDT
VANTRAAX® HKA/HKANT/HKAT
Trailer Air Suspensions**

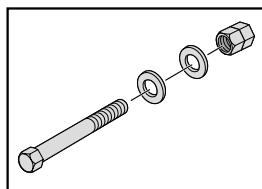
Hendrickson Trailer



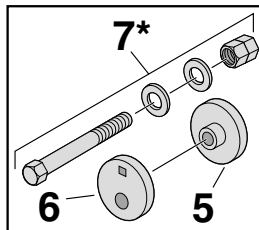
Suspension Illustration



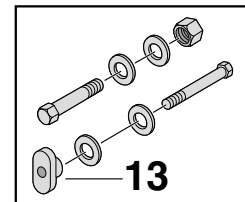
**Key 3* -
Air Spring
Mounting Kit**



**Key 7* - Service Kit,
Quick-Align™
Bolt Assembly**



**Key 8* - Service Kit,
Alignment**



**Key 12* - Shock
Mounting Kit**

Key Numbers with an asterisk (*) indicate a kit or assembly.

Hendrickson Trailer

INTRAAX® AAT/AANT/AAEDT VANTRAAX® HKA/HKANT/HKAT Trailer Air Suspensions

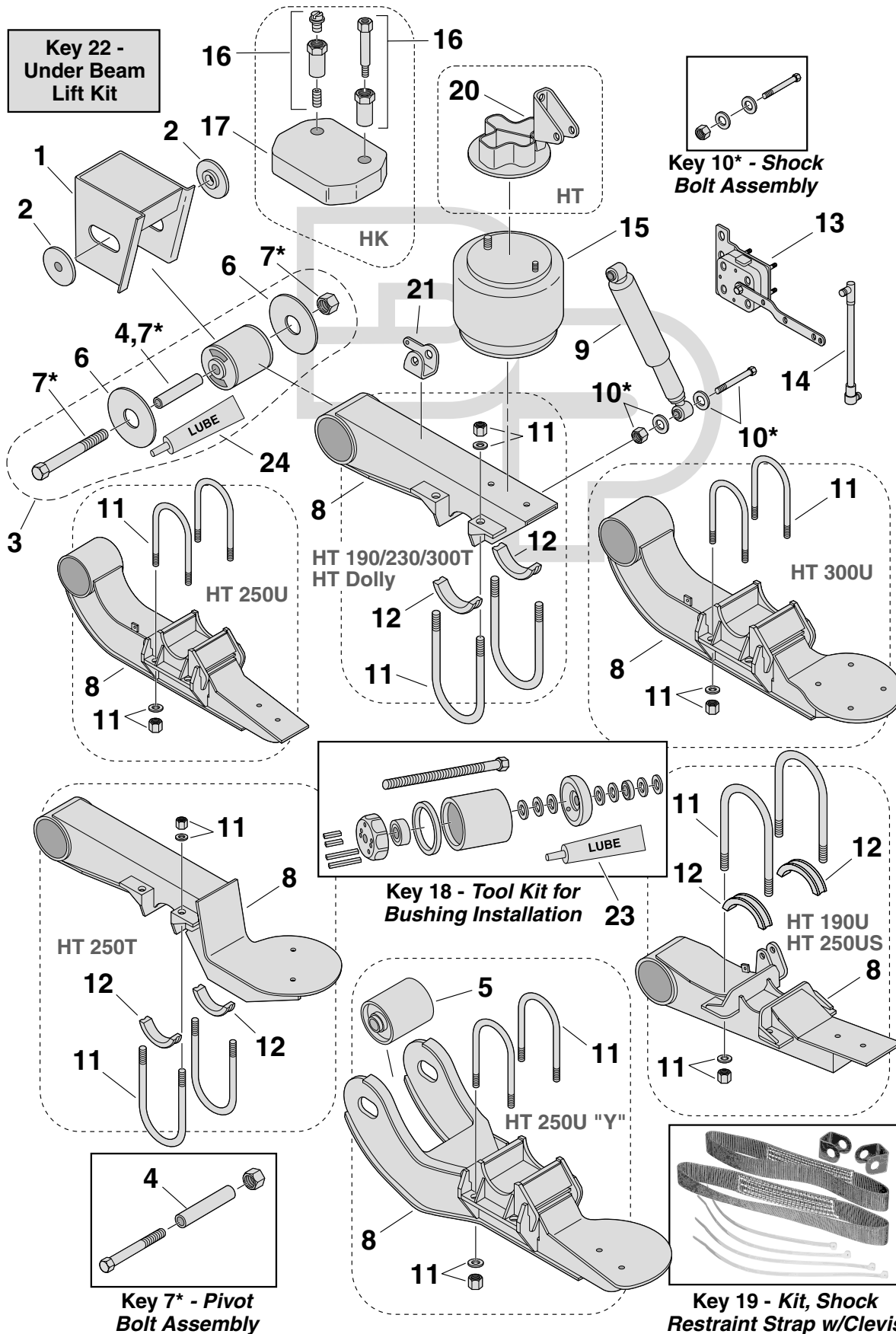
Key No.	Part Number	Description	No. Req.	OEM Reference	Remarks
● 13	334-1667	Spacer, Shock Absorber	2	S-27196, S-25990	
✓✓ ● 14	334-750	Valve, Height Control; Universal	1	H00450CA	Hadley
✓✓ ●	334-1647	Valve, Height Control; Universal	1	VS-227	
	334-2018	Valve, Height Control	1	VS-27116	Use w/Dock Stabilization (DST) Applications
✓✓ ● 15	334-751	Linkage Assembly; Universal; Adjustable	1	HPB450-3	3 5/8"-19 5/8" Range; Use with All Height Control Valves
● 16	334-936	Tool, Bushing Installation	1	S-21307	Standard
●	334-1655	Tool, Bushing Installation	1	S-24736	Narrow Bushing
● 17	334-1828	Disk, Piston Support; Air Spring	2	S-21786, B-21786	Use w/S-20901 & S-25873
	SP	Kit, Retro-Fit; Rear Shock	2	S-26428	AAEDT; 14" & 15" Ride Height
	SP	Kit, Retro-Fit; Rear Shock	2	S-26429	AAEDT; 16" & 17" Ride Height
	SP	Tower, Shock; Rear	1	S-26426	AAEDT; Roadside
	SP	Tower, Shock; Rear	1	S-26427	AAEDT; Curbside
	SP	Bracket, Chain; Upper	1	C-25271-1	AAEDT; Roadside
	SP	Bracket, Chain; Upper	1	C-25271-2	AAEDT; Curbside
	SP	Bracket, Chain; Lower	2	B-25333	AAEDT
	See Chart	Strap, Restraint; Shock	AR	Various	See Chart on Page 382
	334-1918	Lubricant, Extreme High Pressure	AR	S-21337	Recommended Tool Thread Lubricant
	334-1665	Lubricant, Bushing Installation	AR	A-14011	
● 25	334-2013	Kit, Lift; Under Beam; Weld-On	1	UBL-001	AAT; See Page 374 for Additional UBL Kits
	SP	Assembly, Beam; Axle/Trailing	1		Call for Assistance

**HK/HS 190/230
HT 190/230/250/300 (All)
Air Suspensions**

Hendrickson Trailer

Hendrickson Trailer

Suspension Illustration



Hendrickson Trailer

HK/HS 190/230 HT 190/230/250/300 (All) Air Suspensions

Hendrickson Trailer

Parts Listing

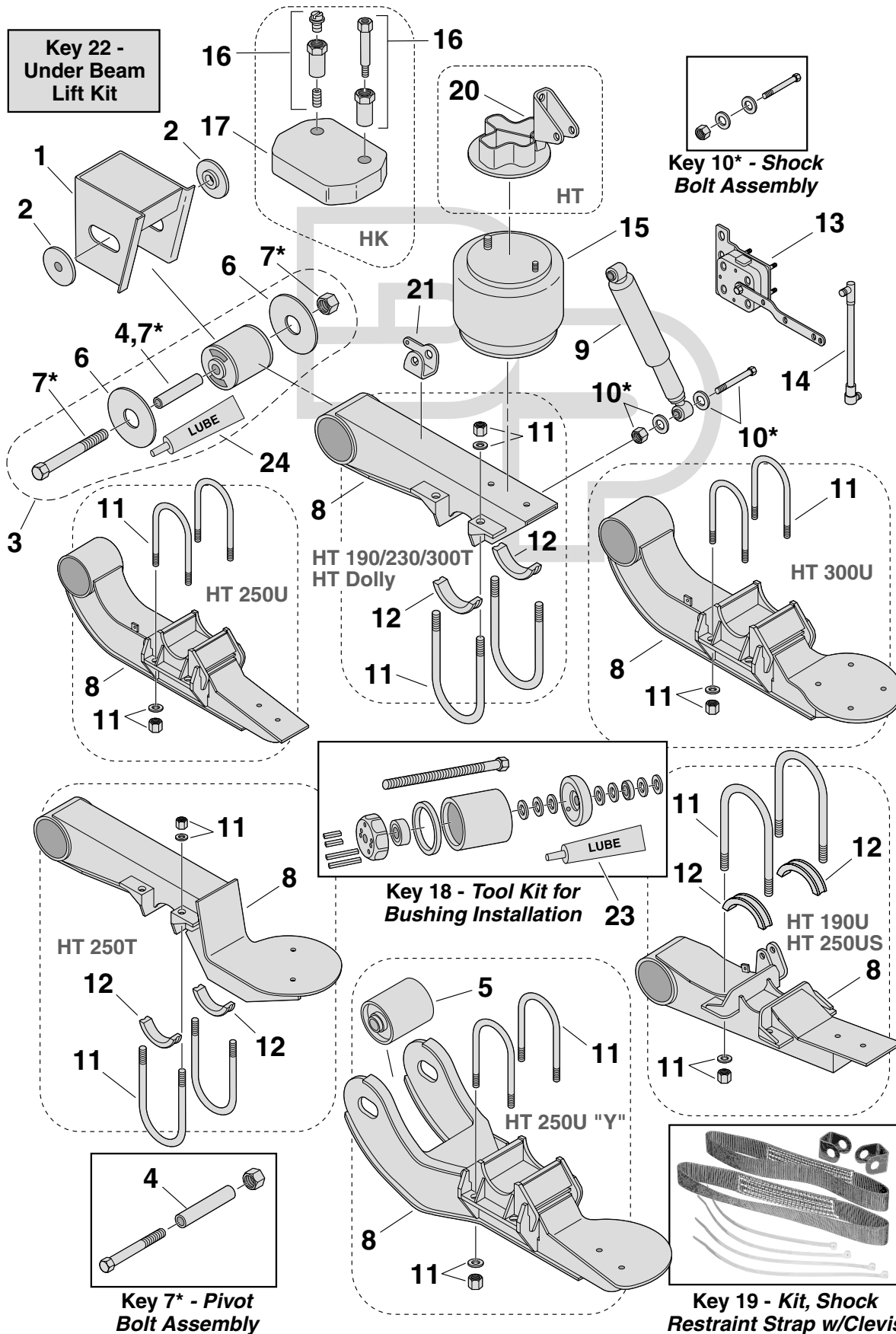
Key No.	Part Number	Description	No. Req.	OEM Reference	Remarks
1	See Chart	Bracket, Frame	2	Various	See Chart on Page 379; Specify Model, Ride Hgt., Wing/Non-Winged, Roadside/Curbside, Alignment & Weld-On/Bolt-On
✓ ●	2	334-836	4	S-20700	HT190
✓ ✓ ●		334-822	4	S-2770, B-2770	HK/HS/HT 190T, 190U, 230T, 250T/U, 300T/U
●		334-1141	4	S-7349	HT 250U-Y
✓ ●		334-1574	2	S-20924, S-20924	QUIK-ALIGN®; Nipple is Centered
✓ ●		334-1573	2	S-20925, S-20925	QUIK-ALIGN®; Nipple is Offset
✓ ✓ ●	3	334-658	2	S-6914	All Except Y Beam & HT Dolly
✓ ✓ ●		334-1847	2	S-13136	Y Beam
		SP	2	S-24622	HT Dolly
✓ ●		334-1576	2	S-21166, S-24691	All Except HT-Y Beam; Incl. Bushing, Pivot Bolt Kit & Spacers
●		334-2010	2	S-26000	Y Beam
	4	334-1134	2	A-2068-1, S-2068-1	
●	5	334-1140	2	S-7343	Welded Alignment; HT250U-Y
●		334-2012	2	S-30862	Quik-Align®
✓	6	334-898	4	S-11613	
✓ ✓ ●		334-1810	4	S-21099, B-21099	HT Dolly
✓ ✓	7	334-837	2	S-3646	All Except HT 250U-Y; Incl. Bolt, Sleeve and Hdwe.; Welded Alignment
✓		334-1142	2	S-7345	HT 250U-Y; Incl. Bolt, Delrin Tube & Hdwe.; Welded Alignment;
✓ ✓		334-1579	2	S-22597, S-24679	Incl. Bolt, Torque Rite Nut & Washers
●		334-2011	2	S-25948	Y Beam
		SP	2	S-24593	HT250U-Y
	8	See Chart	2	Various	See Chart on Page 378. Specify Model
	9	See Chart	2	Various	See Chart on Page 382. Specify Model
✓	10	334-1103	2	S-20031, A-20031	Incl. Bolt & Hdwe.; HK 190/230, HT 190/230, 250T, 300T & HT Dolly
✓ ✓		334-1105	2	S-2157/2	Incl. Bolt & Hdwe.; 190U, 230, 250U, 250U-Y & 300
		SP	2	S-20218/2	HT 190/190T/190U, 230 & 300T
		334-1632	2	S-24024, S-23845	(1) Per Shock
		SP	2	S-31929	HT 250YS
✓ ●		334-2037	2	S-24185/2	HT 250/300US Standard Mount; Incl. Spacer
✓	11	361-470	4	S-20032	7/8" x 6" x 8 5/8" R
		361-471	4	S-3650	7/8" x 5 1/8" x 9 7/8" R
		361-640	4	S-21140/4	7/8" x 8 1/4" Lg
✓ ✓ ●		361-637	4	S-22894/4	Models w/o 334-1137
✓ ✓ ●	12	334-1137	4	S-20701, A-20701	
✓ ●	13	334-750	1	H00450CA	Hadley - Model 450HCV
✓ ✓ ●		334-1647	1	VS-227	
		334-2018	1	VS-27116	Use w/Dock Stabilization (DST) Applications
✓ ✓ ●	14	334-751	1	HPB450-3	3 5/8"-19 5/8" Range; Use with All Height Control Valves
	15	See Chart	2	Various	See Chart on Page 378
	16	334-1813	2	S-22907/2	HK 190T/230; 16" Ride Hgt.; No Spacer
✓ ✓		334-1814	2	S-22908/2	HK 190T/230; 16 1/2"-17" Ride Hgt.; 3/4" Spacer
✓		334-1815	2	S-22909/2	HK 190T/230; 18" Ride Hgt.; 1 7/8" Spacer
✓ ✓		334-1816	2	S-22910/2	HK 190T/230; 19" Ride Hgt.; 3 1/8" Spacer
✓ ●	17	334-1805	2	B-22510-4	HK
✓ ●		334-1803	2	B-22510-2	HK
✓ ✓ ●		334-1804	2	B-22510-3	HK

**HK/HS 190/230
HT 190/230/250/300 (All)
Air Suspensions**

Hendrickson Trailer

Hendrickson Trailer

Suspension Illustration



Hendrickson Trailer

**HK/HS 190/230
HT 190/230/250/300 (All)
Air Suspensions**

Key No.	Part Number	Description	No. Req.	OEM Reference	Remarks
● 18	334-936	Tool, Installation; Bushing	1	S-21307	Required To Properly Service Tri-Functional® Bushings
19	See Chart	Strap, Restraint; Shock	2	Various	See Chart on Page 382; Specify Length
● 20	338-2213	Assembly, Air Spring/Shock Mount	1	C-21219-1	Roadside; HT250T-17-001,-006,-022,-501, TA17-001, TB17-001,-024 **
	338-2214	Assembly, Air Spring/Shock Mount	1	C-21219-2	Curbside; HT250T-17-001,-006,-022,-501, TA17-001, TB17-001,-024 **
●	338-2229	Assembly, Air Spring/Shock Mount	1	C-20708-1	Roadside; HT300T-19-001 **
	338-2230	Assembly, Air Spring/Shock Mount	1	C-20708-2	Curbside; HT300T-19-001 **
●	338-2162	Assembly, Air Spring/Shock Mount	2	S-21209	HT-Y Beam, All; Most HT250U **
	SP	Assembly, Air Spring/Shock Mount	2	Various	Specify Model, Ride Hgt & Weld/Bolt-On
● 21	338-2090	Clevis, Shock	2	S-20069	HT 190/230/250T/300T
	SP	Clevis, Shock; Roadside	1	S-20145-1	HT-Y 250U-Y/250YS/300YB
	SP	Clevis, Shock; Curbside	1	S-20145-2	HT-Y 250U-Y/250YS/300YB
	SP	Clevis, Shock; Lower	2	S-2592	HT 190U/HT250U/HT250US/HT300U
● 22	334-2013	Kit, Lift; Under Beam; Weld-On	1	UBL-001	HT 230/300; See Page 374
23	334-1918	Lubricant, Extreme High Pressure	AR	S-21337	Recommended Tool Thread Lubricant
24	334-1665	Lubricant, Bushing Installation	AR	A-14011	

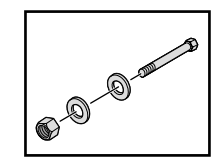
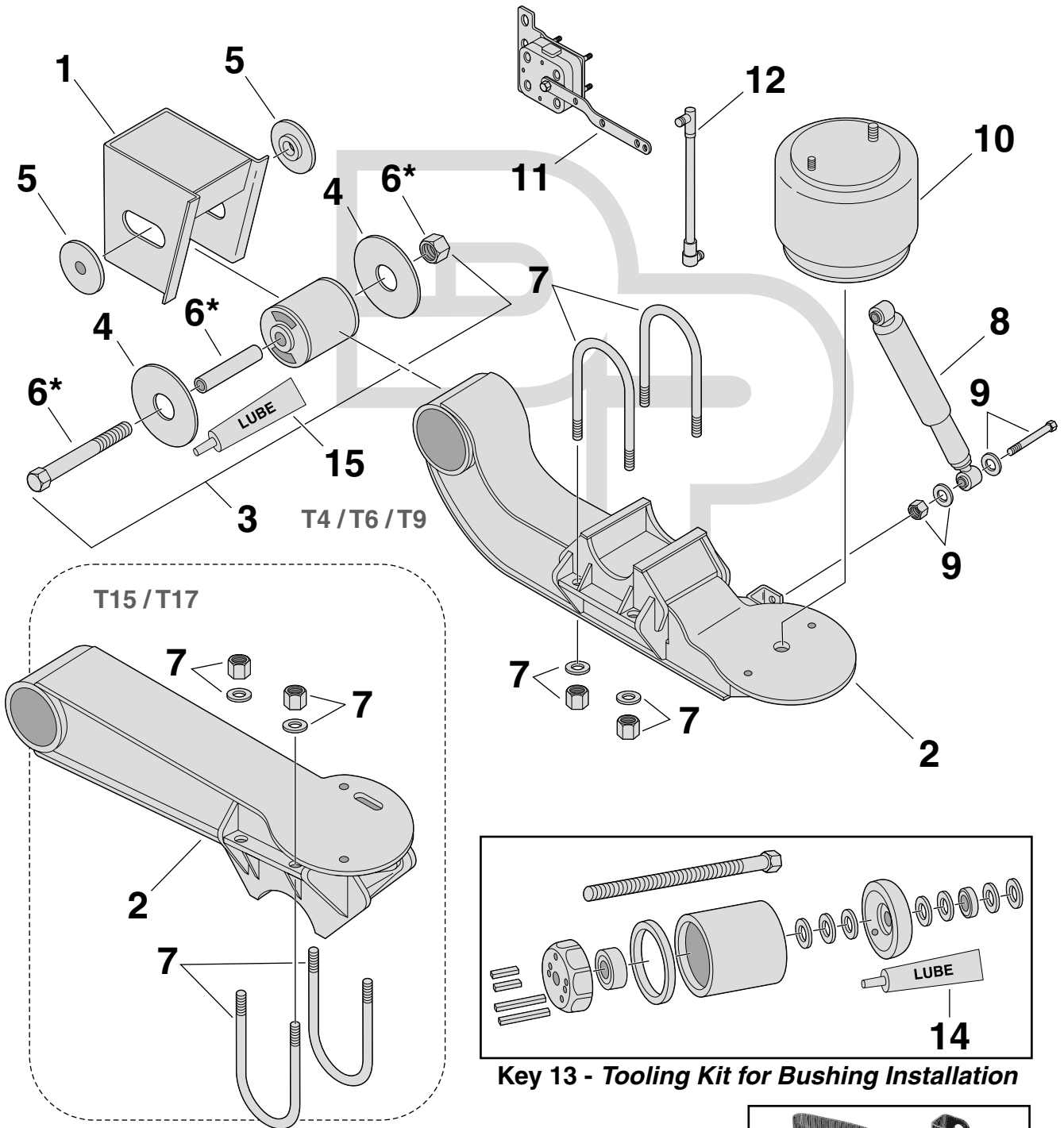
** The **Suspension Identification Tag** is Located Front of the Roadside Frame Bracket or Inside of the Curbside Beam.

Hendrickson Trailer

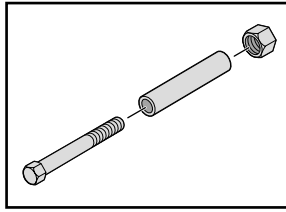
Parts Listing

Hendrickson Trailer

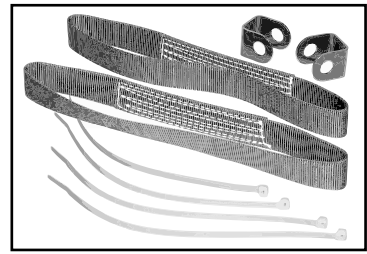
Suspension Illustration



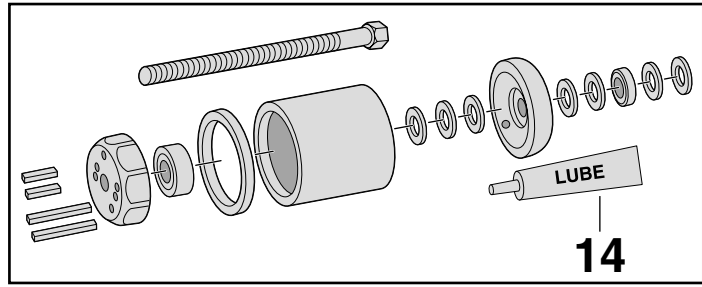
Key 9* - Shock Bolt Assembly



Key 6* - Pivot Bolt Assembly



Key 16 - Shock Restraint Strap. See Page 382



Key 13 - Tooling Kit for Bushing Installation

Hendrickson Trailer

T-4/6/9/15/17
Air Suspensions

Hendrickson Trailer

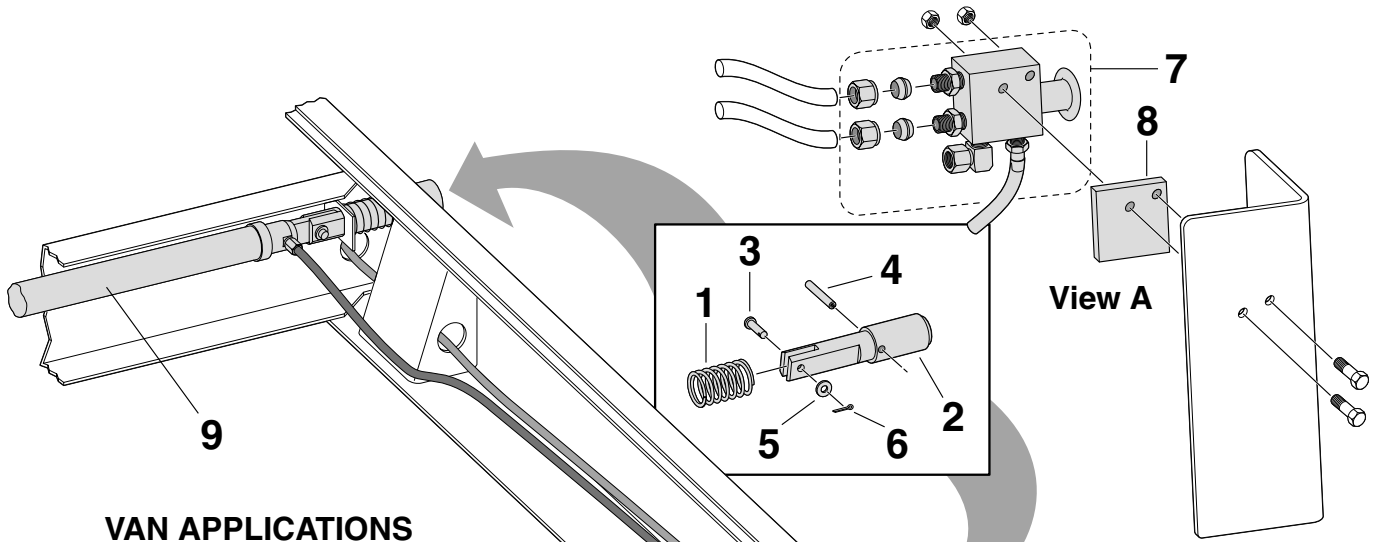
Parts Listing

Key No.	Part Number	Description	No. Req.	OEM Reference	Remarks
	SP	Bracket, Frame	2	Various	Specify Model, Ride Hgt. & Roadside/Curbside
	SP	Assembly, Beam & Axle Seat	2	Various	Specify Model, Ride Hgt. & Roadside/Curbside
✓✓	334-658	Kit, Service; Pivot Bushing; Welded Alignment	2	A-6914	Incl. Bushing, Pivot Bolt Kit & Wear Washers
✓	334-898	Washer; 2 3/8"ID x 7 1/4"OD x 3/16"Thk	2	S-11613	
✓✓●	334-1810	Washer, High Control	2	S-21099, B-21099	
✓✓●	334-822	Collar, Alignment	4	S-2770, B-2770	
✓✓	334-837	Assembly, Bolt; Pivot; 1 1/8"-7 x 9 3/4"Lg	2	S-3646	Incl. Bolt, Sleeve & Hdwe.; Welded Alignment
	361-471	Kit, U-Bolt; Round Bend, Grade 8	4	S-3650	7/8" x 5 1/8" x 9 7/8" R; T6/15/17
	361-568	Kit, U-Bolt; Round Bend, Grade 8	4	A-2237	7/8" x 5 1/8" x 10 7/8" R; T9
	361-256	Kit, U-Bolt; Round Bend, Grade 5	4	S-1135	7/8" x 5 1/8" x 11 7/8" R; T4
✓	M66886	Shock Absorber	2	S-2160	
	M65451	Shock Absorber	2	S-2212	
✓	M66893	Shock Absorber	2	S-1667	
✓	M66969	Shock Absorber	2	S-2218	
✓✓	334-1105	Assembly, Bolt; 3/4"-10 x 3 1/2"Lg	2		Incl. Bolt & Hdwe.
	S-11566	Air Spring	2	S-11566	T-4; 1R12-352
✓✓	S-11650	Air Spring	2	S-11650	T-6/295; 1R12-095
	B-1245	Air Spring	2	B-1245	T-6/071; 1R12-132
	S-2063	Air Spring	2	S-2063	T-9; 1R14-030
	S-4771	Air Spring	2	S-4771	T-15/17; 1R14-039
✓✓●	334-750	Valve, Height Control; Universal	1		Hadley
✓●	334-1647	Valve, Height Control; Universal	1		
✓●	334-751	Linkage Assembly; Universal; Adjustable	1		3 5/8"-19 5/8" Range; Use with All Height Control Valves
●	334-936	Tool, Installation; Bushing	1	S-21307	Required To Properly Service Tri-Functional® Bushings
	334-1918	Lubricant, Extreme High Pressure	AR	S-21337	Recommended Tool Thread Lubricant
	334-1665	Lubricant, Bushing Installation	AR	A-14011	
	See Chart	Strap, Restraint; Shock	AR	Various	See chart on Page 382

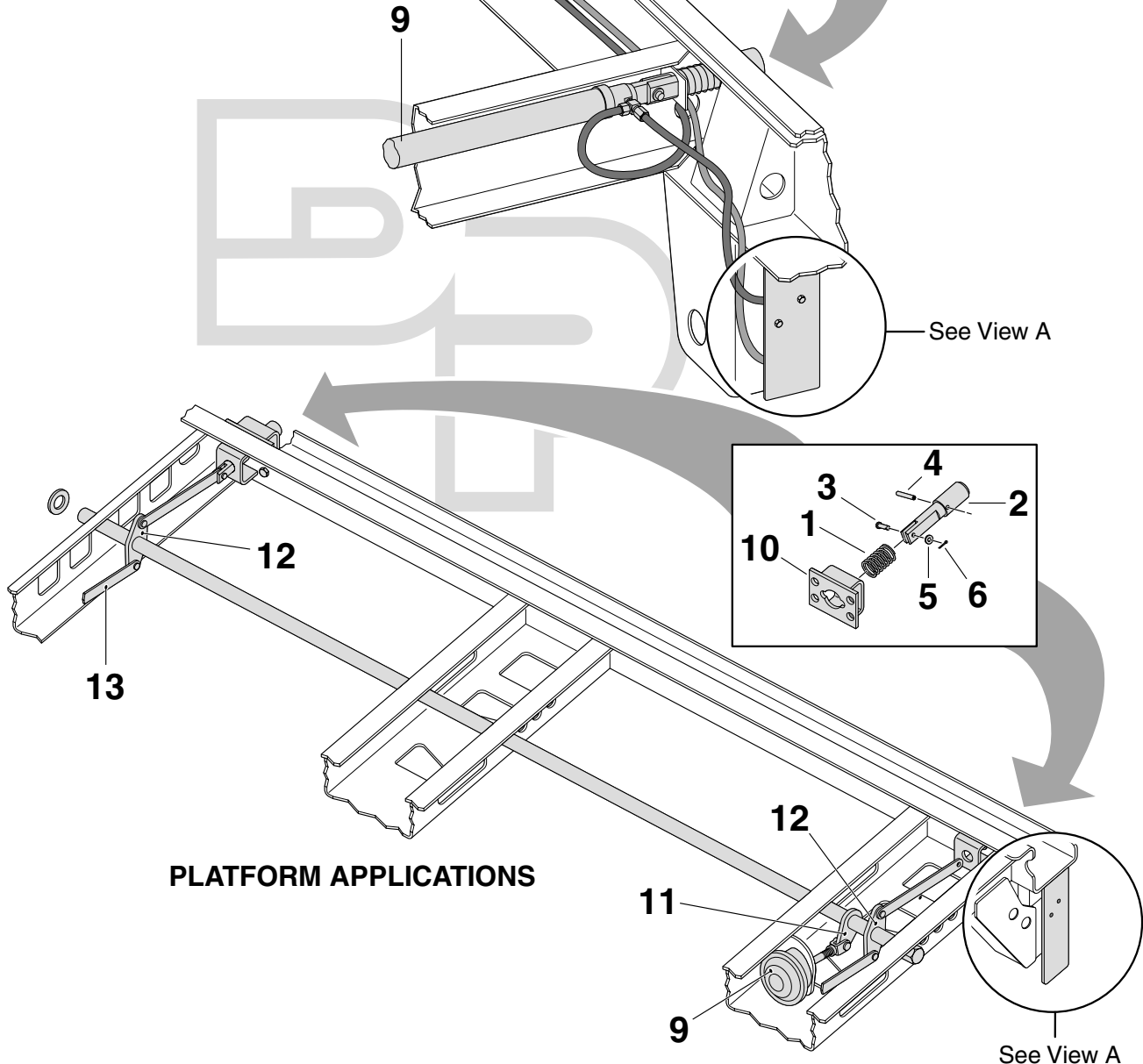
**QUIK-DRAW®
Pneumatic Slider Pin Systems**

Hendrickson Trailer

Hendrickson Trailer



Suspension Illustration



Key Numbers with an asterisk (*) indicate a kit or assembly.
Reference www.daytonparts.com for continuing updates.

Hendrickson Trailer

QUIK-DRAW® Pneumatic Slider Pin Systems

Key No.	Part Number	Description	No. Req.	OEM Reference	Remarks
✓	334-2049 SP	Spring, Lock Pin	4	B-32000	42" Box; HK, HKA
		Spring, Lock Pin	4	B-28930	48" & 54" Box; HK/HKA
		Spring, Lock Pin	4	B-32500	
✓●	334-2050 SP	Slider, Lock Pin; 1 3/8"	4	S-28290	
		Slider, Lock Pin; 1 5/8"	4	S-28289	>09/17/12; 4" Rail Hole Spacing; HK/HKA
		Slider, Lock Pin; 1 3/8"	4	S-32389	>09/17/12; 4" TTMA
		Slider, Lock Pin; 1 5/8"	4	S-32388	>09/17/12
3	SP	Pin, Clevis; 3/8" x 1 3/8"	4	SA-5200-6	
		Pin, Clevis	4	SA-5200-8	
4	SP	Pin, Roll; 3/8" x 2 1/2"	4	SA-8100-4	
5	SFW-38	Washer, Flat; 3/8"	4	SA-1500-2	
6	SP	Pin, Locking; Link Cotter Pin; 3/32" x 1"	4	A-29557	
✓●	334-1846	Valve, 3 Way Auto Reset	1	VS-25224	
8	SP	Spacer, Valve	1	B-25284	
✓●	334-2051	Actuator, Linear; Cast	1	S-28061-2	<02/15; Front; 48" & 54" Frame
✓●	334-2052 SP	Actuator, Linear; Cast	1	S-28062-2	<02/15; Rear; 48" & 54" Frame
		Actuator, Linear	1	S-28061-1	42" Frame
10	SP	Cage, Pin	4	S-28658-x	Specify Inner/Outer Web Reinforcement
11	SP	Arm, Crank; Air Chamber	1	B-26934	
12	SP	Weldment, Crank Arm	1/2	B-33010	Manual F&R/Air Assist
13	SP	Link, Lock Pin	4		Specify Box Size; 37", 38", 43" or 44"

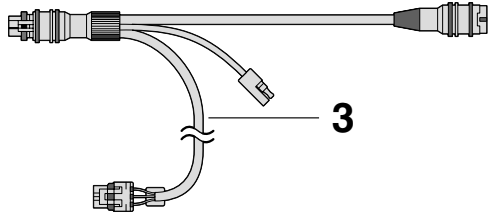
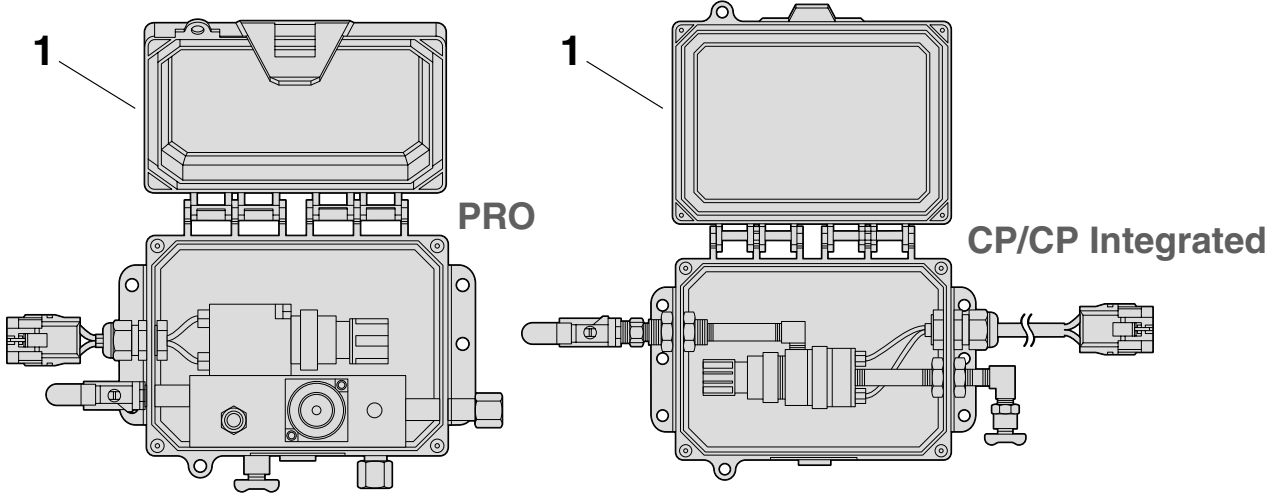
Hendrickson Trailer

Parts Listing

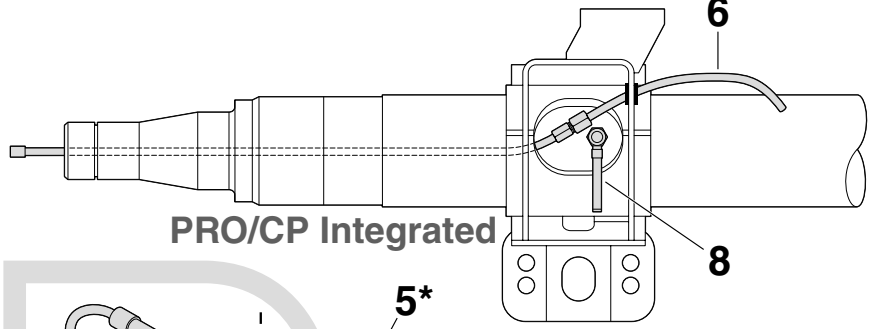
**TIREMAAX®
Tire Inflation System**

Hendrickson Trailer

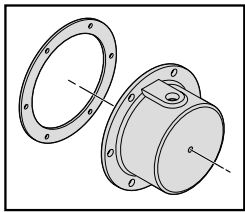
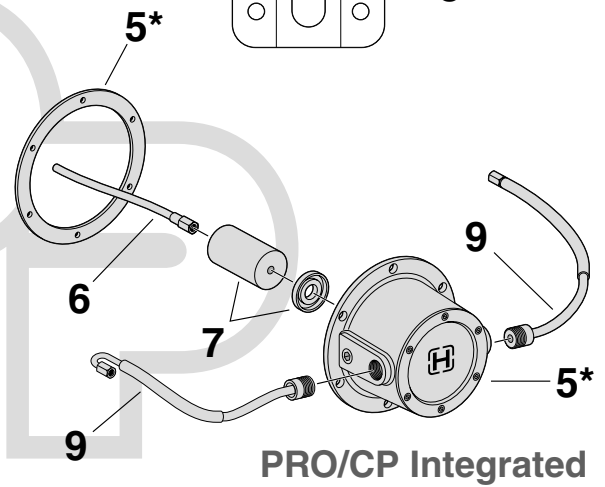
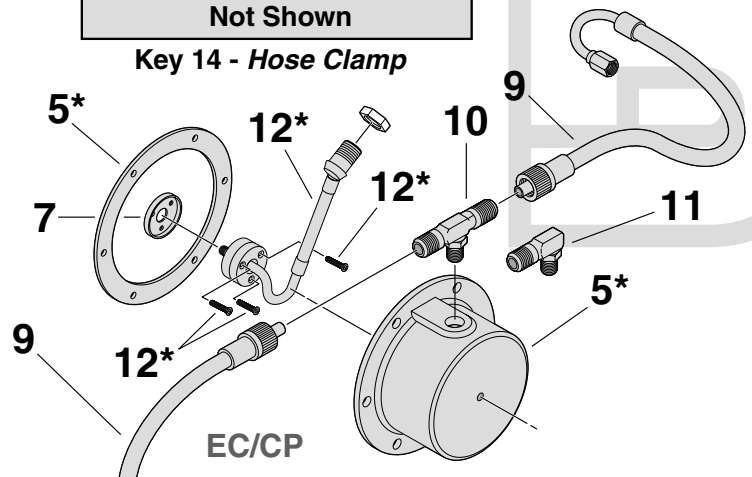
Hendrickson Trailer



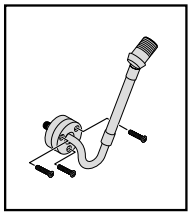
- 3 Wire Harness - Not Shown**
Key 2 - PRO/CP Integrated
- Not Shown**
Key 13 - Axle Filter Kit - EC/CP
- Not Shown**
Key 14 - Hose Clamp



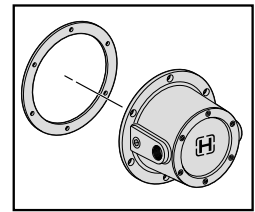
Suspension Illustration



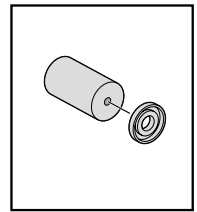
**Key 5* - Hub Cap
EC/CP**



**Key 12* -
Rotary Union**



**Key 5* - Hub Cap
PRO/CP Integrated**



**Key 7* -
Spindle Plug**

Hendrickson Trailer

TIREMAAX® Tire Inflation System

Hendrickson Trailer

Parts Listing

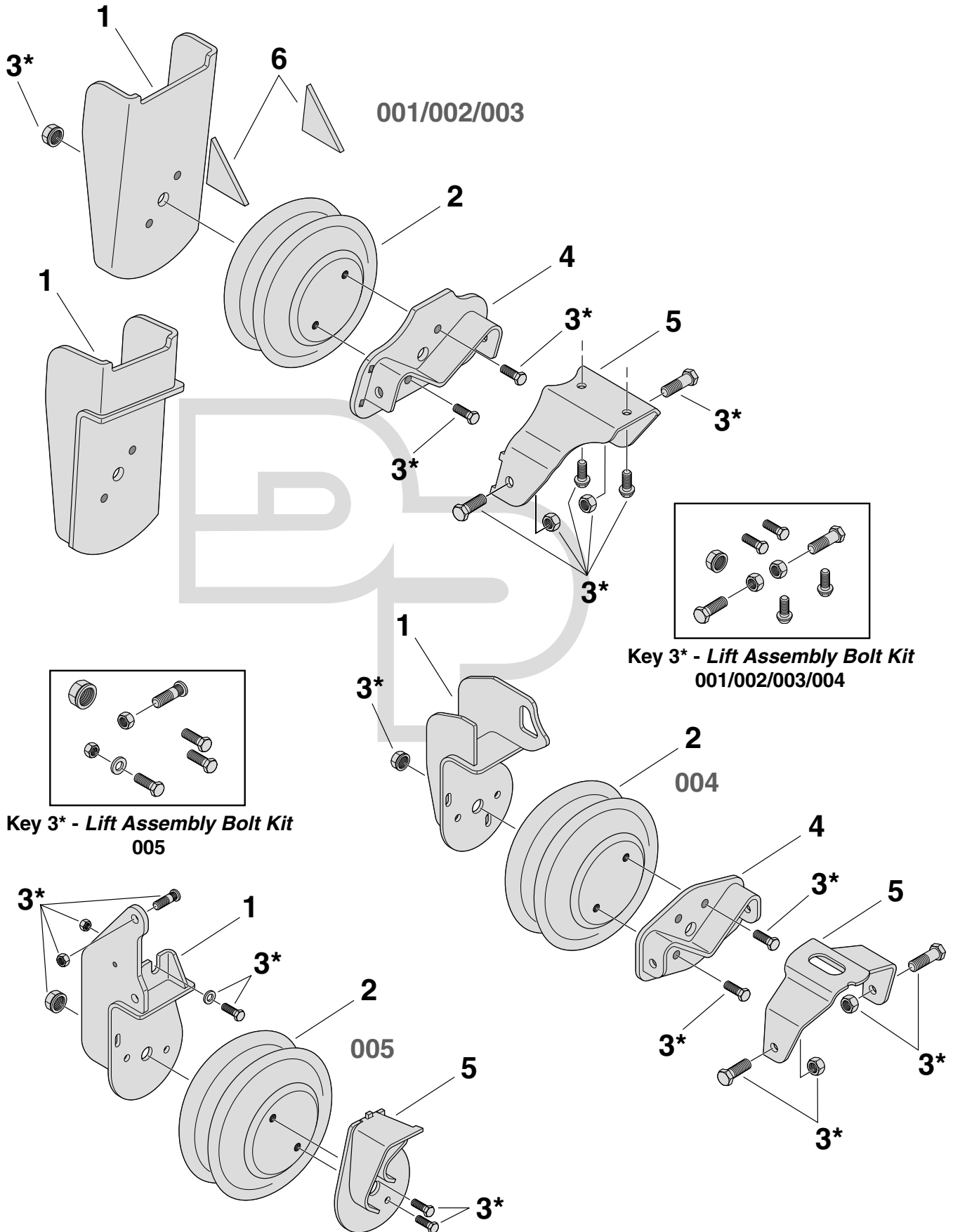
Key No.	Part Number	Description	No. Req.	OEM Reference	Remarks
1	SP	Assembly, Controller; CP or CP Integrated	1	VS-32074-100	Programmed to 100psi
	SP	Assembly, Controller; CP or CP Integrated	1	VS-29865-100	Programmed to 100psi
✓ ●	2	334-2053	1	VS-29857	18"; 3-Way Connector; Not Shown
✓ ●	3	334-2054	1	VS-30270	15"; 3-Way Connector
✓		334-2055	1	VS-30270-1	3"; 3-Way Connector
4	SP	Assembly, Indicator Lamp; Trailer Mounted	1	VS-28059	Incl. Std. Light Assy., Gasket, Ground Wire & Cable
✓ ●	5	334-2056	4	VS-32055-1	Specify Oil or Grease
✓ ●		334-2057	4	VS-32055-3	
✓ ●		334-2058	4	VS-32056-1	
✓ ●		334-2059	4	VS-32056-3	
✓ ●		334-2060	4	VS-32068-1	
✓ ●		334-2061	4	VS-32068-3	
✓ ●		334-2062	4	VS-32070-1	
✓ ●		334-2063	4	VS-32070-3	
	SP	Cap, Hub; Pro; Extended	4	Various	
	SP	Cap, Hub; EC & CP HN; Grease Standard	4	VS-29566-1	
	SP	Cap, Hub; EC & CP HN; Oil Standard	4	VS-29566-3	
	SP	Cap, Hub; EC & CP HP; Grease Standard; HUS/P90 6-Bolt	4	VS-29566-2	
	SP	Cap, Hub; EC & CP HP; Oil Standard	4	VS-29566-4	
	SP	Cap, Hub; EC & CP; HUS/P90 Screw-On or 3-Bolt & HN/HP w/Extd. Stemco	4	Various	
6	SP	Hose; Pro & CP Integrated	4	VS-32087-1	INTRAAX®/VANTRAAX®; >01/1/12; Requires Vent VS-32101; Rotary Union Only
	SP	Hose; Pro & CP Integrated; 71.5"-83" Track	4	VS-32087-2	TRLAXLE®; Requires Axle Vent VS-32101-1; Rotary Union Only
✓ ●	7	334-2064	4	VS-33092-1	HN Axles
✓ ●		334-2065	4	VS-33092-2	HUS/P90 & HP Axles
8	SP	Axle Vent - INTRAAX®/VANTRAAX®	2	VS-32101	
✓ ●	9	334-2066	4	VS-33769-1	Duals; 17"-19.5"
✓ ●		334-2067	4	VS-33769-2	Duals; 22.5"-24.5"
✓ ●		334-2068	4	VS-33767-1	Duals; >19.5"
✓ ●		334-2212	4	VS-33767-2	Duals; 17"-19.5"
✓ ●		334-2213	4	VS-33767-3	Super Single Aluminum; 22.5"
✓ ●		334-1975	4	VS-29004-1	
✓ ●		334-1970	4	VS-29004-2	
✓ ●		334-1969	4	VS-29003-1	
✓ ●	10	334-1972	4	VS-29854	
✓ ●		334-2069	4	VS-30451	For 6 Bolt
✓ ●	11	334-1971	4	VS-30002	
✓ ●	12	334-1973	4	S-28622	
✓ ●		334-1983	4	S-28193	
		SP	4	S-28192	
13	334-2070	Kit, Axle Filter; EC/CP	AR	S-24960	HP Axle; Not Shown
	334-2071	Kit, Axle Filter; EC/CP	AR	S-24693	HN Axle; Not Shown
14	334-2072	Clamp, Hose	AR	VS-26451	EC & CP; Not Required w/Threaded Axle Hose; Not Shown

**UNDER BEAM LIFT™ (UBL™)
Kits & Repair Components**

Hendrickson Trailer

Hendrickson Trailer

Suspension Illustration



001/002/003

**Key 3* - Lift Assembly Bolt Kit
001/002/003/004**

**Key 3* - Lift Assembly Bolt Kit
005**

Key Numbers with an asterisk (*) indicate a kit or assembly.

Hendrickson Trailer

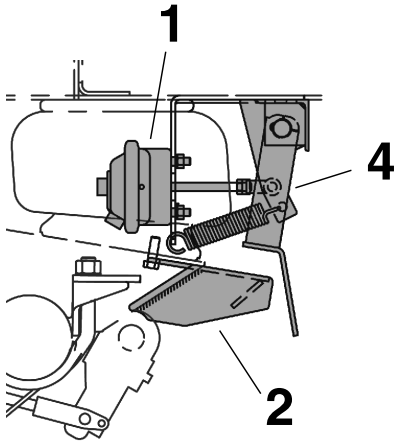
UNDER BEAM LIFT™ (UBL™) Kits & Repair Components

Hendrickson Trailer

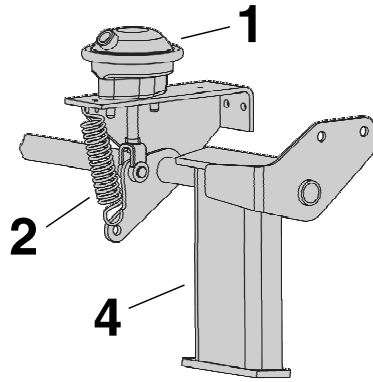
Key No.	Part Number	Description	No. Req.	OEM Reference	Remarks
✓	SP	Bracket, Frame; Weld-On	2	D-23301	UBL-001; (AAT; HT 230/300)
	SP	Bracket, Frame; Weld-On	2	D-24658	UBL-002/003; (AAL, AAEDT, AAEDL; HT 250T)
	SP	Bracket, Frame; Weld-On; Roadside	1	C-28610-1	UBL-004; (AANT)
	SP	Bracket, Frame; Weld-On; Curbside	1	C-28610-2	UBL-004; (AANT)
	SP	Bracket, Frame; Bolt-On; Roadside	1	C-30293-1	UBL-005; (AANL)
	SP	Bracket, Frame; Bolt-On; Curbside	1	C-30293-2	UBL-005; (AANL)
✓	S-23114	Air Spring	2	S-23114	
✓	SP	Kit, Bolt; Lift Assembly	2	S-24614/2	UBL-005
	SP	Kit, Bolt; Lift Assembly	2	S-30634/2	UBL-001/002/003/004
✓	SP	Assembly, Plate; Lift Spring	2	B-27945	UBL-001/002/003
	SP	Assembly, Plate; Lift Spring	2	C-28614	UBL-004; (AANT)
✓	SP	Bracket, Lift	2	C-23299	UBL-001
	SP	Bracket, Lift	2	C-28537	UBL-002/003
	SP	Bracket, Lift; Roadside	1	C-28617-1	UBL-004; (AANT)
	SP	Bracket, Lift; Curbside	1	C-28617-2	UBL-004; (AANT)
	SP	Bracket, Lift; Roadside	1	C-30209-1	UBL-005; (AANL)
	SP	Bracket, Lift; Curbside	1	C-30209-2	UBL-005; (AANL)
✓	SP	Gusset	4	B2901-37	UBL-002/003
✓	SP	Valve, Cross Over; Not Shown	1	AKAM0004	AAL 30k; AAEDL 30k Only
●	334-2013	Kit, Lift; Under Beam; Weld-On		UBL-001	AAT 23k, 25k & 30k; HT 230/300
	334-2217	Kit, Lift; Under Beam; Weld-On		UBL-002	AAL 23k & 25k; AAEDT 30k; HT 250T
	SP	Kit, Lift; Under Beam; Weld-On		UBL-003	AAL 30k; AAEDY 30k; HT 250T
	SP	Kit, Lift; Under Beam; Weld-On		UBL-004	AANT
	SP	Kit, Lift; Under Beam; Weld-On		UBL-004	AANT
●	334-2019-1	Control, Lift; w/o Brake Isolation		AKAD2011-1	Stainless Enclosure
	334-2019-2	Control, Lift; w/ Brake Isolation		AKAD2011-2	Stainless Enclosure

Parts Listing

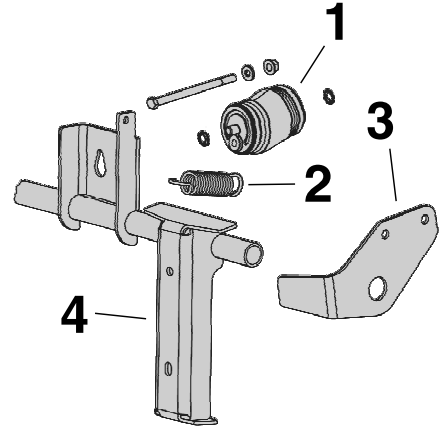
Hendrickson Trailer



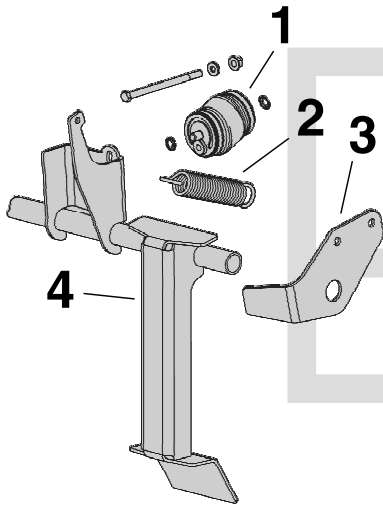
Item A



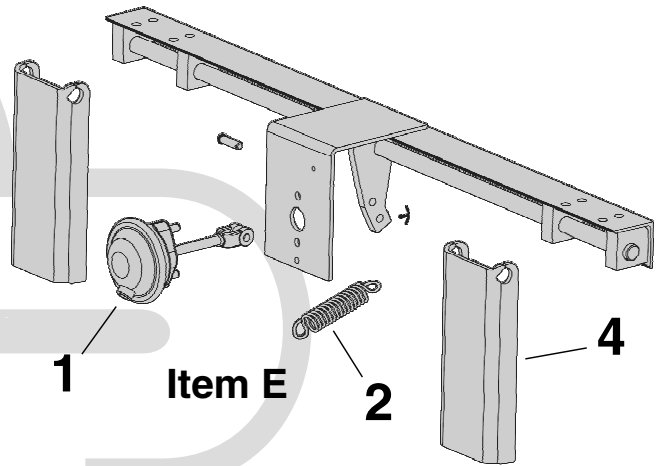
Item B



Item C

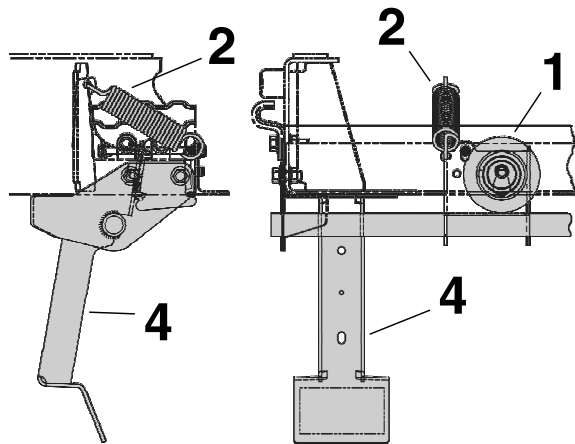


Item D

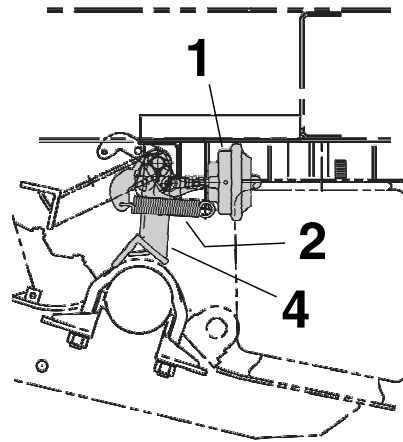


Item E

Suspension Illustration



Item F



Item G

Suspension Model	Diagram (Item)	Production Date	Actuator Type	Key Number:			Ride Height Lock Assembly
				1	2	3	
				Actuator Part No.	Spring Part No.	Shaft Bracket (road/curb)	
INTRAAX® AAT, 23k & 25k	A		Chamber	A-21452	S-21539	—	Specify Axle Track & Ride Height
INTRAAX® AANT, 23k	A		Chamber	A-21452	S-21539	—	Specify Axle Track & Ride Height
VANTRAAX® HKANT, 40k; HKANT, 46k; HKA180	B	<05/99	Chamber	—	S-21539	—	Specify Box Width & Ride Height
	C	05/99<12/01	Air Spring	S-25593	S-24495	C-24453-1/-2	
	D	12/01+	Air Spring	S-25593	B-26597	C-24453-1/-2	
VANTRAAX® HKAT, 46k; Wide Bushing & Straight Beam	E	<04/98	Chamber	A-21452	S-21539	—	Specify Box Width, Ride Height & Actuator Type
	B	04/98<05/99	Chamber	S-23169	S-21539	C-24453-1/-2	
	C	05/99<12/01	Air Spring	S-25593	S-24495	C-24453-1/-2	
	D	12/01+	Air Spring	S-25593	B-26597	C-24453-1/-2	
HK190/230	F		Chamber	A-21452	S-21539	—	Specify Box Width, Ride Height & Actuator Type
			Air Spring	S-25593	B-26597	—	
HT190/230	F		Chamber	A-21452	S-21539	—	Specify Box Width & Ride Height
HT250US	G		Chamber	S-23169	S-21539	—	Specify Box Width & Ride Height
HS190/230	A		Chamber	A-21452	S-21539	—	Specify Box Width & Ride Height

Cross Reference

Hendrickson Part No.	Dayton Part No.	Description
A-21452	SP	Type 9 Chamber
S-25593	✓ S-25593	Sleeve Type Air Spring
S-23169	SP	Type 16 Chamber
S-21539	● 334-2074	Spring; 1 1/4" x 6 1/8" x .199
S-24495	● 334-2075	Spring; 1 1/4" x 4 3/8" x .148
B-26597	● 334-2076	Spring; 1 1/2" x 6 3/8" x .177
C-24453-1	SP	Bracket; Roadside
C-24453-2	SP	Bracket; Curbside

SURELOCK® Air Controls

Hendrickson Part No.	Dayton Part No.	Description
VS-22535	● 334-2017	3-Way Ball Valve
VS-23588	● 334-2077	3-Way Piloted Valve
VS-24988	SP	2-Way Check Valve
VS-14719	✓ ● 334-2078	4-Way Push/Pull

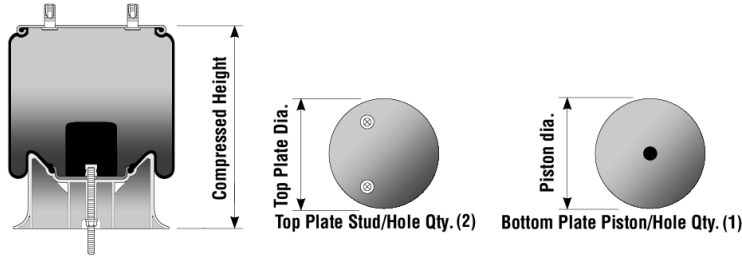
HT Components

Air Springs

Air Spring Beam Assemblies

Hendrickson Trailer

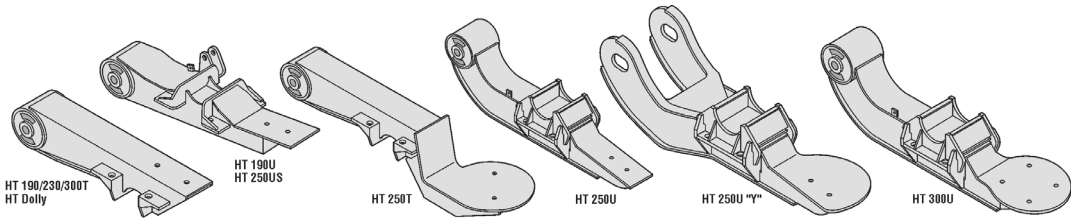
Hendrickson Trailer



Air Springs

Part No.	Hend. No.	Top Plate Stud/Hole Qty.	Bottom Plate Piston/Hole Qty.	Top Plate Dia.	Piston Dia.	Compressed Height	Model**
352-9270	S-20010	1	4	9.00	9.50	5.60	HS 230, HT 230 & HT 250US
352-9581	S-20414	1	4	9.00	9.50	7.30	HT 250U, HT 250US & HT 250U-Y
352-9640	S-20223	1	4	9.00	9.75	5.40	HS 190, HT 190T & HT 250US
352-8944	S-20217	1	4	9.00	11.06	7.30	HT 190U
352-9265	S-20124	1	4	9.00	11.06	7.30	HT 250T, HT 250US & HT 250U-Y
352-9299	S-20716	1	4	9.00	11.06	7.30	HT 250U & HT 250US
352-9265	S-20413	1	4	9.00	11.06	7.30	HT 250U, HT 250US & HT 250U-Y
352-9580	S-20127	1	4	10.38	10.75	7.30	HT 250U, HT 250US & HT 250U-Y
352-9367	S-14249	2	4	9.00	10.25	9.20	HT 250US
—	S-26773	2	4	10.36	10.57	5.15	HT 230
352-8755	S-22045	2	4	10.38	8.43	7.30	HK 190T
352-8756	S-22046	2	4	10.38	9.38	7.30	HK 230
352-9122	S-3830	2	4	10.38	10.25	8.90	HT 300YB/U
352-5514	S-22173	2	4	11.31	10.25	8.90	HT 300U
352-9264	S-13122	2	4	11.31	10.25	10.10	HT 250 & HT 250US
352-8050	S-4771	2	4	11.31	11.50	5.80	HT 250US & HT 300T
—	S-25319	2	4	11.38	11.13	7.87	HT 300US
352-8800	S-21208	3	4	9.00	9.50	5.60	HT 230

HK/HS/HT Trailing Beam Assemblies

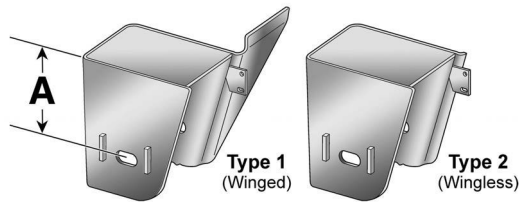


HK/HS/HT Model**	Part No. *	*Hend. No.	Alignment	Remarks**
HK 190T/230, HS 190T/230/300T & HT 230	SP	21736-1/-2	ALL	36 13/16" OAL; Units w/ SURELOCK; HT 230 TA/TB-601
HS 190T/230/300T & HT 190T/230	338-1983 / 338-1984	20000-1/-2	ALL	32 5/8" OAL; HT 230 All, Except TA/TB-522/601
HS/HT 300T	338-2010 / 338-2011	20186-1/-2	ALL	34 9/16" OAL; All Models
HT 190U	338-2417 / 338-2418	20200-1/-2	ALL	All Except 6.75-001/002/003/020 & 9-007
	SP	20333-1/-2	ALL	6.75-001/002/003/020
	SP	20663-1/-2	ALL	U-9-007
HT 230	SP	27614-1/-2	ALL	HT 230TA/TB-522
HT 250T	338-2012 / 338-2013	20602-1/-2	ALL	All Models
HT 250U	SP	20338-1/-2	ALL	U-7.5-021
	SP	20338-3/-4	ALL	U-9-020/021/023, UB-9-022 & U/UB-15-022
	338-2060 / 338-2061	20335-1/-2	ALL	All Not Listed Above
HT 250US	338-2233 / 338-2234	24186-1/-2	ALL	All Models
HT 250U-Y	338-2081 / 338-2082	20131-1/-2	WELD	
	SP	21076-1/-2	WELD	Units w/Shock Strap
HT 250YB	SP	22350-1/-2	QUIK	
	SP	22350-3/-4	QUIK	Units w/Shock Strap
HT 250YS	SP	30873-1/-2	QUIK	
HT 300U	338-2419 / 338-2420	20252-1/-2	ALL	All Models
HT 300US	338-2421 / 338-2422	32426-1/-2	QUIK	All Models
HT 300YB	SP	31377-1/-2	QUIK	

* Roadside/Curbside

**Suspension I.D. Tag is located Front of the Roadside Hanger or Inside the Curbside Beam

Component Charts



HT Hangers

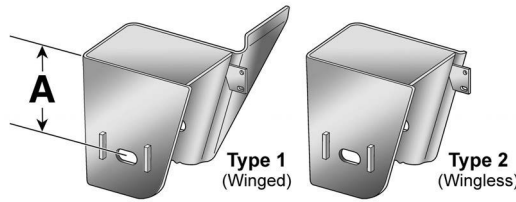
Type	Attachment	Alignment	Height (A)	Hend. No.*	Part No.*	HT Model**
1 (Winged)	BOLT	QUIK		21332-1/2	SP	230-18-052
	BOLT	QUIK		21205-1/2	SP	230/250TA16/17-002
	BOLT	QUIK		25812-1/2	SP	230TA14-070/15-071/TB14-070 & 250TA14-070
	BOLT	QUIK		24912-1/2	SP	230TA15-036
	BOLT	QUIK		25618-1/2	SP	300TA15-036
	BOLT	QUIK		25461-1/2	SP	300TA15-070
	BOLT	QUIK		25462-1/2	SP	300TA17-070
	BOLT	QUIK	8.000	21204-1/2	SP	230TA14-002, 15-002/004/011 & 250TA12/14/15-002
	BOLT	WELD		20337-1/2	SP	250U-12-007
	BOLT	WELD		20326-1/2	SP	250U-6.5-007
	WELD	QUIK		21249-1/2	SP	230TA14/15-008 & 15-008
	WELD	QUIK		21179-3/4	SP	230TA15-016 & 250TA14-016
	WELD	QUIK		21250-1/2	SP	230TA17-008
	WELD	QUIK		21193-1/2	SP	250TA19-001
	WELD	QUIK		22386-1/2	SP	HK 190T/230; 16.5" Ride Hgt
	WELD	QUIK	8.000	21179-1/2	338-2062/-2063	190TA14-001/005, 15-005; 230T14/15 Except 15-016/008/025/525/522 & 250TA12/14/15-001/021
	WELD	QUIK	10.000	21165-1/2	338-1980/-1981	190TA16/17-005, 230TA15-525 & TA16/17 Except 17-008, 250TA16/17-001/020/021
	WELD	QUIK	10.000	21291-1/2	338-2052/-2053	HK 190T/230; 16" Ride Hgt
	WELD	QUIK	12.000	21265-1/2	SP	HTDOLLY
	WELD	WELD		20327-1/2	SP	250U-7.5/9-007
2 (Wingless)	BOLT	QUIK		22137-1/2	SP	230TB14/15-002 & 250TB12-002
	BOLT	QUIK		25494-1/2	SP	230TB14/15-071
	BOLT	QUIK		22752-1/2	SP	250UB9-012
	BOLT	QUIK		24220-1/2	SP	300TC15-060
	BOLT	QUIK		24226-1/2	SP	300TC15-061
	BOLT	QUIK		24228-1/2	SP	300TC17-061
	BOLT	QUIK		24181-1/2	SP	300TC19-060/062
	BOLT	QUIK		24251-1/2	SP	300TC19-061/063
	BOLT	QUIK	8.375	25109-1/2	SP	250TB-036
	BOLT	QUIK	8.375	23009-1/2	SP	250US; 5.5" & 6.5" Ride Hgt, Std
	BOLT	QUIK	8.375	33061-1L/1R	SP	300US; 5.5" & 6.5" Ride Hgt, Std; 6.5" Ride Hgt, Ltd Jounce
	BOLT	QUIK	10.375	23010-1/2	SP	250US; 7.5" & 9" Ride Hgt, Std; 6.5", 7.5" & 9" Ride Hgt, Ltd Jounce
	BOLT	QUIK	10.375	33061-2L/2R	SP	300US; 7.5" & 9" Ride Hgt, Std & Ltd Jounce
	BOLT	QUIK	10.625	24222-1/2	338-2217/-2218	300TC17-060
	BOLT	QUIK	11.000	23512-1/2	338-2215/-2216	300TB17-022
	BOLT	QUIK	12.375	23011-1/2	SP	250US; 12" Ride Hgt, Std
	BOLT	QUIK	12.500	33061-3L/3R	SP	300US; 12" Ride Hgt, Std
	BOLT	WELD		20007-1/2	SP	230/250T-12/14/15-002
	BOLT	WELD		20047-1/2	SP	230/250T-15-025
	BOLT	WELD		20008-1/2	SP	230/250T-16/17-002/300-17-004
	BOLT	WELD		22663-1/2	SP	250U-6.5-024
	BOLT	WELD		22281-1/2	SP	300T-17-022
	BOLT	WELD		22073-1/2	SP	300T-23-002
	BOLT	WELD	9.375	20189-1/2	SP	300T-15-002/011
	BOLT	WELD	11.375	20190-1/2	SP	230-19-004

* Roadside/Curbside

**Suspension I.D. Tag is located Front of the Roadside Hanger or Inside the Curbside Beam

HT Components Hangers

Hendrickson Trailer



Hendrickson Trailer

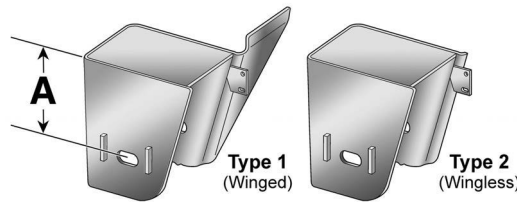
Component Charts

HT Hangers *Continued*

Type	Attachment	Alignment	Height (A)	Hend. No.*	Part No.*	HT Model**	
2 (Wingless)	WELD	QUIK		21592-1/-2	SP	190TB/230/250TB/300TB-16-026/17-003; 190UB9-001/020, Curb Only; 22601, Road	
	WELD	QUIK		21590-1/-2	338-1987/-1988	190U, Road Only; 22580, Curb; 230TB	
	WELD	QUIK		22580	SP	190UB, Road Only; 21590-2, Curb	
	WELD	QUIK		22601	SP	190UB, Road Only; 21592-2, Curb	
	WELD	QUIK		23461-1/-2	SP	190UB12-001, Curb Only; 23265-1, Road; 230/250TB-19-001; 300TB19-007/021	
	WELD	QUIK		23265-1	SP	190UB12-001, Road Only; 23461-2, Curb	
	WELD	QUIK		22420-1/-2	SP	230TB15-025	
	WELD	QUIK		22138-1/-2	SP	230TB16/17/18-002	
	WELD	QUIK		21230-1/-2	SP	250U-14-007	
	WELD	QUIK		21688-1/-2	SP	250UB12	
	WELD	QUIK		22634-1/-2	SP	250UB14	
	WELD	QUIK		21926-1/-2	SP	250UB7.5/9; Except 7.5-005 & 9-022	
	WELD	QUIK		23859-1/-2	SP	250UB9/15-022	
	WELD	QUIK		23790-1/-2	SP	300TB-15	
	WELD	QUIK		23797-1/-2	SP	300TB15-016	
	WELD	QUIK		22386-1/-2	SP	HK 190T/230; 14" Ride Hgt	
	WELD	QUIK		21291-1/-2	SP	HK 190T/230; 16" Ride Hgt	
	WELD	QUIK		21802-1/-2	SP	HK 190T/230; 18" Ride Hgt	
	WELD	QUIK		4.500	23848-1/-2	SP	250US; 3.5" & 4" Ride Hgt, Std
	WELD	QUIK		6.375	21927-1/-2	338-2113/-2114	250UB6.5-001/022/517 & 7.5-005
	WELD	QUIK		8.000	21590-1/-2	338-1987/-1988	190TB/230/250TB; 190UB, Curb Only; 22580, Road
	WELD	QUIK		8.000	22826-3/-4	SP	250/300US, 5.5" & 6.5" Ride Hgt, Std; 300US, 6.5" Ride Hgt, Ltd Jounce, Extnrd Trvl; Remote Shock
	WELD	QUIK		8.000	22826-1/-2	SP	250/300US, 5.5" & 6.5" Ride Hgt, Std; 300US, 6.5" Ride Hgt, Ltd Jounce
	WELD	QUIK		8.000	23166-1/-2	SP	250/300US; 6.5" Ride Hgt; Std & Extnrd Rebound
	WELD	QUIK		8.000	22680-1/-2	SP	250US; 6.5" Ride Hgt
	WELD	QUIK		10.000	22827-3/-4	SP	250/300US; 7.5" & 9" Ride Hgt, Ltd Jounce; Remote Shock
	WELD	QUIK		10.000	22827-1/-2	338-2074/-2075	250US, 6.5", 7.5" & 9" Ride Hgt, Std; 300US, 7.5" & 9" Ride Hgt, Ltd Jounce
	WELD	QUIK		11.000	22581-1/-2	SP	250UB6.5-022
	WELD	QUIK		11.000	24635-1/-2	338-2210/-2211	300TB17-001/024
	WELD	QUIK		12.000	22828-1/-2	338-2165/-2166	250/300US, 12" Ride Hgt, Std; 300US, Ltd Jounce
	WELD	QUIK		12.000	22828-3/-4	SP	250/300US, 12" Ride Hgt, Std; 300US, Ltd Jounce; Remote Shock
	WELD	QUIK		13.188	21803-1/-2	SP	HK190T/230; 19" Ride Hgt
WELD	QUIK		14.000	22829-1/-2	338-2432/-2433	250/300US; 14" Ride Hgt	
WELD	QUIK		14.000	22829-3/-4	SP	250/300US; 14" Ride Hgt; Remote Shock	
WELD	QUIK		14.000	21497-1/-2	SP	HK 190T/230; 17" Ride Hgt	
WELD	QUIK		14.375	23012-1/-2	SP	250US; 14" Ride Hgt, Std; 12" Ride Hgt, Ltd Jounce	
WELD	QUIK		16.500	29354-1/-2	SP	300UB-022	
WELD	QUIK		17.000	28470-3/-4	SP	300US; Remote Shock	
WELD	QUIK		17.000	28470-1/-2	SP	300US Std	

* Roadside/Curbside

**Suspension I.D. Tag is located Front of the Roadside Hanger or Inside the Curbside Beam



HT Hangers *Continued*

Type	Attachment	Alignment	Height (A)	Hend. No.*	Part No.*	HT Model**
2 (Wingless)	WELD	WELD		15027-1/-2	SP	190T-14-001/005 & -15-001/004/005; Heavy Duty
	WELD	WELD		15028-1/-2	SP	190T-16-002; Heavy Dut
	WELD	WELD		15188-1	SP	190U-12-001, Road Only; 14959-2, Curb
	WELD	WELD		14959-1/-2	SP	190U-12-031
	WELD	WELD		20222	SP	190U-6.75-001/002/003/020 & -7-021; Road & Curb
	WELD	WELD		20149-1/-2	SP	230-15-016
	WELD	WELD		20048-1/-2	SP	230-16/17-008
	WELD	WELD		20396-1/-2	SP	230-19-002 & -250T-19-002/004
	WELD	WELD		21040-1/-2	SP	250T-16-016
	WELD	WELD		20323-1/-2	SP	250U-12; Except -12-002
	WELD	WELD		20324-1/-2	SP	250U-12-002 & -14 Except -14-007
	WELD	WELD		20321-1/-2	SP	250U-6.5, Except -002/003/007/022/024/030/031 & U-7.5-005
	WELD	WELD		20717-1/-2	SP	250U-6.5-002/003/022
	WELD	WELD		22663-1/-2	SP	250U-6.5-024
	WELD	WELD		15019-1/-2	SP	250U-6.5-030/031
	WELD	WELD		20357-1/-2	SP	250U-7.5-021
	WELD	WELD		23860-3/-4	SP	250U-9-020/021/023 & 15-022
	WELD	WELD		20286-1/-2	SP	300T-15-016
	WELD	WELD		21122-1/-2	SP	300T-15-021/025
	WELD	WELD		21123-1/-2	SP	300T-17-025
	WELD	WELD		21454-1/-2	SP	300T-21-003
	WELD	WELD		21150-1/-2	SP	300T-23-001
	WELD	WELD		20269-1/-2	SP	300U-12, Except 12-020
	WELD	WELD		22778-1/-2	SP	300U-12-020
	WELD	WELD		20270-1/-2	SP	300U-14, Except 14-020/021
	WELD	WELD		22777-1/-2	SP	300U-14-020
	WELD	WELD		22511-1/-2	SP	300U-15-011
	WELD	WELD		20271-1/-2	SP	300U-17, Except 17-020/021
	WELD	WELD		20914-1/-2	SP	300U-17-020
	WELD	WELD		21367-1/-2	SP	300U-17-021
	WELD	WELD		20268-1/-2	SP	300U-7.5/9, Except 9-021/022
	WELD	WELD		22779-1/-2	SP	300U-9-021
	WELD	WELD		23408-1/-2	SP	300U-9-022
WELD	WELD		24183-1/-2	SP	300UB9-022	
WELD	WELD	8.000	20064-1/-2	338-2095/-2096	190T/230/250T; 190U Curb Only	
WELD	WELD	8.000	20216	SP	190U, Road Only; 338-2096, Curb	
WELD	WELD	8.000	20322-1/-2	338-2055/-2056	250U-7.5/9 Except 7.5-005/007/021 & 9-007/020/021/023	
WELD	WELD	8.000	21380-1/-2	SP	300U-14-021	
WELD	WELD	9.000	20196-1/-2	338-2076/-2077	300T-15	
WELD	WELD	10.000	20065-1/-2	338-1985/-1986	190T/230/250T, 190U Curb Only; 300T-17	
WELD	WELD	10.000	20211	SP	190U -9-001/007/020, Road Only; 338-1986, Curb	
WELD	WELD	11.000	20197-1/-2	338-2156/-2157	300T-17	
WELD	WELD	13.188	14190-1/-2	SP	190T/230/250T & 190U-17-001 Curb Only; 300T-19-001	

* Roadside/Curbside

**Suspension I.D. Tag is located Front of the Roadside Hanger or Inside the Curbside Beam

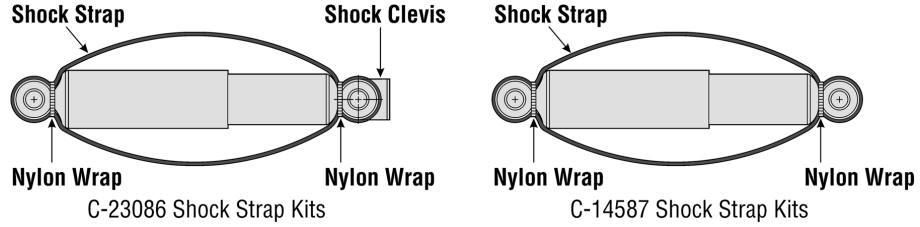
HT and INTRAAX® Components

Shock Absorbers and Shock Straps

Hendrickson Trailer

Hendrickson Trailer

Component Charts

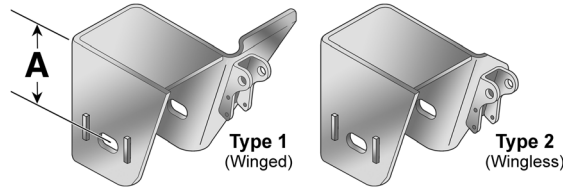


HT & INTRAAX®
Shock Absorbers and Shock Straps

Hend. Shock No.*	Shock No.	Hend. Strap Kit No.	Strap Kit No.	Length	Application**
B-22345	M65419				
B-22345	M66608				
S-1667	M66893				HT 250U & T Series
S-2160	M66886	S-14587-2	334-1902	19.25"	HT 230, HT 250U, HT 300U, HN 460 & T Series
S-2212	M66636	S-14587-3		18.25"	AAL, HT 190U/250U, HT 230, HT 250 & T Series
S-2213	M66638	S-14587-4		23.75"	T Series
S-2218	M66969	S-14587-5			HT 230 & T Series
S-2471	M65482	S-14587-7		25.25"	HAS
S-4084	M66833	S-14587-6		22.25"	T Series
S-20001	M65419	S-14587-1	334-1901	15.25"	HT 190, HT 190U & HS 190
S-20002, S-20126	M65416	S-14587-1	334-1901	15.25"	HT 230, HS 230 & HT 190U/230U/250U
S-20126	M65501	S-14587-8	334-1903	15.75"	HT 230, HS 300 & HT 300, HT 300U
S-20345					AAL, HT 190U/250U, HT 230, HT 250 & T Series
S-21292, S-23650	M66607				
S-21553	M65500	S-14587-8	334-1903	15.75"	HT 250U & HT 300
S-21699	M65493	S-14587-8	334-1903	15.75"	HT 230, HT 300 & HT 300U
S-22515		C-24041-12			AAEDT
S-23316	M65433	C-23086-6			AAEDL, AAEDT & HT 300US
S-23361	M65419				AAT, AANT, HS 190T/190U & HT 230
S-23361	M65419	C-23086-7			AANT
S-23437					AAL, AAEDL
S-23548	M65501	C-23086-11	334-1959		HT 250US
S-23566	M65416	C-23086-1	334-1905	15.75"	AANLS, AAL, AAT & AANT/HKANT 69k 23/HKA
S-23649	M65512	C-23086-5	334-1909	14.25"	HT 190U & HT 250US
S-23650	M66607	C-23086-3	334-1907	11.88"	HT 250US
S-23651	M65511	C-23086-4	334-1908	12.88"	AANL, AAL, AANT & HT 250US
S-23743	M65512	C-23086-5	334-1909	14.25"	AANT & HT 250US/300US
S-23744		C-23086-10			HT 250US/300US
S-24023	M65416	C-23086-2	334-1906	15.75"	AANLS, AAEDL, AAT & AANT/HKAT 69k 25
S-24579	M65465	C-23086-8			AANLS, AANL, AAEDL, AANT & HT 250US/300US/300
S-25436	M65431				AAL, AAEDL & AAEDT
S-25437	M65482				AAL, AAEDT & HAS
S-25512		C-24041-12			AAEDT
S-25515	M65513				AANLS, AANL & HT 250
S-27196		C-23086-1	334-1905	15.75"	HKANT 40k, 46k & 50k

* Hendrickson Part No. may also begin with an "A" or "B".

**Suspension I.D. Tag is located Front of the Roadside Hanger or Inside the Curbside Beam



INTRAAX® Frame Brackets

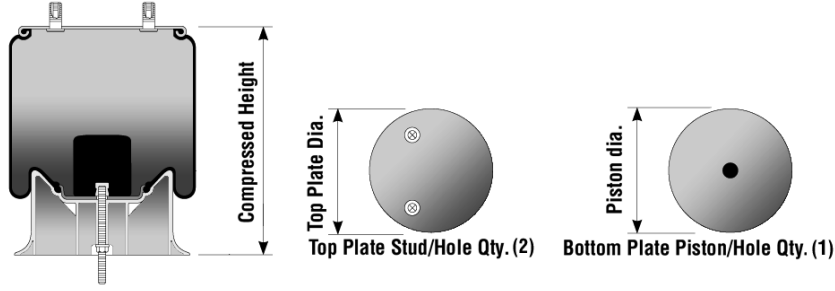
Type	Height (A)	Attachment	Hend. No. (Roadside/Curbside)	Part No. (Roadside/Curbside)	Intraax Models**	Remarks
1	8"	BOLT	30960-7L & -7R	SP	AAT	Repl. 21415-1 & -2
			30960-11L & -11R	SP	AAT	Repl. 15207-1 & -2
			30960-15L & -15R	SP	AAT	Repl. 24499-1 & -2
			30960-13L & -13R	SP	AAT	Repl. 27645-1L & -1R
		BOLT 1/2"	30960-1L & -1R	338-2139/338-2140	AAT	Repl. 21084-1 & -2
	BOLT 5/8"	30960-4L & -4R	338-2158/338-2159	AAT	Repl. 21628-1 & -2	
	WELD	21626-1 & -2	SP	AAT	High Control	
		21028-1 & -2	338-2014/338-2015	AAT	Standard	
		21028-3 & -4	SP	AAT	Weld-On Top Plate	
		26067-1L & -1R	SP	HKAL	10" Ride Hgt.	
		28531-1L & -1R	SP	HKANT, HKAT & HKA200	14-15" Ride Hgt.	
		28531-1L & -1R	SP	HKANT 40k & HKA180	Repl. 22365-1 & -2	
		21807-1 & -2	SP	HKAT 50k & HKA250		
	10"	BOLT	30960-12L & -12R	SP	AAT	Repl. 15208-1 & -2
			30960-8L & -8R	SP	AAT	Repl. 21416-1 & -2
			30960-10L & -10R	SP	AAT	Repl. 23247-1 & -2
			30960-16L & -16R	SP	AAT	Repl. 24500-1 & -2
		BOLT 1/2"	30960-2L & -2R	338-2020/338-2221	AAT	Repl. 21085-1 & -2
		BOLT 1/2"	30960-3L & -3R	SP	AAT	Repl. 22776-1 & -2
		BOLT 5/8"	30960-5L & -5R	338-2160/338-2161	AAT	Repl. 21629-1 & -2
BOLT 5/8"		30960-6L & -6	SP	AAT	High Control; Repl. 26978-1L & -1R	
WELD		22872-1 & -2	SP	AAT	High Control	
		21082-1 & -2	338-2016/338-2017	AAT	Standard	
	21082-3 & -4	SP	AAT	Weld-On Top Plate		
	24766-3L & -3R	SP	AAEDT			
	24767-3L & -3R	SP	AAEDT			
	22386-1 & -2	SP	HK	16.5" Ride Hgt.		
	26067-2L & -2R	SP	HKAL	11" Ride Hgt.		
29802-1L & -1R	338-2049/338-2050	HKANT, HKAT & HKA200	15.5-17			
32194-2L & -2R	SP	HKANT 40k & HKA180	Repl. 29802-1 & -2			
32195-2L & -2R	SP	HKAT 50k & HKA250; 69K23/69K25	Repl. 21808-1 & -2			
11"	BOLT 1/2"	28135-1 & -2	SP	AAT		
12"	BOLT 1/2"	21086-1 & -2	SP	AAT		
		23840-1 & -2	SP	AAT	High Control	
	BOLT 5/8"	24535-1 & -2	SP	AAT		
	WELD	24766-4L & -4R	SP	AAEDT		
		24767-2L & -2R	SP	AAEDT		
21083-1 & -2		SP	AAT			
21497-1 & -2		SP	HK	17" Ride Hgt.		
21802-1 & -2		SP	HK	18" Ride Hgt.		
21803-1 & -2		338-2176/338-2177	HK	19" Ride Hgt.		
28531-3L & -3R		SP	HKANT, HKAT & HKA200	17.5-19		
28531-3L & -3R	SP	HKANT 40k & HKA180	Repl. 22997-1 & -2			
32195-3L & -3R	SP	HKAT 50k & HKA250	Repl. 21809-1 & -2			
14"	WELD	24766-5L & -5R	SP	AAEDT		
2	8"	WELD	21905-1 & -2	338-2018/338-2019	AAT	
			23001-1 & -2	SP	AAT	High Control
			23000-1 & -2	SP	AAT	High Control or Extended Frame Bracket
	10"	WELD	21906-1 & -2	SP	AAT	
			24851-1 & -2	SP	AAT	High Control
12"	WELD	22770-1 & -2	SP	AAT		
				SP	AANT	Provide Specific Model Number

**Suspension I.D. Tag is located Front of the Roadside Hanger or Inside the Curbside Beam

INTRAAAX® Components Air Springs

Hendrickson Trailer

Hendrickson Trailer



INTRAAAX®
Air Springs

Part No.	Hend. No.	Top Plate Stud/Hole Qty.	Bottom Plate Piston/Hole Qty.	Top Plate Dia.	Piston Dia.	Compressed Height	Model**
352-9644	S-23721	2	1	9.00	10.25	7.40	AANLS, AAL 25k & AANL 23k
352-9626	S-23720	2	1	9.00	10.25	7.40	AAL 23k & AANL 23k
352-9621	S-23613	2	1	9.00	10.25	7.40	AAL 23k & AANL 23k
352-9646	S-23611	2	1	9.00	10.25	7.40	AANL 23k & AAL 25k
352-9619	S-23614	2	1	9.00	10.25	9.20	AAL 23k & AANL 23k
352-9645	S-23612	2	1	9.00	10.25	9.20	AAL 25k & AANL 23k
—	S-26773	2	4	10.36	10.57	5.15	AANT 23k
352-8709	S-21800	2	1	10.38	9.18	6.00	AAT 23K & AANT 23k
—	S-25871	2	4	10.38	10.25	7.40	AAL 30k
—	S-25872	2	4	10.38	10.25	9.50	AAL 30k
352-8091	S-20901	2	1	11.31	10.13	5.10	AAT 25k & AANT 23k
352-8774	S-25873	2	1	11.31	10.13	5.10	AAT 30k
—	S-24445	2	4	11.38	10.25	8.20	AAEDL
—	S-24446	2	4	11.38	10.25	9.50	AAEDL
—	S-25319	2	4	11.38	11.13	7.87	AAEDT 30k

**Suspension I.D. Tag is located Front of the Roadside Hanger or Inside the Curbside Beam

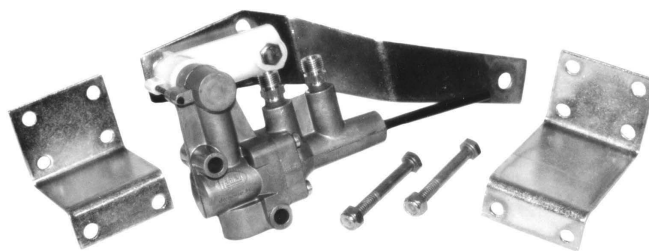
Component Charts

334-658



Service Kit, Pivot Bushing; Welded Alignment; Incl. Bolt Kit, Bushing & Wear Washers; Model Toughlift

334-750



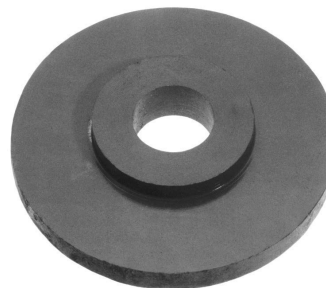
Valve, Height Control; Universal; Hadley - Model 450HCV; Models HK/HS/HT, T, Intraax/Vantraax

334-751



Universal HCV; Adjustable Linkage; 3 5/8" x 19 5/8"; Models HK/HS/HT, T, Intraax/Vantraax

334-822



Alignment Collar; Model T-4/6/9/15/17, HK/HS/HT, 190T, 190U, 250T/U, 300T/U

334-836



Alignment Collar; Model HT190

334-936



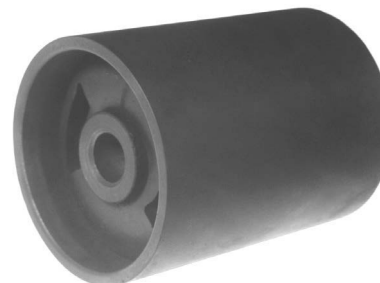
Tri-Functional® Bushing Installation Tool

334-1137



Axle Spacer; Model HK/HS, 190/230, HT190/230/250/300, Air Suspensions

334-1140



Y-Beam Bushing; Model HT250U/Y

334-1141



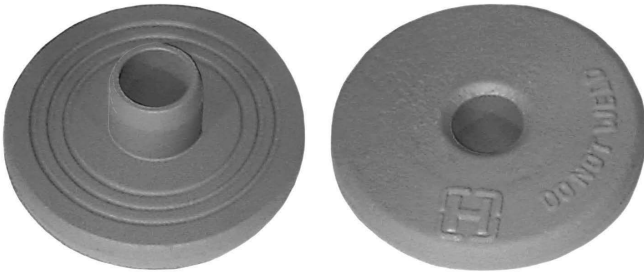
Alignment Collar; Model HT250U/Y

334-1573



Collar, Quik-Align; Eccentric; Nipple is Offset from Center of Collar; Models HK/HS/HT, Intraax/Vantraax

334-1574



Collar, Quik-Align; Concentric; Nipple is in Center of Collar; Models HK/HS/HT, Intraax/Vantraax

334-1576



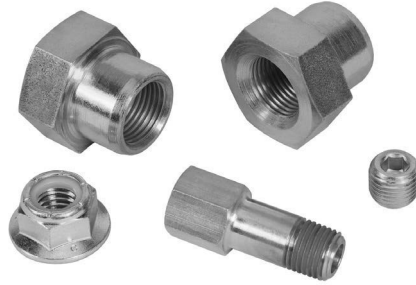
Service Kit, Pivot Bushing; QUIK-ALIGN®; All Ex. HT-Y Beam; Incl. Bushing, Pivot Bolt Kit & Spacers; Model HK/HS

334-1628



Retrofit Kit, Tri-Functional® Bushing; 7"; AA200NLS, AA230NL; Incl. Bushings, Pivot Bolt Kit & Wear Washers; One Axle; Model Intraax

334-1629



Mounting Kit, Air Spring; Units w/ 1 1/8" Plastic Spacers; Model Intraax

334-1630



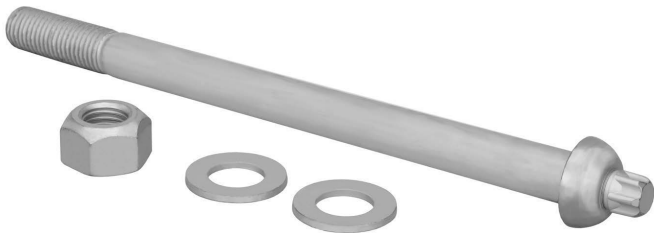
Mounting Kit, Air Spring; Units w/ 1 7/8" Plastic Spacer; Model Intraax

334-1631



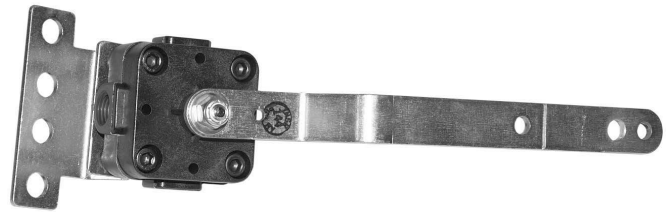
Mounting Kit, Air Spring; Units w/ 3/4" Plastic Spacer; Model Intraax

334-1637



Service Kit, QUIK-ALIGN® Pivot Bolt; 7"Lg Bolt; AANL, AANLS; Model Intraax

334-1647



Valve, Height Control; Universal; Models HK/HS/HT

334-1655



Tool, Bushing Installation; Narrow Bushing; Model Intraax/Vantraax

334-1667



Spacer, Shock Absorber; AA230/250T, HKA180/200/250

334-1702



Air Spring Mounting Kit; Used w/334-1804; Model Intraax/Vantraax

334-1802



Plastic Spacer; 1 1/8" Thick; Model Intraax/Vantraax

334-1803



Plastic Spacer; 1 7/8" Thick; Model Intraax/Vantraax

334-1804



Plastic Spacer; 3 1/8" Thick; Model Intraax/Vantraax

334-1805



Plastic Spacer; 3/4" Thick; Model Intraax/Vantraax

334-1810



Wear Washer, High Control; Models AA230/250, HT Dolly

334-1828



Disk, Air Spring Piston Support; Model Intraax/Vantraax

334-1846



Valve, 3 Way Auto Reset; Model Quik-Draw

334-1847



Service Kit, Pivot Bushing; Welded Alignment; Y' Beam; Model HK/HS

334-1969



Hose Assembly; 16.5", Straight, EC & CP; Model Tiremaax

334-1970



Hose Assembly; 15", 180°, EC & CP; Model Tiremaax

334-1971



Elbow Fitting; Model Tiremaax

334-1972



Tee Fitting; Model Tiremaax

334-1973



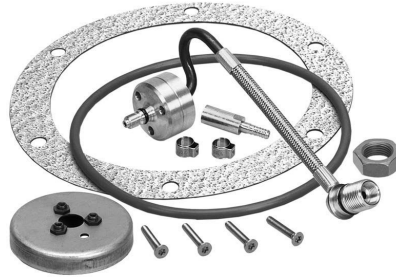
Rotary Union; No Spindle Plug; Model Tiremaax

334-1975



Hose Assembly; 11.5", 180°, EC & CP; Model Tiremaax

334-1983



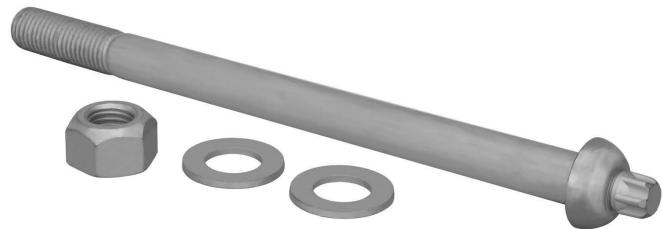
Rotary Union; HP & HUS/90P Spindle Plug; Model Tiremaax

334-2010



Service Kit, Pivot Bushing; Quik-Align; "Y" Beam; Model HK/HS

334-2011



Service Kit, Pivot Bolt; Quik-Align; 12 1/2"; "Y" beam; Model HK/HS

334-2012



Bushings, "Y" Beam; Quik-Align; Model HK/HS

334-2013



Under Beam Lift Kit; Weld-On; Model HT230/300, Intraax/Vantraax

334-2017



3-Way Ball Valve; Manual Bypass; Model Surelok

334-2019-1



Control, Lift; w/o Brake Isolation; Stainless Enclosure; Model Under Beam Lift™ (UBL™)

334-2037



Bolt Kit, Shock; Incl. Spacer; Model HT250/300US Standard Mount

334-2050



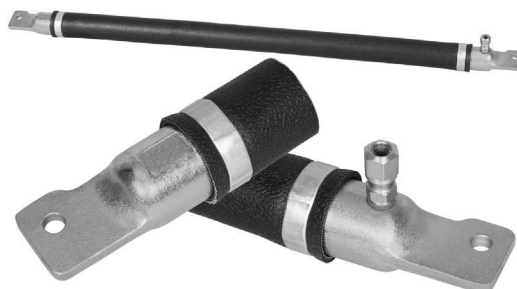
Slider, Lock Pin; 1 3/8"; Model Quik-Draw

334-2051



Linear Actuator, Cast; <2/15; Front, 48"/54" Frame; Model Quik-Draw

334-2052



Linear Actuator, Cast; <2/15; Rear, 48"/54" Frame; Model Quik-Draw

334-2053



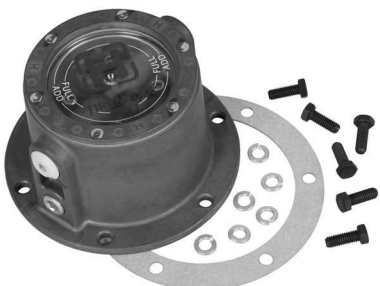
3 Wire Harness; Pro & CP Integrated; 18"; 3 Way Connector; Model Tiremaax

334-2054



ABS Junction Harness; Pro & CP Integrated; 15'; 3 Way Connector; Model Tiremaax

334-2056



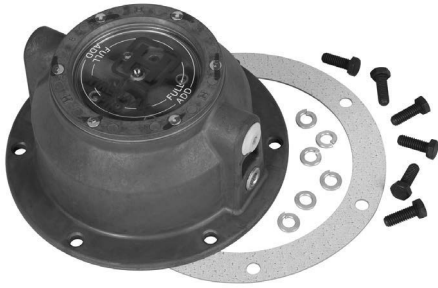
Hub Cap; Pro HN Oil, Dual/Super Single; Model Tiremaax

334-2057



Hub Cap; Pro HN Grease, Dual/Super Single; Model Tiremaax

334-2058



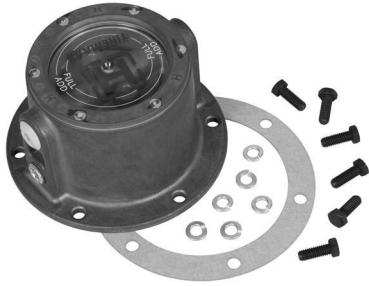
Hub Cap; Pro HP Oil, Dual/Super Single; Model Tiremax

334-2059



Hub Cap; Pro HP Grease, Dual/Super Single; Model Tiremax

334-2060



Hub Cap; CP Integrated HN Oil, Dual/Super Single; Model Tiremax

334-2061



Hub Cap; CP Integrated HN Grease, Dual/Super Single; Model Tiremax

334-2062



Hub Cap; CP Integrated HP Oil, Dual/Super Single; Model Tiremax

334-2063



Hub Cap; CP Integrated HP Grease, Dual/Super Single; Model Tiremax

334-2064



Spindle Plug; 1 3/4" Pro & CP Integrated; HN Axles; Model Tiremax

334-2065



Spindle Plug; 2 3/4" Pro & CP Integrated; HUS/P90 & HP Axles; Model Tiremax

334-2066



Hose Assembly; 11.5", 180°, Pro & CP Integrated; Duals, 17"-19.5"; Model Tiremax

334-2067



Hose Assembly; 15", 180°, Pro & CP Integrated; Duals, 22.5"-24.5"; Model Tiremax

334-2068



Hose Assembly; 16.5", Straight, Pro & CP Integrated; Duals > 19.5"; Model Tiremaax

334-2069



Guard, Tee Fitting; Model Tiremaax

334-2074



Spring; 1 1/4" x 6 1/8" x .199; Model Surelok

334-2075



Spring; 1 1/4" x 4 3/8" x .148; Model Surelok

334-2076



Spring; 1 1/2" x 6 5/8" x .177; Model Surelok

334-2077



3-Way Piloted Valve; Model Surelok

334-2078



4-Way Push/Pull; Model Surelok

334-2212



Hose Assembly; 14.5", Straight, Pro & CP Integrated; Duals 17"-19.5"; Model Tiremaax

334-2213



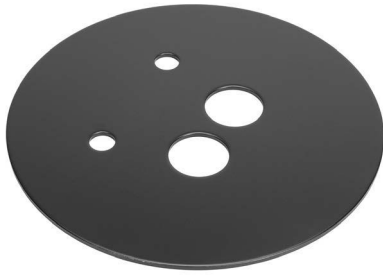
Hose Assembly; 11.5", Straight, Pro & CP Integrated; Super Single Aluminum 22.5"; Model Tiremaax

338-2090



Clevis, Shock; Models HT190/230/250T/300T

338-2162



Assembly, Air Spring/Shock Mount; HT-Y Beam, All; Model Most HT250U

338-2213



Assembly, Air Spring/Shock Mount; Roadside; Models HT250T-17-001,-006,-022,-501, TA17-001, TB17-001,-024

338-2214



Assembly, Air Spring/Shock Mount; Curbside; Models HT250T-17-001, -006,-022,-501,TA17-001, TB17-001,-024

338-2229



Assembly, Air Spring/Shock Mount; Roadside; Model HT300T-19-001

338-2230



Assembly, Air Spring/Shock Mount; Curbside; Model HT300T-19-001

361-637



U-Bolt Kit; Special Bend; Model HLM2 (w/Collars)



Hendrickson Trailer

Hendrickson Genuine Parts Why Genuine?

Hendrickson genuine parts are the same parts used in the original equipment system installed in new trucks, tractors, and trailers. Hendrickson follows a rigorous process of obtaining field data, generating system and component computer models, lab testing, test track testing, then followed with field evaluation units. The parts and components are designed, tested, and validate as part of the entire suspension or axle system. This is done so the behavior of the component can be measured and designed to perform as part of the whole, and not as an individual component.

**Original Parts,
Original Fit, Original
Performance. That's why.**

Hendrickson Genuine Parts provides "Peace of Mind" for maintenance conscious customers during the suspension system repair and service experience. Supported through global parts availability, and industry leading warranty and technical support. There's one sure way to deliver optimum and original system performance of the Hendrickson truck, trailer, lift axle suspension, or steer axle system; order Hendrickson genuine parts and service kits.



Hendrickson Genuine Parts

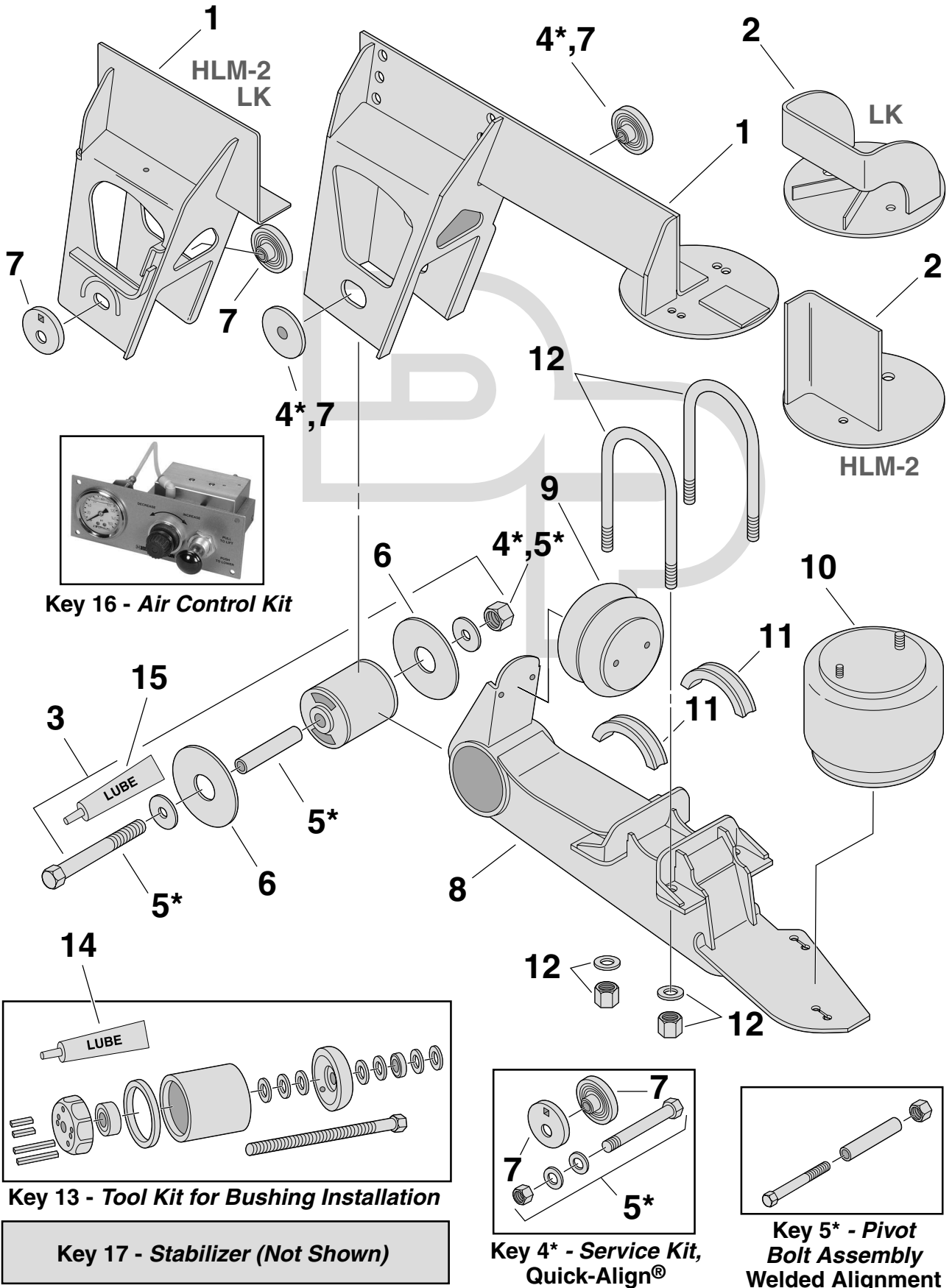
Replacing Hendrickson genuine parts with non-genuine parts could result in system damage, poor performance in ride, handling, roll stability, and will void any applicable warranties.

**TOUGHLIFT™ FM (HLM-2),
FM W/B (HLM,HLM-1), LK
Lift Axle Air Suspensions**

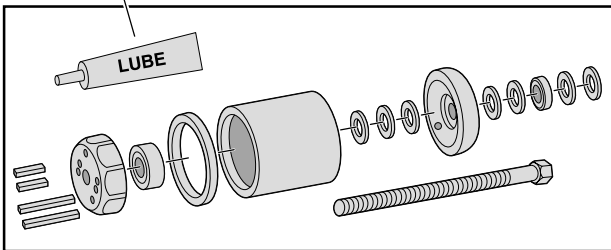
Hendrickson Auxiliary

Hendrickson Auxiliary

Suspension Illustration

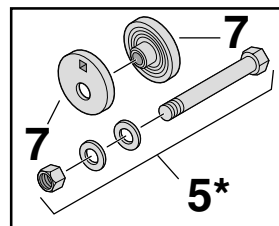


Key 16 - Air Control Kit

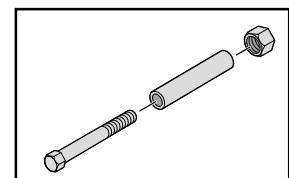


Key 13 - Tool Kit for Bushing Installation

Key 17 - Stabilizer (Not Shown)



Key 4* - Service Kit, Quick-Align®



Key 5* - Pivot Bolt Assembly Welded Alignment

Hendrickson Auxiliary

TOUGHLIFT™ FM (HLM-2), FM W/B (HLM,HLM-1), LK Lift Axle Air Suspensions

Hendrickson Auxiliary

Parts Listing

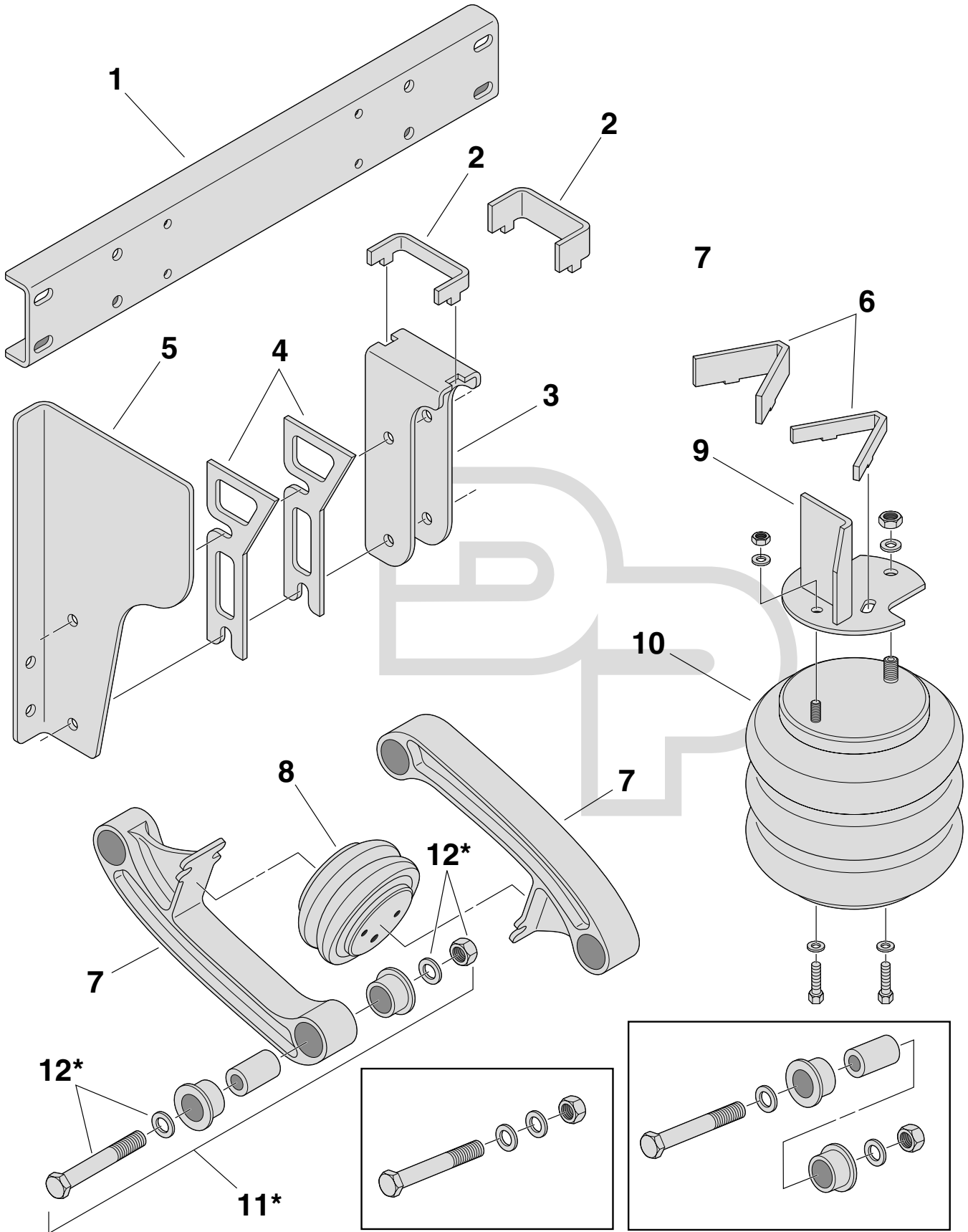
Key No.	Part Number	Description	No. Req.	OEM Reference	Remarks
	SP	Assembly/Bracket, Side Rail; RH/LH	2	Various	Specify Complete Model Number & Curbside/Roadside
	SP	Weldment, Plate; Air Spring; Upper	2	Various	Specify Model & Curbside/Roadside
✓✓	334-658	Kit, Service; Pivot Bushing; Welded Alignment	2	A-6914, 002202	Incl. Bolt Kit, Bushing & Wear Washers
✓✓●	334-1861	Kit, Service, Tri-Functional Bushing; QUICK-ALIGN®	2	002963	HLM2
✓✓●	339-279	Kit, Service, Pivot Connection; QUICK-ALIGN®	2	004588	HLM2; Include collars
●	334-1860	Kit, Service Alignment; QUICK-ALIGN®	2	A-21116	10" Bolt
✓✓	334-837	Assembly, Bolt; Pivot; 1 1/8"-7 x 9 3/4"Lg	2	S-3646	Welded Alignment
✓	334-898	Washer; 2 3/8"ID x 7 1/4"OD x 3/16"Thk	2	S-11613	
✓✓●	334-1810	Washer, High Control	2	S-21099, B-21099	
✓✓●	334-822	Collar, Alignment	4	S-2770, B-2770	HLM, HLM-1; Welded Alignment
✓●	334-1573	Collar, QUICK-ALIGN®; Eccentric	2	C-20925	HLM-2; Outboard; Nipple is Offset From Center of Collar; QUICK-ALIGN®
✓●	334-1574	Collar, QUICK-ALIGN®; Concentric	2	C-20924	HLM-2; Inboard; Nipple is in Center of Collar; QUICK-ALIGN®
●	338-2042	Assembly, Beam; Roadside	1	001907-1	HLM-2
●	338-2043	Assembly, Beam; Curbside	1	001907-2	HLM-2
	SP	Assembly, Beam; LH/RH	2	Various	Specify Model & Curbside/Roadside
✓✓	B-14318	Air Spring	2	S-14318	Lift Spring; 354-6935; HLM-1/-2
	B-2630	Air Spring	2	S-2630	Lift Spring; 354-6902; HLM
✓✓	B-14249	Air Spring	2	S-14249	Ride Spring; 352-9367
✓✓●	334-1137	Spacer, U-Bolt; Axle	4	S-20701, A-20701	HLM & HLM1
✓	361-470	Kit, U-Bolt; Round Bend, Grade 8	4	S-20032	Use w/334-1137
✓✓●	361-637	Kit, U-Bolt; Special Bend	4	006362	HLM2
●	334-936	Tool, Installation; Bushing	1	S-21307	Required To Properly Service Tri-Functional® Bushings
	334-1918	Lubricant, Extreme High Pressure	AR	S-21337	Recommended Tool Thread Lubricant
	334-1665	Lubricant, Bushing Installation	AR	A-14011	Tri-Functional® Bushings
●	334-1954	Kit, Air Control	1		Non-Steer Applications; Includes Quick Release & PPV
✓	M66502	Stabilizer	2	A-14496	LK; Not Shown

COMPOSILITE™ SC
Steering Compliant
Lift Axle Air Suspension

Hendrickson Auxiliary

Hendrickson Auxiliary

Suspension Illustration



Key 12* - Bolt Assembly

Key 11* - Service Kit; Rebus

Key Numbers with an asterisk (*) indicate a kit or assembly.

Hendrickson Auxiliary

COMPOSILITE™ SC Steering Compliant Lift Axle Air Suspension

Hendrickson Auxiliary

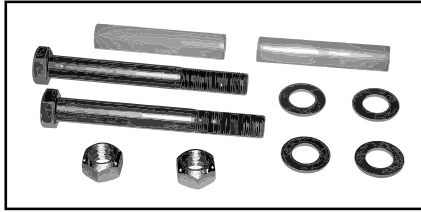
Key No.	Part Number	Description	No. Req.	OEM Reference	Remarks
1	SP	Crossmember	1	Various	Specify Model
2	SP	Spacer, Saddle	2	Various	Specify Model & Thickness
3	SP	Saddle, Bushing	1	Various	Specify Model; LH/RH
4	SP	Spacers, Frame Width	AR	Various	Specify Model
5	SP	Rail, Side; Hanger	2	Various	Specify Model; LH/RH
6	SP	Spacer, Ride Height	2	Various	Specify Thickness & Model
7	SP	Assembly, Beam	4	009690	SCT 10
●	338-2297	Assembly, Beam	4	008940	SCT 13
●	338-2298	Assembly, Beam	4	010125	SCT 20
✓	005079	Air Spring	2	005079	SCT 10 & 13; 354-7659
	SP	Air Spring	2	010214	SCT 20
9	SP	Plate, Air Spring; Upper	2	Various	Specify Model; LH/RH
✓✓	354-8033	Air Spring	2	B-14487, 003316	SCT 10 & 13
	001346	Air Spring	2	001346	SCT 20; 354-7797
✓●	339-277	Kit, Service; Rebush; (1) Axle	1	008839	SCT 10 & 13
	SP	Kit, Service; Rebush; (1) Axle	1	008839-1	SCT 10 & 13; Adjustable
✓●	339-329	Kit, Service; Rebush; (1) Axle	1	008839-3	SCT 20
✓✓	334-626	Assembly, Bolt; ¾"-10 x 5"Lg	8	005009	SCT 10 & 13
	SP	Kit, Bolt; Pivot	8	007659	SCT 10 & 13; Adjustable
	SP	Kit, Bolt; Pivot	8	007040	SCT 20
	SP	Kit, Bolt; Pivot	8	007961	SCT 20; Adjustable
13	334-1956	Kit, Air Control; Reverse Lift	1	AAC-SSI	Not Shown
14	M66437	Stabilizer	2	069600	Not Shown

Parts Listing

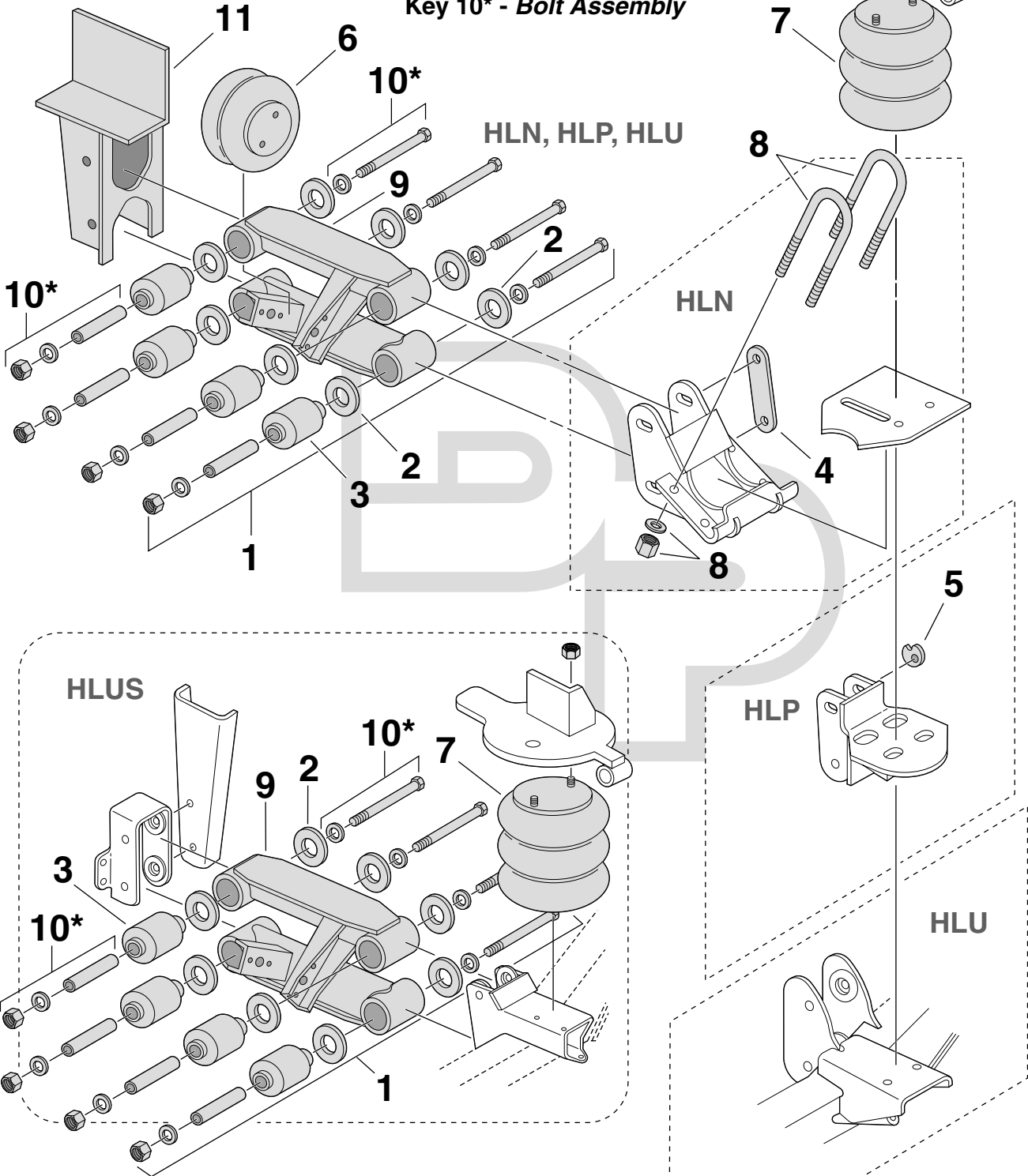
**HLN/HLP/HLU/HLUS PARALIFT™
Lift Axle
Air Suspensions**

Hendrickson Auxiliary

Hendrickson Auxiliary



Key 10* - Bolt Assembly



Suspension Illustration

Hendrickson Auxiliary

HLN/HLP/HLU/HLUS PARALIFT™ Lift Axle Air Suspensions

Hendrickson Auxiliary

Parts Listing

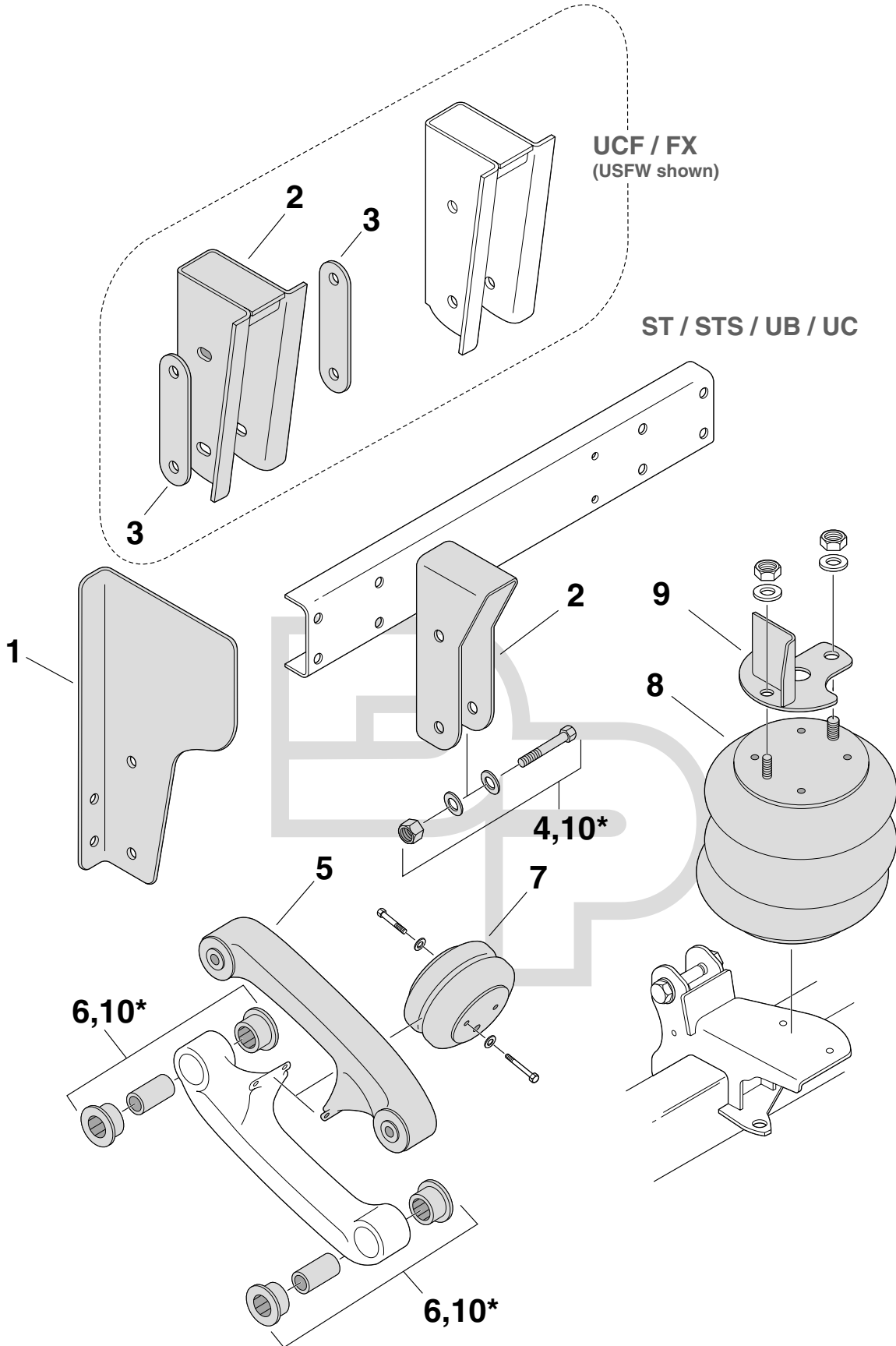
Key No.	Part Number	Description	No. Req.	OEM Reference	Remarks	
✓✓ ●	1	334-1588	Kit, Service; Para-Lift Bushing	8	002237	Incl. Bushing, Tube & Hdwe.
●		339-321	Kit, Service; Suspension Rebrush	1	009560	
✓✓ ●	2	334-1589	Washer, Wear	16	B-14495	
●	3	321-376	Bushing; 1 1/2"ID x 3 3/8"OD x 5 1/4"Lg	8	002582-1	
	4	SP	Plate, Axle Alignment	2	001134	HLN
	5	SP	Washer, Caster Adjustment	2	A-14507	HLP
	6	B-14486	Air Spring	2	S-14486, 003317	Lift Spring; 354-7795
	7	B-14487	Air Spring	2	S-14487, 003316	HLN, HLP, HLU & HUS; Ride Spring; 354-8033
		001015	Air Spring	2	001015	HLN, HLP & HLU; Trailer Mount Ride Spring; 354-8042
	8	SP	U-Bolt; Bent to Order	4	A-7195	Specify Length, Width, Diameter & Bend
✓ ●	9	338-1969	Assembly, Beam	2	002006-1	HLUS; LH w/Inboard; RH w/Outboard Air Spring
✓ ●		338-1970	Assembly, Beam	2	002006-2	HLUS; RH w/Inboard; LH w/Outboard Air Spring
●		338-1992	Assembly, Beam	2	D-14784-1	HLN, HLP & HLU; LH w/Inboard; RH w/Outboard Air Spring
●		338-1993	Assembly, Beam	2	D-14784-2	HLN, HLP & HLU; RH w/Inboard; LH w/Outboard Air Spring
✓ ●	10	334-1862	Assembly, Bolt	8		
●	11	338-2087	Assembly, Hanger/Rail; Roadside	1	D-14786-1	HLN, HLP & HLU
●		338-2088	Assembly, Hanger/Rail; Curbside	1	D-14786-2	HLN, HLP & HLU
●	12	334-1954	Kit, Air Control	AR	HAC-NSI	Not Shown
●		334-1956	Kit, Air Control; Reverse Lift	AR	HAC-SSI	Not Shown; Use w/Steerables
		334-2033	Kit, Air Control	AR	HAC-USO	Outside Mount

HLUC/UCF COMPOSITITE™ ST/STS/FX
Lift Axle
Air Suspension

Hendrickson Auxiliary

Hendrickson Auxiliary

Suspension Illustration



Hendrickson Auxiliary

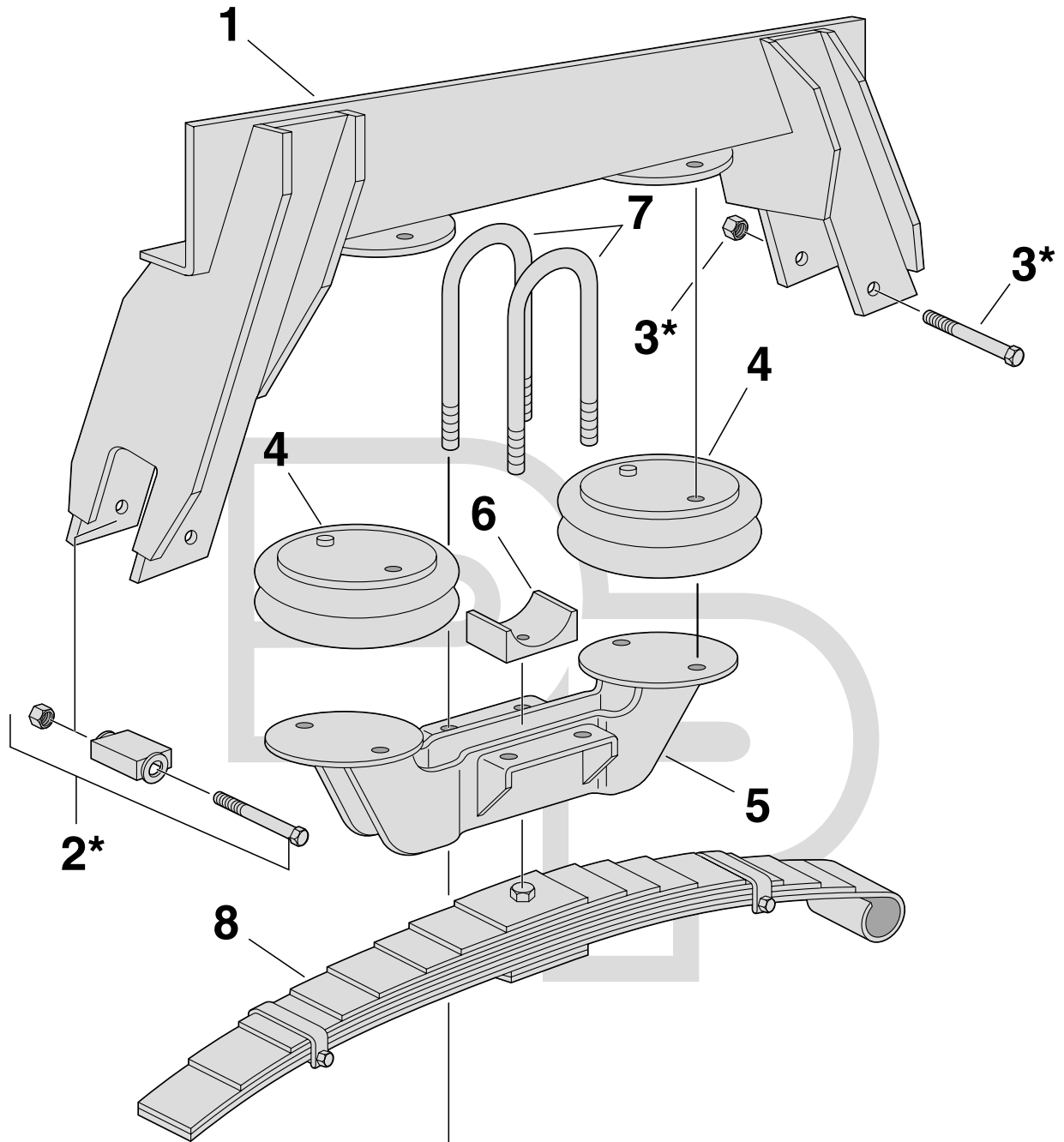
HLUC/UCF COMPOSILITE™ ST/STS/FX Lift Axle Air Suspension

Hendrickson Auxiliary

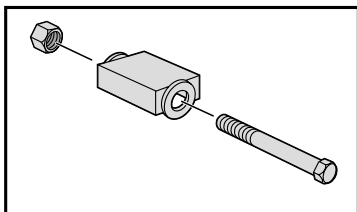
Parts Listing

Key No.	Part Number	Description	No. Req.	OEM Reference	Remarks
	1	SP Rail, Side; Truck	2	Various	Specify Model & Roadside/Curbside
	2	SP Bracket, Frame	2	Various	Specify Model, Roadside/Curbside, Truck/Trailer & Weld-On/Bolt-On
	3	334-1856 Plate, Alignment	2	005707	Trailer Mount
✓✓	4	334-626 Assembly, Bolt; 3/4"-10 x 5"Lg	8/2	005009	Truck Mount /Trailer Mount; Curbside; Front
✓✓		334-1117 Assembly, Bolt, 3/4"-16 x 5 1/2"	6	006186	Trailer Mount
●	5	338-1989 Assembly, Beam; Aluminum	4	004933	
●		338-1990 Assembly, Beam; Nodular Iron	4	005733	
●	6	334-1857 Assembly, Bushing	8	004931, 004932	Incl. Bushings & Inner Metal; Discontinued; Order Kits 339-277 or 339-278
✓✓	7	005079 Air Spring	2	005079	354-7659
	8	B-14487 Air Spring	2	S-14487, 003316	Ride Spring; 354-8033
	9	SP Bracket, Air Spring; Upper	2		Specify Model, Roadside/Curbside, Truck/Trailer & Weld-On/Bolt-On
✓✓	10	339-277 Kit, Service; Rebush; (1) Axle	1		Truck Mount; Incl. Bushings & Hdwe.
●		339-278 Kit, Service; Rebush	1		Trailer Mount; Incl. Bushings & Hdwe.
●	11	334-1954 Kit, Air Control	AR	HAC-NSI	Truck; Not Shown
●		334-1956 Kit, Air Control; Reverse Lift	AR	HAC-SSI	Truck; Use w/Steerables; Not Shown
●		334-2033 Kit, Air Control	AR	HAC-USO	Outside Mount; Not Shown

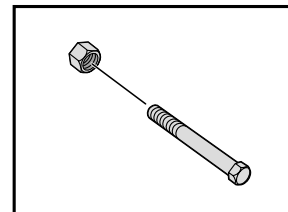
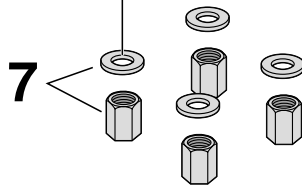
Hendrickson Auxiliary



Suspension Illustration



Key 2* - Slider Block Assembly



Key 3* - Bolt Assembly

Hendrickson Auxiliary

HLQ-LF/Q-LF Lift Axle Air/Leaf Suspensions

Hendrickson Auxiliary

Parts Listing

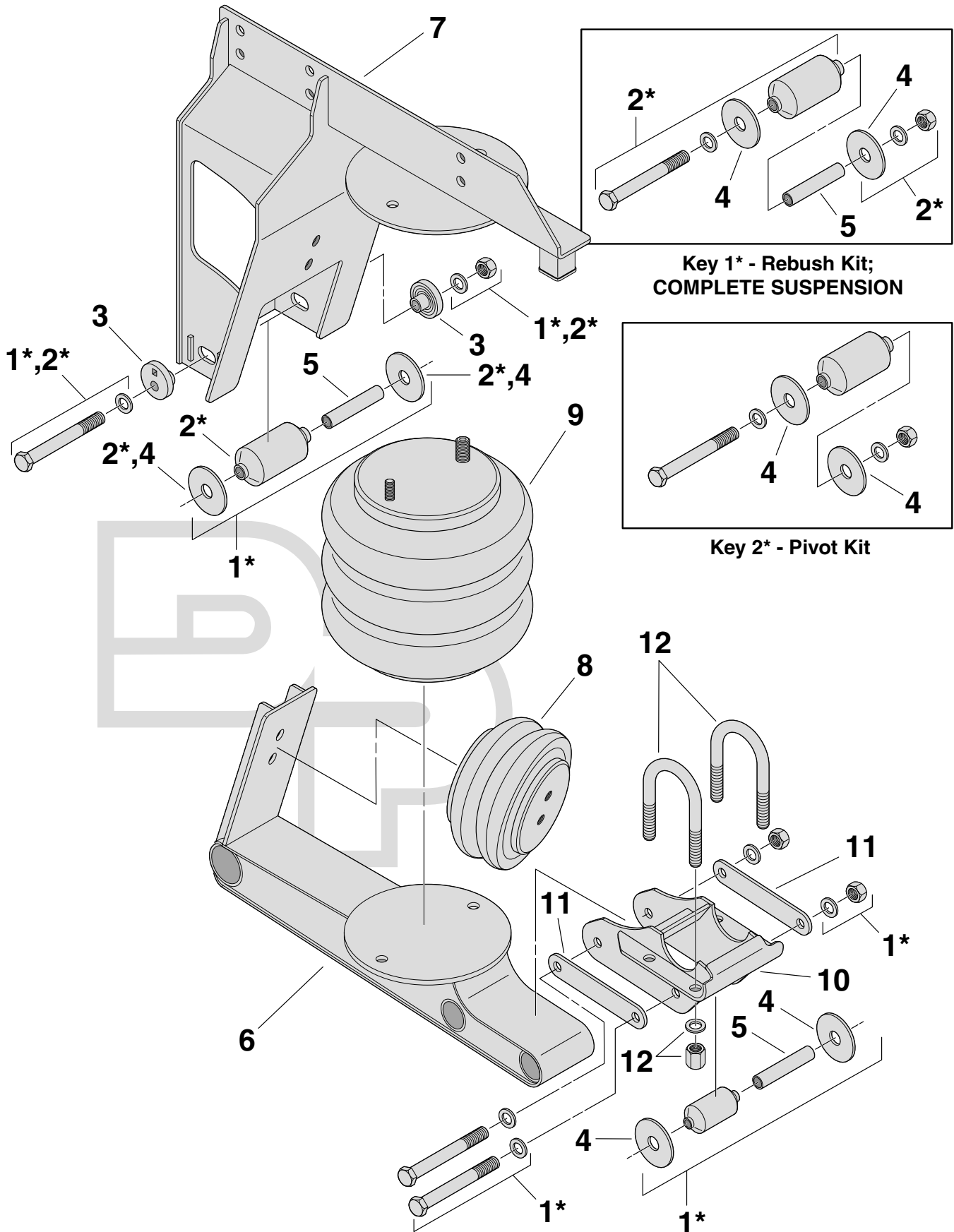
Key No.	Part Number	Description	No. Req.	OEM Reference	Remarks
1	SP	Assembly, Side Rail	2	Various	Specify Roadside/Curbside
✓✓●	334-962	Assembly, Block	2	S-1156	For 3" Wide Springs; Incl. Hdwe.
	328-101	Kit, Bolt	2	S-1132	
	B-1159	Air Spring	4	S-1159	354-7403
	SP	Assembly, Lower Arm	2	C-7565	
	SP	Seat, Axle	2	A-7568	
	SP	U-Bolt; Bent to Order	4	A-7566	Specify Length, Width, Diameter & Bend
	86-101	Assembly, Leaf Spring	2	C-1012	

TOUGHLIFT™ FRT13 (HLR2), FRT16 (HLR3)
Lift Axle
Air Suspension

Hendrickson Auxiliary

Hendrickson Auxiliary

Suspension Illustration



Hendrickson Auxiliary

TOUGHLIFT™ FRT13 (HLR2), FRT16 (HLR3) Lift Axle Air Suspension

Hendrickson Auxiliary

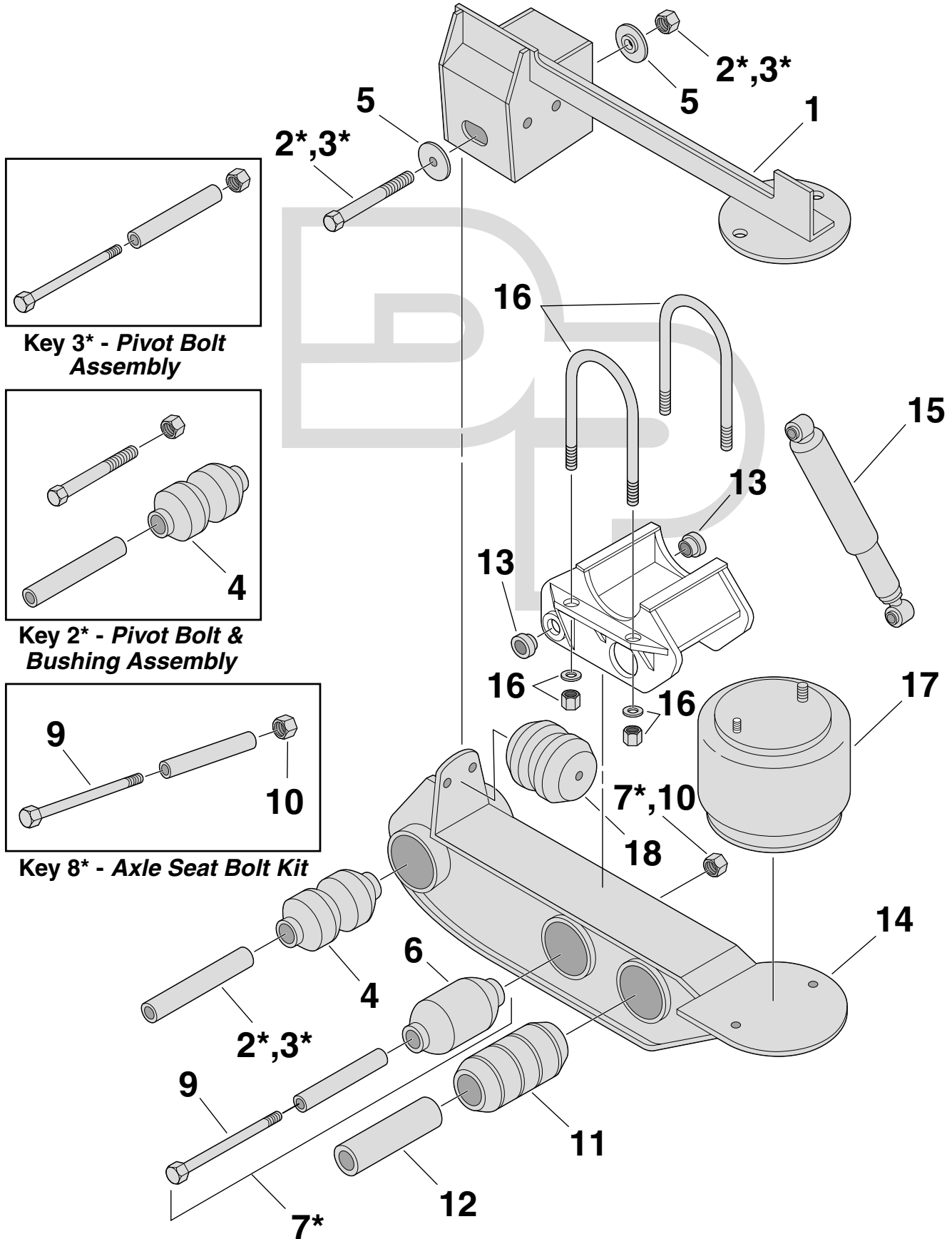
Key No.	Part Number	Description	No. Req.	OEM Reference	Remarks
1	339-330	Kit, Rebush	2	009560-5	7/8" x 10" Pivot Bolt
	339-331	Kit, Rebush	2	009560-4	Short Beam; 7/8" x 9"
2	334-2048	Kit, Bolt; Pivot	2	007473	
✓ ● 3	334-1573	Collar, QUICK-ALIGN®; Eccentric	2	C-20925	
✓ ● 3	334-1574	Collar, QUICK-ALIGN®; Concentric	2	C-20924	
✓✓ ● 4	334-1589	Washer, Wear	4	B-14495	
5	334-1661	Tube, Spacer	2	002520	
6	SP	Assembly, Beam	2	Various	Call w/Suspension Tag Number
7	SP	Hanger	2	Various	Call w/Suspension Tag Number
8	001347	Air Spring	2	001347	354-7505
9	004645	Air Spring	2	004645	
10	SP	Seat, Axle	2	007665	
11	SP	Plate, Side; Axle Seat	2	004726	
12	SP	Kit, U-Bolt	4	A-7195	

Note: Listed are the most common configurations of HLR suspensions. Confirm all parts.

Parts Listing

Hendrickson Auxiliary

Suspension Illustration



Hendrickson Auxiliary

MTL45/50 Lift Axle Air Suspensions

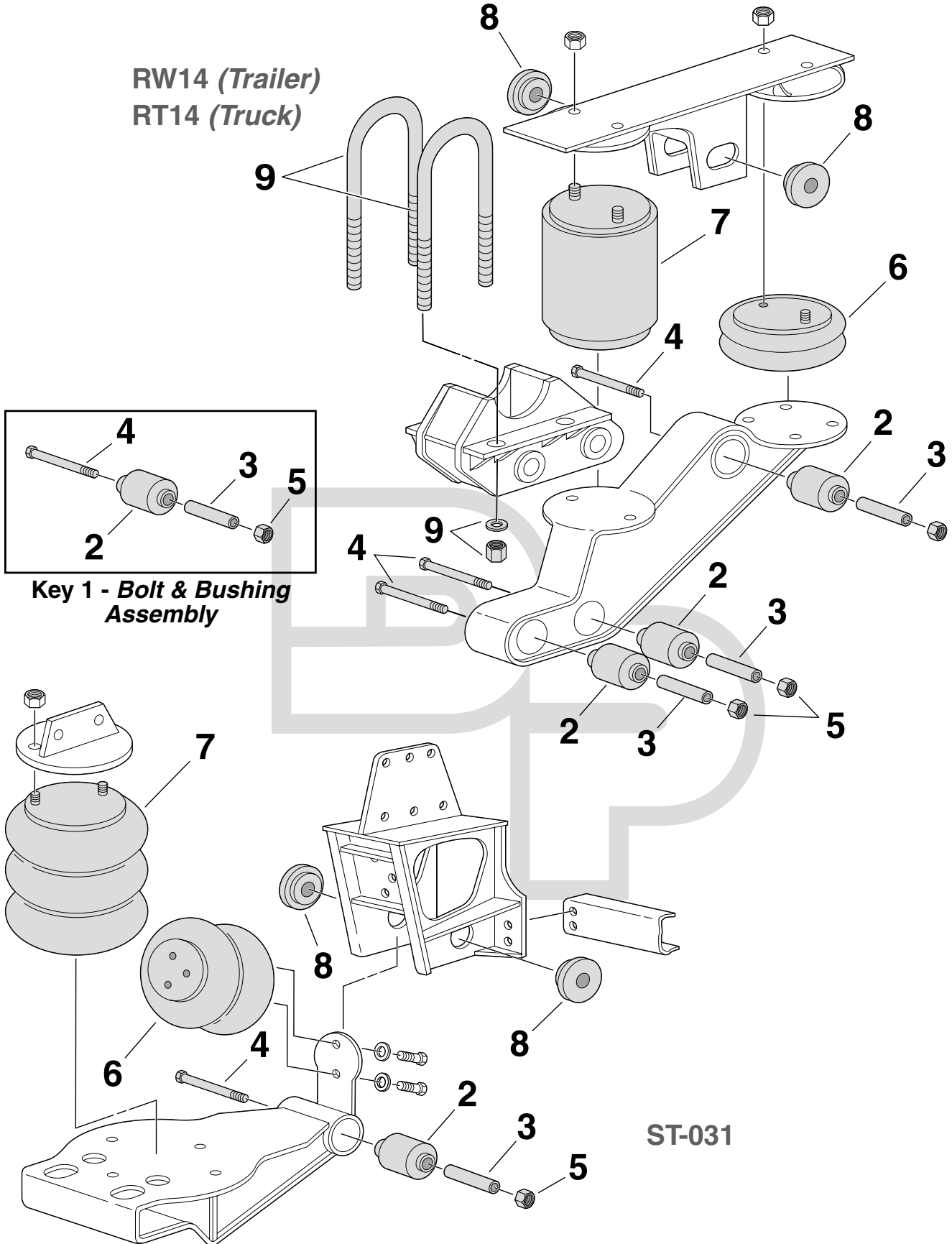
Hendrickson Auxiliary

Parts Listing

Key No.	Part Number	Description	No. Req.	OEM Reference	Remarks
1	SP	Rail, Side; LH/RH	2		Specify Model & Position; MTL45 Shown
2	334-1136	Assembly, Bolt & Bushing	2	A-3142 & B-2841	Incl. 334-838 Pivot Bolt Kit & 321-271 Bushing
3	334-838	Assembly, Bolt; Pivot; 1 1/8"-7 x 13 1/2"Lg	2	S-3142	Incl. Bolt, Sleeve & Hdwe.
● 4	321-271	Bushing; 1 1/4"ID x 3 7/16"OD x 10 1/2"Lg	2	S-2841	
● 5	334-839	Collar, Alignment	2	B-2848	MTL50
✓✓ ● 6	334-822	Collar, Alignment	2	S-2770, B-2770	MTL45
● 6	321-272	Bushing; 1 1/4"ID x 3 7/16"OD x 5 1/4"Lg	2	S-2841-1	
7	334-1560	Assembly, Bolt & Bushing	2		Incl. Bushing, Tube & Hdwe.
8	334-842	Assembly, Bolt; Seat; 1 1/8"-7 x 8 1/2"Lg	2	A-3141	Incl. 334-607 Bolt, Liner & Hdwe.
✓ 9	334-607	Bolt; 1 1/8"-7 x 8 1/2"Lg	2	SA-1000-34	
✓✓ 10	334-375	Nut, Lock; 1 1/8"-7	2	SA-1300-17	
✓✓ ● 11	321-226	Bushing; 2 1/2"ID x 3 7/8"OD x 5 1/4"Lg	2	S-2159-1	
12	334-840	Bushing, Shaft/Axle Seat; 1 1/2"ID x 2 1/2"OD x 6 3/4"Lg	2	B3111-2	MTL50
	334-841	Bushing, Shaft/Axle Seat; 2"ID x 2 1/2"OD x 7 1/8"Lg	2	A-6041-3	MTL45
● 13	334-1139	Collar, Alignment; Saddle	4	A-3112	
14	SP	Assembly, Beam; LH/RH	2		Incl. Bushings; Specify Model & Position
✓ 15	M66893	Shock Absorber	2	S-1667	
16	361-473	Kit, U-Bolt; Round Bend, Grade 8	4	S-3139, SA-1200-3	7/8" x 5 1/16" x 7 7/8" R
✓✓ 17	B-14249	Air Spring	2	S-14249	Ride spring; 352-9367
18	B-2630	Air Spring	2	S-2630	Lift Spring; 354-6902

Hendrickson Auxiliary

RW14 (Trailer)
 RT14 (Truck)



Key 1 - Bolt & Bushing
 Assembly

Suspension Illustration

ST-031

Hendrickson Auxiliary

RT/RW14, ST-031
Lift Axle
Air Suspensions

Key No.	Part Number	Description	No. Req.	OEM Reference	Remarks
1	334-1560	Assembly, Bolt & Bushing	6/2		Incl. Bolt, Bushing, Sleeve & Hdwe.
●	321-272	Bushing; 1 1/4"ID x 3 7/16"OD x 5 1/4"Lg	6/2	S-2841-1, B-2841-1	
	334-1096	Sleeve, Delrin; 1 1/4"OD x 1 1/8"ID X 5 1/4"Lg	6/2	A-2068-2	
✓	334-607	Bolt; 1 1/8"-7 x 8 1/2"Lg	6/2		
✓	334-375	Nut, Lock; 1 1/8"-7	6/2		
	B-1159	Air Spring	2	B-1159	RT/RW Lift Spring; 354-7403
	B-2630	Air Spring	2	S-2630	ST Lift Spring; 354-6902
	B-7853	Air Spring	2	S-7853	ST Ride Spring; 354-7846
	B-8874	Air Spring	2	S-8874	RT/RW Ride Spring; 354-7847
	SP	Collar, Alignment	4	B-5331	
	361-473	Kit, U-Bolt; Round Bend, Grade 8	4	A-3139, SA-1200-3	RT/RW; Incl. Nuts & Washers; 7/8" x 5 1/8" x 8" R

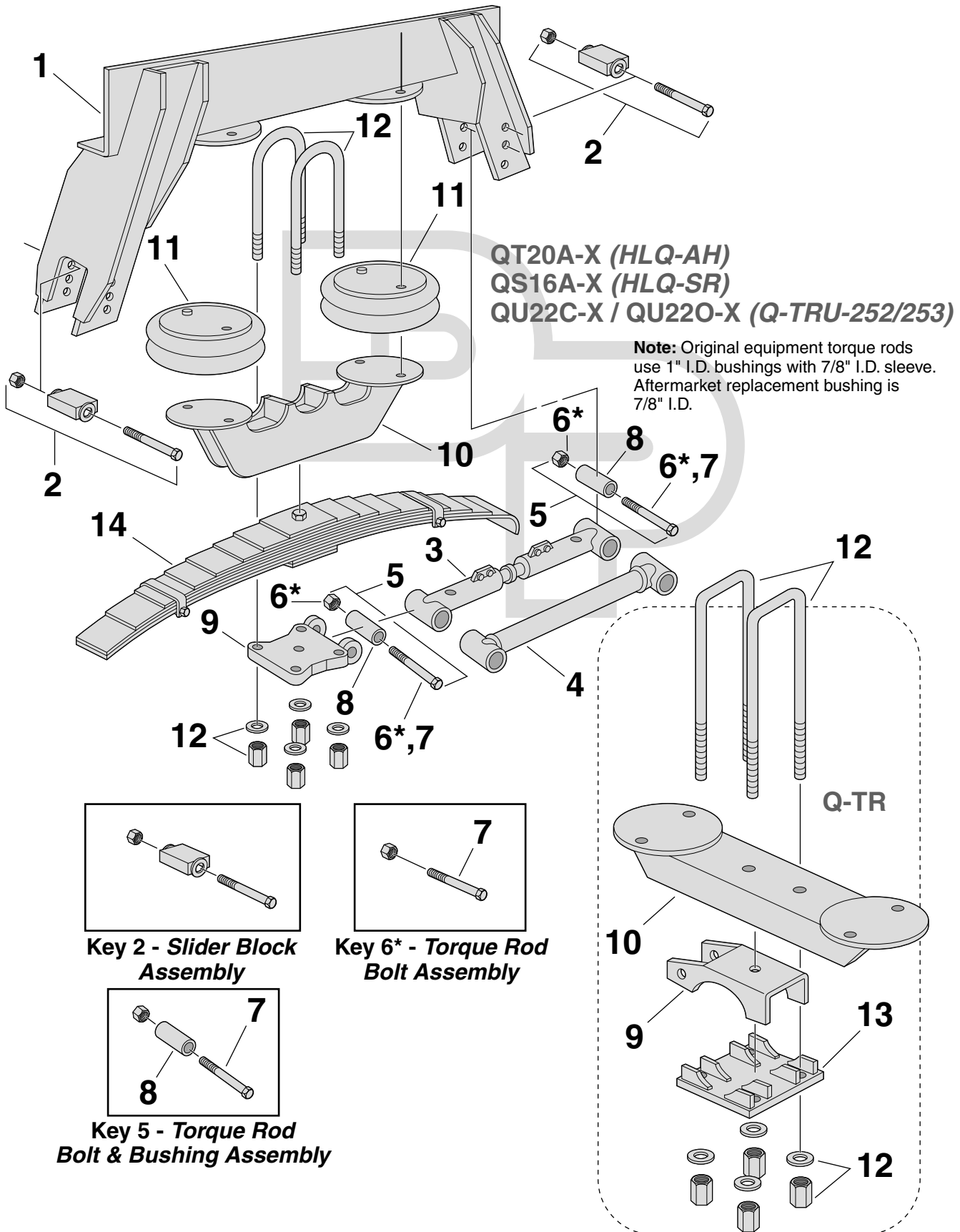
Hendrickson Auxiliary

Parts Listing

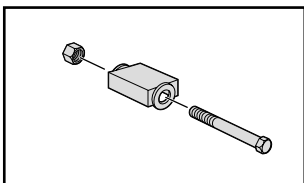
**Q-TR/QS/QT/QU (Turner HLQ-AH/SR, Q-TRU)
Lift Axle
Air/Leaf Suspensions**

Hendrickson Auxiliary

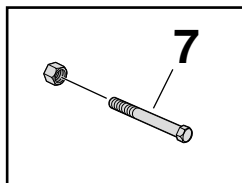
Hendrickson Auxiliary



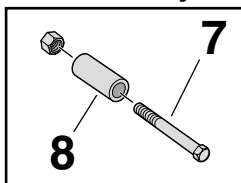
Suspension Illustration



Key 2 - Slider Block Assembly



Key 6* - Torque Rod Bolt Assembly



Key 5 - Torque Rod Bolt & Bushing Assembly

Hendrickson Auxiliary

Q-TR/QS/QT/QU (Turner HLQ-AH/SR, Q-TRU) Lift Axle Air/Leaf Suspensions

Hendrickson Auxiliary

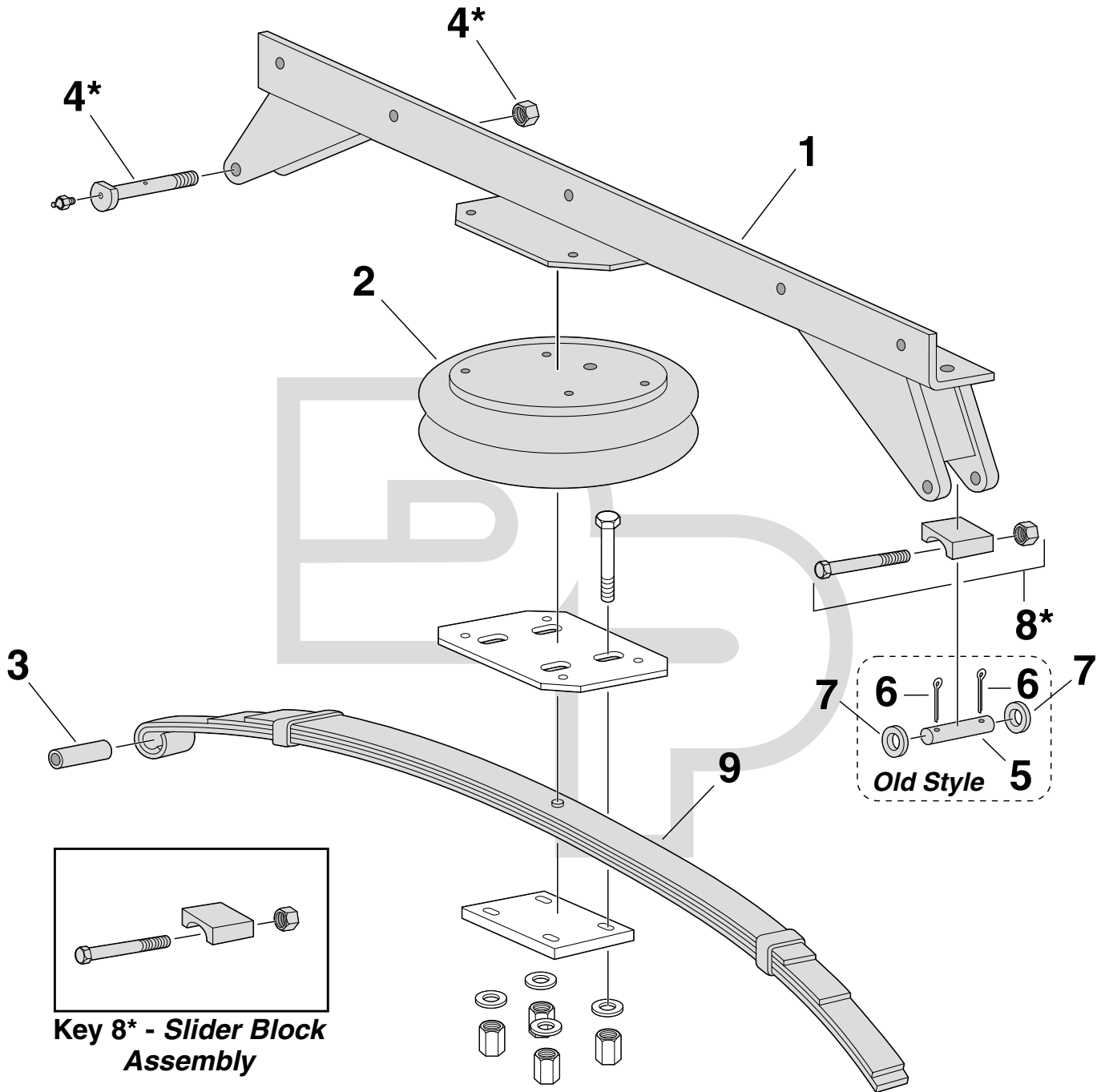
Parts Listing

Key No.	Part Number	Description	No. Req.	OEM Reference	Remarks	
	1	SP	Rail, Side; LH/RH	2		Specify Model & Roadside/Curbside
●	2	334-961	Assembly, Block	4	S-1367	QS & Q/HLQ-SR; 2 1/2" Wide Springs; Incl. Hdwe.
✓✓●		334-962	Assembly, Block	4	S-1156	QT, QU & Q-TR; 3" Wide Springs; Incl. Hdwe.
✓✓●	3	345-157	Torque Rod, Adjustable; 18 1/4"-21 1/2"Lg	1	S-1032-1	Cast Ends; Incl. Bushings
●		345-130	Torque Rod, Adjustable; 15"-17 1/4"Lg	1	S-1032-2	Incl. Bushings
		345-893	Torque Rod, Adjustable; 39" Mean Length	1	C-1032-4	1" ID Bushing, 321-175
●	4	345-748	Torque Rod, Rigid; 15 1/2"Lg c/c	1	S-1031	Incl. Bushings & Sleeves
●		345-861	Torque Rod, Rigid; 19"Lg c/c	1	S-1031-1	Incl. Bushings & Sleeves
✓✓	5	334-247	Assembly, Bolt & Bushing	4		Incl. Bolt Assembly & Bushing
✓	6	334-246	Assembly, Bolt; 7/8"-9 x 5 1/2"Lg	4	S-1126	Incl. Bolt & Lock Nut
✓	7	334-244	Bolt; 7/8"-9 x 5 1/2"Lg	4	SA-1000-2	
✓✓●	8	321-153	Bushing; 7/8"ID x 1 29/32"OD x 3"Lg	4	A-1712	
●	9	338-2030	Bracket, Seat; Torque Rod	2	S-11253	QS, QT & QU; Obsolete
		SP	Bracket, Torque Rod/Axle	2	S-1348	Q-TR
	10	SP	Assembly, Load Arm	2		Specify Model
	11	B-1245	Air Spring	4	S-1245	QU & Q-TR; 352-9105
		B-1159	Air Spring	4	S-1159	QT & QS; 354-7403
✓	12	361-258	Kit, U-Bolt; Round Bend, Grade 8	4	S-1135	QT, QS & QU; 7/8" x 5 1/8" x 11 7/8" R
		361-507	Kit, U-Bolt; Square Bend, Grade 8	4	A-1509	Q-TR; 7/8" x 4" x 12 3/4" S
	13	SP	Plate, Bottom	2	S-1347	Q-TR
✓✓	14	86-111	Leaf Spring, Lift	2	C-1733	QT & QU
✓		86-113	Leaf Spring, Lift	2	B-1182	QS
		86-115	Leaf Spring, Lift	2	B-1184	QTR

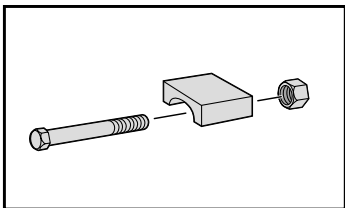
**QW12A-X (Q-WM-100)
Lift Axle
Air/Leaf Suspension**

Hendrickson Auxiliary

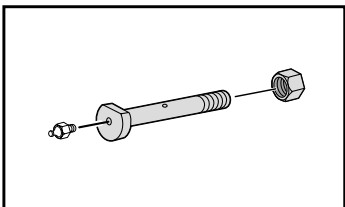
Hendrickson Auxiliary



Suspension Illustration



Key 8* - Slider Block Assembly



Key 4* - Shackle Bolt Kit

Hendrickson Auxiliary

QW12A-X (Q-WM-100) Lift Axle Air/Leaf Suspension

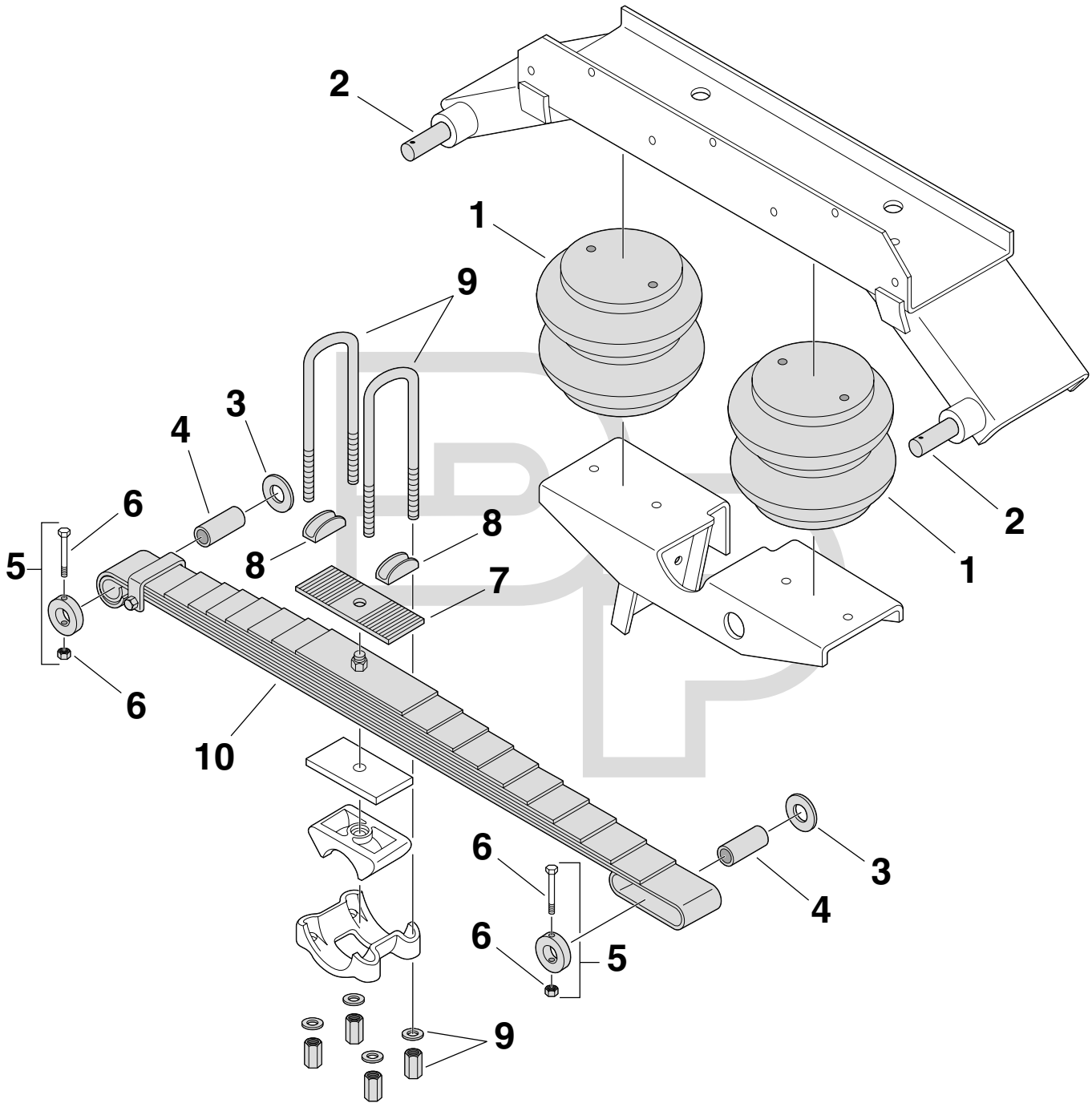
Key No.	Part Number	Description	No. Req.	OEM Reference	Remarks
1	SP	Assembly, Side Rail; RH	1	C-1061-1	
	SP	Assembly, Side Rail; LH	1	C-1061-2	
2	S-1080	Air Spring	2	B-1080	354-7136
3	NJG-BM	Bushing; 1"ID x 1 1/4"OD x 3"Lg	2		
4	328-101	Kit, Bolt	2	S-1132	
5	334-928	Pin	2	A-1011	
6	◆	Pin, Cotter; 3/16" X 1 3/4"Lg	4	SA-1700-1	
7	SFW-100	Washer, Flat; 1"ID	4	SA-1500-3	
8	SP	Assembly, Slider Block	2	A-1331	Incl. Slider Block & Hardware
9	86-107	Leaf Spring, Lift	2	C-1092	

Hendrickson Auxiliary

Parts Listing

Hendrickson Auxiliary

Suspension Illustration



Hendrickson Auxiliary

1400 Series (Turner/Page) Truck Lift Axle Suspension

Key No.	Part Number	Description	No. Req.	OEM Reference	Remarks
1	S-1013	Air Spring	4	S-1013	354-7400
● 2	334-843	Shaft; 1 1/4"OD x 15 1/2"Lg	4	1080664	
3	334-847	Washer; 1 3/8"ID x 3"OD x 1/8"Thk	2	1080590, SA-1500-27	
4	RNG-BM	Bushing; 1 1/4"ID x 1 1/2"OD x 3"Lg	4	1027756	Drill Grease Hole in Bushing
● 5	334-844	Assembly, Collar	4	1027941	
6	◆	Assembly, Bolt; 3/8"-16 x 3 1/4"Lg	4	G189304	Incl. in 334-844
● 7	334-846	Plate, Saddle; 3"W x 9"Lg	2	1025268	Obsolete
● 8	334-845	Saddle, U-Bolt	4	1025267	Obsolete
9	361-567	Kit, U-Bolt; Semi-Round Bend, Grade 8	4	1025227	7/8" x 3" x 13 3/8" SR
✓ 10	74-137	Assembly, Spring; 11 Leaf	2	1080584	

Hendrickson Auxiliary

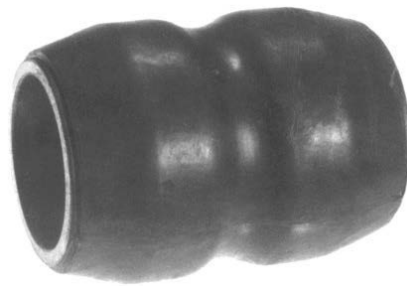
Parts Listing

321-153



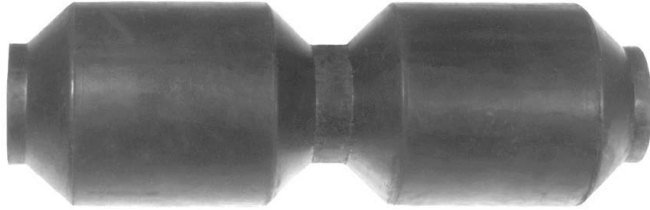
Bushing, Torque Rod; 7/8"ID x 1 29/32"OD x 3"Lg.; Models Q-TR/QS/QT/QU

321-226



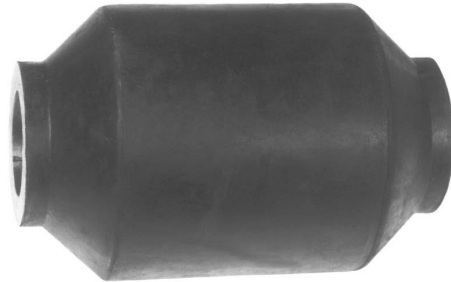
Bushing, Axle; 2 1/2"ID x 3 7/8"OD x 5 1/4"Lg.; Model MTL45/50

321-271



Bushing, Pivot; 1 1/4"ID x 3 7/16"OD x 10 1/2"Lg.; Model MTL45/50

321-272



Bushing, Axle Seat; 1 1/4"ID x 3 7/16"OD x 5 1/4"Lg.; Models MTL45/50, RT/RW14, ST-031

321-376



Bushing; 1 1/32"ID x 3 3/8"OD x 5 1/4"Lg.; Incl. In 334-1588 Service Kit; Model HLN/HLP/HLU/HLUS

334-658



Service Kit, Pivot Bushing; Welded Alignment; Incl. Bolt Kit, Bushing & Wear Washers; Model Toughlift

334-822



Collar, Alignment; 1 1/8" ID x 4 1/2" OD x 23/32" Thk.; Alignment Collar; Model Toughlift FM W/B; Welded Alignment, MTL-45

334-839



Collar, Alignment; 1 1/8" ID x 4" OD.x 5/16" Thk.; Model MTL-50

334-843



Shaft, Spring Mounting; 1 1/4"OD x 15 1/2"Lg.; Model 1400

334-844



Collar Assembly, Spring; 1 1/4" I.D. x 2 3/4" O.D. x 15/16" Thk., Bolt-3/8"-16 x 3 1/4" Lg.; Model 1400

334-845



Saddle, U-Bolt; Semi-Round U-Bolts; Obsolete; Model 1400

334-846



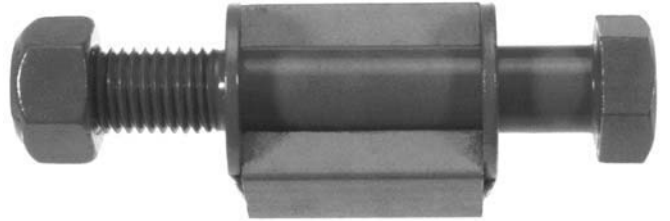
Plate, Saddle; 3"W x 9"Lg.; Obsolete; Model 1400

334-936



Tool, Bushing Installation; Tri-Functional® Bushings; Model Toughlift

334-961



Block Assembly, Slider; 2 1/2" Wide Springs, Incl. Hdwe.; Model QS, Q/HLQ-SR

334-962



Block Assembly, Slider; 3" Wide Springs, Incl. Hdwe.; Model QS, Q/HLQ-SR

334-1137



Spacer, U-Bolt Axle; Model HLM/HLM1

334-1139



Collar, Saddle Alignment; Model MTL45/50

334-1573



Collar, Quik-Align; Eccentric; Nipple is Offset from Center of Collar; Model HLM-2, Toughlift

334-1574



Collar, Quik-Align; Concentric; Nipple is in Center of Collar; Model HLM-2, Toughlift

334-1588



Service Kit, Para-Lift Bushing; Incl. Bushing, Tube and Hdwe.; Model HLN/HLP/HLU/HLUS

334-1589



Washer, Wear; Model HLN/HLP/HLU/HLUS

334-1810



Washer, High Control; Model Toughlift

334-1857



Bushing Assembly; Incl. bushings & inner metal - Discontinued order; Model HLUC/UCF COMPOSITITE ST/STS/FX

334-1860



Service Kit, Alignment; Quik-Align; 10" Bolt; Model Toughlift

334-1861



Service Kit, Tri-Functional II Bushing; Quik-Align; Model Toughlift

334-1862



Bolt Assembly; Model HLN/HLP/HLU/HLUS

334-1954



Air Control Kit; Non-Steer Applications, Include Quick Release & PPV; Models: Various

334-1956



Air Control Kit - Reverse Lift; Include Quick Release & PPV; Models: Various

334-2033



Air Control Kit; Outside Mount; Model HLN/HLP/HLU/HLUS Para-Lift

338-1969



Beam Assembly; Model HLUS - LH w/Inboard, RH w/Outboard air spring

338-1970



Beam Assembly; Model HLUS - RH w/Inboard, LH w/Outboard air spring

338-1989



Beam Assembly, Aluminum; Models HLUC/UCF COMPOSILITE ST/STS/FX

338-1990



Beam Assembly, Nodular Iron; Models HLUC/UCF COMPOSILITE ST/STS/FX

338-1992



Beam Assembly; Models HLN, HLP, HLU - LH w/inboard, RH w/outboard air spring

338-1993



Beam Assembly; Models HLN, HLP, HLU - RH w/inboard, LH w/outboard air spring

338-2030



Seat Bracket, Torque Rod; Obsolete; Models QS, QT, QU

338-2042



Beam Assembly; Road Side; Model HLM-2, Toughlift FM

338-2043



Beam Assembly; Curb Side; Model HLM-2, Toughlift FM

338-2087



Hanger/Rail Assembly; Roadside; Models HLN/HLP/HLU

338-2088



Hanger/Rail Assembly; Curbside; Models HLN/HLP/HLU

338-2297



Beam Assembly; Model SCT 13

338-2298



Beam Assembly; Model SCT 20

339-277



Service Kit; Rebush; 1 Axle; Models SCT 10/13

339-278



Service Kit, Rebush; Trailer Mount; Incl. Bushings & Hardware; Model HLUC/UCF COMPOSITE ST/STS/FX

339-279



Service Kit, Pivot Connection; Quik-Align; Model HLM2, Toughlift FM

339-321



Service Kit, Suspension Rebush; Model HLN/HLP/HLU/HLUS

339-329



Service Kit; Rebush; 1 Axle; Model SCT 20

345-130



Torque Rod, Adjustable; 15"-17 1/4"Lg.; Includes 321-153 Bushings; Model Q-TR/QS/QT/QU

345-157



Torque Rod, Adjustable; 18 1/4"-21 1/2"Lg.; Incl. Bushings; Cast Ends; Model Q-TR/QS/QT/QU

345-748



Torque Rod, Rigid; 15 1/2" Lg. c/c; Incl. Bushings & Sleeves; Model Q-TR/QS/QT/QU

345-861



Torque Rod, Rigid; 19"Lg. c/c; Incl. Bushings & Sleeves; Model Q-TR/QS/QT/QU

361-637

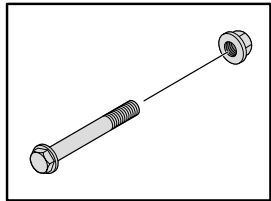
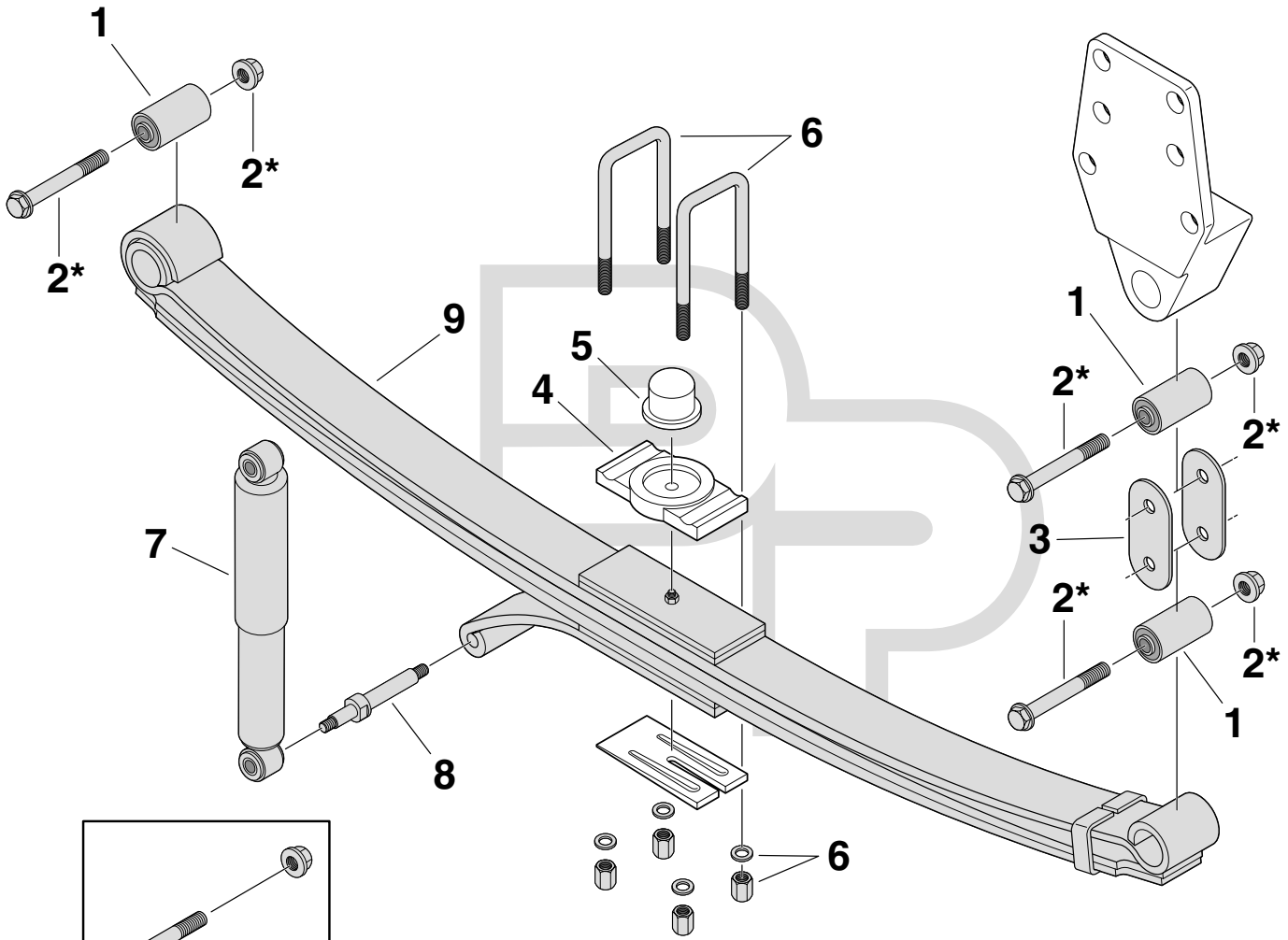


U-Bolt Kit; Special Bend; Model HLM2

Hendrickson Auxiliary

Component Photos

Hino



Suspension Illustration

Hino

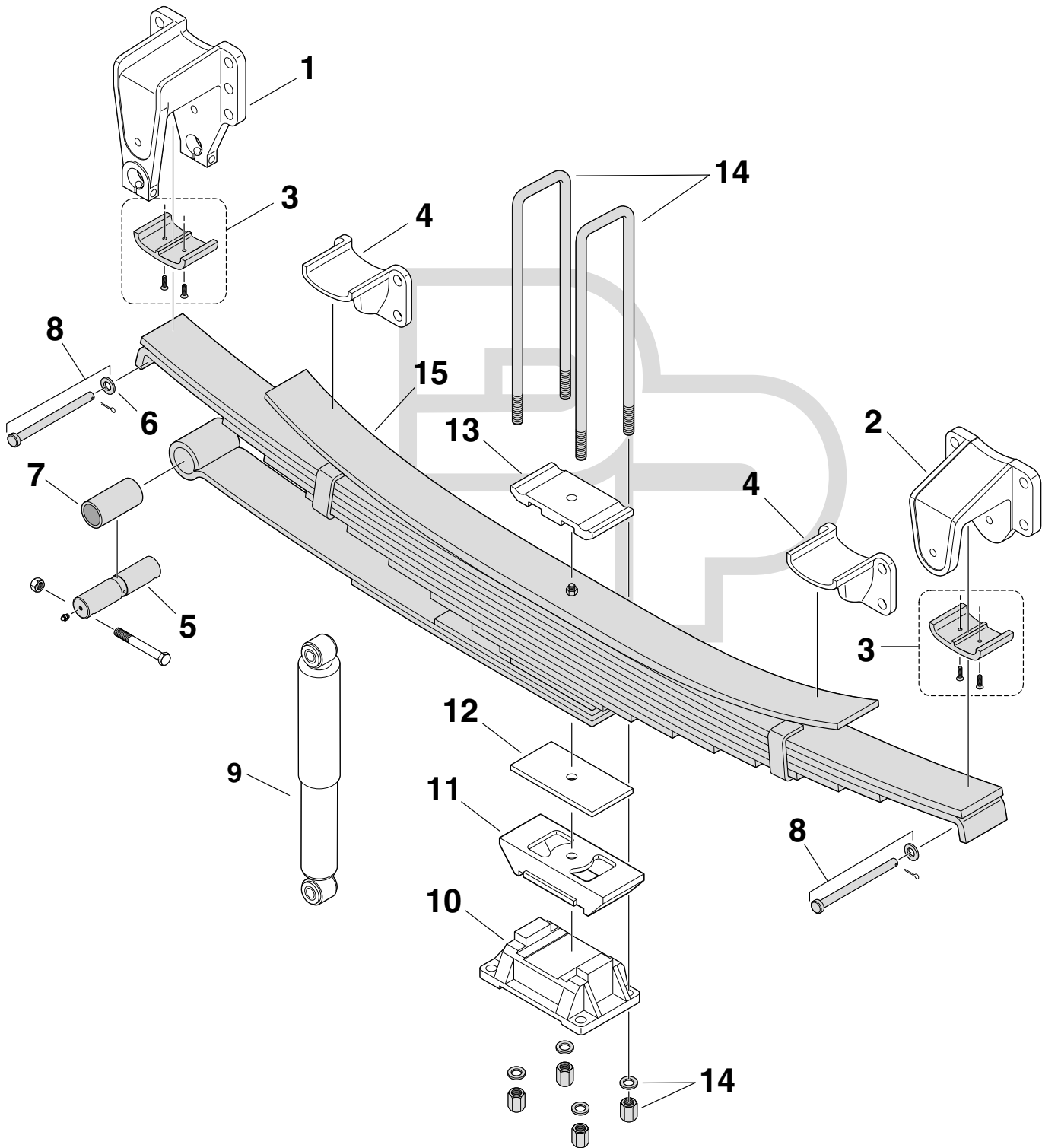
Models 145/165/185/238-258/268/268A/338 Front Suspension

Key No.	Part Number	Description	No. Req.	OEM Reference	Remarks
1	RB-293	Bushing; 20mm ID x 50mm OD x 86mm Lg	6	493051730A	
2	334-2079	Kit, Bolt; 20mm	6		
3	330-391	Side Bar	4	48991-1250	
4	◆	Plate, Top; U-Bolt	2	48372	
5	◆	Stop, Bump	2	S43114-1230	
6	SP	Kit, U-Bolt	4	Various	Specify Size
✓✓	M66897	Shock Absorber	2		Consult Shock Catalog for Model Specific Applications
	M66624	Shock Absorber	2		
	See Shocks	Shock Absorber	2		
8	334-2080	Stud, Shock	2	48522-1600A	
9	Spring Assembly	Assembly, Spring	2		See Leaf Spring Web Catalog for Details

Hino

Parts Listing

Hino



Suspension Illustration

Hino

Models 145/165/185/238-258/268/268A/338 Rear Suspension

Key No.	Part Number	Description	No. Req.	OEM Reference	Remarks
1	◆	Hanger, Front	1	48404L	
	◆	Hanger, Front	1	48404R	
2	◆	Hanger, Rear	1	48405L	
	◆	Hanger, Rear	1	48405R	
● 3	334-2081	Pad, Wear	4	S4848-71390	
4	◆	Bracket, Helper	4		
● 5	327-551	Spring Pin	2	48423-2720	
● 6	334-2082	Washer, Tab; 17mm ID x 1.2mm Thk	4	SZ20916004	
7	RNG-BM	Bushing; 1 ¼"ID x 1 ½"OD x 3"Lg	2		
8	334-2083	Pin, Rebound	4	SZ24016003	
9	◆	Shock Absorber	2	48530-3280	
	◆	Shock Absorber	2	48530-3290	
10	◆	Plate, Bottom	2	Various	
11	◆	Seat, Axle	2	Various	
12	◆	Pad	2	900465A	
13	◆	Plate, Top; U-Bolt	2	48372-2420	
14	SP	U-Bolt	4	Various	Specify Size
15	Spring Assembly	Assembly, Spring	2		See Leaf Spring Web Catalog for Details

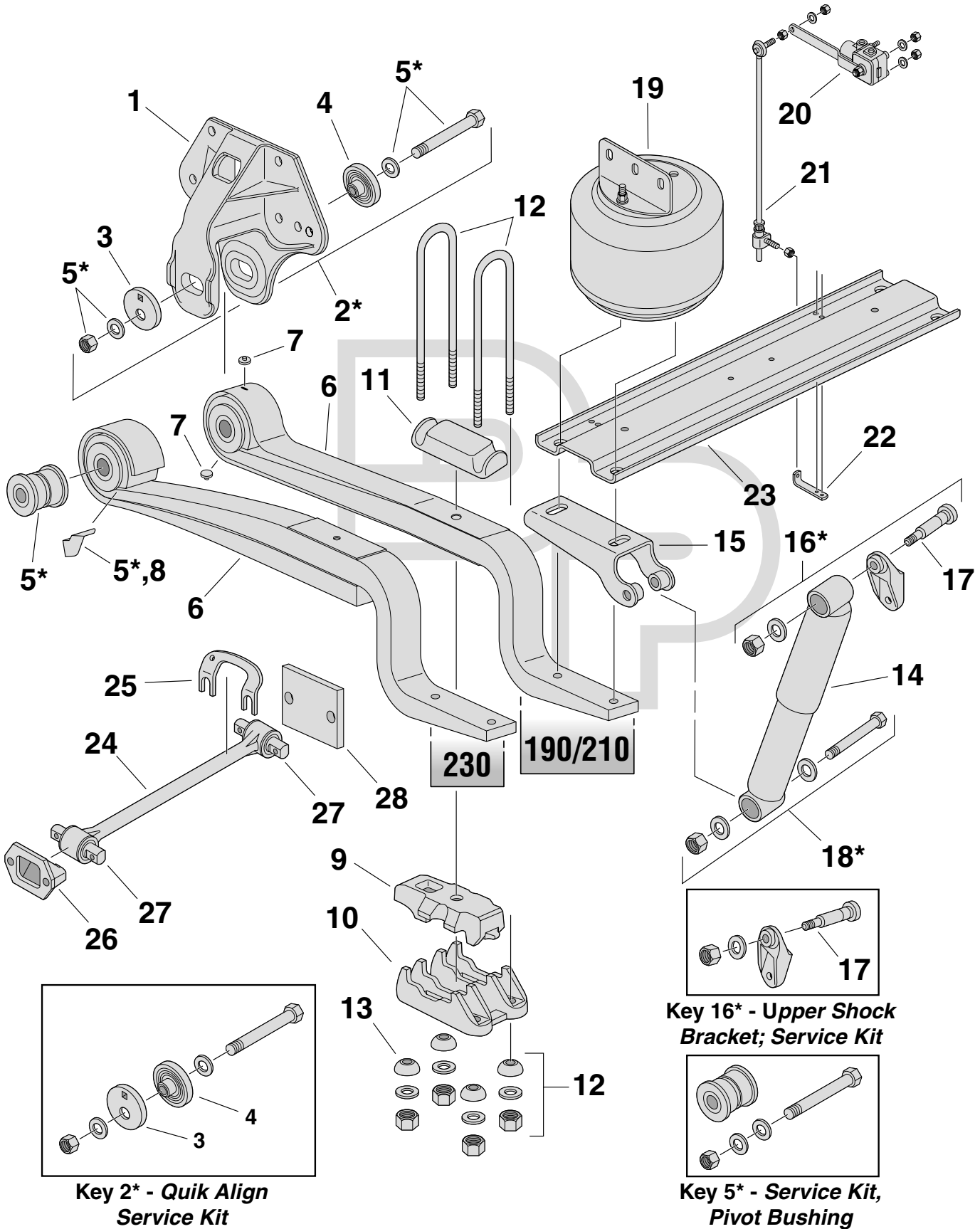
Hino

Parts Listing

COMFORT AIR® (Hendrickson)
Single Axle
Rear Air Suspension

Hino

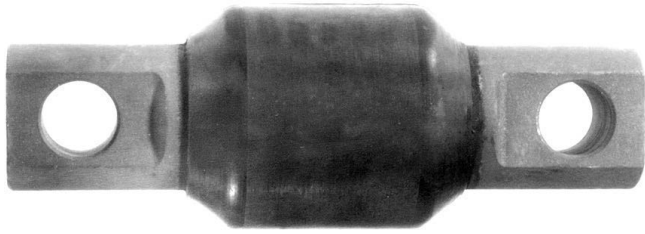
Hino



Suspension Illustration

Key No.	Part Number	Description	No. Req.	OEM Reference	Remarks	
1	SP	Hanger, Roadside	1	65081-1		
	SP	Hanger, Curbside	1	65081-2		
2	SP	Kit, Service; QUICK-ALIGN®; Roadside	1	65119-1	190 & 210; 7/8" Bolt	
	SP	Kit, Service; QUICK-ALIGN®; Curbside	1	65119-2	190 & 210; 7/8" Bolt	
	SP	Kit, Service; QUICK-ALIGN®; Roadside	1	60632-29	230; 1" Bolt	
	SP	Kit, Service; QUICK-ALIGN®; Curbside	1	60632-30	230; 1" Bolt	
✓ ●	3	334-1693	Collar, Alignment; Eccentric	1	60496	190/210; Use w/ 7/8" Bolt
✓ ●	3	334-1715	Collar, Alignment; Eccentric	1	64632	230; Use w/1" Bolt
✓ ●	4	334-1694	Collar, Alignment; Concentric	3	60497	190 & 210; Use w/ 7/8" Bolt
✓ ●		334-1714	Collar, Alignment; Concentric	3	64633	230; Use w/1" Bolt
5	334-2084	Kit, Service; Pivot Bushing	2	34013-109	190 & 210; Use w/ 7/8" Bolt	
	334-2085	Kit, Service; Pivot Bushing	2	34013-189	230; Use w/1" Bolt	
6	50-459	Member, Support; Main	2	65106	190 & 210	
	SP	Member, Support; Main	2	53443	230	
7	SP	Pad, Isolator	4	59770	190 & 210	
8	SP	Clip	2	60932-1	230	
9	SP	Seat, Spring	2	56501-xxx	Specify Pinion Angle	
10	SP	Cap, Bottom; Axle	2	50216		
11	SP	Pad, Top	2	65071		
12	361-669	Kit, U-Bolt; 7/8" x 15"	4	58818-11	190 & 210; 22 x 380mm	
	361-670	Kit, U-Bolt; 7/8" x 15 3/4"	4	69124-8	230; 22 x 400mm	
13	334-2086	Washer, Spherical	8	48574-1		
14	M65483	Shock Absorber	2	60670-13	190 & 210	
	SP	Shock Absorber	2	60670-18	230	
15	SP	Bracket, Shock; Lower	2	65098	190 & 210; Bracket Only	
	●	334-2008	Assembly, Bracket; Shock Absorber	2	49690-2, 49324-2	230; Includes Bolt
16	SP	Kit, Service; Upper Shock Bracket	2	65118-2		
17	SP	Bolt; M16 - 2.00 x 50mm Lg	2	58244-2		
18	SP	Assembly, Bolt; Lower Shock	2	58258-5	M20x140	
19	65086-002	Air Spring	2	65086-2	190 & 210	
	67289-002	Air Spring	2	67289-2	230	
	76942-002	Air Spring	2	76942-2	230LP (Lo Profile)	
✓ ●	20	334-1648A	Valve, Height Control	1	60501	Valve Only; w/Integral Dump
✓ ●	21	334-751	Linkage Assembly; Universal; Adjustable	1		3 3/8"-19 5/8" Range; Use w/All Height Control Valves
22	SP	Bracket; HCV Lower Linkage	1	65090		
23	SP	Kit, Service; Cross Channel	1	57317-7		
24	SP	Assembly, Torque Rod	1	62000-595	190 & 210; Ultra-Rod; Use 345-866 2pc. Kit	
	SP	Assembly, Torque Rod	1	72000-595	230; Bonded Bushings	
✓✓ ●	25	334-526	Shim; 1/16"Thk 4 3/8" c/c	AR	49689	
✓ ●	26	338-181	Bracket, Track Rod/Frame	1	22186	For 5/8" Bolts
✓✓ ●	27	321-223	Bushing; 4 3/8" c/c x 5/8" Bolts	2	47691	190 & 210; Straddlemount
		●	321-500	Bushing; 4 3/8" c/c x 5/8" Bolts	2	64400-2
28	SP	Plate, Outer Reinforcement	1	65137		

321-223



Bushing; 4 3/8" c/c x 5/8" Bolts; Straddlemount; Model Comfort Air

321-500



Bushing; 4 3/8" c/c x 5/8" Bolts; Model Comfort Air

327-551



Spring Pin; Models 145/165/185/238-258/268/268A/338 Rear Suspension

334-526



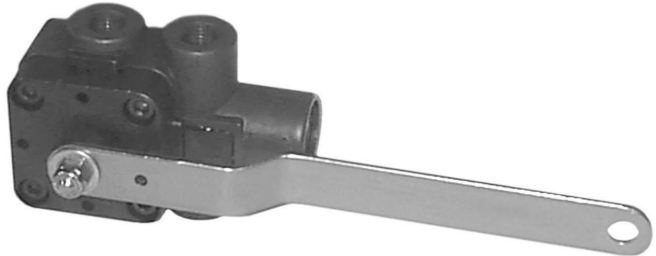
Shim; 1/16"Thk. 4 3/8" c/c; Model Comfort Air

334-751



Linkage Assembly, Universal Adjustable; 3 5/8"-19 5/8" Range; Use w/All Height Control Valves; Model Comfort Air

334-1648A



Valve, Height Control; Valve Only; w/Integral Dump; Model Comfort Air

334-1693



Collar, Eccentric Alignment; ; Use With 7/8" Bolt; Model Comfort Air

334-1694



Collar, Concentric Alignment; Model Comfort Air

334-1714



Collar, Concentric Alignment; Model Comfort Air

334-1715



Collar, Eccentric Alignment; Use w/1" Bolt; Model Comfort Air

334-2008



Bracket Assembly, Shock Absorber; Includes Bolt; Model Comfort Air

334-2081



Pad, Wear; Models 145/165/185/238-258/268/268A/338 Rear Suspension

334-2082



Washer, Tab; 17mm ID x 1.2mm Thk; Models 145/165/185/238-258/268/268A/338 Rear Suspension

338-181



Bracket, Track Rod/Frame; For 5/8" Bolts; Model Comfort Air

Hino

Component Photos

Notes

Hino

Hino

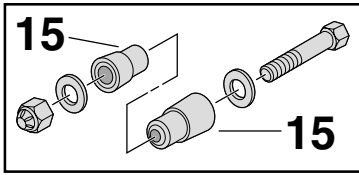
Notes

MODEL	PAGE
Tractor Suspensions:	
H2200/2300 Tractor Four Spring Suspension	432, 433
Trailer Suspensions:	
H800A Trailer Single Point Suspension	434, 435
H440/900 Trailer Single Point Suspension	436, 437
H200 Trailer Four Spring Suspension	438, 439
H/CH 7600/7650/9600 (49" to 54 ½" Axle Spacing, All) Trailer Four Spring Suspensions	440- 443
H/CH 7700/9700 (42 ½", 44", 49", 54 ½", 57 ½" Axle Spacing) Trailer Four Spring Suspensions	444-447
7600/7700/9600/9700 Widespread (61" to 121" Axle Spacing) Trailer Four Spring Suspensions	448-451
H11455-00 Tri-Axle Trailer Suspension	452, 453
Trailer Air Spring Suspensions:	
H1200 (Mk2/LMk2/E/F) Trailer Air & Air Lift Suspensions	454, 455
Component Chart Information:	
Hutch Axle Seats	460
Hutch Cast Hangers	456, 457
Hutch Stamped Hangers	458, 459
Suspension-In-A-Box (Complete Suspension Kits - H9700 Series)	473
 Suspension Component Photos	 461-472

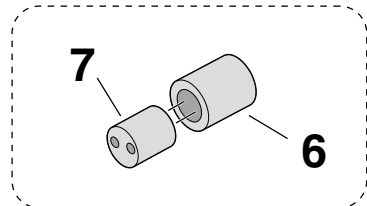
H2200/2300 Tractor Four Spring Suspension

Hutch

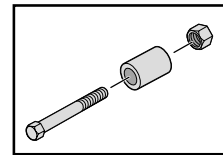
Hutch



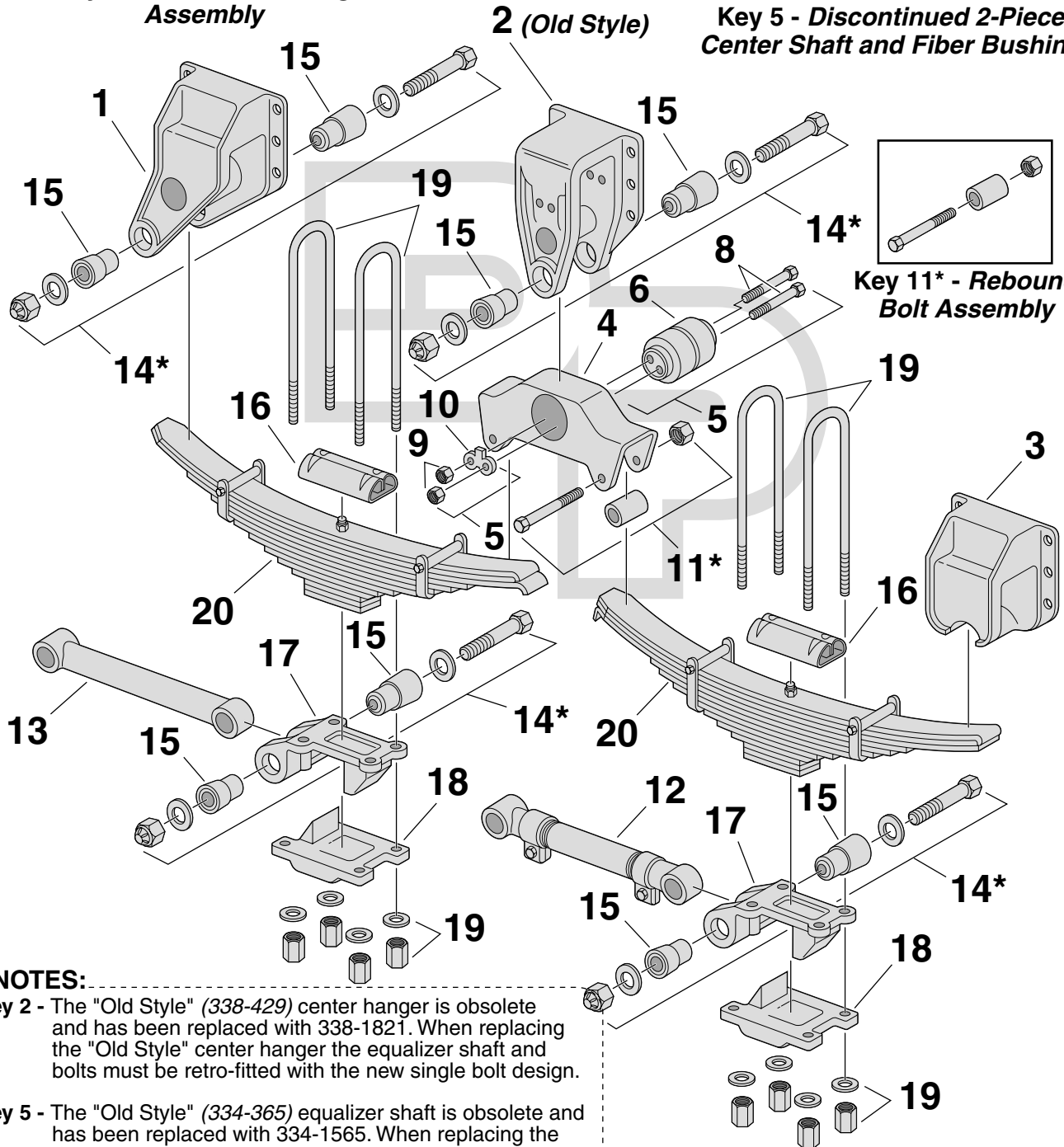
Key 14* - Bolt & Bushing Assembly



Key 5 - Discontinued 2-Piece Center Shaft and Fiber Bushing



Key 11* - Rebound Bolt Assembly



NOTES:

Key 2 - The "Old Style" (338-429) center hanger is obsolete and has been replaced with 338-1821. When replacing the "Old Style" center hanger the equalizer shaft and bolts must be retro-fitted with the new single bolt design.

Key 5 - The "Old Style" (334-365) equalizer shaft is obsolete and has been replaced with 334-1565. When replacing the "Old Style" shaft the center hanger must also be replaced.

Suspension Illustration

Hutch

H2200/2300 Tractor Four Spring Suspension

Hutch

Parts Listing

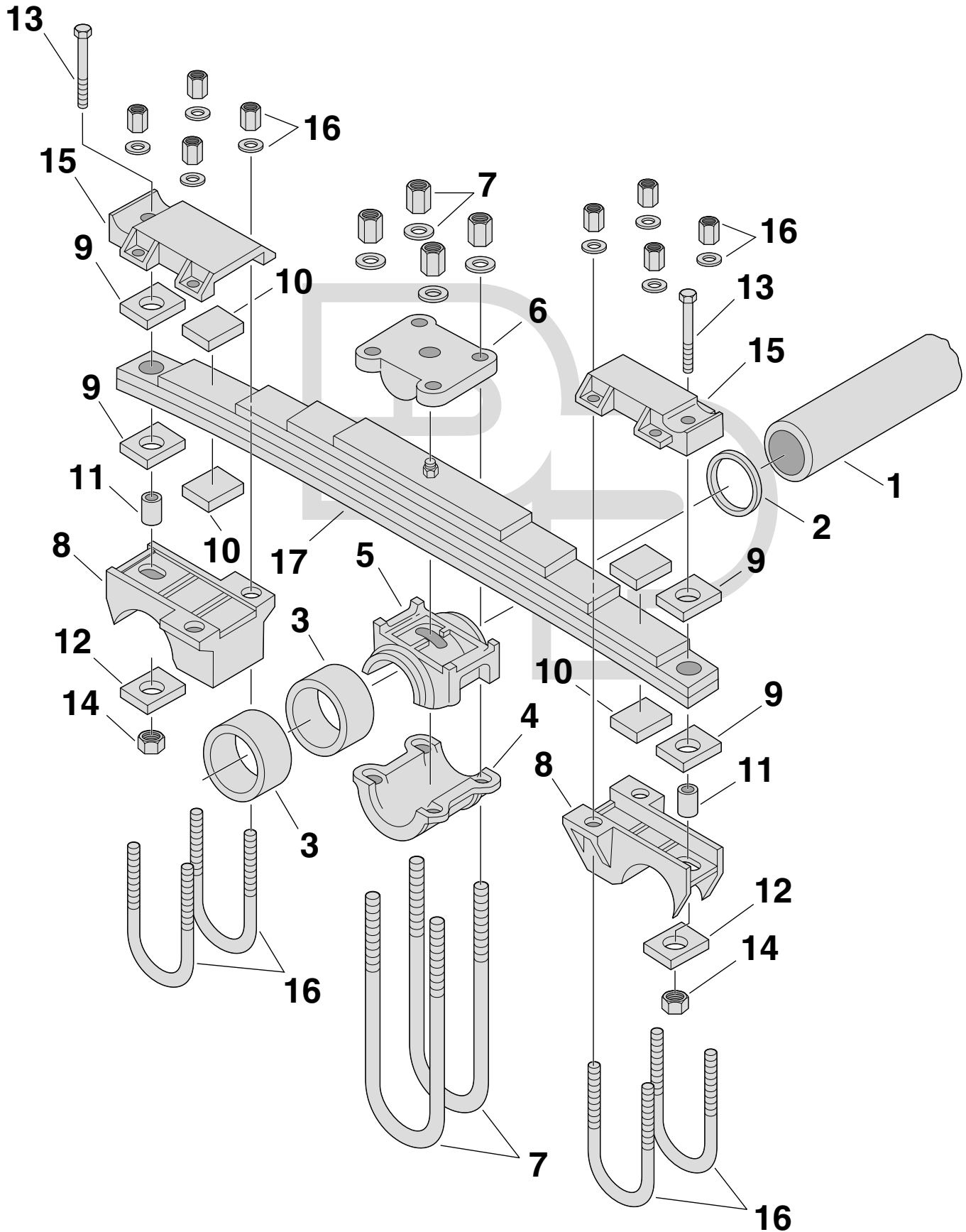
Key No.	Part Number	Description	No. Req.	OEM Reference	Remarks	
●	1	338-427	Hanger, LH; Cast	1	2201-03	Discontinued
●		338-428	Hanger, RH; Cast	1	2201-04	Discontinued
●	2	338-429	Hanger, Side Mount; Cast	2	2202-01	Obsolete; Replaced by 338-1821; Use 334-1566 Shaft Kit to Retrofit Equalizer
●		338-1821	Hanger; 2300 Series	2	18739-01	Replaces 338-429; Requires 334-1565 Shaft; Use 334-1566 Shaft Kit to Retrofit Equalizer
●	3	338-430	Hanger, Side Mount; Cast	2	2203-01	Discontinued
●	4	338-435	Assembly, Equalizer; 49" Axle Spacing	2	2224-01	Discontinued; Repl. by 338-2097 or 338-2098
		338-2097	Assembly, Equalizer	2	18747-01	H2200; Discontinued
		338-2098	Assembly, Equalizer	2	2224-02	H2300; Discontinued
	5	334-348	Assembly, Shaft & Bushing; Old Style	2		Discontinued; Use 321-176
		334-1566	Assembly, Shaft & Bushing; New Style	2		Discontinued; Use 321-221
●	6	322-117	Bushing, Fiber; 2 5/8"ID x 3 1/4"OD x 3 3/4"Lg	2	720-00	Discontinued
✓	●	321-176	Bushing; 3 1/4"OD x 3 7/8"Lg	2	7010-00	H2200
✓✓	●	321-221	Bushing; 1 1/8"ID x 3 29/64"OD x 3 57/64"Lg	2	16146-01, 18723-01	H2300
●	7	334-365	Shaft; 2 5/8" x 3 15/16"Lg	2	7013-00	2200 Series; (2) Bolt; Discontinued
●		334-1565	Shaft	2	18738-01, 18735-01	2300 Series; (1) Bolt; Discontinued
✓✓	●	334-366	Bolt, Equalizer; 3/4" X 6"Lg, 5/8"-18 Thread	4	7016-01	
	9	SLN-104	Nut, Lock; 5/8"-18	4	37-03	
✓✓		334-375	Nut, Lock; 1 1/8"-7	2	11154-00	
●	10	334-360	Tab, Lock	2	729-00	
✓✓	11	334-343	Assembly, Bolt; Rebound; 5/8"-18 x 4 1/2"Lg	4	10287-00	Incl. Bolt, Tube & Lock Nut
●	12	345-169	Torque Rod, Adjustable; 18 1/4"-20 1/4"Lg	3	2213-00, 16399-01	Use 321-173 Bushings, Not Included
●	13	345-168	Torque Rod, Rigid; 19 1/4"Lg c/c	1	784-02	Use 321-173 Bushings, Not Included
✓✓	14	334-350	Assembly, Bolt & Bushing	8		Incl. 321-173 Bushings, 1"-14 x 8" Bolt & Hdwe.
✓✓	●	321-173	Bushing; 1"ID x 1 3/4"OD x 3 1/8"Lg	16	222-00	
●		321-173U	Bushing, Urethane	16		
✓	●	338-1367	Saddle, U-Bolt; 3"W x 7 9/16"Lg x 1 3/4"H; Roll Formed	4	16868-01	Roll Formed Design
✓✓	●	338-381	Saddle, U-Bolt; 3"W x 7 1/2"Lg; Fabricated	4	7029-00	All Axles; U-Bolts Down
●	17	338-1464	Bracket, Torque Rod/Seat; 3/4", 5" Round Axle	4	206-01	5" Round Axles
●		338-1465	Bracket, Torque Rod/Seat; 2 1/4", 5" Round Axle	4	206-02	5" Round Axles
		SP	Seat, Spring; 3 1/8"	4	206-03	5" Round Axles
		SP	Seat, Spring; 4 3/4"	4	206-04	5" Round Axles
		SP	Seat, Spring; 3/4"	4	2226-00	5 3/4" Round Axles
		338-509	Assembly, Seat; Adjustable; 1 1/8"; Square Axles	4	2205-00	Use 338-508 & 338-432; Square Axles
✓	●	338-415	Plate, Bottom U-Bolt Clamp; Fabricated	4	710-00	5" Round Axles
		338-513	Plate, Adjustable Bottom; Square Axles	4	2208-00	Square Axles
		SP	Plate, Bottom	4	710-01	5 3/4" Round Axles
✓✓	19	361-168	Kit, U-Bolt; Round Bend, Grade 8	8	7040-17, 7040-18	7/8" x 3" x 16 1/2" R
	20	Spring Assembly	Assembly, Spring	4		See Leaf Spring Web Catalog for Details

**H800A
Trailer Single Point Suspension**

Hutch

Hutch

Suspension Illustration



Hutch

H800A Trailer Single Point Suspension

Hutch

Key No.	Part Number	Description	No. Req.	OEM Reference	Remarks	
	1	334-382	Shaft; 4"OD x 48"Lg x 1/2"Thk Wall	1	893-01	
	2	334-363	Washer; 4"ID x 5 3/4"OD x 3/16"Thk	2	895-00	
	3	325-190	Bushing, Rubber; 4"ID x 5"OD x 4"Lg	4	833-00	
●	4	338-424	Trunnion, Upper Half	2	892-00	
●	5	338-423	Trunnion, Seat Half; O.E.	2	891-00, 891-01	
●	6	338-420	Plate, U-Bolt Clamp	2	820-00	
✓✓	7	361-234	Kit, U-Bolt; Round Bend, Grade 8	4		1 1/8" x 5 1/16" x 15 1/2" R
●	8	338-1699	Seat, Spring; Axle	4	812-01, 812-00	5" round axles; Obsolete
●	9	325-191	Pad, Rubber; 2 15/16"W x 5 1/16"Lg, 7/8"Thk	8	813-00	
✓✓	10	325-119	Pad, Rubber	8	814-00	
●		325-119U	Pad, Urethane	8	814-00	
●	11	321-309	Bushing; 1"ID x 2 1/4"OD x 2 1/4"Lg	4	803-00	36M Series
●		321-310	Bushing; 1"ID x 2 1/4"OD x 3"Lg	4	866-00	42M Series; Obsolete
●	12	334-1276	Plate, Adjustment; 3 1/4" x 4 1/4"Lg, w/1" Hole.	4	816-00	Obsolete
✓✓	13	334-359	Bolt; 1"-14 x 5"Lg	4		
		334-1051	Bolt; 1"-14 x 5 3/8"Lg	4	719-03	42M Series
✓✓	14	SLN-107	Nut, Lock; 1"-14	4		
●	15	338-1505	Cap, End	4	811-01	Obsolete
●		338-1506	Cap, End	4	815-01	42M Series; Obsolete
✓	16	361-282	Kit, U-Bolt; Round Bend, Grade 8	8		3/4" x 5 1/8" x 8" R
	17	Spring Assembly	Assembly, Spring	2		See Leaf Spring Web Catalog for Details

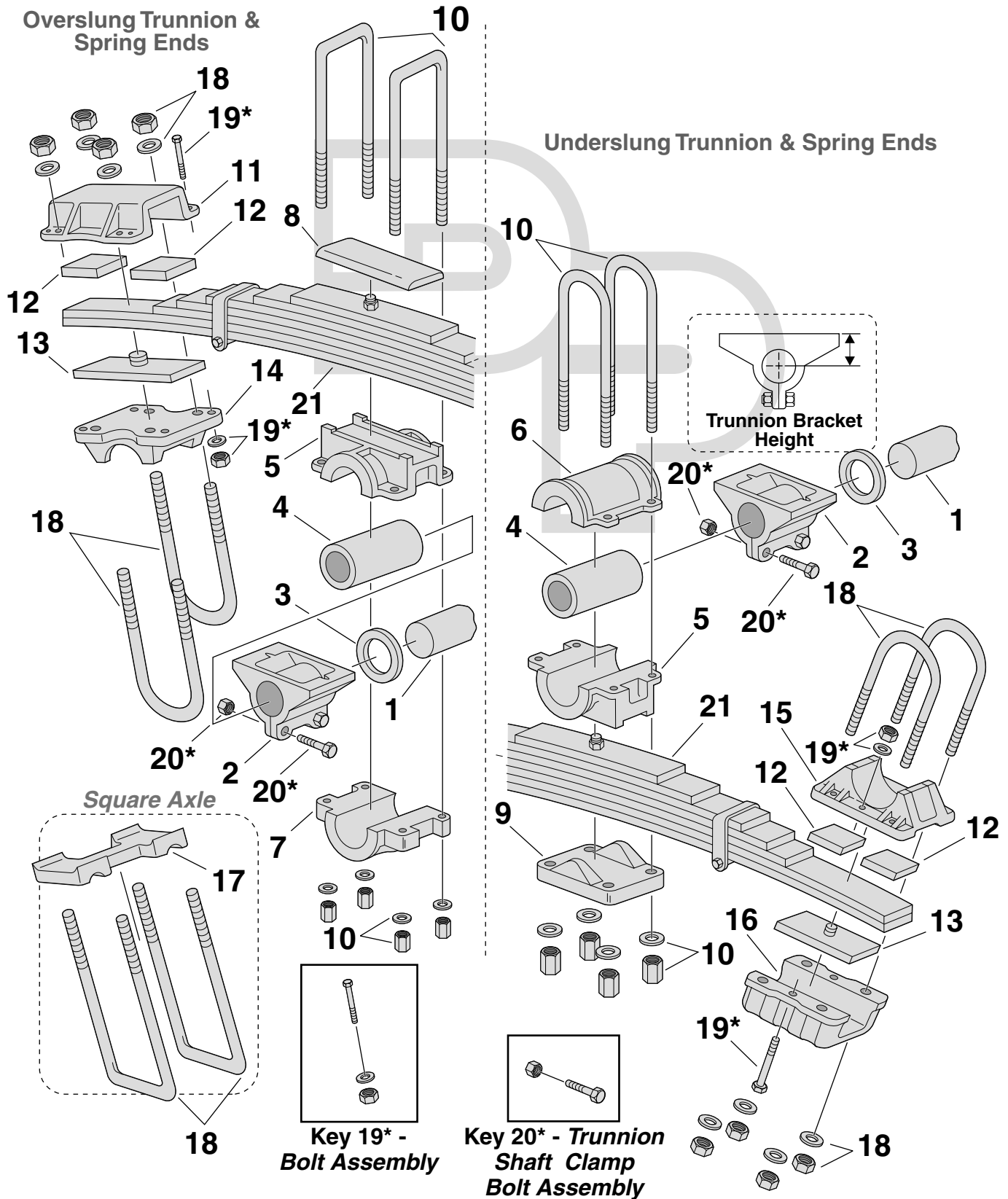
Parts Listing

H440/900 Trailer Single Point Suspension

Hutch

Hutch

Suspension Illustration



Hutch

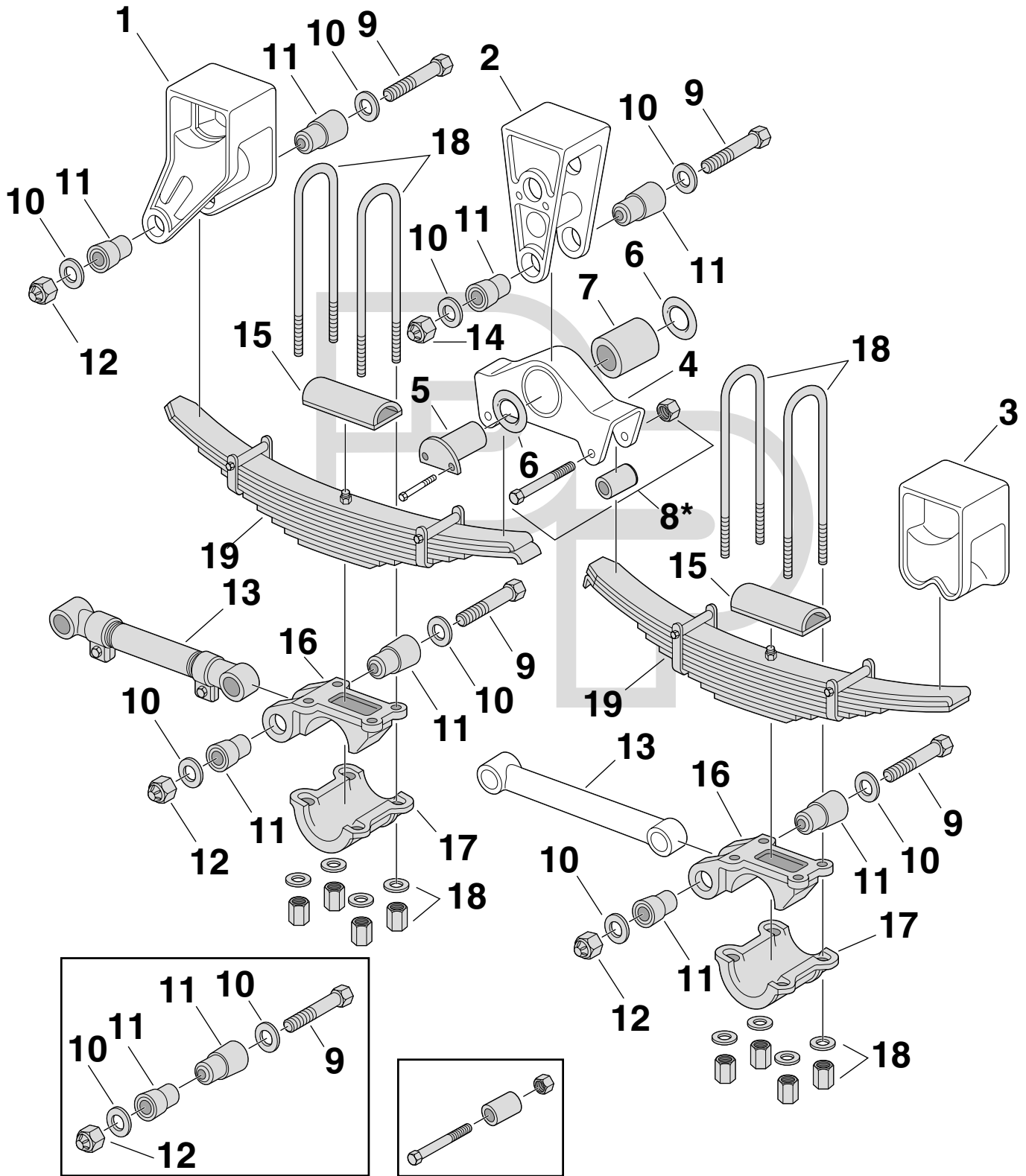
H440/900 Trailer Single Point Suspension

Hutch

Parts Listing

Key No.	Part Number	Description	No. Req.	OEM Reference	Remarks
1	334-383	Shaft; 4"OD x 48"Lg x 3/4"Thk Wall	1	893-02	
	334-382	Shaft; 4"OD x 48"Lg x 1/2"Thk Wall	1	893-01	
	SP	Shaft; 4"OD x 46.5"Lg x 1/2"Thk Wall	1	893-20	
	SP	Shaft; 4"OD x 52.5"Lg x 1/2"Thk Wall	1	893-23	
	SP	Shaft; 4"OD x 51.5"Lg x 1/2"Thk Wall	1	893-27	
●	338-421	Bracket, Trunnion Shaft; 6 1/2"	2	849-01	Standard; All
	338-422	Bracket, Trunnion Shaft; 2 1/2"	2	850-01	
	338-425	Bracket, Trunnion Shaft; 8 1/2"	2	897-01	
	338-497	Bracket, Trunnion Shaft; 4 1/2"	2	10476-01	
3	334-363	Washer; 4"ID x 5 3/4"OD x 3/16"Thk	2	895-00	H440 2.5
	SP	Washer; Clipped Edge	2	20936-01	
✓	325-107	Bushing; 4"ID x 5"OD x 9 1/8"Lg	2	890-00	
	325-107U	Bushing, Urethane	2		
✓	325-122	Bushing; Free Oscilating	2	23276-01, 22068-01	
●	338-423	Trunnion, Seat Half; O.E.	2	891-00, 891-01	All
●	338-424	Trunnion, Upper Half	2	892-00	Underslung Trunnion
	SP	Trunion, Upper Half	2	20605-01	H440
●	338-426	Trunnion, Lower Half; O.E.	2	898-00	Overslung Trunnion
	SP	Trunnion, Lower Half	2	20604-01	H440
●	338-484	Saddle, U-Bolt	2	9640-00	
●	338-420	Plate, Clamp; U-Bolt	2	820-00	Underslung Trunnion
	SP	Plate, Clamp; U-Bolt	2	20612-01	H440
10	361-396	Kit, U-Bolt; Square Bend, Grade 8	4	9639-03	Overslung Trunnion; 3-7 Leaf Spring; 1 1/8" x 5 1/8" x 14 1/8" SS
	361-280	Kit, U-Bolt; Square Bend, Grade 8	4	9639-05, 9639-04	Overslung Trunnion; 8-9 Leaf Spring 1 1/8" x 5 1/8" x 16 1/8" SS
	361-496	Kit, U-Bolt; Round Bend, Grade 8	4	835-04	Underslung Trunnion; 3-7 Leaf Spring; 1 1/8" x 5 7/8" x 15 1/2" R
	SP	U-Bolt	4	835-05	Underslung Trunnion; 8-9 Leaf Spring; 1 1/8" x 5 7/8" x 17 1/2" R
	SP	Kit, U-Bolt; Square Bend, Grade 8	4		H440; 7/8"
●	338-480	Cap, End; Spring	4	10049-00	36k Only; Overslung Axles
●	338-488	Cap, End; Spring	4	9937-00	42k, 50k & 60k; Overslung Axles
	338-1896	Cap, End; Spring	4	19069-01	Use w/ 338-1895
✓✓	325-119	Pad, Rubber	8		
●	325-119U	Pad, Urethane	8		
✓	338-499	Plate, Adjustment; 3/8"Thk; O.E.	4	10608-00	All Overslung Axles
	338-499S	Plate, Adjustment; 3/8" Thk; Service	4		
	338-1895	Plate, Adjustment; 5/8"Thk	4	19059-01	
	SP	Plate, Adjustment	4	20601-01	
●	338-485	Seat, Axle	4	9934-02	5" Round Overslung Axles
	SP	Seat, Axle	4	9935-02	5" Square Overslung Axles
	SP	Seat, Axle	4	9936-03	5 3/4" Round Overslung Axles
	SP	Seat, Axle	4	9936-04	6" Round Overslung Axles
●	338-489	Seat, Axle	4	9938-00	5" Round Underslung Axles
	338-490	Seat, Axle	4	9939-00	5" Square Underslung Axles
	338-491	Seat, Axle	4	9940-00	5 3/4" Round Underslung Axles
	SP	Seat, Axle	4	9940-01	6" Round Underslung Axles
	SP	Seat, Axle	4	20609-01	H440
●	338-494	Cap, End; Spring	4	10050-02	36k; 5" Round & 5" Square Underslung Axles
	338-492	Cap, End; Spring	4	9941-02	42k-60k; 5" Round & 5" Square Underslung Axles
	SP	Cap, End; Spring	4	9942-02	42k-60k; 6" Round Underslung Axles
	SP	Cap, End; Spring	4	20610-01	H440
●	338-1507	Plate, Pressure	4	10488-00	5" Square Axles Only
✓	361-515	Kit, U-Bolt; Square Bend, Grade 5	8	10063-03	3/4" x 5 1/8" x 8 3/8" S; Overslung
	361-282	Kit, U-Bolt; Round Bend, Grade 8	8	10060-01, 10060-02	3/4" x 5 1/8" x 8" R; 5"; Round Overslung Axles
	361-246	Kit, U-Bolt; Round Bend, Grade 8	8	10064-02, 10064-01	1" x 5 1/8" x 10 7/8" R; 5" Round Underslung Axles
	SP	U-Bolt	8	Various	5 3/4"; 6" Round Overslung Axles; 5" Square; 5 3/4", 6" Round Underslung Axles
✓	334-622	Assembly, Bolt; 5/8"-18 x 2"Lg	8/16	9293-00	Incl. Bolt & Hdwe.
	334-1293	Assembly, Bolt; 3/4"-16 x 4 1/2"Lg	4	10376-00	Incl. Bolt & Hdwe.
21	Spring Assembly	Assembly, Spring	2		See Leaf Spring Web Catalog for Details

Hutch



Suspension Illustration

Key 14 - Torque Rod Bolt & Bushing Assembly

Key 8* - Rebound Bolt Assembly

Hutch

H200 Trailer Four Spring Suspension

Hutch

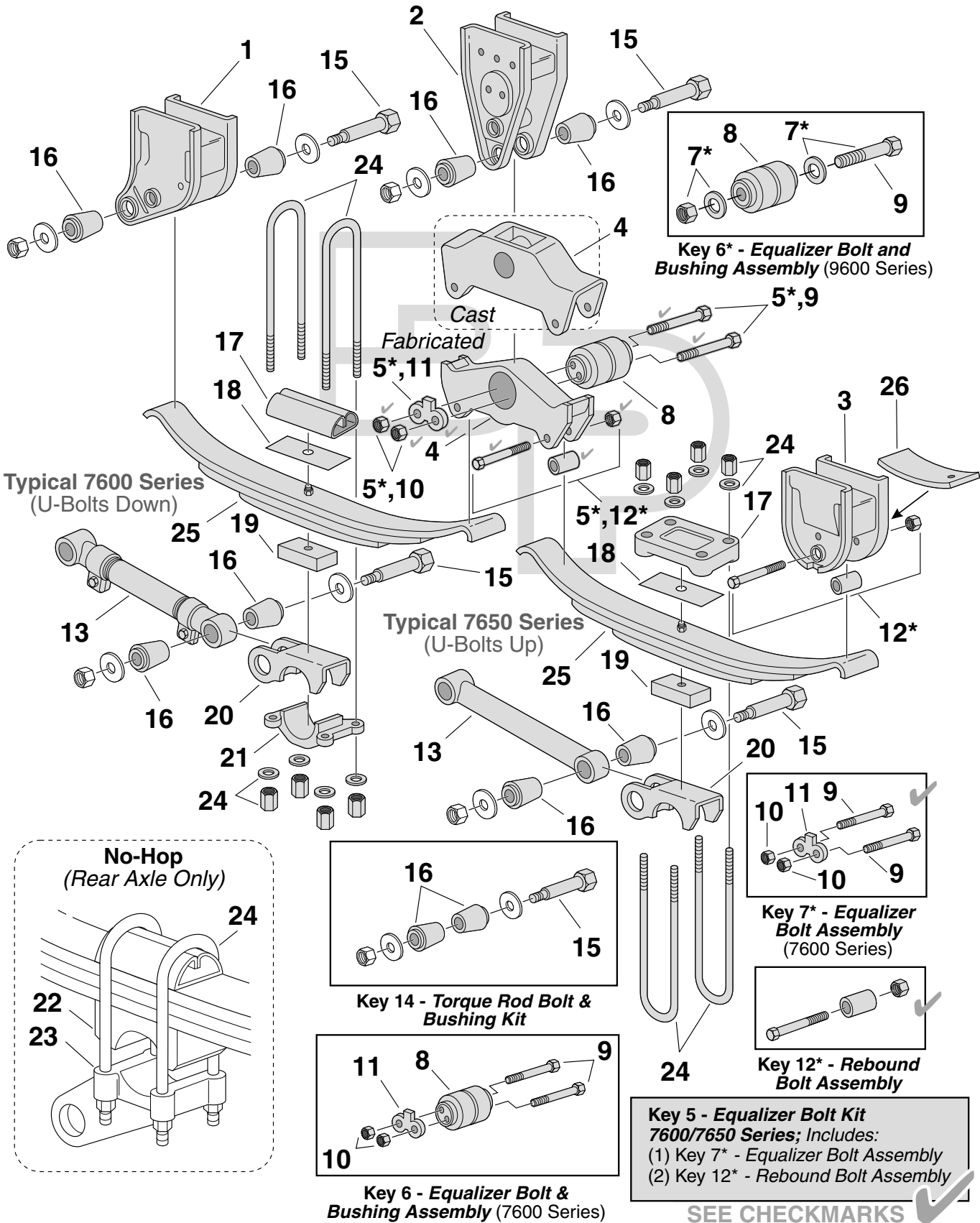
Parts Listing

Key No.	Part Number	Description	No. Req.	OEM Reference	Remarks
1	◆	Hanger, Front	2		Obsolete
2	◆	Hanger, Center	2		Obsolete
3	◆	Hanger, Rear	2		Obsolete
4	◆	Equalizer	2		Obsolete
●	334-1048	Shaft; 2 5/8"ID x 6 1/2"Lg	2	221-00	Obsolete
	334-1050	O-Ring; 2 5/8"OD Shaft	4	230-00	Obsolete
	334-1049	Bearing, Bronze; 2 5/8"ID x 3 1/4"OD X 3 13/16"Lg	2	220-03	Obsolete
✓✓	334-343	Assembly, Bolt; Rebound; 5/8"-18 x 4 1/2"	4	10287-00	Incl. Bolt, Tube & Lock Nut
	334-476	Bolt; 1"-14 x 8"Lg	8		
	334-358	Washer; 1 1/16"ID x 2 1/2"OD x 5/32"Thk	16	227-00	
✓✓ ●	321-173	Bushing; 1"ID x 1 3/4"OD x 3 1/8"Lg	16	222-00	
✓✓	SLN-107	Nut, Lock; 1"-14	8		
	345-783	Torque Rod, Adjustable; 18 3/4"-20 3/4"Lg	2	245-07	Obsolete; Remove Bushing from 345-164
	◆	Torque Rod, Rigid	2		Use 345-783
✓✓	334-350	Assembly, Bolt & Bushing	8		Incl. Bushings & Hdwe.
✓✓ ●	338-381	Saddle, U-Bolt; 3"W x 7 1/2"Lg; Fabricated	4	7029-00	
●	338-1464	Bracket, Torque Rod/Seat; 3/4"; 5" Round Axle	4	206-01	5" Round Axles
✓ ●	338-415	Plate, Bottom U-Bolt Clamp; Fabricated	4	710-00	5" Round Axles
	361-505	Kit, U-Bolt; Round Bend, Grade 5	8	7040-07	7/8" x 3" x 11 1/2" R
	361-589	Kit, U-Bolt; Round Bend, Grade 8	8		7/8" x 3" x 12 1/2" R
	361-566	Kit, U-Bolt; Round Bend, Grade 5	8	7040-12	7/8" x 3" x 13 1/2" R
	361-374	Kit, U-Bolt; Round Bend, Grade 8	8	7040-13	7/8" x 3" x 14 1/2" R
✓✓	361-168	Kit, U-Bolt; Round Bend, Grade 8	8	7040-17, 7040-18	7/8" x 3" x 16 1/2" R
✓	361-250	Kit, U-Bolt; Round Bend, Grade 5	8	7040-21	7/8" x 3" x 18-1/2" R
19	Spring Assembly	Assembly, Spring	4		See Leaf Spring Web Catalog for Details

H/CH 7600/7650/9600
 (49" to 54 1/2" Axle Spacing - All)
Trailer Four Spring Suspensions

Hutch

Hutch



Suspension Illustration

Hutch

H/CH 7600/7650/9600 (49" to 54 1/2" Axle Spacing - All) Trailer Four Spring Suspensions

Hutch

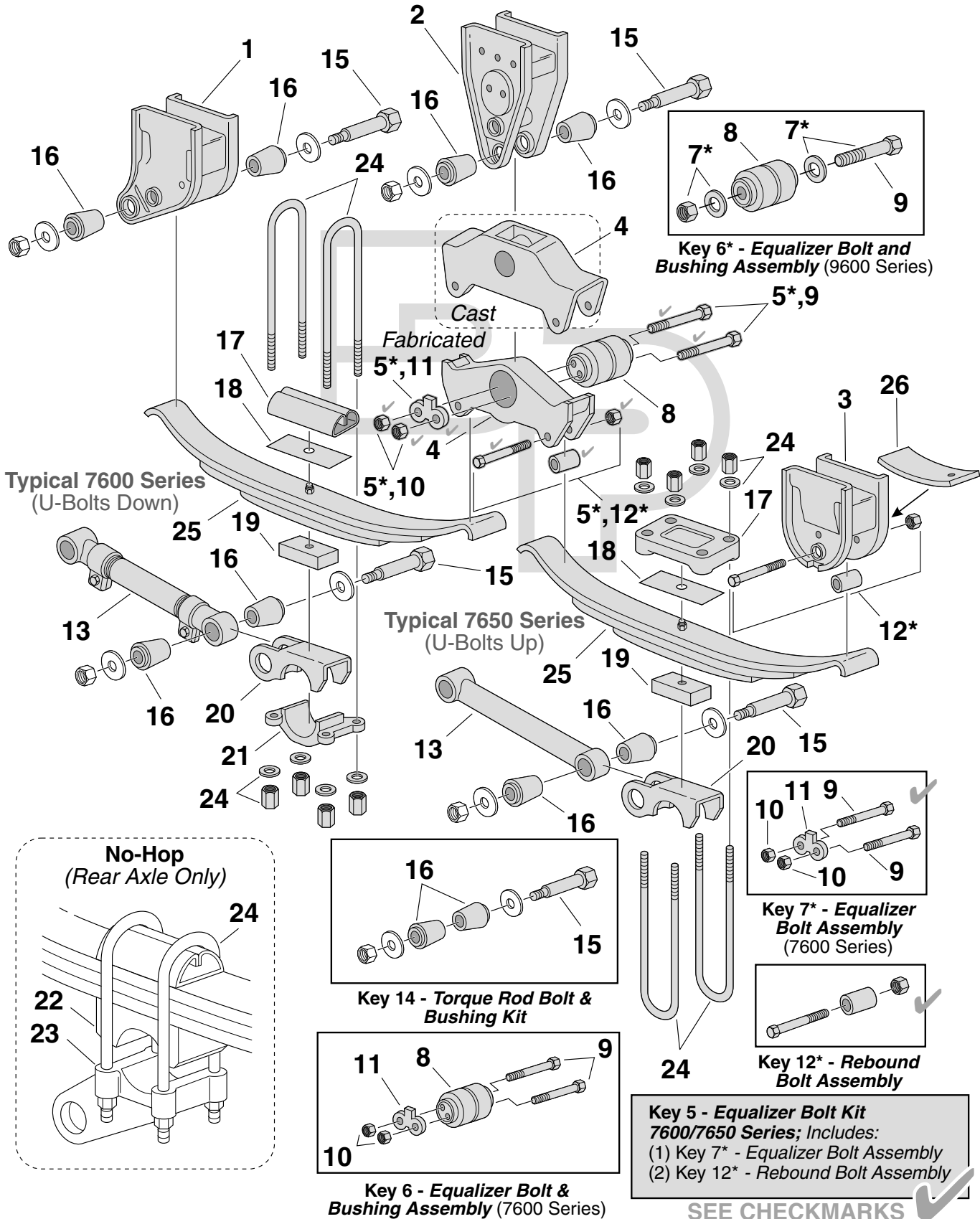
Parts Listing

Key No.	Part Number	Description	No. Req.	OEM Reference	Remarks	
	1	See Charts	Hanger, Front	2		See Chart on Page 456 (Cast), 458 (Stamped)
	2	See Charts	Hanger, Center	2		See Chart on Page 456 (Cast), 458 (Stamped)
	3	See Charts	Hanger, Rear	2		See Chart on Page 456 (Cast), 458 (Stamped)
✓ ●	4	338-419	Assembly, Equalizer; Fabricated; O.E.	2	750-03	7600 & 7650; 49" Axle Spacing; Incl. 321-176 Bushing
●		338-419HD	Assembly, Equalizer; Fabricated; Heavy Duty	2		7600 & 7650; 49" Axle Spacing; Incl. 321-176 Bushing
		338-419S	Assembly, Equalizer; Fabricated; Service	2		Incl. 321-176 Bushing
✓ ●		338-408	Assembly, Equalizer; Cast	2	19137-01, 24367-01	7600 & 7650; 49" Axle Spacing; Incl. 321-176 Bushing; Casting No. 704-00
●		338-2028	Assembly, Equalizer; Fabricated	2	24712-01	7600TD; 50" Axle Spacing; Incl. 321-176 Bushing; Replaces 338-472
●		338-2027	Assembly, Equalizer; Fabricated	2	24711-01	9600; 50" Axle Spacing; 321-221 Bushing; Replaces 338-1536
●		338-2037	Assembly, Equalizer; Fabricated	2	24820-01	Incl. 321-221 Bushing; 53.5/54.5" Axle Spacing; Replaces 338-1717
●		338-2031	Assembly, Equalizer; Fabricated	2	24713-01	7600 & 7650; 54 1/2" Axle spacing; Incl. 321-176 Bushing
✓ ●		338-886	Assembly, Equalizer; Fabricated; 9700; O.E.	2	16158-01	9600; Incl. 321-221 Bushing
●		338-886S	Assembly, Equalizer; Fabricated; 9700; Service	2		
●		338-886U	Assembly, Equalizer; Fabricated	2		9600; Incl. 321-221U Bushing
✓ ✓ ●		338-887	Assembly, Equalizer; Cast	2	17784-01, 16290-01	9600; Incl. 321-221 Bushing
✓ ✓	5	334-639	Kit, Service; Equalizer Bolts	2	10287-01	7600 & 7650; Incl. Key No. 7 & 12
✓ ✓		334-1612	Kit, Service; Equalizer Bolts	2	16353-01	9600; Incl. Key No. 7 & 12
	6	334-341	Assembly, Bolt & Bushing	2		7600; Incl. 321-176 Bushing & 334-342 Bolt Assembly
		334-1272	Assembly, Bolt & Bushing	2		9600; Incl. 321-221 Bushing & 334-937 Bolt Assembly
✓ ✓	7	334-342	Assembly, Bolt	2		7600 & 7650; Incl. (2)334-366 Bolts, Lock Tab & Lock Nuts
✓		334-937	Assembly, Bolt; 1 1/8"-7 x 6 5/8"Lg	2		9600; Incl. 334-739 Bolt & Hdwe.
✓ ●	8	321-176	Bushing; 3 1/4"OD x 3 7/8"Lg	2	7010-00	7600, 7650
●		321-176U	Bushing, Urethane	2		
✓ ✓ ●		321-221	Bushing; 1 1/8"ID x 3 29/64"OD x 3 57/64"Lg	2	16146-01, 18723-01	9600
●		321-221U	Bushing, Urethane	2		
✓ ✓ ●	9	334-366	Bolt, Equalizer; 3/4" X 6"Lg, 5/8"-18 Thread	4	7016-01	7600
✓ ✓		334-739	Bolt; 1 1/8"-7 x 6 5/8"Lg	2	16150-01	9600
	10	SLN-104	Nut, Lock; 5/8"-18	4	37-03	7600
●	11	334-360	Tab, Lock	2	729-00	7600
✓ ✓	12	334-343	Assembly, Bolt; Rebound; 5/8"-18 x 4 1/2"Lg	6	10287-00	Incl. Bolt, Tube & Lock Nut
●	13	345-172	Torque Rod, Adjustable; 18"-20"Lg	1	16167-04, 7615-12	49"-54 1/2" Axle Spacing; No Hop; Use 321-177 Bushings, Not Included
●		345-173	Torque Rod, Adjustable; 20"-22"Lg	2	16167-06, 7643-02	49" Axle Spacing; No Hop; Use 321-177 Bushings, Not Included
		SP	Torque Rod, Adjustable; 22" Mean Length	1	7613-07	54 1/2" Spacing; Use 321-177 Bushings, Not Included
		SP	Torque Rod, Adjustable; 24" Mean Length	1	7613-11	54 1/2" Spacing; No Hop; Use 321-177 Bushings, Not Included
●		345-170	Torque Rod, Rigid; 19 1/4"Lg c/c	1	11953-01, 7615-02	49"-54 1/2" Axle Spacing; ;Use 321-177 Bushings, Not Included
		345-174	Torque Rod, Adjustable; 19"-21"Lg c/c	2	16167-05, 7615-03	50" Axle Spacing; Use 321-177 Bushings, Not Included
		SP	Torque Rod, Rigid; 22"Lg c/c	1	7615-07	54 1/2" Axle Spacing; Use 321-177 Bushings, Not Included
✓	14	334-640	Kit, Service; Torque Rod Bolt & Bushing	8		Incl. 334-367 Bolt, 321-177 Bushings & Hdwe.

H/CH 7600/7650/9600 (49" to 54 1/2" Axle Spacing - All) Trailer Four Spring Suspensions

Hutch

Hutch



Suspension Illustration

SEE CHECKMARKS ✓

Hutch

H/CH 7600/7650/9600 (49" to 54 1/2" Axle Spacing - All) Trailer Four Spring Suspensions

Hutch

Parts Listing

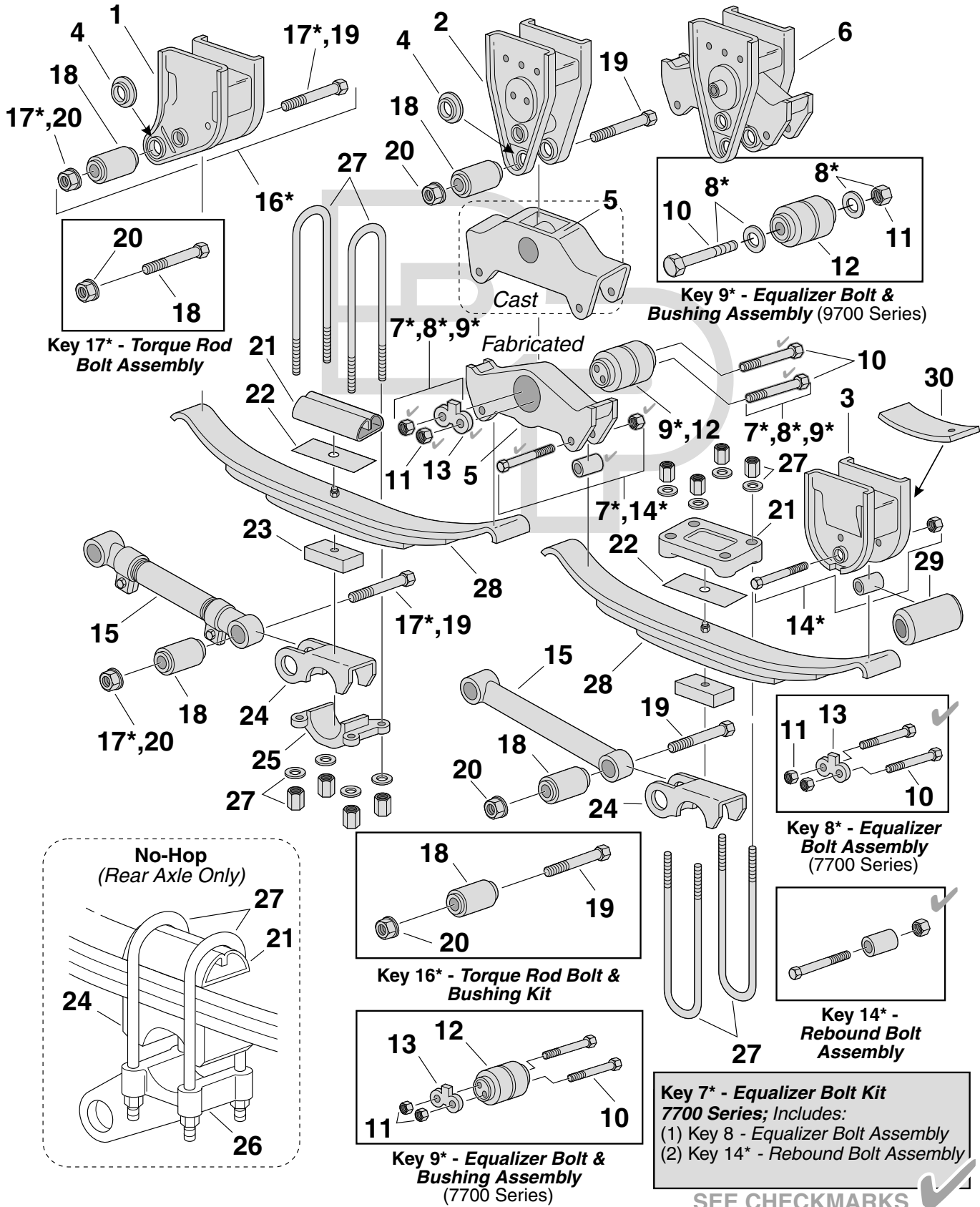
Key No.	Part Number	Description	No. Req.	OEM Reference	Remarks		
●	15	334-367	Bolt, Torque Rod; 1 1/4"OD x 6 1/16"Lg, 7/8"-14 Thread	8	12709-01		
✓	●	16	321-177	Bushing; 1 1/4"ID x 2 3/16"OD x 1 3/4"Hgt.	16	7620-00	Nylon Inner Sleeve
●		321-177U	Bushing, Urethane	16			
✓	●	17	338-1367	Saddle, U-Bolt; 3"W x 7 9/16"Lg x 1 3/4"H; Roll Formed	4	16868-01	Roll Formed Design; U-Bolts Down
✓	●		338-381	Saddle, U-Bolt; 3"W x 7 1/2"Lg; Fabricated	4	7029-00	U-Bolts Down
			338-483	Plate, Top Clamp; U-Bolt	4	9202-00	U-Bolts Up
	18	GL-295	Liner; 2 7/8" x 8"Lg w/7/8" Hole	4	17350-02	Install on Tension (Top) Side of Springs	
	19	338-396	Spacer; 3"W x 7"Lg x 1/2"Thk, 13/16" Hole	4		14" to 15" Ride Hgts.	
		338-397	Spacer; 3"W x 7"Lg x 3/4"Thk, 13/16" Hole	4			
✓		338-221	Spacer; 3"W x 7 1/2"Lg x 1"Thk	4			
	20	See Charts	Seat, Axle	4		See chart on page 460	
●	21	338-214	Plate, U-Bolt Clamp; Bottom; 3 7/8"W x 5 7/8"Lg c/c; 5" Round Axle	2	7622-00		
●		338-471	Plate, U-Bolt Clamp; Bottom; 5" Square Axle; 3/4" U-Bolts	2	7747-00, 7747-01		
	22	See Charts	Seat, Axle; Rear	2		No Hop; See chart on page 460	
●	23	338-449	Bracket, Stabilizer; 5" Square Axle; No Hop	2	7621-00		
●		338-448	Bracket, Stabilizer; 5" Round Axle; No Hop	2	7619-00, 7619-01	No Hop	
✓	24	361-218	Kit, U-Bolt; Round Bend, Grade 5	4		7/8" x 3" x 14 1/2" R	
		See Charts	Kit, U-Bolt	4		See U-Bolt Charts for Sizes Not Listed	
	25	Spring Assembly	Assembly, Spring	4		See Leaf Spring Web Catalog for Details	
	26	334-1827	Pad, Wear	2	755-03	Rear Hanger	

H/CH 7700/9700
 (42 1/2", 44", 49", 54 1/2", 57 1/2" Axle Spacing)
Trailer Four Spring Suspensions

Hutch

Hutch

Suspension Illustration



SEE CHECKMARKS

Hutch

H/CH 7700/9700 (42 1/2", 44", 49", 54 1/2", 57 1/2" Axle Spacing) Trailer Four Spring Suspensions

Hutch

Parts Listing

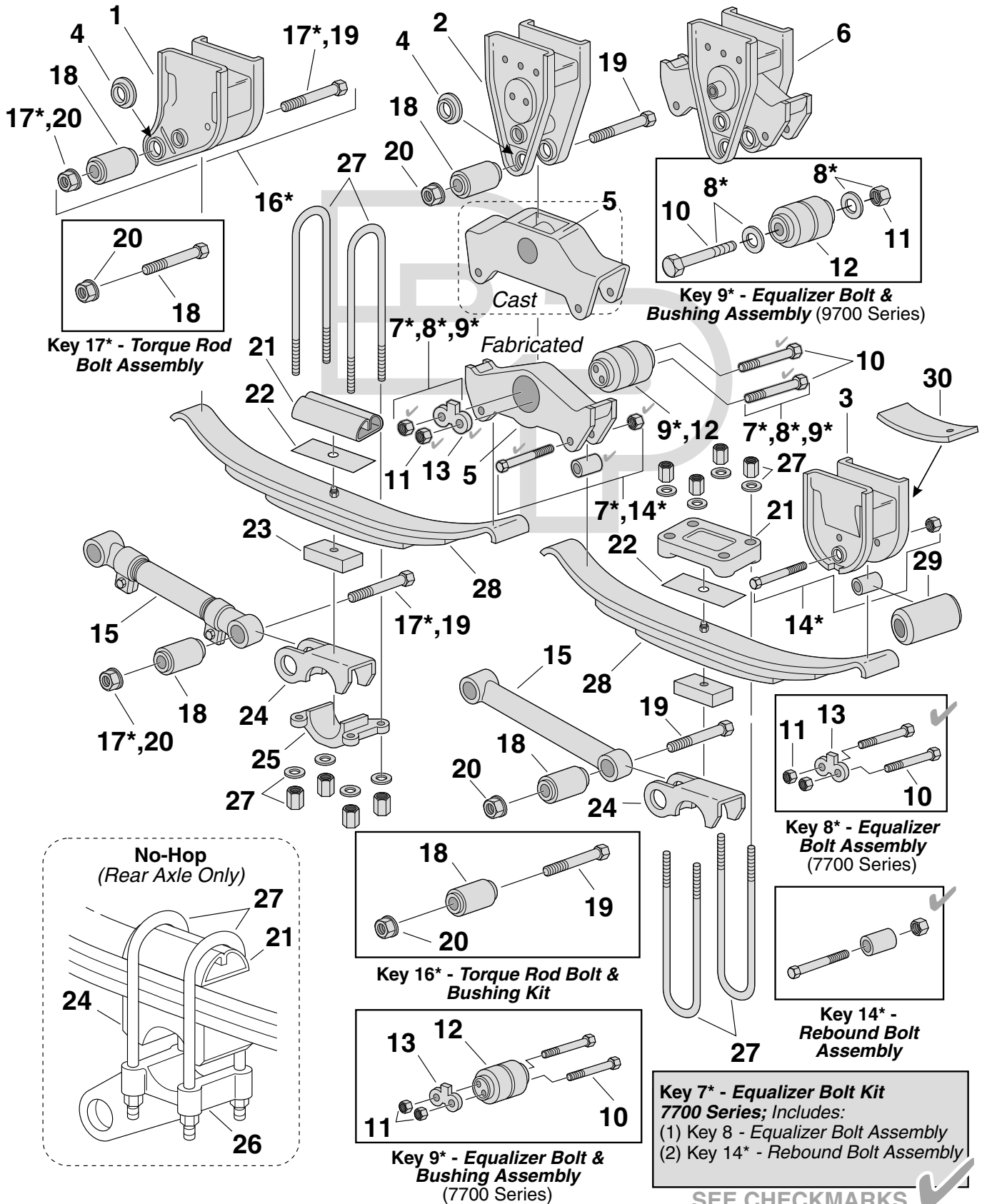
Key No.	Part Number	Description	No. Req.	OEM Reference	Remarks
1	See Charts	Hanger, Front	2		See Chart on Page 456 (Cast), 458 (Stamped)
2	See Charts	Hanger, Center	2		See Chart on Page 456 (Cast), 458 (Stamped)
3	See Charts	Hanger, Rear	2		See Chart on Page 456 (Cast), 458 (Stamped)
✓✓ ●	4	322-145 Washer; Steel	AR	7717-01	Replaces Sideplate Washer on Fabricated Front & Center Hangers Only; All
✓✓ ●	5	338-419 Assembly, Equalizer; Fabricated; O.E.	2	750-03	7700 Incl. 321-176 Bushing
●		338-419S Assembly, Equalizer; Fabricated; Service	2		Incl. 321-176 Bushing
●		338-419HD Assembly, Equalizer; Fabricated; Heavy Duty	2		7700; Incl. 321-176 Bushing
✓ ●		338-886 Assembly, Equalizer; Fabricated; 9700; O.E.	8	16158-01	9700; 42 1/2"-49" Axle Spacing; Incl. 321-221 Bushing
●		338-886S Assembly, Equalizer; Fabricated; 9700; Service	2		
●		338-886U Assembly, Equalizer; Fabricated	2		Incl. 321-221U Bushing
✓ ●		338-408 Assembly, Equalizer; Cast	2	19137-01	7700; Incl. 321-176 Bushing; Casting No. 704-00
✓✓ ●		338-887 Assembly, Equalizer; Cast	2	17784-01	9700; 42 1/2"-49" Axle Spacing; Incl. 321-221 Bushing
●		338-2027 Assembly, Equalizer; Fabricated	2	24711-01	9700; 41", 50" & 54" Axle Spacing; Incl. 321-221 Bushing; Replaces 338-1536
		SP Assembly, Equalizer; Fabricated	2	16168-01	9700; 54 1/2" Axle Spacing; Incl. 321-221 Bushing
		338-1488 Assembly, Equalizer; Cast	2	12808-01	7700; 54 1/2" Axle Spacing; Incl. 321-176 Bushing
●		338-2054 Assembly, Equalizer; Fabricated	2	21833-01	9700; 57 1/2" Axle Spacing; Incl. 321-221 Bushing
●	6	338-1475 Assembly, Equalizer & Hanger; Fabricated	2	16319-01, 16203-02	9700; Straddlemount; Incl. 338-886 Equalizer & 338-884 Hanger
●		338-1476 Assembly, Equalizer & Hanger; Fabricated	2	16319-02	9700; Undermount; Incl. 338-886 Equalizer & 338-885 Hanger
●		338-1477 Assembly, Equalizer & Hanger; Fabricated	2	16319-07	9700; Flangemount, Bolt-On; Incl. 338-886 Equalizer & 338-1474 Hanger
●		338-1689 Assembly, Equalizer & Hanger; Cast	2	16319-51	9700; Straddlemount; Incl. 338-887 Equalizer & 338-883 Hanger
●		338-1690 Assembly, Equalizer & Hanger; Cast	2	16319-52	9700; Undermount; Incl. 338-887 Equalizer & 338-882 Hanger
●		338-1479 Assembly, Equalizer & Hanger; Cast	2	16319-57	9700; Flangemount, Bolt-On; Incl. 338-887 Equalizer & 338-1478 Hanger
●		338-2155 Assembly, Equalizer & Hanger; Fabricated; Modified	2	16319-06	Undermount, Modified; Incl. 338-886 & 338-2153
✓✓	7	334-639 Kit, Service; Equalizer Bolts	2	10287-01	7700; Incl. Key 8 and 14
✓✓		334-1612 Kit, Service; Equalizer Bolts	2	16353-01	9700; Incl. Key 8 and 14
✓✓	8	334-342 Assembly, Bolt	2		7700
✓		334-937 Assembly, Bolt; 1 1/8"-7 x 6 5/8"Lg	2		9700
	9	334-341 Assembly, Bolt & Bushing	2		7700
		334-1272 Assembly, Bolt & Bushing	2		9700
✓✓ ●	10	334-366 Bolt, Equalizer; 3/4" X 6"Lg, 5/8"-18 Thread	4	7016-01	7700
✓✓		334-739 Bolt; 1 1/8"-7 x 6 5/8"Lg	2	16150-01	9700
	11	SLN-104 Nut, Lock; 5/8"-18	4		7700
✓✓		334-375 Nut, Lock; 1 1/8"-7	2		9700
✓ ●	12	321-176 Bushing; 3 1/4"OD x 3 7/8"Lg	2	7010-00	7700
●		321-176U Bushing, Urethane	2		7700
✓✓ ●		321-221 Bushing; 1 1/8"ID x 3 29/64"OD x 3 57/64"Lg	2	16146-01, 18723-01	9700
●		321-221U Bushing, Urethane	2		9700
●	13	334-360 Tab, Lock	2	729-00	7700
✓✓	14	334-343 Assembly, Bolt; Rebound; 5/8"-18 x 4 1/2"Lg	2	10287-00	All

H/CH 7700/9700
 (42 1/2", 44", 49", 54 1/2", 57 1/2" Axle Spacing)
Trailer Four Spring Suspensions

Hutch

Hutch

Suspension Illustration



SEE CHECKMARKS

Hutch

H/CH 7700/9700 (42 1/2", 44", 49", 54 1/2", 57 1/2" Axle Spacing) Trailer Four Spring Suspensions

Hutch

Parts Listing

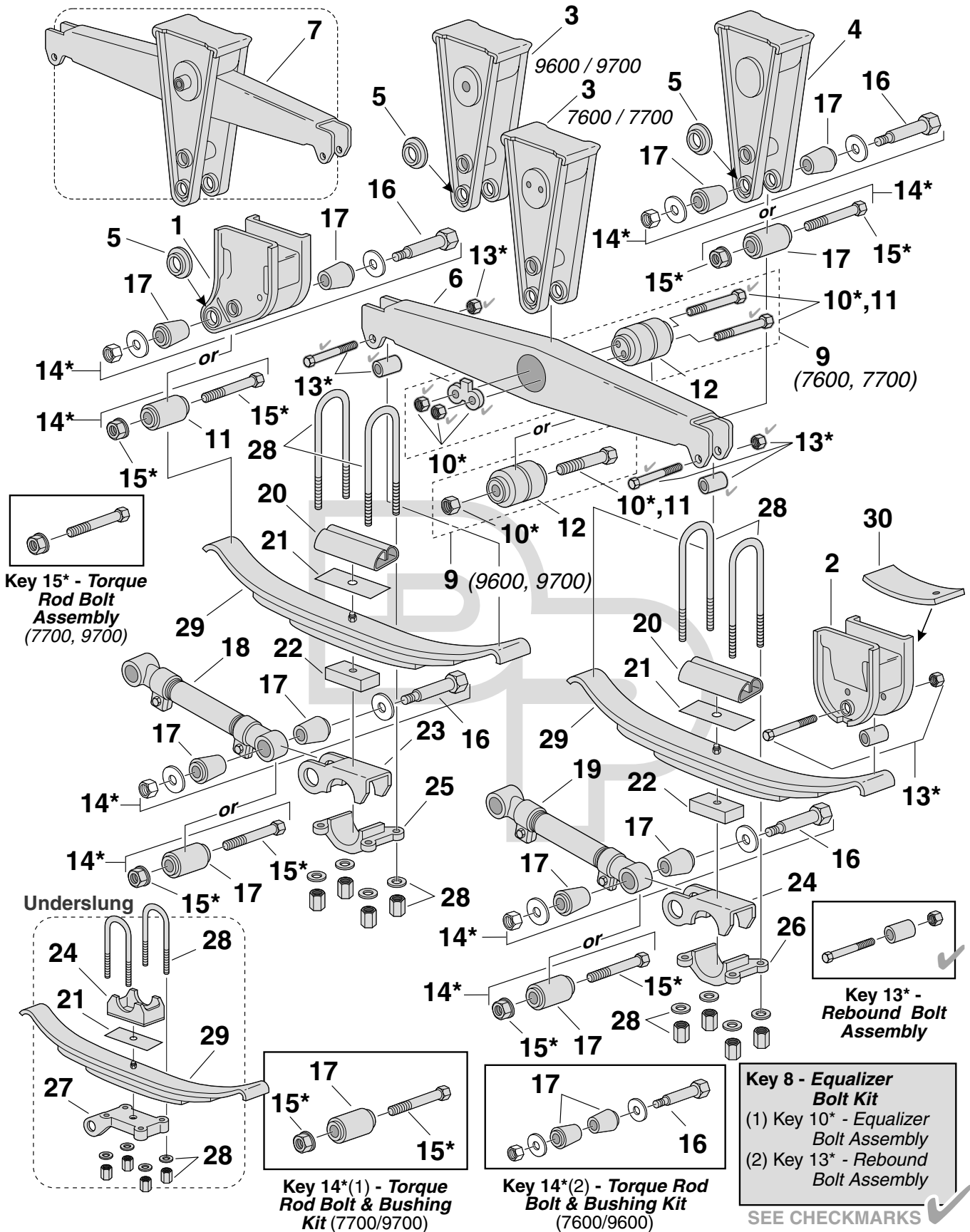
Key No.	Part Number	Description	No. Req.	OEM Reference	Remarks		
●	15	345-237	Torque Rod, Adjustable; 13"-15 1/2"Lg	2	16398-01	9700; Incl. Bushings	
●		345-238	Torque Rod, Adjustable; 14 3/4"-17 1/4"Lg; O.E.	2	713-02, 16398-02	9700; Incl. Bushings; 16398-20	
✓✓	●	345-164	Torque Rod, Adjustable; 18 1/2"-21"Lg; O.E.	1	16398-04	All; Incl. Bushings	
		345-164S	Torque Rod, Adjustable; 18 1/2"-21"Lg; Service	1			
●		345-164HD	Torque Rod, Adjustable; 18 1/2"-21"Lg	1	713-05	Heavy Duty Cast Ends; Bushings Included	
●		345-165	Torque Rod, Adjustable; 20 1/4"-22 3/4"Lg; O.E.	2	16398-06, 713-07	All; Incl. Bushings	
		345-165S	Torque Rod, Adjustable; 20 1/4"-22 3/4"Lg; Service	2			
✓✓	●	345-167	Torque Rod, Rigid; 19 1/4"Lg c/c; O.E.	1	715-00	Incl. Bushings	
		345-167S	Torque Rod, Rigid; 19 1/4"Lg c/c; Service	1			
✓✓	16	334-344	Assembly, Bolt & Bushing	8		All; Incl. Bushing & Bolt Assy.	
✓✓	17	334-345	Assembly, Bolt; 1"-14 x 5"Lg	8		All	
✓✓	●	18	321-175	Bushing; 1"ID x 1 15/16"OD x 3"Lg	8	722-00	All
		321-175U	Bushing, Urethane	8		All	
✓✓	19	334-359	Bolt; 1"-14 x 5"Lg	8		9700	
✓	20	334-319	Nut, Flange Lock; 1"-14	8	10562-00	9700	
✓	●	21	338-1367	Saddle, U-Bolt; 3"W x 7 5/16"Lg x 1 3/4"H; Roll Formed	4	16868-01	All Axles; U-Bolts Down
✓✓	●		338-381	Saddle, U-Bolt; 3"W x 7 1/2"Lg; Fabricated	4	7029-00	7700; All Axles; U-Bolts Down
		338-437	Plate, U-Bolt Top Clamp	4	6786-00	7700; 4"x 6" Axle Only; Underslung	
		338-483	Plate, U-Bolt Top Clamp	4	9202-00	7700; 5" Round & Square Axles; U-Bolts Up	
	22	GL-295	Liner; 2 7/8" x 8"Lg w/7/8" Hole	4			
✓	23	338-221	Spacer; 3"W x 7 1/2"Lg x 1"Thk	AR		7700	
	24	See Charts	Seat, Axle; Front & Rear	4		All; See Chart on Page 460	
✓	●	25	338-415	Plate, U-Bolt Clamp; Bottom; Fabricated	4	710-00	All; 5" Round Axles; 7/8" U-Bolts
●		338-471	Plate, U-Bolt Clamp; Bottom; 5" Square Axle; 3/4" U-Bolts	4	7747-00, 7747-01	All; 5" Square Axles; 3/4" U-Bolts	
●		338-470	Plate, U-Bolt Clamp; Bottom; 4"x 6" Axle	4	7746-00	All; 4" x 6" Rectangular Axles	
●		338-1698	Plate, Bottom	4	16297-01	9700; 5" Round Axles; 3/4" U-Bolts	
●		338-414	Bracket, Seat; Torque Rod	4	706-01	All; Underslung Axles	
●	26	338-438	Bracket, Stabilizer; 5" Round Axle; No Hop	2	7025-00, 10775-00	7700; No Hop; Rear Axle Only	
●		338-469	Bracket, Stabilizer; 5" Square Axle; No Hop	2	7738-01	7700; No Hop	
✓✓	27	361-218	Kit, U-Bolt; Round Bend, Grade 5	8		7/8" x 3" x 14 1/2" R	
		See Charts	Kit, U-Bolt	8		See U-Bolt Charts for Sizes Not Listed	
	28	Spring Assembly	Assembly, Spring	4		See Leaf Spring Web Catalog for Details	
	29	320-217	Bushing; Spring Free Play	2	18541-01	Rear Rebound	
	30	334-1827	Pad, Wear	2	755-03	Rear Hanger	

**7600/7700/9600/9700 Widespread
(61" to 121" Axle Spacing)
Trailer Four Spring Suspensions**

Hutch

Hutch

Suspension Illustration



Key 15* - Torque Rod Bolt Assembly (7700, 9700)

Key 13* - Rebound Bolt Assembly

Key 14*(1) - Torque Rod Bolt & Bushing Kit (7700/9700)

Key 14*(2) - Torque Rod Bolt & Bushing Kit (7600/9600)

Key 8 - Equalizer Bolt Kit
(1) Key 10* - Equalizer Bolt Assembly
(2) Key 13* - Rebound Bolt Assembly

SEE CHECKMARKS

Hutch

7600/7700/9600/9700 Widespread (61" to 121" Axle Spacing) Trailer Four Spring Suspensions

Hutch

Parts Listing

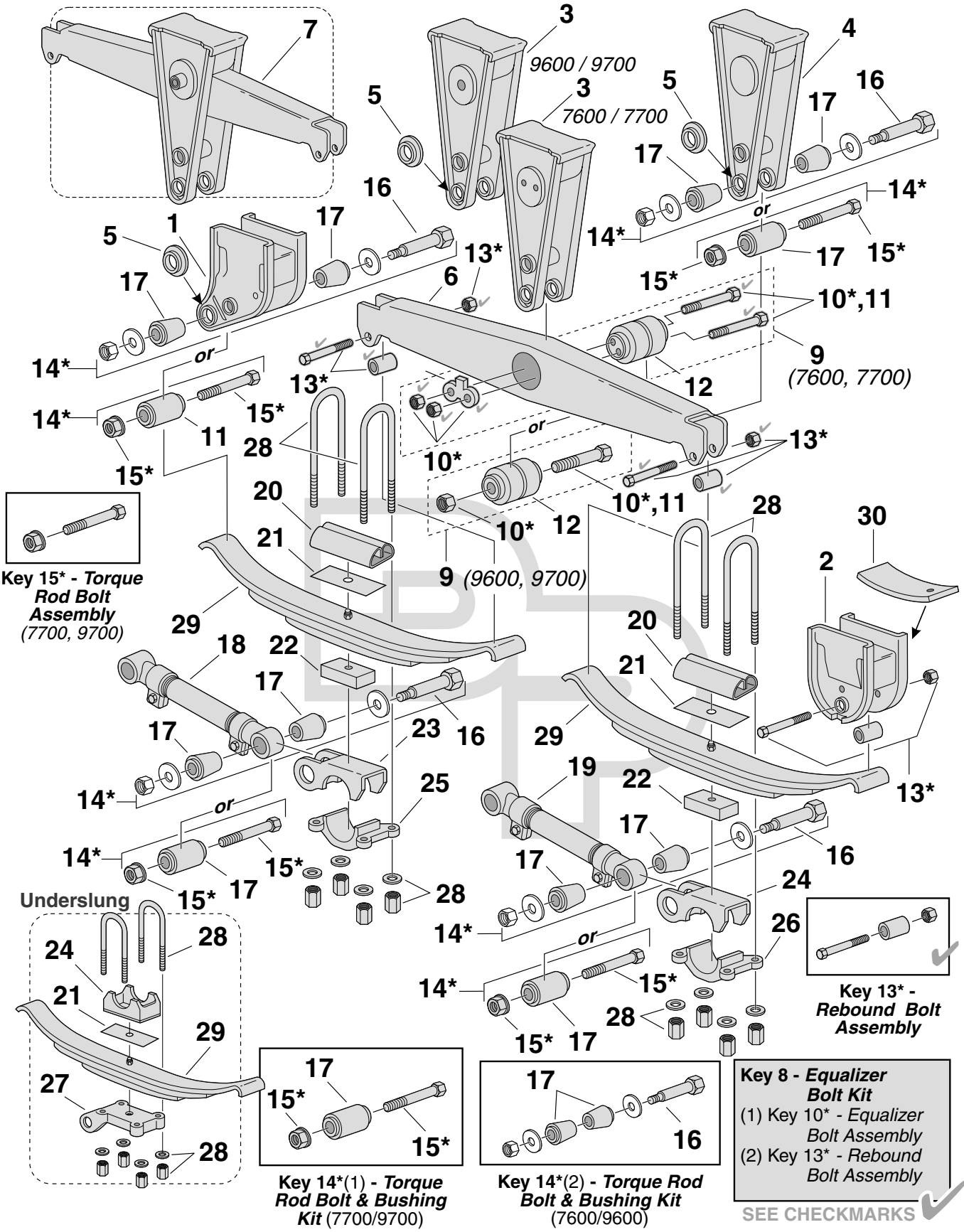
Key No.	Part Number	Description	No. Req.	OEM Reference	Remarks
1	See Charts	Hanger, Front	2		See Chart on Page 456 (Cast), 458 (Stamped)
2	See Charts	Hanger, Rear	2		See Chart on Page 456 (Cast), 458 (Stamped)
3	See Charts	Hanger, Equalizer	2		See Chart on Page 456 (Cast), 458 (Stamped)
4	SP	Guides, Beam	2		Specify Model, Axle Spread, Type & Location
✓✓ ●	5	322-145 Washer, Steel	12	7717-01	Replaces Sideplate Washer on Fabricated Front and Center Hangers Only
●	6	338-1492 Assembly, Equalizer; Fabricated	2	21841-01	61" Axle Spacing; Incl. 321-176 Bushing
	SP	Assembly, Equalizer	2	9239-15	64" Axle Spacing; Incl. 321-176 Bushing
●	338-1491	Assembly, Equalizer; Fabricated	2	9239-03	67" Axle Spacing; Incl. 321-176 Bushing
●	338-1493	Assembly, Equalizer; Fabricated	2	9239-04	73" Axle Spacing; Incl. 321-176 Bushing
	SP	Assembly, Equalizer	2	9239-07	81" Axle Spacing; Incl. 321-176 Bushing
	338-1490	Assembly, Equalizer	2	9239-09	97" Axle Spacing; Incl. 321-176 Bushing
●	338-507	Assembly, Equalizer	2	9239-10	109" Axle Spacing; Incl. 321-176 Bushing
	SP	Assembly, Equalizer	2	9239-13	121" Axle Spacing; Incl. 321-176 Bushing
●	338-1537	Assembly, Equalizer; Fabricated	2	16168-01	61" Axle Spacing; Incl. 321-221 Bushing
●	338-2111	Assembly, Equalizer; Fabricated	2	16168-15	64" Axle Spacing; Incl. 321-221 Bushing
●	338-1480	Assembly, Equalizer; Fabricated	2	16168-03	67" Axle Spacing; Incl. 321-221 Bushing
●	338-1481	Assembly, Equalizer; Fabricated	2	21835-01	73" Axle Spacing; Incl. 321-221 Bushing
	SP	Assembly, Equalizer; Fabricated	2	16168-07	81" Axle Spacing; Incl. 321-221 Bushing
●	338-1482	Assembly, Equalizer; Fabricated	2	16168-09	97" Axle Spacing; Incl. 321-221 Bushing
●	338-1483	Assembly, Equalizer; Fabricated	2	16168-10	109" Axle Spacing; Incl. 321-221 Bushing
	SP	Assembly, Equalizer; Fabricated	2	16168-13	121" Axle Spacing; Incl. 321-221 Bushing
	7	SP Assembly, Equalizer & Hanger; LH/RH	2		Specify Model, Axle Spread & Type
✓✓	8	334-639 Kit, Service; Equalizer Bolts	2	10287-01	7600 & 7700; Incl. Key No. 10 & 13
✓✓		334-1612 Kit, Service; Equalizer Bolts	2	16353-01	9600 & 9700; Incl. Key No. 10 & 13
	9	334-341 Assembly, Bolt & Bushing	2		7600 & 7700
		334-1272 Assembly, Bolt & Bushing	2		9600 & 9700
✓✓	10	334-342 Assembly, Bolt	2		7600 & 7700
✓		334-937 Assembly, Bolt; 1 1/8"-7 x 6 5/8"Lg	2		9600 & 9700
✓✓ ●	11	334-366 Bolt, Equalizer; 3/4" X 6"Lg, 5/8"-18 Thread	4	7016-01	7600 & 7700
✓✓		334-739 Bolt; 1 1/8"-7 x 6 5/8"Lg	2	16150-01	9600 & 9700
✓ ●	12	321-176 Bushing; 3 1/4"OD x 3 7/8"Lg	2	7010-00	7600 & 7700
●		321-176U Bushing, Urethane	2		7600 & 7700
✓✓ ●		321-221 Bushing; 1 1/8"ID x 3 29/64"OD x 3 57/64"Lg	2	16146-01, 18723-01	9600 & 9700
●		321-221U Bushing, Urethane	2		9600 & 9700
✓✓	13	334-343 Assembly, Bolt; Rebound; 5/8"-18 x 4 1/2"Lg	6	10287-00	Incl. Bolt, Tube & Lock Nut
✓✓	14	334-344 Assembly, Bolt & Bushing	8		7700 & 9700; Incl. Bushing & Bolt Assy.
✓		334-640 Kit, Service; Torque Rod Bolt & Bushing	8		7600 & 9600; Incl. Bolt, Bushings & Hdwe.
✓✓	15	334-345 Assembly, Bolt; 1"-14 x 5"Lg	8		7700 & 9700
●	16	334-367 Bolt, Torque Rod; 1 1/4"OD x 6 1/16"Lg, 7/8"-14 Thread	8	12709-01	7600 & 9600
✓✓ ●	17	321-175 Bushing; 1"ID x 1 15/16"OD x 3"Lg	8	722-00	7700 & 9700
●		321-175U Bushing; Urethane	8		7700 & 9700
✓ ●		321-177 Bushing; 1 1/4"ID x 2 3/16"OD x 1 3/4"Hgt.	16	7620-00	7600 & 9600
●		321-177U Bushing, Urethane	16		7600 & 9600
●	18	345-172 Torque Rod, Adjustable; 18"-20"Lg	1	16167-04, 7615-12	7600 & 9600; All; Less Bushings
●		345-170 Torque Rod, Rigid; 19 1/4"Lg c/c	1	11953-01, 7615-02	7600 & 9600; All; Less Bushings
✓✓ ●		345-164 Torque Rod, Adjustable; 18 1/2"-21"Lg; O.E.	1	16398-04	7700 & 9700; All; Less Bushings
		345-164S Torque Rod, Adjustable; 18 1/2"-21"Lg; Service	1		Incl. 321-175 Bushings
●		345-164HD Torque Rod, Adjustable; 18 1/2"-21"Lg	1	713-05	Heavy Duty Cast Ends, Bushings Included
✓✓ ●		345-167 Torque Rod, Rigid; 19 1/4"Lg c/c; O.E.	1	715-00	7700, 9700; All; Incl. Bushings;
		345-167S Torque Rod, Rigid; 19 1/4"Lg c/c; Service	1		Incl. 321-175 Bushings

**7600/7700/9600/9700 Widespread
(61" to 121" Axle Spacing)
Trailer Four Spring Suspensions**

Hutch

Hutch

Suspension Illustration



Key 8 - Equalizer Bolt Kit
(1) Key 10* - Equalizer Bolt Assembly
(2) Key 13* - Rebound Bolt Assembly

SEE CHECKMARKS

Hutch

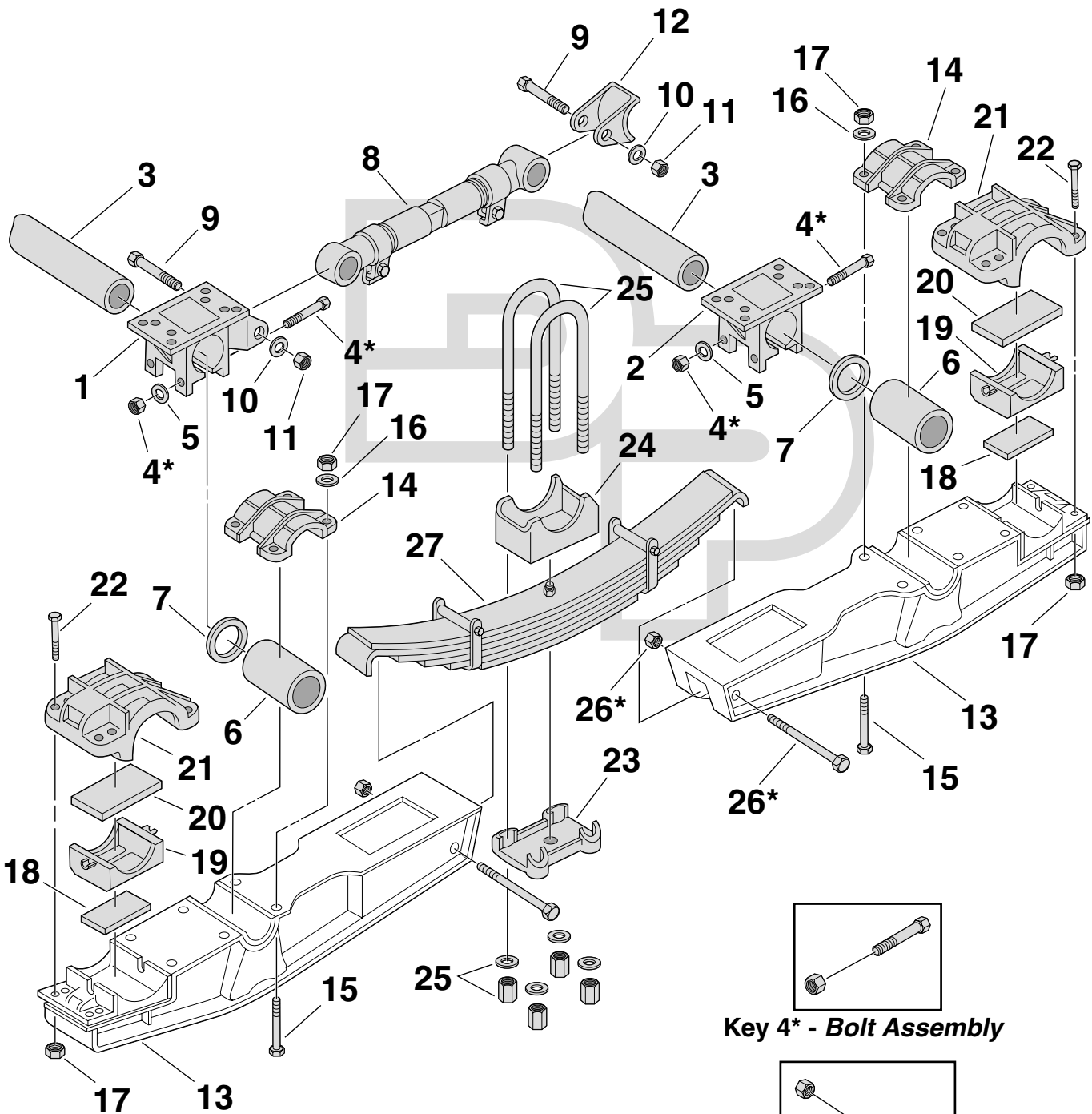
7600/7700/9600/9700 Widespread (61" to 121" Axle Spacing) Trailer Four Spring Suspensions

Hutch

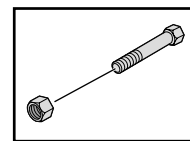
Parts Listing

Key No.	Part Number	Description	No. Req.	OEM Reference	Remarks
●	19	345-172 Torque Rod, Adjustable; 18"-20"Lg	2	16167-04, 7643-01	7600; 73", 81", 97" & 109" Axle Spacing; Less Bushings
		SP Torque Rod, Adjustable	2		7600; 61" & 67" Axle Spacing
		345-724 Torque Rod, Adjustable; 22 ¼"-24 ¾"Lg	2	16398-08, 713-11	7700 & 9700; 61" Axle Spacing; Except No Hop; Incl. Bushings
		345-725 Torque Rod, Adjustable; 23 ½"-26"Lg	2	16398-09, 713-08	7700 & 9700; 61" Axle Spacing; No Hop; Incl. Bushings
		345-727 Torque Rod, Adjustable; 27 ½"-30"Lg	2	16398-11, 713-09	7700 & 9700; 67" Axle Spacing; No Hop; Incl. Bushings
		345-726 Torque Rod, Adjustable; 25 ½"-28"Lg	2	16398-10, 713-13	7700 & 9700; 67" Axle Spacing; Except No Hop; Incl. Bushings
		345-717 Torque Rod, Adjustable; 28 ½"-31"Lg	2	16398-12, 713-21	7700 & 9700; 73" Axle Spacing; Except No Hop; Incl. Bushings
		345-720 Torque Rod, Adjustable; 29 ½"-32"Lg	2	16398-13, 713-22	7700 & 9700; 73" Axle Spacing; No Hop; Incl. Bushings
		345-721 Torque Rod, Adjustable; 33 ½"-36"Lg	2	16398-15, 713-20	7700 & 9700; 81" Axle Spacing; No Hop; Incl. Bushings
✓✓ ●		345-164 Torque Rod, Adjustable; 18 ½"-21"Lg; O.E.	2	16398-04, 713-05	7700 & 9700; 97", 109" & 121" Axle Spacing; 5" Round Axle; Incl. Bushings
●		345-164HD Torque Rod, Adjustable; 18 1/2"-21"Lg	2	713-05	7700 & 9700; 97", 109" & 121" Axle Spacing; 5" Round Axle; Incl. Bushings
		345-164S Torque Rod, Adjustable; 18 ½"-21"Lg; Service	2		Incl. 321-175 Bushings
✓		345-191 Torque Rod, Adjustable; 16"-18"Lg; O.E.	2	16398-17, 713-10	7700 & 9700; 97", 109" & 121" Axle Spacing; 5" Square Axle; Incl. Bushings
		345-191S Torque Rod, Adjustable; 16"-18"Lg; Service	2		Incl. 321-175 Bushings
		345-778 Torque Rod, Adjustable; 32 ½"-35"Lg	2	16398-14, 713-15	7700 & 9700, All; 81" Axle Spacing; Except No Hop; Incl. Bushings
✓ ●	20	338-1367 Saddle, U-Bolt; 3"W x 7 ¼"Lg x 1 ¾"H; Roll Formed	4	16868-01	Roll Formed Design; U-Bolts Down
✓✓ ●		338-381 Saddle, U-Bolt; 3"W x 7 ½"Lg; Fabricated	4	7029-00	Fabricated; U-Bolts Down
	21	GL-295 Liner; 2 7/8" x 8"Lg w/7/8" Hole	4		
	22	338-396 Spacer; 3"W x 7"Lg x ½"Thk, 13/16" Hole	4		
		338-397 Spacer; 3"W x 7"Lg x ¾"Thk, 13/16" Hole	4		
✓		338-221 Spacer; 3"W x 7 ½"Lg x 1"Thk	4		
	23	See Charts Seat, Axle	2		Standard Front Axles, 61"-121"; Rear Axles, 61"-81"; See chart on Page 460
	24	See Charts Seat, Axle	2		Standard Rear Axles, 97"-121"; No Hop, 61"-81" & Underslung Front and Rear; See Chart on Page 460
●	25	338-214 Plate, U-Bolt Clamp; Bottom; 3 7/8"W x 5 7/8"Lg c/c; 5" Round Axle	2	7622-00	7600; Front
●		338-1698 Plate, U-Bolt Clamp; Bottom	2	16297-01	9700, 61"-81" x 4, 97"-121", Front
●		338-471 Plate, U-Bolt Clamp; Bottom; 5" Square Axle; ¾" U-Bolts	2	7747-00, 7747-01	7600, All, Front; 7700, 61"-81" x 4, 97"-121", Front; 9700, 61"-81" x 2, 97"-121", Front
✓ ●		338-415 Plate, U-Bolt Clamp; Bottom; Fabricated	2	710-00	7700, 61"-81" x 4, 97"-121", Front; 9700, 61"-81" x 2, 97"-121", Front
●		338-470 Plate, U-Bolt Clamp; Bottom; 4"x 6" Axle	2	7746-00	7700 & 9700, 61"-81" x 2, 97"-121", Front
●	26	338-448 Bracket, Stabilizer; 5" Round Axle; No Hop	2	7619-00, 7619-01	7600, Rear
●		338-449 Bracket, Stabilizer; 5" Square Axle; No Hop	2	7621-00	7600, Rear
●		338-469 Bracket, Stabilizer; 5" Square Axle; No Hop	2	7738-01	7700, Rear, 97"-121"; 7700, No Hop, 61"-81"
●		SP Bracket, Torque Rod/Axle; ¾" U-Bolts	2	16308-01	9700, Rear, 97"-121"; 9700, No Hop, 61"-81"
●		338-438 Bracket, Stabilizer; 5" Round Axle; No Hop	2	7025-00, 10775-00	7700 & 9700, Rear, 97"-121"; 7700 & 9700, No Hop, 61"-81"
●	27	338-414 Bracket, Torque Rod Seat	2	706-01	All Models, Underslung Axles
✓✓	28	361-218 Kit, U-Bolt; Round Bend, Grade 5	8		7/8" x 3" x 14 ½" R
		See Charts Kit, U-Bolt	8		See U-Bolt Charts for Sizes Not Listed
	29	Spring Assembly Assembly, Spring	4		See Leaf Spring Web Catalog for Details
	30	334-1827 Pad, Wear	2	755-03	

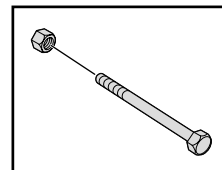
Hutch



Suspension Illustration



Key 4* - Bolt Assembly



Key 26* - Bolt Assembly

Hutch

H11455-00 Tri-Axle Trailer Suspension

Hutch

Key No.	Part Number	Description	No. Req.	OEM Reference	Remarks
	SP	Bracket, Trunnion/Torque Rod	2	11447-01	
	SP	Bracket, Trunnion	2	11453-00	
✓✓	334-1273	Tube; 3 1/2"OD x 44 1/4"Lg, 1/2" Wall	2	11446-00	
✓✓	334-579	Assembly, Bolt; 3/4"-16 x 5 1/2"Lg	8		Incl. Bolt & Lock Nut
	SUW-34	Washer, U-Bolt; 3/4"	8	817-00	
✓✓	325-134	Bushing; 3 1/2"ID x 4 1/2"OD x 5 3/4"Lg	4	11442-00	
	325-134U	Bushing, Urethane	4		
	334-1041	Washer; 3 17/32"ID x 5 1/4"OD; 7 Gauge	4	11452-00	
●	345-712	Torque Rod, Adjustable; 24 3/4"-26 3/4"Lg	2	11451-00	Incl. 321-234 Bushings
	334-1042	Bolt; 1 1/4"-7 x 5 1/4"Lg	4	11448-0	
	SUW-118	Washer, U-Bolt; 1 1/8"	4	837-00	
	SLNC-108	Nut, Lock; 1 1/4"-7	4	11449-00	
	SP	Bracket, Torque Rod/Axle	2	11437-01	
	SP	Assembly, Beam	4	11441-00	
	338-1694	Cap, Trunnion; Upper	4	11434-00	For Fabricated Beam
	334-1274	Bolt; 7/8"-14 x 2 1/2"Lg	24	11435-00, 22418-01	
✓✓	SUW-78	Washer, U-Bolt; 7/8"	32	35-00	
	334-373	Nut, Flange Lock; 7/8"-14	32	10880-03	
	325-189	Pad, Lower	4	11433-00	
	338-1695	Adapter, Axle	4	11432-00	For 5" Round Axles
	325-188	Pad, Upper	4	11445-00	
	338-1693	Cap, Axle; Upper	4	11444-00	
✓	334-1396	Bolt; 7/8"-14 x 7 1/2"Lg	8	11443-00	
	338-1696	Plate, Bottom; Cast	2	11438-00	
	338-1697	Seat; Fabricated	2	11497-00	For 5" Round Axles
	361-568	Kit, U-Bolt; Round Bend, Grade 8	4	7816-08	7/8" x 5 1/8" x 10 7/8" R
	334-774	Assembly, Bolt; 5/8"-18 x 6"Lg	4		Incl. Bolt & Hdwe.
	Spring Assembly	Assembly, Spring	2		See Leaf Spring Web Catalog for Details

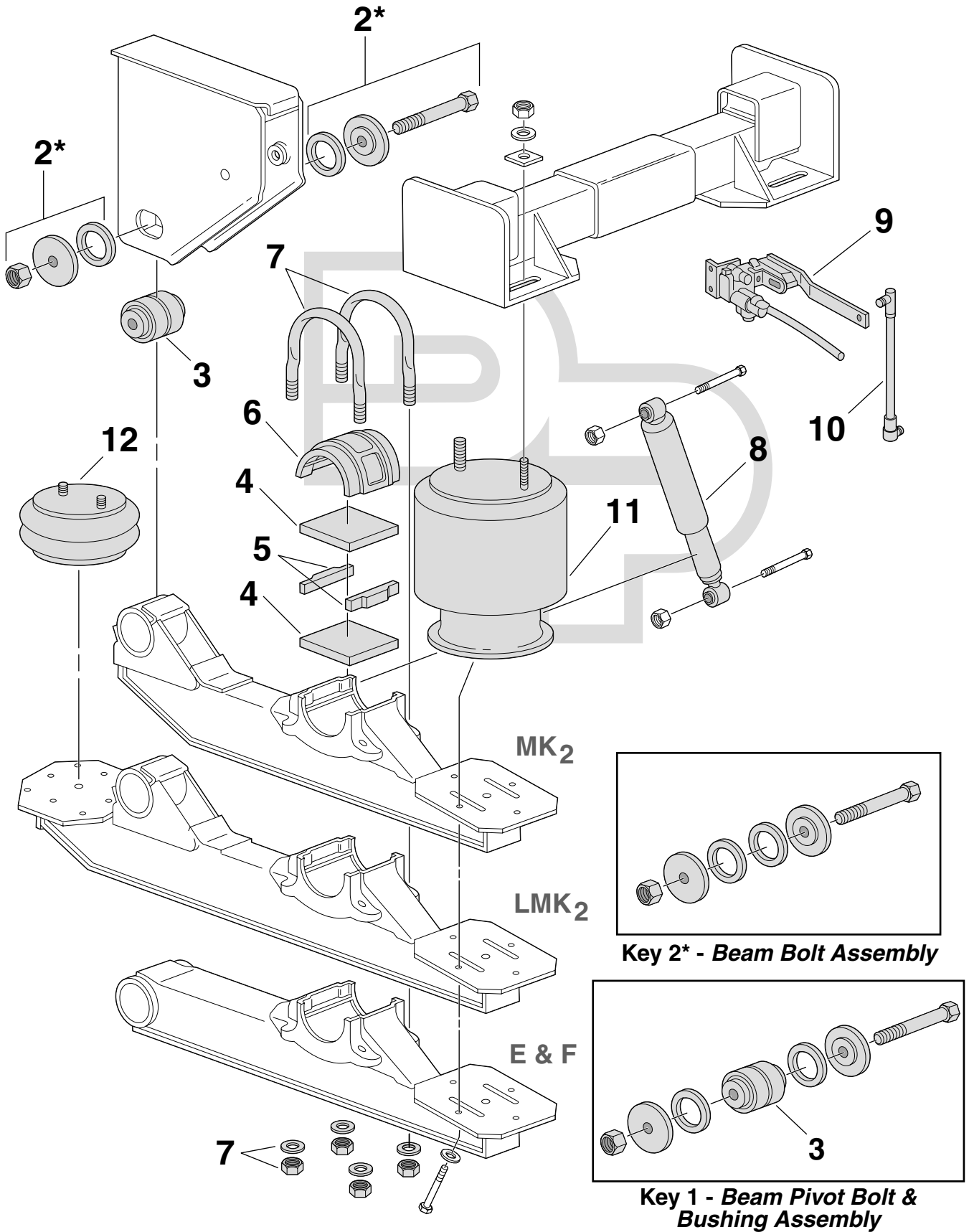
Parts Listing

H1200
 (Mk2/LMk2/E/F)
Trailer Air & Air Lift Suspensions

Hutch

Hutch

Suspension Illustration



Key 2* - Beam Bolt Assembly

Key 1 - Beam Pivot Bolt & Bushing Assembly

Hutch

H1200 (Mk2/LMk2/E/F) Trailer Air & Air Lift Suspensions

Hutch

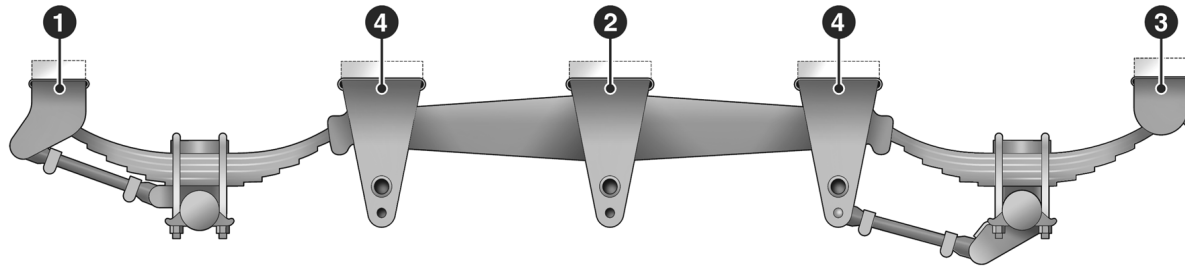
Parts Listing

Key No.	Part Number	Description	No. Req.	OEM Reference	Remarks	
	1	334-352	Assembly, Bolt & Bushing	2	11188-00	Incl. 321-179 Bushing & 334-353 Bolt Assy.
	2	334-353	Assembly, Bolt	2		Incl. Bolt, Bearing Plates, Thrust Washers & Nut
●	3	321-179	Bushing; 1 1/8"ID x 3 1/4"OD x 5"Lg	2	11157-00	
	4	325-121	Pad, Rubber; 5 1/4"W x 7 5/8"Lg x 7/16"Thk	4	10341-00	
	5	338-496	Bar, Axle Clamp Reaction	4	10340-00	
	6	338-495	Cap, Axle Clamp	2	10338-01	5" Round Axle
	7	361-159	Kit, U-Bolt; Round Bend, Forged Top, Grade 5	4	10339-00	7/8" x 6 5/8" x 8 1/2" R
✓	8	M66893	Shock Absorber	2	9423-01, 9423-02	
✓✓	9	334-750	Valve, Height Control; Universal	2		
✓	10	334-751	Linkage Assembly; Universal; Adjustable	1		3 5/8"-19 5/8" Range
✓	11	352-9082	Air Spring	2	9630-01, 9630-02	
		352-0712	Air Spring	2	9630-03	
✓✓		352-9039	Air Spring	2	9424-01, 9424-03	
	12	2B12-313	Air Spring	2	10384-01	LMK 2

Cast Hangers

Hutch

Hutch



CH7600/7700 - 2 Bolt Equalizer
CH9600/9700 - Single Bolt Equalizer

Hanger Position: 1

Flange Mount - Bolt On

Hutch No.	Part No.	Description	CH7600	CH7700	CH9600	CH9700	Wide Spread
702-11	338-1470	Front Hanger - LH		X		X	X
702-12	338-1471	Front Hanger - RH		X		X	X
7655-07	SP	Front Hanger - LH	X		X		
7655-08	SP	Front Hanger - RH	X		X		
7655-11	SP	Front Hanger - LH			X		
7655-12	SP	Front Hanger - RH			X		
16645-01	338-2125	Front Hanger - LH w/Pad				X	
16645-02	338-2123	Front Hanger - RH w/Pad				X	

Flange Mount - Weld On

702-09	SP	Front Hanger - LH		X		X	X
702-10	SP	Front Hanger - RH		X		X	X
7655-05	SP	Front Hanger - LH	X		X		
7655-06	SP	Front Hanger - RH	X		X		
7655-09	SP	Front Hanger - LH			X		
7655-10	SP	Front Hanger - RH			X		

Side Mount/Under Mount

7655-03	SP	Front Hanger - LH	X		X		
7655-04	SP	Front Hanger - RH	X		X		
16291-01	SP	Front Hanger - LH					X
16291-02	SP	Front Hanger - RH					X
16291-03, 702-05	338-404	Front Hanger - LH				X	
16291-04, 702-06	338-405	Front Hanger - RH				X	
16493-01	338-404	Front Hanger - LH w/Pad				X	
16493-02	338-405	Front Hanger - RH w/Pad				X	

Straddle Mount

702-01	338-403	Front Hanger		X		X	X
7655-00	SP	Front Hanger	X		X		

Hanger Position: 2

Note: Two bolt equalizer hangers have been discontinued. Retrofit to single bolt design is required. Refer to bulletin NP20014.

Flange Mount - Bolt On (*With Equalizer)

Hutch No.	Part No.	Description	CH7600	CH7700	CH9600	CH9700	Wide Spread
16183-03	SP	Equalizer Hanger - LH					X
16183-04	SP	Equalizer Hanger - RH					X
16199-03	338-1478 (*1479)	Equalizer Hanger				X	
16202-03	SP	Equalizer Hanger			X		
16641-03	SP	Equalizer Hanger					X
703-06	SP	Equalizer Hanger		X			
7656-07	SP	Equalizer Hanger	X				

Component Charts

Hutch

Cast Hangers

Hutch

Component Charts

Hanger Position: 2 *Continued*

Flange Mount - Weld On

Hutch No.	Part No.	Description	CH7600	CH7700	CH9600	CH9700	Wide Spread
16183-05	SP	Equalizer Hanger - LH					X
16183-06	SP	Equalizer Hanger - RH					X
16199-05	SP	Equalizer Hanger				X	
16202-05	SP	Equalizer Hanger			X		
703-05	SP	Equalizer Hanger		X			
7656-06	SP	Equalizer Hanger	X				

Side Mount/Under Mount (*With Equalizer)

16181-01	338-1535	Equalizer Hanger					X
16194-03	SP	Equalizer Hanger					X
16197-01	338-882 (*1690)	Equalizer Hanger				X	
16201-03	SP	Equalizer Hanger			X		
16542-03	SP	Equalizer Hanger 121"					X
16543-03	SP	Equalizer Hanger 97/109"					X
703-03	338-407	r/b 338-882		X			
7656-04	SP	Equalizer Hanger	X				

Straddle Mount (*With Equalizer)

16180-01	338-1534	Equalizer Hanger					X
16193-01	SP	Equalizer Hanger					X
16196-01	338-883 (*1689)	Equalizer Hanger				X	
16200-03	SP	Equalizer Hanger			X		
16639-03	SP	Equalizer Hanger					X
703-01	338-406	r/b 338-883	X				
7656-01	SP	Equalizer Hanger	X				

Under Mount

16640-03	SP	Equalizer Hanger					X
----------	----	------------------	--	--	--	--	---

Hanger Position: 3

Flange Mount - Bolt On

Hutch No.	Part No.	Description	CH7600	CH7700	CH9600	CH9700	Wide Spread
712-11	338-1472	Rear Hanger - LH	X	X	X	X	X
712-12	338-1473	Rear Hanger - RH	X	X	X	X	X
712-29	338-2119	Rear Hanger - LH w/Pad	X	X	X	X	X
712-30	338-2120	Rear Hanger - RH w/Pad	X	X	X	X	X

Flange Mount - Weld On

712-09	SP	Rear Hanger - LH	X	X	X	X	X
712-10	SP	Rear Hanger - RH	X	X	X	X	X

Side Mount/Under Mount

16293-01, 712-05	338-417	Rear Hanger - LH					X
16293-02, 712-06	338-418	Rear Hanger - RH					X
16494-01	338-2123	Rear Hanger - LH w/Pad					X
16494-01	338-2124	Rear Hanger - RH w/Pad					X

Straddle Mount

712-01	338-416	Rear Hanger	X	X	X	X	X
--------	---------	-------------	---	---	---	---	---

Hanger Position: 4

Straddle Mount

Hutch No.	Part No.	Description	CH7600	CH7700	CH9600	CH9700	Wide Spread
7708-09	SP	Guide Hanger					X

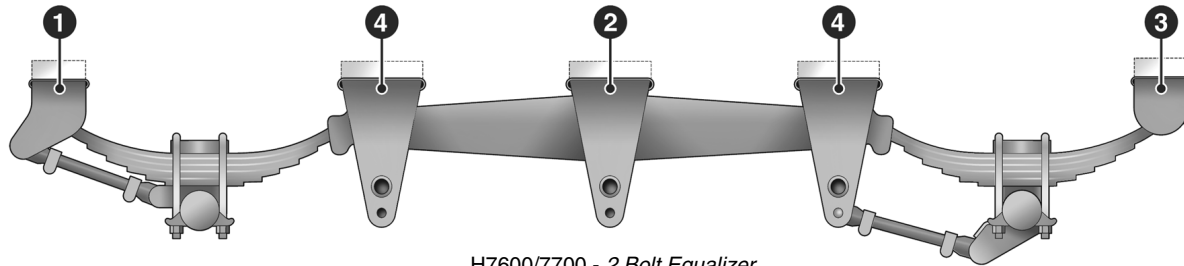
Under Mount

7708-11	SP	Guide Hanger					X
---------	----	--------------	--	--	--	--	---

Stamped Hangers

Hutch

Hutch



H7600/7700 - 2 Bolt Equalizer
H9600/9700 - Single Bolt Equalizer

Hanger Position: 1

Flange Mount - Bolt On

Hutch No.	Part No.	Description	H7600	H7700	H9600	H9700	Wide Spread
7601-07	338-2026	Front Hanger - LH	X		X		
7601-08	338-2029	Front Hanger - RH	X		X		
7701-07	338-1495	Front Hanger - LH		X		X	X
7701-08	338-1496	Front Hanger - RH		X		X	X

Flange Mount - Weld On

7601-03	SP	Front Hanger - LH	X		X		
7601-04	SP	Front Hanger - RH	X		X		
7701-05	SP	Front Hanger - LH		X		X	X
7701-06	SP	Front Hanger - RH		X		X	X

Side Mount

7601-05	SP	Front Hanger - LH	X		X		
7601-06	SP	Front Hanger - RH	X		X		
7701-03, 20729-01	338-1718	Front Hanger - LH		X		X	X
7701-04, 20730-01	338-1719	Front Hanger - RH		X		X	X

Straddle Mount

7601-01	338-440	Front Hanger	X		X		
✓ 7701-01	338-451	Front Hanger		X		X	X

Under Mount

16481-01	SP	Front Hanger - "Topless"				X	X
16482-02	SP	Front Hanger - "Topless"			X		
7601-02	338-441	Front Hanger	X		X		
✓ 7701-02	338-452	Front Hanger		X		X	X
16556-01	338-2152	Front Hanger - Modified		X		X	X

Hanger Position: 2

Flange Mount - Bolt On (*With Equalizer)

Hutch No.	Part No.	Description	H7600	H7700	H9600	H9700	Wide Spread
16178-01	338-1474 (*1477)	Equalizer Hanger				X	
16192-01	SP	Equalizer Hanger			X		
7602-05	SP	Equalizer Hanger	X				
7702-05	338-1497	Equalizer Hanger		X			

Flange Mount - Weld On

16179-01	SP	Equalizer Hanger				X	
16191-01	338-1994	Equalizer Hanger			X		
7602-03	SP	Equalizer Hanger	X				
7702-04	SP	Equalizer Hanger		X			

Component Charts

Hutch

Stamped Hangers

Hutch

Component Charts

Hanger Position: 2 *Continued*

Side Mount

Hutch No.	Part No.	Description	H7600	H7700	H9600	H9700	Wide Spread
16175-01	338-2212	Equalizer Hanger				X	
16190-01	SP	Equalizer Hanger			X		
7602-04	SP	Equalizer Hanger	X				
7702-03	SP	Equalizer Hanger		X			

Straddle Mount (*With Equalizer)

16169-01	338-884 (*1475)	Equalizer Hanger				X	
16184-01	338-1486	Equalizer Hanger 109/121"				X	X
16187-01	SP	Equalizer Hanger			X		
7602-01	338-442	Equalizer Hanger	X				
7702-01	338-453	Equalizer Hanger		X			
7707-03	338-1684	Equalizer Hanger	X				X
7707-09	338-457	Equalizer Hanger	X				X

Under Mount (*With Equalizer)

7602-02	338-443	Equalizer Hanger	X				
7702-02	338-454	Equalizer Hanger		X			
7704-04	338-2171	Equalizer Hanger		X			X
7707-10	338-458	Equalizer Hanger	X				X
16171-01	338-885 (*1476)	Equalizer Hanger				X	
16185-01	338-1487	Equalizer Hanger 109/121"				X	X
16188-01	338-1979	Equalizer Hanger			X		
16670-01	338-2153 (*2155)	Equalizer Hanger - Modified			X		

Hanger Position: 3

Flange Mount - Bolt On

Hutch No.	Part No.	Description	H7600	H7700	H9600	H9700	Wide Spread
7703-07	338-1498	Rear Hanger - LH	X	X	X	X	X
7703-08	338-1499	Rear Hanger - RH	X	X	X	X	X

Flange Mount - Weld On

7703-05	SP	Rear Hanger - LH	X	X	X	X	X
7703-06	SP	Rear Hanger - RH	X	X	X	X	X

Side Mount

7703-03, 20733-01	338-1720	Rear Hanger - LH	X	X	X	X	X
7703-04, 20734-01	338-1721	Rear Hanger - RH	X	X	X	X	X

Straddle Mount

✓ 7703-01	338-455	Rear Hanger	X	X	X	X	X
-----------	----------------	-------------	---	---	---	---	---

Under Mount

✓✓ 7703-02, 20732-01	338-456	Rear Hanger	X	X	X	X	X
16483-01	SP	Rear Hanger - "Topless"			X	X	X
16599-01	338-2154	Rear Hanger - Modified	X	X	X	X	X

Hanger Position: 4

Side Mount

Hutch No.	Part No.	Description	H7600	H7700	H9600	H9700	Wide Spread
7625-09	SP	Guide Hanger					X

Straddle Mount

7625-07	SP	Guide Hanger					X
7707-13	338-1469	Guide Hanger					X

Under Mount

7625-08	SP	Guide Hanger					X
7707-14	338-1466	Guide Hanger					X

Axle Size: 5" Round

Type 1

Height	Part No.	Hutch No.
¾	338-409	19360-01
1 ¼	338-410	19360-02
1 ¾	338-411	19360-03
2 ¼	338-412	19360-04
2 ¾	338-413	19360-05
3 ¼	SP	19360-06
3 ¾	SP	19360-07
4 ¼	338-2127	19360-08
4 ¾	338-1974	19360-09

Type 2

¾	338-444	19361-01
1 ¼	SP	19361-02
1 ¾	SP	19361-03
2 ¼	338-1502	19361-04
2 ¾	SP	19361-05
3 ¼	SP	19361-06
3 ¾	SP	19361-07
4 ¼	SP	19361-08
4 ¾	SP	19361-09

Type 3

¾	338-399	22215-01
1 ¼	338-400	22215-02
1 ¾	338-401	22215-03
2 ¼	338-402	22215-04
4 ¼	338-2132	22215-08

Axle Size: 5" Square

Type 1

Height	Part No.	Hutch No.
¾	338-473	19365-01
1 ¼	338-474	19365-02
1 ¾	338-475	19365-03
2 ¼	338-476	19365-04
2 ¾	338-477	19365-05
3 ¼	SP	19365-06
3 ¾	SP	19365-07
4 ¼	338-2128	19365-08
4 ¾	SP	19365-09

Type 2

¾	338-446	19362-01
2 ¼	338-447	19362-04
3 ¼	SP	19362-06
4 ¼	SP	19362-08

Type 3

¾	338-478	22226-01
2 ¼	338-505	22226-02
3 ¼	338-506	22226-03
4 ¼	338-479	22226-04

Axle Size: 4"x 6"

Type 1

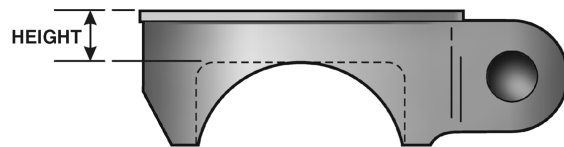
Height	Part No.	Hutch No.
¾	338-1501	19364-01
1 ¼	338-461	19364-02
1 ¾	338-462	19364-03
2 ¼	338-463	19364-04
2 ¾	338-464	19364-05
3 ¼	SP	19364-06
3 ¾	SP	19364-07
4 ¼	SP	19364-08
4 ¾	SP	19364-09

Type 2

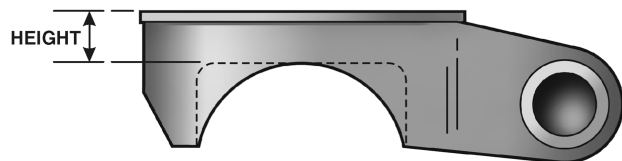
¾	SP	19363-01
2 ¼	SP	19363-04
3 ¼	SP	19363-06
4 ¼	SP	19363-08

Type 3

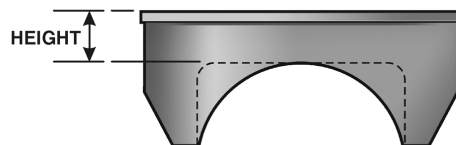
1 ¼	338-465	22228-02
1 ¾	338-466	22228-03
2 ¼	SP	22228-04



Type 1 - H/CH 7700/9700



**Type 2 - H/CH 7600/9600
(2 Pc. Torque Rod Bushing)**



**Type 3 - H/CH 7600, 7700, 9600, 9700
Underslung & No Hop
(Rear 109" & 121" Wide Spread)**

321-173



Bushing; 1" I.D. x 1 3/4" O.D. x 3 1/8" Lg.; Included in 334-350 T/R Bolt and Bushing Kit; Models 200, 2200/2300

321-173U



Bushing, Urethane; 1" I.D. x 1 3/4" O.D. x 3 1/8" Lg; Models 200, 2200/2300

321-175



Bushing; 1" I.D. x 1 15/16" O.D. x 3" Lg.; Included in 334-344 T/R Bolt and Bushing Kit; Models 7700/9700, 7600/7700/9600/9700 Widespread

321-175U



Bushing, Urethane; 1" I.D. x 1 15/16" O.D. x 3" Lg.; Included in 334-344 T/R Bolt and Bushing Kit; Models 7700/9700, 7600/7700/9600/9700 Widespread

321-176



Bushing; 3 1/4" O.D. x 3 7/8" Lg.; Included in 334-341 Equalizer Bolt and Bushing Kit; Models 2200, 7600/7650/7700

321-176U



Bushing, Urethane; 3 1/4" O.D. x 3 7/8" Lg.; Models H/CH 7600/7650/9600, H/CH 7700/9700, 7600/7700/9600/9700 Widespread

321-177



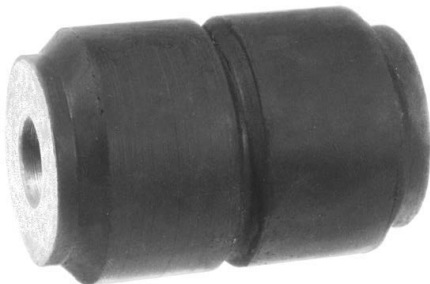
1 1/4" I.D. x 2 3/16" O.D. x 1 3/4" Hgt.; Included in 334-640 T/R Bolt and Bushing Kit; Model 7600/9600

321-177U



Bushing, Urethane; Models H/CH 7600/7650/9600, 7600/7700/9600/9700 Widespread

321-179



Bushing; 1 1/8" I.D. x 3 1/4" O.D. x 5" Lg.; Included in 334-352 Bolt and Bushing Assy.; Model 7600/7650/9600, 7600/7700/9600/9700 Widespread

321-221



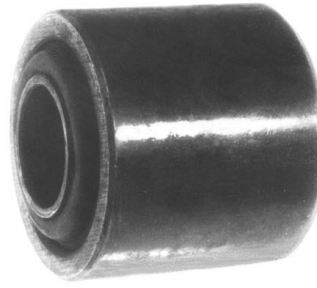
Bushing, Urethane; 1 1/8" I.D. x 3 1/4" O.D. x 5" Lg.; Model 7600/7650/9600, 7600/7700/9600/9700 Widespread

321-221U



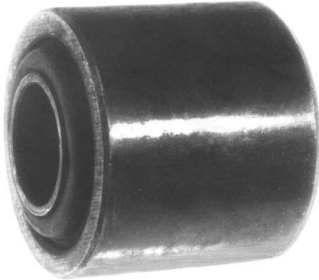
Bushing, Urethane; 1 1/8" I.D. x 3 1/4" O.D. x 5" Lg.; Model 7600/7650/9600, 7600/7700/9600/9700 Widespread

321-309



Bushing; 1" I.D. x 2 1/4" O.D. x 2 1/4" Lg.; Model 36M Series

321-310



1" I.D. x 2 1/4" O.D. x 3" Lg.; Model 42M Series; Obsolete

322-117



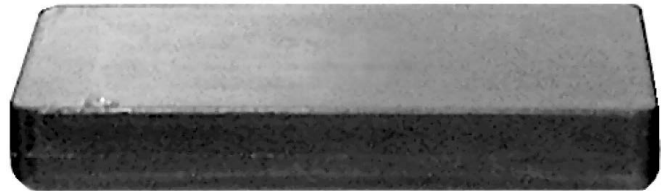
Bushing, Fiber; 2 5/8" I.D. x 3 1/4" O.D. x 3 3/4" Lg.; Use w/ 334-1565 Equalizer Shaft, Included in 334-1566 Equalizer Shaft and Bushing Kit; Model 2300; Discontinued

322-145



Washer, Steel; Replaces Sideplate Washer on Fabricated Front and Center Hangers Only; All; Model 7700/9700

325-119U



Pad, Urethane; Models 440/900, 800A

325-191



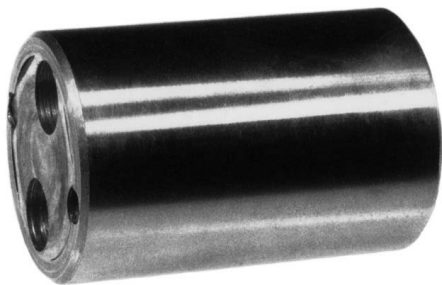
Pad, Rubber; 2 15/16" Wd. x 5 1/16" Lg. x 7/8" Thk, w/2 5/16" Hole; Model 800A

334-360



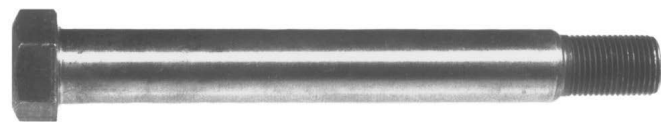
Lock Tab; Model 7600/7700

334-365



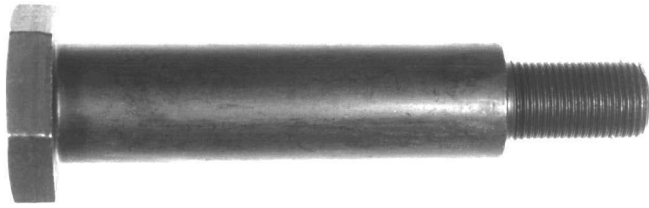
Shaft; 2 5/8" x 3 15/16" Lg.; Model 2200 Series, (2) Bolt; Discontinued

334-366



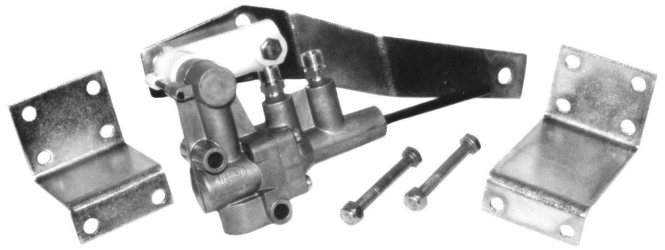
Bolt, Equalizer; 3/4" x 6" Lg., 5/8"-18 Thread; Included in 334-342 Bolt Assy.; Model 2200/2300, 7600/7700

334-367



Bolt, Torque Rod; 1 1/4" O.D. x 6 1/16" Lg., 7/8"-14" Thread; Included in 334-640 Equalizer Bolt and Bushing Kit; Model 7600/9600

334-750



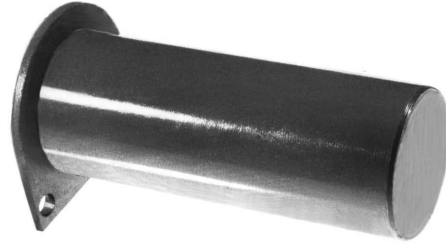
Valve, Height Control; Universal; Model 1200

334-751



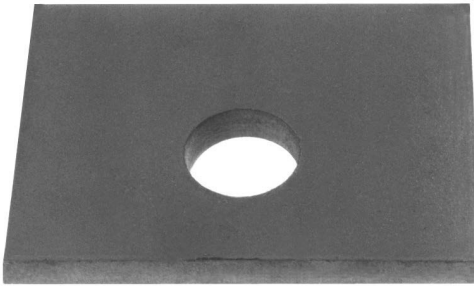
Linkage Assembly, Universal Adjustable; 3 5/8"-19 5/8"; Adjustable Linkage; Model 1200

334-1048



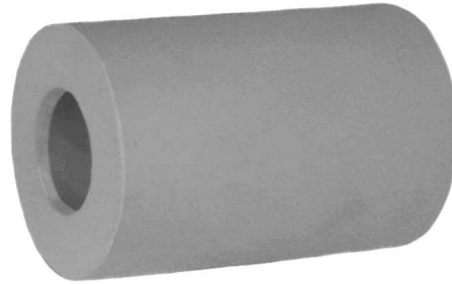
Shaft; 2 5/8" I.D. x 6 1/2" Lg.; Obsolete; Model 1200

334-1276



Plate, Adjustment; 3 1/4" x 4 1/4" Lg., 1" Hole; Obsolete;; Model 800A

334-1565



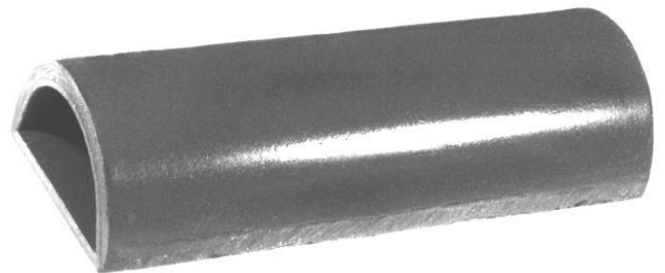
Shaft; 2300 Series; (1) Bolt; Discontinued; Model 2300

338-214



3 7/8" Wd. x 5 7/8" Lg. C to C; Model 7600/7650/9600

338-381



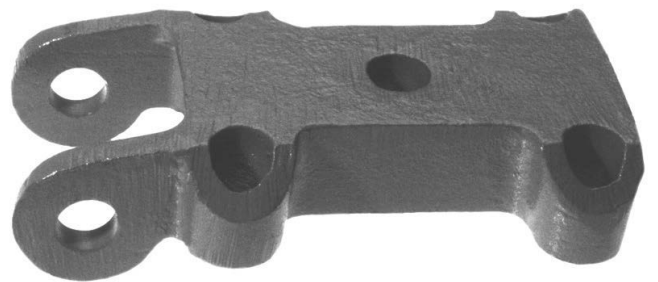
Plate, U-Bolt Bottom Clamp; 3 7/8"W x 5 7/8"Lg. c/c - 5" Round Axle; Model 7600/7650/9600, 7600/7700/9600/9700 Widespread

338-408



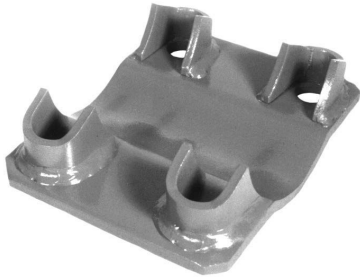
Equalizer Assembly; Cast; 49" Axle Spacing; Use w/ 334-639 Equalizer Bolt Kit, Includes 321-176 Bushing; Model 7600/7650/7700

338-414



Bracket, Torque Rod Seat; Underslung Axles; Model 7600/9600/9700

338-415



Plate, Bottom U-Bolt Clamp; Fabricated; 5" Round Axles; Model H200, 7700/9700

338-419



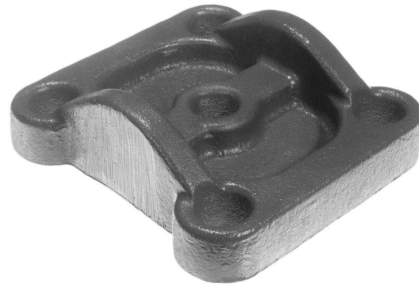
Equalizer Assembly; Fabricated; O.E.; 49" Axle Spacing; Use w/ 334-639 Equalizer Bolt Assy. Includes 321-176 Bushings ; Model 7600/7700

338-419HD



Equalizer Assembly, Heavy Duty; Fabricated; Includes Bushing; Use w/ 334-639 Equalizer Bolt Assy.; Model 7600/7700

338-420



Plate, U-Bolt Clamp; Underslung Trunnion Assembly; Model 800A/900

338-421



Bracket, Trunnion Shaft; 6 1/2" High; Model 900

338-422



Bracket, Trunnion Shaft; ; 2 1/2" High; Standard; All; Model 900

338-423



Trunnion, Seat Half; O.E.; All; Model 440/900

338-424



Trunnion, Upper Half; Underslung Trunnion Assembly; Model 800A/900

338-425



Bracket, Trunnion Shaft; 8 1/2" High; Model 900

338-426



Trunnion, Lower Half; O.E.; Overslung Trunnion Assembly; Model 900

338-427



Hanger, LH; Cast; Use w/ 334-350 Torque Rod Bolt and Bushing Assy.; Discontinued; Model 2200/2300

338-428



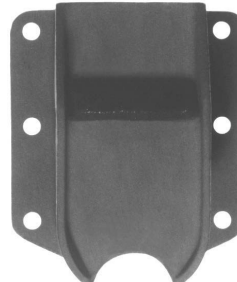
Hanger, RH; Cast; Use w/ 334-350 Torque Rod Bolt and Bushing Kit; Discontinued; Model 2200/2300

338-429



Hanger, Side Mount; Cast; Obsolete, Replaced by 338-1821; Use 334-1566 Shaft Kit to Retrofit Equalizer; Model 2200

338-430



Hanger, Side Mount; Cast; Discontinued; Model 2200/2300

338-435



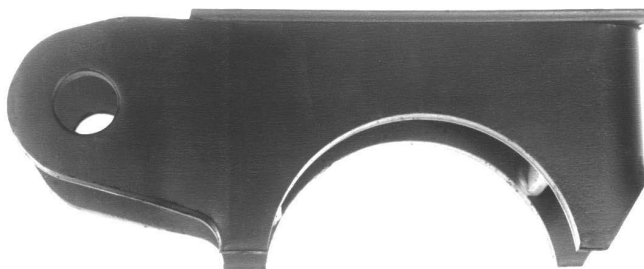
Equalizer Assembly; 49" Axle Spacing; Discontinued; Replaced by 338-2097 or 338-2098; Model 2200/2300

338-438



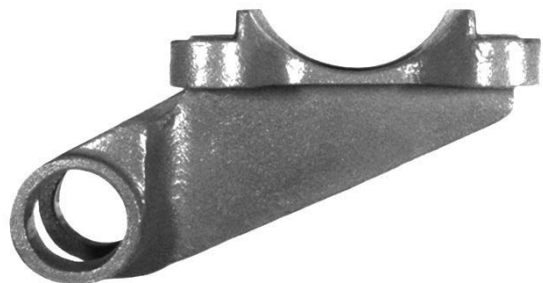
Bracket, Stabilizer; 5" Round Axle, No Hop; Use w/ 334-345 T/R Bolt Kit; Rear Axle Only; Model 7700

338-444



Bracket, Torque Rod/Seat; 3/4", 5" Round Axles

338-448



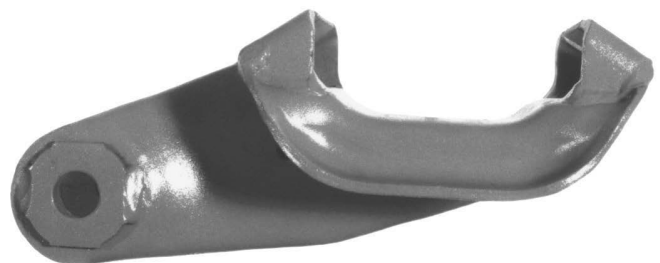
Bracket, Stabilizer; 5" Round Axle, No Hop; Use w/ 334-640 Bolt and Bushing Kit; Rear Axle Only; Model 7600

338-449



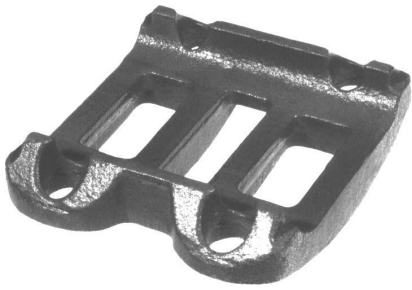
Bracket, Stabilizer; 5" Square Axle, No Hop; Use w/ 334-640 Bolt and Bushing Kit; Model 7700/7600/7650/9600

338-469



Bracket, Stabilizer; 5" Square Axle, No Hop; Use w/ 334-345 T/R Bolt Kit; Model 7700

338-470



Plate, Bottom Ubolt Clamp; 4"x 6" Axle; All; Model 7700/9700

338-471



Plate, Bottom U-Bolt Clamp; 5" Square Axle, 3/4" U-Bolts; All; Model 7600/7650/9600/7700/9700

338-472



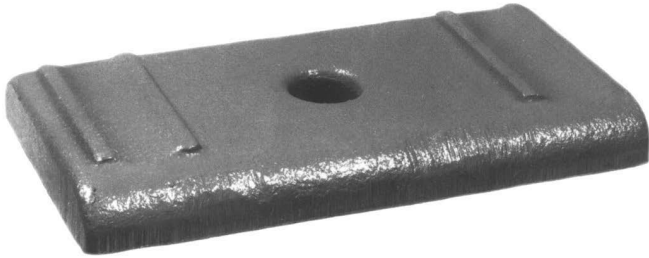
Equalizer Assembly; Cast, 17 3/8" Lg., 50" Axle Spacing; Use w/ 334-639 Equalizer Bolt Kit, Incl. 321-176 Bushing; Casting No. 7750-00 ; Model 7600HD

338-480



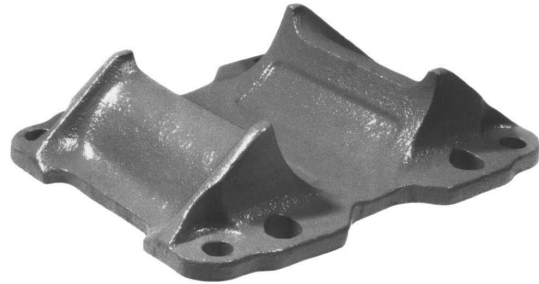
Cap, Spring End; 36K Suspensions Only; Overslung Axles; Model 900

338-484



Saddle, U-Bolt; Model 900

338-485



Axle Seat; 5" Round Overslung Axles; Model 900

338-488



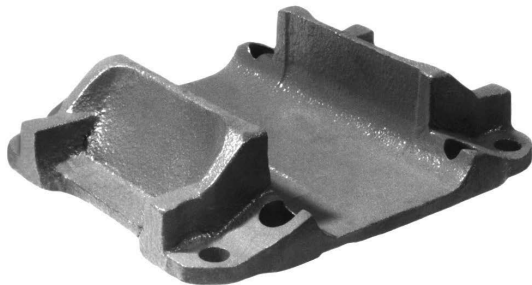
Cap, Spring End; 42K, 50K and 60K# Suspensions; Overslung Axles; Model 900

338-489



Axle Seat; 5" Round Underslung Axles; Model 900

338-490



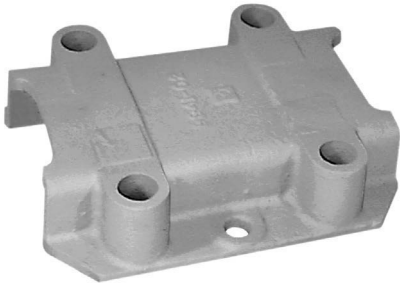
Axle Seat; 5" Square Underslung Axles; Model 900

338-491



Axle Seat; 5 3/4" Round Underslung Axles; Model 900

338-492



Cap, Spring End; 42-60K; 5" Round & 5" Square Underslung Axles; Model 900

338-494



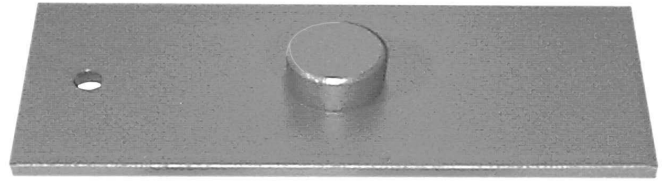
Cap, Spring End; 36K; 5" Round & 5" Square Underslung Axles; Model 900

338-497



Bracket, Trunnion Shaft; 4 1/2" High; Model 900

338-499



Plate, Adjustment; 3/8"Thk.; O.E.; All Axles; Model 900

338-507



Equalizer Assembly; 75" OAL; 109" Axle Spacing; Use w/ 334-639 Equalizer Bolt Kit; Includes 321-176 Bushing

338-886



Equalizer Assembly, Fabricated; O.E.; Use w/ 334-937 Equalizer Bolt Kit, 334-343 Bolt Rebound Kit; Includes 321-221 Bushing; Model 9700

338-886U



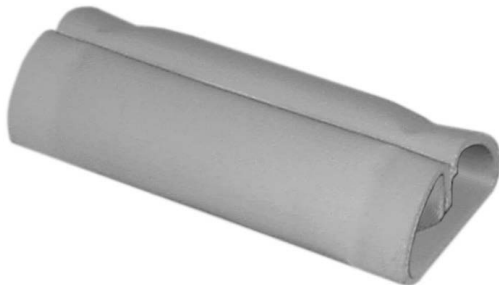
Equalizer Assembly, Fabricated; Incl. 321-221U Bushing; Models H/CH 9600, 7700/9700

338-887



Equalizer Assembly, Cast; Use w/ 334-937 Bolt Kit, 334-343 Rebound Kit; Includes 321-221 Bushing; Model 9600

338-1367



Saddle, U-Bolt; 3"W x 7 9/16"Lg. x 1 3/4"H - Roll Formed; Models H2200/2300, 7600/7650/9600, 7700/9700, 7600/7700/9600/9700 Widespread

338-1464



Bracket, Torque Rod/Seat; 3/4", 5" Round Axles; Use w/ 334-350 T/R Bolt and Bushing Kit; Models 200, 2200/2300

338-1465



Bracket, Torque Rod/Seat; 2 1/4", 5" Round Axles; Use w/ 334-350 T/R Bolt and Bushing Kit; Model 2200/2300

338-1475



Equalizer & Hanger Assembly, Fabricated; Includes 338-886, 338-884; Use w/ 334-343 Rebound Bolt Kit, 334-345 T/R Bolt Kit; Model 9700

338-1476



Equalizer & Hanger Assembly, Fabricated; Includes 338-886, 338-885; Use w/ 334-343 Rebound Bolt Kit, 334-345 T/R Bolt Kit; Model 9700

338-1477



Equalizer & Hanger Assembly, Fabricated; Includes 338-886, 338-1474; Use w/ 334-343 Rebound Bolt Kit, 334-345 T/R Bolt Kit; Model 9700

338-1479



Equalizer & Hanger Assembly, Cast; Includes 338-887, 338-1478; Use w/ 334-343 Rebound Bolt Kit, 334-345 T/R Bolt Kit; Model 9700

338-1480



Equalizer Assembly, Fabricated; 33" OAL; Use w/ 334-937 Equalizer Bolt Kit, 224-343 Rebound Bolt Kit; Includes 321-221 Bushing, 67" Axle Spacing; Model 9600/9700

338-1481



Equalizer Assembly, Fabricated; 36" OAL; Use w/ 334-937 Equalizer Bolt Kit, 334-343 Rebound Bolt Kit; Includes 321-221 Bushing, 73" Axle Spacing; Model 9600/9700

338-1482



Equalizer Assembly, Fabricated; 63" OAL; Use w/ 334-937 Equalizer Bolt Kit, 334-343 Rebound Bolt Kit; Includes 321-221 Bushings, 97" Axle Spacing; Model 9600/9700

338-1483



Equalizer Assembly, Fabricated; 75" OAL; Use w/ 334-937 Equalizer Bolt Kit, 334-343 Rebound Bolt Kit; Includes 321-221 Bushing, 109" Axle Spacing; Model 9600/9700

338-1491



Equalizer Assembly, Fabricated; 33" OAL; Use w/ 334-639 Equalizer Bolt Kit; Includes 321-176 Bushing, 67" Axle Spacing; Model 7600/7700

338-1492



Equalizer Assembly, Fabricated; 27" OAL; Use w/ 334-639 Equalizer Bolt Kit; Includes 321-176 Bushing, 61" Axle Spacing; Model 7600/7700

338-1493



Equalizer Assembly, Fabricated; 39" OAL; Use w/ 334-639 Equalizer Bolt Kit; Includes 321-176 Bushing, 73" Axle Spacing; Model 7600/7700

338-1494



Equalizer Assembly, Cast; Replaced by 338-2031; Model 7700

338-1505



End Cap; 36M Series; Obsolete; Model 800A

338-1506



End Cap; 42M Series; Obsolete; Model 800A

338-1507



Plate, Pressure; 5" Square Axles Only; Model 900

338-1536



Equalizer Assembly, Cast; Replaced by 338-2027; Model 9700

338-1537



Equalizer Assembly, Fabricated; 27" OAL; Includes 321-221 Bushing, 61" Axle Spacing; Use w/ 334-937 Equalizer Bolt Kit, 334-343 Rebound Bolt Kit; Model 9600/9700

338-1690



Equalizer & Hanger Assembly, Cast; Undermount; Incl. 338-887 Equalizer, 338-882 Hanger; Use 334-343 Rebound Kit, 334-345 T/R Bolt Kit; Model 9700

338-1698



Bottom Plate; 5" Round Axles, 3/4" U-Bolts; Model 9700

338-1699



Axle Spring Seat; 5" Round Axles; Obsolete; Model 800A

338-1821



Hanger; Replaces 338-429; Use w/ 334-350 T/R Bolt and Bushing Kit, 334-1566 Equalizer Shaft and Bushing Kit; Model 2300

338-2027



Equalizer Assembly, Fabricated; 17 3/8" OAL; 321-221 Bushing; 50" Axle Spacing; Replaces 338-1536; Models 9600, 9700

338-2028



Equalizer Assembly, Fabricated; 17 3/8" OAL; Incl 321-176 bushing, 50" Axle Spacing; Replaces 338-472; Models 7600TD

338-2031



Equalizer Assembly, Fabricated; 21 3/8" OAL; Incl. 321-176 Bushing; 54 1/2" Axle Spacing; Models 7600,7650

338-2037



Equalizer Assembly, Fabricated; 21" OAL; Incl. 321-221 Bushing; 53.5/54.5" Axle Spacing; Replaces 338-1717; Models 7600/7650/9600

338-2054



Equalizer Assembly, Fabricated; 23 1/2" OAL; Incl. 321-221 Bushing; 57 1/2" Axle Spacing; Model 9700

338-2111



Equalizer Assembly, Fabricated; 30" OAL; Incl. 321-221 Bushing; 64" Axle Spacing; Model 7600 Widespread

338-2155



Equalizer & Hanger Assembly, Fabricated - Modified; Modified undermount; Incl. 338-886 & 338-2053; Models 7700/9700

345-164



Torque Rod, Adjustable; 18 1/2"-21" Lg.; Includes 321-175 Bushings; All; Model 7700/9700

345-164HD



Torque Rod, Adjustable; 18 1/2"-21"; Heavy Duty cast ends, bushings included; All; Models 7700/9700, 7600/7700/9600/9700 Widespread

345-165



Torque Rod, Adjustable; O.E.; 20 1/4"-22 3/4" Lg.; Includes 321-175 Bushings; Model 7700/9700

345-167



Torque Rod, Rigid; O.E.; 19 1/4" Lg.; Includes 321-175 Bushings; Model 7700/9700

345-168



Torque Rod, Rigid; 19 1/4"; Use 321-173 Bushings, Not Included; Model 2200/2300

345-169



Torque Rod, Adjustable; 18 1/4"-20 1/4"; Use 321-173 Bushings, Not Included; Model 2200/2300

345-170



Torque Rod, Rigid; 19 1/4" c/c; Use w/ 321-177 Bushings, Bushings Not Included; Model 7600/9600

345-172



Torque Rod, Adjustable; 18"-20"Lg.; Use 321-177 Bushings, Not Included; Model 7600/7650/9600/9700

345-173



Torque Rod, Adjustable; 20"-22"Lg.; Use 321-177 Bushings, Not Included; Model 7600/7650/9600

345-237



Torque Rod, Adjustable; 13"-15 1/2"Lg.; Includes 321-175 Bushings; Model 9700

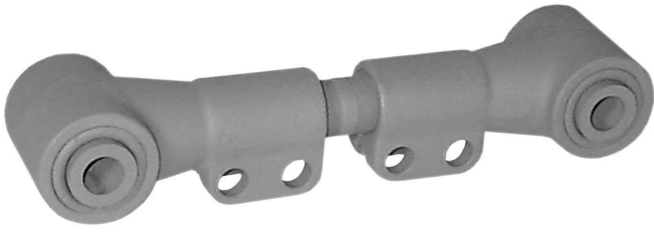
345-238



Torque Rod, Adjustable; 14 3/4"-17 1/4"Lg.; O.E.; Includes 321-175 bushings; Model 9700

345-712

Hutch



Torque Rod, Adjustable; 24 3/4"-26 3/4"Lg.; Includes 321-234 Bushings; Model H-11455-00

Component Photos

Hutch Complete Suspension Kits - H9700 Series

Single Axle: Order 1 Hanger Kit, 1 Axle Kit

Tandem: Order 1 Hanger Kit, 1 Center Kit, 2 Axle Kits

Tridem: Order 1 Hanger Kit, 2 Center Kits, 3 Axle Kits

Application	Hanger Kit*	Center Hanger*
Undermount	339-008101	339-008201
Straddle-mount	339-008102	339-008202
Flangemount (Bolt-On**)	339-008103	339-008203

**Bolt-On Hangers can be Used in Weld-On Applications

*Hanger Kits:	*Center Kits:
(2) Front Hanger	(2) Hanger/Equalizer
(2) Rear Hanger	Assembly
(1) Adjustable Torque Rod	(1) Adjustable Torque Rod
(1) Rigid Torque Rod	(1) Rigid Torque Rod
+ Hardware	+ Hardware

Arch	Low	Medium	High	
Springs:	TRA-2728	TRA-2727	TRA-2740 TRA-2726	
Seat Hgt.	Ride Hgt.	Ride Hgt.	Ride Hgt.	Axle Kit*
<i>Overslung</i>				
0.75	13.75	14.50	16.00	339-008301
1.25	14.25	15.00	16.50	339-008302
1.75	14.75	15.50	17.00	339-008303
2.25	15.25	16.00	17.50	339-008304
2.75	15.75	16.50	18.00	339-008305
3.25	16.25	17.00	18.50	339-008306
3.75	16.75	17.50	19.00	339-008307
<i>Underslung</i>				
0.75	4.50	5.50	7.00	339-008308
1.25	—	5.00	6.50	339-008309
1.75	—	4.50	6.00	339-0083010
2.25	—	—	5.50	339-0083011

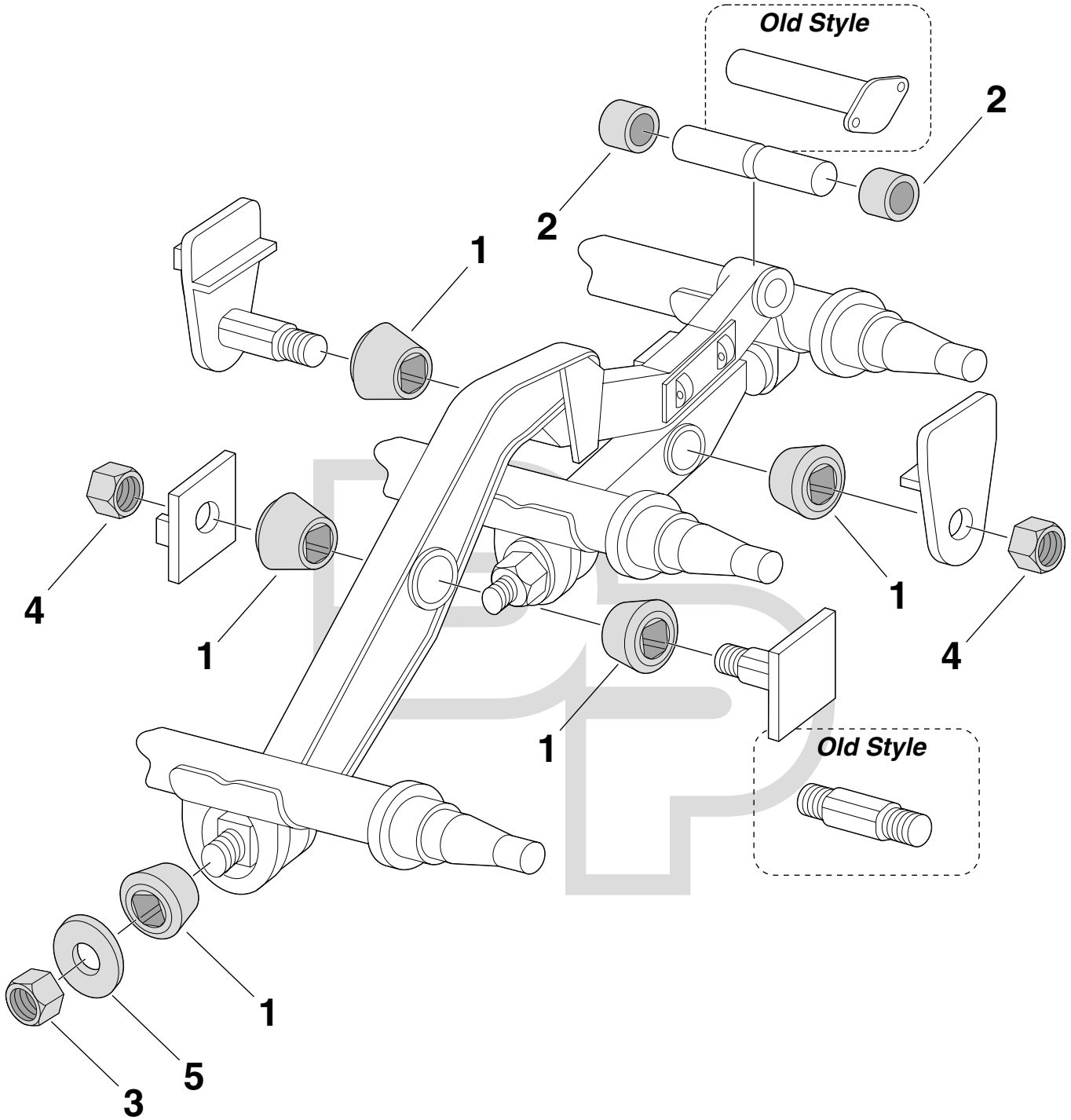
- *Axle Kits:**
- (2) Seat/Bracket
 - (2) U-Bolt Saddle
 - (2) Bottom Clamp Plate
 - + U-Bolts & Hardware

"Heavy Duty"
 (Models F & RF)
Trailer Suspension

Hyster

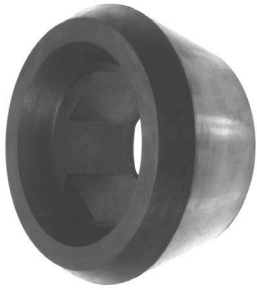
Hyster

Suspension Illustration



Key No.	Part Number	Description	No. Req.	OEM Reference	Remarks
● 1	320-182	Bushing; 5 2 ¹ / ₃₂ "OD, 2 7 ⁸ " High	AR	400329	Triaxle F&RF; 3, 4, 5 & 10ea. / F&RF6; 2ea. Tandem F&RF; 2, 3 & 6ea. / F&RF4; 2ea.
●	320-182U	Bushing, Urethane	AR		
●	320-183	Bushing; 7 5 ¹⁶ "OD, 3 5 ⁸ " High	AR	400331	Triaxle F&RF6, 8ea. / Tandem F&RF4; 2ea.
●	320-183U	Bushing, Urethane	AR		
2	322-155	Bushing, Bronze; 3 1 ⁸ "ID x 3 5 ⁸ "OD x 2 1 ² "Lg	4	400377	
	322-156	Bushing, Bronze; 3 1 ² "ID x 4 3 ¹⁶ "OD x 2 3 ⁴ "Lg	4	400780	
3	334-1420	Nut; 2"-4 1 ²	2/4	15074	
4	334-1421	Nut; 1 3 ⁴ "-5	2/4	15073	
	334-1423	Nut, 3"-4 1 ²	2/4	400113	
5	334-1419	Washer, Thrust; 2 1 ¹⁶ "ID x 5 1 ⁹ / ₁₆ "OD x 3 ⁴ "Thk	2/4	400324	

320-182



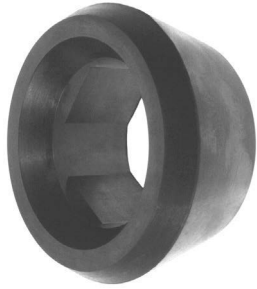
Bushing; 5 21/32" O.D. x 2 7/8" High

320-182U



Bushing, Urethane; 5 21/32" O.D. x 2 7/8" High

320-183



Bushing; 7 5/16" O.D. x 3 5/8" High

320-183U



Bushing, Urethane, 7 5/16" O.D. x 3 5/8" High

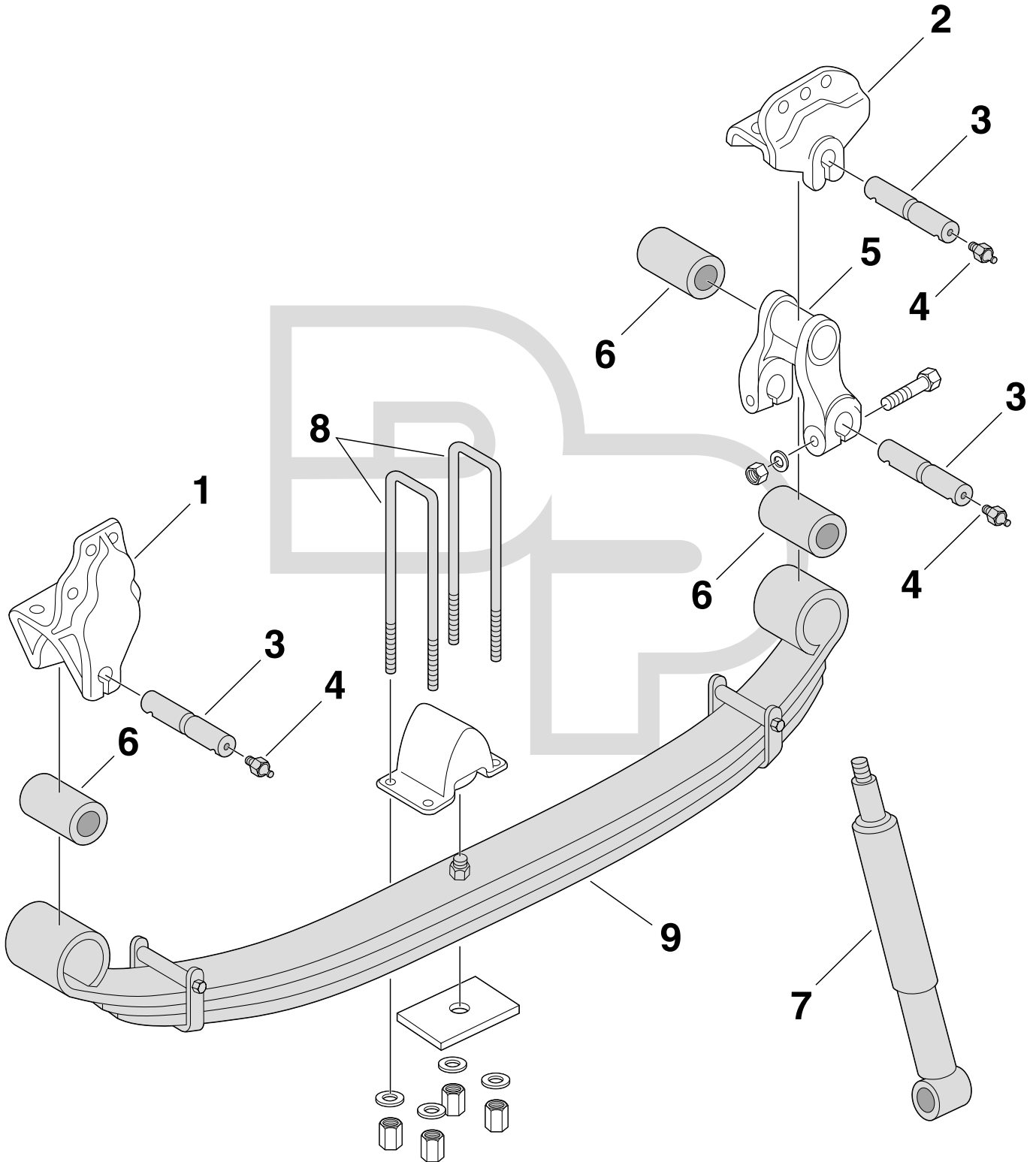
MODEL	PAGE
FTR/FVR/EVR, W7H/W7T (To 1997) Front Suspensions	478, 479
FTR/FVR/EVR, W6/W7M/W7T Rear Suspensions	480, 481
FRR Front Suspension	482, 483
FRR Rear Suspension	484, 485
FSR/W6 (To 1997) Front Suspension	486, 487
FSR/W6 (To 1997) Rear Suspension	488, 489
FSR/FTR/FVR, F6/ F7 Front Suspensions	490, 491
FSR/FTR/FVR, F6/F7 Rear Single Axle Suspensions	492, 493
NPR/NQR, W3500/4500/5500 Front Suspensions	494, 495
NPR/NQR, W3500/4500/5500 Rear Suspensions	496, 497
NRR/W5 (To 1994) Front Suspension	498, 499
NRR/W5 (To 1994) Rear Suspensions	500, 501
 Suspension Component Photos	 502

FTR/FVR/EVR, W7H/W7T
(To 1997)
Front Suspensions

Isuzu

Isuzu

Suspension Illustration



Isuzu

FTR/FVR/EVR, W7H/W7T (To 1997) Front Suspensions

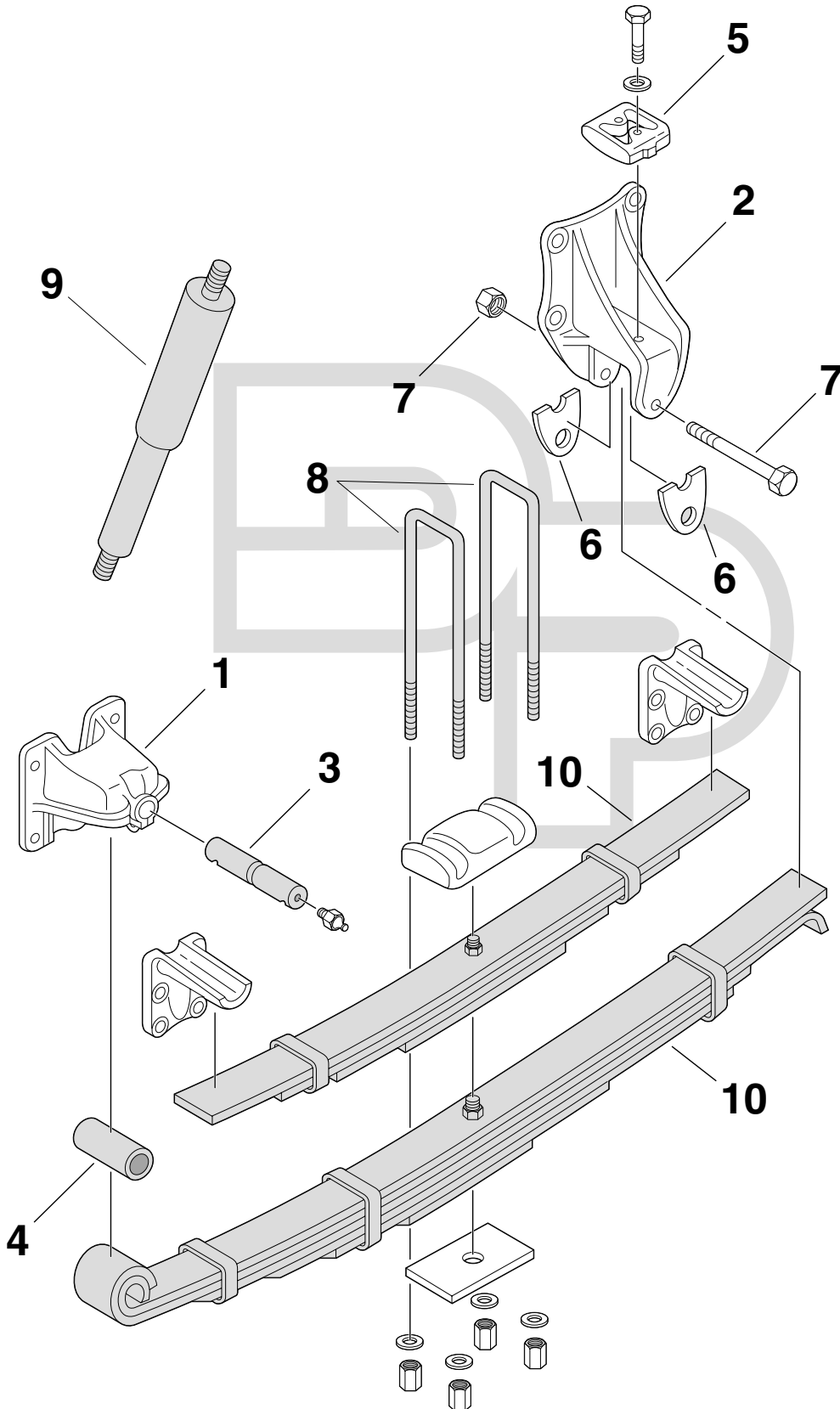
Isuzu

Key No.	Part Number	Description	No. Req.	OEM Reference	Remarks
1	◆	Hanger, Front	2	Various	
2	◆	Hanger, Rear	2	Various	
✓✓	327-496	Spring Pin; 32mm OD x 135mm Lg	6	1-51161-043-0	From 01/89
✓	334-475	Fitting, Straight Zerk; 1/8"-27NPT	6	1613B	
5	◆	Shackle, Cast; 100mm c/c	2	1-51162-029-4, 94044528	
6	M8-3832	Bushing; 32mm ID x 38mm OD x 80mm Lg	6	1-51351-009-0, 94044532	
7	See Shocks	Shock Absorber	2	Various	Consult Shock Catalog for Model Specific Applications
8	SP	U-Bolt; Bent to Order	4		Specify Length, Width, Diameter & Bend
9	Spring Assembly	Assembly, Spring	2		See Leaf Spring Web Catalog for Details

Parts Listing

Isuzu

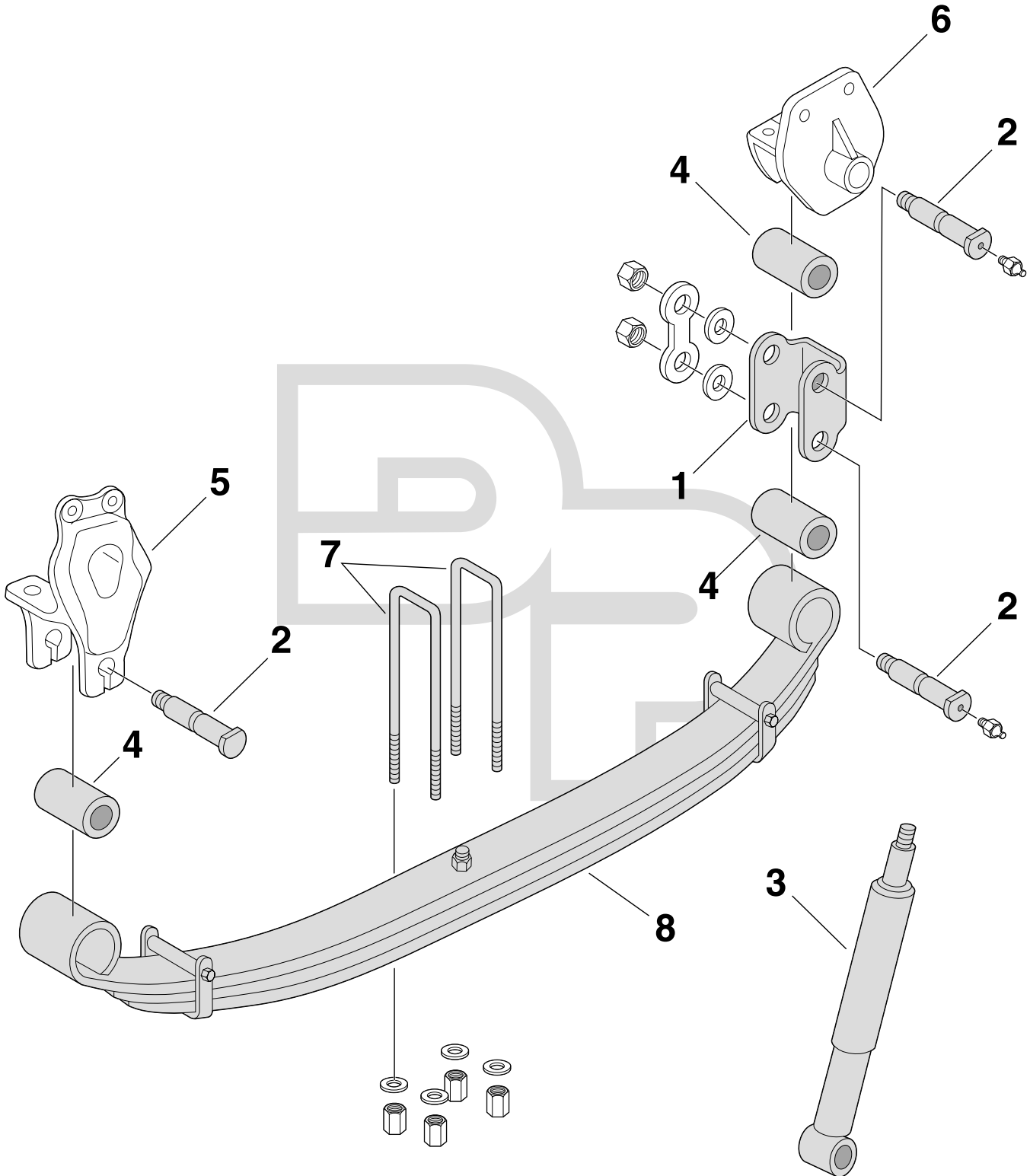
Suspension Illustration



Key No.	Part Number	Description	No. Req.	OEM Reference	Remarks
1	◆	Hanger, Front	2	Various	
2	◆	Hanger, Rear	2	Various	
✓✓	327-497	Spring Pin; 28mm OD x 131mm Lg	2	9-51361-014-1, 1-51361-015-0	FTR, From 09/86; 1-51361-015-0; FVR, From 01/94
	327-498	Spring Pin; 32mm OD x 165mm Lg	2	9-51361-066-1, 94047899	EVR/FVR, From 08/87 to 12/89
	◆	Spring Pin	2	1-51361-020-0	EVR/FVR, From 01/90 to 12/93
4	M10-3832	Bushing; 32mm ID x 40mm OD x 100mm Lg	2	1-51351-010-0, 94047790	EVR, From 08/87 to 04/93; FVR, From 08/87 to 12/93
	M8-3428	Bushing; 28mm ID x 34mm OD x 70mm Lg	2	9-51351-019-0, 94036862	FTR, From 09/86; FVR, From 01/94
5	◆	Pad, Wear	2	1-53359-047-0, 94050456	EVR/FVR, From 1987-93
	◆	Pad, Wear	2	1-53359-056-1, 94051791	EVR/FVR, From 1994; FTR, From 08/87
6	◆	Shim	4	1-53359-045-0, 94051788	EVR/FVR, From 1994; FTR, From 08/87
7	◆	Assembly, Bolt; Rebound; M14 x 135mm Lg; w/Lock Nut	2	1-09042-22-2, 94037619	
8	SP	U-Bolt; Bent to Order	4		Specify Length, Width, Diameter & Bend
✓ ✓ ✓✓	M66605	Shock Absorber	2		
	M65416	Shock Absorber	2		
	M66626	Shock Absorber	2		
	M65414	Shock Absorber	2		
	M65413	Shock Absorber	2		
	M65154	Shock Absorber	2		
	See Shocks	Shock Absorber	2	Various	Consult Shock Catalog for Model Specific Applications
10	Spring Assembly	Assembly, Spring	2		See Leaf Spring Web Catalog for Details

Isuzu

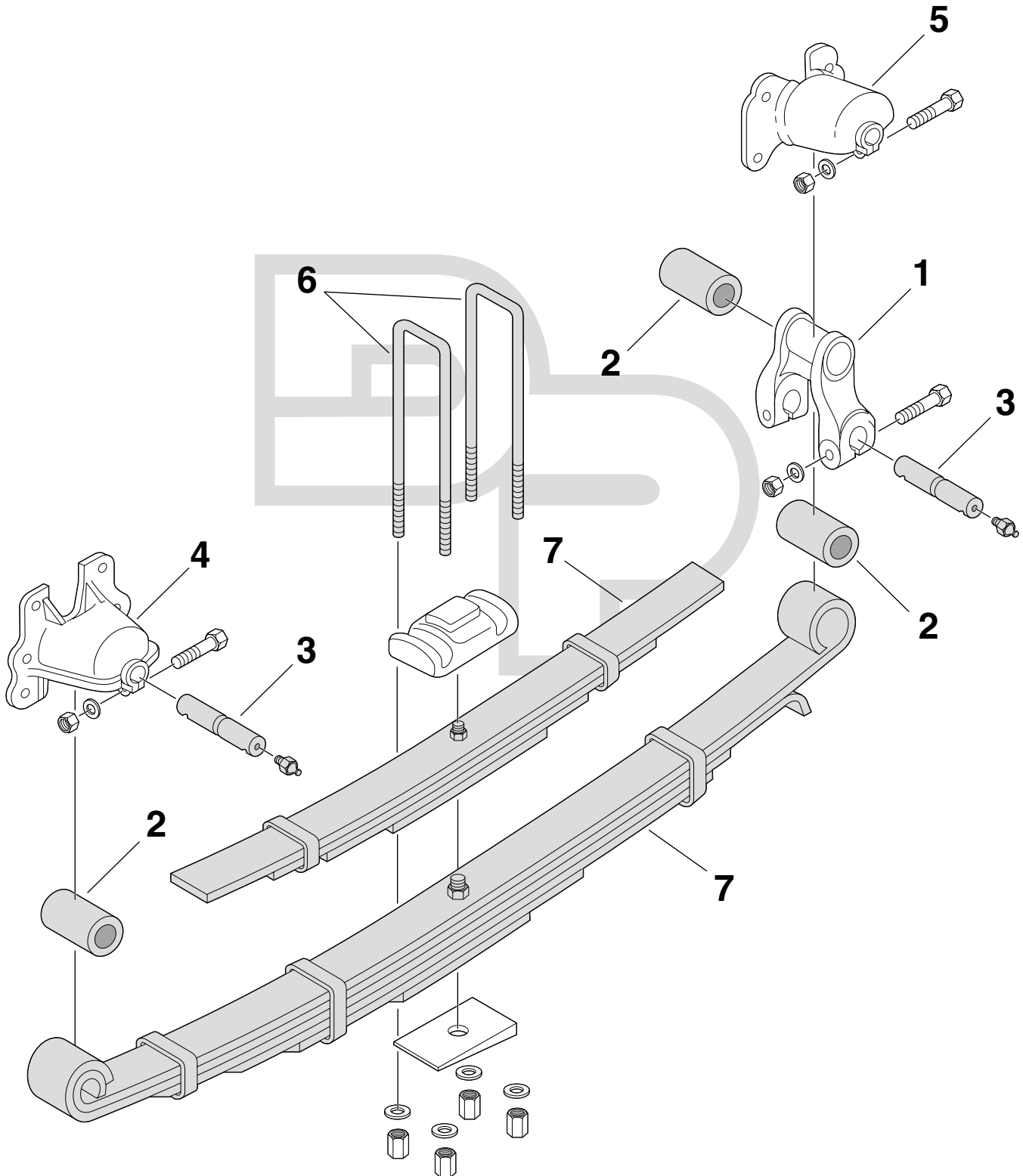
Suspension Illustration



Key No.	Part Number	Description	No. Req.	OEM Reference	Remarks	
✓✓●	1	330-362	Shackle	2	1-51162-037-0, 94050897	
	2	327-499	Spring Pin; 25mm OD x 112mm Lg x M22-1.5 Thread	6	1-51161-004-3, 1-51161-005-3	From 02/94
	3	M66601	Shock Absorber	2	1-51630-219-1	
	4	M7-3025	Bushing; 25mm ID x 30mm OD x 70mm Lg	6	9-51151-032-0, 94032292	
	5	◆	Hanger, Front	2	Various	
	6	◆	Hanger, Rear	2	Various	
	7	SP	U-Bolt; Bent to Order	4		Specify Length, Width, Diameter & Bend
	8	Spring Assembly	Assembly, Spring	2		See Leaf Spring Web Catalog for Details

Isuzu

Suspension Illustration



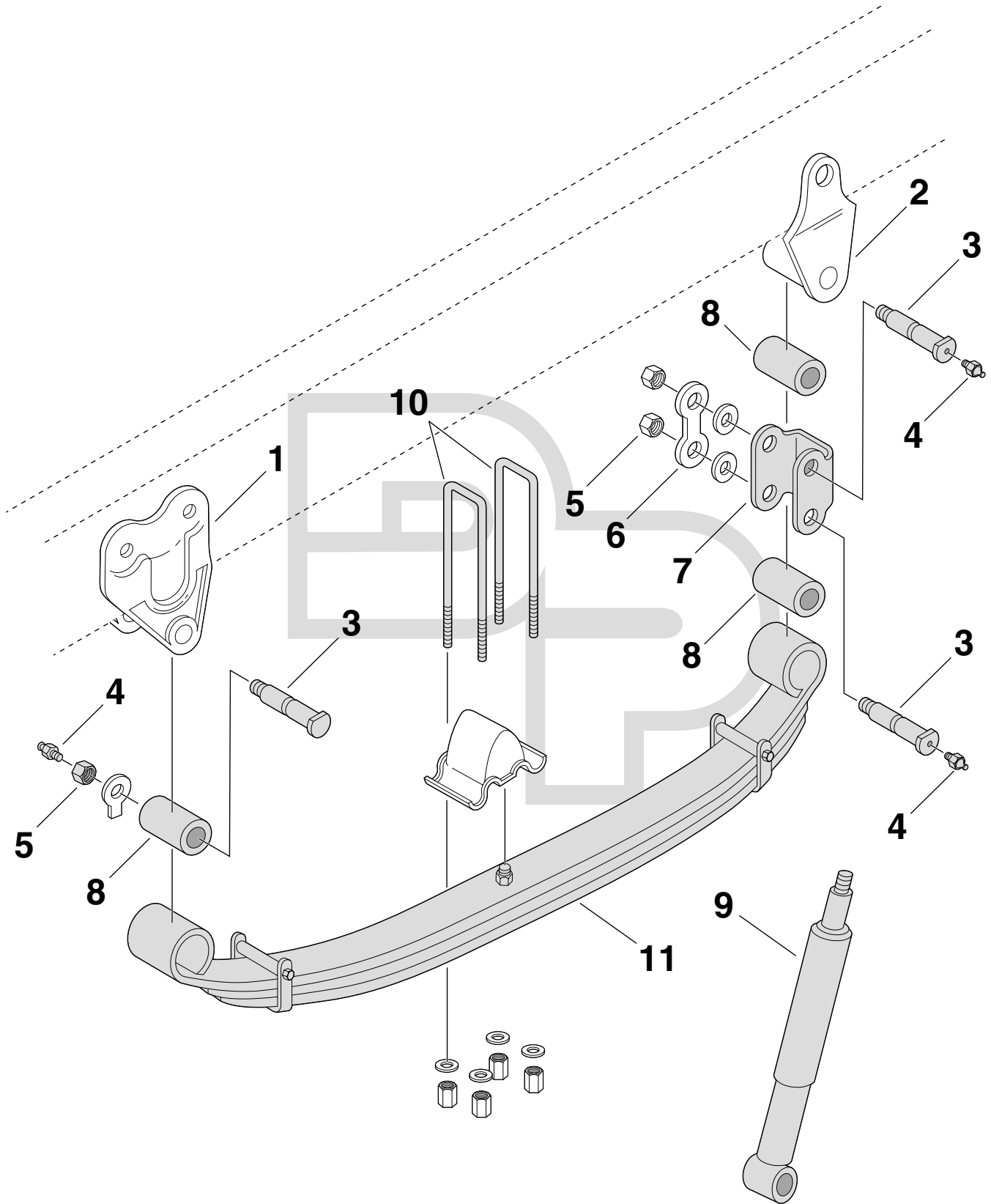
Key No.	Part Number	Description	No. Req.	OEM Reference	Remarks
1	◆	Shackle, Rear	2	1-51362-038-1, 94057026	From 02/94
2	M7-3025	Bushing; 25mm ID x 30mm OD x 70mm Lg	6	9-51151-032-0, 94032292	From 02/94
✓ 3	327-495	Spring Pin; 25mm OD x 115mm Lg	6	1-51361-016-0, 94058365	
4	◆	Hanger, Front	2	1-53353-090-1, 97715016	From 02/94
5	◆	Hanger, Rear	2	1-53354-074-0, 97715571	From 02/94
6	SP	U-Bolt; Bent to Order	4		Specify Length, Width, Diameter & Bend
7	Spring Assembly	Assembly, Spring	2		See Leaf Spring Web Catalog for Details

Isuzu

Parts Listing

Isuzu

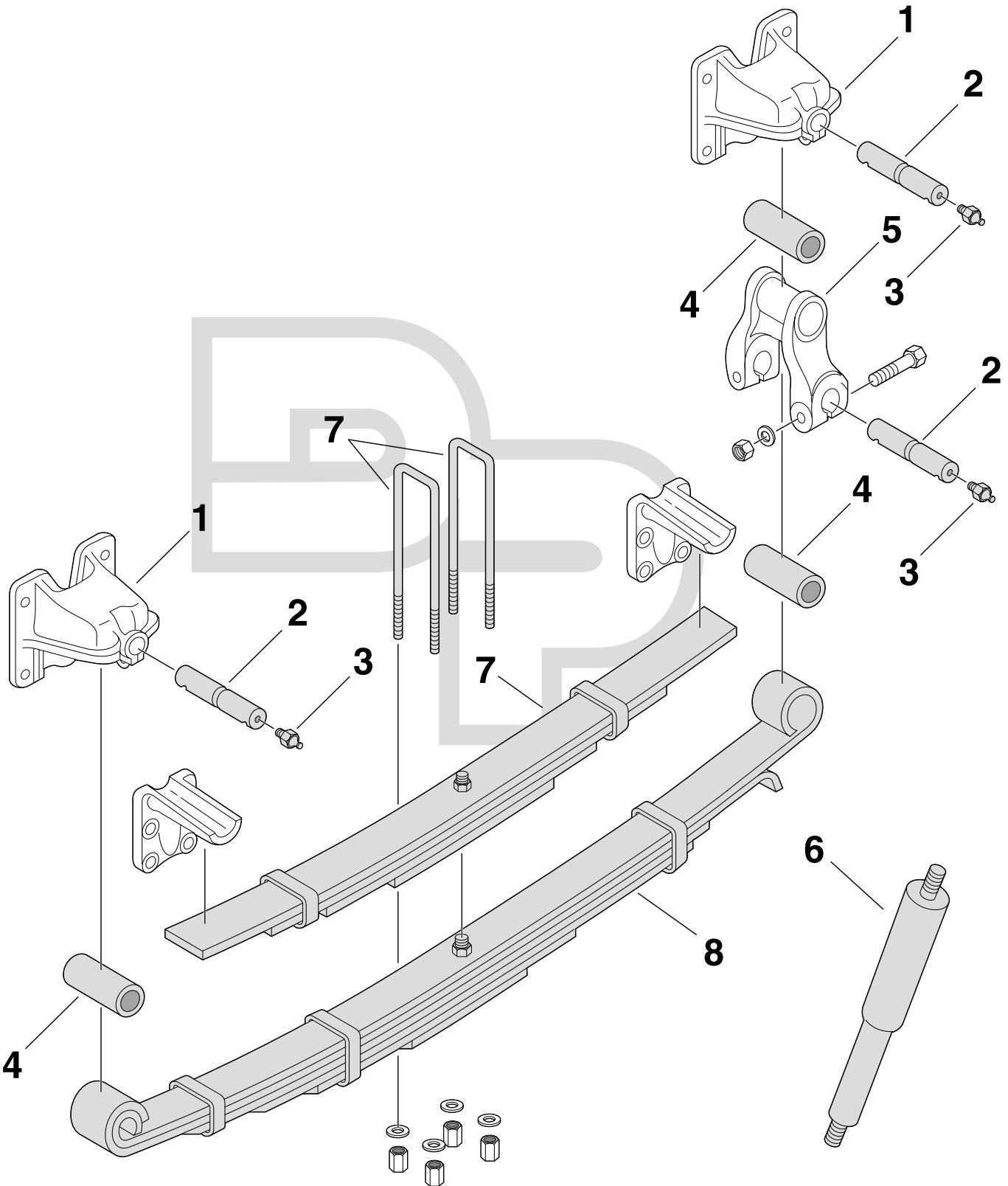
Suspension Illustration



Key No.	Part Number	Description	No. Req.	OEM Reference	Remarks
1	◆	Hanger, Front	2	Various	
2	◆	Hanger, Rear	2	Various	
3	327-499	Spring Pin; 25mm OD x 112mm Lg x M22-1.5 Thread	6	1-51161-004-3, 1-51161-005-3	
✓ 4	334-475	Fitting, Straight Zerk; 1/8"-27NPT	6		
5	◆	Nut, Hex; Spring Pin; 22mm	6	9-09111-522-0, 94009420	
6	◆	Strap, Lock	2	1-51169-016-0, 94050897	
✓✓● 7	330-362	Shackle	2	1-51162-037-0, 94050897	
8	M7-3025	Bushing; 25mm ID x 30mm OD x 70mm Lg	6	9-51151-032-0, 94032292	
9	M66625	Shock Absorber	2		
	M66677	Shock Absorber	2		
	M66639	Shock Absorber	2		
10	SP	U-Bolt; Bent to Order	4		Specify Length, Width, Diameter & Bend
11	Spring Assembly	Assembly, Spring	2		See Leaf Spring Web Catalog for Details

Isuzu

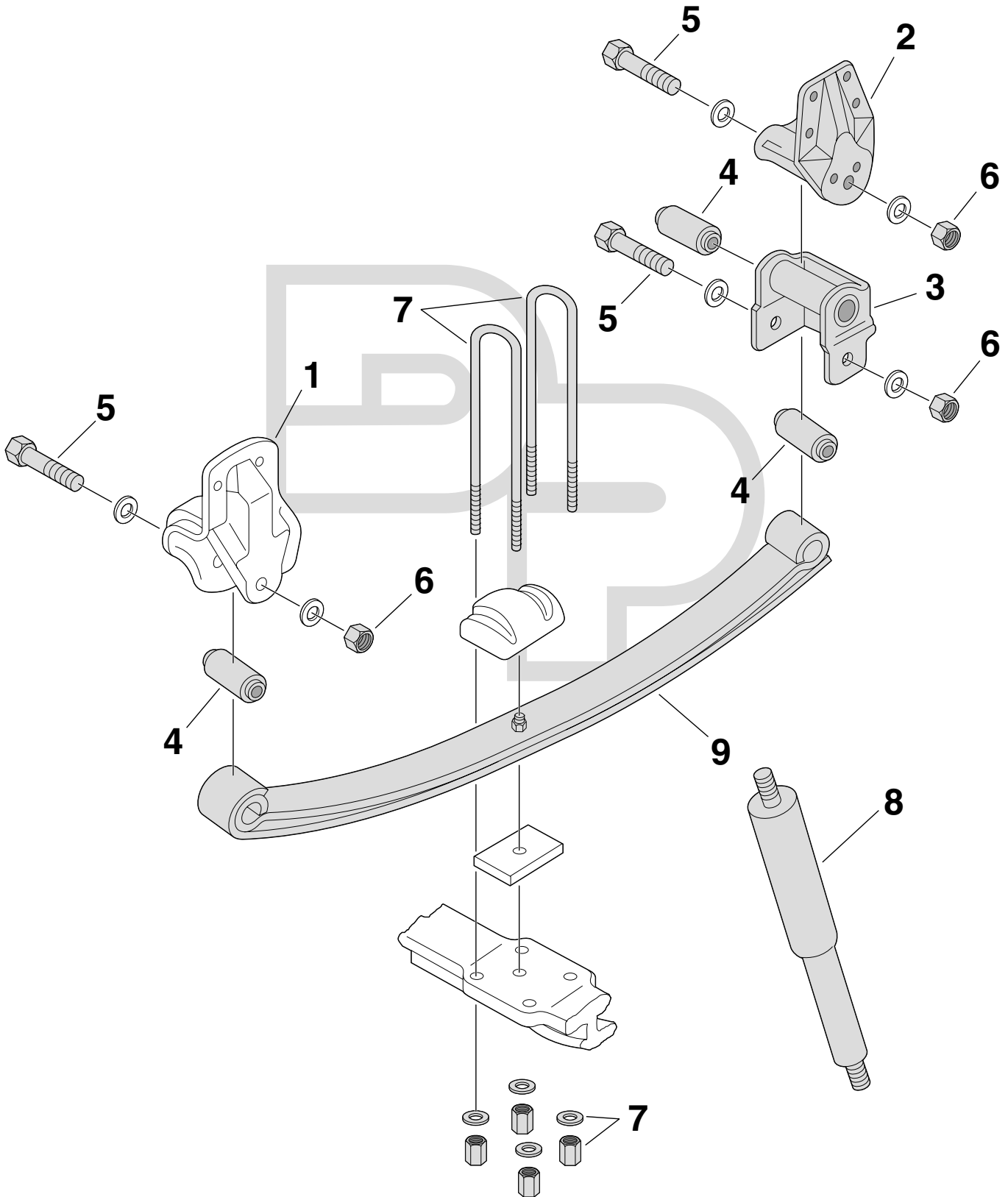
Suspension Illustration



Key No.	Part Number	Description	No. Req.	OEM Reference	Remarks
	◆	Hanger, Front & Rear	4	Various	
✓	327-495	Spring Pin; 25mm OD x 115mm Lg	6		
✓	334-475	Fitting, Straight Zerk; 1/8"-27NPT	6		
	M7-3025	Bushing; 25mm ID x 30mm OD x 70mm Lg	6	9-51151-032-0, 94032292	
	◆	Shackle	2	1-51362-038-1	From 02/88
✓	M66605	Shock Absorber	2	1-51630-167-0	
	SP	U-Bolt; Bent to Order	4		Specify Rod Diameter, Width, Length & Bend
	Spring Assembly	Assembly, Spring	2		See Leaf Spring Web Catalog for Details

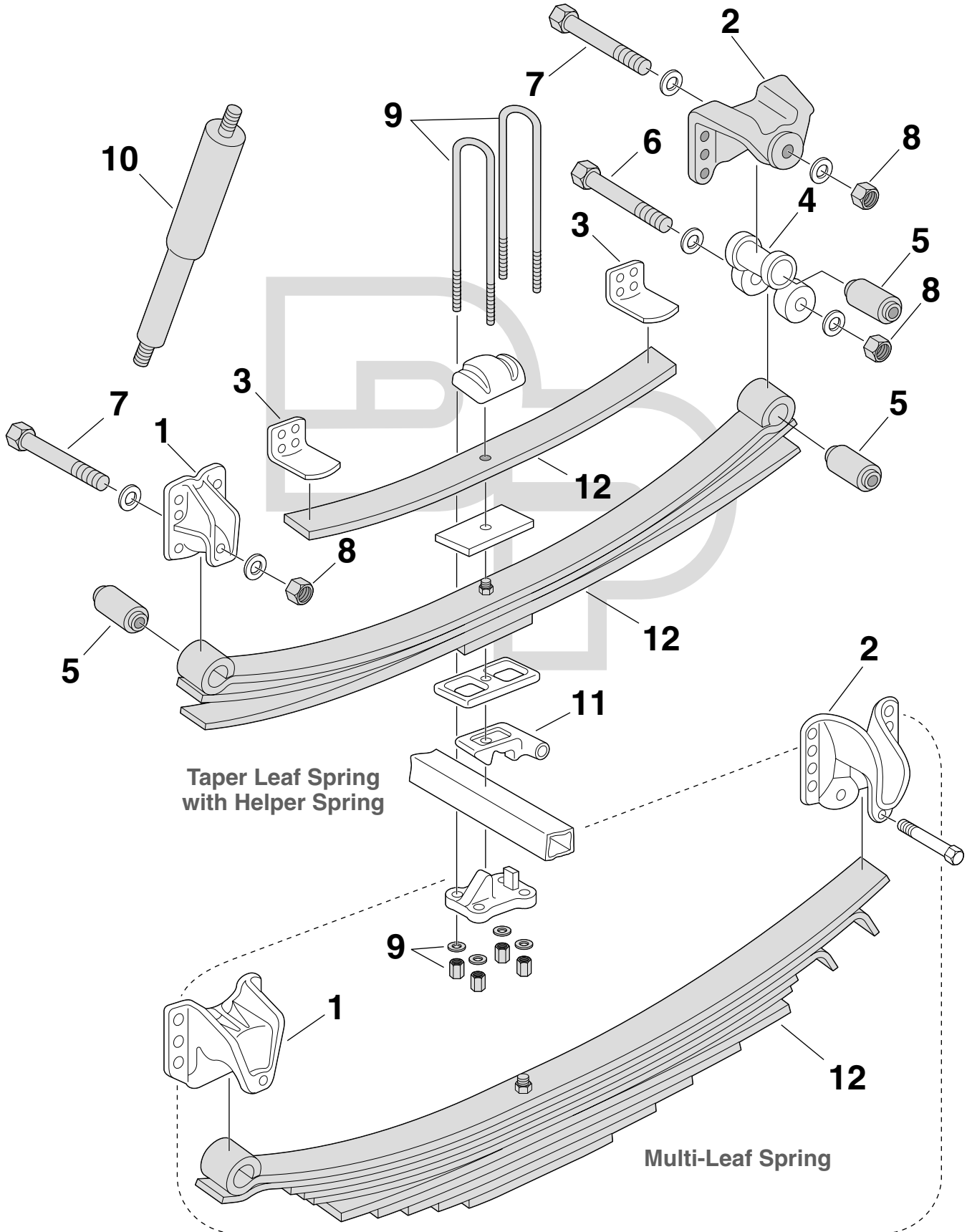
Isuzu

Suspension Illustration



Key No.	Part Number	Description	No. Req.	OEM Reference	Remarks
1	◆	Hanger	2	15609888	F7
	◆	Hanger	2	15608982	F6, F7
✓✓●	2	338-1959	2	15609039	
	◆	Hanger	2	15609889	F7; w/o Inverted L Frame
●	338-1960	Hanger; Cast	2	15609890	C7/F7; w/Inverted L Frame
✓✓●	3	330-354	2	15587778	
	4	RB-190	6	15588650	
✓✓	5	334-908	6	11514454	
✓✓	6	334-906	6	11501035	
✓✓	7	361-389	4		5/8" x 4" x 8 1/4" CR
	361-390	Kit, U-Bolt; Special Bend, Grade 8	4		3/4" x 4" x 8 1/4" CR
	M66625	Shock Absorber	2		
	M65468	Shock Absorber	2		
	See Shocks	Shock Absorber	2	Various	Consult Shock Catalog for Model Specific Applications
	9	Spring Assembly	2		See Leaf Spring Web Catalog for Details

Isuzu



Suspension Illustration

Taper Leaf Spring with Helper Spring

Multi-Leaf Spring

Rear Single Axle Suspensions

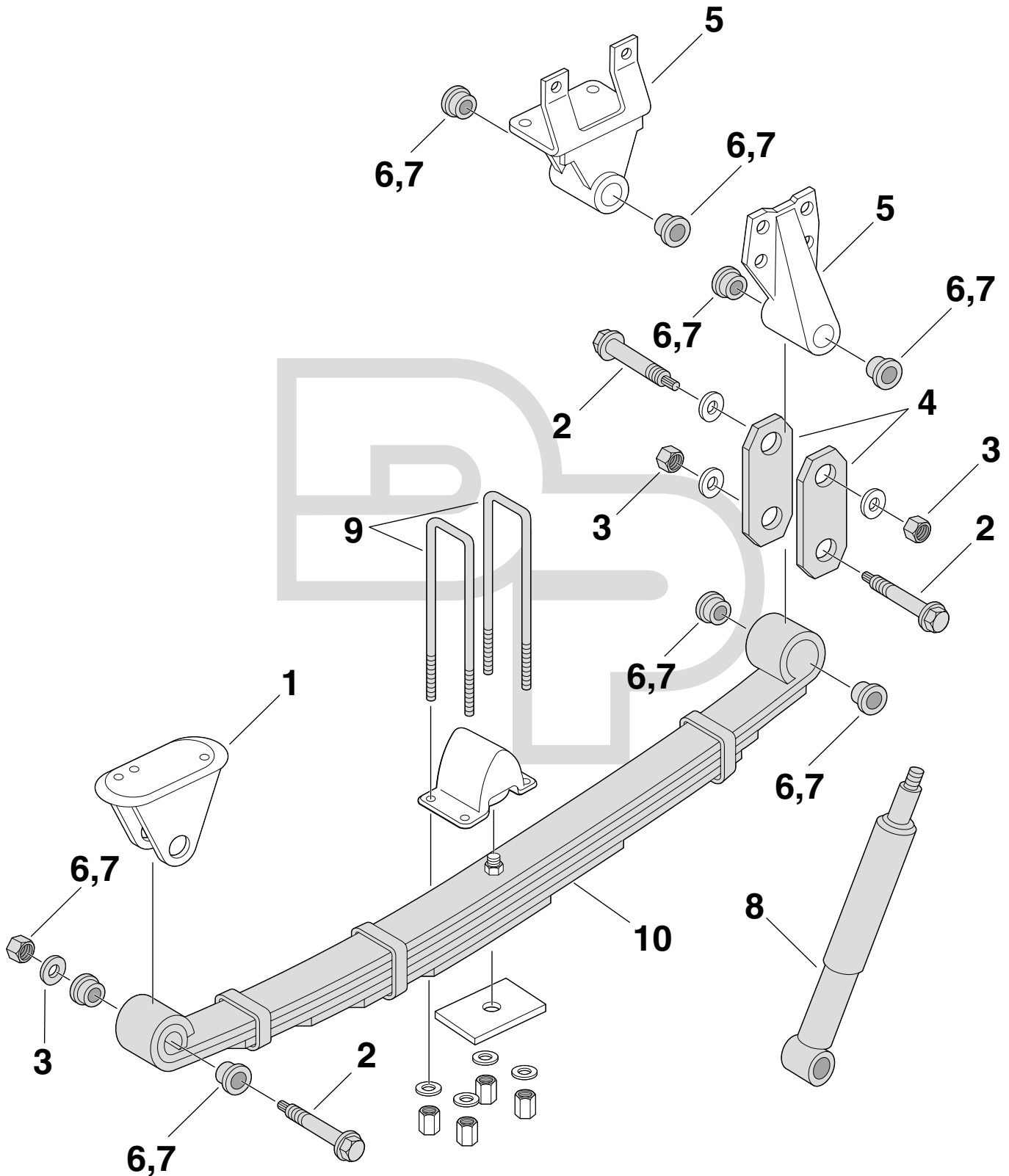
Isuzu

Key No.	Part Number	Description	No. Req.	OEM Reference	Remarks
1	◆	Hanger, Front	2	15641039	w/Multileaf & Taper Springs
	◆	Hanger, Front	2	15641040	w/Multileaf & Taper Springs; w/o Reinforced Frame
	◆	Hanger, Front	2	15641041	w/Multileaf & Taper Springs; w/Reinforced Frame
✓✓● 2	338-1961	Hanger, Rear	2	15641037	w/Taper Spring; 16k-23k
	◆	Hanger, Rear	2	15641043	w/Multileaf Springs; 15k-21k
	◆	Hanger, Rear	2	15641042	w/Multileaf Springs; 19k-21k
3	◆	Bracket, Helper Spring	4	15641070	
4	◆	Shackle	2	15641035	
5	RB-191	Bushing; 22mm ID x 52mm OD x 74mm Lg	2 / 6	15588651	
6	334-909	Bolt; M22-2.5 x 135mm Lg	2	15608999	
✓✓ 7	334-910	Bolt; M22-2.5 x 190mm Lg	2 / 4	15641062	
✓✓ 8	334-911	Nut, Lock; M22-2.5	2 / 6	15609003	
✓✓ 9	361-391	Kit, U-Bolt; Special Bend, Grade 8	4	15624750, 15643019	¾" x 3" x 18 ½" CR3
	361-392	Kit, U-Bolt; Special Bend, Grade 8	4	15642864	7/8" x 3" x 20 ½" CR3
✓✓ 10	M65414	Shock Absorber	2	Various	Consult Shock Catalog for Model Specific Applications
	M66626	Shock Absorber	2		
	M65416	Shock Absorber	2		
	M65413	Shock Absorber	2		
	See Shocks	Shock Absorber	2		
11	◆	Seat, Spring	2	Various	
12	Spring Assembly	Assembly, Spring	2		See Leaf Spring Web Catalog for Details

Parts Listing

Isuzu

Suspension Illustration



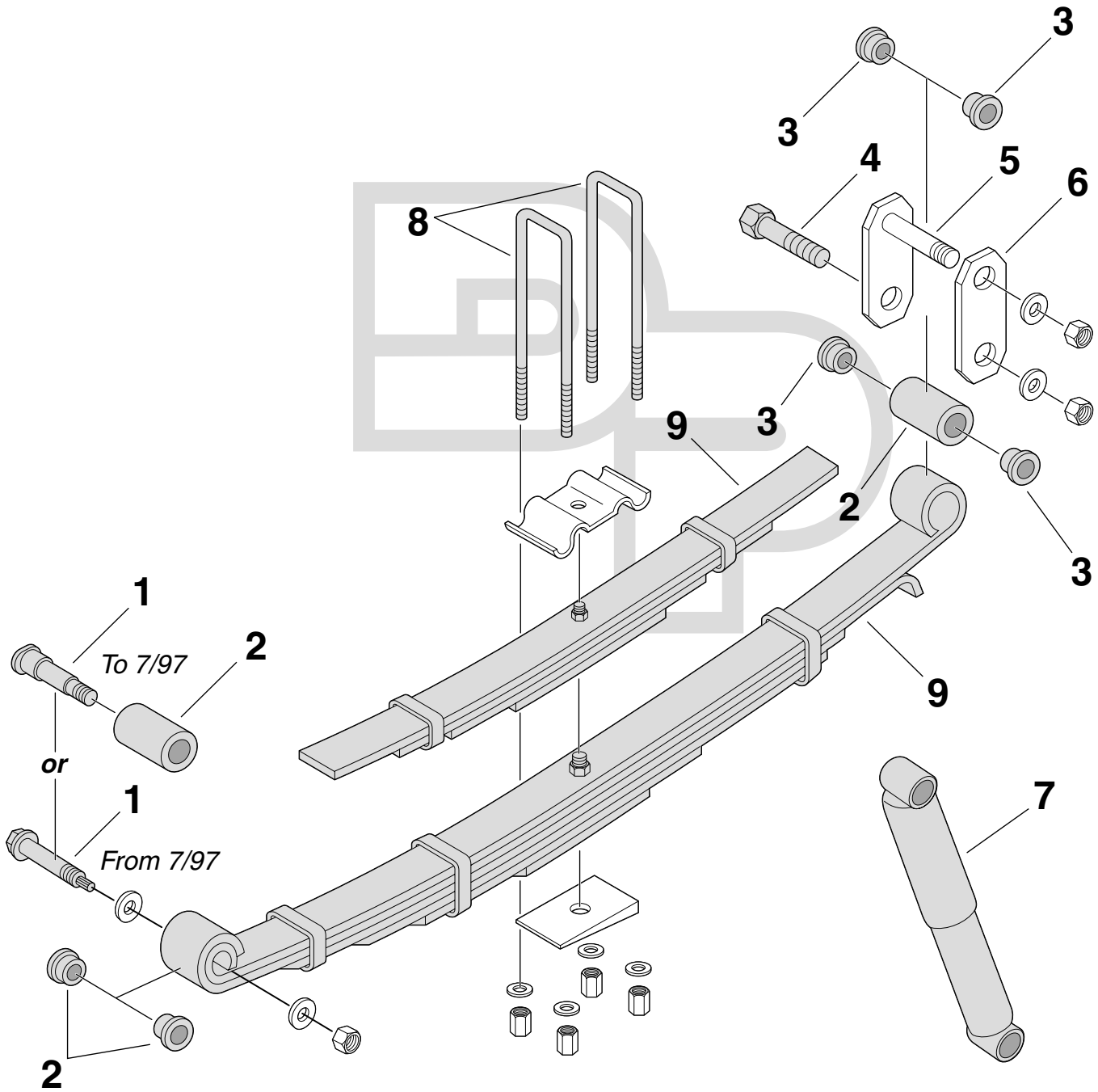
Key No.	Part Number	Description	No. Req.	OEM Reference	Remarks
1	◆	Hanger, Front; RH	1	Various	
	◆	Hanger, Front; LH	1	Various	
2	◆	Bolt; M16 x 115mm Lg	4	8-94423-525-1, 94423525	Use 334-768
	334-913	Bolt; M16-1.5 x 122mm Lg	4	9-51361-602-2, 94032293	Use 334-913
	◆	Bolt; M16x122mm Lg	6	8-97076-850-2, 97076850	
3	334-914	Nut, Lock; M16-1.5	6	1-09449-065-0, 94059212	
4	330-198	Side Bar; 75mm c/c	4	8-94110-399-3, 94110399	
	◆	Side Bar; 90mm c/c	2/4	8-94118-511-0, 94118511	
	◆	Side Bar, Pinned; 90mm c/c	2	8-94118-512-0, 94118512	
5	◆	Hanger, Rear	2	Various	
6	RB-173	Bushing; 16mm ID x 42mm OD x 81mm Lg	AR	8-94130-354-0, 94130354	(1) pc. Per Eye/Hanger
7	RB-186	Bushing; 16mm ID x 40mm OD x 41mm Lg	AR	8-94459-512-0, 94459512	(2) pcs. Per Eye/Hanger
8	M66675	Shock Absorber	2	Various	Consult Shock Catalog for Model Specific Applications
	M66717	Shock Absorber	2		
	M66653	Shock Absorber	2		
	M66601	Shock Absorber	2		
	See Shocks	Shock Absorber	2		
9	SP	U-Bolt; Bent to Order	4		Specify Length, Width, Diameter & Bend
10	Spring Assembly	Assembly, Spring	2		See Leaf Spring Web Catalog for Details

Isuzu

Parts Listing

Isuzu

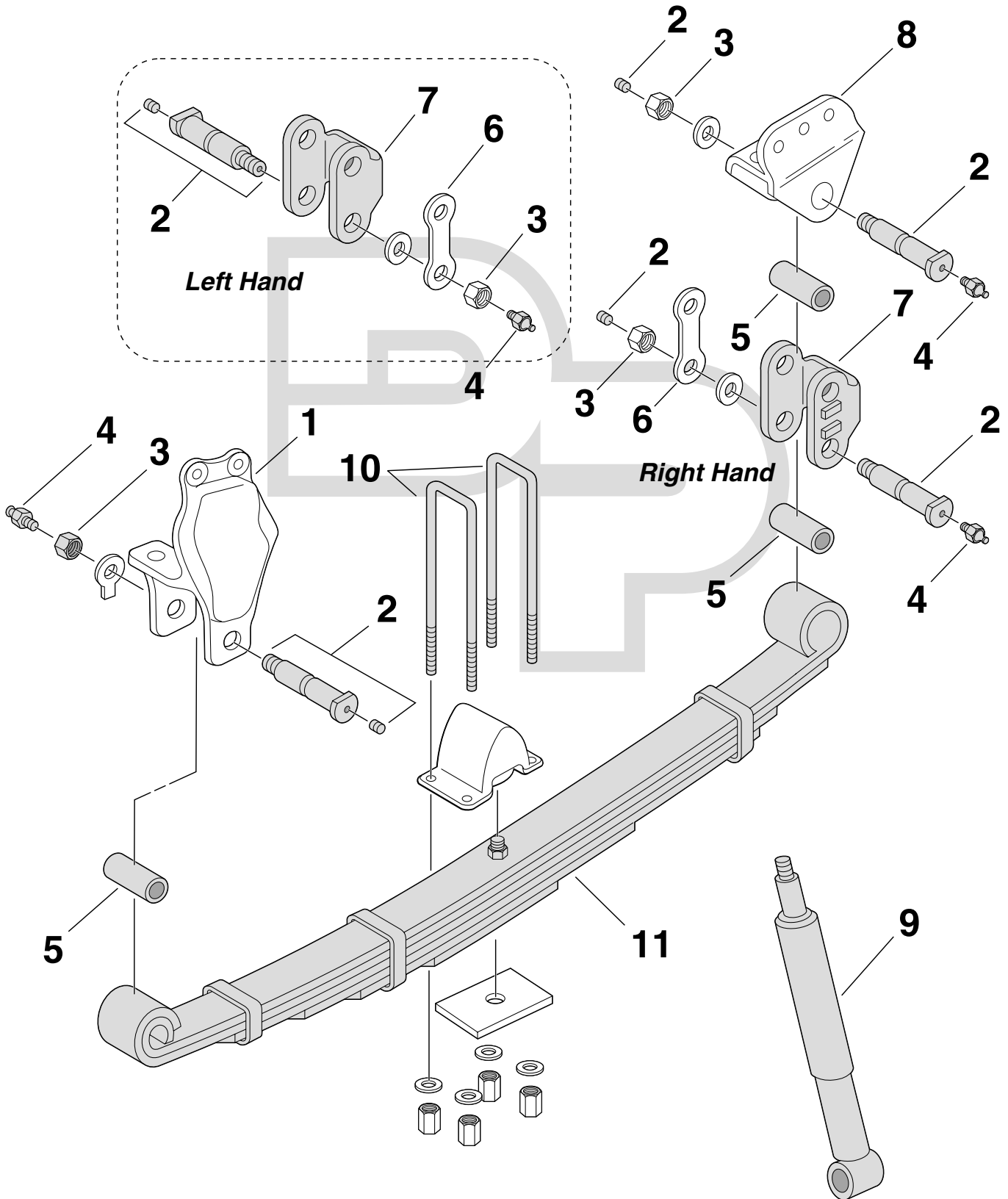
Suspension Illustration



Key No.	Part Number	Description	No. Req.	OEM Reference	Remarks
1	327-493 ◆	Spring Pin; 25mm OD x 115mm Lg x M20-1.5 Thread	2	8-94122-174-3, 94122174	
		Bolt; M18x130mm Lg	2	8-97076-848-0, 97076848	
2	M7-3025 ◆ RB-246	Bushing; 25mm ID x 30mm OD x 70mm Lg	2	9-51151-032-0, 94032292	Use RB-186
		Bushing	4	8-97106-253-0, 97106253	
		Bushing; 18mm ID x 40mm OD x 80mm Lg	2	8-97074-826-0, 97074826	
3	RB-186	Bushing; 16mm ID x 40mm OD x 41mm Lg	8	8-94118-588-1, 94118588	(2) Per; Rear Spring Eye & Shackle Hanger
4	334-913 ◆	Bolt; M16-1.5 x 122mm Lg	2	9-51361-602-2, 94032293	Use 334-913
		Bolt; M16 x 122mm Lg	2	8-97076-850-2, 97076850	
5	◆	Side Bar, Inner; 90mm c/c	2	8-94118-511-3, 94118511	
6	◆	Side Bar, Outer; 90mm c/c; Pinned	2	8-94118-512-4, 94118512	
7	M66618 See Shocks	Shock Absorber	2	Various	Consult Shock Catalog for Model Specific Applications
		Shock Absorber	2		
8	SP	U-Bolt; Bent to Order	4		Specify Length, Width, Diameter & Bend
9	Spring Assembly	Assembly, Spring	2		See Leaf Spring Web Catalog for Details

Isuzu

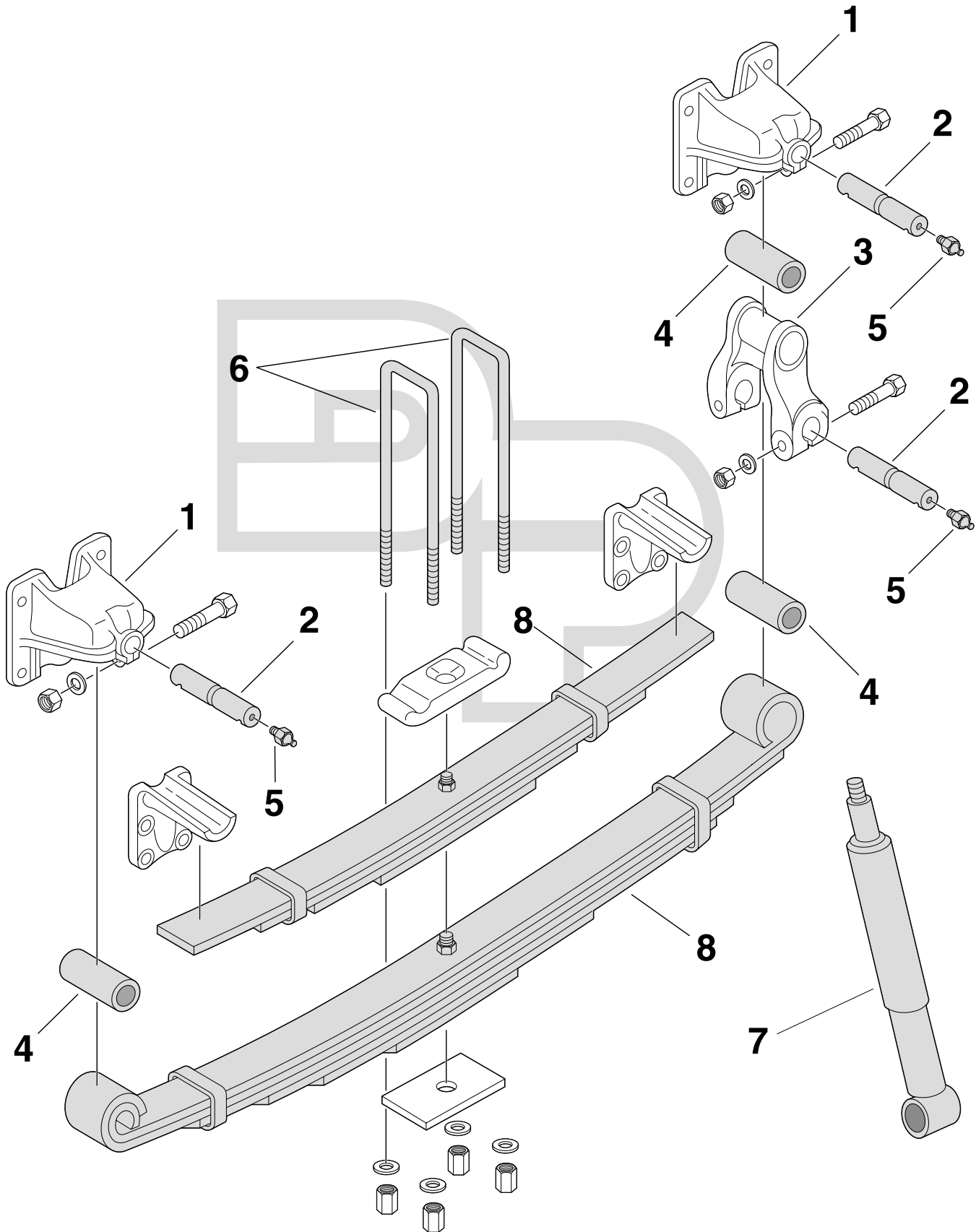
Suspension Illustration



Key No.	Part Number	Description	No. Req.	OEM Reference	Remarks
✓✓●	1	◆ Hanger, Front	2	Various	
	2	327-499 Spring Pin; 25mm OD x 112mm Lg x M22-1.5 Thread	6	1-51161-004-3, 1-51161-005-3	
	3	◆ Nut, Hex; Spring Pin; M22-1.5	6	9-09031-010-0, 94000013	
✓	4	334-475 Fitting, Straight Zerk; 1/8"-27NPT	6		
	5	M7-3025 Bushing; 25mm ID x 30mm OD x 70mm Lg	6	9-51151-032-0, 94032292	
	6	◆ Strap, Lock	2	1-51162-016-0, 94050898	From 11/87
✓✓●	7	330-362 Shackle	2	1-51162-037-0, 94050897	
	8	◆ Hanger, Rear; LH/RH	2	Various	
	9	M66601 Shock Absorber	2		
		M66677 Shock Absorber	2		
	10	SP U-Bolt; Bent to Order	4		Specify Length, Width, Diameter & Bend
	11	Spring Assembly	2		See Leaf Spring Web Catalog for Details

Isuzu

Suspension Illustration



Key No.	Part Number	Description	No. Req.	OEM Reference	Remarks
1	◆	Hanger, Front & Rear	4	1-53353-076-1, 94051785	
✓ 2	327-495	Spring Pin; 25mm OD x 115mm Lg	6	1-51361-XXX-X	DP Replaces All OE Versions
3	◆	Shackle	2	1-51362-032-0, 94050902	From 01/88
	◆	Shackle	2	1-51362-038-1, 94057026	
4	M7-3025	Bushing; 25mm ID x 30mm OD x 70mm Lg	6	1-51151-032-0, 94032292	
✓ 5	334-475	Fitting, Straight Zerk; 1/8"-27NPT	6		
6	SP	U-Bolt; Bent to Order	4		Specify Length, Width, Diameter & Bend
7	See Shocks	Shock Absorber	2	Various	Consult Shock Catalog for Model Specific Applications
8	Spring Assembly	Assembly, Spring	2		See Leaf Spring Web Catalog for Details

Isuzu

Parts Listing

330-354



Shackle Assembly; Models FSR, FTR, FVR, FXR, F & T - Front

330-362



Shackle; Model FRR - Front

338-1959



Hanger; Models FSR, FTR, FVR, FXR, F & T - Front

338-1960



Hanger; Cast; Models FSR, FTR, FVR, FXR, F & T - Front

338-1961



Hanger; w/Taper Spring 16K-23K; Models FSR/FTR/FVR, F6/F7 - Rear

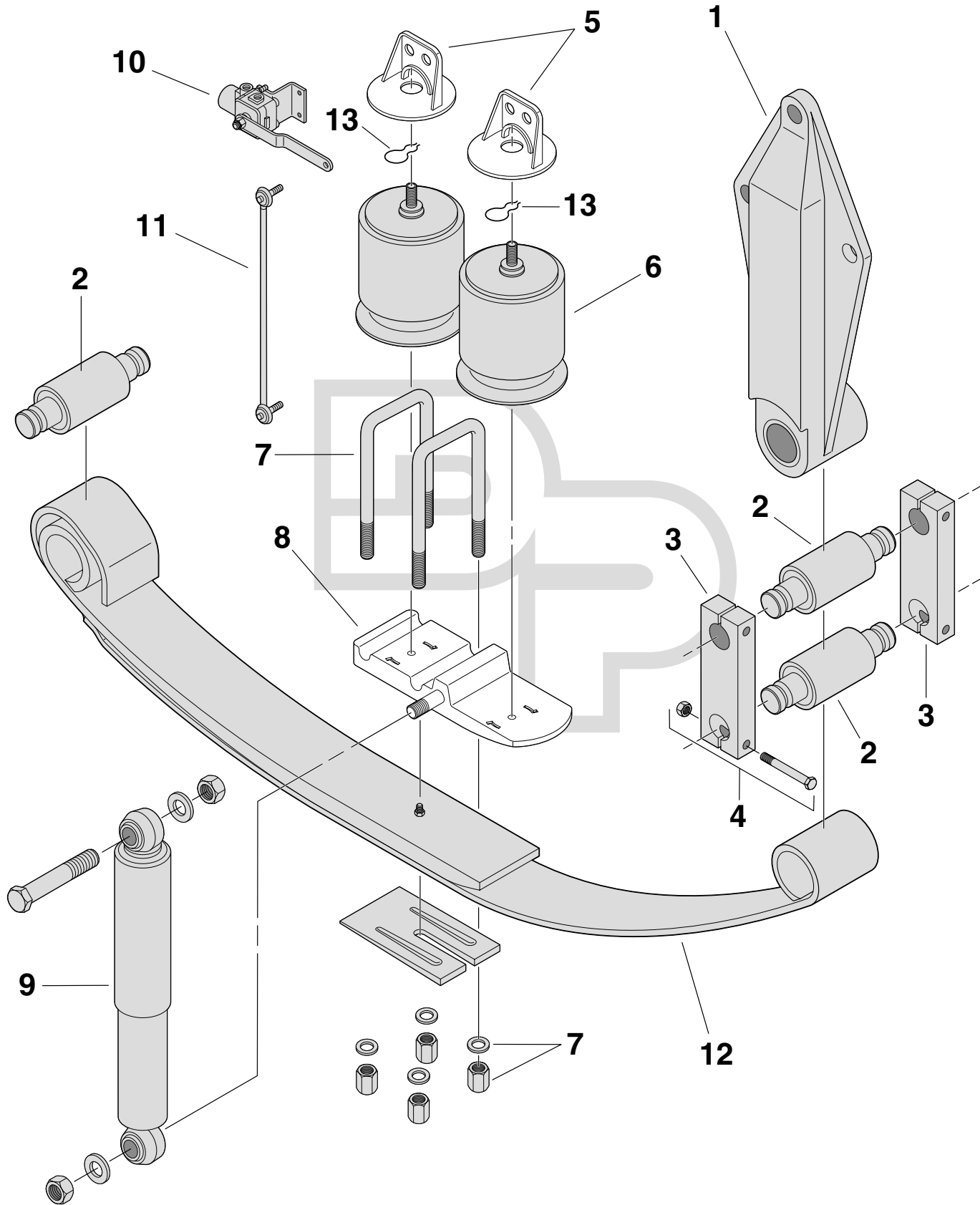
MODEL	PAGE
Air Glide 130® (Peterbilt Front Air Leaf®) Front Air Suspension	504, 505
C500, K100/300, W900, T300/400/450/600/800, T2000 Front Suspensions	506, 507
Air Glide 210/400L "Twisted Sister" (Peterbilt Low Mount Air Leaf®)	
Rear Air Suspension	508, 509
Airglide® 200/400 Rear Air Suspension	510-513
Airglide® 100 Rear Air Suspension	514, 515
Glide Ride® Rear Four Spring Suspension	516, 517
Big 6® (KW6-50) Rear Spring Suspension	518, 519
Suspension Component Photos	520-527

Air Glide® 130
 (Peterbilt Front Air Leaf®)
Front Air Suspension

Kenworth

Kenworth

Suspension Illustration



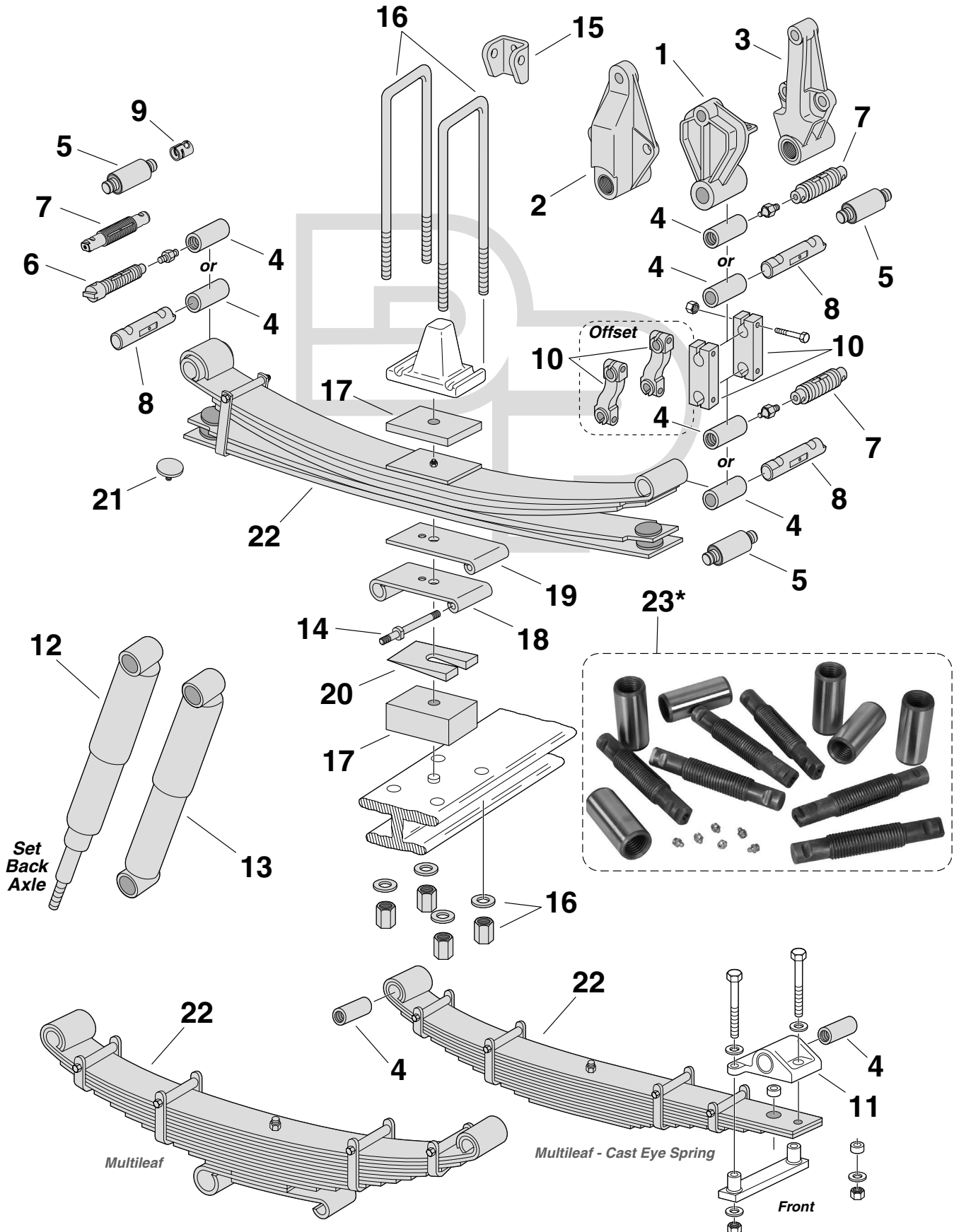
Key No.	Part Number	Description	No. Req.	OEM Reference	Remarks
1	338-2349	Hanger	2	B11-6035-001	w/RB-328
✓✓	RB-328	Bushing; 1 3/4"OD x 6 1/16"Lg x 5 7/16" c/c	4	B65-6005	
	RB-295	Bushing; 1 3/4"OD x 7 1/2"Lg x 6.3" c/c	6	B65-1006	T2000
3	330-102	Side Bar; 6 5/16"Lg x 4" c/c x 1 1/4"Thk, 1 1/16" Pin Holes	4	22QK39301	
4	334-550	Assembly, Bolt; 1/2"-20 x 3"Lg	2		
5	◆	Bracket, Spring	2	Various	
6	353-9933	Air Spring	2	B81-6023	W26 358 9933
7	361-689	Kit, U-Bolt; 3/4" x 4" x 7"Lg, Square Bend	4	B34-6007-170	
8	◆	Plate, Top	2	Various	
9	M65541	Shock Absorber	2	B71-6012	
✓●	334-1647	Valve, Height Control; Universal	1		
✓●	334-751	Linkage Assembly; Universal; Adjustable	1	HPB450-3	3 5/8"-19 5/8" Range; Use w/All Height Control Valves
12	Spring Assembly	Assembly, Spring	2	Various	See Leaf Spring Web Catalog for Details
13	◆	Clip, Hair Pin	4		

**C500, K100/300, W900
T300/400/450/600/800, T2000
Front Suspensions**

Kenworth

Kenworth

Suspension Illustration



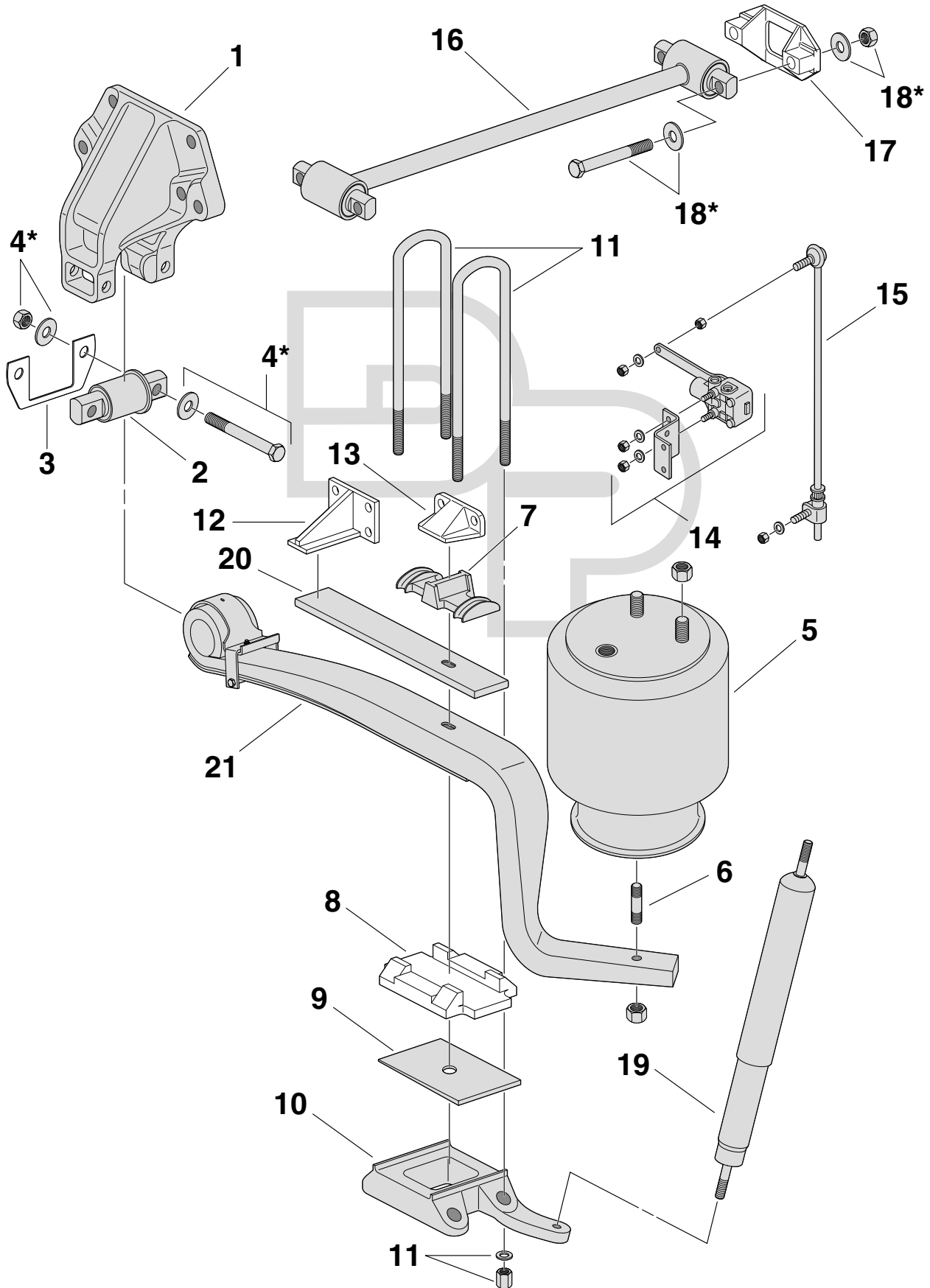
Key No.	Part Number	Description	No. Req.	OEM Reference	Remarks
✓✓●	1	338-1835 Hanger	2	K056-508, K056-598	Incl. TB-68 Bushing; Replaces K056-474
✓✓●		338-2135 Hanger	2	K056-596, K056-595	Incl. 322-141 Bushing
✓●	2	338-1898 Hanger, Shackle	2	B11-1034-2, 02-04001M002	Incl. 322-141 Bushing
✓●		338-2032 Hanger, Shackle	2	B11-1034-1	Incl. RB-295 Bushing; PACCAR Chassis
●		338-2099 Hanger, Shackle	2	B11-1034-4	Incl. RB-249 Bushing
✓●		338-2100 Hanger, Shackle	2	B11-1031-5	Incl. TB-77 Bushing; PACCAR Chassis
✓●		338-2101 Hanger, Shackle	2	B11-1034-6	Incl. RB-328 Bushing; PACCAR Chassis
✓●	3	338-2172-01 Hanger; Threaded Bushing	2	B11-1039, 20436985	TB-81 Threaded Bushing
●		338-2172-02 Hanger; Rubber Bushing	2	B11-1091-001, 20436985	RB-324 Rubber Bushing
●		338-2172-03 Hanger; Rubber Bushing	2	B11-1091-002, 20436985	RB-308 Rubber Bushing
✓✓	4	RNK-BM Bushing; 1 1/4"ID x 1 1/2"OD x 4"Lg	6		Use w/327-483 Spring Pin
✓✓●		322-141 Bushing; w/Seals	6	HBU544	Graphite Imprgd. ID w/Seals; Use w/327-483 Spring Pin
✓✓		TB-68 Bushing; 1 3/4"OD x 4"Lg x 1 3/8"-6 Thread	6	5295	Use w/327-306 & 327-297 Spring Pins
✓✓		TB-77 Bushing, Threaded; Metric	6	B13-1000	
✓✓		TB-81 Bushing, Threaded; Metric	6	B13-1002	
✓✓	5	RB-249 Bushing; 1 3/4"OD x 7 1/8"Lg x 5 3/4" c/c	6	B65-1001	
✓		RB-295 Bushing; 1 3/4"OD x 7 1/2"Lg x 6.3" c/c	6	B65-1006	
✓		RB-308 Bushing; 2 1/16"OD x 7 1/2"Lg x 6.3 c/c	6	B65-1007	
✓		RB-324 Bushing; 2 1/16"OD x 6 1/16"Lg x 5 7/16" c/c	6	B65-1013, B65-6006	
✓✓		RB-328 Bushing; 1 3/4"OD x 6 1/16"Lg x 5 7/16" c/c	6	B65-6005	
✓✓		RB-338 Bushing; 5/8"ID x 1 3/4"OD x 4 1/4"Lg	6	B65-6010	Medium Duty Models, 2009+
✓●	6	327-306 Spring Pin, Threaded; 1 3/8"-6 x 7 3/8"Lg	2	K179-378	Grease Fitting in Small End
✓✓●		327-297 Spring Pin, Threaded; 1 3/8"-6 x 7 3/8"Lg	2	6262	w/ 1/2" Lock Pin Slots
✓✓●	7	327-434 Spring Pin, Threaded; 1 3/8" -6 x 5 3/4" c/c	4	5296	
✓✓		327-537 Spring Pin, Threaded; Metric	6	B65-1002	5.75 c/c
✓✓		327-540 Spring Pin, Threaded; Metric	6	B65-1008	6.30 c/c
✓✓		327-544 Spring Pin, Threaded; Metric	6	B65-6008	
✓✓	8	327-483 Spring Pin; 1 1/4"OD x 6 7/8"Lg x 5 5/16" c/c	6	K179-527	
●	9	334-1923 Sleeve, Adapter	6	K220-605	Use w/RB-249
●	10	330-126 Side Bar, Offset	4	K209-55, K209-54	Cabover, Standard; T2000
✓✓●		330-168 Side Bar, Offset	4	K209-82,87, K209-8,89	
✓✓●		330-125 Side Bar; 6 5/16"Lg x 4" c/c	4	K209-75, K209-36	Conventional, Standard; Cabover, Optional
●		◆ Side Bar; 2"W x 6"Lg x 3 1/2" c/c	4	P162-563	T300 & K300(KW); 200-30/33; 330
●		330-406 Side Bar; Bent Type; 4" c/c	4	K20-993	
●		330-407 Side Bar; Bent Type; 6" c/c	4	K20-994	
	11	◆ Casting, Eye	2	K262-34	Incl. TB-68 Bushing
	12	M66966 Shock Absorber	2		
✓	13	M66811 Shock Absorber	2		
		M65102 Shock Absorber	2		
		M66423 Shock Absorber	2		
		M66966 Shock Absorber	2		
		M66707 Shock Absorber	2		
		See Shocks Shock Absorber	2	Various	Consult Shock Catalog for Model Specific Applications
	14	334-2088 Stud, Mounting; Shock Absorber	2	K233-509	
		334-2089 Stud, Mounting; Shock Absorber	2	K233-520	Lower; Heavy Duty
	15	334-2215 Bracket, Shock; Upper	2	K324-491	T Series
✓✓	16	361-475 Kit, U-Bolt; Square Bend; Grade 8	4	K241-309	3/4" x 4" x 8 7/8" S
✓✓		361-206 Kit, U-Bolt; Special Bend; Grade 8	4	K241-258	3/4" x 4" x 11 1/8" HS
		361-208 Kit, U-Bolt; Special Bend; Grade 8	4	K241-414	7/8" x 4" x 11" HS
		361-200 Kit, U-Bolt; Square Bend; Grade 8	4	K241-296, K241-258	3/4" x 4" x 12 7/8" S
		361-675 Kit, U-Bolt; Semi-Round Bend; Grade 8	4	K241-448, K241-414	7/8" x 4" x 11"
✓●	17	338-1976 Spacer; 1/2"	2	K221-4785	Iron Replacement
●		338-1977 Spacer; 2"	2	K221-4293	Iron Replacement
●		338-2384 Spacer; 1"	2	K221-4737	
●	18	334-1833 Bracket, Shock Absorber/Tow Eye	2	K324-479	7 5/16"; 1" Eye
●	19	334-1638 Bracket, Shock Absorber	2	K324-383	7 5/16"; 1" Eye
		334-1987 Bracket, Shock Absorber	2	K324-409	8 1/4"; 1" Eye
		334-1988 Bracket, Shock Absorber	2	K324-493	7 7/16"; 1" Eye
		334-2216 Bracket, Shock Absorber	2	B11-1018	5"; 1" Eye
	20	See Chart Wedge, Caster	2		
	21	PAD-101 Insert, Tip; Urethane	AR		
	22	Spring Assembly Assembly, Spring	2		See Leaf Spring Web Catalog for Details
✓✓	23	339-308 Kit, Service; RB to TB Conversion	1		Repl. (6)RB-295 w/Threaded Pins & Bushings (Shown)
✓✓		339-309 Kit, Service; RB to TB Conversion	1		Repl. (2)RB-295 & (4)RB-328 w/Thrd. Pins & Bushings
✓		339-310 Kit, Service; RB to TB Conversion	1		Repl. (2)RB-308 & (4)RB-324 w/Thrd. Pins & Bushings
		339-311 Kit, Service; RB to TB Conversion	1		Repl. (6)RB-308 w/Threaded Pins & Bushings
		339-312 Kit, Service; RB to TB Conversion	1		Repl. (6)RB-249 w/Threaded Pins & Bushings

Air Glide® 210/400L "Twisted Sister"
 (Peterbilt Low Mount Air Leaf®)
Rear Air Suspension

Kenworth

Kenworth

Suspension Illustration

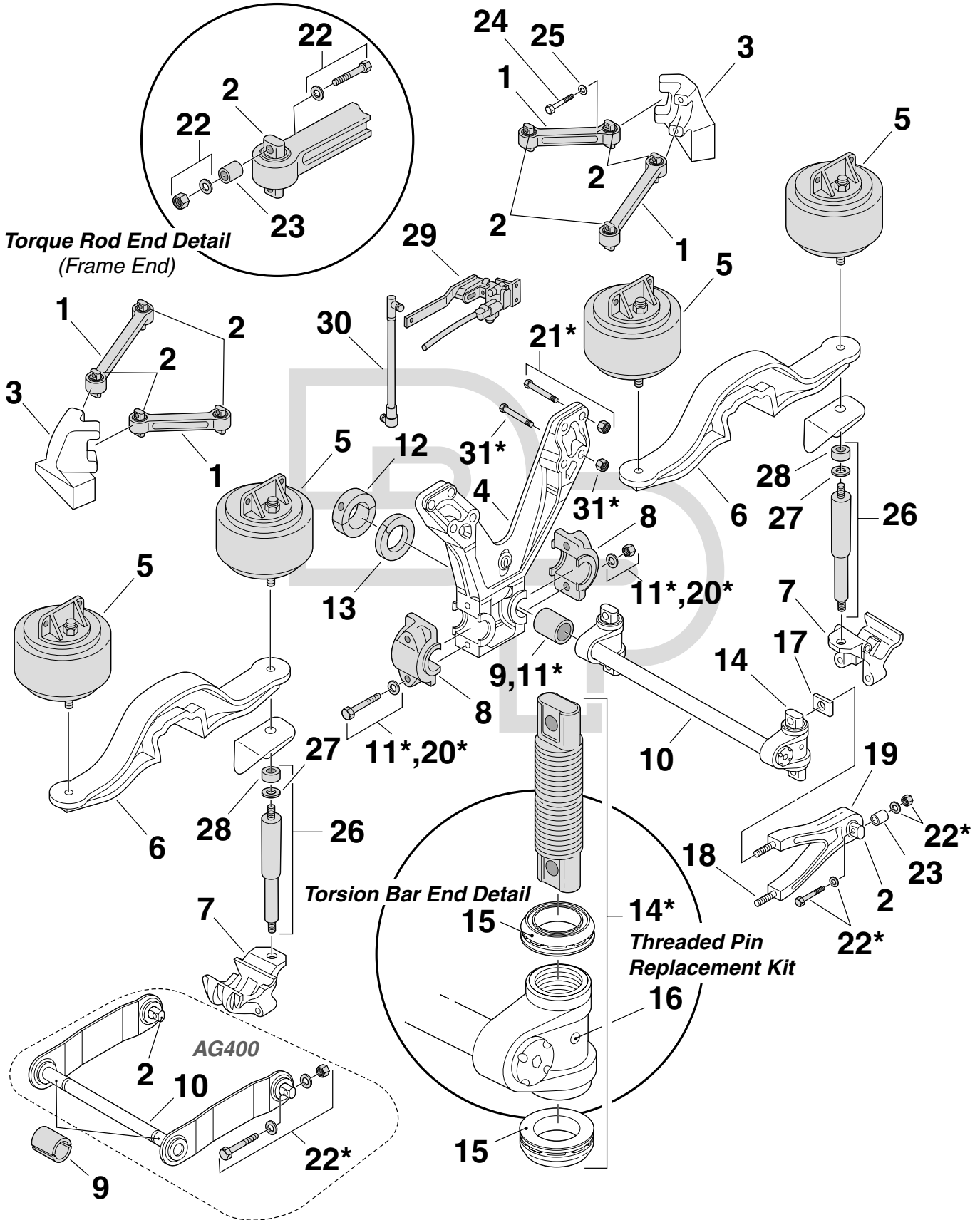


Key Numbers with an asterisk (*) indicate a kit or assembly.

Key No.	Part Number	Description	No. Req.	OEM Reference	Remarks
● 1	338-2300	Hanger	2	C11-1124	
✓ ● 2	RB-268	Bushing, Anti-walk	2		
	◆	Shim, Alignment	AR	03-08782-002	1.5mm; Use 334-526
	334-2015	Assembly, Bolt; M20 x 180mm Lg	4	27-01113-180	
	352-8864	Air Spring	2	C81-1011	
	334-2087	Stud; ½" x 8"Lg	2	27-01746	
● 7	338-2301	Saddle, U-Bolt	2	03-08712	
	◆	Seat, Axle	2	Various	
	A-4xx	Wedge, Camber	4	Various	See Chart on Page 1091
● 10	338-2354	Clamp, Axle; Shock Mount; LH	1	C16-6001M00, C16-6001M02	
●	338-2355	Clamp, Axle; Shock Mount; RH	1	C16-6001M0R	
	361-374	Kit, U-Bolt; Round Bend, Grade 8	2	03-08693-365	7/8" x 3" x 14 ½" R; OEM is Metric
	◆	Bracket, Helper	2		
	◆	Stop, Axle	2		
✓ ● 14	334-1648	Valve, Height Control; w/Dump	1	57977	w/Integral Dump
✓ ● 15	334-751	Linkage Assembly; Universal; Adjustable	1	HPB450-3	3 5/8"-19 5/8" Range; Use w/All Height Control Valves
● 16	345-905	Rod, Track; 25 9/16" Lg c/c, 0°/0°	2	TR030020010	Non-Replacable Bushing
	◆	Bracket, Torque Rod	2	03-06830	
	SP	Kit, Bolt; M16 x 2 x 130mm Lg	2	27-01118-130	Use 334-1317
	M65468	Shock Absorber	2	03-08781	
	SP	Spring, Helper	2		See Leaf Spring Web Catalog for Details
	Spring Assembly	Assembly, Spring	2		See Leaf Spring Web Catalog for Details

Kenworth

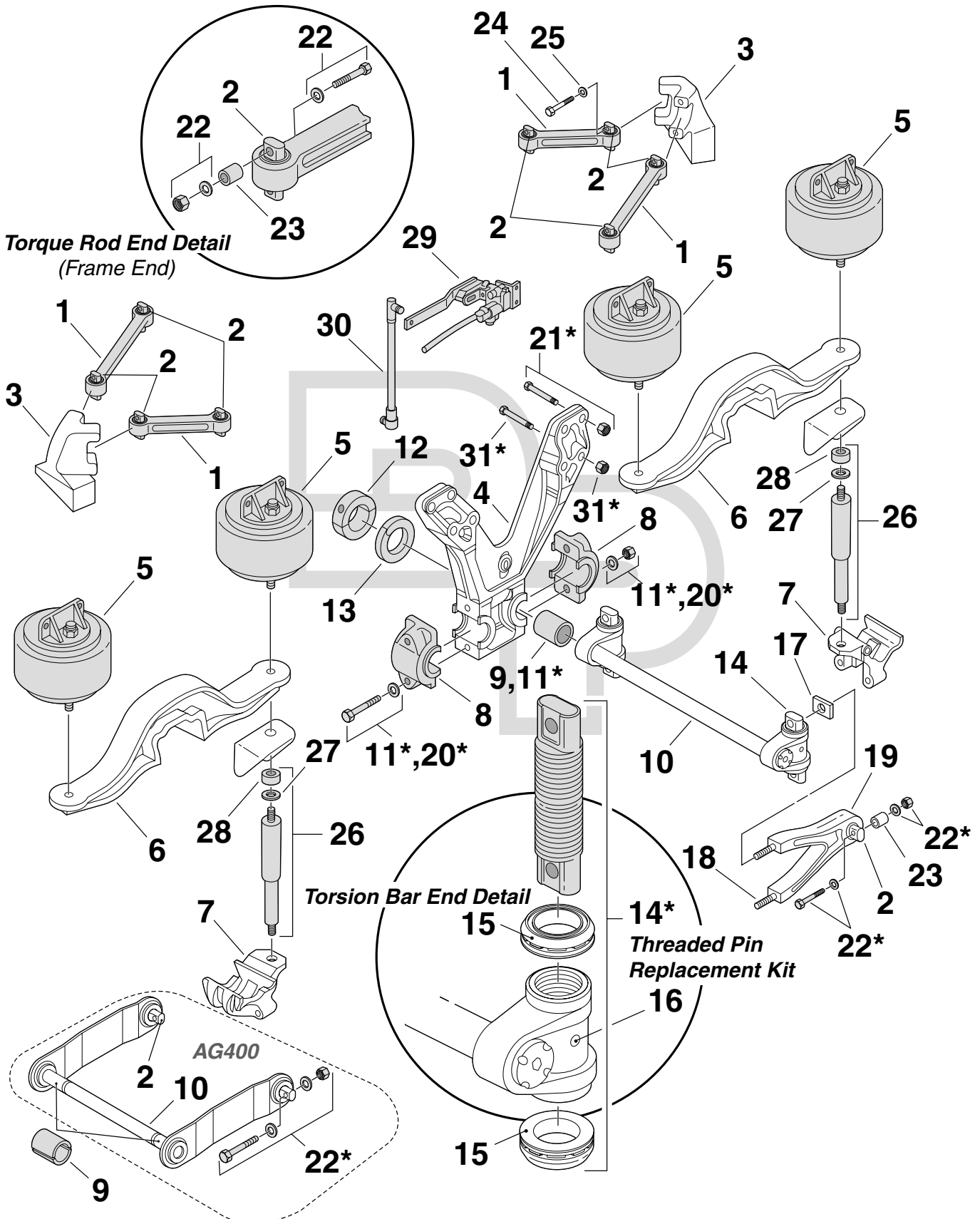
Suspension Illustration



Key No.	Part Number	Description	No. Req.	OEM Reference	Remarks	
	1	345-919	Assembly, Torque Rod	4	K195-474	
✓✓●	2	321-369	Bushing; 2 ¾"OD, 4 ⅜" c/c	12	836940	Heavy Duty High Confinement
✓✓●		321-369S	Bushing	12	836940	Aftermarket Service Part
	3	◆	Bracket, Torque Rod; Front & Rear	1	Various	
	4	◆	Bracket, Frame; Center	2	K272-187	
	5	352-9617	Air Spring	8	K303-18	
		352-9618	Air Spring	8	K303-19	
		352-9622	Air Spring	8	K303-22	
✓✓		352-9625	Air Spring	8	K303-25	
		352-9675	Air Spring	8	K303-28	
		352-9541	Air Spring	8	C81-1005	
		352-9547	Air Spring	8	C81-1004	
	6	◆	Beam, Air Spring	4	Various	
	7	◆	Seat, Axle; Front & Rear	4	Various	
	8	338-2299	Cap, Frame Bracket	4	K071-429	
✓●	9	320-200	Bushing, Torsion Bar; 54 mm; Standard	4	K066-450	40k Suspension
		320-200U	Bushing, Torsion Bar; 54 mm; Urethane	4		
✓●		320-200A	Bushing, Torsion Bar; 54mm; Over Size OD	AR	K066-478	40k Suspension
✓✓		320-201	Bushing, Torsion Bar; 58 mm; Standard	4	K066-460	46k Suspension
		320-201U	Bushing, Torsion Bar; 58 mm; Urethane	4		
		320-201A	Bushing, Torsion Bar; 58 mm; Over Size OD	AR	K066-477	46k Suspension
●		320-208	Bushing, Torsion Bar; 58mm	4	C13-1005	AG460
✓✓●		320-212	Bushing, Torsion Bar; 54mm	4	C13-1004	AG460
✓✓	10	334-1794	Assembly, Torsion Bar; 19 ½" Arm	2	C65-1000	AG460; 52" Axle Spacing; To retrofit AG200/400
		334-1795	Assembly, Torsion Bar; 20 ½" Arm	2	C65-1001	AG460; 54" Axle Spacing; To retrofit AG200/400
✓✓●	11	334-1796	Kit, Service; Torsion Bar; Replacement/Retrofit	1	C13-1007	AG460; (1) Bar; (2) Bushings & Hdwe.
		334-1796A	Kit, Service; Torsion Bar; Replacement/Retrofit	1		AG460; (2) Bars; (4) Bushings & Hdwe.
	12	◆	Bearing, Collar	4	2SC212	Before 04/97
✓✓		334-1620	Assembly, Collar; 54mm	4	K220-598	40k; Incl. SHCS
✓✓		334-1621	Assembly, Collar; 58mm	4	K066-599	46k; Incl. SHCS
✓●	13	320-202	Bearing, Thrust; 54mm	4	K066-502-1, K066-454	
✓✓●		320-203	Bearing, Thrust; 58mm	4	K066-502-2, K066-461	
✓●	14	334-1617	Kit, Service; Threaded Pin Replacement	4	K345-5156, K345-5032	Incl. Pin & Seals
	15	◆	Seal, Grease	4		Available w/Pin Only
		◆	Seal, Grease	4	K207-1165, K207-1085	Old Style; Not Shown; Not Available
		◆	Retainer, Grease Seal; Outer	4	K198-1242	Old Style; Not Shown; Not Available
		◆	Retainer, Grease Seal; Inner	4	K198-1243	Old Style; Not Shown; Not Available
	16	12-12102	Plug	2	3331661	Can Use 334-475 Zerk Fitting
	17	◆	Spacer	8	K221-4842	
	18	◆	Stud, Torsion Bar Arm; M20 x 155mm Lg	1	K233542	Before 08/97
		◆	Stud, Torsion Bar Arm; M20 x 117mm Lg	1	K233-552	After 08/97
	19	◆	Assembly, Torsion Bar Arm; Incl. Bushing & Stud	4	K029-318	Before 08/97
		◆	Assembly, Torsion Bar Arm; Incl. Bushing & Stud	4	K029-324	After 08/97
✓✓	20	334-1806	Assembly, Bolt; M16-2.0 x 290mm Lg	AR	K041-712-290P	Incl. Bolt & Hdwe.
✓✓	21	334-1330	Assembly, Bolt; M16-2.0 x 160mm Lg	8	K041-712-160P	Incl. Bolt & Hdwe.
✓✓	22	334-1331	Assembly, Bolt; M16-2.0 x 120mm Lg	AR	K041-712-130P	Incl. Bolt & Hdwe.

Kenworth

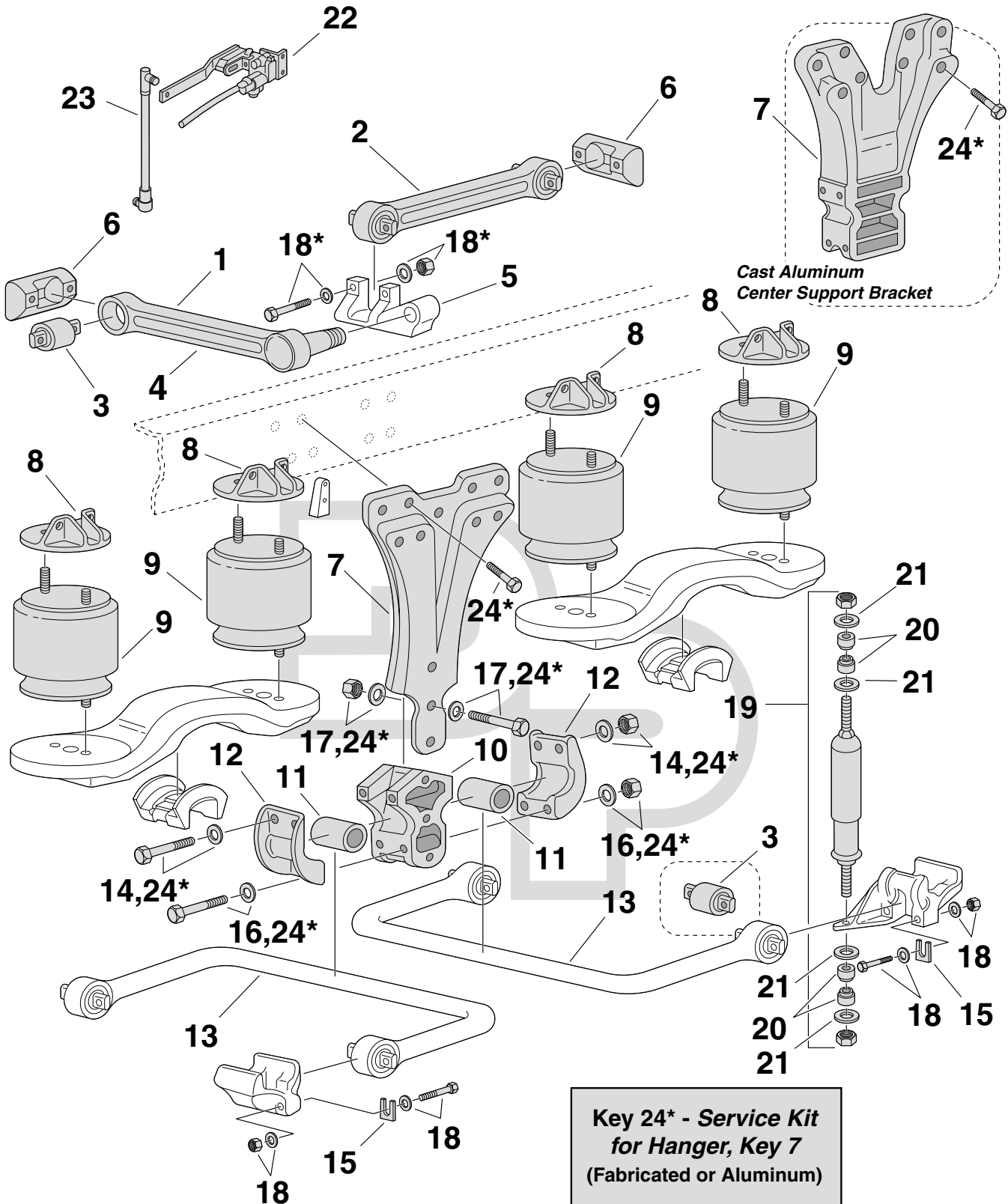
Suspension Illustration



Key No.	Part Number	Description	No. Req.	OEM Reference	Remarks
23	◆	Spacers, Alignment	AR	K221-952-XX, Various	
24	◆	Bolt; M16 x 80mm Lg	AR	K041-712-80P	
	◆	Bolt; M16 x 100mm Lg	AR	K041-712-100P	
25	SFW-58	Washer, Flat; 5/8"	AR		
✓ 26	M65436 M65524 M65523 See Shocks	Shock Absorber Shock Absorber Shock Absorber Shock Absorber	4 4 4 4	Various	Consult Shock Catalog for Model Specific Applications
● 27	334-1334	Washer, Shock Absorber; 2 1/32"ID x 2 3/16"OD x 1/8"Thk	16	K198-810	Cupped
● 28	320-178	Bushing, Shock Absorber	16	K066-266	
✓✓ ● 29	334-750	Valve, Height Control; Universal	1		
✓ ● 30	334-751	Linkage Assembly; Universal; Adjustable	1		3 5/8"-19 5/8" Range; Use w/All Height Control Valves
31	◆	Assembly, Bolt; M16 x 130mm Lg	8	K041-712-130P	Use 334-1317

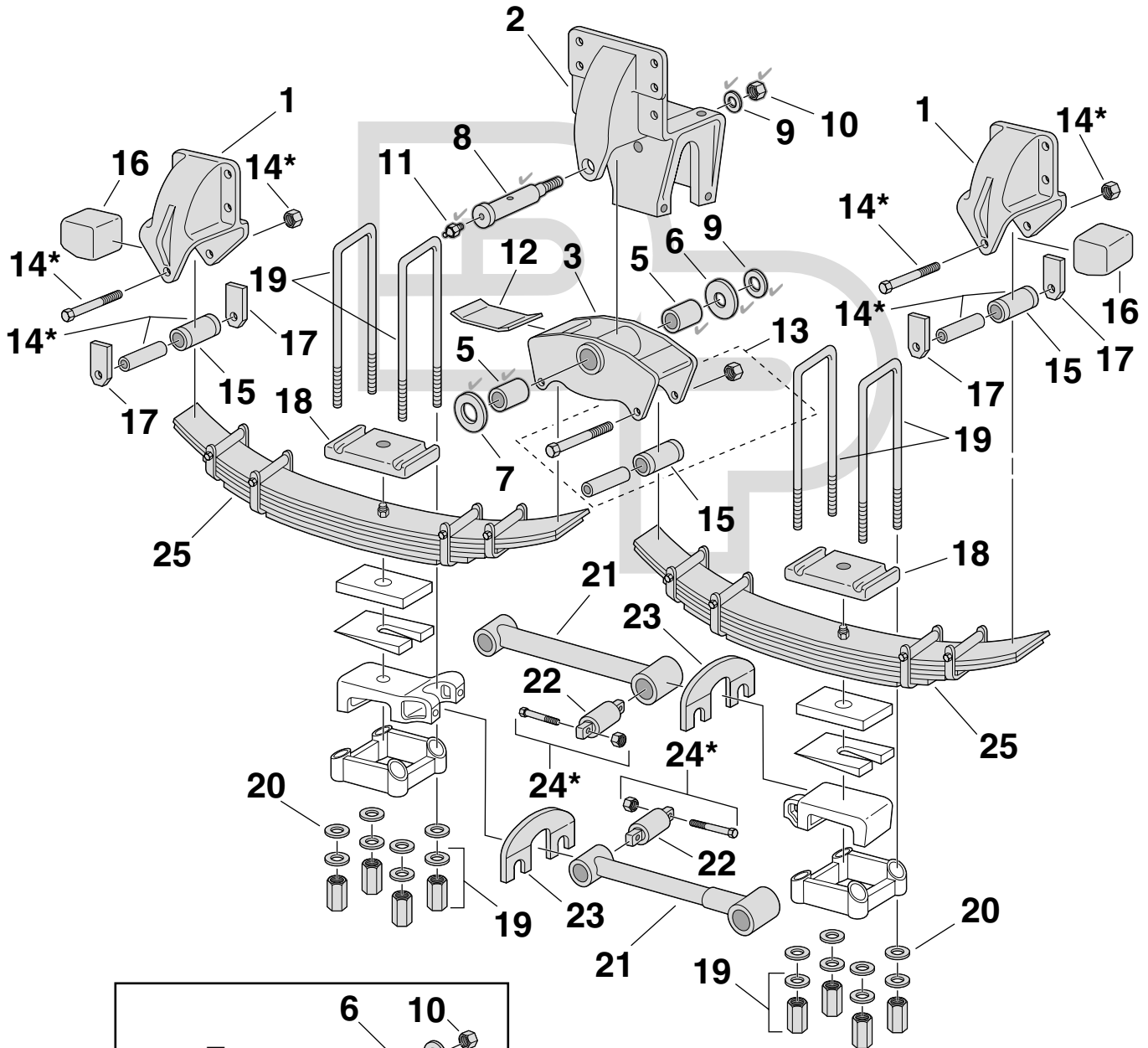
Kenworth

Suspension Illustration

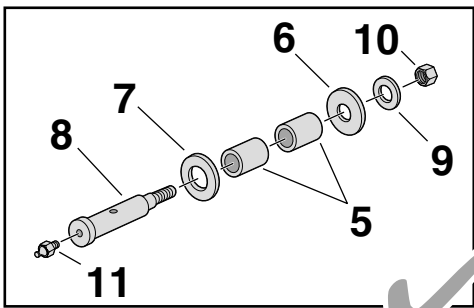


Key No.	Part Number	Description	No. Req.	OEM Reference	Remarks
1	345-885	Assembly, Track Rod; 24" Lg c/c	2	K195-376, 944270	
	345-886	Assembly, Track Rod; 25" Lg c/c	2	925150	
2	345-887	Assembly, Torque Rod; 24" Lg c/c	2	K195-375, 925031	
✓✓● 3	321-132	Bushing; Straddlemount; 2 3/4"OD x 4 3/8" c/c	2	44695, 227720	For 5/8" Bolts & 1 1/4" Forged Rod
	321-132U	Bushing, Urethane	2		
✓✓● 4	321-133	Bushing, Taper Stud Type	2	44697	Use w/944270, 925150 & K195-376 Rods
	321-133U	Bushing, Urethane	2		
5	◆	Bracket, Torque Rod	2	K055-267	
6	338-2245	Bracket, Torque Rod	4	K055-405	OEM is Aluminum
✓✓● 7	338-1368	Bracket; Fabricated	2	K272-145	
	338-1841	Bracket; Cast	2	K274-184	Aluminum; 1994 & Up
✓✓● 8	338-1844	Bracket, Air Spring	8	K048-449	Upper
✓ 9	352-9422	Air Spring	8	K303-6/14/15	
	352-9415	Air Spring	8	K102A, K303-5	
✓● 10	338-1842	Mount, Stabilizer Bar	2	K197-2943	
✓✓● 11	320-150	Bushing; Stabilizer Bar	4	K066-58	
✓✓●	320-150U	Bushing, Urethane; Stabilizer Bar	4	K066-293	
12	338-1843	Cap, Stabilizer Bar Mount	4	K071-304	
13	◆	Stabilizer Bar	2	K202-1730	
✓✓ 14	334-1329	Assembly, Bolt; M16-2.0 x 260mm	4	K041-712-260P, K144-145-24	Incl. Bolt & Hdwe.
✓✓	334-1335	Assembly, Bolt; M20-2.5 x 260mm	4	K041-724-260P, K144-145-24	Incl. Bolt & Hdwe.
✓✓● 15	334-1332	Shim; 1 1/4" x 1 1/4" x 1/16"Thk	16	K221-922-2	
	334-1333	Shim; 1 1/4" x 1 1/4" x 1/8"Thk	16	K221-922-3	
✓✓	334-1330	Assembly, Bolt; M16-2.0 x 160mm	4	K041-717-160P	Early; Incl. Bolt & Hdwe.
✓✓	334-1336	Assembly, Bolt; M16-2.0 x 170mm	6	K041-712-170P	Late; Incl. Bolt & Hdwe.
✓✓ 18	334-1331	Assembly, Bolt; M16-2.0 x 120mm.	AR	K041-712-130P	Early; Incl. Bolt & Hdwe.
	334-1337	Assembly, Bolt; M16-2.0 x 150mm	AR	K041-712-150P	Late; Incl. Bolt & Hdwe.
✓✓ ✓	M65404	Shock Absorber	4		18.08" Extended, 11.875" Collapsed
	M66424	Shock Absorber	2		
	See Shocks	Shock Absorber	2	Various	Consult Shock Catalog for Model Specific Applications
●	320-178	Bushing; Shock Absorber	16	K066-266	
	320-178U	Bushing, Urethane; Shock Absorber	16		
● 21	334-1334	Washer, Shock Absorber; 2 1/32"ID x 2 3/16"OD x 1/8"Thk	16	K198-810	Cupped
✓✓● 22	334-750	Valve, Height Control; Universal	1		Hadley
	334-1647	Valve, Height Control; Universal	1		
	334-1648	Valve, Height Control; w/Dump	1		
✓● 23	334-751	Linkage Assembly; Universal; Adjustable	1		3 5/8"-19 5/8" Range; Use w/All Height Control Valves
✓✓● 24	334-1871	Kit, Service; Fabricated Hanger	2		Incl. All Hdwe. for 338-1368 Install
	334-1872	Kit, Service; Aluminum Hanger	2		Incl. All Hdwe. for 338-1841 Install

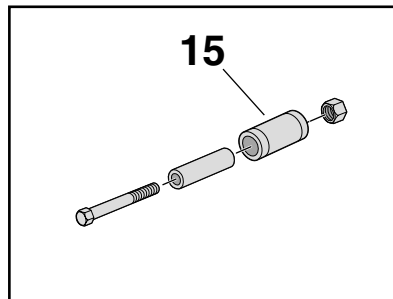
Kenworth



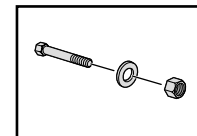
Suspension Illustration



SEE CHECKMARKS
Key 4 - Equalizer Shaft & Bushing Assembly



Key 14* - Spring Roller & Bolt Assembly (Hanger)



Key 24* - Bolt Assembly

Key No.	Part Number	Description	No. Req.	OEM Reference	Remarks		
●	1	338-1777	Hanger; Cast	4	K056-327	Discontinued	
●	2	338-1776	Bracket, Equalizer	2	K058-300	Discontinued	
✓	●	3	338-708	Assembly, Equalizer	2	K034-144	Discontinued; Incl. 322-118 Bushings
✓✓	●	4	334-1170	Assembly, Shaft & Bushing	2		Incl. Bushings, Shaft, Thrust Washers & Hdwe.
●	5	322-118	Bushing; 1 5/8"ID x 2 1/16"OD x 2 7/32"Lg	4	K066-331	New Style; Bronze w/Oil Groove	
	6	334-1168	Washer, Thrust; Inboard; 1 5/32"ID x 3"OD x .100Thk	2	K363-262		
	7	334-1167	Washer, Thrust; Outboard; 1 5/8"ID x 3"OD x .100Thk	2	K363-204		
●	8	334-434	Shaft; 1 5/8" x 9"Lg, 1 1/8"-12 Thread	2	K179-449	Used w/Iron or Bronze Equalizer Bushing	
	9	334-1169	Washer; 1 3/16"ID x 2"OD x 3/16"Thk	2		Discontinued	
	10	334-193	Nut, Lock; 1 1/8"-12	2			
✓	●	11	334-475	Fitting, Straight Zerk; 1/8"-27NPT	2	1613B	
●	12	334-1165	Pad, Wear; Steel	2	K275-92	Discontinued	
	13	334-1163	Assembly, Roller & Bolt; 1/2"-20 x 5 1/2"Lg	4		Incl. Bolt, Roller & Hdwe.	
	14	334-1171	Assembly, Roller & Bolt; 1/2"-20 x 6"Lg	4		Incl. Bolt, Roller & Hdwe.	
	15	334-1164	Roller, Rubber; 2"OD x 4 1/4"Lg	8	K174-530		
●	16	325-209	Pad, Load; Rubber	4	K174-527		
●	17	334-1166	Plate, Wear; Side	8	K274-90	Discontinued	
●	18	338-1595	Saddle, U-Bolt	4	K174-525	Discontinued	
	19	361-210	Kit, U-Bolt; Square Bend, Grade 8	8	K241-425	7/8" x 4" x 16 3/4" S; Aluminum Washer Sold Separately	
●	20	334-1211	Washer, Aluminum; Concave; 29/32"ID x 9/16"Thk	16	K363-210	Discontinued	
●	21	345-750	Torque Rod, Rigid; 16 7/8"Lg 0°/0°	4	924090	Incl. 321-132 Bushings; 52" Axle Spacing; Can Use 345-610 & 345-661	
✓✓		345-802	Kit, Uni-Rod	4	SU-3844		
✓✓	●	22	321-132	Bushing, Straddlemount; 2 3/4"OD x 4 3/8" c/c	8	44695, 227720G	5/8" Bolts; 1 1/4" Forged Rod
✓✓	●	23	334-526	Shim; 1/16"Thk 4 3/8" c/c	AR	49689	
	24	334-1532	Assembly, Bolt; Flange Head; 5/8"-18 x 3 3/4"Lg	16	K041-578-325	Incl. Bolt & Hdwe.	
	25	Spring Assembly	Assembly, Spring	2		See Leaf Spring Web Catalog for Details	

Big 6®

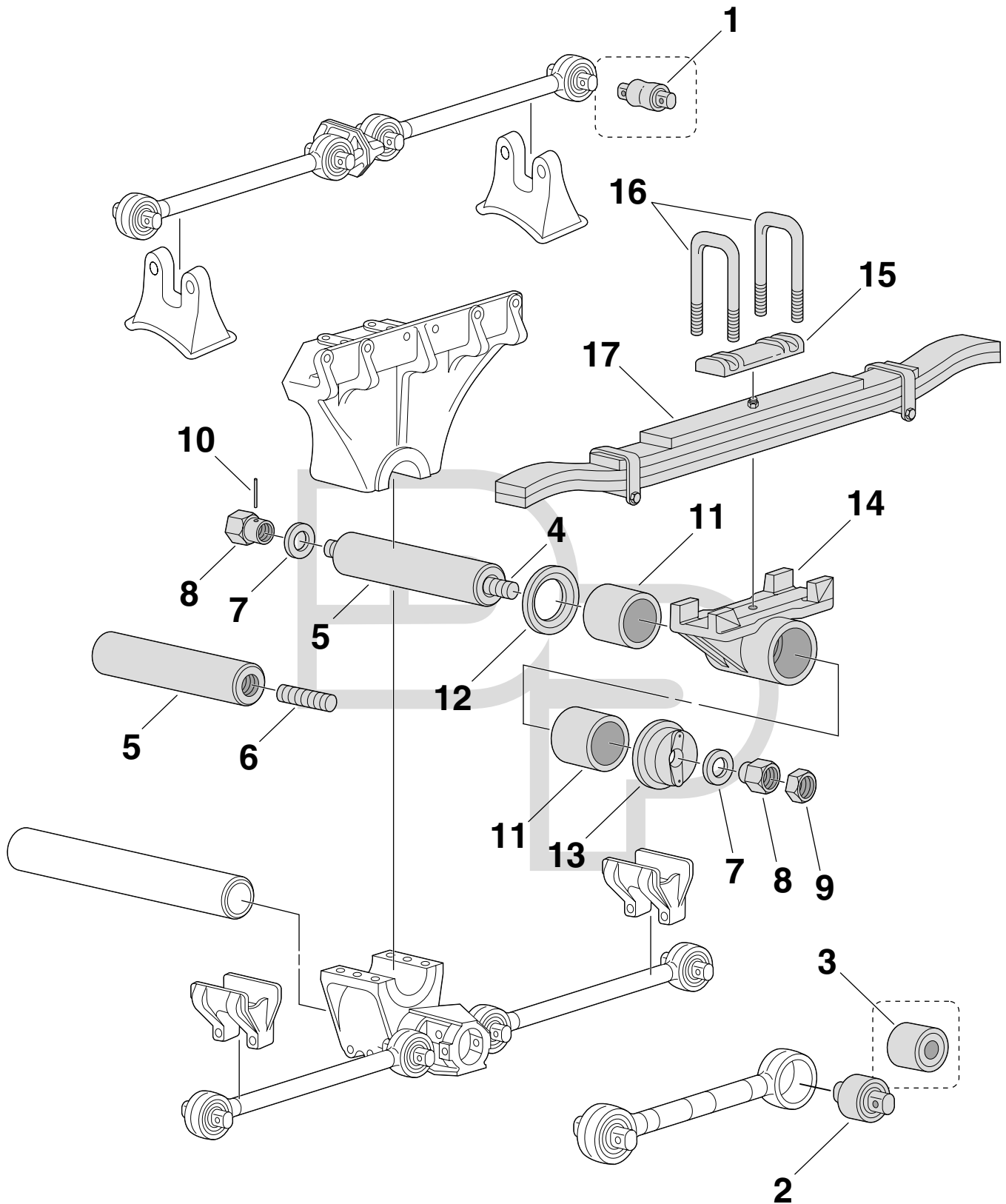
(KW6-50)

Rear Spring Suspension

Kenworth

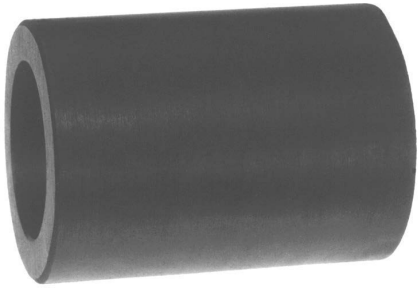
Kenworth

Suspension Illustration



Key No.	Part Number	Description	No. Req.	OEM Reference	Remarks	
✓✓ ●	1	321-132	Bushing; Straddlemount; 2 3/4"OD x 4 3/8" c/c	12	227720G	3/8" Bolts; KW Big 6 & KW6-50
		321-132U	Bushing, Urethane	12		
✓✓ ●	2	321-299A	Bushing, Torque Rod; 4 1/8" OD, 7/8" Bolts	AR		KW6-65, KW-SPLIT
		321-325A	Bushing, Torque Rod; 4 1/8" OD, 5/8" Bolts	AR		
		321-335A	Bushing, Torque Rod; 3 1/2" OD, 5/8" Bolts	AR	K195-415-13	
		321-327	Bushing, Torque Rod; 3 5/8"OD, 5/8" Bolts	AR		
●	3	321-300	Bushing, Torque Rod; 4 1/8" OD, Taper ID	4		KW-SPLIT
●	4	334-1345	Rod, Compression; 1 1/2"-12 x 22 13/16"Lg	2	K202-1333	Discontinued; Use w/334-1346 Hollow Shaft
	5	334-1346	Shaft, Hollow; 2"ID x 4"OD x 18"Lg	2	K361-175	Discontinued
		◆	Shaft, Trunnion; Solid	2	K210-775, K210-697	
●	6	334-1347	Stud; 1 1/2"-12 x 6"Lg	2	K223-200B	Discontinued, Use w/Solid Shaft
	7	334-1341	Washer, Brass; 2"ID x 3"OD x 1/8"Thk	4	K363-171	
●	8	334-1343	Nut, Compression	4	K169-107, K169-114	Discontinued
	9	334-1339	Nut, Jam; 1 1/2"-12, 2 1/4"AF x .844"Thk	2	K144-145-2412	
	10	334-1344	Pin, Roll; 3/8" X 2 1/2"Lg	2		Discontinued
	11	325-222	Bushing	4	K066-232	
●	12	334-1342	Spacer; Cast Steel; 4"ID x 6 1/4"OD	2	K221-2513	
●	13	334-1338	Cap, Compression; Cast Steel	2	K071-205	Discontinued; For 4" Shaft
	14	338-1778	Assembly, Trunnion	2	K360-20	Discontinued
	15	338-1779	Saddle, U-Bolt	2	K174-615	Discontinued
	16	SP	U-Bolt	4		Specify size
	17	Spring Assembly	Assembly, Spring	2		See Leaf Spring Web Catalog for Details

320-150



Bushing, Stabilizer Bar; Model Airglide 100

320-150U



Bushing, Urethane Stabilizer Bar; Model Airglide 100

320-178



Bushing, Shock Absorber; Models Airglide 100/200

320-178U



Urethane Bushing, Shock Absorber; Models Airglide 100/200

320-200



Bushing, Torsion Bar, 54 mm Standard; Model AG200 40K

320-200A



Bushing, Torsion Bar, 54mm Over Size OD; Model AG200 40K

320-201



Bushing, Torsion Bar, 58 mm Standard; Model AG200 46K

320-201A



Bushing, Torsion Bar, 58 mm Over Size OD; Model AG200 46K

320-202



Thrust Bearing 54mm I.D.; Model AG200 40K

320-203



Thrust Bearing 58mm I.D.; Model AG200 46K

320-208



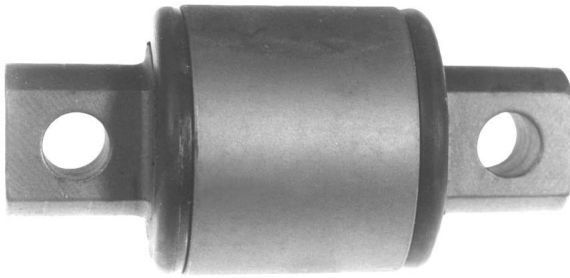
Bushing, Torsion Bar; 58mm; AG400

320-212



Bushing, Torsion Bar; 54mm; Model AG400

321-132



Bushing, Straddlemount; 2 3/4"OD x 4 3/8" c/c; For 5/8" Bolts and 1 1/4" Forged Rod; Models Glide Ride, Airglide 100, "Big 6"

321-132U



Bushing, Urethane; Straddlemount; 2 3/4"OD x 4 3/8" c/c; Models Glide Ride, Airglide 100, "Big 6"

321-133



Bushing, Taper Stud Type; 1 1/4"-12 Thread; Model Airglide 100

321-133U



Bushing, Urethane; 1 1/4"-12 Thread; Model Airglide 100

321-299A



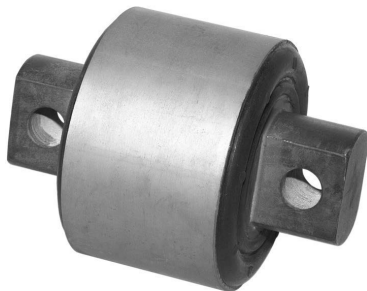
Bushing, Torque Rod; 4 1/8" OD, 7/8" Bolts; Model "Big 6"

321-300



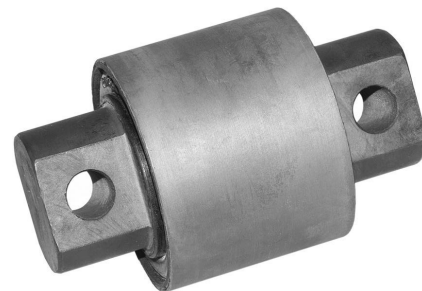
Bushing, Torque Rod; Use w/ Taper Pin Mount; 4 1/8" O.D. x 3 15/32" C to C; Model "Big 6"

321-325A



Bushing, Torque Rod; 4 1/8" OD, 5/8" Bolts; Model "Big 6"

321-335A



Bushing, Torque Rod; 3 1/2" OD, 5/8" Bolts; Model "Big 6"

321-369



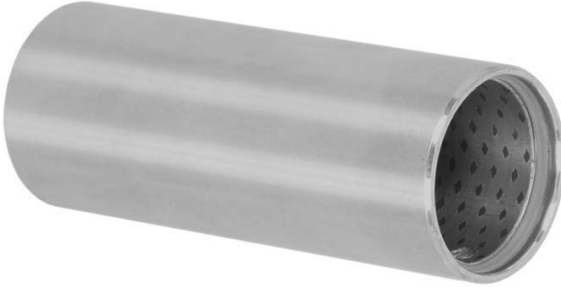
Bushing; 2 3/4"OD, 4 3/8" c/c; 5/8" Bolts; Heavy Duty High Confinement - OE replacement; Models AG200/400

322-118



Bushing; 1 5/8"ID x 2 1/16"OD x 2 7/32"Lg.; New Style; Bronze w/Oil Groove; Model Glide Ride

322-141



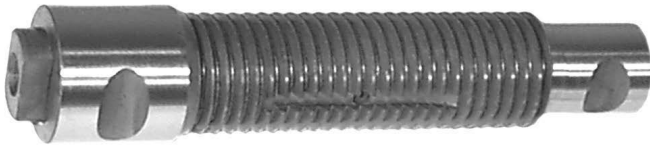
Bushing, w/Seals; 1 1/2" O.D. x 1 1/4" I.D. x 4" Lg. w/Integral Seals; Graphite Impregnated ID w/Seals; Use w/327-483 Pin

325-209



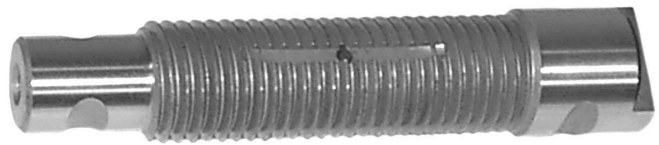
Load Pad, Rubber; Model Glide Ride; Front

327-297



Spring Pin, Threaded; 1 3/8"-6 x 7 3/8" Lg. x 5 3/4" C to C, Grease Fitting Large End; Front

327-306



Spring Pin, Threaded; 1 3/8"-6 x 7 3/8" Lg. x 5 3/8" C to C, Grease Fitting Small End; Front

327-434



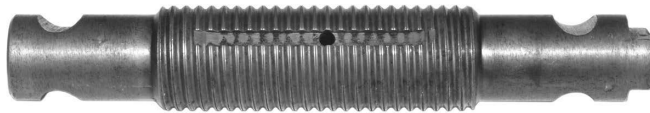
Spring Pin, Threaded; 1 3/8"-6 x 7 1/4" Lg. x 5 3/4" C to C; Front

327-537



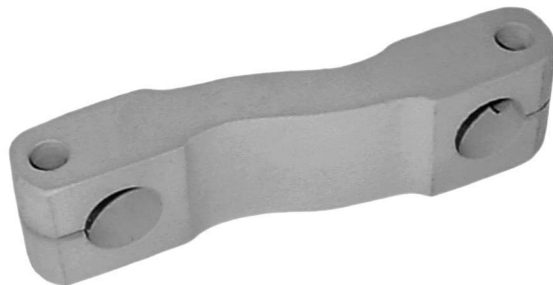
Spring Pin, Threaded Metric; 5 3/4" C to C; Front

327-540



Spring Pin, Threaded Metric; 6.30" C to C; Front

330-126



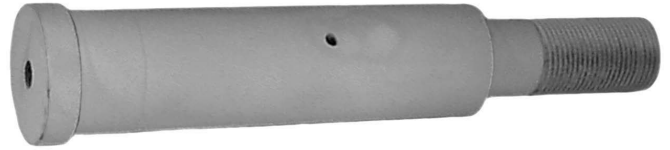
Side Bar, Offset; Front

330-168



Side Bar, Offset; Front; Standard for Cabover; Model T2000

334-434



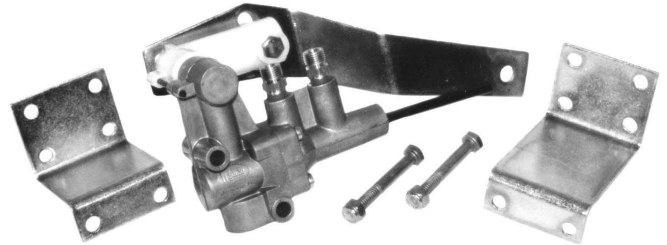
Shaft, 1 5/8" x 9"Lg., 1 1/8"-12 Thread; Model Glide Ride

334-526



Shim; 1/16" Thk, 4 3/8" C to C; Model Glide Ride

334-750



Valve, Height Control; Universal; Models Airglide 100, Airglide 200/400

334-751



Universal HCV; Adjustable Linkage; 3 5/8"-19 5/8"; Models: Various

334-1165



Wear Pad, Steel; Discontinued; Model Glide Ride

334-1166



Side Wear Plate; Discontinued; Model Glide Ride

334-1211



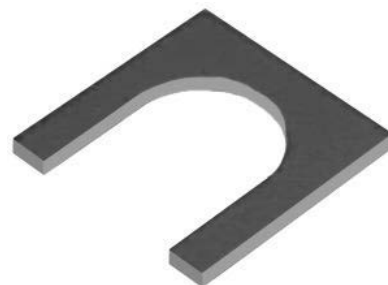
Washer, Concave Aluminum; 29/32" I.D. x 9/16" Thk.; Discontinued; Model Glide Ride

334-1332



Shim; 1 1/4" x 1 1/4" x 1/16" Thk.; Model Airglide 100

334-1333



Shim; 1 1/4" x 1 1/4" x 1/8" Thk.; Model Airglide 100

Kenworth

Component Photos

334-1334



Washer, Shock Absorber; 2 1/32" I.D. x 2 3/16" O.D. x 1/8" Thk.; Cupped; Model Airglide 100/200

334-1338



Cap, Compression; Cast Steel; For 4" Shaft; Discontinued; Model "Big 6"

334-1342



Spacer, Cast Steel; 4" I.D. x 6 1/4" O.D.; ; Model "Big 6"

334-1343



Nut, Compression; Discontinued; Model "Big 6"

334-1345



Rod, Compression; 1 1/2"-12 x 22 13/16"Lg.; Use w/334-1346 Hollow Shaft; Discontinued; Model "Big 6"

334-1347



Stud; 1 1/2"-12 x 6" Lg. Gr. 8; Use w/ Solid Shaft; Model "Big 6"

334-1617



Service Kit, Threaded Pin Replacement; Incl. Pin & Seals; Model AG200

334-1638



Bracket, Shock Absorber; 7 5/16", 1" Eye; Front

334-1796



Service Kit, Torsion Bar Replacement/Retrofit; Incl. 325-208 Bushing; 2 bushings & hardware; Model AG400 (1 bar)

334-1833



Bracket, Shock Absorber/Tow Eye; 7 5/16", 1" Eye; Front

334-1871



Service Kit; Fabricated Hanger; Incl. all hdwe. for 338-1368 install; Model AG100

334-1872



Service Kit; Aluminum Hanger; Incl. all hdwe. for 338-1841 install; Model AG100

334-1923



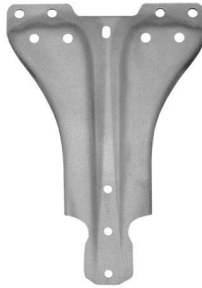
Sleeve, Adapter; Use w/RB-249; Front

338-708



Equalizer Assembly; Use w/ 334-1170 Equalizer Shaft and Bushing Assy; Includes 322-118 Bushings; Discontinued; Model Glide Ride

338-1368



Bracket; Fabricated; Model Airglide 100

338-1595



Saddle, U-Bolt; Discontinued; Model Glide Ride

338-1776



Bracket, Equalizer; Use w/ 334-434 Equalizer Shaft; Cast; Discontinued; Model Glide Ride

338-1777



Hanger, Cast; Front and Rear; Discontinued; Glide Ride

338-1835



Shackle Hanger; Use w/327-434 Spring Pin; Front

338-1841



Bracket, Cast; Aluminum; Model AG100

338-1842



Mount, Stabilizer Bar; Front; Use w/338-1368; Model AG100

338-1844



Bracket, Air Spring; Upper; Model AG100

338-1898



Hanger, Shackle; Incl. 322-141 bushing; Front

338-1976



Spacer; 1/2"; Iron replacement; Front

338-1977



Spacer; 2"; Iron replacement; Front

338-2032



Hanger, Shackle; Incl. RB-295 bushing, PACCAR chassis; Front

338-2099



Hanger, Shackle; Incl. RB-249 bushing; Front

338-2100



Hanger, Shackle; Incl. TB-77 bushing, PACCAR chassis; Front

338-2101



Hanger, Shackle; Incl. RB-328 bushing, PACCAR chassis; Front

338-2135



Hanger; Incl. 322-141 bushing; Front

338-2172-01



Hanger, Threaded Bushing; TB-81 Threaded Bushing; Front

338-2172-02



Hanger, Rubber Bushing; RB-324 Rubber Bushing; Front

338-2172-03



Hanger, Rubber Bushing; RB-308 Rubber Bushing; Front

338-2300



Hanger; Model Air Glide 210/400L "Twisted Sister"

338-2301



U-Bolt Saddle; Model Air Glide 210/400L "Twisted Sister"

338-2354



Axle Clamp, Shock Mount; LH; Model Air Glide 210/400L "Twisted Sister"

338-2355



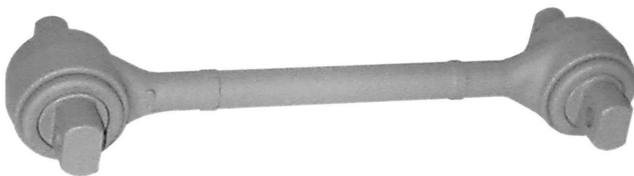
Axle Clamp, Shock Mount; RH; Model Air Glide 210/400L "Twisted Sister"

338-2384



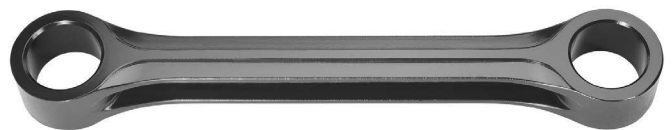
Spacer; 1"; Model Front

345-750



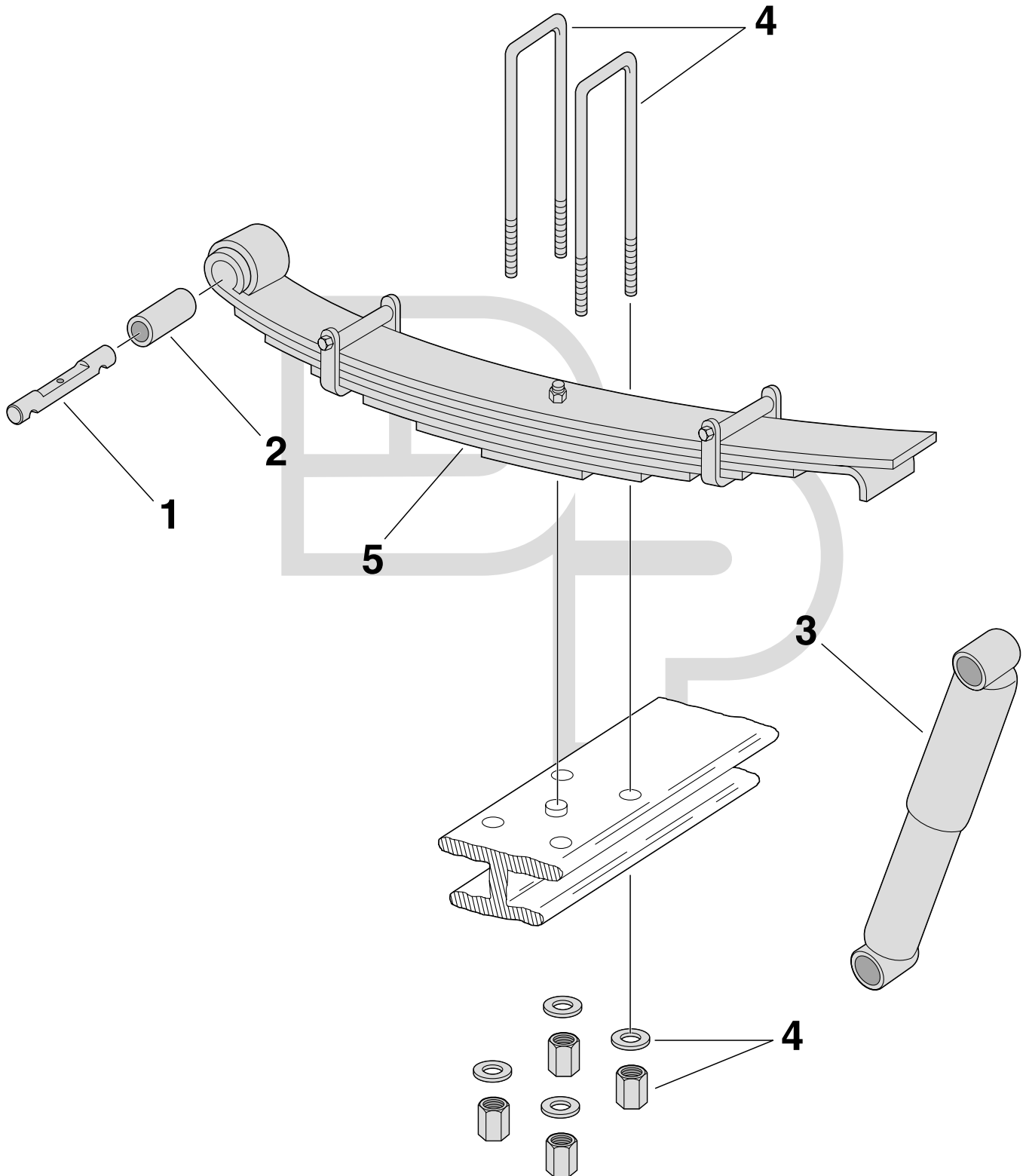
Torque Rod, Rigid; 16 7/8"; Includes 321-132 Bushings, Can Use 345-610 and 345-661; Model Glide Ride

345-919



Torque Rod Assembly; Airglide 200/400

Lodal



Suspension Illustration

Key No.	Part Number	Description	No. Req.	OEM Reference	Remarks		
✓✓	✓	1	327-237	Spring Pin; 1"OD x 6 3/16"Lg x 5 1/16" c/c	2	9961073	Double Lock
		1	327-446	Spring Pin; 1 1/4"OD x 6"Lg x 5 1/16" c/c	2	02-01561	Use w/4" Spring
		2	NJK-BM	Bushing; 1"ID x 1 1/4"OD x 4"Lg	2		Old Style
			RNK-BM	Bushing; 1 1/4"ID x 1 1/2"OD x 4"Lg	2		New Style
✓✓		3	M74025	Shock Absorber	2		24.43" Extended, 15.56" Collapsed
		4	SP	Assembly, U-Bolt; Square Bend; Grade 8	4	9961074, 8U-7015S	1" x 4 1/16" x 15 1/4"; Incl. Nuts & Washers
		5	Spring Assembly	Assembly, Spring	2		See Leaf Spring Web Catalog for Details

Notes

Lodal

Lodal

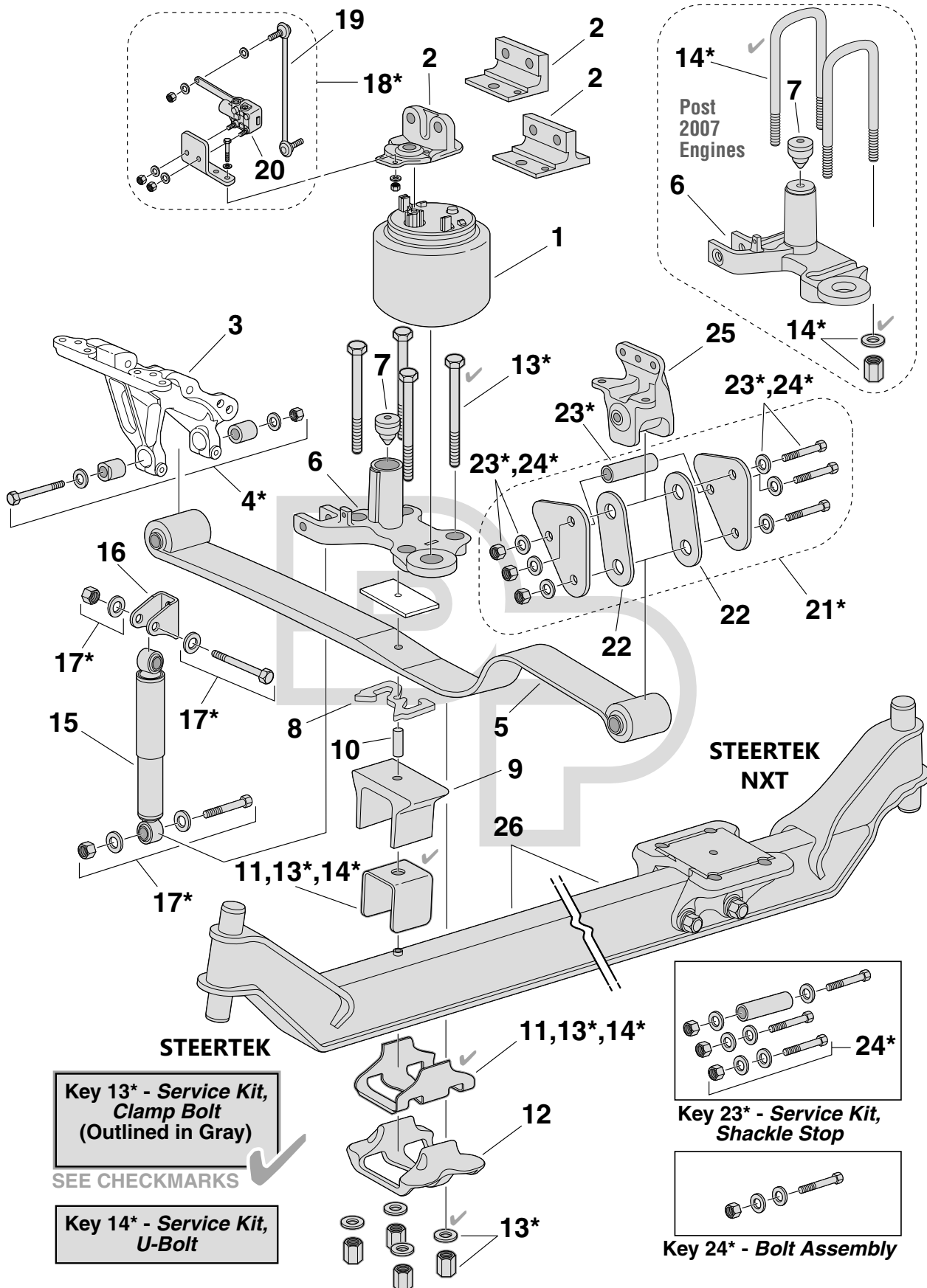
MODEL	PAGE
AIRTEK® (Hendrickson) w/Steertek® & Steertek® NXT Axles Front Suspensions	532, 533
CH/CL600 Series Front Suspensions	534, 535
CHN/CHU Pinnacle™, CTP/GU Granite™, TD Titan™, CXN Vision™, CXP/CXU Pinnacle™ Front Suspensions	536, 537
DM/FL/FS/MC/MR/R/RB (3 1/2" Eye/Eye or Eye/Slipper Springs) Front Suspension	538, 539
F/R/RD/U Series (3 1/2" Spring w/Rubber Insulator) Front Suspensions	540, 541
MH/RW Series (4" Springs) Front Suspensions	542, 543
Rear Single Axle Suspension	544, 545
Maxlite® 40EZ (2004 & up) (Volvo Corporate '06+) Air Suspension	546, 547
MAXAIR® ("Twisted Sister") (Hendrickson) Tandem Axle Air Suspension	548, 549
M Ride® (Volvo T Ride; 2006+) Tandem Rear Suspension	550, 551
SS34/38 Camelback (4" Spring, Two Piece Trunnion) Rear Suspensions	552, 553
SWS573 Camelback (4" Spring, Rubber/Metal Center) Rear Suspension	554, 555
SS44/SWS57 Camelback (4" Spring, 3 1/2" Bronze Center) Rear Suspension	556, 557
SS50 Camelback (4" Spring, 4" Bronze Center) Rear Suspension	558, 559
SS58 Camelback (5" Spring, 4" Bronze Center) Rear Suspension	560, 561
SS65/SWS59 Camelback (5" Spring, 5" Bronze Center) Rear Suspension	562, 563
ST34 Taper Leaf Spring Rear Suspension	564, 565
SW/SWW Walking Beam Rear Suspensions	566, 567
Suspension Component Photos	568-581

**AIRTEK® (Hendrickson)
w/Steertek® & Steertek® NXT Axles
Front Suspensions**

Mack

Mack

Suspension Illustration

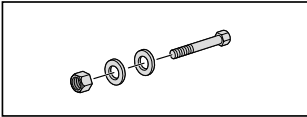


**Key 13* - Service Kit,
Clamp Bolt
(Outlined in Gray)**

SEE CHECKMARKS

**Key 14* - Service Kit,
U-Bolt**

**Key 23* - Service Kit,
Shackle Stop**



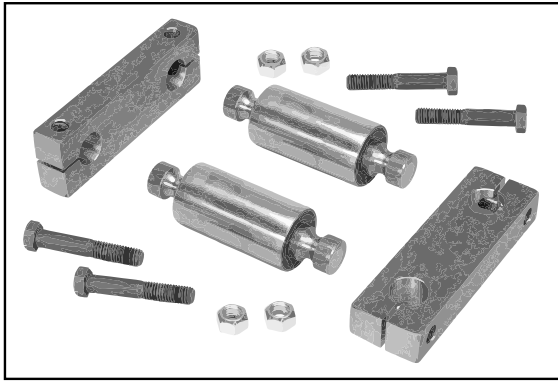
Key 24* - Bolt Assembly

Key No.	Part Number	Description	No. Req.	OEM Reference	Remarks
1	66349-002	Air Spring	2	66349-2	12.0, 12.5K Axles; Replaces 60750-002, 03/05-06/07 w/Dual HCV Must Use 60961-182 Service Kit
	60716-002	Air Spring	2	60716-2	13.2, 14.6K Axles
2	SP	Bracket, Air Spring	2	Various	Specify Capacity, 266mm or 300mm Frame
3	◆	Hanger, Front	2		
✓ ● 4	334-1758	Kit, Service; Front Hanger	2	60961-33	Late Model Use Inner Adapter Only
5	Spring Assembly	Assembly, Spring	2	64772	See Leaf Spring Web Catalog For Details
6	SP	Plate, Top	2	Various	Replace Early Bolted Style w/U-Bolt Type; Specify LH/RH, Frame Rail Hgt., w/ or w/o NXT Axle
● 7	325-244	Stop, Bump	2	64080	
8	SP	Spacer	2	64318-xxx	<07/2011; Post '07 Engine; Specify Thickness; LH/RH May Differ
	SP	Spacer	2	64318-28	w/ NXT Axle
9	SP	Seat	2	59952-17	w/o NXT Axle
10	334-1752	Pin, Dowel; 2 5/8"Lg	2	57159-4	
	334-1755	Pin, Dowel; 3 1/8"Lg	2	57159-7	
	SP	Pin, Dowel; 3 3/8"Lg	2	57159-12	
	334-1756	Pin, Dowel; 3 3/4"Lg	2	57159-8	
	334-1757	Pin, Dowel; 4 1/4"Lg	2	57159-9	
	SP	Pin, Dowel; 4 1/2"Lg	2	57159-13	
● 11	334-1731	Kit, Service; Axle/Seat Liners	2	60961-15	w/o NXT Axle
12	SP	Bottom Plate	2	64772-3	w/o NXT Axle
✓ 13	334-1759	Kit, Service; Clamp Bolt; M20 x 220mm Lg	2	60961-35	Steertek & Pre '07 Engines; 13 1/4" rd. ht.
	SP	Kit, Service; Clamp Bolt; 250mm	2	60961-36	>03/05; Pre '07 Engine w/Dual HCV; 12/12.5K Axle w/ Single HCV; 14 1/2" Ride Hgt.
✓	334-1761	Kit, Service; Clamp Bolt; M20 x 230mm Lg	2	60961-37	<07; Steertek & Pre '07 Engines; 14 3/8" Ride Hgt.
	SP	Kit, Service; Clamp Bolt; 260mm Lg	2		<03/05; 13.2/14.6K Axles w/Single HCV; 14 1/2" Ride Hgt.
14	SP	Kit, Service; U-Bolt	2	60961-xxx	Specify Capacity, Ride Hgt., Axle Drop; Post 07 Engines <07/11
	SP	Kit, Service; U-Bolt	2	64106-xxx	Specify Ride Hgt.; NXT Axles
15	341-64838-3	Shock Absorber	2	64838-3	>07/11
	341-64838-2	Shock Absorber	2	64838-2	<07/11
16	SP	Bracket, Shock	2	64241-1	<07/11
	SP	Bracket, Shock	2	59423-8	>07/11
✓ 17	334-772	Assembly, Bolt; 5/8"-18 x 3 1/2"Lg	2		Upper
	334-768	Assembly, Bolt; 5/8"-18 x 4 1/2"Lg	2		Lower
● 18	334-1765	Assembly, Height Control Valve	1	64089	12.0, 12.5K Axles; Single HCV Vehicles; <03/05
●	334-1766	Assembly, Height Control Valve	1	64094	13.2, 14.6K Axles; Single HCV Vehicles; <03/05
●	334-1943	Assembly, Height Control Valve; LH Dual	1	59427-25, 59427-10	Incl. Linkage; 03/05-12/07
●	334-1944	Assembly, Height Control Valve; RH Dual	1	59427-26, 59427-12	Incl. Linkage; 03/05-12/07
	◆	Assembly, Height Control Valve	AR		>12/07
✓ ● 19	334-751	Linkage Assembly; Universal; Adjustable	1		3 5/8"-19 5/8" Range; Use w/All Height Control Valves
✓ ● 20	334-1763	Valve, Height Control	1	59935-3	Valve Only; Single HCV Vehicles Before 03/2005
	◆	Valve, Height Control	1		>12/07
✓ ● 21	330-349	Kit, Shackle	2	60961-34	<07/11
	SP	Kit, Shackle	2	60961-635	>07/11; Use 330-349, Less Thrust Washers
● 22	334-1749	Washer, Thrust	4	64159	<07/11
● 23	334-1767	Kit, Service; Shackle Stop	2		<07/11
24	334-1656	Assembly, Bolt; M20-2.5 x 160mm Lg	6	58258-29, 58258-8	
● 25	338-1935	Hanger, Shackle; LH	1	64175-1, 64153-1	<07/11; 266mm (10 1/2") Frame; Cast No. 64153-1
●	338-1936	Hanger, Shackle; RH	1	64175-2, 64153-2	<07/11; 266mm (10 1/2") Frame; Cast No. 64153-2
●	338-1937	Hanger, Shackle; LH	1	64176-1, 64153-1	<07/11; 300mm (11 3/4") Frame; Cast No. 64153-1
●	338-1938	Hanger, Shackle; RH	1	64176-2, 64153-2	<07/11; 300mm (11 3/4") Frame; Cast No. 64153-2
	SP	Hanger, Shackle; LH	1	68548-1, 64153-1	>07/11; 266mm (10 1/2") Frame; Cast No. 64153-1
	SP	Hanger, Shackle; RH	1	68548-2, 64153-2	>07/11; 266mm (10 1/2") Frame; Cast No. 64153-2
	SP	Hanger, Shackle; LH	1	68554-1, 64153-1	>07/11; 300mm (11 3/4") Frame; Cast No. 64153-1
	SP	Hanger, Shackle; RH	1	68554-2, 64153-2	>07/11; 300mm (11 3/4") Frame; Cast No. 64153-2
26	SP	Assembly, Axle	1	64905-xxx	Call Tech Service For Assistance

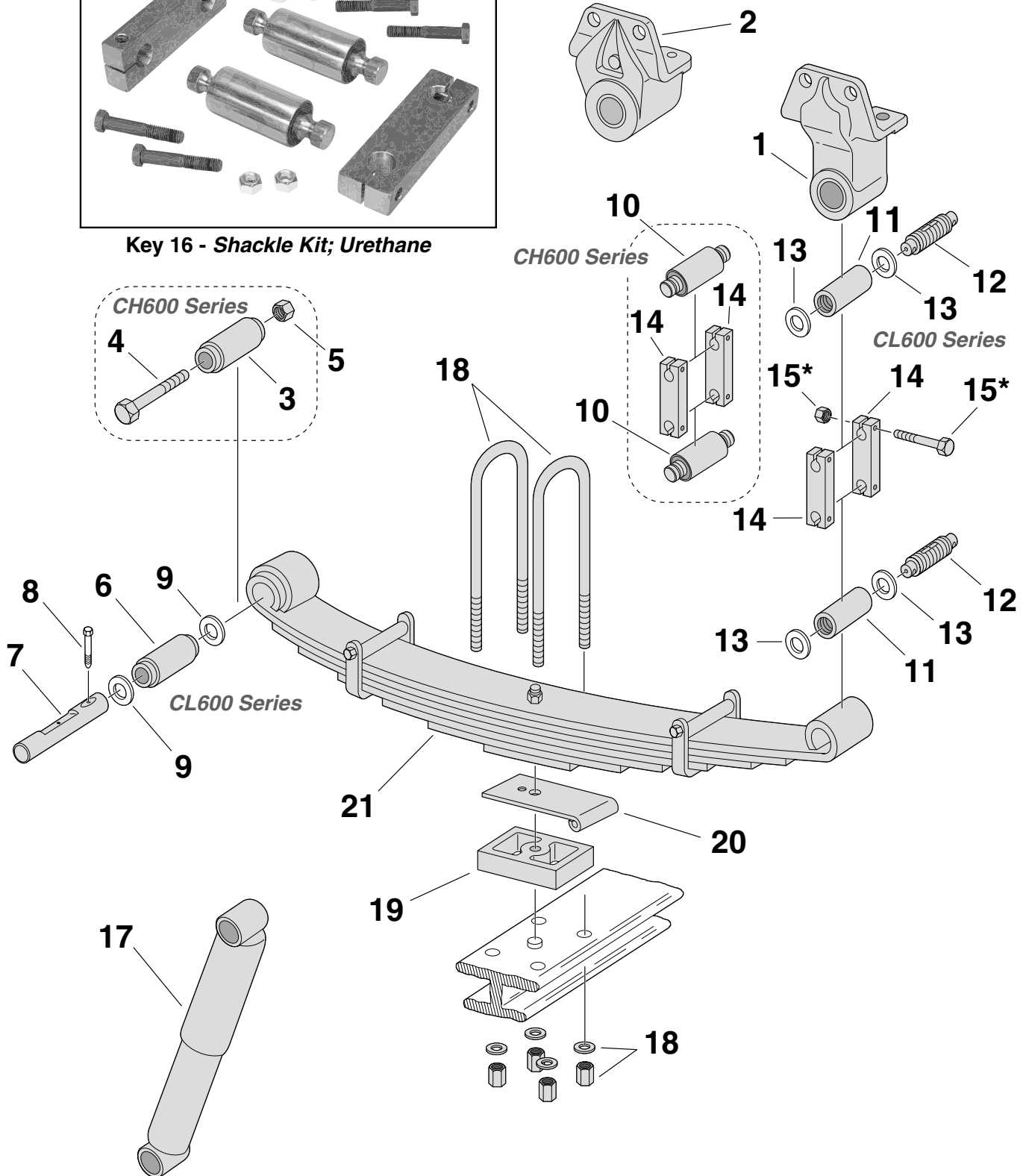
Mack

Parts Listing

Mack



Key 16 - Shackle Kit; Urethane



Suspension Illustration

Mack

CH/CL600 Series Front Suspensions

Mack

Parts Listing

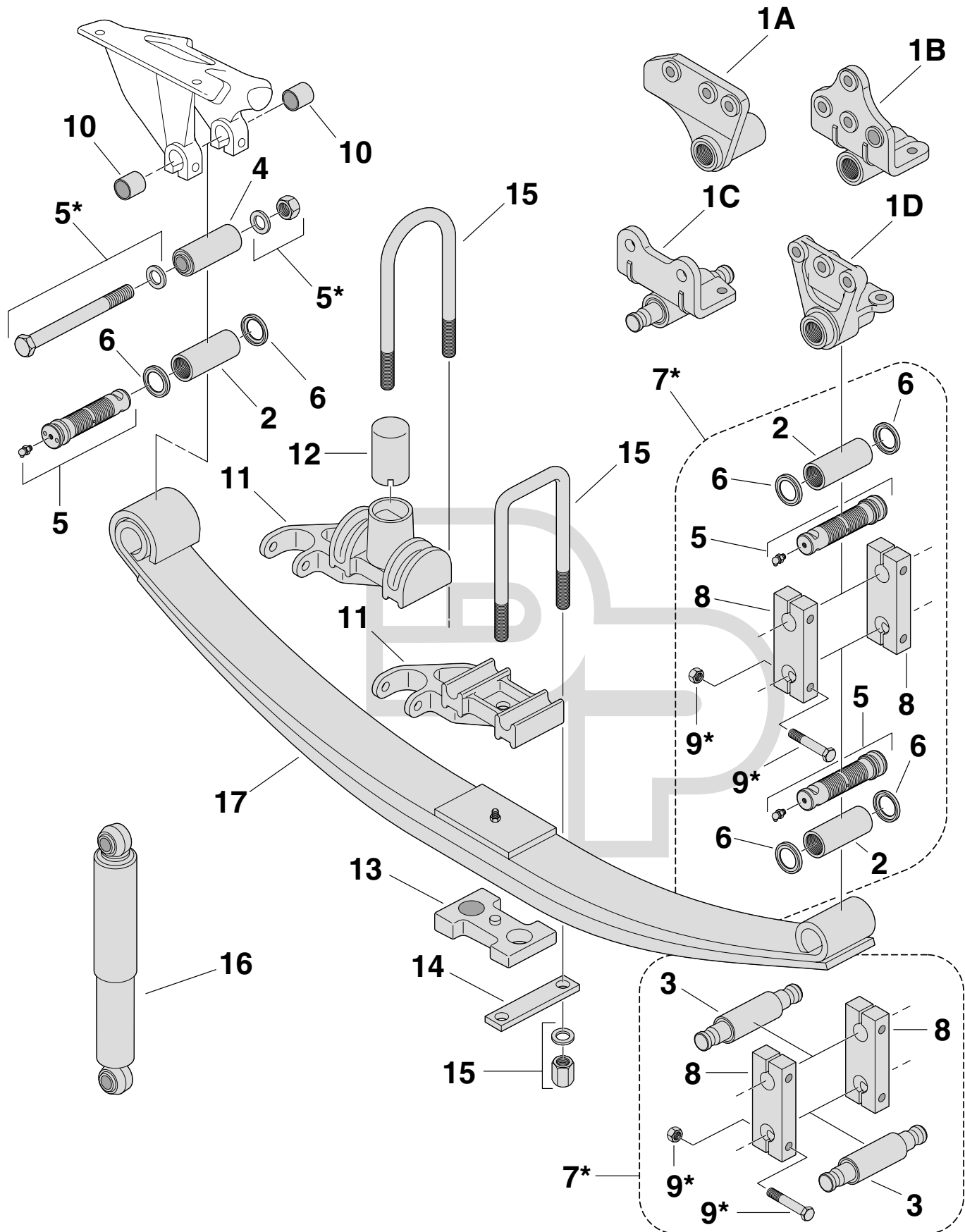
Key No.	Part Number	Description	No. Req.	OEM Reference	Remarks	
✓ ●	1	338-1906	Hanger, Threaded	2	51QK5110M	
✓ ●		338-1907	Hanger; Rubber Bushing	2	51QK5110M2	
●		338-1908	Hanger; Rubber Bushing	2	51QK5110M4	Heavy Frame
●	2	338-2145-01	Hanger; Threaded Bushing	2	51QK5130M	TB-69
✓ ●		338-2145-02	Hanger; Rubber Bushing	2	51QK5130M2	RB-189
●		338-2145-03	Hanger; Rubber Bushing	2	51QK5130M4	RB-189; Heavy Frame
●		338-2145-04	Hanger; Threaded Bushing	2	51QK5130M3	TB-69; Heavy Frame
	3	RB-188	Bushing; 24mm ID x 48mm OD x 89mm Lg	2	10QK253M	Metric Bushing
	4	327-481	Bolt; M24 - 3.0 x 200mm Lg	2	43RU297M	
	5	334-717	Nut, Lock; M24-3.0mm Lg	2	171AM8	Use w/327-481
	6	MB-1	Bushing; 1 1/4"ID x 1 1/2"OD x 3 3/16"Lg	2	10QK229A	
		RNI-BM	Bushing; 1 1/4"ID x 1 1/2"OD x 3 1/2"Lg	2		Optional
✓ ✓	7	327-342	Spring Pin; 1 1/4"OD x 6 1/4"Lg x 3/4" c/e	2	44QK173B	
	8	◆	Screw, Set; M12-1 x 1.75mm Lg	2	43RU1792M	
	9	◆	Seal	AR	88AX428	Use w/MB-1 Bushings
	10	RB-189	Bushing; 1 1/16"ID x 1 7/8"OD x 3 3/8"Lg	4	10QK254M	Metric Bushing w/Double Lock Grooves
	11	TB-69	Bushing; 1 3/4"OD x 3 1/2"Lg x 1 3/8"-6 Thread	4	10QK148A	
✓ ✓ ●	12	327-331	Spring Pin, Threaded; 1 3/8"-6 x 6 3/16"Lg	4	44QK26A	
	13	◆	Seal	AR	88AX423P3	Use w/Threaded Pins
	14	330-102	Side Bar; 6 5/16"Lg x 4" c/c x 1 1/4"Thk, 1 1/16" Pin Holes	4	22QK39301	
		330-378	Side Bar; 4 1/2" c/c	4	22QK39301P2	
		330-379	Side Bar; 5" c/c	4	22QK311M	
	15	334-550	Assembly, Bolt; 1/2"-20 x 3"Lg	8		Incl. 334-538 Bolt & Hdwe.
	16	330-370U	Kit, Shackle; Urethane	2		
✓	17	M65118	Shock Absorber	2	14QK2113	
✓		M65110	Shock Absorber	2	14QK396	
		M65103	Shock Absorber	2	14QK392AM2	
		M65428	Shock Absorber	2	14QK392NM2	
		See Shocks	Shock Absorber	2	Various	Consult Shock Catalog for Model Specific Applications
	18	361-186	Kit, U-Bolt; Round Bend, Grade 8	4	7QK2170P2/P3	3/4" x 3 3/16" x 10 1/2" R
		361-188	Kit, U-Bolt; Round Bend, Grade 8	4		3/4" x 3 3/16" x 12 1/2" R
●	19	338-2306	Spacer; 3 1/2" x 5 3/4" x 1"	2	13QK244AP8	
		338-2411	Spacer; 3 1/2" x 5 3/4" x 1 1/2"	2	13QK244AP10	
		◆	Spacer; 3 1/2" x 5 3/4" x 2"	2	13QK244AP9	
		◆	Spacer; 3 1/2" x 5 3/4" x 2 1/2"	2	13QK244AP15	
		◆	Spacer; 3 1/2" x 5 3/4" x 3"	2	13QK244AP22	
		338-2412	Spacer; 3 1/2" x 5 3/4" x 3 1/2"	2	13QK244AP12	
		338-2413	Spacer; 3 1/2" x 5 3/4" x 4"	2	13QK244AP23	
	20	◆	Eye, Shock	2	20QK3328M	
	21	Spring Assembly	Assembly, Spring	2		See Leaf Spring Web Catalog for Details

**CHN/CHU Pinnacle™, CTP/GU Granite™, TD Titan™,
CXN Vision™, CXP/CXU Pinnacle™
Front Suspensions**

Mack

Mack

Suspension Illustration



Key Numbers with an asterisk (*) indicate a kit or assembly.
Reference www.daytonparts.com for continuing updates.

Mack

**CHN/CHU Pinnacle™, CTP/GU Granite™, TD Titan™,
CXN Vision™, CXP/CXU Pinnacle™
Front Suspensions**

Mack

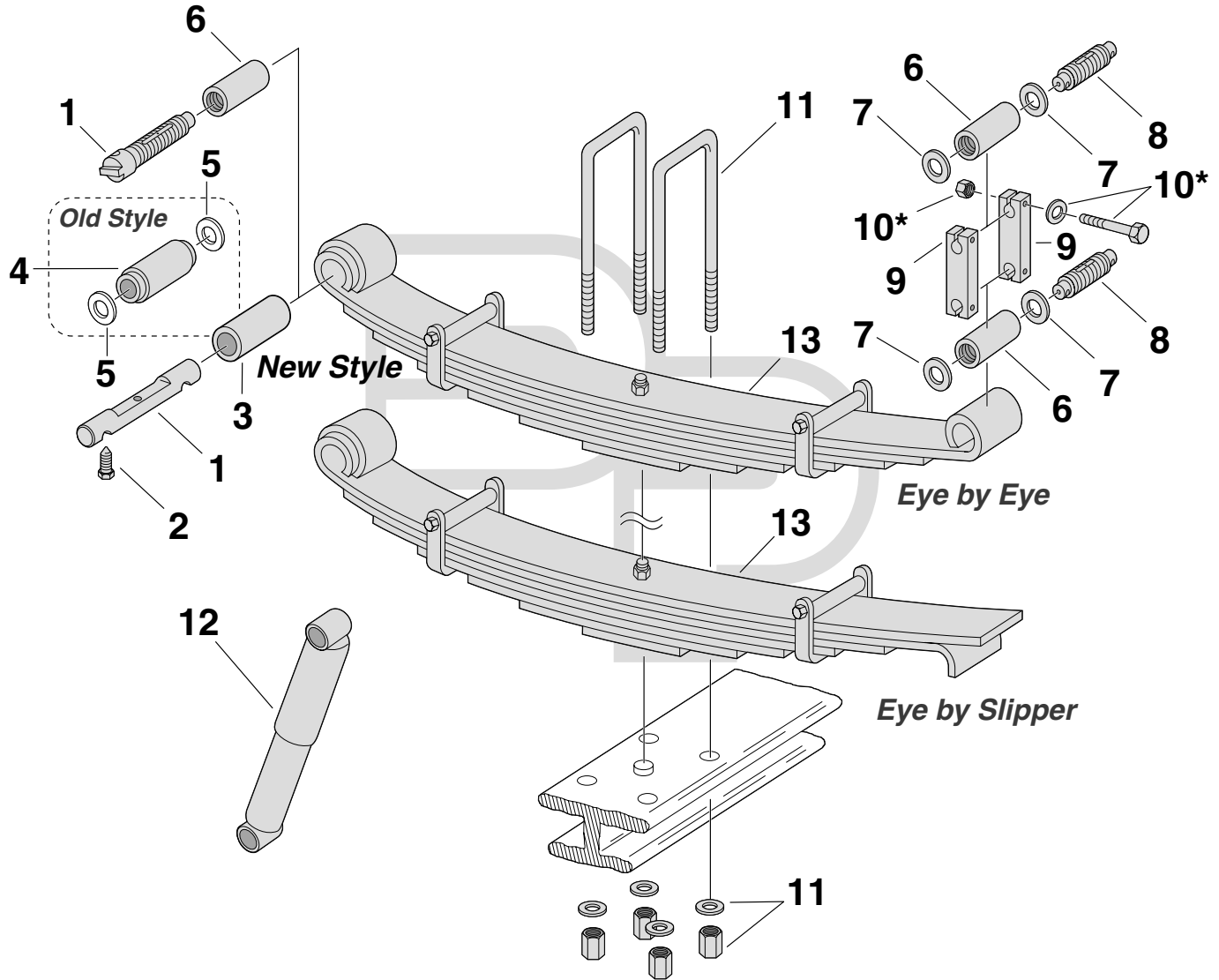
Parts Listing

Key No.	Part Number	Description	No. Req.	OEM Reference	Remarks
● 1	338-2307	Hanger; Roadside	1	20572709	A
●	338-2308	Hanger; Curbside	1	20572708	A
●	338-2309	Hanger; Roadside	1	51QK5153M	B
●	338-2310	Hanger; Curbside	1	51QK5154M	B
●	338-2311	Hanger; Roadside	1	51QK5137M2	C
●	338-2312	Hanger; Curbside	1	51QK5138M2	C
●	338-2093	Hanger, Shackle; LH/RH	2	51QK376M	D; 2 1/4"
●	338-2094	Hanger, Shackle; LH/RH	2	51QK374M	D; 1 3/4"
2	TB-78	Bushing; 45mm OD x 105mm Lg x M32; 4 Thread	6		
3	RB-289	Bushing, Rubber; 2 1/4" OD x 27mm ID x 6 3/4"Lg	2	10QK3109	
4	RB-288	Bushing, Rubber; 2 1/4" OD x 24mm ID x 110mm Lg	2	10QK3108, 25173955	High Confinement
	RB-322	Bushing, Rubber; 2 1/4" OD x 20mm ID x 110mm Lg	2	20925014	High Confinement
	RB-341	Bushing; 50mm OD x 20mm ID x 110mm Lg	2		Optional CXN, CXP & CXU
✓ ●	327-533	Spring Pin, Threaded	2	10QK3105M	
	334-2090	Assembly, Bolt; M24 x 220 Lg	2		
	334-2185	Kit, Bolt; M20x220 Lg	2		
●	VS-1	Seal, Grease	6	1075725	
✓ ●	330-340	Kit, Shackle	2		Incl. TB-78
	330-396	Kit, Shackle	2		Incl. RB-289
●	330-339	Side Bar; 90mm c/c	4	22QK314M	Use w/327-533
	330-379	Side Bar; 5" c/c	4	22QK311M	Use w/RB-289
9	334-538	Bolt; 1/2"-20 x 3"Lg	8		Use w/330-339
	SP	Assembly, Bolt; 1/2" x 2 1/2"Lg	8		
10	334-2186	Adapter; 30mm	4	20499503	
	334-2187	Adapter; 38mm	4	20499505	
●	338-2369	Plate, Top; Roadside	1	20QK536M	Use w/Round Bend U-Bolt
●	338-2370	Plate, Top; Curbside	1	20QK537M	Use w/Round Bend U-Bolt
12	325-354	Stop, Bump	2	12QK2198M	
13	338-2315	Spacer, Camber Wedge	2	24QK47M, 20435532	
	338-2316	Spacer, Camber Wedge	2	24QK46M, 20435531	20mm
	338-2317	Spacer, Camber Wedge	2	13QK419M, 20353488	3.5°
14	334-2230	Washer	4	8084707	
15	361-676	Kit, U-Bolt; 3/4" x 4" x 8 1/2"Lg R	4	7QK2179M	
	361-621	Kit, U-Bolt 7/8" x 4 x 10"Lg R	4	7QK2182M	
	361-678	Kit, U-Bolt; 3/4" x 4" x 8"Lg R	4	20560239	
✓	M66886	Shock Absorber	2		
	M65494	Shock Absorber	2		
	M65710	Shock Absorber	2		
✓	M66833	Shock Absorber	2		
	M65160	Shock Absorber	2		
✓	M65130	Shock Absorber	2	14QK3114M	
	See Shocks	Shock Absorber	2	Various	Consult Shock Catalog for Model Specific Applications
17	Spring Assembly	Assembly, Spring	2		See Leaf Spring Web Catalog for Details

DM/FL/FS/MC/MR/R/RB
(3 1/2" Eye/Eye or Eye/Slipper Springs)
Front Suspension

Mack

Mack



Suspension Illustration

Mack

DM/FL/FS/MC/MR/R/RB (3 1/2" Eye/Eye or Eye/Slipper Springs) Front Suspension

Mack

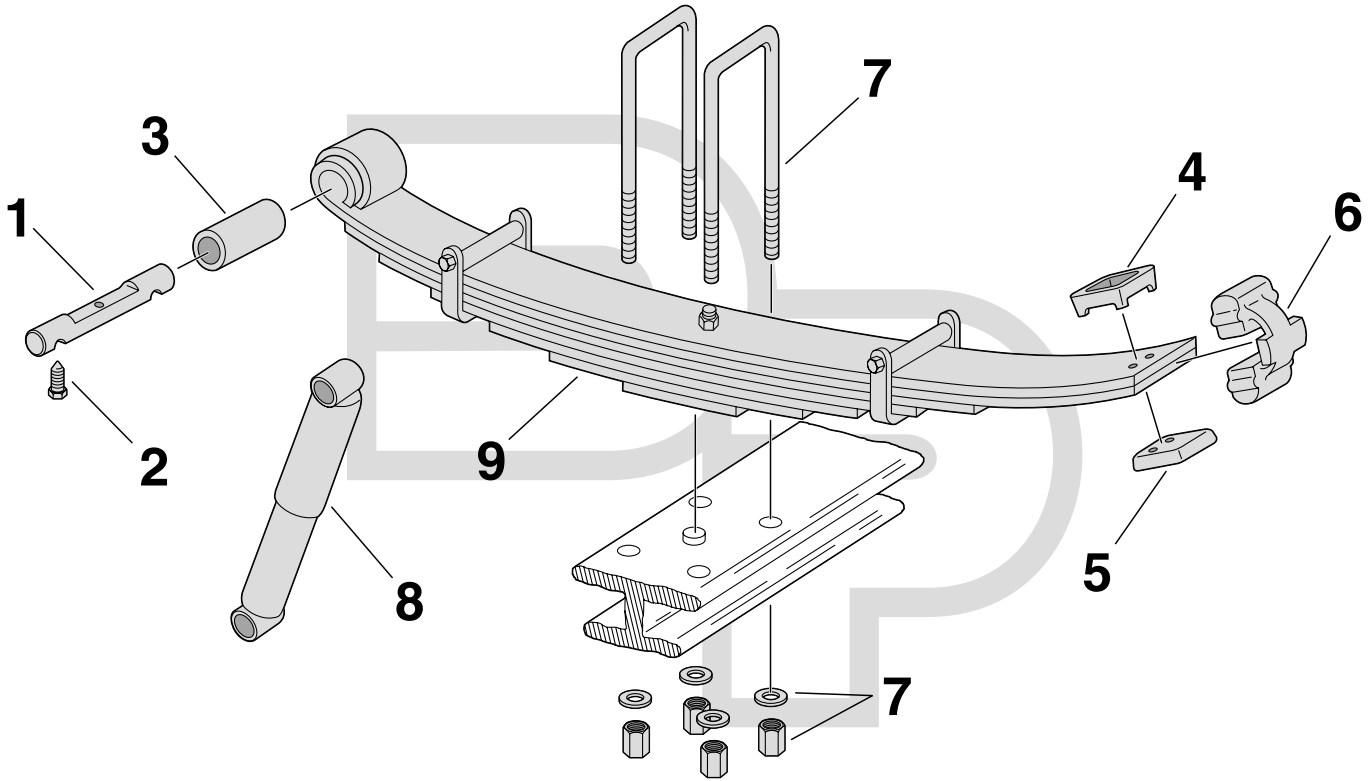
Parts Listing

Key No.	Part Number	Description	No. Req.	OEM Reference	Remarks		
● ✓✓	1	327-330	Spring Pin, Threaded; 1 3/8"-6 x 6 15/16"Lg	2	44QK25	DM 67-97 Eye/Slipper Springs	
	327-342	Spring Pin; 1 1/4"OD x 6 1/4"Lg x 3/4" c/e	2	44QK173B			
	327-518	Spring Pin; 1 1/4"OD x 6"Lg	2	44QK172B			
	327-347	Spring Pin; 1 1/4"OD x 6 7/8"Lg x 5 3/8" c/c	2	44QK29302			
	327-345	Spring Pin; 1 1/4"OD x 7 1/16"Lg x 1 1/16" c/e	2	44QK19301B			
✓✓●	2	334-1650	Bolt; 7/16"-14 x 1 3/8"Lg	2	43RU1483B		
	3	RNI-BM	Bushing; 1 1/4"ID x 1 1/2"OD x 3 1/2"Lg	2			
	4	MB-1	Bushing; 1 1/4"ID x 1 1/2"OD x 3 3/16"Lg	2	10QK229A		
	5	◆	Seal	4	88AX428	Use w/MB-1	
	6	TB-69	Bushing; 1 3/4"OD x 3 1/2"Lg x 1 3/8"-6 Thread	6	10QK148A		
	7	◆	Seal, Bushing	8	88AX423P3	Use w/Threaded Pins	
✓✓●	●	8	327-331	Spring Pin, Threaded; 1 3/8"-6 x 6 9/16"Lg	4	44QK26A	2 3/4" Thread Length
✓●		327-346	Spring Pin, Threaded; 1 3/8"-6 x 7 1/16"Lg	4	44QK29301B, 44QK205M		
	9	330-102	Side Bar; 6 5/16"Lg x 4" c/c x 1 1/4"Thk, 1 1/16" Pin Holes	4	22QK39301		
	10	334-550	Assembly, Bolt; 1/2"-20 x 3"Lg	8		Incl. 334-538 Bolt & Hdwe.	
	11	361-613	Kit, U-Bolt; Square Bend, Grade 8	4		7/8" x 3 9/16" x 14" S	
		361-214	Kit, U-Bolt; Square Bend, Grade 8	4	7QK3150P12, 7QK3150P8	3/4" x 3 9/16" x 12 1/8" S	
✓	✓✓ ✓✓	12	M65411	Shock Absorber	2	14QK366	Consult Shock Catalog for Model Specific Applications
		M66878	Shock Absorber	2			
		M66886	Shock Absorber	2	14QK1200P		
		See Shocks	Shock Absorber	2	Various		
	13	Spring Assembly	Assembly, Spring	2		See Leaf Spring Web Catalog for Details	

F/R/RD/U Series
(3 1/2" Wide Springs w/ Rubber Insulator)
Front Suspensions

Mack

Mack



Suspension Illustration

Mack

F/R/RD/U Series (3 1/2" Wide Springs w/ Rubber Insulator) Front Suspensions

Mack

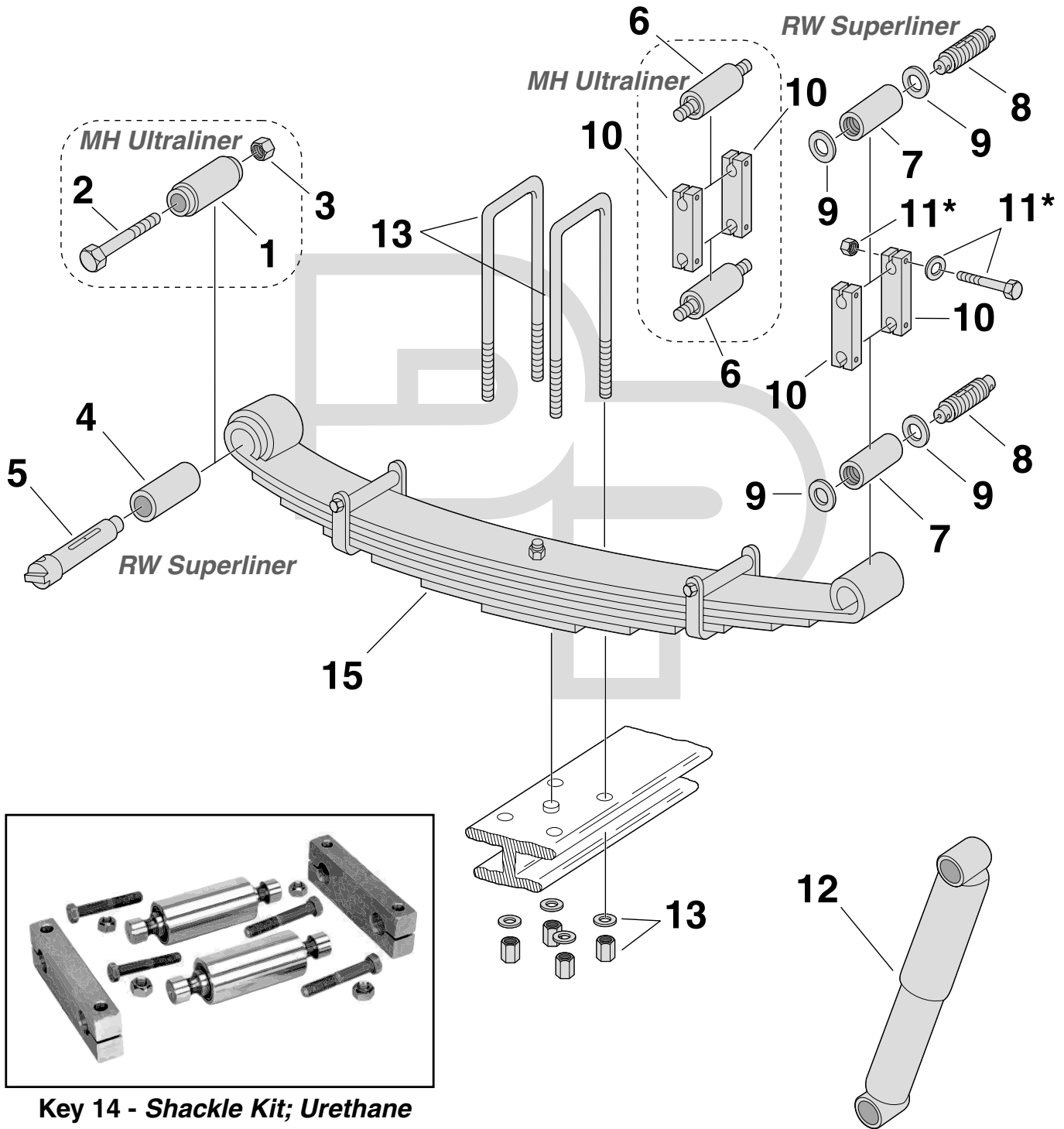
Parts Listing

Key No.	Part Number	Description	No. Req.	OEM Reference	Remarks
✓✓	1	327-342 Spring Pin; 1 1/4"OD x 6 1/4"Lg x 3/4" c/e 327-343 Spring Pin; 1 1/4"OD x 5 1/8"Lg x 2 1/2" c/c	2 2	44QK173B 44QK175A	F Model Only
✓✓●	2	334-1650 Bolt; 7/16"-14 x 1 3/8"Lg	2	43RU1483B	
	3	RNI-BM Bushing; 1 1/4"ID x 1 1/2"OD x 3 1/2"Lg MB-1 Bushing; 1 1/4"ID x 1 1/2"OD x 3 3/16"Lg	2 2	10QK229P1	w/Grease Grooves
	4	MP-56 Pad, Bearing; Upper Insulator	2	9QK256	
	5	MP-57 Pad, Bearing; Lower Insulator	2	9QK257	
✓✓●	6	325-111 Insulator	2	10QK332A	
	7	361-214 Kit, U-Bolt; Square Bend, Grade 8	4	7QK3150P12	3/4" x 3 9/16" x 12 1/8" S
✓✓	8	M66886 Shock Absorber M65442 Shock Absorber M65411 Shock Absorber M65428 Shock Absorber See Shocks Shock Absorber	2 2 2 2 2	14QK143 14QK373 14QK366 14QK2110 Various	Consult Shock Catalog for Model Specific Applications
	9	Spring Assembly Assembly, Spring	2		See Leaf Spring Web Catalog for Details

MH/RW Series
 (4" Springs)
Front Suspensions

Mack

Mack



Suspension Illustration

Mack

MH/RW Series (4" Springs) Front Suspensions

Key No.	Part Number	Description	No. Req.	OEM Reference	Remarks
	RB-165	Bushing; 1 $\frac{5}{16}$ "ID x 1 $\frac{7}{8}$ "OD x 3 $\frac{7}{8}$ "Lg	2	10QK241M	Metric Bushing
✓	327-481	Bolt; M24-3.0 x 200mm Lg	2	43RU297M	
✓	334-717	Nut, Lock; M24-3.0mm Lg	2	171AM8	Use w/327-481
	M10-4030	Bushing; 30mm ID x 40mm OD x 100mm Lg	2	10QK233M	
	327-484	Spring Pin; 30mm OD x 170mm Lg x 132mm c/c	2	44QK202M	Models MH & RW
	RB-166	Bushing; 1 $\frac{1}{16}$ "ID x 1 $\frac{7}{8}$ "OD x 3 $\frac{7}{8}$ "Lg	4	10QK240M	Metric Bushing
	TB-72	Bushing; 1 $\frac{7}{8}$ "OD x 3 $\frac{7}{8}$ "Lg x 1 $\frac{3}{8}$ "-6 Thread	4	10QK235M	OD is Metric
✓ ●	327-346	Spring Pin, Threaded; 1 $\frac{3}{8}$ "-6 x 7 $\frac{1}{16}$ "Lg	4	44QK29301B, 44QK205M	2 $\frac{3}{4}$ " Thread Length
●	334-1991	Seal	8	88AX423P3	Use w/Threaded Pins
✓	330-102	Side Bar; 6 $\frac{5}{16}$ "Lg x 4" c/c x 1 $\frac{1}{4}$ "Thk, 1 $\frac{1}{16}$ " Pin Holes	4	22QK39301	
✓	334-550	Assembly, Bolt; 1 $\frac{1}{2}$ "-20 x 3"Lg	8		Incl. 334-538 Bolt & Hdwe.
	M65442	Shock Absorber	2	14QK373	
	See Shocks	Shock Absorber	2	Various	Consult Shock Catalog for Model Specific Applications
	361-608	Kit, U-Bolt; Square Bend, Grade 8	4	7QK3170P2	7 $\frac{8}{16}$ " x 4 $\frac{1}{16}$ " x 13 $\frac{3}{4}$ " S
	330-369U	Kit, Shackle; Urethane	2		Repl. RB-166
	330-371U	Kit, Shackle; Urethane	2		Repl. TB-72 & 327-347
	Spring Assembly	Assembly, Spring	2		See Leaf Spring Web Catalog for Details

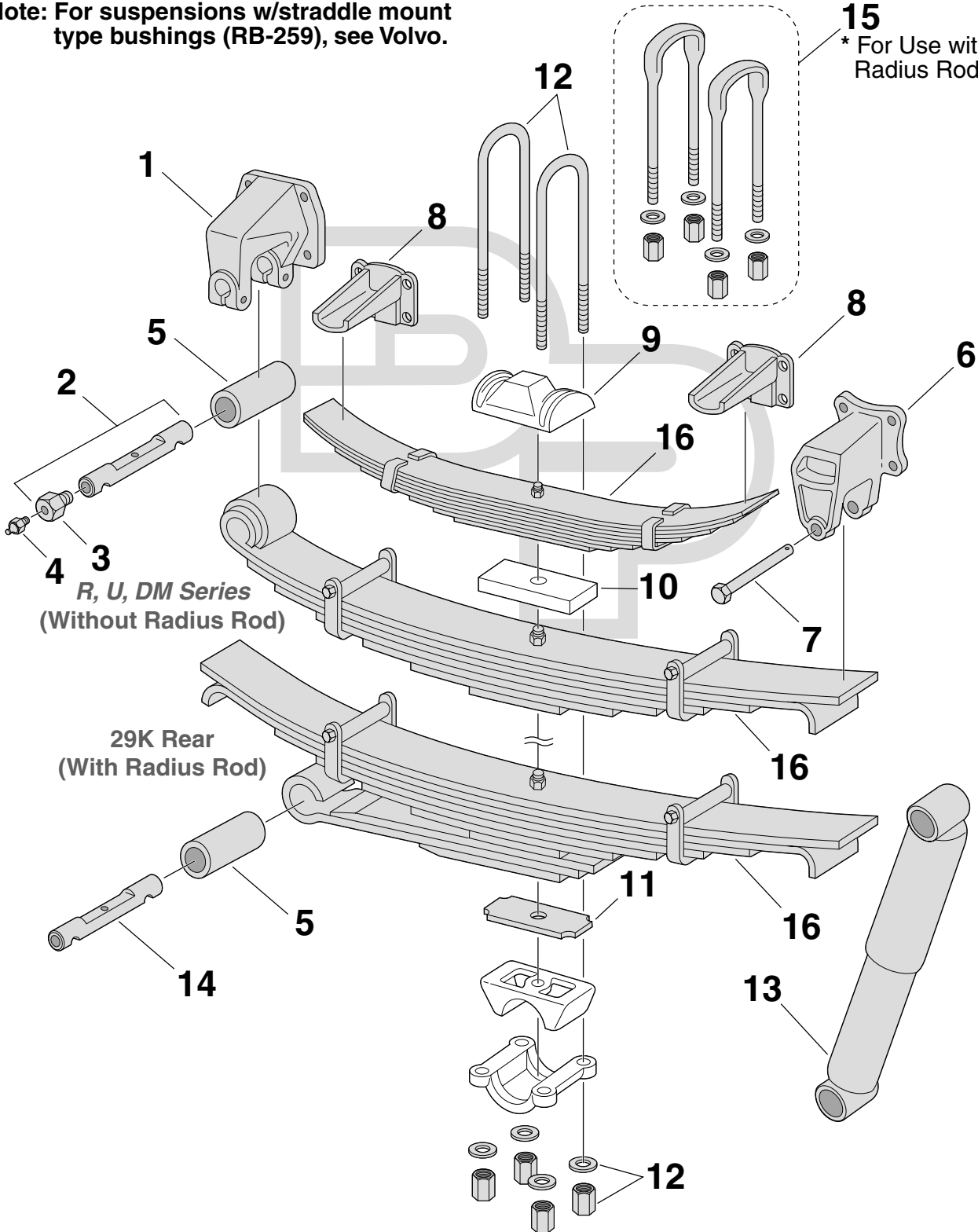
Mack

Parts Listing

Mack

Note: For suspensions w/straddle mount type bushings (RB-259), see Volvo.

15
* For Use with Radius Rod Spring



Suspension Illustration

Mack

Rear Single Axle Suspension

Mack

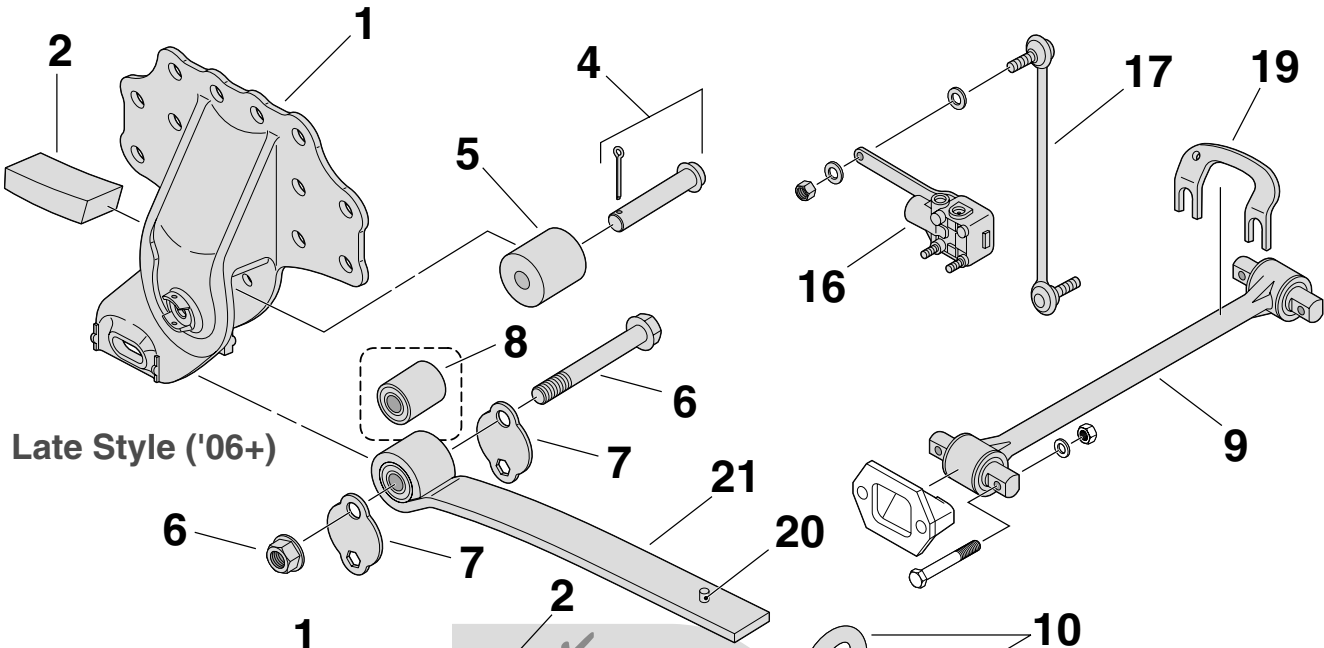
Parts Listing

Key No.	Part Number	Description	No. Req.	OEM Reference	Remarks
● 1	338-819	Hanger	2	47QK4124	Eye/Slipper Springs Only
●	338-1910	Hanger	2	47QK4157AM	
✓ 2	327-227	Spring Pin; 1 1/4"OD x 5 5/8"Lg x 4 1/8" c/c	2	44QK211BM	Incl. 327-436 Adapter & 327-452 Pin
	327-436	Adapter, Grease Fitting; Spring Pin; 5/8"-18 x 1/8"-27 NPT	2	49AX50	
✓ 4	334-475	Fitting, Straight Zerk; 1/8"-27NPT	2	1613B, 44AX115	
	RNG-BM	Bushing; 1 1/4"ID x 1 1/2"OD x 3"Lg	2	24SZ64	
	338-821	Hanger; 9/16" Bolts	2	48QK488	Eye/Slipper Springs Only
✓ ●	338-1909	Hanger; 5/8" Bolts	2	48QK4103M	
	327-332	Pin, Rebound; 3/4"OD X 6 7/8"Lg	2	44QK27P1	
●	327-326	Pin, Rebound; 3/4"OD x 5 3/4"Lg	2	31AX363U	
	338-820	Bracket, Helper; 3-Hole	4	49QK35A	
	◆	Plate, Top; U-Bolt; 3"W x 8"Lg x 6" c/c	2	8QK251AP4	Can Use 338-200
	◆	Plate, Spacer; Helper	2	13QK166P1	
	◆	Plate, Wear; w/o Taper; 8" x 5 1/2"; 1/4" Hole	2	24QK239P3	
	334-1173	Shim, Steel Camber; 3" x 8" x 2"	2	24QK239P18	
✓✓ 12	361-168	Kit, U-Bolt; Round Bend, Grade 8	4	7QK3147P9	7/8" x 3" x 16 1/2" R
	361-340	Kit, U-Bolt; Round Bend, Grade 8	4	7QK3147P14	7/8" x 3" x 19 1/2" R
✓ 13	See Shocks	Shock Absorber	2	Various	Consult Shock Catalog for Model Specific Applications
✓ 14	327-336	Spring Pin; 1 1/4"OD x 5 11/16"Lg x 4 7/32" c/c	2	44QK143CP1	Radius Rod Springs
	361-607	Kit, U-Bolt; Round Bend, Grade 8; Forged Top	4	7QK3125P1	7/8" x 3 5/8" x 24" R
	361-606	Kit, U-Bolt; Round Bend, Grade 8; Forged Top	4		7/8" x 3 5/8" x 22" R
16	Spring Assembly	Assembly, Spring	2		See Leaf Spring Web Catalog for Details

Maxlite® 40EZ
 (2004 & up) (Volvo Corporate '06+)
Air Suspension

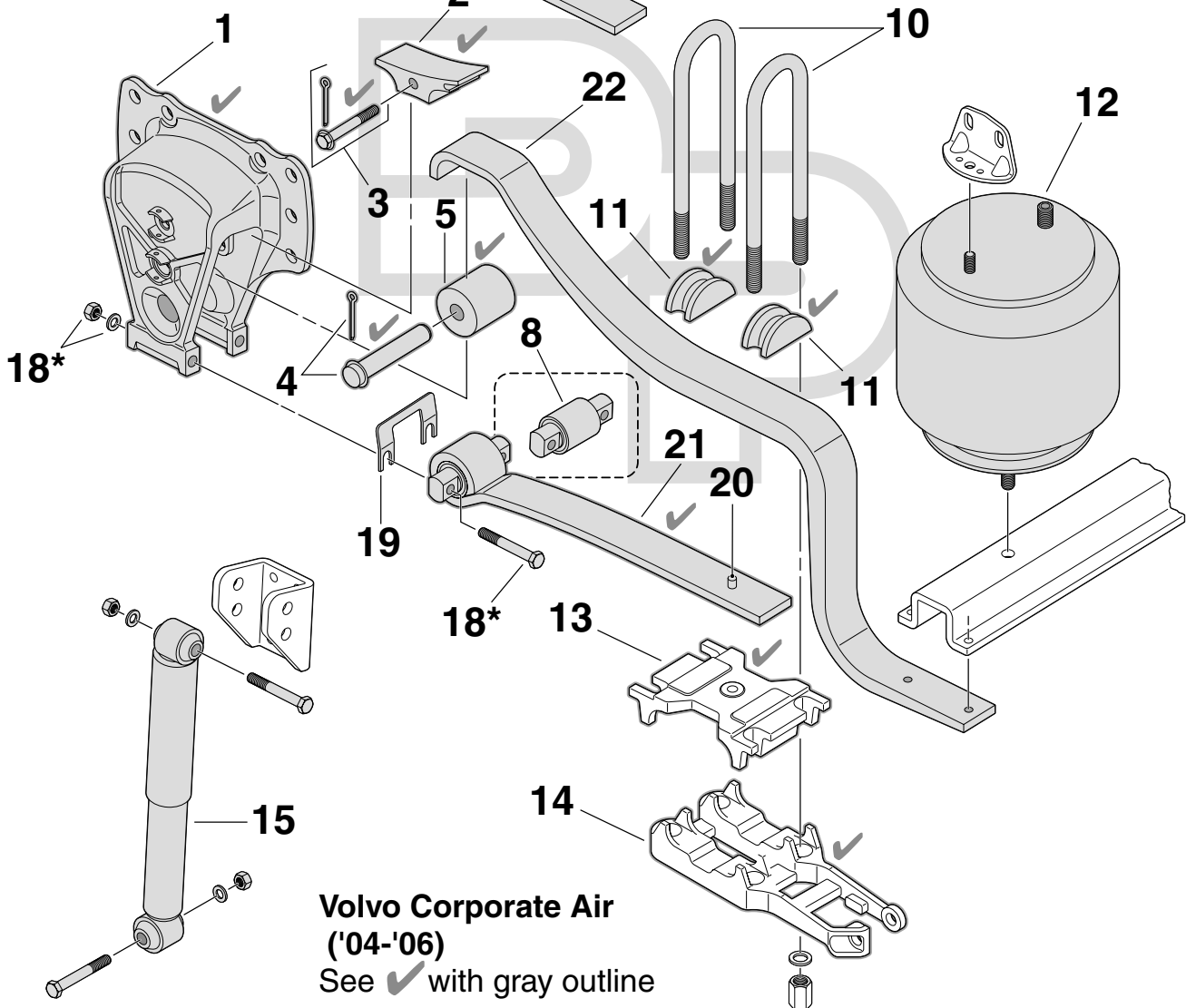
Mack

Mack



Late Style ('06+)

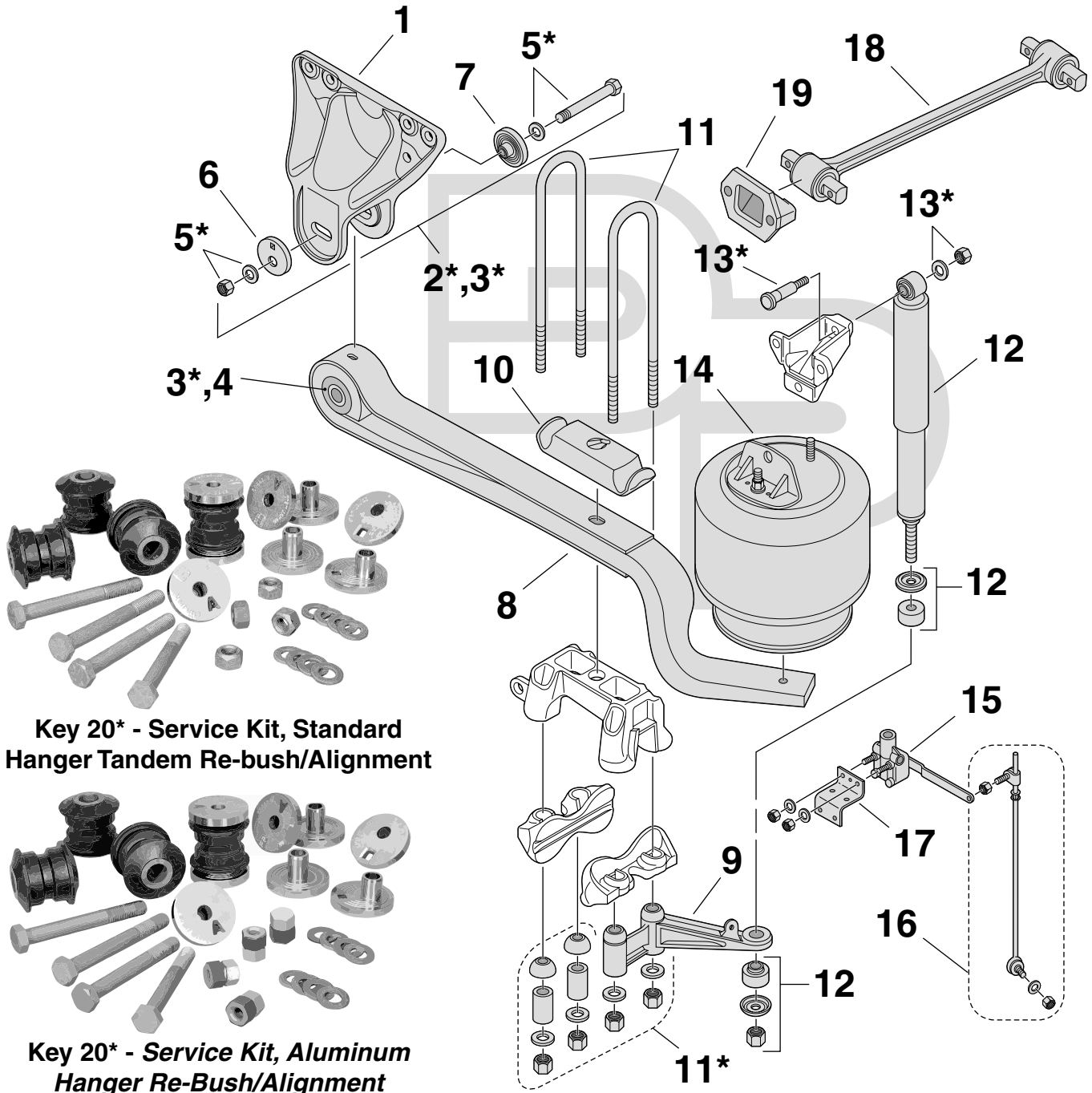
Suspension Illustration



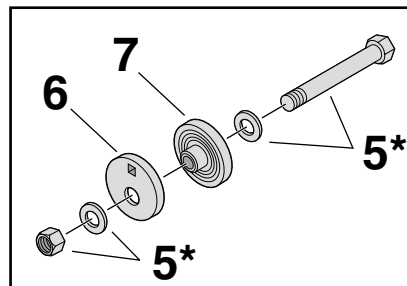
Volvo Corporate Air
 ('04-'06)
 See ✓ with gray outline

Key No.	Part Number	Description	No. Req.	OEM Reference	Remarks
●	338-2318 ◆ ◆ ◆	Hanger; Roadside	1	47QK539, 21535697	Late; 2006+
		Hanger; Curbside	1	47QK540, 21525698	Late; 2006+
		Hanger; Roadside	2	8085844	Early; 2004-06
		Hanger; Curbside	2	8085845	Early; 2004-06
✓ ●	334-2193 334-2199	Pad, Wear	2	25QK43M, 20703083	Late; 2006+
		Pad, Wear	2	20568741	Early Style; 2004-06
3	334-2094	Bolt/Pin, Retainer; Wear Pad	2		
4	334-2096	Pin, Rebound	2	314AM2, 24425357	314AM2, 24425357
5	334-2195	Roller, Rebound	2	10QK289M, 8079890	Early; 2004-06
6	334-2097	Kit, Bolt	4	20812234	Late; 2006+
●	334-2194	Plate, Alignment; Eccentric	4	20551933	
8	RB-290 RB-259	Bushing, Rubber; 7/8" ID x 2 9/16" OD x 3 9/16" Lg	2		Late Style
		Bushing, Rubber; 2 9/16" OD x 4 3/8" c/c	2		2004-06
✓ ✓ ●	345-898 345-910 345-892 345-896	Torque Rod, Rigid; 22 1/4" Lg	2	3187322	Full Ball Ends; Straddlemount Both Ends
		Torque Rod, Rigid; 22" Mean Length	2	17QF490M	Rubber Bushing; Straddlemount Both Ends; 7/8" ID
		Torque Rod, Rigid; 21" Lg	2	17QF473M2	Rubber Bushing; Straddlemount Both Ends; See Chart on Page 1084
		Torque Rod, Adjustable	2	17QF474P221	Rubber Bushing; Straddlemount Both Ends; See Chart on Page 1077
10	◆ ◆ See Chart	U-Bolt; 20mm	4	20709327	Use 361-196 Kit; 3/4" x 3" x 15 1/2" R
		U-Bolt; 22mm	4	20709327	Use 361-374 Kit; 7/8" x 3" x 14 1/2" R
		Kit, U-Bolt	4	Various	See Page 1051 for Additional U-Bolt Kits
●	338-2320	Saddle, U-Bolt	4	11QK2102M, 8086649	
✓ ✓	352-8829	Air Spring	2	20505399	
13	◆	Seat, Axle	2	Various	
14	◆	Plate, Bottom	2	Various	
15	M65486 M66431	Shock Absorber	2		
		Shock Absorber	2		
✓ ✓ ●	334-1647	Valve, Height Control; Universal	1		
✓ ●	334-1648	Valve, Height Control; w/Dump	1		Universal
✓ ✓ ●	334-751	Linkage Assembly; Universal; Adjustable	1		3 5/8"-19 5/8" Range; Use w/All Height Control Valves
18	334-774	Assembly, Bolt; 5/8"-18 x 6" Lg	4		Incl. Bolt & Hdwe.
✓ ✓ ●	334-526	Shim; 1/16" Thk 4 3/8" c/c	A/R		
20	334-972	Pin, Center; Radius Leaf	2		
21	Spring Assembly	Assembly, Spring	2		Radius Leaf; See Leaf Spring Web Catalog for Details
22	Spring Assembly	Assembly, Spring	2		Leaf Spring; See Leaf Spring Web Catalog for Details

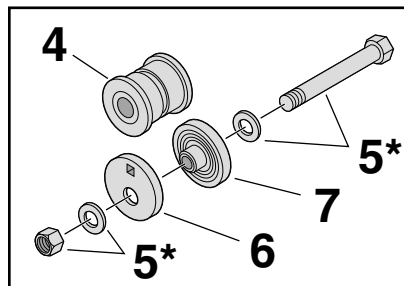
Mack



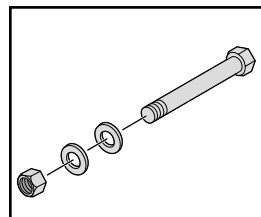
Suspension Illustration



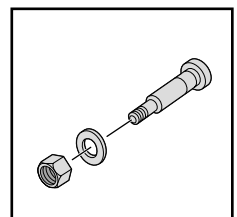
Key 2* - Service Kit, QUIK-ALIGN®



Key 3* - Service Kit, QUIK-ALIGN® w/Bushing



Key 5* - Bolt Assembly



Key 13* - Bolt Assembly

Mack

MAXAIR®
 ("Twisted Sister") (Hendrickson)
Tandem Axle Air Suspension

Key No.	Part Number	Description	No. Req.	OEM Reference	Remarks		
●	1	338-1924	Hanger	4	58772-1	Discontinued; Aluminum; Repl. w/338-1924	
✓	●	2	334-1689	Kit, Service; QUIK-ALIGN®	4		Incl. Collars & Hdwe.
✓	●	3	334-1690	Kit, Service; QUIK-ALIGN®; w/Bushing	4	60682-1	Incl. Collars, Bushing & Hdwe.
✓	●	4	321-387	Bushing, Pivot	4	58648	MAXAIR® & COMFORT AIR®
✓	●	5	334-1691	Assembly, Bolt; 7/8"-9 x 7 1/2"Lg	4		Iron Hangers
✓	●	6	334-1693	Collar, Alignment; Eccentric	2	60662, 16QK39M	
✓	●	7	334-1694	Collar, Alignment; Concentric	6	60661, 16QK38M	
✓	●	8	50-433	Member, Support; Main Spring; LH	2	58691, 4QK4176M	
✓	●		50-435	Member, Support; Main Spring; RH	2	58768, 4QK4175M	
●	●	9	338-1926	Bracket, Shock Absorber; LH	2	58701-1	
●	●		338-1927	Bracket, Shock Absorber; RH	2	58702-1	
●	●	10	338-1925	Saddle, U-Bolt	4	58775-2	
✓	●	11	362-108	Kit, Service; U-Bolt	4		(1) Axle End; Incl. U-Bolts, Washers, Spacers, Etc.
●	●	12	341-57241-6	Shock Absorber	4	57241-6	Can Use M65480
●	●	13	334-1115	Assembly, Bolt; Shock Absorber	4	50368	Incl. 1/2"-13 Serrated Shank Bolt Washers & Nut
✓	●	14	64917-002	Air Spring	4	64917-2, 58786-2	
●	●	15	334-1692	Valve, Height Control	1	59899	
✓	●	16	334-751	Linkage Assembly; Universal; Adjustable	1		3 5/8"-19 5/8" Range; Use w/All Height Control Valves
●	●	17	SP	Bracket, Height Control Valve	1	57975	
●	●	18	345-871	Rod, Track	2	58757-6	
●	●	19	338-181	Bracket, Track Rod/Frame	2	22186	
●	●	20	334-1875	Kit, Service; Standard Hanger Re-Bush/Alignment	1	60683-1	
●	●		334-1876	Kit, Service; Aluminum Hanger Re-Bush/Alignment	1	60683-3	Tandem

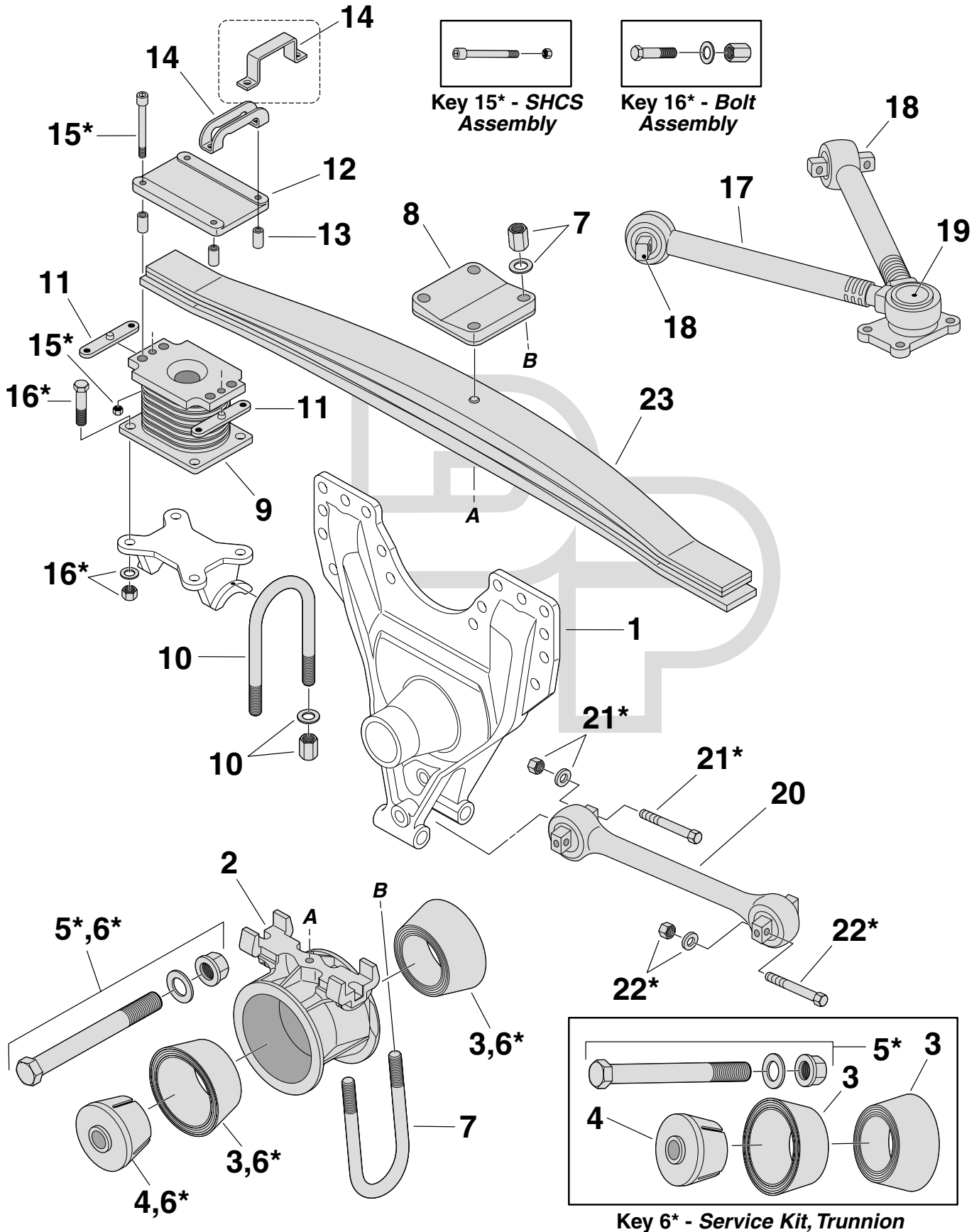
Note: See **Hendrickson Truck** catalog section to view additional Suspension Component Photos.

Mack**Parts Listing**

M Ride®
 (Volvo T Ride; 2006+)
Tandem Rear Suspension

Mack

Mack



Suspension Illustration

Key 15* - SHCS Assembly

Key 16* - Bolt Assembly

Key 6* - Service Kit, Trunnion

Key No.	Part Number	Description	No. Req.	OEM Reference	Remarks
1	◆	Hanger	2	20429262	
● 2	338-2170	Trunnion	2	20429274	Use w/321-518 Rubber Bushings
● 3	321-518	Bushing, Tapered; Rubber	4	20442252	
● 4	334-2020	Cone, Compression	2	20466804	
5	334-2099	Assembly, Bolt; M24 - 27.1 x 250mm Lg	2		
● 6	334-2100	Kit, Service; Trunnion	2		
7	◆	U-Bolt; M20 x 78 x 300mm	4	20446782	Use 361-469 Kit; ¾" x 3" x 12 ½" R
	◆	U-Bolt; M20 x 78 x 280mm	4	20435298	Use 361-541 Kit; ¾" x 3" x 11 ½" R
● 8	338-1395	Pad, Top	2	8057237	
✓ ● 9	334-916	Spring, Load; Rubber; 6"W x 8"L x 6"H	4		
10	◆	Kit, U-bolt; M16 x 78 x 200mm	8	1590074, 20442758	Use 361-380 Kit; ⅝" x 3" x 7 ¾" R
● 11	338-2150	Plate, Latch; Forged	8	1629550, 20436985	
● 12	338-2148	Plate, End; Forged	4	1629549	
13	334-2101	Spacer; 13mm ID x 20mm OD x 34mm Lg	16	20382337	
● 14	◆	Retainer	4	20461010, 20436933	3 Leaf Spring
15	334-2104	Assembly, SHCS; M12 x 80 Lg	8/16		
	334-2105	Assembly, SHCS; M12 x 115mm Lg	8		w/Stamped Retainer
16	334-2106	Assembly, Bolt; Flange Head; M14 x 50mm Lg	16		
✓ ● 17	345-872	V-Rod	2	3172829	678mm Lg Leg
●	345-873	V-Rod; w/Offset Pivot Plate	2	8057667	686mm Lg Leg
● 18	334-1984	Kit, Repair; V-Rod End Bushing	4	20547286	
● 19	334-1985	Kit, Repair; V-Rod Apex	2	20741710, 3093544	
● 20	345-894	Torque Rod, Rigid; Offset; 22 ⅝"Lg	2	20443046	
●	345-895	Torque Rod, Adjustable; Offset; 23 ⅝"Lg	2	20509568	
21	334-764	Assembly, Bolt; ⅝"-18 x 7"Lg	4		Incl. Bolt & Hdwe.
✓ 22	334-768	Assembly, Bolt; ⅝"-18 x 4 ½"Lg	8	955375	Incl. Bolt & Hdwe.
23	Spring Assembly	Assembly, Spring	2	Various	See Leaf Spring Web Catalog for Details

Note: See Volvo catalog section to view additional Suspension Component Photos.

Mack

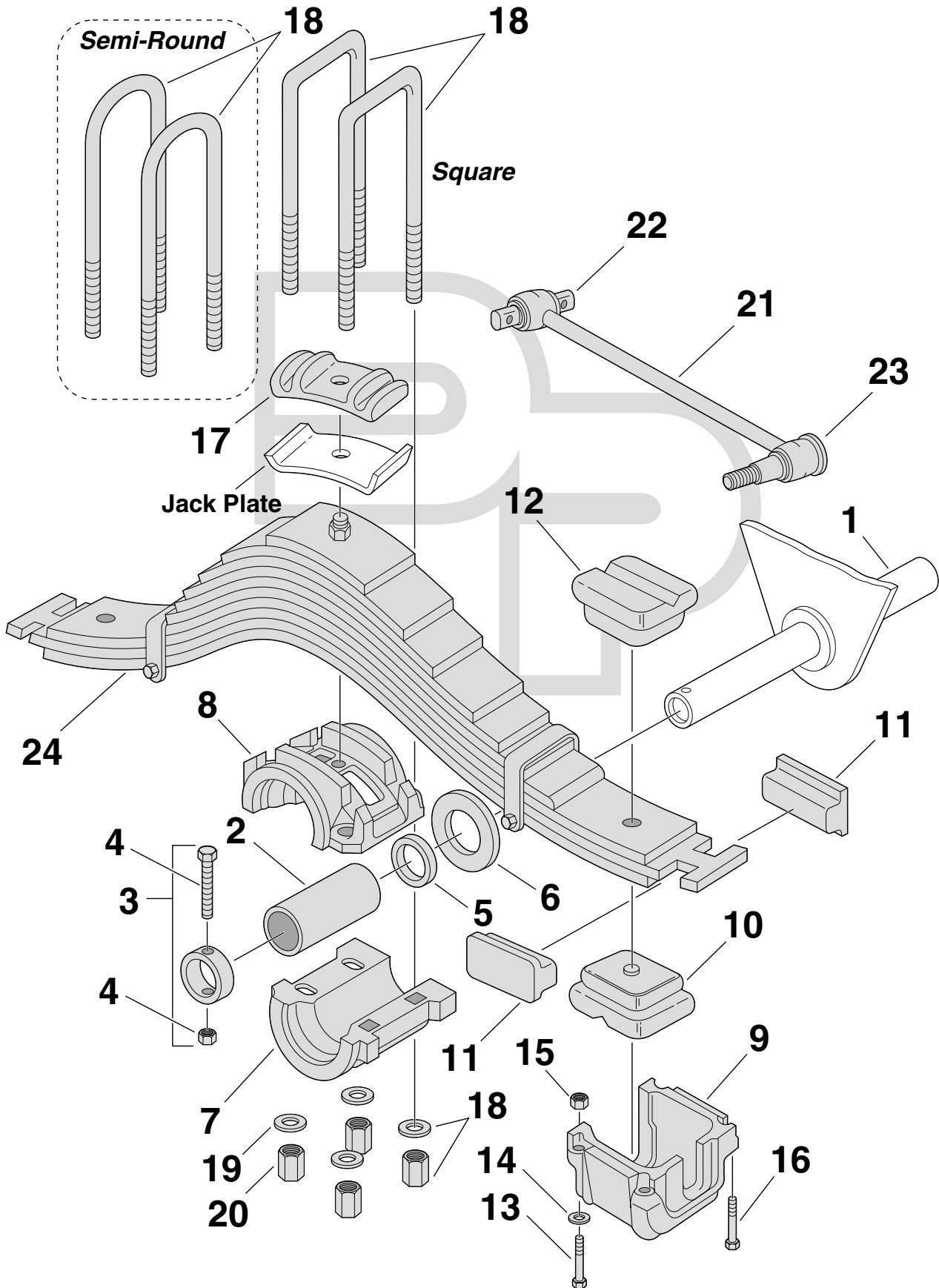
Parts Listing

SS34/38 Camelback
 (4" Spring, Two Piece Trunnion)
Rear Suspensions

Mack

Mack

Suspension Illustration



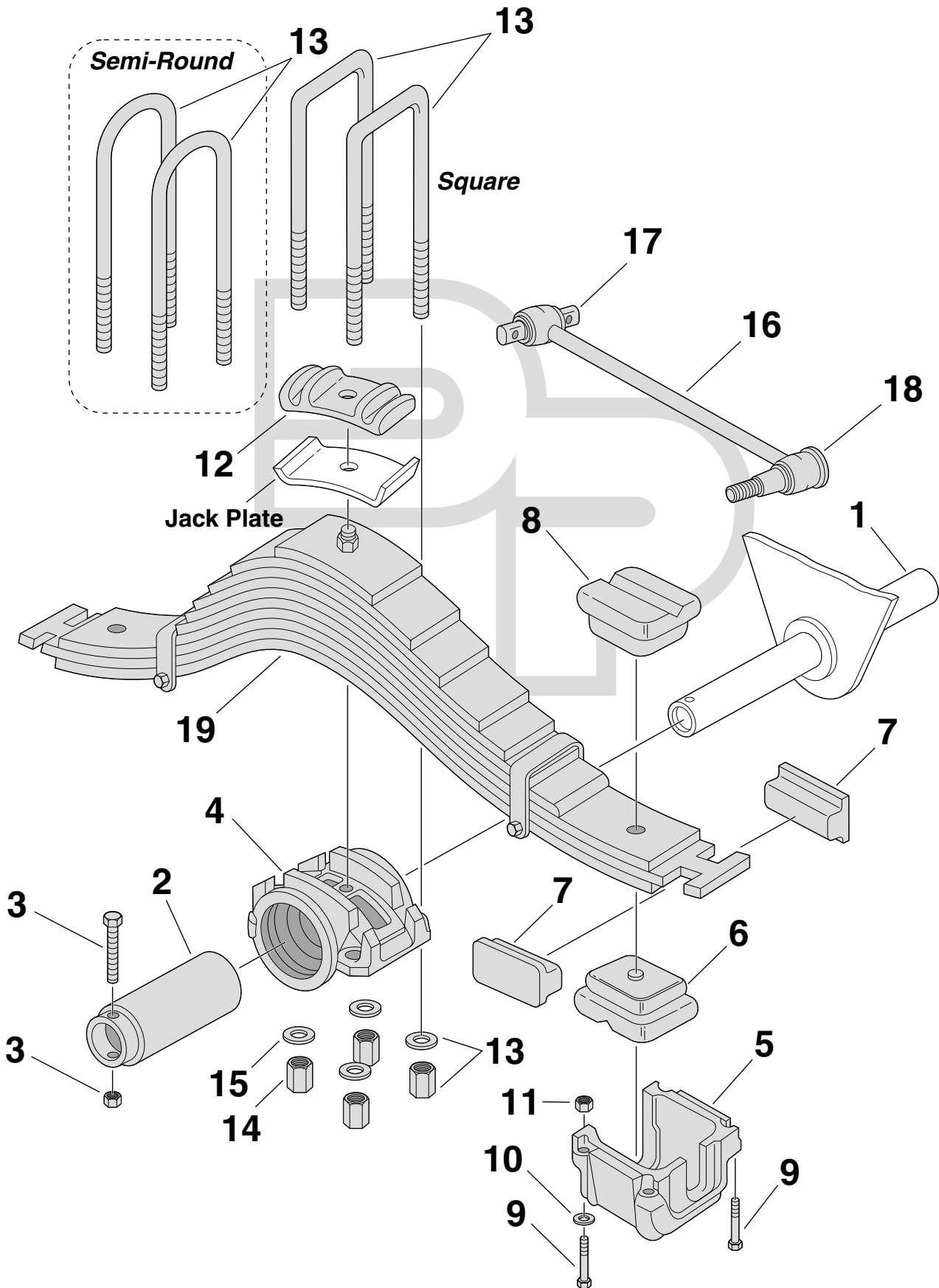
Key No.	Part Number	Description	No. Req.	OEM Reference	Remarks
	◆	Spindle, Service; 8 3/4" Wide Trunnion	2	85QK248	Replacement Production No. 85QK243
✓✓	2	325-118 Bushing; 8 3/4" Trunnion; 3 1/2"ID x 4 7/16"OD x 6 5/16"Lg	2	10QK219P3	90 Durometer 80 Durometer
	●	325-120 Bushing, Urethane; 8 3/4" Trunnion	2	10QK276	
	●	325-120U Bushing, Urethane; 8 3/4" Trunnion	2		
	●	325-117 Bushing; 8 3/16" Trunnion; 3 1/2"ID x 4 7/16"OD x 5 9/16"Lg	2	10QK219P,P1	
	●	325-117U Bushing, Urethane; 8 3/16" Trunnion	2		
	●	325-115 Bushing; 9 1/4" Trunnion	2	10QK130P1	
	●	325-115U Bushing, Urethane; 9 1/4" Trunnion	2		Use w/39QK32, 414 Castings Only
✓●	3	334-479 Spacer, Outer; 3 1/2"ID x 4 1/8"OD x 1 3/4"Thk	2	44RU2221P2	8 3/4" Trunnion; Incl. Bolt & Lock Nut
●	●	334-1179 Spacer, Outer; 3 1/2"ID x 4 1/8"OD x 2 1/4"Thk	2	44RU221P1	8 3/16" Trunnion; Old Style
✓✓	4	334-579 Assembly, Bolt; 3/4"-16 x 5 1/2"Lg	2	3AX1525	Bolt & Lock Nut
	5	334-480 Spacer, Inner; 3 1/2"ID x 4 1/8"OD x 7/16"Thk	2	44RU2223P2	Used w/325-118 Bushing
	●	334-1178 Spacer, Inner; 3 1/2"ID x 4 1/8"OD x 1/2"Thk	2	44RU2223P1	Used w/325-117 Bushing
	6	334-481 Spacer, Inner; 3 1/2"ID x 4 7/8"OD x 3/8"Thk	2	44RU2224	Used w/325-117 Bushing; Old Style
●	7	338-710 Trunnion, Clamp Half	2	39QK431	Current; 8 3/4"; Use 325-118 Bushing
●	●	338-712 Trunnion, Clamp Half	2	39QK37C	Old Style; 8 3/16"; Use 325-117 Bushing; Obsolete
✓●	8	338-709 Trunnion, Seat Half	2	39QK433A	Current; 8 3/4"; Use 325-118 Bushing
●	●	338-711 Trunnion, Seat Half	2	39QK423C	Old Style; 8 3/16"; Use 325-117 Bushing; Obsolete
●	9	338-1787 Box, Insulator; 5 7/8" Deep	4	52QK442P2, 52QK447P2	Ductile Iron
✓●	●	338-746 Box, Insulator; 6 3/4" Deep	4	52QK418BP4	
✓●	●	338-728 Box, Insulator; 6 3/8" Deep	4	52QK418BP5	
✓✓●	10	325-110 Insulator, Standard; 1 3/4" Dowel; 70 Durometer	4	10QK36B	70 Durometer, Rubber; Black
●	●	325-125 Insulator, Offset; 1 3/4" Dowel	AR	10QK48	70 Durometer, Rubber; Black
✓✓●	11	338-729 Spacer; 3"W x 4"Lg x 1 1/2"Thk	8	13QK246	
✓✓●	12	325-112 Insulator; 1 3/4" Dowel, 70 Durometer	4	10QK365A	70 Durometer, Rubber; Black
✓✓●	●	325-112U Insulator, Urethane	4		
●	●	325-109 Insulator; Upper	4	10QK33A	70 Durometer, Rubber; Black
●	●	325-109U Insulator, Urethane; Upper	4		
✓✓●	●	325-113 Insulator; 1 3/4" Dowel; 70 Durometer	4	10QK370	70 Durometer, Rubber; Black
●	●	325-113U Insulator, Urethane	4		
	13	See Charts Bolt, Insulator Box; 7/8"-14 Thread	4		See Chart on Page 1048
✓✓	14	334-150 Washer, Hard Flat; 7/8"	12	35AX1310, 22962-2	
	15	SLN-106 Nut, Lock; 7/8"-14	12	21AX480	
	16	See Charts Screw, Cap; Insulator Box; 7/8"-9 Thread	4		See Chart on Page 1048
●	17	338-713 Saddle, U-Bolt; 8 1/2"Lg x 4"W	2	8QK335P1	Use w/Semi-Round U-Bolts; Replaces Jack Plate
	18	See Charts Assembly, U-Bolt; Square or Semi-Round Bend	4		Use Square Bend U-Bolts w/Jack Plate; Use Semi-Round Bend U-Bolts w/Cast Top Plate (Current Design); See Chart on Page 1051
	19	SUW-125 Washer, U-Bolt; 1 1/4"	8		
	20	DN-125 Nut, Deep; 1 1/4"-12, Grade C	8	21AX131	
	●	DNM-200 Nut, Deep; 1 1/4"-12, Grade C	8	21AX655	
	21	See Charts Torque Rod; OEM Fixed Length	2		See Chart on Page 1089
	●	See Charts Torque Rod; Uni-Rod	2		See Chart on Page 1090
	●	See Charts Torque Rod; 2-Piece Ultra Rod	2		See Chart on Page 1087
✓✓●	22	321-132 Bushing; Straddlemount; 2 3/4"OD x 4 3/8" c/c	2	44695, 227720	For 5/8" Bolts & 1 1/4" Forged Rod
●	●	321-132U Bushing, Urethane	2		
✓●	23	321-136 Bushing, Taper Stud Type	2	46735	Mack Style Stud
●	●	321-136U Bushing, Taper Stud Type	2		
	24	Spring Assembly Assembly, Spring	2		See Leaf Spring Web Catalog for Details

SWS573 Camelback
 (4" Spring, Rubber/Metal Center)
Rear Suspension

Mack

Mack

Suspension Illustration



Mack

SWS573 Camelback (4" Spring, Rubber/Metal Center) Rear Suspension

Mack

Parts Listing

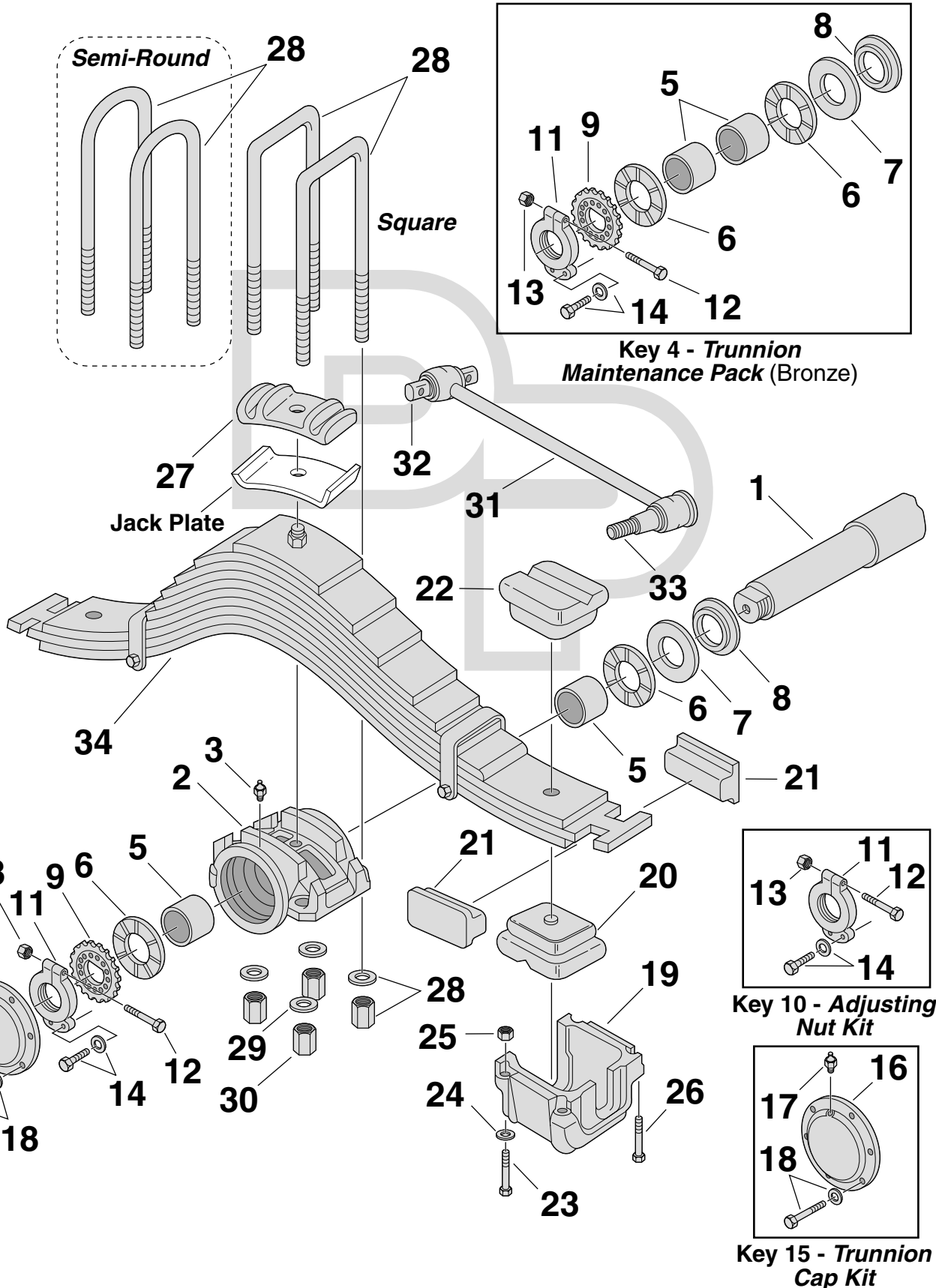
Key No.	Part Number	Description	No. Req.	OEM Reference	Remarks
	◆	Spindle, Service; 8 3/4" Wide Trunnion	1	85QK248	Replacement Production No. 85QK243
●	321-171	Bushing; Rubber/Metal; 8 3/4" Wide Trunnion	2	10QK371A	10 5/8"Lg
●	321-170	Bushing	2	10QK368A	9 7/16"Lg
✓✓	334-579	Assembly, Bolt; 3/4"-16 x 5 1/2"Lg	2	3AX1525	Bolt & Lock Nut
●	338-704	Assembly, Trunnion; 8 3/4"W	2	39QK226C	Casting No. 39QK427B
	338-1785	Assembly, Trunnion	2	39QK426B	
✓●	338-728	Box, Insulator; 6 3/8" Deep	4	52QK418BP5	
✓●	338-746	Box, Insulator; 6 3/4" Deep	4	52QK418BP4	
✓✓●	325-110	Insulator, Standard; 1 3/4" Dowel; 70 Durometer	4	10QK36B	70 Durometer, Rubber; Black
●	325-123	Insulator, Urethane; Severe Service; 1 3/4" Dowel	4	10QK388	90 Durometer, Urethane; Yellow
●	325-127	Insulator, Urethane; Extra Service; 1 3/4" Dowel	4		80 Durometer, Urethane; Black
●	325-125	Insulator, Offset; 1 3/4" Dowel	4	10QK48	70 Durometer, Rubber; Black
✓✓●	338-729	Spacer; 3"W x 4"Lg x 1 1/2"Thk	8	13QK246	
✓✓●	325-113	Insulator; 1 3/4" Dowel; 70 Durometer	4	10QK370	70 Durometer, Rubber; Black
●	325-113U	Insulator, Urethane	4		
✓✓●	325-108	Insulator; Standard; 1 1/2" Dowel; 70 Durometer	4	10QK32BP1	70 Durometer, Rubber; Black
	See Charts	Bolt, Insulator Box; 7/8"-14 Thread	16		See Chart on Page 1048
✓✓	334-150	Washer, Hard Flat; 7/8"	12	35AX1310, 22962-2	
	SLN-106	Nut, Lock; 7/8"-14	12		
●	338-714	Saddle, U-Bolt; 9 3/4"Lg x 4"W	2	8QK335P2	Use w/Semi-Round U-Bolts; Replaces Jack Plate
	See Charts	Assembly, U-Bolt; Square or Semi-Round Bend	4		Use Square Bend w/Jack Plates; Use Semi-Round Bend w/Cast Top Plate (Current Design); See Chart on Page 1051
	DN-125	Nut, Deep; 1 1/4"-12, Grade C	8	21AX131	
	DNM-200	Nut, Deep, 1 1/4"-12, Grade C	8	21AX655	
	SUW-125	Washer, U-Bolt; 1 1/4"	8	35AX1435	
	See Charts	Torque Rod; OEM Fixed Length	2		See Chart on Page 1089
	See Charts	Torque Rod; Uni-Rod	2		See Chart on Page 1090
	See Charts	Torque Rod; 2-Piece Ultra Rod	2		See Chart on Page 1087
●	321-267	Bushing	2		w/ 7/8" Bolt Holes
✓●	321-136	Bushing, Taper Stud Type	2	46735	Mack Style Stud
●	321-136U	Bushing, Taper Stud Type	2		
	Spring Assembly	Assembly, Spring	2		See Leaf Spring Web Catalog for Details

SS44/SWS57 Camelback
 (4" Spring, 3 1/2" Bronze Center)
Rear Suspension

Mack

Mack

Suspension Illustration



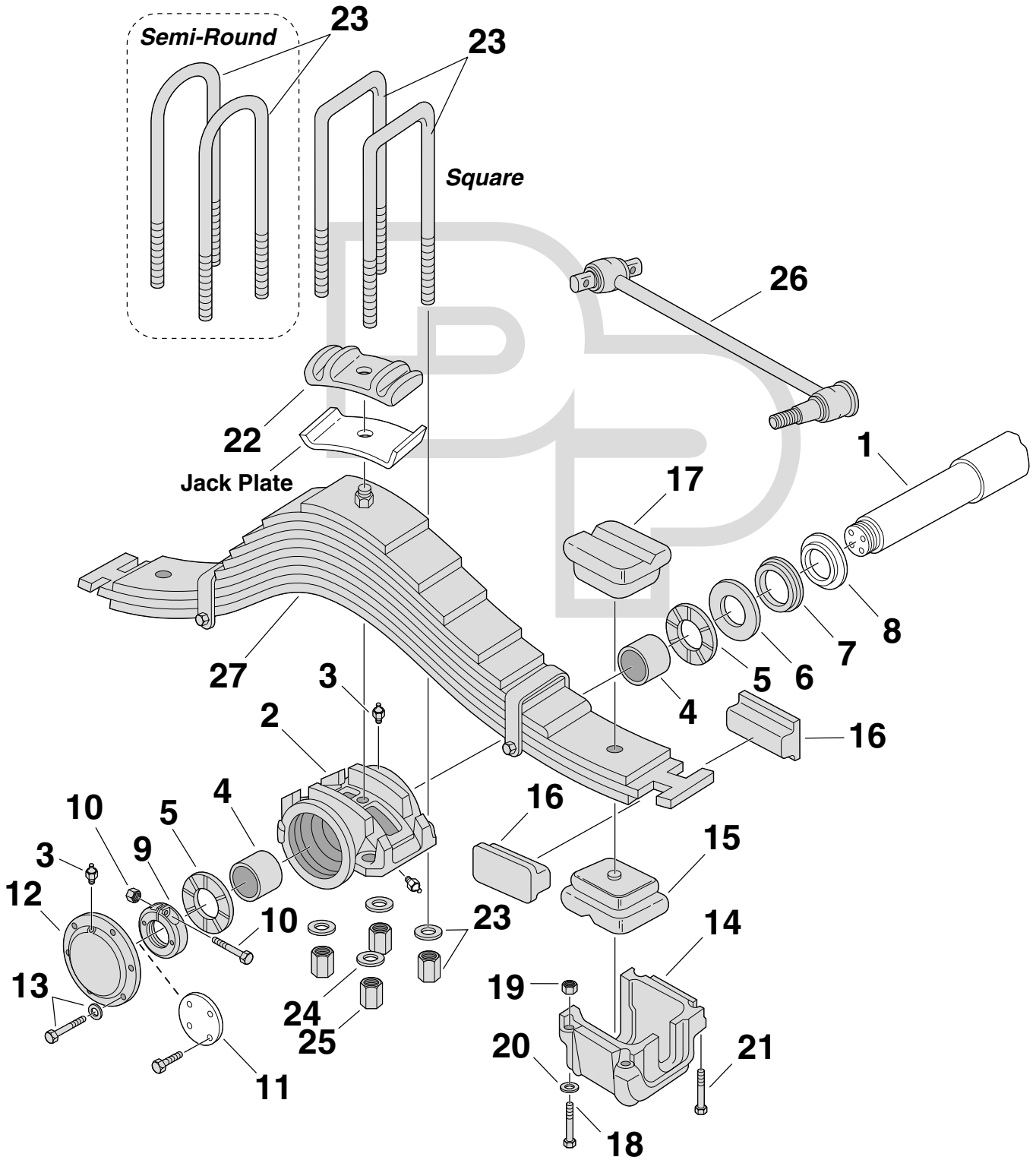
Key No.	Part Number	Description	No. Req.	OEM Reference	Remarks
✓ ●	1	334-466 Shaft; 3 1/2"OD x 48 3/4"Lg, 3 5/16"-12 Thread	1	85QK251, 85QK249	Service Replacement for 85QK21BC Production Spindle
✓✓ ●	2	338-702 Assembly, Trunnion	2	39QK27F	Casting No. 39QK48A, B, C & D
	◆	Assembly, Trunnion; w/o Ears	2	39QK55	Use 338-702
✓	3	334-475 Fitting, Straight Zerk; 1/8"-27NPT	2	44AX115	
●	4	334-580 Kit, Service; Trunnion	1		
	◆	334-580A Kit, Service; Trunnion; Less Bushings	1		
✓✓	5	322-114 Bushing; 3 1/2"ID x 3 3/4"OD x 3 7/16"Lg	4	10QK157	Bronze
	◆	Bushing, Trunnion; One-Piece	2	10QK255P2	One-Piece Rifle Groove Bushing; Use (2)322-114
✓✓ ●	6	334-443 Washer, Thrust; 3 1/2"ID x 5 5/16"OD x 1/4"Thk	4	43QK116	Bronze
✓✓ ●	7	334-444 Washer, Thrust; 4 3/8"ID x 5 3/8"OD x 3/8"Thk	2	43QK117	Steel
✓✓ ●	8	334-445 Seal, Collar; 4 3/8"ID x 5 1/2"OD x 9/16"Thk	2	88AX446	
✓ ●	9	334-442 Washer, "D"; 2 21/64"ID x 4 7/8"OD x 1/4"Thk	2	23QJ112B	Trunnion Adjustment
✓✓	10	334-1398 Assembly, Adjusting Nut	2	25QJ223	Incl. 334-441 & Hdwe.
✓ ●	11	334-441 Nut, Adjusting; 3 5/16"-12 ID x 4"OD x 1"Thk	2	25QJ223	
✓	12	334-537 Bolt; 3/8"-24 x 2 3/4"Lg	2	277232R1	
	13	SLN-100 Nut, Lock; 3/8"-24	2		
	14	334-581 Assembly, Bolt; 5/16"-18 x 3/4"Lg	2	130AX271	Incl. Bolt & Lock Washer; Included in 334-1398
	15	334-1397 Kit, Trunnion Cap	2	97QL339P3	Incl. Trunnion Cap, Gasket, Grease Fitting & Hdwe.
✓ ●	16	334-468 Cap; 5 3/4"ID x 7 3/4"OD x 1 1/2" Deep	2	97QL339P3	5/16" Bolt Holes on 7" BC
✓✓ ●	17	334-545 Fitting, Pressure Relief; 1/8"-27 NPT, 5 PSI	2	44AX52	
	18	334-582 Assembly, Bolt; 5/16"-24 x 1"Lg	12	1AX114	Incl. Bolt & Lock Washer
✓ ●	19	338-746 Box, Insulator; 6 3/4" Deep	4	52QK418BP4	
✓ ●	20	338-728 Box, Insulator; 6 3/8" Deep	4	52QK418BP5	
✓✓ ●	21	325-110 Insulator; Standard; 1 3/4" Dowel; 70 Durometer	4	10QK36B	70 Durometer, Rubber; Black
●	22	325-123 Insulator, Urethane; Severe Service; 1 3/4" Dowel	4	10QK388	90 Durometer, Yellow
●	23	325-127 Insulator, Urethane; Extra Service; 1 3/4" Dowel	4		80 Durometer, Black; Use 325-123
●	24	325-125 Insulator; Offset; 1 3/4" Dowel	AR	10QK48	70 Durometer, Rubber; Black
✓✓ ●	25	338-729 Spacer; 3"W x 4"Lg x 1 1/2"Thk	8	13QK246	
✓✓ ●	26	325-113 Insulator; 1 3/4" Dowel; 70 Durometer	4	10QK370	70 Durometer, Rubber; Black
●	27	325-113U Insulator, Urethane	4		
●	28	325-109 Insulator; Upper	4	10QK33A	
●	29	325-109U Insulator, Urethane; Upper	4		
	30	See Charts Bolt, Insulator Box; 7/8"-14 Thread	12		See Chart on Page 1048
✓✓	31	334-150 Washer, Hard Flat; 7/8"	12	35AX1310	
	32	SLN-106 Nut, Lock; 7/8"-14	12		
	33	See Charts Screw, Cap; Insulator Box; 7/8"-9 Thread	4		
●	34	338-714 Saddle, U-Bolt; 9 3/4"Lg x 4"W	2	8QK335P2	Use w/Semi-Round U-Bolts; Replaces Jack Plate
	35	See Charts Assembly, U-Bolt; Square or Semi-Round	4		Use Square Bend U-Bolts w/Jack Plate; Use Semi-Round Bend U-Bolts w/Cast Top Plate; See Chart on Page 1051
	36	SUW-125 Washer, U-Bolt; 1 1/4"	8		
	37	DN-125 Nut, Deep; 1 1/4"-12, Grade C	8	21AX131	
	38	DNM-200 Nut, Deep; 1 1/4"-12, Grade C	8		
	39	See Charts Torque Rod; OEM Fixed Length	2		See Chart on Page 1089
	40	See Charts Torque Rod, Uni-Rod	2		See Chart on Page 1090
	41	See Charts Torque Rod, 2-Piece Ultra Rod	2		See Chart on Page 1087
●	42	321-267 Bushing	2		w/ 7/8" Bolt Holes
✓ ●	43	321-136 Bushing, Taper Stud Type	2	46735	Mack Style Stud
●	44	321-136U Bushing, Taper Stud Type	2		
	45	Spring Assembly Assembly, Spring	2		See Leaf Spring Web Catalog for Details

SS50 Camelback
 (4" Spring, 4" Bronze Center)
Rear Suspension

Mack

Mack

Suspension Illustration



Mack

SS50 Camelback (4" Spring, 4" Bronze Center) Rear Suspension

Mack

Parts Listing

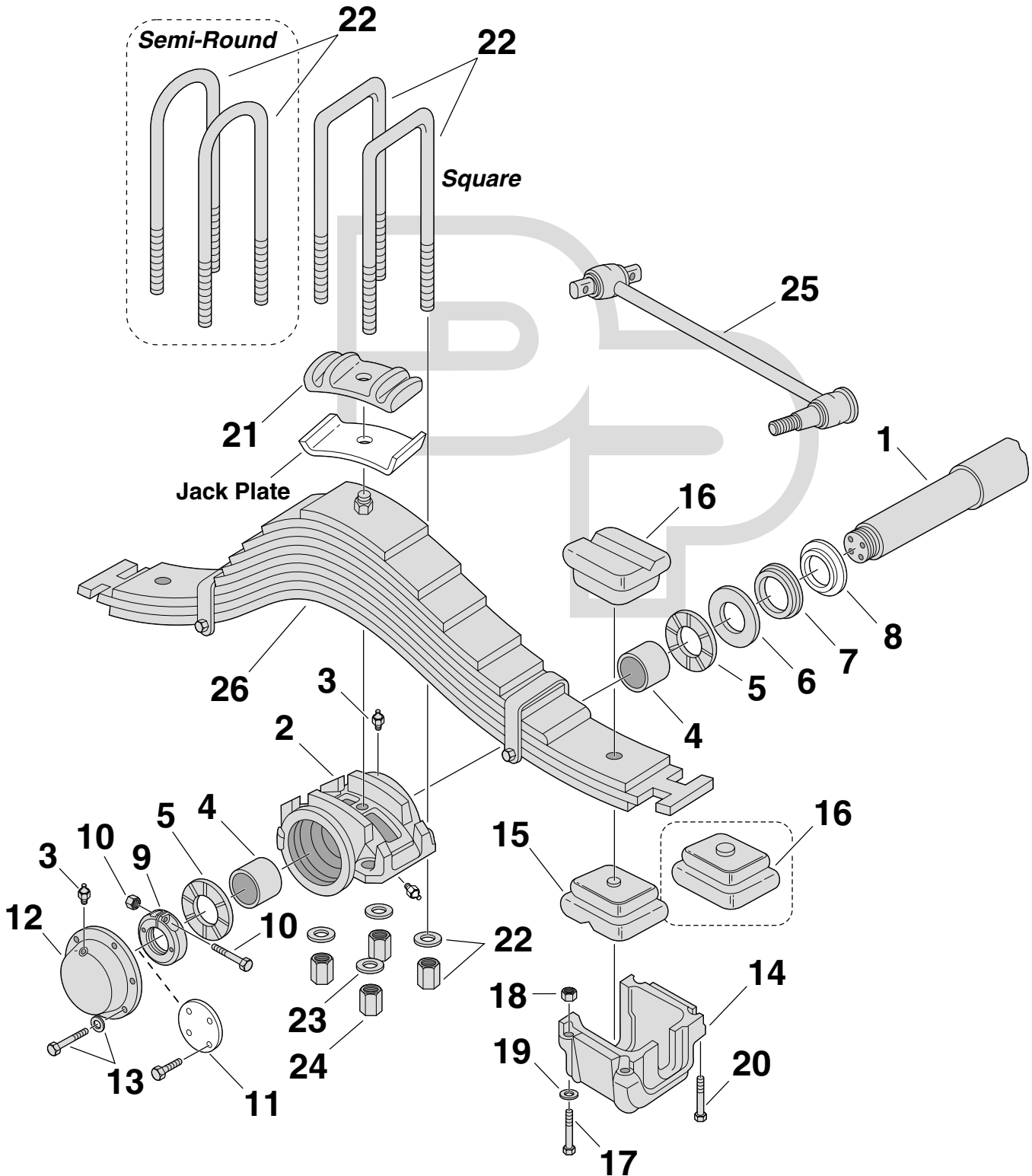
Key No.	Part Number	Description	No. Req.	OEM Reference	Remarks
	◆	Spindle	1	85QK349	Repl. by 85QK355
✓ ●	338-1845	Assembly, Trunnion	2	39QK325	Cast No. 39QK54
✓ ✓ ●	334-545	Fitting, Pressure Relief; 1/8"-27 NPT, 5 PSI	2	44AX52	
✓	322-113	Bushing; 4"ID x 4 1/4"OD x 4 1/4"Lg	4	10QK158A, 10QK153,392	Bronze
✓ ✓ ●	334-511	Washer, Thrust; 4 1/2"ID x 6 1/16"OD x 1/4"Thk	4	43QK115	Bronze
✓ ●	334-512	Washer, Thrust; 4 1/2"ID x 6 1/4"OD x 5/16"Thk	2	43QK118	Thrust Type
✓ ✓ ●	334-515	Seal; 5"ID X 6 3/8"OD x 5/16"Thk	2	88AX253, 88AX459	
	◆	Seal, Collar; Trunnion; 4"ID x 5"OD	2	8QD312	
●	334-498	Nut, Trunnion Shaft; 3 7/8"-12 x 6.09"OD x 1.18"Thk	2	25QJ220BP2	Replaces Old Style
●	334-1401	Assembly, Bolt; 1/2"-20 x 2 3/4"SHCS	2	3AX1472, 21AX798	Incl. Bolt & 12-Point Flanged Lock Nut
	◆	Retainer Plate/Adjusting Nut; Steel Cap; 5 1/16"OD x 1/2"Thk w/4 5/8" Bolt Holes	2	22QS257	
	334-1548	Cap, Trunnion; 2 5/8" Deep	2	97QL3101	Discontinued
	334-582	Assembly, Bolt; 5/16"-24 x 1"Lg	12	1AX114	Incl. Bolt & Lock Washer
✓ ●	338-746	Box, Insulator; 6 3/4" Deep	4	52QK418BP4	
✓ ✓ ●	325-110	Insulator; Standard; 1 3/4" Dowel; 70 Durometer	4	10QK36B	70 Durometer, Rubber; Black
●	325-123	Insulator, Urethane; Severe Service; 1 3/4" Dowel	4	10QK388	90 Durometer, Urethane; Yellow
✓ ✓ ●	338-729	Spacer; 3"W x 4"Lg x 1 1/2"Thk	8	13QK246	For Insulator Box
✓ ✓ ●	325-113	Insulator; 1 3/4" Dowel; 70 Durometer	4	10QK370	70 Durometer, Rubber; Black
●	325-113U	Insulator, Urethane	4		
✓ ✓ ●	325-112	Insulator; 1 3/4" Dowel, 70 Durometer	4	10QK365A	70 Durometer, Rubber; Black
✓ ✓ ●	325-112U	Insulator, Urethane	4		
	See Charts	Bolt, Insulator Box; 7/8"-14 Thread	12		See Chart on Page 1048
	SLN-106	Nut, Lock; 7/8"-14	12		
✓ ✓	334-150	Washer, Hard Flat; 7/8"	12		
	See Charts	Screw, Cap; Insulator Box; 7/8"-9 Thread	4		See Chart on Page 1048
●	338-714	Saddle, U-Bolt; 9 3/4"Lg x 4"W	2	8QK335P2	
	See Charts	Assembly, U-Bolt; Square or Semi-Round	4		Use Square Bend U-Bolts w/Jack Plate; Use Semi-Round Bend U-Bolts w/Cast Top Plate; See Chart on Page 1051
	SUW-125	Washer, U-Bolt; 1 1/4"	8	35AX1435	
	DN-125	Nut, Deep; 1 1/4"-12, Grade C	8	21AX131	
	DNM-200	Nut, Deep; 1 1/4"-12, Grade C	8	21AX655	
	345-808	Kit, Uni-Rod	2	17QF422-XX	Mack 1 7/8" Taper Pin Both Ends
	Spring Assembly	Assembly, Spring	2		See Leaf Spring Web Catalog for Details

SS58 Camelback
 (5" Spring, 4" Bronze Center)
Rear Suspension

Mack

Mack

Suspension Illustration



Mack

SS58 Camelback (5" Spring, 4" Bronze Center) Rear Suspension

Mack

Parts Listing

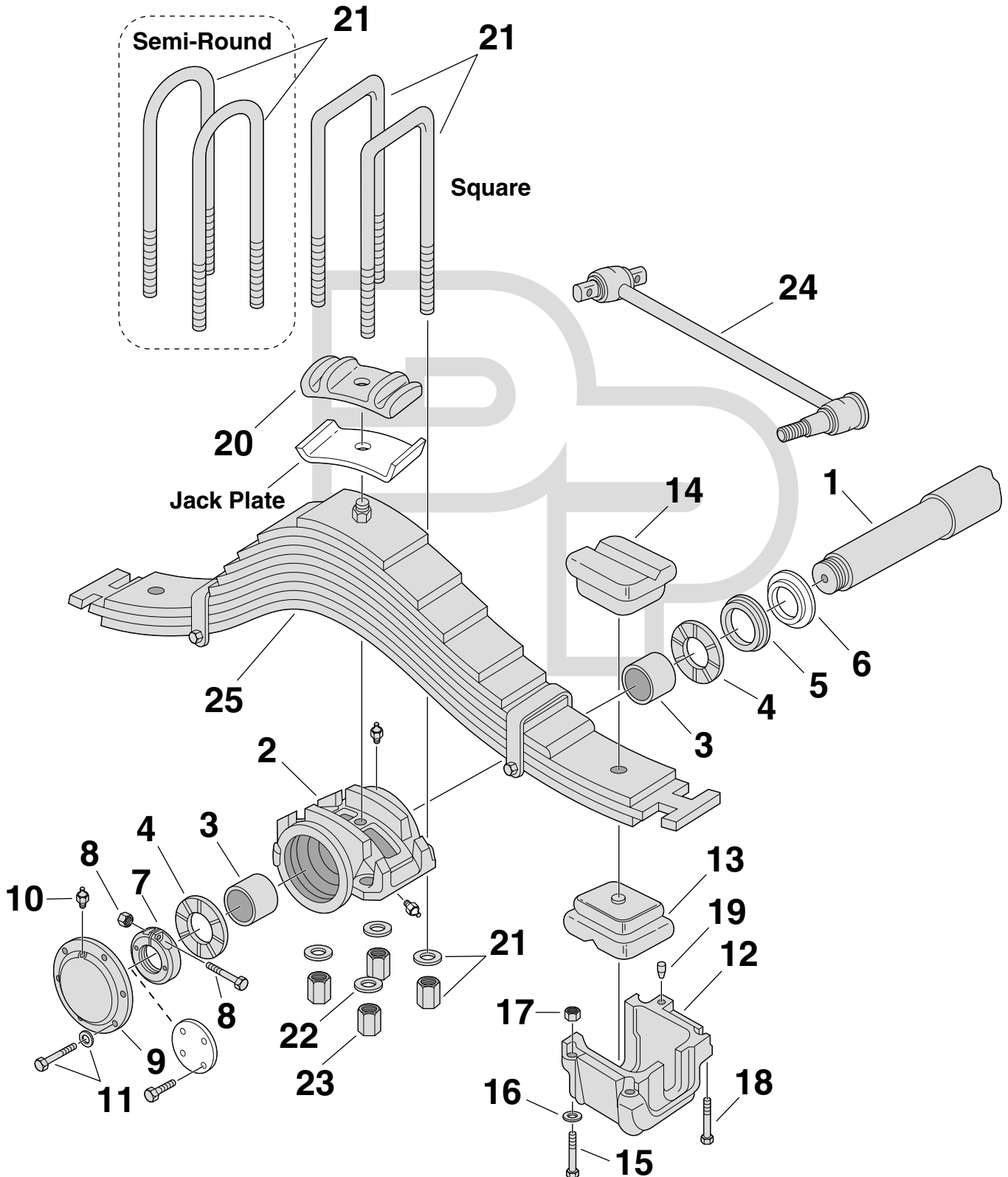
Key No.	Part Number	Description	No. Req.	OEM Reference	Remarks		
●	1	334-499	Spindle; 4"OD x 50"Lg, 3 7/8"-12 Thread	1	85QK342P2	(4) 5/8"-18 Tapped Holes on 2 5/8" BC; Both Ends	
●		334-499A	Spindle; 4"OD x 50"Lg, 3 7/8"-12 Thread	1	85QK336	w/o Threaded Holes	
●	2	338-731	Assembly, Trunnion	2	39QK24C, 39QK319	Casting No. 39QK45BP3	
✓✓	●	3	334-545	Fitting, Pressure Relief; 1/8"-27 NPT, 5 PSI	2	44AX52	
✓	4	322-113	Bushing; 4"ID x 4 1/4"OD x 4 1/4"Lg	4	10QK158A	Bronze	
✓✓	●	5	334-511	Washer, Thrust; 4 1/2"ID x 6 1/16"OD x 1/4"Thk	4	43QK115	Bronze
✓	●	6	334-512	Washer, Thrust; 4 1/2"ID x 6 1/4"OD x 5/16"Thk	2	43QK118	Steel
✓✓	●	7	334-515	Seal; 5"ID X 6 3/8"OD x 3/16"Thk	2	88AX253	4" Trunnion
	8	◆	Collar, Seal; Trunnion; 4"ID x 5"OD	2	8QD137	Varies by Spindle & Seal	
●	9	334-498	Nut, Trunnion Shaft; 3 7/8"-12 x 6.09"OD x 1.18"Thk	2	25QJ220BP2	Replaces Old Style	
●	10	334-1401	Assembly, Bolt; 1/2"-20 x 2 3/4"SHCS	2	3AX1472, 21AX798	Incl. Bolt & 12-Point Flanged Lock Nut	
	11	◆	Retainer Plate/Adjusting Nut, Steel Cap; 5 15/16"OD x 1/2"Thk w/4 5/8" Bolt Holes	2	22QS257		
●	12	334-517	Cap, Trunnion; 6 5/8"ID x 8 1/2"OD x 1 1/2" Deep	2	97QL3001P3	5/16" Bolt Holes on 7 3/4" BC	
	13	334-582	Assembly, Bolt; 5/16"-24 x 1"Lg	12	1AX114	Incl. Bolt & Lock Washer	
●	14	338-1597	Box, Insulator	2	52QK434P4	Inside Depth, 7"	
		338-1596	Box, Insulator	2	52QK434P3	Inside Depth, 7 5/16"	
✓✓	●	15	325-108	Insulator; Standard; 1 1/2" Dowel; 70 Durometer	4	10QK32BP1	70 Durometer, Rubber; Black
✓✓	●	16	325-114	Insulator; 2" Dowel; 70 Durometer	4	10QK372	70 Durometer, Rubber; Black
	17	See Charts	Bolt, Insulator Box; 7/8"-14 Thread	12		See Chart on Page 1048	
	18	SLN-106	Nut, Lock; 7/8"-14	12			
✓✓	19	334-150	Washer, Hard Flat; 7/8"	12			
	20	See Charts	Screw, Cap; Insulator Box; 7/8"-9 Thread	4		See Chart on Page 1048	
●	21	338-755	Saddle, U-Bolt; 10 7/8"Lg x 5"W	2	8QK232A	Use w/Semi-Round U-Bolts	
	22	See Charts	Assembly, U-Bolt; Square or Semi-Round	4		Use Square Bend U-Bolts w/Jack Plate; Use Semi-Round U-Bolts w/Cast Top Plate; See Chart on Page 1051	
	23	SUW-125	Washer, U-Bolt; 1 1/4"	8			
	24	DN-125	Nut, Deep; 1 1/4"-12, Grade C	8	21AX131		
		DNM-200	Nut, Deep, 1 1/4"-12, Grade C	8			
	25	345-808	Kit, Uni-Rod	2	17QF422-XX	Mack 1 7/8" Taper Pin Both Ends	
	26	Spring Assembly	Assembly, Spring	2		See Leaf Spring Web Catalog for Details	

SS65/SWS59 Camelback
 (5" Spring, 5" Bronze Center)
Rear Suspension

Mack

Mack

Suspension Illustration



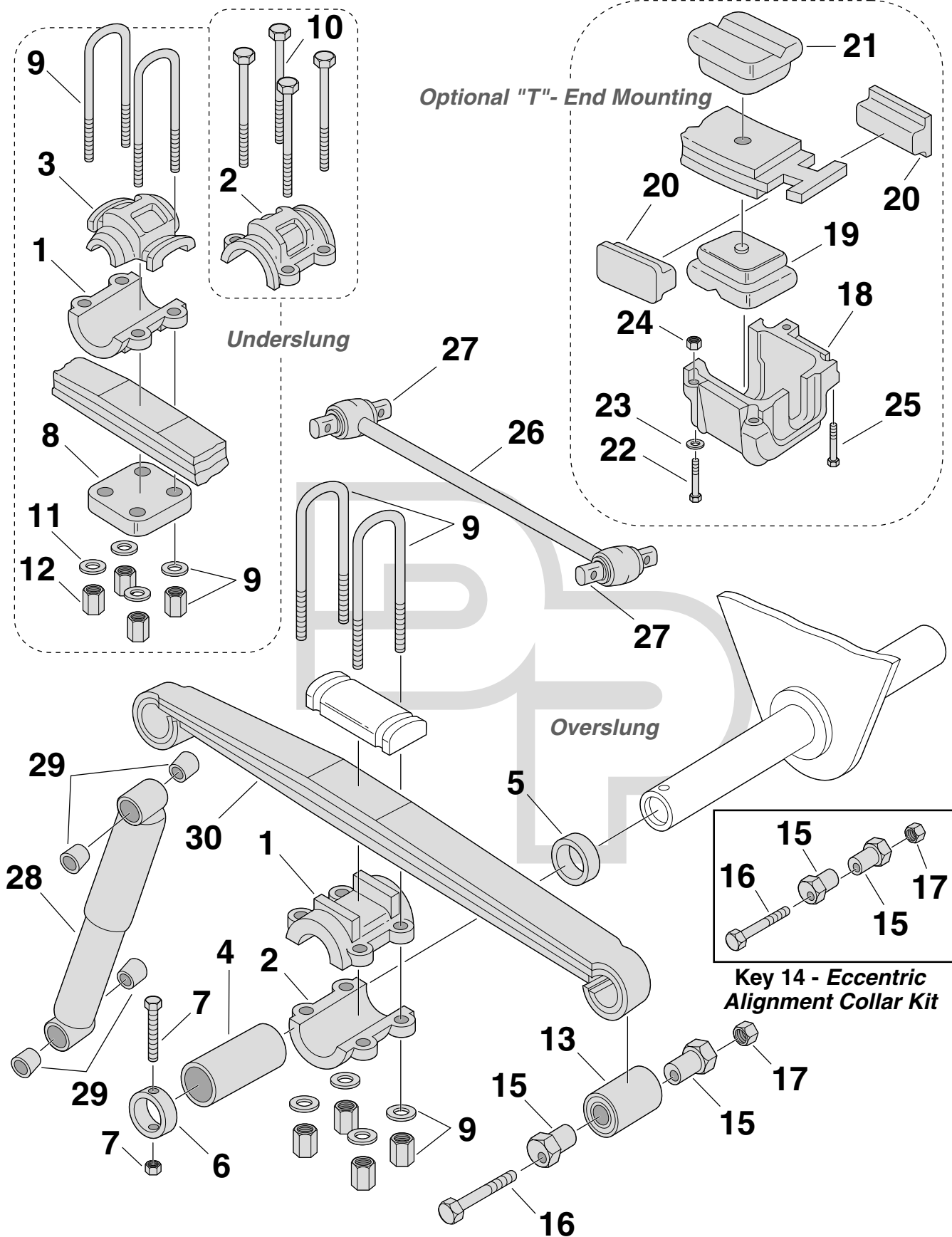
Key No.	Part Number	Description	No. Req.	OEM Reference	Remarks
1	334-1569	Shaft, Trunnion; Old Style	1	85QK315	65k Suspensions
	334-1570	Shaft, Trunnion; New Style	1	85QK343	65k Suspensions
● 2	338-730	Assembly, Trunnion	2	39QK39C	Casting No. 39QK415A/B, 39QK425A/B & 39QK39301
3	322-115	Bushing; 5"ID x 5 1/4"OD x 4 5/16"Lg	4	80AX560, 10QK152	Bronze
	◆	Bushing, Trunnion; 5"ID x 5 1/4"OD x 8.7"Lg	2	10QK393	One-Piece Rifle Groove Bushing; Use (2)322-115
✓ ● 4	334-513	Washer, Thrust; 5 1/2"ID x 6 1/16"OD x 1/4"Thk	4	43QK23A	Bronze
● 5	334-516	Seal; 6 1/2"ID x 7 1/2"OD x 1/2"Thk	2	88AX417P3	
6	◆	Collar, Seal; Trunnion	2	8QD221	
● 7	334-594	Nut, Trunnion Shaft; 3 7/8"-8, 6.09"OD x 1.28"Thk	2	25QJ220B	
● 8	334-1401	Assembly, Bolt; 1/2"-20 x 2 3/4"SHCS	2	3AX1472, 21AX798	Incl. Bolt & 12-Point Flanged Lock Nut
● 9	334-517	Cap, Trunnion; 6 5/8"ID x 8 1/2"OD x 1 1/2" Deep	2	97QL3001P3	5/16" Bolt Holes on 7 3/4" BC
✓ ● 10	334-545	Fitting, Pressure Relief; 1/8"-27 NPT, 5 PSI	2	44AX52	
11	334-582	Assembly, Bolt; 5/16"-24 x 1"Lg	12	1AX114	Incl. Bolt & Lock Washer
● 12	338-1598	Box, Insulator	4	52QK434BP1	Inside Depth, 6 3/4"
● 13	338-1599	Box, Insulator	4	52QK434BP2	Inside Depth, 7"
✓ ● 13	325-114	Insulator; 2" Dowel; 70 Durometer	4	10QK372	70 Durometer, Rubber; Black
● 14	325-124	Insulator	4	10QK389	90 Durometer
✓ ● 14	325-108	Insulator; Standard; 1 1/2" Dowel; 70 Durometer	4	10QK32BP1	70 Durometer; Rubber; Black
15	See Charts	Bolt, Insulator Box; 7/8"-14 Thread	12		See Chart on Page 1048
✓ ✓ 16	334-150	Washer, Hard Flat; 7/8"	12	35AX1310, 22962-2	
17	SLN-106	Nut, Lock; 7/8"-14	12		
18	See Charts	Screw, Cap; Insulator Box 7/8"-9 Thread	4		See Chart on Page 1048
● 19	334-1177	Dowel; 3/4" X 2 1/4"Lg	8	65RU1269	
● 20	338-755	Saddle, U-Bolt; 10 7/8"Lg x 5"W	2	8QK232A	Use w/Semi-Round U-Bolts
21	See Charts	Assembly, U-Bolt; Square or Semi-Round Bend	4		Use Square Bend U-Bolts w/Jack Plate; Use Semi-Round U-Bolts w/Cast Top Plate; See Chart on Page 1051
22	SUW-125	Washer, U-Bolt; 1 1/4"	8		
23	DN-125	Nut, Deep; 1 1/4"-12, Grade C	8	21AX131	
	DNM-200	Nut, Deep, 1 1/4"-12, Grade C	8		
24	345-808	Kit, Uni-Rod	2	MU-4044, 17QF422-XX	Mack 1 7/8" Taper Pin Both Ends
25	Spring Assembly	Assembly, Spring	2		See Leaf Spring Web Catalog for Details

ST34
Taper Leaf Spring
Rear Suspension

Mack

Mack

Suspension Illustration

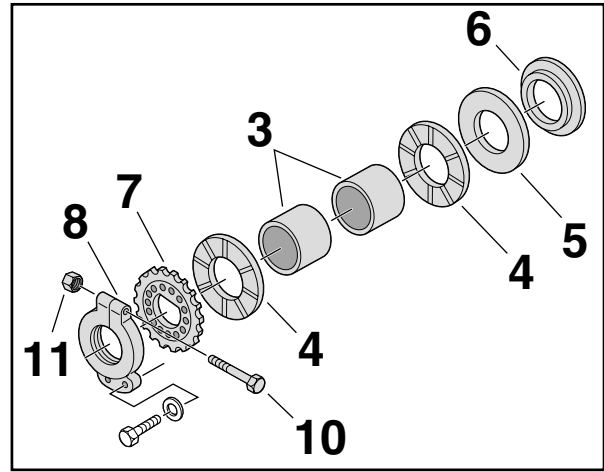


Key No.	Part Number	Description	No. Req.	OEM Reference	Remarks
●	1	338-1784 Trunnion, Seat	2	39QK432A	New Style
	338-1783 Trunnion, Seat	2	39QK430A	Old Style; 8 3/16"; Use 325-117 Bushings	
●	2	338-710 Trunnion, Clamp Half	2	39QK431	New Style; 8 3/4"; Use 325-118 Bushing
	338-712 Trunnion, Clamp Half	2	39QK37C	Old Style; 8 3/16"; Use 325-117 Bushing	
●	3	338-1786 Trunnion, Saddle	2	39QK434	
✓✓	4	325-118 Bushing; 8 3/4" Trunnion; 3 1/2"ID x 4 7/16"OD x 6 5/16"Lg	2	10QK219P3	
●		325-120 Bushing, Urethane; 8 3/4" Trunnion	2	10QK276	90 Durometer
●		325-120U Bushing, Urethane; 8 3/4" Trunnion	2		80 Durometer
●		325-117 Bushing; 8 3/16" Trunnion; 3 1/2"ID x 4 7/16"OD x 5 9/16"Lg	2	10QK219P,P1	
●	5	325-117U Bushing, Urethane; 8 3/16" Trunnion	2		
		334-480 Spacer, Inner; 3 1/2"ID x 4 1/8"OD x 7/16"Thk	2	44RU2223P2	Used w/325-118 Bushing
		334-1178 Spacer, Inner; 3 1/2"ID x 4 1/8"OD x 1/2"Thk	2	44RU2223P1	Used w/325-117 Bushing
●	334-481 Spacer, Inner; 3 1/2"ID x 4 7/8"OD x 3/8"Thk	2	44RU2224	Used w/325-117 Bushing; Old Style	
✓●	6	334-479 Spacer, Outer; 3 1/2"ID x 4 1/8"OD x 1 3/4"Thk	2	44RU2221P2	8 3/4" Trunnion; Incl. Bolt & Lock Nut
		334-1179 Spacer, Outer; 3 1/2"ID x 4 1/8"OD x 2 1/4"Thk	2	44RU221P1	8 3/16" Trunnion
✓✓	7	334-579 Assembly, Bolt; 3/4"-16 x 5 1/2"Lg	2	3AX1525	Bolt & Lock Nut
	8	338-1600 Plate, U-Bolt Clamp; Lower	2	8QK44	Underslung
✓	9	361-212 Kit, U-Bolt; Special Bend, Grade 8	4	7QK3164	1 1/8" x 4" x 13" MR
	10	334-1212 Assembly, Bolt; 1 1/8"-12 x 13 1/4"Lg	8	3AX1894PL	Incl. Bolt & Hdwe.
	11	SUW-118 Washer, U-Bolt; 1 1/8"	8		
	12	DN-118 Nut, Deep; 1 1/8"-12, Grade C	8	21AX781	
	13	RB-84 Bushing; 1 1/4"ID x 2 1/2"OD x 4"Lg	4	10QK146	
		RB-187 Bushing; 1"ID x 2 1/2"OD x 4"Lg	4	10QK260	
		RB-174 Bushing; 1"ID x 2 1/2"OD x 4"Lg	4		Use w/2 Mack Washers; No. 71RU13161
✓✓	14	334-718 Kit, Service; Alignment; Eccentric; 1 3/8" Dia.	4		Incl. 334-553 Collars, 1" Dia. Bolt & Hdwe.
●	15	334-553 Collar, Alignment; Eccentric; 1 3/8" Dia Lobe	8	8QD262	New Style; Use w/1" Bolts
●		334-1604 Collar, Alignment; Eccentric; 1 1/4" Dia Lobe	8	8QD261	Use w/1" Bolts
✓	16	334-1396 Bolt; 7/8"-14 x 7 1/2"Lg	4	3AX1050	
		327-477 Bolt; 1"-14 x 7 3/4"Lg	4	3AX1993	
		327-319 Bolt, 1 1/4"-12 x 7"Lg	4	3AX1682	
✓	17	SLN-107 Nut, Lock; 1"-14	4		
✓✓		334-192 Nut, Lock; 1 1/4"-12	4		Nylock Nut
●	18	338-1787 Box, Insulator; 5 7/8" Deep	4	52QK442P2, 52QK447P2	Ductile Iron
✓✓●	19	325-110 Insulator; Standard; 1 3/4" Dowel; 70 Durometer	4	10QK36B	70 Durometer, Rubber; Black
✓✓●		338-729 Spacer; 3"W x 4"Lg x 1 1/2"Thk	8	13QK246	
✓✓●	21	325-112 Insulator; 1 3/4" Dowel; 70 Durometer	4	10QK365A	70 Durometer, Rubber; Black
	22	See Charts Bolt, Insulator Box; 7/8"-14 Thread	12		See Chart on Page 1048
✓✓	23	334-150 Washer, Hard Flat; 7/8"	12		
	24	SLN-106 Nut, Lock; 7/8"-14	12		
	25	See Charts Screw, Cap; Insulator Box; 7/8"-9 Thread	4		See Chart on Page 1048
	26	See Charts Torque Rod; OEM Fixed Length	2		See Chart on Page 1089
		See Charts Torque Rod, Uni-Rod	2		See Chart on Page 1090
		See Charts Torque Rod, 2-Piece Ultra Rod	2		See Chart on Page 1087
✓✓●	27	321-132 Bushing; Straddlemount; 2 3/4"OD x 4 3/8" c/c	4	1688-227720	For 5/8" Bolts & 1 1/4" Rod Diameter
●		321-132U Bushing, Urethane	4		
✓✓●	27	321-131 Bushing; 2 17/32"OD x 4 3/8" c/c	4	1688-227710	For 5/8" Bolts & 1 1/8" Rod Diameter
✓✓	28	M74454 Shock Absorber	2		
●	29	401754 Bushing, Shock; 1"ID	8		Included w/Shock Absorbers
	30	Spring Assembly Assembly, Spring	2		See Leaf Spring Web Catalog for Details

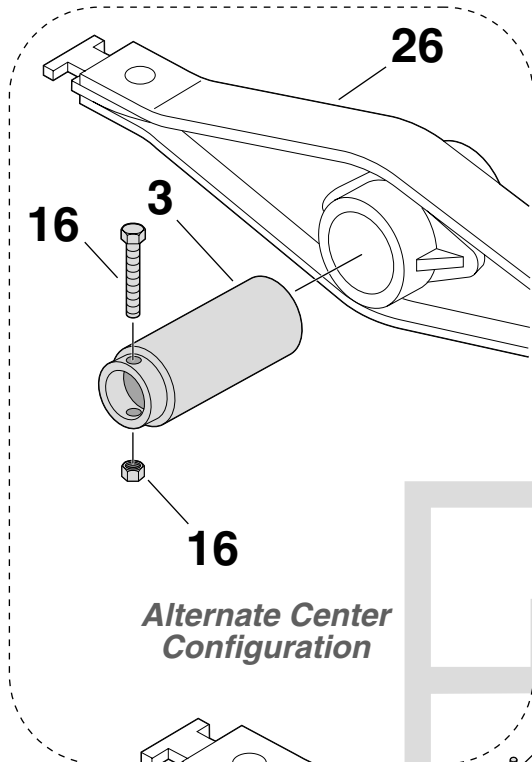
**SW/SWW
Walking Beam
Rear Suspensions**

Mack

Mack

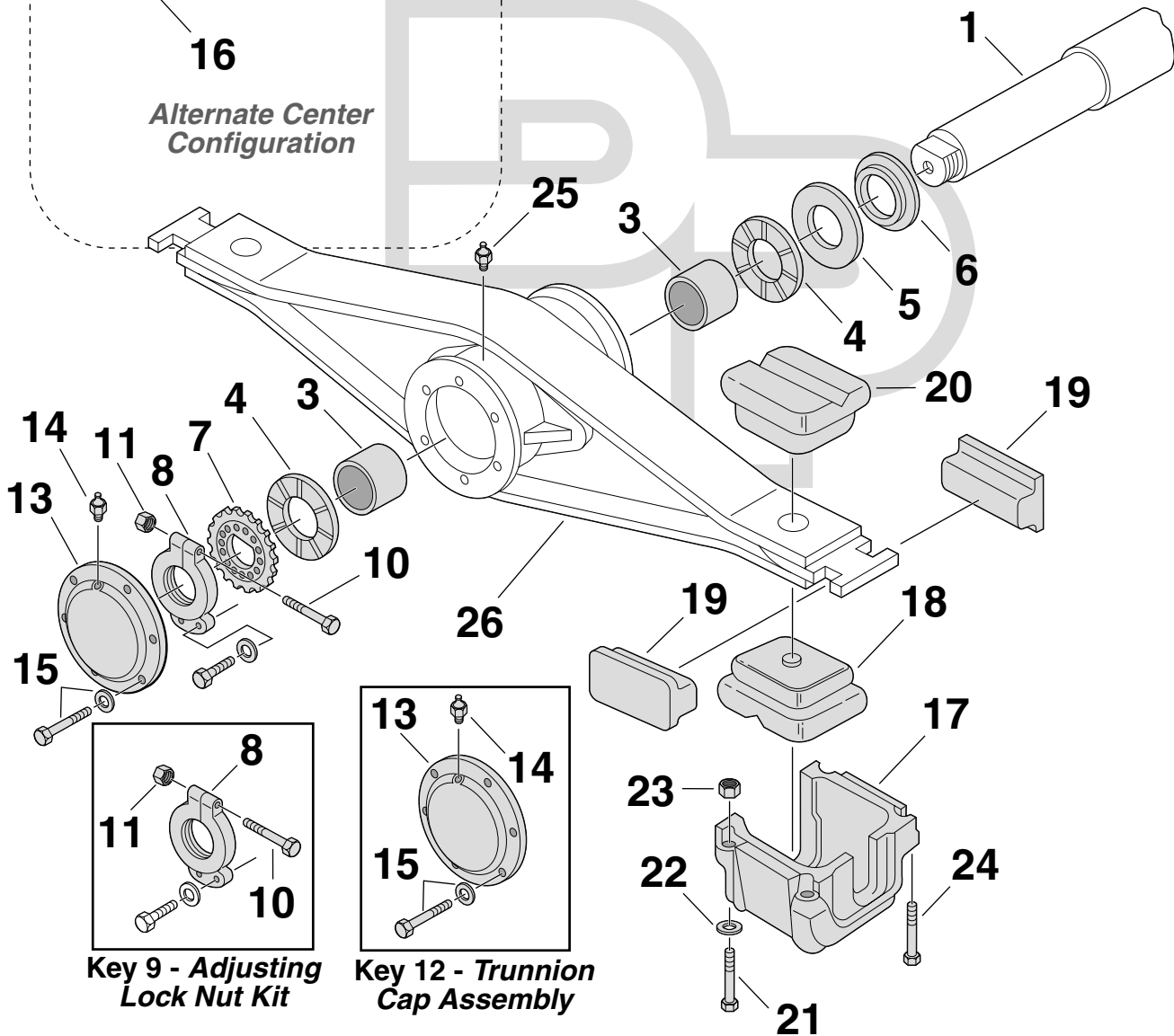


**Key 2 - Trunion
Maintenance Pack (Bronze)**



**Alternate Center
Configuration**

Suspension Illustration



**Key 9 - Adjusting
Lock Nut Kit**

**Key 12 - Trunion
Cap Assembly**

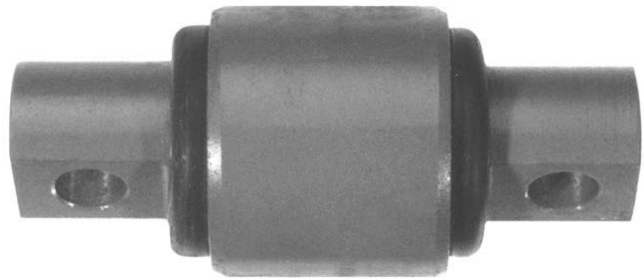
Key No.	Part Number	Description	No. Req.	OEM Reference	Remarks
	◆	Spindle	1	Various	
●	334-580	Kit, Service; Trunnion	1		
●	321-171	Bushing, Rubber/Metal; 8 3/4" Wide Trunnion	2	10QK371A	
✓✓	322-114	Bushing; 3 1/2"ID x 3 3/4"OD x 3 7/16"Lg	4	10QK157, 80AX300	Bronze
✓✓	334-443	Washer, Thrust; 3 1/2"ID x 5 5/16"OD x 1/4"Thk	4	43QK116	Bronze
✓✓	334-444	Washer, Thrust; 4 3/8"ID x 5 3/8"OD x 3/8"Thk	2	43QK117	Steel
✓✓	334-445	Seal, Collar; 4 3/8"ID x 5 1/2"OD x 9/16"Thk	2	88AX446	
✓	334-442	Washer, "D"; 2 21/64"ID x 4 7/8"OD x 1/4"Thk	2	23QJ112B	Trunnion Adjustment
✓	334-441	Nut, Adjusting; 3 5/16"-12 ID x 4"OD x 1"Thk	2	25QJ223	
✓✓	334-1398	Assembly, Adjusting Nut	2	25QJ223	Incl. 334-441 & Hdwe.
✓	334-537	Bolt; 3/8"-24 x 2 3/4"Lg	2	277232R1	
	SLN-100	Nut, Lock; 3/8"-24	2		
	334-1397	Kit, Cap; Trunnion	2	97QL339P3	Incl. Trunnion Cap, Gasket, Grease Fitting & Hdwe.
✓	334-468	Cap; 5 3/4"ID x 7 3/4"OD x 1 1/2" Deep	2	97QL339P3	5/16" Bolt Holes on 7" Bolt Circle
✓✓	334-545	Fitting, Pressure Relief; 1/8"-27 NPT, 5 PSI	2	44AX52	
	334-582	Assembly, Bolt; 5/16"-24 x 1"Lg	12	1AX114	Incl. Bolt & Lock Washer
✓✓	334-579	Assembly, Bolt; 3/4"-16 x 5 1/2"Lg	2	3AX1525	Bolt & Lock Nut
✓	338-746	Box, Insulator; 6 3/4" Deep	4	52QK418BP4	
✓✓	325-110	Insulator; Standard; 1 3/4" Dowel; 70 Durometer	4	10QK36B	70 Durometer, Rubber; Black
●	325-127	Insulator, Urethane; Extra Service; 1 3/4" Dowel	4		80 Durometer, Urethane; Black
✓✓	325-114	Insulator; 2" Dowel; 70 Durometer	4	10QK372	70 Durometer, Rubber; Black
✓✓	338-729	Spacer; 3"W x 4"Lg x 1 1/2"Thk	8	13QK246	
✓✓	325-112	Insulator; 1 3/4" Dowel; 70 Durometer	4	10QK365A	70 Durometer, Rubber; Black
✓✓	325-112U	Insulator, Urethane	4		
●	325-109	Insulator; Upper	4	10QK33A	
●	325-109U	Insulator, Urethane; Upper	4		
✓✓	325-113	Insulator; 1 3/4" Dowel; 70 Durometer	4	10QK370	70 Durometer, Rubber; Black
●	325-113U	Insulator, Urethane	4		
✓✓	325-108	Insulator; Standard; 1 1/2" Dowel; 70 Durometer	4	10QK32BP1	70 Durometer, Rubber; Black
	See Charts	Bolt, Insulator Box; 7/8"-14 Thread	8		See Chart on Page 1048
✓✓	334-150	Washer, Hard Flat; 7/8"	8	35AX1310	
	SLN-106	Nut, Lock; 7/8"-14	8		
	See Charts	Screw, Cap; Insulator Box; 7/8"-9 Thread	8		See Chart on Page 1048
✓	334-475	Fitting, Straight Zerk; 1/8"-27NPT	2	1613B	
	◆	Assembly, Walking Beam	2	Various	

401754



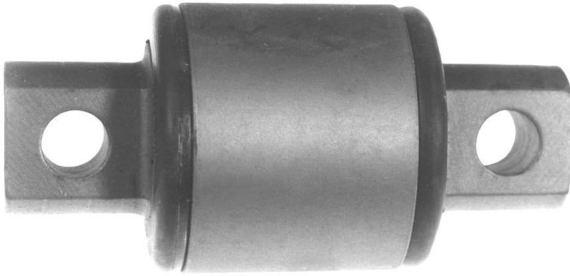
Shock Bushing, 1"ID; Model ST34

321-131



Bushing; 2 17/32" O.D. x 4 3/8" C to C, 5/8" Bolts; Model ST34

321-132



Bushing; 2 3/4" O.D. x 4 3/8" C to C, 5/8" Bolts, 1 1/4" Rod; Model SS34/38/ST34

321-132U



Bushing, Urethane; 2 3/4" O.D. x 4 3/8" C to C, 5/8" Bolts, 1 1/4" Rod; Model SS34/38/ST34

321-136



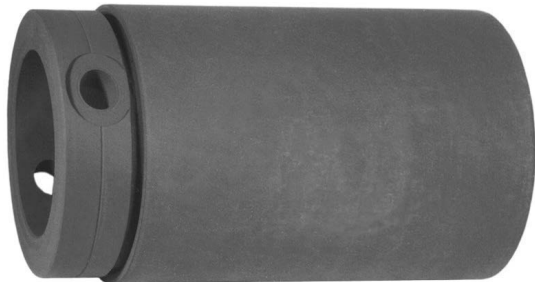
Bushing, Taper Stud Type; Mack Style Stud; Model SS34/38, SWS573, SS44/SWS57

321-136U



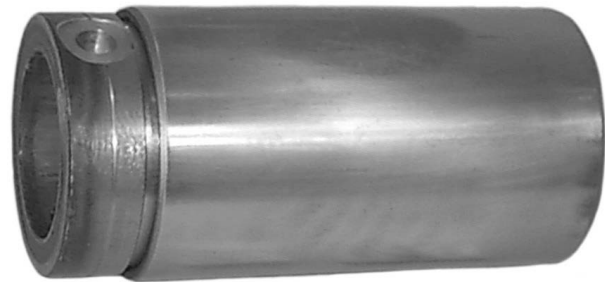
Bushing, Urethane, Taper Stud Type; Model SS34/38, SWS573, SS44/SWS57

321-170



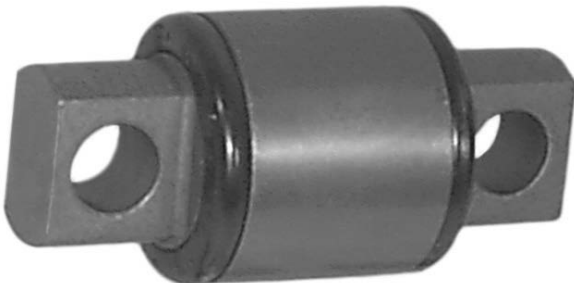
Bushing; 9 7/16" Lg.; Model SWS573

321-171



Bushing, Rubber/Metal; 10 5/8" Lg.; Model SWS573/SW/SWW

321-267



Bushing; 2 3/4" O.D. x 5 3/4" C to C, 7/8" Bolts; Model SWS573

325-108



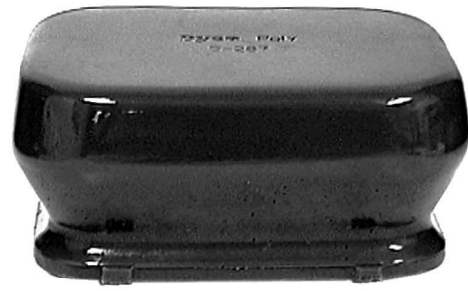
Insulator, Standard; 3 3/4" Thk. x 6 7/8" W x 5 3/8" Lg.; 1 1/2" Dowel; 70 Durometer, Rubber

325-109



Insulator, Upper; 3" Thk. x 6" W x 4 1/2" Lg.; 1 1/4" Dowel; 70 Durometer; Rubber

325-109U



Insulator, Upper Urethane; 3" Thk. x 6" W x 4 1/2" Lg.; 1 1/4" Dowel; 70 Durometer; Urethane

325-110



Insulator, Standard; 3 3/4" Thk. x 6" W x 6" Lg.; 1 3/4" Dowel; 70 Durometer; Rubber

325-111



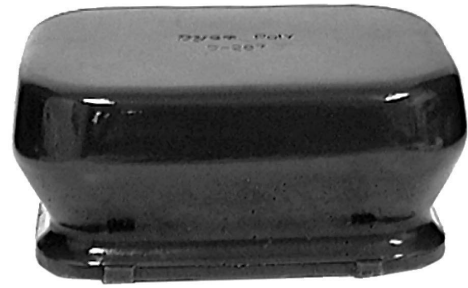
Insulator; Model F/R/RD/U

325-112



Insulator; 2 1/2" Thk. x 6" W x 4 1/2" Lg.; 1 3/4" Dowel; 70 Durometer; Rubber

325-112U



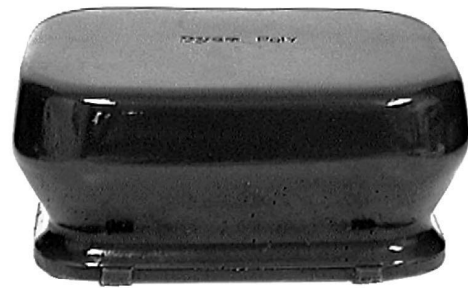
Insulator, Urethane; 2 1/2" Thk. x 6" W x 4 1/2" Lg.; 1 3/4" Dowel; 70 Durometer; Urethane

325-113



Insulator; 3" Thk. x 6" W x 4 1/2" Lg.; 1 3/4" Dowel; 70 Durometer; Rubber

325-113U



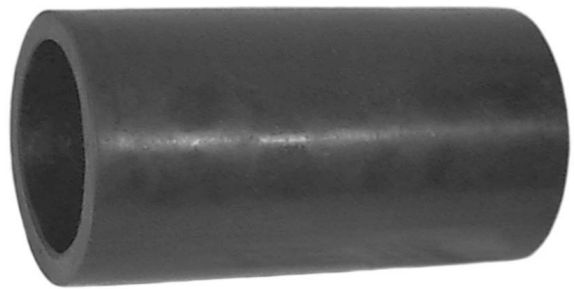
Insulator, Urethane; 3" Thk. x 6" W x 4 1/2" Lg.; 1 3/4" Dowel; 70 Durometer; Urethane

325-114



Insulator; 4" Thk. x 7" W x 7" Lg.; 2" Dowel; 70 Durometer, Rubber

325-115



Bushing; 3 15/32" I.D. x 4 3/8" O.D. x 8 3/8" Lg.; Use w/ 9 1/4" Trunnion; Model SS34/38

325-115U



Bushing, Urethane; 9 1/4" Trunnion; Models SS34/38

325-117U



Bushing, Urethane; 8 3/16" Trunnion; Models ST34, SS34/38

325-120U



Bushing, Urethane; 8 3/4" Trunnion; Models ST34, SS34/38

325-123



Insulator, Urethane Severe Service; 3 3/4" Thk. x 6" W x 6" Lg.; 1 3/4" Dowel; 90 Durometer

325-124



Insulator; 4" Thk. x 7" W x 7" Hgh.; 2" Dowel; 90 Durometer, Urethane

325-125



Insulator, Offset; 3 3/4" Thk. x 6" W x 6" Lg.; 1 3/4" Dowel; 70 Durometer, Rubber

325-127



Insulator, Urethane Extra Service; 3 3/4" Thk. x 6" W x 6" Lg.; 1 3/4" Dowel; 80 Durometer, Urethane

325-244



Stop, Bump; Models Airtek/Softek

327-326



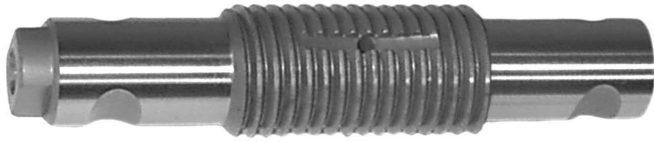
Pin, Rebound; 3/4" O.D. x 5 3/4" Lg.; Model Rear Single Axle

327-330



Spring Pin, Threaded; 1 3/8"-6 x 6 15/16" Lg. x 5 3/8" C to C; Model DM/FL/FS/MC/R/W

327-331



Spring Pin, Threaded; 1 3/8"-6 x 6 9/16" Lg. x 5" C to C; Model DM/FL/FS/MC/R/W, CH/CL600

327-346



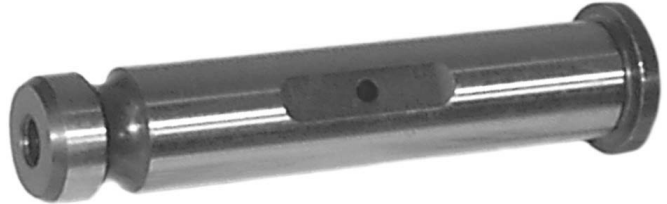
Spring Pin, Threaded; 1 3/8"-6 x 7 1/16" Lg. x 5 1/2" C to C; Model DM/FL/FS/MC/R/W, MH/RWI

327-347



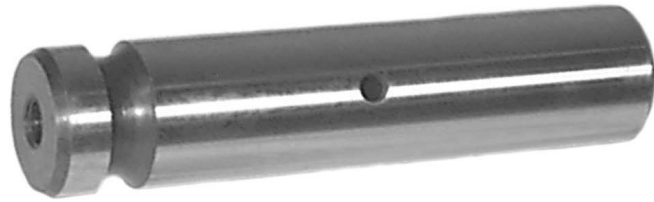
Spring Pin; 1 1/4" O.D. x 6 7/8" Lg. x 5 3/8" C to C; Model DM/FL/FS/MC/R/W

327-451



Spring Pin; 1"OD x 5"Lg. x 5/8" C/E; Model CS/MS

327-458



Spring Pin; 30mm I.D. x 40mm O.D. x 80mm Lg. x 5/8" C to E; Model CS/MS

327-533



Spring Pin, Threaded; Front

330-339



Side Bar; 90mm c/c; Use w/327-533; Front

330-340



Shackle Kit, Urethane; Include TB-78; Front

330-349



Shackle Kit; After 7/11; Model Airtek

330-369U



Shackle Kit; Urethane; Replaces RB-166; Models MH/RW

330-371U



Shackle Kit; Urethane; Replaces Replaces TB-72/ 327-347; Models MH/RW

334-441



Nut, Adjusting; 3 5/16"-12 I.D. x 4" O.D. x 1" Thk.; Included in 334-1398 Assy; Model SS44/SWS57/SW/SWW

334-442



Washer, "D"; 2 21/64" I.D. x 4 7/8" O.D. x 1/4" Thk.; Model SS44/SWS57/SW/SWW

334-443



Washer, Thrust; 3 1/2" I.D. x 5 5/16" O.D. x 1/4" Thk., Bronze; Model SS44/SWS57/SW/SWW

334-444



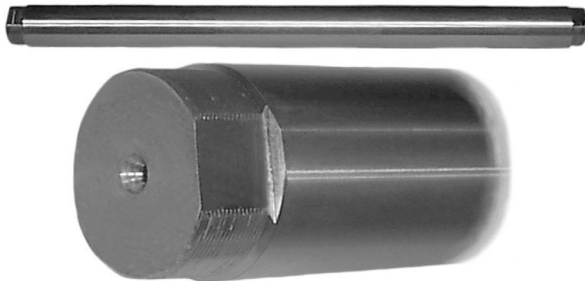
Washer, Thrust; 4 3/8" I.D. x 5 3/8" O.D. x 3/8" Thk., Steel; Model SS44/SWS57/SW/SWW

334-445



Seal, Collar; 4 3/8" I.D. x 5 1/2" O.D. x 9/16" Thk.; Model SS44/SWS57/SW/SWW

334-466



Shaft; 3 1/2" O.D. x 48 3/4" Lg., 3 5/16"-12 Thread; Service Replacement for 85QK21BC Production Spindle; Model SS44/SWS57

334-468



Cap; 5 3/4" I.D. x 7 3/4" O.D. x 1 1/2" Deep, 5/16" Bolt Holes on 7" BC; Included in 334-1397 Cap Kit; Model SS44/SWS57/SW/SWW

334-479



Spacer, Outer; 3 1/2" I.D. x 4 1/8" O.D. x 1 3/4"; 3/4"-16 x 5 1/2" Cap Screw; 8 3/4" Trunnion; Incl. Bolt & Lock Nut; Model SS34/38/ST34

334-498



Nut, Trunnion Shaft; 3 7/8"-12 x 6.09"OD x 1.18"Thk.; Replaces Old Style; Model SS50/58

334-499



Spindle; 4" O.D. x 50" Lg., 3 7/8"-12 Thread; (4) 5/8"-18 Tapped Holes on 2 5/8" BC Both Ends; Model SS58

334-499A



Spindle; 4" O.D. x 50" Lg., 3 7/8"-12 Thread; w/o Threaded Holes; Model SS50/SS58

334-511



Washer, Thrust; 4 1/32" I.D. x 6 1/4" O.D. x 5/16" Thk., Bronze; Model SS50/58

334-512



Washer, Thrust; 4 1/32" I.D. x 6 1/4" O.D. x 5/16" Thk., Steel; Model SS50/58

334-513



Washer, Thrust; 5 1/32" I.D. x 6 11/16" O.D. x 1/4" Thk., Bronze; Model SS65/SWS59

334-515



Seal; 5" I.D. x 6 3/8" O.D. x 9/16" Thk.; 4" Trunnion; Model SS58

334-516



Seal; 6 1/2" I.D. x 7 1/2" O.D. x 1/2" Thk.; Model SS65/SWS59

334-517



Cap, Trunnion; 6 5/8" I.D. x 8 1/2" O.D. x 1 1/2" Deep; 5/16" Bolt Holes on 7 3/4" BC; Model SS50/58/65/SWS59

334-526



Shim; 1/16"Thk. 4 3/8" c/c; Model Maxlite 40EZ

334-545



Fitting, Pressure Relief; 1/8"-27 NPT, 5 PSI; Model: Various

Component Photos

334-553



Collar, Eccentric; New Style; 1 3/8" Dia., Use w/ 1" Bolts; Model ST34

334-580



3 1/2" Trunnion Service Kit; Models SW/SWW, SS44/SWS57

334-594



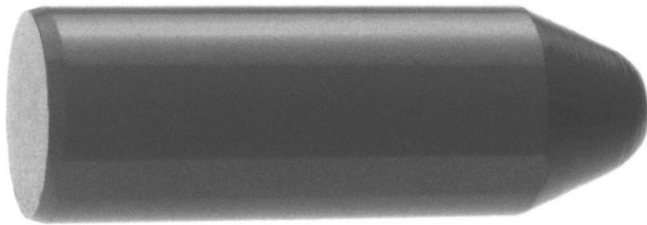
Nut, Trunnion Shaft; 3 7/8"-8, 6.09" O.D. x 1.28" Thk.; Model SS65/SWS59

334-751



Linkage Assembly, Universal Adjustable; 3 5/8"-19 5/8" Range; Use w/all Height Control Valves; Models Airtek/Steetek, Maxair, Maxlite 40EZ

334-1177



Dowel; 3/4" x 2 1/4" Lg.; Model SS65/SWS59

334-1179



Spacer, Outer; 3 1/2" I.D. x 4 1/8" O.D. x 2 1/4"; 3/4"-16 x 5 1/2" Lg., Capscrew w/ Locknut; 8 3/16" Trunnion; Model SS34/38, ST34

334-1401



Bolt Assembly; 1/2"-20 x 2 3/4" SCHS w/ Flanged Locknut; Model SS50, SS58, SS65/SWS59

334-1604



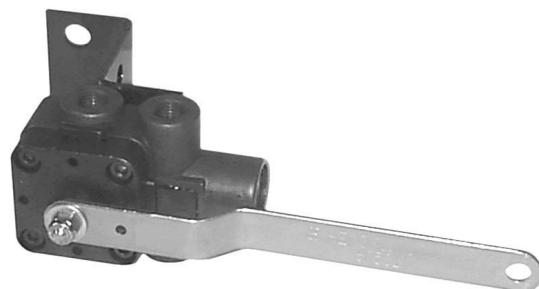
Collar, Eccentric Alignment; 1 1/4" Dia Lobe; Use w/1" Bolts; 1 1/4" Dia.; ST34

334-1647



Valve, Height Control; Universal; Model Maxlite 40EZ

334-1648



Valve, Height Control; w/Dump; Model Maxlite 40EZ

334-1650



Bolt; 7/16" x 1 3/8" Lg.; F/R/RD/U and DM/FL/FS/MC/MR/R; Front

334-1689



Service Kit, QUIK-ALIGN®; Incl. collars, hardware

334-1690



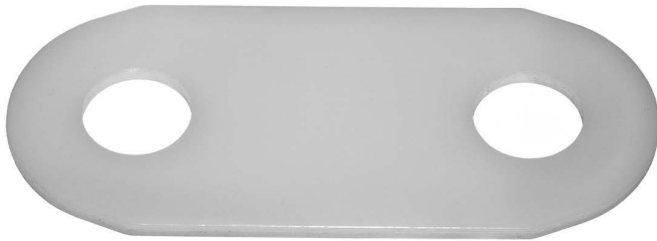
Service Kit, QUIK-ALIGN® w/Bushing; Incl. Collars, Bushing, & Hardware

334-1731



Service Kit, Axle/Seat Liners; w/o NXT Axle; Model Airtek

334-1749



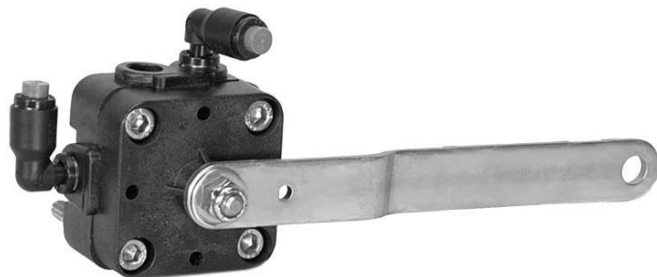
Washer, Thrust, Before 7/11; Incl. In 330-349; Model Airtek

334-1758



Service Kit, Hanger, Front; Late model use inner adapter only; Includes 334-2186 & 334-2187; Model Airtek

334-1763



Valve, Height Control; Valve Only, Single HCV Vehicles Before 03/2005; Model Airtek

334-1765



Assembly, Height Control Valve; 12.0, 12.5K Axles; Single HCV Vehicles; After 3/05; Model Airtek

334-1766



Assembly, Height Control Valve; 13.2, 14.6K Axles: Single HCV Vehicles; After 3/05

334-1767



Service Kit, Shackle Stop; After 7/11; Model Airtek

334-1943



Assembly, Height Control Valve; LH Dual; Incl. linkage; 03/05 - 12/07; Model Airtek

334-1944



Assembly, Height Control Valve; RH Dual; Incl. linkage; 03/05 - 12/07; Model Airtek

334-1991



Seal; Use w/threaded pins; Model MH/RW

334-2193



Pad, Wear; Model Maxlite 40EZ

334-2020



Compression Cone; Model M Ride

334-2100



Service Kit, Trunnion; Model M Ride

334-2194



Bolt/Pin, Wear Pad Retainer; Early; 04-06; Model Maxlite 40EZ

338-702



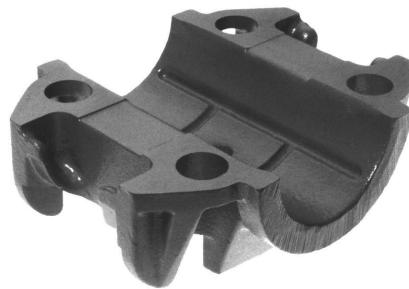
Trunnion Assembly; Includes 322-114 Bushing; Casting #39QK427B, 39QK48A, B, C, D; Models SWS573/SS44/SWS57

338-704



Trunnion Assembly; 8 3/4"W; Includes 321-171 Bushing; Casting #39QK427B; Model SWS573

338-709



Trunnion; Seat Half; Current; Use w/ 325-118 Bushing; Model SS34/38

338-710



Trunnion; Clamp Half; Current; New Style; 8 3/4"; Use 325-118 Bushings; Model SS34/38/ST34

338-711



Trunnion; Seat Half; Old Style; Use w/ 325-117 Bushing; Obsolete; Model SS34/38

338-712



Trunnion; Clamp Half; Old Style; Use w/ 325-117 Bushing; Model SS34/38/ST34

338-713



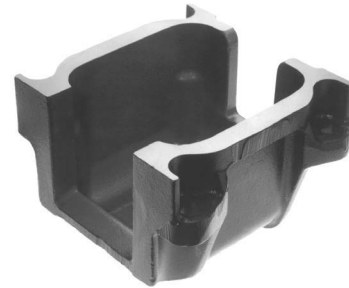
Saddle, U-Bolt; 8 1/2" Lg. x 4" W, 6 3/8" C to C; Model SS34/38

338-714



Saddle, U-Bolt; 9 3/4" Lg. x 4" W, 7 1/2" C to C; Model SWS573/SS44/SWS57/SS50

338-728



Insulator Box; 6 3/8" Deep; 4" Wide Springs; Model SS34/38, SWS573, SS44/SWS57, SS50/SW/SWW

338-729



Spacer; 3" W x 4" Lg. x 1 1/2" Thk.; Model: Various

338-730



Trunnion Assembly; Casting #39QK415A/B, 39QK425A/B, 39QK39301; Includes 322-115 Bushings; Model SS65/SWS59

338-731



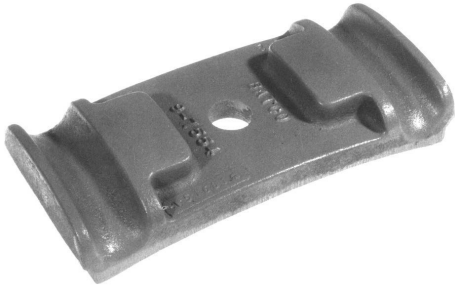
Trunnion Assembly; Casting #39QK45BP3; Includes 322-113 Bushings; Model SS58

338-746



Insulator Box; 6 3/4" Deep; Model SS34/38/SS44/SWS57/SWS573

338-755



Saddle, U-Bolt; 10 7/8" Lg. x 5" W, 8 5/8" C to C; Model SS58/65/SWS59

338-819



Hanger; Eye/Slipper Springs Only; Model Rear Single Axle

338-1597



Insulator Box; 7" Depth; Model SS58

338-1598



Insulator Box; 6 3/4" Depth; Model SS65/SWS59

338-1599



Insulator Box; 7" Depth; Model SS65/SWS59

338-1784



Seat Trunnion; New Style; Model ST34

338-1786



Saddle Trunnion; Model ST34

338-1787



Insulator Box; 5 7/8" Deep; Ductile; Model SS34/38/ST34

338-1845



Trunnion Assembly; Casting #39QK54; 4" Wide Springs; Model SS50

338-1906



Hanger, Threaded; Incl. TB-69; HEIGHT to Center of First Hole: 2 1/2"; Model CL Series

338-1907



Hanger, Rubber Bushing; Incl. RB-189; HEIGHT to Center of First Hole: 2 1/2"; Model CH Series

338-1908



Hanger, Rubber Bushing; Heavy frame; Incl. RB-189; HEIGHT to First Hole: 2 5/8"; Model CH Series

338-1909



Hanger; 5/8" Bolt Holes; Single Axle; Rear of Rear; Model Rear Single Axle

338-1910



Single Axle; Front of Rear; Model Rear Single Axle

338-1924



Hanger; Aluminum; Discontinued; Replace w/338-1924; Model Maxair

338-1925



Saddle, U-Bolt; Model Maxair

338-1926 / 338-1927



Bracket, Shock Absorber; LH (338-1926) / RH (338-1927); Model Maxair

338-1935



Hanger, LH Shackle; 10 1/2" Frame, LH; 266mm (10 1/2") Frame; After 7/11; Cast # 64153-1; Model Airtek

338-1936



Hanger, RH Shackle; 10 1/2" Frame, RH; 266mm (10 1/2") Frame; After 7/11; Cast # 64153-2; Model Airtek

338-1937



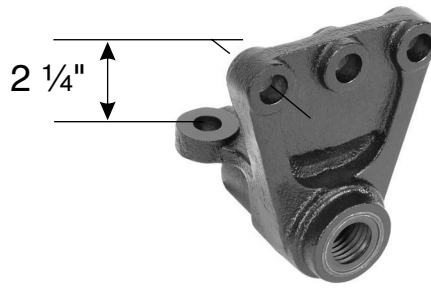
Hanger, LH Shackle; 11 3/4" Frame, LH; 300mm (11 3/4") Frame; After 7/11; Cast # 64153-1; Model Airtek

338-1938



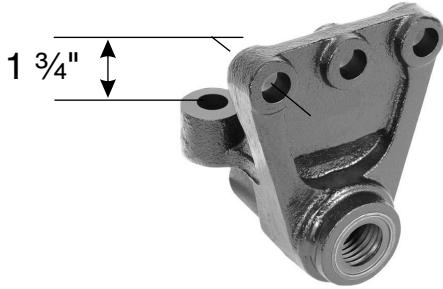
Hanger, RH Shackle; 11 3/4" Frame, RH; 300mm (11 3/4") Frame; After 7/11; Cast # 64153-2; Model Airtek

338-2093



Hanger, Shackle; LH/RH; 11 7/16" Frame; 2 1/4" from Bottom of Frame to C/L of 3 Holes; Front; Models Mack CXN (Volvo VN)

338-2094



Hanger, Shackle; LH/RH; 11 13/16" Frame; 1 3/4" from Bottom of Frame to C/L of 3 Holes; Front; Models Mack CXN (Volvo VN)

338-2145-01



Hanger, Threaded Bushing; TB-69 Threaded Bushing; HEIGHT to center of First Hole: 2.66"; Model CH/CL600

338-2145-02



Hanger, Rubber Bushing; Bushing RB-189; HEIGHT to center of First Hole: 2.66"; Model CH/CL600

338-2145-03



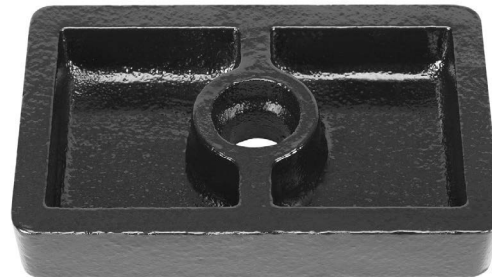
Hanger, Rubber Bushing; Bushing TB-69; Heavy Frame; HEIGHT to center of First Hole: 2.78"; Model CH/CL600

338-2145-04



Hanger, Threaded Bushing; Bushing RB-189; Heavy Frame; HEIGHT to center of First Hole: 2.66"; Model CH/CL600

338-2306



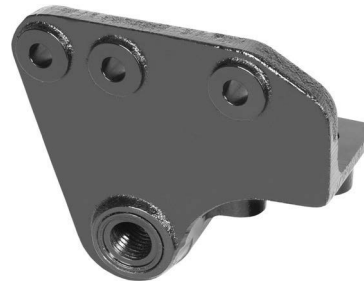
Spacer; 3 1/2" x 5 3/4" x 1"; Model CH/CL600

338-2307



Hanger; Roadside; Front

338-2308



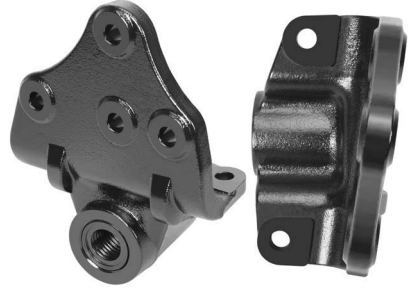
Hanger; Curbside; Front

338-2309



Hanger; Roadside; Front

338-2310



Hanger; Curbside; Front

338-2311



Hanger; Roadside; Front

338-2312



Hanger; Curbside; Front

338-2318



Hanger; Roadside; Late; 06+; Model Maxlite 40EZ

338-2320



Saddle, U-Bolt; Model Maxlite 40EZ

338-2369



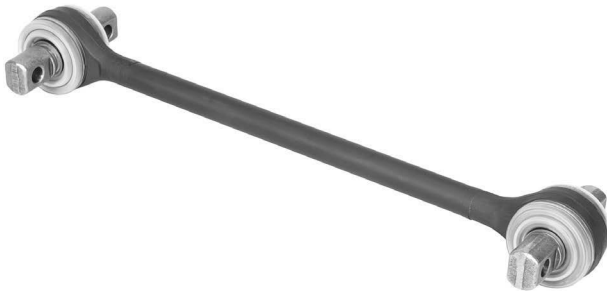
Top Plate; Roadside; w/Round Bend U-Bolt; Front

338-2370



Top Plate; Curbside; w/Round Bend U-Bolt; Front

345-898



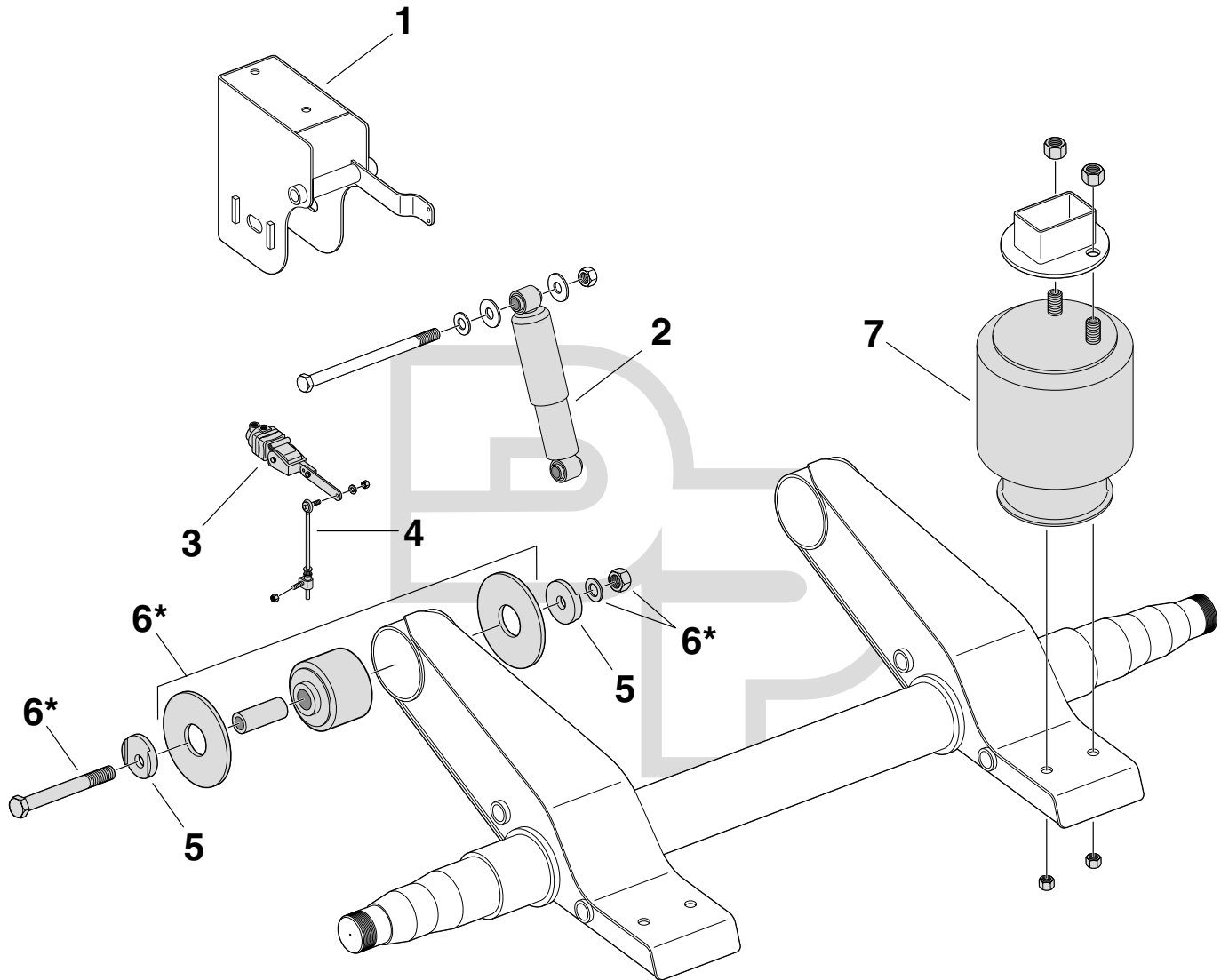
Torque Rod, Rigid; 22 1/4"Lg; Full Ball Ends; Straddle Mount Both Ends; Model Maxlite 40EZ

345-910

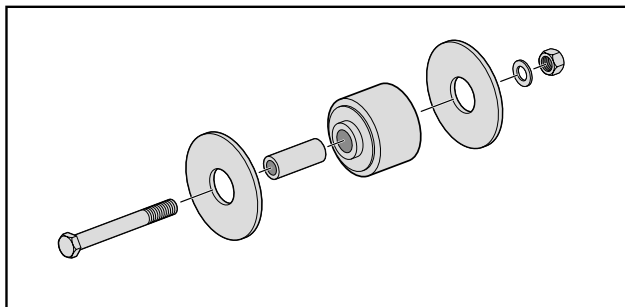


Torque Rod; 22 1/4" Lg; 7/8" ID; Straddle Mount End; Model Maxlite 40EZ

Meritor



Suspension Illustration



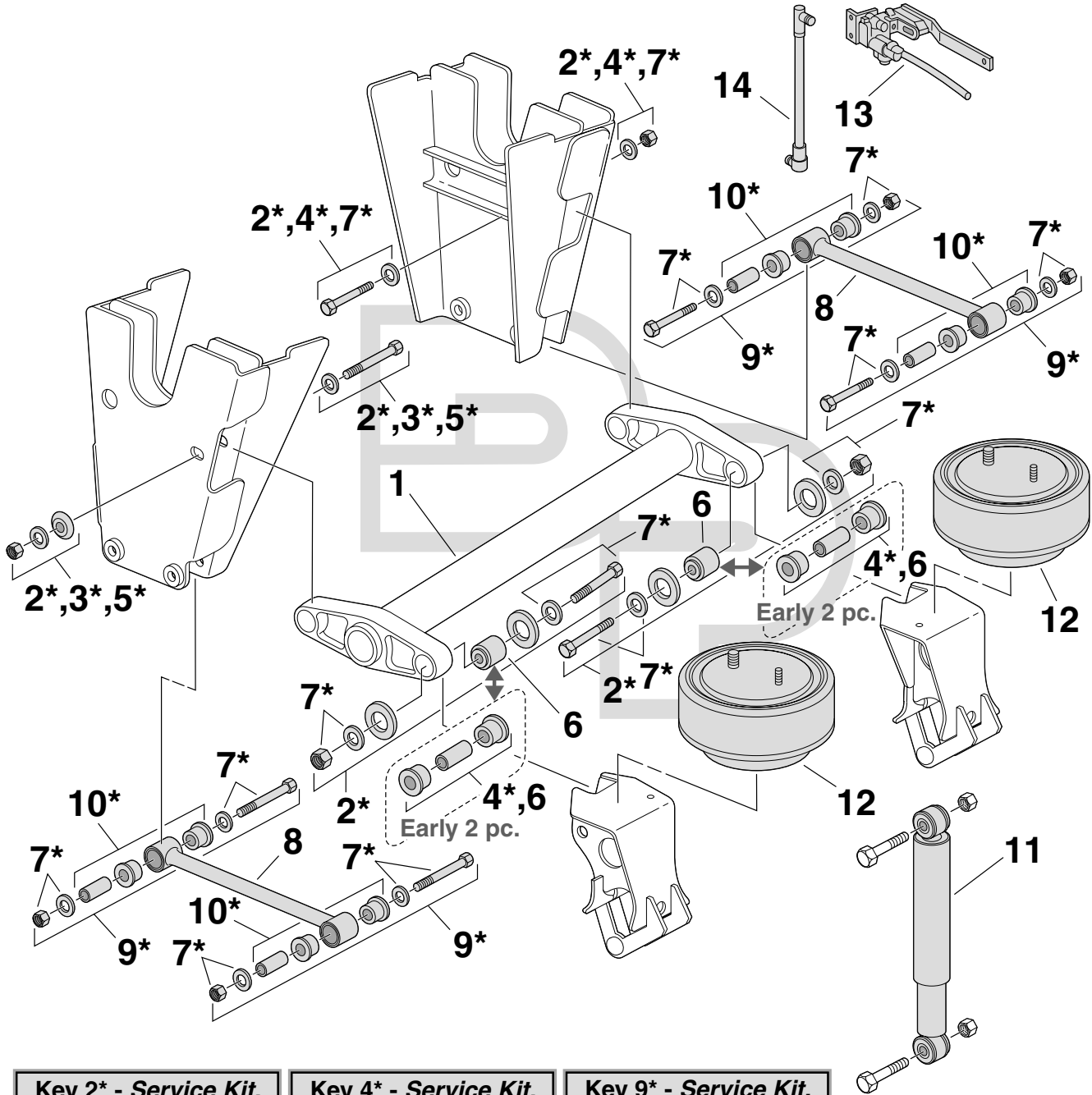
Key 6* - Pivot Bolt & Bushing Kit



Key 8 - Bushing Tool

Key No.	Part Number	Description	No. Req.	OEM Reference	Remarks
1	◆	Hanger	1		
2	M65525	Shock Absorber	2	16-15773-000	
✓✓ ●	● 334-1580	Valve, Height Control; Integral Dump	1	A-7806-Z-1014	
●	● 334-1581	Valve, Height Control; Automatic Dump		A-7806-Y-1013	
✓ ●	● 334-751	Linkage Assembly; Universal; Adjustable	1	M306538	Universal
●	● 334-2109	Collar, Alignment; Concentric	2	21226275	Inner
●	● 334-2110	Collar, Alignment; Eccentric	2	21226276	Outer
●	● 334-2113	Kit, Bushing; Pivot	2	Kit 11201	8" Bolt; 23T
●	● 334-2114	Kit, Bushing; Pivot	2	Kit 11205	9" Bolt
7	● 352-6231	Air Spring	2	21227742	23T
	● 352-6258	Air Spring	2	21227892	25T
	◆	Air Spring	2	A-2258-Q-1499	30T
8	SP	Tool, Bushing	1	A-3256-R-1188	Not shown

Meritor



Suspension Illustration

Key 2* - Service Kit, Control Arm
(1-Piece Bushing)
(1) Key 5*, (3) Key 7,
(4) Key 6

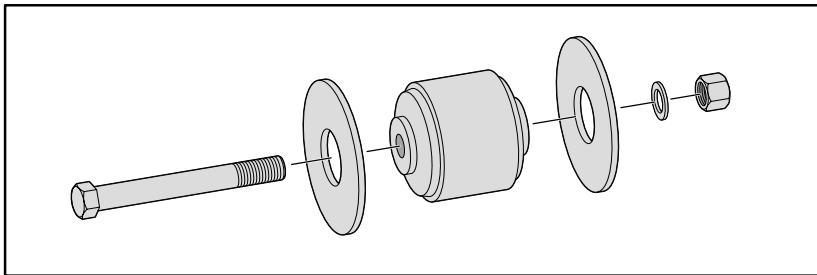
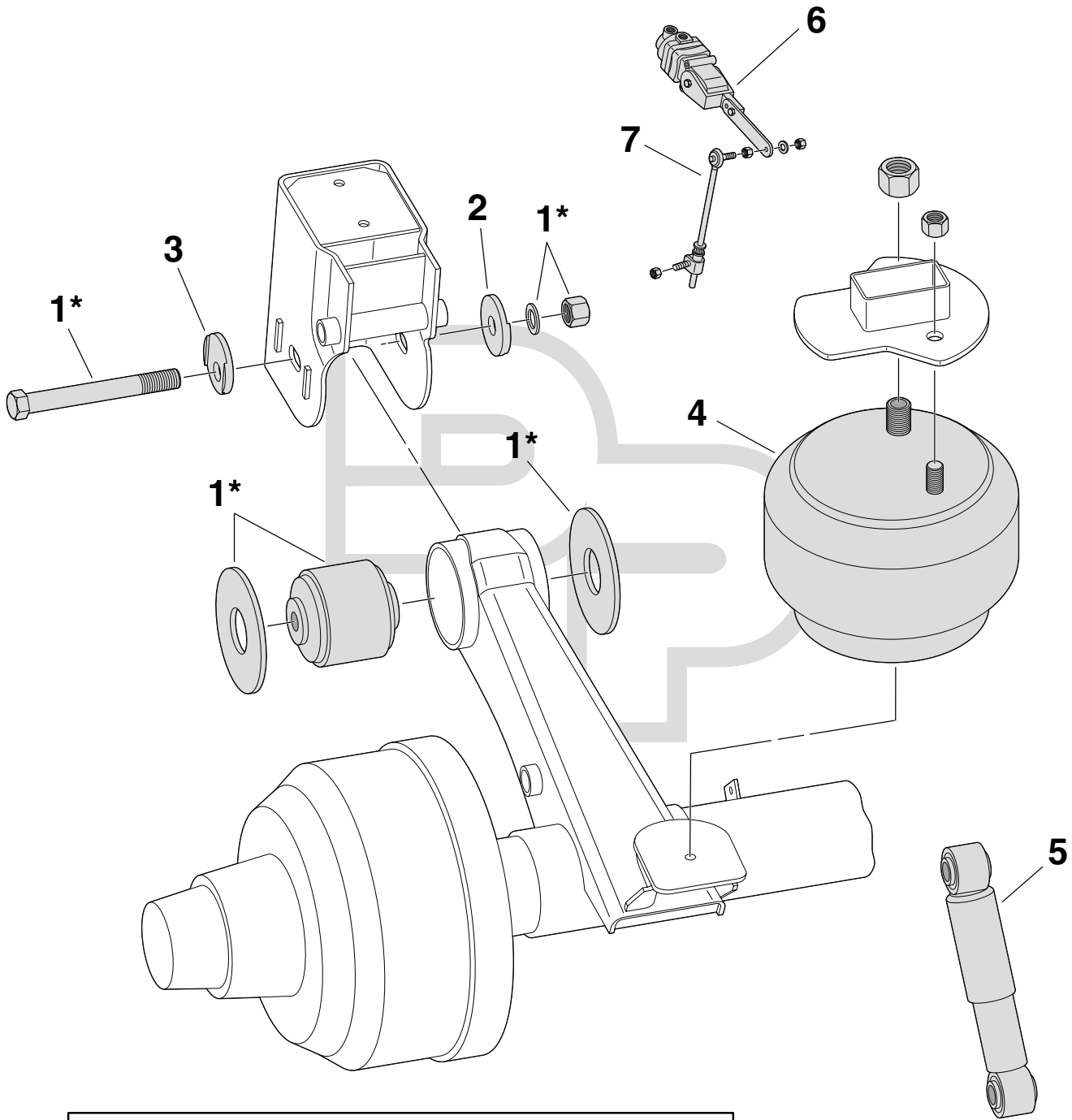
Key 4* - Service Kit, Control Arm
(2-Piece Bushing)
(1) Key 7*, (1) Key 6

Key 9* - Service Kit, Torque Rod
(1) Key 7*, (1) Key 10*

Key No.	Part Number	Description	No. Req.	OEM Reference	Remarks
	◆	Assembly, Control Arm	2	A6-3216-N-4538	
✓ ●	334-1680	Kit, Service; Control Arm	2	KIT11300	1-pc. Bushing; All Ends; One Arm
✓ ●	334-1670	Kit, Service; Control Arm; Adjustable	2	KIT11100, KIT11127	2-pc. Bushing; One Arm End
✓ ●	334-1674	Kit, Service; Control Arm; Fixed	6	KIT11101	2-pc. Bushing; One Arm End
●	334-1675	Assembly, Bolt; Alignment	2	KIT11106	Incl. Bolt, Lock Nut & washers
●	334-1672	Assembly, Bushing; Control Arm	8	KIT11126	2-pc. Bushing & Sleeve
●	321-386	Bushing	8	A-1225-L-1416	1-pc. Bushing
●	334-1673	Assembly, Bolt; Control Arm; Torque Rod	14	KIT11107	Incl. Bolt, Nut & Hdwe.
●	345-869	Torque Rod, Rigid	2	A-3133-G-8249	
●	345-870	Torque Rod, Adjustable	2	A1-3133-Y-8345	
	SP	Torque Rod	2	A2-3216-D-4632K	
✓ ●	334-1676	Kit, Service; Torque Rod	8	KIT11102	Incl. Bolt Assy. & Bushing Assy.
●	334-1677	Assembly, Bushing; Torque Rod	8	M302502	
	M65503	Shock Absorber	4	85919	
	See Shocks	Shock Absorber	4	Various	Consult Shock Catalog for Model Specific Applications
✓	352-8729	Air Spring	4	A-2258-F-1410, M1R13130	
	354-8171	Air Spring	4	A-2258-A-1457	RHP Only; Optional, Intermodal T.O.F.C
	◆	Air Spring	4	A-2258-X-1532	MPA; 18.5" Ride Hgt.
	◆	Air Spring	4	A2258-W-1531	MPA; 17.5" Ride Hgt.
✓✓ ●	334-1580	Valve, Height Control; Integral Dump	1	M311501, R309624	
●	334-1581	Valve, Height Control; Automatic Dump	1	M311500, R311500	
✓✓ ●	334-1836	Valve, Height Control; Integral Dump	1	KIT11309	Incl. Linkage
	334-1854	Assembly, Valve; Height Control; w/Zero Pressure Dump	1		Incl. Linkage
●	334-1853	Assembly, Valve; Height Control	1		Incl. Linkage
✓ ●	334-751	Linkage Assembly; Universal; Adjustable	1		3 5/8"-19 5/8" Range; Use w/All Height Control Valves

Meritor

Suspension Illustration



Key 1* - Service Kit, Pivot



Key 8 - Pivot Bushing Installation Tool

Not Shown

Key No.	Part Number	Description	No. Req.	OEM Reference	Remarks
● 1	334-2107	Kit, Service; Pivot		Kit 11350	MTA 23T
●	334-2108	Kit, Service; Pivot		Kit 11351	MTA 25T, 30T, 25L & 30L
● 2	334-2109	Collar, Alignment; Concentric	2	21226275	
● 3	334-2110	Collar, Alignment; Eccentric	2	21226276	
4	◆ 352-8091	Air Spring Air Spring	2 2	A-2258-H-1568 A-2258-P-1576, A-2258-Q-1577	23T 25T & 30T
5	SP	Shock Absorber	2	A-7805-F-1020	
6	334-1854	Assembly, Valve; Height Control; w/o Pressure Dump	1	Kit 11354	Incl. Linkage
●	334-1853	Assembly, Valve; Height Control; w/Pressure Dump	1		Incl. Linkage
✓✓●	334-1836	Assembly, Valve; Height Control	1	Kit 11355	Incl. Linkage
✓●	334-751	Linkage Assembly; Universal; Adjustable	1	HPB450-3	3 5/8"-19 5/8" Range; Use w/All Height Control Valves
8	SP	Tool, Installation; Pivot Bushing	1	A-3256-F-1228	E-11913; Not shown

321-386



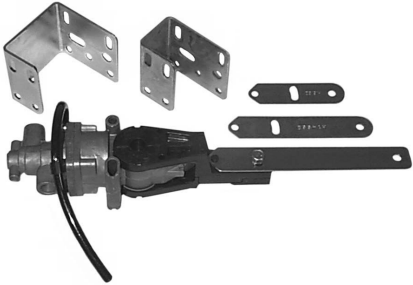
Bushing; 1 pc.; Model RHP11

334-751



Linkage Assembly, Universal Adjustable; 3 5/8"-19 5/8" Range; Use w/all Height Control Valves; Models RHP11, MTA, RFS

334-1580



Valve, Integral Dump Height Control; Models RHP11, RFS

334-1581



Valve, Automatic Dump Height Control; Models RHP11, RFS

334-1670



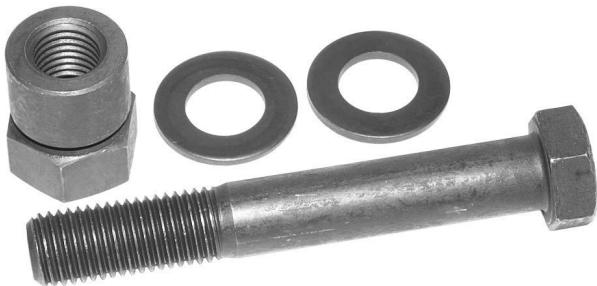
Service Kit, Control Arm - Adjustable; 2 pc. bushing - one arm end; Urethane; Model RHP11

334-1672



Bushing Assembly, Control Arm; 2 pc. Bushing & sleeve; Urethane; Model RHP11

334-1673



Bolt Assembly, Control Arm - Torque Rod; Incl. Bolt, nut, hardware; Model RHP11

334-1674



Service Kit, Control Arm - Fixed; 2 pc. bushing - one arm end; Model RHP11

334-1675



Bolt Assembly, Alignment; Incl. Bolt, lock nut, washers; Model RHP11

334-1676



Service Kit, Torque Rod; Incl. Bolt assy, bushing assy.; Model RHP11

334-1677



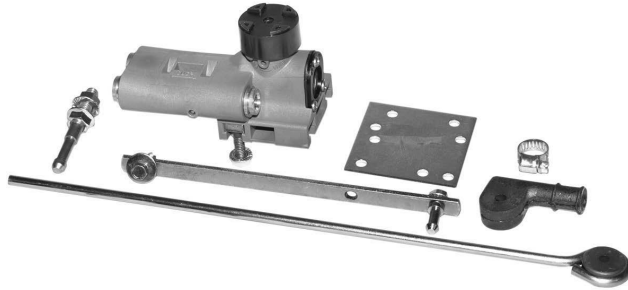
Bushing Assembly, Torque Rod; Model RHP11

334-1680



Service Kit, Control Arm; 1 pc. bushing - all ends one arm; Model RHP11

334-1836



Valve Assembly, Height Control; Incl. Linkage; Model RHP11

334-1853



Valve, Height Control; w/Pressure Dump; Incl. Linkage; Model RHP11

334-2107



Service Kit, Pivot; Model MTA 23T

334-2108



Service Kit, Pivot; Models MTA 25T/30T/25L/30L

334-2109



Collar, Concentric Alignment; Models MTA 23T/25T/30T

334-2110



Collar, Eccentric Alignment; Models MTA 23T/25T/30T

334-2113



Pivot Bushing Kit; 8" Bolt; 23T; Model RFS

334-2114



Pivot Bushing Kit; 9" Bolt; Model RFS

Meritor

345-869



Torque Rod, Rigid; Model RHP11

345-870



Torque Rod, Adjustable; Model RHP11

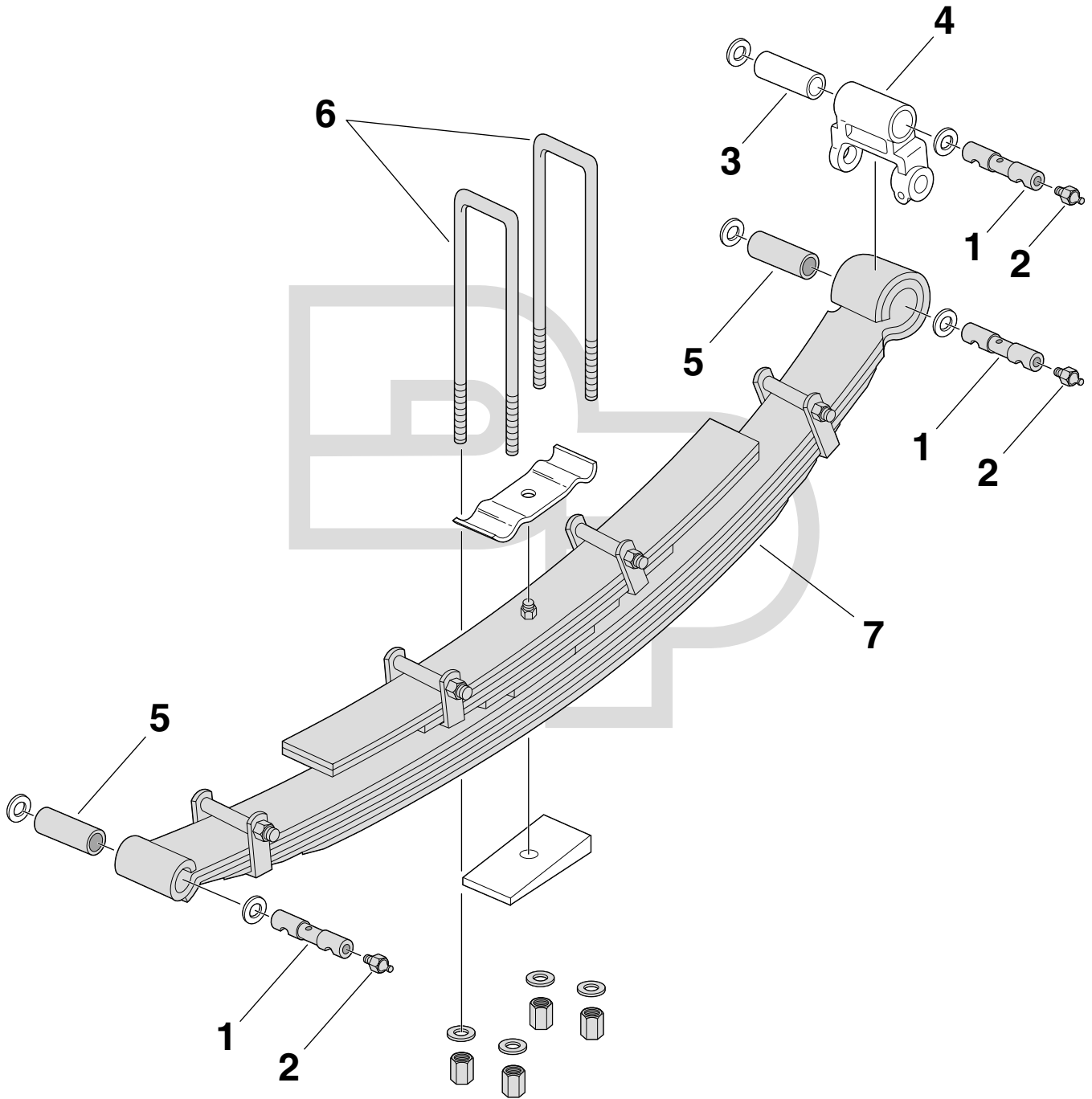
Component Photos

Meritor

Notes

Meritor

Notes



Mitsubishi Fuso

FK415/417/455/45, FM555/557 Rear Suspensions

Mitsubishi Fuso

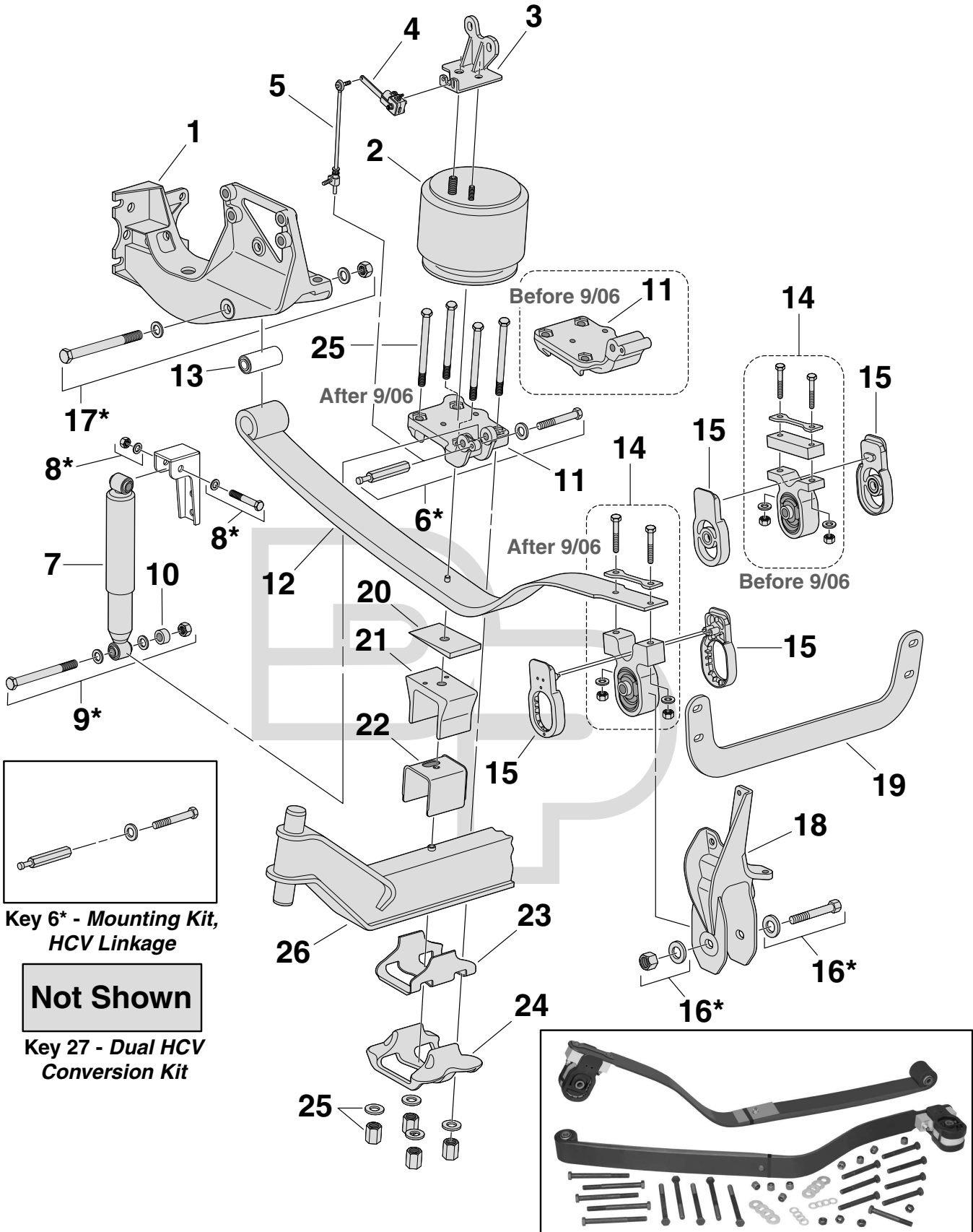
Parts Listing

Key No.	Part Number	Description	No. Req.	OEM Reference	Remarks	
✓✓	1	327-519	Spring Pin; 28mm OD x 115mm Lg	6	MC420078	FK415, 417, 455 & 457
✓✓		327-520	Spring Pin; 30mm OD x 138mm Lg	6	MC420079	FM555
✓	2	334-475	Fitting, Straight Zerk; 1/8"-27NPT	6	1613B	
	3	◆	Bushing, Shackle	2		
	4	◆	Shackle	2	MC406261	FK415, 417, 455 & 457
		◆	Shackle	2	MC405803	FM555
	5	M7-3428	Bushing; 28mm ID x 34mm OD x 70mm Lg	4	MH024000	
		M8-3630	Bushing; 30mm ID x 36mm OD x 80mm Lg	4	MH024001	
	6	SP	U-Bolt; Bent to Order	4	Various	Specify Length, Width, Diameter & Bend
	7	Spring Assembly	Assembly, Spring	2		See Leaf Spring Web Catalog for Details

AIRTEK® (Hendrickson) Front Suspension	596, 597
AIRTEK® (Hendrickson) IC Bus Front Suspension	598, 599
SOFTEK® (Hendrickson) w/Steertek® & Steertek® NXT Axles Front Suspensions	600, 601
32-3300, 41-4400 (3" Spring) 73-7700, 8500 (Ford F650/750 '04-'10) (4" Spring)	
Front Suspension w/ 3/4" Bolts	602, 603
3600/3700/3800/3900 Bus Chassis Front Suspensions	604, 605
73-7700 16k-20k (4" Spring) Front Suspension w/1" Bolts	606, 607
1000/2000/4000/7000/8000 9k-20k (4" Spring) Front Suspensions	608-611
91/92/93/94/96/97/9900 Front Suspensions	612, 613
Paystar® 5000 Series Front Suspension	614, 615
1400-1600 Series ('87-'06), 2500-2600, 4500-4900,	
7100 Series ('89-'02) 6-9k Axles (3" spring) Front Suspensions	616, 617
Loadstar® Conventional 1600/1800 Series ('62-'78) Front Suspensions	618, 619
Fleetstar® Conventional 1900/2100 Series ('62-'77) Front Suspensions	620, 621
S1600/S2100 Medium Duty Front Suspensions	622, 623
Transtar® Conventional 4200/4300 Series ('66-'84) Front Suspensions	624, 625
Transtar® Cab Over, CO4070A/B ('66-'84) Front Suspensions	626, 627
Corporate Air (Air Beam) Rear Single/Tandem Axle Suspension	628, 629
Corporate Air ("Z" Beam) Rear Single/Tandem Axle Suspension	630, 631
HTB® (Hendrickson) Tandem Drive Suspension	632, 633
Corporate Single Axle (2002+ w/RB Style Bushings) Rear Suspension	
Terrastar, Citystar (CF), Durastar (4000), Loadstar, Workstar (7000) & Transtar (8000); 3000 Series & IC Bus (Ford CF500/600 LCF)	634, 635
Corporate Four Spring Tandem Rear Suspension (8100/9200 Single Axle)	636, 637
Medium & Heavy "S" Series, 3000/4000/7000/8000 Series Single Axle Rear Suspensions	638, 639
Loadstar® 1600/1800 ('62-'86) Constant Rate Springs Rear Single Axle Suspensions	640, 641
Cargostar®/Loadstar®/Fleetstar® Variable Rate Springs Rear Single Axle Suspensions	642, 643
Suspension Component Photos	644-654

Navistar/International

Suspension Illustration



Key 6* - Mounting Kit,
HCV Linkage

Not Shown

Key 27 - Dual HCV
Conversion Kit

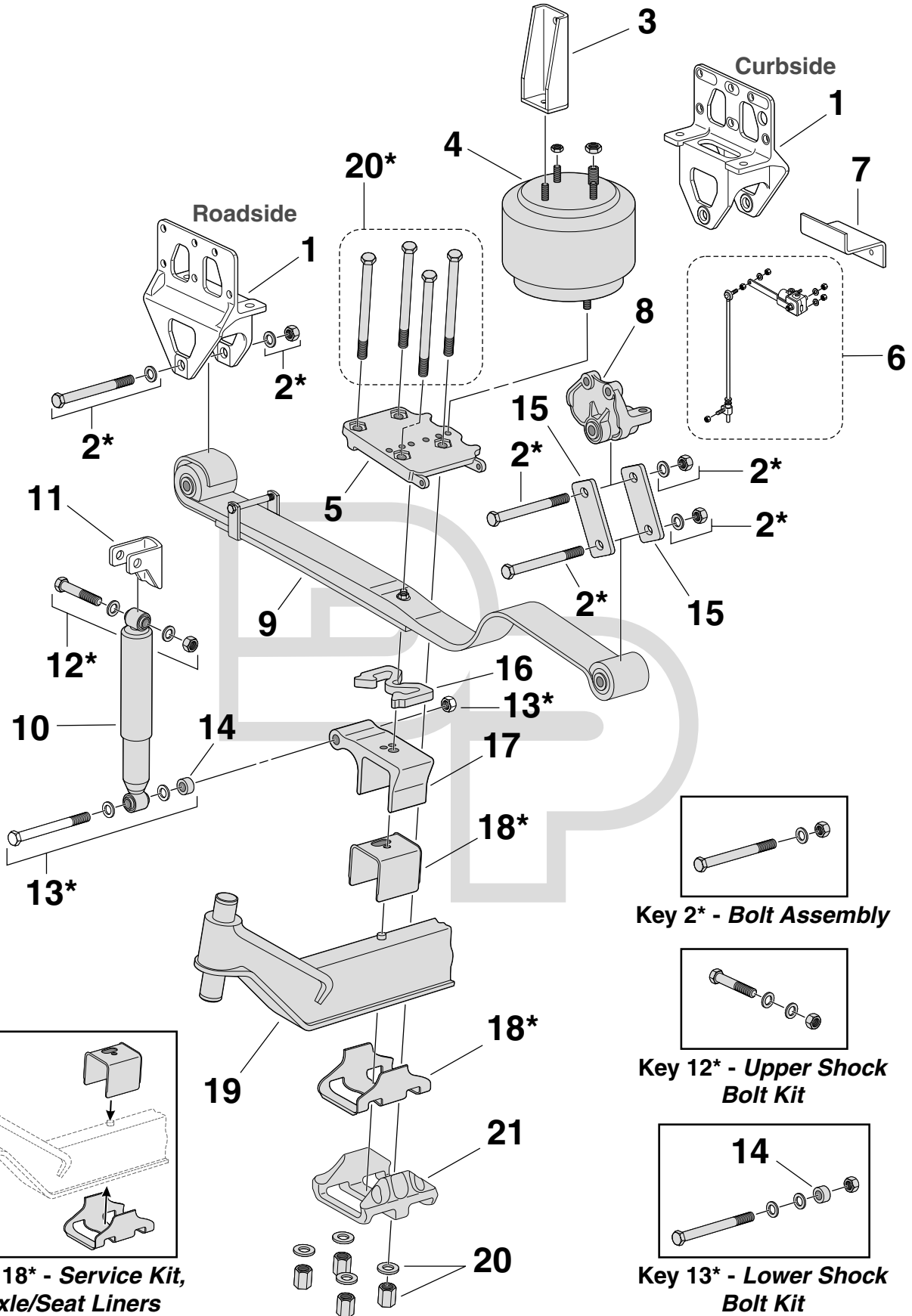
Key 12 (339-332) - Service Kit

Key Numbers with an asterisk (*) indicate a kit or assembly.

Key No.	Part Number	Description	No. Req.	OEM Reference	Remarks
1	◆	Hanger, Front	2		Contact OEM
2	65790-002L	Air Spring	2	65790-2	
3	SP	Bracket, Air Spring	1	64583, 64586	<09/06; Must Replace Air Spring Brackets, Top Pads & Link Mounts; Order 60961-132
	SP	Bracket, Air Spring; LH/RH	2	66775, 66776	>09/06
4	SP	Valve, Height Control; RH	1	59427-13	Valve Only
	SP	Valve, Height Control; LH	1	59427-14	Valve Only
✓ ●	334-751	Linkage Assembly; Universal; Adjustable	2	Various	3 5/8"-19 5/8" Range; Use w/All Height Control Valves
6	SP	Kit, Mounting; HCV Linkage	2	60961-71	<09/06
	SP	Kit, Mounting; HCV Linkage	2	60961-154	>09/06
7	M65527	Shock Absorber	2	65992-1, 65992-2	
8	334-699	Assembly, Bolt; 5/8"-11 x 4"Lg	2		Incl. Bolt & Hdwe.
9	SP	Assembly, Bolt; 3/4" x 8"Lg	2		<09/06
✓ ✓	334-626	Assembly, Bolt; 3/4"-10 x 5"Lg	2		>09/06
10	334-1745	Spacer, Shock Absorber	2	59946-1	<09/06
11	SP	Pad, Top	2	64580	<09/06 Must Replace Air Spring Brackets, Top Pads & Link Mounts; Order 60961-132
	SP	Pad, Top; LH/RH	2	68318-xxx	>09/06
12	◆	Spring, Leaf	2	65771	<09/06 Must Replace Springs & Remove Camber Wedge ; Order 339-332
	SP	Spring, Leaf	2	66420	>09/06
●	339-332	Kit, Service	2	60961-134	<09/06; Incl. Springs, Mounting Assy. & Hdwe.
13	◆	Bushing, Spring Eye	2		
14	334-2117	Kit, Service; Mounting Assembly	2	60961-109	<09/06
	334-2118	Kit, Service; Mounting Assembly	2	60961-158	>09/06
15	334-2119	Washer, Thrust	2	66779	>09/06
	SP	Washer, Thrust	2	65856	<09/06
16	334-1723	Assembly, Bolt; 3/4"-16 x 6"Lg	2		
✓	334-1734	Assembly, Bolt; 3/4" x 8 1/2"Lg	2	58917-16, 21867-41	
18	SP	Hanger	2	Various	Specify Year; LH/RH
19	SP	Band, Belly	1	66019, 66419	Specify Year
20	See Chart	Wedge, Caster	2		<09/06; Incl. Washer & Nut; See Chart on Page 1091
21	SP	Seat, Axle	2	59952-23	
22	SP	Liner, Axle Wrap	2	65757	Top
✓ ●	334-1744	Liner, Axle Wrap; Lower	2	59845	Bottom
24	SP	Plate, Bottom	2	64722-3	
✓	334-1734	Assembly, Bolt; 3/4" x 8 1/2"Lg	8	58917-16, 21867-41	
26	SP	Assembly, Axle	1	Various	Call for Assistance
27	SP	Kit, Conversion; Dual HCV	1	60961-116	<09/06
	SP	Kit, Conversion; Dual HCV	1	60961-155	>09/06

Navistar/International

Suspension Illustration



Key 18* - Service Kit, Axle/Seat Liners

Key 2* - Bolt Assembly

Key 12* - Upper Shock Bolt Kit

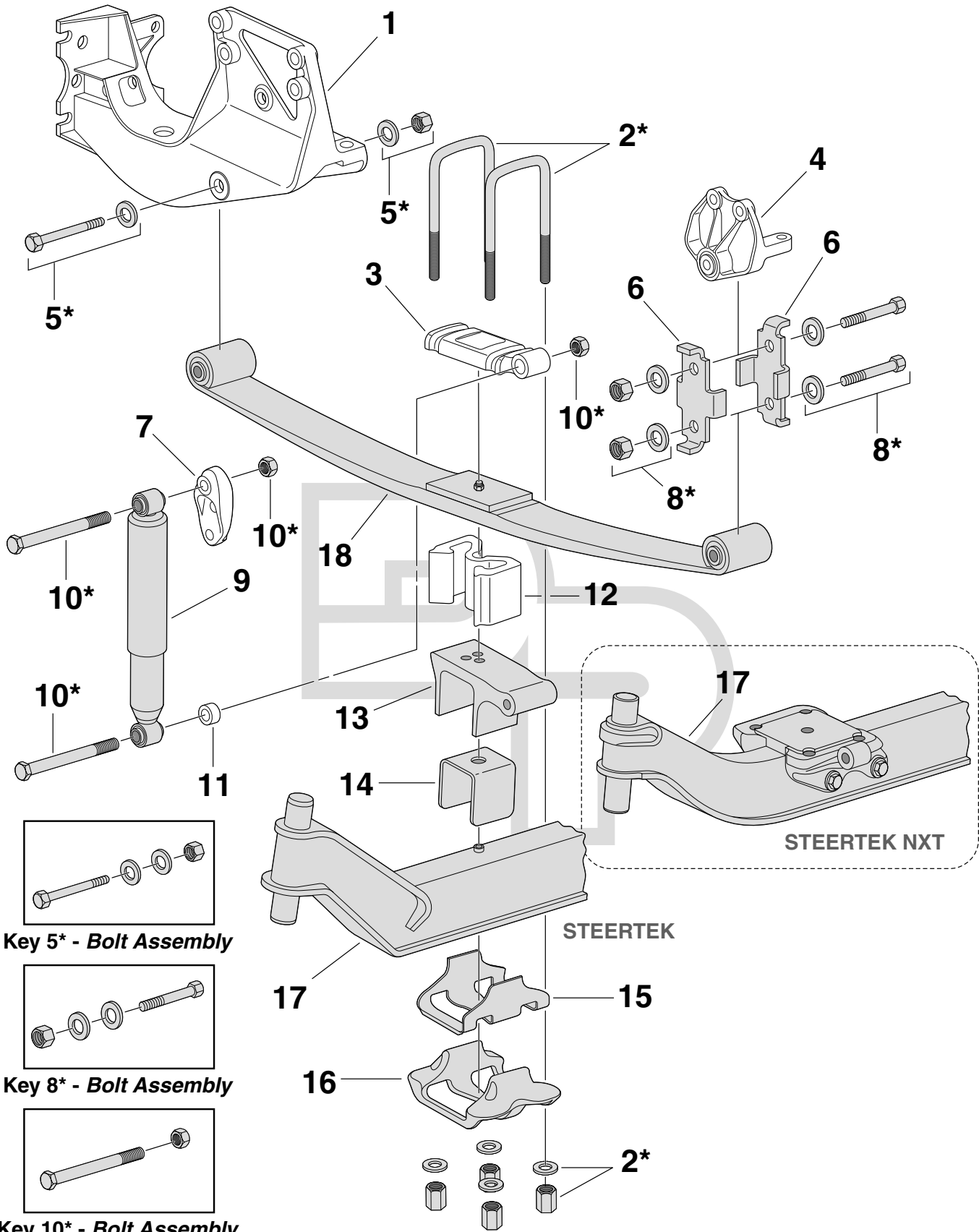
Key 13* - Lower Shock Bolt Kit

Key No.	Part Number	Description	No. Req.	OEM Reference	Remarks
1	◆	Hanger, Front	2		Contact OEM
2	334-788	Assembly, Bolt; ¾"-16 x 6 ½"Lg	6		Incl. Bolt & Hdwe.
3	◆	Bracket, Air Spring	2		Contact OEM
4	67568-002	Air Spring	2	67568-2	
5	SP	Pad, Top	2	67719	
6	SP	Valve, Height Control; RH	1	59427-13	Include HCV & Linkage
	SP	Valve, Height Control; LH	1	59427-14	Include HCV & Linkage
7	◆	Bracket, Height Control Valve	2		Contact OEM
● 8	338-2024	Hanger, Rear	2	66624-1	
9	50-244	Assembly, Leaf Spring	2	67420	
10	M65527	Shock Absorber	2	65992-6, 65992-1	
11	◆	Bracket, Shock Absorber	2		
12	334-624	Assembly, Bolt; ⅝"-11 x 3 ½"Lg	2		Incl. Bolt & Hdwe.
13	◆	Assembly, Bolt	2	Various	
14	334-1745	Spacer, Shock Absorber	2	59946-1	
15	330-355	Side Bar; 4" c/c, ¼" Holes	4		
16	SP	Spacer; 20mm	2	64536	
17	SP	Seat, Axle	2	59952-030	
● 18	334-1731	Kit, Service; Axle/Seat Liners	2	60961-15	
19	SP	Assembly, Axle	1	70952-328	12k; 200" Wheelbase; Incl. Springs & Shackle
	SP	Assembly, Axle	1	70952-318	14.6k; 200" Wheelbase; Incl. Springs & Shackle
20	334-2121	Kit, Bolt; ¾"-16 x 9"Lg	8	21867-xxx	
21	SP	Plate, Bottom	2	64722-003	

**SOFTEK® (Hendrickson)
w/Steertek® & Steertek® NXT Axles
Front Suspension**

Navistar/International

Navistar/International



Suspension Illustration

Key 5* - Bolt Assembly

Key 8* - Bolt Assembly

Key 10* - Bolt Assembly

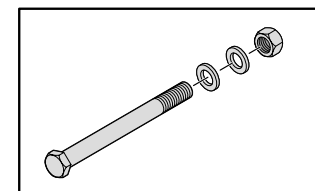
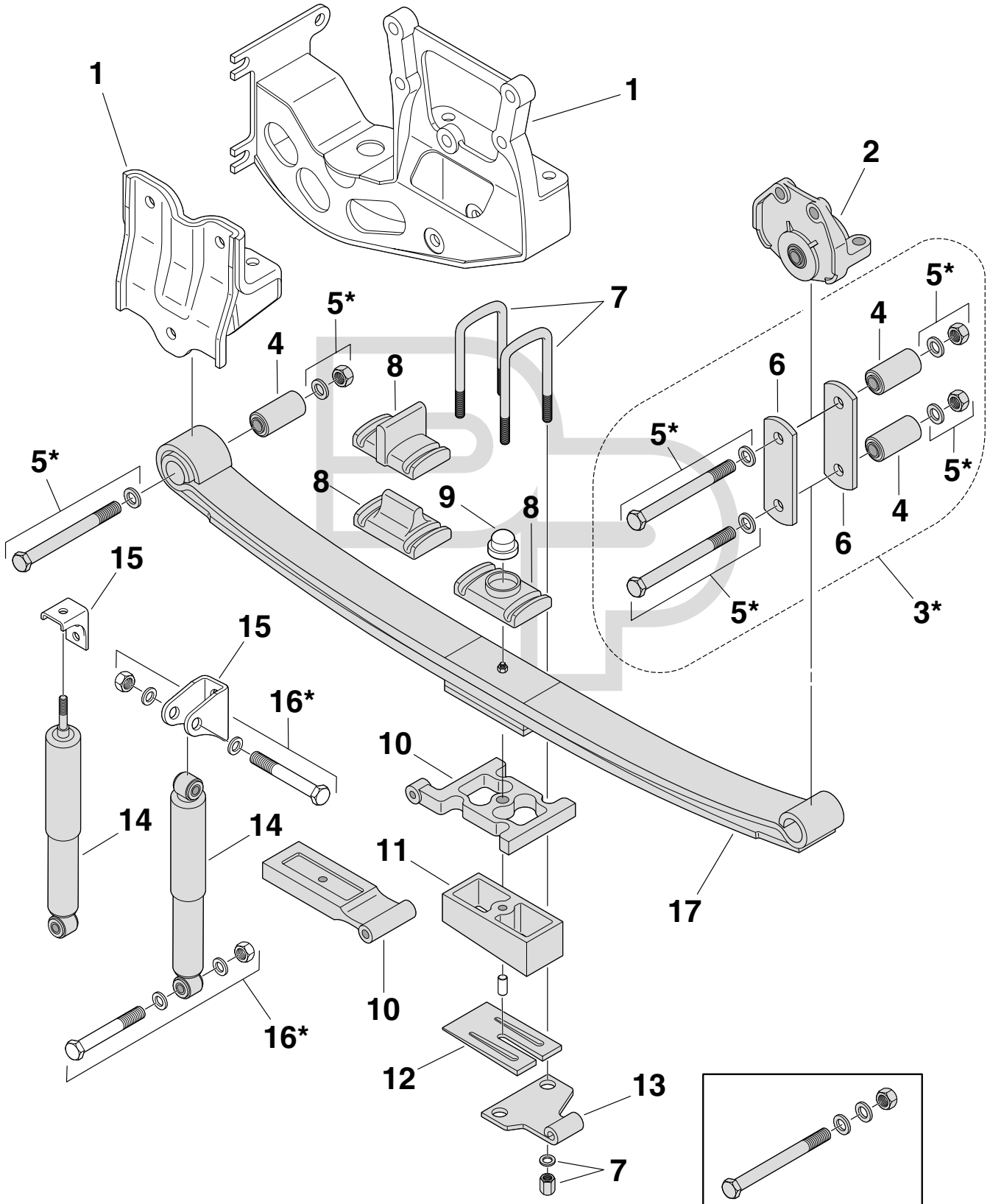
Key No.	Part Number	Description	No. Req.	OEM Reference	Remarks
1	◆	Hanger, Front	2		Contact OEM
2	SP	Kit, U-Bolt	4		Specify Length & Bend
3	◆	Pad, Top	2		
4	◆	Hanger	2	Various	Compare to 338-2024
✓ 5	334-1734	Assembly, Bolt; ¾" x 8 ½"Lg	2		Front of Front
6	330-397	Plate, Shackle	4	66545	
7	◆	Bracket, Shock; Upper	2		
8	334-788	Assembly, Bolt; ¾"-16 x 6 ½"Lg	4		Incl. Bolt & Hdwe.; Rear of Front
9	See Shocks	Shock Absorber	2	Various	Consult Shock Catalog for Model Specific Applications
10	334-699	Assembly, Bolt; ⅝"-11 x 4"Lg	4		Incl. Bolt & Hdwe.
	334-636	Assembly, Bolt; ¾" x 5" Lg	4		
11	◆	Spacer, Shock	2		NXT If Equipped
12	◆	Spacer	2		N.S.S. Included w/Spring Assembly
✓ 13	SP	Seat, Axle	2	59952-23	Steertek® Only; Lonestar, 8600, 9200 & 9400
	SP	Seat, Axle	2	59952-32	Steertek® Only
14	SP	Liner, Axle Wrap; Upper	2	65757	Steertek® Only
● 15	334-1744	Liner, Axle Wrap; Lower	2	59845	Steertek® Only
16	SP	Plate, Bottom	2	64722-3	Steertek® Only
17	SP	Assembly, Axle; Steertek®	1	Various	Call For Assistance
18	SP	Assembly, Spring; w/Spacer	2	Various	

**32-3300, 41-4400 (3" Spring) 73-7700,
8500 (Ford F650/750 '04-'10) (4" Spring)
Front Suspension w/ 3/4" Bolts**

Navistar/International

Navistar/International

Suspension Illustration



Key 5* - Bolt Assembly

Key Numbers with an asterisk (*) indicate a kit or assembly.

Navistar/International

**32-3300, 41-4400 (3" Spring) 73-7700,
8500 (Ford F650/750 '04-'10) (4" Spring)
Front Suspension w/ 3/4" Bolts**

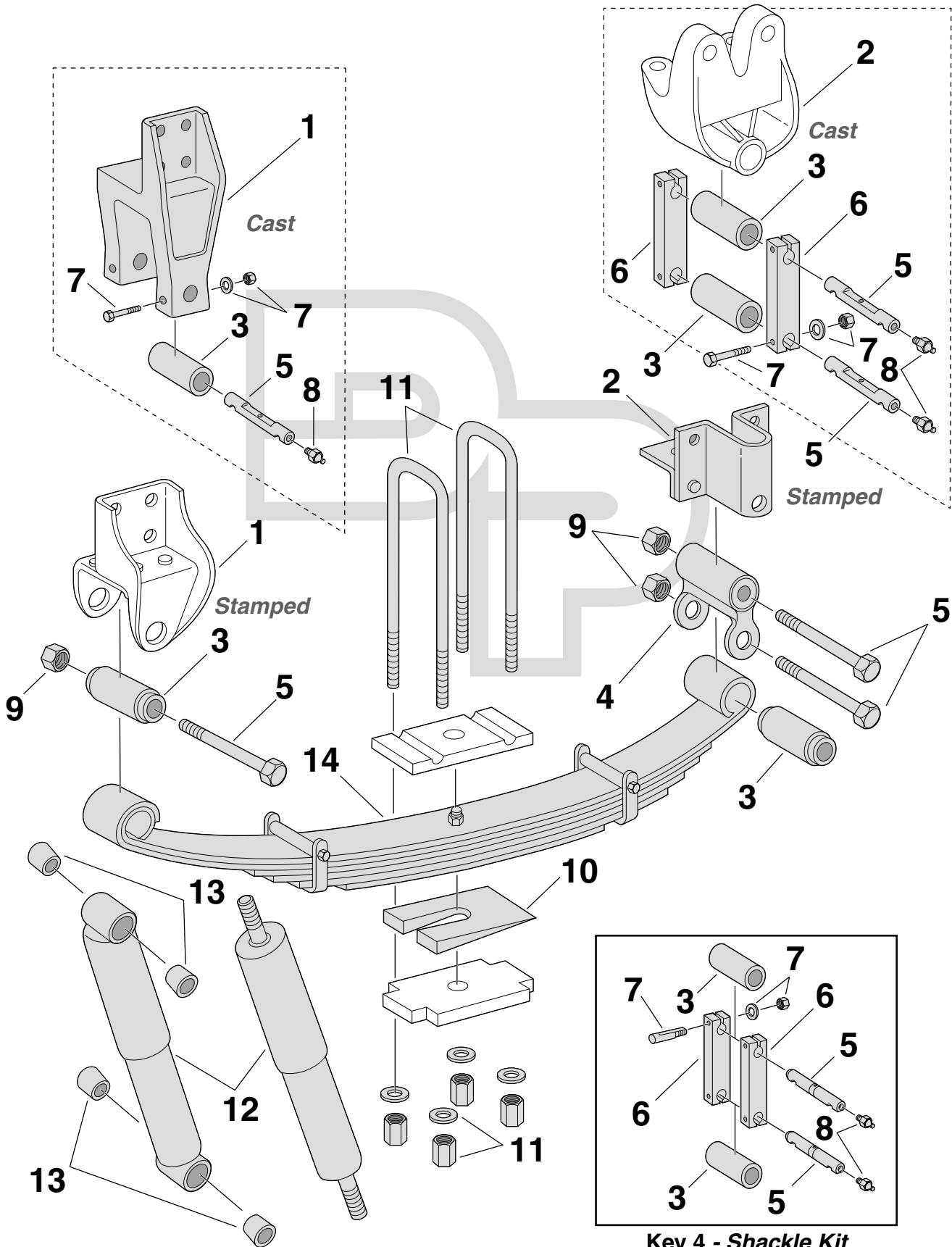
Key No.	Part Number	Description	No. Req.	OEM Reference	Remarks
	◆	Hanger, Front of Front	2	Various	
✓	338-2024	Hanger, Rear	2	3527264C91	Incl. RB-253
	338-2323	Hanger, Rear	2	3563836C91/92	Incl. RB-253
	338-2025	Hanger, Rear	2	3527264C1	Incl. RB-269
●	330-356	Kit, Shackle	2	3525665C1	
	RB-253	Bushing; 1 13/16"OD x 3/4"ID x 4 1/4"Lg	6	3525665C1	4" Wide
	RB-270	Bushing, Rubber; 1 13/16" OD x 3/4" ID x 4 1/4"Lg	6	3533232C1	3" Wide
	334-1723	Assembly, Bolt; 3/4"-16 x 6"Lg	6		
✓ ●	330-355	Side Bar; 4" c/c, 3/4" Holes	4	3525664C1, 4C4Z5B311AA	
	330-398	Side Bar; 4 1/4" c/c	4	3613592C1	
	SP	Kit, U-Bolt	4	Various	Specify Diameter, Length, & Bend
	361-644	Kit, U-Bolt; Special Bend, Grade 8	4	453884C1	3/4" x 4" x 7"IR
	338-2331	Plate, Top	2	3613593C1	
	338-2426	Plate, Top	2	3580026C1	4"
	338-2427	Plate, Top	2	3545720C1	3"
	338-2335	Plate, Top; Shock Mount Bracket	2	3807747C1	
	◆	Stop, Bump	2	Various	
	338-2428	Bracket, Shock Mount	2	3533358C1	LH
	338-2429	Bracket, Shock Mount	2	3533359C1	RH
	338-2328	Bracket, Shock Mount	2		
	338-2329	Block, Spacer	2	3565576C2	2 1/2°
	See Chart	Wedge, Camber	2		See Chart on Page 1091
	338-2430	Bracket, Shock Mount	2	3664254C3/C5	LH
	338-2431	Bracket, Shock Mount	2	3664255C3/C5	RH
	See Shocks	Shock Absorber	2	Various	Consult Shock Catalog for Model Specific Applications
	◆	Bracket, Shock Mount	2	3661382C1	
	◆	Kit, Bolt	4	Various	
	Spring Assembly	Assembly, Spring	2		See Leaf Spring Web Catalog For Details

Navistar/International

Parts Listing

Navistar/International

Suspension Illustration



Key 4 - Shackle Kit

Key Numbers with an asterisk (*) indicate a kit or assembly.

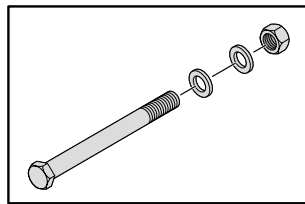
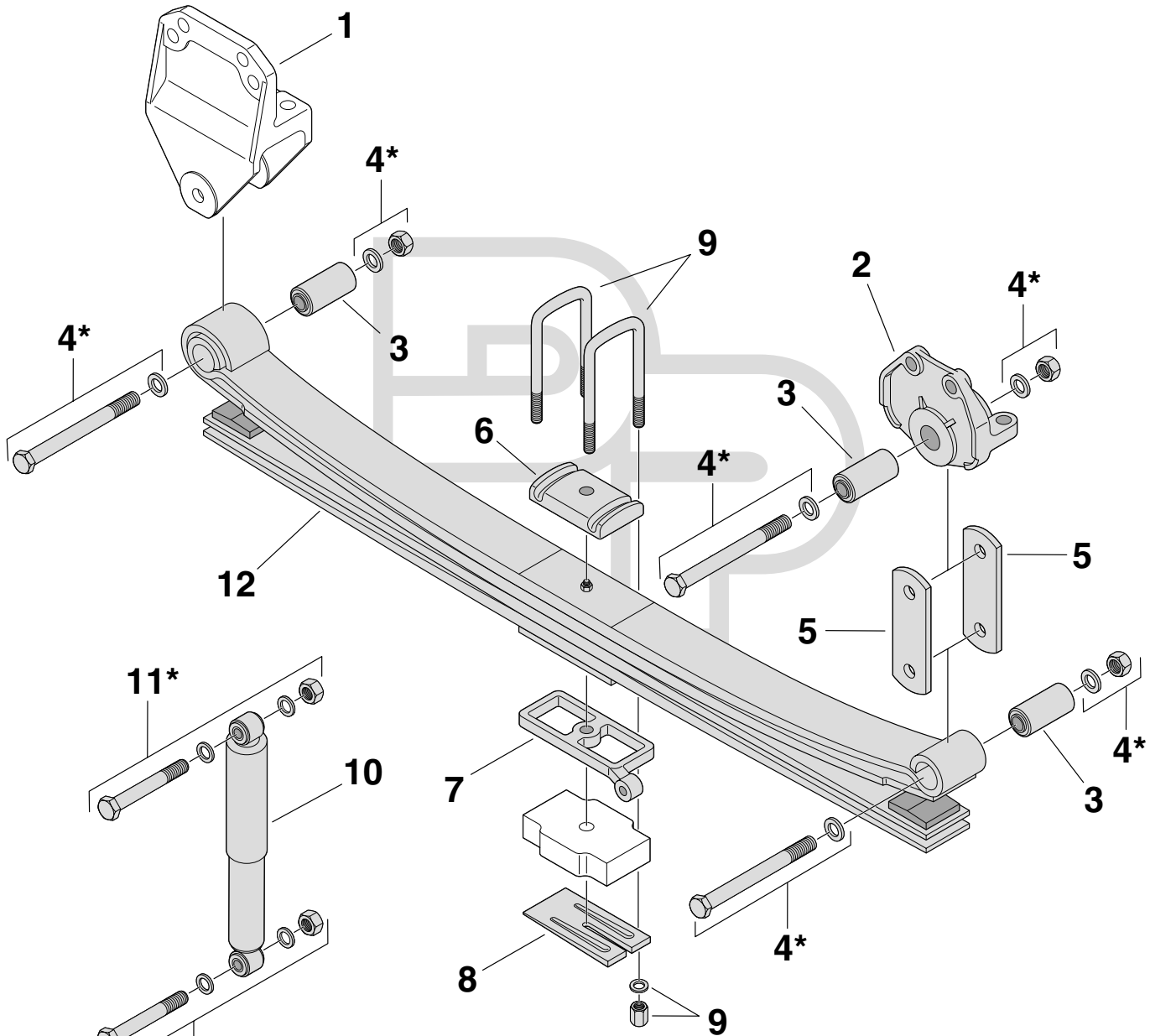
Key No.	Part Number	Description	No. Req.	OEM Reference	Remarks
●	338-1221	◆ Hanger, Front; Stamped	2	470231C1	3400/3800; w/3" Wide Springs
		○ Hanger	2	1661860C1, 1661858C1	w/4" Wide Springs
		◆ Hanger, Front; Cast	2	1677519C1	w/3" Wide Springs
●	338-911	○ Hanger, Shackle; Stamped	2	470228C3	3400/3800; w/3" Wide Springs
		● 338-1218	2	1664263C1, 1664262C1	w/4" Wide Springs
		◆ Hanger, Shackle; Cast	2	1680096C1, 1680095C1	3900; w/3" Wide Springs
✓	RB-75	○ Bushing; 1"ID x 1 13/16"OD x 3"Lg	4	470033C1	Use w/1" Spring Bolts
		● RNK-BM	6	1680034C1	Use w/327-480
		○ 322-141	6		Use w/327-480; Upgrade for RNK-BM
		● RNG-BM	6	471226C1	Use w/327-485
✓	330-146	○ Shackle	2	470248C91	Use w/Stamped Hangers; Incl. Bushing
		● 330-165	2		Use w/4" Wide Springs; Cast Hangers; Incl. (2)330-149, (2)327-480 & Hdwe.
		○ 330-190	2		Use w/3" Wide Springs; Cast Hangers; Incl. (2)330-149, (2)327-485 & Hdwe.
		● 330-165U	2		Use w/4" Wide Springs
		● 330-190U	2		Use w/3" Wide Springs
✓	327-293	○ Bolt; 1"-8 x 5"Lg	6	460719C1	Use w/3" Wide Springs; Stamped Hangers
		● 327-485	6	1680033C1	Use w/3" Wide Springs; Cast Hangers
		● 327-480	6	1661976C3	Use w/4" Wide Springs; Cast Hangers
		● 327-480U	6		Use w/4" Wide Springs
✓	330-149	Side Bar; 6"Lg x 3 1/2" c/c x 1"Thk, 1 1/4" Pin Holes	4	1664223C1	
	334-550	Assembly, Bolt; 1/2"-20 x 3"Lg	12		Incl. 334-538 Bolt & Hdwe.
✓	334-475	Fitting, Straight Zerk; 1/8"-27NPT	6	1613B	
	SLNC-107	Nut, Lock; 1"-8	6	9413986	Used w/327-293
	See Chart	Wedge, Camber	2		See Chart on Page 1091
✓	361-656	○ Kit, U-Bolt; Special Bend, Grade 8	4		5/8" x 3" x 6 3/8" IR
		● 361-274	4	465919C1	5/8" x 3" x 8 3/8" IR
		● 361-270	4	465914C1	3/4" x 3" x 18 3/8" SR
		● 361-216	4	465916C1	3/4" x 4" x 10" IR
✓	M66923	○ Shock Absorber	2	472412C91	
		● M66957	2	467371C91	
		○ M66605	2	540395C92	
		● M65422	2	3533356C1	
		○ M65108	2	2015557C1	
		● M65143	2	3578105C1	
		○ M65144	2	3533357C1	
		● See Shocks	2	Various	Consult Shock Catalog for Model Specific Applications
●	401754	Bushing, Shock; 1"ID	8		
	Spring Assembly	Assembly, Spring	2		See Leaf Spring Web Catalog for Details

73-7700
16k-20K (4" Spring) (1" Bolts)
Front Suspension

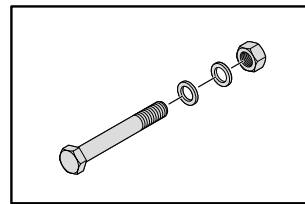
Navistar/International

Navistar/International

Suspension Illustration



Key 4* - Bolt Assembly



Key 11* - Bolt Assembly

Navistar/International

73-7700
16k-20K (4" Spring) (1" Bolts)
Front Suspension

Key No.	Part Number	Description	No. Req.	OEM Reference	Remarks
1	◆	Hanger	2	Various	
● 2	338-2025	Hanger, Rear	2	3541836C91	
✓ ●	338-2024	Hanger, Rear	2	3541838C91	Reinforced Frame
✓	RB-269	Bushing; 2 ½"ID x 1"OD x 4 ¼"Lg	6		
4	334-2227	Assembly, Bolt; 1" x 6 ½"Lg	6	26632R1	
✓	334-522	Assembly, Bolt; 1"-14 x 7"Lg	6	25885R1	Incl. 334-523 Bolt, Lock Nut & Washers
	334-1682	Assembly, Bolt; 1"-14 x 8"Lg	6	26020R1	
● 5	330-363	Shackle, Spring; Front	4	3533231C1	
● 6	338-2392	Plate, Top	2	3553188C1	Additional Top Plates Are Used; Confirm Compatibility
● 7	338-2396	Bracket, Shock; Front	2	3558093C1	
8	See Chart	Wedge, Camber	A/R		See Chart on Page 1091
9	361-625	Kit, U-Bolt; 1" x 4 x 9" IR	4		
	SP	Kit, U-Bolt	4	Various	Specify Length & Bend
10	M65150	Shock Absorber	2	3588591C2	
	M65146	Shock Absorber	2	3558089C2	
	See Shocks	Shock Absorber	2	Various	Consult Shock Catalog for Model Specific Applications
11	334-772	Assembly, Bolt; ⅝"-18 x 3 ½"Lg	2		Incl. Bolt & Hdwe.
	334-774	Assembly, Bolt; ⅝"-18 x 6"Lg	2		Incl. Bolt & Hdwe.
12	Spring Assembly	Assembly, Spring	2		See Leaf Spring Web Catalog for Details

Navistar/International

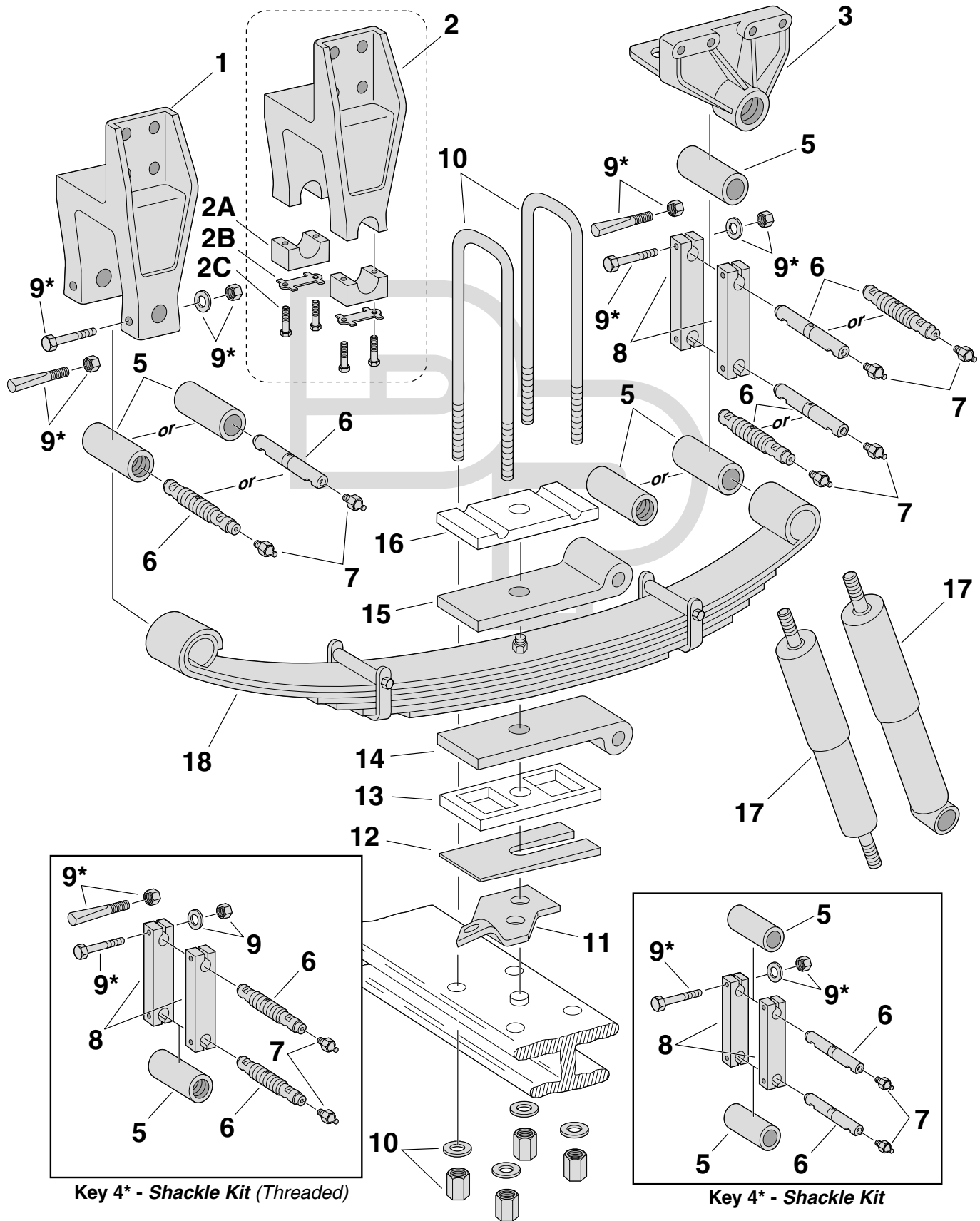
Parts Listing

1000/2000/4000/7000/8000
 9k-20k (4" Spring)
 Front Suspensions

Navistar/International

Navistar/International

Suspension Illustration



Key 4* - Shackle Kit (Threaded)

Key 4* - Shackle Kit

Navistar/International

1000/2000/4000/7000/8000 9k-20k (4" Spring) Front Suspensions

Navistar/International

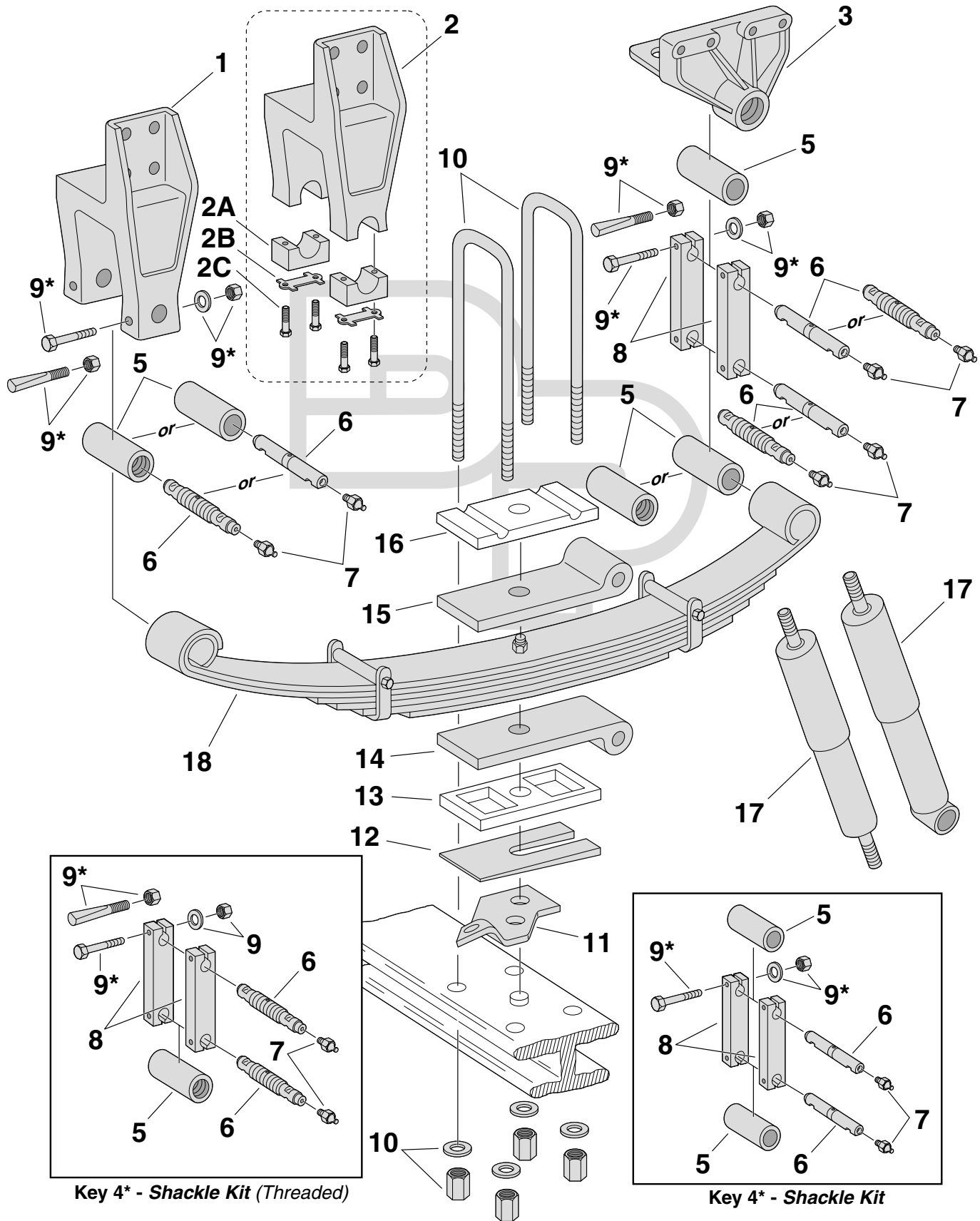
Parts Listing

Key No.	Part Number	Description	No. Req.	OEM Reference	Remarks
● 1	338-1221	Hanger	2	1661860C1	1000/2000/4000/7000; Discontinued
●	338-1222	Hanger	2	1661859C1	1000/2000/4000/7000; Discontinued
✓ ●	338-719	Hanger; Cast	2	469990C1	S-Series; Before 12/21/84 w/o Frame Extension; 9k-13.5k Axles; ½" Bolts
●	338-958	Hanger; Cast	2	469991C1	S-Series; Before 12/21/84 w/Frame Extension; 9k-13.5k Axles; ½" Bolts
●	338-978	Hanger; Cast	2	573145C1	S-Series; After 12/21/84 w/o Frame Extension; 9k-13.5k Axles
●	338-962	Hanger; Cast	2	469996C3	S-Series; w/o Frame Extension; 16k-20k Axles
●	338-963	Hanger; Cast	2	469997C3	S-Series; w/Frame Extension; 16k-20k Axles
	◆	Hanger	2	Various	Varies By Model
2	◆	Hanger, Front	2	Various	
	338-1839	Hanger; Cast	2	1654353C1	8000
	338-1840	Cap, Hanger	4	507387C1	8000; (A)
	334-1590	Tab, Lock	4	503956C1	8000; (B)
	334-1591	Screw, Cap; ½"-13 x 2 ¼" Lg	8	24865R1	8000; (C)
✓ ✓ ● 3	338-1218	Assembly, Hanger	2	1664263C1, 1664262C1	1000/2000/4000/7000
●	338-1219	Assembly, Hanger	2	1664265C1, 1664264C1	1000/2000/4000/7000
✓ ✓ ●	338-1220	Assembly, Hanger	2	1664267C1, 1664266C1	1000/2000/4000/7000
	◆	Assembly, Hanger; Threaded	2	1619608C1	2000 w/Code 2ADC.2005
✓ ✓ ●	338-2022	Assembly, Hanger	2	166427271C1, 1664270C1	
●	338-2023	Assembly, Hanger	2	1664269C1, 1664266C1	w/inverted L Reinforcement
●	338-1217	Hanger; Threaded	2	1664434C1	8000
✓ ●	338-841	Hanger, Shackle; Threaded	2	1654348C1	2000/4000/8000
✓ ●	338-720	Hanger, Shackle	2	469993C1, 469992C1	S-Series; w/o Frame Reinforcement; 9k-13.5k Axles
●	338-961	Hanger, Shackle	2	469995C1, 469994C1	S-Series; w/Full C Reinforced Frame; 9k-13.5k Axles
●	338-969	Hanger, Shackle	2	477009C1, 477008C1	S-Series; w/Inverted L Reinforced Frame; 9k-13.5k Axles
✓ ●	338-967	Hanger, Shackle	2	470001C1, 470000C1	S-Series; w/Full C Reinforced Frame; 16k-20k Axles
●	338-965	Hanger, Shackle	2	469999C1, 469998C1	S-Series; w/Inverted L Reinforced Frame; 16k-20k Axles
	◆	Hanger, Shackle; Threaded	2	1619608C1	8000
✓ 4	330-165	Kit, Shackle	2		Incl. (2)330-149, (2)327-480, RNK-BM & Hdwe.
	330-165U	Kit, Shackle; Urethane	2		
	330-188	Kit, Shackle	2		1000/2000/4000/7000; Square Notch
✓ ✓	330-193	Kit, Shackle; w/Threaded Pin, 3 ¼" Side Bar	2		8100/8200/8300
✓ ✓	330-130	Kit, Shackle; Rear; 9K-13.5K Axles	2		S-Series; Incl. (2)330-101, (2)327-230, (4)334-446 & (2)NJK-BM
	330-131	Kit, Shackle; 16K-20K Axles	2		S-Series; Incl. (2)330-114, (2)327-236, (4)334-446 & (2)RNK-BM
5	RNK-BM	Bushing; 1 ¼"ID x 1 ½"OD x 4"Lg	6		
●	322-141	Bushing; w/Seals	6		
	TB-26	Bushing; 1 ¾"OD x 4"Lg x 1 ⅝"-6 Thread	6		
	NJK	Bushing; 1"ID x 1 ¼"OD x 4"Lg	6		S-Series
✓ ✓ ● 6	327-443	Spring Pin, Threaded; 1 ⅝"-6 x 7.35"Lg	6	507203C1	
✓ ✓	327-480	Spring Pin; 1 ¼"OD x 6 ¾"Lg x 5" c/c	6	1661976C3, 3511254C1	
●	327-482	Spring Pin, Threaded; 1 ⅝"-6 x 7 ⅝"Lg	6	1654691C1	1000/2000/4000/7000; Square Notch
✓ ●	327-236	Spring Pin; 1 ¼"OD x 6 ½"Lg x 5 ⅝" c/c	6	1648108C1	S-Series; 16k-20k Axles
✓ ✓ ●	327-230	Spring Pin; 1"OD x 6 ⅝"Lg x 4 ⅝" c/c	6	1648110C1	S-Series; 9k-13.5k Axles
●	327-294	Spring Pin; 1 ¼"OD x 7 ⅝"Lg x 1 ⅝" c/e	6	468701C1	S-Series
✓ ✓ ●	327-229	Spring Pin; 1"OD x 7"Lg x 1 ¼" c/e	6	1648109C1	S-Series; 9k-13.5k Axles
✓ 7	334-475	Fitting, Straight Zerk; ⅝"-27NPT	6		

**1000/2000/4000/7000/8000
9k-20k (4" Spring)
Front Suspensions**

Navistar/International

Navistar/International



Suspension Illustration

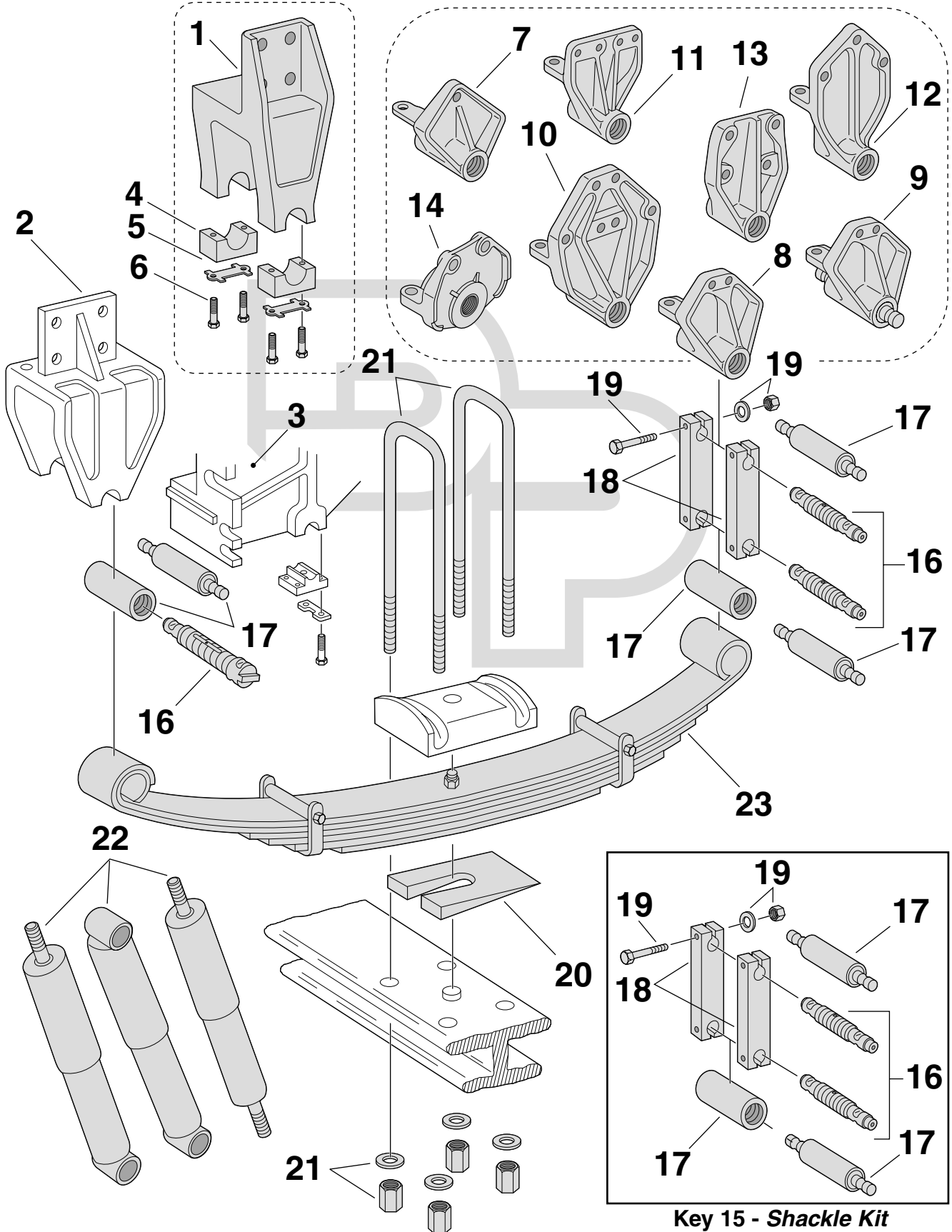
Key 4* - Shackle Kit (Threaded)

Key 4* - Shackle Kit

Key No.	Part Number	Description	No. Req.	OEM Reference	Remarks
✓	8	330-149 Side, Bar; 6"Lg x 3 1/2" c/c x 1"Thk, 1 1/4" Pin Holes	4	1664223C1	
		330-157 Side, Bar; 5 1/4"Lg x 3 1/4" c/c x 7/8"Thk, 1" Pin Holes	4	1654690C1	Used w/334-446 Lock Pins
		330-160 Side, Bar; 5 3/4"Lg x 3 1/4" c/c x 1 1/8" Thk, 1" Pin Holes	4	1654269C1, 3501151C1	8100, 8200 & 8300
✓✓		330-101 Side, Bar; 5 1/2"Lg x 3 1/2" c/c x 7/8"Thk, 1" Pin Holes	4	468699C1	S-Series
✓		330-114 Side, Bar; 5 3/4"Lg x 3 1/2" c/c x 1"Thk, 1 1/4" Pin Holes	4	468700C1	S-Series; 16k-20k Axles
	9	334-550 Assembly, Bolt; 1/2"-20 x 3"Lg	12		Incl. 334-538 Bolt & Hdwe.
✓✓●		334-446 Pin, Lock	8/12		1000, 2000, 4000 & 7000
✓	10	361-216 Kit, U-Bolt; Special Bend, Grade 8	4		3/4" x 4" x 10" IR
		361-644 Kit, U-Bolt; Special Bend, Grade 8	4		3/4" x 4" x 7" IR
✓✓		361-167 Kit, U-Bolt; Special Bend, Grade 8	4		S-Series; 1" x 4" x 15 7/8" PR
		SP Kit, U-Bolt	4	Various	Specify Size & Shape
●	11	334-2123 Bracket, Shock; Roadside	1	1669173C1	4" Spring
		334-2124 Bracket, Shock; Curbside	1	1669174C1	4" Spring
	12	See Chart Wedge, Caster	2		See Chart on Page 1091
	13	◆ Spacer	2		
●	14	334-2228 Eye, Shock; Cast	2	1667608C1	
●	15	334-2125 Eye, Shock; 3/4" Eye x 8 1/2"Lg	2		
●		334-2126 Eye, Shock; 3/4" Eye x 10"Lg	2	1669174C1	
	16	◆ Plate, Top	2	Various	
	17	See Shocks Shock Absorber	2	Various	Consult Shock Catalog for Model Specific Applications
	18	Spring Assembly Assembly, Spring	2		See Leaf Spring Web Catalog for Details

Navistar/International

Suspension Illustration

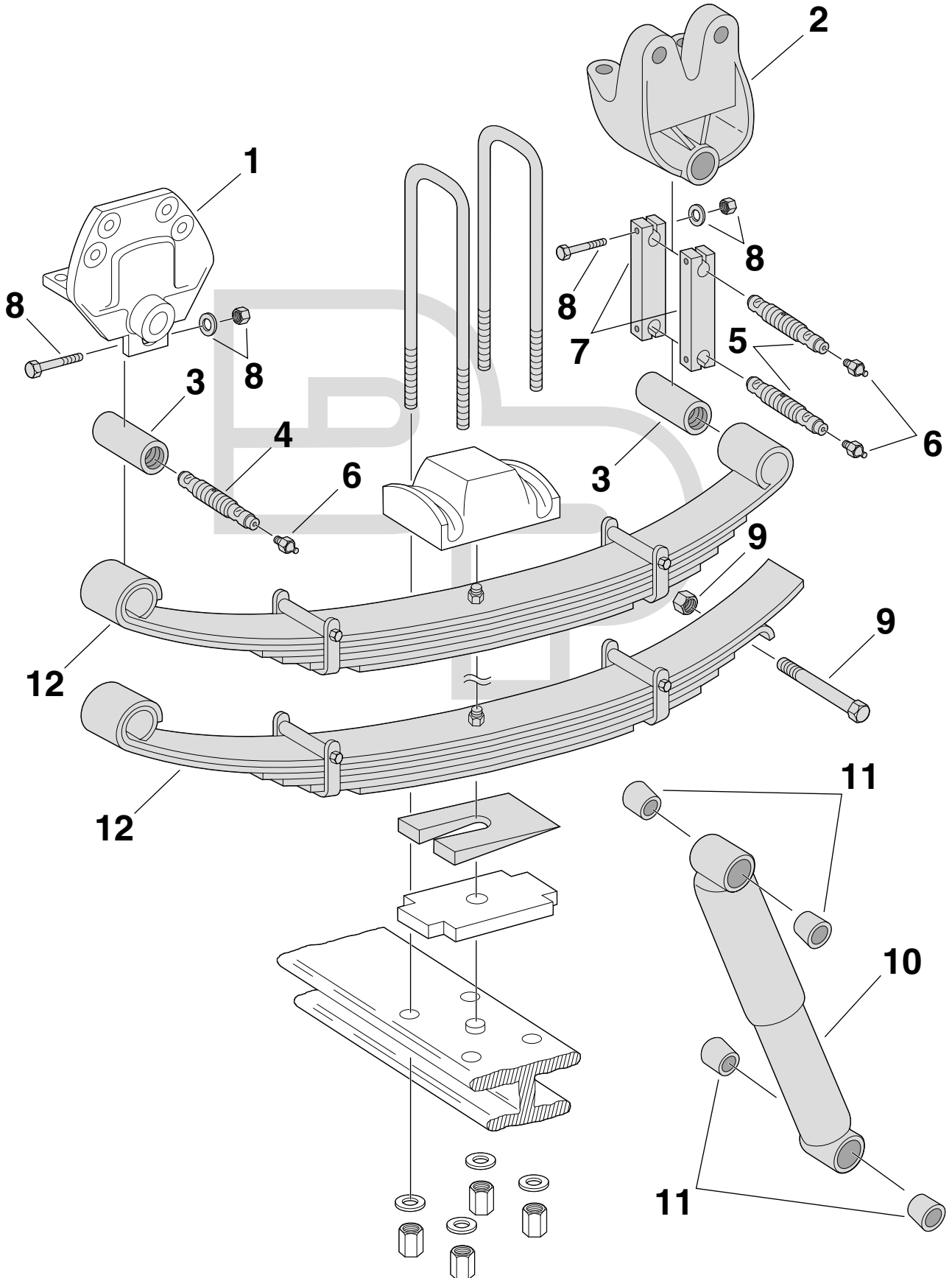


Key 15 - Shackle Kit

Key No.	Part Number	Description	No. Req.	OEM Reference	Remarks
1	338-1839	Hanger; Cast	2	1654353C1	9600SBA & 9700 LoPro; Use w/327-443
2	◆	Hanger, Front	2	1658592C3	9300 & 9400SBA
	◆	Hanger, Front	2	1653736C3	9600, 9700 & 9700SBA
3	◆	Bracket, Front; LH/RH	2	Various	9300, 9500, 9600 & 9700SBA
4	338-1840	Cap, Hanger	4	507387C1	
5	334-1590	Tab, Lock	4	503956C1	
6	334-1591	Screw, Cap; ½"-13 x 2 ¼"Lg	8		
✓ ●	338-974	Hanger, Shackle; Threaded	2	507198C3	9200, 9300, 9400 & 9600 w/SFA or SBA; 9700SFA & Drop Frame
✓ ●	338-975	Hanger, Shackle; Threaded	2	507197C1	9600; 9700 w/SFA & Straight Frame
●	338-972	Hanger, Shackle	2	503950C91, 503949C1	Straight Frame; Before 1991; Discontinued; Use 338-975
●	338-1239	Hanger, Shackle; Threaded	2	1658157C1	9200/9300/9400; w/SBA or SFA & Straight Frame
✓ ●	338-841	Hanger, Shackle; Threaded	2	1654348C1	9700 LoPro
●	338-1198	Hanger, Shackle; Threaded	2	1653734C1	9700/9700SBA; w/Straight Frame
●	338-1199	Hanger, Shackle; Threaded	2	1653735C1	9700/9700SBA; w/Drop Frame
	338-2051	Hanger, Shackle; Threaded	2	3500954C1	9100/9200/9400/9900 Series; w/o Frame Reinforcement; TB-26 Bushing
	330-150	Kit, Shackle; w/Integral Rubber Bushing	2		Incl. (2)330-119, (2)RB-161 & Hdwe.
	330-153	Kit, Shackle; Rear; w/Threaded Pin	2		Incl. (2)330-108, (2)327-443, (1)TB-26 & Hdwe.
✓✓	330-193	Kit, Shackle; w/Threaded Pin, 3 ¼" Side Bar	2		Incl. (2)330-160, (2)327-443, (1)TB-26 & Hdwe.
✓✓ ●	327-443	Spring Pin, Threaded; 1 ¾"-6 x 7.35"Lg	6	507203C1	
	RB-161	Bushing; 1"ID x 1 ¾"OD x 4"Lg	6		
	RB-253	Bushing; 1 1¼"OD x ¾"ID x 4 ¼"Lg	6		
	TB-26	Bushing; 1 ¾"OD x 4"Lg x 1 ¾"-6 Thread	4	688951R1	
	330-160	Side Bar; 5 ¾"Lg x 3 ¼" c/c x 1 ½" Thk, 1" Pin Holes	4	1654269C1	
✓	330-108	Side Bar; 6 ¾"Lg x 4" c/c x 1 ¼"Thk, 1" Pin Holes	4	546036C1, 507204C3	
✓	330-119	Side Bar; 6 ¾"Lg x 4 7/16" c/c x 1 ½"Thk, 1" Pin Holes	4	503959C1	
	334-551	Assembly, Bolt; ¾"-24 x 2 ¾"Lg	8		Use w/330-119 & RB-161
	334-550	Assembly, Bolt; ½"-20 x 3"Lg	8		Incl. 334-538 Bolt & Hdwe.
	See Chart	Wedge, Camber	2		See Chart on Page 1091
	361-644	Kit, U-Bolt; Special Bend, Grade 8	4		¾" x 4" x 7"IR
✓	361-216	Kit, U-Bolt; Special Bend, Grade 8	4	465916C1	¾" x 4" x 10" IR
	361-278	Kit, U-Bolt; Special Bend, Grade 8	4	465921C1	7/8" x 4" x 12 ½" FR
✓✓	361-167	Kit, U-Bolt; Special Bend, Grade 8	4	03-3134-151	1" x 4" x 15 7/8" PR
	M65427	Shock Absorber	2	2015536C1	
✓	M65427	Shock Absorber	2	507202C1	
✓	M65109	Shock Absorber	2	1667520C1	
✓	M65107	Shock Absorber	2	1664788C2	
✓✓	M66886	Shock Absorber	2	503610C2	
	See Shocks	Shock Absorber	2	Various	Consult Shock Catalog for Model Specific Applications
	Spring Assembly	Assembly, Spring	2		See Leaf Spring Web Catalog for Details

Navistar/International

Suspension Illustration

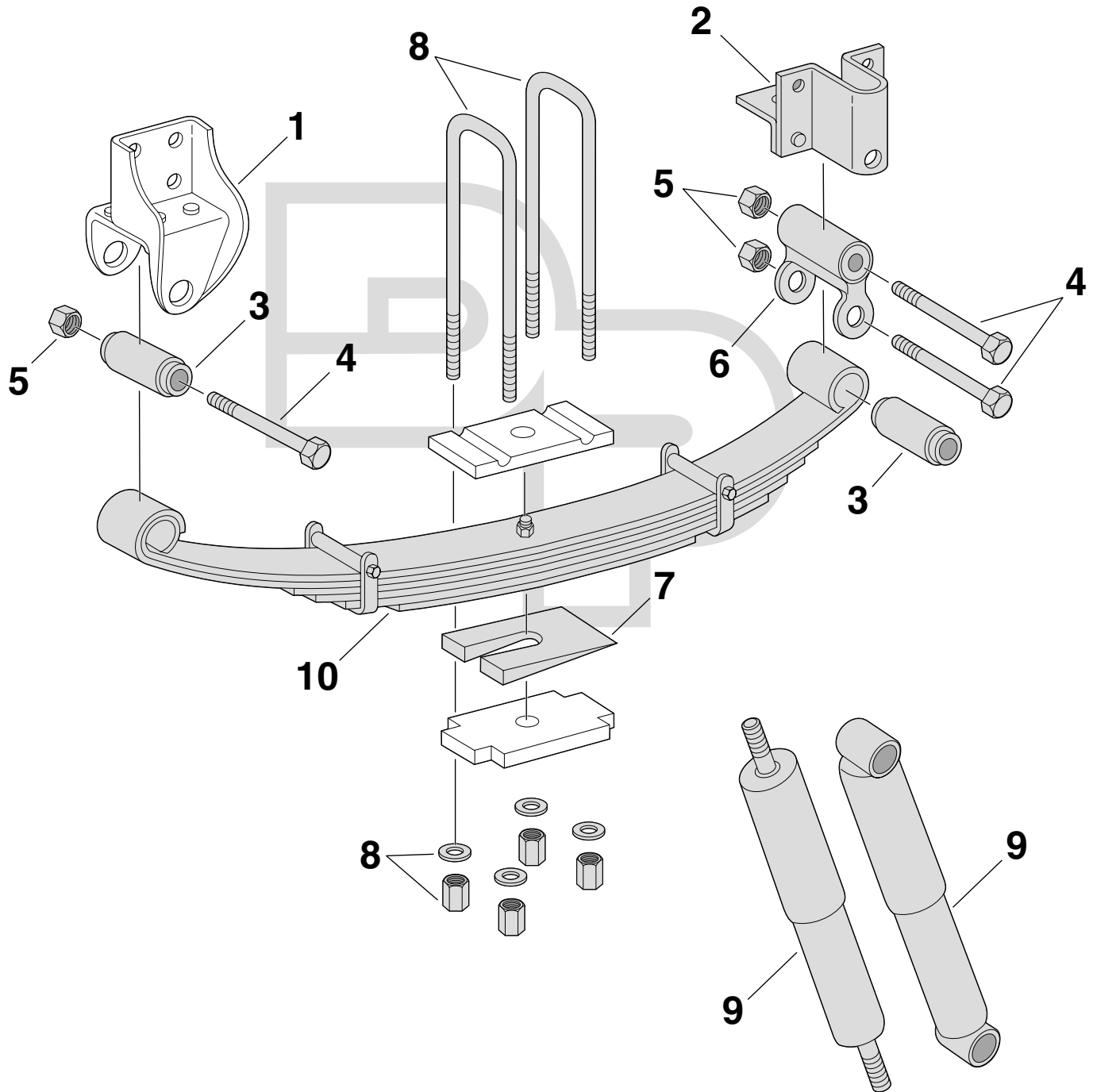


Key No.	Part Number	Description	No. Req.	OEM Reference	Remarks	
1	◆	Hanger, Front	2	Various		
●	2	338-1214	2	500737C1		
●	338-1215	Hanger, Threaded	2	500738C1	w/Frame Reinforcement	
	◆	Hanger, Threaded	2	Various	Not Shown	
		Hanger; Slipper Type; LH/RH	2			
3	TB-26	Bushing; 1 3/4"OD x 4"Lg x 1 3/8"-6 Thread	4	688951R1		
●	4	327-291	2	435762C1		
✓✓	●	5	327-305	Spring Pin, Threaded; 1 3/8"-6 x 7 1/4"Lg	4	688952R1
✓	6	334-475	6	1613B		
✓✓	7	330-111	4	1606881C1		
	8	334-550	10		Incl. 334-538 Bolt & Hdwe.	
	9	334-990	2		Incl. Bolt & Nut; Slipper Type Hanger	
✓	10	M65103	2	453576C92		
✓✓		M65407	2	453576C91, 477132C1		
	11	401754	8			
	12	Spring Assembly	2		See Leaf Spring Web Catalog for Details	

1400-1600 ('87-'06), 2500-2600,
 4500-4900, 7100 Series ('89-'02)
 6-9k Axles (3" spring) Front Suspensions

Navistar/International

Navistar/International



Suspension Illustration

Navistar/International

1400-1600 ('87-'06), 2500-2600,
4500-4900, 7100 Series ('89-'02)
6-9k Axles (3" spring) Front Suspensions

Navistar/International

Parts Listing

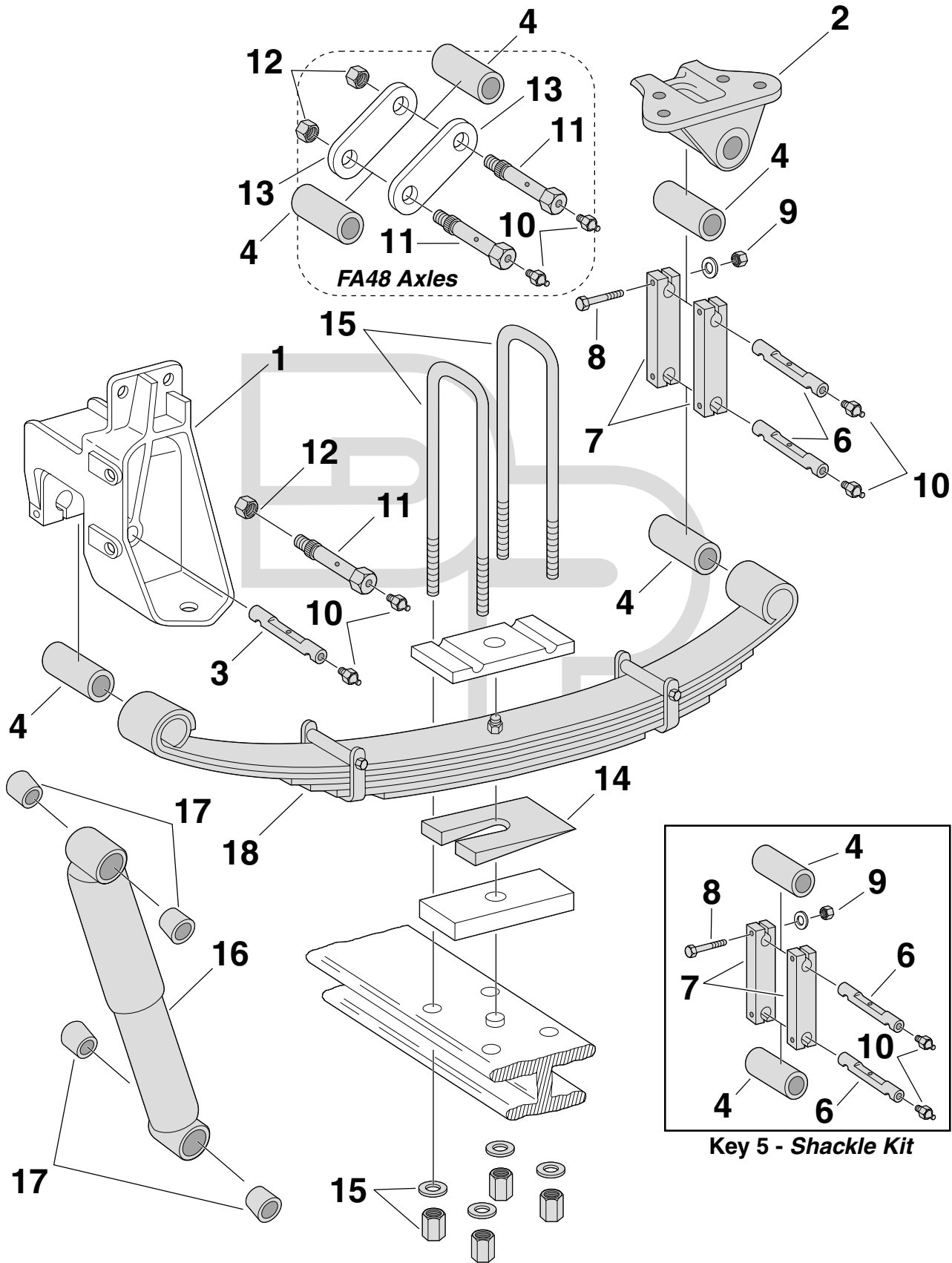
Key No.	Part Number	Description	No. Req.	OEM Reference	Remarks
	◆	Hanger, Front; Stamped	2	Various	
●	338-911	Hanger, Shackle; Stamped	2	470228C3	
✓	RB-75	Bushing; 1"ID x 1 13/16"OD x 3"Lg	6	572355C92	
✓✓	327-293	Bolt; 1"-8 x 5"Lg	6	460719C1	Use w/Stamped Hangers
	SLNC-107	Nut, Lock; 1"-8	6	934 00 500	Use w/327-293
✓✓●	330-146	Shackle	2	470248C91	Incl. Bushing; Use w/Stamped Hangers
	See Chart	Wedge, Camber	2		See Chart on Page 1091
	361-656	Kit, U-Bolt; Special Bend, Grade 8	4		5/8" x 3" x 6 3/8" IR
✓	361-274	Kit, U-Bolt; Special Bend, Grade 8	4	465919C1	5/8" x 3" x 8 3/8" IR
	See Shocks	Shock Absorber	2	Various	Consult Shock Catalog for Model Specific Applications
	Spring Assembly	Assembly, Spring	2		See Leaf Spring Web Catalog for Details

**Loadstar® Conventional
1600/1800 Series ('62-'78)
Front Suspensions**

Navistar/International

Navistar/International

Suspension Illustration



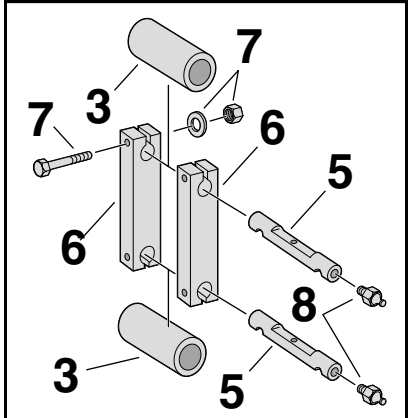
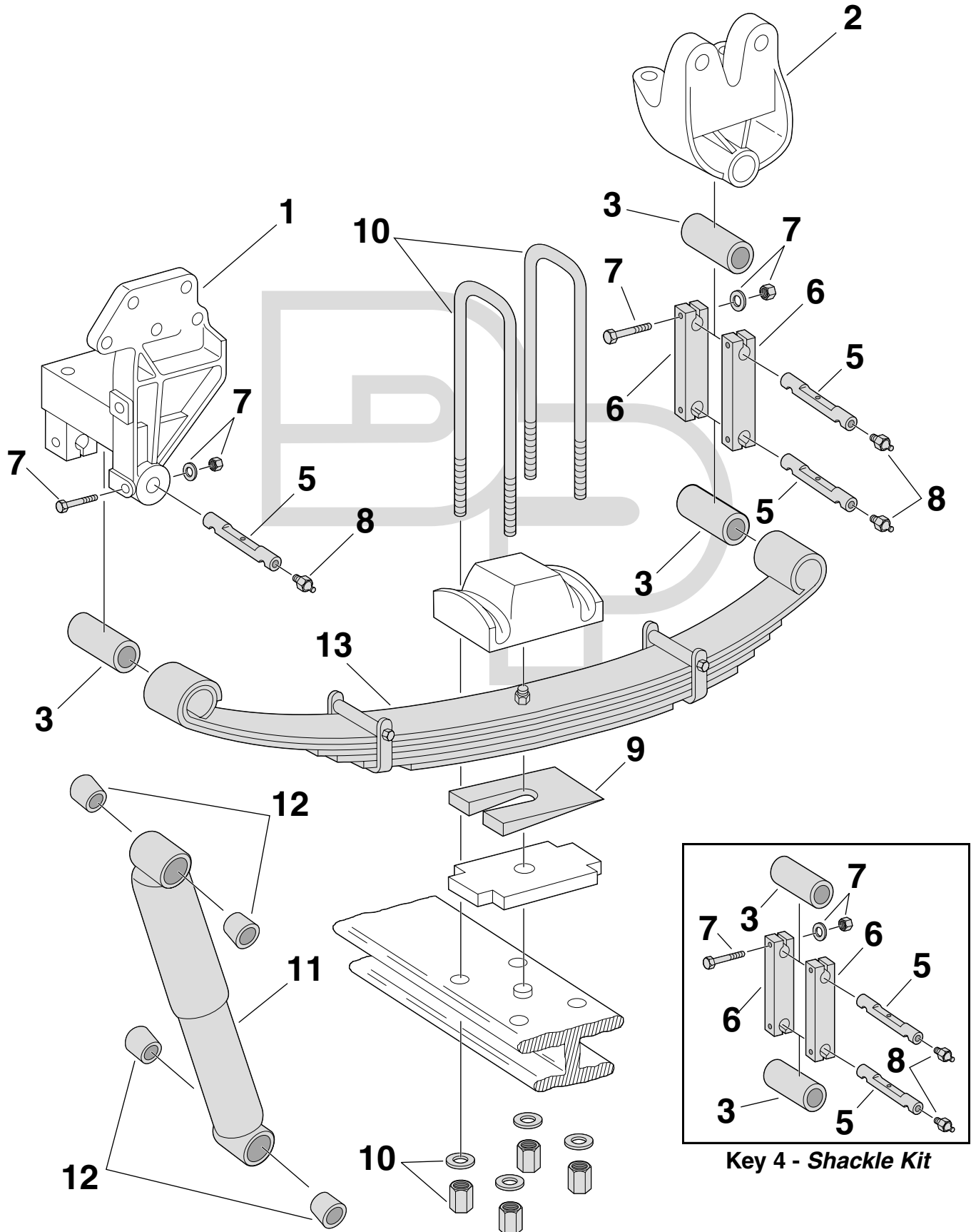
Key No.	Part Number	Description	No. Req.	OEM Reference	Remarks
1	◆	Hanger; LH	2	277178C3	Use w/327-258 Pin
	◆	Hanger; RH	2	277179C3	Use w/327-258 Pin
●	338-828	Hanger, Shackle	2	874281R1	
✓✓●	327-258	Spring Pin; 7/8" x 5"Lg x 3.91" c/c	2	64147HC	Front Pin
	JFE	Bushing; 3/4"ID x 1"OD x 2 1/2"Lg	6	865943R1	
	LHG-BM	Bushing; 7/8"ID x 1 1/8"OD x 3"Lg	6	866090R1, 236832R1	
✓	330-129	Kit, Shackle; Rear	2		Incl. (2)327-240, (2)330-112 & Hdwe.
✓✓	327-240	Spring Pin; 7/8"OD x 4 11/16"Lg x 3 13/16" c/c	4	76771R1	Shackle Pin
✓✓	330-112	Side Bar; 4 3/4"Lg x 3" c/c x 13/16"Thk, 7/8" Pin Holes	4	76772R1	Use w/327-240
	334-534	Bolt; 5/8"-24 x 2 1/4"Lg	8	24621H	Use w/327-240
	SLN-100	Nut, Lock; 5/8"-24	8	9413979	
✓	334-475	Fitting, Straight Zerk; 1/8"-27NPT	6	1613B	
●	327-302	Spring Pin; 7/8"OD x 5 1/4"Lg, w/ 3/4"-16 Thread	2	878191R1	Front Pin Only; FA48 Axle
●	327-301	Spring Pin; 3/4"OD x 4 1/16"Lg, w/ 5/8"-18 Thread	4	874959R1	Shackle Pin; FA48 Axle
	SLN-105	Nut, Lock; 3/4"-16	2	102309R1	Use w/327-302 Pin
	SLN-104	Nut, Lock; 5/8"-18	4		Use w/327-301 Pin
	◆	Side Bar, 4 1/8"Lg x 2 3/4" c/c x 5/16"Thk, 3/4" Holes	2	874957R1	Use w/327-301; FA48 Axle
	◆	Side Bar, 4 1/8"Lg x 2 3/4" c/c x 5/16"Thk, 5/8" Holes	2	874958R1	Use w/327-301; FA48 Axle
	See Chart	Wedge, Camber	2		See Chart on Page 1091
	361-370	Kit, U-Bolt; Square Bend, Grade 8	4	893993R21	5/8" x 3" x 8 3/8" S
	361-290	Kit, U-Bolt; Square Bend, Grade 8	4	465905C1	5/8" x 3" x 12 3/8" S
	361-292	Kit, U-Bolt; Square Bend, Grade 8	4	465907C1	3/4" x 3" x 12 3/8" S
	See Shocks	Shock Absorber	2	Various	Consult Shock Catalog for Model Specific Applications
	140149	Bushing, Shock; 3/4"ID	2		4 Pack
	401754	Bushing, Shock; 1"ID	8		
	Spring Assembly	Assembly, Spring	2		See Leaf Spring Web Catalog for Details

**Fleetstar® Conventional
1900/2100 Series ('62-'77)
Front Suspensions**

Navistar/International

Navistar/International

Suspension Illustration

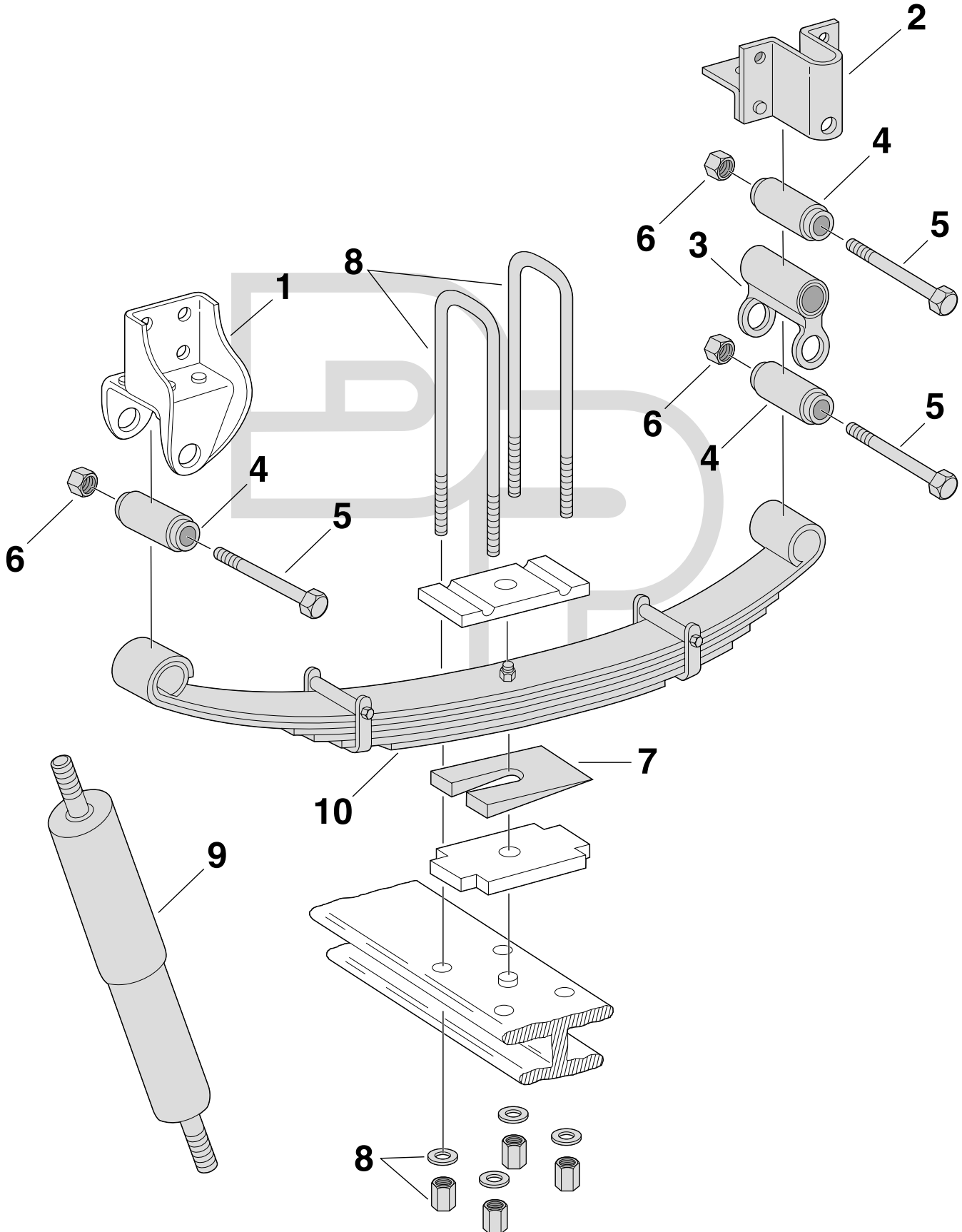


Key 4 - Shackle Kit

Key No.	Part Number	Description	No. Req.	OEM Reference	Remarks
1	◆	Hanger, Front; LH/RH	1	Various	
2	◆	Hanger, Rear; LH/RH; w/o Frame Reinforcement	2	362193C21	Std. Frame Except w/160", 166", 184", 202" & 220" WB
	◆	Hanger, Rear; LH/RH	2	362194C21	For 160", 166" & 184" WB; Std. Frame & Codes 1482/92/3269; Invert L
	◆	Hanger, Rear; LH/RH	2	428638C91	For 202" & 220" WB; Std. Frame & Codes 1500/10/11; Full L Reinforcement
	◆	Hanger, Rear; LH/RH; w/Frame Reinforcement	2	428638C91	w/Codes 1509/10/11
3	NJK-BM	Bushing; 1"ID x 1 ¼"OD x 4"Lg	6	302816C1	
4	330-127	Kit, Shackle; Rear	2		Incl. 327-237, 330-110 & Hdwe.
✓✓	327-237	Spring Pin; 1"OD x 6 ¾"Lg x 5 ¼" c/c	6	303865C1	Double Lock
6	330-110	Side Bar; 5 ½"Lg x 3 ½" c/c x 1"Thk, 1" Pin Holes	4	301701C1	
7	334-550	Assembly, Bolt; ½"-20 x 3"Lg	12		Incl. 334-538 Bolt & Hdwe.
✓	334-475	Fitting, Straight Zerk; ⅛"-27NPT	6	1613B	
9	See Chart	Wedge, Camber	2		See Chart on Page 1091
✓	361-216	Kit, U-Bolt; Special Bend, Grade 8	4	465916C1	¾" x 4" x 10" IR
	361-302	Kit, U-Bolt; Special Bend, Grade 8	4	465920C1	⅝" x 4" x 8 ⅛" IR
	361-278	Kit, U-Bolt; Special Bend, Grade 8	4	465921C1	⅞" x 4" x 12 ⅛" FR
✓✓	361-167	Kit, U-Bolt; Special Bend, Grade 8	4	465922C1	1" x 4" x 15 ⅞" PR
11	See Shocks	Shock Absorber	2	Various	Consult Shock Catalog for Model Specific Applications
12	140149	Bushing, Shock; ¾"ID	2		4 Pack
13	Spring Assembly	Assembly, Spring	2		See Leaf Spring Web Catalog for Details

Navistar/International

Suspension Illustration



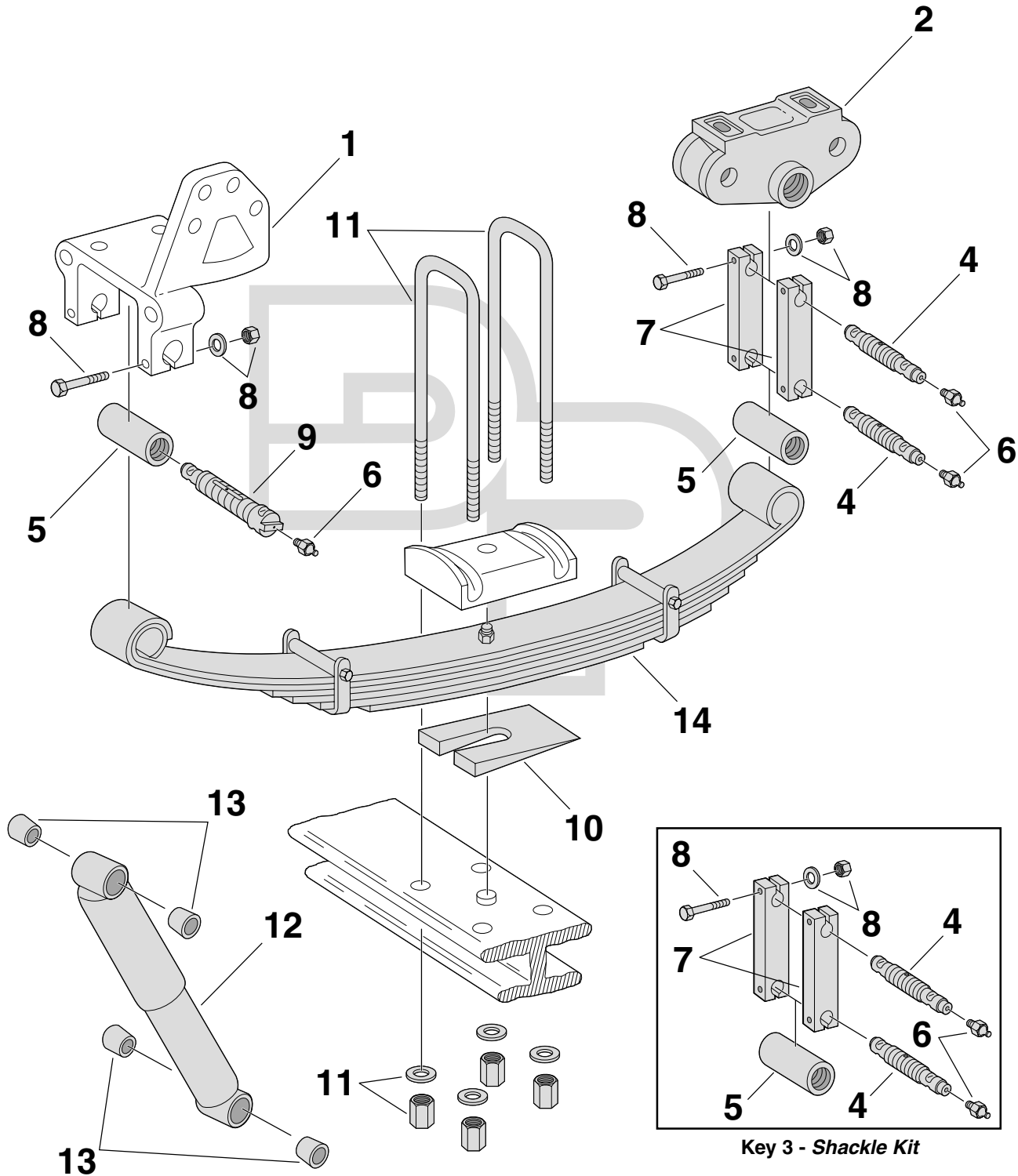
Key No.	Part Number	Description	No. Req.	OEM Reference	Remarks
1	◆	Hanger, Front; Stamped; LH/RH	2	470231C1	1600-1900 Models w/5k, 6k & 7k Axles
	◆	Hanger, Front; LH/RH	2	1660853C91	1600-1900 Models w/8k Axle
	◆	Hanger, Front; LH/RH	2	Various	2100 Models; All Axles
●	338-911	Hanger, Shackle; Stamped	2	470228C1	
✓✓●	330-146	Shackle	2	470248C91	Incl. Bushing
✓	RB-75	Bushing; 1"ID x 1 13/16"OD x 3"Lg	6	470033C1	
✓✓	327-293	Bolt; 1"-8 x 5"Lg	6	460719C1, 26720R1	
	SLNC-107	Nut, Lock; 1"-8	6		
	See Chart	Wedge, Camber	2		See Chart on Page 1091
✓	361-274	Kit, U-Bolt; Special Bend, Grade 8	4	465919C1	5/8" x 3" x 8 3/8" IR
	See Shocks	Shock Absorber	2	Various	Consult Shock Catalog for Model Specific Applications
	Spring Assembly	Assembly, Spring	2		See Leaf Spring Web Catalog for Details

**Transtar® Conventional
4200/4300 Series ('66-'84)
Front Suspensions**

Navistar/International

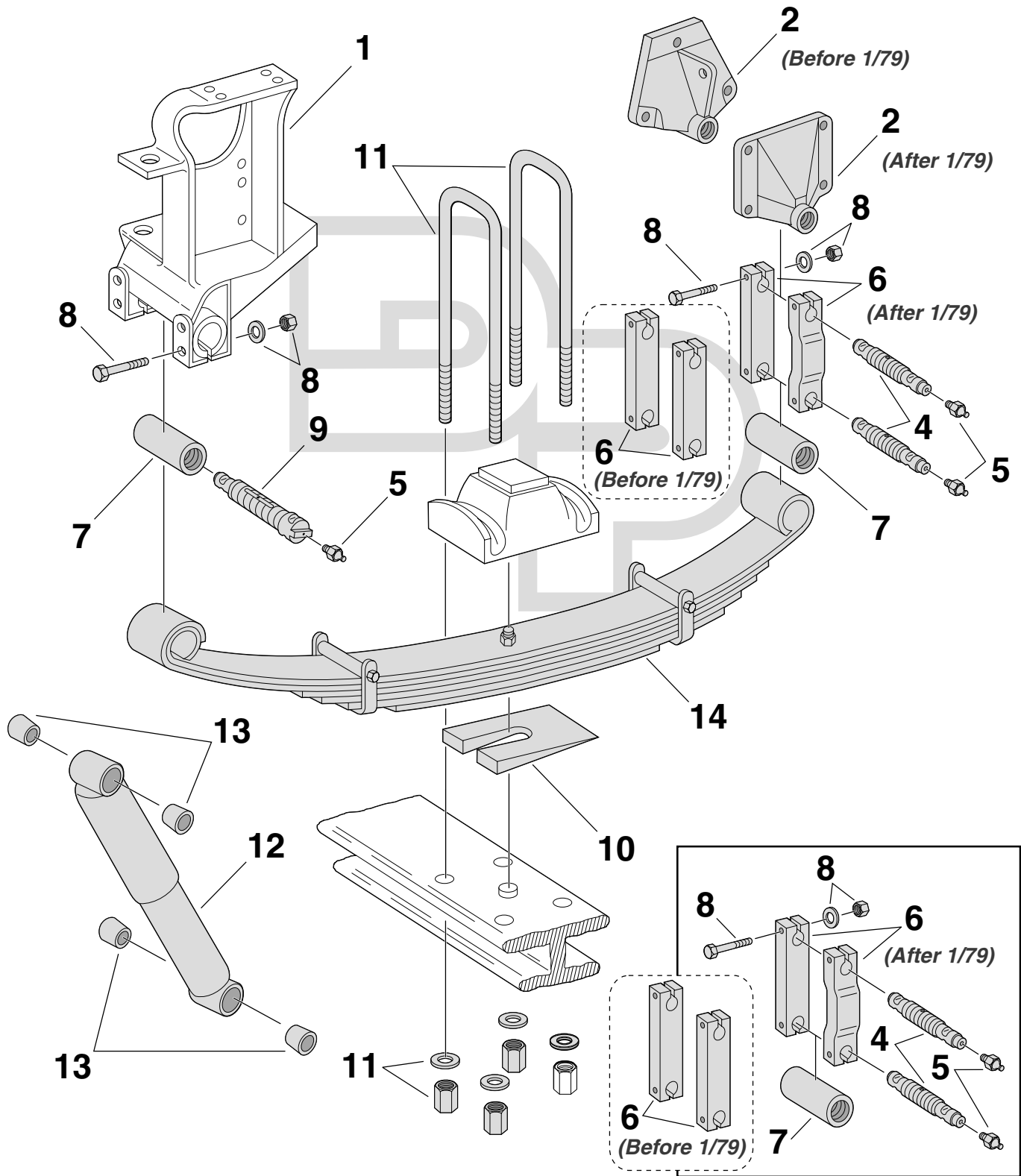
Navistar/International

Suspension Illustration



Key No.	Part Number	Description	No. Req.	OEM Reference	Remarks
1	◆	Hanger, Front; LH	1	411752C5	
	◆	Hanger, Front; RH	1	411753C5	
●	338-721	Hanger, Shackle; Threaded	2	778002C1	All Except 3406 Cat & 8V92 DDA Engine
	◆	Hanger, Shackle; Threaded	2	795969C1	w/3406 Cat & 8V92 DDA Engine
✓	330-128	Kit, Shackle; Rear	2		Incl. (2)330-109, (2)327-305, (1)TB-26 & Hdwe.
✓✓●	327-434	Spring Pin, Threaded; 1 3/8"-6 x 7 3/8"Lg	4	688952R1	Replaces 327-305
	TB-26	Bushing; 1 3/4"OD x 4"Lg x 1 3/8"-6 Thread	4	688951R1	
✓	334-475	Fitting, Straight Zerk; 1/8"-27NPT	6	1613B	
✓✓	330-109	Side Bar; 6 3/4"Lg x 4 1/4" c/c x 1"Thk, 1 1/16" Pin Holes	4	400091C2	
	334-550	Assembly, Bolt; 1/2"-20 x 3"Lg	12		Incl. 334-538 Bolt & Hdwe.
✓✓●	327-297	Spring Pin, Threaded; 1 3/8"-6 x 7 3/8"Lg	2	688953R1	w/ 1/2" Lock Pin Slots
	See Chart	Wedge, Camber	2		See Chart on Page 1091
✓	361-216	Kit, U-Bolt; Special Bend, Grade 8	4	465916C1	3/4" x 4" x 10" IR
	361-278	Kit, U-Bolt; Special Bend, Grade 8	4	465921C1	7/8" x 4" x 12 1/8" FR
✓	M65103	Shock Absorber	2	453576C92	
✓✓	M65407	Shock Absorber	2	426744R91	
	See Shocks	Shock Absorber	2	Various	Consult Shock Catalog for Model Specific Applications
	401754	Bushing, Shock; 1"ID	8		
	Spring Assembly	Assembly, Spring	2		See Leaf Spring Web Catalog for Details

Navistar/International



Suspension Illustration

Key 3 - Shackle Kit

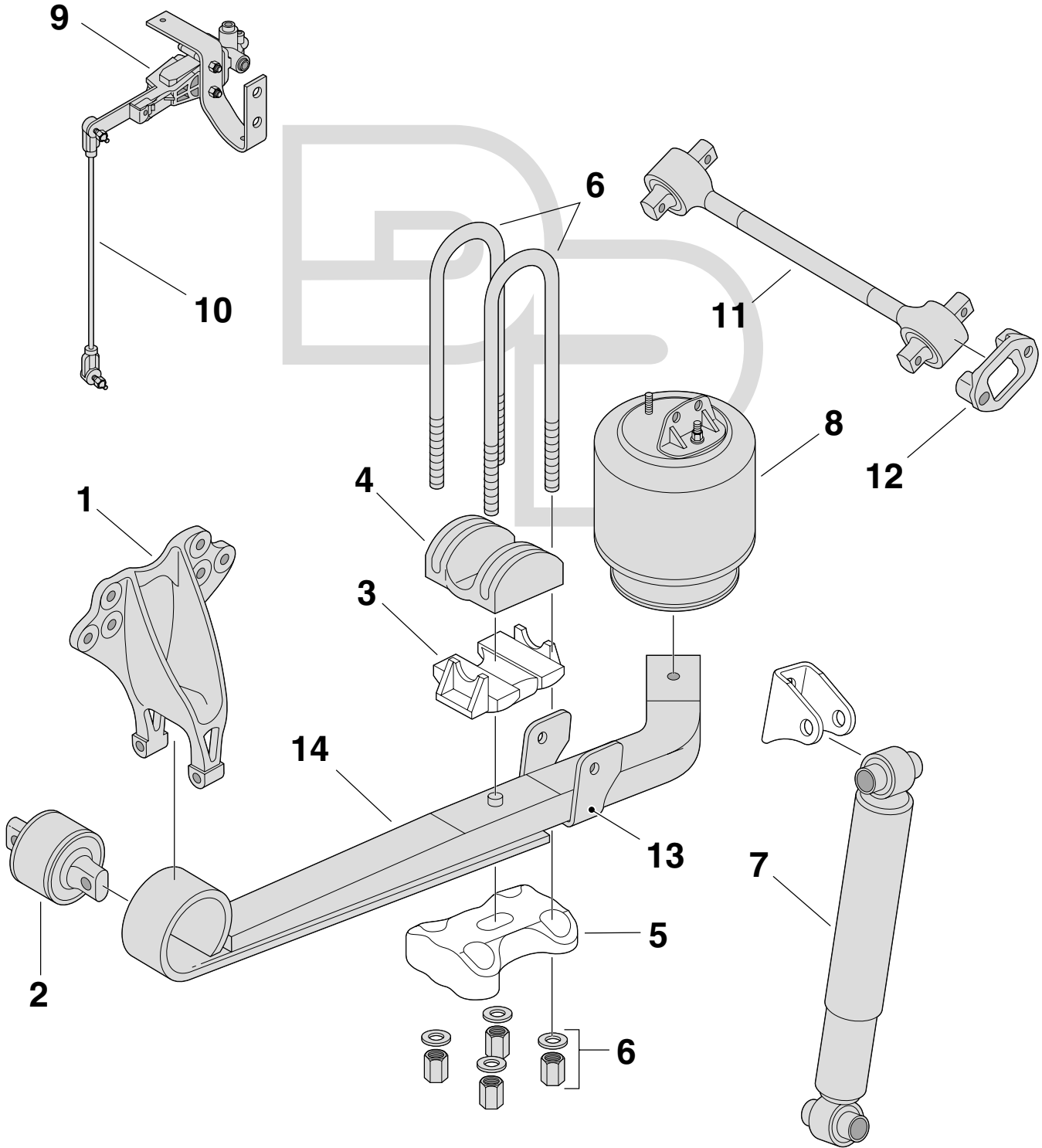
Key No.	Part Number	Description	No. Req.	OEM Reference	Remarks
	◆	Hanger, Front	2	Various	
●	338-787	Hanger, Shackle; Threaded	2	449193C2	Before 01/03/79
	338-788	Hanger, Shackle; Threaded	2	493003C2	After 01/03/79
✓	330-128	Kit, Shackle; Rear	2		Before 01/03/79
	330-147	Kit, Shackle; Offset	2		After 01/03/79
✓✓●	327-434	Spring Pin, Threaded; 1 3/8"-6 x 7 3/8"Lg	4	688952R1	Replaces 327-305
✓	334-475	Fitting, Straight Zerk; 1/8"-27NPT	6	1613B	
	330-109	Side Bar; 6 3/4"Lg x 4 1/4" c/c x 1"Thk, 1 1/16" Pin Holes	2/4	400091C2	
	330-113	Side Bar, Offset	2	525331C1	After 01/03/79
✓✓	TB-26	Bushing; 1 3/4"OD x 4"Lg x 1 3/8"-6 Thread	4	688951R1	
✓	334-550	Assembly, Bolt; 1/2"-20 x 3"Lg	8/12		Incl. 334-538 Bolt & Hdwe.
✓✓	334-754	Assembly, Bolt; 5/8"-18 x 5 1/2"Lg	4		Use w/327-488 Pin Only
✓✓●	327-297	Spring Pin, Threaded; 1 3/8"-6 x 7 3/8"Lg	2	688953R1	w/ 1/2" Lock Pin Slots; After 01/03/79
●	327-488	Spring Pin; Threaded, 1 3/8"-6 x 7 3/8"	2	455656C1	w/ 5/8" Lock Pin Slots; Before 01/03/79
	See Chart	Wedge, Camber	2		See Chart Page 1091
✓	361-216	Kit, U-Bolt; Special Bend, Grade 8	4	465916C1	3/4" x 4" x 10" IR
✓	361-278	Kit, U-Bolt; Special Bend, Grade 8	4	465921C1	7/8" x 4" x 12 1/8" FR
	See Shocks	Shock Absorber	2	Various	Consult Shock Catalog for Model Specific Applications
	401754	Bushing, Shock; 1"ID	8		
	Spring Assembly	Assembly, Spring	2		See Leaf Spring Web Catalog for Details

**Corporate Air
(Air Beam)
Rear Single/Tandem Axle Suspension**

Navistar/International

Navistar/International

Suspension Illustration



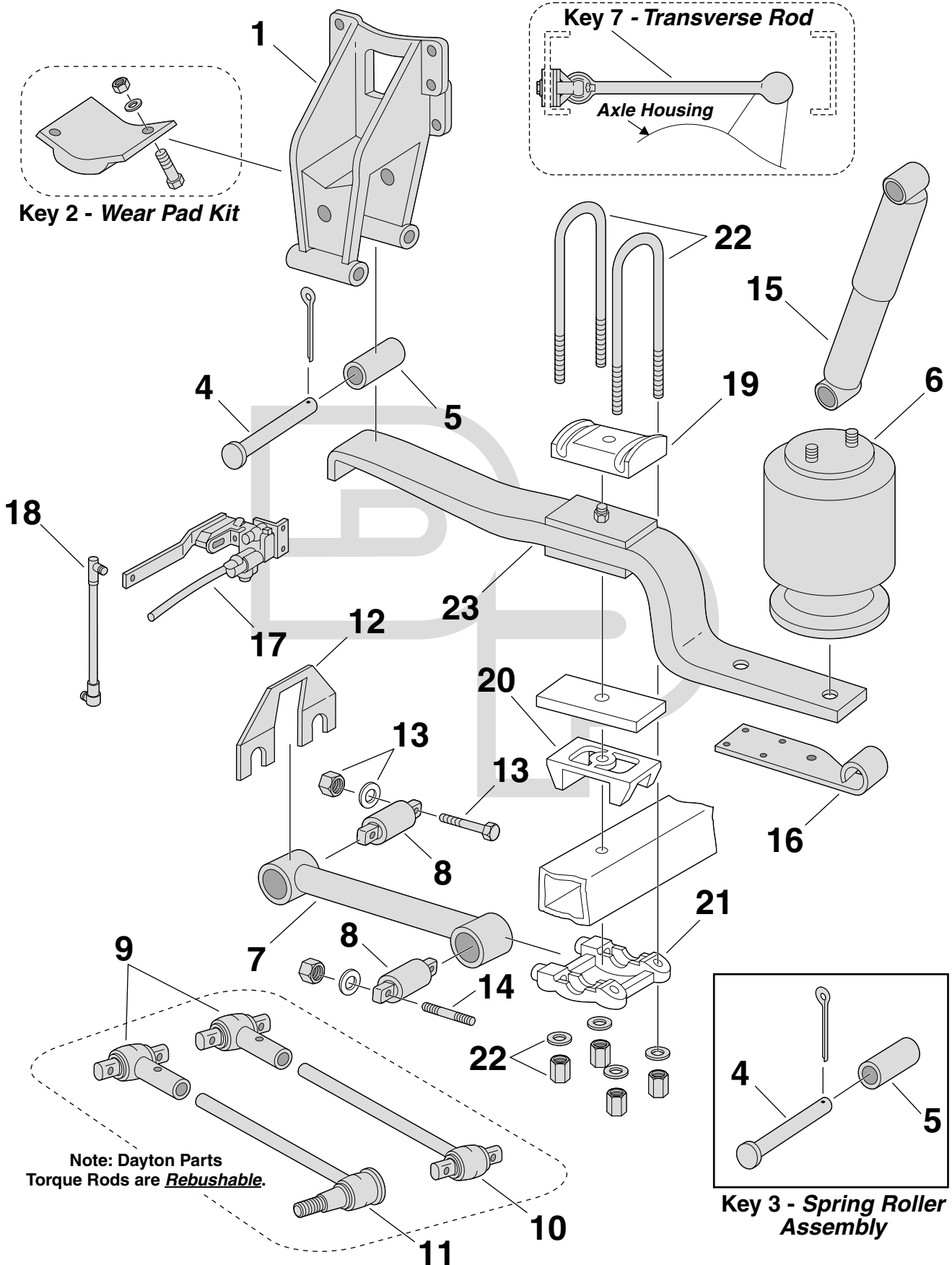
Key No.	Part Number	Description	No. Req.	OEM Reference	Remarks
1	338-1918	Hanger	2	3545280C1	
	338-2342	Hanger	2	3624113C3	Heavy Duty
✓ ●	RB-268	Bushing; Anti-walk	2	3538115C1	
	◆	Seat, Axle	2	Various	
	338-2343	Saddle, U-Bolt	2	3541681C5	
	◆	Plate, Bottom	2	Various	
	361-632	Kit, U-Bolt	4	3538842C2	7/8" x 5 1/2" x 16 3/4"
	361-664	Kit, U-Bolt	4		7/8" x 5 1/2" x 15 3/4"
✓✓	See Shocks	Shock Absorber	2	Various	Consult Shock Catalog For Model Specific Applications
✓✓	352-1191	Air Spring	2	3541731C1	
✓✓ ●	334-1580	Valve, Height Control; Integral Dump	1		w/Integral Dump Valve; Reuse Factory Brackets
✓ ●	334-751	Linkage Assembly; Universal; Adjustable	1		3 5/8"-19 5/8" Range; Use w/All Height Control Valves
●	345-904	Rod, Track; 25 3/8"Lg c/c	1	3580088C1	Replaces 3548381C1
●	338-181	Bracket, Track Rod/Frame	1		
●	334-2000	Bracket, Shock	2	3549103C2	
	Spring Assembly	Assembly, Spring	2		See Leaf Spring Web Catalog for Details

Corporate Air
 ("Z" Beam)
Rear Single/Tandem Axle Suspension

Navistar/International

Navistar/International

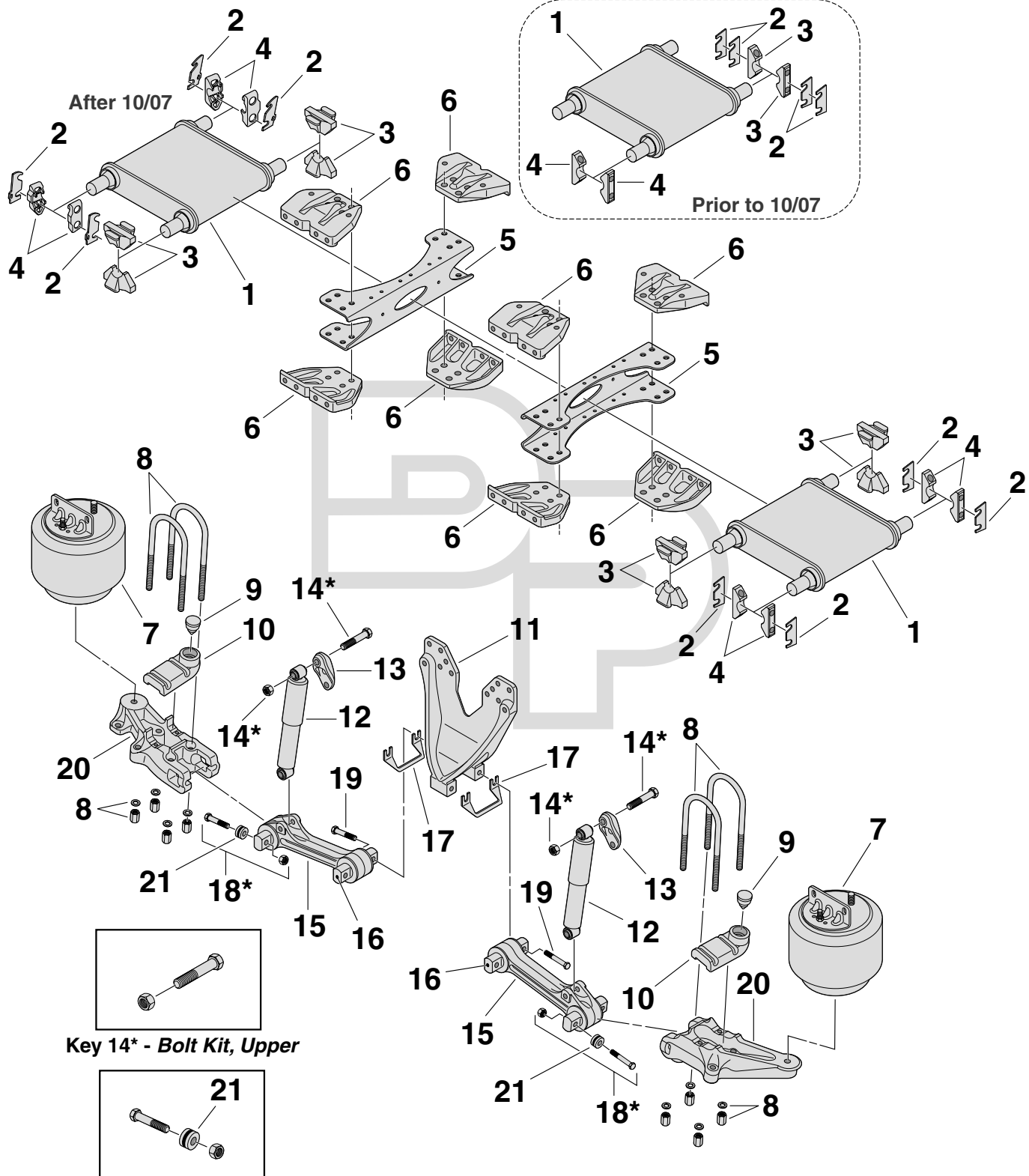
Suspension Illustration



Key No.	Part Number	Description	No. Req.	OEM Reference	Remarks
●	338-1030	Hanger, Front; LH/RH	2	1680506C91, 501556C2	
		◆ Hanger; LH/RH	2	1666080C2	Low Profile & Carhauler; 8100 Models Only
		◆ Hanger; LH/RH	2	1660687C91	4600LP, 4600UH & 4700LP Models
✓ ●	334-747	Kit, Service; Wear Pad	2	571960C1	Incl. Bolts, Washers & Nuts
✓ ✓	334-1162	Assembly, Roller	2		Incl. 327-475 Pin, 334-657 Roller & Cotter Pin
	327-475	Pin, Rebound; ½"OD x 5"Lg	2	574778C2	Except Low Profile
✓ ✓ ●	327-282	Pin, Rebound; ¾" x 5 7/8"	2	206258R1/R2	Low Profile
●	334-657	Roller, Rebound; ½"ID x 1 3/16"OD x 3 7/16"Lg	2	501535C2	
		◆ Roller, Spring	2	558699R1	Low Profile & Carhauler Models Only
✓	352-9243	Air Spring	2	1660581C1, 501559C1/2	
	352-9565	Air Spring	2	2027912C1, 1672401C1	
✓	352-9371	Air Spring	2	1670043C1	
	352-9379	Air Spring	2	1660694C1	
	352-9567	Air Spring	2	1675495C1	
●	345-200	Torque Rod, Rigid; 18 1/8", 15°/15°; Tubular	2	493920C2	Use 345-188
●	345-854	Torque Rod, Rigid; 18 1/8", 15°/15°; Forged	2	493920C1	Rebushable; Incl. 321-131 Bushings
✓ ✓ ●	345-188	Torque Rod, Rigid; 18 1/8", 15°/15°; Tubular; Standard	2	588117C91	Incl. 321-223 Bushings; 1.56" OD Tube
	◆	Rod, Track; 24 3/8"	2	501565C1	Use 345-803
	◆	Rod, Track; 25 3/8"	2	501565C2	Use 345-803
✓ ✓ ●	321-279	Bushing; 2.46"OD x 4 3/8" c/c	4		For 5/8" Bolts & 1 1/4" Fabricated Rod; Use w/345-200
✓ ✓ ●	321-131	Bushing; 2 17/32"OD x 4 3/8" c/c	4	44694	5/8" Bolts; Use w/345-854
●	321-131U	Bushing, Urethane	4		
✓ ✓ ●	321-132	Bushing; Straddlemount; 2 3/4"OD x 4 3/8" c/c	4	44695, 227720	5/8" Bolts; Use w/2-Pc. Rods
●	321-132U	Bushing, Urethane	4		
✓ ●	321-223	Bushing; 4 3/8" c/c x 5/8" Bolts	4	47691	5/8" Bolts; Use w/345-188
✓ ✓ ●	321-133	Bushing; Taper Stud Type	4	44697, 1693066C1	
●	321-133U	Bushing, Urethane	4		
✓ ✓	345-610	End, Torque Rod; Straddlemount; Female	2	46610, 66610	Straddlemount Type; Use w/345-680, 345-681
✓	345-660	End, Torque Rod; Straddlemount; Male; 30 1/2"	1	46660, 66660	Straddlemount Type; Use w/345-610
✓ ✓	345-661	End, Torque Rod; Straddlemount; Male; 22 1/2"	1	46661, 66661	Straddlemount Type; Use w/345-610
	345-680	End, Torque Rod; Taper Stud; Male; 30 1/2"	1	46680, 66680	Stud Type; Use w/345-610
✓	345-681	End, Torque Rod; Taper Stud; Male; 22 1/2"	1	46681, 66681	Stud Type; Use w/345-610
✓ ✓ ●	334-526	Shim; 1/16"Thk 4 3/8" c/c	AR	488916C1	
✓	334-768	Assembly, Bolt; 5/8"-18 x 4 1/2"Lg	4	955375	Incl. Bolt & Hdwe.
	334-655	Stud; 5/8"-18/11 x 4"Lg	4	488906C4, 488906C6	
✓ ✓	M74420	Shock Absorber	2	501553C91, 16754556	
	M65409	Shock Absorber	2	1690035C1, 2018987C1	
	M74405	Shock Absorber	2	462557C91	
	M74406	Shock Absorber	2	350426C1	
	See Shocks	Shock Absorber	2	Various	Consult Shock Catalog for Model Specific Applications
	55-067SBL	Bracket, Shock	2	579637C2	
	55-067SBR	Bracket, Shock	2	579638C2	
✓ ✓ ●	334-750	Valve, Height Control; Universal	1	H00450CA	Hadley Universal
✓ ●	334-751	Linkage Assembly; Universal; Adjustable	1		Universal; 3 5/8" to 19 5/8" Range
	◆	Plate, Top	2	572112C2	
	◆	Seat, Spring	2	Various	
	◆	Plate, Bottom	2	Various	
✓ ✓	361-481	Kit, U-Bolt; Special Bend, Grade 8	4	590621C1	3/4" x 3 9/16" x 13 1/4"
	361-310	Kit, U-Bolt; Special Bend, Grade 8	4	1610312C2	7/8" x 3 9/16" x 15 1/8"
	Spring Assembly	Assembly, Spring	2		See Leaf Spring Catalog for Details

Navistar/International

Suspension Illustration



Key 14* - Bolt Kit, Upper

Key 18* - Bolt Assembly

Key Numbers with an asterisk (*) indicate a kit or assembly.

Key No.	Part Number	Description	No. Req.	OEM Reference	Remarks
1	345-920	Box, Torque	2	64785-002B	
2	SP	Spacer, Bracket; Axle	8	67237-1	Before 10/07; 3/32" Thk
	SP	Spacer, Bracket; Axle	8	65732-1	After 10/07; 3/32" Thk
3	SP	Clamp, Bar Pin; Crossmember	8	65144	
4	SP	Clamp, Bar Pin; Axle Bracket; Roadside	4	67157-1	After 10/07
	SP	Clamp, Bar Pin; Axle Bracket; Curbside	4	67157-2	After 10/07
	SP	Clamp, Bar Pin; Axle Bracket; Non-Adjustable	4	66174	Before 10/07
	SP	Clamp, Bar Pin; Axle Bracket; Adjustable	4	66274	After 10/07
5	SP	Crossmember	2	67478	
6	SP	Gusset, Crossmember	4	65705-1	Roadside, Top; Curbside, Bottom
	SP	Gusset, Crossmember	4	65705-2	Curbside, Bottom; Roadside, Top
7	66643-002L	Air Spring	4	66643-002L	Replaces 60977-002L
8	SP	Kit, U-Bolt	8	48718-116	3/4" x 14"
● 9	325-244	Stop, Bump	4	64080	
10	SP	Assembly, Top Pad; Axle	4	65708	
11	SP	Hanger, Frame	2	65700	
12	341-60657-8	Shock Absorber	4	60657-8	
	341-60657-10	Shock Absorber	4	60657-010	
	341-60657-11	Shock Absorber	4	60657-011	
13	SP	Bracket, Shock Absorber	4	67463-2	Replaces 65000-002
14	SP	Assembly, Bolt; Upper; 3/4" x 4 1/4"Lg	4	505754-022	
	SP	Assembly, Bolt; Lower; 5/8" x 4 1/2"Lg	4		
15	SP	Assembly, Torque Rod	4	64768-398	Incl. Bushings
16	321-419	Bushing, Torque Rod	8	64664-000L	
17	SP	Shims, Torque Rod	AR	65640-1	.030" Thk
	SP	Shims, Torque Rod	AR	65640-2	.060" Thk
18	334-624	Assembly, Bolt; 5/8"-11 x 3 1/2"Lg	8		Incl. Bolt and Hdwe.
	334-699	Assembly, Bolt; 5/8"-11 x 4"Lg	8		Incl. Bolt & Hdwe.
	327-157	Bolt, 5/8"-11 x 4 1/2"Lg	8		
19	334-2122	Assembly, Bolt; 5/8" x 7 1/2"Lg	4		
20	SP	Bracket, Air Spring; Lower	2	Various	See Chart; Specify Front/Rear & Roadside/Curbside
21	SP	Spacer, Pinion	AR	66193-00x	See Chart & Specify Thickness; 8mm, 16mm or 24mm

HTB 400LT PINION ANGLE CHART

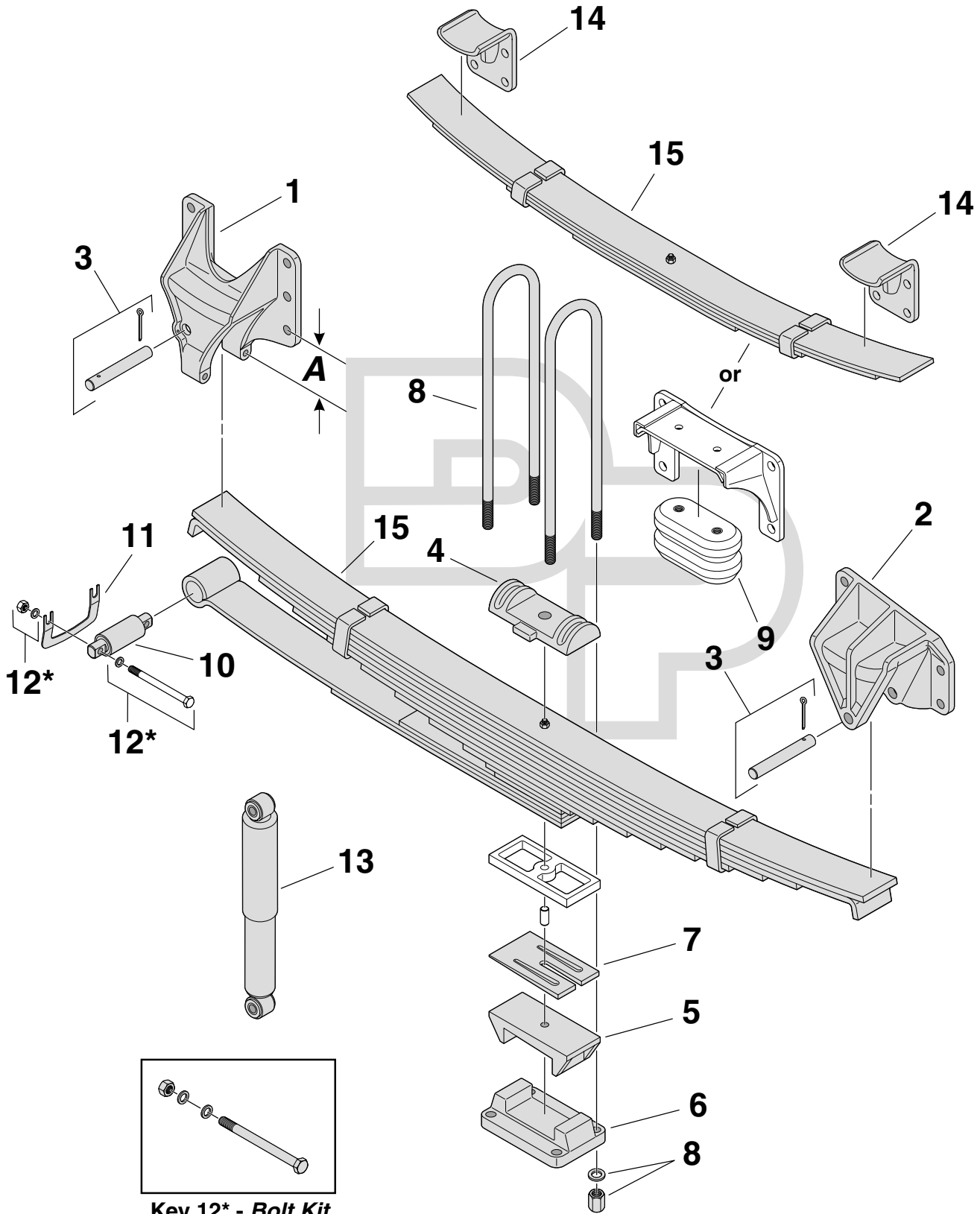
	Pinion Angle	Key 20		Key 21		Key 18	
		Air Spring Bracket Part No.		Pinion Spacer Part No.	Pinion Spacer Thickness	Torque Rod Bolt	
		Left Hand	Right Hand			Length	Part No.
Front	2.0°			None	None	3.5"	334-624
	3.0°	65638-001	65638-002	66193-001	8mm	4.0"	334-699
	4.0°			66193-002	16mm	4.0"	334-699
	5.0°			66193-003	24mm	4.5"	334-157
Rear	8.0°			66193-003	24mm	4.5"	334-157
	9.0°	65698-001	65698-002	66193-002	16mm	4.0"	334-699
	10.0°			66193-001	8mm	4.0"	334-699
Rear	11.0°			66193-003	24mm	4.5"	334-157
	12.0°	64764-001	64764-002	66193-002	16mm	4.5"	334-157
	13.0°			66193-001	8mm	4.0"	334-699

Corporate Single Axle
 (2002+ w/RB Style Bushings)
Rear Suspension

Navistar/International

Navistar/International

Suspension Illustration



- * . Terrastar, Citystar (CF), Durastar (4000), Loadstar, Workstar (7000) & Transtar (8000)
- 3000 Series & IC Bus (Ford CF500/600 LCF)

Key No.	Part Number	Description	No. Req.	OEM Reference	Remarks
✓ ● 1	338-2141	Hanger, Front; LH	1	3548526C1	A= 4 13/16"
✓ ●	338-2142	Hanger, Front; RH	1	3548527C1	A= 4 13/16"
	◆	Hanger, Front; LH	1	3548528C1	A= 4"
	◆	Hanger, Front; RH	1	3548529C1	A= 4"
	◆	Hanger, Front; LH	1	3548530C1	A= 2 1/8"
	◆	Hanger, Front; RH	1	3548531C1	A= 2 1/8"
✓ ● 2	338-2145	Hanger, Rear; LH	1	3548532C1	
✓ ●	338-2144	Hanger, Rear; RH	1	3548533C1	
	◆	Hanger, Rear; LH	1	3548534C1	41/4400 & CF500/600
	◆	Hanger, Rear; RH	1	3548535C1	41/4400 & CF500/600
✓✓ ● 3	327-282	Pin, Rebound; 3/4" x 5 7/8"Lg	4		
	4 338-2340	Plate, Top	2	3541539C3	
● 5	338-1018	Seat, Spring; LH	1	473396C2	4 5/8" x 5 1/4" Axle x 4° Pitch
●	338-1019	Seat, Spring; RH	1	473397C1	4 5/8" x 5 1/4" Axle x 4° Pitch
	6 338-2182	Plate, Bottom	2	473395C1	
	7 See Chart	Wedge, Caster	2		See Chart on Page 1091
	8 361-688	Kit, U-Bolt; 7/8" x 3" x 18 1/2"; Round Bend	4	3534357C1	
	9 ◆	Helper, Rubber	2	3554205C1/C2	
	10 RB-259	Bushing, Rubber; 2 9/16" OD x 4 3/8" c/c	2		
✓✓ ● 11	334-526	Shim; 1/16"Thk 4 3/8" c/c	2		
	12 ◆	Bolt; 5/8" x 4 3/4"Lg	2		Use 334-770
	13 See Shocks	Shock Absorber	2	Various	Consult Shock Catalog for Model Specific Applications
● 14	338-2341	Bracket, Helper	4	3561972C1	
	15 Spring Assembly	Assembly, Spring	2		See Leaf Spring Web Catalog for Details

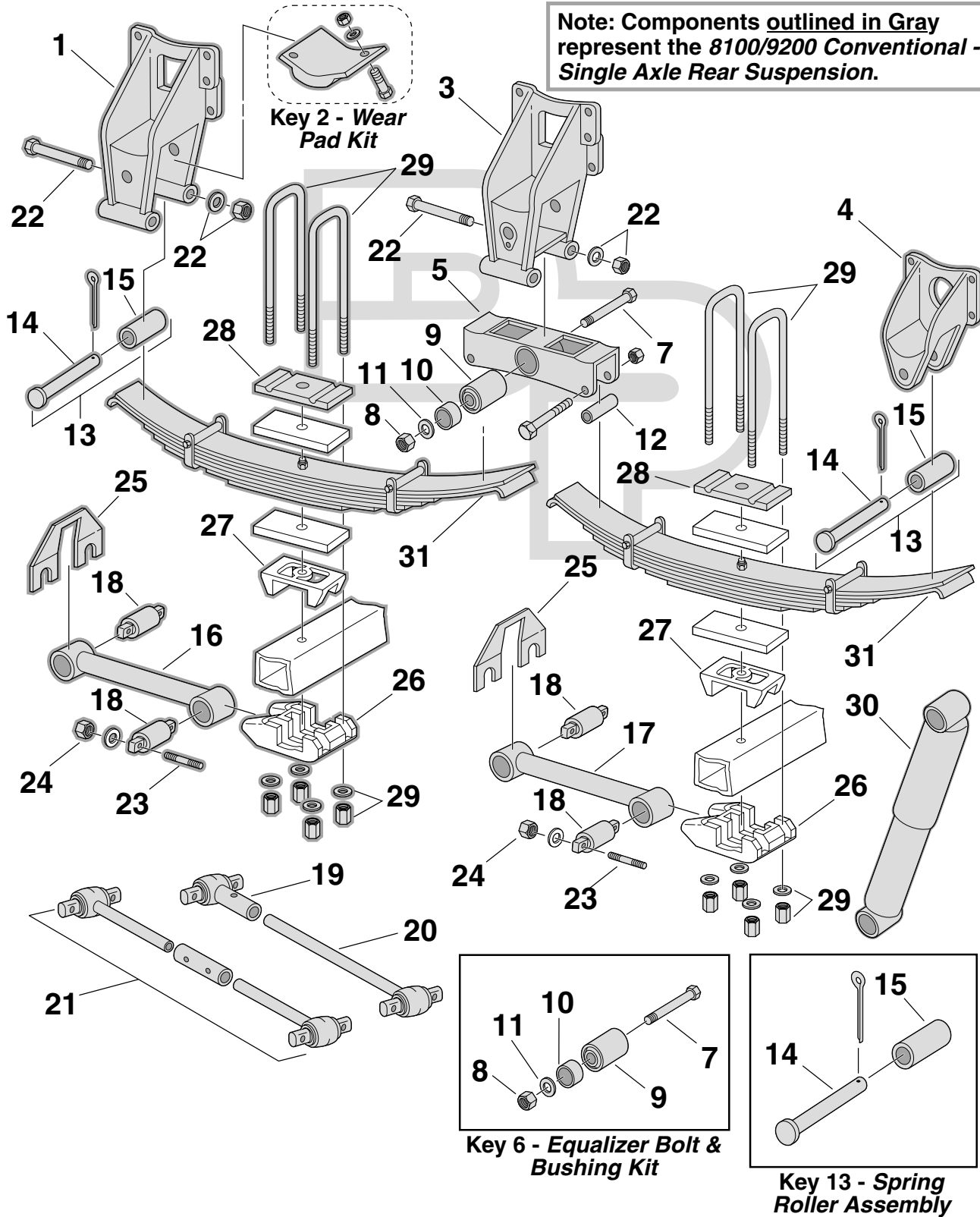
**Corporate Four Spring
(8100/9200 Single Axle)
Tandem Rear Suspension**

Navistar/International

Navistar/International

Suspension Illustration

Note: Components outlined in Gray represent the 8100/9200 Conventional - Single Axle Rear Suspension.



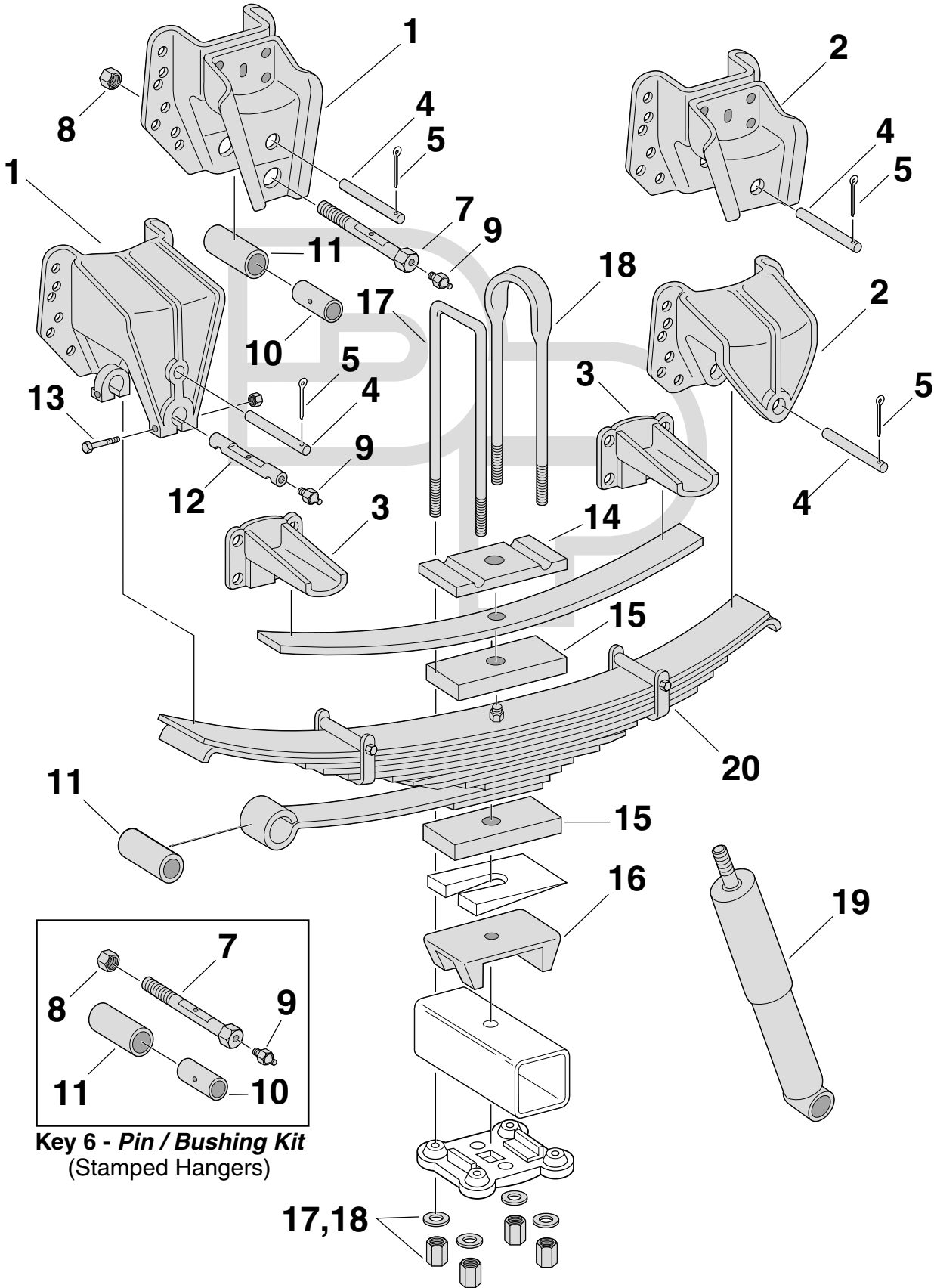
Key No.	Part Number	Description	No. Req.	OEM Reference	Remarks
●	1	338-1030 ◆ Hanger, Front; LH/RH Hanger, Front; LH/RH	2 2	1680506C91, 501556C2 503613C3	8100 Series Single Axle
✓●	2	334-747	2	571960C1	Use w/338-1030; Incl. Hdwe.
✓●	3	338-1029	2	497787C3	
●	4	338-1022	2	488909C2	
✓✓●	5	338-757	2	497790C2	Incl. Bushing & Rebound Hdwe.
✓✓	6	334-650	2		Incl. 321-195 Bushing, 334-652 Adapter, 334-651 Bolt & Hdwe.
✓	7	334-651	2	26015R1	
	8	334-474	2	9413986	
✓●	9	321-195	2	497501C2	Metal/Rubber
✓●	10	334-652	2	497785C2	Press Fit into Center Hanger
	11	SLW-100	2	131048	
	12	334-1160	4		1/2"-20 x 6"Lg Bolt w/Tube & Lock Nut
✓✓	13	334-1162	4		Incl. 327-475 Pin, 334-657 Roller & Cotter Pin
	14	327-475	4	574778C2	
●	15	334-657	2	501535C2	
✓✓●	16	345-188	2	588117C91	
●		345-854	2	493920C1	Rebushable; Incl. 321-131 Bushings
●		345-200	2	493920C2	Use 345-188
✓✓●	17	345-187	2	588118C91	1 9/16"OD Tube
●		345-855	2	493921C1	Rebushable; Incl. 321-131 Bushings
✓✓●	18	321-131	8	44694	5/8" Bolts; Use w/345-854/855
●		321-131U	8		
✓✓●		321-132	8	44695, 227720	5/8" Bolts; Use w/2-Pc. Rods
●		321-132U	8		
✓●		321-223	8	47691	Straddlemount; Use w/345-187/188
✓✓●		321-279	8	57256	5/8" Bolts; Use w/345-200
✓✓	19	345-610	2	46610, 66610	5/8" Bolts, 4 3/8" Spacing; Use w/345-660 to Replace Tubular & Forged Rigid Torque Arms
✓	20	345-660	2	46660, 66660	5/8" Bolts, 4 3/8" Spacing; Use w/345-610 to Replace Tubular & Forged Rigid Torque Rods
✓✓	21	345-803	2	583920C91, SU3436	Full Ball Design; Heavy Duty
✓✓		345-802	2	SU3844	Full Ball Design; Super Heavy Duty
✓	22	334-768	16		Incl. Bolt & Hdwe.
	23	334-655	8	488906C4, 488906C6	
	24	SLN-104	16		
✓✓●	25	334-526 ◆ ◆ ◆	AR AR AR	488917C91 590752C1	
	26	◆	4	Various	
	27	◆	4	Various	
●	28	338-1033	4	581744C1	
	29	361-310	8	1610312C2	7/8" x 3 9/16" x 15 1/8"
✓✓		361-308	8	581743C1	3/4" x 3 9/16" x 15 1/4"
✓✓	30	M66683 M66956	2 2		
	31	Spring Assembly	4		See Leaf Spring Web Catalog for Details

**Medium & Heavy "S" Series
3000/4000/7000/8000 Series
Single Axle Rear Suspensions**

Navistar/International

Navistar/International

Suspension Illustration



**Key 6 - Pin / Bushing Kit
(Stamped Hangers)**

Key Numbers with an asterisk (*) indicate a kit or assembly.

Navistar/International

Medium & Heavy "S" Series 3000/4000/7000/8000 Series Single Axle Rear Suspensions

Navistar/International

Parts Listing

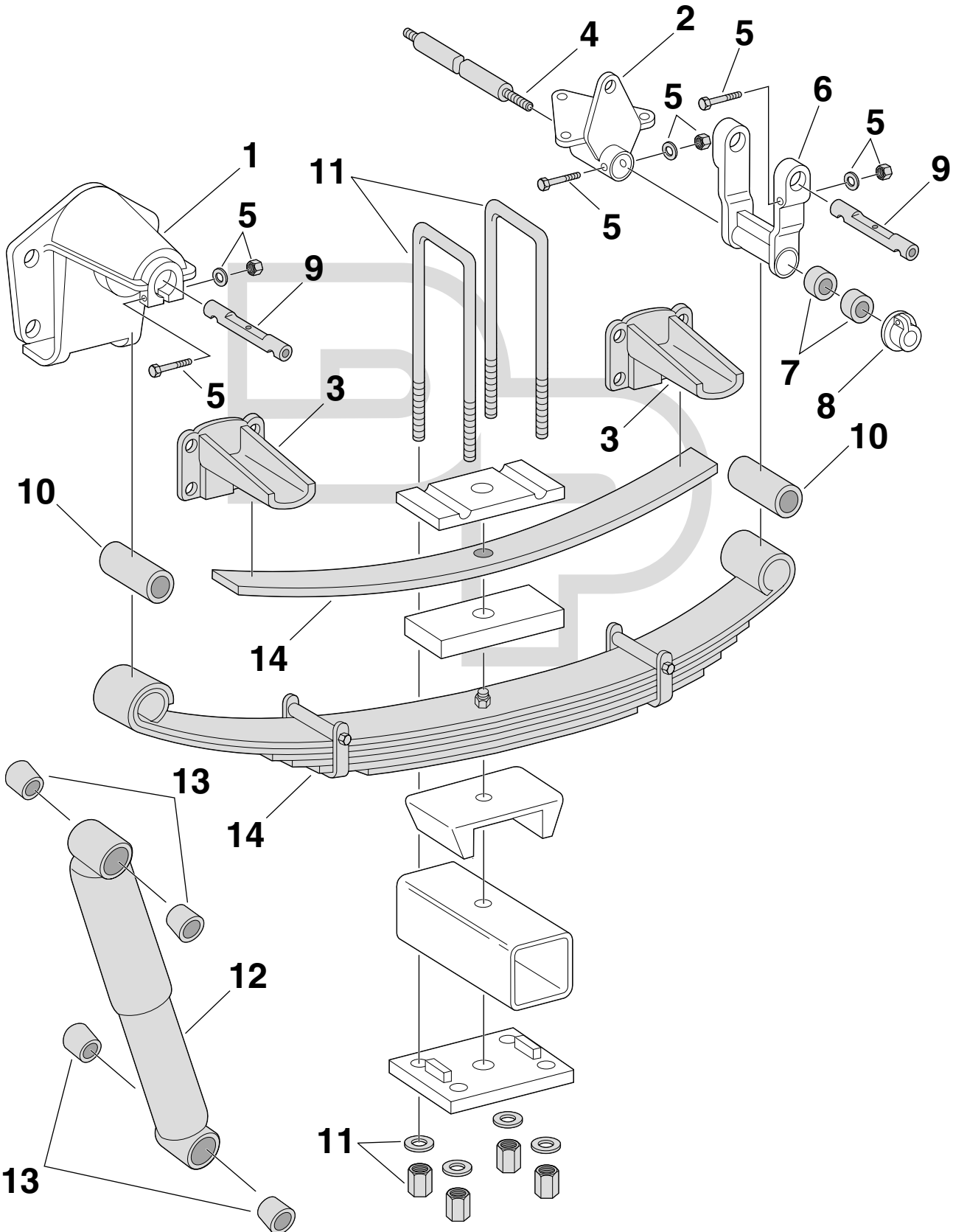
Key No.	Part Number	Description	No. Req.	OEM Reference	Remarks	
✓✓●	1	338-912	Hanger; Stamped	2	483611C2	Can Use 338-932 Cast
✓✓●		338-932	Hanger; Cast	2	1654325C1, 481297C1	Will Replace 338-912; Except 4800/2000 w/14277 & 14298 Axle Codes
		◆	Hanger, Front	2	1654326C1	4800 Series & 48300 Series Carhauler
		◆	Hanger, Front; LH	1	1671767C1	4600 & 4700 LoPro
		◆	Hanger, Front; RH	1	1671768C1	4600 & 44700 LoPro
●	2	338-913	Hanger; Stamped	2	483612C1	Can Use 338-933
✓●		338-933	Hanger; Cast	2	481223C1, 2033141C1	Will Replace 338-913; Except 4600/4700 LoPro
✓●	3	338-1039	Bracket, Helper Spring	4	892262R2, 454798C3	
✓✓●	4	327-282	Pin, Rebound; ¾" x 5 7/8"	4	206258R3, 206258R1	
	5	◆	Pin, Cotter; 5/32" x 2"Lg	4		
✓✓	6	328-100	Kit, Pin/Bushing; Stamped Hangers	2	1653055C91	Use w/338-912; Incl. (1)327-442, (1)322-121, (1)RNG-BM & (1)SLNC-107
●		334-964	Kit, Bushing & Pin; Urethane	2		Use w/Cast Hangers
●		334-965	Kit, Bushing & Pin; Urethane	2		Use w/Stamped Hangers
✓	7	327-442	Bolt, Spring; 1"-8 x 5"Lg Greasable	2		
	8	SLNC-107	Nut, Lock; 1"-8	2		
✓	9	334-475	Fitting, Straight Zerk; 1/8"-27NPT	2	109461	
●	10	322-121	Spacer, Spring Eye	2	471569C2	
	11	RNG-BM	Bushing; 1 ¼"ID x 1 ½"OD x 3"Lg	2	471226C1	
✓✓	12	327-212	Spring Pin; 1 ¼"OD x 5"Lg x 4" c/c	2	190702R1	Cast Hangers w/o 14277 & 14298 Axle Codes
		327-239	Spring Pin; 1 ¼"OD x 5 ¼"Lg x ½" c/e	2	481302C1/2	Cast Hangers w/14277 & 14298 Axle Codes
✓		327-479	Spring Pin; 1 ¼"OD x 5 ¾"Lg x 4" c/c	2	1671766C1	338-932 Hanger
	13	◆	Bolt; 7/16"-20 x 3"Lg	4		
●	14	338-1335	Saddle, U-Bolt; 3" x 7 7/8"Lg x 6 ¼" C-C	2	190287R1	7/8" Square U-Bolts Only
		338-741	Saddle, U-Bolt; 3" x 6 7/8"Lg	2	74496R1	Square U-Bolts Only
		338-742	Saddle, U-Bolt; 3" X 8 7/8"Lg	2	63324H	Round U-Bolts Only
✓✓●	15	338-1268	Spacer; 3"W x 7 ½"L x 1"Thk x 1" Hole	2		Universal
●	16	338-1018	Seat, Spring; LH	1	473396C2	4 5/8" x 5 ¼" Axle x 4° Pitch
●		338-1019	Seat, Spring; RH	1	473397C1	4 5/8" x 5 ¼" Axle x 4° Pitch
●		338-1594	Seat; 11.6°	2	493481C2	4 5/16" Axle x 11.6° Pitch
●		338-1593	Seat; 10°	2	493480C2	4 5/16" Axle x 10° Pitch
✓✓	17	361-272	Kit, U-Bolt; Square Bend, Grade 8	4	53398R22	¾" x 3 1/16" x 18 3/8" S
✓✓		361-270	Kit, U-Bolt; Special Bend, Grade 8	4	465914C1	¾" x 3 1/16" x 18 3/8" S
		361-298	Kit, U-Bolt; Special Bend, Grade 8	4	465915C1	¾" x 3 1/16" x 23 3/8" S
		361-296	Kit, U-Bolt; Square Bend, Grade 8	4	465911C1	7/8" x 3 1/16" x 18 ¼" S
	18	361-266	Kit, U-Bolt; Round Bend, Forged Top, Grade 8	4	53404R2	1" x 3 1/16" x 21" R
		361-268	Kit, U-Bolt; Round Bend, Forged Top, Grade 8	4	53407R2	1" x 3 1/16" x 26 ¼" R
✓	19	M66924	Shock Absorber	2		
		M66606	Shock Absorber	2		
	20	Spring Assembly	Assembly, Spring	2		See Leaf Spring Web Catalog for Details

**Loadstar® 1600/1800 ('62-'86)
Constant Rate Springs
Rear Single Axle Suspensions**

Navistar/International

Navistar/International

Suspension Illustration



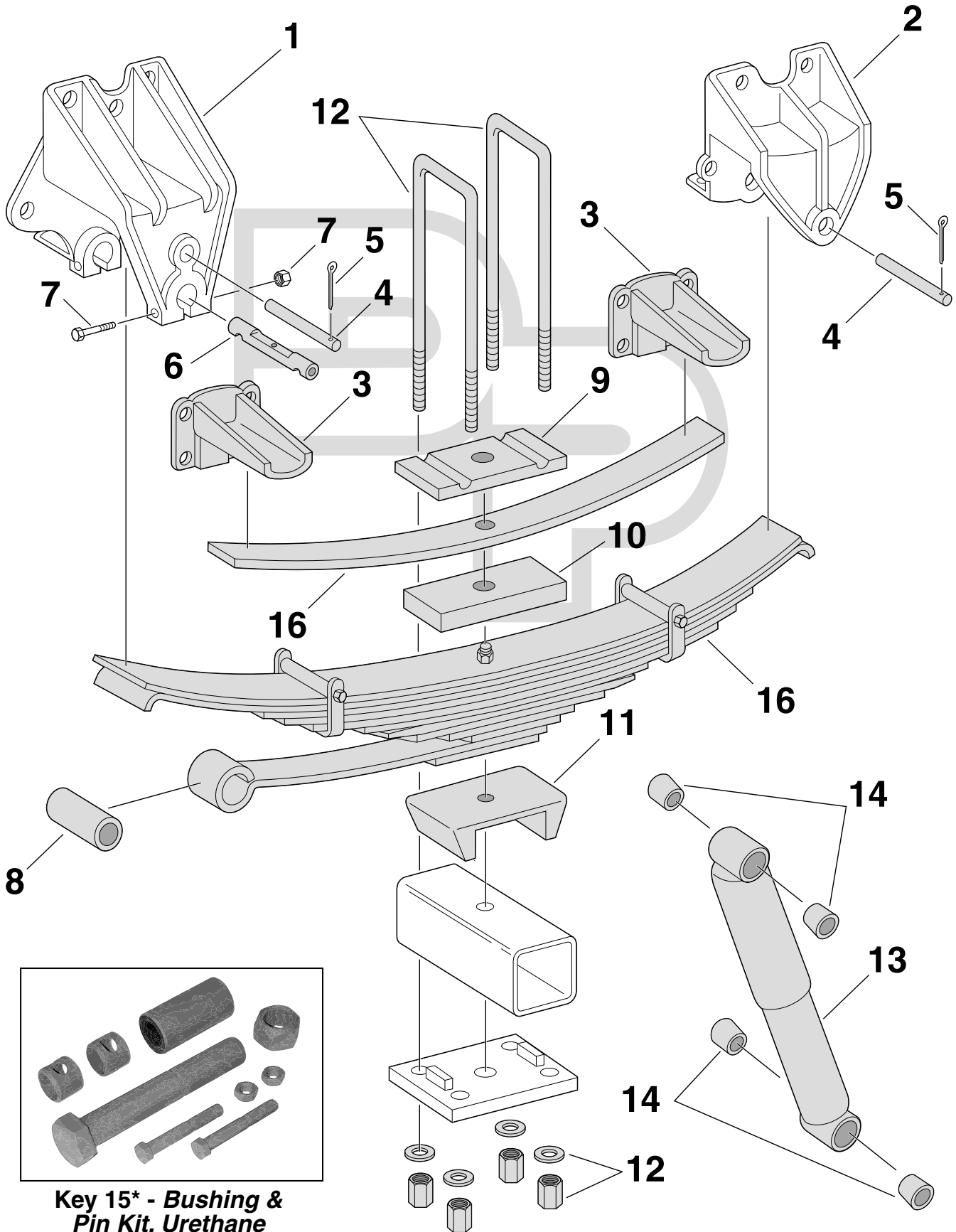
Key No.	Part Number	Description	No. Req.	OEM Reference	Remarks
1	◆	Hanger, Front; LH/RH	2	Various	
2	◆	Hanger, Rear; LH/RH	2	874282R1	
✓✓●	338-1039	Bracket, Helper Spring	4	892262R2, 36941HB/HC	
	327-244	Shaft; 1 1/4" x 46 1/4"	1	914938R1, 63242HA	Obsolete
	327-245	Shaft; 1 1/2" x 46 1/4"	1	67949R2	Obsolete
✓	334-550	Assembly, Bolt; 1/2"-20 x 3"Lg	6		Incl. 334-538 Bolt & Hdwe.
	◆	Shackle, Rear	2	Various	
	322-134	Bushing, Shackle; 1 3/8" OD x 1 1/4" x 1 5/8"Lg	4	31161VA	
	◆	Bushing, Shackle	4		1 1/2" ID x 1 5/8" OD x 1 5/8" Lg
	◆	Nut, Cross Shaft	2	Various	
	327-281	Spring Pin; 1 1/8" x 5 7/16" x 4 5/16" c/c	2	193989R1	Double Lock; Front of Rear
	327-232	Spring Pin; 1 1/8"OD x 4 7/8"Lg x 1/2" c/e	2	99530HB	Single Lock; Rear of Rear
	327-228	Spring Pin; 1 1/2" OD x 5 1/2" LG x 1/2" c/e	2		Single Lock
	327-231	Spring Pin; 1 1/2"OD x 4 7/8"Lg x 1/2" c/e	2	99533HB	Single Lock
✓	PLG	Bushing, Bronze; 1 1/8"ID x 1 3/8"OD x 3"Lg	4	55602H	
	VRG	Bushing, Bronze; 1 1/2" ID x 1 7/8" OD x 3"Lg	4		
✓	361-272	Kit, U-Bolt; Square Bend, Grade 8	4	53398R22	3/4" x 3" x 18 3/8" S
✓	361-294	Kit, U-Bolt; Square Bend, Grade 8	4	465909C1	3/4" x 3" x 22 3/8" S
	M66828	Shock Absorber	2		
	M66841	Shock Absorber	2		
	M66860	Shock Absorber	2		
	See Shocks	Shock Absorber	2	Various	Consult Shock Catalog for Model Specific Applications
	140149	Bushing, Shock; 3/4"ID	2		4 Pack
	Spring Assembly	Assembly, Spring	2		See Leaf Spring Web Catalog for Details

**Cargostar®/Loadstar®/Fleetstar®
Variable Rate Springs
Rear Single Axle Suspensions**

Navistar/International

Navistar/International

Suspension Illustration

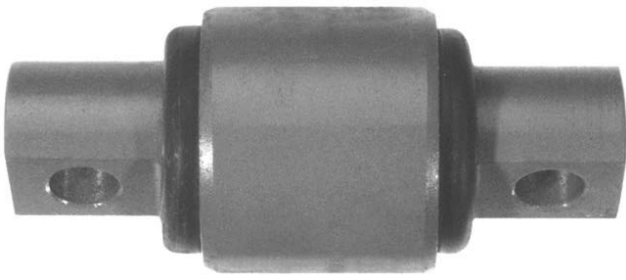


Key 15* - Bushing & Pin Kit, Urethane

Key Numbers with an asterisk (*) indicate a kit or assembly.

Key No.	Part Number	Description	No. Req.	OEM Reference	Remarks
	◆	Hanger, Front; LH/RH	2	Various	
	◆	Hanger, Rear; LH/RH	2	Various	
✓✓●	338-1039	Bracket, Helper Spring	4	892262R1/2, 36941HB/HC	
✓✓●	327-282	Pin, Rebound; 3/4" x 5 7/8"Lg	4	206258R3	
	◆	Pin, Cotter; 5/32" x 2"Lg	4		
✓✓	327-256	Spring Pin; 1 1/4"OD x 5 5/16"Lg x 4" c/c	2	303859C1	For Radius Leaf
	◆	Bolt; 7/16"-20 x 3"Lg	4	24855R1	
✓✓	RNG-BM	Bushing; 1 1/4"ID x 1 1/2"OD x 3"Lg	2		
	338-741	Saddle, U-Bolt; 3" x 6 7/8"Lg	2	74496R1	
	338-742	Saddle, U-Bolt; 3" X 8 7/8"Lg	2	63324H	
✓✓●	338-1268	Spacer; 3"W x 7 1/2"L x 1"Thk x 1" Hole	2		Universal
●	338-1018	Seat, Spring; LH	1	473396C2	For 4 5/8" x 5 1/4" Axle x 4° Pitch
●	338-1019	Seat, Spring; RH	1	473397C1	For 4 5/8" x 5 1/4" Axle x 4° Pitch
●	338-1594	Seat; 11.6°	2	493481C2	For 4 5/16" Wide Axle x 10° Pitch
●	338-1593	Seat; 10°	2	493480C2	For 4 5/16" Wide Axle x 11.6° Pitch
✓✓	361-272	Kit, U-Bolt; Square Bend, Grade 8	4	53398R22	3/4" x 3 1/16" x 18 3/8" S
	361-294	Kit, U-Bolt; Square Bend, Grade 8	4	465909C1	3/4" x 3 1/16" x 22 3/8" S
	M66828	Shock Absorber	2		
	M66841	Shock Absorber	2		
✓	M66860	Shock Absorber	2		
	See Shocks	Shock Absorber	2	Various	Consult Shock Catalog for Model Specific Applications
	140149	Bushing, Shock; 3/4"ID	2		4 Pack
●	334-964	Kit, Bushing & Pin; Urethane	2		Use w/Cast Hangers
	Spring Assembly	Assembly, Spring	2		See Leaf Spring Web Catalog for Details

321-131



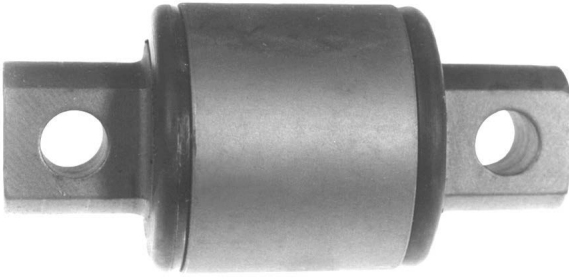
Bushing; 2 17/32" O.D. x 4 3/8" C to C, 5/8" Bolts; Use w/ 345-854; Models Corporate Four Spring, Corporate Air

321-131U



Bushing, Urethane; 2 17/32" O.D. x 4 3/8" C to C, 5/8" Bolts; Models Corporate Four Spring, Corporate Air

321-132



Bushing; 2 3/4" O.D. x 4 3/8" C to C, 5/8" Bolts; Use w/ 2 Piece Rods; Models Corporate Four Spring, Corporate Air

321-132U



Bushing, Urethane; 2 3/4" O.D. x 4 3/8" C to C, 5/8" Bolts; Models Corporate Four Spring, Corporate Air

321-133



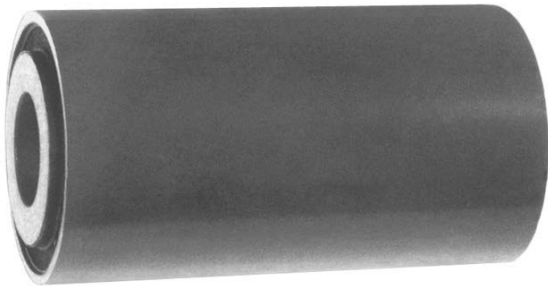
Bushing, Taper Stud Type; 1 1/4"-12 Thread; Models Corporate Four Spring, Airglide, Corporate Air

321-133U



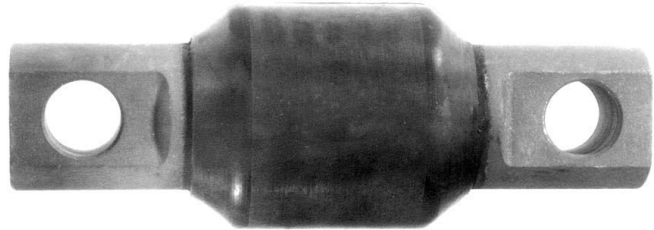
Bushing, Taper Stud Type, Urethane; 1 1/4"-12 Thread; Models Corporate Four Spring, Airglide, Corporate Air

321-195



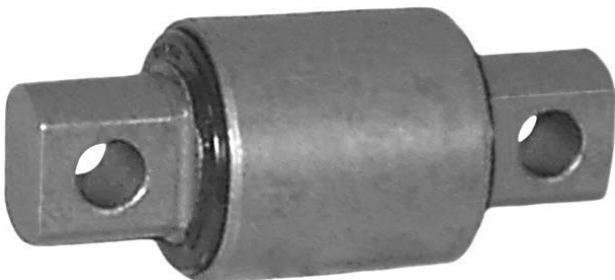
Bushing; Metal/Rubber; 1 1/32" I.D. x 2 1/2" O.D. x 4 23/32" Lg.; Corporate Four Spring

321-223



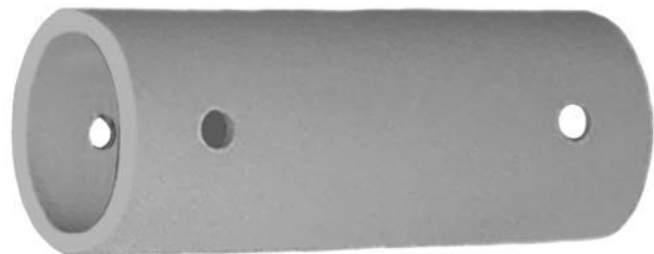
Bushing; 4 3/8" C/C x 5/8" Bolts; Straddlemount; Use w/ 345-188; Models Corporate Air, Corporate Four Spring

321-279



Bushing; 2.46"OD x 4 3/8" c/c; 5/8" Bolts and 1 15/16" Fabricated Rod; 2.46"OD; Models Corporate Air, Corporate Four Spring

322-121



Spacer, Spring Eye; Model "S" Series 3000/4000/7000/8000 - Rear Single Axle

322-141



Bushing, w/Seals; Use w/ 327-294; Includes Seals; Models: Various

327-229



Spring Pin; 1" O.D. x 7" Lg. x 1 1/4" C/E; Models 1000/2000/4000/7000/8000, S2200-S2600 to 1989

327-230



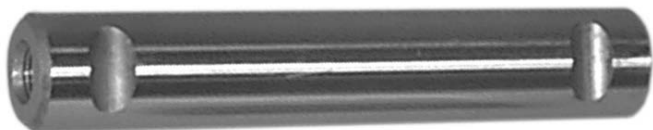
Spring Pin; 1" O.D. x 6 5/16" Lg. x 4 15/16" C to C; Models 1000/2000/4000/7000/8000, S2200-S2600 to 1989

327-236



Spring Pin; 1 1/4" O.D. x 6 1/2" Lg. x 5 1/8" C to C; Models 1000/2000/4000/7000/8000, S2200-S2600 to 1989

327-258



Spring Pin; 7/8" x 5" Lg. x 3.91" C to C; Model Loadstar

327-282



Pin, Rebound; 3/4" x 5 7/8" Lg.; Rear Single Axle, Cargostar/Loadstar/Fleetstar

327-291



Spring Pin, Threaded; 1 3/8"-6 x 7 1/4" Lg.; Model Paystar

327-294



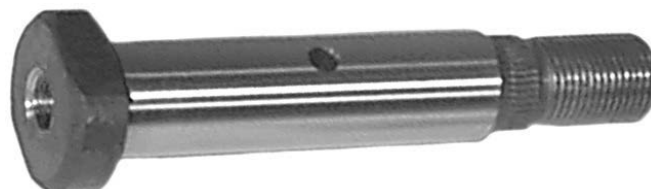
Spring Pin; 1 1/4" O.D. x 7 5/64" Lg. x 1 9/32" C to E; Models 1000/2000/4000/7000/8000, S2200-S2600 to 1989

327-297



Spring Pin, Threaded; 1 3/8"-6 x 7 3/8" Lg. w/ 1/2" Lock Pin Slots; Models Transtar/Conventional and Cabover

327-301



Spring Pin; 3/4" O.D. x 4 1/16" Lg., 5/8"-18 Thread; Shackle Pin; Model Loadstar

327-302



Spring Pin; 7/8" O.D. x 5 1/4" Lg., 3/4"-16 Thread; Front Pin Only; FA48 Axle; Discontinued; Model Loadstar

327-305



Spring Pin, Threaded; 1 3/8"-6 x 7 3/8" Lg.; Model Paystar

327-434



Spring Pin, Threaded; 1 3/8 -6 x 5 3/4" c/c; Replaces 327-305; Model Transtar Conventional/Cab Over

327-443



Spring Pin, Threaded; 1 3/8"-6 x 7.35" Lg. x 5 3/4" C to C; Model: Various

327-482



Spring Pin, Threaded; 1 3/8"-6 x 7 5/16" Lg. x 5 3/4" C to C; Model: Various

327-488



Spring Pin, Threaded; 1 3/8"-6 x 7 3/8" Lg., w/ 5/8" Lock Pin Slots, 5 3/4" C to C; Model Transtar Cabover

330-146



Shackle; Includes RB-75 Bushing; Use w/Stamped Hangers; Models: Various, Front

330-355



Side Bar; 4" C/C, 3/4" Holes; Used in 330-356 Shackle Kit; Model Airtek, 32-3300, 41-4400/73-7700, 8500

330-356



Shackle Kit; RB-253; Models 32-3300, 41-4400/73-7700, 8100/8200/8300

330-363



Shackle, Front Spring; Models 73-7700 w/1" Bolts

334-446



Pin, Lock; 3/8"-16 x 3" x 1/2" Dia.; Models 1000/2000/4000/7000

334-526



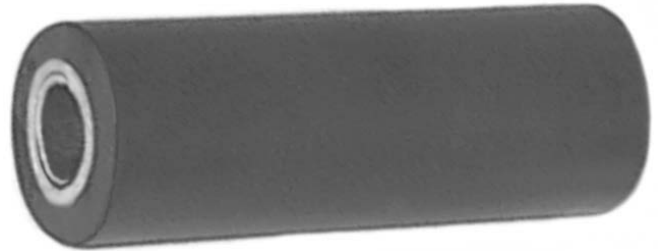
Shim; 1/16" Thk, 4 3/8" C to C; Models: Corporate Four Spring, Corporate Air, Rear Single Axle

334-652



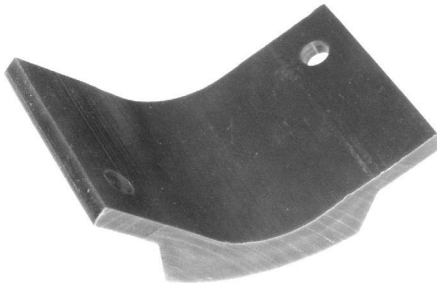
Adapter, Equalizer Bolt; Press Fit into Center Hanger; Included in 334-560 Equalizer Bolt and Bushing Assy.; Corporate Four Spring

334-657



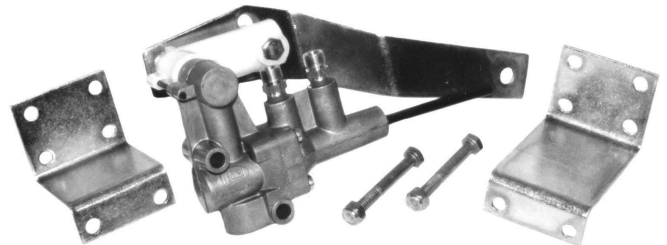
Roller, Rebound; ; Included in 334-1162 Roller Assy.; Models Corporate Four Spring, Corporate Air

334-747



Service Kit, Wear Pad; Use w/ 338-1030; Includes Hardware; Models Corporate Four Spring, Corporate Air

334-750



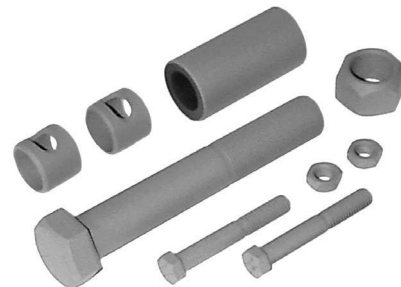
Valve, Height Control; Universal; Hadley Universal; Model Corporate Air

334-751



Linkage Assembly, Universal Adjustable; 3 5/8"-19 5/8" Range; Use w/all Height Control Valves; Model Corporate Air

334-964



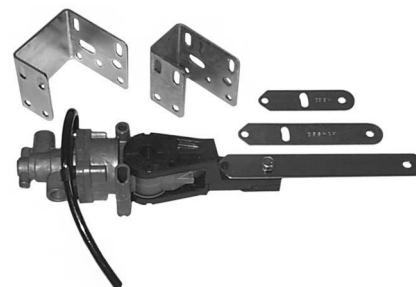
Bushing & Pin Kit, Urethane; Use w/ Cast Hangers; Models Cargostar/Loadstar/Fleetstar, 3000/4000/7000/8000 - Rear Single Axle

334-965



Bushing & Pin Kit, Urethane; Use w/ Stamped Hangers; Model 3000/4000/7000/8000 - Rear Single Axle

334-1580



Valve, Integral Dump, Height Control; w/integral dump valve, reuse factory brackets; Model Corporate Air

334-1744



Liner, Axle Wrap - Lower, Bottom; Model Airtek

334-2000



Bracket, Shock; Model Corporate Air

334-2123



Shock Bracket; Roadside; 4" Spring; Models 1000/2000/4000/7000/8000

334-2125



Shock Eye; 3/4" Eye x 8 1/2" Lg; Models 1000/2000/4000/7000/8000

334-2126



Shock Eye; 3/4" Eye x 10" Lg; Models 1000/2000/4000/7000/8000

334-2228



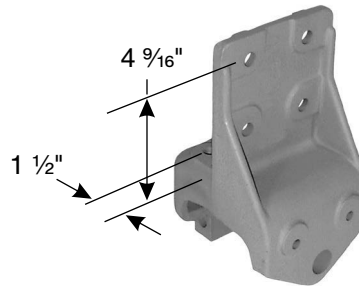
Shock Eye, Cast; Models 1000/2000/4000/7000/8000

338-181



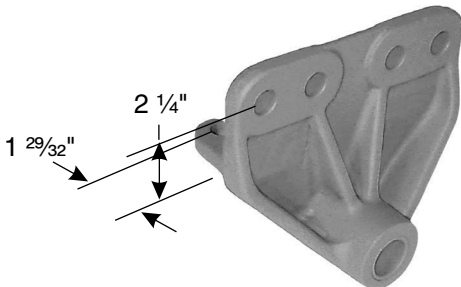
Bracket, Track Rod/Frame; 5/8" Bolts x 4 3/8" C to C; Model Corporate Air

338-719



Hanger; Cast; Before 12/84 w/o Frame Extension; 9-13.5K Axles; 1/2" Bolts; Models 1000/2000/4000/7000/8000, S2200/S2600

338-720



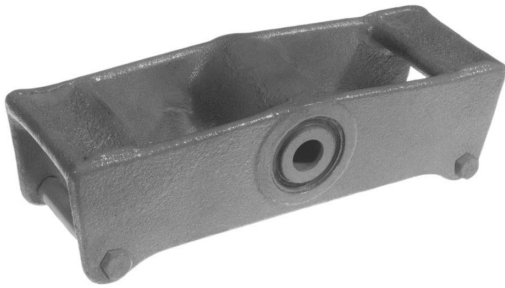
Hanger, Shackle; Includes NJK-BM Bushing; Models 1000/2000/4000/7000/8000, S2200-S2600 to 1989 w/o Frame Reinforcement

338-721



Hanger, Shackle; Threaded; All Except 3406 Cat & 8V92 DDA Engine; Model Transtar Conventional

338-757



Equalizer Assembly; Includes 321-195 Bushing; Use w/334-1160 Roller Assy.; Model Corporate Four Spring

338-787



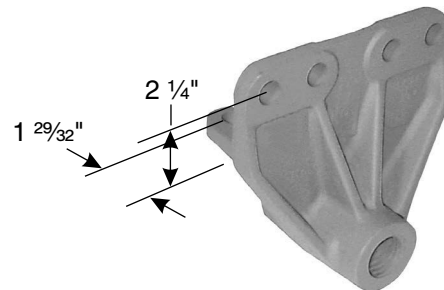
Hanger, Shackle; Threaded; Before 1/3/79; Model Transtar Cabover

338-828

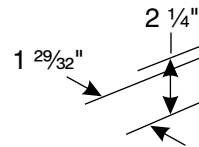


Hanger, Shackle; Includes LHG-BM Bushing; Model Loadstar

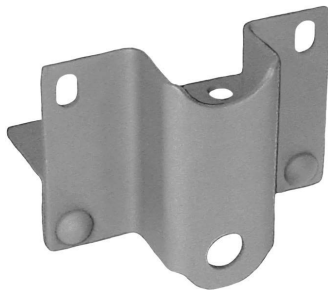
338-841



Hanger, Shackle; Use w/ 327-482 and 5/8" Frame Bolts; Models: Various



338-911



Hanger, Shackle; Stamped; Use w/ 330-146 Shackle; Models: Various

338-912



Hanger; Stamped; Can Use 338-932 Cast; Model 3000/4000/7000/8000 Series - Rear Single Axle

338-913



Hanger; Stamped; Can Use 338-933 Cast; Model 3000/4000/7000/8000 Series - Rear Single Axle

338-932



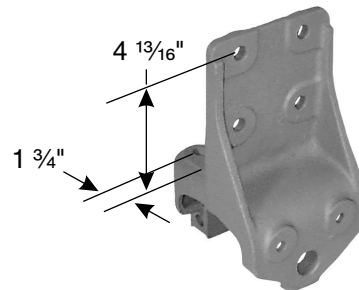
Hanger; Cast; Will Replace 338-912; Exc. 4800/2000 w/14277 & 14298 Axle Codes; Model 3000/4000/7000/8000 Series - Rear Single Axle

338-933

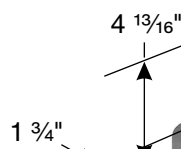


Hanger; Cast; Will Replace 338-913; Exc. 4600/4700 LoPro; Model 3000/4000/7000/8000 Series - Rear Single Axle

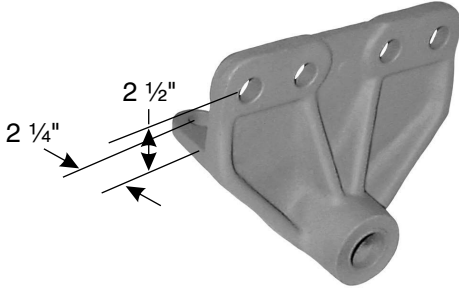
338-958



Hanger; Cast; Before 12/21/84 w/Frame Extension; 9-13.5K Axles; 1/2" Bolts; Models 1000/2000/4000/7000/8000, S2200/S2600

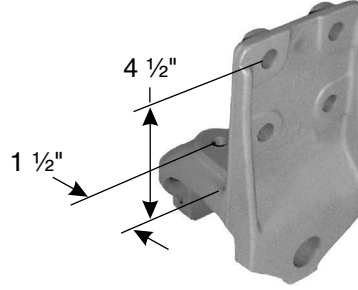


338-961



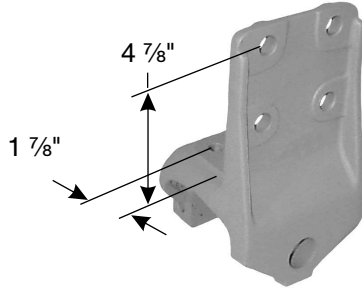
Hanger, Shackle; w/Full "C" Reinforced Frame; 9-13.5K Axles; Models 1000/2000/4000/7000/8000, S2200/S2600

338-962



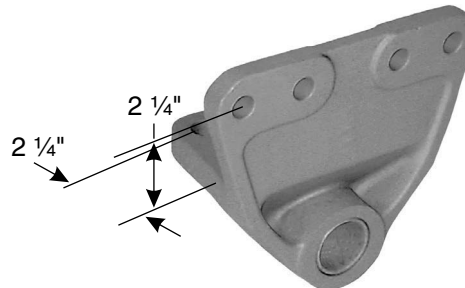
Hanger; Cast; w/o Frame Extension; 16-20K Axles; Models 1000/2000/4000/7000/8000, S2200/S2600

338-963



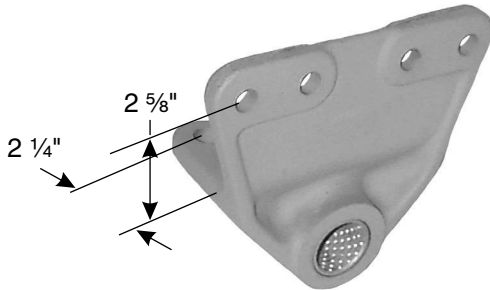
Hanger; Cast; w/Frame Extension; 16-20K Axles; Models 1000/2000/4000/7000/8000, S2200/S2600

338-965



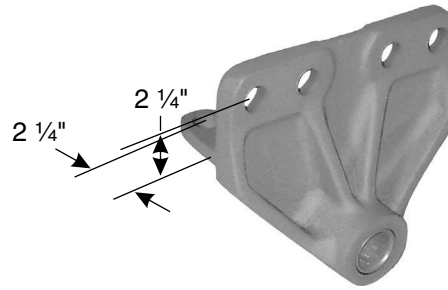
Hanger, Shackle; Includes RNK-BM Bushing ; w/Inverted "L" Reinforced Frame; 16-20K Axles; Models 1000/2000/4000/7000/8000, S2200/S2600

338-967



Hanger, Shackle; Includes RNK-BM Bushing; w/Full "C" Reinforced Frame; 16-20K Axles; Models 1000/2000/4000/7000/8000, S2200/S2600

338-969



Hanger, Shackle; Includes NJK-BM Bushing; w/Inverted "L" Reinforced Frame; 9-13.5K Axles; Models 1000/2000/4000/7000/8000, S2200/S2600

338-972



Hanger, Shackle; Straight Frame; Before 1991; Discontinued; Use 338-975; Model 91/92/93/94/96/97/9900

338-974



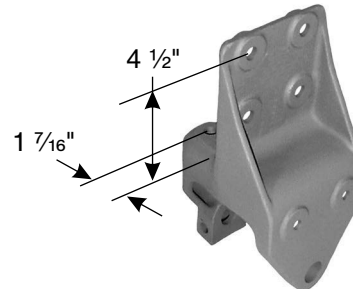
Hanger, Shackle; Threaded; Model 9200/9300/9400/9600 w/ SFA or SBA/9700 SFA and Drop Frame

338-975



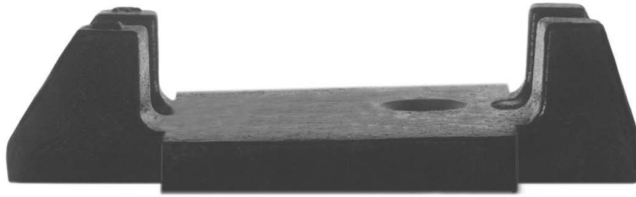
Hanger, Shackle; Threaded; Model 9600/9700 w/ SFA and Straight Frame

338-978



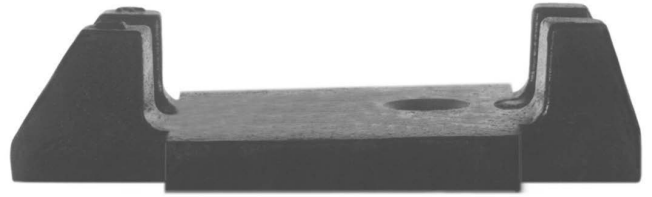
Hanger; Cast; After 12/21/84 w/o Frame Extension; 9-13.5K Axles; ; Models 1000/2000/4000/7000/8000, S2200/S2600

338-1018



Spring Seat, LH; For 4 5/8" x 5 1/4" Axle x 4° Pitch; Models: Various, Rear Single Axle

338-1019



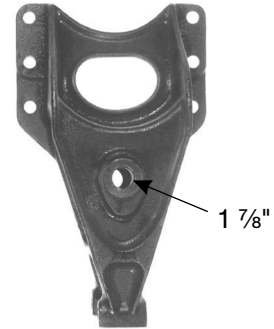
Spring Seat, RH; For 4 5/8" x 5 1/4" Axle x 4° Pitch; Models: Various, Rear Single Axle

338-1022



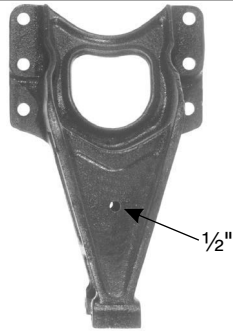
Hanger, Rear; LH/RH; Model Corporate Four Spring

338-1029



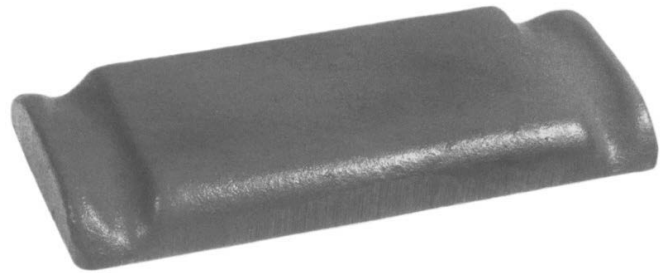
Hanger, Center; LH/RH; Model Corporate Four Spring

338-1030



Hanger, Front; LH/RH; Models Corporate Four Spring, Corporate Air, Corporate Four Spring

338-1033



Saddle, U-Bolt; 3 7/16" Wd. x 8 3/16" Lg. x 6 3/4" C to C; Model Corporate Four Spring

338-1039



Bracket, Helper Spring; Models Loadstar 1600/1800, Cargostar/Loadstar/Fleetstar, "S" Series

338-1198



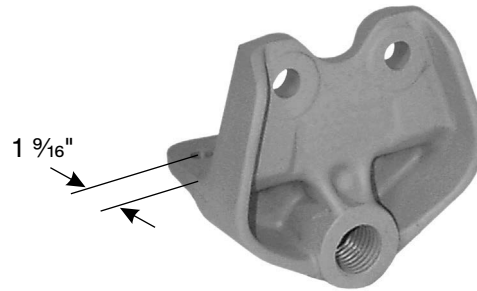
Hanger, Shackle; Threaded; Model 9700/ 9700SBA w/ Straight Frame

338-1199



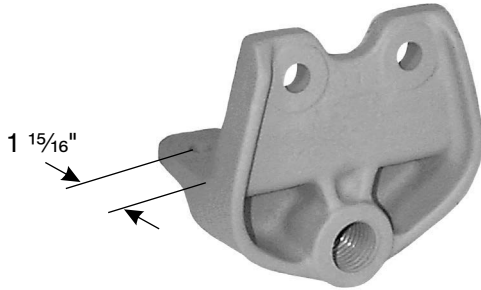
Hanger, Shackle; Threaded; Model 9700/ 9700SBA w/Drop Frame

338-1214



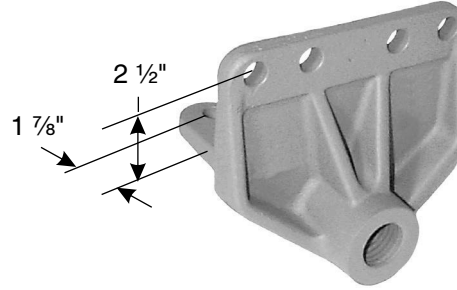
Hanger; Threaded; Model Paystar

338-1215



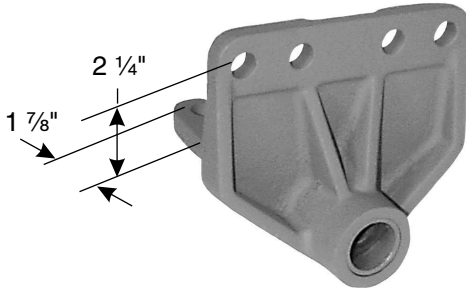
Hanger; Threaded; Model Paystar w/ Frame Reinforcement

338-1217



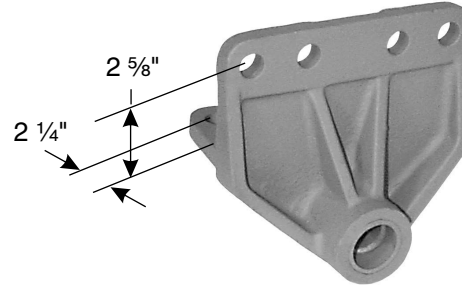
Hanger; Threaded; Use w/ 327-482; Model 8100

338-1218



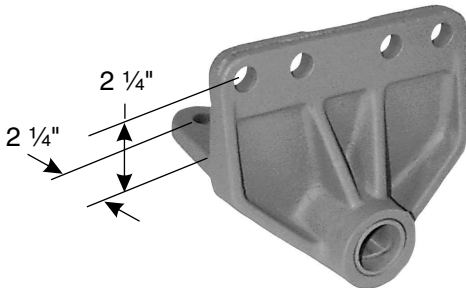
Hanger Assembly; Use w/ 4" Wide Springs; Includes RNG-BM Bushing; Model 2000-4000 from 1989/3600/3700/3800/3900 w/o Reinforced Frame

338-1219



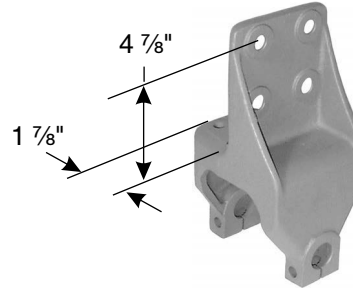
Hanger Assembly; Includes RNK-BM Bushing; Model 2000/4000 From 1989 w/Full "C" Reinforcement

338-1220



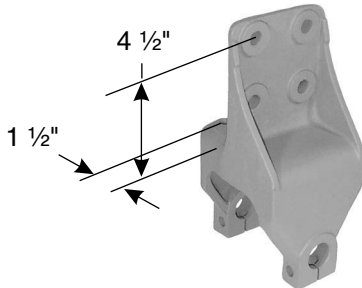
Hanger Assembly; Includes RNK-BM Bushing; Model 2000-4000 from 1989 w/ Inverted "L" Reinforcement

338-1221



Hanger; Use w/ 4" Wide Springs, Model 2000-4000 from 1989, 3600/3700/3800/3900 w/Reinforced Frame

338-1222



Hanger; Model 2000-4000 from 1989 w/o Reinforced Frame

338-1239



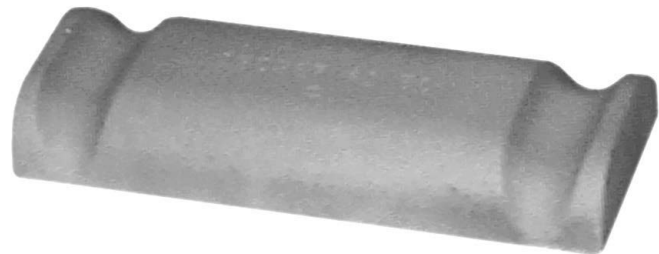
Hanger, Shackle; Threaded; Model 9200/9300/9400 w/ SBA or SFA and Straight Frame

338-1268



Spacer; 3" Wd. x 7 1/2" Lg. x 1" Thk. w/ 1" Hole; Universal; Models Cargostar/ Loadstar/Fleetstar, "S" Series

338-1335



Saddle, U-Bolt; 3" x 7 7/8" Lg. x 6 1/4" C to C; 7/8" Square Bend U-Bolts Only; Rear Single Axle; Model "S" Series

338-1593



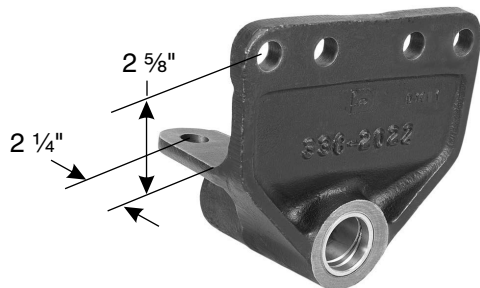
Seat; 10°; For 4 5/16" Wide Axle x 11.6° Pitch; Models Cargostar/Loadstar/Fleetstar, "S" Series

338-1594



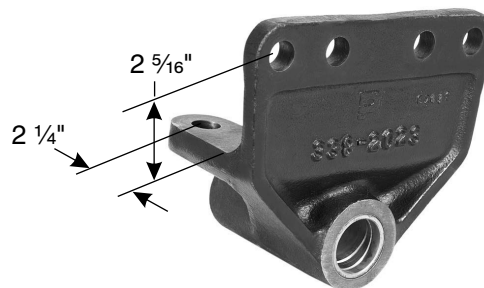
Seat; 11.6°; For 4 5/16" Wide Axle x 10° Pitch; Models Cargostar/Loadstar/Fleetstar, "S" Series

338-2022



Hanger Assembly; Front

338-2023



Hanger Assembly w/inverted "L" reinforcement; Front

338-2024



Hanger, Rear; Model Airtek, 73-7700

338-2025



Bracket; Model 73-7700 w/1" Bolts

338-2141



Hanger, Front; LH; Model Single Axle Rear (2002+)

338-2142



Hanger, Front; RH; Model Single Axle Rear (2002+)

338-2144



Hanger, Rear; RH; Model Single Axle Rear (2002+)

338-2145



Hanger, Rear; LH; Model Single Axle Rear (2002+)

338-2341



Bracket, Helper; Model Single Axle Rear (2002+)

338-2392



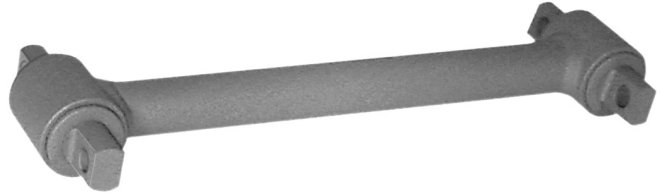
Top Plate

338-2396



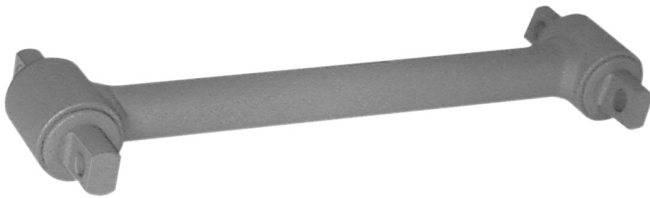
Bracket, Front Shock; Model 73-7700 w/1" Bolts

345-187



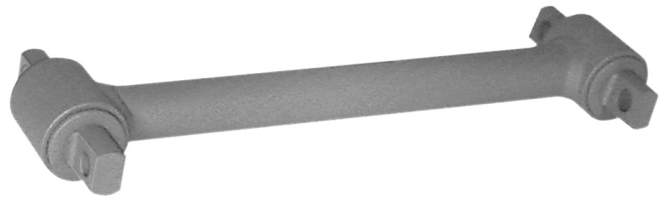
21 31/32" Tubular, 1 9/16" O.D. Tube; Includes 321-323 Bushings; Model Corporate Four Spring

345-188



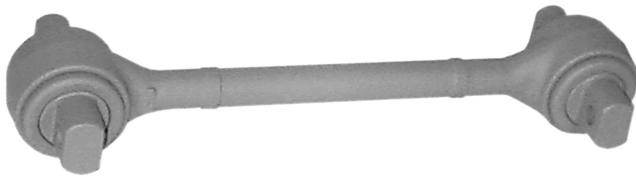
Torque Rod, Rigid; 18 1/8" C to C Tubular, 1 9/16" O.D. Tube; Includes 321-323 Bushings; Model Corporate Four Spring, Corporate Air

345-200



Torque Rod, Rigid; 18 1/8", 1 15/16" O.D. Tube; Includes 321-279 Bushings; Model Corporate Four Spring, Corporate Air

345-854



Torque Rod, Rigid; 18 1/8" Forged; Includes 321-131 Bushings; Model Corporate Four Spring, Corporate Air

345-855



Torque Rod, Rigid; 21 31/32" Forged; Includes 321-131 Bushings; Model Corporate Four Spring

345-904



Track Rod; 25 3/8" Lg.; Replaces 3548381C1; Model Corporate Air

RB-268



Bushing, Anti-walk; 2 1/2" O.D. x 4 5/8" C to C; Corporate Air - Air Beam

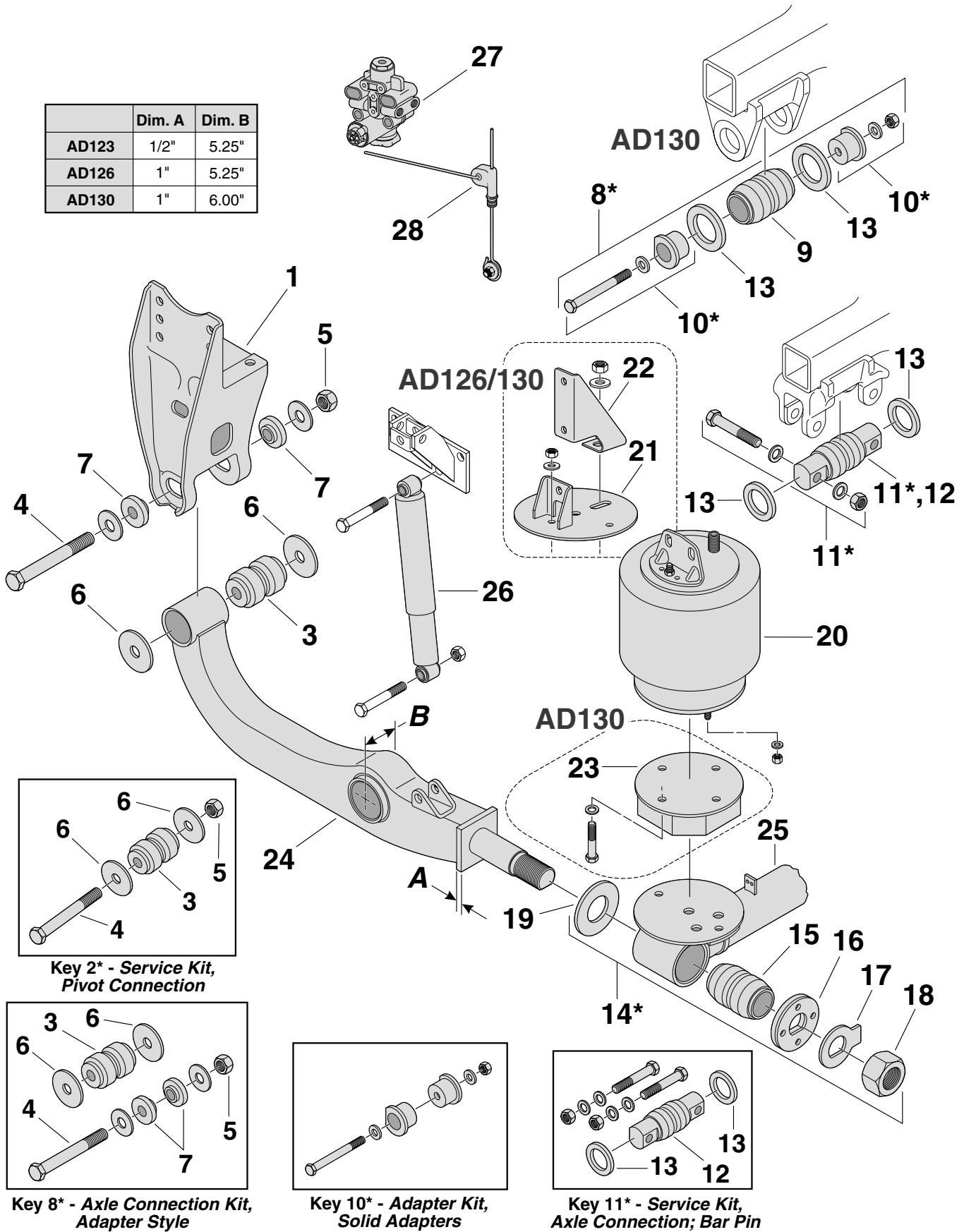
MODEL	PAGE
Truck Suspensions	
AD123/246/369, 126/252/378, 130/260/390 Single/Tandem/Tridem Drive Axle Air Suspensions	656, 657
AD160/200 Single Drive Axle Air Suspension	658, 659
ADZ Heavy Duty Truck Drive Axle Air Suspension	662, 663
ARD120/238, 125/244, 234 Single/Tandem Drive Axle Air Suspensions	680-683
ARDAB120/238/240 Drive Axle Air Suspension	684, 685
ARDST123/244, 246, 250, ARDSTM/L 123/246 Single/Tandem Drive Axle Air Suspensions	686, 687
ART500/505/541/550/551/555 Non-Powered Tractor Air Suspensions	690-693
LSZ Series Steerable Lift Axle Auxiliary Air Suspension	700, 701
Trailer Air Suspensions	
Air Lite 2 Trailer Air Suspension	664, 665
AR41/45/75/85 Trailer Air Suspensions	666, 667
AR50 US/USF/USF1/USF2 Trailer Air Suspensions	668, 669
AR70/80/95/955 Trailer Air Suspensions	670-673
AR90/90-1/92/93/250, ARU92/93 Trailer Air Suspensions	674, 675
AR120/125, AR120US/125US Trailer/Slider Air Suspensions	676-679
CB2300, CBX23/25 Top Mount; CB400/4000, CBX40 Slider Trailer Air Suspensions	698, 699
NS190/400/450 Slider Trailer Air Suspensions	702, 703
RL196/196A/228/230/250/300 Trailer Air Suspensions	706, 707
Trailer Mechanical Suspensions	
RC122, ER2000/2250 Rubber Cushion Suspensions	704, 705
RTS Single/Tandem/Tridem Trailer Suspensions	708, 709
SB360B/500B/600B/660HDA Spring/Beam Trailer Suspensions	710, 711
SL/TL Four Spring Trailer Suspensions	712, 713
T/TR8540/8600/8750/8900 Tri-Axle Trailer Suspensions	714-717
TA800 Tag Axle Suspension	718, 719
TS/US/USR Single Point Trailer Suspensions	720, 721
Bus & Motorhome Suspensions	
ADL120/123 Bus & Motorhome Rear Air Suspension	660, 661
ARDTB125-6A/6B Bus and Motorcoach Drive Axle Air Suspension	688, 689
AS/ASB Bus and Motorcoach Front Steer Suspension for I-Beam Style Axles	694, 695
CA Bus and Motorcoach Tag Axle Suspension	696, 697
Suspension Component Photos	722-740

AD123/246/369, 126/252/378, 130/260/390
Single/Tandem/Tridem
Drive Axle Air Suspensions

Neway

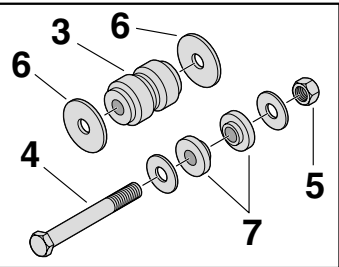
Neway

	Dim. A	Dim. B
AD123	1/2"	5.25"
AD126	1"	5.25"
AD130	1"	6.00"

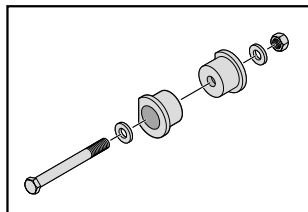


Suspension Illustration

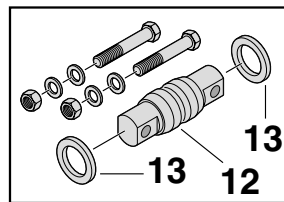
Key 2* - Service Kit, Pivot Connection



Key 8* - Axle Connection Kit, Adapter Style



Key 10* - Adapter Kit, Solid Adapters



Key 11* - Service Kit, Axle Connection; Bar Pin

Key No.	Part Number	Description	No. Req.	OEM Reference	Remarks	
	1	SP Hanger; LH/RH	2	Various	Call for Assistance	
✓✓●	2	339-233 Kit, Service; Pivot Connection; (1) Axle 339-267 Kit, Service; Pivot Connection; (1) Axle	1	481 00 260, SRK-200 481 00 363, SRK-499	AD130	
✓✓●	3	321-314 Bushing 321-393 Bushing	2	900 08 151 900 08 226	AD130	
✓✓	4	334-605 Bolt; 1 1/8"-7 x 9 1/4"Lg 334-1776 Bolt; 1 1/4"-7 x 9"Lg	2	932 01 046 932 01 068	AD130	
✓✓	5	334-375 Nut, Lock; 1 1/8"-7 SLNC-108 Nut, Lock; 1 1/4"-7	2	934 00 506 934 00 569		
✓✓	6	334-596 Spacer; 1 1/8"ID x 4"OD x 1/4"Thk 334-1777 Washer, Spacer	4	900 36 177, 900 36 502 936 00 546	Not Used on Ford AD130	
✓●	7	334-599 Collar, Alignment; 1 1/8"ID x 2 3/4"OD x 1"Thk 334-1778 Collar, Alignment 334-1073 Collar, Alignment	4	900 08 120 900 08 232 900 08 150	AD123 & 126 AD130 AD123; Ford	
✓✓●	8	334-619 Kit, Service; Axle Connection; 5 3/4"Lg Bushing 339-268 Kit, Service; Axle Connection; Adapter Style; (1) Axle 339-269 Kit, Service; Axle Connection; Adapter Style; (1) Axle	1	481 00 124, SRK-80 481 00 334, SRK-471 481 00 362, SRK-498	AD123 AD126 AD130	
✓✓●	9	321-237 Bushing; 2 1/2"ID x 3 7/8"OD x 5 3/4"Lg 321-237U Bushing, Urethane 321-394 Bushing 321-395 Bushing	2	900 08 008 2 900 08 195 900 08 225	AD126 AD130	
✓✓●	10	334-109 Kit, Adapter; Solid Adapters	2		Use w/5 3/4" bushing	
●	11	339-270 Kit, Service; Bar Pin Axle Connection; (1) Axle 339-259 Kit, Service; Bar Pin Axle Connection; (1) Axle	1	481 00 315, SRK-452 481 00 313, SRK-450	AD123 AD126	
✓✓●	12	321-367 Bushing, Bar Pin 321-396 Bushing, Bar Pin	2	900 08 175 900 08 012	AD123 AD126	
	13	SP Spacer SP Spacer	4	900 01 065 900 01 205	AD123; Adapter Style Axle Connection AD123; Bar Pin Axle Connection	
✓✓●	14	339-251 Kit, Service; Transverse Beam Connection; (1) Axle 339-260 Kit, Service; Transverse Beam Connection; (1) Axle 339-271 Kit, Service; Transverse Beam Connection; (1) Axle	1	481 00 276, SRK-214 481 00 335, SRK-472 481 00 364, SRK-500	AD123 AD126 AD130	
✓✓●	15	321-226 Bushing; 2 1/2"ID x 3 7/8"OD x 5 1/4"Lg 321-315 Bushing; 4 1/8"OD	2	900 08 006 900 08 135	AD123 & 126 AD130	
●	16	334-1924 Washer, Locking Spacer Assembly	2	905 36 006	All	
✓✓●	17	334-1926 Washer, Tab	2	936 00 533	All; Replaces 900 36 184	
✓✓●	18	334-1925 Nut; 2 1/4"-8	2	934 00 607	All	
	19	334-1280 Washer, Inner; 2 5/8"ID x 5 1/4"OD x 1/4"Thk 334-1927 Washer, Inner; 2 9/16"ID x 5 1/4"OD x 1/4"Thk	2	936 00 498 900 36 209	AD123 & 130 AD126	
✓✓	20	352-9471 Air Spring 352-9472 Air Spring 352-9501 Air Spring 352-9491 Air Spring	2	905 57 146 905 57 147 905 57 212 905 57 213		
	21	SP Bracket, Air Spring	2	905 31 001	AD126 & 130	
	22	SP Bracket, Reinforcement	2	900 23 131	AD126 & 130	
	23	SP Spacer	2	905 36 009	AD130; 12" Ride Height & Greater	
	24	338-1866 Assembly, Beam; LH 338-1867 Assembly, Beam; RH SP Assembly, Beam; LH SP Assembly, Beam; RH SP Assembly, Beam	1	905 16 738 905 16 739 905 16 741 905 16 740 Various	AD123; w/Bar Pin Axle Connection AD123; w/Bar Pin Axle Connection AD123; w/Adapter Style Axle Connection AD123; w/Adapter Style Axle Connection AD126/130; Specify model, LH/RH & Axle Bushing	
	25	SP Beam, Transverse	1	Various	Specify Model & Frame Width	
✓✓	26	M65418 Shock Absorber M65425 Shock Absorber M65431 Shock Absorber See Shocks Shock Absorber	2	2	2	Consult Shock Catalog for Model Specific Applications
✓●	27	334-1605 Valve, Height Control; Instant Response	1	905 54 241		
✓●	28	334-1572 Linkage, Height Control Valve	1	481 00 267, SRK-205	Use w/IR Valve	

Neway

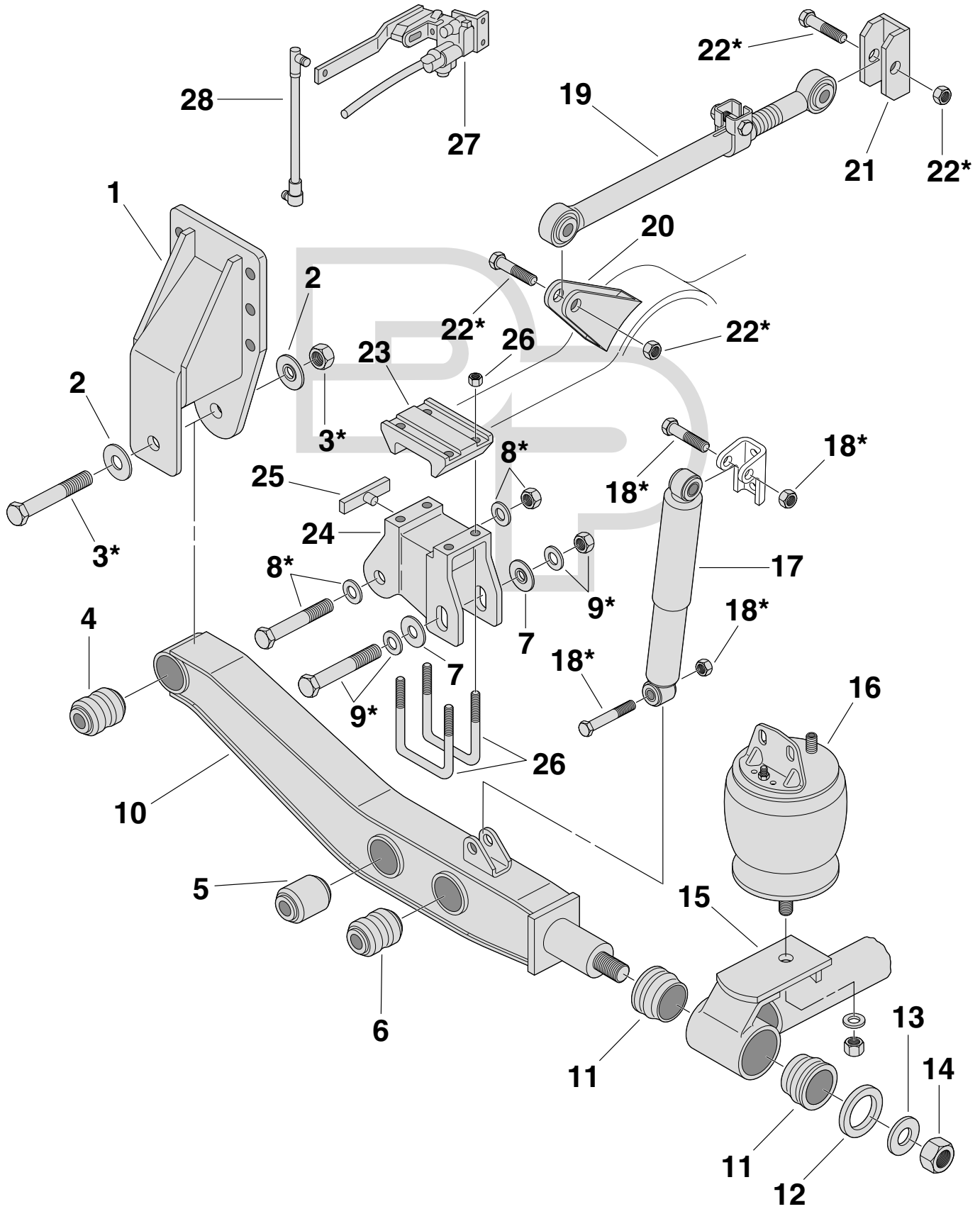
Parts Listing

**AD160/200
Single Drive Axle
Air Suspension**

Neway

Neway

Suspension Illustration



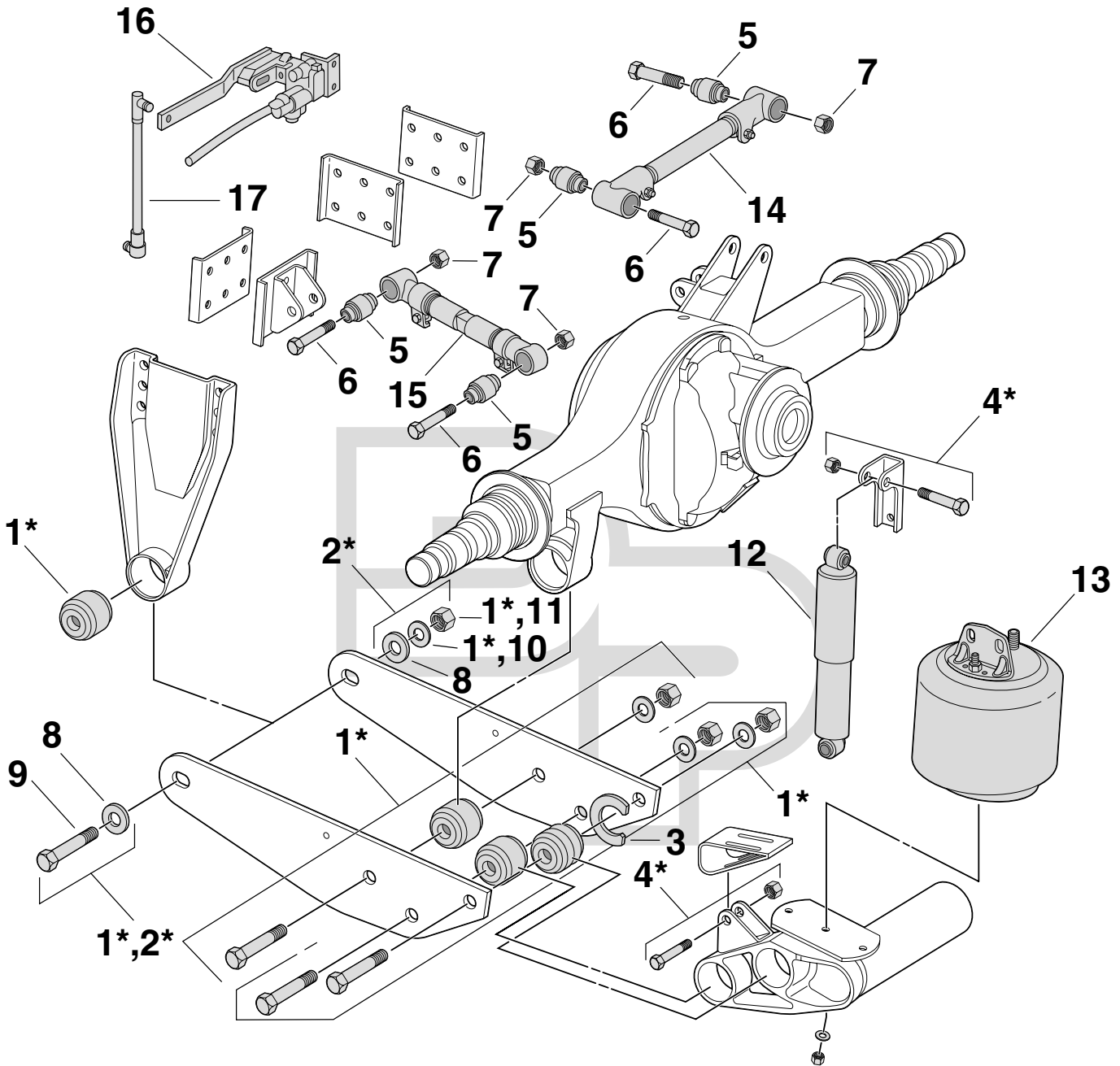
Key Numbers with an asterisk (*) indicate a kit or assembly.

Key No.	Part Number	Description	No. Req.	OEM Reference	Remarks
	SP	Bracket, Frame	2	Various	
●	334-1773	Collar, Alignment	4	900 08 166	
✓	334-1691	Assembly, Bolt; 7/8"-9 x 7 1/2"Lg	2		
✓ ●	321-390	Bushing	2	900 08 165	
	321-516	Bushing	2	900 08 191	
	321-515	Bushing	2		
	SP	Washer, Alignment	4	900 08 192	
	334-2128	Kit, Bolt; 1 1/8" - 7 x 7"Lg	2		
	334-2129	Kit, Bolt; 1 1/8" - 7 x 8"Lg	2		
	SP	Beam, Equalizing	2	905 16 585	
●	321-232	Bushing; 2 1/8"Lg	4	900 08 113	
	334-603	Washer; 1 9/32"ID x 4"OD x 1/2"Thk	2	900 36 007	
✓	SUW-125	Washer, Hardened; 1 1/4"	2	936 00 180	
✓	SLN-108	Nut, Lock; 1 1/4"-12	2	934 00 511	
	SP	Beam, Transverse	1	905 45 368	
	352-9482	Air Spring	2	905 57 161	7" Ride Hgt.
	SP	Air Spring	2	905 57 166	8" Ride Hgt.
	352-9496	Air Spring	2	905 57 208	9" Ride Hgt.
✓✓	352-9471	Air Spring	2	905 57 146	11" Ride Hgt.
	M65432	Shock Absorber	2	900 45 138	
	334-1782	Assembly, Bolt; 3/4 x 4"Lg	4		
	SP	Track, Rod; Adjustable	1	900 45 172	
	SP	Bracket, Track Rod; Axle	1	900 44 874	
	SP	Bracket, Track Rod; Frame	1	900 18 472	
	SP	Kit, Bolt; 7/8" - 4 1/2"	4		
	SP	Cap, Axle	2	Various	Specify Axle Size
	SP	Adapter, Axle	2	Various	Specify Axle Size
	SP	Shim, Plastic	2	900 44 887	
	SP	U-Bolt	4	Various	Specify Axle Size
✓✓ ●	334-1143	Valve, Height Control	1	900 54 007	
✓ ●	334-751	Linkage Assembly; Universal; Adjustable	1		3 5/8"-19 5/8" Range; Use w/All Height Control Valves

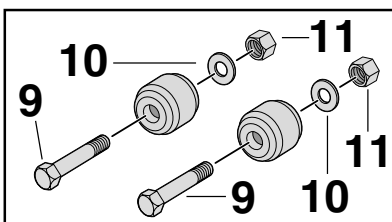
**ADL120/123
Bus & Motorhome
Rear Air Suspension**

Neway

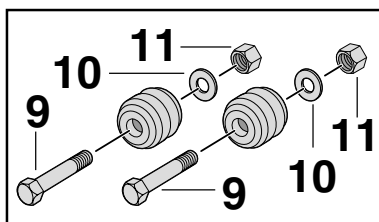
Neway



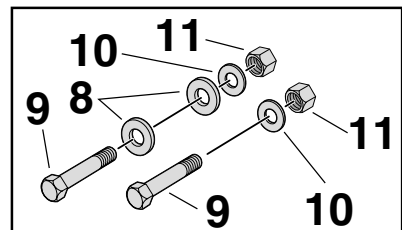
Suspension Illustration



**Key 1* - Service Kit; Forward
Transverse beam or axle
connections**



**Key 1* - Service Kit; Rear
Transverse Beam Connection
(Convolved Bushings)**



**Key 2* - Alignment Kit
(One Side Adjustable)**

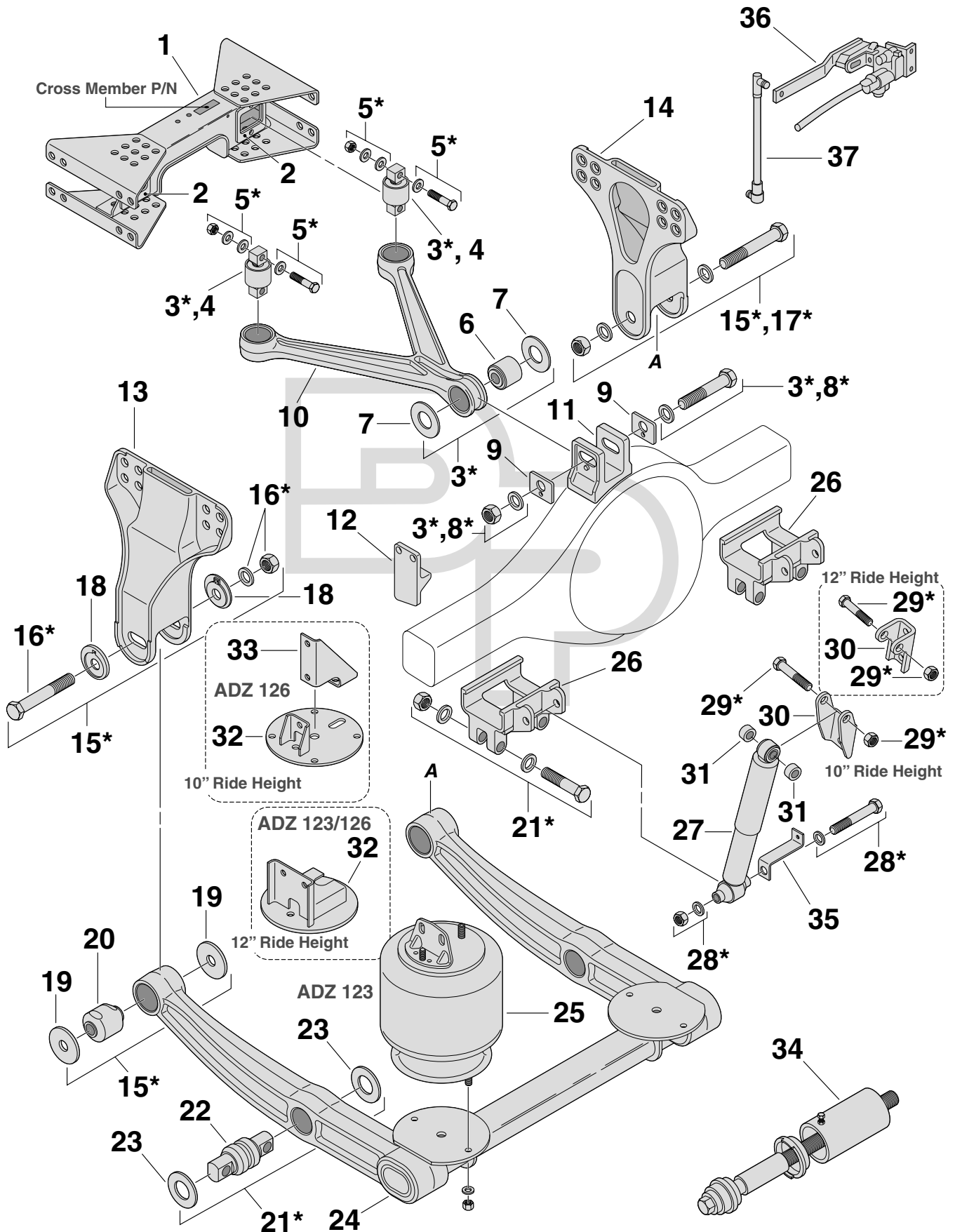
Key No.	Part Number	Description	No. Req.	OEM Reference	Remarks
● 1	339-314	Kit, Service	3	SRK-514, 481 00 388	Services (2) Pivot, Forward Transverse Beam or Axle Connections
●	339-316	Kit, Service; Rear Transverse Beam Connection	1	SRK-515, 481 00 388	Services (2) Connections
● 2	339-315	Kit, Service; Pivot Connection Alignment	2	SRK-518, 481 00 388	Services (2) Connections; No Bushings
● 3	334-2005	Washer, C Spacer	2	900 36 249, 481 00 388	
✓✓ 4	334-1105	Assembly, Bolt; ¾"-10 x 3 ½"Lg	4	930 03 599	Incl. Bolt & Hdwe.
✓✓● 5	321-153	Bushing; 7/8"ID x 1 29/32"OD x 3"Lg	4		
✓✓ 6	327-323	Bolt; 7/8"-9 x 4 ½"Lg	4	930 03 833	
7	334-236	Nut, Lock; 7/8"-9	4	934 00 498	
● 8	334-2004	Washer, Alignment	2	900 08 242	
9	334-2002	Bolt; 1 ½"-7 x 6.5"	8	930 04 517	
10	334-477	Washer, Compression; 1 ½"ID x 2 ½"OD x 5/16"Thk	8	936 00 174	
✓✓ 11	334-375	Nut, Lock; 1 ½"-7	8	934 00 506	
12	SP	Shock Absorber	2	900 45 443	Standard
	See Shocks	Shock Absorber	2	Various	Consult Shock Catalog for Model Specific Applications
13	352-8184	Air Spring	2	905 57 290	
14	SP	Bar, Track; Adjustable	1	905 47 801	
15	SP	Torque Rod, Adjustable	1	905 47 800	
✓✓● 16	334-1143	Valve, Height Control	1		
✓● 17	334-751	Linkage Assembly; Universal; Adjustable	1		3 5/8"-19 5/8" Range; Use w/All Height Control Valves

**ADZ
Heavy Duty Truck
Drive Axle Air Suspension**

Neway

Neway

Suspension Illustration



Key Numbers with an asterisk (*) indicate a kit or assembly.

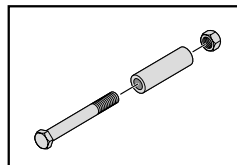
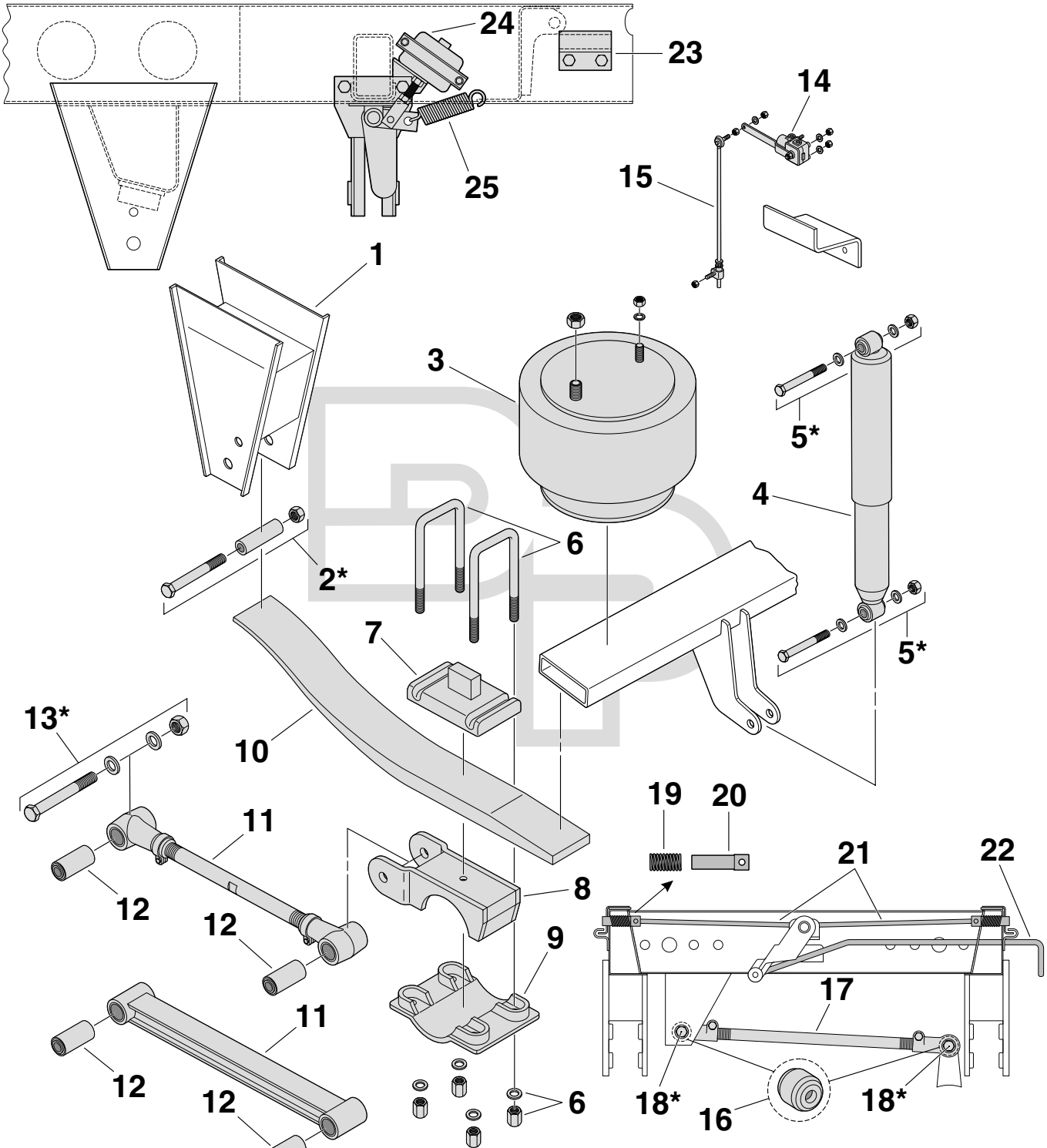
Key No.	Part Number	Description	No. Req.	OEM Reference	Remarks	
	1	SP	Crossmember, Frame	1	Various	
	2	SP	Plate, Backer	2	900 34 740	
✓	3	334-2024	Kit, Service; V-Rod Bushing	1	SRK-645, 48100511	
	4	SP	Bushing, Bar Pin	2	900 08 265	
	5	334-2130	Assembly, Bolt; 5/8" x 3"Lg	4		
	6	SP	Bushing, V-Rod Apex	1	900 08 264	
	7	SP	Washer, Spacer	2	936 00 561	
	8	334-832	Assembly, Bolt; 1"-8 x 6"Lg Grade 8	1		Incl. Bolt, Lock Nut & Washers
✓	9	334-2021	Plate, Pinnion	2	900 34 815	0°, 4°, 5°, 9°, 10° & 14°
✓		334-2022	Plate, Pinnion	2	900 34 813	1°, 3°, 6°, 8°, 11° & 13°
✓		334-2023	Plate, Pinnion	2	900 34 817	2°, 7° & 12°
	10	SP	Assembly, V-Rod	1	905 48 900	Incl. Bushings
	11	SP	Bracket, Axle; Upper	1		Specify Axle
	12	SP	Stop, Axle	2	Various	Specify Model, Roadside/Curbside; Ride Hgt., Drum/Disc
	13	SP	Bracket, Alignment; Adjustable	1	Various	Roadside; Specify Ride Hgt.
	14	SP	Bracket, Alignment; Fixed	1	Various	Curbside; Specify Ride Hgt.
✓	15	334-2025	Kit, Connection; Pivot Bushing	1	SRK-643, 48100509	(1) Axle
	16	SP	Assembly, Bolt; 1 1/8" x 7 3/4"Lg	1		
	17	SP	Assembly, Bolt; 1 1/8" x 7"Lg	1		
	18	SP	Washer, Alignment	2	900 01 546	
✓✓	19	334-596	Spacer; 1 1/8"ID x 4"OD x 1/4"Thk	4	936 00 502	
	20	SP	Bushing	2	900 08 266	
✓	21	334-2026	Kit, Connection; Axle Bar Pin Bushing	1	SRK-644, 48100510	(1) Axle
	22	SP	Bushing, Bar Pin	2	900 08 266	
	23	SP	Washer	4	936 00 561	
	24	SP	Assembly, Lower Control Arm	1		Call For Assistance
	25	SP	Air Spring	2	905 57 368	ADZ123; 10" Ride Height
		SP	Air Spring	2	905 57 395	ADZ123; 12" Ride Height
		SP	Air Spring	2	905 57 392	ADZ126
	26	SP	Bracket, Axle Adapter	2	900 18 729	
	27	SP	Shock Absorber	2	900 45 605	
	28	SP	Kit, Bolt; 3/4" x 6 1/4"Lg	2		Use 334-1723
	29	SP	Kit, Bolt; 3/4" x 4 3/4"Lg	2		10" Ride Height; Use 334-626
✓✓		334-1105	Assembly, Bolt; 3/4"-10 x 3 1/2"Lg	2		12" Ride Height
	30	SP	Bracket, Shock; Upper	2	900 18 729	10" Ride Height
		SP	Bracket, Shock; Upper	2	900 18 542	12" Ride Height
	31	SP	Spacer	4	900 36 278	
	32	SP	Bracket, Air Spring; Upper	2	905 22 289	ADZ123 & 126; 12" Ride Height
		SP	Bracket, Air Spring; Upper	2	905 31 001	ADZ126; 10" Ride Height
	33	SP	Bracket, Air Spring; Upper	2	900 23 131	ADZ126; 10" Ride Height
	34	334-2131	Tool, Pivot Bushing	1	505 44 012	
	35	SP	Bracket, HCV Link	1		
	36	SP	Valve, Height Control	1	Various	Can Use Universal Valves Listed on Page 1036
✓	37	334-751	Linkage Assembly; Universal; Adjustable	1		3 5/8"-19 5/8" Range; Use w/All Height Control Valves

**AirLite 2 (Binkley)
Trailer/Slider
Air Suspension**

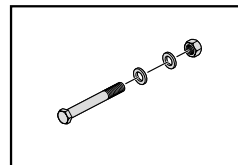
Neway

Neway

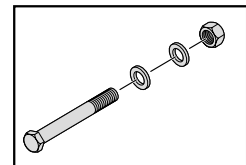
Suspension Illustration



**Key 2* - Bolt
Assembly**



**Key 5* - Shock
Bolt Kit**



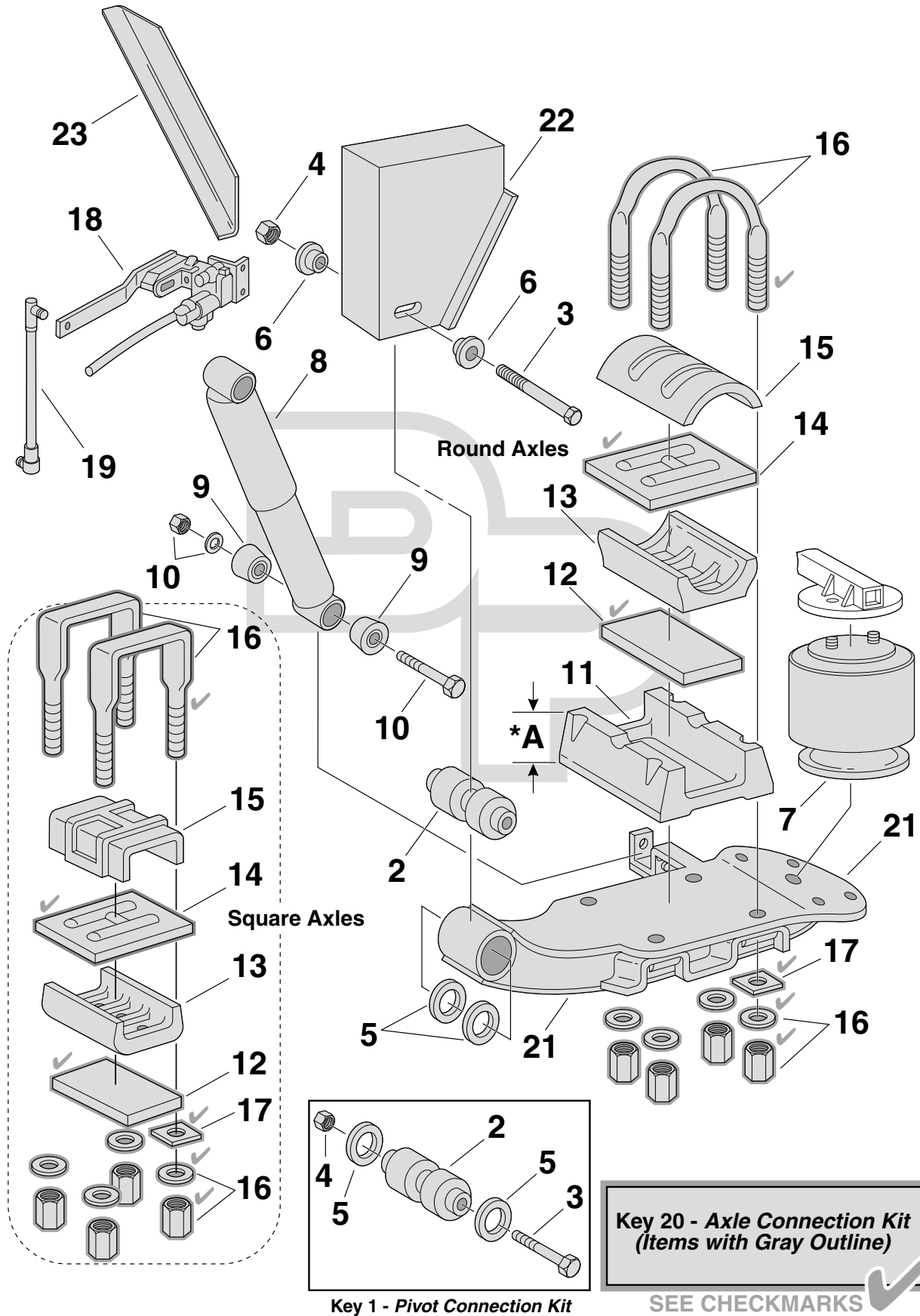
**Key 13* - Bolt
Assembly**

Key Numbers with an asterisk (*) indicate a kit or assembly.

Key No.	Part Number	Description	No. Req.	OEM Reference	Remarks
	◆	Bracket, Frame	4		
	334-1312	Assembly, Bolt; 5/8"-11 x 5 1/2"Lg	4	23-09444-000	Incl. Bolt & Hdwe.
	352-8204	Air Spring	4	XB-SPN-053-60, 501559C1/2	
✓	M65516	Shock Absorber	4		
	M66710	Shock Absorber	4	XB-SPN-053-36	
	SP	Kit, Bolt; Shock	8		
	SP	U-Bolt, Square Bend, Grade 8	8	XB-SP0074-H/J, XB-SP0074-K/L	Use 361-292; 3/4" x 3 1/16" x 9 3/8"
	338-1851	Saddle, U-Bolt	4	SP0178	All Axles; Square U-Bolts; U-Bolts Down
✓ ●	338-1307	Seat; 3/4", 5" Round Axles	4	SP0142-01	
●	338-1308	Seat; 1 1/4", 5" Round Axles	4	SP0142-02	
	SP	Seat; Round Axle	4		Specify Height
	SP	Plate, Bottom	4	SP0099, SP0192	Use 338-415S
	TRA-030	Spring, Leaf; Single Leaf Taper	4	SP0205-01	
	345-921	Torque Rod; Adjustable	2	SP0202-01	
	345-922	Torque Rod; Rigid	2	SP00224	14 3/8" c/c
✓✓ ●	321-153	Bushing; 7/8"ID x 1 29/32"OD x 3"Lg	8		
●	321-153U	Bushing, Urethane	8		
	334-1701	Assembly, Bolt; 7/8"-14 x 5 1/2"Lg	8		
✓✓ ●	334-1580	Valve, Height Control; Integral Dump	1		
●	334-1581	Valve, Height Control; Automatic Dump	1		
✓ ●	334-751	Linkage Assembly; Universal; Adjustable	1		3 5/8"-19 5/8" Range; Use w/All Height Control Valves
✓✓ ●	321-153	Bushing; 7/8"ID x 1 29/32"OD x 3"Lg	4	XB-SP0054-02	
	SP	Rod, Track; Adjustable; 28 7/8"	2	SP020-09	
	SP	Rod, Track; Adjustable; 34 7/8"	2	SP020-10	
	334-1291	Assembly, Bolt; 7/8"-9 x 5"Lg	4		Incl. Bolt & Hdwe.
	SP	Spring, Compression	4	XB-SPG-020-33	
	SP	Pin, Step Lock	4	SL0A1056	
	SP	Arm, Linkage	4	SL0A1058-01, SL0A1058-02	Specify 42" or 48"
	SP	Arm, Pull	1	SL0A1122-42, SL0A1122-48	Specify 42" or 48"
	334-1701	Assembly, Bolt; 7/8"-14 x 5 1/2"Lg	2		All
	SP	Chamber, Service	1	SL0969	
	SP	Spring, Extension	1	XB-SPG-020-34	

Neway

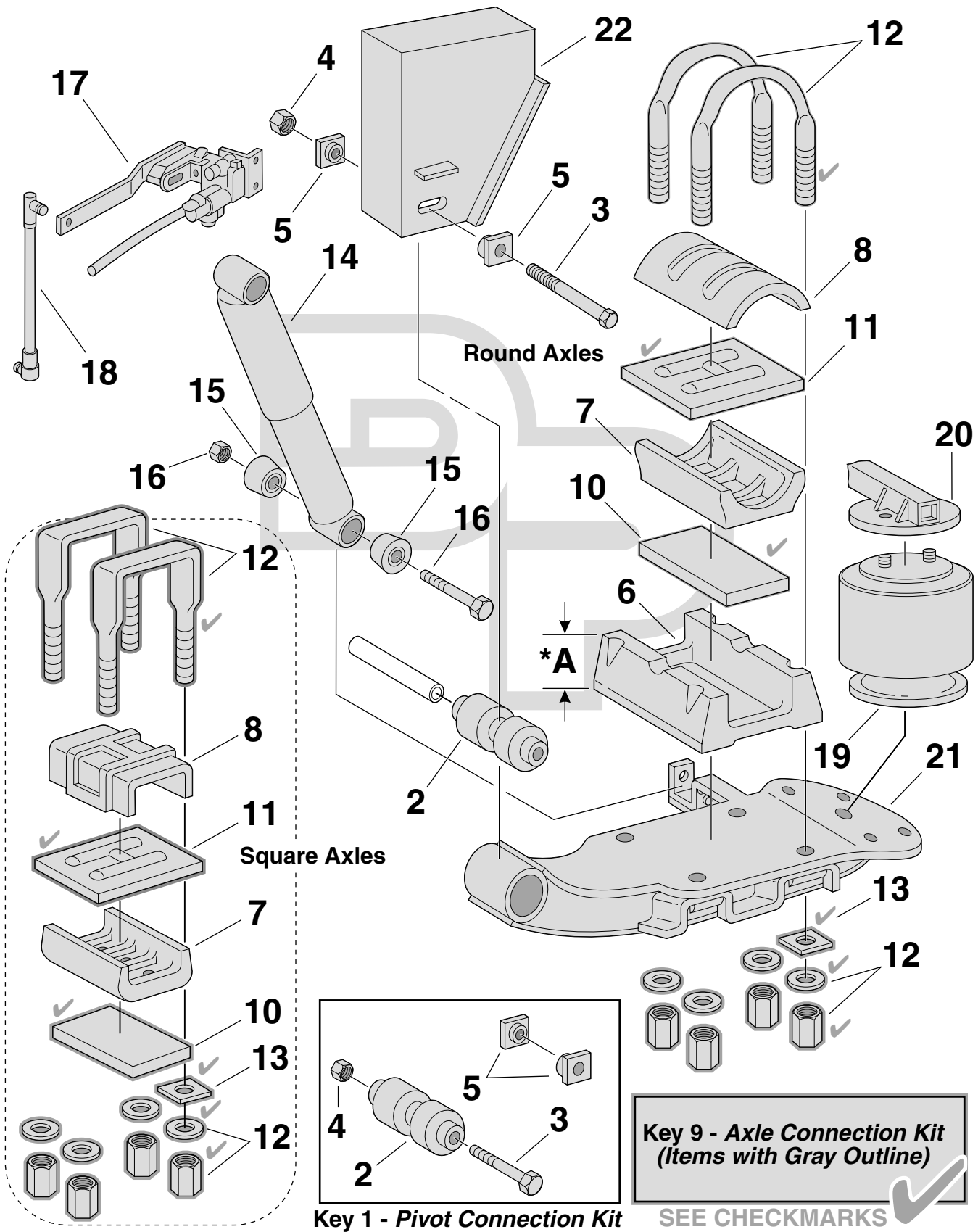
Suspension Illustration



Key No.	Part Number	Description	No. Req.	OEM Reference	Remarks
✓✓	1	334-612 Kit, Service; Pivot Connection	1	481 00 202, SRK-145	(2) Beam Ends; Incl. 321-229 Bushings & Hdwe.
✓✓●	2	321-229 Bushing; 1 1/8"ID x 3 1/2"OD x 5 1/4"Lg	2	900 08 139	New Style
✓✓	3	334-605 Bolt; 1 1/8"-7 x 9 1/4"Lg	2	932 01 046	
✓✓	4	334-375 Nut, Lock; 1 1/8"-7	2	934 00 506	
✓✓	5	334-596 Spacer; 1 1/8"ID x 4"OD x 1/4"Thk	4	900 36 177, 900 36 140	
✓✓●	6	334-600 Collar, Alignment; 1 1/8"ID x 3 1/4"OD x 7/8"Thk	4	900 08 147, 900 08 141	
✓✓	7	352-9039 Air Spring	2	905 57 023	
✓✓		352-9101 Air Spring	2	905 57 008	
✓✓		352-9121 Air Spring	2	905 57 078	
	8	See Shocks Shock Absorber	2	Various	Consult Shock Catalog for Model Specific Applications
●	9	140149N Bushing, Shock; 3/4"ID	8	905 08 004	Rubber w/Bonded Washer & Sleeve
✓✓	10	334-1105 Assembly, Bolt; 3/4"-10 x 3 1/2"Lg	2	930 03 599	Incl. Bolt & Hdwe.
		334-1782 Assembly, Bolt; 3/4" x 4"Lg	2	930 03 609	
✓✓		334-626 Assembly, Bolt; 3/4"-10 x 5"Lg	2	930 03 633	AR85; Upper; Incl. Bolt & Hdwe.
✓●	11	338-1396 Seat; Standard	2	900 01 006	*A = 3 1/2"
●		338-2040 Seat; Heavy Duty	2	900 01 131	*A = 3 5/8"; Replaces 338-1337
✓●	12	325-161 Pad; 5 7/8"W x 7"Lg x 7/16"Thk	2	900 28 083	All Axles; Third Design
✓✓●		325-129 Pad; 5 5/8"W x 7"Lg x 7/16"Thk	2	900 28 075	All Axles; Second Design
●		325-129U Pad, Urethane	2		
●		325-133 Pad; 5 5/8"W x 7"Lg x 3/8"Thk	2	900 28 016	All Axles; First Design
●		325-133U Pad, Urethane	2	900 28 016	
✓●	13	338-1338 Adapter, Axle; 5" Round Axles	2	900 01 082	New Style
●		338-1339 Adapter, Axle; 5" Square Axles	2	900 01 083	New Style
✓✓●	14	325-131 Wrap, Axle; 7 1/4"W x 8"Lg x 1/2"Thk	2	900 28 047	Fabricated Axle Cap; New Style
●		325-131U Wrap, Axle; Urethane	2		
✓●		325-132 Wrap, Axle; 7 1/4"W x 7 1/4"Lg x 3/8"Thk	2	900 28 007	Cast Axle Cap; Old Style
●		325-132U Wrap, Axle; Urethane	2	900 28 007	
●		325-130 Wrap, Axle; 7 1/8"W x 9 9/16"Lg x 3/8"Thk	2	900 28 005	5" x 5" Square Axles; Old Style
●		325-143 Wrap, Axle; 7 1/4"W x 9 5/8"Lg x 3/8"Thk	2	900 28 073	5" x 5" Square Axles; New Style
✓●	15	338-1365 Cap, Axle; 5" Round; New Style	2	900 10 032	New Style
●		338-1366 Cap, Axle; 5" Square	2	900 10 022	
✓✓	16	361-224 Kit, U-Bolt; Round Bend, Forged Top, Grade 8	4	900 41 878	AR41, AR45 & AR85; 1" x 6 5/16" x 9" R
✓		361-230 Kit, U-Bolt; Round Bend, Forged Top, Grade 8	4	900 42 792	AR75; 1" x 6 3/8" x 12 1/2" R
		361-220 Kit, U-Bolt; Square Bend, Forged Top, Grade 8	4	900 42 794	1" x 6 5/16" x 10 1/2" S
		361-222 Kit, U-Bolt; Square Bend, Forged Top, Grade 8	4	900 42 795	1" x 6 5/16" x 12 1/2" S
●	17	334-610 Washer, Square; 1"ID x 2" Sq. x 3/8"Thk	8	936 00 028	
✓✓●	18	334-1143 Valve, Height Control	1	900 54 007	
✓✓●		334-750 Valve, Height Control; Universal	1		Hadley - Model 450
✓●	19	334-751 Linkage Assembly; Universal; Adjustable	1	481 00 225, SRK-168	3 5/8"-19 3/8" Range; Use w/All Height Control Valves
	20	334-620 Kit, Service; Axle Connection; 5" Round Axle; New Style	1	481 00 181, SRK-128	Incl. (2)325-129, (2)325-131, (4)361-230 & (8)334-610
✓		334-621 Kit, Service; Axle Connection; 5" Round Axle; New Style	1	481 00 108, SRK-64	Incl. (2)325-129, (2)325-131, (4)361-224 & (8)334-610
		339-226 Kit, Service; Axle Connection; 5" Sq. Axle; New Style; (1) Axle	1	481 00 112, SRK-68	Incl. (2)325-129, (2)325-143, (8)334-610 & (4)361-220
	21	SP Assembly, Beam	2	Various	Specify Model, LH/RH; Call for Identification Assistance
	22	SP Bracket, Frame	2	Various	Specify Model & Bracket Type
	23	338-1875 Brace	2	900 23 002	AR41/45, AR75-6/9 & AR85A

Neway

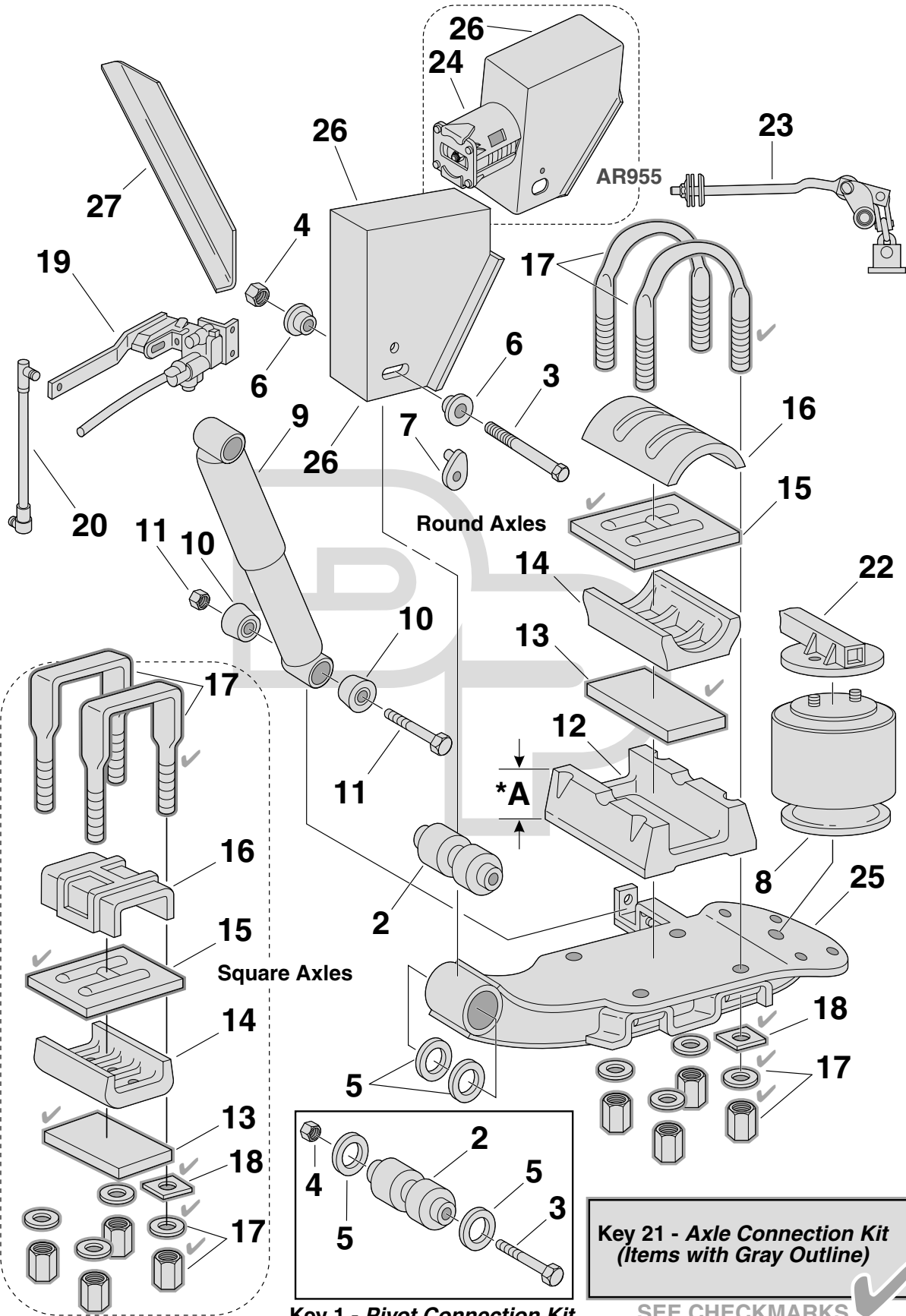
Suspension Illustration



Key No.	Part Number	Description	No. Req.	OEM Reference	Remarks
	334-611	Kit, Service; Pivot Connection	1	481 00 193, SRK-48A	(2) Beam Ends; Incl. Bushings & Hdwe.
	339-250	Kit, Service; Pivot Connection Alignment	1	481 00 025, SRK-48	Incl. Alignment Collars
✓✓●	321-227	Bushing; 1 1/8"ID x 2 3/8"OD x 5"Lg	2	900 08 131	
●	321-227U	Bushing, Urethane	2		
✓	334-607	Bolt; 1 1/8"-7 x 8 1/2"Lg	2	932 01 045	
✓✓	334-375	Nut, Lock; 1 1/8"-7	2	934 00 506	
●	334-601	Block, Alignment; 1 1/8"ID x 2 1/2" x 3" x 7/8"Thk	4	900 01 045	
✓●	338-1396	Seat; Standard	2	900 01 006	*A = 3 1/2"
●	338-2040	Seat; Heavy Duty	2	900 01 131	*A = 3 5/8"; Replaces 338-1337
✓●	338-1338	Adapter, Axle; 5" Round Axles	2	900 01 082	
●	338-1339	Adapter, Axle; 5" Square Axles	2	900 01 083	
✓●	338-1365	Cap, Axle; 5" Round; New Style	2	900 10 032	
✓	334-621	Kit, Service; Axle Connection; 5" Round Axle; New Style	1	481 00 108, SRK-64	(1) Axle; Incl. Pads, Wrappers & U-Bolt Assy.
	339-226	Kit, Service; Axle Connection; 5" Sq. Axle; New Style	1	481 00 112, SRK-68	(1) Axle; Incl. Pads, Wrappers & U-Bolt Assy.
	339-194	Kit, Service; Axle Connection; 5" Round; Old Style	1	481 00 008, SRK-4	(1) Axle; Incl. Pads, Wrappers & U-Bolt Assy.
✓●	325-161	Pad; 5 7/8"W x 7"Lg x 7/16"Thk	2	900 28 083	All Axles; Third Design
✓✓●	325-129	Pad; 5 5/8"W x 7"Lg x 7/16"Thk	2	900 28 075	All Axles; Second Design
●	325-129U	Pad, Urethane	2		
●	325-133	Pad; 5 5/8"W x 7"Lg x 3/8"Thk	2	900 28 016	All Axles; First Design
●	325-133U	Pad, Urethane	2		
✓✓●	325-131	Axle Wrap; 7 1/4"W x 8"Lg x 1/2"Thk	2	900 28 047	5" Round Axles & Fabricated Axle Cap; New Style
●	325-131U	Axle Wrap, Urethane	2		
✓●	325-132	Axle Wrap; 7 1/4"W x 7 1/4"Lg x 3/8"Thk	2	900 28 007	5" Round Axles & Cast Axle Cap; Old Style
●	325-132U	Axle Wrap, Urethane	2		
	SP	Axle Wrap; 7 1/4"W x 8"Lg x 7/16"Thk	2	900 28 022	5" Round Axles & Cast Axle Cap; Old Style
✓✓	361-224	Kit, U-Bolt; Round Bend, Forged Top, Grade 8	4	900 41 878	1" x 6 5/16" x 9" R
	361-220	Kit, U-Bolt; Square Bend, Forged Top, Grade 8	4	900 41 997	1" x 6 5/16" x 10 1/2" S
●	334-610	Washer, Square; 1"ID x 2" Sq. x 3/8"Thk	8	936 00 028	
✓	M66608	Shock Absorber	2	900 45 298	
●	140149N	Bushing, Shock; 3/4"ID	8	905 08 004	Rubber w/Bonded Washer & Sleeve
✓✓	334-1105	Assembly, Bolt; 3/4"-10 x 3 1/2"Lg	4	930 03 599	Incl. Bolt & Hdwe.
✓✓●	334-1143	Valve, Height Control	1	900 54 007	
✓✓●	334-750	Valve, Height Control; Universal	1		
✓●	334-751	Linkage Assembly; Universal; Adjustable	1		3 5/8"-19 5/8" Range; Use w/All Height Control Valves
✓✓	352-9039	Air Spring	2	905 57 023	
	338-1853	Plate, Mounting; Air Spring	2	900 31 027	
	SP	Assembly, Beam	2	Various	Specify Model & LH/RH; Call for Identification Assistance
	SP	Bracket, Frame	2	Various	Specify Model & Bracket Type

Neway

Suspension Illustration



Key 1 - Pivot Connection Kit

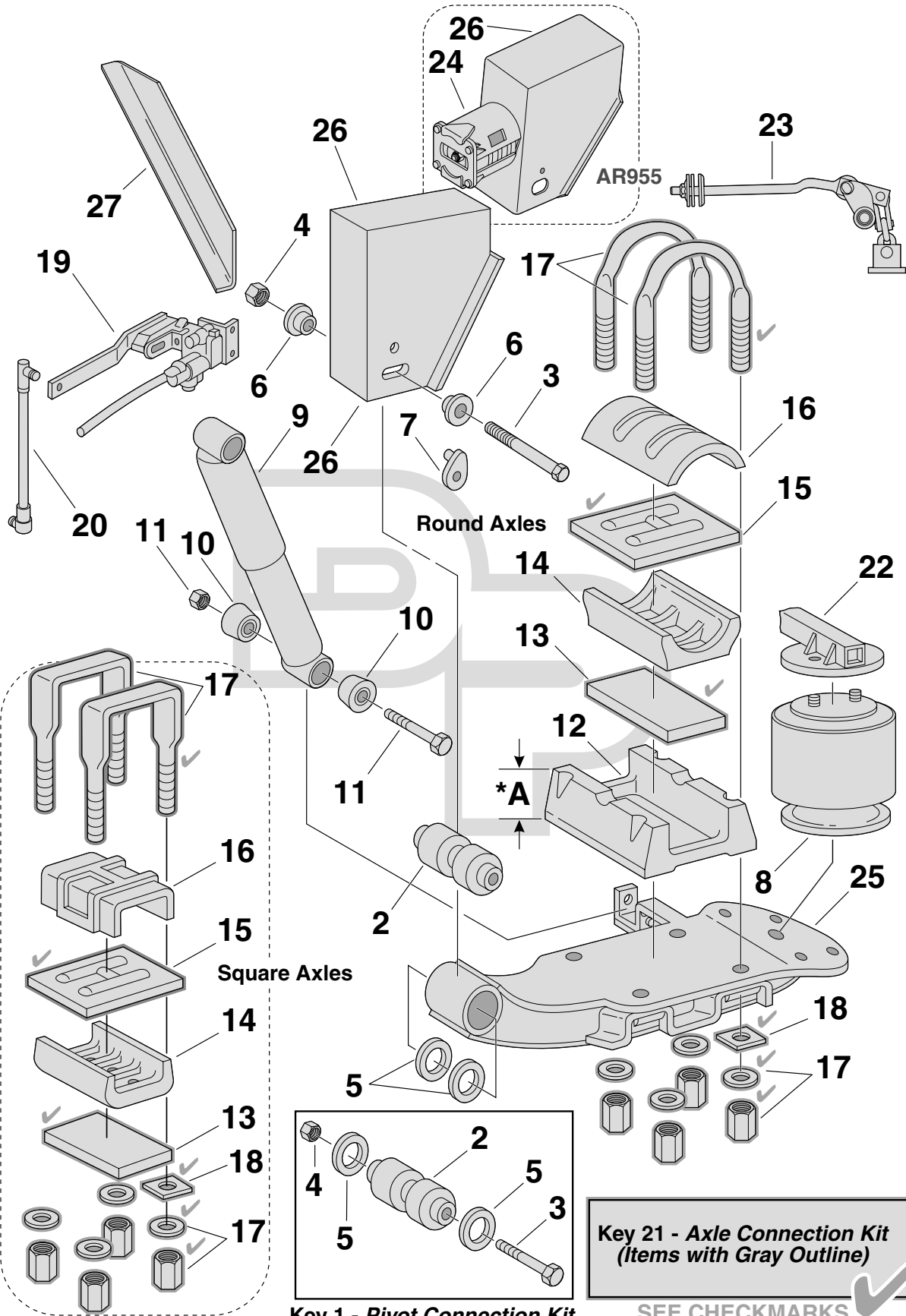
**Key 21 - Axle Connection Kit
(Items with Gray Outline)**

SEE CHECKMARKS

Key No.	Part Number	Description	No. Req.	OEM Reference	Remarks	
✓	1	334-612	Kit, Service; Pivot Connection	1	481 00 202, SRK-145 (2) Beam Ends; Incl. 321-229 Bushings & Hdwe.	
✓ ●	2	321-229	Bushing; 1 1/8"ID x 3 1/2"OD x 5 1/4"Lg	2	900 08 139	
✓✓	3	334-605	Bolt; 1 1/8"-7 x 9 1/4"Lg	2	932 01 055, 932 01 046	
✓✓	4	334-375	Nut, Lock; 1 1/8"-7	2	934 00 506	
✓✓	5	334-596	Spacer; 1 1/8"ID x 4"OD x 1/4"Thk	4	900 36 140, 900 36 177	
✓✓ ●	6	334-600	Collar, Alignment; 1 1/8"ID x 3 1/4"OD x 7/8"Thk	4	900 08 141	AR80
●		334-602	Collar, Alignment; Inner; 1 1/8"ID x 2 3/4"OD x 7/8"Thk	4/2	900 08 092	AR70/95/955
●	7	334-604	Block, Alignment; Outer; 1 1/8" Hole	2	900 08 091	AR70/95/955; Old Style
✓✓	8	352-9121	Air Spring	2	905 57 078	AR70/80-6.75/95
✓✓		352-9122	Air Spring	2	905 57 077	AR70/955
		352-9134	Air Spring	2	905 57 125	AR80-9-9-WST
✓✓	9	M66897	Shock Absorber	2		AR70
✓		M66884	Shock Absorber	2		AR95
✓		M66638	Shock Absorber	2		AR80
		M65515	Shock Absorber	2		AR95/955
✓		M66627	Shock Absorber	2		AR80
		See Shocks	Shock Absorber	2	Various	Consult Shock Catalog for Model Specific Applications
●	10	140149N	Bushing, Shock; 3/4"ID	8	905 08 004	Rubber w/Bonded Washer & Sleeve
	11	334-1149	Assembly, Bolt; 7/8"-14 x 4 5/8"Lg	4		Incl. Bolt & Hdwe.
		334-780	Assembly, Bolt; Shock Absorber; 3/4"-16 x 4"Lg	4		Incl. Bolt & Hdwe.
✓✓ ●	12	338-1396	Seat; Standard	2	900 01 006	*A = 3 1/2"; AR70/70A, 95/95A-12,-17 & 955/955A-12,-17
✓ ●		338-2040	Seat; Heavy Duty	2	900 01 131	*A = 3 5/8"; Replaces 338-1337
		SP	Seat, Beam	2		Specify Model if Not Listed Above
●	13	325-161	Pad; 5 7/8"W x 7"Lg x 7/16"Thk	2	900 28 083	All Axles; Third Design
✓✓ ●		325-129	Pad; 5 5/8"W x 7"Lg x 7/16"Thk	2	900 28 075	All Axles; Second Design
●		325-129U	Pad, Urethane	2		
●		325-133	Pad; 5 5/8"W x 7"Lg x 3/8"Thk	2	900 28 016	All Axles; First Design
●		325-133U	Pad, Urethane	2	900 28 016	
✓✓ ●	14	338-1338	Adapter, Axle; 5" Round Axles	2	900 01 082	New Style
●		338-1339	Adapter, Axle; 5" Square Axles	2	900 01 083	New Style
✓✓ ●	15	325-131	Wrap, Axle; 7 1/4"W x 8"Lg x 1/2"Thk	2	900 28 047	5" Round Axles & Fabricated Axle Cap; New Style
●		325-131U	Wrap, Axle; Urethane	2		
●		325-143	Wrap, Axle; 7 1/4"W x 9 5/8"Lg x 3/8"Thk	2	900 28 073	5" x 5" Square Axles; New Style
●		325-130	Wrap, Axle; 7 1/8"W x 9 9/16"Lg x 3/8"Thk	2	900 28 005	5" x 5" Square Axles; Old Style
✓✓ ●	16	338-1365	Cap, Axle; 5" Round; New Style	2	900 10 032	New Style
✓ ●		338-1366	Cap, Axle; 5" Square	2	900 10 022	
	17	361-534	Kit, U-Bolt; Round Bend, Grade 8	4	900 41 384, 900 41 382	1" X 6 3/8" X 9 1/2" R; AR955-12-17HD & AR955A-12-17HD
		361-232	Kit, U-Bolt; Round Bend, Grade 8	4	900 41 394	1" x 6 3/8" x 12 1/2" R; AR955-9-14HD; Use w/HD Cast Axle Cap Only
✓		361-230	Kit, U-Bolt; Round Bend, Forged Top, Grade 8	4	900 42 792	1" x 6 3/8" x 12 1/2" R; AR95-9-14
✓✓		361-224	Kit, U-Bolt; Round Bend, Forged Top, Grade 8	4	900 41 878	1" x 6 3/16" x 9" R; AR70/90-12-17 & AR80
		361-220	Kit, U-Bolt; Square Bend, Forged Top, Grade 8	4	900 41 997	1" x 6 3/16" x 10 1/2" S; AR95-12-17 & AR955
		361-222	Kit, U-Bolt; Square Bend, Forged Top, Grade 8	4	900 42 795, 900 42 846	1" x 6 3/16" x 12 1/2" S; AR95-9-14 & AR955
●	18	334-610	Washer, Square; 1"ID x 2" Sq. x 3/8"Thk	8	936 00 028	

Neway

Suspension Illustration



Key 1 - Pivot Connection Kit

Key 21 - Axle Connection Kit
(Items with Gray Outline)

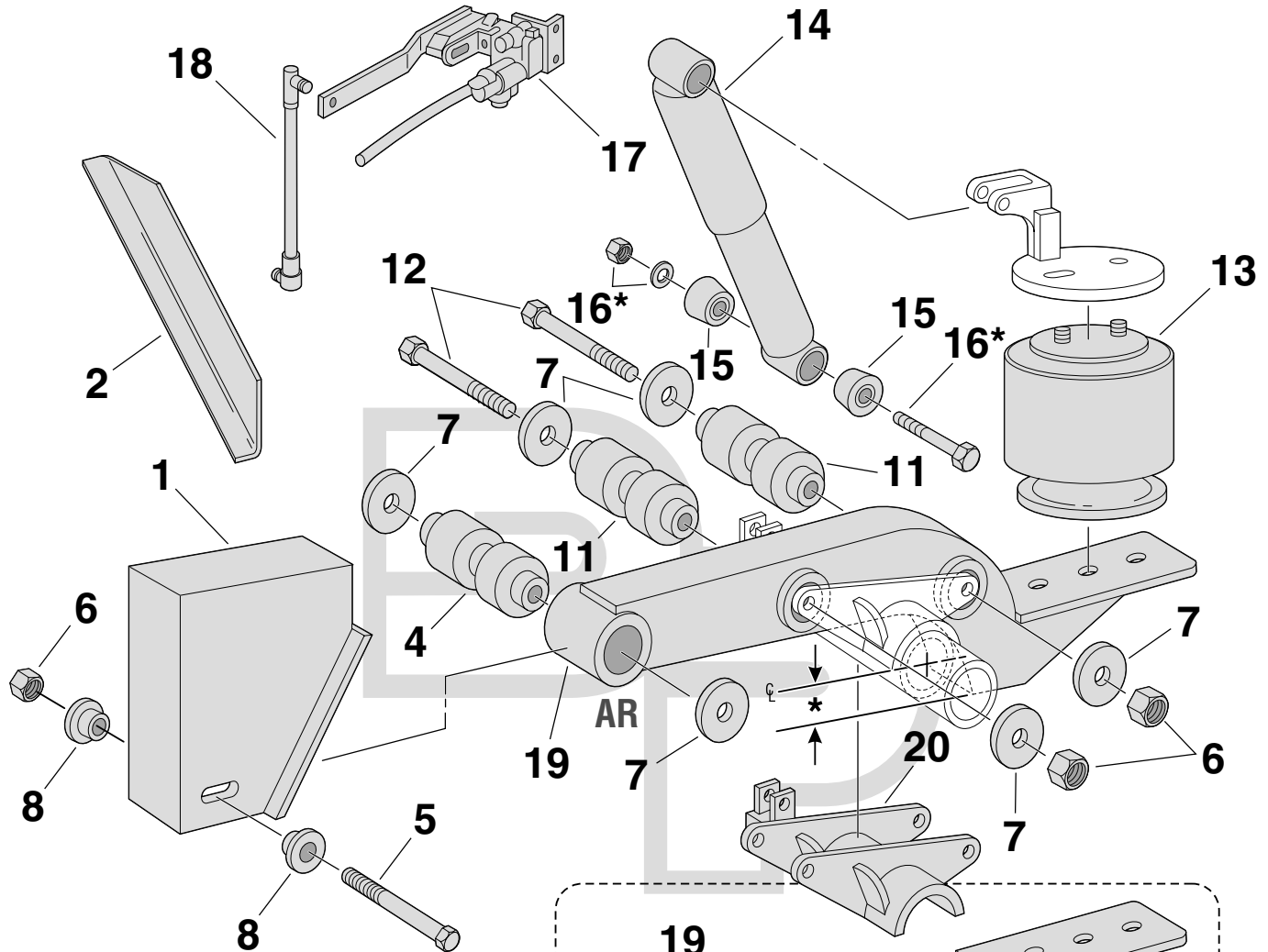
SEE CHECKMARKS

Key No.	Part Number	Description	No. Req.	OEM Reference	Remarks	
✓✓●	19	334-1143	Valve, Height Control	1	900 54 007	
✓✓●		334-750	Valve, Height Control; Universal	1		
✓●	20	334-751	Linkage Assembly; Universal; Adjustable	1	481 00 224/225	3 5/8"-19 5/8" Range; Use w/All Height Control Valves
	21	339-226	Kit, Service; Axle Connection; 5" Sq. Axle; New Style	1	481 00 112, SRK-68	(1) Axle; Incl. Pads, Wrappers & U-Bolt Assy
		334-620	Kit, Service; Axle Connection; 5" Round Axle; New Style	1	481 00 181, SRK-128	(1) Axle; Incl. Pads, Wrappers & U-Bolt Assy
✓✓		334-621	Kit, Service; Axle Connection; 5" Round Axle; New Style	1	481 00 108, SRK-64	(1) Axle; Incl. Pads, Wrappers & U-Bolt Assy.
	22	338-1853	Plate, Mounting; Air Spring	2	900 31 027	AR80-9
✓✓●	23	339-236	Kit, Service; Cam Assembly	1	481 00 215, SRK-158	AR955
✓✓●		339-235	Kit, Service; Cam Assembly; 1"	1	481 11 144, SRK-96	AR955
		339-243	Kit, Service; Coil Lift; 1/2" Pin	1	481 00 151, SRK-103	AR955
	24	339-240	Kit, Service; Coil Spring Replacement; w/Installation Tool	1	481 00 230, SRK-173	AR955
		339-241	Kit, Service; Coil Spring Replacement; w/o Installation Tool	1	481 00 250, SRK-173-1	AR955
✓✓●		339-238	Kit, Service; Coil Spring Replacement	1	481 00 216, SRK-159	AR955
	25	SP	Assembly, Beam	2		Specify Model & LH/RH; Call for Identification Assistance
	26	SP	Bracket, Frame	2		Specify Model & Bracket Type
	27	338-1875	Brace	2	900 23 002	AR70/A-9 & AR80-6.75/9/9WST

**AR90/90-1/92/93/250
ARU92/93
Trailer Air Suspensions**

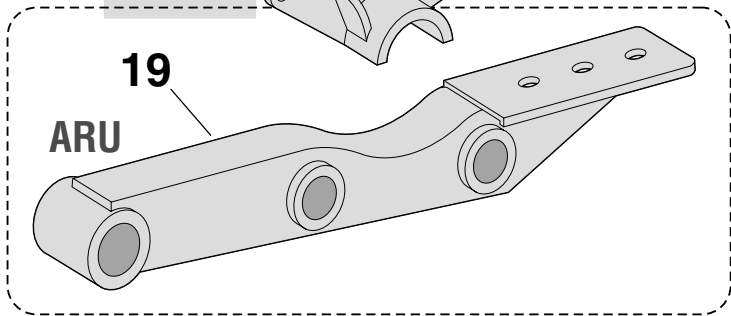
Neway

Neway

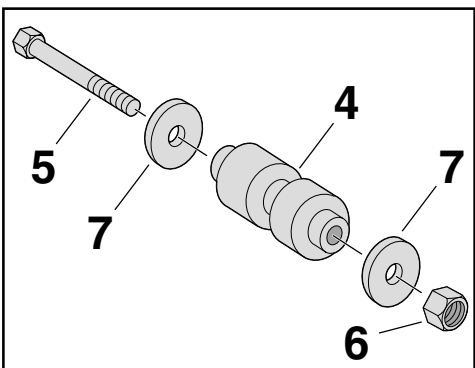


* Height from Bottom of Beam Assembly to Center Line of Axle

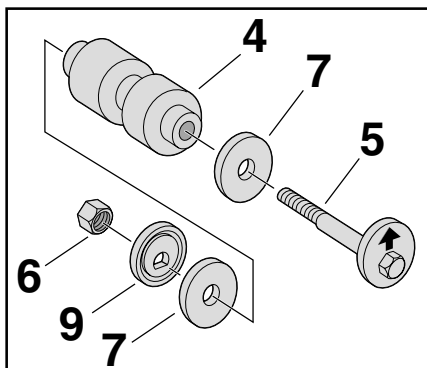
AR90	5¼"
AR90-1, AR92	2½"



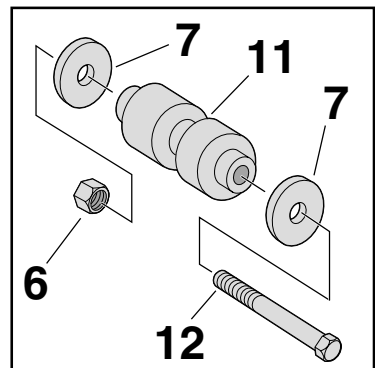
Suspension Illustration



Key 3* - Pivot Connection Kit



Key 3* - Pivot Connection Kit, EZ-ALIGN®



Key 10* - Axle Connection Kit

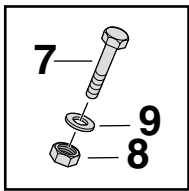
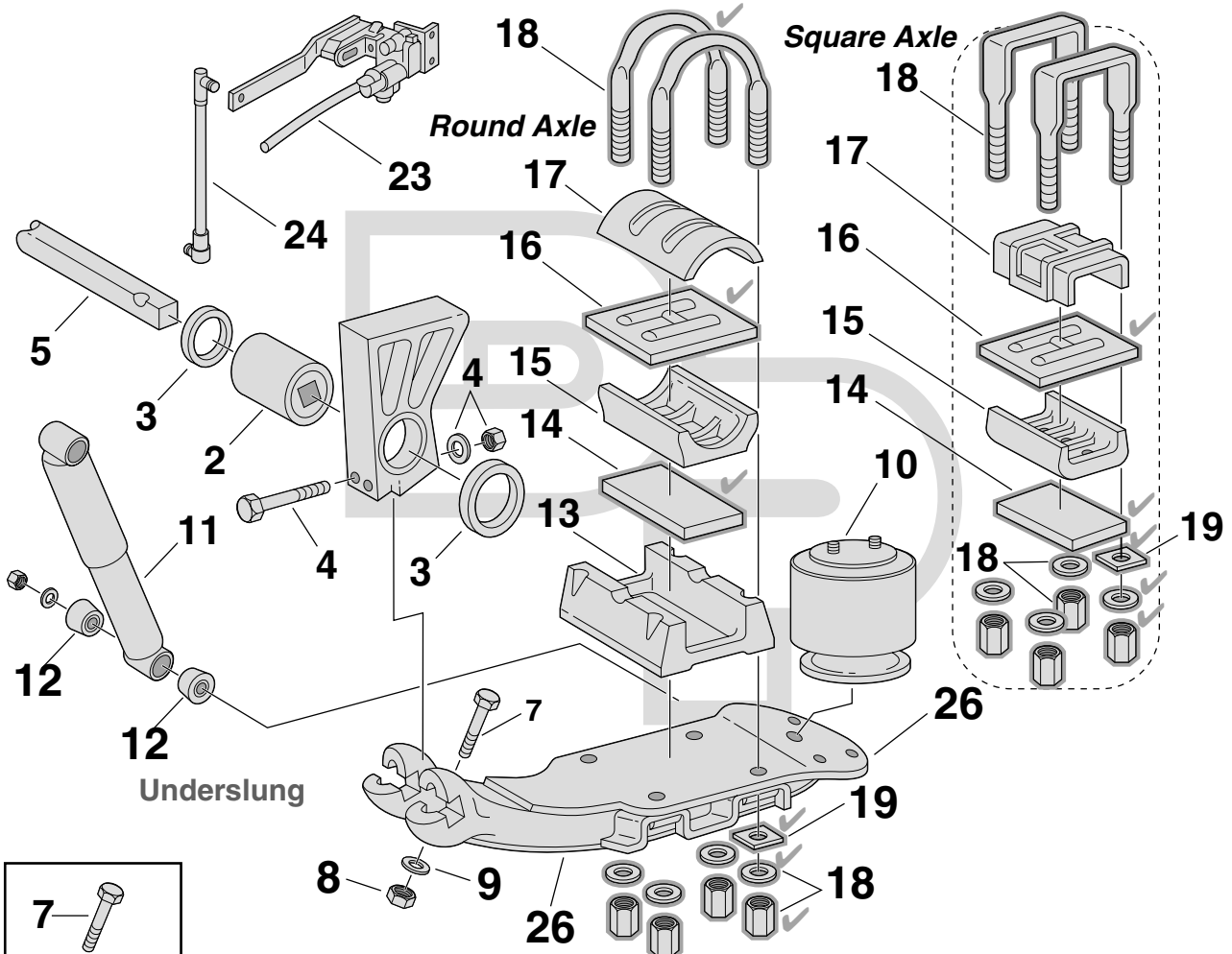
Key Numbers with an asterisk (*) indicate a kit or assembly.

Key No.	Part Number	Description	No. Req.	OEM Reference	Remarks	
●	1	338-1874	Bracket, Adjustable	2	905 19 710	AR90-14/15, AR90-1-14/15, AR92/93-15, ARU92-9, ARU93-8/9 & AR250-14/15
		338-2041	Bracket, Adjustable	2	905 19 712	AR90-17, AR90-1-17, & ARU92-12
	2	338-1875	Brace	2	900 23 002	AR90-14/15, AR90-1-12/14/15, AR92/93-14/15, ARU92-8/9, ARU93-7/8/9 & AR250-12/14/15
✓	3	334-612	Kit, Service; Pivot Connection	1	481 00 202, SRK-145	(2) Beam Ends; Incl. 321-229 Bushings & Hdwe.
●		339-261	Kit, Service; Pivot Connection Alignment; EZ-ALIGN®	1	481 00 294, SRK-232	AR250; Older
✓ ●	4	321-229	Bushing; 1 1/8"ID x 3 1/2"OD x 5 1/4"Lg	2	900 08 139	
		321-229U	Bushing, Urethane	2		
✓✓	5	334-605	Bolt; 1 1/8"-7 x 9 1/4"Lg	2	932 01 055, 932 01 046	
✓✓ ●		334-1786	Assembly, Bolt; EZ-ALIGN®	1	905 08 009	AR250; Older
✓✓	6	334-375	Nut, Lock; 1 1/8"-7	6	934 00 506	
✓✓	7	334-596	Spacer; 1 1/8"ID x 4"OD x 1/4"Thk	12	900 36 140	
✓✓ ●	8	334-600	Collar, Alignment; 1 1/8"ID x 3 1/4"OD x 7/8"Thk	4	900 08 147	
		334-1788	Collar, Alignment; EZ-ALIGN®	2	900 08 185	AR250; Obsolete
✓✓ ●	9	334-1787	Washer, Alignment; EZ-ALIGN®	1	900 08 238, 900 08 186	AR250; Older
✓✓	10	334-613	Kit, Service; Axle Connection; 5" Round Axle; 20" Wheel	1	481 00 206, SRK-149	(2) Axle Connections; Incl. 321-231 Bushings & Hdwe.
✓ ●	11	321-231	Bushing; 1 1/8"ID x 2 3/4"OD x 5"Lg	4	900 08 149	Axle Connection
		321-231U	Bushing, Urethane	4		
✓	12	334-607	Bolt; 1 1/8"-7 x 8 1/2"Lg	4	932 01 051, 932 01 045	
✓✓	13	352-9243	Air Spring	2	905 57 112	AR90-14-15-16-17
		352-9362	Air Spring	2	905 57 113	AR90-1-14-17 & ARU92-9-10
		352-9304	Air Spring	2	905 57 124	
✓✓		352-9921	Air Spring	2	905 57 117	
		352-9923	Air Spring	2	905 57 118	AR92-15-16, AR93-15-16 & ARU93-8
		352-9463	Air Spring	6	905 57 130, 905 57 131	AR90-1-12
		352-9922	Air Spring	2	905 57 119	
		352-8749	Air Spring	2	905 57 168	AR250-12-16-17
		352-9346	Air Spring	2	905 57 126	ARU92-12
	352-8748	Air Spring	2	905 57 167		
✓	14	M66886	Shock Absorber	2	900 44 089	
✓✓		M66610	Shock Absorber	2	900 45 054	
✓		M66634	Shock Absorber	2	900 44 992	
✓		M66636	Shock Absorber	2	900 44 979	
		See Shocks	Shock Absorber	2	Various	Consult Shock Catalog for Model Specific Applications
●	15	140149N	Bushing, Shock; 3/4"ID	8	905 08 004	Rubber w/Bonded Washer & Sleeve
✓✓	16	334-1105	Assembly, Bolt; 3/4"-10 x 3 1/2"Lg	4	900 03 599	
		334-798	Assembly, Bolt; 3/4"-16 x 4"Lg	4	930 03 621	
✓✓ ●	17	334-1143	Valve, Height Control	1	900 54 007	
✓✓ ●		334-750	Valve, Height Control; Universal	1		Hadley - Model 450HCV
✓ ●	18	334-751	Linkage Assembly; Universal; Adjustable	1	481 00 225, SRK-168	3 5/8"-19 5/8" Range
	19	338-1855	Assembly, Beam; LH	1	905 16 112	AR90-14, -15, -16 & -17
		338-1854	Assembly, Beam; RH	1	905 16 113	AR90-14, -15, -16 & -17
		338-1880	Assembly, Beam; RH	1	905 16 500	AR90-1 & AR92
		338-1879	Assembly, Beam; LH	1	905 16 501	AR90-1 & AR92
		SP	Beam Assembly	2	Various	Specify Model & LH/RH
	20	SP	Adapter, Axle	2	Various	Specify Model & LH/RH

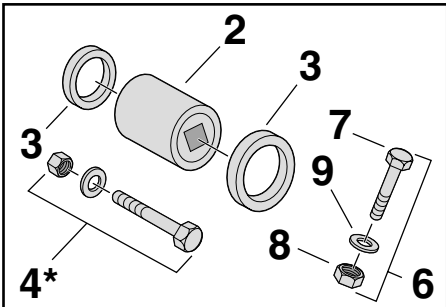
**AR120/125
AR120US/125US
Trailer/Slider Air Suspensions**

Neway

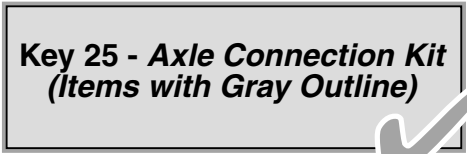
Neway



Key 6 - Bolt Assembly

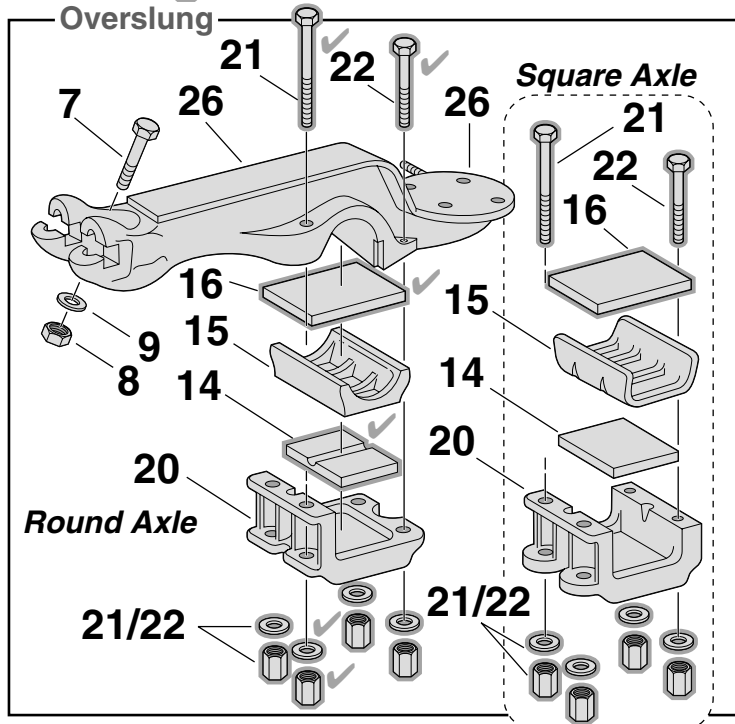


Key 1 - Pivot Connection Kit



Key 25 - Axle Connection Kit (Items with Gray Outline)

SEE CHECKMARKS



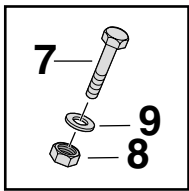
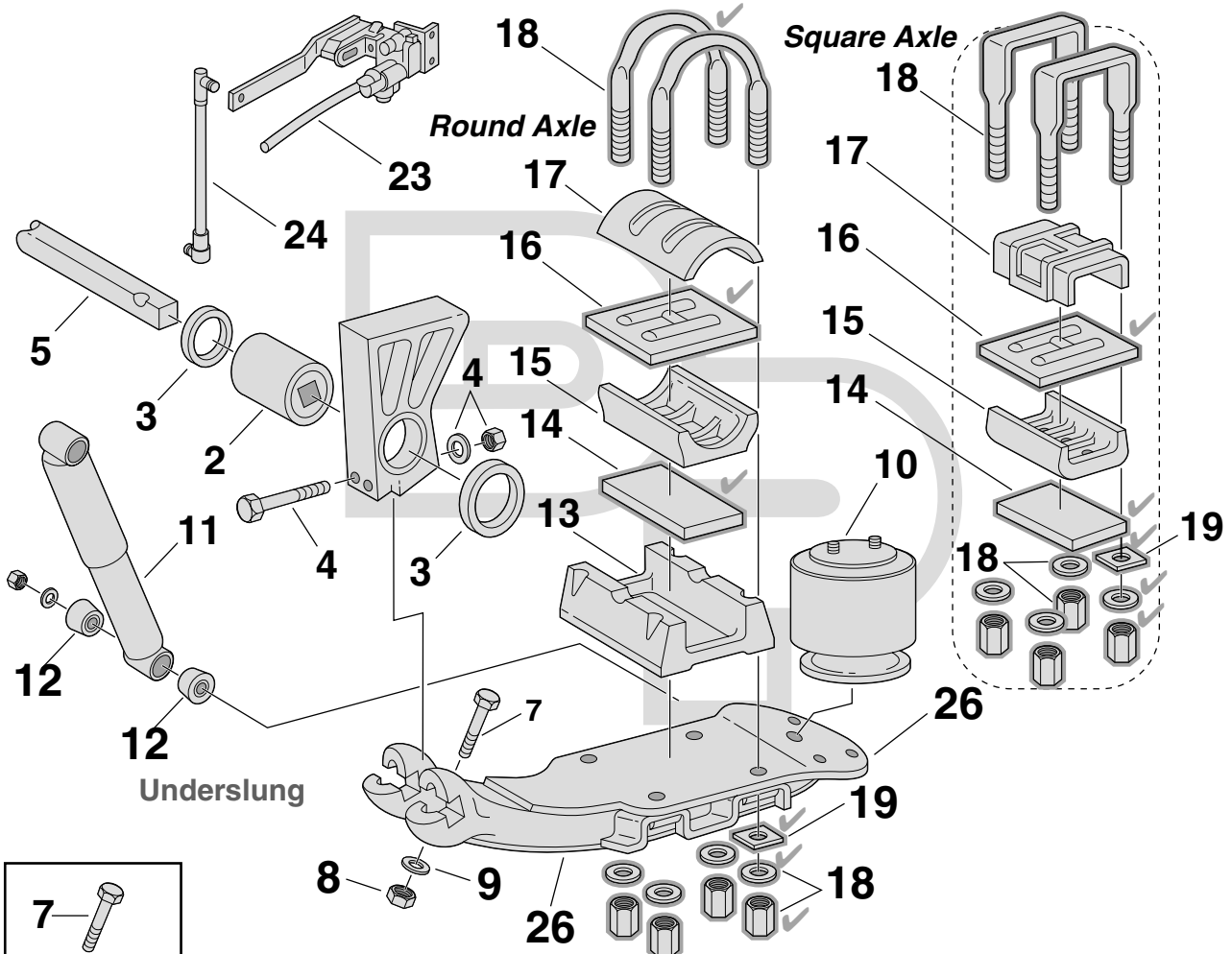
Suspension Illustration

Key No.	Part Number	Description	No. Req.	OEM Reference	Remarks
	1	334-618 Kit, Service; Pivot Connection	1	481 00 132, SRK-11A	Incl. 321-233 Bushings & Thrust Washer
●	2	321-233 Bushing; 1 1/2" Sq. x 4 1/2" OD x 4 9/16" Lg	2	905 08 001	
	3	334-595 Washer, Thrust; 3 1/2" ID x 5 7/16" OD x 1/4" Thk	4	936 00 035	
	4	334-624 Assembly, Bolt; 5/8"-11 x 3 1/2" Lg	4	930 03 383	Incl. Bolt & Hdwe.
●	5	334-555 Bar, Torsion; 42 7/8" Lg x 1 1/2" Square	1	900 06 003	Obsolete
		334-1090 Bar, Torsion; 45 3/4" Lg x 1 1/2" Square	1	900 06 034	Obsolete
✓✓	6	334-626 Assembly, Bolt; 3/4"-10 x 5" Lg	4	930 03 633	Incl. Bolt & Hdwe.
	7	327-141 Bolt; 3/4"-10 x 5" Lg	4	930 03 633	
	8	SLNC-105 Nut, Lock; 3/4"-10	4		
	9	334-166 Washer, Hard Flat; 3/4"	4	936 00 005	
✓	10	352-9082 Air Spring	2	905 57 027	AR120, AR120US & AR120USF
✓✓		352-9101 Air Spring	2	905 57 009	AR120L & AR120USL
✓✓		352-9121 Air Spring	2	905 57 078	AR125, AR125US & AR125USF
✓✓		352-9122 Air Spring	2	905 57 077	AR125L & AR125USL
	11	See Shocks Shock Absorber	2	Various	Consult Shock Catalog for Model Specific Applications
●	12	140149N Bushing, Shock; 3/4" ID	8	905 08 004	Rubber w/Bonded Washer & Sleeve
✓●	13	338-1396 Seat, Standard	2	900 01 006	3 1/2" Deep
●		338-2040 Seat, Heavy Duty	2	900 01 131	Replaces 338-1337
✓●	14	325-161 Pad; 5 7/8"W x 7"Lg x 7/16"Thk	2	900 28 083	All Axles; Third Design
✓✓●		325-129 Pad; 5 5/8"W x 7"Lg x 7/16"Thk	2	900 28 075, 900 28 083	All Axles; Second Design
●		325-129U Pad, Urethane	2		
●		325-133 Pad; 5 5/8"W x 7"Lg x 3/8"Thk	2	900 28 016	All Axles; First Design
●		325-133U Pad, Urethane	2	900 28 016	
✓●	15	338-1338 Adapter, Axle; 5" Round Axles	2	900 01 082	New Style
●		338-1339 Adapter, Axle; 5" Square Axles	2	900 01 083	New Style
●	16	325-130 Wrap, Axle; 7 1/8"W x 9 9/16"Lg x 3/8"Thk	2	900 28 005	5" x 5" Square Axles; Old Style
✓●		325-131 Wrap, Axle; 7 1/4"W x 8"Lg x 1/2"Thk	2	900 28 047	5" Round Axles & Fabricated Axle Cap; New Style
●		325-131U Wrap, Axle; Urethane	2		
✓●		325-132 Wrap, Axle; 7 1/4"W x 7 1/4"Lg x 3/8"Thk	2	900 28 007	5" Round Axles & Cast Axle Cap; Old Style
●		325-132U Wrap, Axle; Urethane	2	900 28 007	
✓●		325-143 Wrap, Axle; 7 1/4"W x 9 5/8"Lg x 3/8"Thk	2	900 28 073	5" x 5" Square Axles; New Style
✓●	17	338-1365 Cap, Axle; 5" Round; New Style	2	900 10 032	New Style
●		338-1366 Cap, Axle; 5" Square	2	900 10 022	New Style
✓✓	18	361-224 Kit, U-Bolt; Round Bend, Forged Top, Grade 8	4	900 41 878	1" x 6 5/16" x 9" R
		361-220 Kit, U-Bolt; Square Bend, Forged Top, Grade 8	4	900 41 997	1" x 6 5/16" x 10 1/2" S; Incl. Lock Nut
		361-222 Kit, U-Bolt; Square Bend, Forged Top, Grade 8	4	900 42 795	1" x 6 5/16" x 12 1/2" S; Incl. Lock Nut
✓		361-230 Kit, U-Bolt; Round Bend, Forged Top, Grade 8	4	900 42 792, 900 41 886	1" x 6 3/8" x 12 1/2" R
●	19	334-610 Washer, Square; 1" ID x 2" Sq. x 3/8"Thk	8	936 00 028	
●	20	338-1336 Cap, Axle; Overslung; 5" Round Axle; 8" x 9 3/4"Lg x 5 1/16"H	2	900 10 001	
●		338-1546 Cap, Axle; Lower; 5" Square Axles	2	900 10 021	
	21	334-1107 Assembly, Bolt; 7/8"-9 x 6"Lg	4	939 00 178	Incl. Bolt & Hdwe.; 5" Round Axles
	22	334-1108 Assembly, Bolt; 7/8"-9 x 3"Lg	4	934 00 496	Incl. Bolt & Hdwe.
		334-1291 Assembly, Bolt; 7/8"-9 x 5"Lg	4	932 00 772	Incl. Bolt & Hdwe.; 5" Square Axles

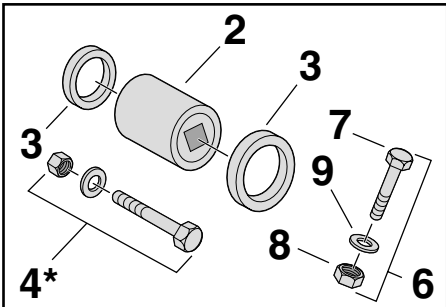
**AR120/125
AR120US/125US
Trailer/Slider Air Suspensions**

Neway

Neway



Key 6 - Bolt Assembly

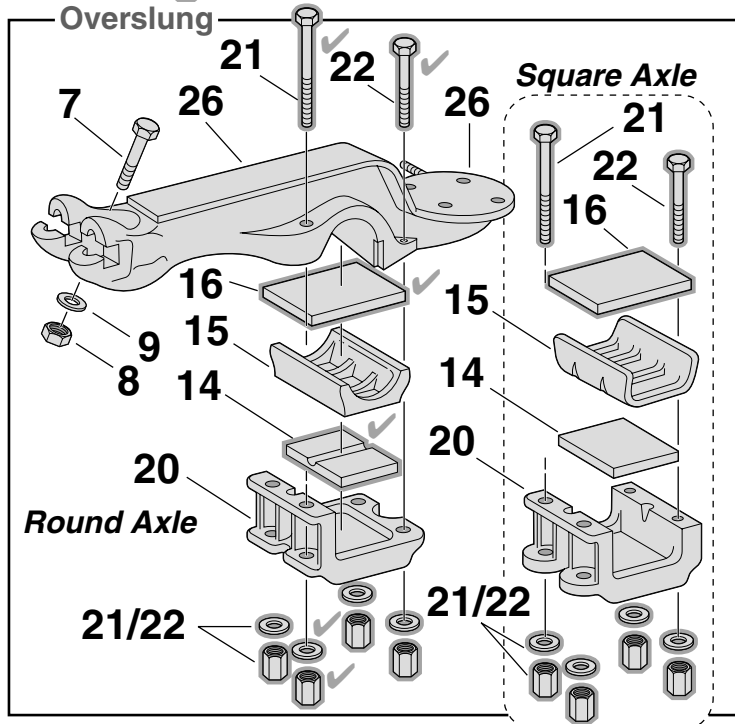


Key 1 - Pivot Connection Kit



Key 25 - Axle Connection Kit (Items with Gray Outline)

SEE CHECKMARKS



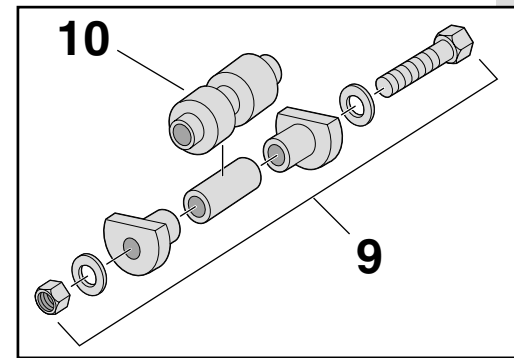
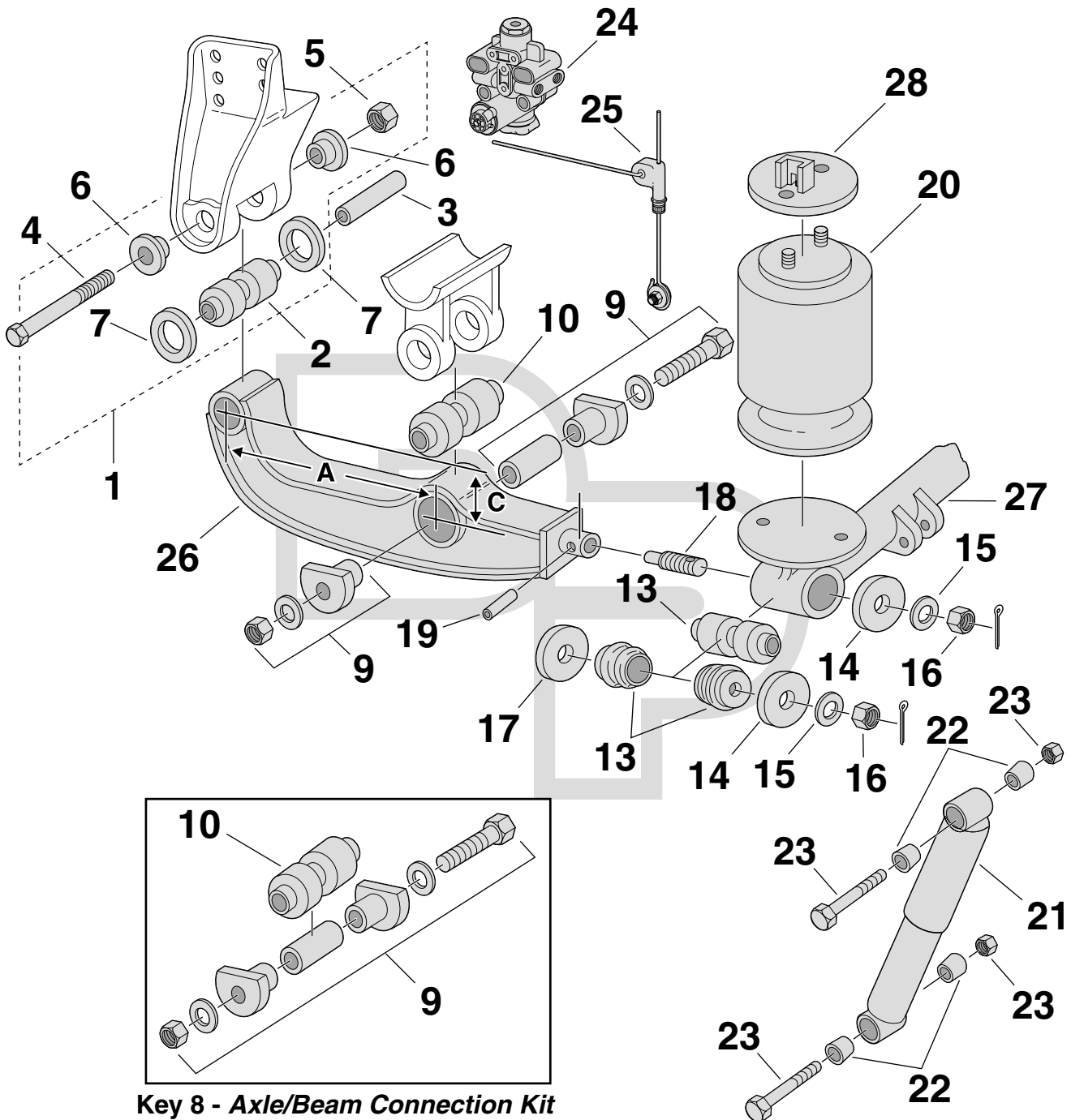
Suspension Illustration

Key No.	Part Number	Description	No. Req.	OEM Reference	Remarks	
✓✓●	23	334-1143	Valve, Height Control	1	900 54 007	
✓✓●		334-750	Valve, Height Control; Universal	1		Hadley - Model 450HCV
✓●	24	334-751	Linkage Assembly; Universal; Adjustable	1	481 00 225, SRK-168	3 5/8"-19 5/8" Range
	25	339-194	Kit, Service; Axle Connection; 5" Round; Old Style; (1) Axle	1	481 00 008, SRK-4	Incl. (2)325-132, (2)325-133, (4)361-224, (8)334-610 & Hdwe.
✓✓		334-621	Kit, Service; Axle Connection; 5" Round Axle; New Style	1	481 00 108, SRK-64	Incl. (2)325-129, (2)325-131, (4)361-224 & (8)334-610
		339-226	Kit, Service; Axle Connection; 5" Square Axle; New Style; (1) Axle	1	481 00 112, SRK-68	Incl. (2)325-129, (2)325-143, (8)334-610 & (4)361-220
		334-620	Kit, Service; Axle Connection; 5" Round Axle; New Style	1	481 00 181, SRK-128	Incl. (2)325-129, (2)325-131, (4)361-230 & (8)334-610
		339-193	Kit, Service; Axle Connection; 5" Round Overslung; (1) Axle	1	481 00 016, SRK-15	Incl. (2)325-132, (2)325-133, (4)334-1107 & (4)334-1108
		339-242	Kit, Service; Axle Connection; 5" Round; One Axle	1	481 00 110, SRK-66	Incl. 325-131 Wrapper, 325-161 Pad, 8U-7110R U-Bolts & Hdwe.
	26	338-1858	Assembly, Beam; LH	1	905 15 026	AR120 & AR125US
		338-1859	Assembly, Beam; RH	1	905 15 027	AR120 & AR125US
		SP	Assembly, Beam	2	Various	Specify Model; LH/RH; Call for Assistance

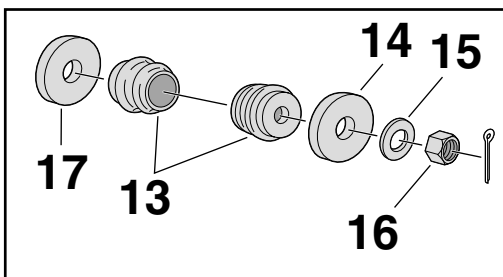
**ARD120/238, 125/244, 234
Single/Tandem Drive Axle
Air Suspensions**

Neway

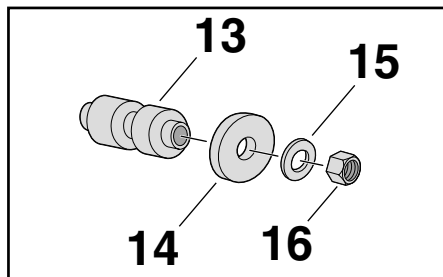
Neway



Key 8 - Axle/Beam Connection Kit



Key 12 - Transverse Beam End Rebushing Kit



Key 11 - Transverse Beam End Rebushing Kit (ARD234)

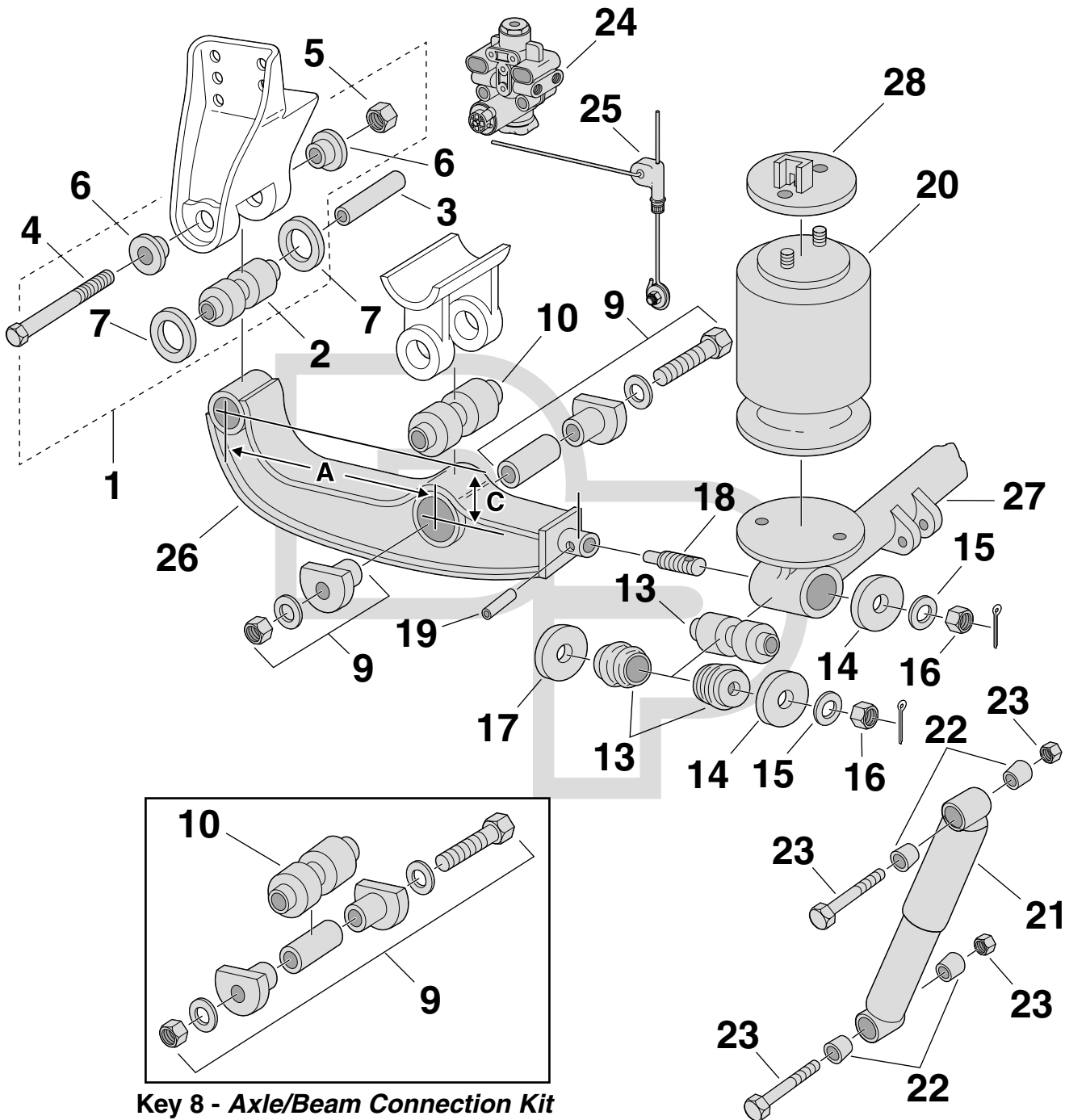
Suspension Illustration

Key No.	Part Number	Description	No. Req.	OEM Reference	Remarks
✓	1	334-615 Kit, Service; Pivot Connection Alignment; 1981 & up	1	481 00 170, SRK-120/139	(1) Beam; Incl. 321-227 Bushing & Alignment Collars
		339-183 Kit, Service; Pivot Connection Alignment	1	481 00 154, SRK-105	(1) Axle; Incl. 321-235 Bushing & Alignment Collars
●		339-195 Kit, Service; Pivot Connection Alignment	1	481 00 204, SRK-147	(1) Axle; Incl. 321-230 Bushing & Alignment Collars
●		339-199 Kit, Service; Pivot Connection	1	481 00 205, SRK-148	(1) Axle; Incl. 321-230 Bushing
		339-237 Kit, Service; Pivot Connection; 1981 & up	1	481 00 194, SRK-139A	(1) Axle; Incl. 321-227 Bushing
		339-246 Kit, Service; Pivot Connection	1	481 00 120, SRK-76	(1) Axle; Incl. 321-235 Bushing
✓ ●	2	321-230 Bushing; 1 1/8"ID x 2 3/8"OD x 5"Lg	2	900 08 145	ARD120-6/234-6/238-6
✓ ●		321-235 Bushing; 1 1/4"ID x 2 3/8"OD x 5"Lg	2	900 08 002	Old Style
✓ ✓ ●		321-227 Bushing; 1 1/8"ID x 2 3/8"OD x 5"Lg	2	900 08 131	ARD125/244; 1981 and Up
●		321-227U Bushing, Urethane	2		
	3	334-1092 Sleeve, Delrin; 1 1/8"ID x 1 1/4"OD x 5"Lg	2	900 38 083	ARD234
✓ ✓	4	334-605 Bolt; 1 1/8"-7 x 9 1/4"Lg	2	932 01 046, 932 01 055	
		334-606 Bolt; 1 1/4"-12 x 9"Lg	2	932 00 132	
●		334-1091 Bolt; 1 1/4"-12 x 9 3/4"Lg	2	932 01 030	Before 1981; w/Alignment Collar; 1 5/8" Thread
✓ ✓	5	334-375 Nut, Lock; 1 1/8"-7	2	934 00 506	
		334-193 Nut, Lock; 1 1/8"-12	2		
✓ ●	6	334-599 Collar, Alignment; 1 1/8"ID x 2 3/4"OD x 1"Thk	4	900 08 120	After 1981; ARD125/234/244
●		334-1073 Collar, Alignment	4	900 08 150	
●		334-1085 Collar, Alignment	4	900 08 110	Before 1981
✓	7	334-598 Washer; 1 1/8"ID x 2 7/8"OD x 1/4"Thk	4	936 00 495	After 1981; Use w/321-230 & 321-227 Bushings
		334-1084 Washer; 1 1/4"ID x 3 1/2"OD x 1/4"Thk	4	900 36 001	Before 1981
✓ ✓ ●	8	334-619 Service, Kit; Axle Connection; 5 3/4"Lg Bushing	1	481 00 124, SRK-80	Incl. Bushings & Adapter Kits; (2) Axle Connections
●		339-178 Service, Kit; Axle Connection; 5 1/4"Lg Bushing	1	481 00 123, SRK-79	Incl. Bushings & Adapter Kits; (2) Axle Connections
✓ ✓ ●	9	334-109 Kit, Adapter; Solid Adapters	2		Use w/5 3/4" Bushing
✓ ✓ ●		334-108 Kit, Adapter; Solid Adapters	2		Use w/5 1/4" Bushing
✓ ✓ ●	10	321-237 Bushing; 2 1/2"ID x 3 7/8"OD x 5 3/4"Lg	2	900 08 008	
●		321-237U Bushing, Urethane	2		
✓ ✓ ●		321-226 Bushing; 2 1/2"ID x 3 7/8"OD x 5 1/4"Lg	2	900 08 006	
	11	339-184 Kit, Service; Transverse Beam Connection; (1) Axle	1	481 00 143, SRK-95	Incl. (2)321-228, (2)334-375, (2)334-1169 & (2)334-1080
✓ ✓	12	339-180 Kit, Service, Transverse Beam Connection; (1) Axle	1	481 00 161, SRK-77-1	Incl. (2)334-603, (4)321-232, (2)334-1077 & Hdwe.
●	13	321-228 Bushing; 2"ID x 3 3/8"OD x 5 1/4"Lg	2	900 08 104	ARD234
✓ ✓ ●		321-232 Bushing; 2 1/8"Lg	4	900 08 113	ARD120/238 & ARD125/244
●		321-232U Bushing, Urethane	4		
	14	334-1080 Washer; 1 3/16"ID x 3 7/16"OD x 5/16"Thk	2	936 00 493	ARD234
		334-603 Washer; 1 9/32"ID x 4"OD x 1/2"Thk	2	900 36 007	ARD120/238 & ARD125/244
	15	334-477 Washer, Compression; 1 1/8"ID x 2 1/2"OD x 5/16"Thk	2		ARD234
		SFW-125 Washer, Flat; 1 1/4"	2	936 00 180	ARD120/238 & ARD125/244
✓ ✓	16	334-375 Nut, Lock; 1 1/8"-7	2	934 00 506	ARD234
		SLN-108 Nut, Lock; 1 1/4"-12	2		ARD120/238 & ARD125/244
	17	334-1077 Washer, Inner	2	936 00 512	ARD120/238 & ARD125/244
	18	334-1285 Stud; 1 1/8"-7 x 3 5/8"Lg	4	900 06 338	ARD234
●		334-1500 Stud; 1 1/4"-12 X 5"Lg	2	939 00 199, 900 06 380	ARD120/238; Full Thread

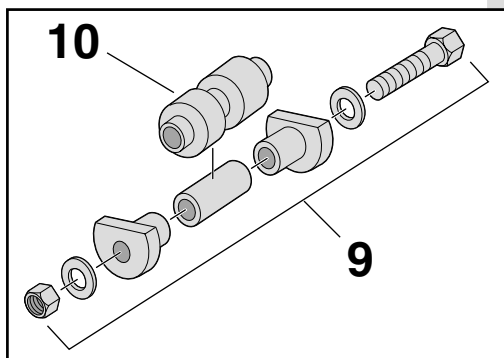
**ARD120/238, 125/244, 234
Single/Tandem Drive Axle
Air Suspensions**

Neway

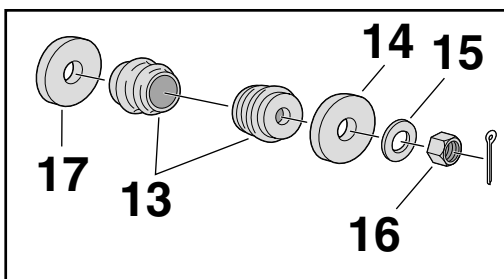
Neway



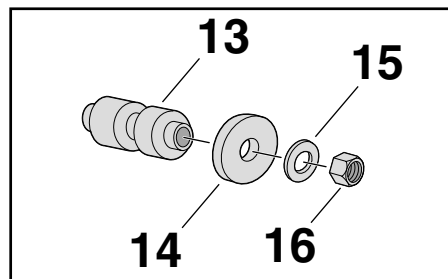
Suspension Illustration



Key 8 - Axle/Beam Connection Kit



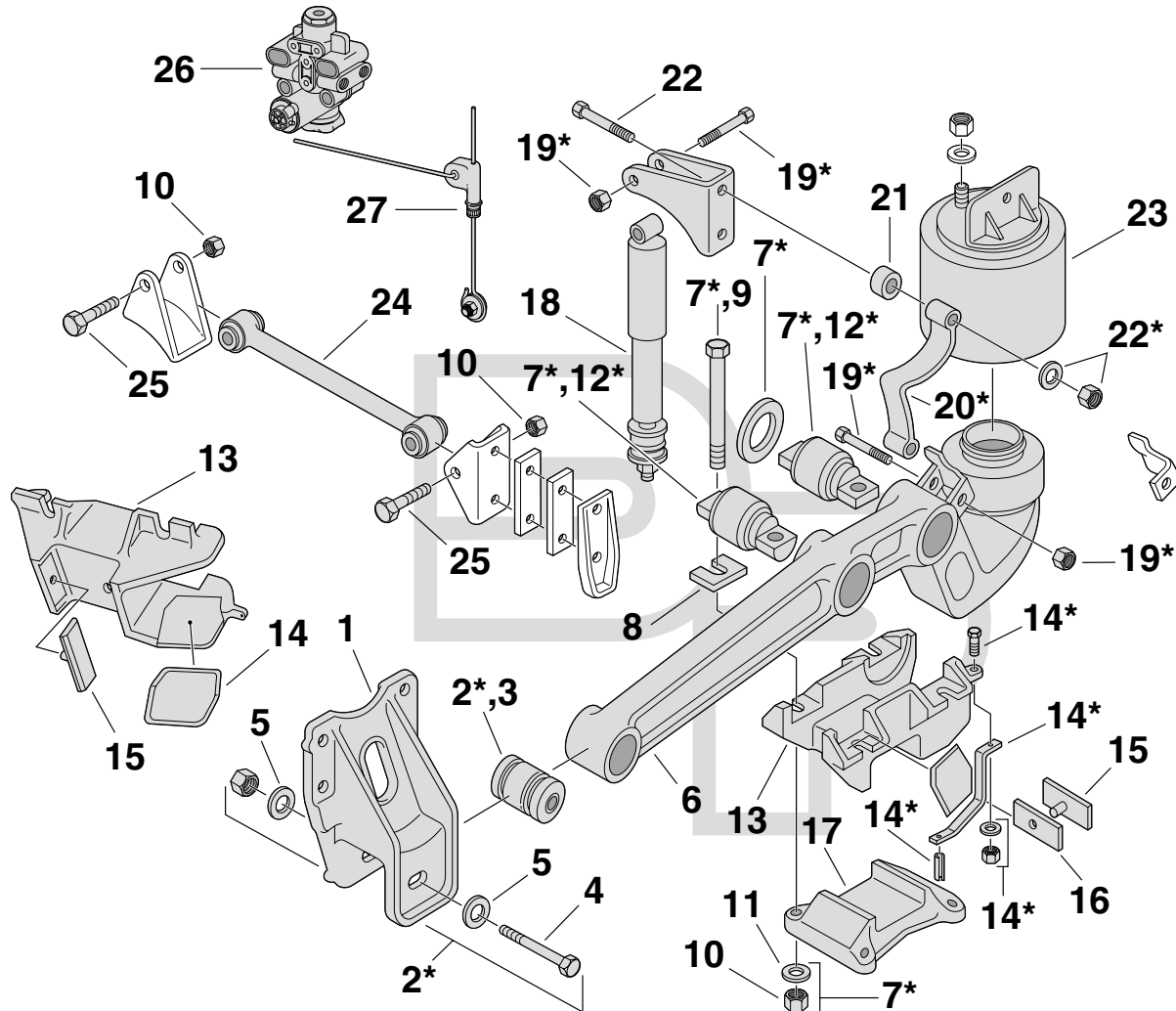
Key 12 - Transverse Beam End Rebushing Kit



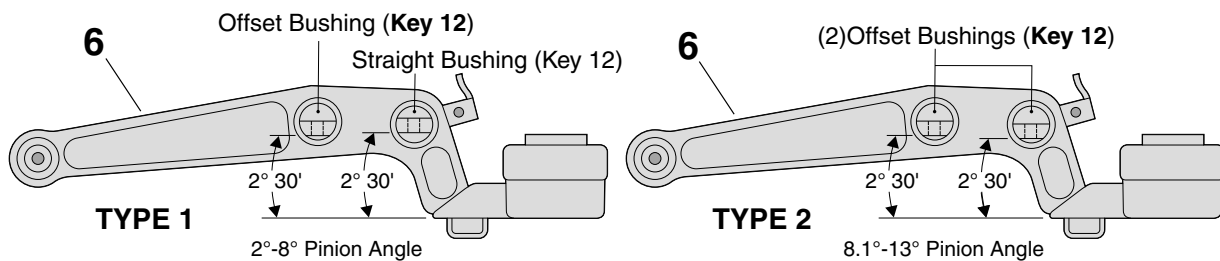
Key 11 - Transverse Beam End Rebushing Kit (ARD234)

Key No.	Part Number	Description	No. Req.	OEM Reference	Remarks
19	334-1098	Pin, Roll; 3/8"OD x 2 1/4"Lg	2	900 44 174	Not Used on ARD234
✓ 20	352-9082	Air Spring	2	905 57 027	ARD125/244
	352-9092	Air Spring	2	905 57 031	ARD120/238
	SP	Air Spring	2	905 57 070, 905 57 087	ARD234-6
✓ 21	M66638	Shock Absorber	2	900 44 046	Consult Shock Catalog for Model Specific Applications
✓✓	M66710	Shock Absorber	2	900 44 016	
	M65474	Shock Absorber	2	900 44 011	
	M65516	Shock Absorber	2	900 44 025	
	See Shocks	Shock Absorber	2	Various	
● 22	140149N	Bushing, Shock; 3/4"ID	8	905 08 004	Rubber w/Bonded Washer & Sleeve
✓✓ 23	334-1105	Assembly, Bolt; 3/4"-10 x 3 1/2"Lg	4	930 03 599	Incl. Bolt & Hdwe.
✓ ● 24	334-1605	Valve, Height Control; Instant Response	1	905 54 241	Hadley - Model 450HCV
✓✓ ●	334-750	Valve, Height Control; Universal	1		
✓ ● 25	334-751	Linkage Assembly; Universal; Adjustable	1	481 00 225	Use w/Universal Valve
✓ ●	334-1572	Linkage, Height Control Valve	1	481 00 267	Use w/IR Valve
● 26	338-1861	Assembly, Beam; 5 1/4" Bushing	2	905 16 177	ARD125/244; A=24.75" C=7.00"
	338-1856	Assembly, Beam; 5 3/4" Bushing	2	905 16 288	ARD125/244; A=24.75", C=7.00"
	SP	Assembly, Beam	2	Various	Specify Model, A & C Dimensions & Seat Bushing Length
27	338-1857	Assembly, Transverse	1	905 44 079	ARD125/244-6
	SP	Assembly, Transverse	1	Various	Specify Model & Ride Hgt. When Ordering Beams Not Listed Above
28	338-1853	Plate, Mounting; Air Spring	2	900 31 027	ARD120/238-6
	SP	Plate, Mounting; Air Spring	2	Various	Specify Model & Ride Hgt. When Ordering Plates Not Listed Above

Neway



IMPORTANT: Axle connection bushings must be installed correctly to accommodate the axle pinion angle. The Neway Air-Beam bushing replacement tool (part number 505 44 012 - Key 28) must be used for the procedure.



IMPORTANT: When ordering axle connection bushings, and/or shims, specify the correct beam type so that it will fit and maintain the correct pinion angle. It is critical that you use the following step-by-step procedure when ordering and installing a beam assembly. Failure to do so can result in axle, drive line, frame and suspension damage.

1) Determine the correct beam type (1 or 2) using the graphics above. If the rear bushing in your beam is straight you have a type 1 beam, and if the bushing is offset you have a type 2 beam. The type is also located on the serial number plate attached to the right hand (curb side) beam. If the plate cannot be read, contact your vehicle manufacturer for the correct pinion angle of your axle.

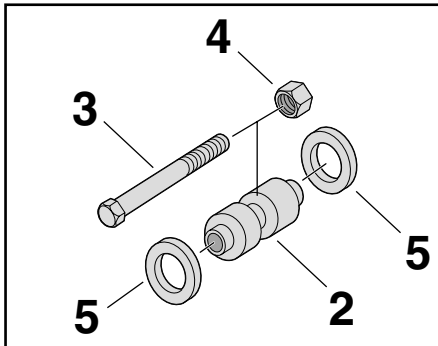
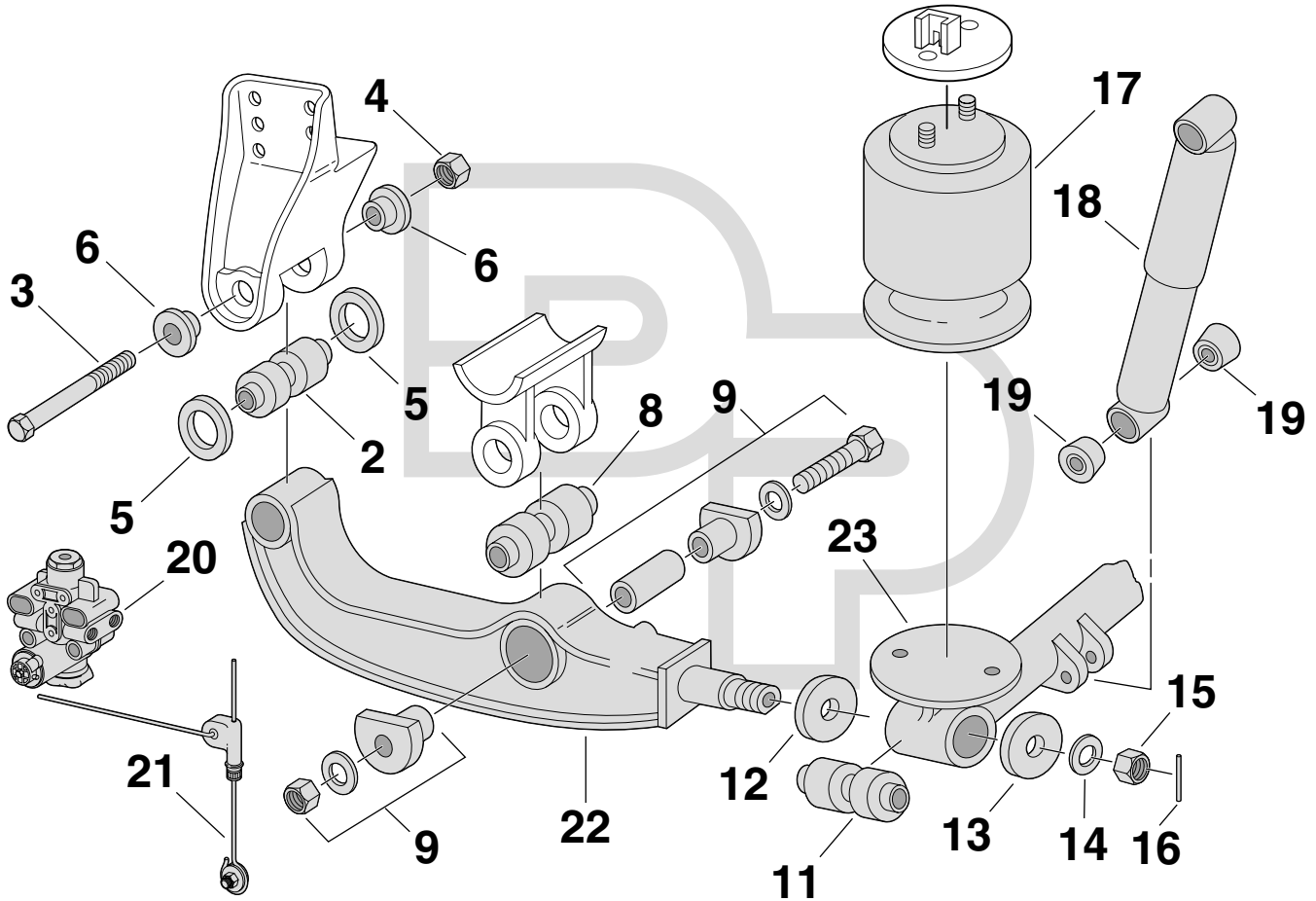
2) Before disassembling the beam, document the number and location of the axle shims (Key 8) for proper alignment.

Key No.	Part Number	Description	No. Req.	OEM Reference	Remarks
	SP	Bracket, Frame	2	900 18 475	
✓ ●	339-248	Kit, Service; Pivot Connection Alignment	1	481 00 253, SRK-80-1	(1) Axle
●	321-390	Bushing	2	900 08 165	
✓	334-1396	Bolt; 7/8"-14 x 7 1/2"Lg	2	930 03 905	
✓ ●	334-1773	Collar, Alignment	4	900 08 166	Discontinued; Order 339-248 Service Kit
	SP	Assembly, Beam	2	Various	Specify LH/RH, Pinion Angle
✓ ●	339-244	Kit, Service; Axle Connection	1	481 00 246, SRK-189	(1) Axle; 2°-8° Pinion
✓ ●	339-245	Kit, Service; Axle Connection	1	481 00 247, SRK-190	(1) Axle; 0° & 8.1°-13° Pinion
	SP	Shim, Axle Connection	AR	900 33 327	2° pinion
✓	334-1668	Bolt; 7/8" x 12 1/2"Lg	8	939 00 213	
	334-236	Nut, Lock; 7/8"-9	12	934 00 498	
✓✓	334-150	Washer, Hard Flat; 7/8"	8	936 00 162	
✓ ●	321-391	Bushing	2	900 08 189	Straight Pin
✓ ●	321-392	Bushing	2/4	900 08 172	Offset Pin
	SP	Seat, Axle	2	Various	Specify LH/RH, Axle Mfg & Model, Single/Tandem & Forward/Rear
●	339-247	Kit, Service; Seat Wear Pad	1	481 00 249, SRK-192	
●	334-1774	Shim, Plastic	2	900 44 887	
●	334-1775	Shim, Steel	2	900 33 376	
	SP	Plate, Bottom	2	Various	Specify LH/RH, Axle Mfg & Model, Single/Tandem & Forward/Rear
✓✓	M66609	Shock Absorber	2	900 44 907	
	334-1737	Assembly, Bolt; 3/4"x 3 3/4"Lg	4	930 03 603	
✓ ●	334-1607	Strap	2	900 44 882	
	SP	Spacer	2	900 36 159	
✓✓	334-626	Assembly, Bolt; 3/4"-10 x 5"Lg	2	930 03 633	
	352-9268	Air Spring	2	905 57 123	
	SP	Rod, Track	1	900 44 877	Bearing Style
	SP	Rod, Track	1	900 44 972	Rubber Bushed
●	345-867	Rod, Track	1	900 45 017	Ford
✓✓	327-323	Bolt, 7/8"-9 x 4 1/2"Lg	2	930 03 831	
✓ ●	334-1605	Valve, Height Control; Instant Response	1	905 54 241	
✓ ●	334-1572	Linkage, Height Control Valve	1		
	SP	Tool, Axle Connection Bushing	1	500 44 008	Required for Proper Bushing Installation

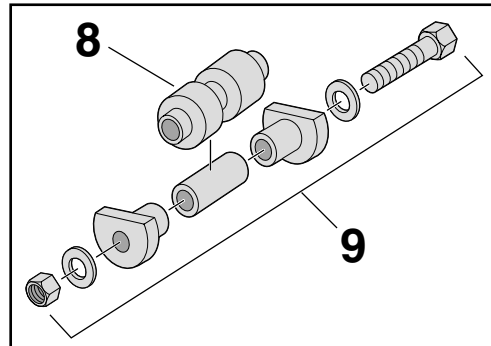
ARDST123/244, 246, 250, ARDSTM/L 123/246
Single/Tandem Drive Axle
Air Suspensions

Neway

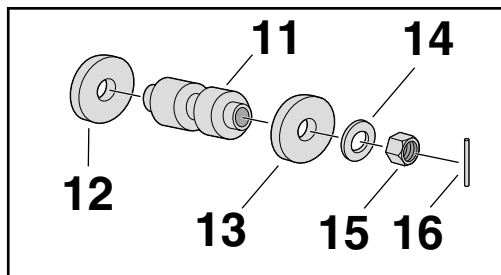
Neway



Key 1* - Beam Pivot Rebuild Kit



Key 7* - Axle/Beam Connection Kit



Key 10* - Transverse Beam End Rebushing Kit

Suspension Illustration

Key No.	Part Number	Description	No. Req.	OEM Reference	Remarks
✓✓●	1 339-233	Kit, Service; Pivot Connection	1	481 00 260, SRK-200	(1) Axle
✓✓●	2 321-314	Bushing	2	900 08 151	Pivot
✓✓	3 334-605	Bolt; 1 1/8"-7 x 9 1/4"Lg	2	932 01 046	
✓✓	4 334-375	Nut, Lock; 1 1/8"-7	2	934 00 506	
✓✓	5 334-596	Spacer; 1 1/8"ID x 4"OD x 1/4"Thk	4	900 36 140	
✓●	6 334-599	Collar, Alignment; 1 1/8"ID x 2 3/4"OD x 1"Thk	4	900 08 120	ARD125, 234 & 244; Post 1981
●	334-1073	Collar, Alignment	4	900 08 150	Ford Applications
✓✓●	7 334-619	Kit, Service; Axle Connection; 5 3/4"Lg Bushing	1	481 00 124, SRK-80	(2) Axle Connections; Incl. Bushings & Adapter Kits
✓✓●	8 321-237	Bushing; 2 1/2"ID x 3 7/8"OD x 5 3/4"Lg	2	900 08 008	
●	321-237U	Bushing, Urethane	2		
✓✓●	9 334-109	Kit, Adapter; Solid Adapters	2		Use w/5 3/4" Bushing
●	10 339-234	Kit, Service; Transverse Beam Connection	1	481 00 261, SRK-201	(1) Axle
●	11 321-315	Bushing; 4 1/8"OD	2	900 08 135	
	12 334-1280	Washer, Inner; 2 5/8"ID x 5 1/4"OD x 1/4"Thk	2	936 00 498	
	13 334-1281	Washer, Outer; 2 1/4"ID x 5 1/4"OD x 3/4"Thk	2	900 36 118	
	14 334-477	Washer, Compression; 1 1/8"ID x 2 1/2"OD x 5/16"Thk	2		
	15 334-1282	Nut, Slotted; 2 1/4"-12, 3 1/2"AF x 1 7/8"Thk	2	934 00 603	
	16 334-1283	Pin, Roll; 3/8" x 3 1/2"Lg	2	938 00 235	
✓	17 352-9082	Air Spring	2	905 57 006, 905 57 027	
	352-9092	Air Spring	2	905 57 031, 905 57 037	
	352-9141	Air Spring	2	905 57 110	
	352-9193	Air Spring	2	905 57 101	
✓✓	352-9471	Air Spring	2	905 57 146	
	352-9472	Air Spring	2	905 57 147	Repl. by 905 57 213
	352-9501	Air Spring	2	905 57 212	
	352-9491	Air Spring	2	905 57 213	
	352-9482	Air Spring	2	905 57 161	
	SP	Air Spring	2	905 57 166	
	18 M65515	Shock Absorber	2	900 44 625	
	M65516	Shock Absorber	2	900 44 025	
	See Shocks	Shock Absorber	2	Various	Consult Shock Catalog for Model Specific Applications
●	19 140149N	Bushing, Shock; 3/4"ID	8	905 08 004	Rubber w/Bonded Washer & Sleeve
✓●	20 334-1605	Valve, Height Control; Instant Response	1	90554241	
✓✓●	334-750	Valve, Height Control; Universal	1		
✓●	21 334-1572	Linkage, Height Control Valve	1	481 00 267, SRK-205	Use w/IR Valve
✓●	334-751	Linkage Assembly, Universal; Adjustable	1	481 00 225, SRK-168	3 5/8"-19 5/8" Range
	22 338-1860	Assembly, Beam	2	905 16 286	ARDST123, 244 & 246
	SP	Assembly, Beam	2	905 16 468	ARDST250
	SP	Assembly, Beam	2	905 16 352	ARDST246; w/ 8 3/4" Ride Hgt.
	23 SP	Beam, Transverse	1	905 44 617	

Neway

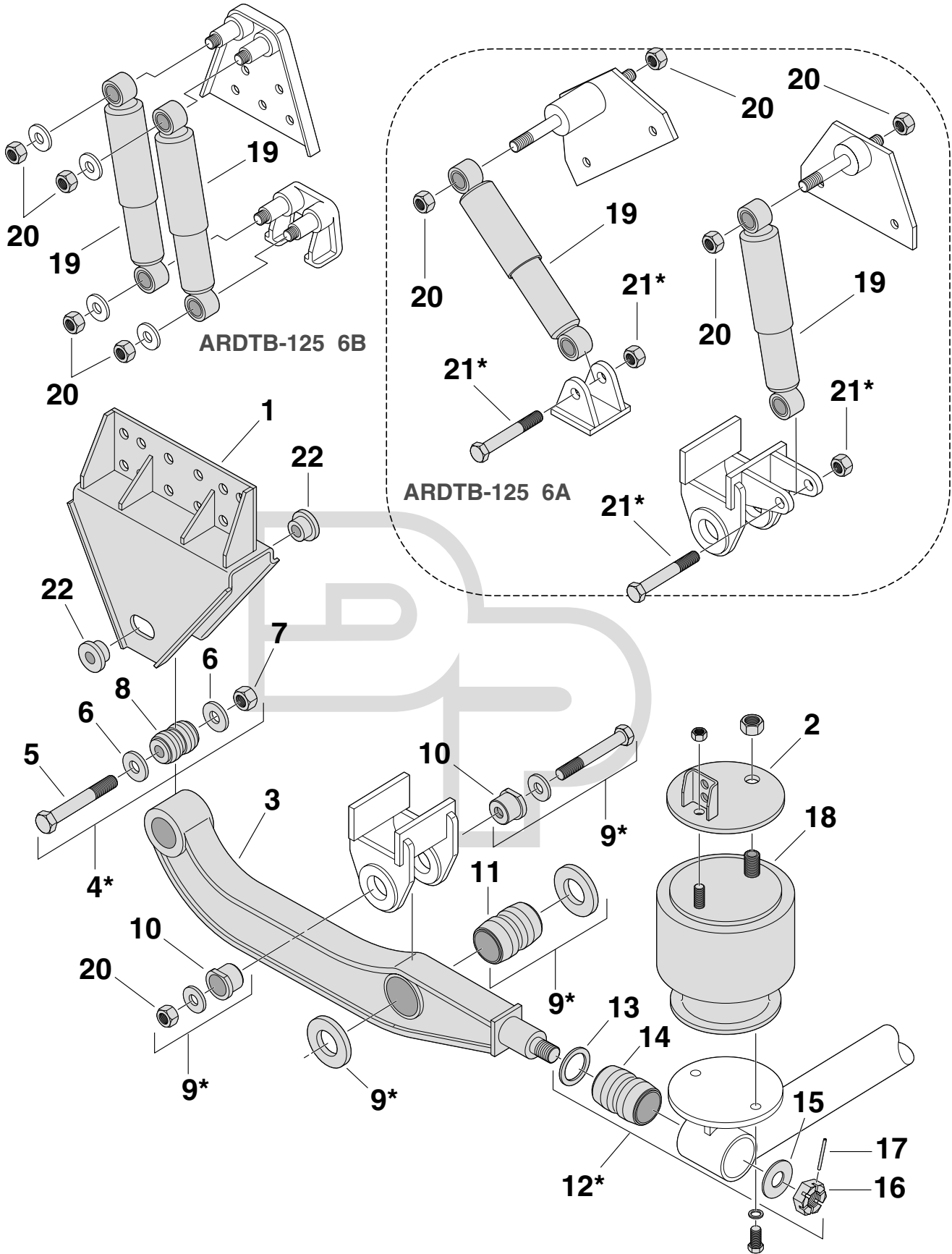
Parts Listing

ARDTB125-6A/6B
Bus and Motorcoach
Drive Axle Air Suspensions

Neway

Neway

Suspension Illustration



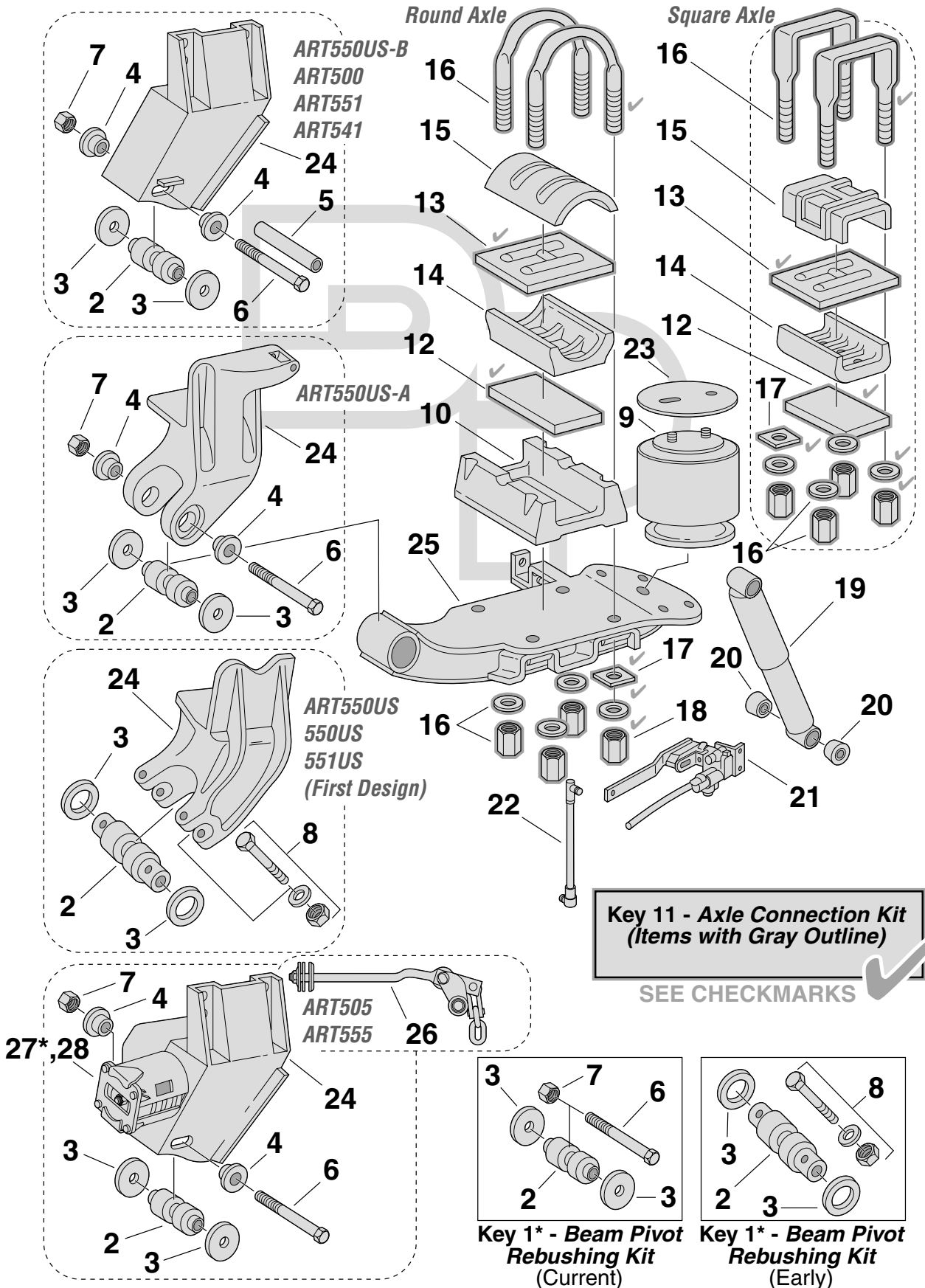
Key No.	Part Number	Description	No. Req.	OEM Reference	Remarks
	SP	Bracket, Frame	2	Various	Specify Roadside/Curbside & Model
	SP	Plate, Mounting; Air Spring	2	905 31 136	
	SP	Beam, Equalizing	2	905 16 293	Incl. Bushings
✓✓●	339-233	Kit, Service; Pivot Connection	1	SRK-563, SRK-200	(1) Axle
✓✓	334-605	Bolt; 1 1/8"-7 x 9 1/4"Lg	2	932 01 046, 932 01 055	
✓✓	334-596	Spacer; 1 1/8"ID x 4"OD x 1/4"Thk	4	900 36 140, 936 00 502	
✓✓	334-375	Nut, Lock; 1 1/8"-7	2	934 00 506	
✓✓●	321-314	Bushing	2	900 08 151	
	339-333	Kit, Service	1	481 00 259,	
	334-1958	Bushing, Adapter	4	M0001000	
	321-380	Bushing	2	M60 08 000	
	SP	Bushing	2	900 08 183	
●	339-234	Kit, Service; Transverse Beam Connection	1	481 00 261, SRK-201	(1) Axle; Incl. (2)321-315, (2)334-1280, (2)334-1281, (2)334-1282 & (2)334-1283
	334-1280	Washer, Inner; 2 5/8"ID x 5 1/4"OD x 1/4"Thk	2	936 00 498	
●	321-315	Bushing; 4 1/8"OD	2	900 08 135	
	334-1281	Washer, Outer; 2 1/4"ID x 5 1/4"OD x 3/4"Thk	4	900 36 118	
	334-1282	Nut, Slotted; 2 1/4"-12, 3 1/2"AF x 1 7/8"Thk	2	934 00 603	
	334-1283	Pin, Roll; 3/8" x 3 1/2"Lg	2	938 00 235	
	352-8053	Air Spring	2	905 57 098	
	M65456	Shock Absorber	2	900 45 050	
	SLNC-105	Nut, Lock; 3/4"-10	8/12	934 00 492	
✓✓	334-1105	Assembly, Bolt; 3/4"-10 x 3 1/2"Lg	2	930 03 599	Incl. Bolt & Hdwe.
	SP	Alignment Adapter	2	900 08 181	

ART500/505/541/550/551/555
Non-Powered Tractor
Air Suspensions

Neway

Neway

Suspension Illustration



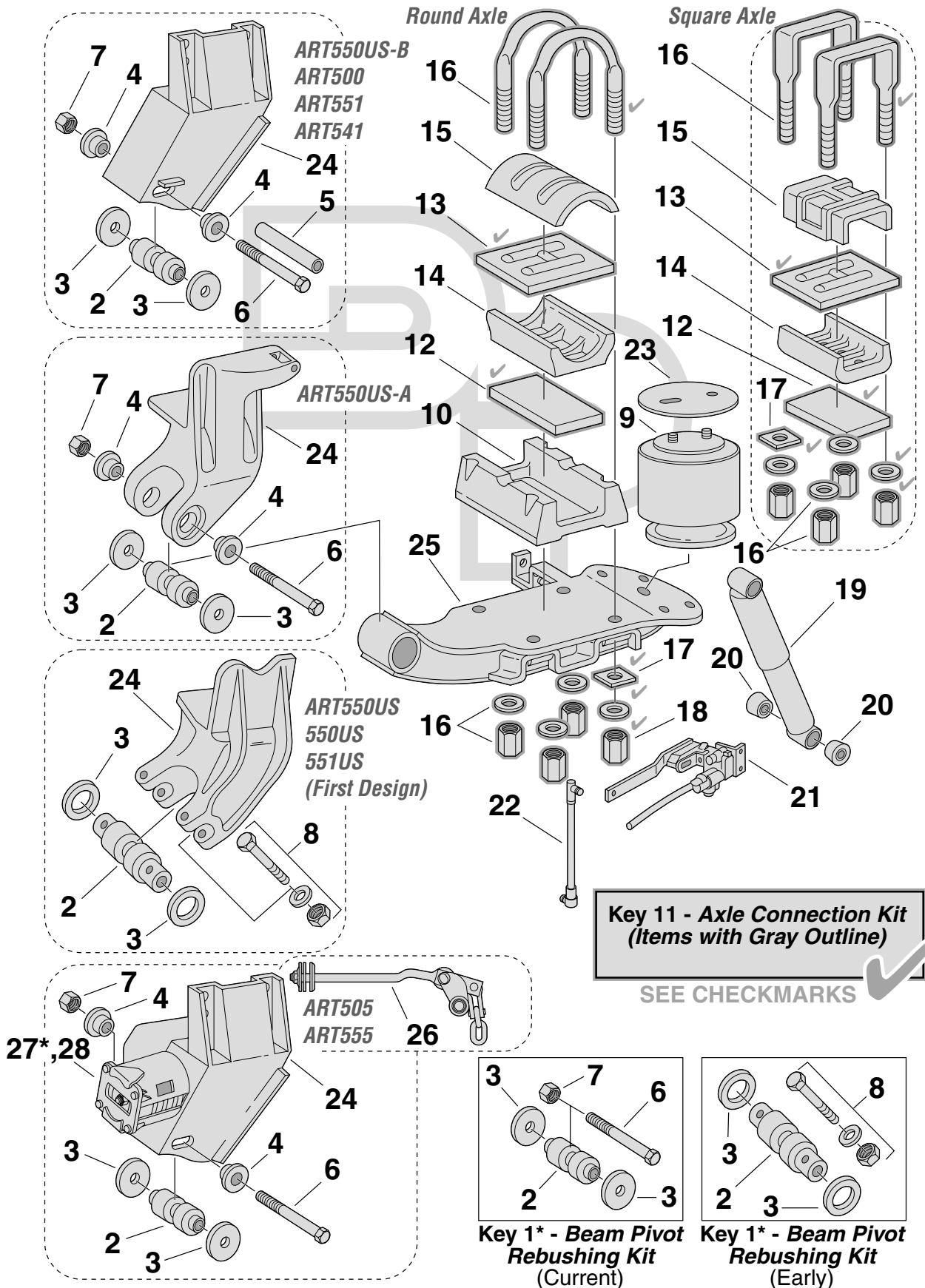
Key No.	Part Number	Description	No. Req.	OEM Reference	Remarks
✓	1	339-187 Kit, Service; Pivot Connection	1	481 00 023, SRK-12	(1) Axle; Incl. (2)321-188, Spacers & Hdwe.
		334-612 Kit, Service; Pivot Connection	1	481 00 202, SRK-145	(2) Beam Ends; Incl. 321-229 Bushings & Hdwe.
		339-186 Kit, Service; Pivot Connection	1	481 00 024, SRK-13	(1) Axle; Incl. (2)321-178, Spacers & Hdwe.
●	2	321-188 Bushing; 1 1/4"ID x 3 1/2"OD x 5 1/4"Lg	2	900 08 013	ART500US-A-B
✓●		321-229 Bushing; 1 1/8"ID x 3 1/2"OD x 5 1/4"Lg	2	900 08 139	ART500US, Current Design; ART500, ART551, ART505, ART541 & ART555
		321-229U Bushing, Urethane	2		
●		321-178 Bushing; 2 1/2"ID x 3 1/4"OD x 9"Lg	2	900 08 005	ART500, ART550 & ART551US; First Design
✓✓	3	334-596 Spacer; 1 1/8"ID x 4"OD x 1/4"Thk	4	900 36 140, 900 36 177	
		334-597 Washer, Thrust; 2 9/16"ID x 4 1/16"OD x 5/32"Thk	2	900 36 003	Use w/321-178 Bushing
✓✓●	4	334-600 Collar, Alignment; 1 1/8"ID x 3 1/4"OD x 7/8"Thk	4	900 08 147, 900 08 141	ART505, ART541 & ART555
●		334-601 Block, Alignment; 1 1/8"ID x 2 1/2" x 3" x 7/8"Thk	4	900 01 045	ART500 & ART551
		SP Block, Alignment; 1 1/4"ID	4	900 08 012	ART500US-A
	5	334-1096 Sleeve, Delrin; 1 1/4"OD x 1 1/8"ID X 5 1/4"Lg	2	900 08 037	Used on Early ART500US-B, w/1 1/8" Bolt & 1 1/4"ID Bushing
✓✓	6	334-605 Bolt; 1 1/8"-7 x 9 1/4"Lg	2	932 01 046	ART500, ART505, ART541, ART551 & ART555
		334-608 Bolt; 1 1/4"-7 x 9 1/2"	2	932 00 993, 932 01 055	ART500US
	7	SLNC-108 Nut, Lock; 1 1/4"-7	2	934 00 569, 934 00 510	
	8	334-424 Assembly, Bolt; 7/8"-9 x 5 1/2"Lg	4		Incl. Bolt, Washer & Nut
✓	9	352-9082 Air Spring	2	905 57 027	
✓✓		352-9101 Air Spring	2	905 57 009	
✓✓●	10	338-1396 Seat; Standard	2	900 01 006	3 1/2" Deep
✓●		338-2040 Seat; Heavy Duty	2	900 01 131	Replaces 338-1337
	11	334-620 Kit, Service; Axle Connection; 5" Round Axle; New Style	1	481 00 181, SRK-128	Incl. (2)325-129, (2)325-131, (4)361-230 & (8)334-610
✓✓		334-621 Kit, Service; Axle Connection; 5" Round Axle; New Style	1	481 00 108, SRK-64	Incl. (2)325-129, (2)325-131, (4)361-224 & (8)334-610
		339-226 Kit, Service; Axle Connection; 5" Sq. Axle, New Style	1	481 00 112, SRK-68	(1) Axle; Incl. (2)325-129, (2)325-143, (8)334-610 & (4)361-220
		339-242 Kit, Service; Axle Connection; 5" Round	1	481 00 110, SRK-66	(1) Axle; Incl. 325-131 Wrapper, 325-161 Pad, 8U-7110R U-Bolts & Hdwe.
●	12	325-161 Pad; 5 7/8"W x 7"Lg x 7/16"Thk	2	900 28 083	All Axles; Third Design
✓✓●		325-129 Pad; 5 5/8"W x 7"Lg x 7/16"Thk	2	900 28 075	All Axles; Second Design
●		325-129U Pad, Urethane	2		
●		325-133 Pad; 5 5/8"W x 7"Lg x 3/8"Thk	2	900 28 016	All Axles; First Design
●		325-133U Pad, Urethane	2	900 28 016	
✓✓●	13	325-131 Wrap, Axle; 7 1/4"W x 8"Lg x 1/2"Thk	2	900 28 047	5" Round Axles & Fabricated Axle Cap; New Style
●		325-131U Wrap, Axle; Urethane	2		
✓✓●		325-132 Wrap, Axle; 7 1/4"W x 7 1/4"Lg x 3/8"Thk	2	900 28 007	5" Round Axles & Cast Axle Cap; Old Style
●		325-132U Wrap, Axle; Urethane	2	900 28 007	
●		325-130 Wrap, Axle; 7 1/8"W x 9 5/16"Lg x 3/8"Thk	2	900 28 005	5" x 5" Square Axles; Old Style
●		325-143 Wrap, Axle; 7 1/4"W x 9 5/8"Lg x 3/8"Thk	2	900 28 073	5" x 5" Square Axles; New Style
✓✓●	14	338-1338 Adapter, Axle; 5" Round Axles	2	900 01 082	Current Design
●		338-1339 Adapter, Axle; 5" Square Axles	2	900 01 083	Current Design

ART500/505/541/550/551/555
Non-Powered Tractor
Air Suspensions

Neway

Neway

Suspension Illustration



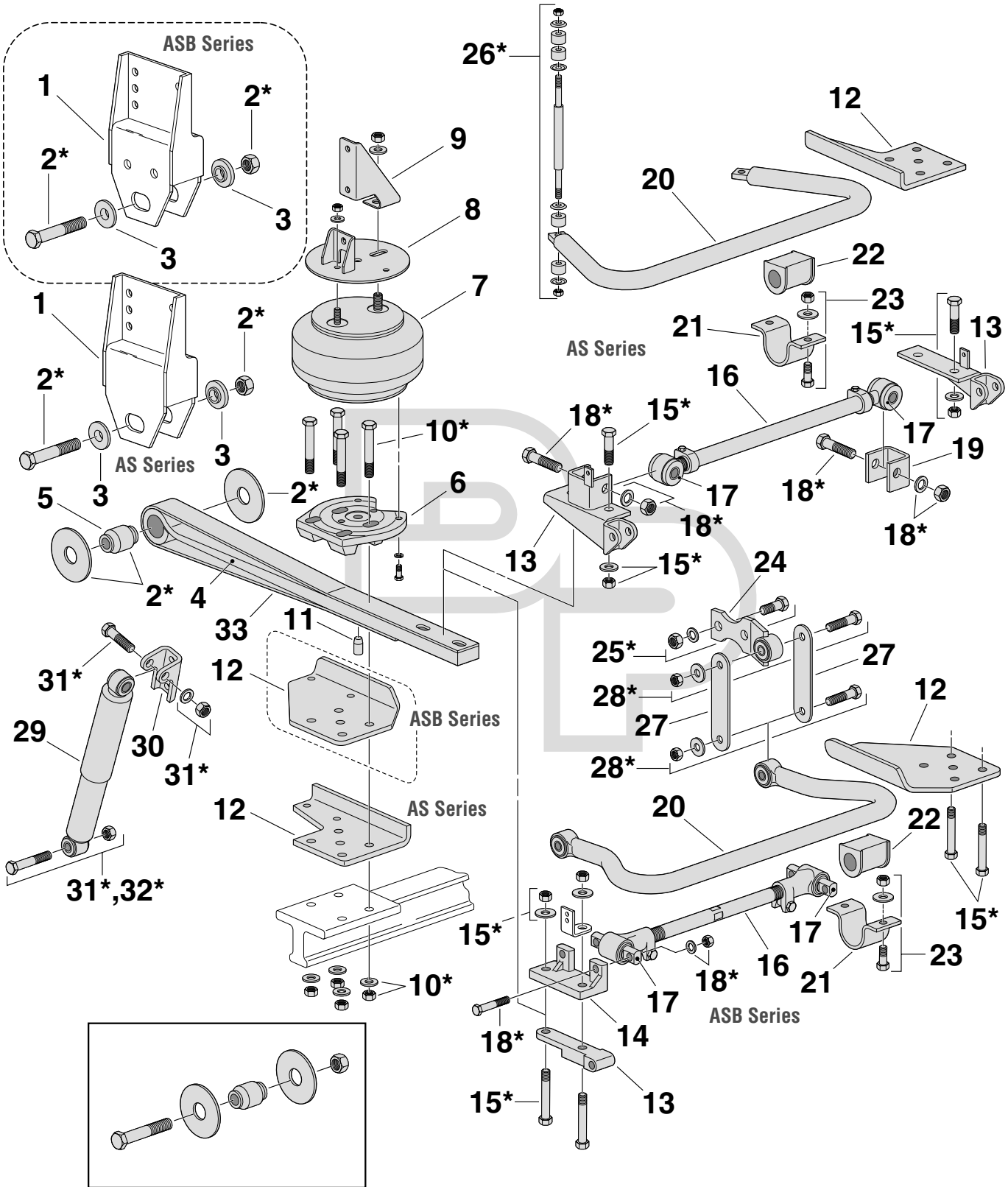
Key No.	Part Number	Description	No. Req.	OEM Reference	Remarks		
15	338-1916	Cap, Axle; LH; w/ Stop; Round Axles	1	905 10 063	ART500/505/551/555B, -1,-2,-3; ART505/555C, -1,-2,-3		
	338-1917	Cap, Axle; RH; w/Stop; Round Axles	1	905 10 064	ART500/505/551/555B, -1,-2,-3; ART505/555C, -1,-2,-3		
	338-1922	Cap, Axle; LH; w/o Stop; Round Axles	1	905 10 061	ART500/505/551/555B, -1,-2,-3; ART505/555C, -1,-2,-3		
	338-1923	Cap, Axle; RH; w/o Stop; Round Axles	1	905 10 062	ART500/505/551/555B, -1,-2,-3; ART505/555C, -1,-2,-3		
	338-1550	Cap, Axle; LH; w/o Stop; Round Axles	1	905 10 100	ART500US		
	338-1551	Cap, Axle; RH; w/o Stop; Round Axles	1	905 10 101	ART500US		
	SP	Cap, Axle	1	Various	Specify Model, w/ or w/o Stop & Axle Type		
✓✓ ✓ ✓	16	361-220	Kit, U-Bolt; Square Bend, Forged Top, Grade 8	4	900 41 997	1" x 6 5/16" x 10 1/2" S	
	361-222	Kit, U-Bolt; Square Bend, Forged Top, Grade 8	4	900 42 795	1" x 6 5/16" x 12 1/2" S		
	361-224	Kit, U-Bolt; Round Bend, Forged Top, Grade 8	4	900 41 878	1" x 6 5/16" x 9" R		
	361-226	Kit, U-Bolt; Round Bend, Forged Top, Grade 8	4	900 42 791	1" x 6 3/8" x 10 1/2" R		
	361-230	Kit, U-Bolt; Round Bend, Forged Top, Grade 8	4	900 42 792	1" x 6 3/8" x 12 1/2" R		
●	17	334-610	Washer, Square; 1"ID x 2" Sq. x 3/8"Thk	8	936 00 028		
✓✓	18	SLN-107	Nut, Lock; 1"-14	8			
✓	19	M65419	Shock Absorber	2		Consult Shock Catalog for Model Specific Applications	
		M65515	Shock Absorber	2			
		M65519	Shock Absorber	2			
		See Shocks	Shock Absorber	2			
●	20	140149N	Bushing, Shock; 3/4"ID	8	905 08 004	Rubber w/Bonded Washer & Sleeve	
✓✓	●	21	334-1143	Valve, Height Control	1	90054007	
✓✓	●	334-750	Valve, Height Control; Universal	1			
✓	●	22	334-751	Linkage Assembly, Universal; Adjustable	1	48100225, SRK-168	3 3/8"-19 5/8" Range
	23	338-1853	Plate, Mounting; Air Spring	2	900 31 027	ART500USA	
●	24	338-1862	Bracket; LH; Adjustable	1	905 19 993	ART555B/C-1,-2,-3	
●		338-1863	Bracket; RH	1	905 19 994	ART555B/C-1,-2,-3	
		338-1864	Bracket; LH; Adjustable	1	905 19 995	ART505B/C, -1	
		338-1865	Bracket; RH	1	905 19 996	ART505B/C, -1	
		SP	Bracket	2	Various	Specify Model & LH/RH	
	25	SP	Assembly, Beam	2	Various	Specify Model & LH/RH	
		338-1914	Assembly, Beam; LH	1	905 16 335	ART505B & ART555B-3	
		338-1915	Assembly, Beam; RH	1	905 16 336	ART505B & ART555B-3	
✓✓	●	26	339-235	Kit, Service; Cam Assembly; 1"	1	481 11 144, SRK-96	ART505 & ART555B; All
✓✓		339-236	Kit, Service; Cam Assembly	1	481 00 215, SRK-158	ART505 & ART555C; All	
		339-243	Kit, Service; Coil Lift; 1/2" Pin	1	481 00 151, SRK-103	ART505 & ART555B; All	
	27	339-240	Kit, Service; Coil Spring Replacement; w/Installation Tool	1	481 00 230, SRK-173	ART505 & ART555C; All	
		339-241	Kit, Service; Coil Spring Replacement; w/o Installation Tool	1	481 00 250, SRK-173-1	ART505 & ART555C; All	
✓✓		●	339-238	Kit, Service; Coil Spring Replacement	1	481 00 216, SRK-159	ART505 & ART555B; All
●	28	334-1626	Cup, Spring	2	905 44 800	Component of 339-238	

AS/ASB
Bus and Motorcoach
Front Steer Suspension for I-Beam Style Axles

Neway

Neway

Suspension Illustration



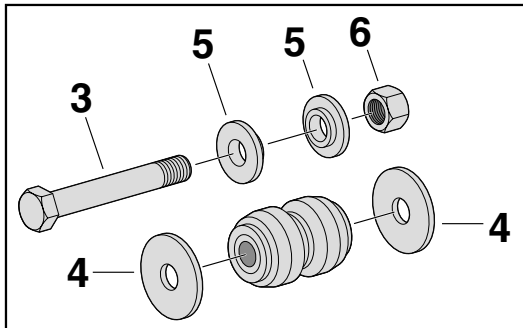
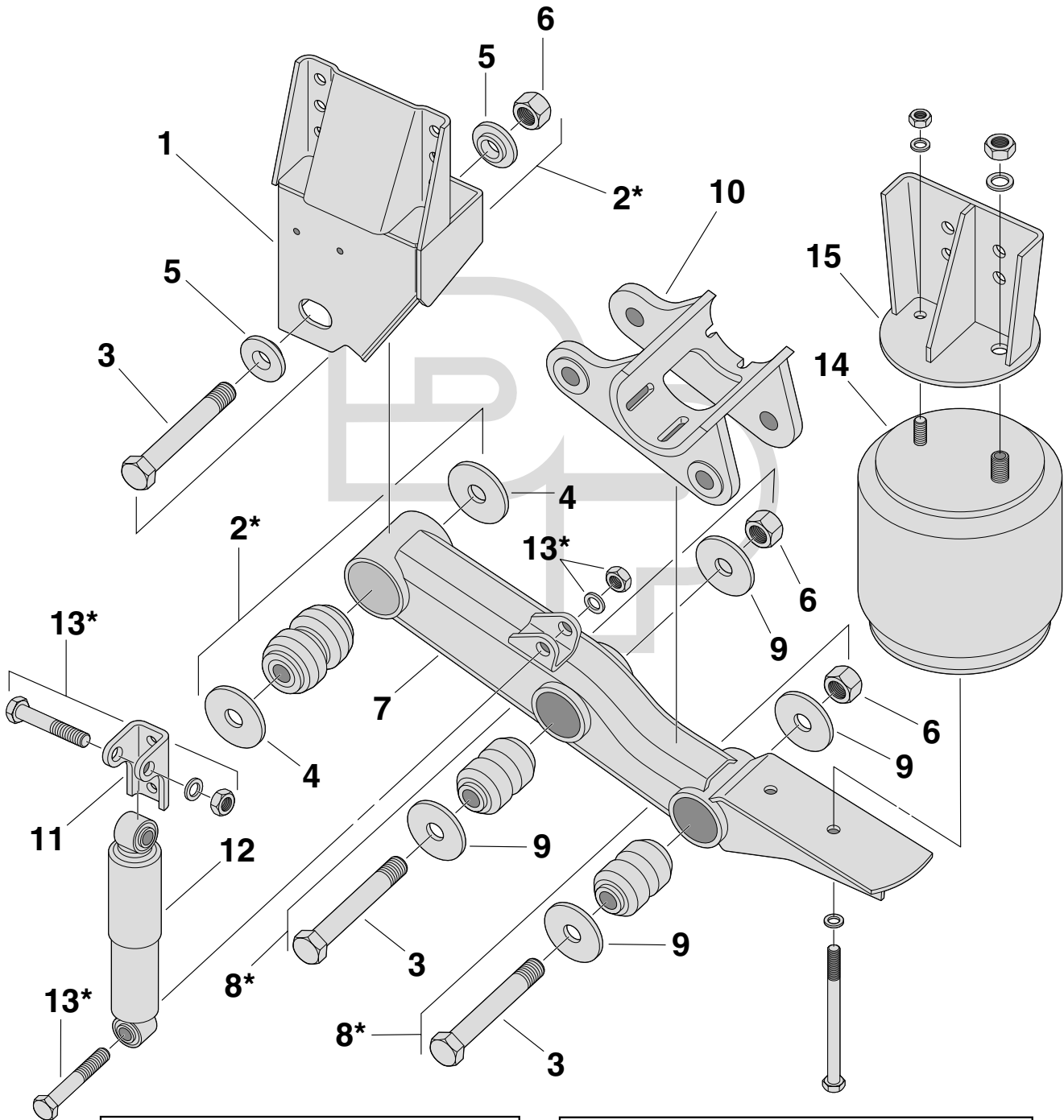
Key 2* - Pivot Repair Kit

Key No.	Part Number	Description	No. Req.	OEM Reference	Remarks
1	◆	Bracket, Frame	2	Various	*See Note
2	334-2132	Kit, Repair; Pivot	1	481 00 366	(1) Axle; AS & ASB
3	334-2133	Block, Alignment	4	900 08 126	AS
	SP	Block, Alignment	4	Various	ASB; *See Note
4	SP	Assembly, Beam	2	905 16 696	AS
	SP	Assembly, Beam	2	Various	ASB; *See Note
5	321-420	Bushing	2	900 08 125	ASB
6	SP	Plate, Mount; Air Spring	2	900 33 845	
7	SP	Air Spring	2	Various	*See Note
8	SP	Plate, Mount; Air Spring	2	905 31 273	
9	SP	Brace, Angle	2	900 23 131	
✓✓	334-626	Assembly, Bolt; ¾"-10 x 5"Lg	8	930 03 635	AS; Incl. Bolt & Hdwe.
	◆	Assembly, Bolt; ¾"-10 x 4 ¾"Lg	8	930 03 629	ASB; Use 334-626
11	SP	Pin	2	900 45 233	
12	SP	Plate, Spacer; Roadside	1	Various	*See Note
	SP	Plate, Spacer; Curbside	1	Various	*See Note
13	SP	Bracket, Shock; Roadside	1	905 20 673	AS
	SP	Bracket, Shock; Curbside	1	905 20 672	AS
	SP	Bracket, Shock	2	M0018038	ASB
14	SP	Bracket, Track Rod	1	M001841	ASB
✓	334-1103	Assembly, Bolt; ¾"-10 x 3"Lg	4	930 03 585	AS; Incl. Bolt & Hdwe.
✓✓	334-626	Assembly, Bolt; ¾"-10 x 5"Lg	1	930 03 629, 930 03 635	ASB; Roadside, Rear; Use 5"; Incl. Bolt & Hdwe.
	334-307	Bolt; ¾"-10 x 4 ¼"Lg	2	930 03 617	ASB; Roadside, Front; Curbside, Rear; Threaded Boss Design Shackle
✓✓	334-1105	Assembly, Bolt; ¾"-10 x 3 ½"Lg	1	900 03 593	ASB; Curbside, Front; Use 3 ½"; Incl. Bolt & Hdwe.
16	345-923	Rod, Track; Adjustable; 29 ¾" c/c	1	900 45 385	AS
	345-924	Rod, Track; Adjustable	1	905 47 903	ASB
17	◆	Bushing	2		AS; Non-Servicable; Order Track Rod Assembly
	321-421	Bushing	2	900 08 246	ASB
18	334-1325	Bolt, Flange Head; ⅝"-11 x 3"Lg	2	9300381	AS
	334-624	Assembly, Bolt; ⅝"-11 x 3 ½"	2	930 03 365	ASB; Incl. Bolt & Hdwe.
19	SP	Bracket	1	900 33 472	AS
20	SP	Bar, Stabilizer	1	Various	Specify Model
21	SP	Bracket	2	900 25 497	AS
	SP	Bracket	2	900 26 040	ASB
22	320-218	Bushing	2	900 08 194	AS
	320-219	Bushing	2	900 08 240	ASB
✓	334-622	Assembly, Bolt; ⅝"-18 x 2"Lg	4	930 03 347	ASB; Incl. Bolt & Hdwe.
24	SP	Assembly, Link; w/Bushing	2	905 21 624	ASB
✓✓	334-1110	Assembly, Bolt; ¾"-10 x 2 ½"Lg	4	930 03 575	ASB; Incl. Bolt & Hdwe.
26	SP	Assembly, Link	2	905 45 761	AS
27	SP	Plate, Link	4	900 34 436	ASB
28	334-624	Assembly, Bolt; ⅝"-11 x 3 ½"	4	930 03 377	ASB; Incl. Bolt & Hdwe.
29	SP	Shock Absorber	2		*See Note
30	SP	Bracket, Shock; Upper	2	900 18 542	
31	334-1782	Assembly, Bolt; ¾" x 4"Lg	4/2	930 03 603	AS/ASB
32	334-756	Assembly, Bolt; ¾"-16 x 5 ½"Lg	2	930 03 647	ASB; Incl. Bolt & Hdwe.
33	SP	Wrapper, Beam	2	900 45 226	AS

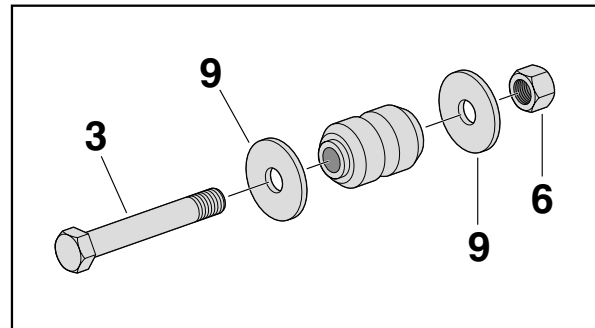
Note: Refer to the chassis builder specifications to properly identify the Holland part number for this component. A suspension serial tag denotes the Holland kit number that will provide the individual component number needed.

Neway

Suspension Illustration



Key 2* - Pivot Bolt & Bushing Kit



Key 8* - Pivot Bolt & Bushing Kit

Key Numbers with an asterisk (*) indicate a kit or assembly.

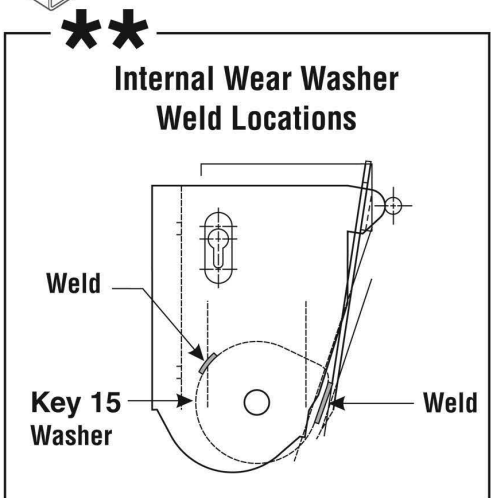
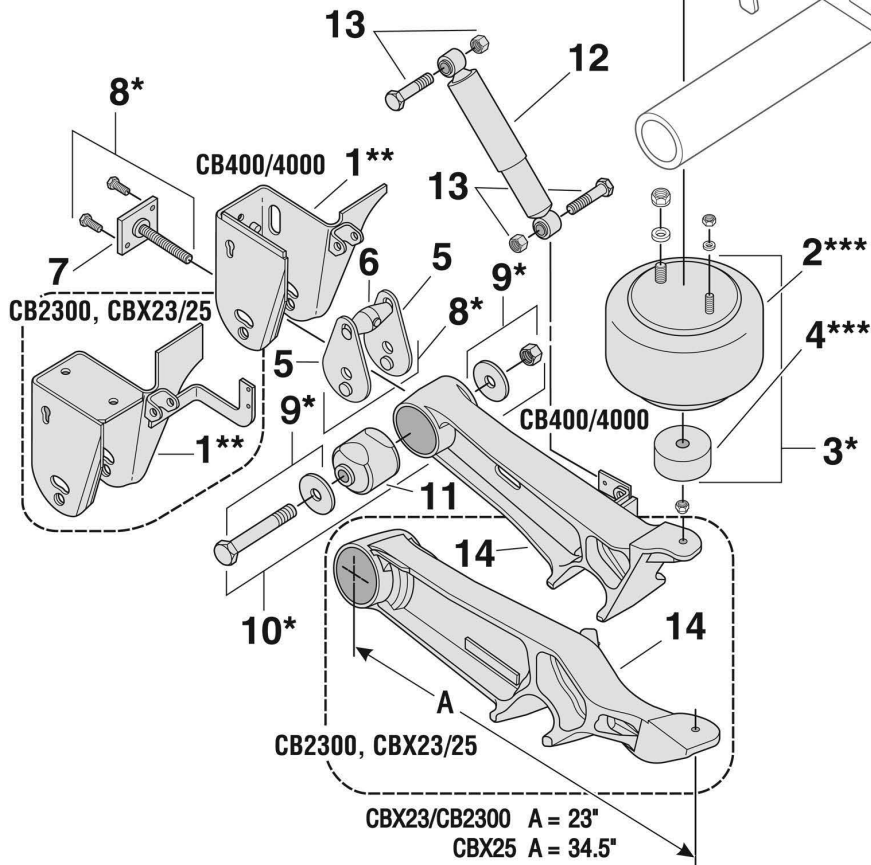
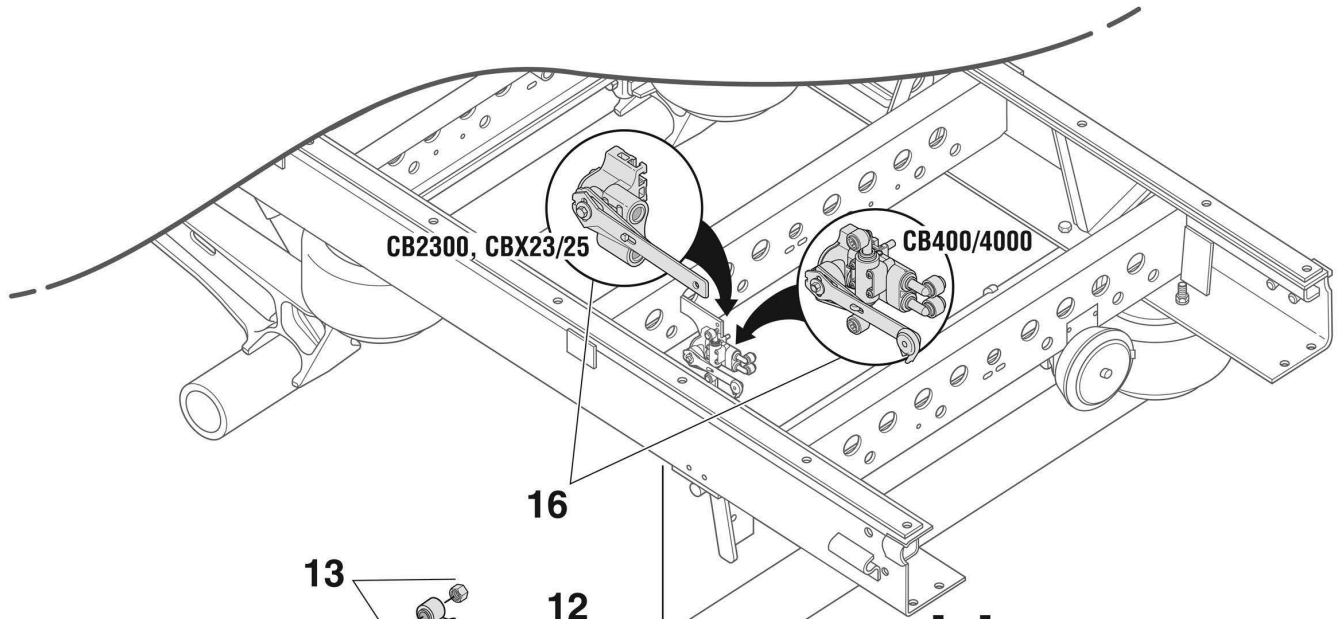
Key No.	Part Number	Description	No. Req.	OEM Reference	Remarks
	SP	Bracket, Frame	2		Specify LH/RH
	334-2134	Kit, Service; Pivot	1	481 00 446, SRK-582	
✓	334-607	Bolt; 1 1/8"-7 x 8 1/2"Lg	6	932 01 045	
	334-477	Washer, Compression; 1 1/8"ID x 2 1/2"OD x 5/16"Thk	4	936 00 174	
●	334-2009	Collar, Alignment	4	900 08 198	
✓✓	334-375	Nut, Lock; 1 1/8"-7	6	934 00 506	
	SP	Beam, Equalizing	2		Specify LH/RH
	334-2135	Kit, Service; Seat Bushing	1	481 00 433, SRK-569	
✓✓	334-596	Spacer; 1 1/8"ID x 4"OD x 1/4"Thk	8	900 36 140	
	SP	Adapter, Axle	2		Specify LH/RH
	SP	Bracket, Shock; Upper	2	900 18 542	
	SP	Shock Absorber	2	900 45 526	
	SP	Assembly, Bolt; 3/4"-16 x 4 1/4"Lg	4		Use 334-1293
	SP	Air Spring	2	Various	Varies by Chassis Mfg.; *See Note
	SP	Plate, Mounting; Air Spring; Upper	2	905 31 347	

Note: Refer to the chassis builder specifications to properly identify the Holland part number for this component.

**CB2300, CBX23/25 Top Mount
CB400/4000, CBX40 Slider
Trailer Air Suspensions**

Neway

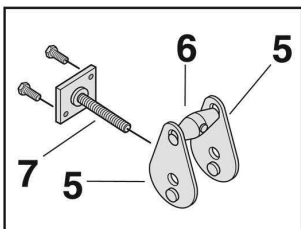
Neway



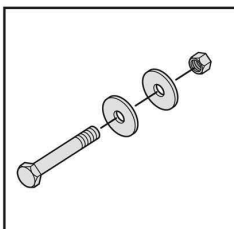
When servicing air springs; early production, straight piston assemblies must be replaced with new flared piston design in pairs.

DO NOT MIX Pistons on same axle. (See product update #2176 or Neway service bulletin XL-MB009)

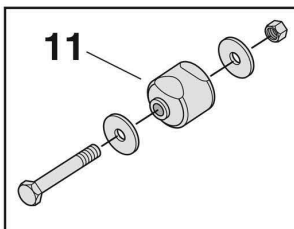
Suspension Illustration



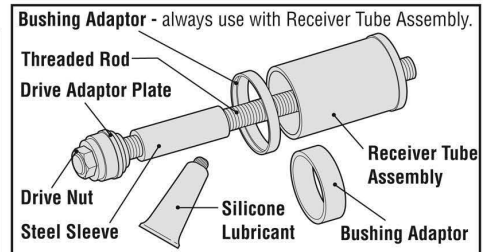
Key 8* - Swing Align Service Kit



Key 9* - Pivot Bolt Kit



Key 10* - Pivot Bolt & Bushing Kit



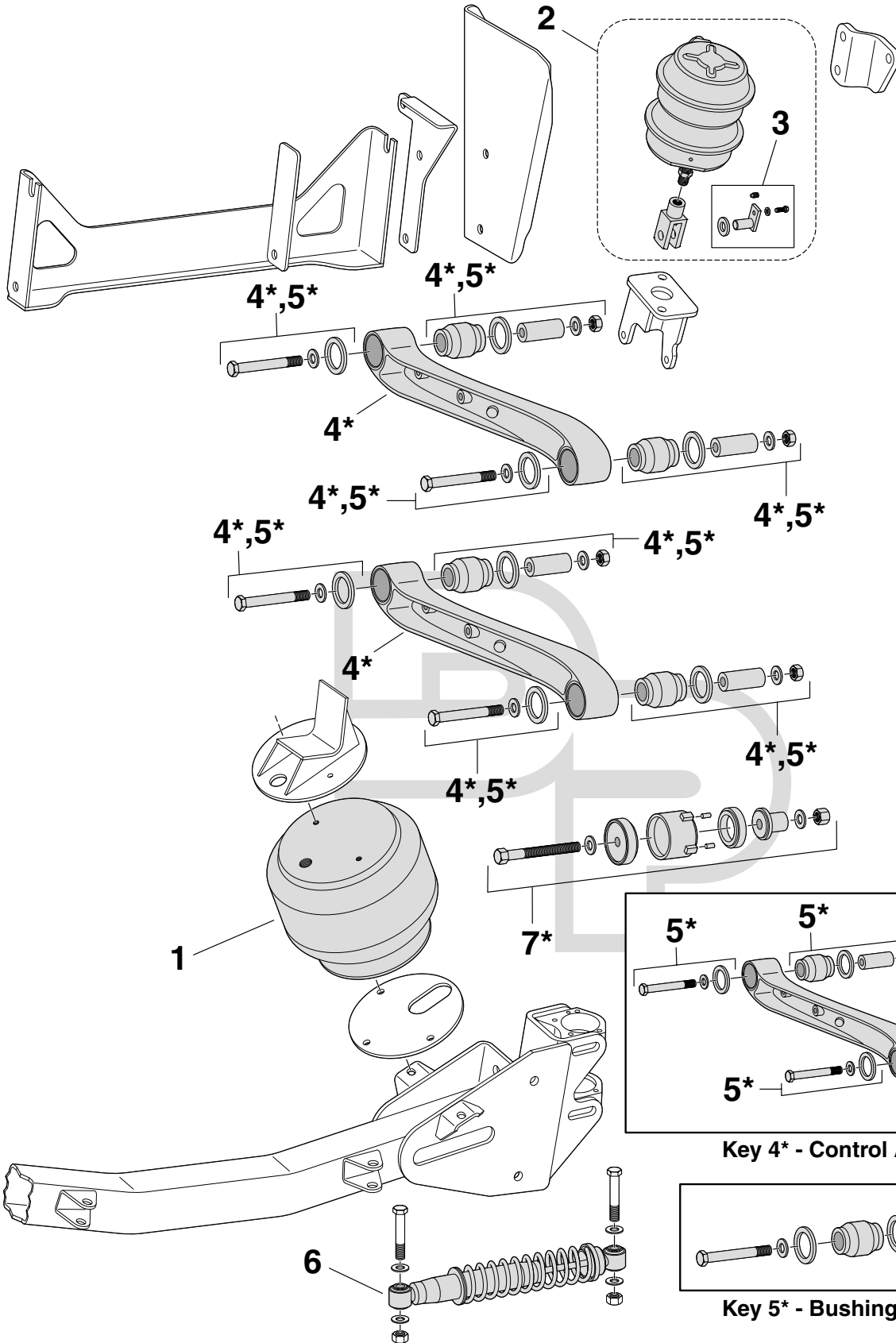
Key 17 - Tool, Bushing Installation

Key No.	Part Number	Description	No. Req.	OEM Reference	Remarks	
1	SP	Hanger	2	Various	Specify Model, Ride Hgt., Alignment & Roadside/Curbside	
2	352-9807	Air Spring; Flared Piston	4	905 57 372	See notes	
3	352-0492	Kit, Replacement; Air Spring; 15.5-16" Ride Hgt.	4	481 00 492	CB400/4000; Incl. Air Spring & Spacer; ***See Notes	
	352-0493	Kit, Replacement; Air Spring; 16.5" Ride Hgt.	4	481 00 493	CB400/4000; Incl. Air Spring & Spacer; ***See Notes	
	352-0494	Kit, Replacement; Air Spring; 17" Ride Hgt.	4	481 00 494	CB400/4000; Incl. Air Spring & Spacer; ***See Notes	
	352-0495	Kit, Replacement; Air Spring; 18" Ride Hgt.	4	481 00 495	CB400/4000; Incl. Air Spring & Spacer; ***See Notes	
	352-9974	Air Spring	2	905 57 332, 905 57 369	CB2300/CBX23-16, 17	
	SP	Air Spring	2	Various	CB2300/CBX 23/25; Specify Model & Ride Hgt.	
4	SP	Spacer; 3 1/4" OD	4	Various	Specify Thickness; Flaired Piston Air Spings	
5	SP	Plate, Alignment	4	905 31 339		
6	SP	Yoke	2	900 45 491		
7	SP	Assembly, Adjustment Rod	2	905 48 007		
●	8	334-1960	Kit, Service; Swing Align	2	481 00 406, SRK542	Incl. Components for (1) Axle
●	9	334-1961	Kit, Service; Pivot Bolt	4		
●	10	334-1962	Kit, Service; Pivot Bushing	4	481 00 394, SRK530	Incl. Components for (1) Axle, (2) Beams
●	11	321-517	Bushing, Pivot	4	90008247	
✓	12	M66608	Shock Absorber	4	900 45 298, 900 44 162	CB400/4000-15.5, -16, -16.5, -17
✓		M66634	Shock Absorber	4	900 45 040	CB400/4000-18; CBX25-16, -17
✓		M66627	Shock Absorber	4	900 44 868	CB2300/CBX23-14
		SP	Shock Absorber	4	Various	For Models Not Listed, Specify Model & Ride Hgt.
13	334-1105	Assembly, Bolt; 3/4"-10 x 3 1/2"Lg	8	930 03 599		
14	SP	Assembly, Beam	4	Various	Specify Model & Roadside/Curbside	
●	15	334-1963	Washer, Wear; Hanger	8	900 34 537	Fixed Alignment Hangers Only
●	16	334-1964	Valve, Height Control; w/Dump	1	905 60 122	CB400/4000
●		334-1965	Valve, Height Control; w/o Dump	1	905 60 123	CB400/4000
		SP	Valve, Height Control; High-Flow w/Dump	1	905 60 121	CB400/4000; Do NOT Use w/Posi-Lock
		SP	Valve, Height Control	1	Various	CB2300 & CBX23/25; Specify w/ or w/o Dump & Manual/Auto
		SP	Linkage, Height Control Valve	1	Various	Specify Model & Ride Hgt.; Can Use 334-751
17	334-2219	Tool, Bushing Installation	1	505 44 015		

**LSZ Series
Steerable Lift Axle
Auxiliary Air Suspension**

Neway

Neway



Suspension Illustration

Key No.	Part Number	Description	No. Req.	OEM Reference	Remarks
1	SP	Air Spring	2	905 57 417	
2	334-2138	Kit, Service; Lift Chamber	2	481 00 570	
3	SP	Kit, Hardware; Lift Mechanism	2	481 00 552	
4	338-2348	Assembly, Control Arm	4	481 00 557	
5	339-334	Kit, Bushing	2	481 00 553	(2) Arms
6	SP	Damper, Steering	2	900 45 662	
7	334-2140	Tool, Replacement; Beam Bushing	1	481 00 558	

Neway

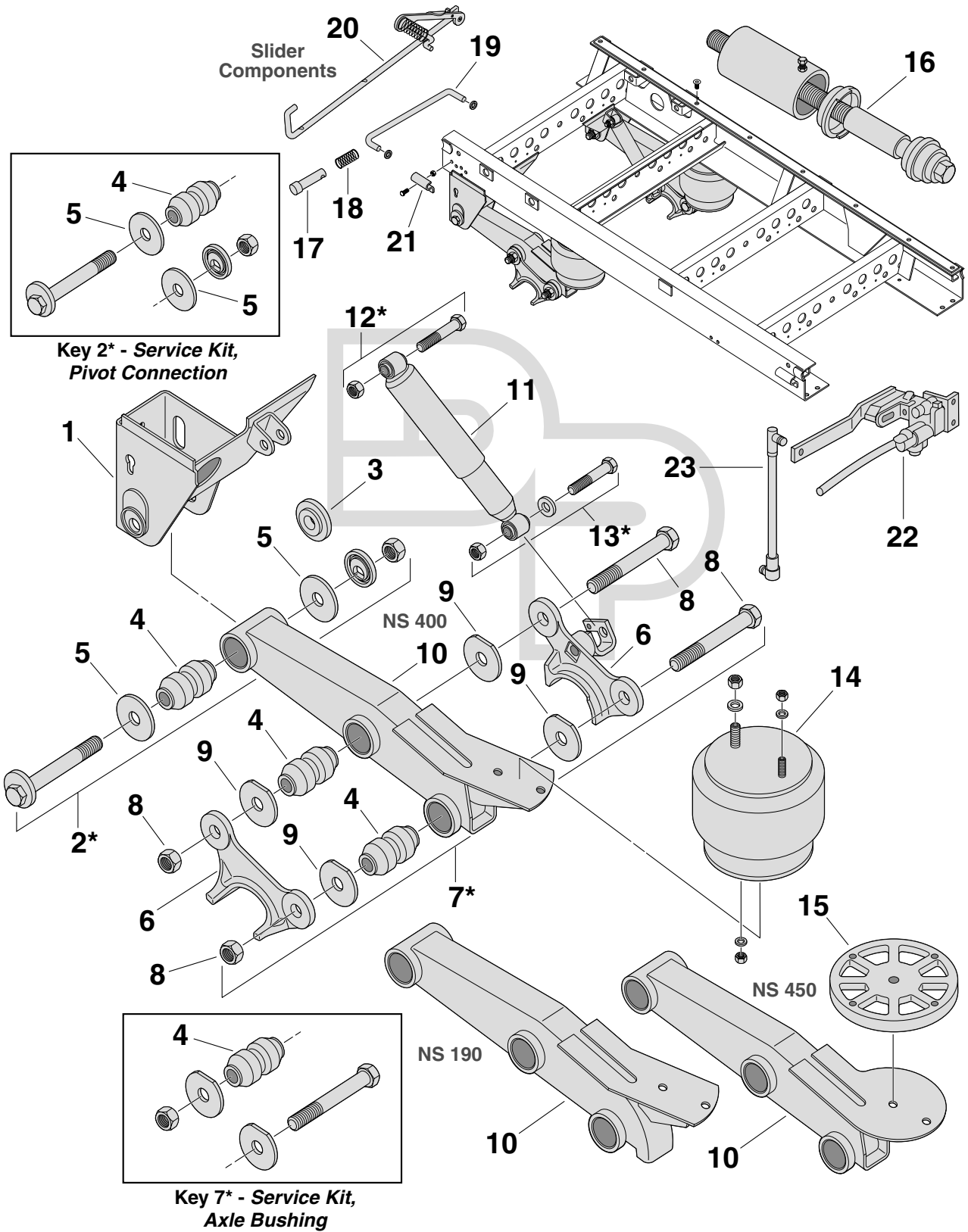
Parts Listing

**NS190/400/450
Slider Trailer
Air Suspensions**

Neway

Neway

Suspension Illustration

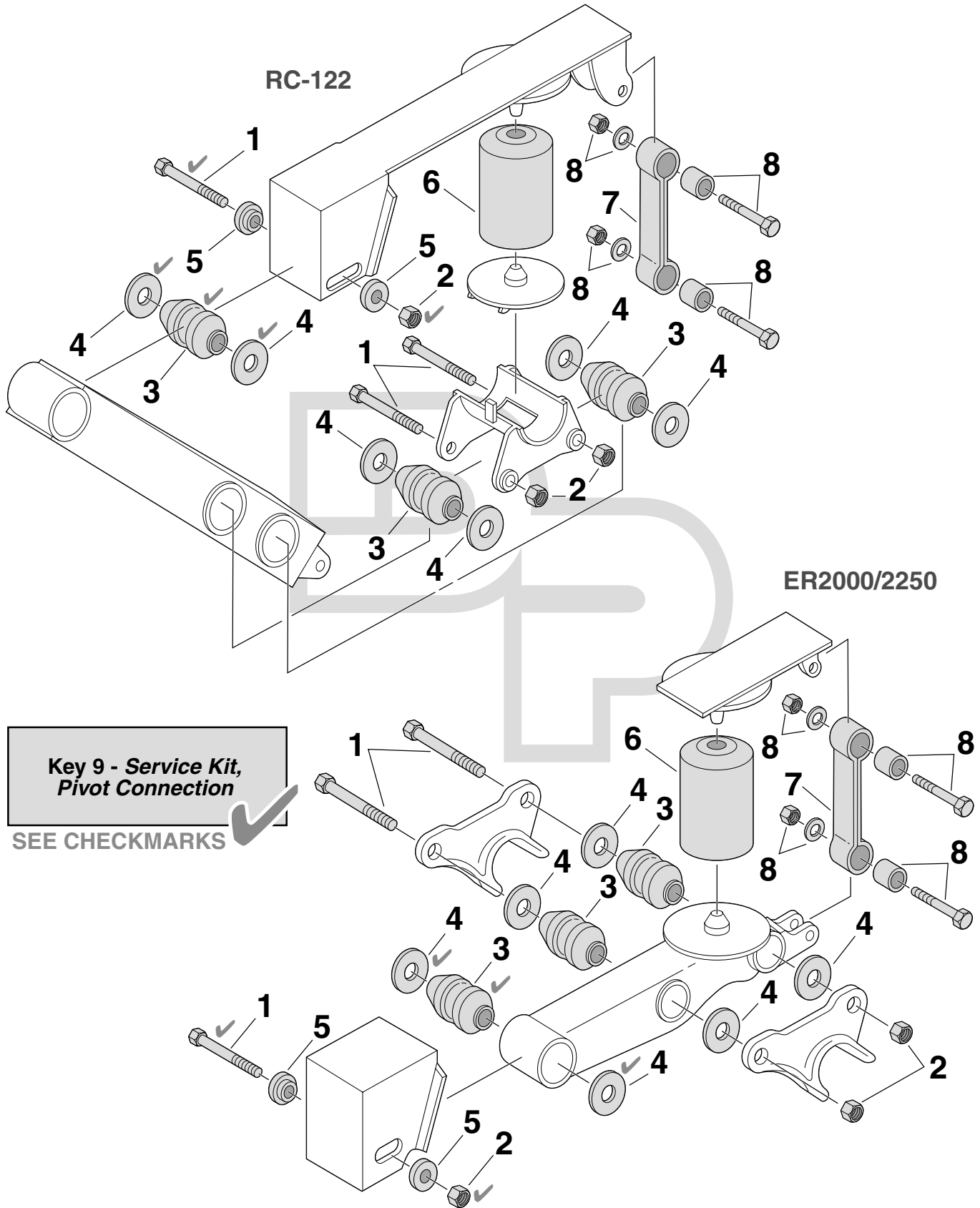


Key No.	Part Number	Description	No. Req.	OEM Reference	Remarks
1	SP	Bracket, Front	4	Various	Specify Model, Ride Hgt., Alignment & Roadside/Curbside
✓✓	2	339-254 Kit, Service; Pivot Connection; (1) Axle End 339-275 Kit, Service; Pivot Connection; (1) Axle	2 2	481 00 295, SRK-233 481 00 389, SRK-525	(1) Beam; EZ-ALIGN® (1) Axle, (1) Welded & (1) EZ-ALIGN®
●	3	334-2009 Collar, Alignment	4	900 08 198	Welded Alignment
✓●	4	321-231 Bushing; 1 1/8"ID x 2 3/4"OD x 5"Lg	12	900 08 149	
✓✓	5	334-596 Spacer; 1 1/8"ID x 4"OD x 1/4"Thk	8	900 36 177	
	6	SP Adapter, Axle	8	Various	Specify Model, Roadside/Curbside & Inner/Outer
	7	339-335 Kit, Service; Axle Bushing	2	481 00 320, SRK 457	(1) Axle
✓	8	334-607 Bolt; 1 1/8"-7 x 8 1/2"Lg	8	932 01 045	
	9	SP Washer, Spacer	16	900 36 217	
	10	SP Beam, Equalizing	4	Various	Specify Model & Roadside/Curbside
✓	11	M66608 Shock Absorber	4	900 45 298	NS400 & NS450, 16.0"
✓		M65419 Shock Absorber	4	900 44 162	NS400 & NS450, 17.5"; NS190, 16.0"
✓		M65416 Shock Absorber	4	900 45 299	NS400 & NS450, 17.0"
✓		M66634 Shock Absorber	4	900 45 040	NS400 & NS450, 18.0"; NS190, 16.5" & 17.0"
✓✓		M66610 Shock Absorber	4	900 45 054	NS190, 18.0"
	12	334-2141 Kit, Bolt; 3/4"-10 x 3 1/2"Lg	4	481 00 320	
✓✓	13	334-626 Assembly, Bolt; 3/4"-10 x 5"Lg	4	930 03 633	Incl. Bolt & Hdwe.
	14	352-8204 Air Spring 352-8738 Air Spring 352-9366 Air Spring 352-8737 Air Spring 352-8803 Air Spring SP Air Spring	4 4 4 4 4 4	905 57 223 905 57 271 905 57 225 905 57 272 905 57 194 905 57 273	NS400 & NS190; 16.0" NS450; 16.0" NS400 & NS190; 16.5" & 17.0" NS450; 16.5" & 17.0" NS400 & NS190; 18.0" NS450; 18.0"
	15	SP Spacer, Air Spring	4	900 45 362	NS-450; 16.0", 17.0" & 18.0"
	16	334-2131 Tool, Pivot Bushing	1	505 44 012	
	17	SP Pin, Slider; 1 5/8" x 6 3/8"Lg SP Pin, Slider; 1 5/8" x 6 3/8"Lg	4 4	SLOA1261 SLOA1238	NS400 & NS450 NS400 & NS450
	18	SP Spring, Compression	4	XB-SPG-020-35	NS400 & NS450
	19	SP Rod, Pin Pull SP Rod, Pin Pull	4 4	SLOA1239-01 SLOA1239-02	NS400 & NS450; 42" NS400 & NS450; 48"
	20	SP Handle, Pull SP Handle, Pull	1 1	SLOA1269-01 SLOA1269-02	NS400 & NS450; 42" NS400 & NS450; 48"
	21	SP Clip	4	SL0893	NS400 & NS450
	22	334-1143 Valve, Height Control	1	900 54 007	
	23	334-751 Linkage Assembly, Universal; Adjustable	1		3 5/8"-19 5/8" Range; Use w/All Height Control Valves

**RC122
ER2000/2250
Rubber Cushion Suspensions**

Neway

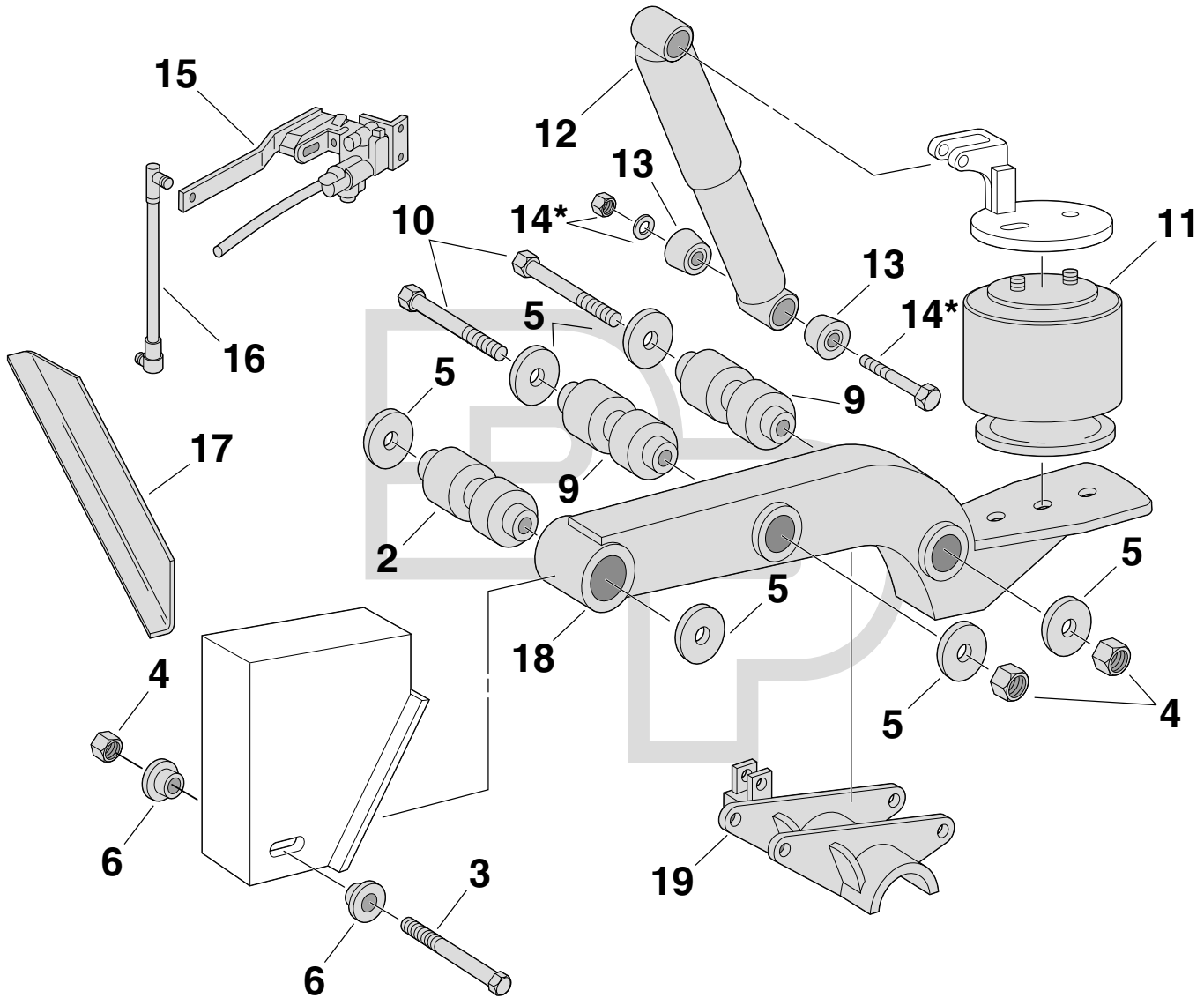
Neway



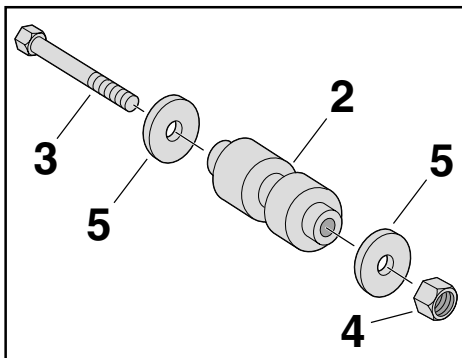
Suspension Illustration

Key No.	Part Number	Description	No. Req.	OEM Reference	Remarks
✓✓	1	334-605 Bolt; 1 1/8"-7 x 9 1/4"Lg	2/6	932 01 046	
✓		334-607 Bolt; 1 1/8"-7 x 8 1/2"Lg	4	932 01 045	ER; Axle Mounting Bolts
✓✓	2	334-375 Nut, Lock; 1 1/8"-7	6	934 00 506	
✓✓ ●	3	321-227 Bushing; 1 1/8"ID x 2 3/8"OD x 5"Lg	6	900 08 131	RC Series
✓ ●		321-229 Bushing; 1 1/8"ID x 3 1/2"OD x 5 1/4"Lg	2	900 08 139	ER Series; Pivot
✓ ●		321-231 Bushing; 1 1/8"ID x 2 3/4"OD x 5"Lg	4	900 08 149	ER Series; Axle Connection, Axle Mounting
✓✓	4	334-596 Spacer; 1 1/8"ID x 4"OD x 1/4"Thk	12	900 36 177, 900 36 140	ER Series
		334-1086 Washer; 1 1/16"ID x 3 1/4"OD x 1/8"Thk	4	936 00 029	RC Series; Pivot & 5" Wide Axle Bracket
		SP Washer	8	900 36 152	RC Series; 5 3/8" Wide Axle Bracket
●	5	334-1093 Collar, Alignment	4	900 08 146	RC Series
✓✓ ●		334-600 Collar, Alignment; 1 1/8"ID x 3 1/4"OD x 7/8"Thk	4	900 08 147, 900 08 141	ER Series
●	6	325-203 Cushion, Rubber	2	910 58 580	
●	7	325-201 Strap, Suspension Restraint	2	910 44 101	RC122-16, RC2000-16 & ER2250
●		325-202 Strap, Suspension Restraint	2	910 44 102	RC122-11
	8	334-1294 Kit, Bolt; Restraint Strap	4		
	9	339-253 Kit, Service; Pivot Connection	1	481 00 203, SRK-146	(1) Axle; RC Series

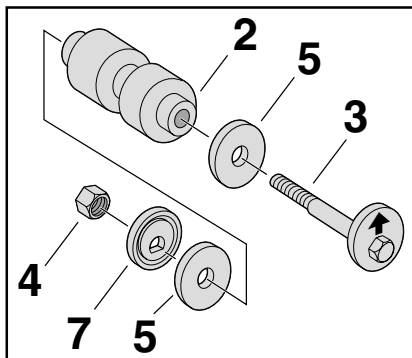
Neway



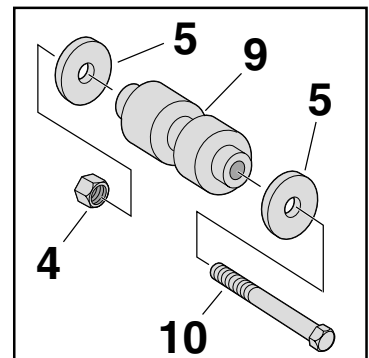
Suspension Illustration



**Key 1* - Service Kit,
Pivot Connection**



**Key 1* - Service Kit,
Pivot Connection - EZ-ALIGN®**



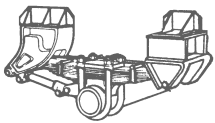
**Key 8* - Service Kit,
Axle Connection**

Key No.	Part Number	Description	No. Req.	OEM Reference	Remarks
✓ ●	1	339-239 Kit, Service; Pivot Connection; (1) Axle	1	481 00 264, SRK-203	RL196, 228 & 230; w/(2) Welded Alignment
		339-275 Kit, Service; Pivot Connection; (1) Axle	1	481 00 389, SRK-525	RL228 & 230; w/(1) EZ-ALIGN® & (1) Welded Alignment
✓✓ ●		339-254 Kit, Service; Pivot Connection; (1) Axle End	2	481 00 295, SRK-233	RL196A, 228 & 230; w/EZ-ALIGN®
		339-317 Kit, Service; Pivot Connection; (1) Axle	1	481 00 388, SRK-524	RL250 & 300; w/(2) Welded Alignment
		339-318 Kit, Service; Pivot Connection; (1) Axle	1	481 00 383, SRK-519	RL250; w/(1) EZ-ALIGN® & (1) Welded Alignment
		339-319 Kit, Service; Pivot Connection; (1) Axle	1	481 00 386, SRK-522	RL250; w/(2) EZ-ALIGN®
✓ ●	2	321-231 Bushing; 1 1/8"ID x 2 3/4"OD x 5"Lg	2	900 08 148	
✓✓	3	334-605 Bolt; 1 1/8"-7 x 9 1/4"Lg	2	932 01 055, 932 01 046	
		334-1786 Assembly, Bolt; EZ-ALIGN®	1	905 08 009	
✓✓	4	334-375 Nut, Lock; 1 1/8"-7	6	934 00 506	
✓✓	5	334-596 Spacer; 1 1/8"ID x 4"OD x 1/4"Thk	4/12	900 36 140	
		SP Spacer, Axle Seat; 3/16" Thk	8	900 36 217	RL228, >2002; RL230
✓✓ ●	6	334-600 Collar, Alignment; 1 1/8"ID x 3 1/4"OD x 7/8"Thk	4/2	900 08 147	RL196 & 196A All; 228/230-12 & 300-13; w/Welded Alignment
		334-2009 Collar, Alignment	4/2	900 08 198	RL228/230/250/300-14, -15, -16 & -17; w/Welded Alignment
		334-1788 Collar, Alignment; EZ-ALIGN®	2	900 08 185	No Longer Available Separately
✓✓ ●	7	334-1787 Washer, Alignment; EZ-ALIGN®	1	900 08 238, 900 08 186	
✓✓	8	334-613 Kit, Service; Axle Connection; 5" Round Axle; 20" Wheel	1	481 00 206, SRK-149	Incl. (4)321-231 Bushings & Hdwe.; (4) Axle Connections, (2) Beams
✓✓ ●	9	321-231 Bushing; 1 1/8"ID x 2 3/4"OD x 5"Lg	4	900 08 148	
✓✓	10	334-607 Bolt; 1 1/8"-7 x 8 1/2"Lg	4	932 01 051, 932 01 045	
✓✓	11	352-9936 Air Spring	2	905 57 156	RL228-14, -15 & -16
		352-9935 Air Spring	2	905 57 157	RL228-17
		352-9294 Air Spring	2	905 57 127	RL196-12
		352-9293 Air Spring	2	905 57 120	RL196/196A-14
		352-9295 Air Spring	2	905 57 121	RL196/196A-15 & -16
		352-9291 Air Spring	2	905 57 139	RL196/196A-17
		352-8204 Air Spring	2	905 57 173	RL196A-12
✓✓	12	M66660 Shock Absorber	2	900 44 977	
		M65432 Shock Absorber	2	900 45 188	
		M66608 Shock Absorber	2	900 44 162	
		M66634 Shock Absorber	2	900 45 040	
		M66633 Shock Absorber	2	900 44 794	
		M66610 Shock Absorber	2	900 45 054	
		M66636 Shock Absorber	2	900 44 642	
	See Shocks Shock Absorber	2	Various	Consult Shock Catalog For Model Specific Applications	
●	13	140149N Bushing, Shock; 3/4"ID	4/8	905 08 004	Rubber w/Bonded Washer & Sleeve; RL196, Upper Only
✓	14	334-1105 Assembly, Bolt; 3/4"-10 x 3 1/2"Lg	4/2	930 03 599	Incl. Bolt & Hdwe.
		334-780 Assembly, Bolt; Shock Absorber; 3/4"-16 x 4"Lg	2		Incl. Bolt & Hdwe.; RL196A/228, Lower
✓✓ ●	15	334-1143 Valve, Height Control	1	900 54 007	
✓✓ ●	15	334-750 Valve, Height Control; Universal	1		Hadley - Model 450HCV
✓✓ ●	16	334-751 Linkage Assembly, Universal; Adjustable	1	481 00 225, SRK-168	3 5/8"-19 5/8" Range; Use w/All Height Control Valves
	17	338-1875 Brace	2	900 23 002	RL196-12/14/15, RL196A-14/15 & RL228-15/16/17
●	18	338-2191 Assembly, Beam; Curbside	1	905 16 566	RL228-12-3, -14-3, -15-3, -16-3 & 17-3; Incl. Bushings
		338-2192 Assembly, Beam; Roadside	1	905 16 567	RL228-12-3, -14-3, -15-3, -16-3 & 17-3; Incl. Bushings
		338-2193 Assembly, Beam; Curbside	1	905 16 999	RL230-12-3, -14-3, -15-3, -16-3 & 17-3; Incl. Bushings
		338-2194 Assembly, Beam; Roadside	1	905 17 000	RL230-12-3, -14-3, -15-3, -16-3 & 17-3; Incl. Bushings
●	19	338-2197 Adapter, Axle; RH; Outboard	1	900 01 340	RL228 & 230
		338-2198 Adapter, Axle; LH; Outboard	1	900 01 341	RL228 & 230
		338-2199 Adapter, Axle; RH; Inboard	1	905 01 425	RL230; w/Hanger Mount Shocks
		338-2200 Adapter, Axle; LH; Inboard	1	905 01 426	RL230; w/Hanger Mount Shocks
		338-2201 Adapter, Axle; RH; Inboard	1	905 01 463	RL228 & 230
		338-2202 Adapter, Axle; LH; Inboard	1	905 01 462	RL228 & 230

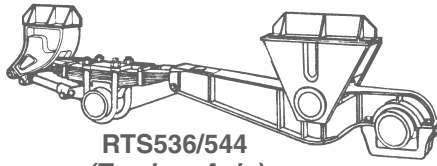
**RTS
Single/Tandem/Tridem
Trailer Suspensions**

Neway

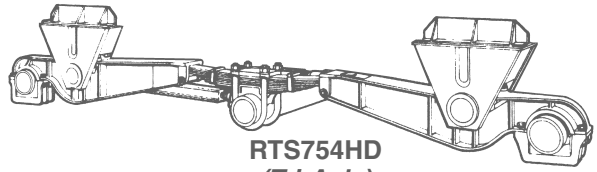
Neway



**RTS218/222
(Single Axle)**

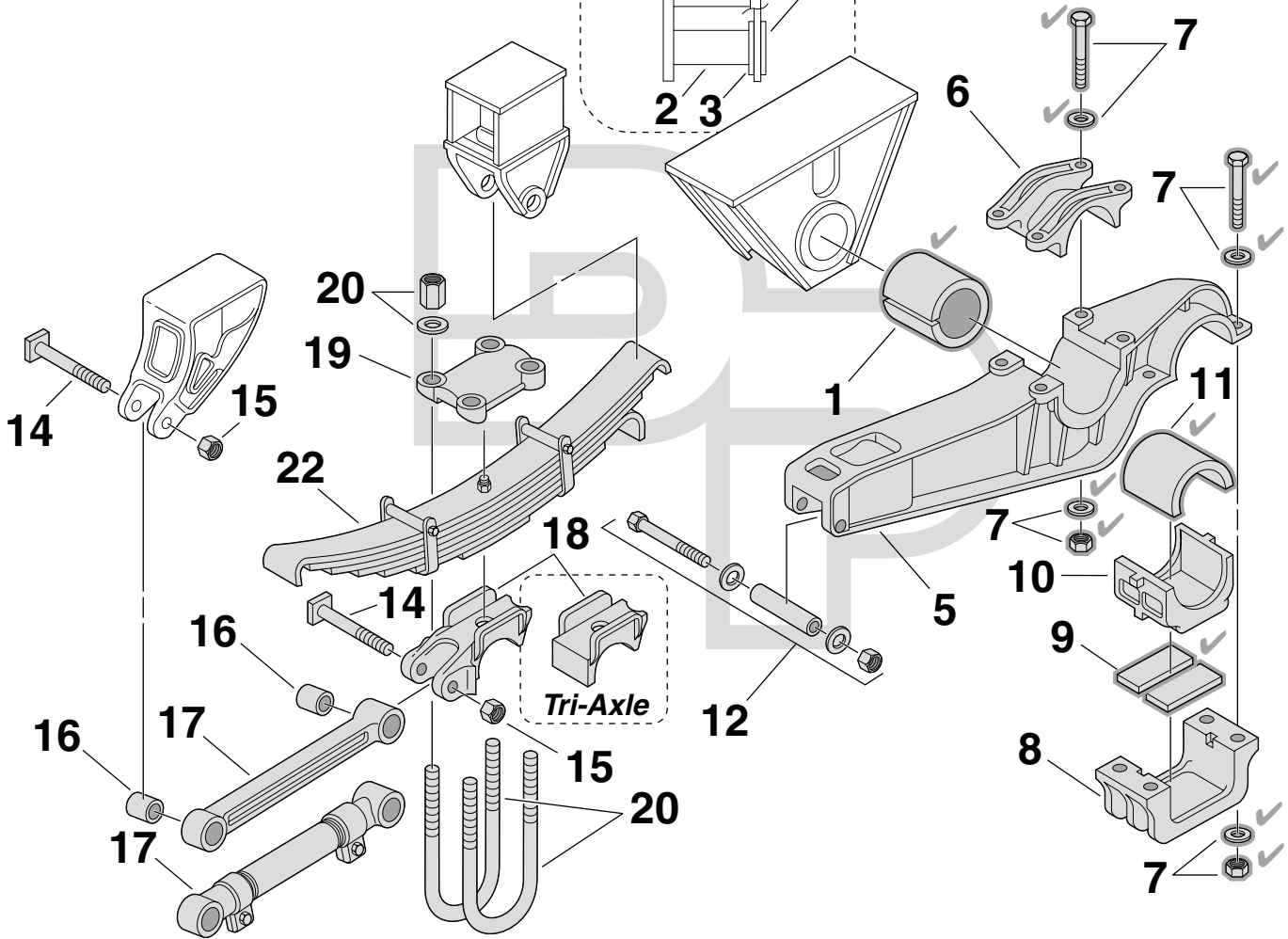
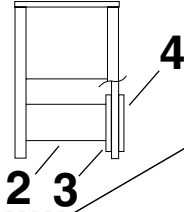


**RTS536/544
(Tandem Axle)**

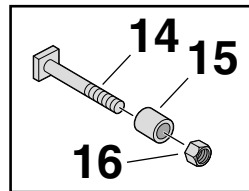


**RTS754HD
(Tri-Axle)**

**Trunnion Hanger
Detail**



Suspension Illustration



**Key 13 - Torque Rod
Bolt & Bushing Kit**

**Key 21 - Axle Trunnion
Connection Overhaul Kit.
(Items with Gray Outline)**

SEE CHECKMARKS

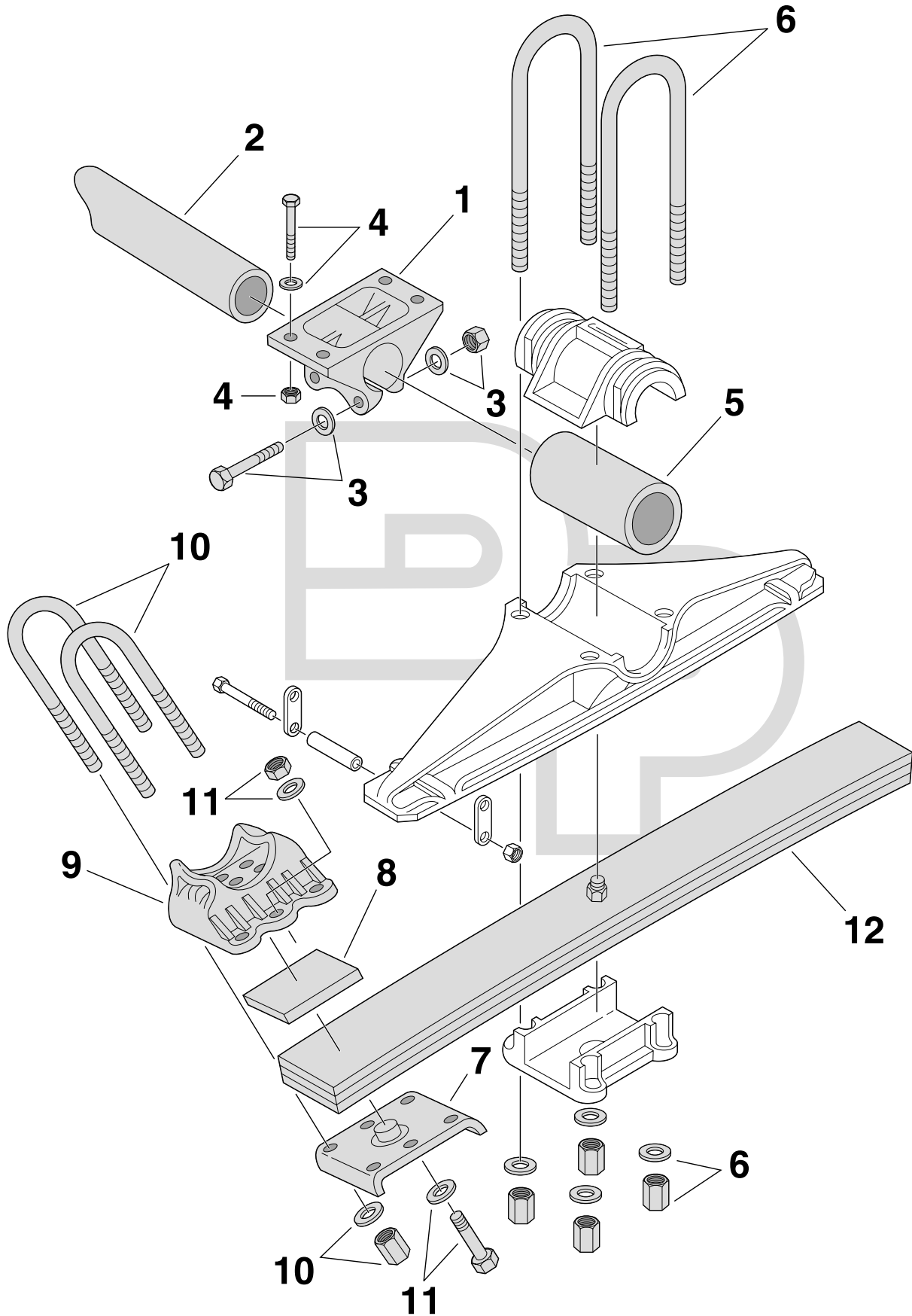
Key No.	Part Number	Description	No. Req.	OEM Reference	Remarks
●	1	325-135 Bushing; 4"ID x 5"OD x 5 3/4"Lg	2/4	910 08 014	
		325-135U Bushing, Urethane	2/4		
●	2	334-1074 Shaft; 4"OD x 8 3/8"Lg 1/2" Thick	2/4	910 38 210	
	3	334-1075 Washer, Inner; 4 1/16"ID x 6"OD x 3/16"Thk	2/4	936 00 002	
	4	334-1076 Washer, Outer; 4 1/16"ID x 6"OD x 5/16"Thk	2/4	936 00 003	
✓✓	●	5 338-1347 Beam, Equalizing	2/4	915 15 001	
	●	6 338-1344 Cap, Equalizing Beam	2/4	910 10 098	
✓✓	7	334-1110 Assembly, Bolt; 3/4"-10 x 2 1/2"Lg	16/32	936 00 156	Incl. Bolt & Hdwe.
	●	8 338-1343 Cap, Axle	2/4	910 10 031	
✓✓	9	325-140 Pad; 1 3/4"W x 5 1/4"Lg x 1 1/16"Thk	4/8	910 28 023	RTS & TA Series
	●	325-140U Pad, Urethane	4/8		
	●	10 338-1345 Adapter, Axle; 5" Round Axles	2/4	910 01 040	
		11 325-138 Pad; 4"W x 8 3/4"Lg x 3/4"Thk	2/4	910 28 010	
		12 334-1078 Assembly, Roller	2/4		
✓	13	334-929 Kit, Service; Torque Rod Bolt & Bushing	1	481 00 050, SRK-39	(4) Ends; Incl. 334-882 Bolts, 321-234 Bushings & Hdwe.
✓✓	●	14 334-882 Bolt, Torque Rod; 1 1/4"-7 x 4 3/4"Lg	4	939 00 009	Special Head
		15 SLNC-108 Nut, Lock; 1 1/4"-7	4	934 00 569	
✓✓	●	16 321-234 Bushing; 1 1/4"ID x 2 3/8"OD x 2 1/2"Lg	4	910 08 007	
		321-234U Bushing, Urethane	4		
	●	17 345-693 Torque Rod, Adjustable; 27 1/2"-30" Lg	2		Tri-Axle; Incl. 321-234 Bushings
	●	345-679 Torque Rod, Adjustable; 13 1/4"-15 7/8"Lg	1		Incl. 321-234 Bushings
	SP	Torque Rod, Rigid	1	915 44 001	Use 345-679
✓	●	18 338-1346 Seat; 5" Round Axles	2	910 01 034	Single & Tandem Axle
	SP	Seat, Spring	2	910 01 023	Tri-Axle
	●	19 338-203 Plate, Top Clamp; U-Bolt; 3 7/8"W x 5 7/8" c/c; 5" Rd. & Eaton 5" Sq. Axles	2	910 10 103	
✓	20	361-258 Kit, U-Bolt; Round Bend, Grade 8	4	900 41 174	7/8" x 5 1/8" x 11 7/8" R
✓✓	21	339-208 Kit, Maintenance; Axle/Trunnion Connections	1/2	481 00 033, SRK-36	(2) Beams; Incl. Bushings, Pads & Hdwe.
	22	Spring Assembly Assembly, Spring	2		See Leaf Spring Web Catalog for Details

**SB360B/500B/600B/660HDA
Spring/Beam
Trailer Suspensions**

Neway

Neway

Suspension Illustration

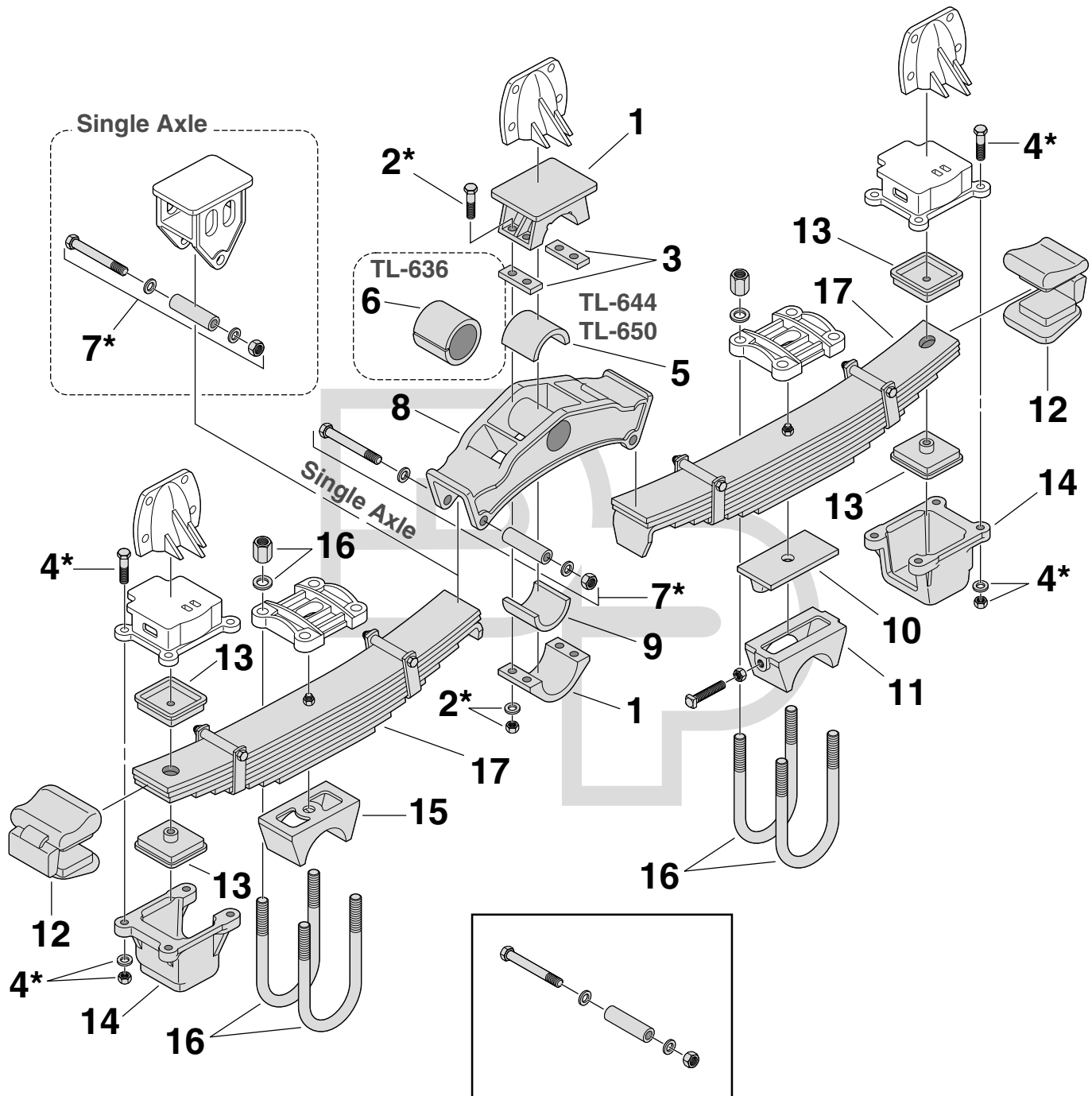


Key No.	Part Number	Description	No. Req.	OEM Reference	Remarks
● 1	338-422	Bracket, Trunnion Shaft; 2 1/2" Height	2	910 01 054	Standard; All
2	334-382	Shaft; 4"OD x 48"Lg x 1/2"Thk Wall	1	910 38 003, 910 38 004	
3	334-798	Assembly, Bolt; 3/4"-16 x 4"Lg	4	930 03 621	Incl. Bolt & Hdwe.
✓ 4	334-622	Assembly, Bolt; 5/8"-18 x 2"Lg	8	930 03 345	Incl. Bolt & Hdwe.
✓ 5	325-137	Bushing; 4"ID x 5"OD x 8 3/4"Lg	2	910 08 022	Rubber
●	325-137U	Bushing, Urethane; 4"ID x 5"OD x 8 3/4"Lg	2		
✓✓ 6	361-234	Kit, U-Bolt; Round Bend, Grade 8	4	900 41 484, 900 41 482	1 1/8" x 5 1/16" x 15 1/2" R
✓ ● 7	338-1557	Pad, End	4	910 01 038	
8	SP	Pad, End	4	910 28 153	
● 9	338-1355	Cap, Spring End; 5" Round Axles	4	910 10 041	For (2) Leaf Springs
✓✓ 10	361-246	Kit, U-Bolt; Round Bend, Grade 8	8	900 41 324	1" x 5 1/8" x 10 7/8" R
	361-516	Kit, U-Bolt; Round Bend, Grade 8	8	900 41 354	1" x 5 1/8" x 12 7/8" R
✓✓ 11	334-1110	Assembly, Bolt; 3/4"-10 x 2 1/2"Lg	8	936 00 156	Incl. Bolt & Hdwe.
12	TRA-2676	Assembly, Spring	2	915 57 100	SB360 & 500; See Leaf Spring Web Catalog for Details
	TRA-3217	Assembly, Spring	2	915 57 136	SB600; See Leaf Spring Web Catalog for Details
	TRA-2694	Assembly, Spring	2	915 57 122	SB660; See Leaf Spring Web Catalog for Details

**SL/TL
Four Spring
Trailer Suspensions**

Neway

Neway



Suspension Illustration

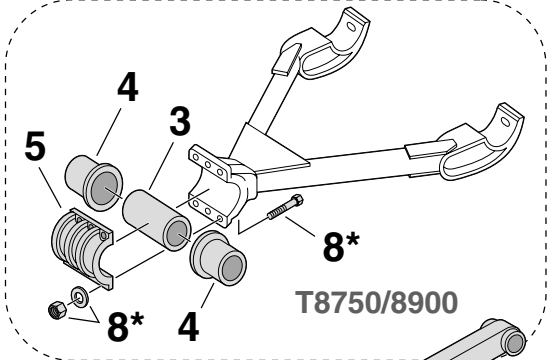
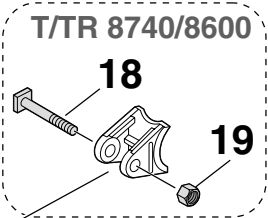
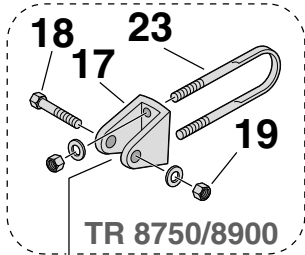
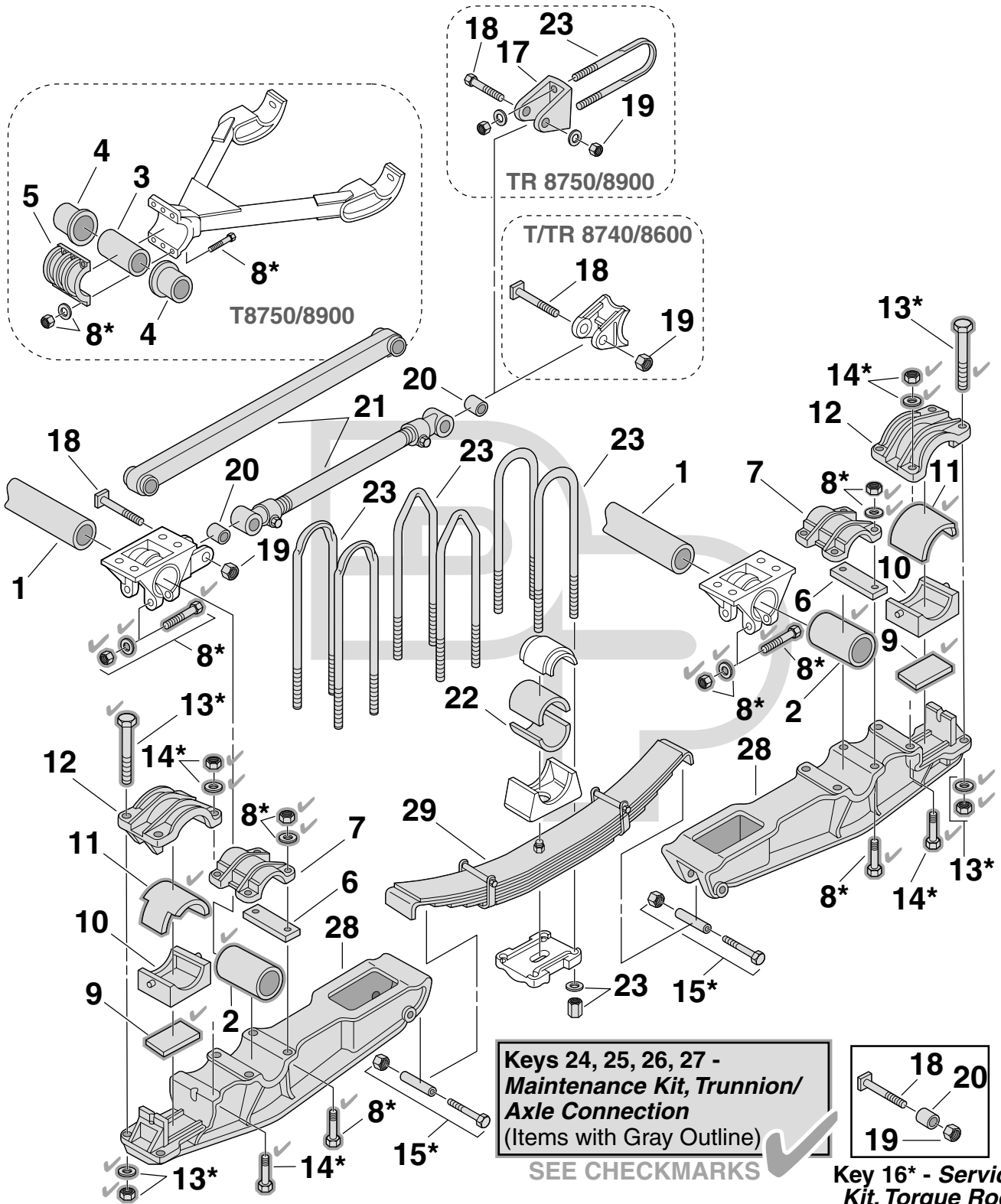
Key No.	Part Number	Description	No. Req.	OEM Reference	Remarks
1	338-1723	Bracket, Mounting; Equalizer Frame	2	910 18 025	3 7/16" High
	338-1724	Bracket, Mounting; Equalizer Frame	2	910 18 024	4 15/16" High
✓	2	334-622 Assembly, Bolt; 5/8"-18 x 2"Lg	8	930 03 345	Incl. Bolt & Hdwe.
	3	334-1071 Spacer, Bushing	4	910 31 001	
✓	4	334-1104 Assembly, Bolt; 5/8"-18 x 2 1/2"Lg	8	930 03 359	Incl. Bolt & Hdwe.
✓	5	322-146 Bushing, Upper Half	2	910 08 006	
	6	325-136 Bushing; 2 13/16"ID x 3 3/4"OD x 4"Lg	2	910 08 037	
	7	334-1070 Assembly, Spring Roller	2/4		Incl. Bolt, Spacer & Hdwe.
	8	338-1725 Assembly, Equalizer	2		
✓	9	322-147 Bushing, Lower Half	2	910 08 033	
	10	SP Plate, Axle Align	2	910 01 078	
	11	338-1727 Seat, Axle; Adjustable	2	910 01 072	Obsolete
✓✓●	12	325-126 Spring, Rubber; 8"H x 9 1/2"Dia.	4	910 08 032	
✓	13	338-1553 Retainer, Spring End	8	910 01 062	
	14	338-1554 Housing, Spring End	4	910 10 054	
	15	SP Seat, Axle; Fixed	2	910 01 070	
✓✓	16	361-258 Kit, U-Bolt; Round Bend, Grade 8	8	900 41 174	7/8" x 5 1/8" x 11 7/8" R
✓		361-559 Kit, U-Bolt; Round Bend, Grade 8	8		7/8" x 5 1/8" x 12 7/8" R
✓✓		361-254 Kit, U-Bolt; Round Bend, Grade 8	8	900 41 180	7/8" x 5 1/8" x 13 7/8" R
	17	Spring Assembly Assembly, Spring	4	915 57 005	See Leaf Spring Web Catalog for Details

**T/TR8540/8600/8750/8900
Tri-Axle Trailer Suspensions**

Neway

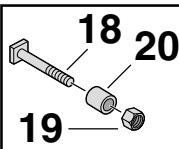
Neway

Suspension Illustration



**Keys 24, 25, 26, 27 -
Maintenance Kit, Trunnion/
Axle Connection
(Items with Gray Outline)**

SEE CHECKMARKS



**Key 16* - Service
Kit, Torque Rod
Bolt & Bushing**

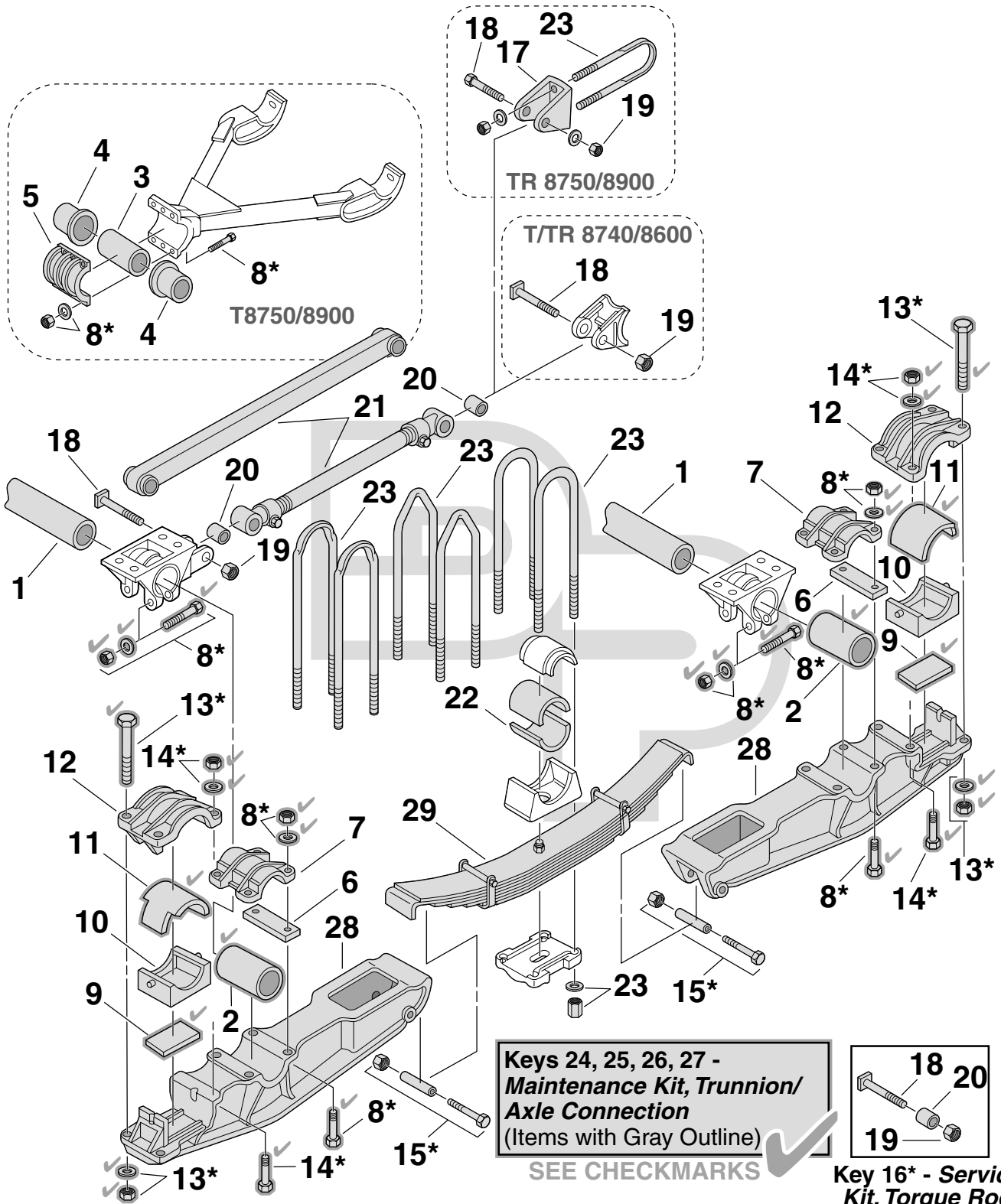
Key No.	Part Number	Description	No. Req.	OEM Reference	Remarks
	1	334-1273 Tube; 3 1/2"OD x 44 1/4"Lg, 1/2" Wall	2	910 38 290	Additional Lengths Available Special Order
✓✓	2	325-134 Bushing; 3 1/2"ID x 4 1/2"OD x 5 3/4"Lg	4	900 08 011	
		325-134U Bushing, Urethane	4		
	3	325-218 Bushing, Rubber; Drag Yoke	1	910 08 024	T8750 & T8900 Only
●	4	334-1622 Spacer, Drag Yoke	2	910 36 010	
●	5	338-1877 Cap, Drag Yoke	1	910 10 062	T8750 & T8900
●	6	334-1112 Spacer; 2" x 6 3/4" x 1/8"Thk	8	910 36 001	T/TR8900
●	7	338-1362 Cap, Equalizing Beam	4	910 10 157	TR8540, TR8600, TR8750 & TR8900
		338-1876 Cap, Trunnion	4	900 10 009, 481 00 025	T8540, T8750 & T8900
✓✓	8	334-1110 Assembly, Bolt; 3/4"-10 x 2 1/2"Lg	16/22	936 00 156	Incl. Bolt & Hdwe.
✓		334-1103 Assembly, Bolt; 3/4"-10 x 3"Lg	16	930 03 585	Incl. Bolt & Hdwe.
✓✓		334-626 Assembly, Bolt; 3/4"-10 x 5"Lg	8	930 03 633	Incl. Bolt & Hdwe.
✓✓ ●	9	325-142 Pad; 4 5/8"W x 5 1/4"Lg x 1 3/16"Thk	4	910 28 089	T8540, TR8750 & TR8900
●		325-142U Pad, Urethane; 4 5/8"W x 5 1/4"Lg x 1 3/16"Thk	4		
		325-199 Pad; 3"W x 5 1/2"Lg x 7/8"Thk	4	910 28 075	TR8540 & TR8600
●	10	338-1356 Adapter; 5" Round Axles	4	910 10 089	T & TR Series; w/15" Wheels
●		338-1357 Adapter; 5" Round Axles	4	910 10 094	T Series; w/20" Wheels
		338-1735 Adapter; 5 3/4" Round Axles	4	910 01 120	
✓✓ ●	11	325-141 Wrap, Axle; 5" Overall Width x 9" Overall Length x 3/4"Thk	4	910 28 051	T & TR Series; 5" Round Axle
●		325-141U Wrap, Axle; Urethane	4		
●		325-197 Wrap, Axle; 5"W x 9 1/2"Lg x 3/8"Thk	4	910 28 053	5 3/4" Round Axle
●	12	338-1359 Cap, Axle; 5" Round Axle	4	910 10 060	T8540, TR8540 & TR8600
●		338-1360 Cap, Axle; 5" Round Axle	4	910 10 061	T/TR8750 & TR8900
●		338-1361 Cap, Axle; 5 3/4" Round Axle	4	910 10 059	T/TR8750 & TR8900
	13	334-1106 Assembly, Bolt; 7/8"-9 x 9"Lg	8	934 00 498	Incl. Bolt & Hdwe.
	14	334-1101 Assembly, Bolt; 1"-8 x 3 1/2"Lg	8	930 04 239	Incl. Bolt & Hdwe.
		334-1102 Assembly, Bolt; 1"-8 x 4"Lg	8	930 04 251	Incl. Bolt & Hdwe.
	15	334-1100 Assembly, Roller; 3/4"-16 x 6"Lg	4	930 03 657	Incl. Bolt & Hdwe.
✓	16	334-929 Kit, Service; Torque Rod Bolt & Bushing	1	481 00 050, SRK-39	(4) Ends; Incl. 334-882 Bolts, 321-234 Bushings & Hdwe.
		339-211 Kit, Service; Torque Rod; (2) Rods	1	481 00 149, SRK-98	Incl. (4)321-227, (4)334-607, (8)334-624 & Hdwe.
●	17	338-1873 Bracket, Torque Rod Axle	1	910 18 039	TR8750 & TR8900
✓✓ ●	18	334-882 Bolt, Torque Rod; 1 1/4"-7 x 4 3/4"Lg	2	939 00 009	
✓		334-607 Bolt; 1 1/8"-7 x 8 1/2"Lg	2	932 01 045	
	19	SLNC-108 Nut, Lock; 1 1/4"-7	2	934 00 569	Use w/334-882
✓✓		334-375 Nut, Lock; 1 1/8"-7	2	934 00 506	Use w/334-607
✓✓ ●	20	321-234 Bushing; 1 1/4"ID x 2 3/8"OD x 2 1/2"Lg	2	910 08 007	T/TR8540 & TR8600
✓ ●		321-235 Bushing; 1 1/4"ID x 2 3/8"OD x 5"Lg	2	900 08 002	Old Style; Requires Use of 334-1092 Liner
✓✓ ●		321-227 Bushing; 1 1/8"ID x 2 3/8"OD x 5"Lg	2	900 08 131	New Style
●	21	345-692 Torque Rod, Adjustable; 29 1/4"-31 3/4"Lg	1		Incl. 321-234 Bushings; T8540, TR8540 & TR8600 Only
		SP Torque Rod, Rigid	1	915 44 149	Use 345-692; T/TR8540 & TR8600 Only
	22	325-200 Wrap, Axle; Center	4	910 28 039	T8750 & T8900 Only; 5" Round
		325-237 Wrap, Axle; Center	4	910 28 040	T8750 & T8900 Only; 5 3/4" Round

**T/TR8540/8600/8750/8900
Tri-Axle Trailer Suspensions**

Neway

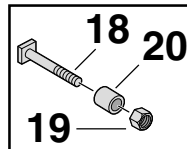
Neway

Suspension Illustration



**Keys 24, 25, 26, 27 -
Maintenance Kit, Trunnion/
Axle Connection
(Items with Gray Outline)**

SEE CHECKMARKS

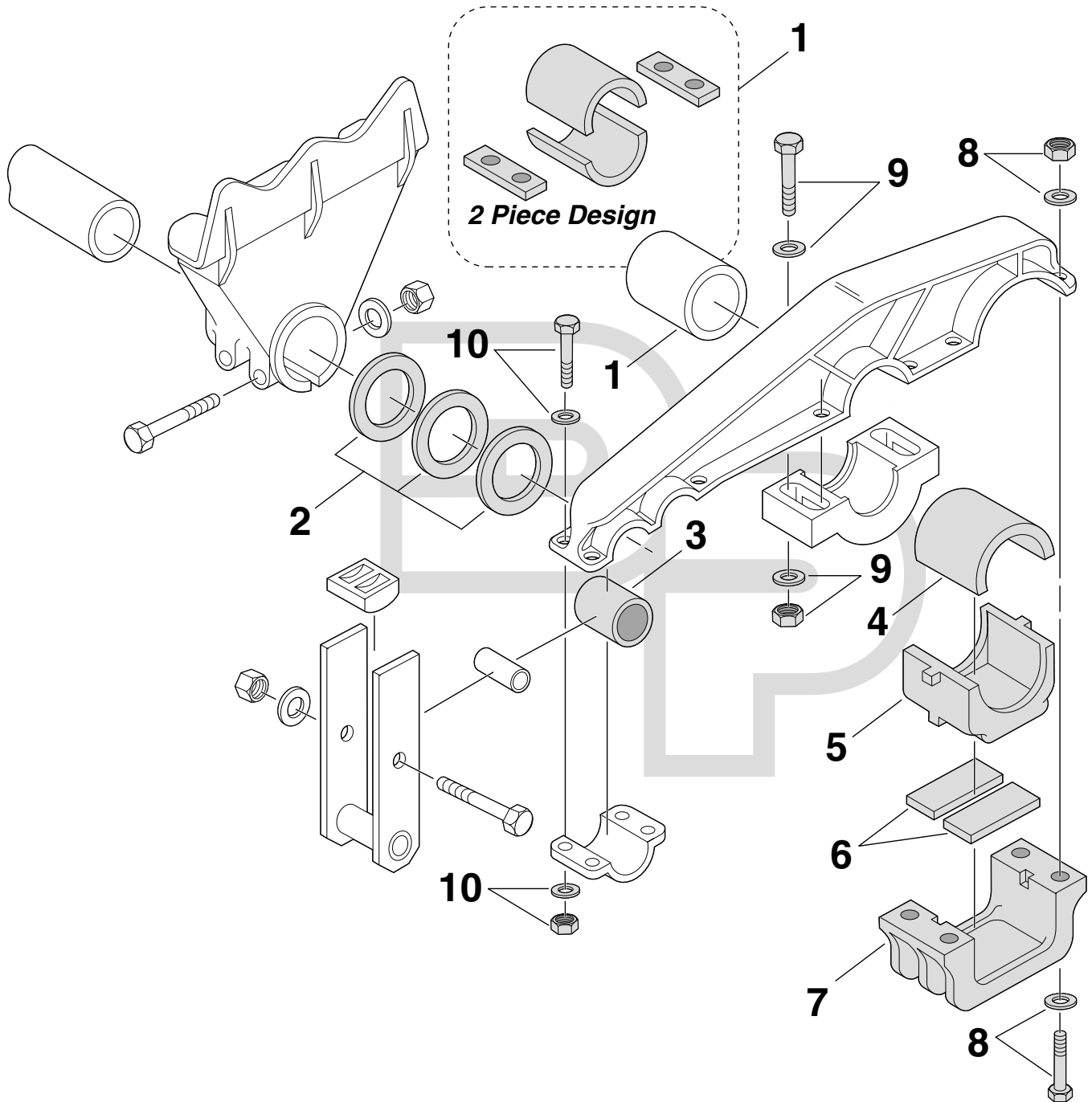


**Key 16* - Service
Kit, Torque Rod
Bolt & Bushing**

Key No.	Part Number	Description	No. Req.	OEM Reference	Remarks	
✓✓	23	361-258	Kit, U-Bolt; Round Bend, Grade 8	4	900 41 174, 900 42 106	7/8" x 5 1/8" x 11 7/8" R; T/TR8540 & TR8600
✓		361-511	Kit, U-Bolt; Round Bend, Forged Top, Grade 8	4	900 41 807	1" x 5" x 7 1/2" R; Torque Rod Mounting
		361-512	Kit, U-Bolt; Round Bend, Forged Top, Grade 8	4	900 41 824	1" x 5" x 11 1/2" R; TR8750 & TR8900
		361-514	Kit, U-Bolt; Round Bend, Forged Top, Grade 8	4	900 41 857	1" x 5 3/4" x 12" R; TR8750 & TR8900
		SP	Assembly, U-Bolt; Special Bend, Grade 8	4	900 42 064, 900 42 061	5/8" X 7 1/2" X 9"; 6" Axles; T8540 Only
		SP	Assembly, U-Bolt; Round Bend, Grade 8	4	900 41 430	1" X 7 1/4" X 14"R; 6" Axles; T8750 & T8900
	24	339-213	Kit, Maintenance; Trunnion/Axle Connection; 5" Axle; T8540	2	481 00 005, SRK-38	Incl. (2)325-134, (2)325-141, (2)325-199, (4)334-1101, (8)334-1103 & (4)334-1106
✓	25	339-214	Kit, Maintenance; Trunnion/Axle Connection; 5" Axle; TR8540, TR8600 & TR8750	2	481 00 145, SRK-97	Incl. (2)325-134, (2)325-141, (2)325-142, (4)334-1101, (8)334-1103 & (4)334-1106
●	26	339-216	Kit, Maintenance; Trunnion/Axle Connection; 5 3/4" Axle; TR8540, TR8600, TR8750 & TR8900	2	481 00 149, SRK-100	Incl. (2)325-134U, (2)325-142, (2)325-197 & Hdwe.; Replaces 2-pc. Bushing & Plates, w/1-pc. Urethane
	27	339-221	Kit, Maintenance; Trunnion/Axle Connection; 5" Axle; TR8900	1	481 00 188, SRK-134	Incl. (2)325-134U, (2)325-142, (2)325-141 & Hdwe.; Replaces 2-pc. Bushing & Plates, w/1-pc. Urethane
●	28	338-1736	Beam	4	910 15 015	5" Round Axles
		338-1737	Beam	4	915 15 011	5 3/4" Round Axles
	29	Spring Assembly	Assembly, Spring	2		See Leaf Spring Web Catalog for Details

Neway

Suspension Illustration

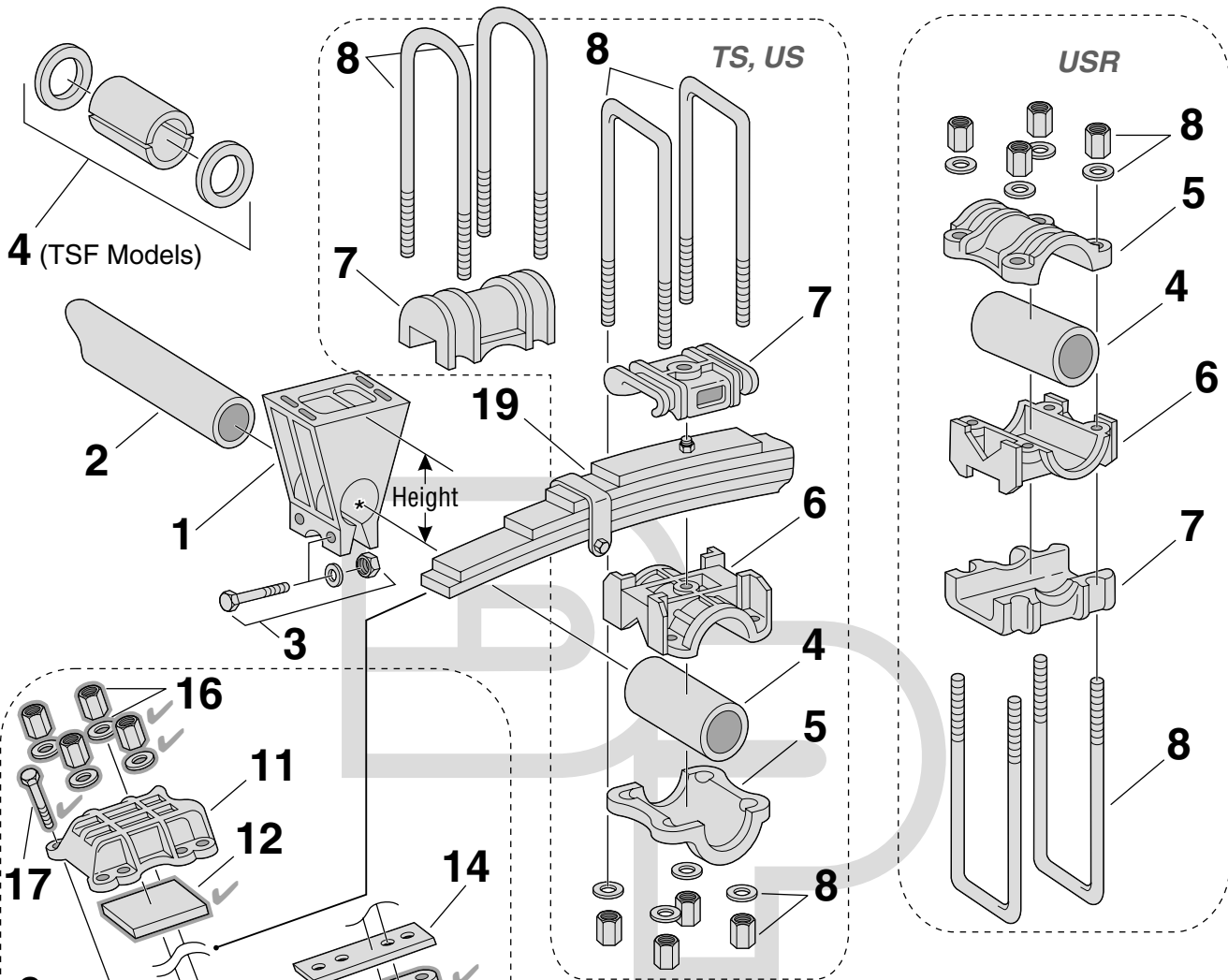


Key No.	Part Number	Description	No. Req.	OEM Reference	Remarks
● 1	325-144	Bushing; Standard; 3 1/2"ID x 4 1/2"OD x 3 1/2"Lg	2	910 08 004	
●	325-144U	Bushing, Urethane	2	910 08 072	Discontinued
	325-192	Kit, Bushing; Heavy Duty	2		Obsolete
2	334-595	Washer, Thrust; 3 1/2"ID x 5 7/16"OD x 1/4"Thk	6	936 00 035	
3	325-146	Bushing, Standard; Shackle	2	910 08 047	Rubber
	322-162	Kit, Bushing	2	910 08 049, 910 08 048	2-Pc. Design
4	325-145	Pad, Rubber; 3 5/8"W x 8 5/8"Lg x 5/8"Thk	2	910 28 060	5" Round Axles
	325-216	Pad, Rubber; 3 5/8"W x 8 1/4"Lg x 7/8"Thk	2	910 28 107	4 1/2" Round Axles; Obsolete
● 5	338-1345	Adapter, Axle; 5" Round Axles	2	910 01 040	
✓✓ ● 6	325-140	Pad; 1 3/4"W x 5 1/4"Lg x 1 1/16"Thk	4	910 28 023	TA Series
●	325-140U	Pad, Urethane	4		Discontinued
● 7	338-1343	Cap, Axle	2	910 10 031	
✓✓ 8	334-1110	Assembly, Bolt; 3/4"-10 x 2 1/2"Lg	8	936 00 156	Incl. Bolt & Hdwe.
9	334-1109	Assembly, Bolt; 7/8"-9 x 3 1/2"Lg	8	930 03 809	Incl. Bolt & Hdwe.
10	334-1292	Assembly, Bolt; 1/2"-13 x 2"Lg	8	930 02 921	Incl. Bolt & Hdwe.

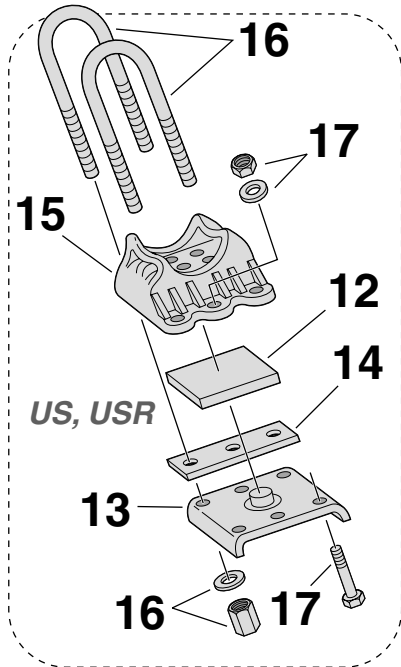
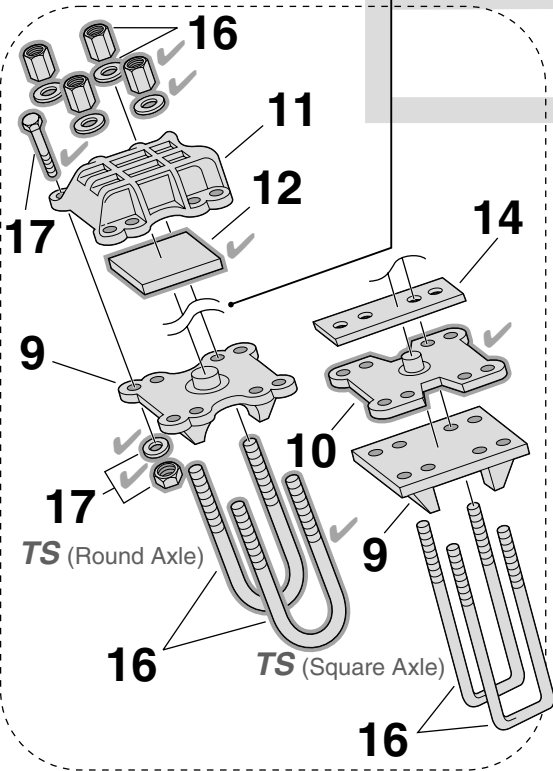
TS/US/USR
Single Point
Trailer Suspensions

Neway

Neway



Suspension Illustration



**Key 18* - Service Kit,
 Axle Connection
 (Items with Gray Outline)**

SEE CHECKMARKS

Key Numbers with an asterisk (*) indicate a kit or assembly.

Key No.	Part Number	Description	No. Req.	OEM Reference	Remarks
●	1	338-422 Bracket, Trunnion Shaft; 2 1/2" Height	2	910 01 054	Standard; All 4" Trunnion Shafts
✓●	●	338-497 Bracket, Trunnion Shaft; 4 1/2" Height	2	910 01 055	
✓●	●	338-421 Bracket, Trunnion Shaft; 6 1/2" Height	2	910 01 056	
●	●	338-425 Bracket, Trunnion Shaft; 8 1/2" Height	2	910 01 058	
	2	334-382 Shaft; 4"OD x 48"Lg x 1/2"Thk Wall	1	910 38 003, 910 38 004	
✓		334-383 Shaft, 4"OD x 48"Lg x 3/4"Thk Wall	1	910 38 130	
	3	334-798 Assembly, Bolt; 3/4"-16 x 4"Lg	4	9418882	Incl. Bolt & Hdwe.
✓✓	4	325-137 Bushing; 4"ID x 5"OD x 8 3/4"Lg	2	910 08 022	Rubber
●		325-137U Bushing, Urethane; 4"ID x 5"OD x 8 3/4"Lg	2		
		325-206 Bushing	2	910 08 036	TS660/A, TS680/A & TS6100/A
		325-220 Bushing	2	900 08 043, 900 08 004	TSF Models; 2-Pc. Bushing Assy.
●		339-257 Kit, Service; Trunnion Connection	2	481 00 147, SRK-52-1	TSF Models; Incl. Bushing Assy. & Thrust Washers
✓✓●	5	338-1351 Cap, Trunnion	2	910 10 047	4" Trunnion Shafts
✓✓●	6	338-1350 Seat, Trunnion	2	910 01 051	4" Trunnion Shafts
✓●	7	338-1352 Saddle, U-Bolt; Square	2	910 01 021	
✓●		338-1353 Saddle, U-Bolt; Round	2	910 01 022	TS550, TS560, TS5500 & TS5600
	8	361-560 Kit, U-Bolt; Square Bend, Grade 8	4	900 42 796, 900 41 690	1 1/8" x 5 1/16" x 11" S
✓✓		361-561 Kit, U-Bolt; Square Bend, Grade 8	4	900 41 696	1 1/8" x 5 1/16" x 11 1/2" S
		361-563 Kit, U-Bolt; Square Bend, Grade 8	4	900 41 698	1 1/8" x 5 1/16" x 12" S
✓✓		361-236 Kit, U-Bolt; Square Bend, Grade 8	4	900 41 700, 900 41 698	1 1/8" x 5 1/16" x 12 1/2" S
✓		361-238 Kit, U-Bolt; Square Bend, Grade 8	4	900 41 706	1 1/8" x 5 1/16" x 14 1/2" S
✓		361-601 Kit, U-Bolt; Round Bend, Grade 8	4	900 41 474	1 1/8" x 5 1/16" x 13" R
✓✓		361-565 Kit, U-Bolt; Round Bend, Grade 8	4	900 41 478	1 1/8" x 5 1/16" x 14" R
✓✓		361-234 Kit, U-Bolt; Round Bend, Grade 8	4	900 41 482, 900 41 484	1 1/8" x 5 1/16" x 15 1/2" R
✓✓●	9	338-1363 Seat; 5" Round Axle	4	910 01 044	
●		338-1556 Seat; 5" Square Axle	4	915 01 063	Use w/338-876
✓✓●	10	338-876 Pad, Seat Repair; Fabricated	4	910 01 049	
✓●	●	338-1818 Pad, Seat Repair; Cast	4	910 01 049	
✓✓●	11	338-1348 Cap, Spring End; 2 Main Spring	4	910 10 043	
✓✓●	●	338-1349 Cap, Spring End; 3 Main Spring	4	910 10 038	
●	12	325-139 Pad; 4 5/8"W x 5 1/8"Lg x 5/8"Thk	4	910 28 013	Use 325-238
✓●	●	325-139U Pad, Urethane	4		
✓✓●	●	325-142 Pad; 4 5/8"W x 5 1/4"Lg x 13/16"Thk	4	910 28 089	
✓●	●	325-142U Pad, Urethane; 4 5/8"W x 5 1/4"Lg x 13/16"Thk	4		
●	●	325-207 Pad, Rubber; 4 5/8"W x 7 1/2"Lg x 11/16"Thk	4	910 28 057	TS660/A, 680/A & 6100/A
✓●	●	325-238 Pad, Rubber; 4 5/8"W x 6 1/2"Lg x 5/8"Thk w/Groove	4	910 28 152	TS; Rubber; Heavy Duty
●	13	338-1397 Pad, End; Fabricated	4	910 01 038	Use 338-1557
✓✓●	●	338-1557 Pad, End; Heavy Duty	4	910 01 038	
●	14	334-1111 Plate, Spacer; 1 1/16" x 9 1/2" X 5/32"Thk	8	910 31 570	
	SP	Plate, Spacer; 3 Holes	8	910 31 571	
✓●	15	338-1354 Cap, Spring End; 5" Round Axle	4	910 01 033	For (3) Main Springs
●	●	338-1355 Cap, Spring End; 5" Round Axles	4	910 10 041	For (2) Main Springs
	SP	Cap, Axle Seat/End; 5" Square Axles	4	910 01 188	
✓✓	16	361-240 Kit, U-Bolt; Round Bend, Grade 8	8	900 41 067	5/8" x 5 1/8" x 8 1/8" R
		361-244 Kit, U-Bolt; Square Bend, Grade 8	8	900 42 544	5/8" x 5 1/8" x 9 3/8" S
✓✓		361-246 Kit, U-Bolt; Round Bend, Grade 8	8	900 41 324	1" x 5 1/8" x 10 7/8" R
✓		361-516 Kit, U-Bolt; Round Bend, Grade 8	8	900 41 354	1" x 5 1/8" x 12 7/8" R
✓	17	334-1103 Assembly, Bolt; 3/4"-10 x 3"Lg	16	930 03 585	Incl. Bolt & Hdwe.
✓		334-1104 Assembly, Bolt, 5/8"-18 x 2 1/2"Lg	16	930 03 359	Incl. Bolt & Hdwe.
	18	339-207 Kit, Service; Axle Connection; 5" Round	2	481 00 042, SRK-25	(1) Axle; Incl. 338-1818
		339-249 Kit, Service; Axle Connection; 5" Round	2	481 00 020, SRK-23	(1) Axle; Wear Pad Not Included
	19	Spring Assembly Assembly, Spring	2		See Leaf Spring Web Catalog for Details

Neway

Parts Listing

140149N



Shock Bushing; 3/4" I.D.; Models: Various

321-153



Bushing; 7/8"ID x 1 29/32"OD x 3"Lg; Models ADL120/123, Air Lite 2

321-153U



Bushing, Urethane; Model AirLite 2

321-178



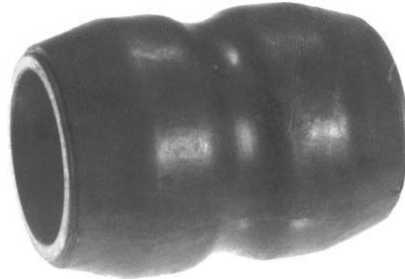
Bushing; 2 1/2" I.D. x 3 1/21" O.D. x 9" Lg; Model ART 500, 550, 551US, First Design

321-188



Bushing; 1 1/4" I.D. x 3 1/2" O.D. x 5 1/4" Lg; Model ART 500US-A/B

321-226



2 1/2" I.D. x 3 7/8" O.D. x 5 1/4" Lg; Drive Axle Air

321-227



Bushing; 1 1/8" I.D. x 2 3/8" O.D. x 5" Lg; Models: Various

321-227U



Bushing, Urethane; 1 1/8" I.D. x 2 3/8" O.D. x 5" Lg; Models: Various

321-228



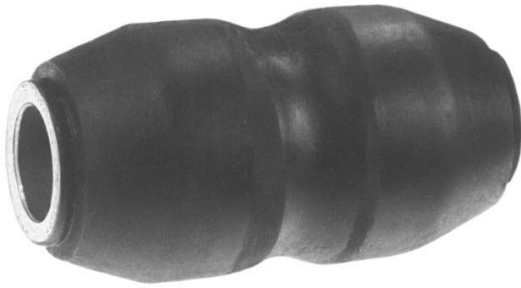
Bushing; 2" I.D. x 3 3/8" O.D. x 5 1/4" Lg; Model ARD234

321-229



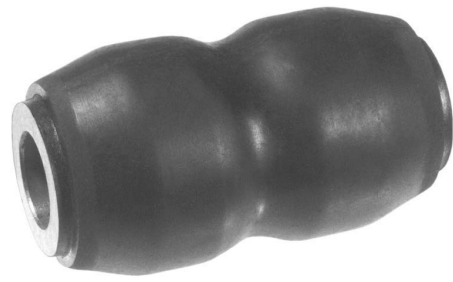
Bushing; 1 1/8" I.D. x 3 1/2" O.D. x 5 1/4" Lg; Models: Various

321-230



Bushing; 1 1/8" I.D. x 2 5/8" O.D. x 5" Lg; Model ARD120-6/234-6/238-6

321-231



Bushing; 1 1/8" I.D. x 2 3/4" O.D. x 5" Lg; Models: Various

321-232



Bushing; 2 1/8" Lg; Models AD160/200, ARD 120/238, 125/244

321-233



Bushing; 1 1/2" Sq. x 4 1/2" O.D. x 4 9/16" Lg.; Model AR120/125, AR120/125/165US

321-234



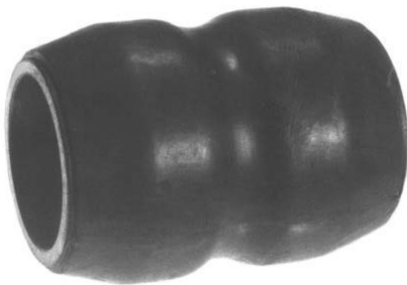
Bushing; 1 1/4" I.D. x 2 3/8" O.D. x 2 1/2" Lg.; Model RTS, Tri-Axle Trailer

321-235



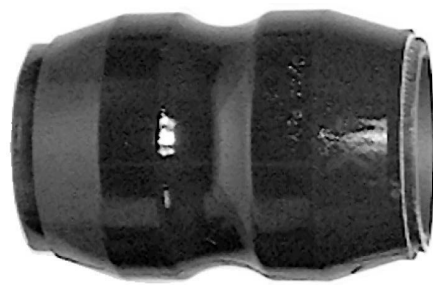
1 1/4" I.D. x 2 3/8" O.D. x 5" Lg.; Old Style; Drive Axle Air/Tri-Axle Trailer

321-237



Bushing; 2 1/2" I.D. x 3 7/8" O.D. x 5 3/4" Lg.; Old Style; Models ARD120/238, 125/244, 234, Tri-Axle Trailer

321-237U



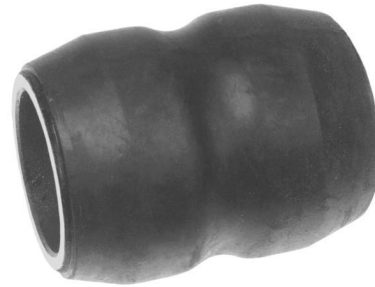
Bushing, Urethane; 2 1/2" I.D. x 3 7/8" O.D. x 5 3/4" Lg.; Models ARD120/238, 125/244, 234, Tri-Axle Trailer

321-314



Bushing; Model: Drive Axle

321-315



Bushing; 4 1/8"OD; Model: Drive Axle

321-367



Bushing, Bar Pin; 1" Bolts, 8 1/2" C to C, 3 7/8" O.D.; Model AD123

321-390



Bushing; 7/8" I.D. x 3 7/16" x 4" Lg.; Model AD160/200, ARDAB-120/238/240

321-391



Straight Pin; 7/8" Bolts, 6" C to C; Model ARDAB-120/238/240

321-392



Offset Pin; 7/8" Bolts, 6" C to C; ARDAB; Model ARDAB-120/238/240

321-393



Bushing; 1 1/4" I.D. x 3 7/8" O.D. x 5 1/4" Lg.; Model AD130

321-394



Bushing; 2 1/2" I.D. x 3 15/16" x 6" Lg.; Model AD126

321-395



Bushing; 2 1/2" I.D. x 3 15/16" x 5 1/4" Lg.; Model AD130

321-396



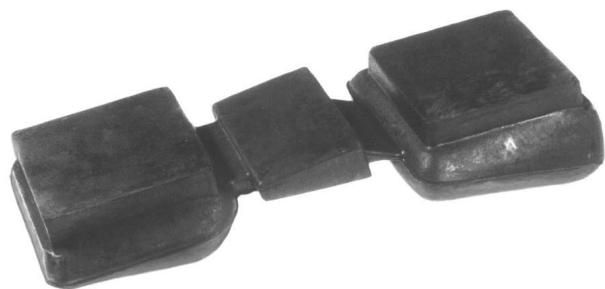
Bushing, Bar Pin; 1" Bolts, 8 1/2" C to C, 3 15/16" O.D.; Model AD126

321-517



Bushing, Pivot; Models CB2300, CBX23/25, CB400/4000, CBX40

325-126



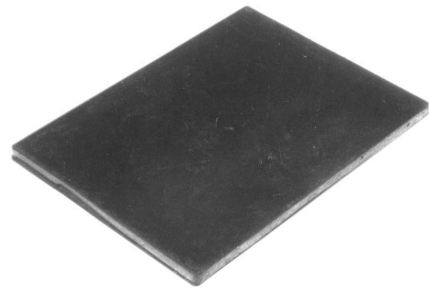
Spring, Rubber; 8"H x 9 1/2"Dia; Model SL/TL

325-129, 325-129U



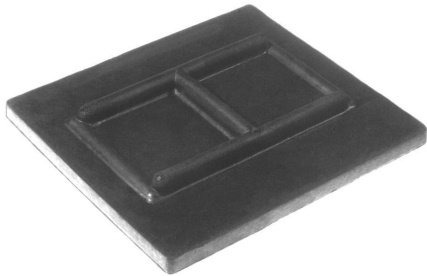
Pad; 5 5/8" Wd. x 7" Lg. x 7/16" Thk.; Second Design; Models: Various

325-130



Axle Wrap; 7 1/8" Wd. x 9 9/16" Lg. x 3/8" Thk.; 5" Square Axles; Old Style; Models: Various

325-131, 325-131U



Axle Wrap; 7 1/4" Wd. x 8" Lg. x 1/2" Thk.; 5" Round Axles; New Style; Models: Various

325-132, 325-132U



Axle Wrap; 7 1/4" Wd. x 7 1/4" Lg. x 3/8" Thk.; Old Style; Models: Various

325-133, 325-133U



Axle Wrap; 5 5/8" Wd. x 7" Lg. x 3/8" Thk.; First Design; Models: Various

325-135, 325-135U



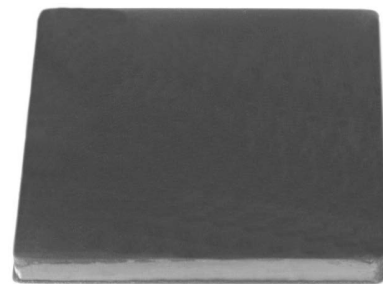
Bushing; 4"ID x 5"OD x 5 3/4"Lg.; Model RTS Trailer

325-137, 325-137U



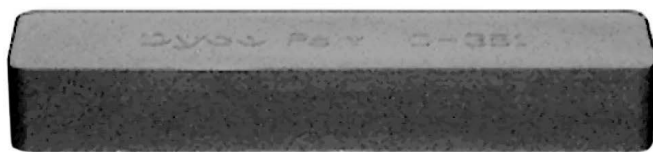
Bushing; 4"ID x 5"OD x 8 3/4"Lg.; Model Trailer Single Point

325-139, 325-139U



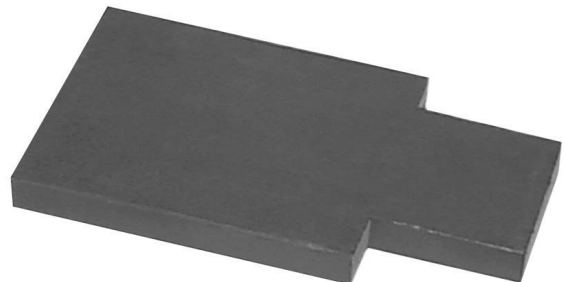
Pad; 4 5/8" Wd. x 5 1/8" Lg. x 5/8" Thk.; Model Single Point

325-140, 325-140U



Pad; 1 3/4"W x 5 1/4"Lg. x 11/16"Thk.; Models RTS, TA800

325-141, 325-141U



Axle Wrap; 5" Wd. x 9" Lg. x 3/4" Thk.; 5" Round Axles; Model Tri-Axle Trailer

325-142, 325-142U



Pad; 4 5/8" Wd. x 5 1/4" Lg. x 13/16" Thk.; Model Single Point

325-143



Axle Wrap; 7 1/4" Wd. x 9 5/8" Lg. x 3/8" Thk., 5" Square Axles; New Style; Models: Various

325-144, 325-144U



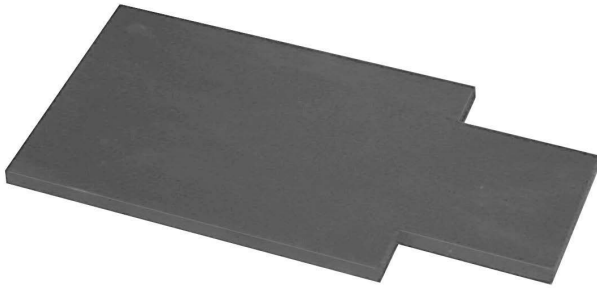
Bushing, Standard; 3 1/2"ID x 4 1/2"OD x 3 1/2"Lg.; Model TA800

325-161



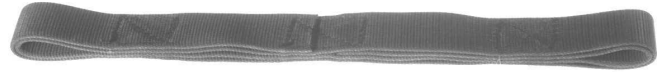
Pad; 5 7/8" Wd. x 7" Lg. x 7/16" Thk.; Third Design; Models: Various

325-197



Axle Wrap; 5 3/4" Wd. x 9" Lg. x 3/4" thk.; 5 3/4" Round Axles; Model T/TR8540/8600/8750/8900

325-201



Strap, Suspension Restraint; 13" Lg.; Model RC-122-16, RC2000-16, ER 2250

325-202



Strap, Suspension Restraint; 18 1/2" Lg.; Model RC122-11

325-203



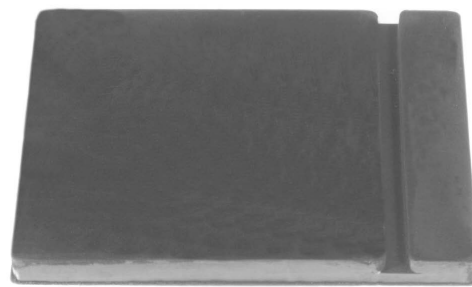
Cushion, Rubber; Model RC122, ER2000/2250

325-207



Pad, Rubber; 4 5/8" Wd. x 7 1/2" Lg. x 11/16" Thk.; Model TS66/A, 680/A, 6100/A

325-238



Pad Rubber; 4 5/8" Wd. x 6 1/2" Lg. x 5/8" Thk. W/ Groove; Heavy Duty; Model TS

334-108



Adapter Kit, Solid Adapters; Use w/ 5 1/4" Bushing; Model ARD120/238, 125/244, 234

334-109



Adapter Kit, Solid Adapters; Use w/ 5 3/4" Bushing; Models: Various

334-555



Torsion Bar; 42 7/8" Lg. x 1 1/2" Sq.; Model AR120/125, AR120/125/165US

334-599



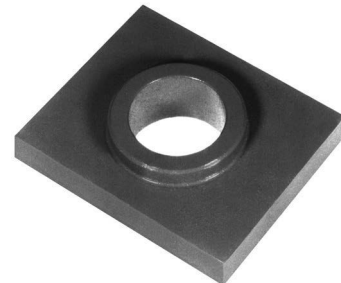
Collar, Alignment; 1 1/8" I.D. x 2 3/4" O.D. x 1" Thk.; Model AD123/126, ARD125/234/244; After 1981, ARD125, 234, 244 (Post 1981)

334-600



Collar, Alignment; 1 1/8" I.D. x 3 1/4" O.D. x 7/8" Thk.; Models: Various

334-601



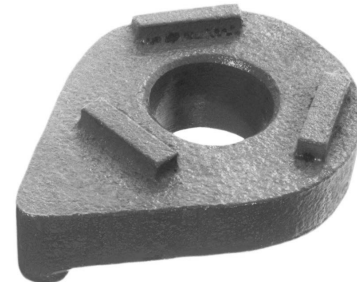
Block, Alignment; 1 1/8" I.D. x 2 1/2" x 3" x 7/8" Thk.; Model AR50-US/USF/USF1/USF2, ART550, 551

334-602



Collar, Inner Alignment; 1 1/8" I.D. x 2 3/4" O.D. x 7/8" Thk.; Inner; Model AR70/95/955

334-604



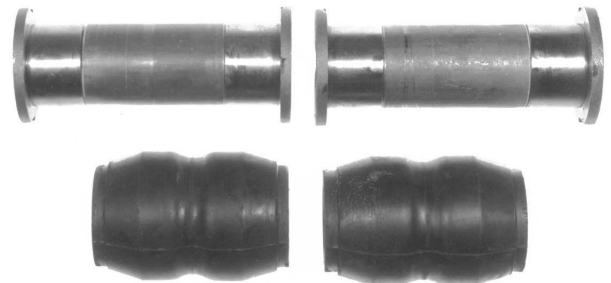
Block, Outer Alignment; 1 1/8" Hole; Outer; Old Style; Model AR70/95/955

334-610



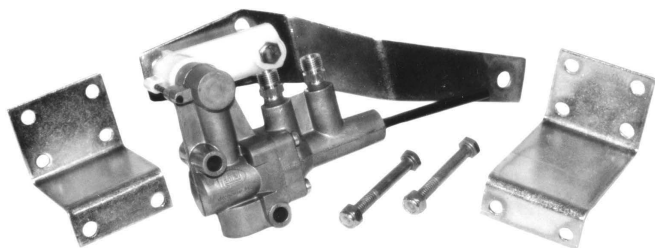
Washer, Square; 1" I.D. x 2" Sq. x 3/8" Thk.; Models: Various

334-619



Service Kit, Axle Connection; 5 3/4" Lg. Bushing; Models: Various

334-750



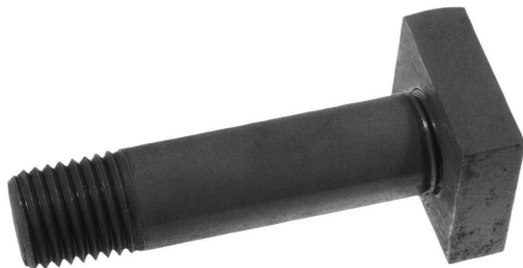
Valve, Height Control; Universal; Hadley - Model 450HCV; Models: Various

334-751



Linkage Assembly, Universal Adjustable; 3 5/8"-19 5/8" Range; Use w/all Height Control Valves; Models: Various

334-882



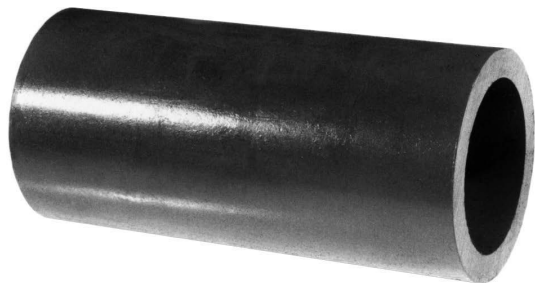
Bolt, Torque Rod; 1 1/4"-7 x 4 3/4", Special Head; Models RTS, T/TR8540/8600/8750/8900

334-1073



Collar, Alignment; 1 1/8" I.D. x 2 3/4" O.D. x 1 3/16" Thk.; Models: Various

334-1074



Shaft; 4" O.D. x 8 3/8" Lg. x 1/2" Thk.; Model RTS

334-1085



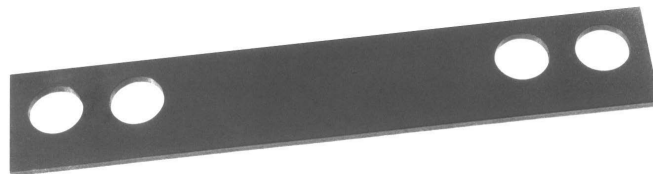
Collar, Alignment; 1 1/4" I.D. x 2 1/2" O.D. x 3/4" Thk.; Before 1981; Model ARD120/238, 125/244, 234

334-1093



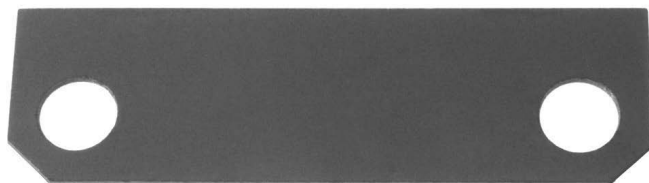
Collar, Alignment; 1 1/8" I.D. x 2 3/4" O.D. x 7/8" Thk.; Model RC122, ER2000/2250

334-1111



Spacer Plate; 1 11/16" W x 9 1/2" Lg. x 13/16" Dia. Holes; Model TS/US/USR

334-1112



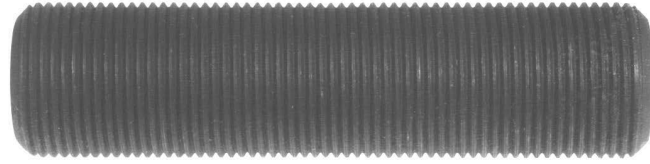
Spacer; 2" x 6 3/4" x 1/8" Thk.; Model T/TR8900

334-1143



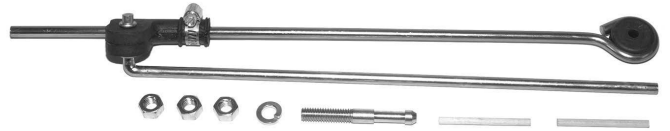
Valve, Height Control; Delay Type; Models: Various

334-1500



Stud; 1 1/4"-12 x 5" Lg.; Full Thread; Model ARD120/238

334-1572



Linkage, Height Control Valve; Use with IR valve; Models: Various

334-1605



Valve, Height Control - Instant Response; Models: Various

334-1607



Strap; Model ARDAB-120/238/240

334-1622



Spacer, Drag Yoke; Model T/TR8540/8600/8750/8900

334-1626



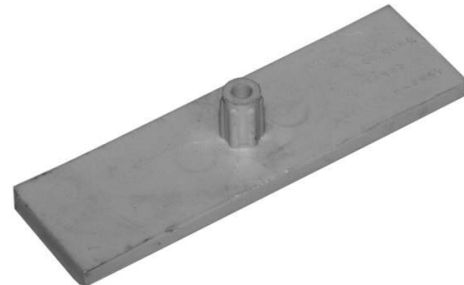
Spring Cup; Component of 339-238; Model ART500/505/541/550/551/555

334-1773



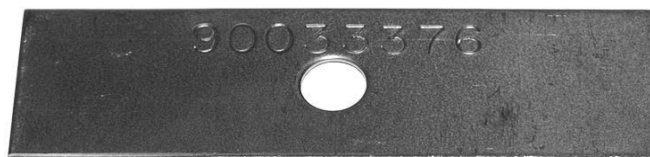
Collar, Alignment; Model ARDAB-120/238/240

334-1774



Shim, Plastic; Model ARDAB-120/238/240

334-1775



Shim, Steel; ARDAB-120/238/240

334-1778



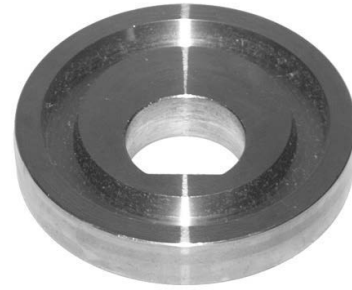
Collar, Alignment; Model AD130

334-1786



Bolt Assembly; EZ-ALIGN; Models RL196/196A/228/230/250/300, AR250 - Older

334-1787



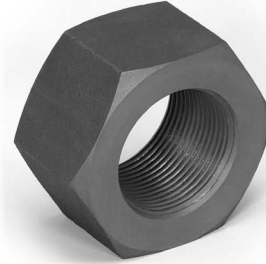
Washer; EZ-ALIGN; Models RL196/196A/228/230/250/300, AR250 - Older

334-1924



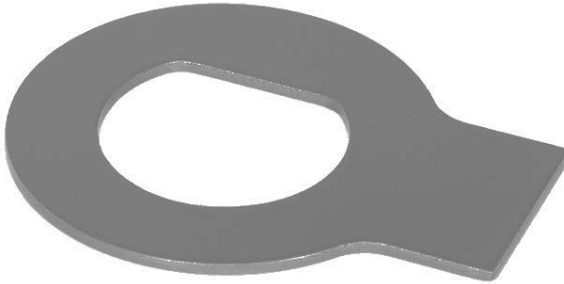
Washer, Locking Spacer Assembly; Model AD123/246/369, 126/252/378, 130/260/390

334-1925



Nut; 2 1/4"-8; Model AD Series, All

334-1926



Washer, Tab; All, replaces 900 36 184; Model AD123/246/369, 126/252/378, 130/260/390

334-1960



Service Kit, Swing Align; Incl. components for 1 axle; Models CB2300, CBX23/25, CB400/4000, CBX40

334-1961



Service Kit, Pivot Bolt; Models CB2300, CBX23/25, CB400/4000, CBX40

334-1962



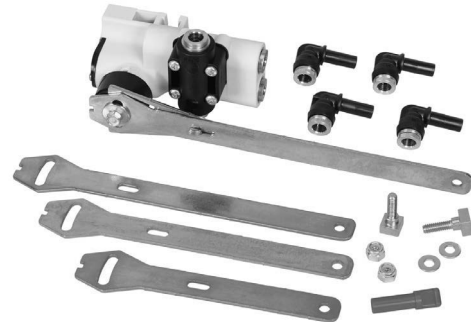
Service Kit, Pivot Bushing; Incl. components for 1 axle (2 beams); Models CB2300, CBX23/25, CB400/4000, CBX40

334-1963



Washer, Hanger Wear; Fixed alignment hangers only; Models CB2300, CBX23/25, CB400/4000, CBX40

334-1964



Valve, Height Control; w/dump; Model CB400/4000

334-1965



Valve, Height Control; w/o dump; Model CB400/4000

334-2004



Washer, Alignment; Models ADL120/123

334-2005



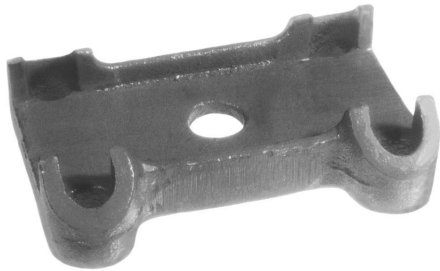
Washer, "C" Spacer; Models ADL120/123

334-2009



Collar, Alignment; Models RL228/230/250/300-14,-15,-16,-17 w/welded alignment

338-203



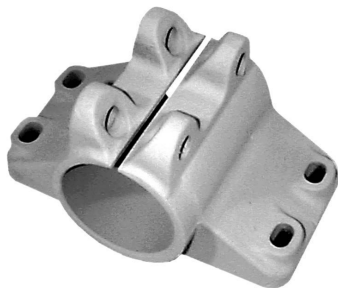
Plate, U-Bolt Top Clamp; 3 7/8" W x 5 7/8" c/c - 5" Rd. & Eaton 5" Sq. Axles; Model RTS

338-421



Bracket, Trunnion Shaft; 6 1/2" Height; 6 1/2" High; Model TS/US/USR

338-422



Bracket, Trunnion Shaft; 2 1/2" Height; Standard; All; Model SB360B/500B/600B/660HDA, TS/US/USR

338-425



Bracket, Trunnion Shaft; 8 1/2" Height; Model TS/US/USR

338-497



Bracket, Trunnion Shaft; 4 1/2" Height; Model TS/US/USR

338-876



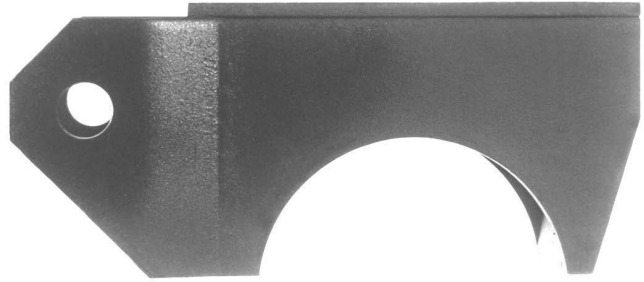
Pad, Seat Repair; Fabricated; Model TS/US/USR

338-1307



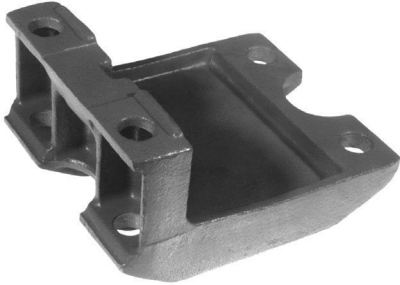
Seat; 3/4", 5" Round Axles; Model AirLite 2

338-1308



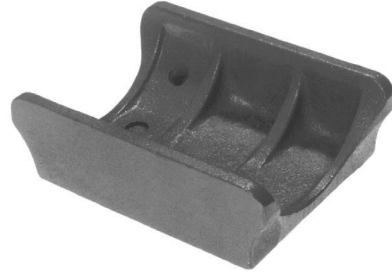
Seat; 1 1/4", 5" Round Axles; Model AirLite 2

338-1336



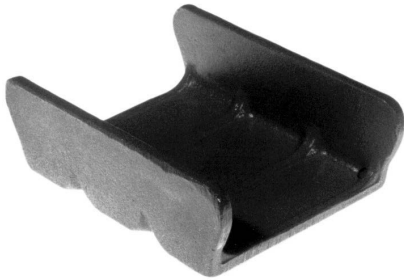
Axle Cap; 8" x 9 3/4"Lg. x 5 1/16"H - 5" Round Axle, Overslung; Model AR120/125, AR120/125/165US

338-1338



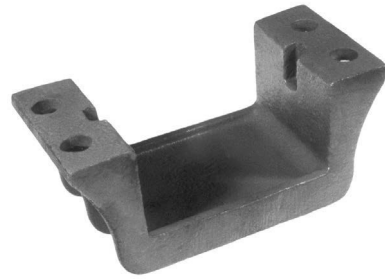
5" Round Axles; New Style; Models: Various

338-1339



5" Square Axles; New Style; Models: Various

338-1343



Cap, Axle; Models RTS, TA800

338-1344



Cap, Equalizing Beam; Model RTS

338-1345



Adapter, Axle; 5" Round Axles; Models RTS, TA800

338-1346



Seat, 5" Round Axles; Model RTS

338-1347



Equalizing Beam; Model RTS

338-1348



Cap, Spring End; 2 Main Spring; Model TS/US/USR

338-1349



Cap, Spring End; 3 Main Spring; Model TS/US/USR

338-1350



Seat, Trunnion; 4" Trunnion Shafts Only; Model TS/US/USR

338-1351



Cap, Trunnion; 4" Trunnion Shafts; Model TS/US/USR

338-1352



Saddle, U-Bolt; Square; Model TS/US/USR

338-1353



Saddle, U-Bolt; Round; Models TS550, 560, 5500, 5600

338-1354



Cap, Spring End; 5" Round Axle; For 3 Main Springs; Model TS/US/USR

338-1355



Cap, Spring End; 5" Round Axles; For 2 Leaf Springs; Models SB360B/500B/600B/660HDA, TS/US/USR

338-1356



Adapter; 5" Round Axles; Model T/TR Series w/ 15" Wheels

338-1357



Adapter; 5" Round Axles; Trailer Spring Beam; Model T Series w/ 20" Wheels

338-1359



Cap, Axle; 5" Round Axles; Model T8540, TR8540/8600

338-1360



Cap, Axle; 5" Round Axles; Model T/TR8750, 8900

338-1361



Cap, Axle; 5 3/4" Round Axles; Model T/TR 8750, 8900

338-1362



Cap, Equalizing Beam; Models TR8540/8600/8750/8900

338-1363



Seat; 5" Round Axles; Model TS/US/USR

338-1365



Cap, Axle; 5" Round; New Style; Models: Various

338-1396



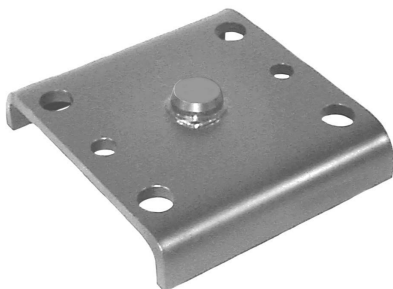
Seat, Standard; 3 1/2" Deep; Models: Various

338-1366



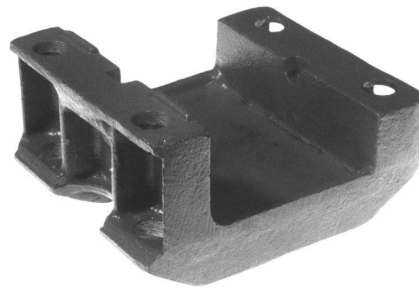
Cap, Axle; 5" 5" Square Axles; Models: Various

338-1397



End Pad, Fabricated; Use 338-1557; Model TS/US/USR

338-1546



Axle Cap, Lower; 5" Square Axles; Model AR120/125, AR120/125/165US

338-1556



Seat; 5" Square Axles; Use w/338-876; Model TS/US/USR

338-1557



End Pad, Heavy Duty; Models SB360B/500B/600B/660HDA, TS/US/USR

338-1736



Beam; For 5" Round Axles; Model T/TR8540/8600/8750/8900

338-1818



Repair Pad, Cast; Model TS/US/USR

338-1861



Beam Assembly; 5 1/4" Bushing; 5 1/4" Bushing; Model ARD125/244

338-1862



Bracket, Adjustable LH; Model ART555B/C-1,-2,-3

338-1863



Bracket, RH; Model ART555B/C-1,-2,-3

338-1873



Bracket, Torque Rod Axle; Model TR 8750/8900

338-1874



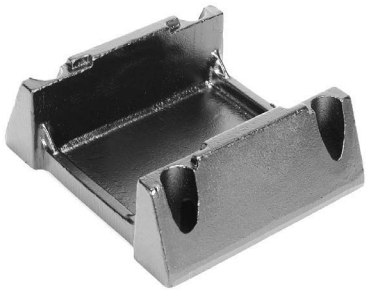
Bracket, Adjustable; Model AR90-14/15, AR90-1-14/15, AR92/93-15, ARU92-9, ARU93-8/9, AR250-14/15

338-1877



Cap, Drag Yoke; Model TR 8750/8900

338-2040



Seat, Heavy Duty; replaces 338-1337; Models: Various

338-2191



Beam Assmbly; Roadside; Incl, bushings; Models RL228-12-3, -14-3, -15-3, -16-3, 17-3

338-2192



Beam Assembly; Curbside; Incl, bushings; Models RL228-12-3, -14-3, -15-3, -16-3, 17-3

338-2193



Beam Assembly; Roadside; Incl bushings; Models RL230-12-3, -14-3, -15-3, -16-3, 17-3

338-2194



Beam Assembly; Curbside; Incl bushings; Models RL230-12-3, -14-3, -15-3, -16-3, 17-3

338-2197



Axle Adapter; RH Outboard; Models RL228/230

338-2198



Axle Adapter; LH Outboard; Models RL228/230

338-2201



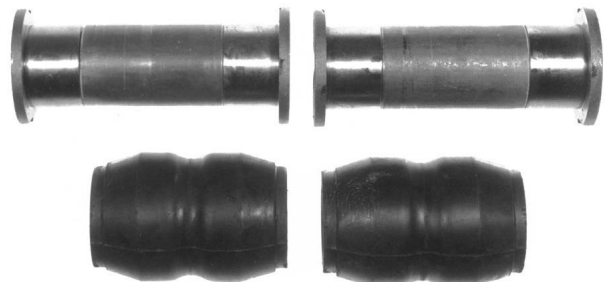
Axle Adapter; RH Inboard; Model RL228/230

338-2202



Axle Adapter; LH Inboard; Model RL228/230

339-178



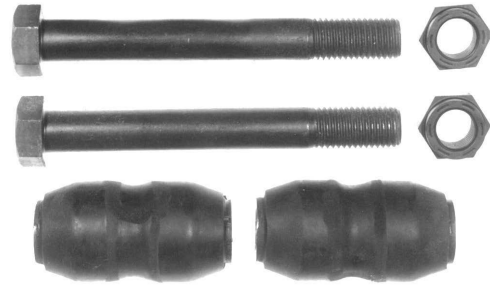
Service Kit, Axle Connection; 5 1/4" Bushing; Incl. Bushings & Adapter Kits for (2) Axle Connections; Model ARD120/238, 125/244, 234

339-195



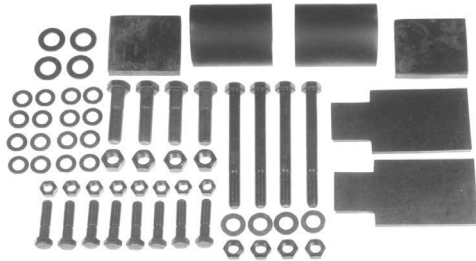
Service Kit, Pivot Connection Alignment - One Axle; Incl. 321-230 Bushing, Alignment Collars; Model ARD120/238, 125/244, 234

339-199



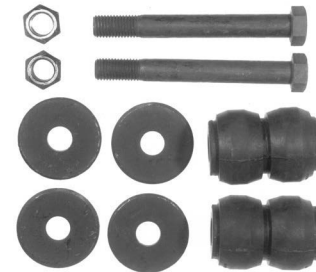
Service Kit, Pivot Connection - One Axle; Incl. 321-230 Bushing; Model ARD120/238, 125/244, 234

339-216



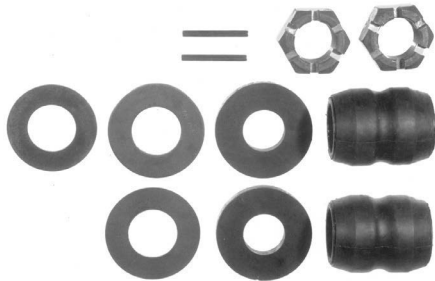
Maintenance Kit, Trunnion/Axle Connection; 5/8 Axle; Incl. (2) 325-134U, (2) 325-142, (2) 325-197 & Hdwe.; Replaces 2pc. Bushing & Plates w/1pc. Urethane; Model T/TR8540/8600/8750/8900

339-233



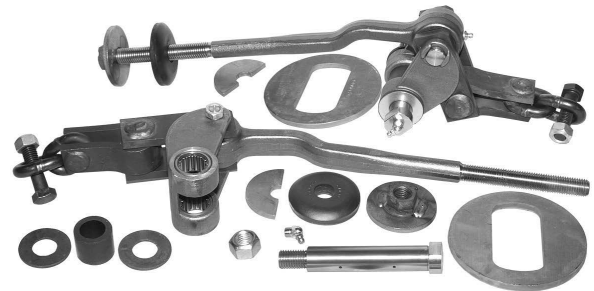
Service Kit, Pivot Connection - One Axle; (2) 321-314, (4) 334-596, (2) 334-605, (2) 334-375; Models: Various

339-234



Service Kit, Transverse Beam Connection - One Axle; (2) 321-315, (2) 334-1280, (2) 334-1281, (2) 334-1282, (2) 334-1283; Models: Various

339-235



Service Kit, Cam Assembly; 1"; Models AR955, ART505/ 555B; All

339-236



Service Kit, Cam Assembly; Models AR955; ART505/ 555C; All

339-238



Service Kit, Coil Spring Replacement; Models AR955, ART505/ 555B; All

339-244



Service Kit, Axle Connection - One Axle; Incl. (2) 321-392, (2) 321-391 Bushings; 2°- 8° Pinion; Model ARDAB-120/238/240

339-245



Service Kit, Axle Connection - One Axle; Incl. (4) 321-392 Bushings; 0 & 8.1°- 13° Pinion; Model ARDAB-120/238/240

339-247



Service Kit, Seat Wear Pad; Model ARDAB-120/238/240

339-248



Service Kit, Pivot Connection Alignment - One Axle; Incl. 321-390 Bushing; Services 1 Axle; Model ARDAB-120/238/240

339-257



Service Kit, Trunnion Connection; Incl. bushing assy & thrust washers; TSF Models

339-259



Service Kit, Bar Pin Axle Connection - One Axle; Incl. 321-396 Bushing; Model AD126

339-260



Service Kit, Transverse Beam Connection - One Axle; Incl. 321-226 Bushing; Model AD126

339-261



Service Kit, Pivot Connection Alignment - EZ-ALIGN; Model AR250 - Older

339-267



Service Kit, Pivot Connection - One Axle; Incl. 321-393 Bushing; Model AD130

339-268



Service Kit, Axle Connection; Adapter Style - One Axle; Incl. 321-394 Bushing; Model AD126

339-269



Service Kit, Axle Connection; Adapter Style - One Axle; Model AD130

339-270



Service Kit, Axle Connection; Bar Pin - One Axle; Incl. 321-367 Bushing; Model AD123

339-271



Service Kit, Transverse Beam Connection - One Axle; Incl. 321-315 Bushing; Model AD130

339-275



Service Kit, Pivot Connection - One Axle; Model RL228/230 w/1 EZ & 1 welded alignment

339-314



Service Kit: Services 2 pivot, forward trasverse beam or axle connections; Models ADL120/123

339-315



Service Kit, Pivot Connection Alignment; Services 2 connections - no bushings; Models ADL120/123

339-316



Service Kit, Rear Transverse Beam Connection; Services 2 connections; Models ADL120/123

339-317



Service Kit, Pivot Connection - One Axle; Models RL250/300 w/2 welded alignment

339-318



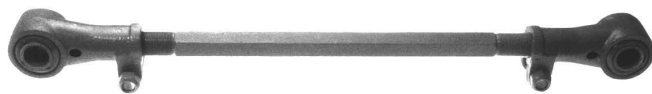
Service Kit, Pivot Connection - One Axle; Models RL250 w/1 EZ & 1 welded alignment

345-679



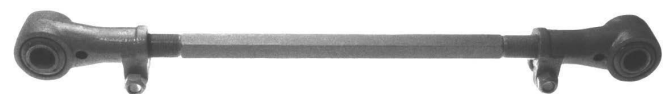
Torque Rod, Adjustable; 13 1/4"-15 7/8"; Includes 321-234 Bushings; Model RTS

345-692



Torque Rod, Adjustable; 29 1/4"-31 3/4"; Includes 321-234 Bushings; Model T8540/TR8540/8600 Only

345-693



Torque Rod, Adjustable; 27 1/2"-30"; Includes 321-234 Bushings; Model RTS

345-867



Track Rod; Ford; Model ARDAB-120/238/240

Newway

Component Photos

They're called "Original Parts" for a reason!
Why trust anything else?



TRAILER SUSPENSIONS



TRUCK & BUS SUSPENSIONS

Service parts for HOLLAND, SAF,
NEWAY and Binkley Products.

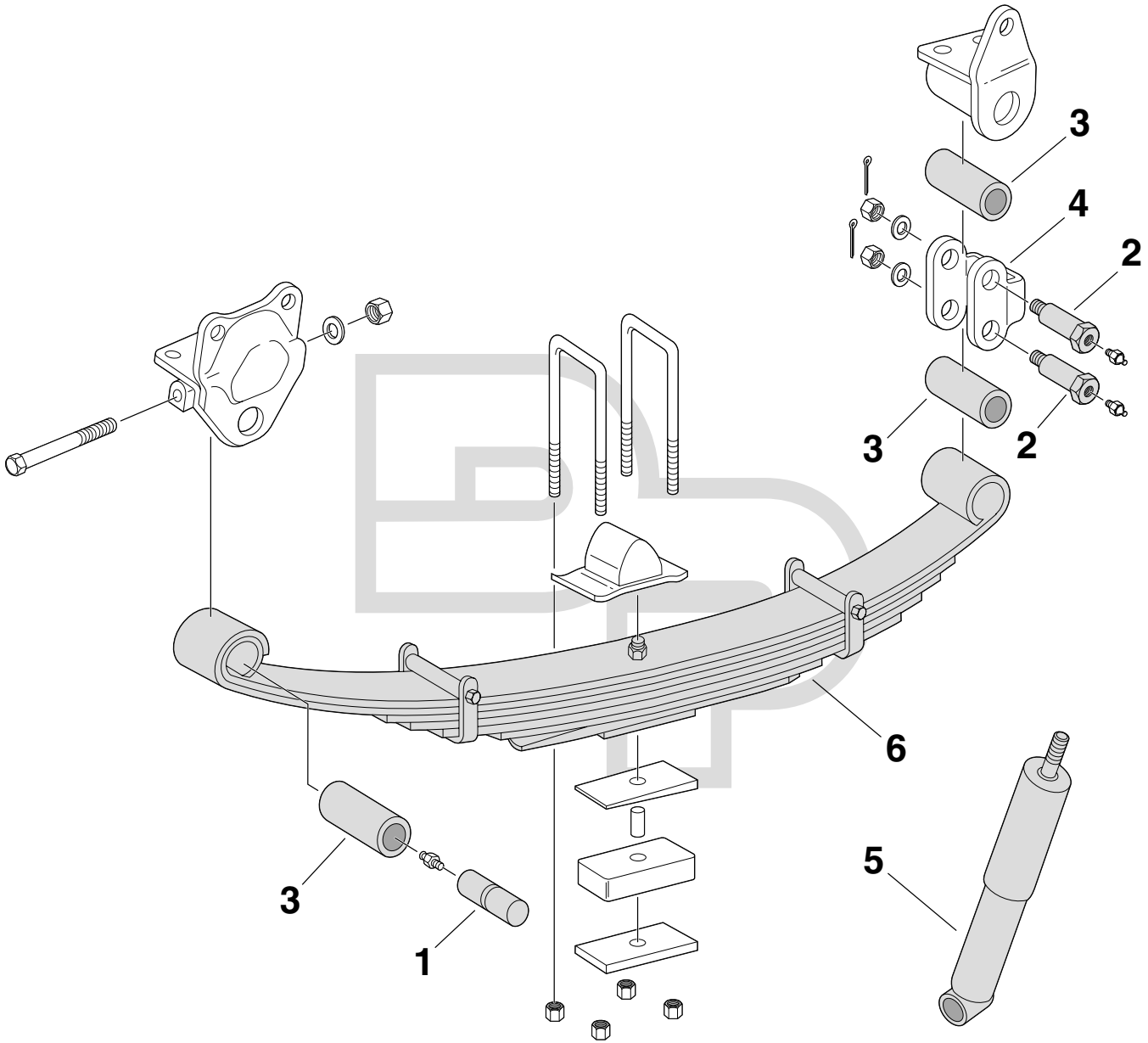
SAF-HOLLAND Original Parts are the same quality components used in the original component assembly. SAF-HOLLAND Original Parts are tested and designed to provide maximum performance and durability. Will-fits, look-alikes or worse yet counterfeit parts will only limit the performance potential and could possibly void SAF-HOLLAND's warranty. Dayton Parts, LLC offers SAF-HOLLAND Original Parts for servicing your SAF-HOLLAND Product



Customer Service: 800-233-0899
Technical Support: 800-822-2042

Nissan

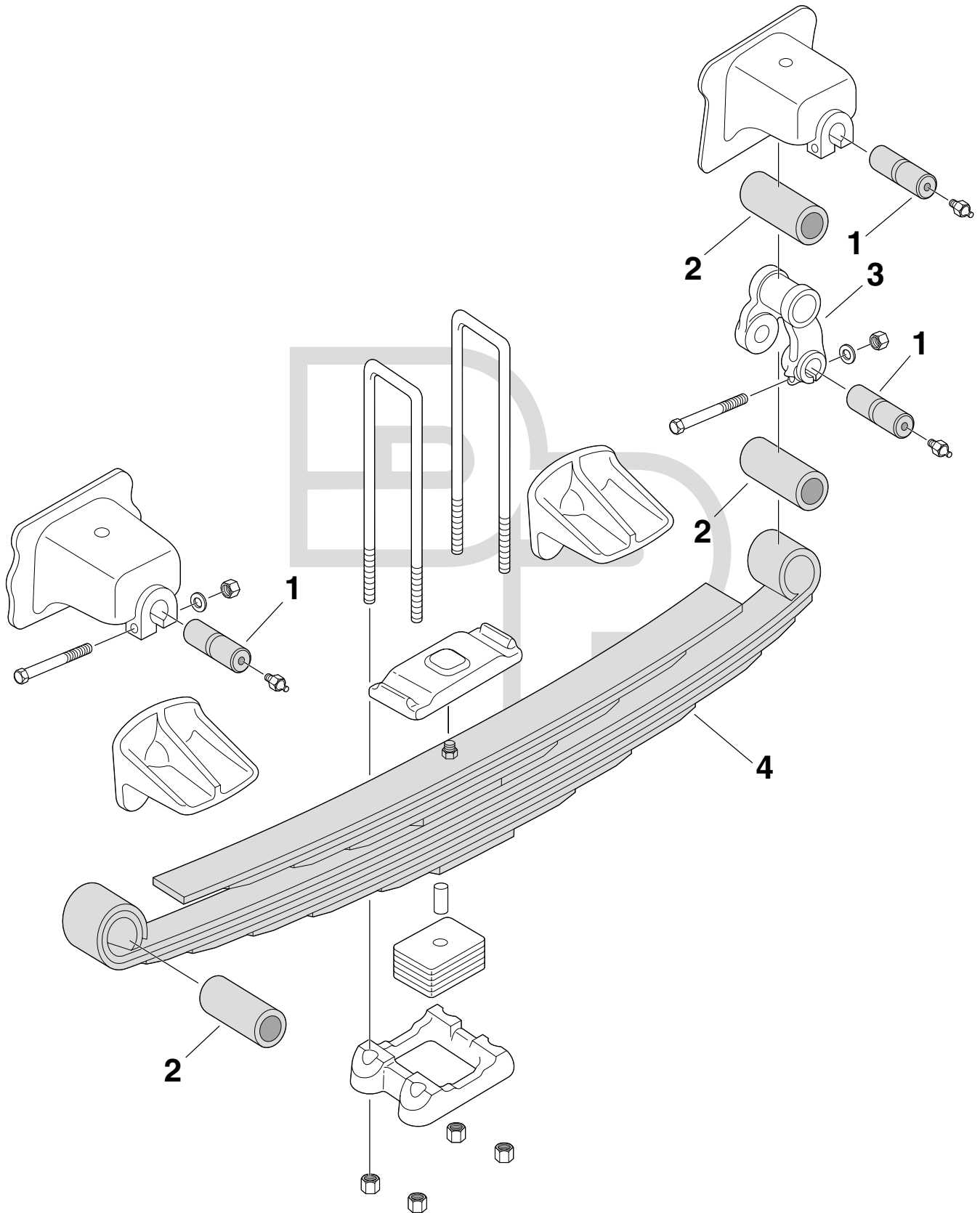
Suspension Illustration



Key No.	Part Number	Description	No. Req.	OEM Reference	Remarks	
✓✓●	1	327-529	Spring Pin; 28mm OD x 113mm Lg	2	54215Z5007	Single Lock
✓✓●	2	327-528	Spring Bolt; 28mm OD x 115mm Lg, M20-1.5 Thread	4	54215Z5006	
	3	M7-3428	Bushing; 28mm ID x 34mm OD x 70mm Lg	6	54040Z5001	
	4	◆	Shackle	2	54211Z5002	
	5	M66601	Shock Absorber	2	56110Z5008	
		M66602	Shock Absorber	2	56110Z5011	
	6	Spring Assembly	Assembly, Spring	2		See Leaf Spring Web Catalog for Details

Nissan

Suspension Illustration



Key No.	Part Number	Description	No. Req.	OEM Reference	Remarks
✓✓● 1	327-529	Spring Pin; 28mm OD x 113mm Lg	6	54215Z5007	Single Lock
2	M7-3428	Bushing; 28mm ID x 34mm OD x 70mm Lg	6	54040Z5001	
3	◆	Shackle	2	55220Z5001	
4	Spring Assembly	Assembly, Spring	2		See Leaf Spring Web Catalog for Details

Nissan

Parts Listing

Nissan

327-528



Spring Bolt; 28mm OD x 115mmLg. M20-1.5 Thread;
Model UD1800/2000/2300 Front

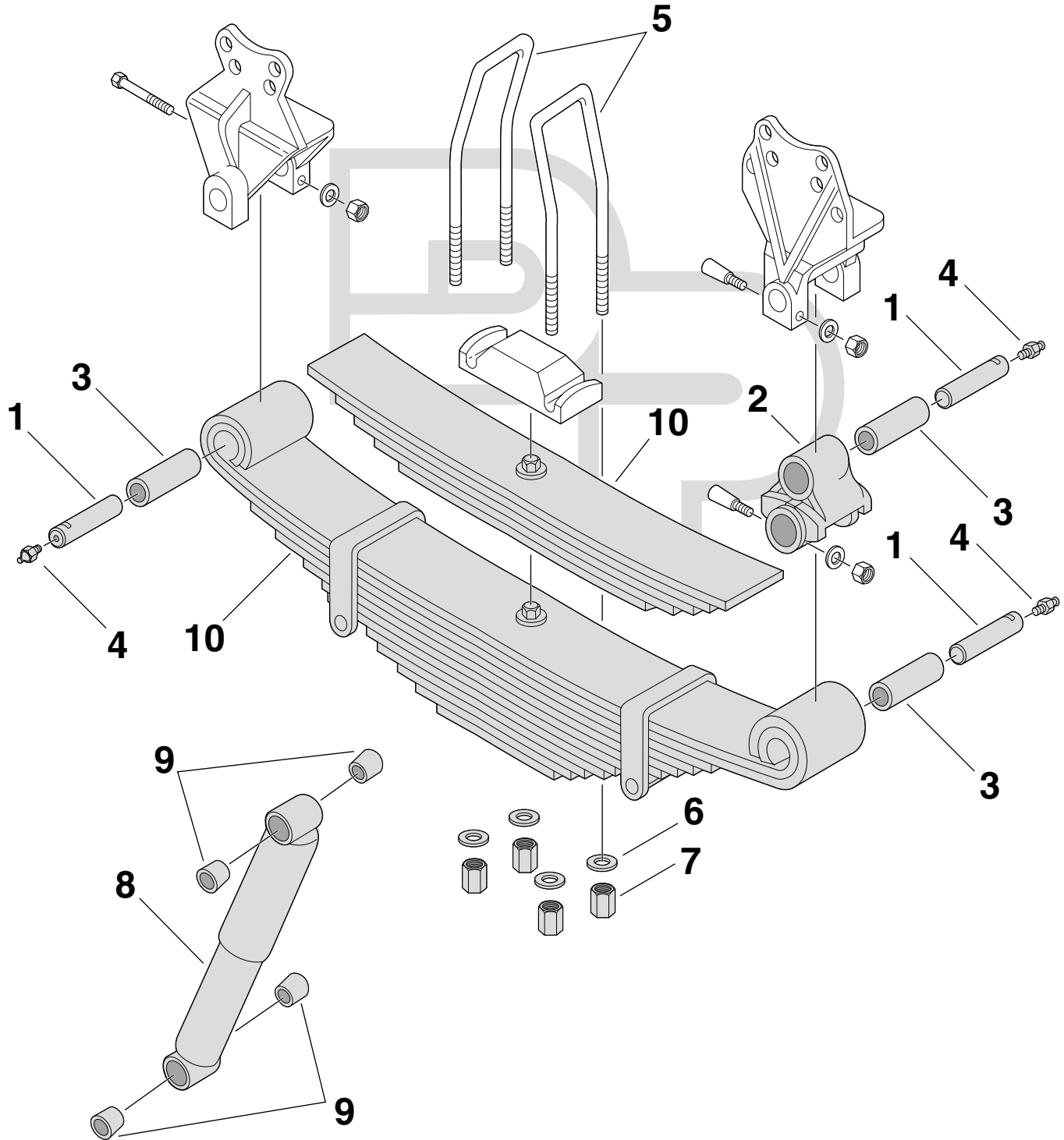
327-529



Spring Pin; 28mm OD x 113mm Lg.; Single Lock;
Model UD1800/2000/2300 Rear

Component Photos

Oshkosh



Suspension Illustration

Key No.	Part Number	Description	No. Req.	OEM Reference	Remarks
● 1	327-501	Spring Pin; 1"OD x 5 3/8"Lg x 1/2" c/e	2	52720CX	Grease Fitting Opposite Lock Groove
●	327-502	Spring Pin; 1"OD x 4 13/16"Lg x 1/2" c/e	2	53408BX	Grease Fitting Lock Groove End
✓✓ ●	327-517	Spring Pin; 1 1/8"OD x 5"Lg x 1/2" c/e	4	57613BX	Square Notch
●	327-503	Spring Pin; 1"OD x 4 13/16"Lg x 1/2" c/e	2	26065BX	Grease Fitting Opposite Lock Groove End
	327-536	Spring Pin; 1 1/8"OD x 6 1/4"Lg X 5/8" c/e	2	1664070	Square Notch
✓ ●	327-521	Spring Pin; 1 1/8"OD x 6 1/4"Lg x 4 5/8" c/c	2	2044870	Double Lock Bolt
✓✓ ●	330-347	Shackle	2	53324BXW	Use w/327-517
	◆	Shackle	2	Various	
✓✓	NJG-BM	Bushing; 1"ID x 1 1/4"OD x 3"Lg	6		
✓✓	PLG-BM	Bushing; 1 1/8"ID x 1 3/8"OD x 3"Lg	6		
✓	334-475	Fitting, Straight Zerk; 1/8"-27NPT	6	1613B	
	◆	U-Bolt, Special	4	52397BX	7/8" x 3 1/4" x 12 1/2" S
	SUW-78	Washer, U-Bolt; 7/8"	8		
	DN-78	Nut, Deep; 7/8"-14, Grade C	8		
✓✓	M66833	Shock Absorber	2		
✓	M65407	Shock Absorber	2	12405FI	
●	401754	Bushing, Shock; 1"ID	8		
	Spring Assembly	Assembly, Spring	2		See Leaf Spring Web Catalog for Details

401754



Shock Bushing; 1" ID; Front

327-501



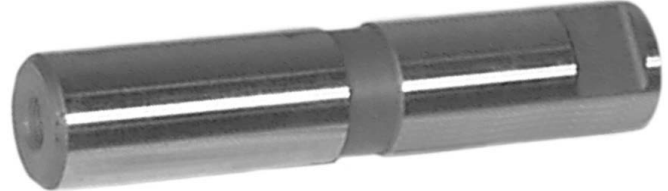
Spring Pin; 1" O.D. x 5 3/8" Lg. x 1/2" CE; Front

327-502



Spring Pin; 1" O.D. x 4 13/16" Lg. x 1/2" CE; Front

327-503



Spring Pin; 1" O.D. x 4 13/16" Lg. x 1/2" CE; Front

327-517



Spring Pin; 1 1/8" O.D. x 5" Lg.; Front

327-521



Spring Pin; 1 1/8"OD x 6 1/4"Lg. x 4 5/8"C/C; Front

327-536



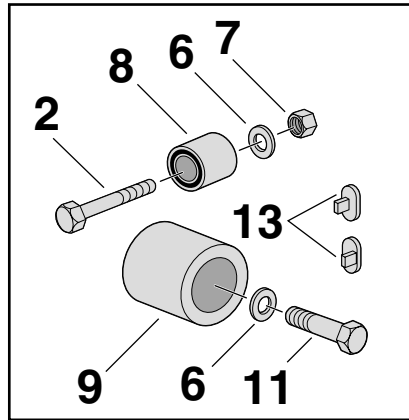
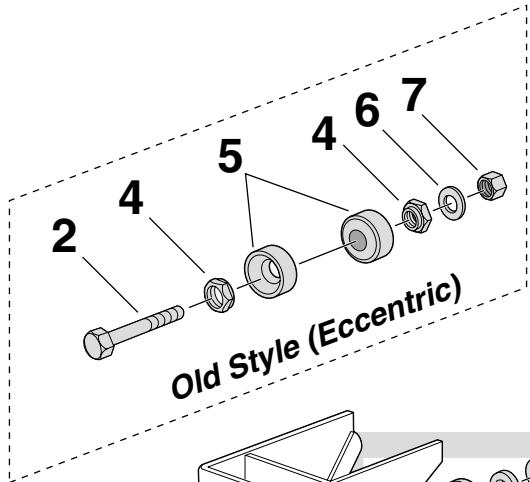
Spring Pin; 1 1/8" O.D. x 6 1/4" Lg. x 3/4" CE; Front

330-347

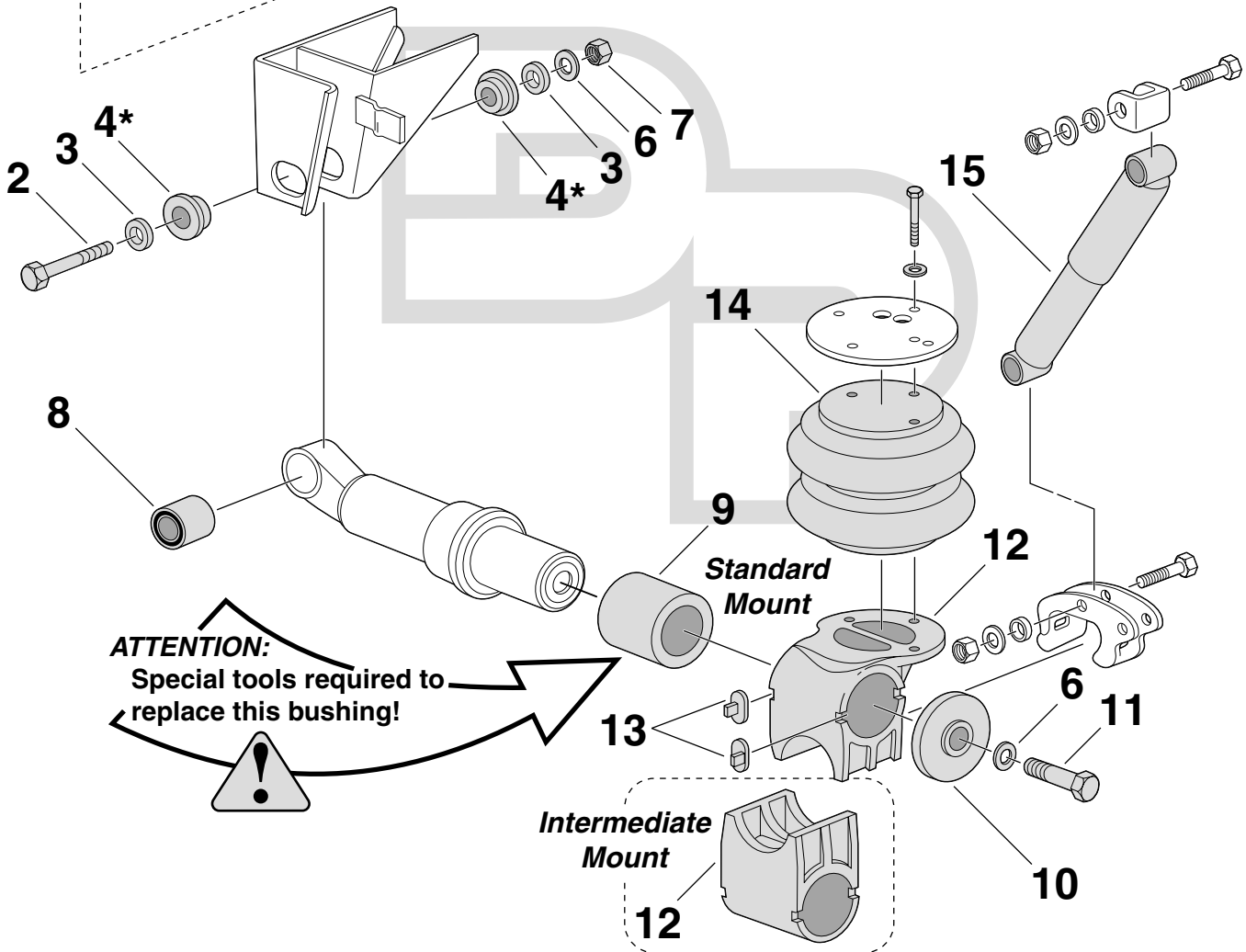


Shackle; Use w/327-517; Front

Page



Key 1 - Suspension Overhaul Kit



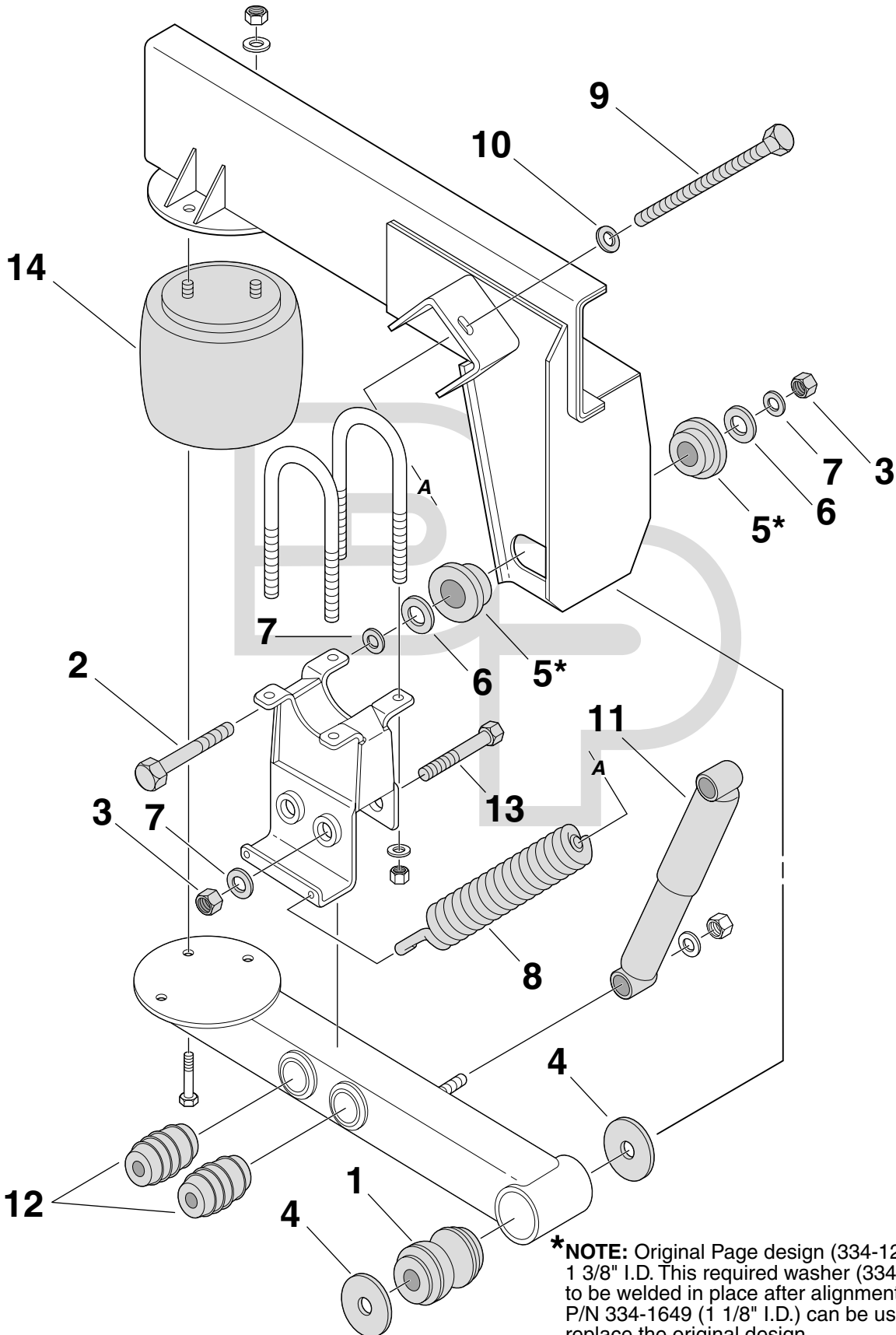
* NOTE: Original Page design (334-1213) was 1 3/8" I.D. This required washer (334-1015) to be welded in place after alignment.

Suspension Illustration

Key No.	Part Number	Description	No. Req.	OEM Reference	Remarks
1	339-139	Kit, Maintenance; Beam; Trailmaster	1	2022321	Incl. (2)320-154 & (2)321-303; Special Tools Required to Install Bushings
●	339-140	Kit, Maintenance; Trailmaster	1	1080060	Incl. (2)320-154, (2)321-303, (8)334-1017 & Hardware; Special Tools Required to Install Bushings
2	334-1234	Bolt; 1 1/8"-12 x 6"Lg	3	1080086	Obsolete
	334-1014	Bolt; 1 1/8"-12 x 7 1/2"Lg	2	1027736	
3	334-1015	Washer; 1 1/8"ID x 2 1/4"OD x 3/8"Thk	4	1082048	
● 4	334-1213	Collar, Alignment	4	1082047	Must Be Used w/334-1015 Washers
●	334-1236	Collar, Alignment; Eccentric	4	1080085	Obsolete
● 5	322-153	Bushing	4	1027769	Obsolete
6	334-1018	Washer; 1 3/16"ID x 1 3/4"OD x 1/8"Thk	6	1025264	
7	334-193	Nut, Lock; 1 1/8"-12	2		
● 8	321-303	Bushing	2	1080044	
9	320-154	Bushing, Pivot Arm	2	1080082	
● 10	338-1612	Cap, End	2	1080084	Obsolete
11	334-1020	Bolt; 1 1/8"-12 x 3 1/2"Lg Grade 8	2	G223934	
● 12	338-1606	Bracket, Mount; Standard	2	1080060	Obsolete
●	338-1607	Bracket, Mount; Intermediate	2	1080066	Obsolete
● 13	334-1017	Block, Track	4	1081228	Casting No. 1081222
✓✓ 14	354-7136	Air Spring	2	1027556	
✓ 15	M66636	Shock Absorber	2		
✓	M66893	Shock Absorber	2		

Page

Suspension Illustration



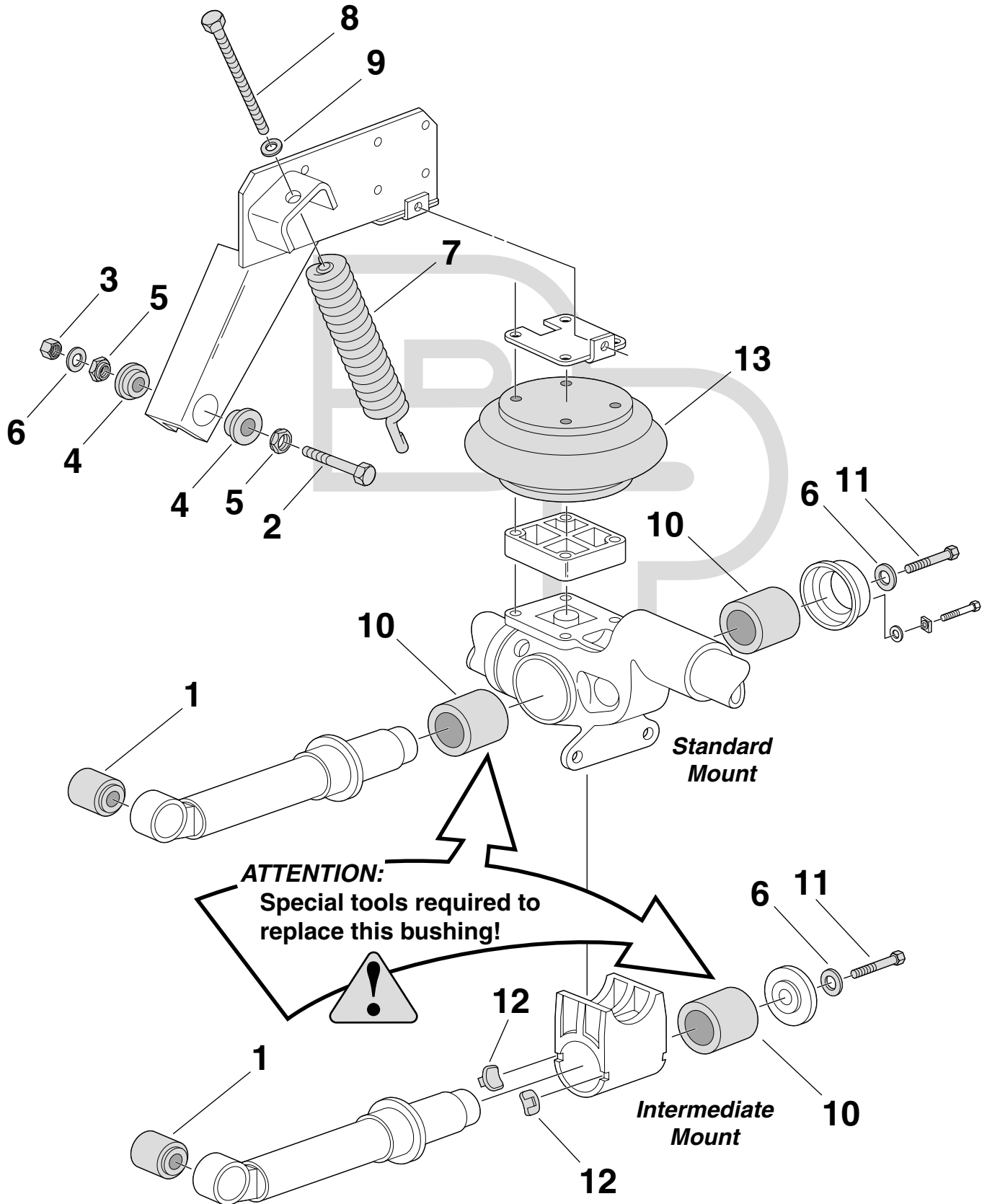
***NOTE:** Original Page design (334-1213) was 1 3/8" I.D. This required washer (334-1015) to be welded in place after alignment. P/N 334-1649 (1 1/8" I.D.) can be used to replace the original design.

Key Numbers with an asterisk (*) indicate a kit or assembly.

Key No.	Part Number	Description	No. Req.	OEM Reference	Remarks
✓ ● 1	321-229	Bushing; 1 1/8"ID x 3 1/2"OD x 5 1/4"Lg	2	1090436	
	2	334-1216 Bolt; 1 1/8"-12 x 9"Lg	2	1090438	
	3	334-193 Nut, Lock; 1 1/8"-12	6		
	4	334-1095 Washer; 2 3/16"ID x 4"OD x 1/4"Thk	4	1090437	
● 5	334-1213	Collar, Alignment	4	1082047	
	6	334-1015 Washer; 1 1/8"ID x 2 1/4"OD x 3/8"Thk	4	1082048	
	7	334-1018 Washer; 1 3/16"ID x 1 3/4"OD x 1/8"Thk	8	1025264	
● 8	334-1235	Spring, Lift; 3 5/8"OD x 18"Lg	2	1027637	
	9	334-1231 Bolt; 3/4"-16 x 10"Lg	2	1027645	
● 10	334-1232	Washer; 3/4"ID x 1 1/2"OD x 3/8"Thk	2	1027644	w/Oval Face
✓ 11	M66893	Shock Absorber	2		
✓✓ ● 12	321-227	Bushing; 1 1/8"ID x 2 3/8"OD x 5"Lg	4	1090237	
	13	334-1215 Bolt; 1 1/8"-12 x 8"Lg	4	1090452	
✓✓ 14	352-9121	Air Spring	2		

Page

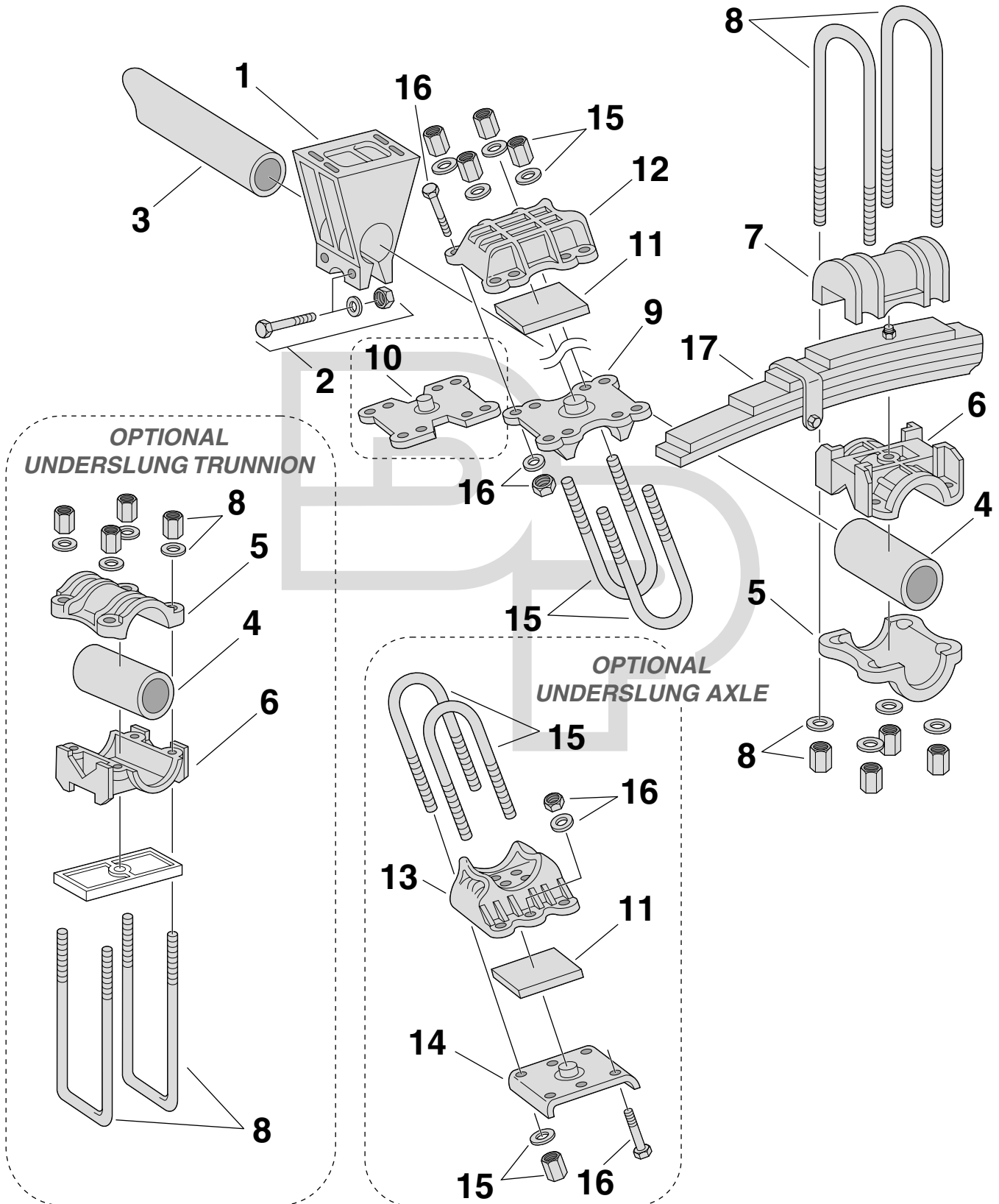
Suspension Illustration



Key No.	Part Number	Description	No. Req.	OEM Reference	Remarks
● 1	321-303	Bushing	2	1080044	
2	334-1014	Bolt; 1 1/8"-12 x 7 1/2"Lg	2	1027736	
3	334-193	Nut, Lock; 1 1/8"-12	2		
● 4	322-153	Bushing	4	1027769	Obsolete
● 5	334-1236	Collar, Alignment; Eccentric	4	1080085	Obsolete
6	334-1018	Washer; 1 3/16"ID x 1 3/4"OD x 1/8"Thk	4	1025264	
● 7	334-1235	Spring, Lift; 3 5/8"OD x 18"Lg	2	1027637	
8	334-1231	Bolt; 3/4"-16 x 10"Lg	2	1027645	
● 9	334-1232	Washer; 3/4"ID x 1 1/2"OD x 3/8"Thk	2	1027644	w/Oval Face
10	320-154	Bushing; Pivot Arm	2	1080082	Intermediate Mount
	325-185	Bushing; New Style	4	1027371	Standard Mount
11	334-1020	Bolt; 1 1/8"-12 x 3 1/2"Lg Grade 8	2	G223934	
● 12	334-1017	Block, Track	4	1081228	Casting No. 1081222
✓✓ 13	354-7136	Air Spring	2	1027556	

Page

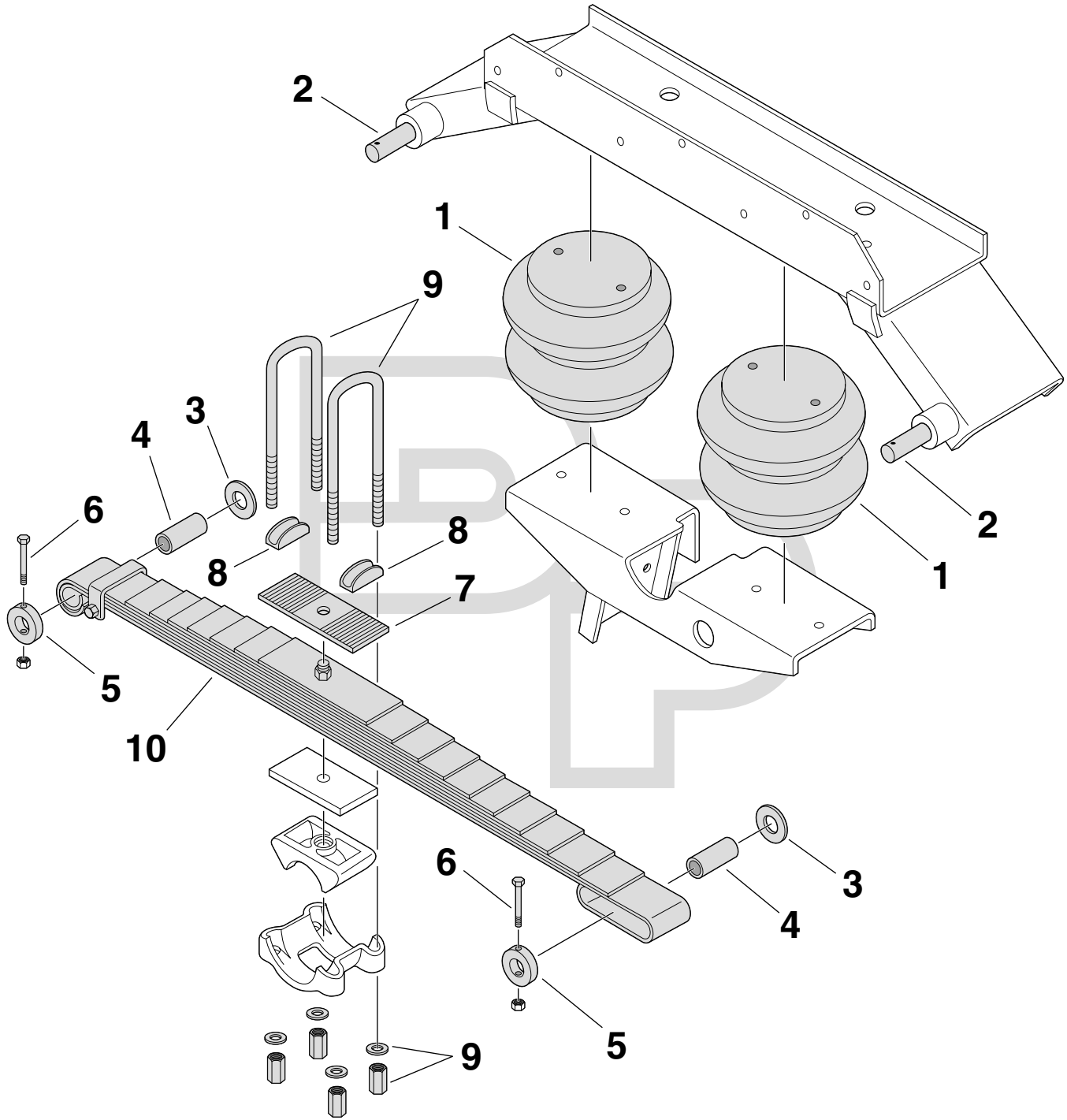
Suspension Illustration



Key No.	Part Number	Description	No. Req.	OEM Reference	Remarks		
●	1	338-422	Bracket, Trunnion Shaft; 2 1/2" Height	2	1084526	Standard; All Optional; All	
●		338-497	Bracket, Trunnion Shaft; 4 1/2" Height	2	1084538		
●		338-421	Bracket, Trunnion Shaft; 6 1/2" Height	2	1084554		
●		338-425	Bracket, Trunnion Shaft; 8 1/2" Height	2	1083495		
	2	334-1293	Assembly, Bolt, 3/4"-16 x 4 1/2"Lg	4		Incl. Bolt & Hdwe.	
	3	334-382	Shaft; 4"OD x 48"Lg x 1/2"Thk Wall	2			
		334-383	Shaft; 4"OD x 48"Lg x 3/4"Thk Wall	2			
✓	4	325-137	Bushing; 4"ID x 5"OD x 8 3/4"Lg	2	1083483, 1090117	Rubber	
●		325-137U	Bushing, Urethane; 4"ID x 5"OD x 8 3/4"Lg	2			
✓✓	●	5	338-1351	Cap, Trunnion	2	1083489	
✓✓	●	6	338-1350	Seat, Trunnion	2	1083471	
●	7	338-1353	Saddle, U-Bolt; Round	2	1083472		
✓✓	8	361-234	Kit, U-Bolt; Round Bend, Grade 8	4		1 1/8" x 5 1/16" x 15 1/2" R	
		361-573	Kit, U-Bolt; Round Bend, Grade 8	4		1 1/8" x 5 1/16" x 16 1/2" R	
✓✓		361-236	Kit, U-Bolt; Square Bend, Grade 8	4		1 1/8" x 5 1/16" x 12 1/2" S	
✓✓	●	9	338-1363	Seat; 5" Round Axle	2	1083492	
✓✓	●	10	338-876	Pad, Seat Repair; Fabricated	2		
✓✓	●		338-1818	Pad, Seat Repair; Cast	2		
✓✓	●	11	325-142	Pad; 4 5/8"W x 5 1/4"Lg x 13/16"Thk	2		
●		325-142U	Pad, Urethane; 4 5/8"W x 5 1/4"Lg x 13/16"Thk	2			
✓✓	●	12	338-1349	Cap, Spring End	2	1083493	3 Main Leaves
✓	●	13	338-1354	Cap, Spring End	2	1084524	3 Main Leaves; 5" Round Axles
✓	●	14	338-1557	Pad, End	2	1084521	Heavy Duty
✓✓	15	361-240	Kit, U-Bolt; Round Bend, Grade 8	4		5/8" x 5 1/8" x 8 1/8" R	
		361-516	Kit, U-Bolt; Round Bend, Grade 8	4		1" x 5 1/8" x 12 7/8" R	
✓	16	334-622	Assembly, Bolt; 5/8"-18 x 2"Lg	4		Incl. Bolt & Hdwe.	
✓✓		334-1110	Assembly, Bolt; 3/4"-10 x 2 1/2"Lg	2		Incl. Bolt & Hdwe.	
	17	Spring Assembly	Assembly, Spring	2		See Leaf Spring Web Catalog for Details	

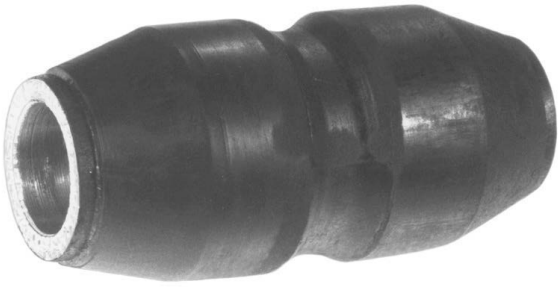
Page

Suspension Illustration



Key No.	Part Number	Description	No. Req.	OEM Reference	Remarks	
✓✓	1	354-7400	Air Spring	2	1027519	
●	2	334-843	Shaft; 1 ¼"OD x 15 ½"Lg	4	1080664	
	3	334-847	Washer; 1 ¾"ID x 3"OD x ⅛"Thk	4	1080590	
	4	RNG-BM	Bushing; 1 ¼"ID x 1 ½"OD x 3"Lg	4	1027756	Drill Grease Hole in Bushing
●	5	334-844	Assembly, Collar	4	1027941	Incl. Bolt
	6	◆	Assembly, Bolt, ¾"-16 x 3 ¼"Lg	4	G189304	
●	7	334-846	Plate, Saddle; 3"W x 9"Lg	2	1025268	Obsolete
●	8	334-845	Saddle, U-Bolt	4	1025267	Obsolete
	9	361-567	Kit, U-Bolt; Semi-Round Bend, Grade 8	4	1025227	7/8" x 3" x 13 ¾" SR
✓	10	74-137	Assembly, Spring; 11 Leaf	2	1080584	See Leaf Spring Web Catalog For Details

321-227



Bushing; 1 1/8" I.D. x 2 3/8" O.D. x 5" Lg.; Model LM-2000

321-229



Bushing; 1 1/8" I.D. x 3 1/2" O.D. x 5 1/4" Lg.; Model LM-2000

321-303



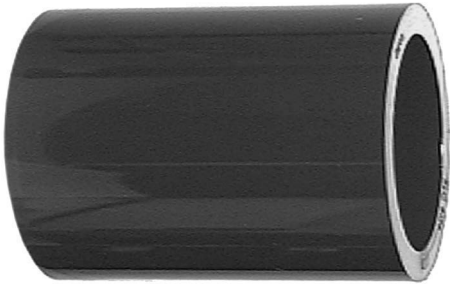
Beam End; Trailmaster Air; Model LM-3000

322-153



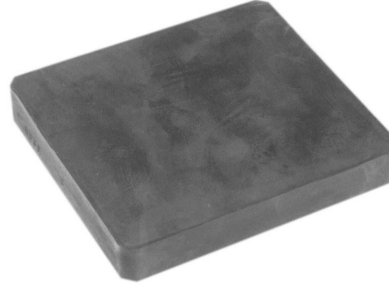
Adapter Bushing; Trailmaster Air; Model LM-3000

325-137U



Bushing, Urethane; 4" ID x 5" OD x 8 3/4" Lg.; Model Trailer Single Point

325-142, 325-142U



Pad; 4 5/8" W x 5 1/4" Lg. x 13/16" Thk.; Model Trailer Single Point

334-843



Shaft; 1 1/4" O.D. x 15 1/2" Lg.; Model 1400

334-844



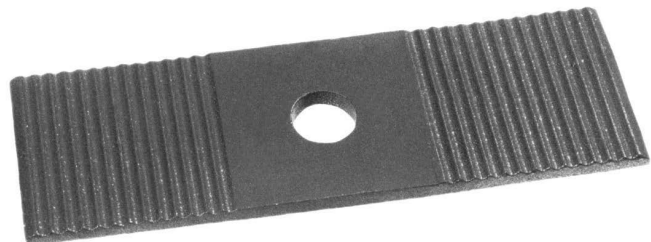
Collar Assembly; 1 1/4" I.D. x 2 3/4" O.D. x 15/16" Thk.; 3/8"-16 x 3 1/4" Lg. Bolt; Model 1400

334-845



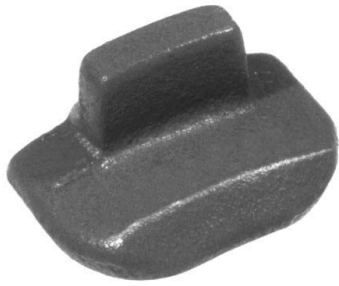
Saddle, U-Bolt; Model 1400

334-846



Plate, Saddle; 3" Wd. x 9" Lg.; Model 1400

334-1017



Track Block; Casting #1081222; Trailmaster Air; Model LM-3000

334-1213



Collar, Alignment; Trailmaster Air; Model LM-2000

334-1232



Washer; 3/4" I.D. x 1 1/2" O.D. x 3/8" Thk.; w/ Oval Face; Model LM-2000/3000

334-1235



Lift Spring; 3 5/8" O.D. x 18" Lg.; Model LM-2000/3000

334-1236



Eccentric Collar; Obsolete; Model LM-3000

334-1649



Collar, Alignment; Model LM-2000

338-421



Bracket, Trunnion Shaft; 6 1/2" High; Model Trailer Single Point Suspension

338-422



Bracket, Trunnion Shaft; 2 1/2" High; Model Trailer Single Point Suspension

338-425



Bracket, Trunnion Shaft; 8 1/2" High; Model Trailer Single Point Suspension

338-497



Bracket, Trunnion Shaft; 4 1/2" High; Model Trailer Single Point Suspension

338-876



Pad, Seat Repair; Fabricated; 5" Round Axles; Model Trailer Single Point Suspension

338-1349



Cap, Spring End; For 3 Main Springs; Model Trailer Single Point Suspension

338-1350



Seat, Trunnion; Model Trailer Single Point Suspension

338-1351



Cap, Trunnion; Model Trailer Single Point Suspension

338-1353



Saddle, U-Bolt; Round; Model Trailer Single Point Suspension

338-1354



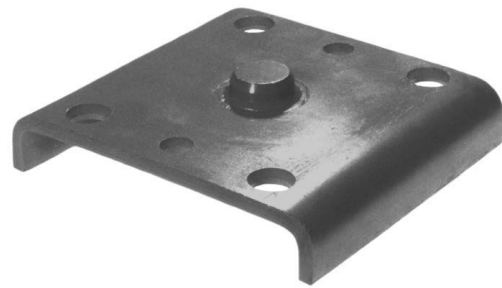
Cap, Spring End; ; For 3 Main Springs; 5" Round Axles; Model Trailer Single Point Suspension

338-1363



Seat; 5" Round Axle; Model Trailer Single Point Suspension

338-1557



End Pad, Heavy Duty; Model Trailer Single Point Suspension

338-1606



Bracket, Standard Mount; Model Trailmaster Air

338-1607



Bracket, Intermediate Mount; Model Trailmaster Air

338-1612



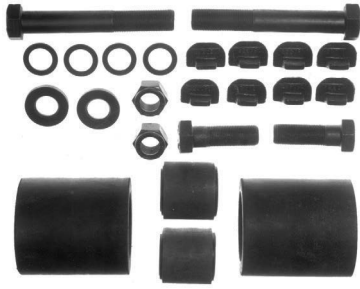
End Cap; Model Trailmaster Air

338-1818



Repair Pad, Cast; Model Trailer Single Point Suspension

339-140



Maintenance Kit; Incl (2) 320-154, (2) 321-303, (8) 334-1017 & Hardware; Special tools required to install bushings.; Model Trailmaster Air

Page

Component Photos

Page

Notes

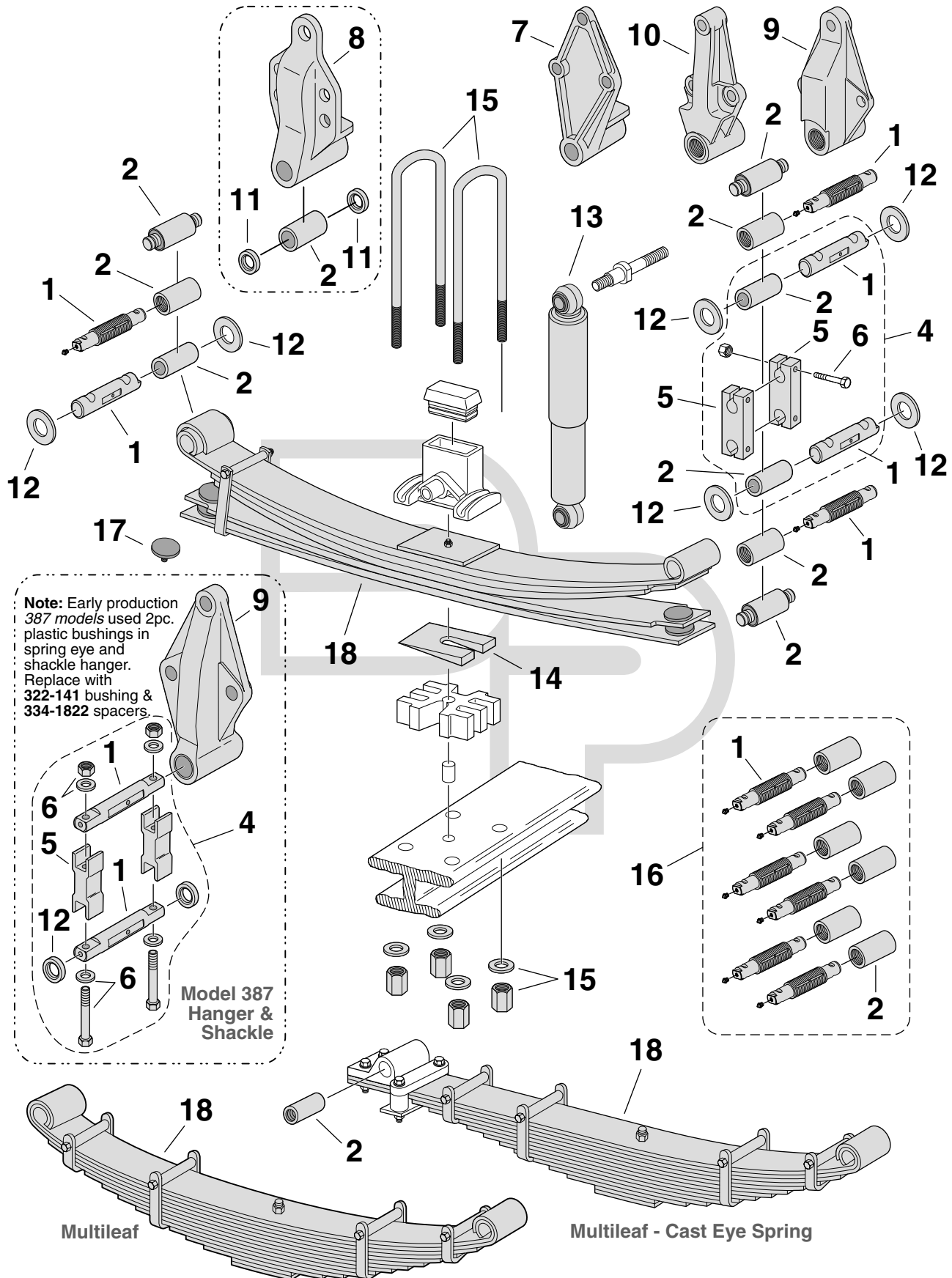
MODEL	PAGE
Conventional/Cab Over (4" Spring) Front Suspension	768, 769
Conventional/Cab Over ('65-'86) (3 1/2" Spring) Front Suspension	770, 771
Air Leaf® Single/Tandem Axle Rear Air Suspension	772, 773
Low Mount Air Leaf® (To 2003) Single/Tandem Axle Rear Air Suspension	774, 775
Air Glide® 210 Low Air "Twisted Sister" (Kenworth AG210/400L)	
Single/Tandem Axle Rear Air Suspension	776, 777
Air Trac® Single/Tandem Axle Rear Air Suspension	778, 779
Flex Air® (Kenworth AG380) Rear Air Suspension	780, 781
Quadraflex® (1992 & Up) Four Spring Tandem Suspension	782, 783
Four Spring (Early Production) Tandem Suspension	784, 785
Suspension Component Photos	786-794

**Conventional/Cab Over
(4" Spring)
Front Suspension**

Peterbilt

Peterbilt

Suspension Illustration



Note: Early production 387 models used 2pc. plastic bushings in spring eye and shackle hanger. Replace with 322-141 bushing & 334-1822 spacers.

**Model 387
Hanger &
Shackle**

Multileaf

Multileaf - Cast Eye Spring

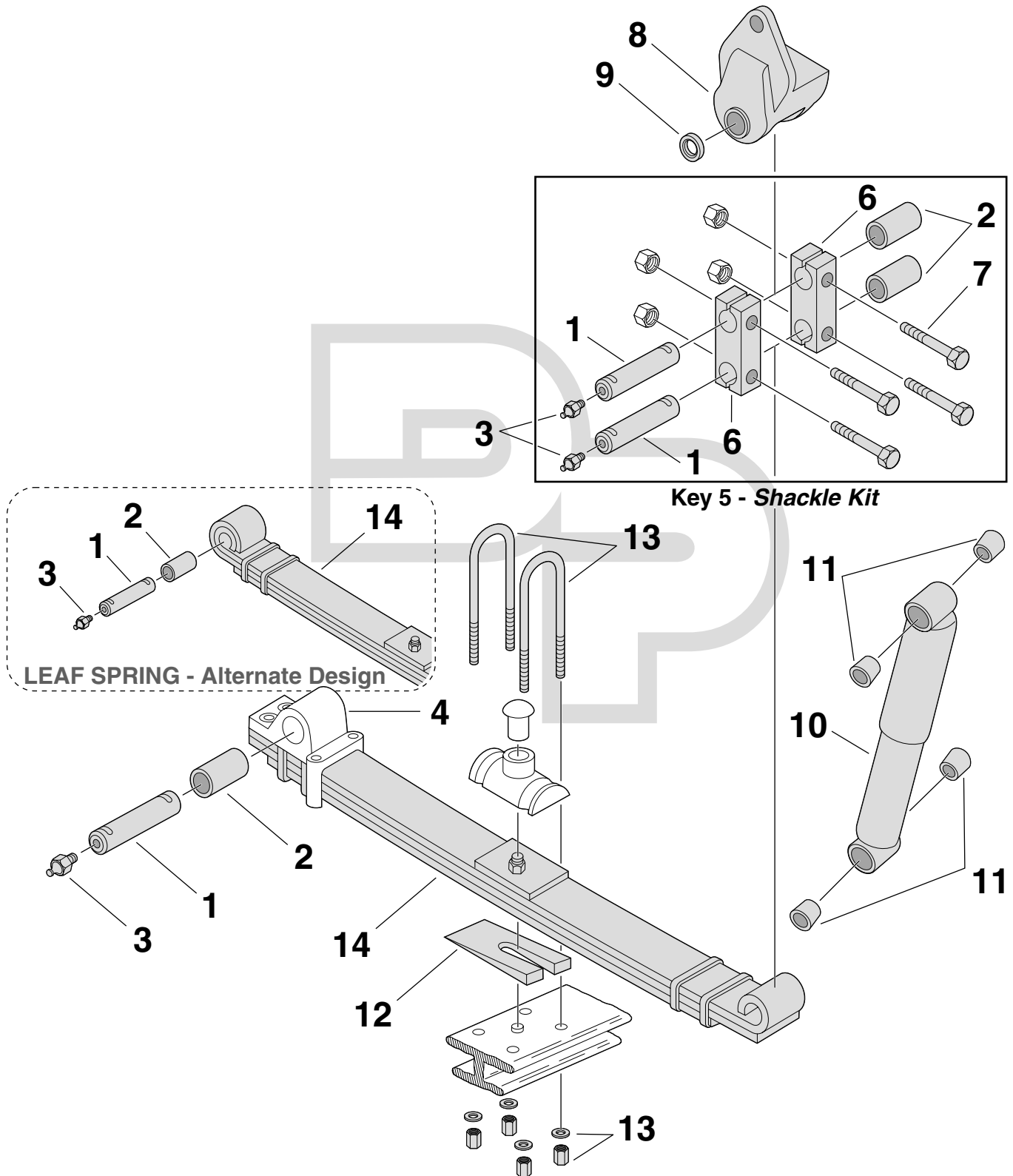
Key No.	Part Number	Description	No. Req.	OEM Reference	Remarks
✓✓●	1	327-483 Spring Pin; 1 1/4"OD x 6 7/8"Lg x 5 5/16" c/c	6	02-01781, 02-01767	Model 387 Front of Front; Model 357/379 SBA w/Cast Eye
●	327-446 Spring Pin; 1 1/4"OD x 6"Lg x 5 1/16" c/c	6	02-01561		
✓●	327-532 Spring Pin, 1 1/4"OD x 7 5/8"Lg	6	02-04024, B65-6002		
●	327-541 Spring Pin; 1 1/4"OD x 7 7/8"Lg x 5 3/4" c/c	2	02-01911		
✓✓●	327-537 Spring Pin, Threaded; Metric; 5.75 c/c	6	B65-1002		
✓✓●	327-540 Spring Pin, Threaded; Metric; 6.30 c/c	6	B65-1008		
✓✓●	327-544 Spring Pin, Threaded; Metric; 5.43 c/c	6	B65-6008		
✓✓●	2	322-141 Bushing; w/Seals	6	A16-12399-001, 02-01805	Replaces PB-18 & RNK-BM
✓	RNI-BM Bushing; 1 1/4"ID x 1 1/2"OD x 3 1/2"Lg	2		Medium duty models, 2009+	
✓	RNK-BM Bushing; 1 1/4"ID x 1 1/2"OD x 4"Lg	4/6			
✓	TB-77 Bushing, Threaded; Metric	6	B13-1000		
✓	RB-295 Bushing; 1 3/4"OD x 7 1/2"Lg x 6.3" c/c	6	B65-1006		
✓	RB-328 Bushing; 1 3/4"OD x 6 1 1/16"Lg x 5 7/16" c/c	6	B65-6005		
✓	RB-338 Bushing; 5/8"ID x 1 3/4"OD x 4 1/4"Lg	6	B65-6010		
✓	RB-308 Bushing; 2 1/16"OD x 7 1/2"Lg x 6.3 c/c	6	B65-1007		
✓	RB-324 Bushing; 2 1/16"OD x 6 1 1/16"Lg x 5 7/16" c/c	6	B65-1013, B65-6006		
✓	TB-81 Bushing, Threaded; Metric	6	B13-1002		
✓✓	3	334-475 Fitting, Straight Zerk; 1/8"-27NPT	6	1613B	
✓✓●	4	330-191 Kit, Shackle; 3 3/16" c/c	2		Incl. (2)330-186, (2)327-483, (2) RNK-BM & Hdwe. Incl. (2)330-187, (2)327-483, (2) RNK-BM & Hdwe. Incl. (2)330-116, (2)327-446, Bushings, Seals & Hdwe.; Use w/338-784 & 338-785 Hangers Only Model 387; Incl 322-141 Bushings
✓●	330-192 Kit, Shackle; 5 1/8" c/c	2			
✓	330-117 Kit, Shackle	2			
●	330-342 Kit, Shackle	2			
✓✓	5	330-186 Side Bar; 6"Lg x 3 3/16" c/c x 1 1/8"Thk, 1 1/4" Pin Holes	4	02-01784, 02-01783	1987 & Up
✓	330-187 Side Bar; 7 9/16"Lg x 5 1/8" c/c x 1 1/8"Thk, 1 1/4" Pin Holes	4	02-01747, 02-01807	1987 & Up	
	330-116 Side Bar; 5 7/8"Lg x 3 1/2" c/c x 1"Thk, 1 1/4" Pin Holes	4	02-01154	Cabover; Use w/327-446	
	330-341 Side Bar	4	02-04018	Model 387	
✓	6	334-550 Assembly, Bolt; 1/2"-20 x 3"Lg	8		Incl. 334-538 Bolt & Hdwe.
	334-1554 Assembly, Bolt; 1/2"-20 x 6 1/2"Lg	4		Model 387	
✓✓●	7	338-1230 Hanger, Shackle; 4" Wide Spring	2	02-01801M003	1987+ Conv.; >1989; Replaces 338-784 & 338-785 5/8" Bolts
✓●	338-1230A Hanger, Shackle; 4" Wide Spring	2			
●	8	338-785 Hanger, Shackle; LH	1	01-45641L	COE; Prior to 1989; 327-446 Pin
●	338-784 Hanger, Shackle; RH	1	01-45641R	COE; Prior to 1989; 327-446 Pin	
✓✓●	9	338-1898 Hanger, Shackle	2	B11-1034-2, 02-04001M002	Model 387; Incl. 322-141 Bushing
●	338-2032 Hanger, Shackle	2	B11-1034-1	PACCAR Chassis; Incl. RB-295 Bushing	
●	338-2100 Hanger, Shackle	2	B11-1031-5	PACCAR Chassis; Incl. TB-77 Bushing	
✓●	338-2101 Hanger, Shackle	2	B11-1034-6	PACCAR Chassis; Incl. RB-328 Bushing	
●	338-2102 Hanger, Shackle	2	B11-1034-7	Incl. RB-338 Bushing	
✓✓●	338-2220 Hanger, Shackle	2	02-02311M001		
●	10	338-2172-01 Hanger, Bushing; Threaded	2	B11-1039	TB-81 Threaded Bushing
●	334-540 Seal; 1 3/16"ID x 1 3/4"OD x 1/4"Thk	4	28-00118	Use w/RNI Bushed Hangers	
✓●	12	334-1822 Washer, Spacer	12	D8400-9218	Model 387
	13	M65113 Shock Absorber	2	02-01890	Consult Shock Catalog for Model Specific Applications
	M65405 Shock Absorber	2	ACHF113		
	M65101 Shock Absorber	2	02-01787		
	M65411 Shock Absorber	2	02-02142		
	M65434 Shock Absorber	2	02-02738		
	See Shocks Shock Absorber	2	Various		
	14	See Chart Wedge, Camber	AR		See Chart on Page 1091
✓	15	361-474 Kit, U-Bolt; Special Bend, Grade 8	4	02-00807-122	3/4" x 4" x 12" PR; Grade 8
●	16	339-308 Kit, Service; RB to TB Conversion	1		Replaces (6)RB-295 w/Threaded Pins & Bushings
✓●	339-309 Kit, Service; RB to TB Conversion	1		Replaces (2)RB-295 & (4)RB-328; w/Threaded Pins & Bushings	
✓●	339-310 Kit, Service; RB to TB Conversion	1		Replaces (2)RB-308 & (4)RB-324; w/Threaded Pins & Bushings	
●	339-311 Kit, Service; RB to TB Conversion	1		Replaces (6)RB-308; w/Threaded Pins & Bushings	
●	339-312 Kit, Service; RB to TB Conversion	1		Replaces (6)RB-249; w/Threaded Pins & Bushings	
✓●	17	PAD-101 Insert, Tip; Urethane	8		
	18	Spring Assembly Assembly, Spring	2		See Leaf Spring Web Catalog for Details

Conventional/Cab Over
 ('65-'86) (3 1/2" Spring)
Front Suspension

Peterbilt

Peterbilt

Suspension Illustration

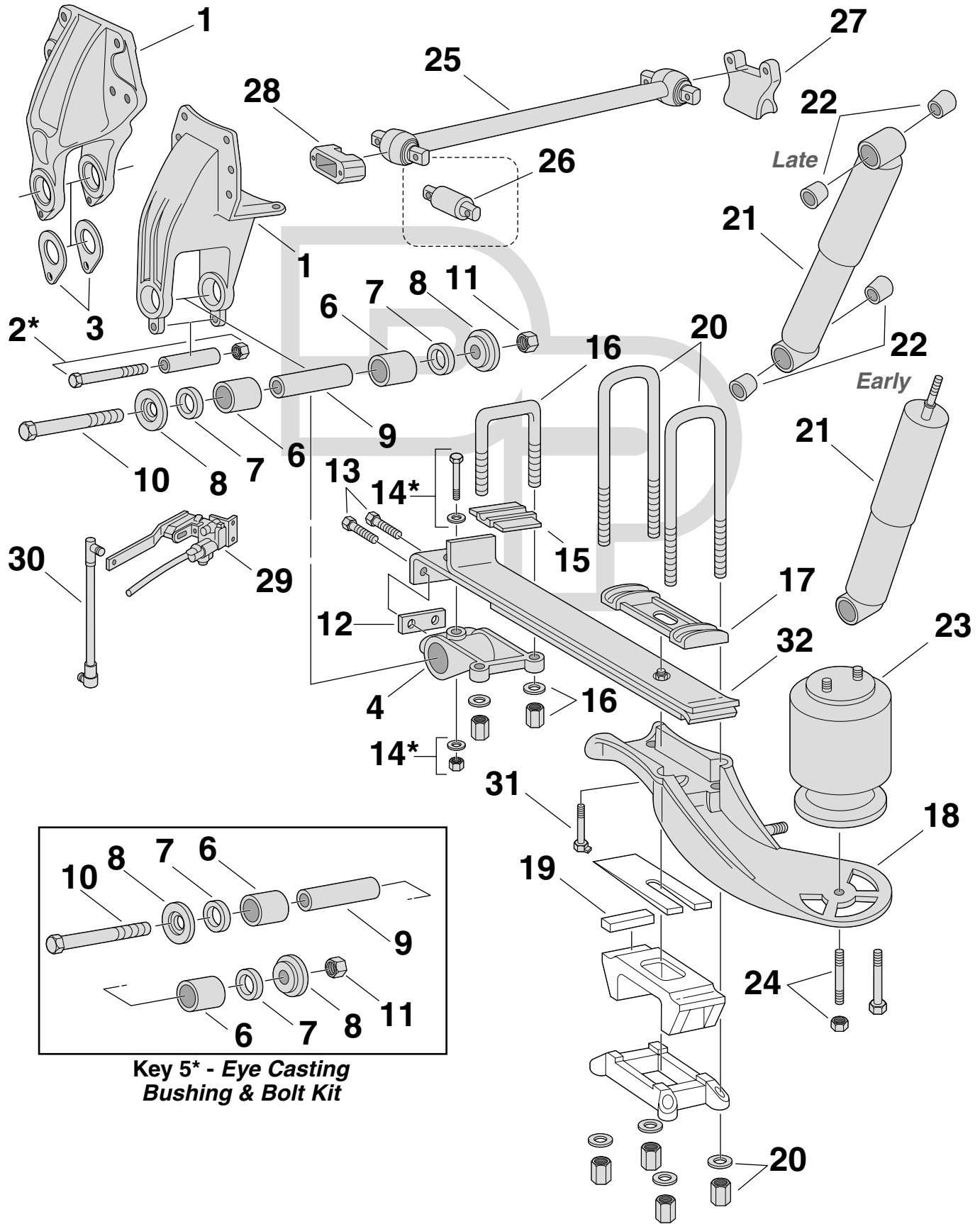


Key No.	Part Number	Description	No. Req.	OEM Reference	Remarks
✓✓	1	327-447 Spring Pin; 1 1/4"OD x 6"Lg x 4 7/16" c/c	4	02-01562, 02-01846	1977-86
✓		327-445 Spring Pin; 1 1/4"OD x 6 3/8"Lg x 5" c/c	2	02-01560	
✓✓		327-224 Spring Pin; 1 1/4"OD x 5 39/64"Lg x 4 3/8" c/c	4	02-00082	Double Lock
✓✓		327-225 Spring Pin; 1 1/4"OD x 6 3/16"Lg x 5" c/c	2	03-00180	1965-76; Double Lock
	2	RNI Bushing; 1 1/4"ID x 1 1/2"OD x 3 1/2"Lg	4/6	02-01848	1965-76 & 1977-86
		RNG Bushing; 1 1/4"ID x 1 1/2"OD x 3"Lg	2		1965-76; Shackle Hanger
✓	3	334-475 Fitting, Straight Zerk; 1/8"-27NPT	6	1613B	
	4	◆ Casting, Eye; Front	2	02-01475	
✓	5	330-132 Kit, Shackle	2		Incl. (2)330-118, (2)327-447, (1)RNG-BM, (1)RNI-BM & Hdwe.; w/3 1/2" Spring, w/338-701 or 338-786
✓	6	330-118 Side Bar; 5 5/8"Lg x 3 1/2" c/c x 1 5/16"Thk, 1 1/4" Pin Holes	4	02-00362	
	7	334-551 Assembly, Bolt; 3/8"-24 x 2 3/4"Lg	8		Incl. 334-537 Bolt & Hdwe.
✓●	8	338-786 Hanger, Shackle; 3 1/2" Wide	2	01-45523	1977-86; 327-447 Pin
✓●		338-701 Hanger, Shackle; 3" Wide	2	01-00012	1965-76; 327-224 Pin; Use 338-786
●	9	334-540 Seal; 1 3/16"ID x 1 3/4"OD x 1/4"Thk	4	28-00118	1965-76
✓	10	See Shocks Shock Absorber	2	Various	Consult Shock Catalog for Model Specific Applications
●	11	401754 Bushing, Shock; 1"ID	8		
	12	See Chart Wedge, Camber	2		See Chart on Page 1091
	13	361-198 Kit, U-Bolt; Special Bend, Grade 8	4	02-00991-120	3/4" x 3 9/16" x 12 1/4" PR2
		361-571 Kit, U-Bolt; Special Bend	4		3/4" x 3 9/16" x 10 1/4" PR2
	14	Spring Assembly Assembly, Spring	2		See Leaf Spring Web Catalog for Details

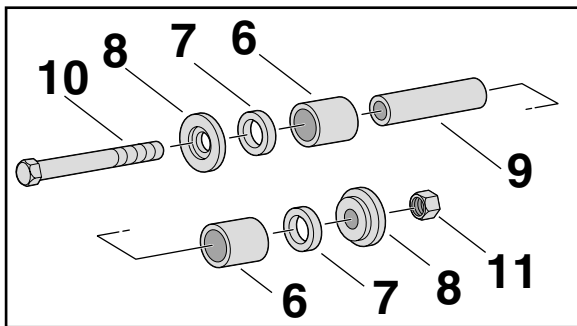
**Air Leaf®
Single/Tandem Axle
Rear Air Suspension**

Peterbilt

Peterbilt



Suspension Illustration



**Key 5* - Eye Casting
Bushing & Bolt Kit**

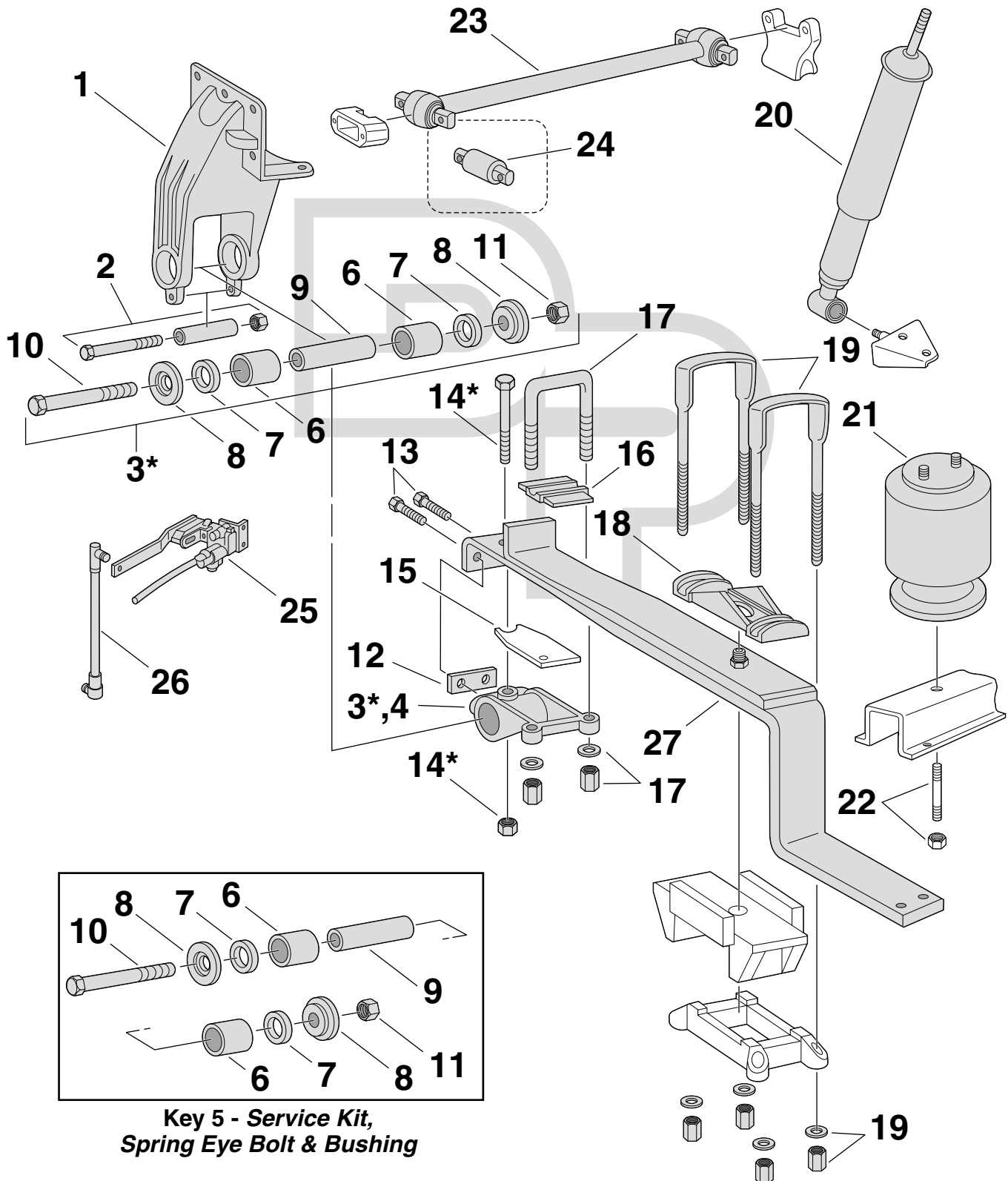
Key Numbers with an asterisk (*) indicate a kit or assembly.

Key No.	Part Number	Description	No. Req.	OEM Reference	Remarks
●	1	338-1223 Hanger	2	01-44585M001, 01-21518	
●		338-2059 Hanger	2	03-07328M001	Newer; 03+
	2	334-1793 Kit, Rebound; 1/2" x 6 1/2"Lg	2		Incl. Nut & roller
	3	334-2210 Washer, Wear	4	03-07148	Newer; 03+
●	4	338-1224 Casting, Eye	2	03-01654	
✓✓	5	334-460 Assembly, Bolt & Bushing	2	03AL1	Incl. Bushings, Sleeve, Washers & Hdwe.
		334-460U Assembly, Bolt & Bushing; Urethane	2		
✓✓	6	320-108 Bushing; 1 3/4"ID x 2 1/2"OD x 2 3/4"Lg	4	03-01674	
●		320-108U Bushing, Urethane	4		
✓	7	334-456 Washer; 1 3/4"ID x 2 5/8"OD x 1 5/16"Thk - Urethane	4	03-01675	
●	8	334-457 Washer, Compression; 1"ID x 3 1/4"OD x 3/8"Thk	4	03-01670	
	9	334-459 Sleeve; 1"ID x 1 3/4"OD x 5 3/4"Lg	2	03-01669	
	10	334-458 Bolt; 1"-14 x 8 1/2"Lg	2	03-01668	
✓✓	11	SLN-107 Nut, Lock; 1"-14	2		
●	12	334-1158 Shim; 1 1/2" x 3 3/4" x .062"Thk	AR	16-10790-000	
✓	13	334-1433 Bolt, Flange Head; 3/4"-10 x 2 1/4"Lg	4	27-00286-009	
✓✓	14	334-626 Assembly, Bolt; 3/4"-10 x 5"Lg	2		Incl. Bolt & Hdwe.
●	15	338-725 Plate, U-Bolt; Spring Eye; 4"W x 3 1/2"Lg	2	03-01657	
✓✓	16	361-161 Kit, U-Bolt; Square Bend, Grade 8	2	03-01661	3/4" x 4" x 5 7/8" S
✓✓	17	338-718 Saddle, U-Bolt; Iron	2	03-01656	OE is Aluminum
✓	18	338-811 Paddle, Air Spring; LH	1	03-02559L	Steel; To 99
✓		338-812 Paddle, Air Spring; RH	1	03-02559R	Steel; To 99
✓		338-2382 Paddle, Air Spring; LH	1	03-08163L	Steel; 2000+
✓		338-2383 Paddle, Air Spring; RH	1	03-08163R	Steel; 2000+
	19	◆ Spacer, Camber	AR		
✓✓	20	361-167 Kit, U-Bolt; Special Bend, Grade 8	4	03-3134-151	1" x 4" x 15 7/8" PR
	21	M65448 Shock Absorber	2	03-04176	
✓		M65402 Shock Absorber	2	03-04629	
		See Shocks Shock Absorber	2	Various	Consult Shock Catalog for Model Specific Applications
●	22	401754 Bushing, Shock; 1"ID	8		
✓	23	352-9069 Air Spring	2	03-07112	
✓	24	334-823 Assembly, Stud; 1/2"-20/13 X 5"Lg	2	03-02425, 27-00173	Incl. Stud & Lock Nut
✓✓	25	345-210 Torque Rod, Rigid; 22 7/8", 0°/0°	1	03-04059	Incl. 321-131 Bushings
		◆ Torque Rod, 22.79" c/c, 5/8" Bolts	1	03-0425100	Use 345-610 & 345-661
✓✓	26	321-131 Bushing; 2 17/32"OD x 4 3/8" c/c	2		For 5/8" Bolts & 1 1/8" Rod Diameter
●	27	338-663 Bracket, Torque Rod; Rear	1	03-02550	
●		338-662 Bracket, Torque Rod; Front	1	03-02555	
●	28	338-779 Bracket, Track Rod Frame; Straddlemount	1	03-02435	3/4" Bolts
✓✓	29	334-750 Valve, Height Control; Universal	1	H00450CA	Hadley - Model 450HCV
✓	30	334-751 Linkage Assembly, Universal; Adjustable	1	HPB450-3	3 5/8"-19 5/8" Range; Use w/All Height Control Valves
●	31	SCB-260 Bolt, Center; 3/4"-16 x 4 1/4"Lg	2	03-02583	
	32	Spring Assembly Assembly, Spring	2		See Leaf Spring Web Catalog for Details

**Low Mount Air Leaf® (To 2003)
Single/Tandem Axle
Rear Air Suspension**

Peterbilt

Peterbilt



Suspension Illustration

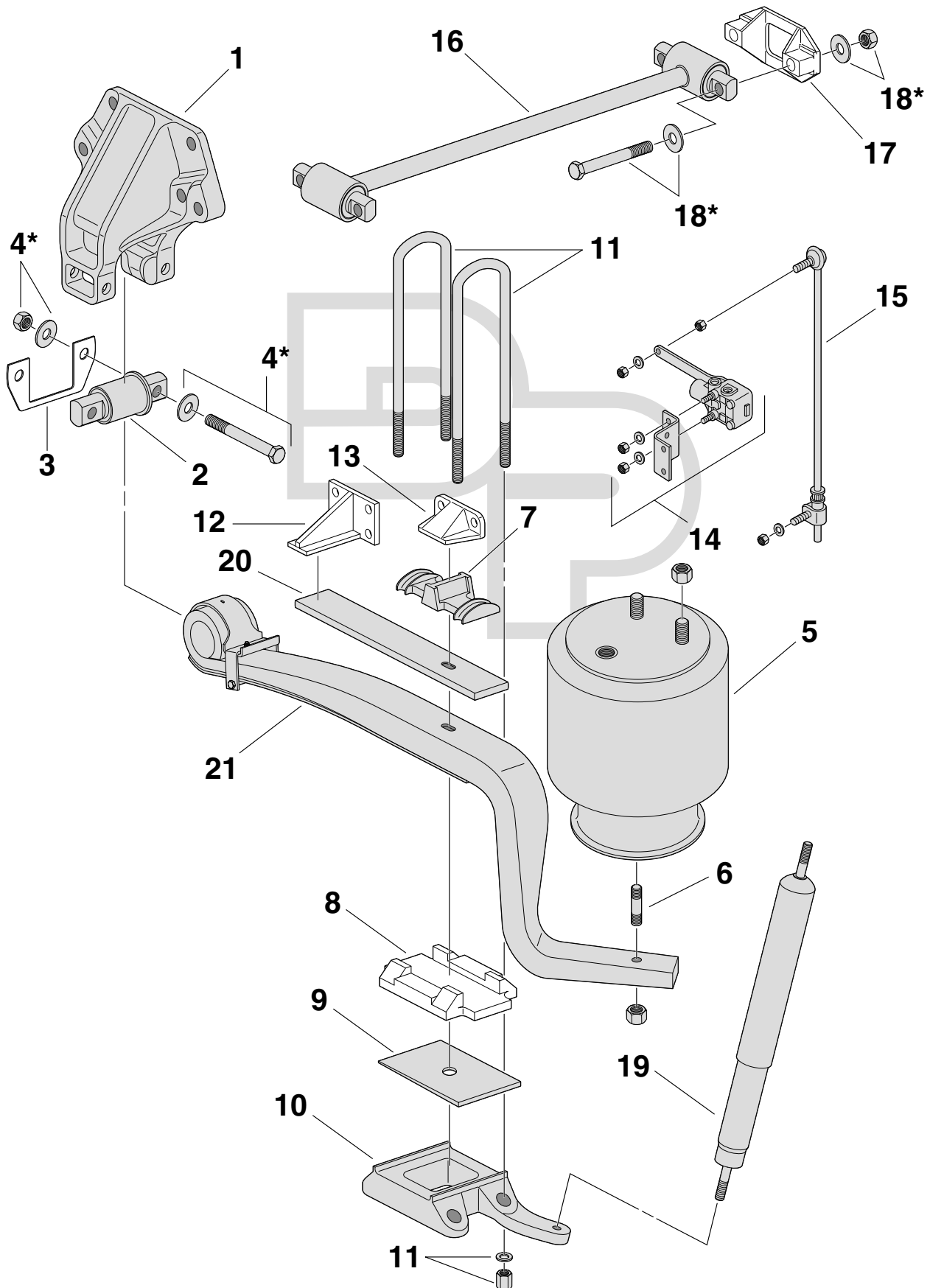
Key No.	Part Number	Description	No. Req.	OEM Reference	Remarks
	1	338-2321 Hanger	2	01-46758-M001	
✓	2	334-1793 Kit, Rebound; ½" x 6 ½"Lg	2		Incl. Nut & Roller
✓	3	334-1619 Kit, Service; Spring Eye Replacement	2		Incl. 338-1797 & 334-814
✓✓●	4	338-1797 Eye, Cast; Spring	2	03-05117	
✓✓	5	334-814 Kit, Service; Spring Eye Bolt & Bushing	2	03AL2	
	6	320-132 Bushing; 1 ¾"ID x 2 ½"OD x 2 15/32"Lg	4	03-05101	
✓●	7	334-456 Washer, Urethane; 1 ¾"ID x 2 5/8"OD x 15/16"Thk	4	03-01675	
●	8	334-457 Washer, Compression; 1"ID x 3 ¼"OD x 3/8"Thk	4	03-01670	
	9	334-816 Sleeve, Beam End; 1"ID x 1 ¾"OD x 5 ¼"Lg	2	03-05102	
	10	334-476 Bolt; 1"-14 x 8"Lg	2	03-05125, 03-05103	
✓✓	11	SLN-107 Nut, Lock; 1"-14	2		
	12	334-1436 Shim; 3 ¾"Lg x 1 ¼"W x 3/32"Thk	AR	03-05114-002	
		◆ Shim, Adjustment; Spring Eye; 3 ¾"Lg x 1 ¼"W x 1/16"Thk	AR	03-05114-001	
✓	13	334-1433 Bolt, Flange Head; ¾"-10 x 2 ¼"Lg	2	27-00286-009	
✓	14	334-770 Assembly, Bolt; 5/8"-18 x 5"Lg	2	23-09444-500	Incl. Bolt & Hdwe.
	15	◆ Shim, Spring Eye; 6 ½"Lg x 1/16"Thk	2	03-05192	
●	16	338-1798 Saddle, U-Bolt; Spring Eye	2	03-05100	
✓✓	17	361-204 Kit, U-Bolt; Square Bend, Grade 8	2	03-00581	¾" x 3 1/16" x 5 1/8" S
	18	338-1799 Saddle, U-Bolt	2	03-05380, 03-07677	
✓✓	19	361-393 Kit, U-Bolt; Semi-Round, Forged Top, Grade 8	4	03-05110-155	1" x 3 ½" x 15 ½" SR
		362-111 Kit, U-Bolt; Semi Round, Forged Top, Grade 8	2		Use w/3 Leaf Springs
✓	20	M65400 Shock Absorber	2	03-05384	
		M66428 Shock Absorber	2	03-06084	
		See Shocks Shock Absorber	2	Various	Consult Shock Catalog for Model Specific Applications
	21	352-9194 Air Spring	2	03-05107	
✓✓		352-9026 Air Spring	2	03-07111	
		352-8852 Air Spring	2	03-07887	
	22	◆ Stud, Mounting; ½"-13/20 x 6"Lg	2	27-00972	
✓✓	23	345-215 Rod, Track; Rigid; 25 5/16"	2	03-05108, 943711	Incl. 321-131 Bushings; Forged Ends
✓✓●	24	321-131 Bushing; 2 17/32"OD x 4 3/8" C/L to C/L	4	03-01776	For 5/8" Bolts & 1 1/8" Rod Diameter
✓✓●	25	334-750 Valve, Height Control; Universal	1		Hadley - Model 450HCV
✓●	26	334-751 Linkage Assembly, Universal; Adjustable	1		3 5/8"-19 5/8" Range; Use w/All Height Control Valves
	27	75-147 Assembly, Spring	2	03-05121	See Leaf Spring Web Catalog For Details

Air Glide® 210 Low Air "Twisted Sister"
 (Kenworth AG210/400L)
Single/Tandem Axle Rear Air Suspension

Peterbilt

Peterbilt

Suspension Illustration



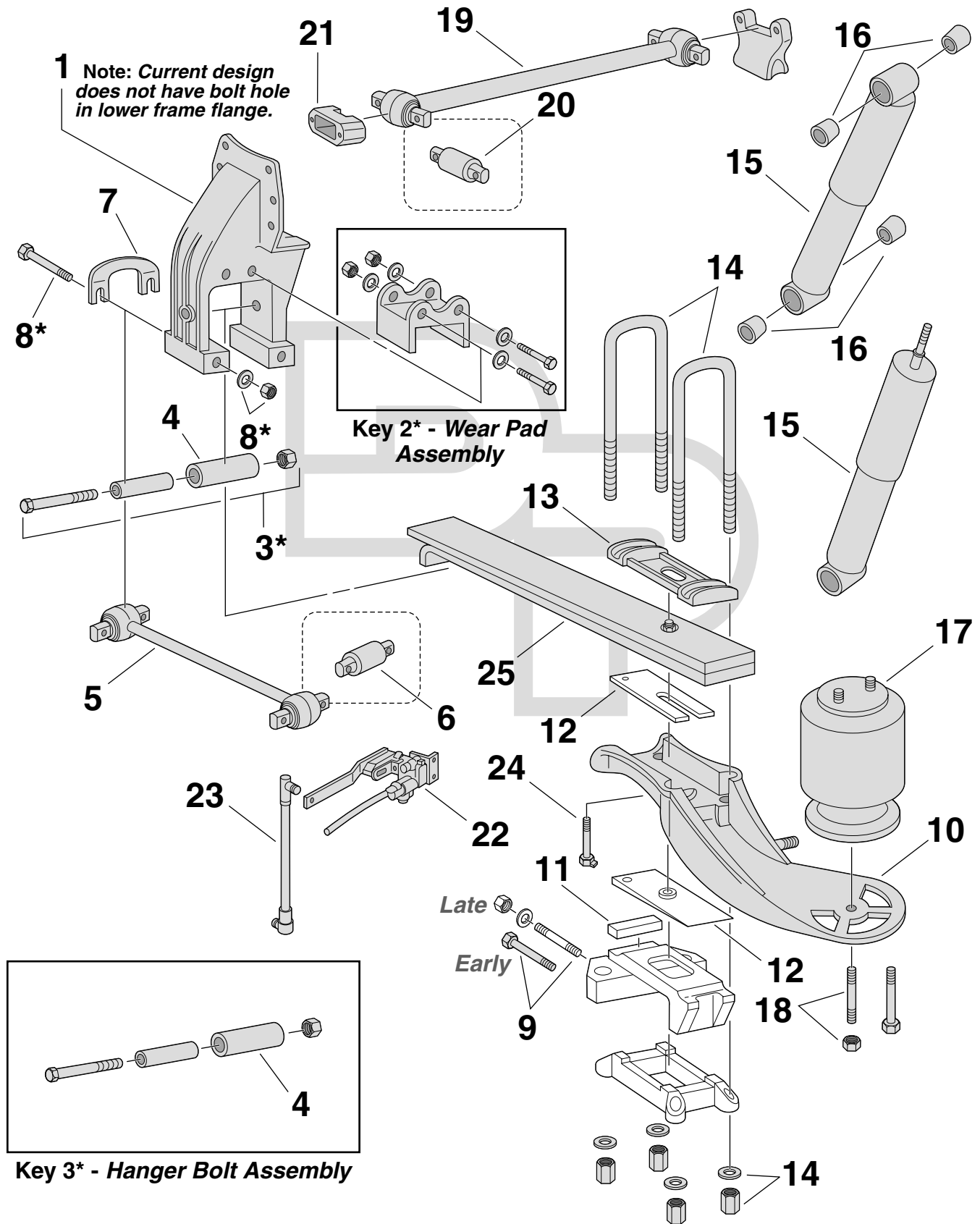
Key No.	Part Number	Description	No. Req.	OEM Reference	Remarks
● 1	338-2300	Hanger	2	C11-1124	
✓ ● 2	RB-268	Bushing; Anti-Walk	2		
	◆	Shim, Alignment	AR	03-08782-002	1.5mm; Use 334-526
	334-2015	Assembly, Bolt; M20 x 180mm Lg	4	27-01113-180	
	352-8864	Air Spring	2	C81-1011	
	334-2087	Stud; ½" x 8"Lg	2	27-01746	
● 7	338-2301	Saddle, U-Bolt	2	03-08712	
	◆	Seat, Axle	2	Various	
	A-4xx	Wedge, Camber	4	Various	See Chart on Page 1091
● 10	338-2354	Clamp, Axle; Shock Mount; LH	2	C16-6001M00, C16-6001M02	
●	338-2355	Clamp, Axle; Shock Mount; RH	2	C16-6001M0R	
	361-374	Kit, U-Bolt; Round Bend, Grade 8	2	03-08693-365,	7/8" x 3" x 14 ½" R; OEM is Metric
	◆	Bracket, Helper	2		
	◆	Stop, Axle	2		
✓ ● 14	334-1648	Valve, Height Control; w/Dump	1	57977	w/Integral Dump
✓ ● 15	334-751	Linkage Assembly, Universal; Adjustable	1	HPB450-3	3 5/8"-19 5/8" Range; Use w/All Height Control Valves
● 16	345-905	Rod, Track; 25 9/16" Lg c/c, 0°/0°	2	TR030020010	Non-Replacable Bushing
	338-2302	Bracket, Torque Rod	2	03-06830	
	SP	Kit, Bolt; M16 x 2 x 130mm	2	27-01118-130	Use 334-1317
	M65468	Shock Absorber	2	03-08781	
	SP	Spring, Helper	2		See Leaf Spring Web Catalog for Details
	Spring Assembly	Assembly, Spring	2		See Leaf Spring Web Catalog for Details

**Air Trac®
Single/Tandem Axle
Rear Air Suspension**

Peterbilt

Peterbilt

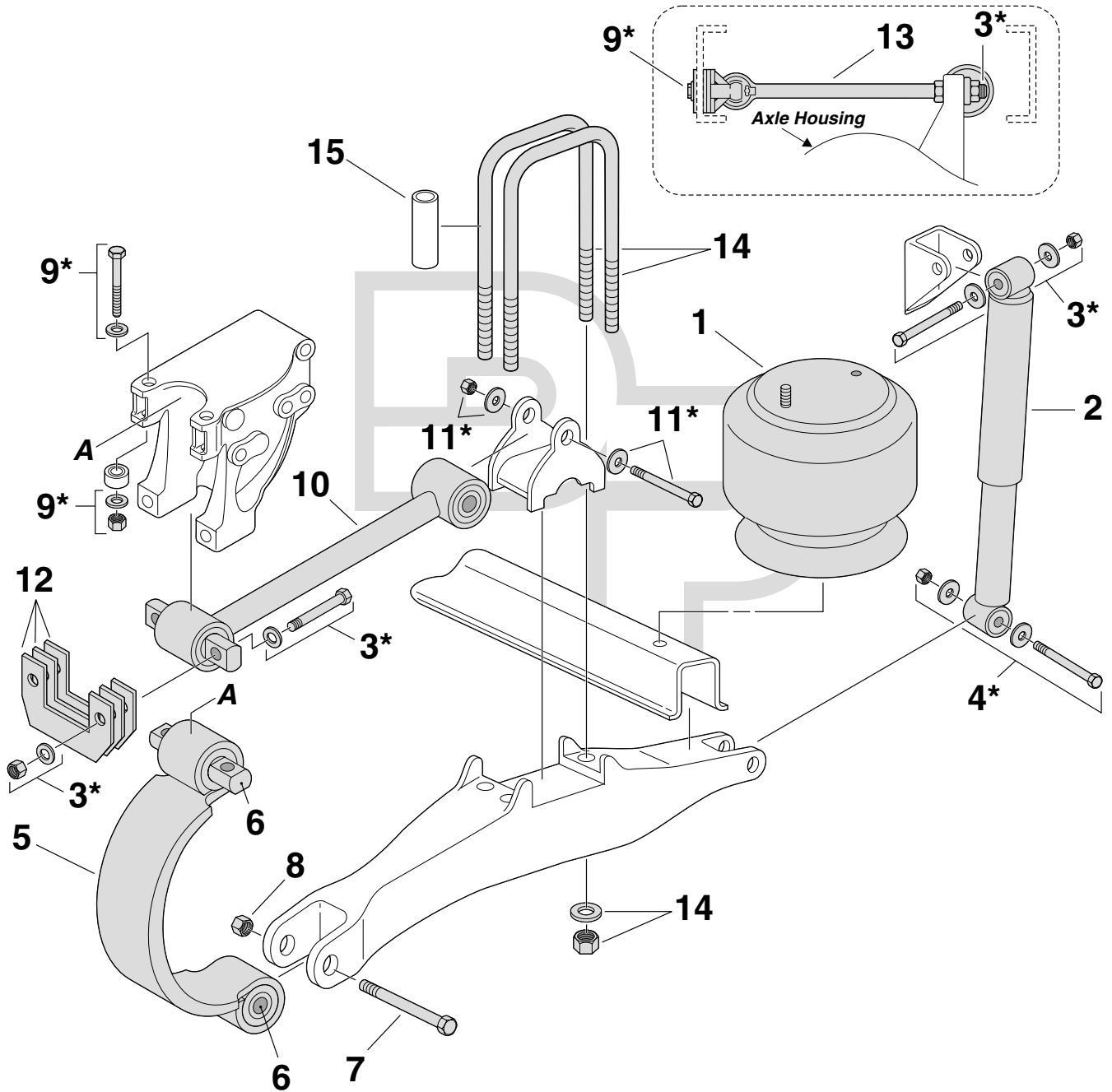
Suspension Illustration



Key No.	Part Number	Description	No. Req.	OEM Reference	Remarks		
●	1	338-1240	Hanger	2	01-44406, 01-48280-M002	Pre 07/93; Replaced by 338-1240A	
✓✓	●	338-1240A	Assembly, Hanger	2	01-48280-M004	Current Design; Replaces 338-1240 on Past Production; Incl. Wear Pad	
✓✓	2	334-1592	Assembly, Wear Pad	2	03-07296	5/8" Bolt	
✓	3	334-1194	Assembly, Bolt; 5/8"-18 x 7 1/2"	2		Incl. Bolt, Roller & Hdwe.	
	4	334-1195	Roller, Urethane; 1 1/6"ID x 2"OD x 5 3/16"Lg	2	03-04623		
✓	5	345-196	Torque Rod, Rigid; 17.34"Lg; 0°/10°	2	03-04119, 924170	w/ 5/8" Mounting Hdwe. at T/R Axle Bracket	
✓		345-211	Torque Rod, Rigid; 17.34"Lg; 0°/10°	2	03-04327, 924175	w/ 3/4" Mounting Hdwe. at T/R Axle Bracket	
		345-240	Torque Rod, Rigid; 17.34"Lg; Full Ball Design	2	03-04327	w/ 3/4" Mounting Hdwe. at T/R Axle Bracket	
✓✓	●	321-132	Bushing; Straddlemount; 2 3/4"OD x 4 3/8" c/c	4	227720	For 5/8" Bolts & 1 1/4" Rod Diameter	
	●	321-132U	Bushing, Urethane	4			
✓✓	●	321-265	Bushing; 2 3/4"OD x 4 3/8" c/c	4	227723	For 3/4" Bolts & 1 1/4" Rod Diameter	
	●	321-265U	Bushing, Urethane	4			
✓✓	●	7	334-526	Shim; 1/16"Thk 4 3/8" c/c	AR	03-02726-001	
	8	334-764	Assembly, Bolt; 5/8"-18 x 7"Lg	4		Incl. Bolt & Hdwe.	
	9	◆	Stud	4	03-01767	Use 334-1188	
✓		334-1433	Bolt, Flange Head; 3/4"-10 x 2 1/4"Lg	4	27-00286-009		
		334-1188	Bolt, Flange Head; 5/8"-11 x 2 1/4"Lg	4	27-00702-009		
✓	●	10	338-811	Paddle, Air Spring; LH	1	03-06747L, 03-02559L	Cast Steel; Thru 1999
✓	●	338-2382	Paddle, Air Spring; LH	1	03-08163L	Steel; 2000+	
	◆		Paddle, Air Spring; LH	1	03-07346L	Aluminum	
✓	●	338-812	Paddle, Air Spring; RH	1	03-06747R, 03-02559R	Cast Steel; Thru 1999	
✓	●	338-2383	Paddle, Air Spring; RH	1	03-08163R	Steel; 2000+	
	◆		Paddle, Air Spring; RH	1	03-07346R	Aluminum	
	11	◆	Spacer, Camber	AR	03-02730-002		
	12	◆	Spacer; 4"W x 9"Lg x 1/8"Thk	AR	03-04106		
✓✓	●	13	338-718	Saddle, U-Bolt; Iron	2	03-01656	OE is Aluminum
✓✓	14	361-167	Kit, U-Bolt; Special Bend, Grade 8	4	03-3134-151	1" x 4" x 15 7/8" PR	
✓	15	M65444	Shock Absorber	2	03-07421		
✓✓		M65402	Shock Absorber	2	03-04629		
✓		M65400	Shock Absorber	2	03-07423		
		See Shocks	Shock Absorber	2	Various	Consult Shock Catalog for Model Specific Applications	
●	16	401754	Bushing, Shock; 1"ID	8			
✓✓	17	352-9069	Air Spring	2	03-04759		
✓	18	334-823	Assembly, Stud; 1/2"-20/13 X 5"Lg	2	03-02425, 27-00173	Incl. Stud & Lock Nut	
✓✓	19	345-210	Torque Rod, Rigid; 22 7/8"Lg c/c, 0°/0°	2	03-04059	Incl. (2)321-131 Bushings	
		345-241	Torque Rod, Rigid; 22.81"Lg; Full Ball Design	2	03-04251		
✓✓	●	20	321-131	Bushing; 2 17/32"OD x 4 3/8" c/c	4		For 5/8" Bolts & 1 1/8" Rod Diameter
	●	321-131U	Bushing, Urethane	4			
	●	21	338-779	Bracket, Frame; Track Rod; Straddlemount	2	33783	3/4" Bolts
✓✓	●	22	334-750	Valve, Height Control; Universal	1	H00450CA	Hadley - Model 450HCV
✓✓	●	334-1143	Valve, Height Control	1			
✓	●	23	334-751	Linkage Assembly, Universal; Adjustable	1	HPB450-3	3 5/8"-19 5/8" Range; Use w/All Height Control Valves
●	24	SCB-260	Bolt, Center; 3/4"-16 x 4 1/4"	2	03-02583	Special Head	
	25	75-125	Assembly, Spring	2	03-02432	See Leaf Spring Web Catalog for Details	

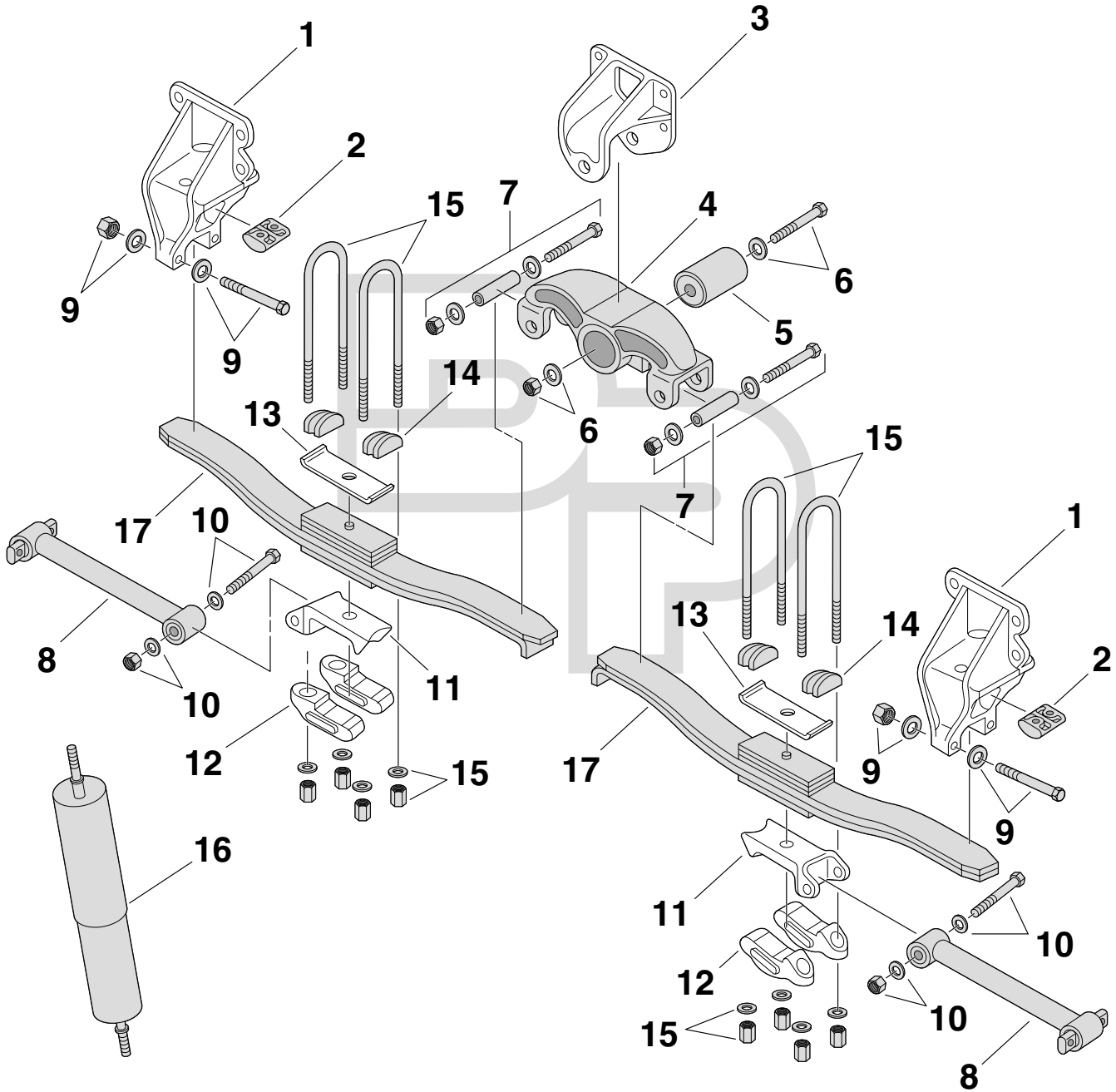
Peterbilt

Suspension Illustration



Key No.	Part Number	Description	No. Req.	OEM Reference	Remarks
✓✓	1	352-8813 Air Spring	4	C81-6000	
	2	M65495 Shock Absorber	4	C71-6000	
✓✓	3	334-754 Assembly, Bolt; 5/8"-18 x 5 1/2"Lg	16		Incl. Bolt & Hdwe.
✓	4	334-768 Assembly, Bolt; 5/8"-18 x 4 1/2"Lg	4		Incl. Bolt & Hdwe.
	5	75-167 Link, Spring	4	C81-6001A	
✓	6	RB-291 Bushing, Bar Pin	4	C13-6001	
✓		RB-292 Bushing; 7/8"ID	4	C65-1002	
	7	327-316 Bolt; 7/8"-14 x 6 1/2"Lg	4	27-00556-025	
	8	SLN-106 Nut, Lock; 7/8"-14	4		
✓	9	334-1330 Assembly, Bolt; M16-2.0 x 160mm	8	27-01118-160	Incl. Bolt & Hdwe.
✓		334-1337 Assembly, Bolt; M16-2.0 x 150mm	4	27-04448-150	Incl. Bolt & Hdwe.
	10	345-882 Torque Rod; 23 3/4"Lg c/c	2	C65-6000-001	Front
		345-883 Torque Rod; 24 5/8"Lg c/c	2	C65-6000-002	Rear
	11	334-1701 Assembly, Bolt; 7/8"-14 x 5 1/2"Lg	4	27-00556-022	
✓✓ ●	12	334-526 Shim; 1/16"Thk 4 3/8"Lg c/c	AR		
✓✓	13	345-884 Assembly, Track Rod; 25 1/2" c/c	2	C65-6002	
✓	14	361-641 Kit, U-Bolt; Square Bend, Grade 8	8	C34-6000	
	15	◆ Insulator	16		Use 334-1645

Peterbilt



Suspension Illustration

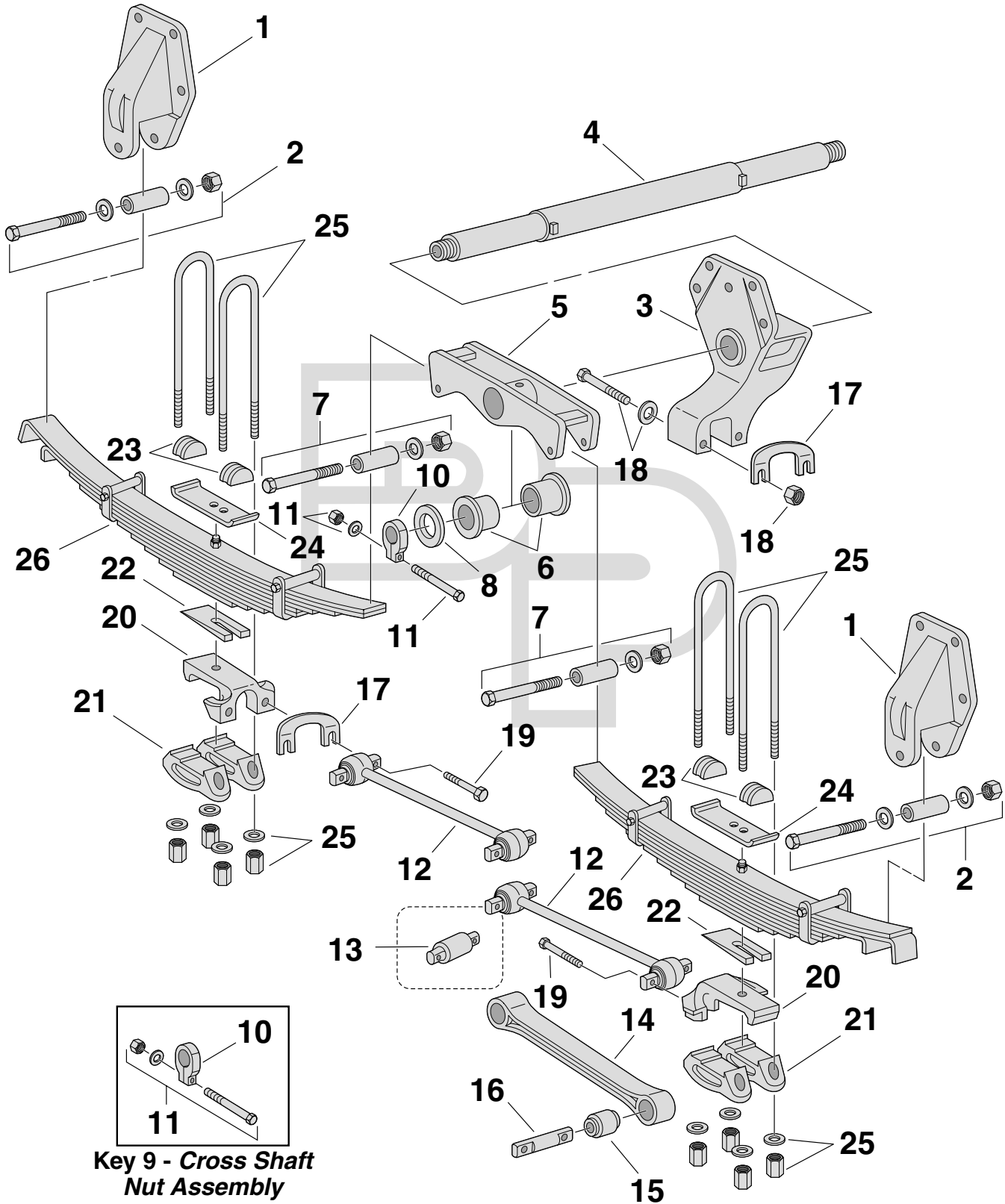
Key No.	Part Number	Description	No. Req.	OEM Reference	Remarks
	◆	Hanger	4	01-48047M001	
●	334-1196	Pad, Wear	4	03-05851M001	
	◆	Hanger, Equalizer	2	01-48048M001	
●	338-1386	Assembly, Equalizer	2	03-05856M001, 03-06771M001	
●	321-222	Bushing; 1"ID x 3.74"OD x 5 1/4"Lg	2	03-06843	
✓✓	334-811	Assembly, Bolt; 1"-14 x 8 1/2"Lg	2	03-01668	Incl. Bolt & Hdwe.
	334-812	Assembly, Bolt; Rebound; 1/2"-13 x 5"Lg	4		Incl. Bolt, 3 5/16"Lg Tube & Hdwe.
	345-214	Torque Rod, Rigid; 18 7/16"Lg c/c	4	03-05849, 942970	Non-Replaceable Bushings
✓	334-768	Assembly, Bolt; 5/8"-18 x 4 1/2"Lg	4	955375, 27-00788-018	Incl. Bolt & Hdwe.
	334-907	Assembly, Bolt; M20-2.5 x 120mm	4	27-01113-130	Incl. Bolt & Hdwe.
	◆	Seat, Axle; Front	2	03-05859M001	
	◆	Seat, Axle; Rear	2	03-05858M001	
	◆	Clamp, Axle; Right	4	03-02634R	
	◆	Clamp, Axle; Left	4	03-02634L	
	◆	Clamp, Axle	8	03-04776	
	◆	Plate, Saddle; U-Bolt; 7 15/16"Lg x 2 7/8"W x 1/8"Thk	4	03-05863	
●	334-470	Cap, U-Bolt	8	03-01766	Obsolete
✓	361-196	Kit, U-Bolt; Round Bend, Grade 8	8	03-3133-152	3/4" x 3" x 15 5/8" R
✓	M65404	Shock Absorber	4	03-04628	
✓✓	M66424	Shock Absorber	4	03-07420	
	75-161	Spring, Taper	4	03-06996	2-Leaf
	75-153	Spring, Multi-Leaf	4	03-06552	5/1; Two Stage Spring for 38k Suspension

**Four Spring
(Early Production)
Tandem Suspension**

Peterbilt

Peterbilt

Suspension Illustration



**Key 9 - Cross Shaft
Nut Assembly**

Key Numbers with an asterisk (*) indicate a kit or assembly.

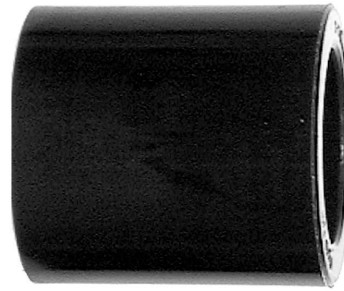
Key No.	Part Number	Description	No. Req.	OEM Reference	Remarks	
✓ ●	1	338-840	Hanger	4	01-42518	
	2	334-560	Assembly, Bolt; Rebound; 1/2"-13 x 5"Lg	4		Incl. Bolt, 3 7/16"Lg Tube & Hdwe.
●	3	338-759	Hanger	2	01-26604	
●	4	334-464	Shaft; 2 1/2"OD x 48 1/2"Lg, 2 1/4"-12 Thread	1	1AAA79	
✓ ●	5	338-717	Equalizer	2	03-03328	Use 322-119 Bushings & 334-558 Rebound Kit
		338-1827	Assembly, Equalizer	2		Incl. 338-717 Equalizer, (2)322-119 Bushings & Rebound Hdwe.
✓✓ ●	6	322-119	Bushing; 2 15/32"ID x 3 3/32"OD x 2 1/4"Lg	4	03-02099	Urethane
✓	7	334-558	Assembly, Bolt; Rebound; 1/2"-20 x 4 3/4"Lg	4		Incl. Bolt, 3 1/8"Lg Tube & Hdwe.
	8	334-1095	Washer; 2 9/16"ID x 4"OD x 1/4"Thk	2	900 36 080	
●	9	334-1432	Assembly, Cross Shaft Nut	2		Incl. Pinch Bolt, 334-502 & 334-551; Obsolete
●	10	334-502	Nut, Cross Shaft; 2 1/4"-12 Thread	2	03-01758	Obsolete
	11	334-551	Assembly, Bolt; 3/8"-24 x 2 3/4"Lg	2		Incl. 334-537 Bolt & Hdwe.
✓	12	345-186	Torque Rod, Rigid; 19 1/8"Lg c/c, 10°/5°	4	03-01781	Tubular Design; Replaces Cast Aluminum Style; Incl. (2)321-223 Bushings
✓✓ ●	13	321-223	Bushing; 2"OD x 4 3/8" c/c x 5/8" Bolts	8	47691	
	14	◆	Torque Rod, Rigid; Cast Aluminum	4	03-01764	Use 345-186
●	15	322-120	Bushing; 1 3/8"ID x 2 1/8"OD x 2 3/4"Lg	8	03-01766	Cast Aluminum Torque Rod Only; Obsolete
●	16	334-1189	Pin, Torque Rod	8	03-01768	Cast Aluminum Torque Rod Only; Obsolete
✓✓ ●	17	334-526	Shim; 1/16"Thk 4 3/8" c/c	AR	49689	
	18	334-764	Assembly, Bolt; 5/8"-18 x 7"Lg	4		Incl. Bolt & Hdwe.
	19	334-1188	Bolt, Flange Head; 5/8"-11 x 2 1/4"Lg	8	27-00702-009	Flanged Head
●	20	338-753	Bracket, Torque Rod Seat; LR-RR; 4°	2	03-02864M002	Rockwell SQHD; 4 1/4" x 5"
●		338-754	Bracket, Torque Rod Seat; LF-RF; 4°	2	03-02865M002	Rockwell SQHD; 4 1/4" x 5"
	21	338-752	Clamp, U-Bolt; Axle	8	03-01765	Obsolete
	22	See Chart	Wedge, Camber	AR		See Chart on Page 1091
●	23	334-470	Cap, U-Bolt	8	03-01766	Obsolete
●	24	338-1601	Plate, Saddle; U-Bolt	4	03-01769	Obsolete
✓✓	25	361-196	Kit, U-Bolt; Round Bend, Grade 8	8	03-3133-152	3/4" x 3" x 15 5/8" R
	26	Spring Assembly	Assembly, Spring	4		See Leaf Spring Web Catalog for Details

401754



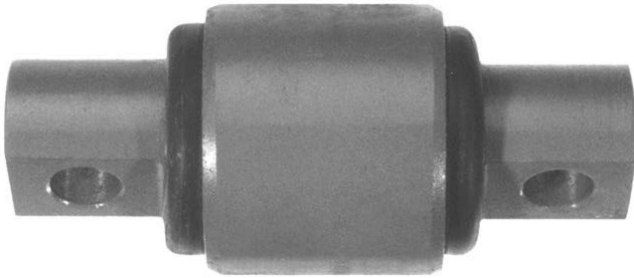
Shock Bushing; 1" I.D.

320-108, 320-108U



Bushing; 1 3/4"ID x 2 1/2"OD x 2 3/4"Lg.; Models Air Leaf Single/Tandem Axles, Rear Air Suspension

321-131



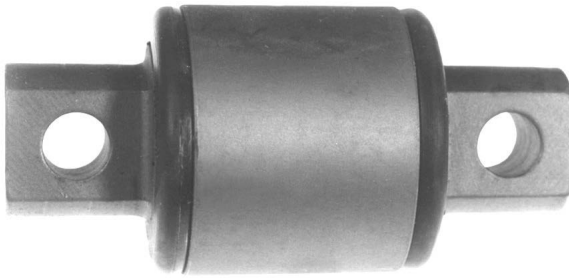
Bushing; 2 17/32" O.D. x 4 3/8" C to C; For 5/8" Bolts and 1 1/8" Rod Diameter; Models Air Leaf, Low Mount Air Leaf, Air Trac

321-131U



Bushing, Urethane; 2 17/32" O.D. x 4 3/8" C to C; For 5/8" Bolts and 1 1/8" Rod Diameter; Models Air Leaf, Low Mount Air Leaf, Air Trac

321-132



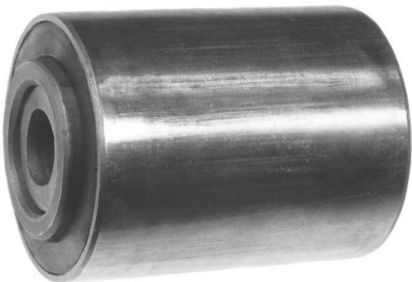
Bushing; 2 3/4" O.D. x 4 3/8" C to C; For 5/8" Bolts and 1 1/4" Rod Diameter; Model Air Trac

321-132U



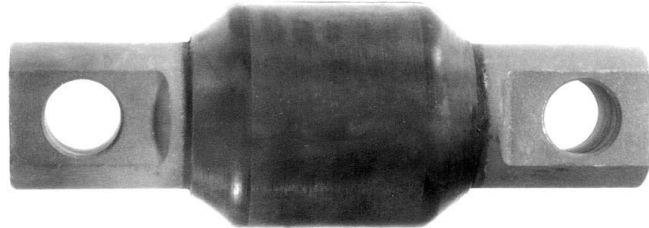
Bushing, Urethane; 2 3/4" O.D. x 4 3/8" C to C; For 5/8" Bolts and 1 1/4" Rod Diameter; Model Air Trac

321-222



Bushing; 1" I.D. x 3" O.D. x 5 1/4" Lg.; Models Quadraflex, Four Spring Tandem

321-223



Bushing; 2" O.D. x 4 3/8" C to C w/ 5/8" Bolts; Model Four Spring Tandem

321-265



Bushing; 2 3/4" O.D. x 4 3/8" C to C; For 3/4" Bolts and 1 1/4" Rod Diameter; Model Air Trac

322-119



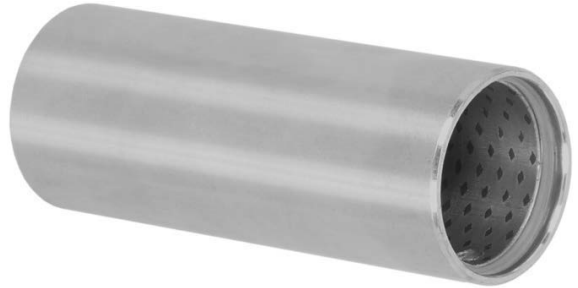
Bushing; 2 15/32" I.D. x 3 3/32" O.D. x 2 1/4" Lg.; Urethane; Model Four Spring Tandem

322-120



Bushing; 1 3/8" I.D. x 2 1/8" O.D. x 2 9/16" Lg.; Cast Aluminum Torque Rod Only; Model Four Spring Tandem

322-141



Bushing; 1 1/4" I.D. x 1 1/2" O.D. x 4" Lg.; Replaces PB18 and RNK-BM, Includes Seals, 4" Wide; Model Conventional/Cabover Front Suspension

327-446



Spring Pin; 1 1/4"OD x 6"Lg x 5 1/16" c/c; Front w/4" Springs

327-483



Spring Pin; 1 1/4"OD x 6 7/8"Lg x 5 5/16" c/c; Front w/4" Springs

327-532



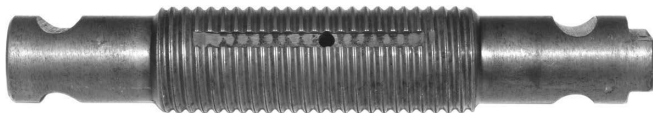
Spring Pin, 1 1/4" O.D. x 7 5/8" Lg.; Model 387

327-537



Spring Pin, Threaded Metric; 5.75 C/C; Model Conventional/Cab Over Front Suspension

327-540



Spring Pin, Threaded Metric; 6.30 C/C; Model Conventional/Cab Over Front Suspension

327-541



Spring Pin; 1 1/4"OD x 7 7/16"Lg. x 5 3/4" C/C; Front of front; Model 357/379 SBA w/cast eye

327-544



Spring Pin, Threaded Metric; 5.43 C/C; Model Conventional/Cab Over Front Suspension

330-191



Shackle Kit; 3 9/16" c/c; Incl. (2) 330-186, (2) 327-483, (2) RNK-BM & Hdwe. Front w/4" Springs

330-192



Shackle Kit; 5 1/8" c/c; Incl. (2) 330-187, (2) 327-483, (2) RNK-BM & Hdwe.; Front w/4" Springs

330-341



Side Bar; Model 387

330-342



Shackle Kit; Incl 322-141 Bushings; Model 387

334-456



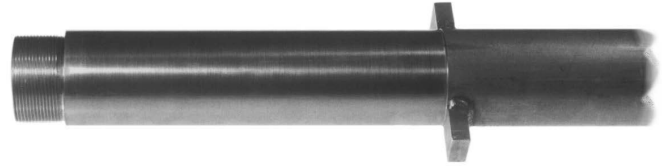
1 3/4" I.D. x 2 5/8" O.D. x 15/16" Thk; Urethane; Models Air Leaf, Low Mount Air Leaf

334-457



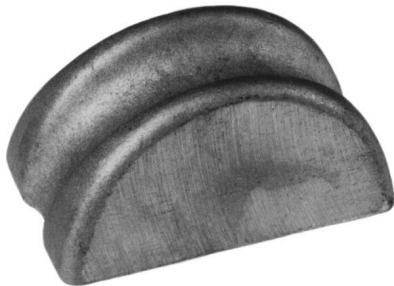
Washer, Compression; 1" I.D. x 3 1/4" O.D. x 3/8" Thk.; Models Air Leaf, Low Mount Air Leaf

334-464



Shaft; 2 1/2" O.D. x 48 1/2" Lg., 2 1/4"-12 Thread; Model Four Spring Tandem

334-470



Cap, U-Bolt; Obsolete; Models Quadraflex, Four Spring Tandem

334-502



Nut, Cross Shaft; 2 1/4"-12 Thread; Use w/ 334-551 Bolt Assy.; Model Four Spring Tandem

334-526



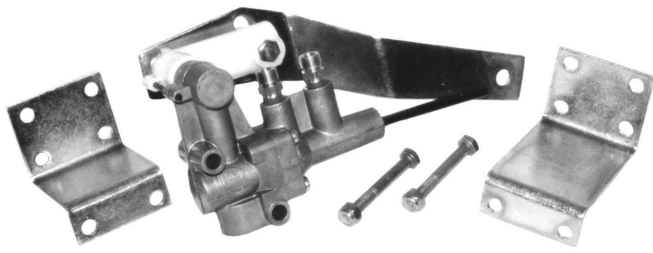
Shim; 1/16" Thk., 4 3/8" C to C; Models Four Spring Tandem, Air Trac

334-540



Seal; 1 3/16" I.D. x 1 3/4" O.D. x 1/4" Thk.; Model Conventional/Cabover Front Suspensions

334-750



Valve, Height Control; Universal; Hadley - Model 450HCV; Models Air Leaf, Low Mount Air Leaf

334-751



Linkage Assembly, Universal Adjustable; 3 5/8"-19 5/8" Range; Use with all Height Control Valves; Models Air Leaf, Low Mount Air Leaf

334-1143



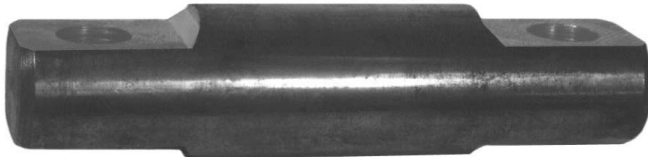
Valve, Height Control; Model AirTrac

334-1158



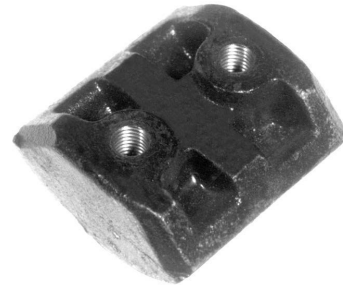
Shim; 1 1/2" x 3 3/4" x .062" Thk.; Model Air Leaf

334-1189



Pin, Torque Rod; 1 3/8" O.D. x 4 3/8" C to C, Cast Aluminum Torque Rod Only; Use w/ 322-120 Bushings; Model Four Spring Tandem

334-1196



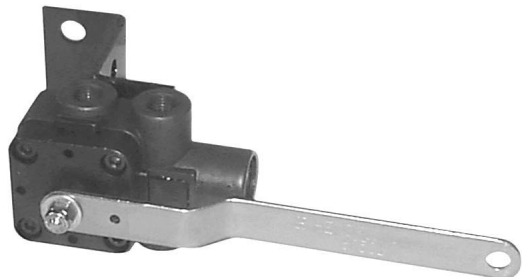
Wear Pad; Models Quadraflex, Four Spring Tandem

334-1432



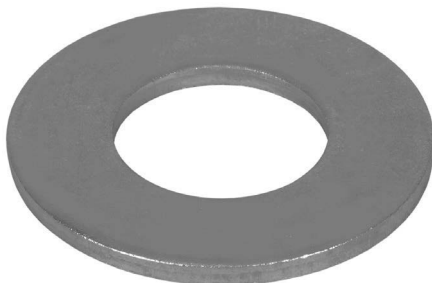
Nut Assembly, Cross Shaft; Incl. Pinch Bolt; 334-502 & 334-551; Obsolete; Model Four Spring Tandem (Early Production)

334-1648



Valve, Height Control; w/Dump; w/Integral Dump; Model Air Glide 210/400L "Twisted Sister"

334-1822



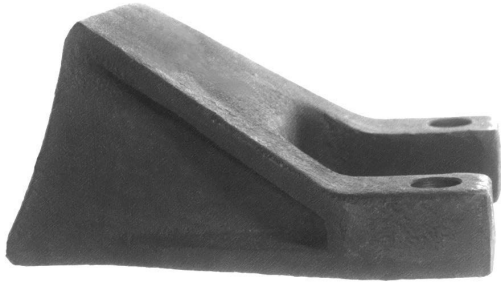
Washer, Spacer; Model 387 Conventional Front

338-662



Bracket, Torque Rod; Front; Model Air Leaf

338-663



Bracket, Torque Rod; Rear; Model Air Leaf

338-701



Hanger, Shackle; 3" Wide; Includes RNG Bushing; Use w/ 327-224 Pin; Conventional/Cabover Front 1965-76

338-717



Equalizer; Uses 322-119 Bushings and 334-555 Rebound Bolts; Included in 338-1827 Assy. (Pictured); Model Four Spring Tandem

338-718



Saddle, U-Bolt; Iron; OE is Aluminum; Models Air Leaf, Air Trac

338-725



Plate, Spring Eye U-Bolt; 4" Wd. x 3" Lg.; Model Air Leaf

338-753



Bracket, Torque Rod Seat (LR-RR), 4"; 4 1/4" x 5"; Rockwell SQHD ; Model Four Spring Tandem

338-754



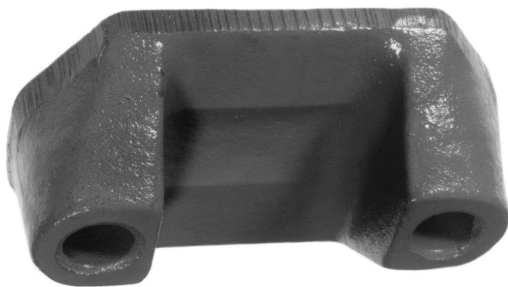
Bracket, Torque Rod Seat (LF-RF), 4"; 4 1/4" x 5"; Rockwell SQHD; Model Four Spring Tandem

338-759



Hanger; Use w/ 334-764 Bolt Assy.; Model Four Spring Tandem

338-779



Bracket, Track Rod Frame; Straddlemount; 3/4" Bolts; Models Air Leaf, Air Trac

338-784



Hanger, Shackle; RH; Use w/ 327-446 Pin, Includes Seals and 322-141 Bushing; Cabover Front Prior to 1989

338-785



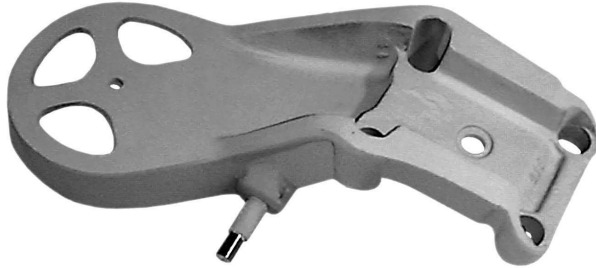
Hanger, Shackle; LH; Includes Seals and 322-141 Bushing; Use w/ 327-446 Pin; Cabover Front Prior to 1989

338-786



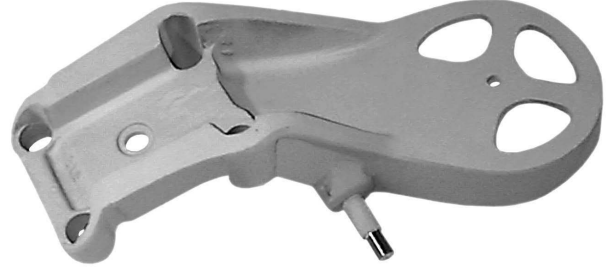
Hanger, Shackle; 3 1/2" Wd.; Use w/ 327-447 Pin; Includes Seals and RNI Bushing; Conventional/Cabover Front 1965-86

338-811



Paddle, Air Spring (LH); Models Air Leaf, Air Trac

338-812



Paddle, Air Spring (RH); Models Air Leaf, Air Trac

338-840



Hanger; Use w/ 334-560 Rebound Kit; Model Four Spring Tandem

338-1223



Hanger; Use w/ 334-490 Rebound Kit; Model Air Leaf

338-1224



Eye Casting; Use w/ 334-460 Bolt and Bushing Kit; Model Air Leaf

338-1230 (3/4" Bolts) / 338-1230A (5/8" Bolts)



Hanger, Shackle; 4" Wide Spring; Replaces 338-784/785 After 1989; Model Conventional Front 1987 and Up

338-1240



Hanger; Pre 7/93; r/b 338-1240A; Model Air Trac

338-1240A



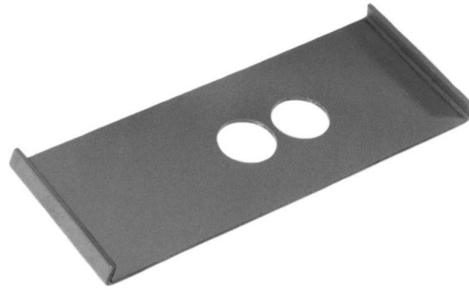
Hanger; Replaces 338-1240; Model Air Trac

338-1386



Equalizer Assembly; Use w/ 334-811 Bolt Assy. and 334-812 Rebound Kit; Includes 321-222 Bushing; Models Quadraflex, Four Spring Tandem

338-1601



Plate, U-Bolt Saddle; Obsolete; Model Four Spring Tandem

338-1797



Eye, Cast Spring; Use w/ 334-814 Bolt and Bushing Kit; Model Low Mount Air Leaf

338-1798



Saddle, Spring Eye U-Bolt; Model Low Mount Air Leaf

338-1898



Hanger, Shackle; Incl. 322-141 Bushing; Model 387 Conventional Front

338-2032



Hanger, Shackle; Incl. RB-295 bushing, PACCAR chassis; Model Conventional/Cab Over Front

338-2059



Hanger; Newer; 03+; Model Air Leaf

338-2100



Hanger, Shackle; Incl. TB-77 bushing, PACCAR chassis; Model Conventional/Cab Over Front

338-2101



Hanger, Shackle; Incl. RB-328 bushing, PACCAR chassis; Model Conventional/Cab Over Front

338-2102



Hanger, Shackle; Incl. RB-338 bushing; Model Conventional/Cab Over Front

338-2172-01



Hanger; Threaded Bushing; TB-81; Threaded Bushing; Front w/4" Springs

338-2220



Hanger, Shackle; Front w/4" Springs

338-2283



Bottom Plate; Square U-Bolts

338-2300



Hanger; Model Air Glide 210 - Low Air "Twisted Sister"

338-2301



U-Bolt Saddle; Model Air Glide 210

338-2354



Axle Clamp, Shock Mount; LH; Model Air Glide 210

338-2355



Axle Clamp, Shock Mount; RH; Model Air Glide 210

338-2382



Paddle, Air Spring (LH); Steel; 2000+; Model Air Leaf, Air Trac®

338-2383



Paddle, Air Spring (RH); Steel; 2000+; Model Air Leaf, Air Trac®

339-308



Service Kit, RB to TB Conversion; Replaces (6) RB-295 w/Threaded Pins & Bushings; Front

339-309



Service Kit, RB to TB Conversion; Replaces 2 RB-295 & 4 RB-328 w/Threaded Pins and Bushings; Front w/4" Springs

339-310



Service Kit, RB to TB Conversion; Replaces 2 RB-308 & 4 RB-324 w/Threaded Pins and Bushings; Front w/4" Springs

339-311



Service Kit, RB to TB Conversion; Replaces (6) RB-308 w/Threaded Pins and Bushings; Front w/4" Springs

339-312



Service Kit, RB to TB Conversion; Replaces (6) RB-295 w/ Threaded Pins and Bushings; Front w/4" Springs

345-905



Track Rod; 25 9/16" Lg. c/c, 0°/0°; non-replacable bushing; Late models w/"twisted Sister" type spring

PAD-101



Tip Insert, Urethane; Front w/4" Springs

RB-268, RB-268U



Bushing, Anti-walk; Model Air Glide 210 - Low Air "Twisted Sister"

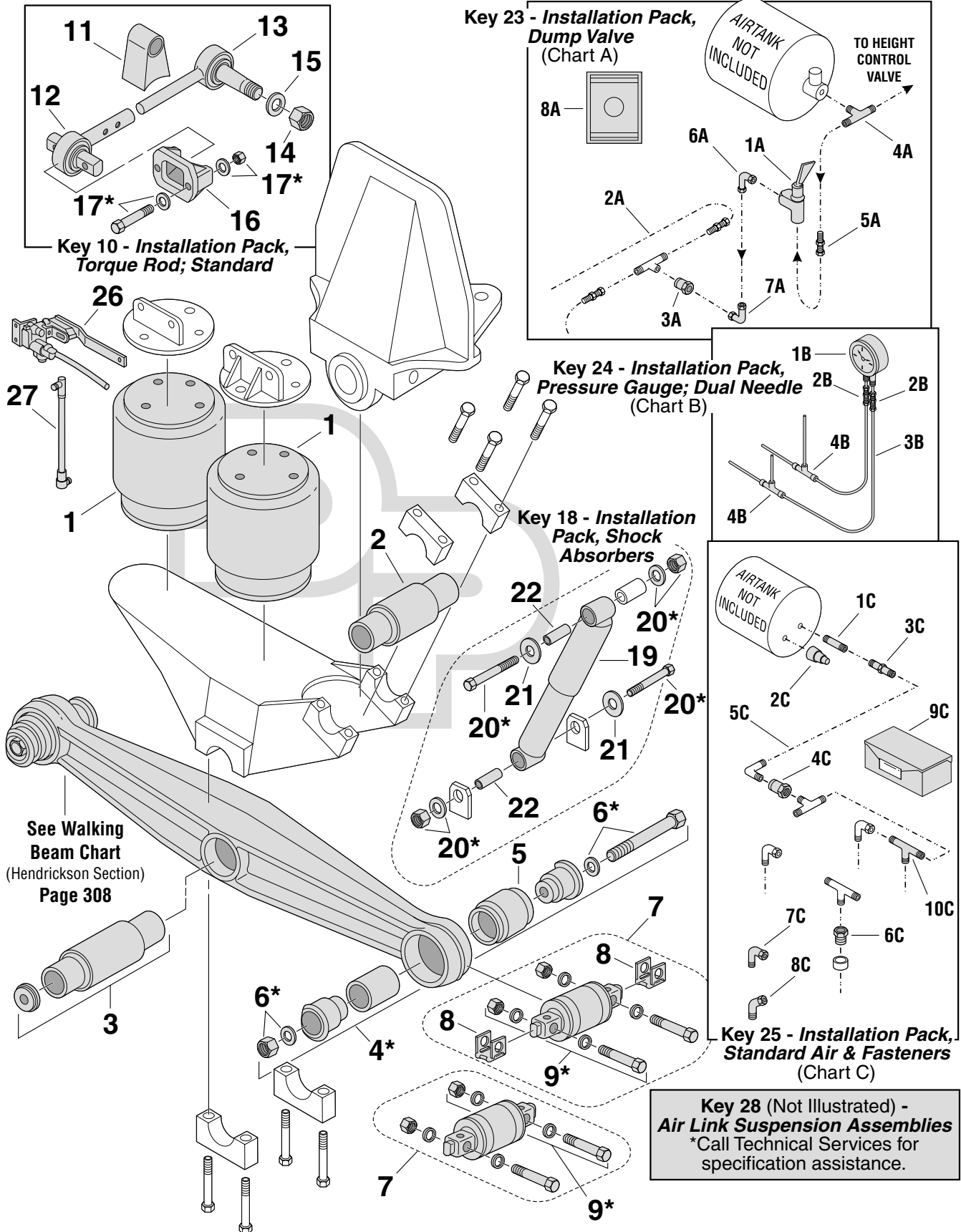
SCB-260



Center Bolt, 3/4"-16 x 4 1/2" Lg., Special Head; Model Air Trac

Raydan/ Meritor/ Link

Suspension Illustration



See Walking Beam Chart (Hendrickson Section) Page 308

Key 28 (Not Illustrated) - Air Link Suspension Assemblies
*Call Technical Services for specification assistance.

Key No.	Part Number	Description	No. Req.	OEM Reference	Remarks
	1	SP Air Spring	4	21100030	
✓✓	2	321-377 Bushing, Lever Pivot	2	20600071, ALHB	
✓✓	3	321-123 Bushing, Beam Center; Rubber; Loose Plug	2		
●		321-123U Bushing, Beam Center; Urethane	2		
●		321-124 Bushing, Beam Center; Rubber; Welded Plug	2		
✓✓	4	334-381 Kit, Bushing & Adapter	4		
✓✓	5	321-126 Bushing, Beam End; Rubber; 5 3/4"Lg	4		
●		321-126U Bushing, Beam End; Urethane	4		
	6	334-788 Assembly, Bolt; 3/4"-16 x 6 1/2"Lg	4		
●	7	334-830 Kit, Service; Bar Pin Bushing; Non Shim	4		Incl. Bar Pin Bushing & Mounting Hdwe.
●		334-830U Bushing, Urethane; Non Shim	4		
✓✓	●	334-831 Kit, Service; Bar Pin Bushing; Shim Type	4		Incl. Bar Pin Bushing, Alignment Shims & Mounting Hdwe.
●		334-831U Kit, Service; Urethane Bar Pin Bushing; Shim Type	4		
✓✓	●	334-1957 Kit, Service; Rotating Bar Pin Bushing; Shim Type	4	34013-188	Incl. Bolts & Shims
●	8	334-879 Shim; 3/16"	AR		
●		334-880 Shim; 1/8"	AR		
●		334-881 Shim; 3/8"	AR		
✓	9	334-832 Assembly, Bolt; 1"-8 x 6"Lg Grade 8	8		
	10	334-800007 Installation Pack, Torque Rod; Standard	1	80800007, AL800007	
	11	334-800088 Bracket, Differential	2	80000088, AL800088	
✓✓	12	345-610 End, Torque Rod; Straddlemount; Female	2		5/8" Bolts; 4 3/8" Spacing c/c
		345-742 End, Torque Rod; Straddlemount; Heavy Duty	2		Full Ball Style; 5/8" Bolts; 4 3/8" Spacing c/c
✓	13	345-681 End, Torque Rod; Taper Stud; Male; 22 1/2"	2		1 1/4"-12; 2.90" Taper
		345-738 End, Torque Rod; Taper Stud; Full Ball	2		1 1/4"-12; 2.90" Taper
✓✓	14	334-192 Nut, Lock; 1 1/4"-12	2		
	15	334-194 Washer; 1 3/16"ID x 2 1/4"OD x 1/4"Thk	2		
✓✓	●	338-181 Bracket, Track Rod/Frame	2		For 5/8" Bolts
	17	334-1317 Assembly, Bolt; 5/8"-11 x 5"Lg	4		Incl. Bolt & Hdwe.
	18	334-800001 Installation Pack, Shock Absorbers	1	80800001, AL800001	
	19	M74075 Shock Absorber	2		
✓✓	20	334-1105 Assembly, Bolt; 3/4"-10 x 3 1/2"Lg	2		
		334-1446 Bolt; 3/4"-16 x 7"Lg	2		
	21	334-495 Washer; 1 3/16"ID x 2"OD x 1/8"Thk	4	20101045	
	22	M10244 Sleeve; 3/4" x 1" x 1 7/8"	4	31180134	
	23	334-800004 Installation Pack, Dump Valve	1	80800004, AL800004	
	24	334-800005 Installation Pack, Pressure Gauge; Dual Needle	1	80800005, AL800005	
	25	334-800029 Installation Pack, Standard Air & Fasteners	1	80800029, AL800029	
✓	●	334-1580 Valve, Height Control; Integral Dump	2	20302025, AL800075	
✓✓	●	334-751 Linkage Assembly; Universal; Adjustable	2		3 5/8"-19 5/8" Range
	28	339-AL460 Kit, Suspension; AL460; Standard; 17 1/2"	AR	94680010, AL846010	Contact Tech Services for Assistance
		339-AL460E Kit, Suspension; AL460; Eaton; 17 1/2"	AR	94680011, AL846011	Contact Tech Services for Assistance
		339-AL520 Kit, Suspension; AL520; Standard; 17 1/2"	AR	95280010, AL850010	Contact Tech Services for Assistance
		339-AL520H Kit, Suspension; AL520; High Block; 19 1/2"	AR	95280012, AL852012	Contact Tech Services for Assistance

Chart A - Installation Pack, Dump Valve

Key	Part No.	Description	Qty.
1A	*	Valve, Control	1
2A	12-08004	Tubing	50 ft.
3A	12-40503	Fitting, Bulkhead; 1/4" NPT	1
4A	12-09961	Fitting, Tee	2
5A	12-09923	Fitting; 1/8" NPT x 1/4" SYN STR	3
6A	12-09934	Fitting; 1/8" x 1/4" SYN 90°	1
7A	12-09935	Fitting; 1/4" x 1/4" SYN 90°	1
8A	*	Decal, Dash	1

*Only available in assembly. Not sold separately.

Chart B - Installation Pack, Pressure Gauge; Dual Needle

Key	Part No.	Description	Qty.
1B	*	Gauge, Air; Dual Needle	1
2B	12-12601+	Fitting; 1/8" Tube + Fitting; 1/4" Female Pipe	2
3B	12-08004	Tubing	1
4B	12-09961	Fitting; 1/8" NPT x 1/4" SQN Tee	2

*Only available in assembly. Not sold separately.

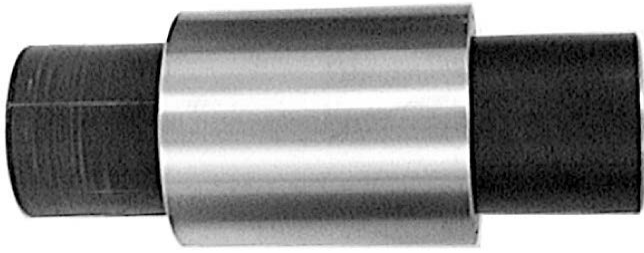
Note: See Air Fitting component information on Pages 1042-1047.

Chart C - Installation Pack, Standard Air & Fasteners

Key	Part No.	Description	Qty.
1C	12-11204	Fitting, Close Nipple	1
2C	12-11005	Fitting, Reducer	1
3C	12-09924	Fitting; 1/4" NPT x 1/4"	1
4C	12-40503	Bulkhead; 1/4" NPT	1
5C	12-08004	Tubing; 1/4"	25 ft.
6C	*	Fitting	2
7C	12-09935	Fitting; 1/4" NPT x 1/4"; 90°	5
8C	*	Fitting; 1/4" NPT x 1/4"; 45°	2
9C	*	Hardware Pack	1
10C	12-09962	Fitting, Tee; SQN 1/4" NPT x 1/4"	3

*Only available in assembly. Not sold separately.

321-123U



Bushing, Beam Center; Urethane; Model Air Link 460/520

321-124



Beam Center Bushing, Rubber; Welded Plug; Model Air Link 460/520

321-126, 321-126U



Beam End Bushing; 5 3/4" Lg.; Model Air Link 460/520

334-751



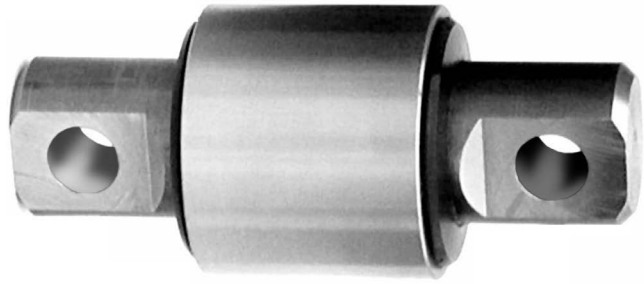
Linkage Assembly, Universal Adjustable; 3 5/8"-19 5/8" Range; Model Air Link 460/520

334-830



Service Kit, Bar Pin Bushing; Non Shim; Incl. Bar Pin Bushing & Mounting Hdwe.; Model Air Link 460/520

334-830U



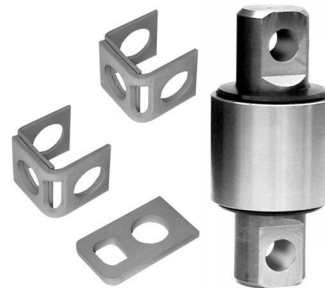
Bushing, Urethane; Non Shim; Model Air Link 460/520

334-831



Service Kit, Bar Pin Bushing; Shim Type; Incl. Bar Pin Bushing, Alignment Shims & Mounting Hdwe.; Model Air Link 460/520

334-831U



Service Kit, Urethane Bar Pin Bushing; Shim Type; Model Air Link 460/520

334-879



Shim; 3/16"; Model Air Link 460/520

334-880



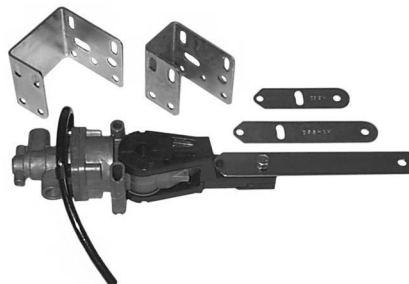
Shim; 1/8"; Model Air Link 460/520

334-881



Shim; 3/8"; Model Air Link 460/520

334-1580



Valve, Integral Dump, Height Control; w/Integral Dump Valve; Model Air Link 460/520

334-1957



Service Kit, Rotating Bar Pin Bushing; Shim Type; Incl. bolts & shims; Model Air Link 460/520

338-181



Bracket, Track Rod/Frame; For 5/8" Bolts; Model Air Link 460/520

Raydan/ Meritor/ Link

Component Photos

Notes

Raydan/ Meritor/ Link

Raydan/ Meritor/ Link

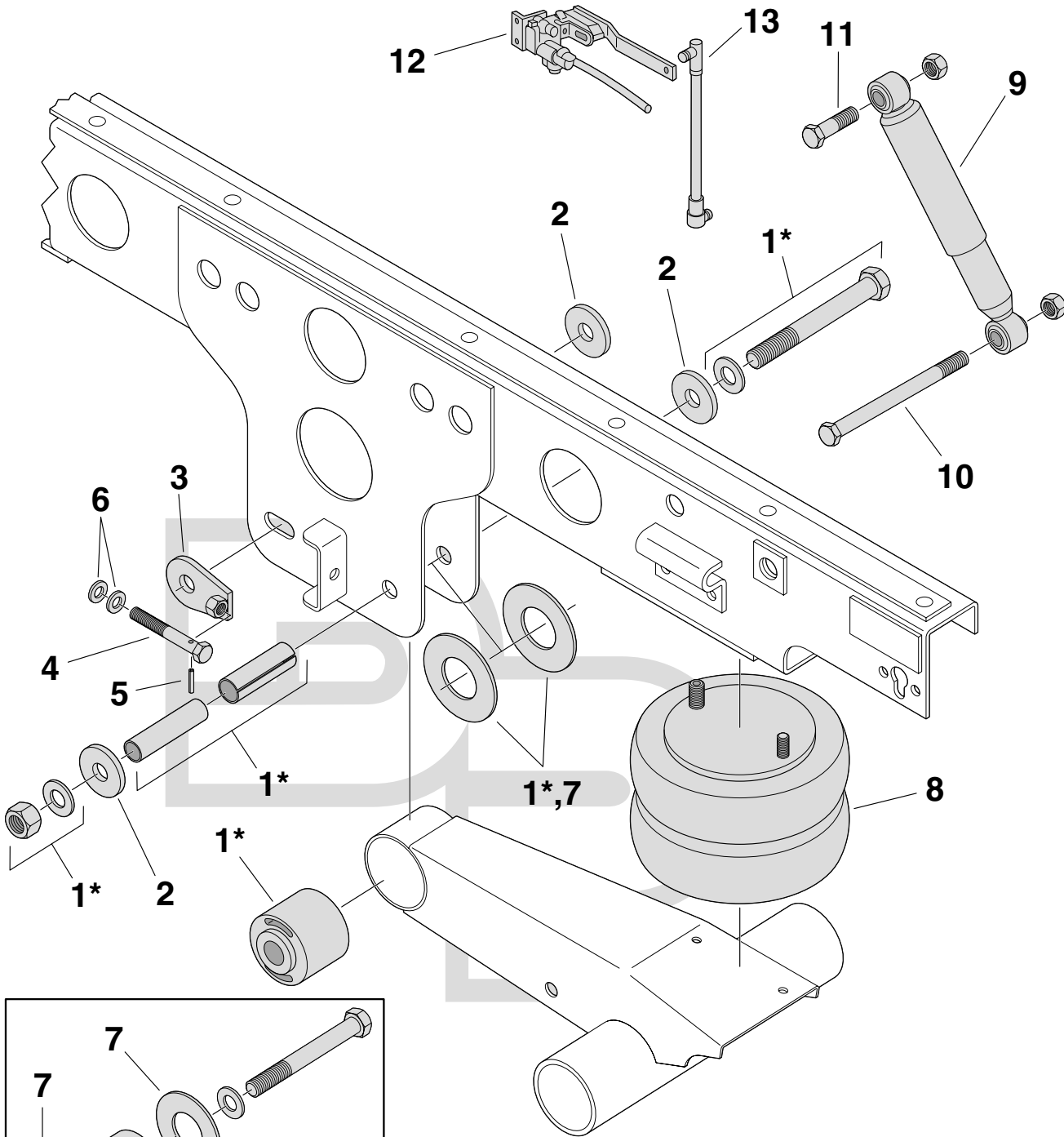
Notes

MODEL	PAGE
20AR/RS3162/DockMaster II Trailer/Slider Air Suspension	802, 803
Model 21 Tandem Four Spring Trailer Suspension	804, 805
21AR Single/Tandem Axle Trailer Air Suspension	806, 807
Model 21B/21B-FAB Tandem Four Spring Trailer Suspension	808-811
23/25/30AR Single/Tandem Axle Trailer Air Suspension	812, 813
Model 25 Tandem Four Spring Trailer Suspension	814, 815
Models 31/41 Tandem Four Spring Trailer Suspension	816, 817
Model 45 Tandem Four Spring Trailer Suspension	818, 819
74AR Single/Tandem Axle Trailer Air Suspension	820, 821
74B (74A Canada) (50", 60", 64" Axle Spacing) Trailer Four Spring Suspension	822, 823
74B (74A Canada) (72", 77", 97", 109" Axle Spacing) Wide Spread Trailer Four Spring Suspension	824, 825
79KB Single Axle Tractor Suspension	826, 827
Model 83 (Canada) (50" - 109" Axle Spacing) Trailer Four Spring Suspension	828-831
Models 86/88/89 Trailer Four Spring Air Suspensions	832-835
86AR - Single/Tandem Axle Trailer Air Suspension	836, 837
Model 101 (Torque Leaf) Tractor Four Spring Suspension	838, 839
Model 101A (Torque Rods) Tractor Four Spring Suspension	840, 841
Model 102 (Torque Rods) Tractor Four Spring Suspension	842, 843
Model 102W (Torque Rods) Tractor Four Spring Suspension	844, 845
102AR Single/Tandem Axle Tractor Air Suspension	846, 847
102CC Single Axle Tractor Suspension	848, 849
Models 181 and 101F Tractor Four Spring Suspensions	850, 851
Model 201 Tractor Four Spring Suspension	852, 853
240AR Single/Tandem Axle Tractor Air Suspension	854, 855
Full Suspension Packages (Suspension-In-A-Box)	858, 859
Hanger Chart	856, 857
Suspension Component Photos	860-880

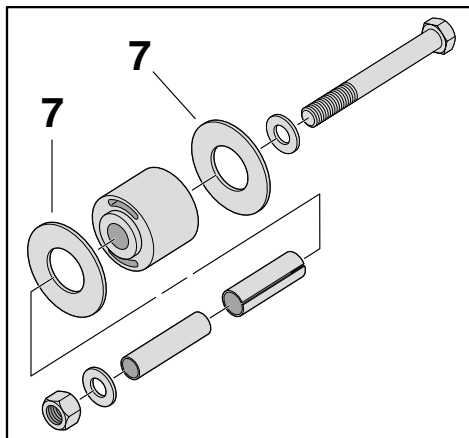
**20AR/RS3162/DockMaster II
Trailer/Slider
Air Suspension**

Reyco

Reyco



Suspension Illustration



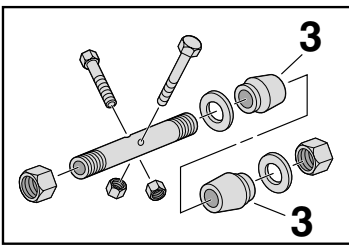
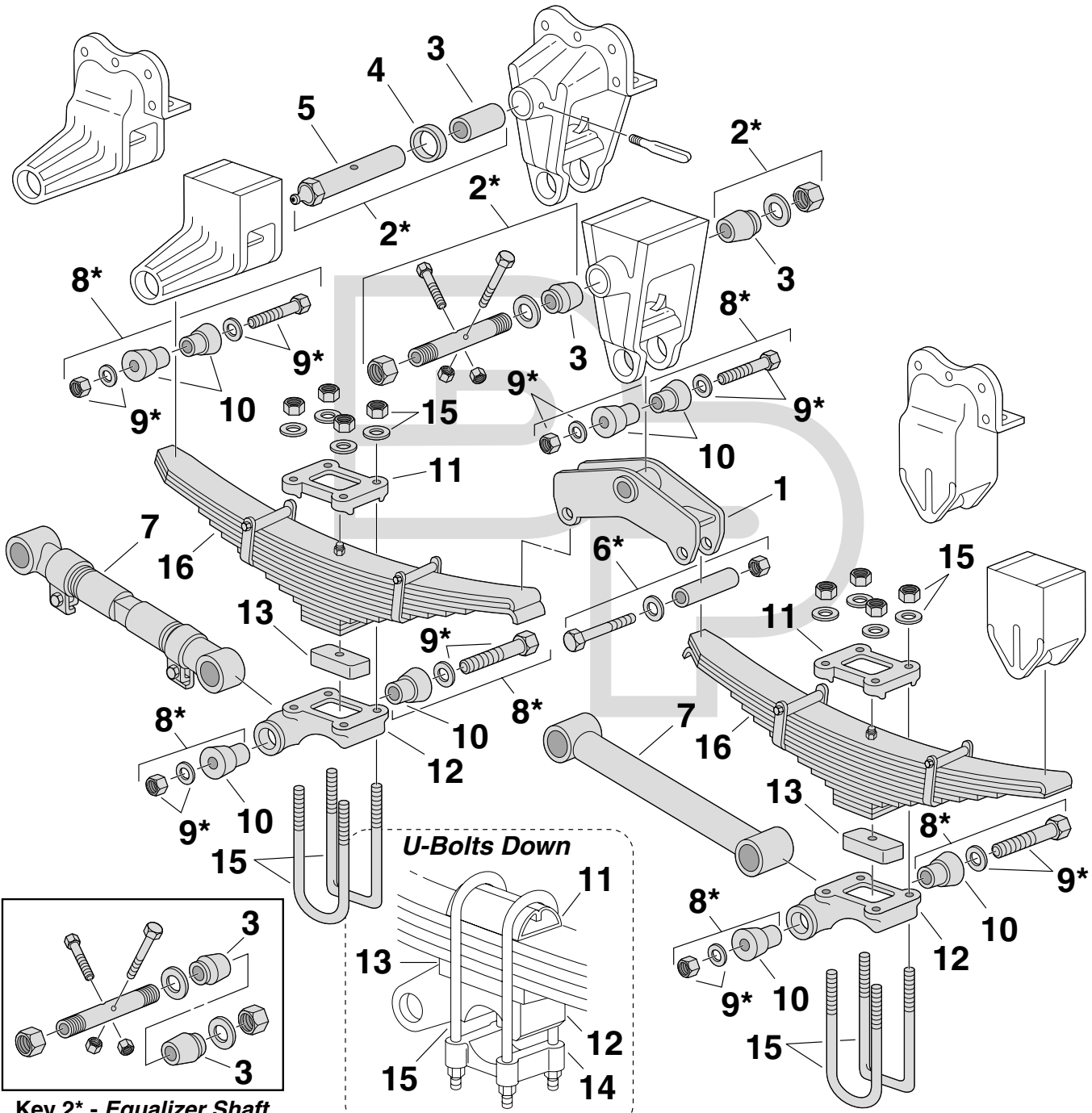
Key 1* - Bolt Kit, Service

Key No.	Part Number	Description	No. Req.	OEM Reference	Remarks
● 1	334-2223	Kit, Service; Pivot	4	K704656	Single Beam
	334-2224	Washer, Flange	6	23656-02	
● 3	334-2225	Adjuster, REY-ALIGN®	2	23673-02	
	334-1771	Bolt, Adjustment; Alignment	2	24398-01	
	SP	Spring Pin; Coiled	2	24553-01	
	334-166	Washer, Hard Flat; ¾"	4		
✓	334-898	Washer; 2 ¾"ID x 7 ¼"OD x ¾"Thk	8		
	354-7555	Air Spring	4	20018-01	
✓	M66886	Shock Absorber	4	18163-01	
	334-1231	Bolt; ¾"-16 x 10"Lg	4	1027645	
✓✓	334-1105	Assembly, Bolt; ¾"-10 x 3 ½"Lg	4		Incl. Bolt & Hdwe.
	334-2226	Valve, Height Control	1	706235-01	
✓ ●	334-751	Linkage Assembly; Universal; Adjustable	1	HPB450-3	3 ½"-19 ½" Range; Use w/All Height Control Valves

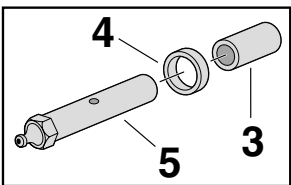
**Model 21
Tandem Four Spring
Trailer Suspension**

Reyco

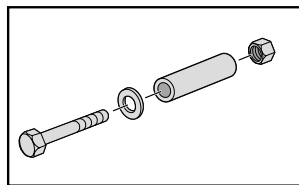
Reyco



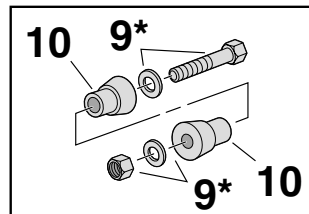
Key 2* - Equalizer Shaft & Bushing Assembly



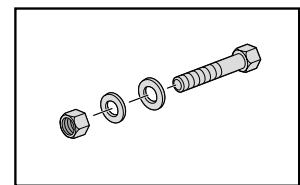
Key 2* - Equalizer Shaft & Bushing Assembly (Greasable)



Key 6* - Spring Rebound Kit



Key 8* - Torque Rod Bolt & Bushing Assembly



Key 9* - Torque Rod Bolt Assembly

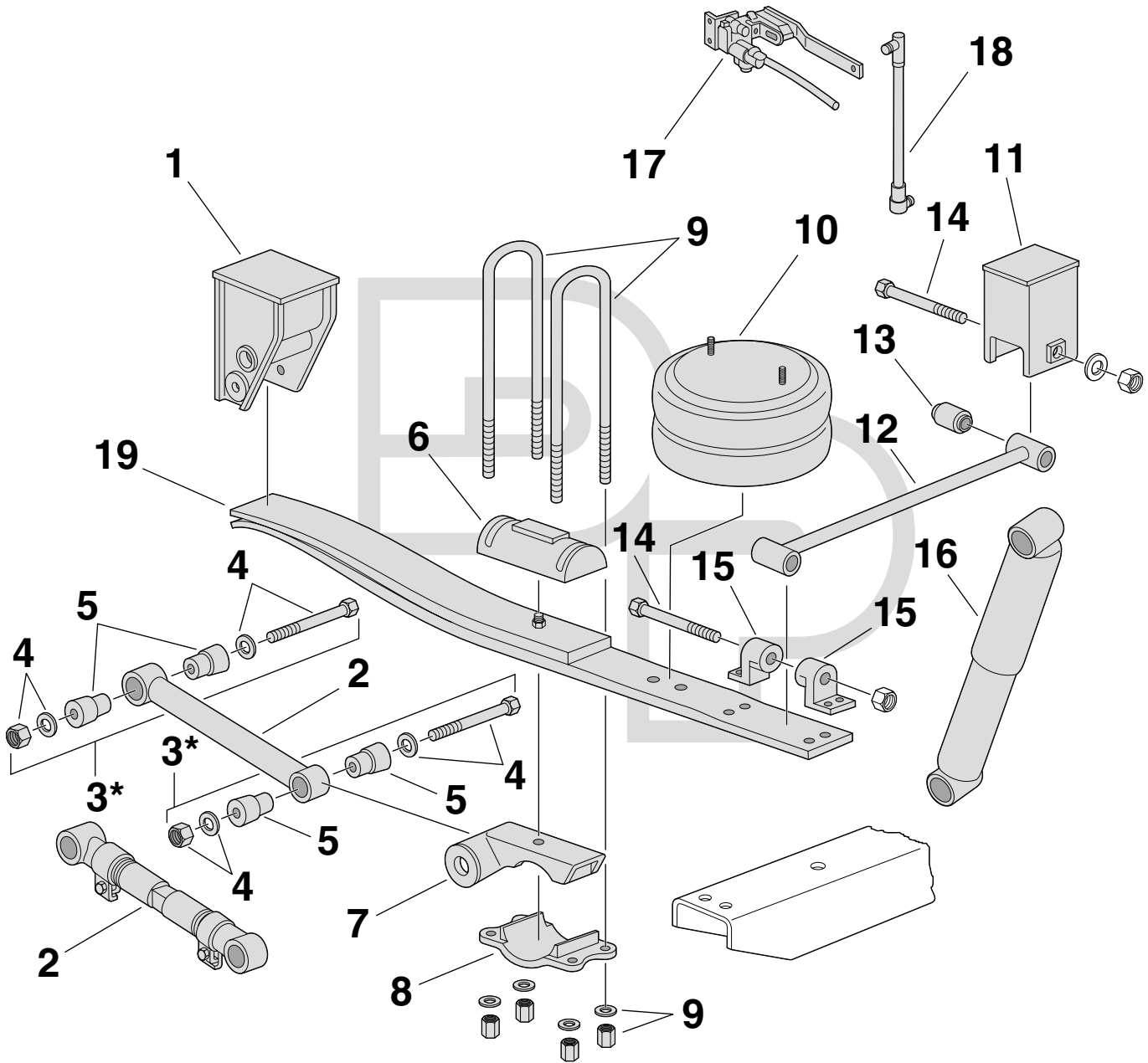
Suspension Illustration

Key No.	Part Number	Description	No. Req.	OEM Reference	Remarks
● 1	338-224	Assembly, Equalizer	2	T2162X	Models 21-3 & 21-5; 2-Pc. Rubber Bushing
●	338-225	Assembly, Equalizer; Greasable	2	T2214X	Incl. Bushing & Seals
✓ 2	334-226	Assembly, Shaft & Bushing	2		Incl. Shaft, Bushings, Lock Nuts, Washers & Lock Bolt Assemblies
	334-1005	Assembly, Shaft & Bushing; Greasable	2		Obsolete
✓ ● 3	321-149	Bushing	4	T-2102	
	321-149U	Bushing, Urethane	4		Discontinued
●	322-111	Bushing	2	T1708	Obsolete
● 4	334-220	Seal; 2"ID x 2 5/8"OD x 1/4"Thk	2	T2167	
	334-1006	Shaft	2	T2211	
✓✓ 6	334-201	Kit, Rebound; 1/2"-20 x 4 3/4"Lg	4	TK19011	Incl. Tube, Bolt, Washer & Nut
✓✓ ● 7	345-199	Torque Rod, Adjustable; 15"-17 1/4"Lg	2	15172-01	Use 321-147 Bushings; Not Included
✓✓ ●	345-198	Torque Rod, Adjustable; 19 1/2"-21 3/4"Lg	2	15174-01	Use 321-147 Bushings; Not Included
✓✓ ●	345-105	Torque Rod, Adjustable; 18 3/4"-19 1/2"Lg	2	15173-01	Use 321-147 Bushings; Not Included
●	345-109	Torque Rod, Adjustable; 21 3/4"-24"Lg	2	15175-01	Use 321-147 Bushings; Not Included
✓ ●	345-110	Torque Rod, Rigid; Cast; 16 1/4"Lg, c/c	2	15178-01, T7635	Use 321-147 Bushings; Not Included
●	345-111	Torque Rod, Rigid; 16 1/2"Lg, c/c	2	T7637	Use 321-147 Bushings; Not Included
✓ ●	345-112	Torque Rod, Rigid; Cast; 18 7/8"Lg, c/c	2	15179-01, T2293	Use 321-147 Bushings; Not Included
●	345-113	Torque Rod, Rigid; 19 1/4"Lg, c/c	2	T7645	Use 321-147 Bushings; Not Included
●	345-121	Torque Rod, Rigid; 21"Lg, c/c	2	15012-01	Use 321-147 Bushings; Not Included
✓✓ 8	334-253	Assembly, Bolt & Bushing	8		Incl. 334-644 Bolt, (2) 321-147 Bushings & Hdwe.
	334-218	Assembly, Bolt; 1"-14 x 6 3/4"Lg	8	14181-01	Incl. Bolt & Hdwe.
✓✓ ● 10	321-147	Bushing; 1"ID x 1 3/4"OD x 2 1 1/16"Lg	16	T2242	
	321-147U	Bushing, Urethane	16		
✓ ● 11	338-200	Saddle, U-Bolt; 3"W x 7 3/4"Lg x 1 3/4"H	4	08677-01	7/8" or 3/4" U-Bolts Down
●	338-202	Plate, Top Clamp; U-Bolt; 4"W x 5 3/8"Lg c/c - 4" x 6" Axle	4	T4069	Obsolete
✓ ●	338-203	Plate, Top Clamp; U-Bolt; 3 7/8"W x 5 7/8" c/c - 5" Rd. & Eaton 5" Sq. Axles	4	T7175	
	338-244	Seat, Axle; Front & Rear; 5" Round Axles	4	09677-01	Use 338-205
✓ 13	338-221	Spacer; 3"W x 7 1/2"Lg x 1"Thk	4	T7716	
✓	338-222	Spacer; 3"W x 7 1/2"Lg x 1 1/2"Thk	4	T7654	
✓	338-223	Spacer; 3"W x 7 1/2"Lg x 2"Thk	4	T7655	
● 14	338-214	Plate, Top Clamp; U-Bolt; 3 7/8"W x 5 7/8"Lg c/c - 5" Round Axle	4	09139-01	
✓✓ 15	361-258	Kit, U-Bolt; Round Bend, Grade 8	8	08511-01	7/8" x 5 1/8" x 11 7/8" R
✓	361-559	Kit, U-Bolt; Round Bend, Grade 8	8	08512-01	7/8" x 5 1/8" x 12 7/8" R
✓✓	361-254	Kit, U-Bolt; Round Bend, Grade 8	8	08515-01	7/8" x 5 1/8" x 13 7/8" R
	361-509	Kit, U-Bolt; Round Bend, Grade 5	8	08525-01	7/8" x 5 1/8" x 17 7/8" R
	See Charts	Kit, U-Bolt	8	Various	See Chart on Page 1051
16	Spring Assembly	Assembly, Spring	4		See Leaf Spring Web Catalog for Details

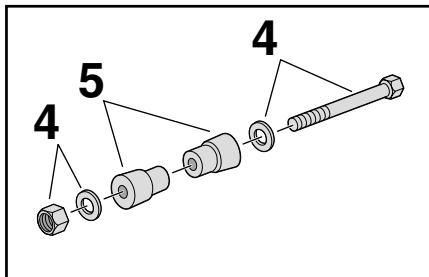
**21AR
Single/Tandem Axle
Trailer Air Suspension**

Reyco

Reyco



Suspension Illustration



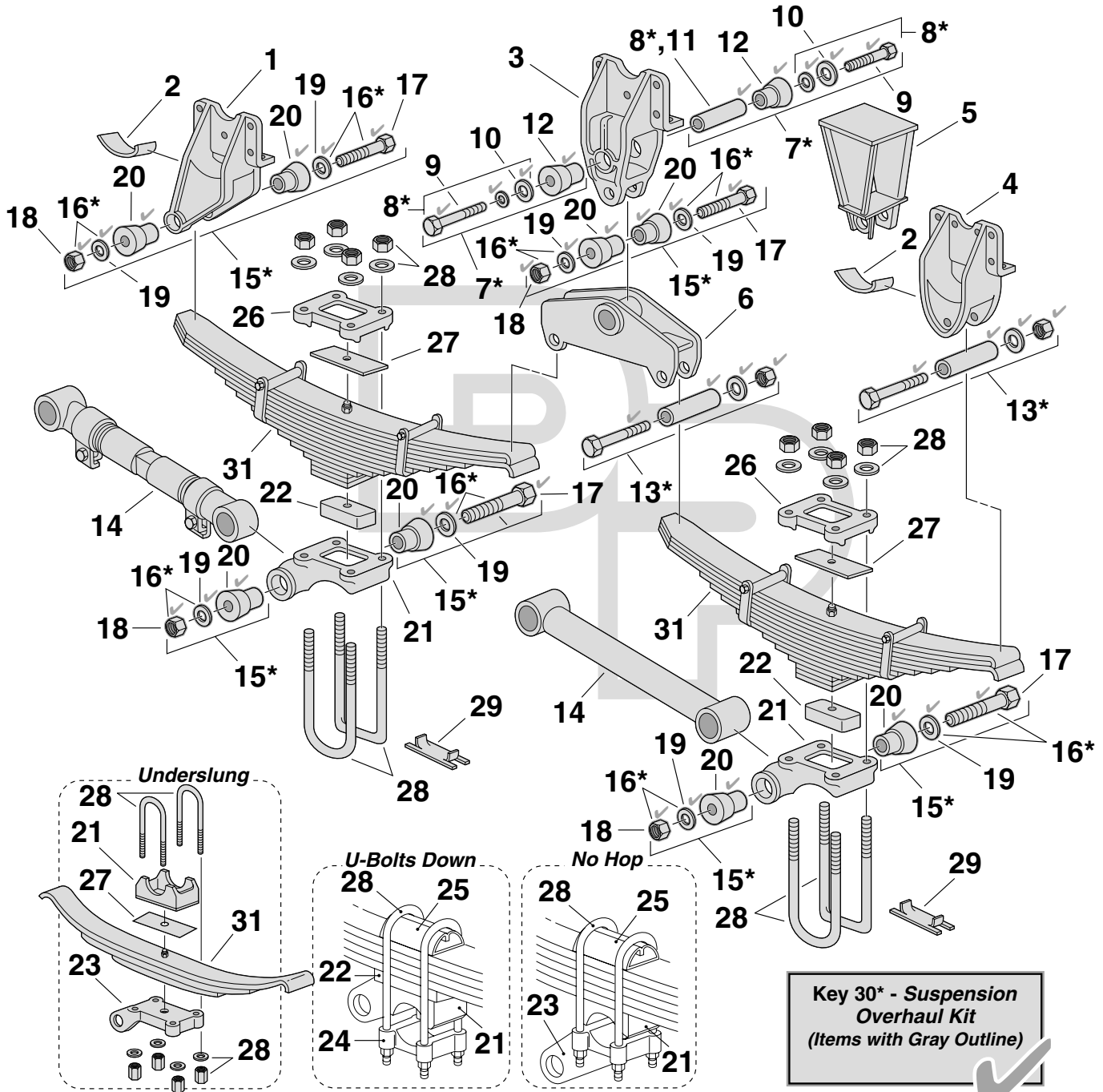
Key 3 - Torque Rod Bolt & Bushing Assembly

Key No.	Part Number	Description	No. Req.	OEM Reference	Remarks
✓ ●	1 338-1677	Hanger, Fabricated	2	09832-01	
●	2 345-110	Torque Rod, Rigid; Cast; 16 ¼"Lg c/c	1	15178-01, T7635	Use 321-145; Bushings Not Included
✓✓ ●	345-199	Torque Rod, Adjustable; 15"-17 ¼"Lg	1	15172-01	Use 321-145, 321-147, 321-157 or 321-158; Bushings Not Included
✓✓	3 334-252	Assembly, Bolt & Bushing	4	TK18997	Incl. Bolt, Bushings & Hdwe.
	334-252U	Assembly, Bolt & Bushing; Urethane	4		Incl. Bolt, Bushing & Hdwe.
	4 334-206	Assembly, Bolt; 1"-14 x 7"Lg	4		Incl. Bolt & Hdwe.
✓✓ ●	5 321-145	Bushing; 1"ID x 1 13/16"OD x 3"Lg	8	T5493	
✓ ●	6 338-200	Saddle, U-Bolt; 3"W x 7 ¾"Lg x 1 ¾"H	2	08677-01	7/8" or ¾" U-Bolts Down
	7 338-1653	Bracket, Torque Rod/Seat; 1", 5" Round Axle	2	20051-01	14" Mounting Hgt.
	338-1654	Bracket, Torque Rod/Seat; 2 ¼", 5" Round Axle	2	20051-02	15 ¼" Mounting Hgt.
	338-1655	Bracket, Torque Rod/Seat; 3 ½", 5" Round Axle	2	20051-03	16 ½" Mounting Hgt.
✓ ●	8 338-214	Plate, Bottom Clamp; U-Bolt; 3 7/8"W x 5 7/8"Lg c/c, 5" Round Axle	2	09139-01	
✓✓	9 361-248	Kit, U-Bolt; Round Bend, Grade 5	4	08494-01	7/8" x 3" x 12 ½" R
✓✓	361-566	Kit, U-Bolt; Round Bend, Grade 5	4	08495-01	7/8" x 3" x 13 ½" R
✓	361-584	Kit, U-Bolt; Round Bend, Grade 5	4	21090-150	7/8" x 3" x 15 ½" R
	10 354-7557	Air Spring	2	19983-01	
	11 338-1644	Bracket, Frame; Track Rod	1	18919-01	
	12 345-768	Track Rod, Rigid	1	20012-01	38" Frames; Incl. 321-153 Bushings
	345-770	Track Rod, Rigid	1	20969-01	40" Frames; Incl. 321-153 Bushings
	SP	Track Rod, Rigid	1	20314-01	42" Frames; Incl. 321-153 Bushings
	SP	Track Rod, Rigid	1	10910-01	48" Frames; Incl. 321-153 Bushings; Can Use 345-710, Adjustable
✓✓ ●	13 321-153	Bushing; 7/8"ID x 1 29/32"OD x 3"Lg	2	09729-01	
✓ ●	321-153U	Bushing, Urethane	2		
✓	14 334-244	Bolt; 7/8"-9 x 5 ½"Lg	2	10033-01	
●	15 338-1460	Bracket, Track Rod	2	21491-01	
✓	16 M66893	Shock Absorber	2		
✓✓ ●	17 334-750	Valve, Height Control; Universal	1		
✓✓ ●	18 334-751	Linkage Assembly; Universal; Adjustable	1		3 5/8"-19 5/8" Range; Use w/All Height Control Valves
	19 TRA-3375	Spring, Leaf; LH	1	19879-01	See Leaf Spring Web Catalog for Details
	TRA-3376	Spring, Leaf; RH	1	19880-01	See Leaf Spring Web Catalog for Details

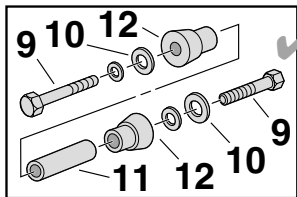
**Model 21B/21B-FAB
Tandem Four Spring
Trailer Suspension**

Reyco

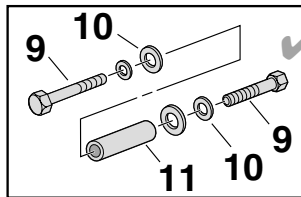
Reyco



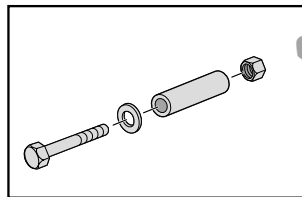
Suspension Illustration



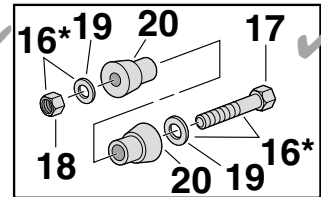
Key 7* - Equalizer Shaft & Bushing Assembly



Key 8* - Equalizer Shaft Assembly



Key 13* - Spring Rebound Kit



Key 15* - Torque Rod Bolt & Bushing Assembly

**Key 30* - Suspension Overhaul Kit
(Items with Gray Outline)**

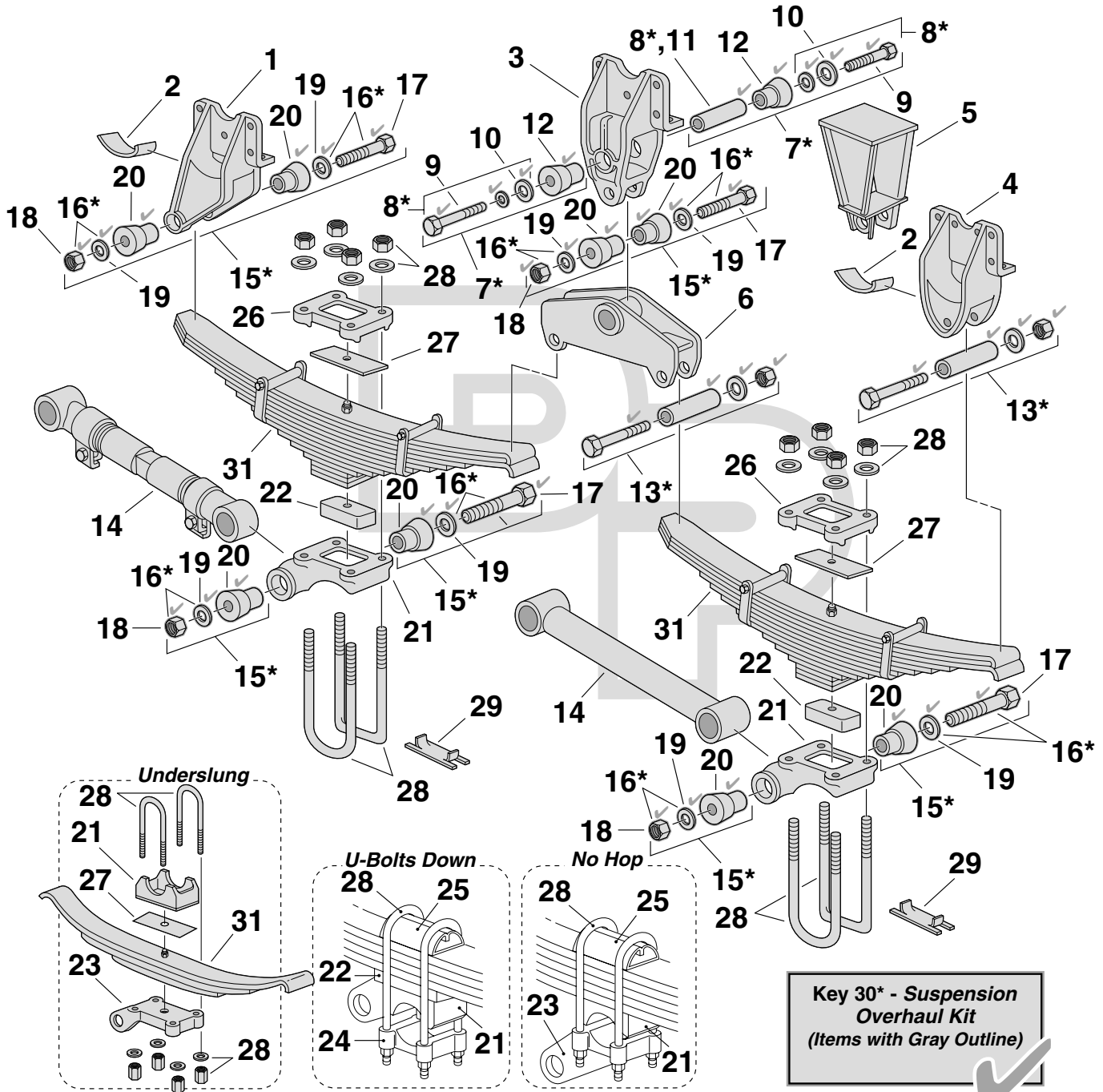
SEE CHECKMARKS

Key No.	Part Number	Description	No. Req.	OEM Reference	Remarks	
✓✓●	1	338-188	Hanger; Flangemount; LH	1	T5425	Standard Drill Pattern
✓✓●		338-189	Hanger; Flangemount; RH	1	T5424	Standard Drill Pattern
✓✓●		338-190	Hanger; Undermount; LH	1	T5563	Weld-On
✓✓●		338-191	Hanger; Undermount; RH	1	T5562	Weld-On
●		338-2064	Hanger; Undermount; LH/RH	2	20478-01	Lite Weight; Cast Weld-On
●		338-1677	Hanger; Fabricated	2	09832-01	Undermount
		338-2250	Hanger; Undermount; LH/RH	1	24022-01	Lite Weight w/Wear Pad
✓✓	2	334-903	Pad, Wear	4	15630-01	Except Lite Weight
●	3	338-192	Hanger; Flangemount	2	T5426	Standard Drill Pattern
✓✓●		338-193	Hanger; Undermount	2	T5564	Weld-On
●		338-1679	Hanger; Fabricated	2	14684-01	Undermount
●		338-1428	Hanger	2	T2212-3	Cast; Flangemount; 54"-65 1/2" Axle Spacing
●		338-1429	Hanger	2	T2212-5	Cast; Undermount; 54"-65 1/2" Axle Spacing
●		338-1449	Hanger	2	11150-01	Cast; 72" - 109" Axle Spacing
●		338-1450	Hanger	2	14688-01	Fabricated; 72" - 109" Axle Spacing
●	4	338-194	Hanger; Flangemount; LH	1	T5429	Standard Drill Pattern
✓✓●		338-195	Hanger; Flangemount; RH	1	T5428	Standard Drill Pattern
●		338-196	Hanger; Undermount; LH	1	T5565	Cast; Weld-On
●		338-197	Hanger; Undermount; RH	1	T5566	Cast; Weld-On
●		338-2065	Hanger; Undermount; LH/RH	2	20476-01	Lite Weight; Cast Weld-On
●		338-1678	Hanger; Fabricated	2	08595-01	Undermount
●		338-2251	Hanger; Undermount; LH/RH	1	24023-01	Lite Weight w/Wear Pad
	5	338-1639	Bracket, Torque Rod	2	11610-01	Widespread Only; 72", 97" & 109" Axle Spacing
✓✓●	6	338-199	Equalizer	2	T5427	49" Axle Spacing; Cast Hanger
✓		338-1869	Equalizer; ADI	2	21725-01	49" Axle Spacing; Cast Hanger
✓●		338-1447	Equalizer	2	14689-01	49" Axle Spacing; Fabricated Hanger
✓✓●		338-1369	Equalizer; Heavy Duty	AR	12045-01	Off-Road & Multi Axle Applications
●		338-1672	Equalizer	2	10180-01	54" Axle Spacing; Cast Hanger
●		338-1674	Equalizer	2	14693-01	54" Axle Spacing; Fabricated Hanger
●		338-1442	Equalizer	2	09713-01	60" Axle Spacing; Cast Hanger
✓●		338-1448	Equalizer	2	14696-01	60" Axle Spacing; Fabricated Hanger
●		338-1673	Equalizer	2	10978-01	63 1/2"-65 1/2" Axle Spacing; Cast Hanger
●		338-1675	Equalizer	2	14700-01	63 1/2"-65 1/2" Axle Spacing; Fabricated Hanger
●		338-1443	Equalizer	2	11143-01	72" Axle Spacing; Cast Hanger
●		338-1676	Equalizer	2	14763-01	72" Axle Spacing; Fabricated Hanger
		SP	Equalizer	2	14764-01	97" Axle Spacing; Fabricated Hanger
		SP	Equalizer	2	14765-01	109" Axle Spacing; Fabricated Hanger
		SP	Equalizer	2	21693-01	44" Axle Spacing; Fabricated Hanger
		338-1871	Equalizer; ADI	2	25222-01	42" & 44" Axle Spacing; Cast Hanger
		338-1870	Equalizer; ADI	2	21725-02	Use w/Composite Springs
✓✓	7	334-211	Assembly, Shaft & Bushing	2	TK18998	Cast Hangers; Standard; Incl. Shaft, Bushing, Bolts, Washers & Hdwe.
✓		334-1264	Assembly, Shaft & Bushing	2	TK16657	21B-FAB; Incl. 321-305 Bushing
	8	334-212	Assembly, Shaft	2		Cast Hangers; Standard; Incl. Shaft, Bolts, Washers & Hdwe.
	9	334-209	Bolt; 1"-8 x 2 1/2"Lg	4	14248-01	
	10	334-208	Washer, Compression; 1 1/16"ID x 3 3/4"OD x 3/8"Thk	4	14249-01	Cast Hangers; Standard
		334-1007	Washer; 2 1/2"ID x 4 3/4"OD, 1/4"Thk	2	T2103	Cast Hangers; Wide Spread; 54", 60", 63 1/2" & 65 1/2" Axle Spacing
		334-1009	Washer; 1 17/32"ID x 3"OD, 1/2"Thk	2	T2403	Cast Hangers; Wide Spread; 72"-108" Axle Spacing
●	11	334-207	Shaft, Equalizer 1 5/8"OD x 8 5/8"Lg	2	14247-01	Cast Hangers; Standard
✓✓		334-1027	Shaft; 1 1/4"-12 x 7 3/4"Lg	2	14683-01	Fabricated Hangers; All Spacing
●		334-223	Shaft; 2 1/2"OD x 12 1/2"Lg	2	T2158	Cast Hangers; Wide Spread; 54", 60", 63 1/2" & 65 1/2" Axle Spacing
●		334-1262	Shaft; 2"OD x 9 1/4"Lg, 1 1/2"-6 Thread	2	11147-01	Cast Hangers; Wide Spread; 72" - 108" Axle Spacing
✓✓●	12	321-146	Bushing; 1 5/8"ID x 3 1/2"OD x 4 7/16"Lg	4	T5524	Cast Hangers; Standard
		321-146U	Bushing, Urethane	4		
●		321-149	Bushing	4	T2102	Cast Hangers; Wide Spread; 54", 60", 63 1/2" & 65 1/2" Axle Spacing
		321-149U	Bushing, Urethane	4		
✓●		321-154	Bushing; 2"ID x 3 1/8"OD x 4 1/4"Lg	2	T3214	Cast Hangers; Wide Spread; 72"-109" Axle Spacing
●		321-154U	Bushing, Urethane	2		
✓✓●		321-305	Bushing	2	14682-01	Fabricated Hangers; All Spacings
✓	13	334-201	Kit, Rebound; 1/2"-20 x 4 3/4"Lg	6	TK19011	Incl. Tube, Bolt, Washer & Nut

**Model 21B/21B-FAB
Tandem Four Spring
Trailer Suspension**

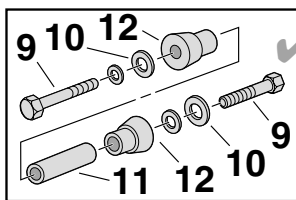
Reyco

Reyco

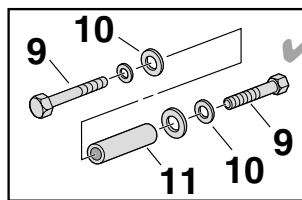


**Key 30* - Suspension
Overhaul Kit
(Items with Gray Outline)**

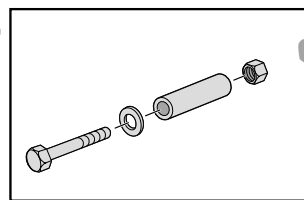
SEE CHECKMARKS



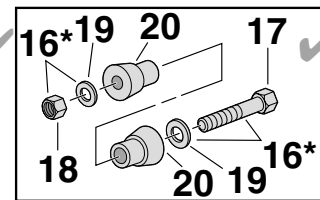
**Key 7* - Equalizer Shaft
& Bushing Assembly**



**Key 8* - Equalizer
Shaft Assembly**



**Key 13* - Spring
Rebound Kit**



**Key 15* - Torque Rod Bolt
& Bushing Assembly**

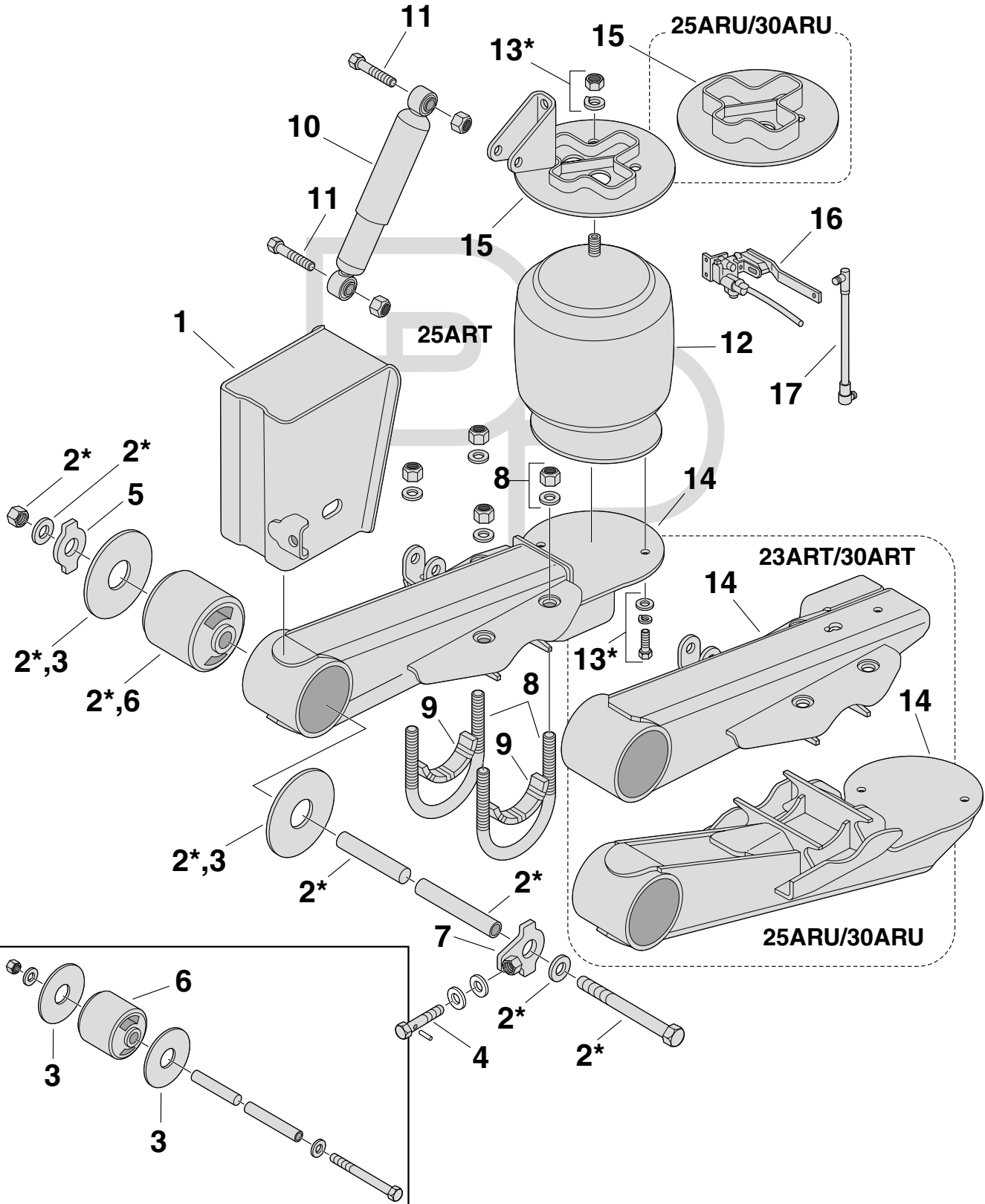
Suspension Illustration

Key No.	Part Number	Description	No. Req.	OEM Reference	Remarks
✓✓●	14 345-199	Torque Rod, Adjustable; 15"-17 1/4"Lg	1	15172-01	Use 321-145 Bushings
✓✓●	345-105	Torque Rod, Adjustable; 18 3/4"-19 1/2"Lg	1	15173-01	Use 321-145 Bushings
✓✓●	345-198	Torque Rod, Adjustable; 19 1/2"-21 3/4"Lg	1	15174-01	Use 321-145 Bushings
●	345-697	Torque Rod, Adjustable; 24"-26 1/4"Lg	1	15176-01	Use 321-145 Bushings
●	345-698	Torque Rod, Adjustable; 26 1/4"-28 1/2"Lg	1	15177-01	Use 321-145 Bushings
✓●	345-110	Torque Rod, Rigid; Cast; 16 1/4"Lg, c/c	1	15178-01, T7635	Use 321-145 Bushings; Can Use 345-199
✓●	345-112	Torque Rod, Rigid; Cast; 18 7/8"Lg, c/c	1	15179-01, T2293	Use 321-145 Bushings; Can Use 345-198
	345-689	Torque Rod, Rigid; 19 3/8"Lg c/c	1	15286-01	Use 321-145 Bushings; Can Use 345-105
	345-859	Torque Rod, Rigid; 21 9/16"Lg c/c	1	10183-01	Use 321-145 Bushings; Can Use 345-198
	SP	Torque Rod, Rigid 25"Lg c/c	1	09686-01	Use 345-697
	345-761	Torque Rod, Rigid; 26 1/4"Lg c/c	1	10973-01	Use 321-145 Bushings; Can Use 345-698
	SP	Torque Rod, Rigid 27 1/4"Lg c/c	1	08650-01	Use 345-698
✓✓	15 334-252	Assembly, Bolt & Bushing	8	TK18997	Incl. 334-203 Bolt, (2)321-145 Bushings & Hdwe.
	16 334-206	Assembly, Bolt; 1"-14 x 7"Lg	8		Incl. Bolt & Hdwe.
✓✓	17 334-203	Bolt; 1"-14 x 7"Lg	8	T5492	
	18 334-153	Nut, Lock; 1"-14	8		Can Use SLN-107
✓	19 334-205	Washer, Compression; 1 1/16"ID x 2 3/4"OD x 1/4"Thk	16	T2224	
✓✓●	20 321-145	Bushing; 1"ID x 1 1/16"OD x 3"Lg	16	T5493	
✓	321-145U	Bushing, Urethane	16		
✓✓●	21 338-205	Bracket, Seat; Torque Rod; 3/4", 5" Round Axle	4	09730-01	
●	338-206	Bracket, Seat; Torque Rod; 1 3/4", 5" Round Axle	4	11336-01	Discontinued; Use 338-205 & 338-221
	338-1982	Bracket, Seat; Torque Rod; 3 1/4", 5" Round Axle	4	08757-01	
●	338-207	Bracket, Seat; Torque Rod; 3/4", 4"x 6" Axle	4	T7650	Obsolete
✓✓●	338-209	Bracket, Seat; Torque Rod; 3/4", 5" Square Axle	4	07980-01	
●	SP	Seat, Spring; 3 1/4", 5" Square Axles	4	08060-01	
●	338-739	Seat; 3/4", No Hop	2	10114-01, T3329	No Hop or Underslung
●	338-212	Bracket, Seat; Torque Rod; 5" Square Axles; No Hop	4	09103-01	No Hop & Underslung
	SP	Seat, Spring; 3/4", 4"x 6" Rectangular Axles	4	10292-01	No Hop & Underslung
✓✓	22 338-221	Spacer; 3"W x 7 1/2"Lg x 1"Thk	4	24081-01, T7716	
✓	338-222	Spacer; 3"W x 7 1/2"Lg x 1 1/2"Thk	4	24082-01, T7654	
✓	338-223	Spacer; 3"W x 7 1/2"Lg x 2"Thk	4	24083-01, T7655	
●	23 338-217	Bracket, Stabilizer; 5" Round Axle	2	08480-01, T5481	No Hop
●	338-218	Bracket, Stabilizer; 5" Square Axle	2	08061-01	No Hop
●	338-246	Bracket, Bottom Plate; Torque Rod	4	T5727	Underslung
✓●	24 338-214	Plate, Bottom Clamp; U-Bolt; 3 7/8"W x 5 7/8"Lg c/c, 5" Round Axle	4	09139-01	U-Bolts Down
●	338-216	Plate, Bottom Clamp; U-Bolt; 3 15/16"W x 6 1/4"Lg c/c, 5" Square Axle	4	09229-01	U-Bolts Down
✓✓●	338-415	Plate, Bottom Clamp; U-Bolt; Fabricated	4	18877-01, 0538-00	U-Bolts Down
●	338-215	Plate, Bottom Clamp; U-Bolt; 4"x 6" Axle	4	09230-01	U-Bolts Down
✓✓●	25 338-200	Saddle, U-Bolt; 3"W x 7 3/4"Lg x 1 3/4"H	4	08677-01	
✓✓●	338-381	Saddle, U-Bolt; Fabricated; 3"W x 7 1/2"Lg	4	1606-00, 0077-00	U-Bolts Down
●	26 338-203	Plate, Top Clamp; U-Bolt; 3 7/8"W x 5 7/8" c/c, 5" Rd. & Eaton 5" Sq. Axles	4	T7175, T5488	U- Bolts Up
●	338-1530	Plate, Top; 5" Square Axles	4	T1734	U- Bolts Up
●	338-202	Plate, Top Clamp; U-Bolt; 4"W x 5 3/8"Lg c/c, 4" x 6" Axle	4	T4069	U- Bolts Up
	27 GL-294	Liner; 2 7/8" x 7 1/2"Lg w/1/2" Hole	4		
	GL-295	Liner; 2 7/8" x 8"Lg w/7/8" Hole	4		
✓✓	28 361-218	Kit, U-Bolt; Round Bend, Grade 5	8		7/8" x 3" x 14 1/2" R
✓✓	361-168	Kit, U-Bolt; Round Bend, Grade 8	8		7/8" x 3" x 16 1/2" R
✓	361-250	Kit, U-Bolt; Round Bend, Grade 5	8		7/8" x 3" x 18 1/2" R
✓	361-258	Kit, U-Bolt; Round Bend, Grade 8	8		7/8" x 5 1/8" x 11 7/8" R
✓	361-254	Kit, U-Bolt; Round Bend, Grade 8	8		7/8" x 5 1/8" x 13 7/8" R
✓	361-558	Kit, U-Bolt; Round Bend, Grade 5	8		7/8" x 5 1/8" x 15 7/8" R
	See Chart	Kit, U-Bolt	8		See Chart on Page 1051
●	29 338-219	Clip, U-Bolt; 4"x 6" Axle	8	T7560	Obsolete
●	338-220	Clip, U-Bolt; 5" Square Axle	8	T5587	Obsolete
	30 339-108	Kit, Maintenance; Reyco 21B	1		Standard, Cast Hangers; Incl. (2)334-211, (8)334-252 & (6)334-201
	31 Spring Assembly	Assembly, Spring	4		See Leaf Spring Web Catalog for Details

23/25/30AR
Single/Tandem Axle
Trailer Air Suspension

Reyco

Reyco



Suspension Illustration

Key 2* - Service Kit, Pivot Conection

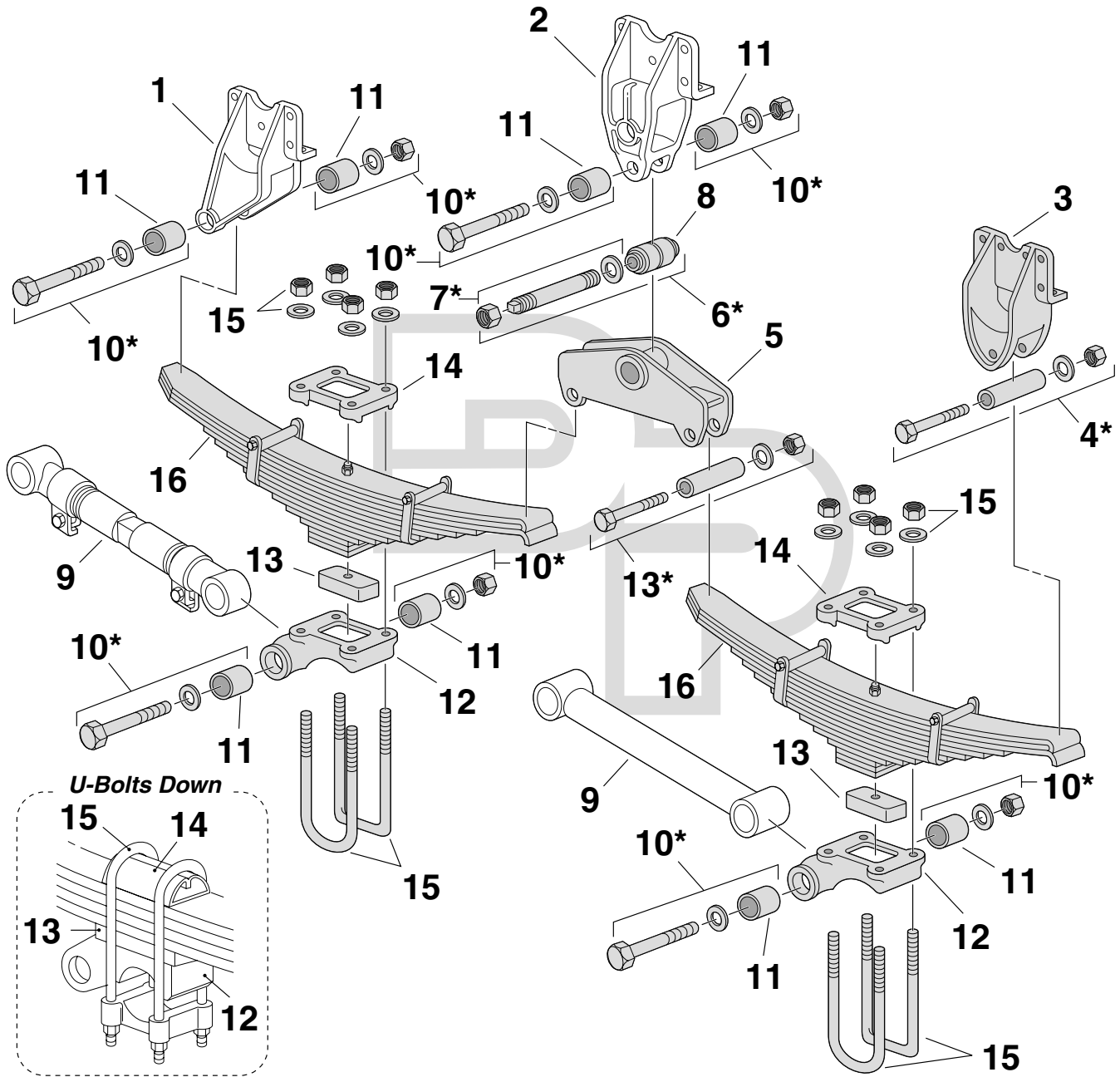
Key Numbers with an asterisk (*) indicate a kit or assembly.

Key No.	Part Number	Description	No. Req.	OEM Reference	Remarks
	SP	Hanger	2	Various	Specify LH/RH, Model, Ride Hgt. & REY-ALIGN® or Bolted Pivot
✓ ●	339-265	Kit, Service; Pivot Connection; REY-ALIGN®	2	K701163-1	(1) Beam; 7/8" Bolt
●	339-266	Kit, Service; Pivot Connection; Bolted	2	K701311	(1) Beam; 1 1/8" Bolt
●	334-1730	Kit, Spacer; Severe Service	4	K70221805	
●	334-1771	Bolt, Adjustment; Alignment	2	24398-01	
●	334-1772	Collar, Alignment	2	23656-01	Opposite REY-ALIGN®
✓ ●	321-385	Bushing	2	23421-01	
●	334-1811	Assembly, Yoke; REY-ALIGN®	1	23673-01	
	361-631	Kit, U-Bolt	4	TK23961	
●	338-1941	Spacer, U-Bolt/Axle	4	23939-01	
✓	M65500	Shock Absorber	2	23523-01	Consult Shock Catalog for Model Specific Applications
	M65501	Shock Absorber	2	23524-01	
	M66502	Stabilizer	2	23553-01	
	See Shocks	Shock Absorber	2	Various	
	334-1818	Kit, Bolt; Shock Absorber	2	TK23535	
✓ ✓✓	352-8740	Air Spring	2	23433-01	23ARTU
	352-8856	Air Spring	2	23521-02	25ARTU & 25ARUU-6.5/14.0
	352-9082	Air Spring	2	12882-01	25ARUU-6.5
	352-9101	Air Spring	2	12883-01	30ARUU
	354-7555	Air Spring	1	20018-01	Top Lift; Not Shown
	354-7557	Air Spring	2	19983-01	Front Lift; Not Shown
	352-8855	Air Spring	2	704671-01	25AR
13	334-1819	Kit, Mounting; Air Spring	2	TK23658	23, 25AR & 25ARU
	334-1820	Kit, Mounting; Air Spring	2	TK23532	30AR
	334-1821	Kit, Mounting; Air Spring	2	TK24778	30ARU
14	SP	Assembly, Beam	2	Various	Specify Model & LH/RH
15	SP	Assembly, Top Plate; Air Spring	2	Various	Specify Model & Ride Hgt.
✓✓ ●	334-750	Valve, Height Control; Universal	1		
✓ ●	334-751	Linkage Assembly; Universal; Adjustable	1		3 5/8"-19 5/8" Range; Use w/All Height Control Valves

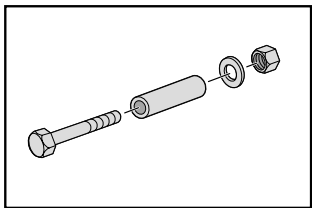
**Model 25
Tandem Four Spring
Trailer Suspension**

Reyco

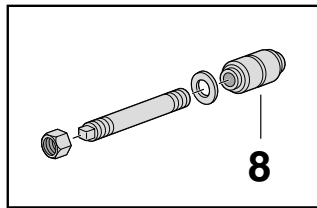
Reyco



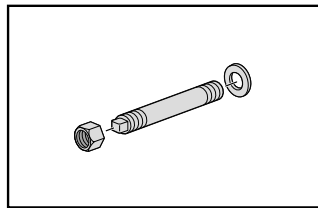
Suspension Illustration



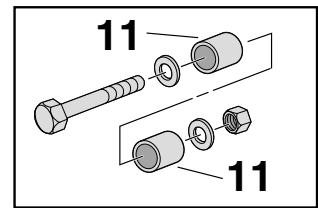
Key 4* - Spring Rebound Kit



Key 6* - Equalizer Shaft & Bushing Assembly



Key 7* - Equalizer Shaft Assembly



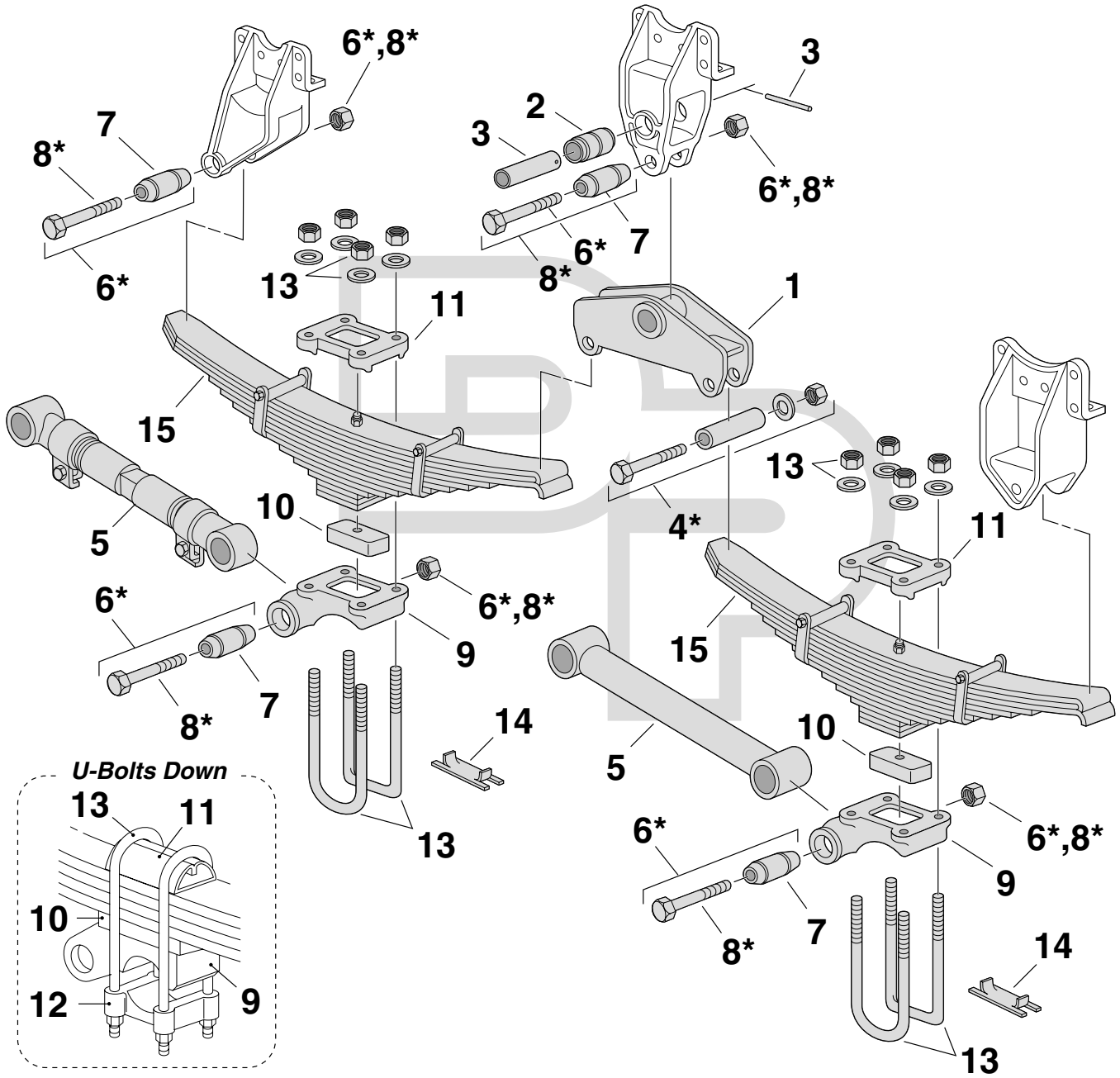
Key 10* - Torque Rod Bolt & Bushing Assembly

Key No.	Part Number	Description	No. Req.	OEM Reference	Remarks
	◆	Hanger, Front	2	Various	Obsolete
	◆	Hanger, Center	2	Various	Obsolete
●	338-197	Hanger, Rear; RH	1	T5566	Undermount
●	338-196	Hanger, Rear; LH	1	T5565	Undermount
●	338-195	Hanger, Rear; RH	1	T5428	Flangemount
●	338-194	Hanger, Rear; LH	1	T5429	Flangemount
✓✓	334-201	Kit, Rebound; 1/2"-20 x 4 3/4"Lg	6	TK19011	Incl. Tube, Bolt, Washer & Nut
●	338-231	Assembly, Equalizer	2	09524-01	Model 25; Incl. Bushing
	334-243	Assembly, Shaft & Bushing; Standard, Pre-1984	2	TK19056	Incl. 334-240 Shaft Assy. & 321-152 Bushing
✓✓	334-240	Assembly, Shaft; Standard	2		Incl. Shaft, Nut & Lock Washer
✓●	321-152	Bushing; 1 1/2"ID x 3 1/8"OD x 4 7/16"Lg	2	08363-01	w/Slots
	◆	Torque Rod, Adjustable/Rigid	4	Various	Obsolete
	334-254	Assembly, Bolt & Bushing	8		Incl. 334-235 Bolt, (2)321-150 Bushings & Hdwe.
✓	321-150	Bushing; 7/8"ID x 1 5/8"OD x 2 7/8"Lg	16	T5708	
●	321-150U	Bushing, Urethane	16		
	SP	Seat, Torque Rod Bracket	4	Various	
✓✓	338-221	Spacer; 3"W x 7 1/2"Lg x 1"Thk	4	T7716	
✓	338-222	Spacer; 3"W x 7 1/2"Lg x 1 1/2"Thk	4	T7654	
✓	338-223	Spacer; 3"W x 7 1/2"Lg x 2"Thk	4	T7655	
✓✓●	338-200	Saddle, U-Bolt; 3"W x 7 3/4"Lg x 1 3/4"H	4	08677-01	7/8" or 3/4" U-Bolts Down
●	338-202	Plate, Top Clamp; U-Bolt; 4"W x 5 3/8"Lg c/c, 4" x 6" Axle	4	T4069	Obsolete
●	338-203	Plate, Top Clamp; U-Bolt; 3 7/8"W x 5 7/8" c/c, 5" Rd. & Eaton 5" Sq. Axles	4	T7175	
✓✓	361-258	Kit, U-Bolt; Round Bend, Grade 8	8	08511-01	7/8" x 5 1/8" x 11 7/8" R
✓	361-559	Kit, U-Bolt; Round Bend, Grade 8	8	08512-01	7/8" x 5 1/8" x 12 7/8" R
✓✓	361-254	Kit, U-Bolt; Round Bend, Grade 8	8	08515-01	7/8" x 5 1/8" x 13 7/8" R
	361-509	Kit, U-Bolt; Round Bend, Grade 5	8	08525-01	7/8" x 5 1/8" x 17 7/8" R
	See Chart	Kit, U-Bolt	8		See Chart on Page 1051
16	Spring Assembly	Assembly, Spring	4		See Leaf Spring Web Catalog for Details

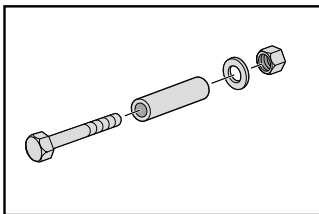
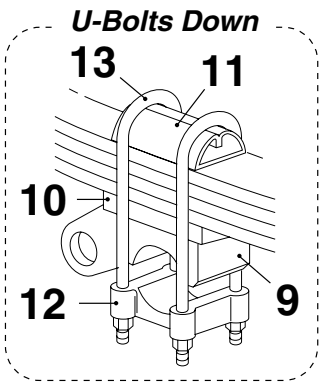
**Models 31/41
Tandem Four Spring
Trailer Suspension**

Reyco

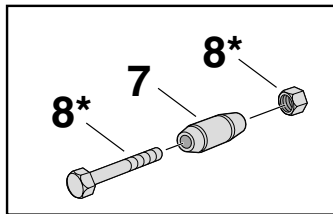
Reyco



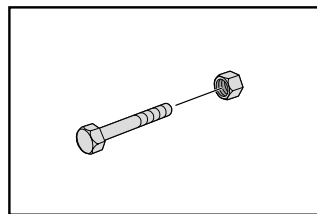
Suspension Illustration



Key 4* - Spring Rebound Kit



Key 6* - Torque Rod Bolt & Bushing Assembly



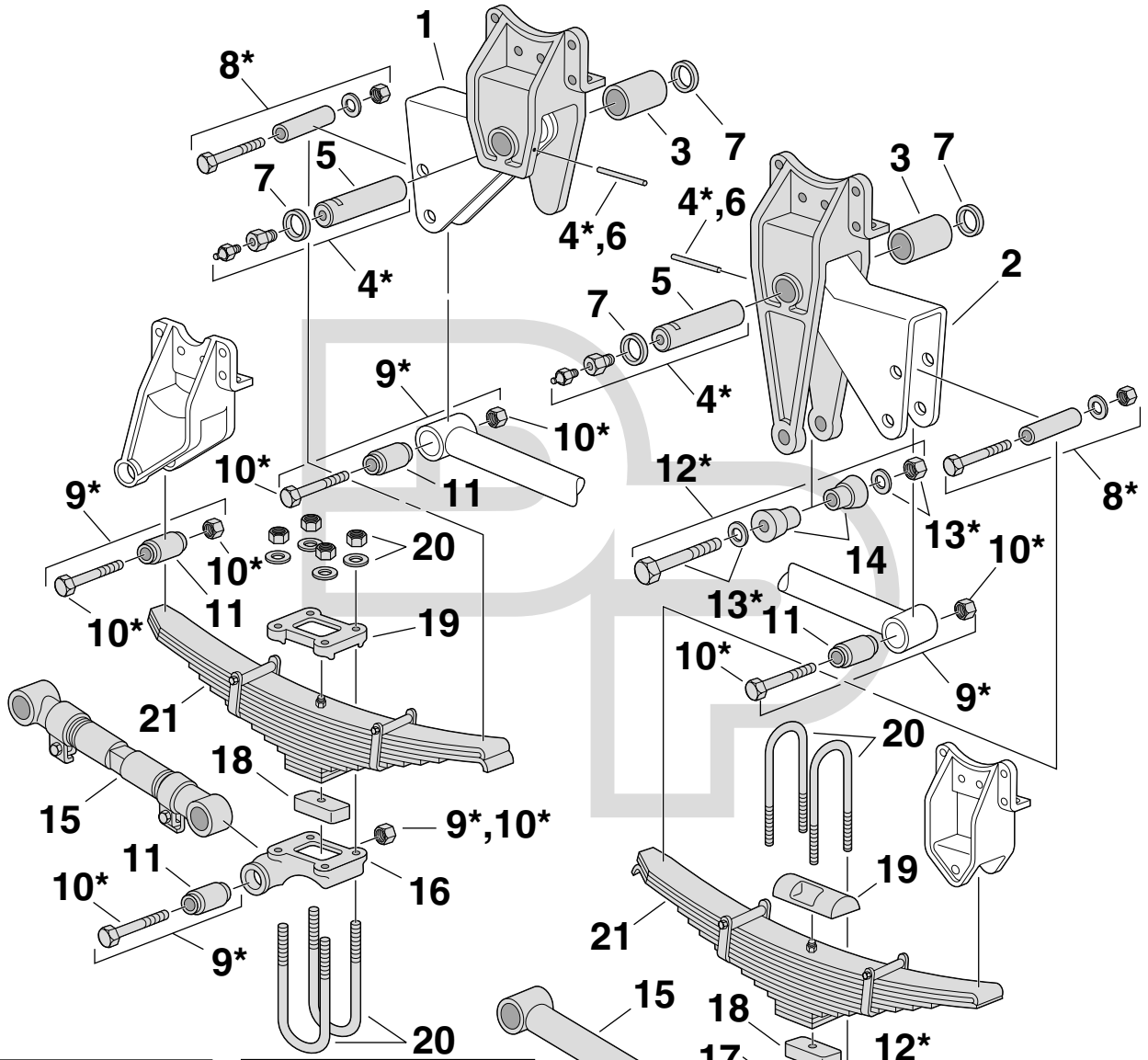
Key 8* - Torque Rod Bolt Assembly

Key No.	Part Number	Description	No. Req.	OEM Reference	Remarks		
●	1	338-237	Assembly, Equalizer	2	T3225	Model 31; Incl. Bushing	
●		338-243	Assembly, Equalizer	2	T3554	Model 41; Incl. Bushing	
✓	2	321-154	Bushing; 2"ID x 3 1/8"OD x 4 1/4"Lg	2	T3214		
●	3	334-248	Assembly, Shaft; 2"OD x 6 1/8"Lg	2	T3220	Incl. Shaft & Roll Pin	
✓✓	4	334-201	Kit, Rebound; 1/2"-20 x 4 3/4"Lg	4	TK19011	Incl. Tube, Bolt, Washer & Nut	
●	5	345-130	Torque Rod, Adjustable; 15"-17 1/4"Lg	2	16347-01	Incl. 321-153 Bushings	
		345-132	Torque Rod, Adjustable; 17 1/4"-19 1/2"Lg	2	16348-01	Incl. 321-153 Bushings; Use 345-157	
●		345-182	Torque Rod, Adjustable; 18 1/2"-21 3/8"Lg	2		Obsolete	
●		345-133	Torque Rod, Rigid; 16 1/2"Lg c/c	2	T3034	Incl. 321-153 Bushings	
●		345-143	Torque Rod, Rigid; 17"Lg c/c	2	T3340	Incl. 321-153 Bushings	
✓	●	345-134	Torque Rod, Rigid; 19 3/8"Lg c/c	2	T3033	Incl. 321-153 Bushings	
●		345-140	Torque Rod, Rigid; 20 3/8"Lg c/c	2	T3341	Obsolete	
✓✓	6	334-247	Assembly, Bolt & Bushing	8		Incl. 334-246 Bolt Assembly & 321-153 Bushing	
✓✓	●	7	321-153	Bushing; 7/8"ID x 1 29/32"OD x 3"Lg	8	09729-01	
●		321-153U	Bushing, Urethane	8			
✓	8	334-246	Assembly, Bolt; 7/8"-9 x 5 1/2"Lg	8	10033-01	Incl. Bolt & Lock Nut	
●	9	338-238	Bracket, Seat; Torque Rod; 3/4", 5" Round Axle	4	T3013		
●		338-386	Bracket, Seat; Torque Rod; Fabricated; 1", 4"x 6" Axle	4	0638-01	Replaces 338-239	
		338-240	Bracket, Seat; Torque Rod; 5" Square Axle	4	10119-01	Obsolete	
✓	10	338-221	Spacer; 3"W x 7 1/2"Lg x 1"Thk	4	T7716		
		338-222	Spacer; 3"W x 7 1/2"Lg x 1 1/2"Thk	4	T7654		
✓		338-223	Spacer; 3"W x 7 1/2"Lg x 2"Thk	4	T7655		
✓	●	11	338-200	Saddle, U-Bolt; 3"W x 7 3/4"Lg x 1 3/4"H	4	08677-01	7/8" or 3/4" U-Bolts Down
●		338-202	Plate, Top Clamp; U-Bolt; 4"W x 5 3/8"Lg c/c - 4" x 6" Axle	4	T4069	Obsolete	
●		338-203	Plate, Top Clamp; U-Bolt; 3 7/8"W x 5 7/8" c/c - 5" Rd. & Eaton 5" Sq. Axles	4	T7175		
●		338-1530	Plate, Top; 5" Square Axles	4		Replaces 338-204	
✓	●	12	338-214	Plate, Bottom Clamp; U-Bolt; 3 7/8"W x 5 7/8"Lg c/c; 5" Round Axle	4	09139-01	
●		338-215	Plate, Bottom Clamp; U-Bolt; 4"x 6" Axle	4	09230-01		
●		338-216	Plate, Bottom Clamp; U-Bolt; 3 15/16"W x 6 1/4"Lg c/c; 5" Square Axle	4	09229-01		
		338-242	Bracket, Bottom Plate; Torque Rod; 5" Round Axle	4	T3043	Underslung; Obsolete	
✓✓	13	361-258	Kit, U-Bolt; Round Bend, Grade 8	8	08511-01	7/8" x 5 1/8" x 11 7/8" R	
✓		361-559	Kit, U-Bolt; Round Bend, Grade 8	8	08512-01	7/8" x 5 1/8" x 12 7/8" R	
✓		361-254	Kit, U-Bolt; Round Bend, Grade 8	8	08515-01	7/8" x 5 1/8" x 13 7/8" R	
		361-509	Kit, U-Bolt; Round Bend, Grade 5	8	08525-01	7/8" x 5 1/8" x 17 7/8" R	
		See Chart	Kit, U-Bolt	8		See Chart on Page 1051	
●	14	338-219	Clip, U-Bolt; 4"x 6" Axle	4	T7560	Obsolete	
●		338-220	Clip, U-Bolt; 5" Square Axle	4	T5587	Obsolete	
	15	Spring Assembly	Assembly, Spring	4		See Leaf Spring Web Catalog for Details	

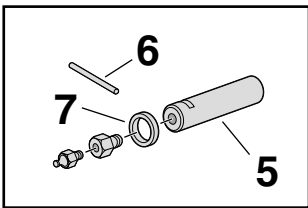
**Model 45
Tandem Four Spring
Trailer Suspension**

Reyco

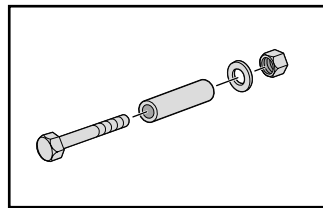
Reyco



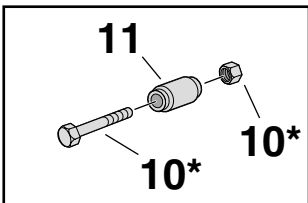
Suspension Illustration



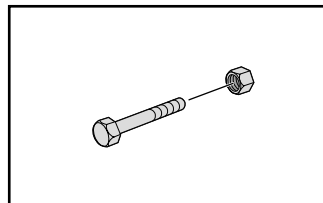
Key 4* - Equalizer Shaft Assembly



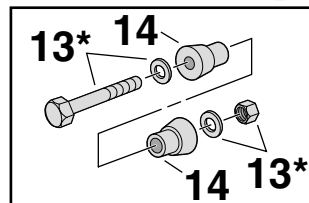
Key 8* - Spring Rebound Kit



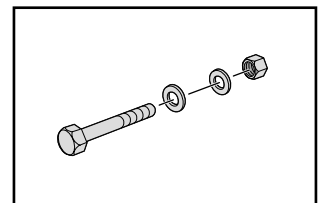
Key 9* - Torque Rod Bolt & Bushing Assembly



Key 10* - Torque Rod Bolt Assembly



Key 12* - Torque Rod Bolt & Bushing Assembly



Key 13* - Torque Rod Bolt Assembly

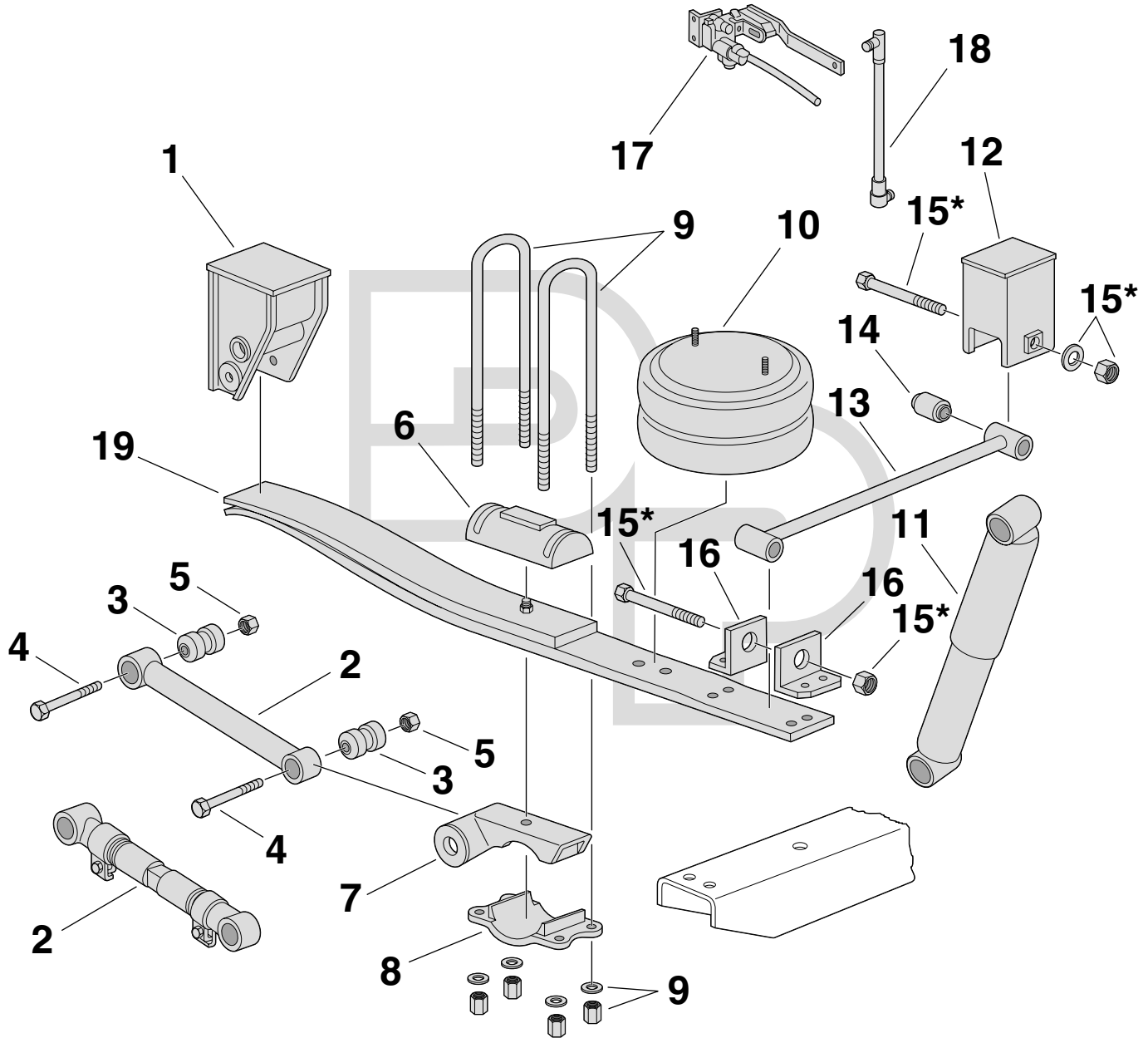
Key No.	Part Number	Description	No. Req.	OEM Reference	Remarks		
●	1	338-248	Assembly, Equalizer; Front	2	T7494	Model 45; Obsolete	
●	2	338-249	Assembly, Equalizer; Rear	2	T7493	Model 45; Obsolete	
✓✓	●	3	321-154	Bushing; 2"ID x 3 1/8"OD x 4 1/4"Lg	4	T3214	Fabricated Equalizer
●		322-111	Bushing	4	T1708	Obsolete	
	4	334-264	Assembly, Shaft; 2"OD x 6 1/8"Lg	4		Obsolete	
	5	334-261	Shaft, Equalizer	4	T3001	Obsolete	
	6	334-250	Pin, Lock; 3/8" X 5"Lg	4	08621-01, T3010	Obsolete	
●	7	334-220	Seal; 2"ID x 2 5/8"OD x 1/4"Thk	8	T2167		
✓	8	334-201	Kit, Rebound; 1/2"-20 x 4 3/4"Lg	4	TK19011	Incl. Tube, Bolt, Washer & Nut	
✓✓	9	334-247	Assembly, Bolt & Bushing	8		Front Torque Rods & Equalizer Connecting Rod	
✓	10	334-246	Assembly, Bolt; 7/8"-9 x 5 1/2"Lg	8	10033-01	Front Torque Rods & Equalizer Connecting Rod	
✓✓	●	11	321-153	Bushing; 7/8"ID x 1 29/32"OD x 3"Lg	8	09729-01	Front Torque Rods & Equalizer Connecting Rod
●		321-153U	Bushing, Urethane	8			
✓✓	12	334-252	Assembly, Bolt & Bushing	4	TK18997	Rear Torque Rod	
	13	334-206	Assembly, Bolt; 1"-14 x 7"Lg	4		Incl. Bolt & Hdwe.	
✓	●	14	321-145	Bushing; 1"ID x 1 13/16"OD x 3"Lg	8	T5493	
		321-145U	Bushing, Urethane	8			
●	15	345-130	Torque Rod, Adjustable; 15"-17 1/4"Lg	1	T3036	Front; Incl. 321-153 Bushings	
✓✓	●	345-198	Torque Rod, Adjustable; 19 1/2"-21 3/4"Lg	2	15174-01	Bushings Not Included	
		345-730	Torque Rod, Rigid; 15 3/4"Lg c/c	2	T3681	Front; Incl. 321-153 Bushings	
●	16	338-238	Bracket, Seat; Torque Rod; 3/4", 5" Round Axle	2	T3013	Front Axle	
		338-250	Bracket, Axle; Torque Rod; 5" Round Axle	2	T7478	Rear Axle; Obsolete	
●	17	338-739	Seat; 3/4"; No Hop	2	10114-01, T3329	Rear Axle	
✓	18	338-221	Spacer; 3"W x 7 1/2"Lg x 1"Thk	4	T7716		
		338-222	Spacer; 3"W x 7 1/2"Lg x 1 1/2"Thk	4	T7654		
✓		338-223	Spacer; 3"W x 7 1/2"Lg x 2"Thk	4	T7655		
●	19	338-203	Plate, Top Clamp; U-Bolt; 3 7/8"W x 5 7/8" c/c - 5" Rd. & Eaton 5" Sq. Axles	2	T7175		
✓	●	338-200	Saddle, U-Bolt; 3"W x 7 3/4"Lg x 1 3/4"H	2	08677-01	7/8" or 3/4" U-Bolts Down	
✓	20	361-258	Kit, U-Bolt; Round Bend, Grade 8	4	08511-01	7/8" x 5 1/8" x 11 7/8" R; Front Axle	
		361-559	Kit, U-Bolt; Round Bend, Grade 8	4	08512-01	7/8" x 5 1/8" x 12 7/8" R; Front Axle	
✓		361-254	Kit, U-Bolt; Round Bend, Grade 8	4	08515-01	7/8" x 5 1/8" x 13 7/8" R; Front Axle	
		361-589	Kit, U-Bolt; Round Bend, Grade 8	4	16289-01	7/8" x 3" x 12 1/2" R; Rear Axle	
		361-566	Kit, U-Bolt; Round Bend, Grade 5	4	08495-01	7/8" x 3" x 13 1/2" R; Rear Axle	
		361-374	Kit, U-Bolt; Round Bend, Grade 8	4	08496-01	7/8" x 3" x 14 1/2" R; Rear Axle	
✓✓		361-218	Kit, U-Bolt; Round Bend, Grade 5	4	210901-140	7/8" x 3" x 14 1/2" R; Rear Axle	
		See Chart	Kit, U-Bolt	4		See Chart on Page 1051	
21	Spring Assembly	Assembly, Spring	4			See Leaf Spring Web Catalog for Details	

**74AR
Single/Tandem Axle
Trailer Air Suspension**

Reyco

Reyco

Suspension Illustration

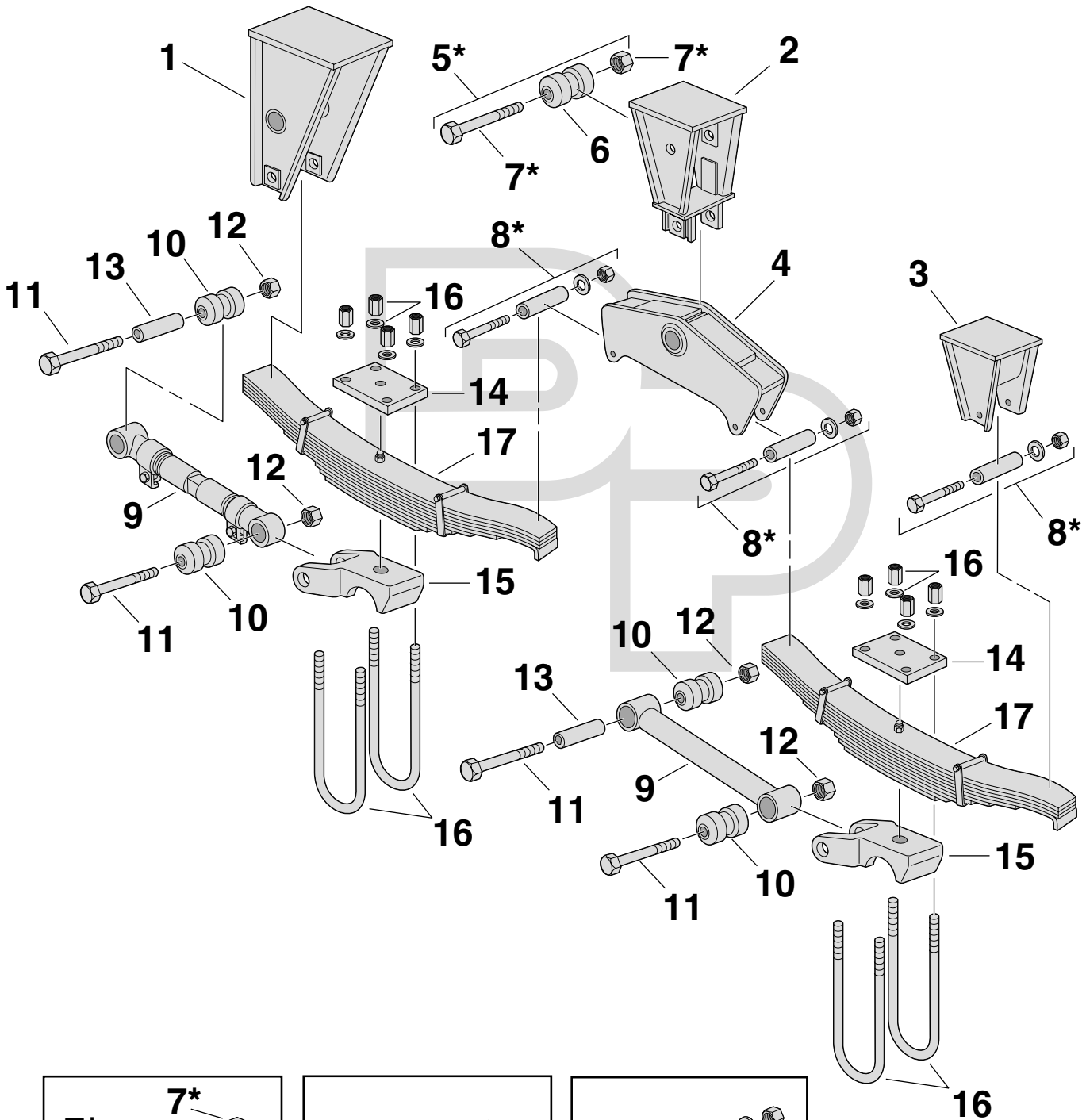


Key No.	Part Number	Description	No. Req.	OEM Reference	Remarks
	SP	Hanger, Front; LH/RH	2	13790-01	Undermount
	345-217	Torque Rod, Adjustable; 13"-15"Lg	1	16595-01	Incl. 321-287 Bushings
	SP	Torque Rod, Rigid, 14 1/4" Lg c/c	1	16585-01	Use 345-217
●	321-287	Bushing; 1"ID x 2 3/8"OD x 4"Lg	4	15737-01	
✓✓	334-203	Bolt; 1"-14 x 7 1/4"Lg	4	T5492	
✓✓	SLN-107	Nut, Lock; 1"-14	4		
	SP	Plate, Top	2	20157-01	
	SP	Seat, Axle	2		Specify Axle Type & Seat Height
	SP	Plate, Bottom	2		Specify Axle Diameter
✓✓	361-248	Kit, U-Bolt; Round Bend, Grade 5	4	21090-125	7/8" x 3" x 12 1/2" R
✓✓	361-218	Kit, U-Bolt; Round Bend, Grade 5	4	21090-140	7/8" x 3" x 14 1/2" R
	See Chart	Kit, U-Bolt	4		See Chart on Page 1051
	354-7557	Air Spring	2	19983-01	
✓	M65401	Shock Absorber	2		
	M66894	Shock Absorber	2		
	See Shocks	Shock Absorber	2	Various	Consult Shock Catalog for Model Specific Applications
	338-1644	Bracket, Frame; Track Rod	1	18919-01	
	345-770	Rod, Track	1	20969-01	40" Frame Width; Incl. 321-153 Bushings
✓✓ ●	321-153	Bushing; 7/8"ID x 1 29/32"OD x 3"Lg	2	09729-01	
✓	334-246	Assembly, Bolt; 7/8"-9 x 5 1/2"Lg	2	10033-01	Incl. Bolt & Lock Nut
●	338-1460	Bracket, Track Rod	2	21491-01	Fabricated
✓✓ ●	334-750	Valve, Height Control; Universal	1		
✓ ●	334-751	Linkage Assembly; Universal; Adjustable	1		3 5/8"-19 5/8" Range; Use w/All Height Control Valves
	TRA-3382	Spring, Leaf; LH	1	19897-01	See Leaf Spring Web Catalog for Details
	TRA-3383	Spring, Leaf; RH	1	19898-01	See Leaf Spring Web Catalog for Details

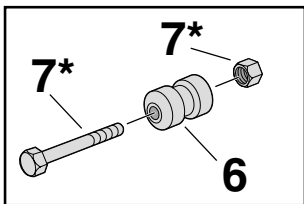
74B (74A Canada)
(50", 60", 64" Axle Spacing)
Trailer Four Spring Suspension

Reyco

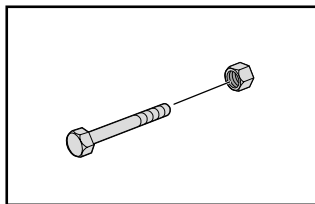
Reyco



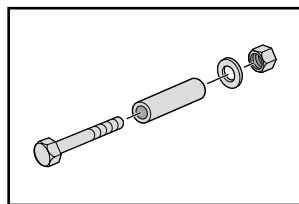
Suspension Illustration



Key 5* - Equalizer Bushing Assembly



Key 7* - Equalizer Bolt Assembly



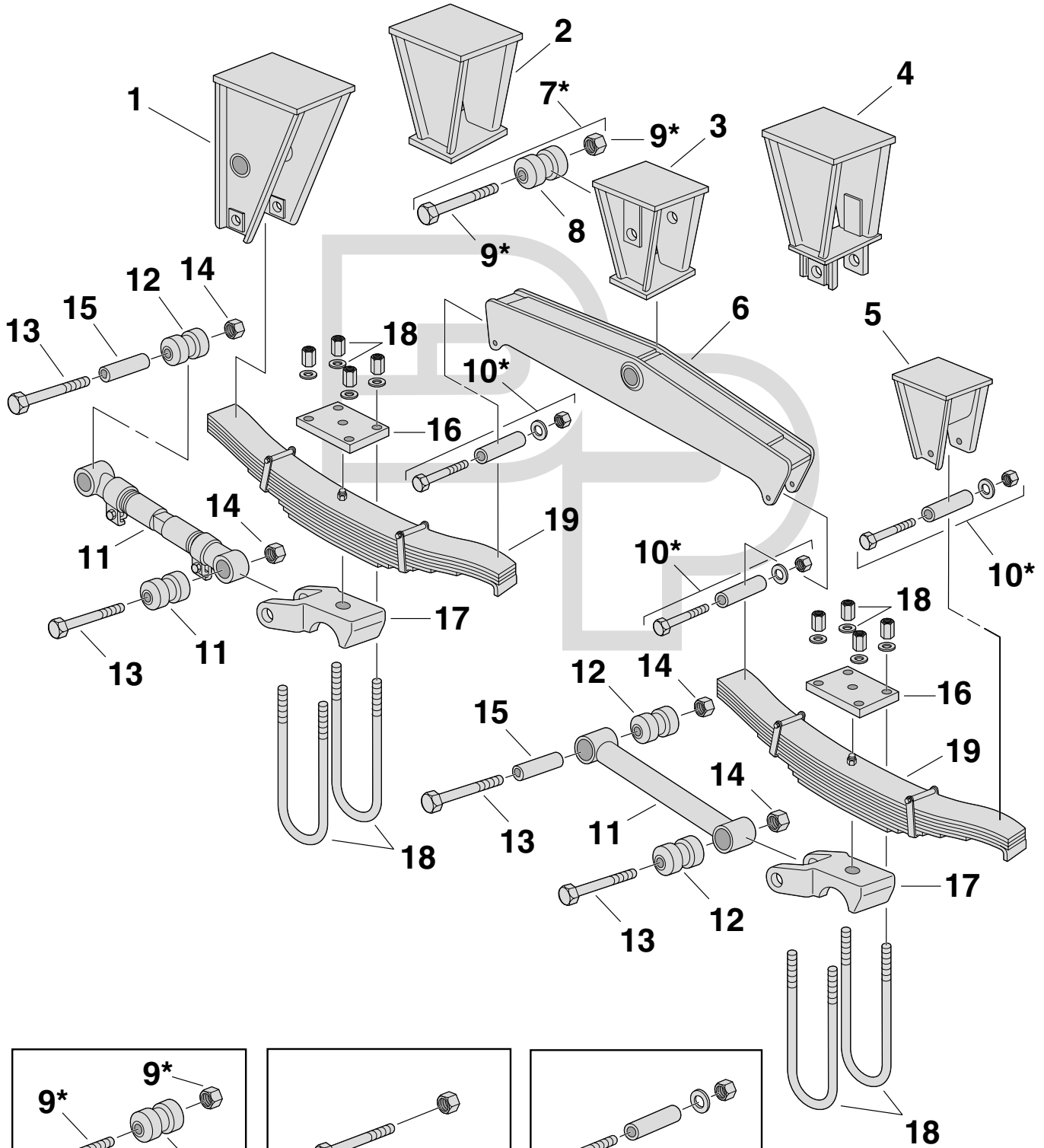
Key 8* - Rebound Bolt Assembly

Key No.	Part Number	Description	No. Req.	OEM Reference	Remarks
1	SP	Hanger, Front; LH/RH	2	15728-01	74A; Undermount
	SP	Hanger, Front; LH/RH	2	16671-01	74B; Undermount
2	SP	Hanger, Center; LH/RH	2	15731-01	74A; Undermount
	SP	Hanger, Center; LH/RH	2	16672-01	74B; Undermount
3	SP	Hanger, Rear; LH/RH	2	1381401	74A & 74B; Undermount
● 4	338-1826	Assembly, Equalizer; 50" Axle Spacing	2	17512-01	74B; Incl. 321-270 Bushing
●	338-605	Assembly, Equalizer; 54" Axle Spacing	2	13806-01	74A & 74B; Incl. 321-270 Bushing
	SP	Assembly, Equalizer; 60" Axle Spacing	2	14135-01	74A & 74B; Incl. 321-270 Bushing
5	334-1259	Assembly, Bolt & Bushing	2		Incl. Bushing, Bolt & Hdwe.
● 6	321-270	Bushing; 1 1/4"ID x 3 1/8"OD x 5 25/64"Lg	2	13805-01	
7	334-292	Assembly, Bolt; 1 1/4"-12 x 8 7/8"Lg	2	10949-01	Incl. Bolt, Washers & Lock Nut
8	334-415	Assembly, Bolt; Rebound; 1/2" x 6"Lg	6		Incl. Bolt, Tube & Nut
9	SP	Torque Rod, Rigid, 14 1/4"Lg c/c	2	15746-01	74A; All Axle Spacings; Front
	SP	Torque Rod, Rigid, 14 1/4"Lg c/c	1	16585-01	74B; All Axle Spacings; Front
	SP	Torque Rod, Rigid, 19 1/4"Lg c/c	1	17532-01	74B; 50" Axle Spacing; Rear
	SP	Torque Rod, Rigid, 21 1/4"Lg c/c	2	15749-01	74A; 54" Axle Spacing; Rear
	SP	Torque Rod, Rigid, 21 1/4"Lg c/c	1	16588-01	74B; 54" Axle Spacing; Rear
	SP	Torque Rod, Rigid, 24 1/2"Lg c/c	2	15750-01	74A; 60" Axle Spacing; Rear
	SP	Torque Rod, Rigid, 24 1/2"Lg c/c	1	16589-01	74B; 60" Axle Spacing; Rear
	345-217	Torque Rod, Adjustable; 13"-15"Lg	1	16595-01	74B; All Axle Spacing, Front; Incl. (2) 321-287 Bushings
	SP	Torque Rod, Adjustable	1	17534-01	74B; 50" Axle Spacing; Rear
10	SP	Bushing, Torque Rod	4	15738-01	74A; Hanger End
	● 321-287	Bushing; 1"ID x 2 3/8"OD x 4"Lg	4/8	15737-01	74A, Seat End; 74B, Both Ends
● 11	334-642	Bolt, Flat Side	4	17210-01	74A; Hanger End
	334-644	Bolt; 1"-14 x 6 3/4"Lg	4	17161-01	74A; Seat End
	334-203	Bolt; 1"-14 x 7 1/4"Lg	8	T5492	74B
✓✓ 12	SLN-107	Nut, Lock; 1"-14	8		
● 13	334-298	Bushing, Eccentric	4	13899-01	74A
14	SP	Plate, Top; 5" Round Axles	4	13798-01	74A & 74B
	SP	Plate, Top; 5 3/4" Round Axles	4	14527-01	74A
15	SP	Seat, Axle; 5" Round Axles	4	702856-01, 15751-01	74A & 74B
	SP	Seat, Axle; 5 3/4" Round Axles	4	702857-01, 15752-01	74A
16	361-559	Kit, U-Bolt; Round Bend, Grade 8	8	08512-01	7/8" x 5 1/8" x 12 7/8" R
	361-510	Kit, U-Bolt; Round Bend, Grade 8	8	08951-01	7/8" X 5 3/4" X 14 3/4" R
17	Spring Assembly	Assembly, Spring	4		See Leaf Spring Web Catalog for Details

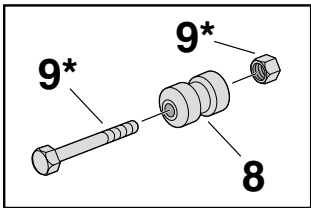
74B (74A Canada)
(72", 77", 97", 109" Axle Spacing) Wide Spread
Trailer Four Spring Suspension

Reyco

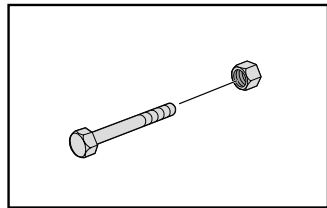
Reyco



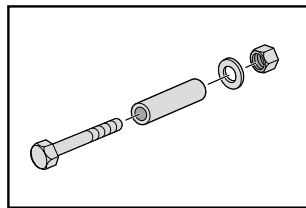
Suspension Illustration



Key 7* - Equalizer Bushing Assembly



Key 9* - Equalizer Bolt Assembly



Key 10* - Rebound Bolt Assembly

Reyco

74B (74A Canada)
(72", 77", 97", 109" Axle Spacing) Wide Spread
Trailer Four Spring Suspension

Reyco

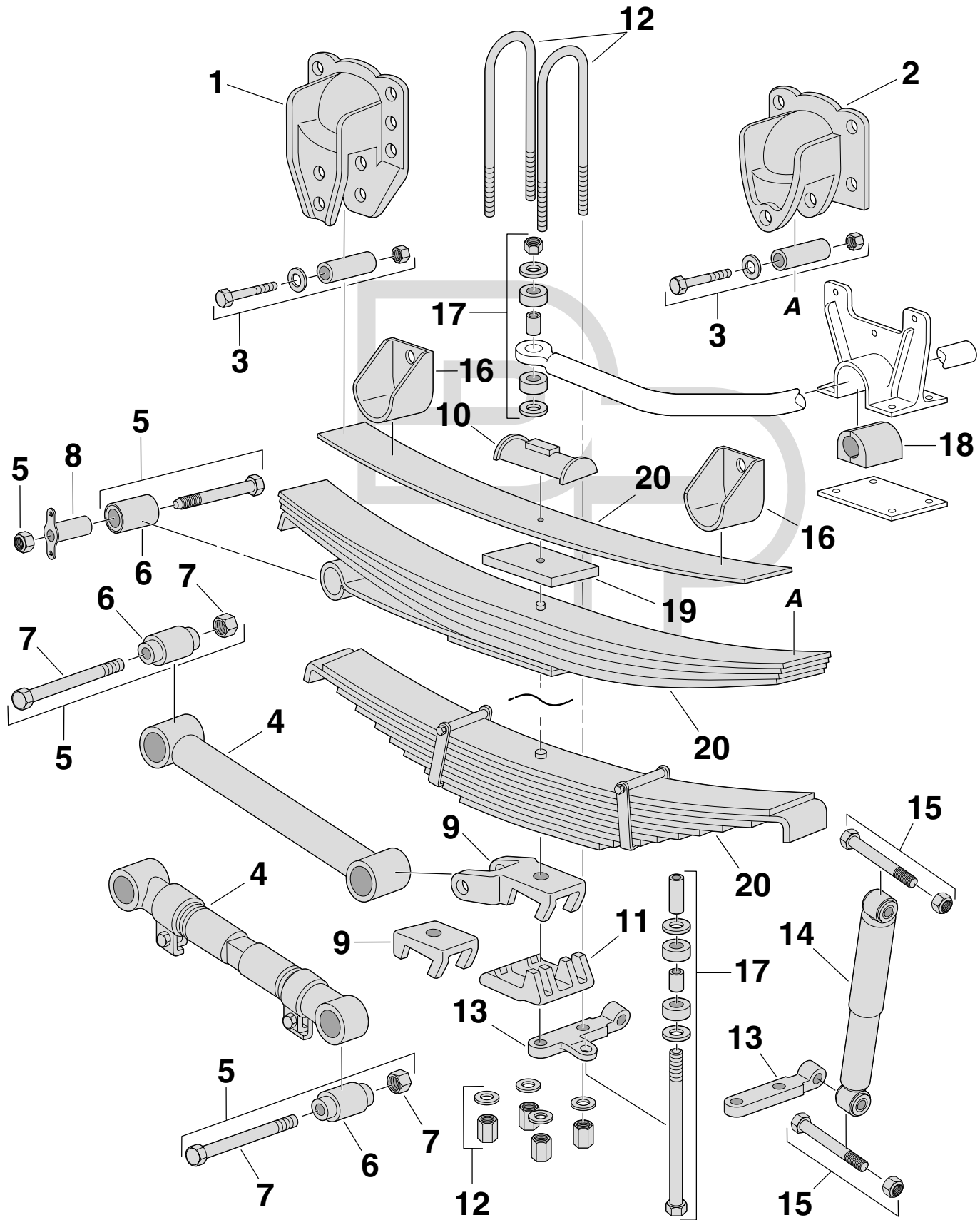
Key No.	Part Number	Description	No. Req.	OEM Reference	Remarks
1	SP	Hanger, Front; LH/RH	2	15728-01	74A; Undermount
	SP	Hanger, Front; LH/RH	2	16671-01	74B; Undermount
2	SP	Bracket, Guide; Equalizer	2	13861-01	74A & 74B; Undermount; Fabricated
3	SP	Hanger, Center; LH/RH	2	15735-01	74A & 74B; Undermount
4	SP	Bracket, Attachment; Torque Rod	2	15732-01	74A; Undermount
5	SP	Hanger, Rear; LH/RH	2	13814-01	74A & 74B; Undermount
6	SP	Assembly, Equalizer; 72" Axle Spacing	2	13909-01	Incl. 321-270 Bushing
	SP	Assembly, Equalizer; 77" Axle Spacing	2	15227-01	Incl. 321-270 Bushing
	SP	Assembly, Equalizer; 97" Axle Spacing	2	15724-01	Incl. 321-270 Bushing
	SP	Assembly, Equalizer; 109" Axle Spacing	2	15720-01	Incl. 321-270 Bushing
7	334-1259	Assembly, Bolt & Bushing	2		Incl. Bushing, Bolt & Hdwe.
● 8	321-270	Bushing; 1 1/4"ID x 3 1/8"OD x 5 25/64"Lg	2	13805-01	
9	334-292	Assembly, Bolt; 1 1/4"-12 x 8 7/8"Lg	2	10949-01	Incl. Bolt, Washers & Lock Nut
10	334-415	Assembly, Bolt; Rebound; 1/2" x 6"Lg	6		Incl. Bolt, Tube & Nut
11	SP	Torque Rod, Rigid, 14 1/4"Lg c/c	2	15746-01	74A; All Axle Spacings; Front
	SP	Torque Rod, Rigid, 14 1/4"Lg c/c	1	16585-01	74B; All Axle Spacings; Front
	SP	Torque Rod, Rigid, 20 1/4"Lg c/c	2	15747-01	74A; 72" Axle Spacings; Rear
	SP	Torque Rod, Rigid, 20 1/4"Lg c/c	1	16586-01	74B; 72" Axle Spacings; Rear
	SP	Torque Rod, Rigid, 21"Lg c/c	2	15748-01	74A; 77", 97" & 109" Axle Spacing; Rear
	SP	Torque Rod, Rigid, 21"Lg c/c	1	16587-01	74B; 77", 97" & 109" Axle Spacing; Rear
	345-217	Torque Rod, Adjustable; 13"-15"Lg	1	16595-01	74B; All Axle Spacings; Front
	SP	Torque Rod, Adjustable	1	16596-01	74B; 72", 77", 97" & 109" Axle Spacings; Rear
● 12	321-287	Bushing; 1"ID x 2 3/8"OD x 4"Lg	4/8	15737-01	74A, Seat End; 74B, Both Ends
	SP	Bushing, Torque Rod	4	15738-01	74A; Hanger End
● 13	334-642	Bolt, Flat Side	4	17210-01	74A; Hanger End
	334-644	Bolt; 1"-14 x 6 3/4"Lg	4	17161-01	74A; Seat Ends
	334-203	Bolt; 1"-14 x 7 1/4"Lg	8	T5492	74B
✓✓ 14	SLN-107	Nut, Lock; 1"-14	8		
● 15	334-298	Bushing, Eccentric	4	13899-01	74A
16	SP	Plate, Top; 5 3/4" Round	4	14527-01	74A
	SP	Plate, Top; 5" Round	4	13798-01	74A & 74B
17	SP	Seat, Axle; 5" Round	4	702856-01, 15751-01	74A & 74B
	SP	Seat, Axle; 5 3/4" Round	4	702857-01, 15752-01	74A
18	361-559	Kit, U-Bolt; Round Bend, Grade 8	8	08512-01	7/8" x 5 1/8" x 12 7/8" R
	361-510	Kit, U-Bolt; Round Bend, Grade 8	8	08951-01	7/8" X 5 3/4" X 14 3/4" R
19	Spring Assembly	Assembly, Spring	4		See Leaf Spring Web Catalog for Details

Parts Listing

**79KB
Single Axle Tractor Suspension**

Reyco

Reyco



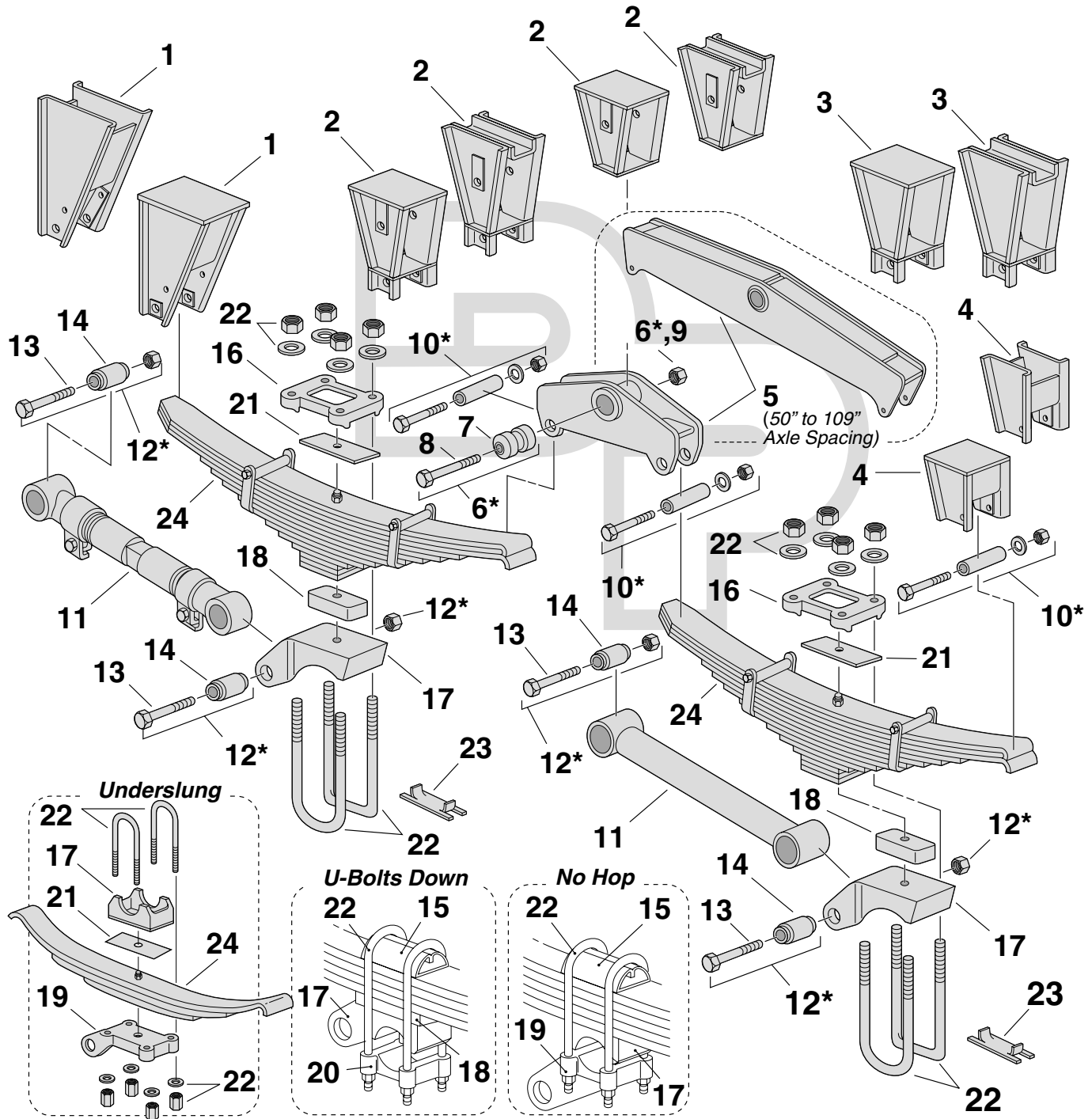
Suspension Illustration

Key No.	Part Number	Description	No. Req.	OEM Reference	Remarks
1	338-1667	Hanger; LH	1	12801-01, 22404-01	Standard
	338-1666	Hanger; RH	1	12802-01, 22404-02	Standard
	SP	Hanger	2	Various	Specify Truck Mfg. & LH/RH
2	338-1669	Hanger; LH	1	12814-01, 22405-01	Standard
	338-1668	Hanger; RH	1	12815-01, 22405-02	Standard
	SP	Hanger	2	Various	Specify Truck Mfg. & LH/RH
✓ 3	334-201	Kit, Rebound; 1/2"-20 x 4 3/4"Lg	4		Early; Incl. Tube, Bolt, Washer & Nut
	334-812	Assembly, Bolt; Rebound; 1/2"-13 x 5"Lg	4		Paccar; Late; Incl. Bolt, Tube & Hdwe
● 4	345-134	Torque Rod, Rigid; 19 3/8"Lg c/c	1	T3033	Incl. 321-153 Bushings
	345-132	Torque Rod, Adjustable; 17 1/4"-19 1/2"Lg	1	16348-01	Incl. 321-153 Bushings; Use 345-157
✓✓ 5	334-247	Assembly, Bolt & Bushing	4	TK7424	Incl. 334-246 Bolt Assembly & 321-153 Bushing
	334-2095	Assembly, Bolt & Bushing	1	K713311	D-Bolt Assembly & RB-371 Bushing
✓✓ ● 6	321-153	Bushing; 7/8"ID x 1 29/32"OD x 3"Lg	4	09729-01	
	RB-371	Bushing, Torque Leaf	2	711696-01	
✓ 7	334-246	Assembly, Bolt; 7/8"-9 x 5 1/2"Lg	4	10033-01	Incl. Bolt & Lock Nut
8	334-2047	Eccentric, Alignment	2	712475-01	
9	SP	Seat, Axle	2		Specify Axle Model & Angle
✓ ● 10	338-200	Saddle, U-Bolt	2	08677-01	7 3/4"Lg x 3"W x 1 3/4" High
	SP	Plate, Bottom	2		Specify Axle Model & Angle
✓✓ 12	361-505	Kit, U-Bolt; Round Bend, Grade 5	4	08492-01	7/8" x 3" x 11 1/2" R
	361-589	Kit, U-Bolt; Round Bend, Grade 8	4	08494-01	7/8" x 3" x 12 1/2" R
	361-566	Kit, U-Bolt; Round Bend, Grade 5	4	08495-01	7/8" x 3" x 13 1/2" R
	361-374	Kit, U-Bolt; Round Bend, Grade 8	4	12596-01	7/8" x 3" x 14 1/2" R
	361-168	Kit, U-Bolt; Round Bend, Grade 8	4	09709-01	7/8" x 3" x 16 1/2" R
	361-250	Kit, U-Bolt; Round Bend, Grade 5	4	08504-01	7/8" x 3" x 18 1/2" R
13	SP	Bracket, Shock/Sway Bar	2		Specify LH/RH
	SP	Bracket, Shock	2		Specify LH/RH
✓✓ 14	M66878	Shock Absorber	2		
✓✓ 15	334-1105	Assembly, Bolt; 3/4"-10 x 3 1/2"Lg	4		Incl. Bolt & Hdwe.
16	SP	Bracket, Helper	4	16281-01	
● 17	334-1910	Assembly, Service; Sway Bar End Link	2		
● 18	320-215	Bushing, "D"; Sway Bar	2	19571-01	
19	SP	Spacer	2	Various	Specify Thickness
20	Spring Assembly	Assembly, Spring	2		See Leaf Spring Web Catalog for Details

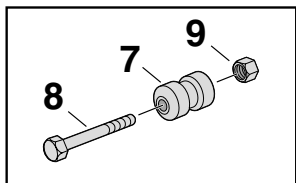
Model 83 (Canada)
(50" - 109" Axle Spacing)
Trailer Four Spring Suspension

Reyco

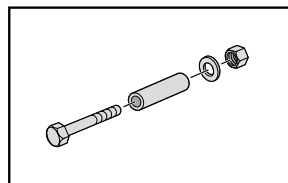
Reyco



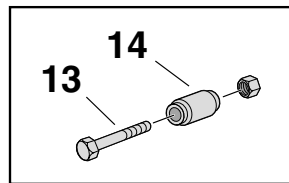
Suspension Illustration



**Key 6* - Equalizer
 Shaft/Bushing
 Assembly**



**Key 10* - Rebound
 Bolt Assembly**



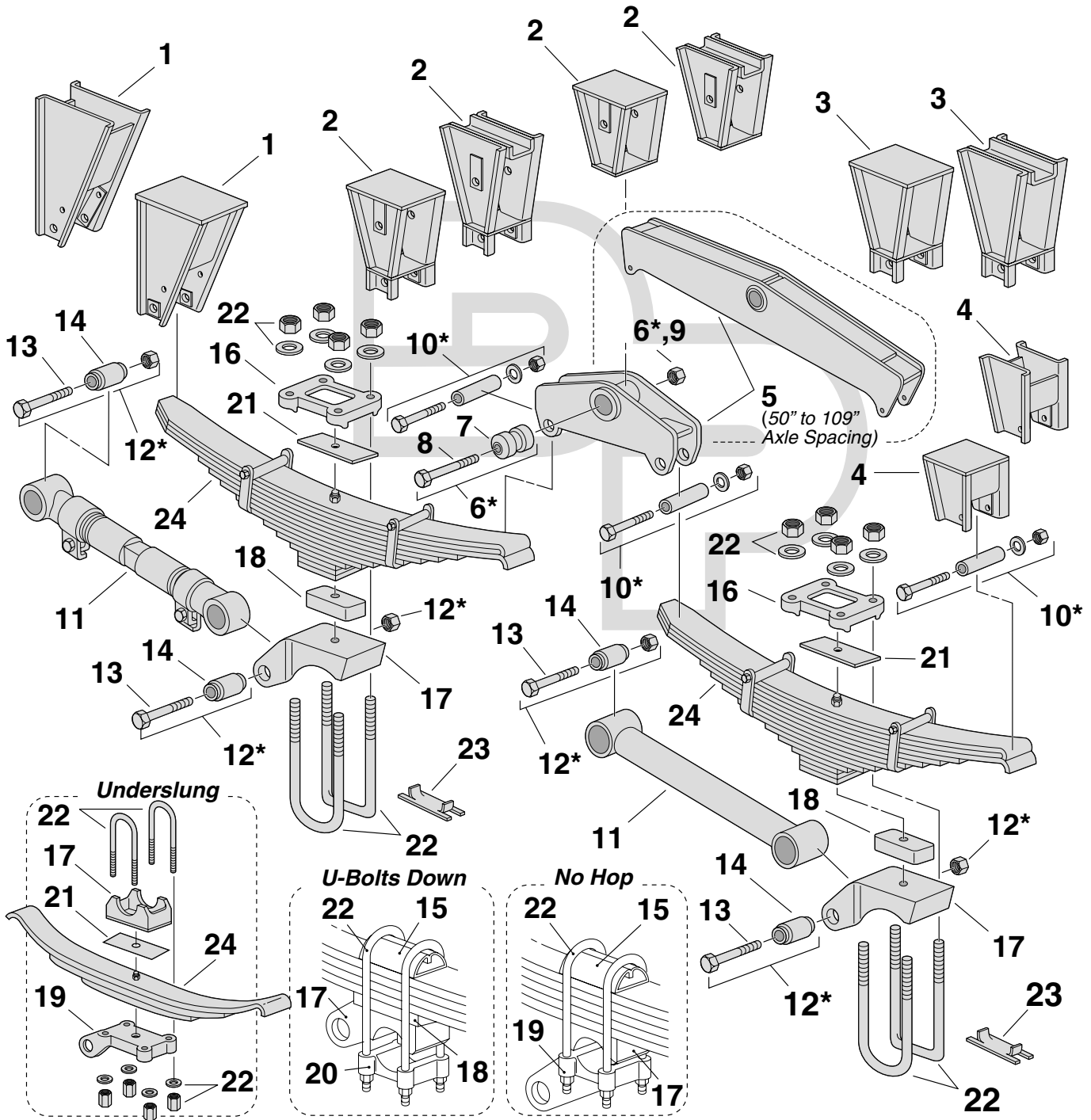
**Key 12* - Torque Rod
 Bolt & Bushing
 Assembly**

Key No.	Part Number	Description	No. Req.	OEM Reference	Remarks	
1	SP	Hanger, Front; LH/RH	2	15095-01	Undermount	
	SP	Hanger, Front; LH/RH	2	14995-01	Straddlemount	
2	SP	Hanger, Center; LH/RH	2	15105-01	Undermount; 50", 54", 60", 63 1/2" & 65 1/2" Axle Spacing	
	SP	Hanger, Center; LH/RH	2	15062-01	Straddlemount; 50", 54", 60", 63 1/2" & 65 1/2" Axle Spacing	
●	338-1450	Hanger, Center; LH/RH	2	14688-01	Undermount; 72", 97" & 109" Axle Spacing	
	SP	Hanger, Center; LH/RH	2	15008-01	Straddlemount; 72", 97" & 109" Axle Spacing	
3	SP	Bracket, Attachment; Torque Rod	2	15100-01	Undermount; 72", 97" & 109" Axle Spacing	
	SP	Bracket, Attachment; Torque Rod	2	15005-01	Straddlemount; 72", 97" & 109" Axle Spacing	
4	SP	Hanger, Rear; LH/RH	2	15098-01	Undermount	
	SP	Hanger, Rear; LH/RH	2	14999-01	Straddlemount	
●	338-1447	Equalizer	2	14689-01	50" Axle Spacing	
	338-1674	Equalizer	2	14693-01	54" Axle Spacing	
	338-1448	Equalizer	2	14696-01	60" Axle Spacing	
	338-1675	Equalizer	2	14700-01	63 1/2" & 65 1/2" Axle Spacing	
	338-1676	Equalizer	2	14763-01	72" Axle Spacing	
	SP	Equalizer	2	14764-01	97" Axle Spacing	
	SP	Equalizer	2	14765-01	109" Axle Spacing	
6	334-1264	Assembly, Shaft & Bushing	2		Incl. 321-305 Bushing, 334-1027 Shaft & Lock Nut	
✓✓●	7	321-305	Bushing	2	14682-01	
✓✓	8	334-1027	Shaft; 1 1/4"-12 x 7 3/4"Lg	2	14683-01	
9	SLN-108	Nut, Lock; 1 1/4"-12	2			
10	334-812	Assembly, Bolt; Rebound; 1/2"-13 x 5"Lg	8	T1703	Incl. Bolt, 3 5/16"Lg Tube & Hdwe.	
●	11	SP	Assembly, Torque Rod; Rigid; Front; All	2	Various	Specify Length or Use Appropriate Adjustable Rod
	345-703	Torque Rod, Adjustable; 12 3/4"-15"Lg	2	16031-01	All Axle Spacings; Incl. 321-304 & 321-153 Bushings	
	345-704	Torque Rod, Adjustable; 19 1/2"-21 3/4"Lg	2	16032-01	Rear; 50" Axle Spacing; Incl. 321-304 & 321-153 Bushings	
	345-705	Torque Rod, Adjustable; 21 3/4"-24"Lg	2	16033-01	Rear; 54" Axle Spacing; Incl. 321-304 & 321-153 Bushings	
	345-706	Torque Rod, Adjustable; 24"-26 1/4"Lg	2	16034-01	Rear; 60" Axle Spacing; Incl. 321-304 & 321-153 Bushings	
●	345-707	Torque Rod, Adjustable; 26 1/4"-28 1/2"Lg	2	16035-01	Rear; 63 1/2" & 65 1/2" Axle Spacing; Incl. 321-304 & 321-153 Bushings	
✓✓	12	334-247	Assembly, Bolt & Bushing	4		Seat End; Incl. 321-153 Bushing, 334-244 Bolt & Lock Nut
	334-1030	Assembly, Bolt & Bushing	4		Hanger End; Incl. 321-304 Bushing, 334-244 Bolt & Lock Nut	
✓	13	334-244	Bolt; 7/8"-9 x 5 1/2"Lg	8	10033-01	
✓✓●	14	321-153	Bushing; 7/8"ID x 1 29/32"OD x 3"Lg	4	09729-01	Seat End
●		321-153U	Bushing, Urethane	4		
●		321-304	Bushing	4	10051-01	Hanger End
✓✓●	15	338-381	Saddle, U-Bolt; 3"W x 7 1/2"Lg - Fabricated	4	0077-00	Can Use 338-200; All Axles, U-Bolts Down
●	16	SP	Plate, Top; 5" Round Axles	4	T7178	U-Bolts Up
		SP	Plate, Top; 4" x 6" Axles	4	09987-01	U-Bolts Up
	338-203	Plate, Top Clamp; U-Bolt; 3 7/8"W x 5 7/8" c/c, 5" Rd. & Eaton 5" Sq. Axles	4	T5488	U-Bolts Up	
	338-1530	Plate, Top; 5" Square Axles	4	T-1734	U-Bolts Up	

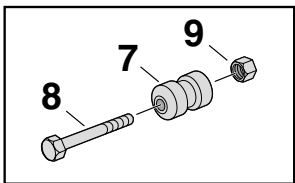
Model 83 (Canada)
(50" - 109" Axle Spacing)
Trailer Four Spring Suspension

Reyco

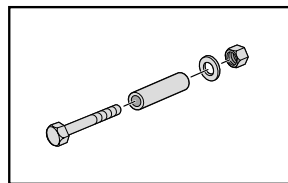
Reyco



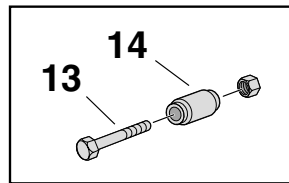
Suspension Illustration



Key 6* - Equalizer Shaft/Bushing Assembly



Key 10* - Rebound Bolt Assembly



Key 12* - Torque Rod Bolt & Bushing Assembly

Reyco

Model 83 (Canada) (50" - 109" Axle Spacing) Trailer Four Spring Suspension

Key No.	Part Number	Description	No. Req.	OEM Reference	Remarks	
●	338-238	Bracket, Seat; Torque Rod; ¾"; 5" Round Axle	4	T3013		
		Bracket, Seat/Torque Rod; 1 ½"; 5" Round Axles	4	15009-01		
	SP	Bracket, Seat/Torque Rod; 1"; 5" Square Axles	4	13046-01		
	SP	Bracket, Seat/Torque Rod; 1"; 4" x 6" Axles	4	09822-01		
	338-739	Seat; ¾"; No Hop	2/4	10114-01, T3329		No Hop or Underslung
●	338-212	Bracket, Seat; Torque Rod; 5" Square Axles; No Hop	2/4	09103-01	No Hop or Underslung	
		SP	Seat; 4" x 6" Axles	4	10292-01	Underslung
✓	338-221	Spacer; 3"W x 7 ½"Lg x 1"Thk	4	T7716		
	338-222	Spacer; 3"W x 7 ½"Lg x 1 ½"Thk	4	T7654		
✓	338-223	Spacer; 3"W x 7 ½"Lg x 2"Thk	4	T7655		
	SP	Bracket, Torque Rod/Axle; 5" Round Axles	2	15638-01	No Hop	
		Bracket, Torque Rod/Axle; All Axles	4	11791-01	Underslung	
	SP	Plate, Bottom; 5" Round Axles	4	T5514	U-Bolts Down	
●		338-471	Plate, Bottom Clamp; U-Bolt; 5" Square Axle, ¾" U-Bolts	4	09229-01	U-Bolts Down
●	338-470	Plate, Bottom Clamp; U-Bolt; 4"x 6" Axle	4	09230-01	U-Bolts Down	
	SP	Liner, Spring	4	T5166	1 & 3 Leaf Springs	
	361-568	Kit, U-Bolt; Round Bend, Grade 8	8	08509-01	7/8" x 5 1/8" x 10 7/8" R	
✓		361-258	Kit, U-Bolt; Round Bend, Grade 8	8	08511-01	7/8" x 5 1/8" x 11 7/8" R
		361-559	Kit, U-Bolt; Round Bend, Grade 8	8	08512-01	7/8" x 5 1/8" x 12 7/8" R
✓		361-254	Kit, U-Bolt; Round Bend, Grade 8	8	08515-01	7/8" x 5 1/8" x 13 7/8" R
		361-558	Kit, U-Bolt; Round Bend, Grade 5	8	08520-01	7/8" x 5 1/8" x 15 7/8" R
		361-509	Kit, U-Bolt; Round Bend, Grade 5	8	08525-01	7/8" x 5 1/8" x 17 7/8" R
	See Chart	Kit, U-Bolt	8		See Chart on Page 1051	
●	338-220	Clip, U-Bolt; 5" Square Axle	8	T5587	Obsolete	
●	338-219	Clip, U-Bolt; 4"x 6" Axle	8	T7560	Obsolete	
	Spring Assembly	Assembly, Spring	4		See Leaf Spring Web Catalog for Details	

Reyco

Parts Listing

Models 86/88/89 Trailer Four Spring Suspensions

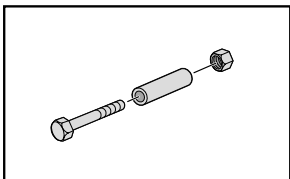
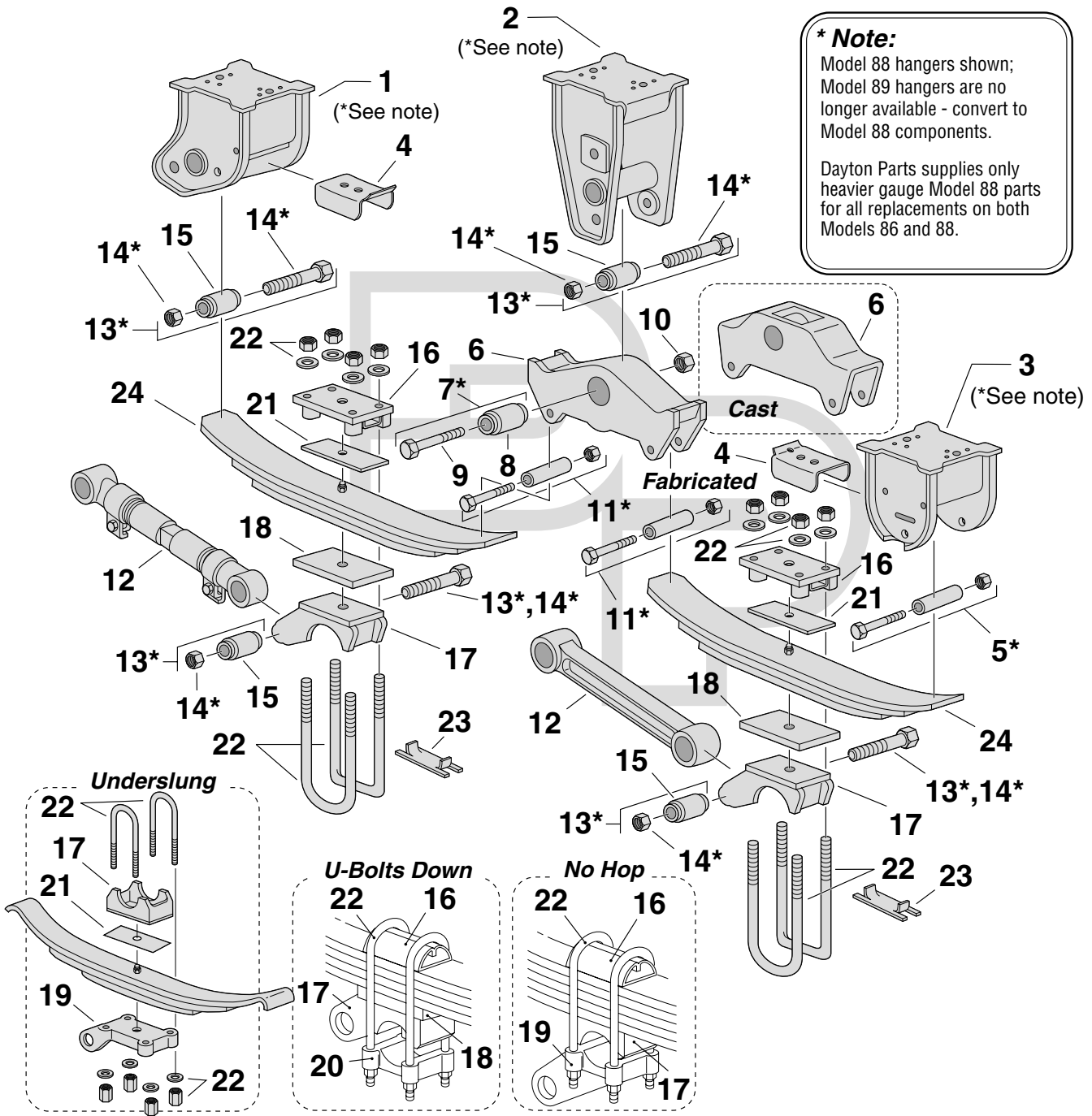
Reyco

Reyco

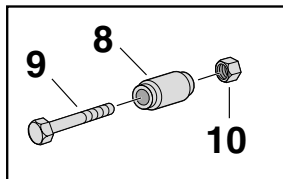
*** Note:**
Model 88 hangers shown;
Model 89 hangers are no
longer available - convert to
Model 88 components.

Dayton Parts supplies only
heavier gauge Model 88 parts
for all replacements on both
Models 86 and 88.

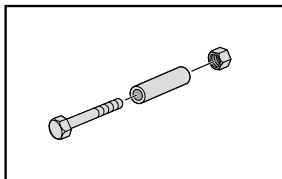
Suspension Illustration



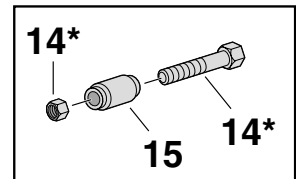
Key 5* - Rebound Bolt Assembly



Key 7* - Equalizer Bolt & Bushing Assembly



Key 11* - Rebound Bolt Assembly



Key 13* - Torque Rod Bolt & Bushing Assembly

Key No.	Part Number	Description	No. Req.	OEM Reference	Remarks
✓ ● 1	338-373	Hanger; Undermount	2	0084-00, 0049-00	Model 88; 0.229 Thk; Replaces Model 86 & 89 Hangers
✓ ●	338-1409	Hanger; LH	1	0400-01, 0311-01	Flangemount
✓ ●	338-1410	Hanger; RH	1	0400-02, 0311-02	Flangemount
●	338-1456	Hanger; Straddlemount	2	0046-20, 0046-00	
✓ ● 2	338-374	Hanger; Undermount	2	0088-00, 0065-00	Model 88; 0.229 Thk; Replaces Model 86 & 89 Hangers
●	338-2078	Hanger; Undermount	2	1370-00	Model 88 STRESS-TEK®; Undermount
✓ ●	338-1411	Hanger; Flangemount	2	0400-00, 0312-00	
●	338-1457	Hanger; Straddlemount	2	0062-00, 0062-20	
✓ ● 3	338-375	Hanger; Undermount	2	0086-00, 0053-00	Model 88; 0.229 Thk; Replaces Model 86 & 89 Hangers
✓ ●	338-1412	Hanger; LH	1	0402-01, 0313-01	Flangemount
✓ ●	338-1413	Hanger; RH	1	0402-02, 0313-02	Flangemount
●	338-1453	Hanger; Straddlemount	2	0051-20, 0051-00	
✓ ✓ ● 4	338-376	Pad, Wear; Steel	4	0045-00	
●	334-1951	Pad, Wear; Abrasion Resistant	4	1216-00	
✓ ✓ 5	334-630	Assembly, Bolt; Rebound; 5/8"-18 x 5 1/8"Lg	2	0741-05	Models 86 & 88; After 07/01/85; Incl. Bolt, 3 1/8"Lg Tube & Lock Nut
	334-312	Assembly, Bolt; Rebound; 1/2"-20 x 5 1/2"Lg	2		Incl. Bolt, 3 1/4" Tube & Lock Nut
✓ ✓ ● 6	338-378	Assembly, Equalizer; Fabricated	2	0650-00	49" Axle Spacing; Incl. 321-194 Bushing
✓ ●	338-871	Assembly, Equalizer; Cast	2	0850-00	Incl. 321-194 Bushing
	338-2425	Assembly, Equalizer	2	0841-00	60 1/2" Axle Spacing
✓ 7	334-628	Assembly, Bolt & Bushing	2	0649-04	Incl. 321-194 Bushing, 334-317 Bolt & 334-317 Nut
✓ ● 8	321-194	Bushing; 1"ID x 3 29/64"OD x 4"Lg	2	0649-02	
●	321-194U	Bushing, Urethane	2		
✓ ✓ 9	334-317	Bolt; 1"-14 x 6 1/2"Lg	2	0001-14	
✓ ✓ 10	334-319	Nut, Flange Lock; 1"-14	2	0274-01	
✓ ✓ 11	334-343	Assembly, Bolt; Rebound; 5/8"-18 x 4 1/2"Lg	4	0741-00	Incl. Bolt, Tube and Lock Nut
✓ ✓ ● 12	345-157	Torque Rod, Adjustable; 18 1/4"-21 1/2"Lg	2	1035-20	Model 86 & 88; 49" Axle Spacing; Front & Rear; Incl. (2)321-153 Bushings
✓ ✓ ●	345-158	Torque Rod, Rigid; 19 7/8"Lg c/c	2	0075-20	Model 86 & 88; 49" Axle Spacing, Front & Rear; 54"-121", Front; Incl. (2)321-153 Bushings
✓ ✓ 13	334-316	Assembly, Bolt & Bushing	8	0022-01	Model 86 & 88; Incl. 321-153 Bushing & 334-315 Bolt Assy.
✓ ✓	334-565	Kit, Service; Torque Rod Bolt & Bushing	8		Model 89 Only; 2-pc. Tapered Bushings
✓ ✓ 14	334-315	Assembly, Bolt; 7/8"-14 x 5 1/4"Lg	8	0001-08	Incl. Bolt & Flanged Lock Nut
✓ ✓ ● 15	321-153	Bushing; 7/8"ID x 1 29/32"OD x 3"Lg	8	09729-01	
●	321-153U	Bushing, Urethane	8		
● 16	338-203	Plate, Top Clamp; U-Bolt; 3 7/8"W x 5 7/8" c/c - 5" Rd. & Eaton 5" Sq. Axles	4	T7175	U-Bolts Up; Replaces 338-379
✓ ✓ ●	338-381	Saddle, U-Bolt; 3"W x 7 1/2"Lg; Fabricated	4	1606-00, 0077-00	All Axles; U-Bolts Down
✓ ●	338-200	Saddle, U-Bolt; 3"W x 7 3/4"Lg x 1 3/4"H	4	08677-01	All Axles; U-Bolts Down

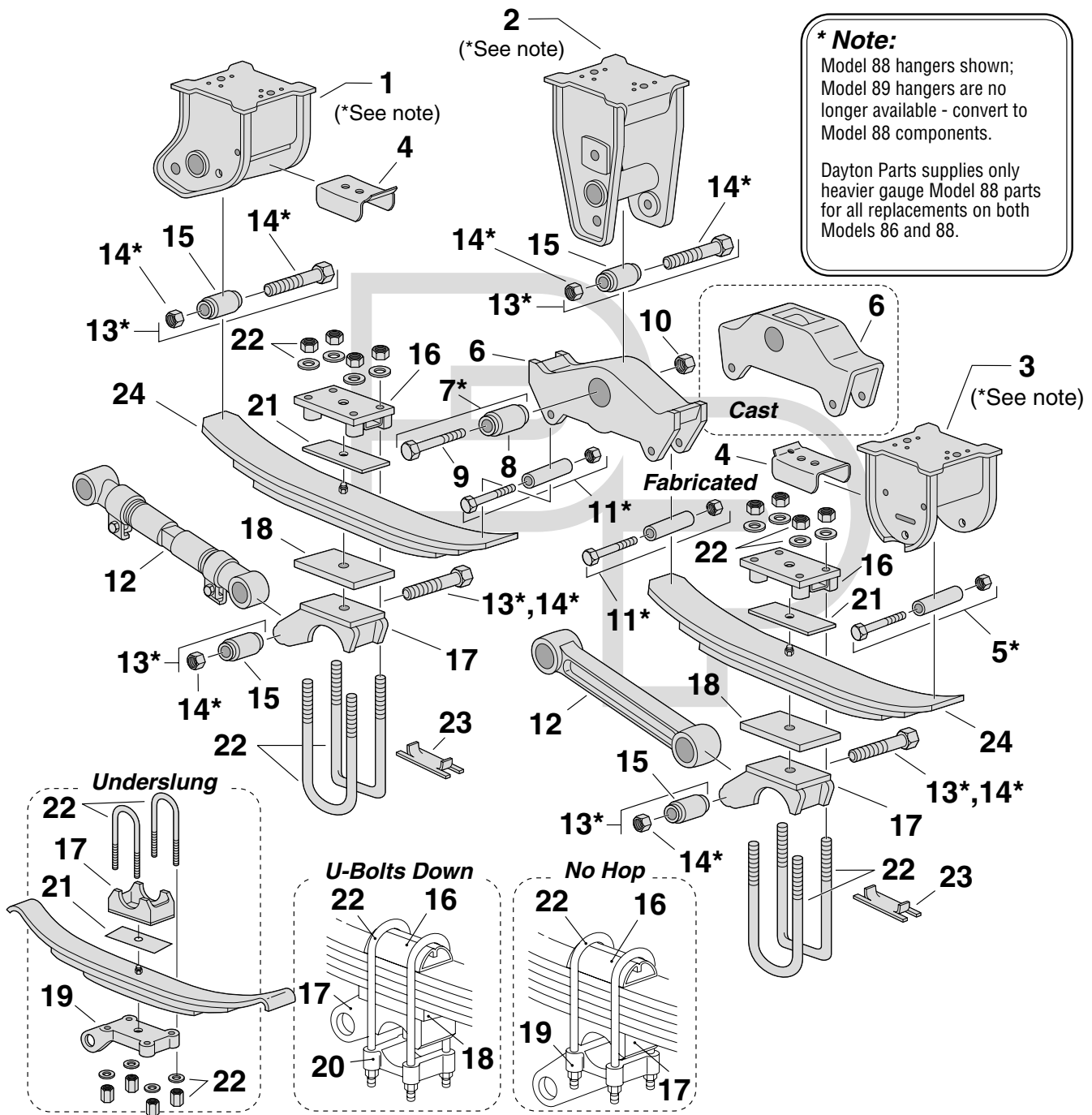
**Models 86/88/89
Trailer Four Spring
Air Suspensions**

Reyco

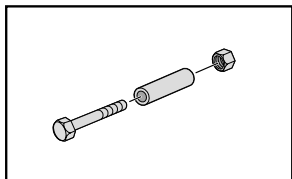
Reyco

*** Note:**
Model 88 hangers shown;
Model 89 hangers are no
longer available - convert to
Model 88 components.

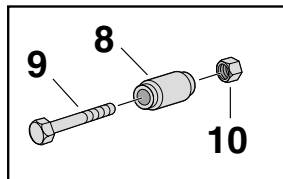
Dayton Parts supplies only
heavier gauge Model 88 parts
for all replacements on both
Models 86 and 88.



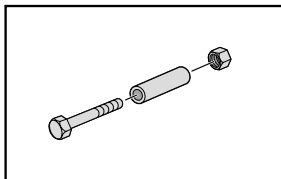
Suspension Illustration



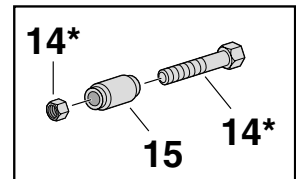
Key 5* - Rebound Bolt Assembly



Key 7* - Equalizer Bolt & Bushing Assembly



Key 11* - Rebound Bolt Assembly



Key 13* - Torque Rod Bolt & Bushing Assembly

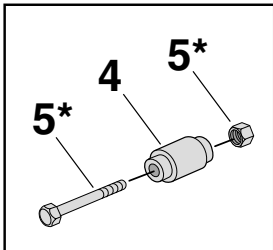
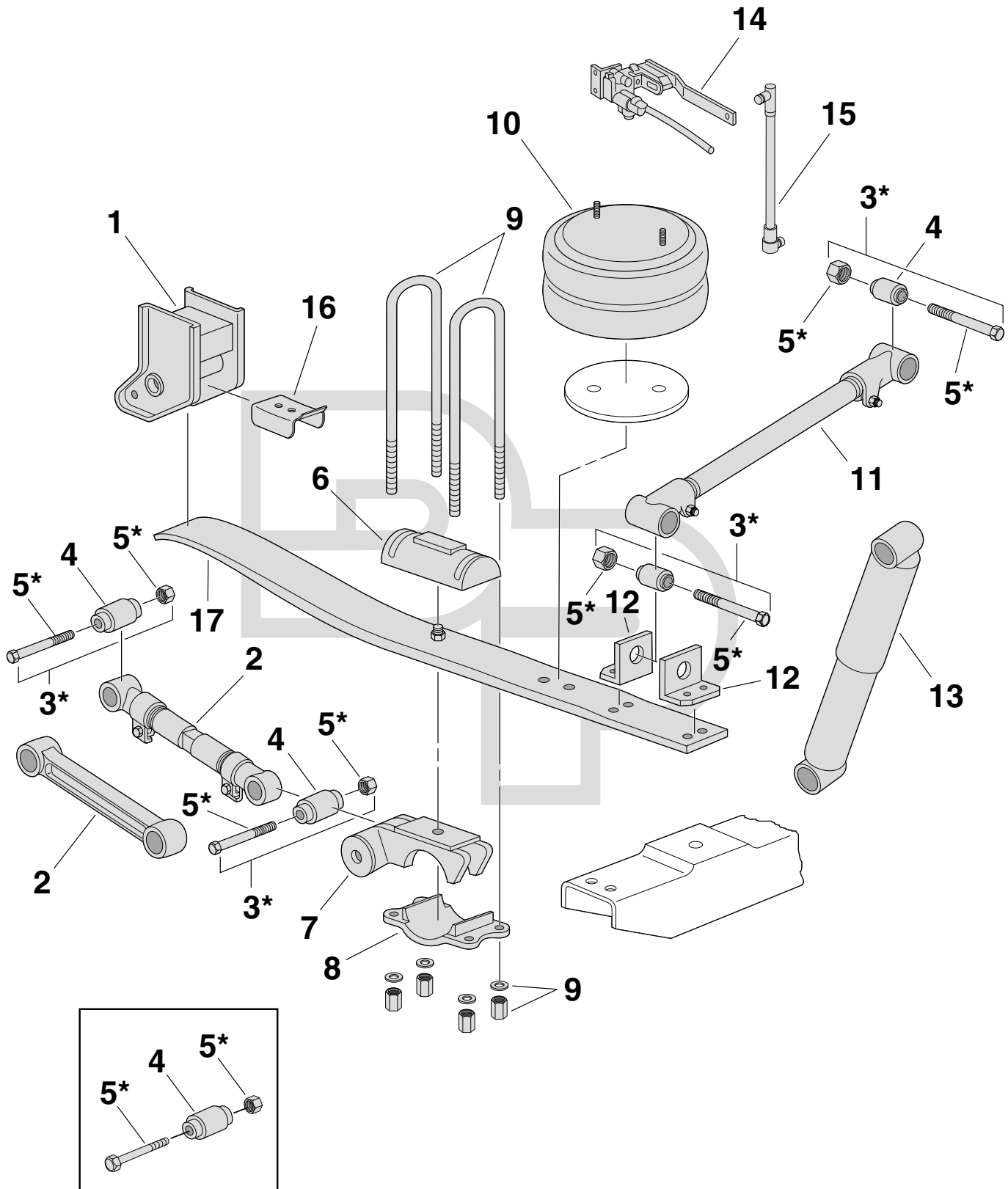
Key No.	Part Number	Description	No. Req.	OEM Reference	Remarks
✓ ●	17	338-1459 Bracket, Torque Rod/Seat	4	0636-02	
✓ ●		338-1378 Bracket, Torque Rod/Seat; 3"; 5" Round	4	0636-03	
●		338-1817 Bracket, Torque Rod/Seat; 2"; 5" Square Axles	4	0632-02	
●		338-384 Bracket, Torque Rod Seat; Fabricated; 1"; 5" Square Axle	4	0632-01	U-Bolts Up or Down
●		338-386 Bracket, Torque Rod Seat; Fabricated; 1"; 4"x 6" Axle	4	0638-01	
●		338-1458 Bracket, Torque Rod/Seat	4	0638-02	
✓✓ ●		338-382 Bracket, Torque Rod Seat; Fabricated; 1"; 5" Round Axle	4	0636-01	
●		338-383 Seat; Fabricated; 1"; 5" Round Axles	4/2	0637-01	Underslung & No Hop
●		338-1377 Seat; Fabricated; 3"; 5" Round Axles; No Hop	4/2	0637-03	Underslung & No Hop
●		338-385 Seat; 1"; 5" Square Axles; Fabricated	4/2	0635-01	Underslung & No Hop
	18	338-396 Spacer; 3"W x 7"Lg x 1/2"Thk, 13/16" Hole	4	T7555	
		338-397 Spacer; 3"W x 7"Lg x 3/4"Thk, 13/16" Hole	4	T7850	14"-15" Ride Hgt.
✓		338-221 Spacer; 3"W x 7 1/2"Lg x 1"Thk	4	T7716	
●	19	338-393 Bracket, Stabilizer; 5" Round Axles; No Hop	2	0415-00	No Hop
		SP Bracket, Torque Rod/Axle; 5" Square Axles	2	0416-00	No Hop
●		338-391 Bracket, Bottom Clamp Plate; Torque Rod; Underslung	4	0858-00	Underslung; 3 & 8 Leaf Springs
	20	338-388 Plate, Bottom Clamp; U-Bolt; 5" Round Axle; Fabricated	4	0538-00	Use 338-415
		338-389 Plate, Bottom Clamp; U-Bolt; 5" Square Axle; Fabricated	4	0149-00	Use 338-471
●		338-390 Plate, Bottom Clamp; U-Bolt; 4"x 6" Axle; Fabricated	4	0150-00	
	21	GL-295 Liner; 2 7/8" x 8"Lg w/ 7/8" Hole	4		
✓✓	22	361-218 Kit, U-Bolt; Round Bend, Grade 5	8	0078-14	7/8" x 3" x 14 1/2" R
✓✓		361-168 Kit, U-Bolt; Round Bend, Grade 8	8	0078-16	7/8" x 3" x 16 1/2" R
✓		361-250 Kit, U-Bolt; Round Bend, Grade 5	8	0078-18	7/8" x 3" x 18-1/2" R
✓		361-258 Kit, U-Bolt; Round Bend, Grade 8	8	0102-12	7/8" x 5 1/8" x 11 7/8" R
✓		361-254 Kit, U-Bolt; Round Bend, Grade 8	8	0102-14	7/8" x 5 1/8" x 13 7/8" R
		361-558 Kit, U-Bolt; Round Bend, Grade 5	8	0102-16	7/8" x 5 1/8" x 15 7/8" R
		See Chart Kit, U-Bolt	8		See Chart on Page 1051
●	23	338-219 Clip, U-Bolt; 4"x 6" Axle	8	T5760	Obsolete
●		338-220 Clip, U-Bolt; 5" Square Axle	8		Obsolete
	24	Spring Assembly Assembly, Spring	4		See Leaf Spring Web Catalog for Details

**86AR
Single/Tandem Axle
Trailer Air Suspension**

Reyco

Reyco

Suspension Illustration



Key 3* - Torque Rod Bolt & Bushing Assembly

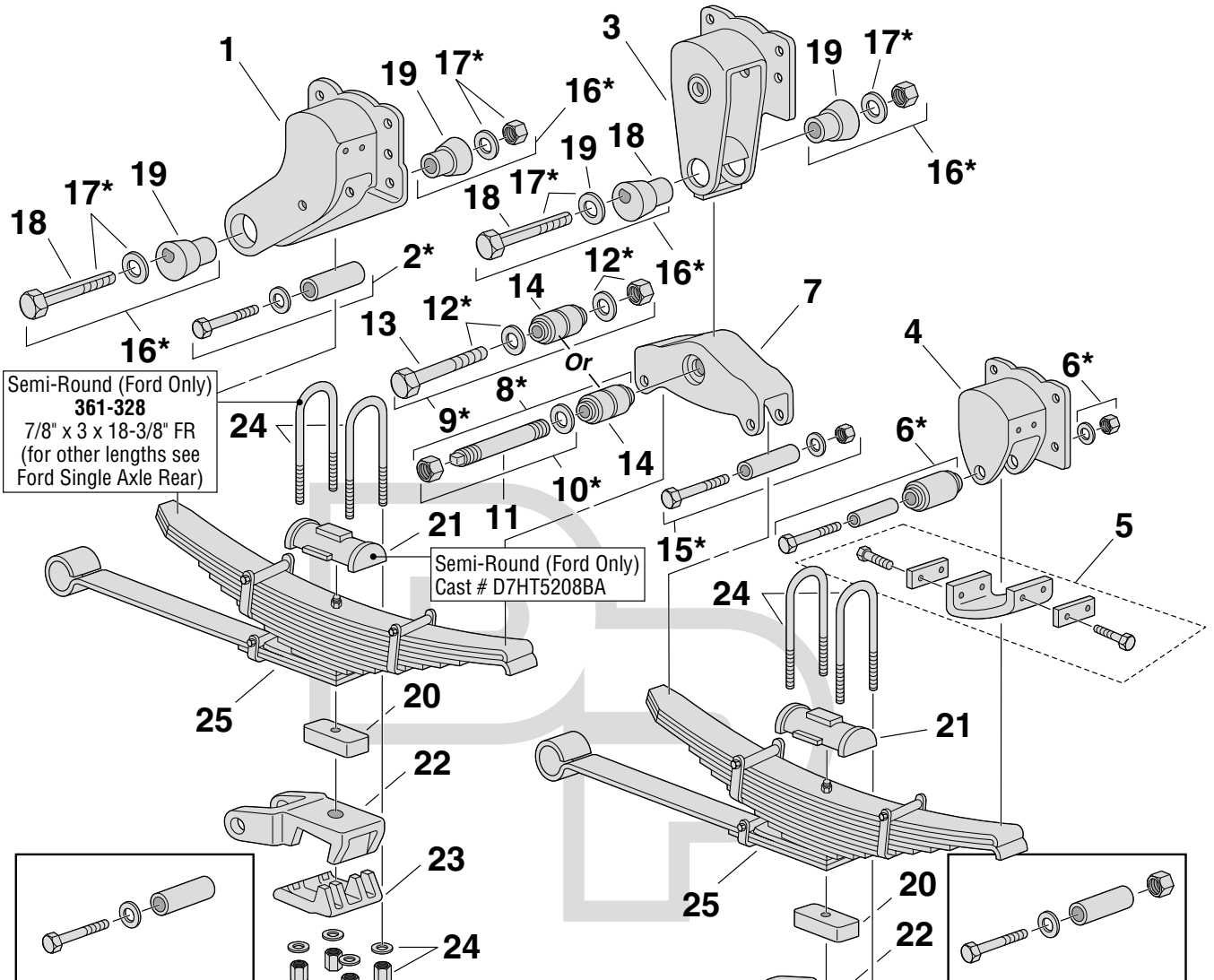
Key Numbers with an asterisk (*) indicate a kit or assembly.

Key No.	Part Number	Description	No. Req.	OEM Reference	Remarks
	1 338-1454	Hanger; Straddlemount	2	1502-00, 1605-00	Heavy Duty
✓✓●	2 345-157	Torque Rod, Adjustable; 18 1/4"-21 1/2"Lg	1	1035-20	Incl. 321-153 Bushings
✓●	345-158	Torque Rod, Rigid; 19 7/8"Lg c/c	1	0075-20	Incl. 321-153 Bushings
✓	3 334-316	Assembly, Bolt & Bushing	6	0022-01	Incl. 321-153 Bushing & 334-315 Bolt Assy.
✓✓●	4 321-153	Bushing; 7/8"ID x 1 29/32"OD x 3"Lg	6	09729-01	
●	321-153U	Bushing, Urethane	6		
	5 334-315	Assembly, Bolt; 7/8"-14 x 5 1/4"Lg	6	0001-08	Incl. Bolt & Flanged Lock Nut
✓●	6 338-200	Saddle, U-Bolt; 3"W x 7 3/4"Lg x 1 3/4"H	2	08677-01	7/8" or 3/4" U-Bolts Down
	7 SP	Seat, Axle	2	18875-XX	Specify Height & Axle Type
	8 338-388	Plate, Bottom Clamp; U-Bolt; 5" Round Axle; Fabricated	2	0538-00	Use 338-415
	338-389	Plate, Bottom Clamp; U-Bolt; 5" Square Axle; Fabricated	2	0149-00	Use 338-471
✓✓	9 361-248	Kit, U-Bolt; Round Bend, Grade 5	4	21090-125	7/8" x 3" x 12 1/2" R
✓✓	361-218	Kit, U-Bolt; Round Bend, Grade 5	4	21091-140	7/8" x 3" x 14 1/2" R
	361-492	Kit, U-Bolt; Round Bend, Grade 5	4		7/8" X 3 X 16 1/2" R
	361-589	Kit, U-Bolt; Round Bend, Grade 8	4		7/8" x 3" x 12 1/2" R
	361-374	Kit, U-Bolt; Round Bend, Grade 8	4	08496-01	7/8" x 3" x 14 1/2" R
✓✓	361-168	Kit, U-Bolt; Round Bend, Grade 8	4	08501-01, 09709-01	7/8" x 3" x 16 1/2" R
	See Chart	Kit, U-Bolt	4		See Chart on Page 1051
	10 354-7555	Air Spring	2	18813-01, 20018-01	
	11 345-768	Rod, Track; Rigid	1	20012-01	42" Frame; Incl. 321-153 Bushings
●	345-709	Torque Rod, Adjustable; 37 1/2"-39 3/4"Lg	1	17857-01	42" Frame; Incl. 321-153 Bushings
●	345-902	Rod, Track; Rigid; 44"Lg c/c	1	10910-01	48" Frame; Incl. 321-153 bushings
●	345-710	Torque Rod, Adjustable; 42"-44 1/4"Lg	1	18869-01	48" Frame; Incl. 321-153 Bushings
●	12 338-1460	Bracket, Track Rod	2	21491-01	Fabricated
●	334-1952	Kit, Service; Track Rod Bracket	1	TK21962	Incl. Brackets & Hdwe.
✓✓	13 M66884	Shock Absorber	2		See Shock Catalog for Model Specific Applications
✓✓●	14 334-750	Valve, Height Control; Universal	1		
✓●	15 334-751	Linkage Assembly; Universal; Adjustable	1		3 5/8"-19 5/8" Range; Use w/All Height Control Valves
●	16 334-1953	Pad, Wear	2	22660-01	Also Used on Model 99
	17 TRA-074	Spring; LH	1	19913-01	See Leaf Spring Web Catalog for Details
	TRA-075	Spring; RH	1	19914-01	See Leaf Spring Web Catalog for Details

Model 101
 (Torque Leaf)
Tractor Four Spring Suspension

Reyco

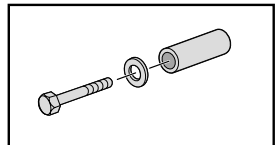
Reyco



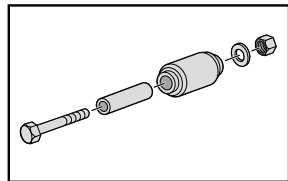
Semi-Round (Ford Only)
361-328
 7/8" x 3 x 18-3/8" FR
 (for other lengths see
 Ford Single Axle Rear)

Semi-Round (Ford Only)
 Cast # D7HT5208BA

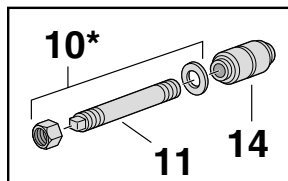
Suspension Illustration



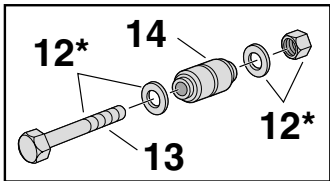
Key 2* - Rebound Bolt Kit



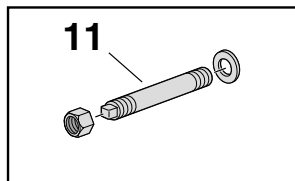
Key 6* - Rebound Bolt Assembly



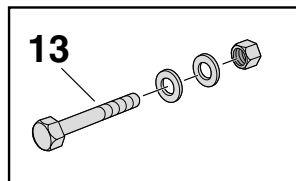
Key 8* - Equalizer Shaft & Bushing Assembly



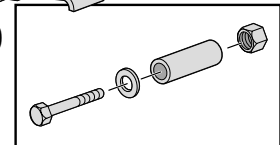
Key 9* - Equalizer Bolt & Bushing Assembly



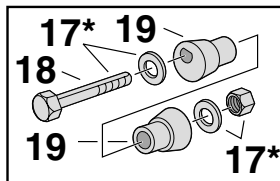
Key 10* - Equalizer Shaft Assembly



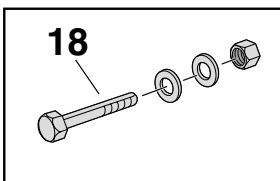
Key 12* - Equalizer Bolt Assembly



Key 15* - Rebound Bolt Assembly



Key 16* - Torque Rod Bolt & Bushing Assembly



Key 17* - Torque Rod Bolt Assembly

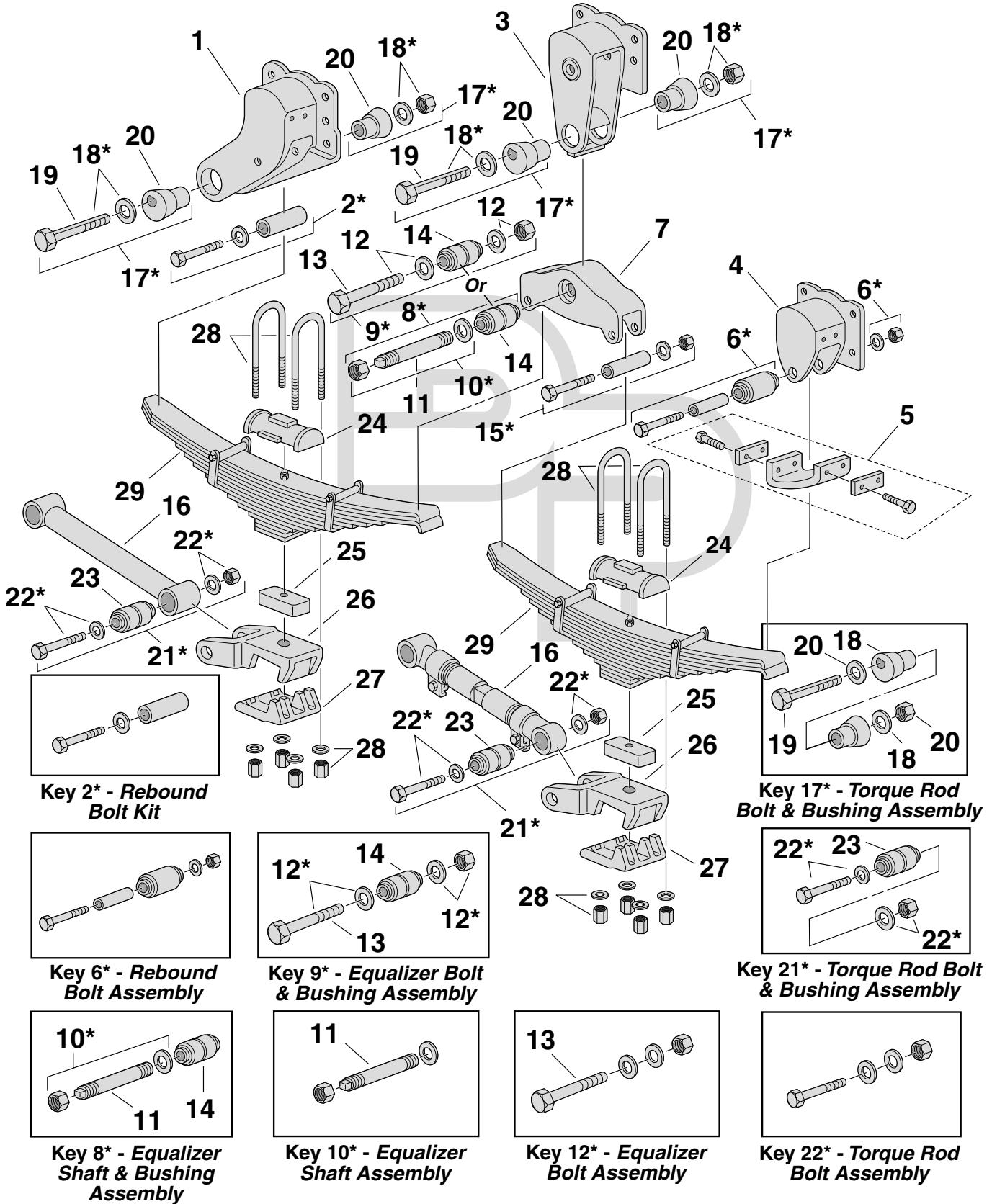
Key No.	Part Number	Description	No. Req.	OEM Reference	Remarks
1	338-294	Hanger; LH; Standard Drill*	1	10105-01	Casting No. 11123-00
	338-295	Hanger; RH; Standard Drill*	1	10106-01	Casting No. 11124-00
	338-261	Hanger; LH; Undrilled	1	10185-01	
	338-262	Hanger; RH; Undrilled	1	10184-01	
2	334-270	Assembly, Bolt; Rebound; 1/2"-20 x 4 1/2"Lg	2		Incl. Bolt, Tube & Lock Washer
3	338-296	Hanger; Standard Drill*	2	10107-01	Casting No. 09610-00
	338-263	Hanger; Undrilled	2	10186-01	
● 4	338-297	Hanger; LH; Standard Drill*	1	10111-01	Casting No. 11125-00
	338-298	Hanger; RH; Standard Drill*	1	10110-01	Casting No. 11126-00
	338-264	Hanger; LH; Undrilled	1	10189-01	
	338-265	Hanger; RH; Undrilled	1	10190-01	
✓ ● 5	334-276	Pad, Wear	2	TK14168	Incl. Pad, Clamp Plates & Screws
6	334-272	Assembly, Bolt; Rebound; 1/2"-20 x 5 1/2"Lg	2		Incl. Bush., Bolt, Tube, Rubber Roller & Lock Nut
✓✓ ● 7	338-300	Assembly, Equalizer	2	09120-01	Model 101; Standard; Pre-1984; Casting No. 08917-01, 12857-01
✓✓ ●	338-724	Assembly, Equalizer	2	14723-01	Model 101; Standard; 1984 & After; Casting No. 08917-01, 12857-01
●	338-343	Assembly, Equalizer	2	08996-01	Model 101; Ford, Pre-1984; Use 338-328
	338-328	Assembly, Equalizer	2	08918-01	Model 101; Ford, 1984 & After; GMC, All; Casting No. 08917-01, 12857-01
✓	334-243	Assembly, Shaft & Bushing; Standard	2	TK19056	<1984; Incl. 334-240 Shaft Assy. & 321-152 Bush.
	334-1012	Assembly, Shaft & Bushing; Standard	2	TK19165	1984 & After; Incl. 334-240 Shaft Assy. & 321-191 Bushing
9	334-293	Assembly, Bolt & Bushing	2		GMC, All; Ford, 1984 & Up; Incl. 321-159 Bushing & 334-292 Bolt Assembly
✓✓	334-240	Assembly, Shaft; Standard	2		Incl. Shaft, Nut & Lock Washer
●	334-239	Shaft, Equalizer; Standard; 1 1/2"OD x 8"Lg	2	08686-01	1 7/16-12 Threads BE
12	334-292	Assembly, Bolt; 1 1/4"-12 x 8 7/8"Lg	2		Ford & GMC; Incl. Bolt, Washers & Lock Nut
13	334-289	Bolt; 1 1/4"-12 x 8 7/8"Lg	2	10949-01	GMC, All; Ford, 1984 & Up
✓ ●	321-152	Bushing; 1 1/2"ID x 3 1/8"OD x 4 7/16"Lg	2	08363-01	Reyco Standard; Pre-1984; w/Slots
✓ ●	321-191	Bushing; 1 1/2"ID x 3 1/8"OD x 4 1/2"Lg	2	14713-01	Reyco Standard; 1984 & Up; No Slots
	321-191U	Bushing, Urethane	2		
✓ ●	321-159	Bushing; 1 1/4"ID x 3 1/8"OD x 4 15/32"Lg	2	08915-01, 08995-01	GMC, All; Ford, 1984 & Up
✓	334-201	Kit, Rebound; 1/2"-20 x 4 3/4"Lg	4	TK19011	Incl. Tube, Bolt, Washer & Nut
✓✓	334-285	Assembly, Bolt & Bushing	4		Incl. 334-284 & 321-157 Bushings
17	334-284	Assembly, Bolt	4		Incl. 334-642 Bolt, Washers & Lock Nut
●	334-642	Bolt, Flat Side	4	17210-01	
✓✓ ●	321-157	Bushing; 1 1/16"ID x 1 13/16"OD x 2 7/8"Lg	8	T1723	Eccentric Type Bushing
●	321-157U	Bushing, Urethane	8		
20	338-396	Spacer; 3"W x 7"Lg x 1/2"Thk, 13/16" Hole	4	T7555	
	338-397	Spacer; 3"W x 7"Lg x 3/4"Thk, 13/16" Hole	4		
	338-222	Spacer; 3"W x 7 1/2"Lg x 1 1/2"Thk	4	T7654	
	338-221	Spacer; 3"W x 7 1/2"Lg x 1"Thk	4	T7716	
	338-223	Spacer; 3"W x 7 1/2"Lg x 2"Thk	4	T7655	
✓ ●	338-200	Saddle, U-Bolt; 3"W x 7 3/4"Lg x 1 3/4"H	4	08677-01	7/8" or 3/4" U-Bolts Down
	◆	Plate, Top	4	D7HT5708BA	Ford Only w/Semi-Round U-Bolts
22	SP	Seat, Axle	4		Specify Axle Model & Angle
23	SP	Plate, Bottom	4		Specify Axle Model & Angle
✓	361-196	Kit, U-Bolt; Round Bend, Grade 8	8	09744-01	3/4" x 3" x 15 5/8" R
	361-262	Kit, U-Bolt; Round Bend, Grade 8	8	09752-01	3/4" x 3" x 18 5/8" R
	361-539	Kit, U-Bolt; Round Bend, Grade 8	8	11330-01	3/4" x 3" x 20 5/8" R
	361-328	Kit, U-Bolt; Special Bend, Grade 8	8	D1HZ5705C	7/8" x 3" x 18 3/8" FR; Ford Only
25	Spring Assembly	Assembly, Spring	4		See Leaf Spring Web Catalog for Details

* See Hanger Charts for OE Specific Drills.

Model 101A
 (Torque Rods)
Tractor Four Spring Suspension

Reyco

Reyco



Suspension Illustration

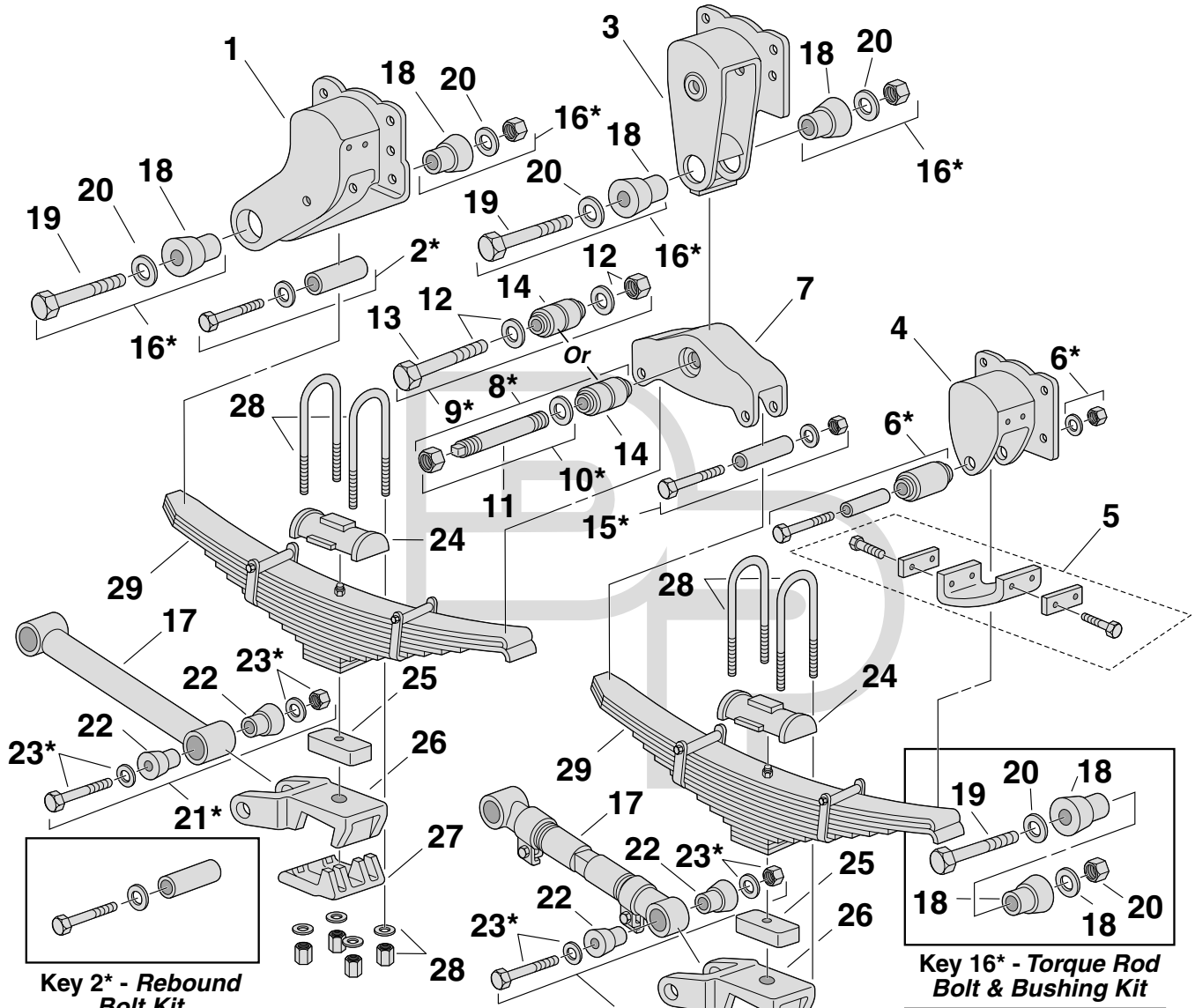
Key No.	Part Number	Description	No. Req.	OEM Reference	Remarks
1	338-294	Hanger; LH; Standard Drill*	1	10105-01	Casting No. 11123-00
	338-295	Hanger; RH; Standard Drill*	1	10106-01	Casting No. 11124-00
	338-261	Hanger; LH; Undrilled	1	10185-01	
	338-262	Hanger; RH; Undrilled	1	10184-01	
2	334-270	Assembly, Bolt; Rebound; 1/2"-20 x 4 1/2"Lg	2		Incl. Bolt, Tube & Lock Washer
3	338-296	Hanger; Standard Drill*	2	10107-01	Casting No. 09610-00
	338-263	Hanger; Undrilled	2	10186-01	
4	338-297	Hanger; LH; Standard Drill*	1	10111-01	Casting No. 11125-00
	338-298	Hanger; RH; Standard Drill*	1	10110-01	Casting No. 11126-00
	338-264	Hanger; LH; Undrilled	1	10189-01	
	338-265	Hanger; RH; Undrilled	1	10190-01	
5	334-276	Pad, Wear	2	TK14168	Incl. Pad, Clamp Plates & Screws
6	334-272	Assembly, Bolt; Rebound; 1/2"-20 x 5 1/2"Lg	2		Incl. Bolt, Tube, Rubber Roller & Lock Nut
7	338-1414	Assembly, Equalizer; Incl. 321-191	2	14743-01	Models 101A, 102, 102W; Standard; Casting No. 08917-01, 12857-01
	338-1415	Assembly, Equalizer; Incl. 321-159	2	12859-01	Models 101A, 102, 102W; GM & Ford; Casting No. 08917-01, 12857-01
8	334-1012	Assembly, Shaft & Bushing; Standard	2	TK19165	1984 & After; Incl. 334-240 Shaft Assy. & 321-191 Bushings
	334-243	Assembly, Shaft & Bushing; Standard	2	TK19056	<1984; Incl. 334-240 Shaft Assy. & 321-152 Bush.
9	334-293	Assembly, Bolt & Bushing	2		GMC, All; Ford, 1984 & After; Incl. 321-159 Bushing & 334-292 Bolt Assembly
10	334-240	Assembly, Shaft; Standard	2		Incl. Shaft, Nut & Lock Washer
11	334-239	Shaft, Standard Equalizer; 1 1/2"OD x 8"Lg	2	08686-01	1 7/16-12 Threads BE
12	334-292	Assembly, Bolt; 1 1/4"-12 x 8 7/8"Lg	2	10949-01	Ford & GMC; Incl. Bolt, Washers & Lock Nut
13	334-289	Bolt; 1 1/4"-12 x 8 7/8"Lg	2	10949-01	GMC, All; Ford, 1984 & Up
14	321-152	Bushing; 1 1/2"ID x 3 1/8"OD x 4 7/16"Lg	2	08363-01	Reyco Standard; Pre-1984; w/Slots
	321-191	Bushing; 1 1/2"ID x 3 1/8"OD x 4 1/2"Lg	2	14713-01	Reyco Standard; 1984 & Up; No Slots
	321-191U	Bushing, Urethane	2		
14	321-159	Bushing; 1 1/4"ID x 3 1/8"OD x 4 15/32"Lg	2	08915-01	GMC, All; Ford, 1984 & Up
15	334-201	Kit, Rebound; 1/2"-20 x 4 3/4"Lg	4	Tk19011	Incl. Tube, Bolt, Washer & Nut
16	345-147	Torque Rod, Rigid; 19 5/16"Lg c/c	4	10937-01	50" Axle Spacing; Tube Type; Incl. 321-153 Bushing
	345-148	Torque Rod, Rigid; 20 1/2"Lg c/c	4	11012-03	52" Axle Spacing; Cast; Incl. 321-153 Bushing
17	334-285	Assembly, Bolt & Bushing	4		Incl. 334-284 & (2)321-157 Bushings
18	334-284	Assembly, Bolt	4		Incl. 334-642 Bolt, Washers & Lock Nut
19	334-642	Bolt, Flat Side	4	17210-01	
20	321-157	Bushing; 1 1/16"ID x 1 13/16"OD x 2 7/8"Lg	8	T1723	Eccentric Type Bushing
	321-157U	Bushing, Urethane	8		
21	334-247	Assembly, Bolt & Bushing	4		Incl. 334-246 Bolt Assembly & 321-153 Bushing
22	334-246	Assembly, Bolt; 7/8"-9 x 5 1/2"Lg	4	10033-01	Incl. Bolt & Lock Nut
23	321-153	Bushing; 7/8"ID x 1 29/32"OD x 3"Lg	4	09729-01	
	321-153U	Bushing, Urethane	4		
24	338-200	Saddle, U-Bolt; 3"W x 7 3/4"Lg x 1 3/4"H	4	08677-01	7/8" or 3/4" U-Bolts Down
25	338-396	Spacer; 3"W x 7"Lg x 1/2"Thk, 13/16" Hole	4	T7555	
	338-397	Spacer; 3"W x 7"Lg x 3/4"Thk, 13/16" Hole	4	T7850	
25	338-221	Spacer; 3"W x 7 1/2"Lg x 1"Thk	4	T7716	
	338-222	Spacer; 3"W x 7 1/2"Lg x 1 1/2"Thk	4	T7654	
25	338-223	Spacer; 3"W x 7 1/2"Lg x 2"Thk	4	T7655	
	338-1440	Spacer; 1/4"	4	10599-01	
26	SP	Seat, Axle	4		Specify Axle Model & Angle
27	SP	Plate, Bottom	4		Specify Axle Model & Angle
28	361-196	Kit, U-Bolt; Round Bend, Grade 8	8	09744-01	3/4" x 3" x 15 5/8" R
	361-262	Kit, U-Bolt; Round Bend, Grade 8	8	09752-01	3/4" x 3" x 18 5/8" R
	361-539	Kit, U-Bolt; Round Bend, Grade 8	8	11000-01, 11330-01	3/4" x 3" x 20 5/8" R
	See Chart	Kit, U-Bolt	8		See Chart on Page 1051
29	Spring Assembly	Assembly, Spring	4		See Leaf Spring Web Catalog for Details

* See Hanger Charts for OE Specific Drills.

Model 102
 (Torque Rods)
Tractor Four Spring Suspension

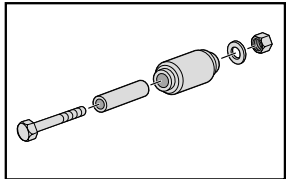
Reyco

Reyco

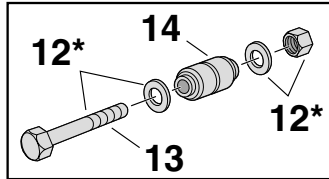


Key 2* - Rebound Bolt Kit

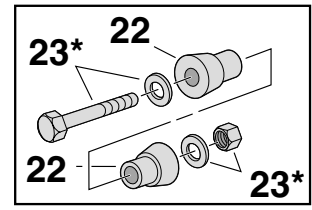
Key 16* - Torque Rod Bolt & Bushing Kit



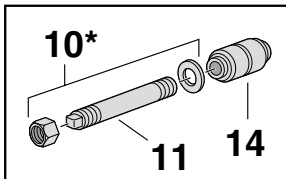
Key 6* - Rebound Bolt Assembly



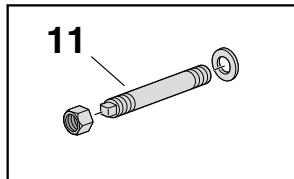
Key 9* - Equalizer Bolt & Bushing Assembly



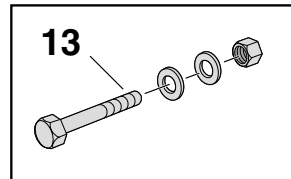
Key 21* - Torque Rod Bolt & Bushing Assembly



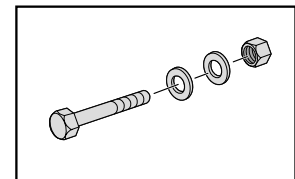
Key 8* - Equalizer Shaft & Bushing Assembly



Key 10* - Equalizer Shaft Assembly



Key 12* - Equalizer Bolt Assembly



Key 23* - Torque Rod Bolt Assembly

Suspension Illustration

Key No.	Part Number	Description	No. Req.	OEM Reference	Remarks
1	338-294	Hanger; LH; Standard Drill*	1	10105-01	Casting No. 11123-00
	338-295	Hanger; RH; Standard Drill*	1	10106-01	Casting No. 11124-00
	338-261	Hanger; LH; Undrilled	1	10185-01	
	338-262	Hanger; RH; Undrilled	1	10184-01	
2	334-270	Assembly, Bolt; Rebound; 1/2"-20 x 4 1/2"Lg	2		Incl. Bolt, Tube & Lock Washer
3	338-296	Hanger; Standard Drill*	2	10107-01	Casting No. 09610-00
	338-263	Hanger; Undrilled	2	10186-01	
● 4	338-297	Hanger; LH; Standard Drill*	1	10111-01	Casting No. 11125-00
	338-298	Hanger; RH; Standard Drill*	1	10110-01	Casting No. 11126-00
●	338-264	Hanger; LH; Undrilled	1	10189-01	
	338-265	Hanger; RH; Undrilled	1	10190-01	
✓ ●	334-276	Pad, Wear	2	TK14168	Incl. Pad, Clamp Plates & Screws
6	334-272	Assembly, Bolt; Rebound; 1/2"-20 x 5 1/2"Lg	2		Incl. Bolt, Tube, Rubber Roller & Lock Nut
● 7	338-1414	Assembly, Equalizer	2	14743-01	Models 101A, 102, 102W; Standard; Incl. 321-191; Casting No. 08917-01 & 12857-01 Models 101A, 102, 102W; GM & Ford; Incl. 321-159; Casting No. 08917-01 & 12857-01
	338-1415	Assembly, Equalizer	2	12859-01	
✓	334-243	Assembly, Shaft & Bushing	2	TK19056	Standard; Pre-1984; Incl. 334-240 Shaft Assy. & 321-152 Bushing Standard; 1984 & Up; Incl. 334-240 Shaft Assy. & 321-191 Bushing
	334-1012	Shaft & Bushing	2	TK19165	
9	334-293	Assembly, Bolt & Bushing	2		Incl. 321-159 Bushing and 334-292 Bolt Assembly; GMC All; Ford 1984 & Up
✓✓	334-240	Assembly, Shaft, Standard	2		Includes Shaft, Nut & Lock Washer
● 11	334-239	Shaft, Equalizer; Standard; 1 1/2"OD x 8"Lg	2	08686-01	1 7/16-12 Threads BE
12	334-292	Assembly, Bolt; 1 1/4"-12 x 8 7/8"Lg	2	10949-01	Incl. Bolt, Washers & Lock Nut; Ford & GMC
13	334-289	Bolt, 1 1/4"-12 x 8 7/8"Lg	2	10949-01	GMC, All; Ford, 1984 & Up
✓ ●	321-152	Bushing; 1 1/2"ID x 3 1/8"OD x 4 7/16"Lg	2	08363-01	Standard; Pre-1984; w/Slots Standard; 1984 & Up; No Slots
	321-191	Bushing; 1 1/2"ID x 3 1/8"OD x 4 1/2"Lg	2	14713-01	
✓ ●	321-191U	Bushing, Urethane	2		
✓ ●	321-159	Bushing; 1 1/4"ID x 3 1/8"OD x 4 15/32"Lg	2	08915-01	GMC, All; Ford, 1984 & Up
✓	334-201	Kit, Rebound, 1/2"-20 x 4 3/4"Lg	4	TK19011	Incl. Tube, Bolt, Washer & Nut
✓✓	334-896	Assembly, Bolt & Bushing	4	TK21640, TK19152	Incl. Bolt, 321-285 Bushings & Hdwe.
● 17	345-113	Torque Rod, Rigid; 19 1/4"Lg c/c	2	T7645	Bushings Not Included 52" Axle Spacing, Front & Rear; 60" Axle Spacing, Front; Bushings Not Included
	345-121	Torque Rod, Rigid; 21"Lg c/c	2/1	15012-01	
✓✓ ●	◆	Torque Rod, Rigid	1	09686-01	60" Axle Spacing, Rear; Use 345-697 50"-52" Axle Spacing, Front & Rear; 60" Axle Spacing, Front; Bushings Not Included
	345-198	Torque Rod, Adjustable; 19 1/2"-21 3/4"Lg	2	15174-01, 15354-01	
●	345-697	Torque Rod, Adjustable; 24"-26 1/4"Lg	2	15176-01, 09682-01	60" Axle Spacing, Rear; Bushings Not Included
● 18	321-285	Bushing; 1"ID x 1 3/4"OD x 2 7/8"Lg	8	21238-01	Hanger End; New Style
	321-285U	Bushing, Urethane	8		
✓✓	334-203	Bolt; 1"-14 x 7 1/4"Lg	4	T5492	
20	334-282	Washer; 1 1/8"ID x 3 3/4"OD x 5/16"Thk	4	T1724	
✓✓	334-253	Assembly, Bolt & Bushing	4		Incl. 334-644 Bolt, 321-147 Bushings & Hdwe.
✓✓ ●	321-147	Bushing; 1"ID x 1 3/4"OD x 2 1/16"Lg	8	T2242	
	321-147U	Bushing, Urethane	8		
23	334-218	Assembly, Bolt; 1"-14 x 6 3/4"Lg	4	14181-01	Incl. Bolt & Hdwe.
✓ ●	338-200	Saddle, U-Bolt; 3"W x 7 3/4"Lg x 1 3/4"H	4	08677-01	7/8" or 3/4" U-Bolts Down
25	338-396	Spacer; 3"W x 7"Lg x 1/2"Thk, 13/16" Hole	4	T7555	
	338-397	Spacer; 3"W x 7"Lg x 3/4"Thk, 13/16" Hole	4	T7850	
✓	338-221	Spacer; 3"W x 7 1/2"Lg x 1"Thk	4	T7716	
✓	338-222	Spacer; 3"W x 7 1/2"Lg x 1 1/2"Thk	4	T7654	
	338-223	Spacer; 3"W x 7 1/2"Lg x 2"Thk	4	T7655	
●	338-1440	Spacer; 1/4"	4	10599-01	
26	SP	Seat, Axle	4		Specify Axle Model & Angle
27	SP	Plate, Bottom	4		Specify Axle Model & Angle
✓	361-196	Kit, U-Bolt; Round Bend, Grade 8	8	09744-01	3/4" x 3" x 15 5/8" R
✓✓	361-262	Kit, U-Bolt; Round Bend, Grade 8	8	09752-01	3/4" x 3" x 18 5/8" R
	See Chart	Kit, U-Bolt	8		See Chart on Page 1051
29	Spring Assembly	Assembly, Spring	4		See Leaf Spring Web Catalog for Details

* See Hanger Charts for OE Specific Drills.

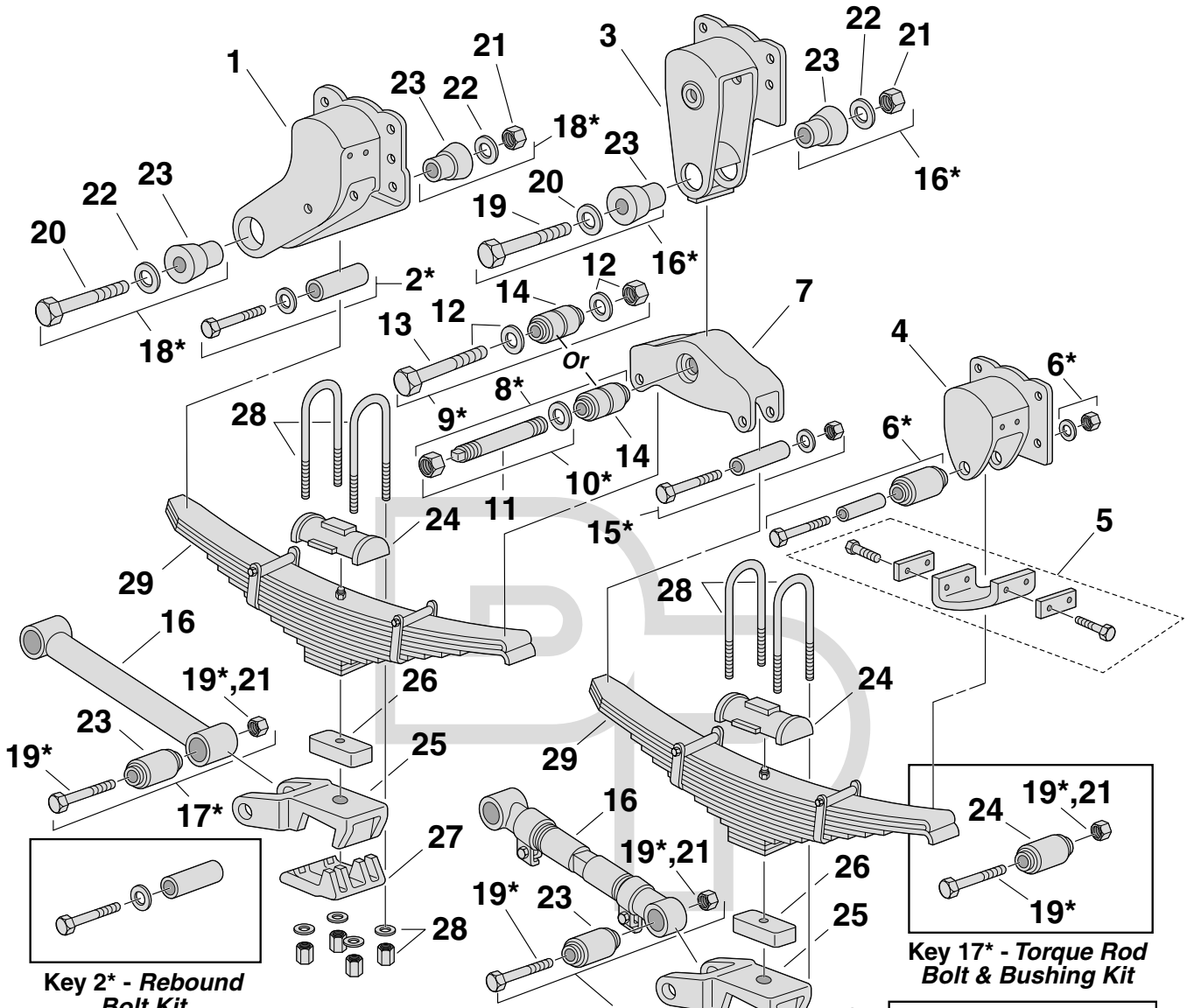
SP Special Order ◆ Not Serviced by Dayton Parts ● Product Illustration/Photo Follows ✓ Popular ✓✓ Most Popular

Reference www.daytonparts.com for continuing updates.

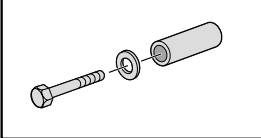
Model 102W
 (Torque Rods)
Tractor Four Spring Suspension

Reyco

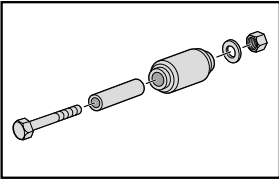
Reyco



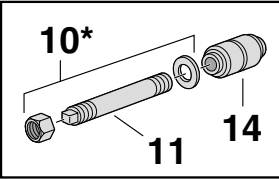
Suspension Illustration



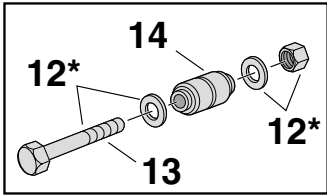
Key 2* - Rebound Bolt Kit



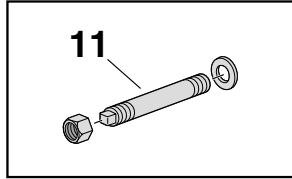
Key 6* - Rebound Bolt Assembly



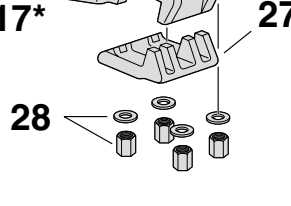
Key 8* - Equalizer Shaft & Bushing Assembly



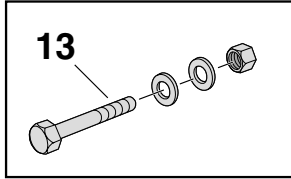
Key 9* - Equalizer Bolt & Bushing Assembly



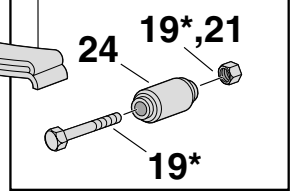
Key 10* - Equalizer Shaft Assembly



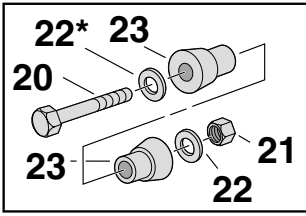
Key 12* - Equalizer Bolt Assembly



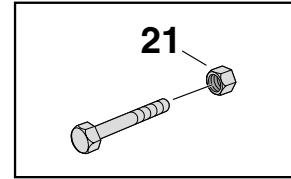
Key 13



Key 17* - Torque Rod Bolt & Bushing Kit



Key 18* - Torque Rod Bolt & Bushing Assembly



Key 19* - Torque Rod Bolt Assembly

Key No.	Part Number	Description	No. Req.	OEM Reference	Remarks
1	338-294	Hanger; LH; Standard Drill*	1	10105-01	Casting No. 11123-00
	338-295	Hanger; RH; Standard Drill*	1	10106-01	Casting No. 11124-00
	338-261	Hanger; LH; Undrilled	1	10185-01	
	338-262	Hanger; RH; Undrilled	1	10184-01	
2	334-270	Assembly, Bolt; Rebound; ½"-20 x 4 ½"Lg	2		Incl. Bolt, Tube & Lock Washer
3	338-296	Hanger; Standard Drill*	2	10107-01	Casting No. 09610-00
	338-263	Hanger; Undrilled	2	10186-01	
●	338-297	Hanger; LH; Standard Drill*	1	10111-01	Casting No. 11125-00
●	338-298	Hanger; RH; Standard Drill*	1	10110-01	Casting No. 11126-00
●	338-264	Hanger; LH; Undrilled	1	10189-01	
●	338-265	Hanger; RH; Undrilled	1	10190-01	
✓●	334-276	Pad, Wear	2	TK14168	Incl. Pad, Clamp Plates & Screws
	334-272	Assembly, Bolt; Rebound; ½"-20 x 5 ½"Lg	2		Incl. Bolt, Tube, Rubber Roller & Lock Nut
●	338-1414	Assembly, Equalizer	2	14743-01	Models 101A, 102, 102W; Standard; Incl. 321-191; Casting No. 08917-01, 12857-01
●	338-1415	Assembly, Equalizer	2	12859-01	Models 101A, 102, 102W; GM & Ford; Incl. 321-159; Casting No. 08917-01, 12857-01
✓	334-243	Assembly, Shaft & Bushing	2	TK19056	Standard; <1984; Incl. 334-240 Shaft Assy. & 321-152 Bush.
	334-1012	Assembly, Shaft & Bushing	2	TK19165	Standard; >1984; Incl. 334-240 Shaft Assy. & 321-191 Bush.
	334-293	Assembly, Bolt & Bushing	2		Incl. 321-159 Bushing and 334-292 Bolt Assembly; GMC All Year; Ford 1984 & Up
✓✓	334-240	Assembly, Shaft	2		Standard; Incl. Shaft, Nut & Lock Washer
●	334-239	Shaft, Equalizer; 1 ½"OD x 8"Lg	2	08686-01	Standard; 1 7/16-12 Threads BE
	334-292	Assembly, Bolt; 1 ¼"-12 x 8 7/8"Lg	2	10949-01	Ford & GMC; Incl. Bolt, Washers & Lock Nut
	334-289	Bolt; 1 ¼"-12 x 8 7/8"Lg	2	10949-01	GMC, All; Ford, 1984 & Up
✓●	321-152	Bushing; 1 ½"ID x 3 ½"OD x 4 7/16"Lg	2	08363-01	Standard; Pre 1984; With Slots
✓●	321-191	Bushing; 1 ½"ID x 3 ½"OD x 4 ½"Lg	2	14713-01	Standard; 1984 & Up; No Slots
	321-191U	Bushing, Urethane	2		
✓●	321-159	Bushing; 1 ¼"ID x 3 ½"OD x 4 15/32"Lg	2	08915-01	GMC, All; Ford, 1984 & Up
✓	334-201	Kit, Rebound; ½"-20 x 4 ¾"Lg	4	TK19011	Incl. Tube, Bolt, Washer & Nut
●	345-147	Torque Rod, Rigid; 19 5/16"Lg c/c	2	10937-01	50" Axle Spacing, Front and Rear; Incl. (1)321-153 Bushing
✓●	345-148	Torque Rod, Rigid; 20 ½"Lg c/c	2	11012-03	52" Axle Spacing, Front and Rear; Incl. (1)321-153 Bushing
	SP	Torque Rod, Rigid	1	12051-01	60" Axle Spacing, Front
	SP	Torque Rod, Rigid	1	14127-01	60" Axle Spacing, Rear
●	345-151	Torque Rod, Adjustable; 17 ½"-19 ½"Lg	2	15187-01	50" Axle Spacing, Front and Rear; Incl. (1)321-153 Bushing
✓●	345-153	Torque Rod, Adjustable; 19 ½"-21 ½"Lg	2	15186-01	52" Axle Spacing, Front and Rear; Incl. (1)321-153 Bushing
	SP	Torque Rod, Adjustable	2	16135-01	60" Axle Spacing, Front & Rear
✓✓	334-247	Assembly, Bolt & Bushing	4		Incl. 334-246 Bolt Assembly & 321-153 Bushing
✓✓	334-896	Assembly, Bolt & Bushing	4	TK21640, TK19152	Incl. Bolt, 321-285 Bushings & Hdwe.
✓	334-246	Assembly, Bolt; 7/8"-9 x 5 ½"Lg	4	10033-01	Seat End; Incl. Bolt & Lock Nut
✓✓	334-203	Bolt; 1"-14 x 7 ¼"Lg	4	T5492	Hanger End
✓✓	SLN-107	Nut, Lock; 1"-14	8		
	334-282	Washer; 1 ½"ID x 3 ¾"OD x 5/16"Thk	4	T1724	
✓✓●	321-153	Bushing; 7/8"ID x 1 29/32"OD x 3"Lg	4	09729-01	
●	321-153U	Bushing, Urethane	4		
●	321-285	Bushing; 1"ID x 1 ¾"OD x 2 7/8"Lg	8	21238-01	Hanger End; New Style
	321-285U	Bushing, Urethane	8		
✓●	338-200	Saddle, U-Bolt; 3"W x 7 ¾"Lg x 1 ¾"H	4	08677-01	7/8" or ¾" U-Bolts Down
	SP	Seat, Axle	4		Specify Axle Model & Angle
	338-396	Spacer; 3"W x 7"Lg x ½"Thk, 13/16" Hole	4	T7555	
	338-397	Spacer; 3"W x 7"Lg x ¾"Thk, 13/16" Hole	4		
✓	338-221	Spacer; 3"W x 7 ½"Lg x 1"Thk	4	T7716	
	338-222	Spacer; 3"W x 7 ½"Lg x 1 ½"Thk	4	T7654	
✓	338-223	Spacer; 3"W x 7 ½"Lg x 2"Thk	4	T7655	
●	338-1440	Spacer; ¼"	4	10599-01	
	SP	Plate, Bottom	4		Specify Axle Model & Angle
✓	361-196	Kit, U-Bolt; Round Bend, Grade 8	8	09744-01	¾" x 3" x 15 5/8" R
✓✓	361-262	Kit, U-Bolt; Round Bend, Grade 8	8	09752-01	¾" x 3" x 18 5/8" R
	361-539	Kit, U-Bolt; Round Bend, Grade 8	8	11000-01, 11330-01	¾" x 3" x 20 5/8" R
	See Chart	Kit, U-Bolt	8		See Chart on Page 1051
	29 Spring Assembly	Assembly, Spring	4		See Leaf Spring Web Catalog for Details

* See Hanger Charts for OE Specific Drills.

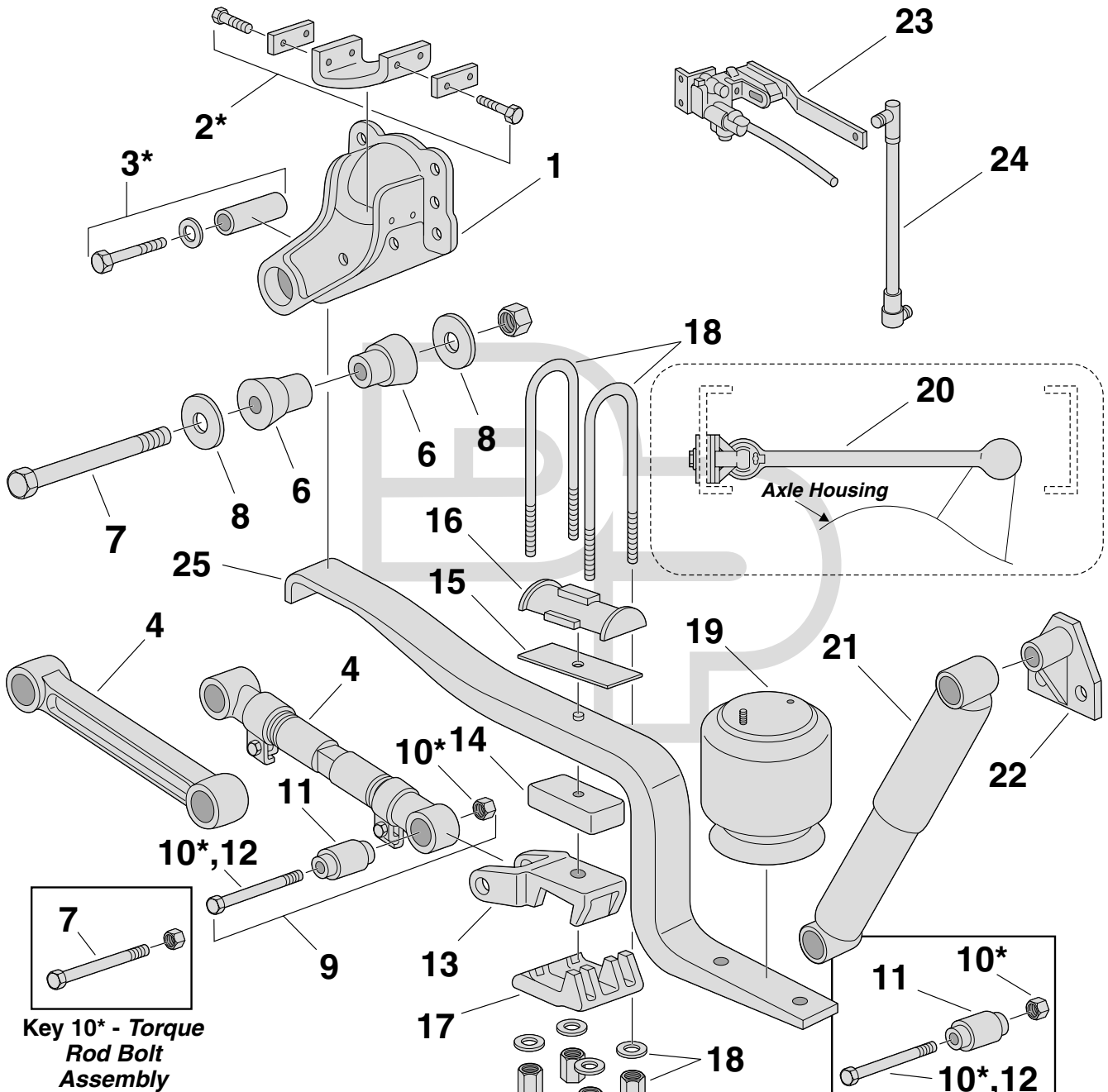
SP Special Order ♦ Not Serviced by Dayton Parts ● Product Illustration/Photo Follows ✓ Popular ✓✓ Most Popular

Reference www.daytonparts.com for continuing updates.

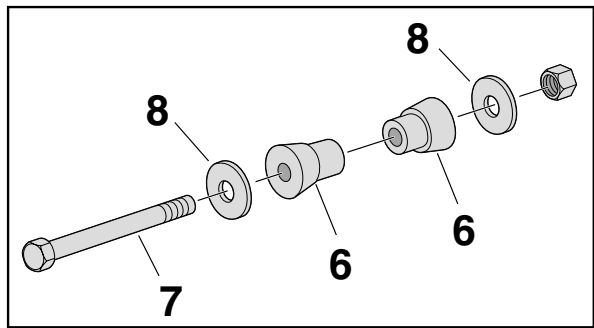
**102AR
Single/Tandem Axle
Tractor Air Suspension**

Reyco

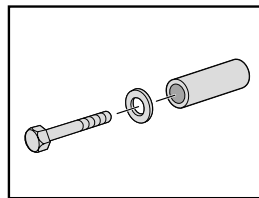
Reyco



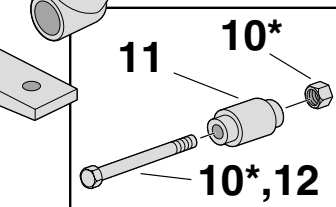
Suspension Illustration



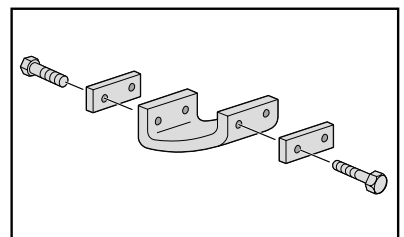
Key 5* - Torque Rod Bolt & Bushing Kit



Key 3* - Rebound Kit



Key 9* - Torque Rod Bolt & Bushing Assembly



Key 2* - Wear Pad

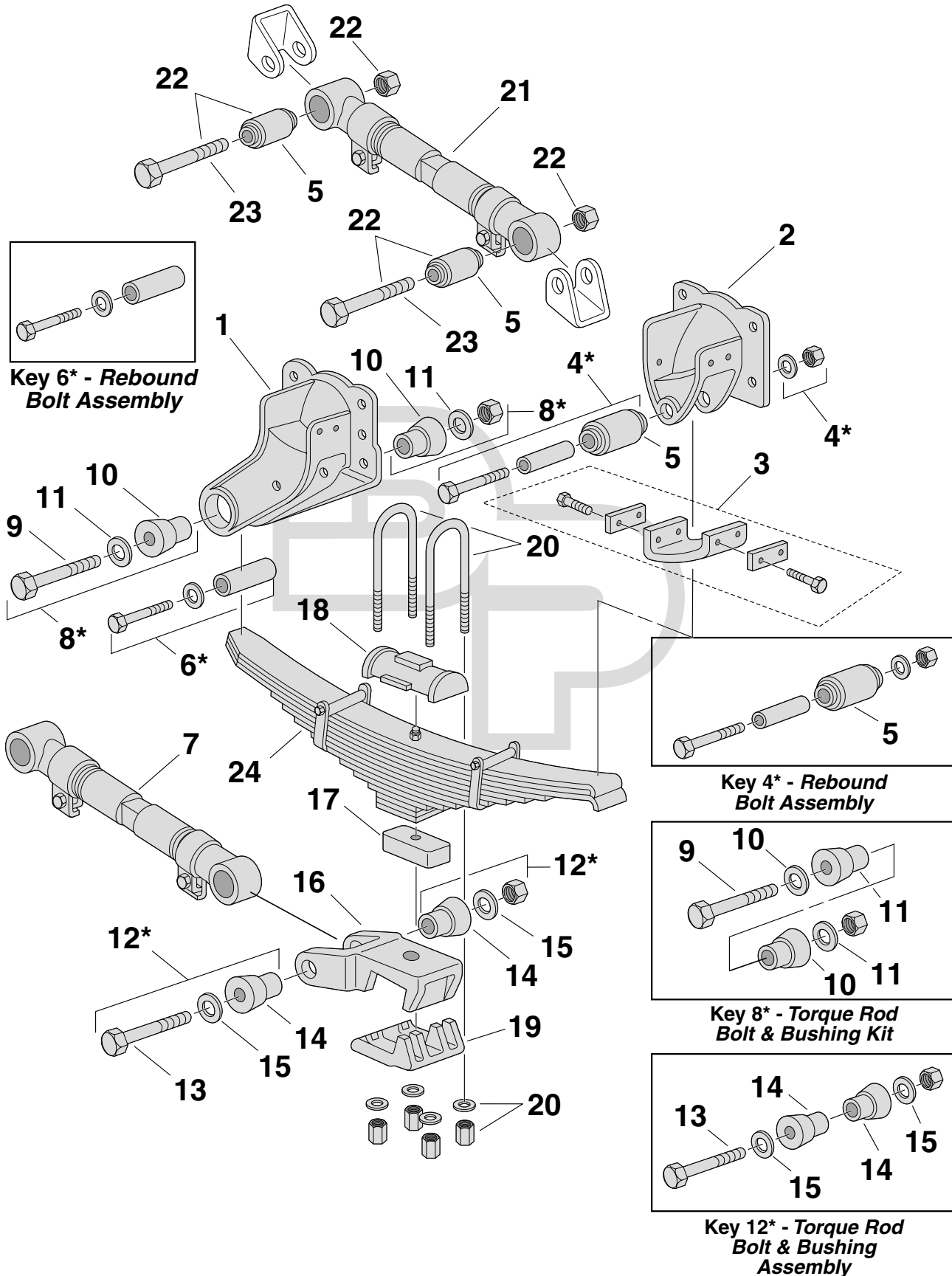
Key No.	Part Number	Description	No. Req.	OEM Reference	Remarks
●	1 338-1432	Hanger; LH	1	15715-01	
●	338-1431	Hanger; RH	1	15714-01	
✓	2 334-276	Pad, Wear	2	TK14168	Incl. Pad, Clamp Plates & Screws
●	3 334-835	Assembly, Bolt; Rebound; 1/2"-20 x 4 1/2"Lg	2	TK19182	Incl. Bolt, Rebound Bushing & Hdwe.
✓	4 345-148	Torque Rod, Rigid; 20 1/2"Lg c/c	1	11012-03	Incl. 321-153 Bushing; 52" Axle Spacing
✓	345-153	Torque Rod, Adjustable; 19 1/2"-21 1/2"Lg	1	15186-01	Incl. 321-153 Bushing; 52" Axle Spacing
✓✓	5 334-896	Assembly, Bolt & Bushing	2	TK21640, TK19152	Incl. Bolt, 321-285 Bushings & Hdwe.
●	6 321-285	Bushing; 1"ID x 1 3/4"OD x 2 7/8"Lg	2	21238-01	Hanger End; New Style
	321-285U	Bushing, Urethane	2		
●	321-158	Bushing	2	T1842	Replaced by 321-285
✓✓	7 334-203	Bolt; 1"-14 x 7 1/4"Lg	2	T5492	
	8 334-282	Washer; 1 1/8"ID x 3 3/4"OD x 5/16"Thk	4	T1724	
✓✓	9 334-247	Assembly, Bolt & Bushing	2		Incl. 334-246 Bolt Assembly & 321-153 Bushing
✓	10 334-246	Assembly, Bolt; 7/8"-9 x 5 1/2"Lg	2	10033-01	Incl. Bolt & Lock Nut
✓✓	11 321-153	Bushing; 7/8"ID x 1 29/32"OD x 3"Lg	2	09729-01	
✓	12 334-244	Bolt; 7/8"-9 x 5 1/2"Lg	2	10033-01	
	13 SP	Seat, Axle	2		Specify Axle Model & Angle
●	338-2079	Bracket, Seat ; 4°; 4 5/8" Axle	2	20804-01	
✓	14 338-221	Spacer; 3"W x 7 1/2"Lg x 1"Thk	2	T7716	
	15 GL-295	Liner; 2 7/8" x 8"Lg w/ 7/8" Hole	2		
✓	16 338-200	Saddle, U-Bolt; 3"W x 7 3/4"Lg x 1 3/4"H	2	08677-01	7/8" or 3/4" U-Bolts Down
	17 SP	Plate, Bottom	2		Specify Axle Model & Angle
✓✓	18 361-469	Kit, U-Bolt; Round Bend, Grade 8	4		3/4" x 3" x 12 5/8" R
✓	361-196	Kit, U-Bolt; Round Bend, Grade 8	4	09744-01	3/4" x 3" x 15 5/8" R
✓✓	361-262	Kit, U-Bolt; Round Bend, Grade 8	4	09752-01	3/4" x 3" x 18 5/8" R
	See Chart	Kit, U-Bolt	4		See Chart on Page 1051
	19 352-9223	Air Spring	2	12884-01	
●	20 345-702	Torque Rod, Adjustable; 24"-26 1/4"	1	16429-01	Incl. (2)321-153 Bushings
✓	21 M66638	Shock Absorber	2	19623-01	
✓	M66891	Shock Absorber	2	17794-01	
✓✓	M66884	Shock Absorber	2	19824-01	
✓	M66894	Shock Absorber	2	17146-01	
✓	M65401	Shock Absorber	2	12887-01	
	See Shocks	Shock Absorber	2	Various	Consult Shock Catalog for Model Specific Applications
●	22 334-1029	Bracket, Upper; Shock; LH-RH	2	18256-01	
✓✓	23 334-750	Valve, Height Control; Universal	1	Various	Hadley - Model 450HCV
✓	24 334-751	Linkage Assembly; Universal; Adjustable	1	Various	3 5/8"-19 5/8" Range; Use w/All Height Control Valves
	25 83-167	Z Spring; 1 3/4"Thk	2	15676-01	17k-23k; See Leaf Spring Web Catalog for Details
	83-255	Z Spring; 2"Thk	2	15676-03	20k-26k; See Leaf Spring Web Catalog for Details

**102CC
Single Axle Tractor Suspension**

Reyco

Reyco

Suspension Illustration

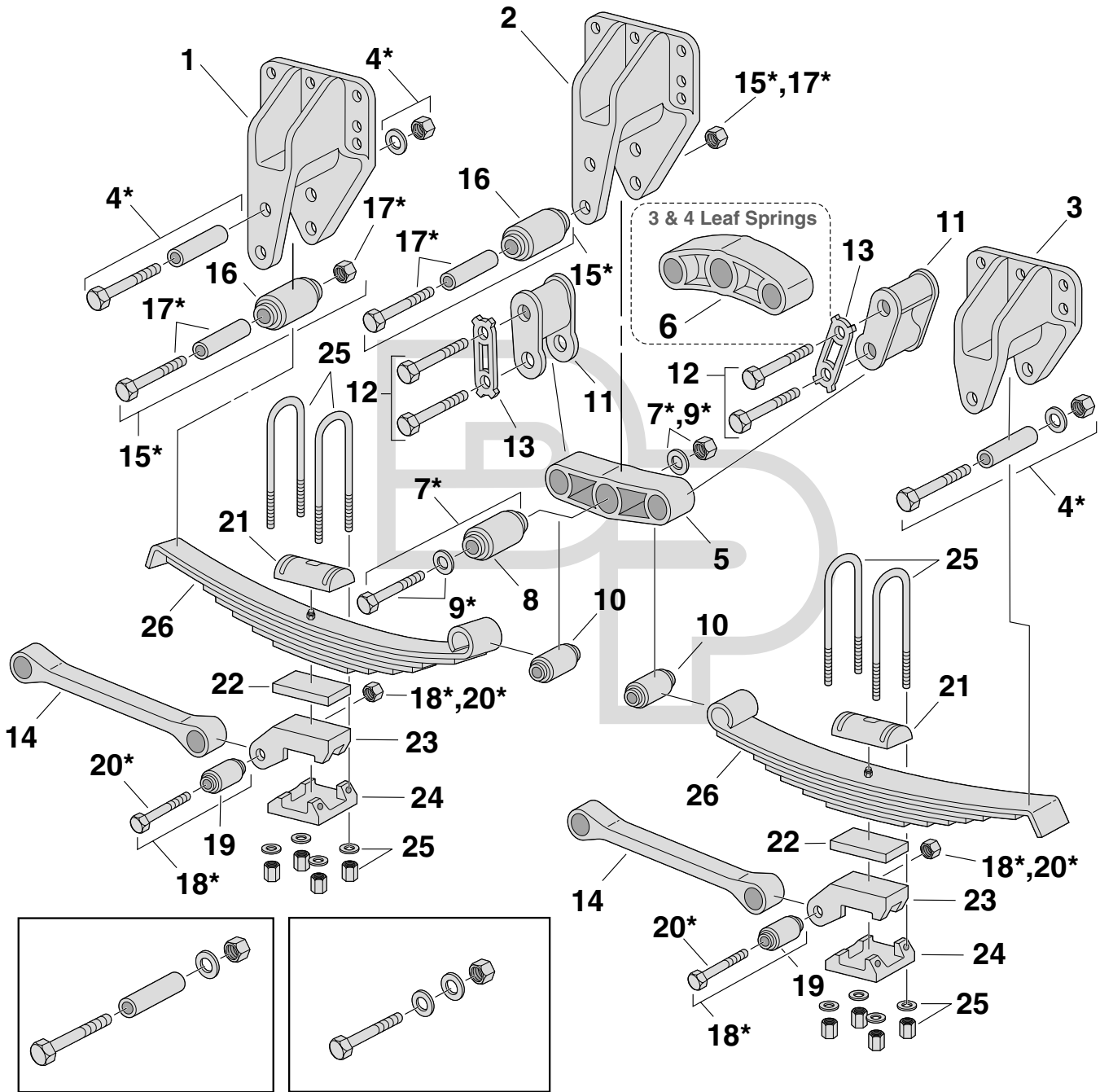


Key No.	Part Number	Description	No. Req.	OEM Reference	Remarks
1	SP	Hanger, Front; LH	1	14147-01, 22517-01	3/4" Mounting Bolts
	SP	Hanger, Front; RH	1	14146-01, 22517-02	3/4" Mounting Bolts
	SP	Hanger, Front; LH	1	13141-01, 22515-01	5/8" Mounting Bolts
	SP	Hanger, Front; RH	1	13140-01, 22515-02	5/8" Mounting Bolts
2	SP	Hanger, Rear; LH	1	14149-01, 22535-01	3/4" Mounting Bolts
	SP	Hanger, Rear; RH	1	14148-01, 22535-02	3/4" Mounting Bolts
	SP	Hanger, Rear; LH	1	13143-01, 22534-01	5/8" Mounting Bolts
	SP	Hanger, Rear; RH	1	13142-01, 22534-02	5/8" Mounting Bolts
✓ ●	334-276	Pad, Wear	2	TK14168	Incl. Pad, Clamp Plates & Screws
	334-272	Assembly, Bolt; Rebound; 1/2"-20 x 5 1/2"Lg	2		Incl. Bushing, Bolt, Tube, Rubber Roller & Lock Nut
✓✓ ●	321-153	Bushing; 7/8"ID x 1 29/32"OD x 3"Lg	6	09729-01	
●	321-153U	Bushing, Urethane	6		
	334-270	Assembly, Bolt; Rebound; 1/2"-20 x 4 1/2"Lg	2		Incl. Bolt, Tube & Lock Washer
✓✓ ●	345-198	Torque Rod, Adjustable; 19 1/2"-21 3/4"Lg	1	15174-01	Lower; Bushings Not Included
	SP	Torque Rod, Rigid	1	13135-01	Use 345-198
✓✓	334-896	Assembly, Bolt & Bushing	2	TK21640, TK19152	Incl. Bolt, 321-285 Bushings & Hdwe.
✓✓	334-203	Bolt; 1"-14 x 7 1/4"Lg	2	T5492	
●	321-285	Bushing; 1"ID x 1 3/4"OD x 2 7/8"Lg	4	21238-01	Hanger End; New Style
	321-285U	Bushing, Urethane	4		
	334-282	Washer; 1 1/8"ID x 3 3/4"OD x 5/16"Thk	4	T1724	
✓✓	334-253	Assembly, Bolt & Bushing	2	TK19089	Incl. 334-644 Bolt, (2)321-147 Bushings & Hdwe.
	334-644	Bolt; 1"-14 x 6 3/4"Lg	2	17161-01	
✓✓ ●	321-147	Bushing; 1"ID x 1 3/4"OD x 2 11/16"Lg	4	T2242	
	321-147U	Bushing, Urethane	4		
✓	334-205	Washer, Compression; 1 1/16"ID x 2 3/4"OD x 1/4"Thk	4	T2224	
	SP	Seat, Axle	2		Specify Axle Model & Angle
●	338-1440	Spacer; 1/4"	2	10599-01	14"-15" Ride Hgt.
	338-396	Spacer; 3"W x 7"Lg x 1/2"Thk, 13/16" Hole	2	T7555	
	338-397	Spacer; 3"W x 7"Lg x 3/4"Thk, 13/16" Hole	2	T7850	
✓	338-221	Spacer; 3"W x 7 1/2"Lg x 1"Thk	2	T7716	
	338-222	Spacer; 3"W x 7 1/2"Lg x 1 1/2"Thk	2	T7654	
✓	338-223	Spacer; 3"W x 7 1/2"Lg x 2"Thk	2	T7655	
✓ ●	338-200	Saddle, U-Bolt; 3"W x 7 3/4"Lg x 1 3/4"H	2	08677-01	7/8" or 3/4" U-Bolts Down
	SP	Plate, Bottom	2		Specify Axle Model & Angle
	361-589	Kit, U-Bolt; Round Bend, Grade 8	4	08494-01	7/8" x 3" x 12 1/2" R
	361-568	Kit, U-Bolt; Round Bend, Grade 8	4	08509-01	7/8" x 5 1/8" x 10 7/8" R
✓	361-258	Kit, U-Bolt; Round Bend, Grade 8	4	08511-01	7/8" x 5 1/8" x 11 7/8" R
	361-559	Kit, U-Bolt; Round Bend, Grade 8	4	08512-01	7/8" x 5 1/8" x 12 7/8" R
✓	361-254	Kit, U-Bolt; Round Bend, Grade 8	4	08515-01	7/8" x 5 1/8" x 13 7/8" R
	361-558	Kit, U-Bolt; Round Bend, Grade 5	4	08520-01	7/8" x 5 1/8" x 15 7/8" R
	361-509	Kit, U-Bolt; Round Bend, Grade 5	4	08525-01	7/8" x 5 1/8" x 17 7/8" R
	See Chart	Kit, U-Bolt	4		See Chart on Page 1051
●	345-130	Torque Rod, Adjustable; 15"-17 1/4"Lg	2	16347-01	Incl. 321-153 Bushings
✓✓	334-247	Assembly, Bolt & Bushing	4		Incl. 334-246 Bolt Assembly & 321-153 Bushing
✓	334-244	Bolt; 7/8"-9 x 5 1/2"Lg	4	10033-01	
	Spring Assembly	Assembly, Spring	2		See Leaf Spring Web Catalog for Details

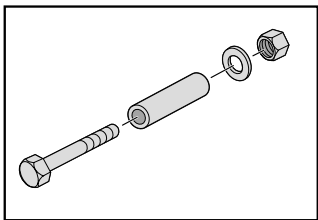
Models 181 and 101F Tractor Four Spring Suspensions

Reyco

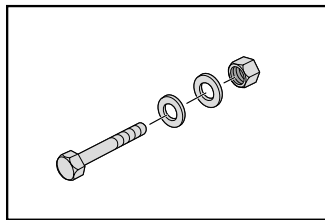
Reyco



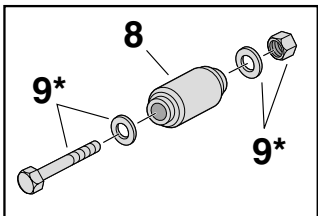
Suspension Illustration



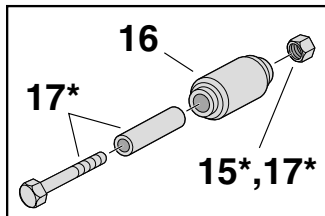
Key 4* - Spring Rebound Kit



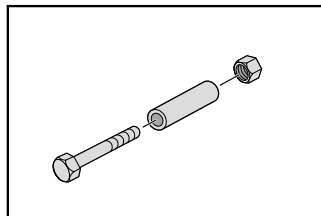
Key 9* - Equalizer Bolt Assembly



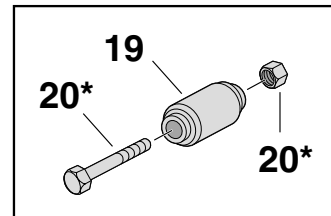
Key 7* - Equalizer Bolt & Bushing Assembly



Key 15* - Torque Rod Bolt & Bushing Assembly



Key 17* - Eccentric Torque Rod Bolt Assembly



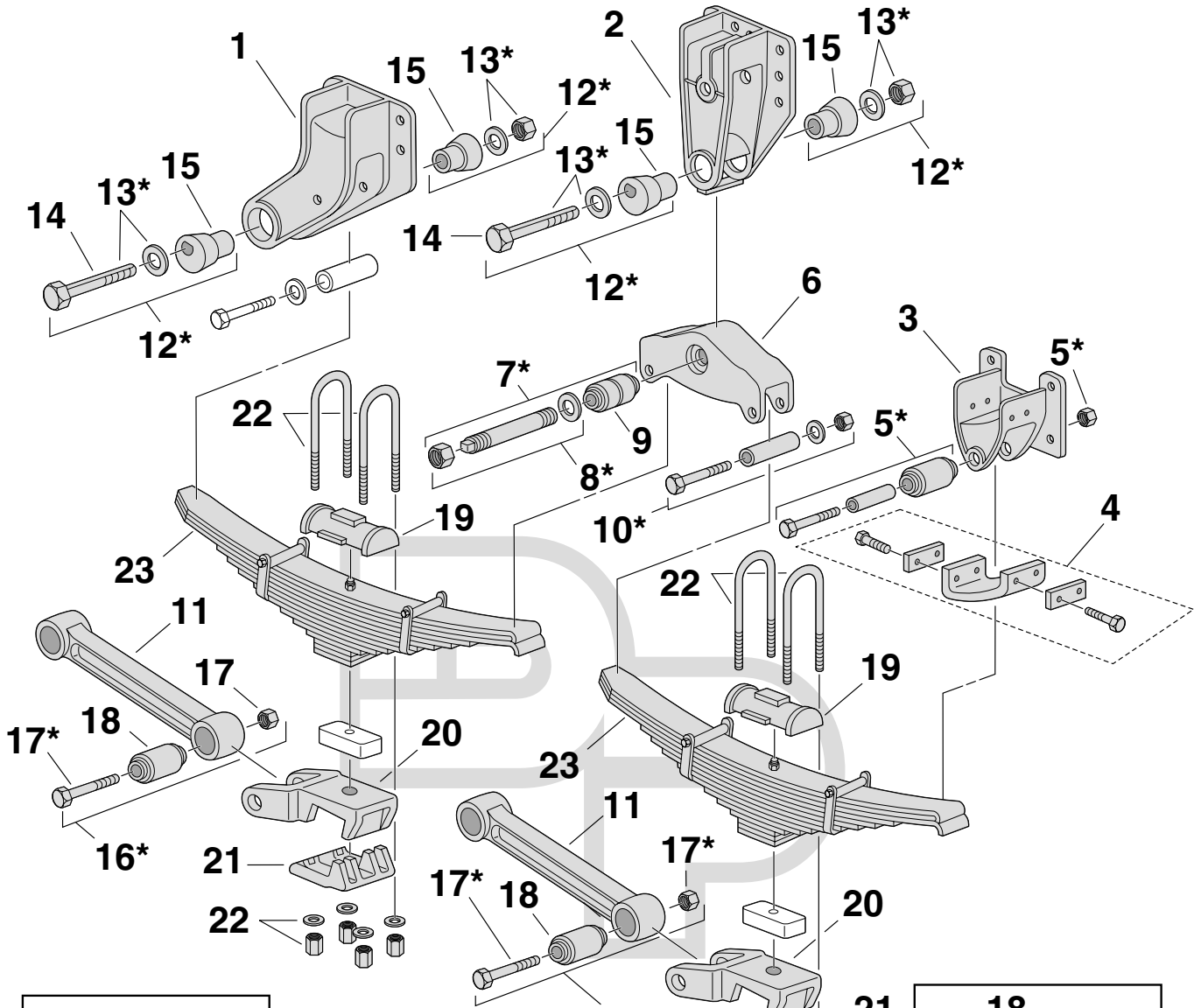
Key 18* - Torque Rod Bolt & Bushing Assembly

Key No.	Part Number	Description	No. Req.	OEM Reference	Remarks	
●	1	338-347	Hanger	2	13955-01	Casting No. 11835-01
●	2	338-348	Hanger	2	13956-01	Casting No. 11836-01; Obsolete
●	3	338-349	Hanger	2	11804-01	Casting No. 11837-01
✓	4	334-201	Kit, Rebound; 1/2"-20 x 4 3/4"Lg	4		Incl. Tube, Bolt, Washer & Nut
●	5	338-351	Assembly, Equalizer	2	13840-01, E1HT5889CA	7 Leaf Springs; Casting No. 13851-01; Obsolete
	6	SP	Equalizer	2	13841-01, E1GZ5889B	3 & 4 Leaf Springs; Casting No. 13838-01; Obsolete
	7	334-306	Assembly, Bolt & Bushing	2		Incl. 321-163 Bushing & 334-305 Bolt Assembly
●	8	321-163	Bushing; 1"ID x 3 1/16"OD x 3 1/4"Lg	2	13940-01	
	9	334-305	Assembly, Bolt; 1"-14 x 5 1/2"Lg	2	11823-01	Incl. Bolt, Washers & Lock Nut
✓✓	10	321-164	Bushing; 3/4"ID x 2 3/8"OD x 3"Lg	8	13941-01	Equalizer End & Spring Eye
●	11	338-352	Shackle; LF-RR; Threaded Boss Design	2	12853-01	Obsolete
●	12	338-353	Shackle; RF-LR; Threaded Boss Design	2	12852-01	Obsolete
	13	334-307	Bolt; 3/4"-10 x 4 1/4"Lg	8	12492-01	
●	14	334-308	Strip, Lock; 5" c/c x 1/16"Thk	4	12488-01	
●	15	345-155	Torque Rod, Rigid; 14 5/16"Lg c/c	2	13948-01	Obsolete
●	16	345-156	Torque Rod, Rigid; 20 7/16"Lg c/c	2	13949-01	Obsolete
	17	334-300	Assembly, Bolt & Bushing; Hanger	4		Obsolete
●	18	321-161	Bushing; 1 1/2"ID x 2 3/4"OD x 3 3/8"Lg	4	13944-01	Obsolete
	19	334-299	Assembly, Bolt; Eccentric	4	11824-01	Obsolete
	20	334-301	Assembly, Bolt & Bushing; Axle; New Style	4		Incl. 321-162 Bushing, 7/8" x 5 1/2"Lg Bolt & Lock Nut; Use in 345-155 & 345-156 Torque Rods Only
●	21	321-162	Bushing; 7/8"ID x 2 1/32"OD x 3"Lg	4	13945-01	Axle Seat End; New Style
✓	22	334-246	Assembly, Bolt; 7/8"-9 x 5 1/2"Lg	4	10033-01	Incl. Bolt & Lock Nut
✓	23	338-200	Saddle, U-Bolt; 3"W x 7 3/4"Lg x 1 3/4"H	4	08677-01	7/8" or 3/4" U-Bolts Down
	24	338-396	Spacer; 3"W x 7"Lg x 1/2"Thk, 13/16" Hole	4	T7555	14"-15" Ride Hgt.
	25	338-397	Spacer; 3"W x 7"Lg x 3/4"Thk, 13/16" Hole	4	T7850	
✓	26	338-221	Spacer; 3"W x 7 1/2"Lg x 1"Thk	4	T7716	
	27	SP	Seat, Axle	4		Specify Axle Model & Angle
	28	SP	Plate, Bottom	4		Specify Axle Model & Angle
✓✓	29	361-262	Kit, U-Bolt; Round Bend, Grade 8	8	09752-01	3/4" x 3" x 18 5/8" R
	30	361-539	Kit, U-Bolt; Round Bend, Grade 8	8	11000-01, 11330-01	3/4" x 3" x 20 5/8" R
	31	See Chart	Kit, U-Bolt	8		See Chart on Page 1051
	32	Spring Assembly	Assembly, Spring	4		See Leaf Spring Web Catalog for Details

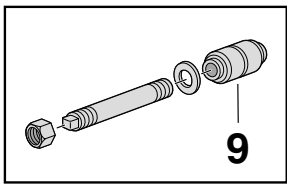
**Model 201
Tractor Four Spring Suspension**

Reyco

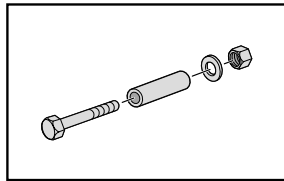
Reyco



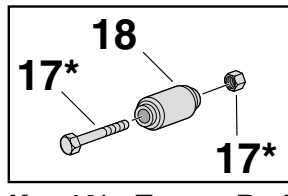
Suspension Illustration



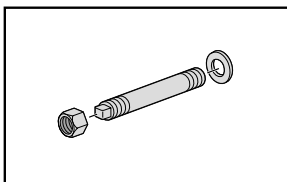
**Key 9* - Equalizer
Shaft & Bushing
Assembly**



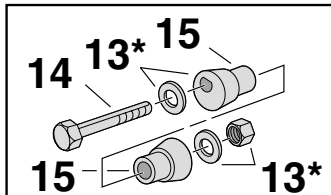
**Key 10* - Spring
Rebound Kit**



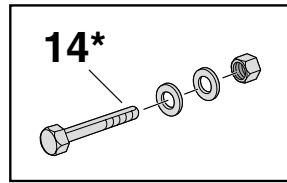
**Key 16* - Torque Rod
Bolt & Bushing
Assembly**



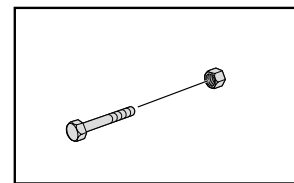
**Key 8* - Equalizer
Shaft Assembly**



**Key 12* - Torque
Rod Bolt & Bushing
Assembly**



**Key 13* - Torque Rod
Bolt Assembly**



**Key 17* - Torque Rod
Bolt Assembly**

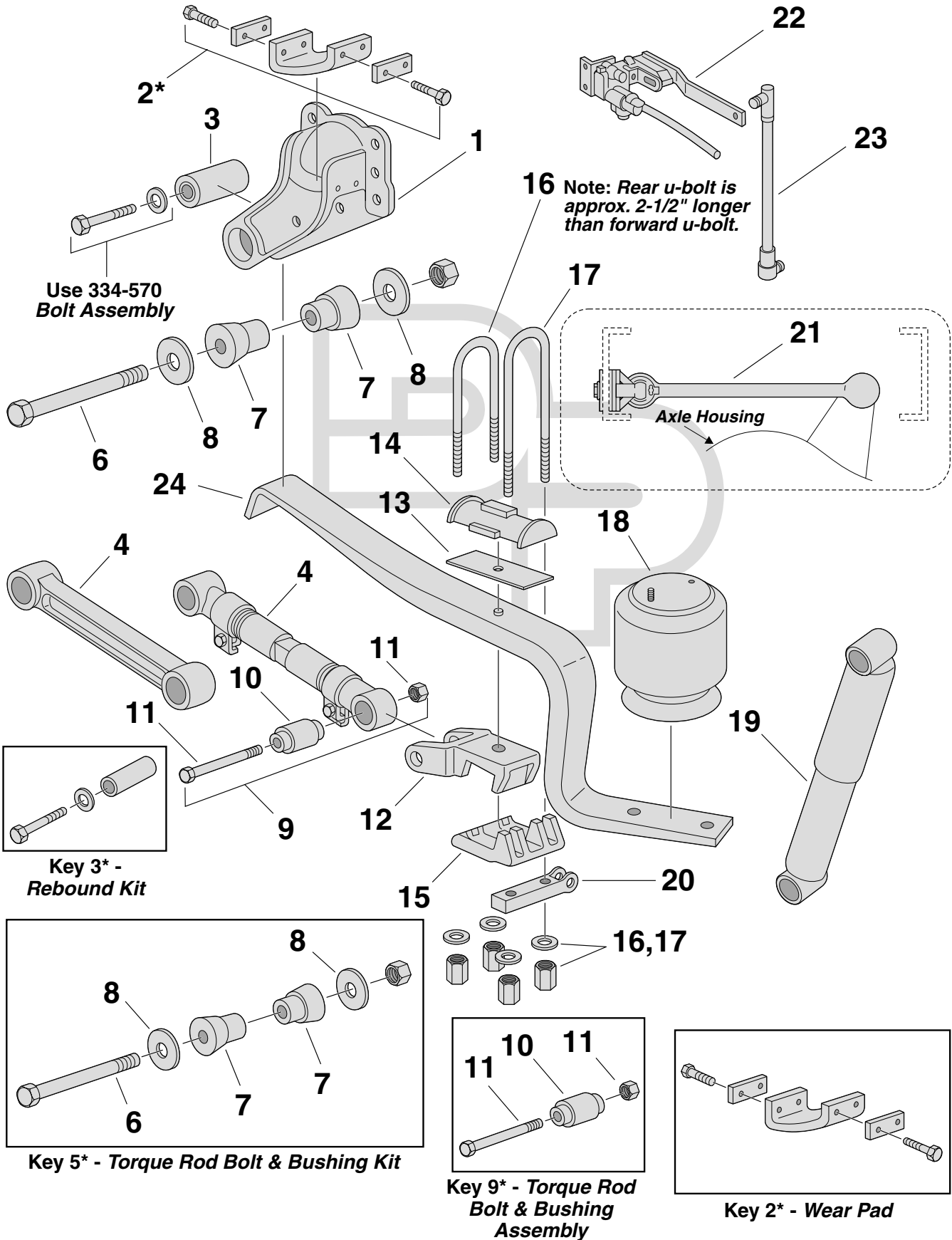
Key No.	Part Number	Description	No. Req.	OEM Reference	Remarks
1	SP	Hanger, Front; LH	1	15223-01	Obsolete
	SP	Hanger, Front; RH	1	15222-01	Obsolete
● 2	338-1648	Hanger	2	14717-01	Obsolete
● 3	338-1650	Hanger; LH	1	14719-01	Obsolete
●	338-1651	Hanger; RH	1	14718-01	Obsolete
✓ ● 4	334-276	Pad, Wear	2	TK14168	Incl. Pad, Clamp Plates & Screws
	334-272	Assembly, Bolt; Rebound; ½"-20 x 5 ½"Lg	2		Incl. Bolt, Tube, Rubber Roller & Lock Nut
● 6	338-1414	Assembly, Equalizer	2	14743-01	Incl. 321-191; Obsolete
	334-1012	Assembly, Shaft & Bushing	2	TK19165	Standard; 1984 & Up; Incl. 334-240 Shaft Assy. & 321-191 Bushing
✓✓ 8	334-240	Assembly, Shaft	2		Standard; Incl. Shaft, Nut & Lock Washer
✓ ● 9	321-191	Bushing; 1 ½"ID x 3 ⅞"OD x 4 ½"Lg	2	14713-01	Standard; 1984 & Up; No Slots
	321-191U	Bushing, Urethane	2		
✓ 10	334-201	Kit, Rebound; ½"-20 x 4 ¾"Lg	4	TK19011	Incl. Tube, Bolt, Washer & Nut
	SP	Torque Rod, Rigid; LH/RH	2	15220-02	Front
✓ ●	345-148	Torque Rod, Rigid; 20 ½"Lg c/c	2	11012-03	Rear; 52" Axle Spacing; Incl. (1)321-153 Bushing
✓✓ 12	334-285	Assembly, Bolt & Bushing	2		Incl. 334-284 & (2)321-157 Bushings
	334-284	Assembly, Bolt	2		Incl. 334-642 Bolt, Washers & Lock Nut
● 14	334-642	Bolt, Flat Side	4	17210-01	
✓✓ ● 15	321-157	Bushing; 1 ⅞"ID x 1 ⅞"OD x 2 ⅞"Lg	8	T1723	Eccentric Type Bushing
●	321-157U	Bushing, Urethane	8		
✓✓ 16	334-247	Assembly, Bolt & Bushing	2		Incl. 334-246 Bolt Assembly & 321-153 Bushing
✓ 17	334-246	Assembly, Bolt; 7/8"-9 x 5 ½"Lg	4	10033-01	Incl. Bolt & Lock Nut
✓✓ ● 18	321-153	Bushing; 7/8"ID x 1 29/32"OD x 3"Lg	4	09729-01	
●	321-153U	Bushing, Urethane	4		
✓ ● 19	338-200	Saddle, U-Bolt; 3"W x 7 ¾"Lg x 1 ¾"H	4	08677-01	7/8" or ¾" U-Bolts Down
	SP	Seat, Axle	4	Various	Specify Axle & Angle
	SP	Plate, Bottom	4	Various	Specify Axle & Angle
✓ 22	361-196	Kit, U-Bolt; Round Bend, Grade 8	8	09744-01	¾" x 3" x 15 ⅝" R
✓✓	361-262	Kit, U-Bolt; Round Bend, Grade 8	8	09752-01	¾" x 3" x 18 ⅝" R
	361-539	Kit, U-Bolt; Round Bend, Grade 8	8	11000-01, 11330-01	¾" x 3" x 20 ⅝" R
	See Chart	Kit, U-Bolt	8		See Chart on Page 1051
23	Spring Assembly	Assembly, Spring	4		See Leaf Spring Web Catalog for Details

**240AR
Single/Tandem Axle
Tractor Air Suspension**

Reyco

Reyco

Suspension Illustration



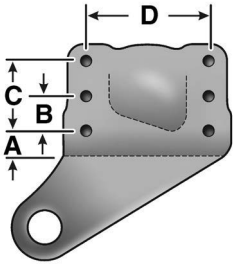
Key No.	Part Number	Description	No. Req.	OEM Reference	Remarks		
●	1	338-1646	Hanger; LH	1	20981-01		
●		338-1645	Hanger; RH	1	20982-01		
✓	●	2	334-276	Pad, Wear	2	TK14168	Incl. Pad, Clamp Plates & Screws
●	3	321-514	Bushing; Free Play; 1 3/4"OD	2	13677-08	Use w/334-570 Bolt Assy.	
	4	345-766	Torque Rod, Rigid; 16 3/4"Lg c/c	1	20121-01	Incl. 321-153 Bushing; Use 321-285 at Hanger End, Not Included	
		345-765	Torque Rod, Adjustable; 15"-17 1/4"Lg	1	20138-01	Incl. 321-153 Bushing; Use 321-285 at Hanger End, Not Included	
✓✓	5	334-896	Assembly, Bolt & Bushing	2	TK21640, TK19152	Incl. Bolt, 321-285 Bushings & Hdwe.	
✓✓	6	334-203	Bolt; 1"-14 x 7 1/4"Lg	2	T5492		
●	7	321-285	Bushing; 1"ID x 1 3/4"OD x 2 7/8"Lg	4	21238-01	Hanger End; New Style	
		321-285U	Bushing, Urethane	4			
	8	334-282	Washer; 1 1/8"ID x 3 3/4"OD x 5/16"Thk	4	T1724		
✓✓	9	334-247	Assembly, Bolt & Bushing	2	TK7424	Incl. 334-246 Bolt Assembly & 321-153 Bushing	
✓✓	●	10	321-153	Bushing; 7/8"ID x 1 29/32"OD x 3"Lg	2	09729-01	Axle End
●		321-153U	Bushing, Urethane	2			
✓	11	334-246	Assembly, Bolt; 7/8"-9 x 5 1/2"Lg	2	10033-01	Incl. Bolt & Lock Nut	
	12	SP	Seat, Axle	2		Specify Axle Model & Angle	
	13	GL-295	Liner; 2 7/8" x 8"Lg w/7/8" Hole	2			
✓	●	14	338-200	Saddle, U-Bolt; 3"W x 7 3/4"Lg x 1 3/4"H	2	08677-01	7/8" or 3/4" U-Bolts Down
	15	SP	Plate, Bottom	2		Specify Axle Model & Angle	
	16	361-589	Kit, U-Bolt; Round Bend, Grade 8	2	21090-125	Front; 7/8" x 3" x 12 1/2" R	
	17	361-584	Kit, U-Bolt; Round Bend, Grade 5	2	21090-150	Rear; 7/8" x 3" x 15 1/2" R	
		See Chart	Kit, U-Bolt	2		See Chart on Page 1051	
	18	352-9947	Air Spring	2	20142-01	Standard; w/20123-01 Bracket	
		352-9966	Air Spring	2	20124-01	Optional; w/20123-01 Bracket	
	19	M65454	Shock Absorber	2	20129-01		
	20	SP	Bracket, Lower; Shock; Roadside	1	20155-01		
		SP	Bracket, Lower; Shock; Curbside	1	20154-01		
	21	345-767	Rod, Track	1	20122-01	Incl. (2)321-153 Bushings	
✓✓	●	22	334-750	Valve, Height Control; Universal	1	Various	
✓	●	23	334-751	Linkage Assembly; Universal; Adjustable	1	Various	3 5/8"-19 5/8" Range; Use w/All Height Control Valves
	24	83-279	Z Spring; RH	1	19876-01	See Leaf Spring Web Catalog for Details	
		83-281	Z Spring; LH	1	19877-01	See Leaf Spring Web Catalog for Details	

Front Hangers

Reyco

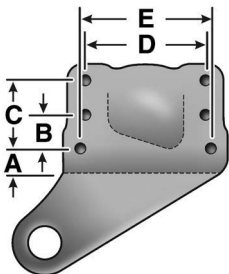
Models 101, 101A, 102 & 102W

Reyco

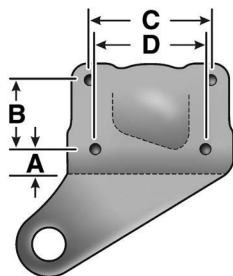


Front Hangers

Part No.	OEM Reference		Dim. (A)	Dim. (B)	Dim. (C)	Dim. (D)	Dim. (E)	Frame Hole Qty./Size		Comments
338-262	10184-01	22272-02	—	—	—	—	—	—	—	R.H. Undrilled
338-261	10185-01	22272-01	—	—	—	—	—	—	—	L.H. Undrilled
338-859	10141-01	22266-01	1.55	2.48	4.96	7.80	—	6	5/8"	L.H. Volvo/GM
338-860	10142-01	22266-02	1.55	2.48	4.96	7.80	—	6	5/8"	R.H. Volvo/GM
SP	10134-01	—	1.75	2.38	4.75	8.00	—	6	9/16"	R.H. White, Discontinued
SP	10135-01	—	1.75	2.38	4.75	8.00	—	6	9/16"	L.H. White, Discontinued
338-294	10105-01	21880-01	1.75	2.38	4.75	8.00	—	6	5/8"	L.H. Standard
338-295	10106-01	21880-02	1.75	2.38	4.75	8.00	—	6	5/8"	R.H. Standard
338-857	09623-01	22261-01	1.75	2.63	4.75	8.00	—	6	3/4"	L.H. Ford
338-858	09624-01	22261-02	1.75	2.63	4.75	8.00	—	6	3/4"	R.H. Ford
SP	18275-01	22342-01	2.19	2.09	4.14	7.88	—	—	—	L.H. Peterbilt
SP	18276-01	22342-02	2.19	2.09	4.14	7.88	—	—	—	R.H. Peterbilt
338-862	09908-01	22255-02	2.25	2.25	4.50	8.00	—	6	5/8"	R.H. Kenworth
338-861	09909-01	22255-01	2.25	2.25	4.50	8.00	—	6	5/8"	L.H. Kenworth
SP	13865-01	22256-01	44.4mm	63mm	126mm	200mm	—	6	15mm	L.H. Mack
SP	13866-01	22256-02	44.4mm	63mm	126mm	200mm	—	6	15mm	R.H. Mack

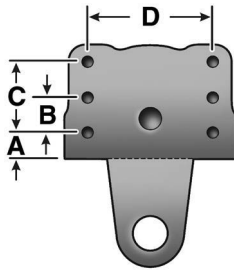


Part No.	OEM Reference		Dim. (A)	Dim. (B)	Dim. (C)	Dim. (D)	Dim. (E)	Frame Hole Qty./Size		Comments
338-1430	09620-01	22262-02	2.31	2.20	4.20	7.70	8.30	6	5/8"	R.H. Navistar
338-1647	09621-01	22262-01	2.31	2.20	4.20	7.70	8.30	6	5/8"	L.H. Navistar



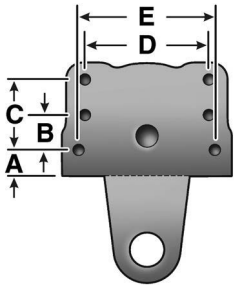
Part No.	OEM Reference		Dim. (A)	Dim. (B)	Dim. (C)	Dim. (D)	Dim. (E)	Frame Hole Qty./Size		Comments
SP	10127-01	22513-01	2.25	4.25	8.00	7.50	—	4	5/8"	L.H. Mack Western
SP	10128-01	22513-02	2.25	4.25	8.00	7.50	—	4	5/8"	R.H. Mack Western

Components

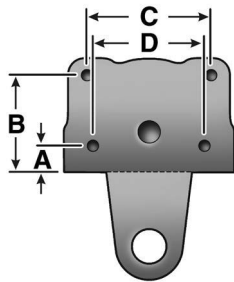


Center Hangers

Part No.	OEM Reference		Dim. (A)	Dim. (B)	Dim. (C)	Dim. (D)	Dim. (E)	Frame Hole Qty./Size	Shaft Dia.	Comments
338-263	10186-01	22274-01	—	—	—	—	—	—	334-239(1 1/2")	Undrilled
338-327	10143-01	22278-01	1.55	2.48	4.96	7.80	—	6 5/8"	334-292(1 1/4")	GMC, Volvo
◆	10136-01	—	1.75	2.38	4.75	8.00	—	6 9/16"	334-239(1 1/2")	White, Discontinued
338-296	10107-01	22335-01	1.75	2.38	4.75	8.00	—	6 5/8"	334-239(1 1/2")	Standard
338-342	09625-01	22275-01	1.75	2.63	4.75	8.00	—	6 3/4"	334-292(1 1/4")	Ford
338-1372	18277-01	22347-01	2.19	2.09	4.14	7.87	—	—	334-239(1 1/2")	Peterbilt
338-863	09910-01	22273-01	2.25	2.25	4.50	8.00	—	6 5/8"	334-239(1 1/2")	Kenworth
338-1371	13868-01	22285-01	44.4mm	63mm	126mm	200mm	—	6 15mm	334-239(1 1/2")	Mack
◆	13868-02	22286-01	44.4mm	63mm	126mm	200mm	—	6 17.5mm	334-239(1 1/2")	Mack

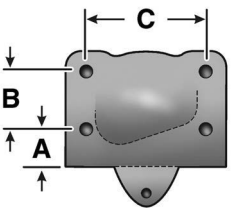


Part No.	OEM Reference		Dim. (A)	Dim. (B)	Dim. (C)	Dim. (D)	Dim. (E)	Frame Hole Qty./Size	Shaft Dia.	Comments
338-1435	09622-01	22288-01	2.31	2.20	4.20	7.70	8.30	6 5/8"	334-239(1 1/2")	Navistar



Part No.	OEM Reference		Dim. (A)	Dim. (B)	Dim. (C)	Dim. (D)	Dim. (E)	Frame Hole Qty./Size	Shaft Dia.	Comments
SP	10129-01	—	2.25	4.25	8.00	7.50	—	4 5/8"	334-239(1 1/2")	Mack Western, Discontinued

Rear Hangers



Part No.	OEM Reference		Dim. (A)	Dim. (B)	Dim. (C)	Dim. (D)	Comments
338-264	10189-01	22299-01	—	—	—	—	L.H. Undrilled
338-265	10190-01	22299-02	—	—	—	—	R.H. Undrilled
338-1437	10103-01	22296-01	1.75	3.50	7.00	5/8"	L.H. Navistar
338-1436	10104-01	22296-02	1.75	3.50	7.00	5/8"	R.H. Navistar
338-1373	18278-01	22346-02	2.09	3.15	7.88	5/8"	L.H. Peterbilt
338-1374	18279-01	22346-01	2.09	3.15	7.88	5/8"	R.H. Peterbilt
SP	10169-01	—	2.25	3.00	7.50	5/8"	L.H. Mack Western, Discontinued
SP	10170-01	—	2.25	3.00	7.50	5/8"	R.H. Mack Western, Discontinued
338-297	10111-01	22303-01	2.25	3.50	7.00	5/8"	L.H. Std. Drill Pattern
338-298	10110-01	22303-02	2.25	3.50	7.00	5/8"	R.H. Std. Drill Pattern
338-864	09629-01	22297-01	2.25	3.50	7.00	3/4"	L.H. Ford
338-865	09628-01	22297-02	2.25	3.50	7.00	3/4"	R.H. Ford
SP	10139-01	—	2.25	3.50	7.00	9/16"	L.H. White, Discontinued
SP	10140-01	—	2.25	3.50	7.00	9/16"	R.H. White, Discontinued
338-868	09913-01	22300-01	2.25	3.50	7.25	5/8"	L.H. Kenworth
338-869	09914-01	22300-02	2.25	3.50	7.25	5/8"	R.H. Kenworth
338-866	10147-01	22294-01	2.77	2.48	7.00	5/8"	L.H. GMC
338-867	10146-01	22294-02	2.77	2.48	7.00	5/8"	R.H. GMC
338-1375	13871-01	22305-01	45mm	100mm	190mm	15mm	L.H. Mack
338-1376	13872-01	22305-02	45mm	100mm	190mm	15mm	R.H. Mack

◆ Not Serviced by Dayton Parts

Suspension-In-A-Box

Solutions for Trailer Suspension
Modernization and Upgrade

Reyco

Reyco

Dayton
parts™

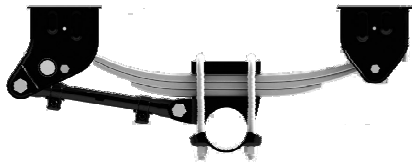
Trailer Suspension Systems



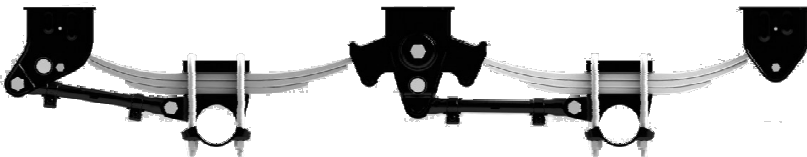
TransPro®

Spring Ride Suspensions

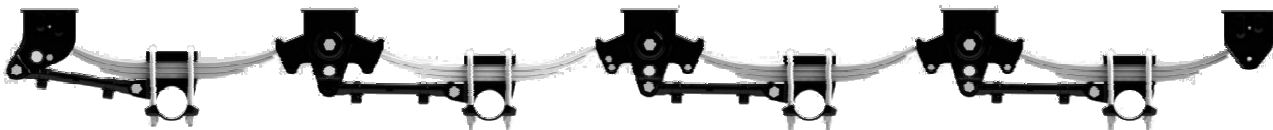
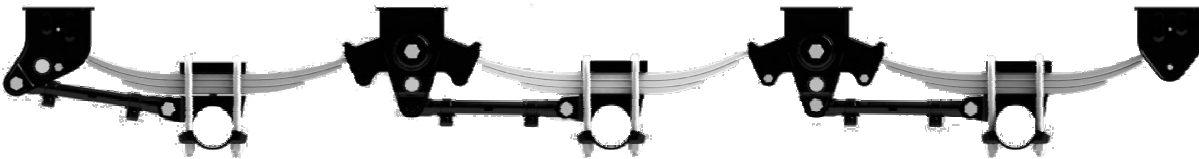
Mechanical Trailer Suspensions
Single/Tandem/Triaxle/Quadaxle



The **TransPro®** Spring Ride system is engineered to be extremely versatile, provide long life and ultra-low maintenance. **TransPro®** delivers exceptional value and assurance of reliable performance over the long haul.



Look for the **Transpro Mark**, stamped into every part, to ensure you receive the legendary Reyco Guarantee of quality, durability, and reliability.



Full Suspensions

Specifications	Features
<ul style="list-style-type: none"> • GAWR - up to 22,000 lbs per axle • Axle spacing - 49" • Spring compatibility - low, medium or high arch 3-leaf • Ride heights - Overslung axle seat: 13-3/8" - 18-5/8" Underslung axle seat: 3" - 6" 	<ul style="list-style-type: none"> • Torque arms with high volume bushings provide extra long service life • Replaceable poly wear pads available • Robust design that requires minimal maintenance

Visit us on the World Wide Web at www.daytonparts.com

Dayton Parts, LLC • PO Box 5795 • Harrisburg, PA 17110-0795 • 800-233-0899 • Fax 800-225-2159
Dayton Parts/Batco • 12390 184th Street • Edmonton, Alberta T5V 0A5 • 800-661-9861 • Fax 888-207-9064



TransPro®

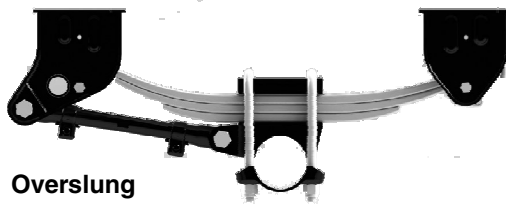
Spring Ride Suspensions

ORDER IN THREE SIMPLE STEPS:

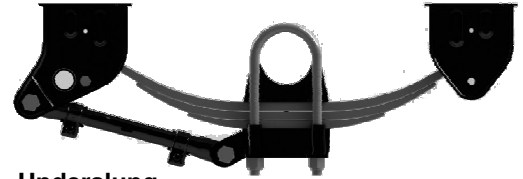
Step #1:
Select
of Axles

- 1 Axle - 339-021101 Hanger Kit, Qty: 1 + 1 Axle Seat Kit**
 - 2 Axles - 339-021101 Hanger Kit, Qty: 1 — 339-021201 Equalizer Kit, Qty: 1 + 2 Axle Seat Kits**
 - 3 Axles - 339-021101 Hanger Kit, Qty: 1 — 339-021201 Equalizer Kit, Qty: 2 + 3 Axle Seat Kits**
 - 4 Axles - 339-021101 Hanger Kit, Qty: 1 — 339-021201 Equalizer Kit, Qty: 3 + 4 Axle Seat Kits**
- **See Below for Axle Seat Kit Numbers

Step #2:
Select
Axle Seat
Configuration



Overslung



Underslung

Step #3:
Select
Ride Height

Overslung Axle Seat Kits

Kit Number	Axle Seat Height	Suspension Ride Height		
		Low Arch Spring (TRA-3341*)	Medium Arch Spring (TRA-3349*)	High Arch Spring (TRA-3340*)
339-021301	3/4"	13-5/8"	14-5/8"	15-5/8"
339-021302	1-3/4"	14-5/8"	15-5/8"	16-5/8"
339-021303	2-3/4"	15-5/8"	16-5/8"	17-5/8"
339-021304	3-3/4"	16-5/8"	17-5/8"	18-5/8"

Underslung Axle Seat Kits

Kit Number	Axle Seat Height	Suspension Ride Height		
		Low Arch Spring (TRA-3341*)	Medium Arch Spring (TRA-3349*)	High Arch Spring (TRA-3340*)
339-021305	3/4"	3"	4"	6"

* Middle springs on TRI & QUAD suspensions have hooks on both ends, refer to TransPro spring information at daytonparts.com

Visit us on the World Wide Web at www.daytonparts.com

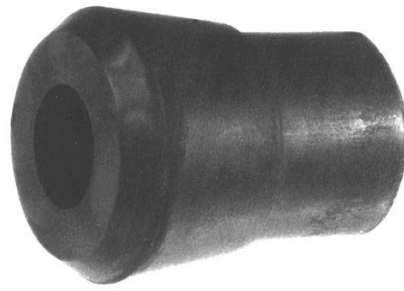
Dayton Parts, LLC • PO Box 5795 • Harrisburg, PA 17110-0795 • 800-233-0899 • Fax 800-225-2159
Dayton Parts/Batco • 12390 184th Street • Edmonton, Alberta T5V 0A5 • 800-661-9861 • Fax 888-207-9064

320-215



Bushing, Sway Bar "D"; Model 79KB

321-145



Bushing; 1" I.D. x 1 13/16" O.D. x 3" Lg; Included in 334-252 T/R Bolt and Bushing Assy.; Models 21AR, 21B, 45

321-146, 321-146U



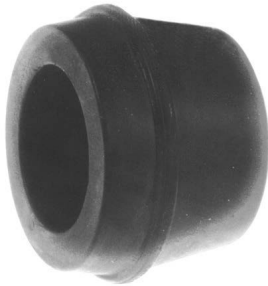
Bushing; 1 5/8" I.D. x 3 1/2" O.D. x 4 7/16" Lg; Standard, Cast Hangers; Model 21B

321-147, 321-147U



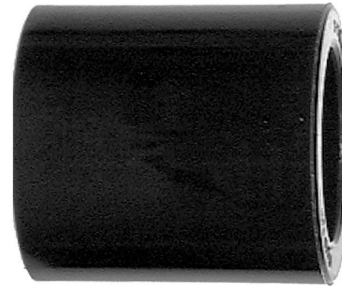
Bushing; 1" I.D. x 1 3/4" O.D. x 2 11/16" Lg; Included in 334-253 T/R Bolt and Bushing Assy.; Models 102CC, 102, 21

321-149



Bushing; 2 3/8" I.D. x 2 1/2" Lg; Models 21, 21B

321-150, 321-150U



Bushing; 7/8" ID x 1 5/8" OD x 2 7/8" Lg; Model 25

321-152



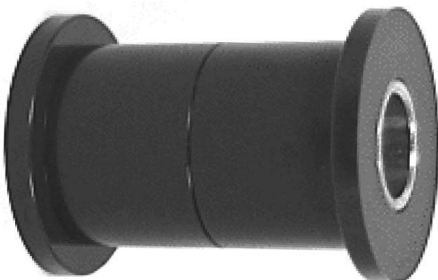
Bushing; 1 1/2" I.D. x 3 1/8" O.D. x 4 7/16" Lg; Included in 334-243 Equalizer Bolt and Bushing Assy.; w/ Slots; Models: Various

321-153



Bushing; 7/8" I.D. x 1 29/32" O.D. x 3" Lg; Models: Various

321-153U



Bushing, Urethane; 7/8" I.D. x 1 29/32" O.D. x 3" Lg; Models: Various

321-154, 321-154U



Bushing; 2" I.D. x 3 1/8" O.D. x 4 1/4" Lg; Widespread; Models 21B, 31/41, 45

321-157, 321-157U



Bushing; 1 1/16" I.D. x 1 13/16" O.D. x 2 7/8" Lg; Eccentric Type, Included in 334-285 T/R Bolt and Bushing Assy; Models 101, 101A, 201

321-158



Bushing; Replaced by 321-285; Model 102AR

321-159



Bushing; 1 1/4" I.D. x 3 1/8" O.D. x 4 15/32" Lg; Ford 1984 and Up/GMC All; Models 101, 101A, 102, 102W

321-161



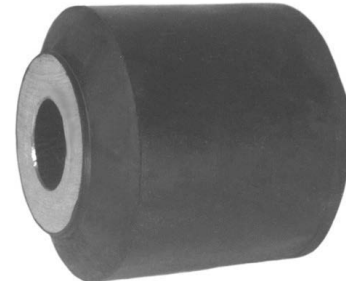
Bushing; 1 1/2" I.D. x 2 3/4" O.D. x 3 3/8" Lg; Included in 334-300 T/R Bolt and Bushing Assy.; Obsolete; Model 181/101F

321-162



7/8" I.D. x 2 1/32" O.D. x 3" Lg; Included in 334-301 T/R Bolt and Bushing Assy.; Model 181/101F (New Style)

321-163



Bushing; 1" I.D. x 3 1/16" O.D. x 3 1/4" Lg; New Style; Axle Seat End; Included in 334-306 Equalizer Bolt and Bushing Assy.; Model 181/101F

321-164



Bushing; 3/4" I.D. x 2 3/8" O.D. x 3" Lg; Equalizer End and Spring Eye; Model 181/101F

321-191



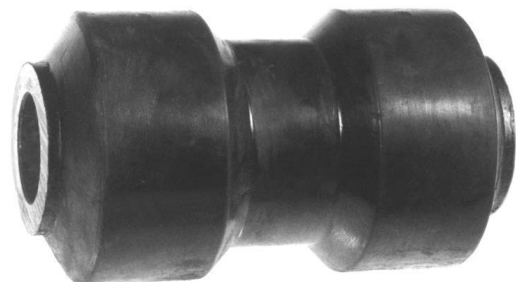
Bushing; 1 1/2" I.D. x 3 1/8" O.D. x 4 1/2" Lg; Standard 1984 and Up; No Slots; Models 101, 101, 101A, 102, 102W, 201

321-194, 321-194U



Bushing; 1" I.D. x 3 7/16" x 4" Lg; Included in 334-628 Equalizer Bolt and Bushing Assy.; Model 86/88/89

321-270



Bushing; 1 1/4" I.D. x 3 1/8" O.D. x 5 3/8" Lg; Included in 334-1259 Equalizer Bolt and Bushing Assy.; Model 74A/B, 74A/B Widespread

321-285, 321-285U



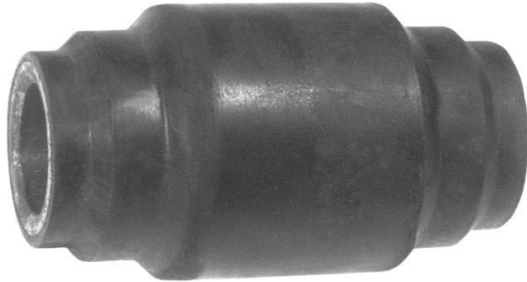
Bushing; 1" I.D. x 1 3/4" O.D. x 2 7/8" Lg; Included in 334-896 T/R Bolt and Bushing Assy.; Models: Various

321-287



Bushing; 1" I.D. x 2 3/8" O.D. x 4" Lg; 74A Seat End/74B Both Ends; Models 74AR, 74A/B

321-304



Bushing; 17/8" I.D. x 1 29/32" O.D. x 3 3/8" Lg.; Included in 334-1030 T/R Bolt and Bushing Assy.; Model 83

321-305



Bushing; 1 1/4" I.D. x 3 1/8" O.D. x 4 5/8" Lg.; Included in 334-1264 Shaft and Bushing Assy.; Models 21B, 83

321-385



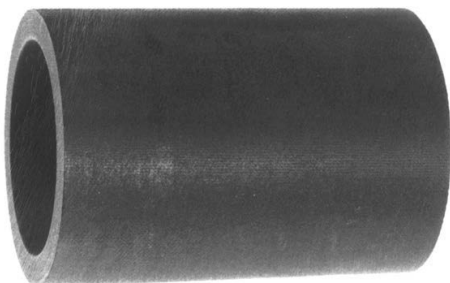
Bushing; Model 23/25/30AR

321-514



Bushing, Free Play; 1 3/4"OD; Use w/334-768 bolt assy.; Model 240AR

322-111



2" I.D. x 2 5/8" O.D. x 3 3/4" Lg.; Obsolete; Use w/ 334-264 Equalizer Shaft Assy.; Models 21, 45

334-207



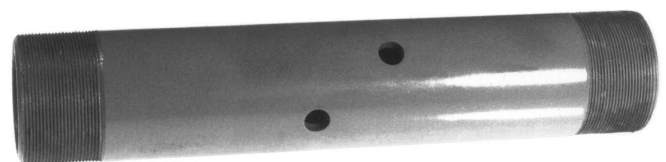
Shaft, Equalizer; 1 5/8" O.D. x 8 5/8" Lg., 1"-8 Internal Thread; Standard, Cast Hangers; Use w/ 334-211 Equalizer Shaft and Bushing Assy.; Model 21B

334-220



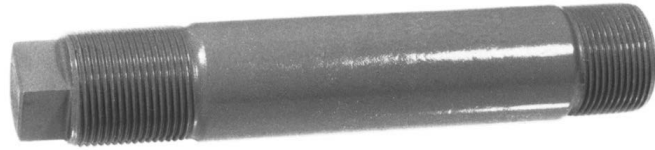
Seal; 2" I.D. x 2 5/8" O.D. x 1/4" Thk.; Model 21, 45

334-223



Shaft; 2 1/2" O.D. x 12 1/2" Lg., 2 1/2"-16 Threads, Wide Spread; Use w/ 334-211 Equalizer Shaft and Bushing Assy.; Model 21B

334-239



Shaft, Standard Equalizer; 1 1/2" O.D. x 8" Lg., 1 7/16"-12 Thread BE; Model 101, 101A, 102, 102W

334-248



Shaft Assembly; 2" O.D. x 6 1/2" Lg.; Includes Shaft and Roll Pin, Use w/321-154 Bushing; Model 31/41

334-276



Pad, Wear; Includes Clamp Plates and Screws; Models: Various

334-298



Bushing, Eccentric; Use w/ 334-642 Bolt; Model 74A

334-308



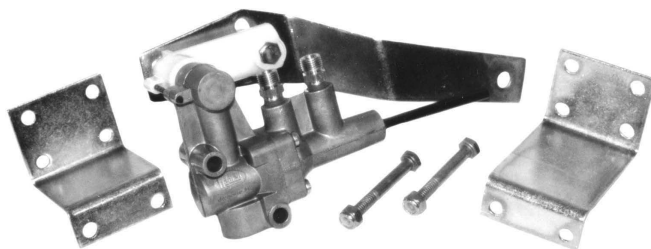
Lock Strip; 5" C to C x 1/16" thk.; Model 181/101F

334-642



Bolt; Flat Side; Models 101, 101A, 102, 74A/B

334-750



Valve, Height Control; Universal; Hadley - Model 450HCV; Models: Various

334-751



Linkage Assembly, Universal Adjustable; 3 5/8"-19 5/8" Range; Use with all Height Control Valves; Models: Various

334-835



Bolt Assembly, Rebound; 1/2"-20 x 4 1/2" Lg. Bolt; Model 102AR

334-1029



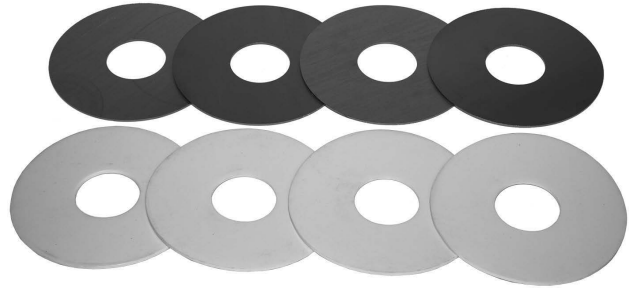
Bracket, Upper Shock (LH-RH); Model 102AR

334-1262



Shaft; 1 1/2"-6 Thread, 9 1/4" Lg., 72"-108" Wide Spread; Use w/ Cast Center Hangers, Included in 334-1442 Shaft and Bushing Assy.; Model 21B

334-1730



Spacer Kit, Severe Service; 23/25/30AR

334-1771



Bolt, Alignment Adjustment; Models 20AR/RS3162/DockMaster II, 23/25/30AR

334-1772



Collar, Alignment; Opposite REY-Align®; 23/25/30AR

334-1811



Yoke Assembly, REY-Align®; 23/25/30AR

334-1910



Service Assembly, Sway Bar End Link; Model 79KB

334-1951



Pad, Wear; Abrasion Resistant; Models 86/88/89

334-1952



Service Kit; Track Rod Bracket; Incl brackets, hardware; Model 86AR

334-1953



Wear Pad; Model 86AR

334-2095



Bolt & Bushing Assembly; D-Bolt Assembly & RB-371 Bushing; Model 79KB

334-2223



Service Kit, Pivot; Single Beam; Models 20AR/RS3162/DockMaster II

334-2225



Adjuster, Rey-ALIGN®, Models 20AR/RS3162/DockMaster II

338-188



Hanger, LH; Flangemount; Standard Drill Pattern; Use w/ 334-252 T/R Bolt and Bushing Assy.; Model 21B

338-189



Hanger, RH; Flangemount; Standard Drill Pattern; Use w/ 334-252 T/R Bolt and Bushing Assy.; Model 21B

338-190



Hanger, LH; Undermount; Weld-On; Model 21B

338-191



Hanger, RH; Undermount; Weld-On; Use w/ 334-252 T/R Bolt and Bushing Assy.; Model 21B

338-192



Hanger, Flangemount; Standard Drill Pattern; Use w/ 334-211 Equalizer Shaft and Bushing Assy.; Model 21B

338-193



Hanger, Undermount; Weld-On; Use w/ 334-211 Equalizer Shaft and Bushing Assy.; Model 21B

338-194



Hanger, Rear; LH; Standard Drill Pattern; Flangemount; Use w/334-201 Rebound Kit; Model 21B, 25

338-195



Hanger, Rear; RH; Flangemount; Standard Drill Pattern; Use w/334-201 Rebound Kit; Model 21B, 25

338-196



Hanger, Rear; LH; Undermount; Cast, Weld-On; Use w/334-201 Rebound Kit; Model 21B, 25

338-197



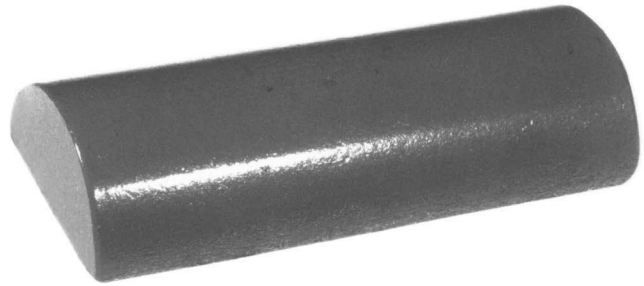
Hanger, Rear; RH; Undermount; Cast, Weld-On; Use w/334-201 Rebound Kit; Model 21B/25

338-199



Equalizer; Less Bushing; 14 1/2" c/c; 49" Axle Spacing w/Cast Hangers; Use w/334-201 Rebound Kit, 321-146 Bushings; Model 21B

338-200



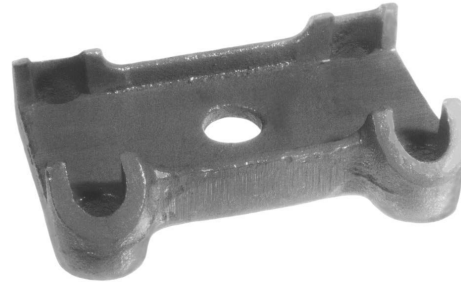
Saddle, U-Bolt; 3" W x 7 3/4" Lg. x 1 3/4" H; 7/8" or 3/4" U-Bolts Down; Models: Various

338-202



Plate, U-Bolt Top Clamp; 4" W x 5 3/8" C to C; 4" x 6" Rectangular Axles; Obsolete; Models 21, 21B, 25, 31/41

338-203



Plate, U-Bolt Top Clamp; Plate, U-Bolt Top Clamp; 3 7/8"W x 5 7/8" c/c - 5" Rd. & Eaton 5" Sq. Axles; Models 21, 21B, 25, 31/41, 45, 83, 86/88/89

338-205



Bracket, Torque Rod Seat; 5" Round Axles; HEIGHT = 3/4"; Use w/ 334-252 T/R Bolt and Bushing Assy.; Model 21B

338-206



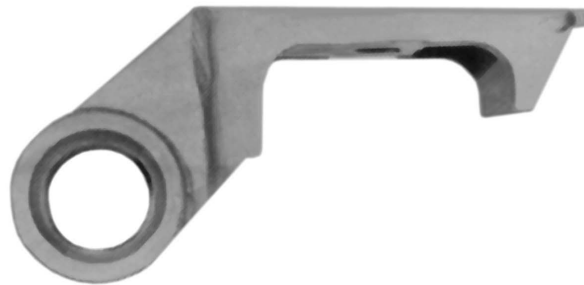
Bracket, Torque Rod Seat; 5" Round Axles; HEIGHT = 1 3/4"; Use w/ 334-252 T/R Bolt and Bushing Assy.; Model 21B

338-207



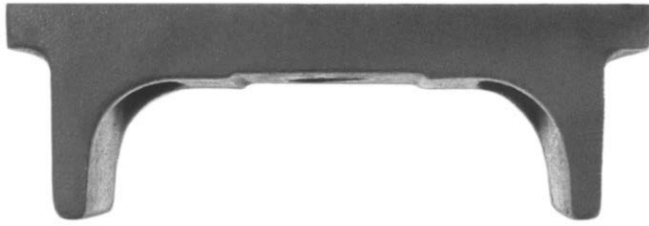
Bracket, Torque Rod Seat; 4" x 6" Rectangular Axles; HEIGHT = 3/4"; Use w/ 334-252 T/R Bolt and Bushing Assy.; Model 21B

338-209



Bracket, Torque Rod Seat; 5" Square Axles; HEIGHT = 3/4"; Use w/ 334-252 T/R Bolt and Bushing Assy.; Model 21B

338-212



Bracket, Torque Rod Seat; 5" Square Axles, No Hop and Underslung; Models 21B, 83

338-214



Plate, U-Bolt Bottom Clamp; 3 7/8" W x 5 7/8" C to C; 5" Round Axles; Model 21, 21AR, 21B, 31/41

338-215



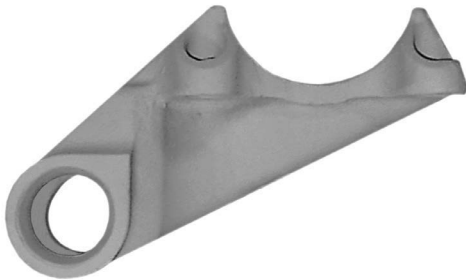
Plate, U-Bolt Bottom Clamp; 4" x 6" Rectangular Axles; Models 21B, 31/41

338-216



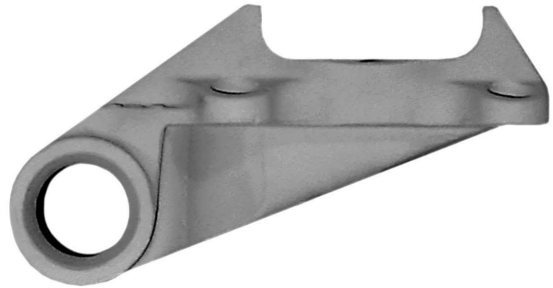
Plate, U-Bolt Bottom Clamp; 3 15/16" W x 6 1/4" Lg. c/c - 5" Square Axle; Models 21B, 31/41

338-217



Bracket, Stabilizer; 5" Round Axles; No Hop; Use w/ 334-452 T/R Bolt and Bushing Assy.; Model 21B

338-218



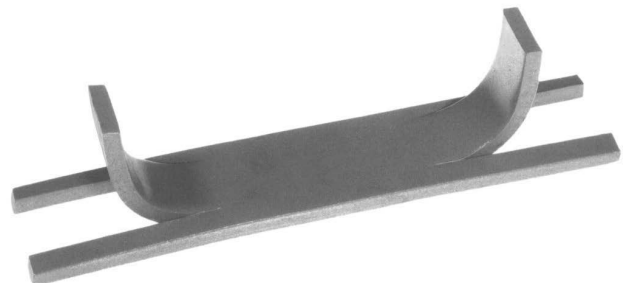
Bracket, Stabilizer; 5" Square Axles; No Hop; Use w/ 334-452 T/R Bolt and Bushing Assy.; Model 21B

338-219



Clip, U-Bolt; 4" x 6" Axles; Obsolete; Models 21B, 31/41, 83, 86/88/89

338-220



Clip, U-Bolt; 5" Square Axles; Models 21B, 31/41, 83, 86/88/89

338-224



Equalizer; 2 Pc. Rubber Bushing; 16 1/2" c/c holes; Use w/ 334-201 Rebound Kit; Models 21-3, 21-5

338-225



Equalizer Assembly, Greasable; 16 1/2" c/c holes; Includes 322-111 Bushing and 334-220 Seals; Use w/ 334-201 Rebound Kit; Model 21

338-231



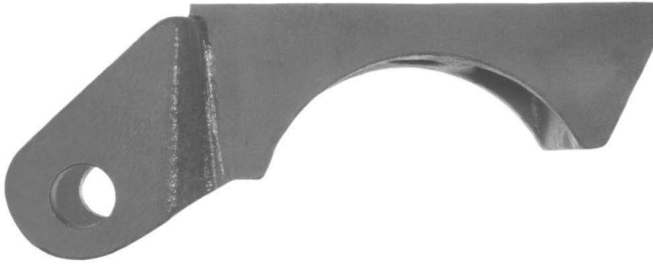
Equalizer Assembly; 14 1/2" c/c holes; Includes 321-152 Bushing; Use w/ 334-201 Rebound Kit; Model 25

338-237



Equalizer Assembly; Includes 321-154 Bushing; 12" c/c holes; Use w/ 334-201 Rebound Kit; Model 31

338-238



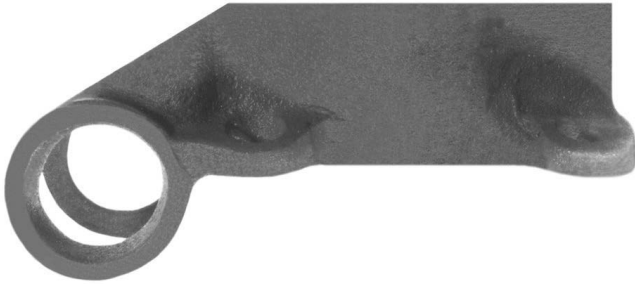
Bracket, Torque Rod Seat; 3/4", 5" Round Axle; HEIGHT = 1"; Use w/ 334-247 T/R Bolt and Bushing Assy.; Models 31/41, 45, 83

338-243



Equalizer Assembly; Includes 321-154 Bushing; Use w/ 334-201 Rebound Kit; Model 41

338-246



Bracket, Torque Rod Bottom Plate; 5" Round and Square Axles; Underslung; Use w/ 334-252 Bolt and Bushing Assy.; Model 21B

338-248



Equalizer Assembly, Front; Includes 322-111 Bushing and 334-220 Seals; Use w/ 334-264 Equalizer Shaft Assy.; Obsolete; Model 45

338-249



Equalizer Assembly, Rear; Includes 322-111 Bushing and 334-220 Seals; Use w/ 334-264 Equalizer Shaft Assy.; Obsolete; Model 45

338-264



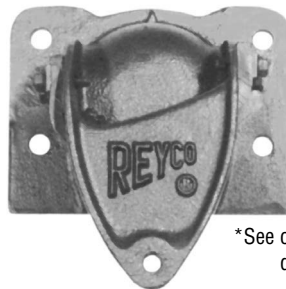
Hanger, LH; Undrilled; Use w/ 334-272 Rebound Kit; Models 101, 101A, 102, 102W

338-265



Hanger, RH, Undrilled; Use w/ 334-272 Rebound Kit; Models 101, 101A, 102, 102W

338-297



Hanger, LH; Standard; Use w/ 334-272 Rebound Kit; Models 101, 101A, 102, 102W

*See charts for available drill patterns.

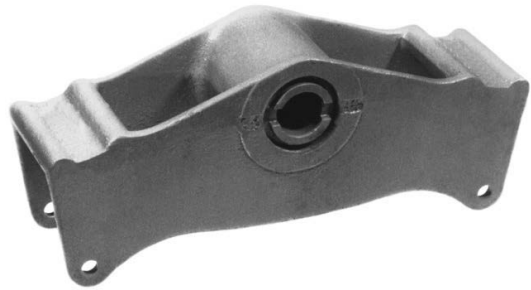
338-298



*See charts for available drill patterns.

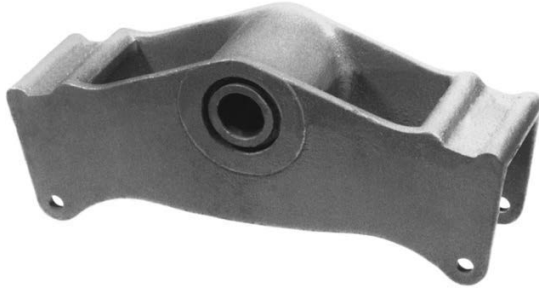
Hanger, RH, Standard; Use w/ 334-272 Rebound Kit; Models 101, 101A, 102, 102W

338-300



Hanger, RH, Standard; 14 1/2" cc holes; Includes 321-152 Bushing; Use w/ 334-201 Rebound Kit; Model 101 Standard Pre 1984

338-328



Equalizer Assembly; Includes 321-159 Bushing; 14 1/2" cc holes; Use w/ 334-201 Rebound Kit; Model 101 Ford 1984 and Up; GMC All

338-347



Casting #11835-01; Use w/ 334-300 T/R Bolt and Bushing Assy. and 334-201 Rebound Kit; Model 181/101F

338-348



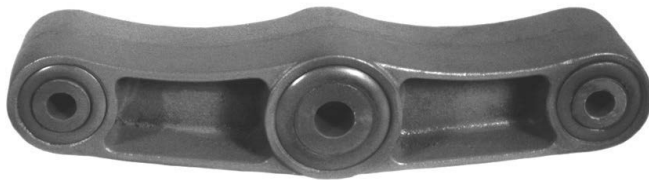
Hanger; Casting #11836-01; Use w/ 334-300 T/R Bolt and Bushing Assy. and 334-306 Equalizer Bolt and Bushing Assy.; Obsolete; Model 181/101F

338-349



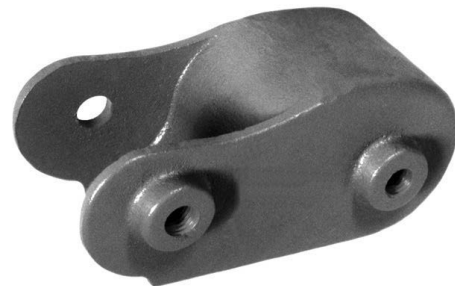
Hanger; Casting #11837-1; Use w/ 334-201 Rebound Kit; Model 181/101F

338-351



Equalizer Assembly - Models w/ 7 Leaf Spring; Includes 321-163 Equalizer Bushings; Use w/ 334-305 Equalizer Bolt Kit; Obsolete; Model 181/101F

338-352



Shackle, LF-RR; Threaded Boss Design; Use w/ 334-307 Bolts; Obsolete; Model 181/101F

338-353



Shackle, RF-LR; Threaded Boss Design; Use w/ 334-307 Bolts; Obsolete; Model 181/101F

338-373



Hanger, Undermount; Replaces Model 86/88 Hangers; Use w/ 334-316 T/R Bolt and Bushing Assy. and 334-630 Rebound Kit; Model 88

338-374



Hanger, Undermount; Replaces Model 86/88 Hangers; Use w/ 334-316 T/R Bolt and Bushing Assy. and 334-628 Equalizer Bolt and Bushing Assy.; Model 88

338-375



Hanger, Undermount; Replaces Model 86/88 Hangers; Use w/ 334-630 Rebound Kit; Model 88

338-376



Pad, Wear; Steel; Model 86/88/89

338-378



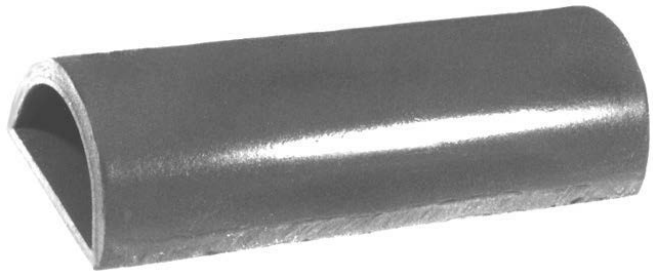
Equalizer Assembly; Fabricated; 49" Axle Spacing; 11 3/4" c/c holes; Includes 321-194 Bushing; Use w/ 334-628 Equalizer Bolt and Bushing Assy.; Model 86/88/89

338-379



5" Round and Square Axles; Replaced by 338-203; Model 86/88/89

338-381



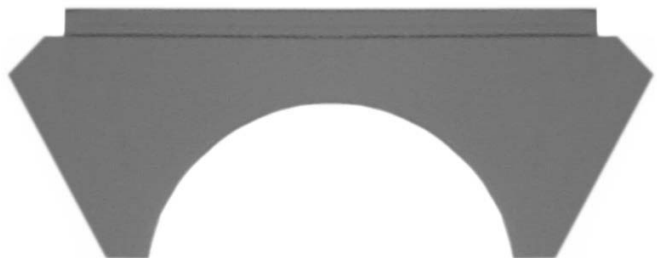
Saddle, U-Bolt; 3"W x 7 1/2"Lg. - Fabricated; U-Bolts Down; Models 21B, 83/88/89

338-382



Bracket, Torque Rod Seat; 5" Round Axle, Fabricated; HEIGHT = 1"; Use w/ 334-316 T/R Bolt and Bushing Assy.; Model 86/88/89

338-383



Seat; 5" Round Axles, Fabricated; HEIGHT = 1"; Underslung and No Hop; Use w/ 334-316 T/R Bolt and Bushing Assy.; Model 86/88/89

338-384



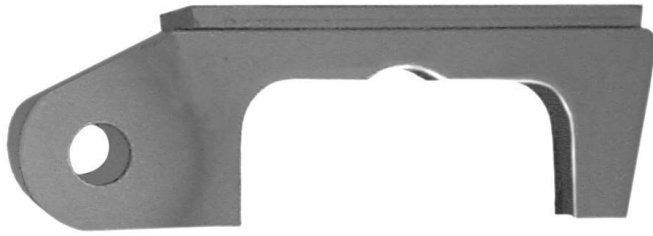
Bracket, Torque Rod Seat; 5" Square Axle, Fabricated; HEIGHT = 1"; Use w/ 334-316 T/R Bolt and Bushing Assy.; Model 86/88/89

338-385



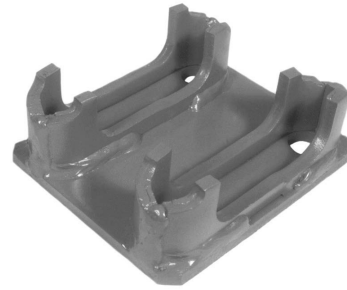
Seat; 5" Square Axles, Fabricated; HEIGHT = 1"; Underslung and No Hop; Use w/ 334-316 T/R Bolt and Bushing Assy.; Model 86/88/89

338-386



Bracket, Torque Rod Seat; 4"x 6" Axle, Fabricated; HEIGHT = 1"; Use w/ 334-316 T/R Bolt and Bushing Assy.; Model 86/88/89

338-390



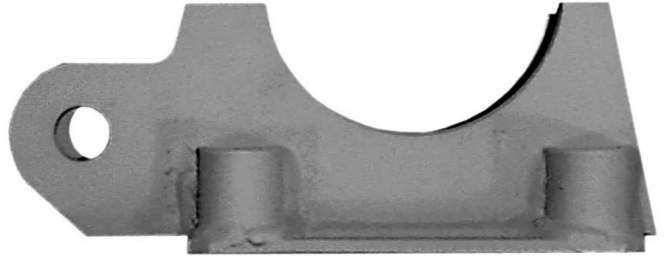
Plate, U-Bolt Bottom Clamp; 4"x 6" Axle, Fabricated; Model 86/88/89

338-391



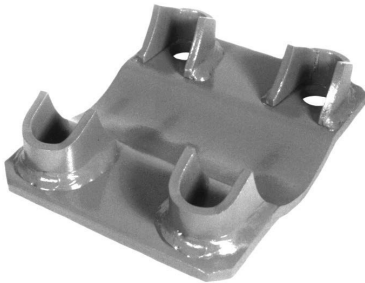
Bracket, Torque Rod Bottom Clamp Plate, Underslung; Underslung; 3 and 8 Leaf Springs; Model 86/88/89

338-393



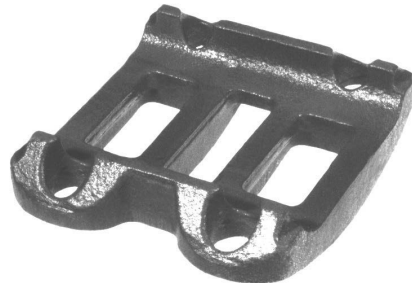
Bracket, Stabilizer; 5" Round Axles, No Hop; Model 86/88/89

338-415



Plate, Bottom U-Bolt Clamp; Fabricated; U-Bolts Down; 5" Round Axles; Model 21B

338-470



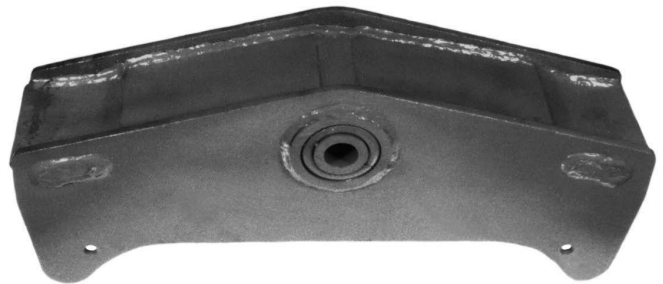
Plate, Bottom U-Bolt Clamp; 4" x 6" Rectangular Axles; U-Bolts Down; Model 83

338-471



Plate, Bottom U-Bolt Clamp; 5" Square Axle, 3/4" U-Bolts; U-Bolts Down; Model 83

338-605



Equalizer Assembly; 54" Axle Spacing; 20" c/c holes; Includes 321-270 Bushing. Use w/ 334-415 Rebound Kit; Model 74A/B

338-724



Equalizer Assembly; 14 1/2" c/c holes; Includes 321-191 Bushing; Use w/ 334-201 Rebound Kit; Model 101 Standard, 1984 and Up

338-739



Seat; 3/4" Round Axles; No Hop and Underslung; Use w/ 334-252 T/R Bolt and Bushing Assy.; Model 21B

338-871



Equalizer, Assembly; Cast; 11 3/4" c/c holes; Includes 321-194 Bushing; Use w/ 334-343 Rebound Kit; Model 86/88/89

338-1369



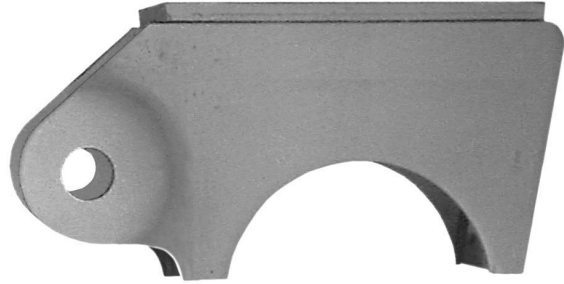
Equalizer, Heavy Duty; 14 1/2" c/c holes; Off-Road and Multi Axle Applications; Use w/ 334-201 Rebound Kit; Model 21B

338-1377



Seat; 5" Round, Fabricated; HEIGHT = 3"; Underslung and No Hop; Model 86/88/89

338-1378



Bracket, Torque Rod/Seat; 5" Round; HEIGHT = 3"; Use w/ 334-316 T/R Bolt and Bushing Assy.; Model 86/88/89

338-1409



Hanger, LH; Flangemount; Use w/ 334-630 Rebound Kit; Model 86/88/89

338-1410



Hanger, RH; Flangemount; Use w/ 334-630 Rebound Kit; Model 86/88/89

338-1411



Hanger, Flangemount; Use w/ 334-316 T/R Bolt and Bushing Assy.; Model 86/88/89

338-1412



Hanger, LH; Flangemount; Use w/ 334-630 Rebound Kit; Model 86/88/89

338-1413



Hanger, RH; Flangemount; Use w/ 334-630 Rebound Kit; Model 86/88/89

338-1414



Equalizer Assembly; 14 1/2" c/c holes; Includes 321-191 Bushing; Use w/ 334-201 Rebound Kit; Model 101A/102/102W/Standard

338-1415



Equalizer Assembly; 14 1/2" c/c holes; Includes 321-159 Bushing; Use w/ 334-201 Rebound Kit; Model 101A/102/102W/GM and Ford

338-1428



Hanger; Flangemount; Cast, Flangemount; 54"-65 1/2" axle spacing; Model 21B

338-1429



Hanger; Undermount; Cast, Undermount; 54"-65 1/2" axle spacing; Model 21B;

338-1431



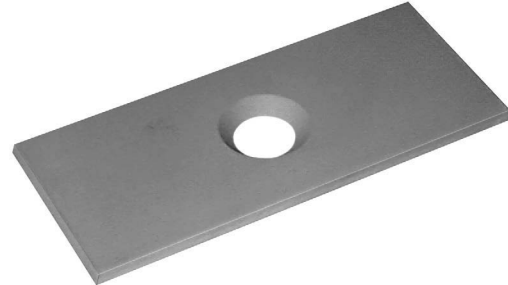
Hanger, RH; Use w/ 334-896 T/R Bolt and Bushing Assy.; Model 102AR

338-1432



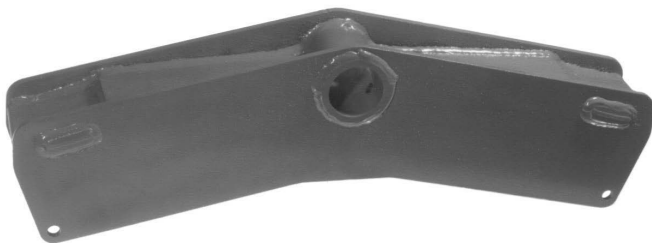
Hanger, LH; Use w/ 334-896 T/R Bolt and Bushing Assy.; Model 102AR

338-1440



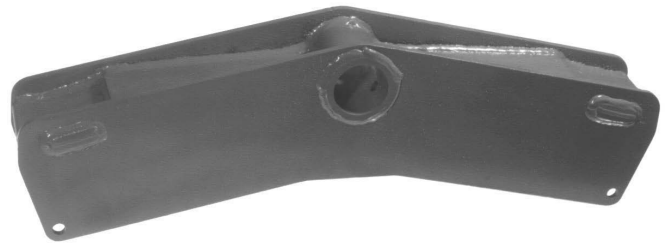
Spacer; 1/4"; 3" W x 7" Lg. x 1/4" Thk.; 13/16" Hole; Model 102CC

338-1442



Equalizer; 30" Lg., 27" c/c holes; 60" Axle Spacing; Use w/ 334-201 Rebound Kit and 321-149 Bushing; Model 21B

338-1443



Equalizer; 42" Lg., 40" c/c holes; 72" Axle Spacing; Use w/ 334-201 Rebound Kit, Includes 321-154 Bushing; Model 21B

338-1447



Equalizer; 19" Lg., 15 7/8" c/c holes; 49" Axle Spacing; Use w/ 334-201 Rebound Kit, Includes 321-305 Bushing; Models 21B, 83

338-1448



Equalizer; 30" Lg., 27" c/c holes; 60" Axle Spacing; Use w/ 334-201 Rebound Kit, Includes 321-305 Bushing; Models 21B, 83

338-1449



Hanger; Use w/ 321-305 Equalizer Bushing; Model 21B

338-1450



Hanger, Center, LH/RH; Use w/ 321-149 Equalizer Bushing; Models 21B, 83

338-1453



Hanger, Straddlemount; Use w/334-630 Rebound Kit; Model 86/88/89

338-1456



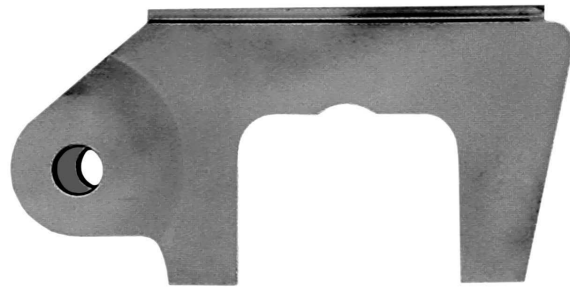
Hanger, Straddlemount; Use w/334-630 Rebound Kit and 334-316 T/R Bolt and Bushing Assy.; Model 86/88/89

338-1457



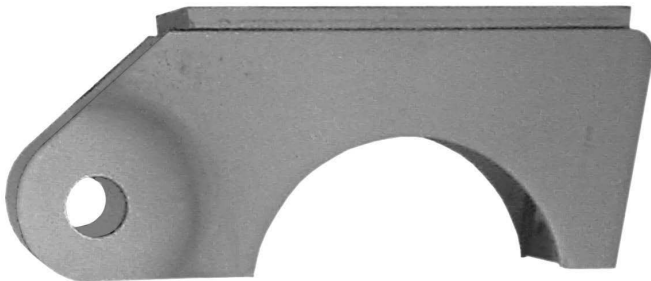
Hanger, Straddlemount; Use w/ 334-316 T/R Bolt and Bushing Assy.; Model 86/88/89

338-1458



Bracket, Torque Rod/Seat; 2"; 4"-6" Rectangular Axles; HEIGHT = 2"; Use w/ 334-316 T/R Bolt and Bushing Assy.; Model 86/88/89

338-1459



Bracket, Torque Rod/Seat; 2"; 5" Round Axles; HEIGHT = 2"; Use w/ 334-316 T/R Bolt and Bushing Assy.; Model 86/88/89

338-1460



Bracket, Track Rod; Use w/ 334-316 T/R Bolt and Bushing Assy.; Model 21AR, 74AR, 86AR

338-1530



Top Plate, 5" Square Axles; Model 21B, 25, 31/41, 83

338-1645



Hanger, RH; Use w/ 334-896 T/R Bolt and Bushing Assy.; Model 240AR

338-1646



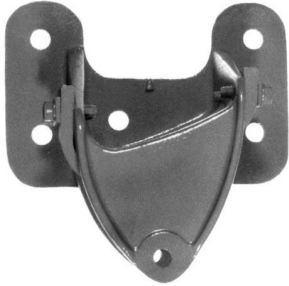
Hanger, LH; Use w/ 334-896 T/R Bolt and Bushing Assy.; Model 240AR

338-1648



Hanger; Use w/ 334-285 T/R Bolt and Bushing Assy.; Obsolete; Model 201

338-1650



Hanger, LH; Use w/ 334-272 Rebound Kit; Obsolete; Model 201

338-1651



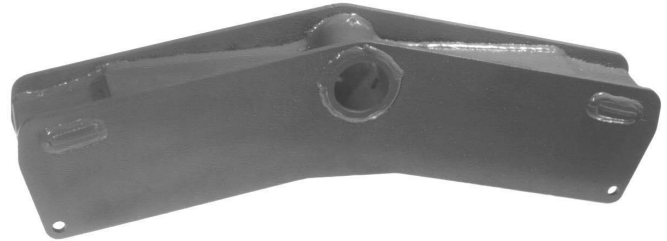
Hanger, RH; Use w/ 334-272 Rebound Kit; Obsolete; Model 201

338-1672



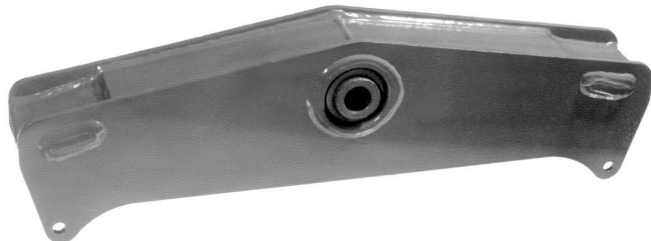
Equalizer; 23" Lg., 19 1/4" c/c holes; 54" Axle Spacing w/Cast Hangers; Use w/ 334-201 Rebound Kit and 321-149 Bushing; Model 21B

338-1673



Equalizer; 32 1/2" Lg., 29" c/c holes; 63 1/2"-65 1/2" Axle Spacing; Use w/ 334-201 Rebound Kit and 321-149 Bushing; Model 21B

338-1674



Equalizer; 23" Lg., 21 1/4" c/c holes; 54" Axle Spacing; Use w/ 334-201 Rebound Kit, Includes 321-305 Bushing; Model 21B/83

338-1675



Equalizer; 32 1/2" Lg., 29" c/c holes; 63 1/2"-65 1/2" Axle Spacing; Use w/ 334-201 Rebound Kit, Includes 321-305 Bushing; Model 21B/83

338-1676



Equalizer; 42" Lg., 40" c/c holes; 72" Axle Spacing; Use w/ 334-201 Rebound Kit, Includes 321-305 Bushing; Model 21B/83

338-1677



Hanger, Fabricated; Use w/ 334-252 T/R Bolt and Bushing Assy.; Model 21AR, 21B

338-1678



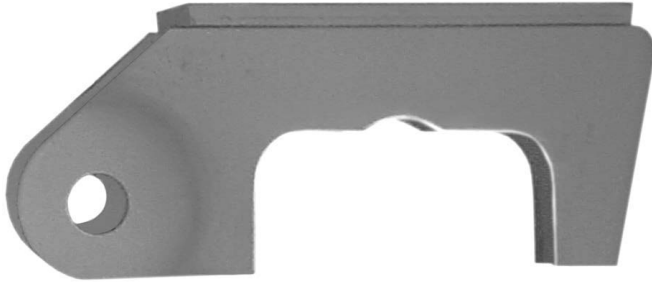
Hanger, Fabricated; Undermount; Use w/ 334-201 Rebound Kit; Model 21B

338-1679



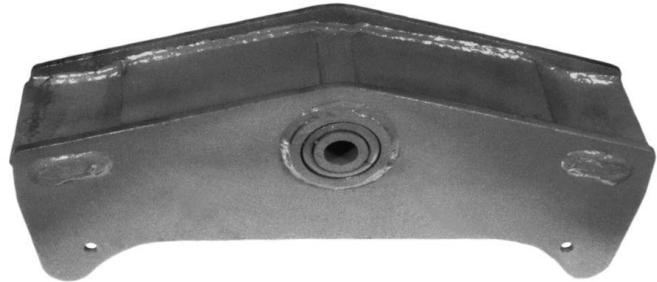
Hanger, Fabricated; Undermount; Model 21B/21B-FAB

338-1817



Bracket, Torque Rod/Seat; 2"; 5" Square Axles; Use w/ 334-316 T/R Bolt and Bushing Assy; Model 86/88/89

338-1826



Equalizer Assembly; 50" Axle Spacing; Includes 321-270 Bushing; Use w/ 334-415 Rebound Kit; Model 74B

338-190



Hanger, LH; Undermount; Weld-On; Use w/ 334-252 T/R Bolt and Bushing Assy.; Model 21B

338-1941



Spacer, U-Bolt/Axle; Model 23/25/30 AR

338-2064



Hanger, LH/RH Undermount; Model 21B; cast weld-on

338-2065



Hanger, LH/RH Undermount; Model 21B; cast weld-on

338-2078



Hanger, Undermount; Model 88 "Stress-Tek"

338-2079



Seat Bracket; 4dg - 4 5/8" axle; Model 102AR

339-265



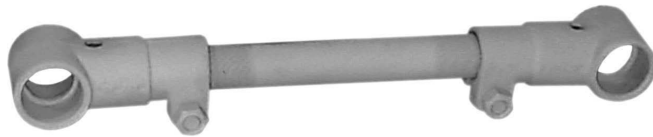
Service Kit - 1 Beam; REY-ALIGN®; Model 23/25/30AR

339-266



Service Kit - 1 Beam; Bolted Connection; Model 23/25/30AR

345-105



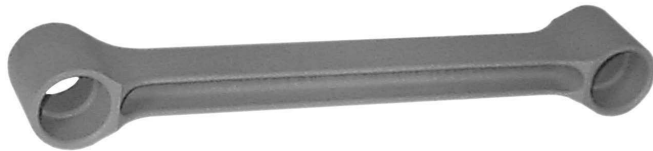
Torque Rod, Adjustable; 18 3/4"-19 1/2"Lg.; Use w/ 321-145 Bushings, Not Included; Models 21, 21B

345-109



Torque Rod, Adjustable; 21 3/4"-24"Lg.; Use w/ 321-145 Bushings Not Included; Model 21

345-110



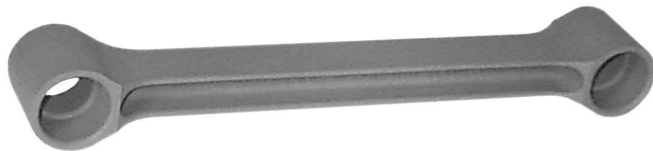
Torque Rod, Rigid; 16 1/4"Lg. c/c, Cast Use w/ 321-145 Bushings, Not Included; Models 21AR, 21, 21B

345-111



Torque Rod, Rigid; 16 1/2"Lg. c/c; Use w/ 321-145 Bushings Not Included; Models 21, 21B

345-112



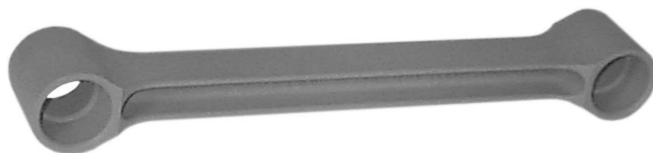
Torque Rod, Rigid; 18 7/8"Lg. c/c, Cast; Use w/ 321-145 Bushings Not Included; Models 21, 21B

345-113



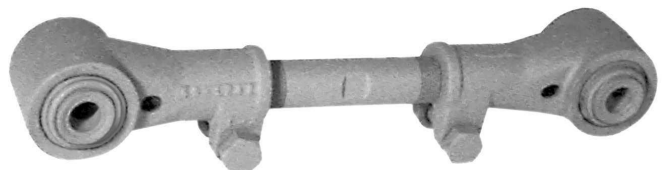
Torque Rod, Rigid; 19 1/4"Lg. c/c; Use w/ 321-147 and 321-285 Bushings Not Included; Models 21, 102

345-121



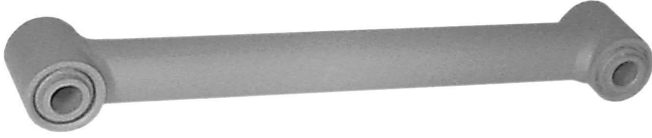
Torque Rod, Rigid; 21"Lg. c/c; Use w/ 321-147 and 321-285 Bushings Not Included; Models 21, 102

345-130



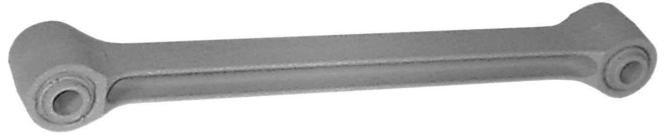
Torque Rod, Adjustable; 15"-17 1/4"Lg.; Includes 321-153 Bushings; Models 31/41, 45, 102cc

345-133



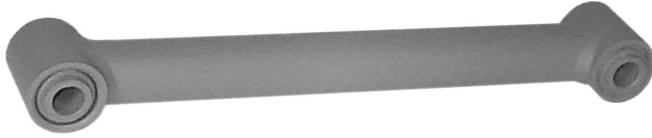
Torque Rod, Rigid; 16 1/2"Lg. c/c; Includes 321-153 Bushings; Model 31/41

345-134



Torque Rod, Rigid; 19 3/8"Lg. c/c; Includes 321-153 Bushings; Models 31/41, 79KB

345-140



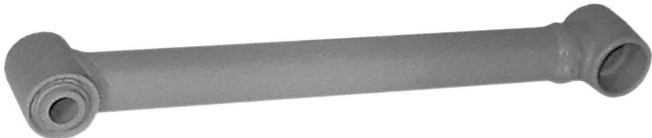
Torque Rod, Rigid; 20 3/8"Lg. c/c; Includes 321-153 Bushings; Model 31/41

345-143



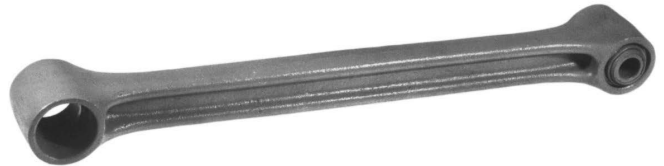
Torque Rod, Rigid; 17"Lg. c/c; Includes 321-153 Bushings; Model 31/41

345-147



Torque Rod, Rigid; 19 5/16"Lg. c/c; Includes 321-153 Bushings; Model 101A/102W

345-148



Torque Rod, Rigid; 20 1/2"Lg. c/c; Includes 321-153 Bushing in Axle End; Use w/ 321-157 Bushing in Hanger End, Not Included; Model 102W

345-151



Torque Rod, Adjustable; 17 1/2"-19 1/2"Lg.; Includes 321-153 Bushing in Axle End; Use w/ 321-285 Bushing in Hanger End, Not Included; Model 102W

345-153



Torque Rod, Adjustable; 19 1/2"-21 1/2"Lg.; Includes 321-153 Bushing in Axle End; Use w/ 321-285 Bushing in Hanger End, Not Included; Models 102AR, 102W

345-155



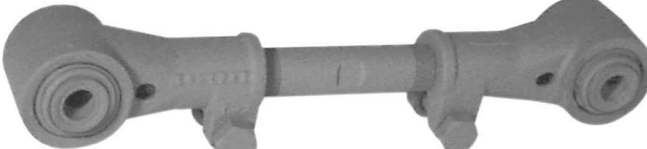





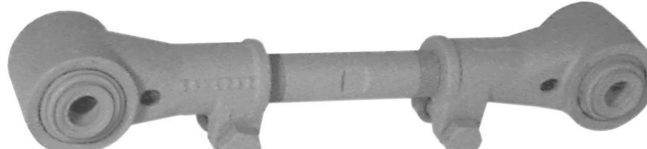
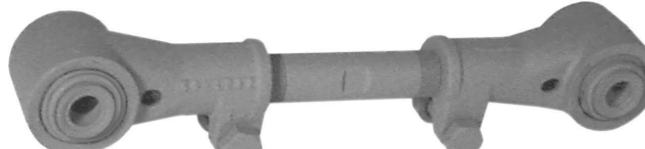


Torque Rod, Rigid; 14 5/16"Lg. c/c; Includes 321-162 and 321-161 Bushings; Obsolete; Model 181/101F

345-156



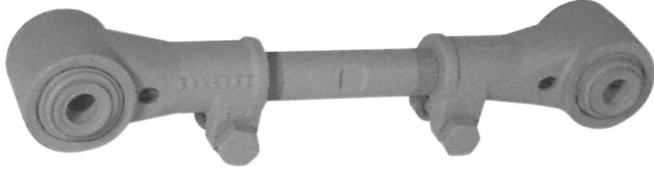
Torque Rod, Rigid; 20 7/16"Lg. c/c; Includes 321-162 and 321-161 Bushings; Obsolete; Model 181/101F

<p>345-157</p>  <p>Torque Rod, Adjustable; 18 1/4"-21 1/2"Lg.; Includes 321-153 Bushings in Axle End; Models 86AR, 86/88/89</p>	<p>345-158</p>  <p>Torque Rod, Rigid; 19 7/8"Lg.; Includes 321-153 Bushings; Models 86AR, 86/88/89</p>
<p>345-182</p>  <p>Torque Rod, Adjustable; 18 1/2"-21 3/8"Lg.; Includes 321-153 Bushings, 2-5/8" End Width; Obsolete; Model 31/41</p>	<p>345-198</p>  <p>Torque Rod, Adjustable; 19 1/2"-21 3/4"Lg.; Use w/ 321-145 Bushings; Models 21, 21B, 45, 102, 102cc</p>
<p>345-199</p>  <p>Torque Rod, Adjustable; 15"-17 1/4"Lg.; Use w/ 321-145 Bushings; Model 21, 21B, 21AR</p>	<p>345-697</p>  <p>Torque Rod, Adjustable; 24"-26 1/4"Lg.; Use w/ 321-145 Bushings; Model 21B, 102</p>
<p>345-698</p>  <p>Torque Rod, Adjustable; 26 1/4"-28 1/2"Lg.; Use w/ 321-145 Bushings; Model 21B</p>	<p>345-702</p>  <p>Torque Rod, Adjustable; 24"-26 1/4"Lg.; Includes 321-153 Bushings; Model 102AR</p>
<p>345-703</p>  <p>Torque Rod, Adjustable; 12 3/4"-15"Lg.; Includes 321-304 and 321-153 Bushings; Model 83</p>	<p>345-704</p>  <p>Torque Rod, Adjustable; 19 1/2"-21 3/4"Lg. Includes 321-304 and 321-153 Bushings; Model 83</p>

Reyco

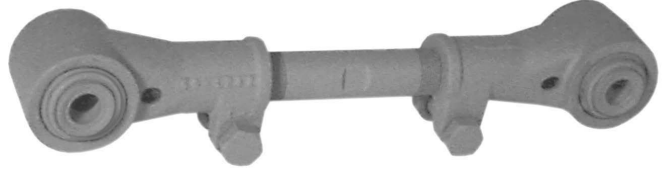
Component Photos

345-705



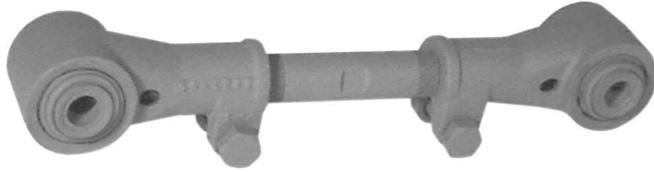
Torque Rod, Adjustable; 21 3/4"-24"Lg.; Includes 321-304 and 321-153 Bushings; Model 83

345-706



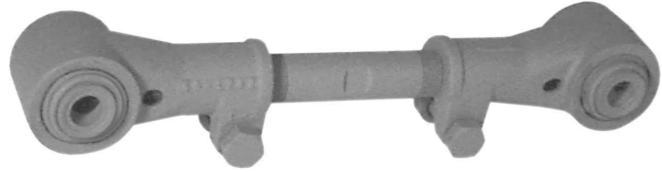
Torque Rod, Adjustable; 24"-26 1/4"Lg.; Includes 321-304 and 321-153 Bushings; Model 83

345-707



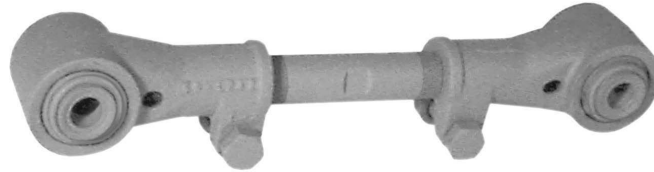
Torque Rod, Adjustable; 26 1/4"-28 1/2"Lg.; Includes 321-304 and 321-153 Bushings; Model 83

345-709



Torque Rod, Adjustable; 37 1/2"-39 3/4"Lg.; Includes 321-153 Bushings; Model 86AR

345-710



Torque Rod, Adjustable; 42"-44 1/4"Lg.; Includes 321-153 Bushings; Model 86AR

345-902



Track Rod, Rigid; 44"; Incl. 321-153 bushings; 48" frame; Model 86AR

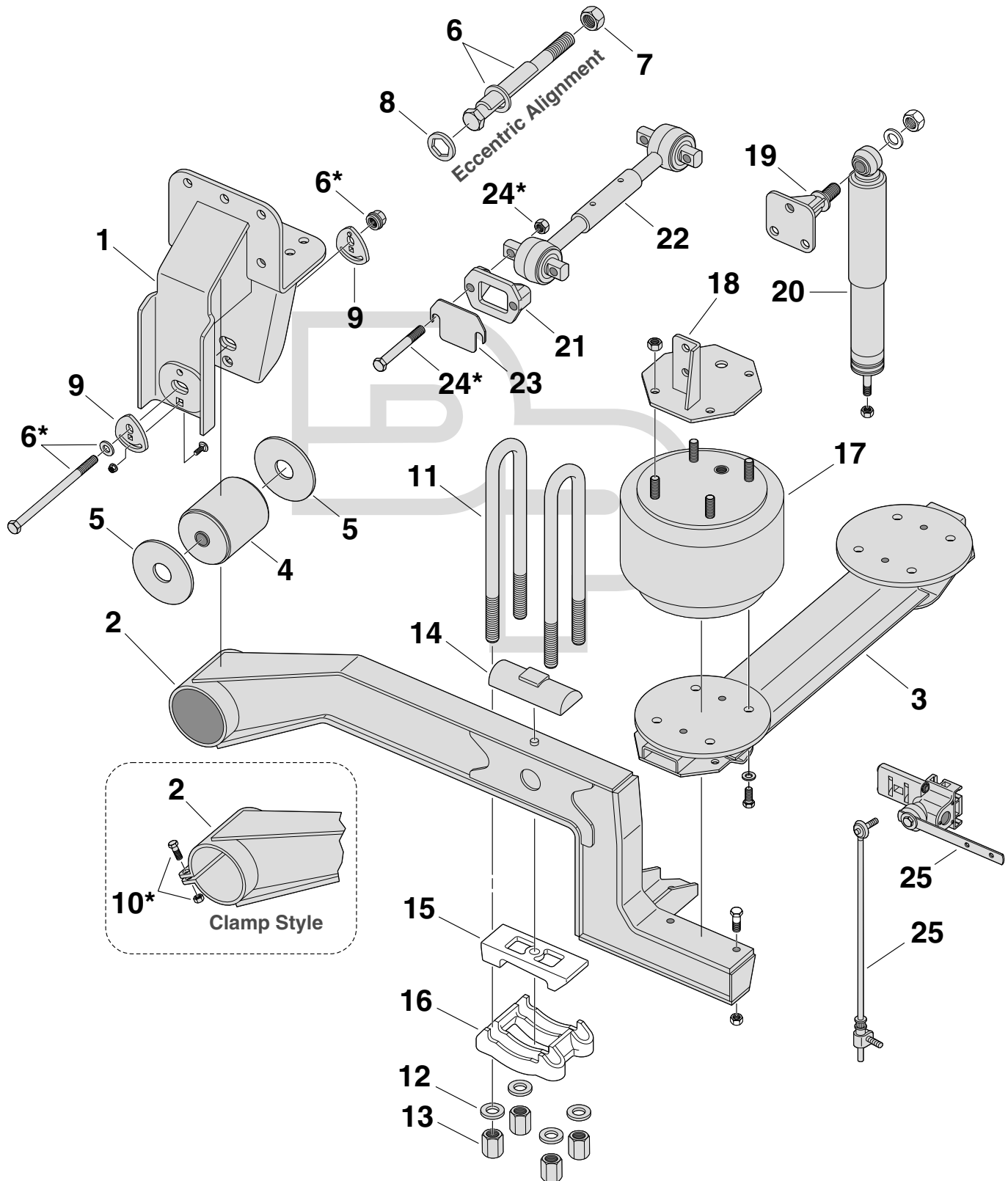
MODEL	PAGE
RAD241 Drive Axle Air Suspension	882, 883
RAR200 Ridelite™ Trailer Air Suspension	884, 885
RAR221AS Trailer Air Ride Suspension	886, 887
RAR240/247 Monopivot Trailer Air Ride Suspension	888, 889
RAR260/266 Trailer Air Suspensions	890, 891
RAS227/RAD227 Bus Air Ride Steer and Drive Axles	892, 893
RCA215 Flex-Mount™ Auxiliary Air Suspension	894, 895
RCA225 Auxilary Lift Axle Air Suspension	896, 897
RCA235 Lifiable Air Suspension	898, 899
RD202B/C/S Dynalastic™ Spring Truck Suspension	900, 901
RLT230 Light Trac™ Lift Axle Air Suspension	902, 903
RSS232-20K Auxiliary Lifiable Air Suspension	904, 905
RSS232-8K/13K/LM/MM/HM Flex-Trac™ Lift Axle Air Suspensions	906, 907
RUA220B Universal Air Ride/Air Lift Suspension	908, 909
RUL245 Auxilary Lifiable Air Ride Suspension	910, 911
Suspension Component Photos	912-916

**RAD241
Drive Axle
Air Suspension**

Ridewell

Ridewell

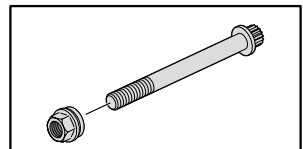
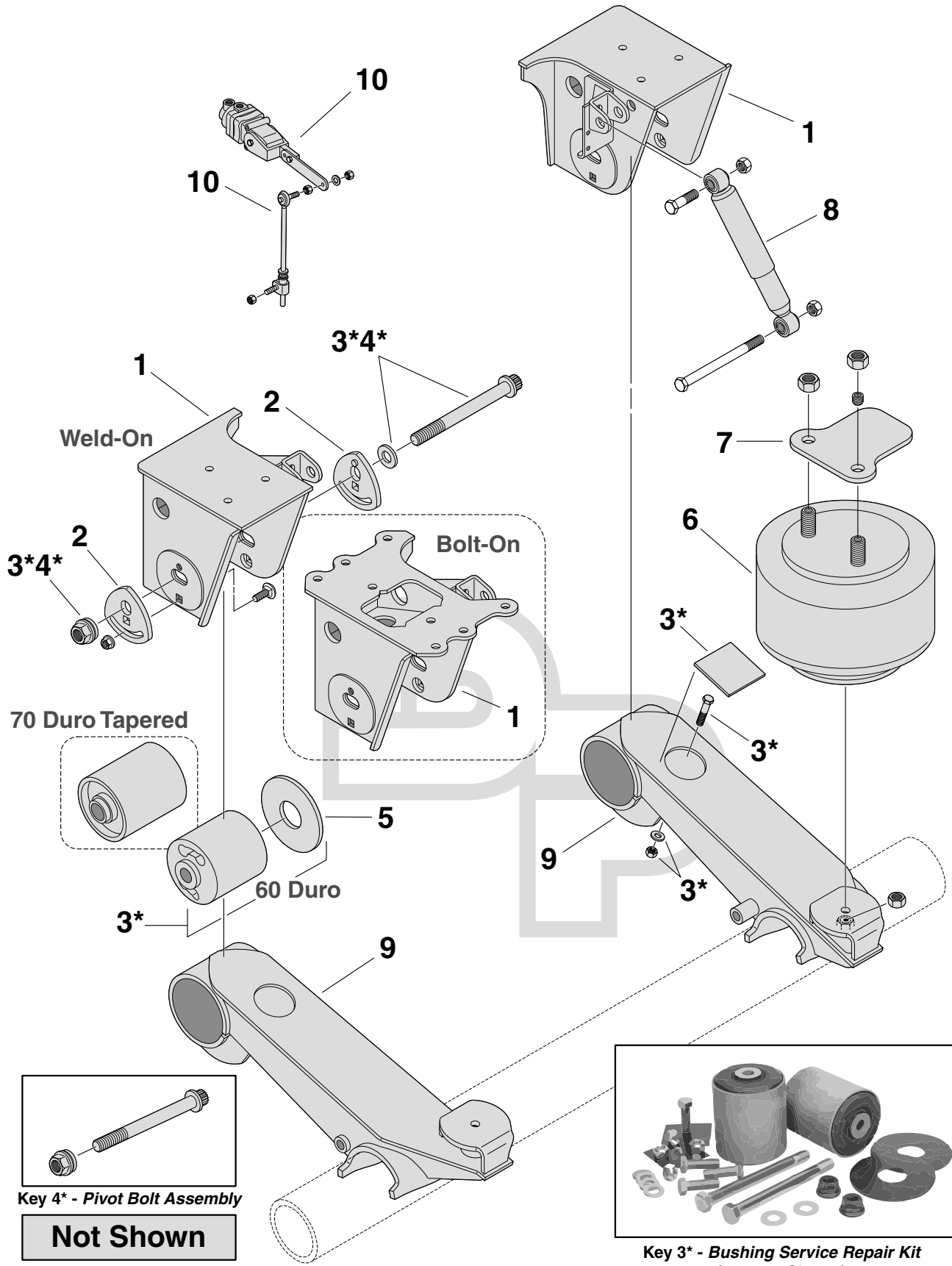
Suspension Illustration



Key No.	Part Number	Description	No. Req.	OEM Reference	Remarks
	SP	Hanger	2	Various	Specify Suspension No. & Roadside/Curbside
	SP	Assembly, Beam	2	Various	Specify Suspension No. & Roadside/Curbside
	SP	Assembly, Cross Channel	1	Various	Specify Suspension No.
●	321-368	Bushing, Pivot	2	1117680B075, 1117680B060	Eccentric Alignment; Clamp-In
	321-519	Bushing, Pivot	2	1110060	Speed Set Alignment
	334-1406	Plate, Wear; Polymer	4	1167680B000	
	334-1405	Kit, Service; Eccentric Bolt; Square Clamp	2	507300B000	Eccentric Alignment; Incl. Weld-In Receiver Ring
	334-2154	Assembly, Pivot Bolt; 7/8" x 10" Lg	2		Speed Set Alignment
	SLNC-108	Nut, Lock; 1 1/4"-7	2	1150028	Eccentric Alignment
✓✓ ●	334-1186	Washer; Anti-Turn	2		Eccentric Alignment
●	334-2146	Plate, Adjuster	4	5340018	Speed Set Alignment
✓✓	334-1110	Assembly, Bolt; 3/4"-10 x 2 1/2"Lg	6		Incl. Bolt & Hdwe.
	8U-6719R	U-Bolt	4	1187676B302	
	SUW-100	Washer, U-Bolt; 1"	8	1161480B100	
	DN-100	Nut, Deep; 1"-14, Grade C	8	1154790B108	
✓ ●	338-200	Saddle, U-Bolt; 3"W x 7 3/4"Lg x 1 3/4"H	2	1740004	
	◆	Seat, Axle	2		Contact Vehicle Manufacturer
	◆	Plate, Bottom	2		Contact Vehicle Manufacturer
	1R14-108	Air Spring	2	100009200G	
	SP	Bracket, Air Spring	2	3457599B301	
	SP	Bracket, Shock	2	3517484B000	
	SP	Shock Absorber	2	12655838B001	
●	338-181	Bracket, Track Rod/Frame	1	1740760B000	For 5/8" Bolts
✓✓	345-802	Kit, Uni-Rod	1		
	SP	Plate, Shim	AR	6095241B000	
	334-1312	Assembly, Bolt; 5/8"-11 x 5 1/2"Lg	2		Incl. Bolt & Hdwe.
✓✓ ●	334-1836	Assembly, Valve; Height Control	1	6300BFAB10	Incl. Linkage
●	334-1853	Assembly, Valve; Height Control; w/Pressure Dump	1	6310BFAB10	Incl. Linkage
	334-1854	Assembly, Valve; Height Control; w/ Zero Pressure Dump	1	6320BFAB10	Incl. Linkage

Ridewell

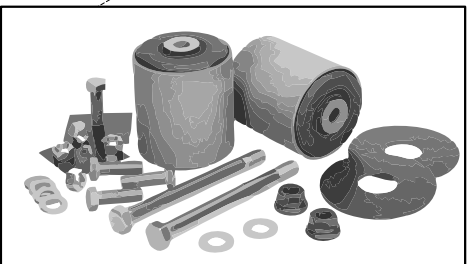
Suspension Illustration



Key 4* - Pivot Bolt Assembly

Not Shown

Key 11 - Ridelite Lift Kit



**Key 3* - Bushing Service Repair Kit
(339-300 Shown)**

Key Numbers with an asterisk (*) indicate a kit or assembly.

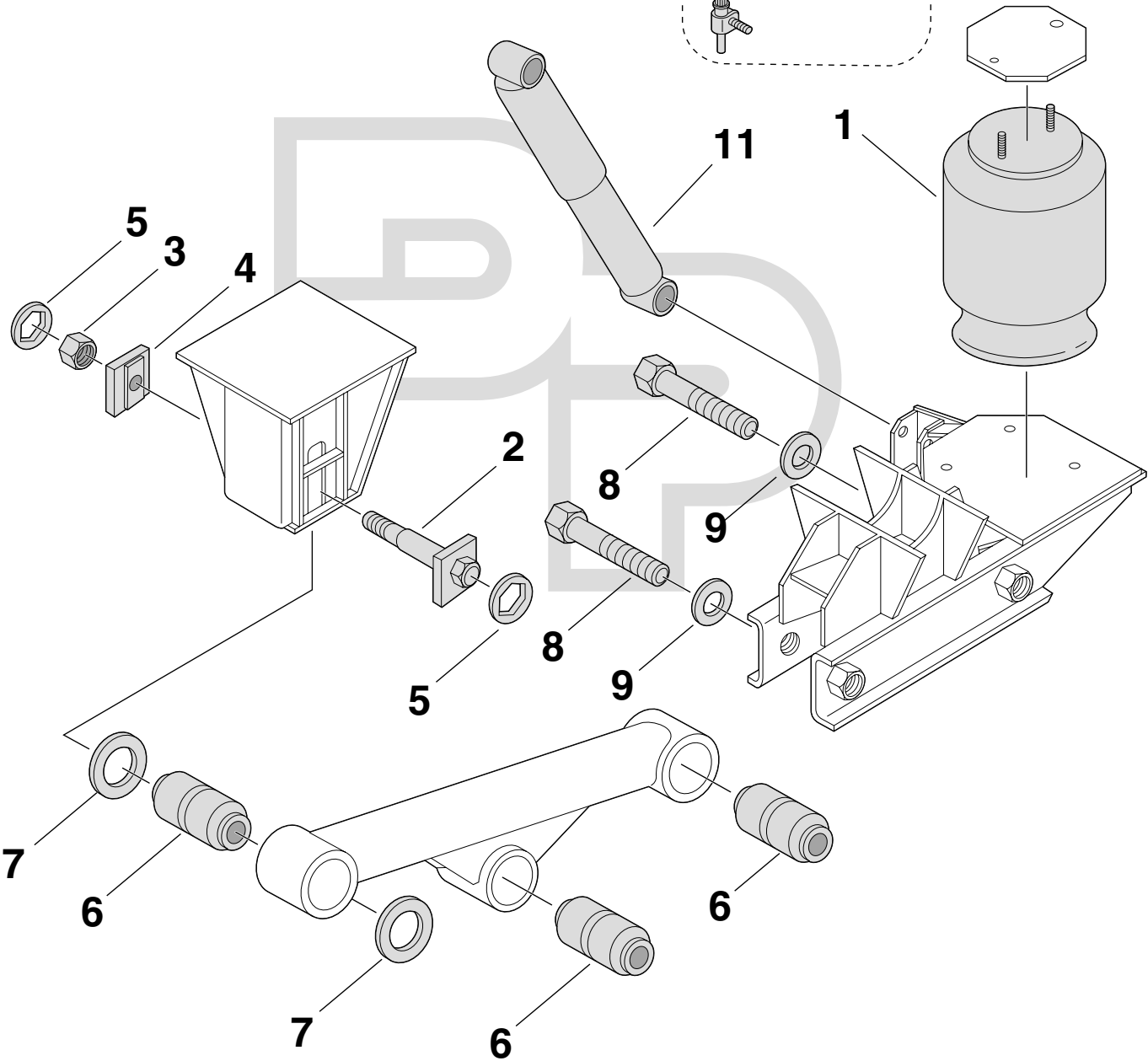
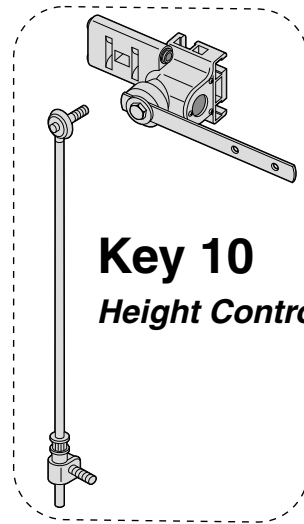
Key No.	Part Number	Description	No. Req.	OEM Reference	Remarks
1	SP	Hanger	AR	Various	Call For Assistance
● 2	334-2146	Plate, Adjuster	4	5340018	
3	339-300	Kit, Service; Pivot Bushing	1	6040039	60 Duro; 25K; Services (1) Axle
	339-325	Kit, Service; Pivot Bushing	1	6040072	70 Duro, Tapered; 25K; Services (1) Axle
	339-336	Kit, Service; Pivot Bushing	1	6040056	70 Duro; 30K; Services (1) Axle
4	334-2147	Assembly, Pivot Bolt	2		
5	334-1406	Plate, Wear; Polymer	2	1167680B000	
6	352-8091	Air Spring	2	1000156	70 Duro, Tapered; 25K; Services (1) Axle
7	SP	Plate, Air Spring	2	Various	
✓ 8	M65416	Shock Absorber	2	1270563B003	
9	SP	Assembly, Beam	2	Various	Call For Assistance
✓✓ ● 10	334-1836	Assembly, Valve; Height Control	1	6300BFAB10, 6025000	Incl. Linkage
	334-1854	Assembly, Valve; Height Control; w/ Zero Pressure Dump	1	6320BFAB10, 6205002	Incl. Linkage
●	334-1853	Assembly, Valve; Height Control; w/Pressure Dump	1	6310BFAB10, 6205001	Incl. Linkage
11	SP	Ridelite™ Lift Kit	1		Specify Ride Hgt.; Not Shown

**RAR221AS
Trailer Air Ride Suspension**

Ridewell

Ridewell

Note: All non-keyed parts are available
Special Order.



Suspension Illustration

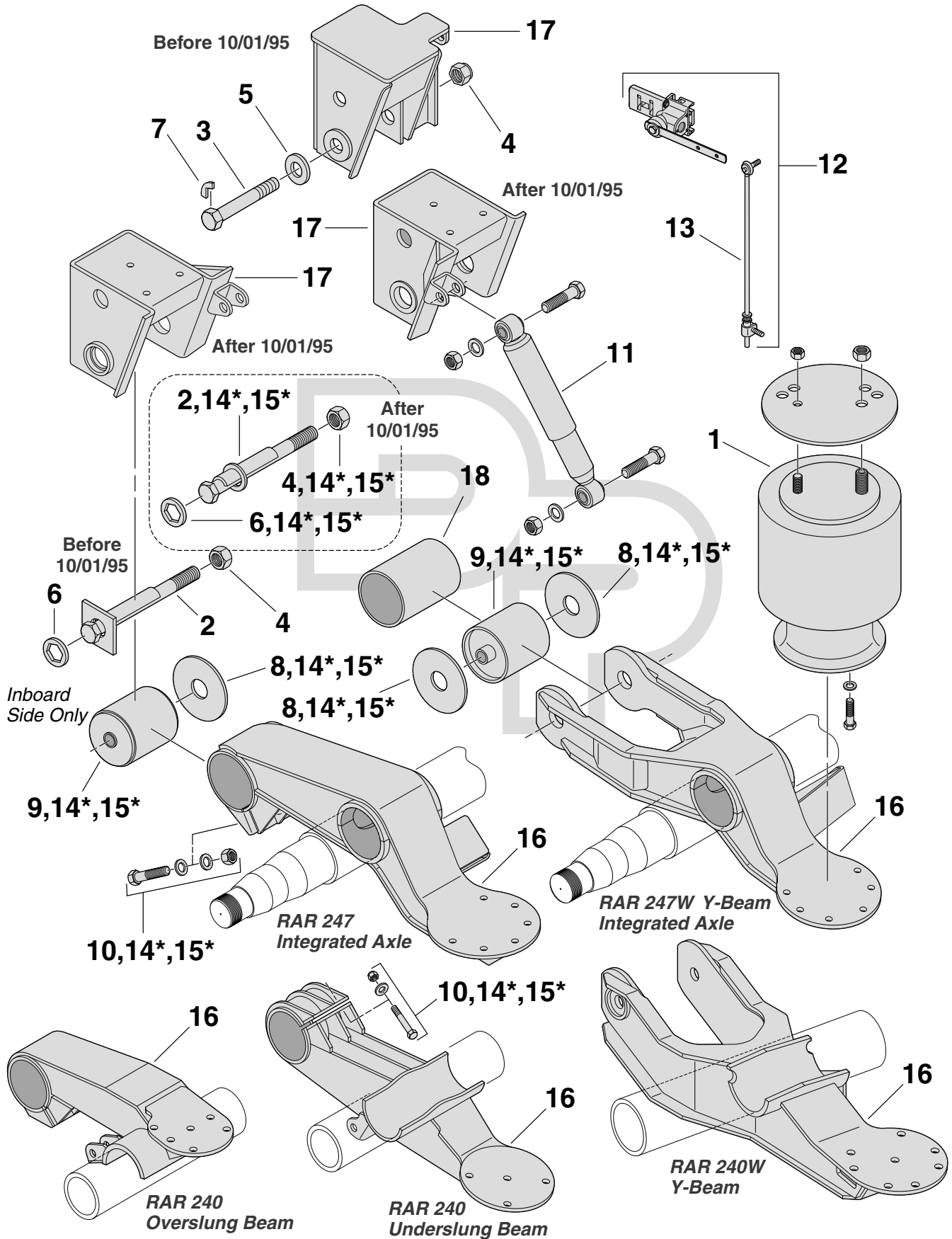
Key No.	Part Number	Description	No. Req.	OEM Reference	Remarks
✓✓	1	352-9105 Air Spring	2	1003589105C	Models 11-USW & -11-1USW
✓		352-9082 Air Spring	2	1003589082C	Models 12-USW & -12-1USW
✓✓		352-9101 Air Spring	2	1003589101C	Models 13-USW & -13-1USW
●	2	334-1182 Bolt, Eccentric	2	5000699B000	Front Torque Beam
	3	334-1185 Nut, Lock; 1 1/4"-7	2	1152880B102	
●	4	334-1183 Plate, Clamp; 3 1/2" x 3 1/2"	2	5010696B000	
✓✓	●	5 334-1186 Washer; Anti-Turn	4	9003092B000	
✓✓	●	6 321-284 Bushing; 1 1/2"ID x 3 1/4"OD x 4 3/8"Lg	6	1110512B000	
	7	334-889 Washer; 2 1/8"ID x 4 1/2"OD x 7 Gauge	4	1160519B302	
✓✓	8	334-892 Bolt; 1 1/2"-6 x 7"Lg	4	1130670B105	
✓✓	9	334-893 Washer, Internal Tooth Lock; 1 1/2"ID x 2 1/2"OD	4	1160673B000	
✓✓	●	10 334-1836 Assembly, Valve; Height Control	1	6300BFAB10, 6025000	Incl. Linkage; Replaces 334-958 & 334-959
✓	11	M66893 Shock Absorber	2	Various	Consult Shock Catalog for Model Specific Applications
✓		M66833 Shock Absorber	2		
✓		M66884 Shock Absorber	2		
✓		M66886 Shock Absorber	2		
✓		See Shocks Shock Absorber	2		

RAR240/247 Monopivot Trailer Air Ride Suspension

Ridewell

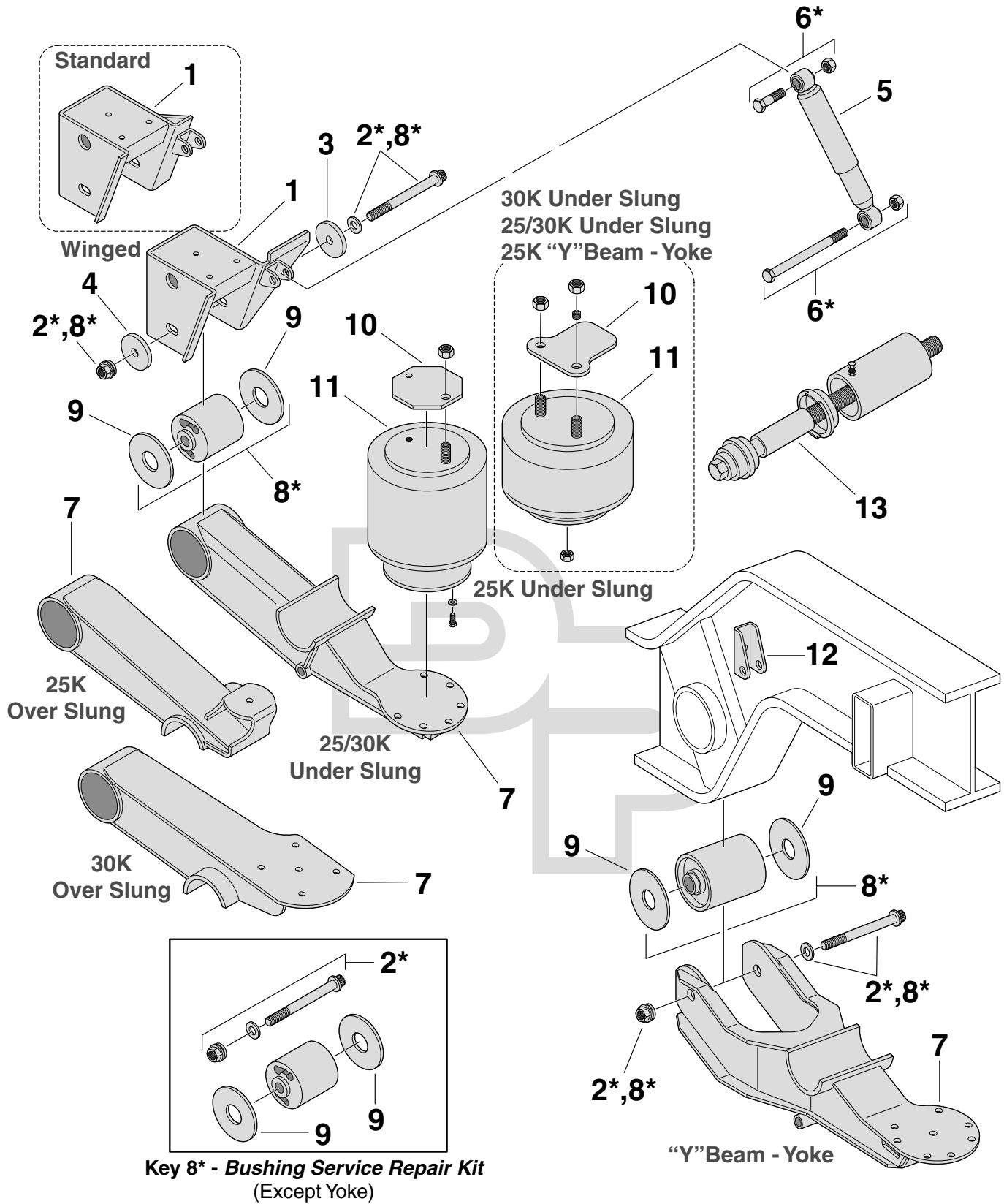
Ridewell

Suspension Illustration



Key No.	Part Number	Description	No. Req.	OEM Reference	Remarks	
✓	1	352-9082	Air Spring	2	1003589082C	
✓✓		352-9101	Air Spring	2	1003589101C	
✓✓		352-8723	Air Spring	2	1001R13097G	
		352-9010	Air Spring	2	1003589010C	
		352-9321	Air Spring	2	1001R12256G	
		352-8802	Air Spring	2	1003588802C	
		1R12-467	Air Spring	2	1000001	RAR-247W-9
	2	334-1405	Kit, Service; Eccentric Bolt; Square Clamp	1	5007300B000	Before 10/01/95; Discontinued; Convert w/339-256 Kit
		334-1611	Bolt, Eccentric; Round Clamp	2	1137694B000	After 10/01/95; 9 1/2"Lg
		SP	Bolt, Eccentric	2	1137694B001	RAR 240 & RAR 247W; 10 3/4"Lg
●	3	334-1413	Bolt; 1 1/2"-6 x 8 1/2"Lg	1	1135873B105	Before 10/01/95; 1 1/2" x 9 1/2", 1 1/4" Thread
	4	SLNC-108	Nut, Lock; 1 1/4"-7	2	1150033	For Eccentric Bolts
		334-1410	Nut; 1 1/2"-6	2	1154410B102	For 1 1/2" Bolts
✓✓	5	334-893	Washer, Internal Tooth Lock; 1 1/2"ID x 2 1/2"OD	1	1160673B000	Before 10/01/95
✓✓ ●	6	334-1186	Washer; Anti-Turn	2	9003092B000	
●	7	334-1411	Plate, Locking	1	9004565B000	
	8	◆	Plate, Wear; Steel	2	9007670B00	Before 10/01/95; Replaced by 334-1406
		334-1406	Plate, Wear; Polymer	2	1167680B000	RAR240, (1) Per Beam, Inboard; RAR240W, (2) Per Beam, Y Beam
	9	321-338	Bushing, Pivot	2	1117680B070	55 Durometer bushing
		321-368	Bushing, Pivot	2	1117680B075, 1117680B060	60 Durometer bushing; After 10/1/95
		SP	Bushing, Pivot	2	5450022	RAR 240W; Y Beam
		SP	Bushing, Pivot	2	5457716	RAR 247W; Y Beam
✓✓	10	334-1110	Assembly, Bolt; 3/4"-10 x 2 1/2"Lg	4	1140604B108	Incl. Bolt & Hdwe.
✓✓	11	M65493	Shock Absorber	2	1270563B003	
✓✓ ●	12	334-1836	Assembly, Valve; Height Control	AR	6300BFAB13	Includes Linkage
✓ ●	13	334-751	Linkage Assembly; Universal; Adjustable	1		3 5/8"-19 5/8" Range; Use w/All Height Control Valves
✓✓ ●	14	339-255	Kit, Service; Pivot Connection; (1) Axle	1	6040029, 6047739B060	25k Std; 60 Durometer Bushing, Round Clamp, After 10/01/95
		339-273	Kit, Service; Pivot Connection; (1) Axle	1	6040028	30k Std; 70 Durometer Bushings, Round Clamp, After 10/01/95
		339-291	Kit, Service; Y Beam Pivot	1	6040011	25k & 30k Std; RAR240W; (1) Axle
	15	339-256	Kit, Conversion; Pivot Connection Alignment	AR	6047680B060	Converts Old-Style Bushing, Sq Clamp Eccentric, to New-Style Bushing, Round Clamp
●	16	338-2189	Assembly, Beam; Overslung; Roadside	1	5970086, 4287739D100	RAR240; 25k; Incl. Bushing
●		338-2190	Assembly, Beam; Overslung; Curbside	1	5970085, 4287739D200	RAR240; 25k; Incl. Bushing
		SP	Assembly, Beam; Underslung; Roadside	1	5977679B100	RAR240; 25k; Incl. Bushing
		SP	Assembly, Beam; Underslung; Roadside	1	5977679B101	RAR240; 25k; Incl. Bushing
		SP	Assembly, Beam; Underslung; Curbside	1	5977679B200	RAR240; 25k; Incl. Bushing
		SP	Assembly, Beam; Underslung; Curbside	1	5977679B201	RAR240; 25k; Incl. Bushing
		SP	Assembly, Beam; Y Beam	2	Various	Specify Model & Date of Mfg; Contact Tech Service for Assistance
		SP	Assembly, Beam; Y Beam	2	Various	RAR 247; Specify Ride Hgt.
	17	SP	Hanger	2		Contact Tech Service for Assistance
	18	SP	Sleeve, Frame Bushing; Outer	2	8990027	RAR-240W; Y Beam
		SP	Sleeve, Frame Bushing; Outer	2	9097716B003	RAR-247W; Y Beam

Ridewell



Suspension Illustration

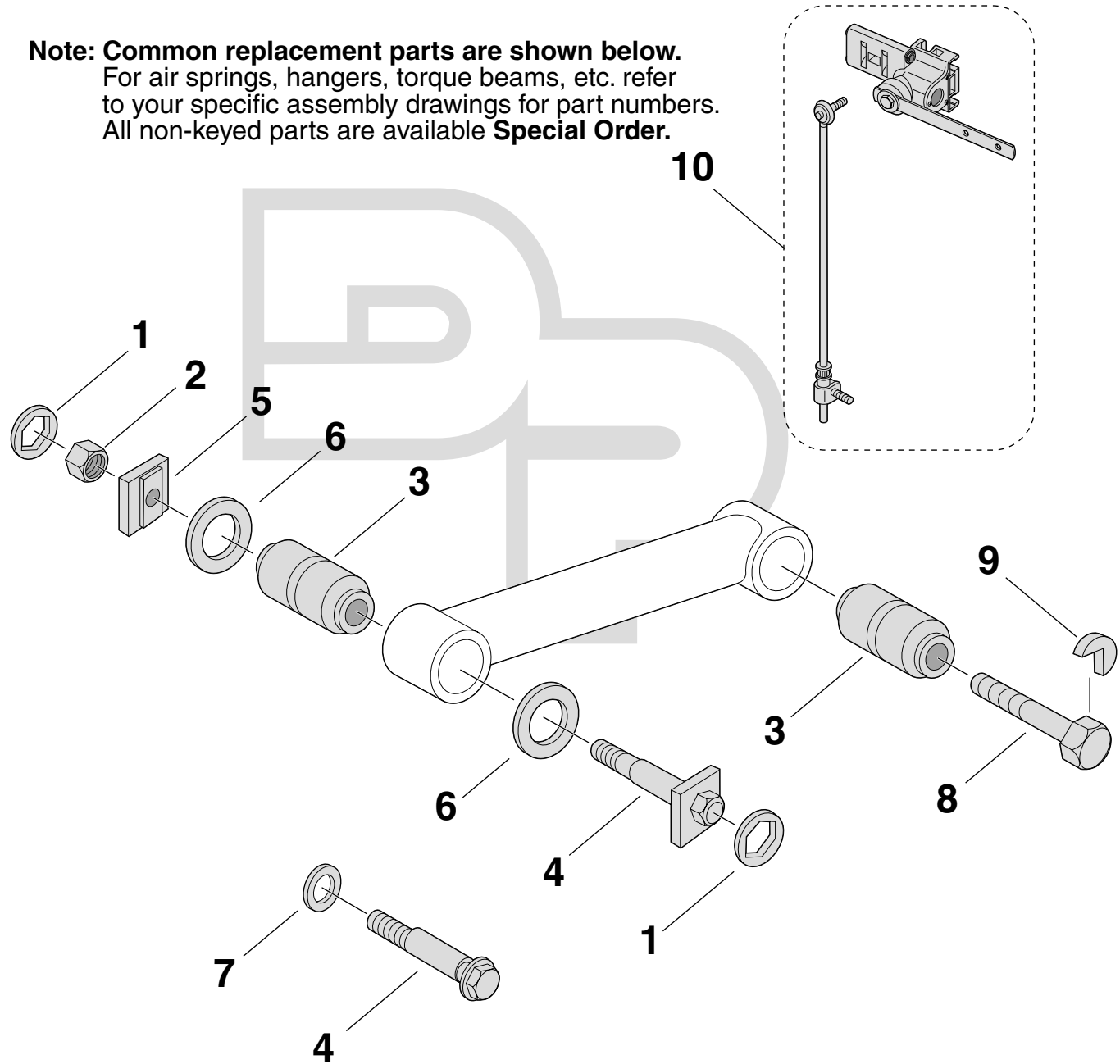
Key No.	Part Number	Description	No. Req.	OEM Reference	Remarks
1	SP	Hanger	2	Various	Call for Assistance
2	334-2155	Bolt Kit; 7/8"-9 x 10"Lg	2		
✓ ● 3	334-2156	Washer, Alignment	2	7002249	4" OD
	334-2157	Washer, Alignment	2	7002582	3.5" OD
4	334-2158	Plate, Adjuster	2	7002684	3.5" OD
✓ ●	334-2231	Plate, Adjuster	2	7002686	4" OD
✓	M65416	Shock Absorber	2	1270563B003	RAR260; 25k & 30k
	SP	Shock Absorber	2	1270563B000	RAR266; 23k & 25k; 5 3/4" Axle
	SP	Shock Absorber	2	127009	RAR266; 25k; 5" Axle
6	◆	Assembly, Shock Bolt; 3/4" x 3 1/4"Lg	2	1147698B105	Upper, All 2600S 25k & 30K; Lower, Use 334-1105
	334-2159	Assembly, Shock Bolt; 3/4" x 9"Lg	2	1140045	2660S 23k, Narrow Bushing; Lower
	334-2160	Assembly, Shock Bolt; 3/4" x 10"Lg	2	1140071	2660S 23k & 25k, Wide Bushing; Lower
	334-2161	Assembly, Shock Bolt; 3/4" x 11"Lg	2	114022	260US 25k & 30k & Yoke; Lower
7	SP	Assembly, Beam	2	Various	Call for Assistance
✓ ● 8	334-2162	Kit, Service; Bushing	1	6040098	25k & 30k; Underslung/Overslung; Except Yoke/Narrow; (1) Axle
	334-2163	Kit, Service; Bushing	1	3040099	Yoke Suspension; (1) Axle
	334-2164	Kit, Service; Bushing	1	6040128	Narrow Bushing; (1) Axle
9	334-1406	Plate, Wear; Polymer	4	1167680B000	
10	SP	Plate, Air Spring	2	Various	Specify Model
11	1R13-256	Air Spring	2	1001R13256	
	352-8091	Air Spring	2	1000158	
	SP	Air Spring	2	Various	Specify Model
12	SP	Bracket, Shock		8147716B000	Yoke
13	334-2165	Tool, Bushing; Standard	1	6100051	
	334-2153	Tool, Bushing	1	6100044	

RAS227/RAD227
Bus Air Ride
Steer and Drive Axles

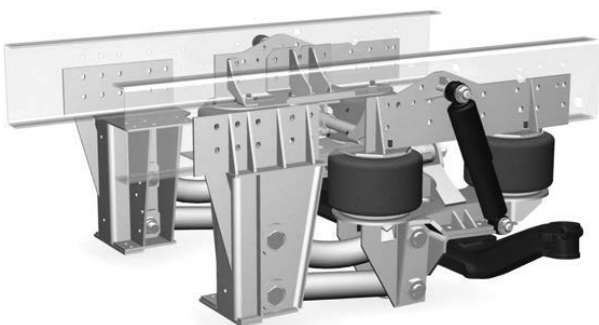
Ridewell

Ridewell

Note: Common replacement parts are shown below.
 For air springs, hangers, torque beams, etc. refer to your specific assembly drawings for part numbers.
 All non-keyed parts are available **Special Order**.



Suspension Illustration



RAS 227 - Steer Axle



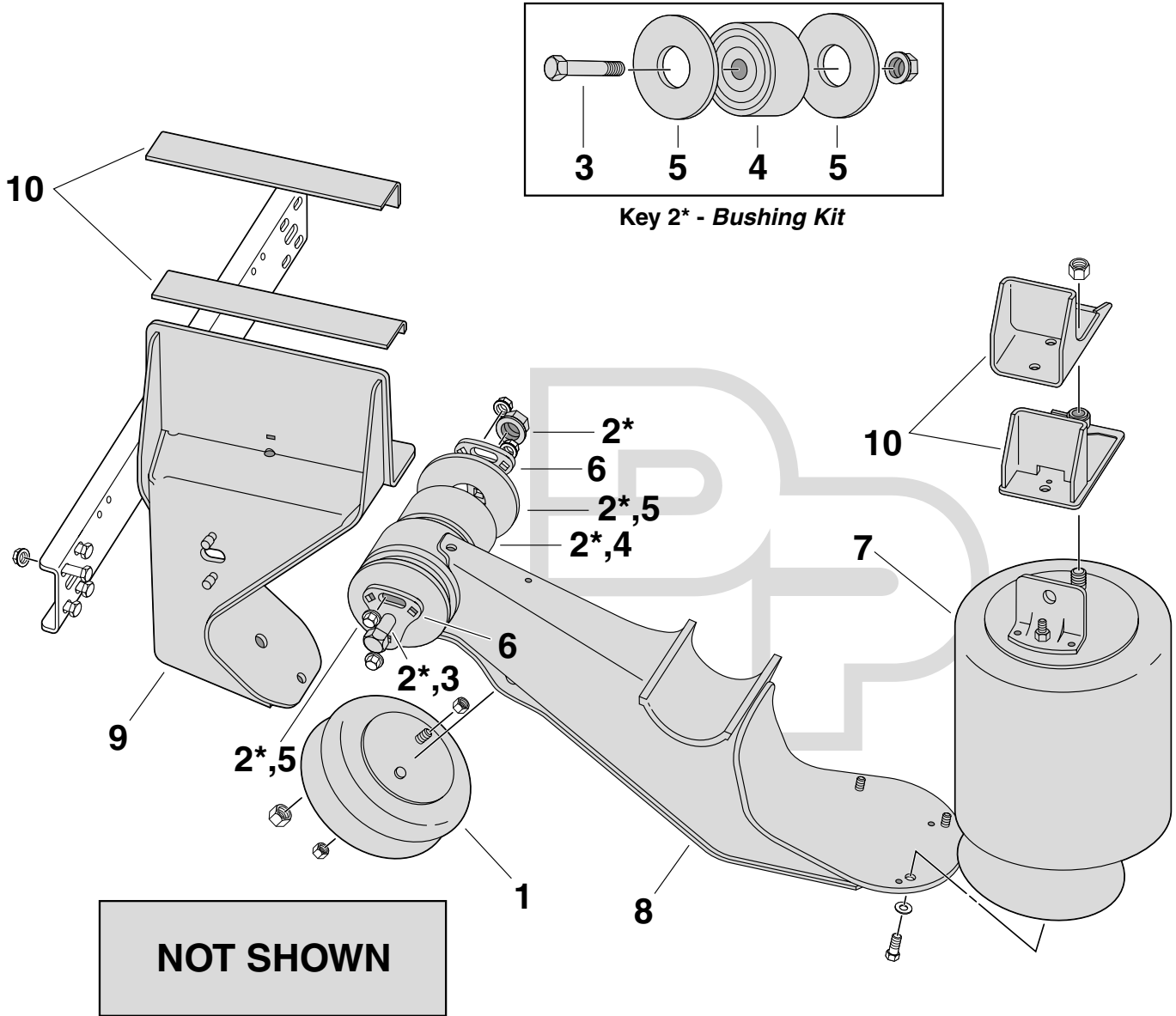
RAD 227 - Drive Axle

Key No.	Part Number	Description	No. Req.	OEM Reference	Remarks
✓✓ ●	1 334-1186	Washer; Anti-Turn	16	9003092B000	
	2 334-1185	Nut, Lock; 1 1/4"-7	8	1150033, 1152880B102	
✓✓ ●	3 321-284	Bushing; 1 1/2"ID x 3 1/4"OD x 4 3/8"Lg	8	1110512B000	
●	321-341	Bushing	8	1113328B000	
●	4 334-1416	Bolt, Eccentric; Square Clamp	4	5001458B000	
●	334-2091	Bolt, Eccentric Bolt; Round Clamp	4	1130003	7"
●	5 334-1412	Plate, Clamp	4	401494B000	
	6 334-2093	Washer, Bearing	16	1160519B903	
	7 334-2092	Ring, Receiver	4	9090005	Use w/334-1416 to Replace
✓✓	8 334-892	Bolt; 1 1/2"-6 x 7"Lg	4	1130670B105	
●	9 334-1411	Plate, Locking	8	9004565B000	
✓✓ ●	10 334-1836	Assembly, Valve; Height Control	1	6300BFAB13	

Ridewell

Parts Listing

Ridewell



Suspension Illustration

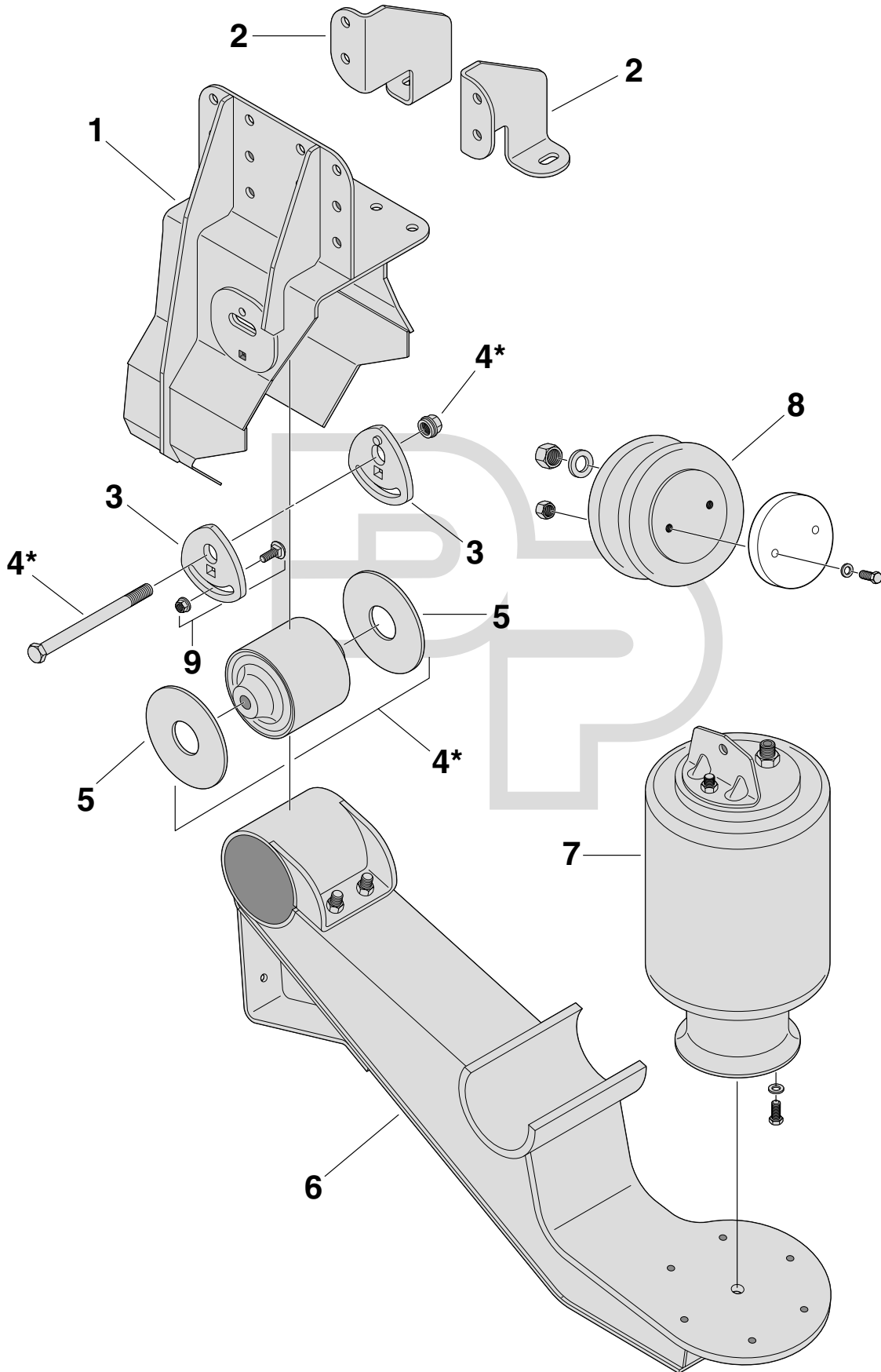
Key No.	Part Number	Description	No. Req.	OEM Reference	Remarks
1	2B9-611	Air Spring	2/1	1002B09611G	Roadside/Curbside; Some Models Use 2B9-614, Curbside
	2B9-614	Air Spring	1	1002B09614G	Curbside on Some Models
✓✓●	339-320	Kit, Service; Pivot; (1) Axle	1	6100044	Tool Required for Removal & Installation
	334-2152	Bolt; 7/8" x 7" Lg	2	1140056	Included in 339-320
	SP	Bushing, Pivot	2	1110083	Included in 339-320
	334-1406	Plate, Wear; Polymer	4	1167680B000	Included in 339-320
●	334-2220	Plate, Adjustment; Alignment	4	7001634	
	1R12-444	Air Spring	2	1001R12444G	
	SP	Assembly, Beam; LH/RH	1	Various	Specify Model & Roadside/Curbside
	SP	Assembly, Hanger; LH/RH	1	Various	Specify Model & Roadside/Curbside
	SP	Spacer, Air Spring/Hanger; Optional	2	Various	Specify Thickness & Location
	334-2153	Tool, Bushing	1	6100044	Use w/334-1865 Bushing Lubricant

**RCA225
Auxillary Lift Axle
Air Suspension**

Ridewell

Ridewell

Suspension Illustration



Key No.	Part Number	Description	No. Req.	OEM Reference	Remarks
1	SP	Hanger	2	Various	Specify Roadside/Curbside
2	SP	Bracket	4	Various	Specify Roadside/Curbside
● 3	334-2146	Plate, Adjuster	4	53140018	
4	339-337	Kit, Service; Pivot Bushing	1	6040041	For (1) Axle
5	334-1406	Plate, Wear; Polymer	4	1167680B000	
6	SP	Assembly, Beam	2	Various	Specify Roadside/Curbside
7	1R12-592	Air Spring	2	1001R12592G	
	352-9538	Air Spring	2	1003589538C	
8	354-7892	Air Spring	2	1003587892C	
9	SP	Bolt, Carriage; 1/2" x 1 1/4"Lg	4	1130029	

Ridewell

Parts Listing

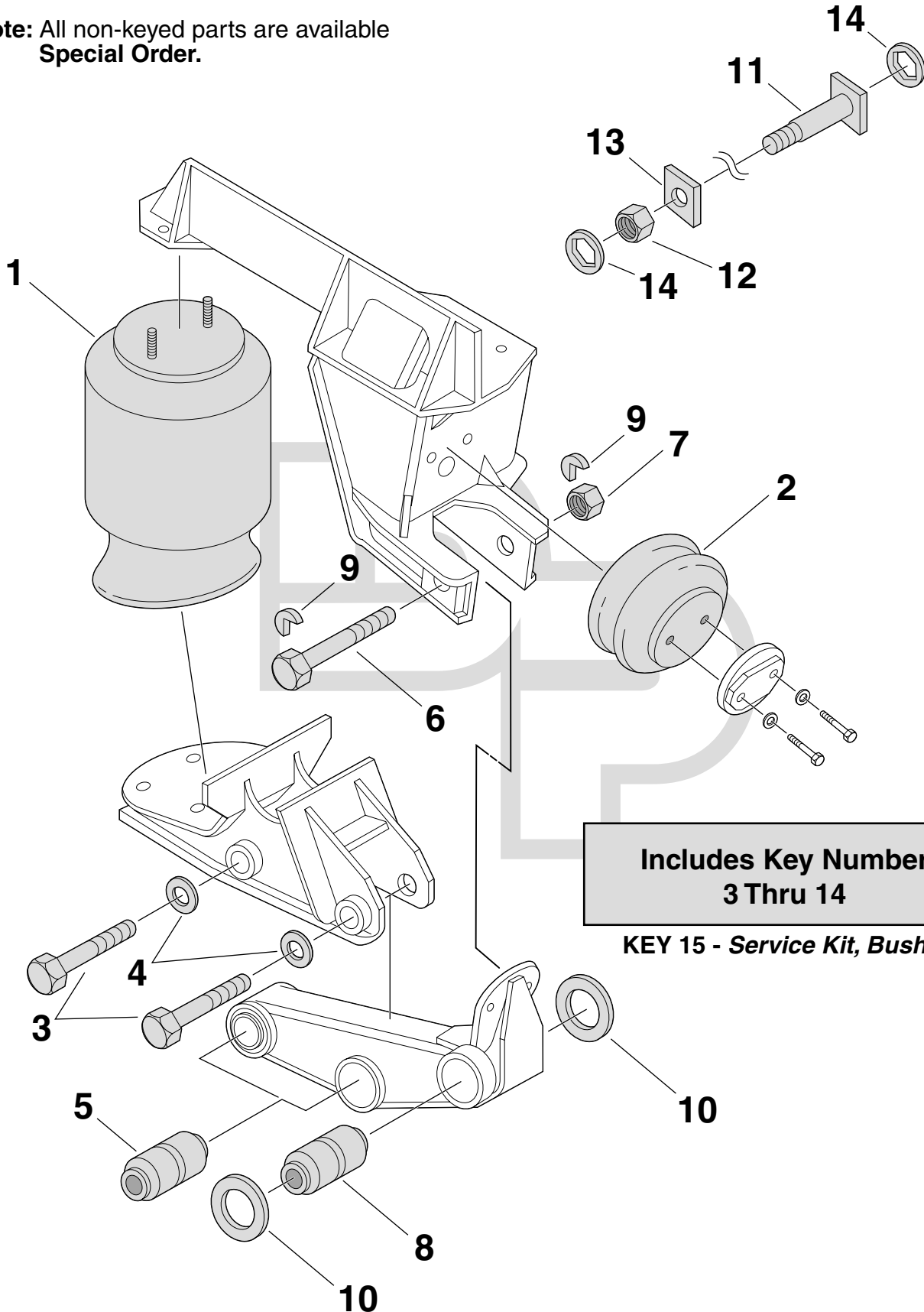
**RCA235
Liftable Air Suspension**

Ridewell

Ridewell

Note: All non-keyed parts are available
Special Order.

Suspension Illustration



**Includes Key Number
3 Thru 14**

KEY 15 - Service Kit, Bushing

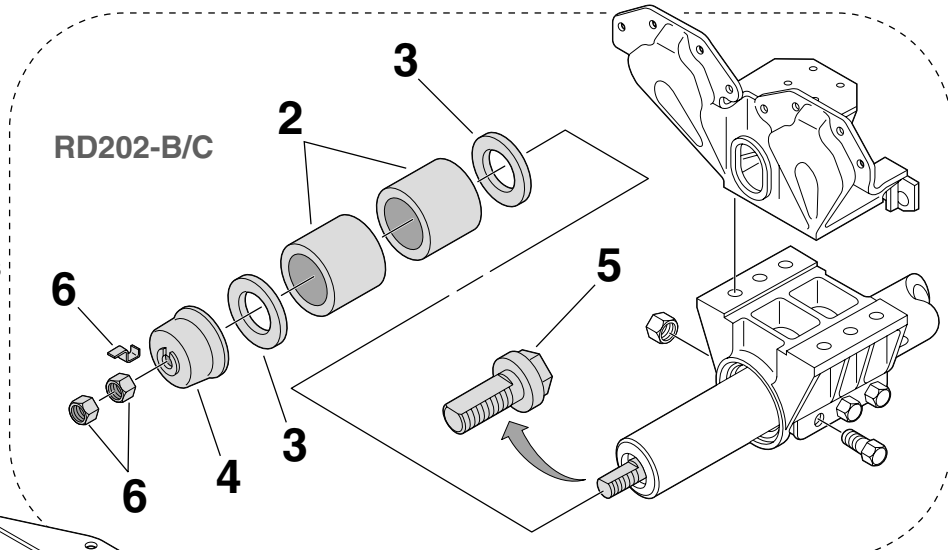
Key No.	Part Number	Description	No. Req.	OEM Reference	Remarks
	352-9320	Air Spring	2	1003589320C	
	352-9245	Air Spring	2	1003589245C	
✓✓	354-6905	Air Spring	2	1003586905C	
✓✓	334-892	Bolt; 1 1/2"-6 x 7"Lg	4	1130670B105	
✓✓	334-893	Washer, Internal Tooth Lock; 1 1/2"ID x 2 1/2"OD	4	1160673B000	
✓✓ ●	321-284	Bushing; 1 1/2"ID x 3 1/4"OD x 4 3/8"Lg	4	1110512B000	
●	334-1413	Bolt; 1 1/2"-6 x 8 1/2"Lg	1	1135873B105	
	334-1410	Nut; 1 1/2"-6	1	1154410B102	
●	321-340	Bushing; 1 1/2"ID x 3 1/4"OD x 5 1/4"Lg; 75 Durometer	2	1116176B000	
●	334-1411	Plate, Locking	2	9004565B000	
	334-888	Washer; 2 1/8"ID x 4 1/2"OD x 9 Gauge	4	1160519B301, 1160519B901	
●	334-1414	Assembly, Bolt; Eccentric; 8 1/4"Lg	1	5007177B000	
	334-1185	Nut, Lock; 1 1/4"-7	1	1152880B102	
●	334-1412	Plate, Clamp	1	401494B000	
✓✓ ●	334-1186	Washer; Anti-Turn	2	9003092B000	
	339-232	Kit, Service; Bushing; (1) Axle	1		Incl. Keys 3 thru 14

RD202B/C/S Dynalastic™ Spring Truck Suspension

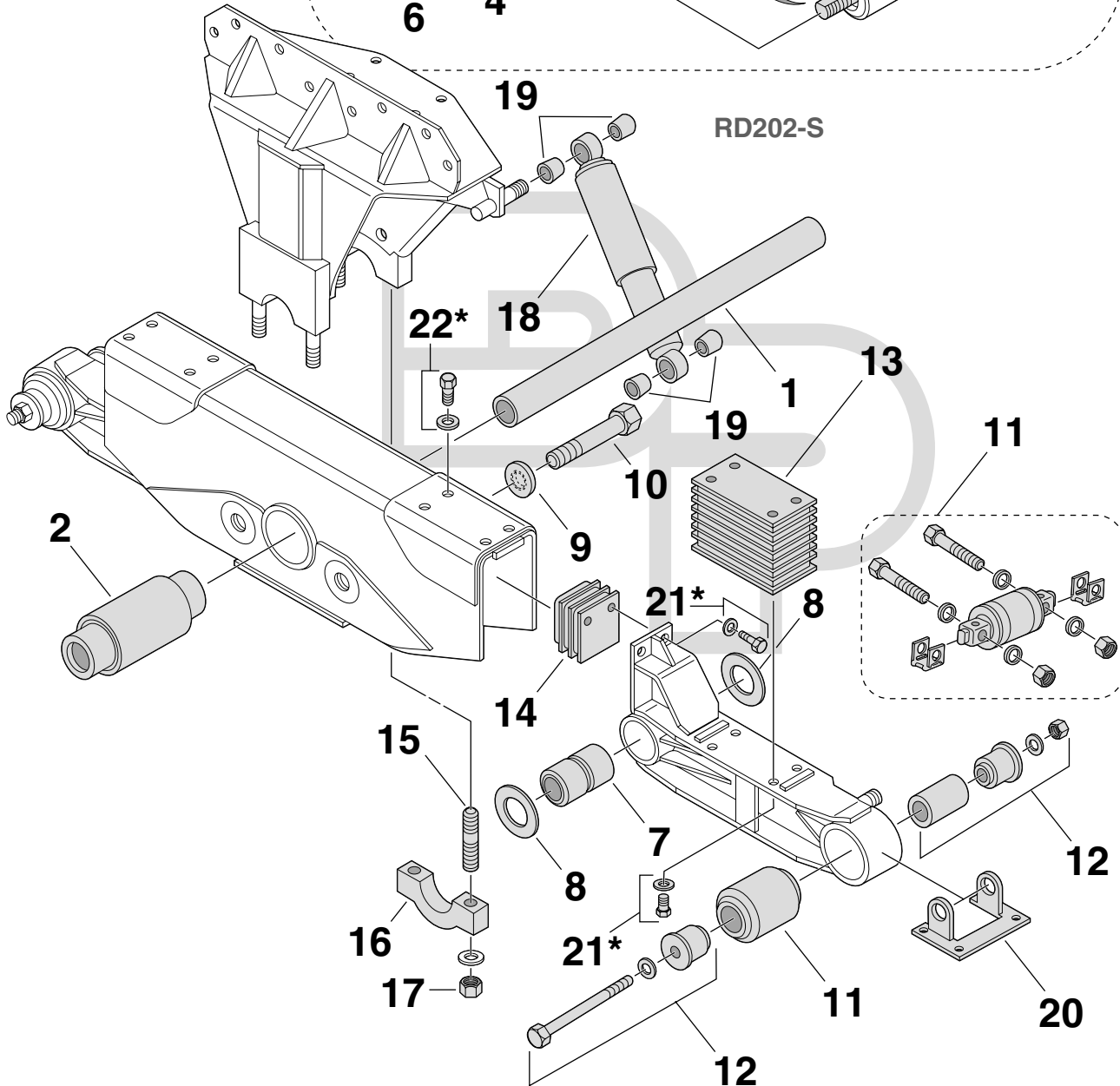
Ridewell

Ridewell

Note: All non-keyed parts
are available
Special Order.



Suspension Illustration



Key Numbers with an asterisk (*) indicate a kit or assembly.

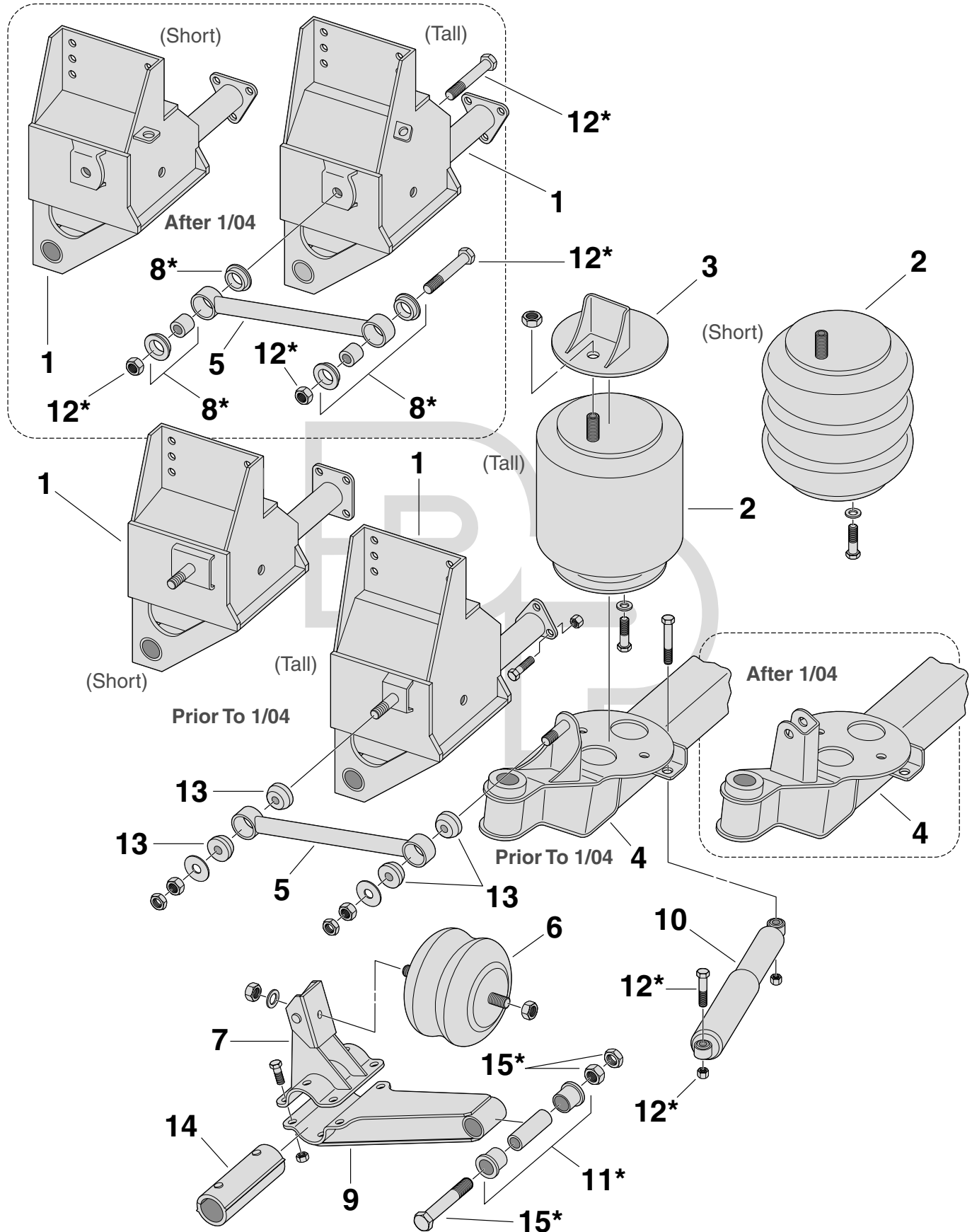
Key No.	Part Number	Description	No. Req.	OEM Reference	Remarks	
✓✓	1	334-113	Cross Tube; 2 7/16" x 44 7/8"Lg	1	9127564B000	
●	2	325-160	Bushing; 3 1/2"ID x 4 1/2"OD x 4 1/16"Lg	4	1100608B000	RD-202B & RD-202C
●		321-124	Bushing, Beam Center; Rubber; Welded Plug	2	1117558B000	Severe Duty; Fully Bonded
●		321-243	Bushing, Beam Center; Rubber; Welded Plug	2		High Confinement
	3	334-932	Ring, Compression; 3 9/16"ID x 4"OD x 3/16"Thk	4	9113603B301	RD-202B & RD-202C
●	4	334-890	Cap, Compression	2	1527487B000	RD-202B & RD-202C
●	5	334-891	Bolt, Compression; 1 1/8"-12 Thread	2	5802876B302	RD-202B & RD-202C
●	6	334-894	Assembly, Lock; Trunnion Shaft	2		RD-202B & RD-202C; Incl. Hex Nut, Jam Nut & Clip
✓✓ ●	7	321-284	Bushing; 1 1/2"ID x 3 1/4"OD x 4 3/8"Lg	4	1110512B000	RD-202B & RD-202C; Rubber
		SP	Bushing, 1 1/2"ID x 3 1/8"OD x 4 7/16"Lg	4	1120016	RD-202S; Urethane
	8	334-888	Washer; 2 1/8"ID x 4 1/2"OD x 9 Gauge	8	1160519B301	RD-202C
		334-889	Washer; 2 1/8"ID x 4 1/2"OD x 7 Gauge	8	1160519B302	RD-202B & RD-202S
✓✓	9	334-893	Washer, Internal Tooth Lock; 1 1/2"ID x 2 1/2"OD	4	1160673B000	
✓✓	10	334-892	Bolt; 1 1/2"-6 x 7"Lg	4	1130670B105	
✓ ●	11	321-242	Bushing, Beam End; Rubber; 5 3/4"Lg	4	1117564B001	
●		334-830	Kit, Service; Bar Pin Bushing; Non Shim	4		Incl. Bar Pin Bushing & Mounting Hdwe.
✓✓ ●		334-831	Kit, Service; Bar Pin Bushing; Shim Type	4	117653B001	Incl. Bar Pin Bushing, Alignment Shims & Mounting Hdwe.
●		334-831U	Kit, Service, Urethane; Bar Pin Bushing; Shim Type	4		
✓✓ ●		334-1957	Kit, Service; Rotating Bar Pin Bushing; Shim Type	4		Incl. Bolts & Shims
●		321-129	Bushing, Beam End; Rubber; 6"Lg	4	1114398B000	
✓✓ ●		321-126	Bushing, Beam End; Rubber; 5 3/4"Lg	4	1117564B001	
		321-127	Bushing, Beam End; Rubber; 6"Lg	4	1114964B000	
✓ ●	12	334-467	Kit, Adapter	4	1307564B000	
✓✓ ●	13	334-884	Spring, Elastomer; 4 1/2" x 8 1/2"	4	1037326D003	RD-202B & RD-202S; 48K, 52K & 54K
●		334-885	Spring, Elastomer; 4" x 10"	4	9030595D000, 9031797D000	RD-202C
●	14	334-886	Spring, Elastomer Overload	4	1037261C002, 9031221B303	RD-202C
●		334-887	Spring, Elastomer Overload	4	1037261C001, 9031221B302	RD-202B & RD-202S; 48K, 52K & 54K
●	15	334-1403	Stud, 7/8"-14 x 6"Lg	8	1287594B000	
●	16	338-1789	Cap, Saddle	2	1747594B002, 1747564B001	
	17	SLN-106	Nut, Lock; 7/8"-14	8	1154718B105	
✓✓	18	M74001	Shock Absorber	4	1265478B000	
		M74408	Shock Absorber	4	1252607B000	
●	19	401754	Shock Bushing; 1"ID	16	1102608B000	
	20	338-1393	Bracket, Beam; LHF-RHR	2	47QK341P	Mack Only; Obsolete
		338-1394	Bracket, Beam; LHR-RHF	2	47QK340P	Mack Only; Obsolete
	21	334-1415	Assembly, Bolt; 5/8" x 1"Lg	24	1140665B105	
	22	SP	Assembly, Bolt 5/8" x 1 1/4"Lg	16	1142735B105	

**RLT230 Light Trac™
Lift Axle
Air Suspension**

Ridewell

Ridewell

Suspension Illustration



Key No.	Part Number	Description	No. Req.	OEM Reference	Remarks	
1	SP	Hanger	2			
2	1R12-584	Air Spring	2	1001R12584G		
	3B12-338	Air Spring	2	1003B12338G		
3	SP	Bracket, Air Spring	2			
4	SP	Beam, Axle	1			
5	SP	Torque Rod	2	5030004	<2004	
	SP	Torque Rod	2	5140008	>2004	
✓✓	6	354-6897	Air Spring	2	1003586897C	
	7	SP	Assembly, Cap	2		Call OEM for P/N
●	8	334-1921	Kit, Service; Torque Rod Bushing	4	1120015	>2004
	9	SP	Assembly, Beam	2	4370009	15.5"
	10	SP	Stabilizer	2	1310002	
●	11	334-1922	Kit, Service; Trailing Arm Bushing	2	1120014	
✓✓	12	334-1105	Assembly, Bolt; ¾"-10 x 3 ½"Lg	6	114769B105	Incl. Bolt & Hdwe.
	13	320-210U	Bushing, Torque Rod	8	112003	70 Duro Tapered; 25k
	14	320-216	Bushing, Pivot; Trailing Arm	2	11700005	Urethane
	15	334-2145	Assembly, Bolt; 1" x 6 ½"; w/Jam Nut	2	1141675B105	

Ridewell

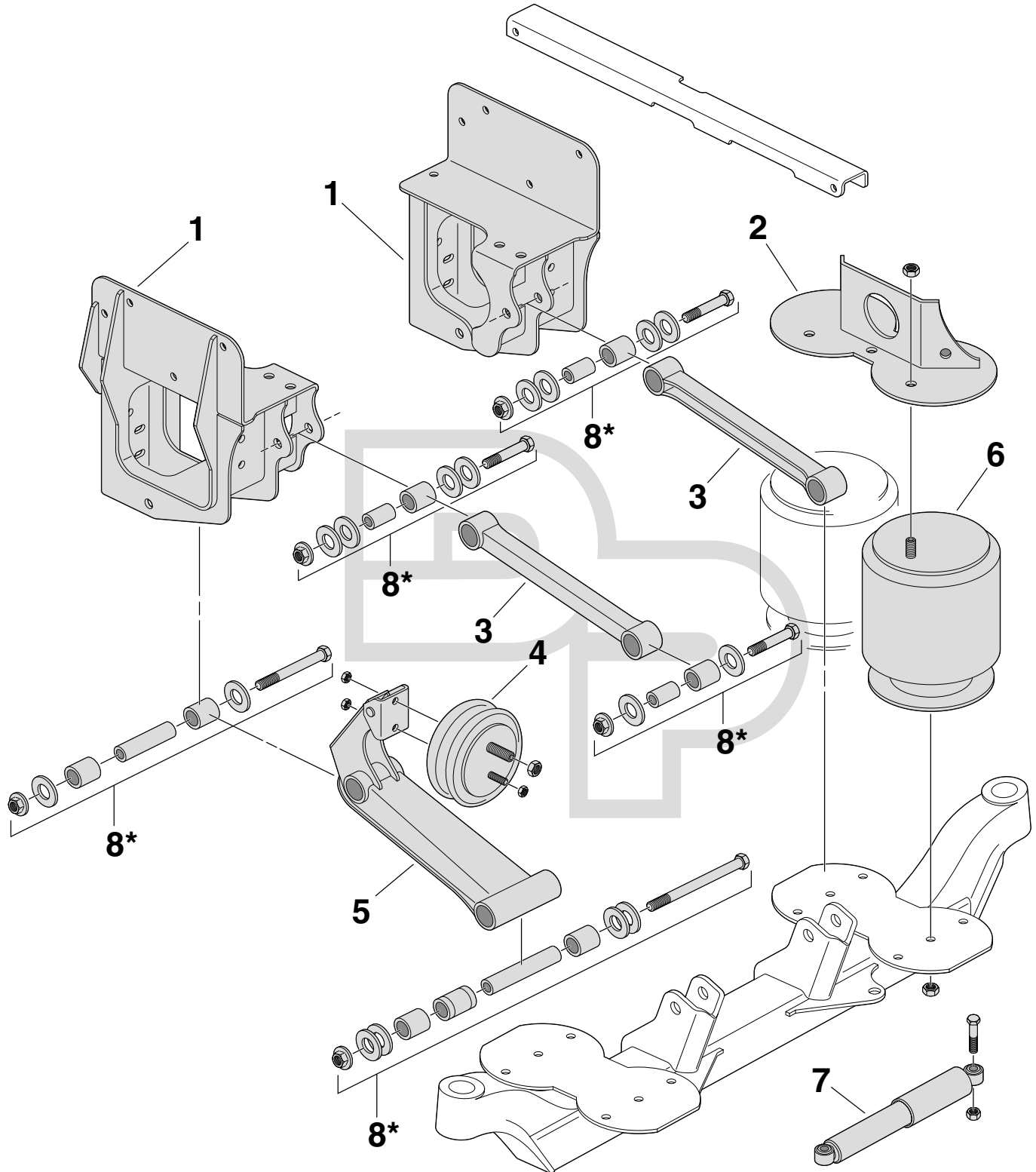
Parts Listing

RSS232-20K
Auxiliary Liftable
Air Suspension

Ridewell

Ridewell

Suspension Illustration



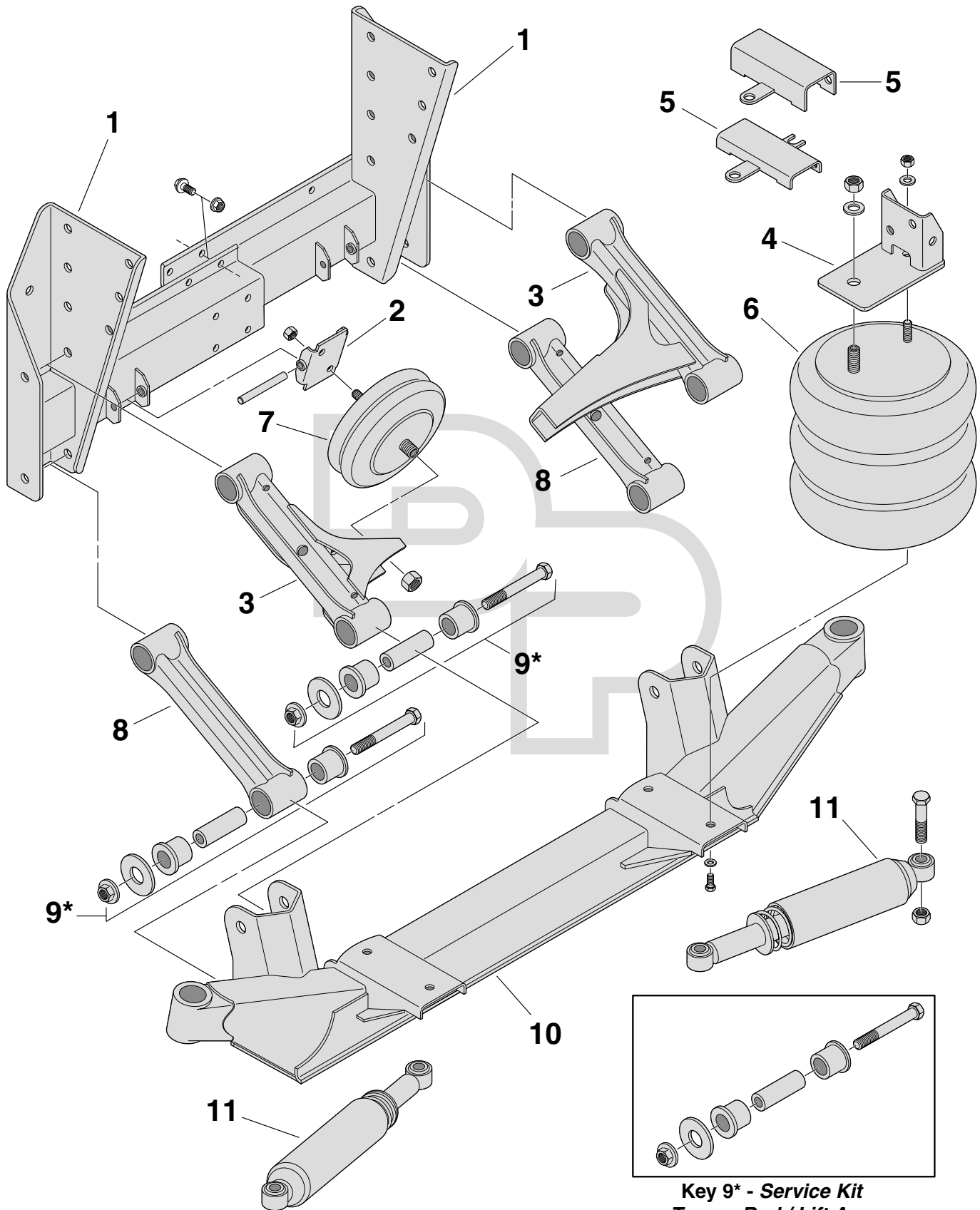
Key No.	Part Number	Description	No. Req.	OEM Reference	Remarks
1	SP	Hanger	2		Specify Roadside/Curbside
2	SP	Plate, Air Spring	2	3450139	
3	SP	Torque Rod; 18"Lg c/c	2	5050008	1 1/4" Offset
4	SP	Air Spring	2	10035867076	
5	SP	Assembly, Lift Arm	2	5350034	
6	352-8494	Air Spring	4	1003588494C	
7	SP	Stabilizer	2	1310002	
8	339-338	Kit, Service; Suspension Rebush	1	6040112	Truck; Shim Quantity May Vary at Each Location
	339-340	Kit, Service; Suspension Rebush	1	6040111	Trailer; Shim Quantity May Vary at Each Location

Ridewell

Parts Listing

Ridewell

Suspension Illustration



Key 9* - Service Kit
Torque Rod / Lift Arm

Key No.	Part Number	Description	No. Req.	OEM Reference	Remarks
1	SP	Hanger	2	Various	8k & 13k; Specify Roadside/Curbside
2	SP	Plate, Pivot	2	6040088	
3	SP	Arm, Lift; Upper; w/Bushings	1	5320001, 5320002	Specify Roadside/Curbside
4	SP	Assembly, Bracket; Upper Air Spring	1	3450107	
5	SP	Spacer, Air Spring	AR	Various	Specify Thickness
6	3B12-347	Air Spring	2	1003B12347G	RSS232-8K, LM & MM
	1R12-584	Air Spring	2	1001R12584G	RSS232-HM
7	2B9-296	Air Spring	2	1002B09296G	
8	SP	Torque Rod; w/Bushings	2	5320001, 5320002	Specify Roadside/Curbside
9	339-341	Kit, Service; Torque Rod/Lift Arm	1	6040132	Truck
	339-342	Kit, Service; Torque Rod/Lift Arm	1	6040152	Trailer
10	SP	Assembly, Axle	1		Specify Model
✓ 11	M66502	Stabilizer	2	1317570B001, 646155	

Ridewell

Parts Listing

RUA220B

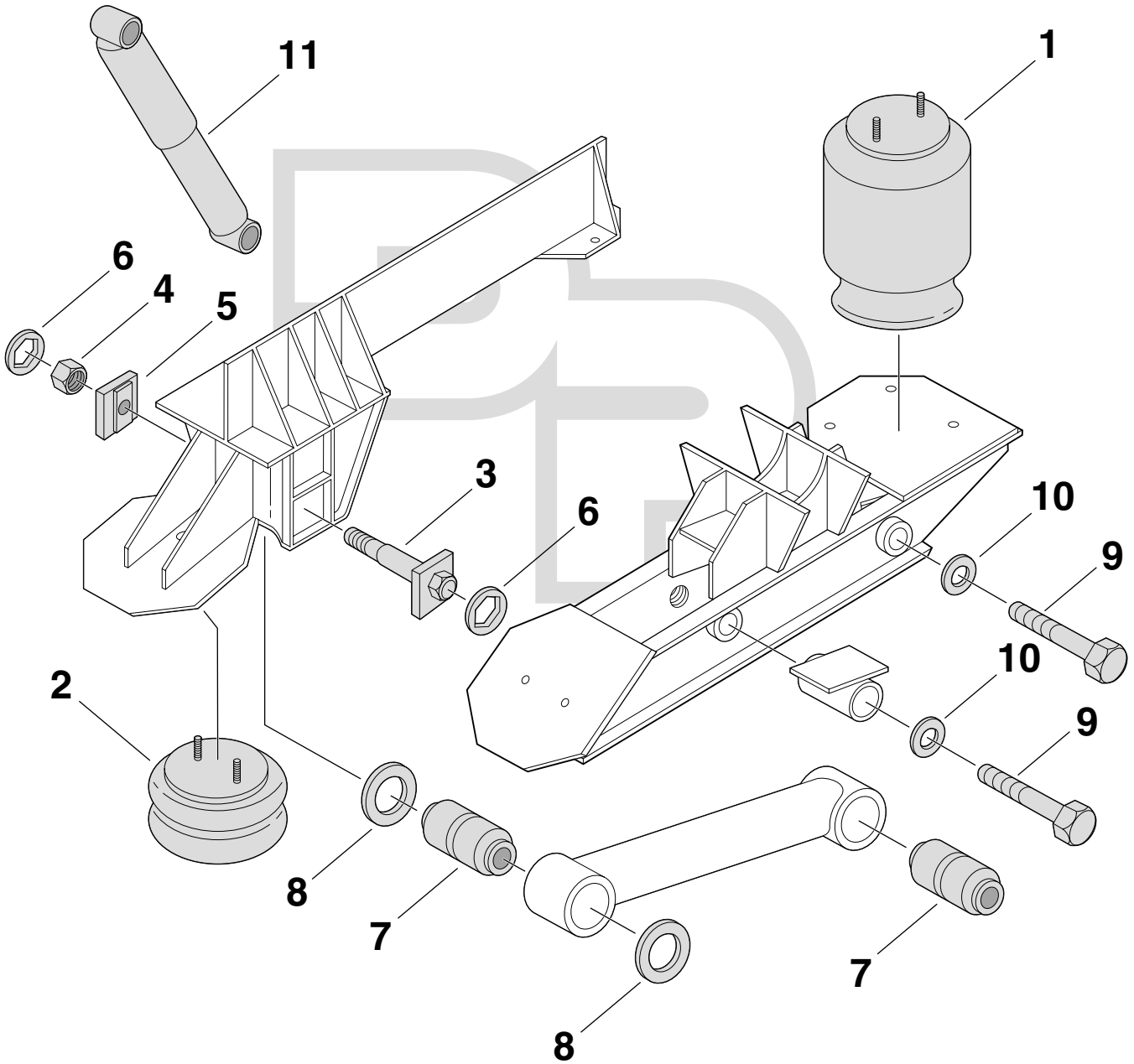
**Universal Air Ride/Air Lift
Air Suspension**

Ridewell

Ridewell

**Note: All non-keyed parts are available
Special Order.**

Suspension Illustration

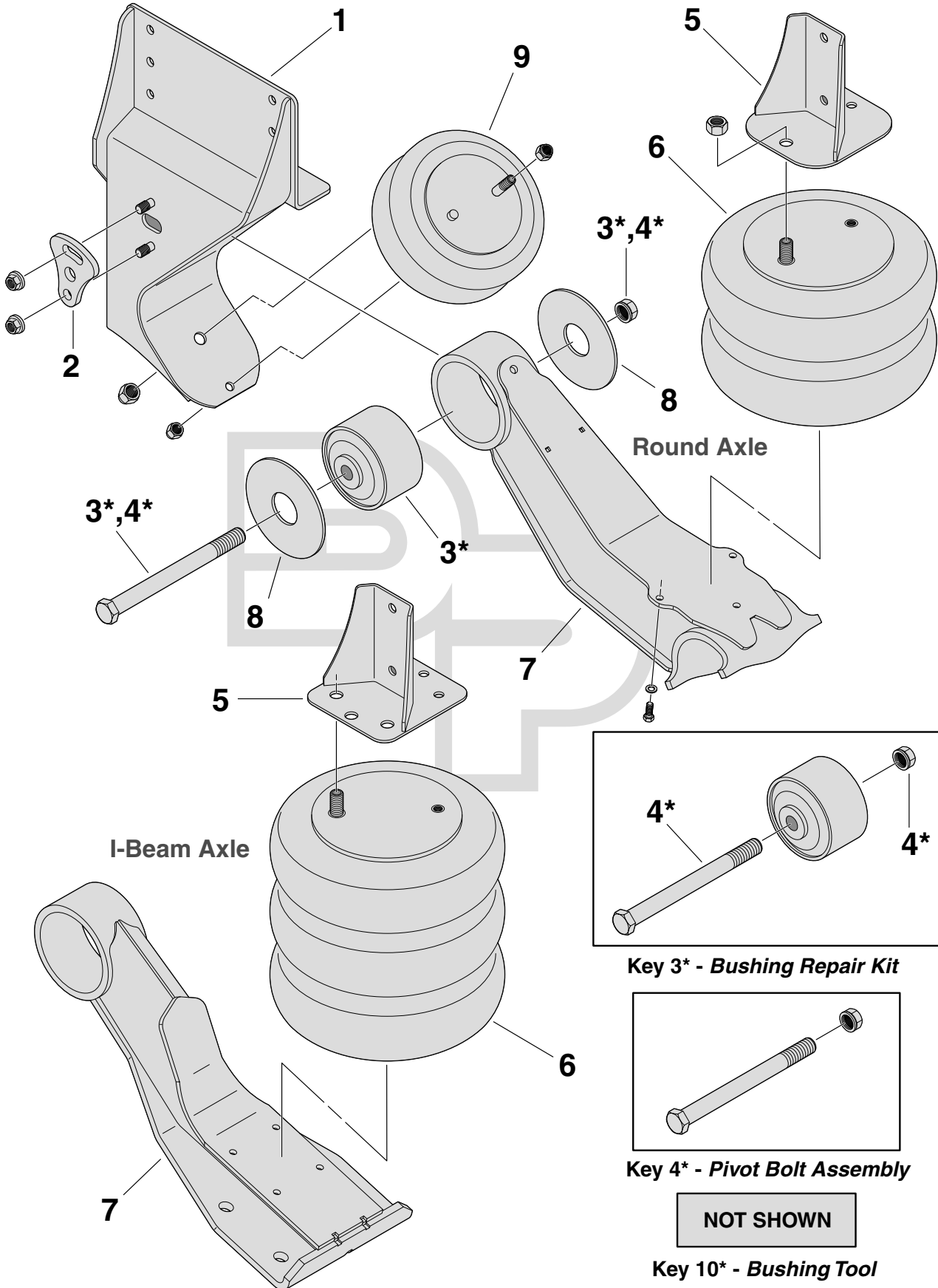


Key No.	Part Number	Description	No. Req.	OEM Reference	Remarks
	352-9275	Air Spring	2	1003589275C	Models RUA110B-1-7 Thru -10
	352-9250	Air Spring	2	1003589250C	Models RUA220B-1-10.5 Thru -13
✓✓	354-6905	Air Spring	2	1003586905C	
●	334-1182	Bolt, Eccentric	2	5000699B000	Front Torque Beam
	334-1185	Nut, Lock; 1 1/4"-7	2	1152880B102	
●	334-1183	Plate, Clamp; 3 1/2" x 3 1/2"	2	5010696B000	
✓✓ ●	334-1186	Washer; Anti-Turn	4	9003092B000	
✓✓ ●	321-284	Bushing; 1 1/2"ID x 3 1/4"OD x 4 3/8"Lg	4	1110512B000	
	334-889	Washer; 2 1/8"ID x 4 1/2"OD x 7 Gauge	4	1160519B302	
✓✓	334-892	Bolt; 1 1/2"-6 x 7"Lg	4	1130670B105	
✓✓	334-893	Washer, Internal Tooth Lock; 1 1/2"ID x 2 1/2"OD	4	1160673B000	
✓	M66886	Shock Absorber	2	AS789B	
✓	M66893	Shock Absorber	2	S6009B	

**RUL245
Auxiliary Liftable
Air Ride Suspension**

Ridewell

Ridewell



Suspension Illustration

Key No.	Part Number	Description	No. Req.	OEM Reference	Remarks
1	SP	Hanger	2	Various	Specify Model/Assembly No.
2	334-2150	Plate, Alignment	4	7001634	
✓ ● 3	339-320	Kit, Service; Pivot; (1) Axle	1	6040078	
4	334-2152	Assembly, Pivot Bolt	2	1140056	
5	SP	Plate, Air Spring	2	Various	Specify Model/Assembly No.
6	2B12-488	Air Spring	1	1002B12488G	
	3B12-339	Air Spring	1	1003B12339G	
7	SP	Beam	2	Various	Specify Model/Suspension Assembly No. & Roadside/Curbside
8	334-1406	Plate, Wear; Polymer	4	1167680B000	
9	2B9-611	Air Spring	1		Roadside
	2B9-614	Air Spring	1		Curbside
10	334-2153	Tool, Bushing	1	6100044	

Ridewell

Parts Listing

401754



Shock Bushing; 1"ID; Model RD202B/C/S

321-124



Bushing, Beam Center Rubber; Welded Plug; Severe Duty; Fully Bonded; Model RD202 B/C/S

321-126



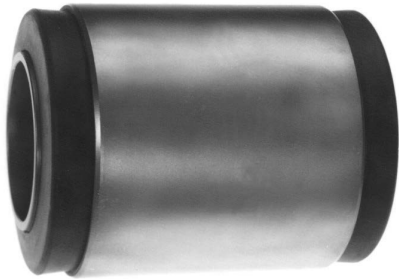
Bushing, Beam End Rubber; 5 3/4"Lg.; Model RD202B/C/S

321-129



Bushing, Beam End Rubber, 6"Lg.; Model RD202B/C/S

321-242



Bushing, Beam End Rubber; 5 3/4" Lg.; Model RD202B/C/S

321-243



Bushing, Beam Center Rubber; Welded Plug; High Confinement; Model RD202B/C/S

321-284



Bushing; 1 1/2" I.D. x 3 1/4" O.D. x 4 3/8" Lg.; Models: Various

321-340



Bushing; 1 1/2" I.D. x 3 1/4" O.D. x 5 1/4" Lg.; 70-75 Durometer; Model RSS235

321-341



Bushing; 1 1/2" I.D. x 3 1/4" O.D. x 4 7/16" Lg.; Model RAS227/RAD227

321-519



Bushing, Pivot; Speed Set Alignment; Model RAD241

325-160



Bushing; 3 1/2" I.D. x 4 1/2" O.D. x 4 1/16" Lg.; Model RD202B/C

334-467



Adapter Kit; Model RD202 B/C/S

334-751



Linkage Assembly, Universal Adjustable; 3 5/8"-19 5/8" Range; Use w/all Height Control Valves; Model RAR-240/247

334-830



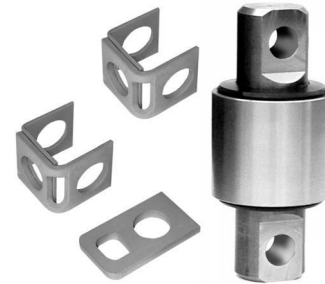
Service Kit, Bar Pin Bushing; Non Shim; Incl. Bar Pin Bushing & Mounting Hdwe.; Model RD202 B/C/S

334-831



Service Kit, Bar Pin Bushing; Shim Type; Incl. Bar Pin Bushing, Alignment Shims & Mounting Hdwe.; Model RD202 B/C/S

334-831U



Service Kit, Urethane Bar Pin Bushing; Shim Type; Model RD202 B/C/S

334-884



Spring, Elastomer; 4 1/4" x 8 1/2"; Model RD-202B, RD-202S; 48,52,54K

334-885



Spring, Elastomer; 4" x 10"; Model RD-202C

334-886



Spring, Elastomer; Spring, Elastomer Overload, Model RD-202C

334-887



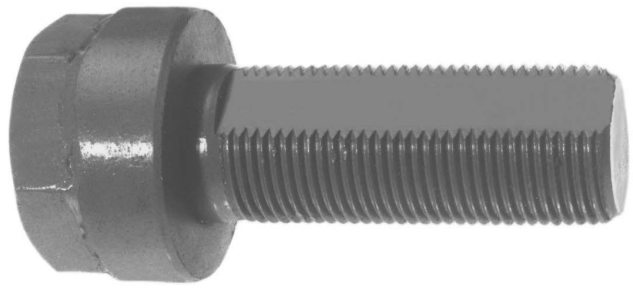
Spring, Elastomer; Spring, Elastomer Overload; Model RD-202B, RD-202S; 48,52,54K

334-890



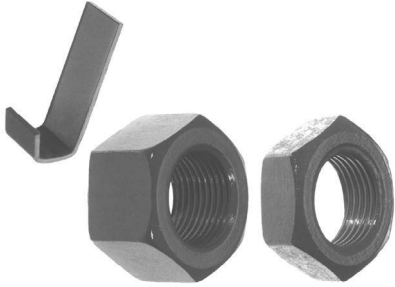
Cap, Compression; Models RD-202B, RD-202C

334-891



Bolt, Compression; 1 1/8"-12 Thread; Models RD-202B, RD-202C

334-894



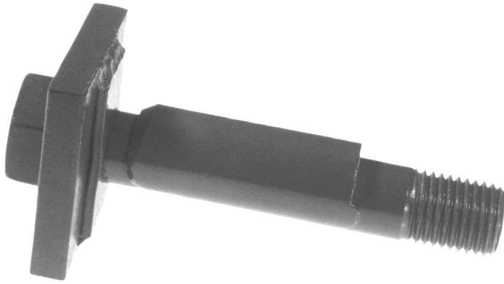
Lock Assembly, Trunnion Shaft; 1 1/8"-12 Thread; Incl. Hex Nut, Jam Nut & Clip; Models RD-202B, RD-202C

334-958



HCV w/ Adjustable Linkage Kit; Models RAR221AS/RAS227/RAD227

334-1182



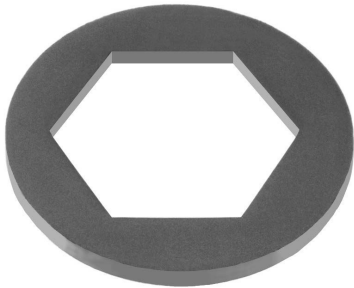
Bolt, Eccentric; 1 1/4"-7 Thread; Includes 334-1183 Plate; Similar to 334-1416; Models RVA220B/RAR221AS

334-1183



Plate, Clamp; 3 1/2" x 3 1/2"; Models RUA220B/RAR221AS

334-1186



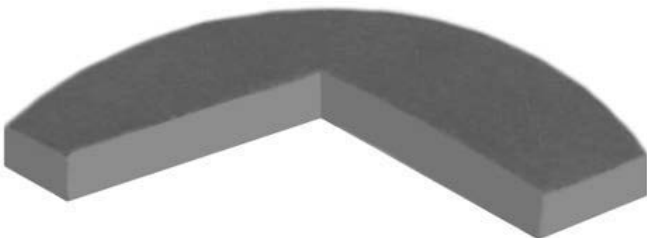
Washer; Anti-Turn; Models RSS235/RUA220B/RAR221AS/RAS227/RAD227

334-1403



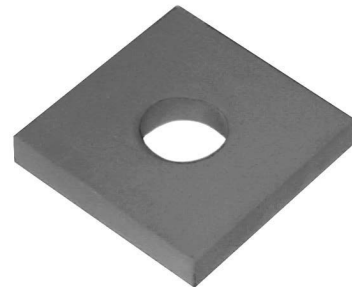
Stud; 7/8"-14 x 6" Lg. GR 5; Models RD202B/C/S

334-1411



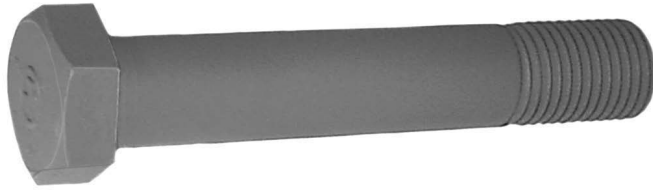
Plate, Locking; Models RSS235/RAS227/RAD227

334-1412



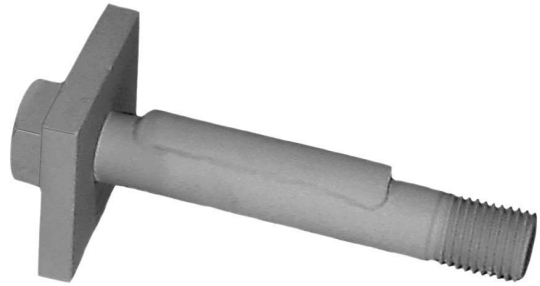
Plate, Clamp; 3 1/2" x 3 1/2"; Models RSS235/RAS227/RAD227

334-1413



Bolt; 1 1/2"-6 x 8 1/2" Lg.; Model RSS235

334-1414



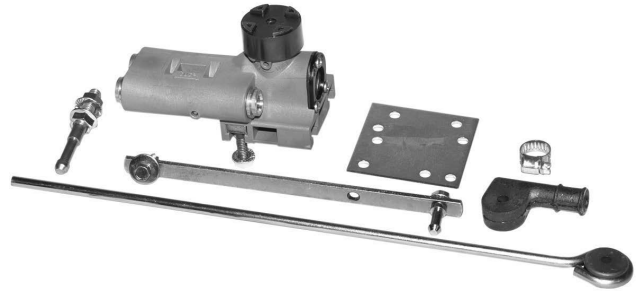
Bolt Assembly, Eccentric; 8 1/4" Lg.; 1 1/4"-7 Thread; Includes 334-1412 Plate; Model RSS235

334-1416



Eccentric Bolt; 7 1/2" Lg.; 1 1/4"-7 Thread; Includes 334-1412 Plate; Similar to 334-1182; Models RAD227/RAS227

334-1836



Valve Assembly, Height Control; Models RAD241, RAR200, RAR221AS, RAR240, RAS-227/RAD-227

334-1853



Valve, Height Control; w/Pressure Dump; Incl. Linkage; Model RAD241, RAR200 Ridelite®

334-1921



Service Kit, Torque Rod Bushing, >'04; Model RLT230

334-1922



Service Kit, Trailing Arm Bushing; Model RLT230

334-1957



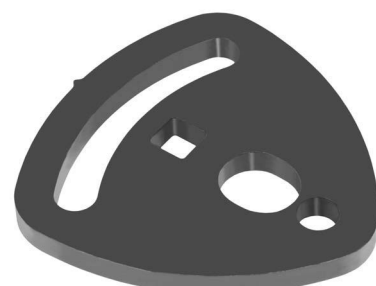
Service Kit, Rotating Bar Pin Bushing; Shim Type; Incl. bolts & shims; Models RD202B/C/S

334-2091



Bolt, Eccentric Bolt; Round Clamp; 7"; Model RAS227/RAD227

334-2146



Adjuster Plate; Speed Set Alignment; Models RAD241, RAR200, RCA225

334-2156



Alignment Washer; 4" OD; Model RAR260/266

334-2162



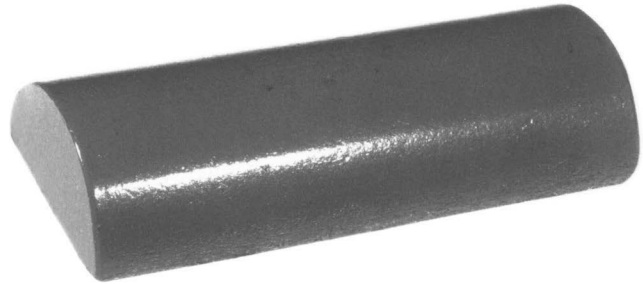
Bushing, Service Kit; 25K/30K; Under/Overslung; Except Yoke/Narrow; 1 Axle; Model RAR260/266

338-181



Bracket, Track Rod/Frame; For 5/8" Bolts; Model RAD241

338-200



Saddle, U-Bolt; Model RAD241

338-1789



Cap, Saddle; Model RD202B/C/S

338-2189



Beam Assembly, Overslung; Roadside; Incl. bushing; Model RAR240 - 25K

338-2190



Beam Assembly, Overslung; Curbside; Incl. bushing; Model RAR240 - 25K

339-255



Service Kit, Pivot Connection - One Axle; 25K Std; 60 Durometer bushing, round clamp, after 10/1/95; Models RAR240/247

339-320



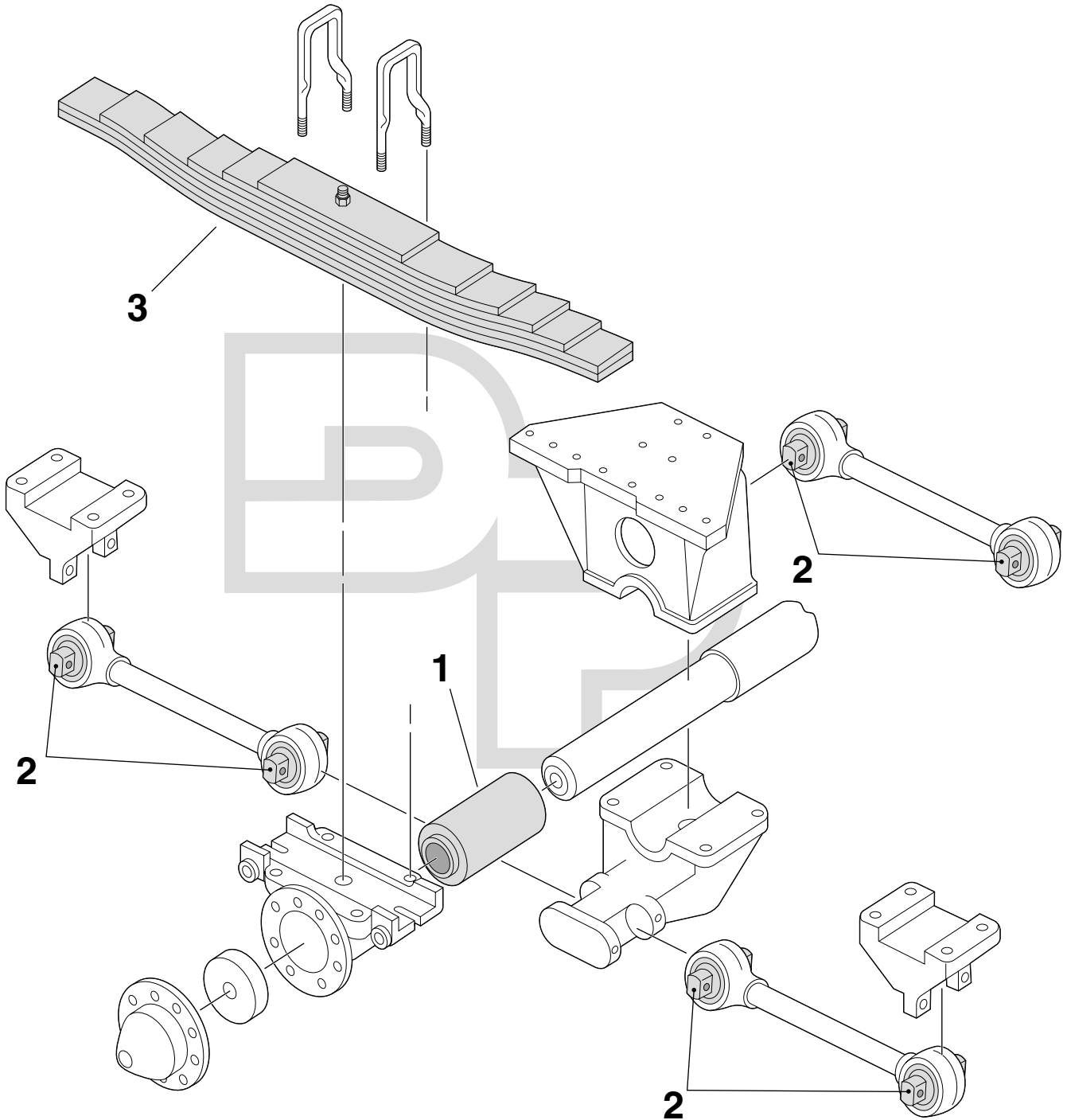
Service Kit, Pivot - 1 Axle; Tool required for removal & installation; Model RCA215

**Models AC-6U/-6W
Two Spring Tandem
Truck Suspensions**

Rockwell

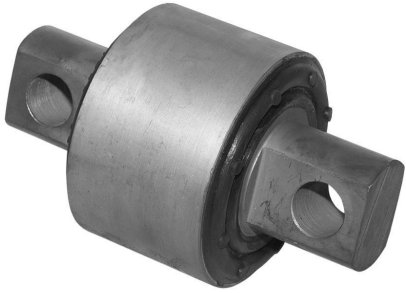
Rockwell

Suspension Illustration



Key No.	Part Number	Description	No. Req.	OEM Reference	Remarks	
●	1	322-151	Bushing, Bronze; 4 1/8"ID x 4 3/8"OD x 3 3/4"Lg	4	1225-A-911	AC-6W; Obsolete
		321-330	Bushing	2	2297-G-709	AC
		325-210	Bushing; 3 1/2"ID x 4 1/2"OD x 4 1/8"Lg	4	1225-T-462	Lightweight; Obsolete
		322-152	Bushing, Delrin; 3 7/16"ID x 3 3/4"OD x 4 3/8"Lg	4	1225-Y-441	Obsolete
● ✓✓●	2	321-326A	Bushing; Torque Rod; 4 1/8" OD, 1" Bolts	12	A-2297-X-3664	AC-6W
		321-299A	Bushing; Torque Rod; 4 1/8" OD, 7/8" Bolts	6	A-2297-K-1051	AC-6U
		321-299U	Bushing, Urethane	6		
		321-300	Bushing; Torque Rod; 4 1/8" OD, Taper ID	6	A-2297-J-1050	AC-6U
		321-300U	Bushing, Urethane	6		
3	Spring Assembly	Assembly, Spring	2		See Leaf Spring Web Catalog for Details.	

321-299A



Bushing, Torque Rod; 4 1/8" O.D. x 5 1/4" C to C, 29/32" Hole

321-300



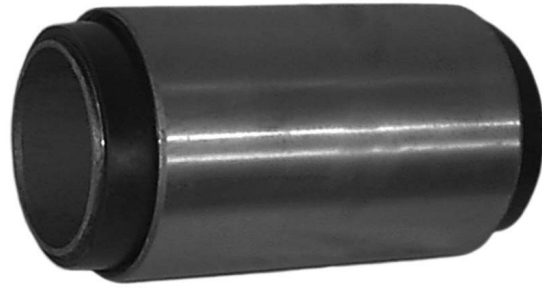
Bushing, Torque Rod; 2 7/32" I.D. to 1 3/4" Tapered I.D. x 4 1/8" O.D. x 3 15/32" Lg.

321-326A



Bushing, Torque Rod; 4 1/8" O.D. x 5 1/4" C to C; 1" Hole

321-330



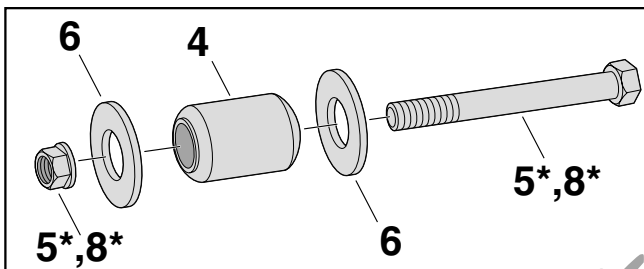
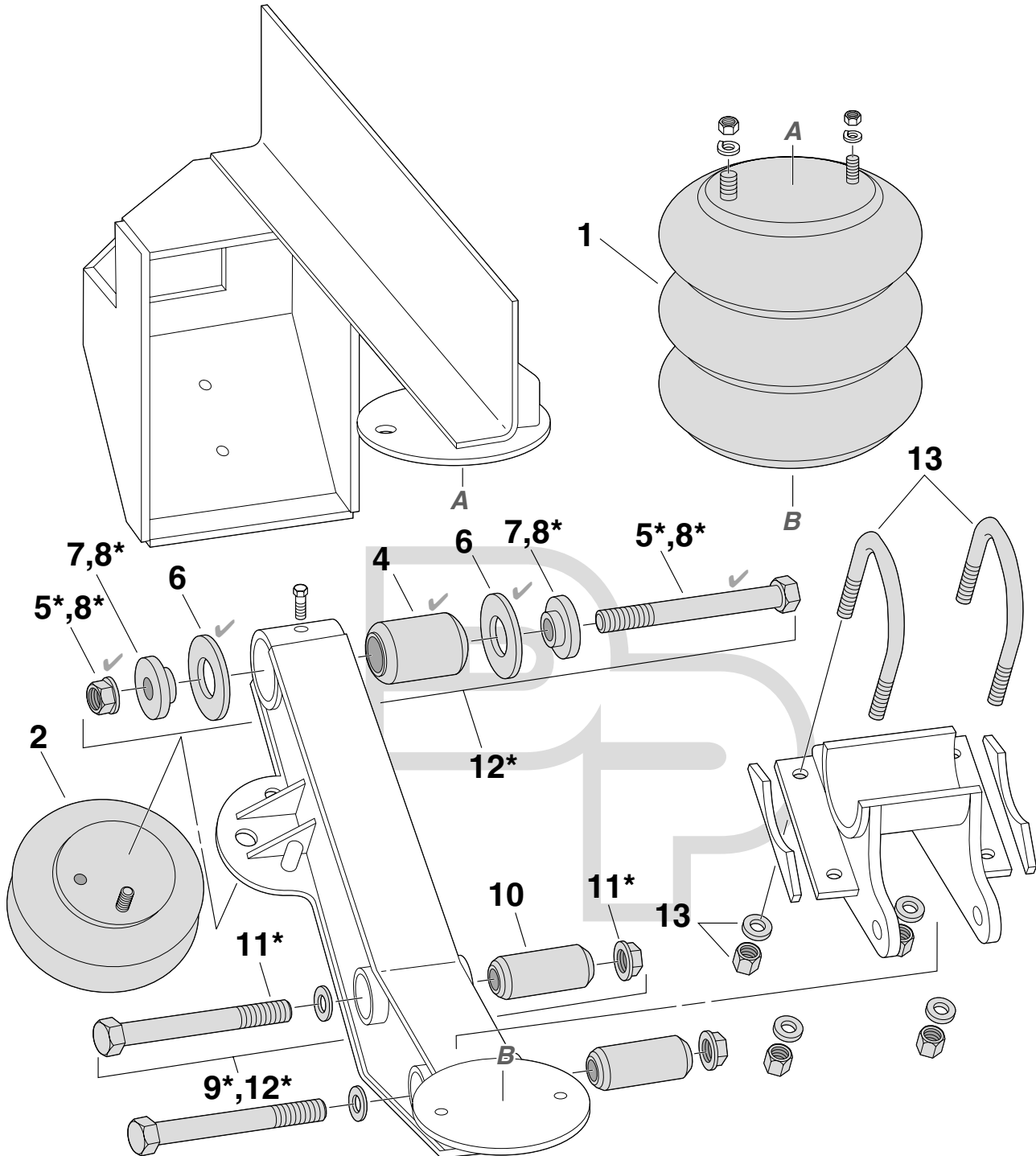
Bushing; 3 1/2" I.D. x 4.875" O.D. x 9.25" Lg.

**1455
Auxiliary Air Ride/Air Lift Suspension**

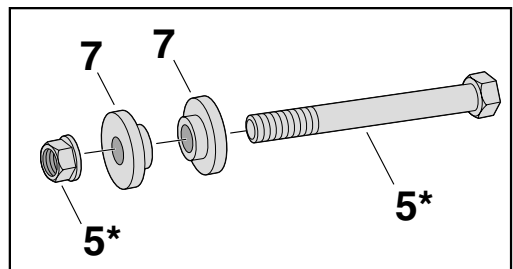
Silent Drive

Silent Drive

Suspension Illustration



Key 3* - Service Kit, Pivot (See Checkmarks)



Key 8* - Service Kit, Alignment

Key Numbers with an asterisk (*) indicate a kit or assembly.

Silent Drive

1455 Auxiliary Air Ride/Air Lift Suspension

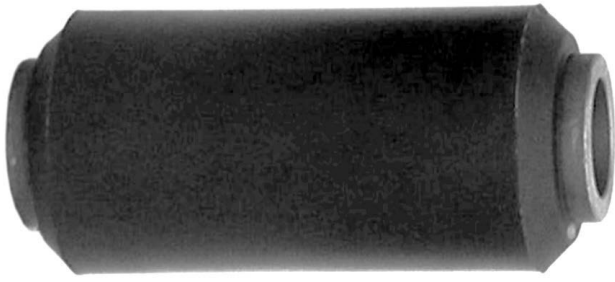
Silent Drive

Parts Listing

Key No.	Part Number	Description	No. Req.	OEM Reference	Remarks	
	1	354-8027	Air Spring	2	AS-8027	After 11/97
✓✓	2	354-6905	Air Spring	2	AS-6882	All Lifiable Suspensions
✓●	3	334-1686	Kit, Service; Pivot	2		Incl. Bushing, Bolt Assy. & Spacers
●	4	321-379U	Bushing	2	PB-3000	
	5	334-1682	Assembly, Bolt; 1"-14 x 8"Lg	2		
●	6	334-1684	Washer, Spacer	4	1750-1011	
●	7	334-1685	Collar, Alignment	4	421-01-9000	
✓●	8	334-1687	Kit, Service; Alignment	2		Incl. Bolt Assy., Spacer & Collar
✓●	9	334-1688	Kit, Service; Axle Seat	2		Incl. (2) ea., Bushing & Bolt Assy.
●	10	321-378U	Bushing	4	PB-5000	
	11	334-1683	Assembly, Bolt; 1"-14 x 7 1/2"Lg	4		
	12	339-264	Kit, Maintenance; Suspension; (1) Axle	1		Incl. Pivot Kit, Axle Kit & Alignment Collars
✓	13	361-282	Kit, U-Bolt; Round Bend, Grade 8	4	U8-055	3/4" x 5 1/8" x 8" R

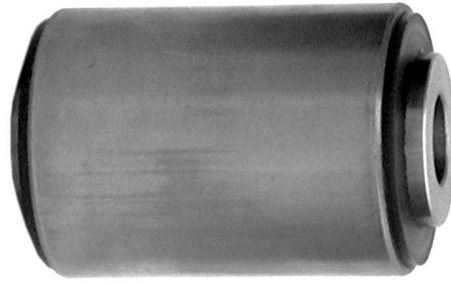
Silent Drive

321-378U



Bushing

321-379U



Bushing

334-1684



Washer, Spacer; 1 3/4" I.D. x 4 1/8" O.D. X 1/4" Thk.

334-1685



Collar, Alignment

334-1686



Service Kit, Pivot; (4) 321-328U, (1) 334-1682, (2)334-1684

334-1687



Service Kit, Alignment; (1) 334-1682, (2) 334-1684, (2)334-1685

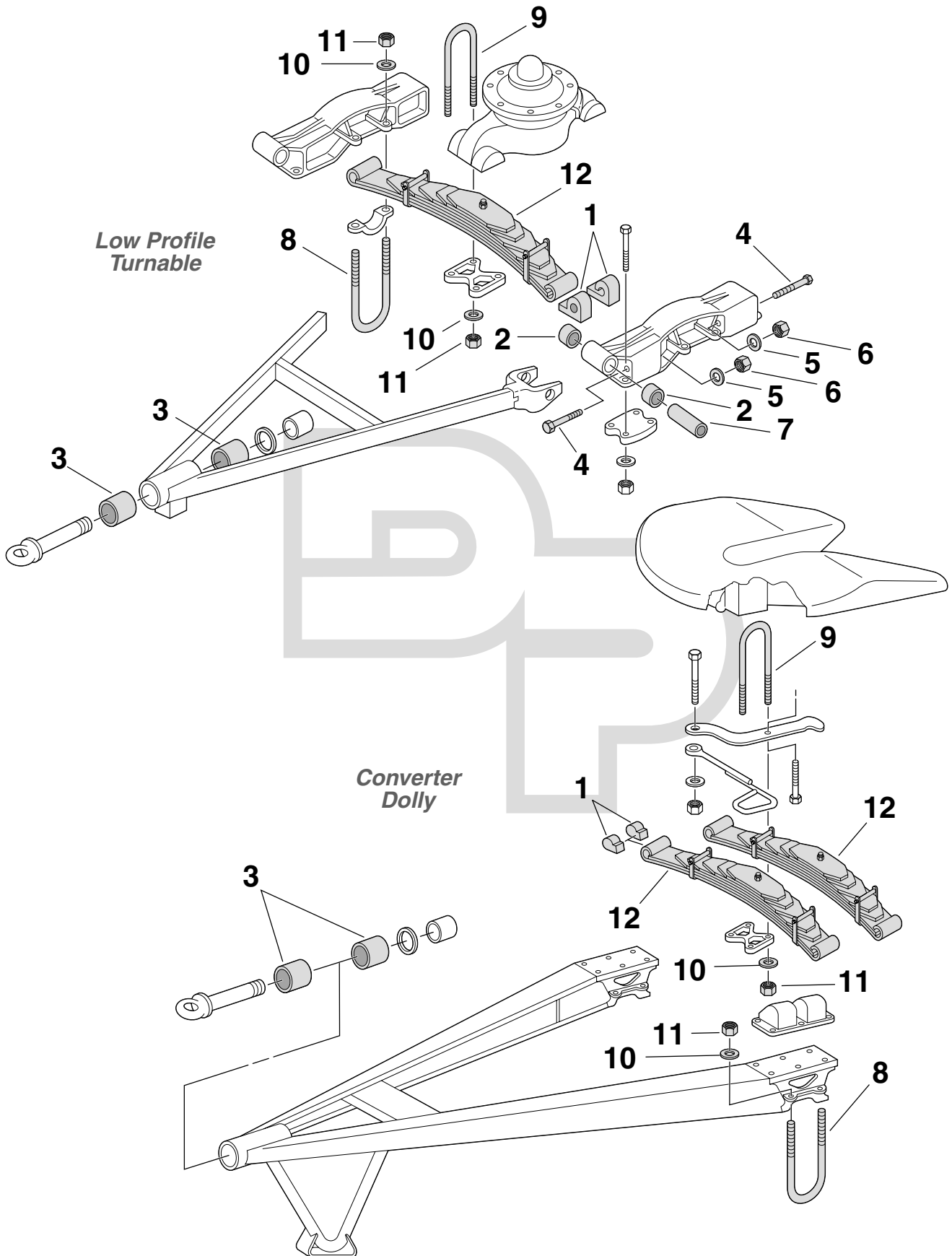
334-1688



Service Kit, Axle Seat; (2) 321-327U, (2)334-1683

Component Photos

Silver Eagle



Suspension Illustration

Silver Eagle

Trailer Dolly Suspension

Silver Eagle

Parts Listing

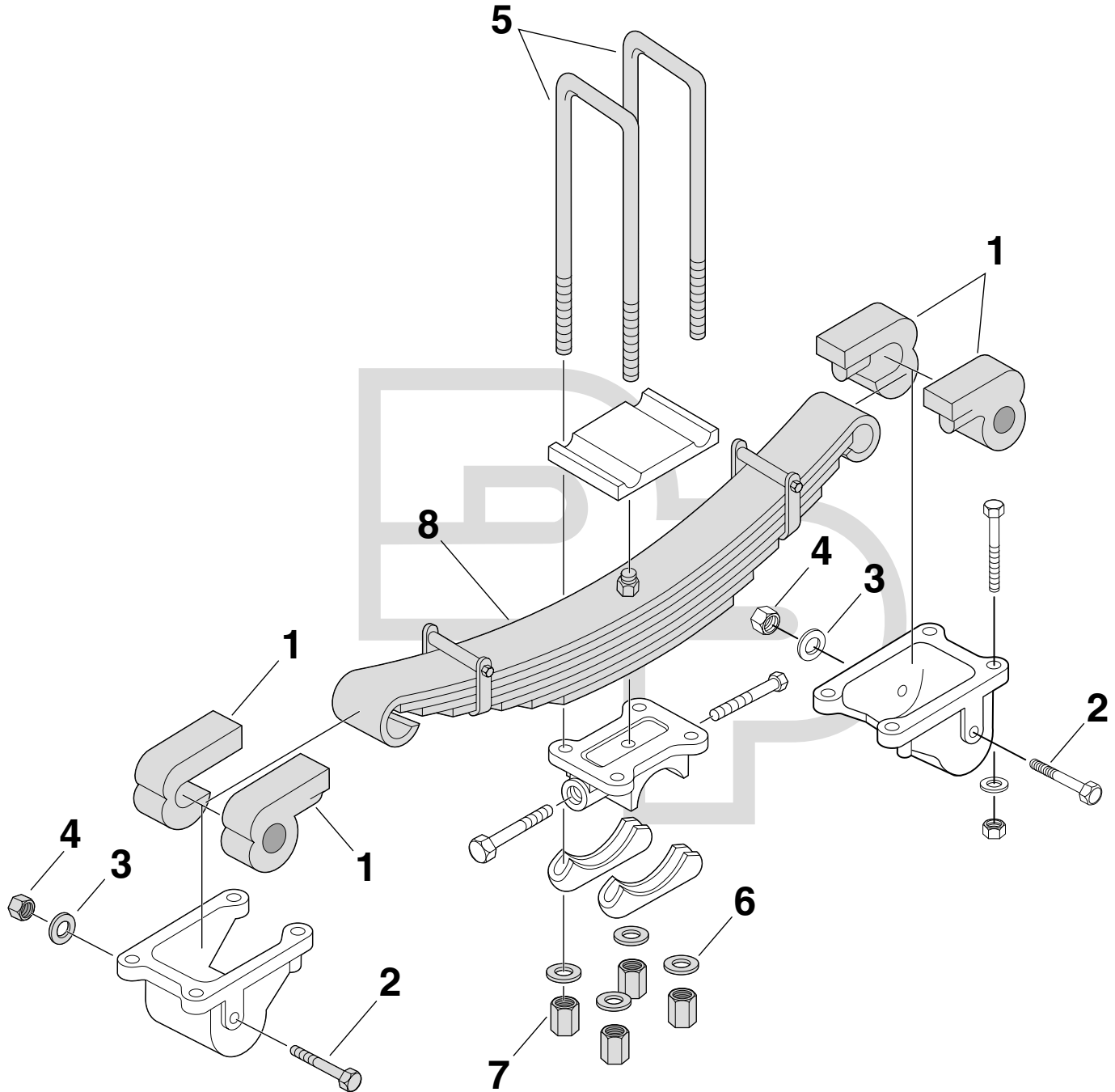
Key No.	Part Number	Description	No. Req.	OEM Reference	Remarks
✓✓●	1	320-159U	2	G34/G35, 1204	Urethane
	2	320-175U	4	R-213, 1595	
	3	320-154U	2	R-205, 1157	
✓	4	327-371	4	1539	
	5	SUW-12	4	3369	
	6	SLNC-102	4	1942	
	7	◆	2	1355	
	8	SP	4	1145	5" Round Axles
		SP	4	1137	5" x 5" Axles
		SP	4	1312	4" x 6" Axles
	9	361-650	4	1645	
		361-651	4	1169	
	10	SUW-100	8	1540	
	11	DN-100	8	3398	
	12	Spring Assembly	1/2		See Leaf Spring Web Catalog for Details

Low Profile
Single Axle
Trailer Suspension

Silver Eagle

Silver Eagle

Suspension Illustration



Silver Eagle

Low Profile Single Axle Trailer Suspension

Silver Eagle

Key No.	Part Number	Description	No. Req.	OEM Reference	Remarks	
✓✓●	1	320-159U	Boot, Spring; Pair	4	G34/G35, 1204	Urethane
✓	2	327-371	Bolt; 1/2"-13 x 6 1/2"Lg	4	1539	
	3	SUW-12	Washer, U-Bolt; 1/2"	4	3369	
	4	SLNC-102	Nut, Lock; 1/2"-13	4	1942	
	5	SP	U-Bolt, 1" x 4" x 12"S	4	1373	5" Round & 5" Square Axles
		SP	U-Bolt, 1" x 4" x 14"S	4	1335	4" x 6" Axles
		361-200	Kit, U-Bolt; Square Bend, Grade 8	4	1228	5" Round Axles; Incl. Nuts & Washers
	6	SUW-100	Washer, U-Bolt; 1"	8		
		SUW-34	Washer, U-Bolt; 3/4"	8		
	7	DN-100	Nut, Deep; 1"-14, Grade C	8		
		DN-34	Nut, Deep; 3/4"-16, Grade C	8		
	8	Spring Assembly	Assembly, Spring	2		See Leaf Spring Web Catalog for Details

Parts Listing

320-159U



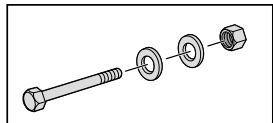
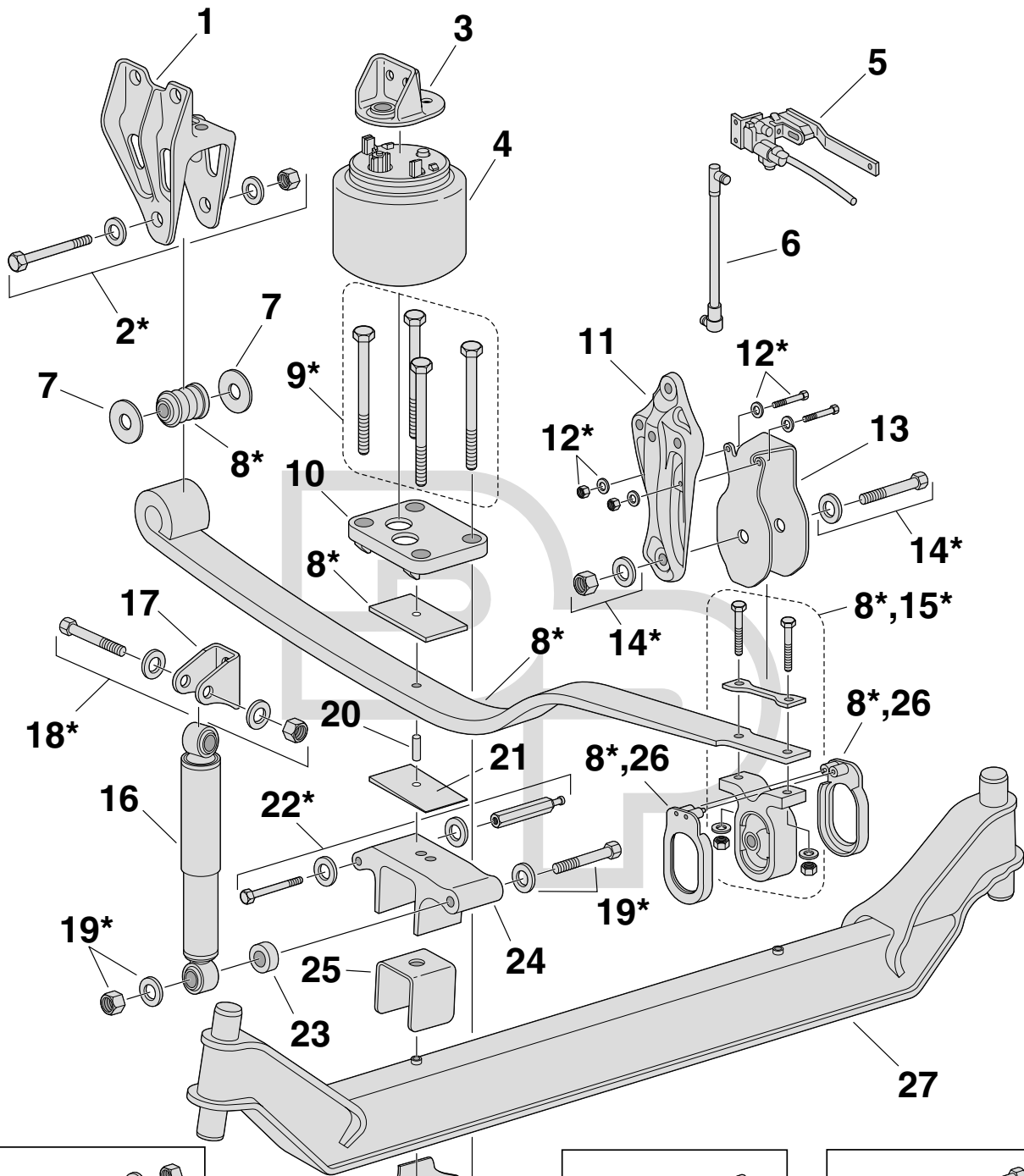
Spring Boot, Pair; Urethane; Model Trailer Dolly

Silver Eagle

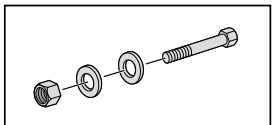
Component Photos

Spartan Motors

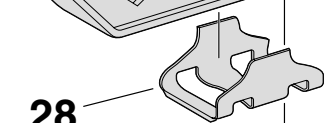
Suspension Illustration



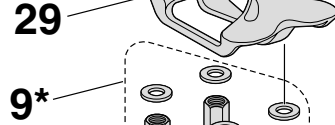
Key 2* - Bolt Assembly



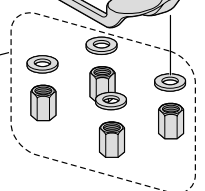
Key 18* - Bolt Assembly



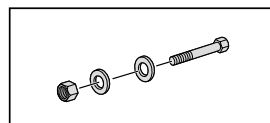
28



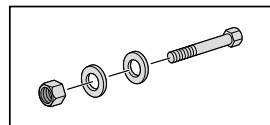
29



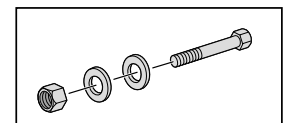
9*



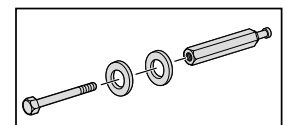
Key 12* - Bolt Assembly



Key 19* - Shock Bolt
Assembly Lower



Key 14* - Bolt Assembly



Key 22* - Mounting Kit,
HCV Linkage

Spartan Motors

Airtek® (Hendrickson) Motorhome Chassis Front Air Suspension

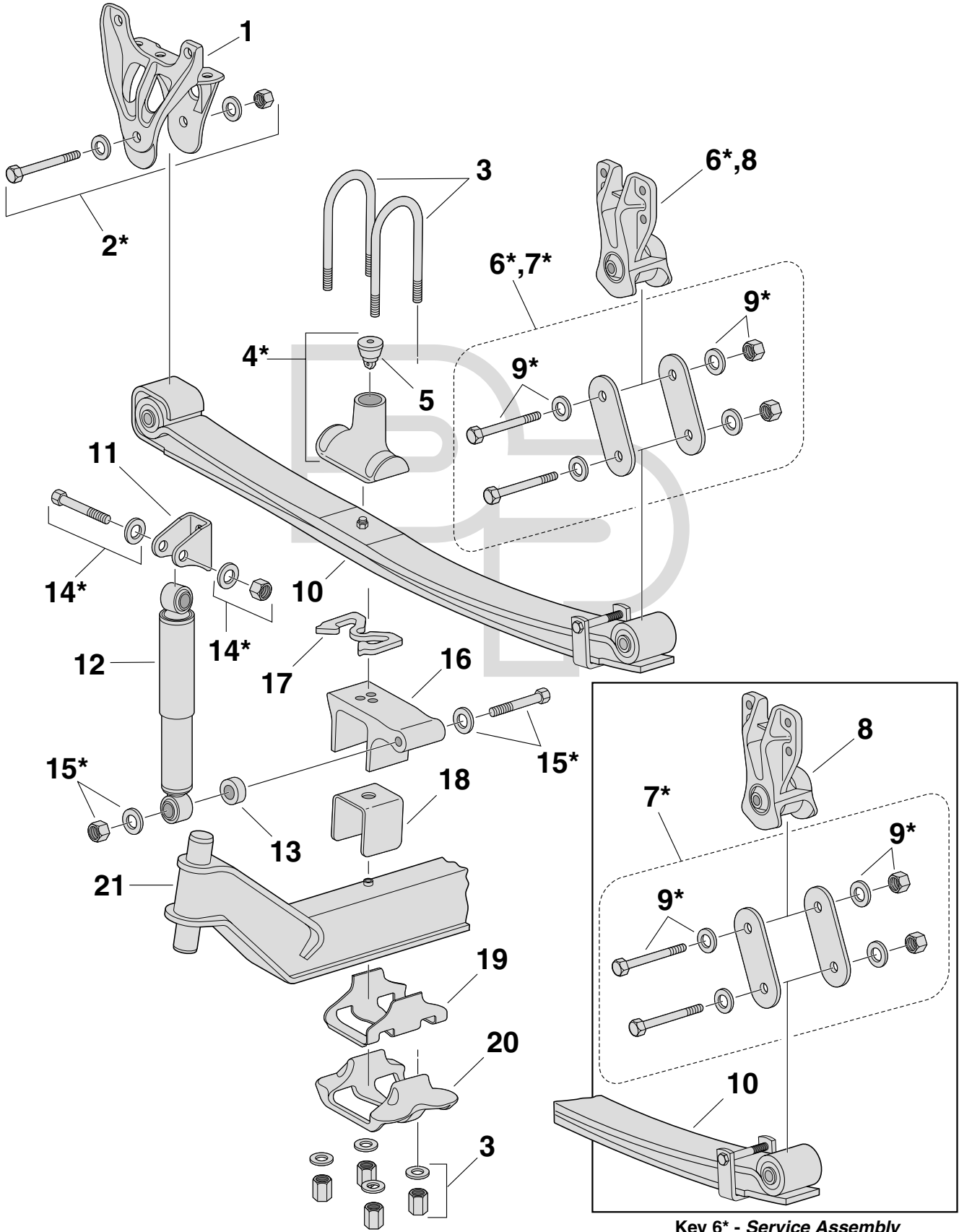
Spartan Motors

Key No.	Part Number	Description	No. Req.	OEM Reference	Remarks
1	SP	Hanger, Front	2	64488	
2	334-2166	Assembly, Bolt; M20 - 2.5 x 170	2		
3	SP	Bracket, Air Spring; Upper	2	60850	10.5k & 12k
	SP	Bracket, Air Spring; Upper	2	66140	12.6k & 14.6k
4	66349-002	Air Spring	2	66349-2	10.5k & 12k
	65790-002L	Air Spring	2	65790-2	12.6k & 14.6k
5	334-2167	Valve, Height Control; Roadside	1	66414-1, 66277-1	Include Linkage
	334-2168	Valve, Height Control; Curbside	1	66414-2, 66277-2	Include Linkage
✓ ●	334-751	Linkage Assembly; Universal; Adjustable	2		3 5/8"-19 5/8" Range; Use w/All Height Control Valves
7	334-2169	Washer, Thrust	4	67495, 66264-1	
8	SP	Assembly, Leaf Spring; Roadside	1	59930-31	Includes Front/Rear Thrust Washers & End Mounts
	SP	Assembly, Leaf Spring; Curbside	1	59930-32	Includes Front/Rear Thrust Washers & End Mounts
9	334-2170	Kit, Bolt; 3/4" x 9"Lg	2	60961-113	14.6k; After 02/07, Before 02/07
	334-2171	Kit, Bolt; 3/4" x 8 1/2"Lg	2	60961-150	10.5k, 12k & 12.6k
10	SP	Pad, Top	2	66144	10.5k & 12k
	SP	Pad, Top	2	66191	12.6k & 14.6k
11	SP	Hanger, Rear	2	59825	
12	334-1741	Assembly, Bolt; 1/4" x 1 1/4"Lg	4	56935-1	
●	338-1939	Clamp, Hanger	2	59830	
14	334-1740	Assembly, Bolt; 3/4" x 5"Lg	2		Incl. Special washer
✓✓ ●	325-242	Assembly, Mount; Spring	2	60961-2	(1) Side
16	341-66153-6	Shock Absorber	2	66153-6	10.5k, 12k & 12.6k; Replaces 66153-1
	341-66153-7	Shock Absorber	2	66153-7	14.6k; Replaces 66153-1
17	SP	Bracket, Shock	2	66589-2	
18	334-1782	Assembly, Bolt; 3/4" x 4"Lg	2		
19	334-2172	Assembly, Shock Bolt; Lower; 3/4" x 7 1/2"Lg	2		
20	334-1752	Pin, Dowel; 2 5/8"Lg	2	57159-4	1/2" Dowell Pin
21	SP	Wedge, Camber	2	68861	
●	334-1742	Kit, Mounting; HCV Linkage	2	60961-8	
23	334-1745	Spacer, Shock Absorber	2	59946-1	
24	SP	Seat, Axle	2	59952-28	
●	334-1743	Liner, Axle Wrap	2	59449, 59845	
✓✓ ●	334-1748	Washer, Thrust	4	59346	
27	SP	Assembly, Axle	1	64502	Steertek; 10.5k, 12k & 12.6k
	SP	Assembly, Axle	1	64502	14.6k
●	334-1744	Liner, Axle Wrap	2	59845	
29	SP	Plate, Bottom	2	64723	

Parts Listing

Spartan Motors

Suspension Illustration



Key 6* - Service Assembly

Key Numbers with an asterisk (*) indicate a kit or assembly.

Key No.	Part Number	Description	No. Req.	OEM Reference	Remarks
1	SP	Hanger, Front	2		
2	334-2166	Assembly, Bolt; M20 - 2.5 x 170mmLg	2		
3	361-190	Kit, U-Bolt; Round Bend, Grade 8	4	11-09363-110	
4	SP	Assembly, Top Pad	2	64506	
● 5	325-244	Stop, Bump	2	64080	
6	339-307	Assembly, Service	1	60961-162	Both Sides; Incl. Spring, Hanger & Shackle Assy.
7	330-401	Kit, Shackle	2		
8	SP	Hanger, Rear of Front	2	66510-1	Includes Bushing
✓✓ 9	334-908	Bolt; M20-2.5 x 150mm	4		
10	50-250	Spring, Taper	2	66624-1	
11	SP	Bracket, Shock	2	59423-2	
12	M65162	Shock Absorber	2	66624-1	
13	334-1745	Spacer, Shock Absorber	2	59946-1	
14	334-1782	Assembly, Bolt; ¾" x 4"Lg	2		Upper
15	334-2172	Assembly, Bolt; ¾" x 7 ½"Lg	2		Lower
16	SP	Seat	2	59952-3	
17	SP	Spacer	2	64536-10	
● 18	334-1743	Liner, Axle Wrap	2	59449	
● 19	334-1744	Liner, Axle Wrap	2	59845	
20	SP	Plate, Axle; Bottom	2	64722-3	
21	SP	Assembly, Axle	1	65905-1	

325-242



Mount Assembly, Spring; One Side; Model Airtek

325-244



Stop, Bump; Model Softek

334-751



Linkage Assembly, Universal Adjustable; 3 5/8"-19 5/8" Range; Use w/all Height Control Valves; Model Airtek

334-1742



Mounting Kit, HCV Linkage; Model Airtek

334-1743



Liner, Axle Wrap; Models Airtek, Softek

334-1744



Liner, Axle Wrap; Lower; Models Airtek, Softek

334-1748



Washer, Thrust; Model Airtek

338-1939



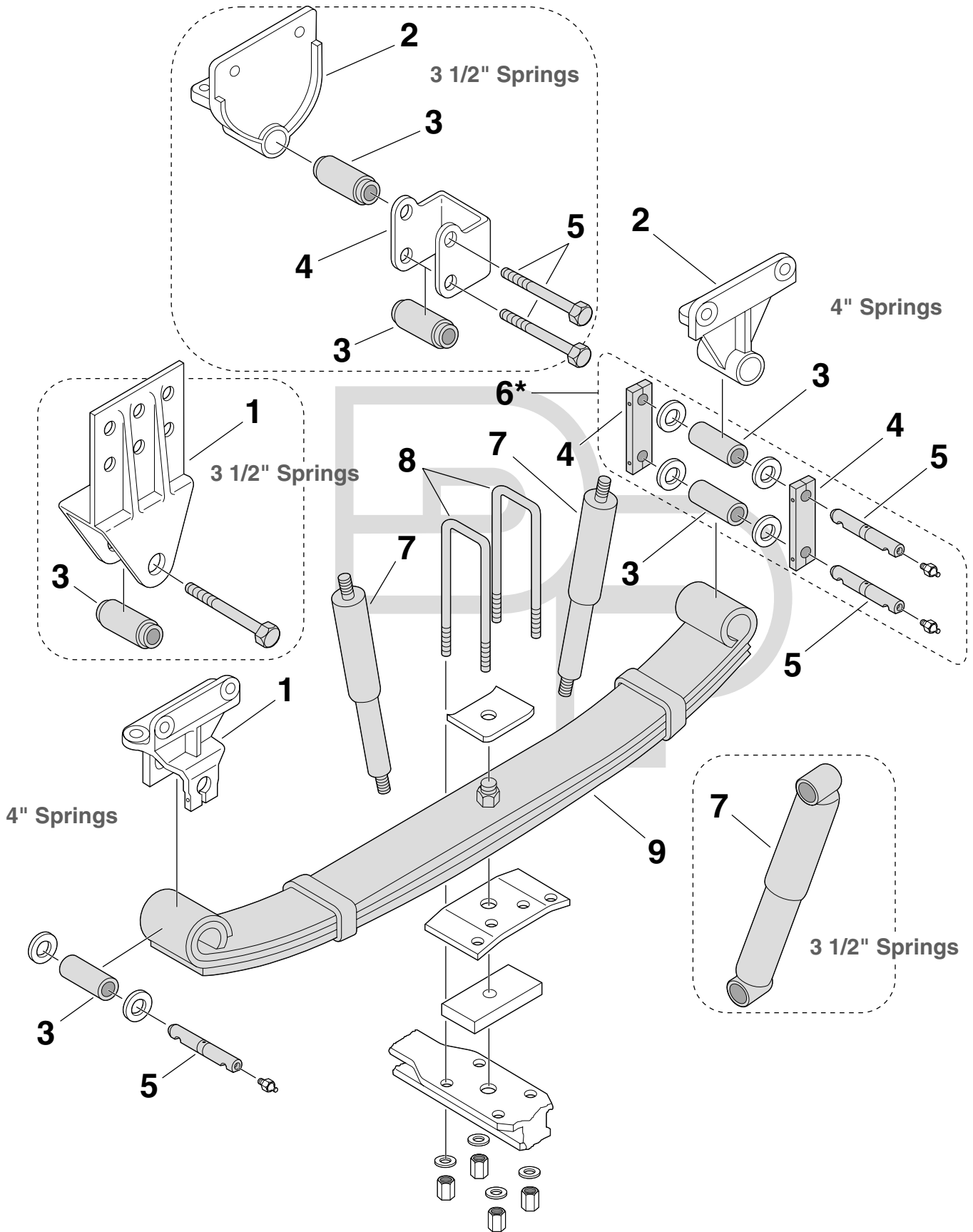
Clamp, Hanger; Model Airtek

**EF/ ER (3 1/2" Spring)
ER (4" Spring)
Front Suspensions**

Thomas

Thomas

Suspension Illustration



EF/ ER (3 1/2" Wide Springs)

Key No.	Part Number	Description	No. Req.	OEM Reference	Remarks
1	◆	Hanger, Front	2	62300180	
2	◆	Hanger, Rear	2	62300200, 62300181	
3	RB-190	Bushing; 20mm ID x 46mm OD x 89mm Lg	6	61300221	
4	◆	Side Bar	4	62300418, 62300191	
	◆	Shackle	2	62300224	1-Pc.; Replaced by 62300418
5	334-990	Assembly, Bolt; 3/4"-16 x 6"Lg	6	61370672	
6	◆	Kit, Shackle	2		
7	See Shocks	Shock Absorber	2	Various	Consult Shock Catalog for Model Specific Applications
8	SP	U-Bolt; Bent to Order	4	61300217	Specify Length, Width, Diameter & Bend
9	Spring Assembly	Assembly, Spring	2		See Leaf Spring Web Catalog for Details

ER (4" Wide Springs)

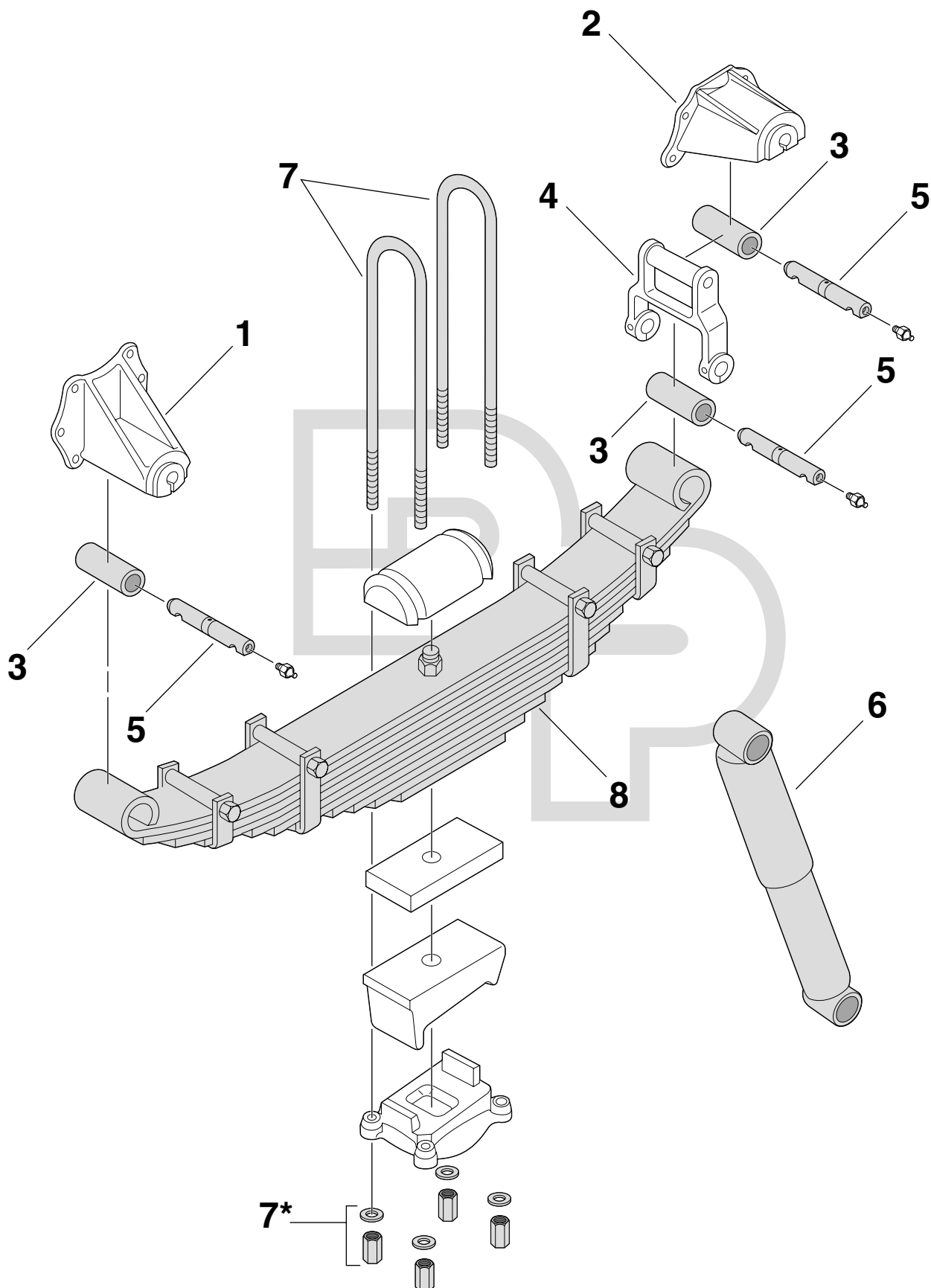
Key No.	Part Number	Description	No. Req.	OEM Reference	Remarks
1	◆	Hanger, Front; LH/RH	2	63200120	
2	◆	Hanger, Rear; LH/RH	2	63200116, 62300118	
3	PLK	Bushing; 1 1/8"ID x 1 3/8"OD x 4"Lg	6		
✓✓	4	330-133 Side Bar; 6 13/16"Lg x 4 1/8" c/c x 1 1/8"Thk, 1 1/8" Pin Holes	4	62300129	
✓✓	5	327-384 Spring Pin; 1 1/8"OD x 7"Lg x 5 1/2" c/c	6	62300122	
6	334-1624	Kit, Shackle; Urethane	2		Incl. Pin Assy, Side Bars & Hdwe.
7	See Shocks	Shock Absorber	4	Various	Consult Shock Catalog for Model Specific Applications
8	SP	U-Bolt; 3/4"-16 x 4" x 6 7/8" S	4	61300207	8U-4906S
9	Spring Assembly	Assembly, Spring	2		See Leaf Spring Web Catalog for Details

**ER (4" Spring)
Cast Shackle First Design
Rear Suspension**

Thomas

Thomas

Suspension Illustration



Key No.	Part Number	Description	No. Req.	OEM Reference	Remarks
1	◆	Hanger, Front; LH/RH	2	62310188	
2	◆	Hanger, Rear; LH/RH	2	62310175	
3	RNK-BM	Bushing; 1 ¼"ID x 1 ½"OD x 4"Lg	6	61310207	
4	◆	Shackle; Cast	2	62310171, 62310170	Incl. Bushing
5	327-128	Spring Pin; 1 ¼"OD x 6"Lg x ½" c/e	6	62310142	Single Lock
6	See Shocks	Shock Absorber	2	Various	Consult Shock Catalog for Model Specific Applications
7	361-622	Kit, U-Bolt; Round Bend, Forged Top, Grade 8	4	61310102	7/8" x 4" x 19" R
8	Spring Assembly	Assembly, Spring	2		See Leaf Spring Web Catalog for Details

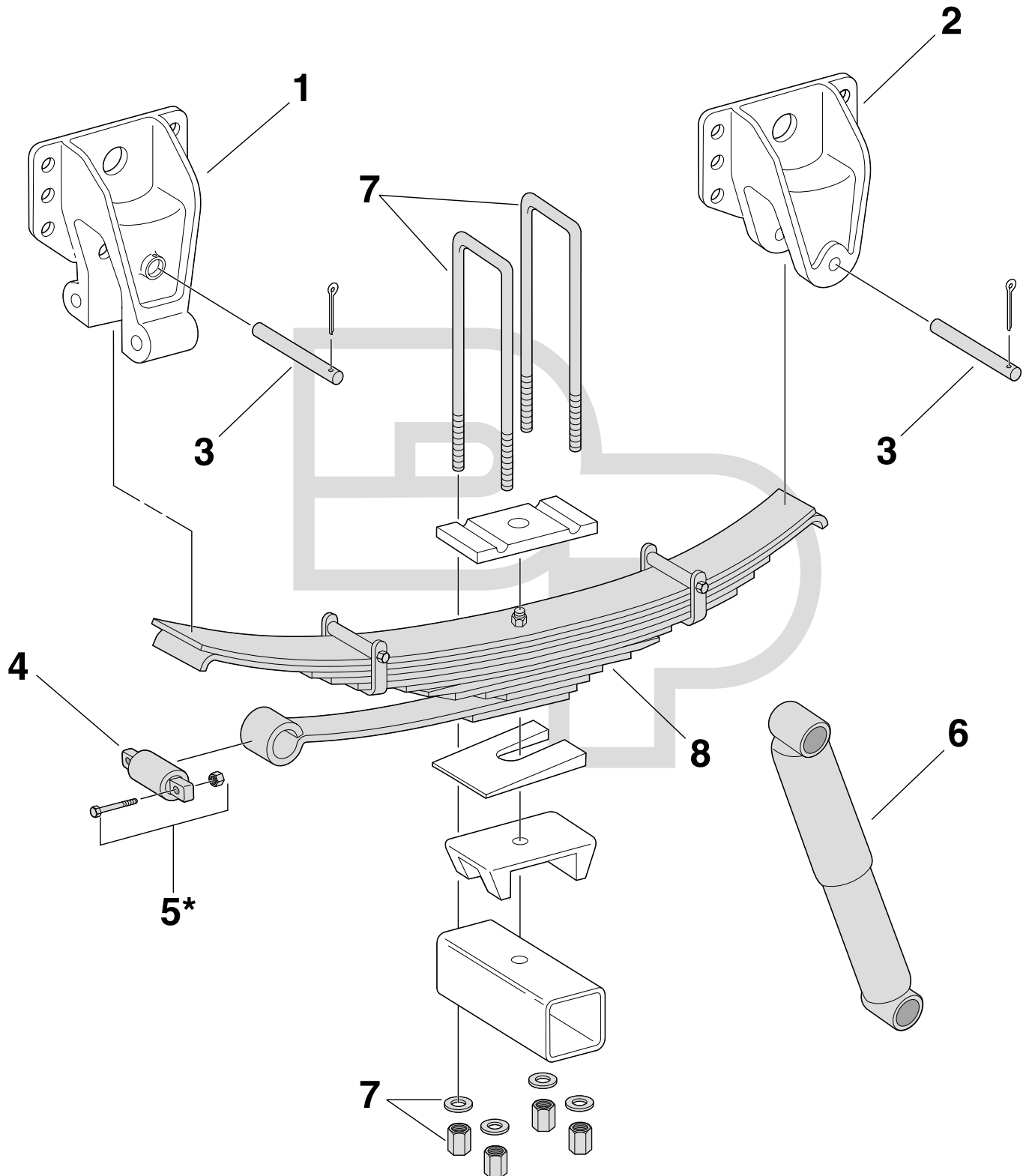
Thomas

Parts Listing

EF/ ER
(3" Spring)
Rear Suspension

Thomas

Thomas



Suspension Illustration

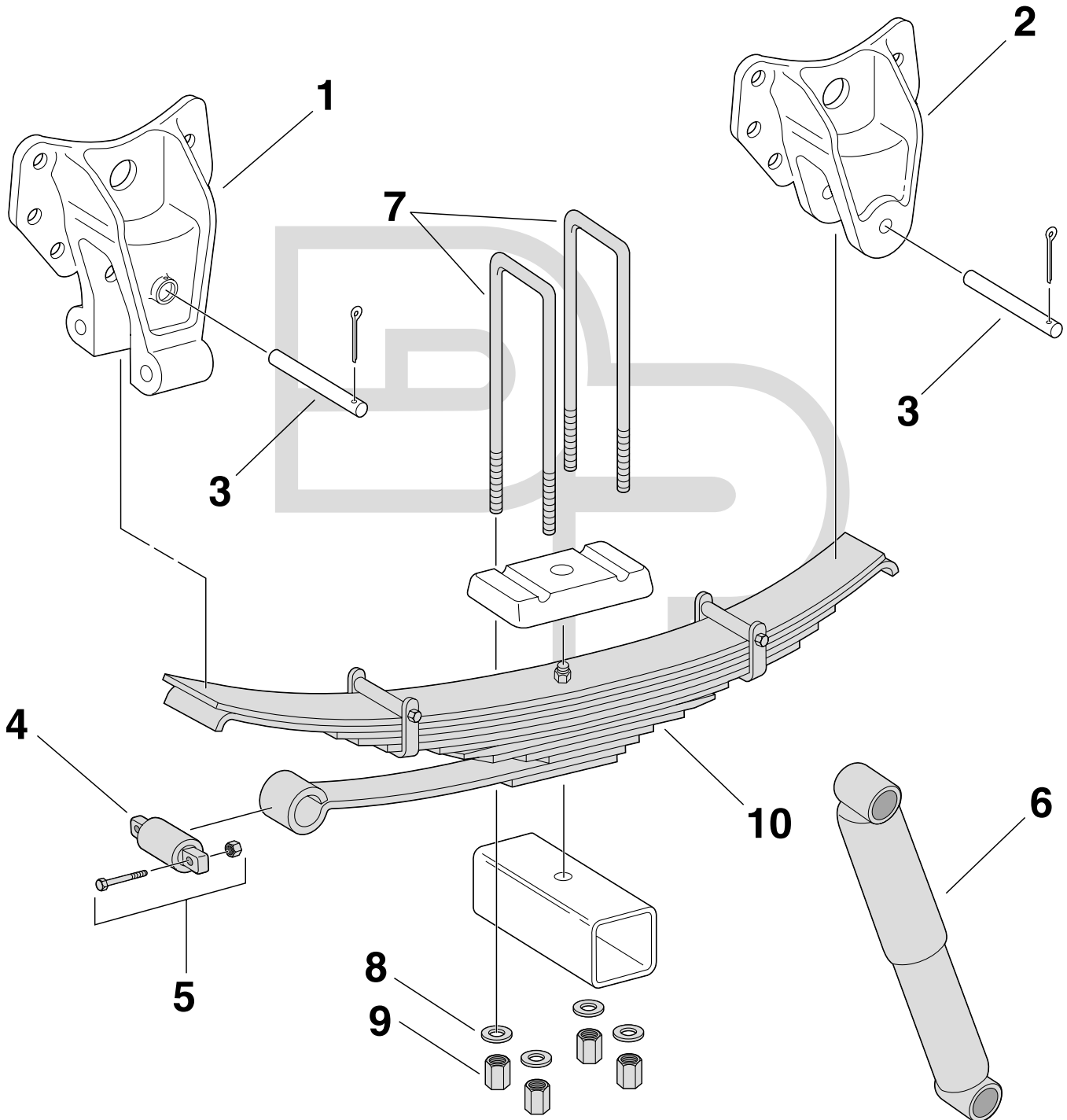
Key No.	Part Number	Description	No. Req.	OEM Reference	Remarks
1	◆	Hanger, Front	2	62310312	
2	◆	Hanger, Rear	2	62310313	
3	◆	Pin, Rebound	4	62310331	
●	334-2032	Pin, Rebound	4	1629550, 20436985	5 3/8" Long x 1" Dia.
✓✓ ●	321-131	Bushing; 2 17/32"OD x 4 3/8" c/c	2	44694	5/8" Bolts
	334-1239	Assembly, Bolt; 5/8"-11 x 4 1/2"Lg	2		Incl. Bolt & Hdwe.
	See Shocks	Shock Absorber	2	Various	Consult Shock Catalog for Model Specific Applications
	361-449	Kit, U-Bolt; Square Bend, Grade 8	4	61310308	3/4" x 3" x 15 1/2"S
	See Chart	Kit, U-Bolt	4		See Chart on Page 1051
	Spring Assembly	Assembly, Spring	2		See Leaf Spring Web Catalog for Details

**ER Transit
(4" Spring)
Rear Suspension**

Thomas

Thomas

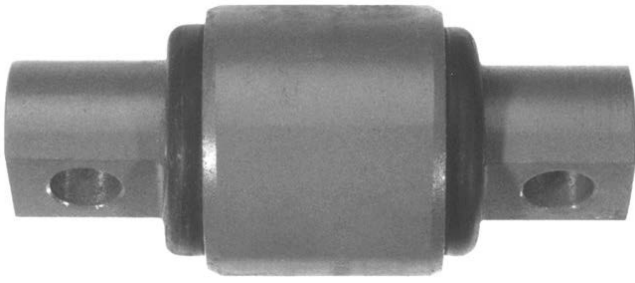
Suspension Illustration



Key No.	Part Number	Description	No. Req.	OEM Reference	Remarks
1	◆	Hanger, Front	2	62310232	
2	◆	Hanger, Rear	2	62310229	
3	◆	Pin, Rebound	4	62310262	
4	RB-199	Bushing	2	62310239	5/8" Bolts
5	334-699	Assembly, Bolt; 5/8"-11 x 4"Lg	4		Incl. Bolt & Hdwe.
6	See Shocks	Shock Absorber	2	Various	Consult Shock Catalog for Model Specific Applications
7	SP	U-Bolt; 7/8" x 4" x 18 3/4" S	4	61310303	
8	SUW-78	Washer, U-Bolt; 7/8"	8	61370374	
9	DN-78	Nut, Deep; 7/8"-14, Grade C	8	61370124	
10	Spring Assembly	Assembly, Spring	2		See Leaf Spring Web Catalog for Details

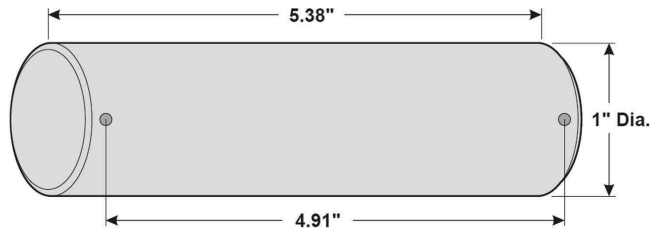
Thomas

321-131



Bushing; 2 17/32" O.D. x 4 3/8" C to C; Model EF/ER w/ 3" Wide Springs

334-2032



Rebound Pin; 5 3/8" Long x 1" Dia.; Model EF/ER w/ 3" Wide Springs

Component Photos

Thomas

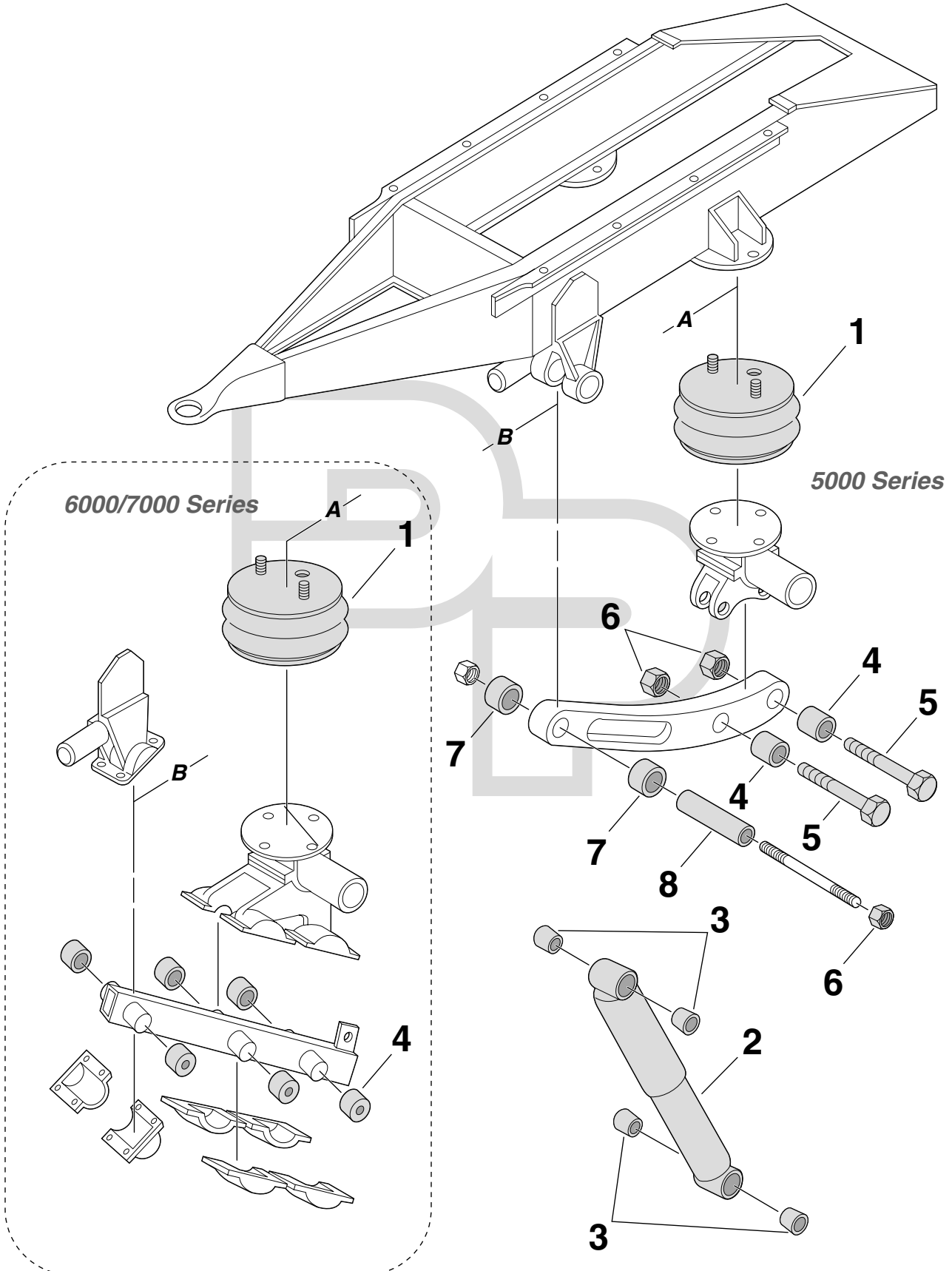
Notes

Thomas

Notes

Todco

Suspension Illustration



Key No.	Part Number	Description	No. Req.	OEM Reference	Remarks	
✓	1	354-7123	Air Spring	2	53671	
		352-9082	Air Spring	2	CP-3281, CP-5125	
		354-7429	Air Spring	2	CP-5223	
	2	M65471	Shock Absorber	2	CP-5222	
●	3	401754	Bushing, Shock; 1"ID	8		Included w/Shock Absorber
●	4	321-339	Bushing	4	CP-5071	5000 Series
●		321-328	Bushing	12	CP-5287, 52871	6000 & 7000 Series
	5	334-458	Bolt; 1"-14 x 8 ½"Lg	4		5000 Series
✓✓	6	SLN-107	Nut, Lock; 1"-14	4		
	7	320-181	Bushing, End	4	CP-5018	5000 Series
	8	334-1408	Tube, Anchor	2	CP-5012	5000 Series

Todco

401754



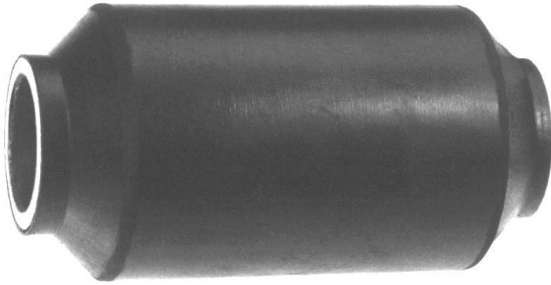
Shock Bushing, 1" I.D.

321-328



Bushing; 3 9/16" O.D. x 2 7/8" Lg.; Model 6000/7000

321-339



Bushing; 1" I.D. x 2 3/32" O.D. x 4 1/8" Lg.; Model 5000

Component Photos

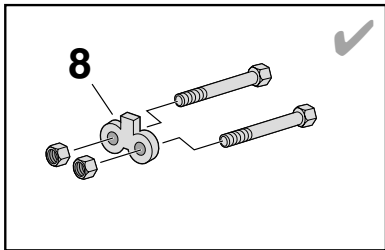
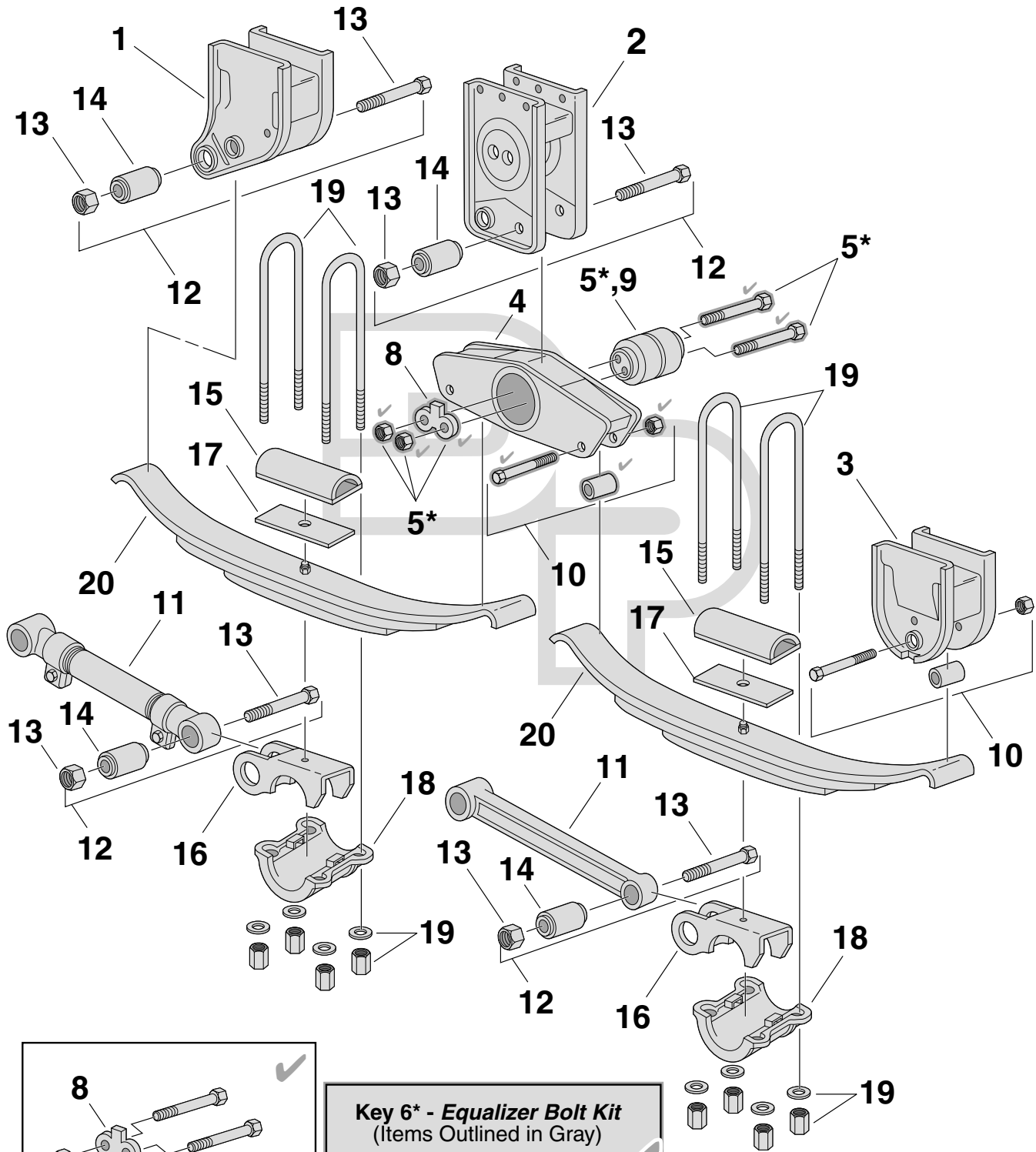
MODEL	PAGE
"Standard" Fabricated Trailer Four Spring Suspension	952, 953
"International" Fabricated Trailer Four Spring Suspension	954, 955
"Short Rocker" Cast Trailer Four Spring Suspension	956, 957
"Parallelogram" Suspension	958, 959
Suspension Component Photos	960-963

**"Standard"
Fabricated
Trailer Four Spring Suspension**

Trailmobile

Trailmobile

Suspension Illustration



**Key 7* - Equalizer Bolt
Assembly**

Key 6* - Equalizer Bolt Kit
(Items Outlined in Gray)

SEE CHECKMARKS

Trailmobile

"Standard" Fabricated Trailer Four Spring Suspension

Trailmobile

Parts Listing

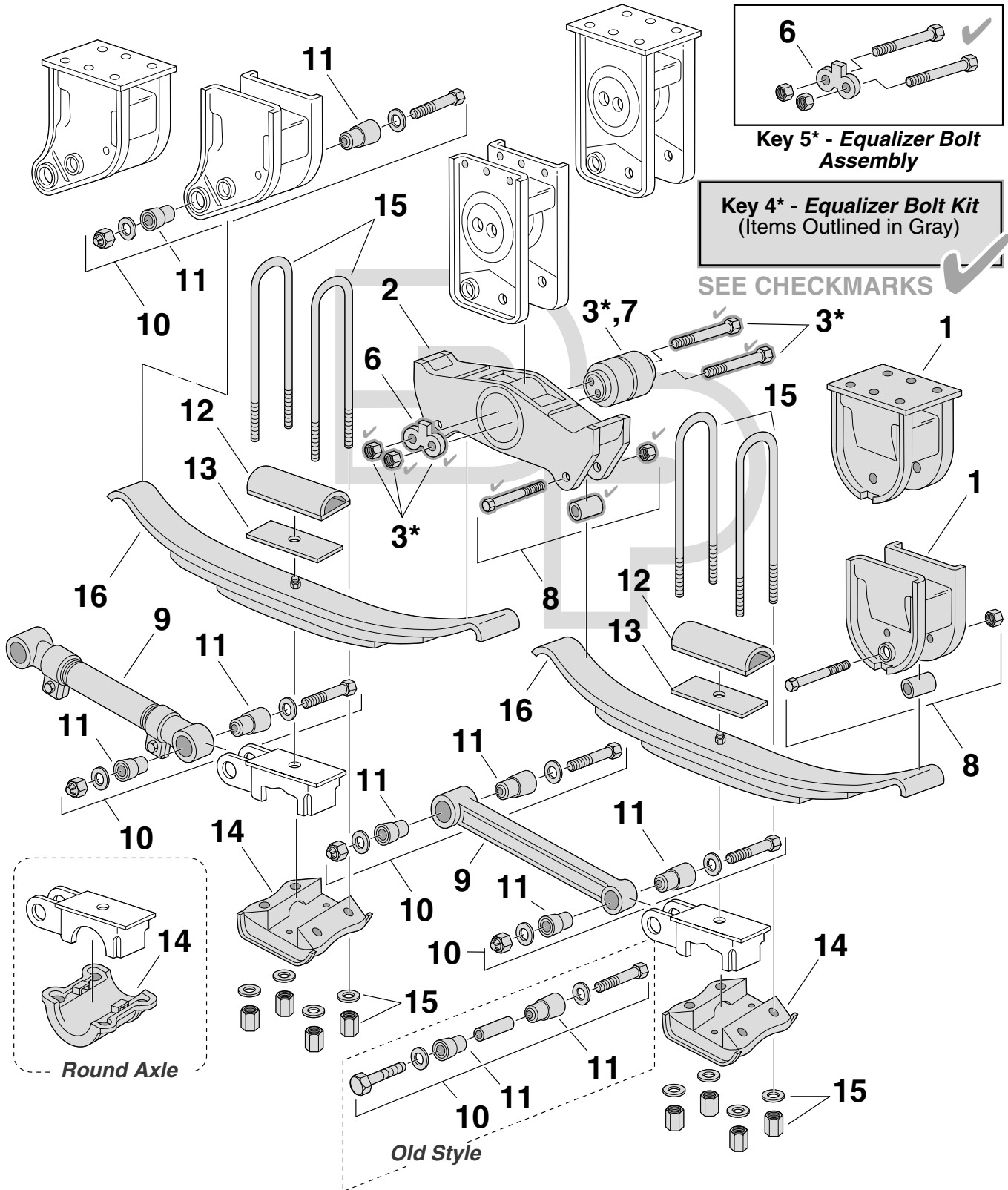
Key No.	Part Number	Description	No. Req.	OEM Reference	Remarks	
●	1	338-803	Hanger, Front	2	3-A1-16	Straddlemount
✓ ●		338-804	Hanger, Front	2	3-A1-22	Undermount
		◆	Hanger, Front	1/1	3-A1-21R/L	Straddlemount
●	2	338-1424	Hanger, Center	2	3-A1-18	Straddlemount
●		338-1629	Hanger, Center	2	3-A1-24	Undermount
		◆	Hanger, Center	1/1	3-A1-23R/L	Side Mount
●	3	338-805	Hanger, Rear	2	3-A1-17	Straddlemount
✓ ●		338-806	Hanger, Rear	2	3-A1-20	Undermount
		◆	Hanger, Rear	1/1	3-A1-19R/L	Side Mount
✓ ✓ ●	4	338-807	Assembly, Equalizer	2	3-A66-43	16" Long; 49" Axle Spacing
	5	334-547	Assembly, Bolt & Bushing	2		Incl. (2)334-546 Bolts, 321-220 Bushing, Lock Tab & Hdwe.
✓	6	334-983	Kit, Service; Equalizer Bolt	2	700-7-155	Incl. 334-548 & (2)334-631
✓	7	334-548	Assembly, Bolt	2		Incl. (2)334-546 Bolts, Lock Tab & Hdwe.
●	8	334-360	Tab, Lock	2	729-00	
●	9	321-220	Bushing; 3 5/16"OD x 4 7/16"Lg w/ 3/4" Holes	2	3-12-32	
		321-220U	Bushing, Urethane	2		
✓	10	334-631	Assembly, Bolt; Rebound; 5/8"-18 x 5"Lg	6	50-BIT-43C	Incl. Bolt, 3 5/8"Lg Tube & Lock Nut
✓	11	345-191	Torque Rod, Adjustable; 16"-18"Lg c/c	2	3-A11-65A	Incl. 321-175 Bushings
✓		345-192	Torque Rod, Rigid; 17"Lg	2	3-A11-64	Incl. 321-175 Bushings
✓ ✓	12	334-344	Assembly, Bolt & Bushing	8	700-7-149	Incl. 321-175 Bushing & 334-345 Bolt Assy.
✓ ✓	13	334-345	Assembly, Bolt; 1"-14 x 5"Lg	8		Incl. Bolt & Lock Nut
✓ ✓ ●	14	321-175	Bushing; 1"ID x 1 15/16"OD x 3"Lg	8	3-12-35	
●		321-175U	Bushing, Urethane	8		
●	15	338-810	Saddle, U-Bolt; 3 1/2"W x 7 1/2"Lg	4	3-A26-11	
●	16	338-1626	Bracket, Torque Rod/Seat; 3/4"; 5" Round Axles	4	3-A5-11E	5" Round Axles
●		338-1627	Bracket, Torque Rod/Seat; 1 1/2"; 5" Round Axles	4	3-A5-11A	5" Round Axles
●		338-1628	Bracket, Torque Rod/Seat; 2 1/4"; 5" Round Axles	4	3-A5-11B	5" Round Axles
		◆	Bracket, Torque Rod/Seat; 3 1/4"	4	3-A5-11C	5" Round Axles
●		338-1420	Bracket, Torque Rod/Seat; 1"; 4"x 6" Axle	4	3-A5-7A	4" x 6" Rectangular Axles
●		338-1421	Bracket, Torque Rod/Seat; 1 3/4"; 4"x 6" Axle	4	3-A5-7B	4" x 6" Rectangular Axles
		◆	Bracket, Torque Rod/Seat; 2 3/4"	4	3-A5-7C	4" x 6" Rectangular Axles
		◆	Bracket, Torque Rod/Seat; 3 3/4"	4	3-A5-7D	4" x 6" Rectangular Axles
	17	GL-295	Liner; 2 7/8" x 8"Lg w/7/8" Hole	4		
●	18	338-808	Plate, Bottom Clamp; 4" x 6" Axle	4	3-A5-8	4" x 6" Rectangular Axles
●		338-809	Plate, Bottom Clamp; 5" Round Axle	4	3-A5-12	5" Round Axles
✓	19	361-172	Kit, U-Bolt; Round Bend, Grade 8	8	700-3-29	7/8" x 3 9/16" x 13 3/8" R
✓		361-174	Kit, U-Bolt; Round Bend, Grade 8	8	700-3-27	7/8" x 3 9/16" x 15 3/8" R
✓		361-252	Kit, U-Bolt; Round Bend, Grade 5	8	700-3-25	7/8" x 5 1/8" x 13 7/8" R
✓		361-254	Kit, U-Bolt; Round Bend, Grade 8	8		7/8" x 5 1/8" x 13 7/8" R
	20	Spring Assembly	Assembly, Spring	4		See Leaf Spring Web Catalog for Details

**"International"
Fabricated
Trailer Four Spring Suspension**

Trailmobile

Trailmobile

Suspension Illustration



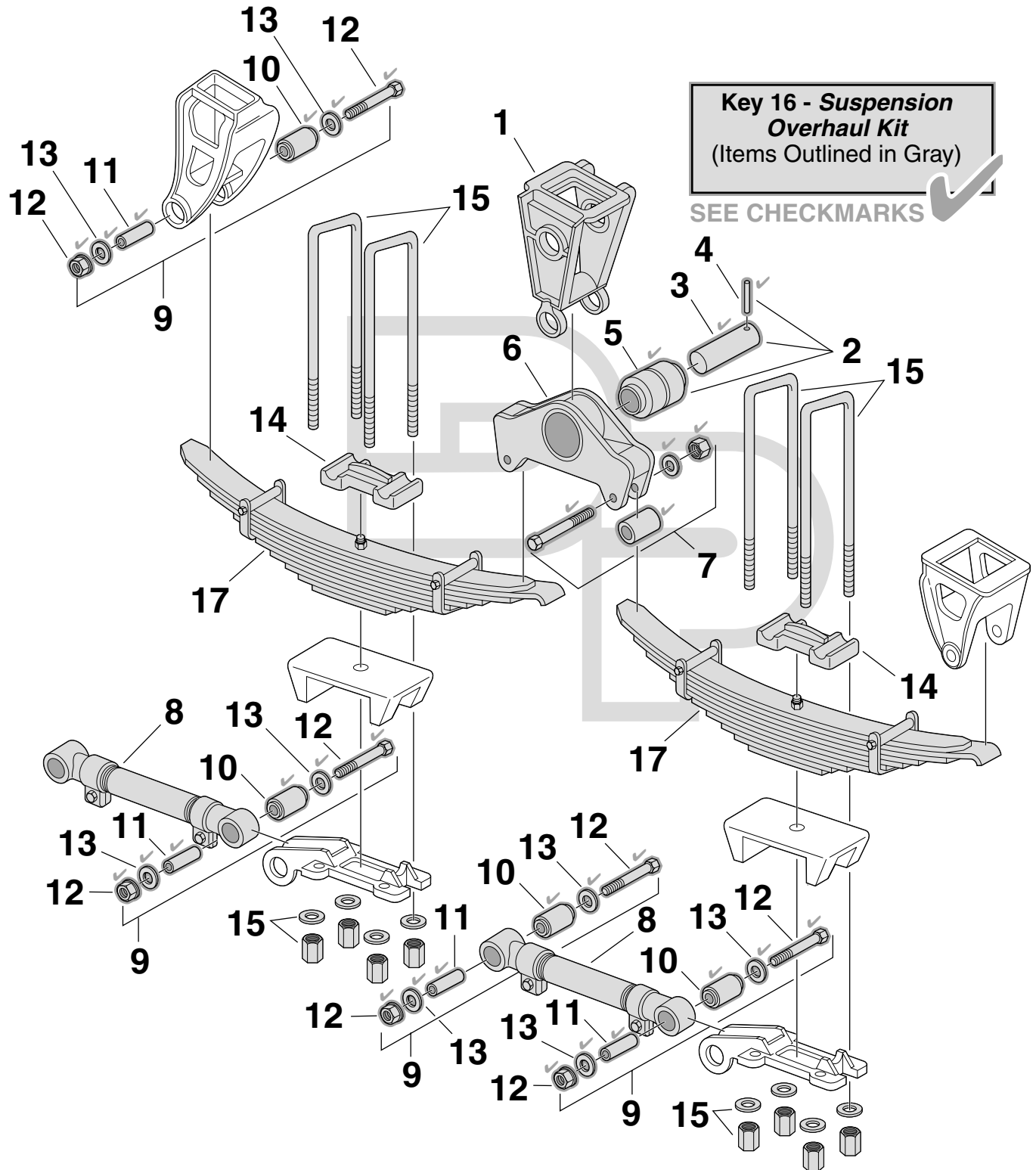
Key No.	Part Number	Description	No. Req.	OEM Reference	Remarks	
●	1	338-805	Hanger, Rear	2	3-A1-17	Straddlemount
✓	●	338-806	Hanger, Rear	2	3-A1-20	Undermount
●	2	338-1625	Assembly, Equalizer; Cast	2	3-A66-48	49" Axle Spacing; Incl. 321-220 Bushing
	3	334-547	Assembly, Bolt & Bushing	2		Incl. (2)334-546 Bolts, 321-220 Bushing, Lock Tab & Hdwe.
✓	4	334-983	Kit, Service; Equalizer Bolt	2	700-7-155	Incl. 334-548 & (2)334-631
✓	5	334-548	Assembly, Bolt	2		Incl. (2)334-546 Bolts, Lock Tab & Hdwe.
●	6	334-360	Tab, Lock	2	729-00, 3-36-16	
●	7	321-220	Bushing; 3 5/16"OD x 4 7/16"Lg w/ 3/4" Holes	2	3-12-32	
		321-220U	Bushing, Urethane	2		
✓	8	334-631	Assembly, Bolt; Rebound; 5/8"-18 x 5"Lg	6	50-BIT-43C	Incl. Bolt, 3 5/8"Lg Tube & Lock Nut
●	9	345-713	Torque Rod, Adjustable; 16"-18"Lg	1	3-A11-85A	Use 321-177 Bushings, Not Included
●		345-172	Torque Rod, Adjustable; 18"-20"Lg	1	16167-04, 7613-02	Use 321-177 Bushings, Not Included
		345-716	Torque Rod, Rigid; 17"Lg c/c	1	3-A11-85B	Discontinued; Use 345-713
		345-715	Torque Rod, Rigid; 19 7/8"Lg c/c	1	3-A11-84B	Discontinued; Use 345-172
	10	334-339	Assembly, Shaft & Bushing	8	7637-00, 3-69-2	Old Style; Use 334-640
✓		334-640	Kit, Service; Torque Rod Bolt & Bushing	8		Incl. 334-367 Bolt, 321-177 Bushings & Hdwe.
✓	●	321-177	Bushing; 1 1/4"ID x 2 3/16"OD x 1 3/4"Hgt	16	7620-00, 3-12-39	
●		321-177U	Bushing, Urethane	16		
●	12	338-810	Saddle, U-Bolt; 3 1/2"W x 7 1/2"Lg	4	3-A26-11	
	13	GL-495	Liner; 3 1/2"W x 8"Lg w/1" Hole	4		Install on Tension (Top) Side of Spring
●	14	338-808	Plate, Bottom Clamp; 4" x 6" Axle	4	3-A5-8	4"x 6" Rectangular Axles
●		338-809	Plate, Bottom Clamp; 5" Round Axle	4	3-A5-12	5" Round Axles
	15	361-172	Kit, U-Bolt; Round Bend, Grade 8	8	700-3-29	7/8" x 3 9/16" x 13 3/8" R
✓		361-174	Kit, U-Bolt; Round Bend, Grade 8	8	700-3-27	7/8" x 3 9/16" x 15 3/8" R
✓		361-252	Kit, U-Bolt; Round Bend, Grade 5	8	700-3-25	7/8" x 5 1/8" x 13 7/8" R
	16	Spring Assembly	Assembly, Spring	4		See Leaf Spring Web Catalog for Details

**"Short Rocker"
Cast
Trailer Four Spring Suspension**

Trailmobile

Trailmobile

Suspension Illustration

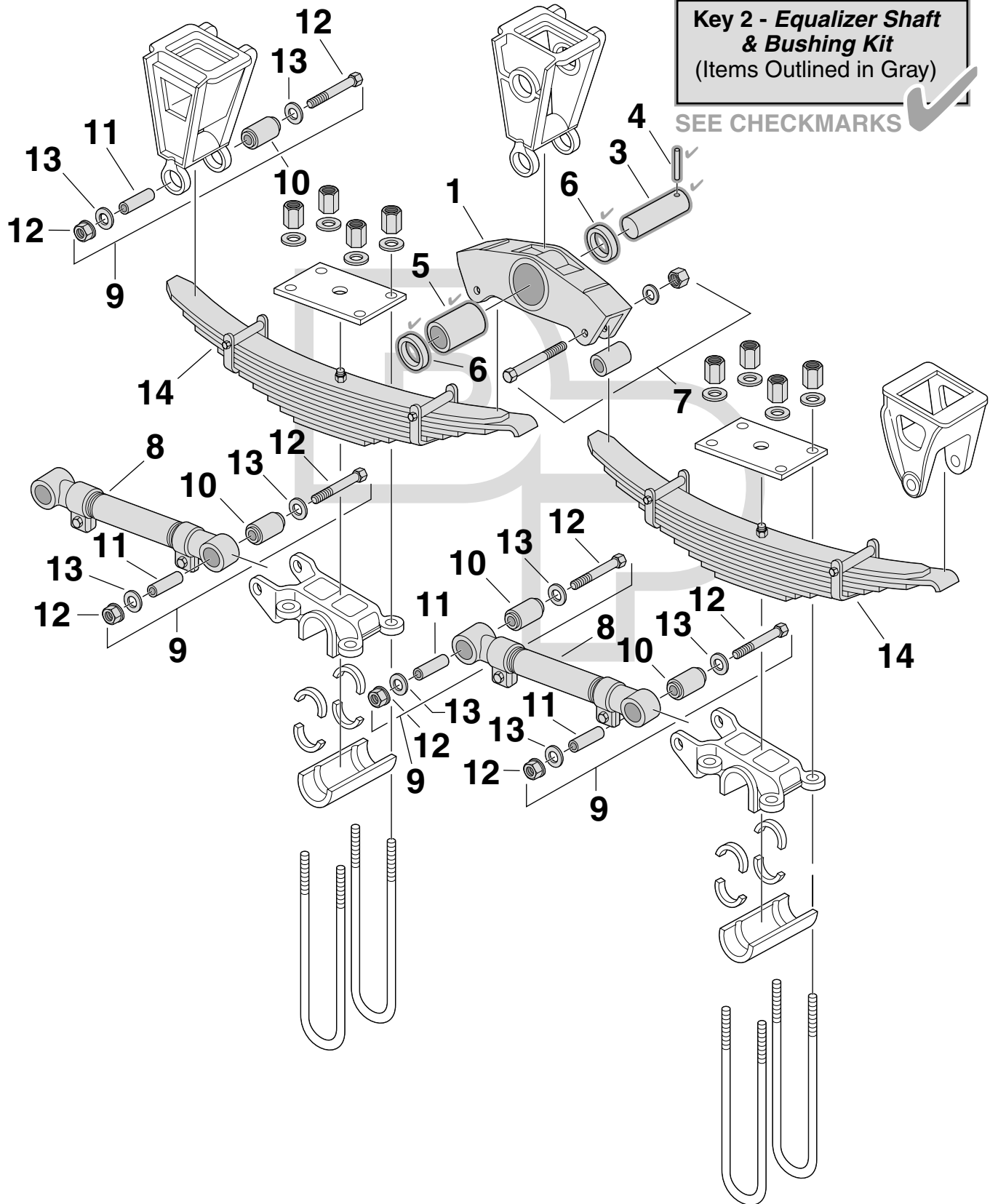


Key No.	Part Number	Description	No. Req.	OEM Reference	Remarks
● 1	338-1630	Hanger, Center	2	3-1-150	Obsolete
2	334-996	Assembly, Shaft & Bushing	2		Obsolete
3	334-1237	Shaft; Dry; 2"OD x 7 1/8"Lg	2	3-10-34	Discontinued; Use 334-993
●	334-993	Shaft; Greaseable; 2"OD x 7 1/8"Lg	2	3-10-31	
4	334-992	Pin, Roll; 1/2" x 2 3/4"Lg	2	3-10-36	
✓✓ ●	321-154	Bushing; 2"ID x 3 1/8"OD x 4 1/4"Lg	2	3-12-20	
●	321-154U	Bushing, Urethane	2		
●	338-1423	Assembly, Equalizer	2	3-A66-42	Incl. 321-154 Bushing
✓	334-631	Assembly, Bolt; Rebound; 5/8"-18 x 5"Lg	4	50-BIT-43C	Incl. 5/8"-18 x 5"Lg Bolt, 3 5/8"Lg Tube & Lock Nut
●	345-687	Torque Rod, Adjustable; 18"-20"Lg	4	3-A11-74G	Incl. (2)321-294 Bushings
9	334-984	Assembly, Sleeve & Bushing	8	700-7-44	Incl. 334-985 Pin, 321-294 Bushing & Hdwe.
●	321-294	Bushing; 1 5/16"ID x 2 3/8"OD x 2 1/4"Lg	8	3-12-6	1 5/16"ID x 2 3/8"OD x 2 1/4"Lg
●	334-985	Sleeve, Torque Rod; 1 5/16"OD x 4 3/16"Lg	8	3-12-7	1 5/16"OD x 4 3/16"Lg
✓✓	334-579	Assembly, Bolt; 3/4"-16 x 5 1/2"Lg	8		Bolt & Lock Nut
13	334-166	Washer, Hard Flat; 3/4"	16	3-36-5	
●	338-1631	Saddle, U-Bolt	4	3-31-22	Obsolete
●	338-810	Saddle, U-Bolt; 3 1/2"W x 7 1/2"Lg	4	3-A26-11	
15	361-506	Kit, U-Bolt; Square Bend, Grade 8	4	700-3-24	7/8" x 3 3/16" x 16" S; Use w/338-1631 Top Plate
	361-582	Kit, U-Bolt; Round Bend, Grade 8	4	700-3-27	7/8" x 3 3/16" x 16 3/8" R; Use w/338-810 Top Plate
16	339-141	Kit, Maintenance; "Short Rocker"	1		Obsolete
17	Spring Assembly	Assembly, Spring	4		See Leaf Spring Web Catalog for Details

"Parallelogram" Trailer Four Spring Suspension

Trailmobile

Trailmobile



Suspension Illustration

Key No.	Part Number	Description	No. Req.	OEM Reference	Remarks
● 1	338-1422	Assembly, Equalizer	2	3-A66-32	Obsolete
2	334-995	Assembly, Shaft & Bushing	2	700-7-152	Obsolete
● 3	334-993	Shaft; Greaseable; 2"OD x 7 1/8"Lg	2	3-10-31	
4	334-994	Pin, Roll; 3/8"OD x 2 3/4"Lg	2	3-10-33	Obsolete
● 5	322-111	Bushing	2		Obsolete
● 6	334-220	Seal; 2"ID x 2 5/8"OD x 1/4"Thk	4		
✓ 7	334-631	Assembly, Bolt; Rebound; 5/8"-18 x 5"Lg	6	50-BIT-43C	Incl. Bolt, 3 5/8"Lg Tube & Lock Nut
8	345-755	Torque Rod, Adjustable; 12"-14"Lg	2	3-A11-50	Obsolete
	345-756	Torque Rod, Adjustable; 18"-20"Lg	2		Obsolete
9	334-987	Assembly, Sleeve & Bushing	8		Obsolete
● 10	321-356	Bushing	8	3-12-16	
● 11	334-988	Sleeve, Torque Rod; 1 5/16"OD x 4 15/16"Lg	8	3-12-17	Obsolete
12	334-990	Assembly, Bolt; 3/4"-16 x 6"Lg	8	50-1B-150	Incl. Grade 5 Bolt & Nut
13	334-166	Washer, Hard Flat; 3/4"	16	3-36-5	
14	Spring Assembly	Assembly, Spring	4		See Leaf Spring Web Catalog for Details

321-154



Bushing; 2" I.D. x 3 1/8" O.D. x 4 1/4" Lg.; Included in 334-996 Equalizer Shaft and Bushing Assy.; Model "Short Rocker"

321-154U



Bushing, Urethane; 2" I.D. x 3 1/8" O.D. x 4 1/4" Lg.; Included in 334-996 Equalizer Shaft and Bushing Assy.; Model "Short Rocker"

321-175



Bushing; 1" I.D. x 1 15/16" O.D. x 3" Lg.; Included in 334-344 T/R Bolt and Bushing Assy.; Model "Standard"

321-175U



Bushing; Urethane; 1" I.D. x 1 15/16" O.D. x 3" Lg.; Included in 334-344 T/R Bolt and Bushing Assy.; Model "Standard"

321-177



Bushing; 1 1/4" I.D. x 2 3/16" O.D. x 1 3/4" Lg.; Included in 334-640 T/R Bolt and Bushing Assy.; Model "International"

321-177U



Bushing; Urethane; 1 1/4" I.D. x 2 3/16" O.D. x 1 3/4" Lg.; Included in 334-640 T/R Bolt and Bushing Assy.; Model "International"

321-220



Bushing; 3 5/16" O.D. x 4 7/16" Lg.; Included in 334-547 Equalizer Bolt and Bushing Assy.; Model "Standard" / "International"

321-294



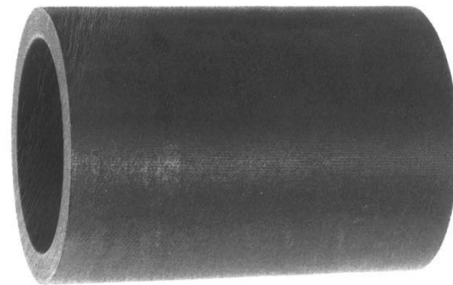
Bushing; 1 5/16" I.D. x 2 3/8" O.D. x 2 1/4" Lg.; Included in 334-984 T/R Bolt and Bushing Assy.; Model "Short Rocker"

321-356



Bushing; Included in 334-987 T/R Pin and Bushing Assy.; Model "Parallelogram"

322-111



Bushing; 2" I.D. x 2 5/8" O.D. x 3 3/4" Lg.; Included in 334-995 Equalizer Shaft and Bushing Assy.; Model "Parallelogram"

334-220



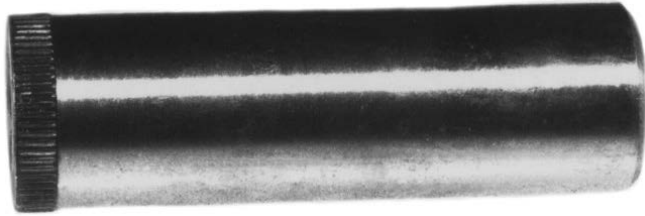
Seal; 2" I.D. x 2 5/8" O.D. x 1/4" Thk.; Included in 334-995 Equalizer Shaft and Bushing Assy.; Model "Parallelogram"

334-360



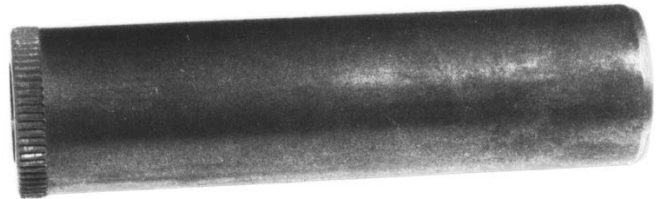
Lock Tab; Included in 334-547 Bolt and Bushing Assy.; Model "Standard"/"International"

334-985



Pin, Torque Rod; 1 5/16" O.D. x 4 3/16" Lg.; Included in 334-984 T/R Pin and Bushing Assy.; Model "Short Rocker"

334-988



Pin, Torque Rod; 1 5/16" O.D. x 4 15/16" Lg.; Included in 334-987 T/R Pin and Bushing Assy.; Model "Parallelogram"

334-993



Shaft, Greaseable; 2" O.D. x 7 1/8" Lg.; Included in 334-996 Equalizer Shaft and Bushing Assy.; Model "Short Rocker"

338-803



Hanger, Straddlemount; Use w/ 334-344 T/R Bolt and Bushing Assy.; Model "Standard"

338-804



Hanger, Undermount; Use w/ 334-344 T/R Bolt and Bushing Assy.; Model "Standard"

338-805



Hanger, Straddlemount; Use w/ 334-631 Rebound Kit; Model "Standard", "International"

338-806



Hanger, Undermount; Use w/ 334-631 Rebound Kit; Model "Standard", "International"

338-807



Equalizer Assembly; Includes 321-220 Bushing; 16" Lg.; Use w/ 334-631 Rebound Kit; Model "Standard"

338-808



Plate, Bottom Clamp; 4" x 6" Rectangular Axles; Model "Standard", "International"

338-809



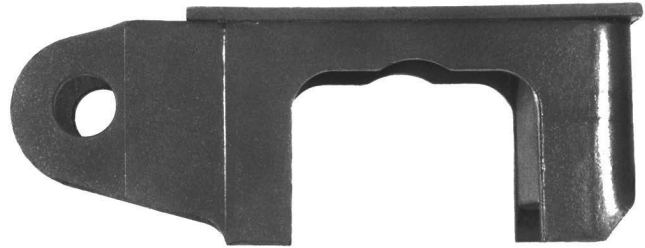
Plate, Bottom Clamp; 5" Round Axles; Model "Standard", "International"

338-810



Saddle, U-Bolt; 3 1/2" W x 7 1/2" Lg.; Model "Standard", "International", "Short Rocker"

338-1420



Bracket, Torque Rod/Seat; HEIGHT = 1"; 4" x 6" Axles; Use w/ 334-344 T/R Bolt and Bushing Assy.; Model "Standard"

338-1421



Bracket, Torque Rod/Seat; HEIGHT = 1 3/4"; 4" x 6" Axles; Use w/ 334-344 T/R Bolt and Bushing Assy.; Model "Standard"

338-1422



Equalizer Assembly; Includes 322-111 Bushing; Use w/ 334-631 Rebound Kit; Model "Parallelogram"

338-1423



Equalizer Assembly; Includes 321-154 Bushing; Use w/ 334-631 Rebound Kit; Model "Short Rocker"

338-1424



Hanger, Straddlemount; Use w/ 334-344 T/R Bolt and Bushing Assy. and 334-631 Rebound Kit; Model "Standard"

338-1625



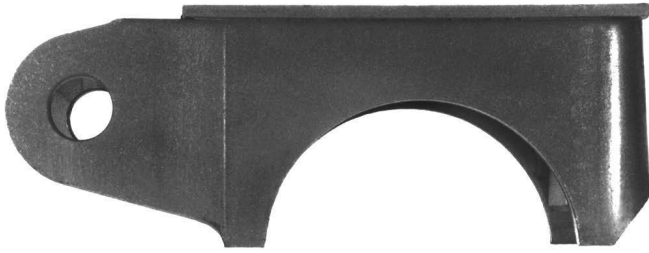
Equalizer Assembly, Cast; Includes 321-220 Bushing; Use w/ 334-631 Rebound Kit; Model "International"

338-1626



Bracket, Torque Rod/Seat; HEIGHT = 3/4"; 5" Round Axles; Use w/ 334-344 T/R Bolt and Bushing Assy.; Model "Standard"

338-1627



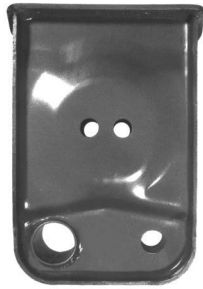
Bracket, Torque Rod/Seat; HEIGHT = 1 1/2"; 5" Round Axles; Use w/ 334-344 T/R Bolt and Bushing Assy.

338-1628



Bracket, Torque Rod/Seat; HEIGHT = 2 1/4"; 5" Round Axles; Use w/ 334-344 T/R Bolt and Bushing Assy.; Model "Standard"

338-1629



Hanger, Undermount; Use w/ 334-344 T/R Bolt and Bushing Assy. and 334-631 Rebound Kit; Model "Standard"

338-1630



Hanger; Use w/ 334-996 Equalizer Bolt and Bushing Assy. and 334-984 T/R Bolt and Bushing Assy.; Model "Short Rocker"

338-1631



Saddle, U-Bolt; Obsolete; Model "Short Rocker"

345-172



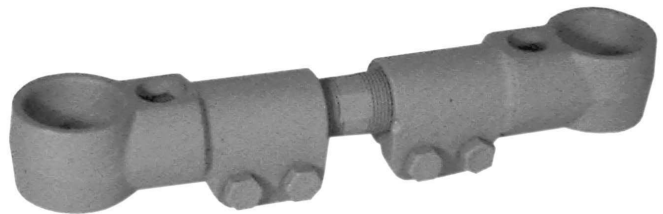
Torque Rod, Adjustable; 18"-20"; Use w/ 321-177 Bushings; Model "International"

345-687



Torque Rod, Adjustable; 18"-20"; Incl. (2) 321-294 Bushings; Model "Short Rocker"

345-713



Torque Rod, Adjustable; 16"-18"; Use w/ 321-177 Bushings; Model "International"

Notes

Trailmobile

Trailmobile

Notes

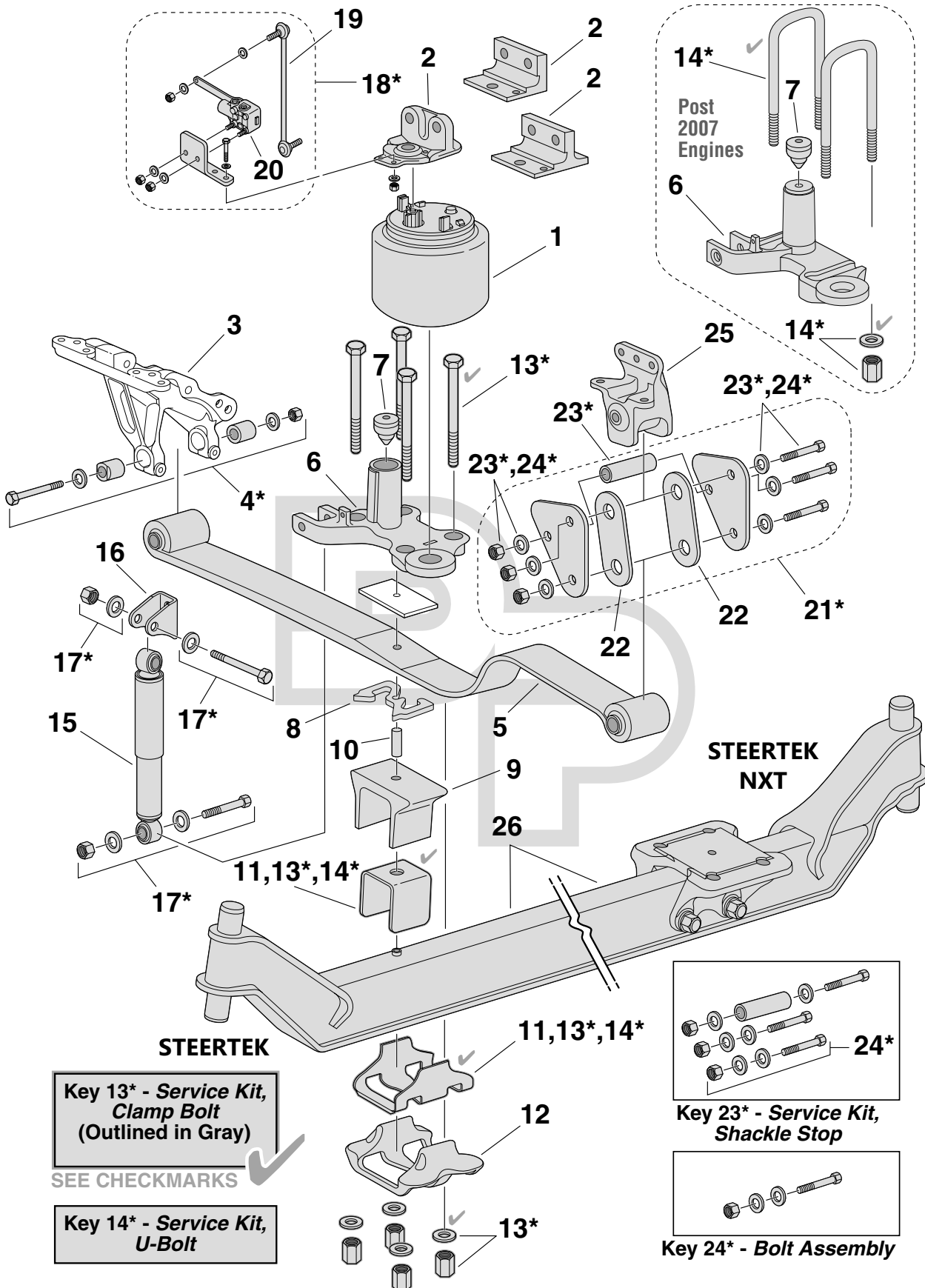
MODEL	PAGE
AIRTEK® (Hendrickson) w/Steertek® & Steertek NXT® Axles Front Suspensions	966, 967
VN, VT, VHD Front Suspension	968, 969
Expeditor®/Road Commander II®, WG/WCA/WIA/WHR/WHL/WHE Front Suspensions	970, 971
Corporate "Air Ride" Single/Tandem Axle Air Suspensions	972, 973
VN/VHD Single Axle Rear Suspension	974, 975
Corporate Single Axle Rear Suspension	976, 977
Corporate Steel Hanger Four Spring Tandem Suspension	978, 979
"T-Ride" (2006+) Single Point Rear Tandem Suspension	980, 981
"T-Ride" (To 2005) Single Point Rear Tandem Suspension	982, 983
Suspension Component Photos	984-992

**AIRTEK® (Hendrickson)
w/Steertek® & Steertek NXT® Axles
Front Suspensions**

Volvo

Volvo

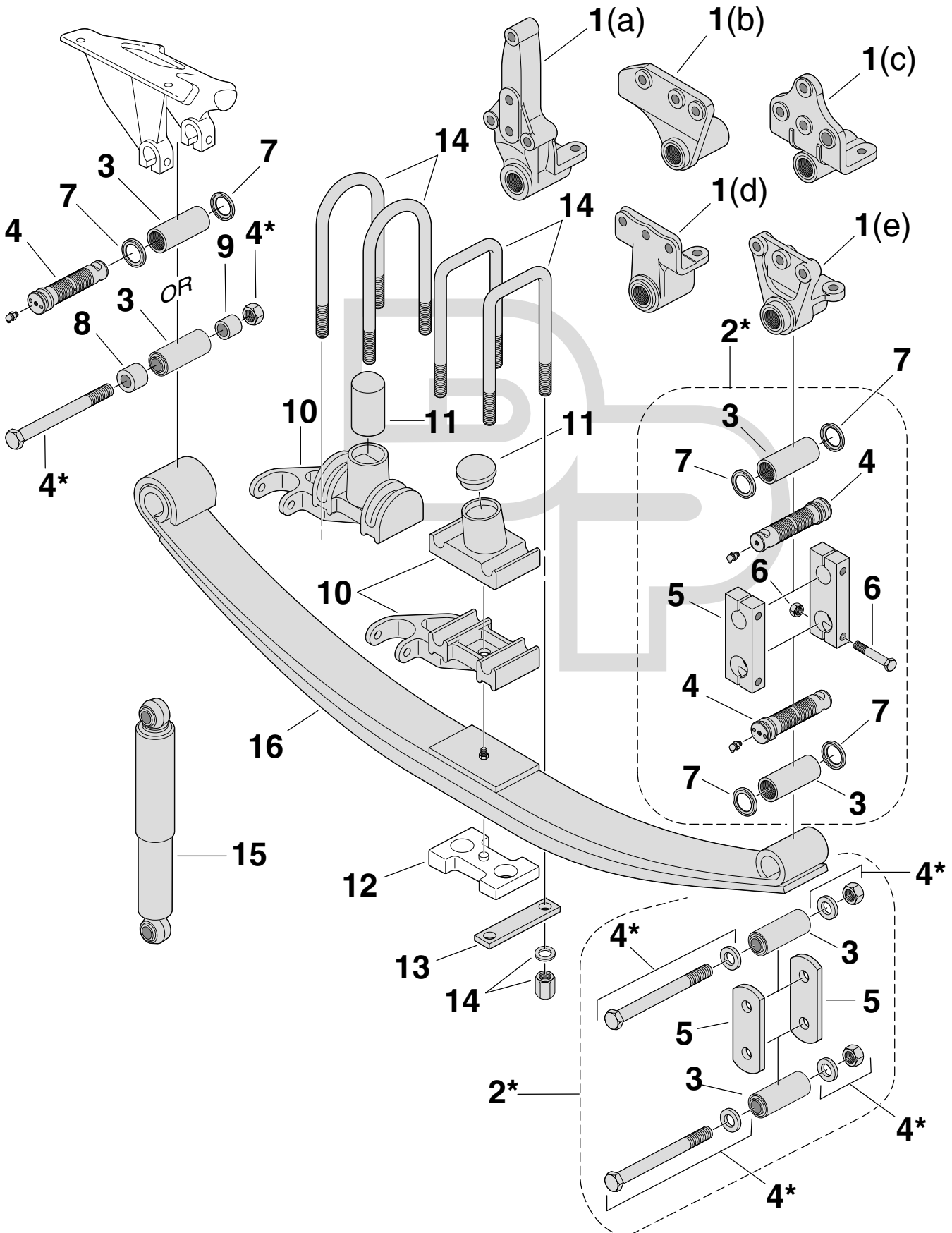
Suspension Illustration



Key No.	Part Number	Description	No. Req.	OEM Reference	Remarks
1	66349-002	Air Spring	2	66349-2	12.0k & 12.5k Axles; Replaces 60750-002; 03/05-06/07 w/Dual HCV Must Use 60961-182 Service Kit
	60716-002	Air Spring	2	60716-2	13.2k & 14.6k Axles
2	SP	Bracket, Air Spring	2	Various	Specify Capacity & 266mm or 300mm Frame
3	◆	Hanger, Front	2		
✓ ●	4 334-1758	Kit, Service; Front Hanger	2	60961-33	Late Model Uses Inner Adapter Only
5	Spring Assembly	Assembly, Spring	2	64772	See Leaf Spring Web Catalog For Details
6	SP	Plate, Top	2	Various	Replace Early Bolted Style w/U-Bolt Type; Specify LH/RH, Frame Rail Hgt., w/ or w/o NXT Axle
●	7 325-244	Stop, Bump	2	64080	
8	SP	Spacer	2	64318-xxx	Post-'07 engine; < 07/11; Specify Thickness; LH/RH May Differ
	SP	Spacer	2	64318-28	w/NXT Axle
9	SP	Seat	2	59952-17	w/o NXT Axle
10	334-1752	Pin, Dowel; 2 5/8"Lg	2	57159-4	
	334-1755	Pin, Dowel; 3 1/8"Lg	2	57159-7	
	SP	Pin, Dowel; 3 3/8"Lg	2	57159-12	
	334-1756	Pin, Dowel; 3 3/4"Lg	2	57159-8	
	334-1757	Pin, Dowel; 4 1/4"Lg	2	57159-9	
	SP	Pin, Dowel; 4 1/2"Lg	2	57159-13	
●	11 334-1731	Kit, Service; Axle/Seat Liners	2	60961-15	w/o NXT Axle
12	SP	Plate, Bottom	2	64772-3	w/o NXT Axle
✓	13 334-1759	Kit, Service; Clamp Bolt; M20 x 220mm Lg	2	60961-35	STEERTEK® & Pre-'07 Engines; 13 1/4" Ride Hgt.
	SP	Kit, Service; Clamp Bolt; 250mm	2	60961-36	>03/05; Pre-'07 Engine w/Dual HCV, 12k & 12.5k Axle w/Single HCV; 14 1/2" Ride Hgt.
✓	334-1761	Kit, Service; Clamp Bolt; M20 x 230mm Lg	2	60961-37	<'07; STEERTEK® & Pre-'07 Engines; 14 3/8" Ride Hgt.
	SP	Kit, Service; Clamp Bolt; 260mm Lg	2		<03/05; 13.2k & 14.6k Axles w/Single HCV, 14 1/2" Ride Hgt.
14	SP	Kit, Service; U-Bolt	2	60961-xxx	Specify Capacity, Ride Hgt. & Axle Drop; Post '07 Engines; <07/11
	SP	Kit, Service; U-Bolt	2	64106-xxx	Specify Ride Hgt.; NXT Axles
15	341-64838-3	Shock Absorber	2	64838-3	>07/11
	341-64838-2	Shock Absorber	2	64838-2	<07/11
16	SP	Bracket, Shock	2	64241-1	<07/11
	SP	Bracket, Shock	2	59423-8	>07/11
✓	334-772	Assembly, Bolt; 5/8"-18 x 3 1/2"Lg	2		Upper
	334-768	Assembly, Bolt; 5/8"-18 x 4 1/2"Lg	2		Lower
●	18 334-1765	Assembly, Height Control Valve	1	64089	12.0k & 12.5k Axles; Single HCV Vehicles; <03/05
●	334-1766	Assembly, Height Control Valve	1	64094	13.2k & 14.6k Axles; Single HCV Vehicles; <03/05
●	334-1943	Assembly, Height Control Valve; LH Dual	1	59427-25, 59427-10	Incl. Linkage; 03/05-12/07
●	334-1944	Assembly, Height Control Valve; RH Dual	1	59427-26, 59427-12	Incl. Linkage; 03/05-12/07
	◆	Assembly, Height Control Valve	AR		>12/07
✓ ●	19 334-751	Linkage Assembly; Universal; Adjustable	1		3 5/8"-19 5/8" Range; Use w/All Height Control Valves
✓ ●	20 334-1763	Valve, Height Control	1	59935-3	Valve Only; Single HCV Vehicles Before 03/05
	◆	Valve, Height Control	1		>12/07
✓ ●	21 330-349	Kit, Shackle	2	60961-34	<07/11
	SP	Kit, Shackle	2	60961-635	>07/11; Use 330-349 Less Thrust Washers
●	22 334-1749	Washer, Thrust	4	64159	<07/11
●	334-1767	Kit, Service; Shackle Stop	2		<07/11
24	334-1656	Assembly, Bolt; M20-2.5 x 160mm Lg	6	58258-29, 58258-8	>12/07
●	25 338-1935	Hanger, Shackle; LH	1	64175-1, 64153-1	266mm (10 1/2") Frame; <07/11; Cast No. 64153-1
●	338-1936	Hanger, Shackle; RH	1	64175-2, 64153-2	266mm (10 1/2") Frame; <07/11; Cast No. 64153-2
●	338-1937	Hanger, Shackle; LH	1	64176-1, 64153-1	300mm (11 3/4") Frame; <07/11; Cast No. 64153-1
●	338-1938	Hanger, Shackle; RH	1	64176-2, 64153-2	300mm (11 3/4") Frame; <07/11; Cast No. 64153-2
	SP	Hanger, Shackle; LH	1	68548-1, 64153-1	266mm (10 1/2") Frame; >07/11; Cast No. 64153-1
	SP	Hanger, Shackle; RH	1	68548-2, 64153-2	266mm (10 1/2") Frame; >07/11; Cast No. 64153-2
	SP	Hanger, Shackle; LH	1	68554-1, 64153-1	300mm (11 3/4") Frame; >07/11; Cast No. 64153-1
	SP	Hanger, Shackle; RH	1	68554-2, 64153-2	300mm (11 3/4") Frame; >07/11; Cast No. 64153-2
26	SP	Assembly, Axle	1	64905-xxx	Call Tech For Assistance

Volvo

Suspension Illustration



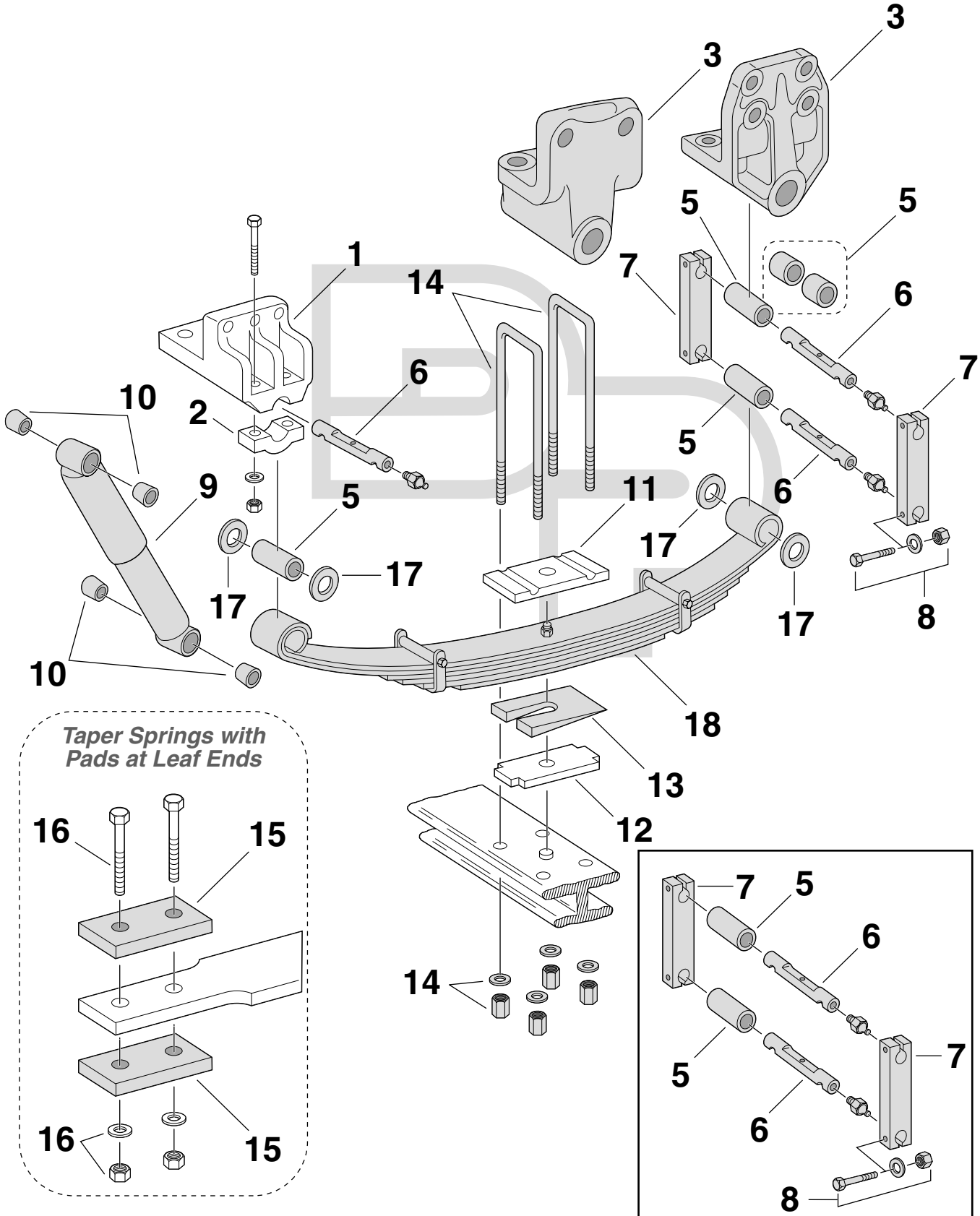
Key Numbers with an asterisk (*) indicate a kit or assembly.

Key No.	Part Number	Description	No. Req.	OEM Reference	Remarks	
✓ ●	1	338-2362	Hanger, Shackle	2	1076410, 20374686	(a); Rear of Front
●		338-2308	Hanger; Curbside	1	20572708	(b); Rear of Front
●		338-2307	Hanger; Roadside	1	20572709	(b); Rear of Front
●		338-2309	Hanger; Roadside	1	20834255	(c); Rear of Front
●		338-2310	Hanger; Curbside	1	20834256	(c); Rear of Front
✓ ●		338-1897	Hanger, Shackle	2	8071791	(d); Incl. Bushing & Seals
✓ ●		338-2094	Hanger, Shackle; LH/RH	2	20539992, 51QK374M	(e); VN & Mack CXN; w/11 7/16" Frame; TB-78
✓ ●		338-2093	Hanger, Shackle; LH/RH	2	20539993, 51QK376M	(e); VN & Mack CXN; w/11 13/16" Frame
●		338-2367-2	Hanger, Shackle	2	20790738	(e); Rear of Front; RB-341 w/11 7/16" Frame
●		338-2367-4	Hanger, Shackle	2	20790739	(e); Rear of Front; w/11 13/16" Frame
●		338-2373	Hanger	2	20414794	Rear of Front; Not Shown
✓ ✓ ●	2	330-340	Kit, Shackle	2		
●		330-340U	Kit, Shackle; Urethane	2		
●		330-410	Kit, Shackle; Rubber Bushing	2		
	3	TB-78	Bushing; 45mm OD x 105mm Lg x M32-4 Thread	6	1075724	
		RB-341	Bushing; 50mm OD x 20mm ID x 110mm Lg	6	20908841	
✓ ✓ ●	4	327-533	Spring Pin, Threaded	6	1075723, 1076334	Dayton Pin Has Provision for Lubrication From Both Ends
		334-1656	Assembly, Bolt; M20-2.5 x 160Lg	4		
		334-2185	Kit, Bolt; M20 x 220mm Lg	2		Front of Front; Use w/Rubber Bushing
	5	330-402	Side Bar; 90mm c/c, 3/8" Thk	4	20925089	
✓ ●		330-339	Side Bar; 90mm c/c	4	1619860	Use w/Threaded Pins
		330-411	Side Bar; 127mm c/c	4	20589854	Use w/Threaded Pins
	6	334-550	Assembly, Bolt; 1/2"-20 x 3"Lg	4		Incl. 334-538 Bolt & Hdwe.
●	7	VS-1	Seal, Grease	12	1075725	
	8	334-2186	Spacer; 30mm	2	20499503, 64487	
	9	334-2187	Spacer; 38mm	2	20499505, 64486	
●	10	338-2369	Plate, Top; Roadside	1	20538867	w/Round U-Bolts & Shock Mount
●		338-2370	Plate, Top; Curbside	1	20538868	w/Round U-Bolts & Shock Mount
●		338-2414	Plate, Top	2	8077617	w/Square U-Bolts & Shock Mount
●		338-2375	Plate, Top	2	20435258	w/Square U-Bolts & w/o Shock Mount
	11	325-251	Stop, Bump	2	20358823	
		325-252	Stop, Bump	2	20538870	Mack CHN & CHU
●	12	338-2316	Spacer, Camber Wedge	2	20435531	20mm
●		338-2315	Spacer, Camber Wedge	2	20435532	28mm
●		338-2410	Spacer, Camber Wedge	2	20353958	32mm
●		338-2423	Spacer, Camber Wedge	2	20731061	40mm
		338-2424	Spacer, Camber Wedge	2	20836936	
	13	334-2230	Washer	4	8084707	
	14	361-693	Kit, U-Bolt; 7/8" x 4 x 7 1/4" R	2	20388859	
		361-694	Kit, U-Bolt; 7/8" x 4 x 9 3/4" S	2	20529989	
		361-678	Kit, U-Bolt; 3/4" x 4" x 8" R	2	20560239	
	15	M65494	Shock Absorber	2		Consult Shock Catalog for Model Specific Applications
	16	Spring Assembly	Assembly, Spring	2		See Leaf Spring Web Catalog For Details

**Expeditor®/Road Commander II®,
WG/WCA/WIA/WHR/WHL/WHE
Front Suspensions**

Volvo

Volvo



Suspension Illustration

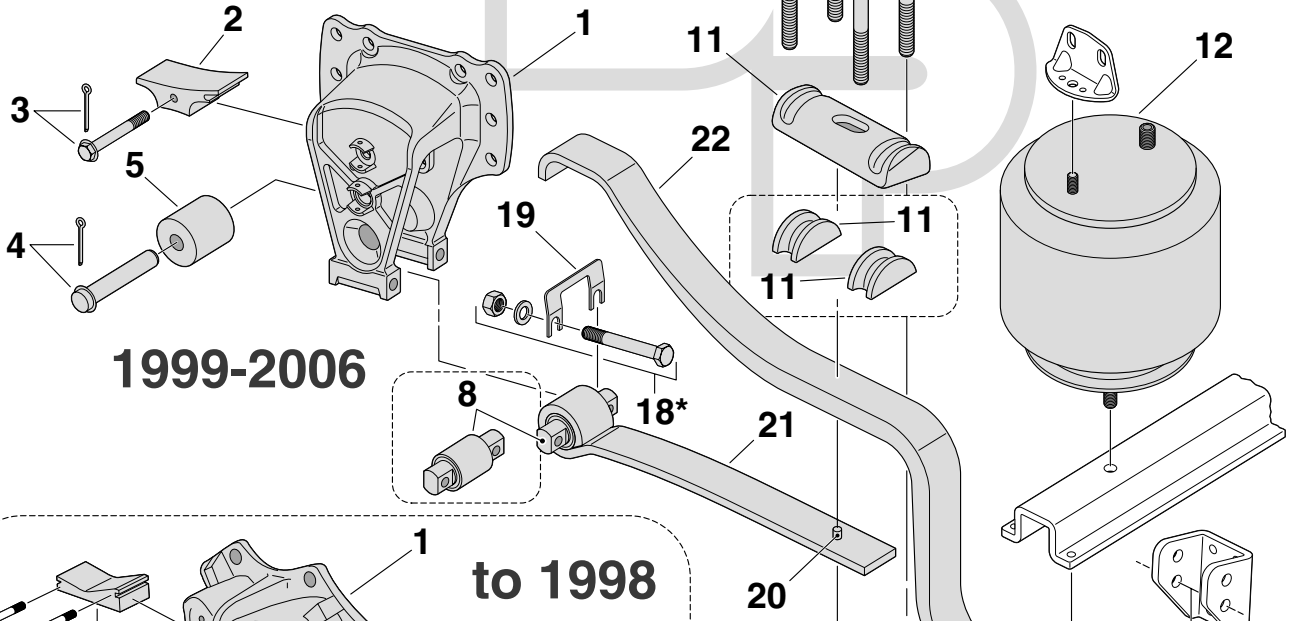
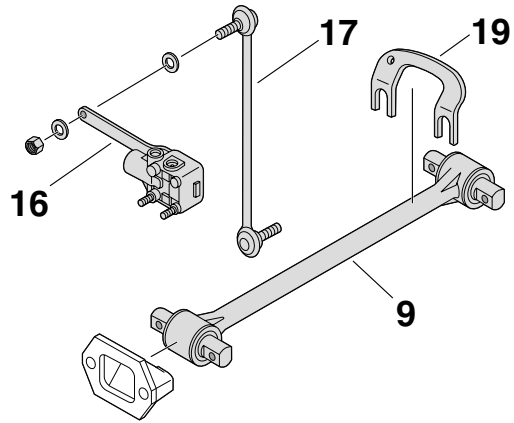
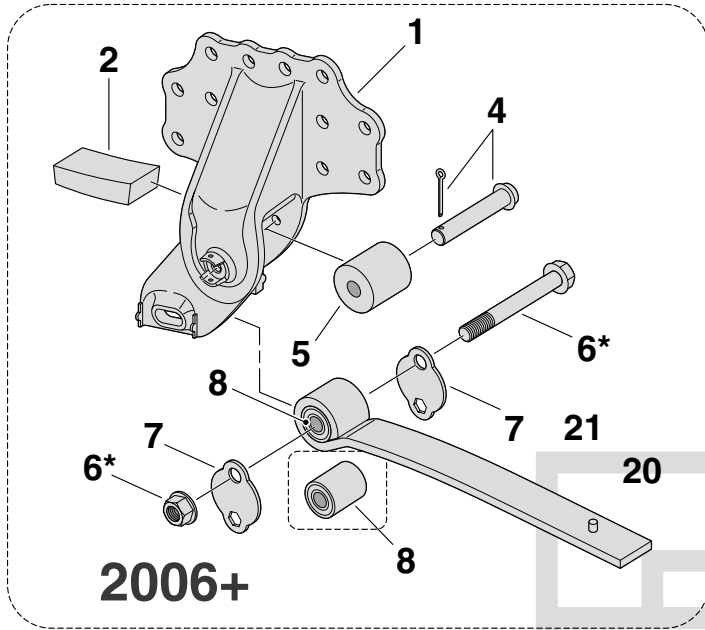
Key 4 - Shackle Kit

Key No.	Part Number	Description	No. Req.	OEM Reference	Remarks
	◆	Hanger, Front; Aluminum; LH/RH	2	37103-0017, 3082258	
	◆	Cap, Hanger; Aluminum	4	37112-0003, 3082273	
✓ ●	338-1136	Hanger, Aluminum	2	37102-0004, 37102-0018	WI, WC Models; DP is Ductile Iron
✓✓ ●	338-1384	Hanger, Ductile Iron	2	37102-3218	
✓ ●	338-1836	Hanger, Ductile Iron	2	8028197	
●	338-1837	Hanger, Ductile Iron	2	8021539	
✓	330-212	Kit, Shackle	2		
	330-212U	Kit, Shackle; Urethane	2		
	PLK	Bushing; 1 1/8"ID x 1 3/8"OD x 4"Lg	6	544953	
	◆	Bushing, Bronze	4	37114-0002	2-pc. Hanger Bushing; Use (1)ea. PLK
✓✓	327-384	Spring Pin; 1 1/8"OD x 7"Lg x 5 1/2" c/c	6	37121-0001	
✓✓	330-133	Side Bar; 6 13/16"Lg x 4 1/8" c/c x 1 1/8"Thk, 1 1/8" Pin Holes	4	37105-0003	
	330-381	Side Bar; 6 3/8"Lg x 3 11/16" c/c x 1 1/8"Thk, 1 1/8" Pin Holes	4	8067784, 37105-0006	
	334-550	Assembly, Bolt; 1/2"-20 x 3"Lg	8		Incl. 334-538 Bolt & Hdwe.
✓✓	M66903	Shock Absorber	2		
✓	M66115	Shock Absorber	2		
	See Shocks	Shock Absorber	2	Various	Consult Shock Catalog for Model Specific Applications
	140149	Bushing, Shock; 3/4"ID	2		4 Pack
	◆	Plate, Top	2	37110-0001	
	◆	Spacer	2	37127-0001	
	See Chart	Wedge, Camber	AR		See Chart on Page 1091
✓	361-475	Kit, U-Bolt; Square Bend, Grade 8	4	K241-309	3/4" x 4" x 8 7/8" S
	361-569	Kit, U-Bolt; Square Bend, Grade 8	4		3/4" x 4" x 9 7/8" S
	AFP	Pad	4	1591299	
	◆	Assembly, Bolt; 3/16"-24 x 1", Grade 5	4		HHCS & Lock Nut
	334-1822	Washer, Spacer	8	3082278	
	Spring Assembly	Assembly, Spring	2		See Leaf Spring Web Catalog for Details

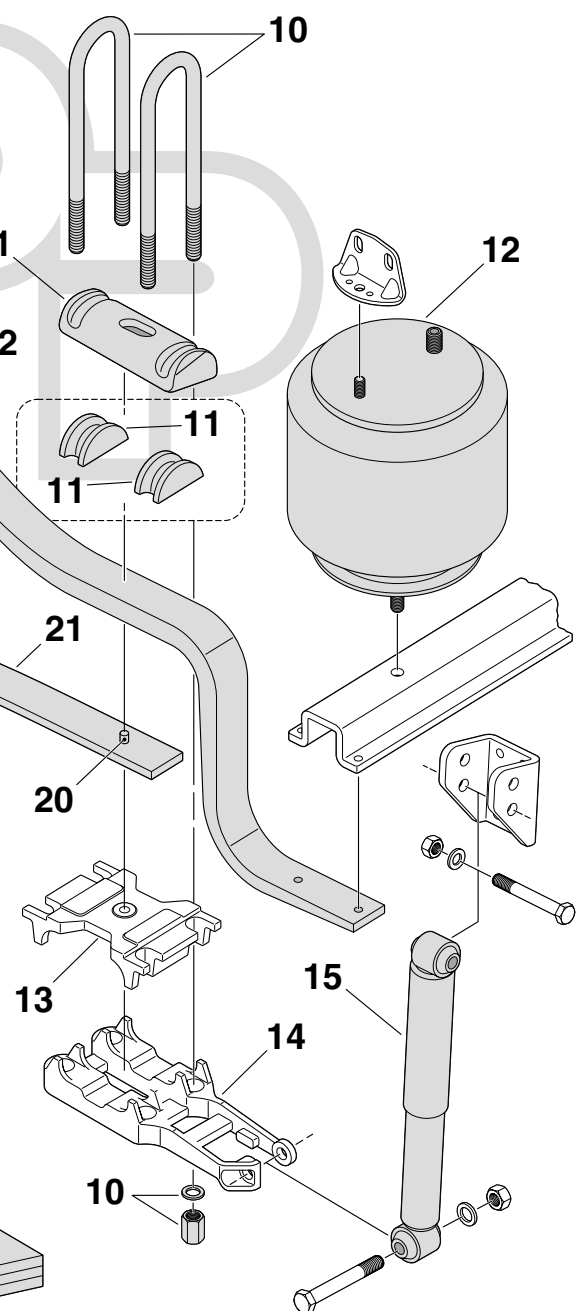
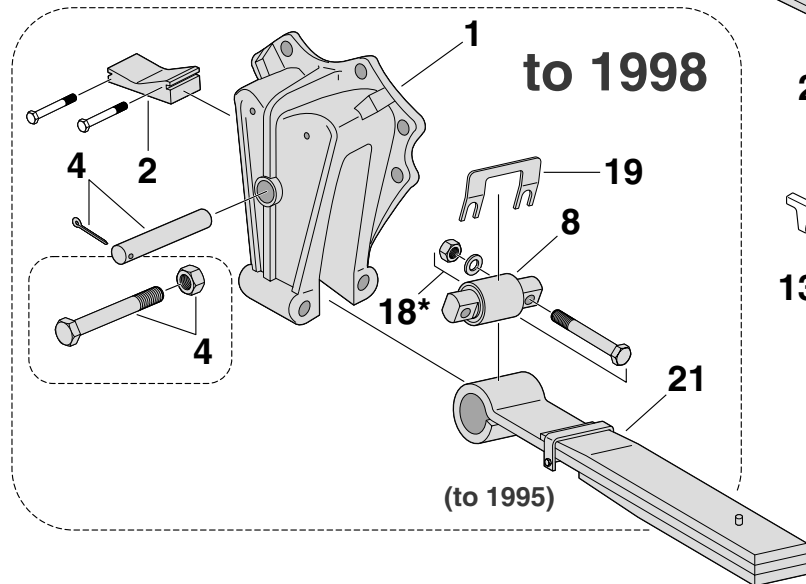
**Corporate "Air Ride"
Single/Tandem Axle
Air Suspension**

Volvo

Volvo



Suspension Illustration

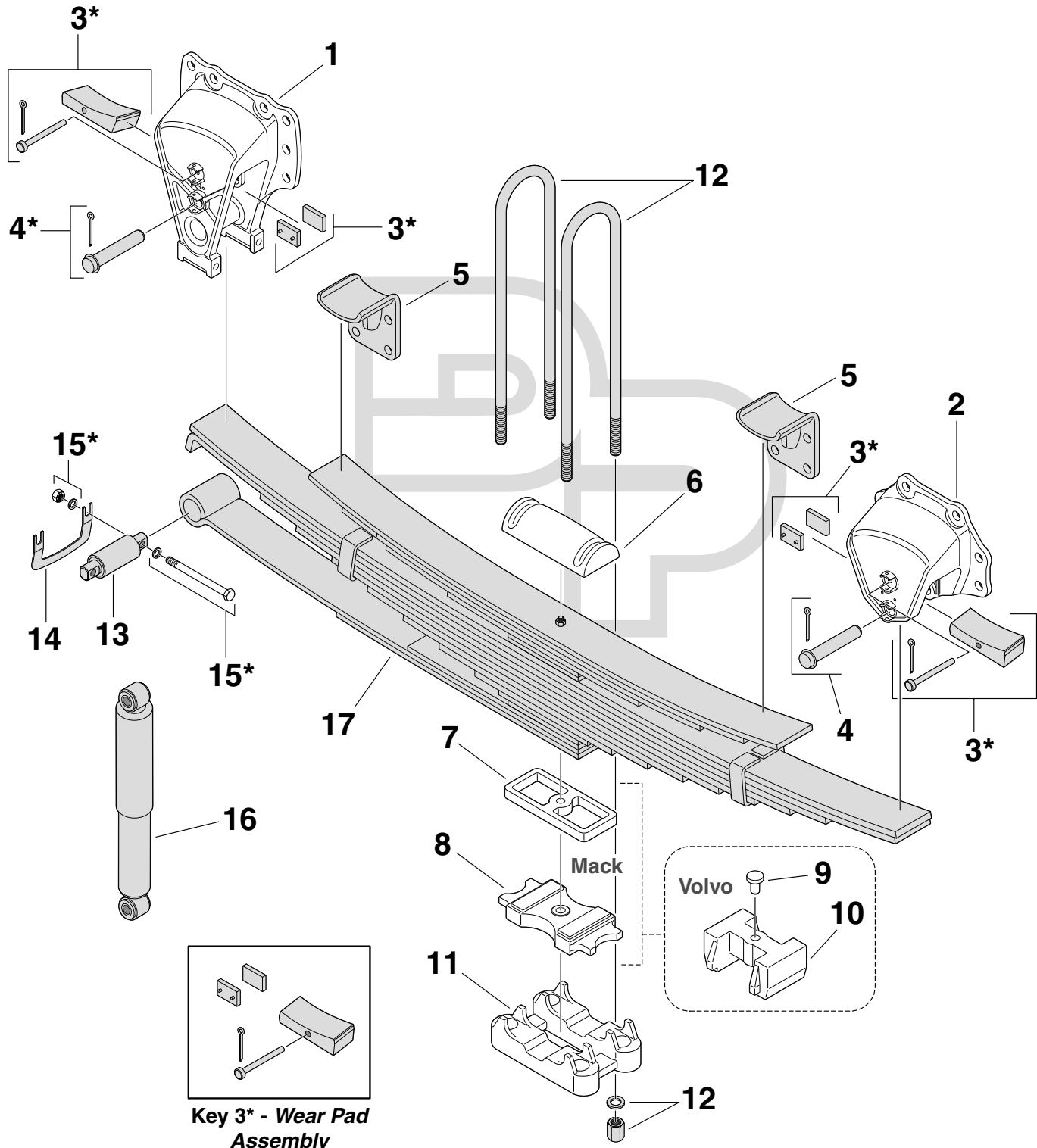


Key No.	Part Number	Description	No. Req.	OEM Reference	Remarks
●	1	338-2318 Hanger; Roadside	1	20588754, 47QK539	To 1998 1999-2006 1999-2006 Undrilled; 1999-2006
		338-2319 Hanger; Curbside	1	20588755, 47QK540	
		338-1228 Hanger, Front	2	8027419, 8060370	
		◆ Hanger; Roadside	1	8085844	
		◆ Hanger; Curbside	1	8085845	
	◆ Hanger	2	8079888		
✓✓●	2	334-2193 Pad, Wear	2	20703083	Late Style; 2006+
		334-2199 Pad, Wear	2	8079889, 20568741	1999-2006
		334-810 Pad, Wear	2	8061971, 8027423	Early Style; To 1998
	3	334-2094 Retainer, Wear Pad; Bolt/Pin	2		
✓✓	4	334-788 Assembly, Bolt; ¾"-16 x 6 ½"Lg	2		Early Style; Incl. Bolt & Hdwe.
		327-383 Pin, Rebound; ¾"OD x 5 ½"Lg	2	35026-0001, 8027436	
		334-2195 Pin, Rebound	2	24425357	
	5	334-2096 Roller, Rebound	2	8079890	
	6	334-2097 Kit, Bolt	4	20812234	
	7	334-2194 Plate, Alignment; Eccentric	4	20551933	
✓✓●	8	RB-290 Bushing, Rubber; 7/8" ID x 2 9/16" OD x 3 3/16"Lg	2		Late Style; 2005+
		RB-259 Bushing, Rubber; 2 9/16" OD x 4 3/8" c/c	2		1999-2004
		321-131 Bushing; 2 17/32"OD x 4 3/8" c/c	2	35033-3201	5/8" Bolts
		321-131U Bushing, Urethane	2		
●	9	345-898 Torque Rod, Rigid; 22 ¼"Lg	2	3187322	Full Ball Ends; VOAS Corporate Air Suspensions
		345-910 Torque Rod, Rigid; 22 ¼" Lg	2	17QF490M	
		◆ Torque Rod, Rigid; 22 ¼", 1 1/8"OD	1	8071513	Full Ball Ends
		345-219 Torque Rod, Rigid; 22 ¼", 0°/0°, Tubular 1.93" OD	2	35801-0068	Heavy Duty; Non-Replaceable Bushings
✓	10	◆ U-Bolt; 20mm	4	20709327	Use 361-196; ¾" x 3" x 15 ½" R
		◆ U-Bolt; 22mm	4	20709326	Use 361-374; 7/8" x 3" x 14 ½" R
		See Chart U-Bolt; Round Bend, Grade 8	4	Various	See Page 1051 for Additional Applications
●	11	338-2320 Saddle, U-Bolt	4	8086649	
		338-1920 Saddle, U-Bolt	2	8079895	
✓	12	352-9213 Air Spring	2		
		352-8829 Air Spring	2	20505399	
		352-9219 Air Spring	2	35003-3201/03, 35003-3204/09	
	13	◆ Seat, Axle	2	Various	
	14	◆ Plate, Bottom	2	Various	
✓✓	15	M65486 Shock Absorber	2		
		M66431 Shock Absorber	2		
		M65406 Shock Absorber	2		
		M65415 Shock Absorber	2		
		M65446 Shock Absorber	2		
✓●	16	334-1647 Valve, Height Control; Universal	AR		
		334-1648 Valve, Height Control; w/Dump	AR		
		334-750 Valve, Height Control; Universal	1		Hadley - Model 450HCV
✓●	17	334-751 Linkage Assembly; Universal; Adjustable	AR		3 5/8"-19 5/8" Range; Use w/All Height Control Valves
	18	334-774 Assembly, Bolt; 5/8"-18 x 6"Lg	2		Incl. Bolt & Hdwe.
✓✓●	19	334-526 Shim; 1/16"Thk, 4 3/8" c/c	4	8020329	
	20	334-972 Pin, Center; Radius Leaf	2		
	21	Spring Assembly Assembly, Spring	2		Radius Leaf; See Leaf Spring Web Catalog for Details
	22	Spring Assembly Assembly, Spring	2		Leaf Spring; See Leaf Spring Web Catalog for Details

**VN/VHD
Single Axle
Rear Suspension**

Volvo

Volvo



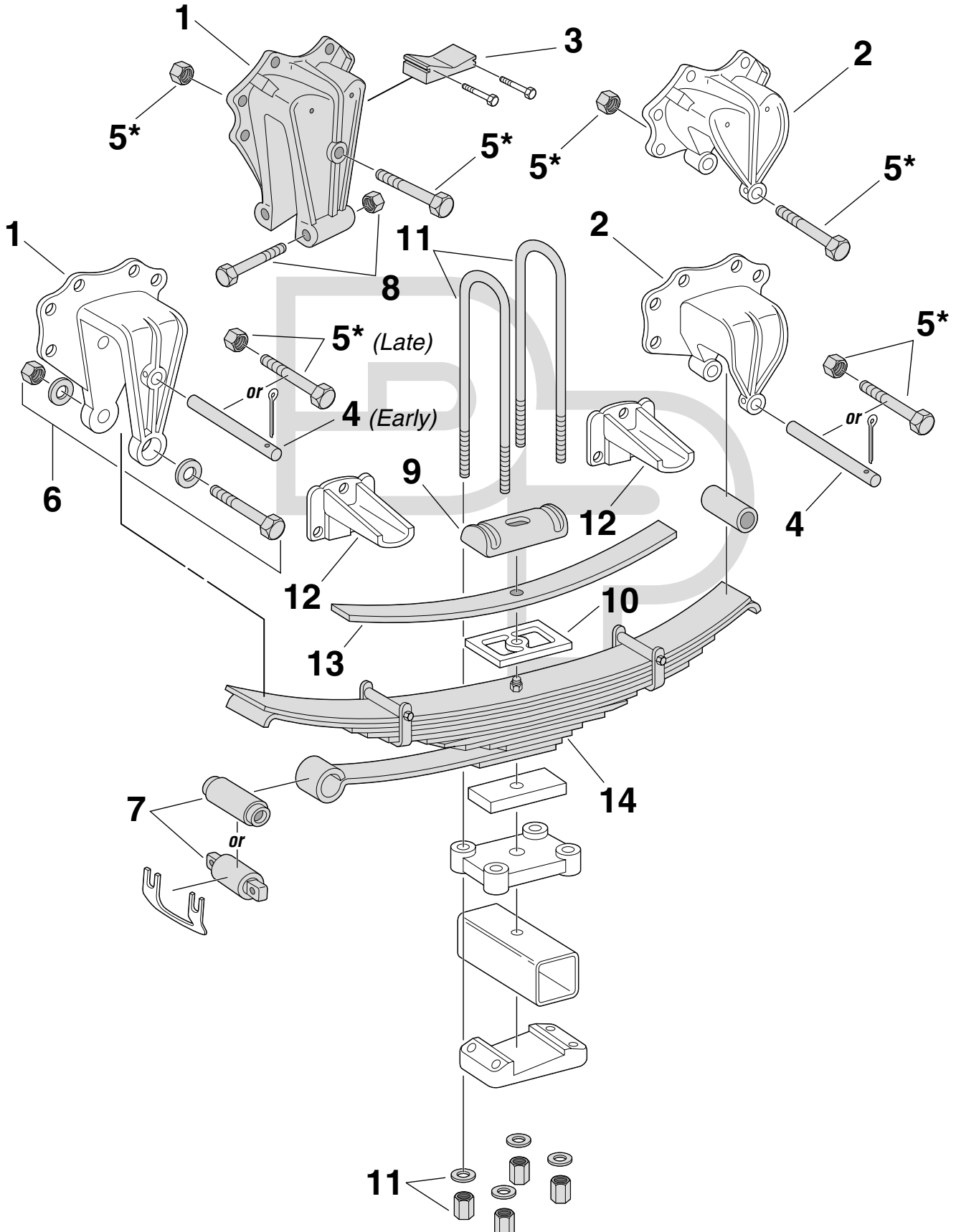
**Key 3* - Wear Pad
Assembly**

Suspension Illustration

Key No.	Part Number	Description	No. Req.	OEM Reference	Remarks
1	◆	Hanger, Front	2	20542034, 47QK534M	
2	◆	Hanger, Rear	2	20560275	
✓ ● 3	334-2196	Pad, Wear	3	20421556	
4	334-2197	Pin, Rebound	4	24425357	20mm x 134mm Lg
● 5	338-2241	Bracket, Helper	4	3942730	
6	◆	Plate, Top	2	8084732	Can Use 338-200
7	◆	Spacer	1	Various, 13QK330	1"
8	◆	Seat, Axle	2	Various	Mack
9	◆	Pin, Dowel	2	3937618	
10	◆	Seat, Axle	2	Various	Volvo
11	◆	Plate, Bottom	2	Various	
12	361-566	Kit, U-Bolt; Round Bend, Grade 5	4	20523316, 11QK514	7/8" x 3" x 13 1/2" R
13	RB-259	Bushing, Rubber; 2 9/16" OD x 4 3/8" c/c	2	8079894	
✓✓ ● 14	334-526	Shim; 1/16"Thk 4 3/8" c/c	AR	8080995, 8080996	
15	◆	Kit, Bolt; M16 x 160mm Lg	2	20523316	Use 334-778
16	See Shocks	Shock Absorber	2	Various	Consult Shock Catalog for Model Specific Applications
17	Spring Assembly	Assembly, Spring	2		See Leaf Spring Web Catalog for Details

Volvo

Suspension Illustration



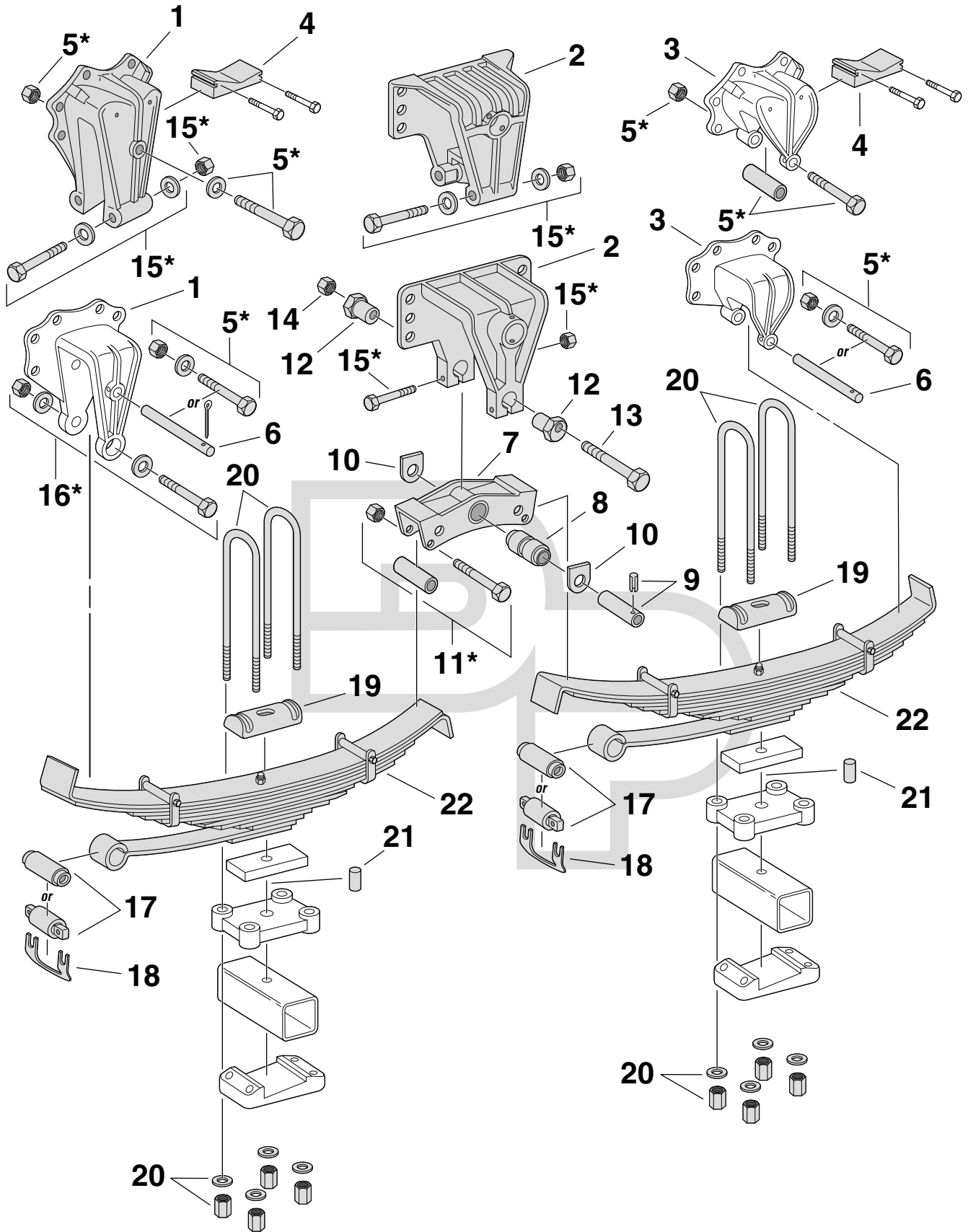
Key No.	Part Number	Description	No. Req.	OEM Reference	Remarks
●	338-1228 ◆ ◆	Hanger, Front	2	8027419	1985 & After
		Hanger, Front; LH	2	35010-0001, 35010-0092	Before 1985
		Hanger, Front; RH	2	35010-0003, 35001-0093	Before 1985
	◆	Hanger, Rear	2	8027421	1985 & After; Use w/334-810 Wear Pad
✓✓ ●	334-810	Pad, Wear	2	8061971	
✓✓	327-383	Pin, Rebound; ¾"OD x 5 ½"Lg	4	35026-0001	Before 1985; Front & Rear; Early
	334-788	Assembly, Bolt; ¾"-16 x 6 ½"Lg	4		Before 1985; Late; Incl. Bolt & Hdwe.
	334-1434	Assembly, Bolt; ½"-20 x 6"Lg	2		1985 & After; Incl. Bolt, Spacer & Hdwe.
	334-528	Assembly, Bolt; 7/8"-14 x 6"Lg	2		Use w/RB-146 Bushing; Incl. 327-309 Bolt & Hdwe.
✓✓ ●	RB-146 321-131	Bushing; 7/8"ID x 1 ¾"OD x 3"Lg	2	02-7012438	1985 & After
		Bushing; 2 17/32"OD x 4 3/8" c/c	2	35033-0008, 35033-3201	
●	321-131U	Bushing, Urethane	2		
	334-774	Assembly, Bolt; 9/8"-18 x 6"Lg	4		Incl. Bolt & Hdwe.
●	338-1139	Saddle, U-Bolt	2		For Round Bend U-Bolts
	◆	Spacer	2	542250	
✓✓	361-168 361-340 361-342	Kit, U-Bolt; Round Bend, Grade 8	4		7/8" x 3" x 16 ½" R
		Kit, U-Bolt; Round Bend, Grade 8	4	35019-0006	7/8" x 3" x 19 ½" R
		Kit, U-Bolt; Round Bend, Grade 8	4	35019-0009	7/8" x 3" x 22 ½" R
	◆	Bracket, Helper Spring	4	35012-0001	
	96-935	Spring, Helper	2	35004-0001	
	Spring Assembly	Assembly, Spring	2		See Leaf Spring Web Catalog for Details

**Corporate Steel Hanger
Four Spring
Tandem Suspension**

Volvo

Volvo

Suspension Illustration

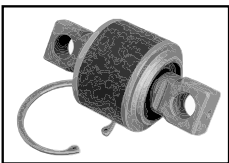
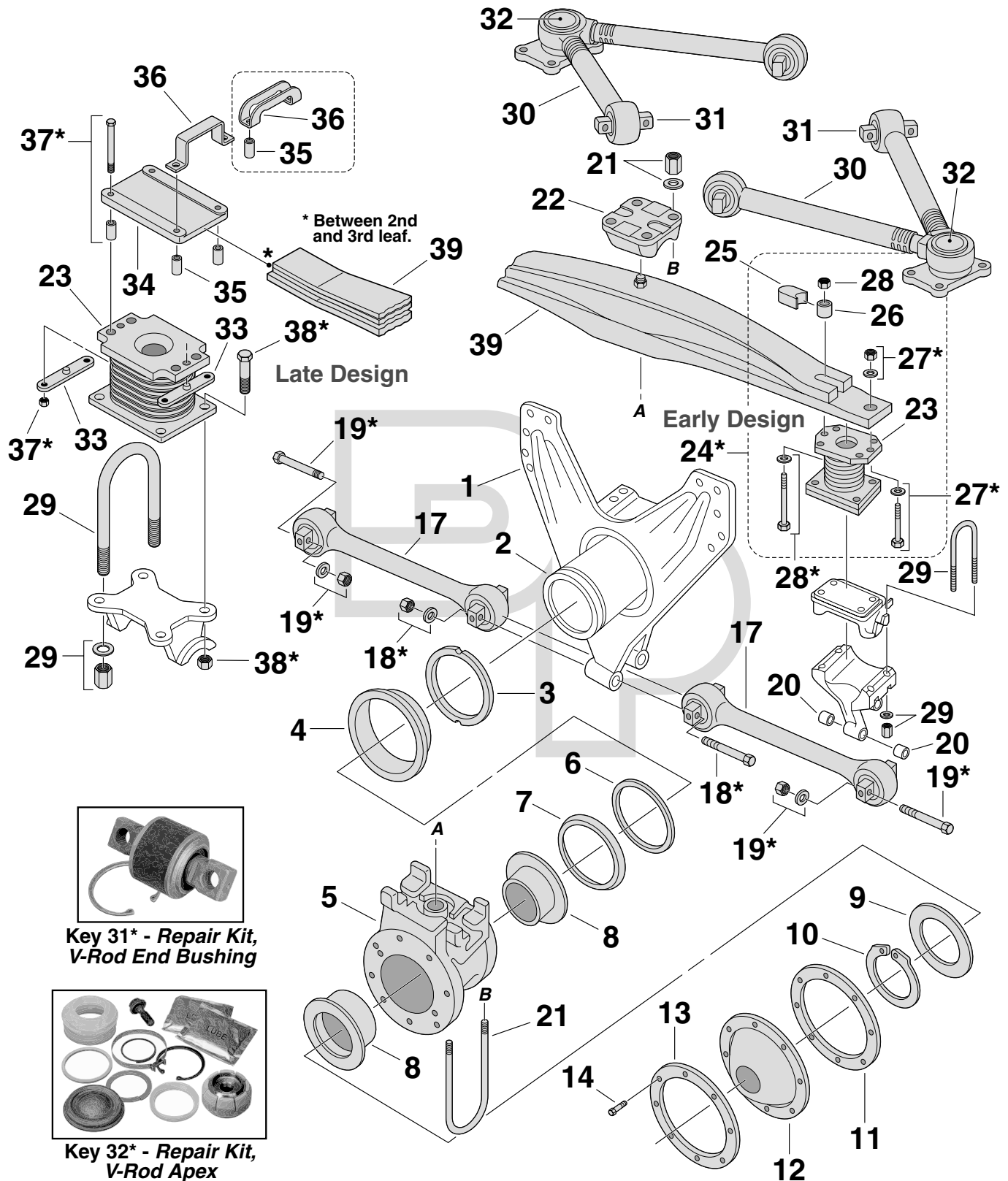


Key No.	Part Number	Description	No. Req.	OEM Reference	Remarks
●	338-1228 ◆ ◆	Hanger, Front	2	8027419	1985 & After
		Hanger, Front; LH	1	35010-0001	Before 1985
		Hanger, Front; RH	1	35010-0003	Before 1985
●	338-1229	Hanger, Center	2	8027428	1985 & After
●	338-1123	Hanger, Center	2	35023-0001	Before 1985
	◆	Hanger, Rear	2	8027421, 8060371	1985 & After; Use 334-810 Wear Pad
✓✓●	334-810	Pad, Wear	4	8061971	1985 & After
	334-1434 334-788	Assembly, Bolt; 1/2"-20 x 6"Lg	2	8060022	1985 & After; Rear; Incl. Bolt, Spacer & Hdwe. 1985 & After, Front; Before 1985, Late, Front & Rear; Incl. Bolt & Hdwe.
		Assembly, Bolt; 3/4"-16 x 6 1/2"Lg	2/4		
✓✓	327-383	Pin, Rebound; 3/4"OD x 5 3/32"Lg	4	35026-0001, 8027436	Before 1985; Early; Front & Rear
✓✓●	338-749	Assembly, Equalizer; 16"Lg	2	8027430	Incl. 321-154 Bushing
✓✓●	321-154	Bushing; 2"ID x 3 1/8"OD x 4 1/4"Lg	2	8027424	
✓●	334-423	Assembly, Shaft	2	39400089, 39400021	Incl. Shaft & Roll Pin
	334-678 334-679	Shim; 2 1/16"ID x 3 1/4"OD x .090"Thk	AR	35043-0004	
		Shim; 2 1/16"ID x 3 1/4"OD x .060"Thk	AR	35043-0008	
	334-1172	Assembly, Rebound	2		
●	334-701	Collar, Alignment; Eccentric	4	35037-0004	Before 1985
	334-702	Bolt; 7/8"-9 x 8 3/8"Lg	4	8003450	Before 1985
	334-236	Nut, Lock; 7/8"-9	4		Before 1985
	334-684 334-774 334-764	Assembly, Bolt; 5/8"-18 x 3 1/4"Lg	4		Before 1985; Incl. Eccentric Pinch Bolt & Hdwe.
		Assembly, Bolt; 5/8"-18 x 6"Lg	2		1985 & After; Front; Incl. Bolt & Hdwe.
		Assembly, Bolt; 5/8"-18 x 7"Lg	2		1985 & After; Center; Incl. Bolt & Hdwe.
	334-528	Assembly, Bolt; 7/8"-14 x 6"	2		Before 1985; Use w/RB-146; Incl. 327-309 Bolt & Hdwe.
✓✓●	321-131 RB-146	Bushing; 2 17/32"OD x 4 3/8" c/c	4	35033-3201, RB-164	1985 & After; Straddlemount
		Bushing; 7/8"ID x 1 3/4"OD x 3"Lg	4	02-7012438	Before 1985
✓✓●	334-526	Shim; 1/16"Thk 4 3/8" c/c	AR	8020329	1985 & After
●	338-1139	Saddle, U-Bolt	4	8027433	1985 & After; For Round Bend U-Bolts
✓	361-196	Kit, U-Bolt; Round Bend, Grade 8	8	8060235, 8027431	3/4" x 3" x 15 5/8" R
	334-972	Pin, Center; Radius Leaf	2		
	Spring Assembly	Assembly, Spring	4		See Leaf Spring Web Catalog for Details

**"T-Ride" (To 2005)
Single Point
Rear Tandem Suspension**

Volvo

Volvo



**Key 31* - Repair Kit,
V-Rod End Bushing**



**Key 32* - Repair Kit,
V-Rod Apex**

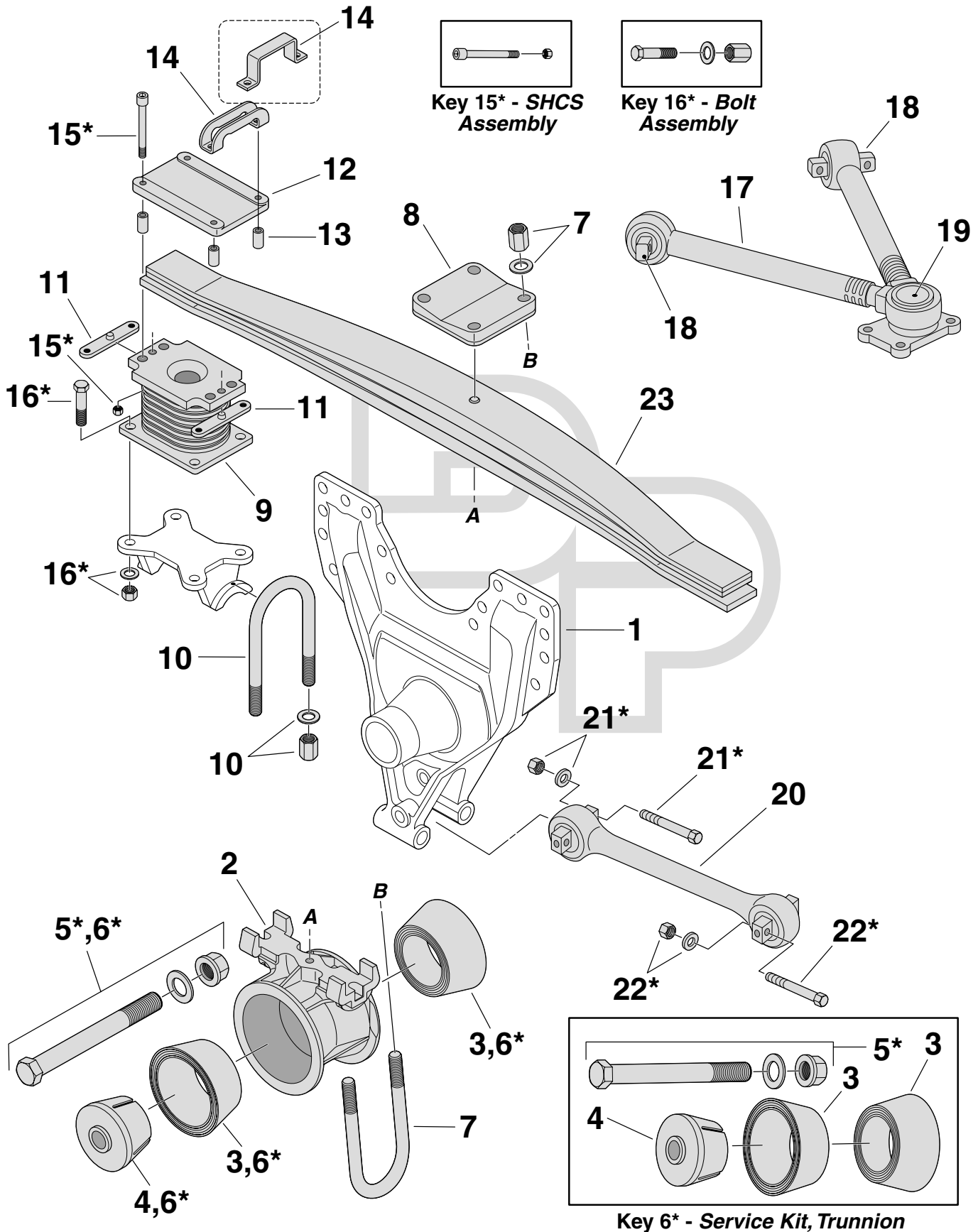
Suspension Illustration

Key No.	Part Number	Description	No. Req.	OEM Reference	Remarks
1	◆	Assembly, Hanger; Center	2	1620366	
● 2	334-927	Shaft, Trunnion	2	1620368	
✓ ● 3	334-918	Washer, Thrust; 5 1/8"ID x 6 15/16"OD x 1/4"Thk	2	1509219	
✓ ● 4	334-919	Ring, Wear; 6 15/16"ID x 7 1/16"OD	2	1586518	
✓ ✓ ● 5	338-1911	Trunnion	2	3198095, 8060233	
✓ ● 6	334-920	Seal; 6 1/4"ID x 7 1/4"OD	2	1586520	
✓ ● 7	334-921	Seal; 6 3/8"ID x 7"OD	2	1593522	
● 8	322-139	Bushing; 5 1/16"ID x 5 1/4"OD	4	1620443	
✓ ● 9	334-922	Washer, Thrust; 5 1/8"ID x 7"OD x 1/4"Thk	2	1590064	
✓ ● 10	334-923	Ring, Lock; 4 13/16"ID x 5/32"Thk	2	951082	
✓ ● 11	334-924	Gasket; 7 9/16"ID x 8 1/8" BC	2	1620742	
✓ ● 12	334-925	Cap, Trunnion Hub	2	1502292	
● 13	334-926	Ring, Cap; Trunnion Hub; 7 1/2"ID x 8 1/8"bc	2	1590508	
14	334-1807	Screw, Cap; Flanged Hex Head; M8 x 16mm	16	946440	
✓ ✓ ● 15	334-1808	Kit, Service; Trunnion	2		Incl. Key Items; 3, 4 & 6-12
✓ ✓ ● 16	334-1809	Kit, Service; Trunnion Cap	2		Incl. Cap, Gasket & Hdwe.
✓ 17	345-862	Torque Rod, Rigid, 22.64"Lg. c/c	4	8021378, 8028945	Heavy Duty Full Ball Design
18	334-764	Assembly, Bolt; 5/8"-18 x 7"Lg	4		Incl. Bolt & Hdwe.
✓ 19	334-768	Assembly, Bolt; 5/8"-18 x 4 1/2"Lg	4	955375	Front; Incl. Bolt & Hdwe.
✓ 20	334-770	Assembly, Bolt; 5/8"-18 x 5"Lg	4		Rear; Incl. Bolt & Hdwe.
20	◆	Spacer	AR	Various	
✓ 21	361-482	Kit, U-Bolt; Round Bend, Grade 8	4	8057236, 8059359	3/4" x 3 1/16" x 9 5/8" R
	361-541	Kit, U-Bolt; Round Bend, Grade 8	4		3/4" x 3 1/16" x 11 5/8" R
	361-647	Kit, U-Bolt; Round Bend Grade 8	4		3/4" x 3 1/16" x 10 5/8" R
● 22	338-1395	Pad, Top	2	8057237, 3197875	
✓ ● 23	334-916	Spring, Rubber Load; 6"W x 8"L x 6"H	4	1629553, V1609657	
✓ ✓ 24	334-1596	Kit, Mounting	4		Incl. Key Items; 25, 26, 27 & 28
25	325-239	Pad, Rubber	4	8059664	
26	334-1595	Spacer; 9/16"ID X 1"OD x 1 1/16"Lg	2/4	1590076	
27	334-1593	Assembly, Bolt; 9/16"-18 x 2 1/2"Lg	4		Incl. Bolt & Hdwe.
✓ 27	334-1104	Assembly, Bolt; 5/8"-18 x 2 1/2"Lg	4	963315	Incl. Bolt & Hdwe.
✓ ✓ 28	334-752	Assembly, Bolt; 9/16"-18 x 4 1/2"Lg	4		2 Leaf Springs; Incl. Grade 8 Bolt & Hdwe.
	334-1594	Assembly, Bolt; 9/16"-18 x 5 1/2"Lg	4		3 Leaf Springs; Incl. Bolt & Hdwe.
✓ ✓ 28	334-754	Assembly, Bolt; 5/8"-18 x 5 1/2"Lg	4		Incl. Bolt & Hdwe.
29	361-397	Kit, U-Bolt; Round Bend, Grade 8	8	1590074	5/8"-18 x 3" x 6 3/4"Lg
✓ ● 30	345-872	V-Rod	2	3172829	26 3/4"Lg Leg
● 30	345-873	V-Rod, Offset Pivot Plate	2	8057667	27 1/4"Lg Leg
● 31	334-1984	Kit, Repair; V-Rod End Bushing	4	20547268	
● 32	334-1985	Kit, Repair; V-Rod Apex	2	20741710	
● 33	338-2150	Plate, Latch; Forged	8	20436985, 1629550	
● 34	338-2148	Plate, End; Forged	4	1629549	
35	334-2101	Spacer; 13mm ID x 20mm OD x 34mm Lg	AR	20382337	
36	SP	Retainer	4	20461010	3 Leaf Spring
	334-2103	Retainer	4	20436933	
37	334-2104	Assembly, SHCS; M12 x 80mm Lg	8/16	959265	
	334-2105	Assembly, SHCS; M12 x 115mm Lg	8		Use w/Stamped Retainer
38	334-2106	Assembly, Bolt; Flange Head; M14 x 50mm Lg	16	975121	
39	Spring Assembly	Assembly, Spring	2	Various	See Leaf Spring Web Catalog For Details

**"T-Ride" (2006+)
Single Point
Rear Tandem Suspension**

Volvo

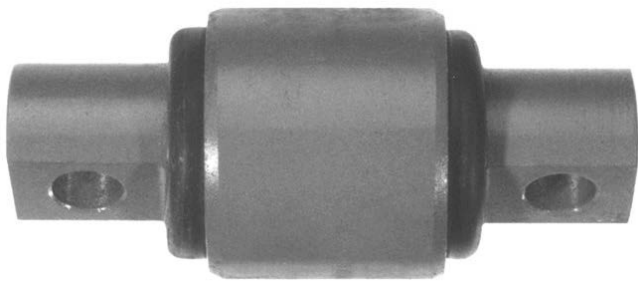
Volvo



Suspension Illustration

Key No.	Part Number	Description	No. Req.	OEM Reference	Remarks
1	◆	Hanger	2	20429262	
● 2	338-2170	Trunnion	2	20429274	Use w/321-518 Rubber Bushings
● 3	321-518	Bushing, Rubber; Tapered	4	20442252	
● 4	334-2020	Cone, Compression	2	20466804	
5	334-2099	Assembly, Bolt; M24 - 27.1 x 250mm Lg	2		
✓ ● 6	334-2100	Kit, Service; Trunnion	2		
7	◆	U-Bolt; M20 x 78 x 300mm	4	20446782	Use 361-469 Kit; ¾" x 3" x 12 ½"R
	◆	Kit, U-Bolt; M20 x 78 x 280mm	4	20435298	Use 361-541 Kit;; ¾" x 3" x 11 ½"R
● 8	338-1395	Pad, Top	2	8057237	
✓ ● 9	334-916	Spring, Load; Rubber; 6"W x 8"L x 6"H	4		
10	◆	Kit, U-Bolt; M16	8	1590074, 20442758	Use 361-380 Kit; ¾" x 3" x 7 ¾" R
✓ ● 11	338-2150	Plate, Latch; Forged	8	1629550, 20436985	
✓ ● 12	338-2148	Plate, End; Forged	4	1629549	
13	334-2101	Spacer; 13mm ID x 20mm OD x 34mm Lg	16	20382337	
14	SP	Retainer	4	20461010	3 Leaf Spring
	334-2103	Retainer	4	20436933	
15	334-2104	Assembly, SHCS; M12 x 80mm Lg	8/16		
	334-2105	Assembly, SHCS; M12 x 115mm Lg	8		w/ Stamped Retainer
16	334-2106	Assembly, Bolt; Flange Head; M14 x 50	16		
✓ ● 17	345-872	V-Rod	2	3172829	678mm Lg Leg
●	345-873	V-Rod, w/Offset Pivot Plate	2	8057667	686mm Lg Leg
● 18	334-1984	Kit, Repair; V-Rod End Bushing	4	20547286	
● 19	334-1985	Kit, Repair; V-Rod Apex	2	20741710, 3093544	
● 20	345-894	Torque Rod, Rigid; Offset; 22 ½"Lg	2	20443046	
●	345-895	Torque Rod, Adjustable; Offset; 23 ½"Lg	2	20509568	
21	334-764	Assembly, Bolt; ⅝"-18 x 7"Lg	4		Incl. Bolt & Hdwe.
✓ 22	334-768	Assembly, Bolt; ⅝"-18 x 4 ½"Lg	8	955375	Incl. Bolt & Hdwe.
23	Spring Assembly	Assembly, Spring	2	Various	See Leaf Spring Web Catalog for Details

321-131



Bushing; 2 17/32" O.D. x 4 3/8" C to C; 5/8" Bolts; Models Corporate Air Ride, Rear Single Axle, Four Spring

321-131U



Bushing, Urethane; 2 17/32" O.D. x 4 3/8" C to C; 5/8" Bolts; Models Corporate Air Ride, Rear Single Axle, Four Spring

321-154



2" I.D. x 3 1/8" O.D. x 4 1/4" Lg.; Model Four Spring

321-518



Bushing; 2"ID x 3 1/8"OD x 4 1/4"Lg.; Model Four Spring

322-139



Bushing; 5 1/16" I.D. x 5 1/4" O.D.; Model T-Ride (Early)

325-244



Stop, Bump; Model Airtek

327-533



Spring Pin, Threaded Use w/TB-78 Bushing; Model VN

330-339



Side Bar; 2 1/2" I.D. x 6 3/4" O.D. x 1 1/8" Thk.; Model VN

330-340



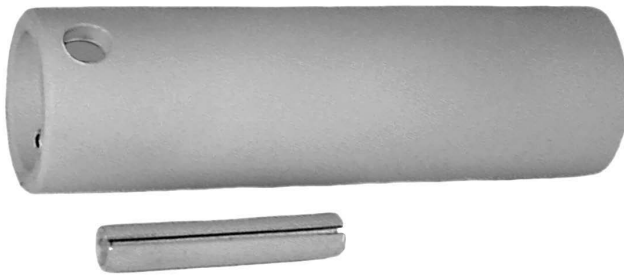
Shackle Kit; (2) 327-533, (2) 330-339; Model VN

330-349



Shackle Kit; Model Airtek (<7/11)

334-423



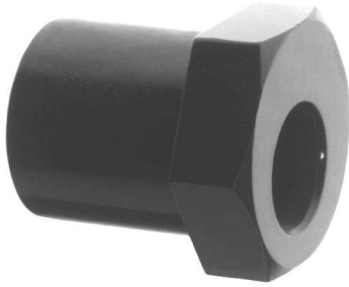
Shaft Assembly; 2" O.D. x 6 7/8" Lg.; Includes 1/2" x 2 3/4" Roll Pin; Model Four Spring

334-526



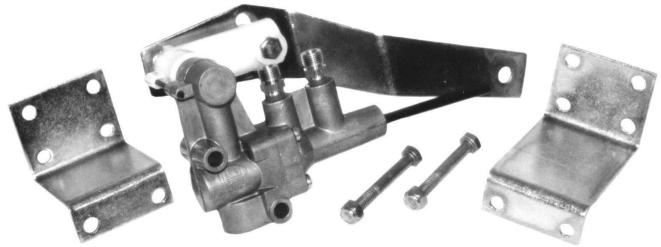
Shim; 1/16" Thk.; 4 3/8" C to C; Models Corporate Air Ride, Four Spring

334-701



Collar, Eccentric Alignment; Use w/ 334-702 Bolt; Models Four Spring (Before 1985)

334-750



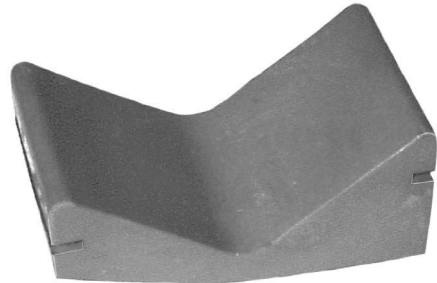
Valve, Height Control; Universal; Hadley - Model 450HCV; Model Corporate Air Ride

334-751



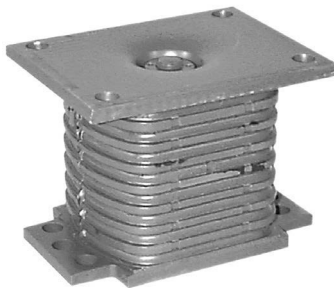
Linkage Assembly, Universal Adjustable; 3 5/8" - 19 5/8"; Model Corporate Air Ride

334-810



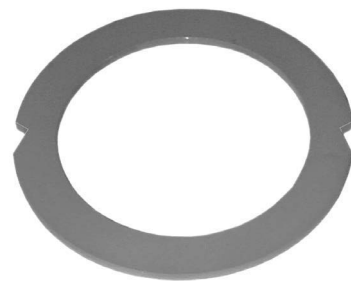
Wear Pad; Use w/ 338-1228 Hanger; Models Corporate Air Ride, Rear Single Axle, Four Spring

334-916



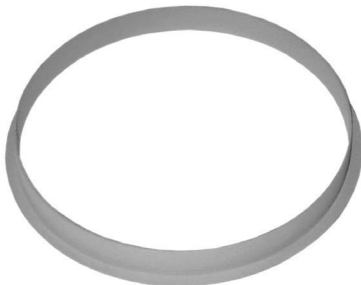
Spring, Rubber Load; 6" W x 8" Lg. x 6" H; Use w/ 334-1596 Mounting Kit; Model T-Ride (Early)

334-918



Washer, Thrust; 5 1/8" I.D. x 6 15/16" O.D. x 1/4" Thk.; Model T-Ride (Early)

334-919



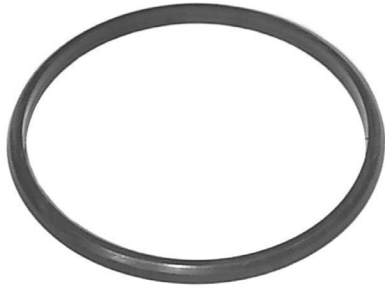
Wear Ring; 6 15/16" I.D. x 7 1/16" O.D.; Model T-Ride (Early)

334-920



Seal; 6 1/4" I.D. x 7 1/4" O.D.; Model T-Ride (Early)

334-921



Seal; 6 3/8" I.D. x 7" O.D.; Model T-Ride (Early)

334-922



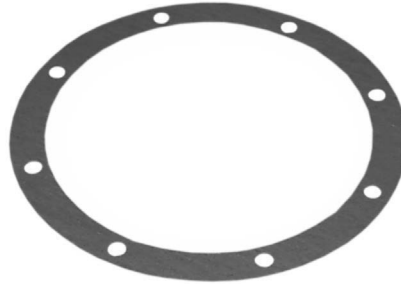
Washer, Thrust; 4 1/8" I.D. x 7" O.D. x 1/4" Thk.; Model T-Ride (Early)

334-923



Lock Ring; 4 13/16" I.D. x 5/32" Thk.; Model T-Ride (Early)

334-924



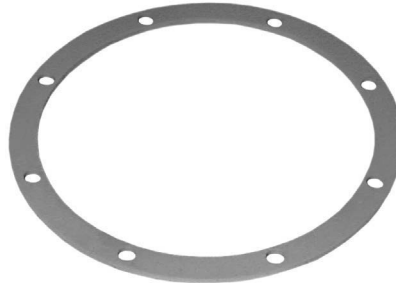
Gasket; 7 5/16" I.D. x 9" O.D. x 8 1/8" B/C; Model T-Ride (Early)

334-925



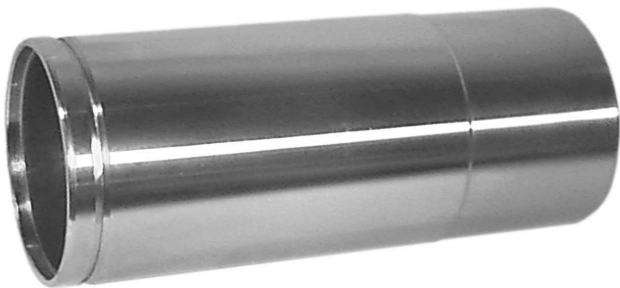
Cap, Trunnion Hub; 7 5/16" I.D. x 9" O.D. x 8 1/8" B/C; Model T-Ride (Early)

334-926



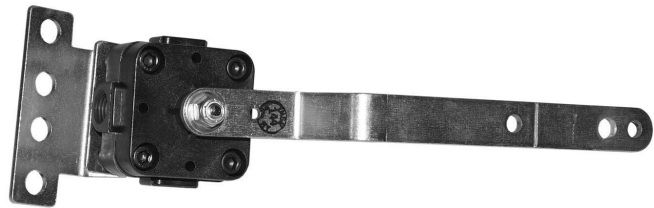
Cap, Trunnion Hub; 7 1/2" I.D. x 8 13/16" O.D. x 8 1/8" B/C; Model T-Ride (Early)

334-927



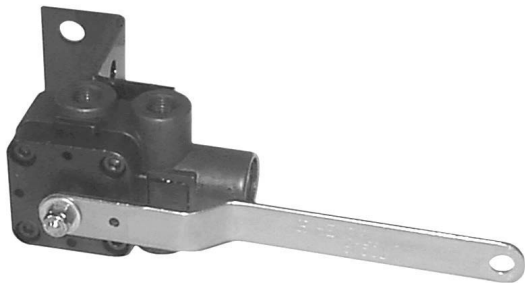
Shaft, Trunnion; Model T-Ride (Early)

334-1647



Valve, Height Control; Universal; Model Corporate Air Ride

334-1648



Valve, Height Control; w/Dump; Model Corporate Air Ride

334-1731



Service Kit, Axle/Seat Liners; Included in 334-1759, 334-1760, 334-1761, 334-1762 Service Kits; Model Airtek

334-1749



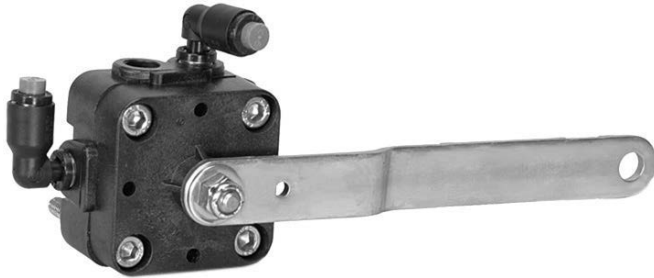
Washer, Thrust; Included in 330-349 Shackle Kits; Model Airtek

334-1758



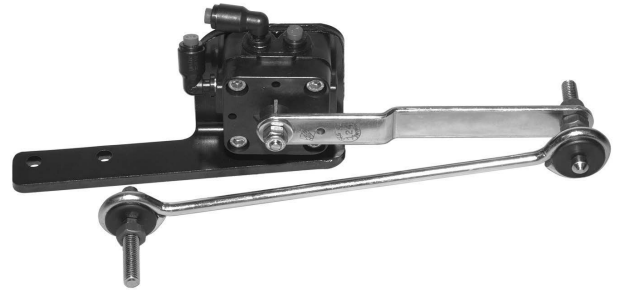
Service Kit, Hanger, Front; Late model use inner adapter only; Model Airtek

334-1763



Valve, Height Control; Valve only, single HCV vehicles <03/05; Model Airtek

334-1765



Assembly, Height Control Valve; 12.0, 12.5K axles, single HCV vehicles <03/05; Model Airtek

334-1766



Assembly, Height Control Valve; 13.2, 14.6K axles, single HCV vehicles <03/05; Model Airtek

334-1767



Service Kit, Shackle Stop; Incl. 334-1657 Bolt; Model Airtek (<7/11)

334-1808



Service Kit, Trunnion; Model T-Ride (Early)

334-1809



Service Kit, Trunnion Cap; Model T-Ride (Early)

334-1943



Assembly, Height Control Valve; LH Dual; Incl. linkage; 03/05 - 12/07; Model Airtek

334-1944



Assembly, Height Control Valve; RH Dual; Incl. linkage; 03/05 - 12/07; Model Airtek

334-1984



Repair Kit, V-Rod End Bushing; Model T-Ride (Early and Late)

334-1985



Repair Kit, V Rod Apex; Model T-Ride (Early and Late)

334-2100



Service Kit, Trunnion; Models M Ride, T-Ride (2006+)

334-2196



Pad, Wear; For Round Bend U-Bolts; Model VN/VHD

334-2230



Assembly, Air Spring/Shock Mount; Curbside; Models HT300T-19-001

338-749



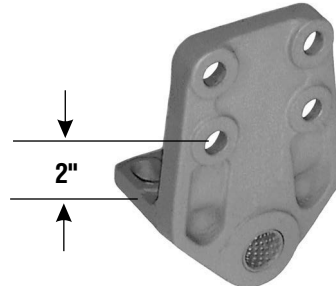
Equalizer Assembly; 16" Lg.; Includes 321-154 Bushings; Use w/ 334-1172 Equalizer Rebound Assy.; Model Four Spring

338-1123



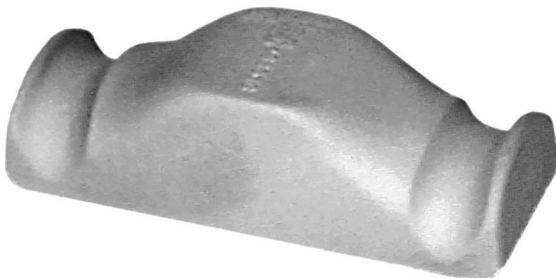
Hanger; Use w/ 334-701 Eccentric, 334-702 Bolt, 334-684 Pinch Bolt Assy. and 334-423 Equalizer Shaft; Model Four Spring (Before 1985)

338-1136



Hanger, Aluminum; LH/RH; Use w/ 330-212 Shackle Kit; DPI is Ductile Iron; Models W1, WC

338-1139



Saddle, U-Bolt; For Round Bend U-Bolts; Models Four Spring, Rear Single Axle

338-1228



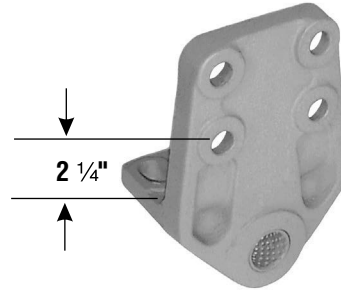
Hanger; Use w/ 327-383 Pin or 334-788 Bolt Assy. and 334-774 Bolt Kit and 334-810 Wear Pad; Models Corporate Air Ride, Rear Single Axle (1985 and Up), Four Spring

338-1229



Hanger; Use w/ 334-764 Bolt Assy. and 334-423 Equalizer Shaft; Models Four Spring (1985 and Up)

338-1384



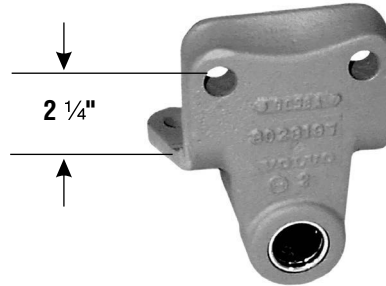
Hanger, Ductile Iron; LH/RH; Use w/ 330-212 Shackle Kit

338-1395



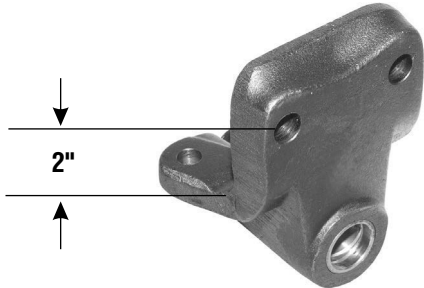
Top Pad; Models T-Ride (Early and Late)

338-1836



Hanger, Ductile; LH/RH; Use w 330-212 Shackle Kit

338-1837



Hanger, Ductile; Use w/330-212 Shackle Kit

338-1897



Hanger, Shackle; Incl. TB-78, VS-1; Use w/330-340 Shackle Kit; Models VN, VT, VHD

338-1911



Trunnion; Use w/334-1808 Service Kit; Model T-Ride (Early)

338-1920



Saddle, U-Bolt; Model Corporate Air Ride

338-1935



Hanger, LH Shackle; 10 1/2" Frame; Model Airtek

338-1936



Hanger, RH Shackle; 10 1/2" Frame; Model Airtek

338-1937



Hanger, LH Shackle; 11 3/4" Frame; Model Airtek

338-1938



Hanger, RH Shackle; 11 3/4" Frame; Model Airtek

338-2093



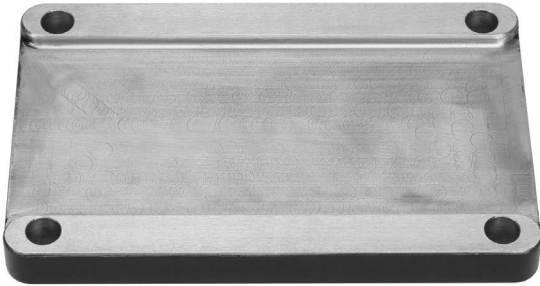
Hanger, Shackle; LH/RH; 2 1/4" from Bottom of Frame to C/L 3 Holes; TB-78; 11 13/16" frame; Models VN, Mack CXN

338-2094



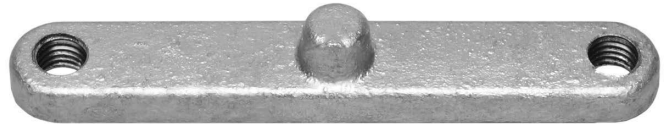
Hanger, Shackle; LH/RH; 3/4" from Bottom of Frame to C/L 3 Holes; TB-78; 11 7/16" frame; Models VN, Mack CXN

338-2148



Forged End Plate; Models T-Ride (Early and Late)

338-2150



Forged Latch Plate; Models T-Ride (Early and Late)

338-2170



Trunnion; Model T-Ride (Late)

338-2241



Helper Bracket; Model VN/VHD Single Axle Rear

338-2307



Hanger; Curbside; Rear of Front; TB-78; Model VN, VT, VHD Front

338-2308



Hanger; Roadside; Rear of Front; TB-78; Model VN, VT, VHD Front

338-2309

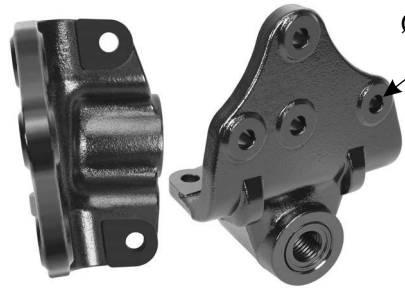
Ø 21mm



Hanger; Roadside; Rear of Front; TB-78; Model VN, VT, VHD Front

338-2310

Ø 21mm



Hanger; Curbside; Rear of Front; TB-78; Model VN, VT, VHD Front

338-2315



Camber Wedge, Spacer; 28mm; Model VN, VT, VHD Front

338-2316



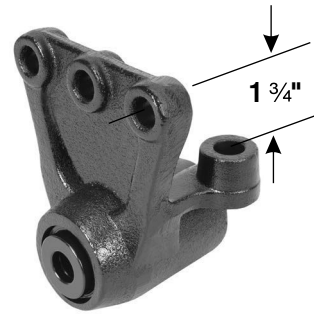
Camber Wedge, Spacer; 20mm; Model VN, VT, VHD Front

338-2362



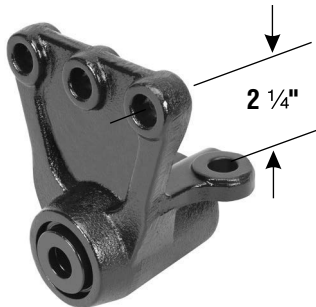
Hanger, Shackle; Rear of Front; TB-78; Model VN, VT, VHD Front

338-2367-2



Hanger, Shackle; Rear of Front; ; RB-341 w/ 11 7/16 " Frame; Model VN, VT, VHD Front

338-2367-4



Hanger, Shackle; Rear of Front; RB-341 w/ 11 13/16" Frame; Model VN, VT, VHD Front

338-2369



Top Plate; Roadside; w/Round U-Bolts & Shock Mount; Model VN, VT, VHD Front

338-2370



Top Plate; Curbside; w/Round U-Bolts & Shock Mount; Model VN, VT, VHD Front

338-2373



Hanger; Rear of Front; RB-341; Model VN, VT, VHD Front

338-2375



Top Plate; w/Square U-Bolts & w/o Shock Mount; Model VN, VT, VHD Front

338-2410



Camber Wedge, Spacer; 32mm; Model VN, VT, VHD Front

338-2414



Top Plate; w/Square U-Bolts & Shock Mount; Model VN, VT, VHD Front

338-2423



Camber Wedge, Spacer; 40mm; Model VN, VT, VHD Front

345-872



"V" Rod; 46K (3 leaf); Models T-Ride (Early and Late)

345-873



"V" Rod, Offset Pivot Plate; 40K (2 leaf); Models T-Ride (Early and Late)

345-894



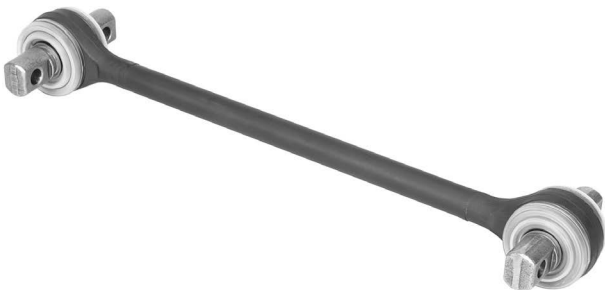
Torque Rod, Rigid Offset; 22 5/8"; Model T-Ride (Late)

345-895



Torque Rod, Adjustable Offset; 23 5/8"; Model T-Ride (Late)

345-898



Torque Rod, Rigid; 22 1/4"; Full ball ends; Model VOAS Corporate Air Suspensions

VS-1



Seal, Grease; Models VN, VT, VHD

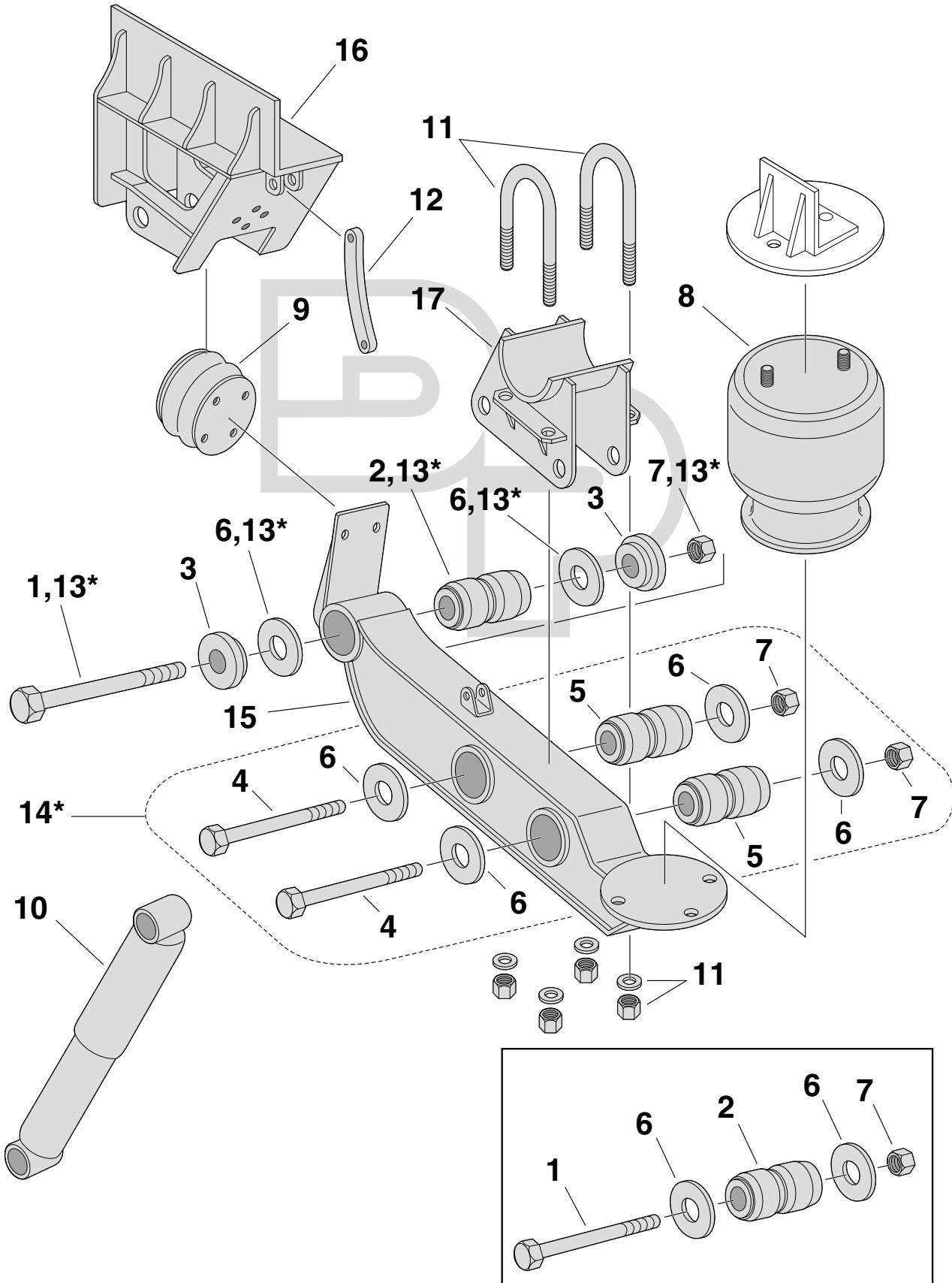
MODEL	PAGE
AL2200 Rigid Axle Auxilliary Truck Suspension	994, 995
SL-1000/1100-LP/LR/LW/RO/SR/SSR, SL-1800/1800-SR	
Self Steer Auxiliary Truck Suspension	996, 997
Pedestal Mount Trailer Single Point Suspension	998, 999
Straddlemount Trailer Single Point Suspension	1000, 1001
TA250/251/255/300 (Early) Trailer Air Suspensions	1002, 1003
TA250/300T, U (w/Multi-Function Bushing) Trailer Air Suspensions	1004, 1005
TI 250/300T Integra Series Trailer Air Suspension	1006, 1007
TL-1100 "Light Weight" Auxiliary Trailer Suspension	1008, 1009
TL-2200 Auxiliary Trailer Suspension	1010, 1011
Suspension Component Photos	1012-1018

**AL2200
Rigid Axle
Auxilliary Truck Suspension**

Watson & Chalin

Watson & Chalin

Suspension Illustration



Key 13* - Service Kit, Pivot Connection

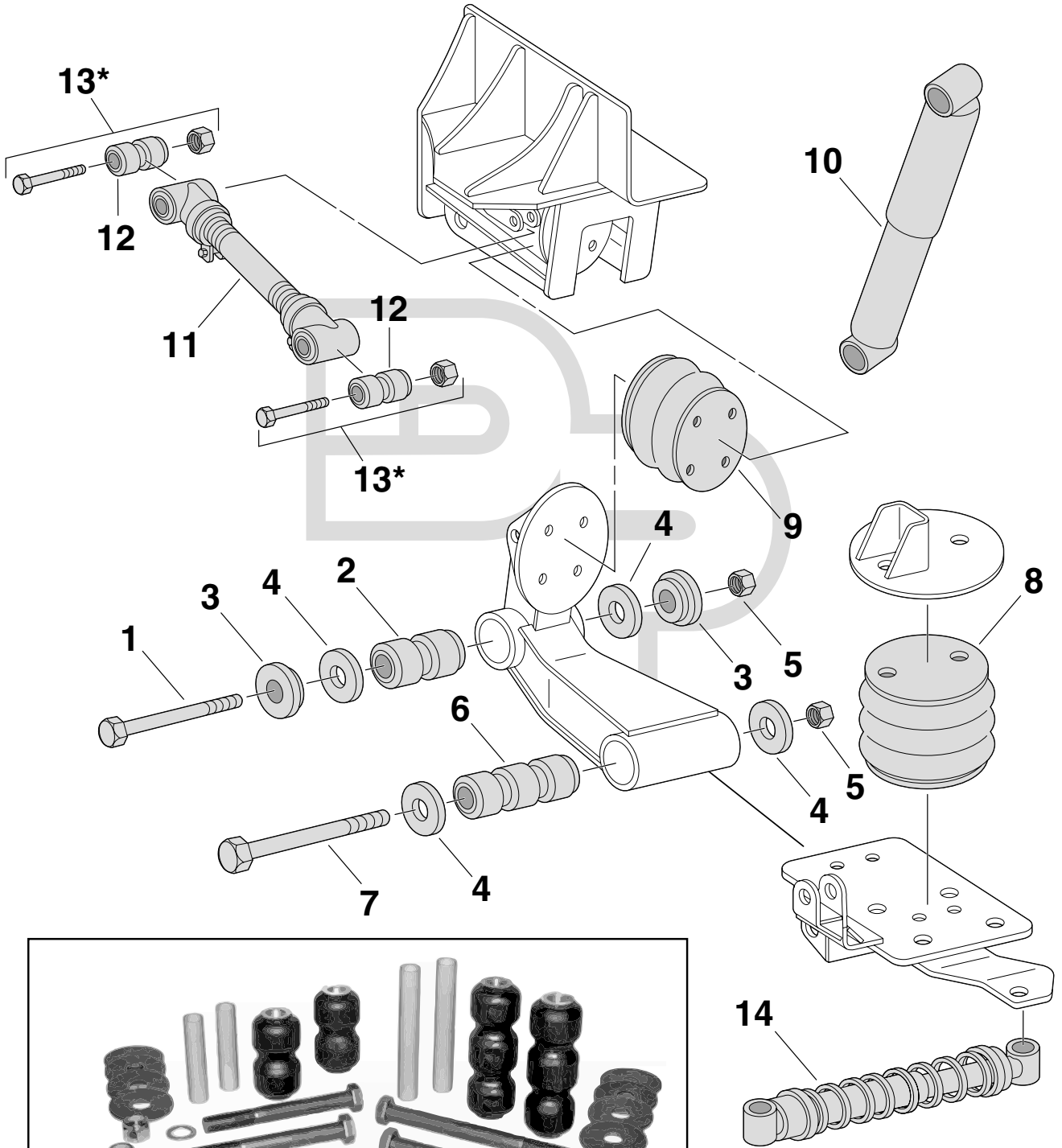
Key Numbers with an asterisk (*) indicate a kit or assembly.

Key No.	Part Number	Description	No. Req.	OEM Reference	Remarks
	1	334-1469 Bolt; 1 1/8"-12 x 9 3/4"Lg	2	11225	
✓ ●	2	321-229 Bushing; 1 1/8"ID x 3 1/2"OD x 5 1/4"Lg	2	10050	
●	321-346	Bushing; 1 1/8"ID x 3 3/8"OD x 5 1/4"Lg	2	10050-0S	Oversized Diameter
✓✓ ●	3	334-1467 Collar, Alignment	4	10764	
✓✓	4	334-1480 Bolt; 1 1/8" x 8 1/2" Lg	4	10036	
✓ ●	5	321-231 Bushing; 1 1/8"ID x 2 3/4"OD x 5"Lg	4	11223	
✓✓ ●	321-227	Bushing; 1 1/8"ID x 2 3/8"OD x 5"Lg	4	10051	Before 1988
✓✓	6	334-596 Spacer; 1 1/8"ID x 4"OD x 1/4"Thk	12	11222	
	334-1086	Washer; 1 1/16"ID x 3 1/4"OD x 1/8"Thk	12	10009	Before 1988
	7	334-193 Nut, Lock; 1 1/8"-12	6	10023	
	8	352-9321 Air Spring	2	AS-0036	
	352-9382	Air Spring	2	AS-0061	
	352-9370	Air Spring	2	AS-0057	
✓✓	354-8008	Air Spring	2	AS-0019	
	9	354-6908 Air Spring	1	AS-0035	
✓✓	354-6897	Air Spring	1	AS-0058	
✓	10	M66636 Shock Absorber	2	10148	
✓✓	11	361-240 Kit, U-Bolt; Round Bend, Grade 8	4		5/8" x 5 1/8" x 8 1/8" R
✓	361-282	Kit, U-Bolt; Round Bend, Grade 8	4		Before 1988; 3/4" x 5 1/8" x 8" R
	12	334-1478 Strap; 13 3/4"Lg	2	11342	
	13	339-262 Kit, Service; Pivot Connection; (1) Axle	1	SRK-01	
	14	339-263 Kit, Service; Axle Connection; (1) Axle	1	SRK-02	
●	15	338-1965 Assembly, Arm; LH	1	13107	2 1/4" Offset
●	338-1966	Assembly, Arm; RH	1	13108	2 1/4" Offset
	338-1967	Assembly, Arm; LH	1	930005-10, 930005-1	AL2200-SSR
	338-1968	Assembly, Arm; RH	1	930005-20, 930005-2	AL2200-SSR
	16	338-1963 Assembly, Side Rail; LH	1	920394-10, 13242	
	338-1964	Assembly, Side Rail; RH	1	920394-20, 13243	
	17	338-1912 Seat, Axle; LH	1	13246	
	338-1913	Seat, Axle; RH	1	13247	
	338-1971	Seat, Axle; LH	1	11660-10, 11660-1	6 1/2"
	338-1972	Seat, Axle; RH	1	11660-20, 11660-2	6 1/2"

**SL-1000/1100-LP/LR/LW/RO/SR/SSR
SL-1800/1800-SR
Self Steer Auxiliary Truck Suspension**

Watson & Chalin

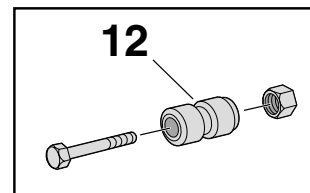
Watson & Chalin



Suspension Illustration



Key 15* - Service Kit, Suspension Overhaul



Key 13* - Bolt & Bushing Assembly

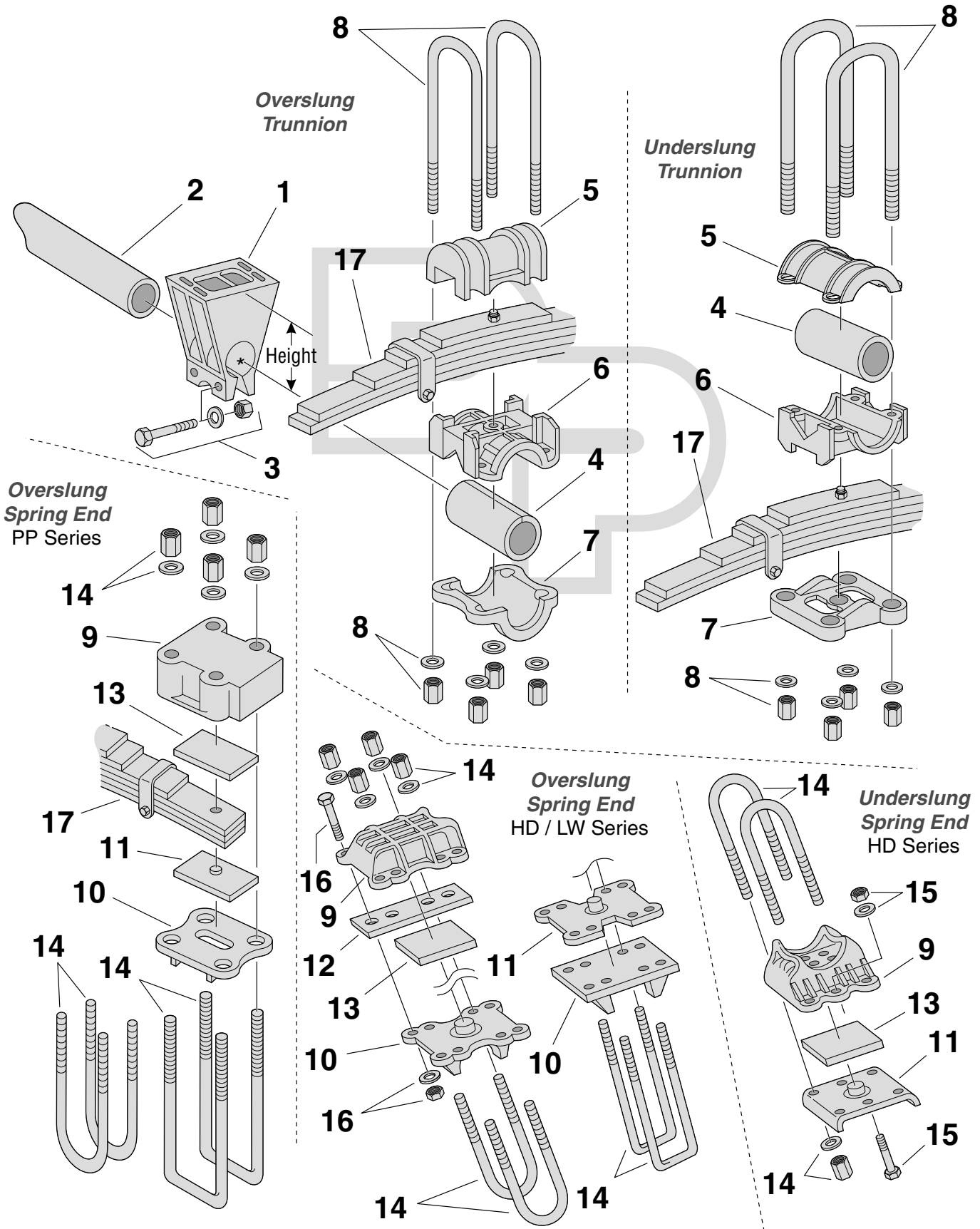
Key No.	Part Number	Description	No. Req.	OEM Reference	Remarks
✓✓	1 334-1469	Bolt; 1 1/8"-12 x 9 3/4"Lg	2	11225	Can Use 334-605 & 334-375
	334-1480	Bolt; 1 1/8"-12 x 8 1/2" Lg	2	10036	SL1800
✓●	2 321-231	Bushing; 1 1/8"ID x 2 3/4"OD x 5"Lg	2	11223	Pivot
	321-229	Bushing; 1 1/8"ID x 3 1/2"OD x 5 1/4"Lg	2	10050	SL1800/2089
	321-229U	Bushing, Urethane	2		
	321-372	Bushing; 1"ID x 2 7/16"OD x 4 1/2"Lg	2	12931	SL1000
	◆	Bushing; 7/8"ID x 2 7/16"OD x 4 1/2"Lg	2	12931-01	Use 321-372 & 334-1645
✓●	3 334-1649	Collar, Alignment	4	10005	
	334-1467	Collar, Alignment	4	10764	SL1800/2089
	334-1881	Collar, Alignment	4	12930	1" ID
	334-1882	Collar, Alignment	4	12930-01	7/8" ID
✓✓	4 334-596	Spacer; 1 1/8"ID x 4"OD x 1/4"Thk	8	11222	
	334-1883	Spacer; 1" ID	8	12927	
	334-1884	Spacer; 7/8" ID	8	12927-01	
	5 334-193	Nut, Lock; 1 1/8"-12	4	10023	
✓✓●	6 321-344	Bushing; 1 1/8"ID x 2 3/4"OD x 8 7/16"Lg	2	11938	
	321-374	Bushing; 1 1/8"ID x 3 1/2"OD x 8 1/4"Lg	2	12789	SL1800
	321-371	Bushing; 1 1/8"ID x 3 1/2"OD x 8 7/16"Lg	2	11996	Replaced by 321-374
	321-373	Bushing; 1"ID x 2 7/16"OD x 7"Lg	2	12932	SL1000
	◆	Bushing; 7/8"ID x 2 7/16"OD x 7"Lg	2	12932-01	Use 321-373 & 334-1646
✓✓	7 334-1466	Bolt; 1 1/8"-12 x 12"Lg	2	11602	Axle Connection
	334-1480	Bolt; 1 1/8"-12 x 8 1/2" Lg	2	10036	Axle Connection
	334-1469	Bolt; 1 1/8"-12 x 9 1/4"Lg	2	11225	Axle Connection
✓✓	8 354-8008	Air Spring	2	AS-0019	LR, SR, LW, SSR, LP & Tru-Track
	354-8032	Air Spring	2	AS-0048	RO
	354-7798	Air Spring	2	AS-0006	SL1800
✓✓	9 354-6899	Air Spring	2	AS-0058	LR, SR, LW, SSR, RO, Tru-Track & SL-1800
	354-7705	Air Spring	2	AS-0068	LP
✓	10 M66833	Shock Absorber	2	12128	SL-1100 & SL-1100LR
✓✓●	11 345-164	Torque Rod, Adjustable; 18 1/2"-21"; O.E.	2	17015	LR; Incl. (2)321-175 Bushings
	345-164HD	Torque Rod, Adjustable; 18 1/2"-21"	2		Heavy Duty Cast Ends, Bushings Included
	345-238	Torque Rod, Adjustable; 14 3/4"-17 1/4"; O.E.	2	11947	SR, SSR, LP, RO, SL1800; Incl. (2)321-175 Bushings
✓✓●	345-167	Torque Rod, Rigid; 19 1/4"; O.E.	2	12954	Incl. 321-175 Bushings
	345-811	Kit, Uni-Rod; 20"-30"Lg	2	17975	
✓✓●	12 321-175	Bushing; 1"ID x 1 15/16"OD x 3"Lg	4	17012	
	321-175U	Bushing; Urethane	4		
	◆	Bushing; 7/8"ID x 1 15/16"OD x 3"Lg	4		Use 321-175 & 334-1644
	321-153	Bushing; 7/8"ID x 1 29/32"OD x 3"Lg	4	19204	
	321-153U	Bushing, Urethane	4	19682	
✓✓	13 334-344	Assembly, Bolt & Bushing	4		Incl. 321-175 Bushing & 334-345 Bolt Assy.
	334-316	Assembly, Bolt & Bushing	4		Incl. 321-153 Bushing & 334-315 Bolt Assy.
✓	14 M66502	Stabilizer	2	11418, 12176	
✓✓●	15 339-280	Kit, Service; Suspension Overhaul	1	SRK14	SL1100; 7/8" Bolt w/Sleeves (Shown)
	339-294	Kit, Service; Suspension Overhaul	1	SRK12	SL1800
	339-299	Kit, Service; Suspension Overhaul	1	SRK11903C	SL1900
	339-322	Kit, Service; Suspension Overhaul	1	SRK08	AL/SL/TA 1100 Series
	339-324	Kit, Service; Suspension Overhaul	1	SRK2089-1	SL1900; 2 Beams

Pedestal Mount Trailer Single Point Suspension

Watson & Chalin

Watson & Chalin

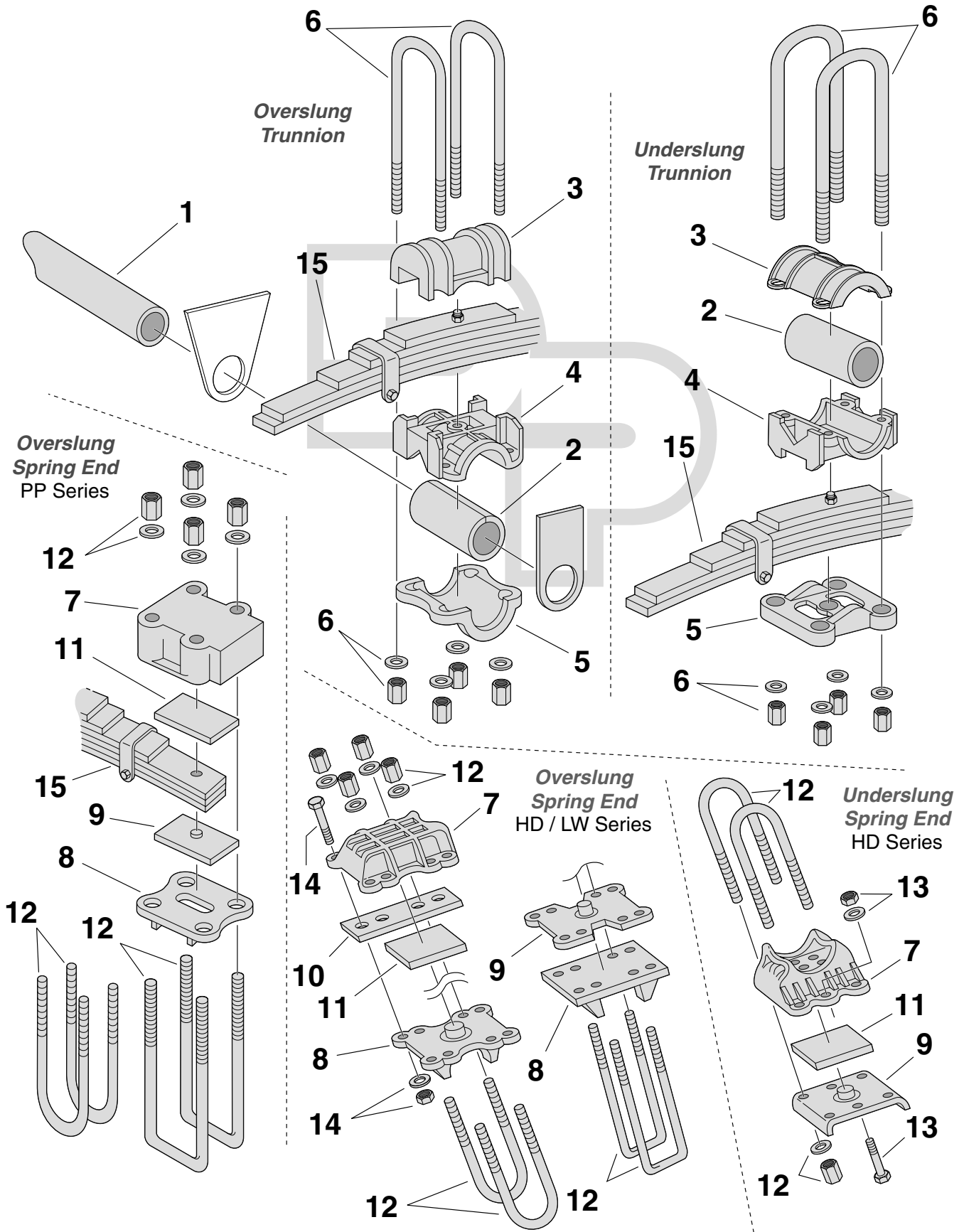
Suspension Illustration



Key No.	Part Number	Description	No. Req.	OEM Reference	Remarks	
●	1	338-422	Bracket, Trunnion Shaft; 2 1/2" Height	2	SP-0012	Standard; All
●		338-497	Bracket, Trunnion Shaft; 4 1/2" Height	2	SP-0011	Optional; All
●		338-421	Bracket, Trunnion Shaft; 6 1/2" Height	2	SP-0010	Optional; All
●		338-425	Bracket, Trunnion Shaft; 8 1/2" Height	2	SP-0009	Optional; All
	2	334-382	Shaft; 4"OD x 48"Lg x 1/2"Thk Wall	1	893-01	
		334-383	Shaft; 4"OD x 48"Lg x 3/4"Thk Wall	1	893-02	
	3	334-798	Assembly, Bolt; 3/4"-16 x 4"Lg	4		Incl. Bolt & Hdwe.
●	4	325-137U	Bushing, Urethane; 4"ID x 5"OD x 8 3/4"Lg	2	SP-0192	
●	5	338-424	Trunnion, Upper Half	2	SP-0177	Underslung
●		338-1353	Saddle, U-Bolt; Round	2	SP-0003	Overslung
✓✓	6	338-1350	Seat, Trunnion	2	SP-0001	
✓✓	7	338-1351	Cap, Trunnion	2	SP-0006	Overslung
●		338-420	Plate, Clamp; U-Bolt	2	SP-0171	Underslung
✓	8	361-565	Kit, U-Bolt; Round Bend, Grade 8	4	SP-0023K	Overslung; 1 1/8" x 5 11/16" x 14" R
		361-573	Kit, U-Bolt; Round Bend, Grade 8	4		Overslung; 1 1/8" x 5 11/16" x 16 1/2" R
		361-496	Kit, U-Bolt; Round Bend, Grade 8	4		Underslung; 1 1/8" x 5 7/8" x 15 1/2" R
✓✓		361-234	Kit, U-Bolt; Round Bend, Grade 8	4	SP-0022	1 1/8" x 5 11/16" x 15 1/2" R
✓✓	9	338-1348	Cap, End; Spring; 2 Main Spring	4	SP-0016	HD & LW; Overslung Ends
✓✓		338-1349	Cap, End; Spring; 3 Main Spring	4	SP-0007	HD & LW; Overslung Ends; 3" Inside Height
●		338-1355	Cap, End; Spring; 5" Round Axles	4	SP-0086	HD; Underslung Ends
✓		338-1354	Cap, End; Spring; 5" Round Axle	4	SP-0013	HD; Underslung Ends
✓✓		338-1117	Cap, End	4	SP-0015	PP Series; Overslung Ends
✓✓	10	338-1363	Seat; 5" Round Axle	4	SP-0036	HD & LW; Overslung Ends
●		338-1556	Seat; 5" Square Axels	4	SP-0048	HD & LW; Overslung Ends
●		338-1810	Seat; 5" Round Axles	4	SP-0092	PP Series
●		338-1119	Seat, 5" Square Axles	4	SP-0014	PP Series
✓✓	11	338-1818	Pad, Seat Repair; Cast	4		HD & LW; Overslung Ends
✓✓		338-876	Pad, Seat Repair; Fabricated	4	SP-0082	HD & LW; Overslung Ends
✓		338-1557	Pad, End	4	SP-0029	HD Series; Underslung Ends
✓✓		338-1118	Plate, Locator	4	SP-0043, SP-0051	PP Series; 44-50K
		SP	Plate, Locator; 1 3/4" pin	4	SP-0195	PP Series; 60-70K
●	12	334-1111	Plate, Spacer; 1 1/16" x 9 1/2" X 5/32"Thk	8	SP-0083	(4) 13/16" Dia. Holes
●	13	325-151U	Pad, Urethane; 1" x 4 3/8" x 7 5/8"	4		PP Series
●		325-142U	Pad, Urethane; 4 5/8"W x 5 1/4"Lg x 13/16"Thk	4	SP-0193	HD & LW; Overslung Ends
✓✓	14	361-240	Kit, U-Bolt; Round Bend, Grade 8	8	SP-0021	HD & LW; Overslung Ends; 5/8" x 5 1/8" x 8 1/8" R
		361-244	Kit, U-Bolt; Square Bend, Grade 8	8	SP-0052	HD & LW; Overslung Ends; 5/8" x 5 1/8" x 9 3/8" S
		361-516	Kit, U-Bolt; Round Bend, Grade 8	8		HD; Underslung Ends; 1" x 5 1/8" x 12 7/8" R
		361-531	Kit, U-Bolt; Round Bend, Grade 8	8	SP-0094	PP Series; Overslung Ends; 1 1/8" x 5" x 12" R
✓		361-338	Kit, U-Bolt; Square Bend, Forged Top, Grade 8	8	SP-0026K	PP Series; Overslung Ends; 1 1/8" x 5 1/8" x 13 1/2" S
✓✓	15	334-1110	Assembly, Bolt; 3/4"-10 x 2 1/2"Lg	8		HD; Overslung Ends; Incl. Bolt & Hdwe.
✓	16	334-622	Assembly, Bolt; 5/8"-18 x 2"Lg	16		HD & LW; Overslung Ends; Incl. Bolt & Hdwe.
	17	Spring Assembly	Assembly, Spring	2		See Leaf Spring Web Catalog for Details

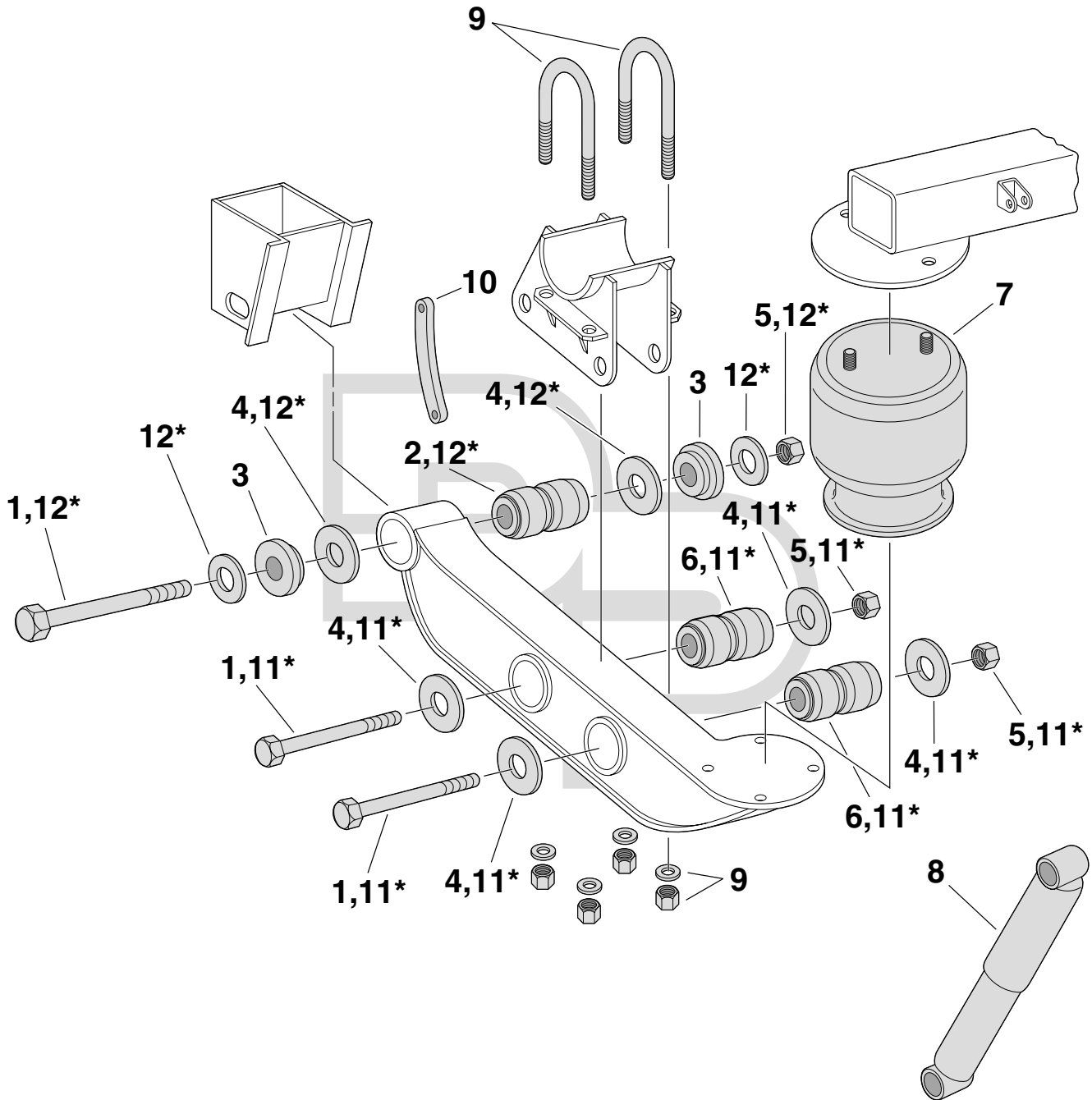
Watson & Chalin

Suspension Illustration

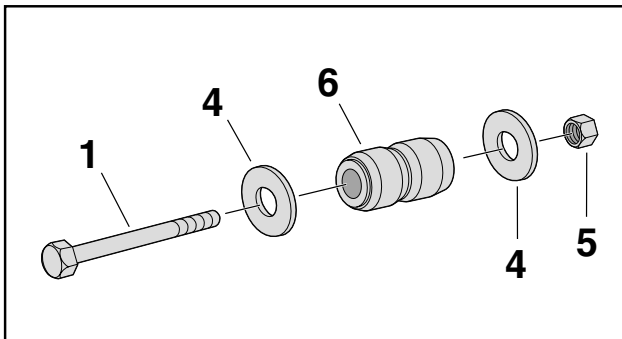


Key No.	Part Number	Description	No. Req.	OEM Reference	Remarks
1	334-1482	Shaft; 54 1/2"Lg	1	SP-0120	
2	321-348	Bushing; 4"ID x 4.95"OD x 8.75"Lg	2	SP-0225	
● 3	338-1353	Saddle, U-Bolt; Round	2	SP-0003	Overslung
●	338-424	Trunnion, Upper Half	2	SP-0177	Underslung
✓✓ ● 4	338-1350	Seat, Trunnion	2	SP-0001	
✓✓ ● 5	338-1351	Cap, Trunnion	2	SP-0006	Overslung
●	338-420	Plate, Clamp; U-Bolt	2	SP-0171	Underslung
✓ 6	361-565	Kit, U-Bolt; Round Bend, Grade 8	4	SP-0023K	Overslung; 1 1/8" x 5 11/16" x 14" R
	361-496	Kit, U-Bolt; Round Bend, Grade 8	4		Underslung; 1 1/8" x 5 7/8" x 15 1/2" R
	361-573	Kit, U-Bolt; Round Bend, Grade 8	4		Overslung; 1 1/8" x 5 11/16" x 16 1/2" R
✓✓ ● 7	338-1117	Cap, End	4	SP-0015	PP Series; Overslung Ends
✓✓ ●	338-1348	Cap, End; Spring; 2 Main Spring	4	SP-0016	HD & LW; Overslung Ends
✓✓ ●	338-1349	Cap, End; Spring; 3 Main Spring	4	SP-0007	HD & LW; Overslung Ends
●	338-1355	Cap, End; Spring; 5" Round Axles	4		HD; Underslung Ends
✓ ●	338-1354	Cap, End; Spring; 5" Round Axles	4	SP-0013	HD; Underslung Ends
● 8	338-1119	Seat; 5" Square Axles	4	SP-0014	PP Series; Overslung Ends
	338-1382	Seat	4	SP-0092	
✓✓ ●	338-1363	Seat; 5" Round Axles	4	SP-0036	HD & LW; Overslung Ends
●	338-1556	Seat; 5" Square Axles	4	SP-0048	HD & LW; Overslung Ends
●	338-1810	Seat; 5" Round Axles	4	SP-0092	PP Series; Overslung Ends
✓✓ ● 9	338-1818	Pad, Seat Repair; Cast	4		HD & LW; Overslung Ends
✓✓ ●	338-876	Pad, Seat Repair; Fabricated	4	SP-0082	HD & LW; Overslung Ends
✓ ●	338-1557	Pad, End	4	SP-0029	HD; Underslung Ends
✓✓ ●	338-1118	Plate, Locator	4	SP-0043, SP-0051	PP Series; Overslung Ends
● 10	334-1111	Plate, Spacer; 1 1/16" x 9 1/2" X 5/32"Thk	8	SP-0083	(4)1 3/16" Dia. Holes
● 11	325-151U	Pad, Urethane; 1" x 4 3/8" x 7 5/8"	4		PP Series
●	325-142U	Pad, Urethane; 4 5/8"W x 5 1/4"Lg x 1 3/16"Thk	4	SP-0193	HD & LW
12	361-516	Kit, U-Bolt; Round Bend, Grade 8	8		HD; Underslung; 1" x 5 1/8" x 12 7/8" R
	361-531	Kit, U-Bolt; Round Bend, Grade 8	8	SP-0094K	PP Series; Overslung; 1 1/8" x 5 1/8" x 12 3/8" R
✓	361-338	Kit, U-Bolt; Square Bend, Forged Top, Grade 8	8	SP-0026K	PP Series; Overslung; 1 1/8" x 5 1/8" x 13 1/2" S
✓✓	361-240	Kit, U-Bolt; Round Bend, Grade 8	8	SP-0021K	HD & LW; Overslung; 5/8" x 5 1/8" x 8 1/8" R
	361-244	Kit, U-Bolt; Square Bend, Grade 8	8	SP-0052K	HD & LW; Overslung; 5/8" x 5 1/8" x 9 3/8" S
✓✓	334-1110	Assembly, Bolt; 3/4"-10 x 2 1/2"Lg	8		Incl. Bolt & Hdwe.
✓	334-622	Assembly, Bolt; 5/8"-18 x 2"Lg	16		Incl. Bolt & Hdwe.
15	Spring Assembly	Assembly, Spring	2		See Leaf Spring Web Catalog for Details

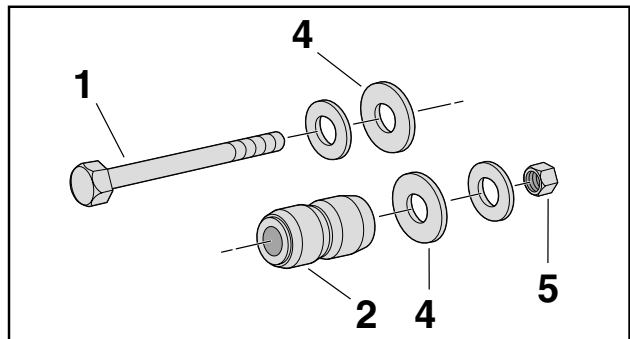
Watson & Chalin



Suspension Illustration



Key 11* - Service Kit, Axle Seat



Key 12* - Service Kit, Pivot

Key Numbers with an asterisk (*) indicate a kit or assembly.

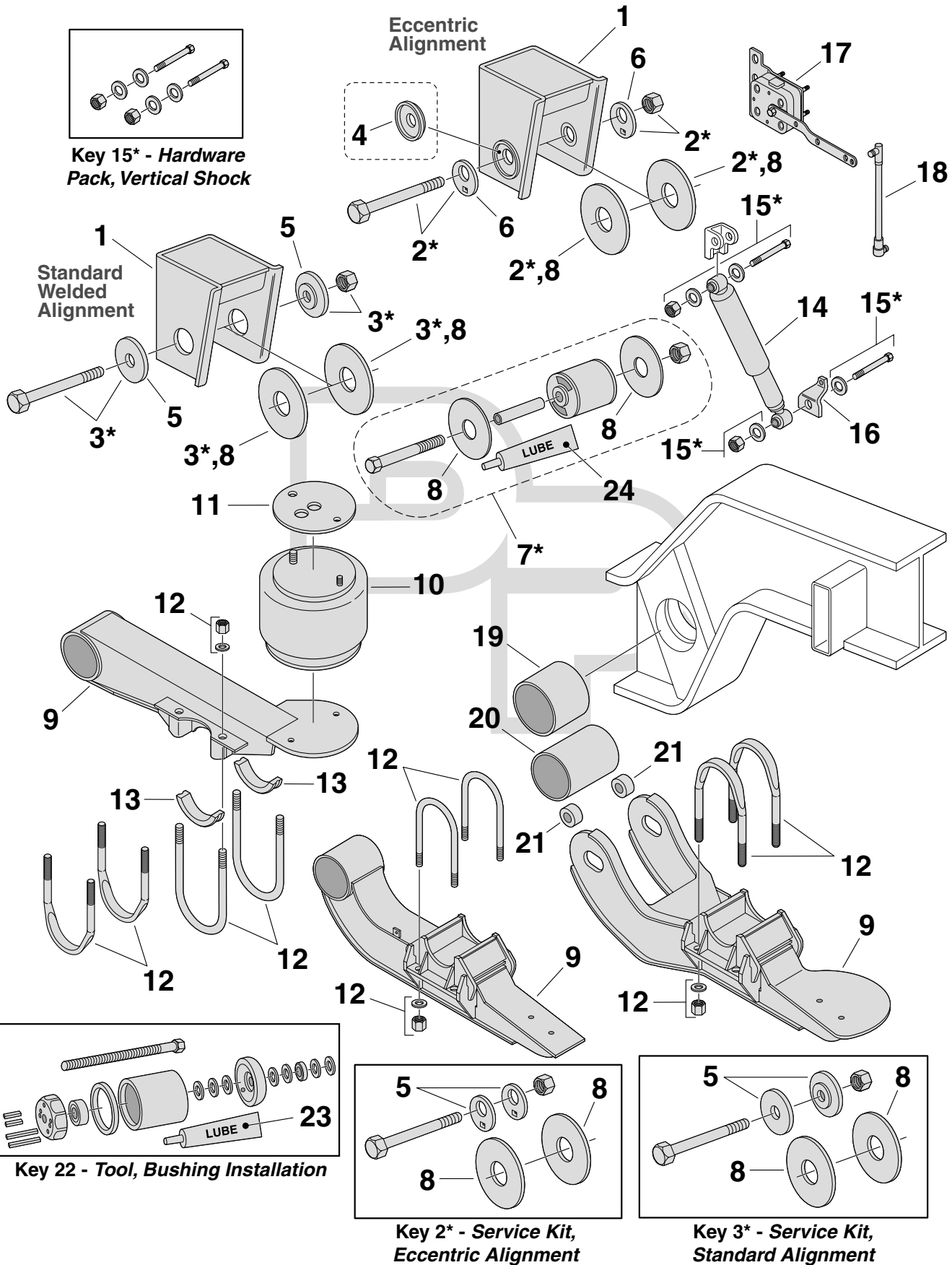
Key No.	Part Number	Description	No. Req.	OEM Reference	Remarks
✓✓	1	334-1480 Bolt; 1 1/8"-12" x 8 1/2" Lg	6	10036	
		334-1469 Bolt; 1 1/8"-12 x 9 1/4"Lg	6	11225	
✓ ●	2	321-229 Bushing; 1 1/8"ID x 3 1/2"OD x 5 1/4"Lg	2	10050	TA250, TA251 & TA255
		321-229U Bushing, Urethane	2		
		321-345 Bushing; 1 1/8"ID x 4 3/16"OD x 5 1/4"Lg	2	11771	TA300
✓ ●	3	334-1649 Collar, Alignment	4	10005	TA250, TA251 & TA255
		334-1470 Collar, Alignment	4	11721	TA300
✓✓	4	334-596 Spacer; 1 1/8"ID x 4"OD x 1/4"Thk	12	11222	
	5	334-193 Nut, Lock; 1 1/8"-12	6	10023	
✓ ●	6	321-229 Bushing; 1 1/8"ID x 3 1/2"OD x 5 1/4"Lg	4	10050	TA300
		321-231 Bushing; 1 1/8"ID x 2 3/4"OD x 5"Lg	4	11223	TA250, TA251 & TA255
✓✓	7	352-9362 Air Spring	2	AS-0049	TA250-9 & TA251-6.5
		352-9346 Air Spring	2	AS-0056	TA250-12 & TA251-12FS
		352-9121 Air Spring	2	AS-0013	TA255-9 & TA300-9
		352-9243 Air Spring	2	AS-0061	TA251-6.5FS/7.5FS/8FS/9FS/10FS/12
		352-9366 Air Spring	2	AS-0054	TA250-6
		352-9336 Air Spring	2	AS-0053	TA250-7.5 & TA280D
✓	8	M66893 Shock Absorber	2	10147	Consult Shock Catalog for Model Specific Applications
		M66636 Shock Absorber	2	10148	
		See Shocks Shock Absorber	2	Various	
✓✓	9	361-240 Kit, U-Bolt; Round Bend, Grade 8	4	SP-0021K, 16001	TA250 & 251; 5/8" x 5 1/8" x 8 1/8" R
		361-282 Kit, U-Bolt; Round Bend, Grade 8	4	SP-0157K	TA255; 3/4" x 5 1/8" x 8" R
		361-471 Kit, U-Bolt; Round Bend, Grade 8	4	SP-0218K	TA300 7/8" x 5 1/8" x 9 7/8" R
10	SP Strap, Retainer; 12 3/4"Lg	2	17076	Optional	
11	339-292 Kit, Service; Axle Connection	1	SRK10	TA300; (1) Axle	
	339-263 Kit, Service; Axle Connection	1	SRK-02	TA250, 251 & 255; (1) Axle	
12	339-293 Kit, Service; Pivot	1	SRK11	TA Series; (1) Axle	

TA250/300T, U
 (w/Multi-Function Bushing)
Trailer Air Suspensions

Watson & Chalin

Watson & Chalin

Suspension Illustration



Key 15* - Hardware Pack, Vertical Shock

Standard Welded Alignment

Eccentric Alignment

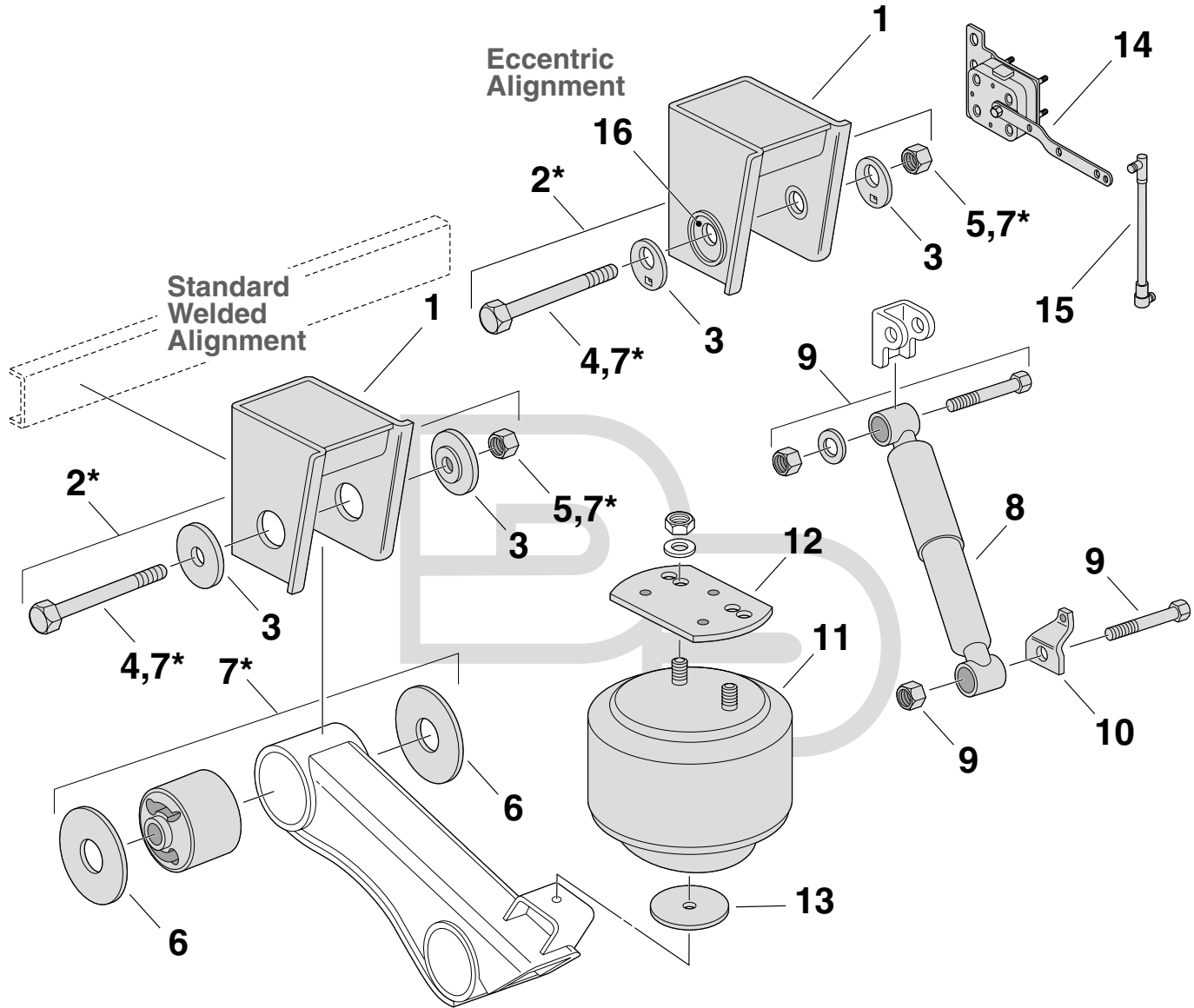
Key 22 - Tool, Bushing Installation

Key 2* - Service Kit, Eccentric Alignment

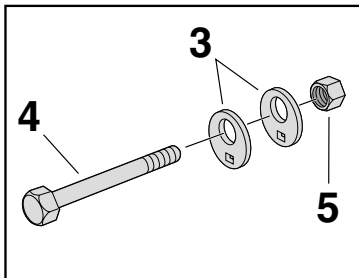
Key 3* - Service Kit, Standard Alignment

Key No.	Part Number	Description	No. Req.	OEM Reference	Remarks
	SP	Assembly, Hanger	2	Various	Specify Weld-On/Bolt-On, Left/Right, Model, Ride Hgt. & Alignment
✓✓●	334-1859	Kit, Service; Alignment; Eccentric	2	16079-02	(1) Beam End
✓✓●	334-1858	Kit, Service; Alignment; Standard	2	16079-01	(1) Beam End
	334-1855	Insert, Hanger; Eccentric	4	17303-01	Use w/334-1837
●	334-1838	Collar, Alignment; Standard	4	20203	
●	334-1837	Washer, Alignment; Eccentric	4	17234	Use w/334-1855
✓✓●	339-274	Kit, Service; Pivot Bushing	1	SRK-64	Standard
●	339-276	Kit, Service; Pivot Bushing	1	SRK-65	H Control
	SP	Kit, Service; Pivot Bushing		SRK-75	Y Beam
✓✓	334-898	Washer; 2 3/8"ID x 7 1/4"OD x 3/16"Thk	4		
✓✓●	334-1810	Washer, High Control	4		
	SP	Assembly, Beam	2	Various	Specify Model No.
	352-8753	Air Spring	2	AS0098-01FK	TA250T20-14; Rotate Piston
	352-8637	Air Spring	2	AS0107K	TA250T20-15/16/17/18
✓✓	352-9039	Air Spring	2	AS0012	TA280
	352-8861	Air Spring	2	AS0061-19	TA252T07/07H-15 & STA250U04-7.5
✓✓	352-9121	Air Spring	2	AS0013	TA300U09-7.5 & TY300U04-6.5
✓✓	352-9122	Air Spring	2	AS0023	TA300U09-6.5 & TY300U04-7.5/9
	352-8050	Air Spring	2	AS0039	TA300T20-14
	SP	Plate, Bag; Upper	2	Various	Specify Suspension Model No.
✓✓●	361-637	Kit, U-Bolt; Special Bend	4	17477	
✓	361-470	Kit, U-Bolt; Round Bend, Grade 8	4		7/8" x 6" x 8 5/8" R
	361-471	Kit, U-Bolt; Round Bend, Grade 8	4	SP-0218K	7/8" x 5 1/8" x 9 7/8" R
✓✓●	334-1137	Spacer, Axle; U-Bolt	4	17181	
✓✓	M66893	Shock Absorber	2	10147	
✓	M66636	Shock Absorber	2	10148	
	See Shocks	Shock Absorber	2	Various	Consult Shock Catalog for Model Specific Applications
	SP	Hardware Pack, Vertical Shock	1	16002	
	SP	Bracket, Connection; Leveling Valve Rod	2	30259	
	SP	Valve, Height Control	1	Various	Watson Used HCV's from Various Manufacturers, Retrofit w/334-1647 or 1648 Universal Valves
✓✓●	334-1647	Valve, Height Control; Universal	1		
✓✓●	334-1648	Valve, Height Control; w/Dump	1		
✓✓●	334-751	Linkage Assembly; Universal; Adjustable	1		3 5/8"-19 5/8" Range; Use w/All Height Control Valves
	SP	Tube, Frame	2	30338	Y Beam Only
	SP	Tube, Bushing	2	30339	Y Beam Only
	SP	Spacers	4	90644	Y Beam Only
●	334-936	Tool, Bushing Installation	1		Required To Properly Service Multi-Functional® Bushings
	334-1918	Lubricant, Extreme High Pressure	AR		Recommended Tool Thread Lubricant
	334-1665	Lubricant, Bushing Installation	AR		

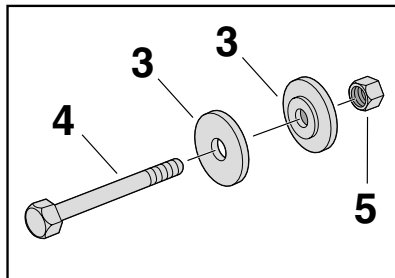
Watson & Chalin



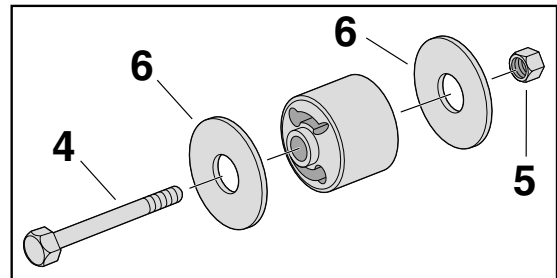
Suspension Illustration



**Key 2* - Service Kit
Eccentric Alignment**



**Key 2* - Service Kit
Standard Alignment**



Key 7* - Pivot Bushing Service Kit

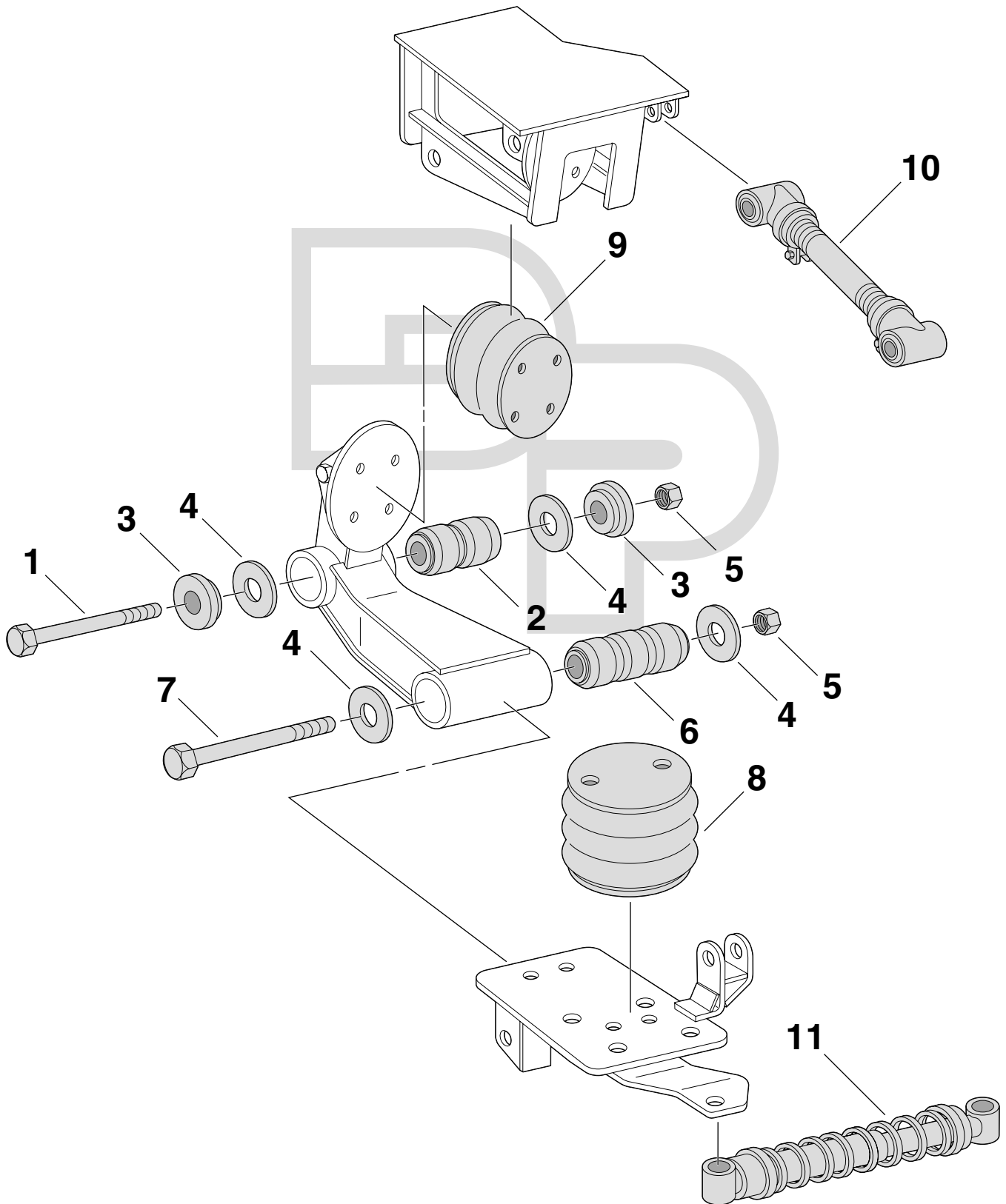
Key No.	Part Number	Description	No. Req.	OEM Reference	Remarks
	SP	Hanger	2	Various	Specify Ride Hgt., Type, Roadside/Curbside & Alignment
✓✓●	2 334-1858	Kit, Service; Alignment; Standard	2	16079-01	(1) Beam End
✓✓●	334-1859	Kit, Service; Alignment; Eccentric	2	16079-02	(1) Beam End
✓✓●	3 334-1838	Collar, Alignment; Standard	4	20203	
✓✓●	334-1837	Washer, Alignment; Eccentric	4	17234	Use w/334-1855
✓✓	4 334-1480	Bolt; 1 1/8"-12 x 8 1/2" Lg	2	10036	Standard Alignment
✓✓	334-1839	Bolt; 1 1/8"-12 x 10 1/2" Lg	2	17269	Eccentric Alignment
	334-1469	Bolt; 1 1/8"-12 x 9 1/4"Lg	2	11225	
	5 334-193	Nut, Lock; 1 1/8"-12	2	19040F-113, 10023	
✓	6 334-898	Washer; 2 3/8"ID x 7 1/4"OD x 3/16"Thk	4	17183	
✓✓●	334-1810	Washer, High Control	4	17419	
✓✓●	7 339-274	Kit, Service; Pivot Bushing	1	SRK-64	Eccentric Alignment; (1) Axle
✓✓●	339-276	Kit, Service; Pivot Bushing	1	SRK-65	Eccentric Alignment; High Control; (1) Axle
	8 M65501	Shock Absorber	2	17186, 17186-01	
	See Shocks	Shock Absorber	2	Various	Consult Shock Catalog for Model Specific Applications
✓✓	9 334-1105	Assembly, Bolt; 3/4"-10 x 3 1/2"Lg	1	16002	Incl. Bolt & Hdwe.
	10 SP	Bracket, HCV	1	30259	
	11 352-8774	Air Spring	2	AS-0159-1G	
	12 SP	Assembly, Plate; Air Spring Mounting	2	950189-XX	Specify Thickness
	13 SP	Washer, Air Spring Piston Support	2	90864	
✓●	14 334-1647	Valve, Height Control; Universal	1		
✓●	334-1648	Valve, Height Control; w/Dump	1		
	SP	Valve, Height Control	1	Various	Watson Uses HCV's from Various Manufacturers; Retrofit w/334-1647 or 1648 Universal Valves
✓●	15 334-751	Linkage Assembly; Universal; Adjustable	1		
	16 334-1855	Insert, Hanger; Eccentric	4	17303-01	Use w/334-1837

**TL-1100
"Light Weight"
Auxiliary Trailer Suspension**

Watson & Chalin

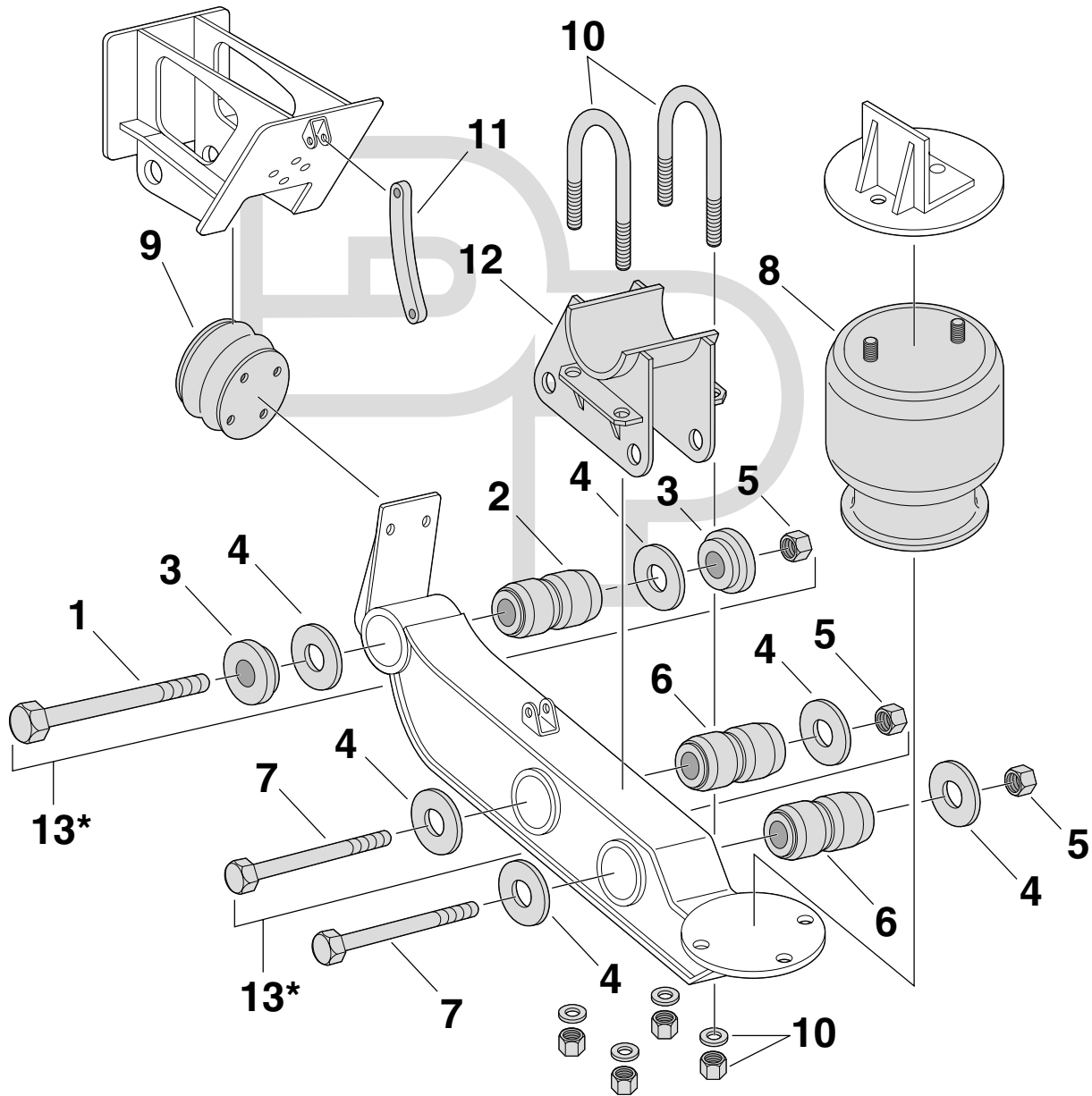
Watson & Chalin

Suspension Illustration

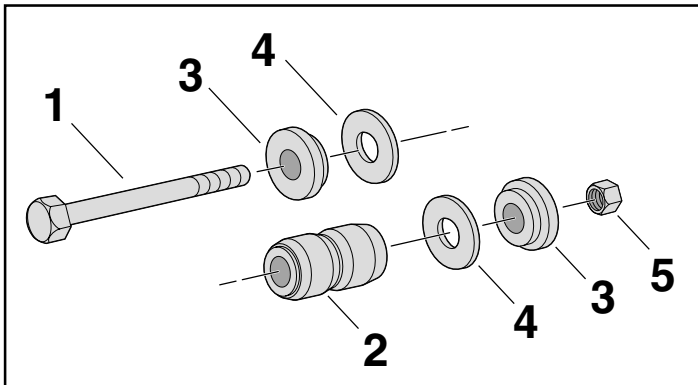


Key No.	Part Number	Description	No. Req.	OEM Reference	Remarks	
✓✓	1	334-1480	Bolt; 1 1/8" x 8 1/2"Lg	2	10036	Pivot Connection
✓●	2	321-231	Bushing; 1 1/8"ID x 2 3/4"OD x 5"Lg	2	11223	Pivot Connection
✓✓●		321-227	Bushing; 1 1/8"ID x 2 3/8"OD x 5"Lg	2	10051	Pivot Connection
✓●	3	334-1649	Collar, Alignment	4	10005	
✓✓	4	334-596	Spacer; 1 1/8"ID x 4"OD x 1/4"Thk	4	11222	
		334-1086	Washer; 1 1/16"ID x 3 1/4"OD x 1/8"Thk	4	10009	
	5	334-193	Nut, Lock; 1 1/8"-12	4		
✓✓●	6	321-344	Bushing; 1 1/8"ID x 2 3/4"OD x 8 7/16"Lg	2	11938	Axle Connection
✓✓	7	334-1466	Bolt; 1 1/8"-12 x 12"Lg	2	11602	Axle Connection
✓✓	8	354-8008	Air Spring	2	AS-0019	
	9	354-6908	Air Spring	2	AS-0035	12.5, 16.5, 17.5, 18.5, 21.5 & 22.5 Ride Hgt.
✓✓		354-6897	Air Spring	2	AS-0058	14.5, 19.5 & 20.5 Ride Hgt.
✓✓●	10	345-164	Torque Rod, Adjustable; 18 1/2"-21"Lg; O.E.	2	17105	Incl. 321-175 Bushings
		345-164S	Torque Rod, Adjustable; 18 1/2"-21"Lg; Service	2		Incl. 321-175 Bushings
✓	11	M66502	Stabilizer	2	11418	

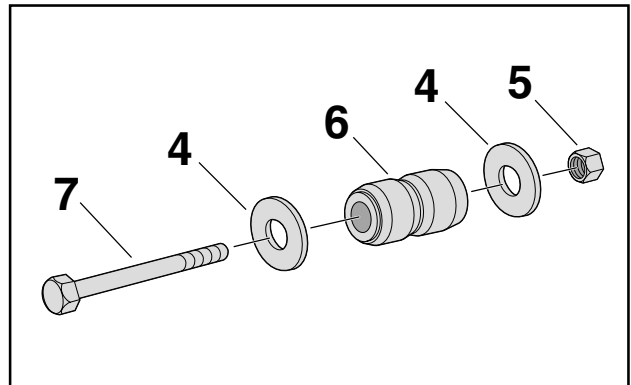
Watson & Chalin



Suspension Illustration



Key 13* - Service Kit, Pivot Connection



Key 13* - Service Kit, Axle Connection

Key No.	Part Number	Description	No. Req.	OEM Reference	Remarks
	334-1469	Bolt; 1 1/8"-12 x 9 3/4"Lg	2	11225	
✓ ●	321-229	Bushing; 1 1/8"ID x 3 1/2"OD x 5 1/4"Lg	2	10050	
	321-229U	Bushing, Urethane	2		
●	321-346	Bushing; 1 1/8"ID x 3 5/8"OD x 5 1/4"Lg	2	10050-0S	Before 1988
✓✓ ●	334-1467	Collar, Alignment	4	10764	
✓✓	334-596	Spacer; 1 1/8"ID x 4"OD x 1/4"Thk	12	11222	Use w/321-229 Bushing
	334-1086	Washer; 1 1/16"ID x 3 1/4"OD x 1/8"Thk	4	10009	Before 1988; Axle Connection
	334-1477	Washer; 2 9/16"ID x 4 1/4"OD x 1/8"Thk	4	10008	Before 1988; Pivot Connection
	334-193	Nut, Lock; 1 1/8"-12	6		
✓ ●	321-231	Bushing; 1 1/8"ID x 2 3/4"OD x 5"Lg	4	11223	
✓✓ ●	321-227	Bushing; 1 1/8"ID x 2 3/8"OD x 5"Lg	4	10051	Before 1988
✓✓	334-1480	Bolt; 1 1/8"-12 x 8 1/2" Lg	4	10036	Can Use 334-607 & 334-375
	352-9370	Air Spring	2	AS-0057	
✓✓	354-6897	Air Spring	2	AS-0059	
✓	361-282	Kit, U-Bolt; Round Bend, Grade 8	4	SP-0157K	3/4" x 5 1/8" x 8" R
✓✓	361-240	Kit, U-Bolt; Round Bend, Grade 8	4	SP-0021K	5/8" x 5 1/8" x 8 1/8" R; Before 1988
	334-1478	Strap; 13 3/4"Lg	2	11342	9"-12" & 23"-26" Ride Hgt.
	334-1481	Strap; 15 3/4" Lg	2	14135	13"-14" & 27"-29" Ride Hgt.
	334-1479	Strap; 18 1/2"Lg	2	17025	15"-18" & 30"-32" Ride Hgt.
	334-1472	Strap; 19 3/4"Lg	2	11757	19"-20" & 33"-34" Ride Hgt.
	338-1912	Seat, Axle; LH	1	13246	9", 10", 15", 26", 32" & 34" Ride Hgt.
	338-1913	Seat, Axle; RH	1	13247	9", 10", 15", 26", 32" & 34" Ride Hgt.
	SP	Seat, Axle; RH/LH	2	Various	Ride Heights Not Listed Above
	339-262	Kit, Service; Pivot Connection	1	SRK-01	One Axle
	339-263	Kit, Service; Axle Connection	1	SRK-02	One Axle

321-153



Bushing; 7/8"ID x 1 29/32"OD x 3"Lg.

321-153U



Bushing, Urethane; 7/8"ID x 1 29/32"OD x 3"Lg.

321-175



Bushing; 1" I.D. x 1 15/16" O.D. x 3" Lg.; Model SL1100 All

321-175U



Bushing, Urethane; 1" I.D. x 1 15/16" O.D. x 3" Lg.; Model SL1100 All

321-227



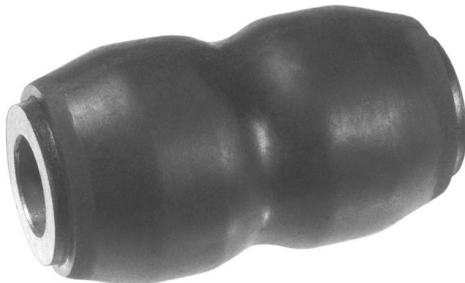
Bushing; 1 1/8" I.D. x 2 3/8" O.D. x 5" Lg.; Model AL2200/TL2200 Before 1988

321-229



Bushing; 1 1/8" I.D. x 3 1/2" O.D. x 5 1/4" Lg.; Models AL2200, TA250/251255/300, TL2200

321-231



Bushing; 1 1/8" I.D. x 2 3/4" O.D. x 5" Lg.; Models AL2200, TA250/251/255/300, TL1100/2200, SL1100 All

321-344



Bushing; 1 1/8" I.D. x 2 3/4" x 8 1/2" Lg.; Model TL1100/SL1100 All

321-345



Bushing; 1 1/8" O.D. x 4 9/16" O.D. x 5 1/4" Lg.; Model TA300 Pivot

321-346



Bushing; 1 1/8" I.D. x 3 5/8" O.D. x 5 1/4" Lg.; Model AL2200/TL2200

321-372



Bushing; 1"ID x 2 7/16"OD x 4 1/2"Lg.; Model SL1000

321-373



Bushing; 1"ID x 2 7/16"OD x 7"Lg.; Model SL1000

321-374



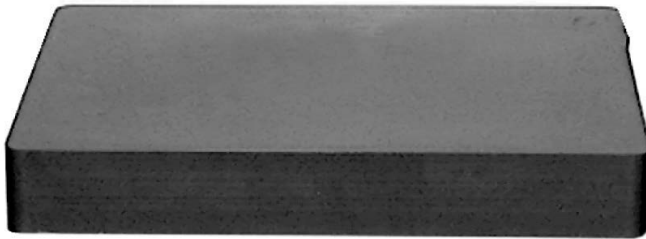
Bushing; 1 1/8" I.D. x 3 1/2" O.D. x 8 1/2" Lg.; Model SL1800

325-137U



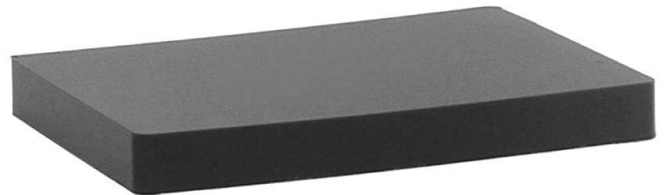
Bushing, Urethane; 4"ID x 5"OD x 8 3/4"Lg.; Model Pedestal Mount Trailer Single Point

325-142U



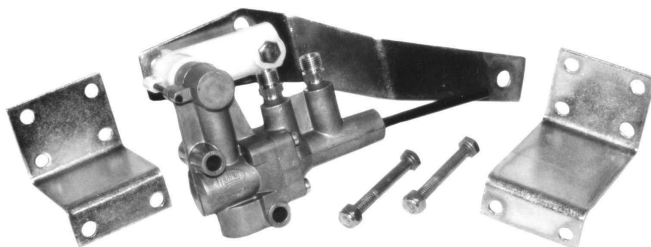
Pad, Urethane; 4 5/8"W x 5 1/4"Lg. x 13/16"Thk.; HD/LW; Models Pedestal Mount, Straddlemount Trailer Single Point

325-151U



Pad, Urethane; 1" x 4 3/8" x 7 5/8"; PP Series; Models Pedestal Mount, Straddlemount Trailer Single Point

334-750



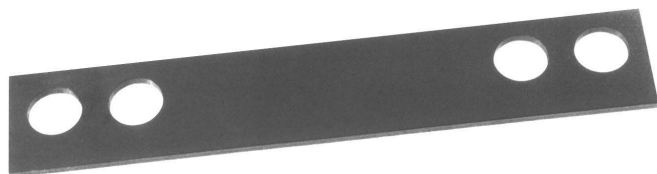
Valve, Height Control; Universal; Model TI 250/300T

334-751



Linkage Assembly, Universal Adjustable; Model TI 250/300T

334-1111



Spacer Plate; 1 11/16" x 9 1/2" x 5/32" Thk. w/ (4) 13/16" Holes; Model Trailer Single Point

334-1137



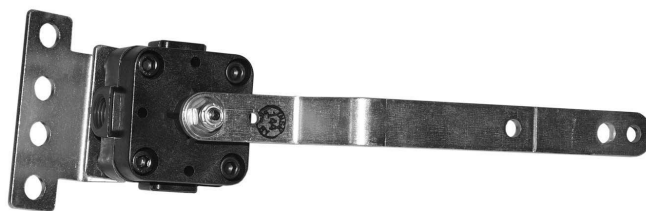
Spacer, U-Bolt Axle; Model TA250/300T, U

334-1467



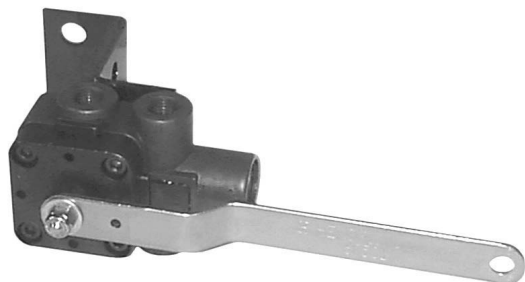
Collar, Alignment; 1 1/8" I.D. x 3 1/2" O.D. x 3/4" Thk.; Model AL2200/TL2200

334-1647



Valve, Height Control; Universal; Model TA250/300T, U

334-1648



Valve, Height Control; w/Dump; Model TA250/300T, U

334-1649



Collar, Alignment; 1 1/8" I.D. x 3 1/2" O.D. x 15/16" Thk.; Models TA250/251/255, TL1100, SL1100

334-1810



Washer, High Control; Models TA250/300T, U, TI 250/300T

334-1825



Air Control Panel Assembly; Model TI 250/300T

334-1837



Collar, Eccentric Alignment; Models TA250/300T, U, TI 250/300T

334-1838



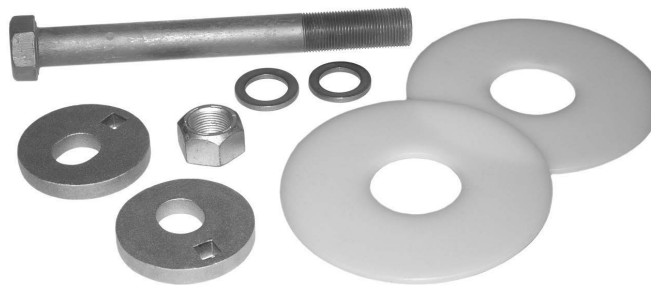
Collar, Standard Alignment; Models TA250/300T, U, TI 250/300T

334-1858



Service Kit, Standard Alignment; Models TA250/300T, U, TI 250/300T

334-1859



Service Kit, Eccentric Alignment; Models TA250/300T, U, TI 250/300T

334-1881



Collar, Alignment; 1" ID

334-1882



Collar, Alignment; 7/8" ID

334-1883



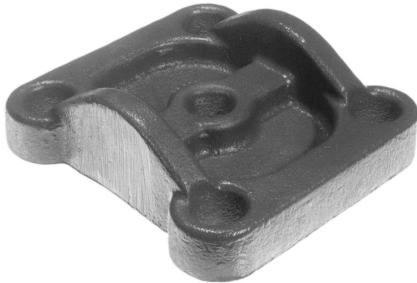
Spacer; 1" ID

334-1884



Spacer; 7/8" ID

338-420



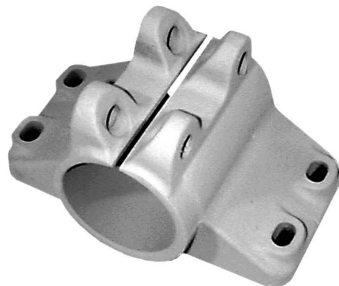
Plate, U-Bolt Clamp; Underslung; Straddlemount/Trunnion Mount; Model Trailer Single Point

338-421



Bracket, Trunnion Shaft; 6 1/2"; Model Pedestal Mount Trailer Single Point

338-422



Bracket, Trunnion Shaft; 2 1/2"; Model Pedestal Mount Trailer Single Point

338-424



Trunnion, Upper Half; Underslung; Model Straddlemount Trailer Single Point

338-425



Bracket, Trunnion Shaft; 8 1/2"; Model Pedestal Mount Trailer Single Point

338-497



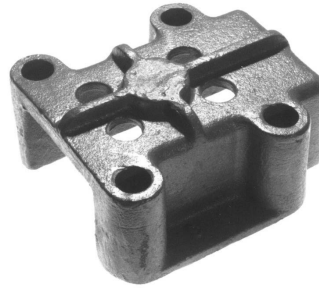
Bracket, Trunnion Shaft; 4 1/2"; Model Pedestal Mount Trailer Single Point

338-876



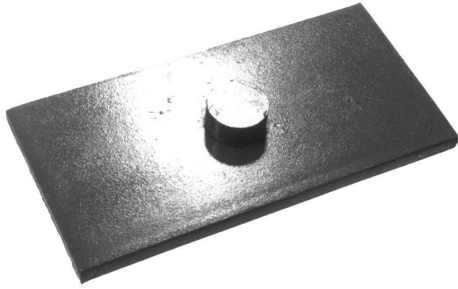
Pad, Seat Repair; Fabricated; Overslung Ends; Models HD/LW, Pedestal Mount/Straddlemount Trailer Single Point

338-1117



End Cap; Overslung Ends; Models PP Series, Pedestal Mount Trailer Single Point

338-1118



Plate, Locator; Overslung Ends; Models PP Series, Pedestal Mount Trailer Single Point

338-1119



Seat, 5" Square Axles; Overslung Ends; Models PP Series, Pedestal Mount Trailer Single Point

338-1348



Cap, Spring End; For 2 Main Leaves; Overslung Ends; Models HD/LW, Straddlemount Trailer Single Point

338-1349



Cap, Spring End; For 3 Main Leaves; Overslung Ends; Models HD/LW, Straddlemount Trailer Single Point

338-1350



Seat, Trunnion; Models Pedestal Mount, Straddlemount Trailer Single Point

338-1351



Cap, Trunnion; Models Pedestal Mount, Straddlemount Trailer Single Point

338-1353



Saddle, U-Bolt; Round Trailer Single Point; Models Pedestal Mount, Straddlemount Trailer Single Point

338-1354



Cap, Spring End; 5" Round Axles, For 3 Main Leaves; Underslung Ends; HD; Models Pedestal Mount, Straddlemount Trailer Single Point

338-1355



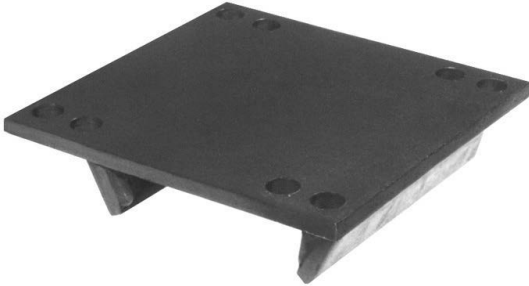
5" Round Axles, For 2 Main Leaves; Underslung Ends; HD/LW; Models Pedestal Mount, Straddlemount Trailer Single Point

338-1363



Seat; 5" Round Axles; Overslung Ends; HD/LW; Models Pedestal Mount, Straddlemount Trailer Single Point

338-1556



Seat; 5" Square Axles; Overslung Ends; HD/LW; Models Pedestal Mount, Straddlemount Trailer Single Point

338-1557



End Pad; Heavy Duty; Underslung Ends; HD; Models Pedestal Mount, Straddlemount Trailer Single Point

338-1810



Seat; 5" Round Axles; Overslung Ends; PP Series; Overslung Ends; Models Pedestal Mount, Straddlemount Trailer Single Point

338-1818



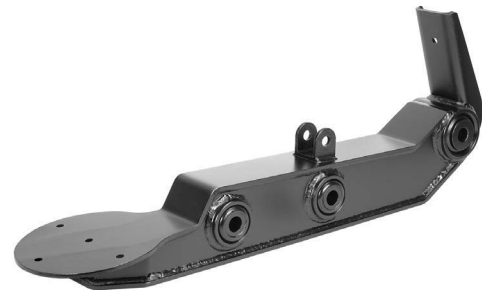
Repair Pad, Cast; 5" Round Axles; HD/LW; Overslung Ends; Models Pedestal Mount, Straddlemount Trailer Single Point

338-1965



Arm Assembly; LH; 2 1/4" Offset; Model AL2200

338-1966



Arm Assembly; RH; 2 1/4" Offset; Model AL2200

339-274



Service Kit, Pivot Bushing; Standard; Models TA250/300T, U, TI 250/300T

339-276



Service Kit, Pivot Bushing; High Control; Models TA250/300T, U, TI 250/300T

339-280



Service Kit, Suspension Overhaul; 7/8" Bolt w/sleeves; Model SL1100

339-294



Service Kit, Suspension Overhaul; Model SL1800

339-299



Service Kit, Suspension Overhaul; Model SL1900

339-322



Service Kit; Models AL/SL/TA 1100 Series

345-164



Torque Rod, Adjustable; 18 1/2"-21"; O.E.; Includes 321-175 Bushings; Model SL1100 LR, TL-1100

345-164HD



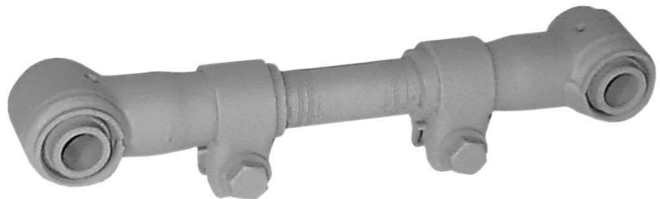
Torque Rod, Adjustable; 18 1/2"-21"; Heavy Duty cast ends, bushings included

345-167



Torque Rod, Rigid; 19 1/4"; O.E.; Incl. 321-175 bushings

345-238



Torque Rod, Adjustable; 14 3/4"-17 1/4"; Includes 321-175 Bushings; Models SL1100 SR, SSR, LP, RO

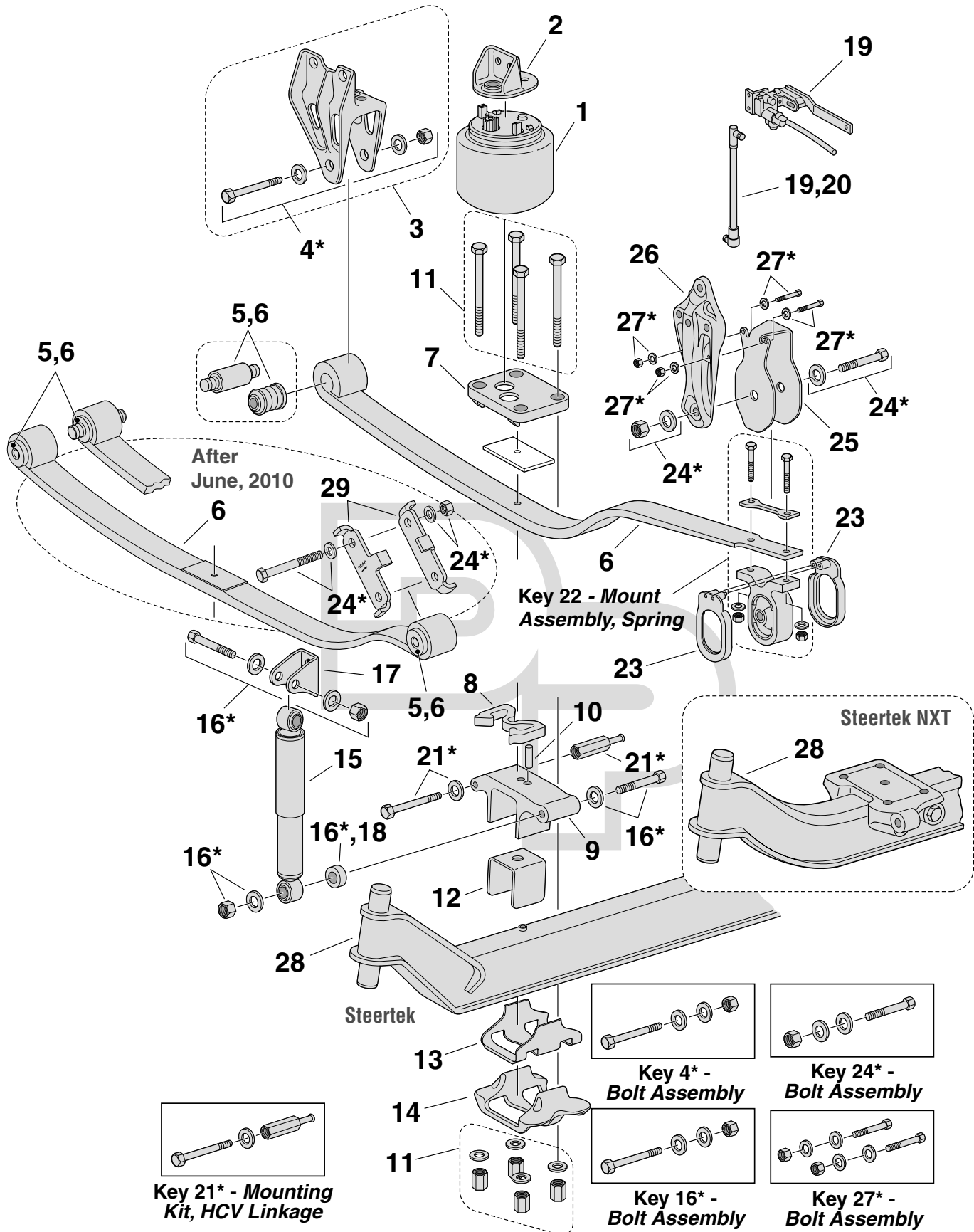
361-637



U-Bolt Kit; Special Bend; Model TA250/300T, U

Western Star

Suspension Illustration



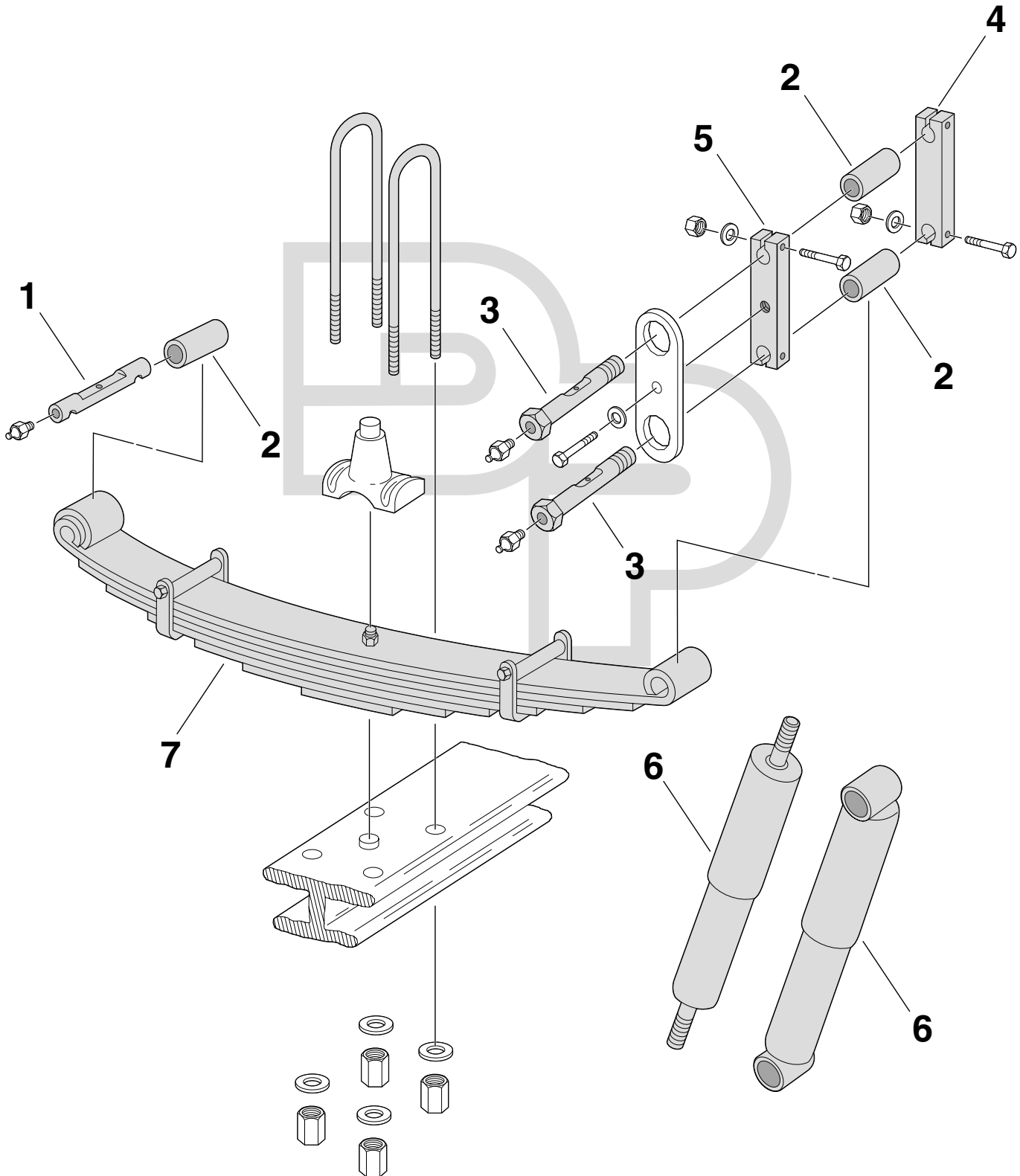
Key No.	Part Number	Description	No. Req.	OEM Reference	Remarks
1	69782-002L 69116-002L	Air Spring Air Spring	2 2	69782-2, 59823-2 69116-2, 67874-2	<06/10 >06/10
2	SP	Bracket, Air Spring	2	60850-xxx	Specify LH/RH
3	SP SP ◆	Kit, Hanger; LH Kit, Hanger; RH Hanger, Front; LH/RH	1 1 2	60961-17, 59832-1 60961-18, 59832-2	<06/10; SBA >06/2010; OE Only
4	334-756	Assembly, Bolt; ¾"-16 x 5 ½"Lg	2		<06/10; Incl. Bolt & Hdwe.
●	5	323-270	2	59259-2	<06/10; SBA
●		RB-302	2		<06/10; SFA
		RB-343	2		>06/10; F of F
		RB-345	2		>06/10; R of F
6	Spring Assembly	Assembly, Spring	2	Various	See Leaf Spring Web Catalog For Details
7	SP	Plate, Top	2	59826	
8	SP SP	Spacer Spacer	A/R A/R	60244-xxx 69594-xxx	<11/11; Specify Thickness >11/11; Specify Thickness
9	SP	Seat, Axle	2	59952-xxx	<11/11; Specify Ride Hgt.
10	334-1752 334-1753 334-1754 SP	Pin, Dowel; 2 ⅝"Lg Pin, Dowel; 4"Lg Pin, Dowel; 5 ⅜"Lg Pin, Dowel; 3 ⅜"Lg.	2 2 2 2	57159-4 57159-5 57159-6 57159-12	>06/10
✓	11	334-1735	2	58917-17	
✓		334-1736	2	58917-18, 21867-42	
✓		334-1734	2	58917-16, 21867-41	>06/10
●	12	334-1743	2	59449	<11/11; Top
●	13	334-1744	2	59845	<11/11; Bottom
14	SP	Plate, Bottom	2	64722-1, 59440-1	<11/11
✓✓	15	341-58913-3 M65530	2 2	58913-3 58913-12	<06/10
16	334-1737 334-1738	Assembly, Bolt; ¾" x 3 ¾"Lg Assembly, Bolt; ¾" x 7"Lg	2 2		Upper <11/11; Incl. Spacer, Lower
17	SP	Bracket, Shock	2	59423-1	Upper
18	334-1745 SP	Spacer, Shock Absorber Spacer, Shock Absorber	2 2	59946-1 22962-46	<11/11 >11/11
●	19	334-1941	1	59427-19	<06/10; LH, Dual; >06/10, SBA; 13.125 Linkage
●		334-1942	1	59427-9, 59427-2	<11/11; RH, Dual; w/14 ½" Linkage
		SP	1	59427-5, 59427-1	<11/11; RH, Dual; w/13 ⅛" Linkage
		SP	1	59427-27	>06/10; LH; SBA; w/14 ½" Linkage
		SP	1	59427-31	>06/10; LH; SFA; w/13 ⅛" Linkage
		SP	1	59427-32	>06/10; LH; SFA; w/14 ½" Linkage
		SP	1	59427-33	>11/11; LH; SBA; w/15" Ride Hgt.; Incl. Linkage
		SP	1	59427-34	>11/11; RH; w/13 ⅛" Linkage
		SP	1	59427-35	>11/11; LH; SFA; w/15" Ride Hgt.; Incl. Linkage
		SP	1	59427-36	>11/11; RH; w/14 ½" Linkage
		SP	1	59427-38	>11/11; RH; w/15" Ride Height
✓✓ ●		334-1746	1	59935-2, 59935	<11/11; RH; Valve Assembly Only
		334-2003	1	59935-13	<06/10; LH; SBA; Valve Assembly Only
		SP	1	59935-23	>06/10; LH; SFA; Valve Assembly Only
		SP	1	59935-24	>11/11; RH; Valve Assembly Only
✓ ●	20	334-751	1	Various	3 ⅝"-19 ⅝" Range; Use w/All Height Control Valves
●	21	334-1742	1	60961-8	<06/10; 06/10-11/11, SFA
		SP	AR		>06/10; Call Tech Support for Assistance
✓✓ ●	22	325-242	2	60961-2	<06/10
✓✓ ●	23	334-1748	4	59346-1, 59346	<06/10
24	334-1740 334-788	Assembly, Bolt; ¾"-16 x 5"Lg Assembly, Bolt; ¾"-16 x 6 ½"Lg	2 4		<06/10; Incl. Special Washer >06/10; Use w/Side Bar Style Shackles
●	25	338-1939	2	59830-1, 59830	<06/10
26	SP	Hanger	2	59829-1, 59829	<06/10; Casting No. 59825
27	334-1741	Assembly, Bolt; ¼" x 1 ¼"Lg	2	56935-1	<06/10
28	SP	Assembly, Axle	1	Various	Call Tech Support for Assistance
29	SP	Side Bar	4	68089-1	>06/10

Front Suspension
(w/1" Spring Pin)

Western Star

Western Star

Suspension Illustration



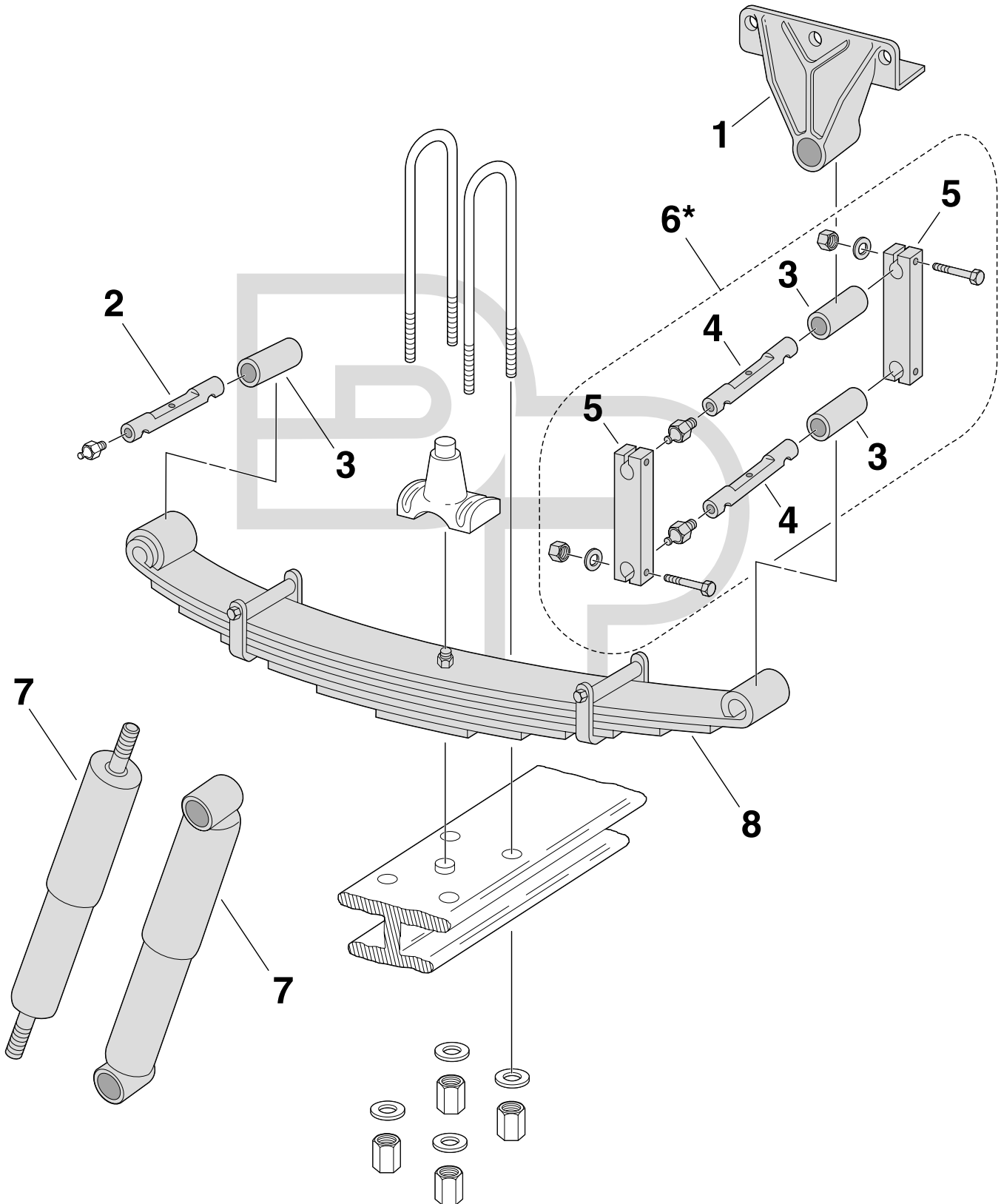
Key No.	Part Number	Description	No. Req.	OEM Reference	Remarks
1	◆	Spring Pin; 1"OD x 6 5/8"Lg, 5 1/4" c/c	1	049040450	Front of Front
2	NJK-BM	Bushing; 1"ID x 1 1/4"OD x 4"Lg	6		
✓ ● 3	327-361	Spring Pin; 1"OD x 6 1/8"Lg x 1"-14 Thread	4	506268	
4	◆	Side Bar; 4 1/8" c/c x 7"Lg, Threaded for 1"-14 Threads	2	027130444	Rear of Front
5	◆	Side Bar; 4 1/8" c/c x 7"Lg for 1" Pin	2	027130443	Rear of Front
6	See Shocks	Shock Absorber	2	Various	Consult Shock Catalog for Model Specific Applications
7	Spring Assembly	Assembly, Spring	2		See Leaf Spring Web Catalog for Details

Front Suspension
(w/1 1/8" Spring Pin)

Western Star

Western Star

Suspension Illustration



Western Star

Front Suspension (w/1 1/8" Spring Pin)

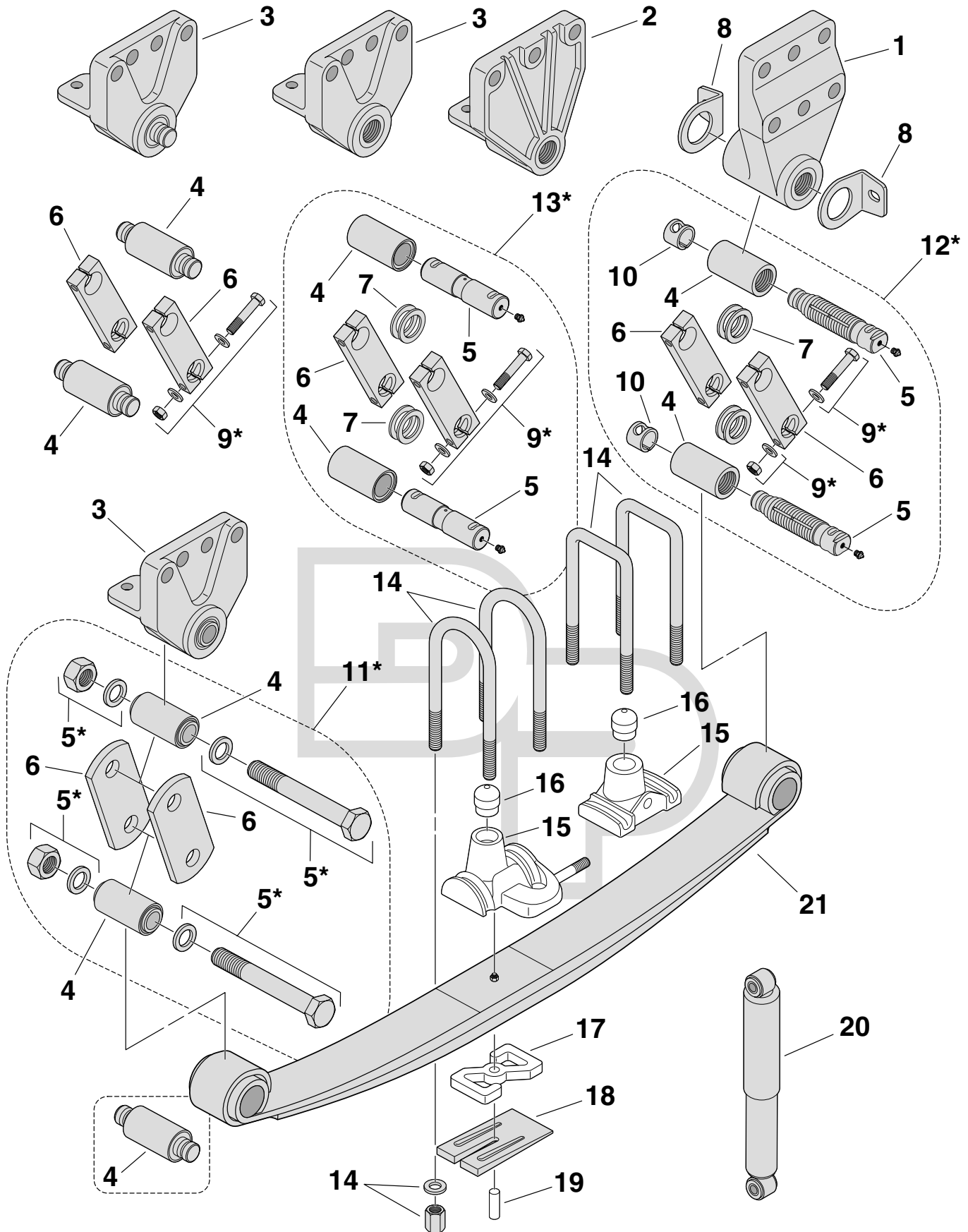
Western Star

Parts Listing

Key No.	Part Number	Description	No. Req.	OEM Reference	Remarks
✓✓ ● 1	338-1902	Hanger, Shackle	2	37102-3456, 37102-3459	PLK Included
● 2	327-486	Spring Pin; 1 1/8"OD x 6 5/8"Lg x 9/16" c/e	1	04-9040456	
✓✓	327-507	Spring Pin; 1 1/8" OD 7 1/4"Lg, 5 3/8" c/c	1	37121-3412	
	3	PLK-BM Bushing; 1 1/8"ID x 1 3/8"OD x 4"Lg	6	62300117	
✓✓	4	327-508 Spring Pin; 1 1/8"OD x 6"Lg; 5" c/c	4	37121-3413	
	5	330-220 Side Bar; 2"W x 7"Lg 5" c/c with 1 1/8" Holes	4	37105-3404, 37105-3403	
✓✓	6	330-222 Kit, Shackle	2		PLK Included
		330-222U Kit, Shackle; Urethane	2		
	7	See Shocks Shock Absorber	2	Various	Consult Shock Catalog for Model Specific Applications
	8	Spring Assembly Assembly, Spring	2		See Leaf Spring Web Catalog for Details

Western Star

Suspension Illustration



Key Numbers with an asterisk (*) indicate a kit or assembly.

Key No.	Part Number	Description	No. Req.	OEM Reference	Remarks
●	1	338-2385 Hanger	2	16-18248-000	TB-82
	338-1919 Hanger, Shackle	2	680 320 1070	RNK-BM	
●	2	338-2386 Hanger; Roadside	1	37102-3583	TB-79
	338-2387 Hanger; Curbside	1	37102-3584	TB-79	
●	3	338-2388 Hanger	2	16-18239-004	TB-82
	338-2389 Hanger	2	16-18239-005	RB-263	
	338-2390 Hanger	2	16-18239-006	RB-233	
●	4	RB-233 Bushing; 3/4" ID x 2 1/4" OD x 4 1/4" Lg	6		
	RB-263 Bushing; 2 1/4"OD x 5 3/8" c/c	6			
	TB-73 Bushing; 1 1/2"OD x 4"Lg x 1 1/4" Thread	6		1 1/2" OD	
	TB-79 Bushing, Threaded; Metric; M32 Thread	6		1 3/4" OD	
	TB-82 Bushing, Threaded; Metric; M32 Thread	6	16-18227-000	1 1/2" OD	
	RNK-BM Bushing; 1 1/4"ID x 1 1/2"OD x 4"Lg	6			
●	322-141 Bushing; w/Seals	6		Replaces PB-18	
●	5	334-1656 Assembly, Bolt; M20-2.5 x 160	6		
	327-543 Spring Pin, Threaded; 5 3/8" c/c, 1 1/4" Thread	6	16-18213-000		
	327-538 Spring Pin, Threaded; Metric, 165mm Lg	4	37101-3419		
	327-539 Spring Pin, Threaded; Metric, 189mm Lg	4	37121-3418		
✓	327-487 Spring Pin; 1 1/4"OD x 6 7/8"Lg x 5 3/8" c/c	4	16-13470-000, 16-12373-000	Use w/4" Spring & RNK or TNK Bushing	
✓	6	330-123 Side Bar; 5 5/16" c/c x 1"Thk, 1 1/4" Pin Holes	4	16-11890-000	
	330-358 Side Bar; 5" c/c 1" Thk, 1 5/16" Holes	4	37105-3407	Use w/327-538	
	330-217 Side Bar; 4 1/8" c/c, 3/8"Thk	4			
	330-357 Side Bar; 5 1/4" c/c, 3/8"Thk	4			
✓	7	334-1584 Shim; 1 7/8"OD x 1/2"Thk x 1 1/4" Hole	8	23-09860-012	
	334-1585 Shim; 2 1/4"OD x 3/2"Thk x 1 1/4" Hole	8	23-11656-018		
●	8	334-804 Shim; 1 3/8"ID x .046"Thk	4	16-09040-001	
	9	334-550 Assembly, Bolt; 1/2"-20 x 3"Lg	8		Incl. Bolt & Hdwe.
✓	10	334-1583 Sleeve; 1 1/4"OD x 1"ID x 1"Lg	4	16-09598-000	
✓	11	330-373 Kit, Shackle	2		5 1/4" c/c; w/RB-233
	330-346 Kit, Shackle	2		4" c/c; w/RB-233	
●	12	330-377 Kit, Shackle; Threaded Pins	2		Incl. 327-538, TB-79 & 330-358
	13	330-352 Kit, Shackle	2		327-487 & 330-123; w/RNK-BM
	14	361-702 Kit, U-Bolt; 7/8" x 4 x 8 1/2" R	8		
		361-620 Kit, U-Bolt; 7/8" x 4 x 9 1/4" R	8		
		SP U-Bolt, Square Bend	8		Specify Size
	15	◆ Plate, Top; Roadside	1	16-16085-000	Round Bend
		◆ Plate, Top; Curbside	1	16-16085-001	Round Bend
		◆ Plate, Top	2	37124-3408	Square Bend
	16	◆ Stop, Bump	2	11-17450-000	Use w/16-16085-xxx Saddle/Bracket
	17	◆ Spacer	2	Various	
	18	See Chart Wedge, Caster; Adjustment	2		See Chart on Page 1091
	19	◆ Pin, Dowel; 3/4" x 2"		23-09271-260	
✓	20	M66957 Shock Absorber	2	37301-3401	
		M65124 Shock Absorber	2	37390-4402, 37390-4403	
		M66878 Shock Absorber	2	37301-3412	
		See Shocks Shock Absorber	2	Various	Consult Shock Catalog for Model Specific Applications
	21	Spring Assembly Assembly, Spring	2		See Leaf Spring Web Catalog for Details

323-270



Bushing, Spring Eye; 7/8" O.D. x 2" Lg. x 3/4"Lg.; Model Airtek

325-242



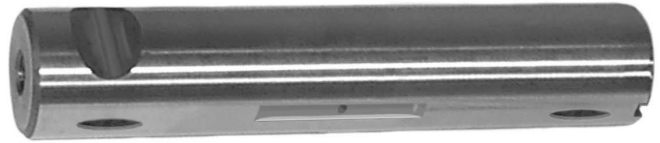
Mount Assembly, Spring; Model Airtek (Afer 6/10)

327-361



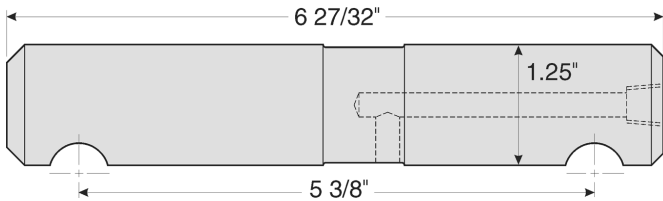
Spring Pin; 1" O.D. x 6 1/8" Lg. x 1"-14 Thread; Model Front with 1" Spring Pin

327-486



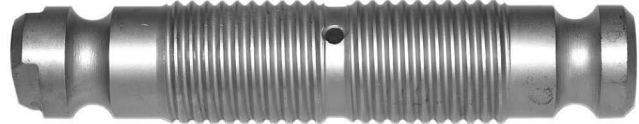
Spring Pin; 1 1/8" O.D. x 6 5/8" Lg. x 9/16" c/e; Model Front with 1 1/8" Spring Pins

327-487



Spring Pin; 1 1/4"OD x 6 7/8"Lg x 5 3/8" c/c; Used w/4" Spring and RNK or TNK Bushing; Model 2001+ Front

327-538



Spring Pin, Threaded; Metric, 165mm Lg.; Model 2001+ Front

327-539



Spring Pin, Threaded; Metric, 189mm Lg.; Model 2001+ Front

327-543



Spring Pin, Threaded; 5 3/8" c/c, 1 1/4" Thread; Model 2001+ Front

330-358



Side Bar; 5" c/c 1" Thk, 1 5/16" Holes; Model 2001+ Front

330-377



Shackle Kit, Threaded Pins; Incl. 327-538, TB-79, 330-358; Model 2001+ Front

334-373



Nut, Flange Lock; 7/8"-14

334-751



Linkage Assembly, Universal Adjustable; 3 5/8"-19 5/8" Range; Use w/all Height Control Valves; Model Airtek

334-804



Shim; 1 3/8"ID x .046"Thk; Model 2001 & Up Front

334-1742



Mounting Kit, HCV Linkage; Model Airtek

334-1743



Liner, Axle Wrap; Upper; Model Airtek

334-1744



Liner, Axle Wrap; Lower; Model Airtek

334-1746



Valve, Height Control; RH, all; valve only; Model Airtek

334-1748



Washer, Thrust; Model Airtek (Before 6/10)

334-1941



Assembly, Height Control Valve; Before 6/10 Dual LH; After 6/10 SBA 13.125 linkage; Model Airtek

334-1942



Assembly, Height Control Valve; Before 11/11 Dual RH 14 1/2" linkage; Model Airtek

338-1902



Hanger, Shackle; Incl. PLK Bushing; Use w/330-222 Shackle Kit; Model Front with 1 1/8" Spring Pins

338-1919



Washer, Thrust; Model Airtek (Before 6/10)

338-1939



Clamp, Hanger; Model Airtek (Before 6/10)

338-2386



Hanger; Roadside; TB-79; Model 2001+ Front

338-2387



Hanger; Curbside; TB-79; Model 2001+ Front

338-2388



Hanger; TB-82; Model 2001+ Front

338-2389



Hanger; RB-263; Model 2001+ Front

338-2390

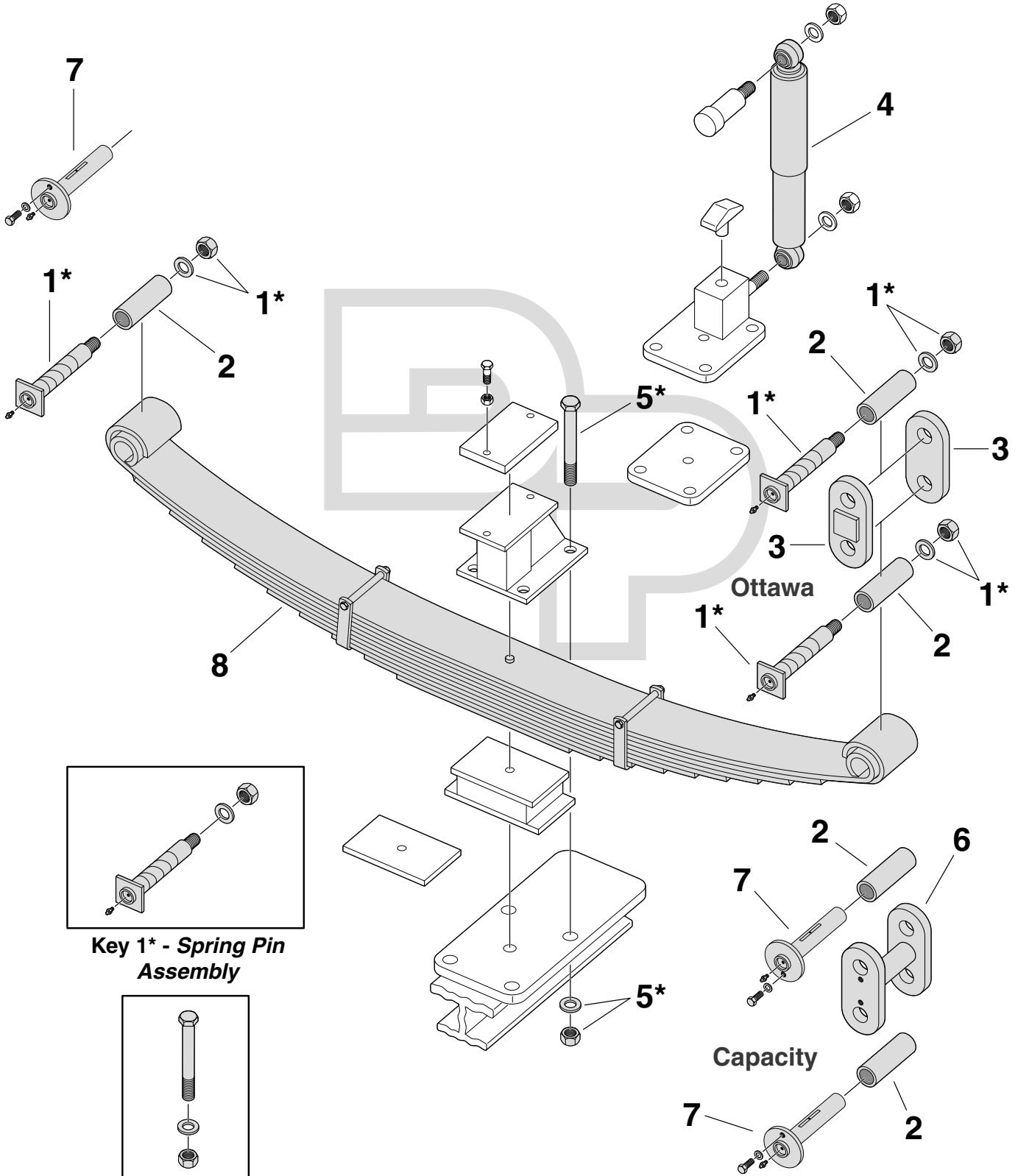


Hanger; RB-233; Model 2001+ Front

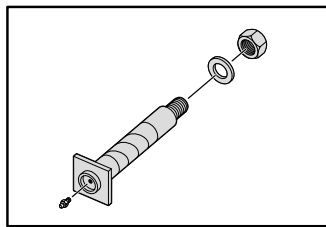
Yard Trucks
 (Capacity & Ottawa)
Front Suspension

Yard Trucks

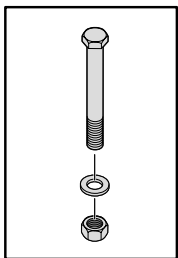
Yard Trucks



Suspension Illustration



Key 1* - Spring Pin Assembly



Key 5* - Bolt Assembly

Yard Trucks

Yard Trucks (Capacity & Ottawa) Front Suspension

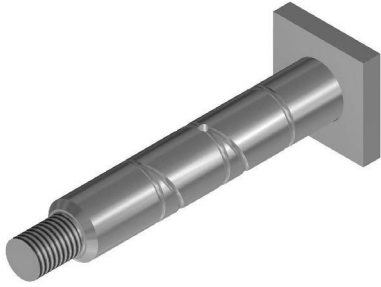
Yard Trucks

Parts Listing

Key No.	Part Number	Description	No. Req.	OEM Reference	Remarks	
✓ ●	1	327-509	Assembly, Spring Pin	6	53153805	Ottawa
	2	PLK	Bushing; 1 1/8"ID x 1 3/8"OD x 4"Lg	6	99500575	Bronze Bushing
	3	330-399	Shackle; Outer	2	53024500	>1993; 4"; Ottawa; Round End
●		330-400	Shackle; Inner	2	53024501	>1993; 4"; Ottawa; Round End
		330-206	Shackle; Outer	2	53053901	<1994; 5"; Ottawa; Square End
●		330-207	Shackle; Inner	2	53024801	<1994; 5"; Ottawa; Square End
✓✓	4	M65407	Shock Absorber	2	90090003	Ottawa
✓✓		M66957	Shock Absorber	2		
	5	334-1446	Bolt; 3/4"-16 x 7"Lg	8		Ottawa
		334-1897	Assembly, Bolt; 3/4" x 7 1/2"Lg	8		Capacity
		334-2218	Assembly, Bolt; 3/4" x 8"Lg	8		Ottawa
✓		334-1734	Assembly, Bolt; 3/4" x 8 1/2"Lg	8		Capacity
		334-1783	Assembly, Bolt; 3/4" x 9 1/2"Lg	8		
✓		SP	Assembly, Bolt; 3/4" x 10 1/2"Lg	8		
●	6	330-408	Shackle	2	103493	Capacity
●	7	327-552	Spring Pin	6	103490	Capacity
	8	Spring Assembly	Assembly, Spring	2	Various	See Leaf Spring Web Catalog for Details

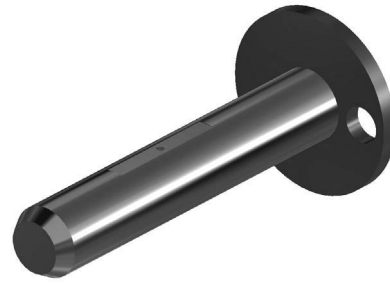
Yard Trucks

327-509



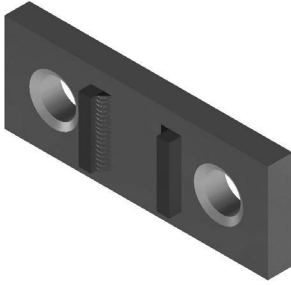
Spring Pin Assembly; Ottawa

327-552



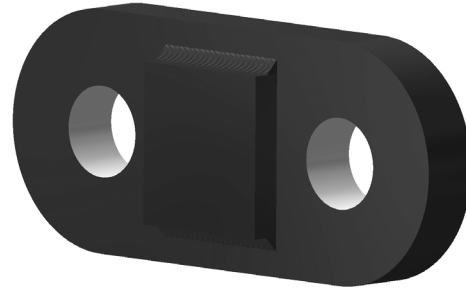
Spring Pin; Capacity

330-207



Shackle, Inner; <94; 5"; Ottawa; Square End

330-399



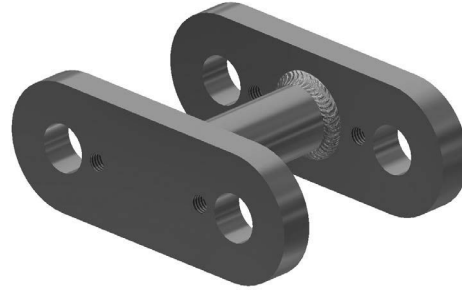
Shackle, Outer; >93; 4"; Ottawa; Round End

330-400



>93; 4"; Ottawa; Round End

330-408



Shackle; Capacity

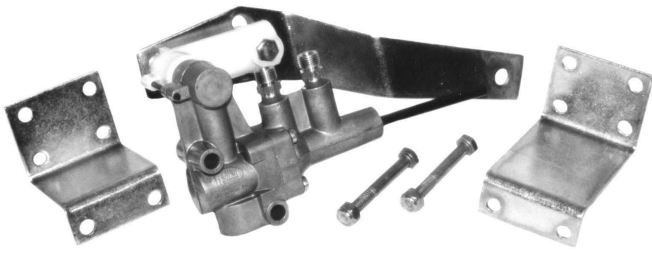
Component Photos

SUSPENSION COMPONENT

PAGE

Bolts and Bolt Kits	1048, 1049
Bushing Finder	1067-1071
Bushings	1072, 1073
Caster Wedges	1091
Equalizers	1092-1094
Nuts	1056, 1057
RB Bushings	1074-1076
Shackle Side Bars	1066
Spring Pin Identification Charts	1059-1065
Suspension Air Fittings	1042-1047
Suspension Air Valves and Controls	1036-1041
Torque Rod Brackets	1090
Torque Rods	1077-1086
Torque Rods (Ridged)	1090
Torque Rods (Sealed Bearing Style)	1089, 1090
Torque Rods (Two Piece)	1087
Torque Rods (Universal)	1087
Torque Rod Replacement Cartridges	1088
U-Bolts and U-Bolt Kits	1050-1055
Washers	1058

334-750



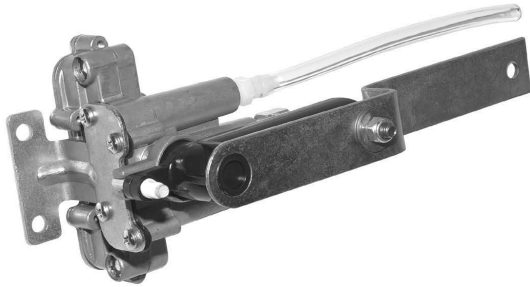
Height control valve, HCV assembly; universal (OEM Ref.: H00450)

334-751



Linkage, HCV - Universal adjustable rod type (OEM Ref.: HPB450)

334-1143



Height control valve, HCV - Neway style (OEM Ref.: 90554007)

334-1145



Hand valve (OEM Ref.: A-1127)

334-1146



Brake protection valve (OEM Ref.: 90554107)

334-1147



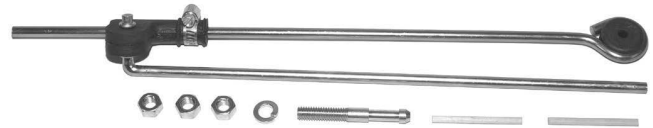
Quick release valve (OEM Ref.: VS-1129)

334-1147A



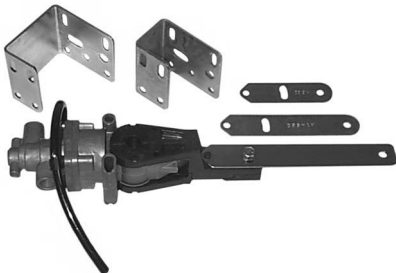
Quick release valve (OEM Ref.: 90054845)

334-1572



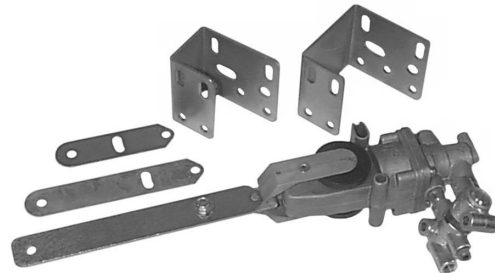
Linkage, HCV - adjustable lever-rod type (OEM Ref.: 1247423C011)

334-1580



Height control valve, HCV assembly; universal w/integral dump (OEM Ref.: H00500C)

334-1581



Height control valve, HCV assembly; universal w/integral dump and reverse actuation (OEM Ref.: H00500CA)

334-1598



Solenoid (normal open) (OEM Ref.: 90054074)

334-1599



Manual valve (OEM Ref.: 90054088)

334-1600



Pilot valve (OEM Ref.: 90054079)

334-1601



Solenoid (normal closed) (OEM Ref.: 90054075)

334-1605



Height control valve, HCV - Neway style, instant response (OEM Ref.: 90554241)

334-1606 / 334-1606A



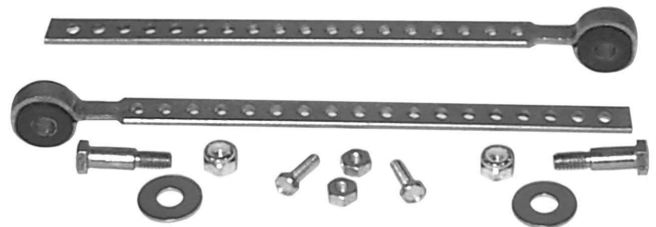
Pressure gauge (economy) (OEM Ref.: 90054700); 334-1606A is silicone filled (OEM Ref.: 90054280)

334-1608



Regulator valve (OEM Ref.: 90054077)

334-1625



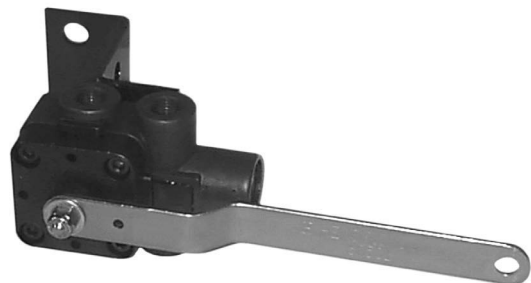
Linkage, HCV - universal adjustable strap type (OEM Ref.: S-14187)

334-1647



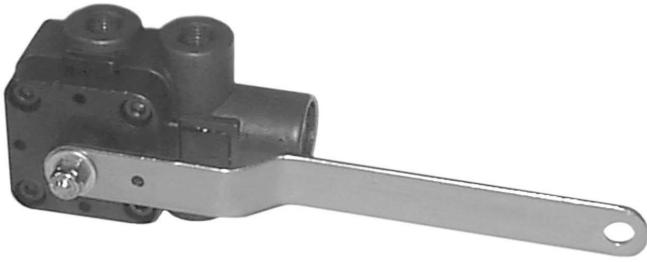
Height control valve, HCV - Hendrickson (OEM Ref.: 60826)

334-1648



Height control valve, HCV assembly w/integral dump - Hendrickson (OEM Ref.: 57977)

334-1648A



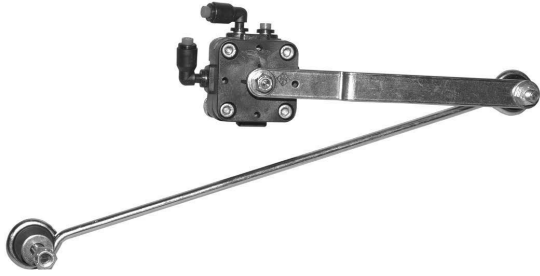
Height control valve, HCV w/integral dump - Hendrickson (OEM Ref.: 60501)

334-1692



Height control valve, HCV - Hendrickson (MAXAIR) (OEM Ref.: 59899)

334-1739



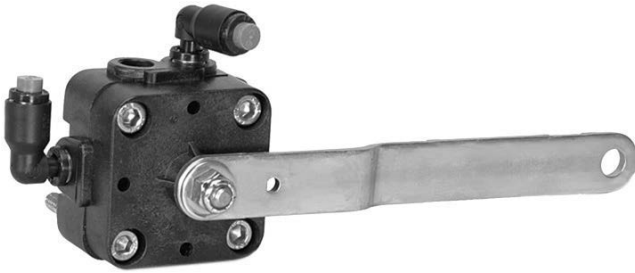
Height control valve, HCV Kit - AIRTEK (Bluebird) (OEM Ref.: 59427-8)

334-1746



Height control valve, HCV - AIRTEK (Freightliner, Western Star) (OEM Ref.: 59935-2)

334-1763



Height control valve, HCV - AIRTEK (Mack, Volvo) (OEM Ref.: 59935-3)

334-1765



Height control valve, HCV kit - AIRTEK (Mack, Volvo) (OEM Ref.: 64089)

334-1766



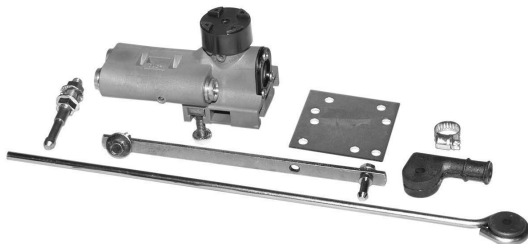
Height control valve, HCV kit - AIRTEK (Mack, Volvo) (OEM Ref.: 64094)

334-1825



Lift axle control panel assembly, in cab - Watson & Chalin (OEM Ref.: 990028)

334-1836 / 334-1853 / 334-1854



334-1836 Ridewell w/linkage (OEM Ref.: 6300BFAB10); 334-1853 w/pressure dump (OEM Ref.: 6310BFAB10); 334-1853 w/zero pressure dump (OEM Ref.: 6320BFAB10)

334-1846



Valve, 3 way - Hendrickson Trailer (OEM Ref.: VS-25223)

334-1917



Lift axle control kit, in cab - Watson & Chalin (OEM Ref.: ACK55)

334-1932



Manual dump kit - Hendrickson Trailer (OEM Ref.: AK147)

334-1934



Control kit - Hendrickson Trailer (OEM Ref.: AK159)

334-1941



Height control valve, HCV kit LH - AIRTEK (Freightliner) (OEM Ref.: 59427-19)

334-1942



Height control valve, HCV kit RH - AIRTEK (Freightliner) (OEM Ref.: 59427-9)

334-1943



Height control valve, HCV kit LH - AIRTEK (Volvo) (OEM Ref.: 59427-10)

334-1944



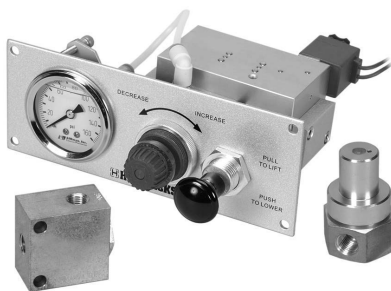
Height control valve, HCV kit RH - AIRTEK (Volvo) (OEM Ref.: 59427-12)

334-1954



Lift axle control, in cab - fixed axle (OEM Ref.: HAC-NSI)

334-1956



Lift axle control, in cab - steerable axle (OEM Ref.: HAC-SSI)

334-1964



Height control valve, HCV kit w/ Zero psi dump - SAF/Neway (OEM Ref.: 50860016)

334-1965



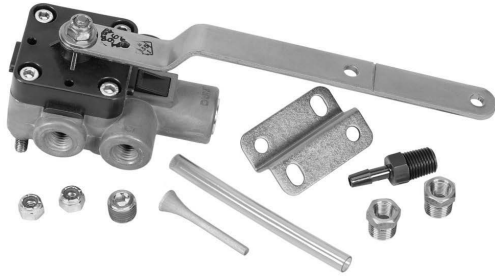
Height control valve, HCV kit - SAF/Neway (OEM Ref.: 50860013)

334-1967



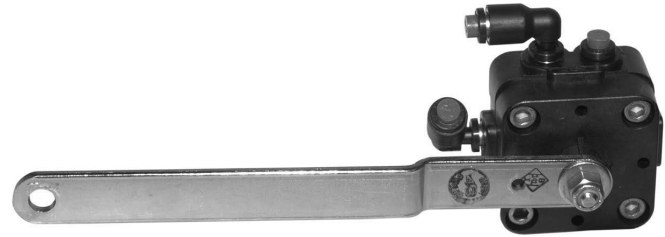
Height control valve, HCV kit - Haldex style (OEM Ref.: KN27000)

334-1974



Height control valve, HCV w/integral dump - Hendrickson Trailer (OEM Ref.: VS-228)

334-2003



Height control valve, HCV assembly LH - AIRTEK (OEM Ref.: 59935-13)

334-2007



Control valve kit - Hendrickson Trailer (OEM Ref.: VS-31844-1)

334-2016



Solenoid valve, 5 port - Watson & Chalin (OEM Ref.: 17890-01)

334-2033



Lift axle control, outside mount - fixed or steerable axles (OEM Ref.: HAC-USO)

334-2034-1 / 334-2034-2



Lift axle control, trailer; 334-2034-1 equalizing w/o brake isolation (OEM Ref.: AKAD2010-1)/334-2034-2 equalizing w brake isolation (OEM Ref.: AKAD2010-2); stainless enclosure (Hendrickson Trailer)

334-2077



3 Way Piloted Valve - Hendrickson Trailer Surelok (OEM Ref.: VS-23588)

334-2078



4 Way Push Pull Valve - Hendrickson Trailer Surelok (OEM Ref.: VS-14179)

334-2115



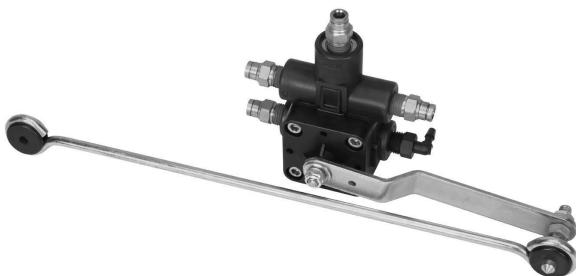
Height control valve, HCV kit LH - AIRTEK (International)
(OEM Ref.: 59427-13)

334-2116



Height control valve, HCV kit RH - AIRTEK (International)
(OEM Ref.: 59427-14)

334-2167



Height Control Valve - LH Spartan Airtek (Hendrickson) (66414-1)
(OEM Ref.: 66277-1)

334-2168



Height Control Valve - (RH) Spartan Airtek (Hendrickson) (66414-2)
(OEM Ref.: 66277-2)

Air Fittings

Thermoplastic Tubing

Short Nut

Component Charts

SAE J844 type 3A & 3B nylon tubing

Air Fittings



Line	Wall Size	Length	Part No.	Color
1/8"	.023	100 ft	12-08002	Black
		1000 ft	12-08102	Black
5/32"	.023	50 ft	12-08003	Black
1/4"	.040	100 ft	12-08004	Black
		1000 ft	12-08104	Black
		100 ft	12-08004E	Red
		100 ft	12-08004S	Blue
3/8"	.062	100 ft	12-08006	Black
		500 ft	12-08106	Black
		100 ft	12-08006E	Red
		100 ft	12-08006S	Blue

* Sold in rolls by the foot. See **Air Brake Catalog** for additional sizes.

Short Nut (Use w/SAE J844 type 3A & 3B Nylon Tubing)



Insert

Tube	Part No.
1/8	12-09802
5/32	12-09802
1/4	12-09804
3/8	12-09806
1/2	12-09808
5/8	12-09810
3/4	12-09812



Sleeve

Tube	Part No.
1/8	12-09910
5/32	12-09908
1/4	12-09911
3/8	12-09912
1/2	12-09913
5/8	12-09914
3/4	12-09915

Component Charts



Nut

Tube	Part No.
1/8	12-09902
5/32	12-09900
1/4	12-09903
3/8	12-09904
1/2	12-09905
5/8	12-09906
3/4	12-09907



Male Connector

Tube	Pipe	Part No.
1/8	1/16	12-09920
	1/8	12-09922
5/32	1/16	12-09916
	1/8	12-09917
1/4	1/16	12-09921
	1/8	12-09923
	1/4	12-09924
3/8	1/8	12-09925
	1/4	12-09926
	3/8	12-09927
1/2	3/8	12-09928
	1/2	12-09929
5/8	1/2	12-09930



Branch Tee

Tube	Pipe	Part No.
1/4	1/8	12-09961
	1/4	12-09962
3/8	1/4	12-09963



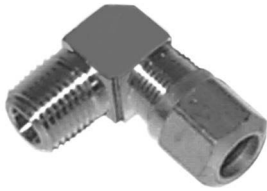
Union Elbow

Tube	Pipe	Part No.
1/4	—	12-09994
3/8	—	12-09996
1/2	—	12-09998

Component Charts

Air Fittings Short Nut Long Nut

Short Nut (Use w/SAE J844 type 3A & 3B Nylon Tubing)



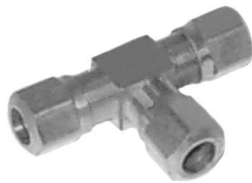
Male Elbow

Tube	Pipe	Part No.
1/8	1/16	12-09933
	1/8	12-09932
5/32	1/8	12-09931
	1/4	12-09934
3/8	1/8	12-09935
	1/4	12-09936
	3/8	12-09937
1/2	3/8	12-09938
	1/2	12-09939
5/8	1/2	12-09941
		12-09942



Union

Tube	Part No.
1/8	12-09950
5/32	12-09948
1/4	12-09951
3/8	12-09952
1/2	12-09953
5/8	12-09954



Union Tee

Tube	Part No.
1/4	12-09984
3/8	12-09986
1/2	12-09988

Long Nut (Use w/SAE J844 type 3A & 3B Nylon Tubing by adding insert)



Sleeve

Tube	Part No.
1/4	12-16004
3/8	12-16006
1/2	12-16008
5/8	12-16010
3/4	12-16012



Nut

Tube	Part No.
1/4	12-16104
3/8	12-16106
1/2	12-16108
5/8	12-16110
3/4	12-16112



Male Connector

Tube	Pipe	Part No.
1/4	1/8	12-16801
	1/4	12-16802
3/8	1/8	12-16805
	1/4	12-16806
	3/8	12-16807
	1/2	12-16808
1/2	3/8	12-16809
	1/2	12-16810



Branch Tee

Tube	Pipe	Part No.
3/8	1/4	12-17203
3/8	3/8	12-17204
1/2	3/8	12-17205

Air Fittings

Component Charts

Air Fittings
Long Nut
Push-In

Component Charts

Air Fittings

Long Nut (Use w/SAE J844 type 3A & 3B Nylon Tubing by adding insert)



Insert

Tube	Part No.
1/4	12-09804
3/8	12-09806
1/2	12-09808
5/8	12-09810
3/4	12-09812



Union

Tube	Part No.
1/4	12-16204
3/8	12-16206
1/2	12-16208
5/8	12-16210
3/4	12-16212



Union Tee

Tube	Part No.
1/4	12-16404
3/8	12-16406



Run Tee

Tube	Part No.
3/8	12-17103

Component Charts



90° Elbow

Tube	Pipe	Part No.
1/4	1/8	12-16901
	1/4	12-16902
3/8	1/8	12-16905
	1/4	12-16906
	3/8	12-16907
	1/2	12-16908
1/2	3/8	12-16910
	1/2	12-16911



45° Elbow

Tube	Pipe	Part No.
3/8	1/4	12-17701

Push-In (Use w/SAE J844 type 3A & 3B Nylon Tubing)



Male Connector

Tube	Pipe	Part No.
5/32	1/16	12-09916P
	1/8	12-09917P
1/4	1/8	12-09923P
	1/4	12-09924P
3/8	1/4	12-09926P
	3/8	12-09927P
1/2	3/8	12-09928P
	1/2	12-09929P



Branch Tee

Tube	Pipe	Part No.
1/4	1/8	12-09961P
1/4	1/4	12-09962P
3/8	1/4	12-09963P

Component Charts

**Air Fittings
Push-In
Brass Pipe**

Air Fittings

Component Charts

Push-In (Use w/SAE J844 type 3A & 3B Nylon Tubing)



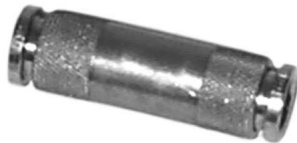
Union Tee

Tube	Part No.
1/4	12-09984P
3/8	12-09986P
1/2	12-09988P



Branch Tee

Tube	Pipe	Part No.
5/32	1/8	12-09931P
1/4	1/8	12-09934P
	1/4	12-09935P
3/8	1/4	12-09937P
	3/8	12-09938P
1/2	3/8	12-09939P
	1/2	12-09941P



Union

Tube	Part No.
5/32	12-09948P
1/4	12-09951P
3/8	12-09952P
1/2	12-09953P



Union Elbow

Tube	Part No.
1/4	12-09994P
3/8	12-09996P
1/2	12-09998P

Brass Pipe



Close Nipple

Pipe	Part No.
1/8	12-11202
1/4	12-11204
3/8	12-11206
1/2	12-11208
3/4	12-11212



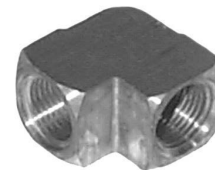
Hex Nipple

Pipe	Pipe	Part No.
1/8	1/8	12-12202
1/4	1/8	12-12203
	1/4	12-12204
3/8	1/4	12-12205
	3/8	12-12206
1/2	3/8	12-12207
	1/2	12-12208



Adapter

Pipe	Pipe	Part No.
1/4	1/8	12-12742
3/8	1/4	12-12764
1/2	3/8	12-12786



Female Elbow

Pipe	Pipe	Part No.
1/8	1/8	12-10002
1/4	1/4	12-10004
3/8	3/8	12-10006
1/2	1/2	12-10008

Air Fittings Brass Pipe

Component Charts

Air Fittings

Brass Pipe



Long Nipple

Pipe	Length	Part No.
1/8	1 1/2	12-11301
	2	12-11302
1/4	1 1/2	12-11303
	2	12-11304
3/8	1 1/2	12-11305
	2	12-11306
1/2	1 1/2	12-11307
	2	12-11308



Coupling

Pipe	Pipe	Part No.
1/8	1/8	12-10302
1/4	1/4	12-10304
3/8	3/8	12-10306
1/2	1/2	12-10308



Reducer

Pipe	Pipe	Part No.
1/4	1/8	12-12601
3/8	1/4	12-12603
1/2	3/8	12-12604



Street Elbow

Pipe	Pipe	Part No.
1/8	1/8	12-11602
1/4	1/4	12-11604
3/8	3/8	12-11606
1/2	1/2	12-11608

Component Charts



45° Street Elbow

Pipe	Length	Part No.
1/4	1/4	12-12404
3/8	3/8	12-12406
1/2	1/2	12-12408



Female Tee

Pipe	Part No.
1/8	12-10102
1/4	12-10104
3/8	12-10106
1/2	12-10108



Pipe Cap

Pipe	Part No.
1/8	12-11102
1/4	12-11104
3/8	12-11106
1/2	12-11108



Allen Head Plug

Pipe	Part No.
1/8	12-12002
1/4	12-12004
3/8	12-12006
1/2	12-12008
3/4	12-12012

Component Charts

Air Fittings
Brass Pipe
Bulkhead Couplings

Air Fittings

Component Charts

Brass Pipe



Male Tee

Pipe	Pipe	Part No.
1/8	1/8	12-10202
1/4	1/4	12-10204
3/8	3/8	12-10206
1/2	1/2	12-10208



Cross

Pipe	Part No.
1/8	12-10402
1/4	12-10404
3/8	12-10406
1/2	12-10408



Bushing

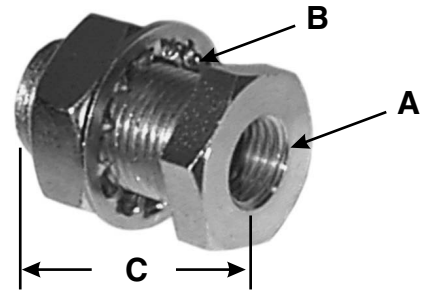
Pipe	Pipe	Part No.
1/4	1/8	12-11001
3/8	1/8	12-11002
	1/4	12-11003
1/2	1/4	12-11005
	3/8	12-11006
3/4	3/8	12-11007
	1/2	12-11008



Hex Plug

Pipe	Part No.
1/8	12-12102
1/4	12-12104
3/8	12-12106
1/2	12-12108
3/4	12-12112

Bulkhead Couplings



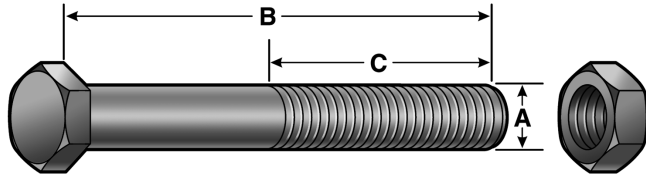
Type 1

Dim. A	Dim. B	Dim. C	Dim. D	Part No.
1/4	3/4-16	1 1/4	—	12-40503
3/8	1-14	1 1/2	—	12-40505

Bolts & Bolt Kits

Component Charts

Bolts & Bolt Kits



Sorted by Size/Grade

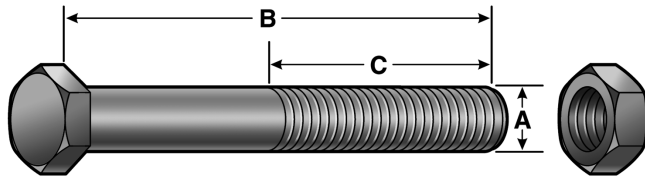
Bolt Part No.	Assembly No.	Bolt Dia. (Thread) (A)	Length (B)	Grade	Thread Length (C)	Remarks
—	334-1741	1/4-20	1 1/4	8	1 1/4	
—	334-1301	1/4-28	4 1/2	2	3/4	
—	334-1490	5/16-24	5/8	5	5/8	
334-589	—	5/16-18	3/4	5	3/4	
334-1489	—	5/16-24	1	5	1	
334-1807	—	M8x1.25	16mm	5.8	16mm	Flange Head
334-534	—	3/8-24	2 1/4	8	1	
334-537	334-551	3/8-24	2 3/4	8	1	
334-1493	—	3/8-24	3 1/2	8	1	
—	334-1299	7/16-20	1 1/4	5	1 1/8	
334-1650	—	7/16-14	1 3/8	5	1 3/8	Dog Point
334-484	—	1/2-20	1 3/4	5	1 3/4	
334-1591	—	1/2-13	2 1/4	5	1 1/4	
334-538	334-550	1/2-20	3	8	1 1/4	
—	334-176	1/2-20	3 1/2	8	1 1/4	
327-154	334-131	1/2-13	4	8	1 1/4	
—	334-766	1/2-20	4	8	1 1/4	
334-1996	—	1/2-13	4 1/2	8	1 1/4	
—	334-1567	1/2-20	5	5	1 1/4	
327-264	—	1/2-13	5	8	1 1/4	
—	334-786	1/2-20	5	8	1 1/4	
—	334-1530	1/2-20	6	5	1 1/4	
—	334-1554	1/2-20	6 1/2	5	1 1/2	
327-371	—	1/2-13	6 1/2	8	1 1/2	
—	334-2106	M14-1.5	50mm	10.9	—	
—	334-790	M14x1.5	120mm	10.9	35mm	
—	334-1593	9/16-18	2 1/2	8	1 3/8	
—	334-758	9/16-18	4	8	1 3/8	
327-266	334-752	9/16-18	4 1/2	8	1 3/8	
—	334-762	9/16-18	5	8	1 3/8	
—	334-1594	9/16-18	5 1/2	8	1 3/8	
—	334-784	9/16-18	7	8	1 5/8	
334-1057	—	5/8-11	1 1/4	5	1 1/4	
334-1053	—	5/8-18	1 1/2	5	1 1/2	
334-623	334-622	5/8-18	2	5	1 1/2	
334-799	—	5/8-11	2 1/2	8	1 1/2	
—	334-1104	5/8-18	2 1/2	8	1 1/2	
334-800	—	5/8-11	3	5	1 1/2	
334-1325	334-2130	5/8-11	3	8	1 1/2	Flange Head
—	334-684	5/8-18	3 1/4	5	1 1/2	
—	334-1724	5/8-11	3 1/4	8	1 1/2	
—	334-624	5/8-11	3 1/2	8	1 1/2	
—	334-772	5/8-18	3 1/2	8	1 1/2	
334-1532	—	5/8-18	3 3/4	8	1 1/2	Flange Head
—	334-699	5/8-11	4	8	1 1/2	

Component Charts

Bolt Part No.	Assembly No.	Bolt Dia. (Thread) (A)	Length (B)	Grade	Thread Length (C)	Remarks
—	334-796	5/8-18	4	8	1 1/2	
327-157	334-1724	5/8-11	4 1/2	8	1 1/2	
—	334-768	5/8-18	4 1/2	8	1 1/2	
—	334-1317	5/8-11	5	8	1 1/2	
—	334-770	5/8-18	5	8	1 1/2	
—	334-1312	5/8-11	5 1/2	8	1 1/2	
—	334-754	5/8-18	5 1/2	8	1 1/2	
334-366	—	5/8-18	6	5	1 3/4	3/4" body dia.
—	334-696	5/8-11	6	8	1 1/2	
—	334-774	5/8-18	6	8	1 3/4	
334-546	—	5/8-18	6 1/2	5	1 3/4	3/4" body dia.
—	334-778	5/8-18	6 1/2	8	1 3/4	
334-765	334-764	5/8-18	7	8	1 3/4	
—	334-2122	5/8-11	7 1/2	8	1 3/4	
334-913	—	M16x1.5	120mm	10.9	40mm	
—	334-1331	M16x2.0	120mm	10.9	40mm	
—	334-1337	M16x2.0	150mm	10.9	40mm	
—	334-1330	M16x2.0	160mm	10.9	40mm	
—	334-1336	M16x2.0	170mm	10.9	40mm	
—	334-1329	M16x2.0	260mm	10.9	40mm	
—	334-1806	M16x2.0	290mm	10.9	40mm	
—	334-1937	M18-2.5	140mm	10.8	48mm	N806967-56
—	334-1938	M18-2.5	150mm	10.8	48mm	N807660-S100
334-1433	—	3/4-10	2 1/4	8	1 3/4	Flange Head
—	334-1110	3/4-10	2 1/2	8	1 3/4	
334-1127	—	3/4-16	2 1/2	8	1 3/4	
—	334-1103	3/4-10	3	8	1 3/4	
334-1089	334-1105	3/4-10	3 1/2	8	1 3/4	
—	334-1737	3/4-10	3 3/4	8	1 3/4	
—	334-1268	3/4-16	4	5	1 3/4	
—	334-1782	3/4-10	4	8	1 3/4	
—	334-798	3/4-16	4	8	1 3/4	
334-307	—	3/4-10	4 1/4	5	3/4	
—	334-1293	3/4-16	4 1/2	8	1 3/4	
327-141	334-626	3/4-10	5	8	1 3/4	
334-578	334-579	3/4-16	5 1/2	5	1 3/4	
—	334-756	3/4-16	5 1/2	8	1 3/4	
334-1039	334-990	3/4-16	6	8	1 3/4	
—	334-1723	3/4-16	6	8	1 3/4	w/washers
—	334-788	3/4-16	6 1/2	8	2	
334-1446	334-2205	3/4-16	7	8	2	
—	334-1897	3/4-16	7 1/2	8	2	
—	334-2218	3/4-16	8	8	2	
334-494	—	3/4-16	8 1/2	5	2	
—	334-1734	3/4-10	8 1/2	8	2	
334-808	334-2159	3/4-16	9	8	2	
—	334-1783	3/4-10	9 1/2	8	2	
—	334-1735	3/4-10	10	8	2	
334-1231	334-2160	3/4-16	10	8	2	
—	334-2161	3/4-10	11	8	2	
334-1463	—	3/4-16	11	8	9	EZ Ride
—	334-1736	3/4-10	11.5	8	2	

Component Charts

Bolts & Bolt Kits



Sorted by Size/Grade

Bolt Part No.	Assembly No.	Bolt Dia. (Thread) (A)	Length (B)	Grade	Thread Length (C)	Remarks
—	334-1867	M20x2.5	70mm	10.9	50mm	
—	334-1869	M20x2.5	90mm	10.9	50mm	
—	334-907	M20x2.5	130mm	10.9	50mm	
334-908	—	M20x2.5	150mm	10.9	50mm	
334-1768	334-1656	M20x2.5	160mm	10.9	50mm	
—	334-2166	M20x2.5	170mm	10.9	50mm	
—	334-2015	M20x2.5	180mm	10.9	50mm	
—	334-2185	M20x2.5	220mm	10.9	50mm	
—	334-2027	M20x2.5	230mm	10.9	50mm	
—	334-1335	M20x2.5	260mm	10.9	50mm	
334-909	—	M22x2.5	140mm	10.9	55mm	
—	334-2097	M22x2.5	180mm	10.9	55mm	
334-910	—	M22x2.5	200mm	10.9	55mm	
334-1274	—	7/8-14	2 1/2	5	2	
—	334-1108	7/8-9	3	8	2	
334-1704	334-1109	7/8-9	3 1/2	8	2	
327-321	—	7/8-9	4	8	2	Insulator Bolt
334-616	—	7/8-9	4 1/4	8	3/4	
327-322	—	7/8-9	4 1/4	8	2	Insulator Bolt
334-1522	334-1149	7/8-14	4 1/4	8	2	
327-323	—	7/8-9	4 1/2	8	2	Insulator Bolt
—	334-827	7/8-14	4 3/4	5	2	
334-1393	334-1291	7/8-9	5	8	2	
327-308	—	7/8-14	5	8	2	
334-1026	334-315	7/8-14	5 1/4	5	1 1/4	
334-244	334-246	7/8-9	5 1/2	5	2	
334-1395	334-1701	7/8-14	5 1/2	8	2	
327-325	334-1107	7/8-9	6	8	2	
327-309	334-528	7/8-14	6	8	2	
327-316	—	7/8-14	6 1/2	8	2 1/4	
—	334-1691	7/8-9	7 1/2	8	2 1/4	
334-1396	—	7/8-14	7 1/2	8	2 1/4	
327-317	334-1708	7/8-14	8	8	2 1/4	
334-702	—	7/8-9	8 3/8	8	1 1/2	
—	334-1106	7/8-9	9	8	2 1/4	
—	334-1289	7/8-9	9 1/2	8	2 1/4	
—	334-1863	7/8-9	10	8	2 1/4	
334-1668	—	7/8-9	12	8	2 1/4	
327-182	—	1 5/16-16	5 1/4	8	1 1/2	Greasable
327-184	—	1 5/16-16	5 1/2	8	1 3/4	
327-481	—	M24x3.0	200mm	10.9	60mm	
—	334-2090	M24-3.0	220mm	10.9	60mm	
—	334-2099	M24-3.0	250mm	10.9	60mm	

Bolt Part No.	Assembly No.	Bolt Dia. (Thread) (A)	Length (B)	Grade	Thread Length (C)	Remarks
334-209	—	1-8	2 1/2	5	2 1/4	
—	334-1101	1-8	3 1/2	8	2 1/4	
—	334-1102	1-8	4	8	2 1/4	
327-293	—	1-8	5	8	1 1/2	
327-442	—	1-8	5	8	1 1/2	Greasable
334-359	334-345	1-14	5	5	1 1/2	
334-1051	—	1-14	5 3/8	8	2 1/4	
334-302	334-305	1-14	5 1/2	5	2	
327-187	—	1-14	5 1/2	5	2 1/4	
—	334-832	1-8	6	8	2 1/4	
327-500	334-825	1-14	6	8	2 1/4	
334-1043	—	1-8	6 1/2	8	2 1/2	
—	334-2145	1-8	6 1/2	8	2 1/2	w/jam nut
334-317	334-320	1-14	6 1/2	5	2 1/2	
—	334-2227	1-14	6 1/2	8	2 1/2	
334-644	334-218	1-14	6 3/4	8	2 1/2	
334-1417	—	1-8	7	8	2 1/2	
334-203	334-206	1-14	7	5	2 1/2	
334-523	334-522	1-14	7	8	2 1/2	
334-651	334-1712	1-8	7 1/2	8	2 1/2	
—	334-1683	1-14	7 1/2	8	2 1/2	
327-477	—	1-14	7 3/4	8	2 3/4	Use 327-476
334-476	334-1682	1-14	8	8	2 1/2	
334-458	334-811	1-14	8 1/2	8	2 1/2	
327-112	327-100	1-14	9	8	2	Tandem Bolt
327-113	327-101	1-14	9 1/2	8	2	Tandem Bolt
327-114	327-102	1-14	10	8	2	Tandem Bolt
327-115	327-103	1-14	10 1/2	8	2	Tandem Bolt
327-116	327-104	1-14	11	8	2	Tandem Bolt
327-117	327-105	1-14	11 1/2	8	2	Tandem Bolt
334-1020	—	1 1/8-12	3 1/2	8	2 1/2	
334-739	334-937	1 1/8-7	6 5/8	5	1 1/8	
334-1014	—	1 1/8-12	7 1/2	8	2 3/4	
334-376	—	1 1/8-7	8	5	1 3/4	
334-1215	—	1 1/8-12	8	8	2 3/4	
334-607	—	1 1/8-7	8 1/2	8	2 3/4	
334-1480	—	1 1/8-12	8 1/2	8	2 3/4	
334-1216	—	1 1/8-12	9	8	2 3/4	
334-605	—	1 1/8-7	9 1/4	8	2 3/4	
334-1469	—	1 1/8-12	9 1/4	8	2 3/4	
334-1303	—	1 1/8-7	9 3/4	5	1 3/4	
—	334-1839	1 1/8-12	10 1/2	8	2 3/4	
334-1475	—	1 1/8-12	11	8	2 3/4	
334-1466	—	1 1/8-12	12	8	2 3/4	
334-1042	—	1 1/4-7	5 1/4	5	2 3/4	
327-319	—	1 1/4-12	7	8	3	
334-1087	—	1 1/4-7	8 1/8	5	1 1/2	
334-1776	—	1 1/4-7	9	8	3	
334-289	334-292	1 1/4-12	9	5	2 1/2	
334-606	—	1 1/4-12	9	8	1 5/8	
334-608	—	1 1/4-7	9 1/2	5	3	
334-1091	—	1 1/4-12	9 3/4	5	3	
334-892	—	1 1/2-6	7	5	—	
334-1413	—	1 1/2-6	8 1/2	5	—	

Bolts & Bolt Kits

Component Charts

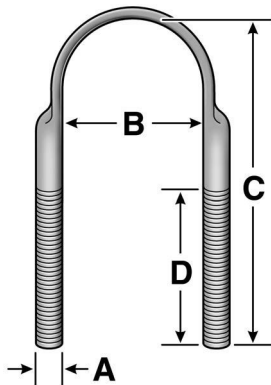
U-Bolt Kits Forged

Component Charts

U-Bolt Kits - Forged

Forged - Round Bend

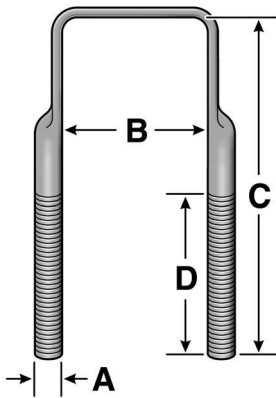
Assemblies Include u-bolt, hardened washers and deep nuts unless noted otherwise.



Assembly No.	U-Bolt No.	Dia. Thread (A)	Width (B)	Length (C)	Grade	Thread Length (D)	Remarks
361-606	—	7/8-14	3 11/16	22	8	4 1/2	Mack
361-607	—	7/8-14	3 11/16	24	8	4 1/2	Mack
361-622	—	7/8-14	4	19	8	—	Thomas
361-637	—	7/8-14	6	8	8	—	Hendrickson Auxiliary
361-640	—	7/8-14	6	8 1/4	8	—	Hendrickson Trailer
361-159	—	7/8-14	6 5/8	8 1/2	5	2 1/2	Hutch Air
361-266	—	1-14	3	21	8	5	International/Navistar
361-619	—	1-14	3	22	8	—	
361-493	—	1-14	3	22 7/8	8	5	International/Navistar
361-638	—	1-14	3	24	8	3 1/2	International/Navistar
361-268	—	1-14	3	26 1/4	8	6 1/2	International/Navistar
361-511	—	1-14	5	7 1/2	8	3 1/2	Neway
361-512	—	1-14	5	11 1/2	8	3 1/2	Neway
361-514	—	1-14	5 11/16	12	8	3 1/2	Neway
361-224	—	1-14	6 1/4	9	8	2 1/4	Neway
361-226	—	1-14	6 1/4	10 1/2	8	3 1/2	Neway
361-228	—	1-14	6 1/4	11	8	2 1/4	Neway
361-230	—	1-14	6 1/4	12 1/2	8	3 1/2	Neway

Forged - Square Bend

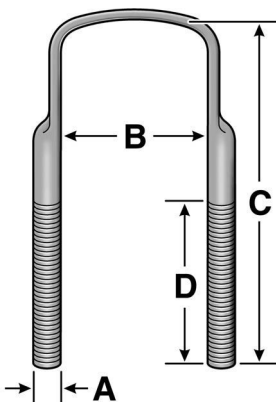
Assemblies Include u-bolt, hardened washers and deep nuts unless noted otherwise.



Assembly No.	U-Bolt No.	Dia. Thread (A)	Width (B)	Length (C)	Grade	Thread Length (D)	Remarks
361-180	—	3/4-16	4	3 1/4	8	1 1/2	Freightliner Air
361-476	—	1-14	5 1/8	13	8	4 3/4	Fruehauf
361-220	—	1-14	6 1/4	10 1/2	8	3 3/4	Neway
361-222	—	1-14	6 1/4	12 1/2	8	3 3/4	Neway
361-654	—	1 1/8-12	3	18	8	5	FWD/Segrave
361-478	—	1 1/8-12	5 1/8	12 1/4	8	3	Fruehauf
361-338	—	1 1/8-12	5 1/8	13 1/4	8	6	Fruehauf, W&C

Forged - Semi-Round Bend

Assemblies Include u-bolt, hardened washers and deep nuts unless noted otherwise.



Assembly No.	U-Bolt No.	Dia. Thread (A)	Width (B)	Length (C)	Grade	Thread Length (D)	Remarks
361-394	—	M20-1.5	81mm	500mm	11	150mm	Mack Midliner
361-393	—	1-14	3 1/2	15 1/2	8	5	Peterbilt-Low Air
—	8U-7710SR	1 1/4-12	5	10	8	4	Rockwell Six Rod
—	8U-7712SR	1 1/4-12	5	12	8	4	Rockwell Six Rod

Component Charts

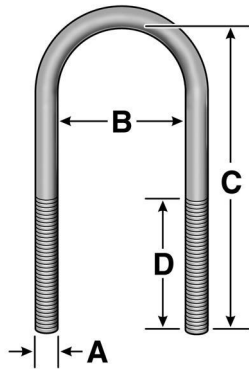
Component Charts

U-Bolt Kits Round Bend

U-Bolt Kits

Component Charts

Round Bend Assemblies Include u-bolt, hardened washers and deep nuts unless noted otherwise.



Assembly No.	U-Bolt No.	Dia. Thread (A)	Width (B)	Length (C)	Grade	Thread Length (D)	Remarks
361-480	5U-1507R	1/2-20	3 1/2	7 5/8	5	3	
361-397	8U-3506R	5/8-18	3	6 3/4	8	3	
361-381	8U-3510R	5/8-18	3	10 3/4	8	3 1/2	
361-382	8U-3710R	5/8-18	3 3/8	10 5/8	8	3 1/2	
361-416	8U-6108R	5/8-18	3 1/2	8 5/8	8	3 1/2	
361-383	8U-6109R	5/8-18	3 1/2	9 5/8	8	3 1/2	
361-635	8U-6115R	5/8-18	3 1/2	15 1/2	8	3 1/2	
361-176	8U-3807R	5/8-18	3 5/8	7 1/2	8	3	
361-240	8U-4108R	5/8-18	5 1/8	8 1/8	8	3 1/2	
361-482	8U-4609R	3/4-16	3	9 5/8	8	3 1/2	
361-647	8U-4610R	3/4-16	3	10 5/8	8	3 1/2	
361-541	8U-4611R	3/4-16	3	11 5/8	9	3 1/2	
361-469	8U-4612R	3/4-16	3	12 5/8	8	5 1/2	
361-618	8U-4613R	3/4-16	3	13 5/8	8	5 1/2	
361-616	8U-4614R	3/4-16	3	14 5/8	8	5 1/2	
361-196	8U-4615R	3/4-16	3	15 5/8	8	5 1/2	
361-519	—	3/4-16	3	16	8	5 1/2	
361-628	—	3/4-16	3	16 5/8	8	5 1/2	
361-626	8U-4617R	3/4-16	3	17 5/8	8	5 1/2	
361-539	8U-4620R	3/4-16	3	20 5/8	8	5 1/2	
361-262	8U-4618R	3/4-16	3	18 5/8	8	5 1/2	
361-186	8U-4810R	3/4-16	3 1/2	10 1/2	8	3 1/2	
361-188	8U-4812R	3/4-16	3 1/2	12 1/2	8	5 1/2	
361-693	8U-4907R	3/4-16	4	7 3/8	8	3 1/2	
361-649	8U-4908R	3/4-16	4	8 3/8	8	3 1/2	
361-190	8U-4911R	3/4-16	4	11 3/8	8	3 1/2	
361-572	8U-4912R	3/4-16	4	12 3/8	8	5 1/2	
361-564	8U-4914R	3/4-16	4	14 3/8	8	5 1/2	
361-588	8U-4916R	3/4-16	4	16 3/8	8	5 1/2	
361-182	8U-4918R	3/4-16	4	18 3/8	8	5 1/2	
361-282	8U-5108R	3/4-16	5 1/8	8	8	3 1/2	
361-530	8U-5116R	3/4-16	5 1/8	16	8	5 1/2	
361-505	8U-5311R	7/8-14	3	11 1/2	8	3 1/2	
361-248	—	7/8-14	3	12 1/2	5	5 1/2	
361-589	8U-5312R	7/8-14	3	12 1/2	8	5 1/2	
361-577	—	7/8-14	3	13 1/2	5	5 1/2	
361-566	8U-5313R	7/8-14	3	13 1/2	8	5 1/2	
361-218	—	7/8-14	3	14 1/2	5	5 1/2	
361-374	8U-5314R	7/8-14	3	14 1/2	8	5 1/2	
361-584	—	7/8-14	3	15 1/2	5	5 1/2	
361-350	8U-5315R	7/8-14	3	15 1/2	8	5 1/2	incl. Conical Washers
361-492	—	7/8-14	3	16 1/2	5	5 1/2	
361-168	8U-5316R	7/8-14	3	16 1/2	8	5 1/2	
361-168-8	—	7/8-14	3	16 1/2	8	8	
361-585	—	7/8-14	3	17 1/2	5	5 1/2	
361-250	—	7/8-14	3	18 1/2	5	5 1/2	
361-609	8U-5318R	7/8-14	3	18 1/2	8	5 1/2	
361-517	—	7/8-14	3	18 1/2	8	5 1/2	Incl. Conical Washers
361-340	8U-5319R	7/8-14	3	19 1/2	8	5 1/2	
361-633	8U-5320R	7/8-14	3	20 1/2	8	5 1/2	
361-342	8U-5322R	7/8-14	3	22 1/2	8	5 1/2	
361-657	8U-5410R	7/8-14	3 1/2	10 3/8	8	5 1/2	
361-192	8U-5412R	7/8-14	3 1/2	12 3/8	8	5 1/2	
361-172	8U-5413R	7/8-14	3 1/2	13 3/8	8	5 1/2	
361-490	8U-5414R	7/8-14	3 1/2	14 3/8	8	5 1/2	
361-174	8U-5415R	7/8-14	3 1/2	15 3/8	8	5 1/2	
361-575	5U-5416R	7/8-14	3 1/2	16 3/8	5	5 1/2	
361-582	8U-5416R	7/8-14	3 1/2	16 3/8	8	5 1/2	
361-491	8U-5418R	7/8-14	3 1/2	18 3/8	8	5 1/2	
361-693	8U-5507R	7/8-14	4	7 1/4	8	3 1/2	
361-702	8U-5508R	7/8-14	4	8 1/4	8	3 1/2	
361-620	8U-5509R	7/8-14	4	9 1/4	8	3 1/2	

U-Bolt Kits

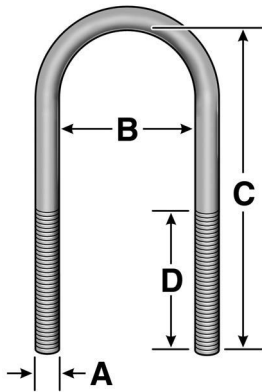
Round Bend

Square Bend

Component Charts

Round Bend Continued Assemblies Include u-bolt, hardened washers and deep nuts unless noted otherwise.

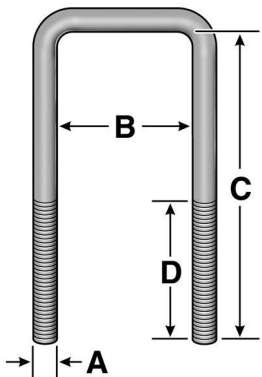
U-Bolt Kits



Assembly No.	U-Bolt No.	Dia. Thread (A)	Width (B)	Length (C)	Grade	Thread Length (D)	Remarks
361-621	8U-5510R	7/8-14	4	10 1/4	8	3 1/2	
361-194	8U-5512R	7/8-14	4	12 1/4	8	5 1/2	
361-178	8U-5516R	7/8-14	4	16 1/4	8	5 1/2	
361-184	8U-5518R	7/8-14	4	18 1/4	8	5 1/2	
361-473	8U-5708R	7/8-14	5 1/8	8	8	3 1/2	
361-471	8U-5710R	7/8-14	5 1/8	9 7/8	8	3 1/2	
361-568	8U-5711R	7/8-14	5 1/8	10 7/8	8	3 1/2	
361-258	8U-5712R	7/8-14	5 1/8	11 7/8	8	5 1/2	
361-559	8U-5713R	7/8-14	5 1/8	12 7/8	8	5 1/2	
361-254	8U-5714R	7/8-14	5 1/8	13 7/8	8	5 1/2	
361-252	—	7/8-14	5 1/8	14	5	5 1/2	
361-487	5U-5715R	7/8-14	5 1/8	14 7/8	5	5 1/2	
361-558	8U-5716R	7/8-14	5 1/8	15 7/8	8	5 1/2	
361-509	8U-5718R	7/8-14	5 1/8	17 7/8	8	5 1/2	
361-587	—	7/8-14	5 1/8	18	5	5 1/2	
361-664	—	7/8-14	5 1/2	15 3/4	8	5 1/2	
361-632	—	7/8-14	5 1/2	16 3/4	8	5 1/2	
361-510	8U-9437R	7/8-14	5 11/16	14 3/4	8	5 1/2	
361-470	8U-9195R	7/8-14	6	8 5/8	8	3 1/2	
361-508	8U-9434R	7/8-14	6	11 5/8	8	5 1/2	
361-521	8U-6909R	1-14	3 1/2	9 1/4	8	3 1/2	
361-650	8U-7008R	1-14	4	8 1/8	8	3 1/2	
361-651	8U-7009R	1-14	4	9 1/8	8	3 1/2	
361-246	8U-9053R	1-14	5 1/8	10 7/8	8	3 1/2	w/lock nuts
361-645	8U-9053R	1-14	5 1/8	10 7/8	8	3 1/2	
361-516	8U-9415R	1-14	5 1/8	12 7/8	8	5 1/2	w/lock nuts
361-646	8U-9415R	1-14	5 1/8	12 7/8	8	5 1/2	
361-660	8U-9402R	1-14	5 1/8	14 7/8	8	5 1/2	
361-534	8U-9435R	1-14	6 3/8	9 1/2	8	3 1/2	
361-232	8U-9063R	1-14	6 3/8	12 1/2	8	5 1/2	
361-522	8U-9116R	1 1/8-12	3 1/2	10 1/4	8	3 1/2	
361-601	8U-73135R	1 1/8-12	5 11/16	13	8	5 1/2	
361-565	8U-73145R	1 1/8-12	5 11/16	14 1/2	8	5 1/2	
361-234	8U-73155R	1 1/8-12	5 11/16	15 1/2	8	5 1/2	
361-573	8U-73165R	1 1/8-12	5 11/16	16 1/2	8	5 1/2	
361-659	8U-73175R	1 1/8-12	5 11/16	17 1/2	8	5 1/2	
361-496	8U-9307R	1 1/8-12	5 7/8	15 1/2	8	5 1/2	
361-547	8U-9438R	1 1/4-12	5 1/2	13 3/8	8	5 1/2	
361-549	8U-9439R	1 1/4-12	5 1/2	17 3/8	8	5 1/2	
361-548	8U-9186R	1 1/4-12	5 1/2	16 3/8	8	5 1/2	

Square Bend Assemblies Include u-bolt, hardened washers and deep nuts unless noted otherwise.

Component Charts



Assembly No.	U-Bolt No.	Dia. Thread (A)	Width (B)	Length (C)	Grade	Thread Length (D)	Remarks
361-368	5U-233S	9/16-18	2 1/2	7 5/8	5	3	
361-500	8U-3406NHS	9/8-18	2 1/2	6 3/4	8	3	New Holland
361-370	8U-3508S	5/8-18	3	8 3/8	8	3 1/2	
361-290	8U-3512S	5/8-18	3	12 3/8	8	5 1/2	
361-550	8U-3814S	5/8-18	3 1/2	14 1/8	8	5 1/2	Body Mount
361-551	8U-3816S	5/8-18	3 1/2	16 1/8	8	5 1/2	Body Mount
361-552	8U-3818S	5/8-18	3 1/2	18 1/8	8	5 1/2	Body Mount
361-553	8U-3820S	5/8-18	3 1/2	20 1/8	8	5 1/2	Body Mount
361-554	8U-3914S	5/8-18	4	14 7/8	8	5 1/2	Body Mount
361-555	8U-3916S	5/8-18	4	16 7/8	8	5 1/2	Body Mount
361-556	8U-3920S	5/8-18	4	20 7/8	8	5 1/2	Body Mount
361-244	8U-4109S	5/8-18	5 1/8	9 3/8	8	3 1/2	

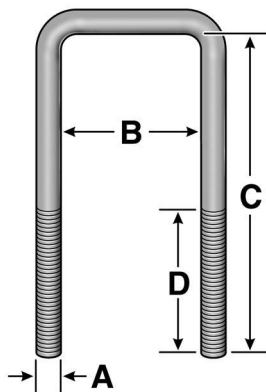
Component Charts

U-Bolt Kits Square Bend

U-Bolt Kits

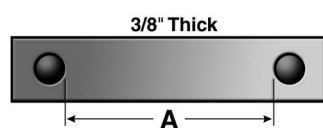
Component Charts

Square Bend Continued Assemblies Include u-bolt, hardened washers and deep nuts unless noted otherwise.



Assembly No.	U-Bolt No.	Dia. Thread (A)	Width (B)	Length (C)	Grade	Thread Length (D)	Remarks
361-501	8U-4607S	3/4-16	3	7 3/8	8	3	
361-667	8U-4609S	3/4-16	3	9 3/8	8	3	
361-292	8U-4612S	3/4-16	3	12 3/8	8	5 1/2	
361-617	8U-4614S	3/4-16	3	14 3/8	8	5 1/2	
361-272	8U-4618S	3/4-16	3	18 3/8	8	5 1/2	
361-294	8U-4622S	3/4-16	3	22 3/8	8	5 1/2	
361-204	8U-4805S	3/4-16	3 1/2	5 1/8	8	3	
361-570	8U-4810S	3/4-16	3 1/2	10 1/8	8	3 1/2	
361-214	8U-4812S	3/4-16	3 1/2	12 1/8	8	5 1/2	
361-161	8U-4905S	3/4-16	4	5 7/8	8	3	
361-689	8U-4906S	3/4-16	4	6 7/8	8	3	
361-475	8U-4908S	3/4-16	4	8 7/8	8	3 1/2	
361-569	8U-4909S	3/4-16	4	9 7/8	8	3 1/2	
361-206	8U-4910HS	3/4-16	4	11 1/8	8	3 1/2	Kenworth
361-200	8U-4912S	3/4-16	4	12 7/8	8	5 1/2	
361-515	8U-5108S	3/4-16	5 1/8	8 3/8	8	3 1/2	
361-523	8U-9385S	3/4-16	5 1/2	6 1/8	8	3	
361-627	8U-5209PX	3/4-16	6 3/8	9 1/8	8	3 1/2	Hendrickson
361-661	8U-5210PX	3/4-16	6 3/8	10 1/8	8	5 1/2	Hendrickson
361-662	8U-5211PX	3/4-16	6 3/8	11 1/8	8	5 1/2	Hendrickson
361-663	8U-5212PX	3/4-16	6 3/8	12 1/8	8	5 1/2	Hendrickson
361-296	8U-5318S	7/8-14	3	18 1/4	8	5 1/2	
361-467	8U-5411S	7/8-14	3 1/2	12	8	5 1/2	
361-613	8U-5413S	7/8-14	3 1/2	14	8	5 1/2	
361-506	8U-5415S	7/8-14	3 1/2	16	8	5 1/2	
361-592	8U-5417S	7/8-14	3 1/2	18	8	5 1/2	
361-100	8U-5508HS	7/8-14	4	9	8	3 1/2	Hendrickson
361-694	8U-5509S	7/8-14	4	9 3/4	8	3 1/2	
361-642	8U-5509HS	7/8-14	4	10	8	3 1/2	Hendrickson
361-208	8U-5510HS	7/8-14	4	11	8	3 1/2	Freightliner, Kenworth
361-643	8U-5511HS	7/8-14	4	12	8	3 1/2	Hendrickson
361-507	8U-5512S	7/8-14	4	12 3/4	8	5 1/2	
361-608	8U-5513S	7/8-14	4	13 3/4	8	5 1/2	
361-210	8U-5516S	7/8-14	4	16 3/4	8	5 1/2	
361-525	8U-5616S	7/8-14	4 1/2	16	8	5 1/2	
361-641	8U-5714PS	7/8-14	5 1/8	14 5/8	8	5 1/2	Peterbilt / Kenworth
361-648	8U-9335FS	7/8-14	5 1/8	14 5/8	8	5 1/2	Freightliner
361-468	8U-9336FS	7/8-14	5 1/8	15 5/8	8	5 1/2	Freightliner
361-499	—	7/8-14	5 1/8	15 1/4	5	5 1/2	
361-580	8U-5716SS	7/8-14	5 1/8	16 1/4	8	5 1/2	
361-529	8U-5815S	7/8-14	5 1/2	16	8	5 1/2	Reyco / Dana
361-634	—	1-14	4	12 3/4	8	5 1/2	
361-538	8U-9436S	1-14	5 1/2	12 1/2	8	5 1/2	
361-260	8U-9082S	1-14	5 1/2	14	8	5 1/2	
361-603	8U-8312S	1 1/8-12	5 1/8	13 1/8	8	5 1/2	
361-396	8U-8314SS	1 1/8-12	5 1/8	14 1/8	8	5 1/2	Hutch
361-612	8U-8315SS	1 1/8-12	5 1/8	15 1/8	8	5 1/2	Hutch
361-280	8U-8316SS	1 1/8-12	5 1/8	16 1/8	8	5 1/2	Hutch
361-560	8U-7311S	1 1/8-12	5 11/16	11	8	3 1/2	
361-561	8U-7312S	1 1/8-12	5 11/16	12	8	5 1/2	
361-236	—	1 1/8-12	5 11/16	12 1/2	8	5 1/2	
361-590	8U-7313S	1 1/8-12	5 11/16	13	8	5 1/2	
361-238	8U-7315S	1 1/8-12	5 11/16	15	8	5 1/2	
361-602	8U-7316S	1 1/8-12	5 11/16	16	8	5 1/2	
361-142	8U-75135S	1 1/4-12	4	13 5/8	8	5 1/2	
361-140	8U-75145S	1 1/4-12	4	14 5/8	8	5 1/2	
361-593	8U-75145S	1 1/4-12	4	14 5/8	8	5 1/2	Mack w/DNM200
361-124	8U-75155S	1 1/4-12	4	15 5/8	8	5 1/2	
361-126	8U-75165S	1 1/4-12	4	16 5/8	8	5 1/2	
361-594	8U-75165S	1 1/4-12	4	16 5/8	8	5 1/2	Mack w/DNM200
361-130	8U-75175S	1 1/4-12	4	17 5/8	8	5 1/2	
361-138	8U-75185S	1 1/4-12	4	18 5/8	8	5 1/2	
361-595	8U-75185S	1 1/4-12	4	18 5/8	8	5 1/2	Mack w/DNM200

Body Mount U-Bolt Plates



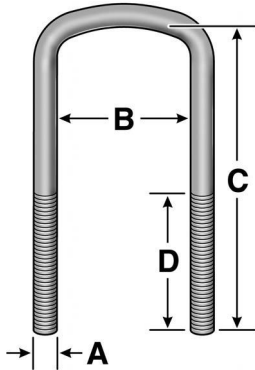
Size	Part No.
2 1/2" - 3"	534-127
3 1/2"	334-1484
4"	334-1485

U-Bolt Kits Semi-Round Bend

Component Charts

Semi-Round Bend Assemblies Include u-bolt, hardened washers and deep nuts unless noted otherwise.

U-Bolt Kits



Component Charts

Assembly No.	U-Bolt No.	Dia. Thread (A)	Width (B)	Length (C)	Grade	Thread Length (D)	Remarks
361-312	5U-231FR	9/16-18	2 1/2	5	5	3	Ford
361-314	8U-3407FR	5/8-18	2 1/2	7 5/8	8	3	Ford
361-656	8U-3506IR	5/8-18	3	6 1/2	8	3	International/Navistar
361-274	8U-3508IR	5/8-18	3	8 1/2	8	3 1/2	International/Navistar
361-318	8U-3907FR	5/8-18	4	7 1/4	8	3	Ford
361-302	8U-3907IR	5/8-18	4	8 1/8	8	3 1/2	International/Navistar
361-389	8U-3907CR	5/8-18	4	8 1/4	8	3	GMC, Isuzu
361-320	8U-3909FR	5/8-18	4	9 1/4	8	3	Ford
361-352	8U-4414CR	3/4-16	2 1/2	14 5/8	8	5 1/2	GMC
361-354	8U-4416CR	3/4-16	2 1/2	16 5/8	8	5 1/2	GMC
361-372	8U-4609CR2	3/4-16	3	9 3/8	8	3 1/2	GMC
361-332	8U-4614FR	3/4-16	3	14 1/2	8	5 1/2	Ford
361-334	8U-4616FR	3/4-16	3	16 1/2	8	5 1/2	Ford
361-356	8U-4616CR1	3/4-16	3	16 3/8	8	5 1/2	GMC
361-270	8U-4618SR	3/4-16	3	18 3/8	8	5 1/2	IH/Navistar, Bluebird
361-358	8U-4618CR1	3/4-16	3	18 3/8	8	5 1/2	GMC
361-391	8U-4618CR3	3/4-16	3	18 1/2	8	5 1/2	GMC, Isuzu
361-336	8U-4618FR	3/4-16	3	18 1/2	8	5 1/2	Ford
361-298	8U-4623IR2	3/4-16	3	23 3/8	8	5 1/2	International/Navistar
361-360	8U-4623CR1	3/4-16	3	23 3/8	8	5 1/2	GMC
361-571	8U-4610PR2	3/4-16	3 1/2	10 1/4	8	3 1/2	Peterbilt
361-198	8U-4812PR2	3/4-16	3 1/2	12 1/4	8	5 1/2	Peterbilt
361-481	8U-4813IR	3/4-16	3 1/2	13 1/4	8	5 1/2	International/Navistar
361-308	8U-4815IR	3/4-16	3 1/2	15 1/4	8	5 1/2	International/Navistar
361-644	8U-4906IR	3/4-16	4	7	8	3 1/3	International/Navistar
361-390	8U-4907CR	3/4-16	4	8 1/4	8	3 1/2	GMC, Isuzu
361-324	8U-4908FR	3/4-16	4	9 1/4	8	3 1/2	Ford
361-216	8U-4909IR	3/4-16	4	10	8	3 1/2	International/Navistar
361-316	8U-4909FR	3/4-16	4	10 1/4	8	3 1/2	Ford
361-474	8U-4911PR	3/4-16	4	12	8	5 1/2	Peterbilt
361-322	8U-4911PR	3/4-16	4	12 1/4	8	5 1/2	Ford
361-504	8U-5113NHR	3/4-16	5 1/2	13 1/2	8	5 1/2	New Holland
361-567	8U-5313SR	7/8-14	3	13 3/8	8	5 1/2	Hendrickson, Page
361-326	8U-5316FR	7/8-14	3	16 3/8	8	5 1/2	Ford
361-652	8U-5316IR	7/8-14	3	16 3/8	8	5 1/2	International/Navistar
361-328	8U-5318FR	7/8-14	3	18 3/8	8	5 1/2	Ford, Reyco
361-362	8U-5318CR1	7/8-14	3	18 3/8	8	5 1/2	GMC
361-557	8U-5318SR	7/8-14	3	18 3/8	8	5 1/2	Page
361-591	8U-5319FR	7/8-14	3	19 3/8	8	5 1/2	Ford
361-330	8U-5320FR	7/8-14	3	20 3/8	8	5 1/2	Ford
361-624	8U-5320IR	7/8-14	3	20 3/8	8	5 1/2	International/Navistar
361-364	8U-5320CR1	7/8-14	3	20 3/8	8	5 1/2	GMC
361-392	8U-5320CR3	7/8-14	3	20 1/2	8	5 1/2	GMC, Isuzu
361-366	8U-5323CR1	7/8-14	3	23 3/8	8	5 1/2	GMC
361-604	8U-5412IR	7/8-14	3 1/2	12	8	5 1/2	Navistar
361-655	8U-5413IR	7/8-14	3 1/2	13	8	5 1/2	Navistar
361-310	8U-5415IR	7/8-14	3 1/2	15 1/8	8	5 1/2	International/Navistar
361-202	8U-5417PR	7/8-14	3 1/2	17 1/4	8	5 1/2	Peterbilt
361-675	8U-5510SR	7/8-14	4	11	8	5 1/2	Kenworth
361-278	8U-5512FR	7/8-14	4	12 1/8	8	5 1/2	Ford, International/Navistar
361-625	8U-7008IR	1-14	4	8 7/8	8	3 1/2	International/Navistar
361-167	8U-7015PR	1-14	4	15 7/8	8	5 1/2	IH/Navistar, Peterbilt

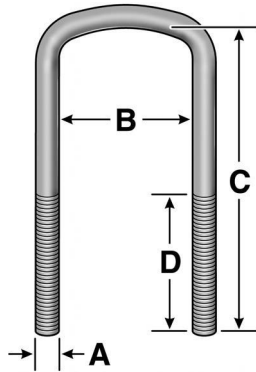
Component Charts

U-Bolt Kits Semi-Round Bend

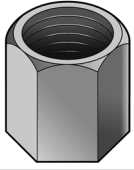
U-Bolt Kits

Component Charts

Semi-Round Bend Continued Assemblies Include u-bolt, hardened washers and deep nuts unless noted otherwise.



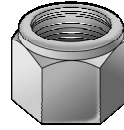
Assembly No.	U-Bolt No.	Dia. Thread (A)	Width (B)	Length (C)	Grade	Thread Length (D)	Remarks
361-212	8U-7212MR	1 1/8-12	4	13	8	5 1/2	Mack
361-146	8U-76135MR	1 1/4-12	4	13 7/8	8	5 1/2	Mack
361-110	8U-76145MR	1 1/4-12	4	14 7/8	8	5 1/2	Mack
361-596	8U-76145MR	1 1/4-12	4	14 7/8	8	5 1/2	Mack w/DNM200
361-112	8U-76155MR	1 1/4-12	4	15 7/8	8	5 1/2	Mack
361-114	8U-76165MR	1 1/4-12	4	16 7/8	8	5 1/2	Mack
361-597	8U-76165MR	1 1/4-12	4	16 7/8	8	5 1/2	Mack w/DNM200
361-116	8U-76175MR	1 1/4-12	4	17 7/8	8	5 1/2	Mack
361-653	8U-76175MR	1 1/4-12	4	17 7/8	8	5 1/2	Mack w/DNM-200
361-118	8U-76185MR	1 1/4-12	4	18 7/8	8	5 1/2	Mack
361-598	8U-76185MR	1 1/4-12	4	18 7/8	8	5 1/2	Mack w/DNM200
361-120	8U-76195MR	1 1/4-12	4	19 7/8	8	5 1/2	Mack
361-599	8U-76195MR	1 1/4-12	4	19 7/8	8	5 1/2	Mack w/DNM200
361-152	8U-7716MR	1 1/4-12	5	16 3/8	8	5 1/2	Mack
361-600	8U-7716MR	1 1/4-12	5	16 3/8	8	5 1/2	Mack w/DNM200
361-154	8U-7717MR	1 1/4-12	5	17 3/8	8	5 1/2	Mack
361-614	8U-7717MR	1 1/4-12	5	17 3/8	8	5 1/2	Mack w/DNM200
361-639	8U-7718MR	1 1/4-12	5	18 3/8	8	5 1/2	Mack



Additional sizes and types available. Contact Dayton Parts Customer Service for details.

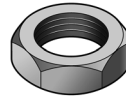
Deep Nut

Part No.	Size	Width Across Flats	Height
DN-38	3/8-24	.56	.50
DN-716	7/16-20	.63	.61
DN-12	1/2-20	.75	.66
DN-916	9/16-18	.88	.77
DN-58	5/8-18	.94	.84
DN-34	3/4-16	1.06	1.00
DN-34A	3/4-16	1.13	1.00
DN-78	7/8-14	1.25	1.16
DN-78A	7/8-14	1.31	1.16
DN-100	1-14	1.44	1.31
DN-100A	1-14	1.50	1.31
DN-118	1 1/8-12	1.63	1.50
DN-125	1 1/4-12	1.81	1.69
DNM-200	1 1/4-12	1.81	2.70



Insert Type Lock Nut

Part No.	Size	Width Across Flats	Height
334-192	1 1/4-12	1.81	.72
334-118	1 1/2-12	2.25	.81
334-225	2 1/2-16	3.13	.81



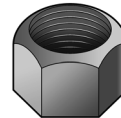
Jam Nut

Part No.	Size	Width Across Flats	Height
334-1919	3/4-16	1.12	.42
334-241	1 7/16-12	2.25	.84
334-1339	1 1/2-12	2.25	.84



Flanged Lock Nut

Part No.	Size	Width Across Flats	Height
FLNC-102	1/2-13	.75	.55
FLNC-14M	M14-2.0	21mm	15mm
FLNC-104	5/8-11	1.25	.60
FLNC-16M	M16-2.0	24mm	17mm
FLNC-105	3/4-10	1.57	.81
FLNC-20M	M20-2.5	29mm	21mm
334-373	7/8-14	1.31	.75
FLNC-24M	M24-3.0	—	—
334-319	1-14	1.50	.88



Prevailing Torque Lock Nut

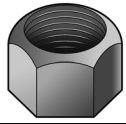
Part No.	Size	Width Across Flats	Height
SLNC-98	1/4-20	.43	.25
SLNC-100	3/8-16	.56	.38
SLN-100	3/8-24	.56	.38
SLN-101	7/16-20	.69	.42
SLN-102	1/2-20	.75	.43
SLNC-102	1/2-13	.75	.43
SLN-103	9/16-18	.88	.48
SLNC-103	9/16-12	.88	.48
SLN-103	9/16-18	.88	.48
SLN-104	5/8-18	.94	.55
SLNC-104	5/8-11	.94	.55
334-914	M16-1.5	24mm	16mm
334-1534	M16-2.0	24mm	16mm
SLNC-105	3/4-10	1.12	.64
SLN-105	3/4-16	1.12	.64
334-906	M20-2.5	30mm	16mm
334-911	M22-2.5	32mm	21mm
334-236	7/8-9	1.31	.86
SLN-106	7/8-14	1.31	.75
334-717	M24-3.0	36mm	21mm
SLNC-107	1-8	1.50	.86
SLN-107	1-14	1.50	.86
334-375	1 1/8-7	1.69	.97



Hex Nut

Part No.	Size	Width Across Flats	Height
334-536	3/8-16	.56	.33
334-159	1/2-13	.75	.43
334-418	15/16-16	1.50	.86
334-1410	1 1/2-6	2.25	1.28
334-1421	1 3/4-5	2.75	1.72
334-1420	2-4 1/2	3.13	1.97
334-1925	2 1/4-8	3.40	2.20

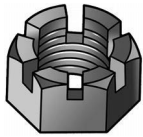
Table Continues on Following Page.



Prevailing Torque Lock Nut

Continued from Previous Page.

Part No.	Size	Width Across Flats	Height
334-193	1 1/8-12	1.69	.97
SLNC-108	1 1/4-7	1.88	1.06
SLN-108	1 1/4-12	1.88	1.06



Slotted Nut

Part No.	Size	Width Across Flats	Height
334-809	7/8-14	1.31	.75
334-196	1 1/8-12	1.68	.97
334-180	1 3/8-12	2.06	.84
334-1891	1 7/8-12	2.94	1.84
334-1282	2 1/4-12	3.50	1.88

Washers

Component Charts

Sorted by Size

Washers

Part No.	I.D.	O.D.	Thickness	Description
SLW-38	0.39	0.68	0.09	Lock Washer
SFW-38	0.41	0.81	0.07	Flat Washer
SUW-716	0.47	0.94	0.19	U-Bolt Washer
SLW-12	0.50	0.88	0.13	Lock Washer
SUW-12	0.50	1.13	0.16	U-Bolt Washer
SFW-12	0.53	1.06	0.10	Flat Washer
SUW-916	0.59	1.18	0.19	U-Bolt Washer
SFW-58	0.63	1.31	0.08	Flat Washer
SUW-58	0.66	1.25	0.19	Flat Washer
334-1334	0.66	2.19	0.13	Shock Absorber Washer
334-2082	0.67	1.25	0.04	Washer (Hino)
SLW-34	0.75	1.27	0.19	Lock Washer
334-166	0.75	1.38	0.11	Hardened Flat Washer
SUW-34	0.75	1.38	0.19	U-Bolt Washer
SFW-34	0.75	1.50	0.11	Flat Washer
334-1232	0.75	1.50	0.38	Lift Spring Washer
334-1695	0.76	1.66	0.67	U-Bolt Washer
334-495	0.81	2.00	0.13	Washer
334-1040	0.81	1.50	0.12	Clipped Washer
334-1256	0.81	3.75	0.25	Washer
334-150	0.88	1.50	0.11	Hardened Flat Washer
SUW-78	0.88	1.50	0.19	U-Bolt Washer
334-2157	0.89	3.40	0.38	Alignment Washer
334-2156	0.92	3.98	0.50	Alignment Washer
SFW-78	0.94	1.75	0.13	Flat Washer
334-710	0.94	1.59	0.67	U-Bolt Washer
334-237	0.94	2.25	0.19	Compression Washer
SUW-100	1.00	1.62	0.19	U-Bolt Washer
SLW-100	1.00	1.66	0.25	Flat Washer
334-152	1.00	1.75	0.11	Hardened Flat Washer
SFW-100	1.00	2.00	0.11	Flat Washer
334-610	1.00	2.00	0.38	Square Washer
334-472	1.00	2.31	0.13	Adjuster Washer
334-473	1.00	2.50	0.13	Adjuster Washer
334-457	1.00	3.25	0.38	Compression Washer
334-1659	1.00	3.96	0.24	Thrust Washer
334-1660	1.03	2.75	0.25	Alignment Washer
334-358	1.06	2.50	0.16	Washer
334-568	1.06	2.50	0.25	Compression Washer
334-205	1.06	2.75	0.25	Compression Washer
334-208	1.06	3.75	0.38	Compression Washer
334-455	1.06	4.00	0.25	Compression Washer
SUW-118	1.13	2.25	0.25	U-Bolt Washer
334-1015	1.13	2.25	0.38	Washer
334-477	1.13	2.50	0.31	Compression Washer
334-282	1.13	3.75	0.31	Washer
334-598	1.13	2.88	0.25	Spacer Washer
334-1168	1.16	3.00	0.11	Thrust Washer
334-1963	1.16	5.54	0.20	Washer
334-977	1.19	1.75	0.06	Compression Washer
334-1018	1.19	1.75	0.13	Washer
334-1169	1.19	2.00	0.19	Washer
SFW-118	1.19	2.50	0.14	Flat Washer
334-1080	1.19	3.44	0.31	Washer
334-1837	1.19	3.49	0.50	Washer
334-1468	1.19	5.25	0.25	Washer

Component Charts

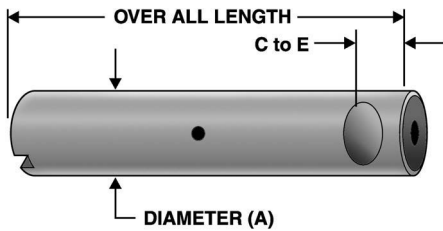
Part No.	I.D.	O.D.	Thickness	Description
SUW-125	1.25	2.25	0.25	U-Bolt Washer
334-1822	1.25	2.50	0.15	Washer
334-1084	1.25	3.50	0.25	Spacer Washer
334-1777	1.25	4.50	0.25	Spacer Washer
334-603	1.28	4.00	0.50	Washer
SFW-125	1.31	2.50	0.14	Flat Washer
334-1418	1.37	1.60	0.07	Thrust Washer
334-847	1.38	3.00	0.13	Collar Washer
334-893	1.50	2.20	0.04	Lock Washer; Int. Tth Lck
334-242	1.53	2.43	0.38	Lock Washer
334-1889	1.53	2.88	0.28	Washer
334-117	1.56	3.25	0.19	Washer
334-1167	1.63	3.00	0.11	Thrust Washer
334-1784	1.67	6.07	1.19	Alignment Washer
334-1086	1.69	3.25	0.13	Washer
334-456	1.75	2.62	0.94	Urethane Washer
334-1684	1.79	4.13	0.25	Spacer Washer
334-1186	1.88	3.00	0.19	Anti-Turn Washer; Hex 10
334-524	1.88	3.75	0.13	Thrust Washer
334-1341	2.00	3.00	0.13	Washer
334-454	2.00	4.00	0.06	Flat Washer
334-1419	2.06	5.94	0.75	Thrust Washer
334-888	2.13	4.50	0.13	Bearing Washer
334-889	2.13	4.50	0.19	Bearing Washer
334-493	2.25	3.75	0.06	Thrust Washer
334-1589	2.25	4.25	0.19	Wear Washer
334-1281	2.25	5.25	0.75	Washer
334-1924	2.25	5.27	0.75	Washer
334-1926	2.30	3.90	0.13	Washer; Tab Type
334-442	2.33	4.88	0.25	D Washer
334-1810	2.35	7.00	0.31	Spacer Washer; UHMWP
334-898	2.38	7.25	0.19	Spacer Washer; UHMWP
334-1007	2.50	4.75	0.25	Compression Washer
334-1095	2.56	4.00	0.25	Washer
334-597	2.56	4.06	0.16	Thrust Washer
334-1477	2.56	4.25	0.13	Washer
334-1077	2.56	4.25	0.25	Inner Washer
334-1927	2.56	5.25	0.25	Washer
334-1280	2.63	5.25	0.25	Inner Washer
334-106	2.75	4.63	0.13	Thrust Washer
334-2005	2.75	4.49	0.30	"C" Washer
334-1817	2.95	7.00	0.18	Washer
334-443	3.50	5.31	0.25	Thrust Washer
334-595	3.50	5.44	0.25	Thrust Washer
334-116	3.50	5.75	0.13	Thrust Washer
334-1041	3.53	5.25	0.18	Flat Washer
334-363	4.00	5.75	0.19	Trunnion Shaft Washer
334-137	4.00	6.69	0.19	Thrust Washer
334-512	4.03	6.25	0.31	Steel Washer
334-511	4.03	6.81	0.25	Thrust Washer
334-1075	4.06	6.00	0.19	Trunnion Inner Washer
334-1076	4.06	6.00	0.31	Trunnion Outer Washer
334-444	4.38	5.38	0.38	Thrust Washer
334-513	5.03	6.69	0.25	Thrust Washer
334-918	5.12	6.94	0.25	Thrust Washer
334-922	5.12	7.00	0.25	Thrust Washer

Component Charts

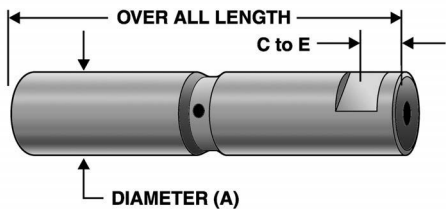
Spring Pins

Spring Pins

Component Charts

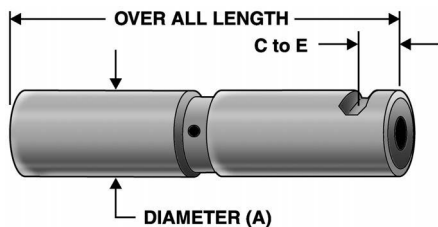


Part No.	Dia. (A)	Length	C to C	C to E or Thread Len.	Thread	Remarks
327-219	0.75	4.06	—	0.45	—	
327-495	0.98	4.53	—	0.49	—	Metric
327-249	1.00	4.28	—	0.46	—	
327-515	1.00	5.12	—	0.56	—	American LaFrance
327-529	1.10	4.45	—	0.54	—	Nissan UD, Metric
327-519	1.10	4.56	—	0.50	—	Mitsubishi, Metric
327-497	1.10	5.16	—	0.59	—	Metric
327-232	1.13	4.88	—	0.50	—	
327-250	1.13	5.00	—	0.59	—	
327-362	1.13	6.63	—	0.63	—	
327-520	1.18	5.43	—	0.56	—	Mitsubishi, Metric
327-206	1.25	4.70	—	0.48	—	
327-343	1.25	5.12	—	0.44	—	Mack
327-128	1.25	6.00	—	0.50	—	
327-498	1.26	6.50	—	0.59	—	
327-213	1.38	5.08	—	0.64	—	
327-231	1.50	4.88	—	0.50	—	
327-228	1.50	5.43	—	0.56	—	Paystar



*Lubrication groove may vary from illustration.

Part No.	Dia. (A)	Length	C to C	C to E or Thread Len.	Thread	Remarks
327-502	1.00	4.81	—	0.50	—	Grease Fitting Lock Groove End
327-503	1.00	4.81	—	0.50	—	Grease Fitting Opposite Lock Groove End
327-501	1.00	5.37	—	0.50	—	
327-517	1.13	5.00	—	0.50	—	
327-536	1.13	6.25	—	0.75	—	Oshkosh
327-239	1.25	5.25	—	0.50	—	
327-505	1.25	6.50	—	0.48	—	
327-226	1.25	7.06	—	2.13	—	
327-124	1.25	7.10	—	0.63	—	
327-106	1.25	7.34	—	0.63	—	
327-119	1.25	7.50	—	0.63	—	
327-110	1.25	7.89	—	0.66	—	
327-254	1.38	7.13	—	0.63	—	
327-107	1.38	7.34	—	0.63	—	
327-108	1.50	7.52	—	0.63	—	

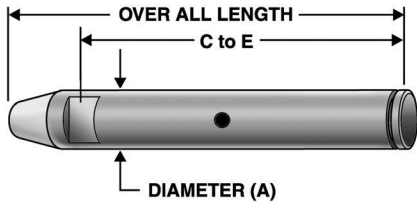


Part No.	Dia. (A)	Length	C to C	C to E or Thread Len.	Thread	Remarks
327-248	0.75	3.50	—	0.47	—	Ford LD
327-251	0.75	3.90	—	0.47	—	Ford LD
327-246	0.88	4.31	—	0.69	—	GM LD
327-216	1.13	5.00	—	0.59	—	

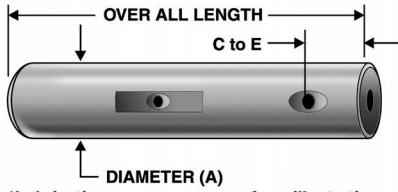
Spring Pins

Component Charts

Spring Pins

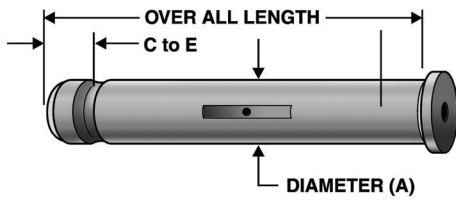


Part No.	Dia. (A)	Length	C to C	C to E or Thread Len.	Thread	Remarks
327-238	1.00	6.00	—	4.79	—	
327-229	1.00	7.00	—	5.78	—	
327-294	1.25	7.08	—	1.28	—	

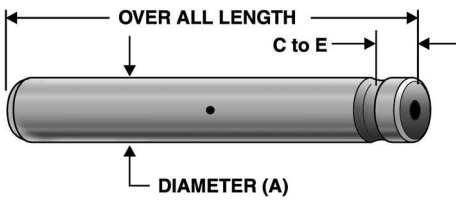


*Lubrication groove may vary from illustration.

Part No.	Dia. (A)	Length	C to C	C to E or Thread Len.	Thread	Remarks
327-518	1.25	6.00	—	0.75	—	
327-342	1.25	6.25	—	0.75	—	
327-345	1.25	7.08	—	1.06	—	



Part No.	Dia. (A)	Length	C to C	C to E or Thread Len.	Thread	Remarks
327-451	0.98	5.13	—	0.63	—	

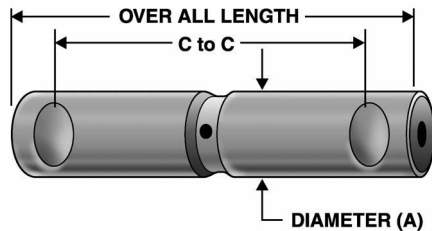


Part No.	Dia. (A)	Length	C to C	C to E or Thread Len.	Thread	Remarks
327-458	1.18	5.34	—	0.61	—	

Component Charts

Component Charts

Spring Pins



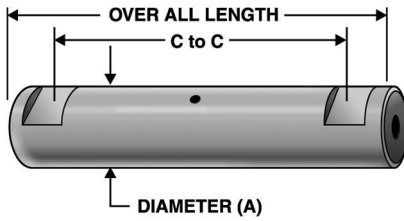
**Lubrication groove may vary from illustration.
Pins may or may not have slotted ends.*

Part No.	Dia. (A)	Length	C to C	C to E or Thread Len.	Thread	Remarks
327-240	0.88	4.69	3.81	—	—	
327-258	0.88	5.00	3.89	—	—	
327-204	1.00	4.94	3.88	—	—	
327-211	1.00	6.12	4.85	—	—	
327-237	1.00	6.19	5.06	—	—	
327-403	1.00	6.38	5.25	—	—	
327-372	1.00	6.63	5.13	—	—	
327-209	1.00	6.75	5.15	—	—	
327-281	1.13	5.44	4.31	—	—	
327-508	1.13	5.94	5.00	—	—	
327-521	1.13	6.25	4.63	—	—	Oshkosh
327-382	1.13	6.25	5.31	—	—	
327-374	1.13	6.63	5.13	—	—	
327-486	1.13	6.63	—	0.56	—	Western Star, w/spotfaces 5.25" on center
327-454	1.13	6.94	5.38	—	—	
327-384	1.13	7.00	5.47	—	—	
327-212	1.25	5.00	4.00	—	—	
327-256	1.25	5.28	4.00	—	—	
327-535	1.25	5.43	4.13	—	—	Ford
327-551	1.25	5.44	4.25	—	—	Hino
327-485	1.25	5.50	4.062	—	—	
327-479	1.25	5.55	4.00	—	—	
327-224	1.25	5.60	4.38	—	—	
327-227	1.25	5.62	4.16	—	—	Incl. Adapter Fitting
327-336	1.25	5.66	4.22	—	—	
327-176	1.25	5.75	4.50	—	—	
327-447	1.25	6.00	4.47	—	—	
327-441	1.25	6.00	5.06	—	—	
327-446	1.25	6.00	5.06	—	—	
327-504	1.25	6.13	5.00	—	—	
327-445	1.25	6.18	4.97	—	—	
327-225	1.25	6.18	5.00	—	—	
327-522	1.25	6.25	5.06	—	—	Bluebird
327-175	1.25	6.38	4.91	—	—	
327-516	1.25	6.67	5.19	—	—	
327-480	1.25	6.75	5.00	—	—	
327-483	1.25	6.85	5.32	—	—	
327-487	1.25	6.85	5.38	—	—	
327-541	1.25	7.38	5.75	—	—	Peterbilt
327-489	1.25	7.87	5.38	—	—	
327-496	1.26	5.38	4.38	—	—	Metric
327-350	1.38	5.55	4.47	—	—	
327-491	1.38	6.00	4.22	—	—	
327-349	1.38	6.31	4.68	—	—	
327-437	1.38	6.90	5.38	—	—	
327-200	1.42	5.14	3.94	—	—	
327-201	1.42	6.52	5.32	—	—	
327-109	1.50	8.53	7.12	—	—	

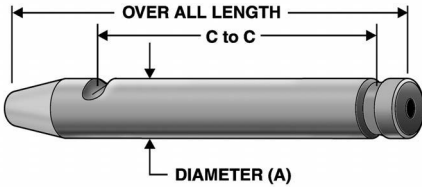
Spring Pins

Component Charts

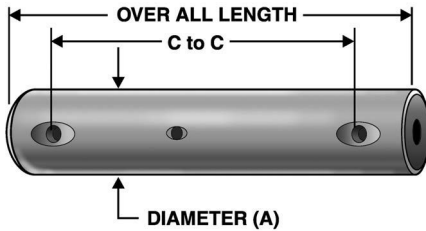
Spring Pins



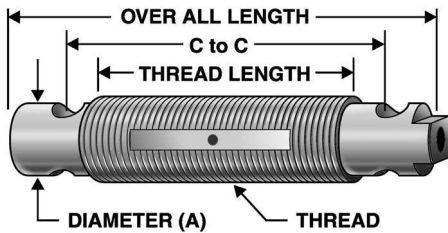
Part No.	Dia. (A)	Length	C to C	C to E or Thread Len.	Thread	Remarks
327-230	1.00	6.31	4.92	—	—	
327-236	1.25	6.50	5.12	—	—	



Part No.	Dia. (A)	Length	C to C	C to E or Thread Len.	Thread	Remarks
327-507	1.13	7.25	5.63	—	—	



Part No.	Dia. (A)	Length	C to C	C to E or Thread Len.	Thread	Remarks
327-484	1.18	6.70	5.20	—	—	Metric



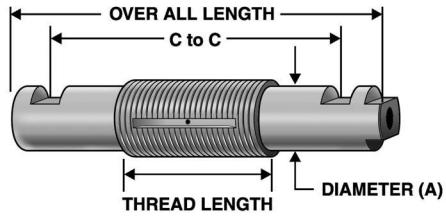
Part No.	Dia. (A)	Length	C to C	C to E or Thread Len.	Thread	Remarks
327-443	1.00	7.35	5.75	4.25	1 3/8"-6	GM
327-331	1.06	6.58	5.00	2.75	1 3/8"-6	Mack
327-544	1.06	6.97	5.43	4.00	M33	Paccar, Use w/TB-77/61
327-346	1.06	7.06	5.50	2.75	1 3/8"-6	Mack
327-434	1.06	7.25	5.75	4.43	1 3/8"-6	Kenworth
327-537	1.06	7.38	5.75	0.66	—	Kenworth
327-537	1.06	7.38	5.75	4.25	M33	Paccar, Use w/TB-77/61
327-305	1.06	7.40	5.75	4.50	1 3/8"-6	Navistar
327-540	1.06	7.83	6.30	3.50	M33	Paccar, Use w/TB-77/61
327-538	1.18	6.50	5.03	3.50	M33.5	Western Star, Use w/TB-79

Component Charts

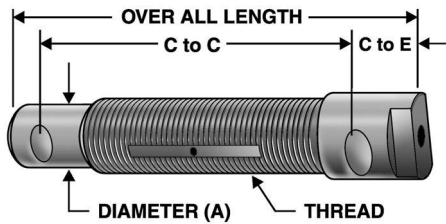
Component Charts

Spring Pins

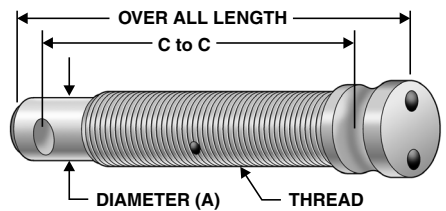
Spring Pins



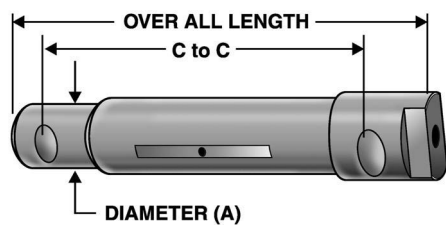
Part No.	Dia. (A)	Length	C to C	C to E or Thread Len.	Thread	Remarks
327-482	1.00	7.31	5.75	3.62	1 3/8"-6	Navistar



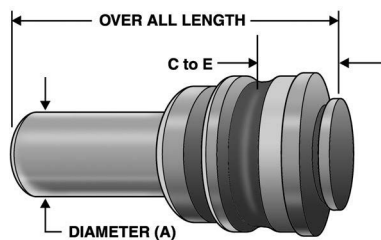
Part No.	Dia. (A)	Length	C to C	C to E or Thread Len.	Thread	Remarks
327-173	1.00	6.12	3.63	—	1 1/4"-8	Freightliner
327-490	1.00	7.13	5.36	—	1 1/4"-7	Use w/TB-73
327-543	1.00	7.13	5.38	—	1 1/4"	Use w/TB-82
327-330	1.06	6.90	5.37	—	1 3/8"-6	Single Lock-Head End-Use w/334-1583
327-440	1.06	7.00	—	0.63	1 3/8"-6	
327-291	1.06	7.25	—	1.05	1 3/8"-6	Single Lock-Head End
327-297	1.06	7.37	5.75	—	1 3/8"-6	1/2" Locks-Grease Fitting Head End
327-306	1.06	7.37	5.75	—	1 3/8"-6	1/2" Locks-Grease Fitting Small End
327-488	1.06	7.37	5.75	—	1 3/8"-6	5/8" Locks



Part No.	Dia. (A)	Length	C to C	C to E or Thread Len.	Thread	Remarks
327-533	1.18	6.69	5.55	—	M32	Volvo, Use w/TB-78
327-539	1.18	7.43	—	0.91	M33.5	Western Star



Part No.	Dia. (A)	Length	C to C	C to E or Thread Len.	Thread	Remarks
327-347	1.06	6.90	5.37	—	—	



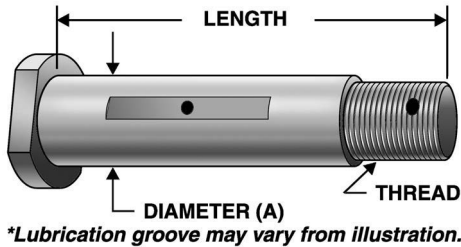
Part No.	Dia. (A)	Length	C to C	C to E or Thread Len.	Thread	Remarks
327-435	1.00	3.67	—	1.06	—	

Component Charts

Spring Pins

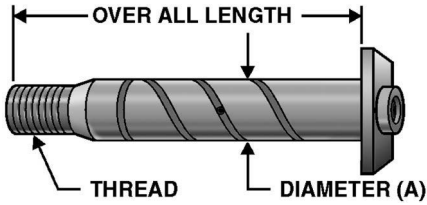
Component Charts

Spring Pins

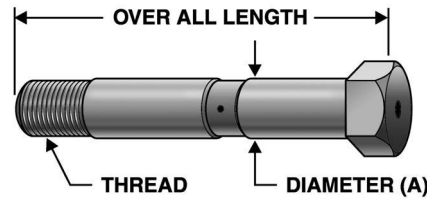


*Lubrication groove may vary from illustration.

Part No.	Dia. (A)	Length	C to C	C to E or Thread Len.	Thread	Remarks
327-210	0.62	3.24	—	—	1/2"-20	
327-146	0.75	3.63	—	—	5/8"-18	
327-253	0.75	4.28	—	—	5/8"-18	
327-205	0.88	4.50	—	—	3/4"-16	
327-493	0.98	4.53	—	—	M20-1.5	
327-499	0.98	4.40	—	—	M22-1.5	Fitting provision both ends
327-148	1.00	5.21	—	—	7/8"-14	
327-528	1.10	4.53	—	—	M20-1.5	Nissan UD

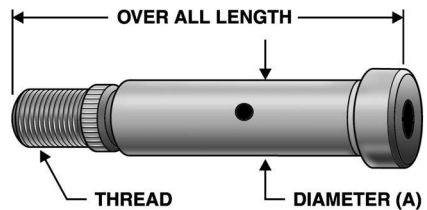


Part No.	Dia. (A)	Length	C to C	C to E or Thread Len.	Thread	Remarks
327-509	1.12	6.50	—	—	3/4"-10	
327-552	1.13	7.00	5.47	—	—	



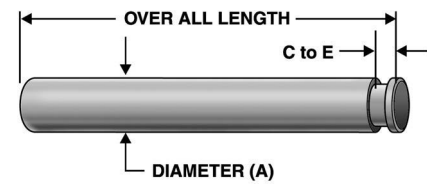
*Lubrication groove may vary from illustration.

Part No.	Dia. (A)	Length	C to C	C to E or Thread Len.	Thread	Remarks
327-419	0.68	3.38	—	—	11/16"-16	
327-523	0.75	5.50	—	—	3/4"-16	
327-510	0.88	4.13	—	—	7/8"-14	
327-511	0.88	4.63	—	—	7/8"-14	
327-182	0.94	5.25	—	—	15/16"-16	
327-512	1.00	5.00	—	—	1"-14	
327-442	1.00	5.00	—	—	1"-8	
327-526	1.00	5.25	—	—	1"-14	
327-524	1.00	6.00	—	—	1"-14	
327-361	1.00	6.13	—	—	1"-14	
327-492	1.25	7.13	—	—	1 1/4"-12	Advance Mixer
327-525	1.25	7.50	—	—	1 1/4"-12	



Part No.	Dia. (A)	Length	C to C	C to E or Thread Len.	Thread	Remarks
327-301	0.75	4.06	—	—	5/8"-18	
327-302	0.88	5.25	—	—	3/4"-16	

Component Charts

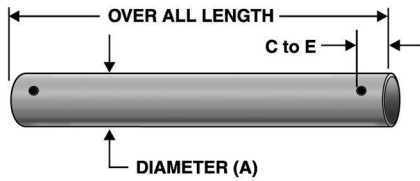


Part No.	Dia. (A)	Length	C to C	C to E or Thread Len.	Thread	Remarks
327-195	0.63	4.00	—	0.16	—	
327-196	0.75	4.38	—	0.16	—	
327-202	0.75	5.00	—	0.16	—	
327-208	0.75	5.13	—	0.28	—	
327-214	0.75	5.56	—	0.29	—	

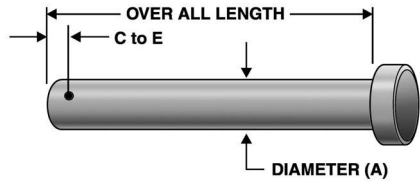
Component Charts

Spring Pins

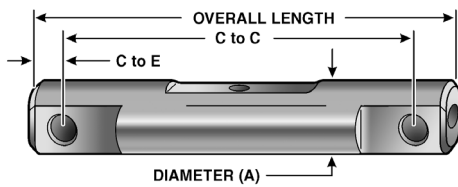
Spring Pins



Part No.	Dia. (A)	Length	C to C	C to E or Thread Len.	Thread	Remarks
327-383	0.75	5.28	—	0.22	—	Single Hole
327-282	0.75	5.50	—	0.70	—	Single Hole
327-326	0.75	5.70	—	0.25	—	Double Hole



Part No.	Dia. (A)	Length	C to C	C to E or Thread Len.	Thread	Remarks
327-475	0.50	5.00	—	0.16	—	
327-514	0.63	4.87	—	0.16	—	



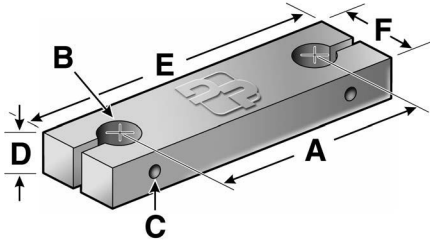
Part No.	Dia. (A)	Length	C to C	C to E or Thread Len.	Thread	Remarks
327-532	1.24	7.75	6.50	3.88	—	Peterbilt

Component Charts

Shackle Side Bars

Component Charts

Shackle Side Bars



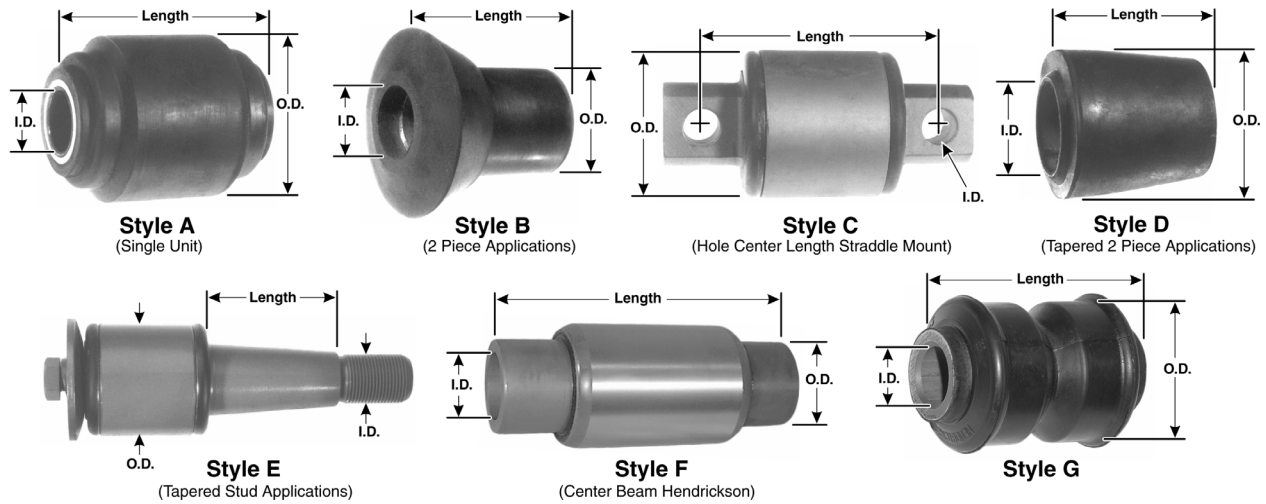
Sorted by Size

Part No.	Kit No.	C to C (A)	Pin Hole Dia. (B)	Bolt Lock Dia. (C)	Thickness (D)	Length (E)	Width (F)
330-112	330-129	3	7/8	3/8	13/16	4 3/4	1 5/8
330-157	330-188	3 1/4	1	1/2	7/8	5 1/4	2
330-159	330-189	3 1/4	1	1/2	1 1/16	5 5/8	1 7/8
330-160	330-193	3 1/4	1	1/2	1 1/8	5 3/4	2 1/4
330-111	—	3 1/4	1 1/16	1/2	1 1/8	5 3/4	2 1/4
330-201	330-203	3 5/16	1 1/4	N/A	1	5 5/16	2
330-202	330-203	3 5/16	1 1/4	N/A	1	5 5/16	2
330-402	—	3 1/2	7/8	—	3/8	6 5/8	3 1/8
330-101	330-130	3 1/2	1	1/2	7/8	5 1/2	2
330-110	330-127	3 1/2	1	1/2	1	5 1/2	2
330-118	330-132	3 1/2	1 1/4	3/8	15/16	5 19/32	2
330-114	330-131	3 1/2	1 1/4	1/2	1	5 3/4	2 1/4
330-116	330-117	3 1/2	1 1/4	1/2	1	5 7/8	2
330-149	330-165/190	3 1/2	1 1/4	1/2	1	6	2 1/4
330-186	330-191	3 1/2	1 1/4	1/2	1 1/8	6	2
330-402	—	90mm	22mm	—	3/8	170mm	80mm
330-339	330-340	3 9/16	1.18-1.50	1/2	1 1/8	6 3/8	2 1/2
330-365	—	3 3/4	1 1/4	7/16	1	6	2 1/4
330-393 (Offset)	—	4	1 1/16	1/2 Thread	1 1/4	6 11/16	1 13/16
330-355	—	4	3/4	N/A	3/8	6	2 1/2
330-108	330-153	4	1	1/2	1 1/4	6 3/8	2 1/2
330-125	—	4	1 1/16	1/2	1 1/4	6 5/16	1 3/4
330-102	—	4	1 1/16	1/2	1 1/4	6 5/16	2
330-168 (Offset)	—	4	1 1/16	1/2	1 1/4	6 3/8	1 3/4
330-399	—	4	1 1/8	N/A	3/4	7	3
330-400	—	4	1 1/8	N/A	3/4	7	3
330-391	—	103mm	20mm	N/A	10mm	160mm	80mm
330-217	330-218/346	4 1/8	3/4	N/A	3/8	6 1/4	2 3/4
330-143	330-195	4 1/8	1 1/8	1/2	1	6 11/16	2 1/2
330-133	330-212	4 1/8	1 1/8	1/2	1 1/8	6 13/16	2 1/4
330-194	—	4 1/8	1 1/4	1/2	1	6 11/16	2 1/2
330-398	—	4 1/4	13/16	—	3/8	6 1/4	2 1/2
330-109	330-128/147	4 1/4	1 1/16	1/2	1	6 3/4	2 3/8
330-113 (Offset)	330-147	4 1/4	1 1/16	1/2	1 1/8	6 3/4	2 7/16
330-344	330-345	4 5/16	1 1/4	1/2	1	6 3/4	2
330-119	330-150	4 7/16	1	3/8	1 1/16	6 11/16	1 7/8
330-409	—	4 1/2	13/16	—	1/2	7	2 3/4
330-378	—	4 1/2	1 1/16	1/2	1 1/4	6 13/16	2
330-126 (Offset)	—	5	1 1/16	1/2	1 1/4	7 3/8	2
330-379	—	5	1 1/16	1/2	1 1/4	7 5/16	2
330-220	330-222	5	1 1/8	7/16	1	7 3/16	2
330-207	—	5	1 1/8	N/A	3/4	8	3
330-206	—	5	1 1/8	N/A	3/4	8	3
330-358	330-377	5	1 3/16	7/16	1	7 1/4	2
330-411	—	5	1.18-1.50	1/2	1 1/8	7 7/8	2 1/2
330-187	330-192	5 1/8	1 1/4	1/2	1 1/8	7 9/16	2
330-357	330-373	5 5/16	13/16	N/A	3/8	7 1/2	2 3/4
330-123	330-219	5 5/16	1 1/4	1/2	1	7 29/32	2
330-215	—	5 1/2	1 1/8	1/2	1 1/8	8 3/16	2 1/4
330-394 (Offset)	—	6	1 1/16	1/2	1 1/4	—	1 3/4
330-381	—	6 3/8	1 1/8	1/2	1 1/8	6 3/8	2 1/4

Component Charts

Component Charts

Bushing Finder



Bushing Finder

Component Charts

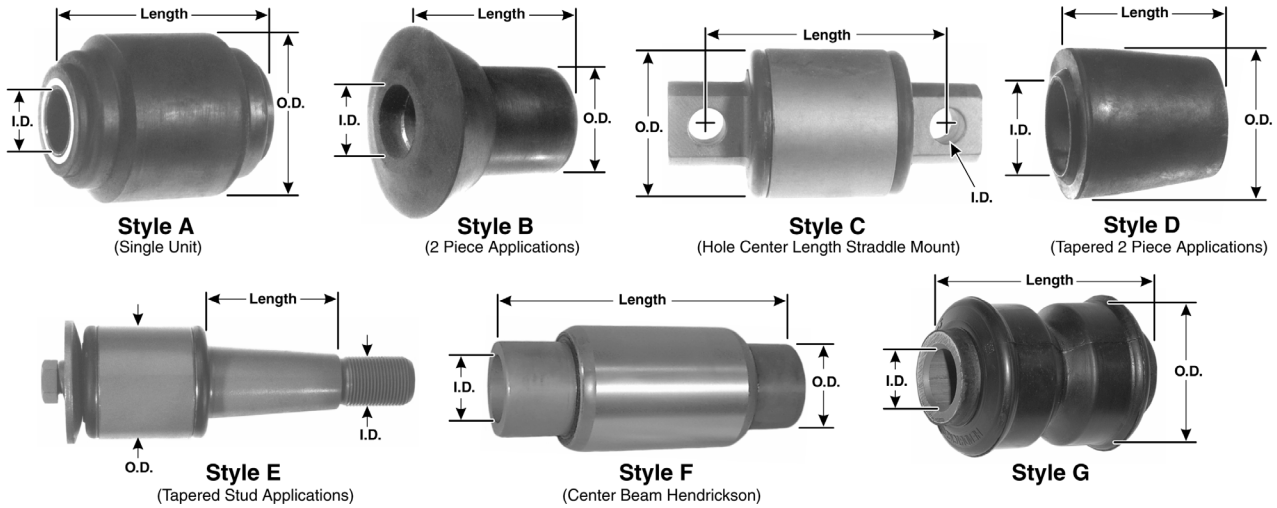
Part No.	Type	I.D.	O.D.	Length	Bushing Application
321-325U	A	0.63	4.13	4.38	Kenworth
321-519	A	0.73	2.07	4.42	Ridewell
321-164	A	0.75	2.38	3.00	Ford, Reyco
321-176	A	0.75	3.25	3.88	Hutch, Great Dane
321-176U	A	0.75	3.25	3.88	Hutch
321-220	A	0.75	3.31	4.38	Trailmobile
321-220U	A	0.75	3.31	4.38	Trailmobile
320-217	A	0.78	1.75	3.18	
320-176	A	0.88	1.50	2.75	Cambria
321-150	A	0.88	1.63	2.88	Reyco
321-150U	A	0.88	1.63	2.88	Reyco
321-219	A	0.88	1.73	4.06	Freightliner
321-153	A	0.88	1.91	3.00	Dayton, IHC, Reyco
321-153U	A	0.88	1.91	3.00	Dayton, IHC, Reyco
321-304	A	0.88	1.91	3.38	Reyco
321-162	A	0.88	2.03	3.00	Hendrickson
321-386	A	0.88	2.25	3.00	Meritor
321-186	A	0.88	2.38	3.00	Dayton, IHC
321-246	A	0.88	2.38	3.13	Hendrickson Truck
323-167	A	0.88	2.38	3.13	Hendrickson
321-323	A	0.88	2.50	2.50	Fabco
334-1266	A	0.94	1.94	3.00	Reyco, Great Dane
321-342	A	1.00	—	4.09	Ridewell
324-106	A	1.00	1.25	1.50	Ford
324-129	A	1.00	1.25	4.00	Ford
324-131	A	1.00	1.38	3.00	New Holland
322-122	A	1.00	1.62	3.18	Freightliner
321-420	A	1.00	1.65	3.50	Neway
321-175	A	1.00	1.94	3.00	Hutch, Trailmobile
321-339	A	1.00	2.09	4.13	Todco
321-309	A	1.00	2.25	2.25	Hutch
321-310	A	1.00	2.25	3.00	Hutch - Obsolete
321-378U	A	1.00	2.25	5.00	Silent Drive
321-343	A	1.00	2.31	4.75	EZ Ride
321-287	A	1.00	2.38	4.00	Reyco

Part No.	Type	I.D.	O.D.	Length	Bushing Application
321-225	A	1.00	2.43	4.50	Watson
321-225	A	1.00	2.43	4.50	Watson
321-375	A	1.00	2.43	7.00	Watson
321-372	A	1.00	2.44	4.50	Watson & Chalin
321-373	A	1.00	2.44	7.00	Watson & Chalin
321-245	A	1.00	2.75	4.63	Hendrickson Truck
321-222	A	1.00	3.00	5.25	Peterbilt
321-163	A	1.00	3.06	3.25	Ford, Reyco
321-268	A	1.00	3.13	4.00	Binkley
321-379U	A	1.00	3.13	4.75	Silent Drive
321-194	A	1.00	3.45	4.00	Great Dane, Reyco
321-194U	A	1.00	3.45	4.00	Transpro
321-195	A	1.03	2.50	4.72	IHC
321-376	A	1.03	3.38	5.25	Hendrickson Auxiliary
321-227	A	1.13	2.38	5.00	Neway
321-227U	A	1.13	2.38	5.00	Neway
321-230	A	1.13	2.63	5.00	Neway
321-137	A	1.13	2.75	3.25	Hendrickson IHC
321-231	A	1.13	2.75	5.00	Neway
321-231U	A	1.13	2.75	5.00	Neway
321-344	A	1.13	2.75	8.44	Watson
321-140	A	1.13	2.88	3.25	Hendrickson IHC
321-141	A	1.13	3.00	3.25	Hendrickson IHC
321-303	A	1.13	3.00	5.94	Page
321-179	A	1.13	3.25	5.00	Hutch
321-142	A	1.13	3.38	3.25	Hendrickson IHC
321-221	A	1.13	3.45	3.89	Hutch
321-221U	A	1.13	3.45	3.89	Hutch
321-314	A	1.13	3.50	5.00	Neway
321-229	A	1.13	3.50	5.25	Neway, Watson & Chalin
321-229U	A	1.13	3.50	5.25	Neway
321-374	A	1.13	3.50	8.25	Watson
321-371	A	1.13	3.50	8.44	Watson
321-346	A	1.13	3.63	5.25	Watson
321-331	A	1.13	3.81	3.75	Neway

Bushing Finder

Component Charts

Bushing Finder



Sorted by Type/Size

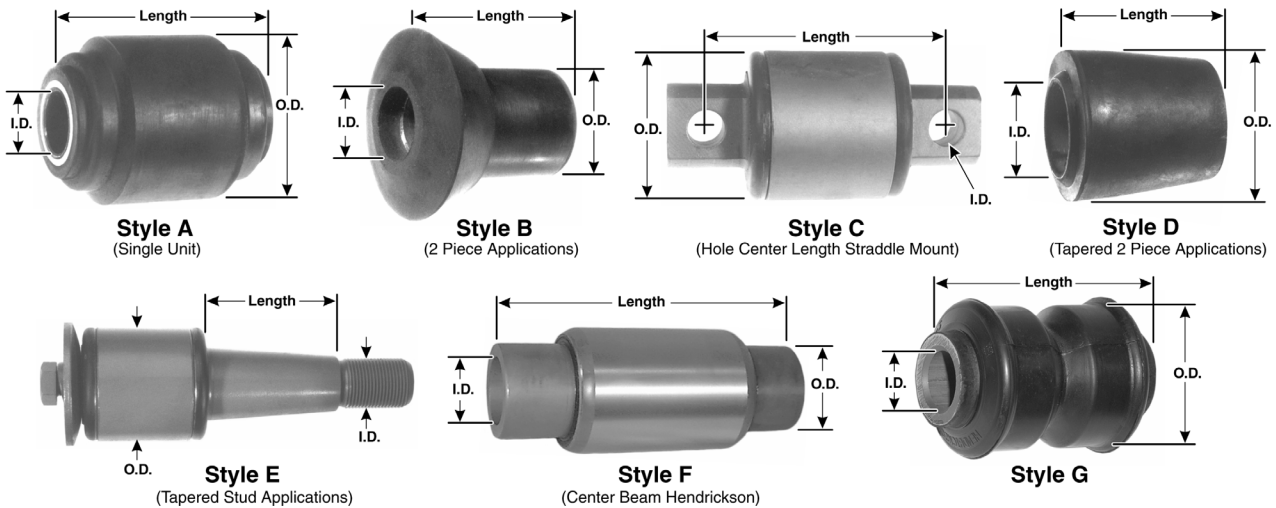
Part No.	Type	I.D.	O.D.	Length	Bushing Application
321-345	A	1.13	4.56	5.25	Watson
321-515	A	1.15	3.52	3.85	Neway
321-516	A	1.17	3.79	3.84	Neway
321-517	A	1.24	4.70	5.01	Neway
334-2012	A	1.24	6.20	8.99	Hendrickson
322-100	A	1.25	1.50	4.00	Hendrickson
322-141	A	1.25	1.50	4.00	Freightliner, Kenworth, IHC, Peterbilt
321-385	A	1.25	2.28	6.73	Reyco
321-234	A	1.25	2.38	2.50	City Weld, Neway
321-234U	A	1.25	2.38	2.50	City Weld, Neway
321-235	A	1.25	2.38	5.00	Neway
321-159	A	1.25	3.13	4.31	GMC Reyco
321-305	A	1.25	3.13	4.63	Reyco
321-270	A	1.25	3.13	5.38	Reyco
321-316	A	1.25	3.25	5.81	City Weld
321-272	A	1.25	3.44	5.25	Hendrickson (Turner)
321-271	A	1.25	3.44	10.50	Hendrickson (Turner)
321-188	A	1.25	3.50	5.25	Neway
321-393	A	1.25	3.84	5.25	Neway
321-397	A	1.25	6.00	6.75	Dana/Spicer
321-397U	A	1.25	6.00	6.75	
334-1140	A	1.25	6.22	8.00	Hendrickson Trailer
320-151	A	1.31	2.06	1.68	Page
320-179	A	1.31	2.13	1.44	Page
321-294	A	1.31	2.38	2.25	Trailmobile
321-294U	A	1.31	2.38	2.25	Trailmobile
322-123	A	1.31	2.43	1.91	Freightliner
321-337	A	1.31	3.00	3.94	GM
322-101	A	1.38	1.63	4.00	Hendrickson
322-120	A	1.38	2.13	2.56	Peterbilt
322-106	A	1.50	1.63	4.00	Hendrickson
321-161	A	1.50	2.75	3.38	Reyco
321-152	A	1.50	3.13	4.38	Reyco

Component Charts

Part No.	Type	I.D.	O.D.	Length	Bushing Application
321-191	A	1.50	3.13	4.50	Ford, Reyco
321-191U	A	1.50	3.13	4.50	Reyco
321-284	A	1.50	3.25	4.38	Ridewell
321-341	A	1.50	3.25	4.38	Ridewell
321-340	A	1.50	3.25	5.25	Ridewell
321-233	A	1.50	4.50	4.56	Neway
321-338	A	1.50	5.50	6.75	Ridewell (62 Duro)
321-368	A	1.50	5.50	6.75	Ridewell (72 Duro)
320-218	A	1.61	2.30	3.02	Neway
322-118	A	1.63	2.06	2.22	Kenworth
321-356	A	1.63	2.38	3.00	Trailmobile
320-167U	A	1.63	3.50	4.50	Premier
325-146	A	1.75	2.38	2.88	Neway
321-514	A	1.75	2.49	3.26	Reyco
320-219	A	1.75	3.22	3.83	Neway
320-212	A	1.92	3.07	2.84	Kenworth
320-150	A	2.00	2.88	4.00	Kenworth
320-150U	A	2.00	2.88	4.00	Kenworth
321-154	A	2.00	3.13	4.25	Dana, Reyco, Trailmobile, Volvo
321-154U	A	2.00	3.13	4.25	Dana, Reyco, Trailmobile
321-187	A	2.00	3.13	4.25	Dayton
321-228	A	2.00	3.38	5.25	Neway
320-161	A	2.00	3.50	1.75	Premier
320-161U	A	2.00	3.50	1.75	Premier
320-164	A	2.00	3.50	3.50	Premier
320-164U	A	2.00	3.50	3.50	Premier
321-266	A	2.00	3.50	4.00	Fruehauf
321-125	A	2.00	4.13	4.00	Hendrickson
321-125U	A	2.00	4.13	4.00	Hendrickson
320-200	A	2.12	3.00	2.88	Kenworth
320-200U	A	2.12	3.00	2.88	Kenworth
320-200A	A	2.13	3.13	2.88	Kenworth

Component Charts

Bushing Finder



Bushing Finder

Component Charts

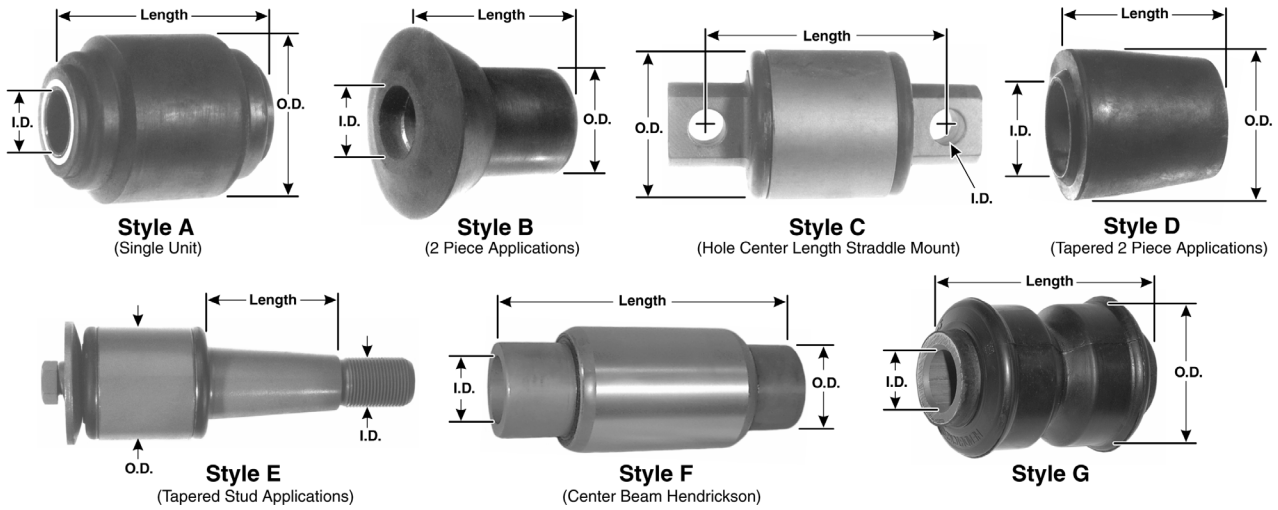
Part No.	Type	I.D.	O.D.	Length	Bushing Application
320-208	A	2.20	3.01	2.88	Kenworth
321-300	A	2.22	4.13	3.47	Kenworth, Rockwell
321-300U	A	2.22	4.13	3.47	Kenworth, Rockwell
320-201	A	2.25	3.00	2.88	Kenworth
320-201U	A	2.25	3.00	2.88	Kenworth
320-201A	A	2.25	3.18	2.88	Kenworth
321-273	A	2.38	3.13	3.78	Chalmers
321-274	A	2.38	3.22	3.78	Chalmers
320-163U	A	2.50	3.50	7.00	Peerless
320-175U	A	2.50	3.75	2.13	Silver Eagle
321-226	A	2.50	3.88	5.25	Hendrickson, Neway
321-237	A	2.50	3.88	5.75	Neway
321-237U	A	2.50	3.88	5.75	Neway
321-395	A	2.50	3.94	5.25	Neway
321-394	A	2.50	3.94	6.00	Neway
320-166U	A	2.50	4.25	5.00	Premier
321-242	A	2.50	4.38	4.25	Hendrickson, Ridewell
321-120	A	2.50	4.38	5.25	Hendrickson
321-120U	A	2.50	4.38	5.25	Hendrickson
321-126	A	2.50	4.38	5.75	Granning, Hendrickson
321-126U	A	2.50	4.38	5.75	Hendrickson
321-127	A	2.50	4.38	6.00	Hendrickson
321-232U	A	2.51	3.81	2.13	Neway
321-276	A	2.51	4.25	4.16	Chalmers
321-277	A	2.51	4.50	4.16	Chalmers
322-117	A	2.63	3.25	3.75	Hutch
321-315	A	2.63	4.13	5.25	Neway
321-315	A	2.63	4.13	5.25	Neway
322-105	A	2.75	3.63	5.88	Hendrickson
325-136	A	2.88	3.75	4.00	Neway
320-152	A	3.00	4.25	2.38	Page
321-129	A	3.00	6.00	6.00	Hendrickson
321-318	A	3.00	6.00	7.00	Hendrickson
322-155	A	3.13	3.63	2.50	Hyster

Part No.	Type	I.D.	O.D.	Length	Bushing Application
334-872	A	3.19	5.00	2.50	Chalmers
325-218	A	3.25	4.50	6.75	Neway
320-156	A	3.31	4.38	6.50	City Welding
322-152	A	3.44	3.75	4.38	Rockwell
325-116	A	3.44	4.44	7.56	Mack
325-115	A	3.44	4.44	8.38	Mack
325-115U	A	3.44	4.44	8.38	Mack
325-120	A	3.44	4.69	6.31	Mack
325-120U	A	3.44	4.69	6.31	Mack
322-114	A	3.50	3.75	3.44	Mack
322-159	A	3.50	3.75	6.94	Mack - Use 2ea. 322-114
322-156	A	3.50	4.19	2.75	Hyster
325-117	A	3.50	4.44	5.56	Mack
325-117U	A	3.50	4.44	5.56	Mack
325-118	A	3.50	4.44	6.31	Mack
325-185	A	3.50	4.50	3.19	Page
325-144	A	3.50	4.50	3.50	Neway
325-144U	A	3.50	4.50	3.50	Neway
325-183U	A	3.50	4.50	4.00	Page
325-210	A	3.50	4.50	4.13	Rockwell
325-134	A	3.50	4.50	5.75	Hutch, Neway
325-134U	A	3.50	4.50	5.75	Neway
320-162U	A	3.50	4.50	7.50	Peerless
320-160	A	3.50	4.50	10.50	Peerless
320-160U	A	3.50	4.50	10.50	Peerless
322-103	A	3.50	4.75	5.88	Hendrickson
321-330	A	3.50	4.88	9.25	Kenworth, Rockwell
321-171	A	3.50	5.25	10.63	Mack
321-278	A	3.51	4.13	3.25	Chalmers
320-154	A	3.60	5.00	5.63	Page
325-220	A	4.00	4.13	8.00	Neway
322-113	A	4.00	4.25	4.25	Mack
321-348	A	4.00	4.95	8.75	Watson
325-135	A	4.00	5.00	5.75	Neway

Bushing Finder

Component Charts

Bushing Finder



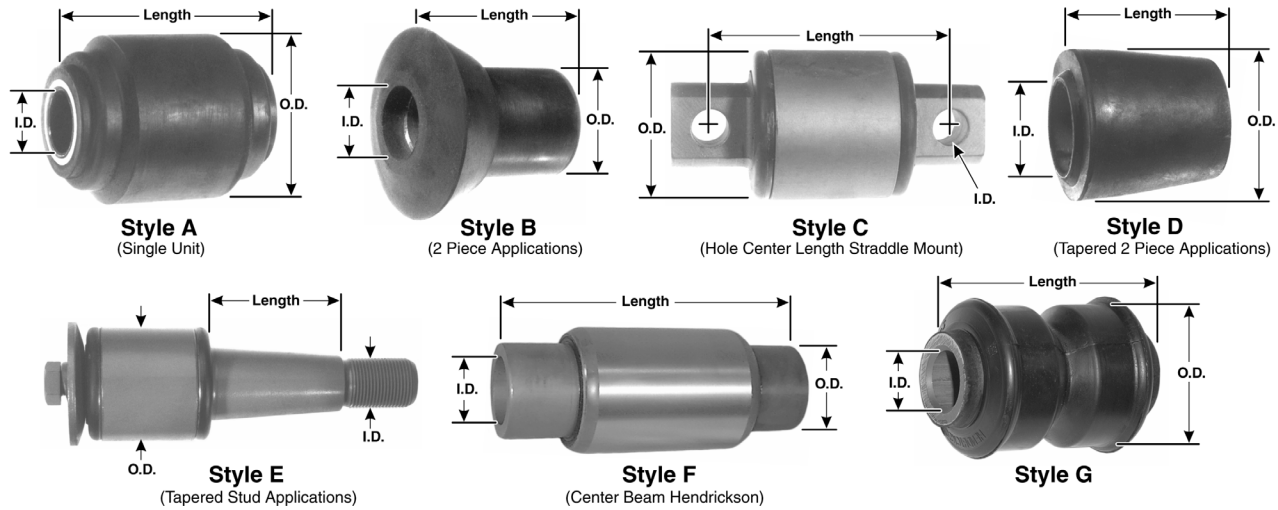
Component Charts

Part No.	Type	I.D.	O.D.	Length	Bushing Application
325-135U	A	4.00	5.00	5.75	Neway
325-184	A	4.00	5.00	7.88	Peerless
325-184U	A	4.00	5.00	7.88	General, Peerless
325-150	A	4.00	5.00	8.31	Fruehauf
325-150U	A	4.00	5.00	8.31	Fruehauf
325-137	A	4.00	5.00	8.75	Neway
325-137U	A	4.00	5.00	8.75	Neway, Watson & Chalin
325-107U	A	4.00	5.00	9.00	Hutch
325-122	A	4.00	5.00	9.00	Hutch
325-107	A	4.00	5.00	9.38	Hutch
322-151	A	4.38	4.38	3.75	Rockwell
322-160	A	5.00	5.25	8.69	Mack - Use 2ea. 322-115
321-143	A	6.00	6.94	0.19	Hendrickson Truck
325-206	A	6.00	7.50	11.25	Neway
320-178	B	0.63	1.88	1.25	Kenworth
320-178U	B	0.63	1.88	1.25	Kenworth
320-176U	B	0.88	1.50	2.75	Cambria
321-186U	B	0.88	2.38	3.00	Dayton, IHC
321-175U	B	1.00	1.94	3.00	Hutch, Trailmobile
322-132	B	1.13	1.25	1.25	Bluebird, Ford
322-134	B	1.25	1.38	1.63	IHC
320-132	B	1.75	2.50	2.47	Peterbilt
320-108	B	1.75	2.50	2.72	Peterbilt
320-108U	B	1.75	2.50	2.75	Peterbilt
322-148	B	2.00	2.50	1.81	Freightliner
322-138	B	2.25	3.75	2.25	Freightliner
321-273U	B	2.38	3.13	3.78	Chalmers
322-119	B	2.47	3.09	2.25	Peterbilt
320-154U	B	2.50	4.75	5.81	Silver Eagle
325-160	B	3.50	4.50	4.06	Ridewell
325-190	B	4.00	5.00	4.00	Hutch
325-222	B	4.00	5.00	4.62	Kenworth
322-115	B	5.00	5.25	4.31	Mack
322-139	B	5.10	5.25	2.75	Volvo

Part No.	Type	I.D.	O.D.	Length	Bushing Application
321-223	C	0.63	2.03	4.38	Hendrickson
321-223U	C	0.63	2.03	4.38	Hendrickson
321-279	C	0.63	2.46	4.38	Hendrickson
321-131	C	0.63	2.54	4.38	Various
321-131U	C	0.63	2.54	4.38	Various
321-288	C	0.63	2.75	3.94	Kenworth
321-132	C	0.63	2.75	4.38	Various
321-132U	C	0.63	2.75	4.38	Various
321-369	C	0.63	2.75	4.38	Kenworth
321-327	C	0.63	3.63	4.38	Kenworth
321-327U	C	0.63	3.63	4.38	Kenworth
321-325A	C	0.63	4.13	4.38	Kenworth
321-419	C	0.73	2.90	5.25	Hendrickson
321-366	C	0.75	2.00	4.38	Hendrickson Ultra Rod
321-363	C	0.75	2.00	5.68	Hendrickson Ultra Rod
321-388	C	0.75	2.50	5.50	Hendrickson - "D" Pin
321-265	C	0.75	2.75	4.38	Various
321-265U	C	0.75	2.75	4.38	Various
321-135	C	0.75	2.75	5.68	Hendrickson
321-144	C	0.75	3.00	5.69	Hendrickson IHC
321-512	C	0.85	2.50	6.27	Hendrickson Truck
321-365	C	0.88	2.00	5.25	Hendrickson Ultra Rod
321-267	C	0.88	2.75	4.38	Various
321-238	C	0.88	3.50	5.25	Hendrickson
321-391	C	0.88	3.81	6.00	Neway
321-392	C	0.88	3.81	6.00	Neway - Offset Pin
321-299A	C	0.88	4.13	5.25	Kenworth, Rockwell
321-299U	C	0.88	4.13	5.25	Kenworth, Rockwell
321-367	C	1.00	3.86	8.50	Neway
321-396	C	1.00	3.94	8.50	Neway
321-326A	C	1.00	4.13	5.25	Rockwell
321-178	C	2.50	3.25	9.00	Neway
321-335A	C	2.50	3.50	5.75	Kenworth

Component Charts

Bushing Finder



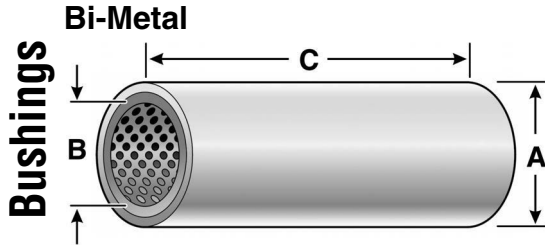
Bushing Finder

Component Charts

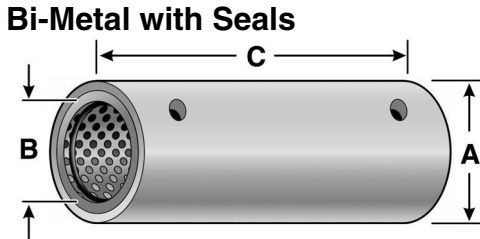
Part No.	Type	I.D.	O.D.	Length	Bushing Application
401754	D	1.00			Freightliner
321-147	D	1.00	1.75	2.69	Dana, Reyco
321-147U	D	1.00	1.75	2.69	Dana, Reyco
321-285	D	1.00	1.75	2.75	Reyco
321-285U	D	1.00	1.75	2.75	Reyco
321-173	D	1.00	1.75	3.13	Hutch
321-173U	D	1.00	1.75	3.13	Hutch
321-145	D	1.00	1.81	3.00	Reyco
321-145U	D	1.00	1.81	3.00	Reyco
321-157	D	1.06	1.81	2.88	Reyco
321-157U	D	1.06	1.81	2.88	Reyco
321-177	D	1.25	2.19	1.75	Fruehauf, Hutch
321-177U	D	1.25	2.19	2.38	Fruehauf, Hutch
321-146	D	1.63	3.50	4.38	Reyco
321-146U	D	1.63	3.50	4.38	Reyco
320-177U	D	1.75	2.13	1.13	Freightliner
321-190	D	2.00	3.50	4.38	Fruehauf
321-190U	D	2.00	3.50	4.38	Fruehauf
321-149	D	2.38	4.06	2.56	Reyco
321-149U	D	2.38	4.06	2.56	Reyco
320-155	D	2.50	4.25	2.75	Dana
321-232	D	2.51	3.81	2.13	Neway
321-232U	D	2.51	3.81	2.13	Neway
320-182	D	3.00	5.66	2.88	Hyster
320-182U	D	3.00	5.66	2.88	Hyster
321-518	D	3.25	6.79	2.77	Mack/Volvo
320-183	D	4.00	7.31	3.63	Hyster
320-183U	D	4.00	7.31	3.63	Hyster
321-361	E	1.13	2.00	1.85	Hendrickson Ultra Rod
321-134	E	1.13	2.54	1.85	Various
321-138	E	1.13	2.75	1.85	Hendrickson
321-136	E	1.25	2.75	1.85	Mack
321-136U	E	1.25	2.75	1.88	Mack

Part No.	Type	I.D.	O.D.	Length	Bushing Application
321-133	E	1.25	2.75	2.90	Various
321-133U	E	1.25	2.75	2.90	Various
321-377	F	2.00	2.75	10.05	Radan
321-117	F	2.50	3.63	12.00	Hendrickson
321-118	F	2.50	3.63	12.00	Hendrickson
321-118U	F	2.50	3.63	12.00	Hendrickson
321-122	F	2.50	4.75	12.00	Hendrickson
321-123	F	2.50	4.75	12.00	Hendrickson, Loose Plug
321-123U	F	2.50	4.75	12.00	Hendrickson
321-124	F	2.50	4.75	12.00	Hendrickson, Ridewell
321-510	F	2.50	4.75	12.00	Hendrickson, Loose Plug
321-243	F	2.50	4.75	12.00	Hendrickson
321-244	F	2.50	4.75	12.00	Hendrickson
321-570	F	2.50	4.75	12.00	Hendrickson
321-128	F	3.00	5.50	14.63	Hendrickson
321-317	F	3.00	5.50	18.00	Hendrickson
322-108	F	4.00	5.50	8.69	Hendrickson
323-270	G	0.88	2.03	3.25	Hendrickson
321-390	G	0.88	3.44	4.00	Neway
321-523	G	1.24	3.67	3.64	Hendrickson
321-329	G	1.25	2.38	4.00	City Welding
321-387	G	1.25	3.13	3.63	Hendrickson

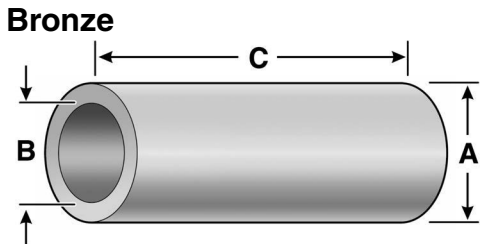
Additional sizes and types available. Contact Dayton Parts Customer Service for details.



Part No.	O.D. (A)	I.D. (B)	Length (C)
LHG-BM	1 1/8	7/8	3
NJG-BM	1 1/4	1	3
NJI-BM	1 1/4	1	3 1/2
NJK-BM	1 1/4	1	4
322-132	1 1/4	1 1/8	1 1/4
PLG-BM	1 3/8	1 1/8	3
PLK-BM	1 3/8	1 1/8	4
322-134	1 3/8	1 1/4	1 5/8
RNG-BM	1 1/2	1 1/4	3
RNI-BM	1 1/2	1 1/4	3 1/2
PB-17	1 1/2	1 1/4	3 1/2
RNK-BM	1 1/2	1 1/4	4
TPK-BM	1 5/8	1 3/8	4
UQG-BM	1 11/16	1.422	3
322-106	1 3/4	1 1/2	4

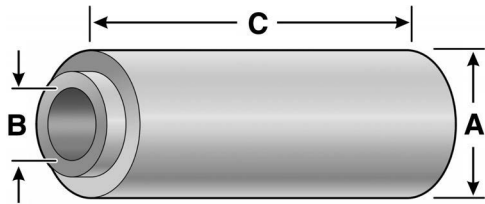


Part No.	O.D. (A)	I.D. (B)	Length (C)
322-141	1 1/2	1 1/4	4



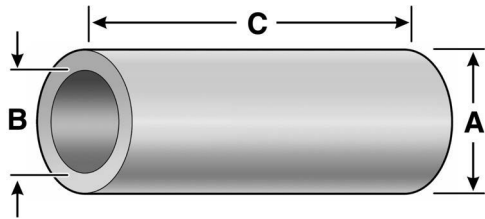
Part No.	O.D. (A)	I.D. (B)	Length (C)
JFC	1	3/4	2
JFD	1	3/4	2 1/4
JFE	1	3/4	2 1/2
JFG	1	3/4	3
LHE	1 1/8	7/8	2 1/2
LHG	1 1/8	7/8	3
NJE	1 1/4	1	2 1/2
NJG	1 1/4	1	3
NJI	1 1/4	1	3 1/2
NJK	1 1/4	1	4
PLG	1 3/8	1 1/8	3
PLI	1 3/8	1 1/8	3 1/2
PLK	1 3/8	1 1/8	4
RNG	1 1/2	1 1/4	3
RNI	1 1/2	1 1/4	3 1/2
RNK	1 1/2	1 1/4	4
RPK	1 1/2	1 3/8	4
TNI	1 5/8	1 1/4	3 1/2
TNK	1 5/8	1 1/4	4
TPG	1 5/8	1 3/8	3
TPI	1 5/8	1 3/8	3 1/2
TPK	1 5/8	1 3/8	4
UOK	1 11/16	1 5/16	4
UQG	1 11/16	1 27/64	3
UQK	1 11/16	1 27/64	4
VPK	1 3/4	1 3/8	4
VRG	1 3/4	1 1/2	3
VRK	1 3/4	1 1/2	4
XRG	1 7/8	1 1/2	3
XRI	1 7/8	1 1/2	3 1/2

Bronze Mack



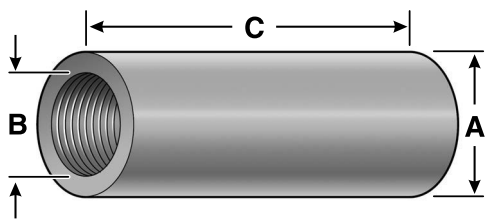
Part No.	O.D. (A)	I.D. (B)	Length (C)
MB-2	1 1/2	1 1/4	2 11/16
MB-1	1 1/2	1 1/4	3 3/16

Bronze Metric



Part No.	O.D. (A)	I.D. (B)	Length (C)
M7-3024	30 (1.181)	24 (0.945)	70 (2.756)
M8-3024	30 (1.181)	24 (0.945)	80 (3.150)
M7-3025	30 (1.181)	25 (0.984)	70 (2.756)
M8-3225	32 (1.260)	25 (0.984)	80 (3.150)
M7-3428	34 (1.339)	28 (1.102)	70 (2.756)
M8-3428	34 (1.339)	28 (1.102)	80 (3.150)
M8-3530	35 (1.378)	30 (1.181)	80 (3.150)
M8-3625	36 (1.417)	25 (0.984)	80 (3.150)
M7-3630	36 (1.417)	30 (1.181)	70 (2.756)
M8-3630	36 (1.417)	30 (1.181)	80 (3.150)
M9-3630	36 (1.417)	30 (1.181)	90 (3.543)
M8-3830	38 (1.496)	30 (1.181)	80 (3.150)
M8-3832	38 (1.496)	32 (1.260)	80 (3.150)
M10-3832	38 (1.496)	32 (1.260)	100 (3.937)
M8-4030	40 (1.575)	30 (1.181)	80 (3.150)
M10-4030	40 (1.575)	30 (1.181)	100 (3.937)
M10-4032	40 (1.575)	32 (1.260)	100 (3.937)
M9-4235	42 (1.654)	35 (1.378)	90 (3.543)

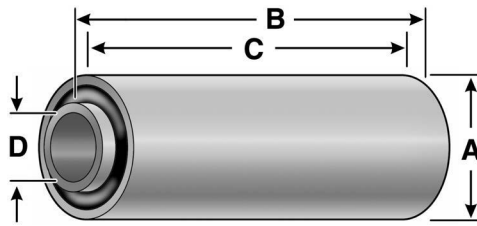
Threaded



Part No.	O.D. (A)	I.D. (B)	Length (C)
TB-82	1 1/2	M32 x 5/32	3 15/16
TB-73	1 1/2	1 1/4 - 7	4
TB-70	1 1/2	1 1/4 - 8	3 1/2
TB-71	1 5/8	1 1/4 - 8	3 1/2
TB-69	1 3/4	1 3/8 - 6	3 1/2
TB-79	1 3/4	M32 x 5/32	3 7/8
TB-26	1 3/4	1 3/8 - 6	4
TB-68	1 3/4	1 3/8 - 6	4
TB-77	44mm	M32 x 4.0	100mm
TB-78	45mm	M32 x 4.0	105mm
TB-75	45mm	M36 x 3.0	80mm
TB-74	45mm	M36 x 3.0	105mm
TB-72	48mm	1 3/8 - 6	100mm
TB-81	52.8mm	M32 x 4.0	101mm

Additional sizes and types available. Contact Dayton Parts Customer Service for details.

RB Bushings



Component Charts

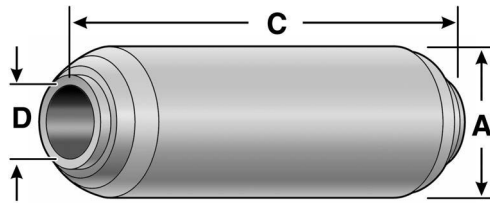
Part No.	O.D. (A)	Len. (B)	Len. (C)	I.D. (D)	C to C (E)	Remarks
RB-74	1 3/8	2 1/2	2 3/4	5/8	—	
RB-72	1 1/2	2 1/2	2 3/4	3/4	—	
RB-186	40mm	33.5mm	41mm	16mm	—	2 per eye
RB-183	40mm	34mm	40mm	16mm	—	2 per eye
RB-207	1 5/8	2 1/2	3	5/8	—	
RB-246	42mm	70mm	80mm	18mm	—	
RB-173	42mm	71.5mm	81mm	16mm	—	
RB-228	42mm	72mm	81mm	16mm	—	
RB-100	1 11/16	2 1/2	2 3/4	3/4	—	
RB-73	1 11/16	3	3 1/4	15/16	—	
RB-146	1 3/4	3	3 5/16	7/8	—	
RB-229	1 3/4	3	3 1/2	5/8	—	
RB-267	1 3/4	3 1/16	3 9/16	3/4	—	
RB-338	1 3/4	3 15/16	4 1/4	5/8	—	
RB-75	1 13/16	3	3 1/4	1	—	
RB-219	1 13/16	3	3 1/2	5/8	—	
RB-218	1 13/16	3	3 1/2	3/4	—	
RB-270	1 13/16	3 1/16	4 1/4	3/4	—	
RB-253	1 13/16	4 1/16	4 1/4	3/4	—	
RB-190	46mm	89mm	92mm	20mm	—	
RB-230	1 27/32	2 1/2	3	9/16	—	
RB-188	48mm	86.5mm	89mm	24mm	—	
RB-165	48mm	98.5mm	100mm	24mm	—	
RB-341	50.2mm	94mm	110mm	20mm	—	
RB-293	50mm	73mm	86mm	20mm	—	
RB-90	2	2 1/2	2 3/4	3/4	—	Off Center Inner Sleeve
RB-220	2	3	3 3/8	7/8	—	
RB-280	2	3 1/16	3 9/16	3/4	—	
RB-191	52mm	74mm	77mm	22mm	—	
RB-212	57mm	75mm	108mm	20mm	—	
RB-211	57mm	100mm	108mm	20mm	—	
RB-345	2 1/4	3 7/8	4 1/4	20mm	—	
RB-233	2 1/4	4	4 1/4	20mm	—	
RB-211	2 1/4	4	4 1/4	3/4	—	
RB-288	2 1/4	4	4 1/4	24mm	—	
RB-302	2 1/4	4	4 1/4	20mm	—	
RB-322	2 1/4	4	4 1/4	13/16	—	
RB-292	2 3/8	2 9/16	3	7/8	—	
323-167	2 3/8	3	3 1/8	7/8	—	Replaces RB-167
RB-221	2 1/2	3 1/4	3 1/2	1	—	
RB-269	2 1/2	3 13/16	4 1/4	1	—	
RB-174	2 1/2	4	3 3/4	1	—	Use with (2) Mack No. 71RU13161 Washers
RB-162	2 1/2	4	4 1/4	7/8	—	Discont.; Ref. Only
RB-187	2 1/2	4	4 1/4	1	—	
RB-84	2 1/2	4	4 1/4	1 1/4	—	
RB-290	2 9/16	2 5/8	3 9/16	7/8	—	
RB-232	2 5/8	5	5 5/16	1 1/4	—	
RB-168	3	3	3 1/4	1 3/4	—	

Component Charts

RB Bushings

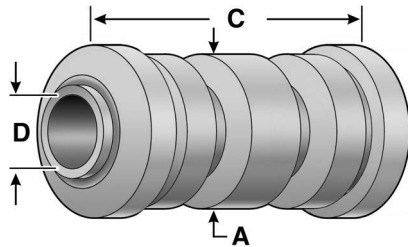
RB Bushings

Component Charts

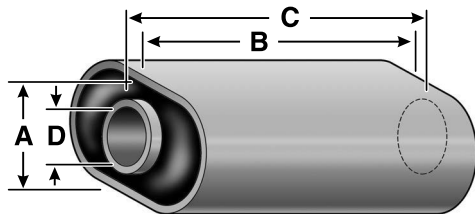


Note: NO Outer Steel Sleeve

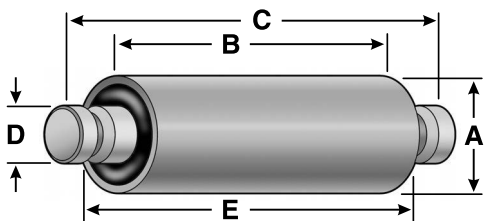
Part No.	O.D. (A)	Len. (B)	Len. (C)	I.D. (D)	C to C (E)	Remarks
RB-236	1 3/8	—	3	14mm	—	
RB-235	1 3/4	—	3	18mm	—	
321-164	2 7/16	—	3 1/8	3/4	—	Replaces RB-154
RB-344	46.6mm	4	4 1/4	3/4	—	



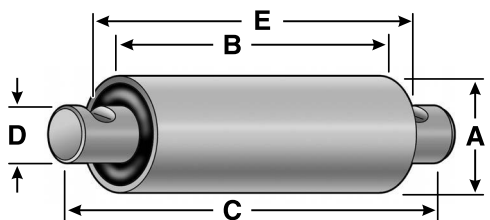
Part No.	O.D. (A)	Len. (B)	Len. (C)	I.D. (D)	C to C (E)	Remarks
RB-223	48mm	—	91mm	16mm	—	
RB-194	50mm	—	95mm	16mm	—	
323-270	2 1/32	—	3 1/4	7/8	—	
RB-195	55mm	—	120mm	20mm	—	
RB-222	56mm	—	105mm	19mm	—	
321-387	3 1/8	—	3 5/8	1 1/4	—	
321-390	3 7/16	—	4	7/8	—	



Part No.	O.D. (A)	Len. (B)	Len. (C)	I.D. (D)	C to C (E)	Remarks
RB-94	1 7/8 x 2 1/4	3	3 1/4	15/16	—	

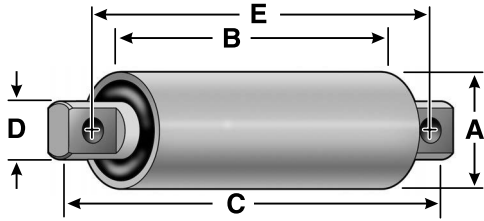


Part No.	O.D. (A)	Len. (B)	Len. (C)	I.D. (D)	C to C (E)	Remarks
RB-161	1 3/4	4	7	1	5 3/4	—
RB-189	48mm	86.5mm	171mm	27mm	139mm	—
RB-166	48mm	98.5mm	183mm	27mm	151mm	—
RB-184	51mm	100mm	179mm	31.6 mm	132mm	Offset Pin

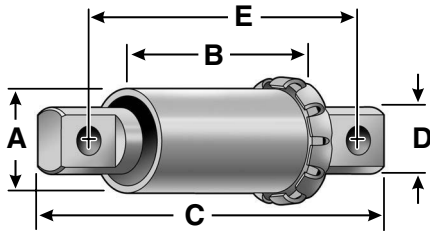


Part No.	O.D. (A)	Len. (B)	Len. (C)	I.D. (D)	C to C (E)	Remarks
RB-328	1 3/4	4 1/16	6 11/16	1 1/16	5 7/16	
RB-249	1 3/4	4 1/16	7 1/8	1 1/16	5 3/4	
RB-295	1 3/4	4 1/16	7 1/2	1 1/16	6 5/16	
RB-193	45.5mm	80mm	140mm	25mm	108mm	Offset Pin
RB-208	45.5mm	80mm	150mm	25mm	—	Offset Pin
RB-196	45.5mm	100mm	161mm	25mm	128mm	Offset Pin
RB-343	46.6mm	3 7/8	6 7/8	1 1/4	5 3/8	
RB-324	2 1/16	4 1/16	6 11/16	1 1/16	5 7/16	
RB-308	2 1/16	4 1/16	7 1/2	1 1/16	6 5/16	
RB-289	2 1/4	4	6 3/4	27mm	5 1/2	
RB-263	2 1/4	4	6 7/8	1 1/4	5 3/8	

RB Bushings



Part No.	O.D. (A)	Len. (B)	Len. (C)	I.D. (D)	C to C (E)	Remarks
RB-175	1 3/4	3 13/16	6 3/4	1 3/16	5 3/8	5/8" Bolts
RB-205	2 1/2	3	7 1/2	1 13/16	5 11/16	3/4" Bolts
RB-205U	2 1/2	3	7 1/2	1 13/16	5 11/16	Urethane
RB-234	2 1/2	3 3/16	7 1/2	1 13/16	5 11/16	3/4" Bolts; High Conf.
RB-199	2 1/2	4	6 3/4	1 1/2	5 1/2	5/8" Bolts
321-131	2.540	2 3/16	5 3/4	1 1/2	4 3/8	5/8" Bolts
321-131U	2.540	2 3/16	5 3/4	1 1/2	4 3/8	Urethane
RB-185	2 5/8	5	8	1 7/16	6 3/4	5/8" Bolts



Part No.	O.D. (A)	Len. (B)	Len. (C)	I.D. (D)	C to C (E)	Remarks
RB-291	2 3/8	2 9/16	5 5/8	1 x 1 5/16	4 3/8	
RB-268	2 1/2	3 1/4	7 1/2	1 13/16	5 11/16	3/4" Bolts
RB-185	2 5/8	5	8	1 7/16	6 3/4	5/8" Bolts
RB-259	2 9/16	2 5/8	5 3/4	1 1/8 x 1 1/2	4 3/8	

Component Charts

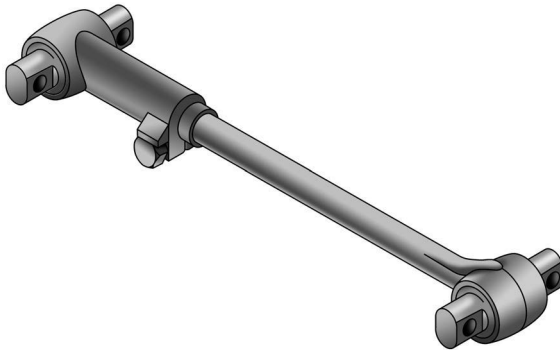
Component Charts

Torque Rods

Torque Rods



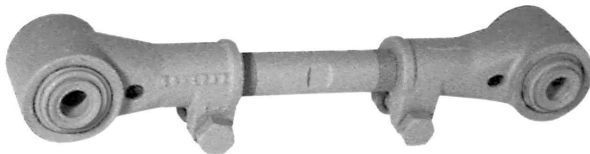
Part No.	Length	Bushings Included Axle End/Hanger End		Bushings Separate Axle End/Hanger End		Bolt Dia.
345-157	18 ¼ - 20 ½	321-153	321-153	N/A	N/A	7/8
345-164HD	18 ½ - 21	321-175	321-175	N/A	N/A	1
345-702	24 - 26 ¼	321-153	321-153	N/A	N/A	7/8



Part No.	Length	Bushings Included Axle End/Hanger End		Bushings Separate Axle End/Hanger End		Bolt Dia.
345-896	21 ½ - 22 ½	N/A	N/A	N/A	N/A	5/8



Part No.	Length	Bushings Included Axle End/Hanger End		Bushings Separate Axle End/Hanger End		Bolt Dia.
345-678	20 ¼ - 22 ¾	N/A	N/A	321-273	321-273	—
345-684	21 5/8 - 24 ¼	N/A	N/A	321-273	321-273	—
345-685	22 5/8 - 25 ¼	N/A	N/A	321-273	321-273	—
345-682	31 ¾ - 34 5/8	N/A	N/A	321-273	321-273	—



Part No.	Length	Bushings Included Axle End/Hanger End		Bushings Separate Axle End/Hanger End		Bolt Dia.
345-755	12 - 14	321-356	321-356	N/A	N/A	3/4
345-757	12 ½ - 14 ½	321-356	321-356	N/A	N/A	3/4
345-703	12 ¾ - 15	321-153	321-304	N/A	N/A	7/8
345-679	13 ¼ - 15 7/8	321-234	321-234	N/A	N/A	1 ¼
345-183	14 ¾ - 19 ½	321-186	321-186	N/A	N/A	7/8
345-130	15 - 17 ¼	321-153	321-153	N/A	N/A	7/8
345-132	17 ¼ - 19 ½	321-153	321-153	N/A	N/A	7/8
345-711	17 ¼ - 19 ½	334-1266	334-1266	N/A	N/A	15/16
345-756	18 - 20	321-356	321-356	N/A	N/A	3/4
345-687	18 - 20	321-294	321-294	N/A	N/A	3/4

Component Charts

Table Continues on Following Page.

Torque Rods

Component Charts

Torque Rods

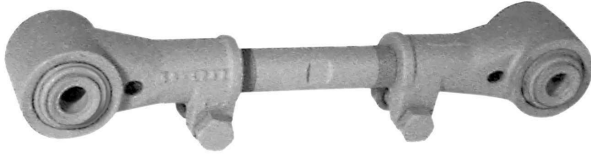
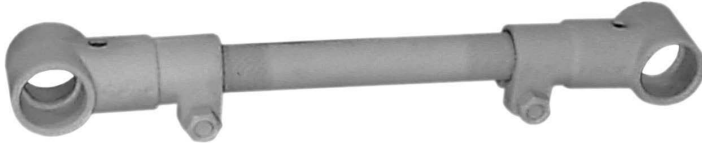


Table Continued from Previous Page

Part No.	Length	Bushings Included		Bushings Separate		Bolt Dia.
		Axle End/Hanger End	Axle End/Hanger End	Axle End/Hanger End	Axle End/Hanger End	
345-182	18 1/2 - 21 3/8	321-153	321-153	N/A	N/A	7/8
345-796	18 1/2 - 21 3/8	321-323	321-323	N/A	N/A	7/8
345-704	19 1/2 - 21 3/4	321-153	321-304	N/A	N/A	7/8
345-705	21 3/4 - 24	321-153	321-304	N/A	N/A	7/8
345-706	24 - 26 1/4	321-153	321-304	N/A	N/A	7/8
345-707	26 1/4 - 28 1/2	321-153	321-304	N/A	N/A	7/8
345-693	27 1/2 - 30	321-234	321-234	N/A	N/A	1 1/4
345-692	29 1/4 - 31 3/4	321-234	321-234	N/A	N/A	1 1/4
345-708	30 3/4 - 33	321-153	321-304	N/A	N/A	7/8
345-709	37 1/2 - 39 3/4	321-153	321-153	N/A	N/A	7/8



Part No.	Length	Bushings Included		Bushings Separate		Bolt Dia.
		Axle End/Hanger End	Axle End/Hanger End	Axle End/Hanger End	Axle End/Hanger End	
345-696	12 3/4 - 15	N/A	N/A	321-145	321-145	1
345-695	14 - 18 1/2	N/A	N/A	321-147	321-147	1
345-199	15 - 17 1/4	N/A	N/A	321-145	321-145	1
345-860	18 1/2 - 21 3/8	N/A	N/A	321-147	321-147	1
345-105	18 3/4 - 19 1/2	N/A	N/A	321-145	321-145	1
345-198	19 1/2 - 21 3/4	N/A	N/A	321-145	321-145	1
345-889	21 1/2	N/A	N/A	321-276	321-276	5/8
345-890	22 3/8	N/A	N/A	321-276	321-276	5/8
345-109	21 3/4 - 24	N/A	N/A	321-145	321-145	1
345-891	24	N/A	N/A	321-276	321-276	5/8
345-697	24 - 26 1/4	N/A	N/A	321-145	321-145	1
345-698	26 1/4 - 28 1/2	N/A	N/A	321-145	321-145	1
345-699	28 1/2 - 30	N/A	N/A	321-145	321-145	1
345-710	42 - 44 1/4	321-153	321-153	N/A	N/A	7/8

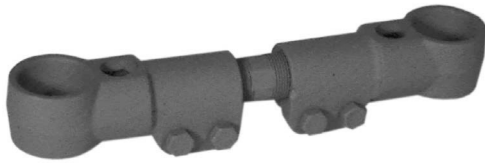
Component Charts



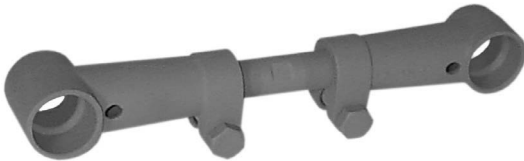
Part No.	Length	Bushings Included		Bushings Separate		Bolt Dia.
		Axle End/Hanger End	Axle End/Hanger End	Axle End/Hanger End	Axle End/Hanger End	
345-765	15 - 17	321-153	N/A	N/A	321-285	7/8
345-151	17 1/2 - 19 1/2	321-153	N/A	N/A	321-285	7/8
345-153	19 1/2 - 21 1/2	321-153	N/A	N/A	321-285	7/8

Component Charts

Torque Rods



Part No.	Length	Bushings Included Axle End/Hanger End		Bushings Separate Axle End/Hanger End		Bolt Dia.
345-239	11 7/8 - 13 3/8	N/A	N/A	321-177	321-177	7/8
345-688	12 7/8 - 14 5/8	N/A	N/A	321-177	321-177	7/8
345-201	14 3/4 - 16 3/8	N/A	N/A	321-177	321-177	7/8
345-713	16 - 18	N/A	N/A	321-177	321-177	7/8
345-173	20 - 22	N/A	N/A	321-177	321-177	7/8
345-714	21 3/4 - 24	N/A	N/A	321-177	321-177	7/8
345-906	14-16	321-132	321-132	N/A	N/A	5/8



Part No.	Length	Bushings Included Axle End/Hanger End		Bushings Separate Axle End/Hanger End		Bolt Dia.
345-753	15 - 17	N/A	N/A	320-179	320-179	1 1/8
345-754	15 - 17	N/A	N/A	320-179	320-151	1 1/8
345-172	18 - 20	N/A	N/A	321-177	321-177	7/8
345-783	18 3/4 - 20 3/4	N/A	N/A	321-173	321-173	1



Part No.	Length	Bushings Included Axle End/Hanger End		Bushings Separate Axle End/Hanger End		Bolt Dia.
345-237	13 - 15 1/2	321-175	321-175	N/A	N/A	1
345-238	14 3/4 - 17 1/4	321-175	321-175	N/A	N/A	1
345-191	16 - 18	321-175	321-175	N/A	N/A	1
345-164	18 1/2 - 21	321-175	321-175	N/A	N/A	1
345-174	19 - 21	N/A	N/A	321-177	321-177	
345-165	20 1/4 - 22 3/4	321-175	321-175	N/A	N/A	1
345-722	21 - 23 1/2	321-175	321-175	N/A	N/A	1
345-724	22 1/4 - 24 3/4	321-175	321-175	N/A	N/A	1
345-725	23 1/2 - 26	321-175	321-175	N/A	N/A	1
345-726	25 1/2 - 28	321-175	321-175	N/A	N/A	1
345-727	27 1/2 - 30	321-175	321-175	N/A	N/A	1
345-717	28 1/2 - 31	321-175	321-175	N/A	N/A	1
345-720	29 1/2 - 32	321-175	321-175	N/A	N/A	1
345-778	32 1/2 - 35	321-175	321-175	N/A	N/A	1
345-721	33 1/2 - 36	321-175	321-175	N/A	N/A	1
345-830	40 - 45	321-175	321-175	N/A	N/A	1

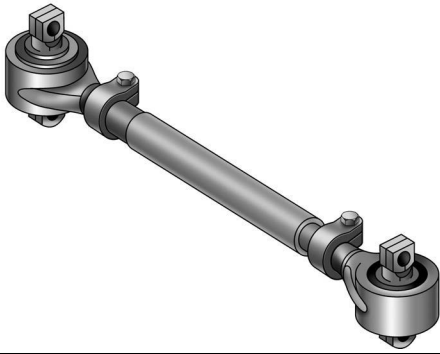
Torque Rods

Component Charts

Torque Rods

Component Charts

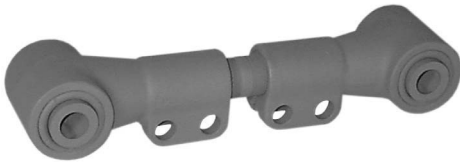
Torque Rods



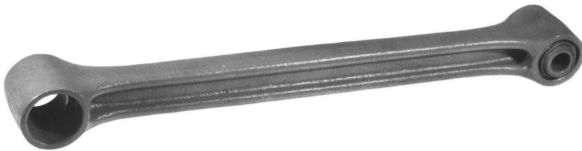
Part No.	Length	Bushings Included		Bushings Separate		Bolt Dia.
		Axle End/Hanger End	Axle End/Hanger End	Axle End/Hanger End	Axle End/Hanger End	
345-895	23 5/8	N/A	N/A	N/A	N/A	5/8



Part No.	Length	Bushings Included		Bushings Separate		Bolt Dia.
		Axle End/Hanger End	Axle End/Hanger End	Axle End/Hanger End	Axle End/Hanger End	
345-169	18 1/4 - 20 1/4	N/A	N/A	321-173	321-173	1
345-870	18 1/2 - 21	334-1677	334-1677	N/A	N/A	7/8
345-893	38 - 40	321-175	321-175	N/A	N/A	1



Part No.	Length	Bushings Included		Bushings Separate		Bolt Dia.
		Axle End/Hanger End	Axle End/Hanger End	Axle End/Hanger End	Axle End/Hanger End	
345-217	13 - 15	321-287	321-287	N/A	N/A	1
345-218	19 3/4 - 21 3/4	321-287	321-287	N/A	N/A	1
345-712	24 3/4 - 26 3/4	321-234	321-234	N/A	N/A	1 1/4

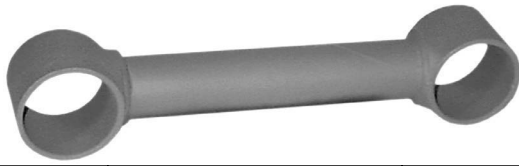


Part No.	Length	Bushings Included		Bushings Separate		Bolt Dia.
		Axle End/Hanger End	Axle End/Hanger End	Axle End/Hanger End	Axle End/Hanger End	
345-766	16 3/4	321-153	N/A	N/A	321-285	7/8
345-148	20 1/2	321-153	N/A	N/A	321-157	7/8

Component Charts

Component Charts

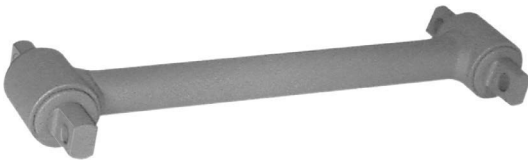
Torque Rods



Part No.	Length	Bushings Included		Bushings Separate		Bolt Dia.
		Axle End/Hanger End		Axle End/Hanger End		
345-677	15 7/8	N/A	N/A	321-273	321-273	—
345-674	21 1/2	N/A	N/A	321-273	321-273	—
345-675	23	N/A	N/A	321-273	321-273	—
345-676	24	N/A	N/A	321-273	321-273	—
345-683	33	N/A	N/A	321-273	321-273	—



Part No.	Length	Bushings Included		Bushings Separate		Bolt Dia.
		Axle End/Hanger End		Axle End/Hanger End		
345-748	15 1/2	321-153	321-153	N/A	N/A	7/8
345-730	15 3/4	321-153	321-153	N/A	N/A	7/8
345-861	16	321-153	321-153	N/A	N/A	7/8
345-133	16 1/2	321-153	321-153	N/A	N/A	7/8
345-143	17	321-153	321-153	N/A	N/A	7/8
345-749	17 1/2	321-153	321-153	N/A	N/A	7/8
345-140	20 3/8	321-153	321-153	N/A	N/A	7/8
345-767	23 1/2	321-153	321-153	N/A	N/A	7/8
345-900	25 3/16	321-162	321-162	N/A	N/A	7/8
345-901	26	321-162	321-162	N/A	N/A	7/8
345-768	38	321-153	321-153	N/A	N/A	7/8
345-770	40	321-153	321-153	N/A	N/A	7/8
345-902	44	321-153	321-153	N/A	N/A	7/8



Part No.	Length	Bushings Included		Bushings Separate		Bolt Dia.
		Axle End/Hanger End		Axle End/Hanger End		
345-792	14.41	321-279	321-279	N/A	N/A	5/8
345-790	15.83	321-279	321-279	N/A	N/A	5/8
345-791	16.50	321-279	321-279	N/A	N/A	5/8
345-208	16 5/8, 1.56 OD	321-223	321-223	N/A	N/A	5/8
345-209	16 5/8, 1.93 OD	321-223	321-223	N/A	N/A	5/8
345-211	17.34	321-265	321-132	N/A	N/A	5/8
345-196	17.34	321-132	321-132	N/A	N/A	5/8
345-185	18 1/8	321-223	321-223	N/A	N/A	5/8
345-188	18 1/8	321-223	321-223	N/A	N/A	5/8
345-200	18 1/8	321-279	321-279	N/A	N/A	5/8
345-868	24 1/2	321-223	321-223	N/A	N/A	5/8
345-186	19 1/8	321-223	321-223	N/A	N/A	5/8
345-187	22	321-223	321-223	N/A	N/A	5/8

Torque Rods

Component Charts

Table Continues on Following Page.

Torque Rods

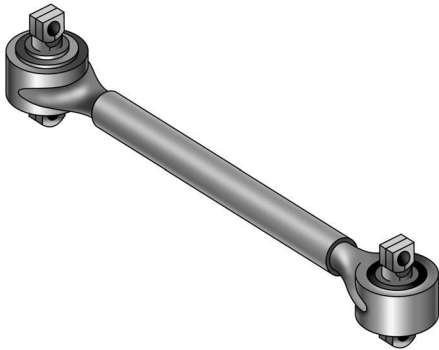
Component Charts

Torque Rods



Table Continued from Previous Page.

Part No.	Length	Bushings Included		Bushings Separate		Bolt Dia.
		Axle End/Hanger End	Axle End/Hanger End	Axle End/Hanger End	Axle End/Hanger End	
345-219	22 1/8, 1.93 OD	321-279	321-279	N/A	N/A	5/8
345-213	22.89	321-223	321-223	N/A	N/A	5/8
345-915	23 15/16	321-223	321-223	N/A	N/A	
345-212	23 15/16	321-223	321-223	N/A	N/A	5/8
345-904	25 3/8	Non-Replacable	Non-Replacable	N/A	N/A	5/8
345-905	25 1/16, 1.13 OD	Non-Replacable	Non-Replacable	N/A	N/A	5/8

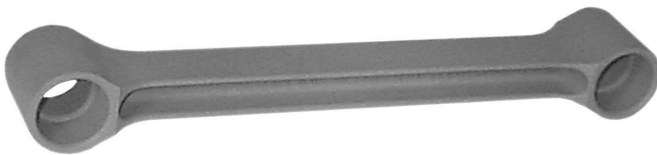


Part No.	Length	Bushings Included		Bushings Separate		Bolt Dia.
		Axle End/Hanger End	Axle End/Hanger End	Axle End/Hanger End	Axle End/Hanger End	
345-894	22 5/8	N/A	N/A	N/A	N/A	5/8



Part No.	Length	Bushings Included		Bushings Separate		Bolt Dia.
		Axle End/Hanger End	Axle End/Hanger End	Axle End/Hanger End	Axle End/Hanger End	
345-202	15 1/2	N/A	N/A	321-177	321-177	7/8
345-170	19 1/4	N/A	N/A	321-177	321-177	7/8

Component Charts



Part No.	Length	Bushings Included		Bushings Separate		Bolt Dia.
		Axle End/Hanger End	Axle End/Hanger End	Axle End/Hanger End	Axle End/Hanger End	
345-110	16 1/4	N/A	N/A	321-145	321-145	1
345-112	18 7/8	N/A	N/A	321-145	321-145	1
345-121	21	N/A	N/A	321-147	321-285	1
345-761	26 1/4	N/A	N/A	321-145	321-145	1

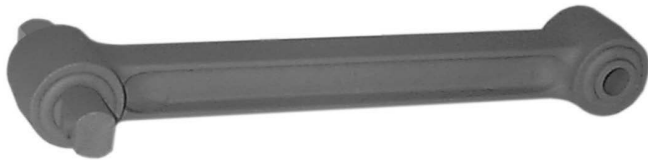
Component Charts

Torque Rods

Torque Rods



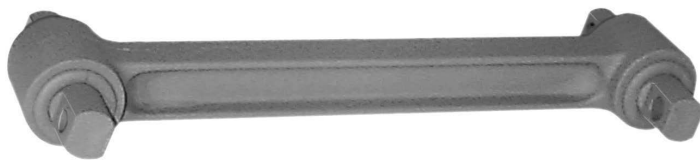
Part No.	Length	Bushings Included Axle End/Hanger End		Bushings Separate Axle End/Hanger End		Bolt Dia.
345-207	17	321-162	321-223	N/A	N/A	5/8
345-214	18 7/16	Non-Replacable	Non-Replacable	N/A	N/A	5/8
345-882	23 3/4	321-223	321-162	N/A	N/A	5/8
345-883	24 5/8	321-223	321-162	N/A	N/A	5/8



Part No.	Length	Bushings Included Axle End/Hanger End		Bushings Separate Axle End/Hanger End		Bolt Dia.
345-189	15.85	321-162	321-223	N/A	N/A	5/8
345-190	21.92	321-162	321-223	N/A	N/A	5/8



Part No.	Length	Bushings Included Axle End/Hanger End		Bushings Separate Axle End/Hanger End		Bolt Dia.
345-763	14 1/4	N/A	N/A	321-145	321-145	1
345-111	16 1/2	N/A	N/A	321-145	321-145	1
345-113	19 1/4	N/A	N/A	321-147	321-285	1
345-689	19 3/8	N/A	N/A	321-145	321-145	1
345-175	19 1/2	N/A	N/A	321-153	321-153	7/8
345-149	19 3/4	N/A	N/A	321-147	321-147	1
345-729	20	N/A	N/A	321-147	321-147	1
345-176	20	N/A	N/A	321-153	321-153	7/8
345-859	21 9/16	N/A	N/A	321-145	321-145	1
345-869	22 5/8	N/A	N/A	334-1677	334-1677	7/8



Part No.	Length	Bushings Included Axle End/Hanger End		Bushings Separate Axle End/Hanger End		Bolt Dia.
345-815	14.41	321-223	321-223	N/A	N/A	5/8
345-734	14.41	321-123	321-123	N/A	N/A	5/8
345-204	15.83	321-223	321-223	N/A	N/A	5/8
345-206	16.50	321-223	321-223	N/A	N/A	5/8
345-816	20.31	321-223	321-223	N/A	N/A	5/8
345-205	21 15/16	321-223	321-223	N/A	N/A	5/8
345-871	22 15/16	321-223	321-223	N/A	N/A	5/8
345-885	24	321-133	321-133	N/A	N/A	5/8
345-886	25	321-133	321-133	N/A	N/A	5/8

Component Charts

Torque Rods

Component Charts

Torque Rods



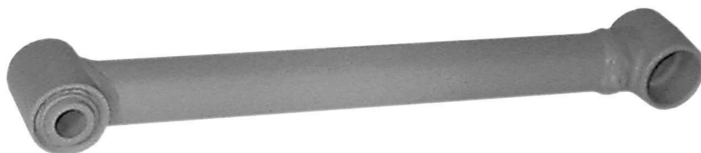
Part No.	Length	Bushings Included		Bushings Separate		Bolt Dia.
		Axle End/Hanger End	Axle End/Hanger End	Axle End/Hanger End	Axle End/Hanger End	
345-192	17	321-175	321-175	N/A	N/A	1
345-167	19 1/4	321-175	321-175	N/A	N/A	1
345-773	19 1/4	334-1266	334-1266	N/A	N/A	15/16



Part No.	Length	Bushings Included		Bushings Separate		Bolt Dia.
		Axle End/Hanger End	Axle End/Hanger End	Axle End/Hanger End	Axle End/Hanger End	
345-922	14 5/8	321-153	321-153	N/A	N/A	7/8
345-168	19 1/4	N/A	N/A	321-173	321-173	1



Part No.	Length	Bushings Included		Bushings Separate		Bolt Dia.
		Axle End/Hanger End	Axle End/Hanger End	Axle End/Hanger End	Axle End/Hanger End	
345-750	16 7/8	321-132	321-132	N/A	N/A	5/8
345-854	18 1/8	321-131	321-131	N/A	N/A	5/8
345-892	21	N/A	N/A	N/A	N/A	5/8
345-892	21	N/A	N/A	N/A	N/A	5/8
345-855	21 31/32	321-131	321-131	N/A	N/A	5/8
345-216	22 5/8	321-288	321-288	N/A	N/A	5/8
345-862	22 5/8	321-288	321-288	N/A	N/A	5/8
345-210	22 7/8	321-131	321-131	N/A	N/A	5/8
345-215	25 9/16	321-132	321-132	N/A	N/A	5/8
345-878	23 1/4	334-1841	334-1841	N/A	N/A	—
345-879	23 1/4	334-1841	334-1841	N/A	N/A	—
345-881	23 7/16	334-1842	334-1842	N/A	N/A	—
345-884	25 1/2	N/A	N/A	N/A	N/A	5/8



Part No.	Length	Bushings Included		Bushings Separate		Bolt Dia.
		Axle End/Hanger End	Axle End/Hanger End	Axle End/Hanger End	Axle End/Hanger End	
345-147	19 5/16	321-153	N/A	N/A	321-157	7/8

Component Charts

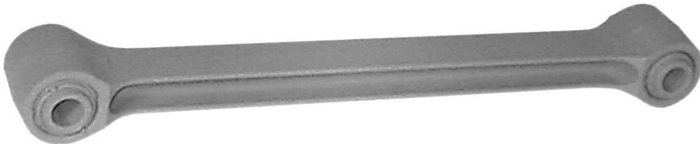
Component Charts

Torque Rods

Torque Rods



Part No.	Length	Bushings Included Axle End/Hanger End		Bushings Separate Axle End/Hanger End		Bolt Dia.
345-155	14 5/16	321-162	321-161	N/A	N/A	7/8
345-156	20 7/16	321-162	321-161	N/A	N/A	7/8

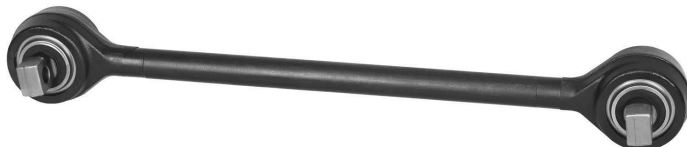


Part No.	Length	Bushings Included Axle End/Hanger End		Bushings Separate Axle End/Hanger End		Bolt Dia.
345-758	13 1/2	321-356	321-356	N/A	N/A	3/4
345-134	19 3/8	321-153	321-153	N/A	N/A	7/8
345-158	19 7/8	321-153	321-153	N/A	N/A	7/8



345-872 / 345-873

Part No.	Length	Bushings Included Apex End/Rod End		Bushings Separate Axle End/Hanger End		Bolt Dia.
345-874	25 13/16	334-1843	334-1840	N/A	N/A	—
345-875	25 13/16	334-1843	334-1840	N/A	N/A	—
345-872	26 3/4	334-1985	334-1984	N/A	N/A	—
345-873	27 1/4	334-1985	334-1984	N/A	N/A	—
345-876	26 13/16	334-1844	334-1840	N/A	N/A	—
345-877	25 13/16	334-1844	334-1840	N/A	N/A	—



Part No.	Length	Bushings Included Axle End/Hanger End		Bushings Separate Axle End/Hanger End		Bolt Dia.
345-880	23 7/16	334-1842	334-1842	N/A	N/A	—
345-881	24 1/2	334-1842	334-1842	N/A	N/A	—

Component Charts

Torque Rods

Component Charts

Torque Rods



Part No.	Length	Bushings Included Axle End/Hanger End		Bushings Separate Axle End/Hanger End		Bolt Dia.
345-899	24.25	N/A	N/A	321-173	321-173	5/8



Part No.	Length	Bushings Included Axle End/Hanger End		Bushings Separate Axle End/Hanger End		Bolt Dia.
345-908L	23 13/16	321-162	321-366	N/A	N/A	7/8
345-908R	23 13/16	321-162	321-366	N/A	N/A	7/8
345-909L	25 3/8	321-162	321-366	N/A	N/A	7/8
345-909R	25 3/8	321-162	321-366	N/A	N/A	7/8

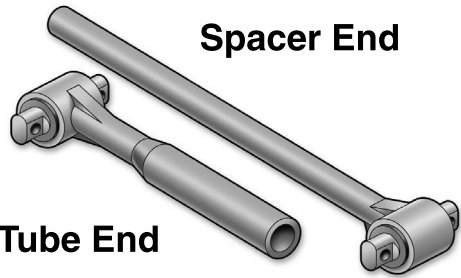


Part No.	Length	Bushings Included Axle End/Hanger End		Bushings Separate Axle End/Hanger End		Bolt Dia.
345-907	24.25	321-223	321-360	N/A	N/A	5/8

Component Charts

Component Charts

Two Piece Torque Rods/ Universal Torque Rod Assemblies Ultra Rod Plus



Spacer End

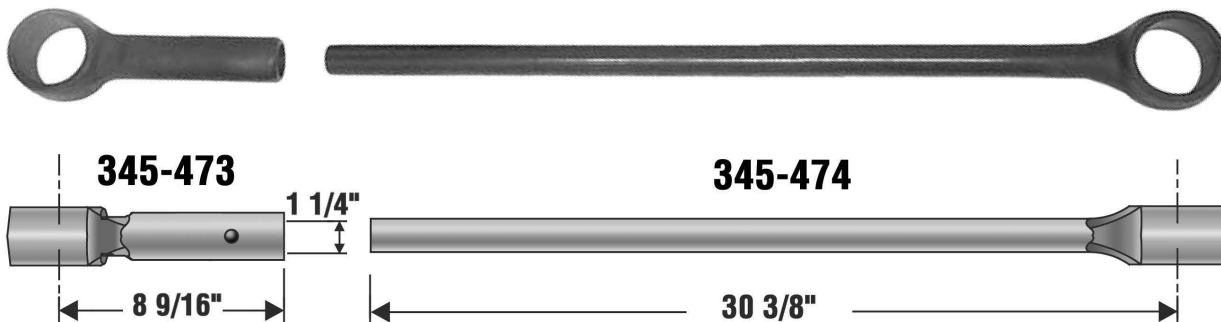
Tube End

Ultra Rod Two Piece Combinations

TUBE END	SPACER END	
	To 27"	27"- 35"
345-610 (5/8" Bolts)	345-668 SP	(7/8" Bolts)
345-613 (3/4" Bolts)	345-661	345-614 (3/4" Bolts)
345-612 (7/8" Bolts)	345-691	345-660 (5/8" Bolts)
345-620** (1 7/8" Taper)	345-671	345-690** (1 7/8" Mack Taper)
345-769** (1 7/8" Mack Taper)	345-681	345-670** (1 7/8" Taper)
345-630 (3" Taper)	345-671	345-680 (3" Taper)
*345-640 (IHC Offset)	345-691	345-670** (1 7/8" Taper)
345-610 (5/8" Bolts)	345-681	345-690** (1 7/8" Mack Taper)
345-650 (1 1/8" Sleeve)	345-671	345-680 (3" Taper)
	345-701	345-700 (1 1/8" Sleeve)

*345-640 has offset holes and is not interchangeable with 345-610
 **1 7/8" Taper - 321-361 Bushing / 1 7/8" Mack Taper - 321-364 Bushing

Universal Torque Rod Assemblies - Ultra Rod Plus



345-473

345-474

8 9/16"

1 1/4"

30 3/8"

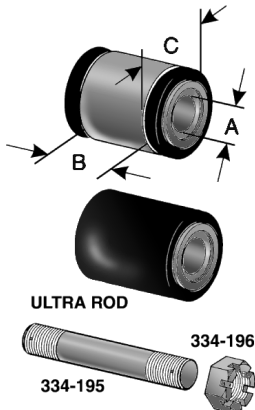
Add bushings indicated (*) in the charts on following pages.
 Cut and weld to desired length.

Two Piece Torque Rods/ Ultra Rod Plus

Component Charts

Hollow Sleeve Mount Cartridge

*See "Universal Torque Rod Assemblies" on previous page.

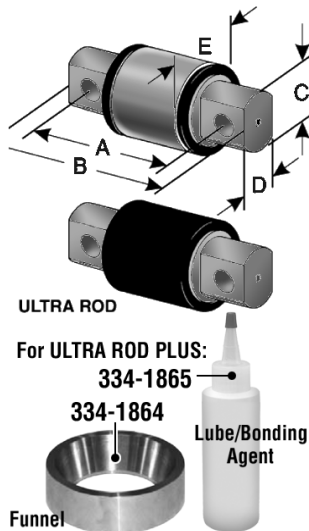


Part No.	I.D. (A)	Length (B)	O.D. (C)	OEM Ref.	Remarks
RB-74	0.63	2.75	1.38	3818307	GM
RB-146	0.88	3.31	1.75	02-7012438	Volvo
RB-73	0.94	3.25	1.69	3818480	GM
RB-75	1.00	3.25	1.81	EOHZ5781A	Ford
321-362	1.13	—	—	65477	Hendrickson Ultra-Rod, Navistar
*321-508	1.13	3.25	—	64400-10	Ultra-Rod Plus - Bonded
*321-137	1.13	3.25	2.75	1693069C1	Navistar
321-140	1.13	3.25	2.88	124759R92	Navistar
321-141	1.13	3.25	3.00	3222069C1	Navistar
321-142	1.13	3.25	3.38	124890R91	Navistar
RB-232	1.25	5.31	2.63	684917	GM
RB-168	1.75	3.25	3.00	2079575	GM

334-195, 334-196 illustrated for reference only. Not included with cartridge.

Straddle Mount Cartridge

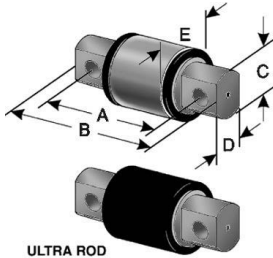
*See "Universal Torque Rod Assemblies" on previous page.



Part No.	Length (A)	Length (B)	O.D. (E)	OEM Ref.	Remarks
321-288	3.94	5.75	2.75	834240	Volvo, "T" Ride; 1 1/4" Rod Dia.
321-366	4.38	5.75	—	69210	3/4" Bolts, Hendrickson Ultra-Rod
*321-500	4.38	5.75	—	64400-2	5/8" Bolts; Ultra-Rod Plus - Bonded
*321-504	4.38	5.75	—	64400-5	3/4" Bolts; Ultra-Rod Plus - Bonded
*321-505	4.38	5.75	—	64400-3	7/8" Bolts; Ultra-Rod Plus - Bonded
321-223	4.38	5.75	2.03	47691	5/8" Bolts, Hendrickson Ultra-Rod
321-279	4.38	5.75	2.46	57256	5/8" Bolts; 1 1/16" Tube Dia.
321-131	4.38	5.75	2.54	44694	5/8" Bolts; 1 1/8" Rod Dia.; Repl. RB-164
*321-132	4.38	5.75	2.75	44695	5/8" Bolts; 1 1/4" Rod Dia.
*321-265	4.38	5.75	2.75	49210	3/4" Bolts; 1 1/4" Rod Dia.
*321-267	4.38	5.75	2.75	240530	7/8" Bolts; 1 1/4" Rod Dia.
RB-184	5.20	7.03	2.00	1501677	Volvo, Eye Leaf Bushing; Locking Grooves
321-365	5.25	6.88	—	68304	7/8" Bolts, Hendrickson Ultra-Rod
321-238	5.25	6.88	3.50	48304	7/8" Bolts; 2" Rod Dia.; Bonded
RB-175	5.38	6.75	1.77	HRI-HBUS41	Freightliner, Eye Leaf Bushing; 5/8" Bolts
RB-199	5.50	6.75	2.50	62310239	Thomas, Eye Leaf Bushing; 5/8" Bolts
RB-205	5.69	7.50	2.50	6813250150	Trailing Arm Bushing; 3/4" Bolts
RB-185	6.75	8.00	2.63	12866-02	Reyco, Trailing Arm Bushing; 5/8" Bolts

Offset Straddle Mount Cartridge

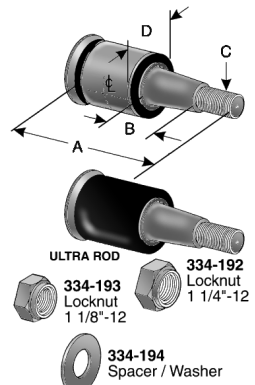
*See "Universal Torque Rod Assemblies" on previous page.



Part No.	I.D. (A)	Length (B)	O.D. (E)	OEM Ref.	Remarks
321-363	5.68	7.08	—	66734	3/4" Bolts, Hendrickson Ultra-Rod, Navistar
*321-135	5.68	7.08	2.75	1693070C1	3/4" Bolts; Offset; 1 1/4" Rod Dia.
321-144	5.68	7.08	3.00	438506C91	3/4" Bolts; Offset; 1 1/4" Rod Dia.
*321-502	5.68	7.08	3.00	438506C91	3/4" Bolts; Offset; 1 1/4" Rod Dia.

Taper Stud Mount Cartridge

*See "Universal Torque Rod Assemblies" on previous page.



Part No.	Length (A)	Taper Len. (B)	Thread (C)	O.D. (D)	OEM Ref.	Remarks
321-361	6.63	1.85	1.13	—	64809	Hendrickson Ultra-Rod
*321-507	6.63	2.00	1.13	—	64400-8	Ultra-Rod Plus - Bonded
321-134	6.63	1.85	1.13	2.54	44809	1 1/8" Rod Dia.
*321-138	6.63	1.85	1.13	2.75	46737	1 1/4" Rod Dia.
*321-503	7.00	1.88	1.25	—	64400-7	Ultra-Rod Plus - Bonded
321-364	7.00	1.88	1.25	—	66735	Hendrickson Ultra-Rod, Mack Taper
*321-136	7.00	1.88	1.25	2.75	46735	Mack, 1 1/4" Rod Dia.
*321-501	8.04	2.90	1.25	—	64400-4	Ultra-Rod Plus - Bonded
321-360	8.04	2.90	1.25	—	64697	Hendrickson Ultra-Rod
*321-133	8.04	2.90	1.25	2.75	44697	1 1/4" Rod Dia.
*321-506	8.75	2.90	1.25	—	64400-6	Ultra-Rod Plus - Bonded

334-192, 334-193, 334-194 illustrated for reference only. Not included with cartridge.

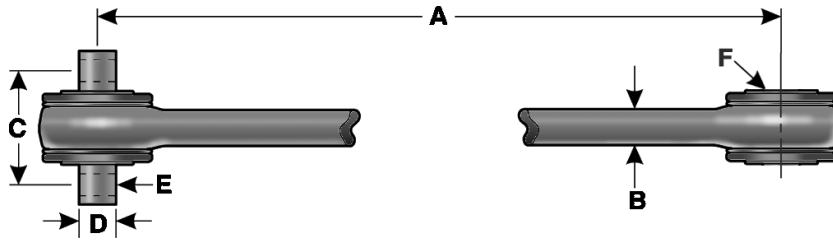
Component Charts

Sealed Bearing Style Torque Rods

Sealed Bearing Style Torque Rods

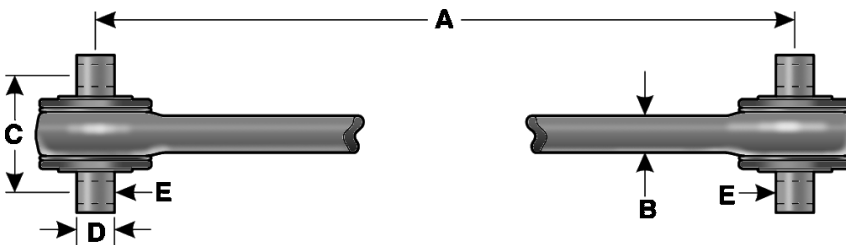
Component Charts

Ridged Torque Rods



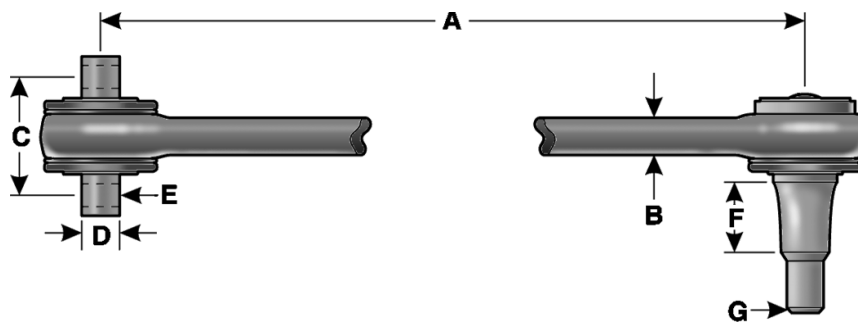
Straddle Mount - Hollow Mount

Part No.	Length (A)	Dia. (B)	C to C (C)	Thickness (D)	Size (E)	Length (F)	Thread (G)	Uni-Rod Kit
345-867	22.50	1 1/8	4 3/8	1 1/8	5/8	7/8	—	—



Straddle Mount - Straddle Mount

Part No.	Length (A)	Dia. (B)	C to C (C)	Thickness (D)	Size (E)	Length (F)	Thread (G)	Uni-Rod Kit
345-240	17.34	1 1/8	4 3/8	1 1/8	5/8 / 3/4	—	—	—
345-230	19.94	1 1/8	4 3/8	1 1/8	5/8	—	—	345-802
345-232	22.00	1 1/8	4 3/8	1 1/8	5/8	—	—	345-802
345-862	22.64	1 1/8	3 15/16	1 1/8	5/8	—	—	—
345-241	22.81	1 1/8	4 3/8	1 1/8	5/8	—	—	345-802
345-231	23.75	1 1/8	4 3/8	1 1/8	5/8	—	—	345-802
345-234	24.26	1 1/8	4 3/8	1 1/8	5/8	—	—	345-802
345-233	26.75	1 1/8	4 3/8	1 1/8	5/8	—	—	345-802



Straddle Mount - Taper Pin

Part No.	Length (A)	Dia. (B)	C to C (C)	Thickness (D)	Size (E)	Length (F)	Thread (G)	Uni-Rod Kit
345-225	18.09	1 1/4	4 3/8	1 1/8	5/8	1.880	1 1/4-12	345-806
345-222	18.09	1 1/8	4 3/8	1 1/8	5/8	1.880	1 1/4-12	345-806
345-226	18.38	1 1/8	4 3/8	1 1/8	5/8	1.880	1 1/4-12	345-806
345-228	19.66	1 1/4	4 3/8	1 1/8	7/8	1.880	1 1/4-12	345-805
345-223	19.75	1 1/8	4 3/8	1 1/8	5/8	1.880	1 1/4-12	345-806
345-227	20.22	1 1/8	4 3/8	1 1/8	5/8	1.880	1 1/4-12	345-806
345-229	24.44	1 1/4	4 3/8	1 1/8	5/8	1.880	1 1/4-12	345-806
345-224	24.44	1 1/4	4 3/8	1 1/8	7/8	1.880	1 1/4-12	345-805
345-221	24.44	1 1/8	4 3/8	1 1/8	5/8	1.880	1 1/4-12	345-806

Sealed Bearing Style Torque Rods

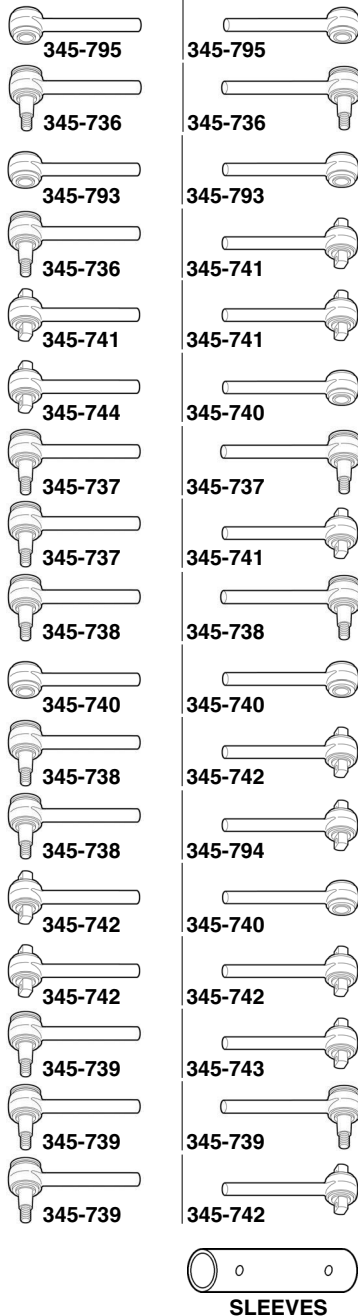
Component Charts

Uni Rod Kits

Sealed Bearing Style Torque Rods

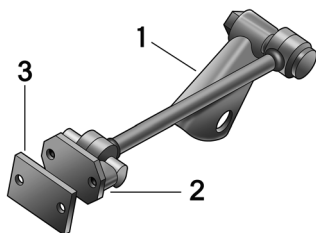
Component Charts

End Assemblies

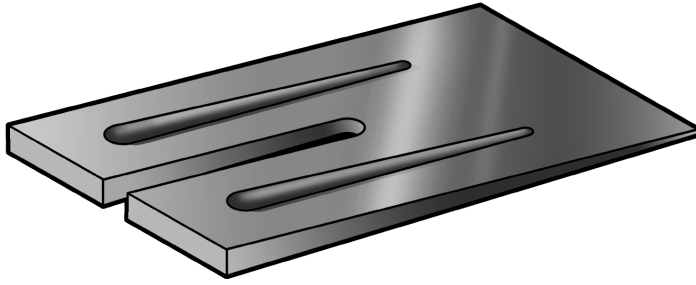


Kit No.	Suspension Rating (.lbs)	Description
345-814	20-38,000	Hollow Ball, Both Ends (7/8" Dia. Hole) - Small Head; Newway Air ride Suspension
345-817	34-36,000	Ball Stud (Hendrickson) Both Ends (1 1/8" - 12 Thread)
345-811 345-812	34-36,000 34-36,000	Hollow Ball, Both Ends (7/8" Dia. Hole) — 20" - 30"; Fruehauf Air-Ride Suspension — 30" - 40"
345-807	34-36,000	Ball Stud (Hendrickson) (1 1/8" - 12 Thread) x Straddle Ball (5/8" X 4 3/8").
345-803	34-55,000	Straddle Ball (5/8" X 4 3/8"). Also, used as track bar and for On-Highway use up to 55,000 Suspension (2" Ball)
345-809	34-65,000	Offset Straddle Ball x Hollow Ball (1 1/8" Dia. Hole); Navistar (IH) Suspension Only
345-818	38-55,000	Ball Stud Both Ends (1 1/4" - 12 Threads); Mack Suspension Only
345-804	38-55,000	Ball Stud (1 1/4" - 12 Threads) x Straddle Ball (5/8" X 4 3/8"); Mack Suspension Only
345-819	38-65,000	Ball Stud (Hendrickson) Both Ends (1 1/4" - 12 Threads)
345-820	38-65,000	Hollow Ball Both Ends (1 1/8" Dia. Hole)
345-801	38-65,000	Ball Stud (Hendrickson) (1 1/4" - 12 Threads) x Straddle Ball (5/8" X 4 3/8")
345-821	38-65,000	Ball Stud (Hendrickson) (1 1/4" - 12 Threads) x Straddle Ball (3/4" X 4 3/8")
345-810	38-65,000	Straddle Ball (5/8" X 4 3/8") x Hollow Ball (1 1/8" Dia. Hole).
345-802	38-65,000	Standard Straddle Ball (5/8" X 4 3/8") Both Ends; Also used as a track bar (2 3/8" Ball)
345-805	44-80,000	Ball Stud (1 1/4" - 12 Threads) x Straddle Ball (7/8" X 4 3/8"); Mack Suspension Only
345-808	38-65,000	Ball Stud Both Ends (1 1/4" - 12 Threads); Mack Suspension Only
345-806	38-65,000	Ball Stud (1 1/4" - 12 Threads)x Straddle Ball (5/8" X 4 3/8"); Mack Suspension Only
345-745	8"	
345-938	18"	

Torque Rod Brackets



Key	Part No.	Description	OEM Ref.	Comment
1	338-874	Bracket, Axle -Rockwell	46868	SQ100/SQHP/SL100
	338-875	Bracket, Axle -Eaton	34739	D341/D381/D401
	SP	Bracket, Axle - Various	Various	Specify Axle
2	338-181	Bracket, Frame - 5/8" Bolts	22186	
	338-183	Bracket, Frame - 3/4" Bolts	30828	1.91 Thk
	338-779	Bracket, Frame - 3/4" Bolts	33783	Heavy Duty
3	334-638	Plate	45045-3	4 1/2"W x 5 3/4"Lg x 3/8"Thk

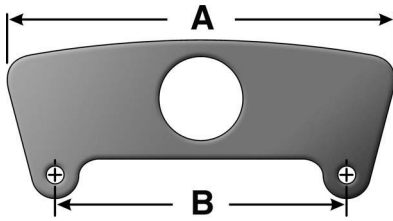


Part No.	Width	Degrees
A-104	1 3/4	2
A-108	1 3/4	4
A-204	2	2
A-206	2	3
A-208	2	4
A-224	2 1/4	2
A-226	2 1/4	3
A-228	2 1/4	4
A-251	2 1/2	1/2
A-252	2 1/2	1
A-253	2 1/2	1 1/2
A-254	2 1/2	2
A-255	2 1/2	2 1/2
A-256	2 1/2	3
A-257	2 1/2	3 1/2
A-258	2 1/2	4
A-301	3	1/2
A-302	3	1
A-303	3	1 1/2
A-304	3	2
A-305	3	2 1/2
A-306	3	3
A-307	3	3 1/2
A-308	3	4
A-351	3 1/2	1/2
A-352	3 1/2	1
A-353	3 1/2	1 1/2
A-354	3 1/2	2
A-355	3 1/2	2 1/2
A-356	3 1/2	3
A-357	3 1/2	3 1/2
A-358	3 1/2	4
A-405	4	1/2
A-401	4	1
A-415	4	1 1/2
A-402	4	2
A-425	4	2 1/2
A-403	4	3
A-435	4	3 1/2
A-404	4	4

Equalizers

Component Charts

Equalizers

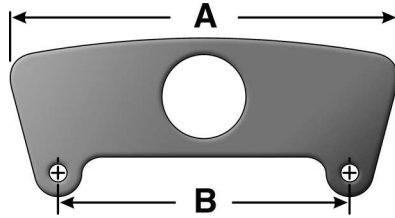


Component Charts

Part No.	Len. (A)	Len. (B)	Bush Incl.	Fab./Cast	OEM Ref.	OEM	Model	Bushing	Bushing Kit	Remarks
338-237	14	12	Yes	Cast	T-3225	Reyco	31, 99	321-154	334-1013	Obsolete
338-1422	14	12	Yes	Cast	3-A66-32	Trailmobile	Parallelogram	322-111	334-995	Obsolete
338-700	14 1/4	12	Yes	Cast	39240011	Dayton	Truckmaster	321-187	334-420	
338-757	14 3/8	12	Yes	Cast	497790C2	Navistar/International	Corp. 4-spring	321-195	334-650	
338-1306	15	12	Yes	Fab	SP0131	Binkley	Duralite	321-268	334-1464	
338-708	15 1/2	13 1/2	Yes	Cast	K034-58	Kenworth	Glide Ride	322-118	334-1170	
338-1216	15 5/8	13 3/4	Yes	Cast	6813250127	Freightliner	FH36-40	322-138	334-806	
338-1589	15 3/4	13 3/8	Yes	Cast	16-02440-005	Freightliner	FH32-36	322-148	—	Obsolete
338-1521	16	11	Yes	Cast	B-56834	Dana	68	321-154	—	
338-807	16	11 1/2	Yes	Fab	3-A66-43	Trailmobile	Standard	321-220	334-547	
338-749	16	13 1/4	Yes	Cast	8027430	Volvo	Corp. 4-spring	321-154	—	
338-243	16	13 1/2	Yes	Cast	T-3554	Reyco	31, 41	321-154	334-1013	Obsolete
338-1755	16	13 1/2	Yes	Cast	16-09490-000	Freightliner	FH34A-44A	322-138	334-497	338-705 eq. only
338-699	16	14 1/2	Yes	Cast	39240007	Dayton	Tri-lite/Truckmaster	321-187	334-420	
338-1509	16	5 1/2	Yes	Cast	B-55536	Dana	55	321-312	334-1061	
338-1510	16	5 1/2	No	Cast	B-55534	Dana	55 Early	321-311	334-1063	
338-1520	16 1/4	13 1/2	Yes	Cast	B-56634	Dana	62	321-154	334-1064	Obsolete
338-1423	16 1/4	14 1/2	Yes	Cast	3-A66-42	Trailmobile	Short Rocker	321-154	334-996	
338-378	16 1/2	11 3/4	Yes	Fab	0650-00	Reyco	86, 88	321-194	334-628	
338-408	16 1/2	11 3/4	Yes	Cast	704-01	Hutch	7700 49" AC	321-176	334-341	
338-419	16 1/2	11 3/4	Yes	Fab	750-03	Hutch	7700 49" AC	321-176	334-341	Hutch - OE
338-871	16 1/2	11 3/4	Yes	Cast	0850-00	Reyco	88	321-194	334-628	
338-886	16 1/2	11 3/4	Yes	Fab	16158-01	Hutch	9700 49" AC	321-221	334-1272	Hutch - OE
338-887	16 1/2	11 3/4	Yes	Cast	16290-01	Hutch	9700 49" AC	321-221	334-1272	
338-419S	16 1/2	11 3/4	Yes	Fab	750-03	Hutch	7700 49" AC	321-176	334-341	Service - USA
338-886S	16 1/2	11 3/4	Yes	Fab	16158-01	Hutch	9700 49" AC	321-221	334-1272	Service - USA
338-1096	16 1/2	12	No	Cast	UCF-6963-001	Fruehauf	F	321-190	334-452A	
338-1126	16 1/2	12	Yes	Cast	UCF-8317-001	Fruehauf	NF	321-266	334-819	
338-231	16 1/2	14 1/2	Yes	Cast	09524-01	Reyco	25	321-152	334-243	
338-300	16 1/2	14 1/2	Yes	Cast	09120-01	Reyco	101	321-152	334-243	
338-328	16 1/2	14 1/2	Yes	Cast	08918-01	Reyco	101 GM	321-159	334-293	
338-343	16 1/2	14 1/2	Yes	Cast	08996-01	Reyco	101 Ford	321-152	334-243	Use 338-328
338-724	16 1/2	14 1/2	Yes	Cast	14723-01	Reyco	101	321-191	334-1012	
338-854	16 1/2	14 1/2	No	Cast	08917-01	Reyco	101, 101A, 102, 201, 102W	—	—	Discontinued
338-1414	16 1/2	14 1/2	Yes	Cast	14714-01	Reyco	101A, 102, 201, 102W	321-191	334-1012	
338-1415	16 1/2	14 1/2	Yes	Cast	12589-01	Reyco	101A, 102, 102W GM/Ford	321-159	334-293	
338-1106	17	12	No	Fab	UCF001463-001	Fruehauf	J	321-190	334-452A	
338-1625	17	12	Yes	Cast	3-A66-48	Trailmobile	International	321-220	334-547	
338-1827	17	14	No	Cast	03-03328	Peterbilt	Early 4-spring	322-119	—	338-717 eq. only
338-472	17 3/8	14 3/8	Yes	Cast	7750-02	Hutch	7700 44/50/52 AC	321-176	334-341	r/b 338-2028
338-1536	17 3/8	14 3/8	Yes	Cast	16159-01	Hutch	9700 44/50/52 AC	321-221	334-1272	r/b 338-2027
338-2027	17 3/8	14 3/8	Yes	Fab	24711-01	Hutch	9700 44/50/52 AC	321-221	334-1272	
338-2028	17 3/8	14 3/8	Yes	Fab	24712-01	Hutch	7700 44/50/52 AC	321-176	334-341	
338-1780	17 3/8	14 3/16	Yes	Cast	2092264	GMC/Chevrolet	Corp. 4-spring	321-337	334-1578	Obsolete
338-715	17 1/2	—	No	Cast	UXA-0017	Fruehauf	J	321-190	334-452A	
338-435	17 11/16	14	Yes	Cast	2224-01	Hutch	H2200	322-117	334-348	

Component Charts

Equalizers

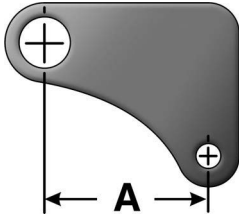


Equalizers

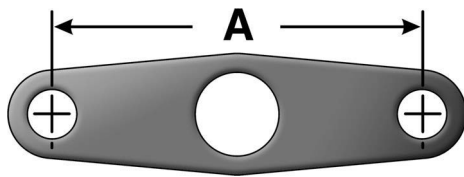
Component Charts

Part No.	Len. (A)	Len. (B)	Bush Incl.	Fab./Cast	OEM Ref.	OEM	Model	Bushing	Bushing Kit	Remarks
338-199	18	14 1/2	No	Cast	T-5427	Reyco	21B 49" AC	321-146	334-211	
338-1369	18	14 1/2	No	Cast	12045-01	Reyco	21B HD	321-146	334-211	
338-1869	18	14 1/2	No	Cast	21725-01	Reyco	21B	321-146	334-211	ADI
338-1870	18	14 1/2	No	Cast	21725-02	Reyco	21B COMPOSITE	321-146	334-211	ADI
338-1871	18	14 1/2	No	Cast	25222-01	Reyco	21B 41"/44"AC	321-146	334-211	ADI
338-1386	18 3/4	14 3/4	Yes	Cast	03-06771M001	Peterbilt	Quadraflex	321-222	—	
338-2034	19	14 1/4	Yes	Fab	16100-01	Reyco	91 49"AC	321-268	—	
338-1447	19	15 7/8	Yes	Fab	14689-01	Reyco	21B-FAB 49" AC	321-305	334-1264	
338-1259	19 3/16	15 1/4	Yes	Cast	49803-2	Hendrickson Truck	HFS	321-225	339-172	
338-1260	19 3/16	15 1/4	Yes	Cast	49803-3	Hendrickson Truck	HFS	—	—	r/b 338-1259
338-1826	19 7/8	16	Yes	Fab	17512-01	Reyco	74B	321-270	334-1259	
338-224	20	16 1/2	No	Fab	T-2162X	Reyco	21	321-149	334-226	
338-225	20	16 1/2	Yes	Fab	T-2214X	Reyco	21	322-111	334-1005	
338-1508	20	16 1/2	No	Fab	B-52634	Dana	26, 36	320-155	334-1062	
338-1488	21	18	Yes	Fab	12808-01	Hutch	7700 53.5/54.5 AC	321-176	334-341	Discontinued
338-1717	21	18	Yes	Fab	16160-01	Hutch	9700 53.5/54.5 AC	321-221	334-1272	r/b 338-2037
338-2037	21	18	Yes	Fab	24820-01	Hutch	9700 53.5/54.5 AC	321-221	334-1272	
338-1494	21 3/8	18 1/2	Yes	Cast	10385-05	Hutch	7700 53.5/54.5 AC	321-176	334-341	r/b 338-2031
338-2031	21 3/8	18 1/2	Yes	Fab	24713-01	Hutch	7700 53.5/54.5 AC	321-176	334-341	
338-1725	22 1/2	18	No	Cast	91515006	Neway	TL	325-136	—	
338-1672	23	19 1/4	No	Fab	10180-01	Reyco	21B 54" AC	321-149	334-226	
338-1674	23	21 1/4	Yes	Fab	14693-01	Reyco	21B-FAB 54" AC	321-305	334-1264	
338-1680	23	21 1/4	Yes	Fab	12473-01	Reyco	73 54" AC	321-154	—	Obsolete
338-605	24	—	Yes	Fab	13806-01	Reyco	74B	321-270	334-1259	
338-1637	24	17	No	Fab	UYC-4536-001	Fruehauf	F 55" AC	321-190	334-452A	
338-1492	27	24	Yes	Fab	21841-01	Hutch	7700 61" AC	321-176	334-341	
338-1537	27	24	Yes	Fab	16168-02	Hutch	9700 61" AC	321-221	334-1272	
338-1451	29	—	—	Fab	12419-01	Reyco	73 60" AC	321-154	—	Obsolete
338-1638	30	26	No	Fab	UYC-5509-001	Fruehauf	F	321-190	334-452A	
338-1442	30	27	No	Fab	09713-01	Reyco	21B 60" AC	321-149	334-226	
338-1448	30	27	Yes	Fab	14696-01	Reyco	21B-FAB 60" AC	321-305	334-1264	
338-2111	30	27	Yes	Fab	16168-01	Hutch	9700 64" AC	321-221	334-1272	
338-2035	30 1/2	26	Yes	Fab	16103-01	Reyco	91 60" AC	321-268	—	
338-1673	32 1/2	29	No	Fab	10978-01	Reyco	21B 63.5/65.5 AC	321-149	334-226	
338-1675	32 1/2	29	Yes	Fab	14700-01	Reyco	21B-FAB 63.5/65.5 AC	321-305	334-1264	
338-1480	33	30	Yes	Fab	16168-03	Hutch	9700 67" AC	321-221	334-1272	
338-1491	33	30	Yes	Fab	9239-03	Hutch	7700 67" AC	321-176	334-341	
338-1681	35	—	Yes	Fab	12600-01	Reyco	73 63.5/65.5AC	321-154	—	Obsolete
338-1481	39	36	Yes	Fab	16168-04	Hutch	9700 73" AC	321-221	334-1272	
338-1493	39	36	Yes	Fab	9239-04	Hutch	7700 73" AC	321-176	334-341	
338-2033	42	38 1/4	Yes	Fab	16096-01	Reyco	91 72" AC	321-268	—	
338-1443	43	40	Yes	Fab	11143-01	Reyco	21B 72" AC	321-154	334-1442	
338-1676	43	40	Yes	Fab	14763-01	Reyco	21B-FAB 72" AC	321-154	334-1442	
338-1482	63	60	Yes	Cast	16168-09	Hutch	9700 97" AC	321-221	334-1272	
338-1490	63	60	Yes	Fab	9239-09	Hutch	7700 97" AC	321-176	334-341	
338-507	75	72	Yes	Fab	9239-10	Hutch	7700 109" AC	321-176	334-341	
338-1483	75	72	Yes	Fab	16168-10	Hutch	9700 109" AC	321-221	334-1272	
338-1691	87	84	Yes	Fab	16168-13	Hutch	9700 121" AC	321-221	334-1272	

Equalizers



Part No.	Len. (A)	Len. (B)	Bush Incl.	Fab./Cast	OEM Ref.	OEM	Model	Bushing	Bushing Kit	Remarks
338-248	—	—	Yes	Cast	T-7494	Reyco	45 Front	322-111	334-261	Obsolete
338-249	—	—	Yes	Cast	T7493	Reyco	45 Rear	322-111	334-264	Obsolete
338-1670	—	—	Yes	Cast	12306-01	Reyco	21C	321-154	—	Obsolete
338-1671	—	—	Yes	Cast	12307-01	Reyco	21C	321-154	—	Obsolete



Part No.	Len. (A)	Len. (B)	Bush Incl.	Fab./Cast	OEM Ref.	OEM	Model	Bushing	Bushing Kit	Remarks
338-350	12	—	Yes	Cast	13841-01	Reyco	101F/181	321-163	334-306	Obsolete
338-351	14	—	Yes	Cast	13840-01	Reyco	101/181F	321-163	334-306	Obsolete
338-763	14	—	Yes	Cast	47444-1	Hendrickson Truck	E4	321-225	339-172	
338-1138	14	—	Yes	Cast	47444-4	Hendrickson Truck	E4	—	—	r/b 338-763

Component Charts

Part Number 001015 to 320-178U

001015 to 320-178U

Numeric Listing

Part No.	Desc.	Page	Part No.	Desc.	Page	Part No.	Desc.	Page
001015	Air Spring	399	12-09952P	Air Fitting	1045	12-12603	Air Fitting	1045
001346	Air Spring	397	12-09953	Air Fitting	1043	12-12604	Air Fitting	1045
001347	Air Spring	405	12-09953P	Air Fitting	1045	12-12742	Air Fitting	1045
004645	Air Spring	405	12-09954	Air Fitting	1043	12-12764	Air Fitting	1045
005079	Air Spring	397, 401	12-09961	Air Fitting	1042	12-12786	Air Fitting	1045
10149	Bushing	112	12-09961P	Air Fitting	1044	12-16004	Air Fitting	1043
12-08002	Air Fitting	1042	12-09962	Air Fitting	1042	12-16006	Air Fitting	1043
12-08003	Air Fitting	1042	12-09962P	Air Fitting	1044	12-16008	Air Fitting	1043
12-08004	Air Fitting	1042	12-09963	Air Fitting	1042	12-16010	Air Fitting	1043
12-08004E	Air Fitting	1042	12-09963P	Air Fitting	1044	12-16012	Air Fitting	1043
12-08004S	Air Fitting	1042	12-09984	Air Fitting	1043	12-16104	Air Fitting	1043
12-08006	Air Fitting	1042	12-09984P	Air Fitting	1045	12-16106	Air Fitting	1043
12-08006E	Air Fitting	1042	12-09986	Air Fitting	1043	12-16108	Air Fitting	1043
12-08006S	Air Fitting	1042	12-09986P	Air Fitting	1045	12-16110	Air Fitting	1043
12-08008	Air Fitting	1042	12-09988	Air Fitting	1043	12-16112	Air Fitting	1043
12-08008E	Air Fitting	1042	12-09988P	Air Fitting	1045	12-16204	Air Fitting	1044
12-08008S	Air Fitting	1042	12-09994	Air Fitting	1042	12-16206	Air Fitting	1044
12-08010	Air Fitting	1042	12-09994P	Air Fitting	1045	12-16208	Air Fitting	1044
12-08012	Air Fitting	1042	12-09996	Air Fitting	1042	12-16210	Air Fitting	1044
12-08106	Air Fitting	1042	12-09996P	Air Fitting	1045	12-16212	Air Fitting	1044
12-09802	Air Fitting	1042	12-09998	Air Fitting	1042	12-16404	Air Fitting	1044
12-09802	Air Fitting	1042	12-09998P	Air Fitting	1045	12-16406	Air Fitting	1044
12-09804	Air Fitting	1044	12-10002	Air Fitting	1045	12-16801	Air Fitting	1043
12-09804	Air Fitting	1042	12-10004	Air Fitting	1045	12-16802	Air Fitting	1043
12-09806	Air Fitting	1044	12-10006	Air Fitting	1045	12-16805	Air Fitting	1043
12-09806	Air Fitting	1042	12-10008	Air Fitting	1045	12-16806	Air Fitting	1043
12-09808	Air Fitting	1044	12-10102	Air Fitting	1045	12-16807	Air Fitting	1043
12-09808	Air Fitting	1042	12-10104	Air Fitting	1045	12-16808	Air Fitting	1043
12-09810	Air Fitting	1044	12-10106	Air Fitting	1045	12-16809	Air Fitting	1043
12-09810	Air Fitting	1042	12-10108	Air Fitting	1045	12-16810	Air Fitting	1043
12-09812	Air Fitting	1044	12-10202	Air Fitting	1045	12-16901	Air Fitting	1044
12-09812	Air Fitting	1042	12-10204	Air Fitting	1045	12-16902	Air Fitting	1044
12-09900	Air Fitting	1042	12-10206	Air Fitting	1045	12-16905	Air Fitting	1044
12-09902	Air Fitting	1042	12-10208	Air Fitting	1045	12-16906	Air Fitting	1044
12-09903	Air Fitting	1042	12-10302	Air Fitting	1045	12-16907	Air Fitting	1044
12-09904	Air Fitting	1042	12-10304	Air Fitting	1045	12-16908	Air Fitting	1044
12-09905	Air Fitting	1042	12-10306	Air Fitting	1045	12-16910	Air Fitting	1044
12-09906	Air Fitting	1042	12-10308	Air Fitting	1045	12-16911	Air Fitting	1044
12-09907	Air Fitting	1042	12-10402	Air Fitting	1045	12-17103	Air Fitting	1044
12-09908	Air Fitting	1042	12-10404	Air Fitting	1045	12-17203	Air Fitting	1043
12-09910	Air Fitting	1042	12-10406	Air Fitting	1045	12-17204	Air Fitting	1043
12-09911	Air Fitting	1042	12-10408	Air Fitting	1045	12-17205	Air Fitting	1043
12-09912	Air Fitting	1042	12-11001	Air Fitting	1045	12-17701	Air Fitting	1044
12-09913	Air Fitting	1042	12-11002	Air Fitting	1045	12-40503	Air Fitting	80
12-09914	Air Fitting	1042	12-11003	Air Fitting	1045	12-40505	Air Fitting	80
12-09915	Air Fitting	1042	12-11005	Air Fitting	1045	14-117	Leaf Spring	27
12-09916	Air Fitting	1042	12-11006	Air Fitting	1045	140149	Bushing	93, 95, 103, 619, 621, 641, 643, 971
12-09916P	Air Fitting	1044	12-11007	Air Fitting	1045	140149N	Bushing	667-669, 671, 673, 675-677, 679, 681-683, 687, 691-693, 707, 722
12-09917	Air Fitting	1042	12-11008	Air Fitting	1045	1R12-444	Air Spring	895
12-09917P	Air Fitting	1044	12-11102	Air Fitting	1045	1R12-467	Air Spring	889
12-09920	Air Fitting	1042	12-11104	Air Fitting	1045	1R12-584	Air Spring	903, 907
12-09921	Air Fitting	1042	12-11106	Air Fitting	1045	1R12-592	Air Spring	897
12-09922	Air Fitting	1042	12-11108	Air Fitting	1045	1R13-256	Air Spring	891
12-09923	Air Fitting	1042	12-11202	Air Fitting	1045	1R14-108	Air Spring	883
12-09923P	Air Fitting	1044	12-11204	Air Fitting	1045	2B9-296	Air Spring	907
12-09924	Air Fitting	1042	12-11206	Air Fitting	1045	2B9-611	Air Spring	895, 911
12-09925	Air Fitting	1042	12-11208	Air Fitting	1045	2B9-614	Air Spring	895, 911
12-09926	Air Fitting	1042	12-11208	Air Fitting	1045	2B12-309	Air Spring	761
12-09926P	Air Fitting	1044	12-11301	Air Fitting	1045	2B12-313	Air Spring	455
12-09927	Air Fitting	1042	12-11302	Air Fitting	1045	2B12-488	Air Spring	911
12-09927P	Air Fitting	1044	12-11303	Air Fitting	1045	320-108	Bushing	773, 786, 1070
12-09928	Air Fitting	1042	12-11304	Air Fitting	1045	320-108U	Bushing	773, 786, 1070
12-09928P	Air Fitting	1044	12-11305	Air Fitting	1045	320-132	Bushing	775, 1070
12-09929	Air Fitting	1042	12-11306	Air Fitting	1045	320-150	Bushing	515, 520, 1068
12-09929P	Air Fitting	1044	12-11307	Air Fitting	1045	320-150U	Bushing	515, 520, 1068
12-09930	Air Fitting	1042	12-11308	Air Fitting	1045	320-151	Bushing	1068
12-09931	Air Fitting	1043	12-11602	Air Fitting	1045	320-152	Bushing	1069
12-09931P	Air Fitting	1045	12-11604	Air Fitting	1045	320-154	Bushing	753, 757, 1069
12-09932	Air Fitting	1043	12-11606	Air Fitting	1045	320-154U	Bushing	927, 1070
12-09933	Air Fitting	1043	12-11608	Air Fitting	1045	320-155	Bushing	69, 76, 1071
12-09933	Air Fitting	1043	12-12002	Air Fitting	1045	320-156	Bushing	59, 1069
12-09934	Air Fitting	1043	12-12004	Air Fitting	1045	320-159U	Boots	927, 929, 930
12-09934P	Air Fitting	1045	12-12006	Air Fitting	1045	320-160	Bushing	1069
12-09935	Air Fitting	1043	12-12008	Air Fitting	1045	320-160U	Bushing	1069
12-09935P	Air Fitting	1045	12-12012	Air Fitting	1045	320-161	Bushing	1068
12-09936	Air Fitting	1043	12-12102	Air Fitting	511-513, 1045	320-161U	Bushing	1068
12-09937	Air Fitting	1043	12-12104	Air Fitting	1045	320-161U	Bushing	1068
12-09937P	Air Fitting	1045	12-12106	Air Fitting	1045	320-162U	Bushing	1069
12-09938	Air Fitting	1043	12-12108	Air Fitting	1045	320-163U	Bushing	1069
12-09938P	Air Fitting	1045	12-12112	Air Fitting	1045	320-164	Bushing	1068
12-09939	Air Fitting	1043	12-12202	Air Fitting	1045	320-164U	Bushing	1068
12-09939P	Air Fitting	1045	12-12203	Air Fitting	1045	320-166U	Bushing	1069
12-09941	Air Fitting	1043	12-12204	Air Fitting	1045	320-167U	Bushing	1068
12-09941P	Air Fitting	1045	12-12205	Air Fitting	1045	320-175U	Bushing	927, 1069
12-09942	Air Fitting	1043	12-12206	Air Fitting	1045	320-176	Bushing	35, 1067
12-09948	Air Fitting	1043	12-12207	Air Fitting	1045	320-176U	Bushing	35, 36, 1070
12-09948P	Air Fitting	1045	12-12208	Air Fitting	1045	320-177U	Bushing	151, 152, 1071
12-09950	Air Fitting	1043	12-12404	Air Fitting	1045	320-178	Bushing	511-513, 515, 520, 1070
12-09951	Air Fitting	1043	12-12406	Air Fitting	1045	320-178U	Bushing	515, 520, 1070
12-09951P	Air Fitting	1045	12-12408	Air Fitting	1045			
12-09952	Air Fitting	1043	12-12601	Air Fitting	1045			

Part Number 320-181 to 321-356

320-181 to 321-356

Numeric Listing

Part No.	Desc.	Page
320-181	Bushing	949
320-182	Bushing	475, 476, 1071
320-182U	Bushing	475, 476, 1071
320-183	Bushing	475, 476, 1071
320-183U	Bushing	475, 476, 1071
320-200	Bushing	511-513, 520, 1068
320-200A	Bushing	511-513, 520, 1068
320-200U	Bushing	511-513, 1068
320-201	Bushing	511-513, 520, 1069
320-201A	Bushing	511-513, 520, 1069
320-201U	Bushing	511-513, 1069
320-202	Bearing	511-513, 520
320-203	Bearing	511-513, 520
320-208	Bushing	511-513, 521, 1069
320-210U	Bushing	903
320-212	Bushing	511-513, 521, 1068
320-215	Bushing	827, 860
320-216	Bushing Assy	903
320-217	Bushing	445-447, 1067
320-218	Bushing	695, 1068
320-219	Bushing	695, 1068
321-113	Bushing	307
321-117	Bushing	255, 257, 269, 271 283, 287, 308, 334, 1071
321-118	Bushing	255, 257, 269, 271 283, 287, 308, 334, 1071
321-118U	Bushing	1071
321-119	Bushing	257, 271, 308, 334
321-120	Bushing	255, 257, 269, 271, 283, 287, 309, 334, 1069
321-120U	Bushing	1069
321-122	Bushing	255, 259-261, 273-275, 283, 287, 308, 1071
321-123	Bushing	255, 259-261, 273-275, 283, 287, 308, 1071
321-123U	Bushing	797, 798, 1071
321-124	Bushing	253, 259-261, 265, 273-275, 277, 281, 308, 334, 797, 798, 901, 912, 1071
321-125	Bushing	1068
321-125	Bushing	255, 271, 273-275, 277, 279, 1068
321-125U	Bushing	1068
321-126	Bushing	217, 219, 220, 253, 255, 257, 259-261, 269, 271, 273-275, 283, 287, 309, 334, 797, 798, 901, 912, 1069
321-126U	Bushing	217, 219, 220, 797, 798, 1069
321-127	Bushing	265, 277, 309, 901, 1069
321-128	Bushing	267, 279, 308, 334, 1071
321-129	Bushing	267, 279, 334, 901, 912, 1069
321-130	Module	287, 334
321-131	Bushing	565, 568, 631, 637, 644, 773, 775, 779, 786, 943, 946, 973, 977, 979, 984, 1070, 1088
321-131U	Bushing	631, 644, 637, 779, 786, 973, 977, 984, 1070, 1076
321-132	Bushing	233-235, 237-239, 334, 515, 517, 519, 521, 553 565, 568, 631, 637, 644, 779, 786, 1070, 1088
321-132HD	Bushing	1088
321-132U	Bushing	515, 519, 521, 553, 565, 568, 631, 637, 644, 779, 786, 1071, 1088
321-133	Bushing	515, 521, 631, 644, 1071, 1088
321-133HD	Bushing	1088
321-133U	Bushing	515, 521, 631, 644, 1071, 1088
321-135	Bushing	1070, 1088
321-136	Bushing	553, 555, 557, 568, 1071, 1088
321-136U	Bushing	553, 555, 557, 568, 1071
321-137	Bushing	1067, 1088
321-138	Bushing	1067, 1088
321-140	Bushing	1067, 1088
321-141	Bushing	1067, 1088
321-142	Bushing	1067, 1088
321-143	Bushing	283, 335, 1070
321-144	Bushing	1070, 1088
321-145	Bushing	807, 809-811, 819, 860, 1071
321-145U	Bushing	809-811, 819, 1071
321-146	Bushing	809-811, 860, 1071
321-146U	Bushing	809-811, 860, 1071
321-147	Bushing	69, 71, 76, 805, 843, 849, 1071
321-147U	Bushing	69, 71, 805, 843, 849, 860, 1071
321-149	Bushing	805, 809-811, 860, 1071
321-149U	Bushing	805, 809-811, 1071
321-150	Bushing	815, 860, 1067

Part No.	Desc.	Page
321-150U	Bushing	815, 860, 1067
321-152	Bushing	815, 839, 841, 843, 845, 860, 1068
321-153	Bushing	13, 14, 73, 75, 76, 83, 84, 411, 416, 661, 665, 722, 807, 817, 819, 821, 827, 829-831, 833-835, 837, 841, 845, 847, 849, 853, 855, 860, 997, 1012, 1067
321-153U	Bushing	73, 75, 76, 83, 84, 665, 722, 807, 817, 819, 829-831, 833-835, 837, 841, 845, 849, 853, 855, 860, 997, 1012, 1067
321-154	Bushing	73, 75, 76, 809-811, 817, 819, 860, 957, 960, 979, 984, 1068
321-154U	Bushing	73, 75, 76, 809-811, 860, 957, 960, 1068
321-157	Bushing	839, 841, 853, 861, 1071
321-157U	Bushing	839, 841, 853, 861, 1071
321-158	Bushing	847, 861
321-159	Bushing	839, 841, 843, 845, 861, 1068
321-161	Bushing	851, 147, 251, 301, 851, 861, 1068
321-162	Bushing	152, 335, 861, 1067
321-163	Bushing	851, 861, 1067
321-164	Bushing	851, 861, 1067, 1075
321-170	Bushing	555, 568
321-171	Bushing	555, 567, 568, 1069
321-173	Bushing	433, 439, 461, 1071
321-173U	Bushing	433, 461, 1071
321-175	Bushing	445-447, 449-451, 461, 953, 960, 997, 1012, 1067
321-175U	Bushing	445-447, 449-451, 953, 997, 1012
321-176	Bushing	223, 226, 433, 443, 445-447 449-451, 461, 1067
321-176U	Bushing	223, 226, 433, 443, 445-447 449-451, 461, 1067
321-177	Bushing	171, 173, 177, 179, 226, 183, 184, 223, 443, 449-451, 461, 955, 960, 1071
321-177U	Bushing	171, 173, 177, 179, 226, 183, 184, 223, 443, 449-451, 461, 955, 960, 1071
321-178	Bushing	691-693, 722, 1070
321-179	Bushing	455, 461, 1067
321-186	Bushing	81, 84, 1067
321-186U	Bushing	81, 84, 1070
321-187	Bushing	81, 83, 84, 1068
321-188	Bushing	691-693, 722, 1068
321-190	Bushing	171, 173, 181, 184, 1071
321-190U	Bushing	171, 173, 181, 184, 1071
321-191	Bushing	839, 841, 843, 845, 853, 861, 1068
321-191U	Bushing	839, 841, 843, 845, 853, 1068
321-194	Bushing	225, 226, 833-835, 861, 1067
321-194U	Bushing	225, 226, 833-835, 861, 1067
321-195	Bushing	637, 644, 1067
321-219	Bushing	143, 152, 1067
321-220	Bushing	953, 955, 960, 1067
321-220U	Bushing	953, 955, 1067
321-221	Bushing	433, 443, 445-447, 449-451, 461, 1067
321-221U	Bushing	433, 443, 445-447, 449-451, 462, 1067
321-222	Bushing	783, 786, 1067
321-223	Bushing	137, 141, 147, 151, 152, 233-235, 237-239, 243-245, 251, 297 301, 303, 335, 427, 428, 631, 637, 644, 785, 786, 1070, 1088
321-223U	Bushing	137, 1070
321-225	Bushing	301, 303, 335, 1067
321-226	Bushing	407, 416, 657, 681-683, 722
321-227	Bushing	673, 681-683 705, 715-717, 722, 755, 762, 995, 1009, 1011, 1012, 1067
321-227U	Bushing	673, 681-683, 722, 1067
321-228	Bushing	681-683, 722, 1068
321-229	Bushing	671, 675-677, 679, 691-693, 705, 722, 755, 762, 995, 997, 1003, 1011, 1012, 1067
321-229U	Bushing	679, 691-693, 997 1003, 1011, 1067
321-230	Bushing	681-683, 723, 1067
321-231	Bushing	679, 703, 705, 707, 723, 995, 997, 1003 1009, 1011, 1012, 1067
321-231U	Bushing	679, 1067
321-232	Bushing	659, 681-683, 723, 1071

Part No.	Desc.	Page
321-232U	Bushing	681-683, 1069, 1071
321-233	Bushing	667-669, 723, 1068
321-234	Bushing	59, 60, 709, 715-717, 723, 1068
321-234U	Bushing	709, 1068
321-235	Bushing	681-683, 715-717, 723, 1068
321-237	Bushing	657, 681-683, 687, 723, 1069
321-237U	Bushing	657, 681-683, 687, 723, 1069
321-238	Bushing	267, 335, 1070, 1088
321-242	Bushing	253, 259-261, 265, 273-275, 277, 309, 335, 901, 912, 1069
321-243	Bushing	253, 259-261, 273-275, 281, 308, 335, 901, 912, 1071
321-244	Bushing	253, 259-261, 273-275, 281, 308, 1071
321-245	Bushing	301, 335, 1067
321-246	Bushing	301, 335, 1067
321-265	Bushing	779, 786, 1070, 1088
321-265HD	Bushing	1088
321-265U	Bushing	779, 1070
321-266	Bushing	177, 184, 1068
321-267	Bushing	555, 557, 568, 1070, 1088
321-267HD	Bushing	1088
321-268	Bushing	13, 14, 1067
321-270	Bushing	823, 825, 861, 1068
321-271	Bushing	407, 416, 1068
321-272	Bushing	407, 409, 416, 1068
321-273	Bushing	39, 41-43, 45, 47, 49, 51, 52, 1069
321-273U	Bushing	39, 41-43, 45, 47, 49, 51, 52, 1070
321-274	Bushing	39, 41-43, 45, 47, 49, 51, 52, 1069
321-275	Cap	39, 41-43, 47, 49, 51, 52
321-276	Bushing	41-43, 45, 51, 52, 1069
321-277	Bushing	41-43, 45, 51, 52, 1069
321-278	Bushing	47, 49, 52, 1069
321-279	Bushing	233-235, 237-239, 335, 631, 637, 644, 1070, 1068
321-284	Bushing	887, 893, 899, 901, 909, 912, 1068
321-285	Bushing	843, 845, 847, 849, 855, 862, 1071
321-285U	Bushing	843, 845, 847, 849, 855, 862, 1071
321-287	Bushing	821, 823, 825, 862, 1067
321-288	Bushing	1070, 1068
321-294	Bushing	957, 960, 1068
321-294U	Bushing	1068
321-299A	Bushing	519, 521, 919, 920, 1070
321-299U	Bushing	919, 1070
321-300	Bushing	519, 521, 919, 920, 1069
321-300U	Bushing	919, 1069
321-303	Bushing	753, 757, 762, 1067
321-304	Bushing	829-831, 862, 1067
321-305	Bushing	809-811, 829-831, 862, 1068
321-309	Bushing	435, 462, 1067
321-310	Bushing	435, 462, 1067
321-311	Bearing	71, 76
321-312	Bearing	71, 76
321-313	Bearing	69, 76
321-314	Bushing	657, 687, 689, 723, 1067
321-315	Bushing	657, 687, 689, 723, 1069
321-316	Bushing	59, 60, 1068
321-317	Bushing	308, 1071
321-318	Bushing	309, 1069
321-320	Bushing	309
321-323	Bushing	1067
321-325A	Bushing	519, 521, 1070
321-325U	Bushing	1067
321-326A	Bushing	919, 920, 1070
321-327	Bushing	519, 1070
321-327U	Bushing	1070
321-328	Bushing	949, 950
321-329	Bushing	59, 60, 1071
321-330	Bushing	919, 920, 1069
321-331	Bushing	1067
321-335A	Bushing	519, 521, 1070
321-337	Bushing	205, 206, 1068
321-338	Bushing	889, 1068
321-339	Bushing	949, 950, 1067
321-340	Bushing	899, 912, 1068
321-341	Bushing	893, 912, 1068
321-342	Bushing	1067
321-343	Bushing	87, 90, 1067
321-344	Bushing	997, 1009, 1012, 1067
321-345	Bushing	1003, 1012, 1068
321-346	Bushing	1067
321-346	Bushing	995, 1011, 1012
321-348	Bushing	1001, 1069
321-356	Bushing	959, 960, 1068, 1088

Part Number 321-361 to 327-157

321-361 to 327-157

Numeric Listing

Part No.	Desc.	Page
321-361	Bushing	243-245, 251, 336, 1071, 1088
321-362	Bushing	1088
321-363	Bushing	1070
321-363	Bushing	1088
321-364	Bushing	1088
321-365	Bushing	1070
321-365	Bushing	1088
321-366	Bushing	243-245, 251, 336, 1070, 1088
321-367	Bushing	657, 724, 1070
321-368	Bushing	883, 889, 1068
321-369	Bushing	511-513, 522, 1070
321-369S	Bushing	511-513
321-370	Bushing	309
321-371	Bushing	997, 1067
321-372	Bushing	997, 1013, 1067
321-373	Bushing	997, 1013, 1067
321-374	Bushing	997, 1013, 1067
321-375	Bushing	215, 220, 1067
321-376	Bushing	399, 416, 1067
321-377	Bushing	797, 1071
321-378U	Bushing	923, 924
321-379U	Bushing	923, 924, 1067
321-380	Bushing	689
321-385	Bushing	813, 862, 1068
321-386	Bushing	585, 588, 1067
321-387	Bushing	241, 243-245, 251, 336, 1071, 1075
321-388	Bushing	243-245, 251, 320, 336, 1070
321-390	Bushing	659, 724
321-390	Bushing	685, 685, 724, 1071, 1075
321-391	Bushing	724, 1070
321-392	Bushing	685, 724, 1070
321-393	Bushing	657, 724, 1068
321-394	Bushing	657, 724, 1069
321-395	Bushing	657, 724, 1069
321-396	Bushing	657, 724, 1070
321-397	Bushing	67, 76, 1068
321-397U	Bushing	1068
321-399	Bushing	308
321-419	Bushing	633, 1070
321-420	Bushing	695, 1067
321-421	Bushing	695
321-500	Bushing	243-245, 251, 336, 427, 428, 1088
321-501	Bushing	1088
321-502	Bushing	1088
321-503	Bushing	1088
321-503	Bushing	1088
321-504	Bushing	1088
321-505	Bushing	1088
321-506	Bushing	1088
321-507	Bushing	1088
321-508	Bushing	1088
321-510	Bushing	253, 265, 277, 281, 308, 336, 1071
321-512	Bushing	243-245, 251, 336, 1070
321-514	Bushing	855, 862, 1068
321-515	Bushing	659, 1068
321-516	Bushing	659, 1068
321-517	Bushing	699, 724, 1068
321-518	Bushing	551, 981, 984, 1071
321-519	Bushing	883, 912, 1067
321-523	Bushing	243-245, 251, 336, 1071
321-570	Bushing	1071
322-100	Bushing	257, 269, 1068
322-101	Bushing	257, 259-261, 263, 265, 269, 1068
322-102	Bushing Kit	259-261, 263, 265, 273-275, 277, 281, 285, 309, 336
322-102A	Bushing Kit	259-261, 263, 265 273-275, 277, 281, 285, 309
322-103	Bushing	259-261, 263, 265, 273-275, 277, 281, 285, 309, 336, 1069
322-104	Bushing Kit	257, 271, 309
322-105	Bushing	257, 309, 1069
322-106	Bushing	267, 1068, 1072
322-107	Bushing Kit	267, 279, 309, 337
322-108	Bushing	267, 279, 309, 1071
322-109	Bushing Kit	263, 309
322-111	Bushing	805, 819, 862, 959, 960
322-113	Bushing	559, 561, 1069
322-114	Bushing	557, 567, 1069
322-115	Bushing	563, 1070
322-117	Bushing	433, 462, 1069
322-118	Bushing	517, 522, 1068
322-119	Bushing	785, 786, 1070
322-120	Bushing	785, 787, 1068
322-121	Spacer	639, 644
322-122	Bushing	143, 152, 1067

Part No.	Desc.	Page
322-123	Bushing	149, 152, 1068
322-131	Bushing	285
322-132	Bushing	27, 25, 111, 1070, 1072
322-134	Bushing	641, 1070, 1072
322-138	Bushing	147, 151, 152, 1070
322-139	Bushing	983, 984, 1070
322-141	Bushing	127, 131, 152, 507, 522, 605, 1068, 1072
322-145	Washer	445-447, 449-451, 462
322-146	Half Bushing	713
322-147	Half Bushing	713
322-148	Bushing	149, 152, 1070
322-151	Bushing	919, 1070
322-152	Bushing	919, 1069
322-153	Bushing	753, 757, 762
322-155	Bushing	475, 1069
322-156	Bushing	475, 1069
322-159	Bushing	1069
322-160	Bushing	1070
322-162	Bushing Kit	719
323-167	Bushing	301, 337, 1067, 1074
323-270	Bushing	123-125, 153, 1021, 1028, 1071, 1075
324-106	Bushing	95, 97, 1067
324-129	Bushing	95, 97, 1067
324-131	Bushing	1067
325-100	Cushion	271, 273-275, 277, 326, 337
325-101	Cushion	326
325-103	Cushion	271, 273-275, 326, 337
325-104	Cushion	273-275, 277, 279, 326, 337
325-107	Bushing	437, 1070
325-107U	Bushing	437, 1070
325-108	Insulator	555, 561, 563, 567, 553, 557, 567, 568
325-109	Insulator	569
325-109U	Insulator	553, 557, 567, 569
325-110	Insulator	553, 555, 557, 559, 565, 567, 569
325-111	Insulator	541, 569
325-112	Insulator	553, 559, 565, 567, 569
325-112U	Insulator	553, 559, 567, 569
325-113	Insulator	553, 555, 557, 559, 567, 569
325-113U	Insulator	553, 555, 557, 559, 567, 569
325-114	Insulator	561, 563, 567, 569
325-115	Bushing	553, 569, 1069
325-115U	Bushing	553, 570, 1069
325-116	Bushing	1069
325-117	Bushing	553, 565, 1069
325-117U	Bushing	553, 565, 570, 1069
325-118	Bushing	553, 565, 1069
325-119	Pad	435, 437
325-119U	Pad	435, 437, 462
325-120	Bushing	553, 565, 1069
325-120U	Bushing	553, 565, 570, 1069
325-121	Pad	455
325-122	Bushing	437, 1070
325-123	Insulator	555, 557, 559, 570
325-124	Insulator	563, 570
325-125	Insulator	553, 555, 557, 570
325-127	Insulator	555, 557, 567, 570
325-129	Pad	667-669, 671, 673, 675-677, 691-693, 724
325-129U	Pad	667-669, 671, 673, 675-677, 691-693, 724
325-130	Axle Wrap	667-669, 671, 675-677, 691-693, 725
325-131	Axle Wrap	667-669, 671, 675-677, 691-693, 725
325-131U	Axle Wrap	667-669, 671, 673, 675-677, 691-693, 725
325-132	Axle Wrap	667-669, 671, 673, 691-693, 725
325-132U	Axle Wrap	667-669, 671, 673, 691-693, 725
325-133	Pad	667-669, 671, 673, 675-677, 691-693, 725
325-133U	Pad	667-669, 671, 673, 675-677, 691-693, 725
325-134	Bushing	453, 715-717
325-134	Bushing	453, 715-717, 1069
325-134U	Bushing	1069
325-135	Bushing	709, 725, 1069
325-135U	Bushing	709, 725, 1070
325-136	Bushing	713, 1069
325-137	Bushing	711, 721, 725, 759, 1070
325-137U	Bushing	711, 721, 725, 759, 762, 999, 1013, 1070
325-138	Pad	69, 709, 917
325-139	Pad	721, 721, 725
325-139U	Pad	725

Part No.	Desc.	Page
325-140	Pad	69, 709, 719, 725
325-140U	Pad	709, 719, 725
325-141	Axle Wrap	715-717, 725
325-141U	Axle Wrap	715-717, 725
325-142	Pad	715-717, 721, 725, 759
325-142U	Pad	715-717, 721, 725, 759, 762, 999, 1001, 1013
325-143	Axle Wrap	667-669, 671, 675-677, 691-693, 726
325-144	Bushing	719, 726, 1069
325-144U	Bushing	719, 726, 1069
325-145	Pad	719
325-146	Bushing	719, 1068
325-150	Bushing	175, 184, 1070
325-150U	Bushing	175, 184, 1070
325-151	Pad	175
325-151U	Pad	175, 184, 999, 1001, 1013
325-155	Spring	49, 52
325-156	Spring	39, 41-43 45, 47, 51, 52, 713, 726
325-157	Spring	45, 49, 52
325-158	Cushion	45, 49, 53
325-159	Cushion	39, 47, 53
325-160	Bushing	901, 913, 1070
325-161	Pad	667-669, 671, 673, 675-677, 691-693, 726, 1069
325-184	Bushing	1070
325-184U	Bushing	1070
325-185	Bushing	757, 1069
325-188	Pad	453
325-189	Pad	453
325-190	Bushing	435, 1070
325-191	Pad	435, 462
325-192	Bushing Kit	719
325-197	Axle Wrap	715-717, 726
325-199	Pad	715-717
325-200	Axle Wrap	715-717
325-201	Strap	705, 726
325-202	Strap	705, 726
325-203	Cushion	705, 726
325-206	Bushing	721, 1070
325-207	Pad	721, 726
325-209	Load Pad	517, 522
325-210	Bushing	919, 1069
325-216	Pad	719
325-218	Bushing	715-717, 1069
325-220	Bushing	721, 1069
325-222	Bushing	519, 1070
325-237	Axle Wrap	715-717
325-238	Pad	721, 726
325-239	Pad	983
325-242	Mount	123-125, 153, 933, 936, 1021, 1028
325-243	Bolster Spring	145, 153
325-244	Bump Stop	19, 30, 533, 570, 633, 935, 936, 967, 984
325-245	Insulator	145, 153
325-246	Insulator	145, 153
325-247	Insulator	145, 153
325-249	Insulator	133, 153
325-251	Bump Stop	969
325-252	Bump Stop	969
325-255	Bump Stop	153
325-354	Bump Stop	537
325-355	Bumper	131
327-100	Bolt Assy	307, 1049
327-101	Bolt Assy	307, 1049
327-102	Bolt Assy	307, 1049
327-103	Bolt Assy	307, 1049
327-104	Bolt Assy	307, 1049
327-105	Bolt Assy	307, 1049
327-106	Spring Pin	257, 269, 1059
327-107	Spring Pin	257, 259-261, 263, 265, 269, 1059
327-108	Spring Pin	267, 267, 1059
327-109	Spring Pin	1061
327-110	Spring Pin	1059
327-112	Bolt	307, 1049
327-113	Bolt	1049
327-114	Bolt	69, 307, 1049
327-115	Bolt	307, 1049
327-116	Bolt	307, 1049
327-117	Bolt	307, 1049
327-119	Spring Pin	1059
327-124	Spring Pin	1059
327-128	Spring Pin	25, 30, 941, 1059
327-141	Bolt	667-669, 1048
327-146	Spring Bolt	1064
327-148	Spring Bolt	103, 112, 1064
327-154	Bolt	1048
327-157	Bolt	633, 1048

Part Number 327-173 to 330-366U

327-173 to 330-366U

Numeric Listing

Part No.	Desc.	Page
327-173	Spring Pin	1063
327-175	Spring Pin	127, 1061
327-176	Spring Pin	127, 1061
327-182	Spring Bolt	197, 1049, 1064
327-184	Bolt	197, 199, 203, 1049
327-187	Bolt	109, 201, 1049
327-195	Pin	201, 1064
327-196	Pin	201, 206, 1064
327-200	Spring Pin	197, 1061
327-201	Spring Pin	197, 1061
327-202	Pin	201, 206, 1064
327-204	Spring Pin	1061
327-205	Spring Pin	103, 112, 1064
327-206	Spring Pin	1059
327-208	Pin	109, 112, 1064
327-209	Spring Pin	95, 97, 1061
327-210	Spring Pin	1064
327-211	Spring Pin	95, 97, 1061
327-212	Spring Pin	109, 639, 1061
327-213	Spring Pin	111, 1059
327-214	Pin	109, 112, 1064
327-216	Spring Pin	25, 27, 30, 111, 1059
327-219	Spring Pin	1059
327-224	Spring Pin	771, 1061
327-225	Spring Pin	771, 1061
327-226	Spring Pin	1059
327-227	Spring Pin	545, 1061
327-228	Spring Pin	641, 1059
327-229	Spring Pin	609-611, 645, 1060
327-230	Spring Pin	609-611, 645, 1062
327-231	Spring Pin	641, 1059
327-232	Spring Pin	641, 1059
327-236	Spring Pin	609-611, 645, 1062
327-237	Spring Pin	529, 621, 1061
327-237	Spring Pin	1061
327-238	Spring Pin	1060
327-239	Spring Pin	639, 1059
327-240	Spring Pin	619, 1061
327-244	Shaft	641
327-245	Shaft	641, 1059
327-248	Spring Pin	1059
327-249	Spring Pin	111, 1059
327-250	Spring Pin	25, 27, 30, 111, 1059
327-251	Spring Pin	1059
327-253	Spring Pin	99, 112, 1064
327-254	Spring Pin	1059
327-256	Spring Pin	29, 643, 1061
327-258	Spring Pin	619, 645, 1061
327-264	Bolt	201, 203, 205, 1048
327-266	Bolt	1048
327-281	Spring Pin	641, 1061
327-282	Pin	29, 30, 631, 635, 639, 643, 645, 1065
327-291	Spring Pin	615, 645, 1063
327-293	Bolt	605, 617, 623, 1049
327-294	Spring Pin	609-611, 645, 1060
327-297	Spring Pin	507, 522, 625, 627, 645, 1063
327-301	Spring Pin	619, 645, 1064
327-302	Spring Pin	619, 646, 1064
327-305	Spring Pin	615, 646, 1062
327-306	Spring Pin	507, 522, 1063
327-308	Bolt	1049
327-309	Bolt	1049
327-316	Bolt	781, 1049
327-317	Bolt	143, 1049
327-319	Bolt	565, 1049
327-321	Bolt	1049
327-322	Bolt	1049
327-323	Bolt	661, 685, 1049
327-326	Pin	545, 570, 1065
327-330	Spring Pin	539, 570, 1065
327-331	Spring Pin	535, 539, 571, 1062
327-332	Pin	545, 545
327-336	Spring Pin	1063
327-342	Spring Pin	535, 539, 541, 1060
327-343	Spring Pin	541, 1059
327-345	Spring Pin	539, 1060
327-346	Spring Pin	539, 543, 571, 1062
327-347	Spring Pin	539, 571, 1063
327-349	Spring Pin	1061
327-350	Spring Pin	1061
327-361	Spring Pin	1023, 1028, 1064
327-362	Spring Pin	1059
327-371	Bolt	149, 927, 929, 1048
327-372	Spring Pin	11, 1061
327-374	Spring Pin	11, 1061
327-382	Spring Pin	1061
327-383	Pin	973, 977, 979, 1065
327-384	Spring Pin	11, 939, 971, 1061
327-403	Spring Pin	1061
327-419	Spring Bolt	1064

Part No.	Desc.	Page
327-434	Spring Pin	507, 522, 625, 627, 646, 1062
327-435	Spring Pin	101, 112, 1063
327-436	Adapter	545
327-437	Spring Pin	257, 259-261, 263, 265, 269, 1061
327-440	Spring Pin	1063
327-441	Spring Pin	1061
327-442	Spring Bolt	639, 1049, 1064
327-443	Spring Pin	609-611, 613, 646, 1062
327-445	Spring Pin	771, 1061
327-446	Spring Pin	529, 769, 787, 1061
327-447	Spring Pin	771, 1061
327-451	Spring Pin	571, 1060
327-454	Spring Pin	129, 1061
327-458	Spring Pin	571, 1060
327-475	Pin	631, 637, 1065
327-477	Bolt	565, 1049
327-479	Spring Pin	639, 1061
327-480	Spring Pin	605, 609-611, 1061
327-480U	Spring Pin	605
327-481	Bolt	535, 543, 1049
327-482	Spring Pin	609-611, 646, 1063
327-483	Spring Pin	507, 769, 787, 1061
327-484	Spring Pin	543, 1062
327-485	Spring Pin	605, 1061
327-486	Spring Pin	1025, 1028, 1064
327-487	Spring Pin	127, 129, 131, 1027, 1028, 1061
327-488	Spring Pin	627, 646, 1063
327-489	Spring Pin	127, 129, 1061
327-490	Spring Pin	127, 129, 131, 153, 1063
327-491	Spring Pin	135, 1061
327-492	Spring Bolt	3, 1064
327-493	Spring Pin	497, 1064
327-495	Spring Pin	485, 489, 501, 1059
327-496	Spring Pin	479, 1061
327-497	Spring Pin	481, 1059
327-498	Spring Pin	481, 1059
327-499	Spring Pin	483, 487, 499, 1064
327-500	Bolt	201, 1049
327-501	Spring Pin	749, 750, 1059
327-502	Spring Pin	749, 750, 1059
327-503	Spring Pin	749, 750, 1059
327-504	Spring Pin	63, 1061
327-505	Spring Pin	63, 1059
327-507	Spring Pin	1025, 1062
327-508	Spring Pin	1025, 1061
327-509	Spring Pin	1033, 1034, 1064
327-510	Bolt Assy	1064
327-511	Bolt Assy	1064
327-512	Bolt Assy	1064
327-514	Pin Assy	135, 147, 153, 303, 337, 1065
327-515	Spring Pin	5, 7, 1059
327-516	Spring Pin	105, 1061
327-517	Spring Pin	749, 750, 1059
327-518	Spring Pin	539, 1060
327-519	Spring Pin	593, 1059
327-520	Spring Pin	593, 1059
327-521	Spring Pin	749, 750, 1061
327-522	Spring Pin	23, 30, 1061
327-523	Spring Pin	1064
327-524	Spring Pin	1064
327-525	Spring Pin	1064
327-526	Spring Pin	1064
327-528	Spring Bolt	743, 746, 1064
327-529	Spring Pin	743, 745, 746, 1059
327-532	Spring Pin	769, 787, 1065
327-533	Spring Pin	537, 571, 969, 984, 1063
327-535	Spring Pin	109, 112, 1061
327-536	Spring Pin	749, 750, 1059
327-537	Pin	507, 522, 769, 787, 1062
327-538	Spring Pin	1027, 1028, 1062
327-539	Spring Pin	1027, 1028, 1063
327-540	Spring Pin	507, 522, 769, 787, 1062
327-541	Pin	769, 787, 1061
327-543	Spring Pin	131, 1027, 1028, 1063
327-544	Spring Pin	769, 787, 1062
327-551	Spring Pin	425, 428, 1061
327-552	Spring Pin	1033, 1034, 1064
328-100	Pin/Bush Kit	639
328-101	Bolt Kit	403, 413
330-100	Shackle Kit	95
330-100	Shackle Kit	97
330-101	Side Bar	609-611, 1066
330-102	Side Bar	505, 535, 539, 543, 1066
330-104	Shackle Kit	197
330-105	Shackle Kit	197
330-106	Shackle	95, 97, 112
330-107	Shackle Kit	103
330-108	Side Bar	613, 1066
330-109	Side Bar	625, 627, 1066

Part No.	Desc.	Page
330-110	Side Bar	621, 1066
330-111	Side Bar	615, 1066
330-112	Side Bar	619, 1066
330-113	Side Bar	627, 1066
330-114	Side Bar	609-611, 1066
330-116	Side Bar	769, 1066
330-117	Shackle Kit	769, 1066
330-118	Side Bar	63, 771, 1066
330-119	Side Bar	613, 1066
330-123	Side Bar	127, 129, 131, 1027, 1066
330-125	Side Bar	507, 1066
330-126	Side Bar	507, 522, 1066
330-127	Shackle Kit	621, 1066
330-128	Shackle Kit	625, 627, 1066
330-129	Shackle Kit	619, 1066
330-130	Shackle Kit	609-611, 1066
330-131	Shackle Kit	609-611, 1066
330-132	Shackle Kit	771, 1066
330-133	Side Bar	11, 939, 971, 1066
330-135	Shackle	25, 27, 30, 111
330-135U	Shackle Kit	25
330-142	Shackle	127, 154
330-143	Side Bar	129, 1066
330-146	Shackle	605, 617, 623, 646
330-147	Shackle Kit	627, 1066
330-149	Side Bar	605, 609-611, 1066
330-150	Shackle Kit	613, 1066
330-153	Shackle Kit	613, 1066
330-157	Side Bar	609-611, 1066
330-159	Side Bar	1066
330-160	Side Bar	609-611, 613, 1066
330-165	Shackle Kit	605, 609-611, 1066
330-165U	Shackle Kit	605, 609-611
330-168	Side Bar	507, 523, 1066
330-186	Side Bar	769, 1066
330-187	Side Bar	769, 1066
330-188	Shackle Kit	609-611, 1066
330-189	Shackle Kit	1066
330-190	Shackle Kit	605, 1066
330-190U	Shackle Kit	605
330-191	Shackle Kit	769, 787, 1066
330-192	Shackle Kit	769, 788, 1066
330-193	Shackle Kit	609-611, 613, 1066
330-194	Side Bar	129, 1066
330-195	Shackle Kit	129, 1066
330-195U	Shackle Kit	129
330-196	Shackle	97, 113
330-197	Shackle Kit	97
330-198	Side Bar	495
330-201	Side Bar	3, 1066
330-202	Side Bar	3, 1066
330-203	Shackle Kit	3, 1066
330-206	Shackle	1033, 1066
330-207	Shackle	1033, 1034, 1066
330-212	Shackle Kit	971, 1066
330-212U	Shackle Kit	971
330-215	Side Bar	11, 1066
330-216	Shackle	105, 113
330-217	Side Bar	131, 154, 1027, 1066
330-218	Shackle Kit	131, 1066
330-219	Shackle Kit	127, 1066
330-219U	Shackle Kit	127
330-220	Side Bar	1025, 1066
330-222	Shackle Kit	1025, 1066
330-222U	Shackle Kit	1025
330-228	Shackle	25, 30
330-338	Shackle Kit	105
330-338U	Shackle Kit	105
330-339	Side Bar	537, 571, 969, 984, 1066
330-340	Shackle Kit	537, 571, 969, 984, 1066
330-340U	Shackle Kit	969
330-341	Side Bar	769, 788
330-342	Shackle Kit	769, 788
330-344	Side Bar	127, 1066
330-345	Shackle Kit	127, 1066
330-346	Shackle Kit	131, 1027, 1066
330-347	Shackle	749, 750
330-348	Shackle Kit	19, 30
330-349	Shackle Kit	533, 571, 967
330-352	Shackle Kit	131, 1027
330-353	Shackle	195, 206
330-354	Shackle	193, 206, 491, 502
330-355	Side Bar	599, 603, 646, 1066
330-356	Shackle Kit	603, 646
330-357	Side Bar	154, 1027
330-357	Side Bar	131, 154, 1027, 1066
330-358	Side Bar	1028, 1066
330-362	Shackle	483, 487, 499, 502
330-363	Shackle	607, 646
330-365	Side Bar	23, 30, 1066
330-366U	Shackle Kit	23

Part Number 330-367U to 334-467

330-367U to 334-467

Numeric Listing

Part No.	Desc.	Page	Part No.	Desc.	Page	Part No.	Desc.	Page
330-367U	Shackle Kit	129	334-159	Nut	1056	334-308	Lock Strip	851, 863
330-369U	Shackle Kit	543, 571	334-165	Stud Assy	269, 307	334-312	Bolt Assy	225, 833-835
330-370U	Shackle Kit	535	334-166	Washer	23, 147, 151, 291-293, 667-669, 803, 957, 959, 1058	334-315	Bolt Assy	833-835, 837, 1049
330-371U	Shackle Kit	543, 572	334-172	Stud Assy	255, 273-275, 277, 283, 287, 307	334-316	Bolt/Bush Assy	837, 997
330-373	Shackle Kit	131, 154, 1027, 1066	334-174	Stud Assy	253, 259-261, 263, 265, 281, 307	334-316	Bolt/Bush Assy	833-835
330-374	Shackle Kit	127, 129, 131, 154	334-179	Shaft	263, 285, 339	334-317	Bolt	177, 225, 833-835, 1049
330-377	Shackle Kit	1027, 1028, 1066	334-180	Nut	263, 285, 1057	334-319	Nut	225, 445-447, 833-835, 1056
330-378	Side Bar	535, 1066	334-184	Shaft Kit	263, 285, 309	334-320	Bolt Assy	1049
330-379	Side Bar	535, 537, 1066	334-187	Stud Assy	267, 279, 307	334-339	Shaft/Bush Assy	955
330-381	Side Bar	971, 1066	334-188	Nut	35	334-341	Bolt/Bush Assy	223, 443, 445-447, 449-451
330-389	Plate	121, 154	334-189	Cross Tube	267, 279	334-342	Bolt Assy	223, 443, 445-447, 449-451
330-390	Side Bar	154	334-190	Plug	255, 257, 269, 271, 283, 287	334-343	Bolt Assy	13, 223, 225, 433, 439, 443, 445-447, 449-451, 833-835
330-390	Side Bar	154	334-191	Plug	255, 259-261, 273-275, 283, 287	334-344	Bolt/Bush Assy	445-447, 449-451, 953, 997
330-391	Side Bar	423, 1066	334-192	Nut	565, 797, 1056	334-345	Bolt Assy	445-447, 449-451, 953, 1049
330-393	Side Bar	507, 1066	334-193	Nut	517, 681-683, 753, 755, 757, 995, 997, 1003, 1007, 1009, 1011, 1057	334-348	Shaft/Bush Assy	433
330-394	Side Bar	507, 1066	334-194	Washer	797	334-350	Bolt/Bush Assy	433, 439
330-396	Shackle Kit	537	334-196	Nut	1057	334-352	Bolt/Bush Assy	455
330-397	Plate	601	334-201	Rebound Kit	69, 73, 75, 81, 83, 805, 809-811, 815, 817, 819, 827, 839, 841, 843, 845, 851, 853	334-353	Bolt Assy	455
330-398	Side Bar	603, 1066	334-203	Bolt	809-811, 821, 823, 825, 843, 845, 847, 849, 855, 1049	334-354	Adapter Kit	310
330-399	Shackle	1033, 1034, 1066	334-205	Washer	69, 71, 809-811, 849, 1058	334-358	Washer	439, 1058
330-400	Shackle	1033, 1034, 1066	334-206	Bolt Assy	807, 809-811, 819, 1049	334-359	Bolt	435, 445-447, 1049
330-401	Shackle Kit	935	334-207	Shaft	809-811, 862	334-360	Lock Tab	223, 433, 443, 445-447, 953, 955, 961
330-402	Side Bar	969, 1066	334-208	Washer	809-811, 1058	334-363	Washer	435, 437, 1058
330-408	Shackle	1033, 1034	334-209	Bolt	71, 809-811, 1049	334-365	Shaft	433, 462
330-409	Side Bar	139, 154, 1066	334-211	Shaft/Bush Assy	809-811	334-366	Bolt	223, 433, 443, 445-447, 449-451, 462, 1048
330-410	Shackle Kit	969	334-212	Shaft Assy	809-811	334-367	Bolt	223, 226, 443, 449-451, 463
330-411	Side Bar	969, 1066	334-218	Bolt Assy	805, 843, 1049	334-373	Nut	453, 1029, 1056
334-100	Rebound Assy	257, 259-261, 263, 265, 269	334-220	Seal	805, 819, 959, 961	334-375	Nut	407, 409, 433, 445-447, 657, 661, 671, 673, 675-677, 679, 681-683, 687, 689, 697, 705, 707, 715-717, 1057
334-101	Screw Assy	257, 259-261, 263, 265, 337	334-223	Shaft	809-811, 862	334-376	Bolt	1049
334-102	Cross Tube	255, 257, 269, 271, 283, 287	334-225	Nut	1056	334-380	Bush/Adapter Kit	255, 257, 269, 271, 283, 287
334-103	Stud Kit	257, 307	334-226	Shaft/Bush Assy	805	334-381	Bush/Adapter Kit	253, 255, 257, 259-261, 269
334-104	Sleeve	257, 271	334-236	Nut	73, 75, 661, 685, 979, 1056	334-382	Shaft	271, 273-275, 283, 287, 797
334-105	Seal	257, 271, 337	334-237	Washer	35, 1058	334-383	Shaft	437, 721, 759, 999
334-106	Washer	257, 271, 1058	334-239	Shaft	839, 841, 843, 845, 863	334-415	Bolt Assy	823, 825
334-107	Fitting	257, 259-261, 263, 265, 267, 271, 273-275, 277, 279, 281, 285, 337	334-240	Shaft Assy	815, 839, 841, 843, 845, 853, 1056	334-418	Nut	197, 199, 203, 205, 225, 1056
334-108	Adapter Kit	255, 257, 269, 271, 283, 287, 310, 337, 681-683, 727	334-241	Nut	1056	334-419	Bolt/Bush Assy	81
334-109	Adapter Kit	253, 255, 257, 259-261, 269	334-242	Washer	1058	334-420	Shaft/Bush Assy	81, 83
334-110	Adapter Kit	255, 257, 269, 271, 283, 287, 310, 338	334-243	Shaft/Bush Assy	815, 839, 841, 843, 845	334-423	Shaft Assy	81, 84, 83, 979, 985
334-111	Adapter Kit	255, 257, 259-261, 269, 271, 273-275, 283, 287, 310, 338	334-244	Bolt	73, 75, 411, 807, 829-831, 847, 849, 1049	334-424	Bolt Assy	81, 691-693
334-112	Pin Assy	257, 259-261, 263, 265, 269, 338	334-246	Bolt Assy	83, 411, 817, 819, 821, 827, 841, 845, 847, 851, 853, 855, 1049	334-428	Bush/Adapter Kit	259-261, 265, 273-275, 277, 339
334-113	Cross Tube	253, 255, 259-261, 263, 265, 273-275, 277, 281, 283, 285, 287, 901	334-247	Bolt/Bush Assy	73, 83, 411, 817, 819, 827, 829-831, 841, 845, 847, 849, 853, 855	334-429	Bush/Adapter Kit	253, 339
334-114	Sleeve	259-261, 263, 265, 273-275, 277, 281, 285	334-248	Shaft Assy	817, 863	334-430	Seal	263, 339
334-115	Seal	259-261, 263, 265, 273-275, 277, 281, 338	334-250	Pin	819	334-430	Seal	285, 285, 339
334-116	Washer	259-261, 263, 265, 273-275, 277, 281, 1058	334-252	Bolt/Bush Assy	807, 809-811, 819	334-431	Service Kit	309
334-117	Washer	255, 271, 273-275, 277, 279, 338, 1058	334-252U	Bolt/Bush Assy	807	334-434	Shaft	517, 523
334-118	Nut	255, 271, 273-275, 277, 279, 283, 1056	334-253	Bolt/Bush Assy	69, 71, 805, 843, 849	334-436	Shoe	151, 154
334-119	Clamp	287, 338	334-254	Bolt/Bush Assy	815	334-440	Service Kit	263, 285, 309, 339
334-120	Spacer	283	334-261	Shaft	819	334-440A	Service Kit	263, 285, 309
334-126	Adapter	265, 277, 310	334-264	Shaft Assy	819	334-441	Nut	557, 567, 572
334-127	Adapter Kit	259-261, 265, 277, 310	334-270	Bolt Assy	839, 841, 843, 845, 849	334-442	Washer	557, 567, 572, 1058
334-129	Screw	267, 338	334-272	Bolt Assy	839, 841, 843, 845, 849, 853	334-443	Washer	557, 567, 1058
334-130	Lock Pin Assy	145, 257, 259-261, 263, 265, 267, 269, 1048	334-276	Pad	839, 841, 843, 845, 847, 849, 853, 855, 863	334-444	Washer	557, 567, 572, 1058
334-131	Bolt Assy	145, 257, 259-261, 263, 265, 267, 269, 1048	334-282	Washer	843, 845, 847, 849, 855, 1058	334-445	Seal	557, 567, 572
334-132	Bolt Kit	267	334-284	Bolt Assy	839, 841, 853	334-446	Pin	609-611, 647
334-133	Roller	267	334-285	Bolt/Bush Assy	839, 841, 853	334-449	Adapter	285, 309
334-134	Tube	267, 279	334-289	Bolt	839, 841, 843, 845, 1049	334-452A	Shaft/Bush Assy	171, 173, 181
334-135	Seal	267, 285, 338	334-292	Bolt Assy	823, 825, 839, 841, 843, 845, 1049	334-452AU	Shaft/Bush Assy	171, 173, 184
334-136	Sleeve	267	334-293	Bolt/Bush Assy	839, 841, 843, 845	334-453A	Shaft	171, 173, 181, 185
334-137	Washer	267, 279, 1058	334-298	Bushing	823, 825, 863	334-454	Washer	171, 173, 181, 1058
334-138	Adapter Kit	267, 279, 338, 1049	334-299	Bolt Assy	851	334-455	Washer	71, 171, 173, 181, 1058
334-141	Adapter Kit	267, 279, 311, 339	334-300	Bolt/Bush Assy	851	334-456	Washer	773, 775, 788, 1058
334-144	Stud Assy	255, 271, 273-275, 277, 279, 283, 287	334-301	Bolt/Bush Assy	851, 1049	334-457	Washer	773, 775, 788, 1058
334-145	Service Kit	255, 271, 273-275, 277, 279, 339	334-305	Bolt Assy	851, 1049	334-458	Bolt	215, 773, 949, 1049
334-150	Washer	281, 553, 555, 557, 559, 561, 563, 565, 567, 685, 1058	334-306	Bolt/Bush Assy	851	334-459	Sleeve	773
334-151	Stud Assy	255, 271, 283, 287, 307	334-307	Bolt	695, 851, 1048	334-460	Bolt/Bush Assy	773
334-152	Washer	7, 205, 215, 1058				334-460U	Bolt/Bush Assy	773
334-153	Nut	809-811				334-463	Pin	25, 27, 31, 111, 113
334-157	Bolt	633				334-464	Shaft	785, 788

Part Number 334-468 to 334-830U

334-468 to 334-830U

Numeric Listing

Part No.	Desc.	Page
334-468	Cap	557, 567, 572
334-470	Cap	783, 785, 788
334-472	Washer	101, 113, 1058
334-473	Washer	101, 113, 1058
334-474	Nut	637
334-475	Fitting	5, 7, 11, 63, 109, 111, 127 129, 135, 479 487, 489, 499, 501, 517 545, 557 567, 593, 605 609-611, 615, 619, 621, 625, 627, 639, 749 769, 771
334-476	Bolt	71, 87, 143, 439, 775, 1049
334-477	Washer	143, 661, 681-683, 687 697, 1058
334-478	Bolt/Bush Kit	143
334-479	Spacer	553, 565, 572
334-480	Spacer	553, 565
334-481	Spacer	553, 565
334-482	Service Kit	151
334-484	Bolt	151, 1048
334-487	Clip	151, 154
334-488	Restraint	151, 154
334-490	Bolt Assy	151
334-491	Shaft	147, 151, 155
334-493	Washer	147, 151, 1058
334-494	Bolt	147, 151, 1048
334-495	Washer	151, 797, 1058
334-497	Service Kit	147, 151
334-498	Nut	559, 561, 572
334-499	Spindle	561, 573
334-499A	Spindle	561, 573
334-501	Insulator	93, 99, 113
334-502	Nut	785, 788
334-503	Pin	149
334-504	Spacer	149, 155
334-506	Service Kit	149
334-507	Service Kit	149
334-508	Pin	149, 155
334-509	Spacer	149
334-510	Snap Ring	149, 155
334-511	Washer	559, 561, 573, 1058
334-512	Washer	559, 561, 573, 1058
334-513	Washer	563, 573, 1058
334-515	Seal	559, 561, 573
334-516	Seal	563, 573
334-517	Cap	561, 563, 573
334-522	Bolt Assy	301, 303, 607, 1049
334-523	Bolt	1049
334-524	Washer	301, 303, 1058
334-525	Lock Strip	301, 339
334-526	Shim	137, 339, 147, 428, 149, 151, 155, 231, 233-235, 237-239, 243-245, 251, 297, 301, 303, 427, 517, 523, 547 631, 635, 637, 647, 779, 781, 785, 788, 973, 975, 979, 985
334-527	Bolt Assy	233-235, 237-239, 301, 303
334-528	Bolt Assy	147, 301, 977, 979, 1049
334-533	Seal	149, 155
334-534	Bolt	619, 1048
334-536	Nut	1056
334-537	Bolt	557, 567, 1048
334-538	Bolt	537, 1048
334-540	Seal	769, 771, 788
334-545	Fitting	557, 559, 561 563, 567, 573
334-546	Bolt	1048
334-547	Bolt/Bush Assy	953, 955
334-548	Bolt Assy	953, 955
334-549	Stirrup	149, 155
334-550	Bolt Assy	127, 505, 535, 539, 543, 605, 609-611, 613, 615, 621, 625, 627, 641, 769, 969, 971, 1027, 1048
334-551	Bolt Assy	63, 127, 613, 771 785, 1048
334-553	Collar	565, 574
334-555	Torsion Bar	667-669, 727
334-558	Bolt Assy	785
334-560	Bolt Assy	785
334-565	Service Kit	171, 173, 177 179, 833-835
334-566	Bolt	171, 173, 177, 179, 185
334-567	Washer	171
334-568	Washer	171, 173, 177, 179, 183, 1058
334-571	Washer	285
334-572	Shaft	285
334-575	Service Kit	285, 309
334-578	Bolt	1048
334-579	Bolt Assy	141, 453, 553, 555, 565, 567, 957, 1048
334-580	Service Kit	557, 567, 574

Part No.	Desc.	Page
334-580A	Service Kit	557
334-581	Bolt Assy	557
334-582	Bolt Assy	557, 559, 561, 563, 567
334-589	Bolt	1048
334-594	Nut	563, 574
334-595	Washer	667-669, 719, 1058
334-596	Spacer	657, 663, 671, 675-677 679 687 689, 691-693 697, 703, 705, 707, 995, 997, 1003, 1009, 1011
334-597	Washer	691-693, 1058
334-598	Washer	681-683, 1058
334-599	Collar	657, 681-683, 727
334-599	Collar	687, 727
334-600	Collar	671, 675-677, 679, 691-693, 705, 707, 727
334-601	Block	673, 691-693, 727
334-602	Collar	675-677, 727
334-603	Washer	659, 681-683, 1058
334-604	Block	675-677, 727
334-605	Bolt	657, 671, 675-677, 679, 681-683 687, 689 691-693, 705, 707, 1049
334-606	Bolt	681-683, 1049
334-607	Bolt	407, 409, 673 679 697, 703, 705, 707, 715-717, 1049
334-608	Bolt	691-693, 1049
334-610	Washer	667-669, 671, 673, 675-677, 691-693, 727, 1058
334-611	Service Kit	673
334-612	Service Kit	671, 675-677, 679, 691-693
334-613	Service Kit	679, 707
334-615	Service Kit	681-683
334-616	Bolt	301, 1049
334-618	Service Kit	667-669
334-619	Service Kit	657, 681-683, 687, 727
334-620	Service Kit	667-669, 671, 675-677, 691-693
334-621	Service Kit	667-669, 671, 673, 675-677 691-693
334-622	Bolt Assy	437, 695, 711, 713, 759, 999, 1001, 1048
334-624	Bolt Assy	39, 41-43, 47, 49, 51, 137, 147, 151, 599, 633, 667-669, 695, 695, 1048
334-626	Bolt Assy	121, 141, 243-245, 251, 320, 397, 401, 597, 667-669, 671, 685, 695, 695, 703, 715-717, 773, 1048
334-628	Bolt/Bush Assy	225, 833-835
334-630	Bolt Assy	833-835
334-631	Bolt Assy	953, 955, 957, 959
334-636	Bolt Assy	601
334-638	Plate	233-235, 237-239, 253, 257, 259-261, 265, 273-275, 277, 281, 289, 291, 293, 295, 340, 1090
334-639	Service Kit	223, 443, 445-447, 449-451
334-640	Service Kit	223, 443, 449-451, 955
334-642	Bolt	823, 825, 839, 841, 853, 863
334-644	Bolt	69, 71, 823, 825, 849, 1049
334-650	Service Kit	637
334-651	Bolt	637, 1049
334-652	Adapter	637, 647
334-655	Stud	631, 637
334-657	Roller	631, 637, 647
334-658	Service Kit	365-367, 369, 385, 395, 416
334-660	Insulator	93, 113
334-672	Bolt Assy	171
334-678	Shim	979
334-679	Shim	149, 979
334-684	Bolt Assy	979, 1048
334-696	Bolt Assy	251, 1048
334-699	Bolt Assy	597, 601, 633, 945, 1048
334-701	Collar	979, 985
334-702	Bolt	979, 1049
334-710	Washer	231, 233-235, 297, 1058
334-711	Stud Assy	237-239, 301, 303, 340
334-716	Cross Tube	237-239
334-717	Nut	535, 543, 1056
334-718	Service Kit	565
334-723	Retainer	201, 206
334-732	Cush/Retrn Assy	199, 206
334-733	Cush/Retrn Assy	199, 206
334-739	Bolt	443, 445-447, 449-451, 1049
334-747	Service Kit	631, 637, 647

Part No.	Desc.	Page
334-750	Valve	141, 143, 155, 179, 181, 185, 215, 220, 237-239, 340, 359, 361-363, 365-367, 369, 385, 455, 463, 511-513, 515, 523, 631, 647, 667-669, 671, 673, 675-677, 679, 681-683, 687, 691-693, 707, 728, 773, 775, 779, 789, 807, 813, 821, 837, 847, 855, 863, 973, 985, 1013, 1036
334-751	Linkage Assy	19, 31, 67, 77, 123-125, 141, 143, 155, 179, 181, 185, 215, 220, 231, 233-235, 237-239 241, 243-245, 251, 253, 340, 359 361-363, 365-367, 369, 385, 427, 428, 455, 463, 505, 509, 511-513, 515, 523, 533, 547, 574, 583, 585, 587, 588, 597, 629, 631, 647, 659, 661, 663, 665, 667-669, 671, 673, 675-677, 679, 681-683, 687, 691-693, 703, 707, 728, 773, 775, 777, 779, 789, 797, 798, 803, 807, 813, 821, 837, 847, 855, 863, 889, 913, 933, 936, 967, 973, 985, 1005, 1007, 1013, 1021, 1029, 1036
334-752	Bolt Assy	983, 1048
334-754	Bolt Assy	41-43, 45, 51, 173, 183 253, 627, 781, 983, 1048
334-756	Bolt Assy	123-125, 695, 1021, 1048
334-758	Bolt Assy	1048
334-762	Bolt Assy	1048
334-764	Bolt Assy	551, 779 785 979, 981, 983, 1048
334-765	Bolt	1048
334-766	Bolt Assy	1048
334-768	Bolt Assy	199, 201, 233-235, 237-239, 297, 301, 303, 533, 551, 631, 637, 781, 783, 967, 981, 983, 1048
334-770	Bolt Assy	41-43, 45, 51, 143, 177, 179, 199 775, 983, 1048
334-772	Bolt Assy	533, 607, 967, 1048
334-774	Bolt Assy	453, 547, 607, 973, 977, 979, 1048
334-778	Bolt Assy	1048
334-780	Bolt Assy	675-677, 707
334-784	Bolt Assy	1048
334-786	Bolt Assy	297, 1048
334-788	Bolt Assy	121, 123-125, 599, 601, 797, 973, 977, 979, 1021, 1048
334-790	Bolt Assy	1048
334-796	Bolt Assy	151, 1048
334-798	Bolt Assy	93, 199, 251, 679, 711, 721, 999, 1048
334-799	Bolt	1048
334-800	Bolt	1048
334-804	Shim	127, 131, 1027
334-806	Service Kit	147
334-807	Shaft	147, 156
334-808	Bolt	89, 147, 1048
334-809	Nut	103, 1057
334-810	Pad	973, 977, 979, 985
334-811	Bolt Assy	215, 783, 1049
334-812	Bolt Assy	783, 827, 829-831
334-814	Service Kit	775
334-816	Sleeve	775
334-819	Service Kit	177
334-821	Collar	177, 185
334-822	Collar	365-367, 369, 385, 395, 407, 416
334-823	Stud Assy	773, 779
334-824	Plate	147, 156
334-825	Bolt Assy	13, 1049
334-826	Bolt/Bush Assy	13
334-827	Bolt Assy	13, 1049
334-830	Service Kit	253, 259-261, 265 269, 273-275 277, 281, 340, 291-293, 295, 309, 797, 798, 901, 913
334-830U	Bushing	797, 798

Part Number 334-831 to 334-1188

Part No.	Desc.	Page	Part No.	Desc.	Page	Part No.	Desc.	Page
334-831	Service Kit	253, 259-261, 265, 269	334-922	Washer	983, 986, 1058	334-1080	Washer	681-683, 1058
		273-275, 277, 281, 289,	334-923	Lock Ring	983, 986	334-1084	Washer	681-683, 1058
		291-293, 295, 309, 340,	334-924	Gasket	983, 986	334-1085	Collar	681-683, 728
		797, 798, 901, 913	334-925	Cap	983, 986	334-1086	Washer	705, 995, 1009, 1011, 1058
334-831U	Service Kit	797, 798, 901	334-926	Cap Ring	983, 986	334-1087	Bolt	1049
334-832	Bolt Assy	259-261, 265, 269, 273-275	334-927	Shaft	983, 986	334-1089	Bolt	1048
		277, 289, 291-293, 295,	334-928	Pin	413	334-1090	Torsion Bar	667-669
		663, 797, 1049	334-929	Service Kit	709, 715-717	334-1091	Bolt	681-683, 1049
334-833	Service Kit	233-235, 340	334-931	Stud Assy	233-235, 297, 341	334-1092	Sleeve	681-683
334-835	Bolt Assy	847, 863	334-932	Compr Ring	901	334-1093	Collar	705, 728
334-836	Collar	365-367, 385	334-936	Tool	67, 77, 359, 361-363,	334-1095	Washer	755, 785, 1058
334-837	Bolt Assy	67, 365-367, 369, 395			365-367, 369, 395, 1005	334-1096	Sleeve	409, 691-693
334-838	Bolt Assy	407	334-937	Bolt Assy	443, 445-447, 449-451,	334-1098	Roll Pin	681-683
334-839	Collar	407, 416			1049	334-1100	Roller Assy	715-717
334-840	Shaft	407	334-944	Service Kit	45, 54	334-1101	Bolt Assy	715-717, 1049
334-841	Shaft	407	334-945	Plate	39, 41-43, 47, 51, 54	334-1102	Bolt Assy	715-717, 1049
334-842	Bolt Assy	407	334-949	Service Kit	49, 54	334-1103	Bolt Assy	361-363, 365-367, 695
334-843	Shaft	415, 416, 761, 762	334-950	Plate	47, 49, 55			715-717, 721, 1048
334-844	Collar Assy	415, 416, 762	334-953	Bolt Assy	147	334-1104	Bolt Assy	151, 713, 721, 983, 1048
334-844	Collar Assy	416, 761, 762	334-958	Valve	914	334-1105	Bolt Assy	59, 67, 359, 365-367, 369,
334-845	Saddle	415, 417, 761, 762	334-961	Block Assy	411, 417			661, 663, 671, 673, 679,
334-846	Plate	415, 417, 761, 762	334-962	Block Assy	403, 411, 417			681-683, 689, 695, 699,
334-847	Washer	415, 1058	334-964	Bush/Pin Kit	29, 31, 109, 113, 639, 643,			707, 797, 803, 827, 903,
334-847	Washer	59, 761			647			1007, 1048
334-848	Service Kit	295, 340	334-965	Bush/Pin Kit	201, 206, 639, 647	334-1106	Bolt Assy	715-717, 1049
334-849	Sleeve	291-293, 295, 340	334-972	Pin	547, 973, 979	334-1107	Bolt Assy	667-669, 1049
334-850	Service Kit	295, 340	334-977	Washer	1058	334-1108	Bolt Assy	667-669, 1049
334-851	Cross Tube	291-293, 295	334-983	Service Kit	953, 955	334-1109	Bolt Assy	719, 1049
334-852A	Bolster Spring	291-293, 341	334-984	Pin/Bush Assy	957	334-1110	Bolt Assy	695, 709, 711, 715-717, 719,
334-853	Cap	37, 41-43, 45, 51, 53	334-985	Pin	957, 961			759, 883, 889, 999, 1001,
334-854	Pin	39, 47, 49, 53	334-987	Pin/Bush Assy	959			1048
334-855	Cap	41-43, 45, 51, 53	334-988	Pin	959, 961	334-1111	Spacer Plate	721, 728, 999, 1001
334-856	Restrctr Can	45, 49, 53	334-990	Bolt Assy	139, 615, 939, 959, 1048	334-1112	Spacer	715-717, 728
334-858	Restrctr Can	45, 49	334-992	Roll Pin	957	334-1115	Bolt Assy	231, 233-235, 237-239, 241,
334-860	Restrctr Can	39, 41-43, 47, 51, 53	334-993	Shaft	957, 959, 961			341
334-861	Restrctr Can	39, 41-43, 53	334-994	Roll Pin	959	334-1117	Bolt Assy	231, 233-235, 243-245, 251,
334-863	Plate	51, 53	334-995	Shaft/Bush	959			320, 401
334-864	Plate	39, 47, 54	334-996	Assy	957	334-1119	Adapter Kit	311
334-865	Plate	41-43, 54				334-1120	Adaptor Kit	311
334-866	Plate	51, 54	334-998	Pad	171, 185	334-1123	Adaptor Kit	310
334-867	Plate	41-43, 54	334-999	Plate	171, 185	334-1125	Ring	277, 341
334-869	Shim	47, 49, 54	334-1000	Spacer	183	334-1126	Cross Tube	265, 277, 281
334-871	Housing	47, 49, 54	334-1005	Shaft/Bush	805	334-1127	Bolt	1048
334-872	Bushing	47, 49, 54, 1069				334-1131	Bushing Set	285
334-874	Service Kit	237-239	334-1006	Shaft	805	334-1132	End Socket	285
334-877	Bolt Assy	237-239	334-1007	Washer	809-811, 1058	334-1134	Sleeve	365-367
334-879	Shim	253, 259-261, 265, 269,	334-1009	Washer	809-811	334-1136	Bolt/Bush Assy	407
		273-275, 277, 281, 291-293,	334-1012	Shaft/Bush	839, 841, 843, 845, 853	334-1137	Spacer	365-367, 385, 395, 395,
		295, 341, 797						416, 1013
334-880	Shim	253, 259-261, 265, 269,	334-1014	Bolt	753, 757, 1049	334-1139	Collar	407, 417
		273-275, 277, 281, 291-293,	334-1015	Washer	753, 755, 1058	334-1140	Bushing	365-367, 385, 1068
		295, 341, 797, 798	334-1017	Track Block	753, 757, 762	334-1141	Collar	365-367, 385
334-881	Shim	259-261, 265, 269, 273-275,	334-1018	Washer	753, 755, 757, 1058	334-1142	Bolt Assy	365-367
		277, 281, 291-293, 295,	334-1020	Bolt	753, 757, 1049	334-1143	Valve	659, 661, 667-669, 671,
		341, 797, 799	334-1026	Bolt	1049			673, 675-677, 679, 691-693,
334-882	Bolt	709, 715-717, 728	334-1027	Shaft	809-811, 829-831			703, 707, 728, 779, 1036
334-884	Spring	901, 913	334-1029	Bracket	847, 863	334-1145	Valve	1036
334-885	Spring	901, 913	334-1030	Bolt/Bush Assy	829-831	334-1146	Valve	1036
334-886	Spring	901, 913	334-1039	Bolt	1048	334-1147	Valve	1036
334-887	Spring	901, 913	334-1040	Washer	1058	334-1147A	Valve	1036
334-888	Washer	899, 901, 1058	334-1041	Washer	453, 1058	334-1149	Bolt Assy	675-677, 1049
334-889	Washer	887, 901, 909, 1058	334-1042	Bolt	453, 1049	334-1150	Plate	143, 143, 156
334-890	Cap	901, 914	334-1043	Bolt	1049	334-1151	Spacer	156
334-891	Bolt	901, 914	334-1048	Shaft	439, 463	334-1155	Pad Assy	149, 156
334-892	Bolt	887, 893, 899, 901, 909,	334-1049	Bearing	439	334-1156	Nut	149, 156
		1049	334-1050	O-Ring	439	334-1157	Pad Assy	149, 156
334-893	Washer	887, 893, 899, 901, 909,	334-1051	Bolt	435, 1049	334-1158	Shim	143, 157, 773, 789
		1058	334-1052	Shaft	69, 77	334-1159	Shim	143, 157
334-894	Lock Assy	901, 914	334-1053	Bolt Assy	69, 1048	334-1160	Roller Assy	637
334-896	Bolt/Bush Assy	843, 845, 847, 849, 855	334-1054	Shaft	71	334-1162	Roller Assy	631, 637
334-898	Washer	67, 359, 361-363, 365-367,	334-1056	Shaft	73, 77	334-1163	Roller/Bolt Assy	517
		369, 395, 803, 1005, 1007,	334-1057	Bolt Assy	73, 75, 1048	334-1164	Roller	517
		1058	334-1059	Shaft	75	334-1165	Pad	517, 523
334-899	Pad	141, 156	334-1060	Bolt	75	334-1166	Plate	517, 523
334-900	Pad	141, 156	334-1061	Shaft/Bearing	71	334-1167	Washer	517, 1058
334-901	Shim	97	334-1062	Shaft/Bearing	69	334-1168	Washer	517, 1058
334-902	Shim	97				334-1169	Washer	517, 1058
334-903	Pad	809-811	334-1063	Assy	71	334-1170	Shaft/Bush	517
334-906	Nut	193, 491, 1056	334-1066	Shaft/Bearing	71			Assy
334-907	Bolt Assy	783, 1049	334-1067	Retainer Assy	71, 77	334-1171	Roller/Bolt Assy	517
334-908	Bolt	193, 491, 935, 1049	334-1068	Shaft Assy	69	334-1172	Rebound Assy	979
334-909	Bolt	195, 493, 1049	334-1069	Shaft	69, 77	334-1173	Shim	545
334-910	Bolt	195, 493, 1049	334-1070	Washer	69	334-1177	Dowel	563, 574
334-911	Nut	195, 493, 1056	334-1071	Roller Assy	713	334-1178	Spacer	553, 565
334-913	Bolt	495, 497, 1048	334-1073	Spacer	713	334-1179	Spacer	553, 565, 574
334-914	Nut	495, 497, 1048	334-1074	Collar	657, 681-683, 687, 728	334-1182	Bolt	887, 909, 914
334-916	Spring	551, 981, 983, 985	334-1075	Shaft	709, 728	334-1183	Plate	887, 909, 914
334-918	Washer	983, 985, 1058	334-1076	Washer	709, 1058	334-1185	Nut	887, 893, 899, 909
334-919	Ring	983, 985	334-1077	Washer	709, 1058	334-1186	Washer	883, 887, 889, 893, 899,
334-920	Seal	983, 985	334-1078	Roller Assy	709			909, 914, 1058
334-921	Seal	983, 986				334-1188	Bolt	779, 785

Part Number 334-1189 to 334-1704

334-1189 to 334-1704

Numeric Listing

Part No.	Desc.	Page
334-1189	Pin	785, 789
334-1194	Bolt Assy	779
334-1195	Roller	779
334-1196	Pad	783, 789
334-1198	Bolt	59
334-1199	Washer	59
334-1200	Washer	59, 60
334-1201	Washer	59, 60
334-1202	Nut	59
334-1203	Bolt	59
334-1204	Washer	59
334-1205	Washer	59
334-1211	Washer	517, 523
334-1212	Bolt Assy	565
334-1213	Collar	753, 755, 762
334-1215	Bolt	755, 1049
334-1216	Bolt	755, 1049
334-1231	Bolt	755, 757, 803, 1048
334-1232	Washer	755, 757, 762, 1058
334-1234	Bolt	753
334-1235	Lift Spring	755, 757, 762
334-1236	Collar	753, 757, 762
334-1237	Shaft	957
334-1239	Bolt Assy	943
334-1247	Bolt	183, 185, 1058
334-1259	Bolt/Bush Assy	823, 825
334-1262	Shaft	809-811, 864
334-1264	Shaft/Bush Assy	809-811, 829-831
334-1266	Bushing	225, 226, 1067
334-1267	Bolt/Bush Assy	225, 1048
334-1272	Bolt/Bush Assy	443, 445-447, 449-451
334-1273	Tube	453, 715-717
334-1274	Bolt	453, 1049
334-1276	Plate	435, 463
334-1278	Tube	69, 77
334-1280	Washer	657, 687, 689, 1058
334-1281	Washer	687, 689, 1058
334-1282	Nut	687, 689, 1057
334-1283	Roll Pin	687, 689
334-1285	Stud	681-683, 1049
334-1291	Bolt Assy	665, 667-669, 1049
334-1292	Bolt Assy	719
334-1293	Bolt Assy	251, 437, 759, 1048
334-1294	Bolt Assy	705
334-1299	Bolt Assy	291-293, 295, 1048
334-1300	Cap	291-293, 295
334-1301	Bolt Assy	291-293, 295, 1048
334-1303	Bolt	1049
334-1308	Bolt Assy	361-363
334-1312	Bolt Assy	137, 147, 665, 883, 1048
334-1315	Shoe	147
334-1317	Bolt Assy	797, 1048
334-1318	Shim	141
334-1319	Shim	141, 157
334-1322	Shaft	149
334-1325	Bolt	695, 1048
334-1329	Bolt Assy	515, 1048
334-1330	Bolt Assy	511-513, 515, 781, 1048
334-1331	Bolt Assy	511-513, 515, 1048
334-1332	Shim	515, 523
334-1333	Shim	515, 523
334-1334	Washer	511-513, 515, 524, 1058
334-1335	Bolt Assy	515, 1049
334-1336	Bolt Assy	515, 1048
334-1337	Bolt Assy	515, 781, 1048
334-1338	Cap	519, 524
334-1339	Nut	519
334-1341	Washer	519, 1058
334-1342	Spacer	519, 524
334-1343	Nut	519, 524
334-1344	Roll Pin	519
334-1345	Rod	519, 524
334-1346	Shaft	519
334-1347	Stud	519, 524
334-1348	Liner	205, 207
334-1349	Bolt	205, 207
334-1350	Bolt	205
334-1352	Spacer	205
334-1353	Bolt	205
334-1395	Bolt	1049
334-1396	Bolt	453, 565, 685, 1049
334-1397	Cap Kit	557, 567
334-1398	Nut Assy	557, 567
334-1401	Bolt Assy	559, 561, 563, 574
334-1403	Stud	901, 914
334-1405	Bolt	883, 889
334-1406	Plate	883, 885, 889 891, 895, 897, 911
334-1408	Anchor Tube	949
334-1410	Nut	889, 899, 1056

Part No.	Desc.	Page
334-1411	Plate	889, 893, 899, 914
334-1412	Plate	893, 899, 914
334-1413	Bolt	889, 899, 915, 1049
334-1414	Bolt Assy	899, 915
334-1415	Bolt	901
334-1416	Bolt	893, 915, 1049
334-1418	Washer	1058
334-1419	Washer	475, 1058
334-1420	Nut	475, 1056
334-1421	Nut	475, 1056
334-1423	Nut	475
334-1428	Stud/Bush Assy	35
334-1429	Stud	35
334-1430	Spring	35, 36
334-1431	Spacer	35, 36
334-1432	Nut Assy	785, 789
334-1433	Bolt	773, 775, 779, 1048
334-1434	Bolt Assy	977, 979
334-1436	Shim	775
334-1443	Snap Ring	217, 219, 220
334-1444	Spacer	217, 219, 220
334-1445	Block	217, 219, 220
334-1446	Bolt	217, 219, 797, 1033, 1048
334-1447	Cable Assy	217, 219, 220
334-1448	Pin	217, 219, 221
334-1457	Bolt/Bush Assy	87, 89
334-1458	Lock	89, 90
334-1459	Machined Nut	89, 90
334-1460	Roller/Pin Assy	87
334-1461LH	Roller Assy	89, 90
334-1461RH	Roller Assy	89, 90
334-1462	Lift Spring	89, 90
334-1463	Bolt	89, 1048
334-1466	Bolt	997, 1009, 1049
334-1467	Collar	995, 997, 1011, 1014
334-1468	Washer	1058
334-1469	Bolt	995, 997, 1003, 1007, 1011, 1049
334-1470	Collar	1003
334-1472	Strap	1011
334-1475	Bolt	1049
334-1477	Washer	1011, 1058
334-1478	Strap	995, 1011
334-1479	Strap	1011
334-1480	Bolt	995, 997, 997, 1003, 1007, 1009, 1011, 1049
334-1481	Strap	1011
334-1482	Shaft	1001
334-1484	Plate	1053
334-1485	Plate	1053
334-1489	Bolt	1048
334-1490	Bolt Kit	1048
334-1493	Bolt	1048
334-1500	Stud	681-683, 729
334-1522	Bolt	1049
334-1530	Bolt Kit	1048
334-1532	Bolt Assy	1071, 1048
334-1534	Nut	1056
334-1548	Cap	559
334-1554	Bolt Assy	769, 1048
334-1559	Bolt/Roller Assy	143
334-1560	Bolt/Bush Assy	407, 409
334-1565	Shaft	433, 463
334-1566	Shaft/Bush Assy	433
334-1567	Bolt Kit	1048
334-1569	Shaft	563
334-1570	Shaft	563
334-1571	Bolt/Bush Assy	143
334-1572	Linkage	657, 681-683, 685, 687, 729, 1036
334-1573	Collar	359, 361-363, 365-367, 385, 395, 405
334-1574	Collar	359, 361-363, 365-367, 386, 395, 405, 417
334-1576	Service Kit	359, 361-363, 365-367, 386
334-1578	Bolt/Bush Assy	205
334-1579	Service Kit	359, 361-363, 365-367
334-1580	Valve	67, 77, 583, 585, 629, 665, 797, 1036
334-1581	Valve	583, 585, 588, 665, 1036
334-1582	Bolt/Bush Assy	183
334-1583	Sleeve	127, 129, 131, 1027
334-1584	Shim	127, 129, 131, 1027
334-1585	Shim	127, 129, 131, 1027
334-1588	Service Kit	399, 417
334-1589	Washer	399, 405, 418, 1058
334-1590	Lock Tab	609-611, 613
334-1591	Cap Screw	609-611, 613, 1048
334-1592	Pad Assy	779
334-1593	Bolt Assy	983, 1048

Part No.	Desc.	Page
334-1594	Bolt Assy	983, 1048
334-1595	Spacer	983
334-1596	Mounting Kit	983
334-1597	Pad Kit	233-235
334-1598	Valve	1037
334-1599	Valve	1037
334-1600	Valve	1037
334-1601	Valve	1037
334-1602	Pad Kit	233-235, 341
334-1603	Pad Kit	233-235, 297, 341
334-1604	Collar	565, 574
334-1605	Valve	657, 681-683, 685, 687, 729
334-1605	Valve	1037
334-1606	Gauge	1037
334-1606A	Gauge	1037
334-1607	Strap	685, 729
334-1608	Valve	1037
334-1611	Bolt	889
334-1612	Service Kit	443, 445-447, 449-451
334-1617	Service Kit	511-513, 524
334-1619	Service Kit	775
334-1620	Collar Assy	511-513
334-1621	Collar Assy	511-513
334-1622	Spacer	715-717, 729
334-1624	Shackle Kit	939
334-1625	Linkage	1037
334-1626	Spring Cup	691-693, 729
334-1627	Service Kit	361-363
334-1628	Retrofit Kit	359, 361-363, 386
334-1629	Mounting Kit	359, 361-363, 386
334-1630	Mounting Kit	359, 361-363, 386
334-1631	Mounting Kit	359, 361-363, 386
334-1632	Bolt Assy	365-367
334-1634	Strap	289, 291, 293, 341
334-1637	Service Kit	359, 361-363, 386
334-1638	Bracket	507, 524
334-1647	Valve	237-239, 342, 359, 361-363, 365-367, 369, 386, 505, 509, 515, 547, 574, 973, 986, 1005, 1007, 1014, 1037
334-1648	Valve	233-235, 243-245, 251, 253, 342, 509, 515, 547, 574, 777, 789, 973, 986, 1005, 1007, 1014, 1037
334-1648A	Valve	427, 428, 1038
334-1649	Collar	762, 997, 1003, 1009, 1014
334-1650	Bolt	539, 541, 575, 1048
334-1652	Bracket	141, 157
334-1654	Bracket Assy	141, 157
334-1655	Tool	359, 361-363, 386
334-1656	Bolt Assy	19, 131, 533, 967, 969, 1027, 1049
334-1659	Washer	215, 2211058
334-1660	Washer	215, 1058
334-1661	Spacer Tube	405
334-1665	Lubricant	243-245, 251, 359, 361-363, 365-367, 369, 395, 1005
334-1666	Bolt Assy	361-363
334-1667	Spacer	361-363, 386
334-1668	Bolt	685, 1049
334-1670	Service Kit	585, 588
334-1672	Bushing Assy	585, 588
334-1673	Bolt Assy	585, 588
334-1674	Service Kit	585, 588
334-1675	Bolt Assy	585, 588
334-1676	Service Kit	585, 588
334-1677	Bushing Assy	585, 589
334-1680	Service Kit	585, 589
334-1682	Bolt Assy	607, 923, 1049
334-1683	Bolt Assy	923, 1049
334-1684	Washer	923, 924, 1058
334-1685	Collar	923, 924
334-1686	Service Kit	923, 924
334-1687	Service Kit	923, 924
334-1688	Service Kit	923, 924
334-1689	Service Kit	241, 342
334-1690	Service Kit	241, 342, 575
334-1691	Bolt Assy	241, 659, 1049
334-1692	Valve	241, 342, 1038
334-1693	Collar	241, 427, 342, 428
334-1694	Collar	241, 427, 342, 428
334-1695	Washer	231, 233-235, 342, 1058
334-1698	Service Kit	243-245, 251, 342
334-1698A	Service Kit	243-245, 251
334-1699	Service Kit	243-245, 251, 342
334-1701	Bolt Assy	243-245, 251, 665, 781, 1049
334-1702	Mounting Kit	359, 361-363, 387
334-1703	Bracket	251, 343
334-1704	Bolt	251, 1049

Part Number 334-1705 to 334-2028

334-1705 to 334-2028

Numeric Listing

Part No.	Desc.	Page
334-1705	Service Kit	251, 343
334-1706	Service Kit	251, 343
334-1707	Service Kit	251, 343
334-1708	Bolt Assy	251, 1049
334-1710	Service Kit	231, 343
334-1711	Service Kit	231, 343
334-1712	Bolt Assy	231, 243-245, 251, 1049
334-1713	Bracket Assy	231, 233-235
334-1714	Collar	231, 343, 427, 428
334-1715	Collar	231, 343, 427, 428
334-1716	Valve	21, 31, 231, 343
334-1717	Bracket	231, 233-235, 344
334-1718	Bracket	231, 344
334-1719	Plate Kit	289, 344
334-1720	Auxiliary Kit	289, 344
334-1721	Fastener Kit	289
334-1722	Strap Kit	289, 344
334-1723	Bolt Assy	133, 251, 289, 320, 597, 603, 1048
		289, 1048
334-1724	Bolt Assy	289, 291-293
334-1725	Retrofit Kit	289, 291-293, 344
334-1726	Retrofit Kit	289, 291-293, 344
334-1727	Service Kit	289, 344
334-1728	Shim	289, 344
334-1729	Clip	289
334-1730	Spacer Kit	813, 864
334-1731	Service Kit	19, 31, 533, 575, 599, 967, 986
		19, 31
334-1732	Service Kit	19, 31
334-1733	Service Kit	19, 31
334-1734	Bolt Assy	123-125, 597, 601, 1021, 1033, 1048
		123-125, 1021, 1048
334-1735	Bolt Assy	123-125, 1021, 1048
334-1736	Bolt Assy	123-125, 1021, 1048
334-1737	Bolt Assy	19, 685, 1021, 1048
334-1738	Bolt Assy	19, 123-125, 1021
334-1739	Replmnt Kit	19, 1038
334-1740	Bolt Assy	123-125, 933
334-1740	Bolt Assy	1021
334-1741	Bolt Assy	123-125, 933, 1021, 1048
334-1742	Mounting Kit	123-125, 157, 933, 936, 1021, 1029
		123-125, 157, 933, 936, 935, 1021, 1029
334-1743	Liner	123-125, 157, 933, 936, 935, 1021, 1029
		123-125, 157, 597, 601, 648, 933, 935, 936, 1021, 1029
334-1744	Liner	157, 648, 936, 1021, 1029
		19, 123-125, 253, 597, 599, 933, 935, 1021
334-1744	Spacer	123-125, 157, 1021, 1029, 1038
		123-125, 157, 1021, 1029, 1038
334-1746	Valve	123-125, 157, 1021, 1029, 1038
		123-125, 157, 933, 936, 1021, 1029
334-1748	Washer	123-125, 157, 933, 936, 1021, 1029
		19, 31, 121, 533, 158, 575, 967, 987
334-1749	Washer	123-125, 533, 933, 967, 1021
		123-125, 1021
334-1753	Pin	123-125, 1021
334-1755	Pin	533, 967
334-1756	Pin	533, 967
334-1757	Pin	533, 967
334-1758	Service Kit	533, 575, 967
334-1759	Service Kit	533, 967, 1048
334-1760	Service Kit	967
334-1761	Service Kit	533, 967
334-1762	Service Kit	967
334-1763	Valve	533, 575, 967, 1038
334-1765	Valve	533, 575, 967, 1038
334-1766	Valve	533, 575, 967, 1038
334-1767	Service Kit	533, 575, 967, 1049
334-1771	Bolt	803, 813, 864
334-1772	Collar	813, 864
334-1773	Collar	659, 685, 729
334-1774	Shim	685, 729
334-1775	Shim	685, 729
334-1776	Bolt	657, 1049
334-1777	Washer	657, 1058
334-1778	Collar	657, 729
334-1779	Service Kit	67, 77
334-1780	Service Kit	67, 77
334-1782	Bolt Assy	19, 67, 121, 123-125, 133, 297, 659, 671, 695, 933, 935, 1048
		67, 1033, 1048
334-1783	Bolt Assy	67, 78, 1058
334-1784	Washer	67, 78, 1058
334-1786	Bolt Assy	679, 707, 730
334-1787	Washer	679, 707, 730
334-1788	Collar	679, 707
334-1789	Pad	135, 158
334-1790	Pad	135, 158

Part No.	Desc.	Page
334-1791	Service Kit	291, 293, 344
334-1793	Rebound Kit	773, 775
334-1796	Service Kit	511-513, 524
334-1796A	Service Kit	511-513
334-1798	Spacer	291, 293, 344
334-1799	Spacer	291, 293, 345
334-1800	Plate	291, 293, 345
334-1800	Plate	291, 293, 345
334-1801	Plate	291, 293, 345
334-1802	Spacer	359, 361-363, 387
334-1803	Spacer	359, 361-363, 365-367, 387
334-1804	Spacer	359, 361-363, 365-367, 387
334-1805	Spacer	359, 361-363, 365-367, 387
334-1806	Bolt Assy	511-513, 1048
334-1807	Cap	983, 1048
334-1808	Service Kit	983, 987
334-1809	Service Kit	983, 987
334-1810	Washer	359, 361-363, 365-367, 369, 387, 395, 418, 1005, 1007, 1014, 1058
		813, 864
334-1811	Yoke	813, 864
334-1813	Service Kit	365-367
334-1814	Service Kit	365-367
334-1815	Service Kit	365-367
334-1816	Service Kit	365-367
334-1817	Washer	359, 361-363, 1058
334-1818	Bolt Kit	813
334-1819	Mounting Kit	813
334-1820	Mounting Kit	813
334-1821	Mounting Kit	813
334-1822	Washer	769, 789, 971, 1058
334-1825	Control Panel	1014, 1038
334-1826	Service Kit	67
334-1827	Pad	443, 445-447, 449-451
334-1828	Disk	361-363, 387
334-1833	Bracket	507, 524
334-1836	Valve	585, 587, 589, 883, 885, 887, 889, 893, 915, 1038
		1005, 1007, 1014, 1058
334-1837	Washer	1005, 1007, 1014, 1058
334-1838	Collar	1005, 1007, 1014
334-1839	Bolt	1007, 1049
334-1840	Service Kit	145, 158
334-1841	Service Kit	145, 158
334-1842	Service Kit	145, 158
334-1843	Service Kit	145, 158
334-1844	Service Kit	145, 158
334-1845	Service Kit	289, 345
334-1846	Valve	371, 387, 1038
334-1847	Service Kit	365-367, 387
334-1848	Bushing Kit	1088
334-1849	Bushing	1088
334-1850	Bushing Kit	1088
334-1851	Bushing Kit	1088
334-1852	Bushing Kit	1088
334-1853	Valve	585, 587, 883, 885, 915, 1039
		585, 587, 883, 885, 1039
334-1854	Valve	585, 587, 883, 885, 1039
334-1855	Insert	1005, 1007
334-1856	Plate	401
334-1857	Bushing	401, 418
334-1858	Service Kit	1005, 1007, 1014
334-1859	Service Kit	1005, 1007, 1014
334-1860	Service Kit	395, 418
334-1861	Service Kit	395, 418
334-1862	Bolt Assy	399, 418
334-1863	Bolt	1049
334-1867	Bolt Assy	1049
334-1869	Bolt Assy	1049
334-1871	Service Kit	515, 525
334-1872	Service Kit	515, 525
334-1874	Service Kit	237-239
334-1875	Service Kit	241, 345
334-1876	Service Kit	241, 345
334-1878	Service Kit	359, 361-363
334-1881	Collar	997, 1015
334-1882	Collar	997, 1015
334-1883	Spacer	997, 1015
334-1884	Spacer	997, 1015
334-1889	Washer	1058
334-1891	Nut	1057
334-1894	Spring	289, 291-293, 345
334-1895	Shim	291-293, 345
334-1896	Spring	291-293, 295
334-1897	Bolt Assy	1033, 1048
334-1901	Kit	382
334-1902	Kit	382
334-1903	Kit	382
334-1905	Kit	382
334-1906	Kit	382
334-1907	Kit	382
334-1908	Kit	382

Part No.	Desc.	Page
334-1909	Kit	382
334-1910	Service Assy	827, 864
334-1915	Plate	41-43, 55
334-1917	Control Kit	1039
334-1918	Lubricant	67, 243-245, 251, 359, 361-363, 365-367, 369, 395, 1005
		1056
334-1919	Nut	903, 915
334-1921	Service Kit	903, 915
334-1922	Service Kit	903, 915
334-1923	Sleeve	507, 525
334-1924	Washer	657, 730, 1058
334-1925	Nut	657, 730, 1056
334-1926	Washer	657, 730, 1058
334-1927	Washer	657, 1058
334-1930	Bracket Assy	233-235, 345
334-1932	Air Kit	1039
334-1934	Control Kit	1039
334-1935	Gusset	41-43, 55
334-1937	Bolt	1048
334-1938	Bolt Assy	1048
334-1941	Valve	123-125, 158, 1021, 1029, 1039
		123-125, 158, 1021, 1029, 1039
334-1942	Valve	123-125, 158, 1021, 1029, 1039
		533, 576, 967, 1039
334-1943	Valve	533, 576, 967, 1039
334-1944	Valve	533, 576, 967, 1039
334-1951	Pad	833-835, 864
334-1952	Service Kit	837, 864
334-1954	Control Kit	395, 399, 401, 418, 1039
334-1956	Control Kit	397, 399, 401, 418, 1039
334-1957	Bushing	253, 259-261, 265, 269, 273-275, 277, 281, 289, 291-293, 295, 309, 345, 797, 999, 901, 915
		689
334-1958	Bushing	689
334-1959	Strap Kit	382
334-1960	Service Kit	699, 730
334-1961	Service Kit	699, 730
334-1962	Service Kit	699, 730
334-1963	Washer	699, 730, 1058
334-1964	Valve	699, 730, 1039
334-1965	Valve	699, 731, 1040
334-1967	Valve	1040
334-1968	Service Kit	289, 346
334-1969	Hose Assy	373, 387
334-1970	Hose Assy	373, 388
334-1971	Fitting	373, 388
334-1972	Fitting	373, 388
334-1973	Rotary Union	373, 388
334-1974	Valve	1040
334-1975	Hose Assy	373, 388
334-1979	Pad	445-447
334-1981	Pad	139, 159
334-1983	Rotary Union	373, 388
334-1984	Repair Kit	551, 988
334-1984	Repair Kit	981, 981, 988
334-1985	Repair Kit	551, 981, 983, 988
334-1987	Bracket	507
334-1988	Bracket	507
334-1991	Seal	543, 576
334-1993	Pad	141, 159
334-1994	Pad	141, 159
334-1996	Bolt	1048
334-2000	Bracket	629, 648
334-2002	Bolt	661
334-2003	Valve	123-125, 1021, 1040
334-2004	Block	661, 731
334-2005	Washer	661, 731, 1058
334-2007	Valve Kit	1040
334-2008	Bracket Assy	233-235, 346, 427, 429
334-2009	Collar	697, 703, 707, 731
334-2010	Service Kit	365-367, 388
334-2011	Service Kit	365-367, 388
334-2012	Bushing	365-367, 388, 1068
334-2013	Lift Kit	361-363, 365-367, 375, 388
334-2015	Bolt Kit	509, 777, 1049
334-2016	Valve	1040
334-2017	Valve	377, 389
334-2018	Valve	361-363, 365-367
334-2019-1	Control, Lift	375, 389
334-2019-2	Control, Lift	375
334-2020	Compr Cone	551, 981
334-2021	Plate	663
334-2022	Plate	663
334-2023	Plate	663
334-2024	Service Kit	663
334-2025	Connect Kit	663
334-2026	Connection Kit	663
334-2027	Bolt Assy	1049
334-2028	Tool	243-245, 251, 346

334-2029 to 338-238

Part Number 334-2029 to 338-238

Part No.	Desc.	Page	Part No.	Desc.	Page	Part No.	Desc.	Page
334-2029	Service Kit	289, 346	334-2130	Bolt Kit	663, 1048	338-131	Saddle Assy	269
334-2030	Service Kit	289, 346	334-2131	Bushing Tool	663, 703	338-132	Saddle Assy	269
334-2031	Service Kit	289, 346	334-2132	Repair Kit	695	338-133	Hanger	330
334-2032	Rebound Pin	943, 946	334-2133	Block	695	338-134	Hanger	331
334-2033	Control Kit	399, 401, 418, 1040	334-2134	Service Kit	697	338-135	Hanger	331
334-2034-1	Control Kit	1040	334-2135	Service Kit	697	338-137	Hanger	328
334-2034-2	Control Kit	1040	334-2138	Service Kit	701	338-138	Hanger	328
334-2035	Service Kit	289, 346	334-2140	Tool	701	338-139	Hanger	328
334-2036	Service Kit	289, 346	334-2141	Bolt Kit	703	338-142	Saddle Assy	259-261
334-2037	Bolt Kit	365-367, 389	334-2145	Bolt Assy	903, 1049	338-143	Saddle Assy	259-261, 347
334-2042	Bolt Kit	21	334-2146	Plate	883, 885, 897, 915	338-144	Saddle Assy	259-261, 347
334-2043	Service Kit	21, 31	334-2147	Bolt Assy	885	338-145	Beam	308
334-2044	Service Kit	21, 31	334-2152	Bolt Assy	895, 911	338-148	Cap	307
334-2045	Washer	121	334-2153	Tool	891, 895, 911	338-150	Hanger	330
334-2046	Rebound Assy	133, 159	334-2154	Bolt Assy	883	338-151	Hanger	330
334-2048	Bolt Kit	405	334-2155	Bolt Kit	891	338-156	Hanger	271, 273-275, 277, 326, 337
334-2049	Pin	371, 389	334-2156	Washer	891, 916, 1058	338-157	Hanger	326
334-2050	Pin	371, 389	334-2157	Washer	891, 1058	338-158	Plate	271, 273-275, 277, 347
334-2051	Linear Actuator	371, 389	334-2158	Plate	891	338-160	Cap	255, 271, 273-275, 277, 279, 347
334-2052	Linear Actuator	371, 389	334-2159	Bolt Assy	891, 1048	338-161	Saddle Assy	263, 265, 347
334-2053	Valve	373, 389	334-2160	Bolt Assy	891, 1048	338-162	Saddle Assy	265, 348
334-2054	Harness	373, 389	334-2161	Bolt Assy	891, 1048	338-163	Hanger	283, 348
334-2055	Harness	373	334-2162	Service Kit	891, 916	338-164	Hanger	255
334-2056	Hub Cap	373, 389	334-2163	Service Kit	891	338-167	Pad	267, 348
334-2057	Hub Cap	373, 390	334-2164	Service Kit	891	338-168	Saddle Cap	267, 279, 348
334-2058	Hub Cap	373, 390	334-2165	Tool	891	338-169	Hanger	287
334-2059	Hub Cap	373, 390	334-2166	Bolt Assy	933, 935, 1049	338-170	Hanger	287
334-2060	Hub Cap	373, 390	334-2167	Valve	933, 1041	338-171	Hanger	287, 348
334-2061	Hub Cap	373, 390	334-2168	Valve	933, 1041	338-172	Stop	287, 348
334-2062	Hub Cap	373, 390	334-2169	Washer	933	338-181	Bracket	231, 233-235, 237-239, 241, 243-245, 251, 253, 257, 259-261, 265, 269, 271, 273-275, 277, 281, 283, 287, 289, 291-293, 295, 427, 629, 797, 883, 1090
334-2063	Hub Cap	373, 390	334-2170	Bolt Kit	933	338-182	Hanger	330
334-2064	Spindle Plug	373, 390	334-2171	Bolt Kit	933	338-183	Bracket	1090
334-2065	Spindle Plug	373, 390	334-2172	Bolt Assy	933, 935	338-186	Hanger	328
334-2066	Hose Assy	373, 390	334-2185	Bolt Kit	537, 969, 1049	338-187	Hanger	330
334-2067	Hose Assy	373, 391	334-2186	Spacer	537, 969	338-188	Hanger	809-811, 865
334-2068	Hose Assy	373, 391	334-2187	Spacer	537, 969	338-189	Hanger	809-811, 865
334-2069	Tee Fitting	373, 391	334-2193	Pad	537, 576, 969	338-190	Hanger	809-811, 865
	Guard		334-2194	Plate	537, 576, 969	338-191	Hanger	809-811, 865
334-2070	Filter Kit	373	334-2195	Rebound Pin	537, 969	338-192	Hange	809-811, 865
334-2071	Filter Kit	373	334-2196	Rebound Pin	973, 975	338-193	Hanger	809-811, 865
334-2072	Hose Clamp	373	334-2197	Pad	975, 988	338-194	Hanger	809-811, 815, 865
334-2074	Spring	377	334-2199	Pad	547, 973	338-195	Hanger	809-811, 815, 865
334-2075	Spring	377	334-2205	Bolt Kit	1048	338-196	Hanger	809-811, 815, 866
334-2076	Spring	377	334-2210	Washer	773	338-197	Hanger	809-811, 815, 866
334-2077	Spring	377, 391, 1040	334-2212	Hose Assy	373, 391	338-198	Hanger	332
334-2078	Spring	377, 391, 1040	334-2213	Hose Assy	373, 391	338-199	Equalizer	809-811, 866, 1093
334-2079	Bolt Kit	423	334-2214	Stud	507	338-200	Saddle	35, 36, 81, 83, 84, 805, 807, 809-811, 815, 817, 819, 827, 833-835, 837, 839, 841, 843, 845, 847, 849, 851, 853, 855, 866, 883, 916
334-2080	Stud	423	334-2215	Bracket	507	338-202	Plate	69, 71, 78, 805, 809-811, 815, 817, 866
334-2081	Pad	425, 429	334-2216	Bracket	507	338-203	Plate	69, 71, 73, 75, 78, 84, 709, 731, 805, 809-811, 815, 817, 819, 829-831, 833-835, 866
334-2082	Washer	425, 429, 1058	334-2217	Lift Kit	375	338-205	Bracket	809-811, 866
334-2083	Pin	425	334-2218	Bolt Assy	1033, 1048	338-206	Bracket	809-811, 866
334-2086	Spherical Washer	427	334-2219	Tool	699	338-207	Bracket	809-811, 866
	Stud	509, 777	334-2220	Plate	895, 911	338-209	Bracket	809-811, 866
334-2087	Stud	507	334-2224	Collar	803	338-212	Bracket	809-811, 829-831, 867
334-2088	Stud	507	334-2225	Adjuster	803, 865	338-215	Plate	809-811, 817, 867
334-2090	Bolt Assy	537, 1049	334-2226	Valve	803	338-216	Plate	809-811, 817, 867
334-2091	Bolt	893, 915	334-2227	Bolt Assy	607, 1049	338-217	Bracket	809-811, 867
334-2092	Receiver Ring	893	334-2228	Shock Eye	609-611, 648	338-218	Bracket	809-811, 867
334-2093	Washer	893	334-2230	Washer	537, 969	338-219	Clip	867
334-2094	Bolt/Pin	547, 973	334-2231	Plate	891	338-220	Clip	809-811, 817, 829-831, 833-835, 867
334-2095	Bolt/Bush Assy	864	334-2233	Service Kit	803, 865	338-221	Spacer	443, 445-447, 449-451, 805, 809-811 815, 817, 819, 829-831, 833-835, 839, 841, 843, 845, 847, 849, 851
334-2096	Roller	547, 973	334-800001	Install Pack	797	338-222	Spacer	805, 809-811, 815, 817, 819, 829-831, 839, 841, 843, 845, 849
334-2097	Stud Kit	547, 973, 1049	334-800004	Install Pack	797	338-223	Spacer	805, 809-811, 815, 817, 819, 829-831, 839, 841, 843, 845, 849
334-2097	Stud Kit	973	334-800005	Install Pack	797	338-224	Equalizer	805, 867, 1093
334-2099	Bolt Assy	551, 981, 1049	334-800007	Install Pack	797	338-225	Equalizer	805, 867
334-2100	Service Kit	551, 981, 988	334-800029	Install Pack	797	338-231	Equalizer	815, 868, 1092
334-2101	Spacer	551, 981, 983	334-800088	Bracket	797	338-237	Equalizer	817, 868, 1092
334-2102	Retainer	981, 983	338-100	Hanger	328	338-238	Bracket	817, 819, 829-831, 868
334-2103	Retainer	981, 983	338-101	Hanger	328			
334-2104	SHCS Assy	551, 981, 983	338-103	Hanger	328			
334-2105	SHCS Assy	551, 981, 983	338-104	Hanger	328			
334-2106	Bolt Assy	551, 981, 983, 1048	338-105	Hanger	328			
334-2107	Service Kit	587, 589	338-106	Hanger	328			
334-2108	Service Kit	587, 589	338-107	Hanger	328			
334-2109	Collar	583, 587, 589	338-108	Pad	257, 259-261, 263, 265, 346			
334-2110	Collar	583, 587, 589	338-109	Hanger	332			
334-2113	Bushing	583, 589	338-110	Hanger	332			
334-2114	Bushing Kit	583, 589	338-111	Hanger	330			
334-2115	Valve	1041	338-112	Hanger	330			
334-2116	Valve	1041	338-113	Hanger	330			
334-2117	Service Kit	597	338-114	Hanger	330			
334-2118	Service Kit	597	338-115	Hanger	332			
334-2119	Washer	597	338-116	Hanger	332			
334-2121	Bolt Kit	599	338-117	Saddle Assy	257, 346			
334-2122	Bolt Assy	633, 1048	338-118	Saddle Assy	257, 347			
334-2123	Bracket	609-611, 648	338-123	Cap, Saddle	255, 271, 283, 347, 979			
334-2124	Bracket	609-611	338-124	Pad	269, 347			
334-2125	Shock Eye	609-611, 648	338-127	Saddle Cap	269, 347			
334-2126	Shock Eye	609-611, 648	338-128	Hanger	331			
334-2128	Bolt Kit	659	338-129	Hanger	331			
334-2129	Bolt Kit	659	338-130	Hanger	331			

Numeric Listing

Part Number 338-240 to 338-815

Part No.	Desc.	Page
338-240	Bracket	817
338-242	Bracket	817
338-243	Equalizer	817, 868, 1092
338-244	Spring Seat	805
338-246	Bracket	809-811, 868
338-248	Equalizer	819, 868, 1094
338-249	Equalizer	819, 868, 1094
338-250	Bracket	819
338-257	Hanger	856
338-261	Hanger	839, 841, 843, 845, 856
338-262	Hanger	839, 841, 843, 845, 856
338-263	Hanger	839, 841, 843, 845, 857
338-264	Hanger	839, 841, 843, 845, 857, 868
338-265	Hanger	839, 841, 843, 845, 857, 868
338-294	Hanger	839, 841, 843, 845, 856
338-295	Hanger	839, 841, 843, 845, 856
338-296	Hanger	839, 841, 843, 845, 857
338-297	Hanger	839, 841, 843, 845, 857, 868
338-298	Hanger	839, 841, 843, 845, 857, 868
338-300	Equalizer	839, 869, 1092
338-327	Hanger	857
338-328	Equalizer	839, 869, 1092
338-342	Hanger	857
338-343	Equalizer	839, 1092
338-347	Hanger	851, 869
338-348	Hanger	851, 869
338-349	Hanger	851, 869
338-350	Equalizer	1094
338-351	Equalizer	851, 869, 1094
338-352	Shackle	851, 869
338-353	Shackle	851, 869
338-373	Hanger	833-835, 869
338-374	Hanger	833-835, 870
338-375	Hanger	225, 227, 833-835, 870
338-376	Pad	833-835, 870
338-378	Equalizer	222, 275, 833-835, 870, 1092
338-379	Plate	870
338-381	Saddle	13, 14, 71, 78, 223, 225, 227, 433, 439, 443, 445-447, 449-451, 463, 809-811, 829-831, 833-835, 870
338-382	Bracket	833-835, 870
338-383	Seat	833-835, 870
338-384	Bracket	833-835, 870
338-385	Seat	833-835, 870
338-386	Bracket	817, 833-835, 871
338-388	Plate	833-835, 837
338-389	Plate	833-835, 837
338-390	Plate	833-835, 871
338-391	Bracket	833-835, 871
338-393	Bracket	833-835, 871
338-396	Spacer	443, 449-451, 833-835, 839, 841, 843, 845, 849, 851
338-397	Spacer	171, 179, 443, 449-451, 833-835, 839, 841, 843, 845, 849, 851
338-399	Seat	13, 14, 460
338-400	Seat	460
338-401	Seat	13, 14, 460
338-402	Seat	460
338-403	Hanger	456
338-404	Hanger	456
338-405	Hanger	456
338-406	Hanger	457
338-407	Hanger	457
338-408	Equalizer	443, 445-447, 463, 1092
338-409	Bracket	460
338-410	Bracket	460
338-411	Bracket	460
338-412	Bracket	460
338-413	Bracket	460
338-414	Bracket	445-447, 449-451, 463
338-415	Plate	13, 14, 225, 227, 433, 439, 445-447, 449-451, 464, 809-811, 871
338-416	Hanger	457
338-417	Hanger	457
338-418	Hanger	457
338-419	Equalizer	227, 443, 445-447, 464, 1092
338-419E	Equalizer	223
338-419HD	Equalizer	223, 227, 443, 445-447, 464
338-419S	Equalizer	223, 443, 445-447, 1092
338-420	Plate	435, 437, 464, 999, 1001, 1015

Part No.	Desc.	Page
338-421	Bracket	437, 464, 721, 731, 759, 763, 999, 1015
338-422	Bracket	437, 464, 711, 731, 721, 759, 763, 999, 1015
338-423	Trunnion	435, 437, 464
338-424	Trunnion	435, 437, 464, 999, 1001, 1015
338-425	Bracket	437, 464, 721, 731, 759, 763, 999, 1015
338-426	Trunnion	437, 464
338-427	Hanger	433, 465
338-428	Hanger	433, 465
338-429	Hanger	433, 465
338-430	Hanger	433, 465
338-435	Equalizer	433, 465, 1092
338-437	Plate	445-447
338-438	Bracket	445-447, 449-451, 465
338-440	Hanger	223, 227, 458
338-441	Hanger	223, 227, 458
338-442	Hanger	223, 227, 459
338-443	Hanger	223, 227, 459
338-444	Bracket	223, 228, 460, 465
338-446	Bracket	460
338-447	Bracket	460
338-448	Bracket	443, 449-451, 465
338-449	Bracket	443, 449-451, 465
338-451	Hanger	458
338-452	Hanger	458
338-453	Hanger	459
338-454	Hanger	459
338-455	Hanger	228, 459
338-455S	Hanger	223
338-456	Hanger	228, 459
338-456S	Hanger	223
338-457	Hanger	459
338-458	Hanger	459
338-461	Bracket	460
338-462	Bracket	460
338-463	Bracket	460
338-464	Bracket	460
338-465	Seat	460
338-466	Seat	460
338-469	Bracket	445-447, 449-451, 465
338-470	Plate	445-447, 449-451, 466, 829-831
338-471	Plate	177, 185, 829-831, 443, 445-447, 449-451, 466, 829-831, 871
338-472	Equalizer	466, 1092
338-473	Bracket	460
338-474	Bracket	460
338-475	Bracket	460
338-476	Bracket	460
338-477	Bracket	460
338-478	Seat	460
338-479	Seat	460
338-480	Cap	437, 466
338-483	Plate	443, 445-447
338-484	Saddle	437, 466
338-485	Seat	437, 466
338-488	Cap	437, 466
338-489	Seat	437, 466
338-490	Seat	437, 466
338-491	Seat	437, 466
338-492	Cap	437, 467
338-494	Cap	437, 467
338-495	Cap	455
338-496	Bar	455
338-497	Bracket	437, 467, 721, 731, 759, 763, 999, 1015
338-499	Plate	437, 467
338-499S	Plate	437
338-505	Seat	460
338-506	Seat	460
338-507	Equalizer	449-451, 467, 1093
338-509	Seat Assy	433
338-513	Plate	433
338-605	Equalizer	823, 871, 1093
338-662	Bracket	773, 789
338-663	Bracket	773, 790
338-683	Seat	81, 84
338-685	Seat	81, 85
338-699	Equalizer	81, 83, 85, 1092
338-700	Equalizer	81, 85, 1092
338-701	Hanger	771, 790
338-702	Trunnion	557, 576
338-704	Trunnion	555, 576
338-705	Equalizer	151, 159
338-706	Hanger	149, 159
338-708	Equalizer	517, 525, 1092
338-709	Trunnion	553, 576

Part No.	Desc.	Page
338-710	Trunnion	553, 565, 576
338-711	Trunnion	553, 576
338-712	Trunnion	553, 565, 577
338-713	Saddle	553, 577
338-714	Saddle	555, 557, 559, 577
338-715	Equalizer	171, 173, 185, 1092
338-716	Hanger	329
338-717	Equalizer	785, 790
338-718	Saddle	773, 779, 790
338-719	Hanger	609-611, 648
338-720	Hanger	609-611, 648
338-721	Hanger	625, 648
338-722	Saddle	151, 159
338-724	Equalizer	839, 871, 1092
338-725	Plate	773, 790
338-728	Insulator Box	553, 555, 557, 577
338-729	Spacer	553, 555, 557, 559, 565, 567, 577
338-730	Trunnion	563, 577
338-731	Trunnion	561, 577
338-732	Beam	308
338-733	Beam	308
338-734	Beam	308
338-735	Hanger	331
338-736	Hanger	331
338-737	Hanger	151, 159
338-738	Hanger	127, 159
338-739	Seat	809-811, 819, 829-831, 871
338-741	Saddle	639, 643
338-742	Saddle	639, 643
338-743	Saddle Assy	273-275
338-744	Saddle Assy	273-275
338-745	Saddle Assy	273-275
338-746	Insulator Box	553, 555, 557, 559, 567, 577
338-747	Hanger	332
338-748	Hanger	329
338-749	Equalizer	979, 988, 1092
338-752	Clamp	785
338-753	Bracket	785, 790
338-754	Bracket	785, 790
338-755	Saddle	561, 563, 577
338-757	Equalizer	637, 649, 1092
338-758A	Hanger	127, 159
338-759	Hanger	785, 790
338-760	Hanger	237-239, 301, 303, 348
338-761	Hanger	301, 348
338-762	Hanger	301, 303, 348
338-763	Equalizer	301, 349, 1094
338-764	Shackle	301, 349
338-765	Shackle	301, 349
338-766	Saddle	297, 301, 349
338-767	Bracket	301, 349
338-768	Bracket	301, 349
338-769	Plate	301
338-770	Plate	301
338-771	Plate	301
338-772	Plate	301
338-773	Plate	301
338-779	Bracket	773, 779, 790, 1090
338-780	Hanger	324, 325
338-781	Hanger	324, 325
338-782	Hanger	324, 325
338-783	Hanger	324, 325
338-784	Hanger	769, 790
338-785	Shackle	769, 791
338-786	Shackle	771, 791
338-787	Hanger	627, 649
338-788	Hanger	627
338-789	Hanger	328
338-790	Hanger	329
338-791	Hanger	329
338-792	Hanger	329
338-793	Hanger	329
338-794	Hanger	329
338-795	Hanger	329
338-796	Hanger	329
338-797	Hanger	329
338-798	Hanger	329
338-803	Hanger	953, 961
338-804	Hanger	953, 961
338-805	Hanger	953, 955, 961
338-806	Hanger	953, 955, 961
338-807	Equalizer	953, 961, 1092
338-808	Plate	953, 955, 962
338-809	Plate	953, 955, 962
338-810	Saddle	953, 955, 957, 962
338-811	Paddle	773, 779, 791
338-812	Paddle	773, 779, 791
338-814	Hanger	331
338-815	Hanger	331

Part Number 338-816 to 338-1338

338-816 to 338-1338

Numeric Listing

Part No.	Desc.	Page
338-816	Hanger	331
338-817	Hanger	324, 325
338-818	Hanger	324, 325
338-819	Hanger	545, 577
338-820	Bracket	545
338-821	Hanger	545
338-822	Eye	143, 160
338-824	Saddle	109, 111, 113
338-825	Spacer	109, 111, 114
338-826	Saddle	109, 111, 114
338-828	Hanger	619, 649
338-829	Spacer	201, 207
338-830	Seat	109, 111, 114
338-831	Seat	109, 114
338-832	Seat	109, 111, 114
338-836	Hanger	324
338-837	Hanger	324
338-838	Hanger	324, 325
338-839	Hanger	324, 325
338-840	Hanger	785, 791
338-841	Hanger	609-611, 613, 649
338-842	Hanger	329
338-843	Hanger	331
338-844	Hanger	129, 160
338-847	Hanger	97, 114
338-854	Equalizer	1092
338-858	Hanger	856
338-859	Hanger	856
338-860	Hanger	856
338-861	Hanger	856
338-862	Hanger	856
338-863	Hanger	857
338-864	Hanger	857
338-865	Hanger	857
338-866	Hanger	857
338-867	Hanger	857
338-868	Hanger	857
338-869	Hanger	857
338-871	Equalizer	833-835, 872, 1092
338-874	Bracket	289, 1090
338-875	Bracket	1090
338-876	Pad	721, 759, 764, 999, 1001, 1016
338-879	Hanger	197, 207
338-882	Hanger	457
338-883	Hanger	457
338-884	Hanger	459
338-885	Hanger	459
338-886	Equalizer	443, 445-447, 467, 1092
338-886S	Equalizer	443, 445-447, 1092
338-886U	Equalizer	443, 445-447, 467
338-887	Equalizer	443, 445-447, 467, 1092
338-888	Hanger	129, 160
338-900	Hanger	93, 114
338-901	Hanger	201, 207
338-903	Hanger	197, 207
338-904	Hanger	201, 207
338-905	Hanger	201, 207
338-906	Hanger	201, 207
338-907	Hanger	201, 207
338-908	Hanger	201, 208
338-909	Hanger	93, 114
338-911	Hanger	605, 617, 623, 649
338-912	Hanger	639, 649
338-913	Hanger	639, 649
338-914	Hanger	201, 208
338-915	Hanger	201, 208
338-924	Hanger	99, 114
338-927	Hanger	95, 114
338-930	Eye	143, 160
338-932	Hanger	29, 32, 639, 649
338-933	Hanger	29, 32, 639, 649
338-934	Hanger	129, 160
338-935	Hanger	97, 115
338-936	Hanger	97, 115
338-937	Hanger	201, 208
338-938	Hanger	201, 208, 609-611
338-958	Hanger	649
338-961	Hanger	609-611, 650
338-962	Hanger	609-611, 650
338-963	Hanger	609-611, 650
338-965	Hanger	609-611, 650
338-967	Hanger	609-611, 650
338-969	Hanger	609-611, 650
338-972	Hanger	613, 650
338-974	Hanger	613, 650
338-975	Hanger	613, 650
338-978	Hanger	609-611, 650
338-1018	Seat	635, 639, 643, 651
338-1019	Seat	635, 639, 643, 651
338-1022	Hanger	637, 651

Part No.	Desc.	Page
338-1029	Hanger	637, 651
338-1030	Hanger	631, 637, 651
338-1033	Saddle	637, 651
338-1039	Bracket	639, 641, 643, 651
338-1057	Hanger	109, 115
338-1058	Hanger	109, 115
338-1059	Hanger	109, 115
338-1060	Hanger	109, 115
338-1063	Hanger	109, 115
338-1064	Hanger	109, 115
338-1065	Hanger	109, 115
338-1066	Hanger	109, 115
338-1069	Bracket	109, 116
338-1087	Bracket	109, 116
338-1096	Equalizer	171, 186, 1092
338-1097	Hanger	171, 186
338-1098	Hanger	171, 186
338-1099	Hanger	171, 186
338-1100	Hanger	171, 186
338-1100HD	Hanger	171
338-1101	Hanger	171, 186
338-1101HD	Hanger	171
338-1102	Hanger	171, 183, 186
338-1103	Hanger	171, 186
338-1104	Hanger	171, 186
338-1105	Hanger	171, 186
338-1106	Equalizer	171, 173, 187, 1092
338-1107	Saddle	81, 83, 85, 171, 177, 179, 187
338-1108	Saddle	171, 177, 187
338-1109	Spacer	171, 177, 187
338-1110	Seat	171, 187
338-1111	Seat	171, 173, 177, 179, 187
338-1112	Bracket	171, 187
338-1113	Bracket	171, 187
338-1114	Trunnion	175, 187
338-1115	Trunnion	175, 187
338-1116	Saddle	175, 188
338-1117	End Cap	175, 188, 999, 1001
338-1118	Plate	175, 188, 999, 1001
338-1119	Seat	175, 188, 999, 1001
338-1123	Hanger	979, 988
338-1126	Equalizer	177, 188, 1092
338-1136	Hanger	971, 988
338-1138	Equalizer	301, 349, 1094
338-1139	Saddle	237-239, 349, 977, 979, 988
338-1140	Spacer	233-235, 237-239, 301, 303, 349
338-1141	Spacer	233-235, 237-239, 301, 303, 349
338-1142	Seat	237-239, 301, 350
338-1143	Seat	237-239, 301, 350
338-1144	Seat	237-239, 301, 350
338-1145	Seat	237-239, 301, 350
338-1146	Seat	237-239, 301, 350
338-1147	Seat	237-239, 301, 350
338-1148	Seat	237-239, 301, 350
338-1149	Seat	350
338-1150	Bottom Plate	237-239, 301, 350
338-1151	Bottom Plate	237-239, 301, 350
338-1152	Bottom Plate	237-239, 301, 350
338-1153	Bottom Plate	237-239, 301, 351
338-1154	Bottom Plate	301, 351
338-1154	Bottom Plate	237-239, 301, 351
338-1160	Hanger	201, 203, 205, 208
338-1174	Seat	201
338-1196	Hanger	97, 116
338-1197	Hanger	97, 116
338-1198	Hanger	613, 651
338-1199	Hanger	613, 651
338-1200	Hanger	324, 325
338-1201	Hanger	324, 325
338-1202	Hanger	324
338-1203	Hanger	325
338-1204	Hanger	324
338-1205	Hanger	325
338-1206	Hanger	325
338-1207	Hanger	325
338-1208	Hanger	277, 326, 351
338-1210	Hanger	326
338-1211	Hanger	326
338-1212	Hanger	329
338-1213	Hanger	329
338-1214	Hanger	615, 651
338-1215	Hanger	615, 652
338-1216	Equalizer	147, 160, 1092
338-1217	Hanger	609-611, 652
338-1218	Hanger	605, 609-611, 652
338-1219	Hanger	609-611, 652
338-1220	Hanger	609-611, 652
338-1221	Hanger	605, 609-611, 652

Part No.	Desc.	Page
338-1222	Hanger	609-611, 652
338-1223	Hanger	773, 791
338-1224	Eye Casting	773, 791
338-1225	Hanger	143, 160
338-1226	Hanger	143, 160
338-1227	Hanger	143, 160
338-1228	Hanger	973, 977, 979, 988
338-1229	Hanger	979, 988
338-1230	Hanger	769, 791
338-1230A	Hanger	769, 791
338-1233	Hanger	177, 179, 188
338-1234	Hanger	177, 188
338-1235	Hanger	177, 188
338-1236	Bracket	177, 179, 188
338-1238	Bracket	171, 177, 188
338-1239	Hanger	613, 652
338-1240	Hanger	779, 791
338-1240A	Hanger	779, 791
338-1241	Hanger	323
338-1242	Hanger	323
338-1243	Hanger	323
338-1244	Hanger	323
338-1245	Hanger	323
338-1246	Hanger	323
338-1247	Hanger	323
338-1248	Hanger	323
338-1249	Hanger	323
338-1250	Hanger	323
338-1251	Hanger	323
338-1252	Hanger	323
338-1253	Hanger	323
338-1254	Hanger	323
338-1255	Hanger	323
338-1256	Hanger	323
338-1257	Hanger	233-235, 351
338-1259	Equalizer	303, 351, 1093
338-1260	Equalizer	303, 351, 1093
338-1261	Saddle	301, 303, 351
338-1264	Hanger	303, 351
338-1265	Hanger	303, 351
338-1267	Hanger	103, 116
338-1268	Spacer	109, 111, 116, 639, 643, 652
338-1269	Hanger	331
338-1270	Hanger	331
338-1271	Hanger	331
338-1272	Hanger	329
338-1273	Hanger	329
338-1274	Hanger	328
338-1275	Hanger	329
338-1276	Hanger	329
338-1277	Hanger	329
338-1278	Hanger	329
338-1279	Hanger	329
338-1280	Hanger	329
338-1281	Hanger	329
338-1282	Hanger	329
338-1283	Hanger	329
338-1284	Hanger	329
338-1285	Hanger	331
338-1286	Hanger	331
338-1287	Hanger	331
338-1288	Hanger	331
338-1289	Hanger	331
338-1290	Hanger	331
338-1291	Hanger	331
338-1292	Hanger	331
338-1293	Hanger	331
338-1294	Hanger	331
338-1300	Hanger	13, 14
338-1301	Hanger	13, 14
338-1302	Hanger	13, 14
338-1303	Hanger	13, 14
338-1304	Hanger	13, 15
338-1305	Hanger	13, 15
338-1306	Equalizer	13, 15, 1092
338-1307	Seat	13, 15, 16, 665, 732
338-1308	Seat	13, 15, 16, 665, 732
338-1309	Bracket	13
338-1310	Beam	47, 55
338-1311	Beam	51, 55
338-1313	Bracket	47, 49, 51, 55
338-1314	Bracket	39, 47, 49, 55
338-1315	Spigot Base	39, 55
338-1317	Tower	51, 55
338-1334	Hanger	97, 116
338-1335	Saddle	639, 653
338-1336	Cap	667-669, 732
338-1338	Adapter	667-669, 671, 673, 675-677, 691-693, 732

Part Number 338-1339 to 338-1807

Part No.	Desc.	Page	Part No.	Desc.	Page	Part No.	Desc.	Page
338-1339	Adapter	667-669, 671, 673, 675-677, 691-693, 732	338-1497	Hanger	458	338-1655	Bracket	807
338-1343	Cap	709, 719, 732	338-1498	Hanger	459	338-1666	Hanger	827
338-1344	Cap	709, 732	338-1499	Hanger	459	338-1667	Hanger	827
338-1345	Adapter	69, 78, 709, 719	338-1501	Bracket	460	338-1668	Hanger	827
338-1346	Seat	709, 732	338-1502	Bracket	223, 228, 460, 469	338-1669	Hanger	827
338-1347	Beam	709, 732	338-1505	End Cap	435	338-1670	Equalizer	1094
338-1348	Cap	721, 733, 999, 1001, 1016	338-1506	End Cap	435, 469	338-1671	Equalizer	1094
338-1349	Cap	721, 733, 759, 764, 999, 1001, 1016	338-1507	Plate	437, 469	338-1672	Equalizer	809-811, 875, 1093
338-1350	Seat	721, 733, 759, 764, 999, 1001, 1016	338-1508	Equalizer	69, 78, 1093	338-1673	Equalizer	809-811, 875, 1093
338-1351	Cap	721, 733, 759, 764, 999, 1001, 1016	338-1509	Equalizer	71, 78, 1092	338-1674	Equalizer	809-811, 829-831, 875, 1093
338-1352	Saddle	733	338-1510	Equalizer	71, 78, 1092	338-1675	Equalizer	809-811, 829-831, 875, 1093
338-1353	Saddle	721, 733, 759, 764, 999, 1001, 1016	338-1510	Equalizer	73, 78, 1092	338-1676	Equalizer	809-811, 829-831, 875, 1093
338-1354	Cap	721, 733, 759, 764, 999, 1001, 1016	338-1521	Equalizer	75, 78, 1092	338-1677	Hanger	807, 809-811, 875
338-1355	Cap	721, 733, 759, 999, 1001, 1017	338-1522	Hanger	69, 71, 79	338-1678	Hanger	809-811, 876
338-1356	Adapter	715-717, 733	338-1523	Hanger	69, 71, 79	338-1679	Hanger	809-811, 876
338-1357	Adapter	715-717	338-1524	Hanger	71, 79	338-1680	Equalizer	1093
338-1359	Cap	715-717, 734	338-1525	Hanger	75	338-1681	Equalizer	1093
338-1360	Cap	715-717, 734	338-1526	Hanger	75	338-1684	Hanger	459
338-1361	Cap	715-717, 734	338-1527	Hanger	75	338-1689	Equal/Hngr Assy	445-447, 457
338-1362	Cap	715-717, 734	338-1528	Hanger	75	338-1690	Equal/Hngr Assy	445-447, 457, 469
338-1363	Seat	721, 734, 759, 764, 999, 1001, 1017	338-1529	Hanger	75	338-1691	Equalizer	1093
338-1365	Cap	667-669, 671, 673, 675-677, 734	338-1530	Plate	69, 71, 79, 809-811, 817, 829-831, 874	338-1693	Cap	453
338-1366	Cap	667-669, 671, 675-677, 734	338-1531	Bracket	69, 71, 79	338-1694	Cap	453
338-1367	Saddle	433, 445-447, 449-451, 467	338-1532	Bracket	69, 71	338-1695	Adapter	453
338-1368	Bracket	515, 525	338-1533	Bracket	73, 75	338-1696	Bottom Plate	453
338-1369	Equalizer	809-811, 872, 1093	338-1534	Hanger	457	338-1697	Seat	453
338-1370	Hanger	171, 189	338-1535	Hanger	457	338-1698	Bottom Plate	445-447, 449-451, 469
338-1371	Hanger	857	338-1536	Equalizer	469, 1092	338-1699	Seat	435, 470
338-1372	Hanger	857	338-1537	Equalizer	449-451, 469, 1093	338-1700	Hanger	69
338-1373	Hanger	857	338-1546	Cap	667-669, 734	338-1701	Hanger	69
338-1374	Hanger	857	338-1550	Cap	691-693	338-1702	Hanger	69, 71
338-1375	Hanger	857	338-1551	Cap	691-693	338-1703	Hanger	71
338-1376	Hanger	857	338-1553	Retainer	713	338-1705	Hanger	75
338-1377	Seat	833-835, 872	338-1553	Retainer	713	338-1706	Hanger	75
338-1378	Bracket	833-835, 872	338-1554	Housing	713	338-1707	Hanger	75
338-1382	Seat	1001	338-1555	Seat	721, 999, 1001, 1017	338-1708	Hanger	75
338-1384	Hanger	971, 989	338-1557	End Pad	711, 735, 721, 759, 764, 999, 1001, 1017	338-1709	Hanger	75
338-1385	Hanger	97, 116	338-1560	Saddle	231, 233-235, 352	338-1710	Hanger	75
338-1386	Equalizer	783, 792, 1093	338-1564	Hanger	303, 352	338-1711	Bracket	69, 71
338-1387	Beam	308	338-1565	Hanger	303, 352	338-1712	Bracket	73, 75
338-1388	Beam	308	338-1566	Hanger	324	338-1715	Bracket	73
338-1389	Beam	308	338-1567	Hanger	324	338-1716	Bracket	73
338-1390	Beam	308	338-1568	Hanger	324	338-1717	Equalizer	1093
338-1391	Beam	308	338-1569	Hanger	324	338-1718	Hanger	458
338-1392	Beam	308	338-1570	Hanger	324	338-1719	Hanger	458
338-1393	Bracket	901	338-1571	Hanger	324	338-1720	Hanger	459
338-1394	Bracket	901	338-1576	Hanger	326	338-1721	Hanger	459
338-1395	Pad	551, 981, 983, 989	338-1577	Hanger	326	338-1723	Bracket	713
338-1396	Seat	667-669, 734	338-1579	Hanger	324, 325	338-1724	Bracket	713
338-1396	Seat	671, 673, 675-677, 691-693, 734	338-1580	Hanger	324, 325	338-1725	Equalizer	713, 1093
338-1397	End Pad	721, 734	338-1581	Hanger	328	338-1727	Seat	713
338-1398	Saddle Assy	259-261, 351	338-1582	Hanger	328	338-1735	Adapter	715-717
338-1399	Saddle Assy	259-261, 352	338-1583	Hanger	328	338-1736	Beam	715-717, 735
338-1400	Hanger	147, 160	338-1584	Hanger	330	338-1737	Beam	715-717
338-1401	Hanger	147, 161	338-1585	Hanger	330	338-1738	Hanger	328
338-1402	Hanger	147, 161	338-1587	Saddle	149	338-1739	Hanger	328
338-1403	Wishbone	47, 49, 55	338-1588	Plate	149, 161	338-1740	Hanger	328
338-1404	Saddle	41-43, 47, 51, 56	338-1589	Equalizer	149, 1093	338-1741	Hanger	328
338-1405	Saddle	47, 56	338-1593	Seat	639, 643, 653	338-1742	Hanger	331
338-1406	Saddle	39, 41-43	338-1594	Seat	639, 643, 653	338-1745	Hanger	147
338-1407	Saddle	39, 41-43	338-1595	Saddle	517, 525	338-1750	Hanger	143, 161
338-1408	Tower	47, 49, 56	338-1596	Insulator Box	561	338-1751	Saddle	143, 161
338-1409	Hanger	833-835, 872	338-1597	Insulator Box	561, 578	338-1754	Plate	149, 161
338-1410	Hanger	833-835, 872	338-1598	Insulator Box	563, 578	338-1755	Equalizer	151, 1092
338-1411	Hanger	833-835, 872	338-1599	Insulator Box	563, 578	338-1776	Bracket	517, 525
338-1412	Hanger	833-835, 872	338-1600	Plate	565	338-1777	Hanger	517, 525
338-1481	Equalizer	449-451, 468, 1093	338-1601	Plate	785, 792	338-1778	Trunnion	519
338-1482	Equalizer	449-451, 468, 1093	338-1606	Bracket	753, 764	338-1779	Saddle	519
338-1483	Equalizer	449-451, 468, 1093	338-1607	Bracket	753, 764	338-1780	Equalizer	205, 208, 1092
338-1486	Hanger	459	338-1612	End Cap	753, 765	338-1783	Trunnion	565
338-1487	Hanger	459	338-1625	Equalizer	955, 962, 1092	338-1784	Trunnion	565, 578
338-1488	Equalizer	445-447, 1093	338-1626	Bracket	953, 962	338-1785	Trunnion	555
338-1490	Equalizer	449-451, 1093	338-1627	Bracket	953, 963	338-1786	Trunnion	565, 578
338-1491	Equalizer	449-451, 468, 1093	338-1628	Bracket	953, 963	338-1787	Insulator Box	553, 565, 578
338-1492	Equalizer	449-451, 469, 1093	338-1629	Hanger	953, 963	338-1789	Cap	901, 916
338-1493	Equalizer	449-451, 469, 1093	338-1630	Hanger	957, 963	338-1790	Hanger	35, 36
338-1494	Equalizer	469, 1093	338-1631	Saddle	957, 963	338-1791	Hanger	35, 36
338-1495	Hanger	458	338-1633	Saddle	171, 189	338-1792	Saddle	35, 36
338-1496	Hanger	458	338-1636	Bracket	171, 189, 1093	338-1793	Seat	35, 36
			338-1638	Equalizer	171, 189, 1093	338-1797	Eye	775, 792
			338-1639	Bracket	809-811	338-1798	Saddle	775, 792
			338-1644	Bracket	807, 821	338-1799	Saddle	775
			338-1645	Hanger	855, 874	338-1801	Spindle	219, 221
			338-1646	Hanger	855, 875	338-1802	Bracket	217, 219, 221
			338-1647	Hanger	856	338-1803	Bracket	217, 219, 221
			338-1648	Hanger	853, 875	338-1807	Bracket	13, 16, 348, 429, 648, 799, 916
			338-1650	Hanger	853, 875			
			338-1651	Hanger	853, 875			
			338-1653	Bracket	807			
			338-1654	Bracket	807			

338-1339 to 338-1807

Numeric Listing

338-1810 to 338-2128

Numeric Listing

Part Number 338-1810 to 338-2128

Part No.	Desc.	Page
338-1810	Seat	999, 1001, 1017
338-1817	Bracket	833-835, 876
338-1818	Repair Pad	721, 735, 759, 764, 999, 1001, 1017
338-1819	Hanger	143, 161
338-1821	Hanger	433, 470
338-1825	Hanger	331
338-1826	Equalizer	823, 876, 1093
338-1827	Equalizer	785, 1092
338-1828	Hanger	233-235, 297, 303, 352
338-1830	Bracket	201
338-1831	Cap	253, 255, 259-261, 263, 265, 273-275, 277, 281, 283, 287, 307, 352
338-1832	Hanger	105, 116
338-1833	Hanger	233-235, 352
338-1834	Hanger	105, 116
338-1835	Hanger	507, 525
338-1836	Hanger	971, 989
338-1837	Hanger	971, 989
338-1838	Hanger	127
338-1839	Hanger	609-611, 613
338-1840	Cap	609-611, 613
338-1841	Bracket	515, 525
338-1842	Mount	515, 526
338-1843	Cap	515
338-1844	Bracket	515, 526
338-1845	Trunion	559, 578
338-1848	Hanger	105, 117
338-1851	Saddle	13, 665
338-1852	Hanger	328
338-1853	Plate	673, 675-677, 681-683, 691-693
338-1854	Beam	679
338-1855	Beam	679
338-1856	Beam	681-683
338-1857	Beam	681-683
338-1858	Beam	667-669
338-1859	Beam	667-669
338-1860	Beam	687
338-1861	Beam	681-683, 735
338-1862	Bracket	691-693, 735
338-1863	Bracket	691-693, 735
338-1864	Bracket	691-693
338-1865	Bracket	691-693
338-1866	Beam	657
338-1867	Beam	657
338-1868	Seat	237-239, 301, 352
338-1869	Equalizer	809-811, 1093
338-1870	Equalizer	809-811, 1093
338-1871	Equalizer	809-811, 1093
338-1873	Bracket	715-717, 735
338-1874	Bracket	679, 735
338-1875	Brace	671, 675-677, 679, 707
338-1876	Cap	715-717
338-1877	Cap	715-717, 735
338-1878	Hanger	127, 162
338-1879	Beam	679
338-1880	Beam	679
338-1895	Plate	437
338-1896	Cap	437
338-1897	Hanger	969, 989
338-1898	Hanger	507, 526, 769, 792
338-1899	Saddle Assy	267, 352
338-1902	Hanger	1025, 1030
338-1903	Hanger	97, 117
338-1905	Beam	41-43, 56
338-1906	Hanger	535, 578
338-1907	Hanger	535, 578
338-1908	Hanger	535, 578
338-1909	Hanger	545, 579
338-1910	Hanger	545, 579
338-1911	Trunion	983, 989
338-1912	Seat	995, 1011
338-1913	Seat	995, 1011
338-1914	Beam	691-693
338-1915	Beam	691-693
338-1916	Cap	691-693
338-1917	Cap	691-693
338-1918	Hanger	629
338-1919	Hanger	131, 1027, 1030
338-1919-01	Hngr, Shack	131
338-1919-02	Hngr, Shack	131
338-1920	Saddle	973, 989
338-1921	Hanger	329
338-1922	Cap	691-693
338-1923	Cap	691-693
338-1924	Hanger	241, 352, 579
338-1925	Saddle	241, 353
338-1926	Bracket	241, 353
338-1927	Bracket	241, 353

Part No.	Desc.	Page
338-1928	Hanger	251, 353
338-1929	Cap	251, 353
338-1930	Hanger	231, 353
338-1931	Saddle Assy	289, 353
338-1932	Saddle Assy	289, 353
338-1933	Plate	289, 353
338-1934	Bracket	289, 353
338-1935	Hanger	533, 579, 967, 989
338-1936	Hanger	533, 579, 967, 989
338-1937	Hanger	533, 579, 967, 989
338-1938	Hanger	53, 5793, 967, 990
338-1939	Clamp	123-125, 162, 936, 933, 1021, 1030
338-1940	Hanger	19, 32
338-1941	Spacer	813, 876
338-1944	Hanger	135, 162
338-1945	Hanger	135, 162
338-1946	Bracket	135, 137, 139, 162
338-1947	Hanger	27, 111, 117
338-1956	Bracket	291, 293, 354
338-1958	Beam	41-43, 56
338-1959	Hanger	193, 208, 491, 502
338-1960	Hanger	193, 491, 502
338-1961	Hanger	195, 208, 493, 502
338-1962	Hanger	195, 209
338-1963	Side Rail	995
338-1964	Side Rail	995
338-1965	Arm Assy	995, 1017
338-1966	Arm Assy	995, 1017
338-1967	Arm Assy	995
338-1968	Arm Assy	995
338-1969	Beam	399, 418
338-1970	Beam	399, 419
338-1971	Seat	995
338-1972	Seat	995
338-1974	Seat	460
338-1975	Seat	329
338-1976	Spacer	507, 526
338-1977	Spacer	507, 526
338-1978	Saddle Assy	273-275
338-1979	Saddle Assy	459
338-1980	Bracket	379
338-1981	Bracket	379
338-1982	Bracket	809-811
338-1983	Beam	378
338-1984	Beam	378
338-1985	Bracket	381
338-1986	Bracket	381
338-1987	Bracket	380
338-1988	Bracket	380
338-1989	Beam	401, 419
338-1990	Beam	401, 419
338-1991	Beam	41-43, 56
338-1992	Beam	399, 419
338-1993	Beam	399, 419
338-1994	Beam	458
338-1997	Beam	308
338-1998	Bottom Plate	233-235, 354
338-1999	Bottom Plate	233-235, 354
338-2006	Bracket	291, 293
338-2007	Hanger	233-235
338-2008	Beam	41-43, 56
338-2009	Beam	41-43, 56
338-2010	Beam	378
338-2011	Beam	378
338-2012	Beam	378
338-2013	Beam	378
338-2014	Hanger	383
338-2015	Hanger	383
338-2016	Hanger	383
338-2017	Hanger	383
338-2018	Hanger	383
338-2019	Hanger	383
338-2020	Hanger	383
338-2022	Hanger	609-611, 653
338-2023	Hanger	609-611, 653
338-2024	Hanger	599, 603, 607, 653
338-2025	Bracket	607, 653
338-2026	Hanger	458
338-2027	Equalizer	443, 445-447, 470, 1093
338-2028	Equalizer	443, 354, 470, 1093
338-2029	Hanger	458
338-2030	Bracket	411, 419
338-2031	Equalizer	443, 470, 1093
338-2032	Hanger	507, 526, 769, 792
338-2033	Equalizer	1093
338-2034	Equalizer	1093
338-2035	Equalizer	1093
338-2037	Equalizer	443, 470, 1093
338-2040	Seat	667-669, 671, 673, 675-677, 691-693, 736

Part No.	Desc.	Page
338-2041	Hanger	679, 736
338-2042	Beam	395, 419
338-2043	Beam	395, 419
338-2044	Beam	308
338-2045	Beam	289, 308, 354
338-2046	Beam	291, 293, 308
338-2048	Beam	289, 308, 354
338-2049	Hanger	383
338-2050	Hanger	383
338-2051	Hanger	613
338-2052	Bracket	379
338-2053	Bracket	379
338-2054	Equalizer	445-447, 470
338-2055	Bracket	381
338-2056	Bracket	381
338-2057	Bracket	251, 354
338-2059	Hanger	773, 792
338-2060	Beam	378
338-2061	Beam	378
338-2062	Bracket	379
338-2063	Bracket	379
338-2064	Hanger	809-811, 876
338-2065	Hanger	809-811, 876
338-2074	Bracket	380
338-2075	Bracket	380
338-2078	Hanger	833-835, 876
338-2079	Seat	847, 876
338-2080	Saddle Assy	291, 293, 354
338-2081	Beam	378
338-2082	Beam	378
338-2083	Beam	321
338-2084	Beam	321
338-2087	Hanger	399, 419
338-2088	Hanger	399, 420
338-2090	Clevis	365-367, 391
338-2093	Hanger	537, 579, 969, 990
338-2094	Hanger	537, 579, 969, 990
338-2095	Bracket	381
338-2096	Bracket	381
338-2097	Equalizer	433
338-2098	Equalizer	433
338-2099	Hanger	507, 526
338-2100	Hanger	507, 526, 769, 792
338-2101	Hanger	507, 769, 792
338-2102	Hanger	769, 792
338-2103-2	Seat Assy	297, 305, 306
338-2103-3	Seat Assy	305, 306
338-2103-4	Seat Assy	305, 306
338-2103-5	Seat Assy	305, 306
338-2103-7	Seat Assy	305, 306
338-2104-10	Seat Assy	305
338-2104-5	Seat Assy	305
338-2104-6	Seat Assy	305
338-2104-8	Seat Assy	305
338-2104-9	Seat Assy	305
338-2105-2	Seat Assy	305, 306
338-2105-4	Seat Assy	305, 306
338-2107-6	Seat Assy	305
338-2107-8	Seat Assy	305
338-2109	Hanger	326
338-2109-2	Seat Assy	305
338-2109-4	Seat Assy	305
338-2110-6	Seat Assy	305
338-2110-8	Seat Assy	305
338-2111	Equalizer	449-451, 470, 1093
338-2112-01	Cap	317, 320
338-2112-02	Cap	317, 320
338-2112-03	Cap	317, 320
338-2112-04	Cap	317
338-2112-05	Cap	317
338-2112-06	Cap	317, 320
338-2112-07	Cap	317
338-2112-09	Cap	317
338-2112-18	Cap	317, 320
338-2112-19	Cap	317, 320
338-2112-20	Cap	317, 320
338-2112-21	Cap	317, 320
338-2112-22	Cap	317, 320
338-2113	Bracket	380
338-2114	Bracket	380
338-2115	Beam	289, 354
338-2116	Mount	365-367
338-2117	Mount	365-367
338-2119	Hanger	457
338-2120	Hanger	457
338-2123	Hanger	456
338-2123	Hanger	457
338-2124	Hanger	457
338-2125	Hanger	456
338-2127	Seat	460
338-2128	Seat	460

Part Number 338-2132 to 339-246

338-2132 to 339-246

Part No.	Desc.	Page
338-2132	Seat	460
338-2133-01	Hanger	131, 162
338-2133-02	Hanger	131, 162
338-2133-03	Hanger	131, 162
338-2133-04	Hanger	131, 162
338-2134-01	Hanger	131, 163
338-2134-02	Hanger	131, 163
338-2134-03	Hanger	131, 163
338-2134-04	Hanger	163
338-2135	Hanger	507, 526
338-2139	Bracket	383
338-214	Plate	83, 84, 443, 449-451, 463, 805, 807, 809-811, 817, 867
338-2140	Hanger	383
338-2141	Hanger	635, 653
338-2142	Hanger	635, 653
338-2144	Hanger	635, 653
338-2145	Hanger	635, 653
338-2145-01	Hanger	535, 579
338-2145-02	Hanger	535, 580
338-2145-03	Hanger	535, 580
338-2145-04	Hanger	535, 580
338-2148	Plate	551, 981, 983, 990
338-2150	Plate	551, 817, 983, 990
338-2151	Beam	41-43, 56
338-2152	Hanger	458
338-2153	Hanger	459
338-2154	Hanger	459
338-2155	Equal/Hngr Assy	445-447, 459, 470
338-2156	Bracket	381
338-2157	Bracket	381
338-2158	Hanger	383
338-2159	Hanger	383
338-2160	Hanger	383
338-2161	Hanger	383
338-2162	Mount	365-367, 391
338-2165	Bracket	380
338-2166	Mount	365-367, 380
338-2167	Mount	365-367
338-2170	Trunnion	551, 981, 990
338-2171	Hanger	459
338-2172-01	Hanger Assy	507, 769, 793
338-2172-02	Hanger Assy	507, 527
338-2172-03	Hanger Assy	507, 527
338-2173	Hanger	233-235
338-2176	Bracket	383
338-2177	Bracket	383
338-2182	Bottom Plate	635
338-2183	Retainer	145
338-2184	Seat	145
338-2187-1	Channel	233-235, 354
338-2187-2	Channel	233-235, 355
338-2188	Bracket	41-43
338-2189	Beam	889, 809-811, 817, 829-831, 833-835, 916
338-2190	Beam	889, 916
338-2191	Beam	707, 736
338-2192	Beam	707, 736
338-2193	Beam	707, 736
338-2194	Beam	707, 736
338-2195	Beam	321
338-2196	Beam	321
338-2197	Adapter	707, 736
338-2198	Adapter	707, 736
338-2199	Adapter	707
338-2200	Adapter	707
338-2201	Adapter	707, 736
338-2202	Adapter	707, 736
338-2207	Beam	321
338-2208	Beam	321
338-2210	Bracket	380
338-2211	Bracket	380
338-2212	Hanger	459
338-2213	Mount	365-367, 391
338-2214	Mount	365-367, 392
338-2215	Bracket	379
338-2216	Bracket	379
338-2217	Bracket	379
338-2218	Bracket	379
338-2220	Hngr. Shackle	769, 793
338-2221	Bracket	383
338-2226	Plate	139
338-2228	Plate	365-367
338-2229	Bracket	365-367, 392
338-2230	Bracket	365-367, 392
338-2233	Beam	378
338-2234	Beam	378
338-2237	Hanger	243-245, 251, 355
338-2238	Beam	321
338-2239	Beam	321

Part No.	Desc.	Page
338-2241	Bracket	975, 990
338-2245	Bracket	515
338-2247	Hanger	131
338-2248	Bracket Assy	133
338-2249	Plate	131, 133, 163, 1093
338-2250	Hanger	809-811
338-2251	Hanger	809-811
338-2252	Hanger	139, 163
338-2258	Bottom Plate	139, 163
338-2259	Bottom Plate	139, 163
338-2260	Bracket	139, 163
338-2261	Bracket	139, 163
338-2265	Bottom Plate	141, 164
338-2267	Seat	167
338-2268	Seat	167
338-2269	Seat	167
338-2270	Seat	167
338-2271	Seat	167
338-2272	Seat	167
338-2273	Seat	167
338-2274	Seat	167
338-2275	Seat	167
338-2276	Seat	167
338-2277	Seat	167
338-2278	Hanger	141
338-2279	Plate	141, 164
338-2280	Plate	141, 164
338-2281	Plate	141, 164
338-2282	Plate	141, 164
338-2283	Bottom Plate	141, 164, 793
338-2284	Seat	167
338-2285	Seat	167
338-2286	Seat	167
338-2287	Cap	355
338-2288	Bracket	289, 312, 355
338-2289	Bracket	289, 312
338-2290	Bracket	289, 312
338-2291	Bracket	289, 312
338-2292	Bracket	289, 312
338-2293	Bracket	289, 313, 355
338-2294	Bracket	289, 313
338-2295	Bracket	289, 313
338-2296	Bracket	289, 313
338-2297	Beam	397, 420
338-2298	Beam	397, 420
338-2299	Bracket	511-513
338-2300	Hanger	509, 527, 777, 793
338-2301	Saddle	509, 527, 777, 793
338-2302	Bracket	777
338-2306	Spacer	535, 580
338-2307	Hanger	537, 580, 969, 990
338-2308	Hanger	537, 580, 969, 990
338-2309	Hanger	537, 580, 969, 990
338-2310	Hanger	537, 580, 969, 991
338-2311	Hanger	537, 580
338-2312	Hanger	537, 580
338-2315	Wedge	537, 969, 991
338-2316	Wedge	537, 969, 991
338-2317	Wedge	537
338-2318	Hanger	537, 581, 969
338-2319	Hanger	973
338-2320	Saddle	537, 581, 969
338-2321	Hanger	775
338-2322	Hanger	603
338-2323	Hanger	603
338-2329	Spacer Block	603
338-2331	Plate	603
338-2340	Plate	635
338-2341	Bracket	635, 654
338-2342	Hanger	629
338-2343	Saddle	629
338-2348	Control Arm Kit	701
338-2349	Hanger	505
338-2354	Clamp/Mount	509, 527, 777, 793
338-2355	Clamp/Mount	509, 527, 777, 793
338-2362	Hanger	969, 991
338-2367-2	Hngr. Shackle	969, 991
338-2367-4	Hngr. Shackle	969, 991
338-2369	Plate	537, 581, 969, 991
338-2370	Plate	537, 581, 969, 991
338-2373	Hanger	969, 991
338-2374	Plate	969, 991
338-2375	Plate	969, 992
338-2382	Paddle	773, 779, 793
338-2383	Paddle	773, 779, 793
338-2384	Spacer	507, 527
338-2385	Hanger	1027
338-2386	Hanger	1027, 1030
338-2387	Hanger	1027, 1030
338-2388	Hanger	1027, 1030

Part No.	Desc.	Page
338-2389	Hanger	1027, 1030
338-2390	Hanger	1027, 1030
338-2391	Plate	164
338-2392	Plate	607, 654
338-2393	Bracket	312
338-2396	Bracket	607, 654
338-2415	Plate	359
338-2417	Spacer	378
338-2418	Spacer	378
338-2419	Spacer	378
338-2420	Adapter	378
338-2421	Adapter	378
338-2422	Wedge	378, 992
338-2423	Wedge	969, 992
338-2424	Wedge	969
338-2425	Equalizer Assy	833-835
338-2426	Plate	603
338-2427	Plate	603
338-2428	Bracket	603
338-2429	Bracket	603
338-2430	Bracket	603
338-2431	Bracket	603
338-2432	Hanger	380
338-2433	Hanger	380
339-008101	Hanger Kit	473
339-008102	Hanger Kit	473
339-008103	Hanger Kit	473
339-008201	Hanger Kit	473
339-008202	Hanger Kit	473
339-008203	Hanger Kit	473
339-008304	Axle Kit	473
339-008305	Axle Kit	473
339-008306	Axle Kit	473
339-008307	Axle Kit	473
339-008308	Axle Kit	473
339-008309	Axle Kit	473
339-008310	Axle Kit	473
339-008311	Axle Kit	473
339-021101	Axle Seat Kit	859
339-021301	Axle Seat Kit	859
339-021302	Axle Seat Kit	859
339-021303	Axle Seat Kit	859
339-021304	Axle Seat Kit	859
339-021305	Axle Seat Kit	859
339-102	Maint Kit	283, 287
339-108	Maint Kit	809-811
339-131	Maint Kit	283, 287
339-136	Maint Kit	83
339-139	Maint Kit	753
339-140	Maint Kit	753, 765
339-141	Maint Kit	957
339-153	Maint Kit	171, 173
339-155	Maint Kit	71
339-156	Maint Kit	71
339-172	Service Kit	301
339-177	Maint Kit	81
339-178	Service Kit	681-683, 737
339-180	Service Kit	681-683
339-183	Service Kit	681-683
339-184	Service Kit	681-683
339-186	Service Kit	691-693
339-187	Service Kit	691-693
339-193	Service Kit	667-669
339-194	Service Kit	667-669, 673
339-195	Service Kit	681-683, 737
339-199	Service Kit	681-683, 737
339-207	Service Kit	721
339-208	Maint Kit	709
339-211	Service Kit	715-717
339-213	Maint Kit	715-717
339-214	Maint Kit	715-717
339-216	Maint Kit	715-717, 737
339-219	Maint Kit	59, 60
339-221	Maint Kit	715-717
339-226	Service Kit	667-669, 671, 673, 675-677, 691-693, 899, 657, 687, 689
339-232	Service Kit	737
339-233	Service Kit	737
339-234	Service Kit	687, 689, 737
339-235	Service Kit	675-677, 691-693, 737
339-236	Service Kit	675-677, 691-693, 737
339-237	Service Kit	681-683
339-238	Service Kit	675-677, 691-693, 737
339-239	Service Kit	707
339-240	Service Kit	675-677, 691-693
339-241	Service Kit	675-677, 691-693
339-242	Service Kit	675-677, 691-693
339-243	Service Kit	675-677, 691-693
339-244	Service Kit	685, 737
339-245	Service Kit	685, 738
339-246	Service Kit	681-683

Numeric Listing

Part Number 339-247 to 345-713

Part No.	Desc.	Page
339-247	Service Kit	685, 738
339-248	Service Kit	685, 738
339-249	Service Kit	721
339-250	Service Kit	673
339-251	Service Kit	657
339-253	Service Kit	705
339-254	Service Kit	703, 707
339-255	Service Kit	889, 916
339-256	Conversion Kit	889
339-257	Service Kit	721, 738
339-258	Maint Kit	215
339-259	Service Kit	657, 738
339-260	Service Kit	657, 738
339-261	Service Kit	679, 738
339-262	Service Kit	995, 1011
339-263	Service Kit	995, 1003, 1011
339-264	Maint Kit	923
339-265	Service Kit	813, 877
339-266	Service Kit	813, 877
339-267	Service Kit	657, 738
339-268	Service Kit	657, 738
339-269	Service Kit	657, 738
339-270	Service Kit	657, 739
339-271	Service Kit	657, 739
339-272	Service Kit	127, 164
339-272A	Service Kit	127, 164
339-273	Service Kit	889
339-274	Service Kit	1005, 1007, 1017
339-275	Service Kit	703, 707, 739
339-276	Service Kit	1005, 1007, 1017
339-277	Service Kit	397, 401, 420
339-278	Service Kit	401, 420
339-279	Service Kit	395, 420
339-280	Service Kit	997, 1018
339-291	Service Kit	889
339-292	Service Kit	1003
339-293	Service Kit	1003
339-294	Service Kit	997, 1018
339-299	Service Kit	997, 1018
339-300	Service Kit	885
339-307	Service Assy	935
339-308	Service Kit	507, 769
339-309	Service Kit	507, 769, 793
339-310	Service Kit	507, 769, 794
339-311	Service Kit	507, 769, 794
339-312	Service Kit	507, 769, 794
339-314	Service Kit	661, 739
339-315	Service Kit	661, 739
339-316	Service Kit	661, 739
339-317	Service Kit	707, 739
339-318	Service Kit	707, 739
339-319	Service Kit	707
339-320	Service Kit	895, 911, 916
339-321	Service Kit	399, 420
339-322	Service Kit	997, 1018
339-323	Service Kit	233-235, 355
339-324	Service Kit	997
339-325	Service Kit	885
339-326	Bushing Kit	211
339-327	Bushing Kit	211
339-329	Service Kit	397, 420
339-330	Service Kit	405
339-331	Service Kit	405
339-332	Service Kit	597
339-333	Service Kit	689
339-334	Bushing Kit	701
339-335	Service Kit	703
339-336	Service Kit	885
339-337	Service Kit	897
339-338	Service Kit	905
339-340	Service Kit	905
339-341	Service Kit	907
339-342	Service Kit	907
339-AL460	Susp Kit	797
339-AL460E	Susp Kit	797
339-AL520	Susp Kit	797
339-AL520H	Susp Kit	797
341-57241-6	Shock Absorber	241
341-58913-3	Shock Absorber	123-125, 1021
341-58913-7	Shock Absorber	19
341-58913-9	Shock Absorber	19
341-58913-10	Shock Absorber	19
341-58913-11	Shock Absorber	19
341-58913-12	Shock Absorber	123-125
341-60657-3	Shock Absorber	243-245, 251
341-60657-4	Shock Absorber	243-245, 251
341-60657-5	Shock Absorber	243-245
341-60657-8	Shock Absorber	633
341-60657-10	Shock Absorber	633
341-60657-11	Shock Absorber	633
341-60670-3	Shock Absorber	233-235

Part No.	Desc.	Page
341-60670-5	Shock Absorber	233-235
341-60675-3	Shock Absorber	233-235
341-60680-3	Shock Absorber	291, 293
341-60680-4	Shock Absorber	289
341-60680-5	Shock Absorber	289
341-60685-1	Shock Absorber	233-235
341-60998-3	Shock Absorber	231
341-64838-2	Shock Absorber	533, 967
341-64838-3	Shock Absorber	533, 967
341-66153-6	Shock Absorber	933
341-66153-7	Shock Absorber	933
341-S23566	Shock Absorber	361-363
345-105	Torque Rod	805, 809-811, 877, 1078
345-109	Torque Rod	805, 877, 1078
345-110	Torque Rod	805, 807, 809-811, 877, 1082
345-111	Torque Rod	805, 877, 1083
345-112	Torque Rod	805, 809-811, 877, 1082
345-113	Torque Rod	805, 843, 877, 1083
345-121	Torque Rod	805, 843, 877, 1082
345-130	Torque Rod	73, 75, 79, 81, 83, 85, 411, 420, 817, 819, 849, 877, 1077
345-132	Torque Rod	817, 827, 1077
345-133	Torque Rod	83, 85, 817, 878, 1081
345-134	Torque Rod	73, 75, 79, 817, 827, 878, 1085
345-140	Torque Rod	817, 878, 1081
345-143	Torque Rod	83, 85, 817, 878, 1081
345-147	Torque Rod	841, 845, 878, 1084
345-148	Torque Rod	841, 845, 847, 853, 878, 1083
345-149	Torque Rod	1083
345-151	Torque Rod	845, 878, 1078
345-153	Torque Rod	845, 847, 878, 1078
345-155	Torque Rod	851, 878, 1085
345-156	Torque Rod	851, 878, 1085
345-157	Torque Rod	13, 15, 73, 75, 79, 81, 83, 85, 411, 420, 833-835, 837, 879, 1077
345-158	Torque Rod	833-835, 837, 879, 1085
345-164	Torque Rod	445-447, 449-451, 470, 997, 1009, 1018, 1079
345-164HD	Torque Rod	445-447, 449-451, 471, 997, 1018, 1077, 1077
345-164S	Torque Rod	445-447, 449-451, 1009
345-165	Torque Rod	445-447, 471, 1079
345-165S	Torque Rod	445-447
345-167	Torque Rod	445-447, 449-451, 471, 997, 1018, 1084
345-167S	Torque Rod	445-447, 449-451
345-168	Torque Rod	433, 471, 1084
345-169	Torque Rod	433, 471
345-170	Torque Rod	223, 228, 443, 449-451, 471, 1082
345-172	Torque Rod	223, 228, 443, 449-451, 471, 955, 963
345-173	Torque Rod	443, 471, 1079
345-174	Torque Rod	443, 1079
345-175	Torque Rod	83, 1083
345-176	Torque Rod	83, 1083
345-182	Torque Rod	817, 879, 1078
345-183	Torque Rod	1077
345-185	Torque Rod	151, 1081
345-186	Torque Rod	785, 1081
345-187	Torque Rod	637, 654, 1081
345-188	Torque Rod	631, 637, 654, 1081
345-189	Torque Rod	301, 1083
345-190	Torque Rod	301, 1083
345-191	Torque Rod	449-451, 953, 1079
345-191S	Torque Rod	449-451
345-192	Torque Rod	953, 1084
345-196	Torque Rod	779, 1081
345-198	Torque Rod	805, 809-811, 819, 843, 849, 879, 1078
345-199	Torque Rod	69, 79, 805, 807, 809-811, 879, 1078
345-200	Torque Rod	631, 637, 654, 1081
345-201	Torque Rod	171, 173, 177, 179, 1079
345-202	Torque Rod	171, 173, 177, 179, 1082
345-204	Torque Rod	237-239, 301, 1083
345-205	Torque Rod	301, 1083
345-206	Torque Rod	237-239, 1083
345-207	Torque Rod	147, 164, 1083
345-208	Torque Rod	137, 147, 151, 165, 1081
345-209	Torque Rod	137, 147, 1081
345-210	Torque Rod	773, 779, 1084
345-211	Torque Rod	779, 1081
345-212	Torque Rod	141, 165, 1082
345-213	Torque Rod	141, 1082
345-214	Torque Rod	783, 1083

Part No.	Desc.	Page
345-215	Track Rod	775, 1084
345-216	Torque Rod	1084
345-217	Torque Rod	821, 823, 825, 1080
345-218	Torque Rod	823, 1080
345-219	Torque Rod	973, 1082
345-221	Torque Rod	1089
345-222	Torque Rod	1089
345-223	Torque Rod	1089
345-224	Torque Rod	1089
345-225	Torque Rod	1089
345-226	Torque Rod	1089
345-227	Torque Rod	1089
345-228	Torque Rod	1089
345-229	Torque Rod	1089
345-230	Torque Rod	1089
345-231	Torque Rod	1089
345-232	Torque Rod	1089
345-233	Torque Rod	1089
345-234	Torque Rod	1089
345-237	Torque Rod	445-447, 471, 1079
345-238	Torque Rod	445-447, 471, 997, 1018, 1079
345-239	Torque Rod	171, 1079
345-240	Torque Rod	779, 1089
345-241	Torque Rod	779, 1089
345-474	Torque Rod	1087
345-610	Torque Rod End	233-235, 237-239, 253, 255, 257, 259-261, 265, 269, 271, 273-275, 277, 281, 283, 287, 291-293, 295, 631, 637, 797, 1087
345-612	Torque Rod End	1087
345-613	Torque Rod End	1087
345-614	Torque Rod	1087
345-620	Torque Rod End	1087
345-630	Torque Rod End	1087
345-640	Torque Rod End	1087
345-650	Torque Rod End	1087
345-660	Torque Rod End	1087
345-661	Torque Rod End	233-235, 253, 255, 257, 259-261, 265, 269, 271, 273-275, 277, 281, 283, 287, 291-293, 295, 1087
345-668	Torque Rod End	1087
345-670	Torque Rod End	1087
345-671	Torque Rod End	1087
345-672	Torque Rod End	47
345-673	Torque Rod End	47
345-674	Torque Rod	39, 41-43, 51, 1081
345-675	Torque Rod	97, 107, 1081
345-676	Torque Rod	39, 41-43, 51, 1081
345-677	Torque Rod	41-43, 57, 1081
345-678	Torque Rod	39, 41-43, 1077
345-679	Torque Rod	709, 739, 1077, 1087
345-680	Torque Rod End	631, 1087
345-681	Torque Rod End	233-235, 237-239, 253, 255, 257, 259-261, 265, 273-275, 277, 281, 291-293, 295, 631, 797, 1087
345-682	Torque Rod	51, 57, 1077
345-683	Torque Rod	51, 57, 1081
345-684	Torque Rod	47, 57, 1077
345-685	Torque Rod	39, 41-43, 51, 57, 1077
345-687	Torque Rod	957, 963, 1077
345-688	Torque Rod	173, 1079
345-689	Torque Rod	809-811, 1083
345-690	Torque Rod End	1087
345-691	Torque Rod End	1087
345-692	Torque Rod	715-717, 739, 1078
345-693	Torque Rod	709, 740, 1078
345-695	Torque Rod	71, 1078
345-696	Torque Rod	1078
345-697	Torque Rod	809-811, 843, 879, 1078
345-698	Torque Rod	809-811, 879, 1078
345-699	Torque Rod	1078
345-700	Torque Rod End	1087
345-701	Torque Rod End	1087
345-702	Torque Rod	847, 879, 1077
345-703	Torque Rod	829-831, 879, 1077
345-704	Torque Rod	829-831, 879, 1078
345-705	Torque Rod	829-831, 880, 1078
345-706	Torque Rod	829-831, 880, 1078
345-707	Torque Rod	829-831, 880
345-708	Torque Rod	1078
345-708	Torque Rod	1078
345-709	Torque Rod	837, 880, 1078
345-710	Torque Rod	837, 880, 1078
345-711	Torque Rod	225, 228, 870, 1077
345-712	Torque Rod	453, 472, 1080
345-713	Torque Rod	955, 963, 1079

339-247 to 345-713

Numeric Listing

Part Number 345-714 to 354-7136

345-714 to 354-7136

Numeric Listing

Part No.	Desc.	Page	Part No.	Desc.	Page	Part No.	Desc.	Page
345-714	Torque Rod	1079	345-879	Torque Rod	145, 165, 1084	352-9083	Air Spring	215, 219
345-715	Torque Rod	955	345-880	Torque Rod	145, 165, 1085	352-9092	Air Spring	681-683, 687
345-716	Torque Rod	955	345-881	Torque Rod	145, 166, 1084	352-9096	Air Spring	181
345-717	Torque Rod	449-451, 1079	345-882	Torque Rod	781, 1083	352-9101	Air Spring	667-669, 671, 691-693, 813, 887, 889
345-720	Torque Rod	449-451, 1079	345-883	Torque Rod	781, 1083	352-9105	Air Spring	887
345-721	Torque Rod	449-451, 1079	345-884	Track Rod	781, 1084	352-9121	Air Spring	667-669, 671, 675-677, 755, 1003, 1005
345-722	Torque Rod	1079	345-885	Track Rod	515, 1083	352-9122	Air Spring	378, 667-669, 675-677, 1005
345-724	Torque Rod	449-451, 1079	345-886	Track Rod	515, 1083	352-9130	Air Spring	179, 181
345-725	Torque Rod	449-451, 1079	345-887	Torque Rod	515	352-9134	Air Spring	675-677
345-726	Torque Rod	449-451, 1079	345-888	Torque Rod	141, 166	352-9141	Air Spring	687
345-727	Torque Rod	449-451, 1079	345-889	Torque Rod	41-43, 57, 1078	352-9149	Air Spring	59
345-728	Torque Rod	71	345-890	Torque Rod	41-43, 57, 1078	352-9193	Air Spring	687
345-729	Torque Rod	69, 1083	345-891	Torque Rod	41-43, 51, 57, 1078	352-9194	Air Spring	775
345-730	Torque Rod	73, 75 819, 1081	345-892	Torque Rod	547, 1084, 1084	352-9213	Air Spring	973
345-734	Torque Rod	233-235, 355, 1083	345-893	Torque Rod	411, 1080	352-9219	Air Spring	973
345-738	Torque Rod End	797	345-894	Torque Rod	551, 981, 992, 1082	352-9223	Air Spring	847
345-742	Torque Rod End	797	345-895	Torque Rod	551, 981, 992, 1080	352-9243	Air Spring	631, 679, 1003
345-748	Torque Rod	411, 420	345-896	Torque Rod	547, 1077	352-9245	Air Spring	899
345-749	Torque Rod	83, 85, 1081	345-897	Torque Rod Kit	233-235, 237-239, 253, 257, 259-261, 265, 277, 281, 289, 295	352-9250	Air Spring	909
345-750	Torque Rod	517, 527, 1084, 1079	345-898	Torque Rod	547, 581, 973, 992, 1089	352-9264	Air Spring	378
345-753	Torque Rod	1079	345-899	Torque Rod	41-43, 57, 1086	352-9265	Air Spring	378
345-754	Torque Rod	1079	345-900	Torque Rod	251, 356, 1081	352-9268	Air Spring	685
345-755	Torque Rod	959, 1078	345-901	Torque Rod	251, 356, 1081	352-9270	Air Spring	378
345-756	Torque Rod	1077	345-902	Track Rod	837, 880, 1081	352-9275	Air Spring	909
345-758	Torque Rod	1085	345-904	Track Rod	629, 654, 1082, 1082	352-9291	Air Spring	707
345-759	Track Rod	179	345-905	Track Rod	509, 777, 794, 1082	352-9293	Air Spring	707
345-760	Track Rod	179	345-906	Torque Rod	233-235, 356, 1079	352-9294	Air Spring	707
345-761	Torque Rod	809-811, 1082	345-907	Track Rod	289, 356, 1086, 1089	352-9295	Air Spring	707
345-763	Torque Rod	1083	345-908L	Torque Rod	251, 356, 1086	352-9304	Air Spring	679
345-765	Torque Rod	855, 1078	345-908R	Torque Rod	251, 356, 1086	352-9320	Air Spring	899
345-766	Torque Rod	855, 1080	345-909L	Torque Rod	251, 356, 1086	352-9321	Air Spring	889, 995
345-767	Track Rod	855, 1081	345-909R	Torque Rod	251, 356, 1086	352-9336	Air Spring	1003
345-768	Track Rod	807, 1081	345-910	Torque Rod	547, 581, 973	352-9346	Air Spring	679, 1003
345-768	Track Rod	837	345-915	Track Rod	141, 166, 1082	352-9362	Air Spring	679, 1003
345-770	Track Rod	807, 821, 1081	345-917	Torque Rod	41-43	352-9366	Air Spring	703, 1003
345-773	Torque Rod	225, 1084	345-918	Track Rod	21	352-9367	Air Spring	378
345-778	Torque Rod	449-451, 1079	345-919	Torque Rod	511-513, 527	352-9370	Air Spring	995, 1011
345-783	Torque Rod	439, 1079	345-920	Torque Rod	633	352-9371	Air Spring	631
345-784	Torque Rod	71	345-921	Torque Rod	665	352-9379	Air Spring	631
345-785	Torque Rod	71	345-922	Torque Rod	665, 1084	352-9382	Air Spring	995
345-786	Torque Rod	71	345-923	Track Rod	695	352-9415	Air Spring	515
345-790	Torque Rod	237-239, 1081	345-924	Track Rod	695	352-9422	Air Spring	515
345-791	Torque Rod	237-239, 1081	352-0492	Replmnt Kit	699	352-9463	Air Spring	679
345-792	Torque Rod	233-235, 355, 1081	352-0493	Replmnt Kit	699	352-9471	Air Spring	657, 659, 687
345-796	Torque Rod	1078	352-0494	Replace Kit	699	352-9472	Air Spring	657, 687
345-801	Uni-Rod Kit	1090	352-0495	Replace Kit	699	352-9482	Air Spring	659, 687
345-802	Uni-Rod Kit	517, 637, 883, 1090	352-0712	Air Spring	455	352-9491	Air Spring	657, 687
345-803	Uni-Rod Kit	637, 1090	352-1191	Air Spring	629	352-9496	Air Spring	659
345-804	Uni-Rod Kit	1090	352-5423	Air Spring	211	352-9501	Air Spring	657, 687
345-805	Uni-Rod Kit	1090	352-5514	Air Spring	378	352-9538	Air Spring	897
345-806	Uni-Rod Kit	1090	352-6231	Air Spring	583	352-9541	Air Spring	511-513
345-807	Uni-Rod Kit	1090	352-6258	Air Spring	583	352-9547	Air Spring	511-513
345-808	Uni-Rod Kit	559, 561, 563, 1090	352-8050	Air Spring	378, 1005	352-9565	Air Spring	631
345-809	Uni-Rod Kit	1090	352-8053	Air Spring	689	352-9567	Air Spring	631
345-810	Uni-Rod Kit	1090	352-8091	Air Spring	384, 587, 885, 891	352-9580	Air Spring	378
345-811	Uni-Rod Kit	179, 997, 1090	352-8184	Air Spring	661	352-9581	Air Spring	378
345-812	Uni-Rod Kit	179, 1090	352-8204	Air Spring	665, 703, 707	352-9617	Air Spring	511-513
345-813	Torque Rod	13	352-8494	Air Spring	905	352-9618	Air Spring	511-513
345-814	Uni-Rod Kit	1090	352-8637	Air Spring	1005	352-9619	Air Spring	384
345-815	Torque Rod	233-235, 303, 355, 1083	352-8709	Air Spring	384	352-9621	Air Spring	384
345-816	Torque Rod	303, 1083	352-8723	Air Spring	889	352-9622	Air Spring	511-513
345-817	Uni-Rod Kit	1090	352-8729	Air Spring	585	352-9625	Air Spring	511-513
345-818	Uni-Rod Kit	1090	352-8737	Air Spring	703	352-9626	Air Spring	384
345-819	Uni-Rod Kit	1090	352-8738	Air Spring	703	352-9640	Air Spring	378
345-820	Uni-Rod Kit	1090	352-8740	Air Spring	813	352-9644	Air Spring	384
345-821	Uni-Rod Kit	1090	352-8748	Air Spring	679	352-9645	Air Spring	384
345-827	Torque Rod	205	352-8749	Air Spring	679	352-9646	Air Spring	384
345-828	Torque Rod	205, 1079	352-8753	Air Spring	1005	352-9675	Air Spring	511-513
345-854	Torque Rod	631, 637, 654, 1084	352-8755	Air Spring	378	352-9780	Air Spring	141
345-855	Torque Rod	637, 654, 1084	352-8756	Air Spring	378	352-9781	Air Spring	141
345-859	Torque Rod	809-811, 1083	352-8774	Air Spring	384, 1007	352-9782	Air Spring	141
345-860	Torque Rod	69, 71, 1078	352-8800	Air Spring	378	352-9807	Air Spring	699
345-861	Torque Rod	411, 421, 1078	352-8802	Air Spring	889	352-9921	Air Spring	679
345-862	Torque Rod	983, 1084, 1089	352-8803	Air Spring	703	352-9922	Air Spring	679
345-866	Torque Rod Kit	233-235, 253, 259-261, 265, 289, 291-293	352-8813	Air Spring	781	352-9923	Air Spring	679
345-867	Track Rod	685, 740, 1089	352-8829	Air Spring	547, 973	352-9935	Air Spring	707
345-868	Torque Rod	141, 165, 1081	352-8852	Air Spring	775	352-9936	Air Spring	707
345-869	Torque Rod	585, 590, 1083	352-8855	Air Spring	813	352-9947	Air Spring	855
345-870	Torque Rod	585, 590, 1080	352-8856	Air Spring	813	352-9966	Air Spring	855
345-871	Track Rod	241, 355, 1083	352-8861	Air Spring	1005	352-9974	Air Spring	699
345-872	V-Rod	551, 981, 983, 992, 1085	352-8864	Air Spring	509, 777	353-9933	Air Spring	505
345-873	V-Rod	551, 981, 983, 992, 1085	352-8944	Air Spring	378	354-6897	Air Spring	903, 995, 1009, 1011
345-874	V-Rod	145, 165, 1085	352-9010	Air Spring	889	354-6899	Air Spring	997
345-875	V-Rod	145, 165, 1085	352-9026	Air Spring	775	354-6905	Air Spring	87, 899, 909, 923
345-876	V-Rod	145, 165, 1085	352-9039	Air Spring	455, 671, 673, 773, 779, 1005	354-6908	Air Spring	995, 1009
345-877	V-Rod	145, 165, 1085	352-9082	Air Spring	455, 667-669, 681-683, 687, 691-693, 813, 887, 889, 949	354-6935	Air Spring	215
345-878	Torque Rod	145, 165, 1084				354-7123	Air Spring	949
						354-7136	Air Spring	753, 757

Part Number 354-7140 to 361-593

354-7140 to 361-593

Numeric Listing

Part No.	Desc.	Page
354-7140	Air Spring	217, 219
354-7400	Air Spring	143
354-7410	Air Spring	143
354-7429	Air Spring	949
354-7443	Air Spring	217, 219
354-7555	Air Spring	803, 813, 837
354-7557	Air Spring	807, 813, 821
354-7705	Air Spring	997
354-7798	Air Spring	87, 89, 997
354-7892	Air Spring	897
354-7897	Air Spring	213
354-7996	Air Spring	211, 213
354-8008	Air Spring	995, 997, 1009
354-8027	Air Spring	923
354-8032	Air Spring	997
354-8171	Air Spring	585
361-100	U-Bolt Kit	269, 1053
361-110	U-Bolt Kit	1055
361-112	U-Bolt Kit	1055
361-114	U-Bolt Kit	1055
361-116	U-Bolt Kit	1055
361-118	U-Bolt Kit	1055
361-120	U-Bolt Kit	1055
361-124	U-Bolt Kit	1053
361-126	U-Bolt Kit	1053
361-130	U-Bolt Kit	1053
361-138	U-Bolt Kit	1053
361-140	U-Bolt Kit	1053
361-142	U-Bolt Kit	1053
361-146	U-Bolt Kit	1055
361-152	U-Bolt Kit	1055
361-154	U-Bolt Kit	1055
361-159	U-Bolt Kit	455, 1050
361-161	U-Bolt Kit	133, 773, 1053
361-167	U-Bolt Kit	609-611, 613, 621 773 779, 1054
361-168	U-Bolt Kit	137, 147, 223, 225, 231, 301, 427, 433, 439, 545, 809-811, 827, 833-835, 837, 977, 1051
361-168-8	U-Bolt Kit	1051
361-172	U-Bolt Kit	953, 955, 1051
361-174	U-Bolt Kit	953, 955, 1051
361-176	U-Bolt Kit	143, 1051
361-178	U-Bolt Kit	143, 1051
361-180	U-Bolt Kit	143, 1050
361-182	U-Bolt Kit	149, 151, 1051
361-184	U-Bolt Kit	151, 1052
361-186	U-Bolt Kit	127, 535, 1051
361-188	U-Bolt Kit	127, 535, 1051
361-190	U-Bolt Kit	127, 935, 1051
361-192	U-Bolt Kit	127, 1051
361-194	U-Bolt Kit	127, 1052
361-196	U-Bolt Kit	13, 16, 17, 233-235, 783, 785, 839, 841, 843, 845, 847, 853, 979, 1051
361-198	U-Bolt Kit	771, 1054
361-200	U-Bolt Kit	131, 507, 929
361-202	U-Bolt Kit	1054
361-204	U-Bolt Kit	775, 1053
361-206	U-Bolt Kit	507, 1053
361-208	U-Bolt Kit	129, 507, 1053
361-210	U-Bolt Kit	517, 1053
361-212	U-Bolt Kit	565, 1055
361-214	U-Bolt Kit	539, 541, 1053
361-216	U-Bolt Kit	605, 609-611, 613, 621, 625, 627, 1054
361-218	U-Bolt Kit	81, 83, 171, 177, 179, 443, 445-447, 449-451, 809-811, 819, 821, 833-835, 837, 1051
361-220	U-Bolt Kit	667-669, 671, 673, 675-677, 691-693, 1050
361-222	U-Bolt Kit	667-669, 671, 675-677, 691-693, 1050
361-224	U-Bolt Kit	667-669, 671, 673, 675-677, 691-693, 1050
361-226	U-Bolt Kit	691-693, 1050
361-230	U-Bolt Kit	667-669, 671, 675-677, 691-693, 1050
361-232	U-Bolt Kit	675-677, 1052
361-234	U-Bolt Kit	435, 711, 721, 759, 999, 1052
361-236	U-Bolt Kit	721, 759, 1053
361-238	U-Bolt Kit	721, 1053
361-240	U-Bolt Kit	721, 759, 995, 999, 1001, 1003, 1011, 1051
361-244	U-Bolt Kit	721, 999, 1001, 1052
361-246	U-Bolt Kit	437, 711, 721, 1052
361-248	U-Bolt Kit	81, 83, 171, 807, 821, 837, 1051

Part No.	Desc.	Page
361-250	U-Bolt Kit	81, 83, 171, 225, 439, 809-811, 827, 833-835, 1051
361-252	U-Bolt Kit	83, 953, 955, 1052
361-254	U-Bolt Kit	69, 71, 73, 75, 81, 713, 805, 809-811, 815, 817, 819, 829-831, 833-835, 849, 953, 1052
361-256	U-Bolt Kit	369
361-258	U-Bolt Kit	69, 71, 73 75, 81, 83, 149, 411, 709, 713, 715-717, 805, 809-811, 815, 817, 819, 829-831, 833-835, 849, 1052
361-260	U-Bolt Kit	1053
361-262	U-Bolt Kit	839, 841, 843, 845 847, 851, 853, 1051
361-266	U-Bolt Kit	639, 1050
361-268	U-Bolt Kit	639, 1050
361-270	U-Bolt Kit	29, 605, 639, 1054
361-272	U-Bolt Kit	13, 16, 17, 639, 641, 643, 1053
361-274	U-Bolt Kit	605, 617, 623, 1054
361-278	U-Bolt Kit	97, 613, 621, 625, 627, 1054
361-280	U-Bolt Kit	437, 1053
361-282	U-Bolt Kit	435, 437, 923, 995, 1003, 1011, 1051
361-290	U-Bolt Kit	619, 1052
361-292	U-Bolt Kit	13, 16, 17, 619, 1053
361-294	U-Bolt Kit	641, 643, 1053
361-296	U-Bolt Kit	639, 1053
361-298	U-Bolt Kit	639, 1054
361-302	U-Bolt Kit	621, 1054
361-308	U-Bolt Kit	637, 1054
361-310	U-Bolt Kit	631, 637
361-312	U-Bolt Kit	93, 99, 1054
361-314	U-Bolt Kit	93, 99, 1054
361-316	U-Bolt Kit	95, 97, 1054
361-318	U-Bolt Kit	97, 103, 1054
361-320	U-Bolt Kit	97, 1054
361-322	U-Bolt Kit	97, 1054
361-324	U-Bolt Kit	101, 1054
361-326	U-Bolt Kit	109, 1054
361-328	U-Bolt Kit	109, 111, 139, 839, 1054
361-330	U-Bolt Kit	109, 111, 1054
361-332	U-Bolt Kit	109, 1054
361-334	U-Bolt Kit	109, 1054
361-336	U-Bolt Kit	109, 1054
361-338	U-Bolt Kit	175, 999, 1001, 1050
361-340	U-Bolt Kit	137, 147, 233-235, 297 545, 977, 1051
361-342	U-Bolt Kit	977, 1051
361-350	U-Bolt Kit	231, 233-235, 237-239, 301, 303, 427, 1051
361-352	U-Bolt Kit	201, 1054
361-354	U-Bolt Kit	201, 1054
361-356	U-Bolt Kit	201, 1054
361-358	U-Bolt Kit	201, 1054
361-360	U-Bolt Kit	201, 1054
361-362	U-Bolt Kit	139, 201, 1054
361-364	U-Bolt Kit	201, 1054
361-366	U-Bolt Kit	201, 1054
361-368	U-Bolt Kit	199, 1052
361-370	U-Bolt Kit	131, 199, 619, 1052
361-372	U-Bolt Kit	199, 1054
361-374	U-Bolt Kit	223, 225, 439, 509 777, 819, 827, 837, 1051
361-381	U-Bolt Kit	1051
361-382	U-Bolt Kit	1051
361-383	U-Bolt Kit	1051
361-389	U-Bolt Kit	193, 491, 1054
361-390	U-Bolt Kit	193, 491, 1054
361-391	U-Bolt Kit	195, 493, 1054
361-392	U-Bolt Kit	195, 205, 493, 1054
361-393	U-Bolt Kit	775, 1050
361-394	U-Bolt Kit	1050
361-396	U-Bolt Kit	437, 1053
361-397	U-Bolt Kit	983, 1051
361-399	U-Bolt Kit	1051
361-416	U-Bolt Kit	1051
361-448	U-Bolt Kit	133
361-449	U-Bolt Kit	943, 1053
361-467	U-Bolt Kit	1053
361-468	U-Bolt Kit	141, 1053
361-469	U-Bolt Kit	13, 16, 847, 1051
361-470	U-Bolt Kit	395, 813, 365-367, 1005, 1052
361-471	U-Bolt Kit	365-367, 369, 1003, 1005, 1052
361-473	U-Bolt Kit	407, 409, 769, 1052, 1052

Part No.	Desc.	Page
361-474	U-Bolt Kit	1054
361-475	U-Bolt Kit	131, 133, 507, 971, 1053, 1053
361-476	U-Bolt Kit	173, 181, 1050
361-478	U-Bolt Kit	175, 1050
361-480	U-Bolt Kit	143, 1051, 1051
361-481	U-Bolt Kit	631, 1054
361-482	U-Bolt Kit	983, 1051
361-487	U-Bolt Kit	1052
361-490	U-Bolt Kit	1051
361-491	U-Bolt Kit	1051
361-492	U-Bolt Kit	837, 1051
361-493	U-Bolt Kit	1050
361-496	U-Bolt Kit	437, 999, 1001, 1052
361-499	U-Bolt Kit	1053
361-500	U-Bolt Kit	1052
361-501	U-Bolt Kit	1053
361-504	U-Bolt Kit	1054
361-505	U-Bolt Kit	225, 439, 827, 1051
361-506	U-Bolt Kit	957, 1053
361-507	U-Bolt Kit	411, 1053
361-508	U-Bolt Kit	1052
361-509	U-Bolt Kit	69, 71, 73, 75, 805 815 817, 829-831 849, 823, 825 1052
361-510	U-Bolt Kit	715-717, 1050
361-511	U-Bolt Kit	715-717, 1050
361-512	U-Bolt Kit	715-717, 1050
361-514	U-Bolt Kit	437, 1053
361-515	U-Bolt Kit	437, 1053
361-516	U-Bolt Kit	711, 721, 759, 999, 1052
361-517	U-Bolt Kit	233-235, 635, 1051
361-519	U-Bolt Kit	1051
361-521	U-Bolt Kit	1052
361-522	U-Bolt Kit	1052
361-523	U-Bolt Kit	1053
361-525	U-Bolt Kit	1053
361-529	U-Bolt Kit	1053
361-530	U-Bolt Kit	1051
361-531	U-Bolt Kit	999, 1001
361-534	U-Bolt Kit	675-677, 1052
361-538	U-Bolt Kit	1053
361-539	U-Bolt Kit	839, 841, 845, 851, 853, 1051 983
361-541	U-Bolt Kit	1051
361-541	U-Bolt Kit	1051
361-547	U-Bolt Kit	1052
361-548	U-Bolt Kit	1052
361-549	U-Bolt Kit	1052
361-550	U-Bolt Kit	1052
361-551	U-Bolt Kit	1052
361-552	U-Bolt Kit	1052
361-553	U-Bolt Kit	1052
361-554	U-Bolt Kit	1052
361-555	U-Bolt Kit	1052
361-556	U-Bolt Kit	1052
361-557	U-Bolt Kit	1054
361-558	U-Bolt Kit	69, 71, 73, 75, 809-811, 829-831, 833-835, 849, 1052
361-559	U-Bolt Kit	69, 71, 73, 75, 713, 805, 815, 817, 819, 823, 825, 829-831, 849, 1052
361-560	U-Bolt Kit	721, 1053
361-561	U-Bolt Kit	721, 1053
361-563	U-Bolt Kit	721
361-564	U-Bolt Kit	1051
361-565	U-Bolt Kit	721, 999, 1001, 1052
361-566	U-Bolt Kit	223, 225, 439, 807, 819, 827, 975, 1051
361-567	U-Bolt Kit	415, 761, 1054
361-568	U-Bolt Kit	59, 69, 71, 73, 75, 369, 453, 829-831, 849, 1052
361-569	U-Bolt Kit	23, 971, 1053
361-570	U-Bolt Kit	1053
361-571	U-Bolt Kit	771, 1054
361-572	U-Bolt Kit	145, 1051
361-573	U-Bolt Kit	759, 999, 1001, 1052
361-575	U-Bolt Kit	1051
361-577	U-Bolt Kit	1051
361-580	U-Bolt Kit	1053
361-582	U-Bolt Kit	957, 1051
361-584	U-Bolt Kit	807, 855, 1051
361-585	U-Bolt Kit	1051
361-587	U-Bolt Kit	1052
361-588	U-Bolt Kit	149, 1051
361-589	U-Bolt Kit	225, 439, 819, 827, 837, 849, 855, 1051
361-590	U-Bolt Kit	1053
361-591	U-Bolt Kit	1054
361-592	U-Bolt Kit	1053
361-593	U-Bolt Kit	1053

Part Number 361-594 to 8U-5320R

Part No.	Desc.	Page
361-594	U-Bolt Kit	1053
361-595	U-Bolt Kit	1053
361-596	U-Bolt Kit	1055
361-597	U-Bolt Kit	1055
361-598	U-Bolt Kit	1055
361-599	U-Bolt Kit	1055
361-600	U-Bolt Kit	1055
361-601	U-Bolt Kit	721, 1052
361-602	U-Bolt Kit	1053
361-603	U-Bolt Kit	1053
361-604	U-Bolt Kit	1054,1054
361-606	U-Bolt Kit	545, 1050
361-607	U-Bolt Kit	545, 1050
361-608	U-Bolt Kit	543, 1053
361-609	U-Bolt Kit	1051
361-612	U-Bolt Kit	1053
361-613	U-Bolt Kit	539, 1053
361-614	U-Bolt Kit	1055
361-616	U-Bolt Kit	1051
361-617	U-Bolt Kit	1053
361-618	U-Bolt Kit	1051
361-619	U-Bolt Kit	1050
361-620	U-Bolt Kit	1027, 1051
361-621	U-Bolt Kit	537, 1052
361-622	U-Bolt Kit	941, 1050
361-624	U-Bolt Kit	1054
361-625	U-Bolt Kit	607
361-625	U-Bolt Kit	1054
361-626	U-Bolt Kit	1051
361-627	U-Bolt Kit	243-245, 251, 1053
361-628	U-Bolt Kit	231, 1051
361-632	U-Bolt Kit	629, 1052
361-633	U-Bolt Kit	1051
361-634	U-Bolt Kit	1053
361-635	U-Bolt Kit	1051
361-636	U-Bolt Kit	141
361-637	U-Bolt Kit	365-367, 392, 395, 421, 1005, 1018, 1050
361-638	U-Bolt Kit	1050
361-639	U-Bolt Kit	1055
361-640	U-Bolt Kit	365-367, 1050
361-641	U-Bolt Kit	781, 1053
361-642	U-Bolt Kit	1053
361-643	U-Bolt Kit	1053
361-644	U-Bolt Kit	603, 609-611, 613, 1054
361-645	U-Bolt Kit	1052
361-646	U-Bolt Kit	1052
361-647	U-Bolt Kit	983, 1051
361-648	U-Bolt Kit	1053
361-649	U-Bolt Kit	1051
361-650	U-Bolt Kit	927, 1052
361-651	U-Bolt Kit	927, 1051
361-652	U-Bolt Kit	1054
361-653	U-Bolt Kit	1055
361-654	U-Bolt Kit	1050
361-655	U-Bolt Kit	1054
361-656	U-Bolt Kit	605, 617, 1054
361-657	U-Bolt Kit	1051
361-659	U-Bolt Kit	1052
361-660	U-Bolt Kit	1052
361-661	U-Bolt Kit	243-245, 251, 1053
361-662	U-Bolt Kit	243-245, 251, 1053
361-663	U-Bolt Kit	243-245, 251, 1053
361-664	U-Bolt Kit	629, 1052
361-667	U-Bolt Kit	27, 1053
361-675	U-Bolt Kit	507, 1054
361-676	U-Bolt Kit	537
361-678	U-Bolt Kit	537, 969
361-689	U-Bolt Kit	505, 1053
361-693	U-Bolt Kit	969, 1051
361-694	U-Bolt Kit	969, 1053
361-702	U-Bolt Kit	1027, 1051
362-108	Service Kit	241, 356
362-111	U-Bolt Kit	775
3B12-312	Air Spring	397
3B12-338	Air Spring	903
3B12-339	Air Spring	911
3B12-347	Air Spring	907
401754	Bushing	99, 101, 109, 111, 112, 127, 129, 143, 152, 181, 184, 197, 206, 203, 217, 565, 568, 605, 615, 619, 625, 627, 749, 750, 771, 773, 779, 786, 901, 912, 949, 950, 1071
46-151-EL	Eye Leaf	143
48-919	Leaf Spring	203
48-933	Leaf Spring	203
49048-002L	Air Spring	237-239
50-244	Leaf Spring	599
50-250	Taper Spring	935

Part No.	Desc.	Page
50-357	Leaf Spring	303
50-359	Leaf Spring	303
50-433	Support Member	241
50-435	Support Member	241
50-457	Support Member	231
50-459	Support Member	427
50-473	Leaf Spring	297
50-475	Leaf Spring	297
55-067SBL	Bracket	631
55-067SBR	Bracket	631
50405-002L	Air Spring	237-239
50898-002L	Air Spring	233-235
534-127	Plate	1053
56917-002L	Air Spring	233-235
57122-002L	Air Spring	233-235
57920-002L	Air Spring	233-235
59484-002L	Air Spring	21
59601-002L	Air Spring	21
5U-231FR	U-Bolt	1054
5U-233S	U-Bolt	1052
5U-1507R	U-Bolt	1051
5U-5416R	U-Bolt	1051
5U-5715R	U-Bolt	1052
60271-002	Air Spring	251
60716-002	Air Spring	533, 967
60925-002	Air Spring	231
60929-002	Air Spring	231
64075-002	Air Spring	19
64337-002	Air Spring	251
64917-002	Air Spring	241
65032-002	Air Spring	251
65086-002	Air Spring	427
65183-002	Air Spring	251
65282-002	Air Spring	251
65455-002	Air Spring	253
65652-002	Air Spring	253
65790-002L	Air Spring	597, 933
66349-002	Air Spring	533, 933 967
66643-002L	Air Spring	633
66865-002L	Air Spring	19
67043-002	Air Spring	243-245, 251
67044-002	Air Spring	243-245
67234-002	Air Spring	243-245
67247-002	Air Spring	243-245
67289-002	Air Spring	427
67391-002	Air Spring	243-245
67392-002	Air Spring	243-245
67568-002	Air Spring	599
67923-002	Air Spring	243-245
68056-002	Air Spring	243-245
69116-002L	Air Spring	1021
69153-002	Air Spring	251
69782-002L	Air Spring	123-125, 1021
76942-002	Air Spring	427
74-137	Leaf Spring	415, 761
75-125	Leaf Spring	779
75-147	Leaf Spring	775
75-153	Leaf Spring	783
75-161	Taper Spring	783
75-167	Spring Link	781
83-167	Leaf Spring	847
83-255	Leaf Spring	847
83-279	Leaf Spring	855
83-281	Leaf Spring	855
86-101	Leaf Spring	403
86-107	Leaf Spring	413
86-111	Leaf Spring	411
86-113	Leaf Spring	411
86-115	Leaf Spring	411
8T120	Rod	3
8T7810	Rod	63
8U-5310R	U-Bolt	183
8U-6719R	U-Bolt	883
8U-3406NHS	U-Bolt	1052
8U-3407FR	U-Bolt	1054
8U-3506IR	U-Bolt	1054
8U-3506R	U-Bolt	1051
8U-3508IR	U-Bolt	1054
8U-3508S	U-Bolt	1052
8U-3510R	U-Bolt	1051
8U-3512S	U-Bolt	1052
8U-3710R	U-Bolt	1051
8U-3807R	U-Bolt	1051
8U-3814S	U-Bolt	1052
8U-3816S	U-Bolt	1052
8U-3818S	U-Bolt	1052
8U-3820S	U-Bolt	1052
8U-3907CR	U-Bolt	1054
8U-3907FR	U-Bolt	1054
8U-3907IR	U-Bolt	1054
8U-3909FR	U-Bolt	1054

Part No.	Desc.	Page
8U-3914S	U-Bolt	1052
8U-3916S	U-Bolt	1052
8U-3920S	U-Bolt	1052
8U-4108R	U-Bolt	1051
8U-4109S	U-Bolt	1052
8U-4414CR	U-Bolt	1054
8U-4416CR	U-Bolt	1054
8U-4607S	U-Bolt	1053
8U-4609CR2	U-Bolt	1054
8U-4609R	U-Bolt	1051
8U-4609S	U-Bolt	1053
8U-4610PR2	U-Bolt	1054
8U-4610R	U-Bolt	1051
8U-4611R	U-Bolt	1051
8U-4612R	U-Bolt	1051
8U-4612S	U-Bolt	1053
8U-4613R	U-Bolt	1051
8U-4614FR	U-Bolt	1054
8U-4614R	U-Bolt	1051
8U-4614S	U-Bolt	1053
8U-4615R	U-Bolt	1051
8U-4616CR1	U-Bolt	1054
8U-4616FR	U-Bolt	1054
8U-4617R	U-Bolt	1051
8U-4618CR1	U-Bolt	1054
8U-4618CR3	U-Bolt	1054
8U-4618FR	U-Bolt	1054
8U-4618R	U-Bolt	1051
8U-4618S	U-Bolt	1053
8U-4618SR	U-Bolt	1054
8U-4620R	U-Bolt	1051
8U-4622S	U-Bolt	1053
8U-4623CR1	U-Bolt	1054
8U-4623IR2	U-Bolt	1054
8U-4805S	U-Bolt	1053
8U-4810R	U-Bolt	1051
8U-4810S	U-Bolt	1053
8U-4812PR2	U-Bolt	1054
8U-4812R	U-Bolt	1051
8U-4812S	U-Bolt	1054
8U-4813IR	U-Bolt	1054
8U-4815IR	U-Bolt	1054
8U-4905S	U-Bolt	1053
8U-4906IR	U-Bolt	1054
8U-4906S	U-Bolt	1053
8U-4907CR	U-Bolt	1054
8U-4907R	U-Bolt	1051
8U-4908FR	U-Bolt	1054
8U-4908R	U-Bolt	1051
8U-4908S	U-Bolt	1053
8U-4909FR	U-Bolt	1054
8U-4909IR	U-Bolt	1054
8U-4909S	U-Bolt	1053
8U-4910HS	U-Bolt	1053
8U-4911PR	U-Bolt	1054
8U-4911R	U-Bolt	1054
8U-4911R	U-Bolt	1051
8U-4912R	U-Bolt	1051
8U-4912S	U-Bolt	1054
8U-4914R	U-Bolt	1051
8U-4916R	U-Bolt	1051
8U-4918R	U-Bolt	1051
8U-5108R	U-Bolt	1051
8U-5108S	U-Bolt	1053
8U-5113NHR	U-Bolt	1054
8U-5116R	U-Bolt	1051
8U-5209PX	U-Bolt	1053
8U-5210PX	U-Bolt	1053
8U-5211PX	U-Bolt	1053
8U-5212PX	U-Bolt	1053
8U-5311R	U-Bolt	1051
8U-5312R	U-Bolt	1051
8U-5313R	U-Bolt	1051
8U-5313SR	U-Bolt	1054
8U-5314R	U-Bolt	1051
8U-5315R	U-Bolt	1051
8U-5316FR	U-Bolt	1054
8U-5316IR	U-Bolt	1054
8U-5316R	U-Bolt	1051
8U-5318CR1	U-Bolt	1054
8U-5318FR	U-Bolt	1054
8U-5318R	U-Bolt	1051
8U-5318S	U-Bolt	1053
8U-5318SR	U-Bolt	1054
8U-5319FR	U-Bolt	1054
8U-5319R	U-Bolt	1051
8U-5320CR1	U-Bolt	1054
8U-5320CR3	U-Bolt	1054
8U-5320FR	U-Bolt	1054
8U-5320IR	U-Bolt	1054
8U-5320R	U-Bolt	1051

361-594 to 8U-5320R

Numeric Listing

Part Number 8U-5322R to M65418

8U-5322R to M65418

Numeric Listing

Part No.	Desc.	Page
8U-5322R	U-Bolt	1051
8U-5323CR1	U-Bolt	1054
8U-5410R	U-Bolt	1051
8U-5411S	U-Bolt	1053
8U-5412R	U-Bolt	1054
8U-5412R	U-Bolt	1051
8U-5413R	U-Bolt	1054
8U-5413R	U-Bolt	1051
8U-5413S	U-Bolt	1053
8U-5414R	U-Bolt	1051
8U-5415R	U-Bolt	1054
8U-5415R	U-Bolt	1051
8U-5415S	U-Bolt	1053
8U-5416R	U-Bolt	1051
8U-5417PR	U-Bolt	1054
8U-5417S	U-Bolt	1053
8U-5418R	U-Bolt	1051
8U-5507R	U-Bolt	1051
8U-5508HS	U-Bolt	1053
8U-5508R	U-Bolt	1051
8U-5509HS	U-Bolt	1053
8U-5509R	U-Bolt	1051
8U-5509S	U-Bolt	1053
8U-5510HS	U-Bolt	1053
8U-5510R	U-Bolt	1052
8U-5510SR	U-Bolt	1054
8U-5511HS	U-Bolt	1053
8U-5512FR	U-Bolt	1054
8U-5512R	U-Bolt	1052
8U-5512S	U-Bolt	1053
8U-5513S	U-Bolt	1053
8U-5516R	U-Bolt	1051
8U-5516S	U-Bolt	1053
8U-5518R	U-Bolt	1052
8U-5616S	U-Bolt	1053
8U-5708R	U-Bolt	1052
8U-5710R	U-Bolt	1052
8U-5711R	U-Bolt	1052
8U-5712R	U-Bolt	1052
8U-5713R	U-Bolt	1052
8U-5714PS	U-Bolt	1053
8U-5714R	U-Bolt	1052
8U-5716R	U-Bolt	1052
8U-5716SS	U-Bolt	1053
8U-5718R	U-Bolt	1052
8U-5815S	U-Bolt	1053
8U-6108R	U-Bolt	1051
8U-6109R	U-Bolt	1051
8U-6115R	U-Bolt	1051
8U-6909R	U-Bolt	1052
8U-7008R	U-Bolt	1054
8U-7008R	U-Bolt	1052
8U-7009R	U-Bolt	1052
8U-7015PR	U-Bolt	1054
8U-7212MR	U-Bolt	1055
8U-7311S	U-Bolt	1053
8U-7312S	U-Bolt	1053
8U-7313SR	U-Bolt	1052
8U-7313S	U-Bolt	1053
8U-7314SR	U-Bolt	1052
8U-7315SR	U-Bolt	1052
8U-7315S	U-Bolt	1053
8U-7316SR	U-Bolt	1052
8U-7316S	U-Bolt	1053
8U-7317SR	U-Bolt	1052
8U-7513SR	U-Bolt	1053
8U-7514SR	U-Bolt	1053
8U-7514S	U-Bolt	1053
8U-7515SR	U-Bolt	1053
8U-7515S	U-Bolt	1053
8U-7516SR	U-Bolt	1053
8U-7516S	U-Bolt	1053
8U-7517SR	U-Bolt	1053
8U-7518SR	U-Bolt	1053
8U-7518S	U-Bolt	1053
8U-76135MR	U-Bolt	1055
8U-76145MR	U-Bolt	1055
8U-76145MR	U-Bolt	1055
8U-76155MR	U-Bolt	1055
8U-76165MR	U-Bolt	1055
8U-76165MR	U-Bolt	1055
8U-76175MR	U-Bolt	1055
8U-76175MR	U-Bolt	1055
8U-76185MR	U-Bolt	1055
8U-76185MR	U-Bolt	1055
8U-76195MR	U-Bolt	1055
8U-76195MR	U-Bolt	1055
8U-7710SR	U-Bolt	1050
8U-7712SR	U-Bolt	1050
8U-7716MR	U-Bolt	1055
8U-7716MR	U-Bolt	1055
8U-7717MR	U-Bolt	1055

Part No.	Desc.	Page
8U-7717MR	U-Bolt	1055
8U-7718MR	U-Bolt	1055
8U-8312S	U-Bolt	1053
8U-8314SS	U-Bolt	1053
8U-8315SS	U-Bolt	1053
8U-8316SS	U-Bolt	1053
8U-9053R	U-Bolt	1052
8U-9053R	U-Bolt	1052
8U-9063R	U-Bolt	1052
8U-9082S	U-Bolt	1053
8U-9116R	U-Bolt	1052
8U-9186R	U-Bolt	1052
8U-9195R	U-Bolt	1052
8U-9307R	U-Bolt	1052
8U-9335FS	U-Bolt	1053
8U-9336FS	U-Bolt	1053
8U-9385S	U-Bolt	1053
8U-9402R	U-Bolt	1052
8U-9415R	U-Bolt	1052
8U-9415R	U-Bolt	1052
8U-9434R	U-Bolt	1052
8U-9435R	U-Bolt	1052
8U-9436S	U-Bolt	1053
8U-9437R	U-Bolt	1052
8U-9438R	U-Bolt	1052
8U-9439R	U-Bolt	1052
96-935	Leaf Spring	977
A-101	Wedge	1091
A-102	Wedge	1091
A-103	Wedge	1091
A-104	Wedge	1091
A-105	Wedge	1091
A-106	Wedge	1091
A-107	Wedge	1091
A-108	Wedge	1091
A-201	Wedge	1091
A-202	Wedge	1091
A-203	Wedge	1091
A-204	Wedge	1091
A-205	Wedge	1091
A-206	Wedge	1091
A-207	Wedge	1091
A-208	Wedge	1091
A-221	Wedge	1091
A-222	Wedge	1091
A-223	Wedge	1091
A-224	Wedge	1091
A-225	Wedge	1091
A-226	Wedge	1091
A-227	Wedge	1091
A-228	Wedge	1091
A-251	Wedge	1091
A-252	Wedge	1091
A-253	Wedge	1091
A-254	Wedge	1091
A-255	Wedge	1091
A-256	Wedge	1091
A-257	Wedge	1091
A-258	Wedge	1091
A-301	Wedge	1091
A-302	Wedge	1091
A-303	Wedge	1091
A-304	Wedge	1091
A-305	Wedge	1091
A-306	Wedge	1091
A-307	Wedge	1091
A-308	Wedge	1091
A-351	Wedge	1091
A-352	Wedge	1091
A-353	Wedge	1091
A-354	Wedge	1091
A-355	Wedge	1091
A-356	Wedge	1091
A-357	Wedge	1091
A-358	Wedge	1091
A-3xx	Wedge	509
A-401	Wedge	1091
A-402	Wedge	1091
A-403	Wedge	1091
A-404	Wedge	1091
A-405	Wedge	1091
A-415	Wedge	1091
A-425	Wedge	1091
A-435	Wedge	1091
A-4xx	Wedge	777
AFP	Pad	971
B-1159	Air Spring	403, 409, 411
B-1245	Air Spring	369, 411
B-14249	Air Spring	395, 407
B-14318	Air Spring	395
B-14486	Air Spring	399

Part No.	Desc.	Page
B-14487	Air Spring	399, 401
B-2630	Air Spring	395
B-2630	Air Spring	407, 409
B-7853	Air Spring	409
B-8874	Air Spring	409
DN-12	Nut	1056
DN-34	Nut	23, 89, 929, 1056
DN-34A	Nut	1056
DN-38	Nut	1056
DN-58	Nut	1056
DN-78	Nut	5, 35, 63, 183, 749, 945, 1056
DN-78A	Nut	1056
DN-100	Nut	7, 883, 927, 929, 1056
DN-100A	Nut	1056
DN-118	Nut	565, 1056
DN-125	Nut	553, 555, 557, 559, 561, 563, 1056
DN-716	Nut	1056
DN-916	Nut	1056
DNM-200	Nut	553, 555, 557, 559, 561, 563, 1056
FLNC-14M	Nut	1056
FLNC-16M	Nut	1056
FLNC-20M	Nut	1056
FLNC-24M	Nut	1056
FLNC-102	Nut	1056
FLNC-104	Nut	1056
FLNC-105	Nut	1056
GL-294	Liner	83, 223, 809-811
GL-295	Liner	13, 171, 173, 177, 179, 183, 225, 443, 445-447, 449-451, 809-811, 833-835, 847, 855, 953, 955
GL-495	Liner	
JFC	Bushing	1072
JFD	Bushing	1072
JFE	Bushing	99, 619, 1072
JFG	Bushing	1072
LHE	Bushing	103, 1072
LHG	Bushing	1072
LHG-BM	Bushing	619, 1072
M10244	Sleeve	797
M65101	Shock Absorber	769
M65102	Shock Absorber	97, 507
M65103	Shock Absorber	127, 535, 615, 625
M65104	Shock Absorber	109
M65106	Shock Absorber	89
M65107	Shock Absorber	613
M65108	Shock Absorber	605
M65109	Shock Absorber	613
M65110	Shock Absorber	109, 535
M65111	Shock Absorber	97, 105
M65112	Shock Absorber	5, 97, 105
M65113	Shock Absorber	769
M65115	Shock Absorber	135
M65118	Shock Absorber	535
M65121	Shock Absorber	23
M65123	Shock Absorber	105
M65124	Shock Absorber	1027
M65130	Shock Absorber	537
M65139	Shock Absorber	127, 129
M65140	Shock Absorber	131, 133
M65143	Shock Absorber	605
M65144	Shock Absorber	605
M65146	Shock Absorber	607
M65150	Shock Absorber	607
M65154	Shock Absorber	481
M65160	Shock Absorber	537
M65162	Shock Absorber	935
M65166	Shock Absorber	27
M65400	Shock Absorber	775, 779
M65401	Shock Absorber	109, 821, 847
M65402	Shock Absorber	773, 779
M65404	Shock Absorber	515, 783
M65405	Shock Absorber	769
M65406	Shock Absorber	973
M65407	Shock Absorber	63, 143, 615, 625, 749, 1033
M65408	Shock Absorber	143
M65409	Shock Absorber	631
M65410	Shock Absorber	179, 181, 215, 681-683
M65411	Shock Absorber	233-235, 237-239, 539, 541, 769
M65412	Shock Absorber	237-239
M65413	Shock Absorber	481, 493
M65414	Shock Absorber	481, 493
M65415	Shock Absorber	195, 973
M65416	Shock Absorber	195, 359, 361-363, 382, 481 493, 703, 885, 891
M65418	Shock Absorber	657

Part Number M65419 to RNG

M65419 to RNG

Numeric Listing

Part No.	Desc.	Page
M65419	Shock Absorber	361-363, 382, 691-693, 703
M65420	Shock Absorber	237-239
M65421	Shock Absorber	179, 181
M65422	Shock Absorber	605
M65425	Shock Absorber	657
M65427	Shock Absorber	613
M65428	Shock Absorber	535, 541
M65429	Shock Absorber	105
M65431	Shock Absorber	97, 233-235, 359, 361-363, 382, 657
M65432	Shock Absorber	659, 707
M65433	Shock Absorber	359, 361-363, 382
M65434	Shock Absorber	769
M65435	Shock Absorber	129
M65436	Shock Absorber	511-513
M65439	Shock Absorber	63
M65442	Shock Absorber	41-43, 541, 543
M65444	Shock Absorber	779
M65446	Shock Absorber	973
M65448	Shock Absorber	773
M65449	Shock Absorber	63
M65451	Shock Absorber	369
M65454	Shock Absorber	855
M65456	Shock Absorber	105, 689
M65459	Shock Absorber	29
M65463	Shock Absorber	41-43, 101
M65465	Shock Absorber	67, 359, 361-363, 382
M65468	Shock Absorber	479, 491, 509, 777
M65471	Shock Absorber	63, 949
M65474	Shock Absorber	681-683
M65478	Shock Absorber	21, 233-235, 295
M65479	Shock Absorber	233-235, 237-239
M65481	Shock Absorber	233-235, 237-239
M65482	Shock Absorber	131, 359, 382
M65483	Shock Absorber	233-235, 427
M65485	Shock Absorber	233-235
M65486	Shock Absorber	547, 973
M65490	Shock Absorber	141
M65493	Shock Absorber	382, 889
M65494	Shock Absorber	537, 969
M65495	Shock Absorber	781
M65500	Shock Absorber	382, 813
M65501	Shock Absorber	382, 813, 1007
M65503	Shock Absorber	585
M65504	Shock Absorber	243-245, 251
M65511	Shock Absorber	359, 361-363, 382
M65512	Shock Absorber	361-363, 382
M65513	Shock Absorber	359, 361-363, 382
M65515	Shock Absorber	687, 691-693
M65515	Shock Absorber	675-677
M65516	Shock Absorber	665, 681-683, 687
M65519	Shock Absorber	359, 691-693
M65523	Shock Absorber	511-513
M65524	Shock Absorber	511-513
M65525	Shock Absorber	583
M65526	Shock Absorber	145
M65527	Shock Absorber	597, 599
M65530	Shock Absorber	1021
M65531	Shock Absorber	3
M65541	Shock Absorber	505
M65710	Shock Absorber	537
M66115	Shock Absorber	971
M66418	Shock Absorber	129
M66423	Shock Absorber	507
M66424	Shock Absorber	515, 783
M66425	Shock Absorber	133
M66428	Shock Absorber	775
M66431	Shock Absorber	547, 973
M66437	Stabilizer	397
M66502	Stabilizer	213, 215, 395, 813, 907, 997, 1009
M66502	Stabilizer	1009
M66601	Shock Absorber	483, 495, 499, 743
M66602	Shock Absorber	743
M66605	Shock Absorber	481, 489, 605
M66606	Shock Absorber	639
M66607	Shock Absorber	382
M66608	Shock Absorber	382, 673, 699, 703, 707
M66609	Shock Absorber	685
M66610	Shock Absorber	679, 703, 707
M66613	Shock Absorber	131
M66618	Shock Absorber	497
M66624	Shock Absorber	423
M66625	Shock Absorber	479, 487, 491
M66626	Shock Absorber	195, 481, 493
M66627	Shock Absorber	359675-677699
M66628	Shock Absorber	193
M66629	Shock Absorber	95
M66633	Shock Absorber	707
M66634	Shock Absorber	679, 699, 703, 707

Part No.	Desc.	Page
M66636	Shock Absorber	39, 41-43, 45, 382, 679, 707, 753, 995, 1003, 1005
M66638	Shock Absorber	382, 675-677, 681-683, 847
M66639	Shock Absorber	487
M66648	Shock Absorber	131
M66653	Shock Absorber	495
M66656	Shock Absorber	233-235
M66658	Shock Absorber	127
M66660	Shock Absorber	707
M66668	Shock Absorber	105
M66670	Shock Absorber	105
M66675	Shock Absorber	495
M66677	Shock Absorber	479, 487, 499
M66678	Shock Absorber	479
M66683	Shock Absorber	637
M66707	Shock Absorber	507
M66716	Shock Absorber	143
M66717	Shock Absorber	495
M66811	Shock Absorber	97, 99, 103, 507
M66828	Shock Absorber	641, 643
M66833	Shock Absorber	11, 382, 537, 749, 887, 997
M66841	Shock Absorber	11, 103, 641, 643
M66860	Shock Absorber	5, 99, 641, 643
M66860	Shock Absorber	103
M66861	Shock Absorber	93, 95, 97
M66863	Shock Absorber	93, 95
M66878	Shock Absorber	539, 827, 1027
M66884	Shock Absorber	29, 59, 665, 675-677, 837, 847, 887
M66886	Shock Absorber	291, 293, 382
M66886	Shock Absorber	89, 295, 295, 369, 382, 537, 539, 541, 613, 679, 803, 887, 909
M66891	Shock Absorber	109, 847
M66893	Shock Absorber	369, 382, 407, 455, 753, 755, 807, 887, 909, 1003, 1005
M66894	Shock Absorber	821, 847
M66897	Shock Absorber	423, 675-677
M66903	Shock Absorber	971
M66923	Shock Absorber	605
M66924	Shock Absorber	639
M66956	Shock Absorber	637
M66957	Shock Absorber	109, 111, 217, 605, 1027, 1033
M66966	Shock Absorber	507
M66969	Shock Absorber	369, 382, 613
M7-3025	Bushing	483, 485, 487, 489, 497, 499, 501, 1073
M7-3428	Bushing	593, 743, 745, 1073
M7-3024	Bushing	1073
M7-3630	Bushing	1073
M74006	Shock Absorber	27
M74025	Shock Absorber	529
M74028	Shock Absorber	25, 27
M74075	Shock Absorber	797
M74405	Shock Absorber	631
M74406	Shock Absorber	631
M74408	Shock Absorber	901
M74420	Shock Absorber	631
M74454	Shock Absorber	565
M8-3428	Bushing	481, 1073
M8-3630	Bushing	593, 1073
M8-3832	Bushing	479, 1073
M8-3024	Bushing	1073
M8-3225	Bushing	1073
M8-3530	Bushing	1073
M8-3625	Bushing	1073
M8-3830	Bushing	1073
M8-4030	Bushing	1073
M10-3832	Bushing	481, 1073
M10-4030	Bushing	543, 1073
M9-3630	Bushing	1073
M9-4235	Bushing	1073
M10-4032	Bushing	1073
MB-2	Bushing	1073
MB-1	Bushing	535, 539, 541, 1073
MP-56	Pad	541
MP-57	Pad	541
NJE	Bushing	111, 1072
NJG	Bushing	1072
NJG-BM	Bushing	5, 7, 103, 413, 749, 1072
NJI	Bushing	1072
NJI-BM	Bushing	101, 1072
NJK	Bushing	609-611, 1072
NJK-BM	Bushing	11, 95, 97, 529, 621, 1023, 1072
PAD-101	Pad	507, 769, 794
PB-17	Bushing	1072
PLG	Bushing	25, 27, 641, 1072
PLG-BM	Bushing	111, 749, 1072

Part No.	Desc.	Page
PLI	Bushing	1072
PLK	Bushing	129, 939, 971, 1033, 1072
PLK-BM	Bushing	11, 1025
RB-72	Bushing	1074
RB-73	Bushing	197, 199, 203, 205, 1074, 1088
RB-74	Bushing	201, 1074, 1088
RB-75	Bushing	109, 201, 605, 617, 623, 1074, 1088
RB-84	Bushing	565, 1074
RB-90	Bushing	199, 1074
RB-94	Bushing	199, 1075
RB-100	Bushing	93, 1074
RB-146	Bushing	977, 979, 1074, 1088
RB-161	Bushing	613, 1075
RB-162	Bushing	1074
RB-165	Bushing	543, 1074
RB-166	Bushing	543, 1075
RB-168	Bushing	205, 1074, 1088
RB-173	Bushing	495, 1074
RB-174	Bushing	565, 1074
RB-175	Bushing	143, 1076, 1088
RB-183	Bushing	1074
RB-184	Bushing	1075, 1088
RB-185	Bushing	1076, 1088
RB-186	Bushing	495, 497, 1074
RB-187	Bushing	565, 1074
RB-188	Bushing	535, 1074
RB-189	Bushing	535, 1075
RB-190	Bushing	193, 491, 939, 1074
RB-191	Bushing	195, 493, 1074
RB-193	Bushing	1075
RB-194	Bushing	1075
RB-195	Bushing	1075
RB-196	Bushing	1075
RB-199	Bushing	945, 1076, 1088
RB-205	Bushing	141, 166, 1076, 1088
RB-205U	Bushing	141, 166, 1076
RB-207	Bushing	1074
RB-208	Bushing	1075
RB-211	Bushing	1074
RB-211	Bushing	1074
RB-212	Bushing	131, 133, 1074
RB-218	Bushing	1074
RB-219	Bushing	1074
RB-220	Bushing	1074
RB-221	Bushing	1074
RB-222	Bushing	1075
RB-223	Bushing	1075
RB-228	Bushing	1074
RB-229	Bushing	1074
RB-230	Bushing	1074
RB-232	Bushing	1074, 1088
RB-233	Bushing	123-125, 131, 133, 1027, 1074
RB-234	Bushing	141, 166, 1076
RB-235	Bushing	1075
RB-236	Bushing	1075
RB-246	Bushing	497, 1074
RB-249	Bushing	507, 1075
RB-253	Bushing	603, 613, 1074
RB-259	Bushing	547, 635, 973, 975, 1076
RB-263	Bushing	123-125, 131, 133, 166, 1027, 1075
RB-267	Bushing	139, 1074
RB-268	Bushing	141, 166, 509, 629, 654, 777, 794, 1076
RB-268U	Bushing	141, 794, 1076
RB-269	Bushing	607, 1074
RB-270	Bushing	603, 1074
RB-280	Bushing	139, 1074
RB-288	Bushing	537, 1074
RB-289	Bushing	537, 1075
RB-290	Bushing	547, 973, 1074
RB-291	Bushing	781, 1076
RB-292	Bushing	781, 1074
RB-293	Bushing	423, 1074
RB-295	Bushing	505, 507, 769, 1075
RB-302	Bushing	1021, 1074
RB-308	Bushing	507, 769, 1075
RB-322	Bushing	537, 1074
RB-324	Bushing	507, 769, 1075
RB-328	Bushing	505, 507, 769, 1075
RB-338	Bushing	507, 769, 1074
RB-341	Bushing	537, 969, 1074
RB-343	Bushing	123-125, 1021, 1075
RB-344	Bushing	123-125, 1075
RB-345	Bushing	123-125, 1021, 1074
RB-371	Bushing	827
RNG	Bushing	771, 1072

Part Number RNG-BM to XRI

RNG-BM to XRI

Numeric Listing

Part No.	Desc.	Page	Part No.	Desc.	Page
RNG-BM	Bushing	29, 109, 415, 425, 545, 605, 639, 643, 761, 1072	TB-81	Bushing	507, 769, 1073
RNI	Bushing	3, 771, 1072	TB-82	Bushing	131, 1027, 1073
RNI-BM	Bushing	127, 535, 539, 541, 769, 1072	TNI	Bushing	127, 1072
RNK	Bushing	105, 1072	TNK	Bushing	127, 1072
RNK-BM	Bushing	23, 63, 105, 127, 129, 131, 507, 529, 605, 609-611, 769, 941, 1027, 1072	TPG	Bushing	111, 135, 1072
RPK	Bushing	1072	TPI	Bushing	1072
S-1013	Air Spring	415	TPK	Bushing	1072
S-1080	Air Spring	413	TPK-BM	Bushing	1072
S-2063	Air Spring	369	TRA-020	Trailing Arm	181
S-4771	Air Spring	369	TRA-023	Leaf Spring	16,17
S-11566	Air Spring	369	TRA-024	Leaf Spring	16,17
S-11650	Air Spring	369	TRA-030	Leaf Spring	665
S-23114	Air Spring	375	TRA-074	Leaf Spring	837
S-25593	Air Spring	377	TRA-075	Leaf Spring	837
S-29892	Air Spring	67	TRA-081	Trailing Arm	181
SCB-260	Bolt	773, 779, 794	TRA-082	Leaf Spring	179
SFW-12	Washer	1058	TRA-086	Leaf Spring	179
SFW-34	Washer	1058	TRA-2676	Leaf Spring	711
SFW-38	Washer	371	TRA-2694	Leaf Spring	711
SFW-58	Washer	291, 293, 511-513, 1058	TRA-2726	Leaf Spring	16,17, 473
SFW-78	Washer	1058	TRA-2727	Leaf Spring	16,17, 473
SFW-100	Washer	71, 75, 109, 177, 413, 1058	TRA-2728	Leaf Spring	16,17, 473
SFW-118	Washer	1058	TRA-2740	Leaf Spring	16, 473
SFW-125	Washer	173, 177, 179, 183, 205, 681-683, 1058	TRA-2741	Leaf Spring	16, 17
SHB-114	Bracket	111	TRA-2752	Leaf Spring	16, 17
SLN-99	Nut	1056	TRA-2753	Leaf Spring	16, 17
SLN-99	Nut	1056	TRA-2754	Leaf Spring	16, 17
SLN-100	Nut	557, 567, 619, 1056	TRA-3217	Leaf Spring	711
SLN-101	Nut	1056	TRA-3340	Leaf Spring	859
SLN-102	Nut	1056	TRA-3341	Leaf Spring	859
SLN-103	Nut	1056	TRA-3349	Leaf Spring	859
SLN-104	Nut	223, 433, 445-447, 619, 637, 1056	TRA-3375	Leaf Spring	807
SLN-105	Nut	143, 147, 151, 619, 1056	TRA-3376	Leaf Spring	807
SLN-106	Nut	143, 181, 223, 281, 553, 555, 557, 559, 561, 563, 565, 567, 781, 901, 1056	TRA-3382	Leaf Spring	821
SLN-107	Nut	3, 69, 71, 109, 143, 171, 173, 177, 181, 183, 201, 215, 435, 439, 565, 691-693, 773, 775, 821, 823, 825, 845, 949, 1056	TRA-3383	Leaf Spring	821
SLN-108	Nut	205, 659, 681-683, 829-831, 1057	UOK	Bushing	1072
SLNC-98	Nut	1056	UQG	Bushing	1072
SLNC-100	Nut	1056	UQG-BM	Bushing	197, 1072
SLNC-102	Nut	201, 203, 205, 927, 929, 1056	UQK	Bushing	197, 1072
SLNC-103	Nut	1056	VPK	Bushing	1072
SLNC-104	Nut	1056	VRG	Bushing	641, 1072
SLNC-105	Nut	291, 293, 667-669, 689, 1056	VRK	Bushing	1072
SLNC-107	Nut	75, 605, 617, 623, 639, 1056	VS-1	Seal	537, 969, 992
SLNC-108	Nut	453, 657, 691-693, 709, 715-717, 883, 889, 1057	XRG	Bushing	1072
SLW-12	Washer	1058	XRI	Bushing	1072
SLW-34	Washer	89			
SLW-34	Washer	1058			
SLW-38	Washer	1058			
SLW-100	Washer	637			
SLW-100	Washer	1058			
SUW-12	Washer	203, 927, 929, 1058			
SUW-34	Washer	89, 453, 929, 1058			
SUW-58	Washer	1058			
SUW-78	Washer	5, 35, 183, 453, 749, 945, 1058			
SUW-100	Washer	3, 883, 927, 929, 1058			
SUW-118	Washer	453, 565, 1058			
SUW-125	Washer	553, 555, 557, 559, 561, 563, 659, 1058			
SUW-716	Washer	1058			
SUW-916	Washer	1058			
TB-74	Bushing	1073			
TB-75	Bushing	1073			
TB-26	Bushing	609-611, 613, 615, 625, 627, 1073			
TB-68	Bushing	507, 1073			
TB-69	Bushing	535, 539, 1073			
TB-70	Bushing	127, 1073			
TB-71	Bushing	127, 1073			
TB-72	Bushing	543, 1073			
TB-73	Bushing	127, 129, 131, 1027, 1073			
TB-77	Bushing	507, 769, 1073			
TB-78	Bushing	537, 969, 1073			
TB-79	Bushing	1027, 1073			

- Tandem Drive Axle Air
- Trailer Air
- Liftable Auxiliary
- Mechanical Trailer
(Single/Tandem/Triaxle)

**Dayton
parts™**

SUSPENSION IN·A·BOX

Solutions for Truck and Trailer Suspension Modernization and Upgrade

Dayton Parts, LLC., teaming with leading suspension manufacturers, offers an expanded line of popular kits for leaf and air spring trailer suspensions, air over walking beam drive axle tandem suspensions for trucks and auxiliary suspensions for truck and trailer. Our Suspension-in-a-Box kits offer a perfect cost effective value solution for serviceable units with tired suspensions needing modernization, upgraded ride & handling characteristics and capacity.

Dayton Parts' Suspension-in-a-Box kit offering includes many in stock standard assemblies allowing for immediate availability within our stock program. Special units may be ordered to specification with delivery direct from the manufacturer.



Suspension-In-A-Box

Dayton Parts, LLC

Product Emphasis Program

SUSPENSION
IN-A-BOX



Simple Alignment

Alignment is easier than ever with new **SpeedSet™** feature which permits 1" manual adjustment at the hanger with a pivot bolt torque requirement of only 450 ft.lbs.

Non-Captured Axle

A patented contoured weld-on axle seat optimizes axle weldment by decreasing stress concentrations. No U-bolts are required.

RideLite® installation process has been described as "seamless" by leading trailer manufacturers. The unit fits virtually all air ride designed frame configurations without relocation of cross members. Also contributing to a streamlined installation are self-contained shock absorbers, prelocated height control valve mountings and the Huckbolt-secured® solid rubber, double-bonded pivot bushing.

RideLite® is a registered trademark of Ridewell Corporation

- Available in 14", 15", 16", and 17" mounting heights
- Air and Add-on Lift kits available
- Height controls sold separately

**Ridewell RideLite
Air Suspension**

Suspension Kits with Weld-on Hangers

Dayton Parts Kit Number	Mounting Height	Up Travel	Total Travel
339-050101	14	3	7.5
	15	4	7.5
339-050103	16	4.5	8
	17	5.5	8

RideLite® meets the needs of today's weight-conscious fleets. RideLite® lightweight design features an economical non-captured axle that allows for axle replacement, if necessary, while the suspension is preserved. The use of Grade 80 high tensile steel combined with a streamlined pivot bolt and alignment system further weight savings and eliminate the need for cross channel or additional wings at the hanger.



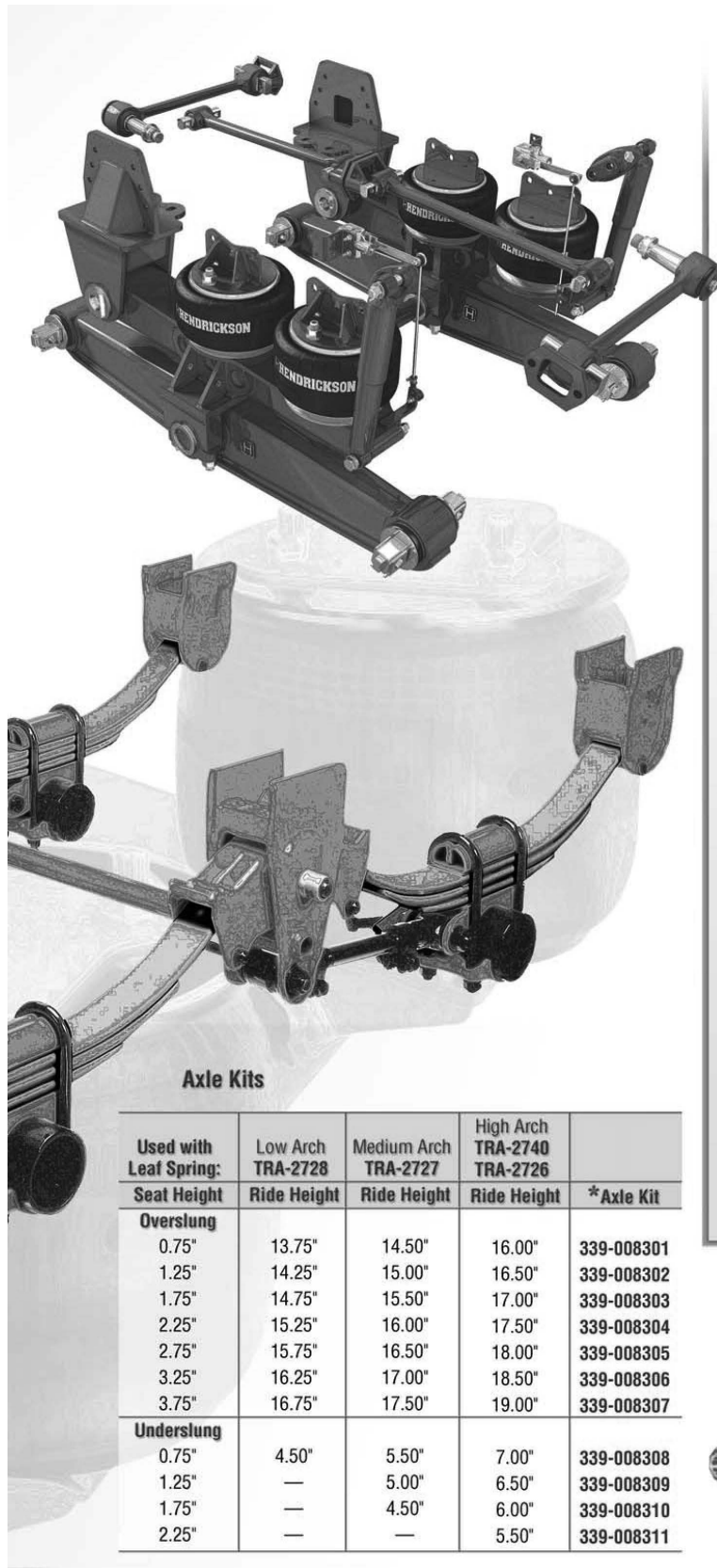
**Hutch 9700 Trailer
Suspension Series**

- * **Single Axle:**
Order 1 Hanger Kit, 1 Axle Kit.
- * **Tandem Axles:**
Order 1 Hanger Kit, 1 Center Kit, 2 Axle Kits.
- * **Tridem Axles:**
Order 1 Hanger Kit, 2 Center Kits, 3 Axle Kits.

- The Hutch 9700 Series remains the leader in a distinguished line of trailer suspension systems. Hutch suspensions incorporate innovative thinking that results in a durable and reliable system that not only extends service life, reduces downtime and protects your cargo, but also provides a smooth and comfortable ride.
- The 9700 Series can be assembled in single, tandem or multi-axle configurations. In addition, ride heights from 6" to 20+" are easily achieved. Ride height is the distance from the center line of the axle to the top of the spring hangers.
- A wide variety of springs offer suspension capacities from 22,400 up to 25,000 lbs/axle.
- Hangers come in a wide variety of styles designed to fit numerous mounting requirements.

Hanger Kits

Application	*Hanger Kit	*Center Kit
Under Mount	339-008101	339-008201
Straddle Mount	339-008102	339-008202
Flange Mount	339-008103	339-008203



Hendrickson AR2 Air Suspension

Maximize Driver Comfort

- The Hendrickson AR2 gives you a better ride empty or loaded, and improved suspension performance by converting your RT/RTE suspension into a highly engineered and lighter weight walking beam air ride.

Maximize Uptime

- Improved ride reduces road shock and vibration to the vehicle for longer service life and fewer repairs to the cab, chassis and body equipment.
- Air springs provide long service life and easy replacement.
- Bar pin rubber end bushing extends service life and provides alignment capability. Rubber bushings enhance articulation and help reduce load on mating components.

Maximize Traction

- AR2 provides the versatility for demanding job sites or off road conditions. When loaded, AR2 delivers up to 14 inches of diagonal wheel articulation to keep load on all drive wheels.

AR2 Conversion

- Kit includes two new trailing arm and saddle assemblies, shock absorbers, heavy duty transverse torque rods, height control valves, four air springs, frame hangers, detailed installation instructions and a parts list.
- Undrilled frame hangers are provided to accommodate numerous hole patterns.

Frame Line Kits	Description
339-57497589	AR2-400/460, 33.94"-34.19" *
339-57497590	AR2-400/460, 34.25"-34.50" *
339-57497591	AR2-400/460, 34.50"-34.81" *
339-57497641	AR2-520, 33.94"-34.19" *
339-57497642	AR2-520, 34.25"-34.50" *
339-57497643	AR2-520, 34.50"-34.81" *
Trailing Arm Kits	Description
339-574995	AR2-400, 9.5" Ride Height **
339-574996	AR2-400, 10.5" Ride Height **
339-574997	AR2-460, 9.5" Ride Height **
339-574998	AR2-460, 10.5" Ride Height **
339-5749910	AR2-520, 9.5" Ride Height **
339-5749911	AR2-520, 10.5" Ride Height **

* Frame width measured to the outside of frame rails
 ** AR2 ride height measured from bottom of frame to center of axle

Ask about Dayton Parts' line of trailer axles to compliment your suspension and components installation.



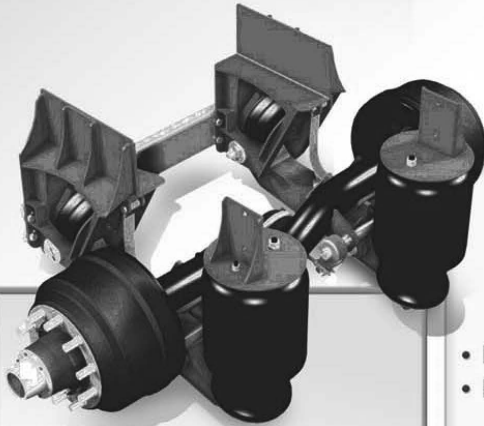
Used with Leaf Spring:	Low Arch TRA-2728	Medium Arch TRA-2727	High Arch TRA-2740 TRA-2726	*Axle Kit
Seat Height	Ride Height	Ride Height	Ride Height	
Overslung				
0.75"	13.75"	14.50"	16.00"	339-008301
1.25"	14.25"	15.00"	16.50"	339-008302
1.75"	14.75"	15.50"	17.00"	339-008303
2.25"	15.25"	16.00"	17.50"	339-008304
2.75"	15.75"	16.50"	18.00"	339-008305
3.25"	16.25"	17.00"	18.50"	339-008306
3.75"	16.75"	17.50"	19.00"	339-008307
Underslung				
0.75"	4.50"	5.50"	7.00"	339-008308
1.25"	—	5.00"	6.50"	339-008309
1.75"	—	4.50"	6.00"	339-008310
2.25"	—	—	5.50"	339-008311

SUSPENSION IN·A·BOX



Hendrickson Auxiliary HLM-2

- 16K - 25K Capacities
- Tag or Pusher Mounting
- Truck or Trailer Installations
- 9" to 16" Ride Heights
- 1100 Lbs. Suspension Weight

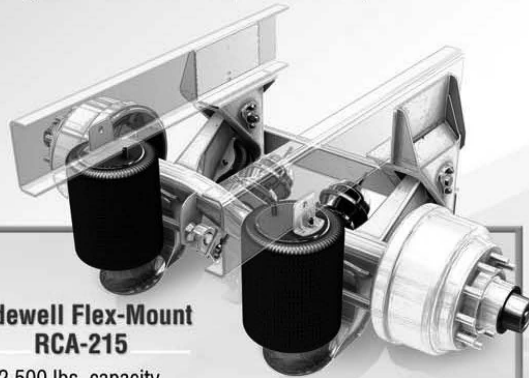


Watson & Chalin AL-2200

- Axle Travel - 10 inches
- Capacity - 25,000 lbs.
(Lightweight 13,200 lbs. available)
- Ride Heights - 8 thru 19 inches
- Maintenance Free Huck Fasteners
- Factory Pre-Assembled
- Positive Axle Stop
- Compact design
- Air Ride - Air Lift
- Two Pin Axle Connection - Rubber Bushed

Liftable Auxiliary Suspensions

Dayton Parts, LLC offers a number of auxiliary suspension solutions from many of the industries leading suspension manufacturers. Chose from the versatile selections pictured or contact us for further information on fixed, steerable, pusher or tag axle configurations that can be procured to specification.



Ridewell Flex-Mount RCA-215

- 22,500 lbs. capacity
- 10 1/4" total travel, with as much as 7" of lift
- Flexible system easily adjusts to various frame widths and ride heights
- Durable and lightweight fiber reinforced bushings
- Patented, contoured axle seat for secure axle connection without U-bolts
- Designed to accept axle drop of up to 8"
- Wide beam spacing reduces axle stresses
- Shock kit option available

Specifying Auxiliary Suspensions

The variables affecting specification and installation of liftable auxiliary suspensions are many. Having the following information will simplify matching suspension to application.

- Determine mounting location
- Primary suspension type —
Single or tandem; air ride or mechanical
- Ride height —
Measure from bottom of frame to ground at mounting point, **loaded**
Ride height = frame to ground less loaded tire radius
- Frame width —
As measured to the outside of frame rails
- Axle requirement —
Pusher or tag
Steerable or rigid
Straight or drop center
- Make & model of truck, mounted body type
- Capacity requirement —
Review applicable regional laws governing auxiliary suspension



Dayton Parts, LLC
3500 Industrial Road
PO Box 5795
Harrisburg, PA 17110

www.daytonparts.com

Fractions (inch)	Decimal (inch)	Metric (mm)	Fractions (inch)	Decimal (inch)	Metric (mm)
1/64	.0156	0.3969	—	.5118	13.0000
1/32	.0313	0.7938	33/64	.5156	13.0969
—	.0394	1.0000	17/32	.5313	13.4938
3/64	.0469	1.1906	35/64	.5469	13.8906
1/16	.0625	1.5875	—	.5512	14.0000
5/64	.0781	1.9844	9/16	.5625	14.2875
—	.0787	2.0000	37/64	.5781	14.6844
3/32	.0938	2.3813	—	.5906	15.0000
7/64	.1094	2.7781	19/32	.5938	15.0813
—	.1181	3.0000	39/64	.6094	15.4781
1/8	.1250	3.1750	5/8	.6250	15.8750
9/64	.1406	3.5719	—	.6299	16.0000
5/32	.1563	3.9688	41/64	.6406	16.2719
—	.1575	4.0000	21/32	.6563	16.6688
11/64	.1719	4.3656	—	.6693	17.0000
3/16	.1875	4.7625	43/64	.6719	17.0656
—	.1969	5.0000	11/16	.6875	17.4625
13/64	.2031	5.1594	45/64	.7031	17.8594
7/32	.2188	5.5563	—	.7087	18.0000
15/64	.2344	5.9531	23/32	.7188	18.2563
—	.2362	6.0000	47/64	.7344	18.6531
1/4	.2500	6.3500	—	.7480	19.0000
17/64	.2656	6.7469	3/4	.7500	19.0500
—	.2756	7.0000	49/64	.7656	19.4469
9/32	.2813	7.1438	25/32	.7813	19.8438
19/64	.2969	7.5406	—	.7874	20.0000
5/16	.3125	7.9375	51/64	.7969	20.2406
—	.3150	8.0000	13/16	.8125	20.6375
21/64	.3281	8.3344	—	.8268	21.0000
11/32	.3438	8.7313	53/64	.8281	21.0344
—	.3543	9.0000	27/32	.8438	21.4313
23/64	.3594	9.1281	55/64	.8594	21.8281
3/8	.3750	9.5250	—	.8661	22.0000
25/64	.3906	9.9219	7/8	.8750	22.2250
—	.3937	10.0000	57/64	.8906	22.6219
13/32	.4063	10.3188	—	.9055	23.0000
27/64	.4219	10.7156	29/32	.9063	23.0188
—	.4331	11.0000	59/64	.9219	23.4156
7/16	.4375	11.1125	15/16	.9375	23.8125
29/64	.4531	11.5094	—	.9449	24.0000
15/32	.4688	11.9063	61/64	.9531	24.2094
—	.4724	12.0000	31/32	.9688	24.6063
31/64	.4844	12.3031	—	.9843	25.0000
1/2	.5000	12.7000	63/64	.9844	25.0031
			1	1.0000	25.4000

Conversion Factors One (1) Inch = 25.4 Millimeters

Convert from	to	Factor
Inches (in)	Millimeters (mm)	Multiply inches by 25.4
Millimeters (mm)	Inches (in)	Divide millimeters by 25.4

Examples

- 1 — Convert 24 inches to millimeters
24 inches **multiplied** by 25.4 millimeters per inch equals 609.6 millimeters.
- 2 — Convert 600 millimeters to inches
600 millimeters **divided** by 25.4 millimeters per inch equals 23.62 inches

What's In Your Part?



"Quality is our Standard, Service is our Business"



Dayton Parts, LLC

WHAT'S IN YOUR PART?

Castings:

- Is malleable iron used in place of ductile iron or ductile iron in place of steel? Is the grade of material correct? Correct materials provide toughness, wear, strength and durability.
- Is the part processed correctly to avoid excessive air pockets that cause structural weakness?
- Is the part properly heat treated to provide proper toughness and wear resistance?

Machined Parts:

- **Materials** – Correct materials provide proper toughness, wear, strength and durability. Quality materials provide a proper foundation for post machine heat treatments.
- **Heat Treat** – Case hardness, case depth, uniformity - low cost parts tend to have thin, soft and non-uniform case hardening along with soft cores. Parts like this will wear faster and could fail in some situations. Many heat treat issues are directly related to the quality and chemical properties of the material used.
- **Dimensions** – Are parts produced to the proper tolerances? Many low cost machine parts use looser production tolerances to reduce cost. Fit and function are affected.

Rubber:

- **Durometer** – *Too hard*: transfers excessive vibration, which could lead to premature failure of associated components and electronics, as well as place undo stress on hard components. *Too soft*: excessive movement leads to components operating outside their work range, which could result in premature wear or, worse, loss of vehicle control.
- **Compound** – Correct compounds provide proper toughness, wear, strength, durability, operational characteristics and longevity.
- **Metal component materials & dimension** – Many sub-standard component manufacturers use thinner and lesser metals to reduce production cost, resulting in an inferior assembly.

Springs:

- **Materials** – Components must be manufactured using the proper steel alloys developed to meet the needs of today's very highly engineered springs.
- **Heat Treat** – Proper advanced heat treat and peening processes assure maximum spring durability and performance. Anything less will reduce spring life and cause premature failure.
- **Dimensions** – Is the part produced to the proper tolerances? Low cost producers use looser production tolerances to reduce cost. Fit and function are affected.

Country of Origin:

- Does the Manufacturer mislead you by not placing the Country of Origin on the part label so you know where the part originated?

Product Liability Insurance:

- Does the Manufacturer carry sufficient Liability Insurance to back your business in case of a catastrophic accident?

If it's cheap it's probably not reliable, if it's reliable it's probably not cheap!

New Product Request

Is there a part we do not offer that you would like us to consider?

MAIL or FAX us the information below:

Mail To: Dayton Parts, LLC
P.O. Box 5795
Harrisburg, PA 17110-0795
Attn: Marketing Dept.

800-233-0899 (Customer Service)
800-822-2042 (Tech Center Direct)
800-225-2159 (Fax)

From: Company _____ Date _____
Address _____
Name _____
Phone _____ FAX _____

OEM or Competitor Part No. _____
Vehicle - Make / Model _____ Year _____
Serial Number, if known _____
Description _____
How many can you sell per year? _____

OEM or Competitor Part No. _____
Vehicle - Make / Model _____ Year _____
Serial Number, if known _____
Description _____
How many can you sell per year? _____

OEM or Competitor Part No. _____
Vehicle - Make / Model _____ Year _____
Serial Number, if known _____
Description _____
How many can you sell per year? _____

OEM or Competitor Part No. _____
Vehicle - Make / Model _____ Year _____
Serial Number, if known _____
Description _____
How many can you sell per year? _____

Dayton Parts, LLC

Workin' the Road can be

BRUTAL

Dayton parts™

**BREAKDOWN
AHEAD**

PROVEN PERFORMANCE MILE AFTER MILE
BY NORTH AMERICAN FLEETS

BACKED BY DAYTON PARTS QUALITY AND
INDUSTRY RECOGNIZED SERVICE

stanley
springs™

BATCO

stanley
plus

Dayton Parts is North America's leading manufacturer of Leaf Springs and supplier of Suspension, Steering, and Brake Parts for the commercial vehicle market. Our aftermarket portfolio includes over 100,000 sku's; ranging from Dayton Parts™, Stanley Springs™ and Batco® components to a broad offering of All Makes Components. We also carry brand name parts such as genuine Hendrickson™, Hutch™, Reyco®Granning®, Raybestos®, Monroe®, Marathon and Walker®; along with additional performance-proven products. *It's brutal out there!* Insist on Dayton Parts to ensure that your fleet gets the performance they require from a company where...

Quality is our Standard, Service is our Business.

DP List of Products

Dayton Parts, LLC



Brake and Wheel End Portfolio

Air ~

- Air Chambers
- Air Disc Products
- Air Hose Fittings & Components
- Air Supply, Valves & Components
- Camshafts & Components
- Slack Adjusters
- Brake Drums & Hubs
- Lined Brake Shoes & Components
- Wheel Attaching – Studs, Nuts & Clamps
- Bearings, Hub Caps & Wheel Seals
- Spindle Nuts

Hydraulic ~

- Lined Brake Shoes
- Disc Brake Pads
- Calipers
- Drums & Rotors
- Disc Brake Axle Kits
- Hoses & Cables
- Hub Assemblies
- Master & Wheel Cylinder

Cargo Restraint Portfolio

- Chain
- Load Binders
- Nets
- Ratchets & Winch Straps
- Slips
- Winches & Hardware

Clutch Portfolio

Clutches ~

- Clutches (New) - LD, MD and HD
- Flywheels
- Clutch Components

Driveline ~

- U Joints
- Center Bearings
- Yokes



Exhaust Portfolio

- Chrome
- Clamps, Elbows & Pipe Components
- Flex & Straight Pipe
- Mufflers

Steering Portfolio

- LD, MD & HD Components
- King Pin Sets & Components
- Tie Rod Ends, Cross Tubes & Drag Links
- Steering Gear Seal Kits

Hitch & Coupling Portfolio

- Coupling Products
- Dump Body Accessories
- King Pins
- Pintle Hooks
- Trailer Accessories
- Towing Accessories

Suspension (Light Vehicle) Portfolio

- Airlift® Auxiliary Air Springs
- Load Master™ Helper Springs
- Stanley Plus™ Problem Solving Springs
- Standard & Super Duty Coil Springs
- Timbren® SES® Helpers
- Utility Trailer Springs & Suspension Parts

Leaf Spring Portfolio

- Full & High Stress Taper Leaf Springs
- Multi Leaf Springs
- Spring Accessory Components
- Tempered Repair Plate
- Threaded Rod
- U-Bolts



Suspension (MD/HD) Portfolio

- Air Springs
- Bushings (Bi-Metal / Bronze / Rubber)
- Castings & Stampings
- Primary / Auxiliary Suspension Systems
- Equalizers
- Hangers
- Torque Rods & Components
- Shock Absorbers
- Spring Pins, Bolts & Shackles
- Urethane Bushing Kits & Components
- U-Bolt Kits

Trailer Portfolio

- Straight Air Trailer Axles
- 20K Drop Center 71.5" Track
- 50K & 66K Landing Legs
- Wheel Bearings & Seals
- Air Coupling Products
- Hendrickson™ Tire Max Components

Want Consistent Results?
Ask for Dayton Parts Products

Dayton Parts, LLC is the largest manufacturer of leaf springs in the United States - dedicated to supporting North American Fleets with the broadest portfolio of products for passenger cars, light and medium trucks, heavy duty trucks, tractors, trailers and buses.

When you ask for Dayton Parts Products you know you are getting the highest quality parts, backed by our excellent customer service. We have held true to these standards for over 90 years. To find out more information about Dayton Parts Products or to locate a Dayton Parts Distributor, visit our website at: www.daytonparts.com



SUSPENSION COMPONENTS

PUB-211-2016 / April 2016

Dayton
parts[®] Dayton Parts, LLC

www.daytonparts.com

Call Centers:

3500 Industrial Road
Harrisburg, PA 17110
800-233-0899

12390 184th Street
Edmonton, AB T5V 0A5
800-661-9861

Distribution Centers:

Harrisburg, PA
Edmonton, AB
Lewisville, TX
Mississauga, ON

DP[®]
Everywhere
Mobile App

