

Since 1952

Se Habla Español

# ALCO

Sales & Service Co.  
www.alcosales.com

## REPLACEMENT WHEELCHAIR PARTS Catalog #W6

See "Quick Find" Index  
Inside Back Cover



Upholstery  
p. 3-12



Front Riggings  
p. 69-76



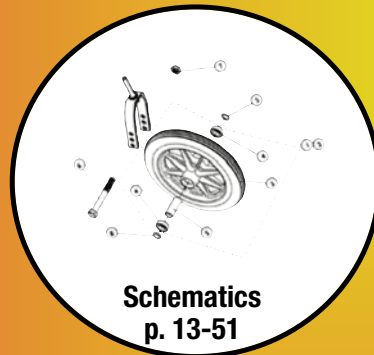
Wheels  
p. 54-57



Armrests  
p. 80



Brakes  
p. 78-79



Schematics  
p. 13-51



Plug Buttons, Grips, Seat  
Guides & Bumpers  
p. 52-53



Accessories  
p. 82-94



800-323-4282



800-950-1167



www.alcosales.com

Hours: Monday - Friday 8:00am - 4:30pm CT



GSA Contract #:  
GS-07F-0483V

**▼ LOW PRICES GUARANTEED! ▼**  
**WE WILL NOT BE UNDERSOLD!**

# ALCO Wheelchair Replacement Upholstery Guide

## All Upholstery Is Heat Sealed To Prevent Bacteria Growth

### Extra Heavy Duty *Flame Retardant* Upholstery

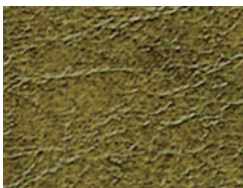
All ALCO wheelchair upholstery is made from the finest quality heavy duty vinyl. Also, our upholstery meets or exceeds federal regulations for flame retardancy and is covered by a \$5 million dollar liability coverage.

ALCO Wheelchair upholstery meets or exceeds the following regulation on flame retardancy: **California Fire Tech Bulletin #117, Boston Fire Code, NY Port of Authority, Federal Regulations #5874 and FMVSS #302.**



All upholstery is lined with a non-tear liner and has Flame Retardant 3/8" foam padding for comfort and longer life. The upholstery is heat sealed to prevent bacteria growth. The surface of our upholstery is normally embossed, but is also available in flat style. Mounting hardware (two metal strips, matching screws or bolts and finishing washers) is included in the hardware package. **Stocked upholstery can be shipped the same day as ordered.**

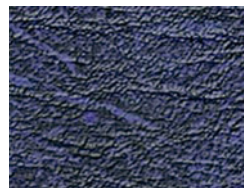
Due to effects of heat and light, colors shown may vary from actual color. Colors subject to change without notification.



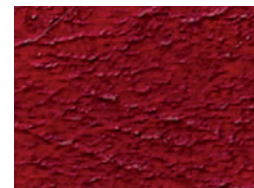
A1 Acorn  
E&J



A3 Black E&J,  
Invacare-Colson and Theradyne



A4 Dark Blue  
E&J and Theradyne



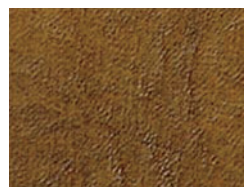
A5 Red  
E&J



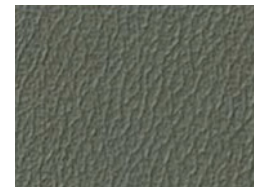
A9 Royal Blue  
E&J and Colson



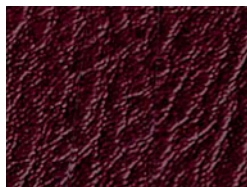
A10 Doevin Blue  
E&J



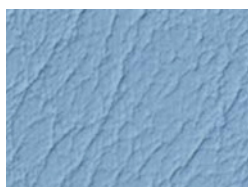
A16 Nut Brown  
E&J



A23 Silverado Gray  
E&J and Colson



A25 Burgundy  
E&J & Theradyne



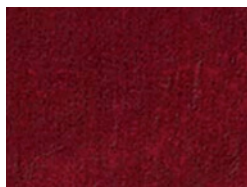
A28 Space Blue  
Invacare



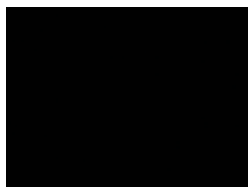
A31 Midnight Blue  
New Invacare



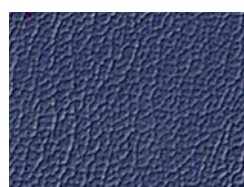
A40 Camel  
Invacare



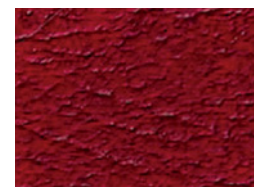
A41 Ruby  
Custom Non-returnable—Invacare



A43 Black Nylon  
Ultra Light



A44 Navy  
Invacare



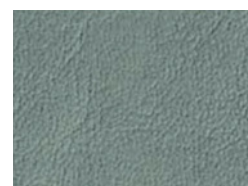
A45 Claret  
Custom Non-returnable



A47 Buckskin  
Custom Non-returnable

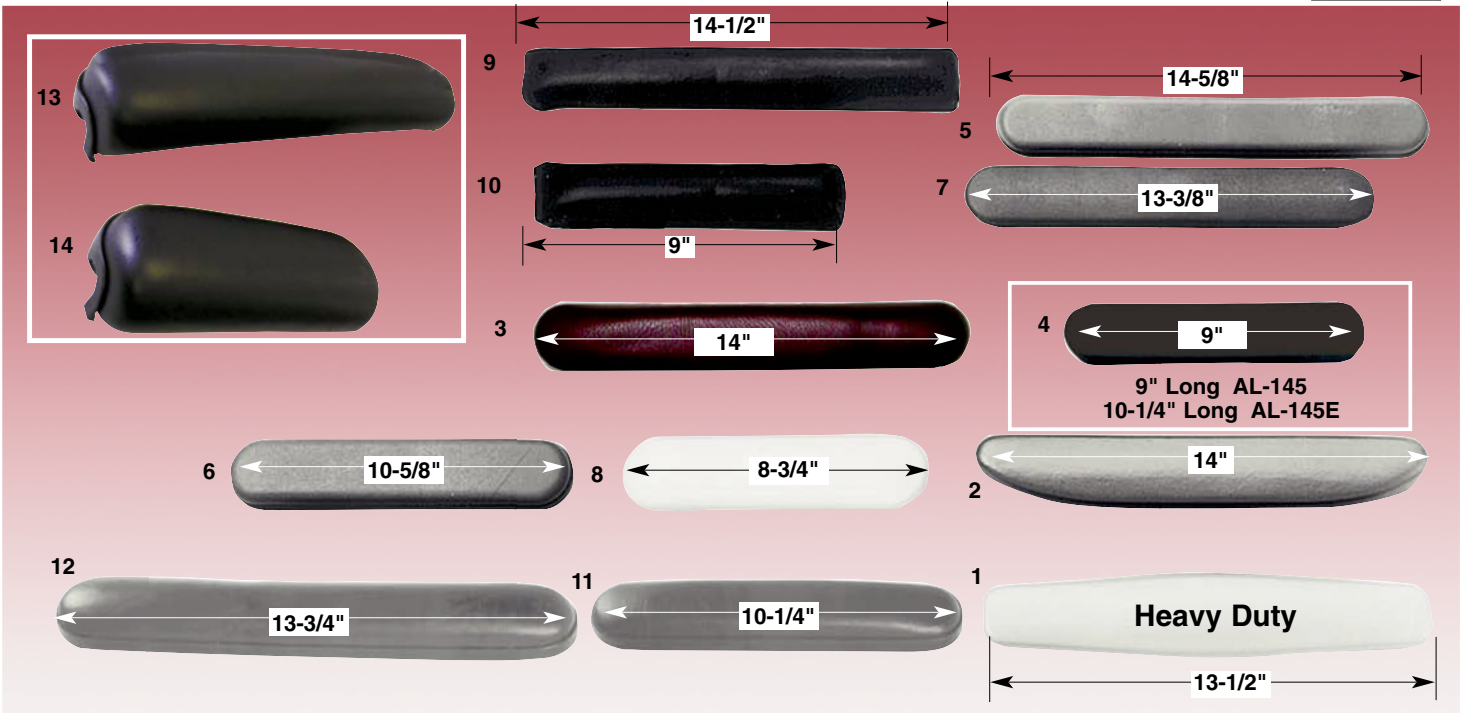


A50 Dark Blue/Invacare  
Invacare—Tuff Care



A54 Dove Gray  
Custom Non-returnable

**BUY 11 GET 1 FREE!**



For optional colors indicate color code after ALCO Part No. Example: AL-131GY for Grey.  
**ALCO's large selection of high quality armrests fits most popular wheelchairs (screws included).**

**Specify colors For Padded Armrests. See ALCO Color Chart—Inside Front Cover**

Fig.	Type	Length	No. Holes	Color/Hole Spaces Center to Center	Fits	EACH		PAIR	
						ALCO Part No.	Price Each	ALCO Part No.	Price Pair
1	Plastic	Full	6	6,7,8-15/16,10" Heavy Duty Off White	Universal Fits All but Gendron	<b>AL-129A</b>	<b>\$4.95</b>	<b>AL-66051A</b>	<b>\$8.95</b>
2	Plastic	Full	6	6,7,8-15/16,10" Reg. Duty Grey	Universal Fits All but Gendron	<b>AL-129B</b>	<b>\$4.95</b>	<b>AL-66051B</b>	<b>\$8.95</b>
3	Padded	Full	8	4,4-7/16,5-1/2,6, 7,7-7/8,8-7/16,8-15/16,9,10" Grey base std	Universal Fits All (Armrest Standard) 13-7/8" Long	<b>AL-135</b>	<b>\$5.95</b>	<b>AL-66054</b>	<b>\$9.95</b>
	Padded	Full	8	4,4-7/16,5-1/2,6, 7,7-7/8,8-7/16,8-15/16,9,10" Black base	Universal Fits All 13-7/8" Long	<b>AL-135BK</b>	<b>\$5.95</b>	<b>AL-66054BK</b>	<b>\$9.95</b>
4	Padded	Desk	4	3-5/16,5-1/2" Grey base std	Universal Fits All (Armrest Standard) 9-1/8" Long	<b>AL-145</b>	<b>\$5.95</b>	<b>AL-66055</b>	<b>\$9.95</b>
	Padded	Desk	4	3-5/16,5-1/2" Black base	Universal Fits All 9-1/8" Long	<b>AL-145BK</b>	<b>\$5.95</b>	<b>AL-66055BK</b>	<b>\$9.95</b>
	Padded	Desk	2	3-5/16" Grey base std, black opt (BK)	E&J, Theradyne 10-1/2" long	<b>AL-145E</b>	<b>\$6.95</b>	<b>AL-66056</b>	<b>\$11.95</b>
5	Plastic 1 Piece	Full	2	8-15/16" Grey (GY) std or Black (BK)	E&J, Theradyne, Tuffcare	<b>AL-131</b>	<b>\$6.95</b>	<b>AL-66057</b>	<b>\$10.95</b>
6	Plastic 1 Piece	Desk	2	3-5/16" Grey (GY) std, or Black (BK)	E&J, Tuffcare	<b>AL-141</b>	<b>\$6.95</b>	<b>AL-66058</b>	<b>\$10.95</b>
7	Plastic 2 Piece	Full	4	10" 8-15/16" Grey (GY) std, Beige (BE), Black (BK), Brown (BR) or Blue (BL)	Invacare, Colson, Universal, E&J, Theradyne & More	<b>AL-133</b>	<b>\$6.95</b>	<b>AL-66059</b>	<b>\$10.95</b>
8	Plastic 2 Piece	Desk	4	Grey (GY) std, Beige(BE), Brown (BR), Black (BK) or Blue (BL), 3-5/16", 5-1/2"	Universal, E&J, Invacare, Colson, More (Add Color Code)	<b>AL-143</b>	<b>\$6.95</b>	<b>AL-66060</b>	<b>\$10.95</b>
9	Padded	Full	2	4-1/2" - 7-15/16" - 11-3/8"	Gendron, Black only	<b>AL-2253-183</b>	<b>\$19.95</b>	<b>AL-66061-183</b>	<b>\$38.95</b>
10	Padded	Desk	2	5-1/4"	Gendron, Black only	<b>AL-2254-183</b>	<b>\$19.95</b>	<b>AL-66062-183</b>	<b>\$38.95</b>
11	Urethane	Desk	4	3-15/16", 5-1/2" Heavy Duty Black (BK)	Universal, fits all	<b>AL-50755</b>	<b>\$9.95</b>	<b>AL-66066</b>	<b>\$18.95</b>
12	Urethane	Full	8	4,4-7/16,5-1/2,6, 7,7-7/8,8-7/16,8-15/16,9,10" Heavy Duty Black (BK)	Universal, fits all	<b>AL-50756</b>	<b>\$9.95</b>	<b>AL-66067</b>	<b>\$18.95</b>
13	Padded	Full	2	13", Black	Fits Invacare	<b>N/A</b>	<b>N/A</b>	<b>AL-72309</b>	<b>\$25.95</b>
14	Padded	Desk	6	9", Black	Fits Universal	<b>N/A</b>	<b>N/A</b>	<b>AL-72308</b>	<b>\$23.95</b>



**Gel Arm Pads**

3.5" x 12" Arm Pad **AL-66887** **\$65.95** Pr.

2" x 12" Arm Pad **AL-66888** **\$50.95** Pr.



# Invacare Wheelchair Upholstery

**BUY 11 GET 1 FREE!**

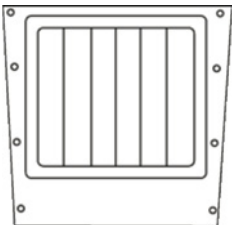


Fig. 1



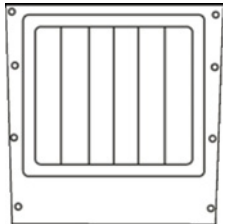
**Straight Back  
AL-763**

Fig. 2



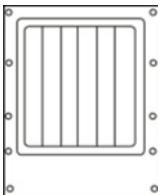
**Fig. 2-Standard and  
X-wide Flared Back  
AL-768**

Fig. 3



**Fig. 3-Semi-Flared Back**

Fig. 4



**Fig. 4-Recliner Back**

Fig. 5



**Hammock Seat  
AL-779**

ALCO Wheelchair upholstery meets or exceeds the following regulation on flame retardancy: **California Fire Tech Bulletin #117, Boston Fire Code, NY Port of Authority, Federal Regulations #5874 and FMVSS #302.**

All upholstery is lined with a non-tear liner and has 3/8" Flame Retardant foam padding for comfort and longer life. Heat sealed to prevent bacteria growth. Surface of upholstery is normally embossed, but is available in flat style also. Mounting hardware (two metal strips, matching screws and finishing washers) is included in package. **Stocked upholstery can be shipped same day as ordered.**

*Colors shown on inside front cover.*

For Invacare, Probasics, Drive, Colson, Futuro, Medline, Rolls, Metal Matic, Mobilaid, Will Ross, Sunmark, Old/New Theradyne, ALCO Supreme, ALCO Royale, ALCO Custom & Classic, Evermed



Embossed Style					Total Screw Holes	Distance of 1st Hole from Top of Back or Front of Seat	MADE IN THE USA		
Fig.	Upholstery	Upper Width	Lower Width	Height/Depth			Screw separation Center to center	ALCO Part No.	Price Each
<b>STRAIGHT BACK — EMBOSSED, RIBBED</b>									
1	Std. Adult	18"	18"	18"	8	1"	5-3/8,5,4-5/8"	AL-763	\$22.95
	Narrow	16"	16"	18"	8	1"	5-3/8,5,4-5/8"	AL-761	\$22.95
	Extra	20"	20"	18"	8	1"	5-3/8,5,4-5/8"	AL-765	\$30.95
	Wide	22"	22"	18"	8	1"	5-3/8,5,4-5/8"	AL-766	\$34.95
	Back	24"	24"	18"	8	1"	5-3/8,5,4-5/8"	AL-767	\$39.95
<b>FLARED BACK — EMBOSSED, RIBBED</b>									
2	Std. Adult	20"	18"	18"	8	1"	5-3/8,5,4-5/8"	AL-768	\$24.95
	X-Wide	24"	22"	18"	8	1"	5-3/8,5,4-5/8"	AL-768X	\$42.95
<b>SEMI-FLARED BACK — EMBOSSED, RIBBED</b>									
3	Semi-flair	19"	18"	18"	8	1"	5-3/8,5,4-5/8"	AL-769	\$24.95
<b>RECLINING BACK — RIBBED-EMBOSSED</b>									
4	Recliner	18"	18"	23"	10	1"	5-1/4,5-1/2,5,4-1/2"	AL-773	\$48.95
	Back	18"	18"	20"	10	1"	5-3/8,5,4-5/8,2-1/4"	AL-773A	\$48.95
<b>SEATS (HAMMOCK) — EMBOSSED, RIBBED</b>									
5	Std. Adult	18"		16"	8	2"	3-5/8,3-5/8,4-3/4"	AL-779	\$22.95
	Narrow	16"		16"	8	2"	3-5/8,3-5/8,4-3/4"	AL-778	\$22.95
	Extra	20"		16"	8	2"	3-5/8,3-5/8,4-3/4"	AL-781	\$30.95
	Wide	22"		16"	8	2"	3-5/8,3-5/8,4-3/4"	AL-782	\$34.95
	Seat	24"		16"	8	2"	3-5/8,3-5/8,4-3/4"	AL-783	\$39.95
N/S Solid Seat Custom Dimensions (see AL-786F Below)									
<b>STRAIGHT BACK — FLAT STYLE</b>									
1	Std. Adult	18"	18"	18"	8	1"	5-3/8,5,4-5/8"	AL-763F	\$16.95
	Narrow	16"	16"	18"	8	1"	5-3/8,5,4-5/8"	AL-761F	\$16.95
	Extra	20"	20"	18"	8	1"	5-3/8,5,4-5/8"	AL-765F	\$23.95
	Wide	22"	22"	18"	8	1"	5-3/8,5,4-5/8"	AL-766F	\$29.95
	Back	24"	24"	18"	8	1"	5-3/8,5,4-5/8"	AL-767F	\$33.95
<b>FLARED BACK — FLAT STYLE</b>									
2	Std. Adult	20"	18"	18"	8	1"	5-3/8,5,4-5/8"	AL-768F	\$18.95
	X-Wide	24"	22"	18"	8	1"	5-3/8,5,4-5/8"	AL-768XF	\$33.95
<b>SEMI-FLARED BACK — FLAT STYLE</b>									
3	Semi-flair	19"	18"	18"	8	1"	5-3/8,5,4-5/8"	AL-769F	\$23.95
<b>RECLINING BACK — FLAT STYLE</b>									
4	Recliner	18"	18"	23"	10	1"	5-1/4,5-1/2,5,4-1/2"	AL-773F	\$39.95
	Back	18"	18"	20"	10	1"	5-3/8,5,4-5/8,2-1/4"	AL-773AF	\$39.95
<b>SEATS — FLAT STYLE</b>									
5	Std. Adult	18"		16"	8	2"	3-5/8,3-5/8,4-3/4"	AL-779F	\$16.95
	Narrow	16"		16"	8	2"	3-5/8,3-5/8,4-3/4"	AL-778F	\$16.95
	Extra	20"		16"	8	2"	3-5/8,3-5/8,4-3/4"	AL-781F	\$23.95
	Wide	22"		16"	8	2"	3-5/8,3-5/8,4-3/4"	AL-782F	\$29.95
	Seat	24"		16"	8	2"	3-5/8,3-5/8,4-3/4"	AL-783F	\$33.95
N/S Solid Seat* Custom Dimensions* <b>AL-786F Call</b>									

\*MUST Send Sample



# Invacare Universal Wheelchair Upholstery Kit

**BUY 11 GET 1 FREE!**

**Includes Seat & Back with FREE Armrests—FIRE RATED**



ALCO Wheelchair upholstery meets or exceeds the following regulation on flame retardancy: **California Fire Tech Bulletin #117, Boston Fire Code, NY Port of Authority, Federal Regulations #5874 and FMVSS #302.**

All upholstery is lined with a non-tear liner and has flame retardant 3/8" foam padding for comfort and longer life. Heat sealed to prevent bacteria growth.

**Colors: Black (A3), Dark Blue (A4), Royal Blue (A9), Space Blue (A28), Midnight Blue (A31) and Camel (A40). See ALCO Color Chart—Inside Front Cover.**

Kit for <b>Invacare (Rolls) Old Theradyne, Colson,</b> Probasics, Futuro, Drive, Medline, Evermed, Metal Matic, Mobilaid, Will Ross, Sunmark, ALCO: Supreme, Royale, Classic & Custom				
<b>18" &amp; 20" Wide (16" Depth) Embossed Ribbed Upholstery Kits</b>				
Description	18" Kit		20" Kit	
	ALCO Part No.	Price Per Kit	ALCO Part No.	Price Per Kit
Embossed Ribbed, Standard Adult, Upholstery Kit, with two FREE Universal deluxe heavy duty plastic grey full armrests	AL-09	\$37.95	AL-25	\$43.95
Embossed Ribbed, Standard Adult, Upholstery Kit, with two FREE Grey Universal desk plastic armrests	AL-10	\$37.95	AL-26	\$43.95
Embossed Ribbed, Standard Adult, Upholstery Kit, with two FREE Universal upholstered padded full length armrests—Shown Above	AL-11	\$37.95	AL-27	\$43.95
Embossed Ribbed, Standard Adult, Upholstery Kit, with two FREE Universal upholstered padded desk length armrests	AL-12	\$37.95	AL-28	\$43.95
<b>18" &amp; 20" (16" Depth) Wide Flat Upholstery Kits</b>				
Description	18" Kit		20" Kit	
	ALCO Part No.	Price Per Kit	ALCO Part No.	Price Per Kit
Flat, Standard Adult, Upholstery Kit, with two FREE Universal deluxe heavy duty plastic grey full armrests	AL-13	\$30.95	AL-29	\$39.95
Flat, Standard Adult, Upholstery Kit, with two FREE Grey Universal desk plastic armrests	AL-14	\$30.95	AL-30	\$39.95
Flat, Standard Adult, Upholstery Kit, with two FREE Universal upholstered padded full length armrests	AL-15	\$30.95	AL-31	\$39.95
Flat, Standard Adult, Upholstery Kit, with two FREE Universal upholstered padded desk length armrests	AL-16	\$30.95	AL-32	\$39.95

# Everest & Jennings Wheelchair Upholstery

**BUY 11 GET 1 FREE!**

See Page 8 For  
Custom Upholstery  
Order Form



ALCO Wheelchair upholstery meets or exceeds the following regulation on flame retardancy: California Fire Tech Bulletin #117, Boston Fire Code, NY Port of Authority, Federal Regulations #5874 and FMVSS #302.

All upholstery is lined with a non-tear liner and has Flame Retardant 3/8" foam padding for comfort and longer life. Heat sealed to prevent bacteria growth. Surface of upholstery is normally embossed, but is available in flat style also. Mounting hardware (two metal strips, matching screws and finishing washers) is included in package.  
**Stocked upholstery can be shipped same day as ordered.**

Colors shown on inside front cover

Everest & Jennings®

**Carry Closing Seat Strap with Hardware AL-2883 \$5.90**

Fits Everest & Jennings, New Theradyne, Merit, Hollywood Convertible, ALCO Imperial, Tomac, Tuffcare, Smith & Davis, Gemini, Lazer, Some Imports (Hoyer), Lumex, Tuffcare

Fig 1



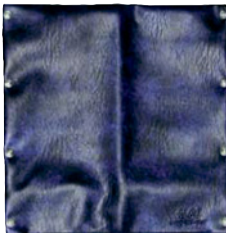
AL-794

Fig 2



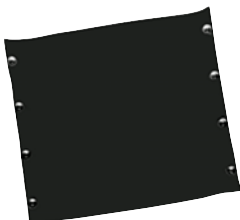
AL-827

Fig 3



AL-794F

Fig 4



AL-827F

Embossed Style						Distance of 1st Hole from Top of Back or Front of Seat	MADE IN THE USA	Screw separation Center to center	ALCO Part No.	Price Each
Fig.	Upholstery	Upper Width	Lower Width	Height/Depth	Total Screw Holes					
<b>BACKS — EMBOSSED, RIBBED</b>										
1	Std. Adult	18-5/8"	18"	18-1/2"	8	1"	5-1/2,5-1/2,5-1/2"	AL-794	\$22.95	
	Narrow	16-5/8"	16"	18-1/2"	8	1"	5-1/2,5-1/2,5-1/2"	AL-792	\$22.95	
	Extra	20-5/8"	20"	18-1/2"	8	1"	5-1/2,5-1/2,5-1/2"	AL-795	\$30.95	
	Wide	22-5/8"	22"	18-1/2"	8	1"	5-1/2,5-1/2,5-1/2"	AL-796	\$34.95	
	Back	24-5/8"	24"	18-1/2"	8	1"	5-1/2,5-1/2,5-1/2"	AL-797	\$39.95	
	Semi Rec	18"	18"	24"	10	1"	5-1/2,5-1/2,5-1/2,5"	AL-810	\$49.95	
Full Rec	18-3/4"	18"	24"	10	1"	5-1/2,5-1/2,5-1/2,5-1/2"	AL-812	\$49.95		
<b>SEATS — EMBOSSED, RIBBED</b>										
2	Std. Adult	18"		16"	8	2"	4,4,4"	AL-827	\$22.95	
	Narrow	16"		16"	8	2"	4,4,4"	AL-825	\$22.95	
	Extra	20"		16"	8	2"	4,4,4"	AL-828	\$30.95	
	Wide	22"		16"	8	2"	4,4,4"	AL-829	\$34.95	
	Seat	24"		16"	8	2"	4,4,4"	AL-830	\$39.95	
<b>BACKS — FLAT STYLE</b>										
3	Std. Adult	18-5/8"	18"	18-1/2"	8	1"	5-1/2,5-1/2,5-1/2"	AL-794F	\$16.95	
	Narrow	16-5/8"	16"	18-1/2"	8	1"	5-1/2,5-1/2,5-1/2"	AL-792F	\$16.95	
	Extra	20-5/8"	20"	18-1/2"	8	1"	5-1/2,5-1/2,5-1/2"	AL-795F	\$23.95	
	Wide	22-5/8"	22"	18-1/2"	8	1"	5-1/2,5-1/2,5-1/2"	AL-796F	\$29.95	
	Back	24-5/8"	24"	18-1/2"	8	1"	5-1/2,5-1/2,5-1/2"	AL-797F	\$33.95	
	Semi Rec	18"	18"	24"	10	1"	5-1/2,5-1/2,5-1/2,5"	AL-810F	\$37.95	
Full Rec	18-3/4"	18"	24"	10	1"	5-1/2,5-1/2,5-1/2,5-1/2"	AL-812F	\$37.95		
<b>SEATS — FLAT STYLE</b>										
4	Std. Adult	18"		16"	8	2"	4,4,4"	AL-827F	\$16.95	
	Narrow	16"		16"	8	2"	4,4,4"	AL-825F	\$16.95	
	Extra	20"		16"	8	2"	4,4,4"	AL-828F	\$23.95	
	Wide	22"		16"	8	2"	4,4,4"	AL-829F	\$29.95	
	Seat	24"		16"	8	2"	4,4,4"	AL-830F	\$33.95	

Traveler XD Replacement Upholstery			
Reinforced Double Embossing w/Top Cap			
Backs (5 & 6 Holes Per Side)		Seats (5 & 6 Holes Per Side)—3/8" screw separation	
20" Wide (5-Hole)	AL-54812 \$59.95	20" Wide (5-Hole)	AL-54816 \$59.95
22" Wide (5-Hole)	AL-54813 \$59.95	22" Wide (5-Hole)	AL-54817 \$59.95
24" Wide (6-Hole)	AL-54814 \$59.95	24" Wide (6-Hole)	AL-54818 \$59.95

Specify color: Burgundy (A25), Nutmeg Brown (A16), Black (A3) or Dark Blue (A4)

**Specify colors. See ALCO Color Chart—Inside Front Cover**

# E&J Universal Wheelchair Upholstery Kit

**BUY 11 GET 1 FREE!**

**Includes Seat & Back with FREE Armrests—FIRE RATED**



Everest & Jennings®

ALCO Wheelchair upholstery meets or exceeds the following regulation on flame retardancy: **California Fire Tech Bulletin #117, Boston Fire Code, NY Port of Authority, Federal Regulations #5874 and FMVSS #302.**

All upholstery is lined with a non-tear liner and has flame retardant 3/8" foam padding for comfort and longer life. Heat sealed to prevent bacteria growth.

Colors: Black (A3), Dark Blue (A4), Royal Blue (A9), Nut Brown (A16) and Burgundy (A25)

Kit for Everest & Jennings, New Theradyne, Merit, Hollywood Convertible, ALCO Imperial, Tomac, Tuffcare, Smith & Davis, Gemini, Lazer, Some Imports, Hoyer, Lumex				
18" & 20" (16" Depth) Wide Embossed Ribbed Upholstery Kits				
Description	18" Kit		20" Kit	
	ALCO Part No.	Price Per Kit	ALCO Part No.	Price Per Kit
Embossed Ribbed, Standard Adult, Upholstery Kit, with two FREE Universal deluxe heavy duty plastic grey full armrests	AL-01	\$37.95	AL-17	\$43.95
Embossed Ribbed, Standard Adult, Upholstery Kit, with two FREE Grey Universal desk plastic armrests	AL-02	\$37.95	AL-18	\$43.95
Embossed Ribbed, Standard Adult, Upholstery Kit, with two FREE Universal upholstered padded full length armrests—Shown Above	AL-03	\$37.95	AL-19	\$43.95
Embossed Ribbed, Standard Adult, Upholstery Kit, with two FREE Universal upholstered padded desk length armrests	AL-04	\$37.95	AL-20	\$43.95
18" & 20" (16" Depth) Wide Flat Upholstery Kits				
Description	18" Kit		20" Kit	
	ALCO Part No.	Price Per Kit	ALCO Part No.	Price Per Kit
Flat, Standard Adult, Upholstery Kit, with two FREE Universal deluxe heavy duty plastic grey full armrests	AL-05	\$30.95	AL-21	\$39.95
Flat, Standard Adult, Upholstery Kit, with two FREE Grey Universal desk plastic armrests	AL-06	\$30.95	AL-22	\$39.95
Flat, Standard Adult, Upholstery Kit, with two FREE Universal upholstered padded full length armrests	AL-07	\$30.95	AL-23	\$39.95
Flat, Standard Adult, Upholstery Kit, with two FREE Universal upholstered padded desk length armrests	AL-08	\$30.95	AL-24	\$39.95

**▼ LOW PRICES GUARANTEED! ▼**  
**WE WILL NOT BE UNDERSOLD!**



# Gendron, Custom Upholstery Form & Invacare 2000 Upholstery

**BUY 11 GET 1 FREE!**

For Gendron Wheelchairs ABCO, ALDE, Coronet, Home Care, Howmet, Sears, Debs, Grenadier — Flat or Embossed

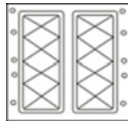


Fig. 1-Back



Fig. 2-Flared Back

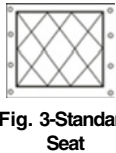


Fig. 3-Standard Seat

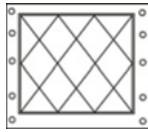
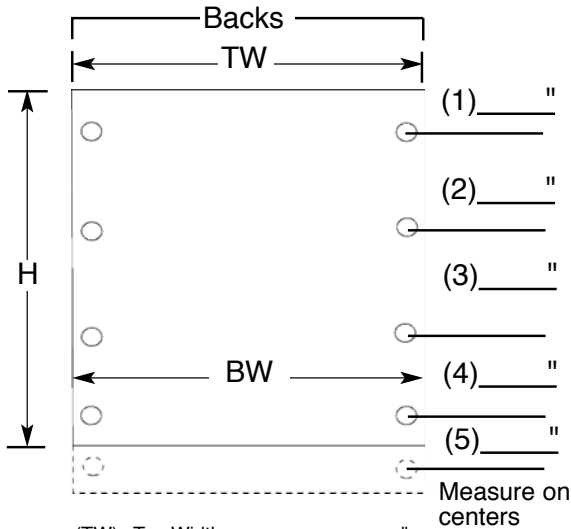


Fig. 4-Seat

Gendron						Distance of 1st Hole from Top of Back or Front of Seat	Screw separation Center to center	ALCO Part No.	Price Each
Fig.	Upholstery	Upper Width	Lower Width	Height/Depth	Total Screw Holes				
<b>BACKS &amp; SEATS — EMBOSSED STYLE— GENDRON</b>									
1	Std. Back	18"	18"	17"	10	1"	3-3/4,3-3/4,3-3/4,3-3/4"	AL-836	\$29.95
2	Flared Back	20"	18"	17"	10	1"	3-3/4,3-3/4,3-3/4,3-3/4"	AL-841	\$36.95
	Back	19"	18"	17"	10	1"	3-3/4,3-3/4,3-3/4,3-3/4"	AL-842	\$36.95
3	Std. Seat	18"		16"	8	2-1/4"	3-3/4,3-3/4,3-3/4"	AL-847	\$29.95
4	Seat	18"		16"	10	2-1/4"	3-1/2,3-1/2,3-1/2,2-1/2"	AL-852	\$36.95
<b>BACKS &amp; SEATS — FLAT STYLE — GENDRON</b>									
1	Std. Back	18"	18"	17"	10	1"	3-3/4,3-3/4,3-3/4,3-3/4"	AL-836F	\$23.95
2	Flared Back	20"	18"	17"	10	1"	3-3/4,3-3/4,3-3/4,3-3/4"	AL-841F	\$26.95
	Back	19"	18"	17"	10	1"	3-3/4,3-3/4,3-3/4,3-3/4"	AL-842F	\$26.95
3	Std. Seat	18"		16"	8	2-1/4"	3-3/4,3-3/4,3-3/4"	AL-847F	\$23.95
4	Seat	18"		16"	10	2-1/4"	3-1/2,3-1/2,3-1/2,2-1/2"	AL-852F	\$26.95

## Custom Upholstery

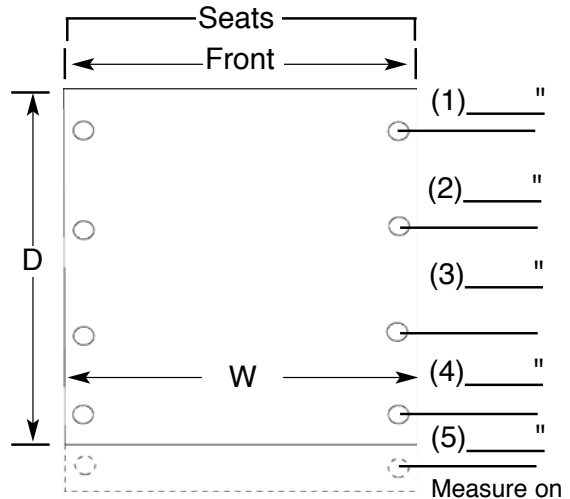
Please have the following information ready when you call: width and height of seat and back, position of screw holes center to center. **Specify Embossed or Flat.** Undrilled upholstery also available which allows you to drill your own holes. Please provide width/height of back and width/depth of seat. All custom upholstery is non-returnable.



(TW) Top Width \_\_\_\_\_"  
 (BW) Bottom Width \_\_\_\_\_"  
 (H) Height \_\_\_\_\_"  
 Color \_\_\_\_\_  
 See Color Chart (inside front cover)  
 Quantity \_\_\_\_\_



**Fire Rated**



(D) Depth \_\_\_\_\_"  
 (W) Width \_\_\_\_\_"  
 Color \_\_\_\_\_  
 See Color Chart (inside front cover)  
 Quantity \_\_\_\_\_

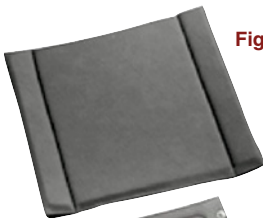


Fig. 1



Fig. 2

Invacare 2000 Series Back & Seat Upholstery				
Fig.	UPH Type	Description	ALCO Part No.	Price Each
1	Back	16W x 18H, Bolt-on, Flat Hole Spacing From Top: 1*5-3/8*5*4-5/8*2	AL-761F	\$16.95
	Back	18W x 18H, Bolt-on, Flat Hole Spacing From Top: 1*5-3/8*5*4-5/8*2	AL-763F	\$16.95
	Back	16W x 18H, Slide-on, Flat Hole Spacing From Top: 1*5-3/8*5*4-5/8*2	AL-45463	\$37.95
	Back	18W x 18H, Slide-on, Flat Hole Spacing From Top: 1*5-3/8*5*4-5/8*2	AL-45464	\$37.95
	Back	16W x 18H, Bolt-on, Embossed Hole Spacing From Top: 1*5-3/8*5*4-5/8*2	AL-761	\$22.95
2	Back	18W x 18H, Bolt-on, Embossed Hole Spacing From Top: 1*5-3/8*5*4-5/8*2	AL-763	\$22.95
N/S	Seat	16" W x 16" D Bolt-On, Embossed; Hole Spacing 3-5/8",3-5/8",4-3/4"	AL-778	\$22.95
	Seat	18" W x 18" D Bolt-On, Embossed; Hole Spacing 3-5/8",3-5/8",4-3/4"	AL-779	\$22.95
	Seat	16" W x 16" D Bolt-On, Flat; Hole Spacing 3-5/8",3-5/8",4-3/4"	AL-778F	\$16.95
	Seat	18" W x 18" D Bolt-On, Flat; Hole Spacing 3-5/8",3-5/8",4-3/4"	AL-779F	\$16.95

# Ultralight Seats & Backs

**BUY 11 GET 1 FREE!**



<b>E&amp;J SEAT UPHOLSTERY, PREMIER II &amp; METRO</b>	<b>ALCO</b>	<b>Price</b>
<b>Description</b>	<b>Part No.</b>	<b>Each</b>
E&J Seat Uph. 16 X 16, Premier II (Hole Spacing: 2*4*4*4*2) Velcro Adjusts On 1 Side	AL-58591*	\$39.95
E&J Seat Uph. 18 X 16, Premier II (fig #1)	AL-58592*	\$39.95
E&J Seat Uph. 16 X 16, Padded, Metro (Hole Spacing: 2*4*4*4*2) Velcro Adjusts On Both Sides	AL-58593*	\$39.95
E&J Seat Uph. 18 X 16, Padded, Metro	AL-58594*	\$39.95
<b>INVACARE SEAT UPHOLSTERY, 9000 SERIES &amp; PATRIOT</b>		
Inva Seat Uph. 16 X 16, 9000 Series & Patriot (Hole Spacing: 1*4-1/2*3-3/4*4-3/4*2)	AL-50765**	\$39.95
Inva Seat Uph. 18 X 16, 9000 Series & Patriot (fig #2)	AL-50764**	\$39.95
Inva Seat Uph. 16 X 16, 9000 Series & Patriot, Padded, No Velcro	AL-58597**	\$39.95
Inva Seat Uph. 18 X 16, 9000 Series & Patriot, Padded, No Velcro (fig #3)	AL-58598**	\$39.95
*Note: E&J Premier II & Metro Upholstery Come Standard Black. **Note: Invacare 9000 & Patriot Upholstery Come Standard Black Nylon. ***Note: Invacare 9000 & Patriot Upholstery All Have The Adjusting Velcro On 1 Side. However, You Now Have A Choice Of Velcro On Top For A Cushion Or Padding In The Seat With No Velcro On Top.		
<b>QUICKIE SEAT UPHOLSTERY</b>	<b>ALCO</b>	<b>Price</b>
<b>Description</b>	<b>Part No.</b>	<b>Each</b>
Quickie Seat Uph. 16 X 16, Velcro (Hole Spacing: 1*1*3-1/4*3-1/4*3-1/4*3-1/4*1)	AL-58599	\$39.95
Quickie Seat Uph. 18 X 16, Velcro (fig #4)	AL-58600	\$39.95
Quickie Seat Uph. 16 X 16, Padded, No Velcro	AL-58602	\$39.95
Quickie Seat Uph. 18 X 16, Padded, No Velcro (fig #5)	AL-58603	\$39.95
<b>BREEZY SEAT UPHOLSTERY</b>		
Breezy Seat Uph. 16 X 16, Velcro (Hole Spacing: 1-1/4*4-1/2*4-1/2*4-1/2*1-1/4)	AL-58604	\$39.95
Breezy Seat Uph. 18 X 16, Velcro (fig #6)	AL-58605	\$39.95
Breezy Seat Uph. 16 X 16, Padded, No Velcro	AL-58606	\$39.95
Breezy Seat Uph. 18 X 16, Padded, No Velcro	AL-58607	\$39.95
Note: Quickie Seats Actually Measure 7/8" Narrower Than Listed. For Example, A 16 X 16 Seat Actually Measures 15-1/8" Wide. Breezy Seats Actually Measure 5/8" Narrower Than Listed. A 16 X 16 Seat Actually Measures 15-3/8" Wide.		
Note: Quickie And Breezy Seats Come Standard In Black. They Have Velcro To Adjust The Tension Of The Seats, With Velcro On Top To Keep A Cushion In Place. However, We Now Carry Quickie And Breezy Seats That Come Padded So No Cushion Is Needed. There Is Still Velcro For Tension Adjustment, But No Velcro On Top.		
<b>E&amp;J BACK UPHOLSTERY, PREMIER II &amp; METRO</b>	<b>ALCO</b>	<b>Price</b>
<b>Description</b>	<b>Part No.</b>	<b>Each</b>
E&J Back Uph. 16 X 17, Premier II, 3-Hole	AL-58608*	\$39.95
E&J Back Uph. 18 X 17, Premier II, 3-Hole (fig #7)	AL-58609*	\$39.95
E&J Back Uph. 16 X 18, Premier II, 5-Hole (Hole Spacing: 3/4*3-3/4*4*3-1/2*5-1/2*3/4)	AL-58610*	\$39.95
E&J Back Uph. 18 X 18, Premier II, 5-Hole	AL-58611*	\$39.95
E&J Back Uph. 16 X 19-1/2, Padded, Metro	AL-58612*	\$39.95
E&J Back Uph. 18 X 19-1/2, Padded, Metro	AL-58613*	\$39.95
<b>INVACARE BACK UPHOLSTERY, 9000 &amp; PATRIOT</b>		
Inva Back Uph. 16 X 20, 9000 Series & Patriot	AL-50763**	\$39.95
Inva Back Uph. 18 X 20, 9000 Series & Patriot (fig #8)	AL-50762**	\$39.95
*Note: Premier II And Metro Backs Come In Black. **Note: Invacare 9000 And Patriot Upholstery Come Standard In Black Nylon.		
<b>QUICKIE BACK UPHOLSTERY</b>	<b>ALCO</b>	<b>Price</b>
<b>Description</b>	<b>Part No.</b>	<b>Each</b>
Quickie Back Uph. 16 X 14, Small	AL-58616	\$49.95
Quickie Back Uph. 16 X 17, Medium	AL-58617	\$49.95
Quickie Back Uph. 16 X 21, Tall	AL-58618	\$49.95
Quickie Back Uph. 18 X 14, Small	AL-58619	\$49.95
Quickie Back Uph. 18 X 17, Medium (fig #9)	AL-58620	\$49.95
Quickie Back Uph. 18 X 21, Tall	AL-58621	\$49.95
<b>BREEZY BACK UPHOLSTERY</b>		
Breezy Back Uph. 16 X 17, Small	AL-58622	\$49.95
Breezy Back Uph. 16 X 19, Medium	AL-58623	\$49.95
Breezy Back Uph. 18 X 17, Small	AL-58624	\$49.95
Breezy Back Uph. 18 X 19, Medium (fig #10)	AL-58625	\$49.95

# Sunrise Medical, E&J, EverMed & Tuffcare

## Quick Reference Upholstery Guide

**BUY 11 GET 1 FREE!**

		Model / Dimensions	UPH Type	Description	ALCO Part No.	Price Each	
		<b>Sunrise Medical</b>					
<b>Sunrise Medical</b>	<b>Breezy 100</b>	16"W x 18-1/2"H Bolt-On	Back	Black, Flat, Padded, Hole Spacing from top = 3/4", 5", 5", 2-3/4"	AL-64783	\$28.95	
		18"W x 18-1/2"H Bolt-On	Back	Black, Flat, Padded, Hole Spacing from top = 3/4", 5", 5", 2-3/4"	AL-64784	\$28.95	
		20"W x 18-1/2"H Bolt-On	Back	Black, Flat, Padded, Hole Spacing from top = 3/4", 5", 5", 2-3/4"	AL-64785	\$28.95	
		16"W x 16"D Bolt-On	Seat	Black, Flat, Padded, Hole Spacing from top = 2", 3-5/8", 3-5/8", 4-3/4", 2"	AL-64786	\$24.95	
		18"W x 16"D Bolt-On	Seat	Black, Flat, Padded, Hole Spacing from top = 2", 3-5/8", 3-5/8", 4-3/4", 2"	AL-64787	\$24.95	
		20"W x 16"D Bolt-On	Seat	Black, Flat, Padded, Hole Spacing from top = 2", 3-5/8", 3-5/8", 4-3/4", 2"	AL-64788	\$24.95	
	<b>Breezy 150</b>	16"W x 18-1/2" H Bolt-On	Back	Black, Flat, Padded, Slide-On	AL-64789	\$28.95	
		18"W x 18-1/2" H Bolt-On	Back	Black, Flat, Padded, Slide-On	AL-64790	\$28.95	
		20"W x 18-1/2" H Bolt-On	Back	Black, Flat, Padded, Slide-On	AL-64791	\$28.95	
		16"W x 16"D Bolt-On	Seat	Black, Flat, Padded, No Velcro; Hole Spacing from front = 2", 3-5/8", 3-5/8", 4-3/4", 2"	AL-64786	\$24.95	
		16"W x 18"D Bolt-On	Seat	Black, Flat, Padded, Slide-On (MUST PROVIDE SAMPLE)		Call	
		18"W x 16"D Bolt-On	Seat	Black, Flat, Padded, No Velcro; Hole Spacing from front = 2", 3-5/8", 3-5/8", 4-3/4", 2"	AL-64787	\$24.95	
		18"W x 18"D Bolt-On	Seat	Black, Flat, Padded, Slide-On (MUST PROVIDE SAMPLE)		Call	
		20"W x 16"D Bolt-On	Seat	Black, Flat, Padded, No Velcro; Hole Spacing from front = 2", 3-5/8", 3-5/8", 4-3/4", 2"	AL-64788	\$24.95	
20"W x 18"D Bolt-On	Seat	Black, Flat, Padded, Slide-On (MUST PROVIDE SAMPLE)		Call			
		<b>Everest &amp; Jennings</b>					
<b>Everest &amp; Jennings</b>	<b>Vista</b>	16"W x 18"H	Back	Embossed-#04 blue is standard	AL-792	\$22.95	
		18"W x 18"H	Back	Embossed-#04 blue is standard	AL-794	\$22.95	
		16"W x 16"D	Seat	Embossed-#04 blue is standard	AL-825	\$22.95	
		18"W x 16"D	Seat	Embossed-#04 blue is standard	AL-827	\$22.95	
	<b>Traveler</b>	16"W x 18"H	Back	Embossed-#04 blue is standard	AL-792	\$22.95	
		18"W x 18"H	Back	Embossed-#04 blue is standard	AL-794	\$22.95	
		16"W x 16"D	Seat	Embossed-#04 blue is standard	AL-825	\$22.95	
		18"W x 16"D	Seat	Embossed-#04 blue is standard	AL-827	\$22.95	
	<b>Traveler XD</b>	20"W with Top Cap	Back	Embossed, Hole Spacing From Top=1", 1", 4-1/2", 4", 5-1/2", 2-1/4"	AL-54812*	\$59.95	
		22"W with Top Cap	Back	Embossed, Hole Spacing From Top=1", 1", 4-1/2", 4", 5-1/2", 2-1/4"	AL-54813*	\$59.95	
		24"W with Top Cap	Back	Embossed, Hole Spacing From Top=1", 1", 4-1/2", 4", 5-1/2", 2-1/4"	AL-54814*	\$59.95	
		20"W with Top Cap	Seat	Embossed, Hole Spacing From Front=2", 3-3/8", 3-3/8", 3-3/8", 3-3/8", 1-3/4"	AL-54816*	\$59.95	
	22"W with Top Cap	Seat	Embossed, Hole Spacing From Front=2", 3-3/8", 3-3/8", 3-3/8", 3-3/8", 1-3/4"	AL-54817*	\$59.95		
	24"W with Top Cap	Seat	Embossed, Hole Spacing From Front=1", 3-3/8", 3-3/8", 3-3/8", 1", 1-3/4"	AL-54818*	\$59.95		
		<b>Evermed</b>					
<b>Evermed</b>	<b>Galaxy</b>	16"W X 18"H	Back	Padded, Black Nylon, Slide-On Sleeve of back is 13" long Length is 18-1/2" long	AL-64795	\$26.95	
		18"W X 18"H	Back	Padded, Black Nylon, Slide-On Sleeve of back is 13" long Length is 18-1/2" long	AL-64796	\$26.95	
		20"W X 18"H	Back	Padded, Black Nylon, Slide-On Sleeve of back is 13" long Length is 18-1/2" long	AL-64797	\$32.95	
		16"W x 16"D	Seat	Padded, Black Nylon Hole Spacing from Front = 2", 3-5/8", 3-5/8", 4-3/4", 2"	AL-64798	\$24.95	
		18"W x 16"D	Seat	Padded, Black Nylon Hole Spacing from Front = 2", 3-5/8", 3-5/8", 4-3/4", 2"	AL-64799	\$24.95	
		20"W x 16"D	Seat	Padded, Black Nylon Hole Spacing from Front = 2", 3-5/8", 3-5/8", 4-3/4", 2"	AL-64800	\$24.95	
	<b>Millennium</b>	16"W X 18"H Bolt On with Flare	Back	Embossed, Navy, Hole Spacing from Top= 1", 5-3/8", 5", 4-5/8", 2	AL-64801-A44	\$20.95	
		18"W X 18"H Bolt On with Flare	Back	Embossed, Navy, Hole Spacing from Top= 1", 5-3/8", 5", 4-5/8", 2	AL-769-A44	\$24.95	
		20"W X 18"H Bolt On with Flare	Back	Embossed, Navy, Hole Spacing from Top= 1", 5-3/8", 5", 4-5/8", 2	AL-64802-A44	\$24.95	
		16"W x 16"D	Seat	Embossed, Navy, Hole Spacing from Front = 2", 3-5/8", 3-5/8", 4-3/4", 2"	AL-778-A44	\$22.95	
		18"W x 16"D	Seat	Embossed, Navy, Hole Spacing from Front = 2", 3-5/8", 3-5/8", 4-3/4", 2"	AL-779-A44	\$22.95	
		20"W x 16"D	Seat	Embossed, Navy, Hole Spacing from Front = 2", 3-5/8", 3-5/8", 4-3/4", 2"	AL-781-A44	\$30.95	
			<b>Tuffcare</b>				
	<b>Tuffcare</b>	<b>247/257/267/277</b>	16"W X 18"H with Flare	Back	Embossed Spacing from Top= 1", 5-1/2", 5-1/2", 5-1/2", 3/4"	AL-792	\$22.95
18"W X 18"H with Flare			Back	Embossed Spacing from Top= 1", 5-1/2", 5-1/2", 5-1/2", 3/4"	AL-794	\$22.95	
20"W X 18"H with Flare			Back	Embossed Spacing from Top= 1", 5-1/2", 5-1/2", 5-1/2", 3/4"	AL-795	\$30.95	
16"W x 16"D			Seat	Embossed Spacing from front= 2", 4", 4", 4", 2	AL-825	\$22.95	
18"W x 16"D			Seat	Embossed Spacing from front= 2", 4", 4", 4", 2	AL-827	\$22.95	
20"W x 16"D			Seat	Embossed Spacing from front= 2", 4", 4", 4", 2	AL-828	\$30.95	
<b>667/677</b>		16"W X 18"H with Flare	Back	Black Packcloth, Spacing from Top= 1", 5-1/2", 5-1/2", 5-1/2", 3/4" Top 17" wide, bottom 16" wide	AL-64804-A80	Call	
		18"W X 18"H with Flare	Back	Black Packcloth, Spacing from Top= 1", 5-1/2", 5-1/2", 5-1/2", 3/4" Top 19" wide, bottom 18" wide	AL-64805-A80	Call	
		20"W X 18"H with Flare	Back	Black Packcloth, Spacing from Top= 1", 5-1/2", 5-1/2", 5-1/2", 3/4" Top 21" wide, bottom 20" wide	AL-64806-A80	Call	
		16"W x 16"D	Seat	Black Packcloth, Spacing from front= 2", 4", 4", 4", 2	AL-64807-A80	Call	
		18"W x 16"D	Seat	Black Packcloth, Spacing from front= 2", 4", 4", 4", 2	AL-64808-A80	Call	
		20"W x 16"D	Seat	Black Packcloth, Spacing from front= 2", 4", 4", 4", 2	AL-64809-A80	Call	

**See ALCO Color Chart—Inside Front Cover**



# Invacare Quick Reference Upholstery Guide

**BUY 11 GET 1 FREE!**

	Model / Dimensions	UPH Type	Description	ALCO Part No.	Price Each
	<b>Invacare</b>				
<b>1000 &amp; E1000</b>	16" W x 18" H Bolt-On with flare	Back	Embossed, Hole Spacing from top = 1",5-3/8",5",4-5/8",2"	AL-761	\$22.95
	18" W x 18" H Bolt-On with flare	Back	Embossed, Hole Spacing from top = 1",5-3/8",5",4-5/8",2"	AL-769	\$24.95
	16" W x 16" D	Seat	Embossed, Hole Spacing from top = 2",3-5/8",3-5/8",4-3/4",2"	AL-778	\$22.95
	18" W x 16" D	Seat	Embossed, Hole Spacing from top = 2",3-5/8",3-5/8",4-3/4",2"	AL-779	\$22.95
<b>9000SL</b>	16"W x 17"H Bolt-On	Back	Black Nylon, Padded (Chairs prior to 7/12/99 MUST PROVIDE SAMPLE)	AL-64810	\$24.95
	16"W x 19"H Bolt-On	Back	Black Nylon, Padded (Chairs prior to 7/12/99 MUST PROVIDE SAMPLE)	AL-64811	\$24.95
	18"W x 17"H Bolt-On	Back	Black Nylon, Padded (Chairs prior to 7/12/99 MUST PROVIDE SAMPLE)	AL-64812	\$24.95
	18"W x 19"H Bolt-On	Back	Black Nylon, Padded (Chairs prior to 7/12/99 MUST PROVIDE SAMPLE)	AL-64813	\$24.95
<b>9000 XDT &amp; XT</b>	16"W x 20"H Slide-on	Back	Black Nylon, Padded, Adjustable Height, T-shaped, Wrap-around	AL-64814	\$26.95
	18"W x 20"H Slide-on	Back	Black Nylon, Padded, Adjustable Height, T-shaped, Wrap-around	AL-64815	\$26.95
	20"W x 20"H Slide-on	Back	Black Nylon, Padded, Adjustable Height, T-shaped, Wrap-around	AL-64816	\$32.95
	22"W x 20"H Slide-on	Back	Black Nylon, Padded, Adjustable Height, T-shaped, Wrap-around	AL-64817	\$45.95
<b>9000 SL/XDT/XT</b>	16"W x 16" D w/o padding	Seat	Black Nylon, Padded, Round Screw holes	AL-64818	\$24.95
	16"W x 16" D w/ padding	Seat	Black Nylon, Padded, Round Screw holes	AL-64819	\$24.95
	16"W x 18" D w/o padding	Seat	Black Nylon, Padded, Round Screw holes	AL-64820	\$26.95
	18"W x 16" D w/o padding	Seat	Black Nylon, Padded, Round Screw holes	AL-64821	\$24.95
	18"W x 16" D w/ padding	Seat	Black Nylon, Padded, Round Screw holes	AL-64822	\$24.95
	18"W x 18" D w/o padding	Seat	Black Nylon, Padded, Round Screw holes	AL-64823	\$36.95
	18"W x 18" D w/ padding	Seat	Black Nylon, Padded, Round Screw holes	AL-64824	\$24.95
	20"W x 16" D w/o padding	Seat	Black Nylon, Padded, Round Screw holes	AL-64825	\$28.95
	20"W x 16" D w/ padding	Seat	Black Nylon, Padded, Round Screw holes	AL-64826	\$28.95
	20"W x 18" D w/o padding	Seat	Black Nylon, Padded, Round Screw holes	AL-64827	\$36.95
	20"W x 18" D w/ padding	Seat	Black Nylon, Padded, Round Screw holes	AL-64828	\$28.95
	<b>Tracer IV</b>	20"W x 18"H Bolt-On with Flare	Back	(Chairs before 10/1/01) Embossed, Hole Spacing from top = 1",5-3/8",5",4-5/8",2"	AL-768
22"W x 18"H Bolt-On with Flare		Back	(Chairs before 10/1/01) Embossed, Hole Spacing from top = 1",5-3/8",5",4-5/8",2"	AL-64829	\$32.95
24"W x 18"H Bolt-On with Flare		Back	(Chairs before 10/1/01) Embossed, Hole Spacing from top = 1",5-3/8",5",4-5/8",2"	AL-768X	\$42.95
20"W x 18"H Bolt-On		Back	(Chairs after 10/1/01) Embossed, Hole Spacing from top = 1",5-3/8",5",4-5/8",2"	AL-765	\$30.95
22"W x 18"H Bolt-On		Back	(Chairs after 10/1/01) Embossed, Hole Spacing from top = 1",5-3/8",5",4-5/8",2"	AL-766	\$34.95
24"W x 18"H Bolt-On		Back	(Chairs after 10/1/01 ) Embossed, Hole Spacing from top = 1",5-3/8",5",4-5/8",2"	AL-767	\$39.95
20"W x 18"D Bolt-On		Seat	Emb, Hole Spacing from Front = 2",3-5/8", 3-5/8",4-3/4",3-3/8,5/8" (prior to 9/30/03)	AL-64830	\$24.95
22"W x 18"D Bolt-On		Seat	Emb, Hole Spacing from Front = 2",3-5/8", 3-5/8",4-3/4",3-3/8,5/8" (prior to 9/30/03)	AL-64831	\$32.95
24"W x 18"D Bolt-On		Seat	Emb, Hole Spacing from Front = 2",3-5/8", 3-5/8",4-3/4",3-3/8,5/8" (prior to 9/30/03)	AL-64832	\$32.95
20"W x 18"D Bolt-On		Seat	Emb, Hole Spacing from Front = 1",3-1/8", 3-5/8",3-5/8",4-3/4,1-3/4" (after 9/30/03)	AL-67411	\$24.95
22"W x 18"D Bolt-On		Seat	Emb, Hole Spacing from Front = 1",3-1/8", 3-5/8",3-5/8",4-3/4,1-3/4" (after 9/30/03)	AL-67412	\$32.95
24"W x 18"D Bolt-On		Seat	Emb, Hole Spacing from Front = 1",3-1/8", 3-5/8",3-5/8",4-3/4,1-3/4" (after 9/30/03)	AL-67413	\$32.95
<b>Tracer DLX</b>	16"W x 18"H Bolt-On	Back	Embossed, Hole Spacing from Top = 1",5-3/8",5",4-5/8",2"	AL-761	\$22.95
	18"W x 18"H Bolt-On	Back	Embossed, Hole Spacing from Top = 1",5-3/8",5",4-5/8",2"	AL-763	\$22.95
	20"W x 18"H Bolt-On	Back	Embossed, Hole Spacing from Top = 1",5-3/8",5",4-5/8",2"	AL-765	\$30.95
	16"W x 16"D Bolt-On	Seat	Embossed, Hole Spacing from Front = 2",3-5/8", 3-5/8",4-3/4",2"	AL-778	\$22.95
	18"W x 16"D Bolt-On	Seat	Embossed, Hole Spacing from Front = 2",3-5/8", 3-5/8",4-3/4",2"	AL-779	\$22.95
	20"W x 16"D Bolt-On	Seat	Embossed, Hole Spacing from Front = 2",3-5/8", 3-5/8",4-3/4",2"	AL-781	\$30.95
<b>Tracer EX</b>	16"W x 18"H Bolt-On	Back	Embossed, Hole Spacing from Top = 1", 5-3/8", 5", 4-5/8", 2"	AL-761	\$22.95
	18"W x 18"H Bolt-On with Flare	Back	(If made before 3/99) Embossed, Hole Spacing from Top = 1", 5-3/8", 5", 4-5/8", 2"	AL-769	\$24.95
	18"W x 18"H Bolt-On	Back	(If made after 2/99) Embossed, Hole Spacing from Top = 1", 5-3/8", 5", 4-5/8", 2"	AL-763	\$22.95
	20"W x 18"H Bolt-On with Flare	Back	(If made before 3/99) Embossed, Hole Spacing from Top = 1", 5-3/8", 5", 4-5/8", 2"	AL-768	\$24.95
	20"W x 18"H Bolt-On	Back	(If made after 2/99) Embossed, Hole Spacing from Top = 1", 5-3/8", 5", 4-5/8", 2"	AL-765	\$30.95
	16"W x 16" D	Seat	Embossed, Hole Spacing from Front = 2",3-5/8", 3-5/8",4-3/4",2"	AL-778	\$22.95
	18"W x 16" D	Seat	Embossed, Hole Spacing from Front = 2",3-5/8", 3-5/8",4-3/4",2"	AL-779	\$22.95
	20"W X 16" D	Seat	Embossed, Hole Spacing from Front = 2",3-5/8", 3-5/8",4-3/4",2"	AL-781	\$30.95
<b>Tracer MG</b>	16"W X 18"H Bolt-On	Back	Embossed, Hole Spacing from Top = 1",5-3/8",5",4-5/8",2"	AL-761	\$22.95
	18"W X 18"H Bolt-On with Flare	Back	(If made before 3/99) Embossed, Hole Spacing from Top = 1", 5-3/8", 5", 4-5/8", 2"	AL-769	\$24.95
	18"W X 18"H Bolt-On	Back	(If made after 2/99) Embossed, Hole Spacing from Top = 1",5-3/8",5",4-5/8",2"	AL-763	\$22.95
	16" W x 16" D	Seat	Embossed, Hole Spacing from Front = 2",3-5/8", 3-5/8",4-3/4",2"	AL-778	\$22.95
	18" W x 16" D	Seat	Embossed, Hole Spacing from Front = 2",3-5/8", 3-5/8",4-3/4",2"	AL-779	\$22.95
<b>Tracer SX</b>	16"W x 18"H Bolt-On	Back	Embossed, Hole Spacing from Top = 1",5-3/8",5",4-5/8",2"	AL-761	\$22.95
	18"W x 18"H Bolt-On	Back	Embossed, Hole Spacing from Top = 1",5-3/8",5",4-5/8",2"	AL-763	\$22.95
	20"W x 18"H Bolt-On	Back	Embossed, Hole Spacing from Top = 1",5-3/8",5",4-5/8",2"	AL-765	\$30.95
	22"W x 18"H Bolt-On	Back	Embossed, Hole Spacing from Top = 1",5-3/8",5",4-5/8",2"	AL-766	\$34.95
	16"W x 16"D	Seat	Embossed, Hole Spacing from Front = 2",3-5/8", 3-5/8",4-3/4",2"	AL-778	\$22.95
	18"W x 16"D	Seat	Embossed, Hole Spacing from Front = 2",3-5/8", 3-5/8",4-3/4",2"	AL-779	\$22.95
	20"W x 16"D	Seat	Embossed, Hole Spacing from Front = 2",3-5/8", 3-5/8",4-3/4",2"	AL-781	\$30.95
	22"W x 16"D	Seat	Embossed, Hole Spacing from Front = 2",3-5/8", 3-5/8",4-3/4",2"	AL-782	\$34.95



# Wheelchair Calf Pads & Hardware

**BUY 11 GET 1 FREE!**

Specify colors For Padded Calf Pads. See ALCO Color Chart—Inside Front Cover

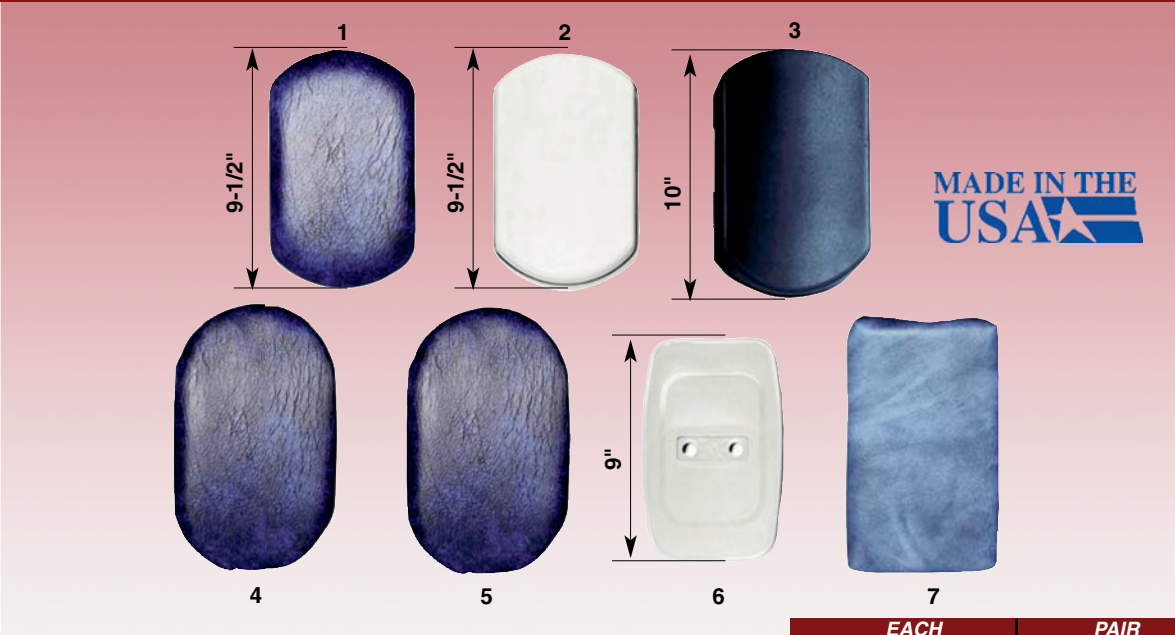


Fig.	Mounting Holes	Fits	Type	EACH		PAIR	
				ALCO Part No.	Price Each	ALCO Part No.	Price Pair
1	Universal 2" Vertical + 1-1/2"	E&J, New Theradyne, Colson, Invacare, Drive, Lumex, Tuffcare, Evermed & Hoyer, Medline, AccessPoint E&J Grey Base standard, Black base optional (BK)	Padded*	AL-422U	\$13.95	AL-66068	\$21.95
	1-1/2" Hole Spacing Only	Invacare, Evermed, Drive, AccessPoint (Black Base & Pad)	Padded*	AL-67236	\$2.95	AL-67237	\$4.95
2	Universal 2" Vertical + 1-1/2"	E&J, New Theradyne, Colson, Invacare, Drive, Lumex, Tuffcare, Hoyer, Medline & Evermed, AccessPoint Grey (GY), Black (BK) & Brown (BR)	Plastic*	AL-423U	\$11.95	AL-66069	\$21.95
3	4" Vertical	Gendron, Black only	Vinyl*	AL-424P-183	\$29.95	AL-66070-183	\$57.95
4	1-1/2" Vertical	Invacare, Colson, Rolls	Padded*	Use AL-429 & AL-423U-BK	\$17.90	N/A	N/A
5	Cover Only	Colson, Invacare, Rolls	Vinyl*	AL-429	\$5.95	AL-66071	\$10.95
6	2" Horizontal	American, Theradyne, ALCO Custom and Royale Black std	Plastic	AL-427	\$9.95	N/A	N/A
7	Cover Only	Theradyne, ALCO Custom and Royale	Vinyl*	AL-428	\$12.00	AL-66072	\$23.95

\*For optional colors indicate color code after ALCO Part No. Example: AL-423U-BK for Black.

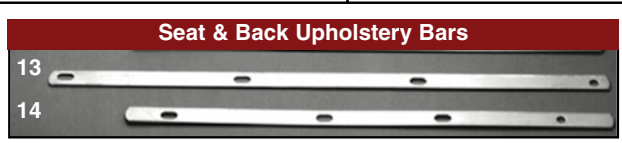
## Upholstery, Armrest & Calf Pad Hardware



Fig.	Description	EACH		PKG OF 50	
		ALCO Part No.	Price Each	ALCO Part No.	Price Pkg 50
1	Back screw w/washer #10x7/8 (flat end)	AL-45493	\$0.39	AL-50932	\$17.95
	Back screw w/washer #10x7/8 (pointed end) Black	AL-66663	\$1.95	N/A	N/A
	Back screw w/washer #10x7/8 (flat end) Black	AL-67487	\$1.95	N/A	N/A
2	Seat screw w/washer 10-32x1-3/8	AL-45494	\$0.39	AL-58508	\$17.95
3	Nut w/elastic stop 10-32	AL-45495	\$0.39	AL-58509	\$17.95
4	E&J Sectional back screw 10-32x7/8	AL-45496	\$0.39	AL-58510	\$17.95
5	Plastic armrest screw 10-32x1-3/8	AL-45497	\$0.39	AL-58511	\$17.95
6	S.S. Chair Seat screw 8-32x3/4	AL-45498	\$0.39	AL-58512	\$17.95
7	Carry strap screw 10-32x1-5/8	AL-45499	\$0.39	AL-58513	\$17.95
8	#10 finishing washer	AL-45500	\$0.39	AL-50931	\$17.95
9	#8 stainless steel washer	AL-45501	\$0.39	AL-58514	\$17.95
10	E&J Calf pad screw 1/4-20x1/2"	AL-45502	\$0.44	AL-58515	\$18.95
11	Invacare Calf pad screw 10-32x3/4"	AL-45503	\$0.44	AL-58516	\$18.95
12	Padded armrest screw 10-32x1-1/4"	AL-45504	\$0.39	AL-50933	\$17.95

12

Fig.	Description of Metal Strips Upholstery Hardware	To Fit	ALCO Part No.	Price Each
13	Back Upholstery Bar	Inva & E&J	AL-45569	\$1.95
14	Seat Upholstery Bar	Inva & E&J	AL-45570	\$1.95

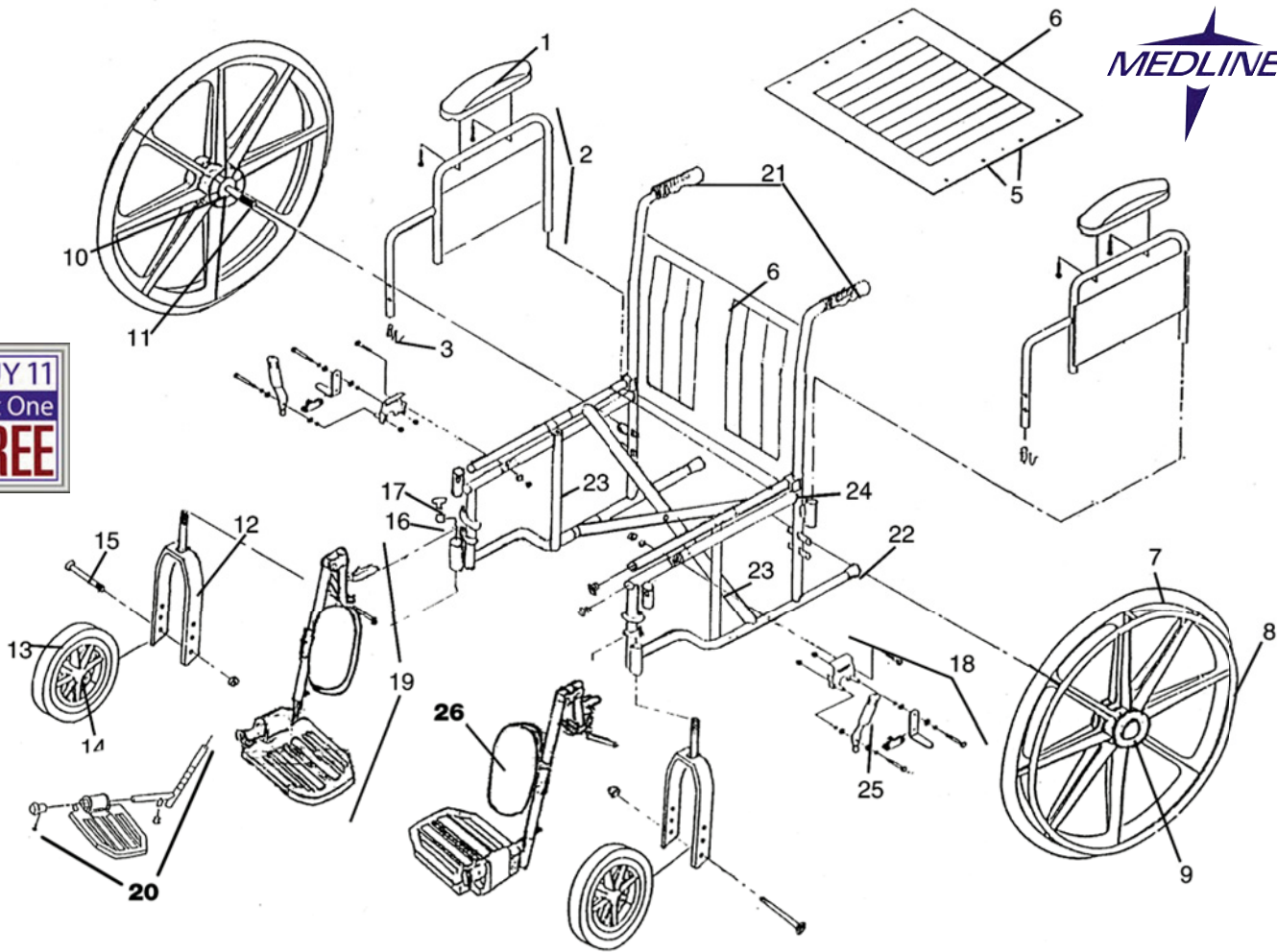


# Excel K3 with Removable Arms and Swing-Away Footrests OR Elevating Legrests Wheelchair Parts

**BUY 11 GET 1 FREE!**



**BUY 11  
Get One  
FREE**



**When Ordering, Specify Left (L) or Right (R)—Sitting in Chair**

Fig.	Description	ALCO Part No.	Price Each
1	Armrest Pad, Nylon, Black, Desk Length	AL-145BK-A3	\$5.95
	Armrest Pad, Nylon, Black, Full Length	AL-135BK-A3	\$5.95
2	Armrest, Desk Length, Aluminum (Pair)	AL-64773	\$89.95
	Armrest, Full Length (Pair)	AL-64741	\$99.95
3	Armlock Assembly	AL-64775	\$22.95
5	Seat & Back Upholstery Hardware	AL-64712	\$10.95
6	Seat and Back Nylon, Black, 18" (OEM)	AL-64777	\$79.95
	Seat and Back Nylon, Black, 18"	AL-72512	\$69.95
7	Wheel Assembly w/ Bearing & Handrim	AL-64760	\$59.95
8	Handrim w/ Screws, Composite	AL-64729	\$28.95
9	Wheel Hubcap	AL-70121	\$3.95
10	Wheel Bearing1 (Pair)	AL-64732	\$14.95
	Wheel Bearing2 (Pair)	AL-54878	\$6.95
11	Axle for Rear Wheel Removable Arms	AL-64743	\$14.95
	Fork Standard Height, Chrome	AL-64715	\$29.95
12	Fork Hemi Height Adjustable, Black	AL-64736	\$61.95
	Caster 8", w/ Bearings	AL-66153	\$16.95
13	Bearings for Front Caster	AL-45587	\$4.95
15	Axle & Hardware for Front Caster	AL-2237	\$2.95

Fig.	Description	ALCO Part No.	Price Each
16	Stem Bearing for Front Caster	AL-54873	\$4.95
17	Dust Cap	AL-70120	\$3.95
18	Wheel Lock (Pair)	AL-65861	\$29.95
19	<b>Aluminum Footplate</b>		
	Footrest, Left, Hemi Spacing (1-3/8") <sup>5</sup>	AL-114B-L	\$39.95
	Footrest, Right, Hemi Spacing (1-3/8") <sup>5</sup>	AL-114B-R	\$39.95
	Footrest, <b>Pair</b> , Hemi Spacing (1-3/8") <sup>5</sup>	AL-64424	\$69.95
	Footrest, Left, Adult Spacing (3-1/8") <sup>4</sup>	AL-114A-L	\$39.95
	Footrest, Right, Adult Spacing (3-1/8") <sup>4</sup>	AL-114A-R	\$39.95
	Footrest, <b>Pair</b> , Adult Spacing (3-1/8") <sup>4</sup>	AL-64421	\$69.00
	Legrest, Left, Hemi Spacing (1-3/8") <sup>5</sup>	AL-420HL	\$69.50
	Legrest, Right, Hemi Spacing (1-3/8") <sup>5</sup>	AL-420HR	\$69.50
	Legrest, <b>Pair</b> , Hemi Spacing (1-3/8") <sup>5</sup>	AL-64414	\$119.00
	Legrest, Left, Adult Spacing (3-1/8") <sup>4</sup>	AL-420L	\$69.50
	Legrest, Right, Adult Spacing (3-1/8") <sup>4</sup>	AL-420R	\$69.50
	Legrest, <b>Pair</b> , Adult Spacing (3-1/8") <sup>4</sup>	AL-64412	\$119.00
20	Footplate Assembly Aluminum (Pair)	AL-64721	\$39.95
21	Handgrip	AL-70116	\$6.95
22	Tube End Cap	AL-64737	\$6.95
23	Slide Tube	AL-64745	\$16.95
24	Seat Guides	AL-67027	\$5.95
25	Black Rubber Tip	AL-70094	\$2.95
26	Calf Pad, Black	AL-422UBK-A3	\$13.95

1 For Excel wheelchairs, serial # equal or lower than A0006  
 2 For Excel wheelchairs, serial #s From A007 through A0107  
 3 For Excel wheelchairs, serial # equal or greater than A0108  
 4 For Excel chairs with serial #s A95 through A98, 3-1/4" pin spacing  
 5 For Excel chairs with serial #s A99, A00, A01, A02, 1.5" pin spacing



# Excel K4 with Swing-Back Arms and Swing-Away Footrests OR Elevating Legrests Wheelchair Parts

**BUY 11 GET 1 FREE!**

When Ordering,  
Specify Left (L)  
or Right (R)  
Sitting in Chair

BUY 11  
Get One  
FREE

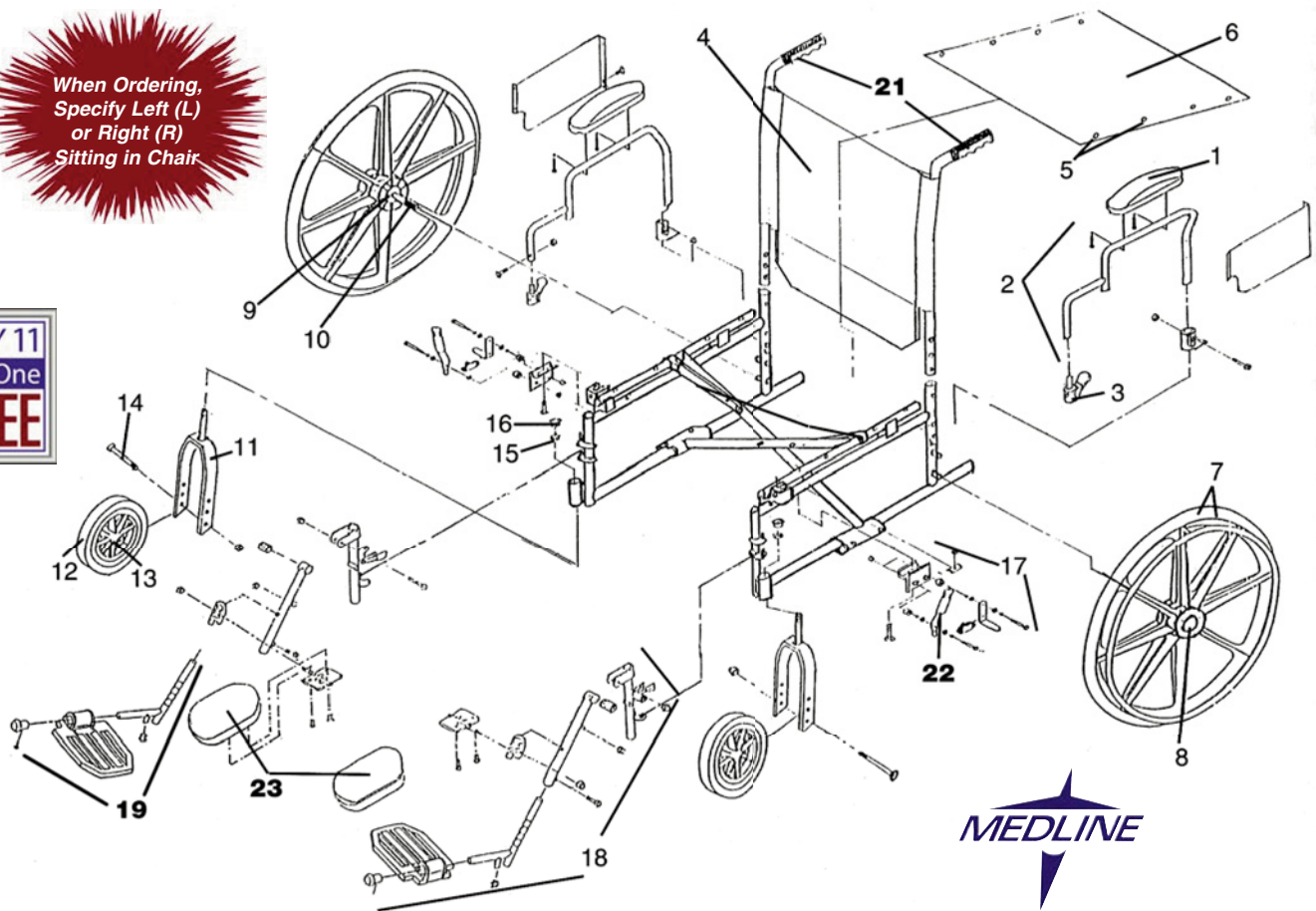


Fig.	Description	ALCO Part No.	Price Each
1	Armrest Pad, Black, Desk Length	AL-145BK-A3	\$5.95
	Armrest Pad, Black, Full Length	AL-135BK-A3	\$5.95
	Armrest w/ Black Pad, Desk Length, Swing Back (Pair)	AL-64747	\$79.95 Pr.
	Armrest w/ Black Pad, Full Length, Swing Back (Pair)	AL-64748	\$89.95 Pr.
2	Armrest w/ Black Pad, Height Adj Desk Length, Swing Back (Pair)	AL-64749	\$79.95 Pr.
	Armrest w/ Black Pad, Height Adj Full Length, Swing Back (Pair)	AL-64750	\$89.95 Pr.
3	Armlock Assembly	AL-64751	\$44.95
	Back and Seat w/ Screws, Black, 18" Wide, Nylon	AL-64752	\$79.95
	Back w/ Screws, Black, 20" Wide, Nylon	AL-64754	\$29.95
	Back w/ Screws, Black, 22" Wide, Nylon	AL-64755	\$29.95
5	Screws and Washers, Seat Upholstery	AL-64712	\$10.95
6	Seat w/ Screws, 20" Wide, Nylon	AL-64758	\$31.95
	Seat w/ Screws, 22" Wide, Nylon	AL-64759	\$29.95
7	Wheel Assembly w/ Bearing & Handrim	AL-64760	\$59.95
8	Wheel Hubcap	AL-70121	\$3.95
	Wheel Bearing <sup>1</sup> (Pair)	AL-64732	\$14.95 Pr.
	Wheel Bearing <sup>2</sup>	AL-54878	\$6.95

1 For Excel wheelchairs, serial # equal or lower than A0006  
 2 For Excel wheelchairs, serial #s From A007 through A0107  
 3 For Excel wheelchairs, serial #equal or greater than A01U  
 4 For chairs with vertical bolt to secure wheel lock

Fig.	Description	ALCO Part No.	Price Each
10	Axle for Rear Wheel	AL-64743	\$14.95
11	Fork Hemi Height Adjustable, Black	AL-64735	\$26.95
12	Caster 8", w/ Bearings	AL-66153	\$16.95
13	Bearings for Front Caster	AL-45587	\$4.95
14	Axle & Hardware for Front Caster	AL-2237	\$2.95
15	Stem Bearing for Front Caster	AL-54873	\$4.95
16	Dust Cap	AL-70120	\$3.95
17	Wheel Lock (Pull to Lock) <sup>4</sup> (Pair)	AL-64761	\$59.95 Pr.
	<b>Aluminum Footplate</b>		
	Footrest, Left, Hemi Spacing (1-3/8")	AL-114B-L	\$39.95
	Footrest, Right, Hemi Spacing (1-3/8")	AL-114B-R	\$39.95
	Footrest, Pair, Hemi Spacing (1-3/8")	AL-64424	\$69.95 Pr.
	Legrest, Left, Hemi Spacing (1-3/8")	AL-420HL	\$69.50
	Legrest, Right, Hemi Spacing (1-3/8")	AL-420HR	\$69.50
	Legrest, Pair, Hemi Spacing (1-3/8")	AL-64414	\$119.00 Pr.
	<b>Plastic Footplate</b>		
	Footrest, Left, Hemi Spacing (1-3/8")	AL-45716	\$29.95
	Footrest, Right, Hemi Spacing (1-3/8")	AL-45714	\$29.95
	Footrest, Pair, Hemi Spacing (1-3/8")	AL-64423	\$49.00 Pr.
	Legrest, Left, Hemi Spacing (1-3/8")	AL-56478HL	\$39.95
	Legrest, Right, Hemi Spacing (1-3/8")	AL-56478HR	\$39.95
	Legrest, Pair, Hemi Spacing (1-3/8")	AL-64415	\$79.00 Pr.
19	Footplate Assembly Aluminum (Pair)	AL-64721	\$39.95 Pr.
21	Handgrip	AL-70116	\$6.95
22	Black Rubber Tip	AL-70094	\$2.95
23	Calf Pad, Black	AL-422UBK-A3	\$13.95

# Excel Standard with Removable Desk-Length Arms & Swing-Away Footrests OR Elevating Legrest Wheelchair Parts

**BUY 11 GET 1 FREE!**



When Ordering, Specify Left (L) or Right (R) Sitting in Chair

BUY 11 Get One FREE

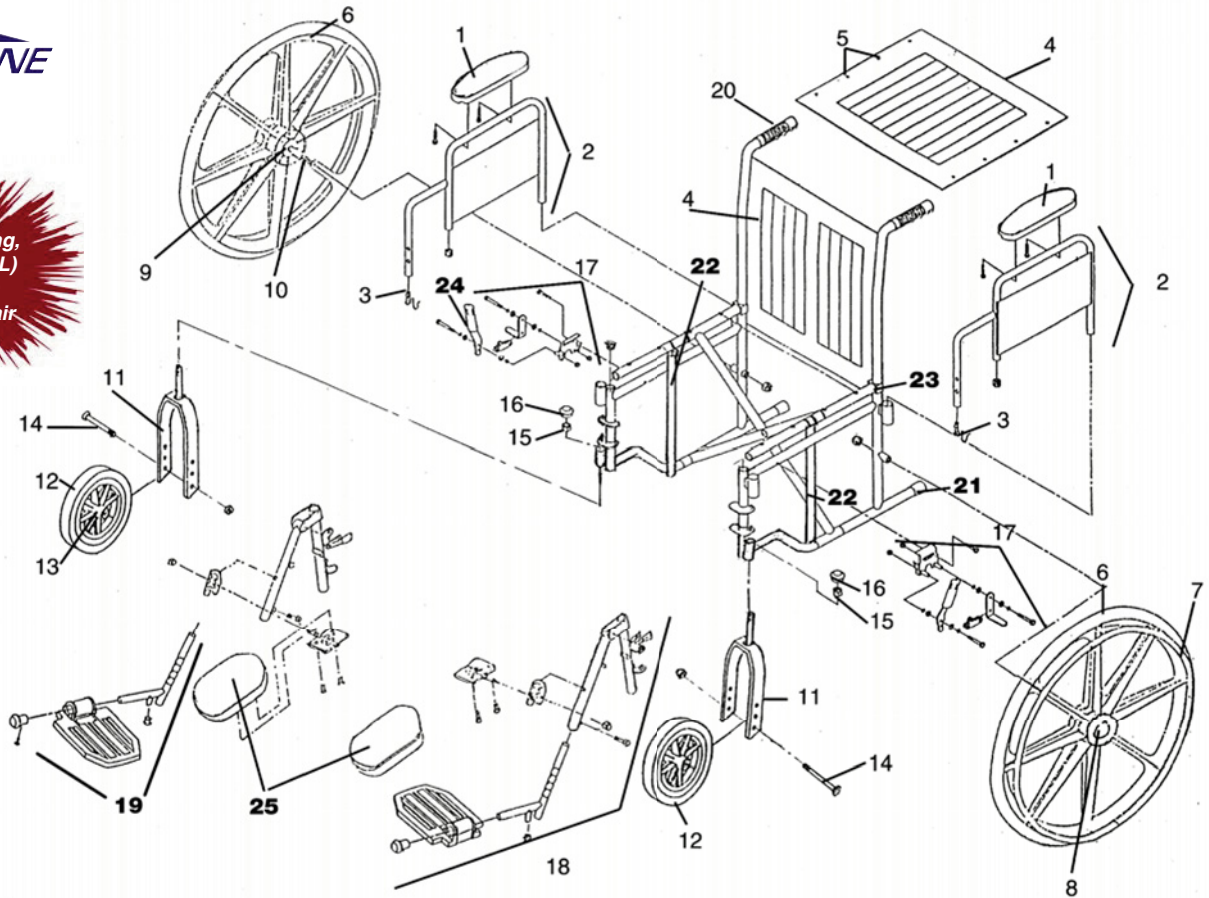


Fig.	Description	ALCO Part No.	Price Each
1	Armrest Pad, Black, Desk Length	AL-145BK-A3	\$5.95
	Armrest Pad, Black, Full Length	AL-135BK-A3	\$5.95
2	Desk Length Arm, Removable (Pair)	AL-64740	\$99.95
	Full Length Arm, Removable (Pair)	AL-64741	\$99.95
3	Armlock Pin	AL-64742	\$7.95
	18" Back Only, Black (OEM)	AL-64726	\$59.95
4	18" Back Only, Black	AL-72513	\$28.95
	18" Seat Only, Black (OEM)	AL-64727	\$49.95
	18" Seat Only, Black	AL-72514	\$28.95
5	Screws and Washers for Seat & Back Upholstery	AL-64712	\$10.95
6	Rear Wheel w/ Bearing (No Handrim)	AL-64728	\$81.95
7	Handrim w/ Screws, Chrome	AL-64729	\$28.95
	Handrim w/ Screws, Composite	AL-64730	\$42.95
8	Rear Wheel Hubcap	AL-70121	\$3.95
9	Rear Wheel Bearing <sup>1</sup> (Pair)	AL-64732	\$14.95
9A	Rear Wheel Bearing <sup>2</sup>	AL-54878	\$6.95
10	Axle for Rear Wheel Removable Arms	AL-64743	\$14.95
	Fork Standard Height, Chrome	AL-64715	\$29.95
	Fork Hemi Height Adjustable, Black	AL-64735	\$26.95
12	Caster 8", w/ Bearings	AL-66153	\$16.95
13	Bearings for Front Caster	AL-45587	\$4.95
14	Axle & Hardware for Front Caster	AL-2237	\$2.95
15	Stem Bearings for Front Caster	AL-54873	\$4.95
16	Dust Cap	AL-70120	\$3.95
17	Wheel Lock Assembly (Pair)	AL-65861	\$29.95

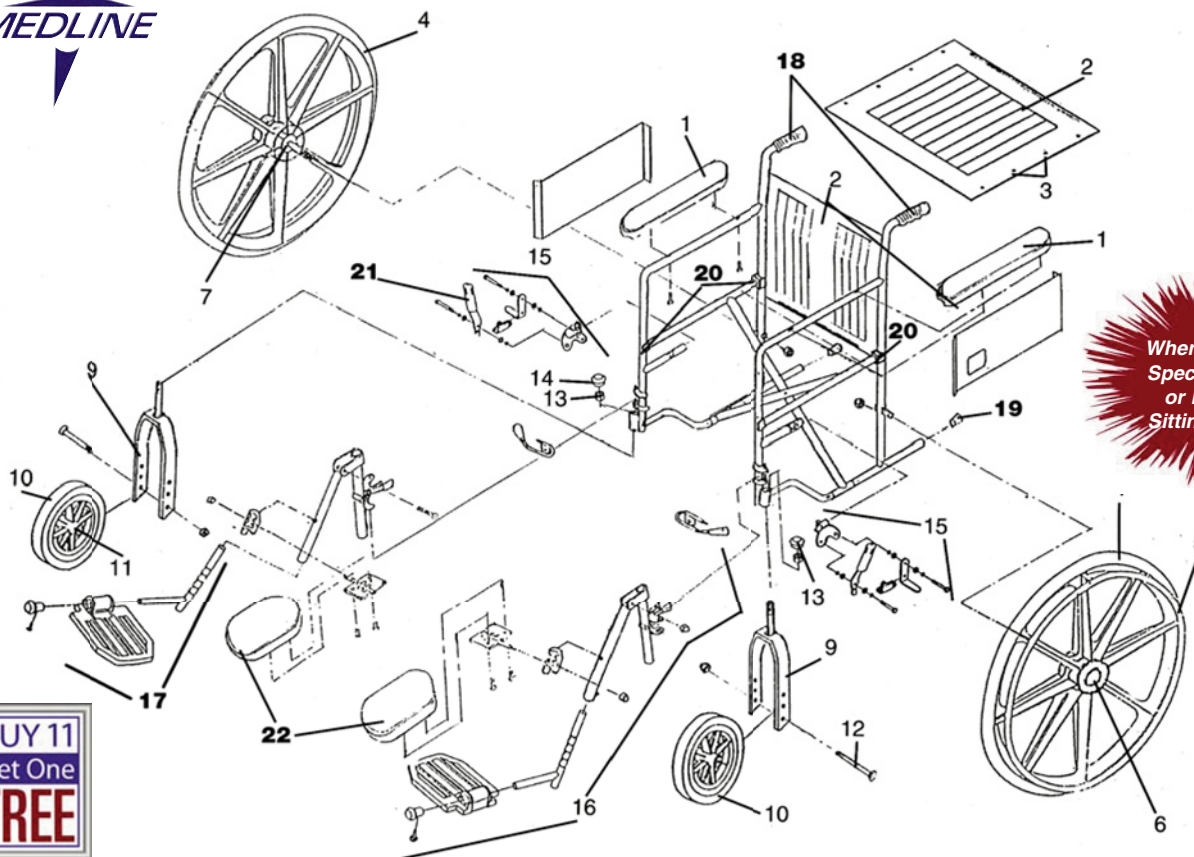
Fig.	Description	ALCO Part No.	Price Each
	<b>Aluminum Footplate</b>		
	Footrest, Left, Hemi Spacing (1-3/8") <sup>5</sup>	AL-114B-L	\$39.95
	Footrest, Right, Hemi Spacing (1-3/8") <sup>5</sup>	AL-114B-R	\$39.95
	Footrest, Pair, Hemi Spacing (1-3/8") <sup>5</sup>	AL-64424	\$69.95
	Footrest, Left, Adult Spacing (3-1/8") <sup>4</sup>	AL-114A-L	\$39.95
	Footrest, Right, Adult Spacing (3-1/8") <sup>4</sup>	AL-114A-R	\$39.95
	Footrest, Pair, Adult Spacing (3-1/8") <sup>4</sup>	AL-64421	\$69.00
	Legrest, Left, Hemi Spacing (1-3/8") <sup>5</sup>	AL-420HL	\$69.50
	Legrest, Right, Hemi Spacing (1-3/8") <sup>5</sup>	AL-420HR	\$69.50
	Legrest, Pair, Hemi Spacing (1-3/8") <sup>5</sup>	AL-64414	\$119.00
	Legrest, Left, Adult Spacing (3-1/8") <sup>4</sup>	AL-420L	\$69.50
	Legrest, Right, Adult Spacing (3-1/8") <sup>4</sup>	AL-420R	\$69.50
	Legrest, Pair, Adult Spacing (3-1/8") <sup>4</sup>	AL-64412	\$119.00
	<b>Plastic Footplate</b>		
	Footrest, Left, Hemi Spacing (1-3/8") <sup>5</sup>	AL-45716	\$29.95
	Footrest, Right, Hemi Spacing (1-3/8") <sup>5</sup>	AL-45714	\$29.95
	Footrest, Pair, Hemi Spacing (1-3/8") <sup>5</sup>	AL-64423	\$49.00
	Legrest, Left, Hemi Spacing (1-3/8") <sup>5</sup>	AL-56478HL	\$39.95
	Legrest, Right, Hemi Spacing (1-3/8") <sup>5</sup>	AL-56478HR	\$39.95
	Legrest, Pair, Hemi Spacing (1-3/8") <sup>5</sup>	AL-64415	\$79.00
19	Footplate Assembly Aluminum (Pair)	AL-64721	\$39.95
20	Handgrip	AL-70116	\$6.95
21	Tube End Cap for Rear Frame	AL-64737	\$6.95
22	Slide Tube	AL-64745	\$16.95
23	Seat Guides, Removable Arm	AL-67027	\$5.95
24	Black Rubber Tip	AL-70094	\$2.95
25	Calf Pad, Black	AL-422UBK-A3	\$13.95

1 For Excel wheelchairs, serial # equal or lower than A0006  
 2 For Excel wheelchairs, serial #s From A007 through A0107  
 3 For Excel wheelchairs, serial # equal or greater than A0108  
 4 For Excel chairs with serial #s A95 through A98, 3-1/4" pin spacing  
 5 For Excel chairs with serial #s A99, A00, A01, A02, 1.5" pin spacing

W6

# Excel Standard with Permanent Full-Length Arms & Removable Swing-Away Footrests OR Elevating Legrest Wheelchair Parts

**BUY 11 GET 1 FREE!**



When Ordering, Specify Left (L) or Right (R) Sitting in Chair

**BUY 11  
Get One  
FREE**

Fig.	Description	ALCO Part No.	Price Each
1	Armrest Pad, Black, Full Length	AL-135BK-A3	\$5.95
2	18" Back Only, Black (OEM)	AL-64726	\$59.95
	18" Back Only, Black	AL-72513	\$28.95
3	18" Seat Only, Black (OEM)	AL-64727	\$49.95
	18" Seat Only, Black	AL-72514	\$28.95
3	Set, Seat & Back Upholstery Hardware	AL-64712	\$10.95
4	Rear Wheel w/ Bearing (No Handrim)	AL-64728	\$81.95
5	Handrim w/ Screws, Chrome	AL-64729	\$28.95
	Handrim w/ Screws, Composite	AL-64730	\$42.95
6	Rear Wheel Hubcap	AL-70121	\$3.95
7	Rear Wheel Bearing <sup>1</sup> (Pair)	AL-64732	\$14.95
	Rear Wheel Bearing <sup>2</sup>	AL-54878	\$6.95
9	Fork Std Height, Chrome	AL-64715	\$29.95
	Fork Hemi Height Adj, Black	AL-64735	\$26.95
10	Front Caster 8", w/ Bearings	AL-66153	\$16.95
11	Bearings for Front Caster	AL-45587	\$4.95
12	Axle & Hardware for Front Caster	AL-2237	\$2.95
13	Stem Bearings for Front Caster	AL-54873	\$4.95
14	Dust Cap	AL-70120	\$3.95

Pr.

Fig.	Description	ALCO Part No.	Price Each
15	Wheel Lock Assembly (Pull to Lock) <sup>4</sup> (Pr)	AL-64739	\$61.95
	Wheel Lock Assembly (Pull to Lock) <sup>5</sup> (Pr)	AL-64736	\$61.95
<b>Aluminum Footplate</b>			
16	Footrest, Left, Hemi Spacing (1-3/8") <sup>7</sup>	AL-114B-L	\$39.95
	Footrest, Right, Hemi Spacing (1-3/8") <sup>7</sup>	AL-114B-R	\$39.95
17	Footrest, Pair, Hemi Spacing (1-3/8") <sup>7</sup>	AL-64424	\$69.95
	Footrest, Left, Adult Spacing (3-1/8") <sup>6</sup>	AL-114A-L	\$39.95
18	Footrest, Right, Adult Spacing (3-1/8") <sup>6</sup>	AL-114A-R	\$39.95
	Footrest, Pair, Adult Spacing (3-1/8") <sup>6</sup>	AL-64421	\$69.95
19	Legrest, Left, Hemi Spacing (1-3/8") <sup>7</sup>	AL-420HL	\$69.50
	Legrest, Right, Hemi Spacing (1-3/8") <sup>7</sup>	AL-420HR	\$69.50
20	Legrest, Pair, Hemi Spacing (1-3/8") <sup>7</sup>	AL-64414	\$119.00
	Legrest, Left, Adult Spacing (3-1/8") <sup>6</sup>	AL-420L	\$69.50
21	Legrest, Right, Adult Spacing (3-1/8") <sup>6</sup>	AL-420R	\$69.50
	Legrest, Pair, Adult Spacing (3-1/8") <sup>6</sup>	AL-64412	\$119.00
<b>Plastic Footplate</b>			
22	Footrest, Left, Hemi Spacing (1-3/8") <sup>7</sup>	AL-45716	\$29.95
	Footrest, Right, Hemi Spacing (1-3/8") <sup>7</sup>	AL-45714	\$29.95
23	Footrest, Pair, Hemi Spacing (1-3/8") <sup>7</sup>	AL-64423	\$49.00
	Legrest, Left, Hemi Spacing (1-3/8") <sup>7</sup>	AL-56478HL	\$39.95
24	Legrest, Right, Hemi Spacing (1-3/8") <sup>7</sup>	AL-56478HR	\$39.95
	Legrest, Pair, Hemi Spacing (1-3/8") <sup>7</sup>	AL-64415	\$79.00
17	Footplate Assembly Aluminum (Pair)	AL-64721	\$39.95
18	Handgrip	AL-70116	\$6.95
19	Tube End Cap for Rear Frame	AL-64737	\$6.95
20	Seat Guides Front & Rear	AL-67027	\$5.95
21	Black Rubber Tip	AL-70094	\$2.95
22	Calf Pad, Black	AL-422UBK-A3	\$13.95

Pr.

Pr.

Pr.

Pr.

Pr.

Pr.

Pr.

Pr.

Pr.

Pr.

For Excel wheelchairs, serial # equal or lower than A0006  
 2 For Excel wheelchairs, Serial #s From A007 through A0107  
 3 For Excel wheelchairs, serial # equal or greater than A0108  
 4 For wheelchairs with serial #s lower than A007, circular attachment  
 5 For wheelchairs with serial #s A007 and up, horizontal bolt  
 6 For Excel chairs with serial #s A95 through A98, 3-1/4" pin spacing  
 7 For Excel chairs with serial #s A99, A00, A01, A02, 1.5" pin spacing

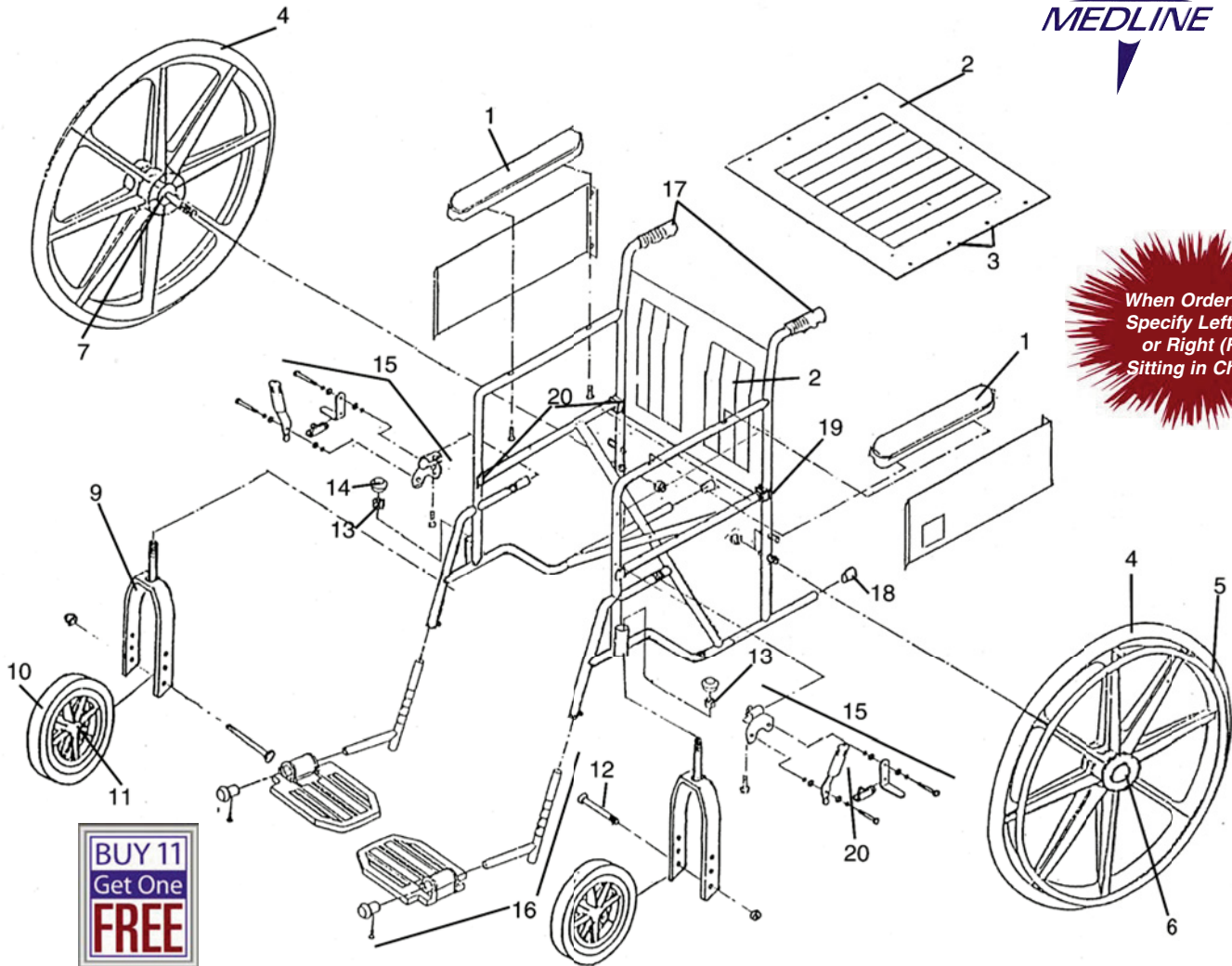


# Excel Standard with Fixed Footrest & Permanent Full-Length Arms Wheelchair Parts

**BUY 11 GET 1 FREE!**



When Ordering, Specify Left (L) or Right (R) Sitting in Chair



**BUY 11  
Get One  
FREE**

Fig.	Description	ALCO Part No.	Price Each
1	Armrest Pad, Black, Full Length 18" Back Only, Black (OEM)	AL-135BK-A3 AL-64726	\$5.95 \$59.95
2	18" Back Only, Black 18" Seat Only, Black (OEM) 18" Seat Only, Black	AL-72513 AL-64727 AL-72514	\$28.95 \$49.95 \$28.95
3	Screws and Washers, Seat & Back Upholstery	AL-64712	\$10.95
4	Rubber Rear Wheel w/ Bearing (No Handrim)	AL-64728	\$81.95
5	Handrim w/ Screws, Chrome Handrim w/ Screws, Composite	AL-64729 AL-64730	\$28.95 \$42.95
6	Rear Wheel Hubcap	AL-70121	\$3.95
7	Rear Wheel Bearing <sup>1</sup> (Pair) Rear Wheel Bearing <sup>2</sup>	AL-64732 AL-54878	\$14.95 \$6.95

Pr.

Fig.	Description	ALCO Part No.	Price Each
9	Front Fork Standard Height, Chrome Front Fork Hemi Height Adjustable, Black	AL-64715 AL-64735	\$29.95 \$26.95
10	Front Caster 8", w/ Bearings	AL-66153	\$16.95
11	Bearing for Front Caster	AL-45587	\$4.95
12	Axle & Hardware for Front Caster	AL-2237	\$2.95
13	Stem Bearings for Front Caster	AL-54873	\$4.95
14	Dust Cap	AL-70120	\$3.95
15	Wheel Lock Assembly (Pull to Lock) <sup>4</sup> (Pair) Wheel Lock Assembly (Pull to Lock) <sup>5</sup> (Pair)	AL-64739 AL-64736	\$61.95 \$61.95
16	Footplate Assembly Aluminum (Pair)	AL-64721	\$39.95
17	Handgrip	AL-70116	\$6.95
18	Tube End Cap for Rear Frame	AL-64737	\$6.95
19	Seat Guides Front & Rear, Permanent Arm	AL-67027	\$5.95
20	Wheel Lock Tip, Black	AL-70094	\$2.95

Pr.

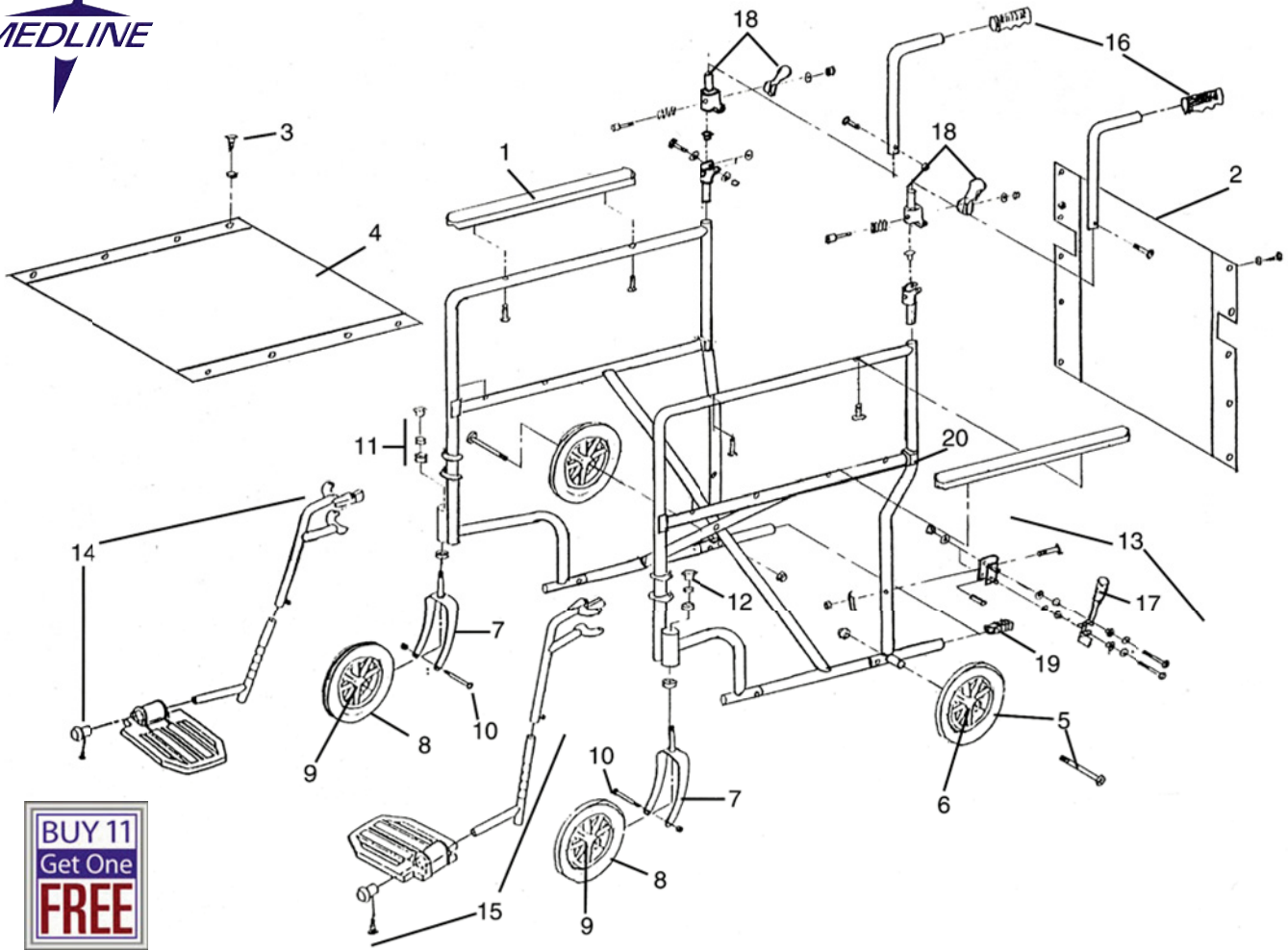
Pr.

W6

1 For Excel wheelchairs, serial # equal or lower than A0006  
 2 For Excel wheelchairs, serial #s From A007 thru A0107  
 3 For Excel wheelchairs, serial # equal or greater than A0108  
 4 For wheelchairs with serial numbers lower than A007, circular attachment  
 5 For wheelchairs with serial numbers A007 and up, horizontal bolt

# Excel Passenger Transport Wheelchair Parts

**BUY 11 GET 1 FREE!**

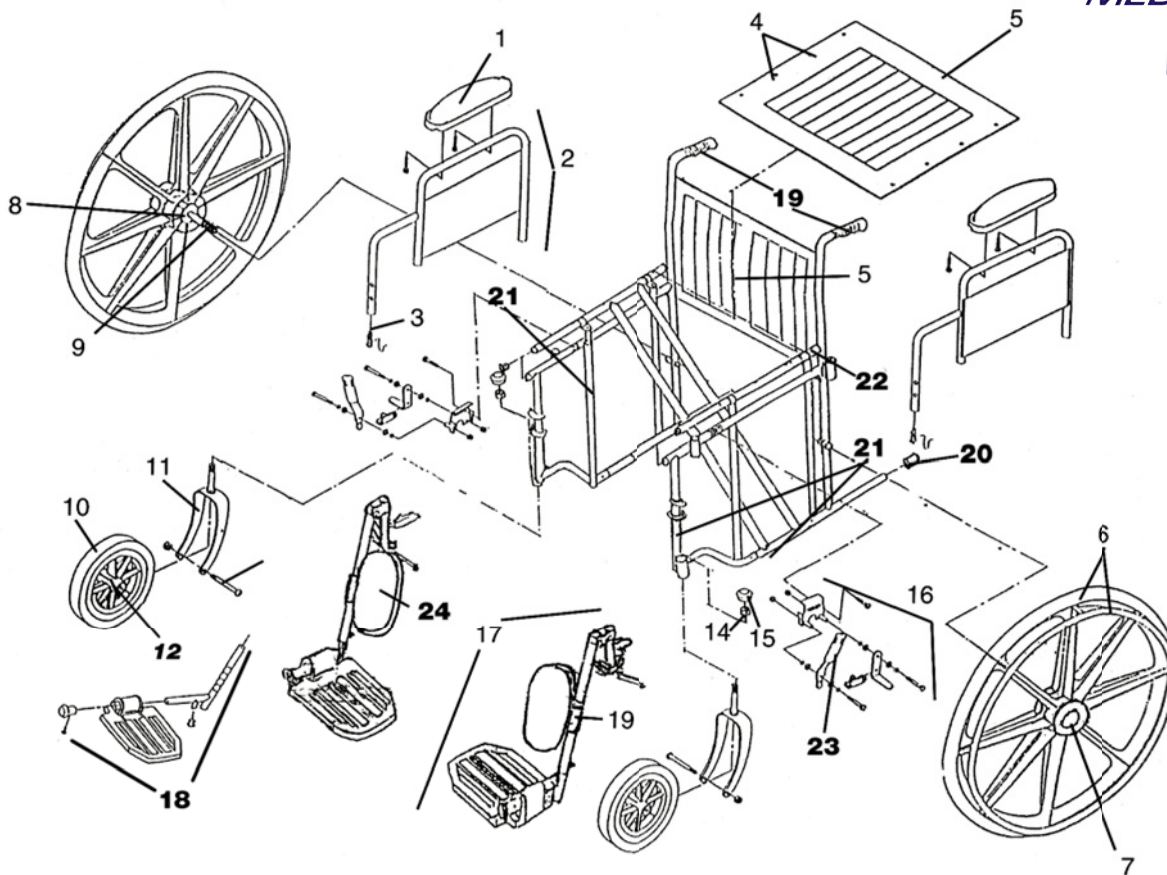


**When Ordering, Specify Left (L) or Right (R)—Sitting in Chair**

Fig.	Description	ALCO Part No.	Price Each	Fig.	Description	ALCO Part No.	Price Each
1	Armrest Pad, Black, Full Length	AL-135BK-A3	\$5.95	10	Axle & Hardware for Front Caster	AL-2237	\$2.95
2	Back Upholstery w/ Screws, 19" Wide, Black, Nylon	AL-64711	\$39.95	11	Stem Bearing for Front Caster	AL-54873	\$4.95
3	Screws and Washers, Seat & Back Upholstery	AL-64712	\$10.95	12	Dust Cap	AL-70120	\$3.95
4	Seat Upholstery w/ Screws, 19" Wide, Black, Nylon	AL-64713	\$39.95	13	Wheel lock Assembly (Pull to Lock) (Pair)	AL-64720	\$24.95 Pr.
5	Rear Wheel Assembly w/ Bearing & Axle	AL-64714	\$22.95	14	Right Footrest	AL-114B-R	\$39.95
6	Rear Wheel Bearing	AL-45587	\$4.95	14	Left Footrest	AL-114B-L	\$39.95
7	Fork for Front Caster	AL-64715	\$29.95	14	Footrest Set (Pair)	AL-64424	\$69.95 Pr.
8	Front Caster 8", w/ Bearings	AL-66153	\$16.95	15	Footplate Assembly, Aluminum (Pair)	AL-64721	\$39.95 Pr.
9	Bearing for Front Caster	AL-45587	\$4.95	16	Handgrip	AL-70116	\$6.95
				17	Wheel Lock Tip, Black	AL-70094	\$2.95
				18	Folding Mechanism & Paddle, Aluminum (Pair)	AL-64723	\$41.95 Pr.
				19	Tipping Sleeve	AL-70117	\$4.95
				20	Seat Guides for Permanent Arms	AL-67027	\$5.95

# Excel X-Wide with Removable Arms and Swing-Away Footrests OR Elevating Legrests

**BUY 11 GET 1 FREE!**



**BUY 11  
Get One  
FREE**

**When Ordering, Specify Left (L) or Right (R)—Sitting in Chair**

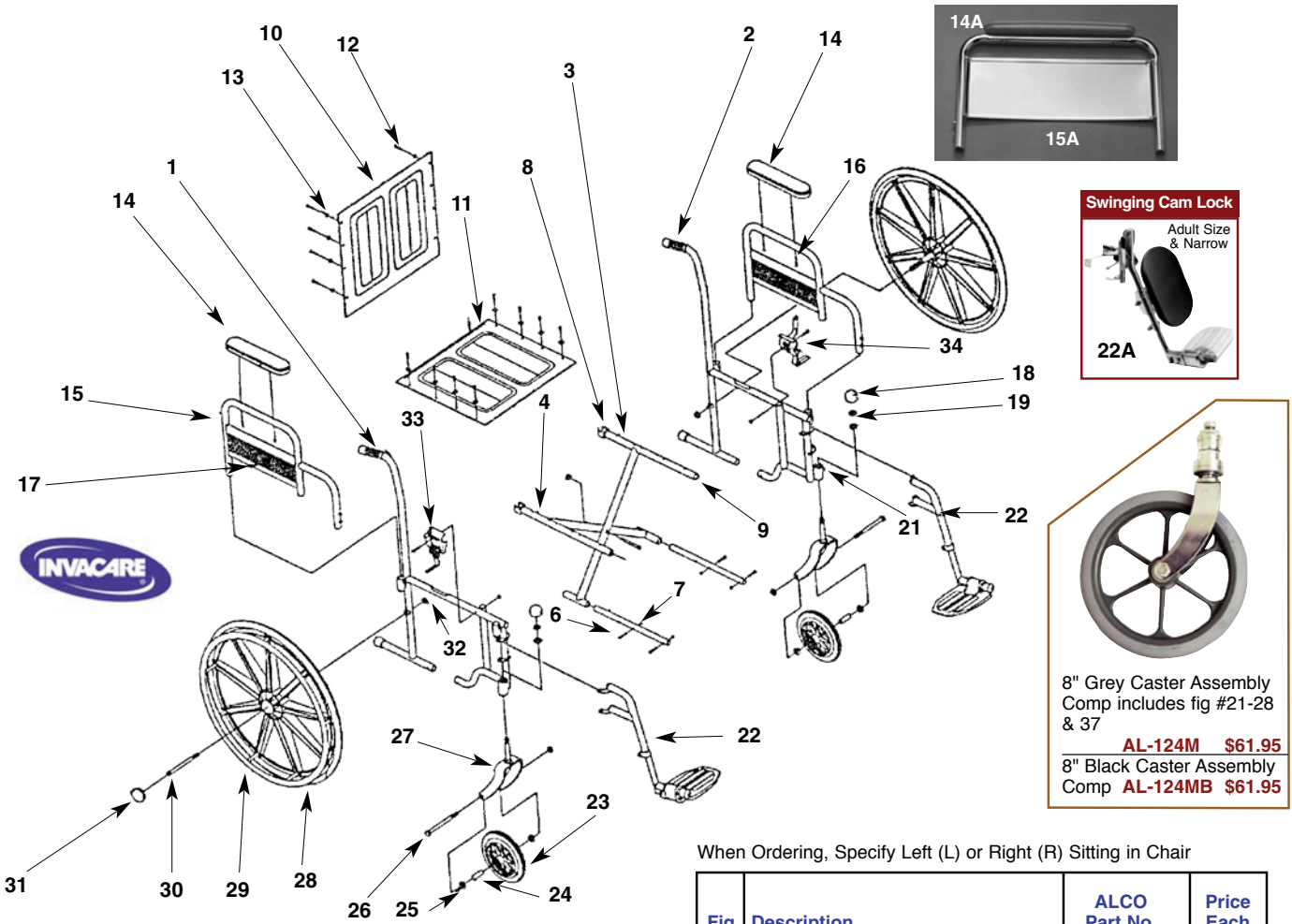
Fig.	Description	ALCO Part No.	Price Each		Fig.	Description	ALCO Part No.	Price Each	
1	Armrest Pad, Black, Desk Length	AL-145BK-A3	\$5.95	Pr.	16	Wheel Lock (Pair)	AL-65861	\$29.95	Pr.
	Armrest Pad, Black, Full Length	AL-135BK-A3	\$5.95			Aluminum Footplate			
2	Armrest, Black, Desk Length, Removable (Pair)	AL-64740	\$99.95	Pr.	17	Footrest, Left, Hemi Spacing (1-3/8") <sup>2</sup>	AL-114B-L	\$39.95	Pr.
	Armrest, Black, Full Length, Removable (Pair)	AL-64741	\$99.95			Footrest, Right, Hemi Spacing (1-3/8") <sup>2</sup>	AL-114B-R	\$39.95	
3	Armlock Pin	AL-64742	\$7.95	Pr.	17	Footrest, Pair, Hemi Spacing (1-3/8") <sup>2</sup>	AL-64424	\$69.95	Pr.
4	Seat & Back Upholstery Hardware	AL-64712	\$10.95			Footrest, Left, Adult Spacing (3-1/8") <sup>1</sup>	AL-114A-L	\$39.95	
5	20" Wide Back w/screws, Black, Nylon (OEM)	AL-64754	\$29.95	Pr.	17	Footrest, Right, Adult Spacing (3-1/8") <sup>1</sup>	AL-114A-R	\$39.95	Pr.
	20" Wide Back w/screws, Black, Nylon	AL-72515	\$34.95			Footrest, Pair, Adult Spacing (3-1/8") <sup>1</sup>	AL-64421	\$69.00	
	22" Wide Back w/screws, Black, Nylon (OEM)	AL-64755	\$29.95			Legrest, Left, Hemi Spacing (1-3/8") <sup>2</sup>	AL-420HL	\$69.50	
	22" Wide Back w/screws, Black, Nylon	AL-72516	\$44.95			Legrest, Right, Hemi Spacing (1-3/8") <sup>2</sup>	AL-420HR	\$69.50	
	20" Wide Seat w/screws, Black, Nylon (OEM)	AL-64758	\$31.95			Legrest, Pair, Hemi Spacing (1-3/8") <sup>2</sup>	AL-64414	\$119.00	
	20" Wide Seat w/screws, Black, Nylon	AL-72517	\$34.95			Legrest, Left, Adult Spacing (3-1/8") <sup>1</sup>	AL-420L	\$69.50	
6	22" Wide Seat w/screws, Black, Nylon (OEM)	AL-64759	\$29.95	Pr.	17	Legrest, Right, Adult Spacing (3-1/8") <sup>1</sup>	AL-420R	\$69.50	Pr.
	22" Wide Seat w/screws, Black, Nylon	AL-72518	\$44.95			Legrest, Pair, Adult Spacing (3-1/8") <sup>1</sup>	AL-64412	\$119.00	
6	Wheel Assembly w/ Bearing & Handrim	AL-64767	\$79.95	Pr.	18	Footplate Assembly Aluminum	AL-64721	\$39.95	Pr.
7	Wheel Hubcap	AL-70121	\$3.95			19	Handgrip	AL-70116	
8	Wheel Bearing* (Pair)	AL-59706	\$12.95	Pr.	20	Tube End Cap	AL-64737	\$6.95	Pr.
9	Axle & Nut for Rear Wheel	AL-64768	\$12.95			21	Slide Tube	AL-64772	
10	Front Caster w/ Bearings	AL-64769	\$29.95	Pr.	22	Seat Guides	AL-67027	\$5.95	Pr.
11	Fork, Chrome	AL-64770	\$29.95			23	Black Rubber Tip	AL-70094	
12	Bearings for Front Caster (Pair)	AL-64771	\$19.95	Pr.	24	Calf Pad, Black	AL-422UBK-A3	\$13.95	Pr.
14	Stem Bearing for Front Caster	AL-54873	\$4.95						
15	Dust Cap	AL-70120	\$3.95						

1 For Excel chairs with serial #s A95 through A98, 3-1/4" pin spacing  
 2 For Excel chairs with serial te A99, A00, A01, A02, 1.5" pin spacing  
 \* For Wheelchairs with serial # starting w/A58, please contact customer service



# Tracer LX Removable & Fixed Arm by Invacare

**BUY 11 GET 1 FREE!**



When Ordering, Specify Left (L) or Right (R) Sitting in Chair

Fig.	Description	Fixed Arm	Removable Arm	Price Each
		ALCO Part No.	ALCO Part No.	
1	Frame, RH	AL-45893	AL-45895	Call
2	Frame, LH	AL-45894	AL-45896	Call
3	Cross Brace, RH, 16"	AL-45867	AL-45867	Call
	Cross Brace, RH, 18"	AL-45866	AL-45866	Call
	Cross Brace, RH, 20"	N/A	AL-50832	Call
4	Cross Brace, LH, 16"	AL-45871	AL-45871	Call
	Cross Brace, LH, 18"	AL-45870	AL-45870	Call
	Cross Brace, LH, 20"	N/A	AL-50833	Call
6	Screw		AL-45497	\$0.39
7	Locknut		AL-45495	\$0.39
8	Seat Guide, Rear		AL-26113	\$11.95
9	Seat Guide, Front		AL-50834	\$21.95
10	Back Upholstery, 16"		AL-761*	\$22.95
	Back Upholstery, 18"		AL-769*	\$24.95
11	Seat Upholstery, 16"		AL-778*	\$22.95
	Seat Upholstery, 18"		AL-779*	\$22.95
12	Screw		AL-45493	\$0.39
13	Washer		AL-45500	\$0.39
14	Armrest, Full Length, Grey Base		AL-135*	\$5.95
	Armrest, Full Length, Black Base		AL-135BK*	\$5.95
	Arm Pad, Desk Length, Black Plastic		AL-143-BK	\$6.95
	Armrest, Desk Length, Grey Base		AL-145*	\$5.95
	Armrest, Desk Length, Black Base		AL-145BK*	\$5.95
14A	Arm Pad, Full Length, Black Plastic		AL-133-BK	\$6.95

Fig.	Description	ALCO Part No.	Price Each
15	Arm, Desk Length Fixed Height, RT	AL-981R	\$39.90
	Arm, Desk Length Fixed Height, LT	AL-981L	\$39.90
15A	Arm, Full Length Fixed Height, RT	AL-979R	\$39.90
	Arm, Full Length Fixed Height, LT	AL-979L	\$39.90
16	Screw	AL-45497	\$0.39
17	Clothing Guard, Fixed Height	AL-152	\$16.95
	Clothing Guard, Adjustable Height	AL-50836	\$21.95
18	Head Tube Cap	AL-1740B	\$1.95
19	Locknut	AL-1400	\$0.90
21	Bearing	AL-268	\$3.95
22	Footrest, RH	AL-114A-R	\$39.95
	Footrest, LH	AL-114A-L	\$39.95
	Footrest, (Pair)	AL-64421	\$69.00
22A	Legrest, RH	AL-420R*	\$69.50
	Legrest, LH	AL-420L*	\$69.50
	Legrest, (Pair)	AL-64412*	\$119.00
23	Front Wheel, Black	AL-2116B	\$16.95
24	Spacer	AL-50837	\$6.95
25	Bearing	AL-259F	\$3.95
26	Front Axle with Locknut	AL-1406	\$3.95
27	Caster Fork	AL-1399A	\$23.95
28	Rear Wheel, Black	AL-2719MB	\$79.00
29	Hand Rim	AL-25014	\$34.95
30	Rear Axle with Locknut	AL-688	\$7.95
31	Hubcap	AL-242B	\$3.95
32	Locknut	AL-1400	\$0.90
33	Wheel Lock, RH (Removable Arm)	AL-45574	\$13.95
	Wheel Lock, RH (Fixed Arm)	AL-2263R	\$13.95
	Wheel Lock, LH (Removable Arm)	AL-45575	\$13.95
34	Wheel Lock, LH (Fixed Arm)	AL-2263L	\$13.95
	Hand Grip, Black	AL-370B	\$1.95
36	End Cap, Black	AL-1742B	\$1.95

20

\*Specify color. See inside front cover for color choices.  
Note: Frames and crossbars require serial number and/or model number to reorder.

# Tracer & Tracer Plus Fixed & Removable Arm by Invacare

**BUY 11  
Get One  
FREE**

**BUY 11 GET 1 FREE!**

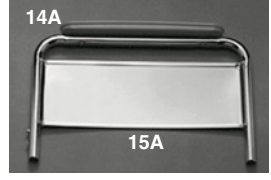
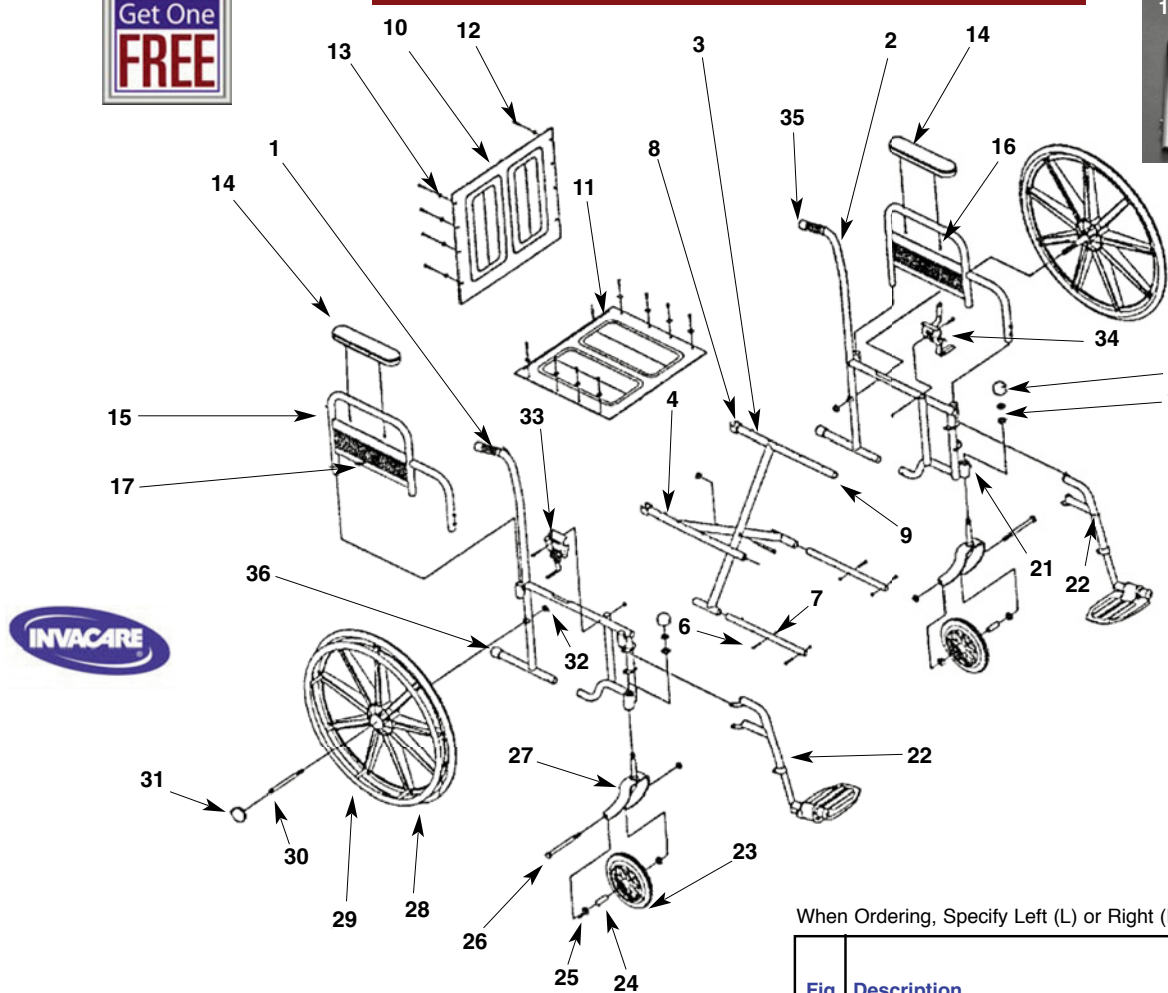


Fig.	Description	Fixed Arm	Removable Arm	Price Each
		ALCO Part No.	ALCO Part No.	
1	Frame, RH	AL-45893	AL-45895	Call
2	Frame, LH	AL-45894	AL-45896	Call
3	Cross Brace, RH, 16"	AL-45867	AL-45867	Call
	Cross Brace, RH, 18"	AL-45866	AL-45866	Call
	Cross Brace, RH, 20"	N/A	AL-50832	Call
4	Cross Brace, LH, 16"	AL-45871	AL-45871	Call
	Cross Brace, LH, 18"	AL-45870	AL-45870	Call
	Cross Brace, LH, 20"	N/A	AL-50833	Call
6	Screw		AL-45497	\$0.39
7	Locknut		AL-45495	\$0.39
8	Seat Guide, Rear		AL-50839	\$8.95
9	Seat Guide, Front		AL-50840	\$21.95
10	Back Upholstery, 16"		AL-761*	\$22.95
	Back Upholstery, 18"		AL-769*	\$24.95
11	Seat Upholstery, 16"		AL-778*	\$22.95
	Seat Upholstery, 18"		AL-779*	\$22.95
12	Screw		AL-45493	\$0.39
13	Washer		AL-45500	\$0.39
14	Arm Pad, Desk Length, Naugahyde		AL-145*	\$5.95
	Arm Pad, Desk Length, Black Plastic		AL-143-BK	\$6.95
14A	Arm Pad, Full Length, Naugahyde		AL-135*	\$5.95
	Arm Pad, Full Length, Black Plastic		AL-133-BK	\$6.95

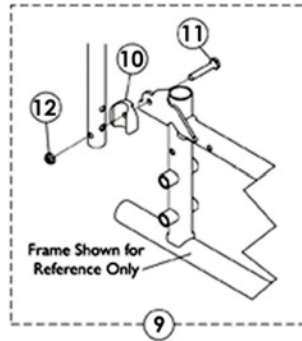
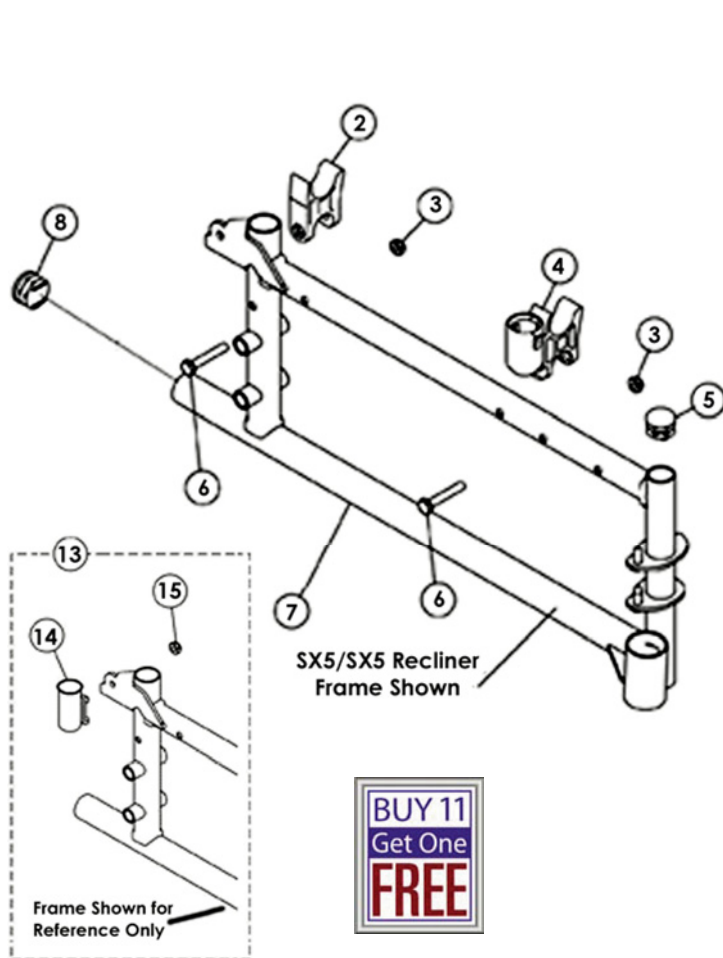
When Ordering, Specify Left (L) or Right (R) Sitting in Chair

Fig.	Description	ALCO Part No.	Price Each
15	Arm, Desk Length Fixed Height, RT	AL-981R	\$39.90
	Arm, Desk Length Fixed Height, LT	AL-981L	\$39.90
15A	Arm, Full Length Fixed Height, RT	AL-979R	\$39.90
	Arm, Full Length Fixed Height, LT	AL-979L	\$39.90
16	Screw	AL-45497	\$0.39
17	Clothing Guard, Fixed Height	AL-152	\$16.95
	Clothing Guard, Adjustable Height	AL-50836	\$21.95
18	Head Tube Cap	AL-1740B	\$1.95
19	Locknut	AL-1400	\$0.90
21	Bearing	AL-267	\$3.95
22	Footrest, RH	AL-114A-R	\$39.95
	Footrest, LH	AL-114A-L	\$39.95
	Footrest, (Pair)	AL-64421	\$69.00
22A	Legrest, RH	AL-420R*	\$69.50
	Legrest, LH	AL-420L*	\$69.50
	Legrest, (Pair)	AL-64412*	\$119.00
23	Front Wheel, Black	AL-2116B	\$16.95
24	Spacer	AL-50837	\$6.95
25	Bearing	AL-259F	\$3.95
26	Axle with Locknut	AL-1406	\$3.95
27	Caster, Fork Only	AL-1399A	\$23.95
28	Rear Wheel, Black	AL-2719MB	\$79.00
29	Hand Rim	AL-25014	\$34.95
30	Rear Axle w/Locknut	AL-688	\$7.95
31	Hubcap	AL-242B	\$3.95
32	Locknut	AL-1400	\$0.90
33	Wheel Lock, RH (Removable Arm)	AL-45574	\$13.95
	Wheel Lock, RH (Fixed Arm)	AL-2263R	\$13.95
34	Wheel Lock, LH (Removable Arm)	AL-45575	\$13.95
	Wheel Lock, LH (Fixed Arm)	AL-2263L	\$13.95
35	Hand Grip, Black	AL-370B	\$1.95
36	End Cap, Black	AL-1742B	\$1.95

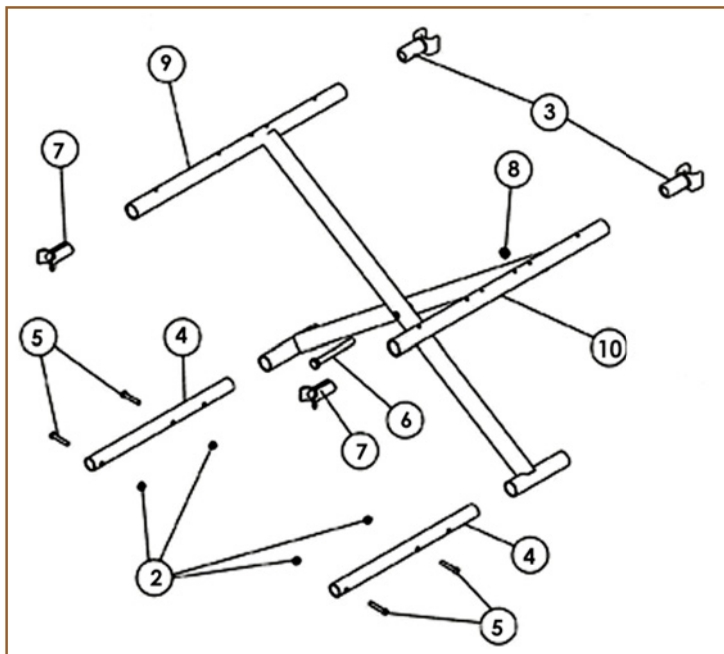
\*Specify color. See inside front cover for color choices.  
Note: Frames and crossbars require serial number and/or model number to reorder.

# EX2, SX5 Wheelchair & SX5 Recliner by Invacare

**BUY 11 GET 1 FREE!**



Frames & Hardware (SX5 & SX5 Recliner)			
Item No.	Description	ALCO Part No.	Price Each
2	H block	AL-64618	\$1.95
3,15	Locknut	AL-53240	\$4.95
4	H block with socket cup	AL-64617	\$1.95
5	Plug Button, Black 7/8"	AL-231B	\$0.95
6	Screw, Hex Head Cap	AL-64552	\$4.95
7	Chrome Frame - Right	AL-64553	Call
	Chrome Frame - Left	AL-64554	Call
8	Plug Button, 1"	AL-58533B	\$0.95
9	Flip back rear arm hardware kit	AL-64556	\$4.95
10	Spacer, Arm	AL-64557	\$4.95
11	Screw, Hex Head Cap	AL-64558	\$4.95
12	Locknut	AL-64559	\$4.95
13	Reclining back rear arm hardware kit	AL-64560	\$16.95
14	Chrome socket arm cup—Right	AL-64561	\$4.95
	Chrome socket arm cup—Left	AL-64562	\$4.95
N/S	Stem Bearing	AL-263	\$3.95



Crossbrace & Hardware - Fixed Front Frame (EX2)			
Item No.	Description	ALCO Part No.	Price Each
2	Locknut	AL-59860	\$6.95
3	Seat guide, Black	AL-50839	\$8.95
4	Tube, Insert	AL-64565	\$4.95
5	Screw, Phillips Pan Head	AL-64566	\$4.95
6	Screw, Hex Head Cap	AL-45874	\$4.95
7	Seat guide, Black	AL-189	\$4.95
8	Nut, low cap	AL-64569	\$4.95
9	Crossbrace Assembly, Black, 18", Left	AL-64570	Call
	Crossbrace Assembly, Black, 20", Left	AL-64572	Call
10	Crossbrace Assembly, Black, 18", Right	AL-64571	Call
	Crossbrace Assembly, Black, 20", Right	AL-64573	Call

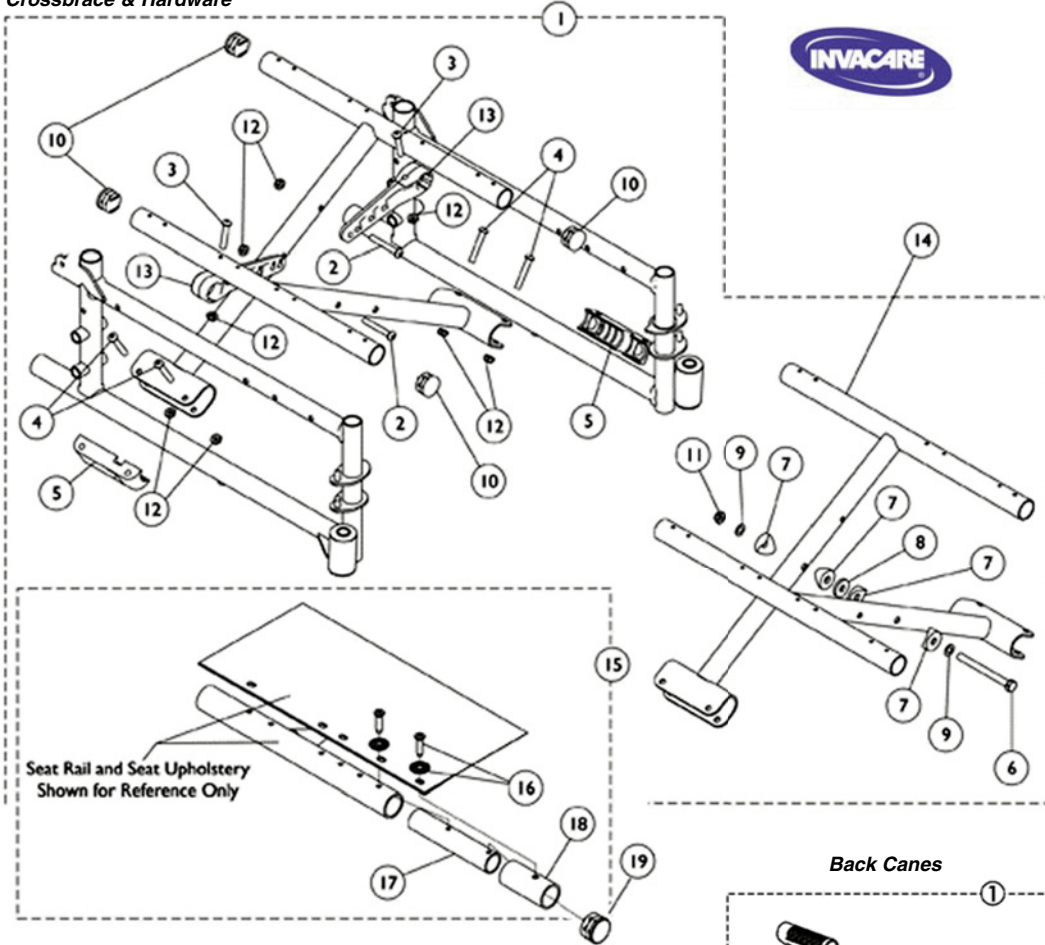
**When Ordering, Specify Left (L) or Right (R)—Sitting in Chair**



# EX2 & SX5 Wheelchair by Invacare

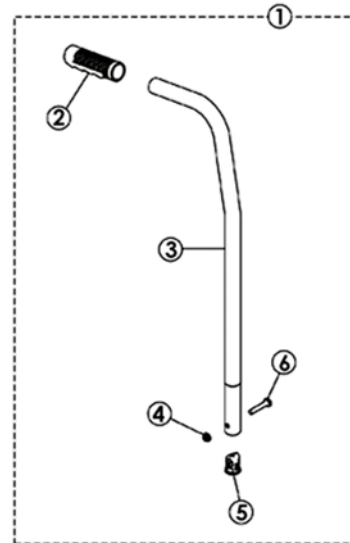
**BUY 11 GET 1 FREE!**

## Crossbrace & Hardware



**BUY 11  
Get One  
FREE**

## Back Canes



### Crossbrace & Hardware -Swingaway Frames (EX2 & SX5)

Item No.	Description	ALCO Part No.	Price Each	
1	Hardware, Crossbrace, (14-15"W) Hemi	AL-64574	Call	
	Hardware, Crossbrace (16-18"W)	AL-64575	Call	
	Hardware, Crossbrace (20-22"W)	AL-64576	Call	
2	Screw, Socket Button Head	AL-64577	\$4.95	
3	Screw, Socket Button Head	AL-64578	\$4.95	
4	Screw, Button Head Cap	AL-64579	\$4.95	
5	Clamp, Saddle	AL-64580	\$5.95	
6	Screw, Hex Head Cap	AL-64581	\$4.95	
7	Spacer, Coved	AL-64582	\$4.95	
8	Washer, Nylon	AL-64583	\$4.95	
9	Washer	AL-64584	\$4.95	
10,19	Plug button (1"), Black	AL-58533B	\$0.95	
11	Nut, low cap	AL-64586	\$4.95	
12	Locknut	AL-53240	\$4.95	
13	Pivot Link (14-15"W) Hemi	AL-64588	\$5.95	
	Pivot Link (16-18"W)	AL-64589	\$5.95	
	Pivot Link (20-22"W)	AL-64590	\$5.95	
14	Crossbrace Assembly, Black, 18", (Pair)	AL-64591	Call	Pr.
	Crossbrace Assembly, Black, 20", (Pair)	AL-64592	Call	Pr.
	Crossbrace Assembly, Black, 22", (Pair)	AL-64593	Call	Pr.
15	2 seat extension kit (Pair)	AL-64594	\$28.95	Pr.
16	Screw, Phillips Head Oval w/washer	AL-64595	\$4.95	
17	Tube, Insert	AL-64596	\$4.95	
18	Spacer	AL-64597	\$4.95	
N/S	Stem Bearing	AL-263	\$3.95	

### Back Canes (SX5 Only)

Item No.	Description	ALCO Part No.	Price Each
1	16" Back Cane w/grip and attaching hdwe	AL-64598	Call
	18" Back Cane w/grip and attaching hdwe	AL-64599	Call
2	Hand grip (6")	AL-370B	\$1.95
3	Chrome Cane, Rear, 18" high	AL-64601	Call
	Chrome Cane, Rear, 16" high	AL-64602	Call
4	Locknut	AL-64603	\$4.95
5	Insert	AL-64604	\$4.95
6	Screw, Hex Head Cap	AL-64605	\$4.95

# EX2 & SX5 Wheelchair by Invacare

**BUY 11 GET 1 FREE!**

## Forks & Hardware (EX2 & SX5)

Item No.	Description	ALCO Part No.	Price Each
2	Cap, Head tube, Black	AL-1740B	\$1.95
3	Locknut	AL-64657	\$4.95
4	Washer, Nylon	AL-65258	\$4.95
7	Fork, Black (Fixed Front Frame)	AL-64294	\$24.95
8	Fork, Black (Swingaway Frame)	AL-65260	\$24.95
9	Fork, Black Assembly, Aluminum	AL-50842	\$59.95
	Fork & Stem, Aluminum, Black	AL-64660	\$49.95
10	Fork, Black, Aluminum (for 6" x 2" & 8" Casters)	AL-50929	\$39.95
N/S	Stem Bearing	AL-263	\$3.95

## 8" Front Casters (EX2 & SX5)

Item No.	Description	ALCO Part No.	Price Each
1	Wheel Complete (Black)	AL-45619	\$29.95
4	Bearing	AL-259F	\$3.95
5	Bearing Spacer	AL-45521	\$3.95
7	Axle w/ Locknut	AL-1406	\$3.95

## 24" Rear Wheels (EX2 & SX5)

Description	ALCO Part No.	Price Each
Complete Wheel (bearing and handrim)	AL-2719MB	\$79.00
Hub Cap, Black	AL-45558	\$2.95
Axle w/ Locknut	AL-58542	\$4.95
Replacement Tire	AL-50165	\$23.95
Bearings	AL-267	\$3.95
Handrim	AL-25014	\$34.95

## Brakes (EX2 & SX5)

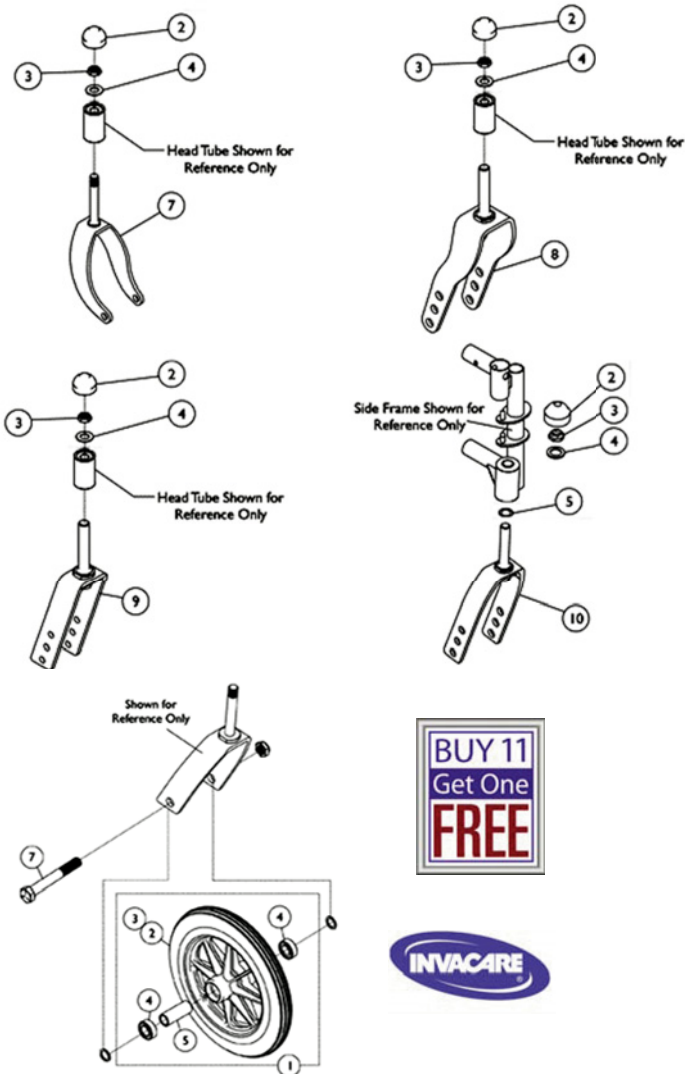
Description	ALCO Part No.	Price Each
Push to Lock - Left	AL-45575	\$13.95
Push to Lock - Right	AL-45574	\$13.95
Tip	AL-45566	\$1.95

## Front Riggings (EX2 & SX5)

Description	ALCO Part No.	Price Each
Complete Legrest - Left	AL-420HL	\$69.50
Complete Legrest - Right	AL-420HR	\$69.50
Complete Set	AL-64414	\$119.00
Complete Footrest - Left	AL-114B-L	\$39.95
Complete Footrest - Right	AL-114B-R	\$39.95
Complete Set	AL-64424	\$69.95

## Upholstery

Description	ALCO Part No.	Price Each
Seat (Specify Color)	AL-779	\$22.95
Back (Specify Color)	AL-763	\$22.95
Calfpads (Black Base) (Specify Color)	AL-422UBK	\$13.95
Armrest Pads - Desk length (Black Base) (Specify Color)	AL-145BK	\$5.95
Armrest Pads - Full length (Black Base) (Specify Color)	AL-135BK	\$5.95



**BUY 11  
Get One  
FREE**



## Arms (EX2 & SX5)

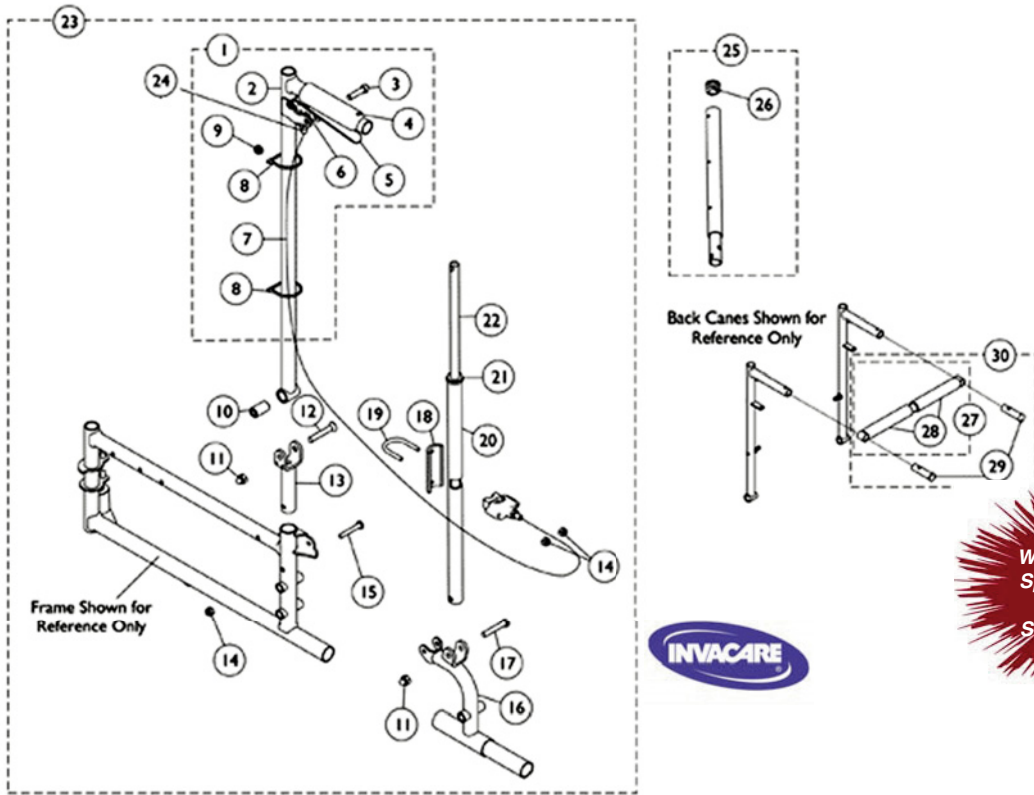
Item No.	Description	ALCO Part No.	Price Each
1	Desk Armrest Complete - Left (EX2)*	AL-64653	\$64.95
	Desk Armrest Complete - Right (EX2)*	AL-64654	\$64.95
12	Full Armrest Complete - Left (EX2)	AL-64608	\$64.95
	Full Armrest Complete - Right (EX2)	AL-64609	\$64.95
1	Desk Armrest Complete - Left (SX5)*	AL-64610	\$64.95
	Desk Armrest Complete - Right (SX5)*	AL-64611	\$64.95
12	Full Armrest Complete - Left (SX5)	AL-64612	\$69.95
	Full Armrest Complete - Right (SX5)	AL-64613	\$69.95

\*Does not include armpads. Must purchase separately. Use AL-145BK (specify color choice—see inside front cover)

**When Ordering, Specify Left (L) or Right (R)—Sitting in Chair**

# SX5 Recliner by Invacare

**BUY 11 GET 1 FREE!**



**When Ordering, Specify Left (L) or Right (R) Sitting in Chair**

## Recliner Back (SX5 Recliner)

Item No.	Description	ALCO Part No.	Price Each	Item No.	Description	ALCO Part No.	Price Each
1	Chrome Rear Cane Tube Assembly, Left	AL-65262	\$48.95	24	Nut, Swivel	AL-65281	\$4.95
	Chrome Rear Cane Tube Assembly, Right	AL-65263	\$48.95	25	Tube, Headrest Extension with Plug Buttons	AL-65282	\$11.95
2	Back Tube, Chrome	AL-65264	\$19.95	26	Plug Button, Black (3/4")	AL-2295B	\$0.95
3	Screw, Socket Head Cap	AL-45828	\$4.95	27	Chrome Bar Spreader with Grips, 14"	AL-65283	Call
4	Grip, Foam, (Black) 5"	AL-65265	\$6.95		Chrome Bar Spreader with Grips, 16"	AL-65284	Call
5	Lever Brake Release, Black	AL-45827	\$6.95		Chrome Bar Spreader with Grips, 18"	AL-65285	Call
6	Spring Fastener Grip	AL-65266	\$4.95		Chrome Bar Spreader with Grips, 20"	AL-65286	Call
7	Housing with Cable Assembly	AL-65267	\$26.95		Chrome Bar Spreader with Grips, 22"	AL-65287	Call
8	Tie Wrap (5-5/8"L)	AL-45839	\$4.95	28	Grip, Foam (Black) 5" for 14" Wide Chairs	AL-65288	\$6.95
9,14	Locknut	AL-52837	\$4.95		Grip, Foam Tubular (Black) for 16"-22" Wide Chairs	AL-65289	\$10.95
10	Bushing, Pivot	AL-65268	\$4.95	29	Lock Handle	AL-65290	\$4.95
11	Nut, Cap	AL-65269	\$4.95	30	Chrome Bar Spreader with Locking Pins, 14"	AL-65291	Call
12	Screw Socket Flathead	AL-65270	\$4.95		Chrome Bar Spreader with Locking Pins, 16"	AL-65292	Call
13	U-Bracket, Chrome	AL-65271	\$8.95		Chrome Bar Spreader with Locking Pins, 18"	AL-65293	Call
15	Screw, Hex Head Cap	AL-65272	\$4.95		Chrome Bar Spreader with Locking Pins, 20"	AL-65294	Call
16	Bracket Offset, Left, Chrome	AL-65273	\$25.95		Chrome Bar Spreader with Locking Pins, 22"	AL-65295	Call
	Bracket Offset, Right, Chrome	AL-65274	\$25.95				
17	Screw, Hex Head Cap	AL-65275	\$4.95				
18	Plate Support	AL-45840	\$4.95				
19	U-Bolt	AL-45841	\$4.95				
20	Locking Tube, Chrome	AL-65276	\$26.95				
21	Spacer Tube	AL-65277	\$4.95				
22	Locking Rod	AL-65278	\$21.95				
23	Recliner Back Assembly, Left*	AL-65279	Call				
	Recliner Back Assembly, Right*	AL-65280	Call				

## Conventional Fixed Height Arm Assembly (SX5 Recliner)

Description	ALCO Part No.	Price Each
Desk Armrest Complete, Left	AL-65296	\$59.95
Desk Armrest Complete, Right	AL-65297	\$59.95
Full Armrest Complete, Left	AL-65298	\$69.95
Full Armrest Complete, Right	AL-65299	\$69.95



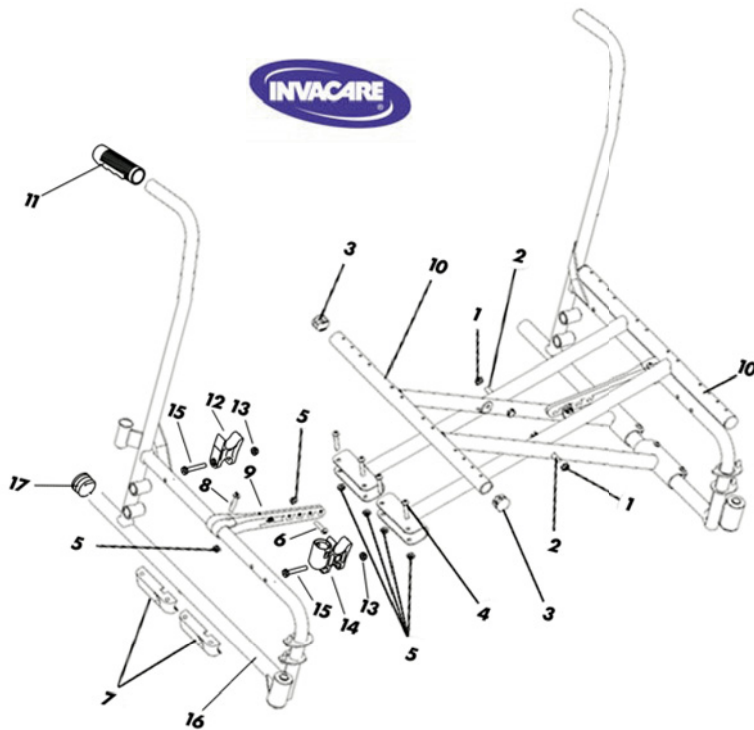




# Tracer IV (after 10/01/03) by Invacare

**BUY 11 GET 1 FREE!**

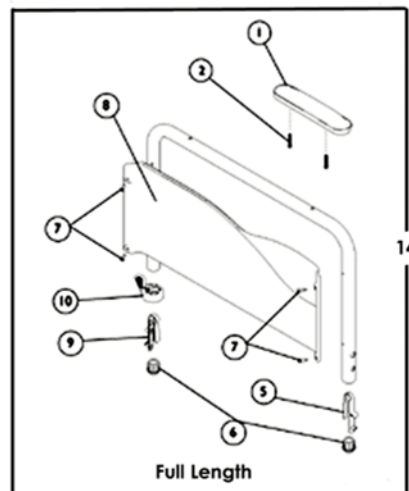
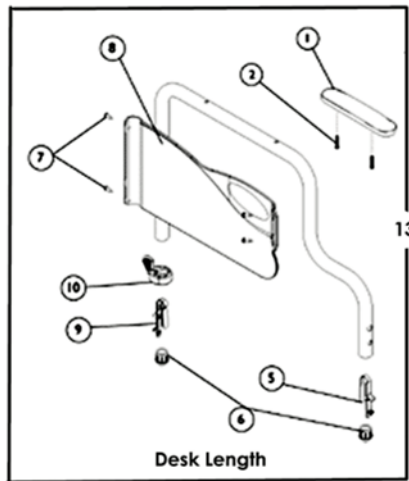
NOTE: For serial numbers beginning with 03J and later (03J, 03K, 03L, 04A, etc.)  
For serial numbers 03I and earlier (03I, 03H, 03G, etc.) please call.



Crossbraces, Frame & Hardware			
Item No.	Description	ALCO Part No.	Price Each
1	Locknut	AL-2209	\$4.95
2	Screw, Hex Head Cap	AL-45874	\$4.95
3	Plug Button, Black (7/8")	AL-231B	\$0.95
4	Screw, Button Head Cap	AL-64622	\$4.95
5,13	Locknut	AL-53240	\$4.95
6	Screw, Socket Button Head	AL-64623	\$4.95
7	Clamp, Saddle	AL-64624	\$5.95
8	Screw, Button Head Socket	AL-64625	\$4.95
9	Link, Pivot (18-24"W), Black	AL-64626	\$6.95
10	Crossbrace, (18") Black	AL-64627	Call
	Crossbrace, (20") Black	AL-64628	Call
	Crossbrace, (22") Black	AL-64629	Call
	Crossbrace, (24") Black	AL-64630	Call
N/S	Hardware, X-Brace 18-24"	AL-64631	\$79.95
11	Hand Grip 6"	AL-64632	\$4.95
12	H-Block	AL-64618	\$1.95
14	H Block w/ Socket Cup	AL-64617	\$1.95
15	Screw, Hex Head Cap	AL-64633	\$4.95
16	Frame Side, Left	AL-64634	Call
	Frame Side, Right	AL-64635	Call
17	Plug Button, 1	AL-58533B	\$0.95
N/S	Anti-Rattle	AL-64637	\$4.95
N/S	Hardware, Frame Side	AL-64638	\$21.95

### Conventional Fixed Height Armrest & Hardware

Item No.	Description	ALCO Part No.	Price Each
<b>Conventional Fixed Height Armrest &amp; Hardware (Tracer IV After 9/30/03)</b>			
1	Arm Pad, Full Length	AL-135BK*	\$5.95
	Arm Pad, Desk Length	AL-145BK*	\$5.95
2	Package, Screw Phillips Head	AL-64639	\$4.95
3	Release Spring	AL-64640	\$4.95
4	Threaded Insert	AL-64641	\$8.95
5	Spring Button	AL-64642	\$4.95
6	Plug, Arm Tube 3/4	AL-64643	\$4.95
7	Screw, Self Tapping	AL-64644	\$4.95
8	Clothing Guard, Desk Length, Left	AL-64645	\$19.95
	Clothing Guard, Desk Length, Right	AL-64646	\$19.95
	Clothing Guard, Full Length, Left	AL-64648	\$19.95
	Clothing Guard, Full Length, Right	AL-64649	\$19.95
9	Spring & Button Lock	AL-24996	\$4.95
10	Handle, Quad Release	AL-24995	\$4.95
11	Bolt, Hex Head Cap	AL-64651	\$4.95
12	Clamp, Tube	AL-64652	\$4.95
13	Armrest, Desk Length, Left (Includes Black Pad)	AL-64653	\$64.95
	Armrest, Desk Length, Right (Includes Black Pad)	AL-64654	\$64.95
14	Armrest, Full Length, Left (Includes Black Pad)	AL-64655	\$66.95
	Armrest, Full Length, Right (Includes Black Pad)	AL-64656	\$66.95



\*Specify color. See inside front cover for color choices.

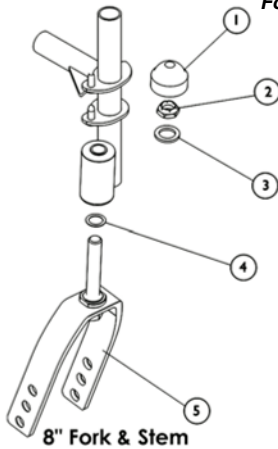
**When Ordering, Specify Left (L) or Right (R)—Sitting in Chair**

# Tracer IV (after 10/01/03) by Invacare



**BUY 11 GET 1 FREE!**

NOTE: For serial numbers beginning with 03J and later (03J, 03K, 03L, 04A, etc.)  
For serial numbers 03I and earlier (03I, 03H, 03G, etc.) please call

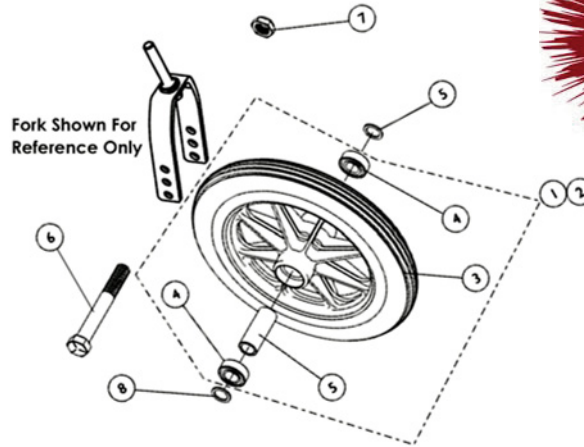


8" Fork & Stem

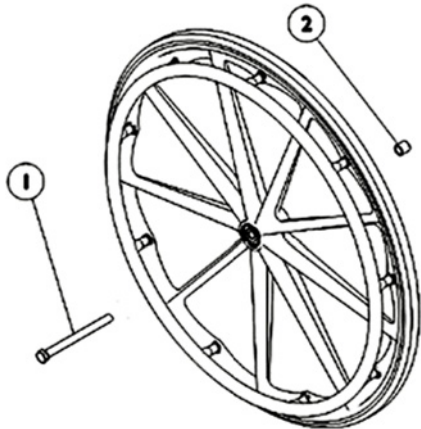
Forks and Hardware			
Item No.	Description	ALCO Part No.	Price Each
1	Cap, Head Tube (Black)	AL-1740B	\$1.95
2	Locknut	AL-64657	\$4.95
3	Washer, Nylon	AL-65258	\$4.95
4	Washer, Steel	AL-64659	\$4.95
5	Fork & Stem, Aluminum, Black	AL-64660	\$49.95
	Bearing, Flange (1/2")	AL-263	\$3.95
	Hardware, Fork	AL-64662	\$6.95



Casters & Hardware			
Item No.	Description	ALCO Part No.	Price Each
	Complete Composite Urethane Caster	AL-64679	\$39.95
4	Bearing	AL-2098	\$4.95
5	Hub Spacer	AL-50837	\$6.95
6	Front Axle	AL-1406	\$3.95
7	Locknut, Axle	AL-64680	\$4.95



Fork Shown For Reference Only



Wheel Shown For Reference Only

Rear Wheels & Hardware			
Item No.	Description	ALCO Part No.	Price Each
	Complete Composite Corded Urethane Rear Wheel	AL-2718MB	\$89.95
	Tire	AL-50156A	\$19.95
	Bearing	AL-2228	\$4.95
	Bearing Spacer	AL-64674	\$4.95
1	Axle	AL-2856	\$4.95
2	Spacer	AL-64675	\$4.95
3	Locknut	AL-64676	\$4.95
	Rear Wheel Hardware	AL-64677	\$9.95
	Handrim, Chrome	AL-25014	\$34.95
	Handrim Attaching Hardware Kit	AL-64678	\$26.95
	Hub Cap	AL-45558	\$2.95

Wheel Lock			
Item No.	Description	ALCO Part No.	Price Each
1	Wheel Lock, Push to Lock, Left	AL-64663	\$39.95
	Wheel Lock, Push to Lock, Right	AL-64664	\$39.95
	Wheel Lock, Pull to Lock, Left	AL-64665	\$39.95
	Wheel Lock, Pull To Lock, Right	AL-64666	\$39.95
2	Tip, Wheel Lock Handle	AL-64667	\$6.95
3	Nut, Hex Flanged	AL-64668	\$4.95
4	Bolt, Carriage	AL-64669	\$4.95
	Handle, Wheel Lock Extensions, 8"	AL-45585	\$9.95

Front Riggings		
Description	ALCO Part No.	Price Each
Complete Legrest, Left	AL-420HL*	\$69.50
Complete Legrest, Right	AL-420HR*	\$69.50
Complete (Pair)	AL-64414*	\$119.00
Complete Footrest, Left	AL-114B-L	\$39.95
Complete Footrest, Right	AL-114B-R	\$39.95
Complete (Pair)	AL-64424	\$69.95

Upholstery		
Description	ALCO Part No.	Price Each
Seat - 20" Wide	AL-64830*	\$24.95
Seat - 22" Wide	AL-64831*	\$32.95
Seat - 24" Wide	AL-64832*	\$32.95
Back - 20" Wide	AL-765*	\$30.95
Back - 22" Wide	AL-766*	\$34.95
Back - 24" Wide	AL-767*	\$39.95
Calf Pads	AL-422UBK*	\$13.95
Armrest Pads	AL-145BK*	\$5.95
Armrest Pads	AL-135BK*	\$5.95

\*Specify color. See inside front cover for color choices.

# 9000 Topaz by Invacare

**BUY 11 GET 1 FREE!**

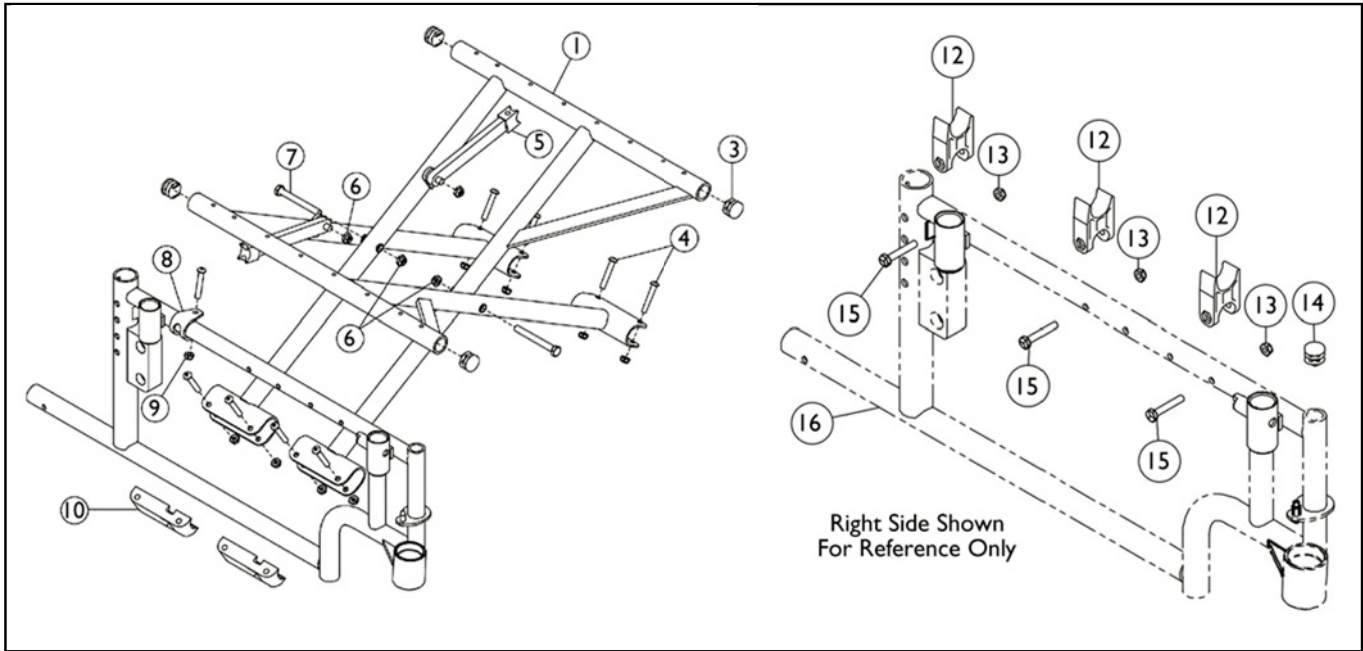


Fig.	Description	ALCO Part No.	Price Each
1	Crossbrace without Hardware, 20", Left (for 18" chair depth)	AL-64998	Call
	Crossbrace without Hardware, 20", Right (for 18" chair depth)	AL-64999	Call
	Crossbrace without Hardware, 22", Left (for 18" chair depth)	AL-65000	Call
	Crossbrace without Hardware, 22", Right (for 18" chair depth)	AL-65001	Call
	Crossbrace without Hardware, 24", Left (for 18" chair depth)	AL-65002	Call
	Crossbrace without Hardware, 24", Right (for 18" chair depth)	AL-65003	Call
	Crossbrace without Hardware, 26", Left (for 18" chair depth)	AL-65004	Call
	Crossbrace without Hardware, 26", Right (for 18" chair depth)	AL-65005	Call
	Crossbrace without Hardware, 28", Left (for 18" chair depth)	AL-65006	Call
	Crossbrace without Hardware, 28", Right (for 18" chair depth)	AL-65007	Call
	Crossbrace without Hardware, 30", Left (for 18" chair depth)	AL-65008	Call
	Crossbrace without Hardware, 30", Right (for 18" chair depth)	AL-65009	Call
3	Plug Button, Black (7/8")	AL-231B	\$0.95
4	Screw, Button Head Cap	AL-65010	\$4.95
5	Link (Black), 20" Wide	AL-65011	\$52.95
	Link (Black), 22" Wide	AL-65012	\$52.95
	Link (Black), 24" Wide	AL-65013	\$52.95
	Link (Black), 26" Wide	AL-65014	\$52.95
	Link (Black), 28" Wide	AL-65015	\$52.95
	Link (Black), 30" Wide	AL-65016	\$52.95
6	Locknut	AL-2209	\$4.95
7	Screw, Hex Head Cap	AL-45874	\$4.95
8	Bracket, Pivot, Black	AL-65017	\$4.95
9, 13	Locknut	AL-53240	\$4.95
10	Clamp, Saddle	AL-65018	\$6.95
12	H-Block	AL-64619	\$1.95
14	Plug Button, Black	AL-2295B	\$0.95
15	Screw, Hex Head Cap	AL-65019	\$4.95
16	Frame w/ Bearings, Rivet & Lock Handles, Left	AL-65020	Call
	Frame w/ Bearings, Rivet & Lock Handles, Right	AL-65021	Call
	Frame w/ Bearings, Rivet & Lock Handles, Left	AL-65022	Call
	Frame w/ Bearings, Rivet & Lock Handles, Right	AL-65023	Call



**When Ordering, Specify Left (L) or Right (R)—Sitting in Chair**

**ALCO Minimum Order & Terms Policy**

Terms: 20 day net. ALCO has a \$20.00 minimum order. Orders less than \$20.00 we will add a \$3.00 small order charge to process any order under \$20.00, unless a credit card is used.



# 9000 Topaz by Invacare

## BUY 11 GET 1 FREE!

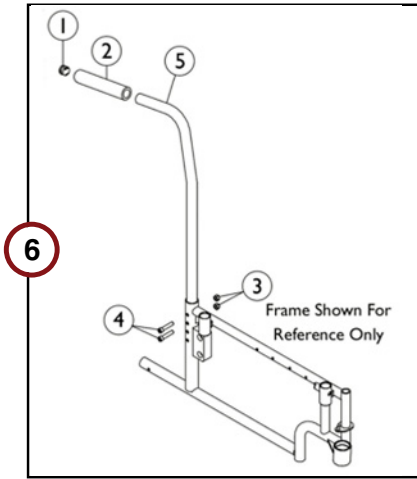
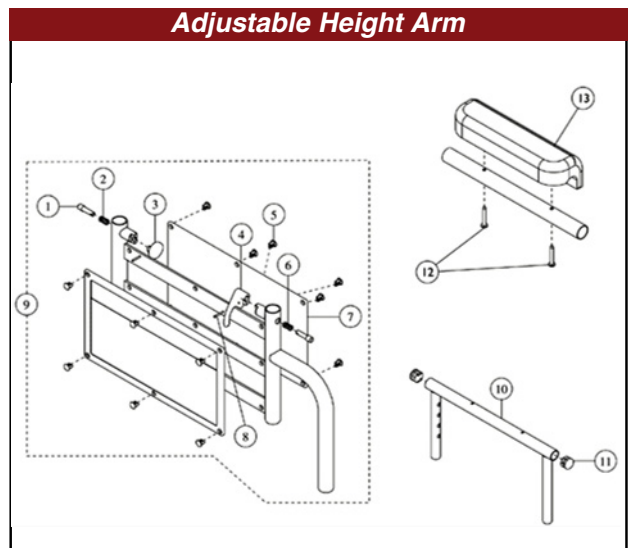
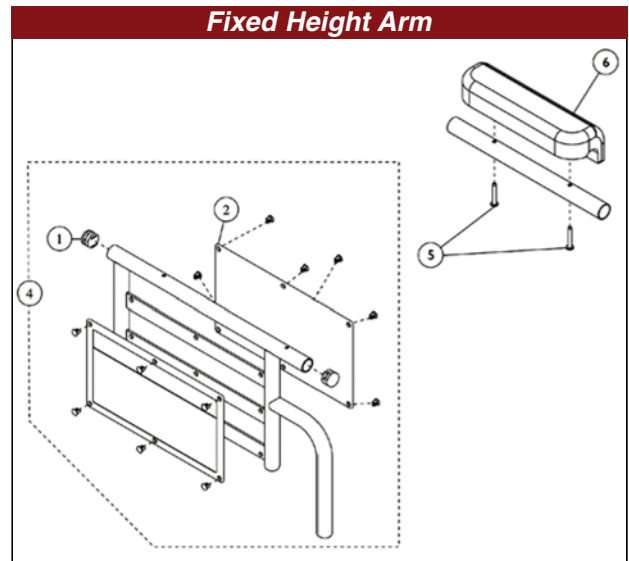


Fig.	Description	ALCO Part No.	Price Each
<b>Back Canes &amp; Hardware (9000 Topaz)</b>			
1	Plug Button, Black	AL-231B	\$0.95
2	Grip, Foam Tubular (Black)	AL-65025	\$10.95
3	Locknut	AL-65026	\$4.95
4	Screw, Socket Head Cap	AL-45828	\$4.95
5	Back Cane (Black)	AL-65027	Call



Fig.	Description	ALCO Part No.	Price Each
<b>Fixed Height Arms (9000 Topaz)</b>			
1	Plug Button, Black	AL-231B	\$0.95
2	Guard, Clothing (2 per side)	AL-65028	\$26.95
4	Armrest Base Assembly, Full Length, Chrome <sup>1</sup>	AL-65030	\$79.95
	Armrest Base Assembly, Full Length, Color <sup>1</sup>	AL-65031	\$79.95
	Armrest Base Assembly, Desk Length, Chrome <sup>1</sup>	AL-65032	\$79.95
	Armrest Base Assembly, Desk Length, Color <sup>1</sup>	AL-65033	\$79.95
5	Hardware, Arm pad (Pair)	AL-65034	\$4.95
6	Arm Pad, Desk Length, Urethane Waterfall w/ Screws, Black	AL-65038	\$29.95
	Arm Pad, Full Length, Urethane Waterfall w/ Screws, Black	AL-65039	\$29.95
<b>Adjustable Height Arms (9000 Topaz)</b>			
1	Locking Pin	AL-939	\$4.95
2	Spring	AL-65040	\$4.95
3	Lock, Handle Knob (After 10/21/00)	AL-65041	\$4.95
4	Kit, Lock Handle w/ Rivets	AL-65042	\$8.95
5	Rivet, Ratchet	AL-65029	\$4.95
6	Pin Roll	AL-65044	\$28.95
7	Guard, Clothing (2 per side)	AL-65028	\$26.95
8	Rivet, Tubular	AL-65046	\$4.95
9	Armrest Base Assembly, Chrome, Left (Includes Items 1-8)	AL-65047	\$89.95
	Armrest Base Assembly, Chrome, Right (Includes Items 1-8)	AL-65048	\$89.95
	Armrest Base Assembly, Left <sup>1</sup> (Includes Items 1-8)	AL-65049	\$89.95
	Armrest Base Assembly, Right <sup>1</sup> (Includes Items 1-8)	AL-65050	\$89.95
10	Armrest, Adjustable Top w/ Plug Buttons (Chrome), Full Length	AL-65051	\$41.95
	Armrest, Adjustable Top w/ Plug Buttons (Chrome), Desk Length	AL-65052	\$41.95
	Armrest, Adjustable Top w/ Plug Buttons, Full Length <sup>1</sup>	AL-65053	\$41.95
	Armrest, Adjustable Top w/ Plug Buttons, Desk Length <sup>1</sup>	AL-65054	\$41.95
11	Plug Button, Black	AL-231B	\$0.95
12	Hardware, Arm pad (Pair)	AL-65034	\$4.95
13	Arm Pad, Desk Length, Urethane Waterfall w/ Screws, Black	AL-65038	\$29.95
	Arm Pad, Full Length, Urethane Waterfall w/ Screws, Black	AL-65039	\$29.95



W6

**When Ordering, Specify Left (L) or Right (R)—Sitting in Chair**



# 9000 Topaz by Invacare

**BUY 11 GET 1 FREE!**

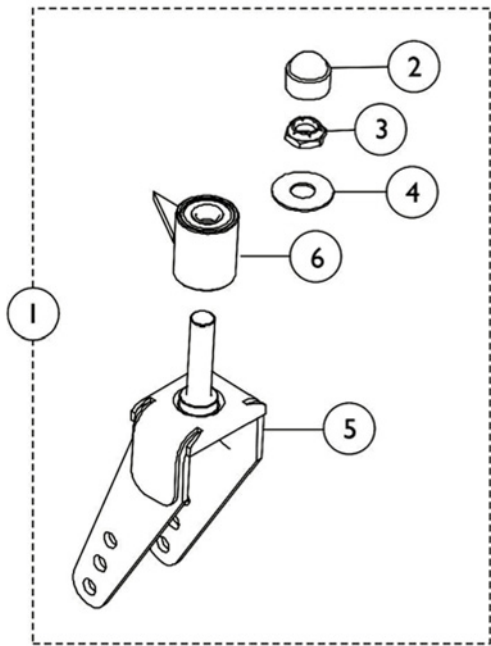


Fig.	Description	ALCO Part No.	Price Each
<b>Forks &amp; Hardware (9000 Topaz)</b>			
1	Fork Assembly, 6" (Includes Items 2-5)	AL-65065	\$64.95
	Fork Assembly, 8" (Includes Items 2-5)	AL-65066	\$64.95
2	Headtube Cap, Black	AL-65067	\$4.95
3	Locknut	AL-64676	\$4.95
4	Washer	AL-65068	\$4.95
5	Fork (Black Only), 6"	AL-65069	\$72.95
	Fork (Black Only), 8"	AL-65070	\$69.95
	Bearing (5/8")	AL-2228	\$4.95

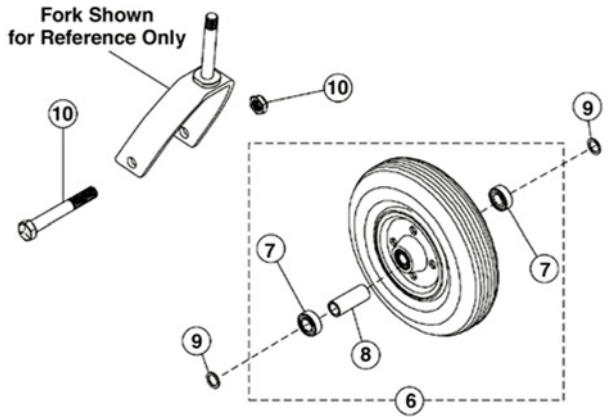
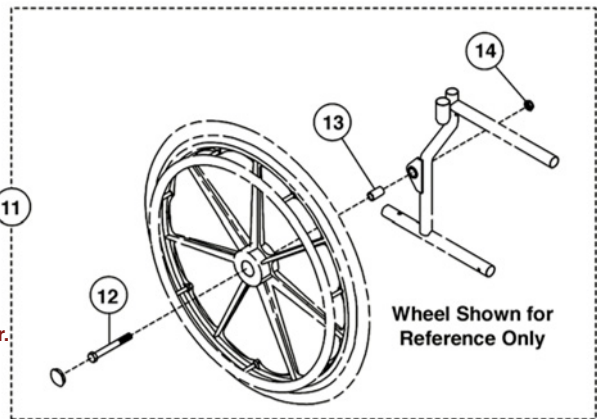


Fig.	Description	ALCO Part No.	Price Each
<b>Front Casters &amp; Hardware (9000 Topaz)</b>			
6	Wheel Assembly, Composite Semi-Pneumatic (8" x 1-3/4"), 1 Piece	AL-45629	\$39.95
7	Bearing	AL-259F	\$3.95
8	Bearing Spacer	AL-50837	\$6.95
9	Axle Washer	AL-65071	\$4.95
10	Front Axle with Locknut	AL-1406	\$3.95

Fig.	Description	ALCO Part No.	Price Each
<b>Rear Wheel &amp; Hardware (9000 Topaz)</b>			
N/S	Hardware Kit, 24" Rear Wheel (Includes Items 2-4)	AL-65072	\$6.95
	Hardware, 20" Pneumatic Flat Free Tire (Includes Items 2-4)	AL-65073	\$3.95
12	Screw, Hex Head for 24" Wheel	AL-65074	\$4.95
	Bolt, Axle for 20" Wheel	AL-65075	\$4.95
13	Spacer	AL-65076	\$4.95
14	Locknut	AL-65077	\$4.95
11	Rear Wheel, Heavy Duty Spoke Solid Rubber (24") (Pair)	AL-65453	\$289.95
	Rear Wheel, Heavy Duty Composite Pneumatic w/ Flat Free Insert (20")	AL-65454	\$199.95
<b>Wheel Lock, Chrome Chairs (9000 Topaz)</b>			
N/S	Wheel Lock Assembly, Adult (Push To Lock), Left	AL-45575	\$13.95
	Wheel Lock Assembly, Adult (Push To Lock), Right	AL-45574	\$13.95
	Tip	AL-45566	\$1.95
<b>Wheel Lock, After 8/15/03 (9000 Topaz)</b>			
N/S	Wheel Lock, Push To Lock, Left	AL-64663	\$39.95
	Wheel Lock, Push To Lock, Right	AL-64664	\$39.95
	Tip	AL-65080	\$5.95



**When Ordering, Specify Left (L) or Right (R)—Sitting in Chair**

# 9000 Topaz by Invacare

**BUY 11 GET 1 FREE!**

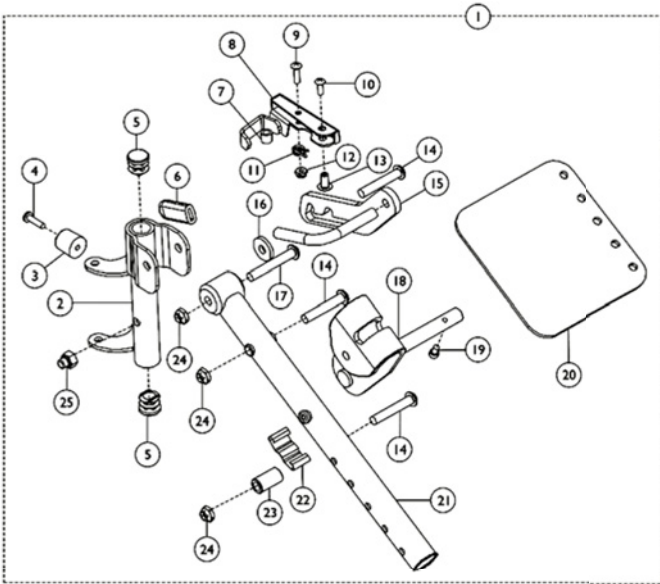
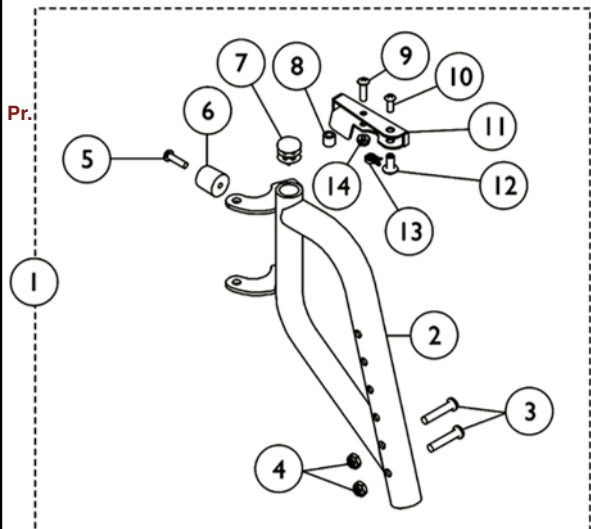


Fig.	Description	ALCO Part No.	Price Each
<b>Legrest, Upper Support —TZ34A (9000 Topaz)</b>			
	Legrest Complete	AL-65456	\$199.95
1	Upper Support, Left (Includes Items 2-25)	AL-65081	\$149.95
	Upper Support, Right (Includes Items 2-25)	AL-65082	\$149.95
2	Support Bracket, Left	AL-65083	\$69.95
	Support Bracket, Right	AL-65084	\$69.95
3	Bumper	AL-58587	\$4.95
4	Screw, Phillips Pan Head Tap	AL-58588	\$6.95
5	Plug Button, Black (3/4")	AL-2295B	\$0.95
6	Tip, Black, Plastic	AL-58577	\$4.95
7	Bushing	AL-65086	\$4.95
8	Handle, Release, Left, Chrome	AL-65087	\$8.95
	Handle, Release, Right, Chrome	AL-65088	\$8.95
9	Screw, Phillips Pan Head	AL-65089	\$4.95
10	Screw, Phillips Head	AL-65090	\$4.95
11	Spring, Release, Left	AL-45692	\$6.95
	Spring, Release, Right	AL-45691	\$6.95
12	Locknut	AL-59860	\$6.95
13	Rivnut	AL-65091	\$6.95
14	Screw Truss Head	AL-65092	\$4.95
15	Lockplate, Left	AL-65093	\$24.95
	Lockplate, Right	AL-65094	\$24.95
16	Washer, Nylon	AL-65095	\$4.95
17	Screw Socket Button Head	AL-65096	\$4.95
18	Bracket, Calf Pad Mounting, Black	AL-65097	\$28.95
19	Screw Socket Button Head	AL-65098	\$4.95
20	Plate, Calf Pad Mounting	AL-65099	\$27.95
21	Elevating Support Tube, Left, Chrome	AL-65100	\$37.95
	Elevating Support Tube, Right, Chrome	AL-65101	\$37.95
22	Spring, Leaf	AL-976A	\$6.95
23	Bushing	AL-65102	\$6.95
24	Locknut	AL-2209	\$4.95
25	Nut, Cap	AL-65103	\$4.95
N/S	Calf Pad, Left or Right	AL-65122	Call
N/S	Calf Pad, Hardware	AL-65123	\$4.95

Fig.	Description	ALCO Part No.	Price Each
<b>Footrest, Upper Support —TZ33A (9000 Topaz)</b>			
	Footrest Complete (Pair)	AL-69292	\$129.95
1	Upper Support Assembly (Chrome), Left (Includes Items 2-14)	AL-65104	\$67.95
	Upper Support Assembly (Chrome), Right (Includes Items 2-14)	AL-65105	\$67.95
2	Footrest Support Tube (Chrome), Left	AL-65106	\$46.95
	Footrest Support Tube (Chrome), Right	AL-65107	\$46.95
3	Screw, Button Head Socket	AL-65108	\$4.95
4	Locknut	AL-53240	\$4.95
5	Screw Phillips Pan Head Tap	AL-58588	\$6.95
6	Bumper	AL-58587	\$6.95
7	Plug Button, Black (3/4")	AL-2295B	\$0.95
8	Bushing	AL-65036	\$4.95
9	Screw Phillips Pan Head for Chrome Frame Finishes	AL-65089	\$4.95
10	Screw Phillips Head for Chrome Frame Finishes	AL-65090	\$4.95
11	Handle, Release (Chrome), Left	AL-65110	\$6.95
	Handle, Release (Chrome), Right	AL-65111	\$6.95
	Handle, Release (Black), Left	AL-65112	\$8.95
	Handle, Release (Black), Right	AL-65113	\$8.95
12	Rivnut for Chrome Frame Finishes	AL-65091	\$6.95
13	Spring, Release (Chrome), Left	AL-45692	\$6.95
	Spring, Release (Chrome), Right	AL-45691	\$6.95
14	Locknut for Chrome Frame Finishes	AL-59860	\$6.95



W6

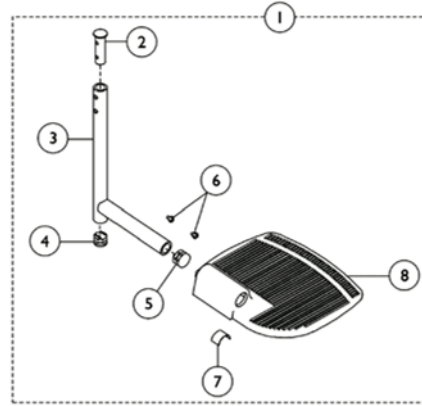
**When Ordering, Specify Left (L) or Right (R)—Sitting in Chair**



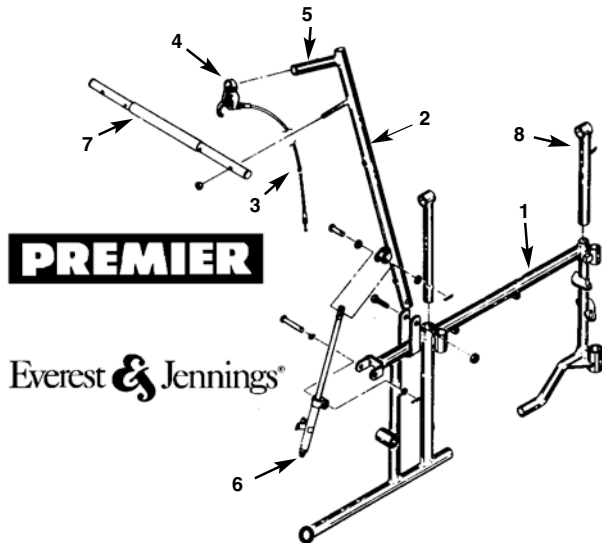
# 9000 Topaz by Invacare

**BUY 11 GET 1 FREE!**

Fig.	Description	ALCO Part No.	Price Each
<b>Pivot Slide Tube with Footplate TZ33A &amp; TZ34A (9000 Topaz)</b>			
1	Pivot Slide Tube w/ Footplate Assembly, Left (Chrome) (Includes Items 2-8)	AL-65114	\$89.95
	Pivot Slide Tube w/ Footplate Assembly, Right (Chrome) (Includes Items 2-8)	AL-65115	\$89.95
2	Insert, Support, Legrest	AL-65116	\$6.95
3	Pivot Slide Tube (Black Only)	AL-65117	\$41.95
	Pivot Slide Tube (Chrome)	AL-65118	\$41.95
4	Plug Button, Black (3/4")	AL-2295B	\$0.95
5	Plug Button, Black (7/8")	AL-231B	\$0.95
6	Screw, Phillips Pan Head	AL-2196	\$6.95
7	Spring, Leaf	AL-65119	\$6.95
8	Footplate Extra Large, Left, Aluminum	AL-65120	\$59.95
	Footplate Extra Large, Right, Aluminum	AL-65121	\$59.95



## E&J Recliner Wheelchair Parts



**PREMIER**

Everest & Jennings®

Back Upholstery Complete	AL-812	\$49.95
Seat Upholstery Complete	AL-827	\$22.95

Fig.	Description	ALCO Part No.	Price Each
1	Sideframe - Adult/Narrow Adult, Right, Chrome	AL-2518	CALL
	Sideframe - Adult/Narrow Adult, Left Chrome	AL-2519	CALL
2	Back Post Assembly (includes items 3,4) Adult/Narrow Adult, Chrome (Pair)	AL-2520	CALL Pr.
3	Cable Only	See Fig 2	CALL
4	Lever Assembly	See Fig 2	CALL
5	Hand grip, Gray	AL-370	\$1.95
	Hand grip, Black	AL-370B	\$1.95
6	Recliner Lock, Right & Left (Pair)	AL-65369	\$199.95 Pr.
7	Spreader Bar, Adult	AL-464	\$19.95
8	Slide Post 10-1/2" (Pair)	AL-49966	\$20.95 Pr.

**Note: Frames and crossbars require serial number and/or model number to reorder.**

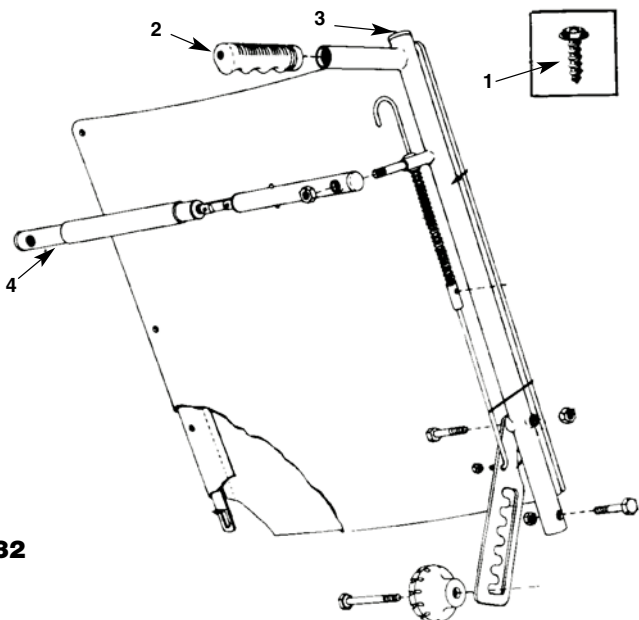


Fig.	Description	ALCO Part No.	Price Each
1	Screw with Washer	AL-45493	\$0.39
2	Hand Grip, Grey	AL-370	\$1.95
	Hand Grip, Black	AL-370B	\$1.95
3	Plug button for top of backpost	AL-243	\$1.25
4	Spreader bar for 23" and 24" wide backs	AL-2544	Call
	Spreader bar for 19" and 20" wide backs	AL-2546	Call
4	Spreader bar for 17" and 18" wide backs	AL-464	\$19.95

**When Ordering, Specify Left (L) or Right (R)—  
Sitting in Chair**

# E&J Vista Wheelchair—Removable & Fixed Arm

**BUY 11 GET 1 FREE!**

Everest & Jennings®



Note: Frames and crossbars require serial number and/or model number to reorder.



Upholstery Color Choices:  
#A3 Black or #A4 Dark Blue

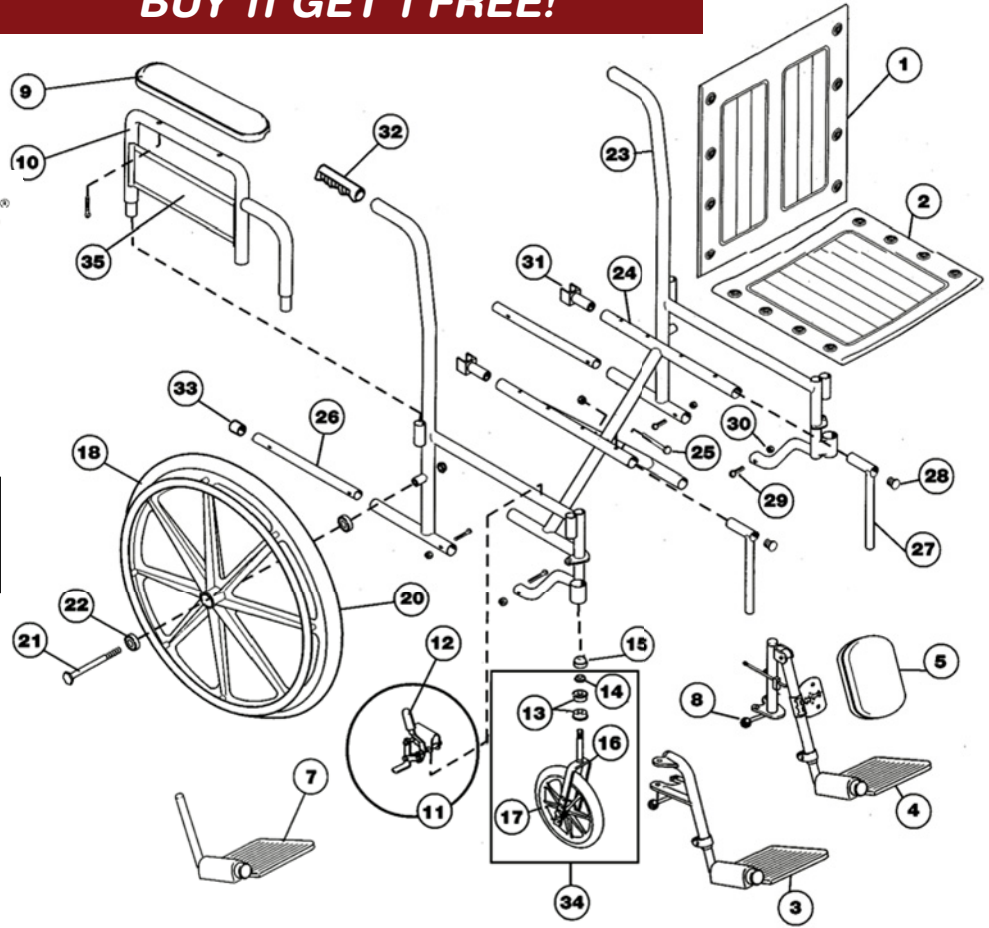


Fig.	Description	ALCO Part No.	Price Each
1	Standard Back, 16"W	AL-792*	\$22.95
	Standard Back, 18"W	AL-794*	\$22.95
	Standard Seat, 16"W	AL-825*	\$22.95
2	Standard Seat, 18"W	AL-827*	\$22.95
	Footrest Assembly, RT	AL-104R	\$34.95
3	Footrest Assembly, LF	AL-104L	\$34.95
	Footrest Assembly (Pair)	AL-64426	\$59.00
	Footrest Assy w/Heel Loop (Pair)	AL-58073	\$89.95
4	Legrest Assembly, RT	AL-408SR*	\$59.00
	Legrest Assembly, LF	AL-408SL*	\$59.00
	Legrest Assembly (Pair)	AL-64417*	\$114.95
	Legrest Panel	AL-422U*	\$13.95
5	Legrest Panel - Black Base	AL-422UBK*	\$13.95
	Release, Left	AL-461L	\$5.95
8	Release, Right	AL-461R	\$5.95
	Full Length, Grey Base	AL-135*	\$5.95
9	Full Length, Black Base	AL-135BK*	\$5.95
	Desk Length, Grey Base	AL-145*	\$5.95
	Desk Length, Black Base	AL-145BK*	\$5.95
	Full Length, Plastic	AL-131	\$6.95
	Grey (GY) or Black (BK)		
	Desk Length, Plastic	AL-141	\$6.95
Grey (GY) or Black (BK)			
10	Detach Fixed Height Arm Assy	AL-980R*	\$39.95
	Desk Length, RT		
	Desk Length, LF		
	Full Length, RT		
	Full Length, LT		
11	Wheel Lock, Push to Lock RT	AL-347R	\$12.95
	Wheel Lock, Push to Lock LF	AL-347L	\$12.95
12	Rubber Tip, Wheel Lock	AL-376B	\$1.45
13	Caster Stem Bearing	AL-261	\$2.99
14	Nut, 1/2"	AL-1374	\$0.90
15	Caster Stem Cap, Black	AL-247B	\$1.95
	Caster Stem Cap, Grey	AL-247	\$1.95
16	Fork, Chrome, 8" Casters Only	AL-2279	\$16.95
	Fork, Black, 8" Casters Only	AL-2279B	\$19.95
17	Caster Wheels 8" x1", Solid (Std) Black	AL-305MB	\$16.95
	Caster Wheels 8" x1", Solid (Std) Grey	AL-305M	\$16.95

Pr.  
Pr.  
Pr.

Fig.	Description	ALCO Part No.	Price Each
18	Wheel Blk (Chrome Handrim)	AL-2722MB	\$99.00
	Wheel Blk (Integral Handrim)	AL-58655	\$99.00
20	Tire (snap on) Flat Base 24"	AL-50156A	\$19.95
21	Axle 7/16" x 5-1/4" w/Locknut	AL-689	\$2.95
22	Bearing for 24" wheel	AL-264	\$3.95
22	Bearing 5/8 for Integral Handrim	AL-59705	\$9.95
	Bearing 7/16 for Integral Handrim	AL-59705A	\$7.95
NS	Hub Cap for 24" wheels, Grey	AL-241	\$2.95
	Hub Cap for 24" wheels, Black	AL-241B	\$2.95
	Sideframe, Fixed Arm, RT	AL-58487	Call
23	Sideframe, Fixed Arm, LF	AL-58488	Call
	Sideframe, Detachable Arm, RT	AL-58489	Call
	Sideframe, Detachable Arm, LF	AL-58490	Call
	Sideframe, Fixed-Fixed, RT	AL-58491	Call
	Sideframe, Fixed-Fixed, LF	AL-58492	Call
24	Crossbrace, RT, 16"	AL-58493	Call
	Crossbrace, RT, 18"	AL-58494	Call
	Crossbrace, LF, 16"	AL-58495	Call
	Crossbrace, LF, 18"	AL-58496	Call
25	Crossbrace Bolt w/Nut	AL-45910	\$4.95
26	Bottom Inner Rail Kit**	AL-45911	\$28.95
27	Slide 16" W x 18" W	AL-49966	\$20.95
28	Plug	AL-231B	\$0.95
	SeatRail Guide, Fixed Arm, White	AL-182	\$1.95
	SeatRail Guide, Fixed Arm, Black	AL-182B	\$1.95
	SeatRail Guide, Detachable Arm, White	AL-184	\$1.95
31	SeatRail Guide, Detachable Arm, Black	AL-184B	\$1.95
	Grip, Black	AL-370B	\$1.95
32	Grip, Grey	AL-370	\$1.95
	Sleeve, Black	AL-1741B	\$1.95
33	Sleeve, Grey	AL-1741	\$1.95
	Complete 8" Grey Caster Assembly	AL-126M	\$34.95
34	Complete 8" Black Caster Assembly	AL-126MB	\$34.95
	Arm Panel, Fixed Arm	AL-152	\$16.95
35	Arm Panel, Detachable Full Arm	AL-158	\$16.95
	Arm Panel Detachable Desk Arm	AL-155	\$16.95

\*Specify color. See inside front cover for color choices.

\*\*Includes Inner Rail (2), Screw and Nut (4 ea) and Self-Lube Sleeve (2)



# E&J New Traveler—Fixed Arm

**BUY 11 GET 1 FREE!**

Everest & Jennings®

Note: Frames and crossbars require serial number and/or model number to reorder.

Right or Left Position Assumes You're Sitting In The Chair

See Inside Front Cover for Upholstery Colors

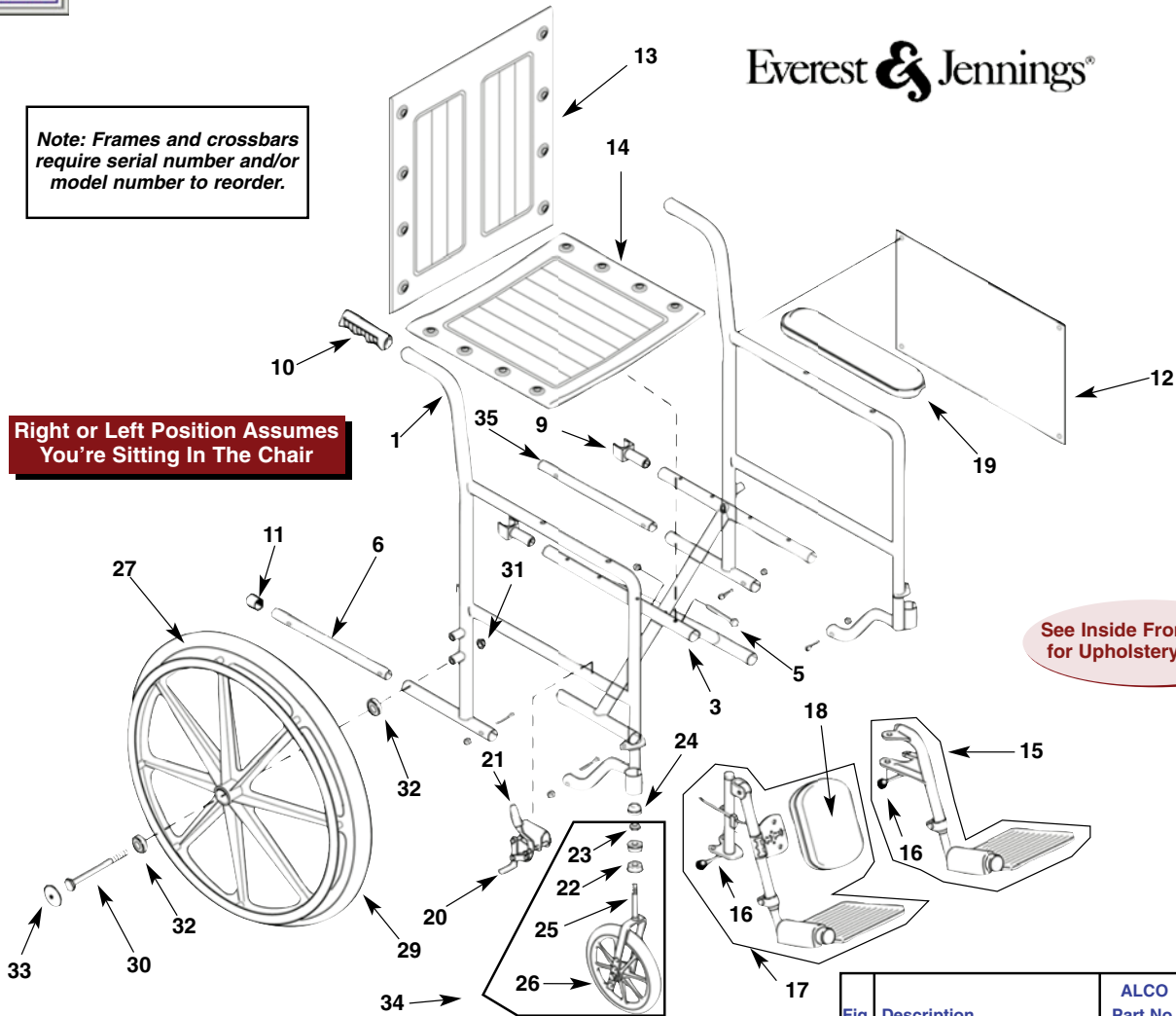


Fig	Description	ALCO Part No.	Price Each
1	Sideframe, 16" & 18" W (Pair)	AL-65980	Call Pr.
3	Crossbrace, 16" W (Pair)	AL-65981	Call Pr.
3	Crossbrace, 18" W (Pair)	AL-65982	Call Pr.
3	Crossbrace, 20" W (Pair)	AL-65983	Call Pr.
5	Crossbrace Bolt	AL-44910E	\$0.90
5	Locknut	AL-2278	\$0.90
6	Bottom Inner Rail Kit**	AL-45911	\$28.95
9	Seat Rail Guide, White	AL-182	\$1.95
9	Seat Rail Guide, Black	AL-182B	\$1.95
11	Sleeve, Black	AL-1741B	\$1.95
11	Sleeve, Grey	AL-1741	\$1.95
10	Grip, Black	AL-370B	\$1.95
10	Grip, Grey	AL-370	\$1.95
12	Side Panel, Fixed Arm	AL-152	\$16.95
13	Narrow Back 16" W	AL-792*	\$22.95
13	Standard Back 18" W	AL-794*	\$22.95
13	Wide Back 20" W	AL-795*	\$30.95
13	Wide Back 22" W	AL-796*	\$34.95

Fig	Description	ALCO Part No.	Price Each
14	Narrow Seat 16" W	AL-825*	\$22.95
14	Standard Seat 18" W	AL-827*	\$22.95
14	Wide Seat 20" W	AL-828*	\$30.95
14	Wide Seat 22" W	AL-829*	\$34.95
15	Footrest Assembly, RT	AL-104R	\$34.95
15	Footrest Assembly, LF	AL-104L	\$34.95
15	Footrest Assembly, (Pair)	AL-64426	\$59.00
15	Footrest Assy w/heel Loop (Pair)	AL-58073	\$89.95
16	Release Assembly, Left	AL-461L	\$5.95
16	Release Assembly, Right	AL-461R	\$5.95
17	Legrest Assembly, RT	AL-408SR*	\$59.00
17	Legrest Assembly, LF	AL-408SL*	\$59.00
17	Legrest Assembly, (Pair)	AL-64417*	\$114.95
18	Legrest Panel, Black Base	AL-422UBK*	\$13.95
19	Armrest pad, Uph., Full Length with Black Base	AL-135BK*	\$5.95
19	with Grey Base	AL-135*	\$5.95
20	Wheel Lock, Push to Lock		
20	Fixed Arm, RT	AL-349R	\$12.95
20	Fixed Arm, LF	AL-349L	\$12.95

Fig	Description	ALCO Part No.	Price Each
21	Rubber Tip, Wheel Lock Grey	AL-380	\$1.95
22	Caster Stem Bearing	AL-261	\$2.99
22	Caster Stem Bearing New Style, No Flange	AL-252	\$4.95
23	Nut, 1/2"	AL-1374	\$0.90
24	Caster Stem Cap, Black	AL-247B	\$1.95
24	Caster Stem Cap, Grey	AL-247	\$1.95
24	Caster Stem Cap, New Style, fits inside tube	AL-68743	\$1.95
25	Fork, Chrome, 8" Casters Only	AL-2279	\$16.95
25	Fork, Black, 8" Casters Only	AL-2279B	\$19.95
26	Caster Wheels 8" x 1", Solid (Std) Black Hub	AL-305MB	\$16.95
26	Grey Hub	AL-305M	\$16.95
27	Wheel Blk (chrome handrim)	AL-2722MB	\$99.00
27	Wheel Blk (integral handrim)	AL-58655	\$99.00
29	Tire (snap on) Flat Base 24"	AL-50156A	\$19.95
30	Axle with Locknut	AL-686	\$2.95
32	Bearing for 24" wheel, 7/16"	AL-264	\$3.95
32	Bearing 5/8" for Integral Rim	AL-59705	\$9.95
32	Bearing 7/16" for Integral Rim	AL-59705A	\$7.95
33	Hub Cap for 24" wheel, Grey	AL-241	\$2.95
33	Hub Cap for 24" wheel, Blk	AL-241B	\$2.95
34	8" Grey, Caster Assy Comp.	AL-126M	\$34.95
34	8" Black, Caster Assy Comp.	AL-126MB	\$34.95

34

\*Specify color. See inside front cover for color choices.  
 \*\*Includes inner rail (2), screw and nut (4) and self-lube sleeves (2)

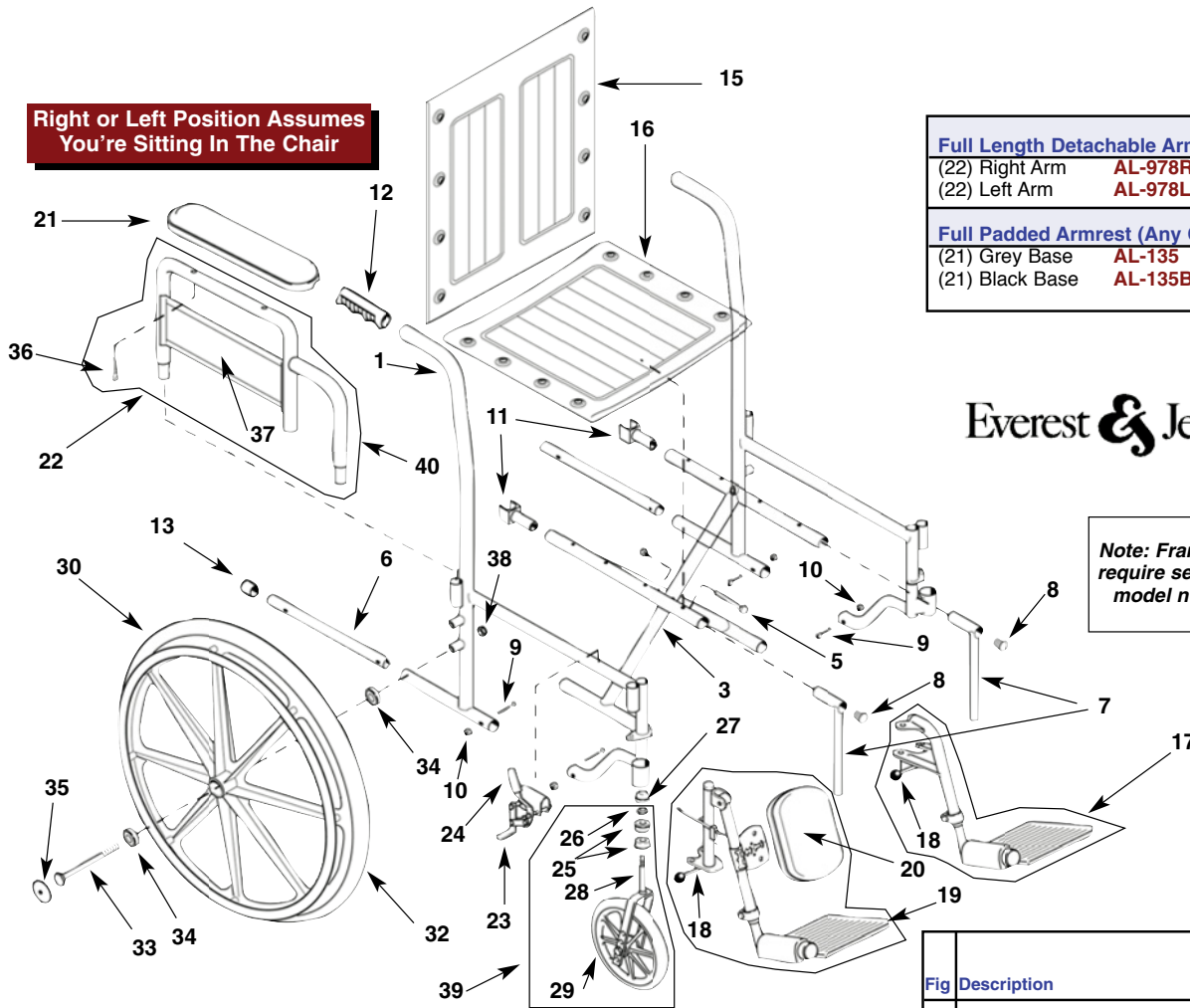


# E&J New Traveler—Removable Arm

**BUY 11 GET 1 FREE!**



Right or Left Position Assumes You're Sitting In The Chair



Full Length Detachable Arm			
(22) Right Arm	AL-978R	\$39.90	
(22) Left Arm	AL-978L	\$39.90	
Full Padded Armrest (Any Color)			
(21) Grey Base	AL-135	\$5.95	
(21) Black Base	AL-135BK	\$5.95	

Everest & Jennings®

Note: Frames and crossbars require serial number and/or model number to reorder.

Fig	Description	ALCO Part No.	Price Each
1	Sideframe, 16" & 18"W (Pair)	AL-65984	Call
	Crossbrace, 16"W (Pair)	AL-65981	Call
3	Crossbrace, 18"W (Pair)	AL-65982	Call
	Crossbrace, 20"W (Pair)	AL-65983	Call
5	Crossbrace Bolt w/Nut	AL-45910	\$4.95
6	Bottom Inner Rail Kit**	AL-45911	\$28.95
7	Slide 16"W & 18"W (Pair)	AL-49966	\$20.95
	Slide 20"W, 22"W & 24"W (Telescoping) (Pair)	AL-49967	\$17.00
8	Plug	AL-231B	\$0.95
9	Screw	AL-1070	\$0.95
10	Nut	AL-1071	\$0.95
	Seat Rail Guide, White	AL-184	\$1.95
	Seat Rail Guide, Black	AL-184B	\$1.95
12	Grip, Black	AL-370B	\$1.95
	Grip, Grey	AL-370	\$1.95
13	Sleeve, Black	AL-1741B	\$1.95
	Sleeve, Grey	AL-1741	\$1.95
	Narrow Back 16"W	AL-792*	\$22.95
15	Standard Back 18"W	AL-794*	\$22.95
	Wide Back 20"W	AL-795*	\$30.95
	Wide Back 22"W	AL-796*	\$34.95
	Narrow Seat 16"W	AL-825*	\$22.95
16	Standard Seat 18"W	AL-827*	\$22.95
	Wide Seat 20"W	AL-828*	\$30.95
	Wide Seat 22"W	AL-829*	\$34.95

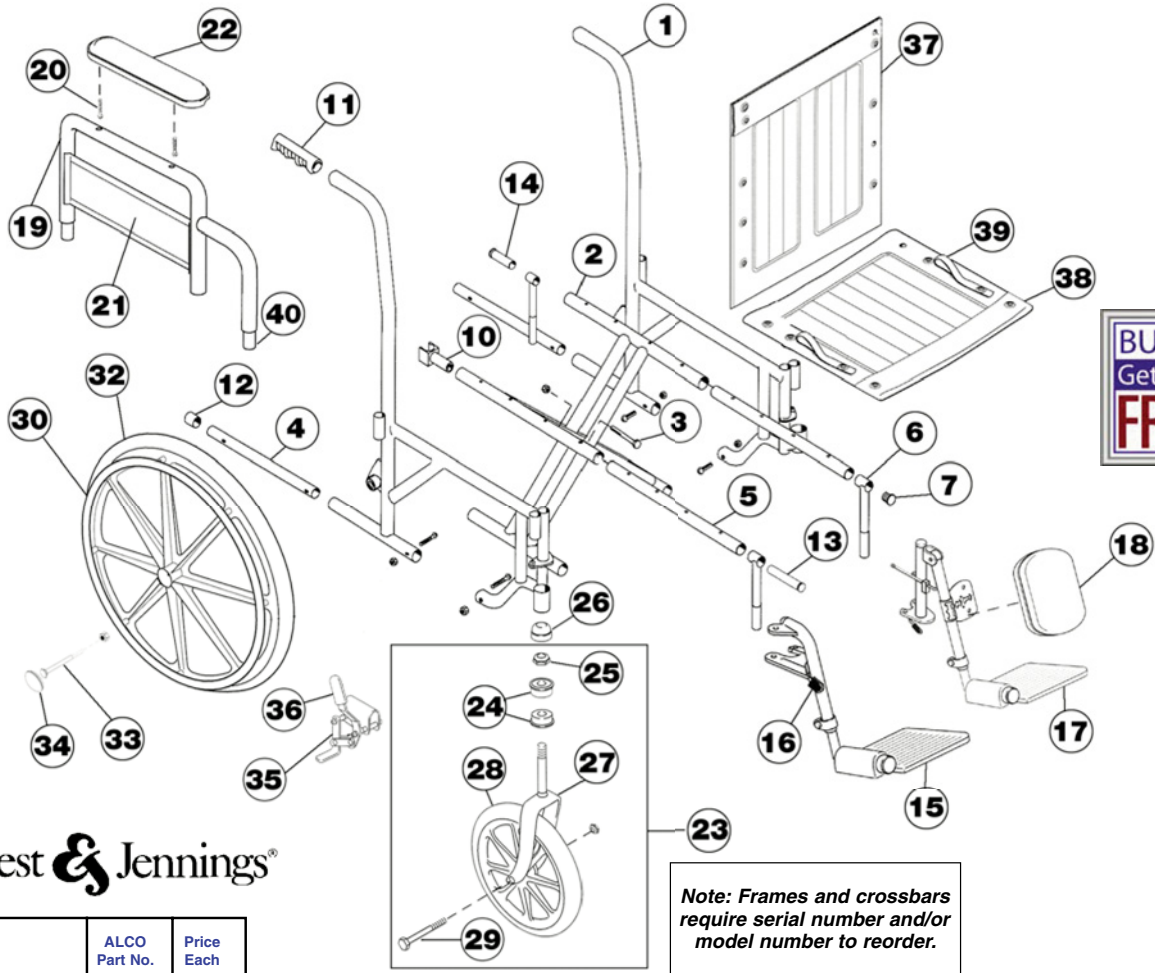
Fig	Description	ALCO Part No.	Price Each
	Footrest Assembly, RT	AL-104R	\$34.95
	Footrest Assembly, LF	AL-104L	\$34.95
17	Footrest Assembly (Pair)	AL-64426	\$59.00
	Footrest Assy w/Heel Loop, (Pair)	AL-58073	\$89.95
18	Release Assembly, Left	AL-461L	\$5.95
	Release Assembly, Right	AL-461R	\$5.95
	Legrest Assembly, RT	AL-408SR*	\$59.00
19	Legrest Assembly, LF	AL-408SL*	\$59.00
	Legrest Assembly (Pair)	AL-64417*	\$114.95
20	Legrest Panel, Black Base	AL-422UBK*	\$13.95
	Armrest pad, Uph.		
	Full Length, Grey Base	AL-135*	\$5.95
21	Full Length, Black Base	AL-135BK*	\$5.95
	Desk Length, Grey Base	AL-145*	\$5.95
	Desk Length, Black Base	AL-145BK*	\$5.95
	Detach Fixed Height Arm Assembly		
	Desk Length, RT	AL-980R*	\$39.95
22	Desk Length, LF	AL-980L*	\$39.95
	Full Length, RT	AL-978R*	\$39.95
	Full Length, LF	AL-978L*	\$39.95
23	Wheel Lock, Push to Lock RT	AL-347R	\$12.95
	Wheel Lock, Push to Lock LF	AL-347L	\$12.95

Fig	Description	ALCO Part No.	Price Each
24	Rubber Tip, Wheel Lock	AL-380	\$1.95
	Caster Stem Bearing	AL-261	\$2.99
25	Caster Stem Bearing, New Style, No Flange	AL-70723	\$5.95
26	Nut, 1/2"	AL-1374	\$0.90
	Caster Stem Cap, Black	AL-247B	\$1.95
27	Caster Stem Cap, Grey	AL-247	\$1.95
	Caster Stem Cap, New Style fits inside tube	AL-68743	\$1.95
28	Fork, Chrome, 8" Casters Only	AL-2279	\$16.95
	Fork, Black, 8" Casters Only	AL-2279B	\$19.95
	Caster Wheels 8" x1", Solid (Std) Black	AL-305MB	\$16.95
29	Grey	AL-305M	\$16.95
	Wheel Blk (chrome handrim)	AL-2722MB	\$99.00
	Wheel Blk (integral handrim)	AL-58655	\$99.00
32	Tire (snap on) Flat Base 24"	AL-50156A	\$19.95
33	Axle w/Locknut	AL-689	\$2.95
	Bearing for 24" wheel	AL-264	\$3.95
34	Bearing 5/8 for Integral Rim	AL-59705	\$9.95
	Bearing 7/16 for Integral Rim	AL-59705A	\$7.95
35	Hub Cap for 24" wheels, Grey	AL-241	\$2.95
	Hub Cap for 24" wheels, Black	AL-241B	\$2.95
36	Padded Arm Screw	AL-45504	\$0.39
37	Side Panel Det. Desk Length	AL-155	\$16.95
	Side Panel Det. Full Length	AL-158	\$16.95
38	Nut 7/16	AL-1400	\$0.90
39	8" Grey Caster Assy Complete	AL-126M	\$34.95
	8" Black Caster Assy Complete	AL-126MB	\$34.95
40	Spring Lock	AL-45728	\$3.95

\*Specify color. See inside front cover for color choices.  
 \*\*Includes inner rail (2), screw and nut (4) and self-lube sleeves (2)

# E&J Traveler XD—Removable Arm

**BUY 11 GET 1 FREE!**



**Everest & Jennings®**

**Note: Frames and crossbars require serial number and/or model number to reorder.**

Fig.	Description	ALCO Part No.	Price Each	Pr.
1	Sideframe, 24" Wide (Pair)	AL-65986	Call	Pr.
	Crossbrace, 20" Wide (Pair)	AL-65987	Call	Pr.
2	Crossbrace, 22" Wide (Pair)	AL-65988	Call	Pr.
	Crossbrace, 24" Wide (Pair)	AL-65989	Call	Pr.
3	Crossbrace Bolt w/Nut	AL-45910	\$4.95	
4	Bottom Inner Rail Kit*	AL-45911	\$28.95	
5	Front Inner Top Rail, 20"W & 22"W**	AL-45918	\$23.95	
6	Slide, Telescoping 20, 22, and 24"W** (Pair)	AL-49967	\$17.00	Pr.
7	Plug (Grey)	AL-231	\$0.95	
	Plug (Black)	AL-231B	\$0.95	
10	Seat Rail Guide, 20"W & 22"W	AL-184B	\$2.45	
11	Grip, Black	AL-370B	\$1.95	
12	Sleeve	AL-58484	\$2.95	
13	Front Inner Top Rail, 24W** (Pair)	AL-58485	\$23.95	Pr.
14	Rear Inner Top Rail, 24W** (Pair)	AL-58486	\$23.95	Pr.
	Footrest Assembly, RT	AL-104R	\$34.95	
15	Footrest Assembly, LF	AL-104L	\$34.95	
	Footrest Assembly (Pair)	AL-64426	\$59.00	
	Footrest Assy w/Heel Loop (Pair)	AL-58073	\$89.95	Pr.
16	Release Assembly Left (includes hardware kit)	AL-461L	\$5.95	
	Release Assembly Right (includes hardware kit)	AL-461R	\$5.95	

Fig.	Description	ALCO Part No.	Price Each	Pr.
17	Legrest Assembly, RT	AL-408SR	\$59.00	
	Legrest Assembly, LF	AL-408SL	\$59.00	
	Legrest Assembly (Pair)	AL-64417	\$114.95	Pr.
18	Legrest Panel, Black Base	AL-422UBK	\$13.95	
	Detach Fixed Height Arm Assy			
	Desk Length, RT	AL-980R	\$39.90	
19	Desk Length, LF	AL-980L	\$39.90	
	Full Length, RT	AL-978R	\$39.90	
	Full Length, LF	AL-978L	\$39.90	
20	Padded Arm Screw	AL-45504	\$0.39	
21	Side Panel Det. Desk Length	AL-155	\$16.95	
	Side Panel Det. Full Length	AL-158	\$16.95	
22	Armrest pad, Upholstery			
	Full Length, Black Base	AL-135BK	\$5.95	
	Desk Length, Black Base	AL-145BK	\$5.95	
23	Complete Assembly (Grey)	AL-126M	\$34.95	
	Complete Assembly (Black)	AL-126MB	\$34.95	
24	Caster Stem Bearing	AL-261	\$2.99	
	Caster Stem Bearing, New Style, No Flange	AL-252	\$4.95	
25	Nut, 1/2-20	AL-1374	\$0.90	
	Caster Stem Dust Cap, Black	AL-247B	\$1.95	
26	Caster Stem Dust Cap, New Style, fits inside tube	AL-68743	\$1.95	

Fig.	Description	ALCO Part No.	Price Each
27	Steel Fork	AL-2279	\$16.95
	Steel Fork, Black	AL-2279B	\$19.95
28	Caster Wheels 8" x1", Solid Black	AL-305MB	\$16.95
29	Axle with Locknut	AL-2237	\$2.95
30	Wheel BLK (Chrome Handrim)	AL-2722MB	\$99.00
	Wheel BLK (Integral Handrim)	AL-58655	\$99.00
32	Tire (snap on) Flat Base 24"	AL-50156A	\$19.95
33	Axle 5/8" x 5"	AL-696	\$5.95
N/S	Bearing for 24" wheel	AL-264	\$3.95
N/S	Bearing 5/8 for Integral Handrim	AL-59705	\$9.95
N/S	Bearing 7/16 for Integral Handrim	AL-59705A	\$7.95
34	Hub Cap for 24" wheels Black	AL-241B	\$2.95
	Wheel Lock, Push to Lock RT	AL-347R	\$12.95
35	Wheel Lock, Push to Lock LF	AL-347L	\$12.95
36	Rubber Tip, Wheel Lock, Black	AL-376B	\$1.45
	20"W Back Upholstery	AL-54812	\$59.95
37	22"W Back Upholstery	AL-54813	\$59.95
	24"W Back Upholstery	AL-54814	\$59.95
	20"W Seat Upholstery	AL-54816	\$59.95
38	22"W Seat Upholstery	AL-54817	\$59.95
	24"W Seat Upholstery	AL-54818	\$59.95
39	Carrying Strap (specify color)	AL-2883	\$5.95
40	Spring Lock	AL-45728	\$3.95

**Upholstery Color Choices:**  
 #A3 Black, #A4 Dark Blue, #A25 Burgundy  
 or #A16 Nut Brown

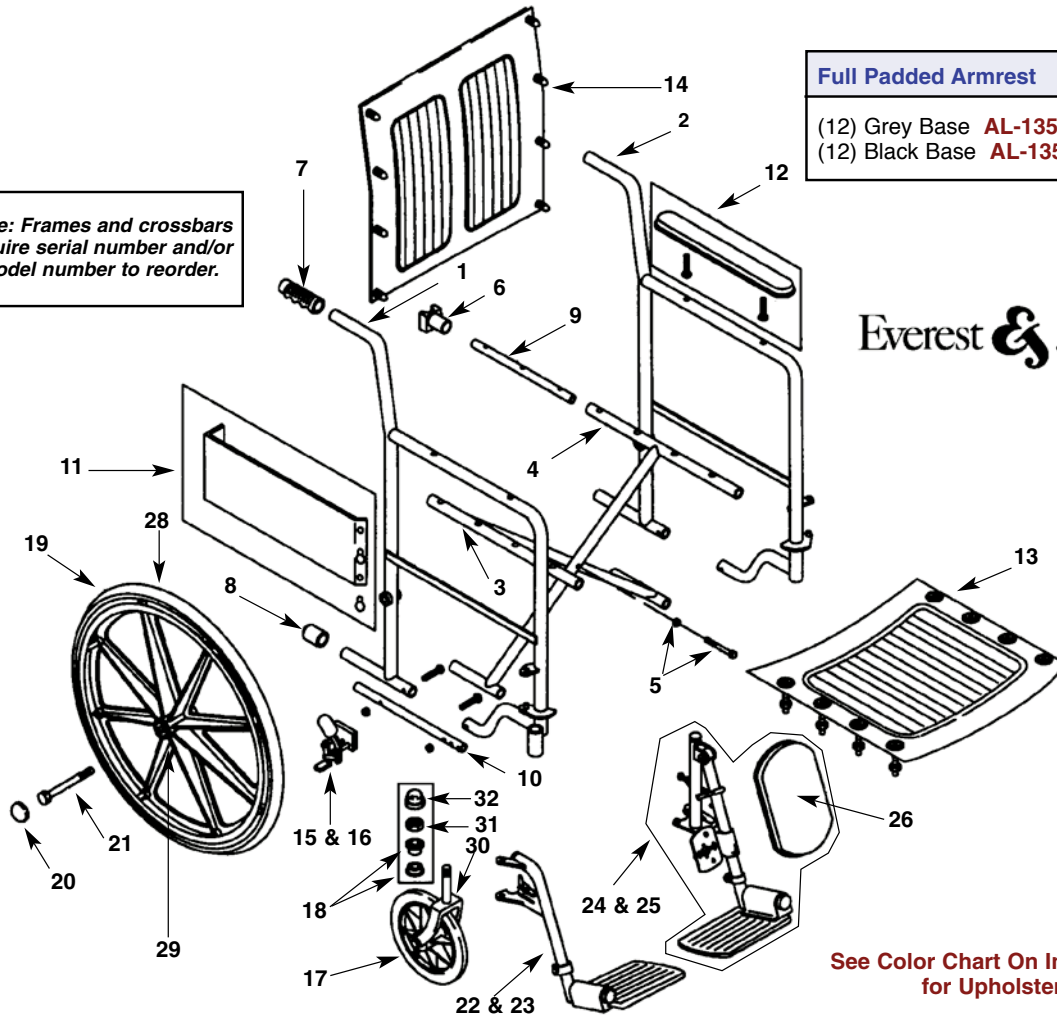
\*Includes Inner Rail (2), Screw and Nut (4 ea) and Self-Lube Sleeve (2)  
 \*\*Sold in pairs (includes plug fig #7)

**When Ordering, Specify Left (L) or Right (R)—Sitting in Chair**

# E&J Traveler — Fixed Arm

**BUY 11 GET 1 FREE!**

Note: Frames and crossbars require serial number and/or model number to reorder.



**Full Padded Armrest**  
 (12) Grey Base **AL-135 \$5.95**  
 (12) Black Base **AL-135BK \$5.95**

Everest & Jennings®

When Ordering, Specify Left (L) or Right (R) Sitting in Chair

**BUY 11  
Get One  
FREE**

See Color Chart On Inside Front Cover for Upholstery Colors

Fig.	Description	ALCO Part No.	Price Each
1	Sideframe (Pair)	AL-45914	Call
3	Crossbrace, (Pair), Narrow	AL-45906	Call
4	Crossbrace, (Pair), Adult	AL-45907	Call
5	XBRC Nut & Bolt	AL-45910	\$4.95
6	Seat Rail Guide, White	AL-182	\$1.95
	Seat Rail Guide, Black	AL-182B	\$1.95
7	Hand Grip, Grey	AL-370	\$1.95
	Hand Grip, Black	AL-370B	\$1.95
8	Tipping Sleeve, Grey	AL-1741	\$1.95
	Tipping Sleeve, Black	AL-1741B	\$1.95
9	Top Inner Rail, (Pair)	AL-45918	\$23.95
10	Bottom Inner Rail, (Pair)	AL-45911	\$28.95
11	Sidepanel	AL-152E	\$16.95
12	Padded Armrest, Full Length	AL-135*	\$5.95
13	Seat Upholstery, Adult 18"	AL-827*	\$22.95
	Seat Upholstery, Narrow 16"	AL-825*	\$22.95
14	Back Upholstery, Adult 18"	AL-794*	\$22.95
	Back Upholstery, Narrow 16"	AL-792*	\$22.95
15	Wheel Lock Assembly, Right	AL-344R	\$12.95

Pr.  
Pr.  
Pr.  
Pr.

Fig.	Description	ALCO Part No.	Price Each
16	Wheel Lock Assembly, Left	AL-344L	\$12.95
17	Caster Wheel Assy (less fork) Grey	AL-305M	\$16.95
17	Caster Wheel Assy (less fork) Black	AL-305MB	\$16.95
18	Caster Stem Bearing	AL-261	\$2.99
19	Wheel Assy Complete, Black	AL-58655	\$99.00
20	Hub Cap, Grey	AL-241	\$2.95
	Hub Cap, Black	AL-241B	\$2.95
21	Axle with Locknut	AL-686	\$2.95
22	Footrest Assembly, Adult, Right	AL-104A-R	\$29.95
&	Footrest Assembly, Adult, Left	AL-104A-L	\$29.95
23	Footrest (Pair)	AL-64425	\$49.00
24	Legrest Assembly, Adult, Right	AL-408SR*	\$59.00
&	Legrest Assembly, Adult, Left	AL-408SL*	\$59.00
25	Legrest (Pair)	AL-64417*	\$114.95
26	Padded Legrest Panel	AL-422U*	\$13.95
28	Snap On 24" Tire	AL-50156A	\$19.95
29	Bearing for 24" wheel 7/16" ID	AL-264	\$3.95
30	Fork Steel 8" only	AL-2279	\$16.95
31	Self Locking Stem Nut	AL-1374	\$0.90
32	Dust Cap Plastic, Grey	AL-247	\$1.95
	Dust Cap Plastic, Black	AL-247B	\$1.95

Pr.  
Pr.

\*Specify color. See inside front cover for color choices.

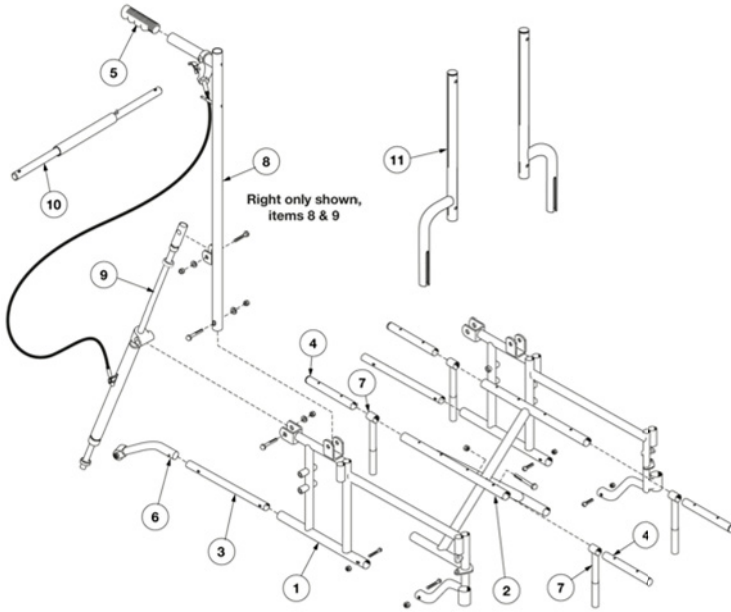
To Reach **ALCO** Phone 800-323-4282 • 630-655-1900  
 FAX 800-950-1167 • 630-655-1900

E-mail: info@alcosales.com  
 Website: www.alcosales.com

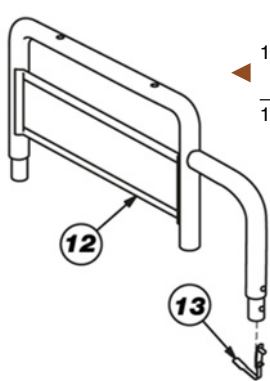


# Traveler Recliner—Frame & Crossbrace

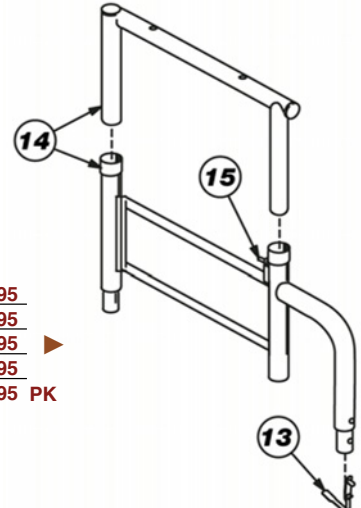
**BUY 11 GET 1 FREE!**



1	Sideframe (Pair)	AL-68380	Call	Pr.
	Crossbrace (Pair)			Pr.
2	16" W	AL-68381	Call	
	18" W	AL-68382	Call	
	20" W	AL-68383	Call	
3	Bottom inner rail kit (includes inner rail (2), screw and nut (4) and sleeve (2))	AL-45911	\$28.95	
4	Inner seat rail with plug (Pair)	AL-68384	\$21.95	Pr.
5	Grip	AL-370B	\$1.95	
6	Anti-tipper (Pair)	AL-629	\$49.95	Pr.
	Seat slide kit 16" and 18" W Front	AL-49966	\$20.95	
7	Seat slide kit 16" and 18" W Rear	AL-68385	\$20.95	
	Seat slide kit 20" W (Pair)			
	2 pairs required per chair	AL-49967	\$17.00	Pr.
8	Backpost with shaft and trigger (Pair) includes mounting hardware	AL-2520	\$144.00	Pr.
9	Mech-lock (Pair) includes mounting hardware	AL-65369	\$199.95	Pr.
	Spreader bar			
10	18" W	AL-464	\$19.95	
	20" W	AL-2546	\$19.95	
11	Headrest post (Pair)	AL-68921	\$39.95	Pr.

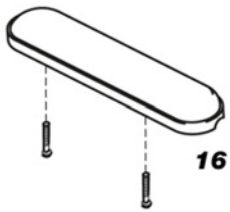


	Left Arm Removable, Desk length	AL-980L	\$39.95
	Right Arm Removable, Desk length	AL-980R	\$39.95
12	Left Arm Removable, Full length	AL-978L	\$39.95
	Right Arm Removable, Full length	AL-978R	\$39.95
13	Spring lock	AL-45728	\$3.95



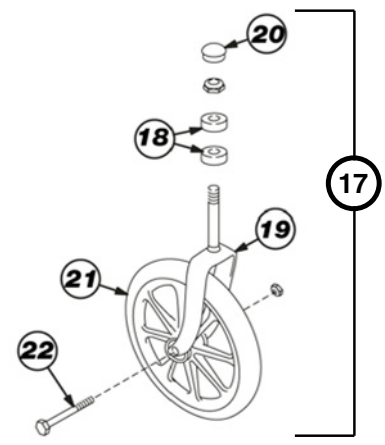
	Right Arm Removable, Desk length	AL-45722	\$69.95
	Left Arm Removable, Desk length	AL-45723	\$69.95
14	Right Arm Removable Full length	AL-45724	\$79.95
	Left Arm Removable, Full length	AL-45725	\$79.95
15	Spring lock, upper, Pack of 10	AL-68386	\$18.95 PK

Everest & Jennings®



16 Arm pad	Desk length		Full length	
Color	AL-145BK-A4	\$5.95	AL-135BK-A4	\$5.95
BLACK	AL-145BK-A3	\$5.95	AL-135BK-A3	\$5.95
BURGUNDY	AL-145BK-A25	\$5.95	AL-135BK-A25	\$5.95

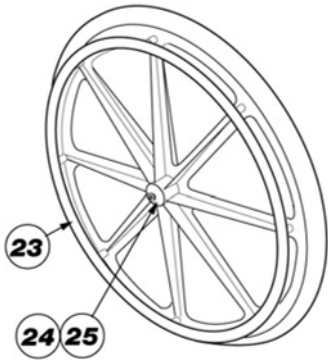
17	Caster, complete, 8" x 1" tire	AL-45926	\$46.95
18	Caster stem bearing with flange	AL-252	\$4.95
18	Caster stem bearing without flange	AL-261	\$2.99
19	Caster fork, steel, with stem nut	AL-68742	\$19.95
20	Dust cap, new style	AL-68743	\$1.95
20	Dust cap, old style	AL-247B	\$1.95
21	8" x 1" solid caster wheel	AL-66153	\$16.95
	8" x 1 3/4" pneumatic caster wheel	AL-68744	\$41.95
	8" x 1 3/4" semi-pneumatic caster wheel	AL-68745	\$59.95
22	Axle bolt and nut	AL-2237	\$2.95



# Traveler Recliner—Arms & Casters



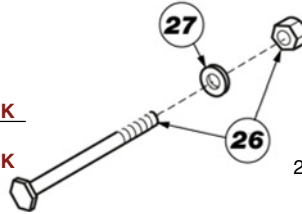
**BUY 11 GET 1 FREE!**



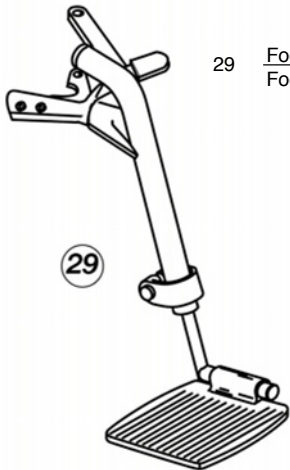
- 23 24" x 1" black wheel with integral Handrim **AL-58655** \$99.00
- 24" x 1" black wheel with chrome Handrim **AL-2722MB** \$99.00

- 24 Hubcap for 1" tire wheel, black **AL-64842** \$1.95
- 25 Bearing for 1" tire wheel **AL-59705A** \$7.95

- 26 Axle and nut for 1" tire wheel (pack of 10) **AL-68388** \$10.95 PK
- 27 Spacer for Integral handrim wheels (pack of 10) **AL-68389** \$10.95 PK



- 28 Push to lock wheel lock, left **AL-347L** \$12.95
- Push to lock wheel lock, right **AL-347R** \$12.95
- Rubber tip, wheel lock **AL-380** \$1.95



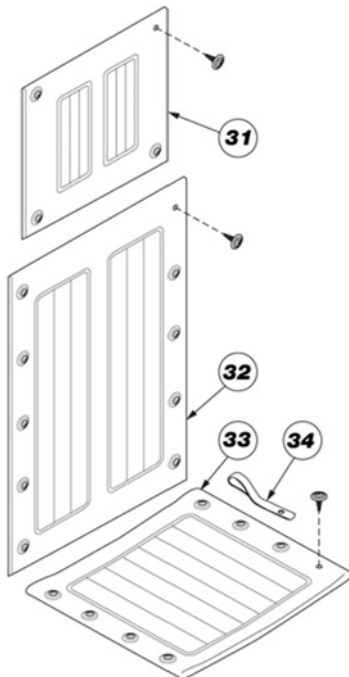
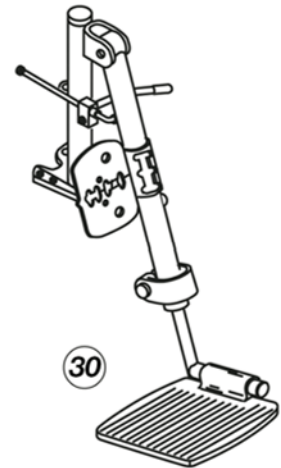
- 29 Footrest Left **AL-104L** \$34.95
- Footrest Right **AL-104R** \$34.95

- Elevating legrest, Left **AL-408SL** \$59.00
- 30 Elevating legrest, Right **AL-408SR** \$59.00
- Elevating legrest, Pair **AL-64417** \$114.95 Pr.

**Legrest Panel**

- BLUE **AL-422UBK-A4** \$13.95
- BLACK **AL-422UBK-A3** \$13.95
- BURGUNDY **AL-422UBK-A25** \$13.95

- Legrest Footplate with extension only (Pair) **AL-65657** \$129.95 Pr.



**31 Headrest Upholstery**

- BLUE **AL-68390BL** \$35.95
- BLACK **AL-68390BK** \$35.95
- BURGUNDY **AL-68390BG** \$35.95

**32 Back Upholstery**

- BLUE **AL-812-A4** \$49.95
- BLACK **AL-812-A3** \$49.95
- BURGUNDY **AL-812-A25** \$49.95

**33 Seat Upholstery**

- BLUE **AL-827-A4** \$22.95
- BLACK **AL-827-A3** \$22.95
- BURGUNDY **AL-827-A25** \$22.95

**34 Carrying Strap (Pair)**

- BLUE **AL-2883-A4** \$5.95
- BLACK **AL-2883-A3** \$5.95
- BURGUNDY **AL-2883-A25** \$5.95

Everest & Jennings®

# Gendron Wheel Chair — Removable Arm

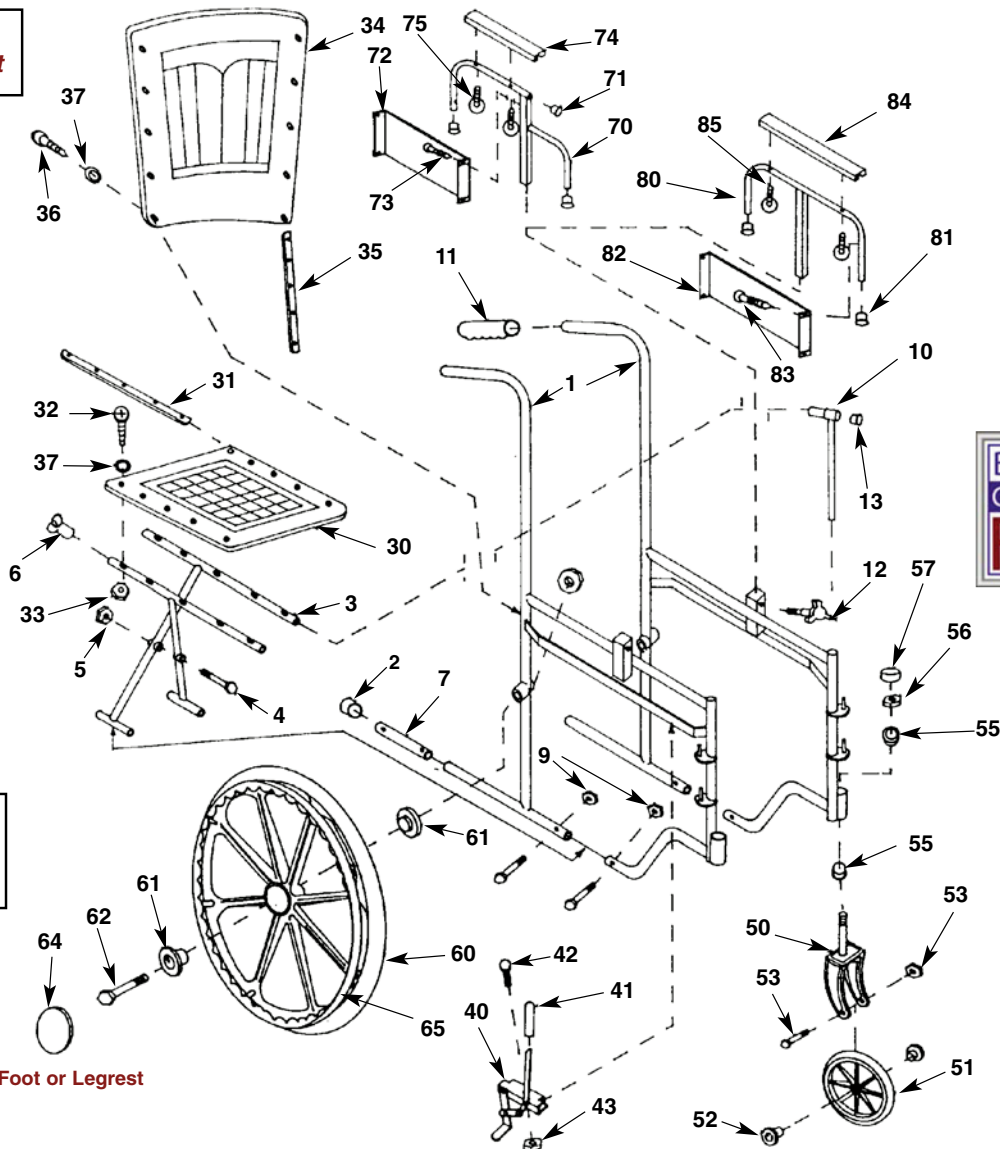
**BUY 11 GET 1 FREE!**

Call For New  
Gendron Equipment



When Ordering,  
Specify Left (L)  
or Right (R)  
Sitting in Chair

Note: Frames and crossbars  
require serial number and/or  
model number to reorder.



BUY 11  
Get One  
FREE

For Gendron Hook-On Foot or Legrest  
See Pages 66-68

Fig.	Description	ALCO Part No.	Price Each
1	Frame Assembly		
	Side Frame, Right or Left	AL-46035	Call
2	Rubber Cap, Grey	AL-1742G	\$1.95
	Rubber Cap, Black	AL-1742B	\$1.95
3	X-Brace, Right or Left		
	For 18" Wide	AL-46013	Call
	For 16" Wide	AL-46014	Call
4	Hex Head Bolt	AL-46015	\$1.95
5	Lock Nut	AL-45808	\$1.45
6	Seat Guide, Plastic	AL-184	\$1.95
7	Insert Tube	AL-46018	\$4.95
9	Lock Nut	AL-46026	\$0.95
10	Seat Guide Tube	AL-46036	\$14.95
11	Rubber Hand Grip, Grey	AL-370	\$1.95
	Rubber Hand Grip, Black	AL-370B	\$1.95
12	Armrest Lock Knob	AL-46037	\$3.95
13	Tube Closure	AL-231B	\$0.95
	<b>Upholstery</b>		
30	Seat w/Liner & Hardware	AL-852*	\$36.95
31	Seat Strap, 5-hole	AL-46022	\$1.95
32	Seat Screw, Oval Head	AL-45494	\$0.39
33	Lock Nut	AL-45495	\$0.39
34	Back w/Liner & Hardware	AL-836*	\$29.95
35	Back Strap, 5-hole	AL-46023	\$1.95
36	Back Screw, Sheet Metal	AL-45493	\$0.39

Fig.	Description	ALCO Part No.	Price Each
37	Eyelet	AL-45501	\$0.39
40	Brake Assembly New Type		
	Toggle Brake Assembly, Rt	AL-46024R	\$25.95
	Toggle Brake Assembly, Lft	AL-46024L	\$25.95
41	Rubber Brake Grip, Grey	AL-377	\$1.45
	Rubber Brake Grip, Black	AL-377B	\$1.45
42	Carriage Bolt	AL-46025	\$1.40
43	Lock Nut	AL-46026	\$0.95
	<b>8" Caster Assembly</b>		
	Complete Caster Assy. w/Fork, Wheel w/Bearings, Axle Bolt and Nut	AL-46027	\$59.95
50	Caster Fork with Stem	AL-45984	\$27.95
51	8" Caster Wheel	AL-2116B	\$16.95
52	Wheel Bearing	AL-259F	\$3.95
53	Axle Bolt with Lock Nut	AL-1406	\$3.95
55	Bearing, Caster Stem	AL-261	\$2.99
56	Lock Nut	AL-45986	\$0.95
57	Cap, Caster	AL-46028	\$1.95
60	24" Wheel Assembly		
	Wheel Assy. w/Hand Rim and Bearings	AL-18P	\$59.00
61	Bearing, 1/2" Axle	AL-268	\$3.95
62	Bolt with Lock Nut, 1/2" Axle	AL-693	\$6.95

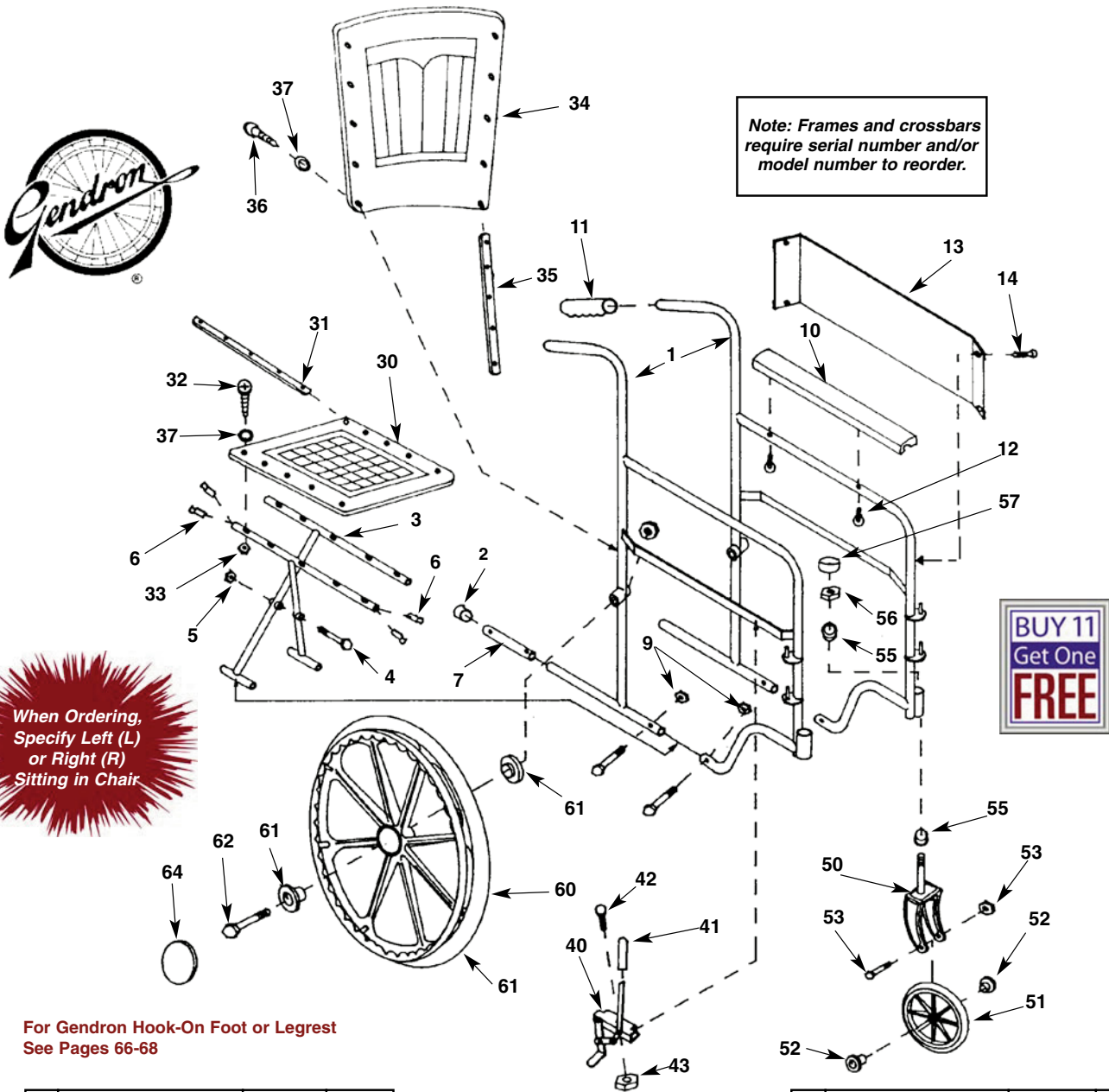
Fig.	Description	ALCO Part No.	Price Each
63	Lock Nut	AL-1374	\$0.90
64	Hub Cap	AL-46029	\$1.95
65	Handrim	AL-47731	\$13.95
70	Removable Desk Arm		
	Complete, Left or Right	AL-46039	CALL
71	Tube Closure	AL-46041	\$1.95
72	Skirt Guard	AL-46042	\$16.95
73	Sheet Metal Screw	AL-46021	\$0.39
74	Desk Armrest, Black only	AL-2254-183	\$19.95
75	Pan Head Screw	AL-45504	\$0.39
	<b>Removable Full Arm</b>		
	Complete, Left or Right	AL-46043	\$59.00
80	Full Arm Assy. L or R	AL-46044	\$33.00
81	Tube Closure	AL-46041	\$1.95
82	Skirt Guard	AL-46045	\$19.95
83	Screw, Sheet Metal	AL-46021	\$0.39
84	Full Armrest, Black only	AL-2253-183	\$19.95
85	Pan Head Screw	AL-45504	\$0.39

\*Specify color. See inside front cover for color choices.



# Gendron Wheel Chair — Fixed Arm

**BUY 11 GET 1 FREE!**



For Gendron Hook-On Foot or Legrest  
See Pages 66-68

Fig.	Description	ALCO Part No.	Price Each
<b>Frame Assembly</b>			
1	Side Frame, Right or Left	AL-46012	Call
2	Rubber Cap, Grey	AL-1742G	\$1.95
2	Rubber Cap, Black	AL-1742B	\$1.95
3	X-Brace, Right or Left	AL-46013	Call
3	For 18" Wide	AL-46014	Call
3	For 16" Wide	AL-46017	\$3.95
4	Hex Head Bolt	AL-46015	\$1.95
5	Lock Nut	AL-45808	\$0.95
6	Seat Guide	AL-46017	\$3.95
7	Insert Tube	AL-46018	\$4.95
9	Lock Nut	AL-46026	\$0.95
10	Armrest, Black only	AL-2253-183	\$19.95
11	Hand Grip, Grey	AL-370	\$1.95
11	Hand Grip, Black	AL-370B	\$1.95
12	Pan Head Screw	AL-45504	\$0.39
13	Skirt Guard	AL-152	\$16.95
14	Sheet Metal Screw	AL-46021	\$0.39

Fig.	Description	ALCO Part No.	Price Each
<b>Upholstery</b>			
30	Seat w/Liner & Hardware	AL-852*	\$36.95
31	Seat Strap	AL-46022	\$1.95
32	Seat Screw, Oval Head	AL-45494	\$0.39
33	Lock Nut	AL-45495	\$0.39
34	Back w/Liner & Hardware	AL-836*	\$29.95
35	Back Strap	AL-46023	\$1.95
36	Back Screw, Sheet Metal	AL-45493	\$0.39
37	Eyelet	AL-45501	\$0.39
40	Toggle Brake Assy. Left	AL-46024L	\$25.95
40	Toggle Brake Assy. Right	AL-46024R	\$25.95
41	Brake Grip, Grey	AL-377	\$1.45
41	Brake Grip, Black	AL-377B	\$1.45
42	Bolt, Carriage	AL-46025	\$1.40
43	Lock Nut	AL-46026	\$0.95

Fig.	Description	ALCO Part No.	Price Each
<b>8" Caster Assembly</b>			
Complete Caster Assy. w/Fork, Wheel w/Bearings, Axle Bolt and Nut			
50	Fork, Caster, with Stem	AL-45984	\$27.95
51	Wheel, 8" Caster	AL-2116B	\$16.95
52	Bearing, Wheel	AL-259F	\$3.95
53	Axle Bolt with Lock Nut	AL-1406	\$3.95
55	Bearing, Caster Stem	AL-261	\$3.95
56	Lock Nut	AL-45986	\$0.95
57	Cap, Caster	AL-46028	\$1.95
60	Wheel Assy. w/Hand Rim and Bearings	AL-18P	\$59.00
61	Bearing, 1/2" Axle	AL-268	\$3.95
62	Bolt, Hex Head, 1/2" Axle	AL-692	\$2.00
63	Lock Nut	AL-1374	\$0.95
64	Hub Cap	AL-46029	\$1.95
65	Handrim	AL-47731	\$13.95

\*Specify color. See inside front cover for color choices.

# ALCO Comfort Classic Folding Solid Seat Wheelchair Parts Breakdown for 20" 22" & 24"

**BUY 11 GET 1 FREE!**



## Upholstery

Fig.	Description	ALCO Part No.	Price Each
1	<b>Back Upholstery—Blue (Std)</b>		
	20" Wide*	AL-70050	\$38.95
	22" Wide*	AL-70051	\$41.95
	24" Wide*	AL-70052	\$47.95
	Replacement Screw and Washer (Black)	AL-66663	\$1.95
2	<b>Solid Seat—Blue (Std)</b>		
	20" Wide*	AL-70053	\$79.95
	22" Wide*	AL-70054	\$82.95
	24" Wide*	AL-70055	\$89.95
3	<b>Calfpads—Blue (Std)</b>		
	Padded Calfpads (Black Base)*	AL-70056	\$14.95
4	<b>Armrest Pads—Blue (Std)</b>		
	Desk Length Padded (Black Base)*	AL-70057	\$9.95
	Full Length Padded (Black Base)*	AL-70058	\$9.95

\*Upholstery Available in Blue (BL), Black (BK) or Burgundy (BU)

## Upholstery Kits Include: Seat, Back, Armrests & Calf Pads

Description	Burgundy Part No.	Blue Part No.	Black Part No.	Price Each
20" w/ Full Length Arms	AL-70024BU	AL-70024BL	AL-70024BK	\$75.00
22" w/ Full Length Arms	AL-70025BU	AL-70025BL	AL-70025BK	
24" w/ Full Length Arms	AL-70026BU	AL-70026BL	AL-70026BK	
20" w/ Desk Length Arms	AL-70027BU	AL-70027BL	AL-70027BK	
22" w/ Desk Length Arms	AL-70028BU	AL-70028BL	AL-70028BK	
24" w/ Desk Length Arms	AL-70029BU	AL-70029BL	AL-70029BK	

## Arms and Arm Parts

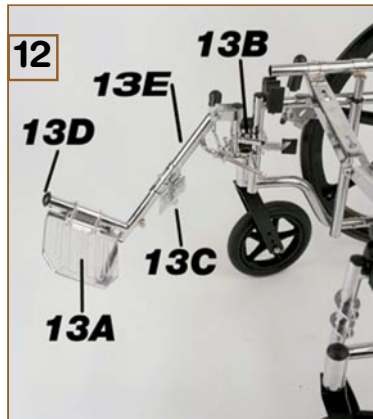
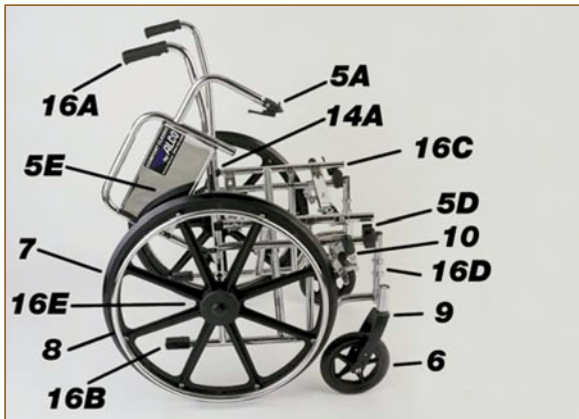
Fig.	Description	ALCO Part No.	Price Each
5	<b>Armrest Assembly*</b>		
	Right, Desk Arm (Removable) Fits 20" - 24"	AL-70059	\$44.95
	Right, Full Arm (Removable) Fits 20" - 24"	AL-70060	\$44.95
	Right, Desk Arm (Flip-Back) Fits 20"	AL-70061	\$44.95
	Right, Full Arm (Flip-Back) Fits 20"	AL-70062	\$44.95
	Right, Desk Arm (Flip-Back) Fits 22" & 24"	AL-70063	\$44.95
	Right, Full Arm (Flip-Back) Fits 22" & 24"	AL-70064	\$44.95
	Left, Desk Arm (Removable) Fits 20" - 24"	AL-70065	\$44.95
	Left, Full Arm (Removable) Fits 20" - 24"	AL-70066	\$44.95
	Left, Desk Arm (Flip-Back) Fits 20"	AL-70067	\$44.95
	Left, Full Arm (Flip-Back) Fits 20"	AL-70068	\$44.95
	Left, Desk Arm (Flip-Back) Fits 22" & 24"	AL-70069	\$44.95
	Left, Full Arm (Flip-Back) Fits 22" & 24"	AL-70070	\$44.95
<b>Arm Assembly Parts</b>			
5A	Armrest Male Socket for Flip-Back Arms	AL-70071	\$6.95
5B	Flip-back Attachment Bracket	AL-70072	\$6.95
5C	Spring-Button Lock Mechanism	AL-70073	\$6.95
5D	H-Blocks / Arm Female Sockets Left	AL-70074L	\$11.95
	H-Blocks / Arm Female Sockets Right	AL-70074R	\$11.95
5E	Side Panel, Desk Length. Fits Removable Desk and Flip Back Desk Arms 22-24"	AL-70075	\$16.95
	Side Panel, Full Length. Fits Removable Full (20-24") and Flip Back Full Arm (20")	AL-70076	\$16.95
	Side Panel, Full Length. Fits Flip Back Full Arms (22-24")	AL-70030	\$16.95

\*Armrest Upholstery Available in Blue (BL), Black (BK) or Burgundy (BU)

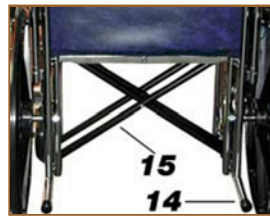
**When Ordering Replacements Specify Left or Right As You Are Sitting In Chair**

# ALCO Comfort Classic Folding Solid Seat Wheelchair Parts Breakdown for 20" 22" & 24"

**BUY 11 GET 1 FREE!**



Single X-Brace  
20" Wide



Double X-Brace  
22" to 24" Wide



Fig.	Description	ALCO Part No.	Price Each
	<b>Wheels &amp; Wheel Parts</b>		
6	<b>Front Caster Wheels—Soft</b> 8" x 1" for 20" Wide	AL-70077	\$8.00
	8" x 2" for 22" & 24" Wide	AL-70078	\$19.00
	<b>Front Caster Wheels—Hard</b> 8" x 1" for 20" Wide	AL-65562	\$10.00
	8" x 2" for 22" & 24" Wide	AL-65563	\$29.00
7	<b>Rear Wheels w/Handrim &amp; Bearings</b> 20" Wide	AL-70079	\$69.00
	22" & 24" Wide	AL-70080	\$79.00
8	<b>Handrim</b> Chrome Handrim with Attaching Hardware	AL-70081	\$19.95
	<b>Axles</b>		
8	Front Caster Axle for 20" Wide	AL-70082	\$3.95
	Front Caster Axle for 22" & 24" Wide	AL-70083	\$3.95
	20" Wide Rear Axle ( Flip-Back Arms)	AL-70084	\$6.95
	22" & 24" Wide Rear Axle (Removable Arms)	AL-70085	\$6.95
	<b>Replacement Bearing</b>		
	Front Fork Stem Bearings for 20" Wide	AL-66980	\$3.95
	Front Fork Stem Bearings for 22" and 24" Wide	AL-67060	\$6.95
9	Front Caster Bearings	AL-70087	\$6.95
	20" Wide Rear Wheel Bearings	AL-54878	\$6.95
	22" & 24" Wide Rear Wheel Bearings	AL-70089	\$6.95
	<b>Forks</b>		
10	20" Wide	AL-70090	\$24.95
	22" & 24" Wide	AL-70091	\$39.95
	<b>Wheel Locks</b>		
	Push-To-Lock, Flip-Back and Removable Arm Chairs, Left	AL-45575	\$13.95
	Push-To-Lock, Flip-Back and Removable Arm Chairs, Right	AL-45574	\$13.95
10	Wheel Locks, Set	AL-64692	\$29.95
	Wheel Lock Rubber Tips (Black)	AL-70094	\$2.95
	<b>Footrests, Legrests &amp; Parts</b>		
11	<b>Footrest Assembly</b>		
	Footrest, Right	AL-70095	\$49.95
	Footrest, Left	AL-70096	\$49.95
	Footrest, Pair	AL-64693	\$79.95

Fig.	Description	ALCO Part No.	Price Each
12	<b>Elevating Legrest Assembly</b>		
	Legrest, Right	AL-70097	\$69.95
	Legrest, Left	AL-70098	\$69.95
	Legrest, Pair	AL-64694	\$99.95
13A	<b>Front Rigging Parts</b>		
	Chrome Footplate	AL-64218	\$19.95
	Tension Springs for Footplate	AL-2292	\$1.95
	Heel Loops w/ Attaching Hardware (Pair)	AL-2292	\$10.95
	Complete Ratchet Assembly (Left or Right)	AL-436	\$21.95
13B	Ratchet Bar Only (with teeth)	AL-71866	\$6.95
	Camlock Clip, Legrest, Right (w/o Spring)	AL-70101	\$8.95
	Camlock Clip, Legrest, Left (w/o Spring)	AL-70102	\$8.95
	Camlock Clip, Footrest, Right	AL-67066	\$8.95
	Camlock Clip, Footrest, Left	AL-67067	\$8.95
13C	Legrest Panel Hardware	AL-70103	\$14.95
13D	Footplate Bumper (Black)	AL-70104	\$2.95
13E	Ratchet Handle Tip (Black)	AL-70105	\$6.95
14	<b>Frames</b>		
	20" Wide Side Frame, Left	AL-70106	Call
	20" Wide Side Frame, Right	AL-70107	Call
	22"-24" Wide Side Frame, Left	AL-70108	Call
14A	22"-24" Wide Side Frame, Right	AL-70109	Call
	Seat Rail Guides	AL-67027	\$5.95
	Telescoping Tubes - 20" Wide	AL-67044	\$8.95
14A	Telescoping Tube - 22" - 24" Wide	AL-67070	\$11.95
	<b>Crossbraces</b>		
15	20" Wide (Pair)	AL-70113	\$89.95
	22" Wide (Pair)	AL-70114	\$96.95
	24" Wide (Pair)	AL-70115	\$99.95
16A	<b>Tips, Grips &amp; Miscellaneous Parts</b>		
	Hand Grips	AL-70116	\$6.95
16B	Tipping Sleeves for Back Canes		
	20" Wide Only	AL-70117	\$4.95
16C	Rear End Cap For Back Cane		
16C	22" - 24" Wide	AL-70117A	\$4.95
16C	Seat Rail Tube Plugs		
	20", 22" & 24" Wide	AL-231B	\$0.95
16D	Stem (Dust) Caps	AL-70120	\$3.95



# TuffCare Model 247 & 867 Fixed Arm

**BUY 11 GET 1 FREE!**

**BUY IT NEW!**



- 18" Fixed Arm w/Plastic Side Panel and Footrest  
**AL-52303 \$169.00**

---

- 18" Fixed Arm w/Plastic Side Panel and Legrest  
**AL-52304 \$199.00**

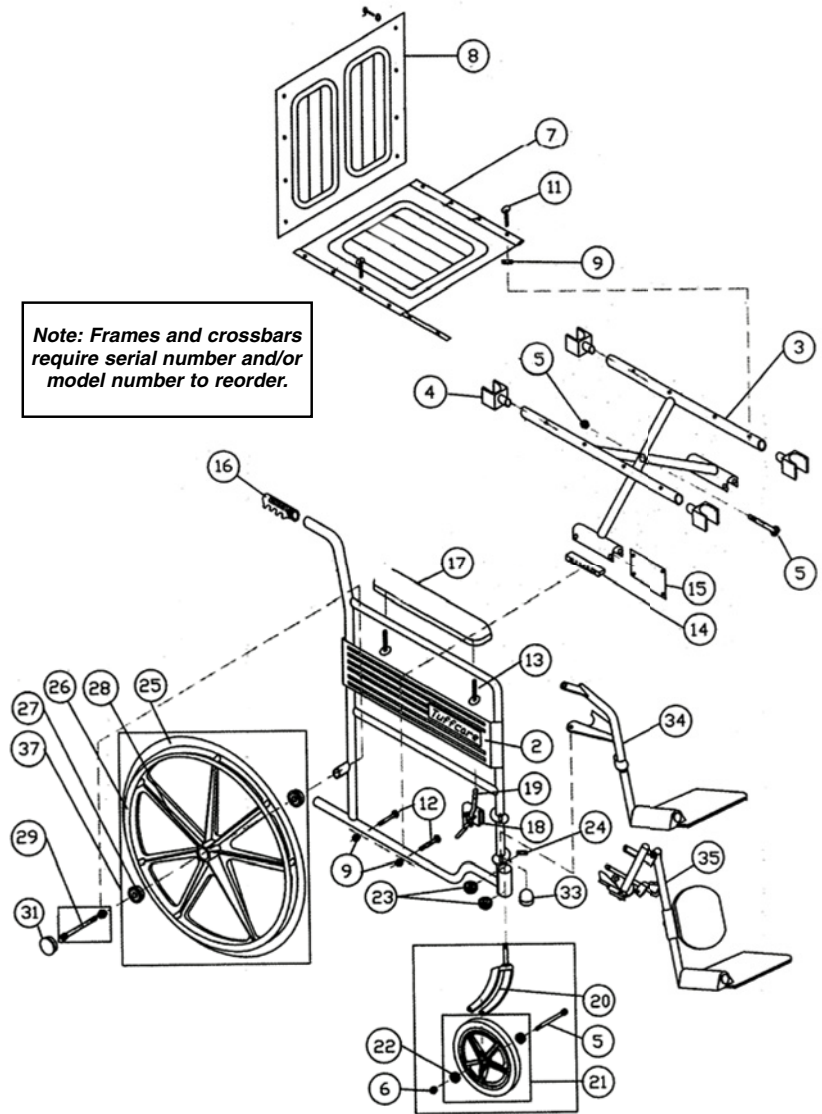
---

- 18" Full Length Arm W/ Stainless Side Panel and Footrest  
**AL-52306 \$189.00**

---

- 18" Full Length Arm W/ Stainless Side Panel and Legrest  
**AL-52307 \$209.00**

Note: Frames and crossbars require serial number and/or model number to reorder.



See Color Chart Inside Front Cover for Upholstery Colors

Fig.	Description	ALCO Part No.	Price Each
2	Plastic Side Panel, Black	AL-59212	\$8.95
	Stainless Steel Side Panel	AL-152E	\$16.95
4	Seat Guide, White	AL-182	\$1.95
	Seat Guide, Black	AL-182B	\$1.95
5	Axle Bolt w/Locknut	AL-2237	\$2.95
7	Seat (specify color)	AL-827*	\$22.95
8	Back (specify color)	AL-794*	\$22.95
9	Lock Nut	AL-45495	\$0.39
11	Bolt	AL-45494	\$0.39
12	Bolt	AL-45494	\$0.39
13	Screw	AL-45497	\$0.39
14	Nylon Plug In U-Shape	AL-59216	\$4.95
15	Sheet Washer	AL-59217	\$1.95
16	Hand Grip, Grey	AL-370	\$1.95
	Hand Grip, Black	AL-370B	\$1.95
17	Arm Rest Full Length Plastic, Grey	AL-131-GY	\$6.95
	Arm Rest Full Length Plastic, Black	AL-131-BK	\$6.95
	Arm Rest Full Padded (spec color)	AL-135*	\$5.95
18	Wheel Lock, Left	AL-349L	\$12.95
	Wheel Lock, Right	AL-349R	\$12.95

Fig.	Description	ALCO Part No.	Price Each
19	Brake Tip, Grey	AL-377	\$1.45
	Brake Tip, Black	AL-377B	\$1.45
20	Caster Fork	AL-2279	\$16.95
21	8" X 1" Wheel, Grey	AL-305M	\$16.95
	8" X 1" Wheel, Black	AL-305MB	\$16.95
22	Axle Bearing	AL-2970	\$2.99
23	Stem Bearing	AL-261	\$2.99
24	Lock Nut	AL-1374	\$0.90
25	24" X 1" Snap-On Tire	AL-59218	\$14.95
26	Handrim	AL-59219	\$24.95
27	Rear Wheel Bearing	AL-264	\$3.95
29	Bolt with Locknut	AL-688	\$7.95
31	Hub Cap, Grey	AL-241	\$2.95
	Hub Cap, Black	AL-241B	\$2.95
33	Dust Cap, Grey	AL-247	\$1.95
	Dust Cap, Black	AL-247B	\$1.95
34	Footrest, Left	AL-104L	\$34.95
	Footrest, Right	AL-104R	\$34.95
35	Leg Rest, Left	AL-408SL*	\$79.00
	Leg Rest, Right	AL-408SR*	\$79.00
37	24" X 1" Wheel	AL-59220	\$69.95

\*Specify color. See inside front cover for color choices.

# TuffCare Model 377 Removable Arm

**BUY 11 GET 1 FREE!**

**BUY IT NEW!**



### Super Extra Wide™ Wheelchair

- 24" Detachable desk arm w/swinging footrest  
**AL-52428 \$639.00**
- 24" Detachable desk arm w/swinging legrest  
**AL-52429 \$689.00**
- 24" Detachable full arm w/swinging footrest  
**AL-52430 \$639.00**
- 24" Detachable full arm w/swinging legrest  
**AL-52431 \$689.00**

**Note: Frames and crossbars require serial number and/or model number to reorder.**

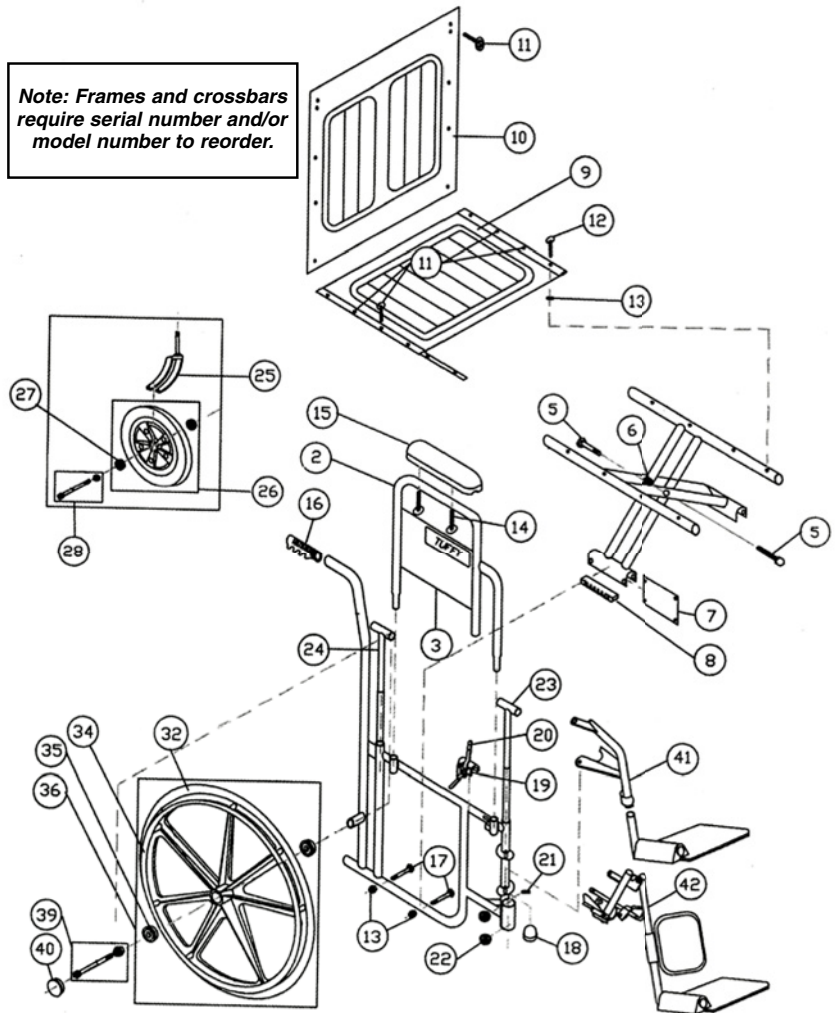


Fig.	Description	ALCO Part No.	Price Each
2	Detachable Desk Arms, Left	<b>AL-980L*</b>	<b>\$39.95</b>
	Detachable Desk Arms, Right	<b>AL-980R*</b>	<b>\$39.95</b>
3	Detachable Full Arm, Left	<b>AL-978L*</b>	<b>\$39.95</b>
	Detachable Full Arm, Right	<b>AL-978R*</b>	<b>\$39.95</b>
3	Stainless Steel Desk Side Panels	<b>AL-59223</b>	<b>Call</b>
5	Axle Bolt w/Locknut	<b>AL-2237</b>	<b>\$2.95</b>
7	Plastic Sheet Washer	<b>AL-59217</b>	<b>\$1.95</b>
8	Nylon Plug, U-Shape	<b>AL-59216</b>	<b>\$4.95</b>
9	Seat 18" (specify color)	<b>AL-827*</b>	<b>\$22.95</b>
	Seat 20" (specify color)	<b>AL-828*</b>	<b>\$30.95</b>
	Seat 22" (specify color)	<b>AL-829*</b>	<b>\$34.95</b>
	Seat 24" (specify color)	<b>AL-830*</b>	<b>\$39.95</b>
10	Back 18" (specify color)	<b>AL-794*</b>	<b>\$22.95</b>
	Back 20" (specify color)	<b>AL-795*</b>	<b>\$30.95</b>
	Back 22" (specify color)	<b>AL-796*</b>	<b>\$34.95</b>
	Back 24" (specify color)	<b>AL-797*</b>	<b>\$39.95</b>
11	Upholstery Screw	<b>AL-45493</b>	<b>\$0.39</b>
12	Seat Upholstery Bolt	<b>AL-45494</b>	<b>\$0.39</b>
13	Seat Upholstery Lock Nut	<b>AL-45495</b>	<b>\$0.39</b>
14	Arm Rest Screw	<b>AL-45504</b>	<b>\$0.39</b>
15	Arm Rest Desk, Padded	<b>AL-145*</b>	<b>\$5.95</b>
	Arm Rest Full, Padded	<b>AL-135*</b>	<b>\$5.95</b>
16	Hand Grip, Grey	<b>AL-370</b>	<b>\$1.95</b>
	Hand Grip, Black	<b>AL-370B</b>	<b>\$1.95</b>
17	Screw	<b>AL-45504</b>	<b>\$0.39</b>
18	Dust Cap	<b>AL-59232</b>	<b>\$1.95</b>

Fig.	Description	ALCO Part No.	Price Each
19	Wheel Lock, Left	<b>AL-347L</b>	<b>\$12.95</b>
	Wheel Lock, Right	<b>AL-347R</b>	<b>\$12.95</b>
20	Brake Tip, Grey	<b>AL-377</b>	<b>\$1.45</b>
	Brake Tip, Black	<b>AL-377B</b>	<b>\$1.45</b>
21	Lock Nut	<b>AL-1374</b>	<b>\$0.90</b>
22	Stem Bearing	<b>AL-261</b>	<b>\$2.99</b>
23	Seat Guides For 18", 20" Front/Rear (22" Front)	<b>AL-59233</b>	<b>\$13.95</b>
	Seat Guide For 24" Front	<b>AL-59235</b>	<b>\$15.95</b>
24	Seat Guide For 24" Rear	<b>AL-59236</b>	<b>\$15.95</b>
25	Caster Fork	<b>AL-1399A</b>	<b>\$23.95</b>
26	8x1 Caster, Black	<b>AL-52322</b>	<b>\$29.00</b>
27	Bearing	<b>AL-259F</b>	<b>\$3.95</b>
28	Bolt & Nut	<b>AL-1406</b>	<b>\$3.95</b>
32	24" X 1 3/8" Snap-On Tire	<b>AL-59237</b>	<b>\$29.95</b>
34	Handrim	<b>AL-59238</b>	<b>\$24.95</b>
35	Bearing	<b>AL-266</b>	<b>\$4.95</b>
36	24" Rear Wheel	<b>AL-59239</b>	<b>\$89.95</b>
39	Axle And Lock Nut	<b>AL-58548</b>	<b>\$7.95</b>
40	Hub Cap, Grey	<b>AL-241</b>	<b>\$2.95</b>
	Hub Cap, Black	<b>AL-241B</b>	<b>\$2.95</b>
41	Footrest, Right	<b>AL-104R</b>	<b>\$34.95</b>
	Footrest, Left	<b>AL-104L</b>	<b>\$34.95</b>
	Legrest, Right	<b>AL-408SR*</b>	<b>\$79.00</b>
	Legrest, Left	<b>AL-408SL*</b>	<b>\$79.00</b>

See Color Chart Inside Front Cover for Upholstery Colors



\*Specify color. See inside front cover for color choices.

# Winnie Parts

## BUY 11 GET 1 FREE!

**drive**



When Ordering,  
Specify Left (L)  
or Right (R)  
Sitting in Chair

**BUY IT NEW!**



Weight Capacity  
300 lbs

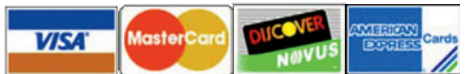
16" Fixed Arm, footrest	AL-66166	\$159.00
16" Fixed Arm, legrest	AL-66167	\$199.00
16" Removable Desk Arm, footrest	AL-66168	\$179.00
16" Removable Desk Arm, legrest	AL-66169	\$189.00
18" Fixed Arm, footrest	AL-65458	\$159.00
18" Fixed Arm, legrest	AL-65459	\$179.00
18" Removable Desk Arm, footrest	AL-66170	\$179.00
18" Removable Desk Arm, legrest	AL-65460	\$189.00
20" Removable Desk Arm, footrest	AL-65461	\$189.00
20" Removable Desk Arm, legrest	AL-65462	\$199.00

Fig.	Description	ALCO Part No.	Price Each
1	Back Upholstery 18" (Black Only)	AL-66950	\$29.95
	Back Upholstery 20" (Black Only)	AL-66951	\$29.95
2	Handgrip	AL-70116	\$6.95
3	Back Upholstery Screw	AL-66663	\$1.95
4	Side Panel, Fixed Arm	AL-66954	\$9.95
5	Rear Wheel Assembly W/Black Hand Rim	AL-66955	\$62.95
6	Rear Wheel Hub Cap	AL-66956	\$6.95
7	Rear Axle Bolt For Chair W/Detach. Arms	AL-66957	\$3.95
	Rear Axle Bolt For Chair W/Fixed Arms	AL-66958	\$12.95
8	Rear Wheel Bearings For Chair W/Serial # A-C	AL-66959	\$5.95
	For Chair W/Other Serial #S	AL-66960	\$6.95
9	Handrim, Black	AL-66961	\$24.95
	Handrim, Chrome	AL-70081	\$19.95
	Handrim, Alloy	AL-66963	\$12.95
10	(A) Black Plastic Handrim Screws And Spacers—8 Pack	AL-66964	\$10.95
	(B) Handrim, Chrome	AL-66965	\$16.95
11	Brakes For Fixed Arm, Right	AL-66966	\$22.95
	Brakes For Fixed Arm, Left	AL-66967	\$22.95
	Brakes For Detachable Arms, Right	AL-347R	\$12.95
	Brakes For Detachable Arms, Left	AL-347L	\$12.95
12	Rubber Tip	AL-66970	\$2.95
13	Cross Frame Hinge Bolt	AL-66971	\$3.95
14	Cross Frame, 18"	AL-66973	Call
	Cross Frame, 20"	AL-66974	Call
15	Caster	AL-66975	\$19.95
16	Front Axle Bolt	AL-66976	\$3.95
17	Front Caster Bearings	AL-66977	\$5.95
18	Caster And Fork	AL-66978	\$25.95
	Fork Only	AL-66979	\$24.95

Fig.	Description	ALCO Part No.	Price Each
19	Fork Stem Bearings	AL-66980	\$3.95
20	Lock Nut For Fork	AL-66981	\$2.95
21	Dust Cap For Fork Stem Bearings	AL-66982	\$5.95
22	Seat Upholstery 18" (Black Only)	AL-66984	\$24.95
23	Seat Upholstery 20" (Black Only)	AL-66985	\$24.95
24	Front Seat Rail Guide	AL-66986	\$2.95
	Arm Pad, Plastic, Desk Length	AL-66987	\$8.95
	Arm Pad, Plastic, Full Length	AL-66988	\$8.95
25	Arm Pad Bolts	AL-67031	\$4.95
26	Seat Upholstery Bolts	AL-66990	\$1.95
27	Seat Rail Guide	AL-66991	\$7.95
	Full Arm Assembly, Left (Black Only)	AL-70066	\$44.95
	Full Arm Assembly, Right (Black Only)	AL-70060	\$44.95
28	Desk Arm Assembly, Left (Black Only)	AL-70065	\$44.95
	Desk Arm Assembly, Right (Black Only)	AL-70059	\$44.95
29	Side Panel	AL-66998	\$16.95
30	Release Button	AL-66999	\$6.95
31	Frame Cap	AL-67000	\$1.95
32	Release Latch, Left	AL-70102	\$8.95
	Release Latch, Right	AL-70101	\$8.95
33	Footrest Hanger, Right	AL-67003	\$19.95
	Footrest Hanger, Left	AL-67004	\$19.95
34	Footplate	AL-67005	\$26.95
35	Footrest Bumper	AL-70104	\$2.95
36	Adjustment Bolt	AL-67007	\$2.95

BUY 11  
Get One  
**FREE**

We Accept





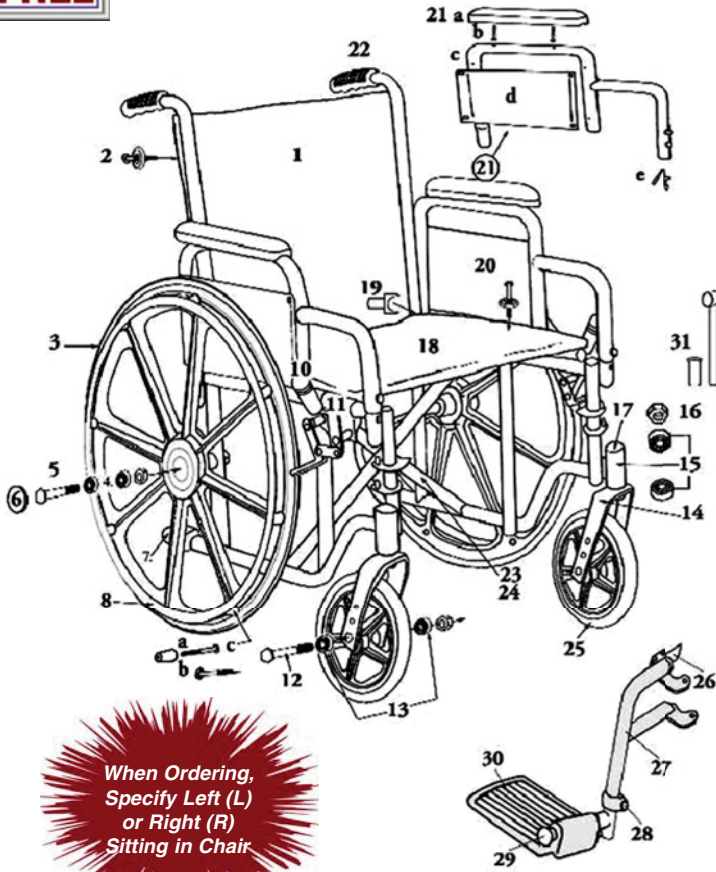


# Sentra EC Parts

## BUY 11 GET 1 FREE!

Weight Capacity  
450 lbs

BUY IT NEW!



When Ordering,  
Specify Left (L)  
or Right (R)  
Sitting in Chair



### Single Crossbrace

18" Fixed Arm w/ Footrest	AL-65458	\$159.00
18" Fixed Arm w/ Legrest	AL-65459	\$179.00
18" Rem. Desk Arm w/ Footrest	AL-66170	\$179.00
18" Rem. Desk Arm w/ Legrest	AL-65460	\$189.00

### Dual Crossbrace (450lb Capacity)

20" Rem. Desk Arm w/ Legrest	AL-72490	\$387.00
20" Rem. Desk Arm w/ Footrest	AL-72491	\$258.00
20" Rem. Full Arm w/ Legrest	AL-72493	\$298.00
20" Rem. Full Arm w/ Footrest	AL-72494	\$258.00
22" Rem. Desk Arm w/ Legrest	AL-72495	\$358.00
22" Rem. Desk Arm w/ Footrest	AL-72496	\$318.00
22" Rem. Full Arm w/ Footrest	AL-72497	\$358.00
22" Rem. Full Arm w/ Legrest	AL-72498	\$318.00
24" Rem. Desk Arm w/ Legrest	AL-72499	\$378.00
24" Rem. Desk Arm w/ Footrest	AL-72500	\$338.00
24" Rem. Full Arm w/ Legrest	AL-72501	\$378.00
24" Rem. Full Arm w/ Footrest	AL-72502	\$338.00

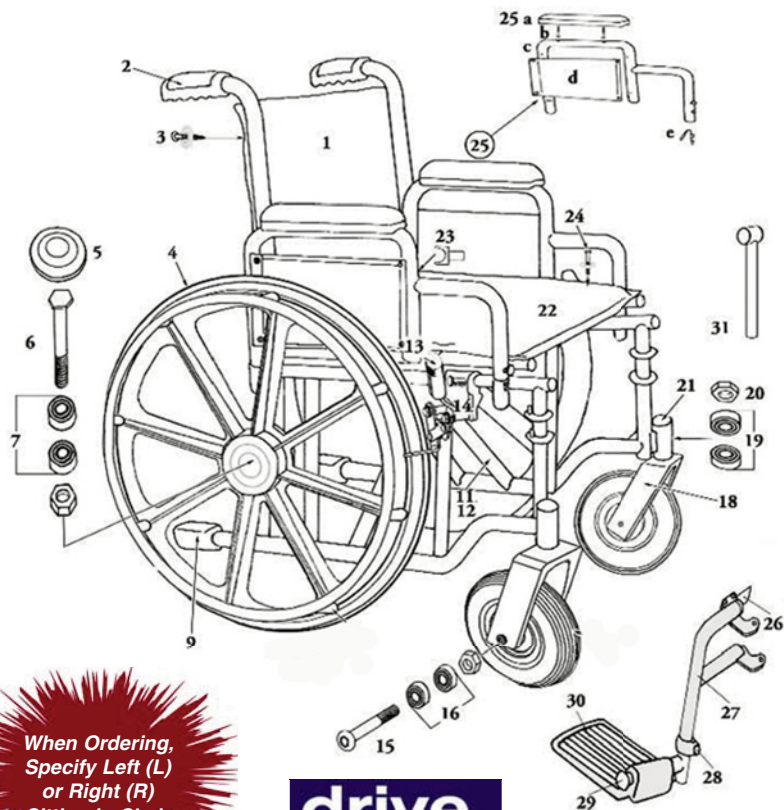
Fig.	Description	ALCO Part No.	Price Each
1	Back Upholstery 18" (Black Only)	AL-67013	\$22.95
	Back Upholstery 20" (Black Only)	AL-67014	\$23.95
	Back Upholstery 22" (Black Only)	AL-67015	\$24.95
	Back Upholstery 24" (Black Only)	AL-67016	\$23.95
2	Back Upholstery Screw	AL-66663	\$1.95
3	Rear 24" Wheel W/Blk Handrail	AL-66955	\$62.95
	Rear 24" Wheel W/Alum Handrail	AL-67017	\$74.95
	Rear 24" Wheel W/Chrome Handrail	AL-70080	\$79.00
4	Rear Wheel Bearing	AL-66959	\$5.95
5	Rear Axle Bolt	AL-66957	\$3.95
6	Rear Wheel Hub Cap	AL-66956	\$6.95
7	Tipping Sleeve	AL-67018	\$9.95
8	Handrail, Black	AL-66961	\$24.95
	Handrail, Aluminum	AL-66963	\$12.95
	Handrail, Chrome	AL-70081	\$19.95
9	(A) Black Plastic Handrim Screws & Spacers—8 Pk (B) Chrome Handrim Screws & Spacers—8 Pk	AL-66964	\$10.95
10	Rubber Brake Tip	AL-66970	\$2.95
11	Brake, Push To Lock, Right	AL-45574	\$13.95
	Brake, Push To Lock, Left	AL-45575	\$13.95
12	Front Axle Bolt	AL-66976	\$3.95
13	Front Caster Bearings	AL-66977	\$5.95
14	Front Caster Fork	AL-70091	\$39.95
15	Fork Stem Bearing	AL-66980	\$3.95
16	Fork Stem Lock Nut	AL-66981	\$2.95
17	Fork Stem Bearing Cap	AL-66982	\$6.95

Fig.	Description	ALCO Part No.	Price Each
18	Seat Upholstery 18" (Black Only)	AL-67023	\$18.95
	Seat Upholstery 20" (Black Only)	AL-67024	\$24.95
	Seat Upholstery 22" (Black Only)	AL-67025	\$20.95
	Seat Upholstery 24" (Black Only)	AL-67026	\$24.95
19	Seat Rail Guide	AL-67027	\$5.95
20	Seat Upholstery Screw	AL-67028	\$1.95
	Arm Rest Panel, Black	AL-67035	\$14.95
21	Full Arm Assembly, Left	AL-70066	\$44.95
	Full Arm Assembly, Right	AL-70060	\$44.95
	Desk Arm Assembly, Left	AL-70065	\$44.95
	Desk Arm Assembly, Right	AL-70059	\$44.95
	Armrest Assembly, Desk Arm	AL-67029	\$8.95
	Armrest Assembly, Full Arm	AL-67030	\$8.95
	Armrest Panel, Chrome	AL-67034	\$14.95
	Arm Pad Screws	AL-67031	\$4.95
	Arm Release Button	AL-66999	\$6.95
	22	Handgrip	AL-70116
23	Crossframe 18"	AL-67037	Call
	Crossframe 20"	AL-67038	Call
	Crossframe 22"	AL-67039	Call
	Crossframe 24"	AL-67040	Call
24	Crossframe Hinge Bolt	AL-66971	\$3.95
25	Front Caster	AL-66975	\$19.95
26	Footrest Release Latch, Left	AL-70102	\$8.95
	Footrest Release Latch, Right	AL-70101	\$8.95
27	Footrest Hanger, Right	AL-67041	\$19.95
	Footrest Hanger, Left	AL-67042	\$19.95
28	Footrest Adjustment Bolt	AL-67007	\$2.95
29	Footrest Bumper	AL-70104	\$2.95
30	Footplate	AL-67043	\$19.95
31	Telescoping Slide Tube	AL-67044	\$8.95



# Sentra Heavy Duty 20", 22", 24" Parts

**BUY 11 GET 1 FREE!**



**When Ordering, Specify Left (L) or Right (R) Sitting in Chair**



**BUY IT NEW!**



Dual Crossbrace (500lb Capacity)		
20" Rem. Desk Arm w/ Legrest	AL-72425	\$388.00
20" Rem. Desk Arm w/ Footrest	AL-72426	\$348.00
20" Rem. Full Arm w/ Legrest	AL-72427	\$388.00
20" Rem. Full Arm w/ Footrest	AL-72428	\$348.00
22" Rem. Desk Arm w/ Legrest	AL-72429	\$408.00
22" Rem. Desk Arm w/ Footrest	AL-72430	\$368.00
22" Rem. Full Arm w/ Legrest	AL-72431	\$408.00
22" Rem. Full Arm w/ Footrest	AL-72432	\$368.00
24" Rem. Desk Arm w/ Legrest	AL-72433	\$458.00
24" Rem. Desk Arm w/ Footrest	AL-72434	\$418.00
24" Rem. Full Arm w/ Legrest	AL-72435	\$458.00
24" Rem. Full Arm w/ Footrest	AL-72436	\$418.00

Fig.	Description	ALCO Part No.	Price Each
1	(A) Back Upholstery 20" (Black Only)	AL-67045	\$29.95
	(B) Back Upholstery 22" (Black Only)	AL-67046	\$29.95
	(C) Back Upholstery 24" (Black Only)	AL-67047	\$29.95
2	Handgrip	AL-70116	\$6.95
3	Back Upholstery Screw	AL-66663	\$1.95
4	Rear Wheel Assembly	AL-70080	\$79.00
5	Hub Cap	AL-67049	\$6.95
6	Rear Axle Bolt	AL-67050	\$5.95
7	Rear Wheel Bearing Set	AL-70089	\$6.95
9	Tipping Sleeve	AL-67018	\$9.95
11	(A) Cross Brace 20"	AL-67053	Call
	(B) Cross Brace 22"	AL-67054	Call
	(C) Cross Brace 24"	AL-67055	Call
12	Cross Brace Hinge Bolt	AL-66971	\$3.95
13	Rubber Tip	AL-66970	\$2.95
14	(A) Push To Lock Brake, Right	AL-45574	\$13.95
	(B) Push To Lock Brake, Left	AL-45575	\$13.95
15	Front Axle Bolt	AL-67056	\$7.95
16	Caster Bearing Set	AL-67057	\$6.95
18	Front Caster Fork	AL-67059	\$37.95

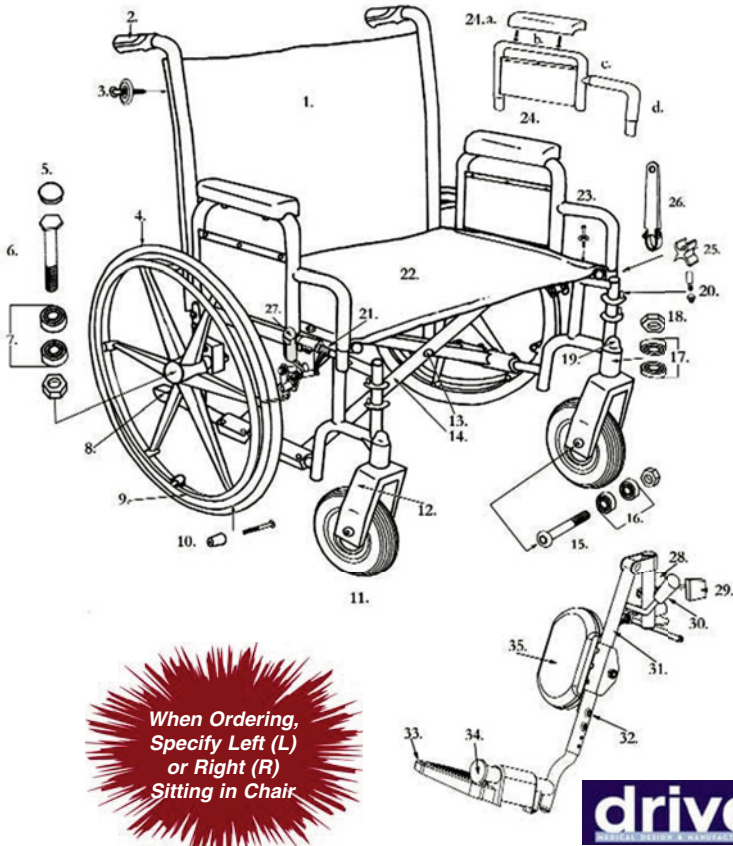
Fig.	Description	ALCO Part No.	Price Each
19	Fork Stem Bearing Set	AL-67060	\$6.95
20	Fork Stem Bearing Lock Nut	AL-67061	\$2.95
21	Fork Stem Dust Cap	AL-66982	\$6.95
22	(A) Seat Upholstery 24" (Black Only)	AL-67062	\$25.95
	(B) Seat Upholstery 22" (Black Only)	AL-67063	\$25.95
	(C) Seat Upholstery 20" (Black Only)	AL-67064	\$25.95
23	Seat Rail Guide	AL-67027	\$5.95
24	Seat Upholstery Screw	AL-67065	\$3.95
	(A) Desk Arm Pad	AL-67029	\$8.95
	(B) Arm Pad Bolts	AL-67031	\$4.95
	(C) Arm Pad Bolts	AL-67031	\$4.95
	(D) Arm Rest Side Panel	AL-67034	\$14.95
25	(E) Arm Release Button	AL-66999	\$6.95
	Footrest Release Latch, Right	AL-67066	\$8.95
26	Footrest Release Latch, Left	AL-67067	\$8.95
	Footrest Hanger, Right	AL-67041	\$19.95
27	Footrest Hanger, Left	AL-67042	\$19.95
	Footrest Adjustment Bolt	AL-67007	\$2.95
28	Footrest Bumper	AL-70104	\$2.95
29	Footrest Bumper	AL-70104	\$2.95
30	Footplate-Hd Aluminum	AL-67069	\$12.95
31	Telescoping Slide Tube	AL-67070	\$11.95

**LOW PRICES GUARANTEED!**  
**WE WILL NOT BE UNDERSOLD!**



# Sentra Heavy Duty, Extra Wide Parts

## BUY 11 GET 1 FREE!



### BUY IT NEW!

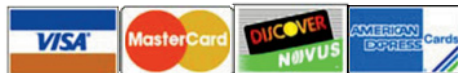


<b>26" Wide Seat w/o Front Riggings</b>			
Removable Desk Arms	AL-61453	\$759.00	
Removable Full Arms	AL-66038	\$759.00	
<b>28" Wide Seat w/o Front Riggings</b>			
Removable Desk Arms	AL-61455	\$849.00	
Removable Full Arms	AL-66039	\$849.00	
<b>30" Wide Seat w/o Front Riggings</b>			
Removable Desk Arms	AL-65564	\$959.00	
Removable Full Arms	AL-65565	\$959.00	
<b>Front Riggings (for 26", 28" &amp; 30" wide only) (Sold in Pairs)</b>			
Footrests	AL-63933	\$149.00 Pr.	
Legrests	AL-63934	\$169.00 Pr.	

Fig.	Description	ALCO Part No.	Price Each
1	26" Back Upholstery (Black Only)	AL-67071	\$29.95
	28" Back Upholstery (Black Only)	AL-67072	\$29.95
	30" Back Upholstery (Black Only)	AL-67073	\$29.95
2	Handgrip	AL-70116	\$6.95
3	Upholstery Screw	AL-67075	\$1.95
4	Wheel Assembly	AL-505M	\$89.00
5	Rear Bearing Hub Cap	AL-67077	\$4.95
6	Rear Axle Bolt & Nut	AL-67078	\$6.95
7	Rear Wheel Bearing	AL-67079	\$6.95
8	Tipping Sleeve	AL-67018	\$9.95
9	Handrail, Chrome	AL-67080	\$14.95
10	Handrail Screw & Spacer	AL-67081	\$11.95
	Caster & Fork	AL-67082	\$45.95
11	Caster Only	AL-67083	\$21.95
	Fork Only	AL-67084	\$37.95
13	Crossframe Hinge Bolt	AL-66971	\$3.95
14	Crossframe 26"	AL-67085	Call
	Crossframe 28"	AL-67086	Call
	Crossframe 30"	AL-67087	Call
15	Front Axle Bolt & Nut	AL-67056	\$7.95
16	Front Caster Bearings	AL-67088	\$5.95
17	Fork Stem Bearings	AL-67089	\$5.95
18	Lock Nut For Fork	AL-67090	\$2.95
19	Dust Cap For Fork	AL-67091	\$4.95
20	Handtag Pin21	AL-67092	\$2.95
	Arm Release Lever	AL-67093	\$6.95

Fig.	Description	ALCO Part No.	Price Each
22	Seat Upholstery 26" (Black Only)	AL-67094	\$26.95
	Seat Upholstery 28" (Black Only)	AL-67095	\$26.95
	Seat Upholstery 30" (Black Only)	AL-67096	\$26.95
23	Upholstery Screw	AL-67097	\$1.95
	(A) Armrest Pad, Desk Length (Black Only)	AL-67098	\$14.95
	(B) Armrest Pad Bolts	AL-67099	\$4.95
	(C) Armrest Frame	AL-67100	\$13.95
24	(D) Armrest Pad, Foam	AL-67101	\$6.95
	Seat Rail Saddle	AL-67102	\$5.95
25	Crossframe Assist 26"	AL-67103	\$7.95
	Crossframe Assist 28"	AL-67104	\$8.95
	Crossframe Assist 30"	AL-67105	\$8.95
27	Brake Assembly, Right	AL-67106	\$16.95
	Brake Assembly, Left	AL-67107	\$16.95
	Rubber Brake Tip	AL-66970	\$2.95
28	Frame Bumper	AL-67108	\$2.95
29	Release Latch (Right) Or (Left)	AL-67109	\$5.95
30	Elevated Legrest Adjustment Lever (Right) Or (Left)	AL-67110	\$14.95
31	Elevated Legrest Hanger Arm (Right) Or (Left)	AL-67111	\$22.95
32	Elevated Legrest Height Adj. Bolt	AL-67112	\$6.95
33	Footplate	AL-67113	\$40.95
34	Footrest Bumper	AL-70104	\$2.95
35	Calf Pad, Nylon, Black	AL-67114	\$28.95

We Accept



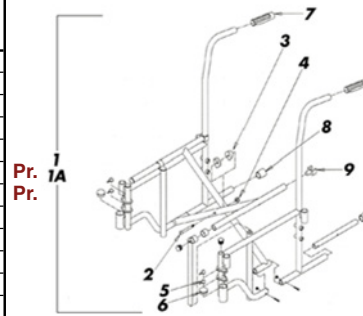


# Guardian Easy Care Parts Models 2000 & 2000HD



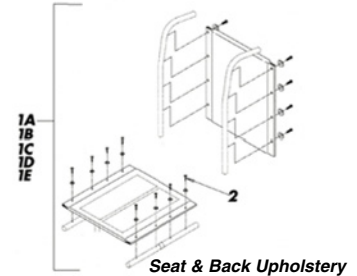
**BUY 11 GET 1 FREE!**

Frame-Includes Crossbraces (2000 & 2000HD)			ALCO	Price
Fig.	Description	Part No.	Part No.	Each
1	18" 2k Frame Assembly (Removable Armrests)	AL-65822	AL-65822	Call
	20" 2k Frame Assembly (Removable Armrests)	AL-65823	AL-65823	Call
	22" 2k Hd Frame Assembly (Removable Armrests)	AL-65833	AL-65833	Call
	24" 2k Hd Frame Assembly (Removable Armrests)	AL-65834	AL-65834	Call
1A	18" 2k Frame Assembly (Fixed Armrests)	AL-65824	AL-65824	Call
2,3,4	1 Crossbolt Plus Spacers (Pair)	AL-65827	AL-65827	\$1.95
5	Tinnerman Nuts (Pair)	AL-50934	AL-50934	\$6.50
6	Dust Caps	AL-70120	AL-70120	\$3.95
7	Back Hand Grips	AL-370B	AL-370B	\$1.95
8	Stepper Tube Caps	AL-1742B	AL-1742B	\$1.95
9	Seat Rail Guide (2000 model only)	AL-184B	AL-184B	\$2.45
Seat & Back Upholstery (2000 & 2000HD)			ALCO	Price
Fig.	Description	Part No.	Part No.	Each
1b	18" 2000 Black Vinyl Upholstery	AL-65835	AL-65835	\$49.95
1c	20" 2000 Black Vinyl Upholstery	AL-65836	AL-65836	\$49.95
1d	22" 2000 Black Vinyl Upholstery	AL-65837	AL-65837	\$49.95
1e	24" 2000 Black Vinyl Upholstery	AL-65838	AL-65838	\$49.95
2	Upholstery Hardware Kit (can complete up to 1 seat and back)	AL-65840	AL-65840	\$29.95
Armrest Desk & Full Padded (2000 & 2000HD)			ALCO	Price
Fig.	Description	Part No.	Part No.	Each
1	Complete Desk Armrest Padded (Pair)	AL-65841	AL-65841	\$59.95
N/S	Complete Full Armrest Padded (Pair)	AL-65842	AL-65842	\$59.95
2	Release Arm Button	AL-65843	AL-65843	\$1.95
3	Universal Desk Arm Padded	AL-145BK-A3	AL-145BK-A3	\$5.95
N/S	Universal Full Arm Padded	AL-135BK-A3	AL-135BK-A3	\$5.95
Standard Caster Fork Assembly (2000 & 2000HD)			ALCO	Price
Fig.	Description	Part No.	Part No.	Each
1	Dust Caps	AL-70120	AL-70120	\$3.95
3	Cast Journal Bear & Stem Kit (4 bearings, 2 spacers)	AL-65844	AL-65844	\$19.95
6,7,8	Caster Bearings & Stem Kit (4 bearings, 2 spacers)	AL-65845	AL-65845	\$19.95
9	Caster Tire Bolt Cap (Pack of 20)	AL-65847	AL-65847	\$29.95
10	Complete Caster Assembly Excluding Housing Cap	AL-65848	AL-65848	\$39.95
	Complete Caster Assembly, Excluding Housing Cap (2000HD)	AL-65849	AL-65849	\$42.95
Composite Swingaway Footrests (With & Without Heel Loops)			ALCO	Price
Fig.	Description	Part No.	Part No.	Each
1	Composite Footrests (Pair)	AL-65850	AL-65850	\$59.95
N/S	Composite Footrest W/Heel Loop (Pair)	AL-65851	AL-65851	\$69.95
Composite Elevating Legrest			ALCO	Price
Fig.	Description	Part No.	Part No.	Each
1	Elevating Legrests (Pair)	AL-65852	AL-65852	\$89.95
2,2A	Universal Padded Calf Pad	AL-422UBK-A3	AL-422UBK-A3	\$13.95
ADDITIONAL PARTS NOT SHOWN				
8 Spoke Mag Wheel (2000 & 2000HD)				
Fig.	Description	Part No.	Part No.	Price Each
N/S	1x24" Rear Wheel Assembly, Comp Rim, Black Tire (1000, 2000)	AL-65853	AL-65853	\$69.95
	1x24" Rear Wheel Assembly, Chrome Rim, Black Tire (2000HD)	AL-65854	AL-65854	\$79.95
	Axle Bearings (1000, 2000)	AL-54878	AL-54878	\$6.95
	Axle Bearings (2000HD)	AL-67060	AL-67060	\$6.95
	1 Pair Axle And Nut (1000, 2000)	AL-65857	AL-65857	\$26.95
	1 Pair Axle And Nut (2000HD)	AL-65858	AL-65858	\$32.95
	1 Pair Of Axle Dust Caps (1000, 2000, 2000HD)	AL-70121	AL-70121	\$3.95
Wheel Lock			ALCO	Price
Fig.	Description	Part No.	Part No.	Each
	Wheel Lock (Fixed Arm) (2000HD) (2000)	AL-2263L/R	AL-2263L/R	\$13.95



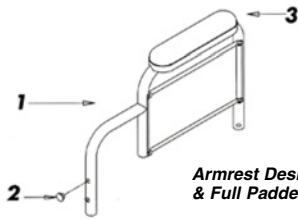
Frame

Pr. Pr.



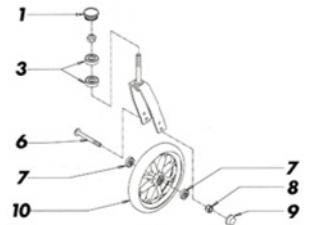
Seat & Back Upholstery

Pr. Pr.



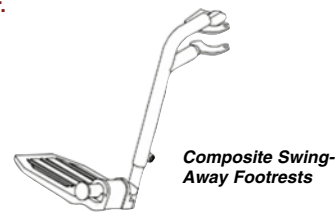
Armrest Desk & Full Padded

Pk. 2



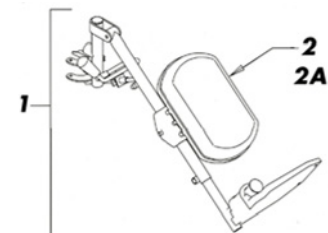
Standard Caster Fork Assembly

Pr.



Composite Swing-Away Footrests

Pr. Pr. Pr.



Composite Elevating Legrests

Pr.

W6

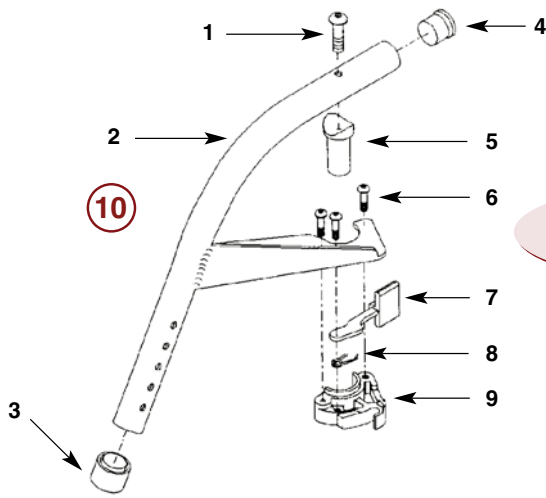
**Call For New Sunrise Medical Wheelchairs**



# Quickie Parts

## Breezy 60° Swing-Away Aluminum Hanger & Footplate

**BUY 11 GET 1 FREE!**



**Call For Parts Not Shown**

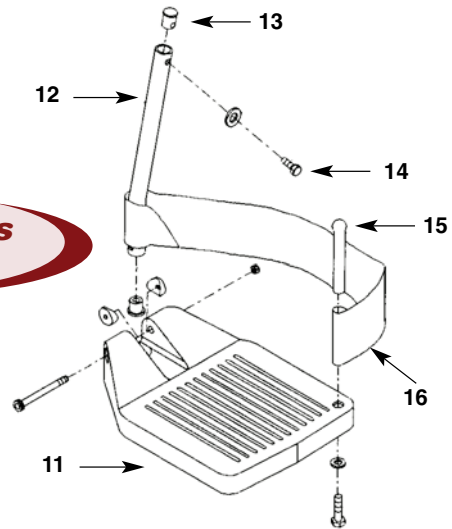


Fig	Swing-Away Hanger Description	ALCO Part No.	Price Each
1	5/16-18 x 2 BH C/S	AL-47584	\$1.95
2	S/A Hanger Only		
	Right Regular (spec color)	AL-47585	\$49.95
	Left Regular (spec color)	AL-47586	\$49.95
3	Bushing, Tube End 1" Thin	AL-47587	\$1.95
4	1" Insert Plug .083	AL-47588	\$1.95
5	Pivot Saddle, Plastic	AL-47589	\$3.95
	Pivot Saddle, W/BH C/S	AL-47590	\$9.95
6	10-24 x .725 BH SOC	AL-47591	\$1.95
7	S/A Latch Lever	AL-47592	\$7.95
8	S/A Spring Right	AL-47593	\$2.95
	S/A Spring Left	AL-47594	\$2.95
9	S/A Latch Lever Block Right	AL-47595	\$8.95
	S/A Latch Lever Block Left	AL-47596	\$8.95
10	S/A Hanger		
	Regular Right (spec color)	AL-47597	\$69.95
	Regular Left (spec color)	AL-47598	\$69.95

Fig	Footplate Description	ALCO Part No.	Price Each
11	Composite Footplate 18" & 16"	AL-47618	\$39.95
12	CMPST Ft Plt Ext Tube Only - Short	AL-47619	\$15.95
	CMPST Ft Plt Ext Tube Only - Med	AL-47620	\$15.95
13	Retaining Plug	AL-47621	\$4.95
14	1/4-20 x 1 Hex C/S	AL-47622	\$1.95
15	Heel Loop Peg	AL-47623	\$2.95
16	Heel Loop 16"	AL-47624	\$13.95
	Heel Loop, 18" & 20"	AL-47625	\$13.95
	Heel Loop Composite Footplate	AL-47626	\$21.95

### Breezy Armrest (Effective serial #BZ-200000)

Fig	Breezy Armrest Description	ALCO Part No.	Price Each
17	Armrest Pad Std 10"	AL-47599	\$22.95
18	Right Armrest Tube	N/A	N/A
	Left Armrest Tube	N/A	N/A
19	10-32 x 1-1/4 Oval HD MCH SCW	AL-45504	\$0.39
21	650L x 6 Coil Spring	AL-47604	\$1.95
22	1/4 AN Washer Flat	AL-47605	\$0.95
23	1/4-28 Nylock Nut	AL-47606	\$2.95
24	Arm Receiver	AL-47607	\$10.95
25	1/4-28 x 1-3/4 Hex C/S	N/A	N/A
26	Rivet Pop AD64ABS	AL-47609	\$1.95
27	Armrest Dome Plug	AL-47610	\$2.95
28	1/4-28 Nylock Nut Thin	AL-47611	\$1.95
29	Arm Latch Lever	AL-47612	\$3.95
30	Armrest Panel Right New	AL-47613	\$24.95
	Armrest Panel Left New	AL-47614	\$24.95
31	Armrest Pivot Bracket	AL-47615	\$8.95
32	Pivot Armrest Assy Right	AL-47616	\$99.95
	Pivot Armrest Assy Left	AL-47617	\$99.95

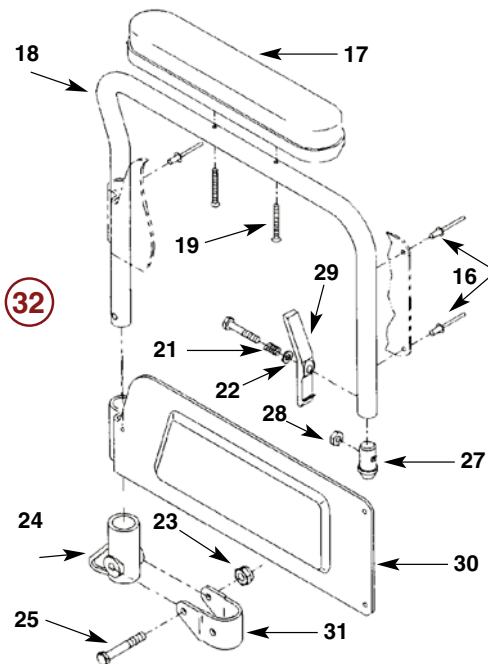


Fig. 1 Caster Cap, Plastic  
AL-46325 \$2.95

Fig. 2 1-1/8 x 1/2 Bearing  
AL-47582 \$12.95

Fig. 3 Anti-Flutter Bushing  
AL-47583 \$2.95

# Seat Guides, Tips and Grips

Fig.	Description	To Fit	ALCO Part No.	Price Each
<b>Seat Rail Guides</b>				
1	Metal – Detached Arm	7/8" Tube – All Brands	<b>AL-2250</b>	<b>\$5.95</b>
2	Plastic, White – Detached Arm	7/8" Tube – All Brands	<b>AL-184</b>	<b>\$1.95</b>
3	Plastic, White – Fixed Arm	7/8" Tube – All Brands	<b>AL-182</b>	<b>\$1.95</b>
4	Plastic, Black, Fixed Arm	7/8" Tube – All Brands	<b>AL-182B</b>	<b>\$1.95</b>
	Plastic, Black, Detached Arm	7/8" Tube – All Brands	<b>AL-184B</b>	<b>\$1.95</b>
5	Coated Steel	Invacare	<b>AL-189</b>	<b>\$4.95</b>
6	Black Plastic	Invacare 2000/9000	<b>AL-2252</b>	<b>\$4.95</b>
7	Coated Steel	Gendron	<b>AL-46017</b>	<b>\$3.95</b>
8	Black Plastic	Medline, Drive	<b>AL-67027</b>	<b>\$5.95</b>
9	<b>Front Arm Socket</b> Black Plastic	Invacare 2000/9000	<b>AL-2251</b>	<b>\$6.95</b>
<b>Tipping Lever Sleeves</b>				
10	Black Rubber Sleeve	7/8" Tube – All Brands	<b>AL-1741B</b>	<b>\$1.95</b>
11	Grey Rubber Sleeve	7/8" Tube – All Brands	<b>AL-1741</b>	<b>\$1.95</b>
<b>Plastic Caps</b>				
12	Plastic Tube End, 7/8", Black	7/8" Tube – All Brands	<b>AL-1742B</b>	<b>\$1.95</b>
	Plastic Tube End, 7/8", Grey	7/8" Tube – All Brands	<b>AL-1742G</b>	<b>\$1.95</b>
13	Plastic Tube End, 7/8", Beige	7/8" Tube – All Brands	<b>AL-1742</b>	<b>\$1.95</b>

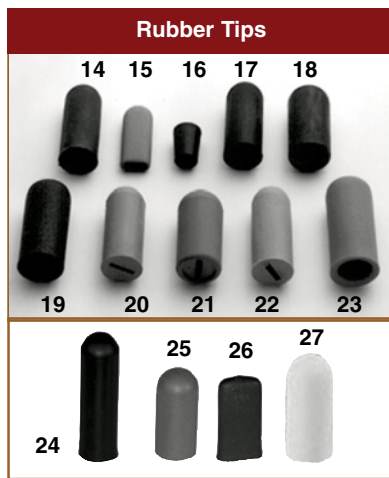


Fig.	Description	To Fit	ALCO Part No.	Price Each
<b>Rubber Tips</b>				
14	9/16"x 7/64", Flat Handle, Black	Inva	<b>AL-45566</b>	<b>\$1.95</b>
15	Handle Ratchet, Grey	Inva	<b>AL-373</b>	<b>\$1.45</b>
	Handle Ratchet, Black	Inva	<b>AL-373B</b>	<b>\$1.45</b>
16	Handle Ratchet, Plastic, Black	E&J	<b>AL-372</b>	<b>\$0.95</b>
17	1/2" Flat Handle, Black	E&J	<b>AL-376B</b>	<b>\$1.45</b>
18	5/8" Flat Handle, Black	E&J	<b>AL-377B</b>	<b>\$1.45</b>
19	5/8" Dia. Handle, Black	Inva Wheel Lock Ext. - Round	<b>AL-2307B</b>	<b>\$1.45</b>
20	1/2" Flat Handle, Grey	E&J	<b>AL-376</b>	<b>\$1.45</b>
21	5/8" Flat Handle, Grey	E&J	<b>AL-377</b>	<b>\$1.45</b>
22	9/16"x 7/64", Flat Handle, Grey	Inva, Colson, Medline	<b>AL-375</b>	<b>\$1.95</b>
23	5/8" Dia. Handle, Grey	Wheel Lock Ext. Round	<b>AL-2307</b>	<b>\$1.45</b>
24	5/8" Dia Handle, Black	Gend/Theradyne	<b>AL-379</b>	<b>\$2.95</b>
25	9/16" Dia Round Handle, Grey	E&J	<b>AL-380</b>	<b>\$1.95</b>
26	3/4" Dia, Flat Handle, Black	Inva	<b>AL-374</b>	<b>\$4.95</b>
27	Yellow - Slotted	Inva	<b>AL-71084</b>	<b>\$26.95</b>
	Yellow - Rounded	E&J	<b>AL-71085</b>	<b>\$26.95</b>

12 PK  
12 PK



Fig.	Description	To Fit	ALCO Part No.	Price Each
<b>Hand Grips &amp; Foot Grips</b>				
28	Foam Hand Grip, Black, 5–1/2"x .705"	Motion Design	<b>AL-45563</b>	<b>\$2.95</b>
	Foam Hand Grip, Black, 5–1/2" x .840"	Motion Design	<b>AL-45564</b>	<b>\$2.95</b>
29	Handle Grip, Black	7/8" Tube, All Brands	<b>AL-370B</b>	<b>\$1.95</b>
30	Handle Grip, Grey	7/8" Tube	<b>AL-370</b>	<b>\$1.95</b>
31	Handle Grip, Black	Medline, Drive	<b>AL-70116</b>	<b>\$6.95</b>
32	Foam Foot Grip, Black, 12–1/2" x .705"	Motion Design	<b>AL-45565</b>	<b>\$1.95</b>
N/S	Handle Grip, Soft Foam, Black	7/8" Tube - All	<b>AL-50941</b>	<b>\$2.95</b>

## Rubber Tip & Grip Kits—Available in Grey or Black



**Each E&J Kit includes**

- ✓ 2 Tipping lever sleeves
- ✓ 2 Hand grips 7/8"
- ✓ 2 Dome dust caps
- ✓ 2 Hub caps (black kit caps are Chrome)
- ✓ 2 Wheel lock tips 5/8"
- ✓ 2 Wheel lock tips 1/2"
- ✓ 2 Bumpers 7/8"

E&J Grey Kit **AL-2826** **\$9.95**  
E&J Black Kit **AL-2827** **\$9.95**



**Each Invacare Kit includes**

- ✓ 4 Tube end caps 7/8"
- ✓ 2 Hand grips 7/8"
- ✓ 2 Dome dust caps
- ✓ 2 Plastic Hub caps
- ✓ 2 Wheel lock tips 9/16"

Invacare Grey Kit **AL-2828** **\$9.95**  
Invacare Black Kit **AL-2829** **\$9.95**



# Bumpers, Caps & Plug Buttons

**BUY 11 GET 1 FREE!**



## Rubber Bumpers & Dust Caps



Fig.	Description	To Fit	ALCO Part No.	Price Each
<b>Rubber Bumpers</b>				
1	7/8", Black	All 7/8" Tube – Footplate Ext.	<b>AL-228B</b>	<b>\$1.95</b>
2	7/8", Grey	All 7/8" Tube – Footplate Ext.	<b>AL-228</b>	<b>\$1.95</b>
3	3/4", Black	Gendron Footrest	<b>AL-2388</b>	<b>\$1.45</b>
<b>Caster Stem Dust Caps</b>				
4	Plastic, Black	Drive	<b>AL-70120</b>	<b>\$3.95</b>
5	Plastic, Grey	E&J	<b>AL-247</b>	<b>\$1.95</b>
6	Plastic, Grey	Inva	<b>AL-1740</b>	<b>\$1.95</b>
7	Plastic, Black	E&J	<b>AL-247B</b>	<b>\$1.95</b>
8	Plastic, Black	Inva	<b>AL-1740B</b>	<b>\$1.95</b>
9	Roller Bumper (Pair)	Front	<b>AL-246</b>	<b>\$12.95</b>

Pr.

## Hub Caps

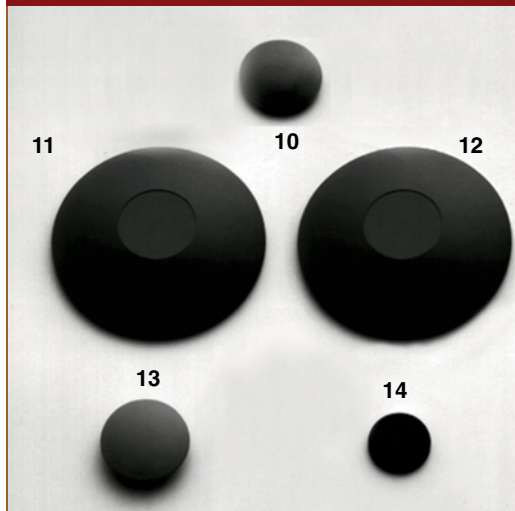


Fig.	Description	To Fit	ALCO Part No.	Price Each
<b>Hub Caps</b>				
10	Plastic, Grey	E&J 24" Wheel	<b>AL-241</b>	<b>\$2.95</b>
	Plastic, Black	E&J 24" Wheel	<b>AL-241B</b>	<b>\$2.95</b>
11	Plastic, Grey, Skyway Flush Mount Snap	Skyway Flush Mount Hub	<b>AL-2289</b>	<b>\$3.95</b>
	Cap, Hub, Plastic, Black, Skyway Flush Mount Snap	Skyway Flush Mount Hub	<b>AL-2289B</b>	<b>\$3.95</b>
12	Plastic, Grey, ALCO Hub	Skyway Twist Lock Hub	<b>AL-2289T</b>	<b>\$3.95</b>
	Cap, Hub, Plastic, Black, ALCO Hub	Skyway Twist Lock Hub	<b>AL-2289BT</b>	<b>\$3.95</b>
13	Plastic, Grey	Inva	<b>AL-242</b>	<b>\$3.95</b>
	Plastic, Black	Inva	<b>AL-242B</b>	<b>\$3.95</b>
	Plastic, Black	Medline Drive	<b>AL-70121</b>	<b>\$3.95</b>
14	Black, with Washer	Inva 2000	<b>AL-45558</b>	<b>\$2.95</b>
N/S	Hubcap Black, fits 5/8" Axle	Gendron	<b>AL-58647</b>	<b>\$1.95</b>
N/S	Hubcap Black, fits 1/2" Axle	Gendron	<b>AL-46029</b>	<b>\$1.95</b>

## Tube End Caps & Plug Buttons

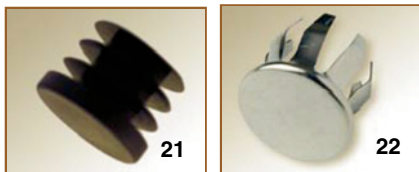
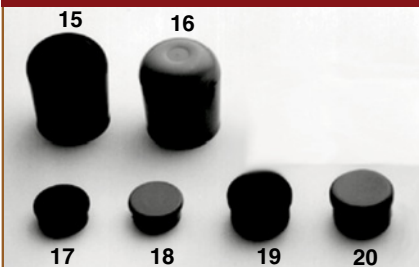


Fig.	Description	To Fit	ALCO Part No.	Price Each
<b>Tube End Caps</b>				
15	7/8" Plastic, Beige	7/8" Tube - All Brands	<b>AL-1742</b>	<b>\$1.95</b>
	7/8" Plastic, Black	7/8" Tube - All Brands	<b>AL-1742B</b>	<b>\$1.95</b>
16	7/8" Plastic, Grey	7/8" Tube - All Brands	<b>AL-1742G</b>	<b>\$1.95</b>
<b>Plug Buttons</b>				
17	3/4" Plastic, Black	3/4" Tube - All Brands	<b>AL-2295B</b>	<b>\$0.95</b>
18	3/4" Plastic, Grey	3/4" Tube - All Brands	<b>AL-2295</b>	<b>\$0.95</b>
19	7/8" Plastic, Black	7/8" Tube - All Brands	<b>AL-231B</b>	<b>\$0.95</b>
20	7/8" Plastic, Grey	7/8" Tube - All Brands	<b>AL-231</b>	<b>\$0.95</b>
21	1" Plastic, Black	1" Tube - All Brands	<b>AL-58533B</b>	<b>\$0.95</b>
	1" Plastic, Grey	1" Tube - All Brands	<b>AL-58533</b>	<b>\$0.95</b>
22	Chrome Pronged Tip	3/4" Tube	<b>AL-243</b>	<b>\$1.25</b>
	Chrome Pronged Tip	7/8"	<b>AL-244</b>	<b>\$1.25</b>
	Chrome Pronged Tip	1"	<b>AL-245</b>	<b>\$1.25</b>



## ALCO Wheelchair "Problem Solver" Kit

- ✓ Most commonly needed wheelchair parts
- ✓ Large assortment of parts, including bearings, tips and grips, plug buttons and hardware
- ✓ Parts are easy to identify

**AL-2825 \$295.00**

**BUY 11**  
Get One  
**FREE**

# Wheels

**BUY 11 GET 1 FREE!**

Fig #1



Fig #2



ALCO

Fig #3



ALCO

Fig #4



Everest & Jennings®

Close-Up Of Intregal Handrim

<b>FIG. #1</b>	<b>Description: 24" Black Plastic Wheel with Handrim and Urethane Tire</b>											
	Weight Capacity: 250 lbs.											
	<b>Complete Wheel</b>					<b>Replacement Parts</b>						
	<b>Bearing Size</b>	<b>ALCO Part No.</b>	<b>Price</b>	<b>Bearing</b>	<b>Price</b>	<b>Tire</b>	<b>Price</b>	<b>Handrim</b>	<b>Price</b>	<b>Hubcap</b>	<b>Price</b>	
	7/16" Bearing	AL-2719MB	\$79.00	AL-2228A	\$4.95	AL-50156A	\$19.95	AL-25014	\$34.95	AL-45558	\$2.95	
	5/8" Bearing	AL-2718MB	\$89.00	AL-2228	\$4.95	AL-50156A	\$19.95	AL-25014	\$34.95	AL-45558	\$2.95	
<b>FIG. #2</b>	<b>Description: 22" and 24" Nylon Composite Wheel with Handrim and Urethane Tire</b>											
	Weight Capacity: 650 lbs.											
	<b>Grey Wheel</b>											
	<b>Complete Wheel</b>					<b>Replacement Parts</b>						
		<b>Bearing Size</b>	<b>ALCO Part No.</b>	<b>Price</b>	<b>Bearing</b>	<b>Price</b>	<b>Tire</b>	<b>Price</b>	<b>Handrim</b>	<b>Price</b>	<b>Hubcap</b>	<b>Price</b>
		7/16" Bearings 24"	AL-2722	\$79.00	AL-264	\$3.95	AL-50165	\$23.95	AL-63915	\$19.95	AL-2289BT	\$3.95
		5/8" Bearings 24"	AL-2722A	\$85.00	AL-266	\$4.95	AL-50165	\$23.95	AL-63915	\$19.95	AL-2289BT	\$3.95
		7/16" 22"	AL-2722B	\$99.00	AL-264	\$3.95	AL-50165	\$23.95	AL-65371	\$49.95	AL-2289T	\$3.95
		5/8" 22"	AL-2722AB	\$109.00	AL-266	\$4.95	AL-50165	\$23.95	AL-65371	\$49.95	AL-2289T	\$3.95
		<b>Black Wheel</b>										
	<b>Complete Wheel</b>					<b>Replacement Parts</b>						
	<b>Bearing Size</b>	<b>ALCO Part No.</b>	<b>Price</b>	<b>Bearing</b>	<b>Price</b>	<b>Tire</b>	<b>Price</b>	<b>Handrim</b>	<b>Price</b>	<b>Hubcap</b>	<b>Price</b>	
	7/16" Bearings 24"	AL-2722BK	\$79.00	AL-264	\$3.95	AL-50165	\$23.95	AL-63915	\$19.95	AL-2289BT	\$3.95	
	5/8" Bearings 24"	AL-2722ABK	\$109.00	AL-266	\$4.95	AL-50165	\$23.95	AL-63915	\$19.95	AL-2289BT	\$3.95	
<b>FIG. #3</b>	7/16" 22"											
		AL-2722BBK	\$109.00	AL-264	\$3.95	AL-50165	\$23.95	AL-65372	\$49.95	AL-2289BT	\$3.95	
	5/8" 22"											
		AL-2722ABK	\$109.00	AL-266	\$4.95	AL-50165	\$23.95	AL-65372	\$49.95	AL-2289BT	\$3.95	
<b>FIG. #3</b>	<b>Description: 24" Plastic Wheel with Handrim and Pneumatic Tire</b>											
	FLAT FREE TUBE INSERTS AVAILABLE—Add "F" to ALCO Part No. and \$40 to price											
	Weight Capacity: 220 lbs.											
	<b>Complete Wheel</b>					<b>Replacement Parts</b>						
	<b>Bearing Size</b>	<b>ALCO Part No.</b>	<b>Price</b>	<b>Bearing</b>	<b>Price</b>	<b>Tire</b>	<b>Price</b>	<b>Handrim</b>	<b>Price</b>	<b>Hubcap</b>	<b>Price</b>	
	7/16" Bearing	AL-2723	\$109.00	AL-264	\$3.95	N/A	N/A	AL-65373	\$59.95	AL-2289T	\$3.95	
	5/8" Bearing	AL-2723A	\$109.00	AL-266	\$4.95	N/A	N/A	AL-65373	\$59.95	AL-2289T	\$3.95	
<b>FIG. #4</b>	<b>Black Wheel</b>											
	<b>Complete Wheel</b>					<b>Replacement Parts</b>						
		<b>Bearing Size</b>	<b>ALCO Part No.</b>	<b>Price</b>	<b>Bearing</b>	<b>Price</b>	<b>Tire</b>	<b>Price</b>	<b>Handrim</b>	<b>Price</b>	<b>Hubcap</b>	<b>Price</b>
	7/16" Bearing	AL-58657	\$109.00	AL-264	\$3.95	N/A	N/A	AL-65373	\$59.95	AL-2289BT	\$3.95	
	5/8" Bearing	AL-58658	\$109.00	AL-266	\$4.95	N/A	N/A	AL-65373	\$59.95	AL-2289BT	\$3.95	
<b>FIG. #4</b>	<b>Description: 24 X 1 Molded Black Wheel w/Intregal Handrim and Solid Rubber Tire</b>											
	Fits Vista, Traveler & Traveler XD											
	Weight Capacity: 7/16" Bearing 250 lbs. & 5/8" Bearing 350 lbs.											
	<b>Complete Wheel</b>					<b>Replacement Parts</b>						
	<b>Bearing Size</b>	<b>ALCO Part No.</b>	<b>Price</b>	<b>Bearing</b>	<b>Price</b>	<b>Tire</b>	<b>Price</b>	<b>Handrim</b>	<b>Price</b>	<b>Hubcap</b>	<b>Price</b>	

# Wheels

**BUY 11 GET 1 FREE!**



Fig #5



Fig #6



300 lb Capacity



Fig #7



Fig #8



2,000 lb Capacity

<b>FIG. #5</b>	<b>Description: 24" Black Plastic Wheel with Handrim and Molded Solid Rubber Tire</b>										
	Weight Capacity: 700 lbs										
	<b>Complete Wheel</b>					<b>Replacement Parts</b>					
	<b>Bearing Size</b>	<b>ALCO Part No.</b>	<b>Price</b>	<b>Bearing</b>	<b>Price</b>	<b>Tire</b>	<b>Price</b>	<b>Handrim</b>	<b>Price</b>	<b>Hubcap</b>	<b>Price</b>
7/16" Bearing	AL-17P	\$59.00	AL-267	\$3.95	N/A	N/A	AL-47731	\$13.95	AL-58647	\$1.95	
1/2" Bearing	AL-18P	\$59.00	AL-268	\$3.95	N/A	N/A	AL-47731	\$13.95	AL-58647	\$1.95	
5/8" Bearing	AL-19P	\$59.00	AL-269	\$3.95	N/A	N/A	AL-47731	\$13.95	AL-58647	\$1.95	
<b>FIG. #6</b>	<b>Description: 24" Black Plastic Wheel with Handrim and Urethane Snap-On Tire</b>										
	Weight Capacity: 300 LBS.										
	<b>Complete Wheel</b>					<b>Replacement Parts</b>					
	<b>Bearing Size</b>	<b>ALCO Part No.</b>	<b>Price</b>	<b>Bearing</b>	<b>Price</b>	<b>Tire</b>	<b>Price</b>	<b>Handrim</b>	<b>Price</b>	<b>Hubcap</b>	<b>Price</b>
7/16" Bearing	AL-58659	\$59.00	AL-2228A	\$4.95	AL-50156A	\$19.95	N/A	N/A	N/A	N/A	
<b>FIG. #7</b>	<b>Description: 24" Black Plastic Wheel with Chrome Handrim and Solid Rubber Tire</b>										
	Weight Capacity: 350 lbs										
	<b>Complete Wheel</b>					<b>Replacement Parts</b>					
	<b>Bearing Size</b>	<b>ALCO Part No.</b>	<b>Price</b>	<b>Bearing</b>	<b>Price</b>	<b>Tire</b>	<b>Price</b>	<b>Handrim</b>	<b>Price</b>	<b>Hubcap</b>	<b>Price</b>
7/16" Bearing	AL-70079	\$69.00	AL-54878	\$6.95	AL-50165	\$23.95	AL-70081	\$19.95	AL-70121	\$3.95	
5/8" Bearing	AL-70080	\$79.00	AL-70089	\$6.95	AL-50165	\$23.95	AL-70081	\$19.95	AL-70121	\$3.95	
<b>FIG. #8</b>	<b>Description: 24" Metal Alloy Black Die Cast MAG Wheel with Handrim and Solid Rubber Tire</b>										
	Weight Capacity: 2,000 lbs										
	<b>Complete Wheel</b>					<b>Replacement Parts</b>					
	<b>Bearing Size</b>	<b>ALCO Part No.</b>	<b>Price</b>	<b>Bearing</b>	<b>Price</b>	<b>Tire</b>	<b>Price</b>	<b>Handrim</b>	<b>Price</b>	<b>Hubcap</b>	<b>Price</b>
1/2" Bearing	AL-503M	\$99.00	AL-45590	\$4.95	AL-547A	\$21.95	AL-578	\$23.95	N/A	N/A	
7/16" Bearing	AL-504M	\$99.00	AL-2228A	\$4.95	AL-547A	\$21.95	AL-578	\$23.95	N/A	N/A	
5/8" Bearing	AL-505M	\$99.00	AL-2228	\$4.95	AL-547A	\$21.95	AL-578	\$23.95	N/A	N/A	

W6







# Universal 8" Wheelchair Wheels

**BUY 11 GET 1 FREE!**



1

### Front Caster Wheels—Hard

When used, chairs push 50% easier  
8" x 1" • 5/16" Bearing • 1-13/16" Hub

**AL-65562 \$10.00**

8" x 1" • 5/16" Bearing • 1-13/16" Hub  
with Softer Wheel

**AL-70077 \$8.00**

2

### Front Caster Wheels—Hard

When used, chairs push 50% easier  
8" x 2" • 5/16" Bearing • 2-5/16" Hub

**AL-65563 \$29.00**

8" x 2" • 5/16" Bearing • 2-5/16" Hub  
with Softer Wheel

**AL-70078 \$19.00**

3

### Universal 8" MAG, soft semi-pneumatic wheel (1" and 1-1/4" wide, 2-7/16 hub width). Extra wide tire will not fall in elevator slot. Made of grey soft Super-Tuff Material. Outlasts rubber tires 7 to 1. Black Hub/Grey Tire.

**Black Hub/Grey Tire**  
1" Wide, 5/16" ID Bearing

**AL-57309 \$22.95**

1" Wide, 7/16" ID Bearing

**AL-57310 \$22.95**

1-1/4" Wide, 5/16" ID Bearing

**AL-50171 \$22.95**

1-1/4" Wide, 7/16" ID Bearing

**AL-50137 \$22.95**

4

### Universal 8" MAG, soft solid wheel

(2" and 1-3/4" wide, 2-1/2 hub width). Extra Wide Tires will not fall in elevator slot. Made of soft Super-Tuff Material. Outlasts rubber tires 7 to 1.

### Black Hub/Grey Tire

(2" wide) 5/16" ID Bearing. Fits E&J, Lumex, Tuffcare, Hoyer, New Theradyne & more.

**AL-52321 \$29.00**

(2" wide) 7/16" ID Bearing. Fits Colson, Rolls, Invacare, Gendron, Old Theradyne & more.

**AL-52322 \$29.00**

(1-3/4" wide) 5/16" ID Bearing. Fits E&J, Lumex, Tuffcare, Hoyer, New Theradyne & more.

**AL-56480 \$29.00**

(1-3/4" wide) 7/16" ID Bearing. Fits Colson, Rolls, Invacare, Gendron, Old Theradyne & more.

**AL-56481 \$29.00**

5

### Universal 8" MAG type molded wheel (2-1/2 Hub Width)

Made of "super-tuff" material. Out wears rubber tires 7 to 1

### Grey Hub, Grey Tire

7/16" ID Bearing **AL-2116 \$16.95**

5/16" ID Bearing **AL-305M \$16.95**

### Grey Hub, Black Tire

7/16" ID Bearing **AL-2116B \$16.95**

5/16" ID Bearing **AL-305MB \$16.95**

6

### Universal 8" MAG type molded wheel (2-1/2 Hub Width)

Made of "super-tuff" material. Out wears rubber tires 7 to 1

### Black Hub, Black Tire

7/16" ID Bearing **AL-66152 \$16.95**

5/16" ID Bearing **AL-66153 \$16.95**



# Universal 8" Wheelchair Wheels

**BUY 11 GET 1 FREE!**



7



8



9



10

5" or 6"



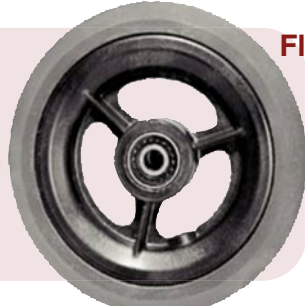
11



12



13



14

Flat Free Soft Tire

7

**8x1, 5-Spoke, Black Plastic**  
Solid Lt. Grey Tire, Premium Grade (Tire Cannot Be Replaced)  
Bearing ID 5/16  
Hub Width 2-1/2"  
Fits Most Chairs With 5/16 Axles  
**AL-45613 \$29.95**

9

**8x1, 8-Spoke, Black Plastic**  
Smooth Black Tire  
Bearing ID 7/16  
Hub Width 2-3/8"  
Fits Invacare & Other  
**AL-45619 \$29.95**

11

**8x1-1/4, 8-Spoke, Black Plastic**  
Black Urethane Tire, With Round Ribbed Tread  
Bearing ID 5/16  
Hub Width 1-1/2"  
Fits Most Ultralight Wheelchairs  
**AL-45625 \$39.95**

13

**8x2, Grey 2-Pc. Plastic-Treated**  
Large Pneumatic Tire  
Bearing ID 5/16  
Hub Width 2-1/2"  
Fits E&J  
**AL-45631 \$29.95**

8

**8x1, 8-Spoke, Black Plastic**  
Lt. Grey Solid Tire (Tire Cannot Be Replaced)  
Bearing ID 5/16  
Hub Width 2-3/8"  
Fits E&J Std  
**AL-45615 \$12.95**

12

**8x1, 8-Spoke, Black Plastic**  
Black Urethane Tire.Round Smooth Tread  
Bearing ID 5/16  
Hub Width 1-1/2"  
Fits Most Ultralight Wheelchairs  
**AL-45616 \$29.95**

**8x2, Black 2-Pc. Plastic**  
Lt. Grey Urethane Tire W/ Ribbed Tread (Invacare Calls It 8x1-3/4")  
Bearing ID 7/16  
Hub Width 2-7/16"  
Fits Invacare & Other Power Chairs  
**AL-45629 \$39.95**

**8x2, Black 2-Pc. Plastic-Treated**  
Pneumatic Tire  
Bearing ID 7/16  
Hub Width 2-1/2"  
Fits Invacare & Others  
**AL-45632 \$39.95**

**8x1, 8-Spoke, Grey Plastic**  
Lt. Grey Solid Tire  
Bearing ID 5/16  
Hub Width 2-3/8"  
Fits E&J Std  
**AL-45615A \$12.95**

10

**8x1, 5-Spoke, Grey Plastic**  
Solid Lt. Grey Tire, Premium Grade (Tire Cannot Be Replaced)  
Bearing ID 5/16  
Hub Width 2-5/16"  
Fits E&J, Quickie  
**AL-45618 \$29.95**

14

**5x1, 3-Spoke Black Plastic, Black Urethane Pyramid Tire**  
Fits Quickie & Most Ultralight Wheelchairs  
5/16 Bearing ID.  
Hub width 1"  
**AL-64203 \$26.95**

**8x1, 5-Spoke, Grey Plastic**  
Lt. Grey Tire Premium Grade  
Bearing ID 7/16  
Hub Width 2-3/8"  
Fits Invacare & Others  
**AL-45614 \$29.95**

**8x1-1/4, Custom Caster**  
5-Spoke, Grey Plastic,  
Bearing ID Specify 5/16 Or 7/16  
Hub Width Specify 1-3/4" Or 2-3/8"  
Fits Most Chairs  
**AL-45621 \$49.95**

**6x1-1/4, 3-Spoke, Black Plastic, Black Urethane Tire**  
(Includes Spacers To Fit Forks Up To 1-3/4 wide)  
Fits Quickie, E&J, Invacare, Others  
5/16 Bearing ID.  
Hub width 1"  
**AL-64204 \$29.95**



# 8" Wheelchair Caster Assemblies

**BUY 11 GET 1 FREE!**



Fig	Description	ALCO Part No.	Price Each
1	Locknut, (7/16-20)	AL-1400	\$ .90
2	Radial Celcon bearing	AL-2098	\$4.95
3	Top sleeve	AL-2101	\$4.95
4	Sleeve bottom	AL-2106	\$8.95
N/S	Precision bearing	AL-2228	\$4.95
N/S	Bearing, Wheel	AL-259F	\$3.95
N/S	Axle w/nut, 7/16" - 20"x3-1/4"	AL-1406	\$3.95
5	8" Fork	AL-45525	\$24.95
6	Wheel, Grey Hub	AL-2116	\$16.95
6	Wheel, Black Hub	AL-2116B	\$16.95
A	Comp. Caster Assy, Grey	AL-124M	\$61.95
A	Comp. Caster Assy, Black	AL-124MB	\$61.95
Kit	Bearing/Sleeve Assy includes fig #1-5	AL-2141	\$23.95



Tracer IV Aluminum, Black AL-72956	\$51.95	Tracer EX2/SX5 Steel, Black AL-72957	\$51.95
--	---------	--	---------

**LOW PRICES GUARANTEED!**  
**WE WILL NOT BE UNDERSOLD!**

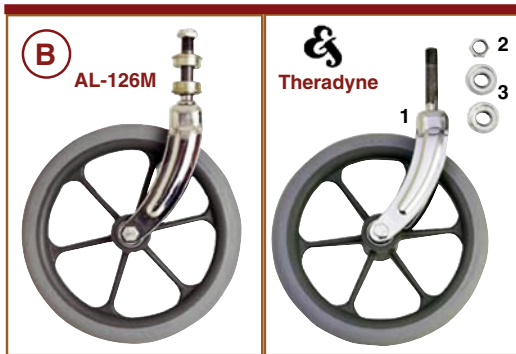


Fig	Description	ALCO Part No.	Price Each
1	8" Fork 5/16" wheel axle 1/2" stem	AL-2749	Call
1	8" Fork 5/16" wheel axle, Chrome	AL-2279	\$16.95
1	8" Fork 5/16" wheel axle, Black	AL-2279B	\$19.95
2	Nut	AL-1374	\$ .90
3	Stem Bearing	AL-261	\$2.99
4	Wheel Grey Hub	AL-305M	\$16.95
4	Wheel Black Hub	AL-305MB	\$16.95
5	Axle with Locknut	AL-2237	\$2.95
B	Complete Caster Assembly, Grey	AL-126M	\$34.95
B	Complete Caster Assembly, Black	AL-126MB	\$34.95



Fig	Description	ALCO Part No.	Price Each
1	Fork 7/16" w/stem	AL-50172	\$20.00
2	Stem only	AL-50173	\$12.00
3	Stem bearing	AL-263	\$3.95
4	Nut	AL-1374	\$ .90
C	Complete Caster Assembly	AL-122M	\$44.95



# Wheel & Caster Bearings

**BUY 11 GET 1 FREE!**

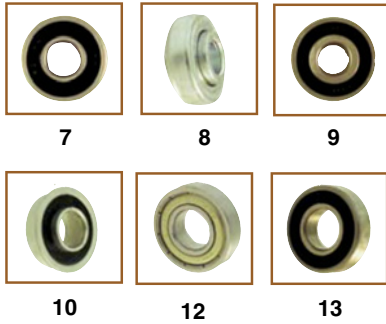
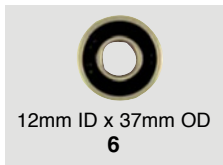
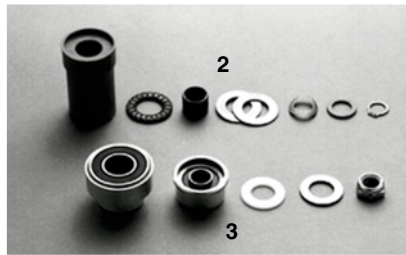
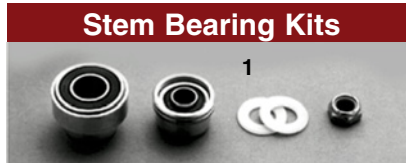


Fig.	Description	To Fit	ALCO Part No.	Price Each
1	Kit, Bearing Caster Stem	All Old Inva Models except 700 & 900 Series	AL-2141	\$23.95
2	Kit, Bearing, Caster Stem (Plastic)	Invacare	AL-2227	\$29.95
3	Kit, Bearing Assy., Fork Stem	Invacare 700 & 900 Series	AL-2140	\$29.95
4	O-Ring, Rubber Anti-Flutter (Pk of 4)	1/2" Fork Stems	AL-58541	\$2.95
5	Stem Bearing	Medline Excel	AL-54873	\$4.95
6	Rear Wheel Bearing <sup>1</sup>	Medline Excel	AL-54878	\$6.95
	Rear Wheel Bearings (Pair) <sup>2</sup>	Medline	AL-64732	\$14.95
N/S	Rear Wheel Bearing (Pair)	Medline Excel X-Wide	AL-59706	\$12.95
7	Front Fork Stem Bearings For 22" and 24" Wide	Drive, Medline	AL-67060	\$6.95
8	Front Caster Bearings	Drive, Medline	AL-70087	6.95
N/S	Front Caster Bearings for Extra Wide	Medline	AL-64771	19.95
9	22" and 24" Wide Rear Bearings	Drive, Medline	AL-70089	\$5.95
10	Radial Celcon Bearings	Invacare	AL-2098	\$4.95
11	Kit, 4 Bearings, 2 Spacers	Guardian, Hoyer	AL-65845	\$19.95
12	Stem Bearing—New Style	E&J	AL-70723	\$5.95
13	Axle Bearing	Quickie	AL-47582	\$12.95

<sup>1</sup>Serial numbers A007-A0107  
<sup>2</sup>Serial numbers equal or lower than A0006

Pk.  
Pr.  
Pr.

## ALCO Bearing Kits

- ALCO Regular Bearing Kit** contains 40 Bearings:  
4 ea. AL-259F, AL-260, AL-261, AL-262, AL-263, AL-267, AL-268, AL-269, AL-264, AL-271, AL-2234 (Plastic Box Included)  
Regular Bearing Kit **AL-2235 \$149.00**
- ALCO Deluxe Bearing Kit** contains 56 Bearings:  
In addition to above, 4 ea. AL-275, AL-276, AL-2228, AL-2228A. (Plastic Box Included)  
Deluxe Bearing Kit **AL-2235A \$249.00**
- ALCO Supreme Bearing Kit** contains 80 Bearings: In addition to two kits above, 4 ea. AL-259F, AL-261, AL-263, AL-269, AL-264, AL-271. (Plastic Box Included)  
Supreme Bearing Kit **AL-2235B \$299.00**
- Universal Bearing Kit** for Invacare & E&J Wheelchairs **AL-58535 \$179.00**
- Invacare Bearing Kit** **AL-58536 \$129.00**
- E&J Bearing Kit** **AL-58537 \$69.00**
- Axle/Bearing Sizer Tool** (for measuring OD/ID) **AL-58538 \$1.00**

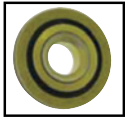
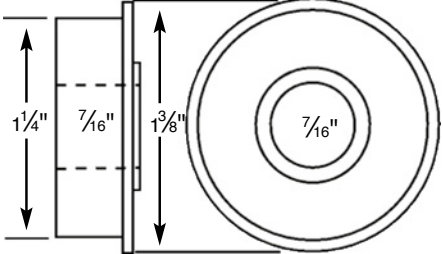
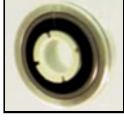
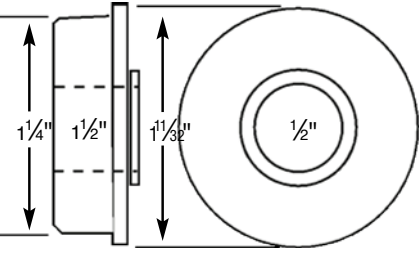

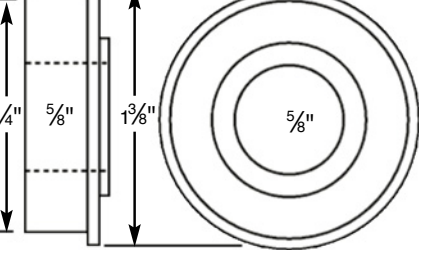

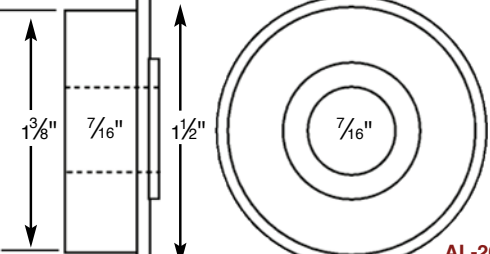

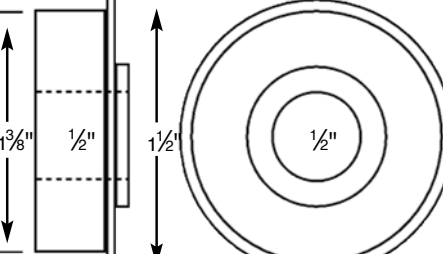

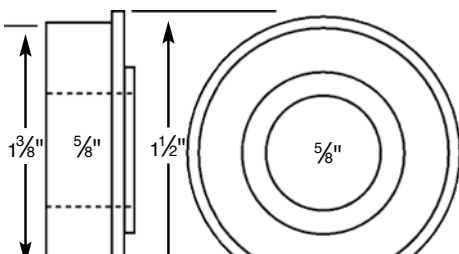
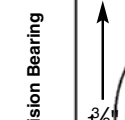
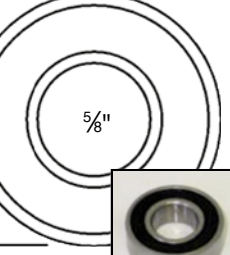
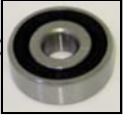

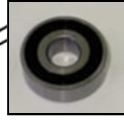
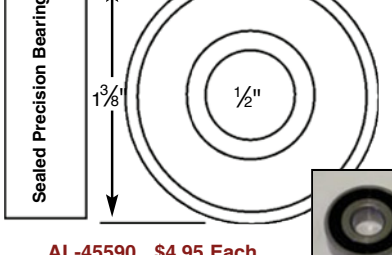
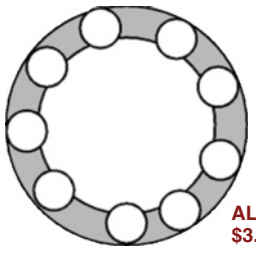
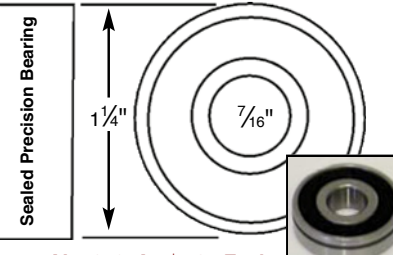

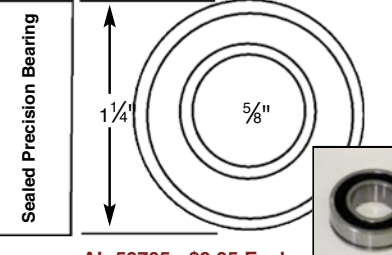
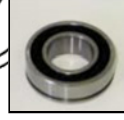
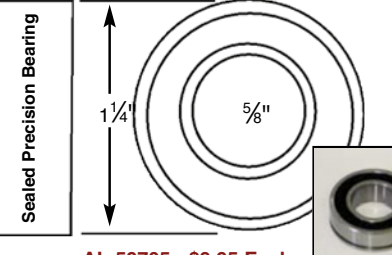


See bearing pages 60-62 for descriptions.



# 24" Rear Wheel Bearings

## BUY 11 GET 1 FREE!

<b>Theradyne</b>		<b>Theradyne</b>	
  <b>AL-264 \$3.95 Each</b>			  <b>AL-265 \$6.95 Each</b>
<b>E &amp; J</b>		<b>Colson, Rolls, Invacare, Theradyne</b>	
  <b>AL-266 \$4.95 Each</b>			  <b>AL-267 \$3.95 Each</b>
<b>Colson, Rolls, Invacare, Theradyne</b>		<b>Colson, Rolls, Invacare, Theradyne</b>	
  <b>AL-268 \$3.95 Each</b>			  <b>AL-269 \$3.95 Each</b>
<b>Rolls, Invacare and Theradyne</b>		<b>Rolls, Invacare and Theradyne</b>	
  <b>AL-2228 \$4.95 Each</b>	  <b>AL-2228A \$4.95 Each</b>	  <b>AL-45590 \$4.95 Each</b>	
<b>Colson, Rolls, Invacare</b>		<b>E &amp; J Integral Handrim</b>	
  <b>AL-276 \$3.95 Each</b>		  <b>AL-59705A \$7.95 Each</b>	
		  <b>AL-59705 \$9.95 Each</b>	

# 8" Front Wheel Bearings

**BUY 11 GET 1 FREE!**



<p><b>American</b></p> <p><b>AL-257 \$4.95 Each</b></p>	<p><b>E &amp; J</b></p> <p><b>AL-258 \$3.95 Each</b></p>	<p><b>Colson, Rolls, Invacare, Old Theradyne &amp; Gendron</b></p> <p><b>AL-259F \$3.95 Each</b></p>
---	--	--

<p><b>Colson, Rolls, Invacare, Theradyne</b></p> <p><b>AL-262 \$3.95 Each</b></p>	<p><b>E &amp; J</b></p> <p><b>AL-271 \$2.95 Each</b></p>
---	--

<p><b>E &amp; J, New Theradyne</b></p> <p><b>AL-2970 \$2.99 Each</b></p>	<p><b>Invacare/Medline</b></p> <p><b>AL-45587 \$4.95 Each</b></p>	<p><b>Metric for Import</b></p> <p><b>AL-51002 \$7.95 Each</b></p>
--	---	--

## Specialty

<p><b>E &amp; J - 1 Arm Drive Units</b></p> <p><b>AL-255 \$6.95 Each</b></p>	<p><b>Stryker 8" Wheel Bearing</b></p> <p><b>AL-2234 \$5.95 Each</b></p>
--	--

**Cones for Colson, Rolls, Invacare**

<p><b>AL-281 \$4.95 Each</b></p>	<p><b>AL-282 \$4.95 Each</b></p>
----------------------------------	----------------------------------

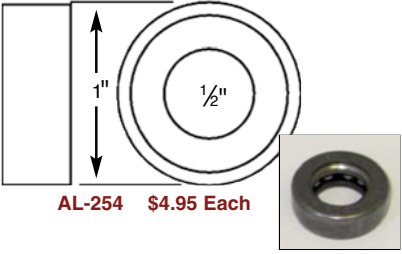
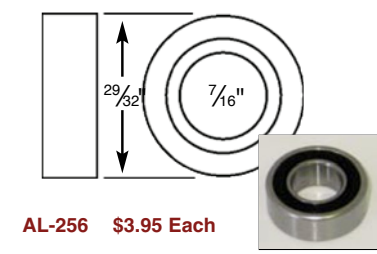
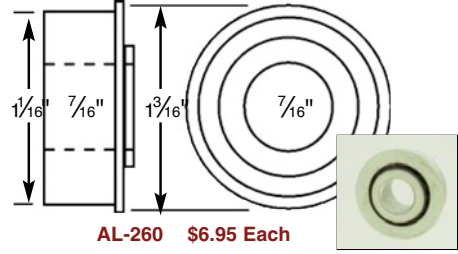
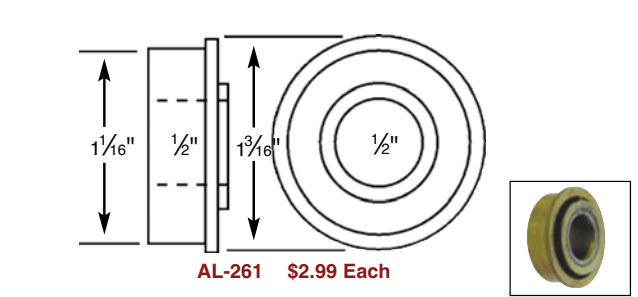
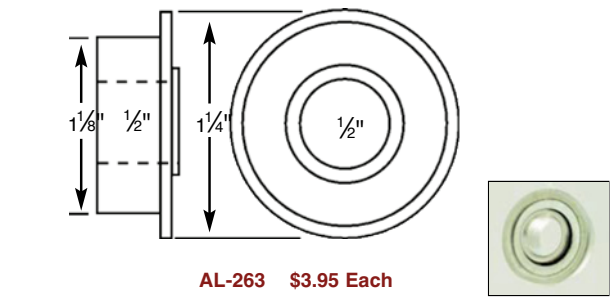

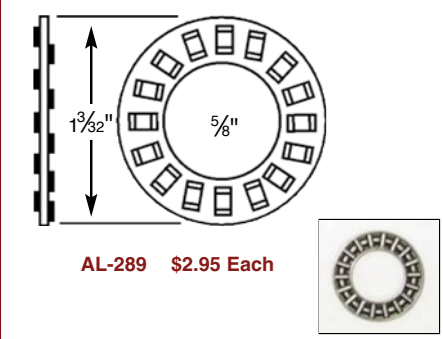
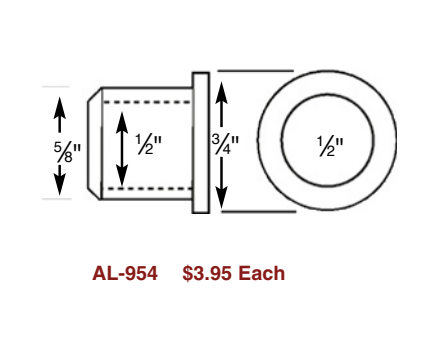
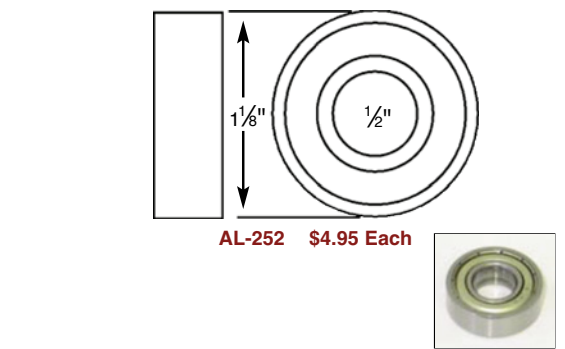

**All Bearings Are Shown Approximate Size**





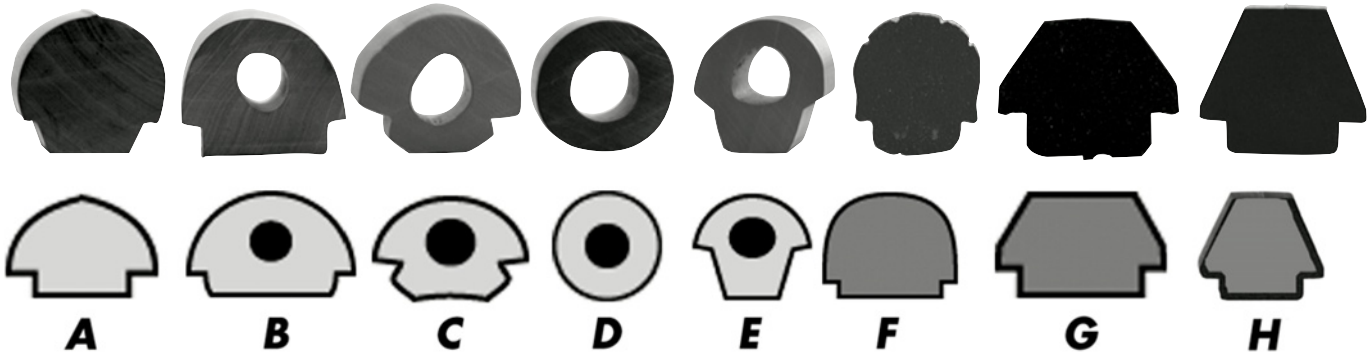
# Front Caster Stem Bearings

**BUY 11 GET 1 FREE!**

<p><b>American</b></p>  <p>AL-254 \$4.95 Each</p>	<p><b>Colson, Rolls, Invacare</b></p>  <p>AL-256 \$3.95 Each</p>	<p><b>E &amp; J</b></p>  <p>AL-260 \$6.95 Each</p>
<p><b>E &amp; J</b></p>  <p>AL-261 \$2.99 Each</p>		<p><b>Colson</b></p>  <p>AL-263 \$3.95 Each</p>
<p><b>Colson, Rolls, Invacare</b></p>  <p>AL-275 \$2.95 Each</p>	<p><b>Rolls, Invacare</b></p>  <p>AL-289 \$2.95 Each</p>	<p><b>Gendron</b></p>  <p>AL-954 \$3.95 Each</p>
<p><b>Theradyne and New E&amp;J</b></p>  <p>AL-252 \$4.95 Each</p>		 <p><b>ALCO Spray Grease For Casters and Wheels</b>          For use on all types of bearings and gears. Sprays on in liquid form and sets up as a permanent grease in 20 minutes. Grease is impervious to water and temperatures up to 400 degrees F. Includes nozzle straw to help you grease those hard-to-reach places. Better than silicone and WD-40® because it doesn't dry up. Environmentally safe!</p> <p>AL-2014 \$7.95 Each per 14 oz. can          AL-66073 \$69.95 Case (12 per case)</p>

# Replacement Snap-on Solid Wheelchair Tires

**BUY 11 GET 1 FREE!**



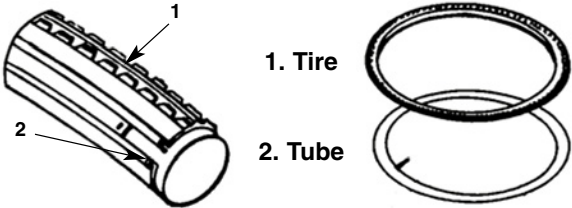
## Grey Rubber Replacement Wheelchair Snap-on Tires

Description	Fits	Fig.	ALCO Part No.	Price Each
8 x 1" Tire, Solid, Lt Grey Rubber, Round Shape, Smooth Tread	8 x 1" Casters w/ Flat Channels	A	AL-50146	\$9.95
22 x 1" Snap-On, Lt Grey	22 x 1" Mag and Spoke Wheel with Square Channel	B	AL-50147	\$19.95
24 x 3/4" Tire, Solid, Lt Grey Rubber, Shaped Base, Smooth Tread	E&J 24" Handrim/Wheel Rim Combo	C	AL-543S	\$16.95
22 x 1" Tire, Solid, Lt Grey Rubber, Round Base, Smooth Tread	Most 22" Wheels w/o Valve Holes	D	AL-50150	\$18.95
24 x 1" Tires, Solid, Lt Grey Rubber, Round Base, Smooth Tread	Old 24" E&J & Invacare Spoked Wheels w/o Valve Hole	D	AL-50151	\$18.95
24 x 7/8" Tire, Solid, Lt Grey Rubber, Flat Base, Smooth Tread	Sun 24" 6-Spoke Magnesium (Metal) Mag Wheels	E	AL-547A	\$21.95

## Dark Grey Urethane Replacement Wheelchair Snap-on Tires

Description	Fits	Fig.	ALCO Part No.	Price Each
8 x 1" Snap-On Tire, Pyramid Style	Invacare Mag	H	AL-50157	\$16.95
8 x 1" Tire, Solid, Black Polyurethane, Round Shape, Smooth Tread	Most 8 x 1" Casters Except E&J	F	AL-50158	\$14.95
24 x 1-1/4" Tire, Solid, Black Polyurethane, Full Profile, Slight Tread	Most 24 x 1-3/8" Wheels w/ Valve Hole	F	AL-50160	\$23.95
22 x 1-1/4" Tire, Solid, Black Polyurethane, Full Profile, Slight Tread	Most 22 x 1-3/8" (501mm) Wheels w/ Valve Hole (Except E&J)	F	AL-50161	\$23.95
24 x 1" Tire, Urethane, Black, Low Profile, Smooth Tread	Most 24 x 1" Wheel Rims w/o Valve Hole	G	AL-50165	\$23.95
24 x 1" Tire, Solid, Black Polyurethane, Low Profile, Pyramid Shape, Smooth Tread	Invacare 24" 9-Spoke Mag Wheel	G	AL-50156A	\$19.95

## Air-Pneumatic Tire Inner Tubes



Airfree Tubes					
Size	ALCO Part No.	Price Each	Size	ALCO Part No.	Price Each
20" x 2.125"	AL-2875	\$29.95	24" x 1-3/8"	AL-2878	\$19.95
24" x 1-1/4"	AL-2878	\$19.95	24" x 1.75"	AL-2879	\$23.95
8" x 1-1/4"	AL-50139	\$13.95	22" x 1-3/8"	AL-50141	\$19.95
8" x 1-3/4"	AL-50140	\$16.95			
Polyurethane Airfree Snap-On Tire			24" x 1-3/8"	AL-58661	\$19.95

Fig.	Size	Color	ALCO Part No.	Price Each
1	8" x 1-1/4"	Grey	AL-551	\$9.95
	8" x 1-3/4"	Grey	AL-551A	\$12.95
	10" x 3"	Grey	AL-58568	\$14.95
	20" x 1-3/8"	Grey	AL-552	\$14.95
	22" x 1-3/8"	Grey	AL-50138	\$16.95
	24" x 1.25	Grey	AL-555	\$12.95
	24 x 1.375-S.R.	Grey	AL-556	\$12.95
	24" x 1-3/8"	Grey	AL-557	\$12.95
	24" x 1-3/4"	Grey	AL-558	\$19.95
	24 x 1.75	Grey	AL-560	\$15.95
	2	8" x 1-1/4"	Black	AL-563
8" x 1-3/4"		Black	AL-563A	\$8.95
10" x 3"		Black	AL-58569	\$8.95
20" x 1-3/8"		Black	AL-564	\$8.95
20 x 2.15		Black	AL-565	\$6.95
22" x 1-3/8"		Black	AL-50144	\$8.95
24 x 1.25 or 1-3/8"		Black	AL-566	\$8.95
24 x 1.75 or 1-3/4"		Black	AL-567	\$10.95



# Wheelchair Wheel Maintenance Parts

**BUY 11 GET 1 FREE!**

## Handrims

Dist From Center of Mounting Hole to Center	Outside Diameter (Inch)	Inside Diameter (Inch)	ALCO Part No.	Price Each
20-1/8"	20-3/4"	19-3/8"	AL-578	\$23.95
20-3/4"	21-3/8"	20-1/8"	AL-2840	\$49.95
Invacare (Spoke 24" Wheel) 4 rivets			AL-2840	\$49.95
Invacare Plastic Composite Wheel 6 rivets			AL-25014	\$34.95
Theradyne Plastic Composite 24" Wheel			AL-578	\$23.95
Invacare 9 Spoke Black Composite			AL-50928	\$39.95
Gendron Plastic			AL-47731	\$13.95
Invacare 7 Spoke Black Composite			AL-58570	\$39.95
Invacare 7 Spoke Black Anodized			AL-58571	\$39.95

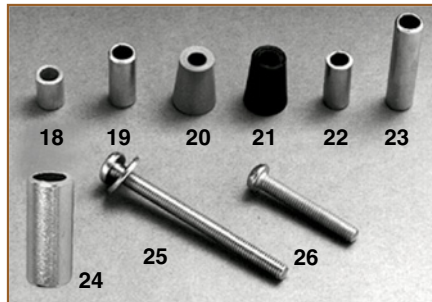


**Presta Valve Adapters**  
Converts to Schrader  
AL-50939 \$2.49 Ea



**Plastic Valve Cap**  
AL-50938 \$0.39 Ea

## Handrim Spacers and Screws



**Other Spacers Available On Page 65**

Fig.	Description for Handrim Spacers & Screws	Fits	ALCO Part No.	Price Each
18	7/16" Long Spacer	Invacare	AL-45534	\$1.35
19	3/4" Long Spacer	Std Wheel All Brands	AL-586A	\$0.60
	7/8" Long Spacer	All Brands	AL-586	\$0.55
20	3/4" Long Spacer Grey Skyway	Skyway Handrim	AL-45535	\$0.95
21	3/4" Long Spacer Black Skyway	Skyway Handrim	AL-45536	\$0.95
22	11/16" Long Spacer	Inva	AL-45537	\$0.69
23	1 x 21/64" Spacer	Inva Handrim	AL-45539	\$0.95
24	1-1/4" Long Spacer	Std Wheel All Brands	AL-45538	\$0.79
25	Handrim Screw	Skyway	AL-45541	\$0.95
26	10 x 1-1/4" Handrim Screw	Std Wheel All Brands	AL-1376A	\$0.50
	1-1/2" Long Handrim Screw	All Brands	AL-1376	\$0.50
	10-32 x 1-3/4 Machine Screw	Inva Handrim	AL-45540	\$1.50
	Handrim Screw (Pack of 10)	Inva 7 & 9 Rivnut Composite	AL-58572	\$2.95

Pk.

## Spoke Protectors



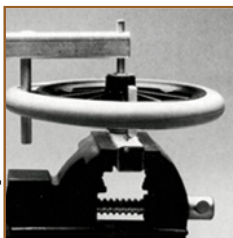
FRONT VIEW



BACK VIEW

Description	Specifications	ALCO Part No.	Price Each
<b>Spoke Protectors (Velcro Straps Included For Attachment)</b>			
Black Plastic (Pair)	Most 24 X 1-3/8" Spoked Wheels W/ Welded-Tab Handrim Attachment	AL-64301	\$61.95 Pr.
Black Plastic (Pair)	Most 26 X 1-3/8" Spoked Wheels W/ Welded-Tab Handrim Attachment	AL-64302	\$61.95 Pr.
Description	Specifications	Part No.	Price
<b>Spokes</b>			
.080 Gauge Spokes w/Nipples	10-3/16" Long, Set Of 40 24x1-1/4", 24x1-3/8" Wheels	AL-64299	\$9.95
.080 Gauge Spokes w/Nipples	11-1/4" Long, Set Of 40 26x1-3/8", Wheels	AL-64300	\$9.95

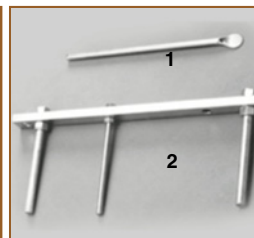
64



**EZ Tire Mounting Machine**  
Easy-to-use tire mounting machine for use with 8" through 24" solid tires.  
AL-25103 \$89.95



**Heavy Duty Deluxe Tire Mounting Machine**  
Snap on tire tool works on wheels and casters 8" through 26".  
AL-50723 \$179.00



1) Tube Mounting Tool  
AL-25105 \$11.95  
2) Solid Tire Installation Tool  
✓ Mounts in vice  
✓ Used to install most 8, 20, 22 and 24" Snap-On Solid Tires  
AL-25104 \$21.95



# Axle Accessories

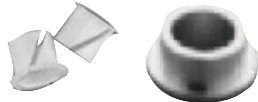
**BUY 11 GET 1 FREE!**



Axle and Nut Assemblies			
Description	Fits	ALCO Part No	Price Each
5/16"x2-1/2" Axle Assy w/Nut & Spacer	Inva 6" Caster & Quickie	AL-58565A	\$1.95
5/16"x3" Axle Assy w/Nut	E&J Casters	AL-2237	\$2.95
7/16"x3-1/8" Axle Assy w/Nut (flat end)	Inva Casters	AL-1406	\$3.95
7/16"x4" Axle Assy w/Nut, Wide head	Wheels w/Recessed Bearings	AL-686	\$2.95
7/16"x4-1/2" Axle Assy w/Nut, Wide head	Wheels w/Recessed Bearings	AL-688	\$7.95
7/16"x4-1/2" Axle Assy w/Nut, Thin head	Wheels w/Flush Bearings	AL-58542	\$4.95
7/16"x4-3/4" Axle Assy w/Nut, Wide head	Wheels w/Recessed Bearings	AL-58543	\$1.95
7/16"x5" Axle Assy w/Nut, Wide head	Wheels w/Recessed Bearings	AL-689	\$2.95
7/16"x5" Axle Assy w/Nut, Thin head	Wheels w/Flush Bearings	AL-58544	\$6.95
7/16"x5-1/4" Axle Assy w/Nut, Thin head	Wheels w/Flush Bearings	AL-58545	\$5.95
7/16"x5-1/2" Axle Assy w/Nut, Wide head	Wheels w/Recessed Bearings	AL-58546	\$6.95
1/2"x5" Axle Assy w/Nut, Wide head	Wheels w/Recessed Bearings	AL-693	\$6.95
1/2"x5-1/2" Axle Assy w/Nut, Wide head	Wheels w/Recessed Bearings	AL-58547	\$6.95
5/8"x5" Axle Assy w/Nut, Wide head	Wheels w/Recessed Bearings	AL-696	\$5.95
5/8"x5-1/2" Axle Assy w/Nut, Wide head	Wheels w/Recessed Bearings	AL-58548	\$7.95
5/8"x6" Axle Assy w/Nut, Wide head	Wheels w/Recessed Bearings	AL-58549	\$7.95



Axle Spacers			
Description	Fits	ALCO Part No	Price Pack of 4
<b>Sold In Packs of 4</b>			
5/16" I.D. x 1/16" Long Spacer	E&J & Other 5/16" Axles	AL-58550	\$1.95
5/16" I.D. x 3/16" Long Spacer	Inva & 6" Caster	AL-45516	\$3.95
5/16" I.D. x 3/8" Long Spacer	5/16" Axles	AL-58551	\$3.95
7/16" I.D. x 1/16" Long Axle Spacer	7/16" Axles	AL-45518	\$2.95
7/16" I.D. x 1/4" Long Axle Spacer	7/16" Axles	AL-58553	\$11.95
7/16" I.D. x 1/2" Long Axle Spacer	7/16" Axles	AL-25009	\$6.95
7/16" I.D. x 3/4" Long Axle Spacer	7/16" Axles	AL-58554	\$11.95
7/16" I.D. x 7/8" Long Axle Spacer	7/16" Axles	AL-45519	\$3.95
7/16" I.D. x 1" Long Axle Spacer	7/16" Axles	AL-58554A	\$11.95
7/16" I.D. x 9/16" O.D. x 1.61 Long Axle Spacer	7/16" Axles	AL-45521	\$3.95
1/2" I.D. x 1/16" Long Axle Spacer	1/2" Axles	AL-58555	\$1.95
1/2" I.D. x 1/4" Long Axle Spacer	1/2" Axles	AL-58556	\$15.95
1/2" I.D. x 1/2" Long Axle Spacer	1/2" Axles	AL-58557	\$11.95
1/2" I.D. x 3/4" Long Axle Spacer	1/2" Axles	AL-58558	\$3.95
5/8" I.D. x 1/16" Long Axle Spacer	5/8" Axles	AL-58560	\$1.95
5/8" I.D. x 1/4" Long Axle Spacer	5/8" Axles	AL-58561	\$11.95
5/8" I.D. x 1/2" Long Axle Spacer	5/8" Axles	AL-58562	\$11.95
5/8" I.D. x 3/4" Long Axle Spacer	5/8" Axles	AL-58563	\$11.95



**Other Spacers Available On Page 64**

Axle Conversion Sleeve & Reducer			
Description	Fits	ALCO Part No	Price Per Pack
7/16 to 5/16 I.D. Axle Conversion Sleeve (Pack of 2)	Most Wheels	AL-45524	\$19.95/Pk 2
1/2" O.D. to 7/16" I.D. Flanged Nylon Reducer (Pack of 4)	Caster Wheels	AL-58565	\$6.95/Pk 4



# Invacare Legrests

## BUY 11 GET 1 FREE!

When Ordering, Specify Left (L) or Right (R) — Sitting in Chair



Fig #1 Swinging, Elevating Adult Camlock Legrest 3-1/8" Spacing Fits Invacare, Medline, Drive (Medical Depot) & Evermed Description	ALCO Part No.	Price Each	
Deluxe (Padded or Plastic), Left	AL-420L*	\$69.50	
Deluxe (Padded or Plastic), Right	AL-420R*	\$69.50	
Deluxe (Padded or Plastic), (Pair)	AL-64412*	\$119.00	Pr.
Adaptor to convert from Camlock to Hook-on, Left	AL-449L	\$14.95	
Adaptor to convert from Camlock to Hook-on, Right	AL-449R	\$14.95	
Economy (Black Plastic Calf Pad), Left	AL-56479L	\$49.50	
Economy (Black Plastic Calf Pad), Right	AL-56479R	\$49.50	
Economy (Black Plastic Calf Pad), (Pair)	AL-64413	\$79.00	Pr.

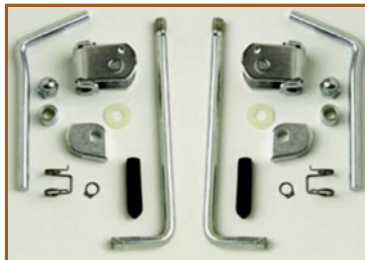
\*Specify Padded (AL-422U grey base; AL-422UBK black base) or Plastic AL-423U-GY (Grey) or AL-423U-BK (Black)  
Calf pad and color (See inside Front Cover for color options). No additional charge

Fig #2 Swinging, Elevating Hemi Camlock Legrest 1-3/8" Spacing Fits Invacare, Medline, Drive (Medical Depot), Access Point & Evermed Description	ALCO Part No.	Price Each	
Deluxe (Padded or Plastic), Left	AL-420HL*	\$69.50	
Deluxe (Padded or Plastic), Right	AL-420HR*	\$69.50	
Deluxe (Padded or Plastic), (Pair)	AL-64414*	\$119.00	Pr.
Economy (Black PADDED Calf Pad), (Pair)	AL-61015	\$89.00	Pr.
Economy (Black PLASTIC Calf Pad), Left	AL-56478HL	\$39.95	
Economy (Black PLASTIC Calf Pad), Right	AL-56478HR	\$39.95	
Economy (Black PLASTIC Calf Pad), (Pair)	AL-64415	\$69.95	Pr.

\*Specify Padded (AL-422U grey base; AL-422UBK black base) or Plastic AL-423U-GY (Grey) or AL-423U-BK (Black)  
Calf pad and color (See inside Front Cover for color options). No additional charge

Invacare Smartleg Articulating Legrests Fits: Invacare, EX2, SX5, 9000XT Recliner, 9000SL, 9000XDT, Tracer IV Description	ALCO Part No.	Price Pair	
Composite Footplate (Pair)	AL-66074*	\$199.95	Pr.
Aluminum Footplate (Pair)	AL-66075*	\$199.95	Pr.

\*Specify Padded (AL-422U grey base; AL-422UBK black base) or Plastic AL-423U-GY (Grey) or AL-423U-BK (Black)  
Calf pad and color (See inside Front Cover for color options). No additional charge



**Complete Ratchet Assembly Kit Pair**  
Fits Invacare, Colson, Rolls and more.  
AL-49969 \$23.95 Pair



### Universal Elevating Leg Rests

- ✓ Easy to mount leg rests fit most pin-style leg rest mounts with pin spacing from 1-1/2" to 3-1/4" and with pins of either 1/4" or 3/4" diameter
- ✓ Black calf pad only
- ✓ Does not fit Sunrise "Breezy" or "Quickie"

Universal Elevating Leg Rest, Pair  
AL-71088 \$179.00 Pr.



### Calf Pad Cover

- ✓ Protects against tears and abrasion
  - ✓ Velcro® straps secure to all wheelchair calf pads
  - ✓ Wipes clean for easy care
- AL-72354 \$79.00 Pr.

# E&J, Sunrise Medical & Gendron Legrests



**BUY 11 GET 1 FREE!**

**When Ordering, Specify Left (L) or Right (R) — Sitting in Chair**

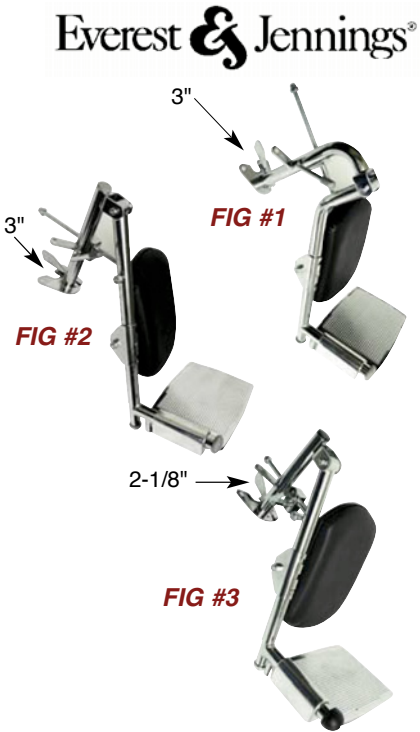



FIG #1 Swinging, Elevating, High Top Adult Camlock Legrest 3" Spacing Fits E&J, Theradyne, Tuffcare, Old Hoyer, Merits, Lumex & More	ALCO	Price	Pr.
Description	Part No.	Each	
Deluxe (Padded), Left	AL-408L*	\$79.00	Pr.
Deluxe (Padded), Right	AL-408R*	\$79.00	
Deluxe (Padded) (Pair)	AL-64416*	\$139.00	
FIG #2 Swinging, Elevating, Low Top Adult Camlock Legrest 3" Spacing Fits E&J, Theradyne, Tuffcare, Old Hoyer, Merits, Lumex & More	ALCO	Price	Pr.
Description	Part No.	Each	
Deluxe (Padded), Left	AL-408SL*	\$59.00	Pr.
Deluxe (Padded), Right	AL-408SR*	\$59.00	
Deluxe (Padded) (Pair)	AL-64417*	\$114.95	
FIG #3 Swinging, Elevating, Hemi Camlock Legrest 2-1/8" Spacing Fits E&J, Theradyne, Tuffcare, Old Hoyer, Merits, Lumex & More	ALCO	Price	Pr.
Description	Part No.	Each	



**E&J Ratchet Assembly**  
(fits Left or Right)  
**AL-433 \$12.95**



**Sunrise Medical Legrests**  
Elevating Legrest with Black Calf Pad  
and Plastic Footplate (Pair)  
**AL-65852 \$89.95 Pr.**

9-1/2"

**Padded/Grey Base**  
**AL-422U (specify color)**  
**Padded/Black Base**  
**AL-422UBK (specify color)**

## Gendron Legrests



Swinging, Elevating Adult Camlock Legrests with Quad Release, Pair (Fig #3)		
Fig #4 Description	ALCO Part No.	Price Pair
Black Calf Pad (Pair)	AL-64689-183	\$199.00
Elevating Adult Hook-On Legrests, Pair (Fig #4)		
Fig #5 Description	ALCO Part No.	Price Pair
Black Calf Pad (Pair)	AL-64690-183	\$139.00




**Gendron Ratchet Assembly**  
Left **AL-437L \$21.95**  
Right **AL-437R \$21.95**





# Footrests

**BUY 11 GET 1 FREE!**

**When Ordering, Specify Left (L) or Right (R) — Sitting in Chair**



**Swinging Cam Lock w/Heel Loops & Black Metal Footplate** (Adult 3-1/8" Pin Spacing)

Right	<b>AL-114A-R</b>	<b>\$39.95 Ea</b>
Left	<b>AL-114A-L</b>	<b>\$39.95 Ea</b>
PAIR	<b>AL-64421</b>	<b>\$69.95 Pr</b>

**Swinging Cam Lock & Black Plastic Footplate** (Adult 3-1/8" Pin Spacing)

Right	<b>AL-114E-R</b>	<b>\$29.95 Ea</b>
Left	<b>AL-114E-L</b>	<b>\$29.95 Ea</b>
PAIR	<b>AL-64422</b>	<b>\$49.00 Pr</b>

**Hook on Adapter**

Left	<b>AL-449L</b>	<b>\$14.95</b>
Right	<b>AL-449R</b>	<b>\$14.95</b>

*Fits Invacare, Medline, Evermed*

**Swinging Cam Lock**



**drive**

- ✓ Fits Drive
- ✓ Chrome metal footplate
- ✓ Hemi spacing

**AL-61014 \$49.00 Pr**



**Swinging Cam Lock w/Heel Loops & Metal Black Footplate** (1-3/8" Pin Spacing)

Right	<b>AL-114B-R</b>	<b>\$39.95 Ea</b>
Left	<b>AL-114B-L</b>	<b>\$39.95 Ea</b>
PAIR	<b>AL-64424</b>	<b>\$69.95 pair</b>

**Composite Footplate With Heel Loops**

Right	<b>AL-45714</b>	<b>\$29.95 Ea</b>
Left	<b>AL-45716</b>	<b>\$29.95 Ea</b>
PAIR	<b>AL-64423</b>	<b>\$49.00 Pr</b>

**Composite Footplate W/O Heel Loops**

PAIR	<b>AL-65463</b>	<b>\$39.00 Pr</b>
------	-----------------	-------------------

*Fits Everest & Jennings, Tuffcare, Hoyer, Lumex, New Theradyne and More*

**Swinging Cam Lock**



**E&J Adult (3" spacing) Assembly with Heel Loop**

**AL-58073 \$89.95 Pr**

**Swinging Cam Lock**



**E&J Adult (3" spacing) Adult, Narrow Adult**

Rt	<b>AL-104A-R</b>	<b>\$29.95 Ea</b>
Lt	<b>AL-104A-L</b>	<b>\$29.95 Ea</b>
PAIR	<b>AL-64425</b>	<b>\$49.00 Pr</b>

**Plastic Footrest**

**Swinging Cam Lock**



**E&J Adult & Narrow (3" Spacing)**

Rt	<b>AL-104R</b>	<b>\$34.95 Ea</b>
Lt	<b>AL-104L</b>	<b>\$34.95 Ea</b>
PAIR	<b>AL-64426</b>	<b>\$59.00 Pair</b>

**Hemi 2-1/8" Spacing**

Rt	<b>AL-104H-R</b>	<b>\$41.95 Ea</b>
Lt	<b>AL-104H-L</b>	<b>\$41.95 Ea</b>
PAIR	<b>AL-64427</b>	<b>\$69.00 Pr</b>

**Aluminum Footrest**

**Swinging Pin Lock**



**Fits E&J, Theradyne**

Rt	<b>AL-103R</b>	<b>\$39.95 Ea</b>
Lt	<b>AL-103L</b>	<b>\$39.95 Ea</b>
PR	<b>AL-65370</b>	<b>\$69.00 Pr</b>

**Swinging w/Hook On Adp**



**Gendron**

**AL-66158 \$89.00 Pr**

**Some Gendron Old Style**

**Hook On**



**Fits Gendron & More**

**Gendron**

**AL-66159 \$89.00 Pr**

## Swinging Gendron New Style

Swing Away Footrest With Quad Release Complete

**AL-66160 \$99.95 Pair**

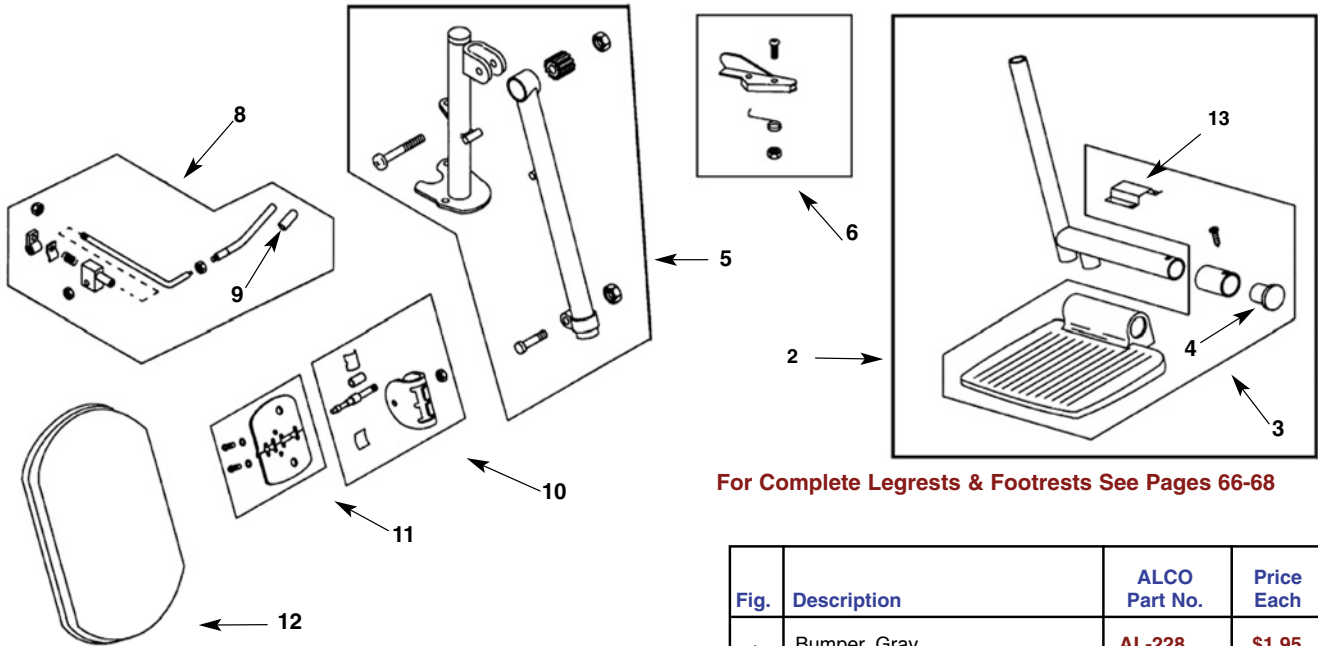


# E&J Front Rigging Parts

**BUY 11 GET 1 FREE!**



## Legrest



For Complete Legrests & Footrests See Pages 66-68

Fig.	Description	ALCO Part No.	Price Each
2	Plastic Footplate w/Extension Adult Right & Left (Pair)	AL-65566	\$49.95 Pr
	Metal Footplate w/Extension Adult Right & Left (Pair)	AL-65657	\$129.95 Pr
3	Plastic Adult Footplate Only, Black	AL-56642	\$14.95
	Metal Adult Footplate Only	AL-1699	\$14.95

Fig.	Description	ALCO Part No.	Price Each
4	Bumper, Gray	AL-228	\$1.95
	Bumper, Black	AL-228B	\$1.95
5	<b>Legrest Bracket Assembly</b> (includes items 6, 8, 10, 11)		
	Right	N/A	N/A
	Left	N/A	N/A
6	Cam Lock, Right	AL-461R	\$5.95
	Cam Lock, Left	AL-461L	\$5.95
8	Adjustment Rod Assembly	AL-433	\$12.95
9	Rubber Tip, Black	AL-372	\$0.95
10	3-Position Hinge	AL-443	\$12.95
11	Hinge Plate	AL-452	\$3.95
12	Legrest Panel, Upholstered	AL-422U*	\$13.95
13	Footplate Spring	AL-439	\$1.95

\*Specify color. See Inside Front Cover chart

Everest & Jennings®

## Footrest

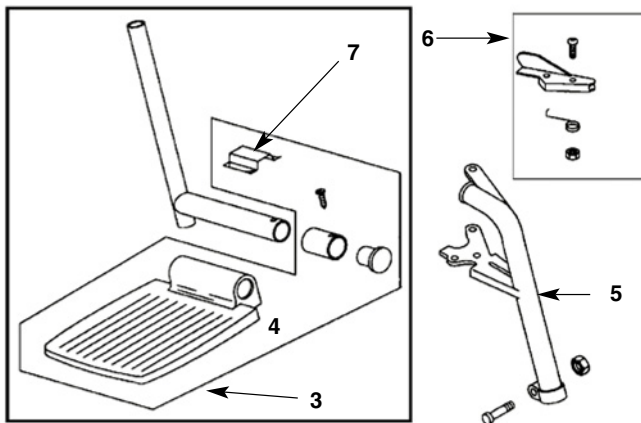


Fig.	Description	ALCO Part No.	Price Each
3	Plastic Adult Footplate Only, Black	AL-56642	\$14.95
	Metal Adult Footplate Only	AL-1699	\$14.95
4	Bumper, Grey	AL-228	\$1.95
	Bumper, Black	AL-228B	\$1.95
5	<b>Footrest Bracket (includes item 6)</b>		
	Right	AL-2812R	\$23.95
	Left	AL-2812L	\$23.95
6	Cam Lock, Right	AL-461R	\$5.95
	Cam Lock, Left	AL-461L	\$5.95
7	Footplate Spring	AL-439	\$1.95

W6

**When Ordering, Specify Left (L) or Right (R)—Sitting in Chair**

# Invacare Adult & Hemi Front Rigging Parts—Old Style

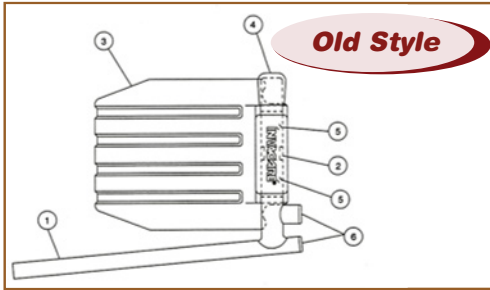


Fig.	Pivot Slide Tube with Footplate Description	ALCO Part No.	Price Each
2	Spring	AL-441	\$1.95
3	Footplate (Right/Left) Black Composite	AL-1697C	\$14.95
	Footplate (Right/Left) Aluminum Black Coated	AL-1705	\$14.95
4	Tube End Cap, Black	AL-1742B	\$1.95
5	Screw, Self Tap	AL-2196	\$6.95
6	Plug Button (3/4") Black	AL-2295B	\$0.95

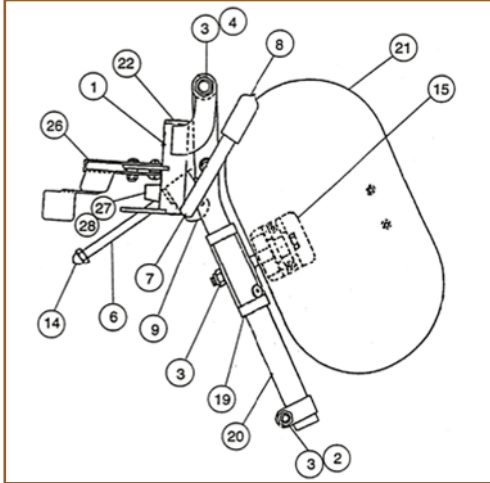
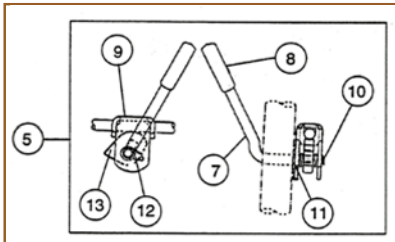


Fig.	Legrest Support Assembly Description	ALCO Part No.	Price Each
1	Adult Support w/Release, 3-1/8" Spacing	AL-2199A-R	\$59.95
	Adult Support w/Release, 3-1/8" Spacing	AL-2199A-L	\$59.95
	Hemi Support w/Release, 1-3/8" Spacing	AL-64865	\$59.95
	Hemi Support w/Release, 1-3/8" Spacing	AL-64864	\$59.95
2	Screw, Lug	AL-1109	\$6.95
3	Locknut	AL-1109A	\$0.95
4	Screw, Truss Head	AL-58573	\$6.95
5	Ratchet Bar Kit (inc item #6-14) (Pair)	AL-49969	\$23.95
6	Ratchet Bar	AL-431	\$5.95
7	Ratchet Handle	AL-58575	\$7.95
8	Plastic Tip, Black (after 5/94)	AL-58576	\$6.95
	Plastic Tip, Black (before 5/94)	AL-58577	\$6.95
9	Release Bracket	AL-58578	\$6.95
10	Snap Ring (after 5/94)	AL-58579	\$6.95
	Roll Pin (before 5/94)	AL-58580	\$6.95
11	Nylon Washer	AL-58581	\$6.95
12	Release Spring	AL-58582	\$6.95
13	Legrest Cam	AL-58583	\$6.95
14	Acorn Nut	AL-58584	\$6.95
15	Legrest Pad Plate	AL-457	\$4.95
19	Bracket, Universal Kit	AL-45552	\$22.95
20	Elevating Support Tube, Right	AL-58585	\$44.95
	Elevating Support Tube, Left	AL-58586	\$44.95
21	Legrest Pad (specify color)	AL-422U	\$13.95
22	Plug Button (7/8"), Black	AL-231B	\$0.95
26	Release Handle, Right	AL-991R	\$16.95
	Release Handle, Left	AL-991L	\$16.95
27	Bumper	AL-58587	\$6.95
28	Pan Head Screw	AL-58588	\$6.95



**BUY 11  
Get One  
FREE**

For Complete Legrests & Footrests See Pages 66-68

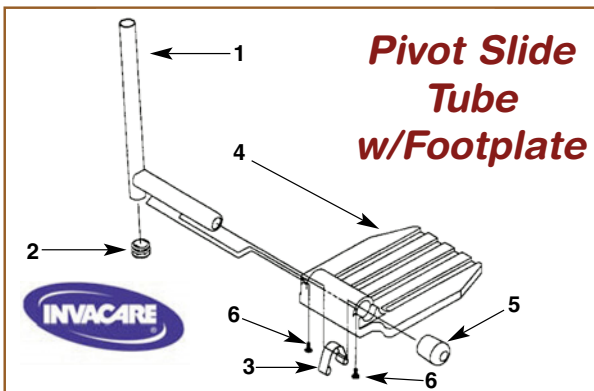


Fig.	Pivot Slide Tube w/Footplate Description	ALCO Part No.	Price Each
1	Pivot slide tube w/plug button	AL-53142	\$25.95
2	Plug button 3/4", Black	AL-2295B	\$0.95
3	Spring	AL-441	\$1.95
4	Footplate (Right/Left) Composite	AL-1697C	\$14.95
5	Tube end cap, Black	AL-1742B	\$1.95
6	Screw, self tap	AL-2196	\$6.95

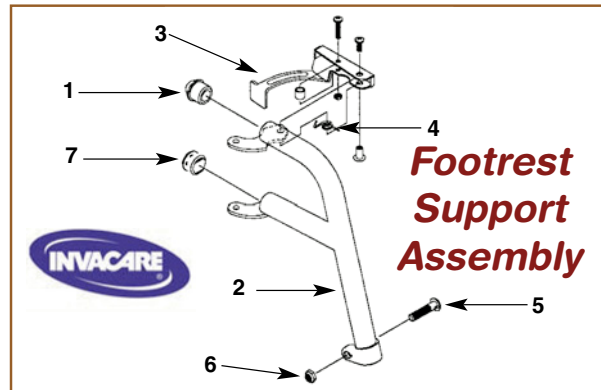


Fig.	Footrest Support Assembly Description	ALCO Part No.	Price Each
1	Anti-Rattle plug, Black	AL-53143	\$6.95
2	Footrest support only, adult right	AL-53144	\$49.95
	Footrest support only, adult left	AL-53145	\$41.95
3	Release handle, right	AL-991R	\$16.95
	Release handle, left	AL-991L	\$16.95
4	Release handle spring, right	AL-45691	\$6.95
	Release handle spring, left	AL-45692	\$6.95
5	Screw, lug	AL-1109	\$6.95
6	Locknut	AL-1109A	\$0.95
7	Plug button (7/8"), Black, (adult support only)	AL-231B	\$0.95

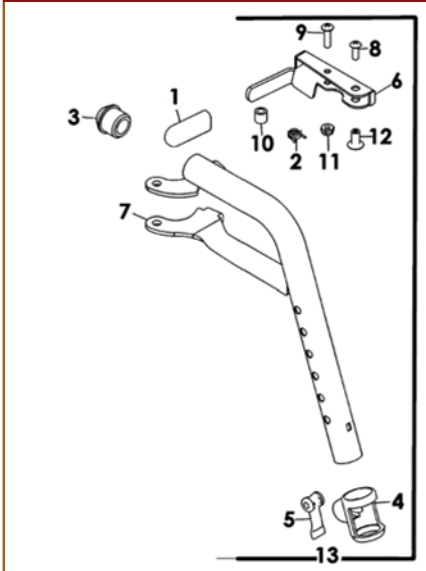
When Ordering, Specify Left (L) or Right (R)—Sitting in Chair



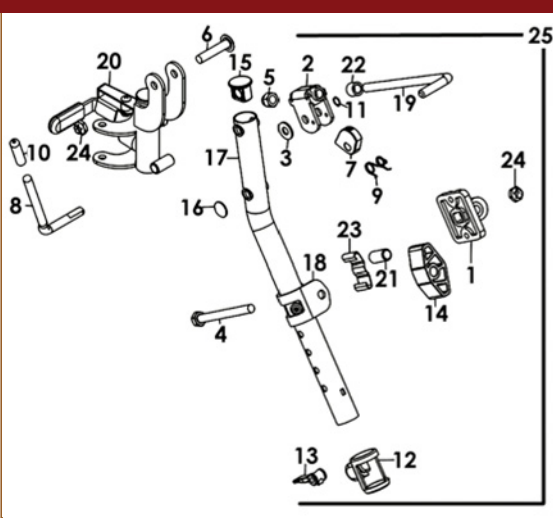
# Invacare Front Rigging Parts—New Style

**BUY 11 GET 1 FREE!**

**Front Rigging Footrest Support Assembly (New Style)**



**Front Rigging Legrest Support Assembly (New Style)**



**Front Rigging—Pivot Slide Tube with Footplate (New Style)**

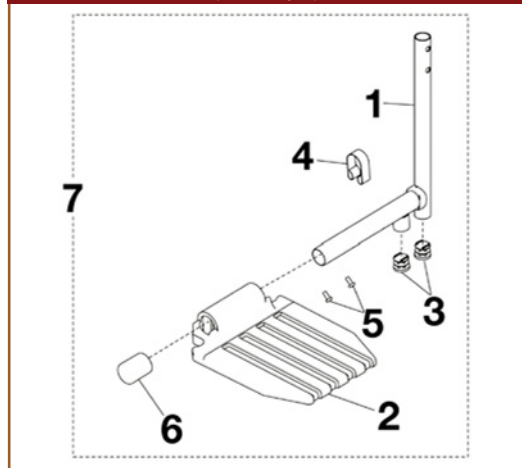


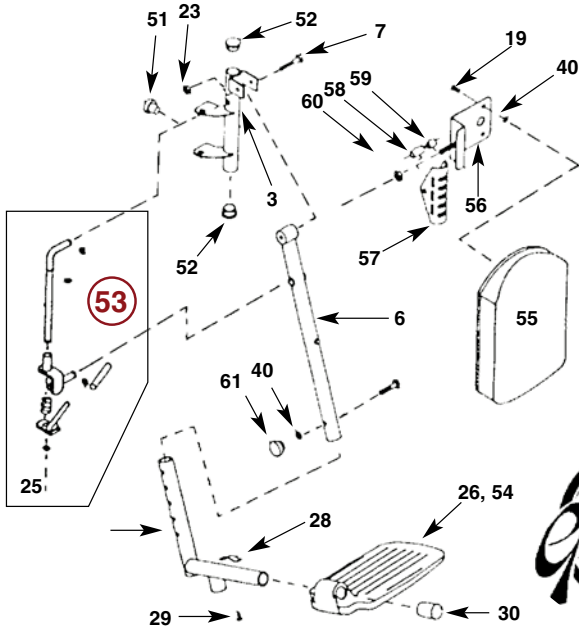
Fig	Description	ALCO Part No.	Price Each
<b>Front Rigging Footrest Support Assembly (New Style)</b>			
1	Tip, Black	AL-58577	\$6.95
2	Spring Release, Left	AL-45692	\$6.95
	Spring Release, Right	AL-45691	\$6.95
3	Plug, Anti-Rattle	AL-53143	\$6.95
4	Housing, Cam	AL-64843	\$6.95
5	Lever, Cam	AL-64844	\$6.95
6	Handle, Release, Left	AL-64845	\$8.95
	Handle, Release, Right	AL-64846	\$8.95
7	Chrome Footrest Support Tube, Left	AL-64847	\$44.95
	Chrome Footrest Support Tube, Right	AL-64848	\$44.95
8	Screw, Phillips Head	AL-64849	\$6.95
9	Screw, Phillips Pan Head	AL-64850	\$6.95
10	Bushing	AL-64851	\$6.95
11	Locknut	AL-59860	\$6.95
12	Rivnut	AL-65091	\$6.95
13	Support Assembly, Left	AL-64853	\$79.95
	Support Assembly, Right	AL-64854	\$79.95
<b>Front Rigging Legrest Support Assembly (New Style)</b>			
1	Plate, Legrest Pad	AL-457	\$4.95
2	Bracket, Release	AL-58578	\$6.95
3	Washer, Nylon	AL-58581	\$6.95
4	Screw, Hex Head	AL-64855	\$6.95
5	Acorn Nut	AL-58584	\$6.95
6	Screw, Truss Head	AL-58573	\$6.95
7	Cam, Legrest	AL-58583	\$6.95
8	Handle, Release	AL-58575	\$7.95
9	Spring, Release	AL-58582	\$6.95
10	Tip	AL-58576	\$6.95
11	Snap Ring	AL-58579	\$6.95
12	Housing, Cam	AL-64856	\$6.95
13	Lever, Cam	AL-64857	\$6.95
14	Spacer	AL-64858	\$6.95
15	Plug Button, Black (7/8")	AL-64859	\$6.95
16	Nut, Push Dome	AL-64860	\$6.95
17	Chrome Legrest Support Tube, Left	AL-64861	\$44.95
	Chrome Legrest Support Tube, Right	AL-64862	\$44.95
18	Bracket, Calf Pad	AL-64863	\$14.95
19	Bar, Ratchet w/o Locknut	AL-431	\$5.95
	Locknut	AL-1493	\$0.95
	Chrome Legrest Upper Support, Left	AL-64864	\$59.95
	Chrome Legrest Upper Support, Right	AL-64865	\$59.95
20	Black Legrest Support Tube, Left	AL-64866	\$69.95
	Black Legrest Support Tube, Right	AL-64867	\$69.95
21	Bushing, Pivot	AL-2207	\$6.95
22	Spacer	AL-2503	\$6.95
23	Spring	AL-976A	\$6.95
24	Nut, Low Cap	AL-64868	\$6.95
25	Chrome Legrest Support Assembly, Left	AL-64869	\$54.95
	Chrome Legrest Support Assembly, Right	AL-64870	\$54.95
<b>Front Rigging - Pivot Slide Tube with Footplate (New Style)</b>			
1	Pivot/Slide Tube with Plug Button (Aluminum)	AL-64871	\$24.95
2	Footplate, Aluminum, Medium (7-3/4"W x 6"L)	AL-1705	\$14.95
	Footplate, Composite, Black (6"W x 7-53/64"L)	AL-1697C	\$14.95
3	Plug Button, Black (5/8")	AL-64872	\$6.95
	Plug Button, Black (3/4")	AL-2295B	\$0.95
4	Spring	AL-64873	\$6.95
5	Screw, Phillips Pan Head	AL-2196	\$6.95
6	Cap, Tube End	AL-64874	\$4.95
	Pivot/Slide Tube w/ Footplate (Aluminum), Left	AL-64875	\$69.95
	Pivot/Slide Tube w/ Footplate (Aluminum), Right	AL-64876	\$69.95
	Pivot/Slide Tube & Aluminum Footplate Assembly, Left	AL-64877	\$69.95
7	Pivot/Slide Tube & Aluminum Footplate Assembly, Right	AL-64878	\$69.95
	Pivot/Slide Tube w/ Composite Footplate, Left	AL-64879	\$69.95
	Pivot/Slide Tube w/ Composite Footplate, Right	AL-64880	\$69.95

**When Ordering, Specify Left (L) or Right (R)—Sitting in Chair**

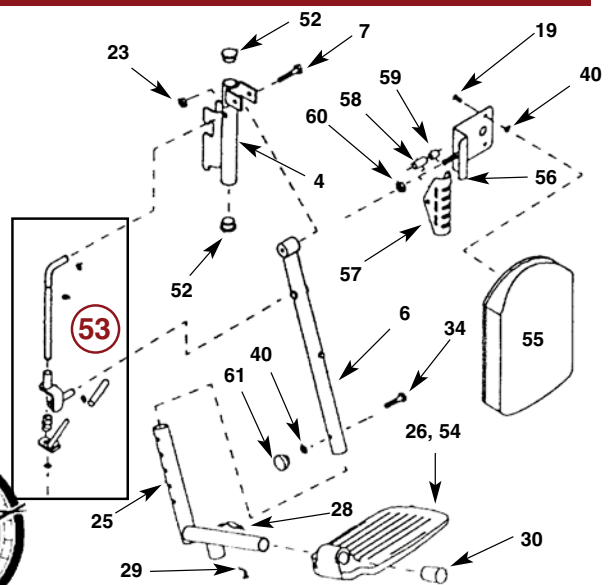
# Gendron Front Rigging Parts

**BUY 11 GET 1 FREE!**

## Hook-on Swing-Away Elevating Legrest — New Style



## Hook-on Elevating Legrest New Style



Hook-On Elevating Legrest (New Style) Complete  
Black Only

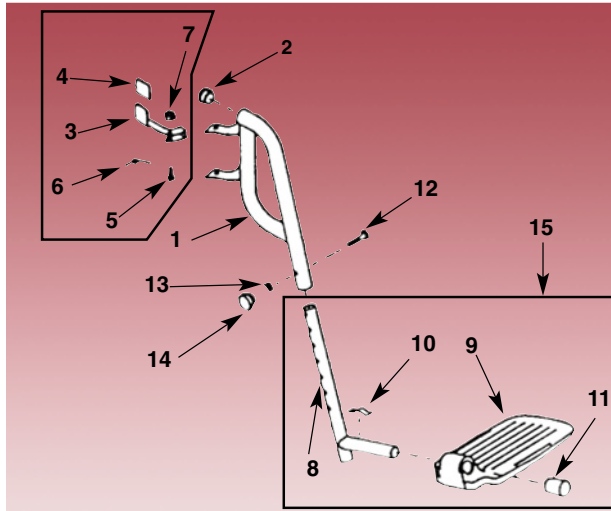
**AL-64690-183 \$139.00 Pair**

Fig	Description	ALCO Part No.	Price Each
1	Hook-On Swing-A-Way Adaptor — Right or Left	AL-448	\$20.61
2	Swing-A-Way Front, Right or Left	AL-2361	\$29.95
3	Elevating Swing-A-Way Front, Right or Left	AL-2362	\$29.95
4	Elevating Hook-On Front, Right or Left	AL-2363	\$19.95
5	Hook-On Front	AL-2364	\$29.95
6	Elevating Tube Assembly	AL-2365	\$29.95
7	Bolt, Hex Head	AL-45796	\$1.45
8	Nut, Self Locking	AL-46026	\$0.95
19	Screw, Round Head	AL-2378	\$0.95
23	Nut, Self Locking	AL-46026	\$0.95
24	Step Plate Extension Tube	AL-2382	\$9.95
25	Step Plate Extension Tube	AL-2383	\$13.95
26	Foot Plate, Aluminum	AL-1703	\$19.95
27	Foot Plate, Aluminum, Drilled for Heel Loops, Right or Left	AL-2385	\$21.95
28	Spring, Hinge	AL-440	\$0.95
29	Screw, Sheet Metal	AL-2387	\$0.95
30	Cap, White Plastic	AL-2388	\$1.45
31	Heel Loop, Vinyl, Specify Color	AL-2389	\$24.95

Fig	Description	ALCO Part No.	Price Each
32	Shoulder Bolt	AL-2390	\$5.95
33	Nut, Self Locking	AL-2391	\$0.95
34	Bolt, Hex Head	AL-2392	\$4.95
36	Tube Closure	N/A	N/A
40	Washer, Lock	AL-2397	\$0.95
51	Rubber Bumper	AL-42416	\$1.95
52	Black Plastic Cap	AL-45800	\$0.95
53	Ratchet Assembly, Left	AL-437L	\$21.95
	Ratchet Assembly, Right	AL-437R	\$21.95
54	Narrow Adult Footplate	AL-45795	\$21.95
55	Vinyl Leg Rest, Black Only	AL-424P-183	\$29.95
56	Swivel Plate Assembly	AL-45803	\$7.95
57	Swivel Bracket	AL-45807	\$6.95
58	Tube Spacer	AL-45806	\$1.95
59	Tube Spacer	AL-45805	\$1.95
60	Lock Nut	AL-45808	\$1.45
61	Black Plastic Knob	AL-45798	\$3.95

# Gendron Front Rigging Parts

**BUY 11 GET 1 FREE!**

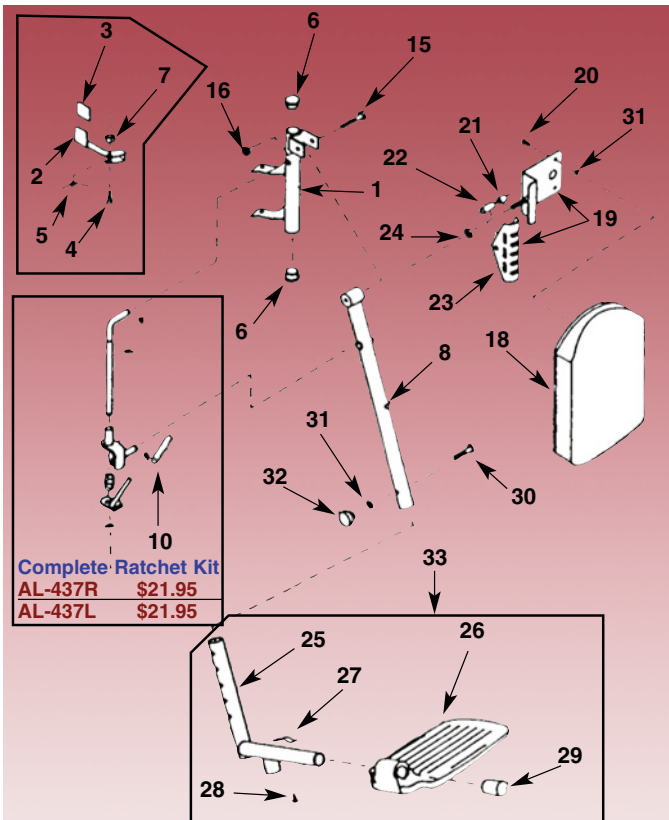


Swing Away Footrest With Quad Release  
Complete (All Above)  
AL-66160 \$99.95 Pair

Fig.	Description	ALCO Part No.	Price Each
1	Swing-Away Front, R or L	AL-45788	\$30.00
2	Tube Closure, Plastic	AL-45789	\$1.95
3	Lever Handle, R or L	AL-45790	\$9.95
4	Lever Grip, Vinyl	AL-45791	\$1.45
5	Bolt, Socket Head, Shoulder	AL-45792	\$2.95
6	Spring, Torsion, left	AL-45793L	\$3.95
	Spring, Torsion, Right	AL-45793R	\$3.95
7	Nut, Lock	AL-45794	\$0.95
8	Foot Plate, Extension Tube	AL-2382	\$9.95
9	Foot Plate, Aluminum	AL-1703	\$19.95
	Narrow Adult	AL-45795	\$21.95
10	Spring, Hinge	AL-440	\$0.95
11	Cap, Plastic	AL-2388	\$1.45
12	Bolt, Hex Head	AL-45796	\$1.45
13	Washer, Lock	AL-45797	\$0.95
14	Knob, Black Plastic	AL-45798	\$3.95
15	Complete "L" Tube Assembly	AL-1696	\$29.95



Fig.	Description	ALCO Part No.	Price Each
1	Swing-Away Front, R or L	AL-45799	\$11.95
2	Lever Handle, R or L	AL-45790	\$9.95
3	Lever Grip, Vinyl	AL-45791	\$1.45
4	Bolt, Socket Head, Shoulder	AL-45792	\$2.95
5	Spring, Torsion, Left	AL-45793L	\$3.95
	Spring, Torsion, Right	AL-45793R	\$3.95
6	Cap, Black Plastic	AL-45800	\$0.95
7	Nut, Lock	AL-45794	\$0.95
8	Elevating Tube Assy.	AL-2365	\$29.95
10	Lever Grip, Vinyl	AL-2373	Call
15	Bolt, Hex Head	AL-45796	\$1.45
16	Nut, Lock	AL-46026	\$0.95
18	Leg Rest, Vinyl Black Only	AL-424P-183	\$29.95
19	Swivel Plate Assy.	AL-45803	\$7.95
20	Screw	AL-2378	\$0.95
21	Tube Spacer	AL-45805	\$1.95
22	Tube Spacer	AL-45806	\$1.95
23	Swivel Bracket	AL-45807	\$6.95
24	Nut, Lock	AL-45808	\$1.45
25	Foot Plate, Extension Tube	AL-2383	\$13.95
26	Foot Plate, Aluminum	AL-1703	\$19.95
	Narrow Adult	AL-45795	\$21.95
27	Spring, Hinge	AL-440	\$0.95
28	Screw, Sheet Metal	AL-45809	\$0.95
29	Cap, Plastic	AL-2388	\$1.45
30	Bolt, Hex Head	AL-45796	\$1.45
31	Washer, Lock	AL-45797	\$0.95
32	Knob, Black Plastic	AL-45798	\$3.95
33	Complete "L" Tube Assembly	AL-1695	\$31.95



Complete Ratchet Kit  
AL-437R \$21.95  
AL-437L \$21.95

Elevating Swing Away Legrest With Quad Release  
Complete (All Above) Black Only  
AL-64689-183 \$199.00 Pair

**When Ordering, Specify Left (L) or Right (R)—Sitting in Chair**





# Front Rigging Parts

**BUY 11 GET 1 FREE!**

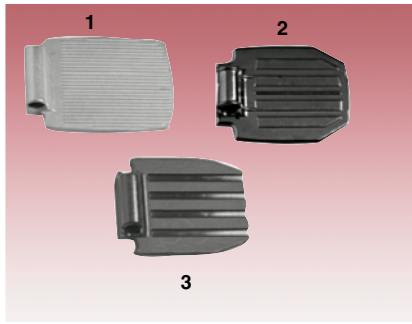


Fig.	Description of Footplates	To Fit	ALCO Part No.	Price Each
1	Adult, Alum. 6"L x 7-1/2" W	E&J	AL-1699	\$14.95
	Narrow Adul, Alum 6"L x 6-1/2"W	E&J	AL-45505	\$14.95
	Adult, Aluminum with Heel Loop	E&J	AL-56641	\$19.95
2	Adult/Narrow, Alum, Black coated 6"Lx7"W	Colson, Inva	AL-1705	\$14.95
	Adult/Narrow, Chrome, 6"Lx7"W	Inva	AL-64218	\$19.95
3	Adult/Narrow, Composite Blk 6"Lx7"W	Inva	AL-1697C	\$14.95
	Adult, Composite Black	E&J	AL-56642	\$14.95
NS	Footplate, XL, BK, RH, 8.5"Lx7-3/4"W	Inva	AL-58517	\$49.95
	Footplate, XL, BK, LH, 8.5"Lx7-3/4"W	Inva	AL-58518	\$49.95

Fig.	Description of Footrest Hanger or Pin Lock	To Fit	ALCO Part No.	Price Each
4	Footrest assembly, R.H. (Camlock)	E&J	AL-2812R	\$23.95
	Footrest assembly, L.H. (Camlock)	E&J	AL-2812L	\$23.95
5	Footrest assembly, R.H. (Camlock)	Inva	AL-45508	\$24.95
	Footrest assembly, L.H. (Camlock)	Inva	AL-45509	\$24.95
	Footrest assembly, R.H. (Camlock)	Inva Hemi	AL-58519	\$39.95
	Footrest assembly, L.H. (Camlock)	Inva Hemi	AL-58520	\$39.95



Fig.	Description of Legrest Bracket w/Cam Lock Action	To Fit	ALCO Part No.	Price Each
6	Legrest. R.H. straight hanger	E&J	AL-2808S-R	\$23.95
	Legrest. L.H. straight hanger	E&J	AL-2808S-L	\$23.95
7	Legrest Assembly, R.H.	Inva	AL-2199A-R	\$59.95
	Legrest Assembly, L.H.	Inva	AL-2199A-L	\$59.95
	Legrest Assembly, R.H.	Inva Hemi	AL-64865	\$59.95
	Legrest Assembly, L.H.	Inva Hemi	AL-64864	\$59.95

**When Ordering, Specify Left (L) or Right (R)—Sitting in Chair**

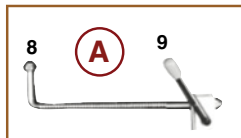


Fig.	Ratchet Assembly	To Fit	ALCO Part No.	Price Each
A	Kit fits Left or Right	E&J Elev. Legrest	AL-433	\$12.95

Fig.	Ratchet Assembly Hardware	To Fit	ALCO Part No.	Price Each
8	Tip, Handle Ratchet, Plastic, Black	E&J	AL-372	\$0.95
9	Nut, Dome, 5/16 – 18	E&J	AL-45514	\$0.95

Fig.	Description of Ratchet Kit Complete	To Fit	ALCO Part No.	Price Pair
B	Sold in Pairs Ratchet Assembly, Complete	Rolls, Inva, Colson	AL-49969	\$23.95

Pr.

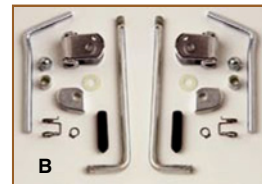
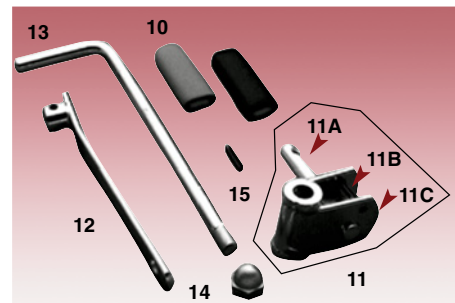


Fig.	Description of Ratchet Assembly Hardware	To Fit	ALCO Part No.	Price Each
10	Rubber Tip, Handle Ratchet, Grey	Inva, Colson	AL-373	\$1.45
	Rubber Tip, Handle Ratchet, Black	Inva, Colson	AL-373B	\$1.45
11	Ratchet Assy., R.H.	Inva, Colson	AL-430R	\$14.95
	Ratchet Assy., L.H.	Inva, Colson	AL-430L	\$14.95
11A	Ratchet Pin	Inva, Colson	N/A	N/A
11B	Ratchet Cam	Inva, Colson	N/A	N/A
11C	Ratchet Spring	Inva, Colson	N/A	N/A
12	Handle, Ratchet	Inva, Colson	N/A	N/A
13	Bar, Ratchet	Inva, Colson	AL-431	\$5.95
14	Nut, Dome, 1/4–28	Inva, Colson	AL-1493	\$0.95
15	Pin, Roll	Inva, Colson	AL-1494	\$0.65



# Front Rigging Parts

**BUY 11 GET 1 FREE!**

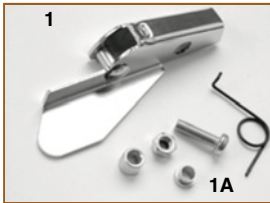


Fig.	Description of Hardware: Legrest, Footrest & Footplate	To Fit	ALCO Part No.	Price Each
1	Assy. Clip, Camlock, R.H.	E&J	<b>AL-461R</b>	<b>\$5.95</b>
	Assy. Clip, Camlock, L.H.	E&J	<b>AL-461L</b>	<b>\$5.95</b>
1A	Spring, Camlock ( <b>Pack of 5</b> )	E&J	<b>AL-58523</b>	<b>\$8.95</b> Pk.



**Camlock Clip Assembly**, R.H., for Invacare Legrest or Footrest, Hemi & Standard  
**AL-991R \$16.95 Ea.**  
**Camlock Clip Assembly**, L.H., for Invacare Legrest or Footrest, Hemi & Standard  
**AL-991L \$16.95 Ea.**  
**Spring, Camlock, Pack of 10** (5 pairs)  
**AL-58524 \$10.95 Pk.**



Fig.	Description of Hardware: Legrest, Footrest & Footplate	To Fit	ALCO Part No.	Price Each
2	Kit, Pin, Lock	E&J	<b>AL-460</b>	<b>\$10.95</b>

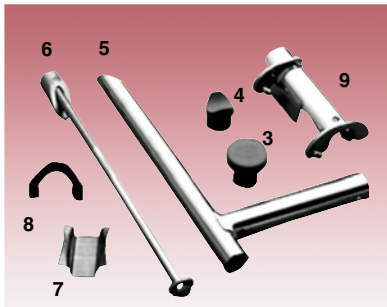


Fig.	Description of Hardware: Legrest, Footrest & Footplate	To Fit	ALCO Part No.	Price Each
3	7/8" Rubber Bumper, Grey	All 7/8" Tube-Footplate Ext.	<b>AL-228</b>	<b>\$1.95</b>
	7/8" Rubber Bumper, Black	All 7/8" Tube	<b>AL-228B</b>	<b>\$1.95</b>
4	7/8" Rubber Bumper, Grey	E&J Footrest	<b>AL-226</b>	<b>\$1.95</b>
5	Tube, Extension, Footrest	All 7/8" Tube	<b>AL-45545</b>	<b>\$12.95</b>
6	Assy., Drawbolt, Wedge & Term, Washer Assy., Adult/Narrow Adult	All 7/8" Tube	<b>AL-2244</b>	<b>\$4.95</b>
7	Spring, Tension, Footplate	All 7/8" Tube, E&J Type	<b>AL-439</b>	<b>\$1.95</b>
8	Spring Tension, Footplate	Inva Type	<b>AL-441</b>	<b>\$1.95</b>
9	Saddle, Legrest, R.H.	Inva Series 200, 400	<b>AL-449R</b>	<b>\$14.95</b>
	Saddle, Legrest, L.H.	Inva Series 200, 400	<b>AL-449L</b>	<b>\$14.95</b>

Fig.	Description of Legrest Panel Hardware	To Fit	ALCO Part No.	Price Each
A	Complete Fold-up Assembly Includes: spindle, hinge, spacer, spring, nut and plate	E&J	<b>AL-443</b>	<b>\$12.95</b>
10	Plate, Hinge – Legrest Panel	E&J	<b>AL-452</b>	<b>\$3.95</b>
11	Spindle, Hinge Plate	E&J	<b>AL-45548</b>	<b>\$5.95</b>
12	Spring, Hinge Plate	E&J	<b>AL-2291</b>	<b>\$1.95</b>
13	Spring, Panel Plate	E&J	<b>AL-2292</b>	<b>\$1.95</b>
14	Nut, Lock, 5/16"	E&J	<b>AL-1629</b>	<b>\$0.95</b>
15	Assy., Hinge Body	E&J	<b>AL-45550</b>	<b>\$6.95</b>
16	Spacer, Hinge	E&J and Inva	<b>AL-45551</b>	<b>\$1.95</b>

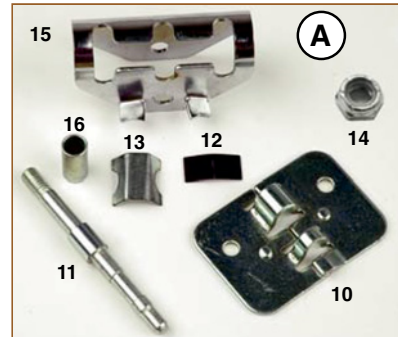






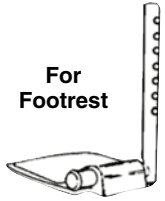


Fig.	Description of Legrest Panel Hardware	To Fit	ALCO Part No.	Price Each
B	Legpad Mounting Kit Hardware Includes: Pad Plate, Pivot Bushing, Lock Nut, Bolt Clamp, Spring, Bracket. R.H. and L.H.	Rolls, Inva	<b>AL-45552</b>	<b>\$22.95</b>
17	Plate, Legpad Mounting, Plastic	Inva	<b>AL-457</b>	<b>\$4.95</b>


**When Ordering, Specify Left (L) or Right (R)—Sitting in Chair**

# Front Rigging "L" Tubes, Hardware & Legrest Locks

**BUY 11 GET 1 FREE!**

 <p><b>Heel Loops</b> Standard, Black 2" <b>AL-316 \$10.95 ea</b> Crush Proof Rubber, Black <b>AL-45309 \$39.95 Pr</b></p>	 <p><b>Toe Loops</b> Black Webbing <b>AL-45310 \$18.95 pair</b> Light Brown <b>AL-315 \$18.95 pair</b></p>	<p><b>E &amp; J &amp; Lumex</b></p>  <p><b>AL-995L \$24.95</b> <b>AL-995R \$24.95</b></p>	<p><b>Metal Foot Plate</b> for Legrest/Footrest <b>AL-65657 \$129.95 pair</b></p>  <p><b>E&amp;J Clamp Style</b> <b>Foot Plate w/Extension</b></p>
<p><b>For Footrest Or Legrest</b></p>  <p>Fits Invacare, Theradyne &amp; Colson <b>AL-1690L \$19.95</b> <b>AL-1690R \$19.95</b></p>	<p><b>Gendron</b></p> <p><b>For Legrest</b></p>  <p><b>AL-1695 \$31.95</b></p>	<p><b>For Footrest</b></p>  <p><b>AL-1696 \$29.95</b></p>	

**E&J Draw Bolt**



**Adult Draw Bolt AL-2244 \$4.95 Ea.**



**Foot Plate Friction Control Spring**

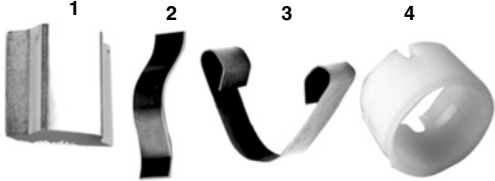


Fig.	Description	ALCO Part No.	Price Each
1	Square Foot Plate Spring	<b>AL-439</b>	<b>\$1.95</b>
2	Kicked Foot Plate Spring, Gend	<b>AL-440</b>	<b>\$0.95</b>
3	Looped Foot Plate Spring	<b>AL-441</b>	<b>\$1.95</b>
4	Fitted Foot Plate Spring	<b>AL-439</b>	<b>\$1.95</b>

**Fold-Up Assembly Springs**

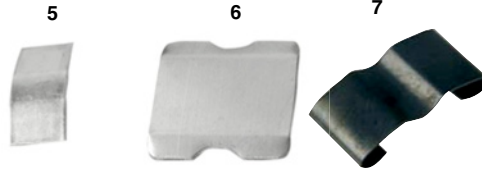


Fig.	Description	ALCO Part No.	Price Each
5	E & J Fold Up Assembly Spring	<b>AL-2291</b>	<b>\$1.95</b>
6	E & J Fold Up Assembly Spring	<b>AL-2292</b>	<b>\$1.95</b>
7	Invacare Fold Up Assembly Spring	<b>AL-976A</b>	<b>\$6.95</b>




Fig.	Description	To Fit	ALCO Part No.	Price Each
8	Legrest Locks (Pair) Includes Allen Wrench	Most Standard Wheelchairs	<b>AL-50934</b>	<b>\$6.50 Pr.</b>
	Legrest Locks (25 Pairs) Includes Allen Wrench	Most Standard Wheelchairs	<b>AL-50935</b>	<b>\$140.50 Pk.</b>
9	Tinnerman Nut, 1/4", (Pack of 10)	Invacare	<b>AL-50936</b>	<b>\$3.95 Pk.</b>
	Tinnerman Nut, 5/16", (Pack of 10)	E&J	<b>AL-50937</b>	<b>\$3.95 Pk.</b>

**Swinging Legrest Locks (Anti Theft)**

ALCO Collar locks to assure legrest stays on wheelchairs (lock does not restrict swing away movement).



Fits Colson, Invacare, E&J, Theradyne, Gendron, Medline, Drive & Evermed 5/16" Hole  
**AL-2231 \$2.95**

Fits some E&J 3/8" Hole  
**AL-2230 \$2.95**

Fits some Invacare 1/4" Hole  
**AL-51825 \$2.95**

**ALCO Collar Lock Wrench**

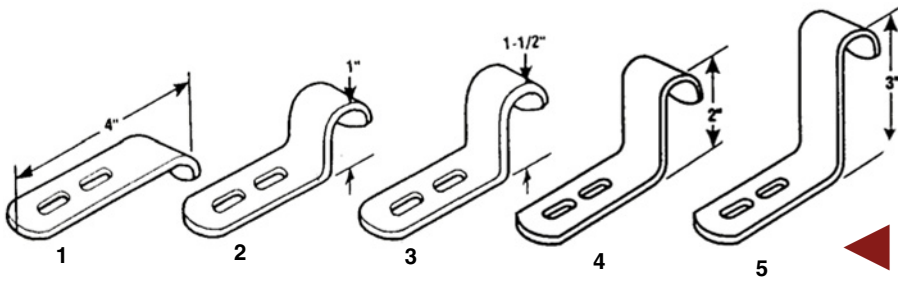
For the AL-2231 lock **AL-2238 \$1.50 Each**  
For the AL-2230 lock **AL-2239 \$1.50 Each**

**When Ordering, Specify Left (L) or Right (R)—Sitting in Chair**

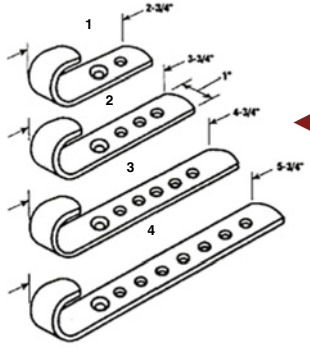


# Seating Hardware

**BUY 11 GET 1 FREE!**



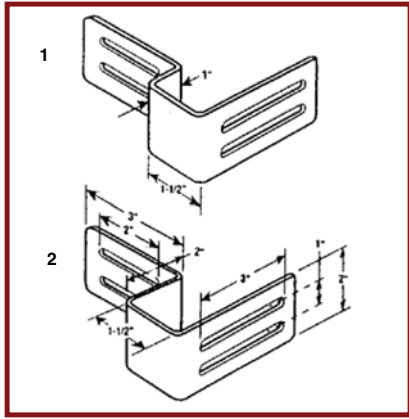
Drop Hooks			
Fig	Description	ALCO Part No.	Price Each
1	0" Drop Long Black	AL-46908	\$4.95
2	1" Drop 7/8" Diameter Black	AL-46910	\$4.95
	1" Drop 1" Diameter Black	AL-46912	\$4.95
3	1-1/2" Drop 7/8" Diameter Black	AL-46914	\$5.95
	1-1/2" Drop 1" Diameter Black	AL-46916	\$5.95
4	2" Drop 7/8" Diameter Black	AL-46918	\$5.95
	2" Drop 1" Diameter Black	AL-46920	\$5.95
5	3" Drop 7/8" Diameter Black	AL-46922	\$6.95
	3" Drop 1" Diameter Black	AL-46924	\$6.95



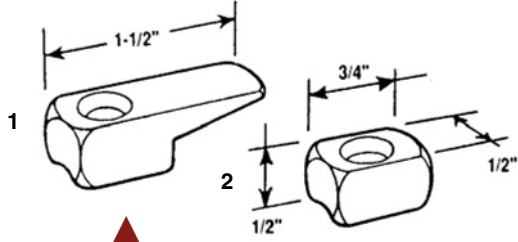
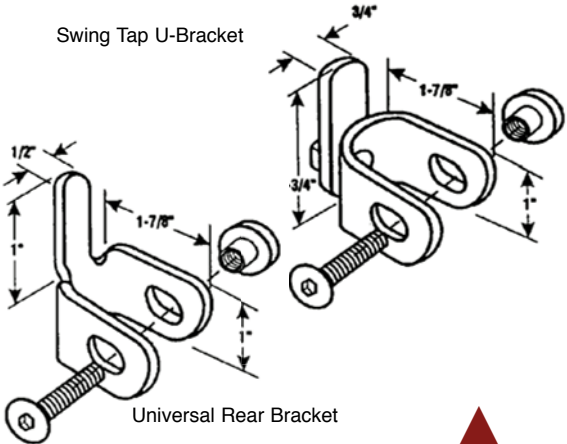
Adjustment Hooks			
Fig	Description	ALCO Part No.	Price Each
1	2-Hole 7/8" Diameter Black	AL-46885	\$5.95
	2-Hole 1" Diameter Black	AL-46887	\$5.95
2	4-Hole 7/8" Diameter Black	AL-46889	\$6.95
	4-Hole 1" Diameter Black	AL-46891	\$6.95
3	6-Hole 7/8" Diameter Black	AL-46893	\$6.95
	6-Hole 1" Diameter Black	AL-46895	\$6.95
4	8-Hole 7/8" Diameter Black	AL-46897	\$7.95
	8-Hole 1" Diameter Black	AL-46899	\$7.95

## Western LTS Brackets — Inner Mount

Fig	Description	ALCO Part No.	Price Each
1	Western 2" Wide, 1" Inner	AL-46934	\$14.95
2	Western 2" Wide, 2" Inner	AL-46935	\$14.95



Swing Tap U-Bracket



## Frame Attachment Hardware

Description	ALCO Part No.	Price Each
Swing Tap U-Bracket 7/8" Diameter	AL-46937	\$18.95
Swing Tap U-Bracket 1" Diameter	AL-46938	\$18.95
Universal Rear Bracket 7/8" Diameter	AL-46940	\$8.95
Universal Rear Bracket 1" Diameter	AL-46941	\$8.95

## Seatlock & Seatblock

Fig	Description	ALCO Part No.	Price Each
1	Seatlock	AL-46942	\$7.95
2	Seatblock	AL-46943	\$3.95

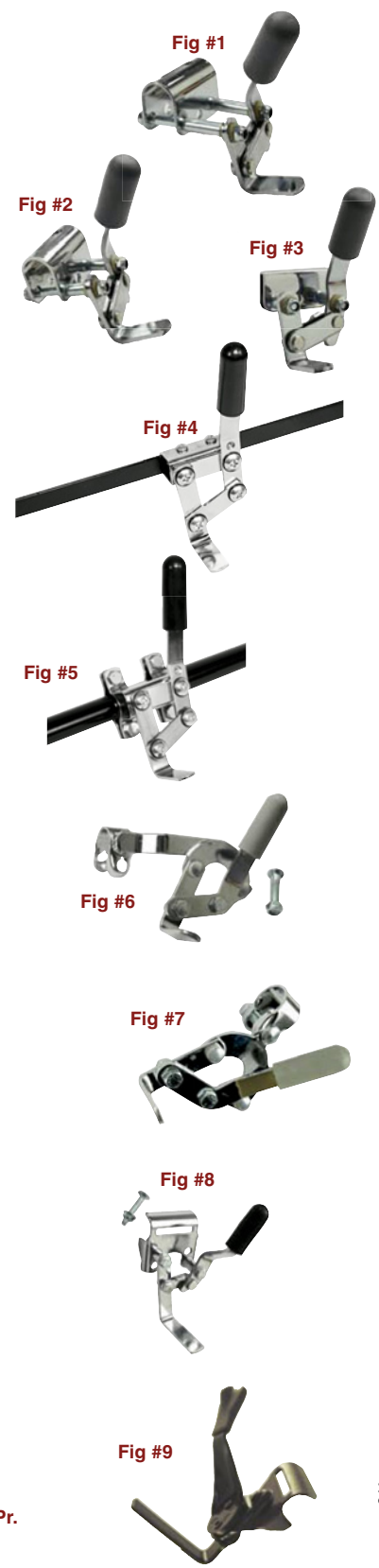


# Wheel Locks

**BUY 11 GET 1 FREE!**

**When Ordering, Specify Left (L) or Right (R)—Sitting in Chair**

Fig	Description	To Fit	ALCO Part No.	Price Each
1	Assy, Wheel Lock, R.H., Push To Lock	E&J Det. Arms, 7/8" Tubing	<b>AL-347R</b>	<b>\$12.95</b>
	Assy, Wheel Lock, L.H., Push To Lock	E&J Det. Arms, 7/8" Tubing	<b>AL-347L</b>	<b>\$12.95</b>
2	Assy, Wheel Lock, R.H., Push To Lock	E&J Fixed/Wrap Around Arms, 7/8" Tubing	<b>AL-349R</b>	<b>\$12.95</b>
	Assy, Wheel Lock, L.H., Push To Lock	E&J Fixed/Wrap Around Arms, 7/8" Tubing	<b>AL-349L</b>	<b>\$12.95</b>
3	Assy, Wheel Lock, R.H., Push To Lock	E&J Flat Stock Bar Mount	<b>AL-344R</b>	<b>\$12.95</b>
	Assy, Wheel Lock, L.H., Push To Lock	E&J Flat Stock Bar Mount	<b>AL-344L</b>	<b>\$12.95</b>
4	Assy, Wheel Lock, R.H., Push To Lock Clamp-On Style	Fixed Arm Models w/Bar Mount	<b>AL-1709R</b>	<b>\$17.95</b>
	Assy, Wheel Lock, L.H., Push To Lock Clamp-On Style	Fixed Arm Models w/Bar Mount	<b>AL-1709L</b>	<b>\$17.95</b>
5	Assy, Wheel Lock, R.H., Push To Lock Clamp-On Style	Many Det. Arm Models w/7/8" Tubing	<b>AL-64303</b>	<b>\$19.95</b>
	Assy, Wheel Lock, L.H., Push To Lock Clamp-On Style	Many Det. Arm Models w/7/8" Tubing	<b>AL-64304</b>	<b>\$19.95</b>
6	Assy, Wheel Lock, R.H., Push To Lock Clamp-On Style	Inva. Det. Arm Model D200, 400,700,900, (Before 3/1/86)	<b>AL-367R</b>	<b>\$29.95</b>
	Assy, Wheel Lock, L.H., Push To Lock Clamp-On Style	Inva. Det. Arm Model D200, 400,700,900, (Before 3/1/86)	<b>AL-367L</b>	<b>\$29.95</b>
7	Assy, Wheel Lock, R.H., Push To Lock Clamp-On Style	Inva. Fixed Arm Model D200, 400,700,900, (Before 3/1/86)	<b>AL-358R</b>	<b>\$29.95</b>
	Assy, Wheel Lock, L.H., Push To Lock Clamp-On Style	Inva. Fixed Arm Model D200, 400,700,900, (Before 3/1/86)	<b>AL-358L</b>	<b>\$29.95</b>
8	Assy, Wheel Lock, R.H., Push To Lock Bolt-On Style, 7/8" Tubing	Inva, Conventional Fixed Arm Models 4000, E1000,1000, World Chair, Tracer: LX, Plus, EX, MG, Transport	<b>AL-2263R</b>	<b>\$13.95</b>
	Assy, Wheel Lock, L.H., Push To Lock Bolt-On Style, 7/8" Tubing	Inva, Conventional Fixed Arm Models 4000, E1000,1000, World Chair, Tracer: LX, Plus, EX, MG, Transport	<b>AL-2263L</b>	<b>\$13.95</b>
	Assy, Wheel Lock, R.H., Push To Lock Bolt-On Style, 7/8" Tubing	Inva. Conventional Det. Arm Models 4000 (Before 1990), E1000,1000, World Chair, Tracer: IV, SX, Titan, EX, DLX MG, Transport, LT, LX, LX Recliner, Plus, Drive Medical	<b>AL-45574</b>	<b>\$13.95</b>
	Assy, Wheel Lock, L.H., Push To Lock Bolt-On Style, 7/8" Tubing	Inva. Conventional Det. Arm Models 4000 (Before 1990), E1000,1000, World Chair, Tracer: IV, SX, Titan, EX, DLX MG, Transport, LT, LX, LX Recliner, Plus, Drive Medical	<b>AL-45575</b>	<b>\$13.95</b>
	Assy, Wheel Lock, R.H., Push To Lock Bolt-On Style, 7/8" Tubing	Inva. Conventional, Det, Arms On: 9000, 9SL, 9XT, 9XDT, 2000 (After 7/92), 4000 (After '89)	<b>AL-45580</b>	<b>\$29.95</b>
	Assy, Wheel Lock, L.H., Push To Lock Bolt-On Style, 7/8" Tubing	Inva. Conventional, Det, Arms On: 9000, 9SL, 9XT, 9XDT, 2000 (After 7/92), 4000 (After '89)	<b>AL-45581</b>	<b>\$29.95</b>
	Assy, Wheel Lock, R.H., Pull To Lock (Hemi) Bolt-On Style, 7/8" Tubing	Inva. Hemi Conventional, Det. Arms On: All 9000 Ridelite, 9SL, 9XT, 9XDT, 2000 (After 7/92)	<b>AL-64305</b>	<b>\$29.95</b>
	Assy, Wheel Lock, L.H., Pull To Lock (Hemi) Bolt-On Style, 7/8" Tubing	Inva. Hemi Conventional, Det. Arms On: All 9000 Ridelite, 9SL, 9XT, 9XDT, 2000 (After 7/92)	<b>AL-64306</b>	<b>\$29.95</b>
	Assy, Wheel Lock, (Pair) Pull to Lock, Bolt on Style, 7/8" Tubing	Medline	<b>AL-64744</b>	<b>\$61.95</b>
	Wheel Lock, Push to Lock, Left	Invacare, Tracer IV (After 10/01/03)	<b>AL-64663</b>	<b>\$39.95</b>
Wheel Lock, Push to Lock, Right		<b>AL-64664</b>	<b>\$39.95</b>	
Wheel Lock, Pull to Lock, Left		<b>AL-64665</b>	<b>\$39.95</b>	
Wheel Lock, Pull to Lock, Right		<b>AL-64666</b>	<b>\$39.95</b>	



# Wheel Locks & Wheel Lock Extensions



**BUY 11 GET 1 FREE!**



Fig	Description	To Fit	ALCO Part No.	Price Each	
10	R.H., Push to Lock (w/o tip)	Gendron	AL-353R	\$17.95	
	L.H., Push to Lock (w/o tip)	Gendron	AL-353L	\$17.95	
	Black Plastic Tip	AL-353L/R	AL-379	\$2.95	
N/S	R.H., Push to Lock	Gendron	AL-46024R	\$25.95	
	L.H., Push to Lock	Gendron	AL-46024L	\$25.95	
11	Flat Bar	AL-1709L/R	AL-50654	\$5.95	
12	Assy, Wheel Lock, R.H., Push To Lock Bolt-On Style, 7/8" Tubing	Inva. Space-Saver Det. Arms 2000, Patriot SL, 9000, 9000XT/XDT, SL/JYMNI	AL-45576	\$39.95	
	Assy, Wheel Lock, L.H., Push To Lock Bolt-On Style, 7/8" Tubing	Inva. Space-Saver Det. Arms 2000, Patriot SL, 9000, 9000XT/XDT, SL/JYMNI	AL-45577	\$39.95	
13	Assy, Wheel Lock, R.H., Pull To Lock Bolt-On Style, 7/8" Tubing	Inva. Space-Saver Det. Arms 2000, Patriot SL, 9000, 9000XT/XDT, SL/JYMNI	AL-49974	\$39.95	
	Assy, Wheel Lock, L.H., Pull To Lock Bolt-On Style, 7/8" Tubing	Inva. Space-Saver Det. Arms 2000, Patriot SL, 9000, 9000XT/XDT, SL/JYMNI	AL-49975	\$39.95	
14	Assy, Wheel Lock, R.H., Push To Lock	Ti Sport, Quickie, P2 and Other 1" Tubing Chairs	AL-45578	\$36.95	
	Assy, Wheel Lock, L.H., Push To Lock	Ti Sport, Quickie, P2 and Other 1" Tubing Chairs	AL-45579	\$36.95	
<b>Wheel Lock Extensions (All Sold As Pairs)</b>					
15	Wheel Lock Extension, 6" Steel, Grey Tip, Crimped Style (Pair)	Invacare & Others	AL-45582	\$9.95	Pr.
16	Wheel Lock Extension, 8", Steel, Grey Tip, Crimped Style (Pair)	Invacare & Others	AL-45583	\$9.95	Pr.
17	Wheel Lock Extension, 6", Steel, Black Tip, Crimped Style (Pair)	Invacare & Others	AL-45584	\$9.95	Pr.
18	Wheel Lock Extension, 8", Steel, Black Tip, Crimped Style (Pair)	Invacare & Others	AL-45585	\$9.95	Pr.
19	Wheel Lock Extension, 8", Steel, Grey Tip, Crimped Style (Pair)	E&J & Others	AL-64307	\$16.95	Pr.
20	Wheel Lock Extension, 11-1/2", Steel, Grey Tip, Crimped Style (Pair)	E&J & Others	AL-363	\$9.95	Pr.
	Wheel Lock Extension, 8", Aluminum, Grey Tip, Crimped Style (Pair)	E&J & Others	AL-58566	\$16.95	Pr.
21	Wheel Lock Extension, 8", Black Anodized, Crimped Style (Pair)	E&J & Others	AL-64308	\$16.95	Pr.
22	Wheel Lock Extension, 11-1/2", Black Anodized, Crimped Style (Pair)	E&J & Others	AL-64309	\$16.95	Pr.
23	Wheel Lock Extension, 7", Brake Tip Style (Pair)	E&J & Others	AL-58567	\$21.95	Pr. Pr.
24	Handle, 5/8" x 6", Black Cushion Tip (Pair)	ALL	AL-2242	\$32.95	
25	High Visibility Yellow Knob 9" Extension	All	AL-71081	\$34.95	
	High Visibility Yellow Knob 8" Extension	All	AL-71082	\$34.95	
	High Visibility Yellow Knob 6" Extension	All	AL-71083	\$34.95	
	Replacement Tips-Yellow Slotted	Invacare	AL-71084	\$26.95	12 PK
	Replacement Tips-Yellow Rounded	E&J	AL-71085	\$26.95	12 PK
26	Wheel Lock Extension, 6", Black Anodized. W/Bungee Cord, Crimped Style (Pair)	AL-45578 & AL-45579	AL-45582A	\$15.95	Pr.

W6

**When Ordering, Specify Left (L) or Right (R)—Sitting in Chair**





# Arm Assemblies & Side Panels

**BUY 11 GET 1 FREE!**

Fig #1



Fig #2



Fig #3



Fig #4



Fig #5



Fig #6



Fig #7



Fig #8



Fig #9



Fig #10



Fig #11



Fig #12

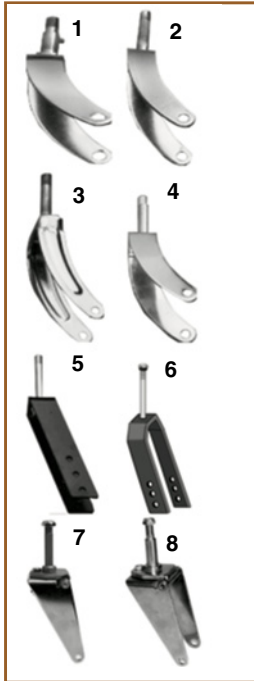


Fig	Description	To Fit	ALCO Part No.	Price Each
<b>ARM ASSEMBLIES</b>				
1	Detachable, Full Length, R.H., w/Armpad, Specify Color	E&J	AL-978R	\$39.90
	Detachable, Full Length, L.H., w/Armpad, Specify Color	E&J	AL-978L	\$39.90
2	Detachable, Desk Length, R.H., w/Armpad, Specify Color	E&J	AL-980R	\$39.95
	Detachable, Desk Length, L.H., w/Armpad, Specify Color	E&J	AL-980L	\$39.95
3	Adjustable, Desk Length, R.H., w/Armpad, Specify Color	E&J	AL-45722	\$69.95
	Adjustable, Desk Length, L.H., w/Armpad, Specify Color	E&J	AL-45723	\$69.95
4	Adjustable, Full Length, R.H., w/Armpad, Specify Color	E&J	AL-45724	\$79.95
	Adjustable, Full Length, L.H., w/Armpad, Specify Color	E&J	AL-45725	\$79.95
5	Detachable, Full Length, R.H., Black Plastic Armpads	Invacare 1000, 1000E, Tracers	AL-979R	\$39.90
	Detachable, Full Length, L.H., Black Plastic Armpads	Invacare 1000, 1000E, Tracers	AL-979L	\$39.90
6	Detachable, Desk Length, R.H., Black Plastic Armpads	Invacare 1000, 1000E, Tracers	AL-981R	\$39.90
	Detachable, Desk Length, L.H., Black Plastic Armpads	Invacare 1000, 1000E, Tracers	AL-981L	\$39.90
	Detachable, Full Length, R.H., Black Padded Armpads	Invacare 2000 & 9000 Space Saver	AL-45861	\$79.90
	Detachable, Full Length, L.H., Black Padded Armpads	Invacare 2000 & 9000 Space Saver	AL-45862	\$79.90
7	Detachable, Desk Length, R.H., Black Padded Armpads	Invacare 2000 & 9000 Space Saver	AL-45859	\$79.90
	Detachable, Desk Length, L.H., Black Padded Armpads	Invacare 2000 & 9000 Space Saver	AL-45860	\$79.90
8	Adjustable Height, Desk Length, R.H.	Invacare 2000 & 9000 Space Saver	AL-65558	\$79.95
	Adjustable Height, Desk Length, L.H.	Invacare 2000 & 9000 Space Saver	AL-65559	\$79.95
	Adjustable Height, Full Length, R.H.	Invacare 2000 & 9000 Space Saver	AL-65560	\$79.95
	Adjustable Height, Full Length, L.H.	Invacare 2000 & 9000 Space Saver	AL-65561	\$79.95
9	Detachable, Full Length, R.H., No Armpad	Invacare 9000 XT/XDT Space Saver	AL-64295	\$69.95
	Detachable, Full Length, L.H., No Armpad	Invacare 9000 XT/XDT Space Saver	AL-64296	\$69.95
	Detachable, Desk Length, R.H., No Armpad	Invacare 9000 XT/XDT Space Saver	AL-64297	\$69.95
	Detachable, Desk Length, L.H., No Armpad	Invacare 9000 XT/XDT Space Saver	AL-64298	\$69.95
<b>SIDE PANELS</b>				
10	Metal, Fixed Arm, Full Length	E&J 16" Seat Depth	AL-152E	\$16.95
	Metal, Fixed Arm, Full Length	Invacare 1000, 1000E, World Chair, Tracers	AL-152	\$16.95
11	Metal, Detachable Arm, Desk Length, Silver Vein	Invacare 1000, 1000E, World Chair, Tracers	AL-155	\$16.95
	Metal, Detachable Arm, Full Length, Silver Vein	Invacare 1000, 1000E, World Chair, Tracers	AL-158	\$16.95
12	Composite, Desk Length, R.H.	Invacare 2000, 9000, 9000XT/SL/XDT Space Saver	AL-50128	\$25.95
	Composite, Desk Length, L.H.	Invacare 2000, 9000, 9000XT/SL/XDT Space Saver	AL-50129	\$25.95
			ALCO Part No.	Price Each

**When Ordering, Specify Left (L) or Right (R)—Sitting in Chair**

# Fork & Arm Parts

**BUY 11 GET 1 FREE!**

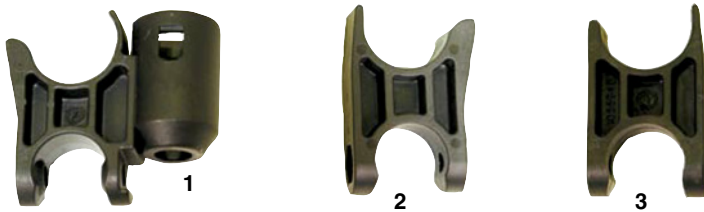


Forks							
Fig.	Description	Stem Dia. (In)	Stem Length (In)	Prong Width (In)	To Fit	ALCO Part No.	Price Each
1	8" Caster Fork, Chrome	7/16 & 5/8	2-3/4	2-1/2	Inva, 200,D200 400, 4000 (B4 1990)	AL-45525	\$24.95
2	8" Caster Fork, Chrome	1/2	2-5/8	2-1/2	Inva 1000, 100E, 2000, 4000 (after 1989), Tracer, Tracer Plus/ LX/ LX Hemi, LX Semi-Recliner/IV (Before 2/7/00)	AL-1399A	\$23.95
	8" Caster Fork, Black	1/2	2-3/4	2-1/2	Inva,Tracer MG/MGI/EX/IV (after 2/8/00) EX2 (with Fixed Front Frame)	AL-64294	\$24.95
3	8" Caster Fork, Chrome	1/2	2-1/2	2-1/2	Most E&J Chairs	AL-2279	\$16.95
4	8" Caster Fork, Black	1/2	2-5/8	2-1/2	Inva, 9000XT/XT Recliner,SL, Tracer SX/DLX/Titan SX5, Patriot (after 6/23/99)/SL)	AL-50929	\$39.95
5	6" Caster Fork, Black	7/16	2-3/4	1-1/2	Inva Transport 9000 (Single & Hemi/Dual Axle Position)	AL-45531	\$39.95
	6" Caster Fork, Black	1/2	2-3/4	1-1/2	Inva 9000 XT/SL, Tracer EX/EX2/DLX/SX5SX	AL-64293	\$45.95
6	8" Caster Fork, Black Aluminum	1/2	2-1/2	2	Lightweight Chairs with 5/16" Axles	AL-58590	\$59.95
7	8" Caster Fork, Chrome	1/2	2-1/2	2-1/4	E&J	AL-72314	\$59.95

## Tension Springs, Arm Sockets and Release Handles

<b>E&amp;J</b>  AL-45728 \$3.95 Ea.	<b>E&amp;J</b>  AL-607 \$1.95 Ea.	<b>E&amp;J</b>  AL-609 \$1.95 Ea.	<b>INVACARE</b>  AL-610 \$4.95 Ea.	<b>COLSON</b>  AL-611 \$1.95 Ea.	<b>LUMEX</b>  AL-614 \$9.95 Ea.
--	--	--	---	---	--

<b>INVACARE</b>  Quad Release AL-24995 \$4.95 Ea.	<b>INVACARE</b>  Tension Spring AL-24996 \$4.95 Ea.	<b>INVACARE</b>  Plug AL-24997 \$4.95 Ea.	<b>INVACARE</b>  Front Arm Socket AL-2251 \$6.95 Ea.	<b>INVACARE</b>  Seat Rail Guide AL-2252 \$4.95 Ea.
--	--	--	---	--









**For Additional Guides See Page 52**

Fig.	Description	To Fit	ALCO Part No.	Price Each
1	H-Block w/Socket Cup	Invacare 9000 (XT, SL, XT Recliner) &Tracer (EX2, SX5, SX5, Recl, MX)	AL-64617	\$1.95
2	H-Block, Black	Invacare 9000SL, Tracer (MX, MG, DLX, SX, SX Recl EX, EX2, Titan, SX5, SX5 Recl)	AL-64618	\$1.95
3	H-Block, Black	Invacare 9000 (XT, XT Recliner, Topaz, Jynmi) Patriot, Patriot SL, Titan (before '98)	AL-64619	\$1.95



# I.V. & O2 Holders

## BUY 11 GET 1 FREE!

I.V./O2 Holders					I.V. Holder
 <p><b>#1</b> Stainless Steel Replacement Knob &amp; Nut AL-67008 \$3.95 ANTI THEFT Complete Unit AL-48694</p>	 <p><b>#2</b> Replacement Knob &amp; Nut AL-67008 \$3.95 Top Only AL-46374 ANTI THEFT Bottom Only AL-6449B Complete Unit AL-6449 Stainless Steel</p>	 <p><b>#3</b> AL-466-02</p>	 <p><b>#4</b> Adjustable Height AL-56373</p>	 <p><b>#5</b> AL-72292</p>	 <p><b>#6</b> AL-466</p>

I.V. Holder		O2 Holders			
 <p><b>#7</b> AL-56370</p>	 <p><b>#8</b> AL-50679</p>	 <p><b>#9</b> AL-56372</p>	 <p><b>#10</b> AL-50231</p>	 <p><b>#11</b> AL-6511</p>	 <p><b>#12</b> Universal Mount, Left or Right AL-71360</p>

Fig	Description	Fits	ALCO Part No.	Price Each
1	Stainless Steel IV/O2; Telescoping; One hook; Accommodates IV infusion instruments and/or "D" or "E" cylinders	7/8" or 1" tubing	AL-48694	\$69.95
2	Stainless Steel IV/O2; Telescoping; One hook; Accommodates IV infusion instruments and/or "D" or "E" cylinders	7/8" or 1" tubing	AL-6449	\$119.95
	Top IV pole only (2 hooks)	—	AL-46374	\$83.95
	Top IV pole only (4 hooks)	—	AL-46375	\$89.95
	Bottom O2 holder only		AL-6449B	\$79.95
3	Chrome IV/O2; Telescoping; Two hook; Accommodates "E" cylinder; 60" Maximum height	7/8" tubing	AL-466-02	\$109.95
	Chrome IV/O2; Telescoping; Two hook; Accommodates IV infusion instrument and/or "E" cylinder; 60" Max height	7/8" tubing	AL-50674	\$99.95
4	Chrome IV/O2; Telescoping; Two hook; Accommodates IV infusion instruments and/or "D" or "E" cylinders	7/8" or 1" tubing	AL-56373	\$59.00
	Fixed Height IV Pole & O2 Holder w/ Adjustable Bracket, 66-1/2" H	7/8" or 1" tubing	AL-72292	\$99.95
5	Fixed Height IV Pole w/Adjustable Bracket, 66-1/2" H	7/8" or 1" tubing	AL-72293	\$79.95
	Wheelchair Cylinder Holder (not shown), 9-1/2" H	7/8" or 1" tubing	AL-72294	\$29.95
6	Chrome IV; Telescoping; Two hook; 60" maximum height	7/8" tubing	AL-466	\$69.95
7	Chrome IV; Telescoping; Two hook	7/8" or 1" tubing	AL-56370	\$49.95
8	Versa-Pole® Portable I.V. Pole Adjusts 14"-24"	7/8" or 1" tubing	AL-50679	\$189.00
	Versa-Pole® Portable I.V. Pole Adjusts 22-1/2"-36"	7/8" or 1" tubing	AL-50679A	\$299.00
9	Chrome O2; Accommodates "D" or "E" cylinders	7/8" or 1" tubing	AL-56372	\$49.00
	Painted Green O2; Accommodates "D" or "E" cylinders; 3" vertical adjustment	7/8" or 1" tubing	AL-50231	\$79.95
	Chrome O2; Accommodates "D" or "E" cylinders; 3" vertical adjustment	7/8" or 1" tubing	AL-50231C	\$89.95
	Painted Black O2; Accommodates "D" or "E" cylinders	7/8" or 1" tubing	AL-50231K	\$79.95
11	Chrome O2; Accommodates "E" cylinder	7/8" or 1" tubing	AL-6511	\$39.95
12	Chrome O2; Accommodates "D" or "E" cylinders; LEFT OR RIGHT SIDE MOUNT	7/8" tubing	AL-71360	\$49.95



# Anti-Tippers

**BUY 11 GET 1 FREE!**



### Front Anti-Tippers




Fig	Fits	ALCO Part No.	Price Pair
1	7/8" Front Assembly for Invacare 1000, 1000E, 4000, D200 & Most Standard Chairs	AL-45392	\$79.95 Pr.
N/S	1" Front Assembly for Invacare 2000 & 9000 (not shown)	AL-45393	\$79.95 Pr.
2	Most Brands, Front (left & right) (Pair)	AL-66048	\$74.95 Pr.



Fig	Description	Fits	ALCO Part No.	Price Pair
<b>Sold in Pairs</b>				
1	Clamps over 7/8" tubing; adj length (includes wheels and plugs)	E&J Metro (5-1/2"- 7" from top of steptube to floor)	AL-50954	\$54.95 Pr.
2	Clamps over 1" tubing; adj length (includes wheels and plugs)	1" tubing chairs (5-1/2" -7" from top of steptube to floor)	AL-50952	\$54.95 Pr.
3	Clamps over 7/8" tubing (includes wheels and plugs)	Low steptubes (3" from top of steptube to floor)	AL-50950	\$49.95 Pr.
4	Button locks inside 7/8" tubing; adj length (includes wheels and plugs)	E&J Metro (5-1/2"- 7" from top of steptube to floor)	AL-50948	\$54.95 Pr.
5	Button locks over 7/8" tubing (includes wheels and plugs)	Low steptubes (3" from top of steptube to floor)	AL-50945	\$49.95 Pr.
6	Button locks inside 1" tubing; adj length (wheels only)	Inva 9000, XT, SL (with 8" casters)	AL-50946	\$59.95 Pr.
7	Button locks inside 7/8" tubing (wheels only)	Inva 900, 1000, 2000LT, EX/MG (with "S" frames), IV	AL-45390	\$49.95 Pr.
8	Button locks inside 1" tubing (wheels only)	Inva 2000/9000 (single axle), 2000/9000 XT Recliners (with 24" wheels), 4000. E&J Premier II	AL-45391	\$59.95 Pr.
9	Button locks over 7/8" tubing (plugs only)	E&J STD chairs & others w/low steptubes (3-1/2" from top of steptube to floor)	AL-628	\$59.95 Pr.
10	Button locks over 7/8" tubing (wheels only)	E&J STD chairs & others w/low steptubes (3-1/2" from top of steptube to floor)	AL-629	\$49.95 Pr.
11	Button locks inside 7/8" tubing, adj. length, w/ wheels	Tracer: Titan/SX/DLX (w/ 8" Caster)	AL-72797	\$79.95 Pr.
	Button locks inside 7/8" tubing, adj. length, w/ wheels	Tracer: Titan/SX/DLX (w/ 6" Caster). All EX/MG (w/ "box" frame)	AL-72798	\$79.95 Pr.
N/S	Anti-Tip Assembly	Inva SX Recliner	AL-63898	\$44.95 Pr.

### Universal Fit!



**Adjustable Height Front Anti-Tippers**

- ✓ Fits 3/4", 7/8" or 1" tubing
- ✓ 5 height adjustments

**AL-72307     \$72.00 Pair**



### Universal Fit!



**Adjustable Height Rear Anti-Tippers**

- ✓ Fits 3/4", 7/8" or 1" tubing
- ✓ 2" easy gliding wheels

**AL-64620     \$49.95 Pair**

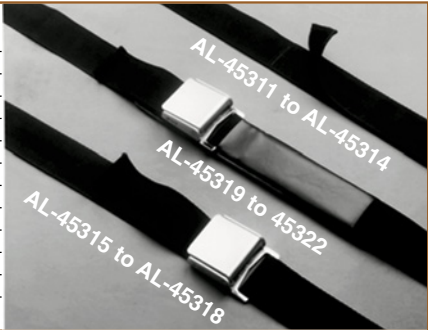
W6



# Wheelchair Accessories

**BUY 11 GET 1 FREE!**

Seat Belts (with hole & grommet to mount to back screw)		
With Velcro, Grey, 48" Long, 2" Webbing	AL-45311	\$14.95
With Velcro, Black, 48" Long, 2" Webbing	AL-45312	\$14.95
With Velcro, Grey, 60" Long, 2" Webbing	AL-45313	\$14.95
With Velcro, Black, 60" Long, 2" Webbing	AL-45314	\$14.95
With Airline Buckle, Grey, 48" Long, 2" Webbing	AL-45315	\$22.95
With Airline Buckle, Black, 48" Long, 2" Webbing	AL-45316	\$22.95
With Airline Buckle, Grey, 60" Long, 2" Webbing	AL-45317	\$22.95
With Airline Buckle, Black, 60" Long, 2" Webbing	AL-45318	\$22.95
With Airline Buckle, Black, 72" Long, 2" Webbing	AL-319XL	\$22.95
With Buckle & Pad, Grey, 48" Long, 2" Webbing	AL-45319	\$29.95
With Buckle & Pad, Black, 48" Long, 2" Webbing	AL-45320	\$29.95
With Buckle & Pad, Grey, 60" Long, 2" Webbing	AL-45321	\$29.95
With Buckle & Pad, Black, 60" Long, 2" Webbing	AL-45322	\$29.95



Seat Belts (with hole & grommet to mount to back screw)		
With Push Button Buckle, Grey 48" Long, 2" Webbing	AL-45323	\$23.95
With Push Button Buckle, Black, 48" Long, 2" Webbing	AL-45324	\$23.95
With Push Button Buckle, Grey 60" Long, 2" Webbing	AL-45325	\$23.95
With Push Button Buckle, Black, 60" Long, 2" Webbing	AL-45326	\$23.95
With Push Button Buckle, Black, 1-1/2" Web, 38" Long, Pediatric	AL-45327	\$23.95
With Push Button Buckle, Black, 1-1/2" Web, 48" Long	AL-45328	\$23.95

Axle Mounts		
Axle Mount, Black, w/Velcro	AL-45329	\$22.95
Axle Mount, Black, w/Airline Buckle	AL-45330	\$39.95
Axle Mount, Black, w/Push Button Buckle	AL-45331	\$39.95



**Gel Knee Protector Buttons**  
AL-66886 \$45.95 Pr.



**Black Pinch Buckle**  
2" x 48" AL-326 \$19.95  
2" x 60" AL-326A \$19.95



**Velcro catch w/loop to fasten around frame**  
AL-322 \$19.50



**54" Push Button Auto Type Belt Buckle**  
AL-320 \$19.95



**Gel Footrest Wraps**  
AL-66885 \$31.95 Pr.

**Custom Silk Screening Available —Call!**



**Black Polyester Mesh Chart Bag**  
allows for contents of bag to be easily viewed, preventing abrasions from sharp objects  
AL-66047 \$39.95



**Chart Bag** attaches to most 16" through 24" wide wheelchairs. Specify color. See inside front cover.  
AL-314 \$23.95



# Wheelchair Accessories

**BUY 11 GET 1 FREE!**

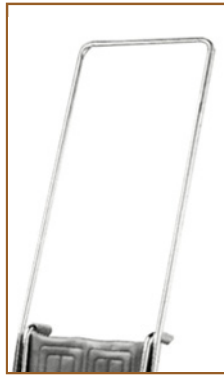



**Anti-Fold/Anti-Theft Bar**  
Clamps between rear uprights just below seat.  
**AL-885 \$21.95** fits 7/8" tubing and adjusts from 14" to 24"  
**AL-67460 \$21.95** fits 7/8" tubing and adjusts from 14" to 24"—includes center clamp  
**AL-885A \$24.95** fits 1" tubing and adjusts from 16" to 24"

**AL-67460 AL-885**



**Anti-Fold Bar • Anti Theft**  
Fits wheelchair with cross bar bolt.  
18"-20" wide **AL-45657 \$39.00**  
22"-24" wide **AL-45657A \$39.00**



**Anti Theft Hoop**

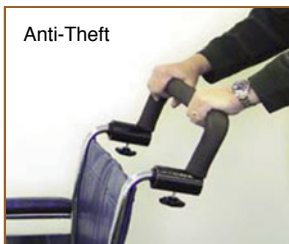
16"-24" Adjustable	<b>AL-63827</b>	<b>\$54.95</b>
16"-18" Adjustable	<b>AL-25101</b>	<b>\$44.95</b>
16"-18" w/l.V. Holder	<b>AL-25101A</b>	<b>\$54.95</b>
18"-24" Adjustable w/l.V. Hooks	<b>AL-65527</b>	<b>\$79.00</b>
16"-20" w/l.V. Holder	<b>AL-49821</b>	<b>\$119.95</b>
20"-24" w/l.V. Holder	<b>AL-49822</b>	<b>\$149.95</b>
16"-20" w/l.V./O2 Holder	<b>AL-49823</b>	<b>\$189.95</b>
20"-24" w/l.V./O2 Holder	<b>AL-49824</b>	<b>\$189.95</b>



**ALCO PVC Push Bar**

- ✓ One-hand operation
- ✓ Supplied knobs can make unit non-removable
- ✓ Anti-theft

18"	<b>AL-69434</b>	<b>\$49.95</b>
20"	<b>AL-69435</b>	<b>\$49.95</b>
22"	<b>AL-69436</b>	<b>\$49.95</b>
24"	<b>AL-69437</b>	<b>\$49.95</b>
26"	<b>AL-69438</b>	<b>\$49.95</b>
28"	<b>AL-69439</b>	<b>\$49.95</b>
30"	<b>AL-69440</b>	<b>\$49.95</b>
32"	<b>AL-69441</b>	<b>\$49.95</b>



Supplied knobs can make unit non-removable

**ALCO Ease Pushbar for Wheelchairs**

- ✓ One-hand operation
- ✓ Safely secured with two easy-to-turn adjusting knobs
- ✓ Patent pending

18"-20"	<b>AL-69303</b>	<b>\$79.95</b>
22"-24"	<b>AL-69304</b>	<b>\$79.95</b>
26"-28"	<b>AL-70703</b>	<b>\$79.95</b>
30"-32"	<b>AL-70704</b>	<b>\$79.95</b>



**Anti-Theft Post**

- ✓ Color: Orange
- ✓ Clamps onto Back Post
- ✓ Fits Most 7/8" Tubing Wheelchairs

**AL-72313 \$59.95**



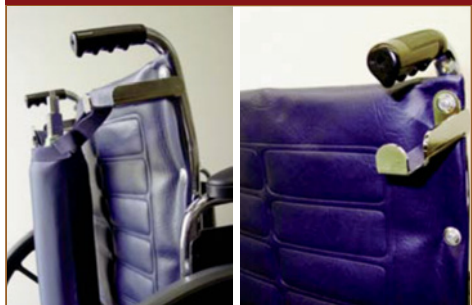
**Mobile I.V. Pole Clamping System**

**New Mobile I.V. Pole Clamping System**

- ✓ 9 adjustable locking positions and 240 degree adjustable radius
- ✓ Accepts Standard IV Pole diameters between 3/4" to 1 1/4"
- ✓ Easy to install, use and adjust – attaches to either handle
- ✓ Decreases wrist, arm and back strain

**AL-72503 \$159.00**

**Oxygen Tank Stand-Off Brackets**



**Oxygen Tank Stand-Off Brackets**

- ✓ Pair of heavy gage chrome plated steel brackets
- ✓ Moves a typical oxygen cylinder pouch away from contact with the wheelchair seat back

**AL-72720 \$34.95 Pair**



**Universal Tote Carry-On Jr. (zipper closure)**

Black **AL-45647B \$15.95**



**Single Oxygen (wheelchair)**

Fits "D" & "E" cylinders  
Black **AL-58019 \$20.95**



**Wheelchair Back Carry-On (Buckles)**

Black **AL-45646B \$26.95**




# Harnesses, Straps, Amputee & Transfer Boards & I.D. System

**BUY 11 GET 1 FREE!**



**AL-72332** **AL-72331**

Transfer Board Description	ALCO Part No.	Price Each
26" x 8", Tapered	AL-72331	\$49.00
26" x 8", Tapered w/ Hand Holes	AL-72332	\$54.00
26" x 8", Non-Tapered	AL-72333	\$44.00
26" x 8", Non-Tapered w/ Hand Holes	AL-72334	\$46.00
29" x 8", Tapered	AL-72335	\$49.00
29" x 8", Tapered w/ Hand Holes	AL-72602	\$54.00
29" x 8", Non-Tapered	AL-72603	\$44.00
29" x 8", Non-Tapered w/ Hand Holes	AL-72604	\$46.00
35" x 8", Non-Tapered	AL-72605	\$49.00
35" x 8", Non-Tapered w/ Hand Holes	AL-72606	\$54.00



**AL-72328**

Harness Description	ALCO Part No.	Price Each
Single Leg Strap (Black) 16-20"	AL-72318	\$8.95
'H' Pattern Leg Strap (Black) 16-20"	AL-72319	\$15.95
Heel Loop Wrap-Around Velcro & Hardware (Pair)	AL-72320	\$11.95
Heel Loop w/ Hardware PR	AL-72321	\$9.95
Ankle Strap – PR w/ Pinch Buckle, Child	AL-72322	\$11.95
Ankle Strap – PR w/ Pinch Buckle, Adult	AL-72323	\$11.95
Toe Strap w/ 'D' Ring, Child, 11-1/2" (Pair)	AL-72324	\$11.95
Small Butterfly Harness 10 x 3"	AL-72325	\$39.95
Medium Butterfly Harness 13 x 4-1/2"	AL-72326	\$39.95
Large Butterfly Harness 17-1/2 x 5"	AL-72327	\$39.95
Small 4-Point Positioning Belt 10 x 3"	AL-72328	\$39.95
Medium 4-Point Positioning Belt 12 x 15"	AL-72329	\$39.95



Support Description	ALCO Part No.	Price Each
16 x 16 Standard Amputee Support Board	AL-72336	\$219.00
18 x 16 Standard Amputee Support Board	AL-72337	\$219.00
20 x 16 Standard Amputee Support Board	AL-72338	\$219.00
18 x 18 Standard Amputee Support Board	AL-72339	\$219.00
20 x 18 Heavy Duty Amputee Support Board	AL-72340	\$269.00
1" Stump Cushion	AL-72341	\$25.00
2" Stump Cushion	AL-72342	\$25.00
3" Stump Cushion	AL-72343	\$25.00
Swing Away Stump Support, E&J Cam Lock (Left)	AL-72344	\$49.00
Swing Away Stump Support, E&J Cam Lock (Right)	AL-72345	\$49.00
Swing Away Stump Support, Inva Cam Lock (Left)	AL-72346	\$49.00
Swing Away Stump Support, Inva Cam Lock (Right)	AL-72347	\$49.00
Swing Away Stump Support, Inva Cam Lock, Hemi (L)	AL-72348	\$49.00
Swing Away Stump Support, Inva Cam Lock, Hemi (R)	AL-72349	\$49.00



### Transfer and Glider Systems

#### 40" Transfer System

- ✓ 40" Length x 12" Width
- ✓ 1" Base Thickness
- ✓ 1/2" Seat Thickness

**AL-69429 \$239.00**



#### 32" Glider System

- ✓ 32" Length x 10" Width
- ✓ 5/8" Base Thickness
- ✓ 3/8" Seat Thickness

**AL-69431 \$239.00**



#### 27.5" Transfer System

- ✓ 27.5" Length x 12" Width
- ✓ 1" Base Thickness
- ✓ 1/2" Seat Thickness

**AL-69430 \$229.00**



### Wheelchair I.D. System

- ✓ Labels record all pertinent information
- ✓ Removable vinyl label on easy to install flexible bracket
- ✓ Package includes 10 brackets and a roll of 50 labels

**AL-72350 \$21.95**



# Anti-Rollback & Safety Brakes



## Wheelchair Anti-Rollback Device

As the user begins to stand, a pair of brake arms instantly grab the tires to prevent the chair from rolling back and away. The greater the rearward force exerted on the chair, the greater the holding power. Each unit includes an easy to install kit to compensate for the added weight of heavy seat cushions. Both models fit most full and hemi height chairs. Single or dual axle. Sling seat required.

Will not work on Quickie/Breezy wheelchairs.

Shown with optional integrated chair exit alarm

Description	ALCO Part No.	Price Each
Fits Chairs 16"-20"	AL-60603	\$169.00
Fits Chairs 16"-20" w/integrated Alarm	AL-60604	\$239.00
Fits Chairs 22"-24"	AL-60605	\$169.00
Fits Chairs 22"-24" w/integrated Alarm	AL-60606	\$239.00
Fits Invacare EX2 Only	AL-71438	\$139.00

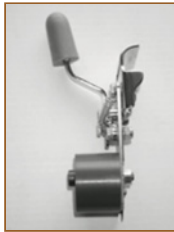
Retrofit your existing Anti-Rollback device by purchasing the kits below. For example, purchase an AL-64614 to change from a 22"-24" model to a 16"-20" model.

16"-20" Retrofit Kit	AL-64614	\$29.00
22"-24" Retrofit Kit	AL-64615	\$29.00

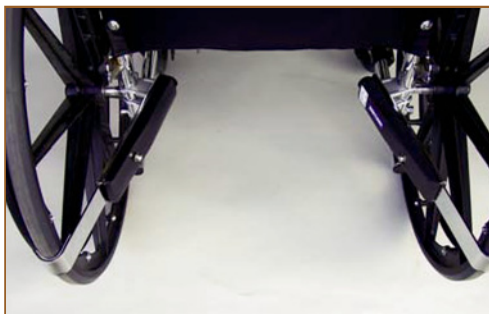


## Economy Anti-Rollback Braking System

- ✔ Provides anti-rollback automatically, regardless of weight
- ✔ Not affected by pressure relief or gel cushions which can defeat weight activated brakes
- ✔ Rearward movement requires constant pressure on brake levers
- ✔ Releasing pressure automatically engages anti-rollback function



Description	Fits	ALCO Part No.	Price Pair	
<b>Sold in Pairs</b>				
Detachable Arms	E&J, Tuffcare, Theradyne, Lumex, Hoyer	AL-60607	\$99.00	Pr.
Fixed Arms	E&J, Tuffcare, Theradyne, Lumex, Hoyer	AL-60608	\$99.00	Pr.
Flat Bar Mount	E&J, Theradyne	AL-60609	\$99.00	Pr.
Fixed Arms	Invacare, Evermed, Medline	AL-60610	\$99.00	Pr.
Detachable Arms	Invacare, Evermed, Medline	AL-60611	\$99.00	Pr.



## Wheelchair Speed Restrictor

- ✔ Pair of resistance plates applies drag to the larger rear wheels
- ✔ Resistance is field adjustable

AL-72304 \$90.00

## Memory-Matic Safety Brake™

- ✔ The rider does not have to remember to put down the brake before exiting the chair
- ✔ When the person lifts him/herself off the chair, the cushion forces the air and the brakes automatically engage for a secure position
- ✔ The brake remains employed until the person sits back in the chair
- ✔ Helps prevent falls and injuries through an automatic braking system
- ✔ Specify model of chair

AL-68567 Call



Closeup View of Safety Brakes



# Wheelchair Cushions

**BUY 11 GET 1 FREE!**



### Gel-Pro Elite® Wheelchair Cushion

- ✓ Top made of low shear nylon and bottom made of waterproof vinyl which reduces heat and moisture build-up
- ✓ Fluid and stain resistant, anti-microbial and fire retardant
- ✓ High-density foam shell surrounds uniquely styled gel bladder

17"W x 17"D x 2-1/2T	<b>AL-57989</b>	<b>\$53.00</b>
16"W x 16"D x 2-1/2T	<b>AL-57990</b>	<b>\$46.00</b>
18"W x 16"D x 2-1/2T	<b>AL-57991</b>	<b>\$46.00</b>
20"W x 16"D x 2-1/2T	<b>AL-57992</b>	<b>\$69.00</b>
22"W x 16"D x 2-1/2T	<b>AL-57993</b>	<b>\$99.00</b>
24"W x 16"D x 2-1/2T	<b>AL-57994</b>	<b>\$112.00</b>
18"W x 18"D x 2-1/2T	<b>AL-57995</b>	<b>\$80.00</b>
20"W x 18"D x 2-1/2T	<b>AL-57996</b>	<b>\$89.00</b>
22"W x 18"D x 2-1/2T	<b>AL-57997</b>	<b>\$112.00</b>
24"W x 18"D x 2-1/2T	<b>AL-57998</b>	<b>\$129.00</b>



### Star Lite Cushion

- ✓ Adjustable, contouring air cushion fitting the anatomical form
- ✓ Weighing in at just one pound
- ✓ Special features: Femur Trough, Abductor, Genital Relief, Trochanter Shelf and Coccyx Relief

18"W x 16"D	<b>AL-68937</b>	<b>\$129.00</b>
18"W x 18"D	<b>AL-68938</b>	<b>\$129.00</b>
20"W x 16"D	<b>AL-68939</b>	<b>\$129.00</b>



### InTouch Flovair Contour Cushion

- ✓ Positioning foam base supports the pelvis and thighs; helps prevent adduction and internal rotation
- ✓ Fluid + ThinAir Liner effectively redistribute pressure without the penalty of added weight

Description	W x D (Inches)	ALCO Part No.	Price Each
InTouch Flovair Gentle	18 x 16	<b>AL-72400</b>	<b>\$239.00</b>
InTouch Flovair Gentle	18 x 18	<b>AL-72401</b>	<b>\$239.00</b>
InTouch Flovair Gentle	20 x 16	<b>AL-72402</b>	<b>\$239.00</b>
InTouch Flovair Gentle	20 x 18	<b>AL-72403</b>	<b>\$239.00</b>



Foam Wedge



Convulved Foam



Flexi-Equalizer™



Premium Guard Gel "E"

Wheelchair Cushion	Size W x D x H	ALCO Part No.	Price Each
<b>Foam Wedge:</b> Provides outstanding comfort while helping to secure & position patients. Helps position patients without causing a pressure point. Antimicrobial & Flame retardant. Color: Monet Blue	18" x 16" x 4"	<b>AL-48130</b>	<b>\$27.00</b>
<b>Convulved Foam:</b> Medium density, convulved foam with Novex fluid proof covers. Antimicrobial &	18" x 16" x 2"	<b>AL-48132</b>	<b>\$24.00</b>
	18" x 16" x 4"	<b>AL-48134</b>	<b>\$27.00</b>
<b>Flexi-Equalizer Cushion:</b> Levels out the dip created by sling seated wheelchairs & creates a more comfortable seat for the patient. Helps keep hips from rotating inward. Wheelchair cushion can be	18" x 16"	<b>AL-50476</b>	<b>\$28.00</b>
<b>Premium Guard Gel "E" Seat Cushion:</b> Pressure-reducing cushion designed to assist in the prevention of pressure sore ulcers. Viscous Gel provides maximum support and comfort. Fire-Retardant polyurethane foam shell. Waterproof zippered cover with two carrying handles.	18" x 16" x 3"	<b>AL-66883</b>	<b>\$39.00</b>
	16" x 16" x 3"	<b>AL-66884</b>	<b>\$39.00</b>
	18" x 16" x 2"	<b>AL-67298</b>	<b>\$39.00</b>



# Wheelchair Cushions

**BUY 11 GET 1 FREE!**



## Gel-Foam Pad

- ✓ Gel flotation lowers interface pressure
- ✓ Water-based gel cools to eliminate skin-damaging perspiration
- ✓ High-density foam prevents bottoming-out
- ✓ Safety strap keeps cushion in place
- ✓ Fluid-proof, wipe-clean vinyl cover protects against incontinence
- ✓ Launderable, Low-Shear outer cover reduces skin-damaging friction



Gel-Foam Pad	16"W x 16"D x 2-1/2"T	<b>AL-62364</b>	<b>\$69.00</b>
Gel-Foam Pad	18"W x 16"D x 2-1/2"T	<b>AL-62365</b>	<b>\$79.00</b>
Gel-Foam Pad	20"W x 16"D x 2-1/2"T	<b>AL-62366</b>	<b>\$89.00</b>
Gel-Foam Pad	18"W x 16"D x 1-1/2"T	<b>AL-62367</b>	<b>\$79.00</b>



## Econo-Gel Pad

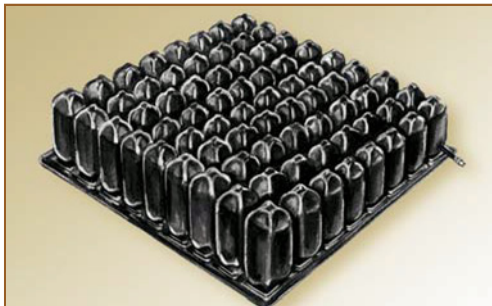
- ✓ New: Two-part gel pad design for greater stability
- ✓ High-density foam on top and bottom
- ✓ Gel pod between foam layers provides pressure-relieving flotation
- ✓ Safety ties keep cushion in place
- ✓ Fluid-proof, wipe-clean vinyl cover protects against incontinence
- ✓ Available polyester outer cover reduces skin shear
- ✓ Two-tone covers serve as a reminder to reposition resident

Vinyl w/Polyester	16"W x 16"D x 2"T	<b>AL-62360</b>	<b>\$49.00</b>
Vinyl Only	16"W x 16"D x 2"T	<b>AL-62362</b>	<b>\$39.00</b>
Vinyl w/Polyester	18"W x 16"D x 2"T	<b>AL-62361</b>	<b>\$49.00</b>
Vinyl Only	18"W x 16"D x 2"T	<b>AL-62363</b>	<b>\$39.00</b>

### Double-Chamber Construction

Relieves Pressure For Heavy Patients

Weight Capacity 500 lbs



## Economy Cushion Air

- ✓ Position equalization results from the variable action of individual air cells
- ✓ Easy-to-use air pump is included
- ✓ Low surface tension reduces friction and skin shear
- ✓ Low-Shear fluid-proof cloth cover (not shown) protects against incontinence

18"W x 16"D x 4"T	<b>AL-62375</b>	<b>\$319.00</b>
18"W x 16"D x 2"T	<b>AL-62376</b>	<b>\$319.00</b>



## Bariatric Gel Foam Pad

- ✓ Water-based gel relieves pressure and cools to reduce skin-damaging perspiration
- ✓ High-density foam prevents bottoming-out
- ✓ Stable design promotes sitting comfort
- ✓ Low-shear cover reduces friction; removes for laundering
- ✓ Incontinent-proof vinyl covers wipe clean for easy care
- ✓ Safety strap secures cushion to wheelchair
- ✓ Non-slip bottom on outer covers provides extra safety

20"W x 18"D x 3"H	<b>AL-61249</b>	<b>\$129.00</b>
22"W x 18"D x 3"H	<b>AL-61250</b>	<b>\$139.00</b>
24"W x 18"D x 3"H	<b>AL-61251</b>	<b>\$159.00</b>
26"W x 18"D x 3"H	<b>AL-66793</b>	<b>\$169.00</b>
28"W x 18"D x 3"H	<b>AL-66794</b>	<b>\$179.00</b>
30"W x 20"D x 3"H	<b>AL-66795</b>	<b>\$209.00</b>

## ConForm Cushion

- ✓ Visco-elastic foam molds to user's dimensions
- ✓ High and low spots are eliminated
- ✓ Low-rise barrier prevents sliding by controlling forward thrust
- ✓ Safety strap keeps cushion in place
- ✓ Fluid-proof, wipe-clean Low-Shear II cover prevents skin-damaging friction
- ✓ 18"W x 16"D x 2-1/4"T

**AL-62377 \$99.00**





# RoHo Cushions

**BUY 11 GET 1 FREE!**



ROHO® HIGH PROFILE® Chair Size Width x Depth	ALCO Part No.	Price Each
Fits 15"-16" Widths & 15"-16" Depths	<b>AL-50240</b>	<b>\$319.00</b>
Fits 15"-16" Widths & 16"-17" Depths	<b>AL-50241</b>	<b>\$319.00</b>
Fits 16"-17" Widths & 15"-16" Depths	<b>AL-50242</b>	<b>\$319.00</b>
Fits 16"-17" Widths & 16"-17" Depths	<b>AL-50243</b>	<b>\$319.00</b>
Fits 16"-17" Widths & 18"-19" Depths	<b>AL-50244</b>	<b>\$319.00</b>
Fits 18"-19" Widths & 16"-17" Depths	<b>AL-50245</b>	<b>\$319.00</b>
Fits 18"-19" Widths & 18"-19" Depths	<b>AL-50246</b>	<b>\$319.00</b>

**ROHO® HIGH PROFILE®** 4" Cushion comes complete with hand inflation pump, repair kit and operating instructions. It's constructed from flame resistant neoprene rubber and can be easily cleaned with soap and water, or can be steam autoclaved. Weighs approximately 3-1/2 lbs. 24 Month Limited Warranty.



**ROHO® AIRLITE™** It combines the benefits of a sealed air support pad with a durable contoured foam base. It is protected by a fluid resistant, breathable cover made from nylon, spandex and polyurethane film. Features a non-skid neoprene rubber bottom and weighs only 2-1/2 pounds. 24 Month Limited Warranty.

Chair size Width x Depth x Thick	ALCO Part No.	Price Each
Fits 18"W x 16"D x 2-1/2T	<b>AL-50265</b>	<b>\$149.00</b>
Fits 18"W x 18"D x 2-1/2T	<b>AL-50266</b>	<b>\$149.00</b>
Fits 20"W x 18"D x 2-1/2T	<b>AL-50267</b>	<b>\$149.00</b>



### QUADTRO® SELECT® Cushion

- ✔ Stability is enhanced by locking the air into place in each of the four quadrants through the simple use of the ISOFLO Memory Control, minimizing side to side or front to back motion
- ✔ Open position: You can adjust the user's posture to the desired sitting position
- ✔ Closed position: You can maintain the desired sitting posture for maximum function
- ✔ Call for more available sizes and custom sizes
- ✔ 36 Month Limited Warranty

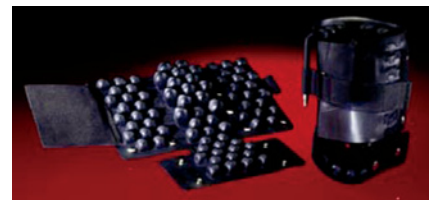
Size	ALCO Part No.	Price Each
16" x 16"	<b>AL-69263</b>	<b>\$319.00</b>
18" x 16"	<b>AL-69264</b>	<b>\$319.00</b>
20" x 16"	<b>AL-69265</b>	<b>\$319.00</b>
20" x 18"	<b>AL-69266</b>	<b>\$319.00</b>
22" x 18"	<b>AL-69267</b>	<b>\$369.00</b>
24" x 18"	<b>AL-69268</b>	<b>\$409.00</b>



### MOSAIC® Cushion

- ✔ Made of 3" polyvinyl interconnected air cells that are easy to inflate and adjust
- ✔ 250 lb weight limit
- ✔ 12 Month Limited Warranty

With Standard Cover			With Incontinent Cover		
Size	ALCO Part No.	Price Each	Size	ALCO Part No.	Price Each
16" x 16"	<b>AL-69269</b>	<b>\$69.00</b>	16" x 16"	<b>AL-69271</b>	<b>\$79.00</b>
18" x 16"	<b>AL-69270</b>	<b>\$69.00</b>	18" x 16"	<b>AL-69272</b>	<b>\$79.00</b>



### HEAL PAD®

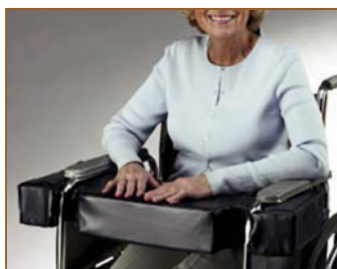
- ✔ Offers an adjustable therapeutic environment which aids in the healing of heel and elbow ischemic ulcers
- ✔ Minimizes shear and friction
- ✔ 24 Month Limited Warranty

**AL-69282 \$99.00**

**▼ LOW PRICES GUARANTEED! ▼**  
**WE WILL NOT BE UNDERSOLD!**

# Positioners

## BUY 11 GET 1 FREE!



### Lap Top Cushion

- ✓ Polyfoam padded
- ✓ Covered in durable, wipe-clean vinyl

### For 16"-18"W Full-Arm Wheelchairs

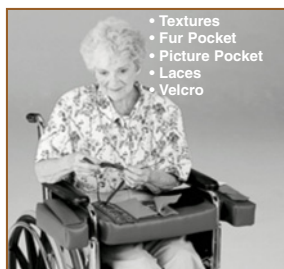
4" Thick, w/Cutouts **AL-62388 \$34.00**

2-1/2" Thick, w/Cutouts **AL-62389 \$34.00**

### For Desk-Arm Wheelchairs

4" Thick **AL-62395 \$34.00**

2-1/2" Thick **AL-62396 \$34.00**



### ActivLapBuddy™ For Standard (Full Arm) Wheelchair

- ✓ Enhance Cognitive Function
- ✓ Visual and Tactile Stimulation
- ✓ Improve Motor Skills

Full Arm **AL-54295 \$89.00**

Desk Arm **AL-54297 \$89.00**



### Wheelchair Armrest Cushion

- ✓ Foam-padded and covered in nylon
- ✓ Velcro® fasteners for easy application

16" Full-Arm (Pair) **AL-69326 \$34.00 Pr.**

11" Half-Arm (Pair) **AL-69327 \$31.00 Pr.**



### ChairBuddy™

Specially designed with Velcro straps to be used in wheelchairs.

**AL-54251 \$49.00 Ea.**



### LegBuddy™

**AL-54282 \$49.00**



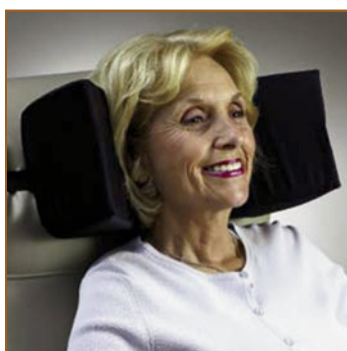
### LegBuddy™ II

**AL-54283 \$44.00**



### FootBuddy™ III

**AL-54284 \$219.00**



### Head Positioner

- ✓ Designed to prevent hyperextension of the neck
- ✓ Attaches to all extended-back wheelchairs, geri-chairs, and recliners
- ✓ Cushioned with resilient foam
- ✓ Cover wipes clean for easy care

**AL-62409 \$36.00**



### Gel Calf Pad

- ✓ Provides support across the full width of chair
- ✓ Additional third strap on top keeps panel in desired position
- ✓ Easy to install with Velcro

**AL-66889 \$57.95 Ea.**

### Lambswool Covers

Description	Fig. No.	ALCO Part No.	Price Each
Seat, 18 x 16	C	<b>AL-45339</b>	<b>\$29.95</b>
Back, 18 x 18	D	<b>AL-45341</b>	<b>\$29.95</b>
Full Length Arm (Pair)	E	<b>AL-45343</b>	<b>\$18.95 Pr.</b>
Desk Length Arm (Pair)	E	<b>AL-45344</b>	<b>\$18.95 Pr.</b>
Footplate (Pair)	F	<b>AL-45347</b>	<b>\$19.95 Pr.</b>
Legrest Panel (Pair)	G	<b>AL-45348</b>	<b>\$29.95 Pr.</b>





# Alarms

**BUY 11 GET 1 FREE!**



### StandDown Wheelchair All-In-One Sensor Pad

- ✓ Complete One Piece System
- ✓ "Patient Proof Tampering"
- ✓ Waterproof – quick wipe down
- ✓ Pad size is 15" x 18"
- ✓ No tangled wires, control boxes or batteries to replace

**AL-71867      \$79.95**



### Alarmed Velcro Seatbelt Restraint

- ✓ Belt has brass grommets for mounting
- ✓ Includes Model SMABX Alarm Box
- ✓ 9V battery included

Seatbelt Restraint (36"-46")      **AL-72305      \$80.00**  
 Seatbelt Restraint (46"-58")      **AL-72306      \$80.00**



### Passive Infrared Remote (PIR) Alarm and Nurse Call Receiver

If your facility is "hardwired" to a nurse call station, then this may be the best PIR alarm for you. The Nurse Call Receiver plugs into the nurse call outlet on the wall. When a patient exits bed, the PIR Remote Alarm sounds in the patient's room and sends a signal to the nurse call station. System has reset button and high/low volume control.



PIR Remote Alarm System w/Nurse Call Receiver and Magnetic Bed Rail Clamp	<b>AL-66205</b>	<b>\$189.00</b>
PIR Remote Alarm System w/Nurse Call Receiver and Wall Mount	<b>AL-66208</b>	<b>\$139.00</b>
PIR Remote Alarm only w/Magnetic Bed Rail Clamp	<b>AL-66217</b>	<b>\$139.00</b>
PIR Remote Alarm only w/Wall Mount	<b>AL-66218</b>	<b>\$92.00</b>
Nurse Call Receiver only	<b>AL-66211</b>	<b>\$55.00</b>
PIR Remote Alarm w/Magnetic Bed Rail Clamp, Remote Receiver/Alarm, and Nurse Call Receiver	<b>AL-66206</b>	<b>\$239.00</b>



### BreakAway Lap Cushion with Alarm

As patient rises, a magnetic strap releases on one side of the lap cushion, activating alarm. Gives warning of wandering patient. Alarm unit features on/off switch, two sound levels, and a low-battery warning light. Includes one 9V battery.

Lap Cushion w/Alarm, 16"-18"W	<b>AL-66245</b>	<b>\$169.00 Ea.</b>
Replacement 9V Batteries, 8/pk	<b>AL-66235</b>	<b>\$34.00 8/Pk.</b>
Replacement Cushion	<b>AL-66296</b>	<b>\$79.00 Ea.</b>

**Note: If the resident is unable to remove a device without assistance, it is considered to be a restraint under OBRA guidelines.**

# Alarms

**BUY 11 GET 1 FREE!**



### Wheelchair Mobile Monitor

- ✓ Hanging bracket, strap and clip
- ✓ In-use indicator lamp
- ✓ Warble tone alarm w/volume control

**Specifications:** Size: 3" x 4" x 2",  
Weight: 1 lb.  
**Audible Alarm:** Max 95dBa at 2 feet  
**Power Supply:** 9 volt lithium battery w/low battery alert

**AL-49866 \$209.00**



◀ Vinyl for durability and moisture protection, 15.75" x 13.5" x .25"  
**AL-50732 \$59.00**

**180 Day Warranty**



◀ Vinyl for durability and moisture protection, 15.75" x 13.5" x .25"  
**AL-58202 \$99.00**

**365 Day Warranty**



### ALCO Economical Wheelchair/Bed Alarm

- ✓ Self-contained clip or hook and loop fastener
- ✓ Adjustable 18" to 36" activation cord
- ✓ Convenient on/off switch
- ✓ 9 volt battery (not provided)
- ✓ Two settings: soft (85 dB) or Loud (100dB)

**AL-56887 \$20.00**



### Magnetic Pull Cord Alarm

- ✓ Cord Adjusts from 28" to 58"
- ✓ Requires two, AAA batteries (included)

Magnetic Pull Cord Alarm	<b>AL-65546</b>	<b>\$27.00 Ea.</b>
Replacement Magnetic Pull Cord 3/Pk	<b>AL-66243</b>	<b>\$26.00 3/Pk</b>
Replacement Mounting Holster with Strap 24/Pk	<b>AL-66250</b>	<b>\$19.95 24/Pk</b>



### ALCO FallAlert Monitor

- ✓ Loud 91 db alarm sounder
- ✓ Clip with adjustable string
- ✓ Magnet activates alarm from any angle
- ✓ Low battery light indicator
- ✓ 1/4" jack for call cords on plug only
- ✓ Standard 9V battery, included

#### ALCO Fall Alert

**AL-53555 \$32.95**

#### ALCO Fall Alert Plus

**AL-53556 \$39.95**

(Can be connected to nurse call system with 1/4" jack)

#### Replacement Cord and magnet assembly

**AL-53557 \$9.95**

### Basic Monitor

- ✓ Off/Lo/Hi Switch
- ✓ Strain Relief protects monitor and sensor pod from damage

### Basic Monitor

- ✓ Same as above with 0-2 second alarm delay
- ✓ Optional AC adaptor
- ✓ Reset button
- ✓ Alarm controls located inside battery compartment to comply with JCAJU standards

### String Monitor

- ✓ Indestructible Stainless clip
- ✓ Hinged battery compartment



**Bed Bracket**  
**AL-71433**



**String Monitor w/Cushion Protector**

Basic Monitor w/Cushion Protector	<b>AL-71428</b>	<b>\$36.95</b>
Advanced Monitor w/Cushion Protector	<b>AL-71429</b>	<b>\$49.95</b>
String Monitor w/Cushion Protector	<b>AL-71430</b>	<b>\$19.95</b>

45 Day Bed Pad	<b>AL-71424</b>	<b>\$22.95</b>
1 Year Bed Pad	<b>AL-71425</b>	<b>\$39.95</b>
45 Day Chair Pad	<b>AL-71426</b>	<b>\$17.95</b>
1 Year Chair Pad	<b>AL-71427</b>	<b>\$31.95</b>

Magnetic Assembly 5 Pack	<b>AL-71431</b>	<b>\$28.95</b>
AC Adaptor	<b>AL-71432</b>	<b>\$17.95</b>
Bed Bracket	<b>AL-71433</b>	<b>\$7.95</b>



**AL-71425**

**AL-71426**



# Lap Trays & Ramps

**BUY 11 GET 1 FREE!**



**AL-72312**



**AL-72310**

### Lap Trays

Lap Board, Half, Padded, Upholstered, Fixed Bracket, Right Side

**AL-72310 \$85.00**

Lap Board, Half, Padded, Upholstered, Flip-Up Bracket, Left Side

**AL-72311 \$89.00**

Lap Board, Half, Padded, Upholstered, Flip-Up Bracket, Right Side

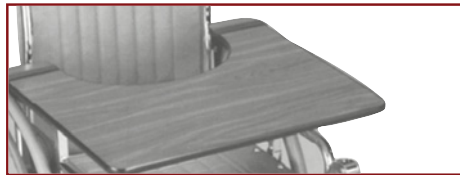
**AL-72312 \$89.00**



### SofTop Wheelchair Lap Tray

- ✓ Provides cushioned posture support
- ✓ Covered in durable, wipe-clean vinyl
- ✓ Easy-open Velcro® closures
- ✓ Around-the-chair strap prevents resident from sliding forward

16"-18" Wheelchair	<b>AL-62386</b>	<b>\$69.00</b>
20"-22" Wheelchair	<b>AL-62387</b>	<b>\$69.00</b>
Bariatric Softop	<b>AL-67801</b>	<b>\$119.00</b>



**Wheelchair Wood-grain Tray** features velcro straps for easy adjustment, fits all standard wheelchairs.

- ✓ Deluxe Wood-grain top has raised edge to prevent accidental spillage

24" x 20" x 1/4"	<b>AL-43979</b>	<b>\$29.95</b>
Economy Tempered Masonite Tray w/o Edge	<b>AL-43981</b>	<b>\$19.95</b>

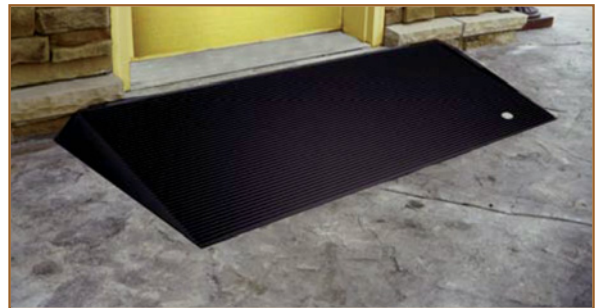


### Swing-Away Shopping Basket Assembly

Basket swings up 90 degrees for easy entry into and exit from wheelchair seat. Fits 18" to 20" wide only.

**AL-45720 \$139.95**

Ramps		
Description	ALCO Part No.	Price Each
1-1/2" Rubber Threshold	<b>AL-72316</b>	<b>\$99.00</b>
2-1/2" Rubber Threshold	<b>AL-72317</b>	<b>\$159.00</b>
5 ft. Suitcase Signature Series Ramp	<b>AL-72351</b>	<b>\$209.00</b>
6 ft. Suitcase Advantage Series Ramp	<b>AL-72353</b>	<b>\$259.00</b>



**AL-72317**

**More Sizes Available Please Call!**



**AL-72352**



**AL-72353**



# Quick Find Index

Description	Page #	Description	Page #
Alarms .....	93	E&J .....	32-39
Anti-Roll Back Brakes .....	87	Gendron .....	40-41
Anti-Theft Bars .....	85	Guardian Easy Care .....	50
Anti-Tippers .....	83	Invacare .....	20-32
Arm Rest Assemblies .....	80	Medline .....	13-19
Arm Sockets .....	52, 81	<b>Seat Belts .....</b>	<b>84</b>
Axle & Nut Assemblies .....	65	<b>Seat Guides .....</b>	<b>52</b>
Axle Spacers .....	65	<b>Seating Hardware .....</b>	<b>77</b>
Bearings .....	59-62	<b>Side Panels (Skirt Guards) .....</b>	<b>80</b>
Bearing Kit .....	59	<b>Spoke Protectors .....</b>	<b>64</b>
Brakes .....	78-79	<b>Tension Springs .....</b>	<b>81</b>
Bumpers .....	53	<b>Tips .....</b>	<b>52</b>
Caster Assemblies .....	58	<b>Tote Bags .....</b>	<b>85</b>
Chart Bags .....	84	<b>Transfer Boards .....</b>	<b>86</b>
Color Chart .....	Inside Cover	<b>Tuffcare .....</b>	<b>44-45</b>
Cushions .....	88-90	<b>Upholstery .....</b>	<b>3-12</b>
Drive .....	46-49	Arm Rests .....	3
Dust Caps .....	53	Breezy (Sunrise Medical) .....	9-10
E&J .....	32-39	Calf Pads .....	12
Foot Rests .....	68	Custom Upholstery Order Form .....	8
Forks .....	81	E&J .....	6-7, 9-10
Front Rigging Parts .....	69-76	EverMed .....	4-5, 10
Gendron .....	40-41	Gendron .....	8
Grease .....	62	Invacare .....	4-5, 11
Grips .....	52	Kits .....	5, 7
Handrims .....	64	Quickie .....	9
Harnesses .....	86	Seats & Backs .....	4-11
Hub Caps .....	53	Tuffcare .....	6-7, 10
I.D. System .....	86	<b>Wheel Lock Extensions .....</b>	<b>79</b>
Invacare .....	20-32	<b>Wheel Locks .....</b>	<b>78-79</b>
IV Holders .....	82	<b>Wheel Parts .....</b>	<b>59-65</b>
Lap Trays .....	94	<b>Wheelchair Accessories .....</b>	<b>82-94</b>
Leg Rests .....	66-67	<b>Wheelchairs (New) .....</b>	<b>46-49</b>
Medline .....	13-19	Drive .....	46-49
O2 Holders .....	82	<b>Wheels, 24" .....</b>	<b>54-55</b>
Patient Monitoring Systems .....	92-93	Snap On Tires .....	54-55, 63
Positioners .....	91	<b>Wheels, 8" .....</b>	<b>56-57</b>
Pushbars .....	85	Snap On Tires .....	63
Ramps .....	94		
Release Handles .....	81		
RoHo Cushions .....	90		
<b>Schematics .....</b>	<b>13-51</b>		
ALCO Solid Seat .....	42-43		
Breezy (Sunrise Medical) .....	51		

*Committed and Dedicated to Personally  
Catering to the Needs of Our Customers While  
Providing Quality Products at Low Prices,  
Fast Delivery and Free Gifts!*

## Terms & Conditions

### RETURN OF MERCHANDISE

Written approval with RA number must be obtained from ALCO Sales & Service Co. for all returned merchandise. Where authorization is granted, a charge up to 30% plus freight may be made. No returns on custom-made items unless due to factory error. 30 day limit on returns.

### ALCO MINIMUM ORDER & TERMS POLICY

Terms: 20 day net. ALCO has a \$20.00 minimum order. Orders less than \$20.00 we will add a \$3.00 small order charge to process any order under \$20.00 unless a credit card is used.

### SHIPPING/DELIVERY TIMES

We make every effort to expedite your order the same day. Postage or shipping and handling will be added to your order unless you request some other arrangement. F.O.B. Shipping Point.

### ALCO PRICING POLICY

ALCO will meet or beat any legitimate price.

### CONDITIONAL CONTRACT OF SALE

Information herein is as supplied by the manufacturer of the item. While we believe it to be generally correct we do not guarantee it, with the exception of so state guarantees and warranties. Title of Goods is reserved in seller until entire purchase price is paid in full. In default of payment at maturity, seller may remove such goods in event this account becomes delinquent and is necessary to institute proceedings. Purchaser agrees to pay reasonable attorney fees and court costs.

### SPECIFICATIONS AND PRICES SUBJECT

Specifications and PRICES SUBJECT TO CHANGE WITHOUT NOTIFICATION • PRICES BASED ON U.S. CURRENCY — PLUS FREIGHT F.O.B. Shipping Point.

### DUN & BRADSTREET

Dun & Bradstreet #05-108-2337 • Federal ID #36-2768224  
Illinois Resale Tax #0254-0721  
S.I.C. Code 50 47 • FDA Reg 9010072 • GSA Contract #: GS-07F-0483V



# ALCO

Sales & Service Co.  
6851 High Grove Blvd  
Burr Ridge, IL 60527  
Ph. (800) 323-4282  
Fax (800) 950-1167  
www.alcosales.com  
info@alcosales.com

## Hours

Monday thru Friday  
8:00 a.m. thru 4:30 p.m.  
Central Time

©Copyright 2010  
ALCO Sales & Service Co.  
Printed in U.S.A.

PRSRT STD  
U.S. POSTAGE  
PAID  
ALCO SALES &  
SERVICE CO.

- Administrator
- Bio-Med or Clinical Engineering
- Central Supply
- Emergency Room
- Maintenance/Engineering
- Nursing Dept. Director
- Occupational Therapy
- Patient Transportation
- Physical Therapy
- Purchasing Dept.
- Risk Management
- Supply Product Distribution

## Wheelchair Parts Catalog #W6

Attn: Maintenance/Engineering Dept or Wheelchair Repair Shop  
or Please Forward To Proper Person

PRICES AND SPECIFICATIONS SUBJECT TO CHANGE WITHOUT NOTIFICATION — PRICES BASED ON U.S. CURRENCY — PLUS FREIGHT OR FREE PICK-UP AT OUR BURR RIDGE, IL LOCATION

## Free Gifts From ALCO (Just Ask)

### \$50 PURCHASE (CHOOSE ONE)



AL-69328F  
6" Magnetic Level



AL-27500F  
Reversible  
Screwdriver

**\$4.95  
Value**



AL-71283F  
Large Snap  
Blade Cutter

### \$100 PURCHASE (CHOOSE ONE)



AL-61896F  
Golf Balls



AL-2232F  
Pen Light

**\$5.95  
Value**



AL-55461F  
Dual Head  
Stethoscope

### \$200 PURCHASE (CHOOSE ONE)



AL-52326F  
Spill-Proof Mug



AL-71285F  
Pedometer/  
Radio

**\$6.95  
Value**



AL-71284F  
Multi-Function  
Pliers

### \$300 PURCHASE (CHOOSE ONE)



AL-56873F  
Hat



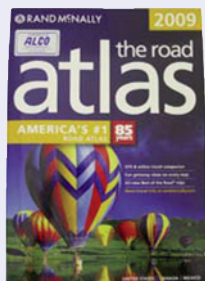
AL-61897F  
T-Shirt

**\$9.95  
Value**



AL-71286F  
Lunch Box

### \$500 PURCHASE (CHOOSE ONE)



AL-49061F  
Road Atlas



AL-52327F  
4-Size  
Screwdriver

**\$11.95  
Value**



AL-71287F  
Tire Gauge

### \$1000 PURCHASE (CHOOSE ONE)



AL-61893F  
Tape Measure

**\$16.95  
Value**



AL-2233F  
Caliper



AL-71288F  
LED Flexlight